

1626 Plotter Control Unit

IBM® **Parts Catalog**

1626

**ILLUSTRATED PARTS
CATALOG**

**PLOTTER CONTROL UNIT
1626**

20 September 1963

2 April 1964

(Engineering Level)

**DATA PROCESSING DIVISION
INTERNATIONAL BUSINESS MACHINES CORPORATION
112 EAST POST ROAD WHITE PLAINS, N.Y.**

This Parts Catalog form 127-0779-1 incorporates major changes, and obsoletes form 127-0779-0.

LIST OF REVISED PAGES ISSUED

INSERT LATEST CHANGED PAGES. DESTROY SUPERSEDED PAGES.

NOTE: The portion of the text and the contents table affected by the current revision is indicated by a vertical line in the left margin of a left-hand page and in the right margin of a right-hand page. The Group Assembly Parts List (Part 2) revised entries are indicated by an asterisk in the left margin of all pages.

Page No.	Date of Latest Revision
-------------	----------------------------

All Pages Revised... 2 April 1964

*The asterisk indicates pages changed, added, or deleted by the current change.

CONTENTS

Heading	Page
PART 1 INTRODUCTION	
1. 1 Scope	iii
1. 2 Group Assembly Parts List, Part 2	iii
1. 2. 1 Scope	iii
1. 2. 2 List and Index Number Column	iii
1. 2. 3 Part Number Column	iii
1. 2. 4 Description Column	iii
1. 2. 5 Units Per Assembly Column	iii
1. 3 Numerical Index, Part 3.	iv
1. 3. 1 Scope	iv
1. 3. 2 Part Number Column	iv
1. 3. 3 List and Index Number Column	iv

PART 2 GROUP ASSEMBLY PARTS LIST

SECTION I

List 1	TYPE 1626 PLOTTER CONTROL UNIT	1
List 2	Gate Assembly	3
List 3	Mechanical Panel Assembly	5
List 4	C. E. Panel Assembly	5
List 4A	Intermediate Meter Assembly	7
List 5	SMS Card Listing.	7
List 6	Cable and Jumper Assembly Component Parts	8

SECTION II

List 1	Features	1
--------	--------------------	---

PART 3 NUMERICAL INDEX

LIST OF ILLUSTRATIONS

Figure		Page
SECTION I		
1	Type 1626 Plotter Control Unit	2
2	Gate Assembly	4
3	Mechanical Panel Assembly	6
4	C. E. Panel Assembly	8
4A	Intermediate Meter Assembly	9
5	Cable/Jumper Assembly Component Parts	10

PART 1

INTRODUCTION

1.1 SCOPE

This Illustrated Parts Catalog (IPC) manual contains listings and illustrations of all replaceable assemblies, subassemblies and detail parts released to Production Control on or before 2 April 1964 for the Type 1626 Plotter Control Unit.

The unit is manufactured by International Business Machines Corporation. (See Frontispiece, Page vi).

This IPC supplements the information contained in the associated manuals and should be used only for identifying, requisitioning, and issuing replacement parts. Refer to page v, How to Use This Illustrated Parts Catalog, for a pictorial presentation of the steps required to use this manual. Maintenance, overhaul, and/or repair should be performed only by authorized personnel using the applicable manual.

1.2 GROUP ASSEMBLY PARTS LIST, PART 2

1.2.1 Scope

This part contains the listings and illustrations of the replaceable items comprising the Type 1626 Plotter Control Unit. This IPC manual contains two sections. Section 1 is a listing of items for the standard Type 1626 Plotter Control Unit and Section 2 lists the optional and/or selective features applicable for this manual only.

Wherever practical, one model is selected as the most representative of the equipment, and its components are shown in the main portion of each illustration. Visually different parts for similar models are shown on the same illustration, with the same index numbers, in double lined boxes.

Parts are listed in disassembly sequence, where applicable. The relationship of an article to its next higher assembly is indicated by indenture; that is an item appearing in indenture 3 is part of the first preceding assembly listed in indenture 2. For example:

DESCRIPTION

1	2	3	4
Unit			
.	Assemblies and Detail Parts of Unit		
.	Attaching Parts for Assemblies and Detail Parts		
.	Subassemblies		
.	Attaching Parts for Subassemblies		
.	Detail Parts for Subassemblies, etc.		

When an assembly is not broken down immediately after being listed, a reference is made to the listing where the breakdown is made. In such cases, however, the assembly reverts to indenture 1 in the breakdown list. Each listing is referenced to its associated illustration in the description of the first entry. Each illustration in turn references the list to which it pertains.

If a right and left, top and bottom, front and rear, or other similar assemblies contain a majority of identical parts, the assemblies are combined and broken down in one listing. Both assemblies are listed first, followed by the detail parts. Articles peculiar to each of the assemblies have only one index number assigned; reference is made to the particular assembly number of which they form a part.

Articles common to both of the assemblies have a single-line entry with no references. The entry for common parts in the Units Per Assembly column indicates the quantity required for one assembly only.

1.2.2 List and Index Number Column

The number before the hyphen is the list number. The number after the hyphen is the index number assigned to the part in the listing. This index number identifies the part on the associated illustration. Subassemblies are identified on the illustration by an index number enclosed in a circle.

1.2.3 Part Number Column

All numbers shown are IBM part numbers. When because of disassembly procedure, a group of parts must be removed, as an assembly and no assembly number has been assigned, the group of parts will be listed as "NO NO." (no number) assembly.

1.2.4 Description Column

The Description column contains the standard item names with main noun modifiers. "ATT PT" indicates attaching parts. Such parts are listed immediately following the part or parts they attach.

Floating parts such as resistors, capacitors, neons, etc., which have no fixed position on a mounting base, shall be located and identified by use of point-to-point wiring information with no illustration of the parts. This material shall be located at the end of the list to which it pertains and shall contain only parts applicable to that assembly. The information given for such items shall be the same as for a usual listing except that after the description a "from" and "to" designation for one of the termination points across which the part is connected and the "to" information shall be the designation for the other termination point. All items in this portion of a listing shall be arranged alpha-numerically according to the "from" designation, and assigned index numbers in the 700 and 800 series.

1.2.5 Units Per Assembly Column

The quantities specified in this column are the number of parts used per one next-higher assembly and are not necessarily the total number of parts used in the over-all unit. The entry "Ref" in this column refers to an assembly which is completely assembled on a preceding illustration and is now disassembled on the illustration on which it is referenced. The quantities for such items are found in the preceding listing where the assembly is shown completely assembled and indexed. The entry "AR" in the Units Per Assy column denotes that the quantity is used as required. The entry "NP" denotes that the assembly is nonprocurable.

1.2.6 Usable On Code Column

Part application and interchangeability between similar assemblies broken down in one list is presented by a numerical usable on code. A code is assigned to each of the assemblies in the list and is applicable only to parts within that list. The Usable On Code column is left blank when a part is used on all of the assemblies covered in that list.

1.3 NUMERICAL INDEX, PART 3

1.3.1 Scope

The Numerical Index contains all part numbers that appear in the part number column of the group assembly parts list.

1.3.2 Part Number Column

Part Number column contains all numbers appearing in the Part Numbers column of the group assembly parts list. The numbers are listed in numerical sequence.

1.3.3 List and Index Number Column

List and Index Number column contains the list and index number occurrence(s) of all parts in the group assembly parts list.

1.4 REVISIONS

"Revision" applies to changes in existing text due to engineering change notice, technical corrections, and addition and deletion of material. Revised material in the Contents table and the Group Assembly Parts List (Part 2) is preceded by an asterisk. Revised text in the Introduction (Part 1) is indicated by a vertical rule in the outside margins.

Deleted items retain list, index, and part numbers, and have the word "Deleted" entered in the first indenture in the Description column.

HOW TO USE THIS ILLUSTRATED PARTS CATALOG

IF PART NUMBER IS NOT KNOWN

IF PART NUMBER IS KNOWN

1 FIND THE REFERENCE TO THE KNOWN ASSEMBLY IN LIST OF ILLUSTRATION

1 LOCATE THE PART NUMBER IN THE PART NUMBER COLUMN OF THE NUMERICAL INDEX.

LIST OF ILLUSTRATIONS

Figure	Title	Page
	LATCH ASSEMBLY	11
720	720 Magnetron Tube Drive (Sheet 2 of 11, Index No. 54-300) (See List 1)	1
720	720 Magnetron Tube Drive (Sheet 3 of 11, Index No. 100-111) (See List 1)	2
720	720 Magnetron Tube Drive (Sheet 4 of 11, Index No. 100-193) (See List 1)	3
720	720 Magnetron Tube Drive (Sheet 5 of 11, Index No. 100-343) (See List 1)	4
720	720 Magnetron Tube Drive (Sheet 6 of 11, Index No. 200-330) (See List 1)	5
720	720 Magnetron Tube Drive (Sheet 7 of 11, Index No. 200-330) (See List 1)	6
720	720 Magnetron Tube Drive (Sheet 8 of 11, Index No. 200-330) (See List 1)	7
720	720 Magnetron Tube Drive (Sheet 9 of 11, Index No. 200-330) (See List 1)	8
720	720 Magnetron Tube Drive (Sheet 10 of 11, Index No. 200-330) (See List 1)	9
720	720 Magnetron Tube Drive (Sheet 11 of 11, Index No. 200-330) (See List 1)	10

2 REFER TO THE ILLUSTRATION REFERENCED AND LOCATE THE PART AND INDEX NUMBER.

2 REFER TO THE FIRST LIST AND INDEX NUMBER ADJACENT TO THE PART NUMBER.

Part No.	Quantity	Description	Part No.	Quantity	Description
3096867	1	...	190-3	1	...
...

3 USING THE LIST AND INDEX NUMBER, REFER TO THE GROUP ASSEMBLY PARTS LIST. THE REFERENCED ILLUSTRATION WILL CONTAIN THE ILLUSTRATED PART

3 REFER TO THE FIGURE CAPTION FOR APPLICABLE LIST.

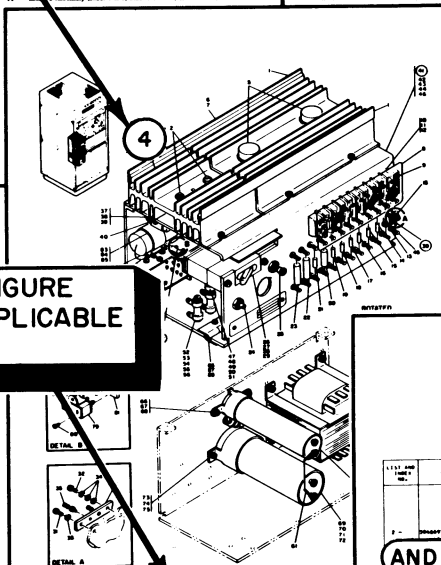


FIGURE 26. 12V AT 6AMP POWER SUPPLY ASSEMBLY, SEE LIST 25.

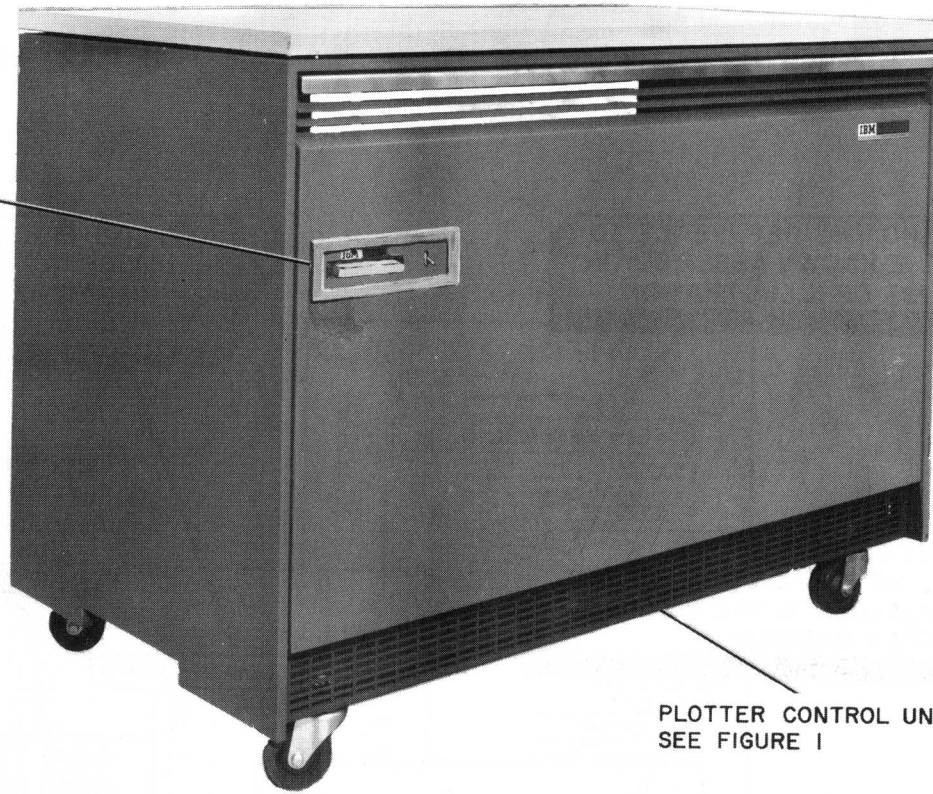
GROUP ASSEMBLY PARTS LIST

Part No.	Quantity	Description	Part No.	Quantity	Description
...

4 LOCATE INDEX NUMBER ON ACCOMPANYING GROUP ASSEMBLY PARTS LIST FOR PART NUMBER, DESCRIPTION AND QUANTITY.

4 IF PART IS IN AN ASSEMBLY OTHER THAN THAT DESIRED, REFER TO SUBSEQUENT LIST AND INDEX NUMBERS.

INTERMEDIATE
METER ASSEMBLY
SEE FIGURE 4 A



PLOTTER CONTROL UNIT
SEE FIGURE 1



SMS CARDS
SEE LIST 5

GATE ASSEMBLY
SEE FIGURE 2

Type 1626 Plotter Control Unit (Sheet 1 of 2)

PART 2

GROUP ASSEMBLY PARTS LIST

SECTION I

LIST AND INDEX NO.	PART NO.	DESCRIPTION	UNITS PER ASM.	USABLE ON CODE
		TYPE 1626 PLOTTER CONTROL UNIT		
* 1 -	2162200	PLOTTER CONTROL UNIT, TYPE 1626 SEE FIGURE 1 FOR ILLUSTRATION		1
* - 1	2162209	. NAME PLATE		1
* - 1A	2162208	. TOP, TABLE		1
* - 2	36112	. SCREW, MACH-HEX HD 1/4-20 X 1-1/2 LG	ATT PT	3
* - 3	3550	. WASHER, FL 0.265 ID X 9/16 OD	ATT PT	3
* - 4	2145160	. STRIKER, MODULE COVER LATCH		4
* - 5	170215	. SCREW AND LOCKWASHER, 6-32 X 3/8 LG	ATT PT	8
* - 6	2162196	. COVER, FRONT		1
* - 7	2162197	. COVER, REAR		1
* - 8	2145159	. . HANDLE, COVER LATCH		2
* - 9	602488	. . SHAFT, CARD RETAINING LEVER, 2-7/8 LG		2
* - 10	1073418	. . RING, RET- 0.094 ID X 0.230 OD		4
* - 11	2145158	. . SPRING, COVER LATCH		2
* - 11A	740539	. . CLIP, BEZEL USED ON ASSEMBLY 2162196 ONLY		2
* - 11B	740530	. . BEZEL, INTERMEDIATE USED ON ASSEMBLY 2162196 ONLY		1
* - 12	2154019	. . COVER, FRONT, 43 MODULE USED ON ASSEMBLY 2162196 ONLY		1
* - 13	2154022	. . COVER, REAR, 43 MODULE USED ON ASSEMBLY 2162197 ONLY		1
* - 14	2154324	. STRIKER ASSEMBLY, L.H. GATE LATCH		1
* - 15	332620	. SCREW, MACH-BIND HD NO. 10-32 X 1/2 LG	ATT PT	2
* - 16	56121	. WASHER, LOCK-INT TEETH NO. 10 X 0.381 OD	ATT PT	2
* - 17	2154323	. . HOOK, GATE LATCH		1
* - 18	2154322	. . STRIKER, L.H., GATE LATCH		1
* - 19	466432	. . SCREW, MTG NO. 10-32	ATT PT	1
* - 20	2157668	. . SPRING, DETENT LEVER		1
* - 21	2162202	. GATE ASSEMBLY SEE LIST 2 FOR DETAIL BREAKDOWN		1
* - 22	332620	. SCREW, MACH-BIND HD NO. 10-32 X 1/2 LG	ATT PT	7
* - 22A	78916	. BUTTON, CUSHION		1
* - 22B	81142	. SCREW, MACH-FIL H 10-32 X 1-1/2 LG	ATT PT	1
* - 22C	45690	. WASHER, FLAT, 0.203 ID X 0.438 OD	ATT PT	1
* - 22D	11598	. NUT, PLAIN, HEX- 10-32 X 3/8 FL W	ATT PT	1
* - 22E	2162187	. BRACKET, GATE STOP		1
* - 22F	32042	. SCREW, MACHINE-BIND HD, 10-32 X 3/8 LG	ATT PT	2
* - 22G	56079	. WASHER, LOCK-EXT TEETH NO. 10 X 0.410 OD	ATT PT	2
* - 22H	534768	. CLAMP		2
* - 22J	32042	. SCREW, MACHINE-BIND HD, 10-32 X 3/8 LG	ATT PT	2
* - 22K	56079	. WASHER, LOCK-EXT TEETH NO. 10 X 0.410 OD	ATT PT	2
* - 23	2162215	. PLATE, VOLTAGE AND CURRENT		1
* - 24	2102368	. CLAMP, CABLE		2
* - 25	81693	. SCREW, MACH-BIND HD NO 6-32 X 3/8 LG	ATT PT	2
* - 26	257986	. WASHER, FL- NO. 6 X 0.312 OD	ATT PT	2
* - 27	236849	. SCREW, MACH, BIND HD-NO 10-32 X 1/4 LG		2
* - 28	45690	. WASHER, FLAT, 0.203 ID X 0.438 OD		1
* - 29	56079	. WASHER, LOCK-EXT TEETH NO. 10 X 0.410 OD		2
* - 30	2154998	. CLAMP, LOOP		1
* - 31	2145183	. CLAMP, CABLE		1
* - 32	845	. SCREW, MACH-FIL H 8-32 X 1/2 LG	ATT PT	2
* - 33	1090873	. WASHER, LOCK, 0.168 ID X 0.296 OD	ATT PT	2
* - 34	257189	. NUT, HEX., 8-32 X 0.3438 W	ATT PT	2
* - 35	524986	. BOLT, 1/4-20 X 6 IN. LG	ATT PT	1
* - 36	3550	. WASHER, FL 0.265 ID X 9/16 OD	ATT PT	1
* - 37	3960	. NUT, PLAIN, HEX- 1/4-20 X 7/16 FL W	ATT PT	1
* - 38	NO NO.	. CABLE ASSEMBLY SEE SECT. 2, LIST 1-13 FOR ORDERING		1
* - 39	2162194	. METER ASSEMBLY		1

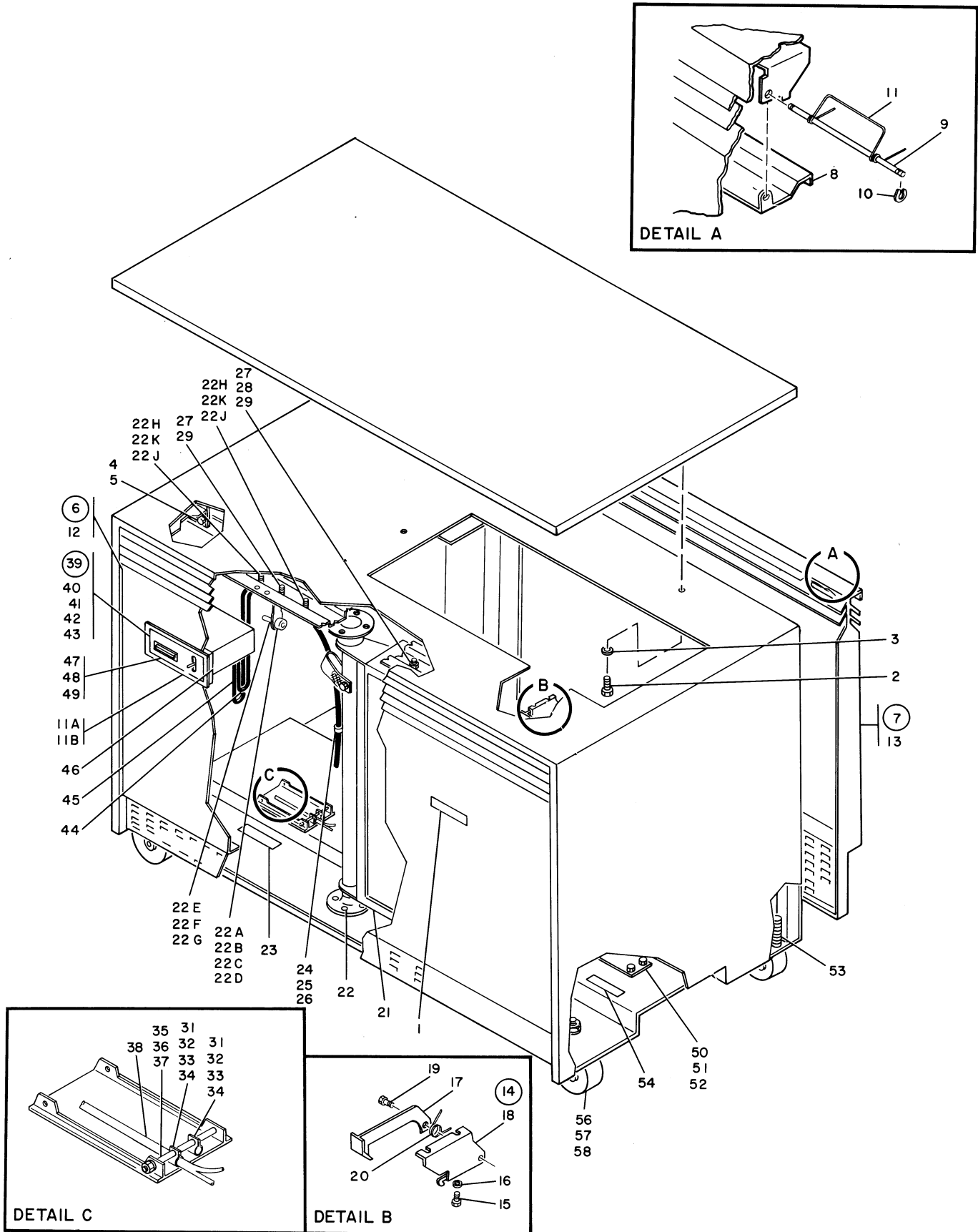


FIGURE 1. TYPE 1626 PLOTTER CONTROL UNIT. SEE LIST 1.

LIST AND INDEX NO.	PART NO.	DESCRIPTION	UNITS PER ASM.	USABLE ON CODE
		TYPE 1626 PLOTTER CONTROL UNIT -CONT		
* 1 - 40	332620	. SCREW, MACH-BIND HD NO. 10-32 X 1/2 LG	ATT PT	3
* - 41	45690	. WASHER, FLAT, 0.203 ID X 0.438 OD	ATT PT	3
* - 42	56079	. WASHER, LOCK-EXT TEETH NO. 10 X 0.410 OD	ATT PT	3
* - 43	11598	. NUT, PLAIN, HEX- 10-32 X 3/8 FL W	ATT PT	3
* - 44	2162193	. . CABLE ASSEMBLY, POWER		1
		SEE LIST 6 FOR COMPONENT PARTS		
* - 45	2162189	. . CABLE ASSEMBLY, SIGNAL		1
		SEE LIST 6 FOR COMPONENT PARTS		
* - 46	740569	. . METER ASSEMBLY, INTERMEDIATE		1
		SEE LIST 4A FOR DETAIL BREAKDOWN		
* - 47	2162192	. BRACKET, METER ASSEMBLY		1
* - 48	2125733	. SCREW, HEX, SELF TAP., 5 LG X 0.302 DIA	ATT PT	3
* - 49	2125974	. WASHER, INT TOOTH, .200 ID X .562 OD	ATT PT	3
* - 50	2162186	. COVER, BOTTOM		1
* - 51	11598	. NUT, PLAIN, HEX- 10-32 X 3/8 FL W	ATT PT	4
* - 52	56079	. WASHER, LOCK-EXT TEETH NO. 10 X 0.410 OD	ATT PT	4
* - 53	749895	. GLIDE ASSEMBLY, ADJUSTING POST		4
* - 54	NO NO.	. SERIAL PLATE SELECTION		REF
		SEE SECT. 2, LIST 1 FOR SERIAL PLATES		
* - 55	NO NO.	. MODULE ASSEMBLY		REF
* - 56	209567	. . CASTER, RUBBER AND STEEL		4
* - 57	186950	. . NUT, HEX	ATT PT	4
* - 58	130987	. . WASHER, LOCK-SPLIT 0.509 ID X 0.879 OD	ATT PT	4
* - 59	2162195	. MODULE, 43 IN		1
		GATE ASSEMBLY		
* 2 -	2162202	GATE ASSEMBLY		REF
		SEE LIST 1-21 FOR NEXT HIGHER ASSEMBLY AND FIGURE 2 FOR ILLUSTRATION		
* - 1	2145130	. FITTING, LOWER GATE SUPPORT		1
* - 2	2145131	. FITTING, UPPER GATE SUPPORT		1
* - 2A	369208	. LABEL		1
* - 3	2101089	. STRAP, GROUND, 518 X 7 IN.		1
* - 4	3960	. NUT, PLAIN, HEX- 1/4-20 X 7/16 FL W	ATT PT	1
* - 5	76574	. WASHER, LOCK EXTERNAL TOOTH 1/4 ID X 0.51	ATT PT	2
* - 6	3550	. WASHER, FL 0.265 ID X 9/16 OD	ATT PT	1
* - 7	438616	. SCREW, FL HD, 1/4-20 X 1-3/4 LG	ATT PT	1
* - 8	253453	. TERMINAL, RING TONGUE		3
* - 9	356742	. CLAMP, CABLE		1
* - 10	NO NO.	. CARD ASSEMBLY, SMS		REF
		SEE LIST 5 FOR SMS CARDS		
* - 11	216085	. GUIDE		6
* - 12	216206	. GUIDE, SINGLE CARD		13
* - 13	2162214	. PANEL ASSEMBLY, WIRED		1
* - 14	322552	. SCREW, MACH-BIND HD NO. 6-32 X 7/8 LG	ATT PT	8
* - 14A	56722	. WASHER, LOCK-EXT TEETH NO. 6 X 5/16 OD	ATT PT	8
* - 14B	2162203	. . PANEL ASSEMBLY, MECHANICAL		1
		SEE LIST 3 FOR DETAIL BREAKDOWN		
* - 14C	2162222	. PANEL ASSEMBLY, C.E.		1
		SEE LIST 4 FOR DETAIL BREAKDOWN		
* - 15	2129249	. RESISTOR ASSEMBLY, 820 OHMS 1/2 W		4
* - 16	317016	. . RESISTOR-FXD 820 OHMS		1
* - 17	2129357	. RESISTOR ASSEMBLY, 560 OHMS 1/2 W		2
* - 18	322347	. . RESISTOR-FXD 560 OHM P/M 5% 1/2W		1
* - 19	2129745	. RESISTOR ASSEMBLY, 1600 OHMS 1/2 W		2
* - 20	317018	. . RESISTOR, 1.6K OHMS, P/M 5 PERCENT, 0.5W		1
* - 21	2154354	. HOUSING, GATE		1

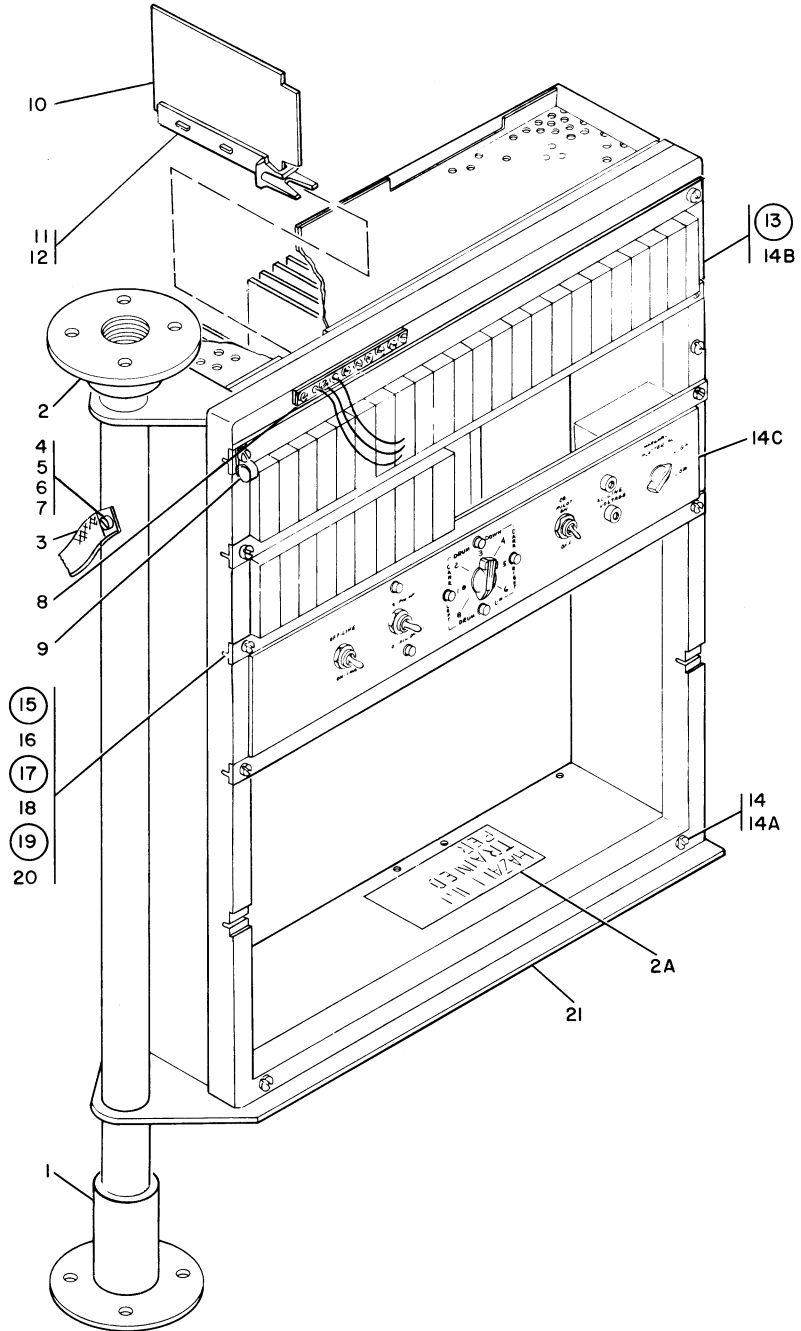
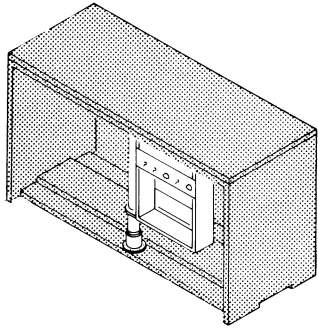


FIGURE 2. GATE ASSEMBLY. SEE LIST 2.

LIST AND INDEX NO.	PART NO.	DESCRIPTION	UNITS PER ASM.	USABLE ON CODE
		MECHANICAL PANEL ASSEMBLY		
* 3 -	2162203	PANEL ASSEMBLY, MECHANICAL SEE LIST 2-14B FOR NEXT HIGHER ASSEMBLY AND FIGURE 3 FOR ILLUSTRATION	REF	
* - 1	2128570	. STRIP, NUMBERING	1	
* - 2	480007	. BLOCK, TERMINAL	1	
* - 3	480004	. INSULATOR	1	
* - 4	322550	. SCREW, MACH-BIND HD NO. 6-32 X 1/2 LG	1	ATT PT
* - 5	216094	. BAR, T-SHORT	1	
* - 6	2162225	. T-BAR, SHORT	1	
* - 7	2162226	. T-BAR, SHORT	1	
* - 8	216205	. T-BAR ASSY	1	
* - 9	10170	. SCREW, MACH-BIND HD 6-32 X 1/4 LG	8	ATT PT
* - 10	216212	. . ADAPTER, GUIDE-SINGLE CARD	1	
* - 11	216091	. . ADAPTER, CARD GUIDE	3	
* - 12	38264	. . SCREW, MACH-FIL H 4-40 X 3/8 LG	8	ATT PT
* - 13	216095	. . ADAPTER, T-BAR	1	
* - 14	2162204	. CARD RECEPTACLE ROW A ASSEMBLY	1	
* - 14A	2162188	. RECEPTACLE ASSEMBLY	1	
* - 15	2162205	. CARD RECEPTACLE ROW B ASSEMBLY	1	
* - 15A	216280	. ENTRY ASSY, PLUGGABLE	1	
* - 15B	216268	. BLOCK, DUMMY, SMS CHASSIS	2	
* - 17	216303	. COVER, VOLTAGE CHAIN	20	
* - 18	216297	. SEAL, AIR CHASSIS FRAME	AR	
* - 19	216084	. FRAME, CHASSIS-SMALL	1	
		C.E. PANEL ASSEMBLY		
* 4 -	2162222	PANEL ASSEMBLY, C.E. SEE LIST 2-14C FOR NEXT HIGHER ASSEMBLY AND FIGURE 4 FOR ILLUSTRATION	REF	
* - 1	138754	. LABEL-VOLTAGE	2	
* - 1A	368169	. CONNECTOR	6	
* - 2	550511	. LAMP, INCANDESCENT	6	
* - 3	368168	. CLIP, SPEED	6	
* - 4	317173	. KNOB	2	
* - 5	602627	. JACK, NYLON TIP, RED	1	
* - 6	602628	. JACK, NYLON TIP, BLACK	1	
* - 7	2162237	. SHIELD	1	
* - 8	251970	. SCREW, MACH, BIND HD-NO. 4-40 X 1/4 LG	2	ATT PT
* - 9	518104	. POTENTIOMETER, 50 WATT 15 OHM	1	
* - 10	761335	. SWITCH, MOMENTARY, DPDT	1	
* - 11	760656	. SWITCH, TOGGLE, DPDT	2	
* - 12	523207	. SWITCH, ROTARY	1	
* - 13	2106333	. DIODE, SILICON, TYPE AL	6	
* - 14	191477	. SHIELD, TERMINAL BLOCK, 15 AMP 4 POS	1	
* - 15	210984	. SCREW, ROUND HD 6-32 X 1/4 LG	1	ATT PT
* - 15A	5231699	. TERMINAL	3	
* - 15B	253453	. TERMINAL, RING TONGUE	1	
* - 15C	2162185	. JUMPER ASSEMBLY	1	
* - 15D	236849	. SCREW, MACH, BIND HD-NO 10-32 X 1/4 LG	1	ATT PT
* - 15E	56079	. WASHER, LOCK-EXT TEETH NO. 10 X 0.410 OD	1	ATT PT
* - 16	323838	. BLOCK, TERMINAL	1	
* - 17	515620	. INSULATOR, FIBER, 1 1/8 X 1/32 X 2 1/8 LG	1	
* - 18	210883	. STUD, TAPPED MOUNTING	1	ATT PT
* - 19	210884	. STUD, SHIELD	3	ATT PT
* - 20	2162234	. CABLE ASSEMBLY, C.E. PANEL SEE LIST 6 FOR COMPONENT PARTS	1	
* - 20A	322347	. . RESISTOR, FXD 560 OHM P/M 5% 1/2W	4	
* - 21	2162223	. PANEL, C.E.	1	

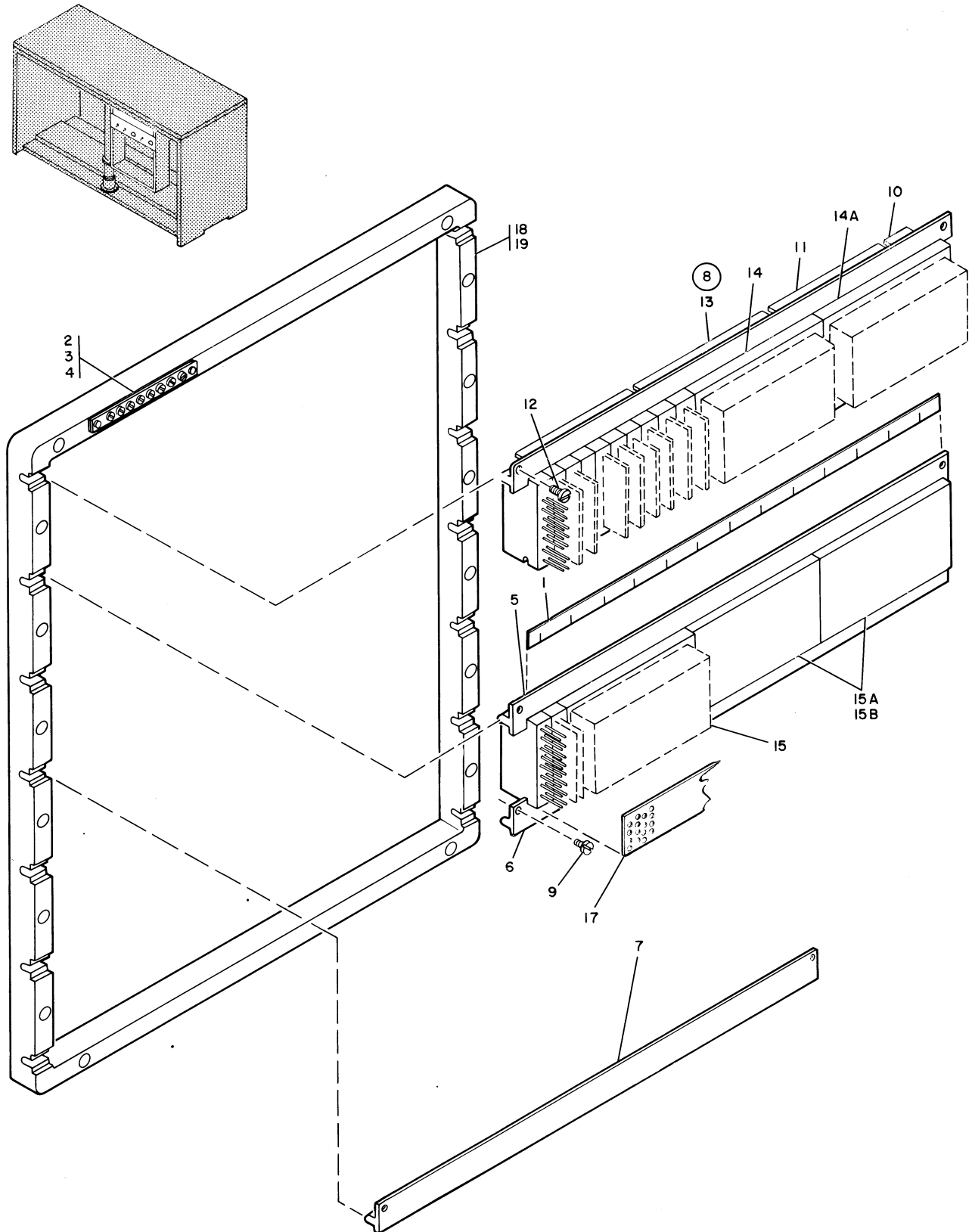


FIGURE 3. MECHANICAL PANEL ASSEMBLY. SEE LIST 3.

LIST AND INDEX NO.	PART NO.	DESCRIPTION 1 2 3 4	UNITS PER ASM.	USABLE ON CODE
INTERMEDIATE METER ASSEMBLY				
* 4A-	740569	METER ASSEMBLY, INTERMEDIATE SEE LIST 1-46 FOR NEXT HIGHER ASSEMBLY AND FIGURE 4A FOR ILLUSTRATION	REF	
* - 1	740477	. COVER, METER	1	
* - 2	52522	. SCREW, MACH FLAT HD 4-40 X 5/16 LG	1	ATT PT
* - 3	740489	. RETAINER, COVER	1	
* - 4	740491	. CLIP, LOCK	1	
* - 5	740490	. DECAL	1	
* - 6	740536	. PLATE, FACE	1	
* - 7	738827	. SWITCH, TOGGLE	1	
* - 8	179744	. NUT, ROUND 39/64 OD X 5/64 THK	1	ATT PT
* - 9	597044	. COLLAR, MTG- GATE SUPPORT	1	
* - 10	22478	. WASHER, FLAT 0.175 ID X 3/8 OD 0.03 THK	1	
* - 11	12954	. SCREW, MACH-HEX HD 8-32 X 1/2 LG	1	
* - 12	740592	. BRACKET, SWITCH MOUNTING	1	
* - 13	740473	. TRANSFORMER	1	
* - 14	55726	. SCREW, MACH-BIND HD NO. 6-32 X 3/16 LG	2	ATT PT
* - 15	740532	. CLAMP, CABLE	1	
* - 16	81693	. SCREW, MACH-BIND HD NO 6-32 X 3/8 LG	2	ATT PT
* - 17	474644	. SHIELD	1	
* - 18	740606	. SCREW, BIND. HD, 6-32 X 1/4 LG	1	ATT PT
* - 19	317310	. BLOCK, MEMORY TEST SWITCH PANEL TERMINAL	1	
* - 20	740554	. STRIP, MARKER	1	
* - 21	210883	. STUD, TAPPED MOUNTING	1	ATT PT
* - 22	210884	. STUD, SHIELD	3	ATT PT
* - 23	740545	. BRACKET, TRANSFORMER MOUNTING	1	
* - 24	740501	. SCREW, HEX. HEAD, 6-32 X 1/4 LG	3	ATT PT
* - 25	740503	. CLOCK	1	
* - 26	1928	. SCREW, MACH-RH 6-32 X 1/2 LG	2	ATT PT
* - 27	6364	. WASHER, LOCK-SPLIT NO. 6 X 1/4 OD	2	ATT PT
* - 28	216362	. CLAMP, CABLE	1	
* - 29	740501	. SCREW, HEX. HEAD, 6-32 X 1/4 LG	1	ATT PT
* - 30	372688	. CARD ASSEMBLY	1	
* - 31	55726	. SCREW, MACH-BIND HD NO. 6-32 X 3/16 LG	2	ATT PT
* - 32	740493	. BRACKET, CARD MOUNTING	1	
* - 33	740501	. SCREW, HEX. HEAD, 6-32 X 1/4 LG	2	ATT PT
* - 34	740505	. JUMPER ASSEMBLY - NOT ILLUSTRATED	1	
* - 35	740550	. JUMPER ASSEMBLY - NOT ILLUSTRATED	1	
* - 36	740504	. JUMPER ASSEMBLY - NOT ILLUSTRATED	1	
* - 37	740551	. JUMPER ASSEMBLY - NOT ILLUSTRATED	1	
* - 38	740483	. BASE SEE LIST 6 FOR COMPONENT PARTS	1	
SMS CARD LISTING				
* 5 -	NO NO.	CARD LISTING, SMS THE PARTS LISTED HEREIN ARE FOR REFERENCE ONLY AND ARE NOT ILLUSTRATED	REF	
* - 1	371943	. CARD ASSEMBLY, AFR SMS	AR	
* - 2	371026	. CARD ASSEMBLY, CA SMS	AR	
* - 2A	370353	. CARD ASSEMBLY, CAU SMS	AR	
* - 3	371027	. CARD ASSEMBLY, CB SMS	AR	
* - 4	371029	. CARD ASSEMBLY, CD SMS	AR	
* - 5	370262	. CARD ASSEMBLY, DHE SMS	AR	
* - 6	371487	. CARD ASSEMBLY, MH SMS	AR	
* - 7	371661	. CARD ASSEMBLY, MX SMS	AR	

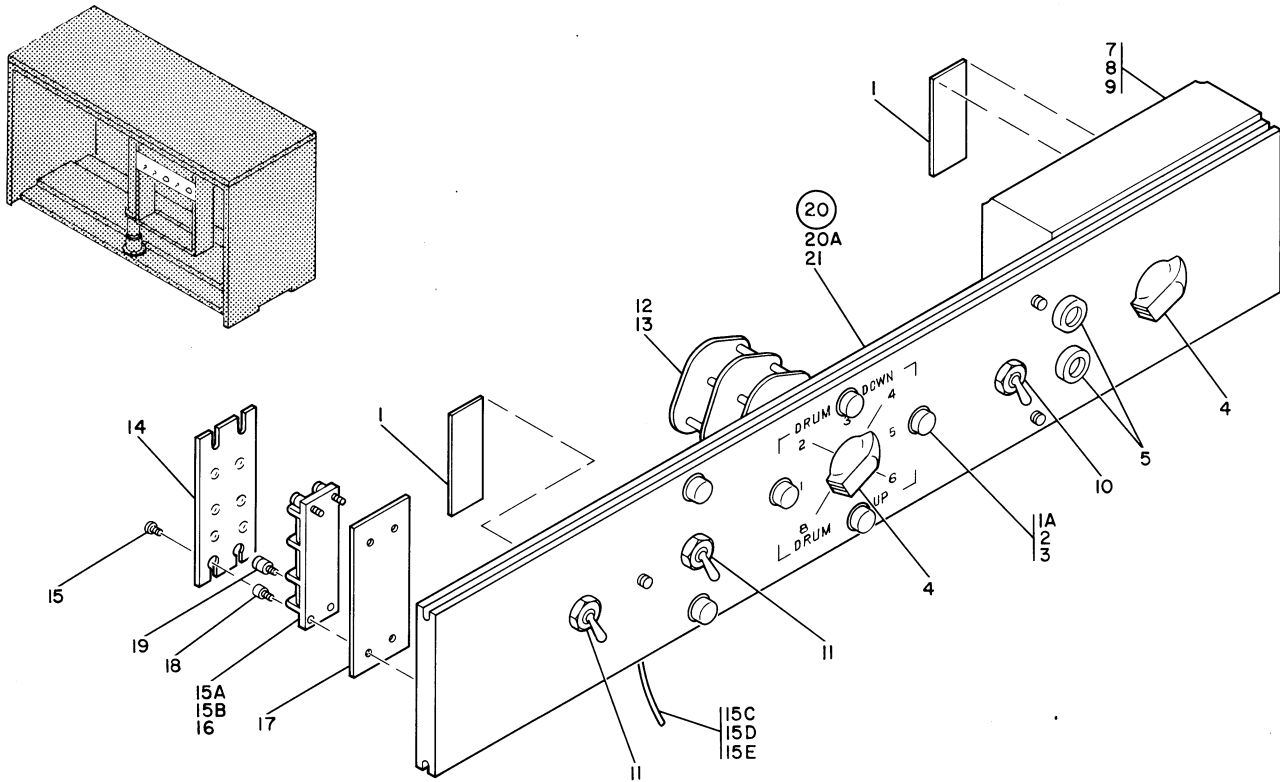


FIGURE 4. C.E. PANEL ASSEMBLY. SEE LIST 4.

LIST AND INDEX NO.	PART NO.	DESCRIPTION				UNITS PER ASM.	USABLE ON CODE
		1	2	3	4		
		CABLE AND JUMPER ASSEMBLY COMPONENT PARTS					
* 6 -	NO NO.	COMPONENT PARTS, CABLE AND JUMPER ASM SEE FIGURE 5 FOR ILLUSTRATION				REF	
* - 1	491349	• CARD, CABLE ENTRY				AR	
* - 2	2154998	• CLAMP, LOOP				AR	
* - 2	2145183	• CLAMP, CABLE				AR	
* - 3	2162219	• GROMMET				AR	
* - 4	216208	• CLAMP, CABLE CONNECTOR				AR	
* - 5	587376	• STRAP, RETAINER				AR	
* - 6	2135031	• CONNECTOR				AR	
* - 7	587319	• BLOCK ASSY, 40 POS OPEN WIRE I/O				AR	
* - 8	595989	• COVER				AR	
* - 9	1090873	• WASHER, LOCK, 0.168 ID X 0.296 OD				AR	
* - 10	257189	• NUT, HEX., 8-32 X 0.3438 W				AR	
* - 11	320167	• CONNECTOR, TAPERED				AR	

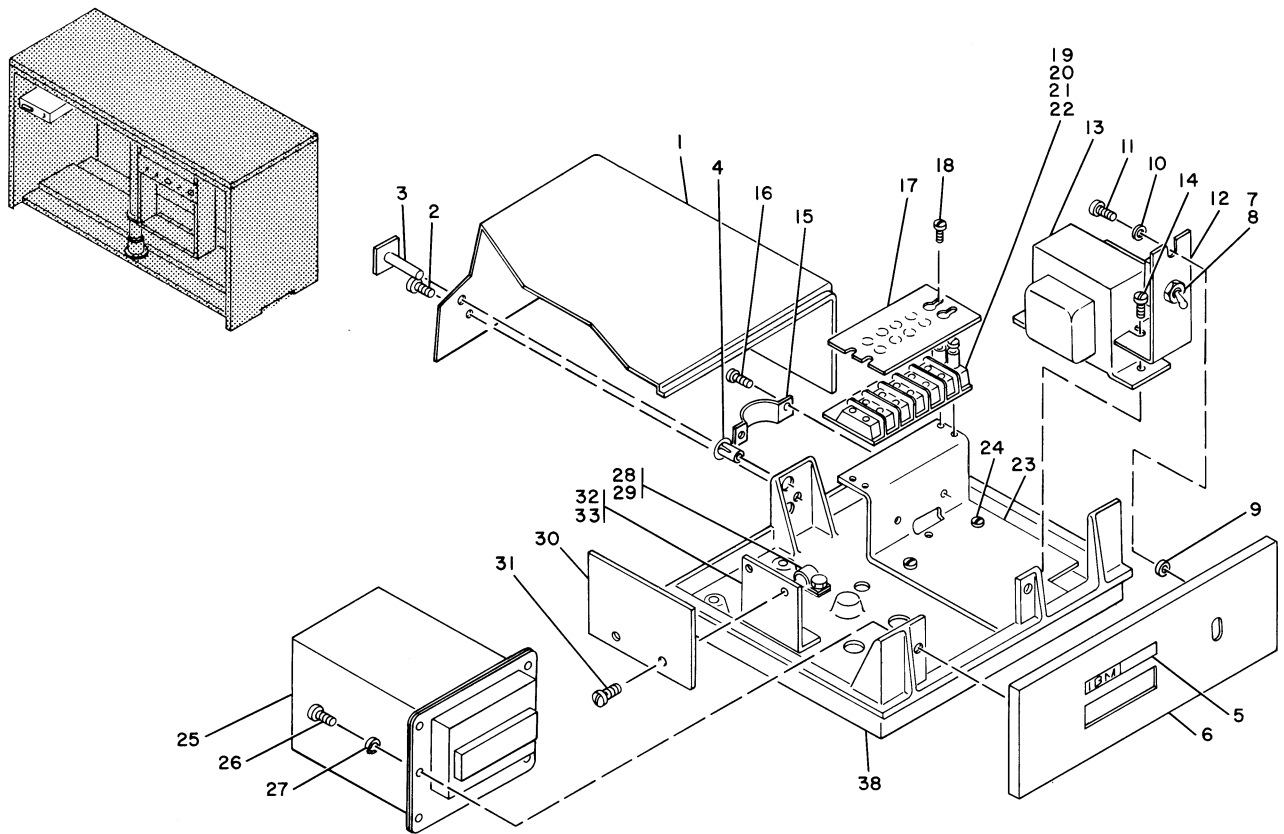


FIGURE 4A. INTERMEDIATE METER ASSEMBLY. SEE LIST 4A.

LIST AND INDEX NO.	PART NO.	DESCRIPTION				UNITS PER ASM.	USABLE ON CODE
		1	2	3	4		
CABLE AND JUMPER ASSEMBLY COMPONENT PARTS -CONT							
* 6 - 12	2031	• SCREW, MACH-FIL H 8-32 X 5/8 LG				AR	
* - 12	38266	• SCREW, MACH-FIL H 4-40 X 1/2 LG				AR	
* - 12	236550	• SCREW, MACH BINDING HD 4-40 X 0.375 LG				AR	
* - 12	438540	• SCREW, MACH, BIND. HD 2-56 X 3/8 LG				AR	
* - 15	338238	• SCREW, MACHINE-BIND HD, 4-40 X 5/16 LG				AR	
* - 17	216210	• SPACER, CABLE CONNECTOR				AR	
* - 18	216209	• SUPPORT, CARD-CABLE CONNECTOR				AR	
* - 19	334921	• TERMINAL, LUG-16-22 AWG NO. 6 MTG HOLE				AR	
* - 19	334910	• TERMINAL, LUG-14-16 AWG NO. 6 MTG HOLE				AR	
* - 19	360370	• TERMINAL, LUG-14-16 AWG NO. 8 MTG HOLE				AR	
* - 19	334932	• TERMINAL, LUG 16-22 AWG NO. 10				AR	
* - 20	359695	• TERMINAL, LUG-14-16 AWG NO. 10 MTG HOLE				AR	
* - 21	253453	• TERMINAL, RING TONGUE				AR	
* - 24	368169	• CONNECTOR				AR	
* - 25	502523	• TERMINAL, LUG- 4 AWG 1/4 MTG HOLE				AR	
* - 26	598041	• CONTACT				AR	
* - 27	5231699	TERMINAL				AR	
* - 27	2101326	• TERMINAL, LUG- 10-12 AWG NO. 10 MTG HOLE				AR	
* - 27	2101327	• TERMINAL, INSULATED				AR	

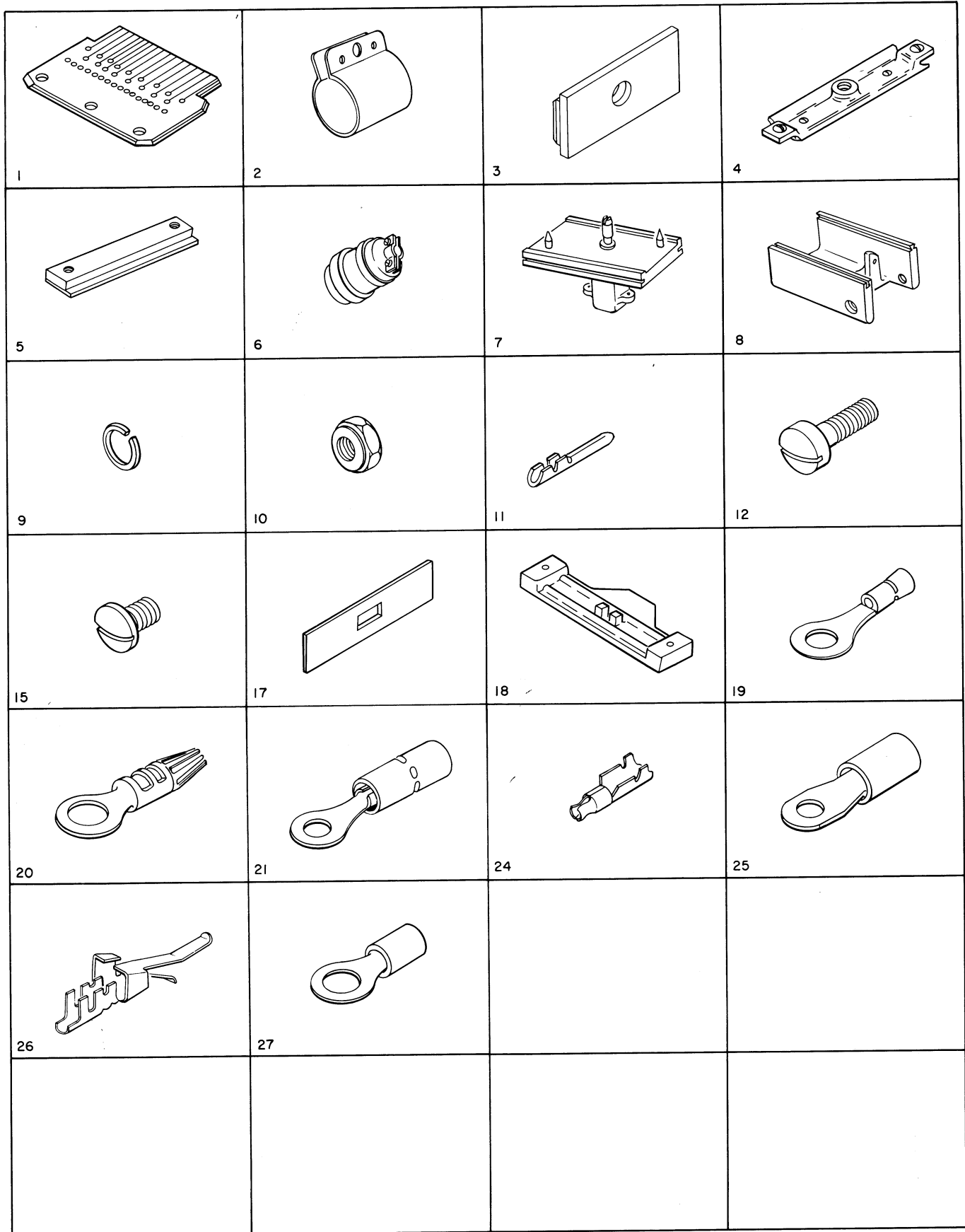


FIGURE 5. CABLE AND JUMPER ASSEMBLY COMPONENT PARTS. SEE LIST 6.

FEATURES

GROUP ASSEMBLY PARTS LIST

SECTION II

LIST AND INDEX NO.	PART NO.	DESCRIPTION				UNITS PER ASM.	USABLE ON CODE
		1	2	3	4		
		FEATURES					
1 -	NO NO.	FEATURES					REF
-		PARTS LISTED HEREIN ARE FOR REFERENCE ONLY AND ARE NOT ILLUSTRATED					
* - 1	122639	. SERIAL PLATE - BLUE/SALE SEE SECTION 1, FIGURE 1-54 FOR LOCATION				1	
* - 2	180528	. SERIAL PLATE - BLACK/LEASE SEE SECTION 1, FIGURE 1-54 FOR LOCATION				1	
* - 3	124631	. SERIAL PLATE - BLACK/PURCHASE OPTION SEE SECTION 1, FIGURE 1-54 FOR LOCATION				1	
* - 4	216184	. SERIAL PLATE - BLUE/PURCHASE LEASE SEE SECTION 1, FIGURE 1-54 FOR LOCATION				1	
* - 5	2133618	. PLOTTER ATTACHMENT GROUP, 1627-MODEL 1				1	
* - 6	2133619	. PLOTTER ATTACHMENT GROUP, 1627-MODEL 2				1	
- 7	2162220	. SHIPPING GROUP				1	
* - 8	2162206	. . CABLE ASSEMBLY, PLOTTER CONNECTOR SEE SECTION 1, FIGURE 1-38 FOR LOCATION AND LIST 6 FOR COMPONENT PARTS				1	

PART 3

NUMERICAL INDEX

PART NO.	SECTION, LIST AND INDEX NO.
845	1- 1 - 32
1928	1- 4A- 26
2031	1- 6 - 12
3550	1- 1 - 3
	1- 1 - 36
	1- 2 - 6
3960	1- 1 - 37
	1- 2 - 4
6364	1- 4A- 27
10170	1- 3 - 9
11598	1- 1 - 22D
	1- 1 - 43
	1- 1 - 51
12954	1- 4A- 11
22478	1- 4A- 10
32042	1- 1 - 22F
	1- 1 - 22J
36112	1- 1 - 2
38264	1- 3 - 12
38266	1- 6 - 12
	1- 6 - 13
45690	1- 1 - 22C
	1- 1 - 28
	1- 1 - 41
52522	1- 4A- 2
55726	1- 4A- 14
	1- 4A- 31
56079	1- 1 - 22G
	1- 1 - 22K
	1- 1 - 29
	1- 1 - 42
	1- 1 - 52
	1- 4 - 15E
56121	1- 1 - 16
56722	1- 2 - 14A
76574	1- 2 - 5
78916	1- 1 - 22A
81142	1- 1 - 22B
81693	1- 1 - 25
	1- 4A- 16
122639	2- 1 - 1
124631	2- 1 - 3
130987	1- 1 - 58
138754	1- 4 - 1
170215	1- 1 - 5
179744	1- 4A- 8
180528	2- 1 - 2
186950	1- 1 - 57
191477	1- 4 - 14
209567	1- 1 - 56
210883	1- 4 - 18
	1- 4A- 21
210884	1- 4 - 19
	1- 4A- 22
210984	1- 4 - 15
216084	1- 3 - 19
216085	1- 2 - 10
	1- 2 - 11
216091	1- 3 - 11
216094	1- 3 - 5

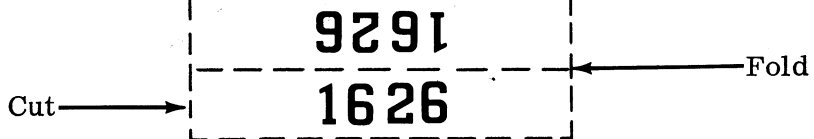
PART NO.	SECTION, LIST AND INDEX NO.
216095	1- 3 - 13
216184	2- 1 - 4
216205	1- 3 - 8
216206	1- 2 - 12
216208	1- 6 - 4
216209	1- 6 - 18
216210	1- 6 - 17
216212	1- 3 - 10
216268	1- 3 - 15B
216280	1- 3 - 15A
216297	1- 3 - 18
216303	1- 3 - 17
216362	1- 4A- 28
236550	1- 6 - 12
	1- 6 - 14
236849	1- 1 - 27
	1- 4 - 15D
251970	1- 4 - 8
253453	1- 2 - 8
	1- 4 - 15B
	1- 6 - 21
257189	1- 1 - 34
	1- 6 - 10
257986	1- 1 - 26
	1- 1 - 38
317016	1- 2 - 16
317018	1- 2 - 20
317173	1- 4 - 4
317310	1- 4A- 19
320167	1- 6 - 11
322347	1- 2 - 18
	1- 4 - 20A
322550	1- 3 - 4
322552	1- 2 - 14
323838	1- 4 - 16
332620	1- 1 - 15
	1- 1 - 22
	1- 1 - 40
334910	1- 6 - 19
	1- 6 - 22
334921	1- 6 - 19
334932	1- 6 - 19
338238	1- 6 - 15
356742	1- 2 - 9
359695	1- 6 - 20
360370	1- 6 - 19
	1- 6 - 23
368168	1- 4 - 3
368169	1- 4 - 1A
	1- 6 - 24
369208	1- 2 - 2A
370262	1- 5 - 5
370353	1- 5 - 2A
371026	1- 5 - 2
371027	1- 5 - 3
371029	1- 5 - 4
371487	1- 5 - 6
371661	1- 5 - 7
371943	1- 5 - 1
372688	1- 4A- 30

PART NO.	SECTION, LIST AND INDEX NO.
438540	1- 6 - 12
	1- 6 - 16
438616	1- 2 - 7
460258	2- 1 - 8
460622	2- 1 - 9
460966	2- 1 - 10
461228	2- 1 - 11
466432	1- 1 - 19
474644	1- 4A- 17
480004	1- 3 - 3
480007	1- 3 - 2
491349	1- 6 - 1
502523	1- 6 - 25
515620	1- 4 - 17
518104	1- 4 - 9
523207	1- 4 - 12
524986	1- 1 - 35
534768	1- 1 - 22H
550511	1- 4 - 2
587319	1- 6 - 7
587376	1- 6 - 5
595989	1- 6 - 8
597044	1- 4A- 9
598041	1- 6 - 26
602488	1- 1 - 9
602627	1- 4 - 5
602628	1- 4 - 6
738827	1- 4A- 7
740473	1- 4A- 13
740477	1- 4A- 1
740483	1- 4A- 38
740489	1- 4A- 3
740490	1- 4A- 5
740491	1- 4A- 4
740493	1- 4A- 32
740501	1- 4A- 24
	1- 4A- 29
	1- 4A- 33
740503	1- 4A- 25
740504	1- 4A- 36
740505	1- 4A- 34
740530	1- 1 - 11B
740532	1- 4A- 15
740536	1- 4A- 6
740539	1- 1 - 11A
740545	1- 4A- 23
740550	1- 4A- 35
740551	1- 4A- 37
740554	1- 4A- 20
740569	1- 1 - 46
	1- 4A-REF
740592	1- 4A- 12
740606	1- 4A- 18
749895	1- 1 - 53
760656	1- 4 - 11
761335	1- 4 - 10
1073418	1- 1 - 10
1090873	1- 1 - 33
	1- 6 - 9
2101089	1- 2 - 3

PART NO.	SECTION, LIST AND INDEX NO.
2101326	1- 6 - 27
2101327	1- 6 - 27
2102368	1- 1 - 24
2106333	1- 4 - 13
2125733	1- 1 - 48
2125974	1- 1 - 49
2129249	1- 2 - 15
2129357	1- 2 - 17
2129745	1- 2 - 19
2133618	2- 1 - 5
2133619	2- 1 - 6
2135031	1- 6 - 6
2145130	1- 2 - 1
2145131	1- 2 - 2
2145158	1- 1 - 11
2145159	1- 1 - 8
2145160	1- 1 - 4
2145183	1- 1 - 31
	1- 6 - 2
2154019	1- 1 - 12
2154022	1- 1 - 13
2154322	1- 1 - 18

PART NO.	SECTION, LIST AND INDEX NO.
2154323	1- 1 - 17
2154324	1- 1 - 14
2154354	1- 2 - 21
2154998	1- 1 - 30
	1- 6 - 2
2157668	1- 1 - 20
2161850	2- 1 - 12
2162185	1- 4 - 15C
2162186	1- 1 - 50
2162187	1- 1 - 22E
2162188	1- 3 - 14A
2162189	1- 1 - 45
2162192	1- 1 - 47
2162193	1- 1 - 44
2162194	1- 1 - 39
2162195	1- 1 - 59
2162196	1- 1 - 6
2162197	1- 1 - 7
2162200	1- 1 -REF
2162202	1- 1 - 21
	1- 2 -REF
2162203	1- 2 - 14B

PART NO.	SECTION, LIST AND INDEX NO.
2162203-CONT	1- 3 -REF
	1- 3 - 1
2162204	1- 3 - 14
2162205	1- 3 - 15
2162206	2- 1 - 13
2162208	1- 1 - 1A
2162209	1- 1 - 1
2162214	1- 2 - 13
2162215	1- 1 - 23
2162219	1- 6 - 3
2162220	2- 1 - 7
2162222	1- 2 - 14C
	1- 4 -REF
2162223	1- 4 - 21
2162225	1- 3 - 6
2162226	1- 3 - 7
2162234	1- 4 - 20
2162237	1- 4 - 7
5231699	1- 4 - 15A
	1- 6 - 27



Use Clear Acetate Tab - Obtained Locally

Printed in U.S.A. FORM 127-0779-1

IBM

**International Business Machines Corporation
Data Processing Division
112 East Post Road, White Plains, N. Y. 10601**

