

*1-21B1F01L

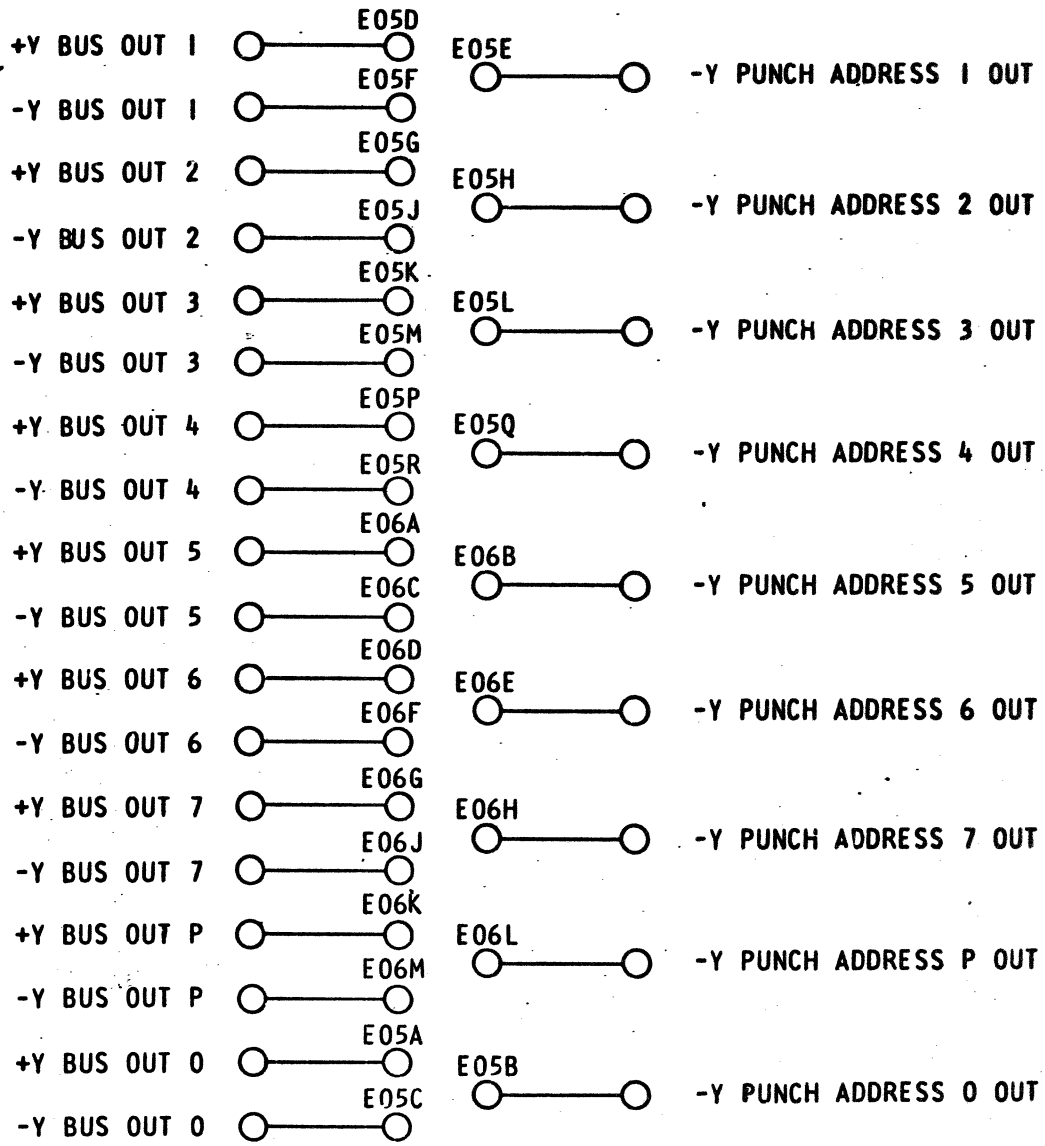
*2-21B1F01M

COMMENTS

TAG	DATE	E.C.NO.	TAG	DATE	E.C.NO.	TAG	DATE	E.C.NO.	TAG	DATE	E.C.NO.
A	09-01-64	121550R	B	10-15-64	121567						

A
B
C
D
E
F
G
H
J

A
B
C
D
E
F
G
H
J



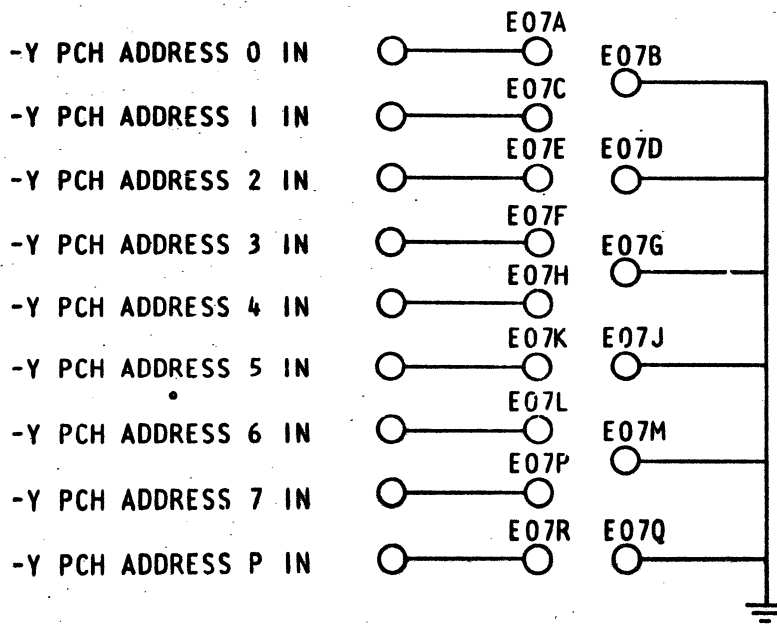
CHASSIS 21B1

TO RECOGNIZE CORRECT ADDRESS JUMPER:

-Y BUS OUT TO -Y PCH ADD OUT FOR THOSE BITS WHICH SHOULD BE PRESENT.

JUMPER:

+Y BUS OUT TO -Y PCH ADD OUT FOR THOSE BITS WHICH SHOULD NOT BE PRESENT.



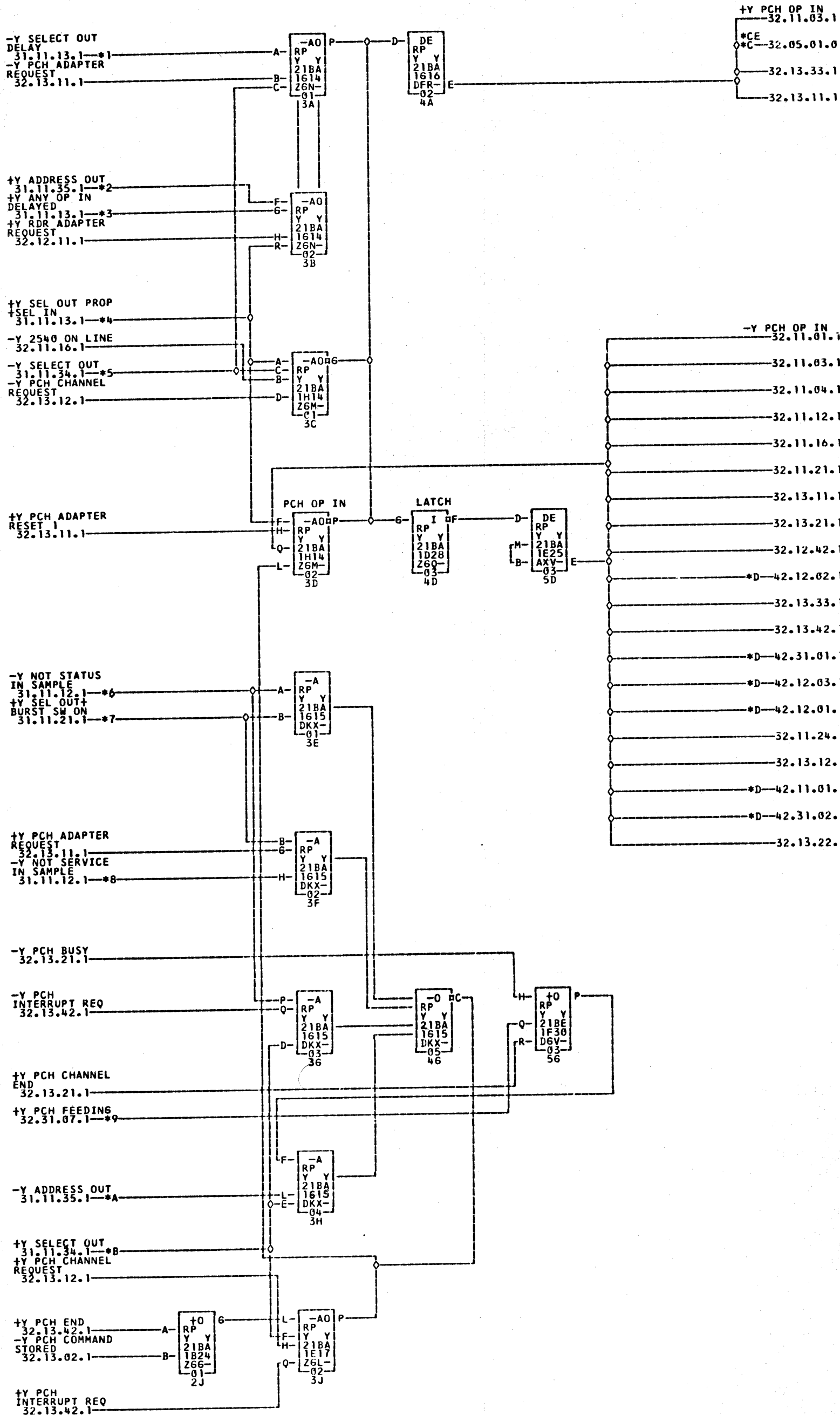
TO GENERATE ADDRESS:

ALLOW -Y PCH ADDRESS IN LINES TO FLOAT FOR THOSE BITS WHICH SHOULD BE PRESENT.

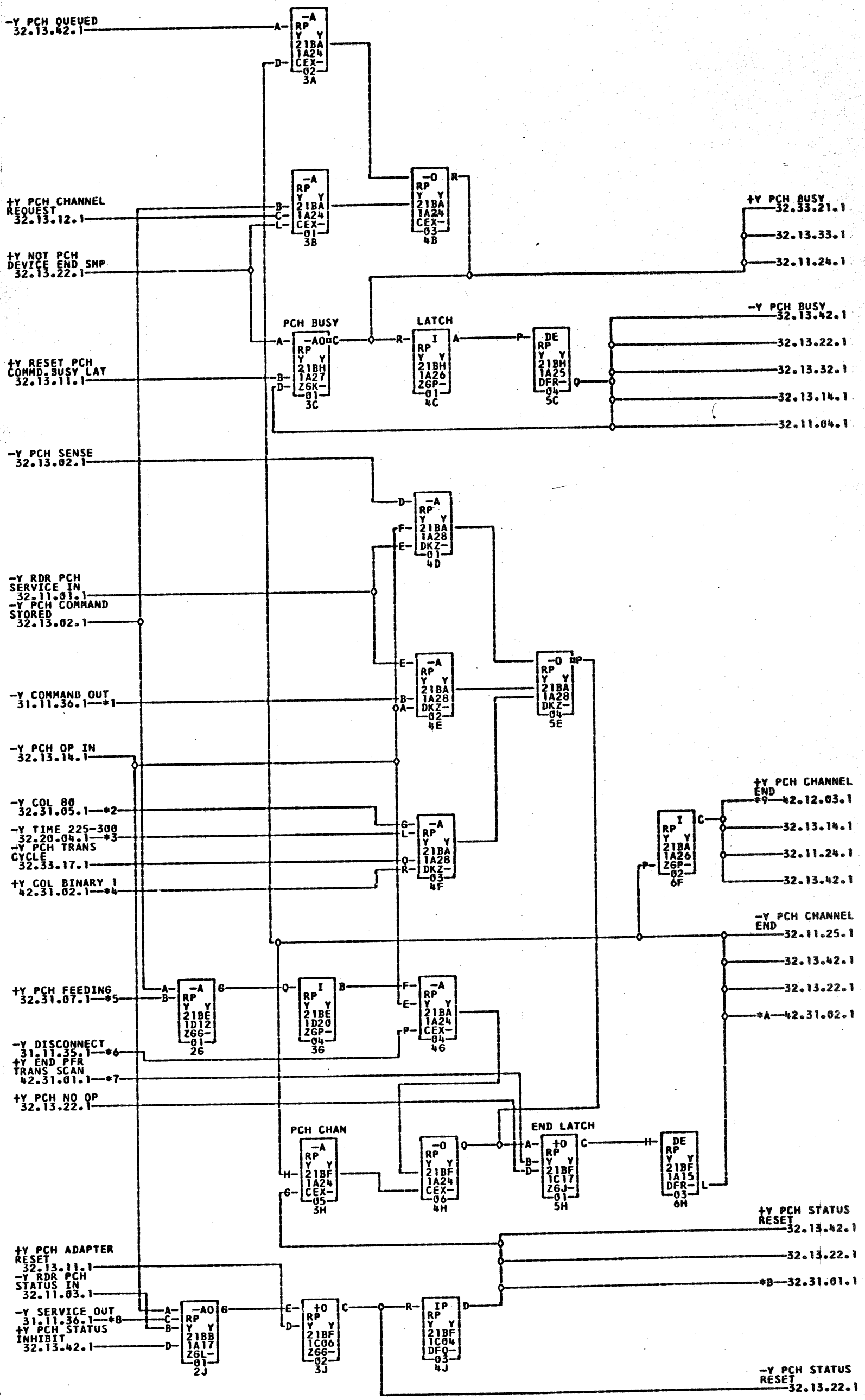
JUMPER OTHER LINES TO GROUND

216259 MALE CONTACT STRIP TO BE USED FOR JUMPERING.

DATE	EC NO	DATE	EC NO	DATE	EC NO
7-10-67	121550 K				



- *1—21B1F03E *2—21B1F036 *3—21B1F04H *4—21B1F03B *5—21B1F03D *6—21B1F030
- *7—21B1F03A *8—21B1F04C *9—21B1T30B *A—21B1F03H *B—21B1F03C *C—21B1601B
- CERPA058 *D—21B1H32K —21B4F03K

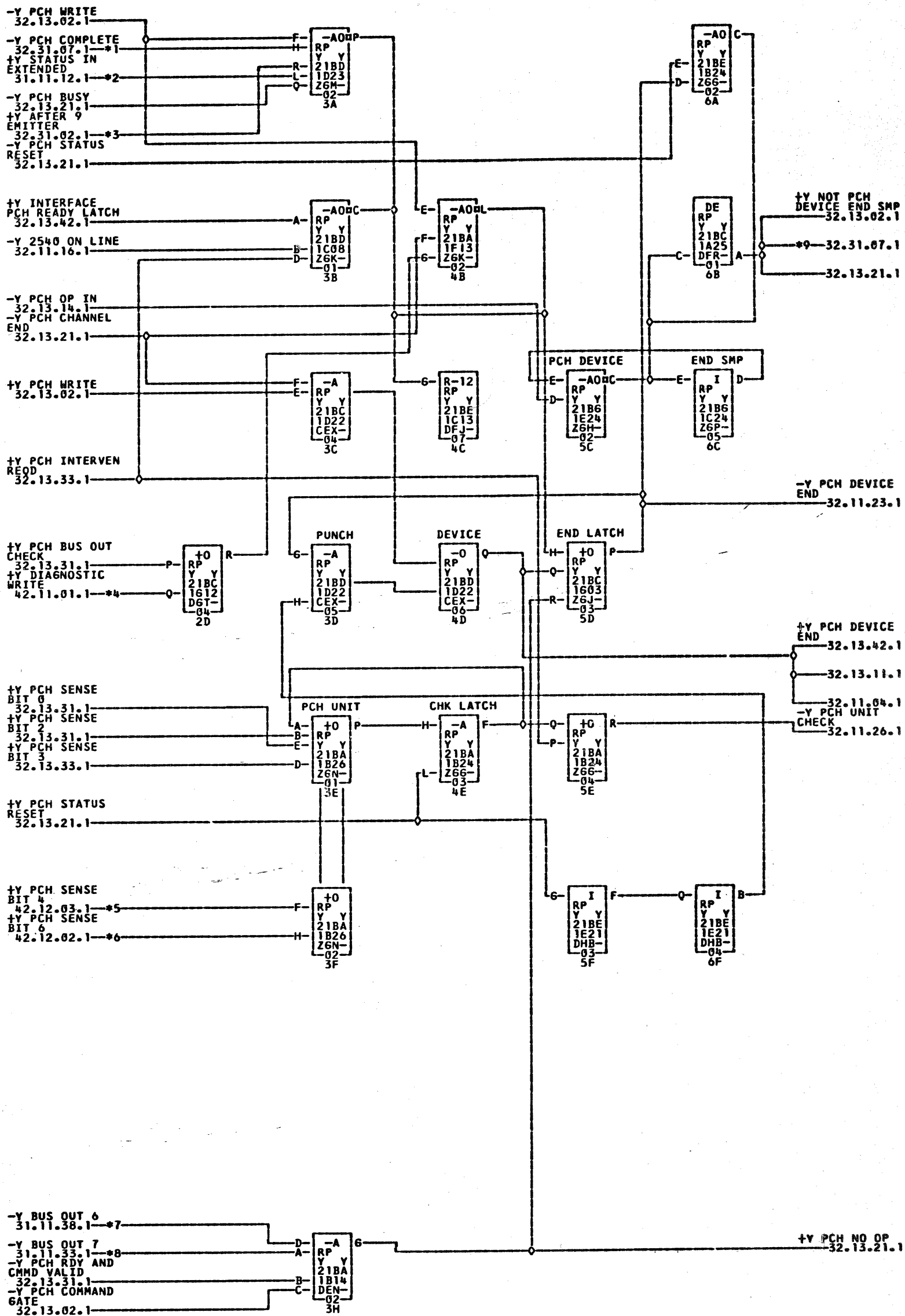


- *1-21B1F02L *2-21B1T13A *3-21B1T03B *4-21B1F32R *5-21B1T30B *6-21B1F04N
- *7-21B1G320 *8-21B1F020 *9-21B1H32H 21B4F05M *A-21B1A32H 21B4D02H
- *B-21B1T32B 21B3T32B

MDM-4000-4060

COMMENTS

TAG	DATE	E.C.NO.	TAG	DATE	E.C.NO.	TAG	DATE	E.C.NO.	TAG	DATE	E.C.NO.
A	09-01-64	121550K	B	10-15-64	121567	C	11-09-64	121572	D	12-19-64	121583
E	03-18-65	121598	F	05-26-65	124248	G	11-18-65	125601	H	03-10-66	125633



*1--21B1T26B

*2--21B1F05N

*3--21B1T29C

*4--21B1A32C

*5--21B1632R

*6--21B1E32E

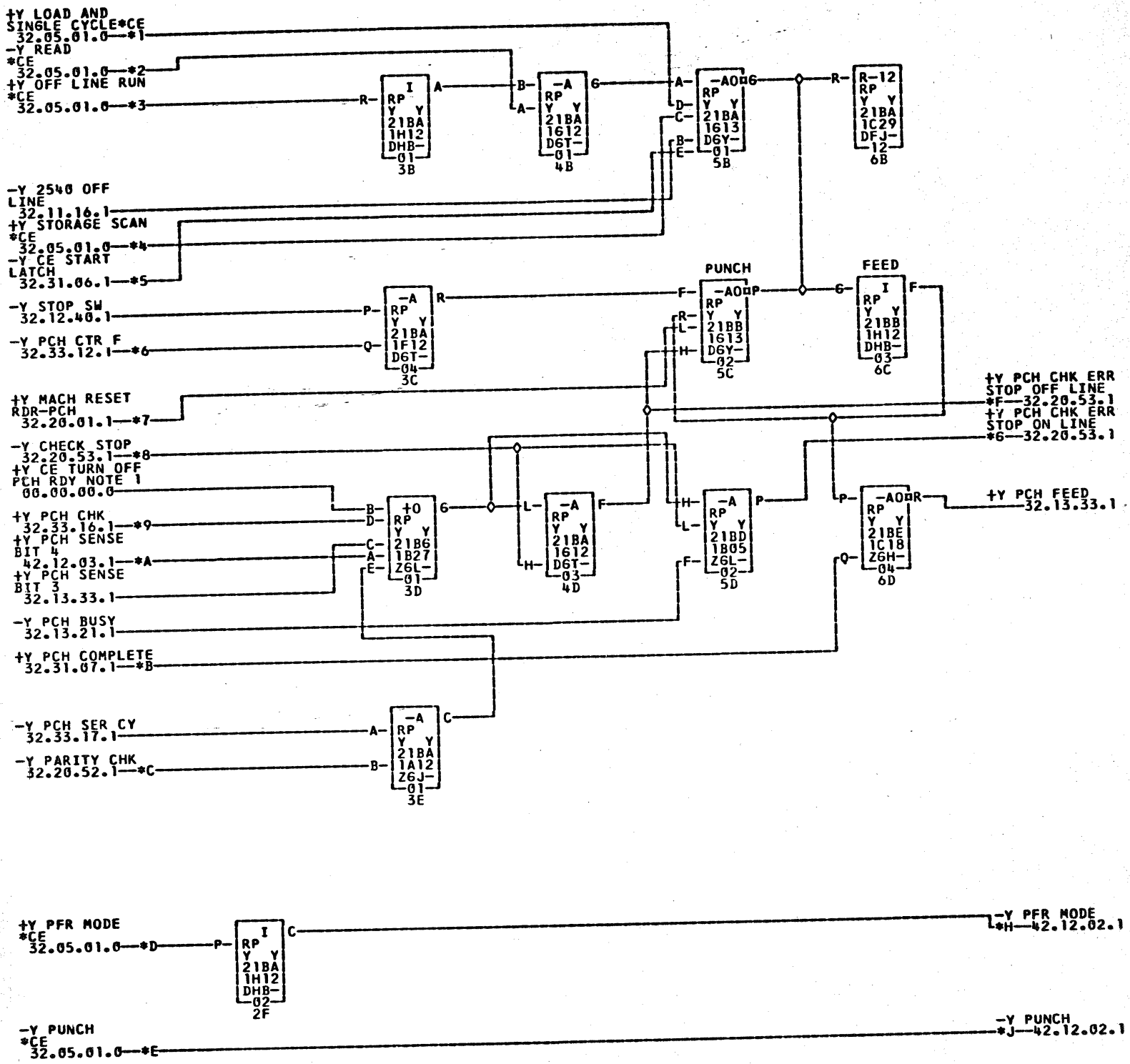
COMMENTS
MDN.3020-4600-4061

TAG DATE E.C.NO.
A 09-01-64 121550K
E 06-22-65 124265

TAG DATE E.C.NO.
B 10-15-64 121567
F 11-18-65 125601

TAG DATE E.C.NO.
C 11-09-64 121572
G 03-10-66 125633

TAG DATE E.C.NO.
D 04-26-65 124237



- *1-21B1H01D
- *7-21B1T17A
- *D-21B1H01C
- *H-21B1H32H

- *2-21B1E01E
- *8-21B1T25C
- *E-21B1E01F
- 21B4F03H

- *3-21B1H01E
- *9-21B1T25D
- *F-21B1D01C
- *J-21B1G32D

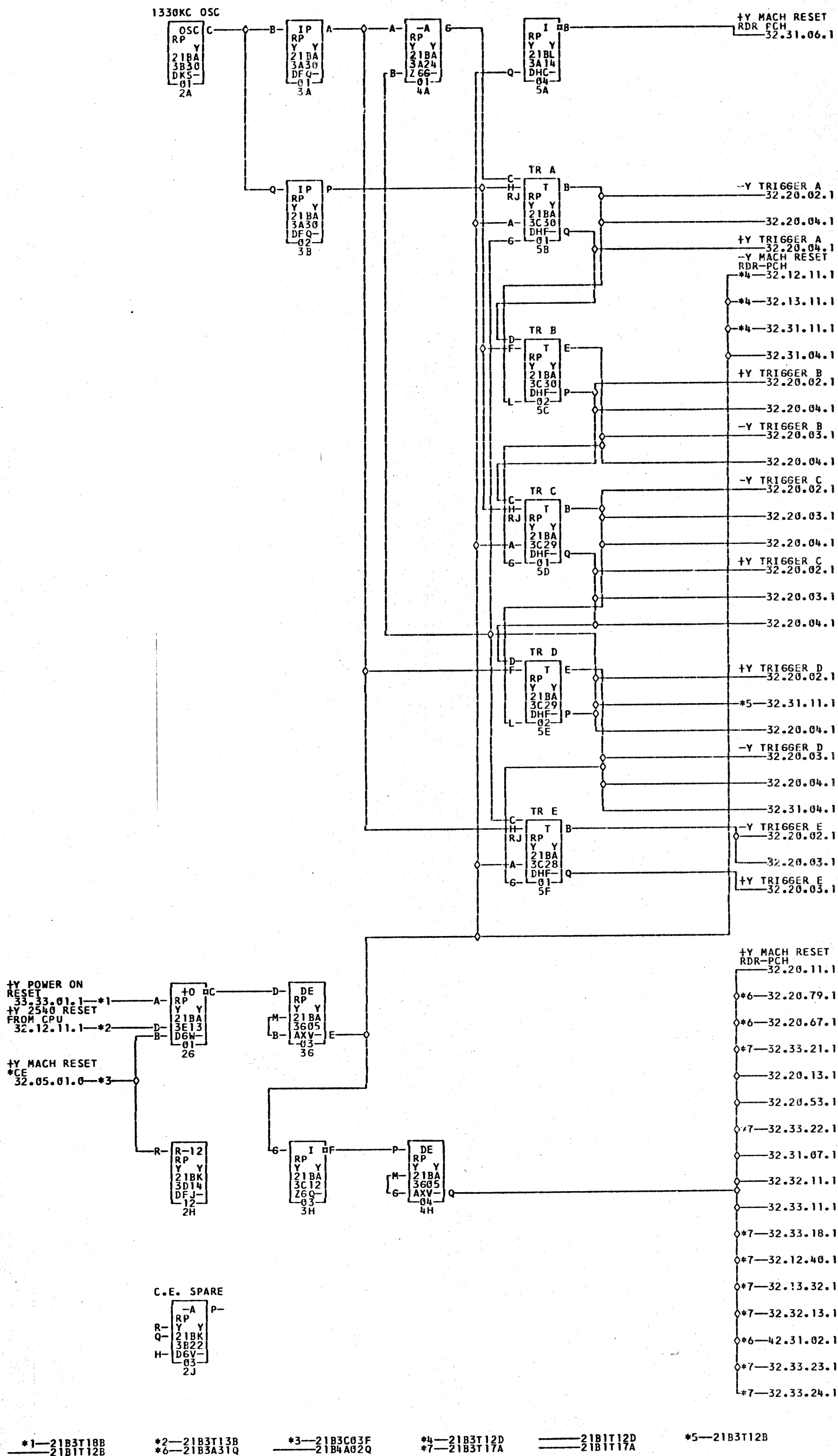
- *4-21B1H01B
- *A-21B1G32R
- 21B3A01C
- 21B4E03D

- *5-21B1T16C
- *B-21B1T19B
- *6-21B1T28B

- *6-21B1T15B
- *C-21B1T28D
- 21B3T28B

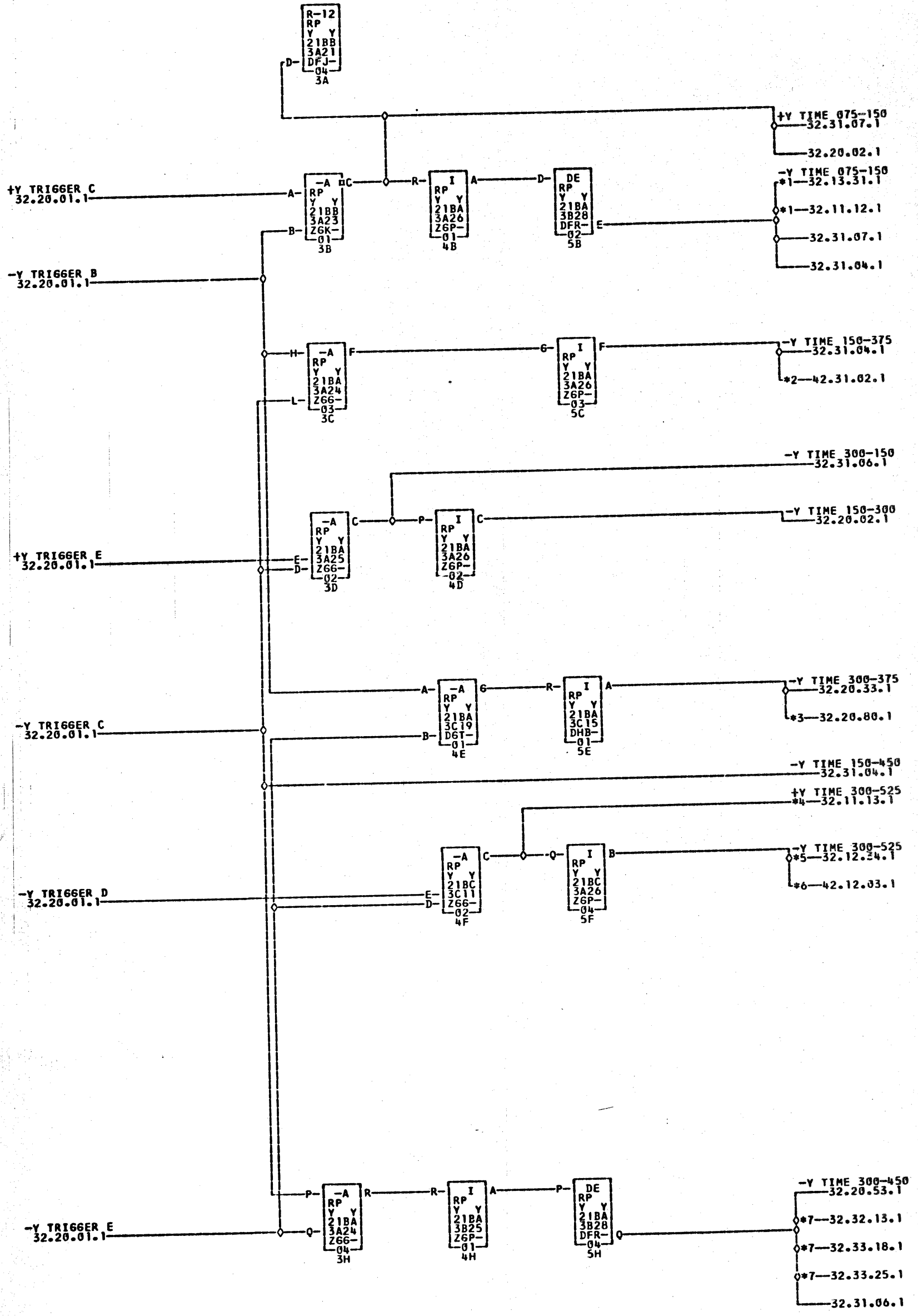
NOTE 1 TO BE USED BY F.E. TO TURN OFF PUNCH READY

TAG	DATE	E.C.NO.	TAG	DATE	E.C.NO.	TAG	DATE	E.C.NO.	TAG	DATE	E.C.NO.
A	09-01-64	121550K	B	10-15-64	121567	C	11-09-64	121572	D	12-19-64	121583
E	02-15-65	121594	F	03-18-65	121598	G	04-26-65	124237	H	06-22-65	124265



COMMENTS

TAG	DATE	E.C.NO.	TAG	DATE	E.C.NO.	TAG	DATE	E.C.NO.	TAG	DATE	E.C.NO.
A	09-01-64	121567	B	10-15-64	121567	C	11-10-64	121572	D	12-19-64	121583
E	01-21-65	121589	F	03-18-65	121598	G	04-26-65	124237	H	06-22-65	124265
J	10-11-65	125598	K	04-28-66	125637	L	12-18-67	131803			



*1-21B3T01C
 *4-21B3A01M
 *7-21B3T02A

==== 21B1T01C
 ===== 21B1D01M
 ===== 21B1T02A

*2-21B3F32D
 *5-21B3A01E

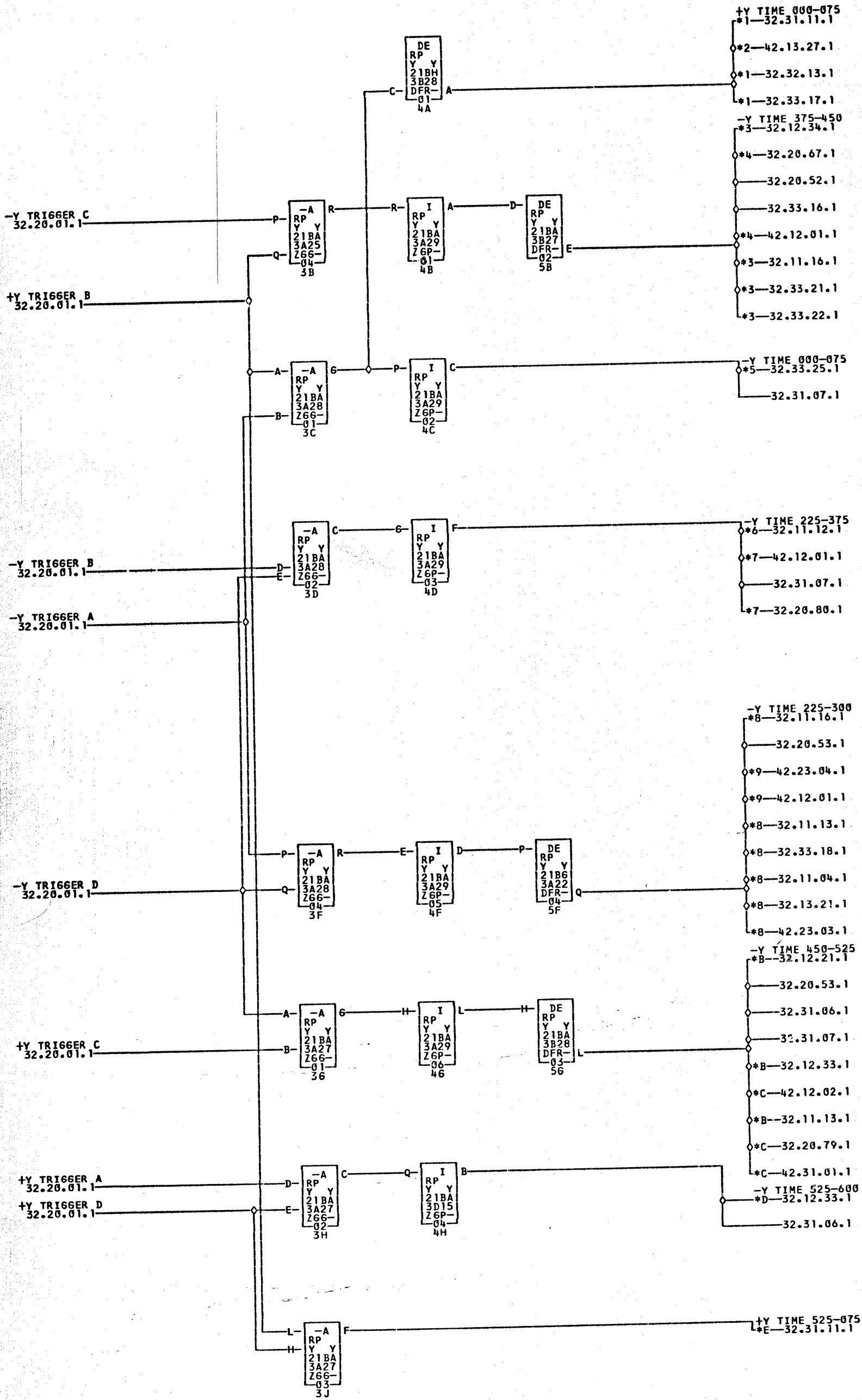
==== 21B4F01D
 ===== 21B1D01E

*3-21B3632C
 *6-21B3F32C

==== 21B4E02C
 ===== 21B4F01C

COMMENTS

TAG	DATE	F.C.NO.	TAG	DATE	F.C.NO.	TAG	DATE	F.C.NO.	TAG	DATE	F.C.NO.
A	09-01-64	121550L	B	10-15-64	121567	C	01-21-65	121589	D	02-15-65	121594
E	03-18-65	121598	F	06-22-65	124265	G	04-28-66	125637			



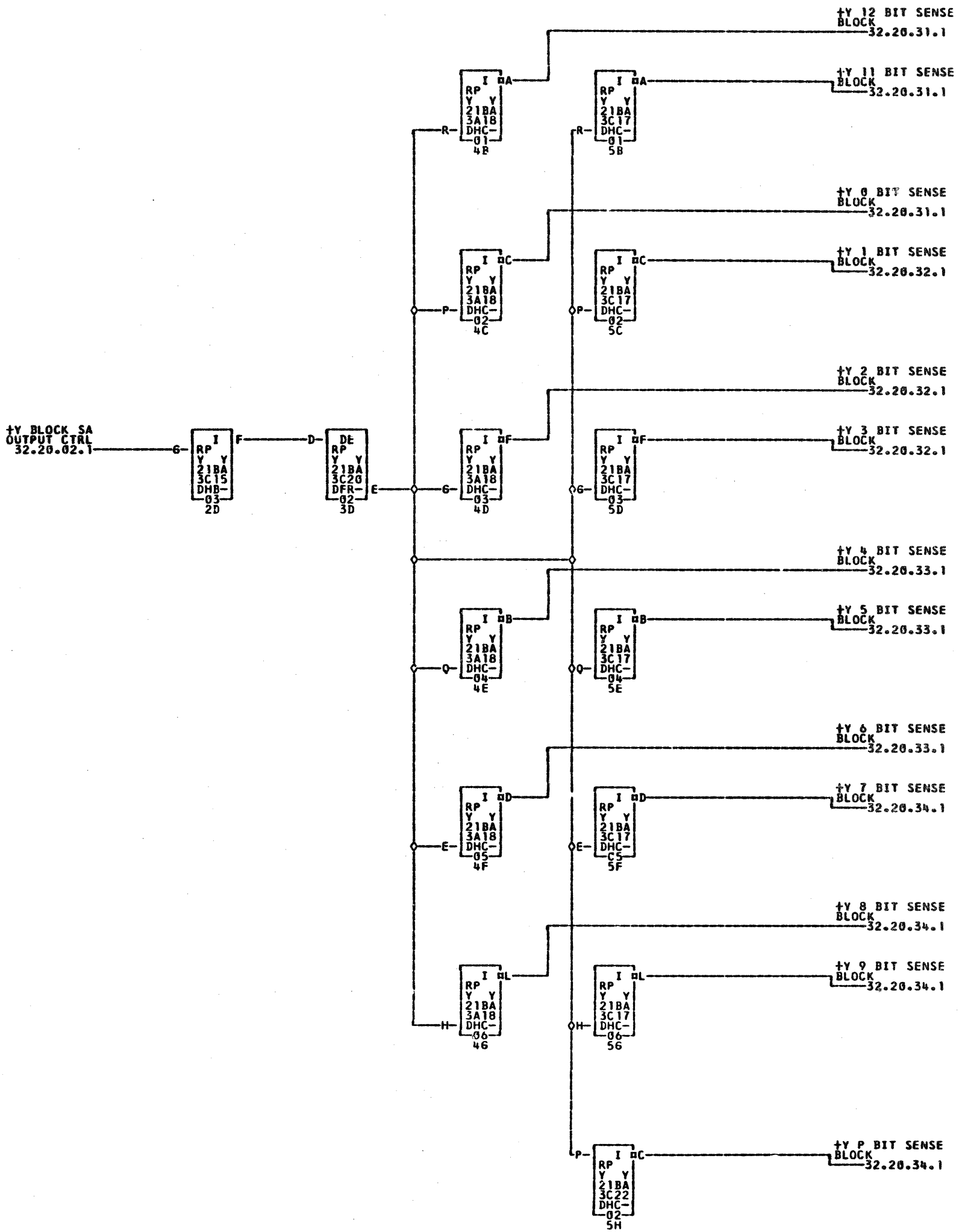
- *1—21B3T01B
- *4—21B3A32D
- *7—21B3A32F
- *8—21B3T03C
- *E—21B3T04A
- 21B1T01B
- 21B4A01D
- 21B4A01F
- 21B1T03C
- 21B1T04A

- *2—21B3A32B
- *5—21B3T02C
- *8—21B3T03B
- *C—21B3A32E
- 21B4A01B
- 21B1T02C
- 21B1T03B
- 21B4A01E

- *3—21B3T02B
- *6—21B3T02D
- *9—21B3F32R
- *D—21B3T03D
- 21B1T02B
- 21B1T02D
- 21B4F01R
- 21B1T03D

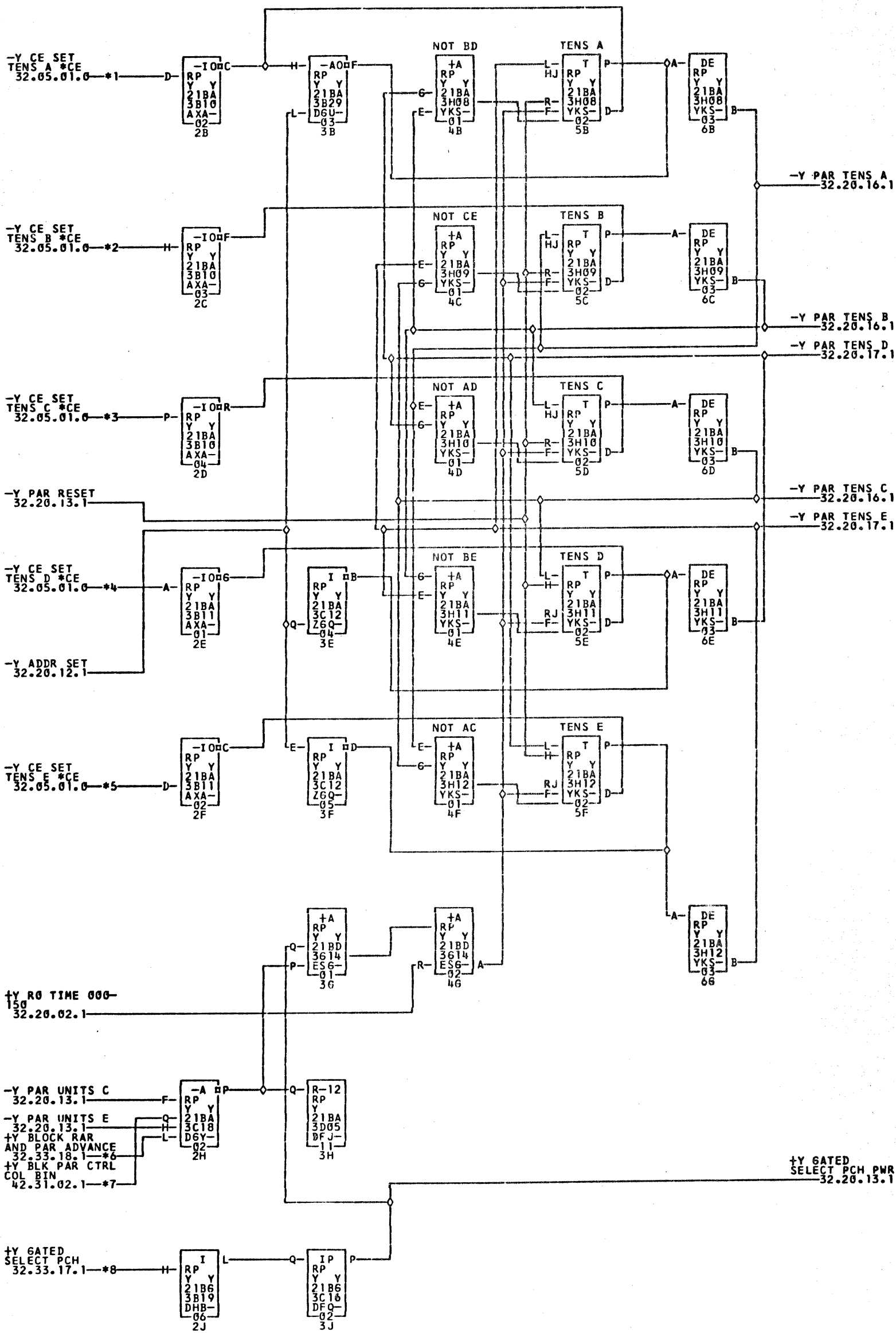
COMMENTS

TAG	DATE	E.C.NO.	TAG	DATE	E.C.NO.	TAG	DATE	E.C.NO.	TAG	DATE	E.C.NO.
A	09-01-64	121550L	B	10-15-64	121567	C	12-19-64	121583	D	01-21-65	121589
E	03-18-65	121598	F	04-26-65	124237	G	06-22-65	124265	H	03-10-67	125658

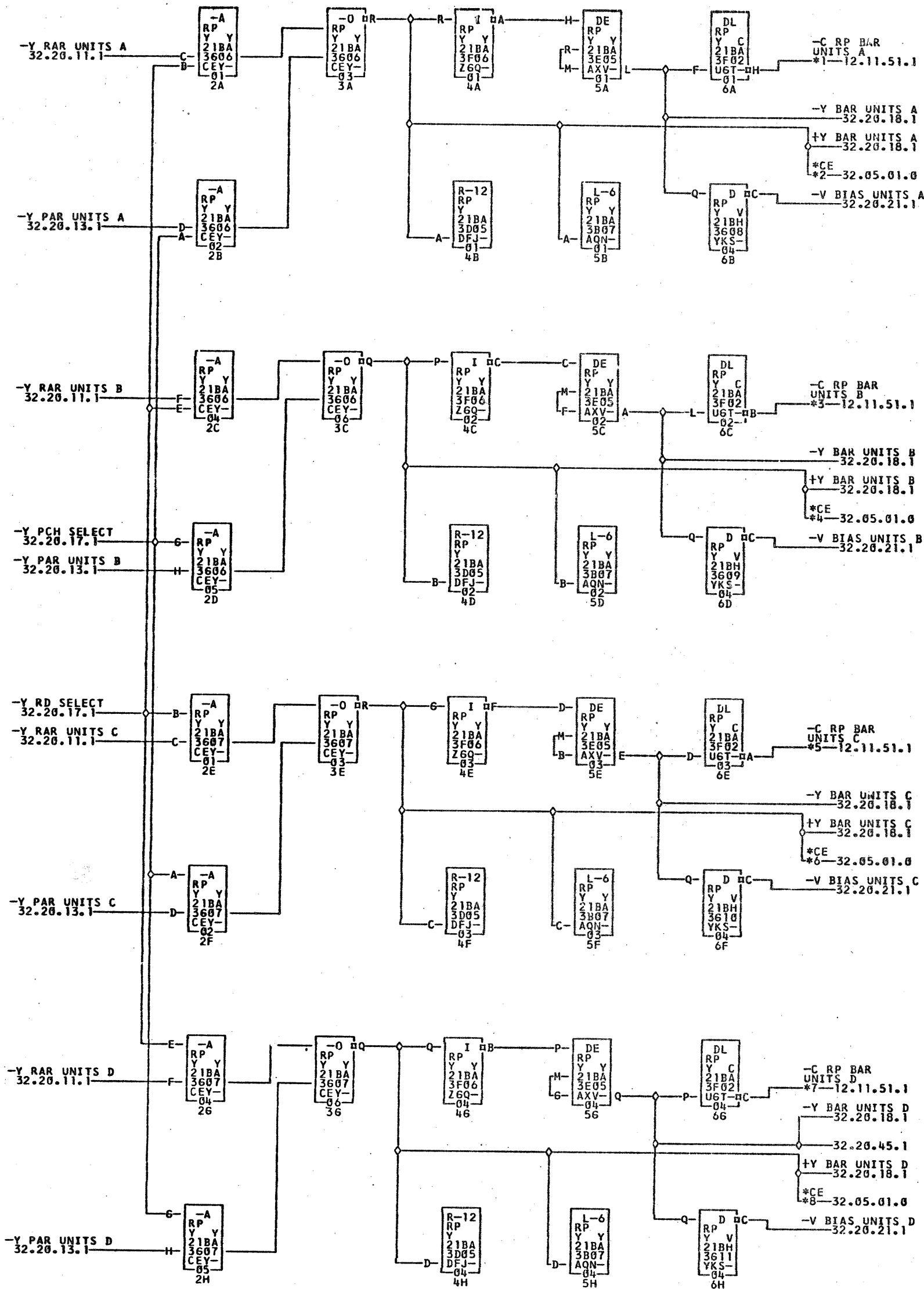


COMMENTS

TAG	DATE	E.C.NO.	TAG	DATE	E.C.NO.	TAG	DATE	E.C.NO.	TAG	DATE	E.C.NO.
A	09-01-64	12155GL	B	12-19-64	121583						



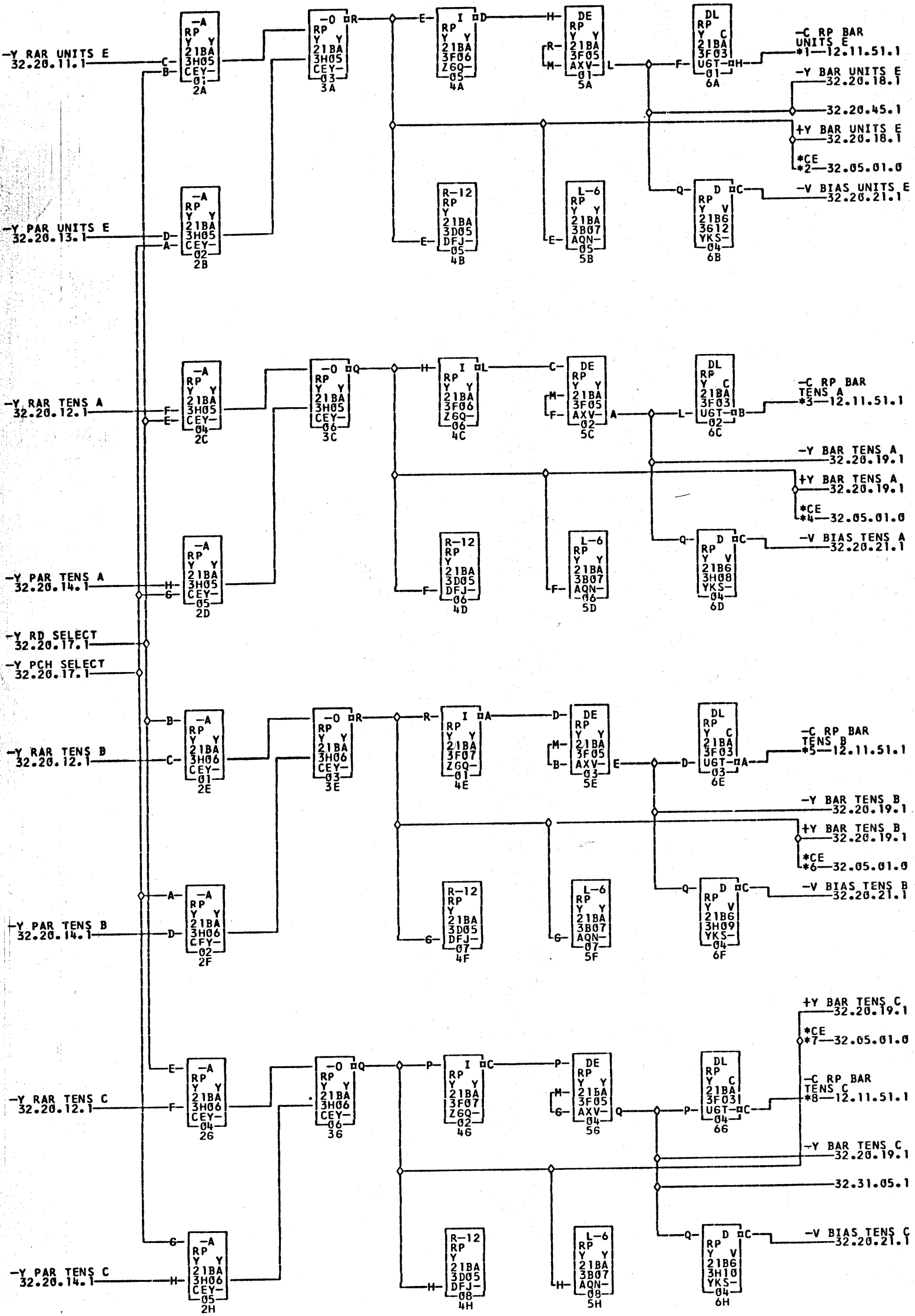
- *1-21B3D01B CERPB087 *2-21B3D01C CERPB089 *3-21B3D01D CERPB091
- *4-21B3D01E CERPB093 *5-21B3D01F CERPA097 *6-21B3T16B *7-21B3A32H
- *8-21B3T18D



- *1-21B3601A 21C1C22A 40A1C03A *2-21B3601A CERPA034 *3-21B3601B
- 21C1C22B 40A1C03B 21B3C01B CERPA035 21B3601C 21C1C22C
- 40A1C03C *6-21B3601C CERPA036 *7-21B3601D 21C1C22D 40A1C03D
- *8-21B3601D

MDM. 4041-4061-4441-4461

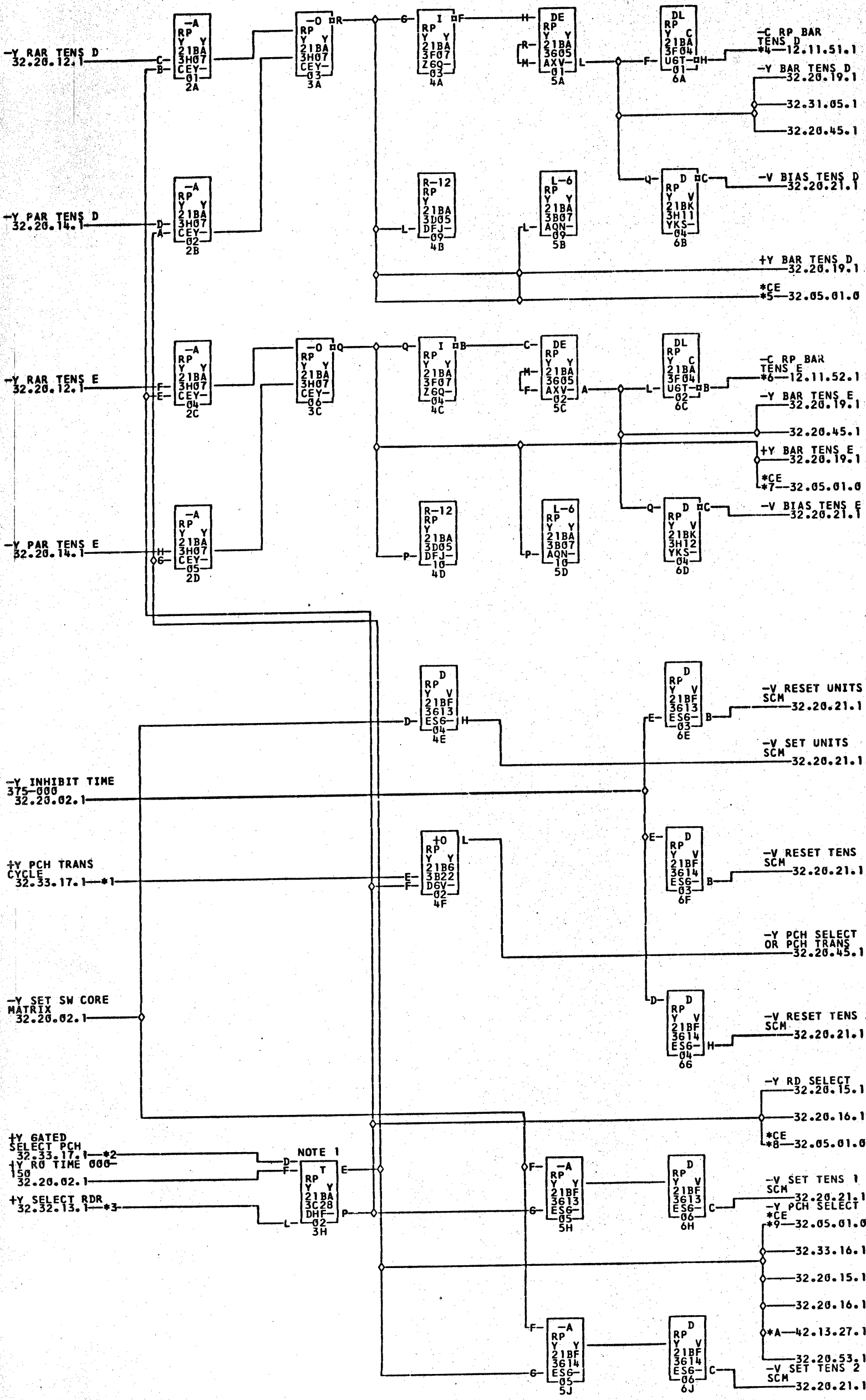
TAG	DATE	E.C.NO.	TAG	DATE	E.C.NO.	TAG	DATE	E.C.NO.	TAG	DATE	E.C.NO.
A	09-01-64	121550L	B	10-15-64	121567	C	11-10-64	121572	D	02-15-65	121594
E	03-18-65	121598	F	11-19-65	125601	G	04-28-66	125637	H	03-10-67	125658



- *1-21B3601E 21C1C22F 40A1C03E *2-21B3C01E CERPA049 *3-21B3601F
- 21C1C22F 40A1C03F *4-21B3C01F CERPA031 21B36016 21C1C226
- 40A1C036 *6-21B3C016 CERPA032 *7-21B3C01H CERPA033 *8-21B3601H
- 21C1C22H 40A1C03H

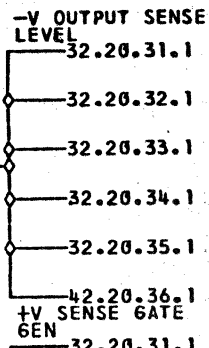
MDM. 4041-4061-4441-4461

TAG	DATE	E.C.NO.	TAG	DATE	E.C.NO.	TAG	DATE	E.C.NO.	TAG	DATE	E.C.NO.
A	09-01-64	121550L	B	10-15-64	121567	C	11-10-64	121572	D	02-15-65	121594
E	11-19-65	125601	F	04-28-66	125637	G	03-10-67	125658			

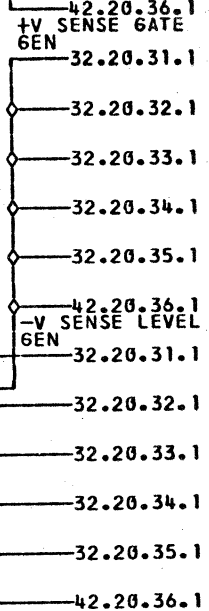


- *1-21B3A01D
- *2-21B3T18D
- *3-21B3T17D
- *4-21B3G01K
- 21C1C22K
- 40A1C03K
- *5-21B3C01K
- *6-21B3G01L
- *9-21B3C03H
- CERPA037
- *7-21B3C01L
- *A-21B3A31N
- CERPA046
- 21B4A02N

NOTE	DATE	E.C.NO.	TAG	DATE	E.C.NO.	TAG	DATE	E.C.NO.	TAG	DATE	E.C.NO.
NOTE 1	09-01-64	121550L	A	10-15-64	121567	C	11-10-64	121572	D	12-19-64	121583
	02-15-65	121594	E	03-18-65	121598	F	04-26-65	124237	G	04-28-66	125637
	06-23-66	125647	J	03-10-67	125658	K			H		



-V READ STROBE
32.20.02.1



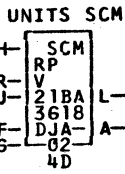
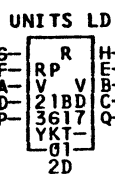
-V BIAS UNITS A
32.20.15.1

-V BIAS UNITS B
32.20.15.1

-V BIAS UNITS C
32.20.15.1

-V BIAS UNITS D
32.20.15.1

-V BIAS UNITS E
32.20.16.1



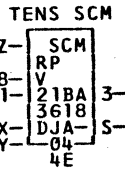
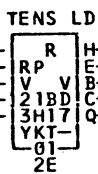
-V BIAS TENS A
32.20.16.1

-V BIAS TENS B
32.20.16.1

-V BIAS TENS C
32.20.16.1

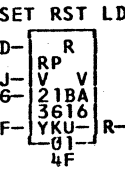
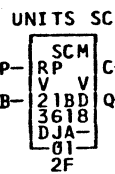
-V BIAS TENS D
32.20.17.1

-V BIAS TENS E
32.20.17.1



-V SET UNITS
SCM 32.20.17.1

-V RESET UNITS
SCM 32.20.17.1

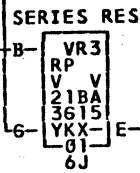
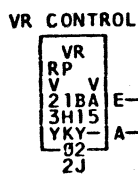
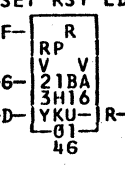
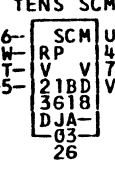


-V SET TENS 1
SCM 32.20.17.1

-V SET TENS 2
SCM 32.20.17.1

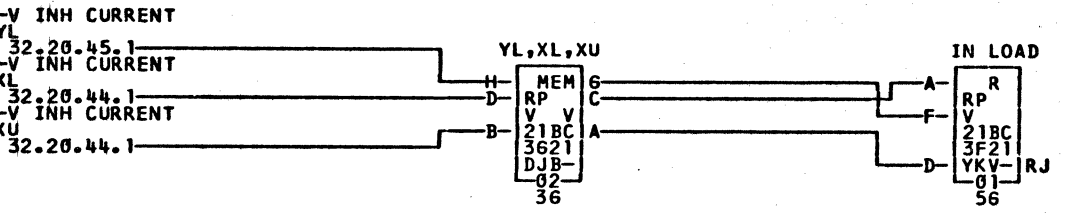
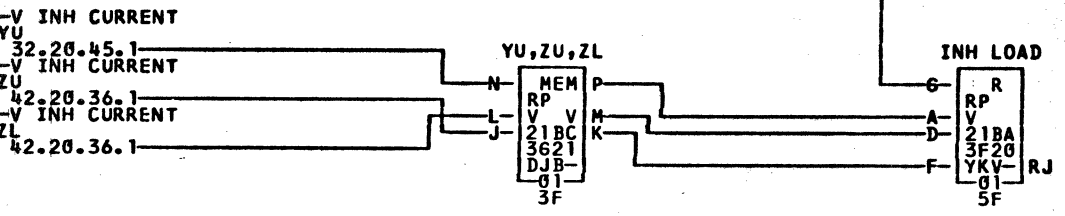
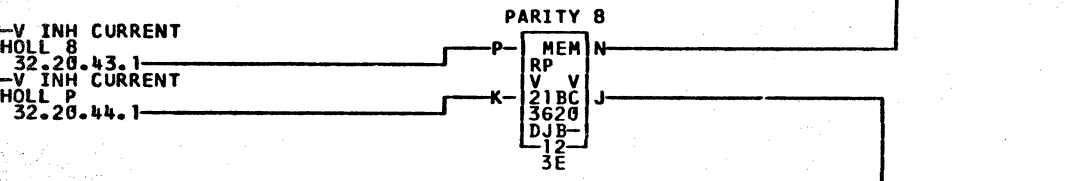
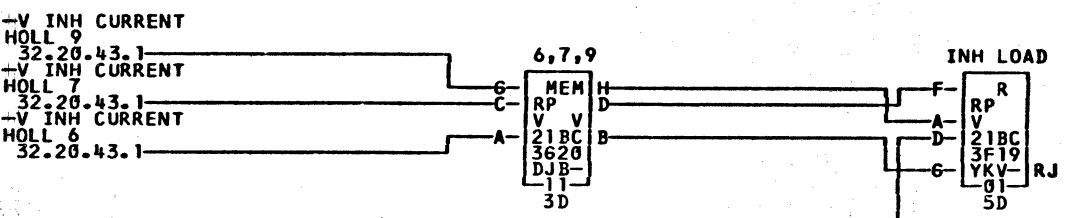
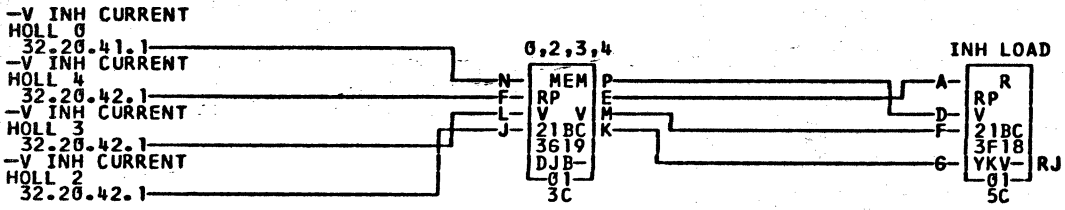
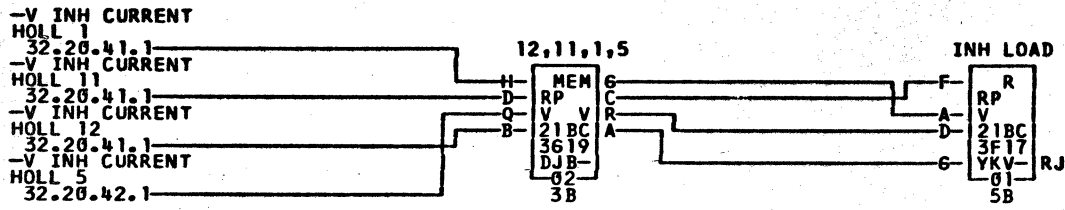
-V RESET TENS 1
SCM 32.20.17.1

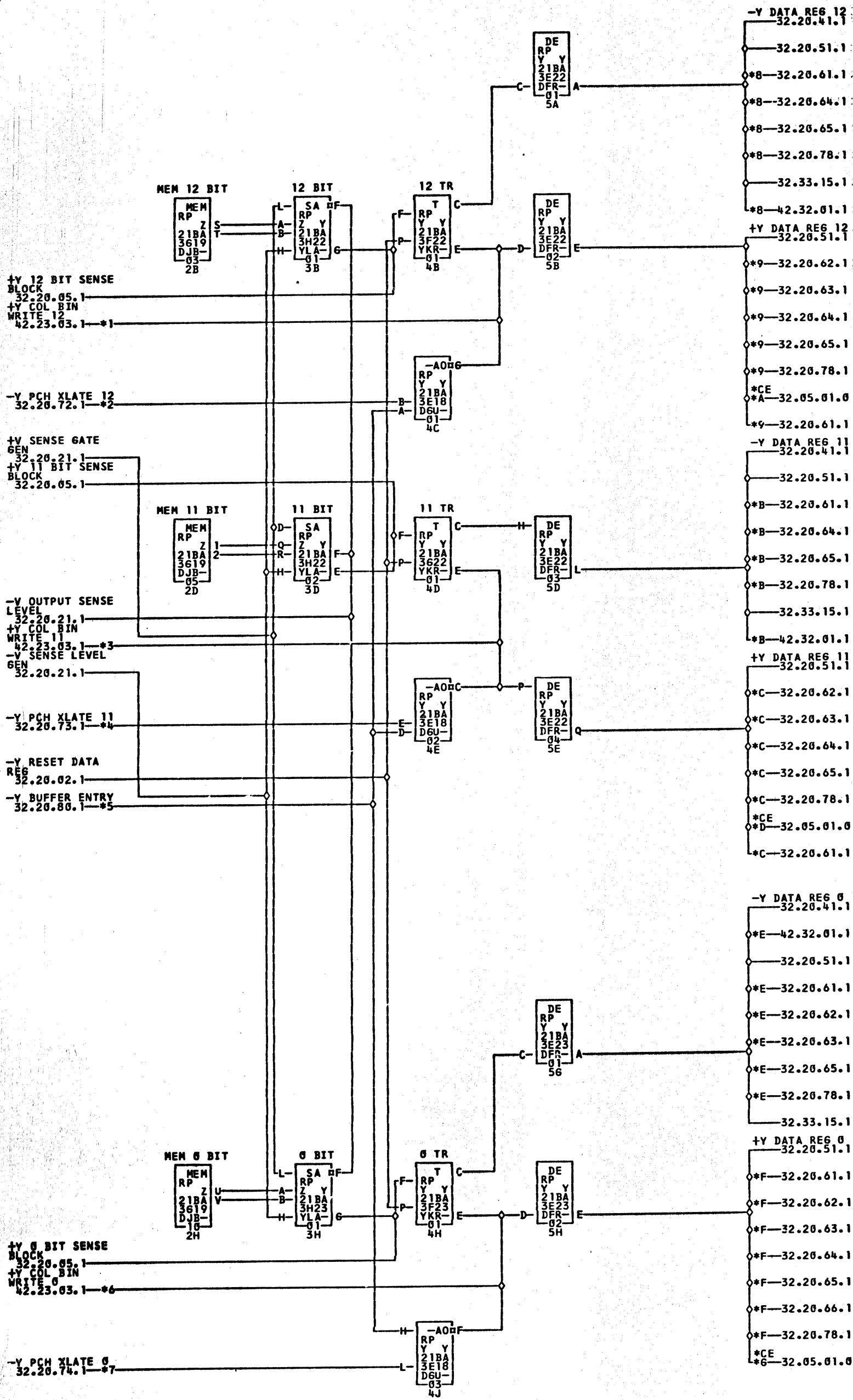
-V RESET TENS 2
SCM 32.20.17.1



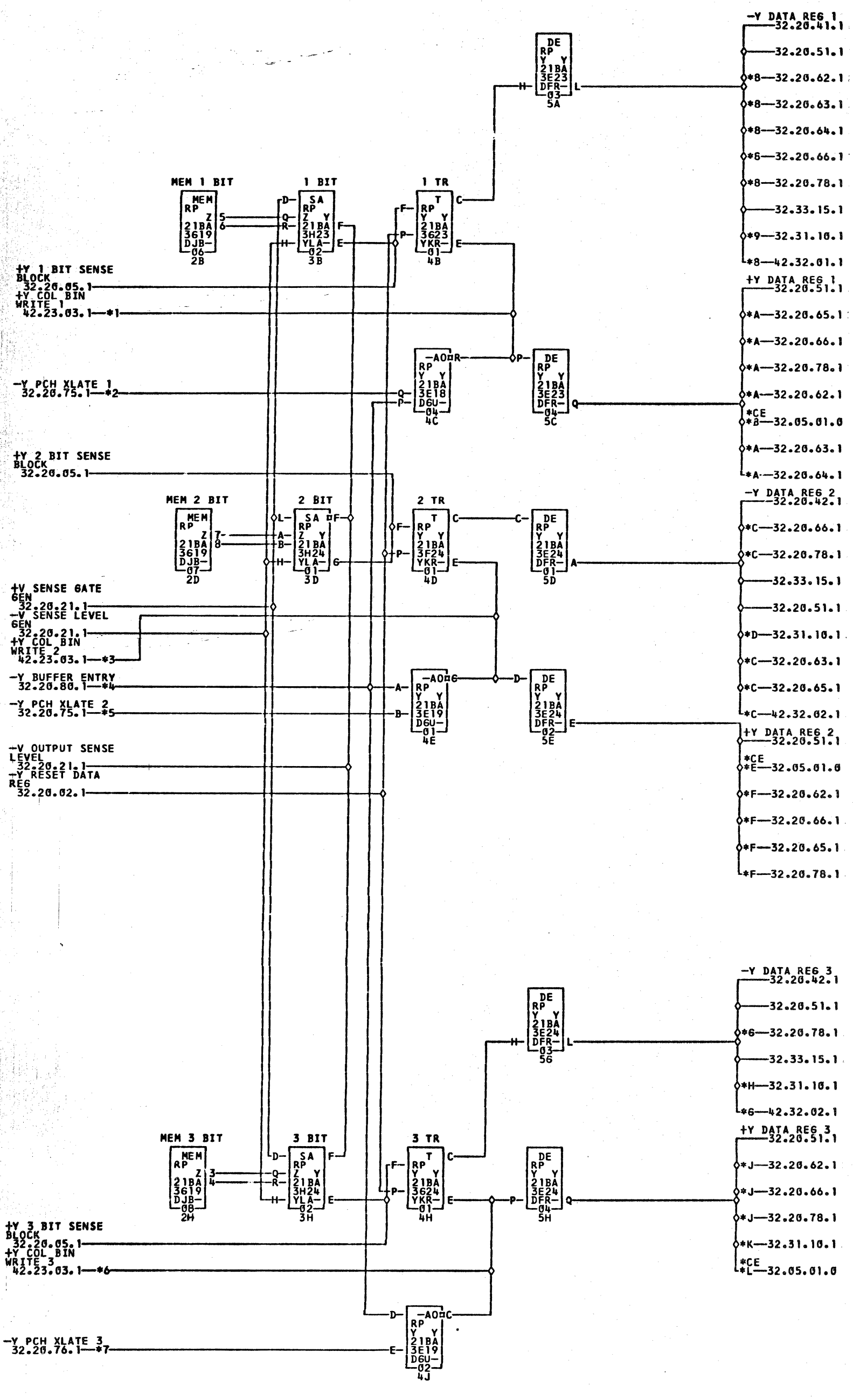
COMMENTS
NOTE REFER TO THE 2821 F.E
MAINTENANCE MANUAL 225-3383 FOR
BUFFER ADJUSTMENT PROCEDURE

TAG	DATE	E.C.NO.	TAG	DATE	E.C.NO.	TAG	DATE	E.C.NO.	TAG	DATE	E.C.NO.
A	09-01-64	121550L	B	10-15-64	121567	C	04-28-66	125637	D	03-10-67	125658



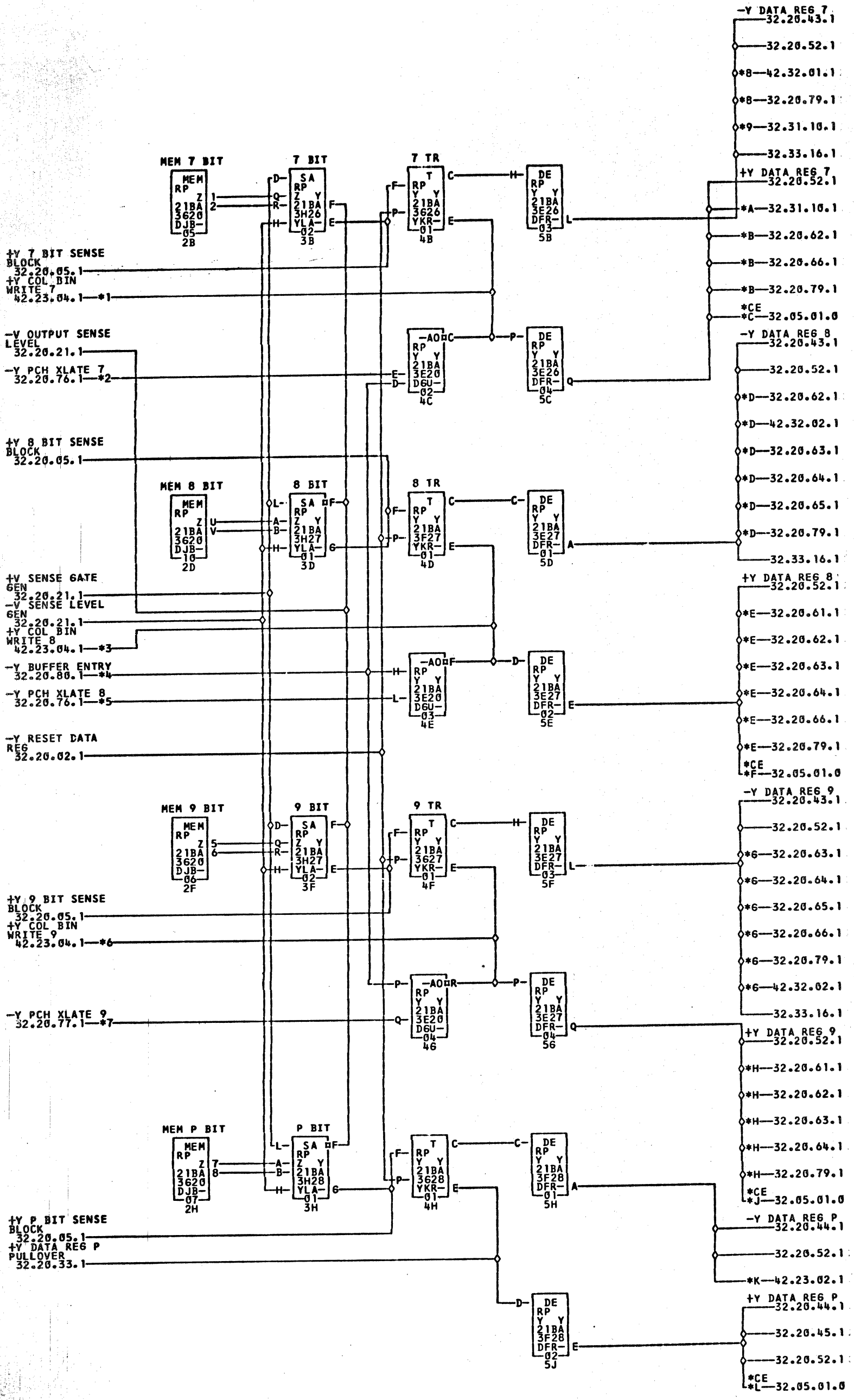


- *1-21B3B31A
- *2-21B3C32A
- *3-21B3B31B
- *4-21B3C32B
- *5-21B3C32Q
- *6-21B3B31C
- *7-21B3C32C
- *8-21B3H329A
- *9-21B4F02D
- *A-21B3C328
- *B-21B4F02E
- *C-21B3C32H
- *D-21B4E028
- *E-21B3H32F
- *F-21B3C32K
- *G-21B4E02H
- *H-21B3C01M
- *I-21B4E02K
- *J-21B3C01N
- *K-21B4E02L
- *L-21B3C01P

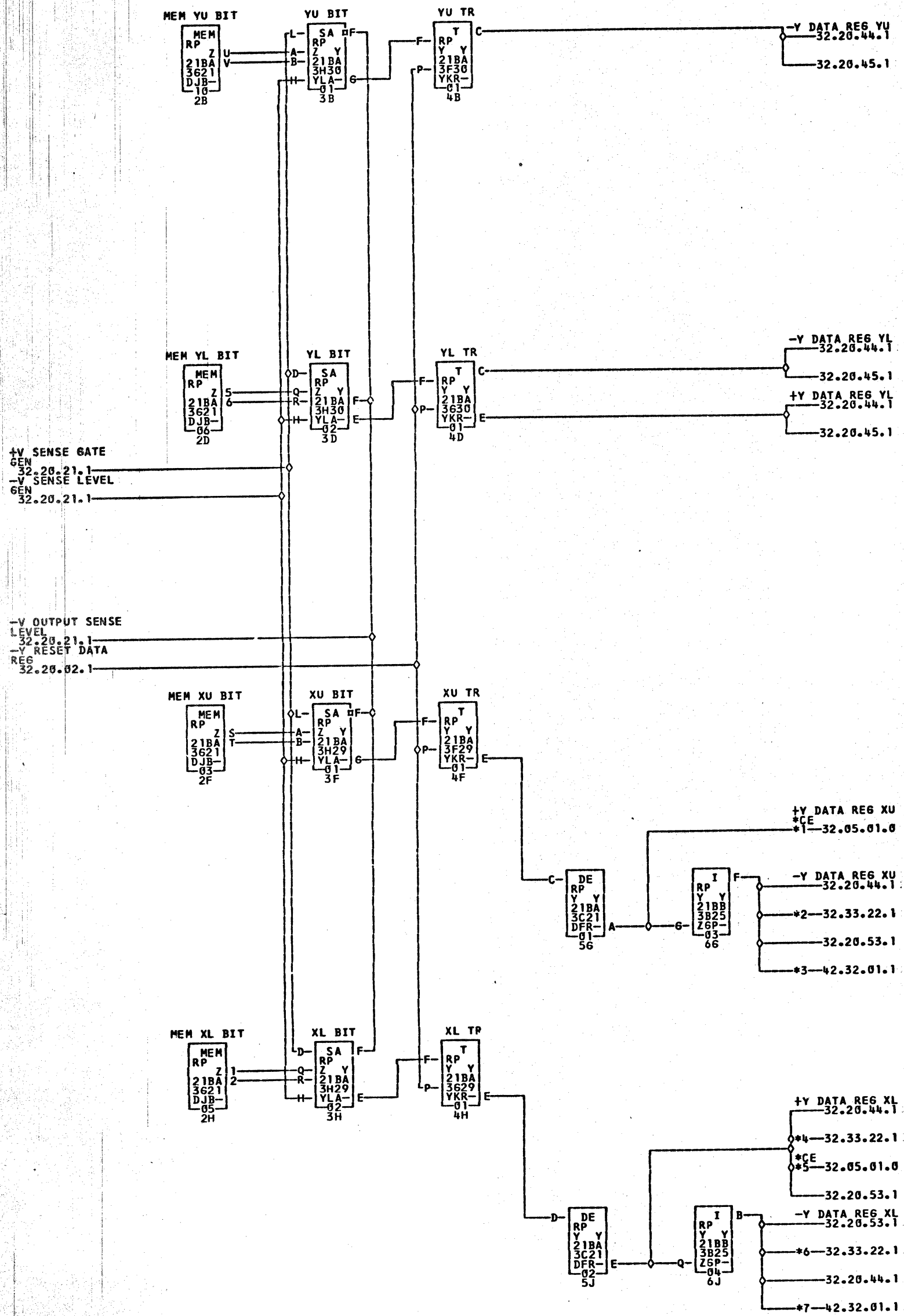


- *1-21B3B31D
- *2-21B3C32D
- *3-21B3B31E
- *4-21B3C32Q
- *5-21B3C32E
- *6-21B3B31F
- *7-21B3C32F
- *8-21B3H326
- *9-21B3T04C
- *A-21B3B332L
- *B-21B3C010
- *C-21B3T04C
- *D-21B3B332L
- *E-21B3C010
- *F-21B3T04C
- *G-21B3B332L
- *H-21B3T05A
- *I-21B3C02A
- *J-21B3B32N
- *K-21B3T05B
- *L-21B3C02A
- CERPA006

2-1



- *1-21B3B31L
- *2-21B3C32L
- *3-21B3B31M
- *4-21B3C32Q
- *5-21B3C32M
- *6-21B3B31N
- *7-21B3C32N
- *8-21B3H32P
- *9-21B3T07A
- *A-21B3T07B
- *B-21B3H32A
- *C-21B3C02F
- *D-21B3H32Q
- *E-21B3H32B
- *F-21B3C02E
- *G-21B3H32C
- *H-21B3C02G
- *I-21B3H32D
- *J-21B3C026
- *K-21B3632F
- *L-21B3C02H
- CERPA013
- CERPA010
- CERPA011
- CERPA012



*1-21B3D01H
 *4-21B3T08A
 *7-21B3F32Q

==== CERPA-29
 == 21B1T08A
 == 21B4F01Q

*2-21B3T07C
 *5-21B3D01R

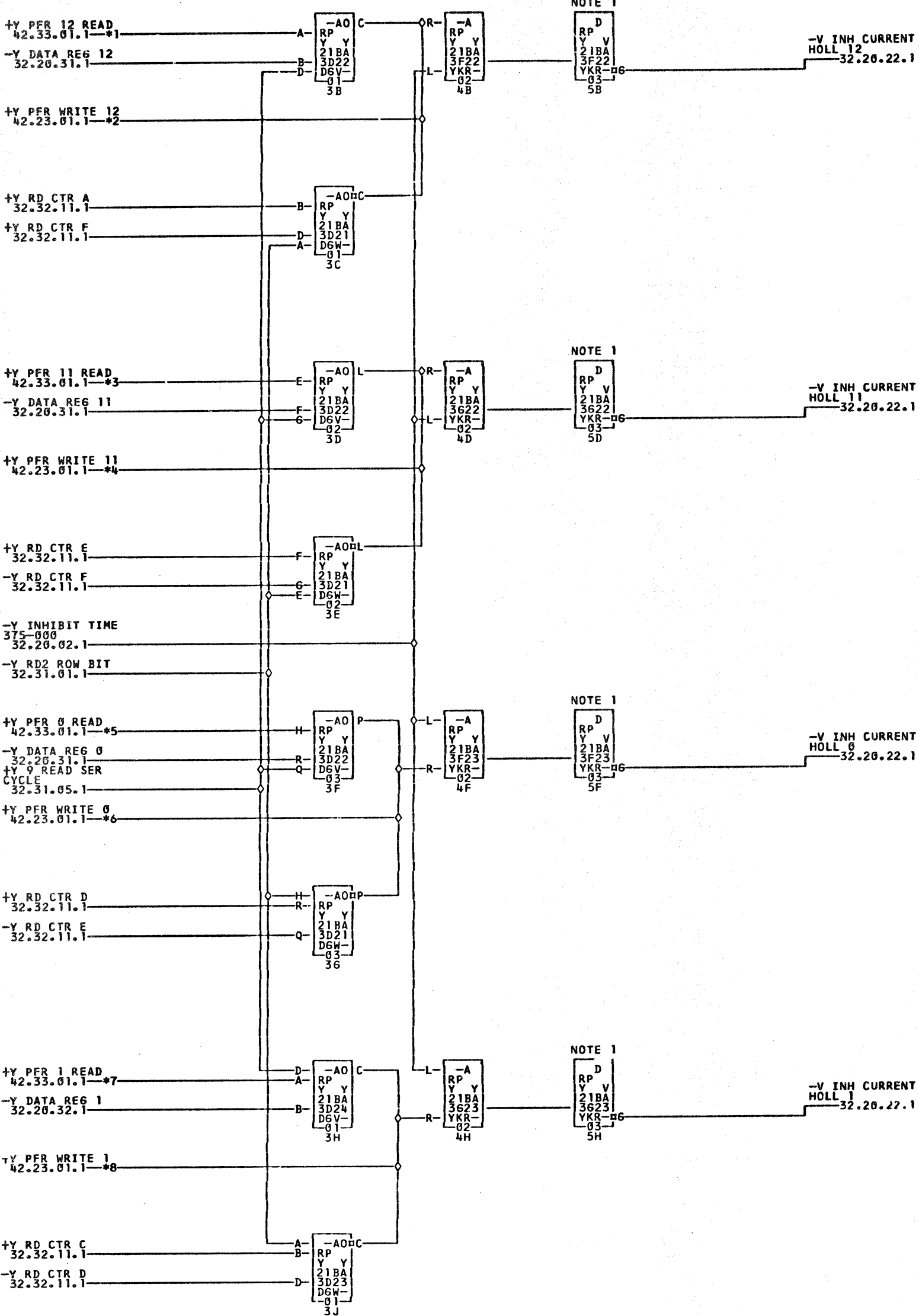
==== 21B1T07C
 == CERPA030

*3-21B3B31R
 *6-21B3T07D

==== 21B4B02R
 == 21B1T07D

MDM.4040-4061-4440-4461-5021-5421

TAG	DATE	E.C.NO.	TAG	DATE	E.C.NO.	TAG	DATE	E.C.NO.	TAG	DATE	E.C.NO.
A	09-01-64	121550L	B	10-15-64	121567	C	11-10-64	121572	D	12-19-64	121583
E	02-15-65	121594	F	03-18-65	121598	G	04-26-65	124237	H	03-10-67	125658



NOTE 1

NOTE 1

NOTE 1

NOTE 1

*1-21B3E32A
*7-21B3E32D

*2-21B3D32A
*8-21B3D32D

*3-21B3E32B

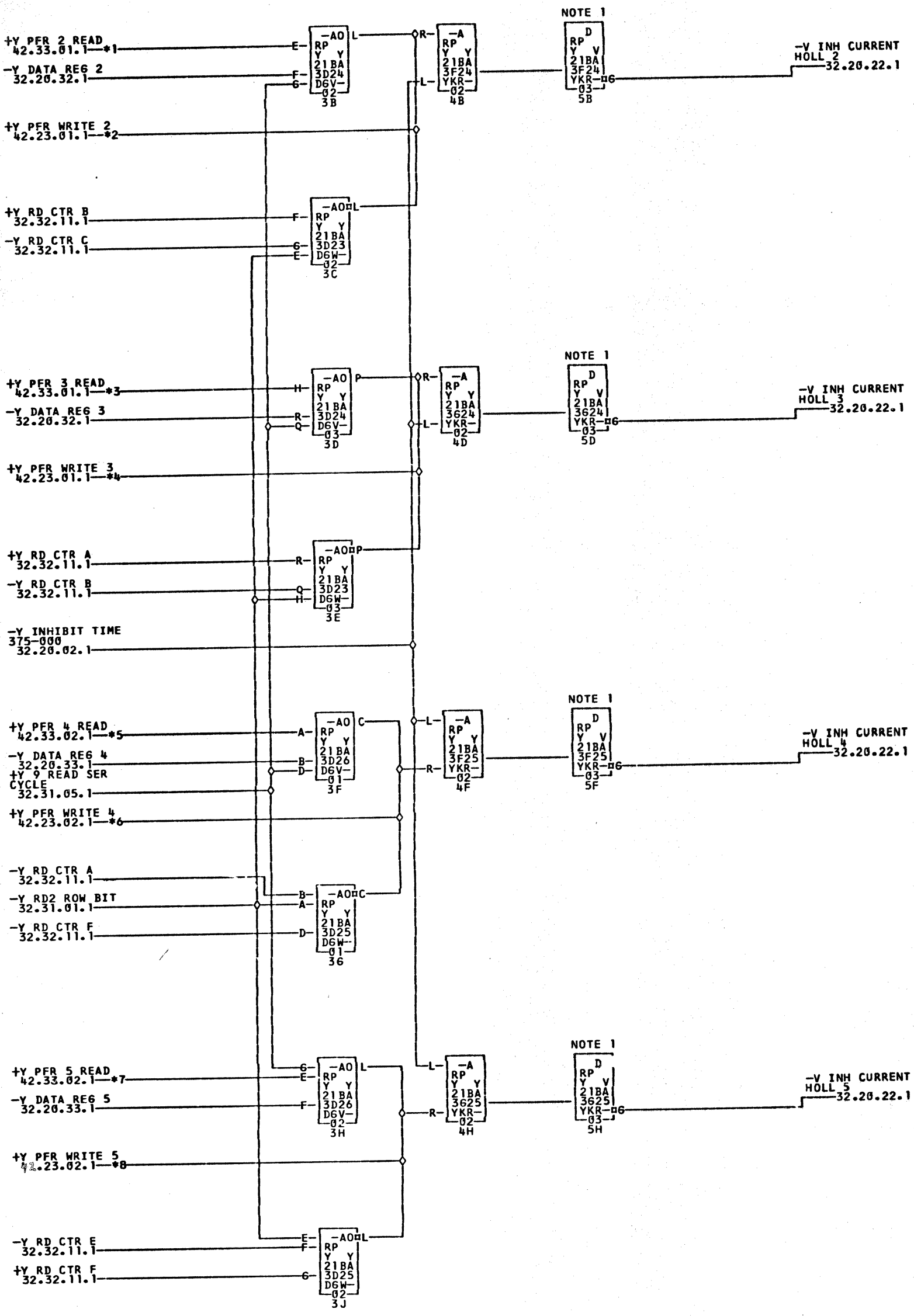
*4-21B3D32B

*5-21B3E32C

*6-21B3D32C

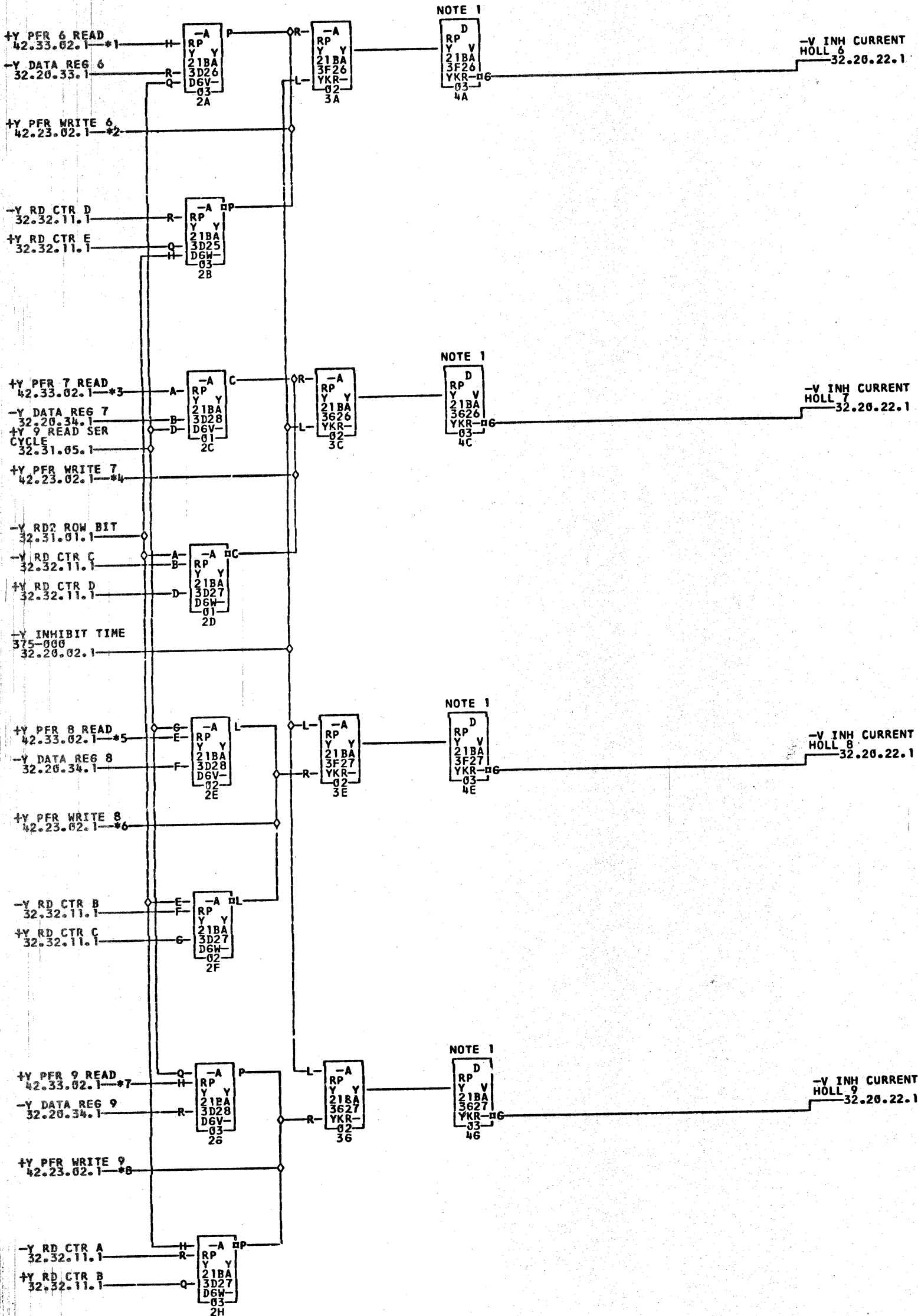
NOTE 1—INHIBIT CURRENT 228MA MIN, 242MA MAX, 250MA NOMINAL. MDM.4041-4441

TAG	DATE	E.C.NO.	TAG	DATE	E.C.NO.	TAG	DATE	E.C.NO.	TAG	DATE	E.C.NO.
A	09-01-64	121550L	B	10-15-64	121567	C	03-18-65	121598	D	03-10-67	125658



- *1—21B3E32E
- *2—21B3D32E
- *3—21B3E32F
- *4—21B3D32F
- *5—21B3E326
- *6—21B3D326
- *7—21B3E32H
- *8—21B3D32H

NOTE	COMMENTS	TAG	DATE	E.C.NO.	TAG	DATE	E.C.NO.	TAG	DATE	E.C.NO.	TAG	DATE	E.C.NO.
NOTE 1	INHIBIT CURRENT 228MA MIN, 262MA MAX, 250MA NOMINAL. MDH.4641-4441	A	09-01-64	121550L	B	03-18-65	121598	C	03-10-67	125658			



NOTE 1

NOTE 1

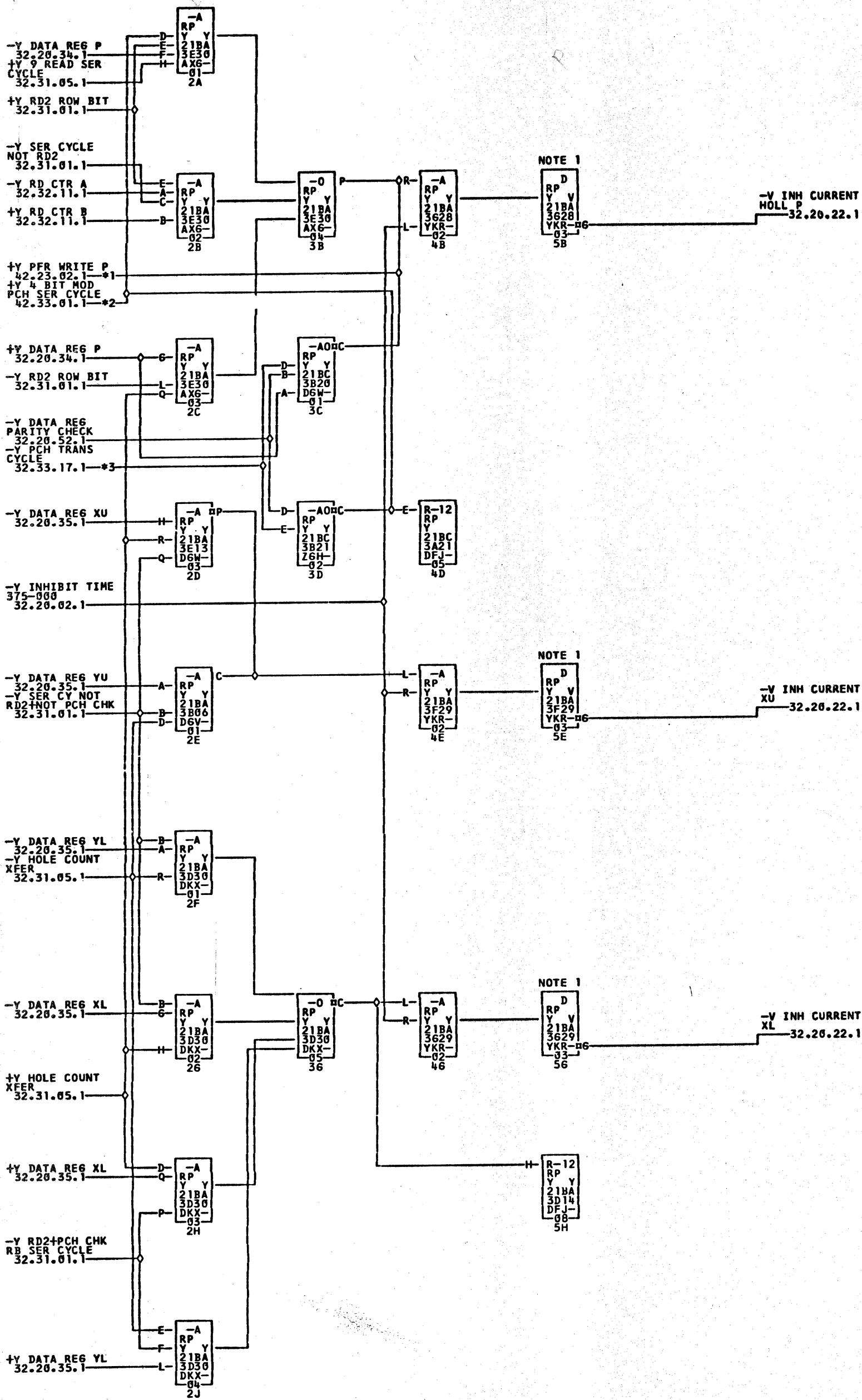
NOTE 1

NOTE 1

- *1—21B3E32K
- *2—21B3D32K
- *3—21B3E32L
- *4—21B3D32L
- *5—21B3E32M
- *6—21B3D32M
- *7—21B3E32N
- *8—21B3D32N

NOTE 1—INHIBIT CURRENT 228MA MIN,
262MA MAX, 250MA NOMINAL.
MDM.4041-4441

TAG	DATE	E.C.NO.	TAG	DATE	E.C.NO.	TAG	DATE	E.C.NO.	TAG	DATE	E.C.NO.
A	09-01-64	121550L	B	03-18-65	121598	C	03-10-67	125658			



*1-21B3A31F

*2-21B3E32R

*3-21B3T01D

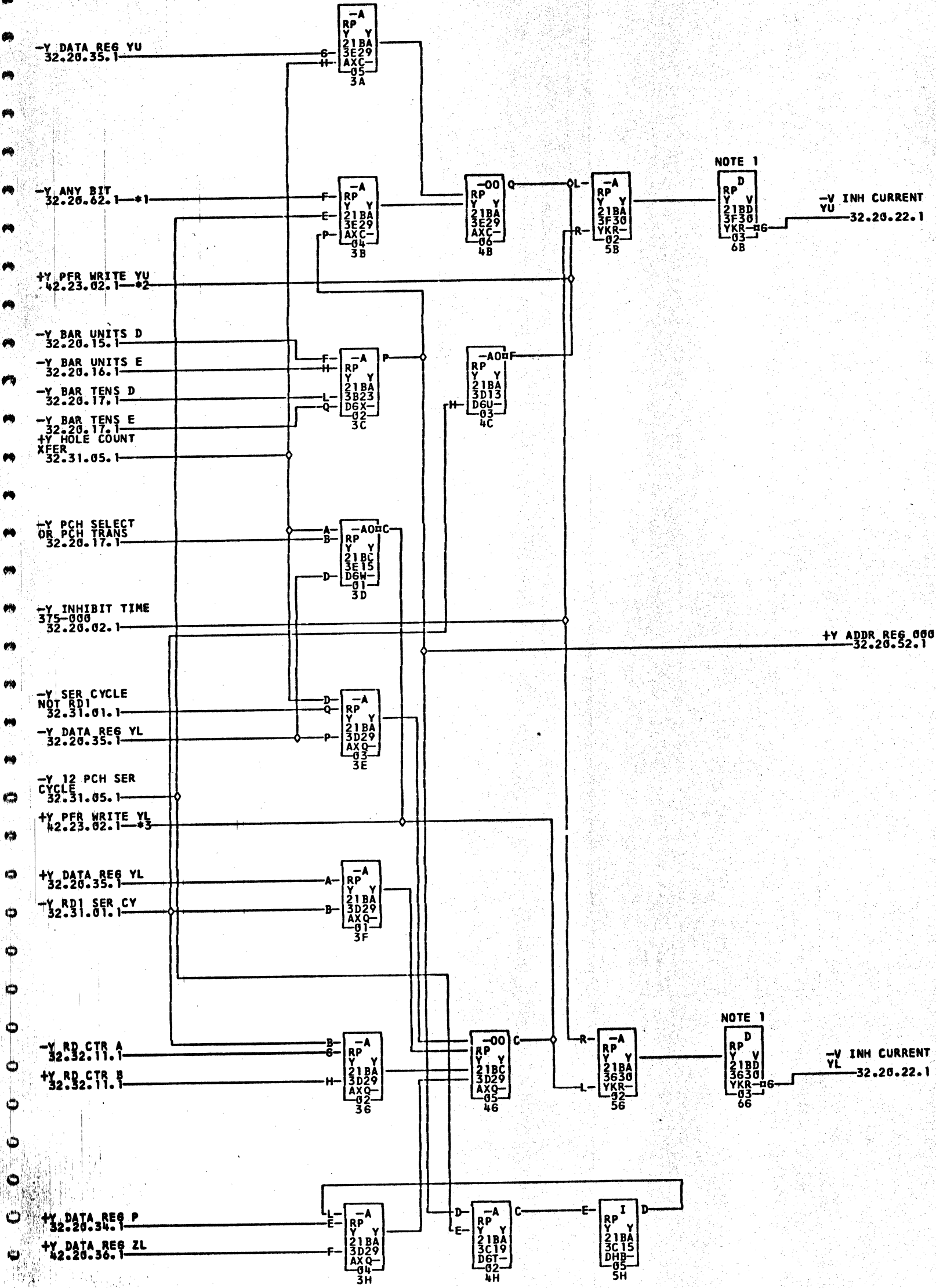
NOTE 1—INHIBIT CURRENTS
 242MA MAX, 250MA NOMINAL.
 MDM.4041-4441-5021-5421

TAG DATE E.C.NO.
 A 09-01-64 121550L
 E 03-10-67 125658

TAG DATE E.C.NO.
 B 10-15-64 121567

TAG DATE E.C.NO.
 C 12-19-64 121583

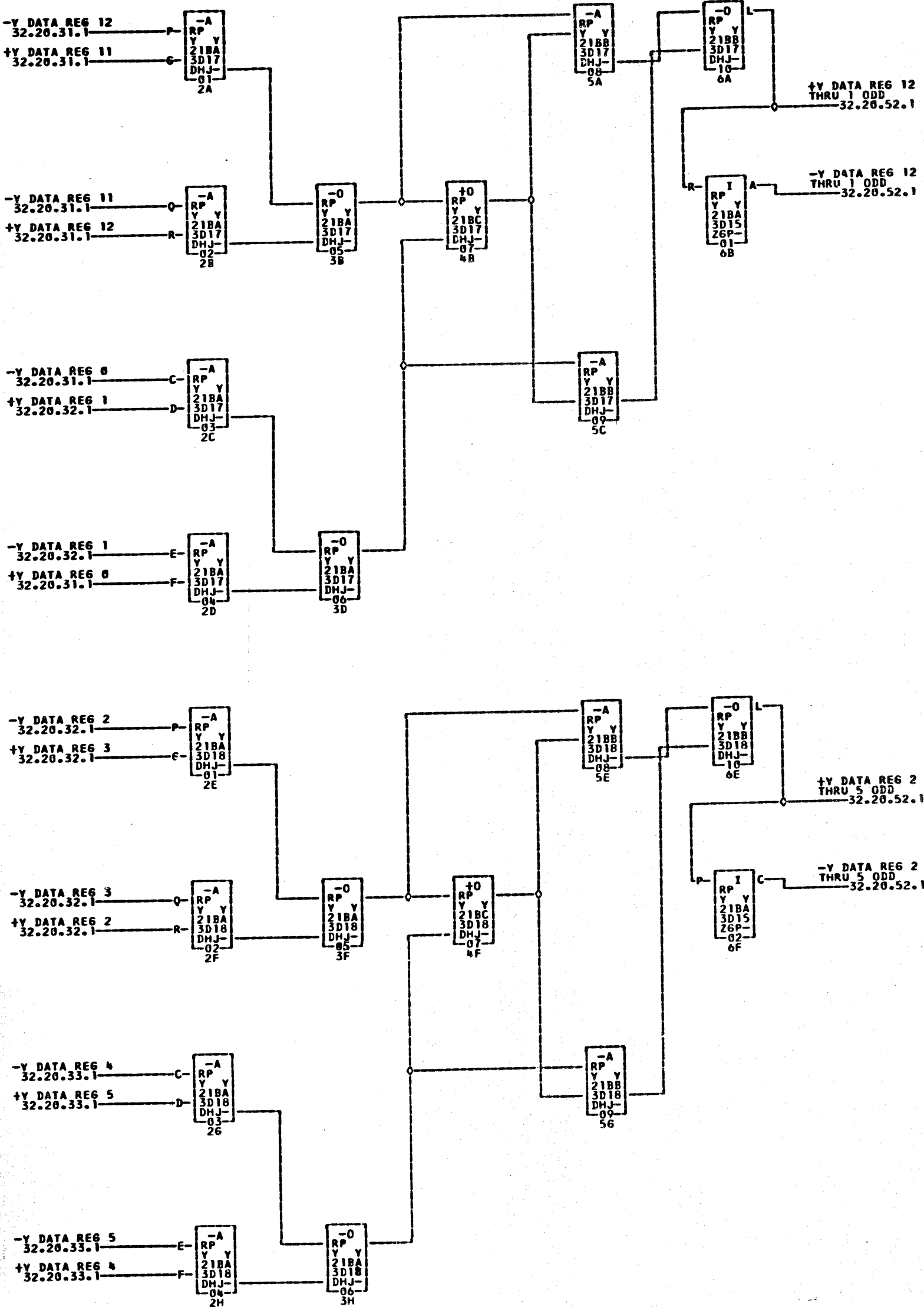
TAG DATE E.C.NO.
 D 03-18-65 121598



*1-21B3C32P *2-21B3D32Q *3-21B3D32P

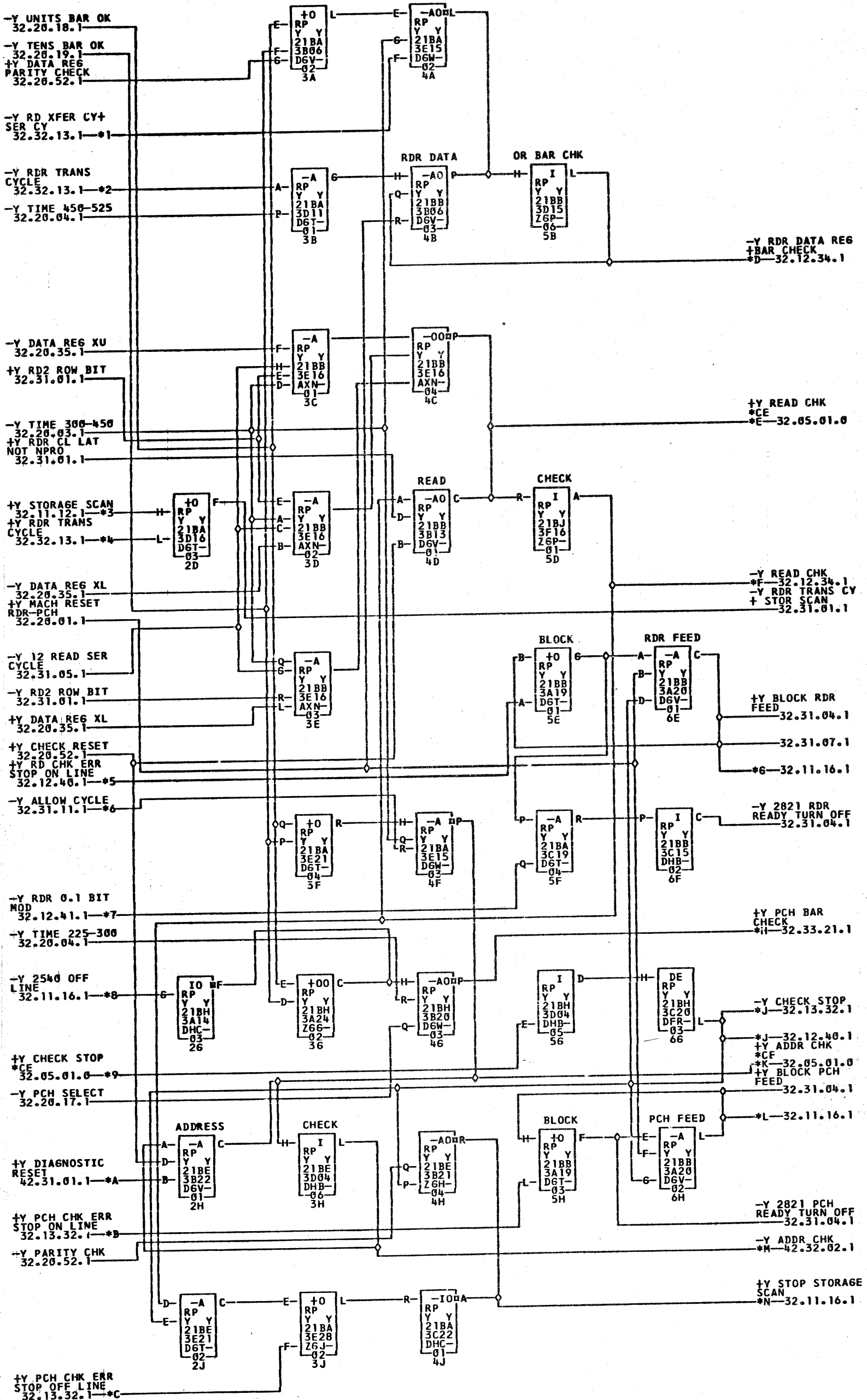
NOTE 1—INHIBIT CURRENTS
 262MA MAX., 250MA NOMINAL.
 MDR.5021-5421

TAG	DATE	E.C.NO.	TAG	DATE	E.C.NO.	TAG	DATE	E.C.NO.	TAG	DATE	E.C.NO.
A	09-01-64	121550L	B	10-15-64	121567	C	04-26-65	124237	D	03-10-67	125658



COMMENTS

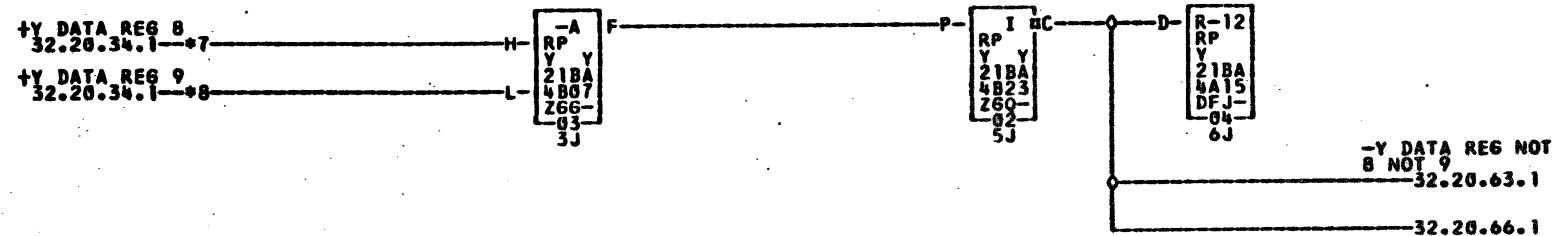
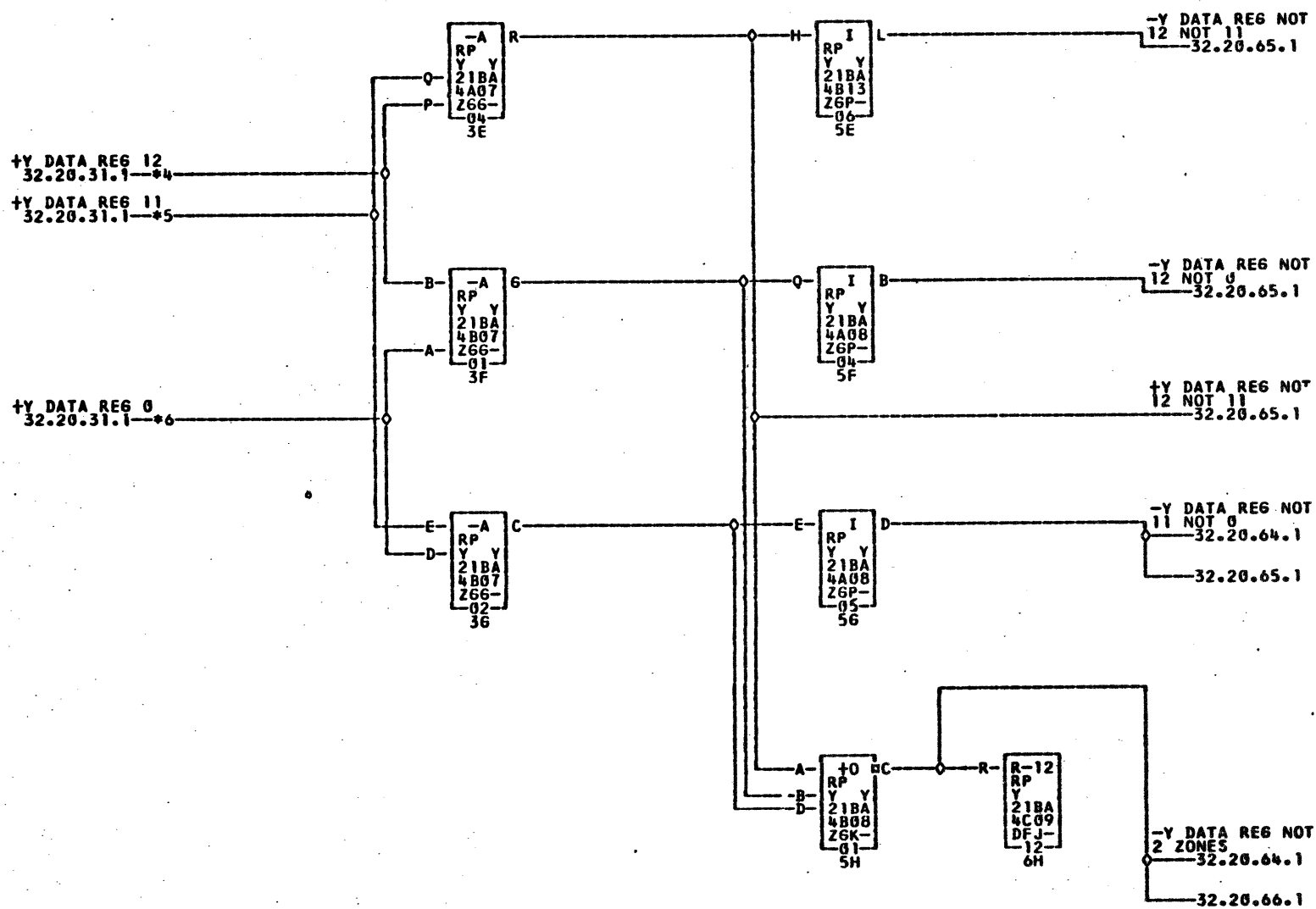
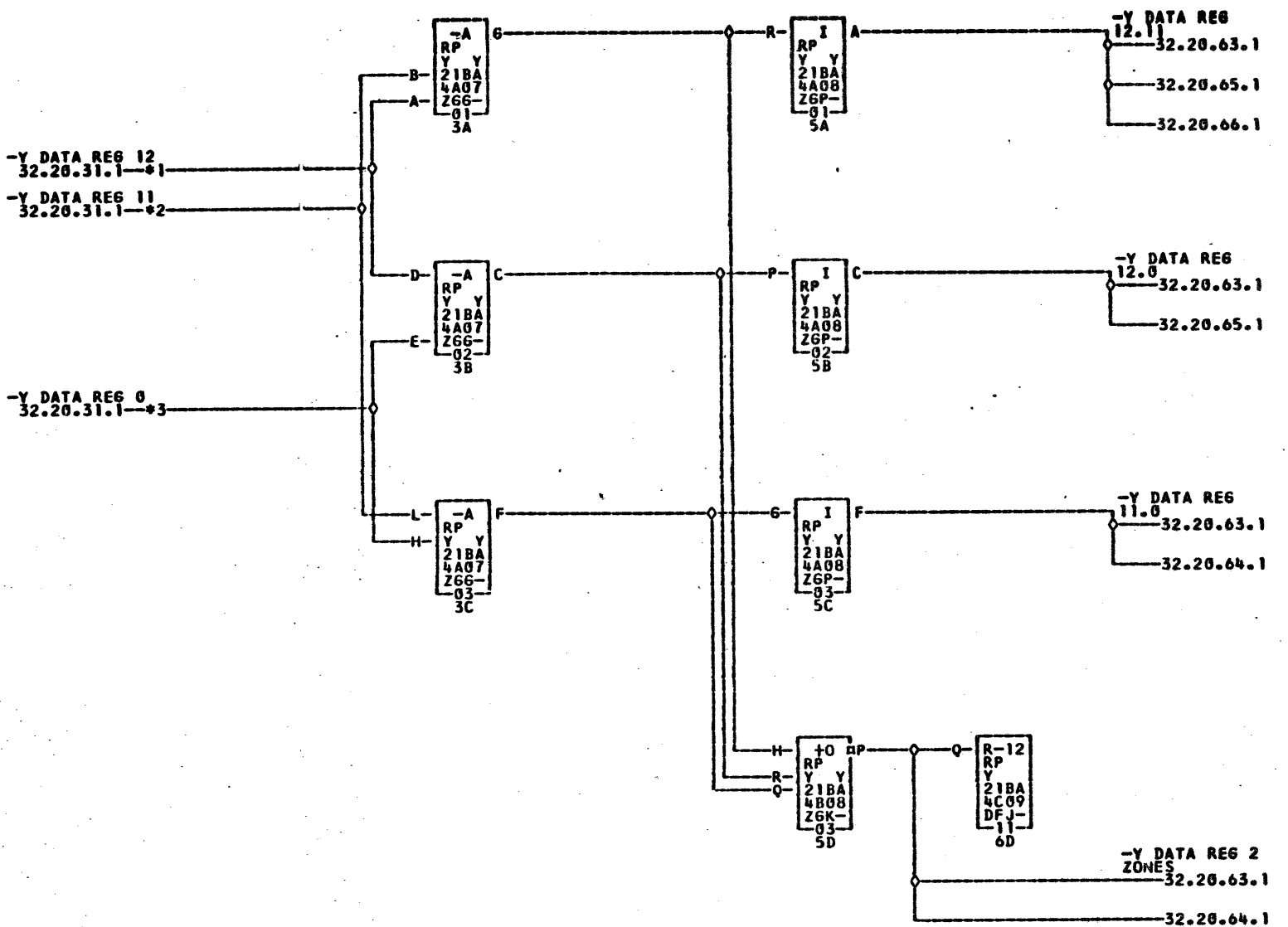
TAG	DATE	E.C.NO.	TAG	DATE	E.C.NO.	TAG	DATE	E.C.NO.
A	09-01-64	12155UL	B	12-19-64	121583	C	11-19-65	125601



- *1-21B3T10C
- *2-21B3T20D
- *3-21B3T25A
- *4-21B3T03A
- *5-21B3T28A
- *6-21B3T17B
- *7-21B3T31C
- *8-21B3T23A
- *9-21B3D01L
- *A-21B3F32N
- *B-21B3T28B
- *C-21B3A01C
- *D-21B3T04B
- *E-21B3C03N
- *F-21B3T28C
- *G-21B3T32C
- *H-21B3T31D
- *I-21B1T04B
- *J-21B3C03N
- *K-21B3D01M
- *L-21B3T31D
- *M-21B3A01C
- *N-21B1T25C
- *O-21B3D01M
- *P-21B3T28C
- *Q-21B1T28C
- *R-21B3T28C
- *S-21B3F01M
- *T-21B4F01M
- *U-21B3T28C

TAG	DATE	E.C.NO.	TAG	DATE	E.C.NO.	TAG	DATE	E.C.NO.	TAG	DATE	E.C.NO.
A	09-01-64	121558L	B	10-15-64	121567	C	11-10-64	121572	D	12-19-64	121583
J	02-15-65	121594	F	03-18-65	121598	G	11-19-65	125601	H	06-23-66	125647
J	03-10-67	125658									

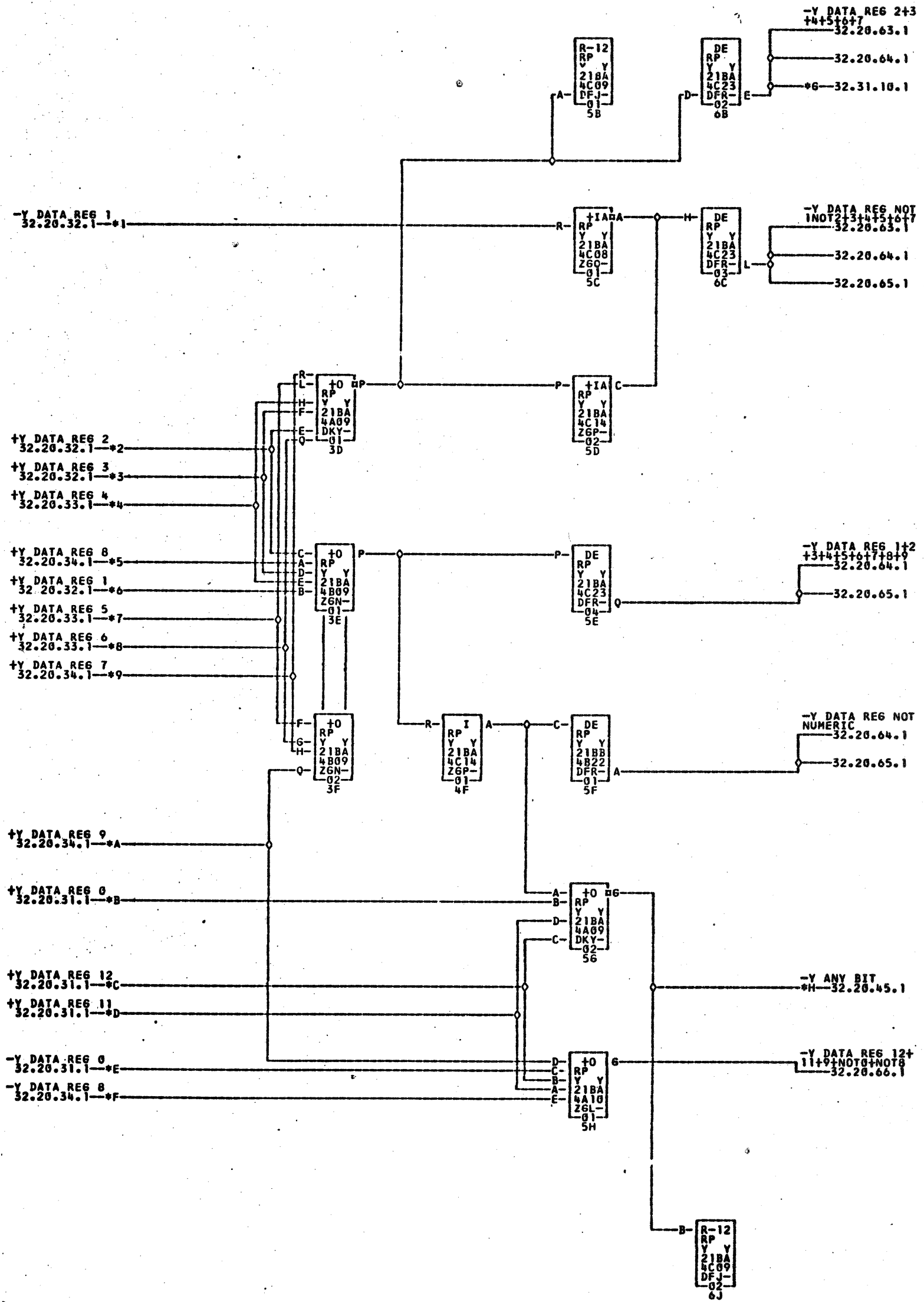
COMMENTS
MDM. 3040-3060-4020-5021



- *1—21B4F02D *2—21B4F02E *3—21B4F02F *4—21B4E026 *5—21B4E02H *6—21B4E02K
- *7—21B4F02B *8—21B4F02C

COMMENTS

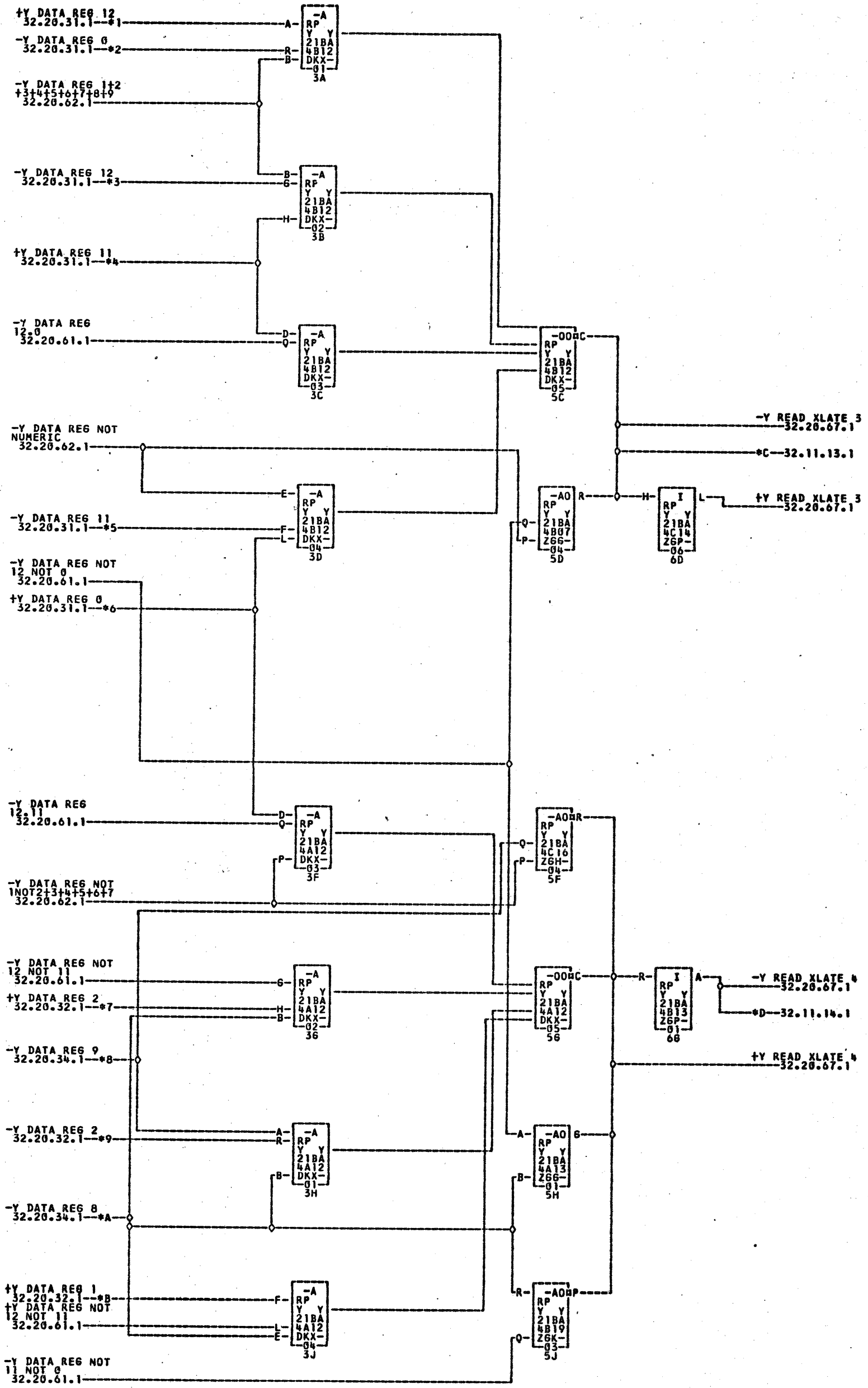
TAG	DATE	E.C.NO.	TAG	DATE	E.C.NO.	TAG	DATE	E.C.NO.	TAG	DATE	E.C.NO.
A	09-02-64	121550M	B	10-16-64	121567						



- *1-21B4F026
- *2-21B4E02M
- *3-21B4E02N
- *4-21B4E02P
- *5-21B4F02B
- *6-21B4E02L
- *7-21B4E02O
- *8-21B4E02R
- *9-21B4F02A
- *A-21B4F02C
- *B-21B4E02K
- *C-21B4E02G
- *D-21B4E02H
- *E-21B4F02F
- *F-21B4F02Q
- *G-21B4A03A
- *H-21B4C01P
- 21B3C32P
- 21B1C32A

COMMENTS

TAG	DATE	E.C.NO.	TAG	DATE	E.C.NO.	TAG	DATE	E.C.NO.	TAG	DATE	E.C.NO.
A	09-02-64	121550M	B	10-16-64	121567						



- *1--21B4E026
- *2--21B4F02F
- *3--21B4F02D
- *4--21B4F02H
- *5--21B4F02E
- *6--21B4E02K
- *7--21B4E02M
- *8--21B4F02R
- *9--21B4F02H
- *A--21B4F02Q
- *B--21B4E02L
- *C--21B4A03H
- *D--21B4A03G
- *E--21B4F02H
- *F--21B4F02H

COMMENTS TAG DATE E.C.NO. TAG DATE E.C.NO. TAG DATE E.C.NO. TAG DATE E.C.NO.

A 09-02-64 121550M

-Y PCH TRANS CYCLE

32.33.17.1-#1

-Y READ XLATE 0

32.20.63.1

+Y CHAN REG 0

32.11.12.1-#2

-Y TIME 375-450

32.20.04.1-#3

-Y READ XLATE 4

32.20.65.1

+Y CHAN REG 4

32.11.14.1-#4

+Y READ XLATE 0

32.20.63.1

-Y CHAN REG 0

32.11.12.1-#5

-Y BLOCK PCH TRANSLATE CHK

42.11.01.1

+Y READ XLATE 4

32.20.65.1

-Y CHAN REG 4

32.11.14.1-#6

-Y READ XLATE 1

32.20.64.1

+Y CHAN REG 1

32.11.12.1-#7

-Y READ XLATE 5

32.20.66.1

+Y CHAN REG 5

32.11.14.1-#8

+Y READ XLATE 1

32.20.64.1

-Y CHAN REG 1

32.11.12.1-#9

+Y READ XLATE 5

32.20.66.1

-Y CHAN REG 5

32.11.14.1-#A

-Y READ XLATE 2

32.20.64.1

+Y CHAN REG 2

32.11.13.1-#B

-Y READ XLATE 6

32.20.66.1

+Y CHAN REG 6

32.11.15.1-#C

+Y READ XLATE 2

32.20.64.1

-Y CHAN REG 2

32.11.13.1-#D

+Y READ XLATE 6

32.20.66.1

-Y CHAN REG 6

32.11.15.1-#E

-Y TIME 450-525

32.20.04.1-#F

-Y READ XLATE 3

32.20.65.1

+Y CHAN REG 3

32.11.13.1-#G

-Y DIAGNOSTIC PCH CHK CYCLE

42.31.01.1

-Y READ XLATE 7

32.20.66.1

+Y CHAN REG 7

32.11.15.1-#H

+Y READ XLATE 3

32.20.65.1

-Y CHAN REG 3

32.11.13.1-#J

+Y READ XLATE 7

32.20.66.1

-Y CHAN REG 7

32.11.15.1-#K

+Y MACH RESET

RDR-PCH

32.20.01.1-#L

+Y CHECK RESET

32.20.52.1-#M

+Y PCH TRANSLATE CHECK

LN-32.33.21.1

-Y PCH TRANSLATE CHK

CHECK *CE

42.32.02.1

+Y PCH XLATE CHECK *CE

*P-32.05.01.0

*1-21B4A030
*2-21B4B038
*3-21B4B038
*4-21B4C03A
*5-21B4C03A
*6-21B4C03A
*7-21B4C03A
*8-21B4C03A
*9-21B4C03A
*A-21B4C03A
*B-21B4C03A
*C-21B4C03A
*D-21B4C03A
*E-21B4C03A
*F-21B4C03A
*G-21B4C03A
*H-21B4C03A
*I-21B4C03A
*J-21B4C03A
*K-21B4C03A
*L-21B4C03A
*M-21B4C03A

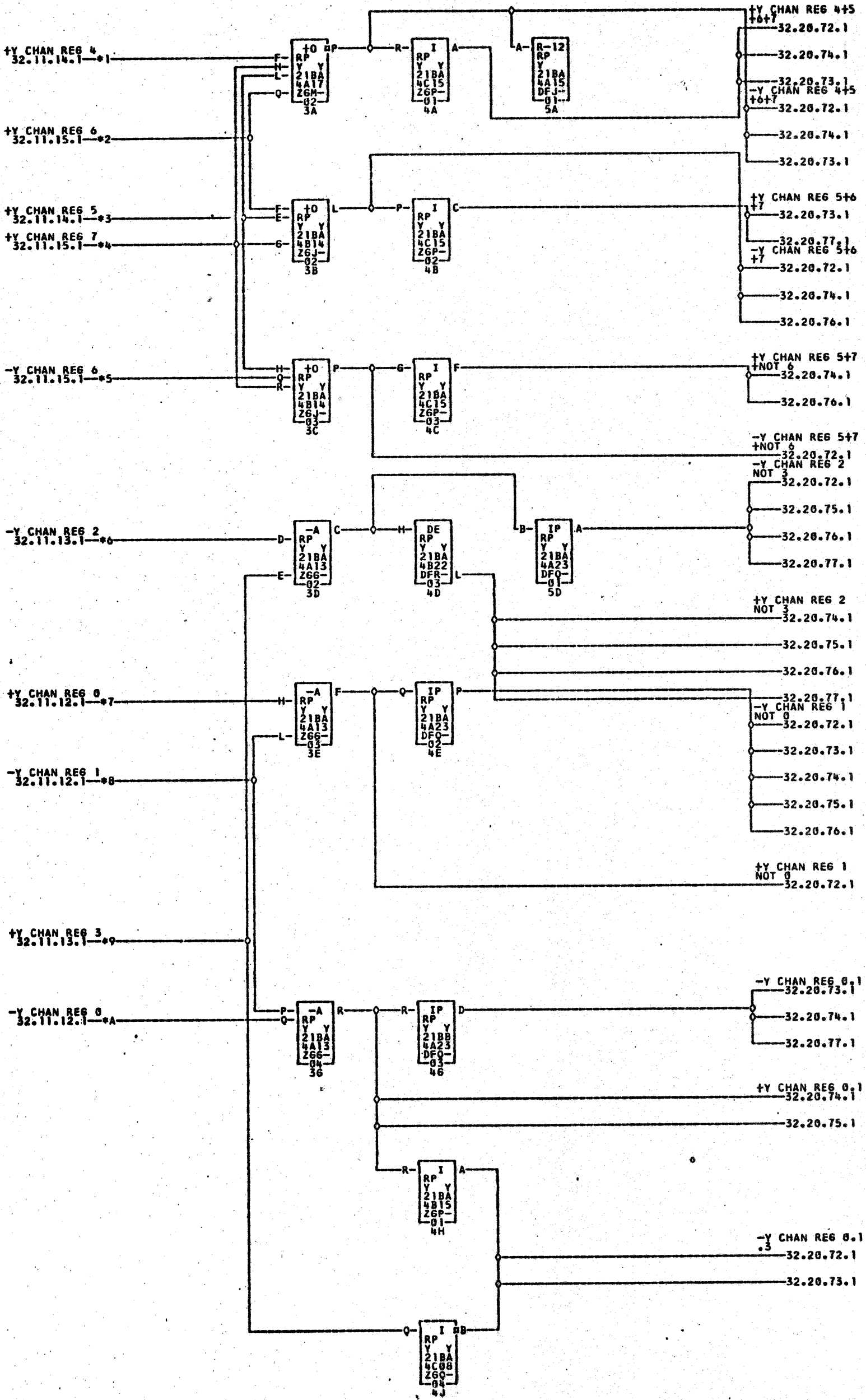
*1-21B4B03A
*2-21B4B03F
*3-21B4B03R
*4-21B4B03R
*5-21B4B03R
*6-21B4B03R
*7-21B4B03R
*8-21B4B03R
*9-21B4B03R
*A-21B4B03R
*B-21B4B03R
*C-21B4B03R
*D-21B4B03R
*E-21B4B03R
*F-21B4B03R
*G-21B4B03R
*H-21B4B03R
*I-21B4B03R
*J-21B4B03R
*K-21B4B03R
*L-21B4B03R
*M-21B4B03R

*1-21B4A01D
*2-21B4B03L
*3-21B4A01F
*4-21B4A02M
*5-21B4A02M
*6-21B4A02M
*7-21B4A02M
*8-21B4A02M
*9-21B4A02M
*A-21B4A02M
*B-21B4A02M
*C-21B4A02M
*D-21B4A02M
*E-21B4A02M
*F-21B4A02M
*G-21B4A02M
*H-21B4A02M
*I-21B4A02M
*J-21B4A02M
*K-21B4A02M
*L-21B4A02M
*M-21B4A02M

*1-21B4B03E
*2-21B4B03O
*3-21B4B03D
*4-21B4B03P
*5-21B4B03K
*6-21B4B03K
*7-21B4B03K
*8-21B4B03K
*9-21B4B03K
*A-21B4B03K
*B-21B4B03K
*C-21B4B03K
*D-21B4B03K
*E-21B4B03K
*F-21B4B03K
*G-21B4B03K
*H-21B4B03K
*I-21B4B03K
*J-21B4B03K
*K-21B4B03K
*L-21B4B03K
*M-21B4B03K

*1-21B4B03K
*2-21B4B03K
*3-21B4B03K
*4-21B4B03K
*5-21B4B03K
*6-21B4B03K
*7-21B4B03K
*8-21B4B03K
*9-21B4B03K
*A-21B4B03K
*B-21B4B03K
*C-21B4B03K
*D-21B4B03K
*E-21B4B03K
*F-21B4B03K
*G-21B4B03K
*H-21B4B03K
*I-21B4B03K
*J-21B4B03K
*K-21B4B03K
*L-21B4B03K
*M-21B4B03K

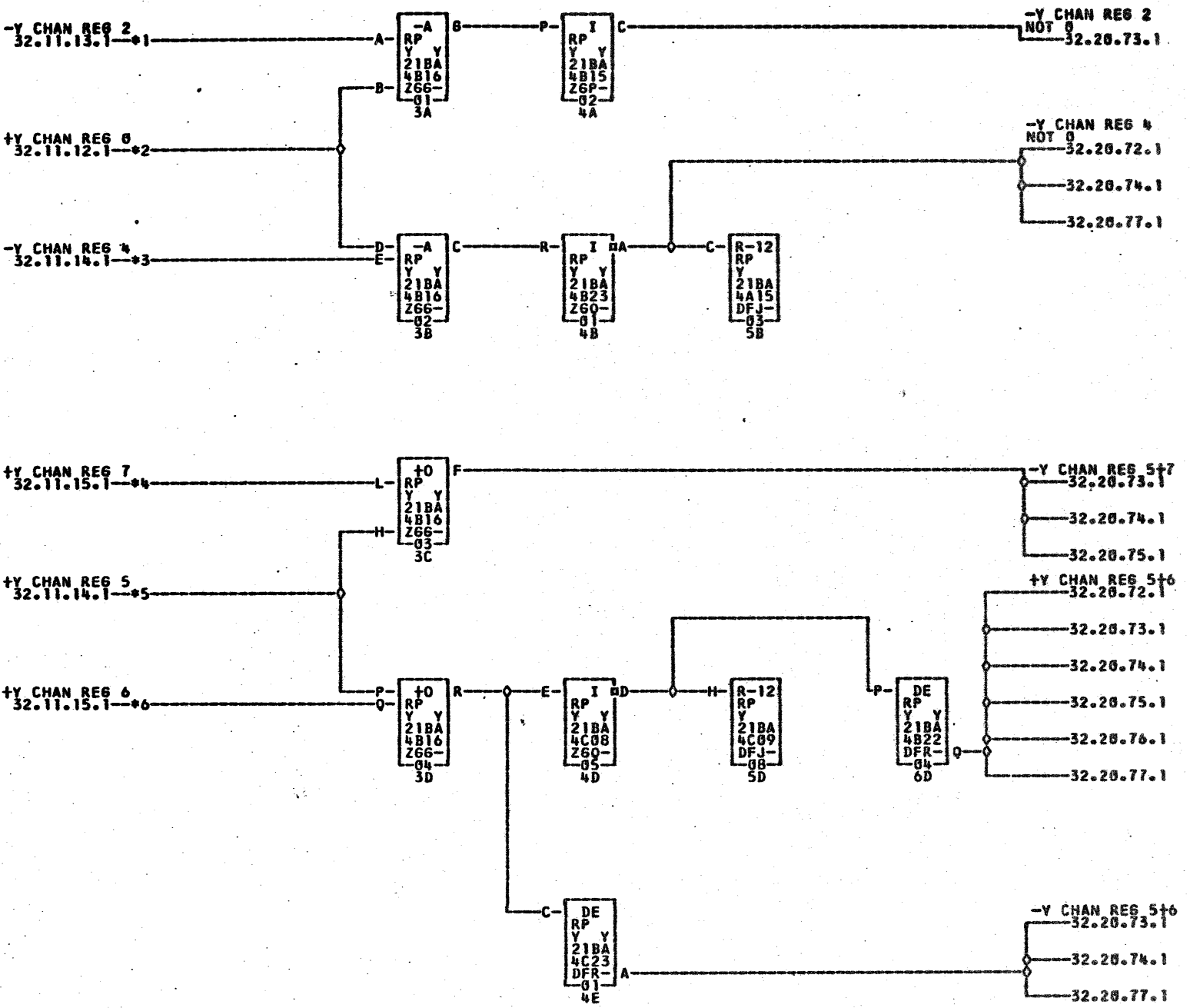
*1-21B4B03P
*2-21B4B03G
*3-21B4B03N
*4-21B4B03N
*5-21B4B03N
*6-21B4B03N
*7-21B4B03N
*8-21B4B03N
*9-21B4B03N
*A-21B4B03N
*B-21B4B03N
*C-21B4B03N
*D-21B4B03N
*E-21B4B03N
*F-21B4B03N
*G-21B4B03N
*H-21B4B03N
*I-21B4B03N
*J-21B4B03N
*K-21B4B03N
*L-21B4B03N
*M-21B4B03N



- *1-21B4B03E
- *2-21B4B036
- *3-21B4B03F
- *4-21B4B03H
- *5-21B4B03R
- *6-21B4B03M
- *7-21B4B03A
- *8-21B4B03L
- *9-21B4B03D
- *A-21B4B03K

COMMENTS

TAG	DATE	E.C.NO.	TAG	DATE	E.C.NO.	TAG	DATE	E.C.NO.	TAG	DATE	E.C.NO.
A	09-02-64	121550M	B	10-16-64	121567						



*1--21B4B03M

*2--21B4B03A

*3--21B4B03P

*4--21B4B03H

*5--21B4B03F

*6--21B4B03G

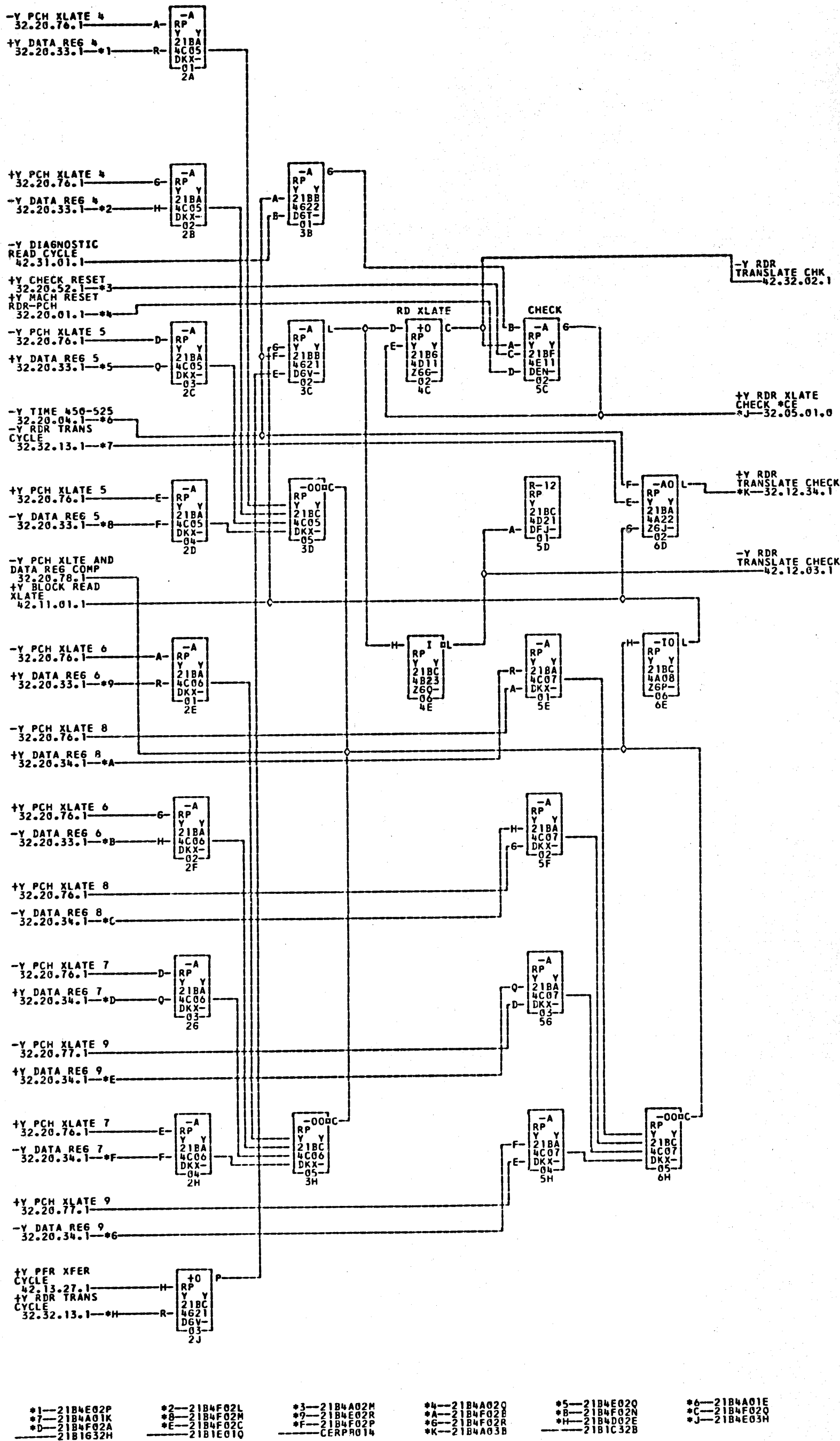
COMMENTS

TAG DATE E.C.NO.
A 09-02-64 121550M

TAG DATE E.C.NO.

TAG DATE E.C.NO.

TAG DATE E.C.NO.



*1-21B4E02P
 *7-21B4A01K
 *D-21B4F02A
 21B1632H

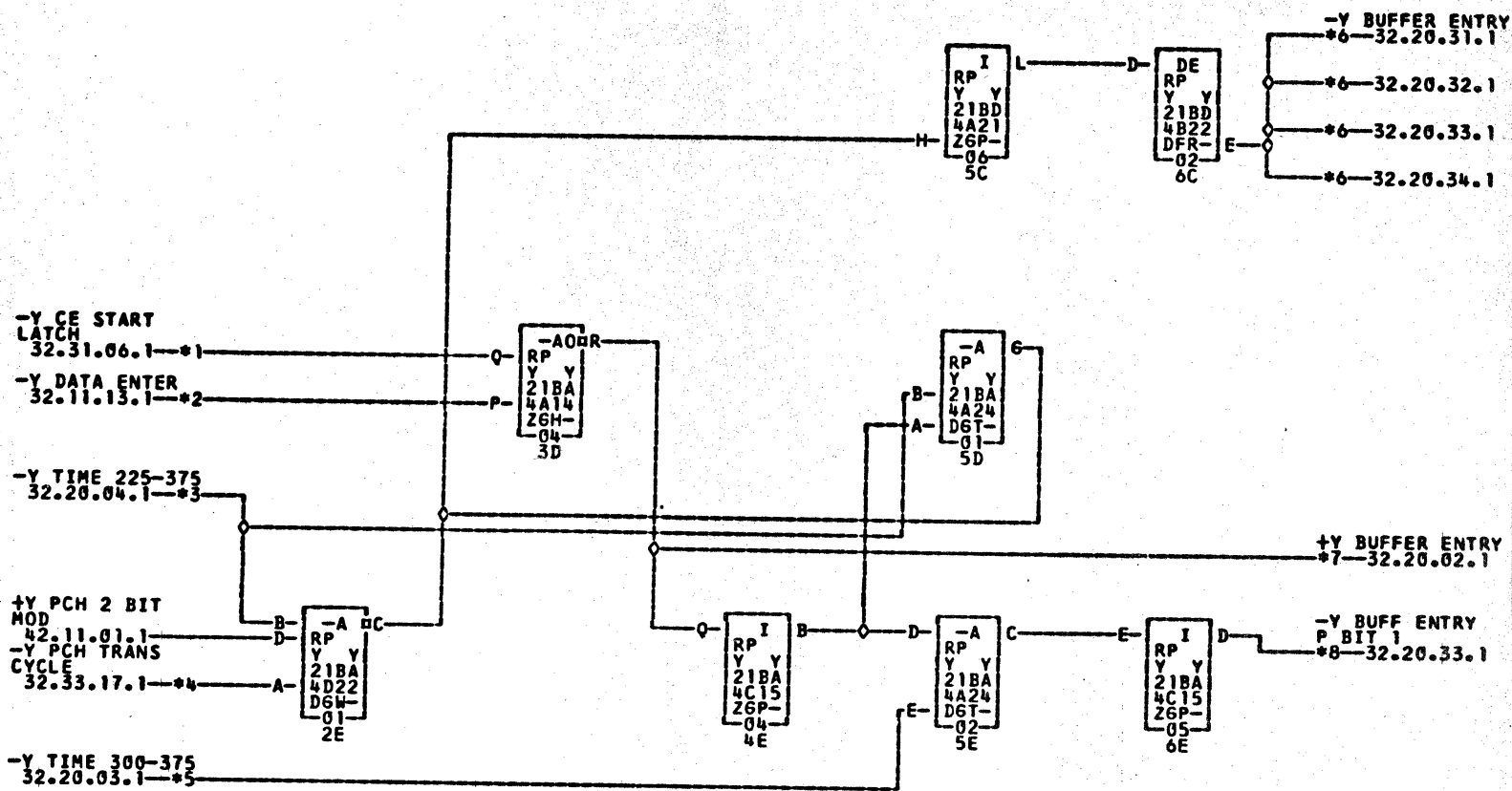
*2-21B4F02L
 *8-21B4F02M
 *E-21B4F02C
 21B1E01Q

*3-21B4A02M
 *9-21B4E02R
 *F-21B4F02P
 CERPR014

*4-21B4A02B
 *A-21B4F02B
 *G-21B4F02R
 *K-21B4A03B

*5-21B4E02O
 *B-21B4F02N
 *H-21B4D02E
 21B1C32B

*6-21B4A01E
 *C-21B4F02Q
 *J-21B4E03H

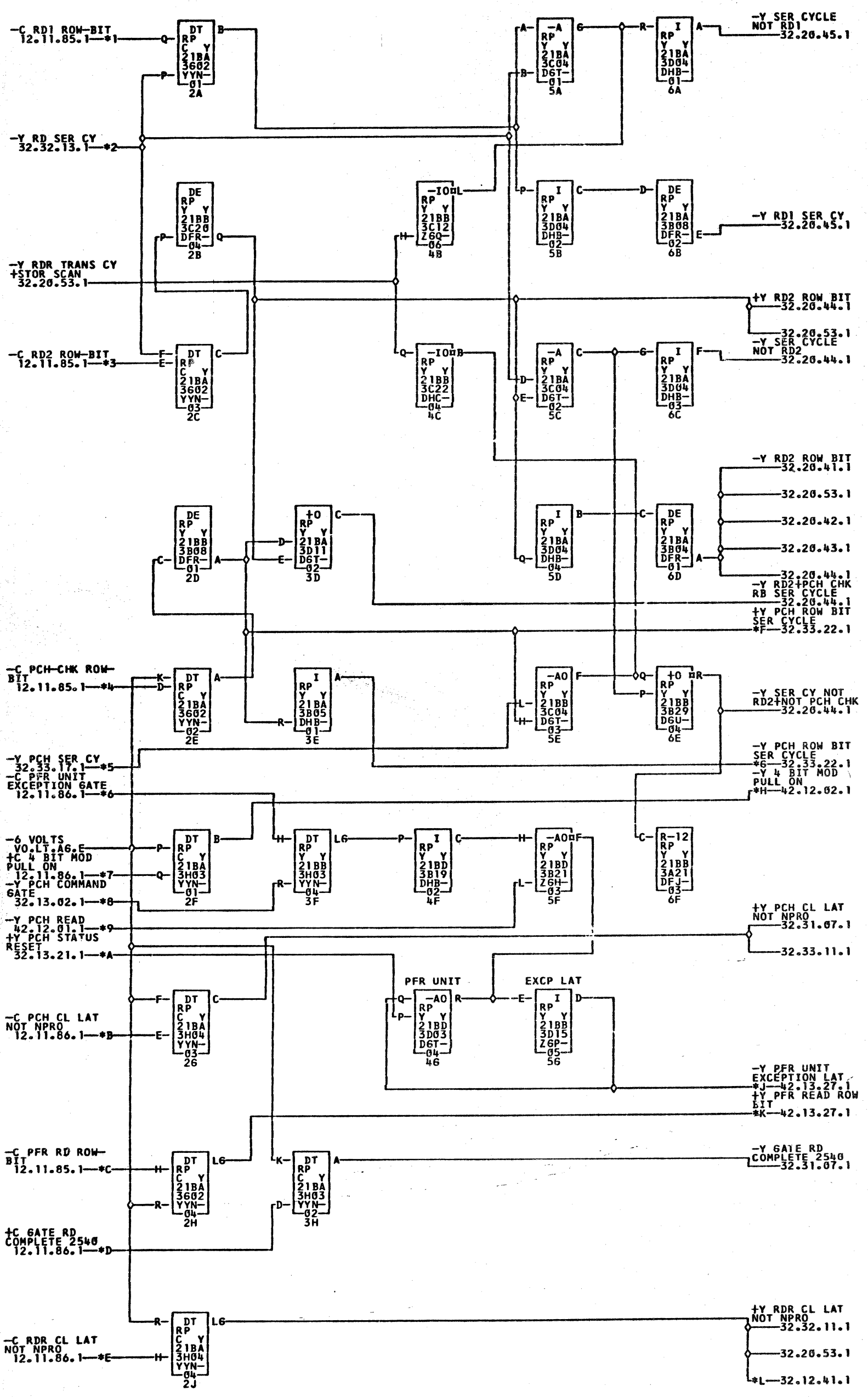


- *1-21B4A01C
21B3C32Q
- *2-21B4C036
21B4C01R
- *3-21B4A01F
21B3C32R
- *4-21B4A030
21B4E02E
- *5-21B4E02C
21B3632E
- *6-21B4C01Q

COMMENTS

TAG	DATE	E.C.NO.	TAG	DATE	E.C.NO.	TAG	DATE	E.C.NO.	TAG	DATE	E.C.NO.
A	09-02-64	121550M	B	10-16-64	121567	C	12-19-64	121583	D	02-15-65	121594

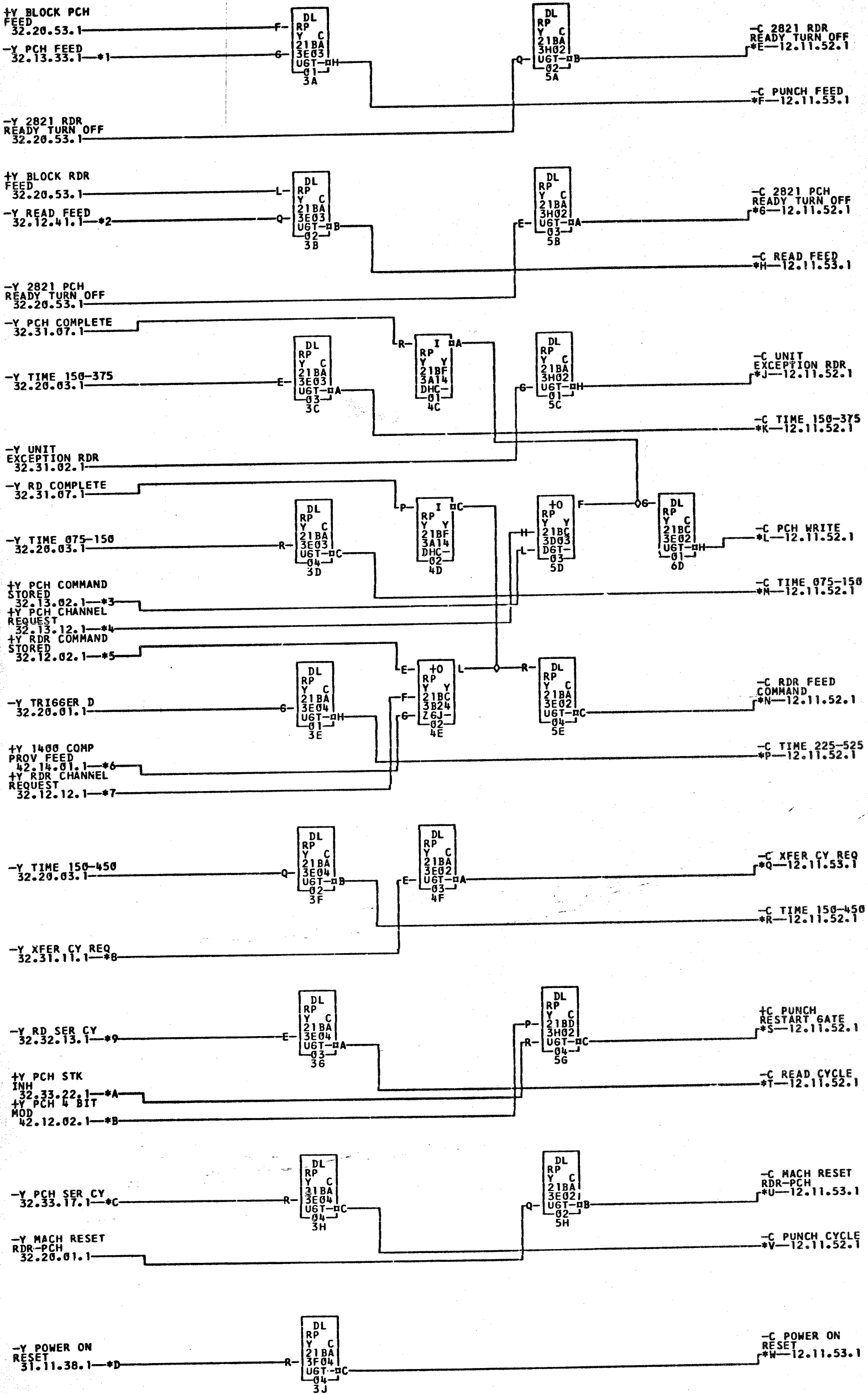
2-1



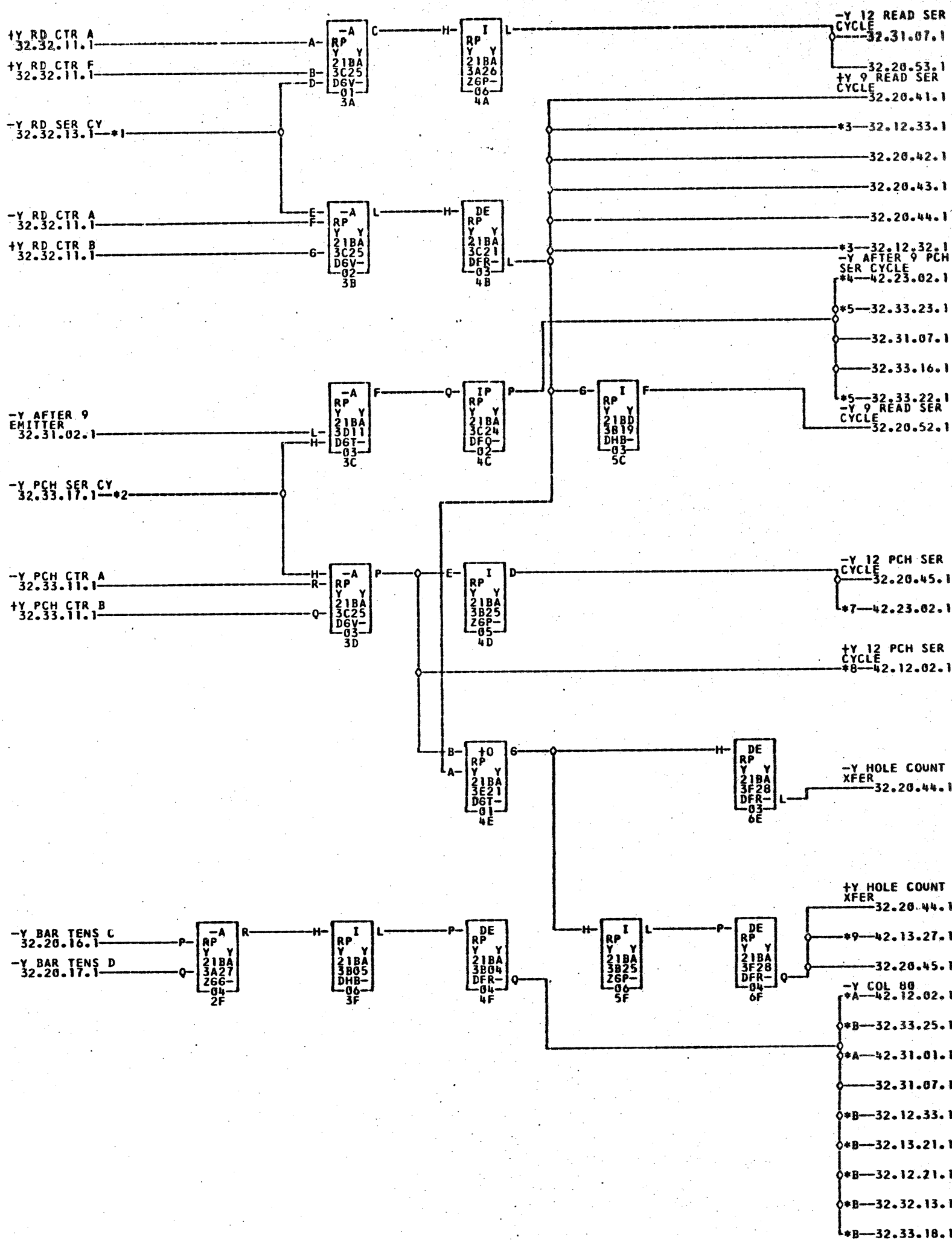
- *1-21B3E01A *4-21C1C24A *7-40A1C01A *2-21B3T19D *3-21B3E01B *6-21C1C24B
- 40A1C01B *5-21B3E01C *8-21C1C24C *9-21B3T20A *7-21B3F01P *8-21B3F01P
- 21C1C23P *6-40A1C02A *9-21C1C23D *0-40A1C02B *9-21B3F01D *0-21B3F01D
- *9-21B3A31P *A-21B3T32B *0-21C1C23E *1-40A1C02C *A-21B3F01A *1-21B3F01A
- 21C1C24D *1-40A1C01D *1-21C1C23F *2-40A1C02D *B-21B3F01B *2-21B3F01B
- 21C1C23A *2-40A1C02A *2-21C1C23G *3-40A1C02E *C-21B3F01C *3-21B3F01C
- *H-21B3E32Q *3-21B4E01Q *3-21B1T08C *4-21B1T08C *D-21B3T08C *4-21B3T08C
- *L-21B3A01P *4-21B1D01P *F-21B3A31E *5-21B4A02E *E-21B3A31E *5-21B3A31E
- *J-21B3A31E *K-21B3E32P *L-21B4E01P *6-21B3E32P *J-21B3E32P *6-21B3E32P

MDM.4020-5021-5421 COMMENTS

TAG	DATE	E.C.NO.	TAG	DATE	E.C.NO.	TAG	DATE	E.C.NO.	TAG	DATE	E.C.NO.
A	09-01-64	121558L	B	10-15-64	121567	C	11-10-64	121572	D	02-15-65	121594
E	03-18-65	121598	F	05-26-65	124248	G	04-28-66	125637	H	03-10-67	125658



- | | | | | | |
|-------------|-------------|-------------|-------------|-------------|-------------|
| *1-21B3T20B | *2-21B3T20C | *3-21B3T31A | *4-21B3A01B | *5-21B3T31B | *6-21B3F20H |
| *7-21B3A01A | *8-21B3Y29A | *9-21B3T19D | *A-21B3T25B | *B-21B3D32R | *C-21B3T20A |
| *D-21B3T20C | *E-21B3H01K | 21C1C21K | 40A1C04K | *F-21B3E01M | 21C1C24M |
| 40A1C01M | *G-21B3H01L | 21C1C21L | 40A1C04L | *H-21B3E01L | 21C1C24L |
| 40A1C01M | *J-21B3F01N | 21C1C23N | 40A1C02N | *K-21B3E01R | 21C1C24R |
| 40A1C01O | *L-21B3F01Q | 21C1C23Q | 40A1C02Q | *M-21B3E01Q | 21C1C24Q |
| 40A1C03O | *N-21B3F01R | 21C1C23R | 40A1C02R | *P-21B3E01P | 21C1C24P |
| 40A1C03O | *O-21B3F01S | 21C1C23S | 40A1C02S | *Q-21B3E01Q | 21C1C24Q |
| 40A1C03P | *S-21B3H01Q | 21C1C21Q | 40A1C04Q | *R-21B3E01N | 21C1C22N |
| 40A1C03N | *U-21B3E01P | 21C1C24P | 40A1C01P | *T-21B3E01M | 21C1C22M |
| 40A1C03M | *W-21B3E01N | 21C1C24N | 40A1C01N | *V-21B3E01M | |



*1-21B3T19D
 *5-21B3T12C
 *9-21B3B32P

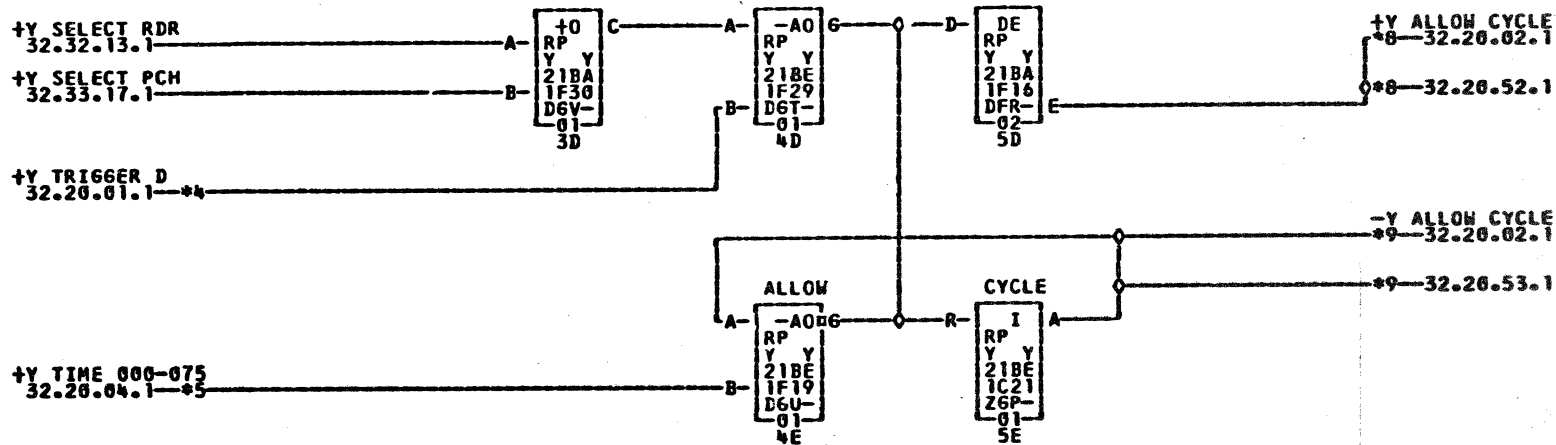
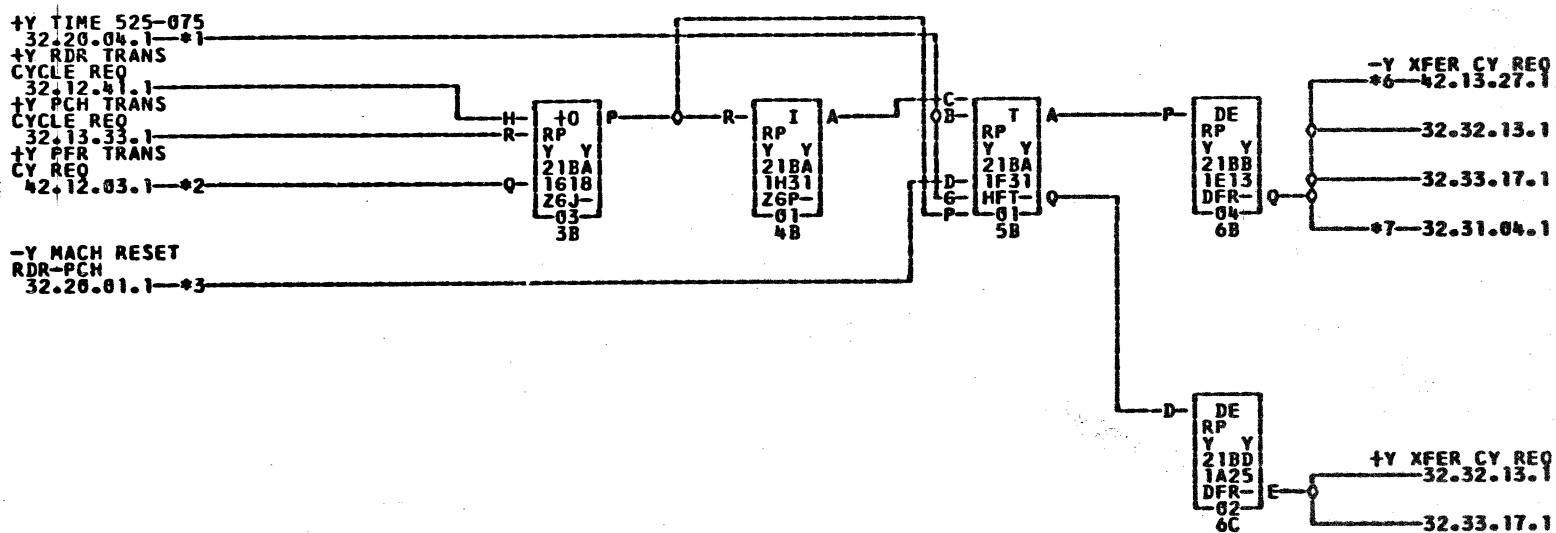
*2-21B3T20A
 21B1T12C
 21B4B01P

*3-21B3T12A
 *7-21B3A32M
 *A-21B3B32R

21B1T12A
 21B4A01M
 21B4B01R

*4-21B3A31A
 *8-21B3F32A
 *B-21B3T13A

21B4A02A
 21B4F01A
 21B1T13A



*1-21B1T04A
 21B4F03P
 21B3T17B

*2-21B1H32B
 *7-21B1T29A

*3-21B3T12D
 21B3T29A

*4-21B1T12B
 *8-21B1T15A

*5-21B1T01B
 21B3T15A

*6-21B1H32P
 *9-21B1T17B

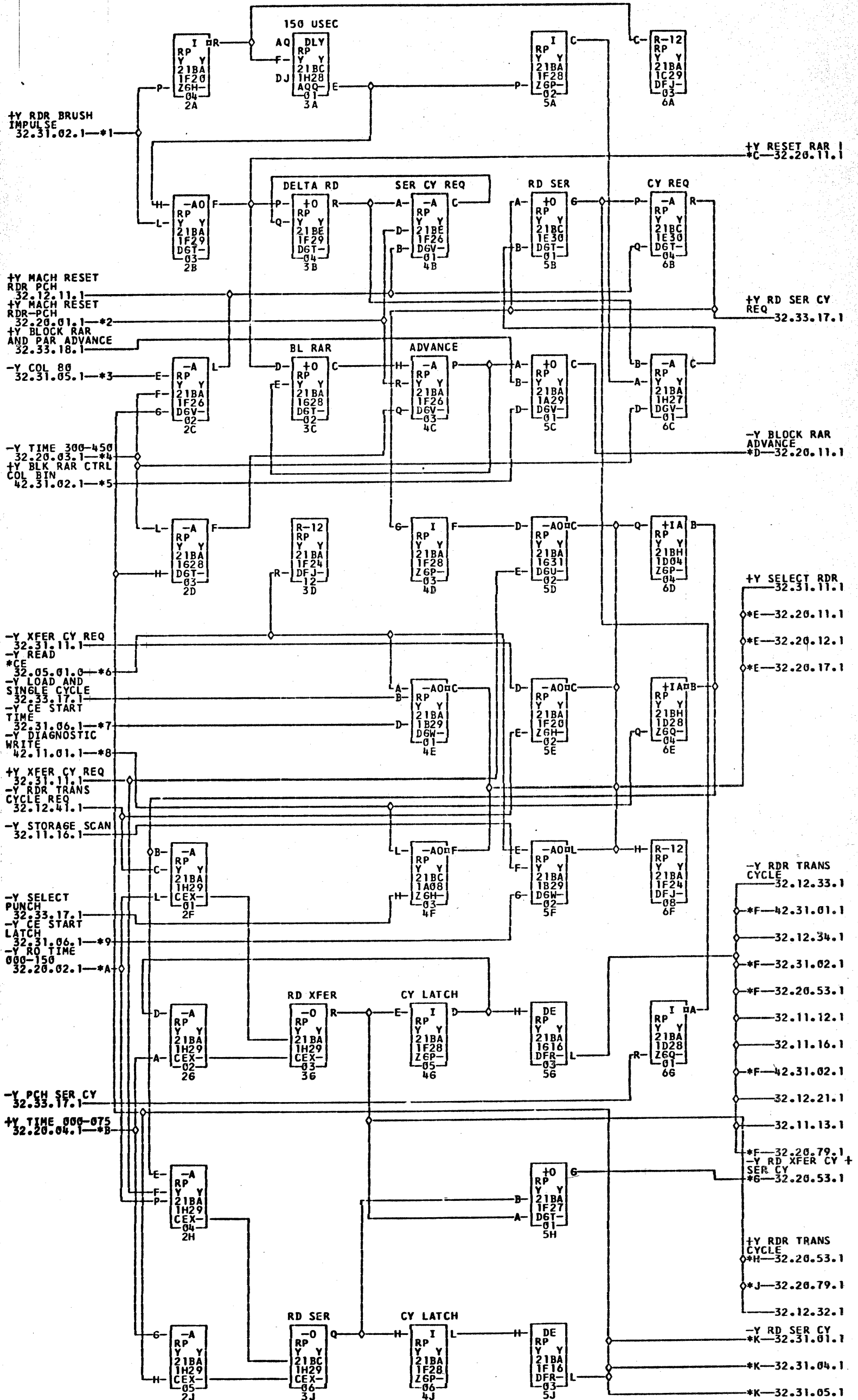
COMMENTS
 FSD.402-403-404-507

TAG DATE E.C.NO.
 A 09-01-64 121550K
 E 08-18-65 124270

TAG DATE E.C.NO.
 B 10-15-64 121567

TAG DATE E.C.NO.
 C 12-19-64 121583

TAG DATE E.C.NO.
 D 03-18-65 121598



- *1-21BIT09C
- *2-21BIT17A
- *3-21BIT18A
- *4-21BIT20D
- *5-21BIT03A

- *6-21BIT17A
- *7-21BIT16D
- *8-21B3T18A
- *9-21B3T17C
- *10-21B3T03A

- *11-21BIT13A
- *12-21BIT13B
- *13-21BIT17C
- *14-21B3A32K
- *15-21B1A32E

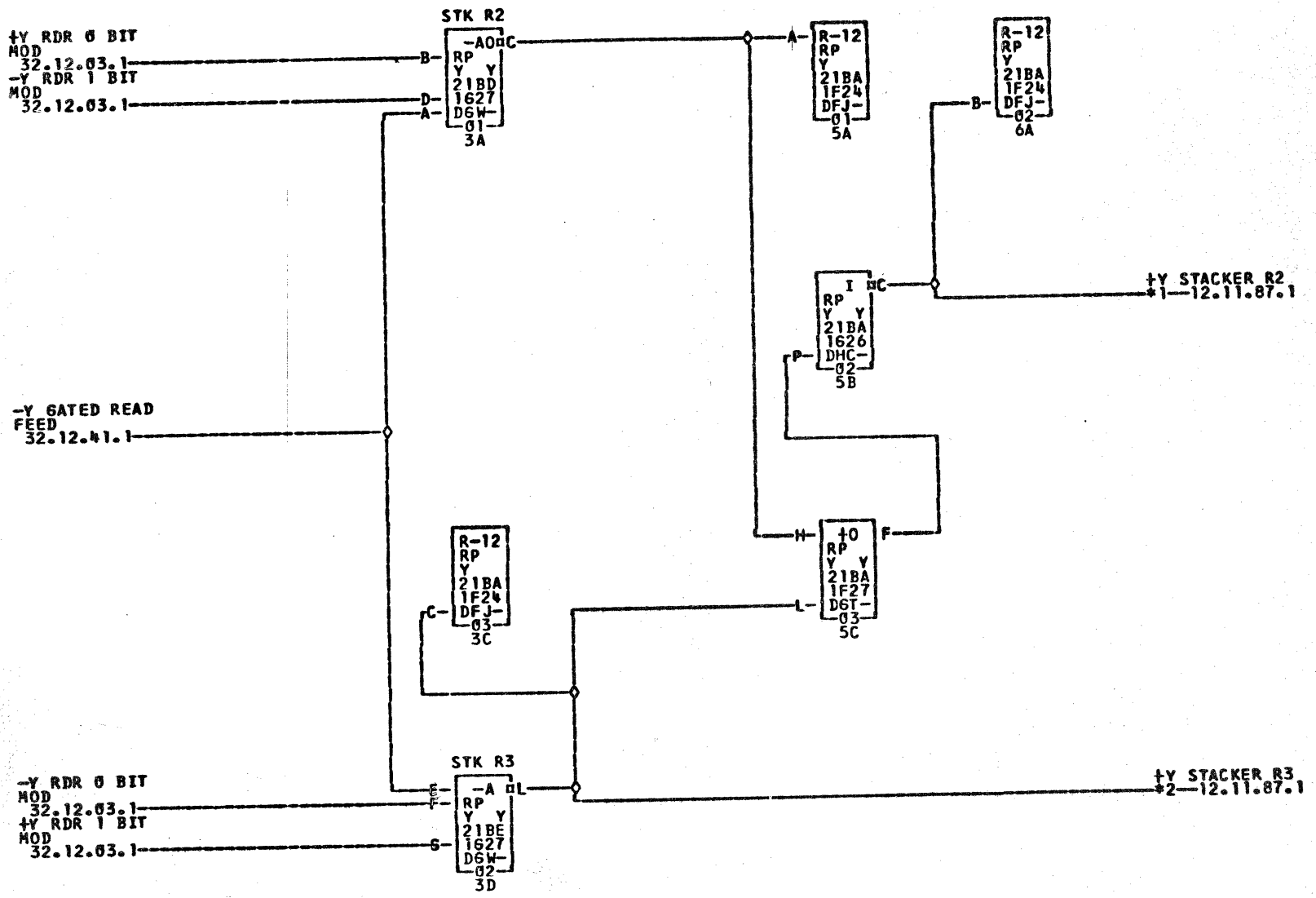
- *16-21BIT02A
- *17-21BIT16C
- *18-21B3T17C
- *19-21B4A01K
- *20-21B4D02E

- *21-21B1F32H
- *22-21BIT01A
- *23-21BIT17D
- *24-21BIT19C
- *25-21BIT19D

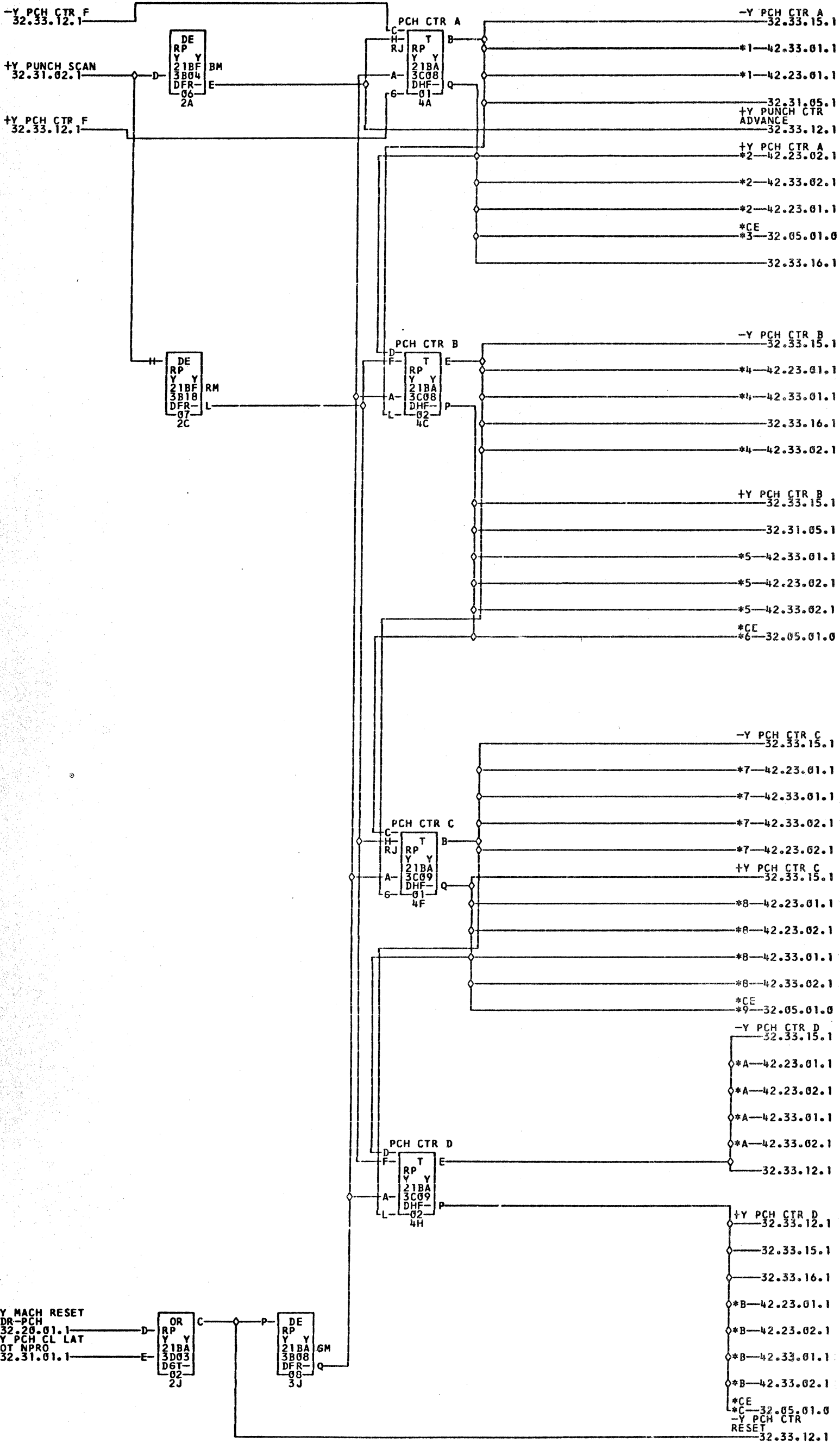
- *26-21B1E01E
- *27-21BIT01B
- *28-21B3T17D
- *29-21B3T19C
- *30-21B3T19D

COMMENTS
MDM.4020-4040-4041-5041

TAG	DATE	E.C.NO.	TAG	DATE	E.C.NO.	TAG	DATE	E.C.NO.	TAG	DATE	E.C.NO.
A	09-01-64	121550K	B	10-15-64	121567	C	11-09-64	121572	D	12-19-64	121583
E	01-21-65	121589	F	03-18-65	121598	G	04-26-65	124237	H	06-22-65	124265
J	08-18-65	124270	K	12-18-67	131803						



*1-21B1T21A 21B3T21A 21B3H01D 21C1C21D 40A1C04D *2-21B1T21B
 21B3T21B 21B3H01E 21C1C21E 40A1C04E



- +Y MACH RESET 32.20.01.1
- RDR-PCH 32.20.01.1
- +Y PCH CL LAT 32.31.01.1
- NOT NPRO 32.31.01.1

- *1-21B3B32A
- *4-21B3B32B
- *7-21B3B32C
- *A-21B3B32D

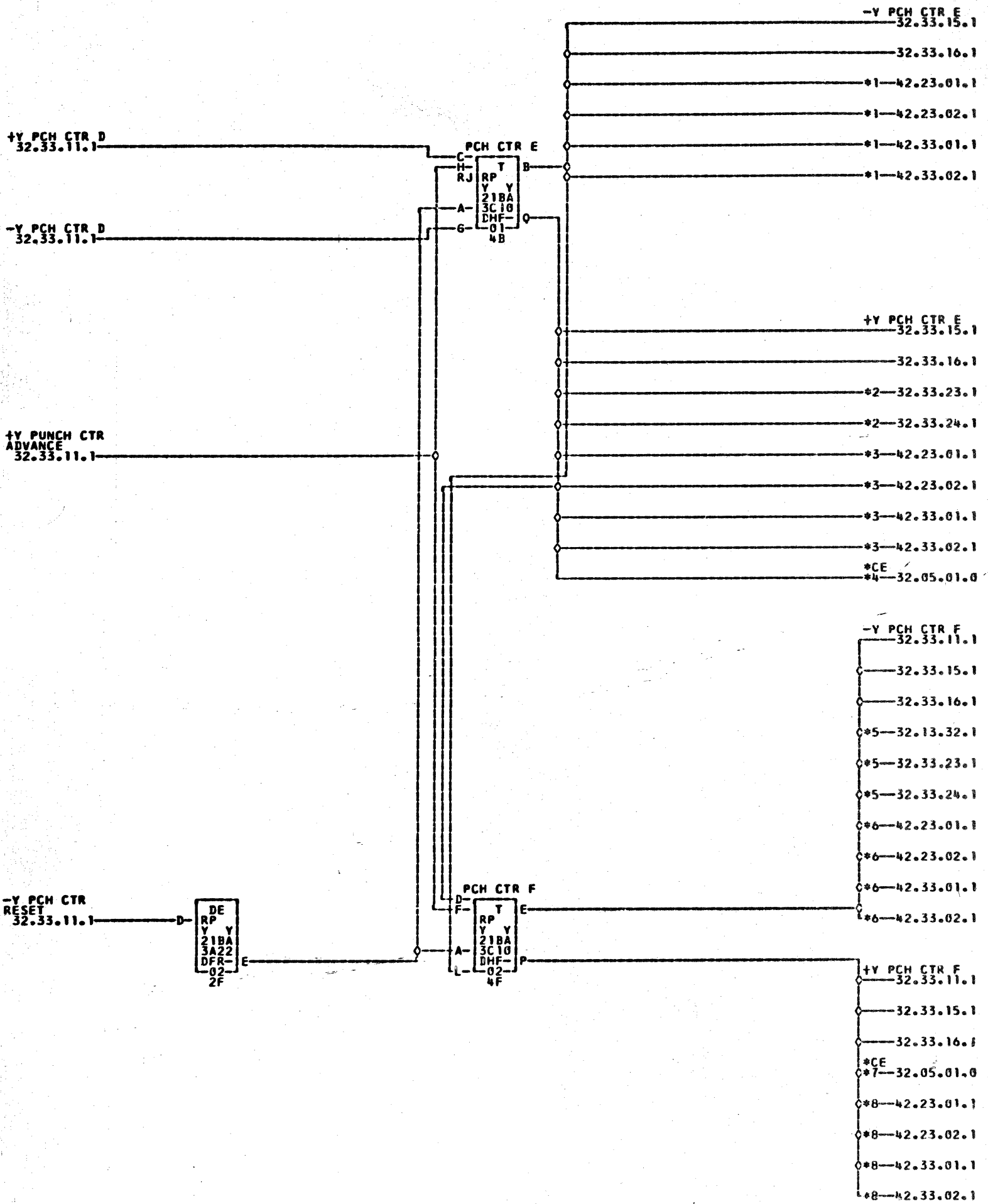
- 21B4B01A
- 21B4B01B
- 21B4B01C
- 21B4B01D

- *2-21B3B326
- *5-21B3B32H
- *8-21B3B32K
- *B-21B3B32L

- 21B4B016
- 21B4B01H
- 21B4B01K
- 21B4B01L

- *3-21B3C02R
- *6-21B3C03A
- *9-21B3C03C
- *C-21B3C03D

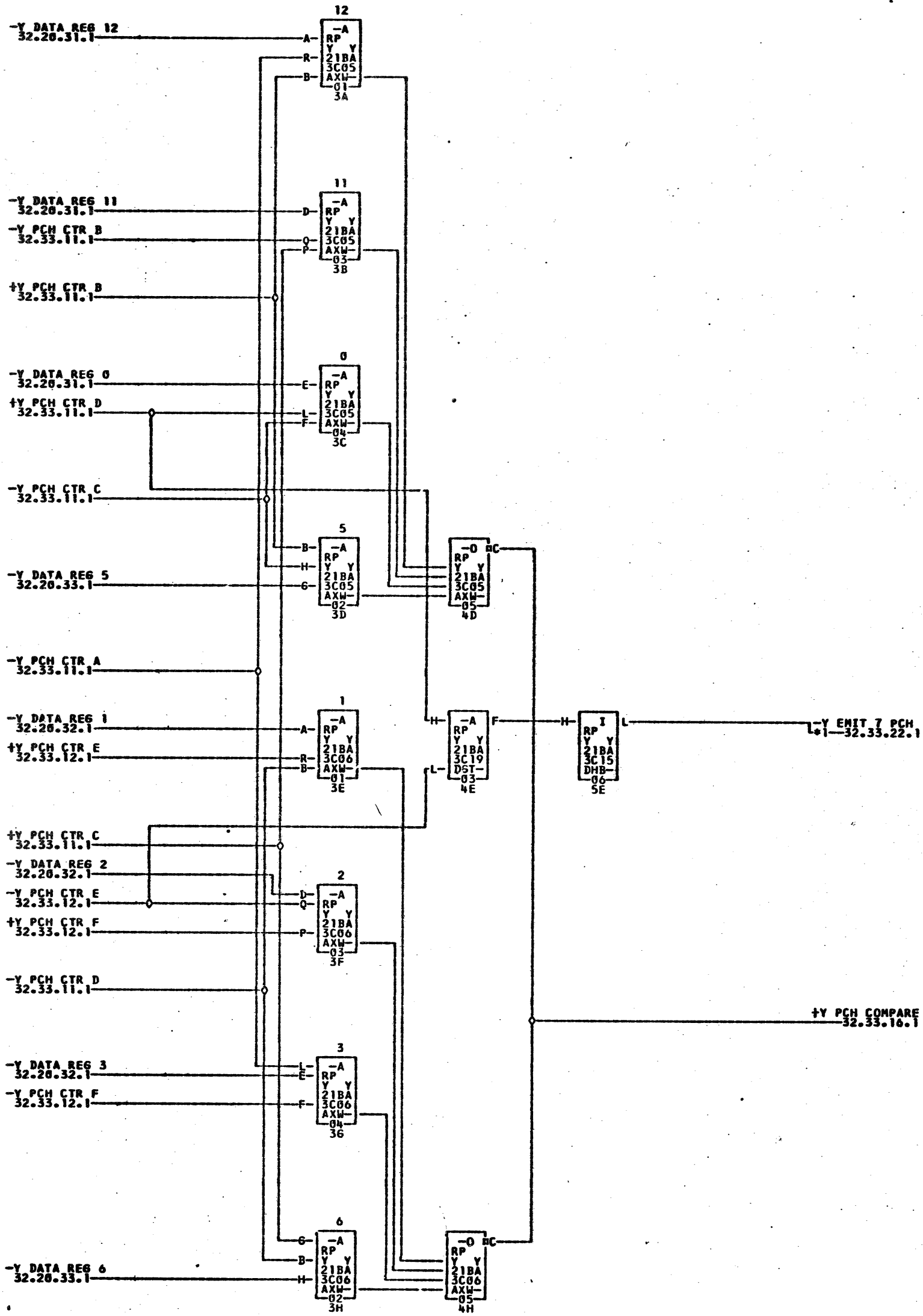
- CERPAG17
- CERPAG18
- CERPAG19



- *1-21B3B32E
- *2-21B3T14B
- *3-21B3B32M
- *4-21B3C03E
- *5-21B3T15B
- *6-21B3B32F
- *7-21B3C03B
- *8-21B3B32N
- *CE-21B4B01M

COMMENTS

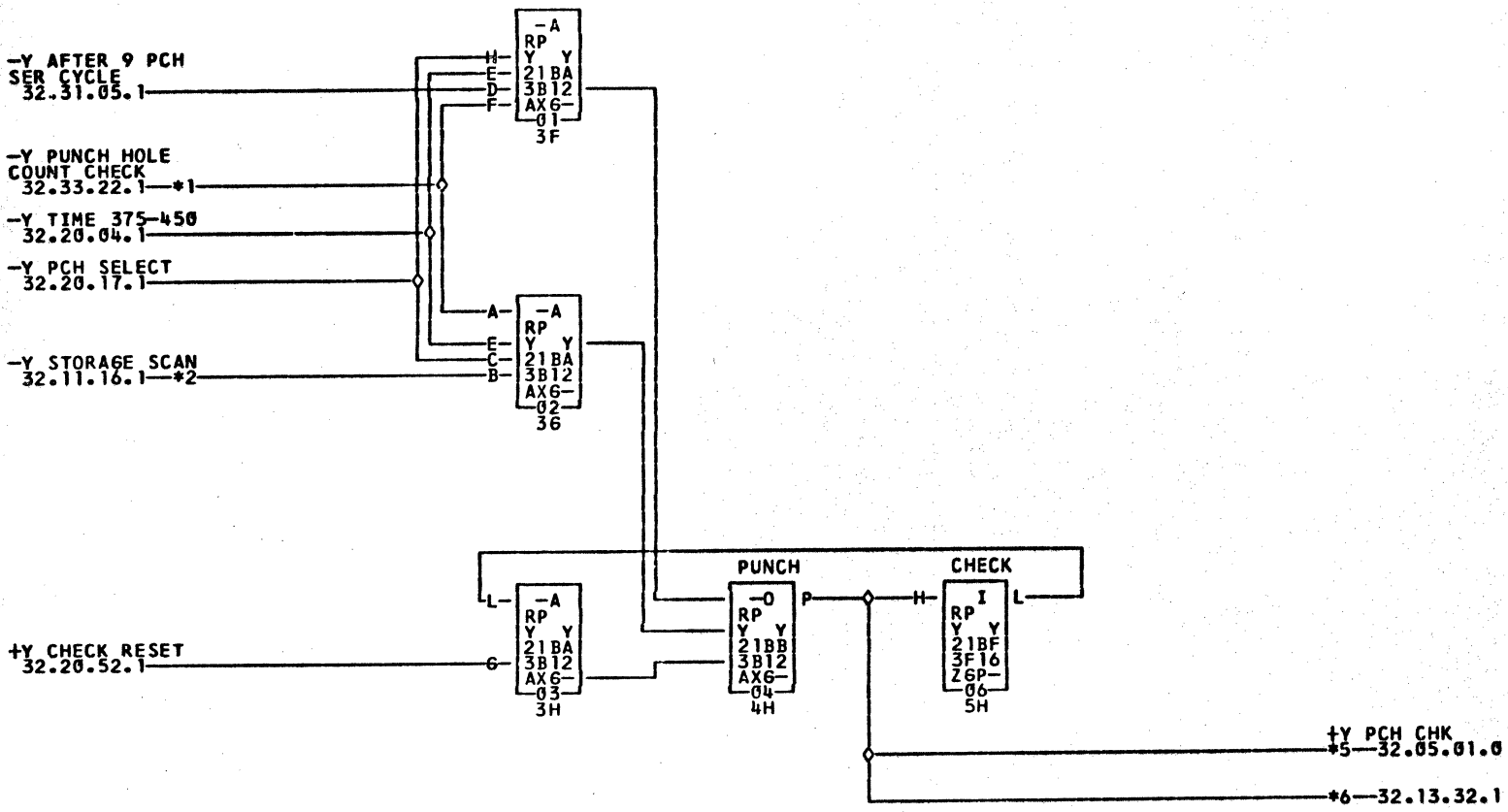
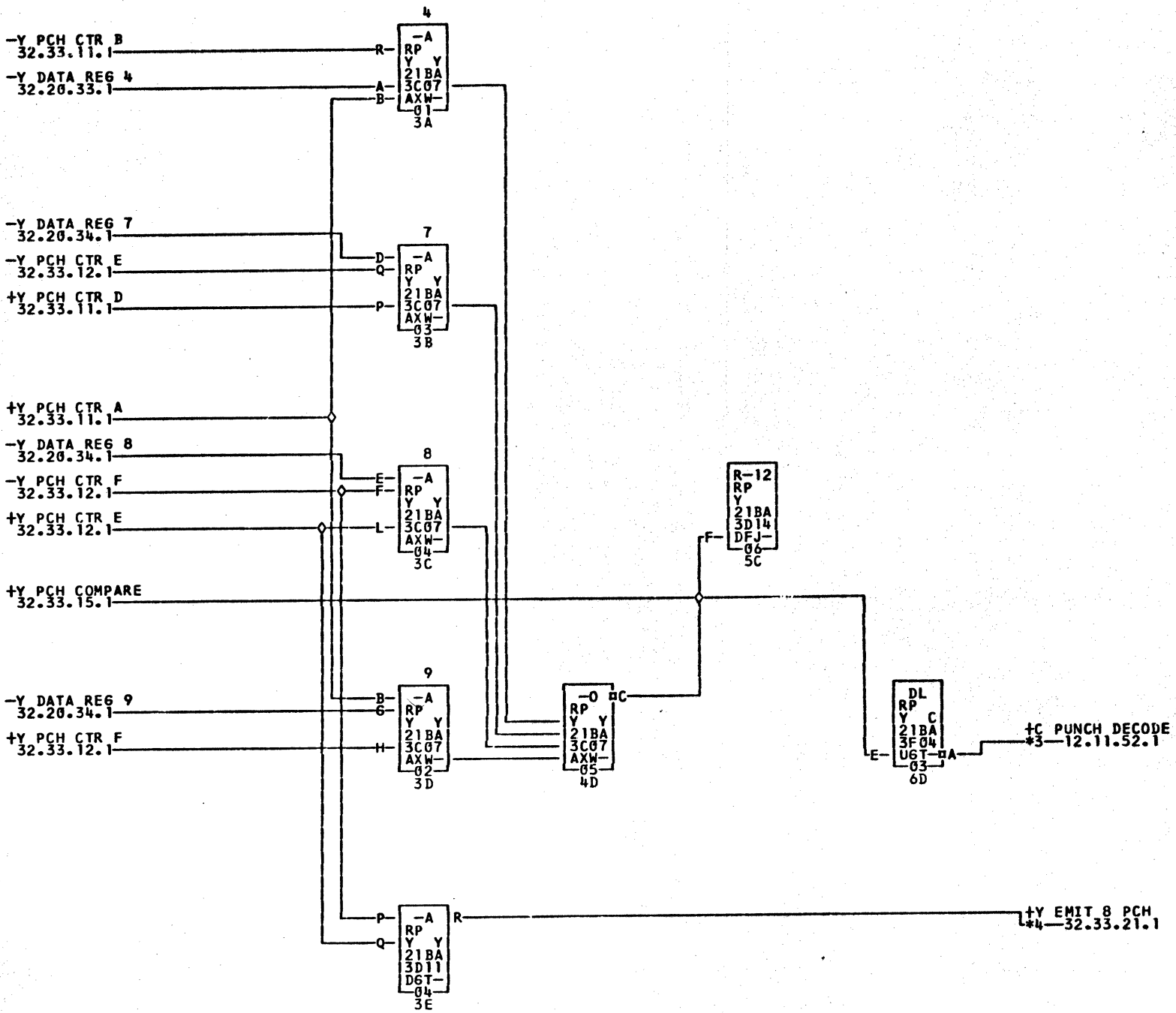
TAG	DATE	E.C.NO.	TAG	DATE	E.C.NO.	TAG	DATE	E.C.NO.	TAG	DATE	E.C.NO.
A	10-15-64	121567	B	12-19-64	121583	C	02-15-65	121594	D	11-19-65	125601



*1-21B3T23B ——— 21B1T23B

COMMENTS

TAG	DATE	E.C.NO.	TAG	DATE	E.C.NO.	TAG	DATE	E.C.NO.	TAG	DATE	E.C.NO.
A	09-01-64	121550L	B	10-15-64	121567						

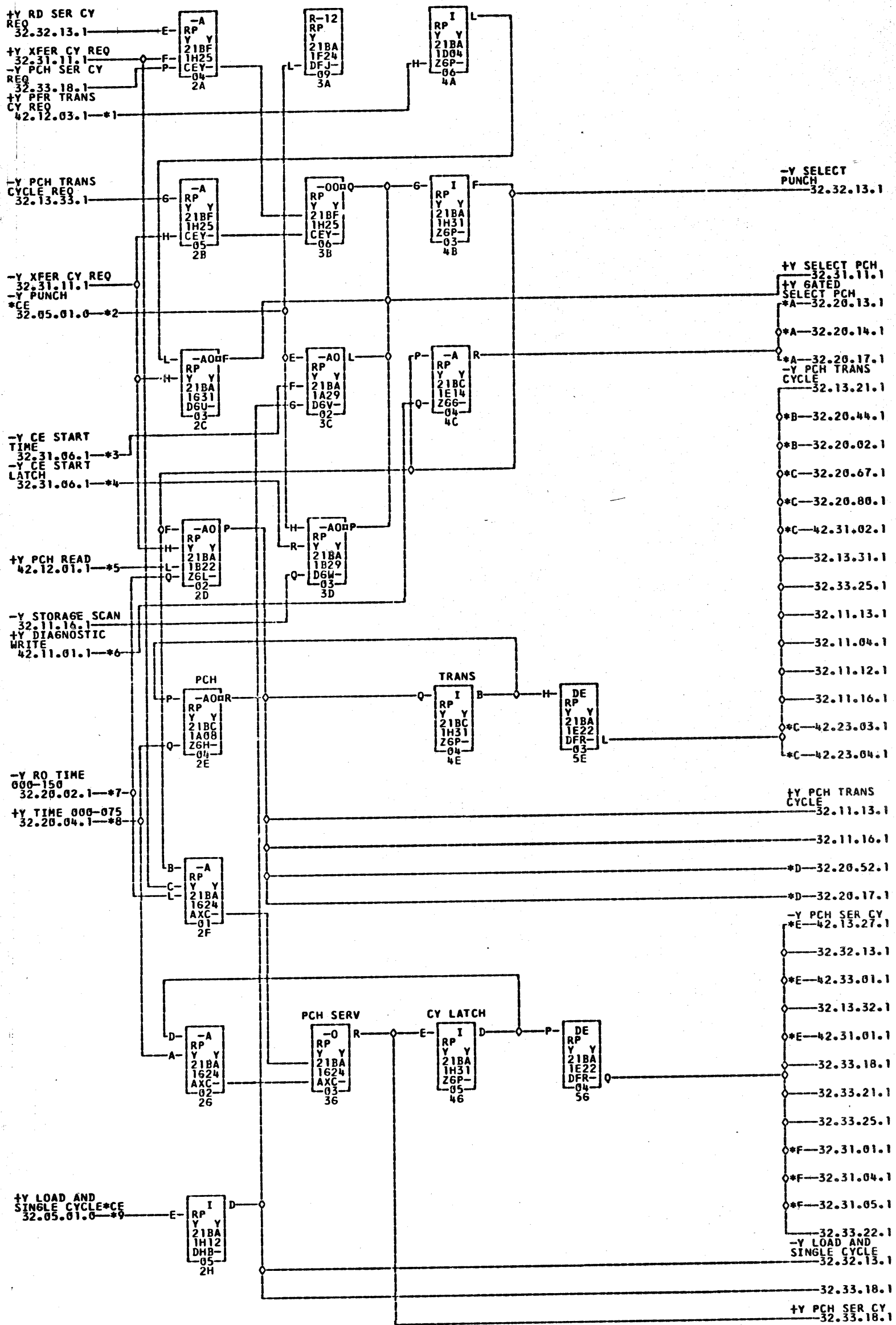


- *1—21B3T15D
21B1T14C
- *2—21B3T16A
*5—21B3D01N
- *3—21B3601R
CERPA014
- *4—21C1C22R
*6—21B3T25D
- 40A1C03R
21B1T25D
- *4—21B3T14C

MDM. 4061-4461

COMMENTS

TAG	DATE	E.C.NO.	TAG	DATE	F.C.NO.	TAG	DATE	E.C.NO.	TAG	DATE	E.C.NO.
A	09-01-64	121550L	B	10-15-64	121567	C	02-15-65	121594	D	11-19-65	125601
E	04-28-66	125637	F	03-10-67	125658						



*1-21B1H32B
 *6-21B1A32C
 *B-21B1T01D
 *E-21B1T20A

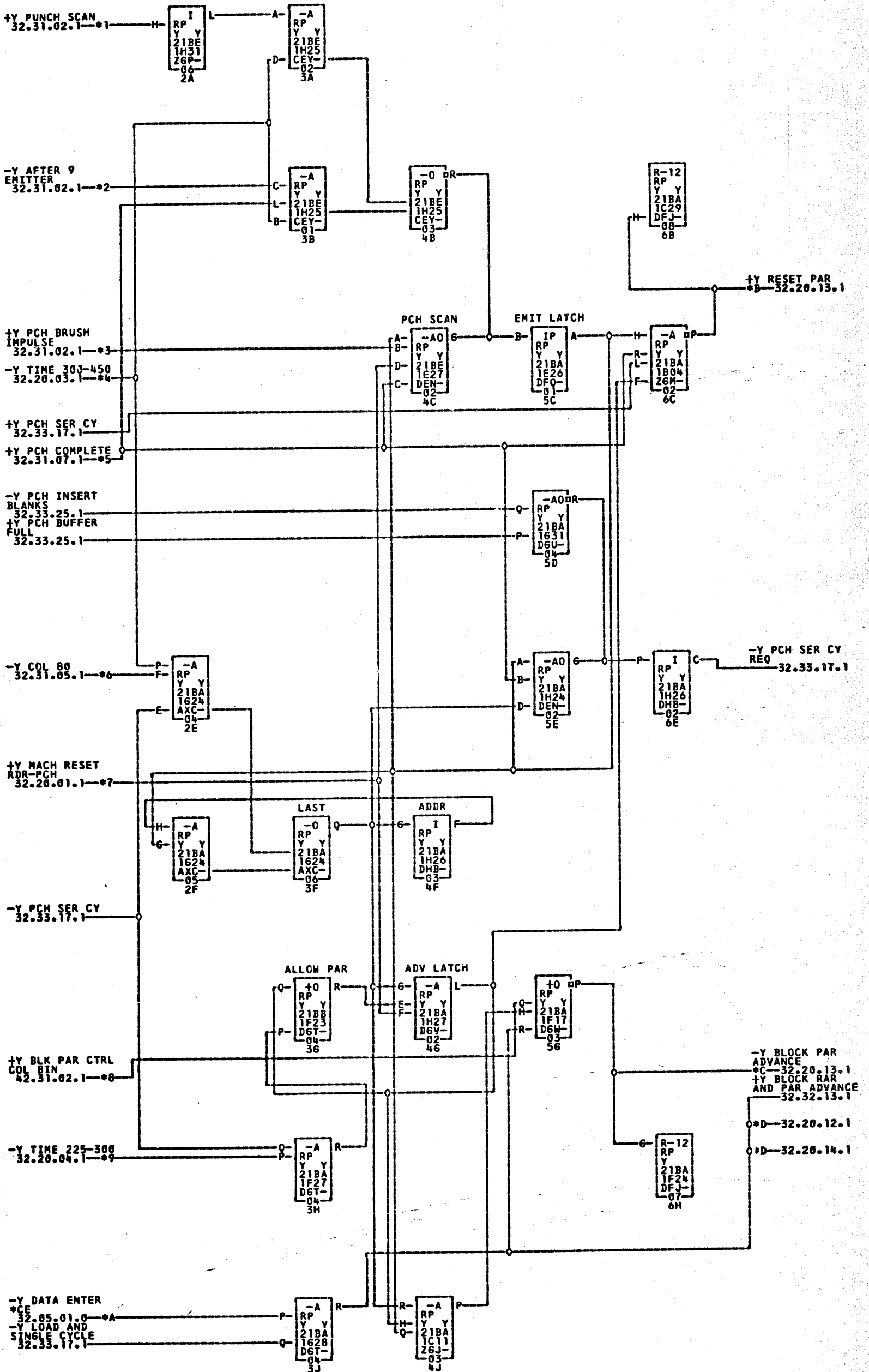
*2-21B1E01F
 *7-21B1T01A
 *C-21B3T01D
 *21B3T20A

*8-CERP8085
 *9-21B1T01B
 *C-21B1C32Q
 *21B3B32Q

*3-21B1T16D
 *9-21B1H01D
 *21B4A03Q
 *21B4B01Q

*4-21B1T16C
 *A-21B1T18D
 *D-21B1D01D
 *F-21B1T20A

*5-21B1H32C
 *21B3T18D
 *21B3A01D
 *21B3T20A



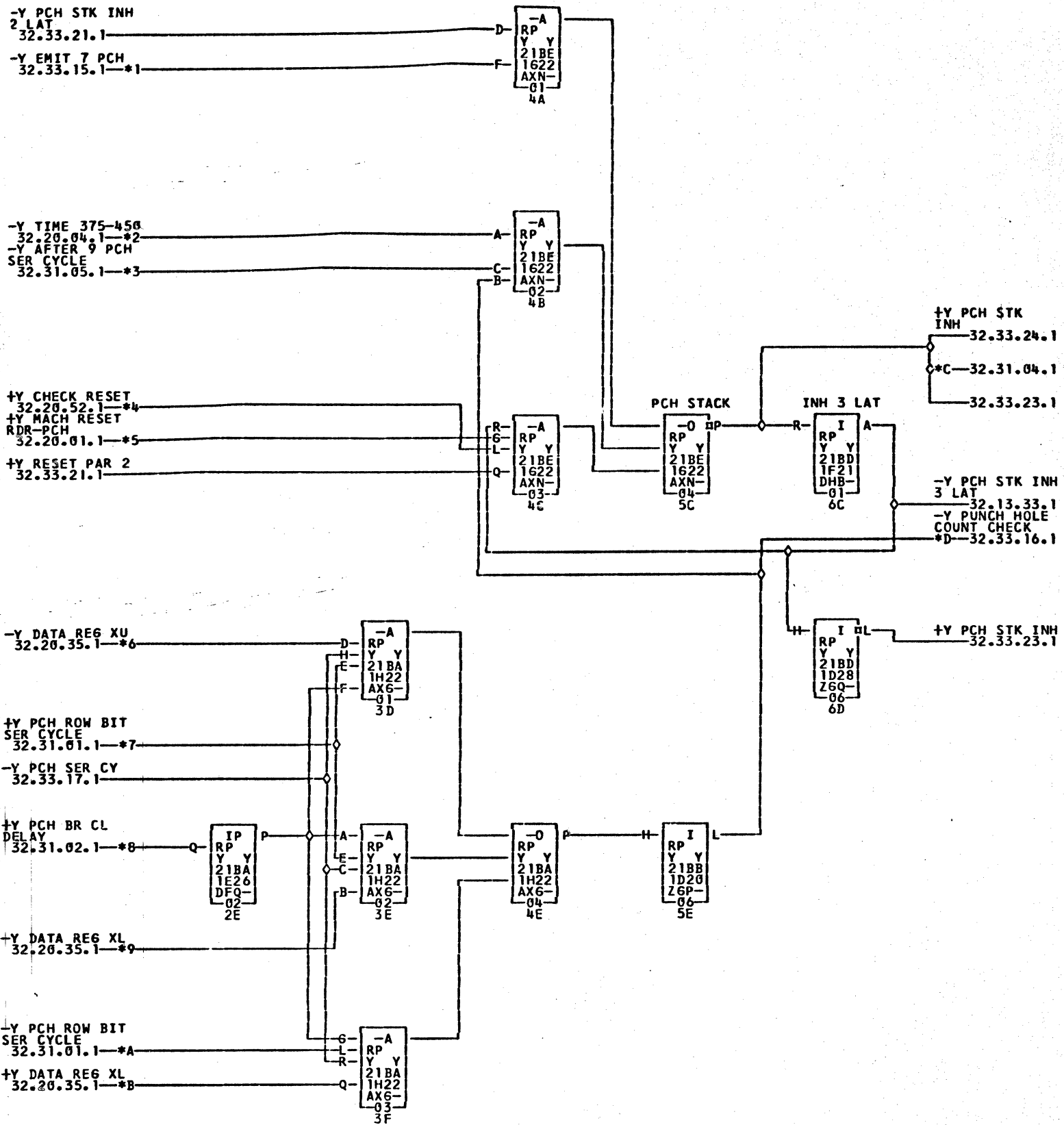
*1-21B1T10A
 *2-21B1T10C
 *3-21B1T11C
 *4-21B1T02A
 *5-21B1T19B
 *6-21B1T13A
 *7-21B1T17A
 *8-21B1F32K
 *9-21B1T03B
 *A-21B1H01F
 *B-21B1T19A
 *C-21B1T10C
 *D-21B3T18C
 *E-21B3T16B

*1-21B1T10A
 *2-21B1T10C
 *3-21B1T11C
 *4-21B1T02A
 *5-21B1T19B
 *6-21B1T13A
 *7-21B1T17A
 *8-21B1F32K
 *9-21B1T03B
 *A-21B1H01F
 *B-21B1T19A
 *C-21B1T10C
 *D-21B3T18C
 *E-21B3T16B

TAG DATE E.C. NO. TAG DATE E.C. NO. TAG DATE E.C. NO. TAG DATE E.C. NO.
 A 09-01-64 121550K B 11-09-64 121572 C 12-19-64 121583 D 03-18-65 121598
 E 08-18-65 124270

FSD 465-507

COMMENTS



*1-21B1T23B
*7-21B1T08C
21B3T25B

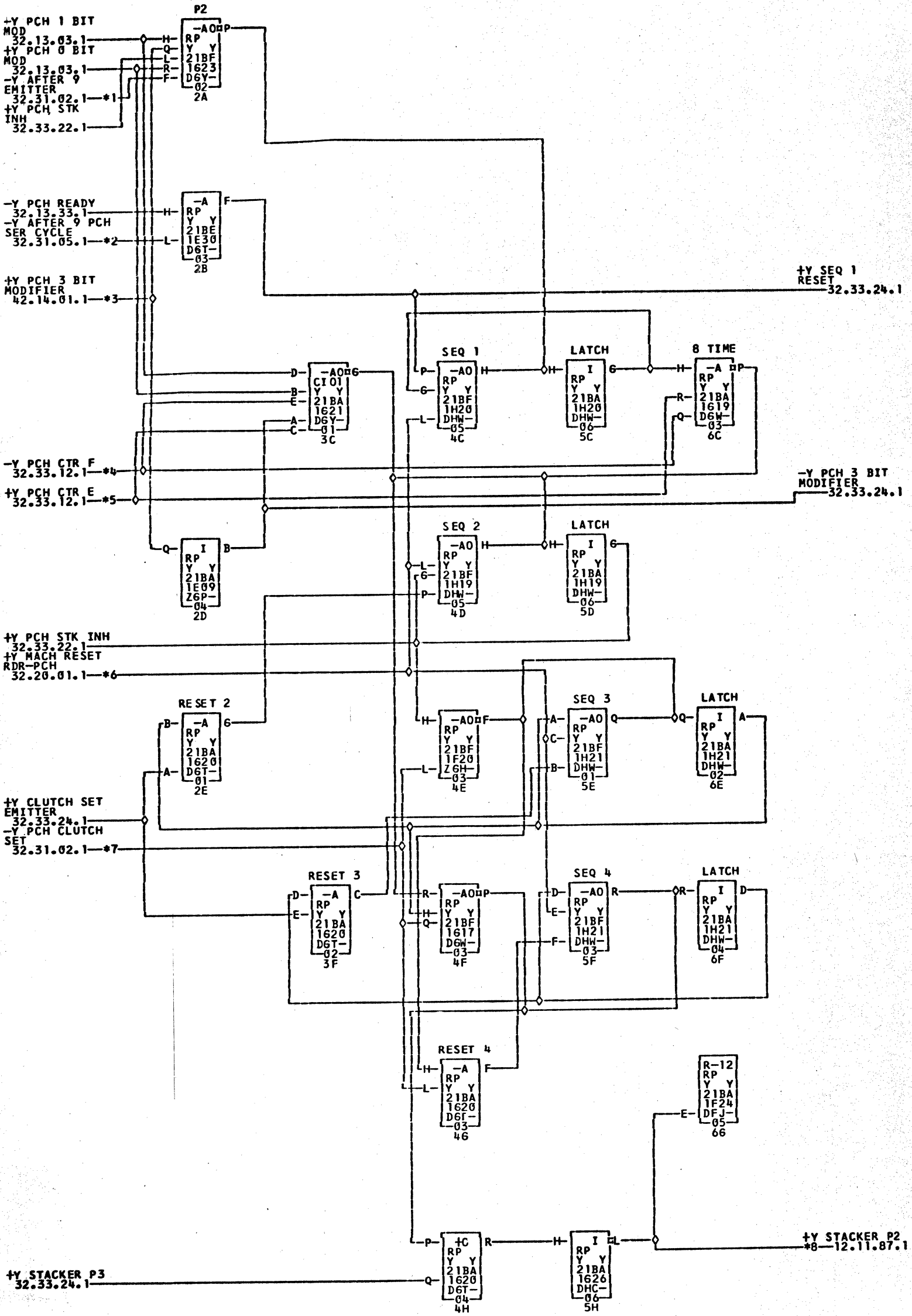
*2-21B1T02B
*8-21B1T09D
*D-21B1T15D

*3-21B1T12C
*9-21B1T07D
21B3T15D

*4-21B1T24C
*A-21B1T08D

*5-21B1T17A
*B-21B1T08A

*6-21B1T07C
*C-21B1T25B



*1-21BIT10C
*7-21BIT10D

*2-21BIT12C
*8-21BIT21C

*3-21BIT11D
21B3T21C

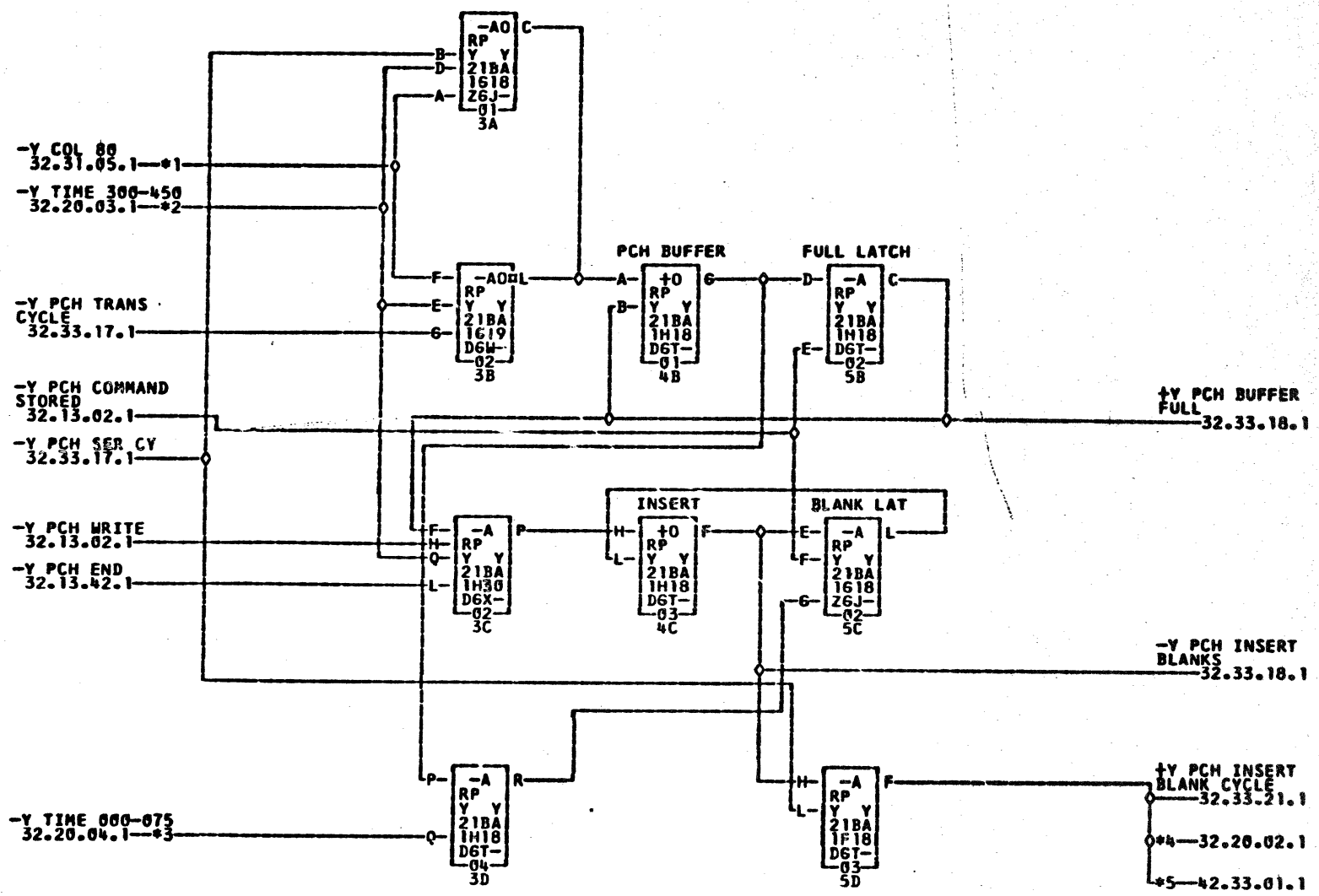
*4-21BIT15B
21B3H01F

*5-21BIT14B
21C1C21F

*6-21BIT17A
40A1C04F

COMMENTS

TAG	DATE	E.C.NO.	TAG	DATE	E.C.NO.	TAG	DATE	E.C.NO.	TAG	DATE	E.C.NO.
A	09-01-64	121550K	B	10-15-64	121567	C	11-09-64	121572	D	12-19-64	121583
E	03-18-65	121598	F	04-26-65	124237	G	06-22-65	124265	H	10-11-65	125598
J	04-20-66	125636	K	06-23-66	125647	L	06-28-67	125674	M	12-18-67	131803



*1-21BIT13A

*2-21BIT02A

*3-21BIT02C

*4-21BIT10B

*5-21BIT32N

COMMENTS

TAG	DATE	E.C.NO.	TAG	DATE	E.C.NO.	TAG	DATE	E.C.NO.	TAG	DATE	E.C.NO.
A	09-01-64	121550K	B	11-09-64	121572	C	12-19-64	121583			