

TABLE OF CONTENTS

REPORT NUMBER 000000

REPORT DATE 26DEC72

VOL 1 M/T 32841 SERIAL 00050987

LOGIC	NUMBER	DESCRIPTION	PART NUMBER	EC NUMBER	FEATURE	BM
SYSTEMS DIAGRAMS						
A1115		SOCKET LISTING	0001560961	000718555	0002570244	
BP005		3284/6 MOD 1&2 FTR CARDS	0001564118	000717487	0002570244	
BP010		INITIAL CHECKS & ADJ	0001565804	000717480	0002570244	
BP101		SERDES AND TIMING	0001567142	000717474	0002570244	
BP121		SERDES AND TIMING	0001567145	000717487	0002570244	
BP131		SERDES AND TIMING	0001567146	000717487	0002570244	
BP151		SERDES AND TIMING	0001567148	000718551	0002570244	
BP201		PRINTER CONTROL	0001567151	000718551	0002570244	
BP231		PRINTER CONTROL	0001567154	000717487	0002570244	
BP261		PRINTER CONTROL	0001567157	000718551	0002570244	
BP301		MOTOR CONTROLS	0001567160	000717487	0002570244	
BP321		MOTOR CONTROLS	0001567163	000717487	0002570244	
BP341		MOTOR CONTROLS	0001567165	000717487	0002570244	
BP351		MOTOR CONTROLS	0001567168	000717474	0002570244	
BP361		MOTOR CONTROLS	0001824185	000717474	0002570244	
BP401		COUNTERS & COMPARE	0001567170	000717487	0002570244	
BP421		COUNTERS & COMPARE	0001824188	000717474	0002570244	
BP441		COUNTERS & COMPARE	0001567173	000717474	0002570244	
BP501		CHARACTER GENERATOR	0001567176	000717474	0002570244	
BP521		CHARACTER GENERATOR	0001567179	000717480	0002570244	
BP541		CHARACTER GENERATOR	0001567182	000718551	0002570244	
BP561		CHARACTER GENERATOR	0001567185	000717474	0002570244	
BP595		CHARACTER GENERATOR	0001567188	000717487	0002570244	
BP601		ERASE - WRITE	0001567189	000717480	0002570244	
BP621		ERASE - WRITE	0001567190	000717474	0002570244	
BP631		ERASE - WRITE	0001567191	000717480	0002570244	
BP701		MESSAGE BUFFER	0001567194	000717487	0002570244	
BP711		MESSAGE BUFFER	0001824191	000717487	0002570244	
BP731		MESSAGE BUFFER	0001567195	000717487	0002570244	
BP801		JUMPER CARD	0001567198	000717474	0002570244	
BP851		SENSE AMP & POR	0001567201	000717487	0002570244	
BP901		DRVR - RCVR & OSC	0001567204	000718551	0002570244	
BP911		PRINTER INTERFACE	0001567205	000718551	0002570244	
YF677		DIAGRAM PRINTER 60 HZ	0002582951	000716732	0002570244	
YF682		DIAGRAM PRINTER 50 HZ	0002481171	000715759	0002570244	
YF717		DIAGRAM PRINTER 60 HZ JAPAN	0002481226	000715759	0002570244	

SOLID LOGIC DESIGN AUTOMATION - SOCKET LISTING

A2	CONNECTOR B04 BP911ADI B07 BP911AD3 B10 BP911AD5 D02 BP911AG4 D06 BP911AG4 D08 BP911AG4 D09 BP911AG4	D2 QUAD CARD D3 8521731 9118 D4 D5 BP601 BP631 BP611 BP641 BP621	F6 CONNECTOR A04 BP731CB4 B02 BP731CG4 B04 BP701CA4 C02 BP701CF4 C04 BP731CA4 D02 BP731CF4 E02 BP701CE4 E04 BP701BZ4	Y3
A3	CONNECTOR B02 BP591AU4 B04 BP591AV4 B05 BP591AW4 B06 BP591BB4 B08 BP591AX4 B09 BP591AY4 B10 BP591AZ4 B12 BP591BA4 D02 BP301BA4 D05 BP301BJ4 D06 BP301BM4 D07 BP301AV4 D11 BP301BF4	D6 CONNECTOR E02 BP701CJ4 E04 BP701CD4 E1 CONNECTOR A11 BP911AA3 B11 BP911AA0 B13 BP911AA5 C13 BP911AA6 D11 BP911AA7 E2 QUAD CARD E3 8521986 9115 E4 OR E5 8522844 IF E/C 718551	G2 QUAD CARD G3 8521488 9113 G4 G5 BP301 BP341 BP311 BP351 BP321 BP361 BP331 G6 CONNECTOR A02 BP731CE4 A04 BP731BZ4 H2 QUAD CARD H3 8521492 9114 H4 H5 BP401 BP431 BP411 BP441 BP421 BP451	Z1 Z2 Z3
A4		BPI01 BPI31 BPI11 BPI41 BPI21 BPI51		
A5				
B2	DOUBLE CARD			
B3	8521823 9050 BP851	E6 CONNECTOR A04 BP731CD4 B02 BP731CJ4 B04 BP701CC4 C02 BP701CH4 C04 BP731CC4 D02 BP731CH4 E02 BP701CG4 E04 BP701CB4	J2 QUAD CARD J3 8521494 9116 J4 J5 BP501 BP541 BP511 BP551 BP521 BP561 BP531	
B4	SINGLE CARD 8521985 9035 BP701			
B5	SINGLE CARD 8521985 9035 BP711	F1 CONNECTOR A11 BP911AE4 A13 BP911AA8 B13 BP911AA9 C13 BP911AA1 E11 BP911AA4	K2	
C2	DOUBLE CARD			
C3	8522012 L511 BP901	F2 QUAD CARD F3 8522850 9117 F4 F5 BP201 BP241 BP211 BP251 BP221 BP261 BP231 BP271	K3 K4 K5	
C4	SINGLE CARD 8521985 9035 BP721			
C5	SINGLE CARD 8521985 9035 BP731			
D1	CONNECTOR E13 BP911AA2			Y1 Y2

PLUG LIST  
EC 717487 BASE

PART NO.	ACC	TYPE	SOCKETS	TOTAL
8521488	9113	G2		01
8521492	9114	H2		01
8521494	9116	J2		01
8522850	9117	F2		01
8521731	9118	D2		01
8521823	9050	B2		01
8521985	9035	B4 B5 C4 C5		04
8521986	9115	E2		01
8522012	L511	C2		01
	CONN	A2 A3 D1 D6 E1 E6 F1 F6 G6		09
UNUSED		A4 A5 K2 K3 K4 K5 Y1 Y2 Y3 Z1 Z2 Z3		12

E/C SEQUENCE

E/C	DATE	CARD TYPE	SOCKET	OPTIONAL OR MANDATORY
718551	1 SEP 72	9115	E2	0

EC HISTORY		DRAWING TITLE	
	717487	SOCKET LIST	
	718555	MACH 3284-002	
		PART NO 1560961	
		CLASSIFICATION	IBM CORP

CHARACTER GENERATOR FEATURE CARDS

3284 & 3286	ROS CHAR GEN	CARD P/N
MOD 1 & 2	EBCDIC	8521494
	GERMAN	8521497
LOCATION A-AIJ2	UNITED KINGDOM	8521498
	ASC II A	8521499
	ASC II B	8521500
	SWEDEN/FINLAND	8521971
	DENMARK/NORWAY	8521972
	SPAIN	8521973
	PORTUGAL/BRAZIL	8521975
	TIMING & CONTROL	8521501
A-AIK2	JAPAN-KATAKANA	8521518

NOTE 2

3284 & 3286 MOD 1	FUNCTIONAL TITLE	CARD P/N
A-AIZ2	JUMPER CARD	5800C36

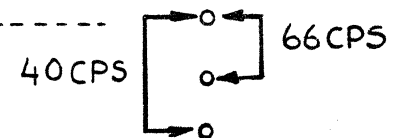
INTERCHANGEABLE CARDS

3284 & 3286 MOD 1 & 2	PART NUMBERS	
A-AIF2	8521495	8521698
A-AIG2	8521429	8521488

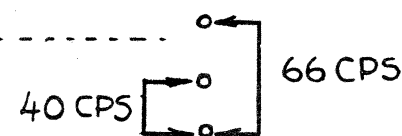
NOTE 3

NOTES:

- 1 THE CARDS IN LOCATION A-AIJ2 ARE INTERCHANGEABLE ACCORDING TO THE PRINTER CONFIGURATION
- 2 THE TIMING AND CONTROL CARD IS TO BE USED WITH THE KATAKANA FEATURE
- 3 CARD P/N 8521429 IS JUMPERED AS FOLLOWS



CARD P/N 8521488 IS JUMPERED AS FOLLOWS



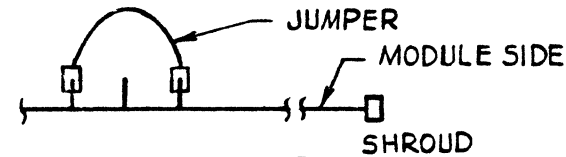
EC HISTORY		DRAWING TITLE	
RELEASE	717487	3284/6 MOD 1&2 FEATURE CARDS	
		MACH 3270	
		PART NO 1564118	
C		CLASSIFICATION	IBM CORP

BP005

BP005

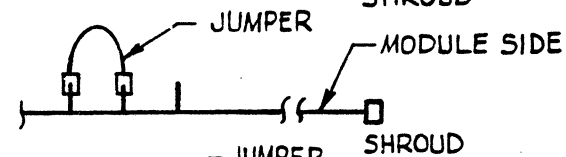
### INITIAL CHECKS & ADJUSTMENTS

1.0 BEFORE BRINGING UP POWER ON YOUR PRINTER, CHECK THE FOLLOWING CARD (CARDS) TO INSURE THAT THE PROGRAMMABLE JUMPER IS PLUGGED PROPERLY FOR YOUR MACHINE. (THIS CHECK IS LISTED IN THE FETM).



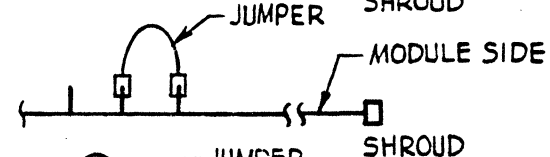
3284 MODELS 1 & 2

CARD LOCATION AIG2



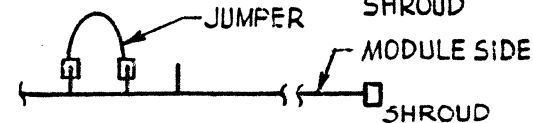
3286 MODELS 1 & 2

CARD LOCATION AIG2



3284/3286 MODEL 1

CARD LOCATION AIH2



3284/3286 MODEL 2

CARD LOCATION AIH2

2.0 REMOVE PRINTER COVERS AND EXPOSE THE (3) THREE TRANSDUCERS (REFER TO FETM). TURN POWER ON, LET PRINT UNIT MOVE TO THE RIGHT MARGIN AND THEN RETURN TO THE LEFT MARGIN. THIS IS THE HOME POSITION OF THE PRINT UNIT AND IN THIS POSITION THE POINT OF THE TRANSDUCER MARKED "PRINT RIGHT" SHOULD BE EXACTLY OPPOSITE THE CENTER SCRIBED LINE ON THE TRANSDUCER EMITTER WHEEL. IF THE WHEEL IS CORRECTLY POSITIONED, YOU MAY NOW CHECK THE MACHINE FORWARD & REVERSE SPEED. IF, HOWEVER, THE WHEEL IS NOT POSITIONED CORRECTLY, REFER TO THE FETM FOR YOUR MACHINE FOR THE CORRECT ADJUSTMENT PROCEDURE.

3.0 FORWARD & REVERSE SPEED CHECK (USE TERTRONIX .453 OR EQUIVALENT SCOPE)

3.1 THIS CHECK IS MADE BY TURNING PRINTER POWER ON AND OFF. POWER ON RESET WILL FORCE THE UNIT TO MAKE ONE COMPLETE SWEEP.

3.2 JUMPER THE SLOWDOWN SWITCH TO GROUND POINT AIG2B06 TO AIG2D08.

3.3 CHECK FORWARD SPEED

3.3.1 PROBE POINT AIB2-J12.

3.3.2 FOR ALL MODELS 3284, PULSE WIDTH (NEGATIVE AND POSITIVE TRANSITION) SHOULD BE 2.0 MILLISECOND ± 80 MICRO SECOND.

3.3.3 FOR ALL MODELS 3286, PULSE WIDTH SHOULD BE 1.2 MILLISECOND ± 50 MICRO SECONDS.

3.3.4 IF THE SPEED IS NOT WITHIN TOLERANCE, REFER TO THE FETM FOR THE CORRECT ADJUSTMENT PROCEDURE.

3.4 CHECK REVERSE SPEED:

3.4.1 PROBE POINT AIB2-D12

3.4.2 FOR ALL MODELS 3284, PULSE WIDTH SHOULD BE 2.0 MILLISECOND ± 80 MICRO SECONDS.

3.4.3 FOR ALL MODELS 3286, PULSE WIDTH SHOULD BE 1.2 MILLISECOND ± 50 MICRO SECONDS.

3.4.4 IF THE SPEED IS NOT WITHIN TOLERANCE, REFER TO THE FETM FOR THE CORRECT ADJUSTMENT PROCEDURE

3.5 REMOVE THE JUMPER FROM THE SLOWDOWN SWITCH TO GROUND:

3.5.1 WITH THIS JUMPER OFF THE PRINT UNIT WILL CONTINUE TO MOVE IN THE FORWARD DIRECTION AT THE SAME SPEED, BUT, IN THE REVERSE DIRECTION THE PRINT UNIT SHOULD TRAVEL AT HIGH SPEED. IF THE UNIT DOES NOT RETURN AT HIGH SPEED, REFER TO THE FETM SYMPTOM INDEX FOR TROUBLESHOOTING PROCEDURE.

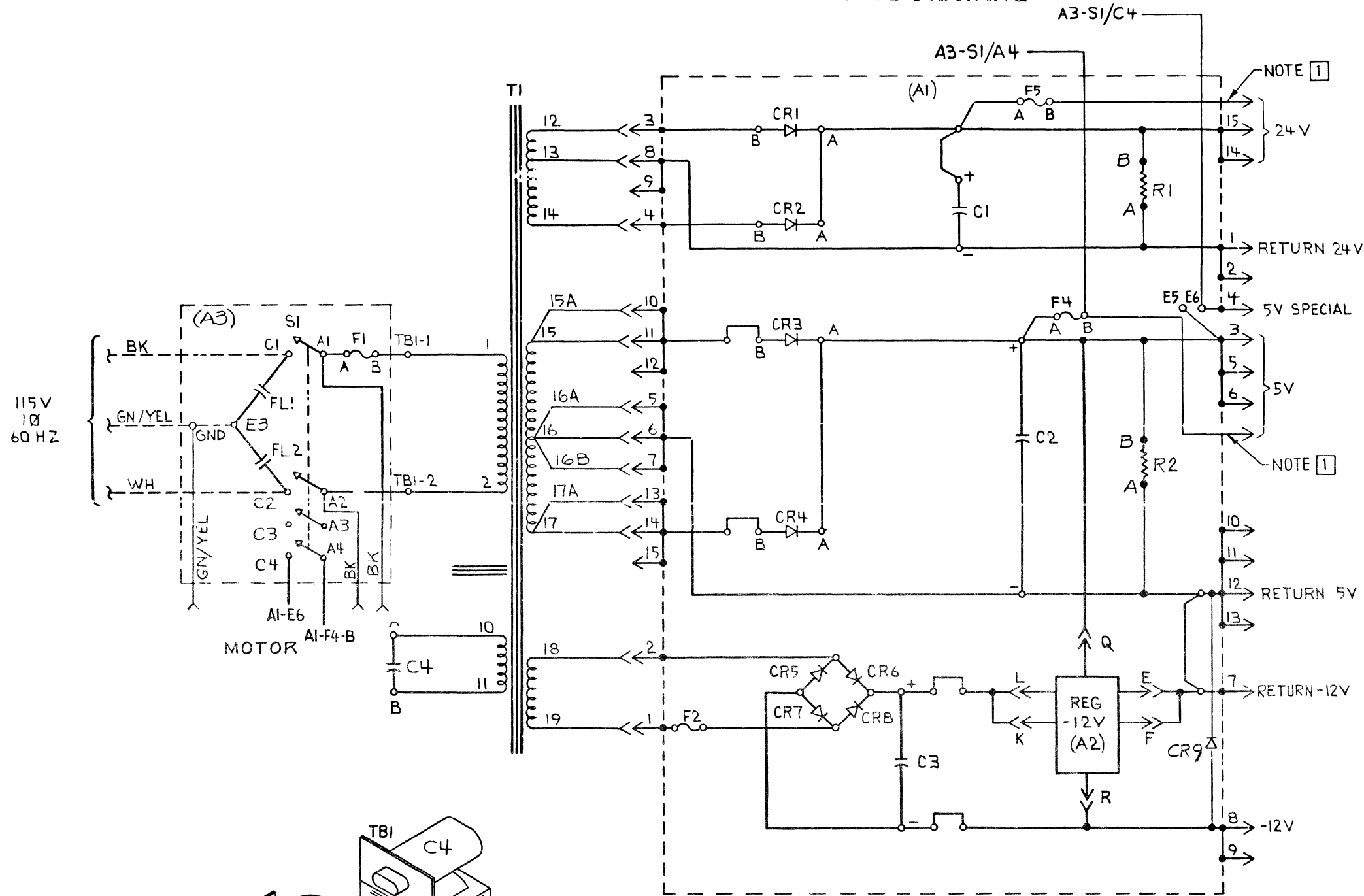
EC HISTORY		DRAWING TITLE	
4MAR72	717480		
		MACH	
		PART NO 1565804	
C	CLASSIFICATION		IBM CORP

BPOIO

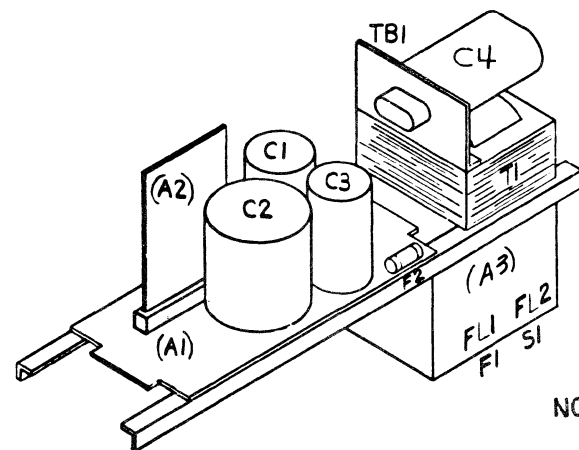
BPOIO

REFERENCE DRAWING

FIELD USE



CODE	DESCRIPTION	PART NO
A1	P.C. BOARD ASM	2582963
A2	REGULATOR CARD -12V	2481207
A3	PRIME PWR BOX	2582993
C1	CAPACITOR 24KUF 30V	5214366
C2	CAPACITOR 240K UF 7.5V	5252526
C3	CAPACITOR 3.1K UF 25V	483107
FL1 & FL2	CAPACITOR, FILTER .01UF	737805
C4	CAPACITOR, AC 4UF 600V	2582939
CR1 & CR2	DIODE 3 AMP 100V	5252534
CR3 & CR4	DIODE 10AMP 150V	598479
CR5 - CR9	DIODE 1 AMP 180V	5214324
F1	FUSE 2.5AMP SB 125V	361755
F2	FUSE 1 AMP SB	303549
F4	FUSE 6 AMP MB 250V	5214456
S1	SWITCH 15 AMP	846371
F5	FUSE 5 AMB SB 125V	512137
T1	FERRO, 60HZ	5252646
R1	RESISTOR 40Ω 25W 5%	597364
R2	RESISTOR 5Ω 25W 10%	501550



NOTES:  
1 THESE LEADS WILL BE TERMINATED AT THE NEXT HIGHER ASSEMBLY

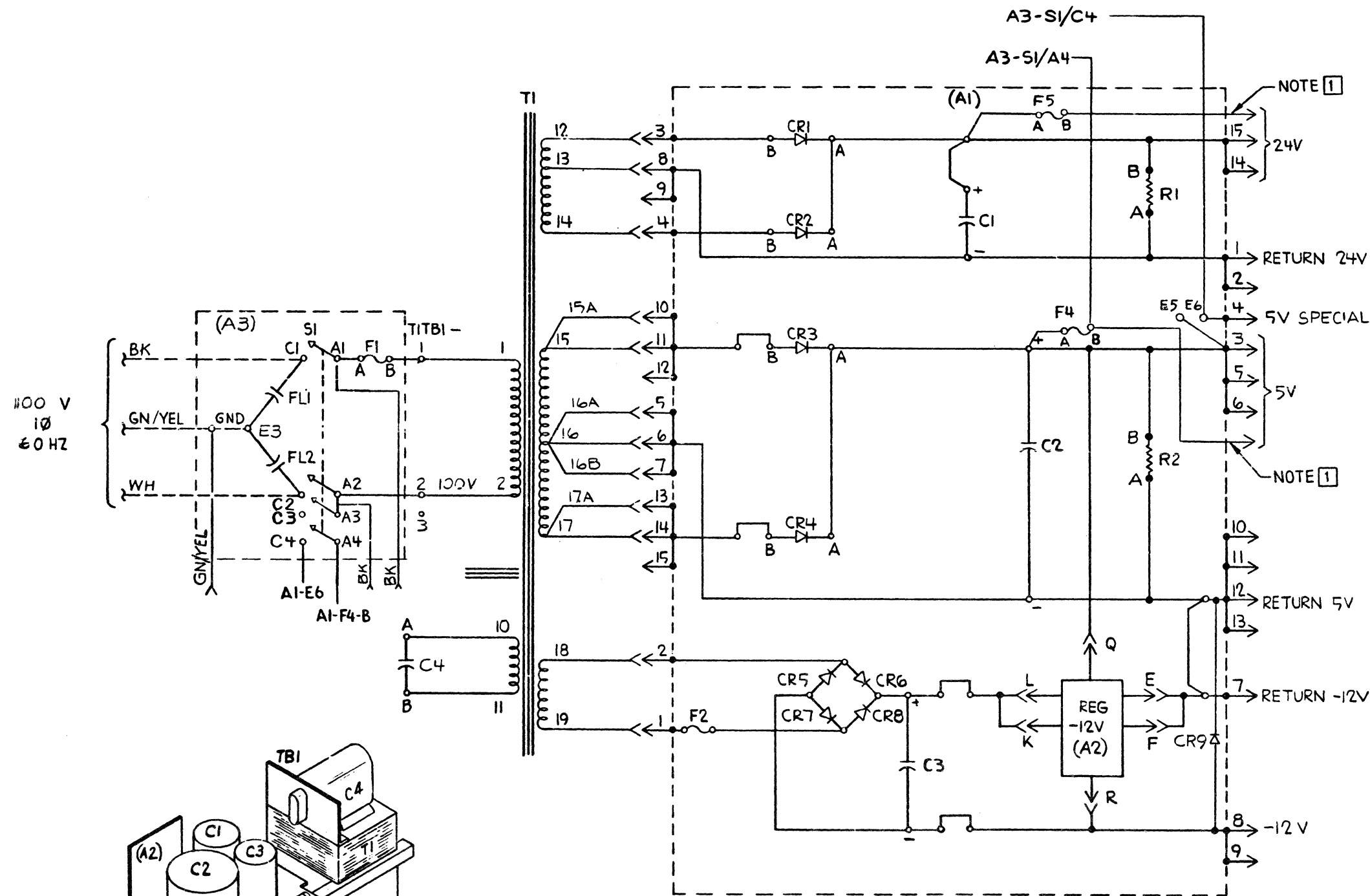
THIS DOCUMENT IS THE PROPERTY OF IBM. ITS USE IS AUTHORIZED ONLY FOR RESPONDING TO A REQUEST FOR QUOTATION OR FOR THE PERFORMANCE OF WORK FOR IBM. ALL QUESTIONS MUST BE REFERRED TO THE IBM PURCHASING DEPARTMENT.

EC HISTORY		DRAWING TITLE	
8 JAN 75	741286	DIAGRAM PRINTER 60 HZ	
3 FEB 75	741921	MACH	
		PART NO 2582951	
		CLASSIFICATION	
		IBM CORP	

1-10-75

YF677

# REFERENCE DRAWING



CODE	DESCRIPTION	PART NO
A1	P.C. BOARD ASM	2582963
A2	REGULATOR -12V	2481207
A3	PRIME PWR BOX	2582993
C1	CAPACITOR 24K UF 30V	5214366
C2	CAPACITOR 240K UF 7.5V	5252526
C3	CAPACITOR 3.1K UF 25V	483107
FL1 & FL2	CAPACITOR, FILTER .01UF	737805
C4	CAPACITOR, AC 4UF 660V	5252814
CR1 & CR2	DIODE 3AMP 100V	5252534
CR3 & CR4	DIODE 10AMP 150V	598479
CR5-CR9	DIODE 1AMP 180V	5214324
F1	FUSE 2.5AMP SB 125V	361755
F2	FUSE 1AMP SB 250V	303549
F4	FUSE 6AMP MB 250V	5214456
S1	SWITCH 15 AMP	846371
F5	FUSE 5AMP SB 125V	512137
T1	FERRO	4119305
R1	RESISTOR 40Ω 25W 5%	597364
R2	RESISTOR 5Ω 25W 10%	501550

NOTES:  
 1 THESE LEADS WILL BE TERMINATED AT THE NEXT HIGHER ASSEMBLY

THIS DOCUMENT IS THE PROPERTY OF IBM. ITS USE IS AUTHORIZED ONLY FOR RESPONDING TO A REQUEST FOR QUOTATION OR FOR THE PERFORMANCE OF WORK FOR IBM. ALL QUESTIONS MUST BE REFERRED TO THE IBM PURCHASING DEPARTMENT.

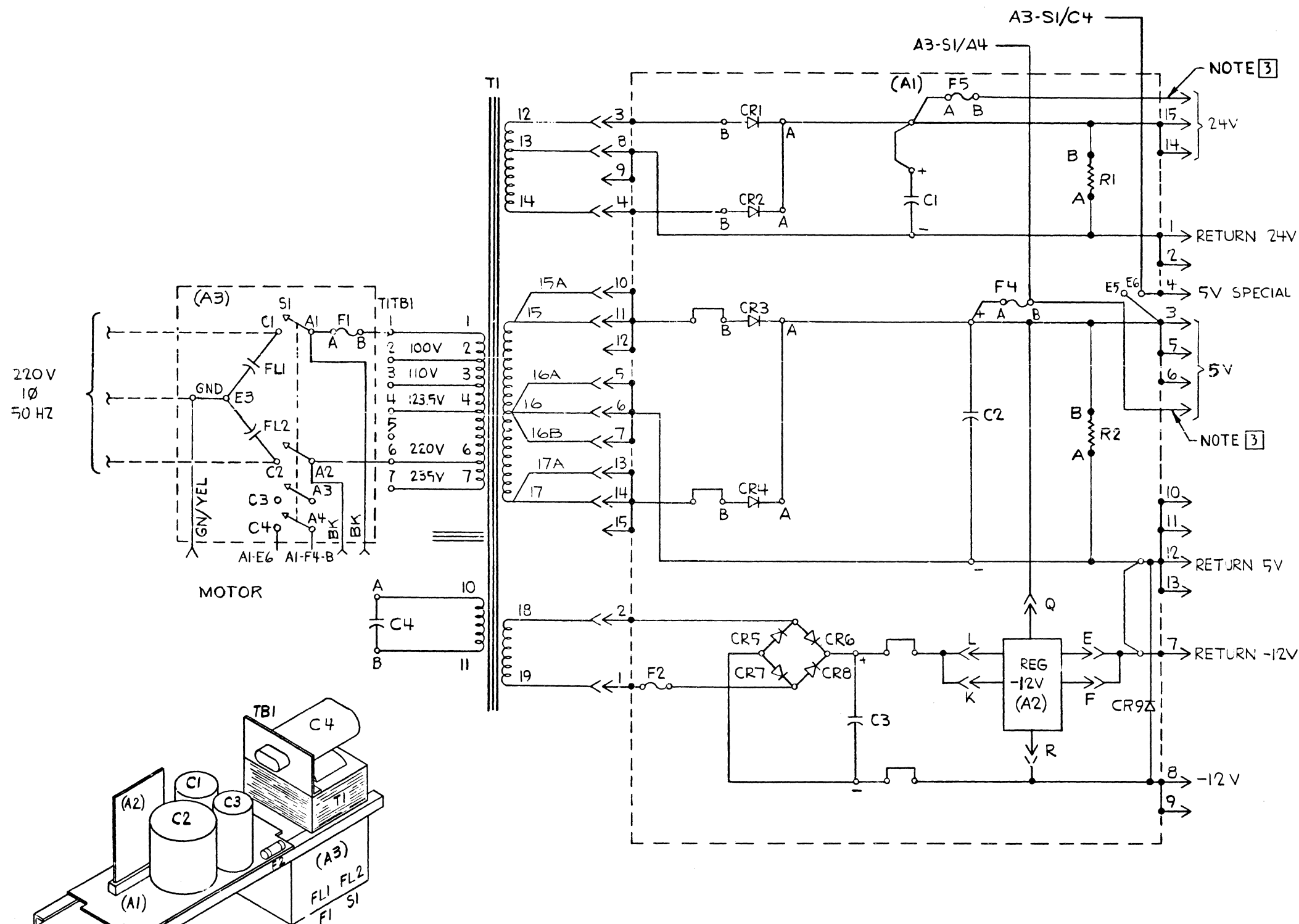
RELEASED FOR ASM 2481225 REF

SEE	EC HISTORY	DRAWING TITLE
18 JAN 72	716732	WIRING DIAGRAM-
24 JAN 73	738045	PRINTER, JAPAN 60 HZ
17 JUL 73	739025	PART NO 2481226
D 3 FEB 75	741921	CLASSIFICATION
		WJL 1/1/77 HAM 1/1/77

**IBM** CORP

REFERENCE DRAWING

FIELD USE



CODE	DESCRIPTION	PART NO
A1	P.C. BOARD ASM	2582963
A2	REGULATOR -12V	2481207
A3	PRIME PWR BOX	2582993
C1	CAPACITOR 24K UF 30V	5214366
C2	CAPACITOR 240K UF 7.5V	5252526
C3	CAPACITOR 3.1K UF 25V	483107
FL1 & FL2	CAPACITOR, FILTER .01UF	737805
C4	CAPACITOR, AC 4UF 600V	2582939
CR1 & CR2	DIODE 3AMP 100V	5252534
CR3 & CR4	DIODE 10AMP 150V	598479
CR5-CR9	DIODE 1AMP 180V	5214324
F1	FUSE 1.5AMP SB 250V	NOTE [1]
F2	FUSE 2.5AMP SB 125V	NOTE [2]
F4	FUSE 1AMP SB 250V	303549
F5	FUSE 6AMP MB 250V	5214456
S1	SWITCH 15 AMP	846371
T1	FERRO, 50HZ	4119270
R1	RESISTOR 40Ω 25W 5%	597364
R2	RESISTOR 5Ω 25W 10%	501550

NOTES

- [1] FUSE 1176668 IS REQUIRED WHEN THE UNIT IS WIRED FOR 220V OR 235V
- [2] FUSE 361755 IS REQUIRED WHEN THE UNIT IS WIRED FOR 100V, 110V OR 123.5V

- [3] THESE LEADS WILL BE TERMINATED AT THE NEXT HIGHER ASSEMBLY

THIS DOCUMENT IS THE PROPERTY OF IBM. ITS USE IS AUTHORIZED ONLY FOR RESPONDING TO A REQUEST FOR QUOTATION OR FOR THE PERFORMANCE OF WORK FOR IBM. ALL QUESTIONS MUST BE REFERRED TO THE IBM PURCHASING DEPARTMENT.

RELEASED FOR ASM 2481170 REF

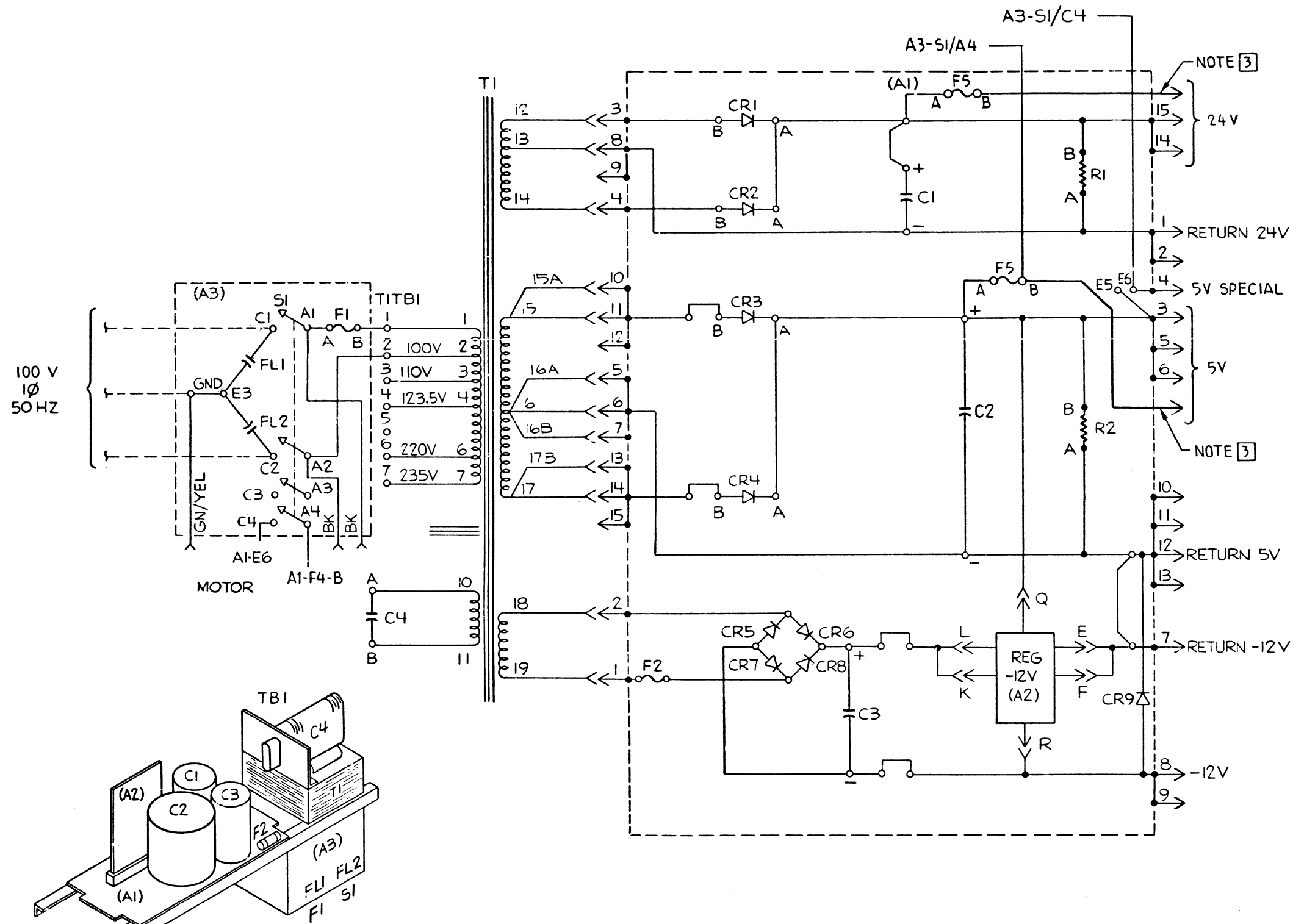
EC HISTORY		DRAWING TITLE	
8 JAN 75	741286	DIAGRAM PRINTER 50 HZ	
3 FEB 75	741921	MACH	
		PART NO 2481171	
		CLASSIFICATION	
		IBM CORP	

YF682

YF682

# REFERENCE DRAWING

YF825  
ML=B



CODE	DESCRIPTION	PART NO.
A1	P.C. BOARD ASM	2582963
A2	REGULATOR -12V	2481207
A3	PRIME PWR BOX	2582993
C1	CAPACITOR 24K UF 30V	5214366
C2	240K UF 7.5V	5252526
C3	3.1K UF 25V	483107
C4	CAPACITOR AC 4UF 600V	5252814
CR1 & CR2	DIODE 3AMP 100V	5252534
CR3 & CR4	DIODE 10AMP 150V	598479
CR5-CR9	DIODE 1AMP 180V	5214324
F1	FUSE 1.5AMP SB 250V	NOTE 1
F2	FUSE 2.5AMP SB 125V	NOTE 2
F4	FUSE 1AMP SB 250V	303549
F5	FUSE 6AMP MB 250V	5214456
FL1 & FL2	CAPACITOR, FILTER .01UF	737805
F5	FUSE 5 AMP SB 125V	512137
R1	RESISTOR 40Ω, 25W, 5%	597364
R2	RESISTOR 5Ω, 25W, 10%	501550
S1	SWITCH 15AMP	846371
T1	FERRO, 50HZ	4119391

**NOTES**

- 1 FUSE 1176668 IS REQUIRED WHEN THE UNIT IS WIRED FOR 220V OR 235V
- 2 FUSE 361755 IS REQUIRED WHEN THE UNIT IS WIRED FOR 100V, 110V OR 123.5V

- 3 THESE LEADS WILL BE TERMINATED AT THE NEXT HIGHER ASSEMBLY

RELEASED FOR ASM 1838651 REF

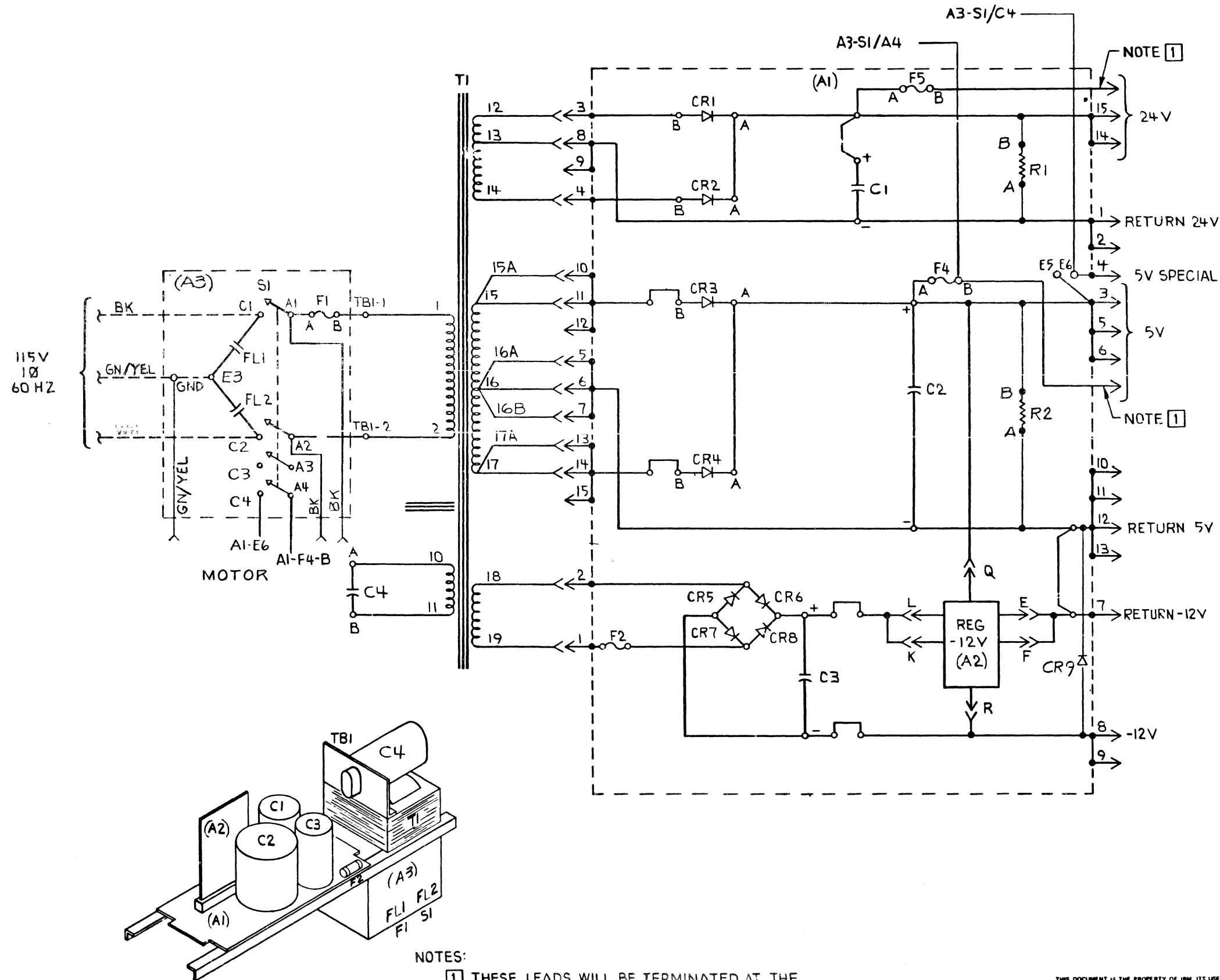
EC HISTORY		DRAWING TITLE
16 JAN 73	738045	WIRING DIAGRAM
17 JUL 73	739025	PRINTER, JAPAN 50HZ
3 FEB 75	741921	PART NO 1838652
CLASSIFICATION		IBM CORP

YF825

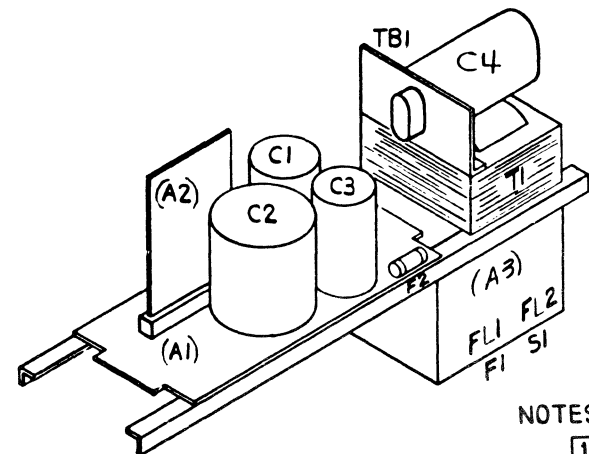
D



# REFERENCE DRAWING



CODE	DESCRIPTION	PART NO
A1	P.C. BOARD ASM	2582963
A2	REGULATOR CARD -12V	2481207
A3	PRIME PWR BOX	2582993
C1	CAPACITOR 24KJF 30V	5214366
C2	CAPACITOR 240K JF 7.5V	5252526
C3	CAPACITOR 3.1K JF 25V	483107
FL1 & FL2	CAPACITOR, FILTER .01UF	737805
C4	CAPACITOR, AC 4UF 60GV	2582939
CR1 & CR2	DIODE 3 AMP 100V	5252534
CR3 & CR4	DIODE 10AMP 150V	598479
CR5 - CR9	DIODE 1 AMP 180V	5214324
F1	FUSE 2.5AMP SB 125V	361755
F2	FUSE 1 AMP SB	303549
F4	FUSE 6AMP MB 250V	5214456
S1	SWITCH 15 AMP	846371
F5	FUSE 5 AMP SB 125V	512137
T1	FERRO, 60HZ	1839454
R1	RESISTOR 40.Ω 25W 5%	597364
R2	RESISTOR 5 Ω 25W 10%	501550



NOTES:  
 1 THESE LEADS WILL BE TERMINATED AT THE NEXT HIGHER ASSEMBLY

THIS DOCUMENT IS THE PROPERTY OF IBM. ITS USE IS AUTHORIZED ONLY FOR RESPONDING TO A REQUEST FOR QUOTATION OR FOR THE PERFORMANCE OF WORK FOR IBM. ALL QUESTIONS MUST BE REFERRED TO THE IBM PURCHASING DEPARTMENT.

RELEASED FOR ASM 1839451 REF

EC HISTORY		DRAWING TITLE
4 MAY 73	738471	WIRING DIAGRAM-PRINTER, 60HZ
17 JUL 73	737025	MACH
3 FEB 75	741921	PART NO 1839452
CLASSIFICATION		IBM CORP

630074

FORM 3