

VOLUME 021 MACHINE 3705--0015984 MODEL E08 SYSTEM 0004XBW MODE

BOX SHIP 82/12/30

LOGIC TYPE -0- SYSTEMS DIAGRAMS

PAGE NUM	SH	TITLE	PART NUM	EC NUM	FEATURE B/M OR B/MS
MM000		BASIC MEMORY E-H	0001750365	318551	.W. 0001750039
MM002		BASIC MEMORY E-H	0001750366	322689	.W. 0001750039
MM010		BASIC MEMORY E-H	0001750367	314419	.W. 0001750039
MM020		BASIC MEMORY E-H	0001750417	322689	.W. 0001750039
MM030		BASIC MEMORY E-H	0001750368	314419	.W. 0001750039
MM101		BASIC MEMORY E-H	0001750369	314419	.W. 0001750039
MM102		BASIC MEMORY E-H	0001750370	314419	.W. 0001750039
MM103		BASIC MEMORY E-H	0001750371	314419	.W. 0001750039
MM104		BASIC MEMORY E-H	0001750372	314419	.W. 0001750039
MM105		BASIC MEMORY E-H	0001750373	314419	.W. 0001750039
MM106		BASIC MEMORY E-H	0001750374	314419	.W. 0001750039
MM107		BASIC MEMORY E-H	0001750375	314419	.W. 0001750039
MM201		BASIC MEMORY E-H	0001750376	314419	.W. 0001750039
MM202		BASIC MEMORY E-H	0001750377	318551	.W. 0001750039
MM203		BASIC MEMORY E-H	0001750378	314419	.W. 0001750039
MM204		BASIC MEMORY E-H	0001750379	314419	.W. 0001750039
MM205		BASIC MEMORY E-H	0001750380	314419	.W. 0001750039
MM206		BASIC MEMORY E-H	0001750381	314419	.W. 0001750039
MM207		BASIC MEMORY E-H	0001750382	314419	.W. 0001750039
MM301		BASIC MEMORY E-H	0001750383	314419	.W. 0001750039
MM302		BASIC MEMORY E-H	0001750384	314419	.W. 0001750039
MM303		BASIC MEMORY E-H	0001750385	314419	.W. 0001750039
MM304		BASIC MEMORY E-H	0001750386	314419	.W. 0001750039
MM305		BASIC MEMORY E-H	0001750387	314419	.W. 0001750039
MM306		BASIC MEMORY E-H	0001750388	314419	.W. 0001750039
MM307		BASIC MEMORY E-H	0001750389	314419	.W. 0001750039
MM308		BASIC MEMORY E-H	0001750390	314419	.W. 0001750039
MM309		BASIC MEMORY E-H	0001750391	314419	.W. 0001750039
MM310		BASIC MEMORY E-H	0001750392	314419	.W. 0001750039
MM401		BASIC MEMORY E-H	0001750393	314419	.W. 0001750039
MM402		BASIC MEMORY E-H	0001750394	314419	.W. 0001750039
MM403		BASIC MEMORY E-H	0001750395	314419	.W. 0001750039
MM404		BASIC MEMORY E-H	0001750396	314419	.W. 0001750039
MM405		BASIC MEMORY E-H	0001750397	314419	.W. 0001750039
MM406		BASIC MEMORY E-H	0001750398	314419	.W. 0001750039
MM407		BASIC MEMORY E-H	0001750399	314419	.W. 0001750039
MM501		BASIC MEMORY E-H	0001750400	314419	.W. 0001750039
MM502		BASIC MEMORY E-H	0001750401	314419	.W. 0001750039
MM503		BASIC MEMORY E-H	0001750402	314419	.W. 0001750039
MM504		BASIC MEMORY E-H	0001750403	314419	.W. 0001750039
MM505		BASIC MEMORY E-H	0001750404	314419	.W. 0001750039
MM506		BASIC MEMORY E-H	0001750405	318551	.W. 0001750039

VOLUME 021 MACHINE 3705- -0015984 MODEL E08 SYSTEM 0004XBW MODE

BOX SHIP 82/12/30

LOGIC TYPE -0- SYSTEMS DIAGRAMS

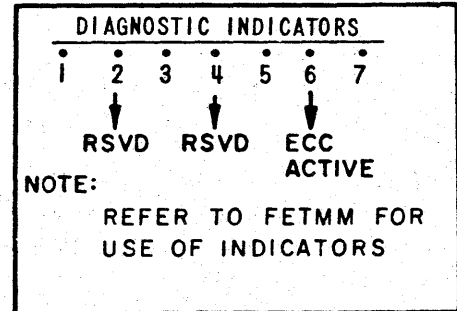
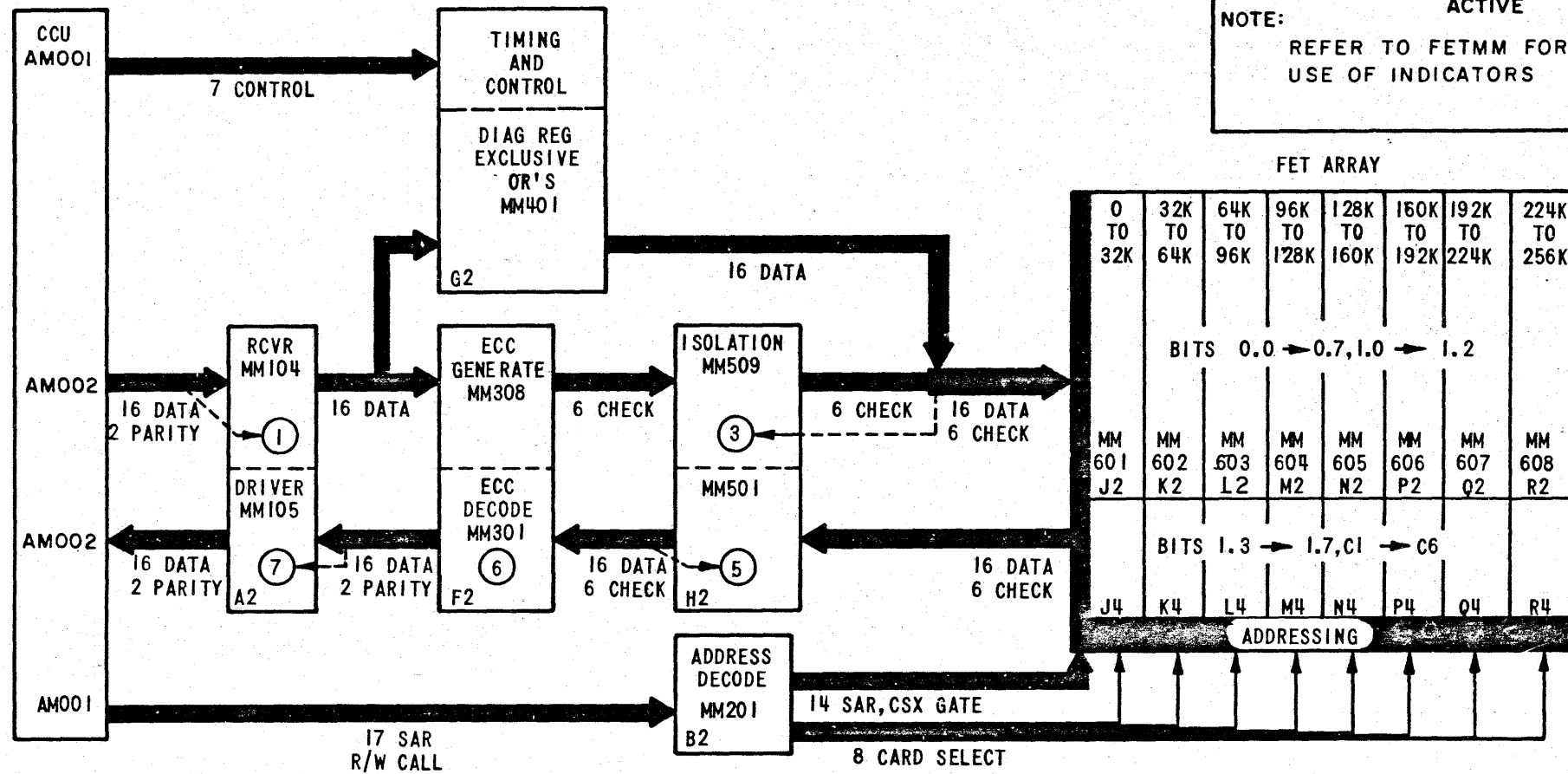
PAGE NUM	SH	TITLE	PART NUM	EC NUM	FEATURE B/M OR B/MS
MM507		BASIC MEMORY E-H	0001750406	314419	.W. 0001750039
MM508		BASIC MEMORY E-H	0001750407	318551	.W. 0001750039
MM509		BASIC MEMORY E-H	0001750408	314419	.W. 0001750039
MM601		BASIC MEMORY E-H	0001750409	314419	.W. 0001750039
MM602		BASIC MEMORY E-H	0001750410	314419	.W. 0001750039
MM603		BASIC MEMORY E-H	0001750411	314419	.W. 0001750039
MM604		BASIC MEMORY E-H	0001750412	314419	.W. 0001750039
MM605		BASIC MEMORY E-H	0001750413	314419	.W. 0001750039
MM606		BASIC MEMORY E-H	0001750414	314419	.W. 0001750039
MM607		BASIC MEMORY E-H	0001750415	314419	.W. 0001750039
MM608		BASIC MEMORY E-H	0001750416	314419	.W. 0001750039

TOTAL PART NUMBERS THIS VOLUME 53

APPRO									
CHECK									
DETAIL	C & D	OCT 75							
DESIGN			SHT	OF					
NAME	FET MEMORY								
DATA FLOW									
DATE		DEC75			314403				
CHANGE NO									
DATE		SEP76			315053				
CHANGE NO									
DATE		SEP80			322689				
CHANGE NO									
LOGIC PG NO									MM002
LOGIC PG NO									
DEVELOPMENT NO									
MUST CONFORM TO ENG SPEC									
CLASSIFICATION									

THIS DOCUMENT IS THE PROPERTY OF IBM. ITS USE OR REPRODUCTION IS AUTHORIZED ONLY FOR RESPONDING TO A REQUEST FOR QUOTATION OR FOR THE PERFORMANCE OF WORK FOR IBM. ALL QUESTIONS MUST BE REFERRED TO THE IBM PURCHASING DEPARTMENT.

FET MEMORY DATA FLOW

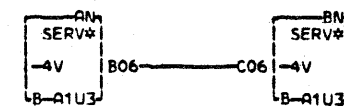
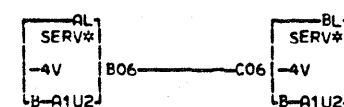
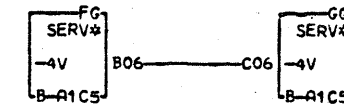
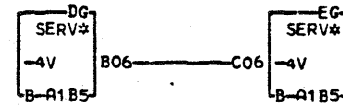
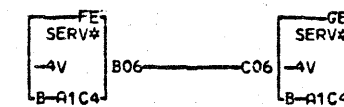
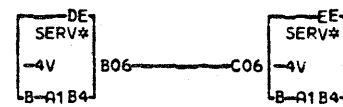
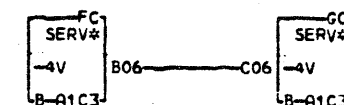
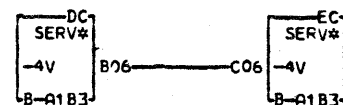
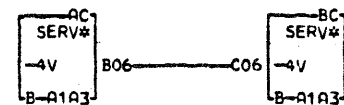
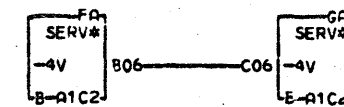
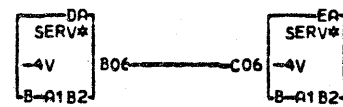
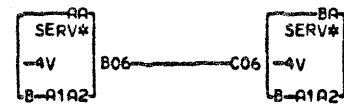


CARD SELECT ADDRESSING CHART

ACTIVE SAR BITS			CARD PAIR SELECTED
X.6	X.7	0.0	
0	0	0	J2/J4
0	0	1	K2/K4
0	1	0	L2/L4
0	1	1	M2/M4
1	0	0	N2/N4
1	0	1	P2/P4
1	1	0	Q2/Q4
1	1	1	R2/R4

CAUTION....DO NOT INSERT OR REMOVE CARDS WITH POWER ON. ADDRESS CARD (01B-A1B2) MUST BE PLUGGED IF FE ARRAY CARDS ARE PLUGGED.

PART NO 1750366
LOGIC PG NO MM002



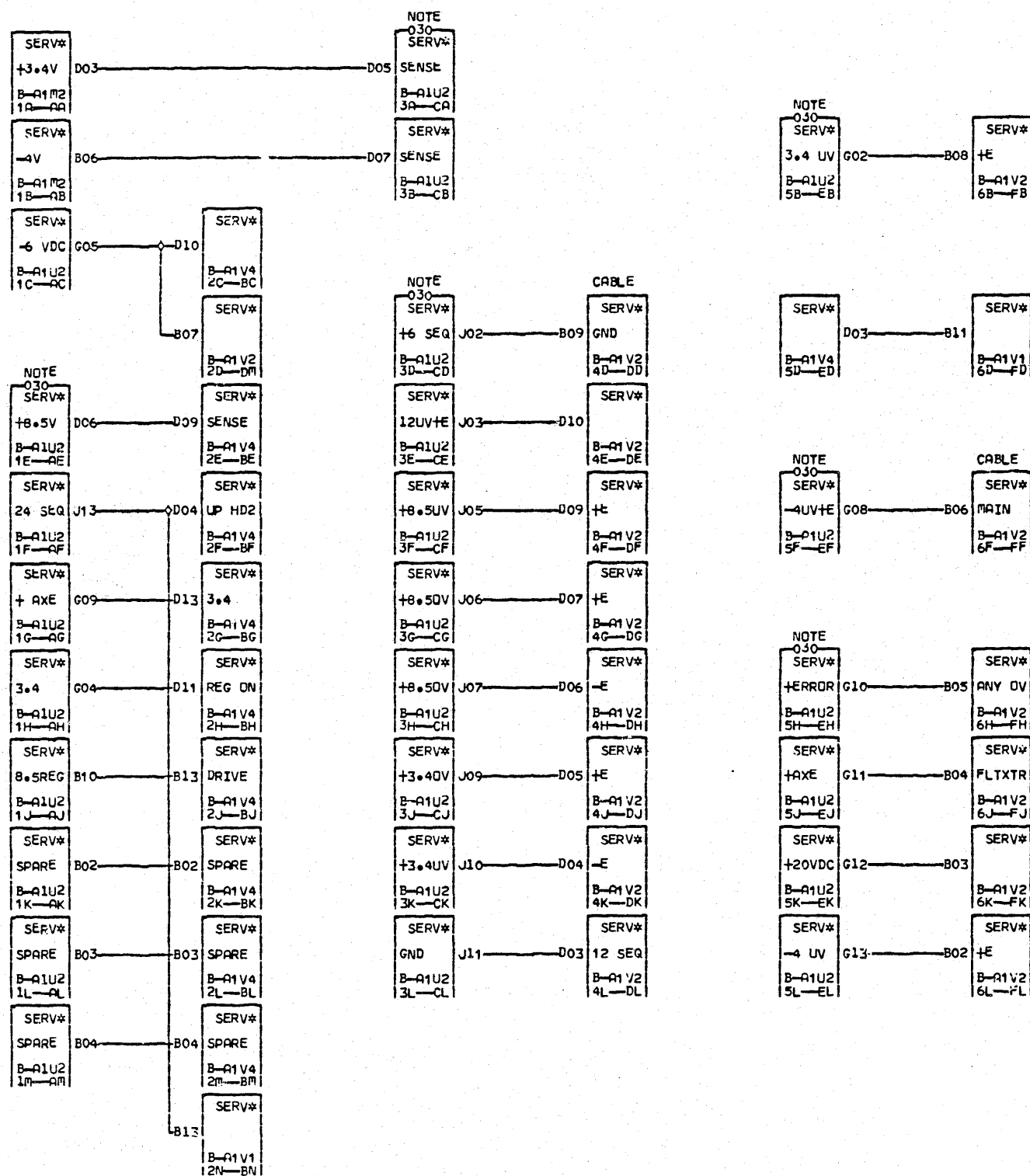
LOC. TYPE

030
SIM TO PN

EC DEV001

SERVICE VOLTAGES	
E.C. HISTORY	C. MACH. 27RNB
314403	FRAME 01
DATE	IBM CORP. SDD
05-28-76 314419	P. No. 1750367

MM010



NOTE MACHINES WITH MODIFIED POWER DO NOT CONTAIN U2 CARDS THEREFORE VOLTAGES ARE NOT REQUIRED OR PRESENT AT THIS LOCATION.

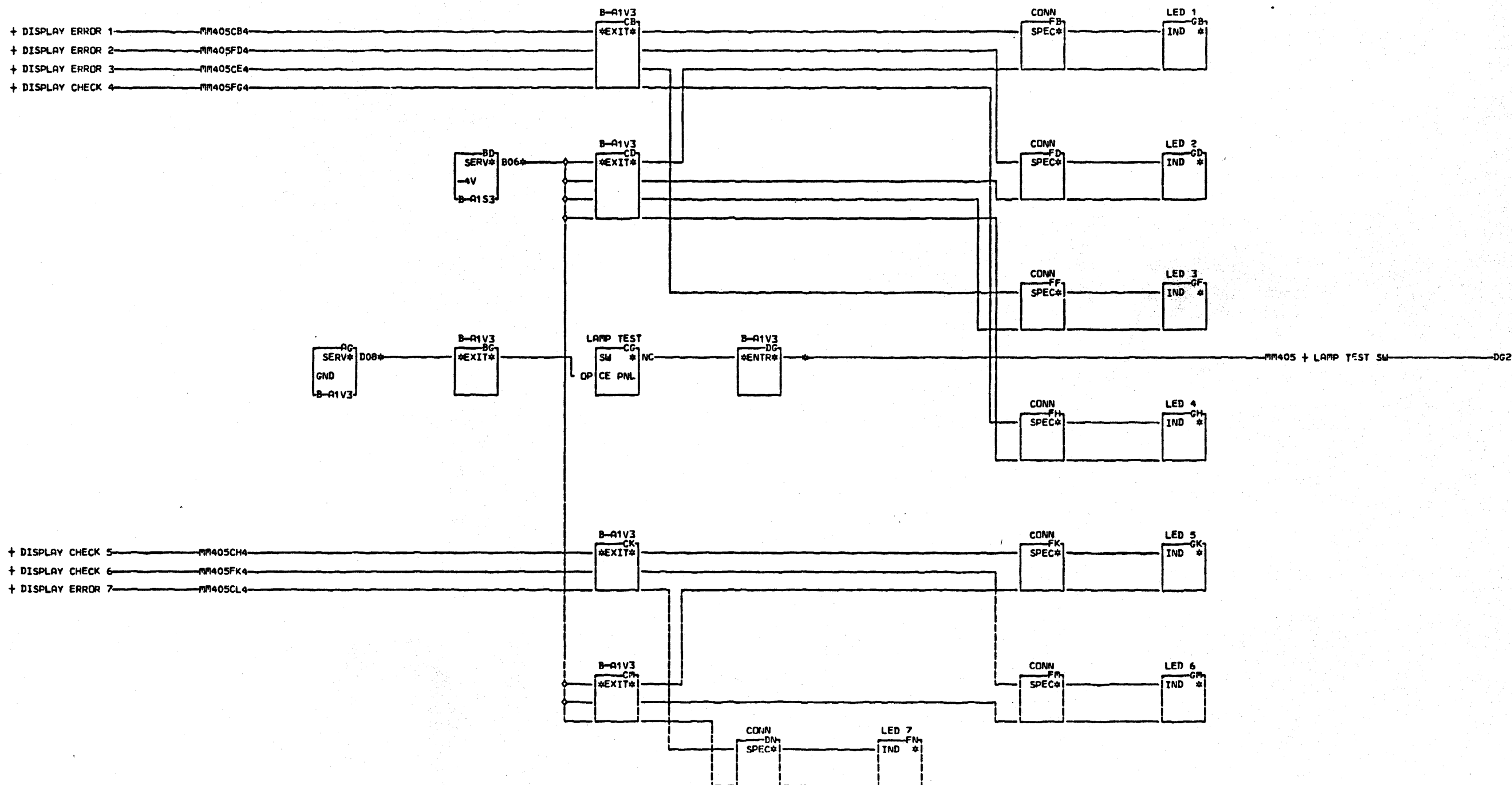
030
SIM TO PN EC 314419

05-19-76 314419
09-03-80 322689

SERV WIRE POWER SENSE CARD TO CABLE TO T ROW TO MID BOARD DATE 09-04-80 MACH. 27RNB

LOG 722 FRAME 01
P.N. 1750417
ISM CORP. SCD BLK. SA

MM020
030

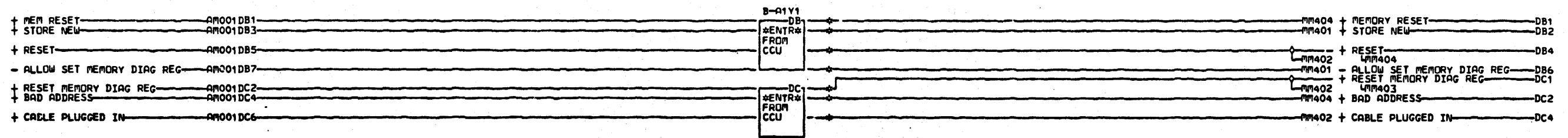


FROM
 030
 SIM TO PN
 EC 314401
 DG2 B-A1V3B12
 B-A1V3B02
 01 B-A1V3B04
 01 B-A1V3B05
 01 B-A1V3B06
 01 B-A1V3B08
 01 B-A1V3B09
 01 B-A1V3B10
 01 B-A1V3B13

LOC. TYPE

ENTER/EXIT TO MEMORY CE PANEL	
E.C. HISTORY 314403	C. MACH. #27RMB
DATE 05-28-76	LAST EC 314419
FRAME 1B8 CORP. SDD	P.N. 1750368

MM030



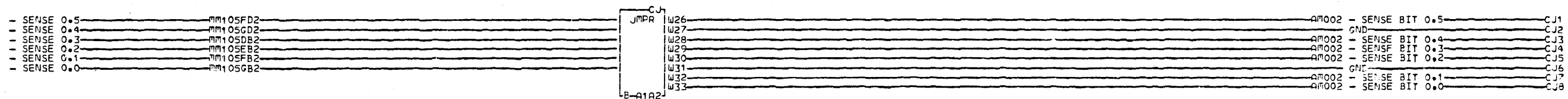
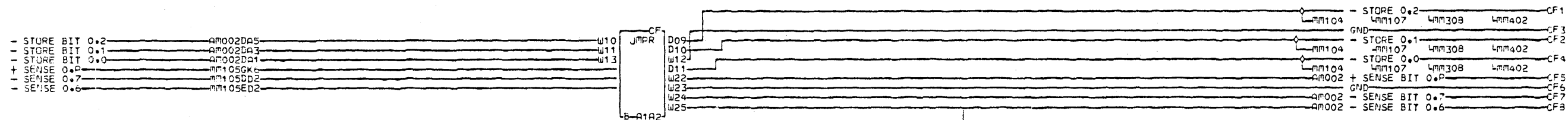
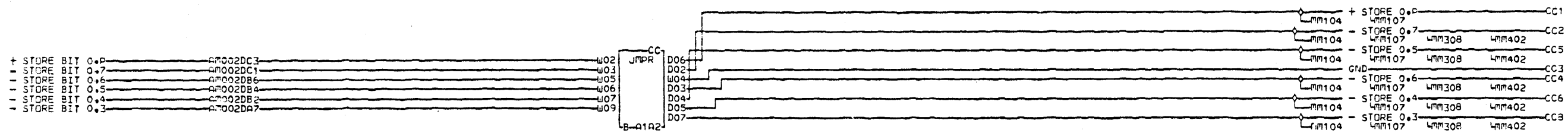
MEM 101
 030
 SIM TO PN
 EC DEV007

DB1 B-A1A1D11
 DB2 B-A1A1E11
 DB4 B-A1B1B11
 DB6 B-A1B1C11
 DC1 B-A1B1D11
 DC2 B-A1C1A11
 DC4 B-A1C1B11

LOC. TYPE

CABLE MEMORY CONTROL TO CCU	
E.C. HISTORY 314403	C. MACH. 27RNB
DATE 05-28-76	LAST EC 314419
FRAME 01	IBM CORP. SDD P.N. 1750369

MM 101



LOC. TYPE
B-A1A2 AB99

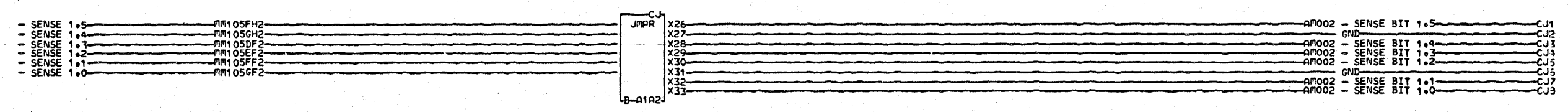
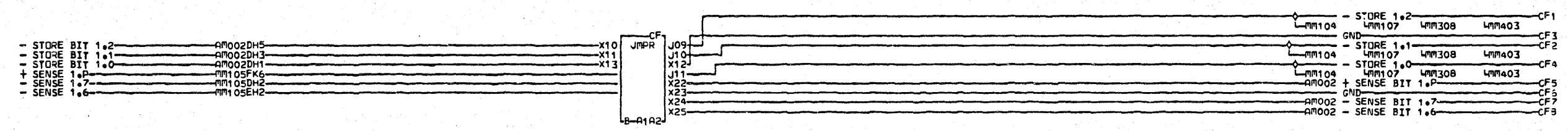
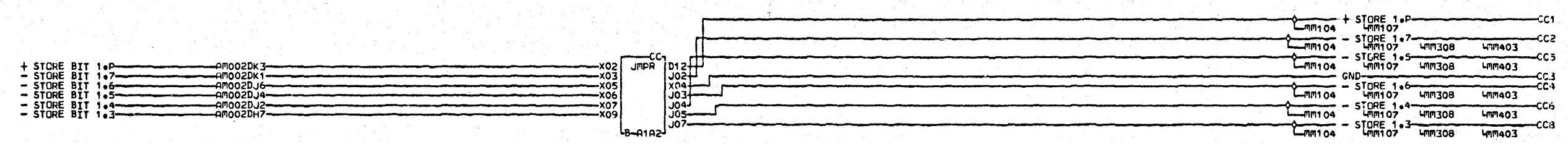
DRIVER/RECEIVER TO CCU	
SENSE FROM MEMORY STORE TO MEMORY	
E.C. HISTORY - C-MACH. 27RNB	
314403	FRAME 01
DATE LAST EC	IBM CORP. SDD
05-28-76 314419	P.N. 1750370

SECTION

030 SIM TO PN

EC CCC001

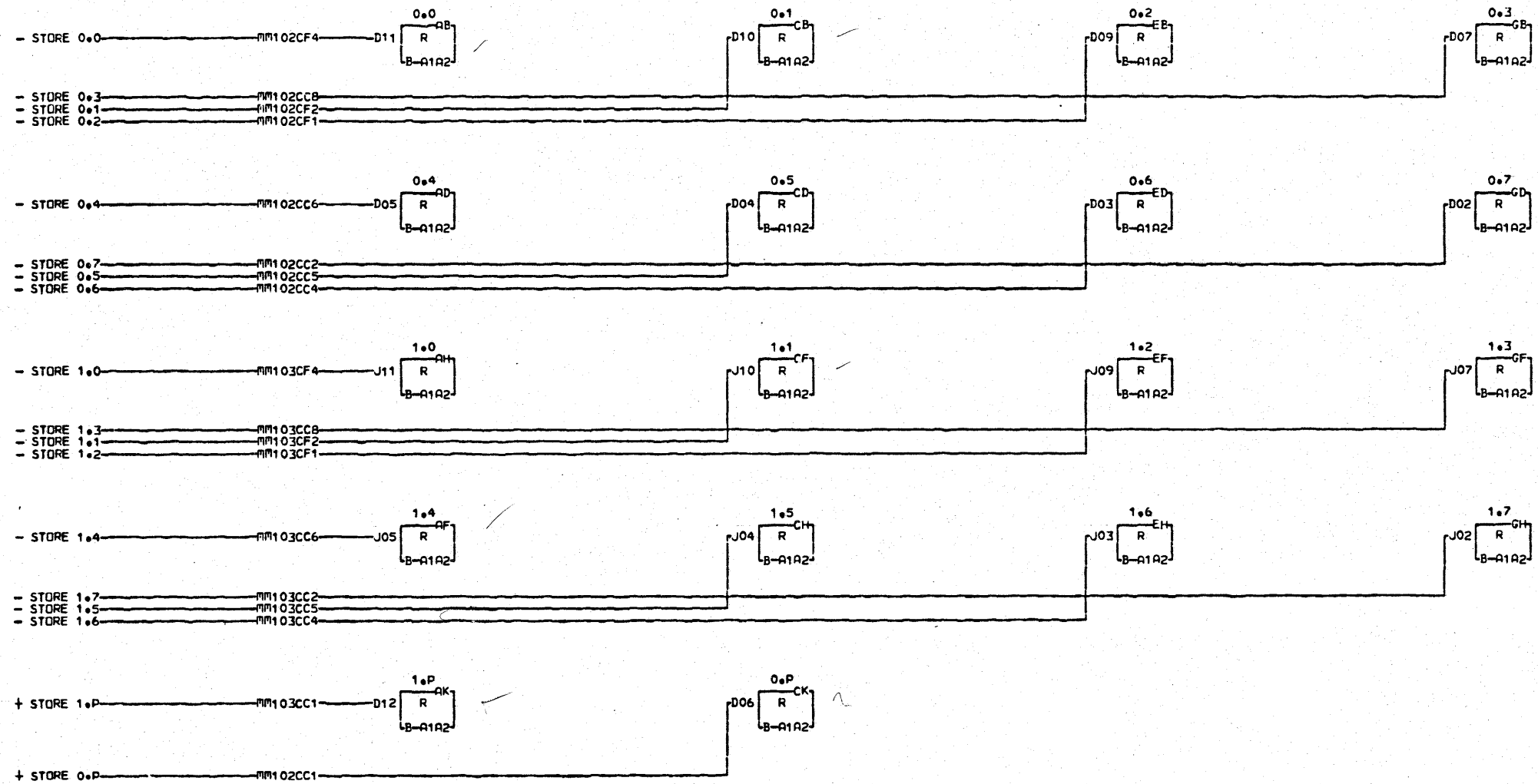
030



030
SIM TO PN
EC CCC001

LOC. TYPE
B-A1A2 AB99

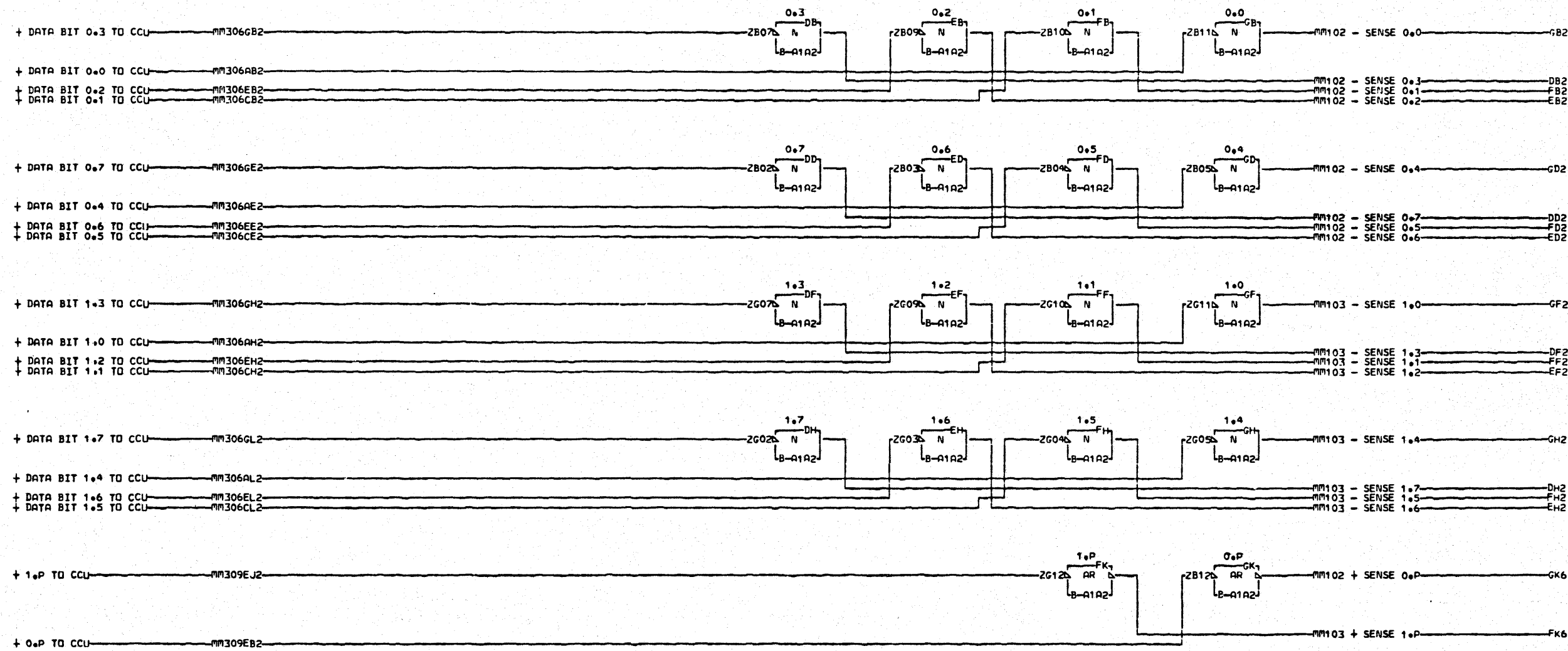
DRIVER-RECEIVER TO CCU	
SENSE FROM REM STORE TO MEMORY	
314403	FRAME 01
DATE LAST EC	IBN CORP. SDD
05-28-76 314419	P.N. 1750371



E
 1
 0
 4
 030
 SIM TO PN
 EC DEV007

LOC. TYPE
B-A1A2 AB99

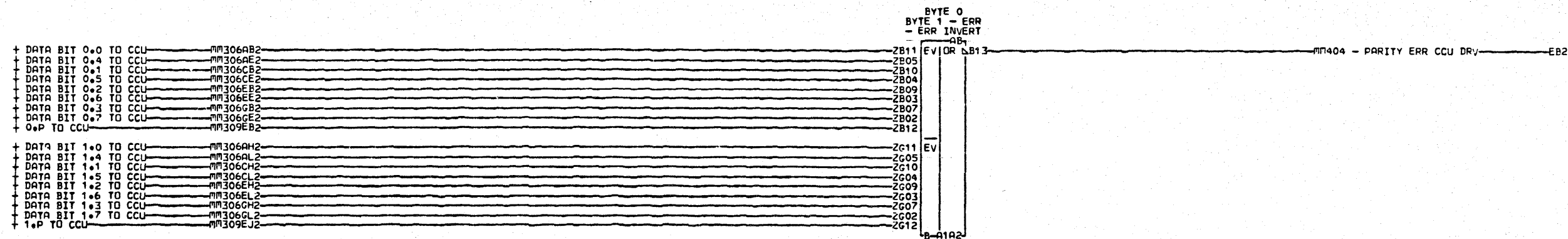
DRIVER-RECEIVER TO CCU		M 1 0 4
TERMINATE CCU		
E.C. HISTORY	314403	MACH. 27RNB FRAME 01
DATE	05-28-76	
LAST EC	314419	IBM CORP. SDD
		P.N. 1750372



030
SIM TO PN
EC CCC002

LOC. TYPE
B-A1A2 AB99

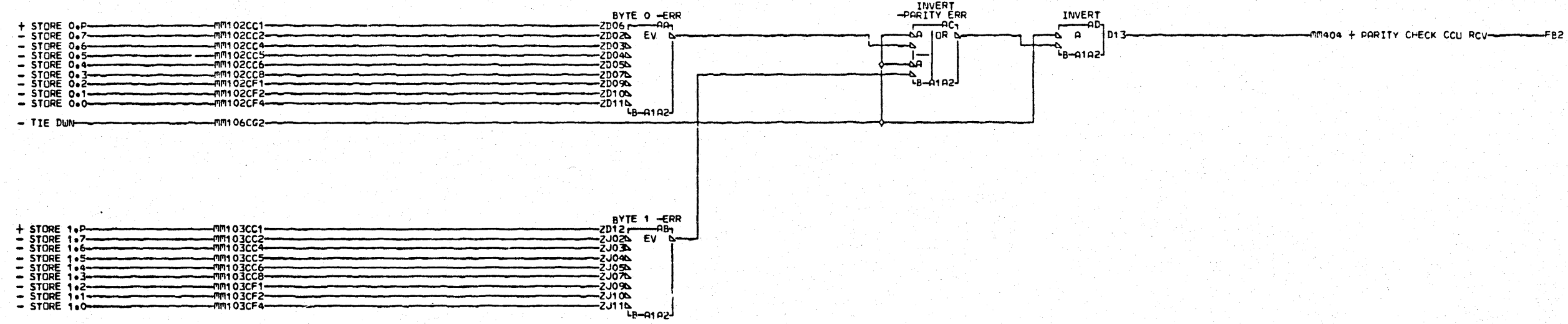
DRIVER/RECEIVER TO CCU	M
ENTER FROM FCC DRIVE TO CCU	M
E.C. HISTORY	C, MACH. 27RNB
314403	FRAME 01
	0
	5
DATE LAST EC	IBM CORP. SDD
05-28-76 314419	P.N. 1750373
	030



MM106
 030 SIM TO PN
 EC CCC001

LOC. TYPE
 B-A1A2 AB99

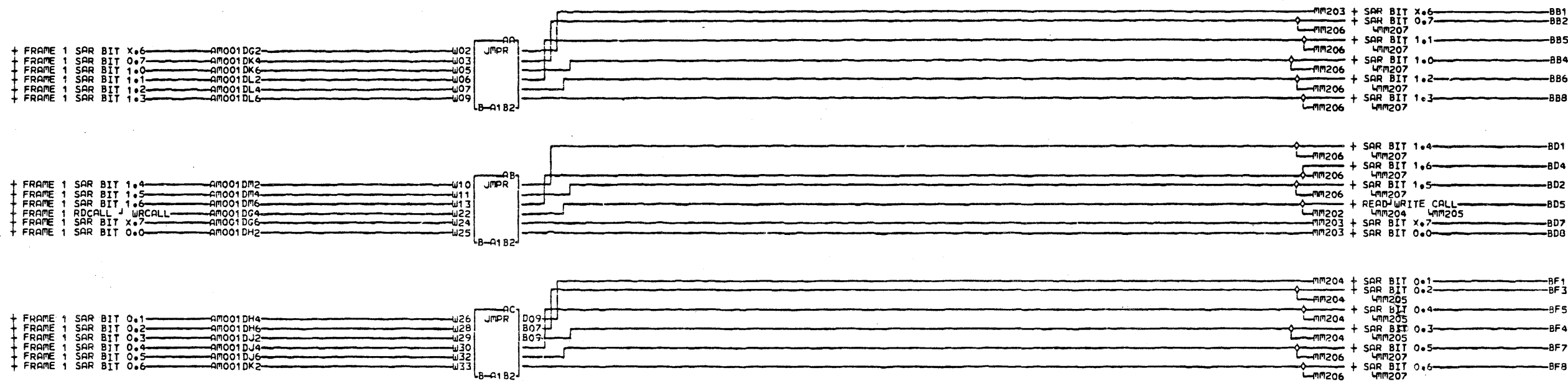
DRIVER RECEIVER TO CCU		
PARITY CHECKER BEFORE CCU		
E.C. HISTORY	C. MACH. 27RNB	M
314403		1
	FRAME	01
		0
		5
	IBM CORP. SDD	
DATE LAST EC	P.N. 1750374	030
05-28-76 314419		



030
SIM TO PN
EC CCC001

LOC. TYPE
B-A1A2 AB99

DRIVER RECEIVER TO CCU		
PARITY CHECK DATA FROM CCU		
314403	—E.C.—HISTORY—C.MACH.27RNB	M
	FRAME 01	1
	IBM CORP. SDD	7
DATE 05-28-76	LAST EC 314419	030
	P.N. 1750375	

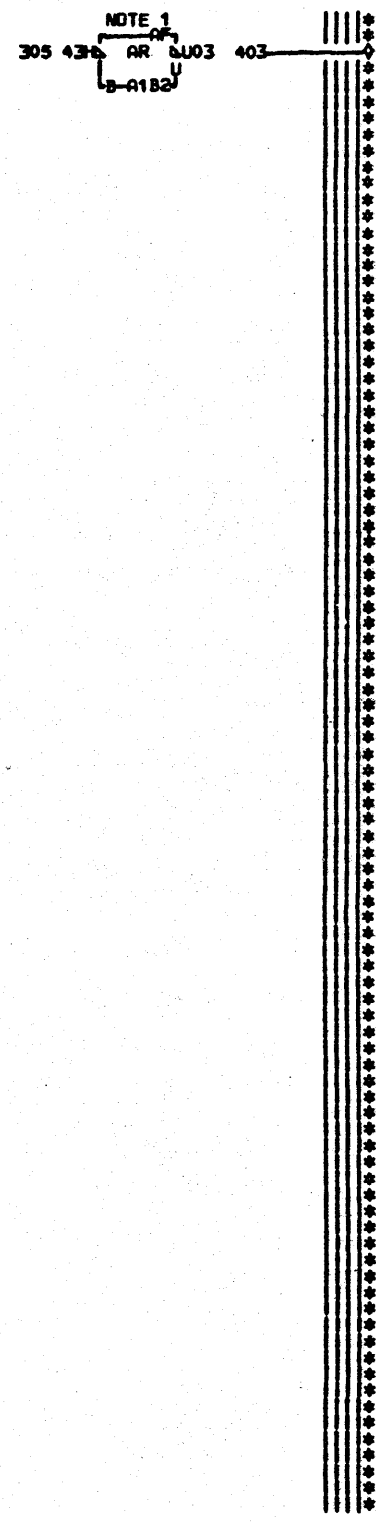
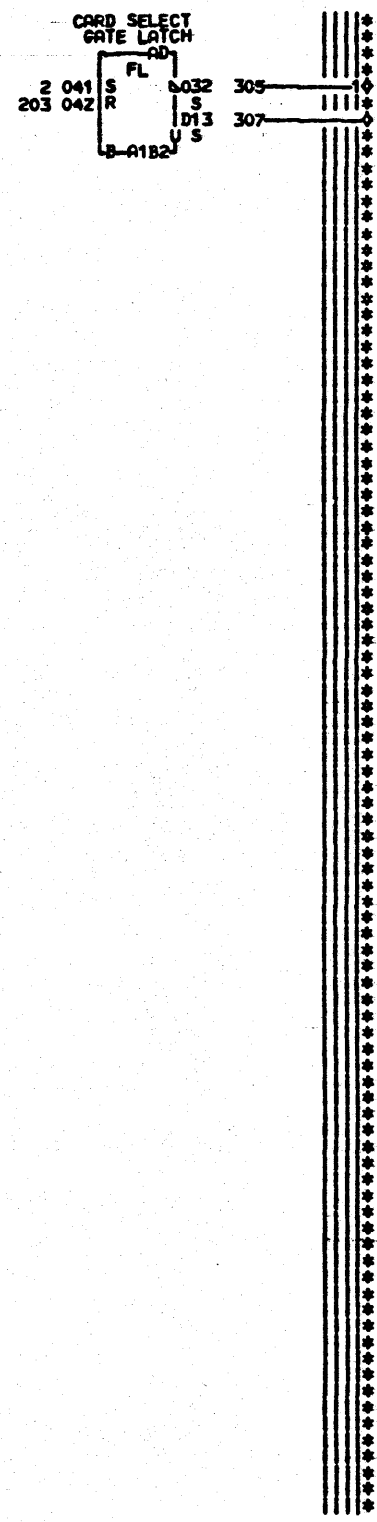
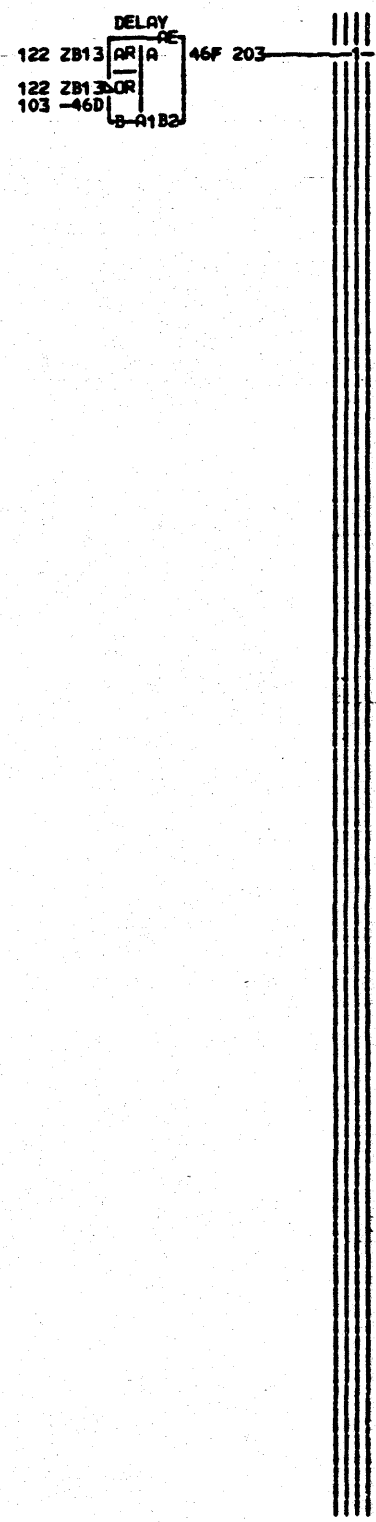
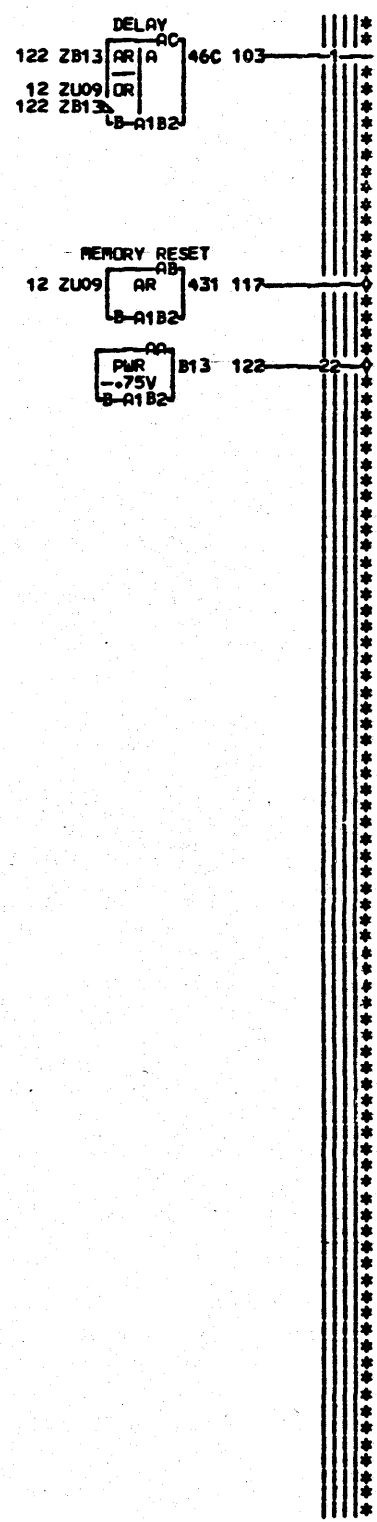
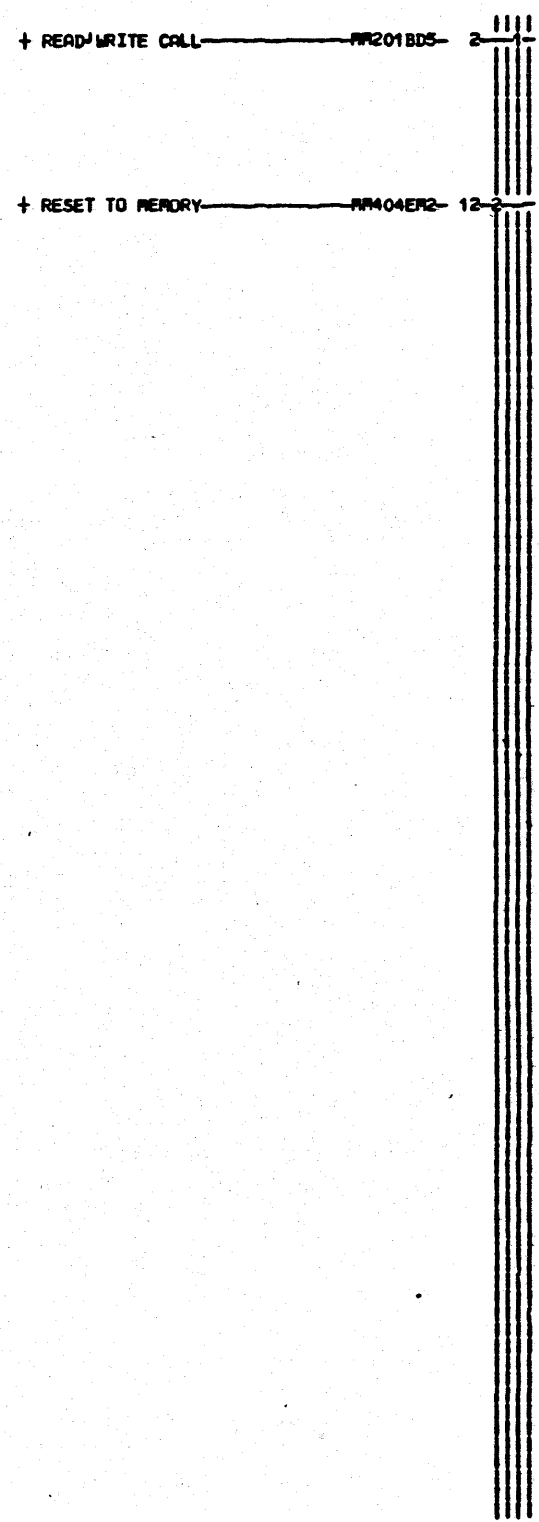


MM201
030
SIM TO PH

EC DEV002

LOC. TYPE
B-A1B2 AB94

CARD SELECT AND ADDRESSING		M
E.C. HISTORY	C. MACH. 27RNB	M
314403		2
	FRAME 01	0
	IBM CORP. SCR	1
DATE LAST EC	P.N. 1750376	030
05-28-76 314419		



- 030 MM202
- 122 + TIE UP — AF4
- 117 + MEMORY RESET — AG6
MM204 MM205
- 305 - GATE CARD SELECT — MM203-CD2
- 307 + START READ GATE — MM401-CD6
- 403 + DGATE C6 WHEN NO CARD SELECT — CB6
MM508

NOTE 1. THIS BLOCK AND IO PIN U03 NOT PRESENT FOR CARD PN 8250106

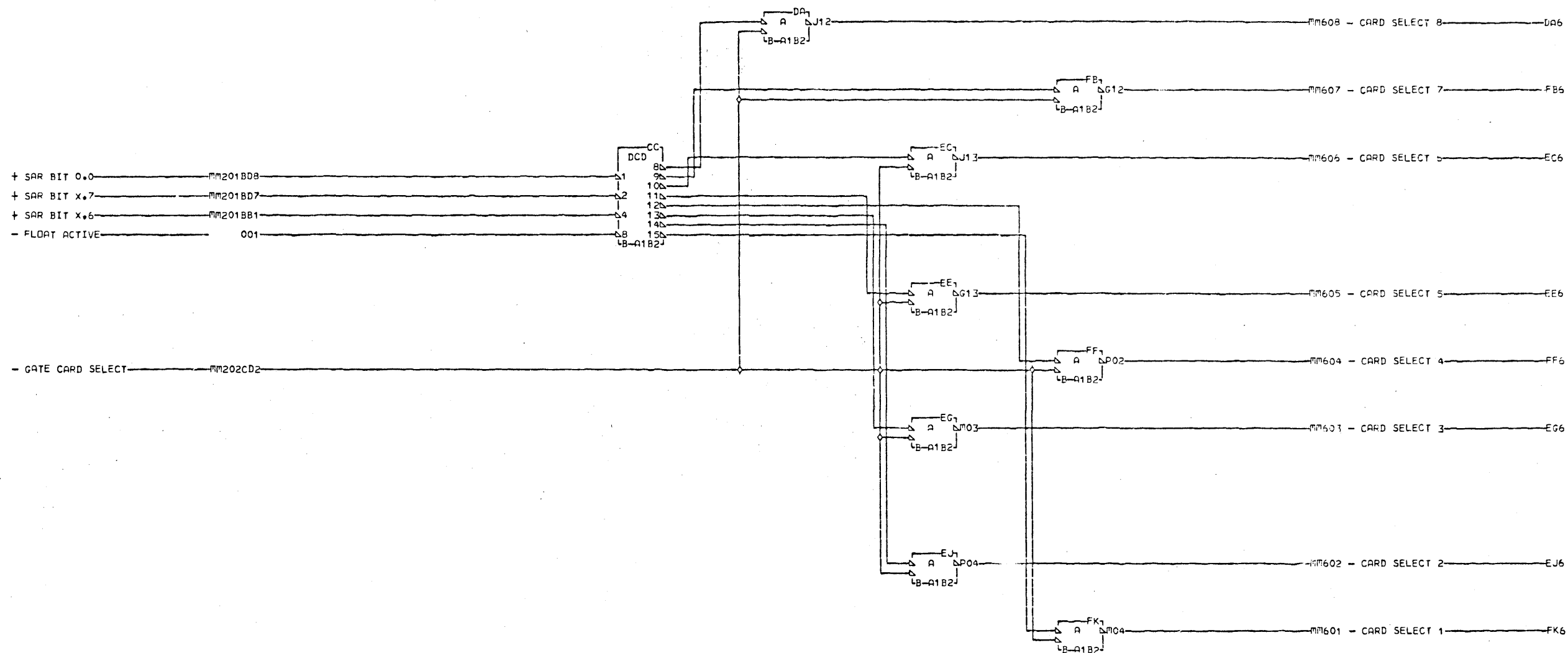
THIS BLOCK AND IO PIN U03 PRESENT FOR CARD PN 8254560

MM202
030 SIM TO PN EC 318551

LOC. TYPE
B-A1B2 AB94

CARD SELECT AND ADDRESSING			
E.C. HISTORY	E. RACH. 27RNB		
314403	FRAME 01		
314419			
DATE	LAST EC	IDM CORP. SCD	MM202
12-21-77	318551	P.N. 1750377	030

030 MM203



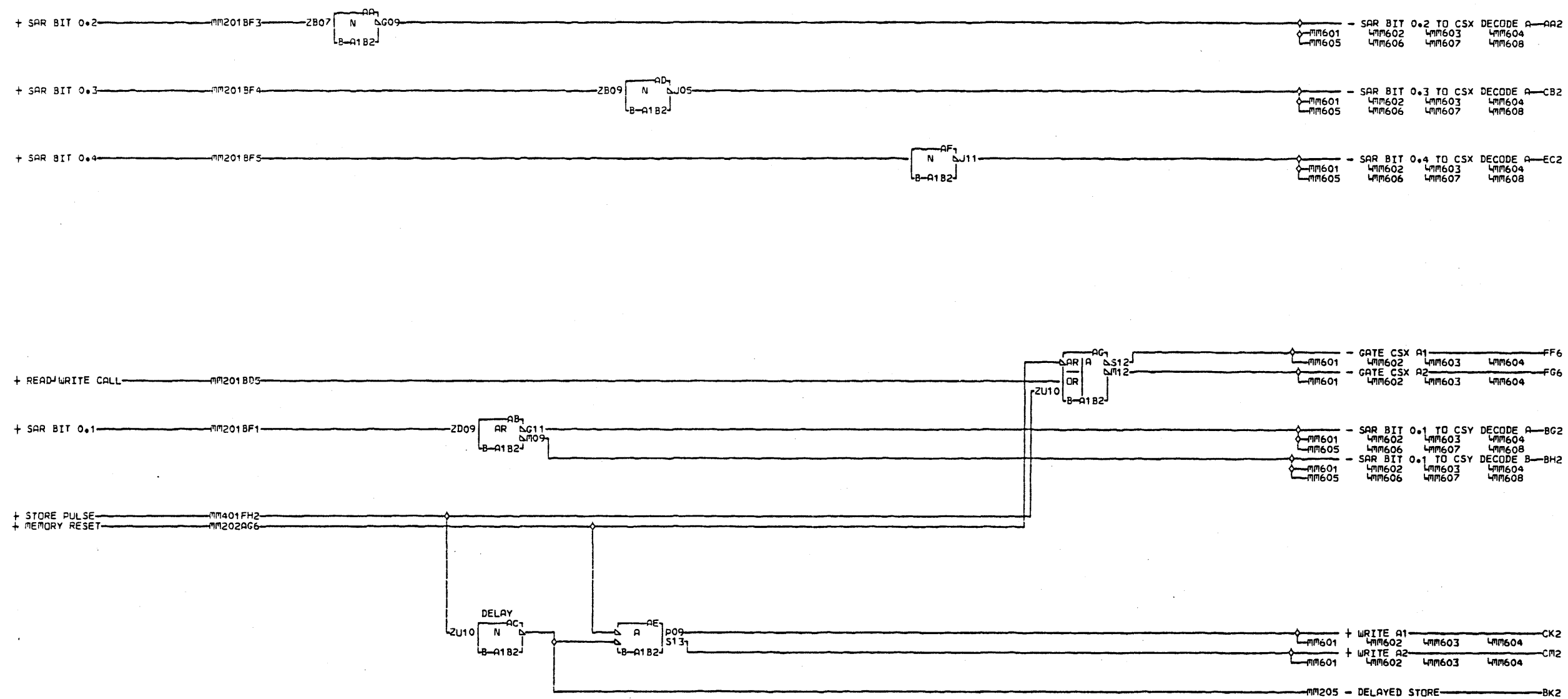
ENNO
030
SIM TO PN

EC 314403

LOC. TYPE
B-A1B2 AB94

CARD SELECT AND ADDRESSING			
E.C. HISTORY	C. MACH.	27RNB	
314403			
	FRAME		01
	IBM CORP.		SCD
DATE	LAST EC		
05-28-76	314419		
		P.N.	1750378

ENNO
030



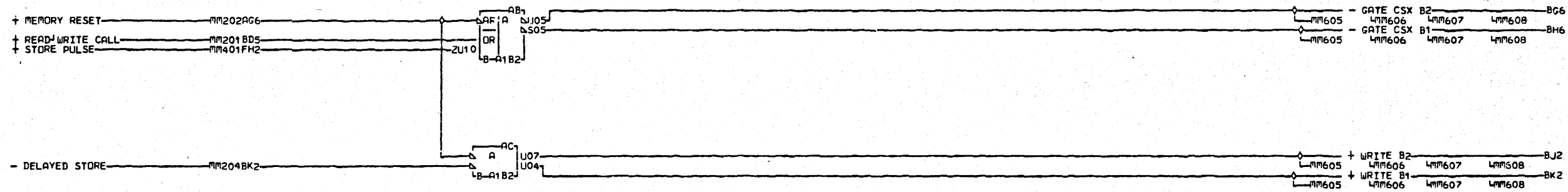
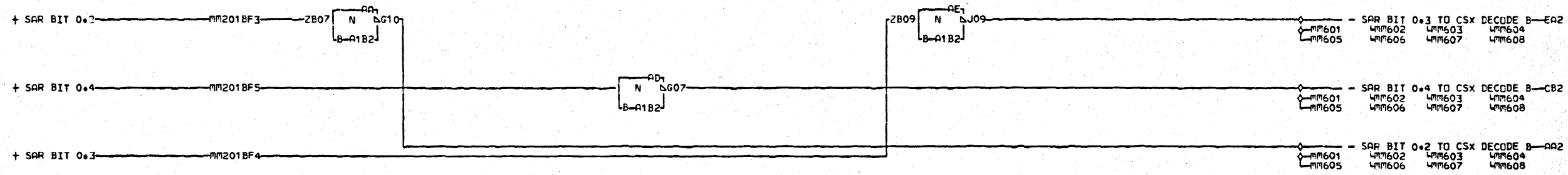
ENO 4
030
SIM TO PN

EC 314403

LOC. TYPE
B-A1B2 AB94

CARD SELECT AND ADDRESSING			
E.C. HISTORY	C. MACH. 27RNB		MM204
314403		FRAME 01	4
DATE	LAST EC	IBM CORP. SCD	030
05-28-76	314419	P.No. 1750379	

030 MM205

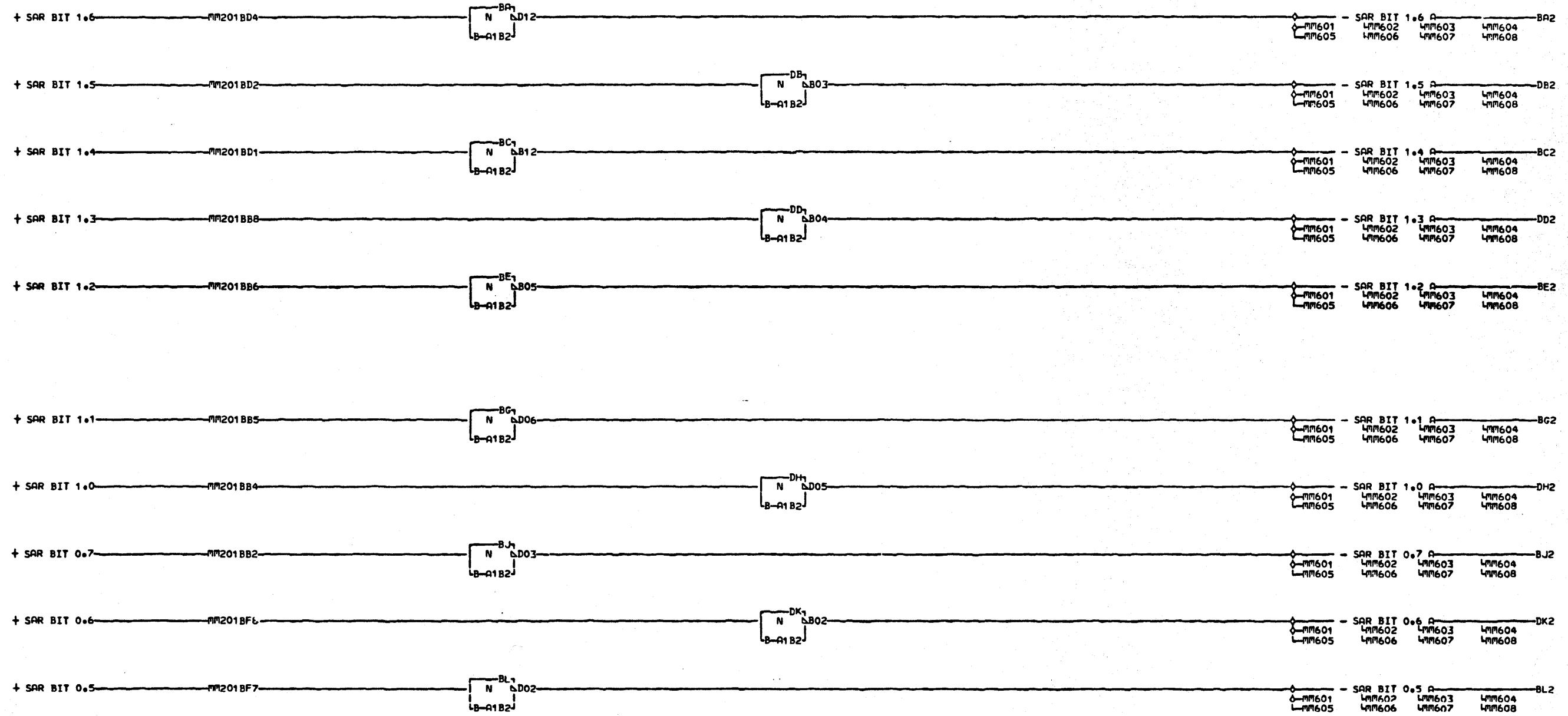


LOC. TYPE
B-A1B2 AB94

CARD SELECT AND ADDRESSING	
E.C. HISTORY 314403	C. MACH. 27RNR
DATE 05-28-76	LAST EC 314419
ISB CORP. SCD	P. No. 1750380

ENOS
030
SIM TO PN
EC DEV007

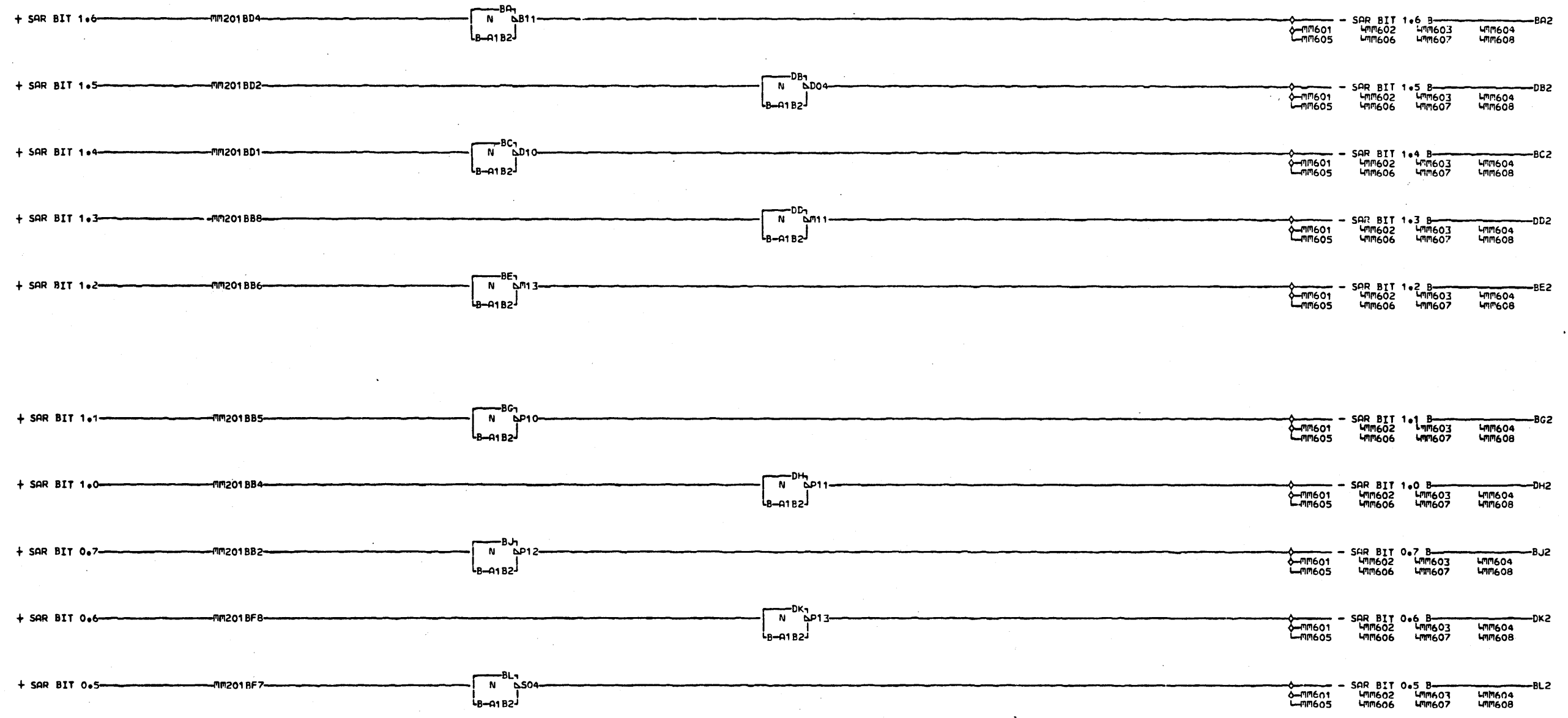
MM205



E
 N
 6
 030 SIM TO PN EC 314403

LOC. TYPE
 B-A1B2 AB94

CARD SELECT AND ADDRESSING		M M 2 0 6
E.C. HISTORY 314403	C. MACH. 27RNB FRAME 01	
DATE 05-28-76	LAST EC 314419	IBM CORP. SCD P.N. 1750381 030



MEMORY

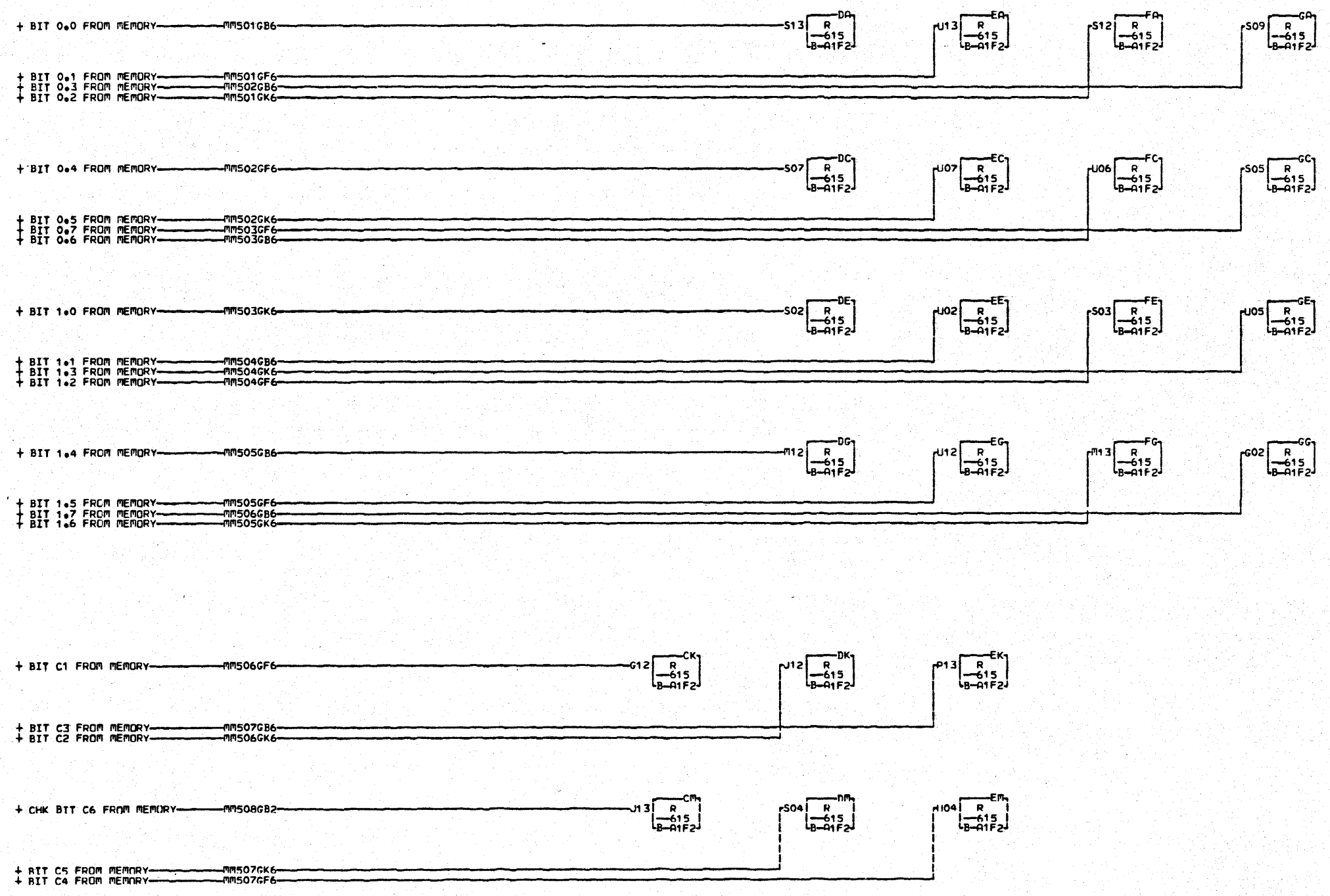
030 SIF TO PN

EC DEV101

LCC. TYPE
B-A1B2 AB94

CARD SELECT AND ADDRESSING	
E.C. HISTORY 314403	C. MACH. 27RNR FRAME 01
DATE LAST EC 05-28-76 314419	IBM CORP. SCD P.N. 1750382

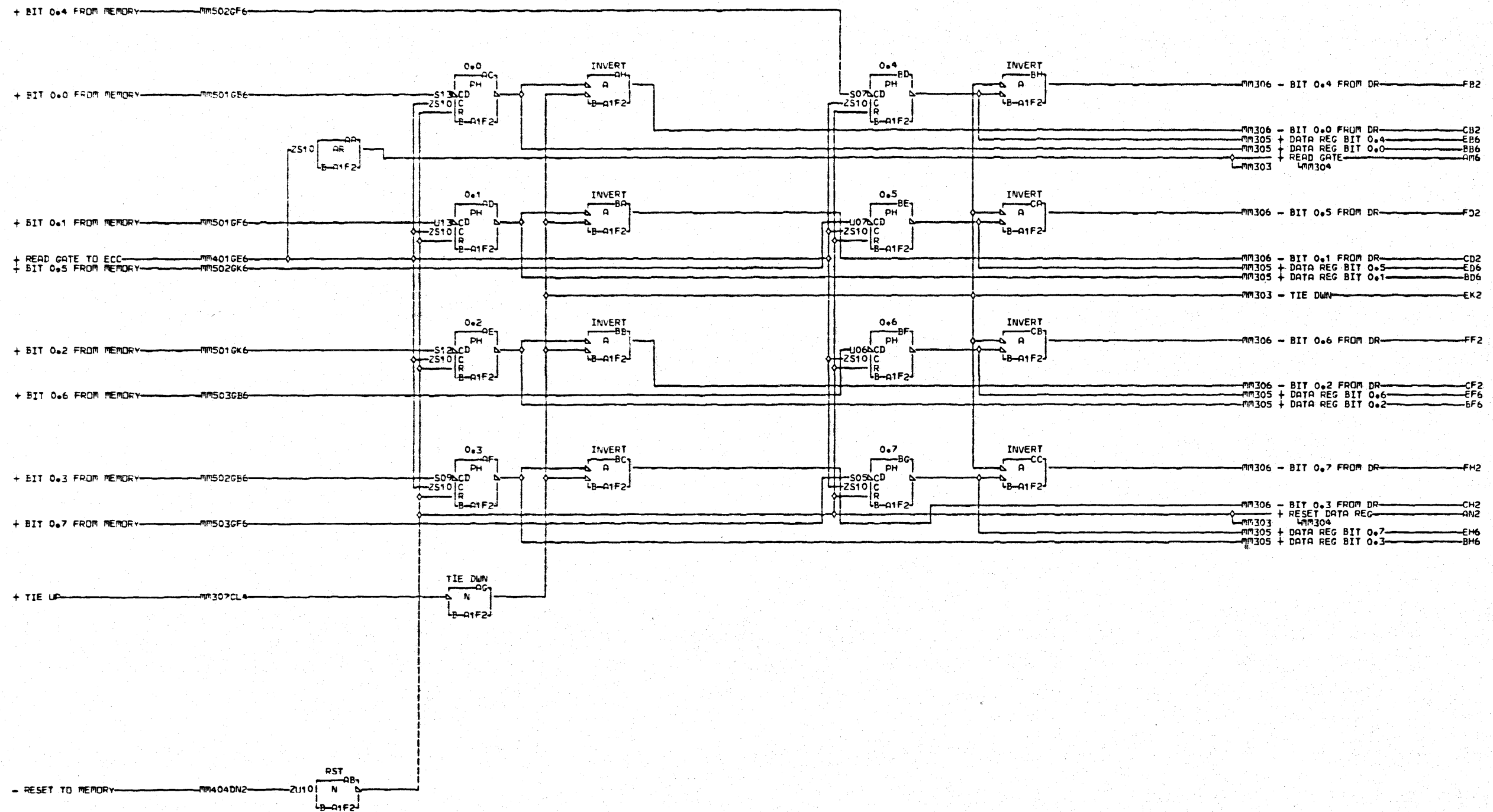
MM207
030



LOC. TYPE
B-A1F2 AB83

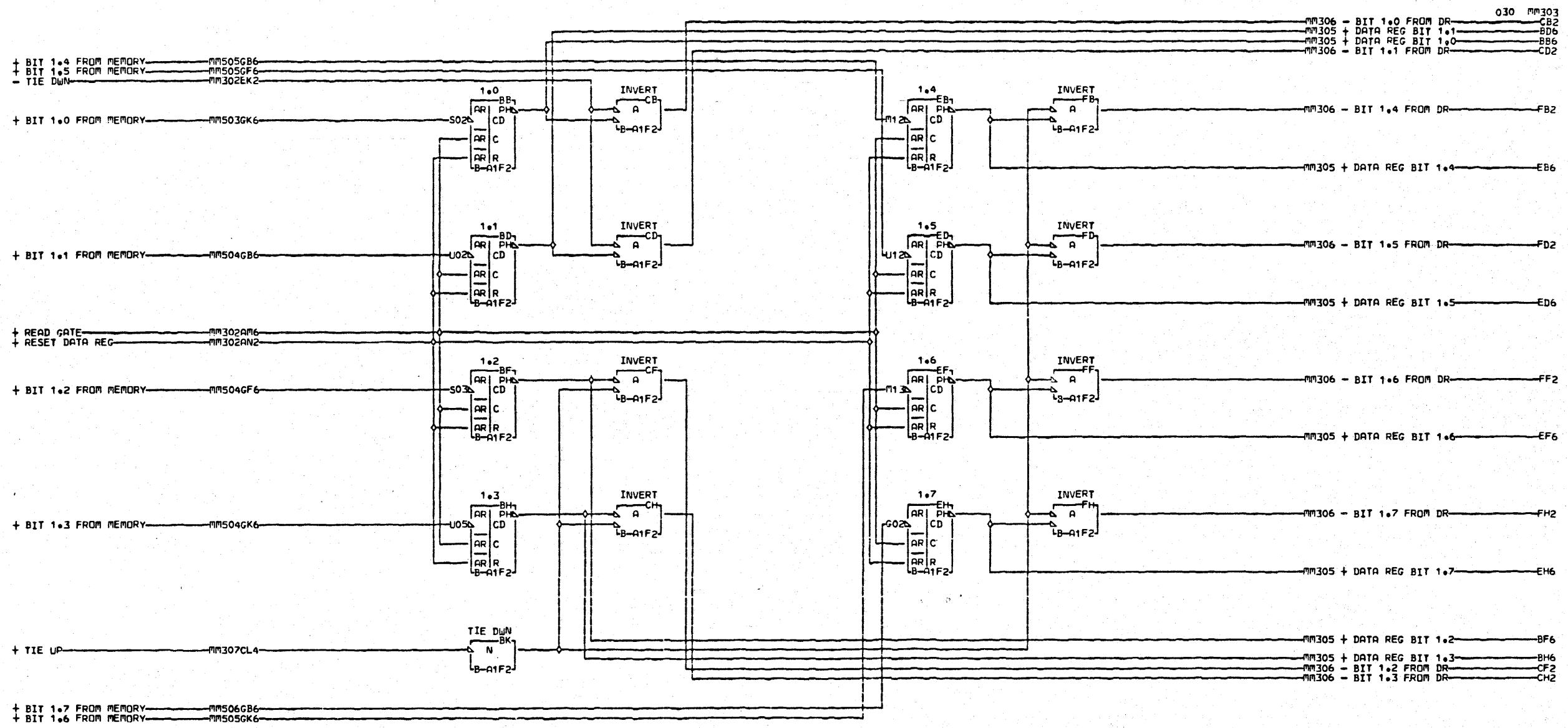
MEMO
030
SIM TO PN
EC CCC001

ERROR CORRECTION			
ENTER FROM MEMORY			
E.C. HISTORY	C. MACH. 27RNB		M
314403			3
	FRAME	01	0
			1
DATE	LAST EC	IBM CORP. SDD	030
05-28-76	314419	Part. 1750383	



LOC. TYPE
B-A1F2 AB83

ERROR CORRECTION		
DATA REG MEMORY OUTPUT		M
E.C. HISTORY	C. MACH. 27RNB	M
314403	FRAME	01 3
		0 2
	IBM CORP. SDD	030
DATE LAST EC	P.N. 1750384	
05-28-76 314419		

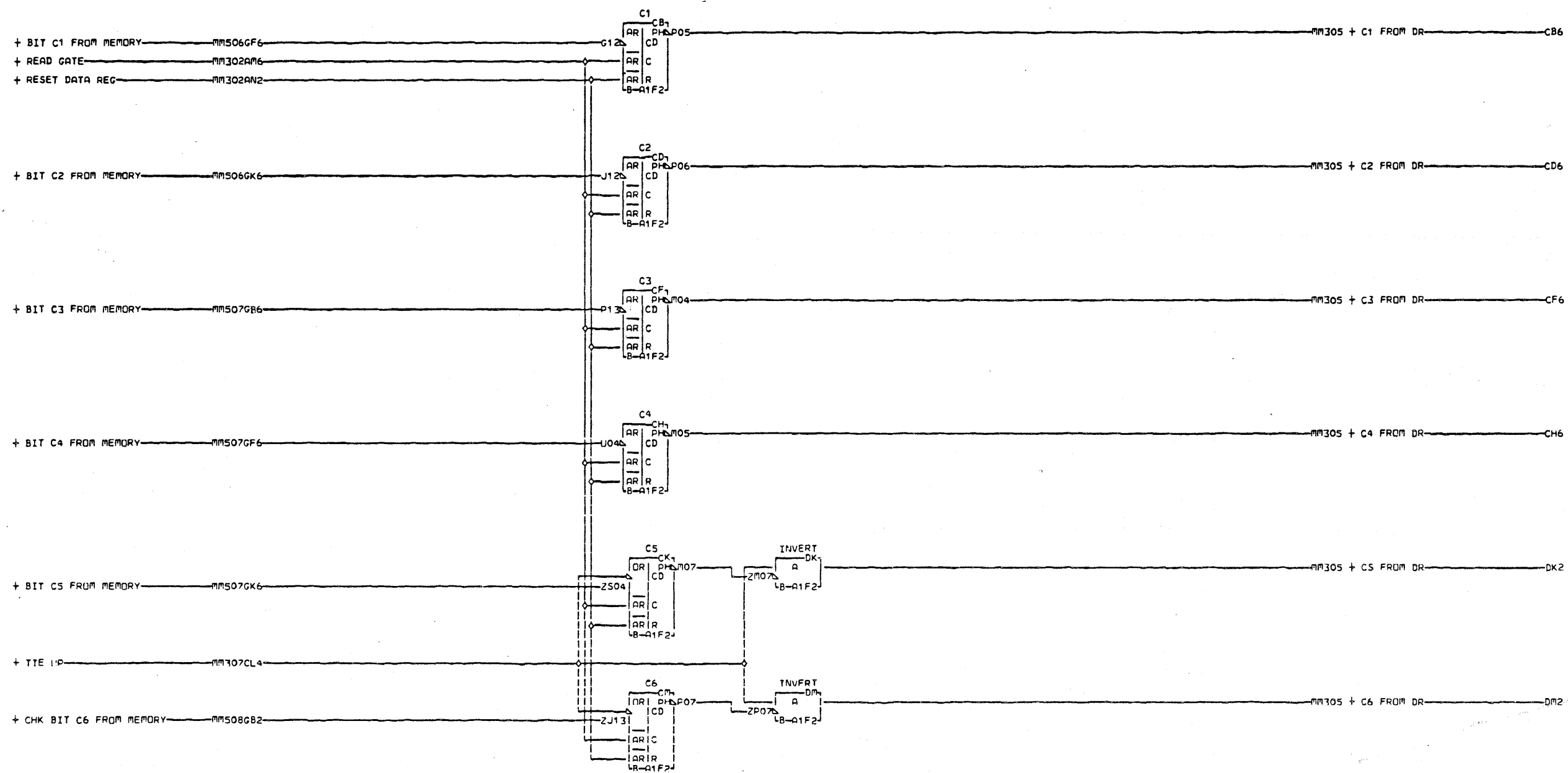


030
SIM TO PN

EC DEV009

LOC. TYPE
B-A1F2 AB83

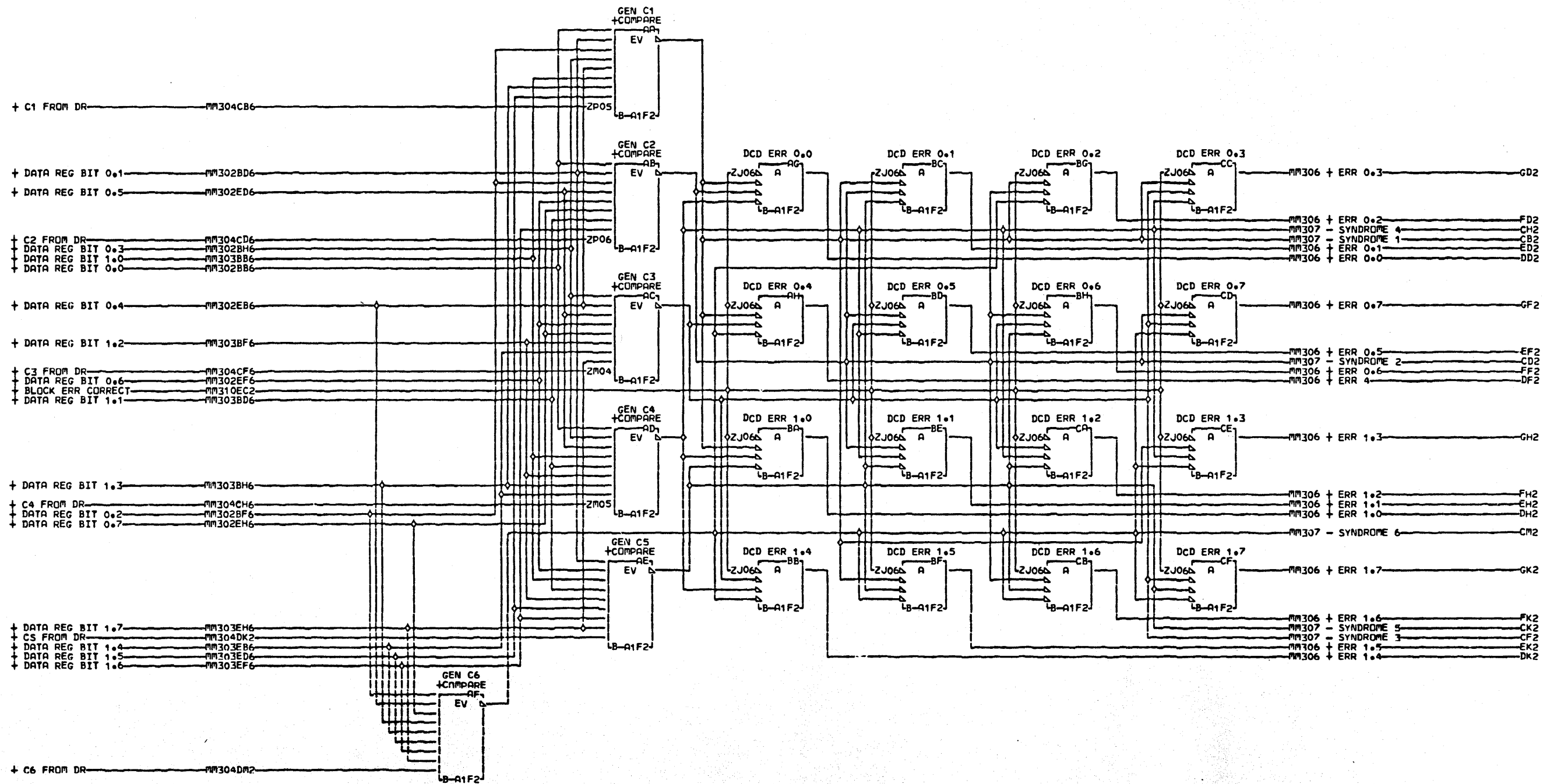
ERROR CORRECTION		
DATA REG MEMORY OUTPUT		
E.C.-HISTORY	C1	MACH.27RNB
314403		
	FRAME	01
	IBM CORP. SDD	030
DATE	LAST EC	
05-28-76	314419	P.N. 1750385



LOC. TYPE
B-A1F2 AB83

ERROR CORRECTION		
DATA REG MEMORY OUTPUT		
E+C-HISTORY	C-MACH-27RNR	
314403		
FRAME	01	0
		4
DATE	LAST EC	IBM CORP. SDD
05-28-76	314419	P.N. 1750386

M
3
0
4
030
SIM TO FN
EC 314401



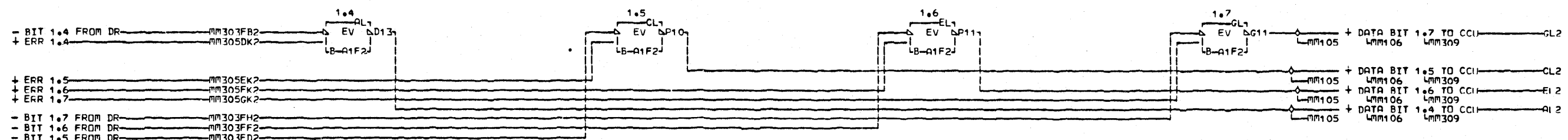
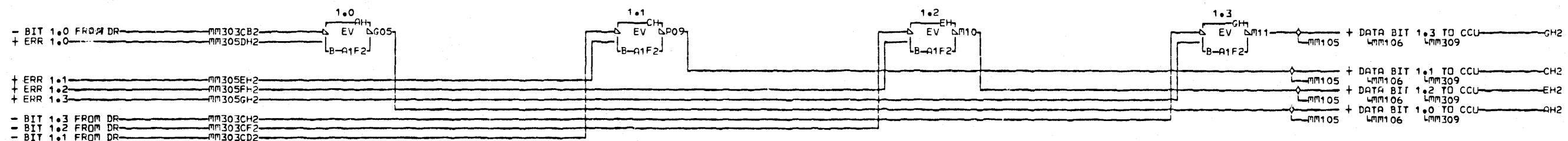
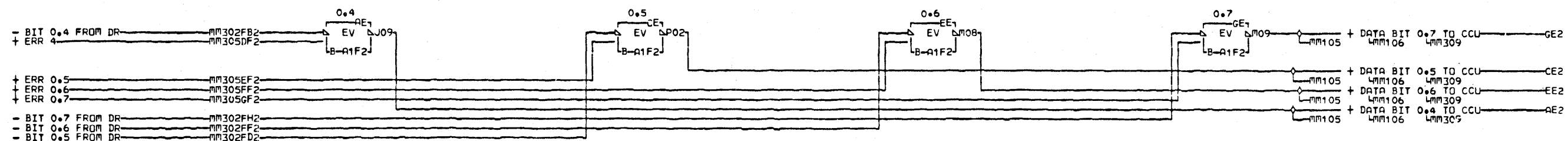
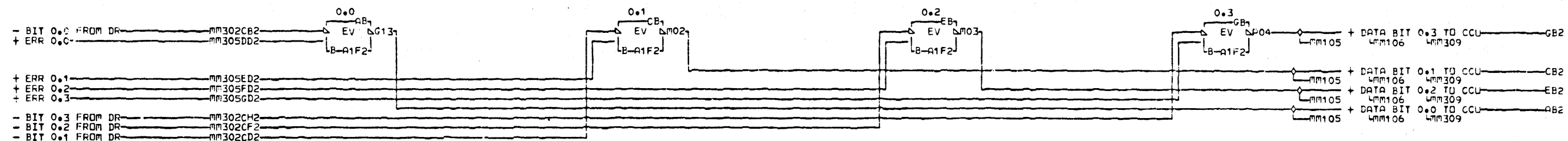
M
3
0
5

030
SIM TO PN

EC 314401

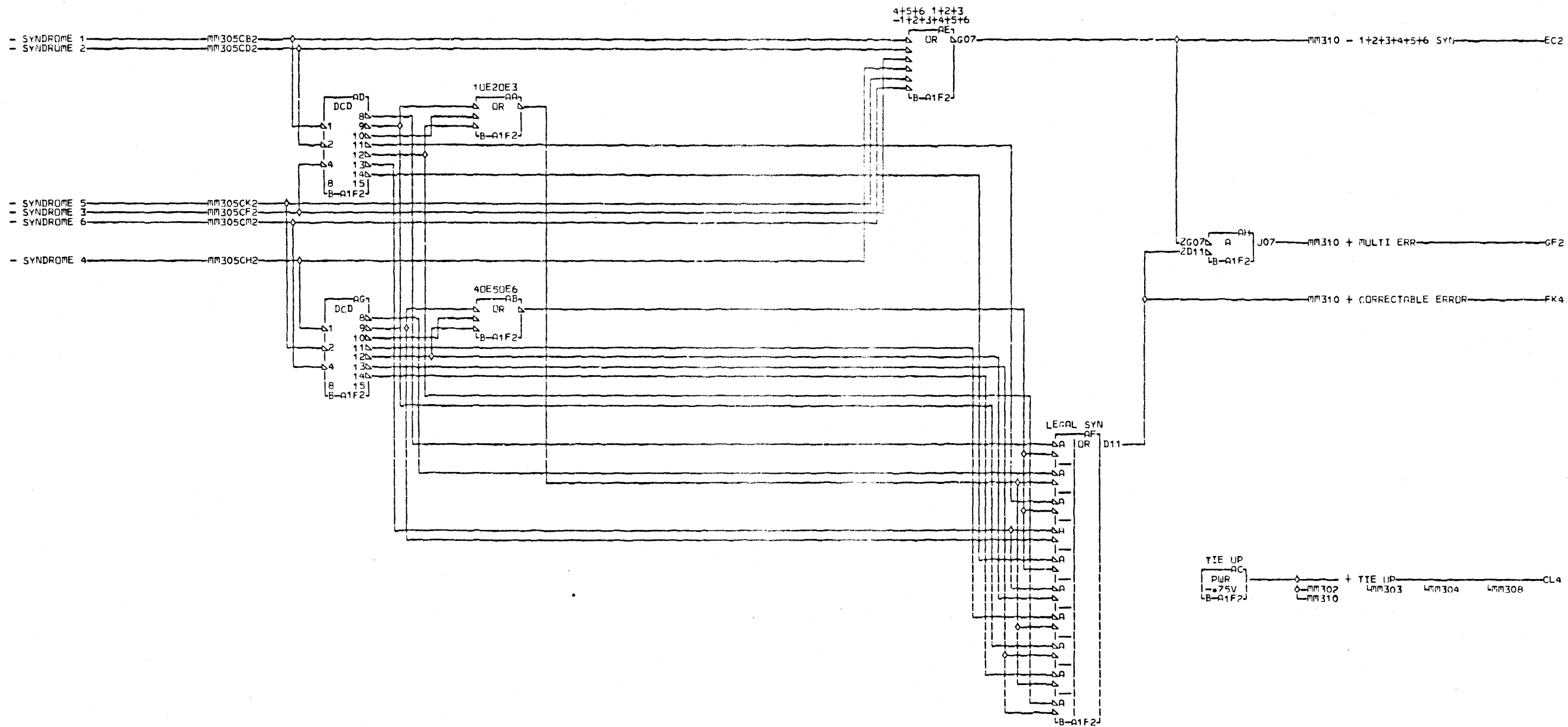
LOC. TYPE
B-A1F2 AB83

ERROR CORRECTION		M
CHK RE-GEN AND ERR DETECT		3
EC-HISTORY	C-MACH-27RNB	0
314403		5
	FRAME 01	5
	IBM CORP. SDD	030
DATE LAST EC	P.N. 1750387	
05-28-76 314419		



LDC. TYPE
B-A1F2 A883

ERROR CORRECTION		
FLTP SINGL BIT ERROR		
F.C. HISTORY	C. MACH. 27RNB	
314403		
FRAME	01	0
IBM CORP. SDD		6
DATE	LAST EC	
05-28-76	314419	
P.No.	1750388	030

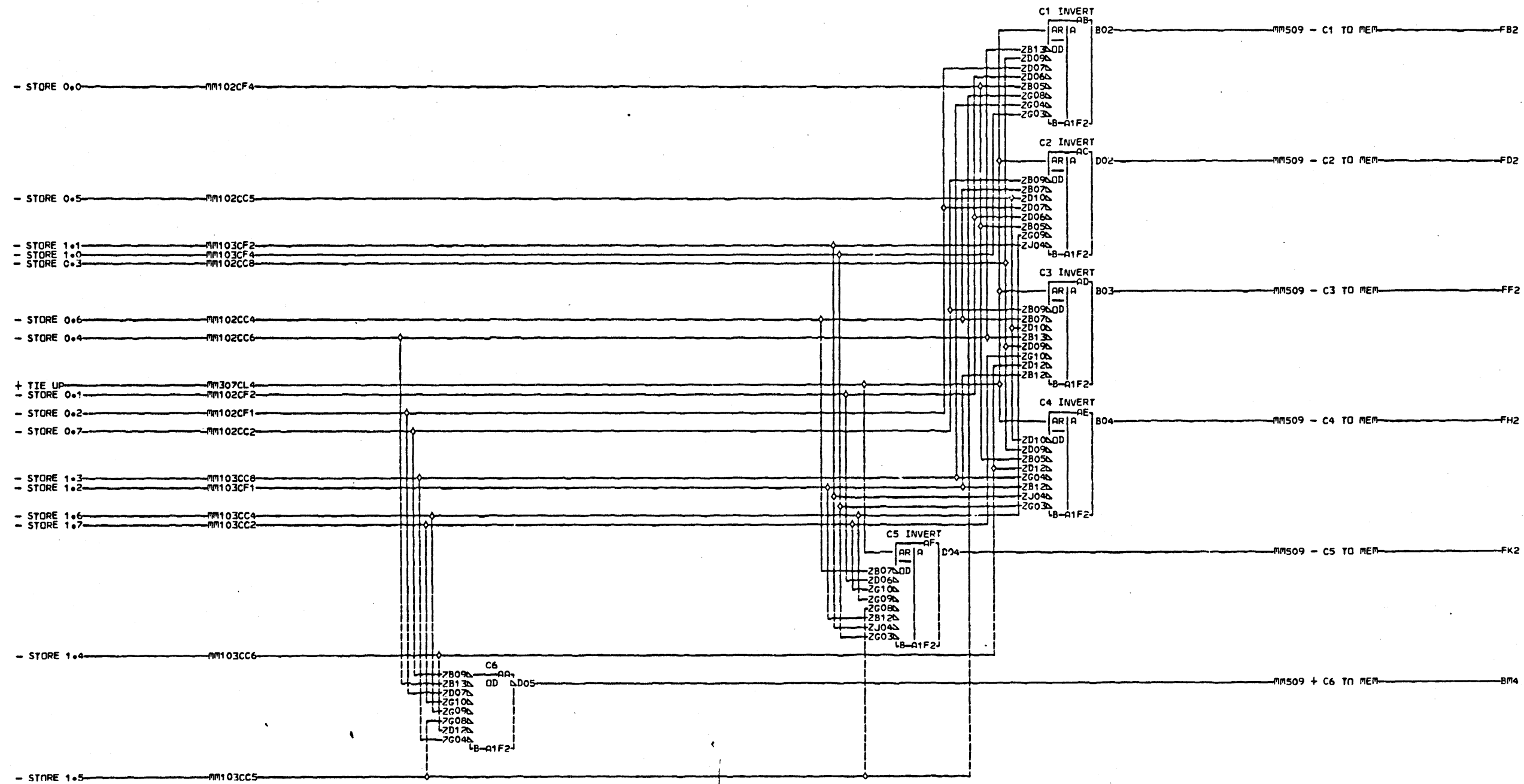


LOC. TYPE
B-A1F2 AB83

ERROR CORRECTION		
MULTI-BIT ERROR DETECT		
E.C. HISTORY	C. MACH. 27RNB	MM
314403	FRAME 01	3
	IBM CORP. SDD	07
DATE	LAST EC	
05-28-76	314419	P.N. 1750389

EMON
030
SIM TO PN

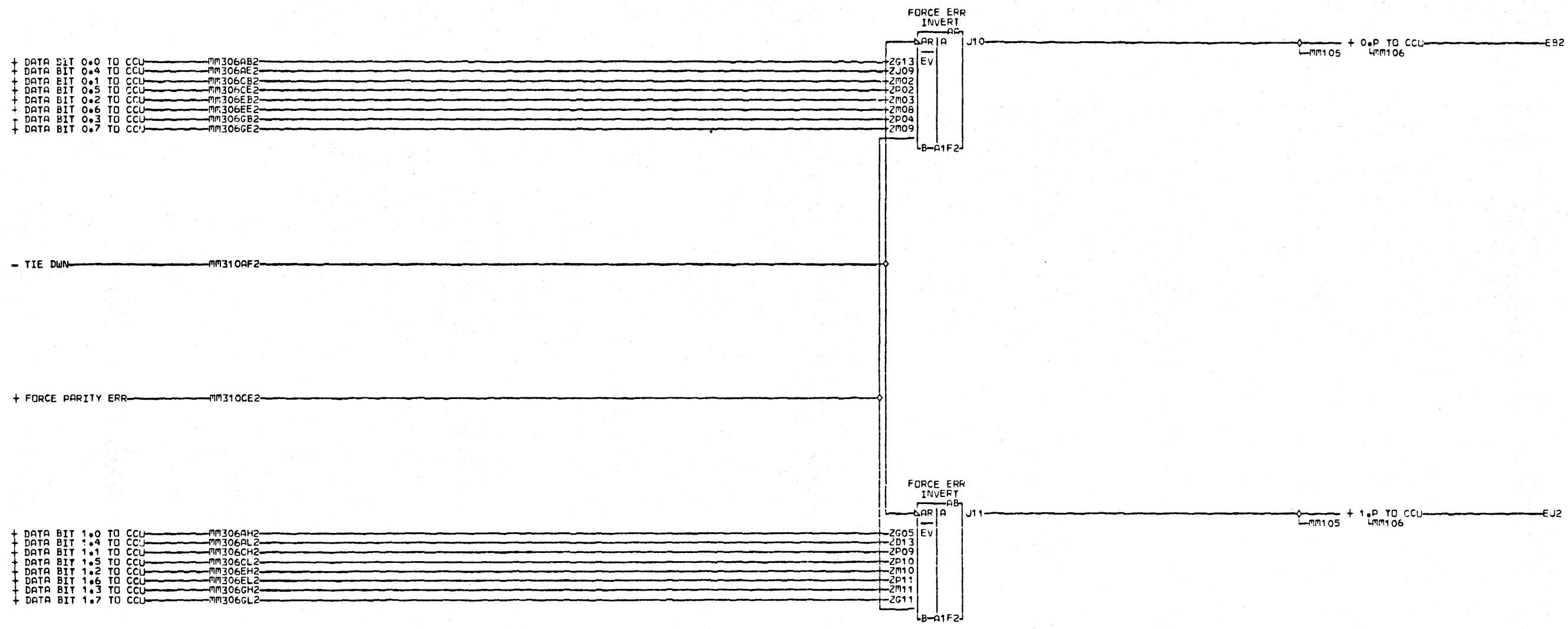
EC 314403



LOC. TYPE
B-A1F2 AB83

ERROR CORRECTION		ECC GEN TO MEMORY	
E.C. HISTORY	314403	C. MACH. 27RNR	MM308
DATE	05-28-76	LAST EC	314419
		IBM CORP. SDD	P.N. 1750390

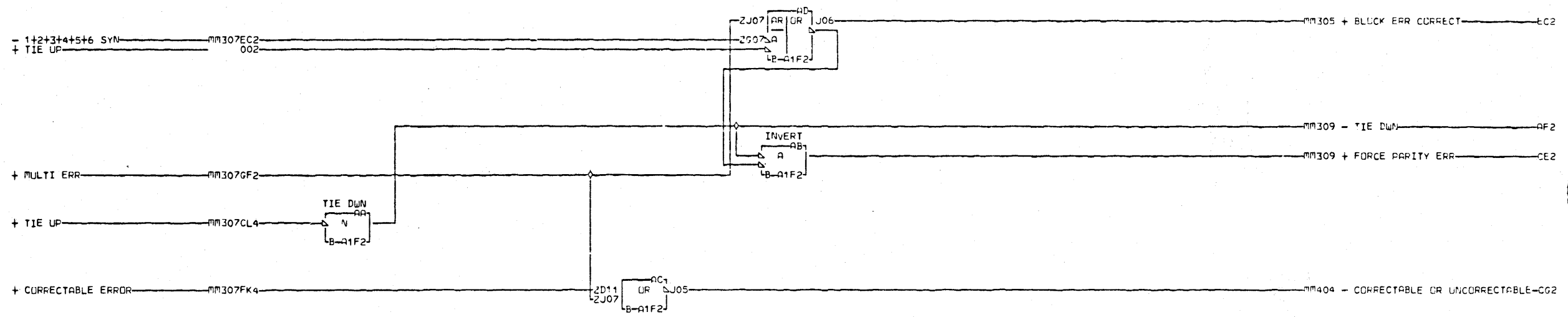
MEMO
030
SIM TO PN
EC CCC001



EMO 6
030
SIM TO PN
EC CCC001

LDC. TYPE
B-A1F2 AB83

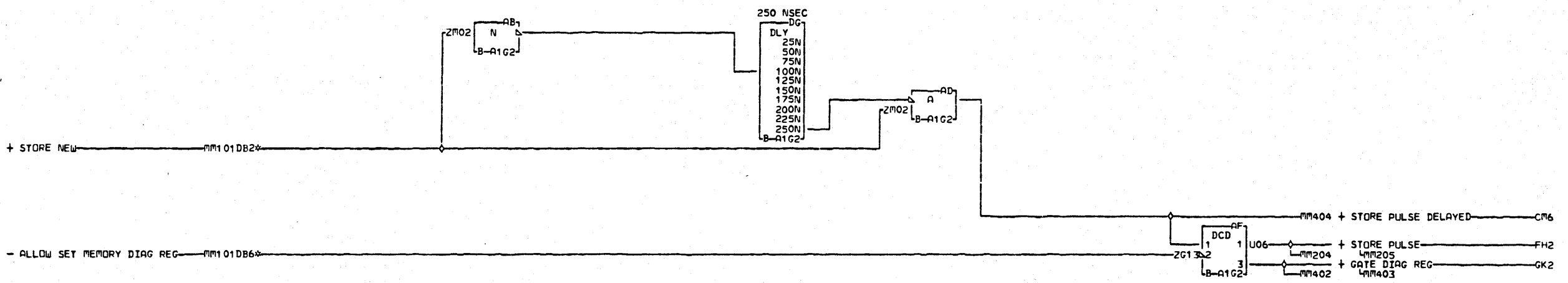
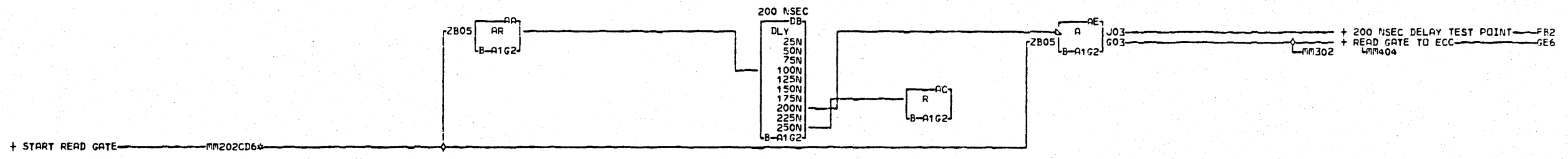
ERROR CORRECTION		MM 3 0 9
GEN PARITY TO CCU		
314403	HISTORY - C-MACH. 27RNB	030
DATE	LAST EC	
05-28-76	314417	
FRAME 01		SDD
P.N. 1750391		



030
 SIM TO FN
 EC RJC100

LOC. TYPE
 B-A1F2 AB33

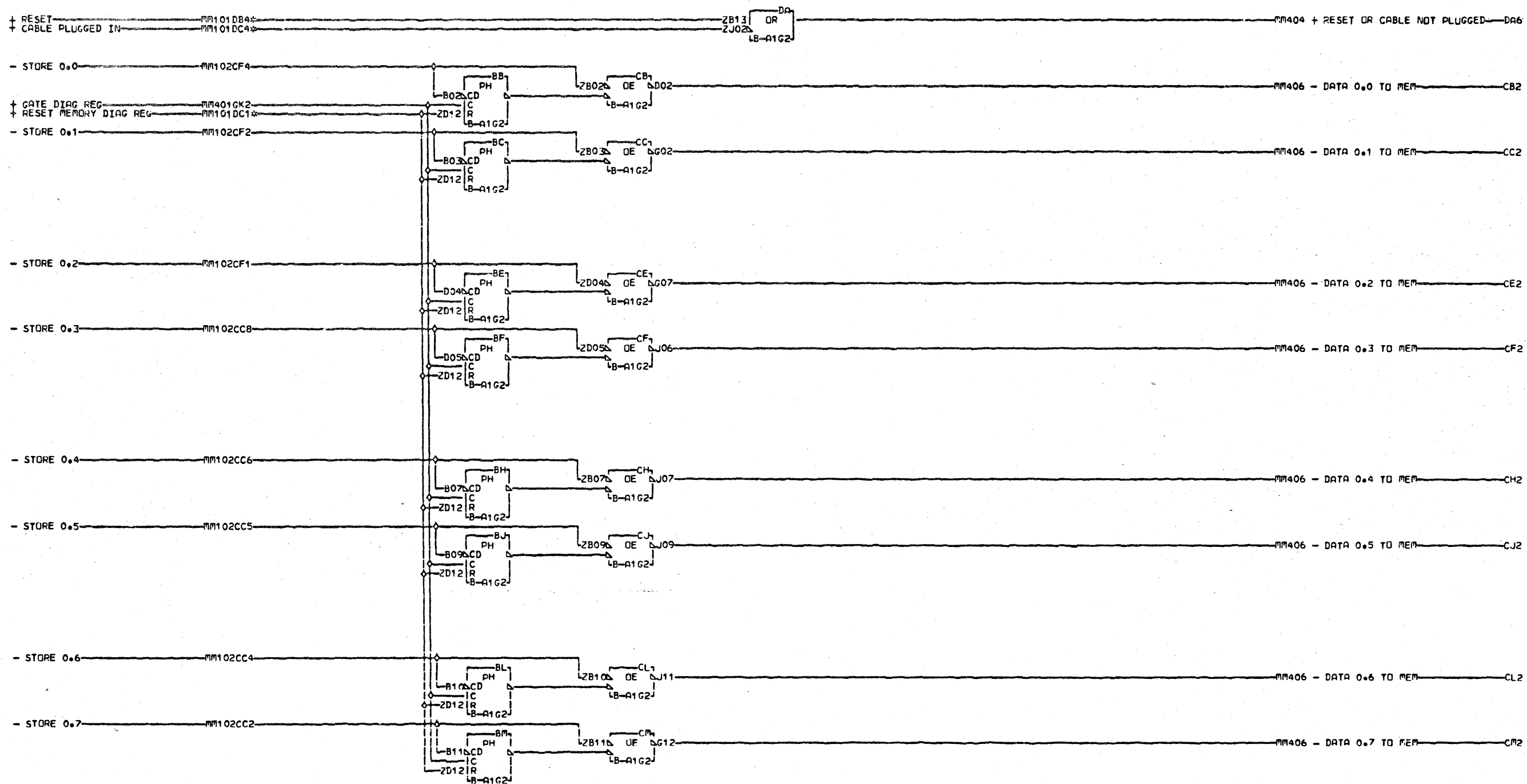
ERROR CORRECTION		
BLOCK ERROR CORRECTION		
F.C. HISTORY	C. MACH. 276NB	
314403		
FRAME	01	3
IRM CORR. SDD		0
DATE	LAST EC	030
05-11-76	314419	
P.N.	1750392	



M
 4
 0
 1
 030
 SIM TO PN
 EC DEV101
 MM101DB2
 RESISTOR
 B-A1G2MC2
 MM101DB6
 RESISTOR
 B-A1G2G13
 MM202CD6
 RESISTOR
 B-A1G2BC5

LOC. TYPE
 B-A1G2 AB84

MEMORY CONTROL TIMING			
E.C.-HISTORY	C-MACH.27RNB		M
314403			M
	FRAME	01	4
			0
	IBM CORP. SDD		1
DATE	LAST EC		030
05-28-76	314419	P.N. 1750393	

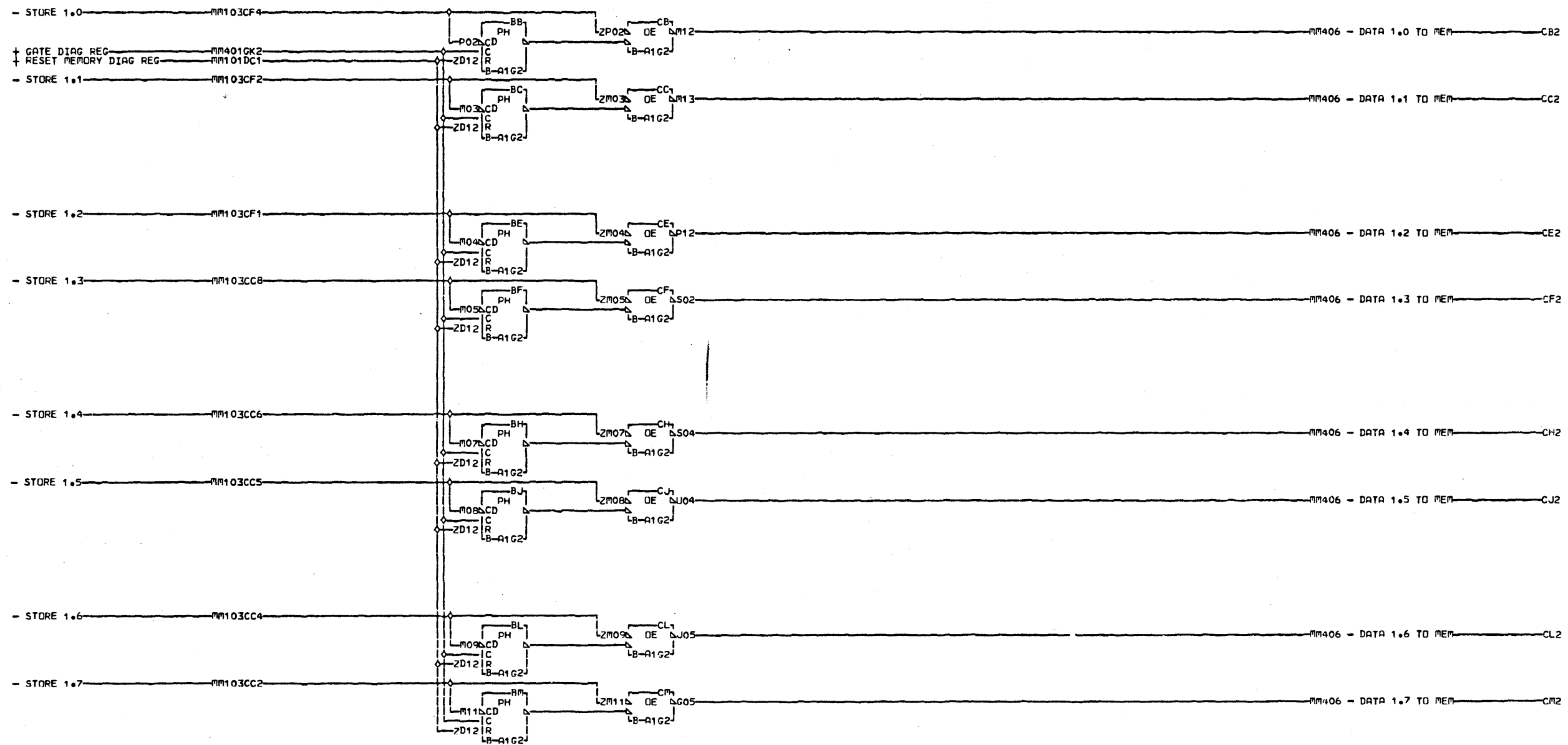


MM402
 030
 SIM TO PN
 EC DEV007

MM101DB4
 RESISTOR
 B-A1G2B13
 MM101DC1
 RESISTOR
 B-A1G2D12
 MM101DC4
 RESISTOR
 B-A1G2J02

LOC. TYPE
 B-A1G2 AB84

MEMORY CONTROL DIAGNOSTIC REGISTER		
F.C. HISTORY	C. MACH. 27RNB	1 4
314403	FRAME	01 0
	IBM CORP. SDD	2
DATE LAST EC	P.N. 1750394	030
05-28-76 314419		



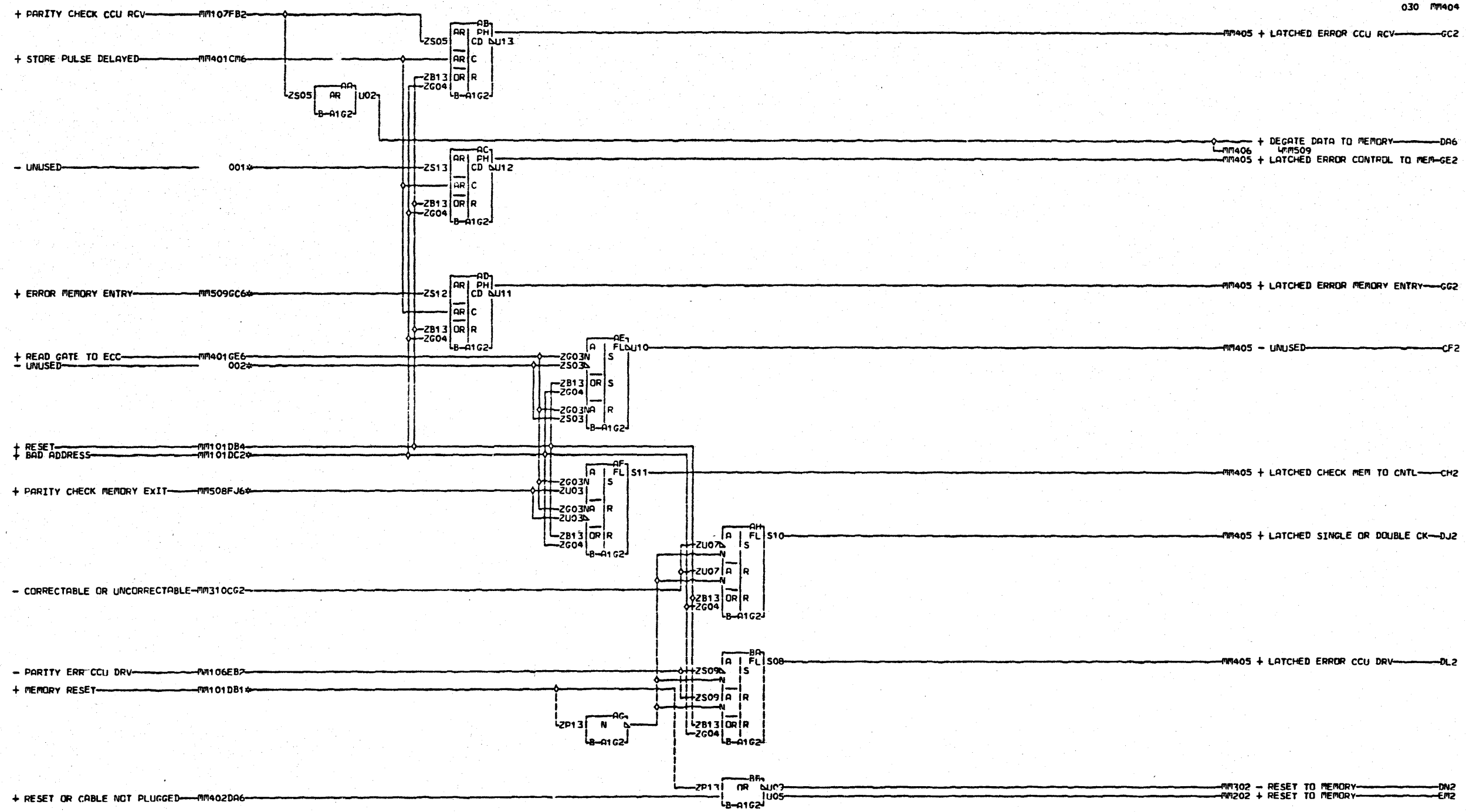
LOC. TYPE
B-A1G2 AB84

MEMORY CONTROL DIAGNOSTIC REGISTER		M M A O 3
E.C. HISTORY 314403	C. MACH. 27RNB FRAME 01	
DATE 05-28-76	LAST EC 314419	IBM CORP. SDD P.N. 1750395 030

MM403

030 SIM TO PN

EC CCC001

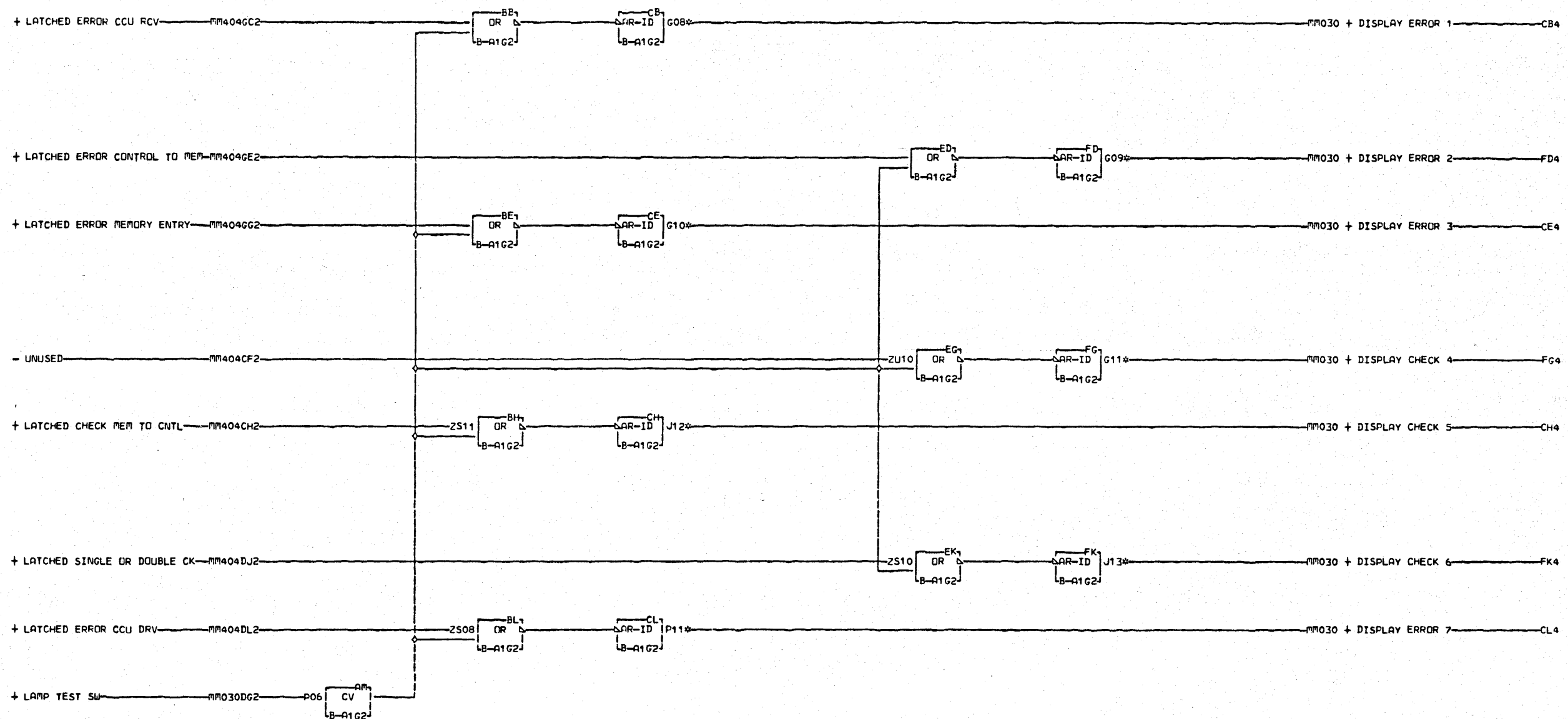


- 001 RESISTOR MM101DC2 RESISTOR B-A1G2S13 RESISTOR B-A1G2G04
- 002 RESISTOR MM508FJ6 RESISTOR B-A1G2S03 RESISTOR B-A1G2L03
- MM101DB1 MM509GC6 RESISTOR B-A1G2P13 RESISTOR B-A1G2S12

030 SIM TO PH EC DEV009

LDC TYPE B-A1G2 8884

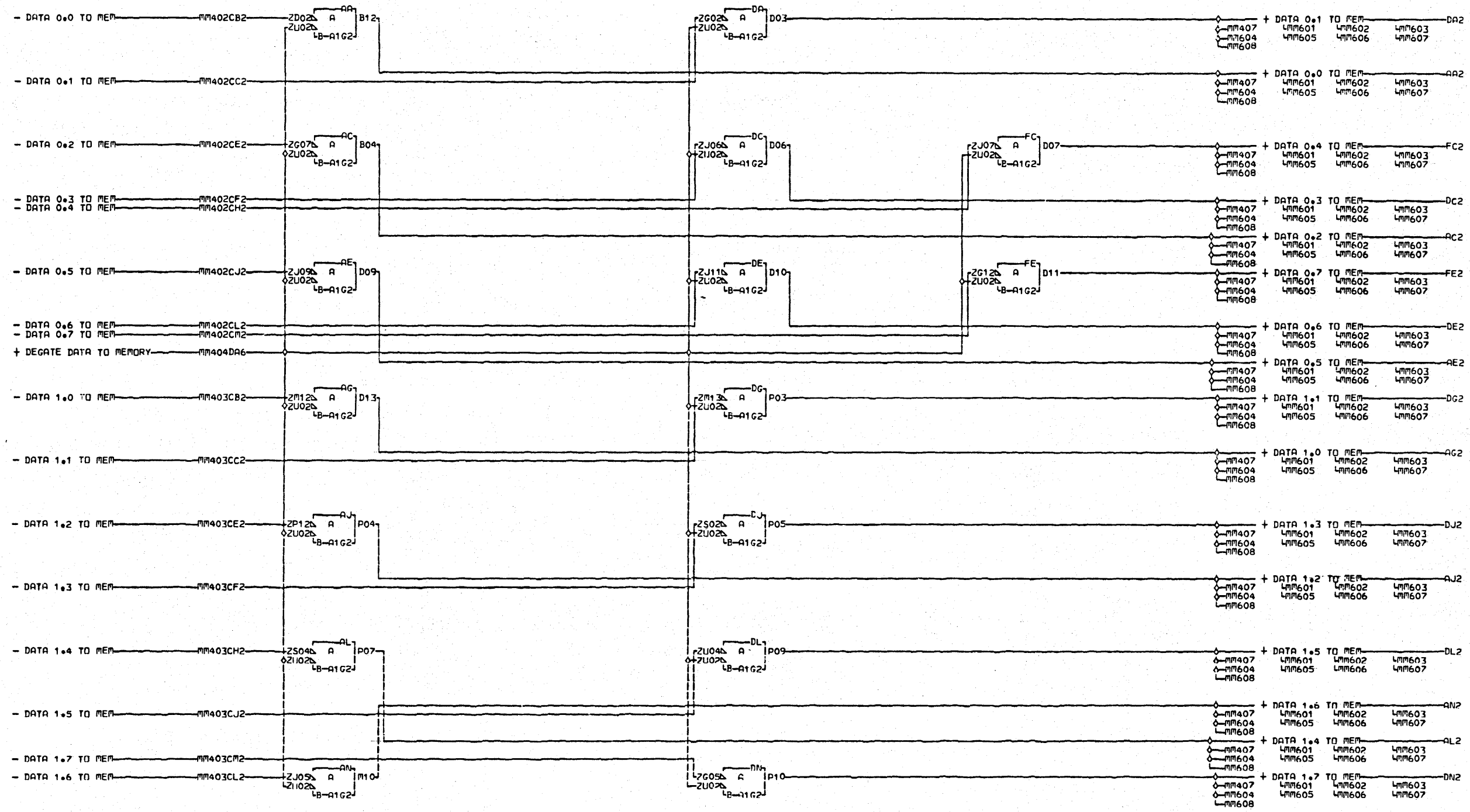
MEMORY CONTROL	
E.C. HISTORY	C. MACH. 27RNB
314403	FRAME 01
DATE	LAST EC
05-28-76	314419
IBM CORP. SDD	P. No. 1750396



E
4
0
5
 030 SIM TO FN
 EC CCC001
 CB2 B-A1V3D02
 CE2 B-A1V3D05
 CH2 B-A1V3D07
 CL2 B-A1V3D10
 FD2 B-A1V3D03
 FG2 B-A1V3D06
 FK2 B-A1V3D09

LOC. TYPE
 B-A1G2 8884

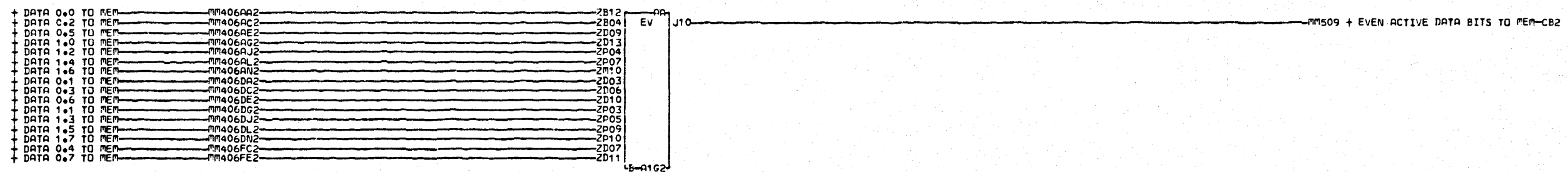
MEMORY CONTROL LED DRIVERS		M
E.C. HISTORY	C. MACH. 27RNB	4
314403	FRAME	01
	IBM CORP. SDD	05
DATE	LAST EC	030
05-28-76	314419	P.N. 1750397



MM406
 030
 SIM TO PN EC DEV007

LOC. TYPE
 B-A1G2 AB84

MEMORY DATA DRIVERS		
F.C. HISTORY	C. MACH. 27RNB	MM406
314403	FRAME 01	0406
DATE LAST EC	IBN CORP. SCD	030
05-28-76 314419	P.No. 1750398	

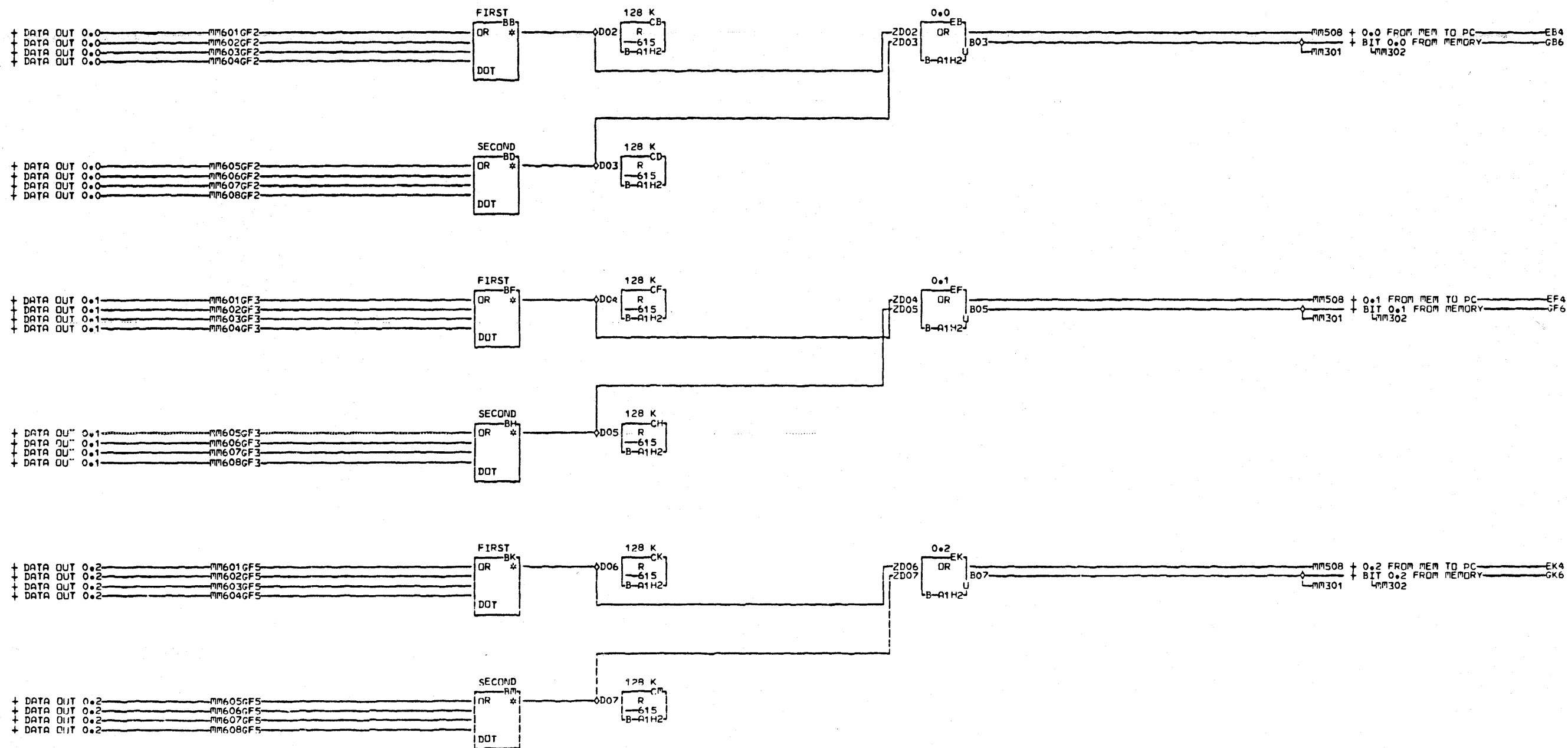


EE407
 030 SIM TO PN
 EC CCC001

LOC. TYPE
 B-A1G2 AB34

DATA PARITY CHECKER	
E.C. HISTORY	C. MACH. 27RNB
314403	
FRAME	01
IBM CORP. SCD	
DATE LAST EC	P.N. 1750399
05-28-76 314419	

MM407



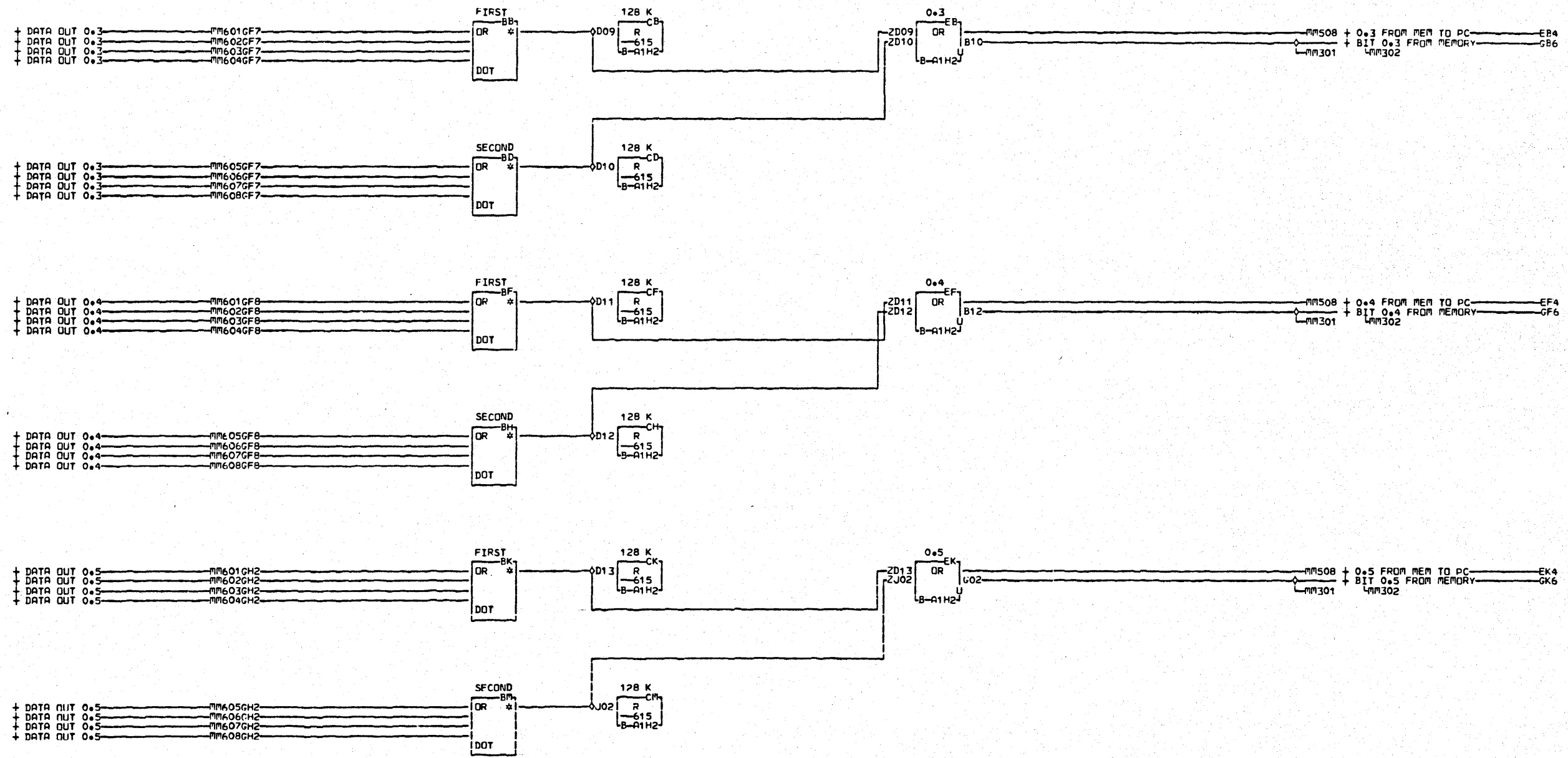
LDC. TYPE
B-A1H2 AB95

ISOLATION		M
COLLECT DATA FROM MEMORY		M
F.C. HISTORY	C. MACH. 27RNB	5
314403		0
	FRAME	1
	IBM CORP. SCD	030
DATE	LAST EC	
05-19-76	314419	
	PoNo	1750400

ERRNO

030 SIM TO PN

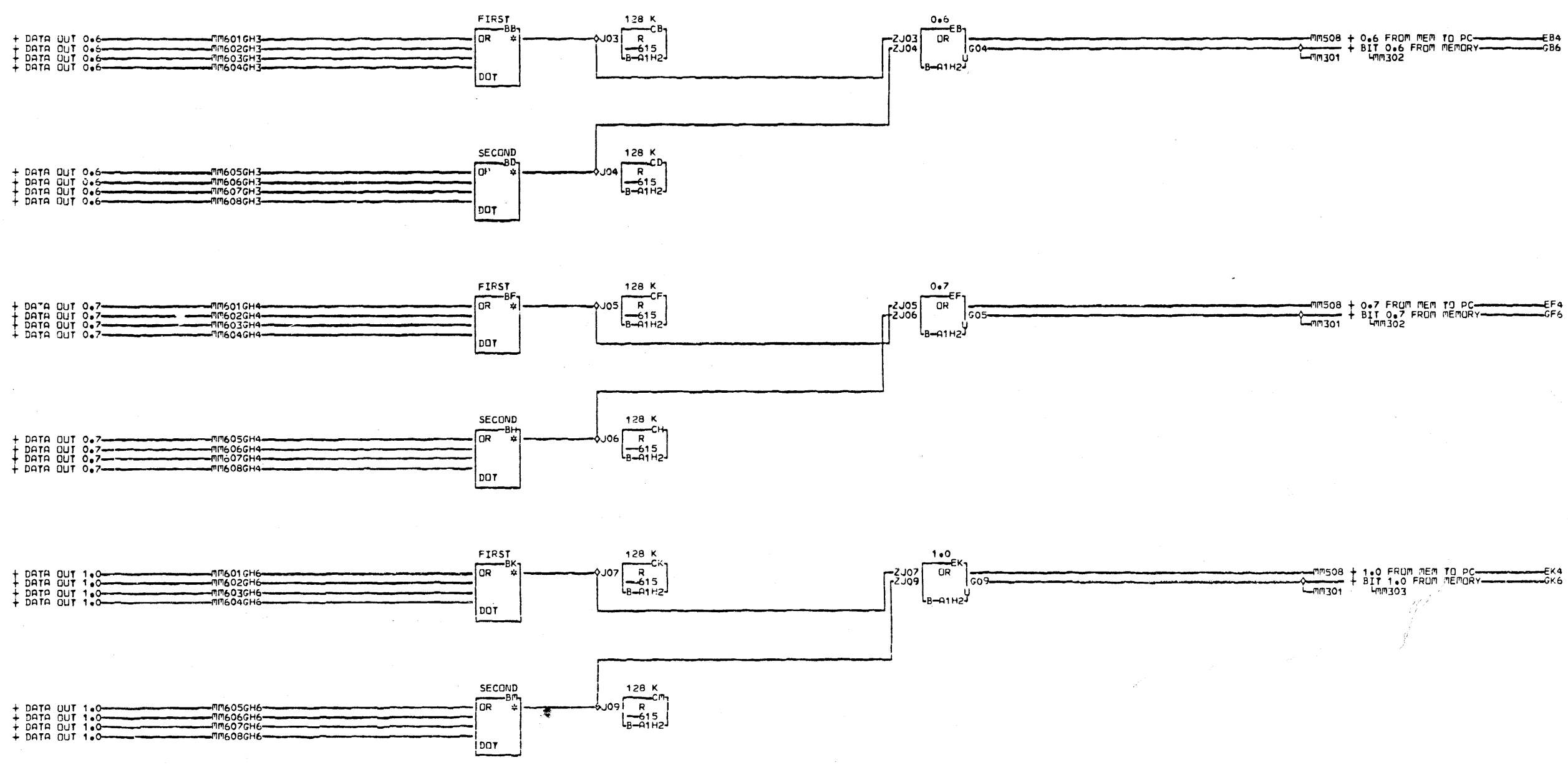
EC 314419



MM502
 030 SIM TO PN EC 314419

LOC. TYPE
 B-A1H2 AB95

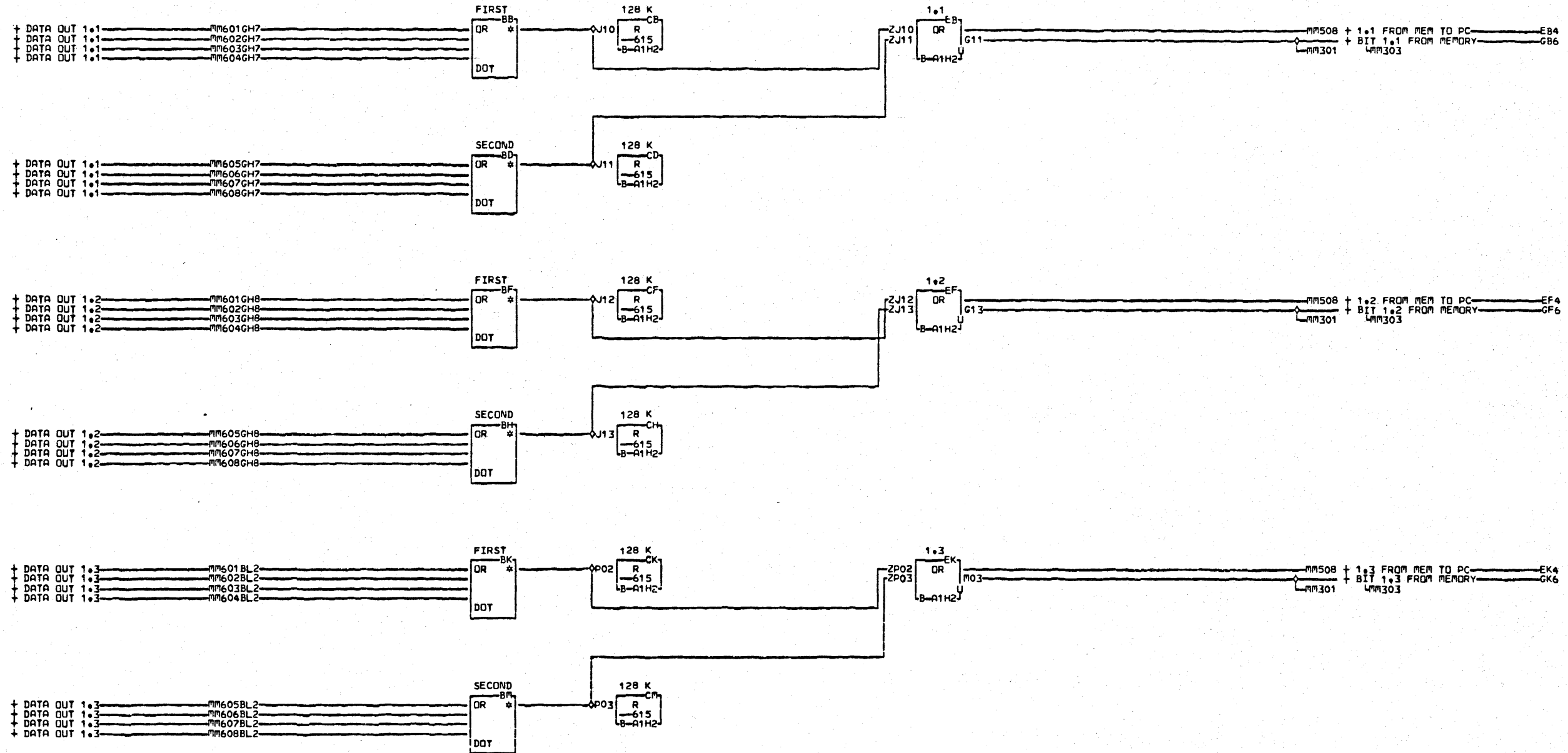
ISOLATION		REVISION 02
COLLECT DATA FROM MEMORY		
FC-HISTORY	C-MACH-27RNB	01
314403	FRAME	
DATE	LAST EC	030
05-19-76	314419	
P.N. 1750401		



MM503
 030
 SIM TO PN
 EC 314419

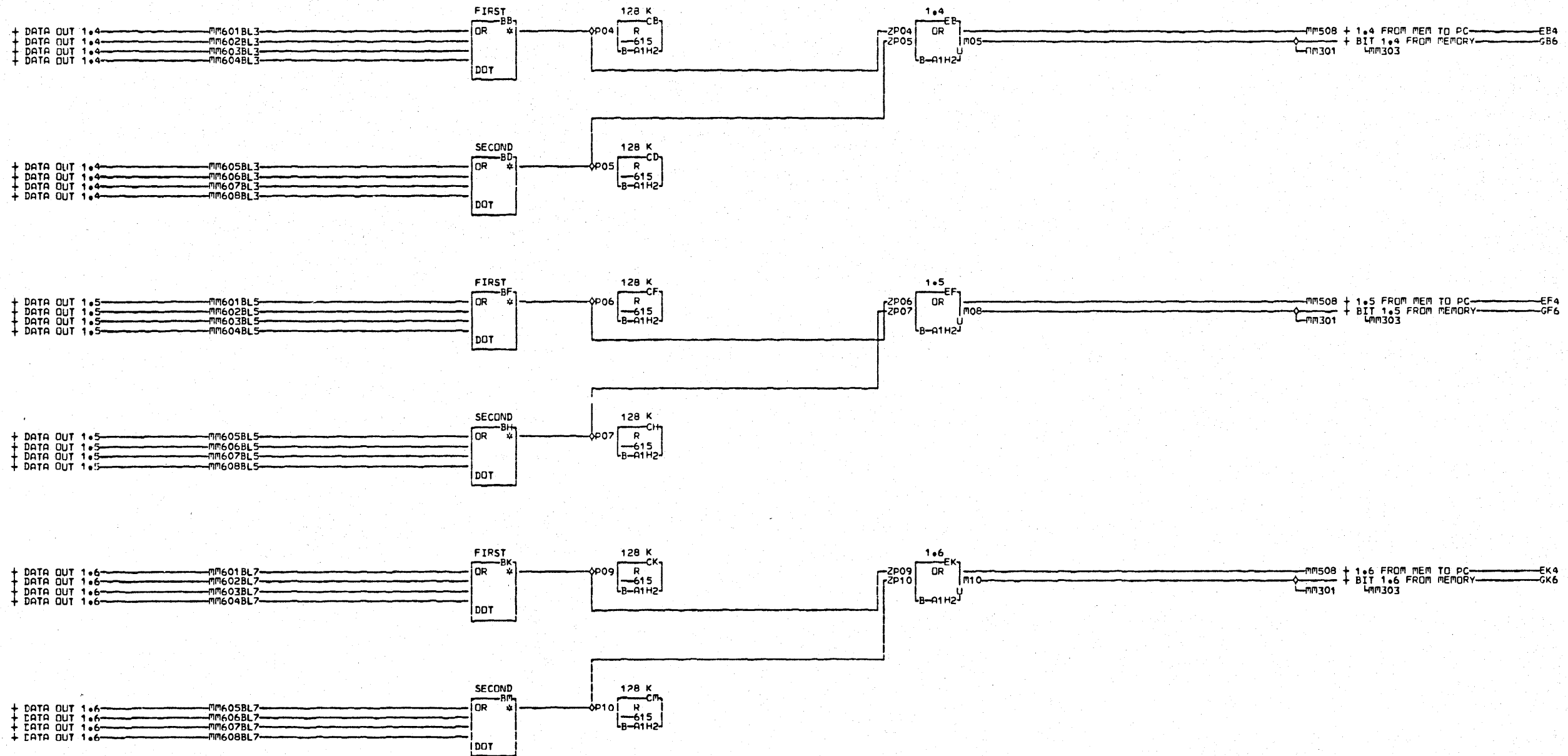
LOC. TYPE
 B-A1H2 AB95

ISOLATION		MM503
COLLECT DATA FROM MEMORY		
E.C. HISTORY	C. MACH. 27RNB	030
314403	FRAME 01	
DATE LAST EC	IBM CORP. SCD	030
05-19-76 314419	P.N. 1750402	



LUC. TYPE
B-A1H2 AB95

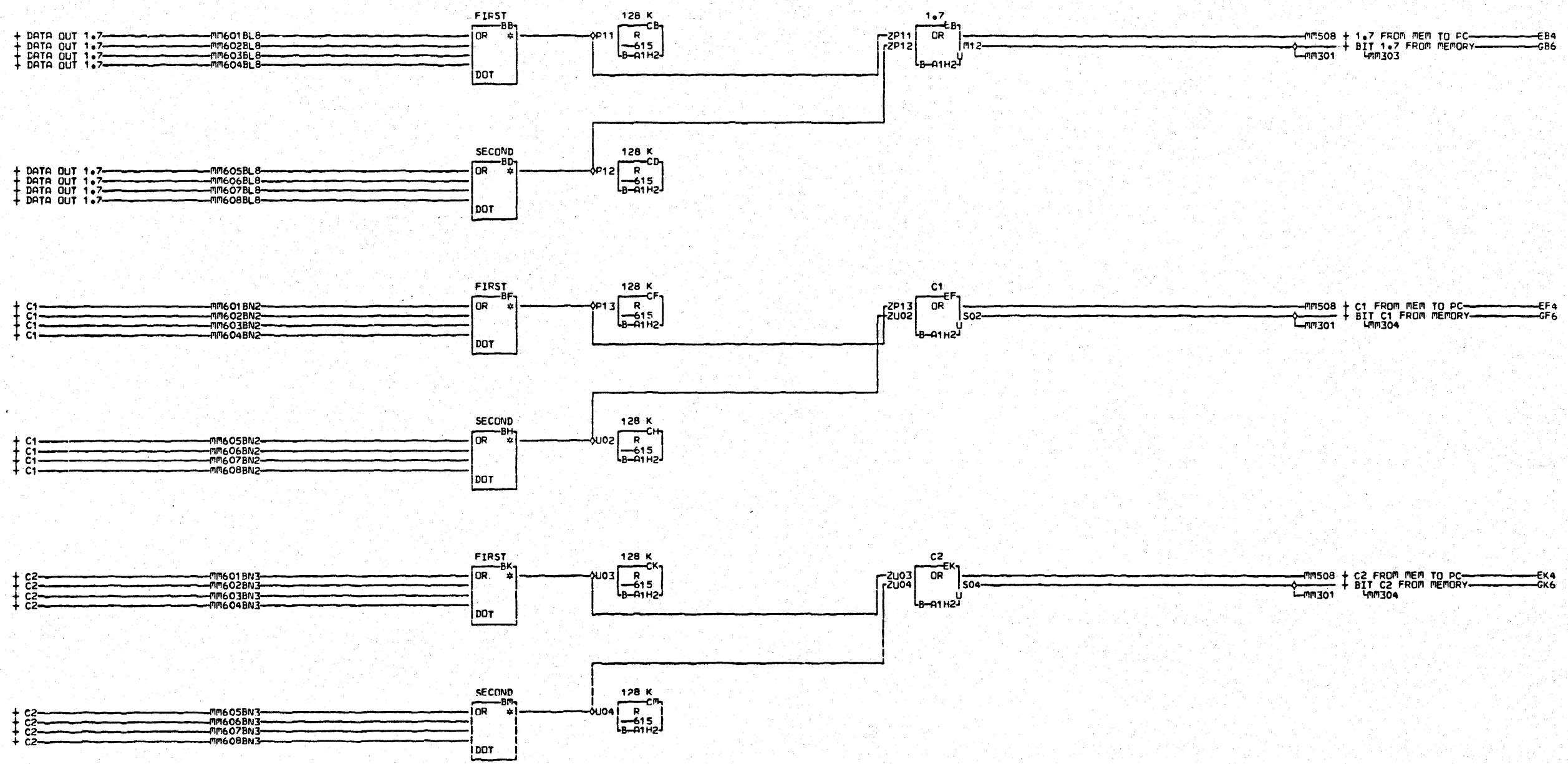
ISOLATION		MM504
COLLECT DATA FROM MEMORY		
E.C. HISTORY	C. MACH. 27RNB	01
314403		
DATE	LAST EC	IBM CORP. SCD
05-19-76	314419	
P.N. 1750403		030



ENOS
030
SIM TO PN
EC 314419

LOC. TYPE
B-A1H2 AB95

ISOLATION		M
COLLECT DATA FROM MEMORY		
F.C. HISTORY	C. MACH. 27RMA	S
314403	FRAME 01	
DATE LAST EC	IBM CORP. SCD	030
05-19-76 314419	P.N. 1750404	

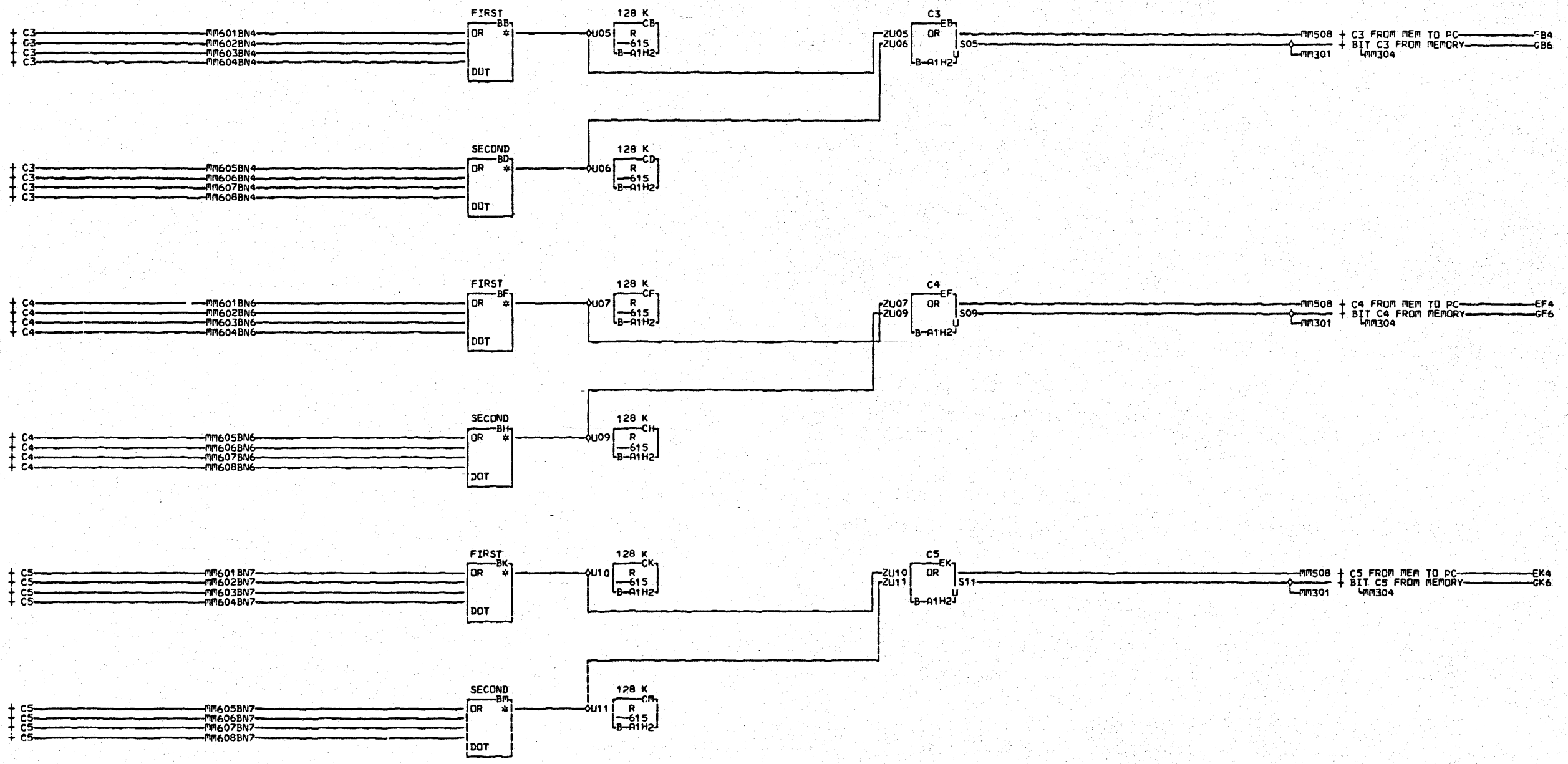


MM506
030 SIM TO PN

EC 314419

LDC. TYPE
B-A1H2 AB95

ISOLATION		M
COLLECT DATA FROM MEMORY		M
E.C. HISTORY	C. MACH. 27RNB	5
314403		0
	FRAME	01
		6
	IBM CORP. SCD	6
DATE	LAST EC	030
05-19-76	314419	
	P.N. 1750405	



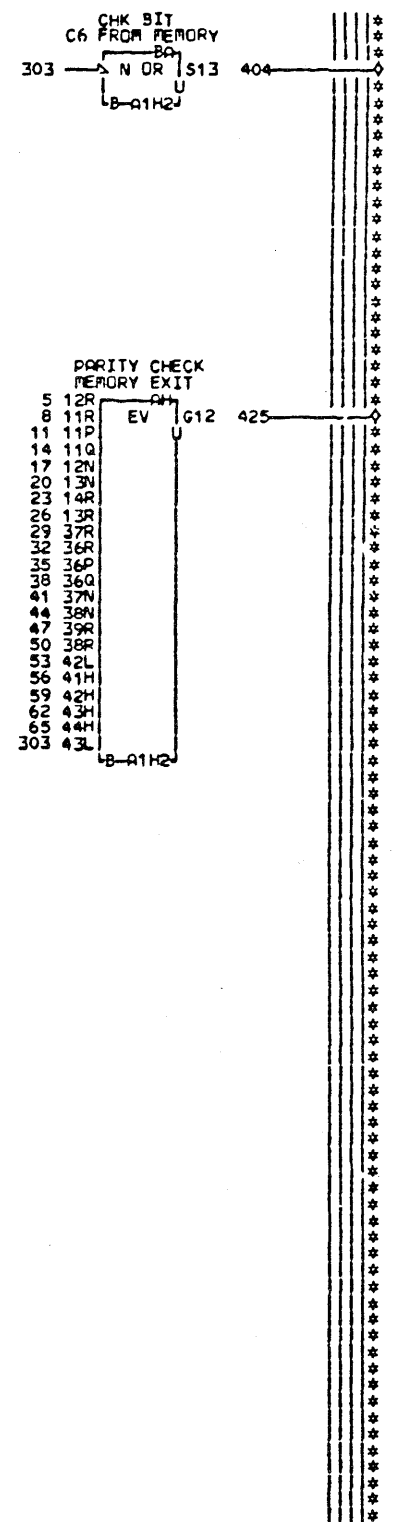
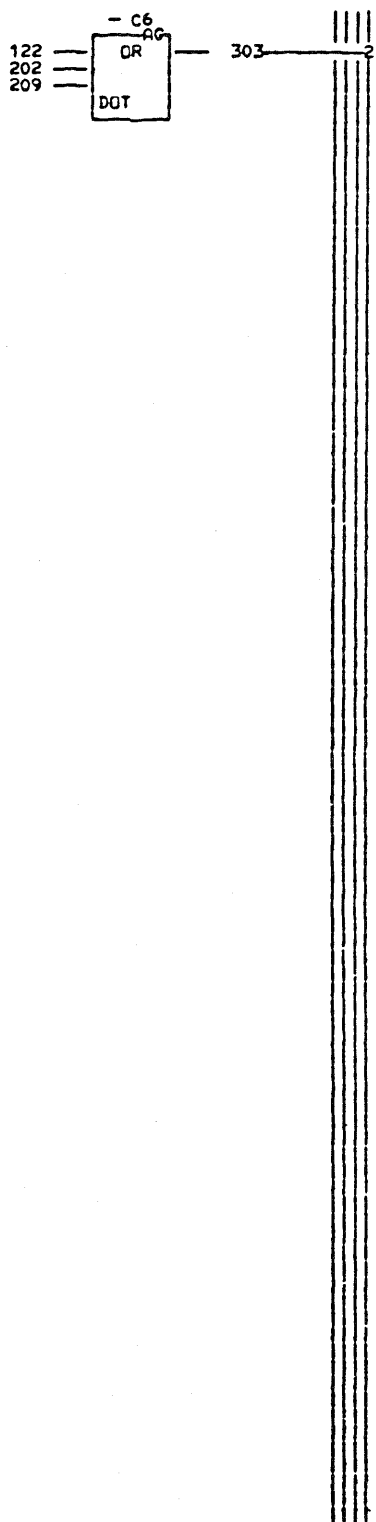
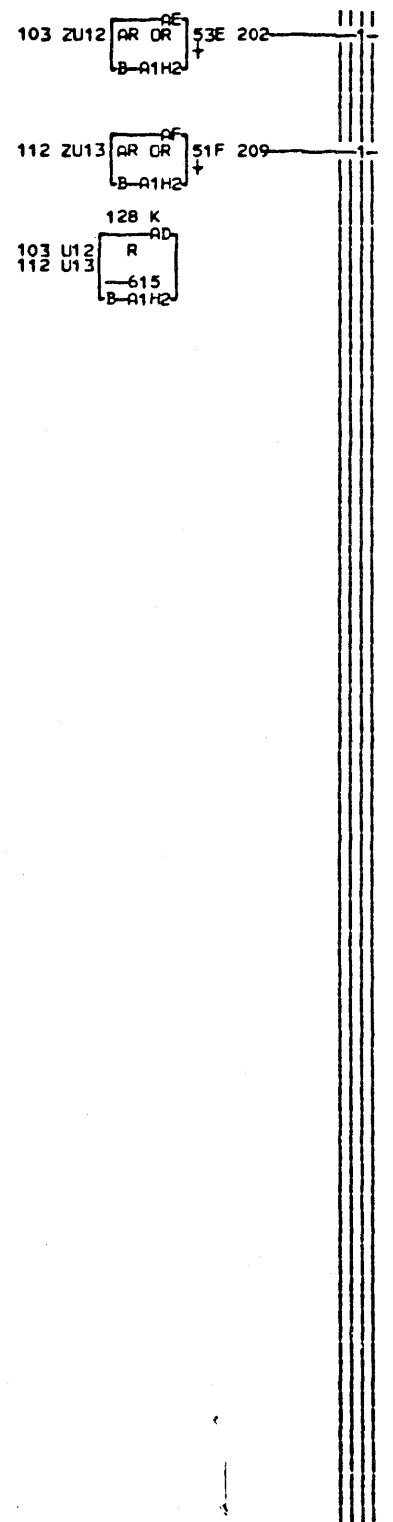
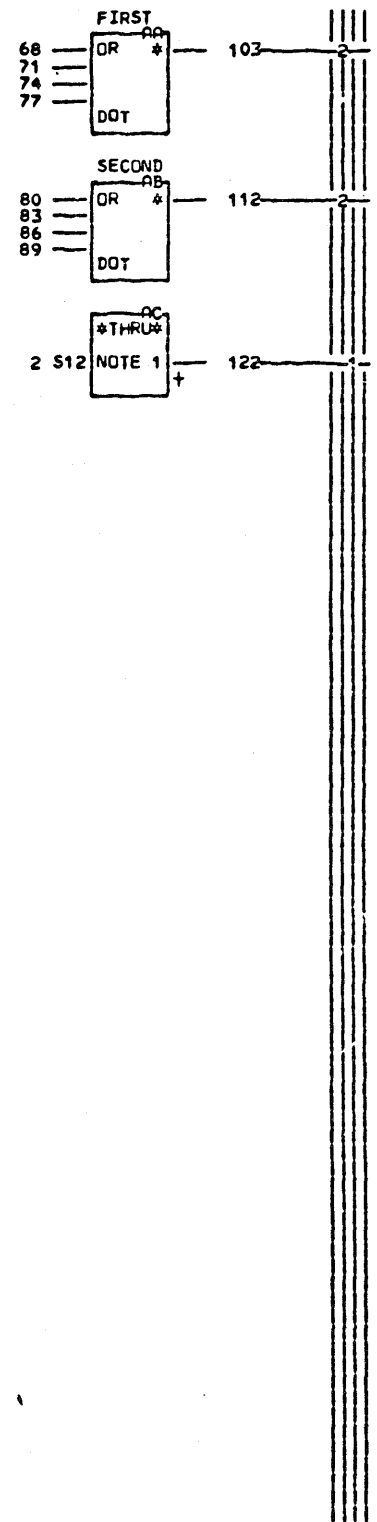
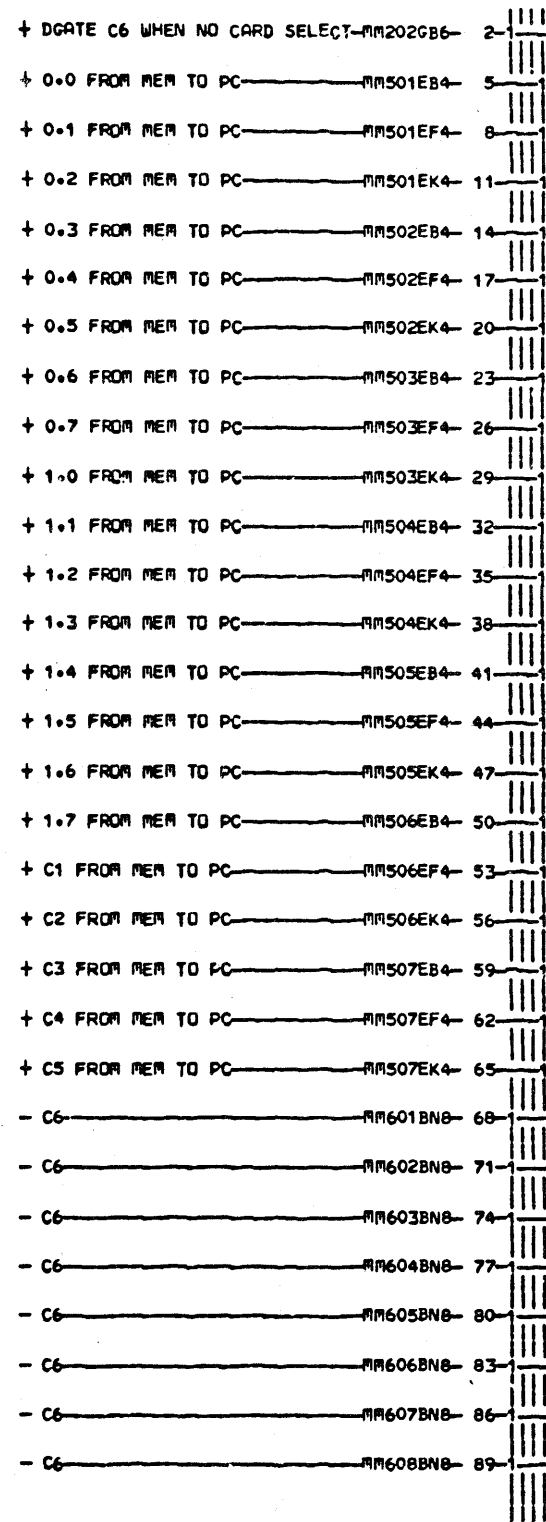
LOC. TYPE
B-A1H2 AB95

ISOLATION		M
COLLECT DATA FROM MEMORY		
F.C. HISTORY	C. MACH. 27RNB	1
314403	FRAME	01
DATE	LAST EC	030
05-19-76	314419	
P.No. 1750406		

FROM

030 SIM TO PN

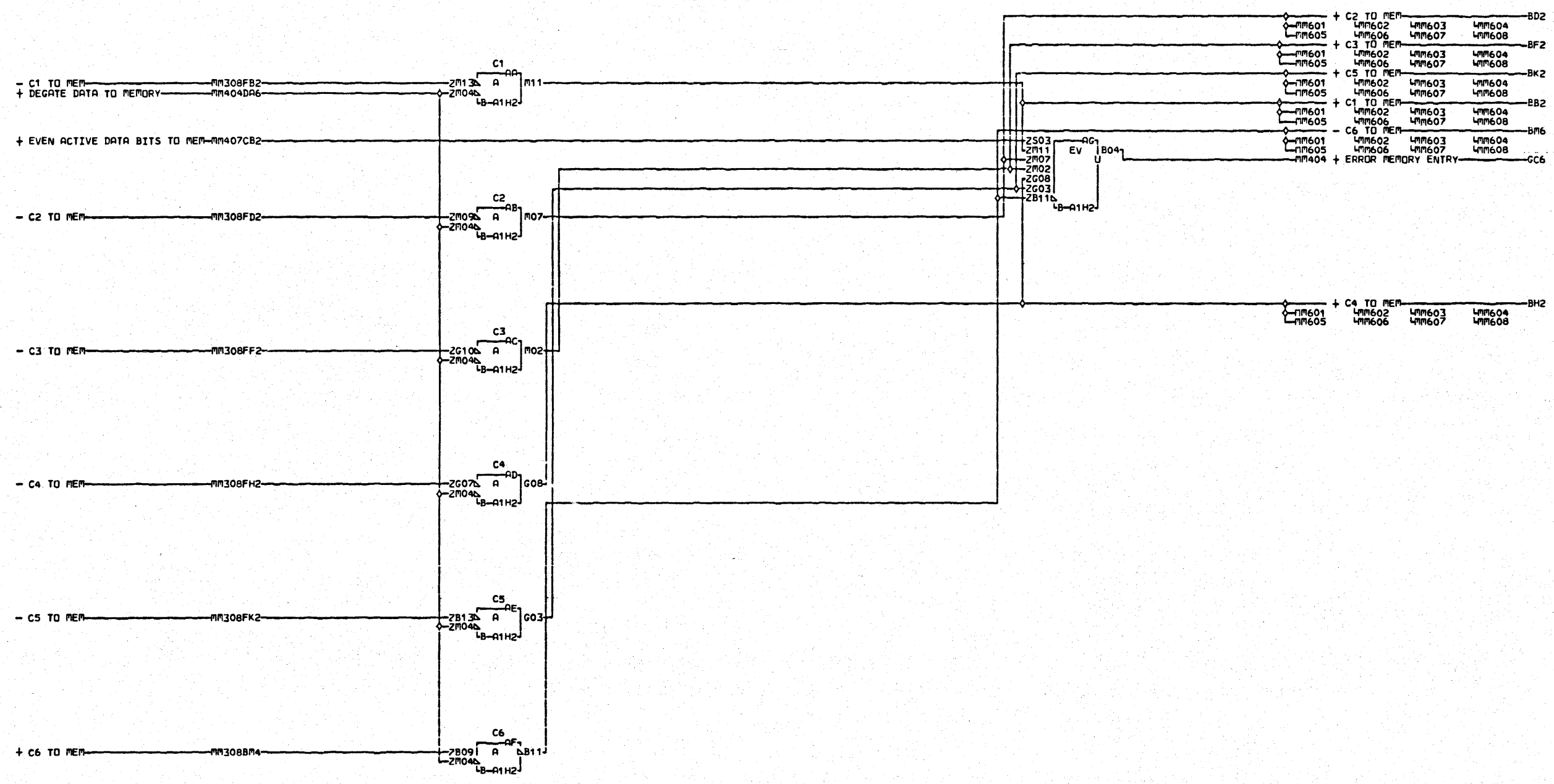
EC 314419



NOTE 1. THRU BLOCK VS CARD PN
 THRU OPEN-PN 8250107
 THRU CONN-PN 8254561

LOC. TYPE
 B-A1H2 AB95

ISOLATION
 PC CHECK DATA FROM MEMORY
 E.C. HISTORY E-MACH.27RNB
 314403
 314419 FRAME 01
 DATE LAST EC IBM CORP.SCD MM508
 12-21-77 318551 P.N. 1750407 030

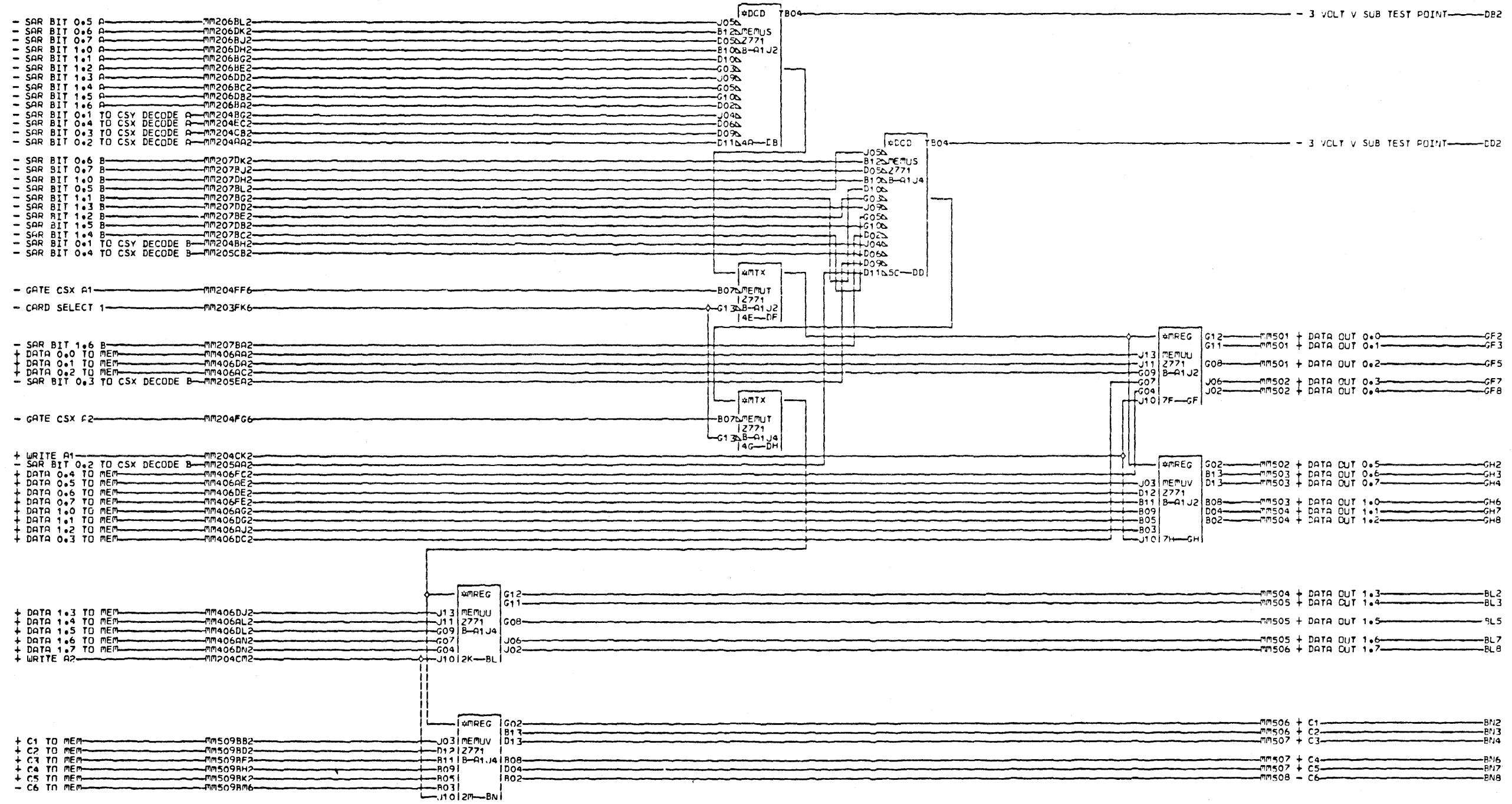


030
SIM TO PN
EC RJC100

LOC. TYPE
B-A1H2 AB95

ISOLATION	
E.C. HISTORY 314403	C. MACH. 27RNB FRAME 01
DATE 05-28-76	LAST EC 314419
IBN CORP. SCD P. No. 1750408	

MM509
030

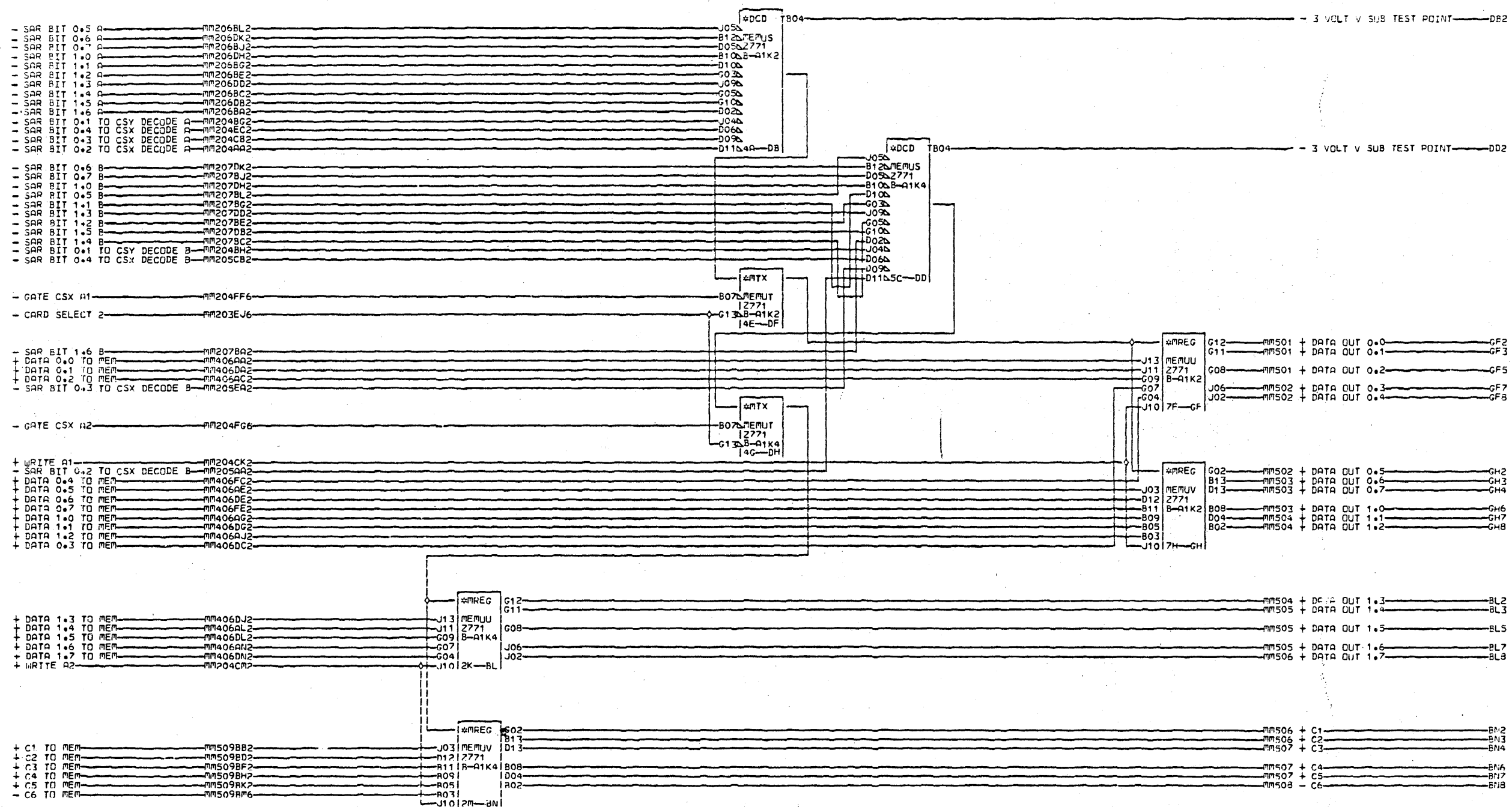


EE601

030 SIM TO PN EC 314419

01-15-76 314403
05-13-76 314419

16K X 22 FET MEMORY	
CARD SELECT 1	
DATE 05-28-76 MACH. 27RNB	M
LOG 571 FRAME 01 0	6
	1
3705 II ONLY P.N. 1750409	030
IBM CORP. SDD BLK. SA	

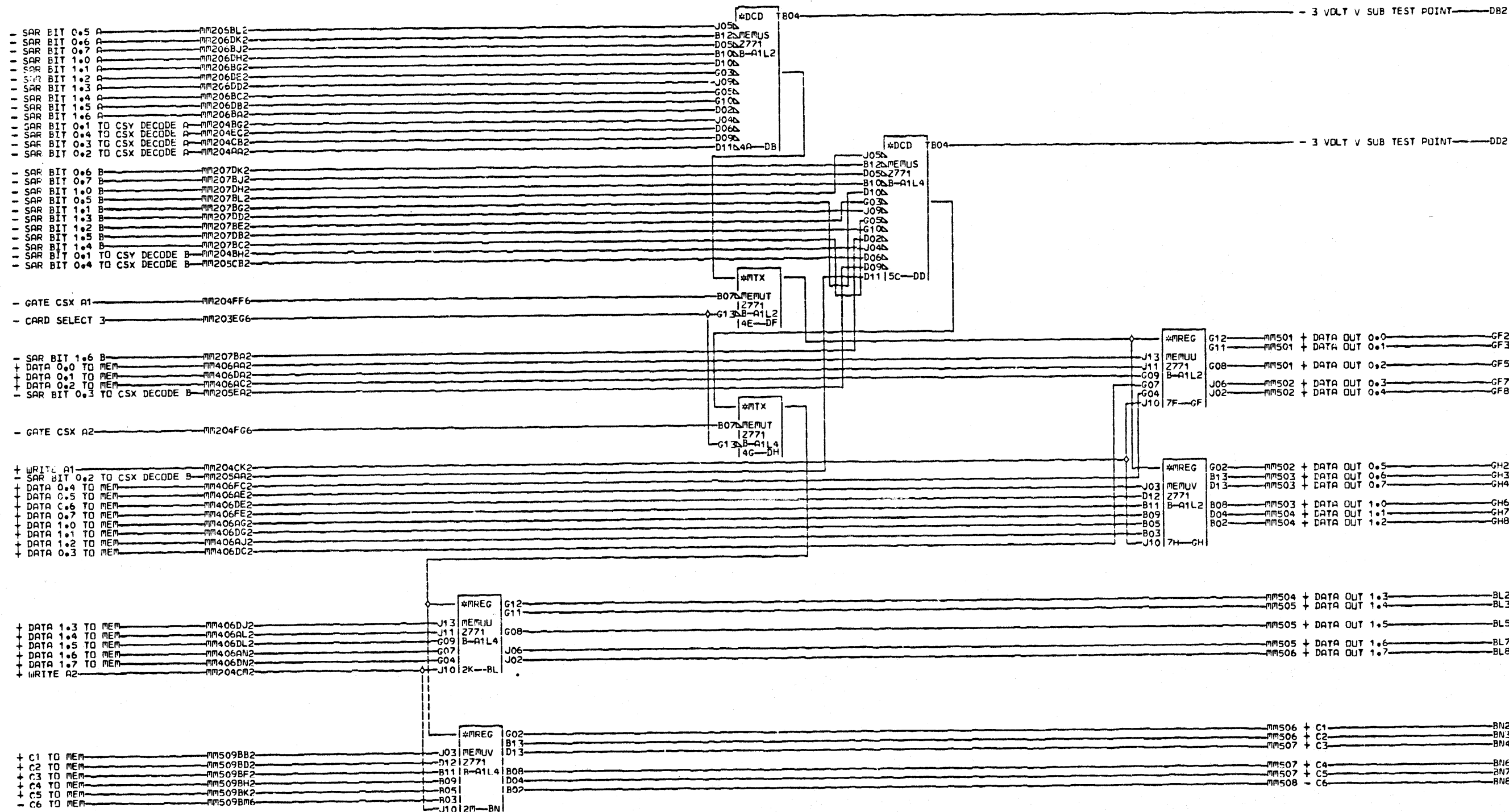


030

SIM TO PN EC 314419

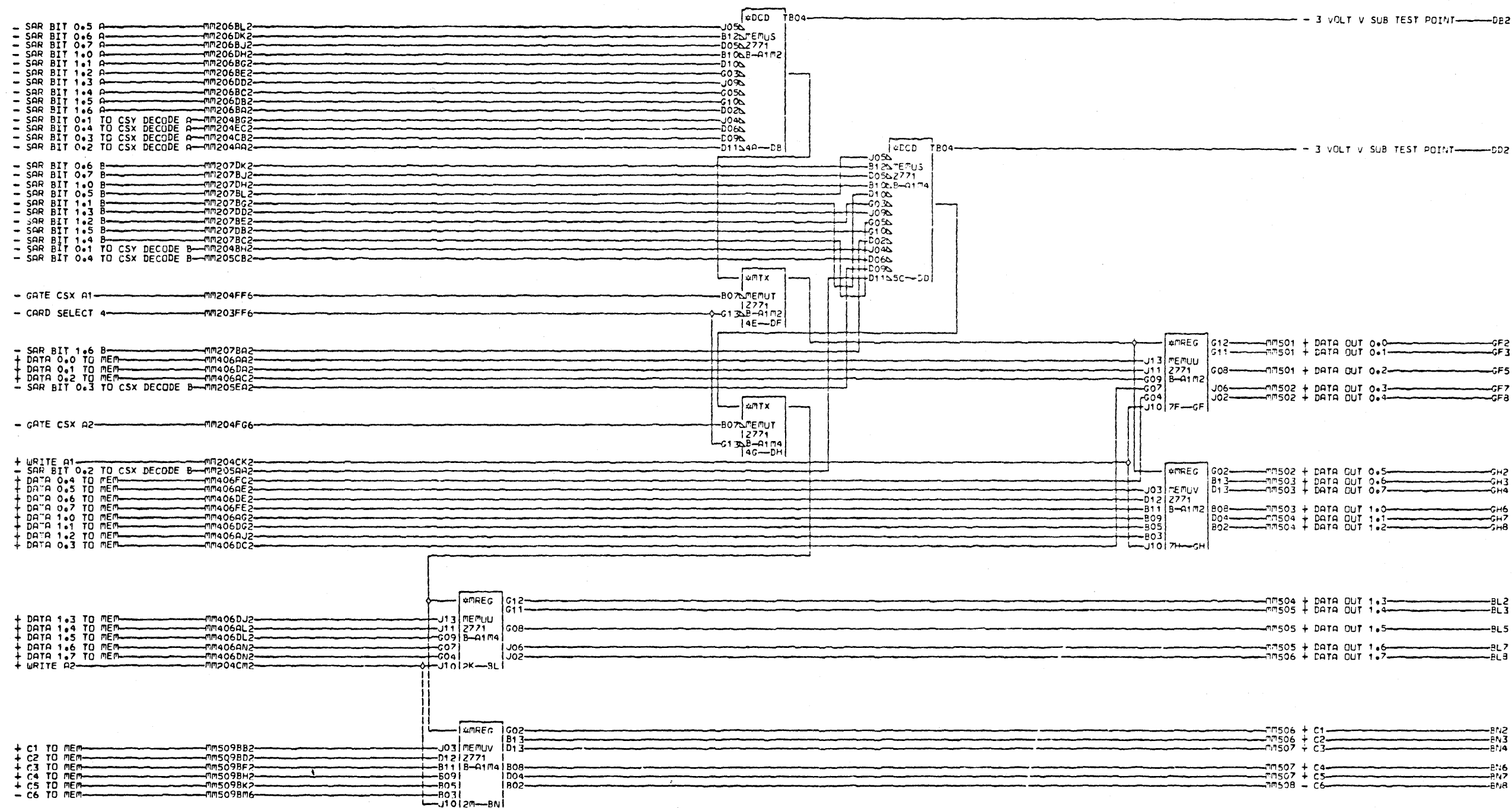
01-16-76 314403
05-19-76 314419

16K X 22 FET MEMORY			
CARD SELECT 2			
DATE	05-28-76	ACH.	27RNR
LOG	571	FRAME	01
			6
			2
			030
3705 II ONLY P.N.		1750410	
IBM CORP.		SDD BLK.	



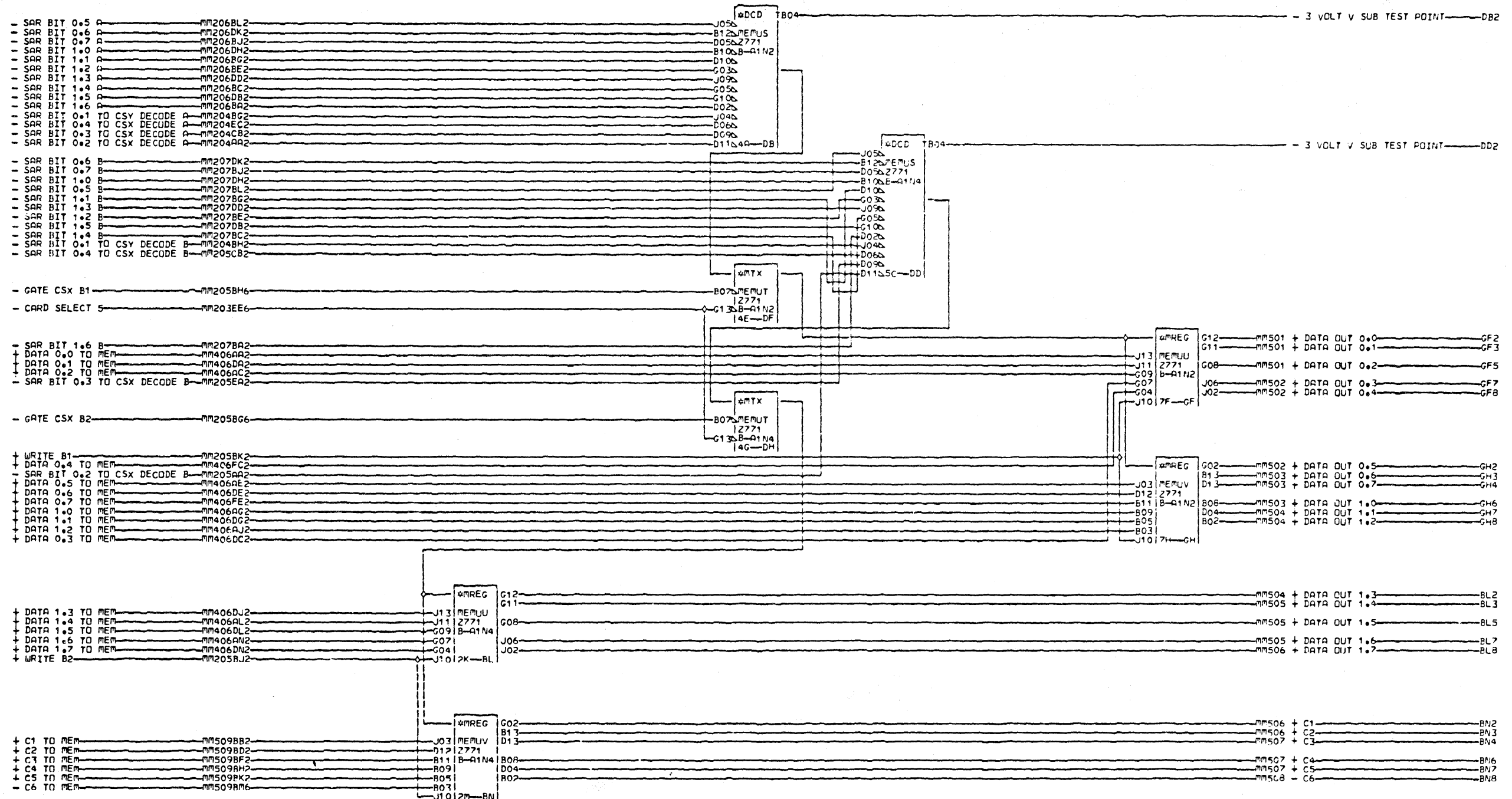
01-16-76 314403
05-19-76 314419

16K X 22 FET MEMORY		
CARD SELECT 3		
DATE	05-28-76	FRAC# 27RNB
LOG	571	FRAME 01
3705 II ONLY P.N. 1750411		030
IBM CORP.	SDD BLK.	SA



01-16-76 314403
05-19-76 314419

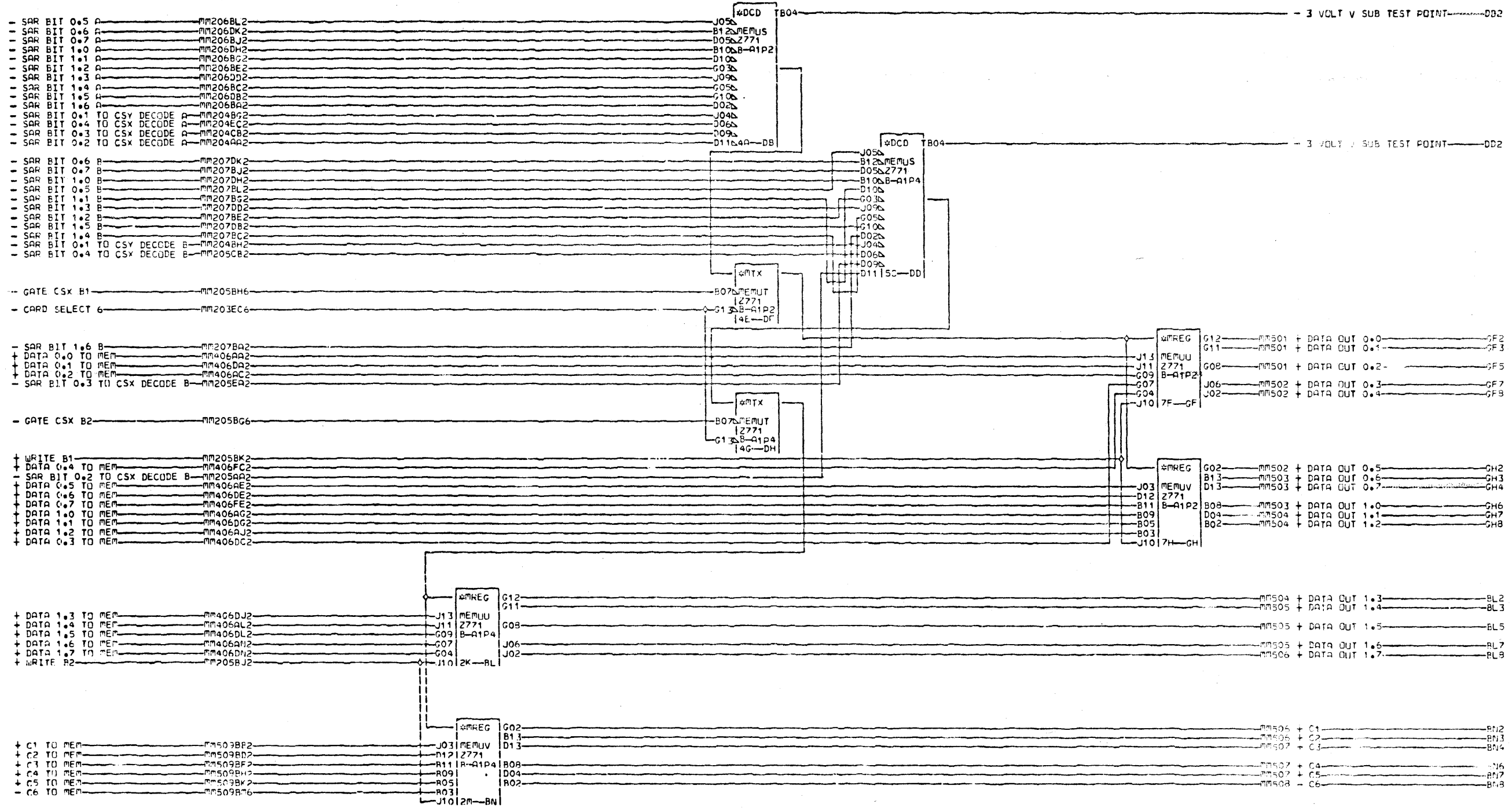
16K X 22 FEY MEMORY			
CARD SELECT 4			
DATE	05-23-76	MACH.	27RMB
LOG	571	FRAME	01
3705 II ONLY P.N. 1750412			
IBM CORP.	SDD BLK.	SA	030



01-16-76 314403
05-19-76 314419

16K X 22 FET MEMORY			
CARD SELECT 5			
DATE	05-28-76	MACH.	27RNR
LOG	571	FRAME	01
3705 II ONLY P.N.			1750413
IBM CORP.	SDD	BLK.	SA

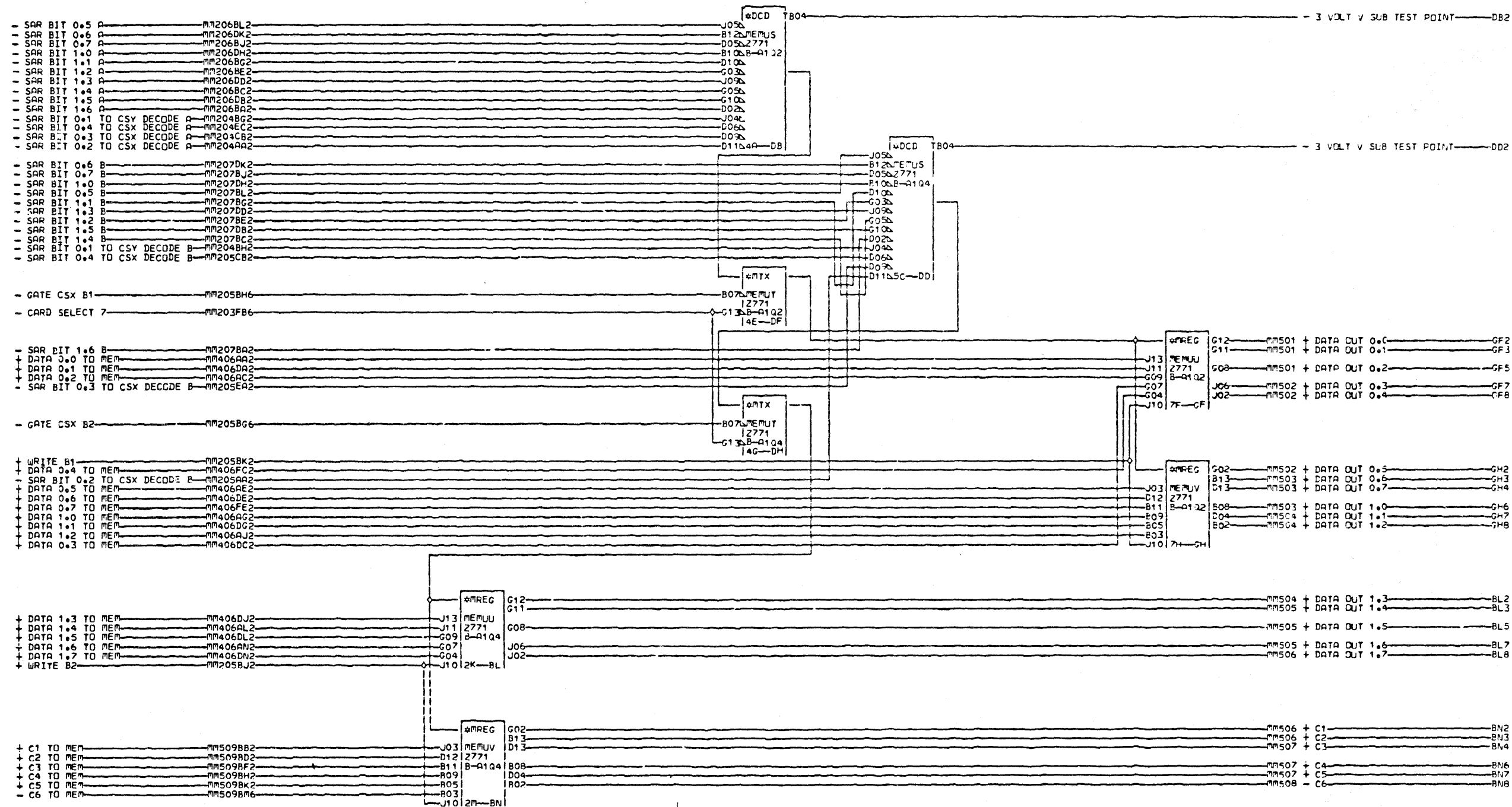
MM605
030
SIM TO PN
EC 314419



01-16-76 314403
05-19-76 314419

16K x 22 FET MEMORY	
CARD SELECT 6	
DATE 05-28-76 MACH. 27RNB	
LOG 571 FRAME 01	
3705 II ONLY P.N. 1750414	
IBM CORP. SDD BLK. SHI	

MM506
030
SIM TO PN
EC 314419



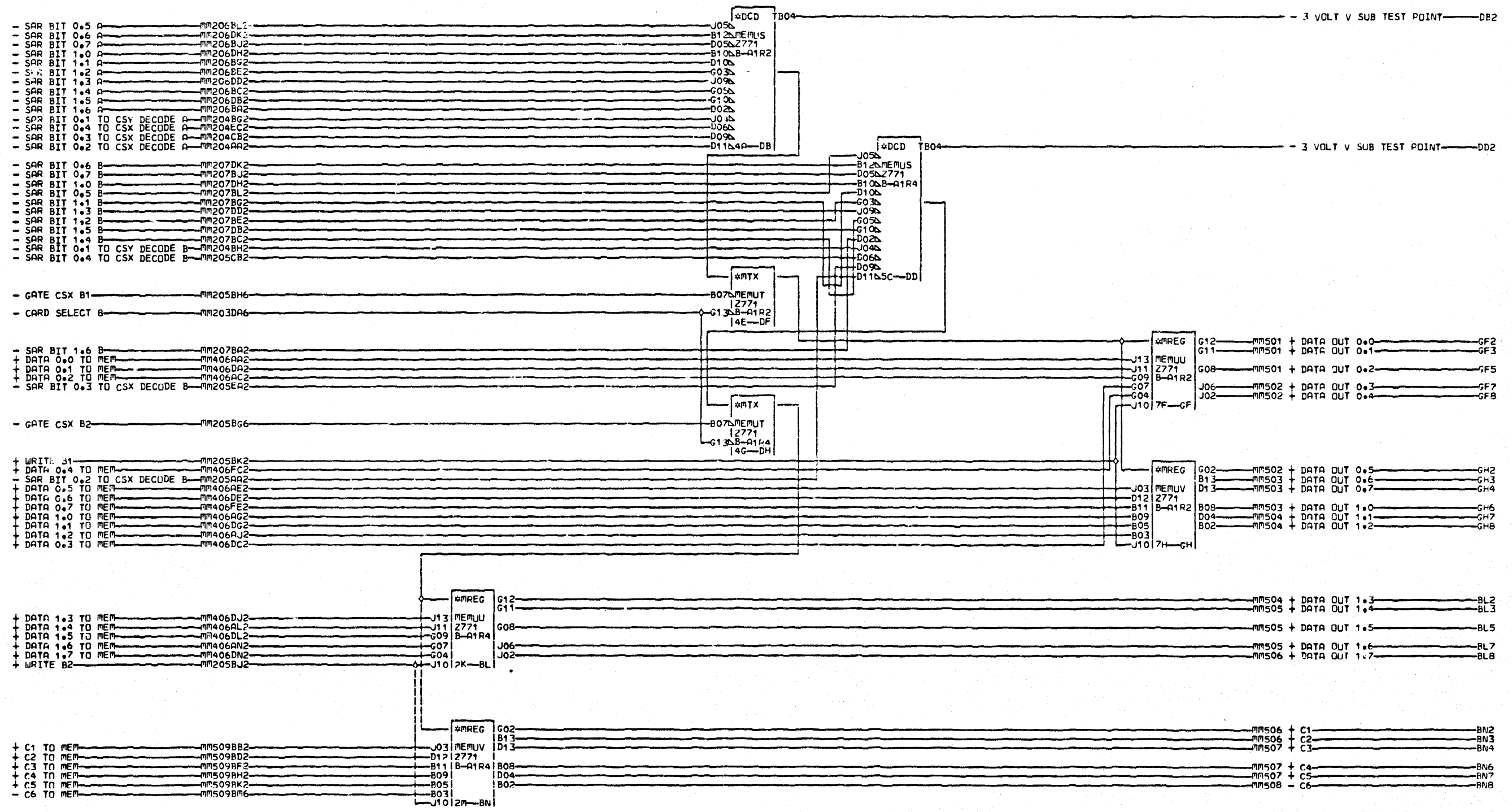
01-16-76 314403
05-19-76 314413

16K X 22 FET MEMORY	
CARD SELECT 7	
DATE	05-28-76 MACH. 27RNB
LDG	571 FRAME 01 0 7
3705 II ONLY P.N. 1750415	
IBM CORP.	SDD BLK. SA 030

MM607

030 SIM TO PN

EC 314419



01-16-76 314403
05-19-76 314419

16K X 22 FEY MEMORY		M
CARD SELECT A		M
DATE	05-28-76 MACH. 27RNB	6
LOG	571 FRAME	8
3705 II ONLY P.O.N. 1750416		030
IBM CORP.	SDD BLK.	SA

EE
6
0
8