

LIB TYPE I LINE SET PLUG CHART NOTE 4 5

THIS DOCUMENT IS THE PROPERTY OF IBM. ITS USE IS AUTHORIZED ONLY FOR THE PROJECT AND FOR THE PERSONS AUTHORIZED BY THE PROJECT MANAGER. IT IS NOT TO BE REPRODUCED OR TRANSMITTED IN ANY FORM OR BY ANY MEANS, ELECTRONIC OR MECHANICAL, INCLUDING PHOTOCOPYING, RECORDING, OR BY ANY INFORMATION STORAGE AND RETRIEVAL SYSTEM. FOR IBM, ALL QUOTATIONS MUST BE REFERRED TO THE IBM PURCHASING DEPARTMENT.

**IBM**

LIB TYPE I LINE SET PLUG

DATE  
SEE E/C HISTORY

DATE

CHANGE NO

NAME	LIB TYPE I LINE SET PLUG	DATE	SEE E/C HISTORY	CHANGE NO
DESIGN	WZ OCT71	APR79	321372	SEP80
DETAIL	TS OCT79	OCT79	321755	NOV80
CHECK	DD JAN72	JAN80	321371	344292
APPRO	HB JAN72	MUST CONFORM TO ENG SPEC		
		DEVELOPMENT NO		LOGIC PG NO
				VA000

LINE SET TYPE	PRI-ORITY NOTE 3	PARENT B/M AT EC		CARD/CABLE			PIN & LOCATION CHART	ALD PAGES	PARTITION 1 LINES #0/1		PARTITION 2 LINES #2/3		PARTITION 3 LINES #4/5		PARTITION 4 LINES #6/7		PARTITION 5 LINES #8/9		PARTITION 6 LINES A/B		PARTITION 7 LINES C/D		PARTITION 8 LINES E/F	
		BM	EC	P/N	CODE	FUNCTION			BD X	1/0 GT	BD X1	1/0 GT	BD X1	1/0 GT	BD X1	1/0 GT	BD X1	1/0 GT	BD X1	1/0 GT	BD X1	1/0 GT	BD X1	1/0 GT
ALL		5993343	309534	8218951 8211455 5362885	7583 7578 N885	BIT CLOCK ISOLATION NOTE 6		VA041 VA031 VA081	F2 G2 A4															
HIGH SPEED CLOCK		1752939	321372	8254570	CF46	14.4/57.6 KHZ OSCILLATOR		VA015 VA070	G4															
IA EIA START STOP	50	5997348	321372	NOTE 7 8218947 8211456 5997936 5997936	7581 7580 7579 — —	LINE INTERFACE DRIVER LINE TERM TOP CARD CABLE TOP CARD CABLE	VA003	VB020	B2 M2 R2 R2 R3	— — — — —	C2 M4 R4 R4 R5	— — — — —	D2 N2 S2 S2 S3	— — — — —	E2 N4 S4 S4 S5	— — — — —	H2 P2 T2 T2 T3	— — — — —	J2 P4 T4 T4 T5	— — — — —	K2 Q2 U2 U2 U3	— — — — —	L2 Q4 U4 U4 U5	
IB LOWSPEED LOWSPEED DUPLEX EXT MODEM	51	5997506	321372	NOTE 7 8218947 8211456 5997936 5997936	7581 7580 7579 — —	LINE INTERFACE DRIVER LINE TERM TOP CARD CABLE TOP CARD CABLE	VA011	VB020	B2 M2 R2 R2 R3	— — — — —	C2 M4 R4 R4 R5	— — — — —	D2 N2 S2 S2 S3	— — — — —	E2 N4 S4 S4 S5	— — — — —	H2 P2 T2 T2 T3	— — — — —	J2 P4 T4 T4 T5	— — — — —	K2 Q2 U2 U2 U3	— — — — —	L2 Q4 U4 U4 U5	
IC EIA START STOP LOCAL	70	5997477	321372	NOTE 7 8211450 8211456 5997936 5997936	7581 7573 7579 — —	LINE INTERFACE DRIVER LINE TERM TOP CARD CABLE TOP CARD CABLE	VA009	VB020	B2 M2 R2 R2 R3	— — — — —	C2 M4 R4 R4 R5	— — — — —	D2 N2 S2 S2 S3	— — — — —	E2 N4 S4 S4 S5	— — — — —	H2 P2 T2 T2 T3	— — — — —	J2 P4 T4 T4 T5	— — — — —	K2 Q2 U2 U2 U3	— — — — —	L2 Q4 U4 U4 U5	
ID EIA SYNC HDX EIA SS HDX EIA SS FDX EIA LOC ATT. SS EIA LOC ATT SYNC EIA SYNC FDX	20	5997351	321372	NOTE 8 8211450 8211451 5997936 5997936	7575 7573 7574 — —	LINE INTERFACE DRIVER LINE TERM TOP CARD CABLE TOP CARD CABLE	VA004	VB060	B2 M2 R2 R2 R3	— — — — —	C2 M4 R4 R4 R5	— — — — —	D2 N2 S2 S2 S3	— — — — —	E2 N4 S4 S4 S5	— — — — —	H2 P2 T2 T2 T3	— — — — —	J2 P4 T4 T4 T5	— — — — —	K2 Q2 U2 U2 U3	— — — — —	L2 Q4 U4 U4 U5	
IE AUTO CALL	80	5997476	321372	5857434 8211450 8211451 5997936 5997936	6834 7573 7574 — —	LINE INTERFACE DRIVER LINE TERM TOP CARD CABLE TOP CARD CABLE	VA005	VB080	B2 M2 R2 R2 R3	— — — — —	C2 M4 R4 R4 R5	— — — — —	D2 N2 S2 S2 S3	— — — — —	E2 N4 S4 S4 S5	— — — — —	H2 P2 T2 T2 T3	— — — — —	J2 P4 T4 T4 T5	— — — — —	K2 Q2 U2 U2 U3	— — — — —	L2 Q4 U4 U4 U5	
IF EIA SYNC LOCAL ATTACH	40	5997478	321372	NOTE 8 8211450 8211451 5997936 5997936	7575 7573 7574 — —	LINE INTERFACE DRIVER LINE TERM TOP CARD CABLE TOP CARD CABLE	VA010	VB060	B2 M2 R2 R2 R3	— — — — —	C2 M4 R4 R4 R5	— — — — —	D2 N2 S2 S2 S3	— — — — —	E2 N4 S4 S4 S5	— — — — —	H2 P2 T2 T2 T3	— — — — —	J2 P4 T4 T4 T5	— — — — —	K2 Q2 U2 U2 U3	— — — — —	L2 Q4 U4 U4 U5	
IG DIGITAL SYNC NOTE 1	10	5997354	321372	8211483 8231680 8211454 5997936 5997936	7606 7576 7577 — —	LINE INTERFACE DRIVER LINE TERM TOP CARD CABLE TOP CARD CABLE	VA006	VB100	B2 M2 R2 R2 R3	— — — — —	C2 M4 R4 R4 R5	— — — — —	D2 N2 S2 S2 S3	— — — — —	E2 N4 S4 S4 S5	— — — — —	H2 P2 T2 T2 T3	— — — — —	J2 P4 T4 T4 T5	— — — — —	K2 Q2 U2 U2 U3	— — — — —	L2 Q4 U4 U4 U5	
IJ EXTERNAL MIL STD 188C MODEM	12	1785972	321372	8231712 8214280 8214281 5997936	7608 1817 1818 —	LINE INTERFACE DRIVER LINE TERM TOP CARD CABLE	VA007	VB121	B2 M2 R2 R2	— — — —	C2 M4 R4 R4	— — — —	D2 N2 S2 S2	— — — —	E2 N4 S4 S4	— — — —	H2 P2 T2 T2	— — — —	J2 P4 T4 T4	— — — —	K2 Q2 U2 U2	— — — —	L2 Q4 U4 U4	
IK/IS V35 INTERFACE	11	1785997	321372	8211486 8214282 8214283 5997936	7609 1819 1820 —	LINE INTERFACE DRIVER LINE TERM TOP CARD CABLE	VA008	VB140	B2 M2 R2 R2	— — — —	C2 M4 R4 R4	— — — —	D2 N2 S2 S2	— — — —	E2 N4 S4 S4	— — — —	H2 P2 T2 T2	— — — —	J2 P4 T4 T4	— — — —	K2 Q2 U2 U2	— — — —	L2 Q4 U4 U4	
IH DUPLEX MED SPEED	19	1851858	321372	NOTE 8 8211450 8211451 5997936 5997936	7575 7573 7574 — —	LINE INTERFACE DRIVER LINE TERM TOP CARD CABLE TOP CARD CABLE	VA012	VB060	B2 M2 R2 R2 R3	— — — — —	C2 M4 R4 R4 R5	— — — — —	D2 N2 S2 S2 S3	— — — — —	E2 N4 S4 S4 S5	— — — — —	H2 P2 T2 T2 T3	— — — — —	J2 P4 T4 T4 T5	— — — — —	K2 Q2 U2 U2 U3	— — — — —	L2 Q4 U4 U4 U5	

5997898 C

LIB TYPE 1 LINE SET PLUG CHART NOTE 4 5

THIS DOCUMENT IS THE PROPERTY OF IBM. ITS USE IS AUTHORIZED ONLY FOR PERSONS TO WHOM IT IS LOANED. IT IS NOT TO BE REPRODUCED OR TRANSMITTED IN ANY FORM OR BY ANY MEANS, ELECTRONIC OR MECHANICAL, INCLUDING PHOTOCOPYING, RECORDING, OR BY ANY INFORMATION STORAGE AND RETRIEVAL SYSTEM. FOR FURTHER INFORMATION, CONTACT THE IBM PURCHASING DEPARTMENT.

IBM

LIB TYPE 1 LINE SET PLUG CHART

DATE

CHANGE NO

DATE

CHANGE NO

NAME  
DESIGN WZ OCT71 SHT 2 OF 3  
DETAIL TS JAN80  
CHECK DD JAN72  
APPROV HB JAN72

DATE  
APR79  
OCT79  
JAN80

CHANGE NO  
321372  
321755  
321371

DATE  
SEP80  
NOV80

CHANGE NO  
322670  
344292

LOGIC PG NO  
VA000

LINE SET TYPE	PRI-ORITY NOTE	PARENT B/M AT EC		CARD/CABLE			PIN & LOCATION CHART	ALD PAGES	PARTITION 1 LINES #0/1		PARTITION 2 LINES #2/3		PARTITION 3 LINES #4/5		PARTITION 4 LINES #6/7		PARTITION 5 LINES #8/9		PARTITION 6 LINES A/B		PARTITION 7 LINES C/D		PARTITION 8 LINES E/F		
		BM	EC	P/N	CODE	FUNCTION			BD	1/0	BD	1/0	BD	1/0	BD	1/0	BD	1/0	BD	1/0	BD	1/0	BD	1/0	BD
1W HALF DUPLEX V35 INTERFACE LOCAL ATTACH	9 1 9	1752940	321372	8211486 8254569 8254568 5997936	7609 CF42 CF41 —	LINE INTERFACE DRIVER LINE TERM TOP CARD CABLE	VA015		B2 M2 R2 R2	— — — R2	C2 — — R4	— — — R4	D2 — — S2	— — — S2	E2 — — S4	— — — S4	H2 — — T2	— — — T2	J2 — — T4	— — — T4	K2 — — U2	— — — U2	L2 — — U4	— — — U4	
1GA DIGITAL SYNC HIGH SPEED		1749332		8254620 8231680 8211454 5997936 5997936	CF77 7576 7577 — —	LINE INTERFACE DRIVER LINE TERM TOP CARD CABLE TOP CARD TABLE	VA006	VB160	B2 M2 R2 R3	— — — R3	C2 — — R4	— — — R5													
1N/1R X.21 INTERFACE MEDIUM SPEED	1N = 16 1R = 15	1N = 8549541 1R = 8549543	321371	8548956 8548832 8548722 5997936 5997936	CF56 CF24 CF25 — —	LINE INTERFACE CONTROL DRIVER/RECEIVER TOP CARD CABLE TOP CARD CABLE	VA017	VB200	B2 M2 R2 R2 R3	— — — R2 R3	C2 — — R4 R5	— — — R4 R5	D2 — — S2 S3	— — — S2 S3	E2 — — S4 S5	— — — S4 S5	H2 — — T2 T3	— — — T2 T3	J2 — — T4 T5	— — — T4 T5	K2 — — U2 U3	— — — U2 U3	L2 — — U4 U5	— — — U4 U5	
									PARTITION 1/2 LINES 0 & 2		PARTITION 3/4 LINES 4 & 6		PARTITION 5/6 LINES 8 & A		PARTITION 7/8 LINES C & E										
1N/1R X.21 INTERFACE HIGH SPEED	1N = 8 1R = 7 1 9	1N = 8549541 1R = 8549543	321371	8548956 8548832 8548722 5997936 5997936	CF56 CF24 CF25 — —	LINE INTERFACE CONTROL DRIVER/RECEIVER TOP CARD CABLE TOP CARD CABLE	VA017	VB200	B2 M2 R2 R2 R3	— — — R2 R3	C2 — — R4 R5	— — — R4 R5	D2 — — S2 S3	— — — S2 S3	E2 — — S4 S5	— — — S4 S5	H2 — — T2 T3	— — — T2 T3	J2 — — T4 T5	— — — T4 T5	K2 — — U2 U3	— — — U2 U3	L2 — — U4 U5	— — — U4 U5	
1T DIGITAL DUPLEX	4 1 9	1648397	321372	8211483 8231680 8211454 5997936 5997936	7606 7576 7577 — —	LINE INTERFACE DRIVER LINE TERM TOP CARD TABLE TOP CARD CABLE	VA013		B2 M2 R2 R2 R3	— — — R2 R3	C2 — — — —	— — — — —	D2 — — S2 S3	— — — S2 S3	E2 — — — —	— — — — —	H2 — — T2 T3	— — — T2 T3	J2 — — — —	— — — — —	K2 — — U2 U3	— — — U2 U3	L2 — — — —	— — — — —	
1U DUPLEX V35 INTERFACE	5 1 9	1648398	321372	8211486 8214282 8214283 5997936 5997936	7609 1819 1820 — —	LINE INTERFACE DRIVER LINE TERM TOP CARD CABLE TOP CARD CABLE	VA014		B2 M2 R2 R2 —	— — — R2 —	C2 — — R4 R3	— — — — —	D2 — — S2 —	— — — S2 —	E2 — — S4 S3	— — — S4 S3	H2 — — T2 —	— — — T2 —	J2 — — T4 T3	— — — T4 T3	K2 — — U2 —	— — — U2 —	L2 — — — —	— — — — —	
1Z FULL DUPLEX V35 INTERFACE LOCAL ATTACH	6 1 9	1752943	321372	8211486 8254569 8254568 5997936 5997936	7609 CF42 CF41 — —	LINE INTERFACE DRIVER LINE TERM TOP CARD CABLE TOP CARD CABLE	VA016		B2 M2 R2 R2 —	— — — R2 —	C2 — — R4 R3	— — — — —	D2 — — S2 —	— — — S2 —	E2 — — S4 S3	— — — S4 S3	H2 — — T2 —	— — — T2 —	J2 — — T4 T3	— — — T4 T3	K2 — — U2 —	— — — U2 —	L2 — — — —	— — — — —	
1TA DIGITAL DUPLEX HIGH SPEED		1749331		8254620 8231680 8211454 5997936 5997936	CF77 7576 7577 — —	LINE INTERFACE DRIVER LINE TERM TOP CARD CABLE TOP CARD CABLE	VA013	VB160	B2 M2 R2 R3	— — — R3	C2 — — —	— — — —													

5997898  
SHEET 2 OF 3  
VA000

MANUFACTURING DEPARTMENT

5997898 C

5997898 C

PART NO 5997898 LOGIC PG NO VA000

SHEET 3 OF 3

NOTES:

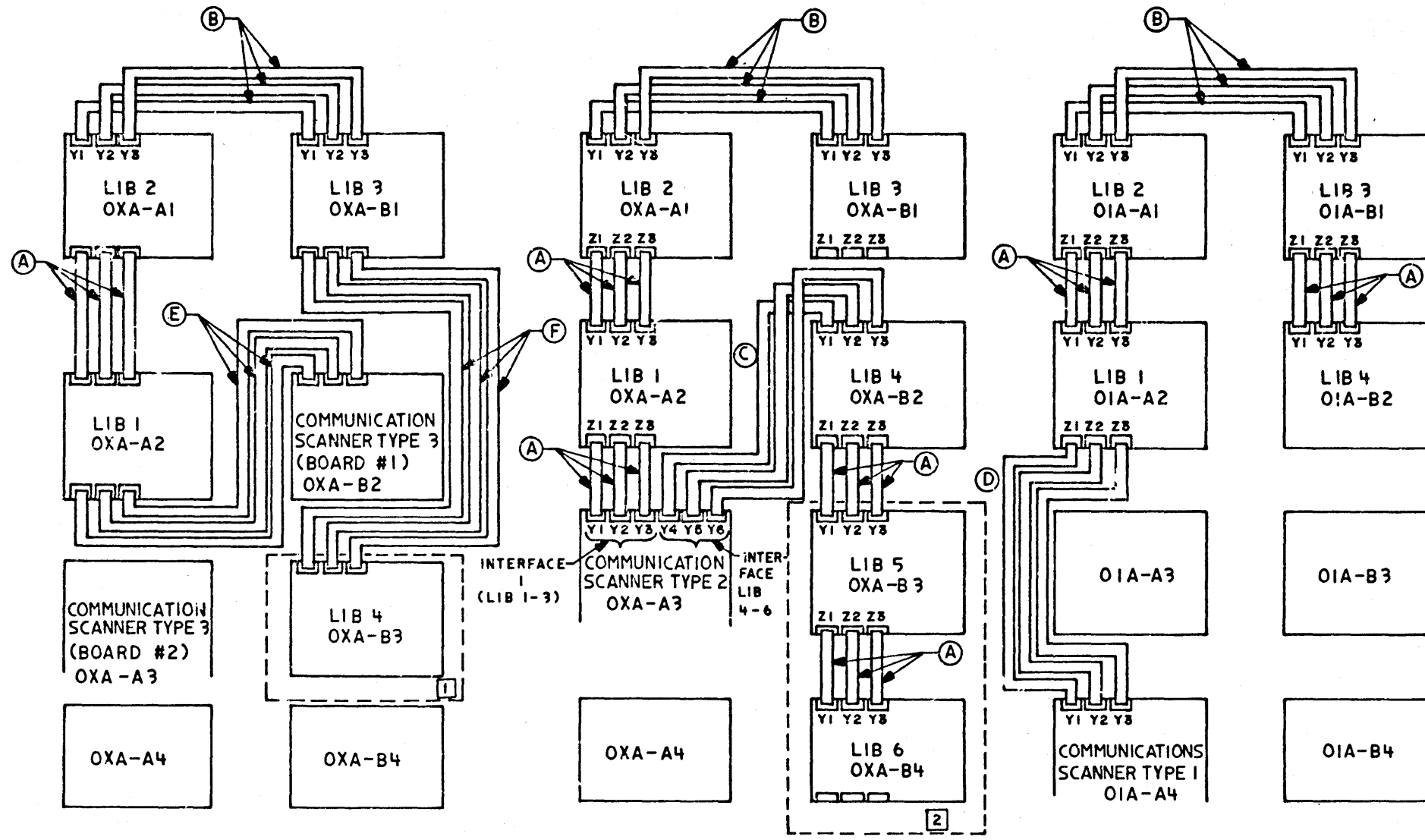
- 1 WITH A CS2, DUE TO SCAN LIMITS SETS 1G,1K, HIGH SPEED 1N/1R, 1S,1T,1U,1W & 1Z MAY ONLY RESIDE IN LIB POSITION 1. IF LINE SPEED IS GREATER THAN 20 KBPS, LINE SETS 1G,1K,1N,1R,1S AND 1W IS FURTHER RESTRICTED AND MAY ONLY RESIDE IN PARTITIONS 1,2,3 OR 4 OF LIB POSITION 1; APPLICABLE TO BOTH FACTORY AND FIELD INSTALLATIONS. WITH A CS3 AND HIGH SPEED SELECT LINE SETS 1G,1K,1N,1S AND 1W MAY BE INSTALLED IN ALL PARTITIONS OF LIB POSITION 1.
  - 2 RESTRICTIONS DUE TO "ADDRESS SUBSTITUTION SPECIFY" CODES. APPLICABLE TO BOTH FACTORY AND FIELD INSTALLATIONS:  
 PARTITION #8 MUST NOT BE INSTALLED IF FEATURE B/M 5997463 IS SPECIFIED.  
 PARTITION #7 MUST NOT BE INSTALLED IF FEATURE B/M 5997464 IS SPECIFIED.  
 PARTITION #6 MUST NOT BE INSTALLED IF FEATURE B/M 5997465 IS SPECIFIED.  
 PARTITION #5 MUST NOT BE INSTALLED IF FEATURE B/M 5997466 IS SPECIFIED.
  - 3 WITH EXCEPTION OF LINE SET 1G,1T,1U,1W AND 1Z THESE PRIORITIES DO NOT APPLY ON FIELD INSTALLATIONS OF LINE SET FEATURES.
  - 4 LIB POSITIONS/LIB FEATURE BILL: 01X-A2-B/M 5993300/5993301  
 01X-A1-B/M 5993302  
 01X-B1-B/M 5993303  
 01X-B2-B/M 5993304/5993305  
 01X-B3-B/M 5993306  
 01X-B4-B/M 5993307
  - 5 LIB TYPE 1 USES X1 BOARD P/N 5997406.
  - 6 PLUG 5862885 CARD IN A4 ONLY IF THIS BOARD IS THE LAST BOARD ON EACH INTERFACE FROM THE COMMUNICATIONS SCANNER BOARD (CS). CS TYPE 1 HAS 1 INTERFACE AND CS TYPE 2 HAS 2 INTERFACES.
  - 7 THIS MAY BE CARD PN 8211458 OR 8238677.
  - 8 THIS MAY BE CARD PN 8211452, 8250115 OR 8250112.
  - 9 WITH A CS2, LINE SETS 1T,1U,1Z, AND HIGH SPEED 1N/1R, MUST RESIDE IN PARTITIONS 1 OR 3 IF THE LINE SPEED IS GREATER THAN 20 KBPS. WITH A CS3, LINE SETS 1N,1T,1U AND 1Z MAY BE INSTALLED IN PARTITIONS 1,3,5 OR 7 WITH HIGH SPEED SELECT AND OPERATING AT A SPEED GREATER THAN 20 KBPS.
  - 10 WHEN HIGH SPEED LINES ARE INSTALLED, THE ADJACENT ADDRESSES CANNOT BE USED. DO NOT PLUG ANY CARDS FOR THE ADJACENT EVEN POSITION. (EXAMPLE: WHEN PARTITION 1/2 IS INSTALLED, DO NOT PLUG CARDS IN LOCATIONS C2,M4 & R4).
- \* NOTE 1 APPLIES TO A 1J LINE SET WHEN OPERATING AT A SPEED GREATER THAN 20 KBPS.

THIS DOCUMENT IS THE PROPERTY OF IBM. ITS USE IS AUTHORIZED ONLY FOR RESPONDING TO A REQUEST FOR QUOTATION OR FOR THE PERFORMANCE OF WORK FOR IBM. ALL QUESTIONS MUST BE REFERRED TO THE IBM PURCHASING DEPARTMENT.

<b>IBM</b>				DATE	CHANGE NO	DATE	CHANGE NO
NAME	LIB TYPE 1 LINE SET PLUG CHART			SEE E/C HISTORY		SEP80	322670
(NOTES)				APR79	321372	NOV80	344292
DESIGN	WZ	OCT71	SHT 3 OF 3	RED	OCT79	321755	
DETAIL	TS	JAN80		RED	JAN80	321371	
CHECK	DD	JAN72	CLASSIFICATION	MUST CONFORM TO ENG SPEC		DEVELOPMENT NO	LOGIC PG NO
APPRO	HB	JAN72					VA000

5997898 C

LIB CABLE CHART SHOWN FACING CARD SIDE OF BOARDS



TYPE 3 SCANNER CABLING SCHEME

TYPE 2 SCANNER CABLING SCHEME

TYPE 1 SCANNER CABLING SCHEME

NOTES

- 1 LIB POSITION 4 CAN ONLY BE INSTALLED IN EXPANSION FRAMES
- 2 LIB POSITIONS 5 & 6 CAN ONLY BE INSTALLED IN EXPANSION FRAMES
- A CROSSOVER CABLE P/N 5802876 3 REQUIRED
- B LIB TO LIB CABLE GROUP P/N 5997447 1 REQUIRED
- C COMMUNICATIONS SCANNER TYPE 2 TO LIB CABLE GROUP P/N 5997449 1 REQUIRED
- D COMMUNICATIONS SCANNER TYPE 1 TO LIB CABLE GROUP P/N 5997444 REQUIRED
- E COMMUNICATIONS SCANNER TYPE 3 TO LIB CABLE GROUP P/N 1750026 REQUIRED
- F LIB TO LIB CABLE GROUP P/N 1750027 REQUIRED

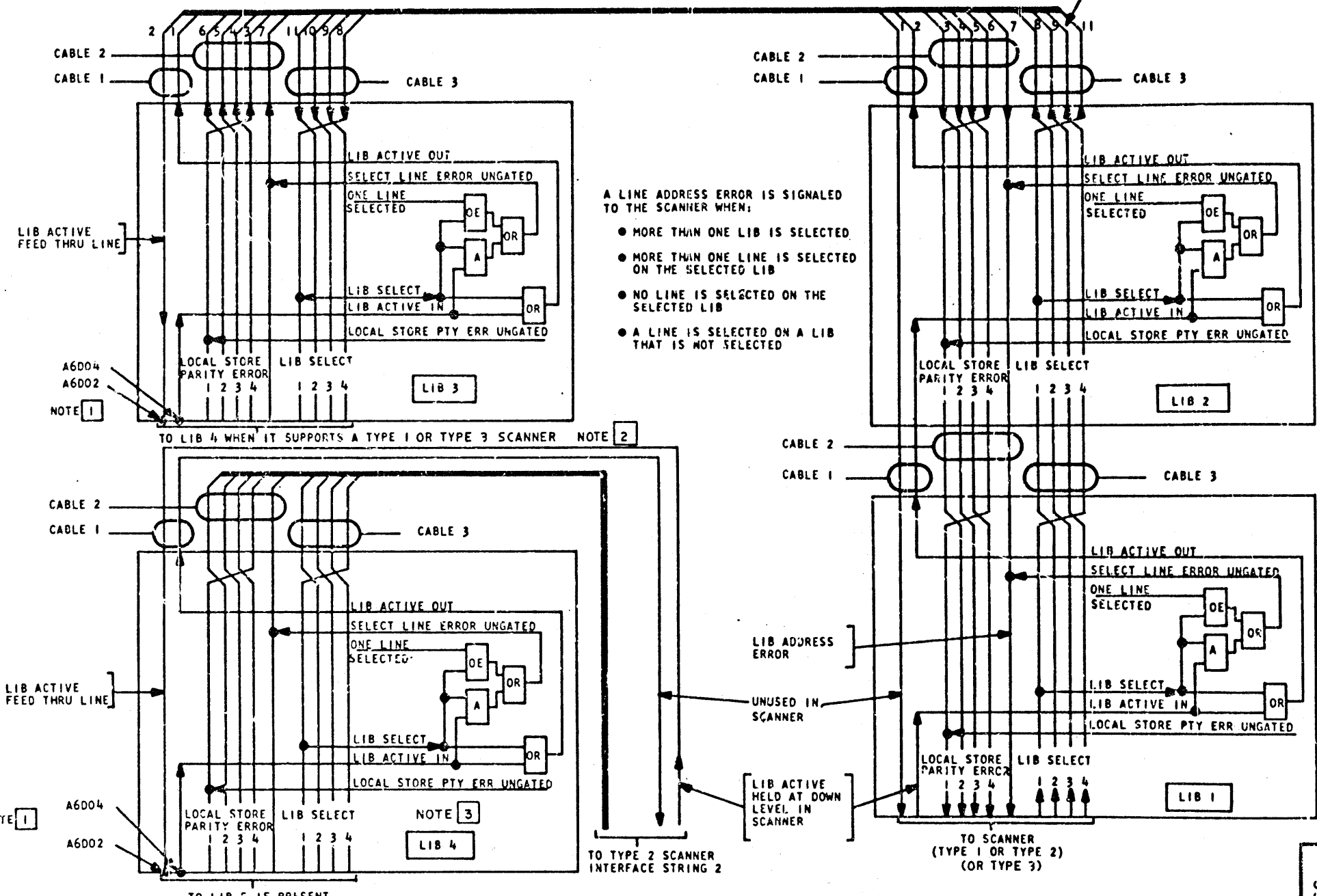
DESIGN	WZ	OCT71	SHT OF	DATE	CHANGE NO
DETAIL	TS	JUN76		JAN72	309520C
CHECK	DD	JAN72	CLASSIFICATION	MAY72	309543
APPRO	HB	JAN72	MUST CONFORM TO ENG SPEC	JUN76	315618
				DEVELOPMENT NO	
				LOGIC PG NO	VA001
LIB CABLE CHART					6687665
					5997899

THIS DOCUMENT IS THE PROPERTY OF IBM. ITS USE IS AUTHORIZED ONLY FOR THE ORIGINAL USER AND IS NOT TO BE REPRODUCED OR TRANSMITTED IN ANY FORM OR BY ANY MEANS, ELECTRONIC OR MECHANICAL, INCLUDING PHOTOCOPYING, RECORDING, OR BY ANY INFORMATION STORAGE AND RETRIEVAL SYSTEM. FOR FURTHER INFORMATION, CONTACT THE IBM PUBLICATIONS DEPARTMENT.

LIB ADDRESS ERROR, LOCAL STORE PARITY ERROR AND TERMINATION

NAME		LIB ADDRESS ERROR AND LOCAL STORE PARITY ERROR	
DESIGN	RC	OCT71	SHT OF
DETAIL	HP	JAN72	
CHECK	DD	JAN72	CLASSIFICATION
APPRO	HB	JAN72	
DATE		CHANGE NO	
JAN72		309520C	
MAY72		309543	
JUN76		315618	
JAN78		316667	
DATE		CHANGE NO	
LOGIC PG NO		5997900	

THIS DOCUMENT IS THE PROPERTY OF IBM. ITS USE IS RESTRICTED TO THE AUTHORIZED WORKING PERSONNEL OF THE USER. IT IS TO BE RETURNED TO THE IBM PURCHASING DEPARTMENT FOR IBM. ALL QUESTIONS MUST BE REFERRED TO THE IBM PURCHASING DEPARTMENT.



A LINE ADDRESS ERROR IS SIGNALLED TO THE SCANNER WHEN:

- MORE THAN ONE LIB IS SELECTED
- MORE THAN ONE LINE IS SELECTED ON THE SELECTED LIB
- NO LINE IS SELECTED ON THE SELECTED LIB
- A LINE IS SELECTED ON A LIB THAT IS NOT SELECTED

NOTES:

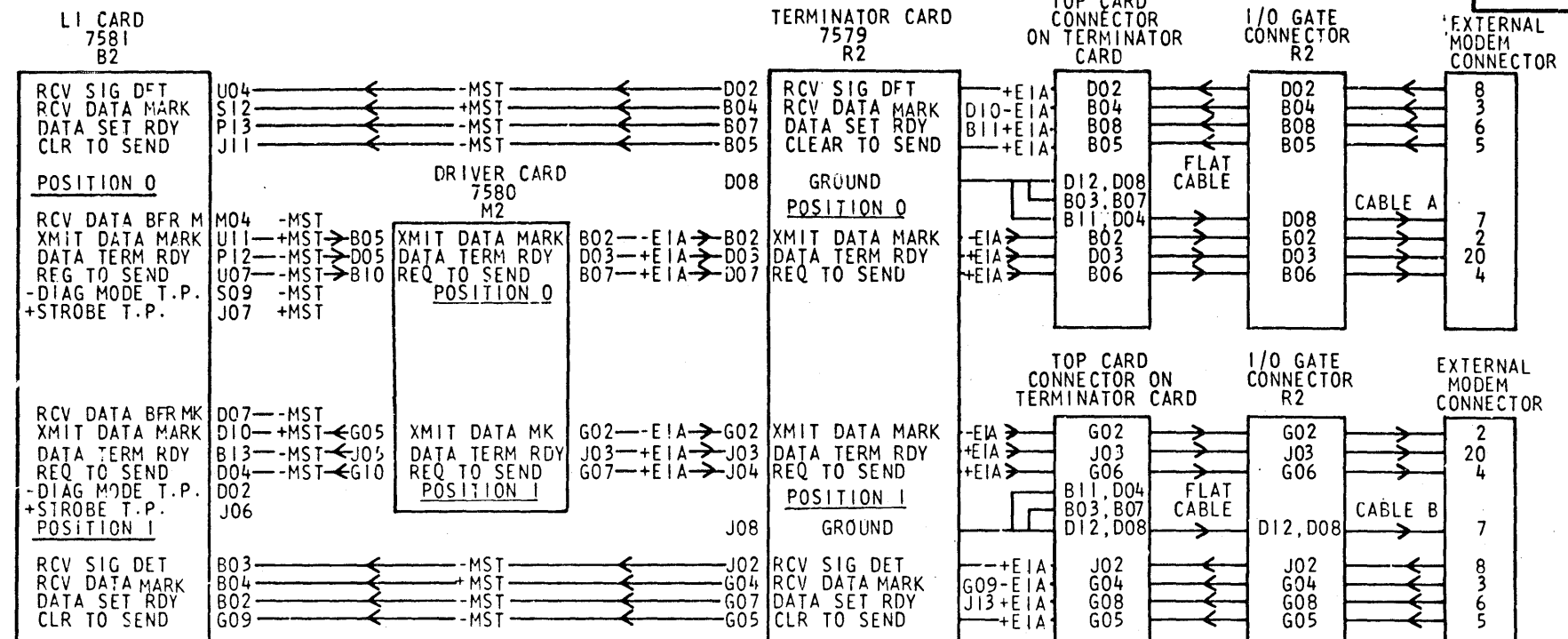
1. AN EXTERNAL JUMPER BETWEEN A6002 AND A6004 IS REQUIRED ON THE LAST LIB OF EACH INTERFACE WHEN:
  - LIB POSITIONS 3 OR 4 IS THE LAST LIB ATTACHED TO A TYPE 1 OR TYPE 3 SCANNER
  - LIB POSITION 3 IS THE LAST LIB ATTACHED TO THE TYPE 2 SCANNER INTERFACE STRING 1
  - LIB POSITIONS 4, 5, OR 6 IS ATTACHED TO THE TYPE 2 SCANNER INTERFACE STRING 2
2. TERMINATION OF SCANNER INTERFACE LINES IN CABLE 1, 2, AND 3 IS PROVIDED BY RESISTORS ON THE 885 CARD P/N 5862885, PLUGGED INTO THE A4 SOCKET OF THE LAST LIB BOARD OF EACH SCANNER INTERFACE. ONLY ONE CARD SHOULD BE USED ON EACH SCANNER INTERFACE. TYPE 2 SCANNER HAS TWO INTERFACES.
3. FOR LIB POSITION 4 ON A TYPE 3 SCANNER INSTALL CARD F/N 5862885 IN SOCKET A5 AND WIRE-WRAP FOLLOWING YELLOW WIRE JUMPERS: B5B06-A5B07, F6B04-A5B02, B6A04-A5B04, B6B04-A5B05, AND B6C04-A5B08

PART NO 5997900  
LOGIC PG NO VA002  
VA002

IBM  
MUST CONFORM TO ENG SPEC  
316667

5997901

C



CARD LOCATIONS ARE SHOWN FOR LINES 0 & 1. REFER TO VA000 FOR CARD LOCATIONS OF OTHER LINES.

NOTES

1. XI BOARD WIRING CONNECTS ALL CARDS OF LINE PAIRS
2. FLAT CABLE P/N 5997936 CONNECTS FROM I/O GATE TO TOP CARD CONNECTOR OF TERMINATE CARD
3. EIA LEVELS +3V TO +25V=SPACE=CONTROL ON  
-3V TO -25V=MARK=CONTROL OFF
4. SIGNALS DRIVEN FROM 3705 SHOULD RANGE BETWEEN ±5V AND ±15V
5. LINE SET IA USES EXTERNAL MODEM CABLE P/N 5993200 TO CONNECT FROM EXTERNAL MODEM TO I/O GATE.

NAME		LINE SET IA	START STOP	DATE	CHANGE NO
DESIGN		VZ	OCT 71	JAN 72	309520C
DETAIL		VR	OCT 71	MAR 72	309540
CHECK		DD	JAN 72	MAY 72	309543
APPHO		HB	JAN 72		
MUST CONFORM TO ENG SPEC					
DEVELOPMENT NO					
LOGIC PG NO					
5997901					

20001340 IBM CORPORATION 5900 TOWER DRIVE ARMONK, NY 10504

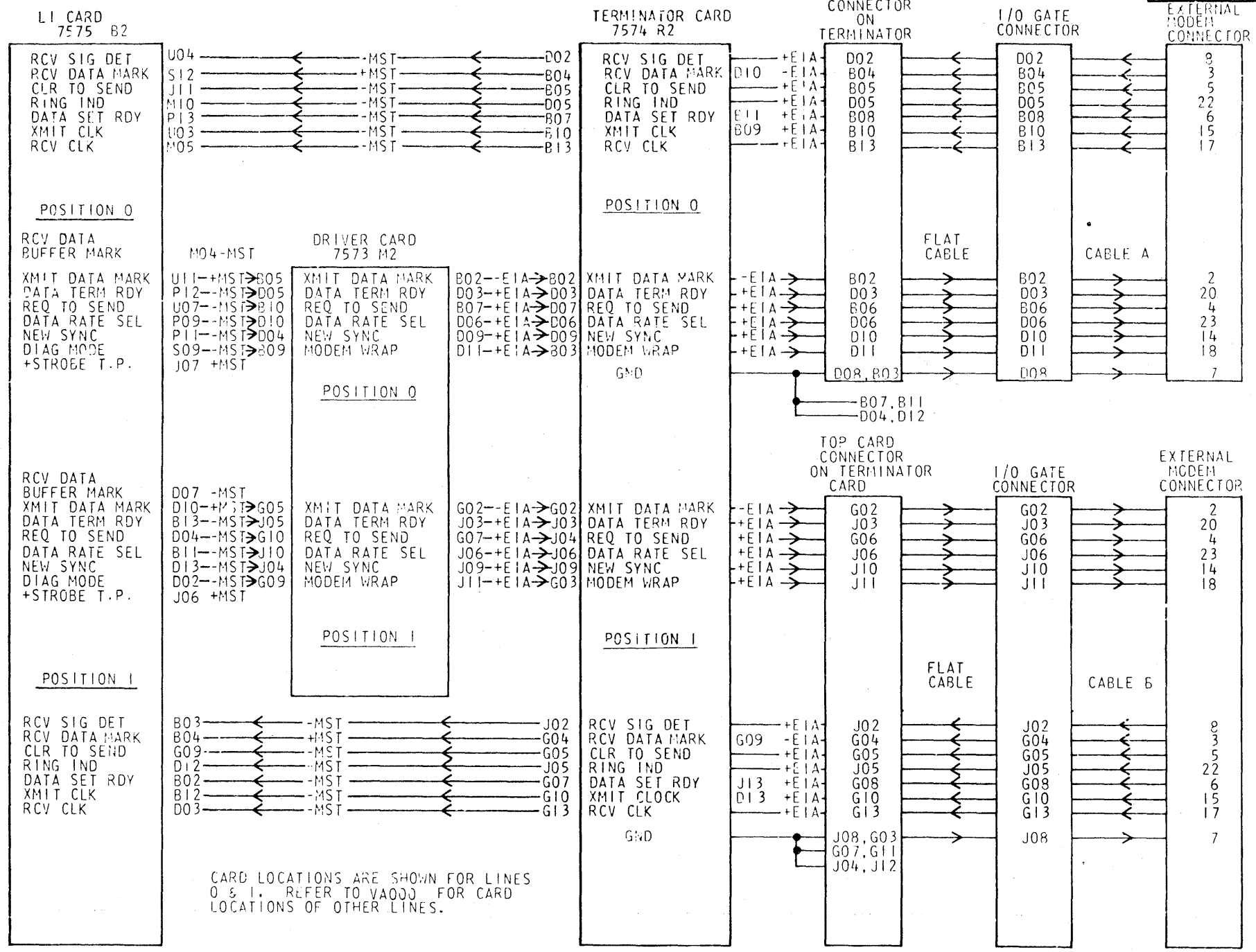
PART NO  
5997901

LOGIC PG NO  
VA003

C

APPRO	HB	JAN72							
CHECK	DD	JAN72							
DETAIL	VR	OCT71							
DESIGN	WZ	OCT71							
NAME	LINE PAIR	LINE SET ID	EIA	LOGIC HDX					
DATE									
CHANGE NO									
DATE									
CHANGE NO									
LOGIC PG NO									

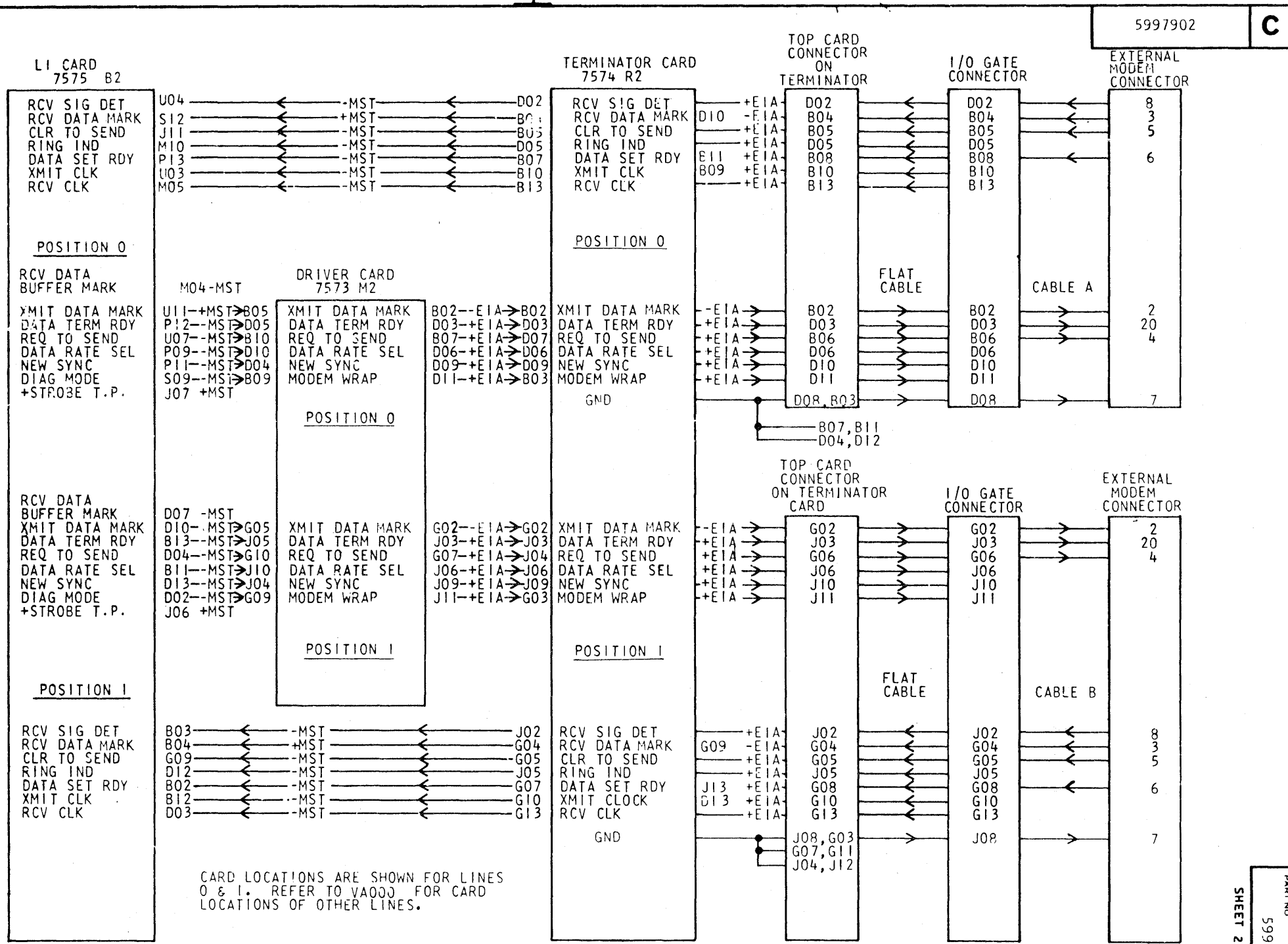
THIS DOCUMENT IS THE PROPERTY OF IBM. ITS USE IS RESTRICTED TO THE WORK AUTHORIZED HEREON. IT IS NOT TO BE REPRODUCED OR TRANSMITTED IN ANY FORM OR BY ANY MEANS, ELECTRONIC OR MECHANICAL, INCLUDING PHOTOCOPYING, RECORDING, OR BY ANY INFORMATION STORAGE AND RETRIEVAL SYSTEM. FOR IBM ALL QUESTIONS MUST BE REFERRED TO THE IBM PURCHASING DEPARTMENT.



- NOTES
1. LINE SET ID EXTERNAL MODEM CABLE P/N 5993200 OR 1785919 OR 1785921 CONNECTS FROM EXTERNAL MODEM TO I/O GATE
  2. FLAT CABLE P/N 5997936 CONNECTS FROM I/O GATE TO TOP CARD CONNECTOR OF TERMINATOR CARD
  3. EIA LEVELS +3V TO +25V=SPACE=CONTROL ON  
-3V TO -25V=MARK=CONTROL OFF
  4. SIGNALS DRIVEN FROM 2705 SHOULD RANGE BETWEEN ±5V AND ±15V

APPRO	HB	JAN72							
CHECK	DD	JAN72							
DETAIL	VR	OCT71							
DESIGN	WZ	OCT71							
STOP HDX LINE PAIR									
NAME		LINE SET ID EIA START							
DATE		SEP80							
CHANGE NO		322670							
DATE									
CHANGE NO									
LOGIC PG NO									
MUST CONFORM TO ENG SPEC									
DEVELOPMENT NO									

THIS DOCUMENT IS THE PROPERTY OF IBM. ITS USE IS LIMITED TO THE PROJECT FOR WHICH IT WAS PREPARED. IT IS NOT TO BE REPRODUCED OR TRANSMITTED IN ANY FORM OR BY ANY MEANS, ELECTRONIC OR MECHANICAL, INCLUDING PHOTOCOPYING, RECORDING, OR BY ANY INFORMATION STORAGE AND RETRIEVAL SYSTEM. FOR ALL OTHERS, PERMISSION TO REPRODUCE OR TRANSMIT MUST BE OBTAINED FROM THE IBM CORPORATION.





IBM		
NAME	LINE SET ID EIA START	DATE
DESIGN	STOP FDJ	SEP80
DETAIL	VR	OCT71
CHECK	DD	JAN72
APPRO	HB	JAN72
MUST CONFORM TO ENG SPEC		CHANGE NO
DEVELOPMENT NO		322670
LOGIC PG NO		DATE
		CHANGE NO
		5997902

THIS DOCUMENT IS THE PROPERTY OF IBM. IT IS TO BE RETURNED TO THE ISSUING OFFICE OR TO THE LOCAL OFFICE OF THE FEDERAL BUREAU OF INVESTIGATION. ALL QUESTIONS MUST BE REFERRED TO THE IBM PURCHASING DEPARTMENT.

LI CARD  
7575 B2

RCV SIG DET U04  
RCV DATA MARK S12  
CLR TO SEND J11  
RING IND M10  
DATA SET RDY P13  
XMIT CLK U03  
RCV CLK M05

POSITION 0

RCV DATA BUFFER MARK M04-MST

XMIT DATA MARK U11  
DATA TERM RDY P12  
REQ TO SEND U07  
DATA RATE SEL P09  
NEW SYNC P11  
DIAG MODE S09  
+STROBE T.P. J07

RCV DATA BUFFER MARK D07  
XMIT DATA MARK D10  
DATA TERM RDY B13  
REQ TO SEND D04  
DATA RATE SEL B11  
NEW SYNC D13  
DIAG MODE D02  
+STROBE T.P. J06

POSITION 1

RCV SIG DET B03  
RCV DATA MARK B04  
CLR TO SEND G09  
RING IND D12  
DATA SET RDY B02  
XMIT CLK B12  
RCV CLK D03

DRIVER CARD  
7573 M2

XMIT DATA MARK B02  
DATA TERM RDY D03  
REQ TO SEND B07  
DATA RATE SEL D06  
NEW SYNC D09  
MODEM WRAP D11

POSITION 0

XMIT DATA MARK G02  
DATA TERM RDY J03  
REQ TO SEND G07  
DATA RATE SEL J06  
NEW SYNC J09  
MODEM WRAP J11

POSITION 1

RCV SIG DET J02  
RCV DATA MARK G04  
CLR TO SEND G05  
RING IND J05  
DATA SET RDY G02  
XMIT CLK B12  
RCV CLK D03

TERMINATOR CARD  
7574 R2

RCV SIG DET D10  
RCV DATA MARK B05  
CLR TO SEND B05  
RING IND B05  
DATA SET RDY B11  
XMIT CLK B09  
RCV CLK B13

POSITION 0

XMIT DATA MARK B02  
DATA TERM RDY D03  
REQ TO SEND B06  
DATA RATE SEL D10  
NEW SYNC D11  
MODEM WRAP D11  
GND

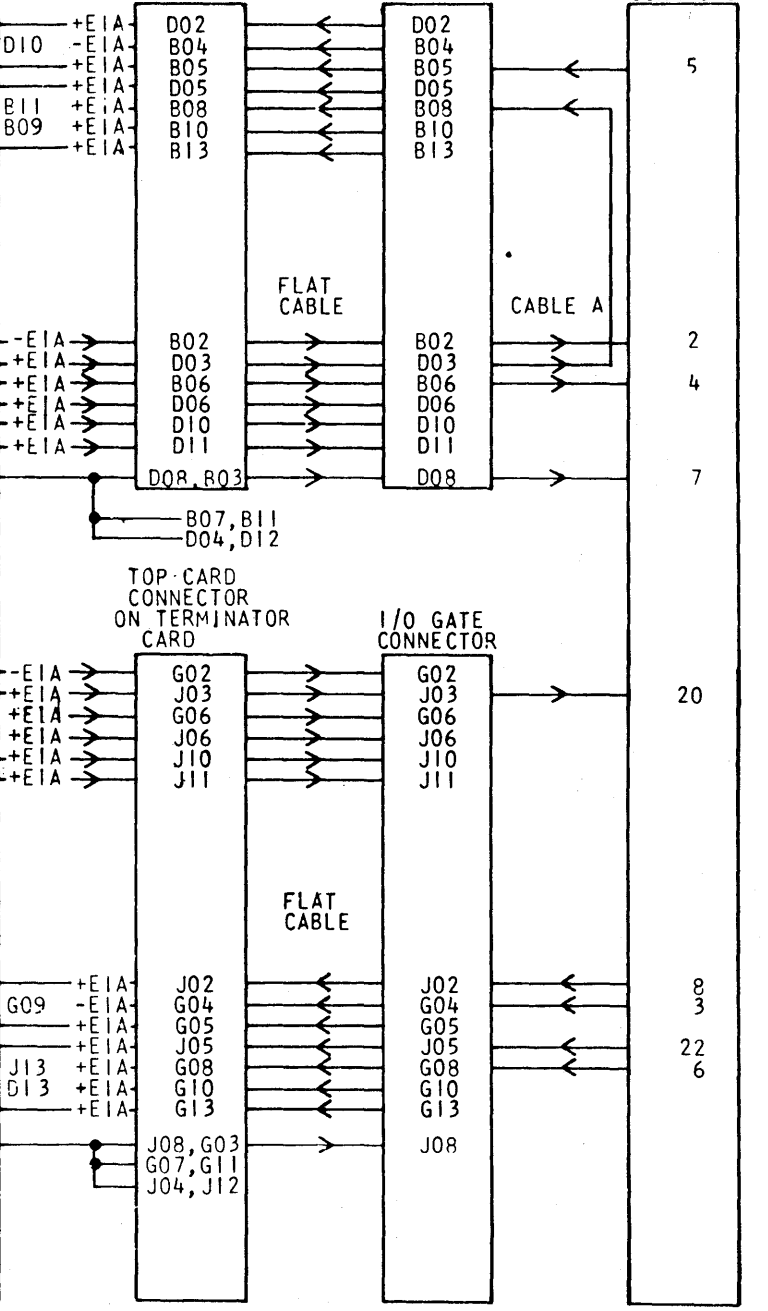
POSITION 1

RCV SIG DET G09  
RCV DATA MARK J02  
CLR TO SEND G05  
RING IND J05  
DATA SET RDY J13  
XMIT CLOCK D13  
RCV CLK G13

TOP CARD CONNECTOR ON TERMINATOR

I/O GATE CONNECTOR

EXTERNAL MODEM CONNECTOR

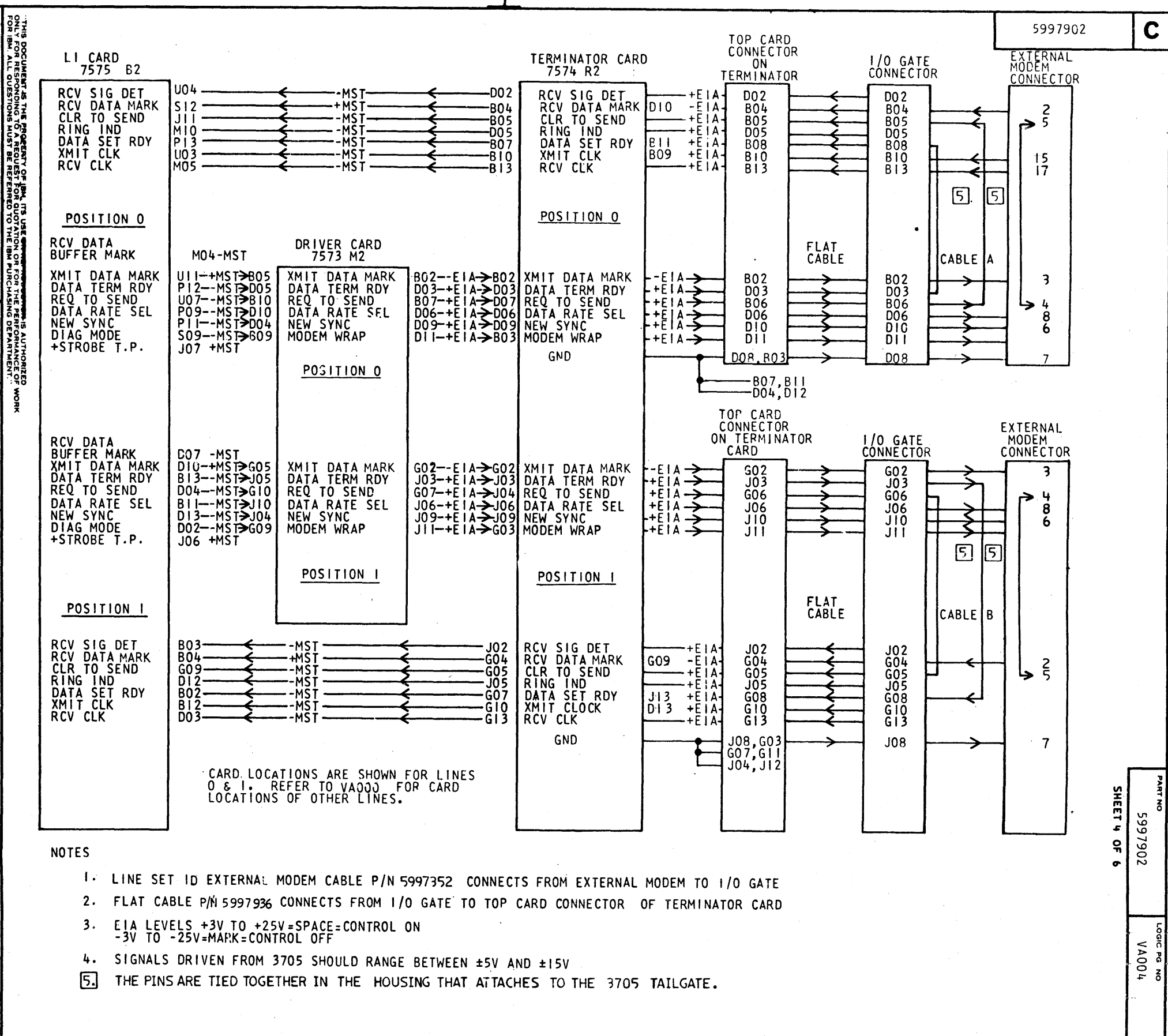


CARD LOCATIONS ARE SHOWN FOR LINES 0 & 1. REFER TO VA000 FOR CARD LOCATIONS OF OTHER LINES.

NOTES

1. LINE SET ID EXTERNAL MODEM CABLE P/N 5997489 CONNECTS FROM EXTERNAL MODEM TO I/O GATE
2. FLAT CABLE P/N 5997936 CONNECTS FROM I/O GATE TO TOP CARD CONNECTOR OF TERMINATOR CARD
3. EIA LEVELS +3V TO +25V=SPACE=CONTROL ON  
-3V TO -25V=MARK=CONTROL OFF
4. SIGNALS DRIVEN FROM 3705 SHOULD RANGE BETWEEN ±5V AND ±15V

APPRO	HB	JAN72			
CHECK	DD	JAN72			
DETAIL	VR	OCT71			
DESIGN	WZ	OCT71			
ATTACH START-STOP LINE PAIR					
NAME		LINE SET ID EIA LOCAL			
IBM					
		DATE	SEP 80	CHANGE NO	322670
		DATE		CHANGE NO	
		LOGIC PG NO			
		MUST CONFORM TO ENG SPEC			
		DEVELOPMENT NO			
		2067665			



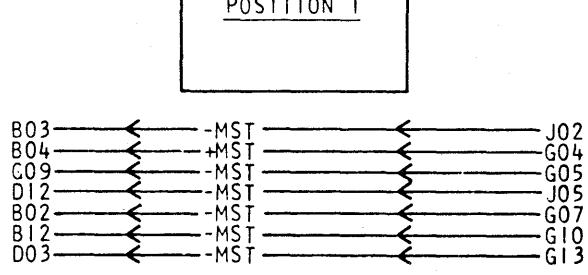
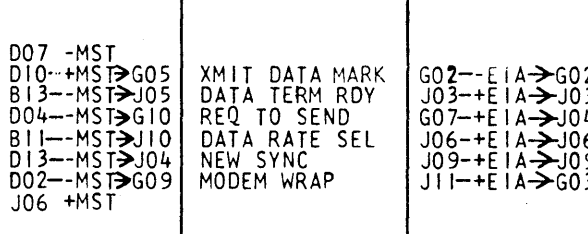
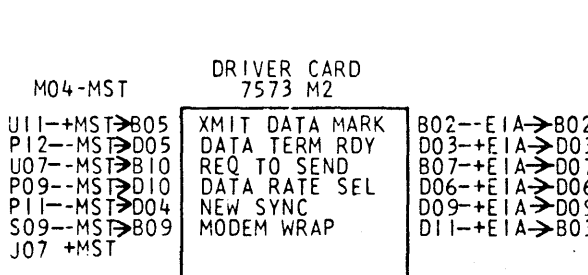
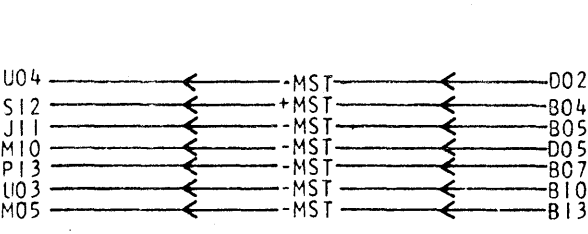
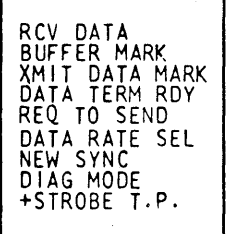
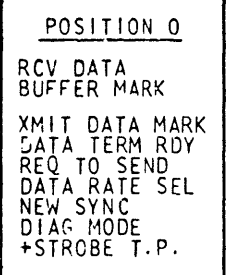
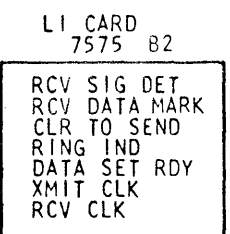
PART NO  
5997902

LOGIC PG NO  
VA004

SHEET 4 OF 6

NAME	LINE SET ID EIA LOCAL		DATE	SEP80	CHANGE NO	322670	DATE		CHANGE NO	
ATTACH SYNC	LINE PAIR									
DESIGN	WZ	OCT71	SHT	5 OF 6						
DETAIL	VR	OCT71								
CHECK	DD	JAN72	CLASSIFICATION		MUST CONFORM TO ENG SPEC		DEVELOPMENT NO		LOGIC PG NO	
APPRO	HB	JAN72								

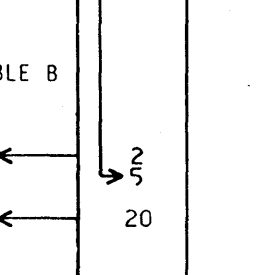
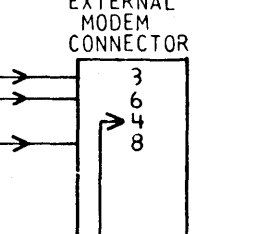
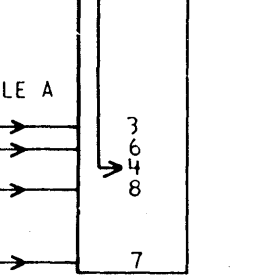
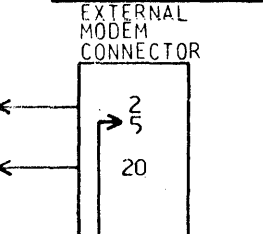
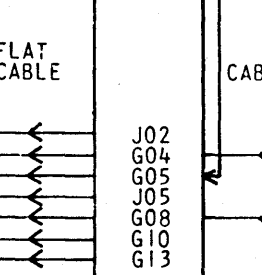
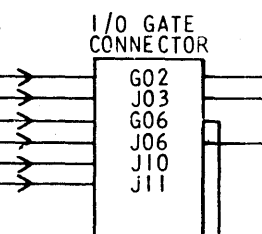
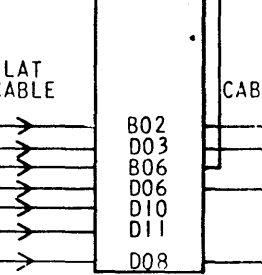
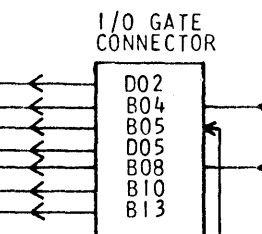
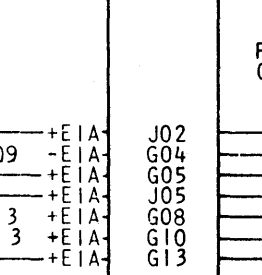
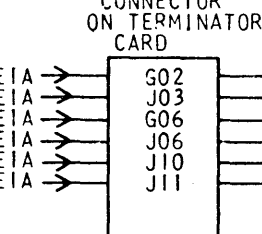
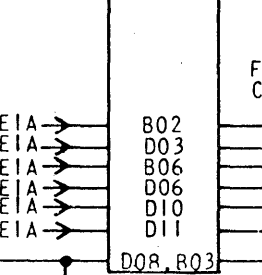
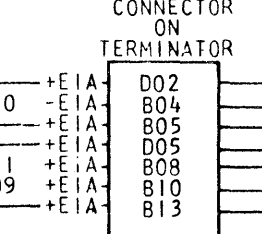
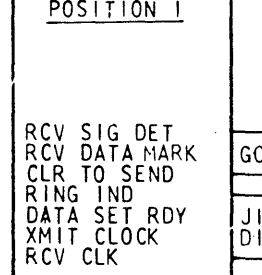
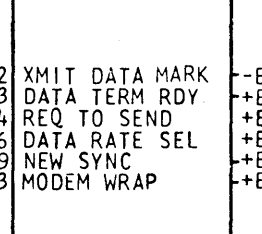
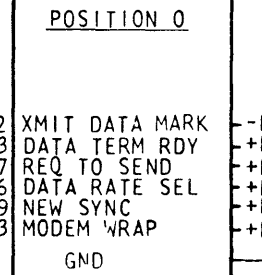
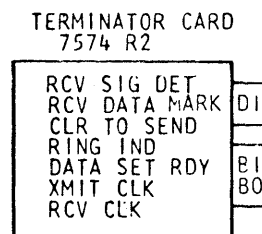
THIS DOCUMENT IS THE PROPERTY OF IBM. ITS USE OR DISSEMINATION IS AUTHORIZED ONLY FOR THE INDIVIDUAL OR ENTITY TO WHOM IT IS LOANED OR RENTED. IT IS NOT TO BE REPRODUCED OR TRANSMITTED IN ANY FORM OR BY ANY MEANS, ELECTRONIC OR MECHANICAL, INCLUDING PHOTOCOPYING, RECORDING, OR BY ANY INFORMATION STORAGE AND RETRIEVAL SYSTEM. FOR IBM, ALL QUESTIONS MUST BE REFERRED TO THE IBM PURCHASING DEPARTMENT.



CARD LOCATIONS ARE SHOWN FOR LINES 0 & 1. REFER TO VA00J FOR CARD LOCATIONS OF OTHER LINES.

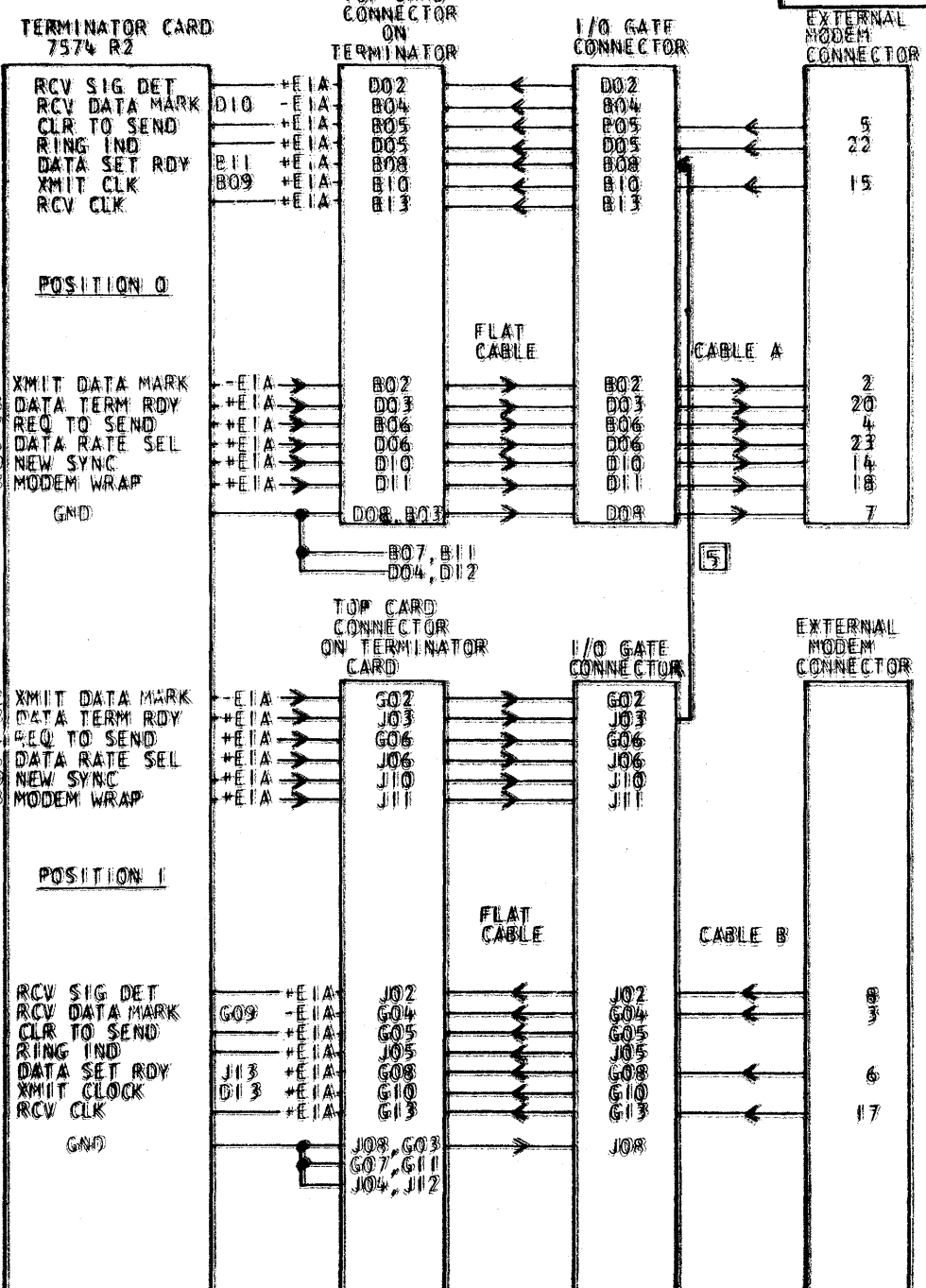
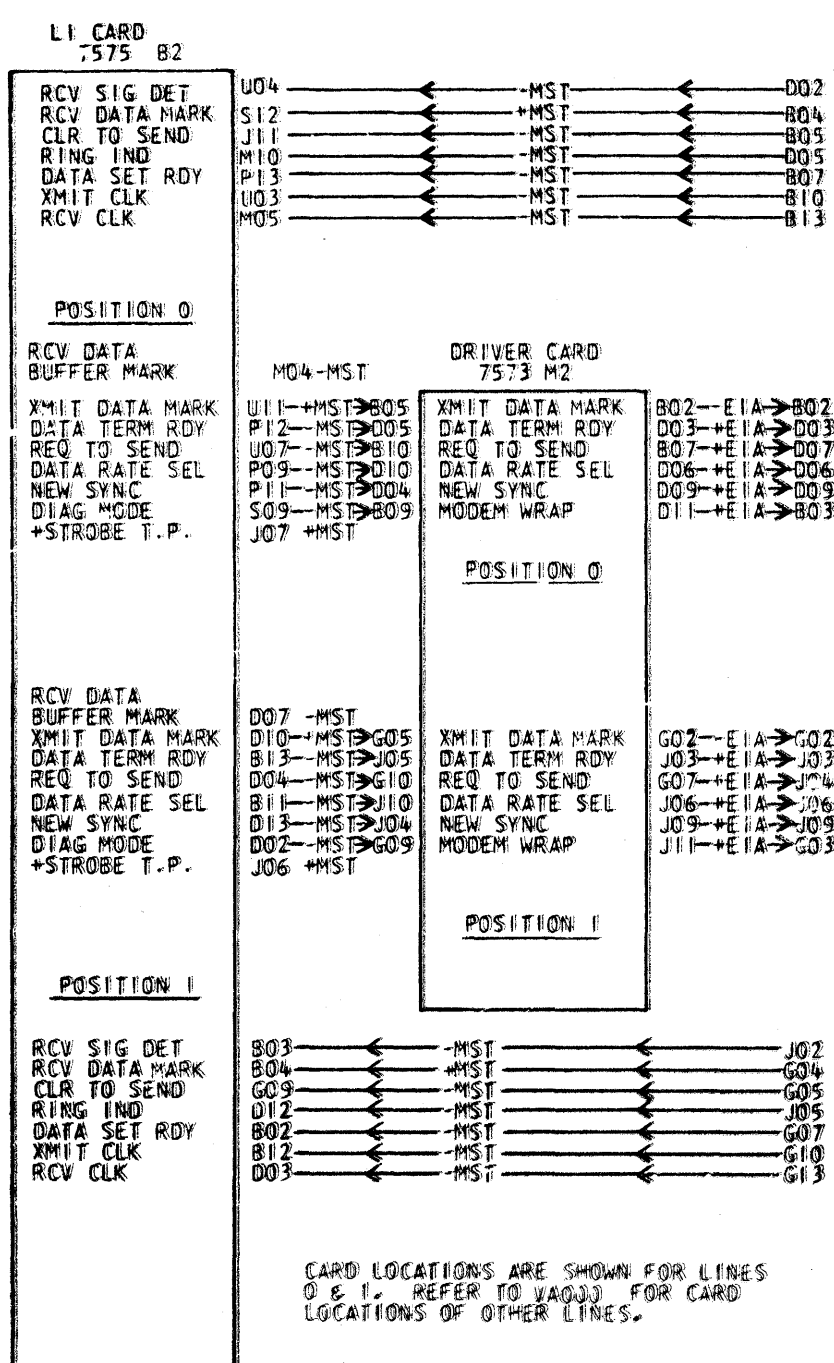
NOTES

1. LINE SET 'D' EXTERNAL MODEM CABLE P/N 5997529 CONNECTS FROM EXTERNAL MODEM TO I/O GATE
2. FLAT CABLE P/N 5997936 CONNECTS FROM I/O GATE TO TOP CARD CONNECTOR OF TERMINATOR CARD
3. EIA LEVELS +3V TO +25V=SPACE=CONTROL ON  
-3V TO -25V=MARK=CONTROL OFF
4. SIGNALS DRIVEN FROM 3705 SHOULD RANGE BETWEEN ±5V AND ±15V



NAME	LINE SET ID EIA SYNC FOX	DATE	SEP80	CHANGE NO	322670
DESIGN	WZ	OCT71			
DETAIL	VR	OCT71			
CHECK	DD	JAN72			
APPRO	HB	JAN72			
CLASSIFICATION					
MUST CONFORM TO ENG SPEC					
DEVELOPMENT NO					
LOGIC PG NO					

THIS DOCUMENT IS THE PROPERTY OF IBM. ITS USE OR DISPOSITION IS AUTHORIZED ONLY FOR THE INDIVIDUAL OR ORGANIZATION TO WHOM IT IS LOANED. IT IS NOT TO BE REPRODUCED OR TRANSMITTED IN ANY FORM OR BY ANY MEANS, ELECTRONIC OR MECHANICAL, INCLUDING PHOTOCOPYING, RECORDING, OR BY ANY INFORMATION STORAGE AND RETRIEVAL SYSTEM. ALL OTHER RIGHTS ARE RESERVED BY INTERNATIONAL BUSINESS MACHINES CORPORATION.



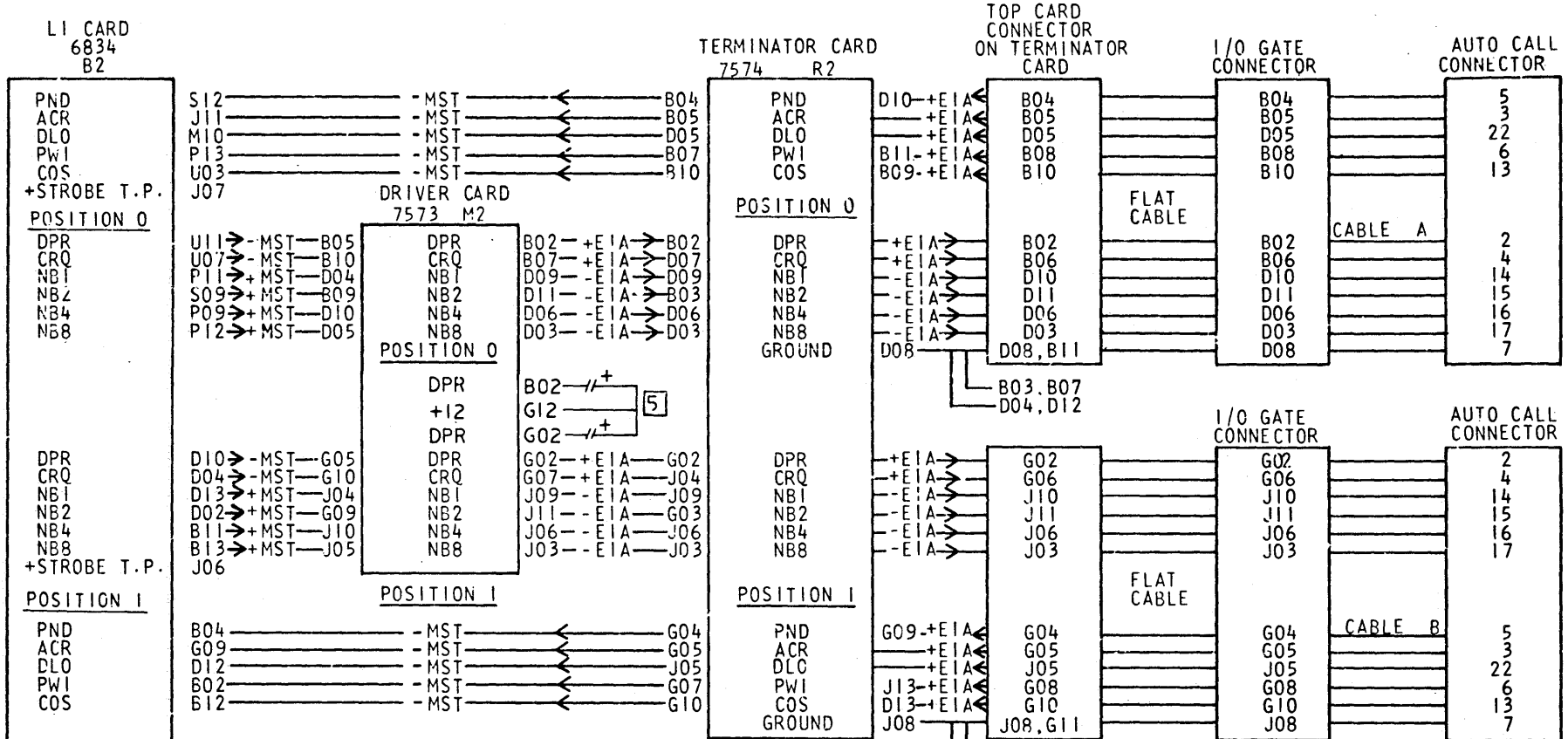
CARD LOCATIONS ARE SHOWN FOR LINES 0 & 1. REFER TO VA000 FOR CARD LOCATIONS OF OTHER LINES.

- NOTES
1. LINE SET 10 EXTERNAL MODEM CABLE P/N 5997454 OR 1785928 CONNECTS FROM EXTERNAL MODEM TO I/O GATE
  2. FLAT CABLE P/N 5997936 CONNECTS FROM I/O GATE TO TOP CARD CONNECTOR OF TERMINATOR CARD
  3. EIA LEVELS +3V TO +25V = SPACE = CONTROL ON  
-3V TO -25V = MARK = CONTROL OFF
  4. SIGNALS DRIVEN FROM 3705 SHOULD RANGE BETWEEN ±5V AND ±15V
5. B08 TO J03 JUMPED TOGETHER EXTERNALLY IN MODEM CABLE.

5997903 C

NAME	LINE SET IE AUTO CALL LINE		DATE	CHANGE NO
DESIGN	WZ	OCT71	JAN72	309520C
DETAIL	VR	OCT71	MAY72	309543
CHECK	DD	JAN72	SEPT6	316663
APPRO	HB	JAN72		
CLASSIFICATION			MUST CONFORM TO ENG SPEC	DEVELOPMENT NO
SHT OF				
PAIR				
IBM				
LOGIC PG NO			5997903	C

THIS DOCUMENT IS THE PROPERTY OF IBM. ITS USE OR DISSEMINATION IS AUTHORIZED ONLY FOR THE PERSONS TO WHOM IT IS LOANED OR FOR THE PERSONS TO WHOM IT IS REFERRED TO BY THE IBM PURCHASING DEPARTMENT.



CARD LOCATIONS ARE SHOWN FOR LINES 0 & 1. REFER TO VA000 FOR CARD LOCATIONS OF OTHER LINES.

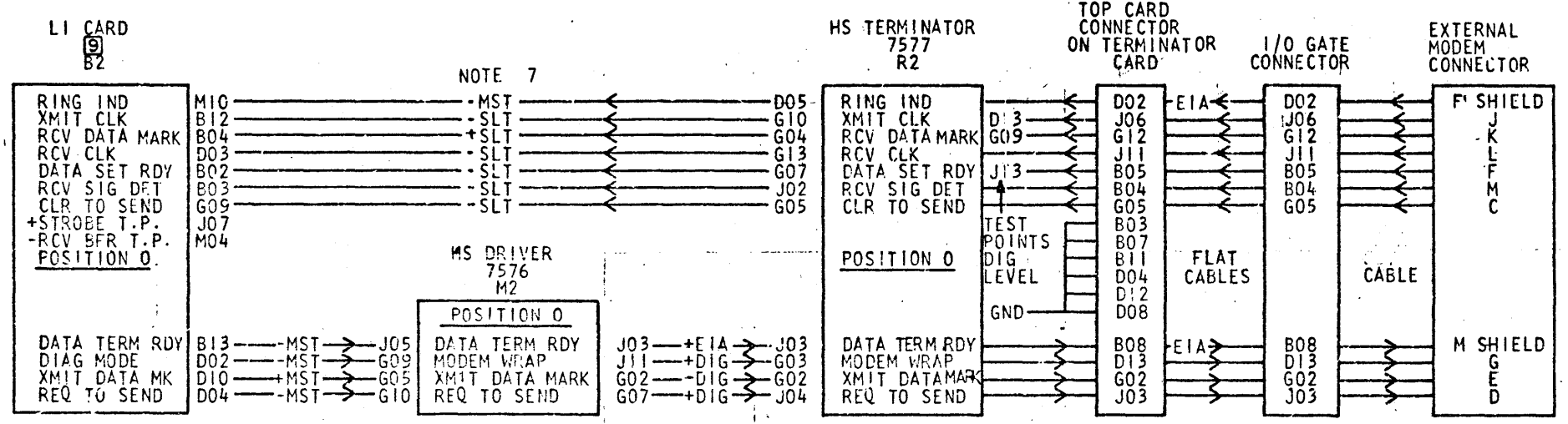
NOTES

- EXTERNAL CABLE P/N 5997462 CONNECTS FROM AUTO CALL UNIT TO I/O GATE
- FLAT CABLE P/N 5997936 CONNECTS FROM I/O GATE TO TOP CARD CONNECTOR OF TERMINATOR CARD
- EIA LEVELS +3V TO +25V=SPACE=CTL ON  
-3V TO -25V=MARK=CTL OFF
- SIGNALS DRIVEN FROM 3705 SHOULD RANGE BETWEEN ±5V AND ±15V
- A CAPACITOR ASM, P/N 1757929 (.68/.68 MFD), IS INSTALLED ON PIN SIDE OF BOARD WITH EACH LINE SET IE WHICH WAS BUILT AT EC LEVEL 316663 OR LATER, AND IS AVAILABLE FOR USE WITH ACU'S WHICH REQUIRE A DELAY OF THE DIGIT-PRESENT SIGNAL RELATIVE DIGIT-LINES SIGNALS. EFFECTIVE DELAY IS APPROXIMATELY 0.4 MILLISECONDS.

PART NO 5997903  
LOGIC PG NO VA005

NAME	LINE SET 16 OR 16A HIGH SPEED	
DESIGN	WZ	OCT 71
DETAIL	VR	OCT 71
CHECK	DD	JAN 72
APPRO	HB	JAN 72
CLASSIFICATION	MUST CONFORM TO ENG SPEC	
DATE	CHANGE NO	DATE
JAN 72	309520C	
MAR 72	309540	
MAY 72	309543	
OCT 79	321755	
DATE	CHANGE NO	DATE
LOGIC PG NO	5997904	

THIS DOCUMENT IS THE PROPERTY OF IBM. ITS USE OR DISSEMINATION IS AUTHORIZED ONLY FOR THE ORIGINAL RECIPIENT. IT IS TO BE RETURNED TO THE PURCHASING DEPARTMENT FOR IBM. ALL QUESTIONS MUST BE REFERRED TO THE IBM PURCHASING DEPARTMENT.



NOTES

- XI BOARD WIRING CONNECTS ALL CARDS OF LINE PAIR.
- EXTERNAL MODEM CABLE PN 5993201 CONNECTS FROM EXTERNAL MODEM TO I/O GATE
- FLAT CABLE P/N 5997936 CONNECTS FROM I/O GATE TO TOP CARD CONNECTOR TO TERMINATE CARD.
- ONLY ONE DIGITAL LINE AVAILABLE PER LINE PAIR POSITION.
- DIGITAL LEVELS
  - SPACE OR CONTROL ON = > 23 MA (+1V)
  - MARK OR CONTROL OFF = < 5 MA (+.7V)
  - OPEN CIRCUIT CONTROL OFF
- EIA LEVELS
  - SPACE OR CONTROL ON +3V TO +25V
  - MARK OR CONTROL OFF -3V TO -25V
- SIGNALS DRIVEN FROM 3705 SHOULD RANGE BETWEEN ±5V AND ±15V
- LEVELS
 

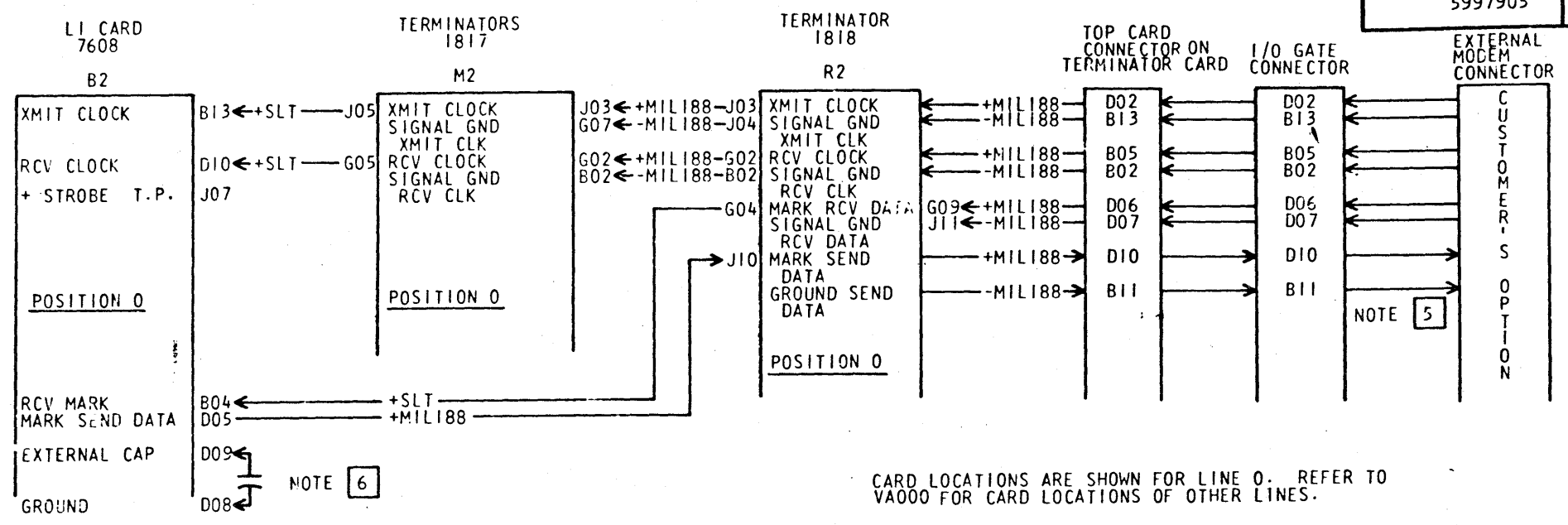
	+	-
MST	-0.6 TO -0.9V	-1.5V TO -2.3V
SLT	+3V NOM	0V NOM
EIA	+3V TO +25V	-3V TO -25V
DIGITAL	> 23 MA	< 5 MA
- LINE INTERFACE CARD CODE
  - IG 7606
  - IGA CF 77

CARD LOCATIONS ARE SHOWN FOR LINE 0. REFER TO VA000 FOR CARD LOCATIONS OF OTHER LINES.

PART NO  
5997904  
LOGIC PG NO  
VA006

5997905

C



CARD LOCATIONS ARE SHOWN FOR LINE 0. REFER TO VA000 FOR CARD LOCATIONS OF OTHER LINES.

NOTES

1. XI BOARD WIRING CONNECTS ALL CARDS OF LINE PAIR.
2. MIL188 DIFFERENTIAL VOLTAGE LEVELS REFERENCED TO SIGNAL GROUND:  
 MARK: +0.5V MINIMUM, +7.0V MAXIMUM (RCV); +5.0 V MIN, +7.0 V MAX (XMIT)  
 SPACE: -0.5V MINIMUM, -7.0V MAXIMUM (RCV); -5.0V MIN, -7.0 V MAX (XMIT)
3. ONLY 1 MIL188 LINE AVAILABLE PER LINE PAIR POSITION.
4. FLAT CABLE P/N 5997936 CONNECTS FROM I/O GATE TO TOP CARD CONNECTOR ON 1818 CARD.

5. NO EXTERNAL CABLE IS SUPPLIED WITH THIS FEATURE.
6. CAPACITOR VALUE DETERMINED BY BAUD RATE

CAPACITOR VALUE	CAPACITOR P/N	BAUD RATE	CAP.	SUB ASSEMBLY
0.15 $\mu$ f	483334	0 TO 149		1785293
0.10 $\mu$ f	217077	150 TO 200		1785292
0.056 $\mu$ f	217056	300		1785291 1857169
0.033 $\mu$ f	491263	600		1857168
0.018 $\mu$ f	217043	950		5997935
0.015 $\mu$ f	491262	1200		5997934
0.010 $\mu$ f	491228	2000		5997933
0.0082 $\mu$ f	217068	2400		5997932 5158435
0.0035 $\mu$ f	217067	4800		5997930
0.0024 $\mu$ f	492403	7200		5997931
0.0018 $\mu$ f	217063	9600		5997929
910 pF	350452	19.8K		5997928
430 pF	350443	40K		5997927
360 pF	350441	50K		
300 pF	350439	56K		

7. SEE PAGES VB128 AND VB129 FOR IMPEDANCE JUMPERING INFORMATION.

APPRO		DD	JAN72	CLASSIFICATION	MUST CONFORM TO ENG SPEC	DEVELOPMENT NO	LOGIC PG NO
CHECK		DD	JAN72				
DETAIL		VR	OCT71	SHT OF			
DESIGN		RC	OCT71				
NAME		LINE SET IJ MIL188-C					
INTERFACE							
DATE			JAN72		309520C		
CHANGE NO					309540		
DATE			MAR72				
CHANGE NO					309543		
DATE			MAY72				
CHANGE NO					309941		
DATE			NOV72				
CHANGE NO					309953		
DATE			MAR73				
CHANGE NO					309951		

IBM

THIS DOCUMENT IS THE PROPERTY OF IBM. ITS USE OR DISSEMINATION IS AUTHORIZED ONLY FOR THE INDIVIDUAL OR ORGANIZATION TO WHICH IT IS LOANED. ALL OTHERS MUST BE REFERRED TO THE IBM PURCHASING DEPARTMENT.

309134 0 MOD 7903280 VERTICAL ELECTRICAL FORMAT 3418

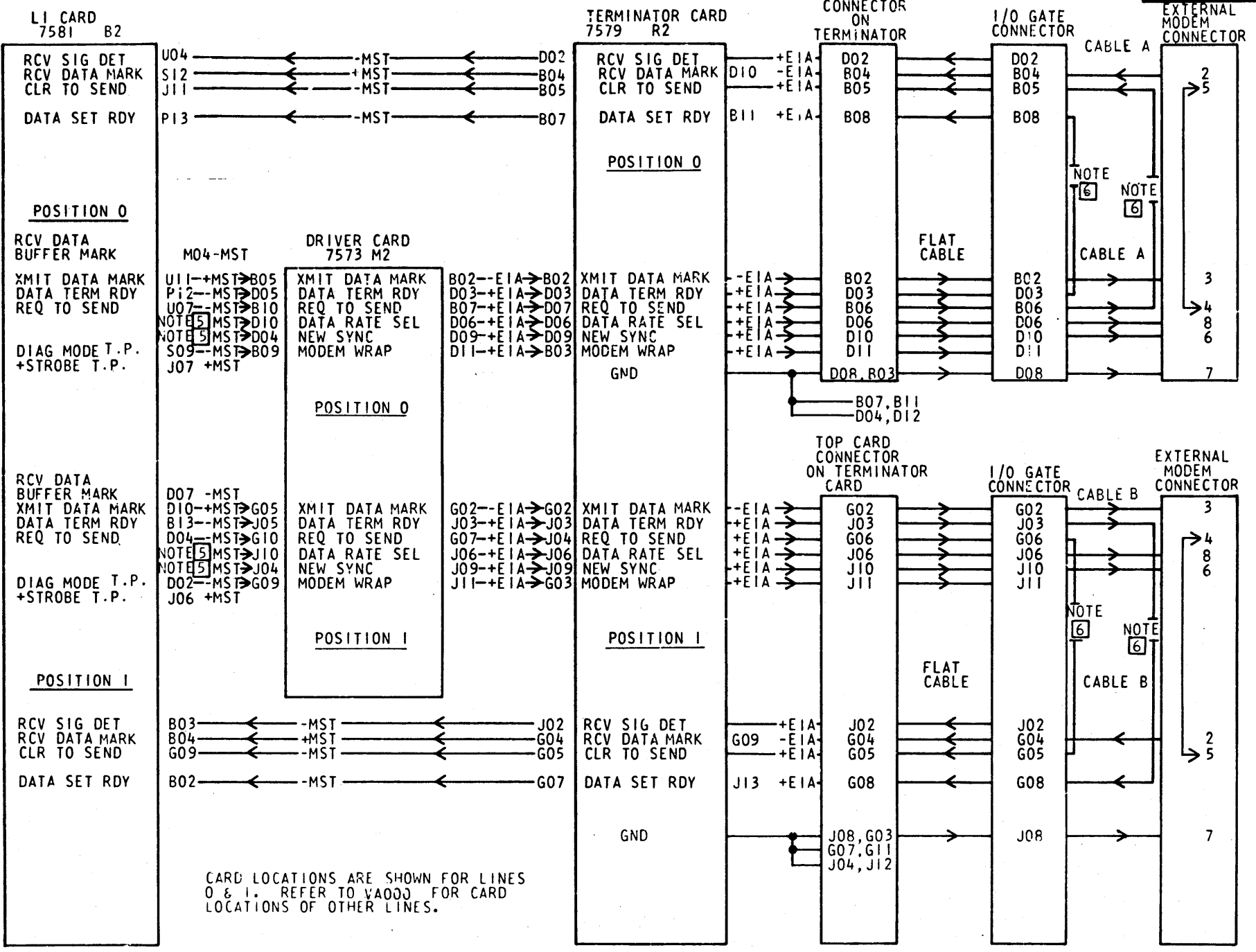
5997905

PART NO 5997905  
 LOGIC PG NO VA007





1785975 **C**



- NOTES**
- EXTERNAL MODEM CABLE P/N 5997352 CONNECTS FROM EXTERNAL MODEM TO I/O GATE
  - FLAT CABLE P/N 5997936 CONNECTS FROM I/O GATE TO TOP CARD CONNECTOR OF TERMINATOR CARD
  - EIA LEVELS +3V TO +25V=SPACE=CONTROL ON  
 -3V TO -25V=MARK=CONTROL OFF
  - EIA SIGNALS DRIVEN FROM 3705 SHOULD RANGE BETWEEN ±5V AND ±15V
  - THIS INPUT FLOATS TO AN ACTIVE MST LEVEL OF -1.5V
  - THE PINS ARE TIED TOGETHER IN THE HOUSING THAT ATTACHES TO THE 3705 TAIL GATE

IBM				NAME	LINE SET I C START STOP	DATE	CHANGE NO	DATE	CHANGE NO
				DETAIL	PAIR LOCAL ATTACH	MAR72	309540		
DESIGN	HB	MAR72		MAY72	309543				
CHECK	HB	MAR72							
APPRO	HB	MAR72							

1785975 **C**

PART NO  
1785975  
LOGIC PG NO  
VA009



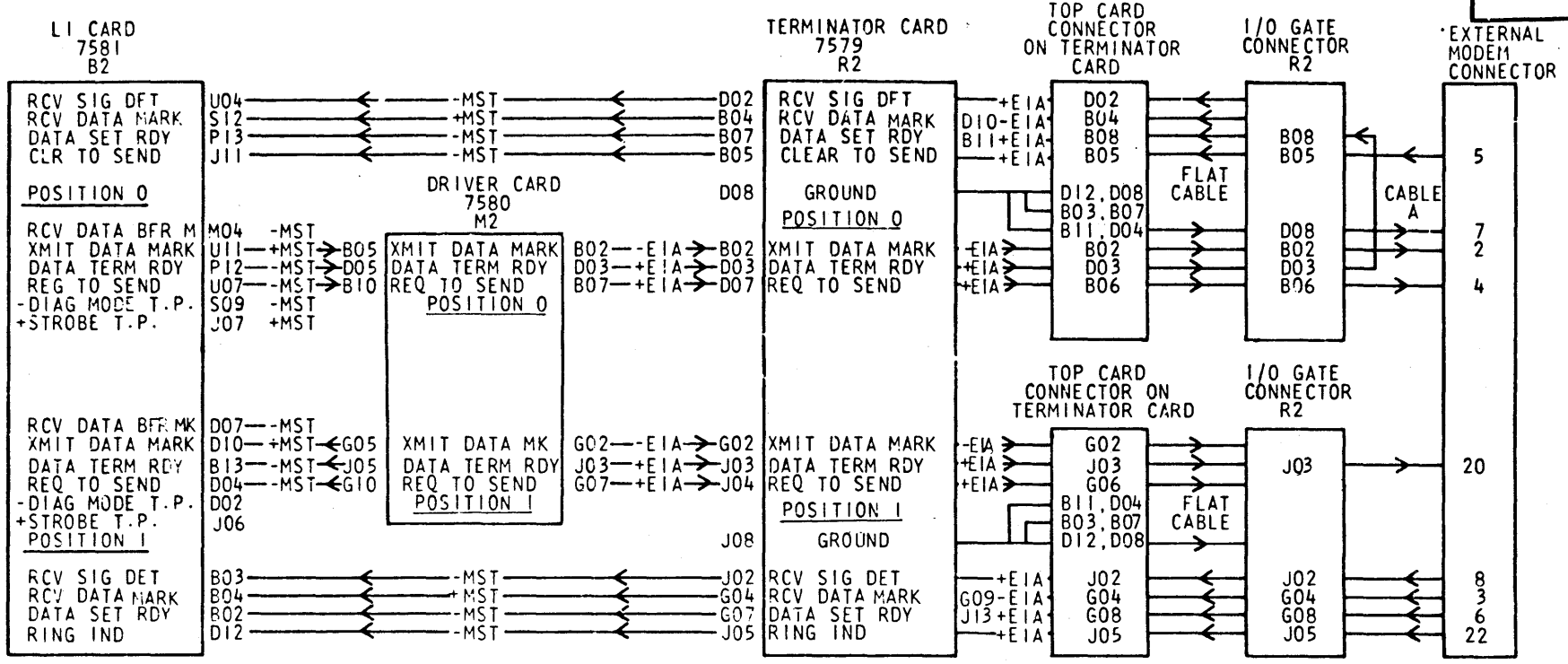
1785994

C

THIS DOCUMENT IS THE PROPERTY OF IBM. ITS USE IS AUTHORIZED ONLY FOR RESPONSE TO A REQUEST FOR QUOTATION OR FOR THE PERFORMANCE OF WORK FOR IBM. ALL OTHER USES ARE UNAUTHORIZED. FOR IBM ALL QUESTIONS MUST BE REFERRED TO THE IBM PURCHASING DEPARTMENT.

NAME		LINE SET 1B		LOW SPEED		DATE		CHANGE NO	
DESIGN		WZ		OCT 71		JUN 72		309543	
DETAIL		VR		OCT 71				309953	
CHECK		DD		JAN 72					
APPRO		HB		JAN 72					
CLASSIFICATION		MUST CONFORM TO ENG SPEC		DEVELOPMENT NO		DATE		CHANGE NO	
LOGIC PG NO									

**IBM**



CARD LOCATIONS ARE SHOWN FOR LINES 0 & 1. REFER TO VA000 FOR CARD LOCATIONS OF OTHER LINES.

**NOTES**

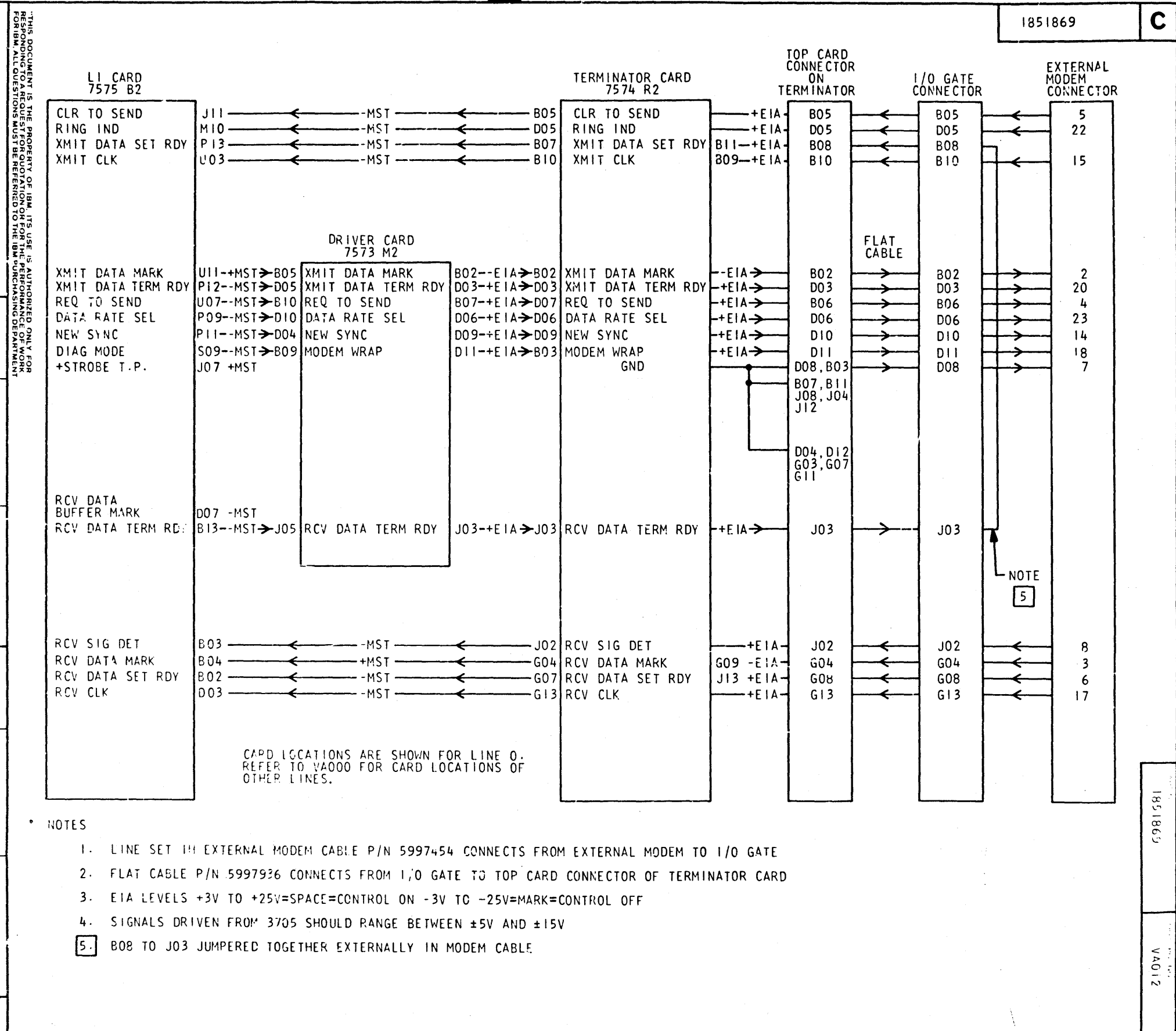
- XI BOARD WIRING CONNECTS ALL CARDS OF LINE PAIRS
- FLAT CABLE P/N 5997936 CONNECTS FROM I/O GATE TO TOP CARD CONNECTOR OF TERMINATE CARD
- EIA LEVELS +3V TO +25V=SPACE-CONTROL ON  
-3V TO -25V=MARK-CONTROL OFF
- SIGNALS DRIVEN FROM 3705 SHOULD RANGE BETWEEN ±5V AND ±15V
- LINE SET 1B USES EXTERNAL MODEM CABLE P/N 5997489 TO CONNECT FROM EXTERNAL MODEM TO I/O GATE.

PART NO. 1785994  
LOGIC PG. NO. VA011

1785994

IBM FORM 474 (REV. 1-72) 474

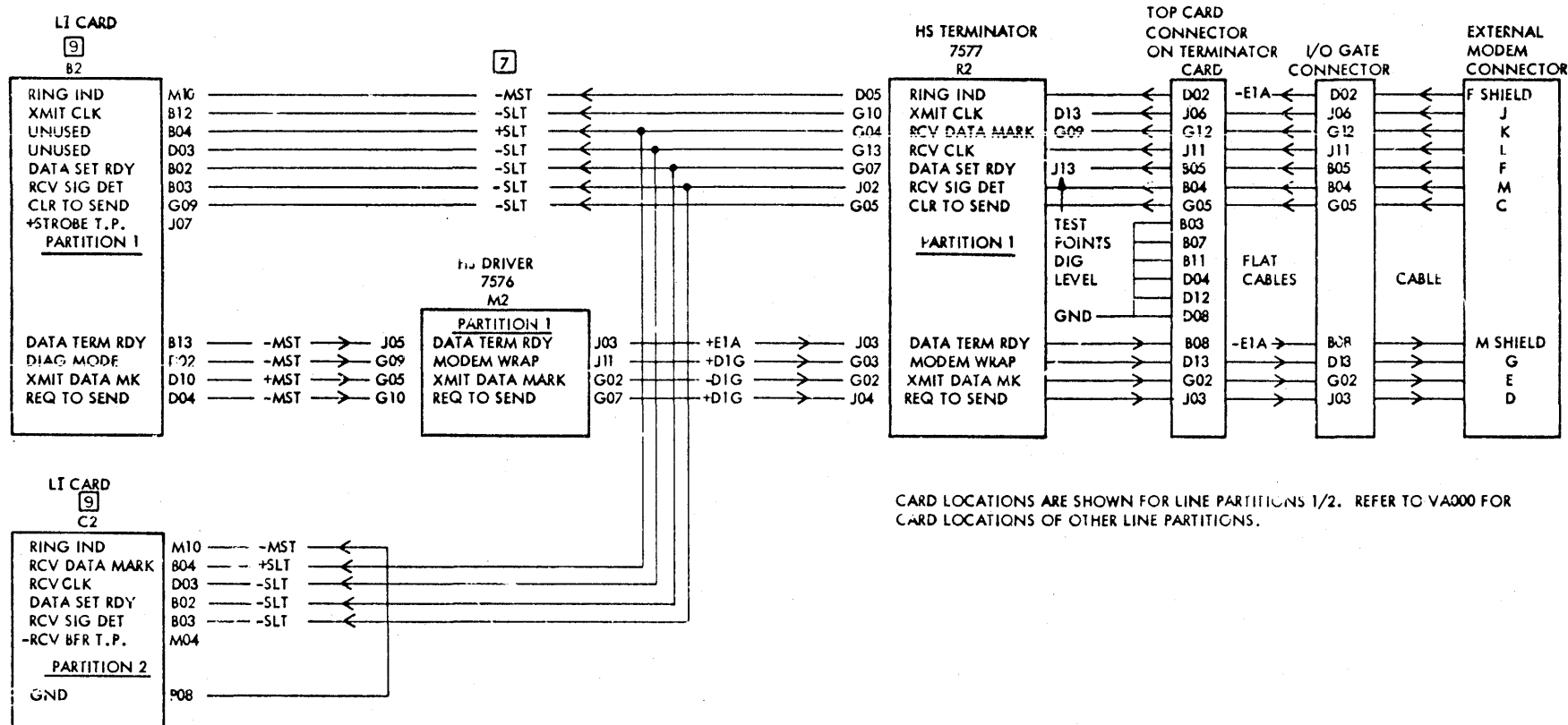
APPRO						
CHECK						
DETAIL	VR	JUL 72	SHT 1 OF 1			
DESIGN	DD	JUL 72				
FULL DUPLEX LINE						
NAME	LINE SET IH EIA SYNC			DATE	CHANGE NO	
				FEB 73	309937	
MUST CONFORM TO ENG SPEC						
DEVELOPMENT NO						
LOGIC PG NO						
VA012						
6981581						



1851869  
VA012

1648395 C

PART NO 1648395 LOGIC PG NO VA013



CARD LOCATIONS ARE SHOWN FOR LINE PARTITIONS 1/2. REFER TO VA000 FOR CARD LOCATIONS OF OTHER LINE PARTITIONS.

NOTES

- 1 XI BOARD WIRING CONNECTS ALL CARDS OF LINE PAIR
- 2 EXTERNAL MODEM CABLE PN 5993201 CONNECTS FROM EXTERNAL MODEM TO I/O GATE
- 3 FLAT CABLE P/N 5997936 CONNECTS FROM I/O GATE TO TOP CARD CONNECTOR TO TERMINATE CARD
- 4 ONLY ONE DIGITAL LINE AVAILABLE PER LINE SET
- 5 DIGITAL LEVELS  
SPACE OR CONTROL ON = > 23 mA (+1V)  
MARK OR CONTROL OFF = < 5 mA (-.7V)  
OPEN CIRCUIT CONTROL OFF
- 6 EIA LEVELS  
SPACE OR CONTROL ON +3V TO +25V  
MARK OR CONTROL OFF -3V TO -25V
- 7 SIGNALS DRIVEN FROM 3705 SHOULD RANGE BETWEEN ±5V AND ±15V
- 8 LEVELS
 

	+	-
MST	-0.6 TO -0.9V	-1.5V TO -2.3V
SLT	+3V NOM	0V NOM
EIA	+3V TO +25V	-3V TO -25V
DIGITAL	>23 mA	<5 mA
- 9 LINE INTERFACE CARD CODE  
IT 7606  
ITA CF77

LINE TYPE	LINE PARTITION	YELLOW WIRE BOARD JUMPERS					
IT	1/2	B2B04-C2B04	B2D03-C2D03	B2B02-C2B02	B2B03-C2B03	C2P03-C2M10	
IT	3/4	D2B04-E2B04	D2D03-E2D03	D2B02-E2B02	D2B03-E2B03	E2P08-E2M10	
IT	5/6	H2B04-J2B04	H2D03-J2D03	H2B02-J2B02	H2B03-J2B03	J2P08-J2M10	
IT	7/8	K2B04-L2B04	K2D03-L2D03	K2B02-L2B02	K2B03-L2B03	L2P08-L2M10	

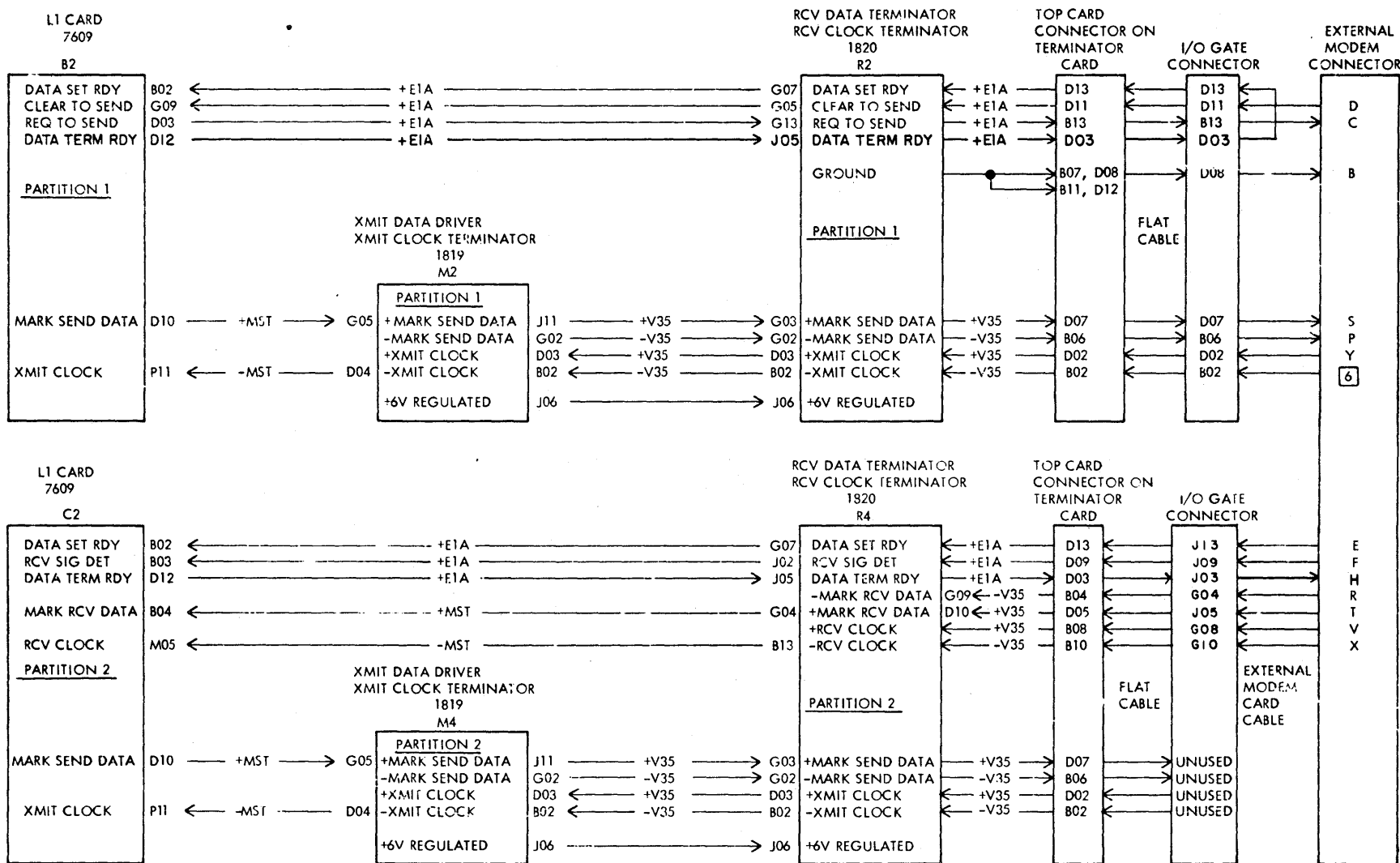
THIS DOCUMENT IS THE PROPERTY OF IBM. ITS USE IS AUTHORIZED ONLY FOR RESPONDING TO A REQUEST FOR QUOTATION OR FOR THE PERFORMANCE OF WORK FOR IBM. ALL QUESTIONS MUST BE REFERRED TO THE IBM PURCHASING DEPARTMENT.

IBM				DATE	CHANGE NO	DATE	CHANGE NO
NAME	LINE SET IT OR ITA HIGH SPEED			APR 76	315623		
	DIGITAL SYNC FULL DUPLEX			OCT 79	321755		
DESIGN	RC	JAN76	SHT OF				
DETAIL	RTS	JAN76					
CHECK			CLASSIFICATION	MUST CONFORM TO ENG SPEC		DEVELOPMENT NO	
APPRO						LOGIC PG NO VA013	

1648395 C

1648396 C

1648396 VA014



CARD LOCATIONS ARE SHOWN FOR LINE 0 (TRANSMIT) AND LINE 2 (RCV)  
 REFER TO VA000 FOR CARD LOCATIONS  
 OF OTHER LINES

NOTES

- 1 X1 BOARD WIRING CONNECTS ALL CARDS OF LINE PAIR
- 2 V35 DIFFERENTIAL VOLTAGE LEVELS REFERENCED TO SIGNAL GROUND:  
 MARK: -0.44V TO -0.66V  
 SPACE: +0.44V TO +0.66V
- 3 ONLY 1 V35 LINE AVAILABLE PER LINE SET
- 4 FLAT CABLE P/N 5997936 CONNECTS FROM I/O GATE TO TOP CARD CONNECTOR ON 1820 CARD.
- 5 CABLE P/N 1648394 CONNECTS FROM EXTERNAL MODEM TO I/O GATE EXTERNAL MODEM
- 6 THIS PIN WILL BE LABELED "AA" OR "a". BOTH LABELS ARE CORRECT

THIS DOCUMENT IS THE PROPERTY OF IBM. ITS USE IS AUTHORIZED ONLY FOR  
 RESPONDING TO A REQUEST FOR QUOTATION OR FOR THE PERFORMANCE OF WORK  
 FOR IBM. ALL QUESTIONS MUST BE REFERRED TO THE IBM PURCHASING DEPARTMENT

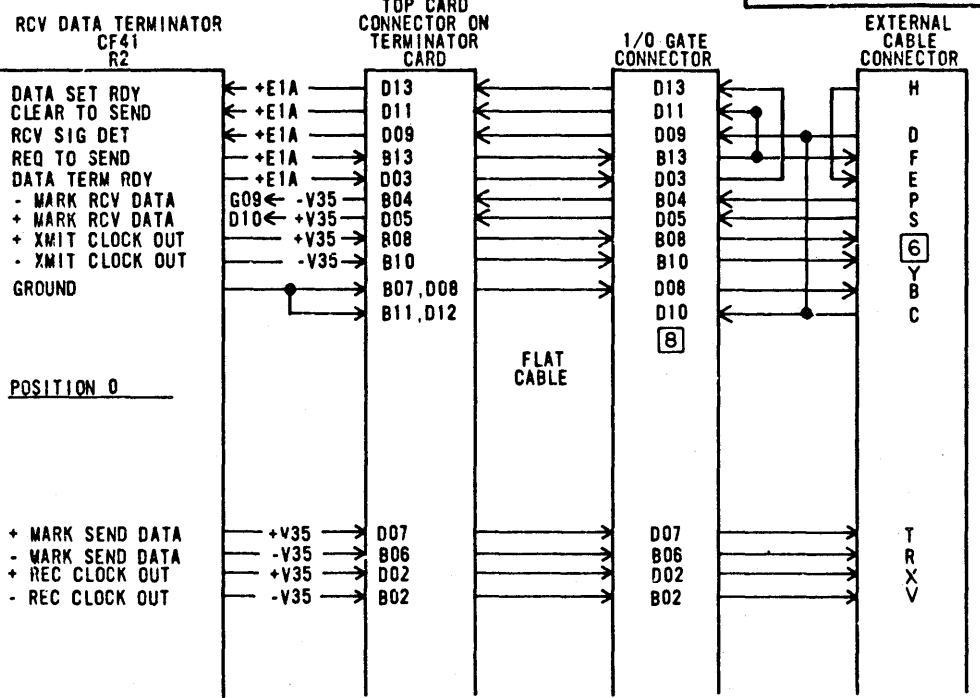
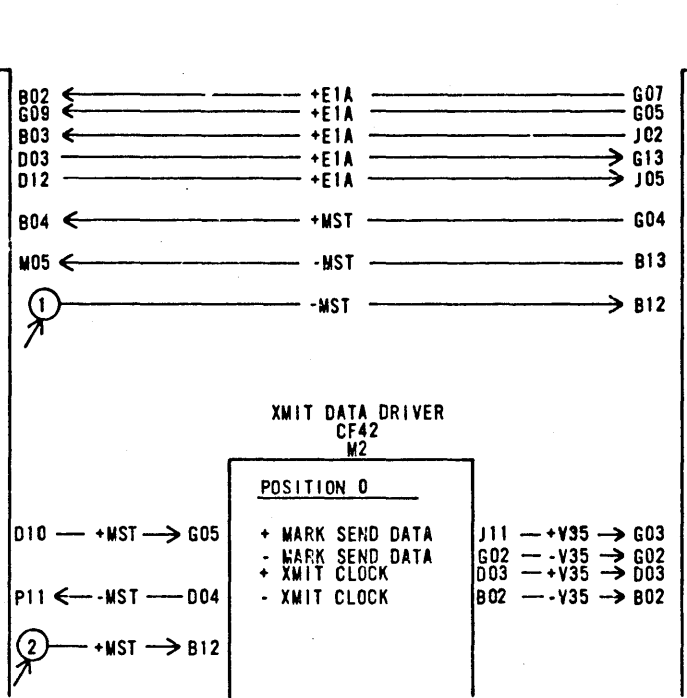
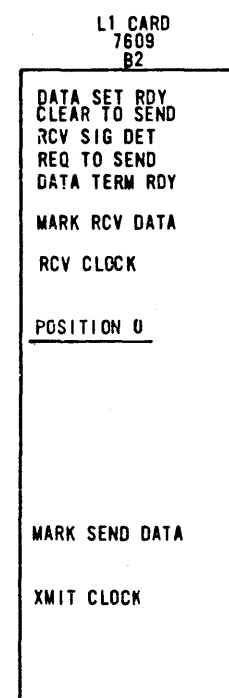
IBM				DATE	CHANGE NO	DATE	CHANGE NO
NAMF	LINE SET ILLV35 INTERFACE			APR 76	315623		
	FULL DUPLEX			JAN 77	316673		
DESIGN	RC	JAN76	SHT OF				
DETAIL	RTS	JAN76					
CHECK			APPROVAL	MUST CONFORM TO ENG SPEC	DEVELOPMENT NO	LOGIC PG NO	
APPRO						VA014	

1648396 C

1752942 C

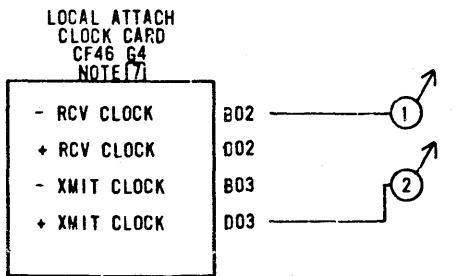
NAME	IBM		DATE	CHANGE NO
DETAIL	ATTACH HALF DUPLEX VCS INTERFACE		APR 78	318570
DESIGN	1 W LINESSET FOR LOCAL		APR 79	321372
CHECK	TS APR 78			
APPRO	CLASSIFICATION			
	MUST CONFORM TO ENG SPEC			
	DEVELOPMENT NO			
	LOGIC PG NO			
	VA015			
			DATE	CHANGE NO

THIS DOCUMENT IS THE PROPERTY OF IBM. ITS USE IS AUTHORIZED ONLY FOR THE INDIVIDUAL OR ORGANIZATION TO WHICH IT IS LOANED. IT IS NOT TO BE REPRODUCED OR TRANSMITTED IN ANY FORM OR BY ANY MEANS, ELECTRONIC OR MECHANICAL, INCLUDING PHOTOCOPYING, RECORDING, OR BY ANY INFORMATION STORAGE AND RETRIEVAL SYSTEM. FOR IBM, ALL QUESTIONS MUST BE REFERRED TO THE IBM PURCHASING DEPARTMENT.



CARD LOCATIONS ARE SHOWN FOR LINE 0.  
REFER TO VA000 FOR CARD LOCATIONS OF  
OTHER LINES.

- NOTES
- X1 BOARD WIRING CONNECTS ALL CARDS OF LINE PAIR.
  - V35 DIFFERENTIAL VOLTAGE LEVELS REFERENCED TO SIGNAL GROUND:  
MARK: -0.44V TO -0.66V  
SPACE: +0.44V TO +0.66V
  - ONLY 1 V35 LINE AVAILABLE PER LINE PAIR POSITION.
  - FLAT CABLE P/N 5997936 CONNECTS FROM I/O GATE TO TOP CARD CONNECTOR ON CF41 CARD.
  - CABLE P/N 1752941 CONNECTS FROM I/O GATE (TAILGATE) TO LOCAL 3705 OR TERMINAL.
  - THIS PIN WILL BE LABELED "AA" OR "a". BOTH LABELS ARE CORRECT.
  - THIS CLOCK CARD IS NOT A PART OF THE LINESSET. IT IS ONLY BEING SHOWN HERE FOR REFERENCE PURPOSES.
  - THIS PIN USED ONLY AS A TIE POINT



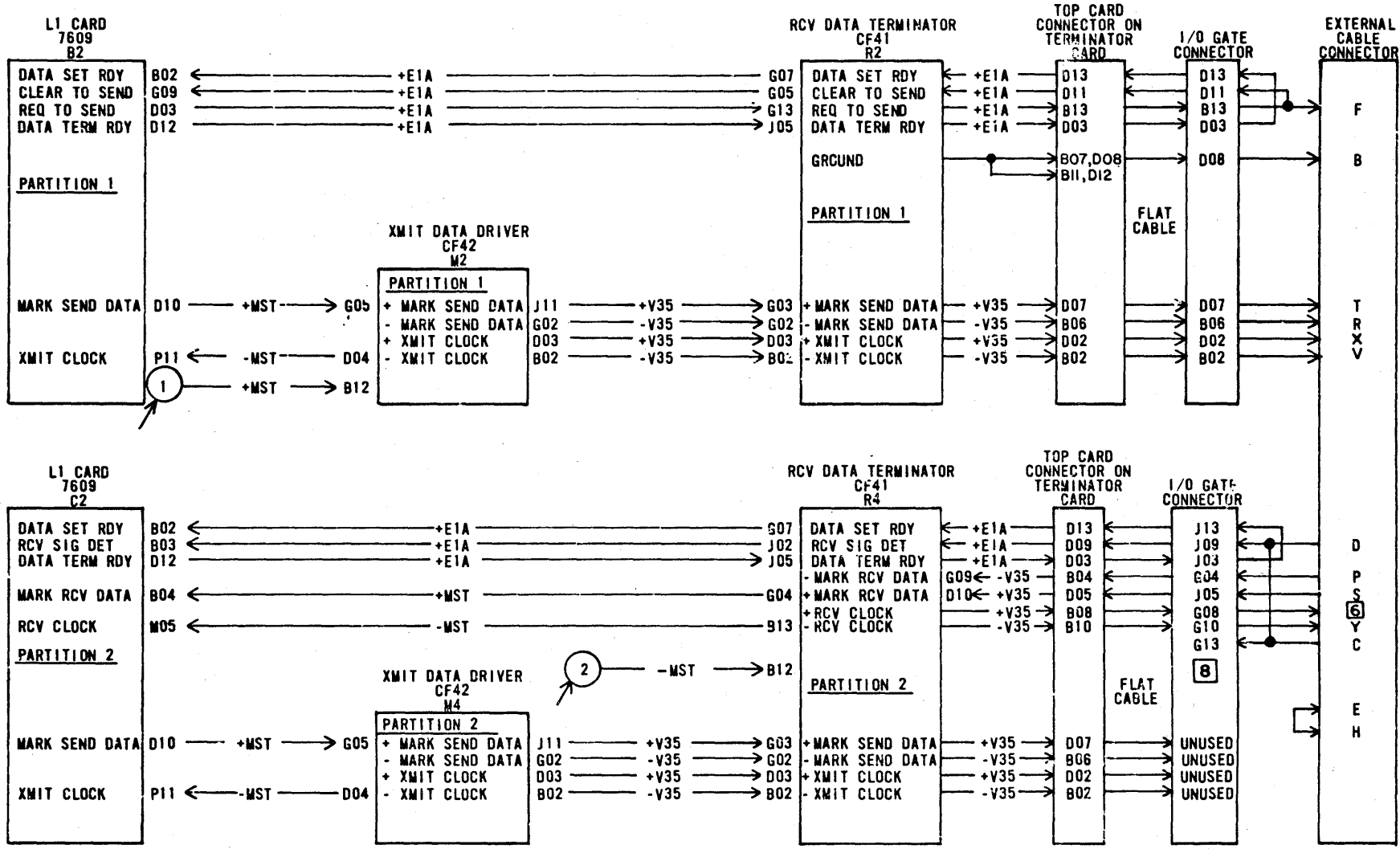
PART NO  
1752942  
LOGIC PG NO  
VA015

C 1752942

1752945 C

PART NO  
1752945

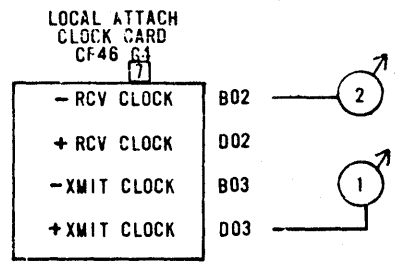
LOGIC PG NO  
VA016



CARD LOCATIONS ARE SHOWN FOR LINE 0 (TRANSMIT) AND LINE 2 (RCV)  
REFER TO VA000 FOR CARD LOCATIONS OF OTHER LINES

NOTES

- 1 X1 BOARD WIRING CONNECTS ALL CARDS OF LINE PAIR
- 2 V35 DIFFERENTIAL VOLTAGE LEVELS REFERENCED TO SIGNAL GROUND  
MARK: -0.44V TO -0.66V  
SPACE: +0.44V TO +0.66V
- 3 ONLY 1 V35 LINE AVAILABLE PER LINE SET
- 4 FLAT CABLE P/N 5997936 CONNECTS FROM I/O GATE TO TOP CARD CONNECTOR ON CF41 CARD.
- 5 CABLE P/N 1752944 CONNECTS FROM I/O GATE (TAILGATE) TO LOCAL 3705 OR TERMINAL.
- 6 THIS PIN WILL BE LABELED "AA" OR "a". BOTH LABELS ARE CORRECT
- 7 THIS CLOCK CARD IS NOT PART OF THE IZ LINE SET. IT IS ONLY SHOWN HERE FOR REFERENCE PURPOSES.
- 8 THIS PIN USED ONLY AS A TIE POINT



"THIS DOCUMENT IS THE PROPERTY OF IBM. ITS USE IS AUTHORIZED ONLY FOR RESPONDING TO A REQUEST FOR QUOTATION OR FOR THE PERFORMANCE OF WORK FOR IBM. ALL QUESTIONS MUST BE REFERRED TO THE IBM PURCHASING DEPARTMENT."

IBM				DATE	CHANGE NO	DATE	CHANGE NO
NAME	IZ LINE SET FOR LOCAL			APR78	318570		
ATTACH FULL DUPLEX V35 INTERFACE				APR79	321372		
DESIGN	HB	APR78	SHT 1 OF 1				
DETAIL	TS	APR78					
CHECK			CLASSIFICATION	MUST CONFORM TO ENG SPEC	DEVELOPMENT NO	LOGIC PG NO	
APPRO						VA016	

1752945 C

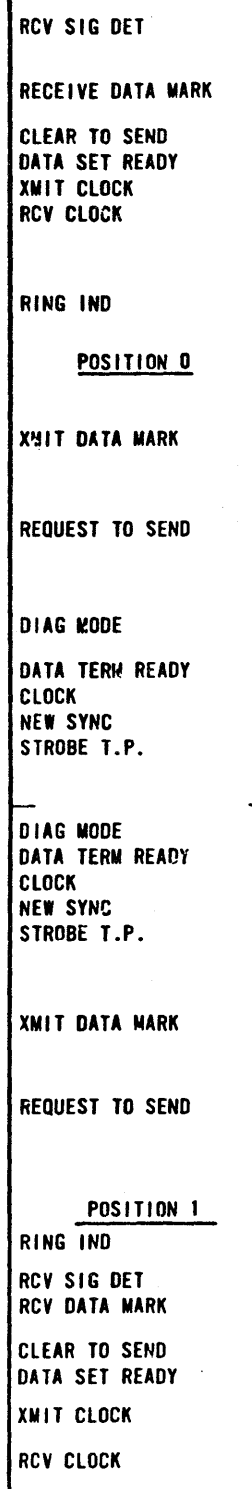


THIS DOCUMENT IS THE PROPERTY OF IBM. ITS USE IS AUTHORIZED ONLY FOR RESPONDING TO A REQUEST FOR QUOTATION OR FOR THE PERFORMANCE OF WORK FOR IBM. ALL QUESTIONS MUST BE REFERRED TO THE IBM PURCHASING DEPARTMENT.

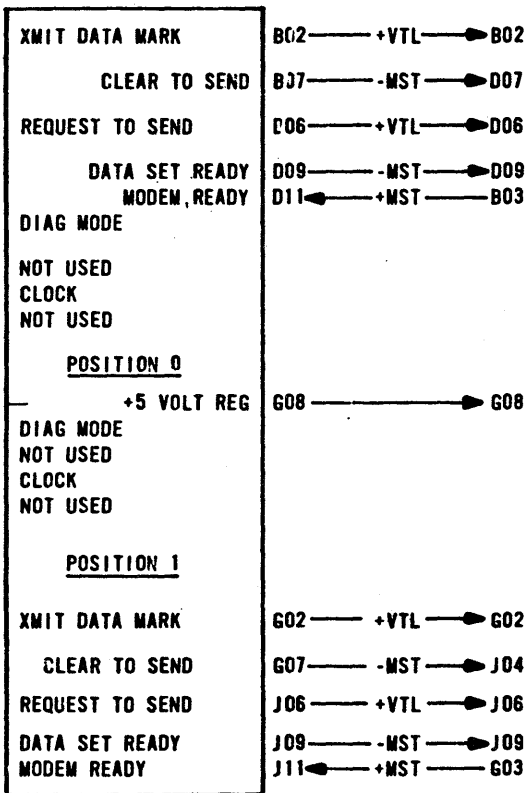
**IBM**

NAME	X.21 LINE PAIR		DATE	CHANGE NO.
DESIGN	JJS	APR79	APR79	321371
DETAIL	TS	APR79		
CHECK	JJS	APR79		
APPRO	CVD	APR79		
TYPE IN/IR			DATE	CHANGE NO.
SH1 1 OF 2				
CLASSIFICATION			DATE	CHANGE NO.
MUST CONFORM TO ENG SPEC				
DEVELOPMENT NO			DATE	CHANGE NO.
VA017				

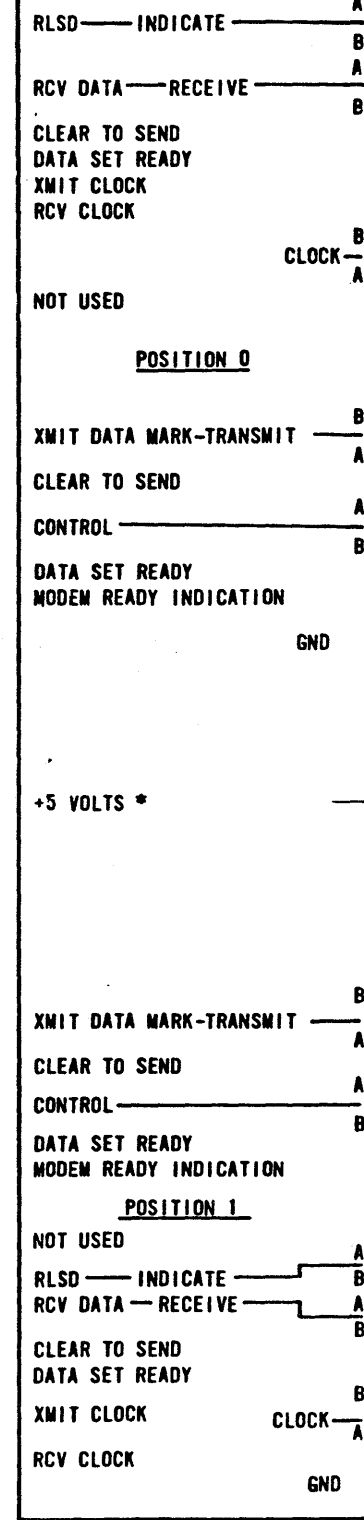
**LINE INTERFACE CARD  
CF56 B2**



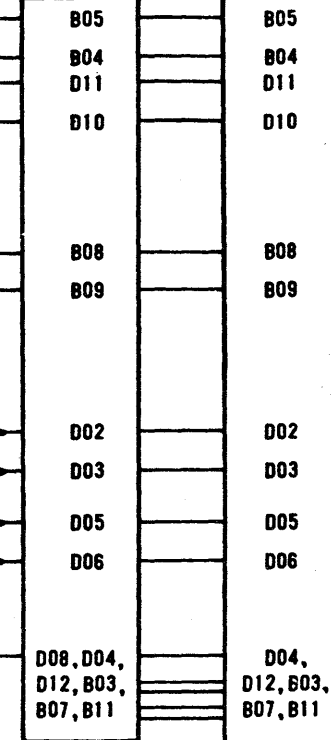
**CONTROL CARD  
CF24 M2**



**DRIVER/RECEIVER CARD  
CF25 R2**



**TERMINATOR CARD  
CONNECTOR**

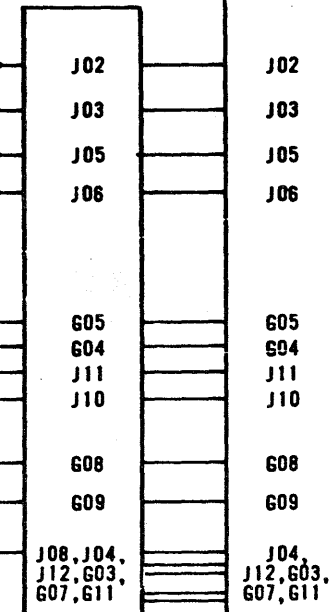


**I/O CONN**



**FLAT CABLE**

**TERMINATOR CARD  
CONNECTOR**



**FLAT CABLE**

- CARD LOCATIONS ARE SHOWN FOR LINES 0 & 1 (MEDIUM SPEED) OR 0 & 2 (HIGH SPEED). REFER TO VA000 FOR CARD LOCATION OF OTHER LINES.
- \* BOARD JUMPER WIRE REQUIRED FOR EACH LINE SET INSTALLED. REFER TO SHEET 2.
- NOTES: 1. LINE SET EXTERNAL CABLE P/N 1754226 FOR HALF-DUPLEX AND P/N 1754225 FOR DUPLEX.
2. FLAT CABLE P/N 5997936 CONNECTS FROM I/O GATE TO TOP CARD CONNECTOR ON DRIVER/RECEIVER CARD.
3. X.21 DIFFERENTIAL SIGNALS SHALL BE ±.3 VOLTS TO ±6.0 VOLTS (\*0 = SPACE = ON = +A-B)  
(\*1 = MARK = OFF = -A+B)

PART NO  
**8549545**  
LOGIC PG NO  
VA017  
SHEET 1 OF 2

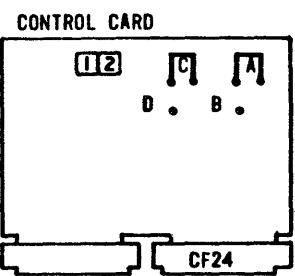
THIS DOCUMENT IS THE PROPERTY OF IBM. ITS USE IS AUTHORIZED ONLY FOR RESPONDING TO A REQUEST FOR QUOTATION OR FOR THE PERFORMANCE OF WORK FOR IBM. ALL QUESTIONS MUST BE REFERRED TO THE IBM PURCHASING DEPARTMENT.

**IBM**

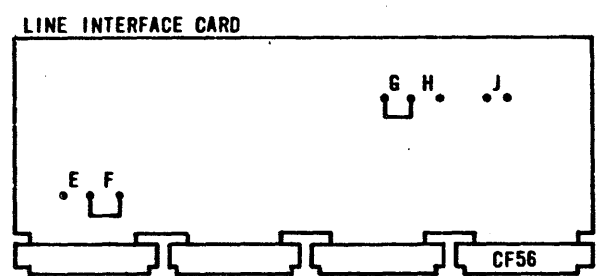
X.21 LINE PAIR  
TYPE 1N/1R

NAME	X.21 LINE PAIR		DATE	APR 79	CHANGE NO	321371
DESIGN	JJS	APR 79	SHT	2 OF 2		
DETAIL	TS	APR 79				
CHECK	JJS	APR 79	CLASSIFICATION			
APPRO	FPN	APR 79				
	JJS	APR 79	MUST CONFORM TO ENG SPEC			
			DEVELOPMENT NO			
			LOGIC PG NO			VA017

CARD JUMPERS :



USE JUMPER P/N 816645



- A - JUMPER FOR CTS DELAY (1ST ADDRESS OF PAIR)
- B - JUMPER FOR NO CTS DELAY (1ST ADDRESS OF PAIR)
- C - JUMPER FOR CTS DELAY (2ND ADDRESS OF PAIR)
- D - JUMPER FOR NO CTS DELAY (2ND ADDRESS OF PAIR)

- E - JUMPER FOR HIGH SPEED (ABOVE 20K BPS)
- F - JUMPER FOR MEDIUM SPEED (BELOW 20K BPS)
- G - JUMPER FOR TYPE 1N, NON-SWITCHED (JUMPER G OR H, NOT BOTH)
- H - JUMPER FOR TYPE 1R, SWITCHED
- J - JUMPER FOR TYPE 1R, NO JUMPER FOR TYPE 1N

NOTES

- 1 LINE SET TYPE IN (NON-SWITCHED): JUMPER A & C, AS SHOWN ABOVE UNLESS THE NETWORK ALLOWS IMMEDIATE DATA TRANSMISSION WITHOUT A CTS DELAY.
- 2 LINE SET TYPE 1R (SWITCHED): JUMPER B & D FOR A NO CTS DELAY. THE REQUIRED DELAY IS PROVIDED BY THE 9705 INTERNAL CLOCK TIMING.

(JUMPERS SHOWN ABOVE ARE FOR MEDIUM SPEED, NON-SWITCHED OPERATION)

BOARD JUMPERS:

PARTITION	PARTITION	PARTITION	PARTITION	PARTITION	PARTITION	PARTITION	PARTITION
1	2 <input type="checkbox"/>	3	4 <input type="checkbox"/>	5	6 <input type="checkbox"/>	7	8 <input type="checkbox"/>
M2G08-R2G08	M2S08-R2S08	N2G08-S2G08	N2S08-S2S08	P2G08-T2G08	P2S08-T2S08	Q2G08-U2G08	Q2S08-U2S08

NOT REQUIRED FOR HIGH SPEED LINES

THE FOLLOWING JUMPERS REQUIRED ONLY FOR HIGH SPEED LINES:

PARTITION	PARTITION	PARTITION	PARTITION
1/2	3/4	5/6	7/8
B2S05-C2M13	D2S05-E2M13	H2S05-J2M13	K2S05-L2M13

PART NO  
**8549545**  
LOGIC PG NO  
VA017

SHEET 2 OF 2

REQUESTED BY \* LINE

INDIVIDUAL TABLE OF CONTENTS

82/12/15 PAGE 13

VOLUME 007 MACHINE 3705- -0015984 MODEL E08 SYSTEM 0004XBW MODE BOX SHIP 82/12/30

LOGIC TYPE -0- SYSTEMS DIAGRAMS

PAGE NUM	SH	TITLE	PART NUM	EC NUM	FEATURE B/M OR B/MS
VA000		LIB TYPE-1 LINE SET	0005997898	344292	.W. 0001648398 .W. 0005997507
VA001		LOGIC L.I.B. TYPE 1	0005997899	315618	.W. 0005997507
VA002		LOGIC L.I.B. TYPE 1	0005997900	316667	.W. 0005997507
VA003		LOGIC L.I.B. TYPE 1	0005997901	309543	.W. 0005997507
VA004		LOGIC L.I.B. TYPE 1	0005997902	322670	.W. 0005997507
VA005		LOGIC L.I.B. TYPE 1	0005997903	316663	.W. 0005997507
VA006		LOGIC L.I.B. TYPE 1	0005997904	321755	.W. 0005997507
VA007		LOGIC L.I.B. TYPE 1	0005997905	309951	.W. 0005997507
VA008		LOGIC L.I.B. TYPE 1	0005997906	315618	.W. 0005997507
VA009		LOGIC L.I.B. TYPE 1	0001785975	309543	.W. 0005997507
VA010		LOGIC L.I.B. TYPE 1	0005993385	309944	.W. 0005997507
VA011		LOGIC L.I.B. TYPE 1	0001785994	309953	.W. 0005997507
VA012		LOGIC L.I.B. TYPE 1	0001851869	309937	.W. 0005997507
VA013		LOGIC L.I.B. TYPE 1	0001648395	321755	.W. 0005997507
VA014		LOGIC L.I.B. TYPE 1	0001648396	316673	.W. 0001648398 .W. 0005997507
VA015		LOGIC L.I.B. TYPE 1	0001752942	321372	.W. 0005997507
VA016		LOGIC L.I.B. TYPE 1	0001752945	321372	.W. 0005997507
VA017		LOGIC L.I.B. TYPE 1	0008549545	321371	.W. 0005997507
VA020		LOGIC L.I.B. TYPE 1	0001785400	315618	.W. 0005997507
VA021		LOGIC L.I.B. TYPE 1	0001785401	315618	.W. 0005997507
VA022		LOGIC L.I.B. TYPE 1	0001785402	315618	.W. 0005997507
VA023		LOGIC L.I.B. TYPE 1	0001785403	315618	.W. 0005997507
VA024		LOGIC L.I.B. TYPE 1	0001785404	309520	.W. 0005997507
VA025		LOGIC L.I.B. TYPE 1	0001785405	309520	.W. 0005997507
VA026		LOGIC L.I.B. TYPE 1	0001785406	309540	.W. 0005997507
VA031		LOGIC L.I.B. TYPE 1	0001785407	318570	.W. 0005997507
VA032		LOGIC L.I.B. TYPE 1	0001785408	318570	.W. 0005997507
VA041		LOGIC L.I.B. TYPE 1	0001785409	309540	.W. 0005997507
VA042		LOGIC L.I.B. TYPE 1	0001785410	309540	.W. 0005997507
VA043		LOGIC L.I.B. TYPE 1	0001785411	318570	.W. 0005997507
VA044		LOGIC L.I.B. TYPE 1	0001785412	309520	.W. 0005997507
VA045		LOGIC L.I.B. TYPE 1	0001785413	309520	.W. 0005997507
VA046		LOGIC L.I.B. TYPE 1	0001785414	309520	.W. 0005997507
VA047		LOGIC L.I.B. TYPE 1	0001785415	309520	.W. 0005997507
VA048		LOGIC L.I.B. TYPE 1	0001785416	318570	.W. 0005997507
VA049		LOGIC L.I.B. TYPE 1	0001785417	309540	.W. 0005997507
VA050		LOGIC L.I.B. TYPE 1	0001785418	318570	.W. 0005997507
VA060		LOGIC L.I.B. TYPE 1	0001785419	309540	.W. 0005997507
VA061		LOGIC L.I.B. TYPE 1	0001785420	309520	.W. 0005997507
VA062		LOGIC L.I.B. TYPE 1	0001785421	309520	.W. 0005997507
VA070		LINE SETS 1W-1Z	0001749538	318570	.W. 0005997507
VA071		LOGIC L.I.B. TYPE 1	0001749547	318570	.W. 0005997507

REQUESTED BY \* LINE

INDIVIDUAL TABLE OF CONTENTS

82/12/15 PAGE 14

VOLUME 007 MACHINE 3705- -0015984 MODEL E08 SYSTEM 0004XBW MODE BOX SHIP 82/12/30

LOGIC TYPE -0- SYSTEMS DIAGRAMS

PAGE NUM	SH	TITLE	PART NUM	EC NUM	FEATURE B/M OR B/MS
VA081		LOGIC L.I.B. TYPE 1	0001785422	309520	.W. 0005997507
VA082		LOGIC L.I.B. TYPE 1	0001785423	309520	.W. 0005997507
VA100		LOGIC L.I.B. TYPE 1	0001785424	309520	.W. 0005997507
VA101		LOGIC L.I.B. TYPE 1	0001785425	309520	.W. 0005997507
VA102		LOGIC L.I.B. TYPE 1	0001785426	309520	.W. 0005997507
VA103		LOGIC L.I.B. TYPE 1	0001785427	311286	.W. 0005997507
VA104		LOGIC L.I.B. TYPE 1	0001785428	309520	.W. 0005997507
VA105		LOGIC L.I.B. TYPE 1	0001785429	311286	.W. 0005997507
VA106		LOGIC L.I.B. TYPE 1	0001785430	309520	.W. 0005997507
VA107		LOGIC L.I.B. TYPE 1	0001785431	309520	.W. 0005997507
VA109		LOGIC L.I.B. TYPE 1	0001785432	309520	.W. 0005997507
VA110		LOGIC L.I.B. TYPE 1	0001785433	309520	.W. 0005997507
VA111		LOGIC L.I.B. TYPE 1	0001785434	309520	.W. 0005997507
VA120		LOGIC L.I.B. TYPE 1	0001785435	309520	.W. 0005997507
VA121		LOGIC L.I.B. TYPE 1	0001785436	309520	.W. 0005997507
VA122		LOGIC L.I.B. TYPE 1	0001785437	309520	.W. 0005997507
VA123		LOGIC L.I.B. TYPE 1	0001785438	311286	.W. 0005997507
VA124		LOGIC L.I.B. TYPE 1	0001785439	309520	.W. 0005997507
VA125		LOGIC L.I.B. TYPE 1	0001785440	311286	.W. 0005997507
VA126		LOGIC L.I.B. TYPE 1	0001785441	309520	.W. 0005997507
VA127		LOGIC L.I.B. TYPE 1	0001785442	309520	.W. 0005997507
VA129		LOGIC L.I.B. TYPE 1	0001785443	309520	.W. 0005997507
VA130		LOGIC L.I.B. TYPE 1	0001785444	309520	.W. 0005997507
VA131		LOGIC L.I.B. TYPE 1	0001785445	309520	.W. 0005997507
VA140		LOGIC L.I.B. TYPE 1	0001785446	309520	.W. 0005997507
VA141		LOGIC L.I.B. TYPE 1	0001785447	309520	.W. 0005997507
VA142		LOGIC L.I.B. TYPE 1	0001785448	309520	.W. 0005997507
VA143		LOGIC L.I.B. TYPE 1	0001785449	311286	.W. 0005997507
VA144		LOGIC L.I.B. TYPE 1	0001785450	309520	.W. 0005997507
VA145		LOGIC L.I.B. TYPE 1	0001785451	311286	.W. 0005997507
VA146		LOGIC L.I.B. TYPE 1	0001785452	309520	.W. 0005997507
VA147		LOGIC L.I.B. TYPE 1	0001785453	309520	.W. 0005997507
VA149		LOGIC L.I.B. TYPE 1	0001785454	309520	.W. 0005997507
VA150		LOGIC L.I.B. TYPE 1	0001785455	309520	.W. 0005997507
VA151		LOGIC L.I.B. TYPE 1	0001785456	309520	.W. 0005997507
VA160		LOGIC L.I.B. TYPE 1	0001785457	309520	.W. 0005997507
VA161		LOGIC L.I.B. TYPE 1	0001785458	309520	.W. 0005997507
VA162		LOGIC L.I.B. TYPE 1	0001785459	309520	.W. 0005997507
VA163		LOGIC L.I.B. TYPE 1	0001785460	311286	.W. 0005997507
VA164		LOGIC L.I.B. TYPE 1	0001785461	309520	.W. 0005997507
VA165		LOGIC L.I.B. TYPE 1	0001785462	311286	.W. 0005997507
VA166		LOGIC L.I.B. TYPE 1	0001785463	309520	.W. 0005997507

REQUESTED BY \* LINE

INDIVIDUAL TABLE OF CONTENTS

82/12/15 PAGE 15

VOLUME 007 MACHINE 3705--0015984 MODEL E08 SYSTEM 0004XBW MODE BOX SHIP 82/12/30

LOGIC TYPE -0- SYSTEMS DIAGRAMS

PAGE NUM	SH	TITLE	PART NUM	EC NUM	FEATURE B/M OR B/MS
VA167		LOGIC L.I.B. TYPE 1	0001785464	309520	.W. 0005997507
VA169		LOGIC L.I.B. TYPE 1	0001785465	309520	.W. 0005997507
VA170		LOGIC L.I.B. TYPE 1	0001785466	309520	.W. 0005997507
VA171		LOGIC L.I.B. TYPE 1	0001785467	309520	.W. 0005997507
VA180		LOGIC L.I.B. TYPE 1	0001785468	309520	.W. 0005997507
VA181		LOGIC L.I.B. TYPE 1	0001785469	309520	.W. 0005997507
VA182		LOGIC L.I.B. TYPE 1	0001785470	309520	.W. 0005997507
VA183		LOGIC L.I.B. TYPE 1	0001785471	311286	.W. 0005997507
VA184		LOGIC L.I.B. TYPE 1	0001785472	309520	.W. 0005997507
VA185		LOGIC L.I.B. TYPE 1	0001785473	311286	.W. 0005997507
VA186		LOGIC L.I.B. TYPE 1	0001785474	309520	.W. 0005997507
VA187		LOGIC L.I.B. TYPE 1	0001785475	309520	.W. 0005997507
VA189		LOGIC L.I.B. TYPE 1	0001785476	309520	.W. 0005997507
VA190		LOGIC L.I.B. TYPE 1	0001785477	309520	.W. 0005997507
VA191		LOGIC L.I.B. TYPE 1	0001785478	309520	.W. 0005997507
VA200		LOGIC L.I.B. TYPE 1	0001785479	309520	.W. 0005997507
VA201		LOGIC L.I.B. TYPE 1	0001785480	309520	.W. 0005997507
VA202		LOGIC L.I.B. TYPE 1	0001785481	309520	.W. 0005997507
VA203		LOGIC L.I.B. TYPE 1	0001785482	311286	.W. 0005997507
VA204		LOGIC L.I.B. TYPE 1	0001785483	309520	.W. 0005997507
VA205		LOGIC L.I.B. TYPE 1	0001785484	311286	.W. 0005997507
VA206		LOGIC L.I.B. TYPE 1	0001785485	309520	.W. 0005997507
VA207		LOGIC L.I.B. TYPE 1	0001785486	309520	.W. 0005997507
VA209		LOGIC L.I.B. TYPE 1	0001785487	309520	.W. 0005997507
VA210		LOGIC L.I.B. TYPE 1	0001785488	309520	.W. 0005997507
VA211		LOGIC L.I.B. TYPE 1	0001785489	309520	.W. 0005997507
VA220		LOGIC L.I.B. TYPE 1	0001785490	309520	.W. 0005997507
VA221		LOGIC L.I.B. TYPE 1	0001785491	309520	.W. 0005997507
VA222		LOGIC L.I.B. TYPE 1	0001785492	309520	.W. 0005997507
VA223		LOGIC L.I.B. TYPE 1	0001785493	311286	.W. 0005997507
VA224		LOGIC L.I.B. TYPE 1	0001785494	309520	.W. 0005997507
VA225		LOGIC L.I.B. TYPE 1	0001785495	311286	.W. 0005997507
VA226		LOGIC L.I.B. TYPE 1	0001785496	309520	.W. 0005997507
VA227		LOGIC L.I.B. TYPE 1	0001785497	309520	.W. 0005997507
VA229		LOGIC L.I.B. TYPE 1	0001785498	309520	.W. 0005997507
VA230		LOGIC L.I.B. TYPE 1	0001785499	309520	.W. 0005997507
VA231		LOGIC L.I.B. TYPE 1	0001785500	309520	.W. 0005997507
VA240		LOGIC L.I.B. TYPE 1	0001785501	309520	.W. 0005997507
VA241		LOGIC L.I.B. TYPE 1	0001785502	309520	.W. 0005997507
VA242		LOGIC L.I.B. TYPE 1	0001785503	309540	.W. 0005997507
VA243		LOGIC L.I.B. TYPE 1	0001785504	311286	.W. 0005997507
VA244		LOGIC L.I.B. TYPE 1	0001785505	309520	.W. 0005997507

REQUESTED BY \* LINE

INDIVIDUAL TABLE OF CONTENTS

82/12/15 PAGE 16

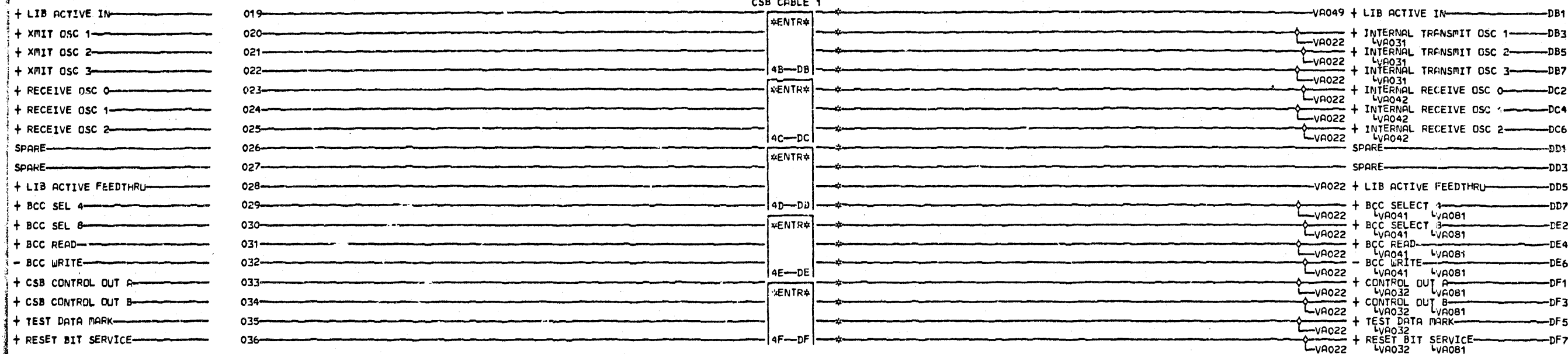
VOLUME 007 MACHINE 3705- -0015984 MODEL E08 SYSTEM 0004XBN MODE BOX SHIP 82/12/30

LOGIC TYPE -0- SYSTEMS DIAGRAMS

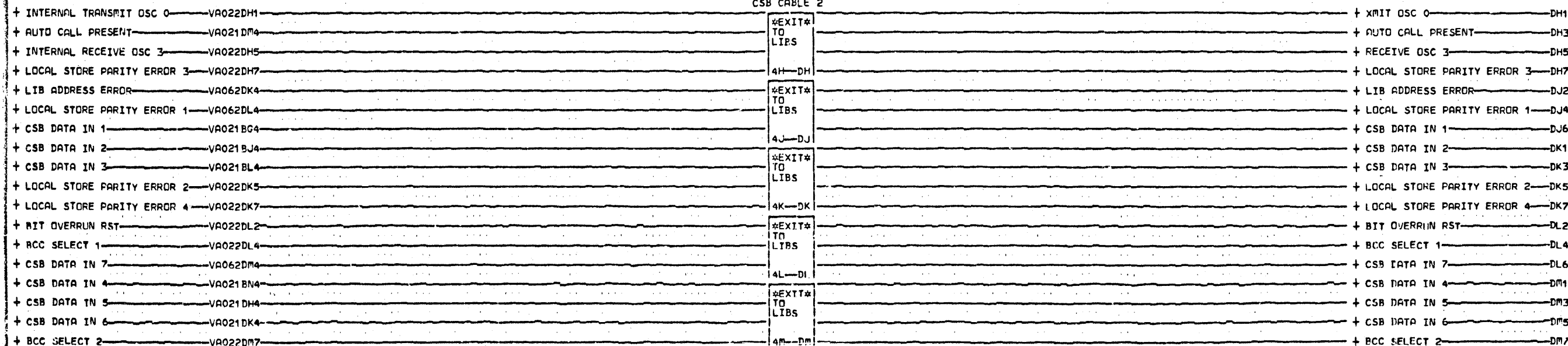
PAGE NUM	SH	TITLE	PART NUM	EC NUM	FEATURE B/M OR B/MS
VA245		LOGIC L.I.B. TYPE 1	0001785506	311286	.W. 0005997507
VA246		LOGIC L.I.B. TYPE 1	0001785507	309540	.W. 0005997507
VA247		LOGIC L.I.B. TYPE 1	0001785508	309520	.W. 0005997507
VA249		LOGIC L.I.B. TYPE 1	0001785509	309520	.W. 0005997507
VA250		LOGIC L.I.B. TYPE 1	0001785510	309520	.W. 0005997507
VA251		LOGIC L.I.B. TYPE 1	0001785511	309520	.W. 0005997507

TOTAL PART NUMBERS THIS VOLUME 132

CSB CABLE 1



CSB CABLE 2

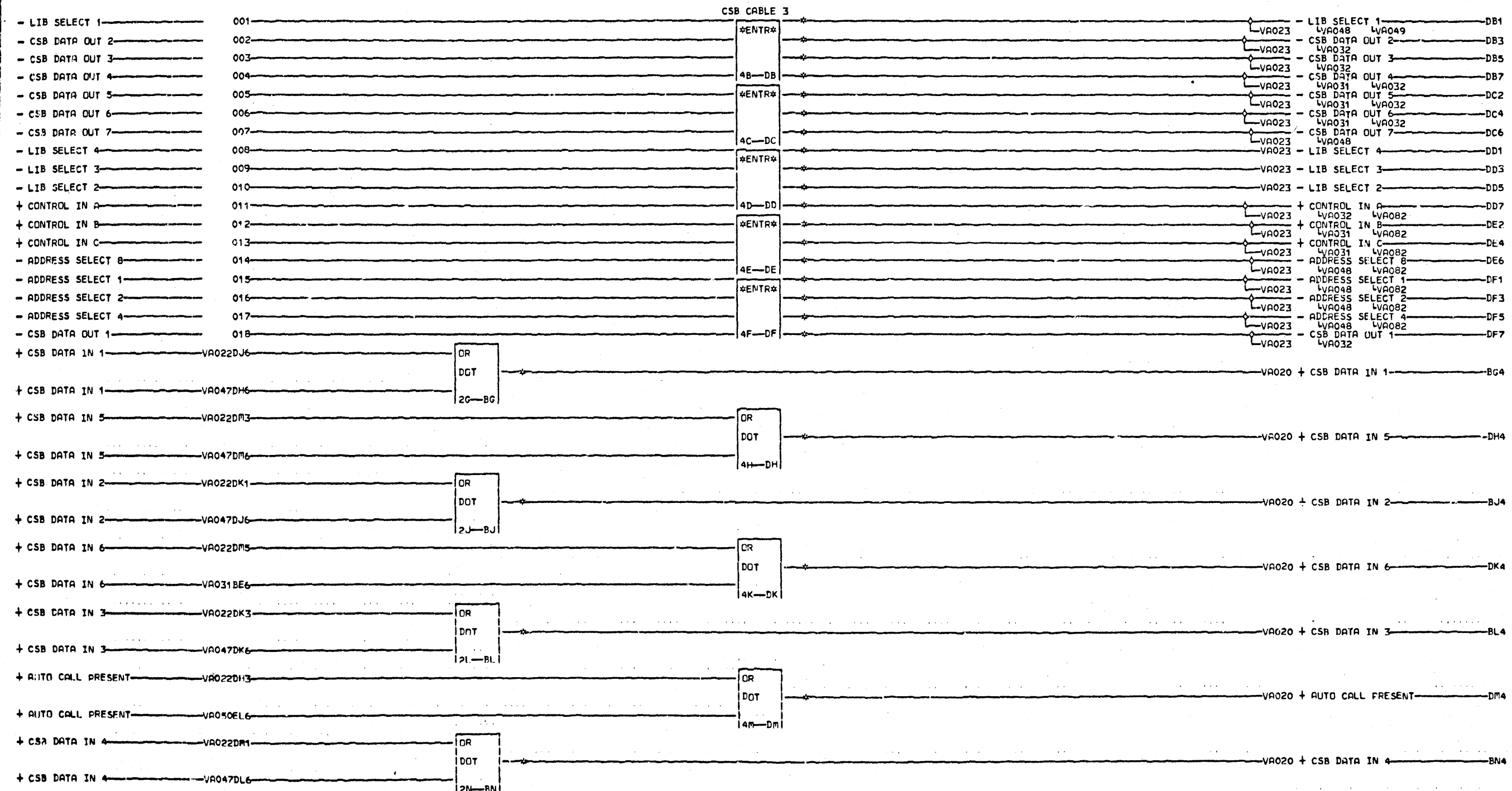


NOTE. CABLES 1-3 MAY BE TRACED ON PAGES VA001 AND VA002. TYPE 1 AND A PCS SOURCE/SINK POINTS ARE RA000/RA001/RA002 OR TA001/TA002/TA003 FOR CABLES 1-3 RESPECTIVELY. TYPE 3CS SOURCE/SINK 000TD060/0TD070/0TD080.

DB1 X-X1A6D04 DC4 X-X1C6A04 01X-X1A1D11 DF1 X-X1C6A02  
 DB3 X-X1BAA04 01X-X1C1A13 DD7 X-X1A6E02 01X-X1C1A11  
 01X-X1B1A13 DC6 X-X1C6B04 01X-X1A1E11 DF3 X-X1C6B02  
 DB5 X-X1B6B04 01X-X1C1B13 DE2 X-X1B8B02 01X-X1C1B11  
 01X-X1B1B13 DD1 X-X1C6D04 01X-X1B1B11 DF5 X-X1C6C02  
 DB7 X-X1B6C04 01X-X1C1D13 DE4 X-X1BAC02 01X-X1C1C11  
 01X-X1B1C13 DD3 X-X1C6E04 01X-X1B1C11 DF7 X-X1C6E02  
 DC2 X-X1A6E04 01X-X1C1E13 DE6 X-X1B6D02 01X-X1C1E11  
 01X-X1B1E13 DD5 X-X1A6D02 01X-X1B1D11

01-26-72 309520C  
 05-11-72 309543  
 06-07-76 315618

CSB - LIB INTERFACE  
 DATE 06-30-76 MACH. 27RNB  
 LOG 811 FRAME 01  
 W.A. BARKER P.N. 1785400  
 IBM CORP. SDD BLK. DN



NOTE: SEE NOTE PAGE VA020.

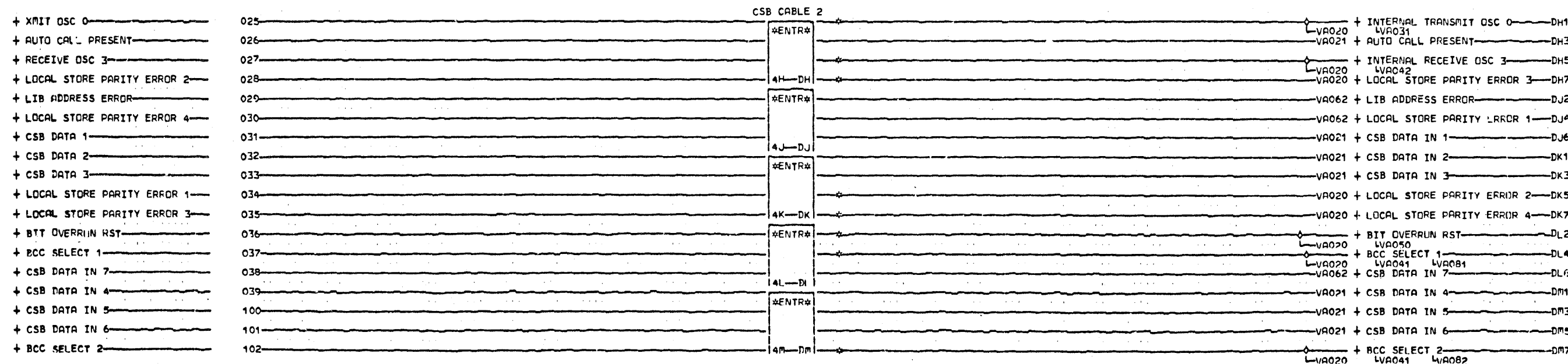
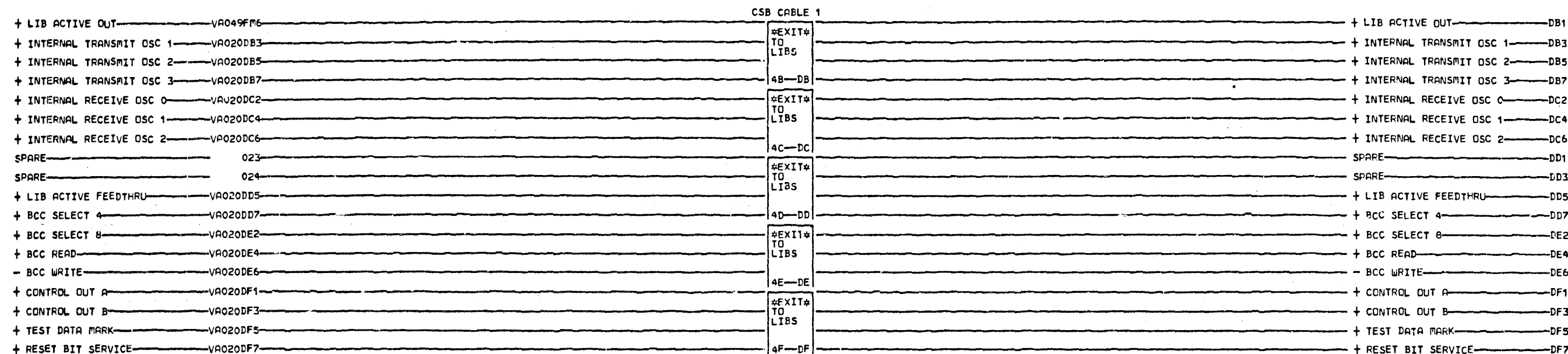
BG4 X-X1E6B04	01X-X1H1A11	DC4 X-X1J6C04	01X-X1H1A13	DF1 X-X1J6C02	01X-X1F6C02
01X-X1E1B13	DB3 X-X1H6C04	01X-X1J1C13	DD7 X-X1H6R02	01X-X1J1C11	DK4 X-X1F1D11
BJ4 X-X1EAC04	01X-X1H1C13	DC6 X-X1J6D04	01X-X1H1B11	DF3 X-X1J6D02	01X-X1F6D02
01X-X1E1C13	DB5 X-X1H6D04	01X-X1J1D13	DE2 X-X1H6D02	01X-X1J1D11	DM4 X-X1F6C04
BL4 X-X1E6D04	01X-X1H1D13	DD1 X-X1H6R02	01X-X1H1D11	DF5 X-X1J6E02	01X-X1F1C13
01X-X1E1D13	DB7 X-X1H6E04	01X-X1K1B13	DE4 X-X1H6E02	01X-X1J1E11	
BN4 X-X1F1B11	01X-X1H1E13	DD3 X-X1K6B04	01X-X1H1E11	DF7 X-X1K6B02	
01X-X1F6R02	DC2 X-X1J6R04	01X-X1K1A13	DE6 X-X1J6R02	01X-X1K1B11	
DB1 X-X1H6A04	01X-X1J1B13	DD5 X-X1K6A04	01X-X1J1A11	DH4 X-X1F1C11	

01-26-72 309520C  
 05-11-72 309543  
 06-07-76 315618

CSB - LIB INTERFACE		
DATE	06-30-76	MACH. 27RNB
LOG	747	FRAME 0121
W.A. BARKER P.O. 1785401		
I&M CORP.	SDD BLK.	DN

VA021  
000





NOTE. SEE NOTE PAGE VA020.

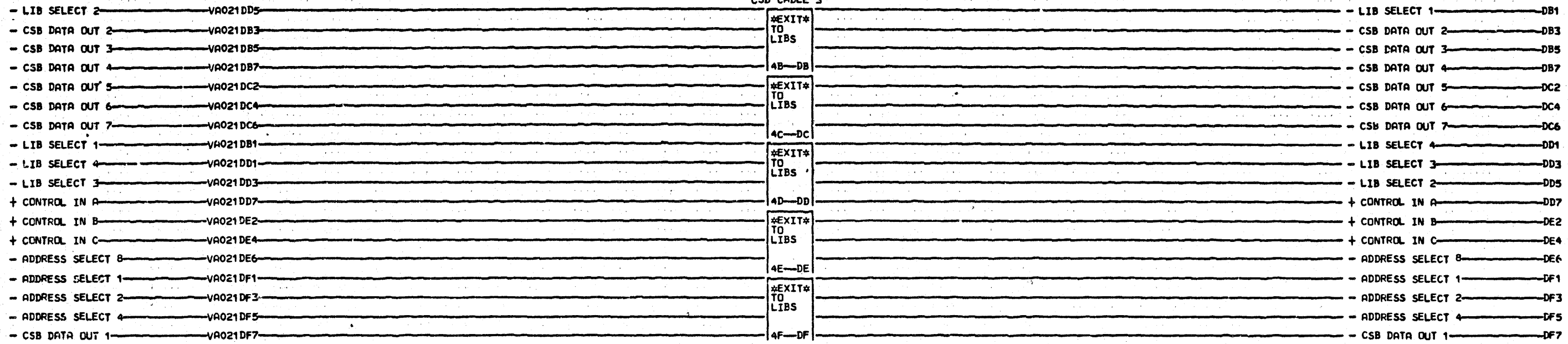
DH1 X-X1F6B04	01X-X1G1A13
01X-X1F1B13	DL2 X-X1E1C11
DH5 X-X1F6A02	01X-X1E6C02
01X-X1E1A11	DL4 X-X1E1D11
DH7 X-X1G6A04	01X-X1E6D02
01X-X1F1E13	DM7 X-X1G1A11
DK5 X-X1F6E04	01X-X1G6A02
01X-X1D1E13	
DK7 X-X1D6E02	

01-26-72 309520C  
05-11-72 309543  
06-07-76 315618

CSB - LIB INTERFACE			
DATE	06-30-76	MACH.	27RNB
LOG	811	FRAME	01
W.A. BARKER P.N.		1785402	
IBM CORP.	SDD BLK.		DN

VA022  
000

CSB CABLE 3



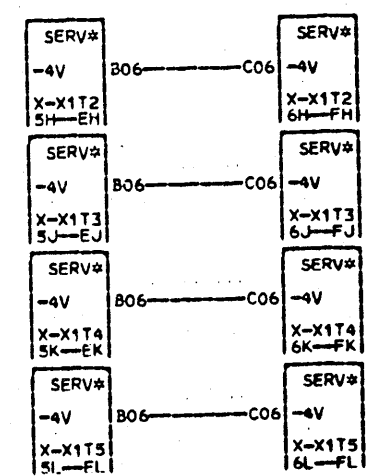
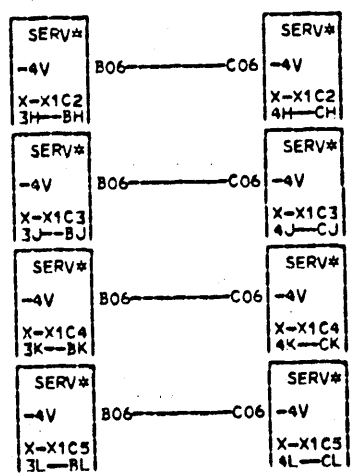
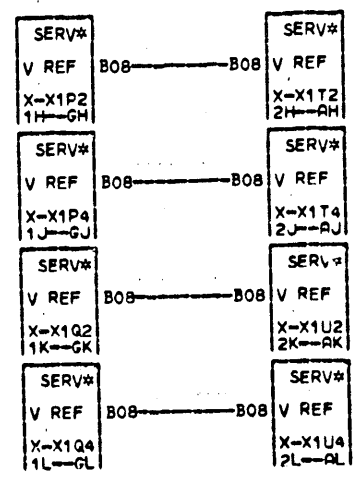
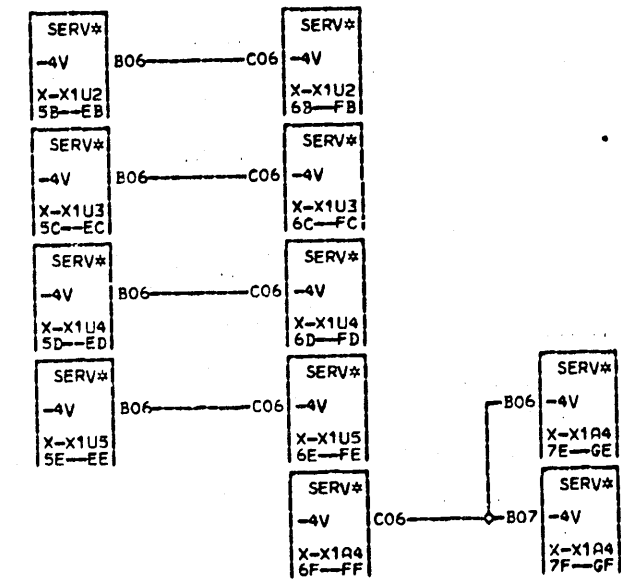
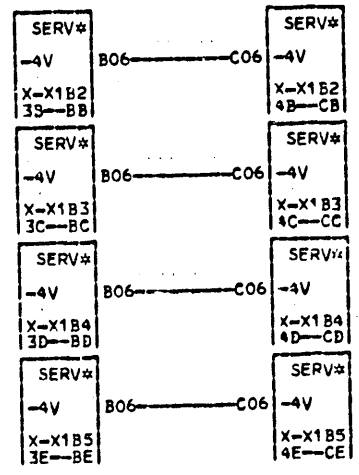
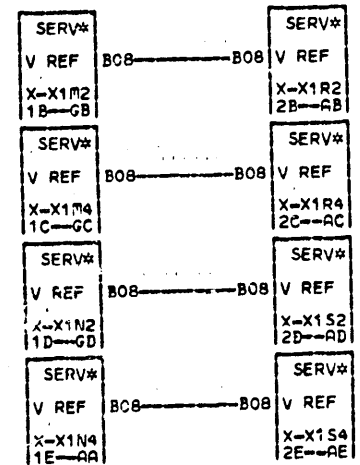
NOTE. SEE NOTE PAGE VA020.

01-26-72 309520C  
05-05-72 309543  
06-07-76 315618

CSB - LIB INTERFACE			
DATE	06-30-76	MACH.	27RNB
LOG	747	FRAME	01
W.A. BARKER		P.No.	1785403
IBM CORP.	SDD	BLK.	DG

VA023  
000

UNODV  
000

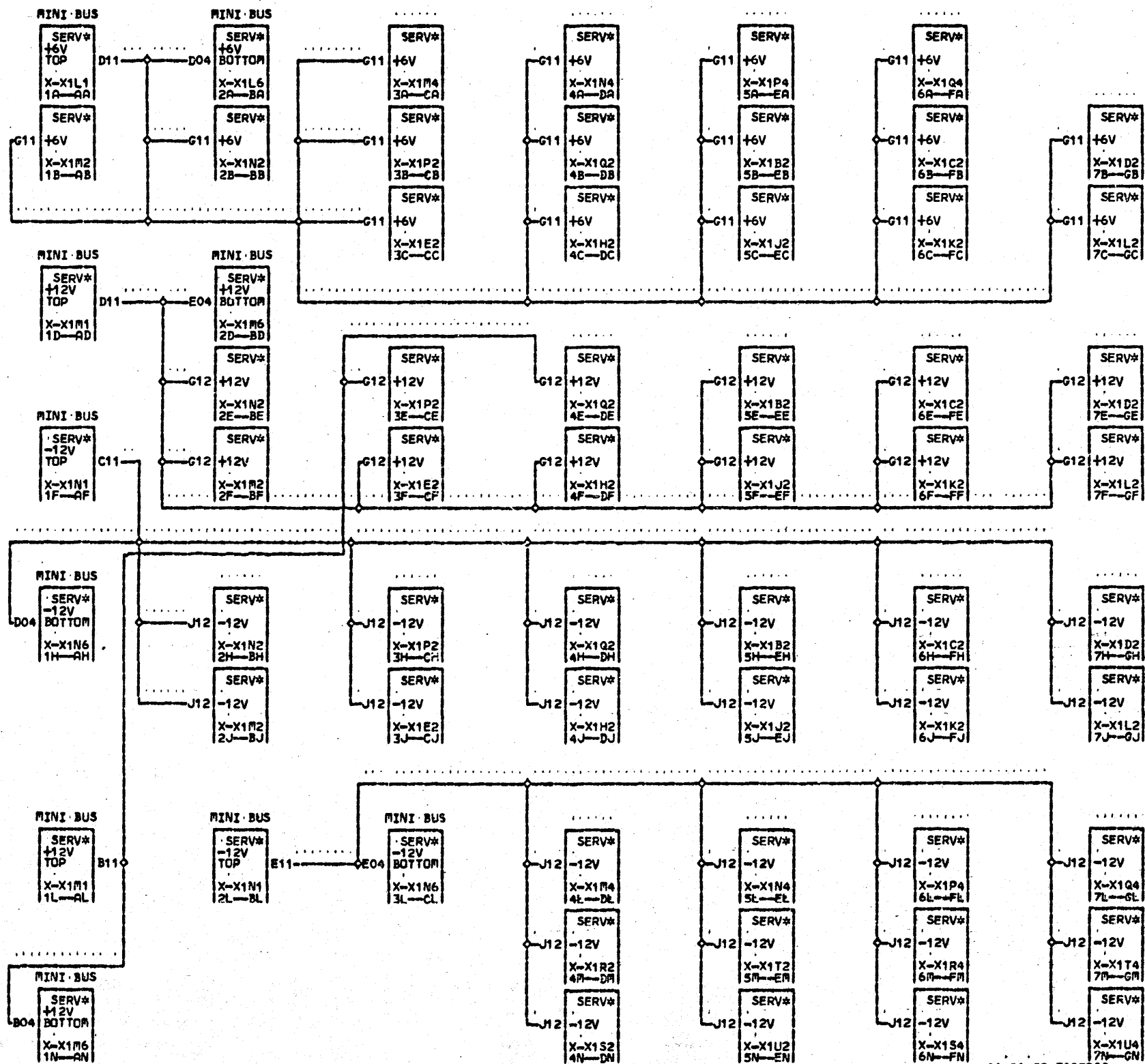


01-26-72 309520C

SERVICE VOLTAGES			
DATE	01-26-72	RACH	27RNB
LOG	600	FRAME	01
		P/N	1785404
IBM CORP.	SDD	BLK	HA

000

000



\* JUMPER FROM LAMINAR BUS  
 \* TO MINI BUS WILL BE AT  
 \* TOP OR BOTTOM OF BOARD  
 \* BUT NOT BOTH.

UNDO V

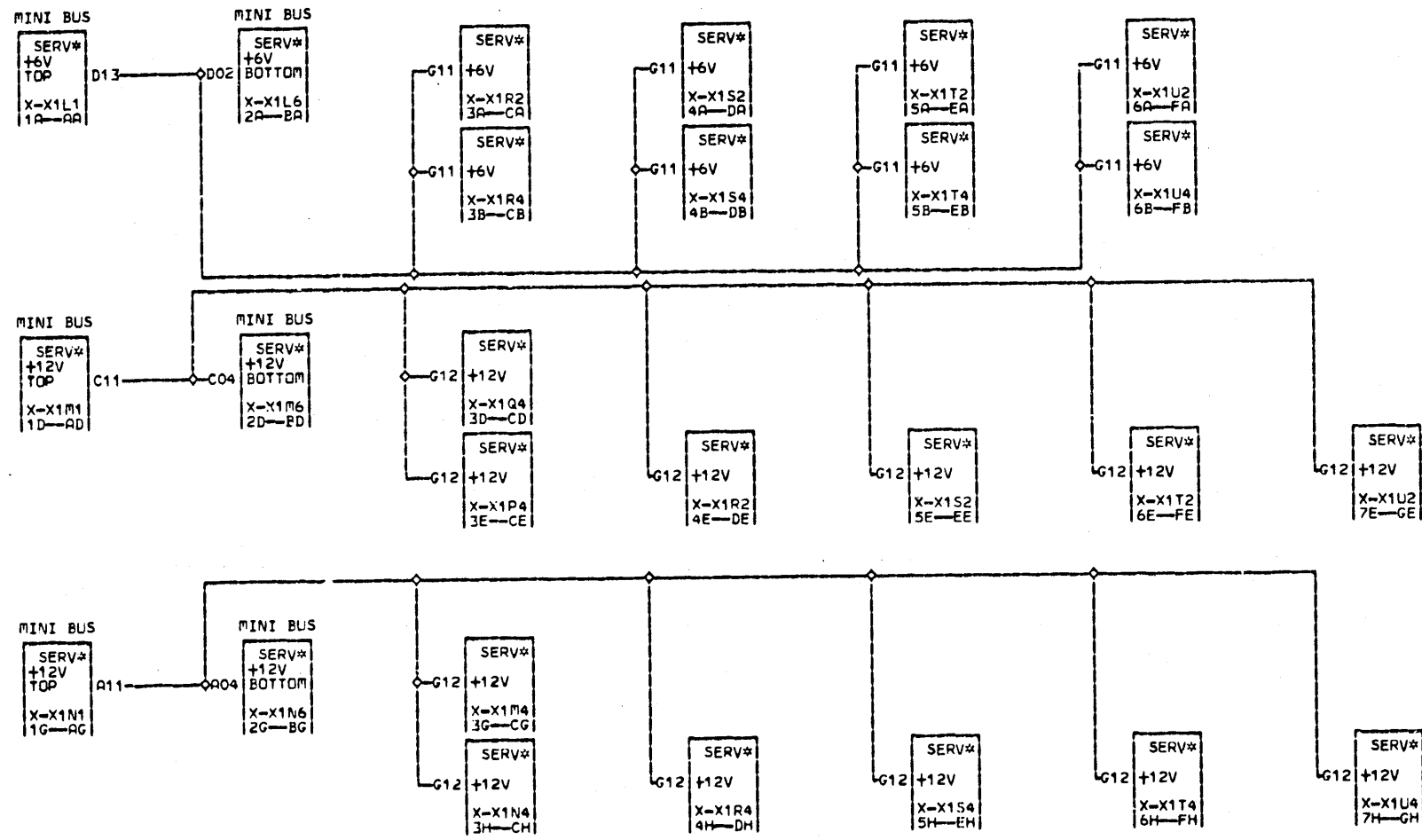
000

01-26-72 309520C

SERVICE PAGE	
DATE	01-26-72
LOG	600
	FRAGE 01
	P.No. 1785405
IBM CORP.	SDD BLK.

UNDO V

000



\*JUMPER FROM LAMINAR BUS  
 \*TO MINI BUS WILL BE AT  
 \*TOP OR BOTTOM OF BOARD  
 \*BUT NOT BOTH.

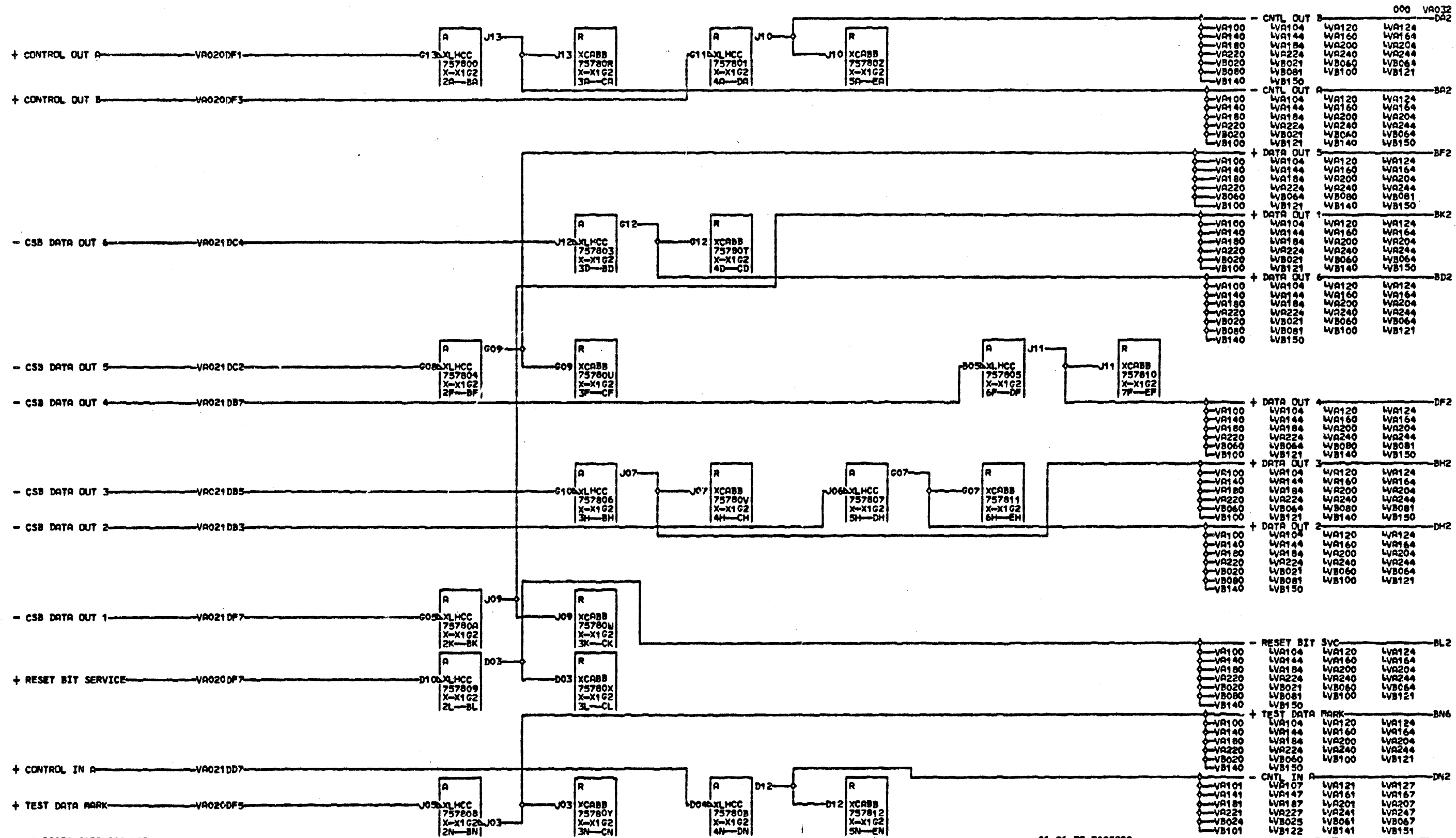
VA026  
 000

01-26-72 309520C  
 03-10-72 309540

SERVICE PAGE			
DATE	04-06-72	MACH.	27RNB
LOG	255	FRAMe	01
		PaN.	1785406
ITEM CORP.	SDD BLK.		GJ

6 NOV 1972





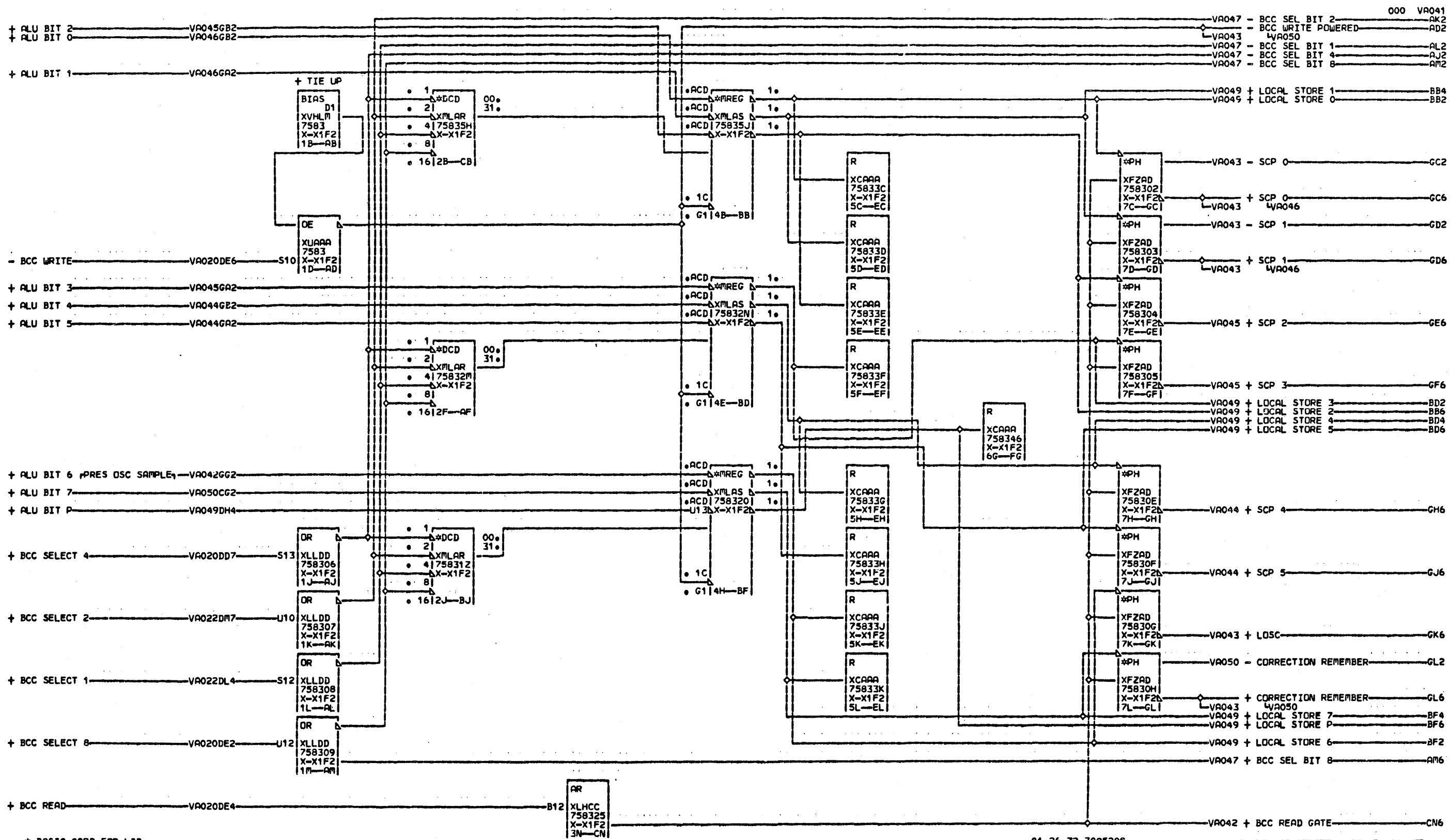
\* BASIC CARD FOR LIB

01-26-72 309520C  
 04-20-72 309543  
 08-24-72 309546  
 05-06-78 318570

LIB ISOLATION CARD			
DATE	08-10-78	MACH.	27RNB
LOG	764	FRM	01
		P.N.	1785408
IBM CORP.	SDD BLK.		FH

000  
 000  
 000  
 000

000  
 000  
 000  
 000



\* BASIC CARD FOR LIB

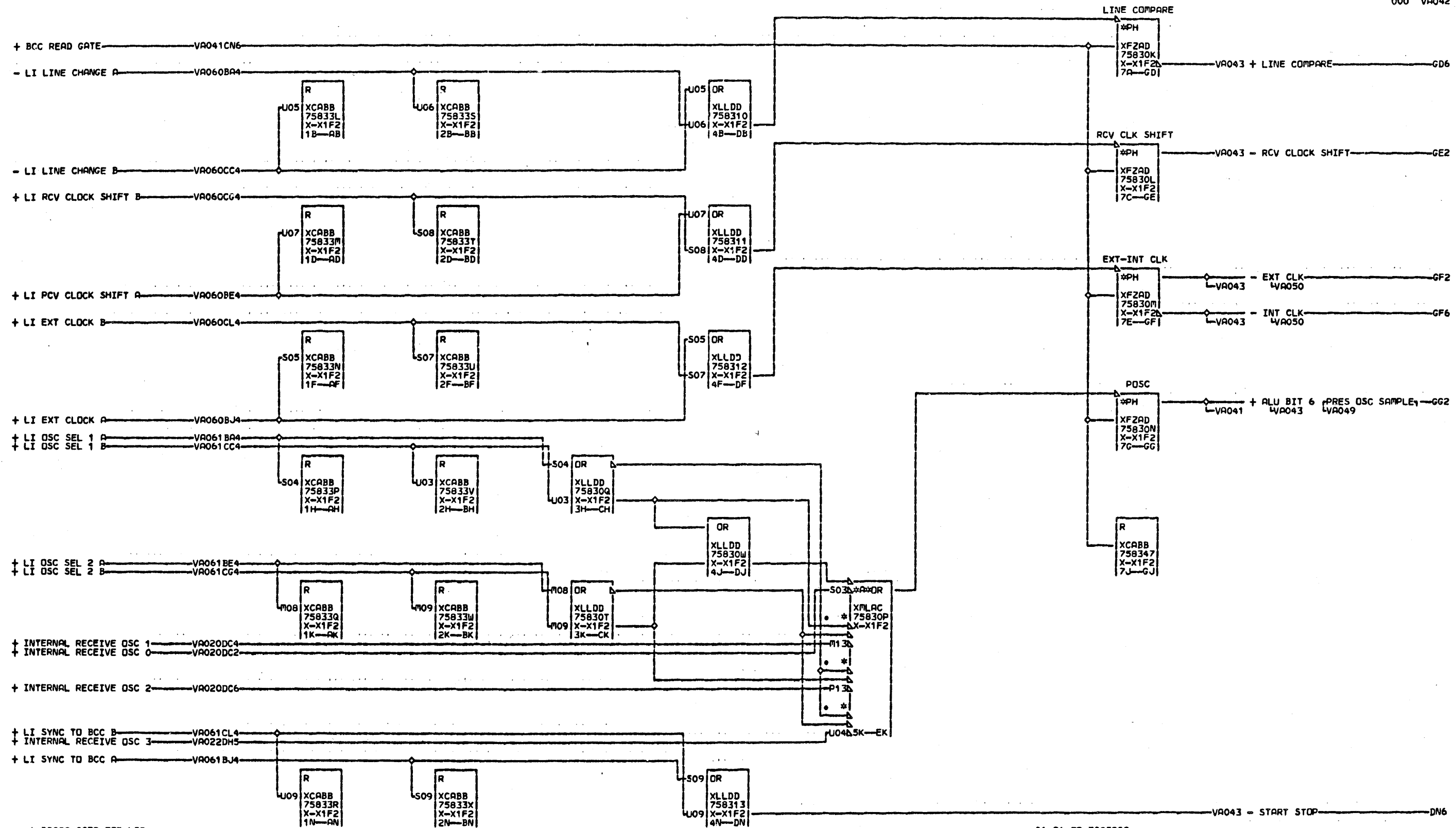
01-26-72 309520C  
03-27-72 309540

LIB BIT CLOCK CARD			
DATE	04-06-72	MACH	27RNB
LOG	177F	FRAME	01
		P.No	1785409
IBM CORP.	SDD	BLK.	GM

VA041  
000

VA041  
000





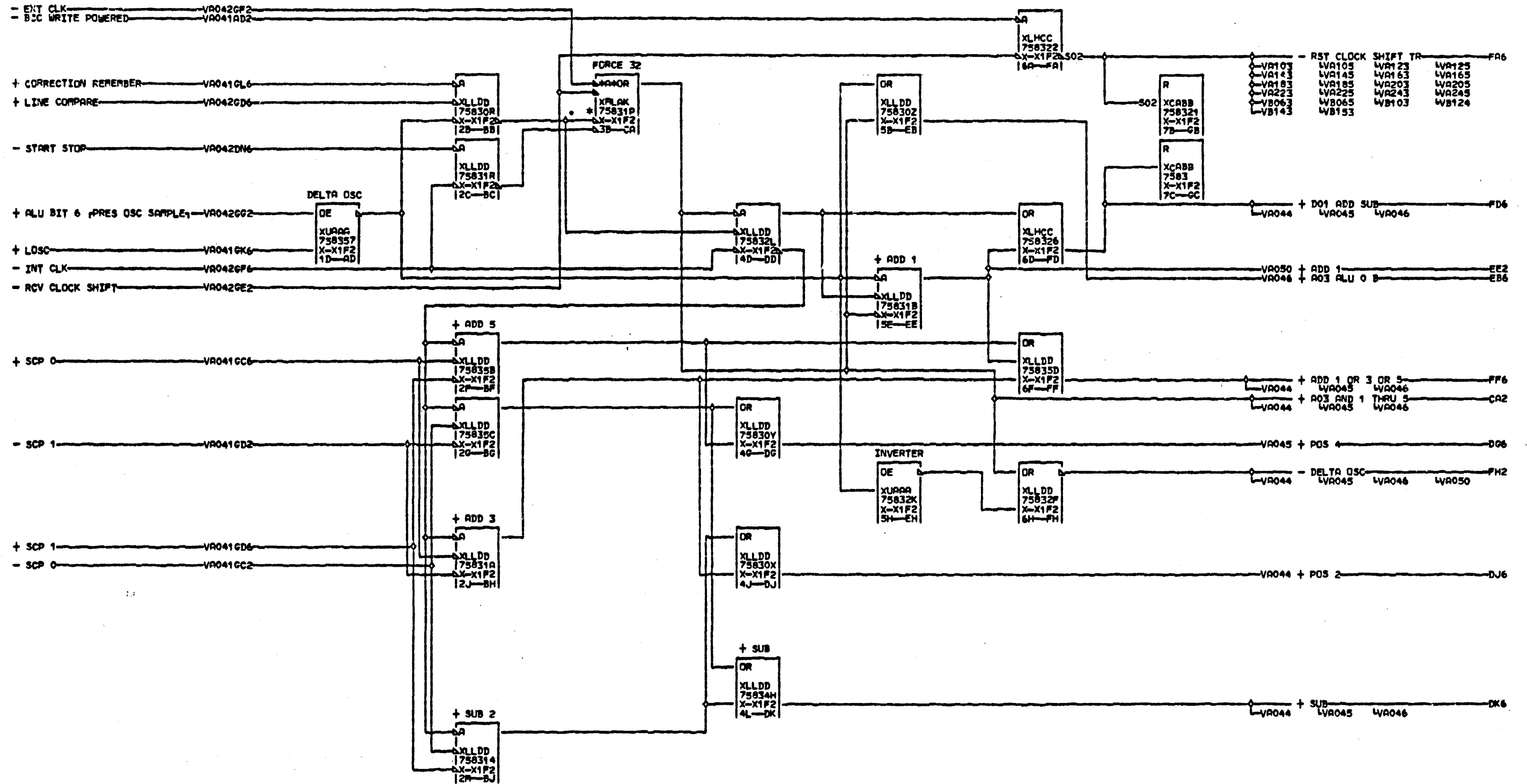
\* BASIC CARD FOR LIB

VA042

01-26-72 309520C  
03-10-72 309540

LIB BIT CLOCK CARD			
DATE	04-06-72	MACH.	27RNB
LOG	255	FRAME	01
		P.No.	1785410
IBM CORP.	SDD	BLK.	GM

VA042

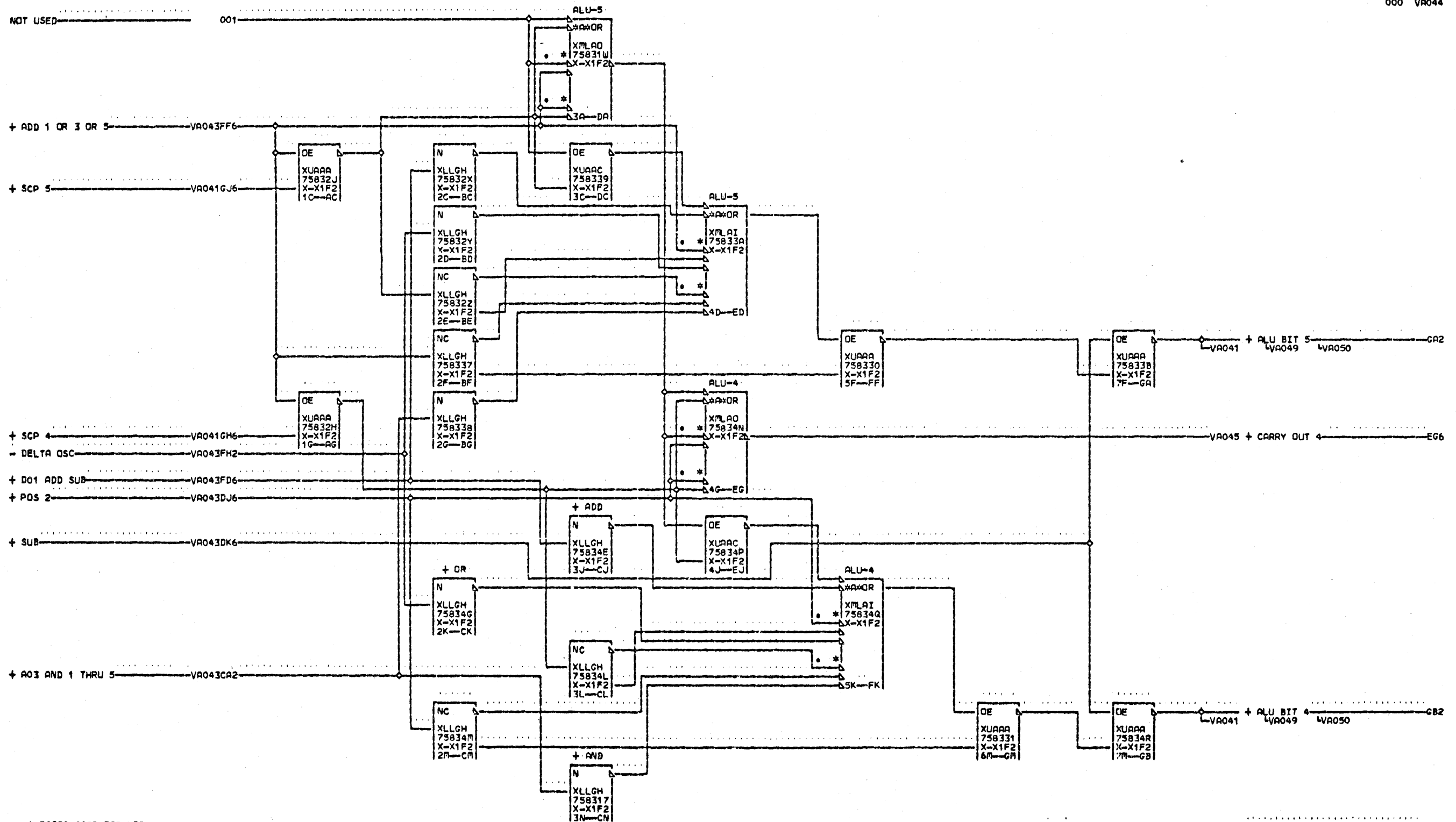


\* BASIC CARD FOR LIB

01-26-72 309520C  
 03-29-72 309540  
 04-20-72 309543  
 08-24-72 309546  
 09-06-78 318570

LIB BIT CLOCK CARD	
DATE	08-10-78 MACH. 27RNB
LOG	764 FRAME 01
P.N. 1785411	
IBM CORP.	SDD BLK. GK

VA043  
 000

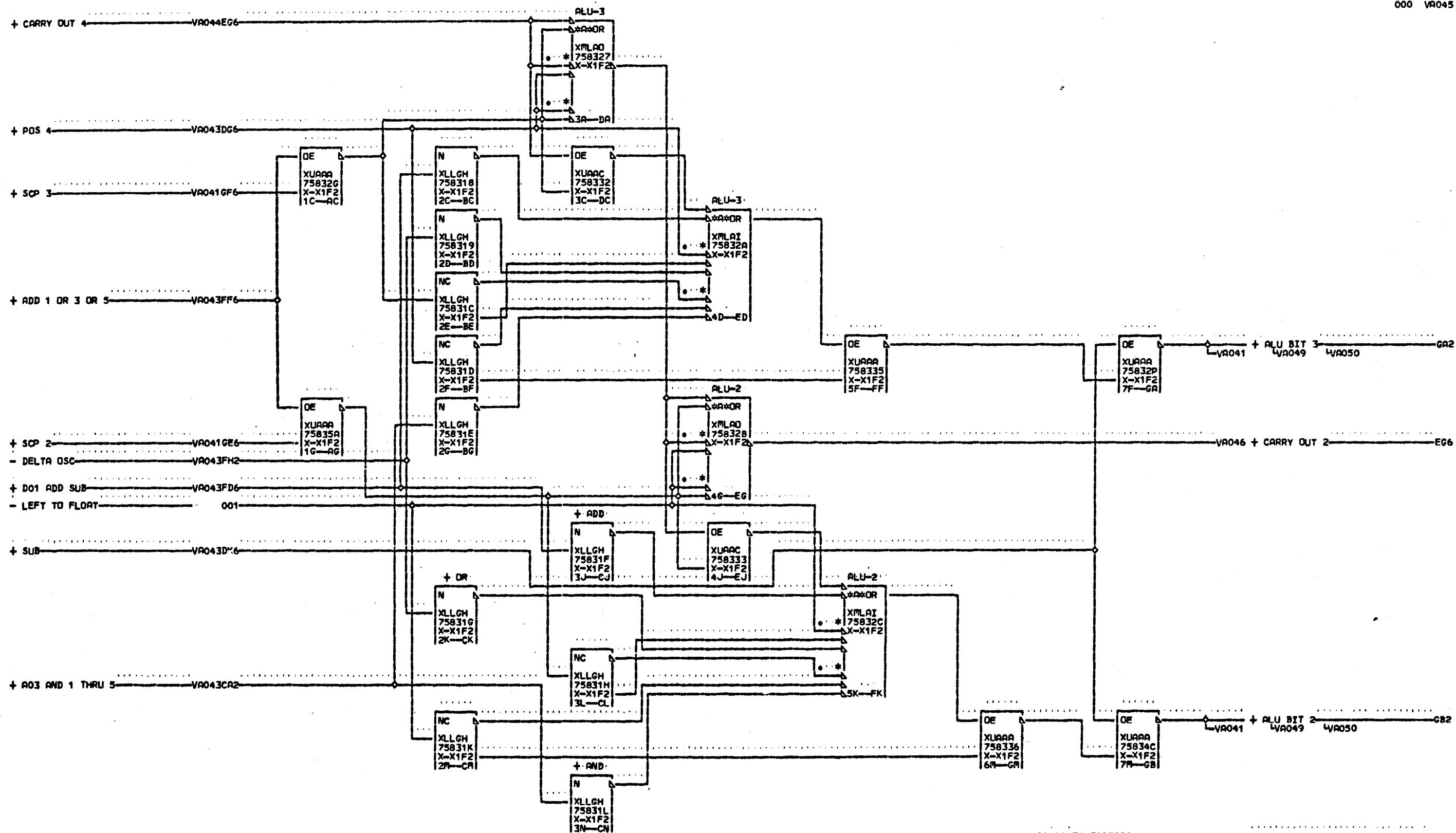


\* BASIC CARD FOR LTB  
 \* UNUSED INPUTS FLOAT MINUS.

01-26-72 309520C

ALU BITS 5 AND 4			
DATE	01-26-72	PAGE	27RNB
LOG	600	FRAME	01
		PoNo	1785412
IBM CORP.		BLK.	GN

VA044  
 000



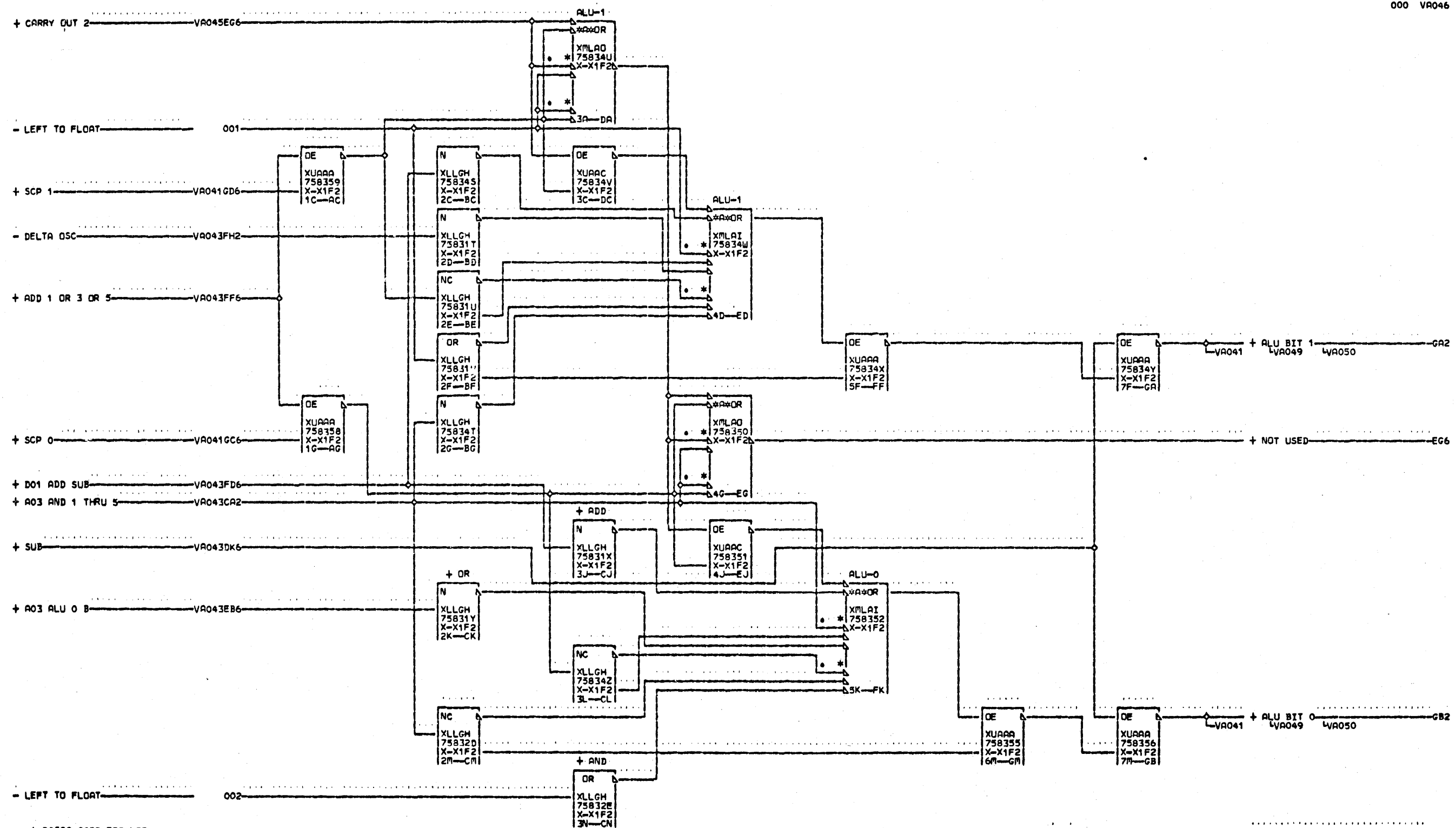
\* BASIC CARD FOR LIB  
 \* UNUSED INPUTS FLOAT MINUS

01-26-72 309520C

ALU BITS 3 AND 2			
DATE	01-26-72	MACH.	27RNB
LOG	600	FRAME	01
		P.N.	1785413
IBM CORP.	BLK.		GN

VR045  
 000

VR045  
 000

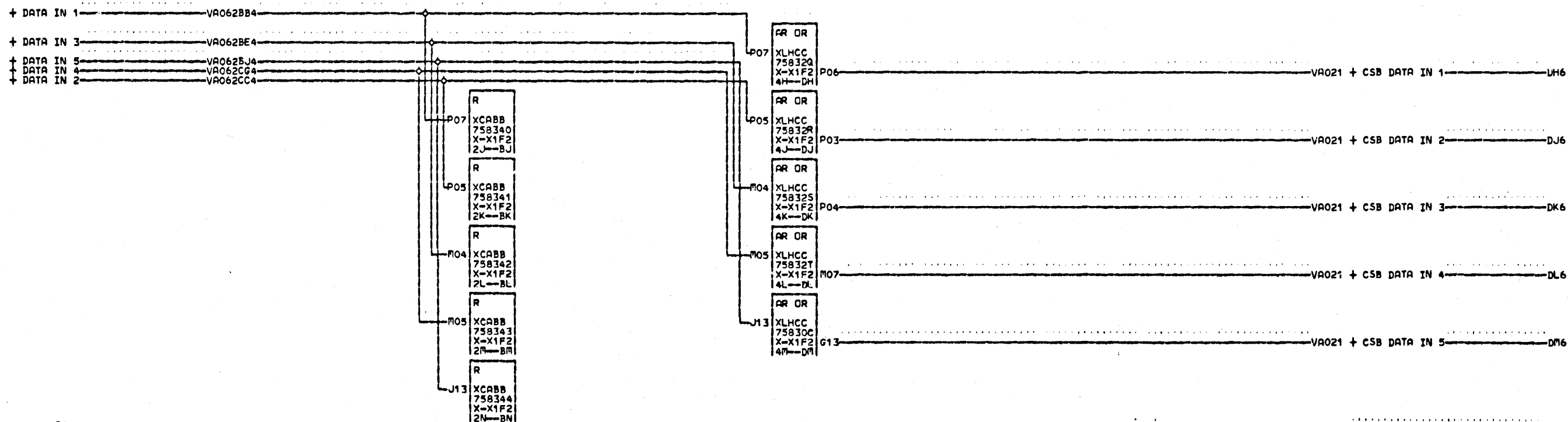
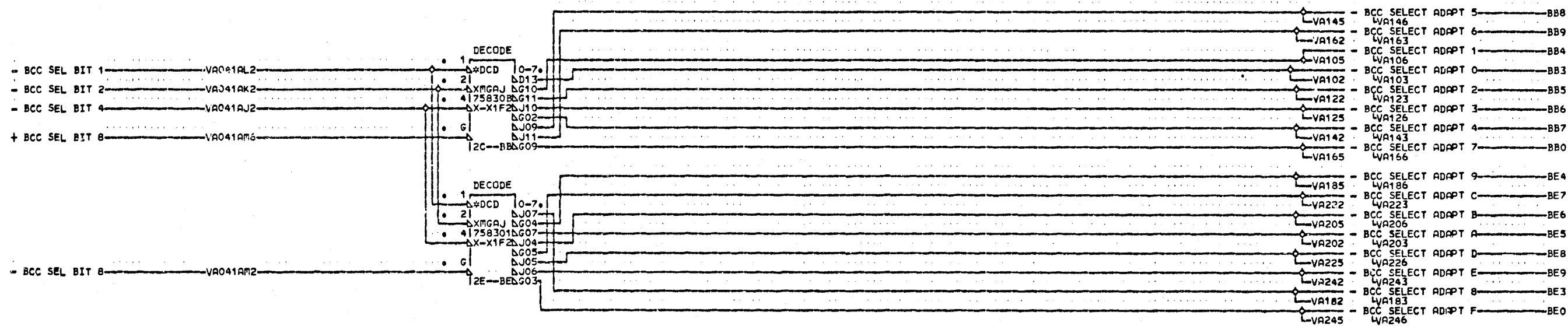


\* BASIC CARD FOR LIB  
 \* UNUSED INPUTS FLOAT MINUS

01-26-72 309520C

ALU BITS 1 AND 0			
DATE	01-26-72	MACH.	27RNB
LOC	600	FRAME	01
		PaNo	1785414
IBM CORP.	BLK.		GN

VA046  
000



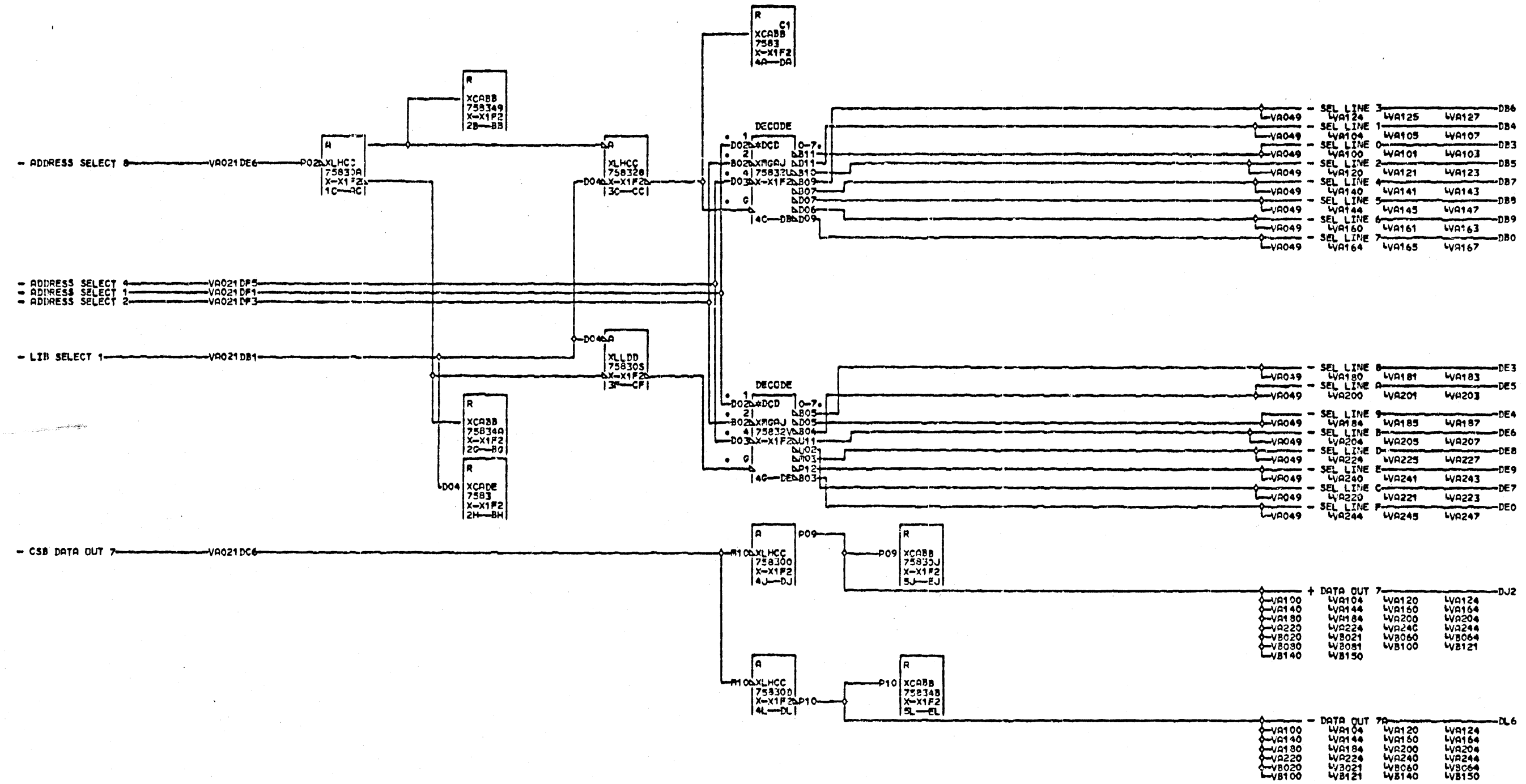
\* BASIC CARD FOR LIB

01-26-72 309520C

LIB BIT CLOCK CARD			
DATE	01-26-72	MACH.	27RNB
LOG	600	FRAME	01
		P.No.	1785415
IBM CORP.	SDD	BLK.	GH

VA047  
000

VA047  
000



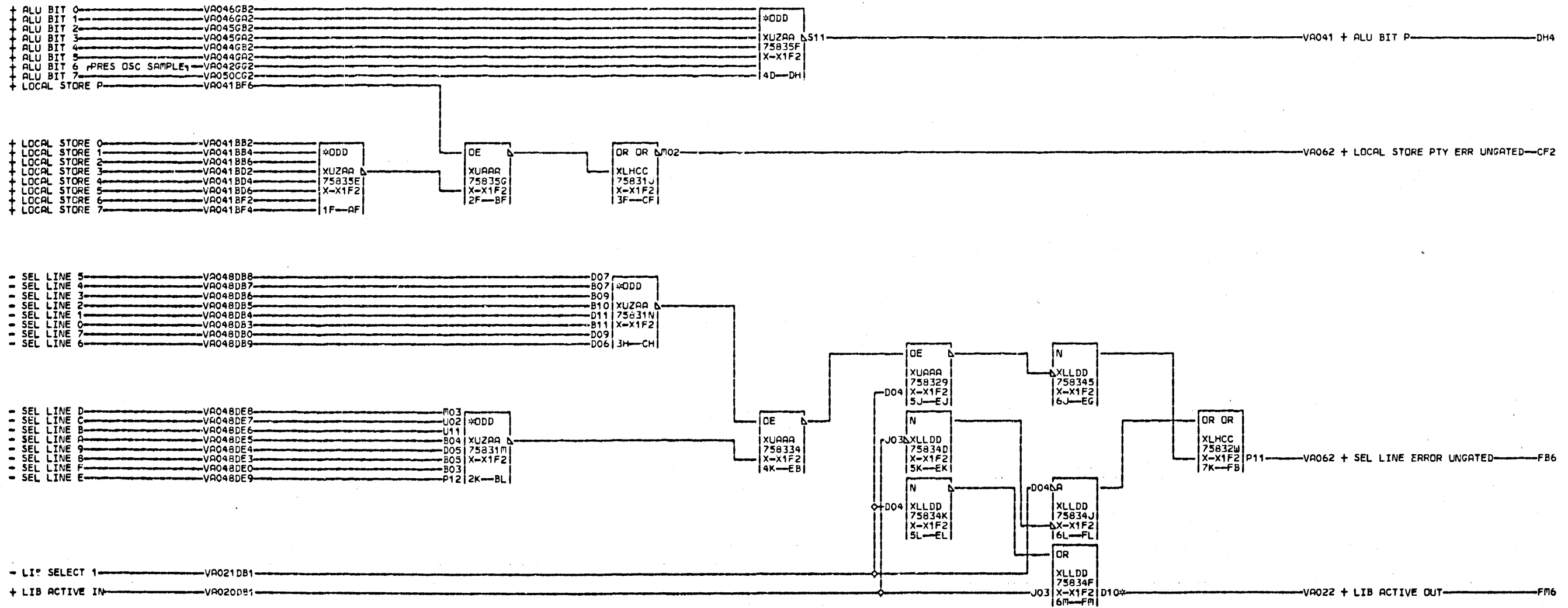
\* BASIC CARD FOR LIB

01-28-72 309520C  
 04-20-72 309543  
 08-24-72 309546  
 05-06-78 318570

LIB BIT CLOCK CARD  
 DATE 08-10-78 MACH. 27RNB  
 LOG 764 FRAP 01  
 P.N. 1785416  
 IBM CORP. SDD BLK. FN

VA048  
 000

VA048  
 000



\* BASIC CARD FOR LIB

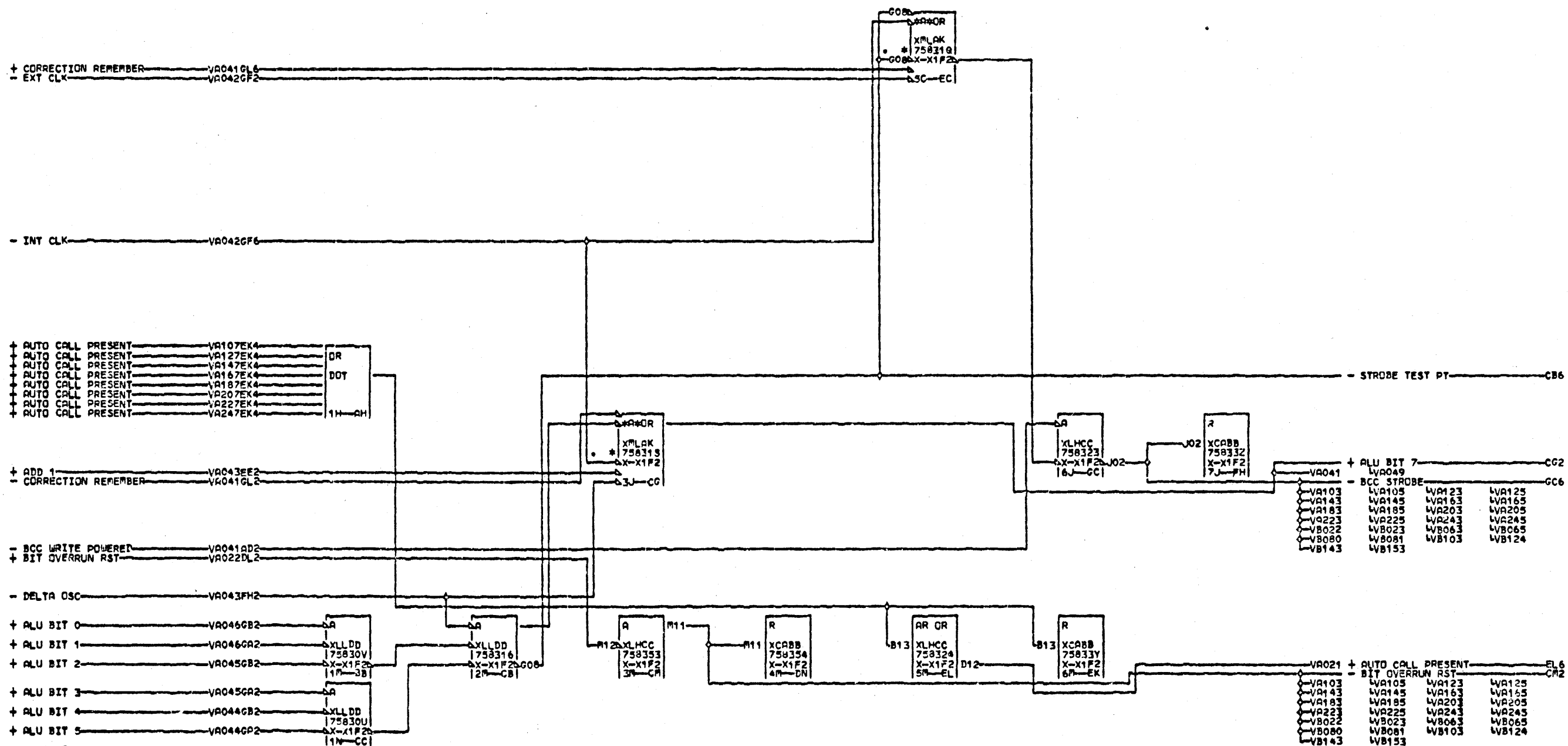
FM6 X-X1A1D13

01-26-72 309520C  
03-10-72 309540

LIB BIT CLOCK CARD			
DATE	04-06-72	MACH	27RNB
LDG	255	FRAME	01
		PaN	1785417
TBM CORP.	SDD BLK.		GL

VA049  
000



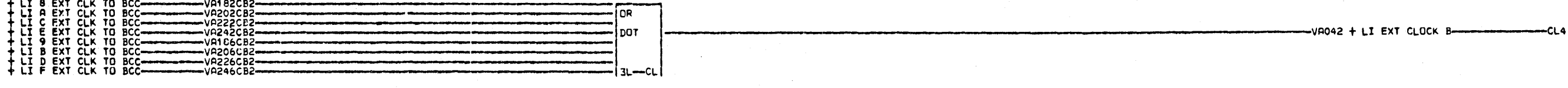
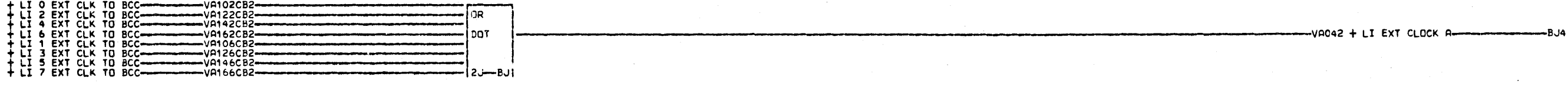
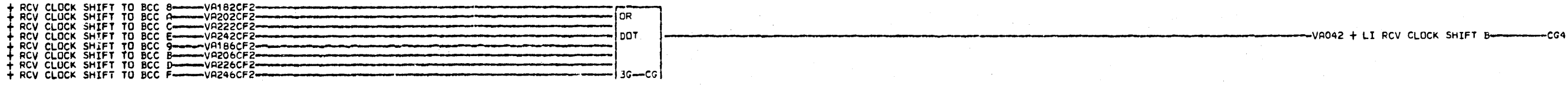
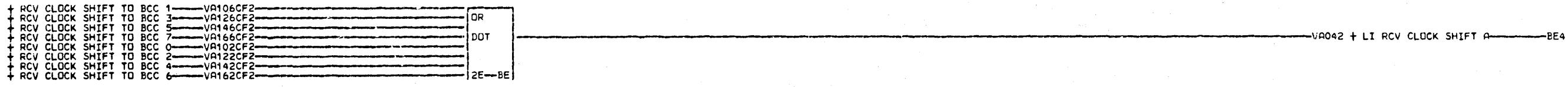
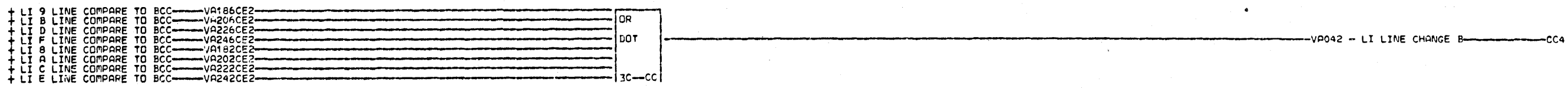
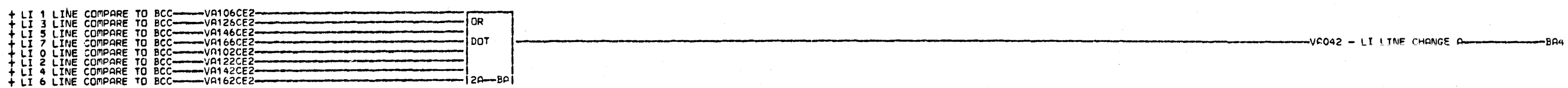


\* BASIC CARD FOR LIR  
 VA050  
 000

01-26-72 309520C  
 04-20-72 309543  
 08-24-72 309546  
 03-06-78 318570

LIB BIT CLOCK CARD  
 DATE 08-10-78 RACH. 27RNB  
 LOG 764 FRAME 01  
 P.N. 1785418  
 IBM CORP. SDD BLK. GJ

VA050  
 000



\* BASIC CARD FOR LIB

VA  
0  
6  
0

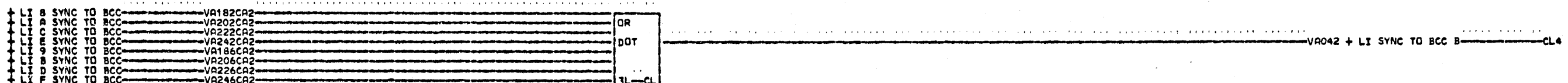
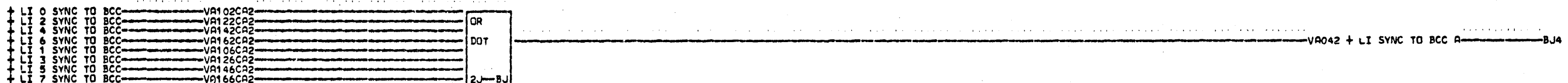
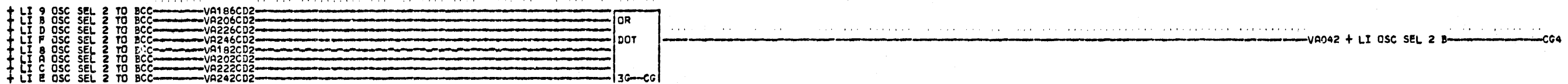
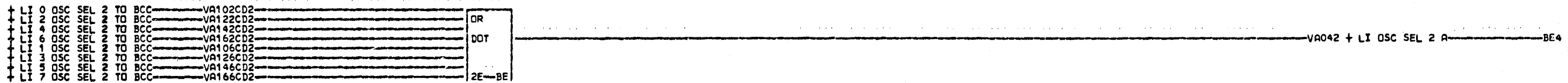
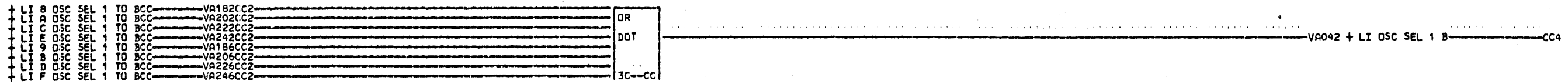
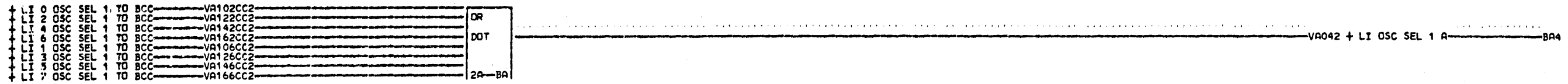
000

01-26-72 309520C  
03-10-72 309540

LIB BIT CLOCK CARD			
DATE	04-06-72	MACH.	27RNB
LOG	255	FRAME	01
		P.No.	1785419
IBM CORP.	SDD	BLK.	CM

VA  
0  
6  
0

000



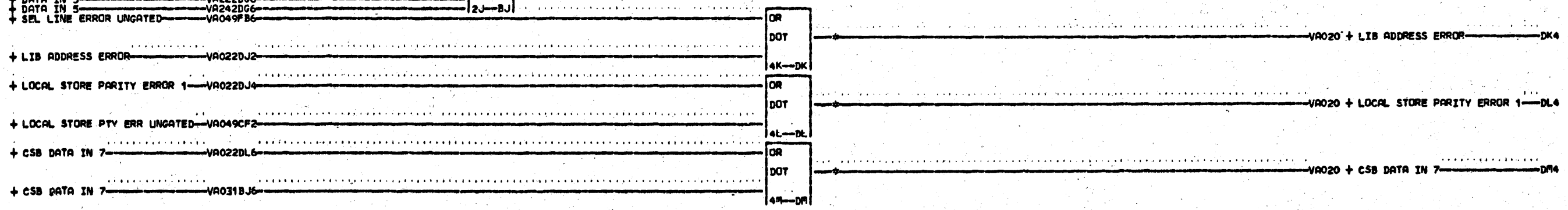
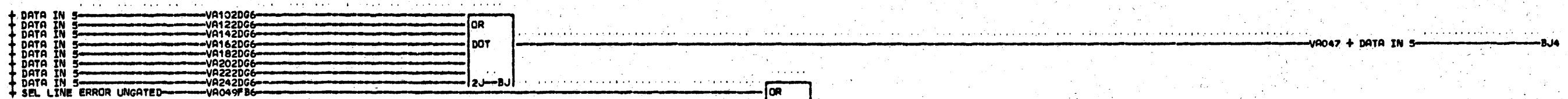
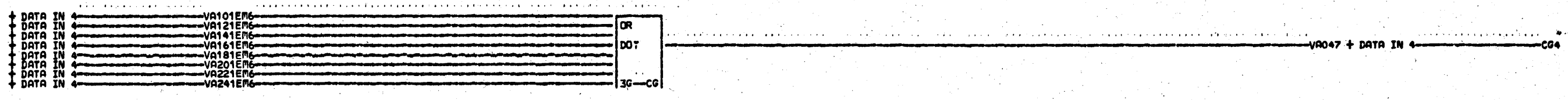
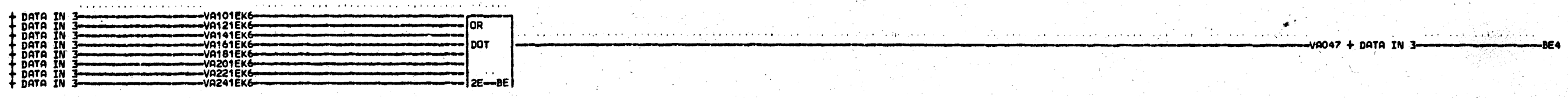
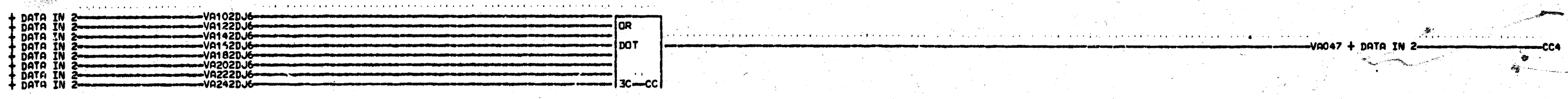
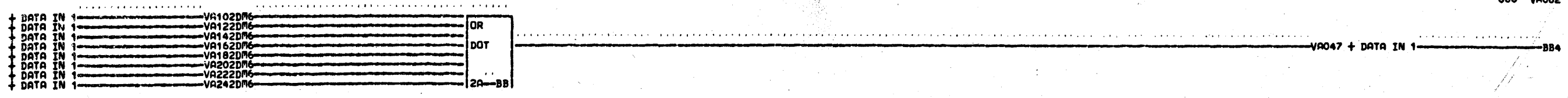
\* BASIC CARD FOR LIB

01-26-72 309520C

LIB BIT CLOCK CARD			
DATE	01-26-72	MACH#	27RNB
LOG	600	FRAME	01
		P.#	1785420
IBM CORP.	SDD	BLK#	CM

VA061  
000

VA061  
000

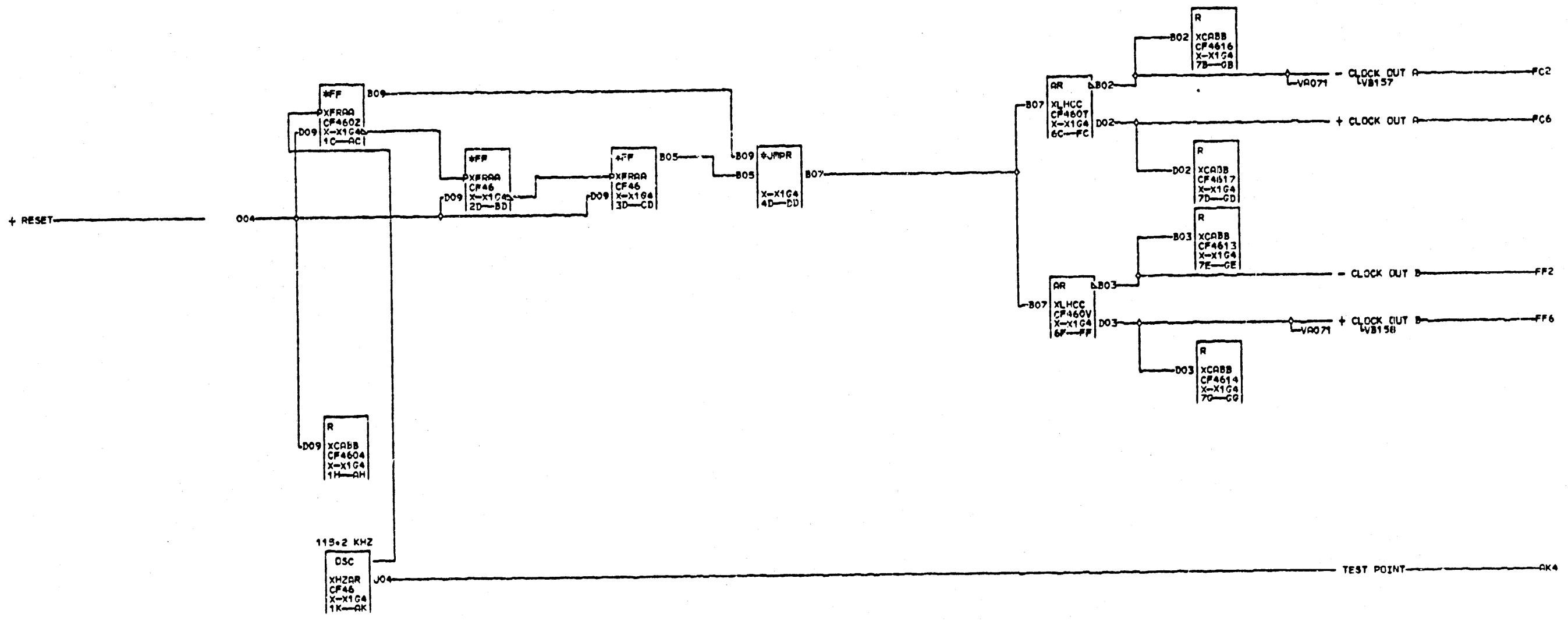


\* BASIC CARD FOR LIB  
 VA062  
 000  
 DK4 X-X1F1A13  
 01X-X1F6A04  
 DL4 X-X1D6EC4  
 01X-X1D1E11  
 DM4 X-X1E6E02  
 01X-X1E1E11

01-26-72 309520C

LIB BIT CLOCK CARD			
DATE	01-26-72	RACH	27RNB
LOG	600	FRAME	01
		PeNo	1785421
IBM CORP.	SDD	BLK	DN

VA062  
000

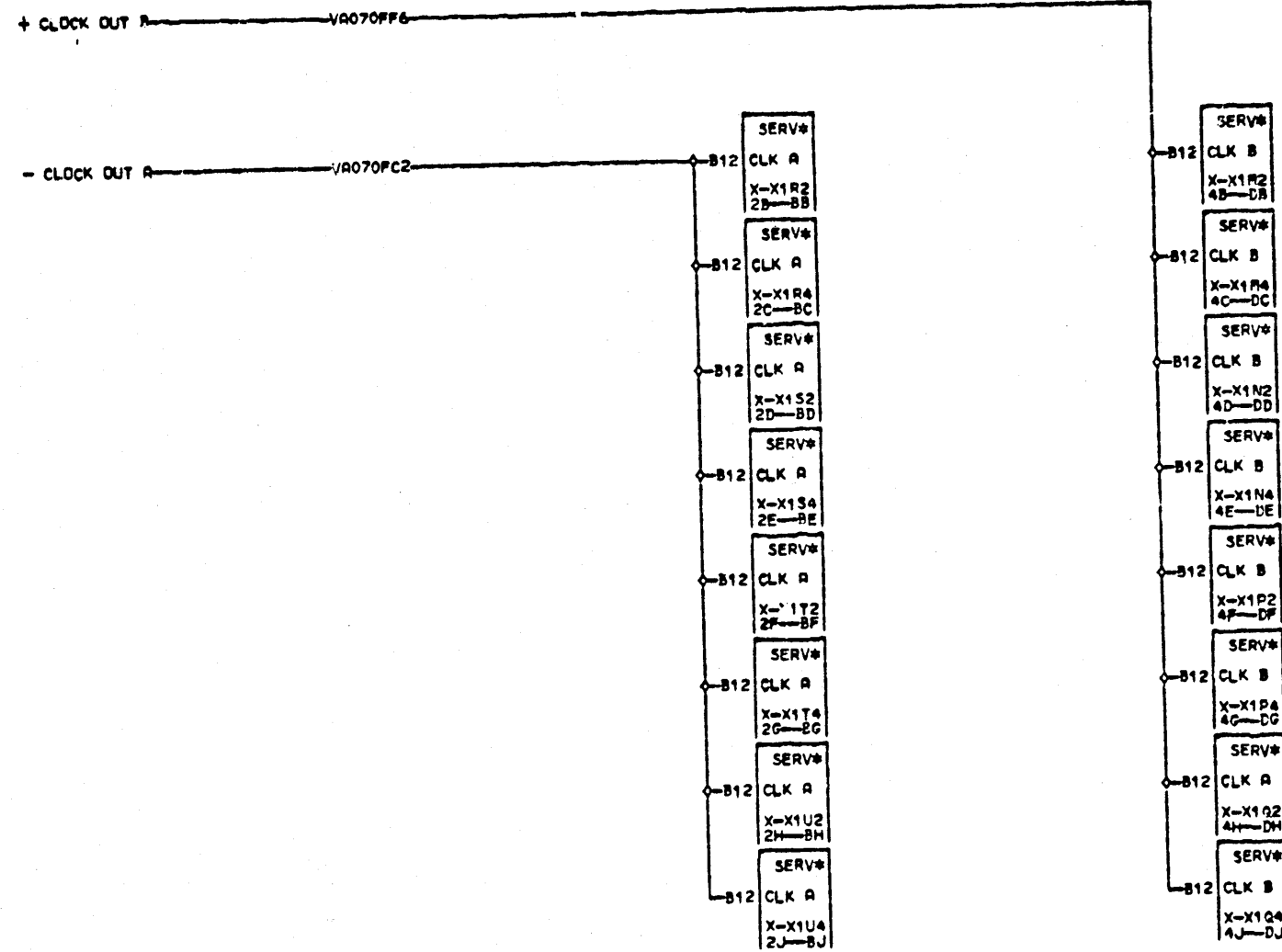


NOTE • JUMPER B09 TO B07 FOR 57.6KHZ CLOCK. JUMPER B05 TO B07 FOR 14.4 KHZ CLOCK.

06-06-78 318570

14.4KHZ AND 57.6KHZ LINE OSCILLATOR		
DATE	08-10-78	MACH. 27RNB
LOG	751	FRAME 01
P.N. 1749538		
IBM CORP.	SDD BLK.	SA

VA070  
000

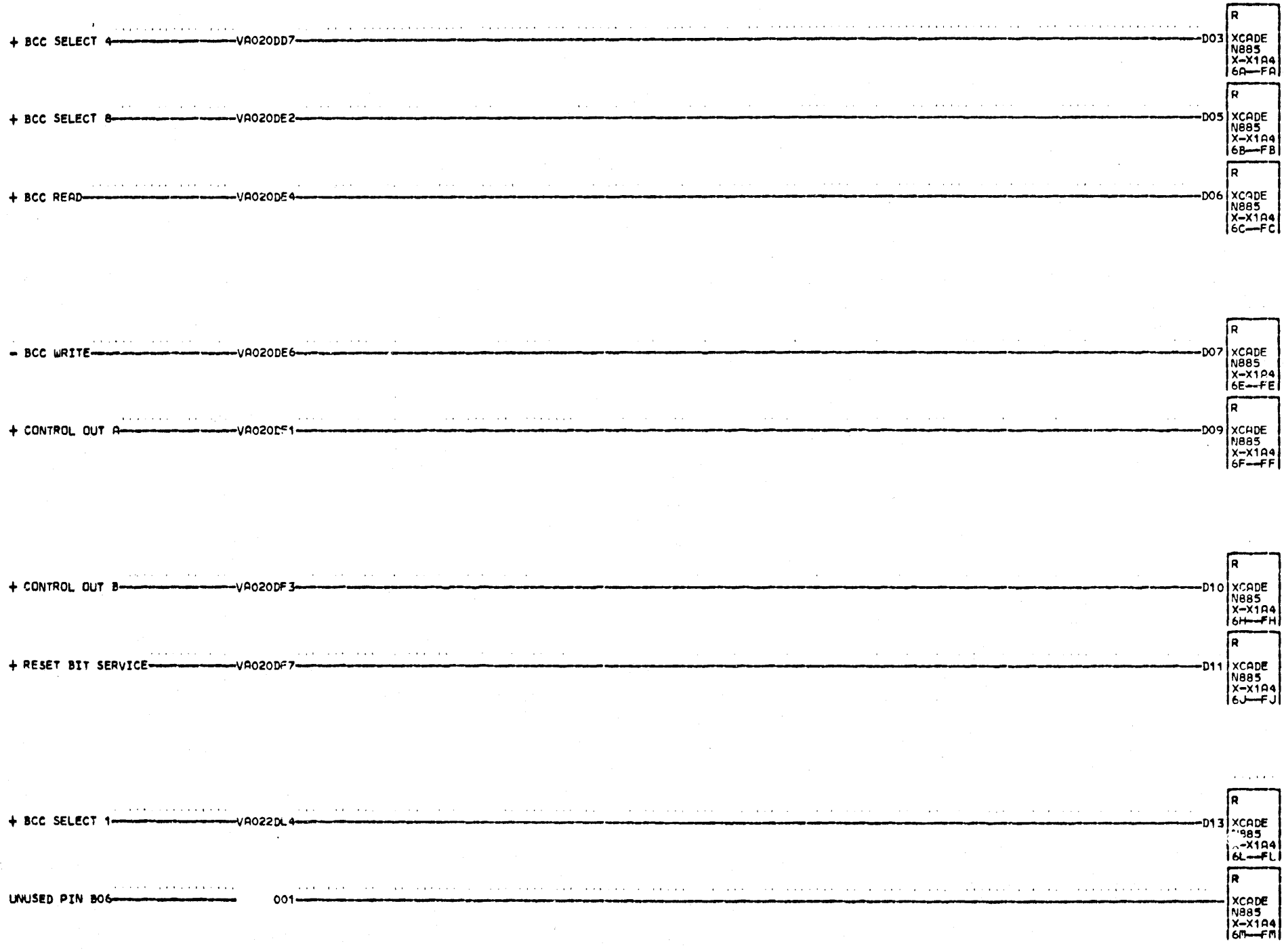


000

06-06-78 318570

OSC A AND OSC B SERVICE  
 PAGE  
 DATE 08-10-78 FRAC. 27RNB  
 LOG 751 FRAME 01  
 P.N. 1749547  
 IBM CORP. SCD BLK. DK

VA071



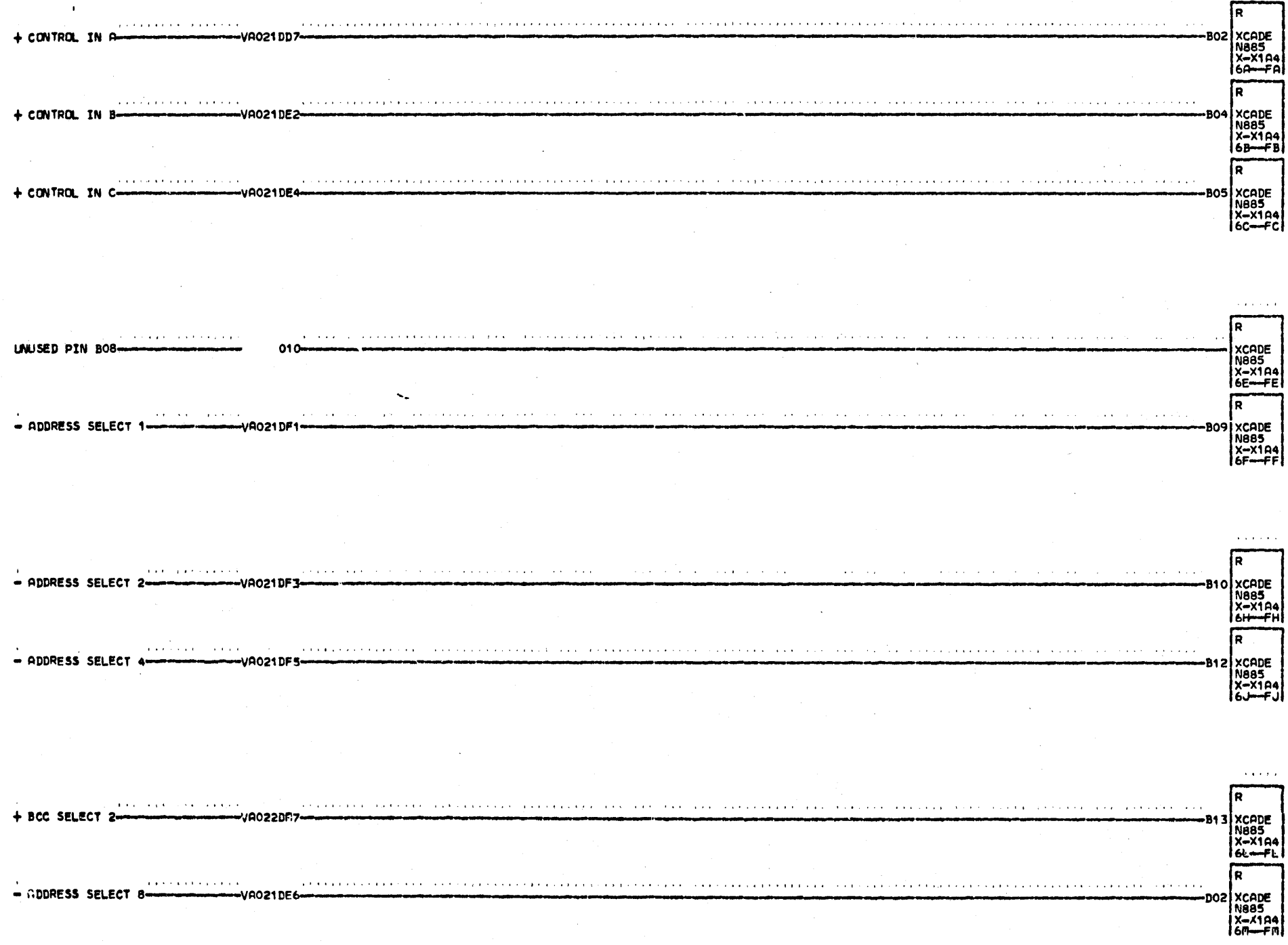
\* NOTE:  
 \* CARD PN 5862885 IS PLUGGED  
 V IN A4 OF THE LAST LTB  
 A BOARD ON EACH CSB INTERFACE.  
 O TYPE 2 CSB HAS 2 INTERFACES.  
 B TYPE 1 CSB HAS 1 INTERFACE.  
 1

000

01-26-72 309520C

TERMINATOR CARD			
DATE	01-26-72	MACH.	27RNB
LOG	600	FRAME	01
		PoN.	1785422
IBM CORP.	SDD	BLK.	FN

VA081  
000



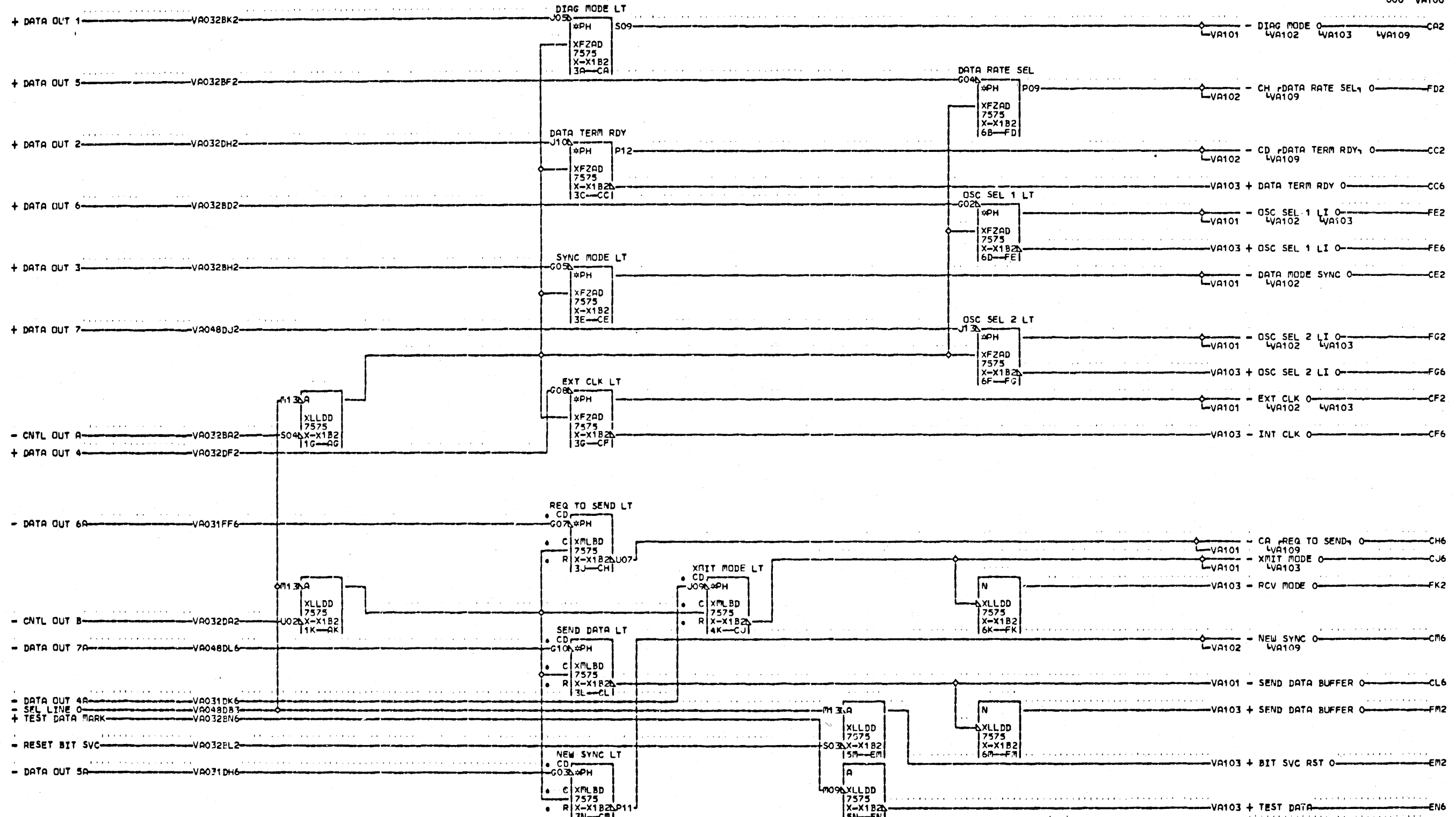
\* NOTE.  
 \* CARD PN 5862885 IS PLUGGED  
 V \* IN A1 OF THE LAST LIB  
 A \* BOARD ON EACH CSB INTERFACE.  
 O \* TYPE 2 CSB HAS 2 INTERFACES.  
 S \* TYPE 1 CSB HAS 1 INTERFACE.  
 2  
 000

01-26-72 309520C

TERMINATOR CARD			
DATE	01-26-72	RACH	27RNB
LOG.	600	FRAME	01
		P.No.	1785423
IBM CORP.	SDD BLK.	FN	000

VA082

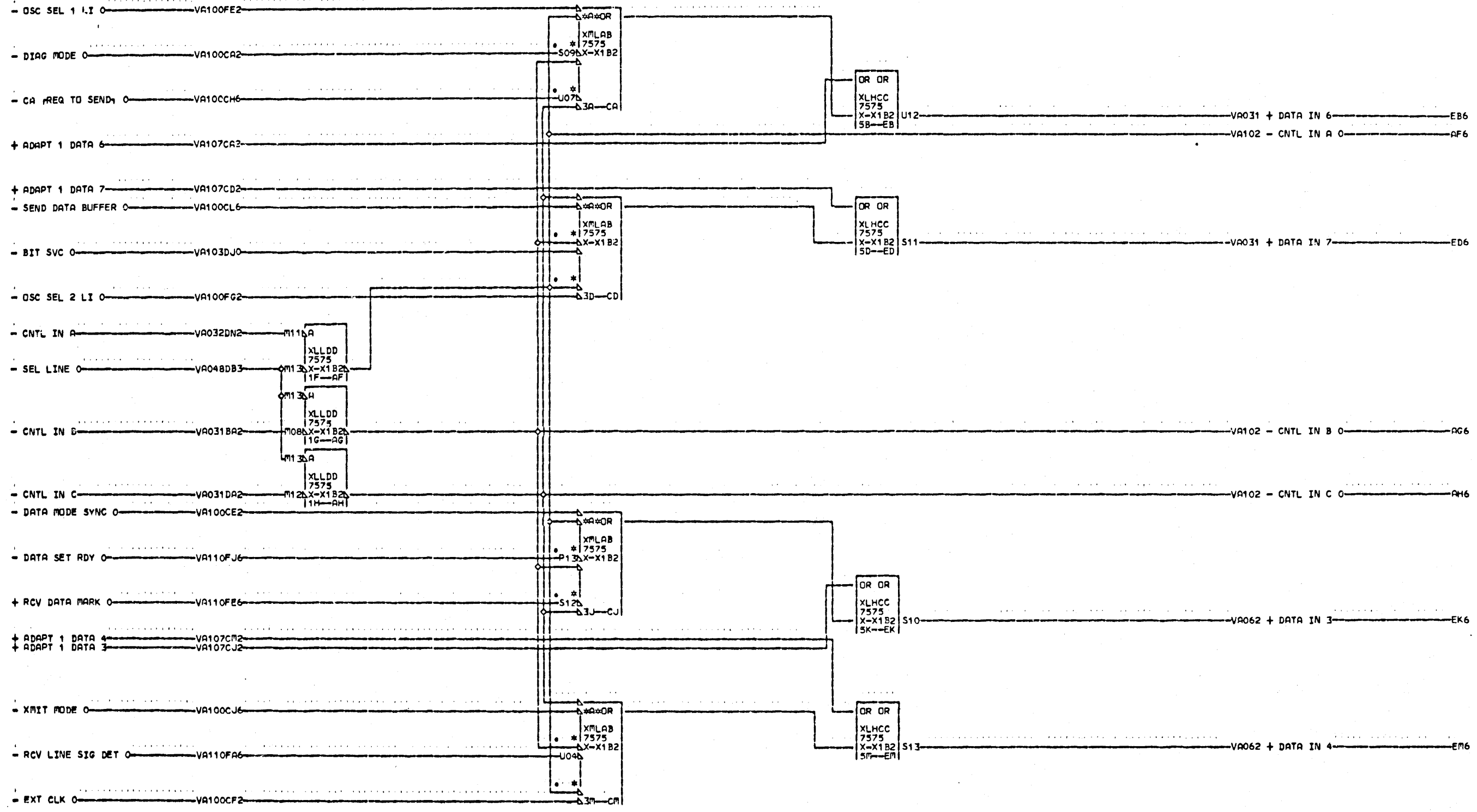




\* NOTE  
 \*FULL FEATURE WIRING SHOWN  
 V WITH EIA SYNC LINE SET.  
 A \*SEE VA000 FOR OTHER LINE SET  
 1  
 0  
 0  
 000

01-26-72 309520C

PIA SYNC			VA
LINE INTERFACE CARD			1
DATE 01-26-72 MACH. 27RNB			0
LOG	600 FRAME	01	0
PcN. 1785424			000
IBM CORP.	SDD BLK.	GL	

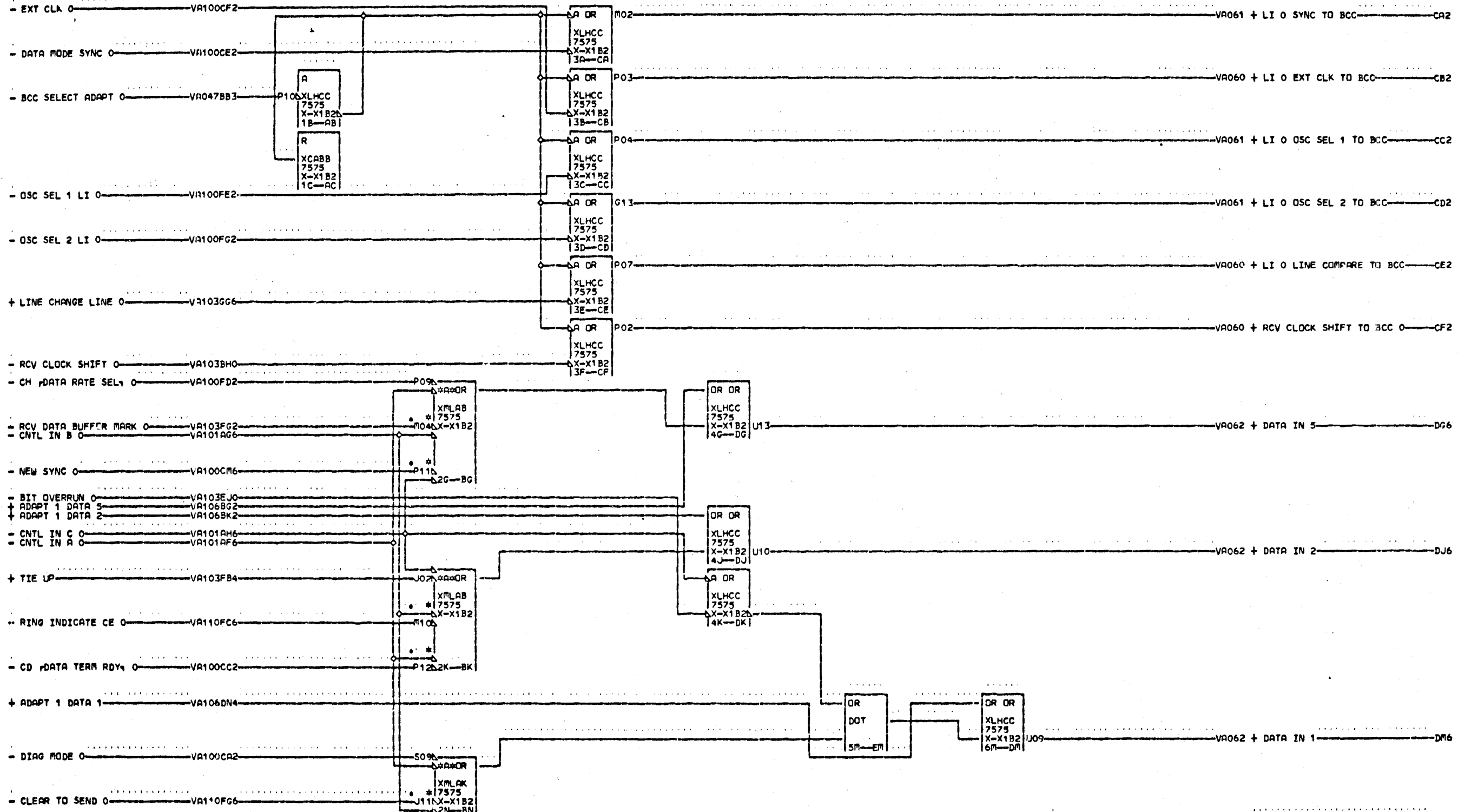


\* NOTE  
 # FULL FEATURE WIRING SHOWN  
 V # WITH ETA SYNC LINE SET.  
 A # SEE VA000 FOR OTHER LINE SET  
 1  
 0  
 1  
 000

01-26-72 309520C

ETA SYNC	
LINE INTERFACE CARD	
DATE	01-26-72 MACH. 27RNB
LOG	600 FRAME 01
P.N. 1785425	
IBM CORP.	SDD BLK. EN

V  
A  
1  
0  
1  
000

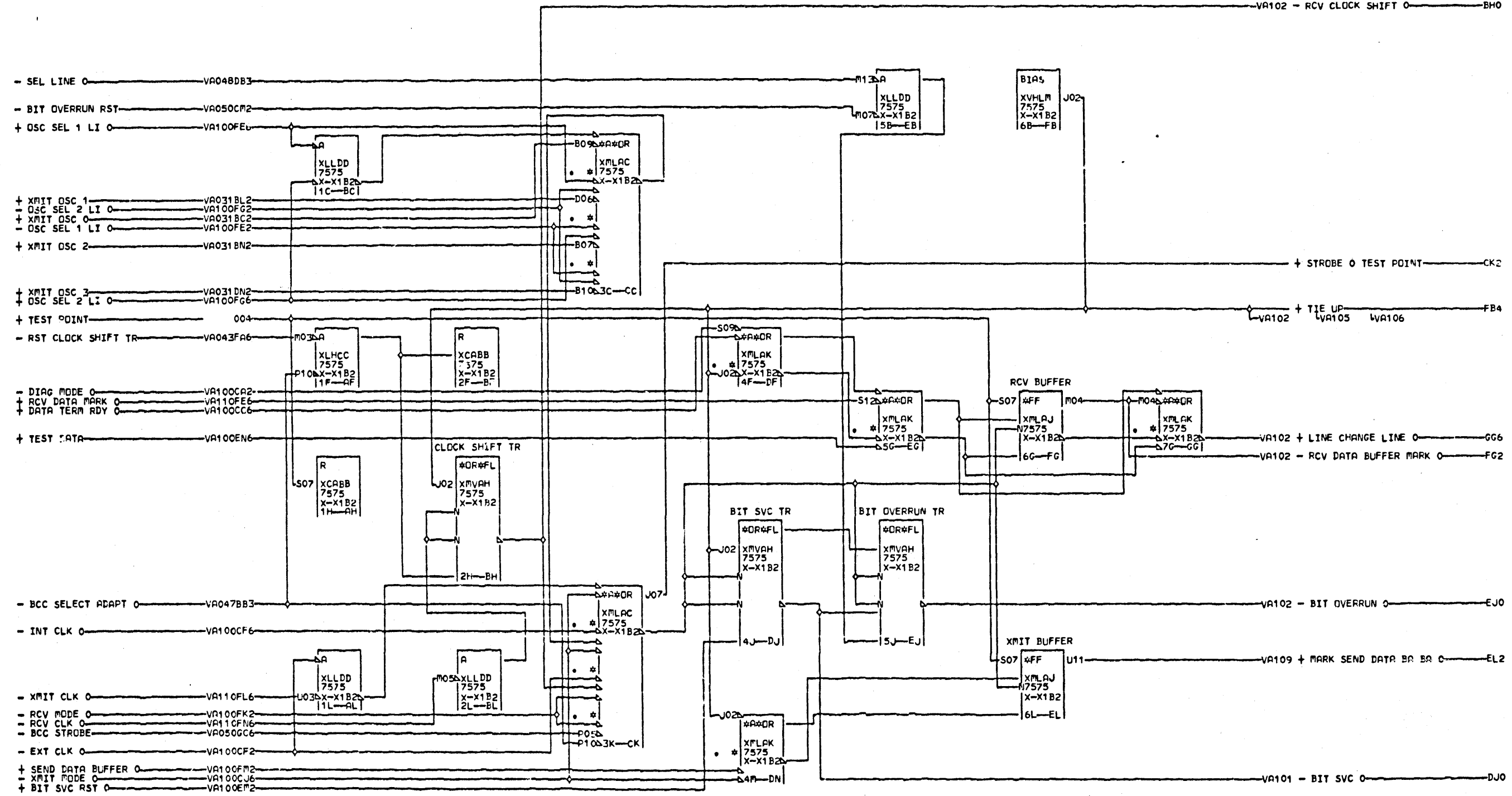


01-26-72 309520C

\* NOTE  
 \*FULL FEATURE WIRING SHOWN  
 V WITH EIA SYNC LINE SET  
 A \*SEE VA000 FOR OTHER LINE SET  
 1  
 0  
 2  
 000

EIA SYNC LINE INTERFACE CARD			
DATE	01-26-72	MACH	27RNB
LOG	600	FRAME	01
		PcNo	1785426
IBM CORP.	SDD	BLK.	EN

VA102  
000

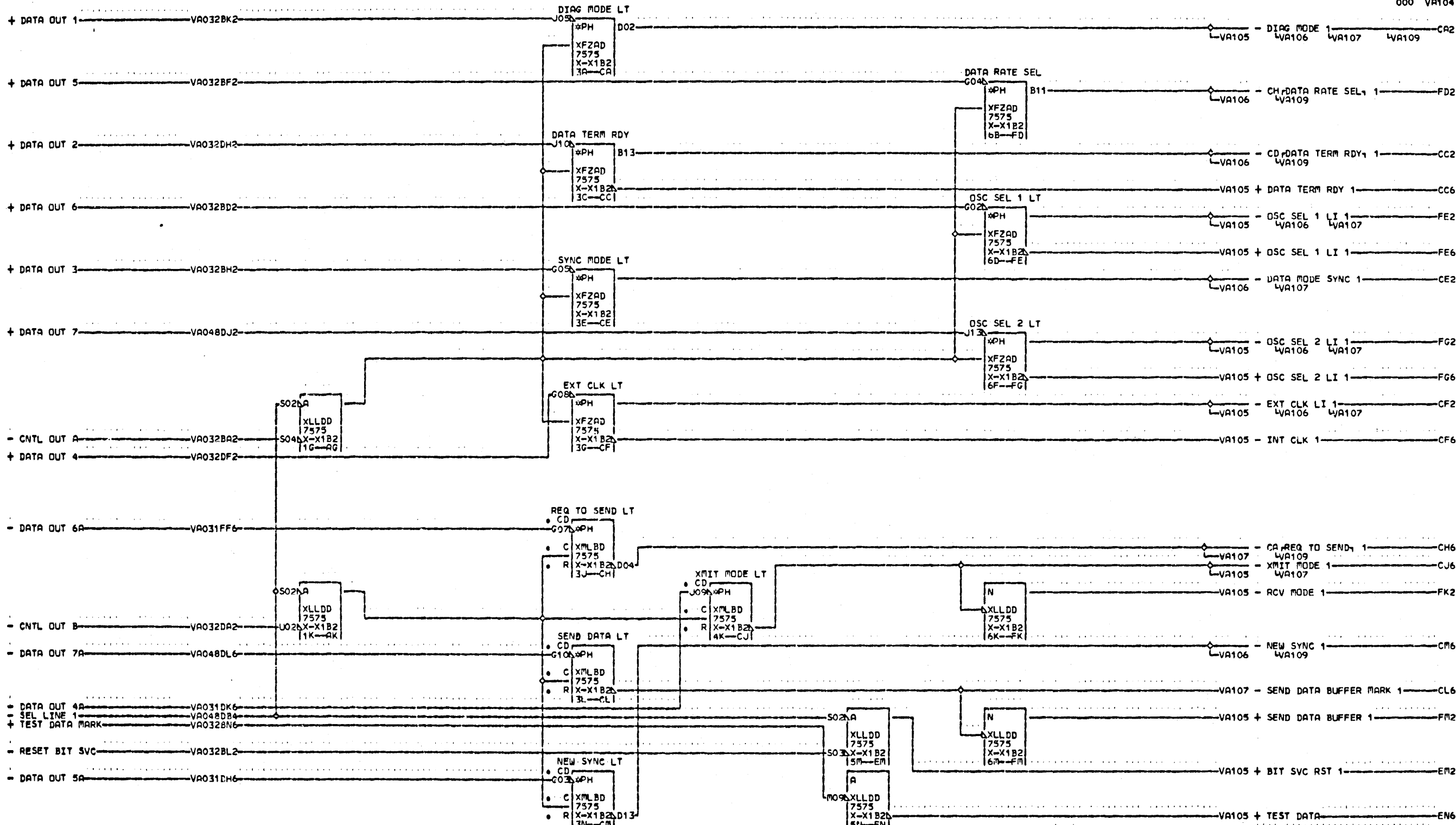


\* NOTE  
 \* FULL FEATURE WIRING SHOWN  
 V \* WITH EIA SYNC LINE SET  
 A \* AND LINE INTERFACE CARD  
 1 \* PN 8211452 INSTALLED  
 0 \* SEE VA000 FOR OTHER  
 3 \* LINE SETS

000

01-26-72 309520C  
 11-11-74 311286

EIA SYNC			VA 1 0 3
LINE INTERFACE CARD			
DATE	11-22-74	MACH. 27RNB	000
LOG	400	FRAME 01	
		P.No. 1785427	
IBM CORP.	SDD BLK.		GH

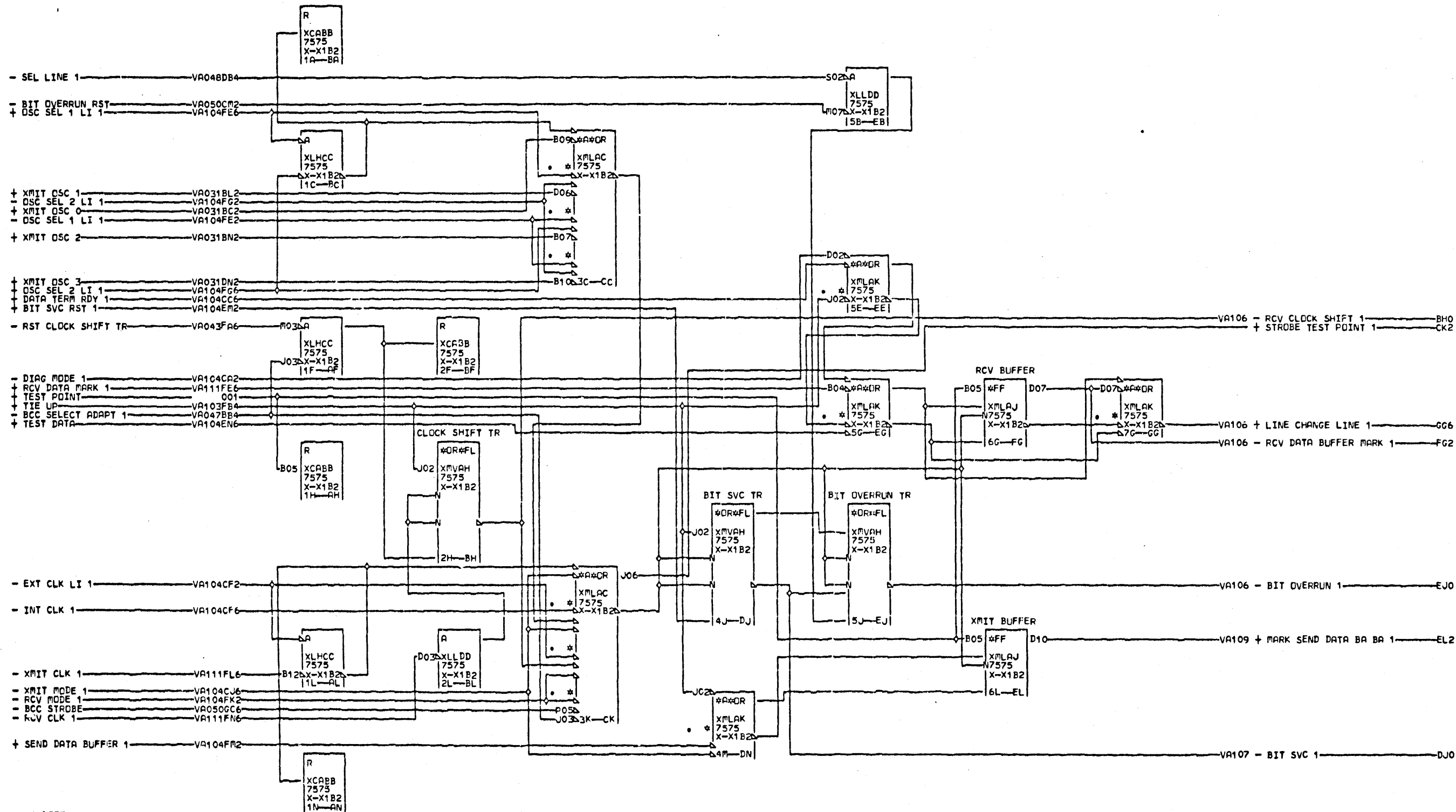


\* NOTE  
 \* FULL FEATURE WIRING SHOWN  
 \* WITH EIA SYNC LINE SET  
 \* SEE VA000 FOR OTHER LINE SET

1  
 0  
 4  
 000

01-26-72 309520C

EIA SYNC			
LINE INTERFACE CARD			
DATE	01-26-72	MACH.	27RNB
LOG	600	FRAME	01
		PaNo	1785428
IBM CORP.	SDD	BLK.	GL

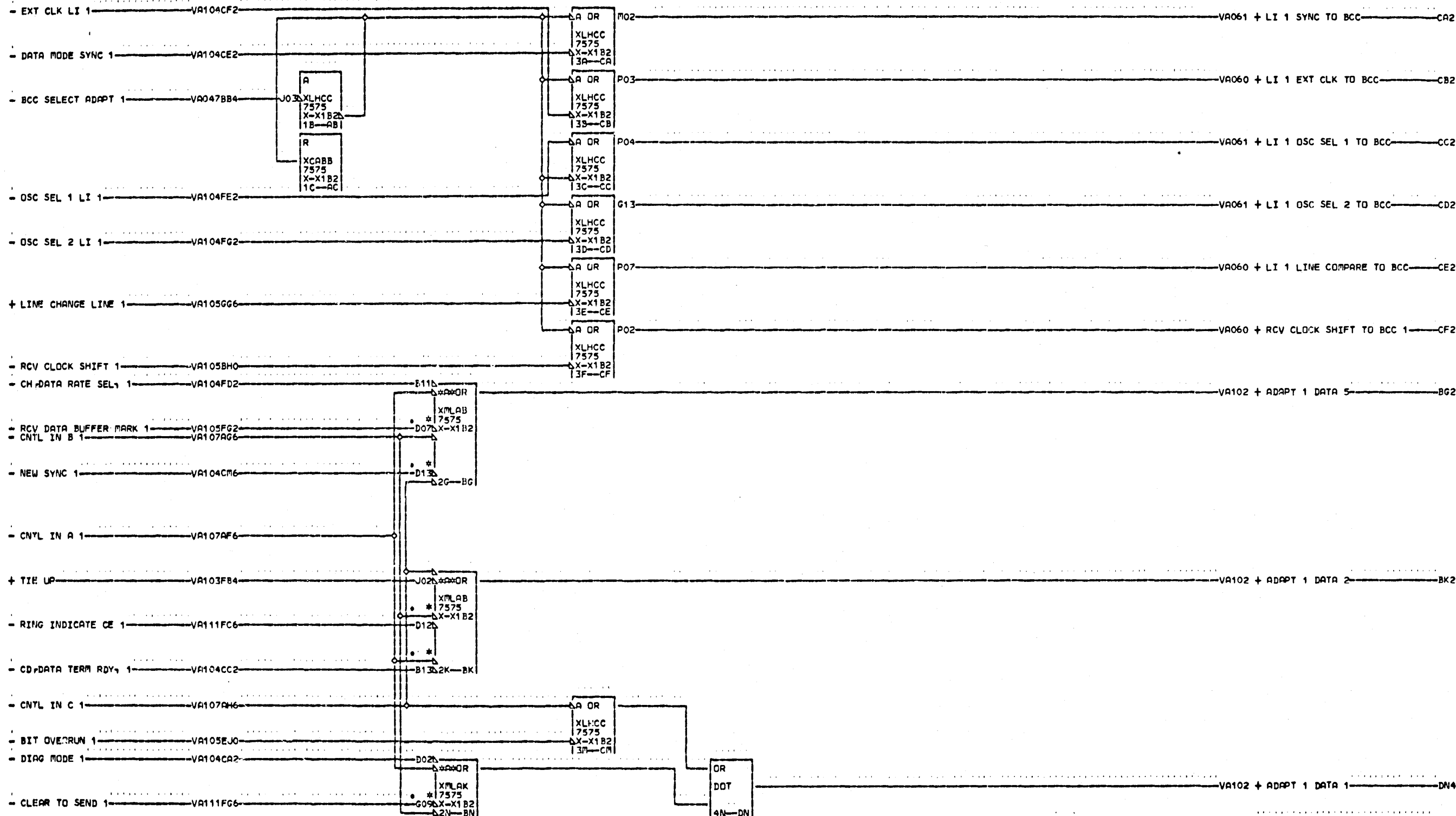


\* NOTE  
 \* FULL FEATURE WIRING SHOWN  
 V \* WITH EIA SYNC LINE SET  
 A \* AND LINE INTERFACE CARD  
 1 \* PN B211452 INSTALLED  
 0 \* SEE VA000 FOR OTHER  
 S \* LINE SETS

000

01-26-72 309520C  
 11-11-74 311286

EIA SYNC		
LINE INTERFACE CARD		
DATE	11-22-74	MACH. 27RNB
LOG	400 FRAME	01
		005
	PoN. 1785429	000
IBM CORP.	SDD BLK.	GH

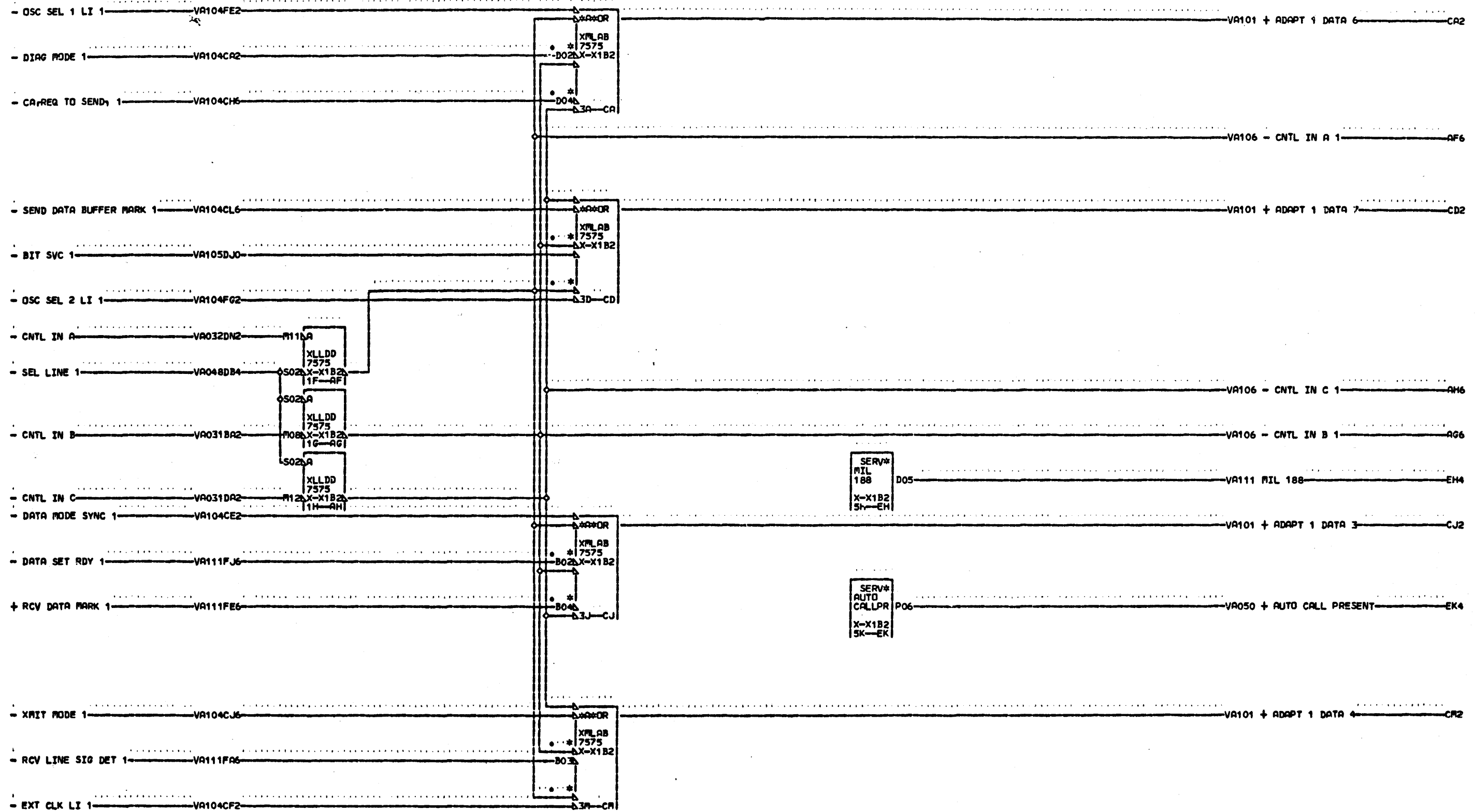


\* NOTE  
 \* FULL FEATURE WIRING SHOWN  
 V \* WITH EIA SYNC LINE SET  
 A \* SEE VA000 FOR OTHER LINE SET

1  
 0  
 6  
 000

01-26-72 309520C

EIA SYNC				VA 1 0 6
LINE INTERFACE CARD				
DATE	01-26-72	MACH	27RNB	000
LOG	600	FRAME	01	
		P.N.	1785430	
IBM CORP.	SDD	BLK.	DP	



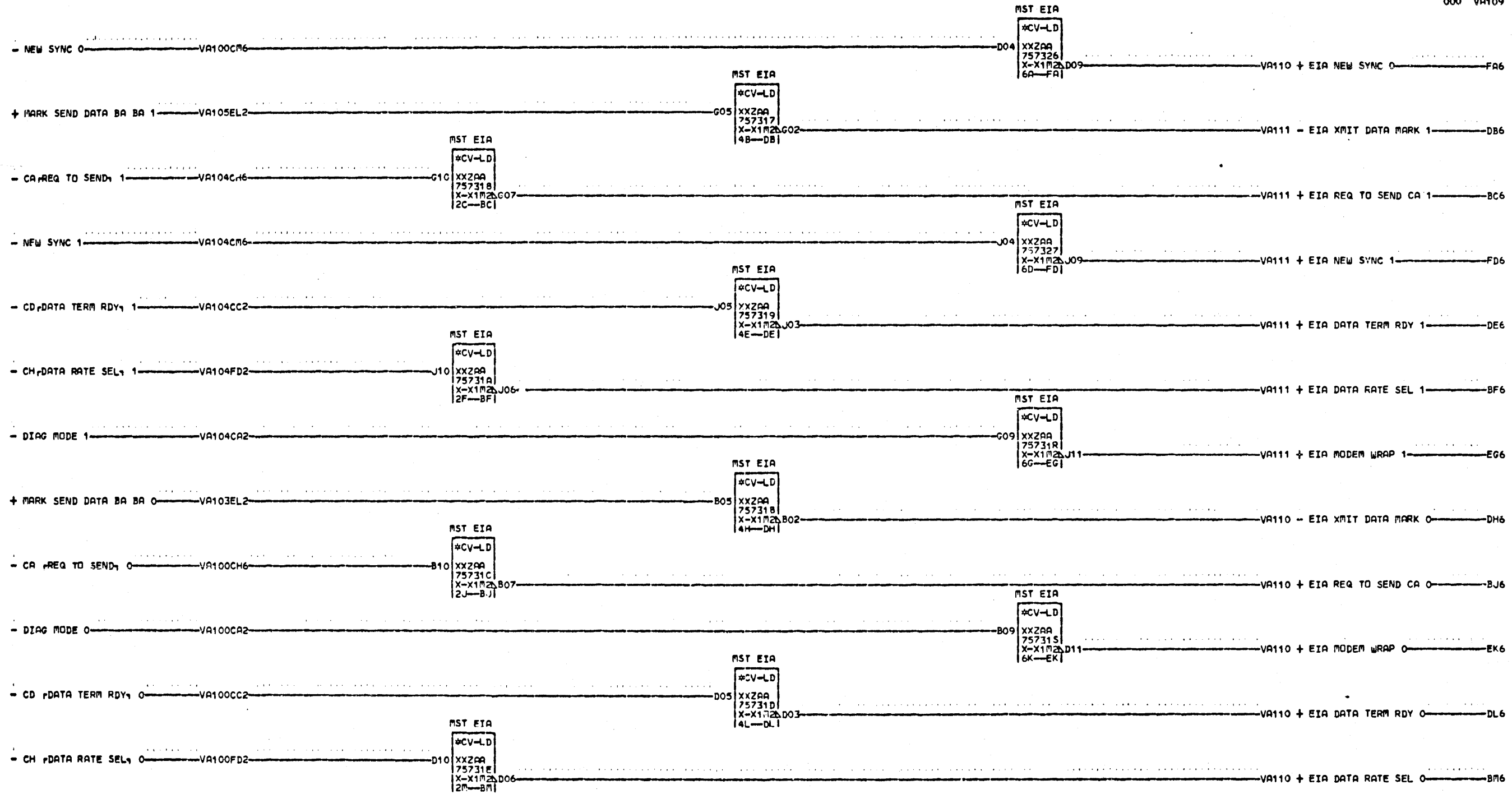
\* NOTE  
 \* FULL FEATURE WIRING SHOWN  
 \* WITH EIA SYNC LINE SET  
 \* SEE VA000 FOR OTHER LINE SET

VA107  
 000

01-26-72 309520C

EIA SYNC		
LINE INTERFACE CARD		
DATE	01-26-72 MACH# 27RNB	
LOG	600 FRAME	01
PcNo 1785431		000
IBR CORP.	SDD BLK.	EL





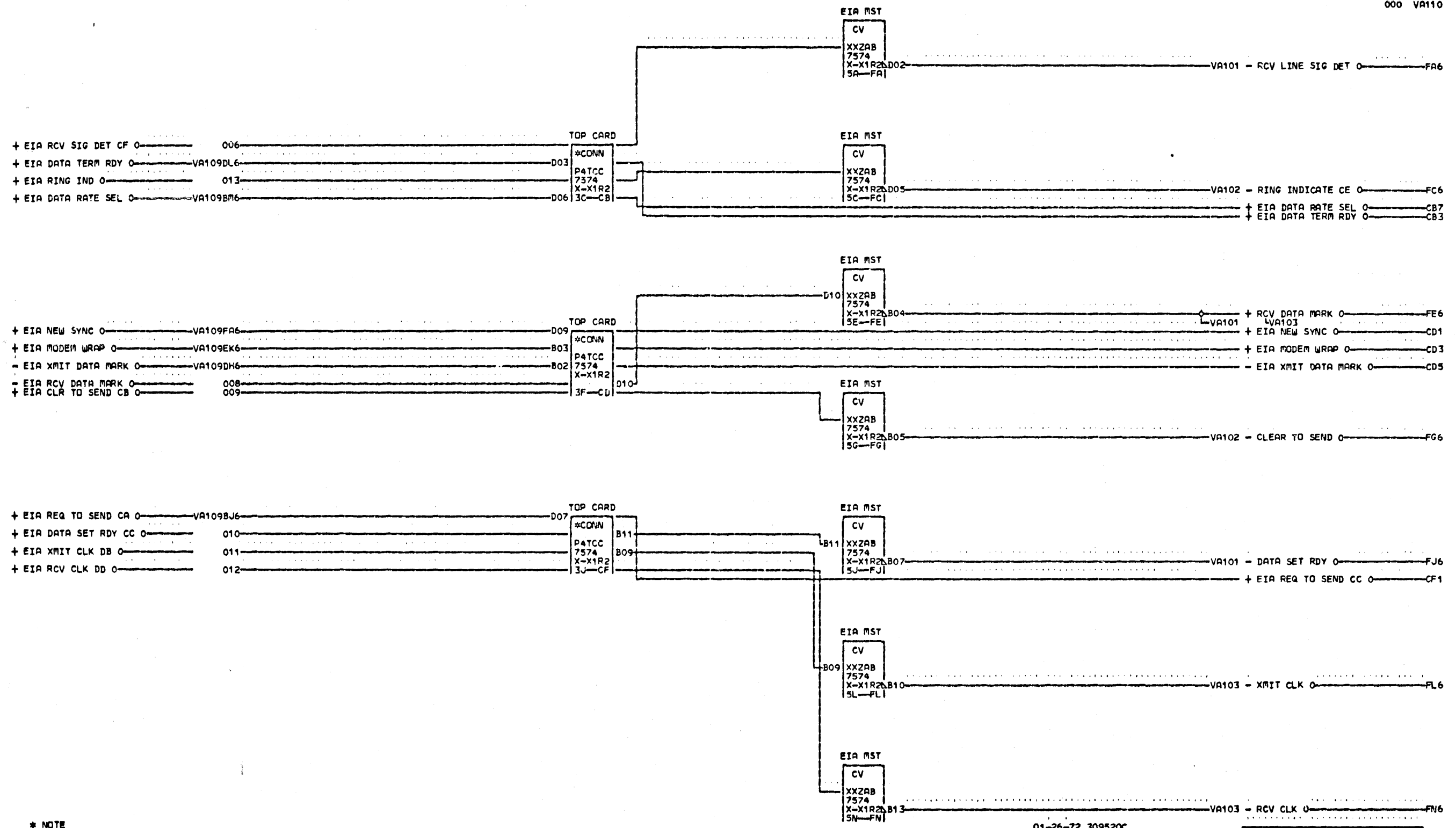
\* NOTE  
 \* FULL FEATURE WIRING SHOWN  
 \* WITH EIA SYNC LINE SET  
 \* SEE VA000 FOR OTHER LINE SET

1  
 0  
 9  
 000

01-26-72 309520C

EIA SYNC DRIVER CARD		
DATE	01-26-72	MARCH 27RNB
LOG	600	FRAME 01
		P.N. 1785432
IBM CORP.	SDD BLK.	FF

VA  
1  
0  
9  
000



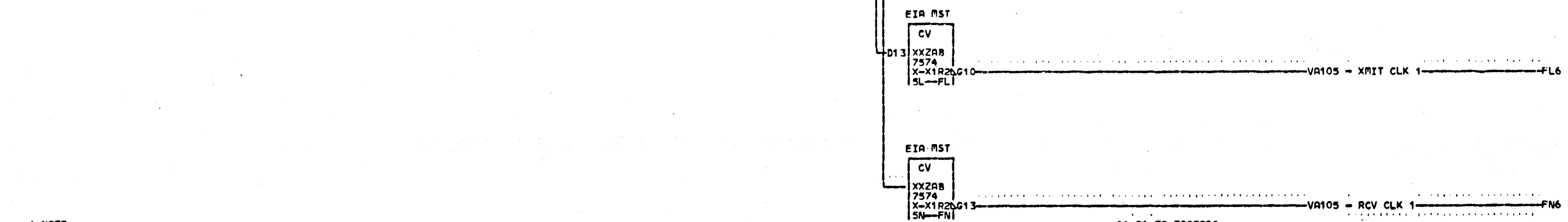
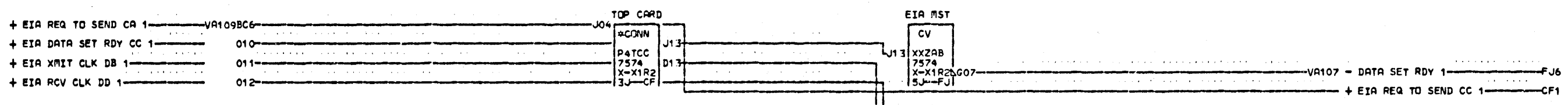
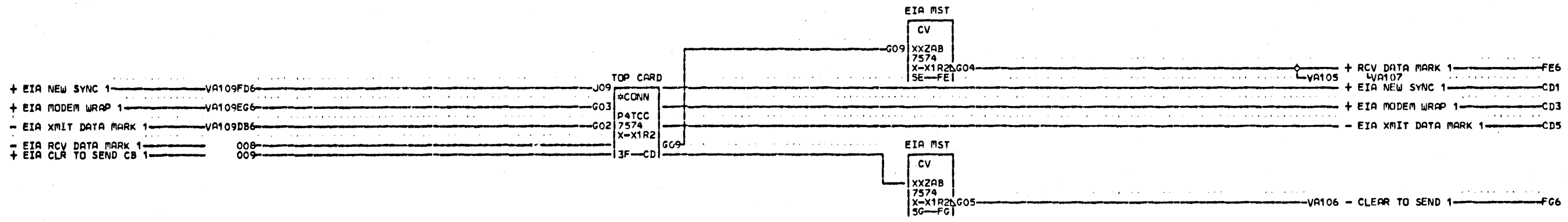
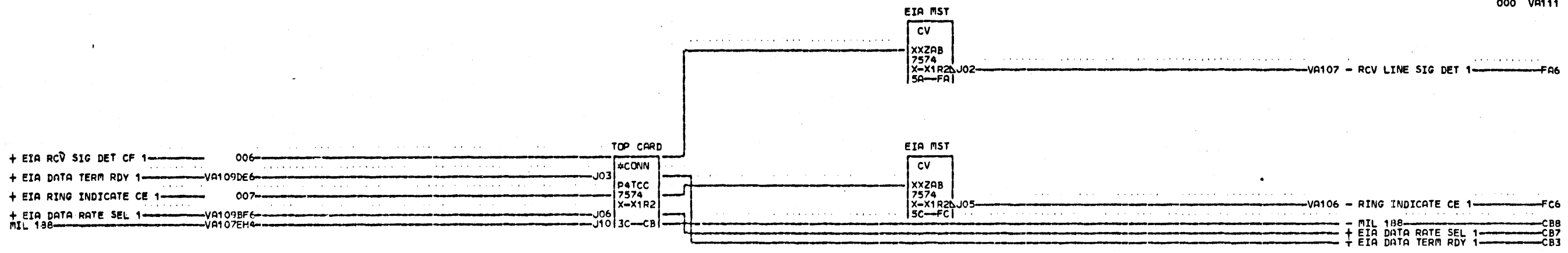
\* NOTE  
 \* FULL FEATURE WIRING SHOWN  
 \* WITH EIA SYNC LINE SET  
 \* SEE VA000 FOR OTHER LINE SET

000

01-26-72 309520C

EIA SYNC TERMINATOR CARD			
DATE	01-26-72	MACH#	27RNB
LOG	600	FRAME	01
		P#No	1785433
IBM CORP.	SDD BLK.		FP

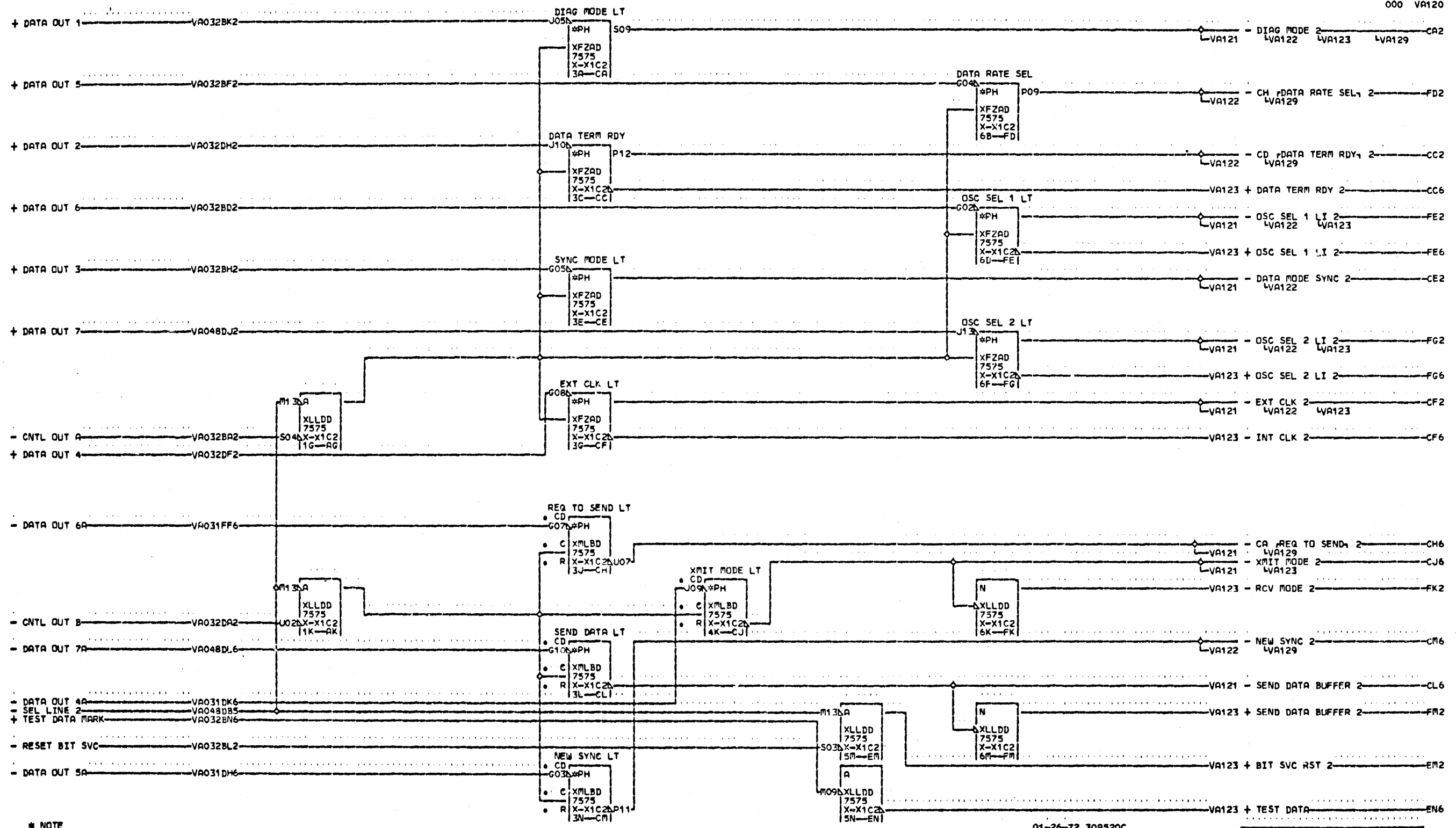
VA110



01-26-72 309520C

\* NOTE  
 \* FULL FEATURE WIRING SHOWN  
 \* WITH EIA SYNC LINE SET  
 \* SEE VA000 FOR OTHER LINE SET

EIA SYNC TERMINATOR CARD			
DATE	01-26-72	MACH	27RNB
LOG	600	FRAME	01
PcNo		1785434	
IBM CORP.	SDD BLK.	FP	

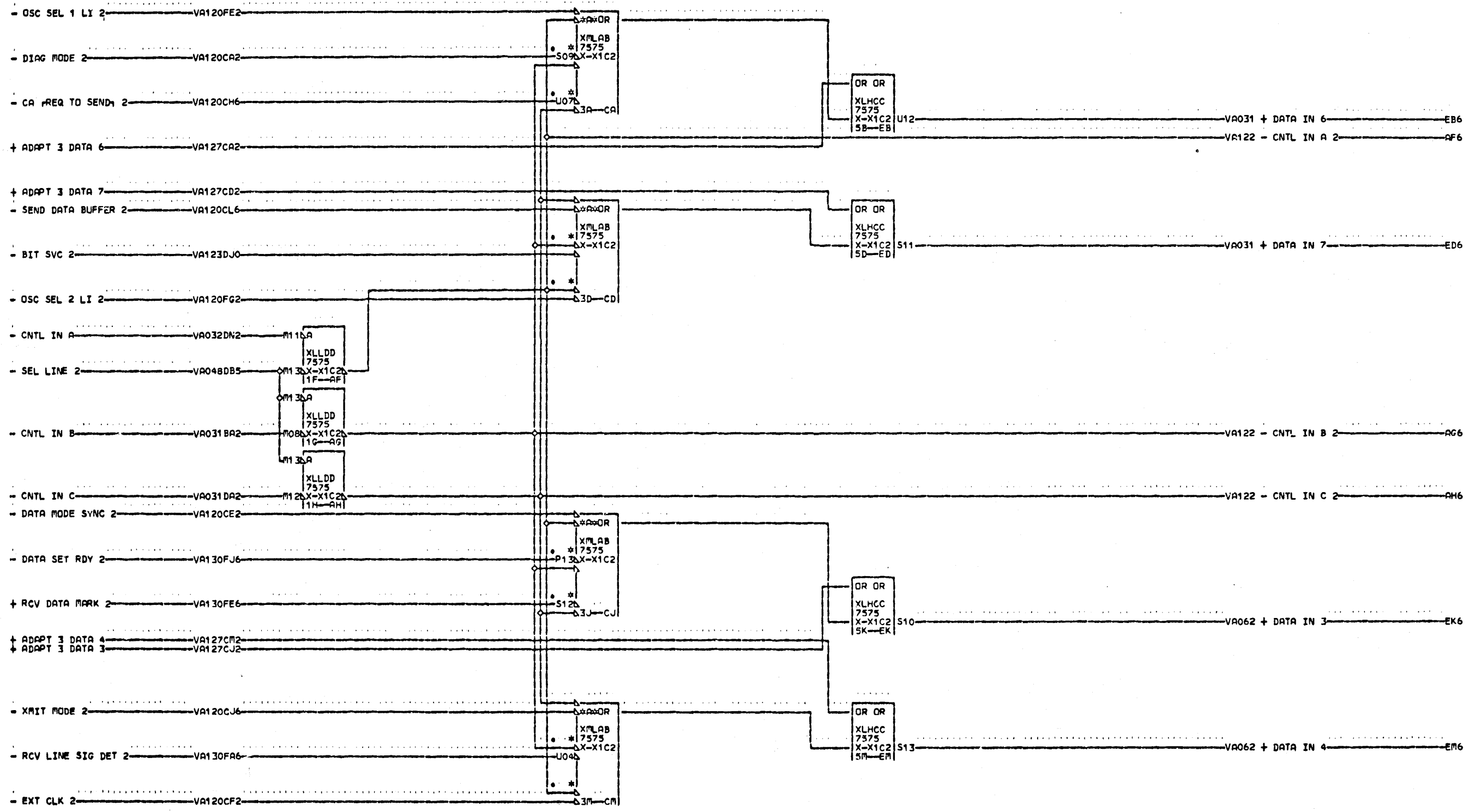


\* NOTE  
 \* FULL FEATURE WIRING SHOWN  
 \* WITH EIA SYNC LINE SET  
 \* SEE VA000 FOR OTHER LINE SET

VA  
 1  
 2  
 0  
 000

01-26-72 309520C

EIA SYNC			
LINE INTERFACE CARD			
DATE	01-26-72	MACH#	27RNB
LOG	600	FRAME	01
		PaNo	1785435
IBM CORP.	SDD BLK.		0L



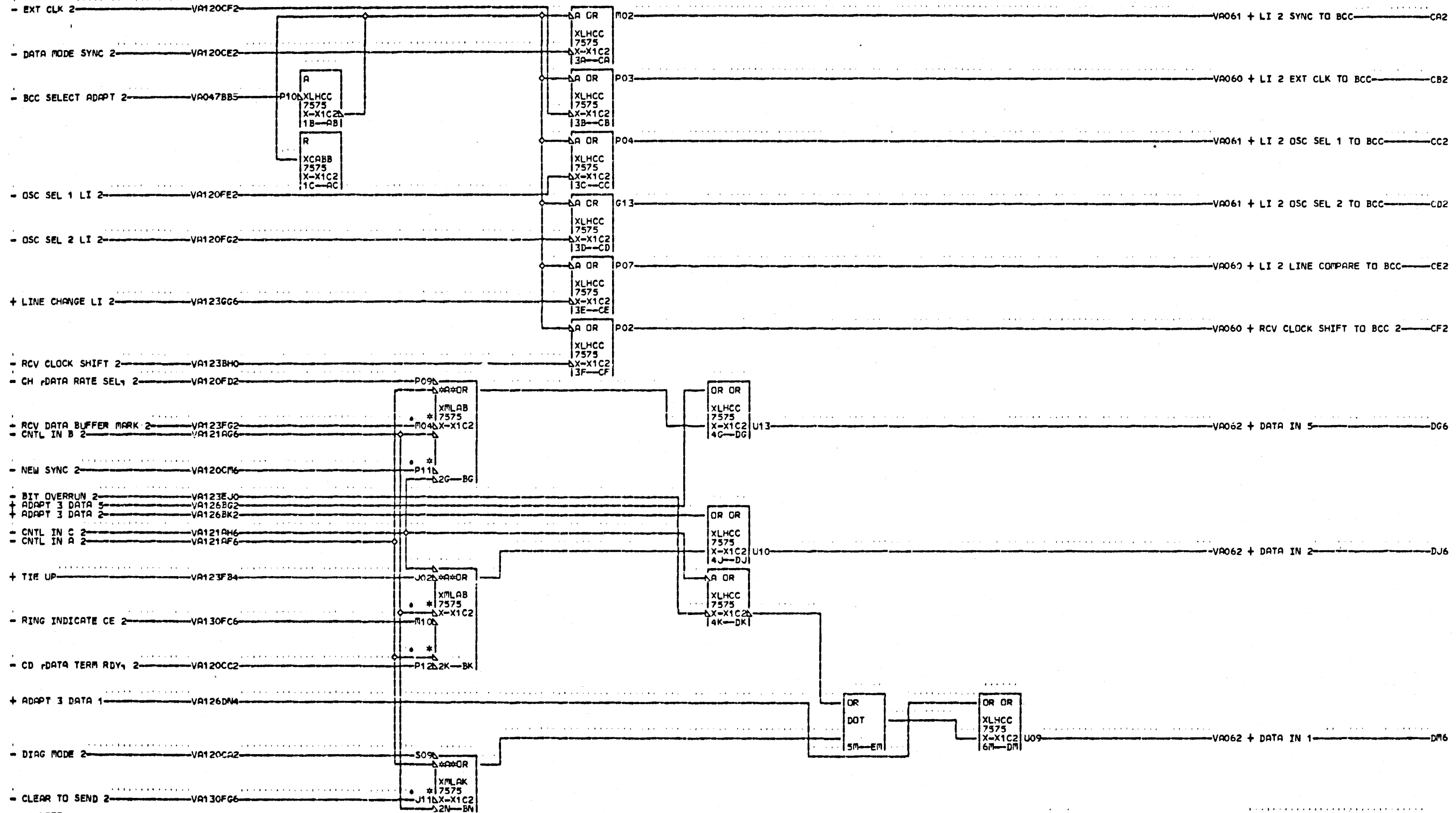
\* NOTE  
 \* FULL FEATURE WIRING SHOWN  
 \* WITH EIA SYNC LINE SET  
 \* SEE VA000 FOR OTHER LINE SET

VA  
 1  
 2  
 1  
 000

01-26-72 309520C

EIA SYNC			
LINE INTERFACE CARD			
DATE	01-26-72	MACH.	27RNB
LOG	600	FRAME	01
		PaNo	1785436
IBM CORP.	SDD BLK.	EN	

VA  
 1  
 2  
 1  
 000



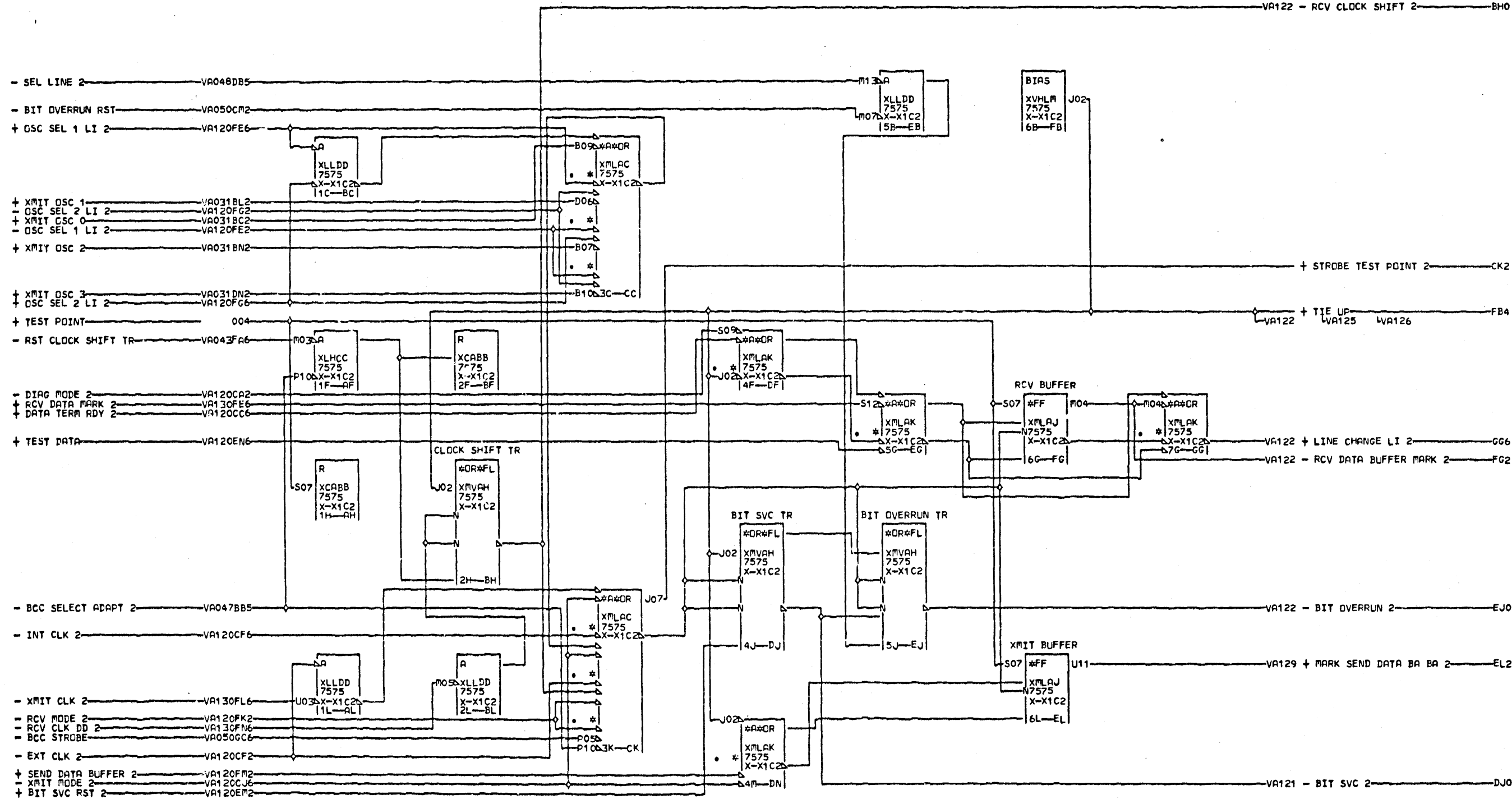
\* NOTE  
 \* FULL FEATURE WIRING SHOWN  
 \* WITH EIA SYNC LINE SET  
 \* SEE VA000 FOR OTHER LINE SET

VA122  
 000

01-26-72 309520C

EIA SYNC			
LINE INTERFACE CARD			
DATE	01-26-72	MACH.	27RNB
LOG	600	FRAME	01
		PaNo.	1785437
IBM CORP.	SDD BLK.	EN	

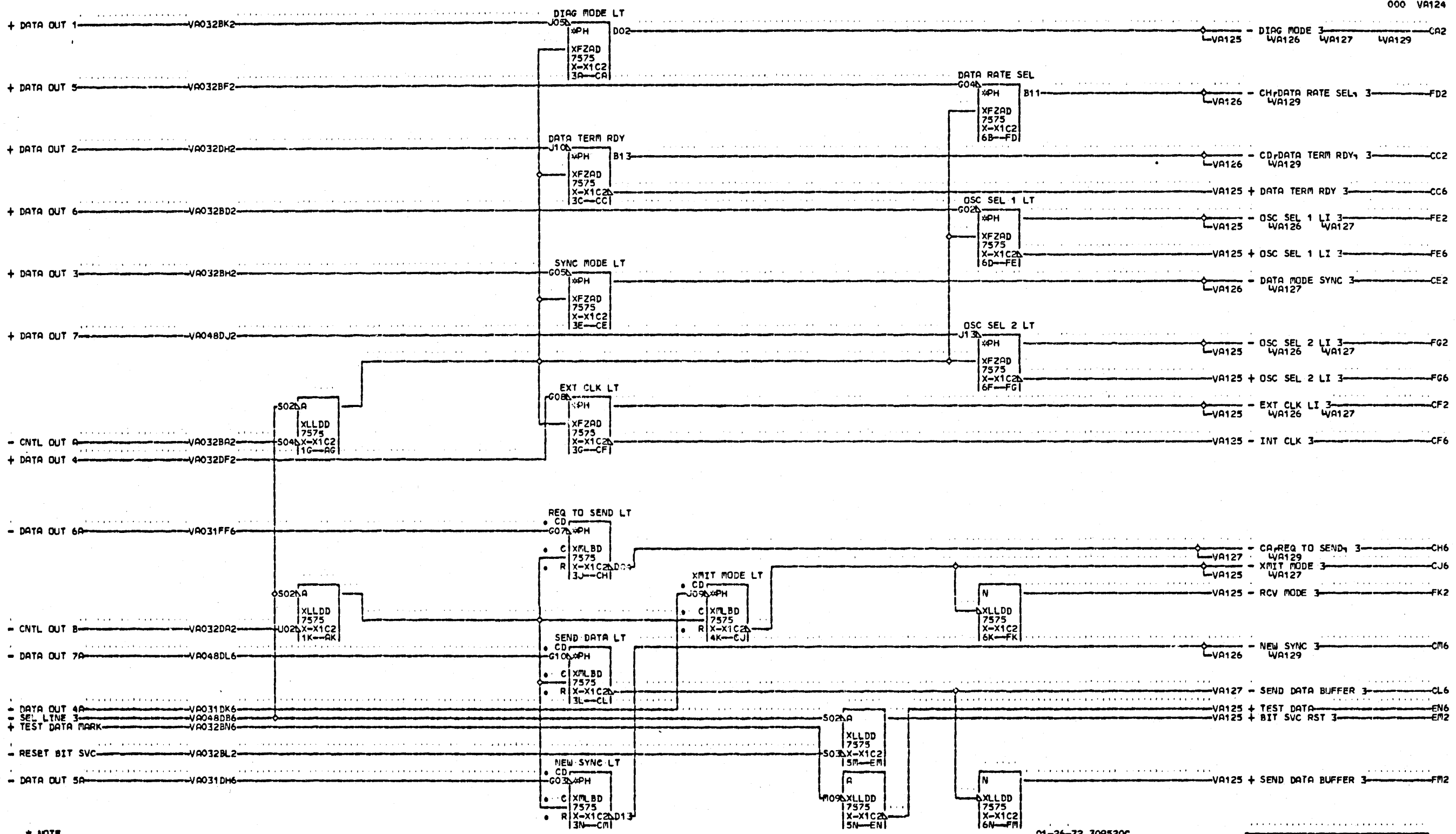
VA122  
000



000

01-26-72 309520C  
 11-11-74 311286

EIA SYNC		VA
LINE INTERFACE CARD		1
DATE	11-22-74	MACH# 27RNB
LOG	400	FRAME 01
		2
		3
		000
IBM CORP.	SDD BLK.	GH



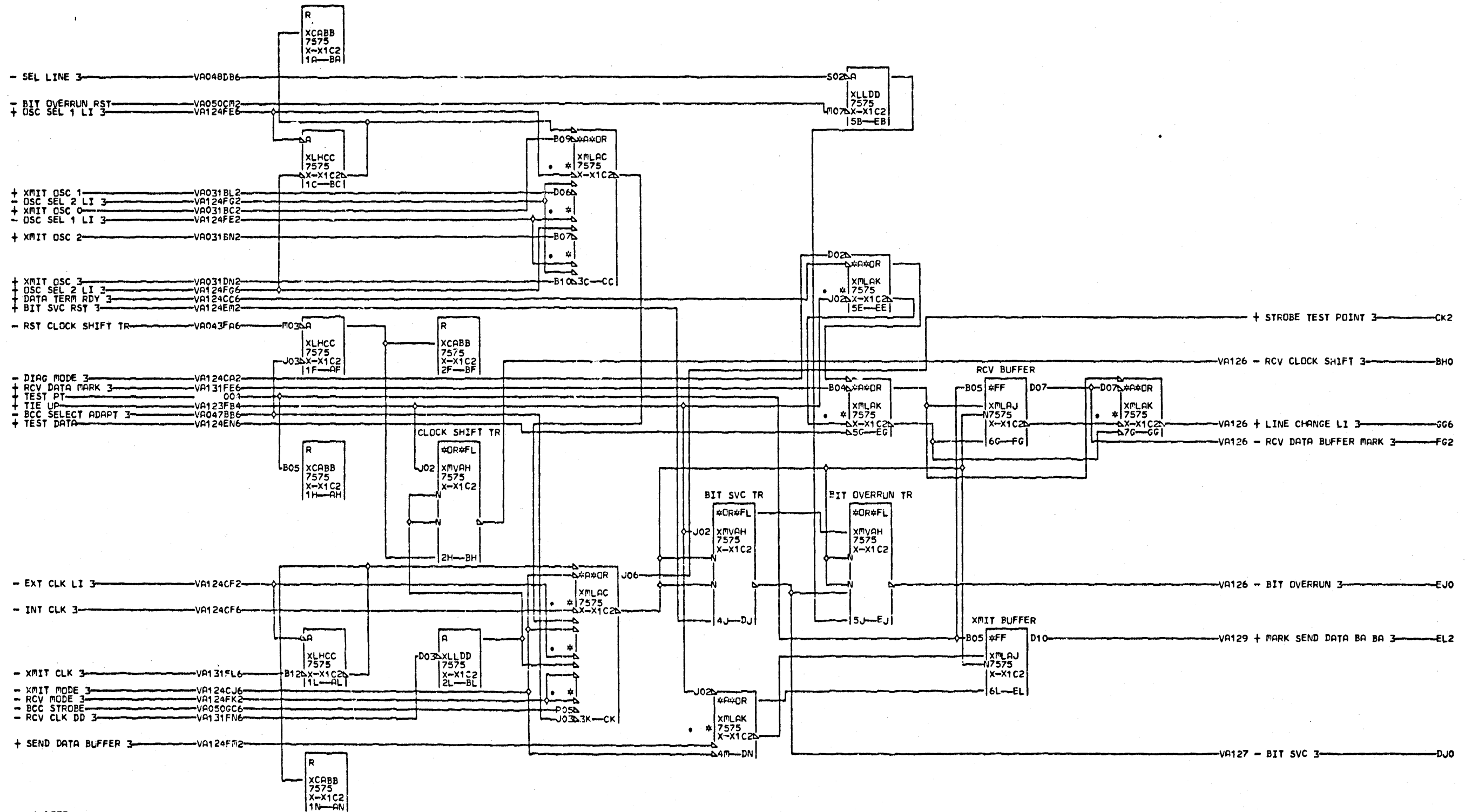
NOTE  
 \* FULL FEATURE WIRING SHOWN  
 \* WITH EIA SYNC LINE SET  
 \* SEE VA000 FOR OTHER LINE SET

1  
 2  
 4  
 000

01-26-72 309520C

EIA SYNC				VA
LINE INTERFACE CARD				
DATE	01-26-72	MACH.	27RNB	1
L00	600	FRAME	01	2
		P.N.	1785439	4
IBM CORP.	SDD BLK.		GL	000





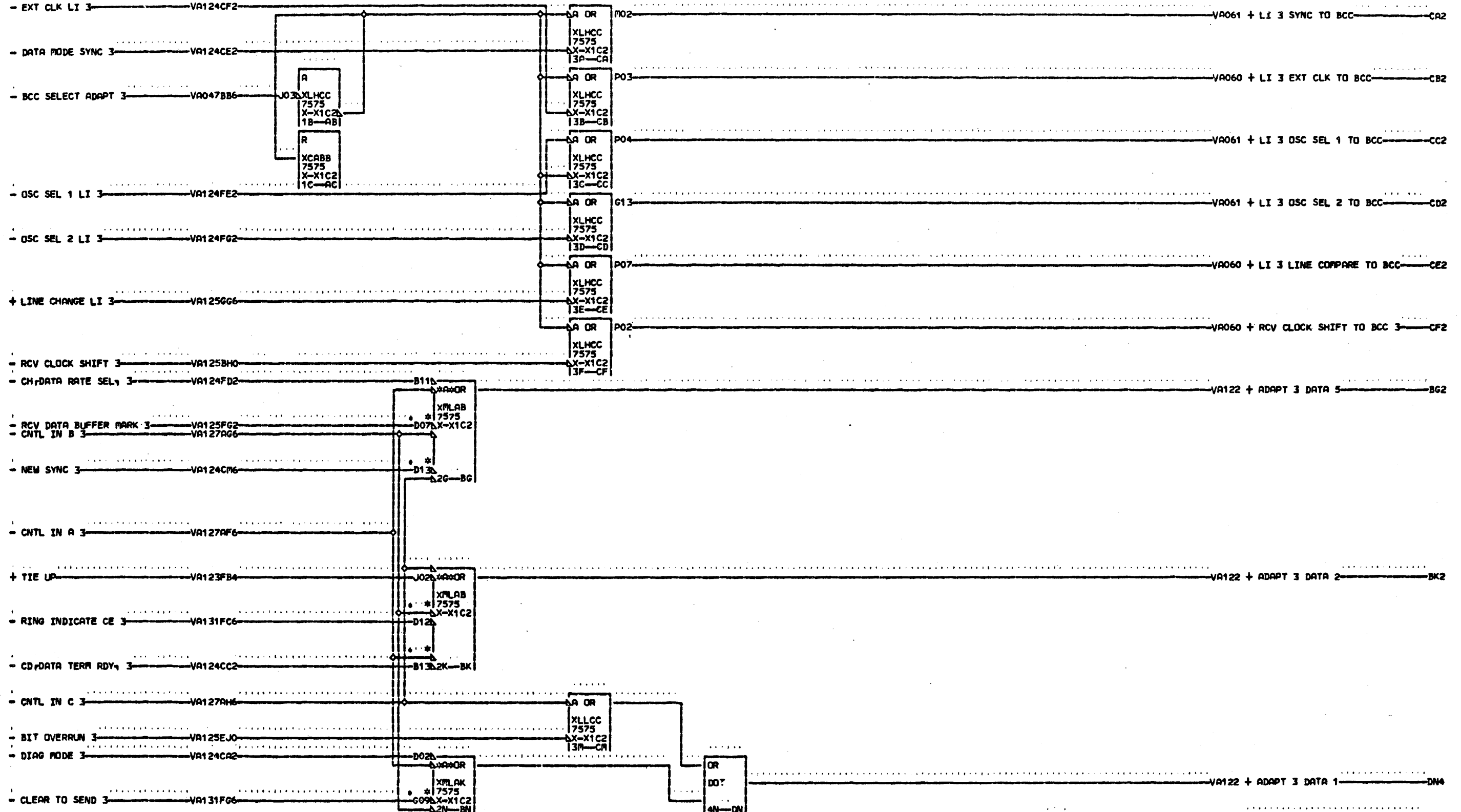
\* NOTE  
 \* FULL FEATURE WIRING SHOWN  
 V \* WITH EIA SYNC LINE SET  
 A \* AND LINE INTERFACE CARD  
 1 \* PN 8211452 INSTALLED  
 2 \* SEE VA000 FOR OTHER  
 5 \* LINE SETS

000

01-26-72 309520C  
 11-11-74 311286

EIA SYNC LINE INTERFACE CARD			
DATE	11-22-74	FRAC#	27RNB
LOG	400	FRAME	01
		PoN#	1785440
TBM CORP.	SDD	BLK.	GH

VA  
1  
2  
3  
000

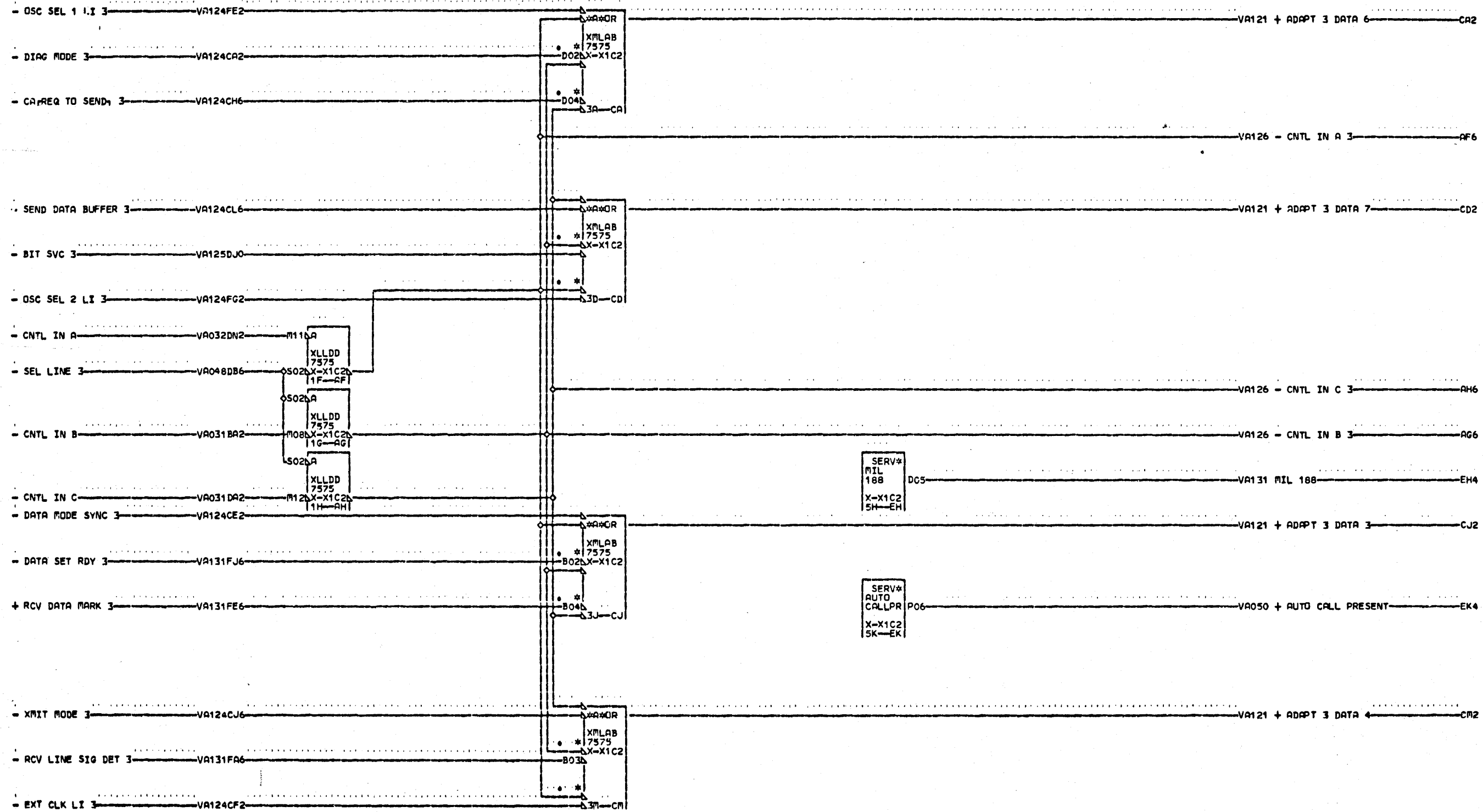


\* NOTE  
 \* FULL FEATURE WIRING SHOWN  
 V \* WITH EIA SYNC LINE SET  
 A \* SEE VA000 FOR OTHER LINE SET  
 1  
 2  
 6  
 000

01-26-72 309520C

EIA SYNC			
LINE INTERFACE CARD			
DATE	01-26-72	FRAC	27RNB
LOG	600	FRAME	01
		PaNo	1785441
IBM CORP. SDD BLK.			DP

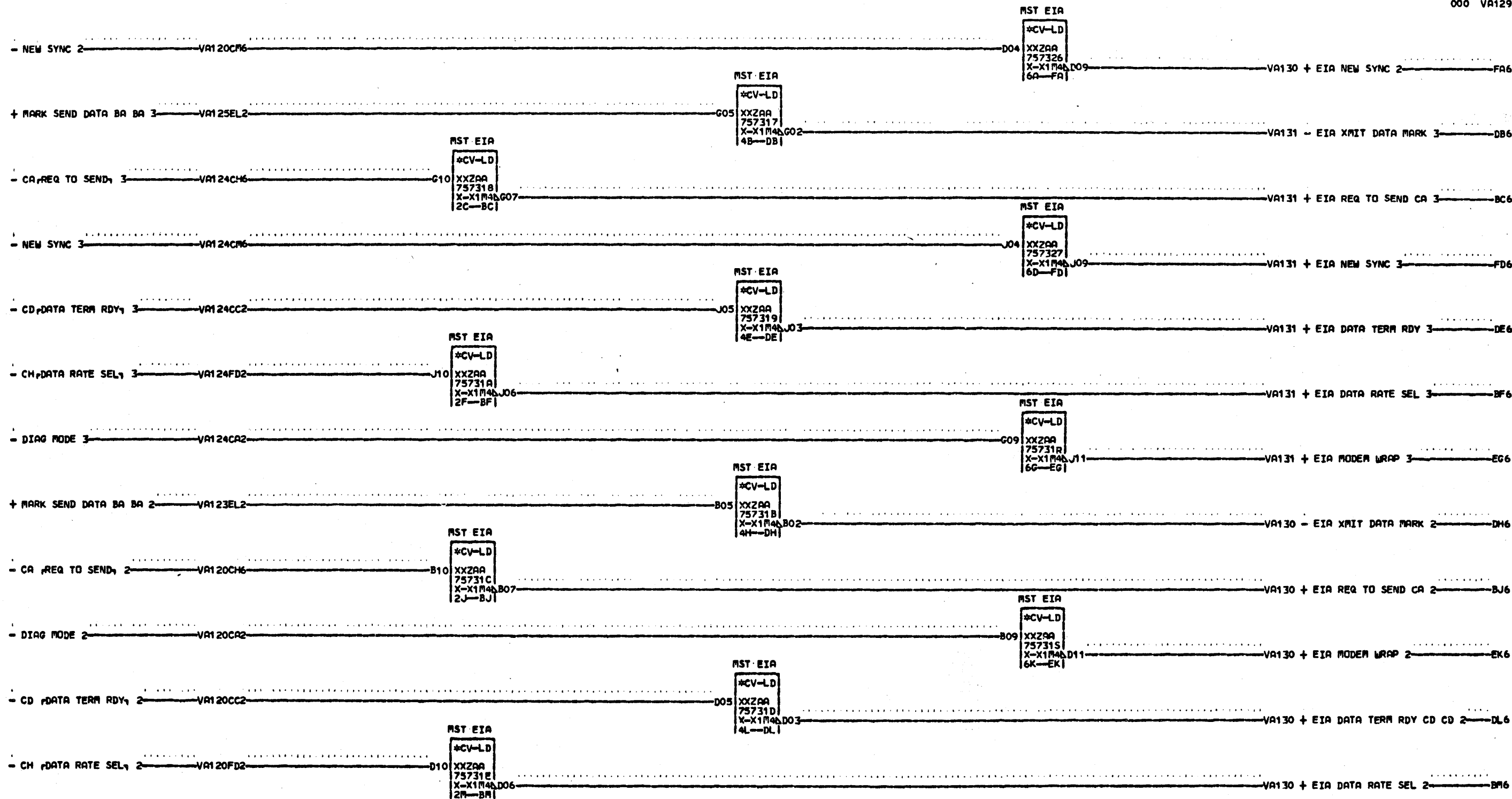
V  
 A  
 1  
 2  
 6  
 000



\* NOTE  
 \* FULL FEATURE WIRING SHOWN  
 \* WITH EIA SYNC LINE SET  
 \* SEE VA000 FOR OTHER LINE SET

01-26-72 309520C

EIA SYNC			
LINE INTERFACE CARD			
DATE	01-26-72	RACH	27RNB
LOG	600	FRAME	01
		PoNo	1785442
IBM CORP.	SDD	BLK.	EL

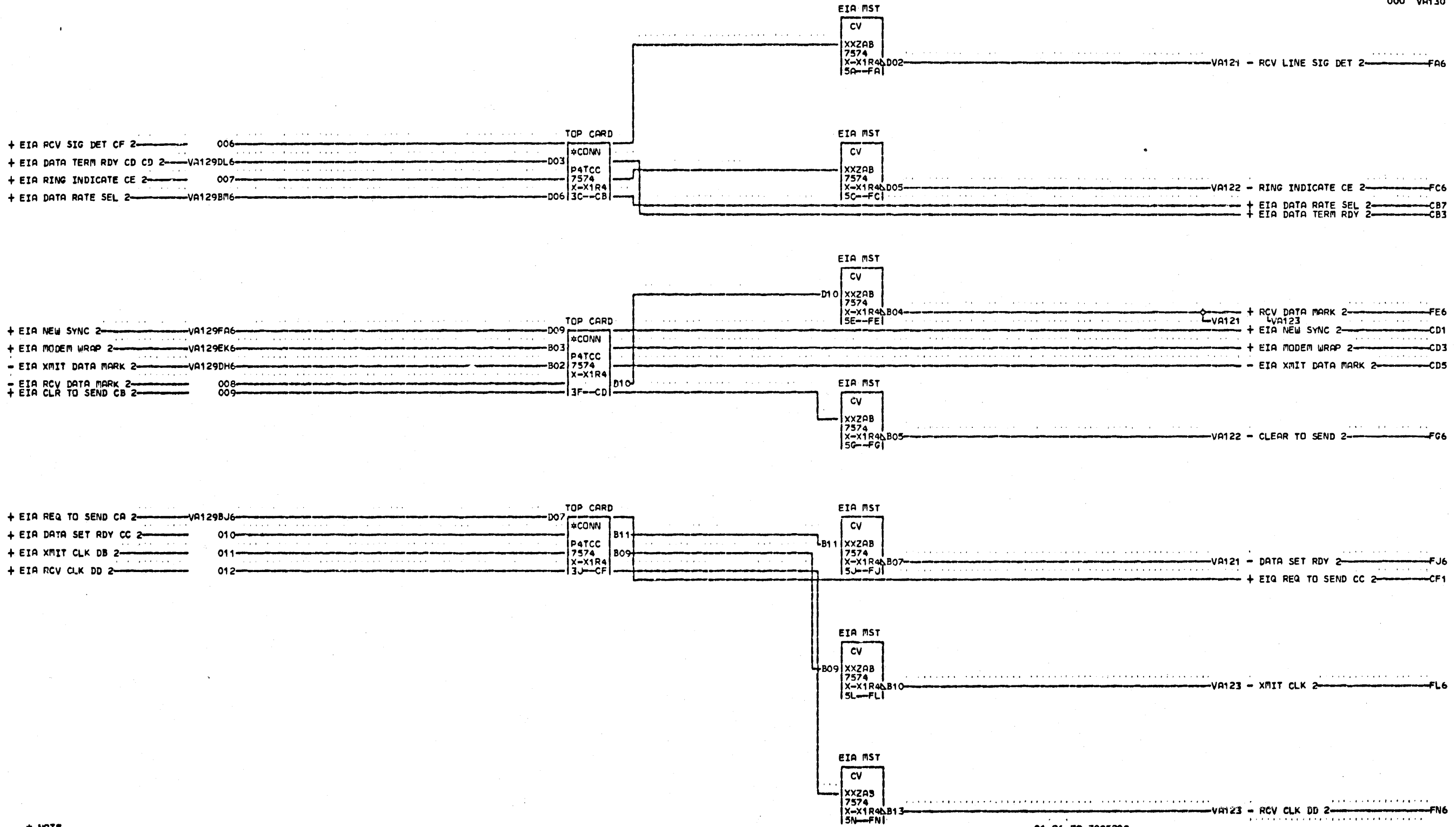


\* NOTE  
 \* FULL FEATURE WIRING SHOWN  
 \* WITH EIA SYNC LINE SET  
 \* SEE VA000 FOR OTHER LINE SET

1  
 2  
 9  
 000

01-26-72 309520C

EIA SYNC DRIVER CARD				VA 1 2 9
DATE	01-26-72	MACH.	27RNB	
LOG	600	FRAME	01	000
		P.No.	1785443	
IBM CORP.		SDD BLK.	FF	



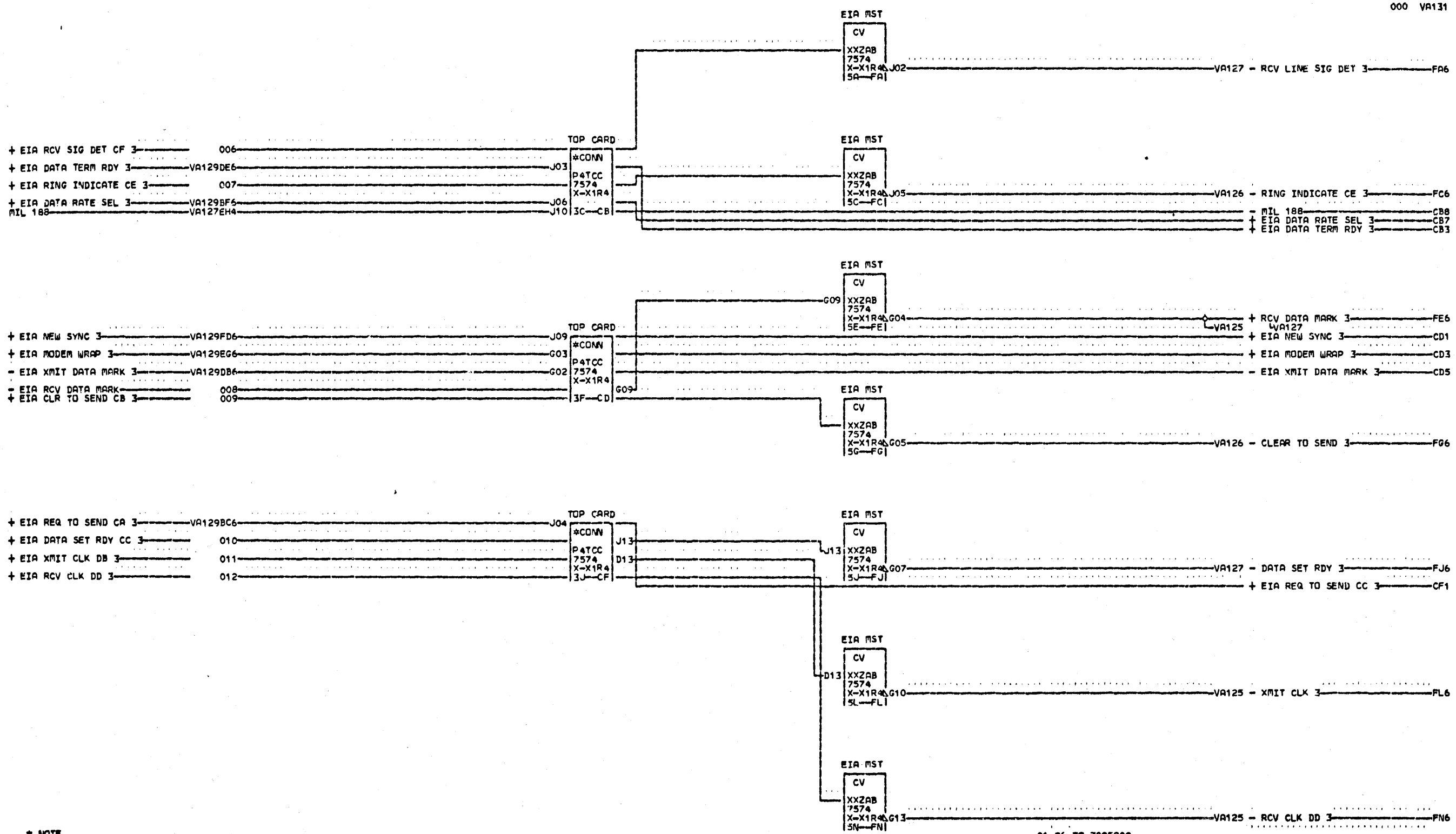
\* NOTE  
 \* FULL FEATURE WIRING SHOWN  
 \* WITH EIA SYNC LINE SET  
 \* SEE VA000 FOR OTHER LINE SET

VA130  
 000

01-26-72 309520C

EIA SYNC TERMINATOR CARD			
DATE	01-26-72	MACH	27RNB
LOG	600	FRAME	01
		P.No	1785444
IBM CORP.	SDD BLK.		FP

VA130  
 000



+ EIA RCV SIG DET CF 3 006  
 + EIA DATA TERM RDY 3 VA129DE6 J03  
 + EIA RING INDICATE CE 3 007  
 + EIA DATA RATE SEL 3 VA129BF6 J06  
 MIL 188 VA127EH4 J10

+ EIA NEW SYNC 3 VA129FD6 J09  
 + EIA MODEM WRAP 3 VA129EG6 G03  
 - EIA XMIT DATA MARK 3 VA129DB6 G02  
 - EIA RCV DATA MARK 008  
 + EIA CLR TO SEND CB 3 009

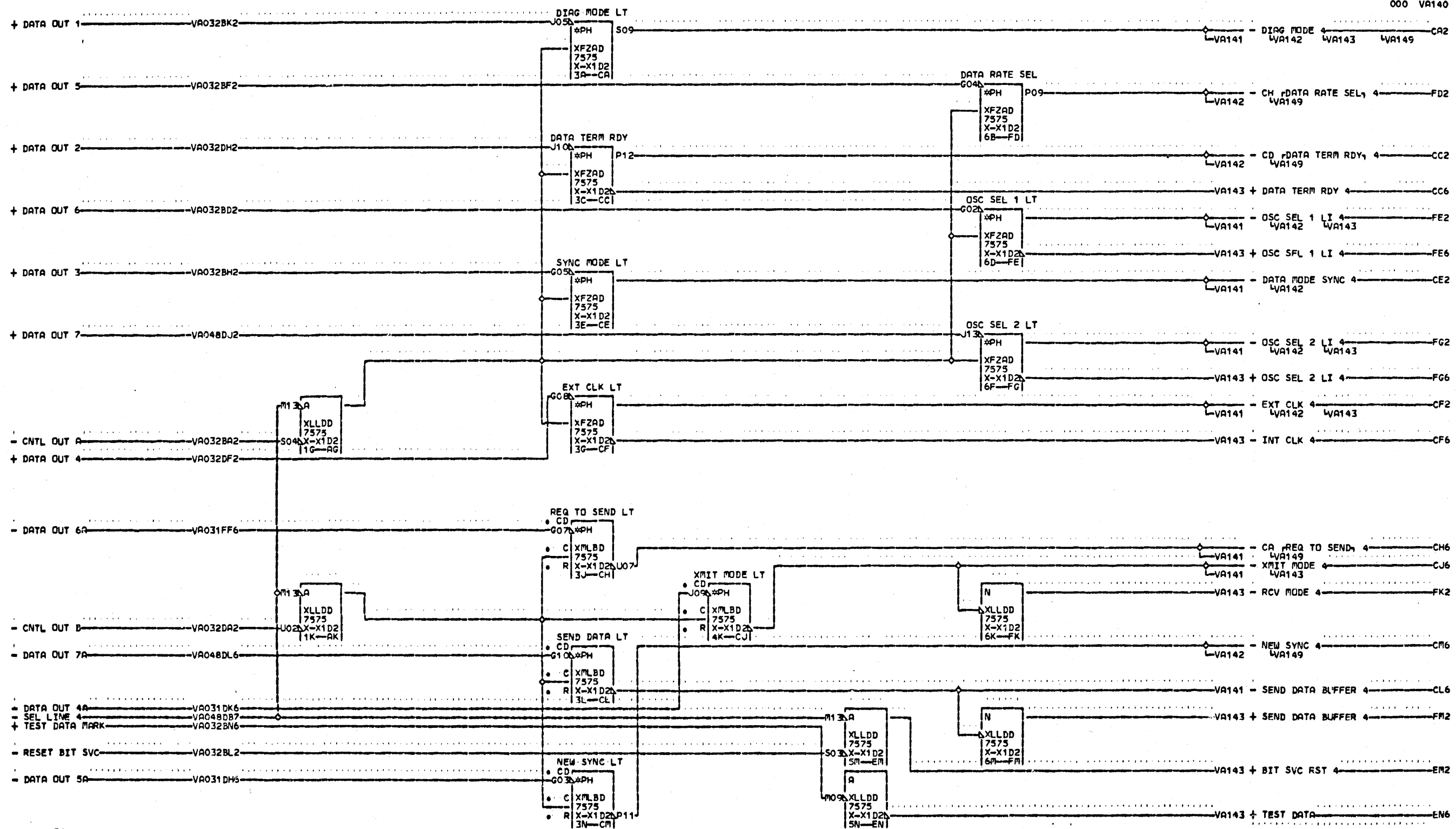
+ EIA REQ TO SEND CA 3 VA129BC6 J04  
 + EIA DATA SET RDY CC 3 010  
 + EIA XMIT CLK DB 3 011  
 + EIA RCV CLK DD 3 012

\* NOTE  
 \* FULL FEATURE WIRING SHOWN  
 \* WITH EIA SYNC LINE SET  
 \* SEE VA000 FOR OTHER LINE SET  
 VA  
 1  
 3  
 1  
 000

01-26-72 309520C

EIA SYNC TERMINATOR CARD			
DATE	01-26-72	MACH#	27RNB
LOG	600	FRAME	01
		PaNo	1785445
IBM CORP.	SDD	BLK#	FP

VA  
1  
3  
1  
000

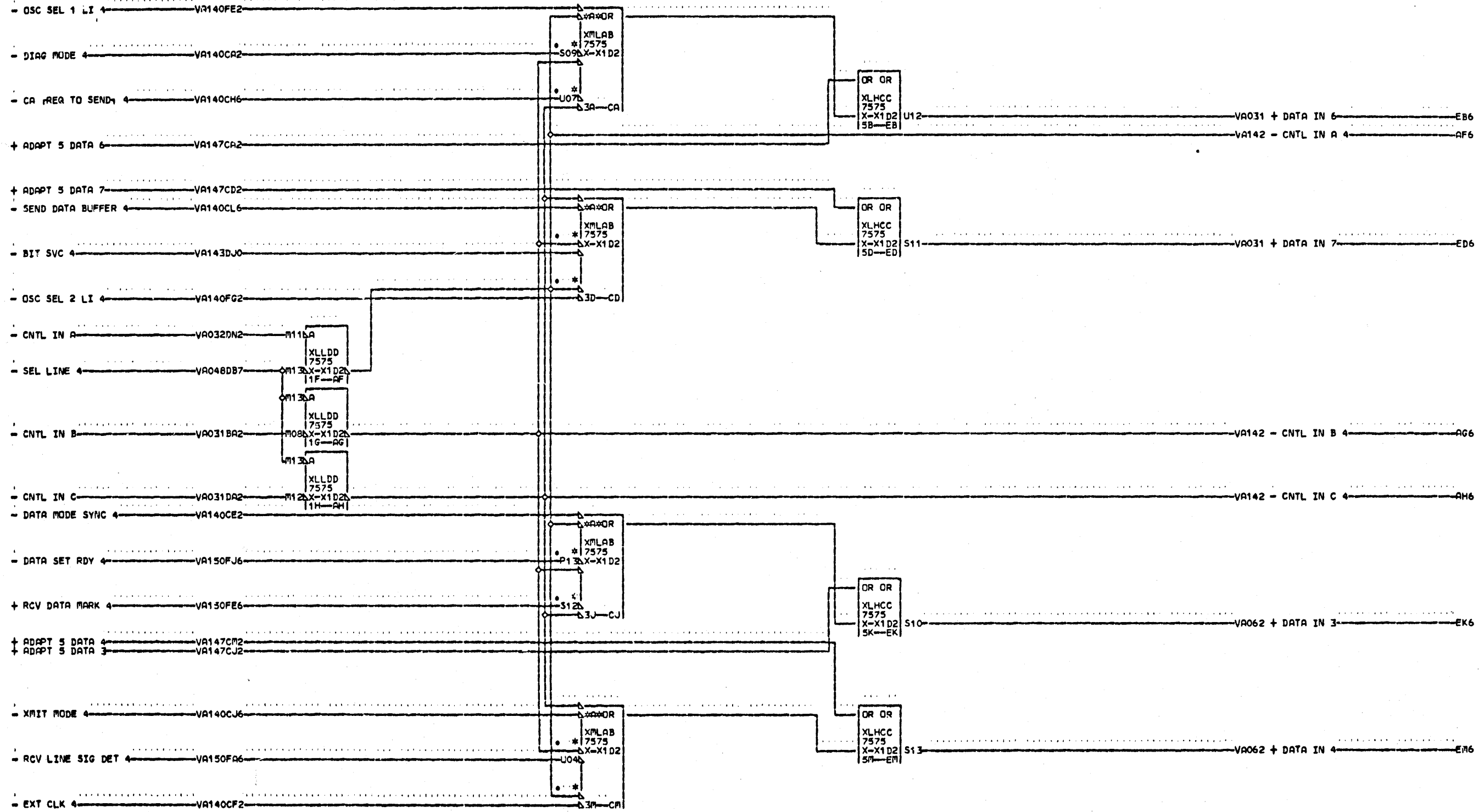


\* NOTE  
 \* FULL FEATURE WIRING SHOWN  
 \* WITH EIA SYNC LINE SET  
 \* SEE VA000 FOR OTHER LINE SET

1  
 4  
 0  
 000

01-26-72 309520C

EIA SYNC			VA
LINE INTERFACE CARD			1
DATE	01-26-72	FRAMES	4
LOG	600	FRAME	01
PaNo 1785446			0
IBM CORP. SDD BLK.			000
			GL



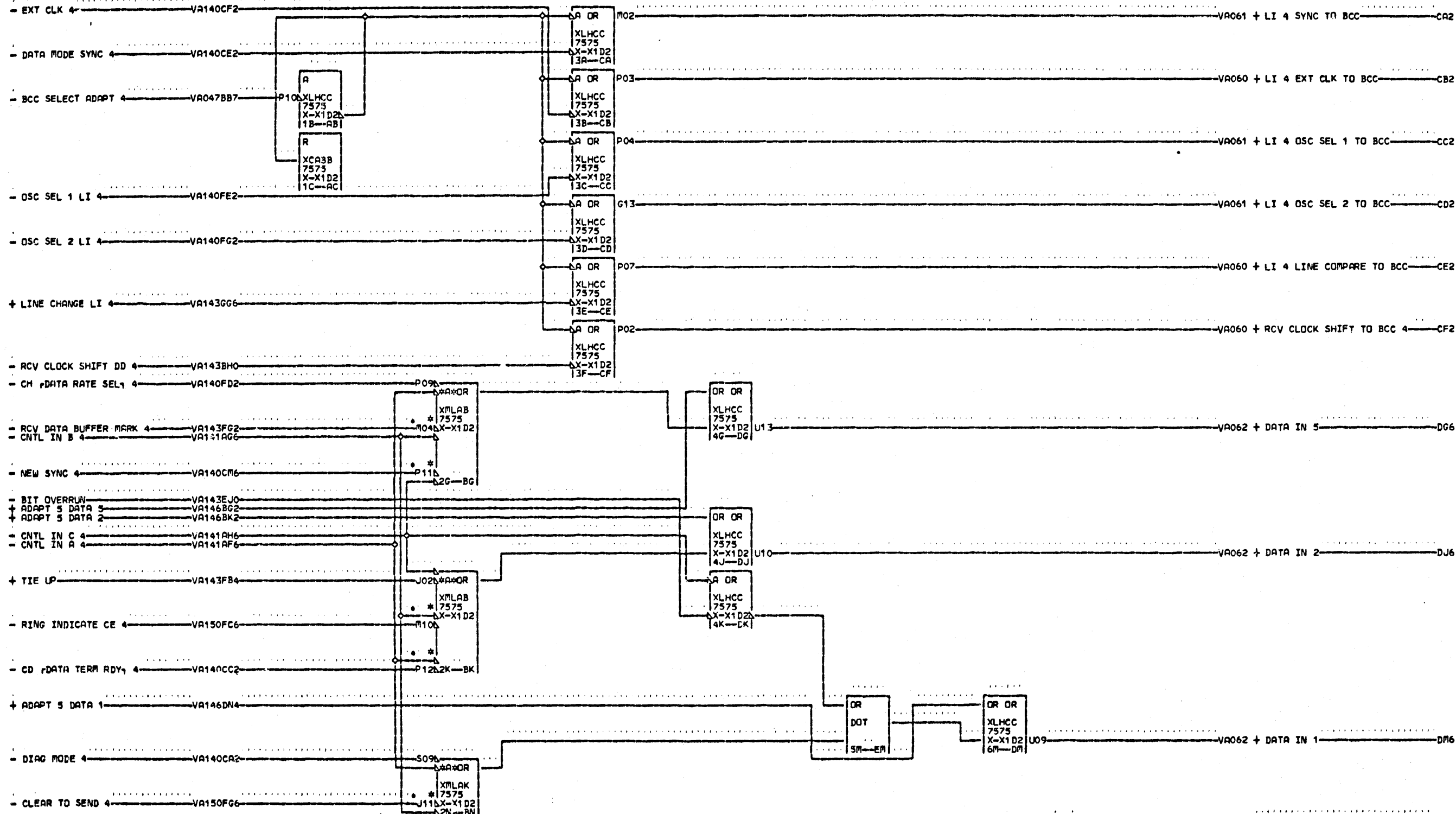
\* NOTE  
 \* FULL FEATURE WIRING SHOWN  
 \* WITH EIA SYNC LINE SET  
 \* SEE VA000 FOR OTHER LINE SET

000

01-26-72 309520C

EIA SYNC			
LINE INTERFACE CARD			
DATE	01-26-72	MACH#	27RNB
LOG	600	FRAME	01
		PaNo	1785447
IBM CORP.	SDD BLK.	ENI	000

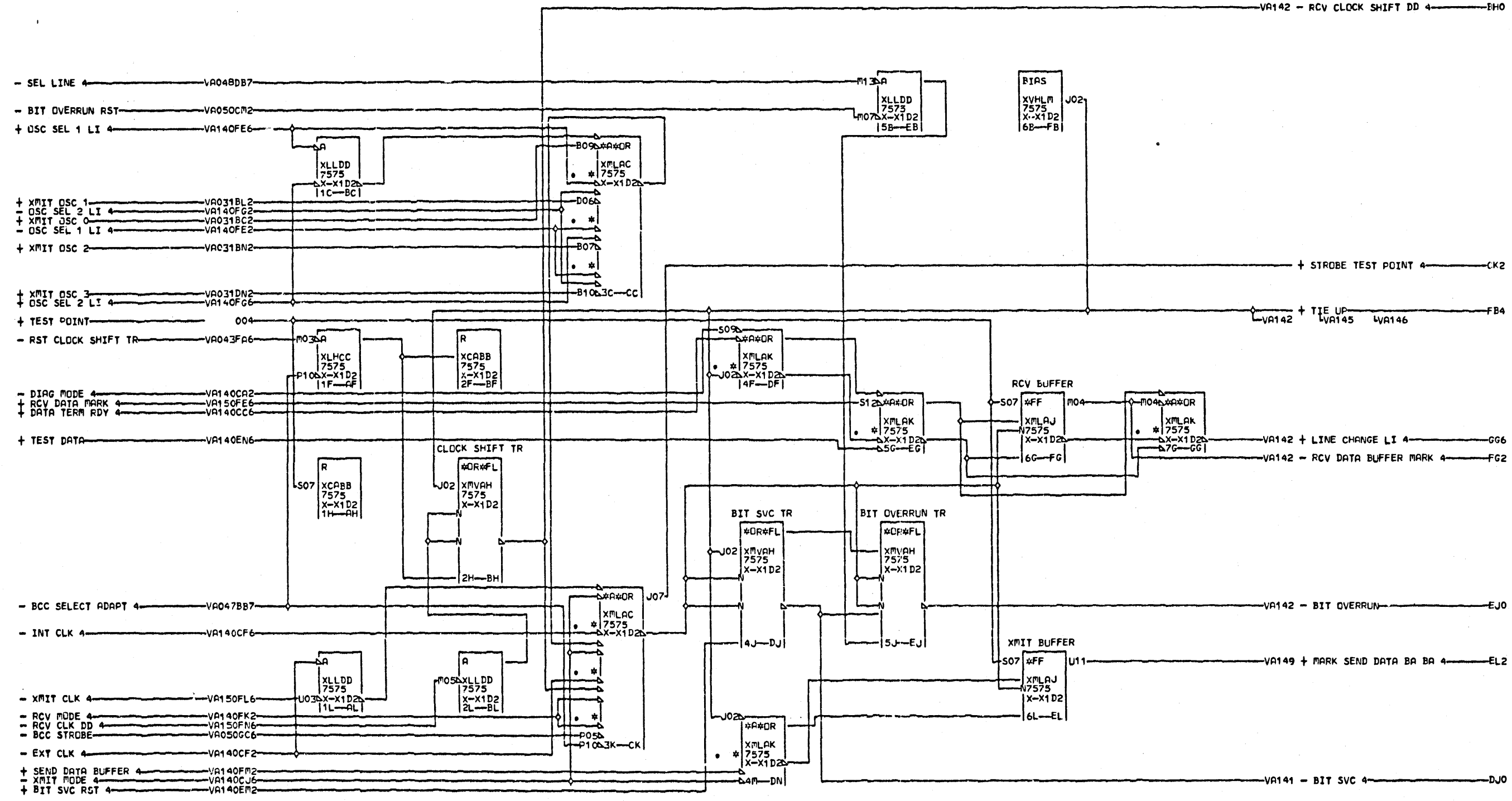




\* NOTE  
 \* FULL FEATURE WIRING SHOWN  
 V \* WITH EIA SYNC LINE SET  
 A \* SEE VA000 FOR OTHER LINE SET  
 1  
 2  
 000

01-26-72 309520C

EIA SYNC			
LINE INTERFACE CARD			
DATE	01-26-72	PARC#	27RNB
LOG	600	FRAME	01
			2
		PaNo.	1785448
IBM CORP.	SDD BLK.		EN

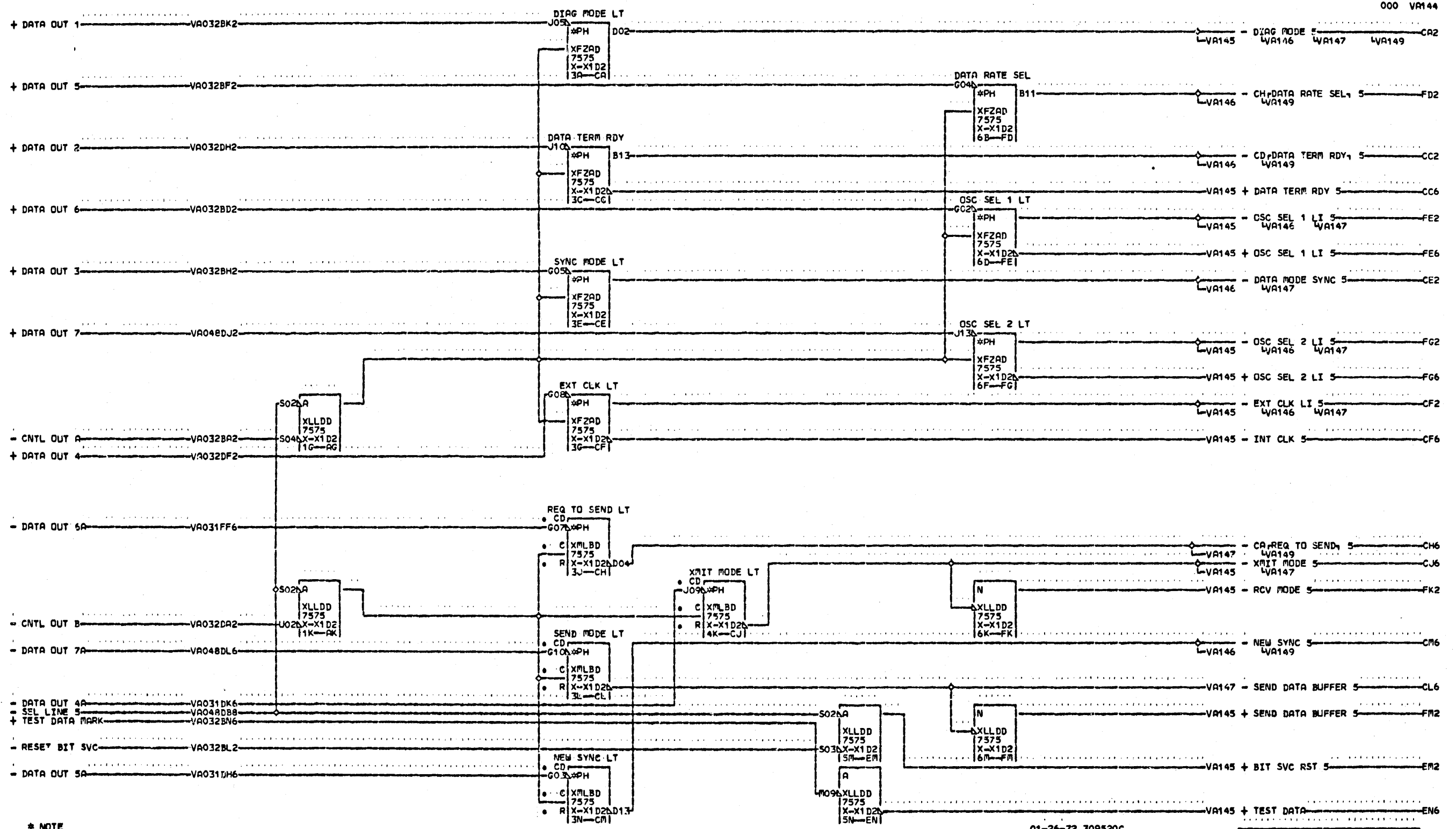


000

01-26-72 309520C  
 11-11-74 311286

EIA SYNC			V
LINE INTERFACE CARD			
DATE	11-22-74	MACH. 27RNB	1
LOG	400	FRAME 01	4
		P.No. 1785449	3
IBM CORP.	SDD BLK.	GH	000

000 VA144

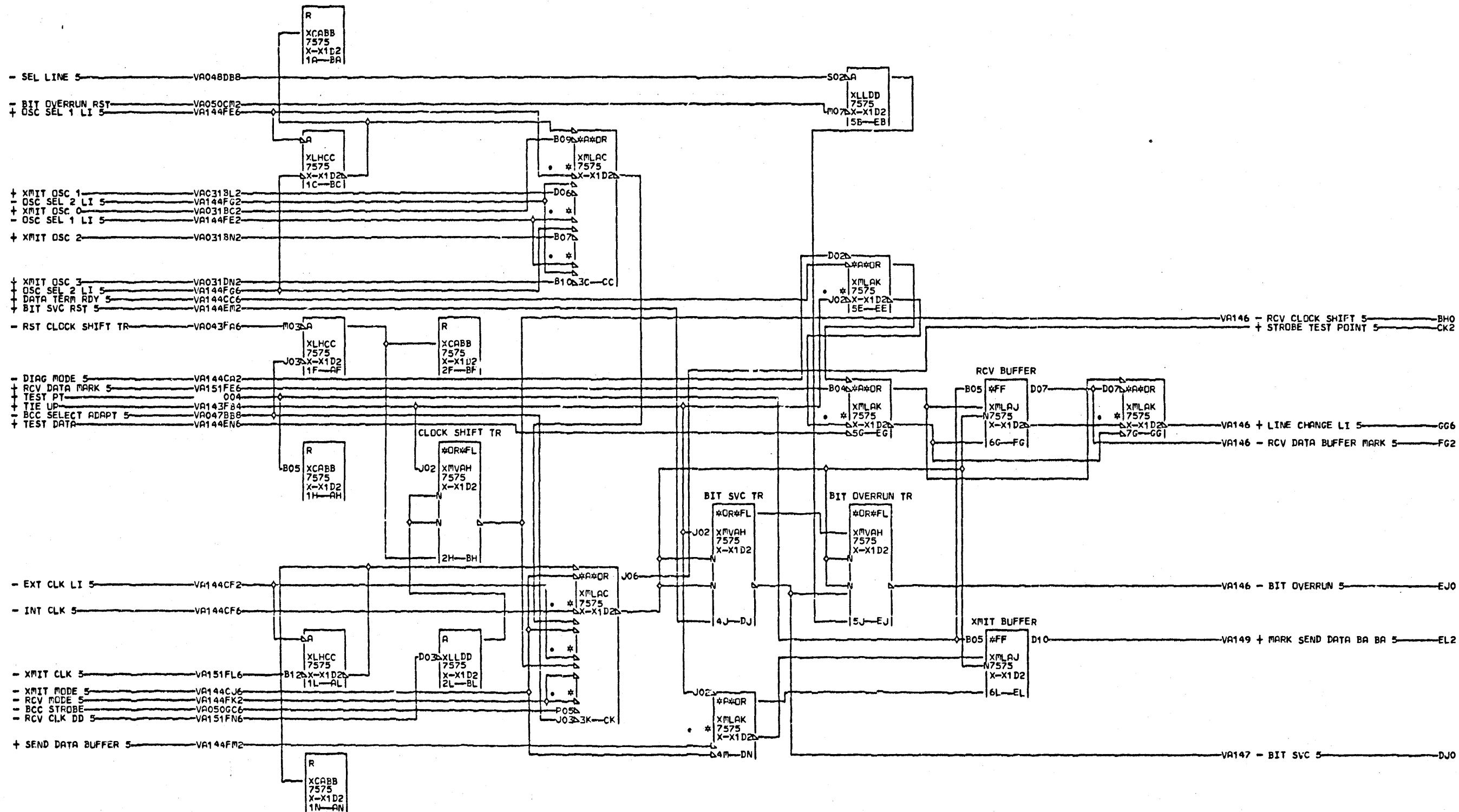


\* NOTE  
 \* FULL FEATURE WIRING SHOWN  
 \* WITH EIA SYNC LINE SET  
 \* SEE VA000 FOR OTHER LINE SET

01-26-72 309520C

EIA SYNC				V
LINE INTERFACE CARD				A
DATE	01-26-72	MACH.	27RN8	1
LOG	600	FRAME	01	4
				4
		PaNo	1785450	000
IBM CORP.	SDD	BLK.	GL	

000

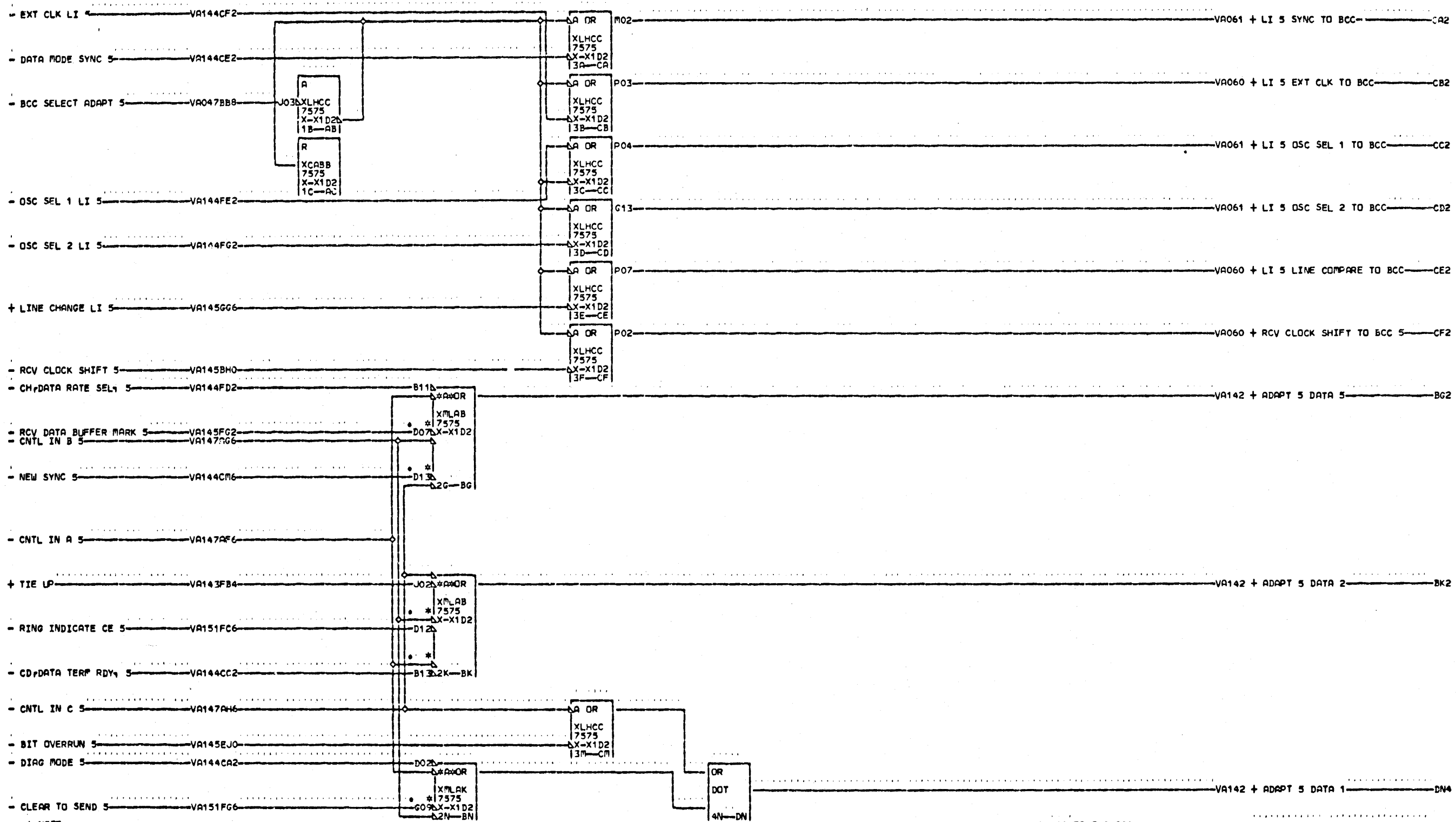


\* NOTE  
 \* FULL FEATURE WIRING SHOWN  
 V \* WITH EIA SYNC LINE SET  
 A \* AND LINE INTERFACE CARD  
 1 \* PN 8211452 INSTALLED  
 4 \* SEE VA000 FOR OTHER  
 5 \* LINE SETS

000

01-26-72 309520C  
 11-11-74 311286

EIA SYNC			VA
LINE INTERFACE CARD			
DATE	11-22-74	MACH. 27RNB	1
LOG	400	FRAME	4
			5
		P.N. 1785451	000
IBA CORP.	SDD BLK.		GH



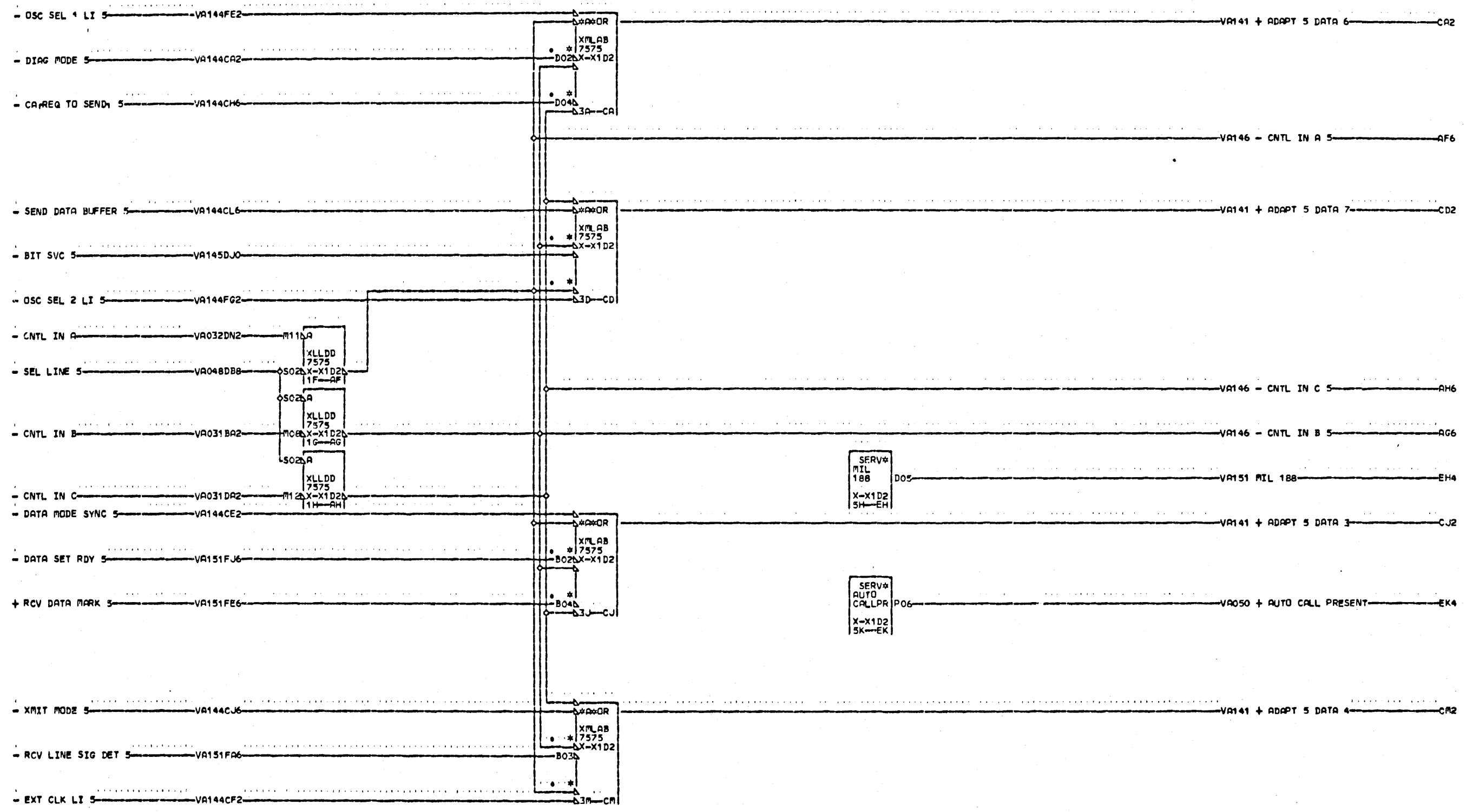
\* NOTE  
 \* FULL FEATURE WIRING SHOWN  
 V \* WITH EIA SYNC LINE SET  
 A \* SEE VA000 FOR OTHER LINE SET

1  
 4  
 6  
 000

01-25-72 309520C

EIA SYNC LINE INTERFACE CARD			
DATE	01-26-72	MACH#	27RNB
LOG	600	FRAME	01
		P#N#	1785452
IBM CORP.	SDD	BLK#	DP

VA  
1  
4  
6  
000

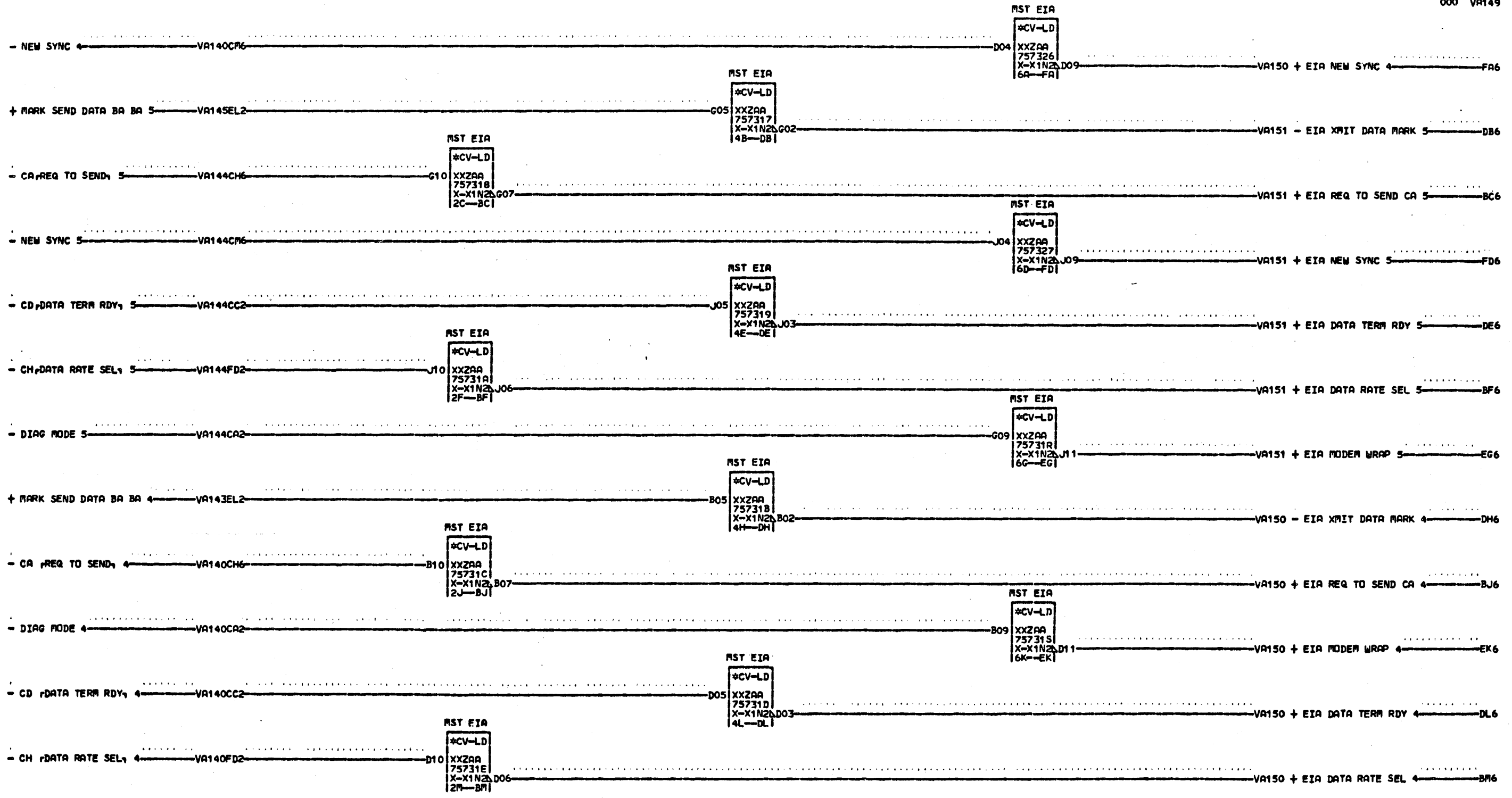


\* NOTE  
 \* FULL FEATURE WIRING SHOWN  
 \* WITH EIA SYNC LINE SET  
 \* SEE VA000 FOR OTHER LINE SET

1  
 4  
 7  
 000

01-26-72 309520C

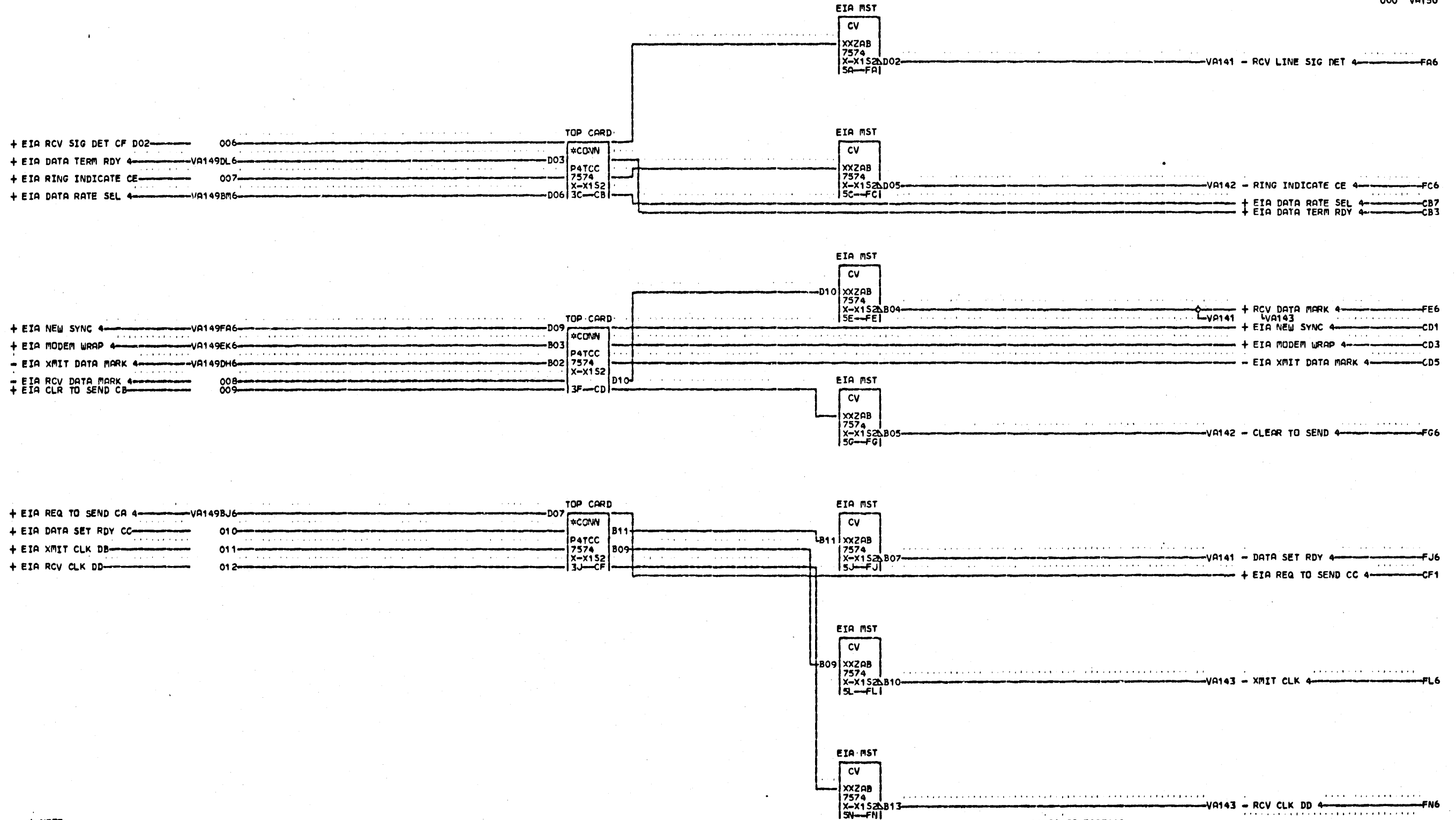
EIA SYNC				V A 1 4 7
LINE INTERFACE CARD				
DATE	01-26-72	MACH#	27RNB	000
LOG	600	FRAME	01	
		PaNo	1785453	EL
IBM CORP.	SDD	BLK.		



\* NOTE  
 \* FULL FEATURE WIRING SHOWN  
 \* WITH EIA SYNC LINE SET  
 \* SEE VA000 FOR OTHER LINE SET  
 V  
 1  
 4  
 9  
 000

01-26-72 309520C

EIA SYNC DRIVER CARD				V
DATE	01-26-72	FRAME	27RNB	1
LOG	600	FRAME	01	4
PcNo 1785454				9
IBM CORP. SDD BLK.				000
				FF



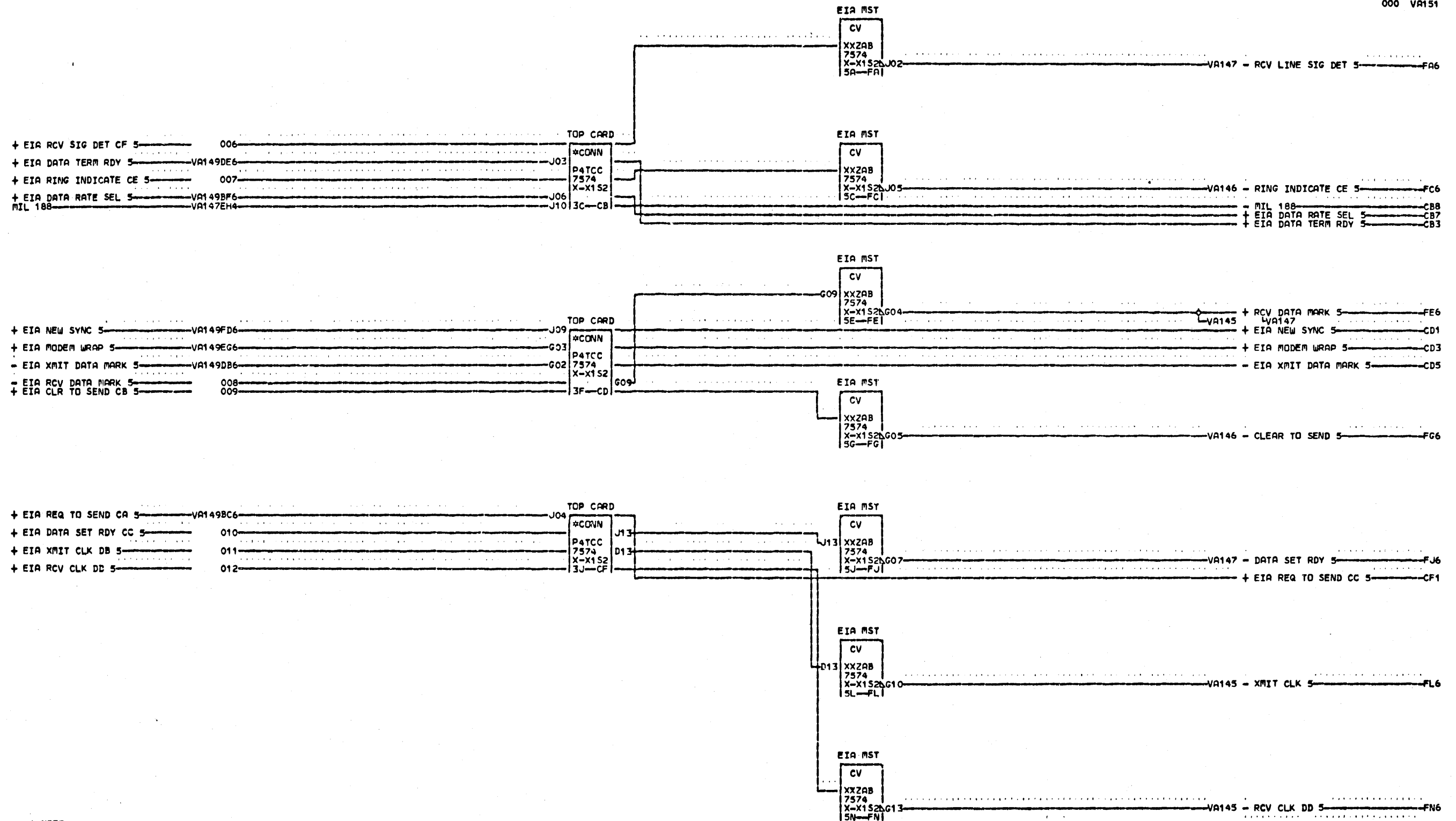
NOTE  
 \* FULL FEATURE WIRING SHOWN  
 \* WITH EIA SYNC LINE SET  
 \* SEE V000 FOR OTHER LINE SET

VA150  
 000

01-26-72 309520C

EIA SYNC			
TERMINATOR CARD			
DATE	01-26-72	MACH#	27RNB
LOG	600	FRAME	01
P#No		1785455	
IBM CORP.	SDD BLK.	FP	000





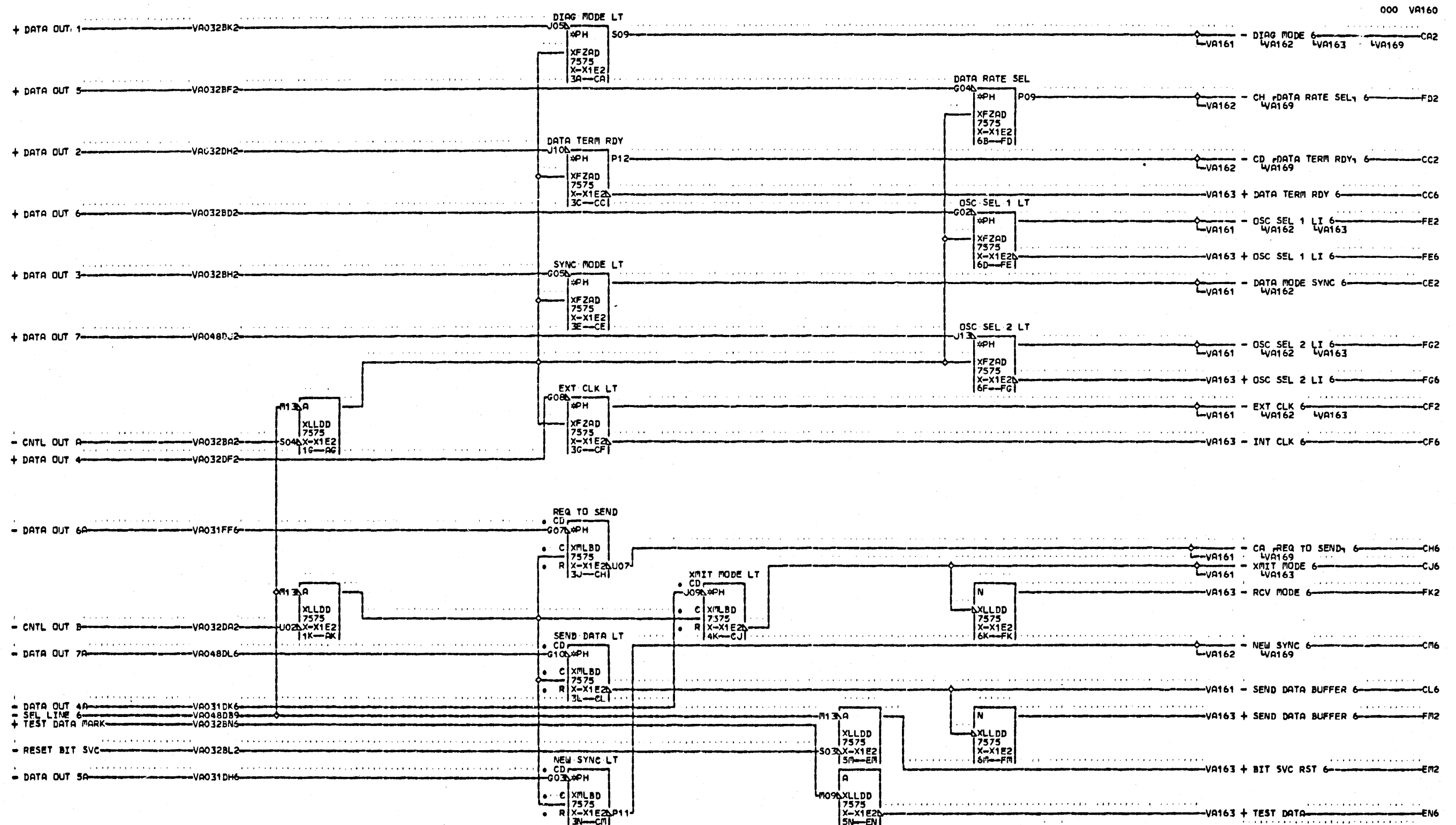
\* NOTE  
 \* FULL FEATURE WIRING SHOWN  
 \* WITH EIA SYNC LINE SET  
 \* SEE VA000 FOR OTHER LINE SET

VA151  
 000

01-26-72 309520C

EIA SYNC TERMINATOR CARD			
DATE	01-26-72	MACH#	27RNB
LOG	600	FRAME	01
		PaNo	1785456
IBM CORP.	SDD	BLK.	FP

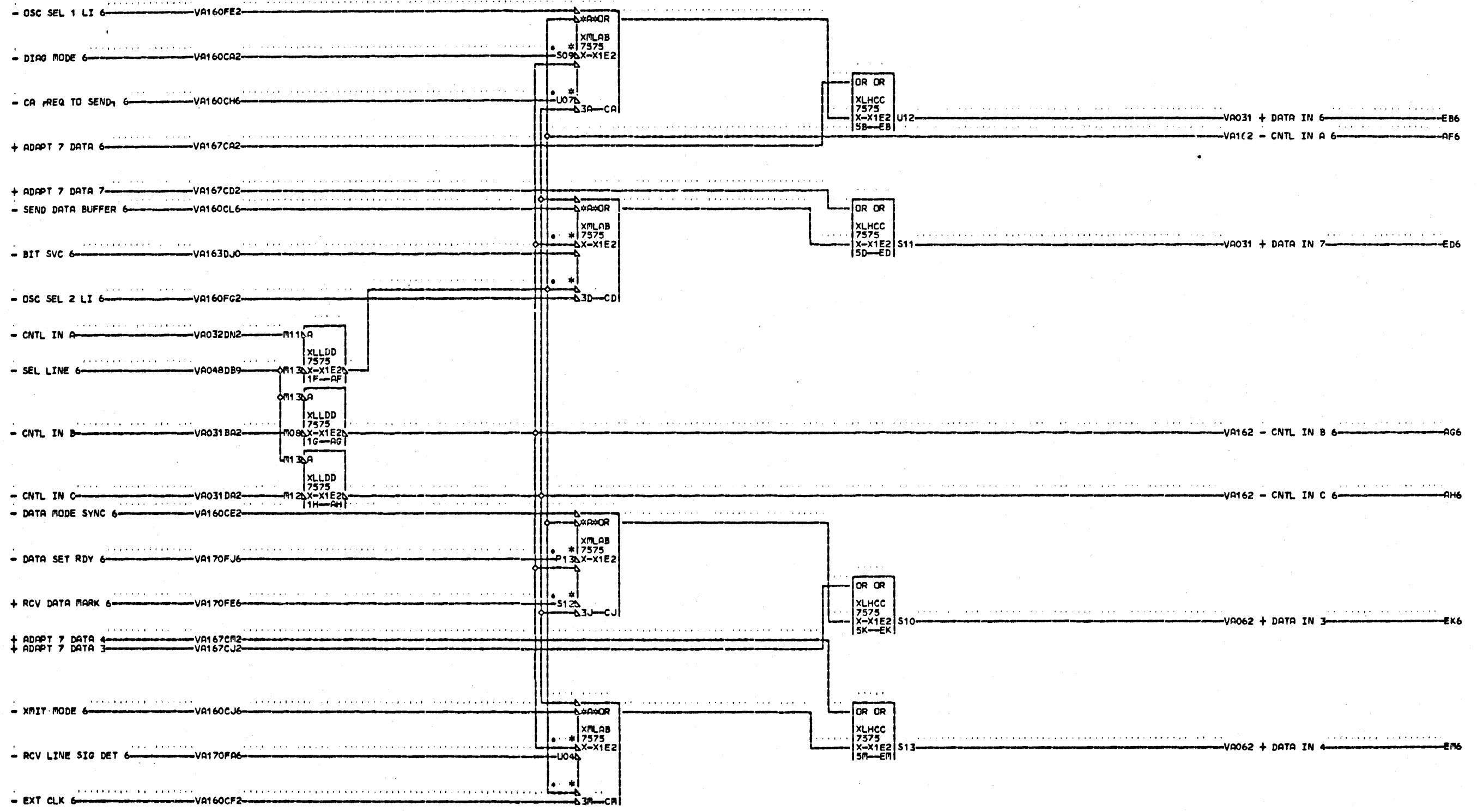
VA151  
 000



\* NOTE  
 \* FULL FEATURE WIRING SHOWN  
 \* WITH EIA SYNC LINE SET  
 \* SEE VA000 FOR OTHER LINE SET  
 000

01-26-72 309520C

EIA SYNC				V
LINE INTERFACE CARD				A
DATE	01-26-72	MACH#	27RNB	1
LOG	600	FRAME	01	6
		P#	1785457	0
IBM CORP.	SDD BLK.		GL	000

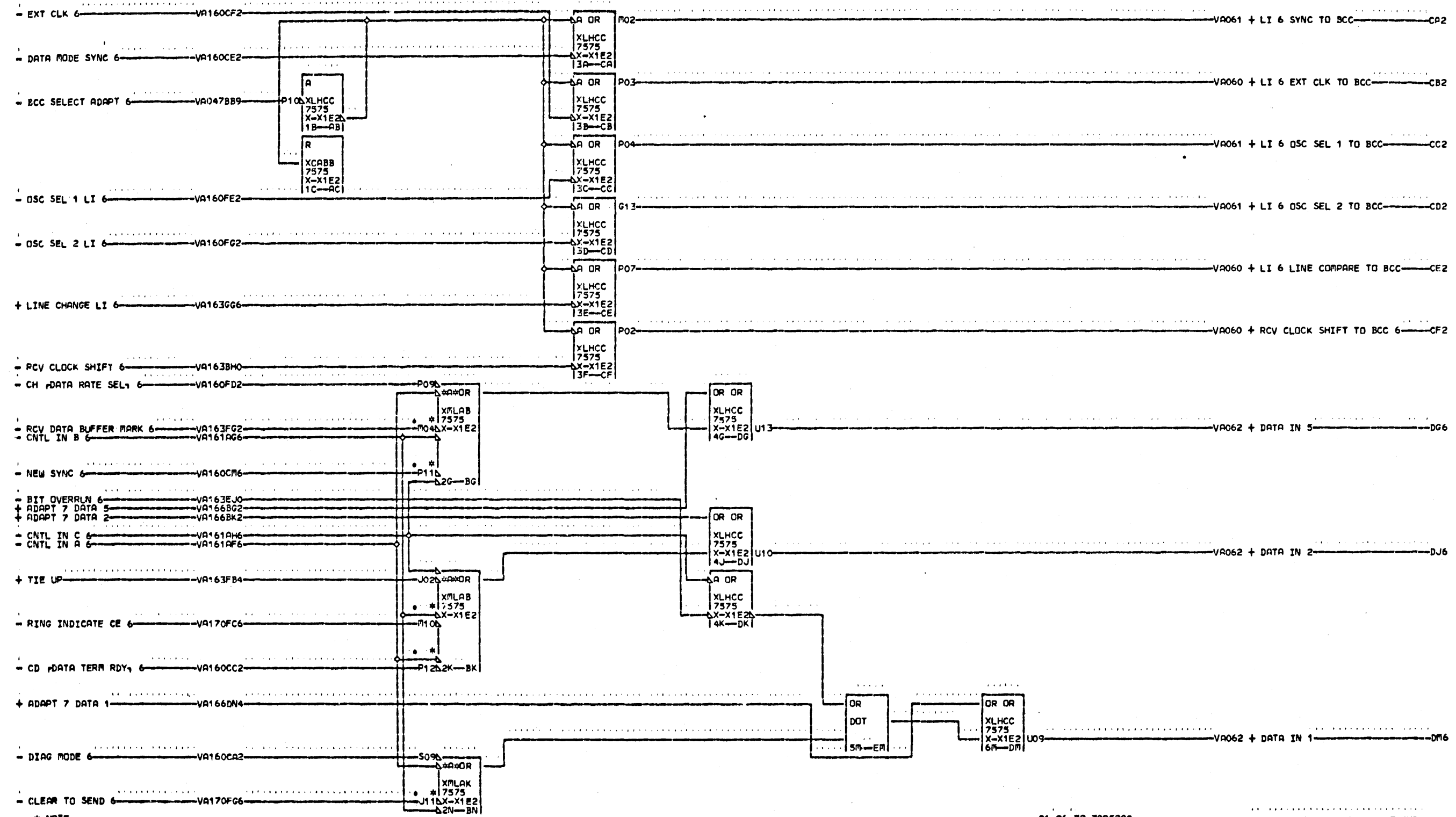


\* NOTE  
 \* FULL FEATURE WIRING SHOWN  
 V \* WITH EIA SYNC LINE SET  
 A \* SEE VA000 FOR OTHER LINE SET  
 1  
 6  
 1  
 000

01-26-72 309520C

EIA SYNC			
LINE INTERFACE CARD			
DATE	01-26-72	MACH	27RNB
LOG	600	FRAME	01
		PcNo 178545B	
IBR CORP.	SDD BLK.	EN	

V  
A  
1  
6  
1  
000

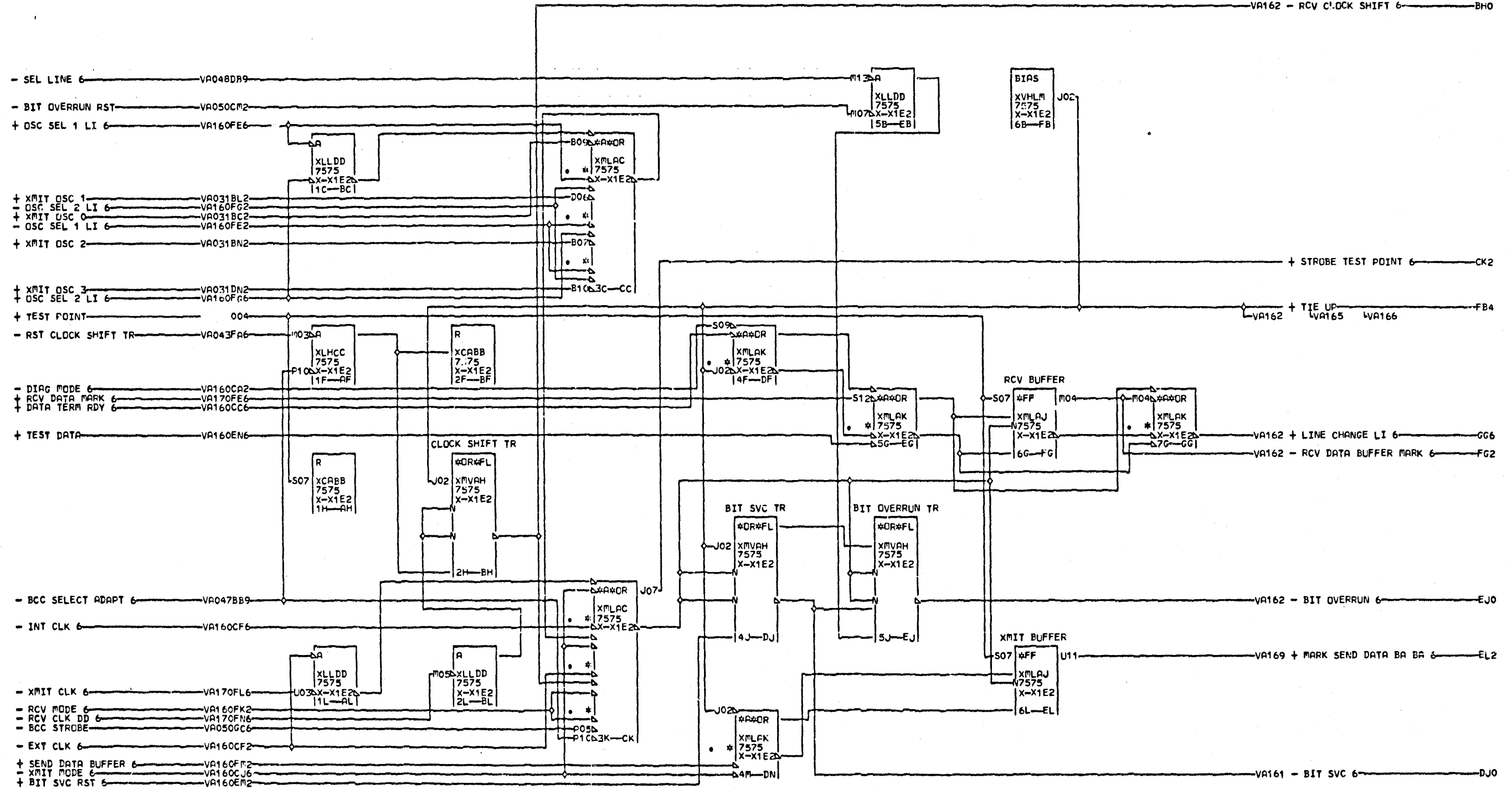


\* NOTE  
 \* FULL FEATURE WIRING SHOWN  
 V \* WITH EIA SYNC LINE SET  
 A \* SEE VA000 FOR OTHER LINE SET

1  
 2  
 000

01-26-72 309520C

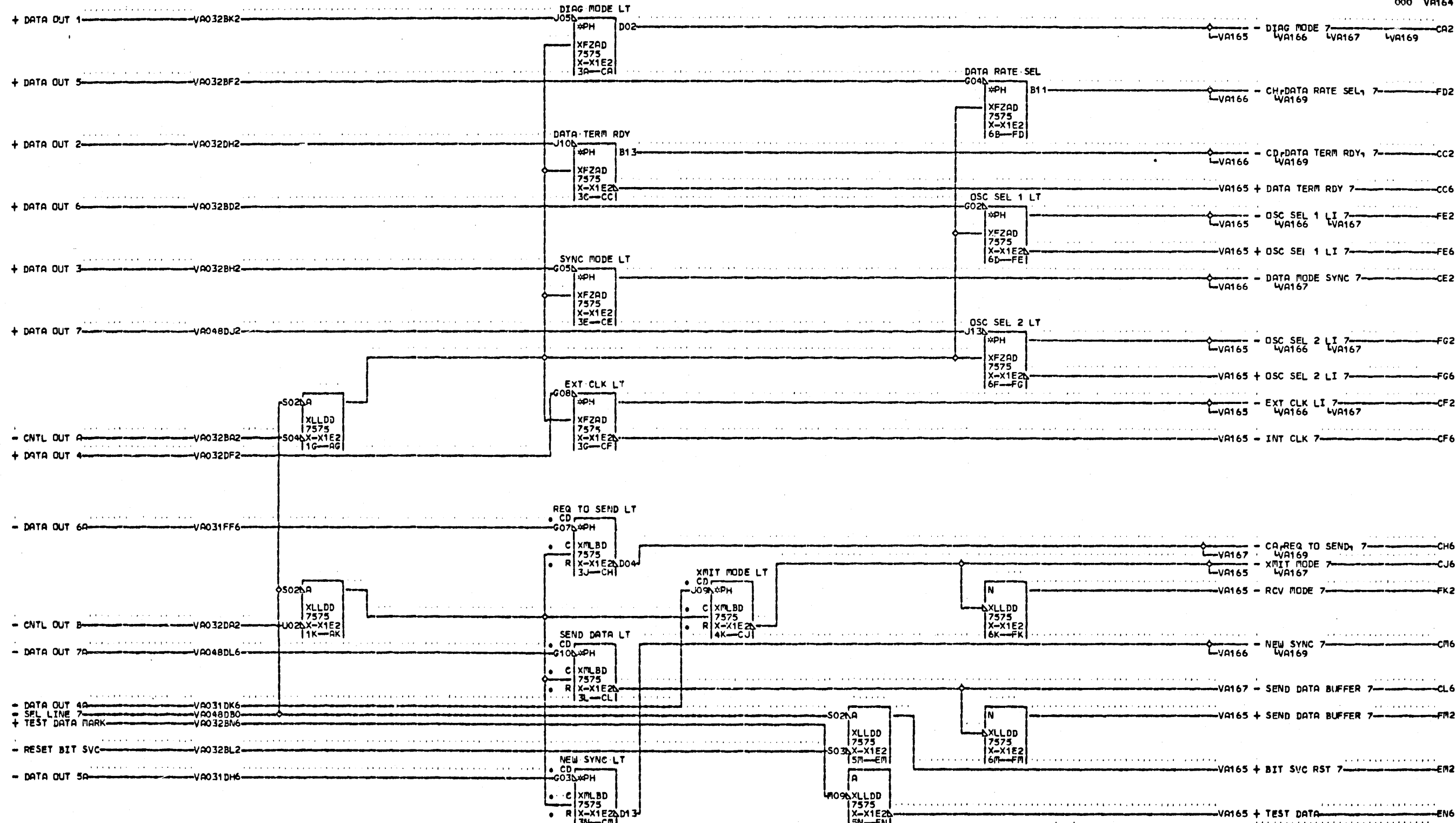
EIA SYNC			
LINE INTERFACE CARD			
DATE	01-26-72	PACh 27RNB	VA 162
LOG	600	FRAME 01	162
PcNo 1785459			000
IBM CORP.	SDD BLK.	EN	



\* NOTE  
 \* FULL FEATURE WIRING SHOWN  
 V \* WITH EIA SYNC LINE SET  
 A \* AND LINE INTERFACE CARD  
 1 \* PN 8211452 INSTALLED  
 6 \* SEE VA000 FOR OTHER  
 3 \* LINE SETS

01-26-72 309520C  
 11-11-74 311286

EIA SYNC			
LINE INTERFACE CARD			
DATE	11-22-74	MACH	27RNB
LOG	400	FRAME	01
		P.N.	1785460
IBM CORP.	SDD	BLK.	GH



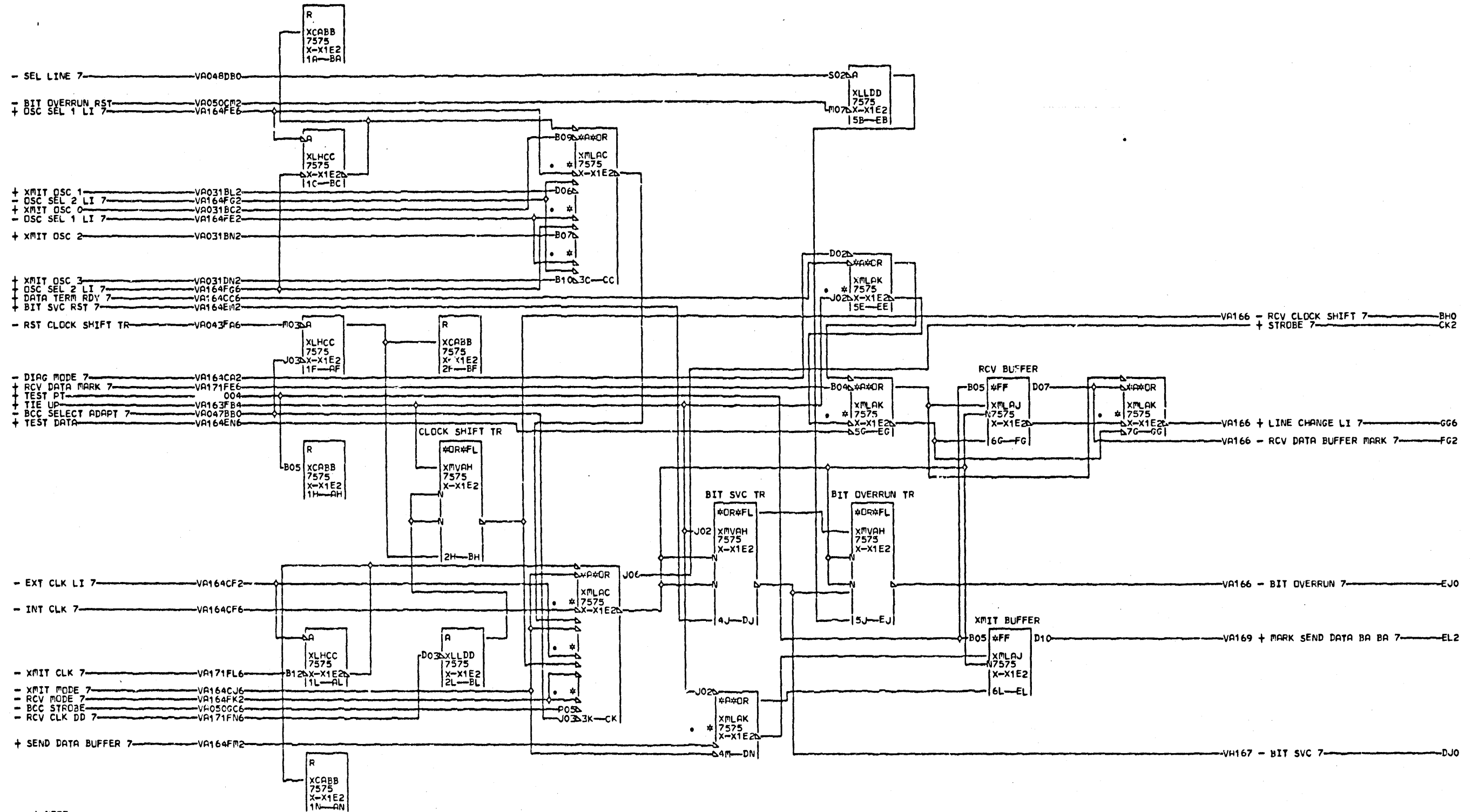
\* NOTE  
 \* FULL FEATURE WIRING SHOWN  
 \* WITH EIA SYNC LINE SET  
 \* SEE VA000 FOR OTHER LINE SET

V  
 A  
 1  
 6  
 4  
 000

01-26-72 309520C

EIA SYNC		
LINE INTERFACE CARD		
DATE	01-26-72	MACH# 27RNB
LOG	600 FRAME	01
	P#N#	1785461
IBM CORP.	SDD BLK.	GL

V  
 A  
 1  
 6  
 4  
 000

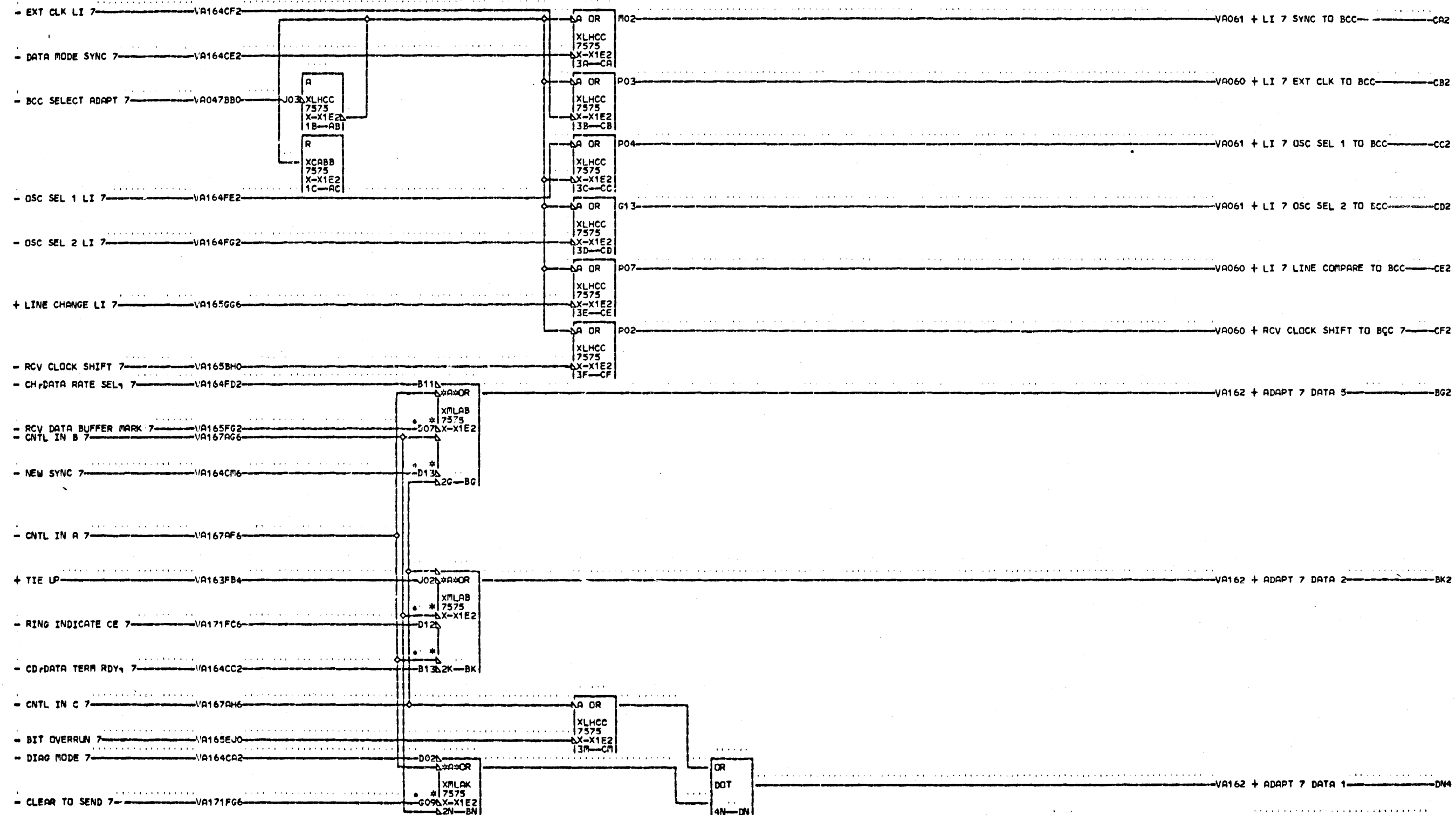


\* NOTE  
 \* FULL FEATURE WIRING SHOWN  
 V \* WITH EIA SYNC LINE SET  
 A \* AND LINE INTERFACE CARD  
 1 \* PN 8211452 INSTALLED  
 6 \* SEE VA000 FOR OTHER  
 5 \* LINE SETS

000

01-26-72 309520C  
 11-11-74 311286

EIA SYNC			VA
LINE INTERFACE CARD			1
DATE	11-22-74	PN	27RNB
LOG	400	FRAME	01
			6
			5
			000
IBN CORP.	SDD BLK.		GH

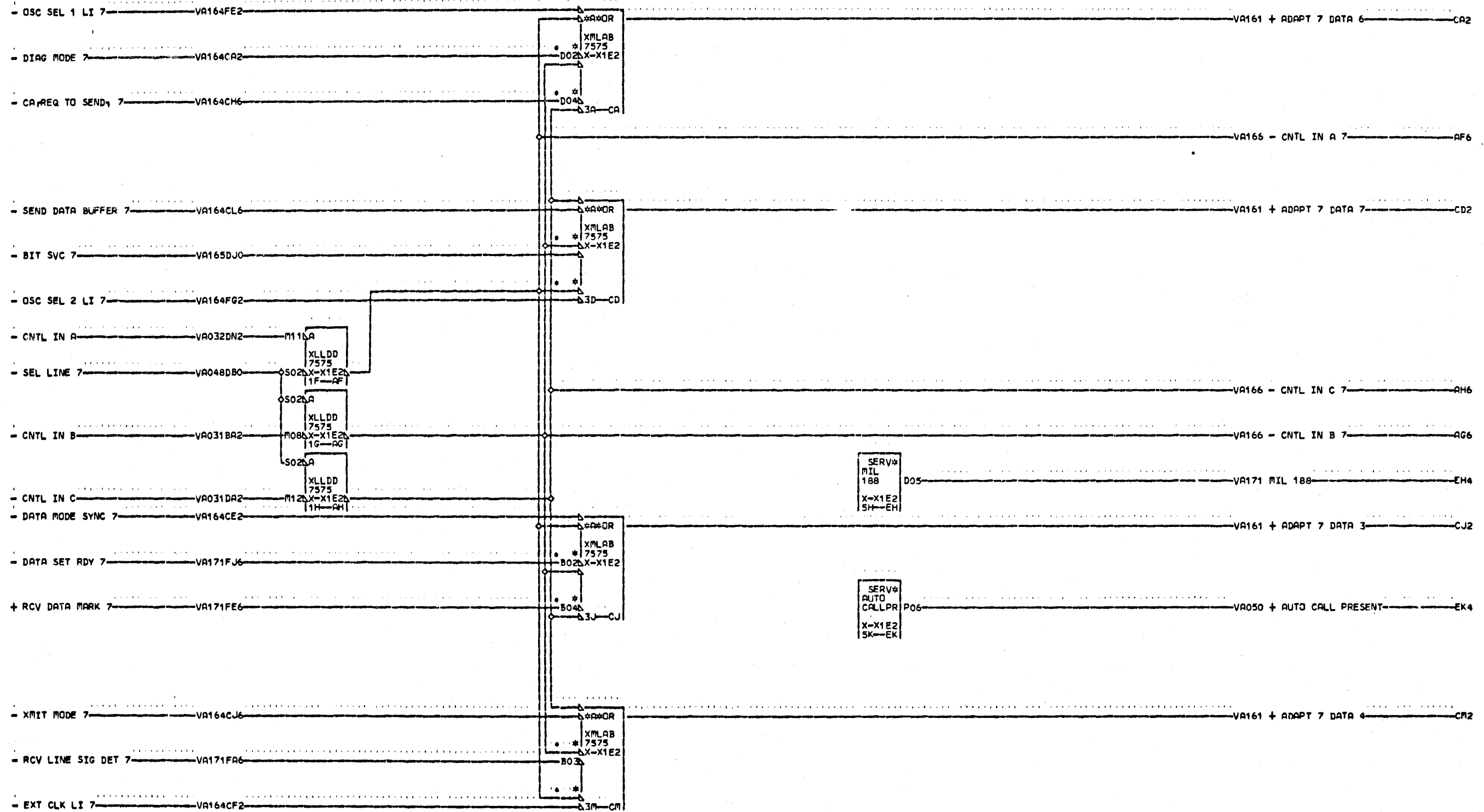


\* NOTE  
 \* FULL FEATURE WIRING SHOWN  
 V \* WITH EIA SYNC LINE SET  
 A \* SEE VA000 FOR OTHER LINE SET  
 1  
 6  
 6  
 000

01-26-72 309520C

EIA SYNC				V A 1 6 6 000
LINE INTERFACE CARD				
DATE	01-26-72	MACH.	27RNB	
LOG	600	FRAME	01	
			PoN.	1785463
IBM CORP.			SDD BLK.	DP





\* NOTE  
 \* FULL FEATURE WIRING SHOWN  
 \* WITH EIA SYNC LINE SET  
 \* SEE VA000 FOR OTHER LINE SET

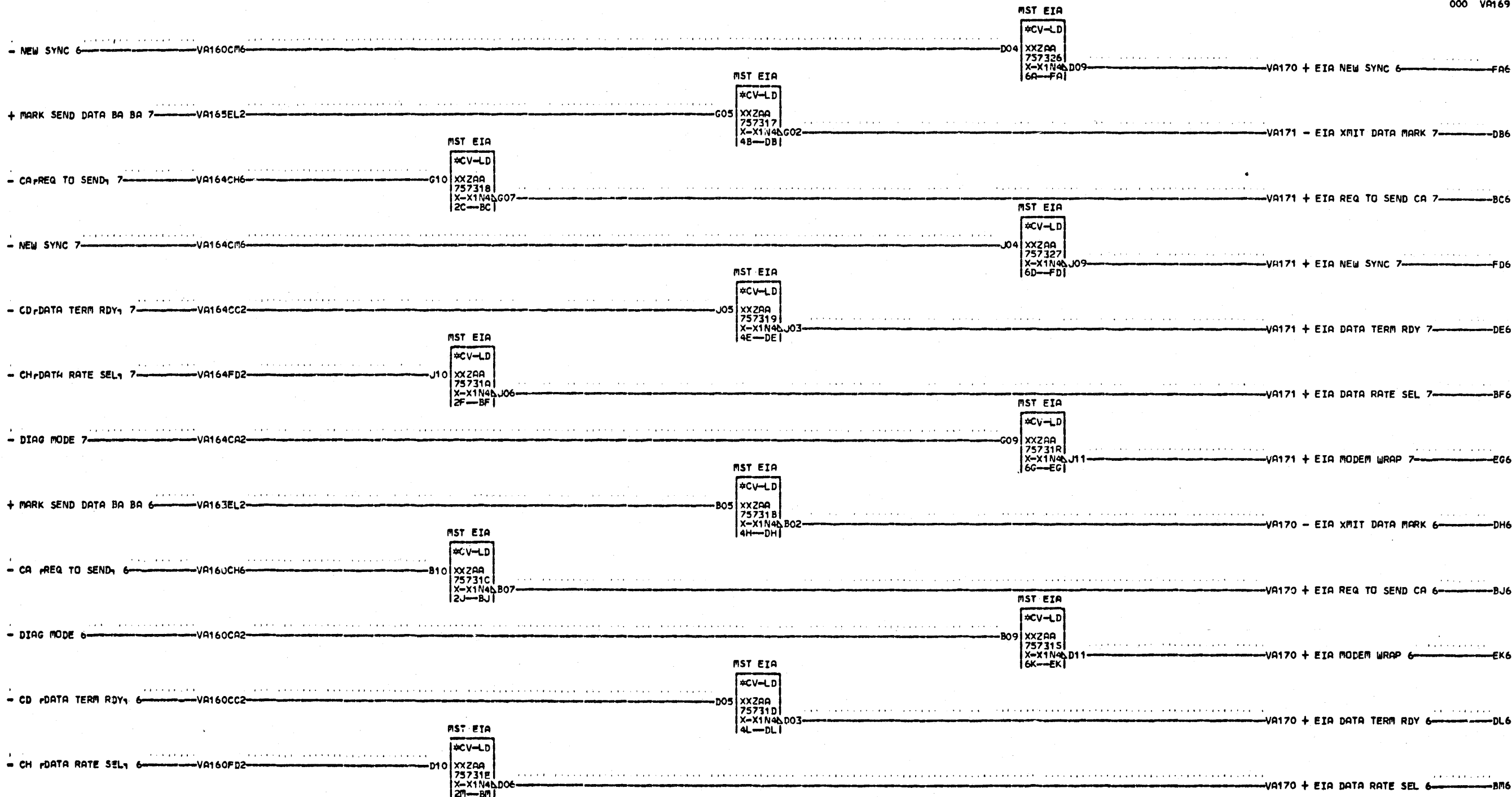
1  
 6  
 7

000

01-26-72 309520C

EIA SYNC			
LINE INTERFACE CARD			
DATE	01-26-72	MACH.	27RNB
LOG	600	FRAME	01
		PcNo	1785464
IBM CORP.	SDD BLK.	EL	

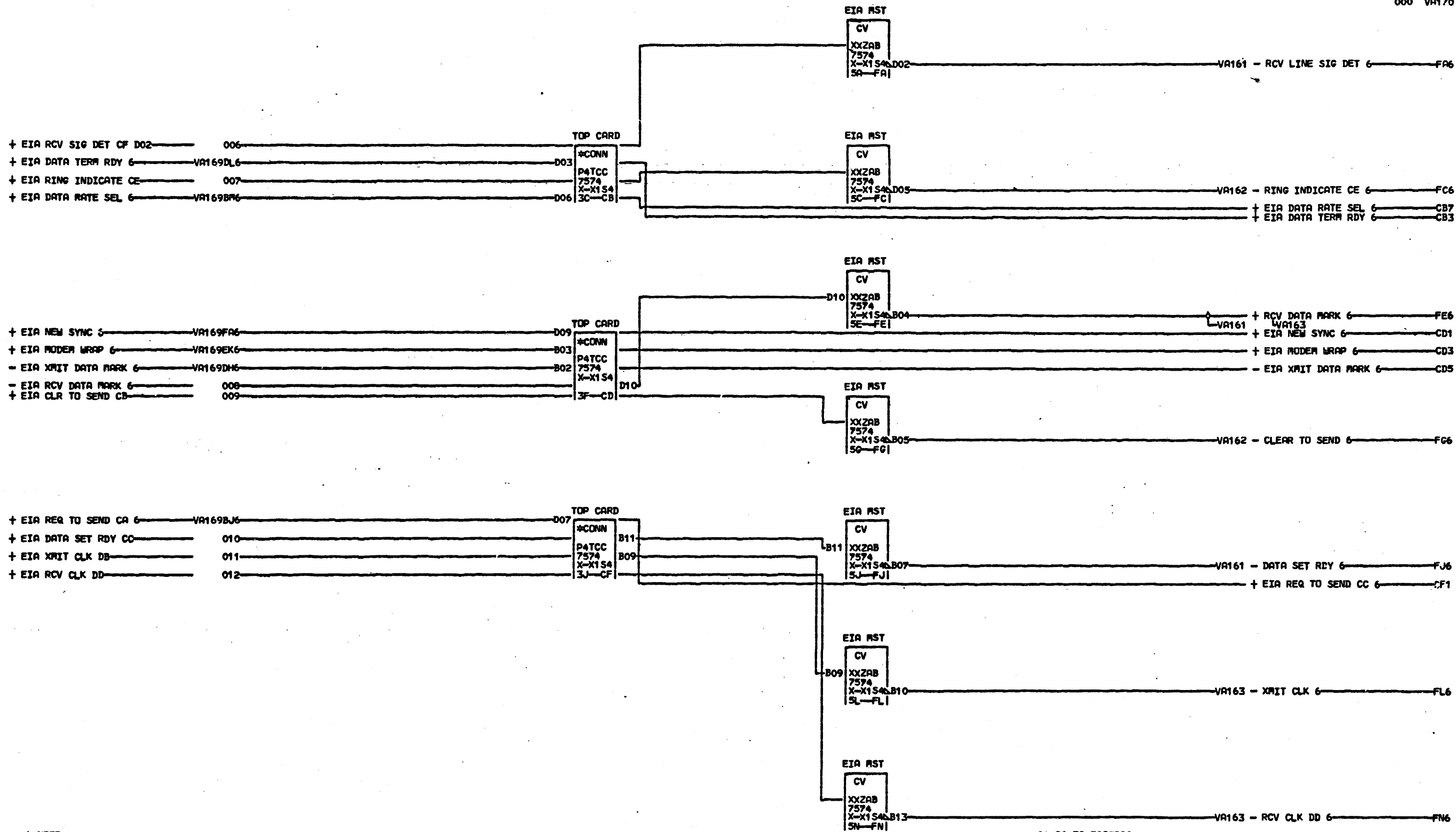
VA  
1  
6  
7  
000



\* NOTE  
 \* FULL FEATURE WIRING SHOWN  
 \* WITH EIA SYNC LINE SET  
 \* SEE VA000 FOR OTHER LINE SET  
 VA  
 1  
 6  
 9  
 000

01-26-72 309520C

EIA SYNC DRIVER CARD			
DATE	01-26-72	MACH	27RNB
LOG	600	FRAME	01
		P.N.	1785465
IBM CORP.	SDD BLK.	PF	000



\* NOTE  
 \* FULL FEATURE WIRING SHOWN  
 V \* WITH EIA SYNC LINE SET  
 A \* SEE VA000 FOR OTHER LINE SET

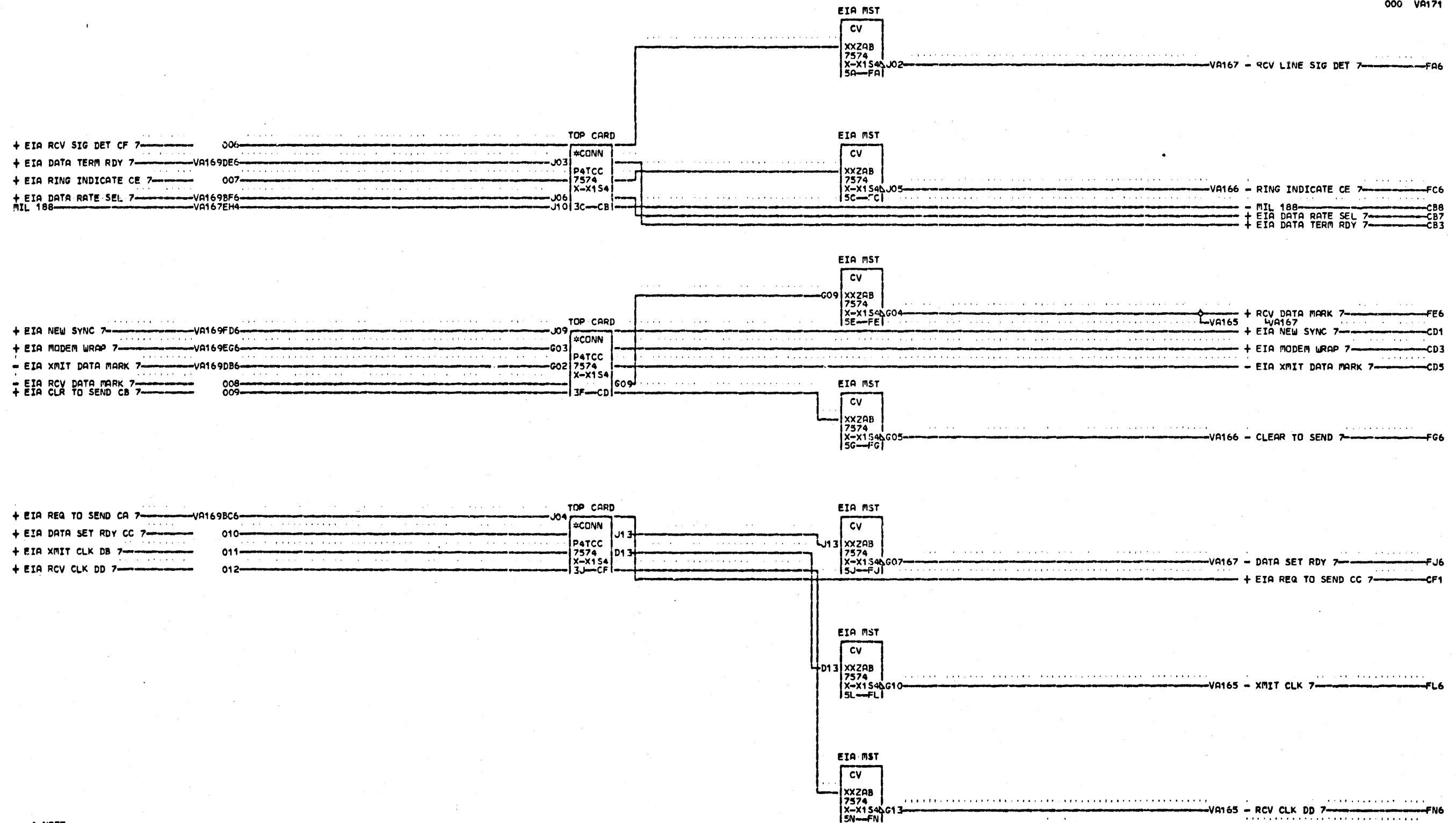
1  
 7  
 0

000

01-26-72 309520C

EIA SYNC TERMINATOR CARD			
DATE	01-22-81	PACH.	27RNB
LOG	600	FRAME	01
		P.No.	1785466
IBM CORP.	SDD BLK.		FP

V  
 A  
 1  
 7  
 0  
 000

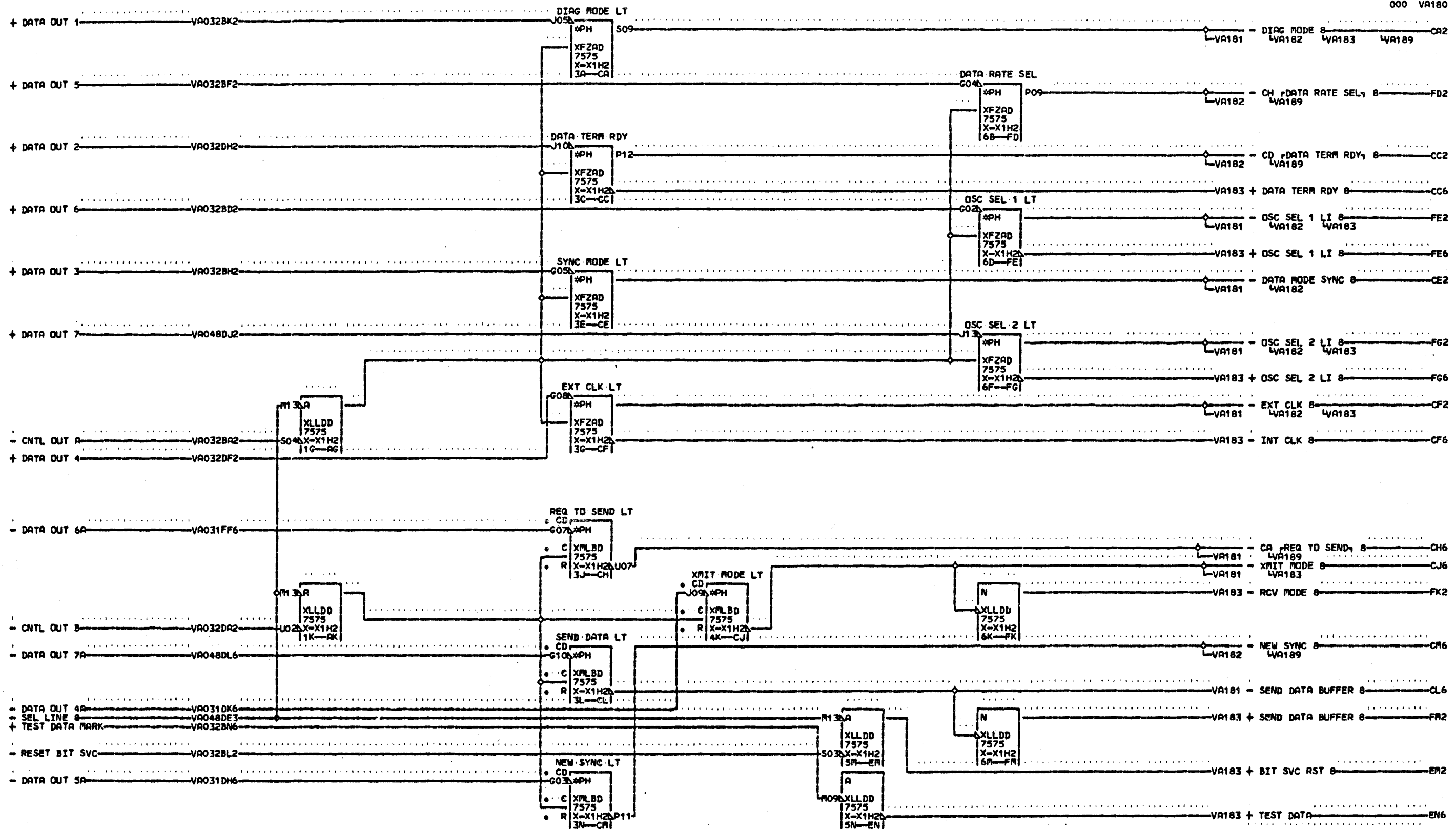


\* NOTE  
 \* FULL FEATURE WIRING SHOWN  
 \* WITH EIA SYNC LINE SET  
 \* SEE VA000 FOR OTHER LINE SET

VA171  
 000

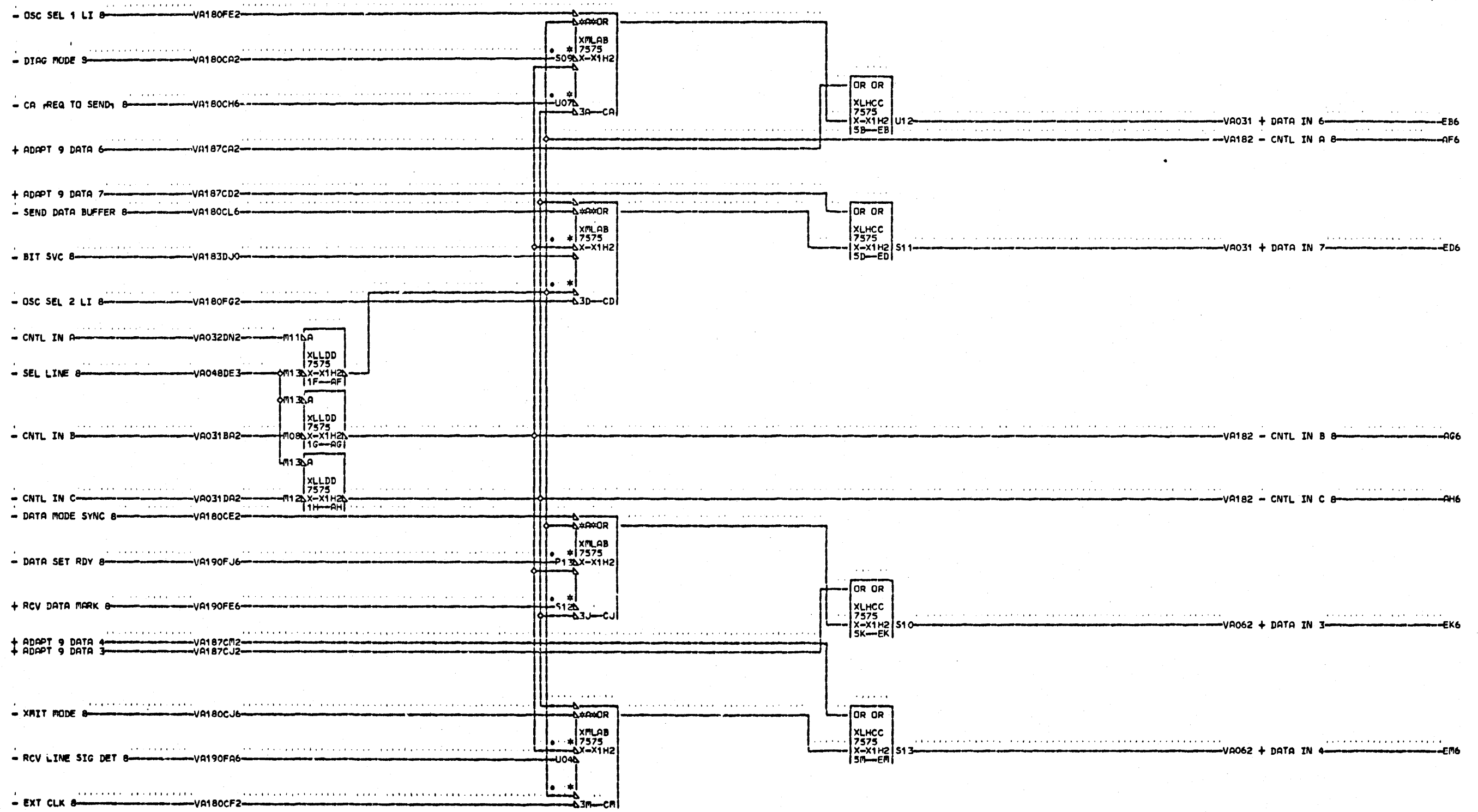
01-26-72 309520C

EIA SYNC TERMINATOR CARD				V A 7 1 000
DATE	01-26-72	MACH	27RNB	
LOG	600	FRAME	01	
		PoNo	1785467	
IBM CORP.		SDD BLK.	FP	



\* NOTE  
 \* FULL FEATURE WIRING SHOWN  
 \* WITH EIA SYNC LINE SET  
 \* SEE VA000 FOR OTHER LINE SET

EIA SYNC				V A 1 8 0
LINE INTERFACE CARD				
DATE	01-26-72	MACH.	27RNB	000
LOG	600	FRAME	01	
		PcNo	1785468	
IBM CORP.		SDD BLK.	GL	



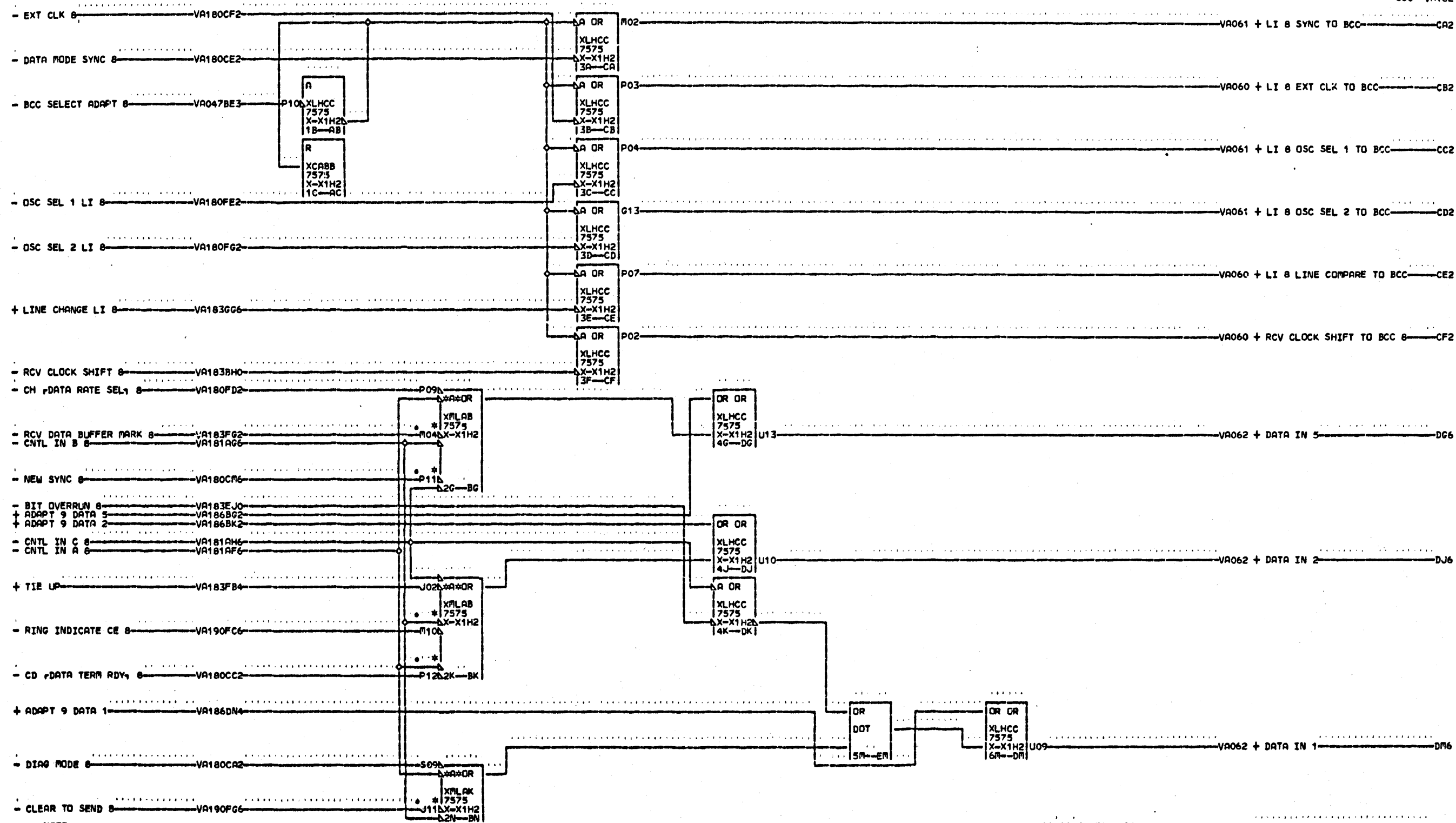
\* NOTE  
 \* FULL FEATURE WIRING SHOWN  
 \* WITH EIA SYNC LINE SET  
 \* SEE VA000 FOR OTHER LINE SET

V  
 A  
 1  
 8  
 1

000

01-26-72 309520C

ETA SYNC			
LINE INTERFACE CARD			
DATE	01-26-72	PAGE	27RNB
LOG	600	FRAME	01
		PaNo	1785469
IBR CORP.	SDD BLK.	EN	000

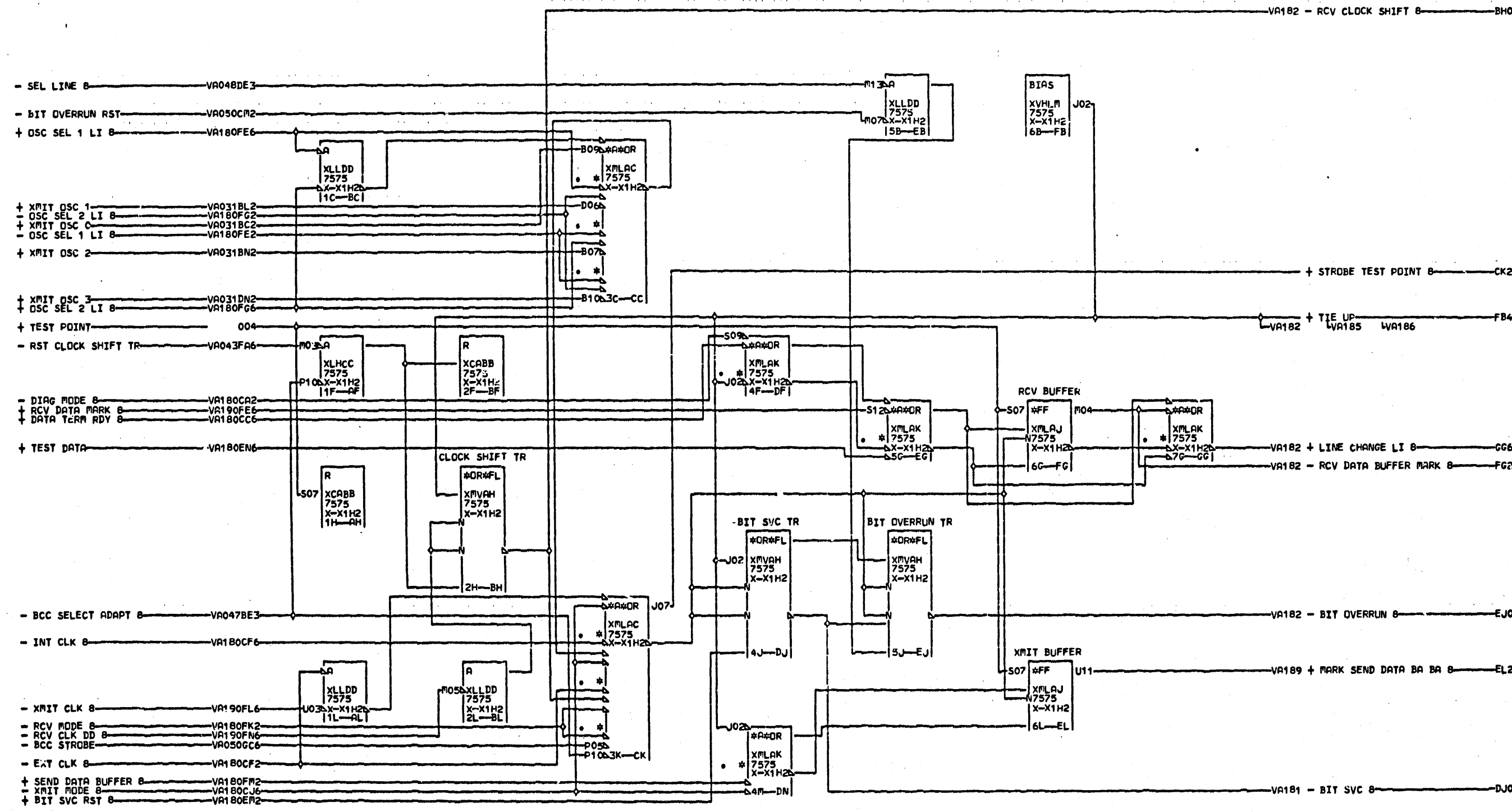


\* NOTE  
 \* FULL FEATURE WIRING SHOWN  
 V \* WITH EIA SYNC LINE SET  
 A \* SEE VA000 FOR OTHER LINE SET  
 1  
 2  
 000

01-26-72 309520C

EIA SYNC			
LINE INTERFACE CARD			
DATE	01-26-72	RACH#	27RNB
LOG	600	FRAME	01
		PaNo	1785470
IBR CORP.	SDD	BLK.	ENI

VA182

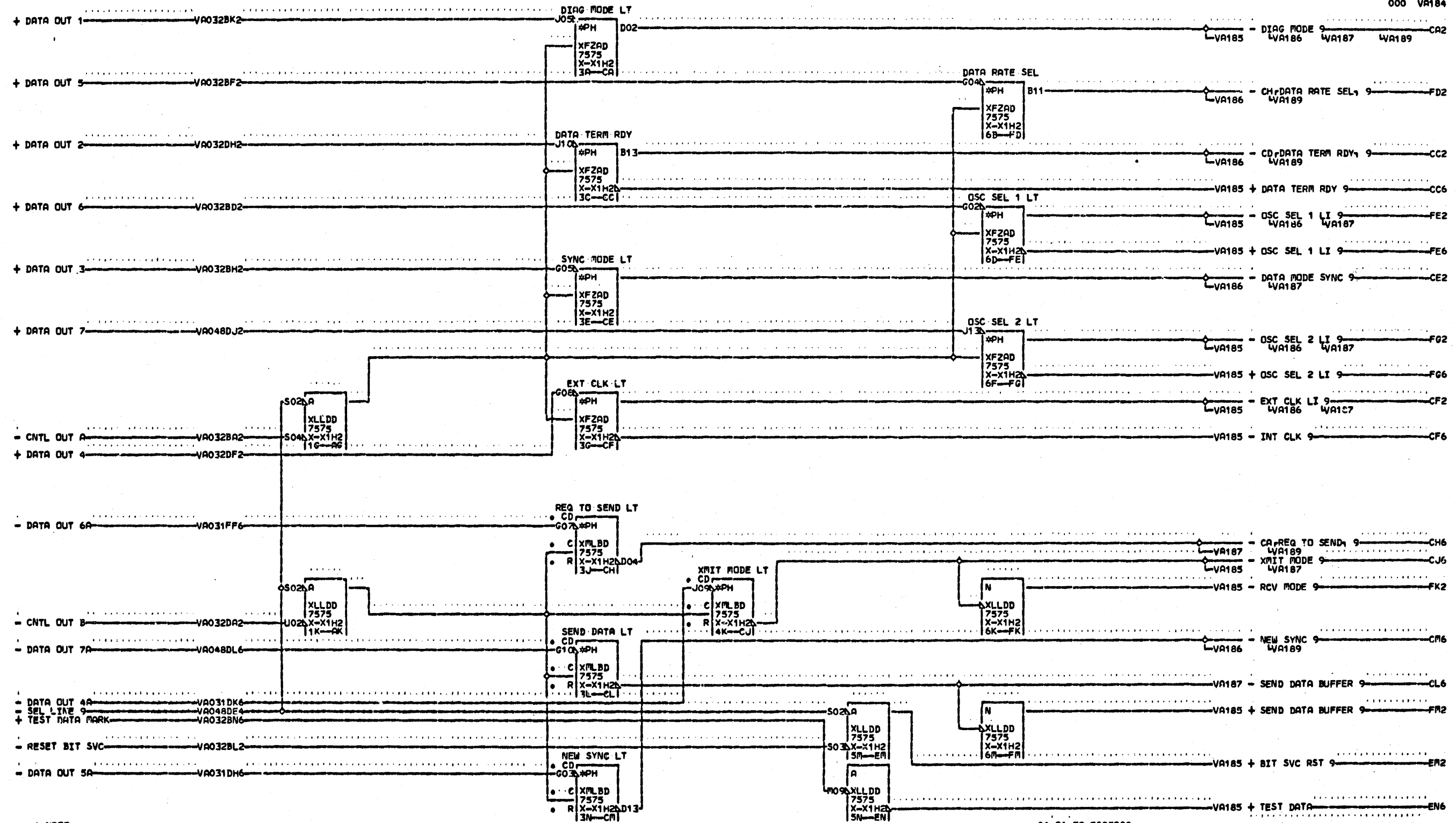


\* NOTE  
 \* FULL FEATURE WIRING SHOWN  
 V \* WITH EIA SYNC LINE SET  
 A \* AND LINE INTERFACE CARD  
 1 \* PN 8211452 INSTALLED  
 8 \* SEE VA000 FOR OTHER  
 3 \* LINE SETS

01-26-72 309520C  
 11-11-74 311286

EIA SYNC		VA 1 8 3
LINE INTERFACE CARD		
DATE	11-22-74 PACH. 27RNB	000
LOG	400 FRAME 01	
	PoN. 1785471	
IBM CORP.	SDD BLK.	GH



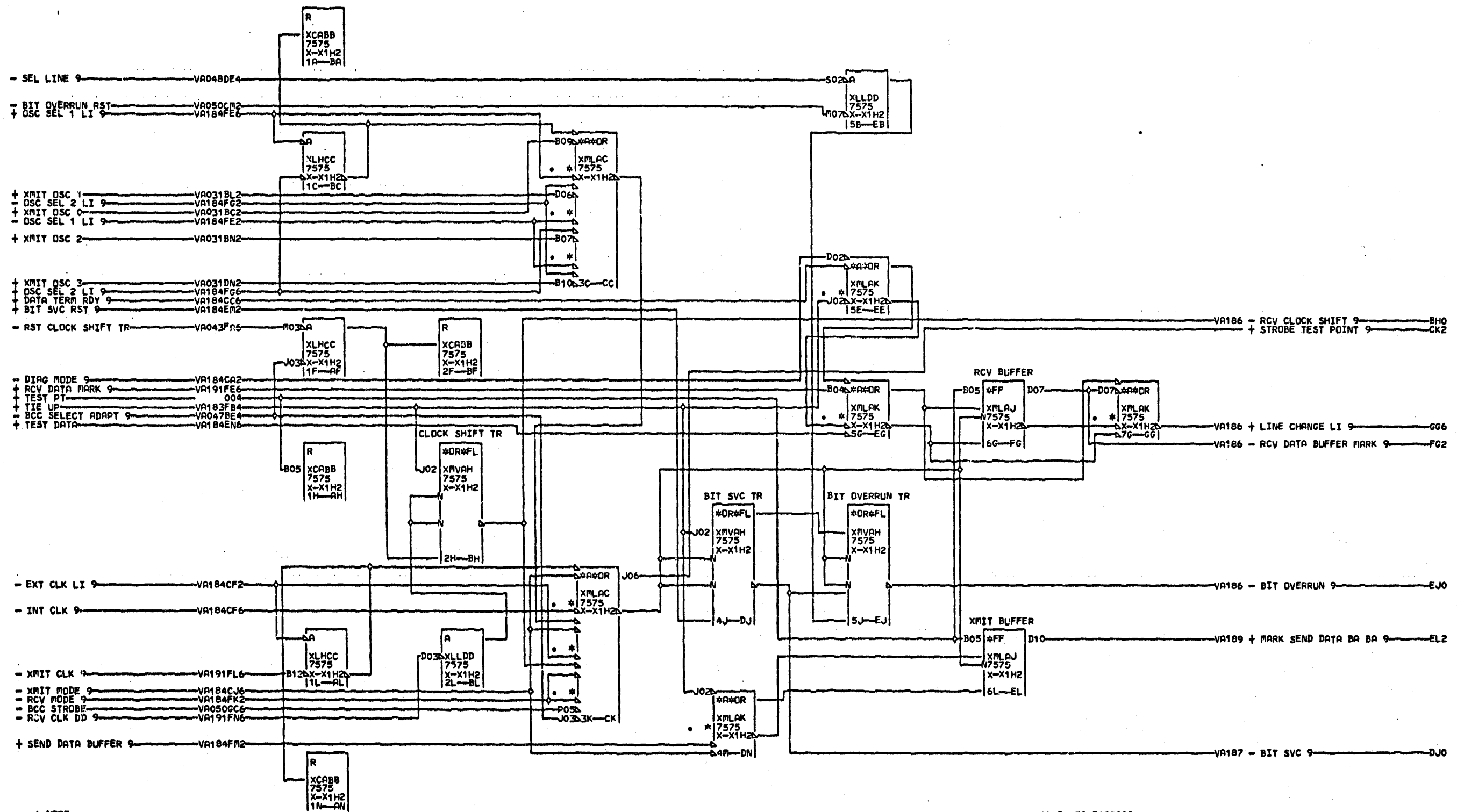


\* NOTE  
 \* FULL FEATURE WIRING SHOWN  
 \* WITH EIA SYNC LINE SET  
 \* SEE VA000 FOR OTHER LINE SET

1  
 8  
 4  
 000

01-26-72 309520C

EIA SYNC			VA
LINE INTERFACE CARD			
DATE	01-26-72	MACH# 27RNB	1
LOG	600 FRAME	01	8
		PoNo 1785472	4
IBM CORP.	SDD BLK.	GL	000

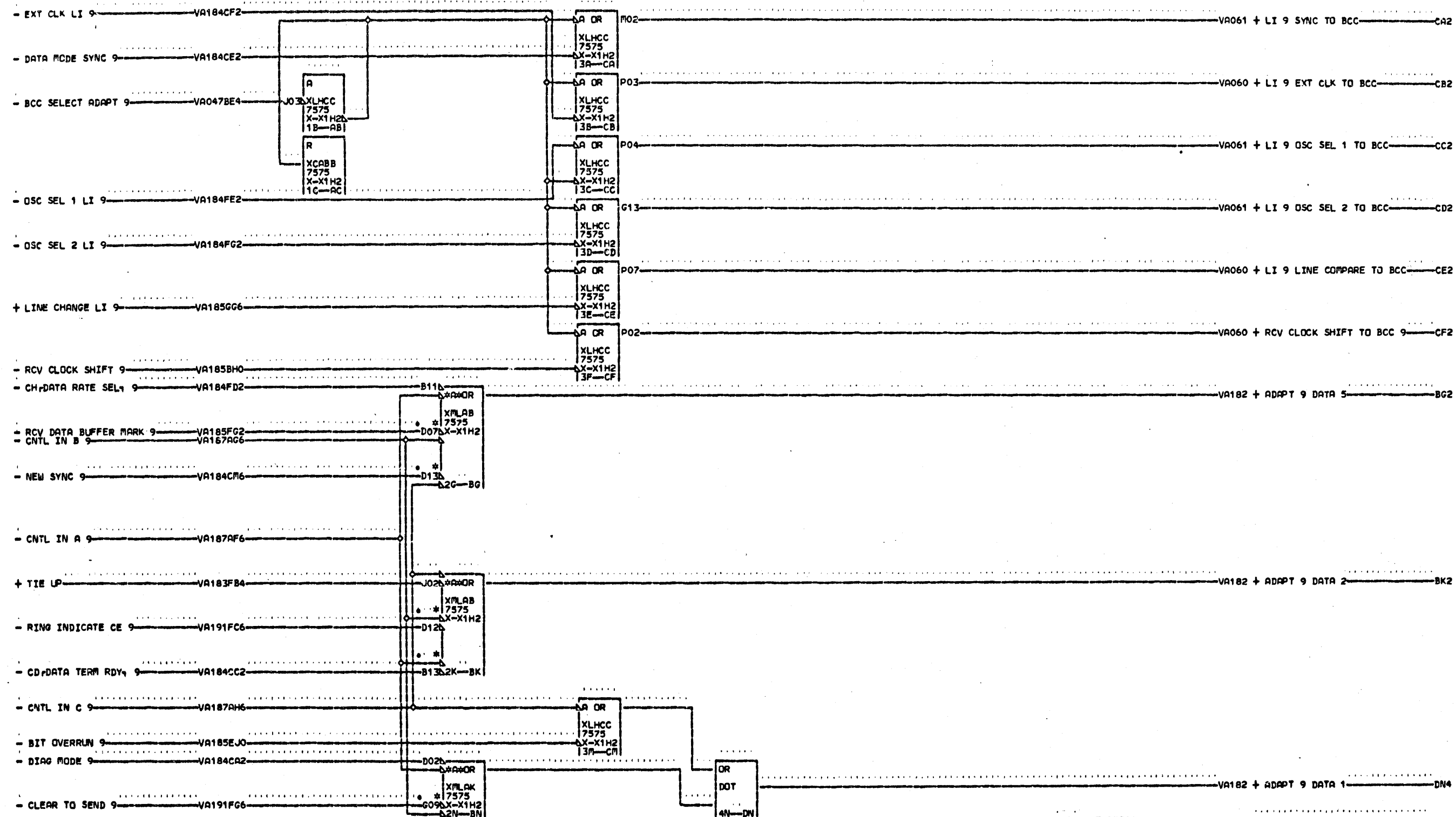


\* NOTE  
 \* FULL FEATURE WIRING SHOWN  
 V \* WITH EIA SYNC LINE SET  
 A \* AND LINE INTERFACE CARD  
 1 \* PN 8211452 INSTALLED  
 8 \* SEE VAO00 FOR OTHER  
 5 \* LINE SETS

01-26-72 309520C  
 11-11-74 311286

EIA SYNC			
LINE INTERFACE CARD			
DATE	11-22-74	PN	27RNB
LOG	400	FRAME	01
			5
		P.No	1785473
IBM CORP.	SDD	BLK.	GH

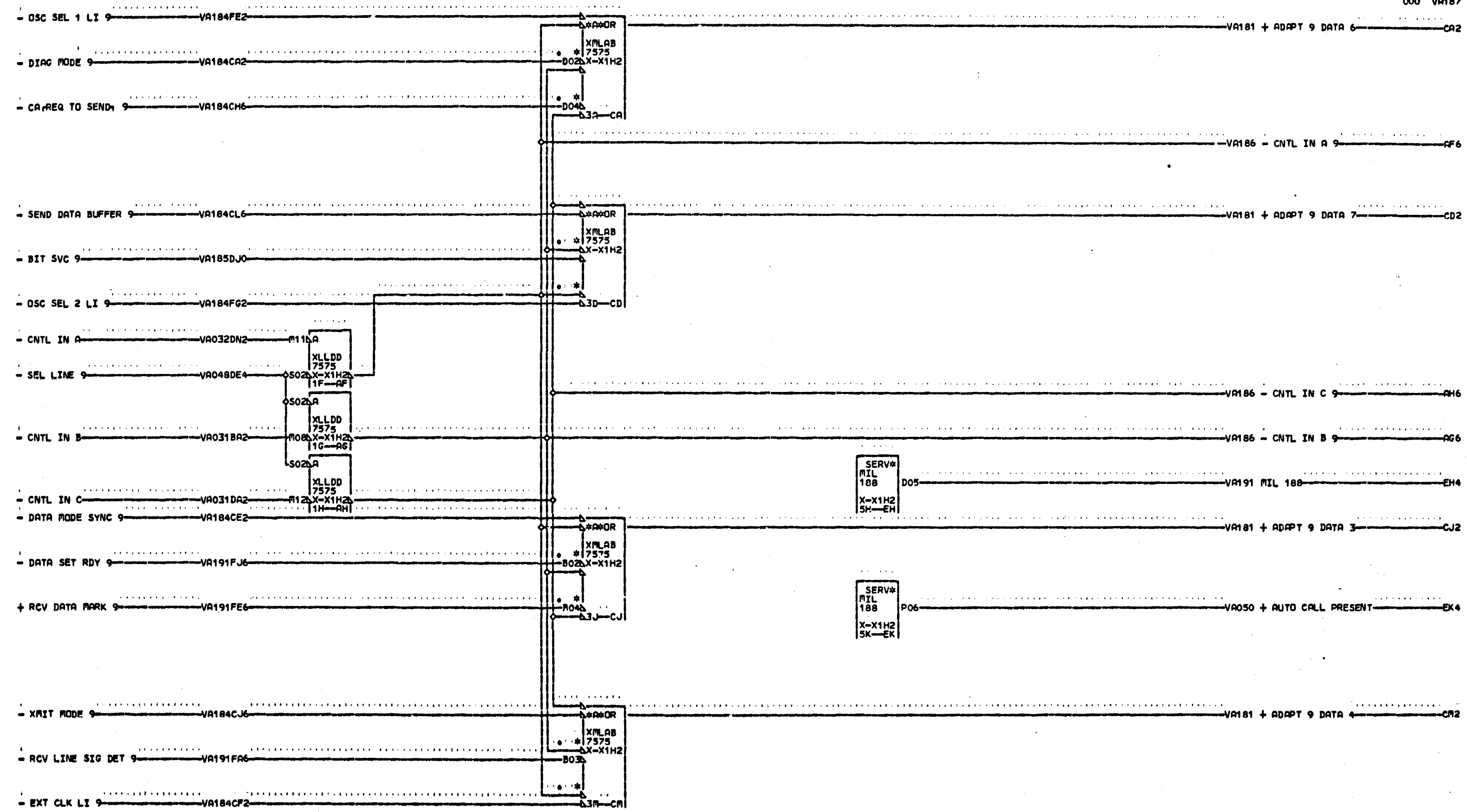
VA  
1  
8  
5  
000



\* NOTE  
 \* FULL FEATURE WIRING SHOWN  
 V \* WITH EIA SYNC LINE SET  
 A \* SEE VA000 FOR OTHER LINE SET

01-26-72 309520C

EIA SYNC		
LINE INTERFACE CARD		
DATE	01-26-72	MACH. 27RNB
LOG	600 FRAME	01
		8
		6
		000
IBM CORP.	SDD BLK.	DP



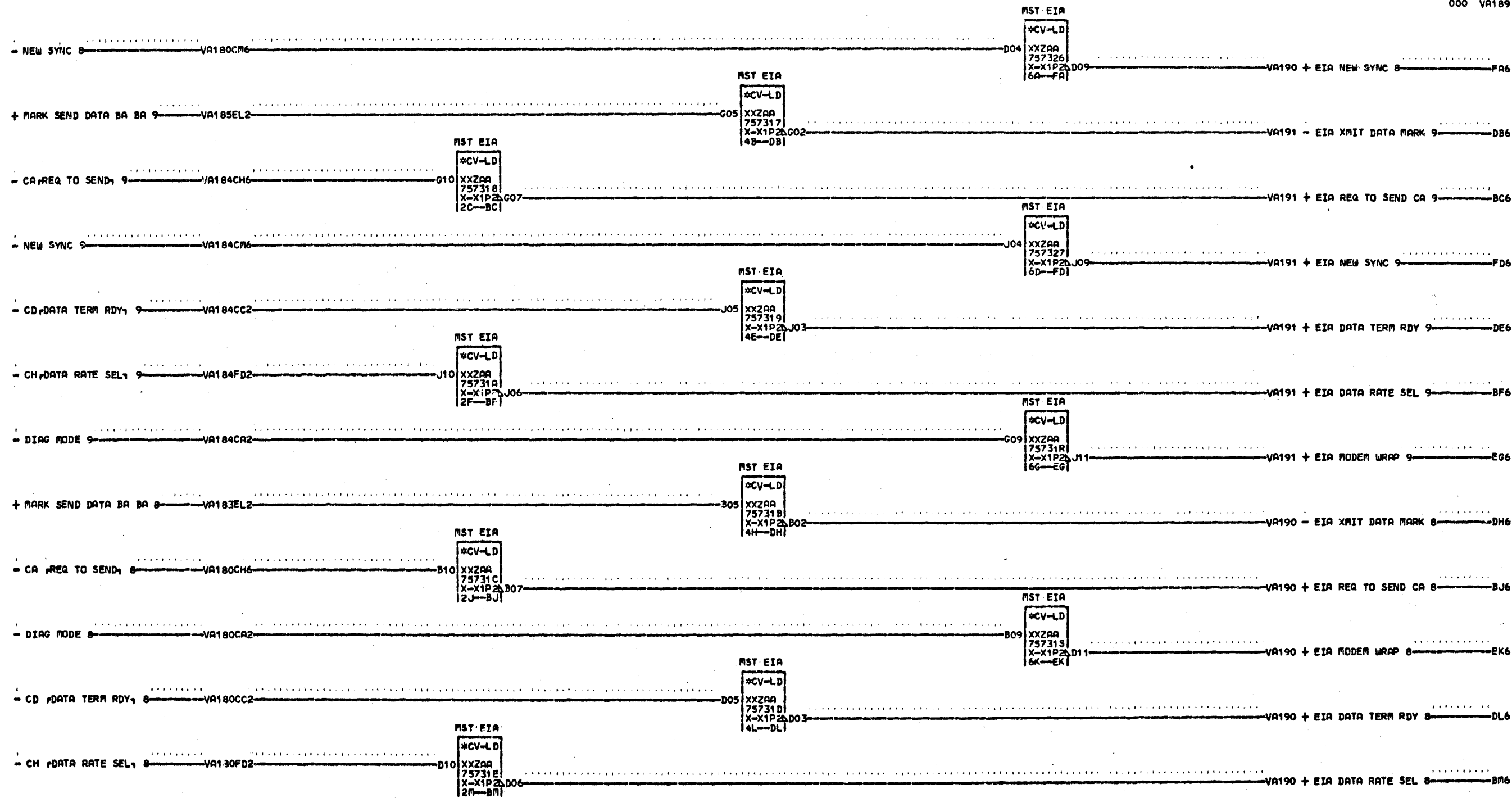
\* NOTE  
 \* FULL FEATURE WIRING SHOWN  
 \* WITH ETA SYNC LINE SET  
 \* SEE VA000 FOR OTHER LINE SET

000

01-26-72 309520C

ETA SYNC			
LINE INTERFACE CARD			
DATE	01-26-72	MACH.	27RNB
LOG	600	FRAME	01
		PcN.	1785475
IBM CORP.	5DD	BLK.	EL

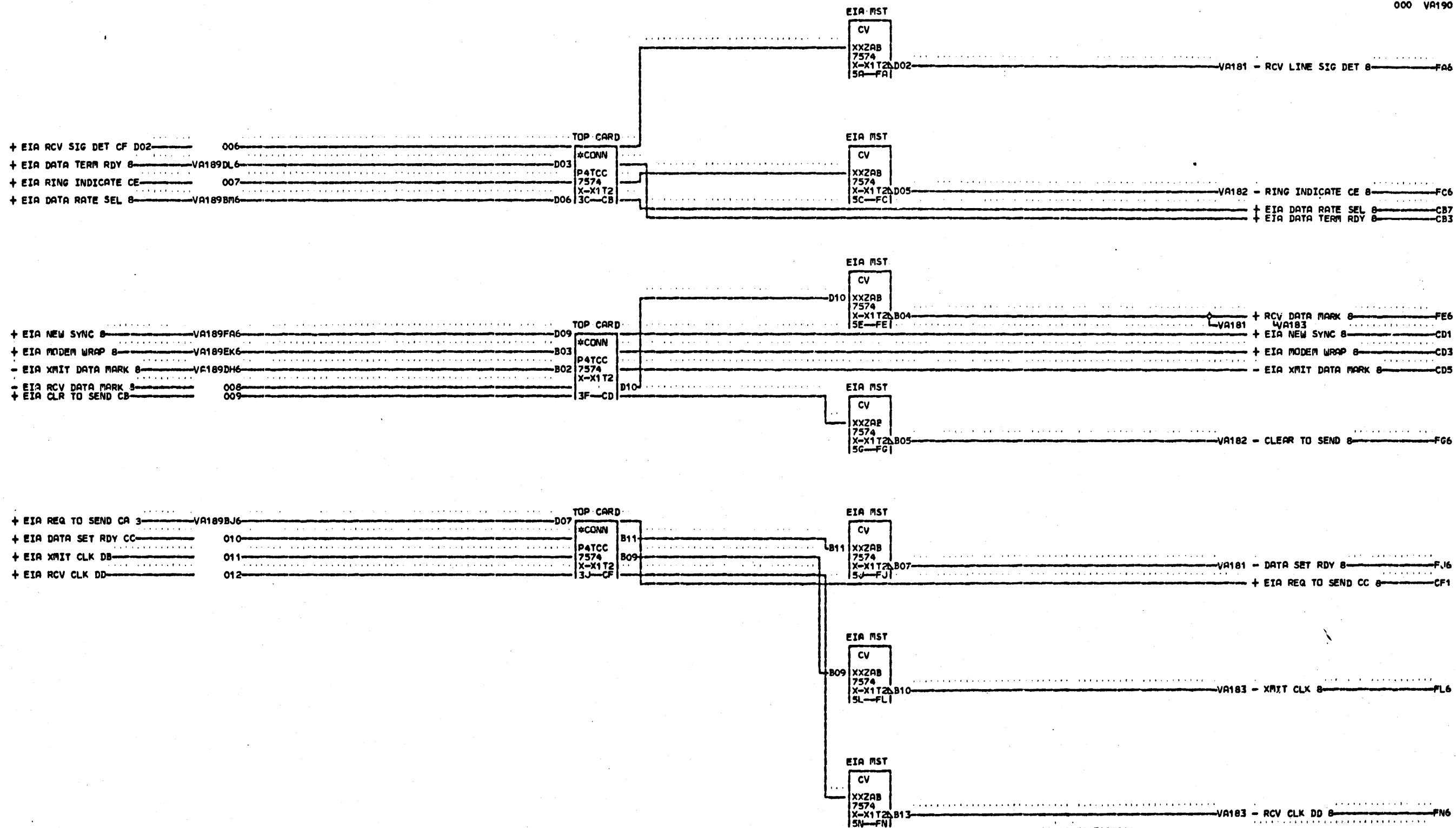
VA  
1  
8  
7  
000



\* NOTE  
 \* FULL FEATURE WIRING SHOWN  
 \* WITH EIA SYNC LINE SET  
 \* SEE VA000 FOR OTHER LINE SET

01-26-72 309520C

EIA SYNC DRIVER CARD			
DATE	01-26-72	MACH.	27RNB
LOG	600	FRAME	01
		P.No.	1785476
IBM CORP.	SDD BLK.	PP	

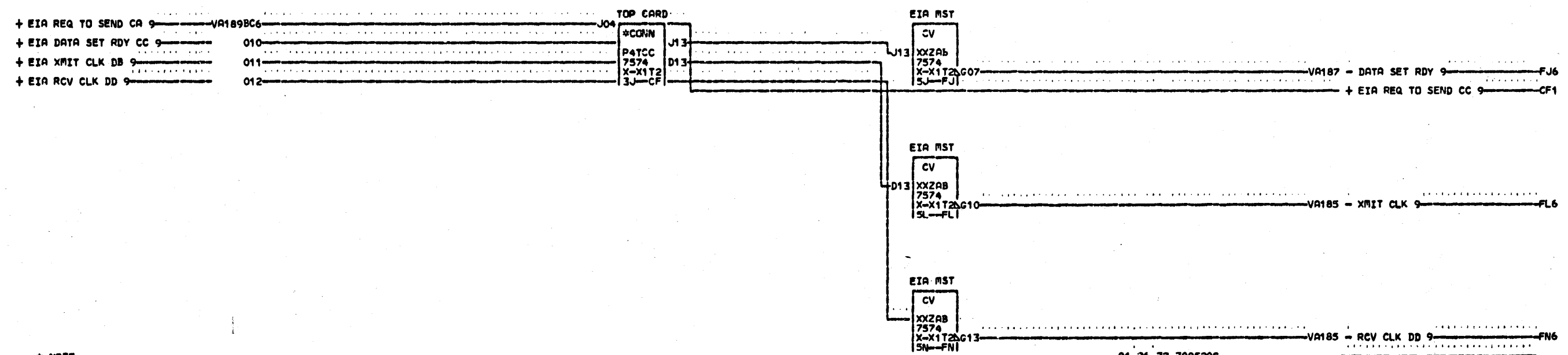
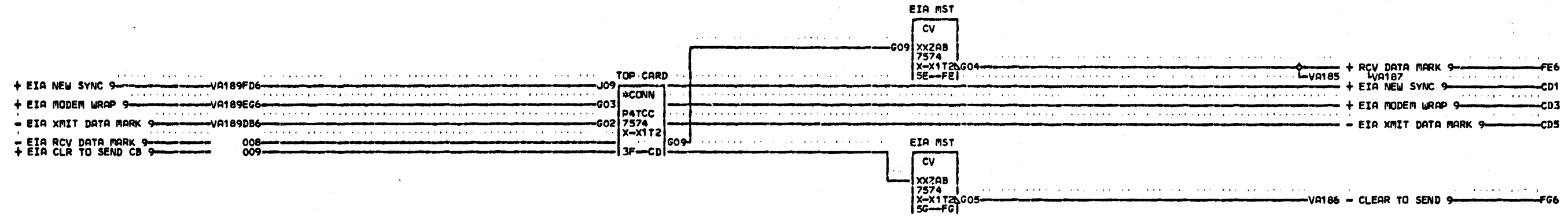
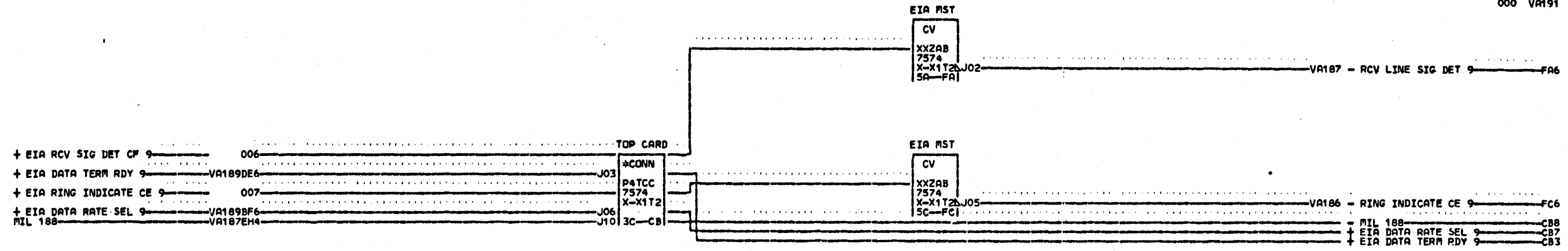


\* NOTE  
 \* FULL FEATURE WIRING SHOWN  
 \* WITH EIA SYNC LINE SET  
 \* SEE VA000 FOR OTHER LINE SET

VA190  
 000

01-26-72 309520C

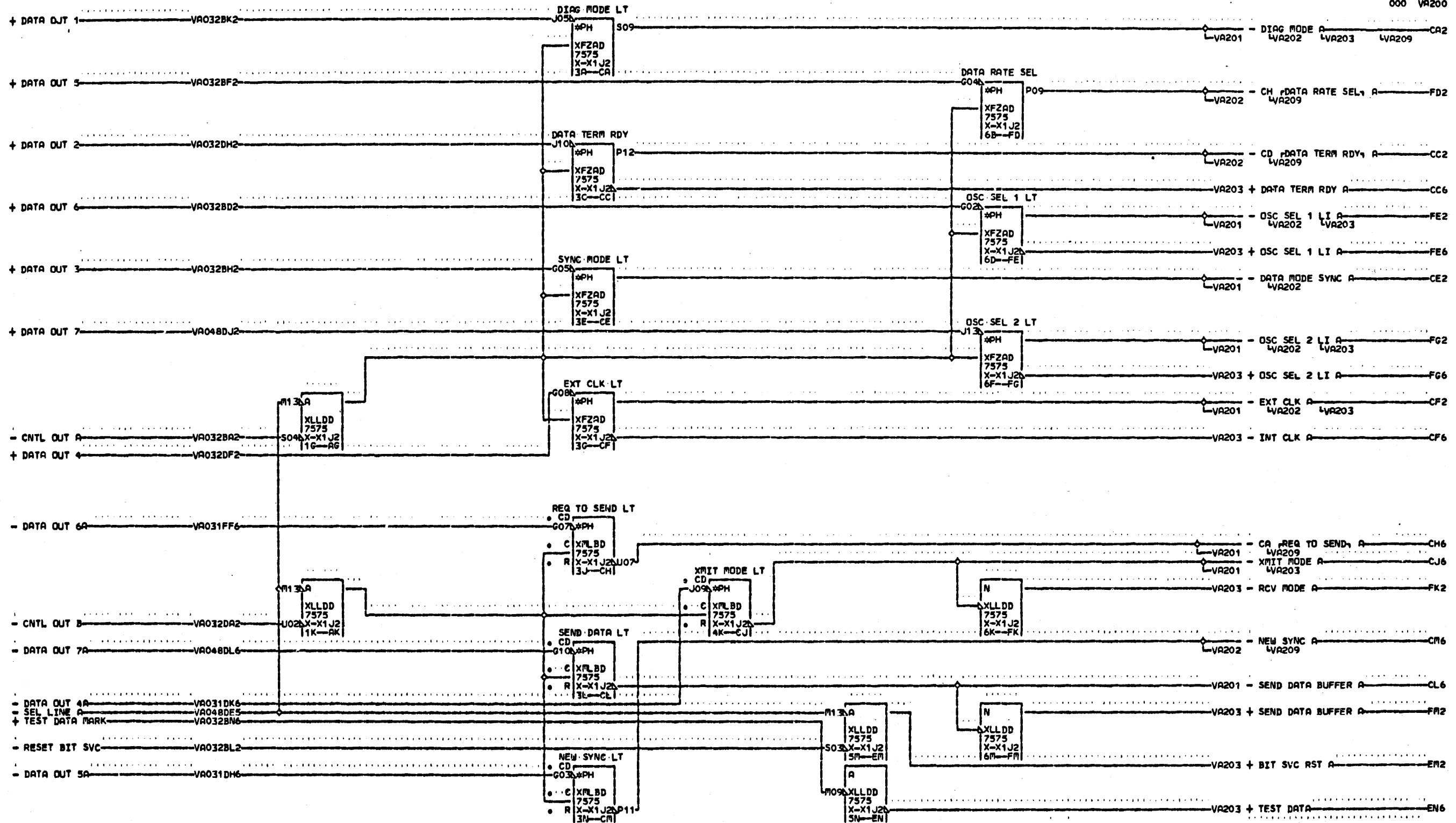
EIA SYNC TERMINATOR CARD			
DATE	01-26-72	FRAC#	27RNB
LOG	600	FRAME	01
		PaNo	1785477
IBM CORP.	SDD	BLK.	FP



01-26-72 309520C

\* NOTE  
 \* FULL FEATURE WIRING SHOWN  
 \* WITH EIA SYNC LINE SET  
 \* SEE VA000 FOR OTHER LINE SET

EIA SYNC TERMINATOR CARD			
DATE	01-26-72	MACH	27RNB
LOG	600	FRAME	01
PcNo		1785478	
IBM CORP.	SDD BLK.	FP	000



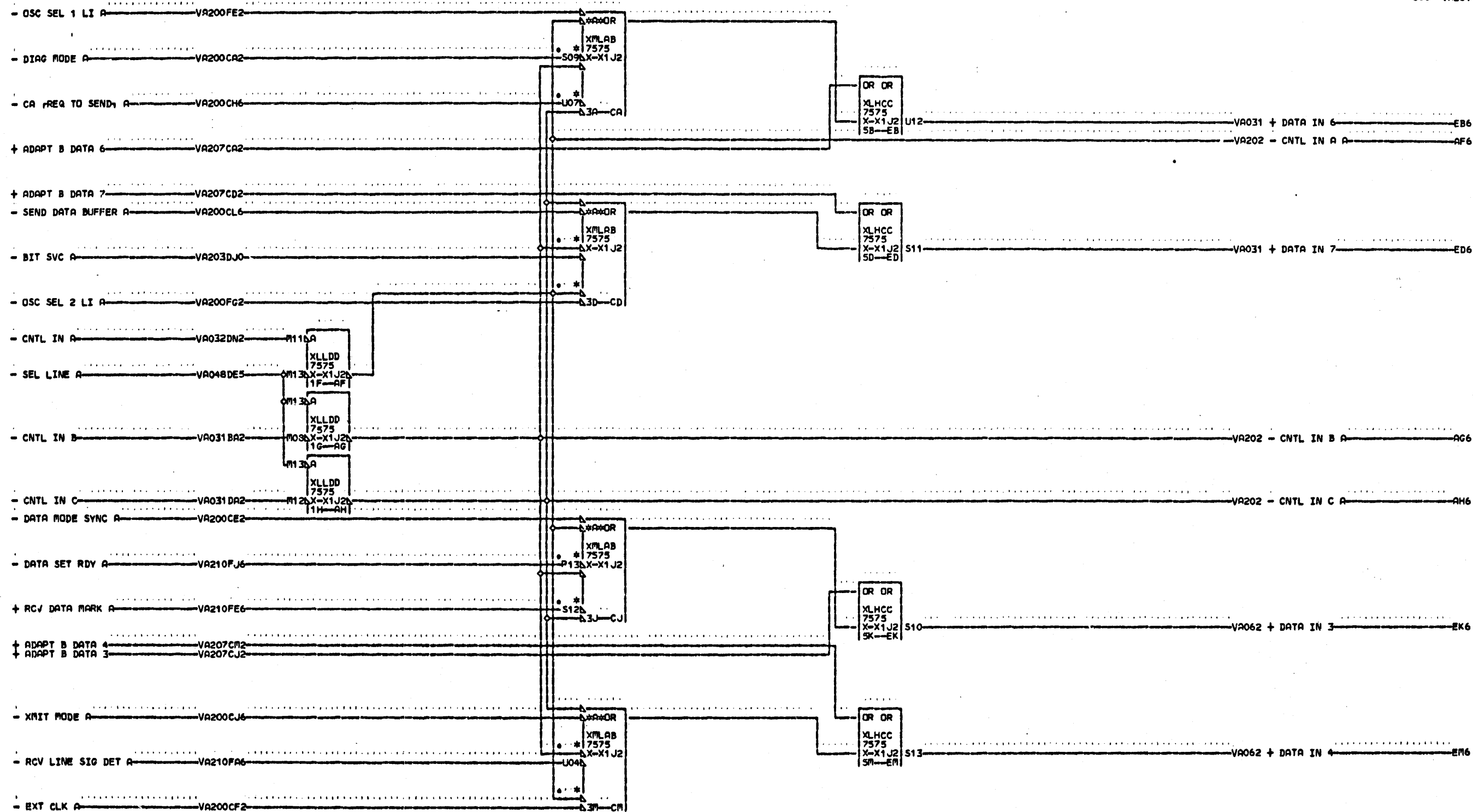
\* NOTE  
 \* FULL FEATURE WIRING SHOWN  
 \* WITH EIA SYNC LINE SET  
 \* SEE VA000 FOR OTHER LINE SET

01-26-72 309520C

EIA SYNC			VA200
LINE INTERFACE CARD			
DATE	01-26-72	MACH# 27RNB	000
LOG	600	FRAME 01	
		P# 1785479	
IBM CORP.	SDD BLK.	GL	

VA000  
000



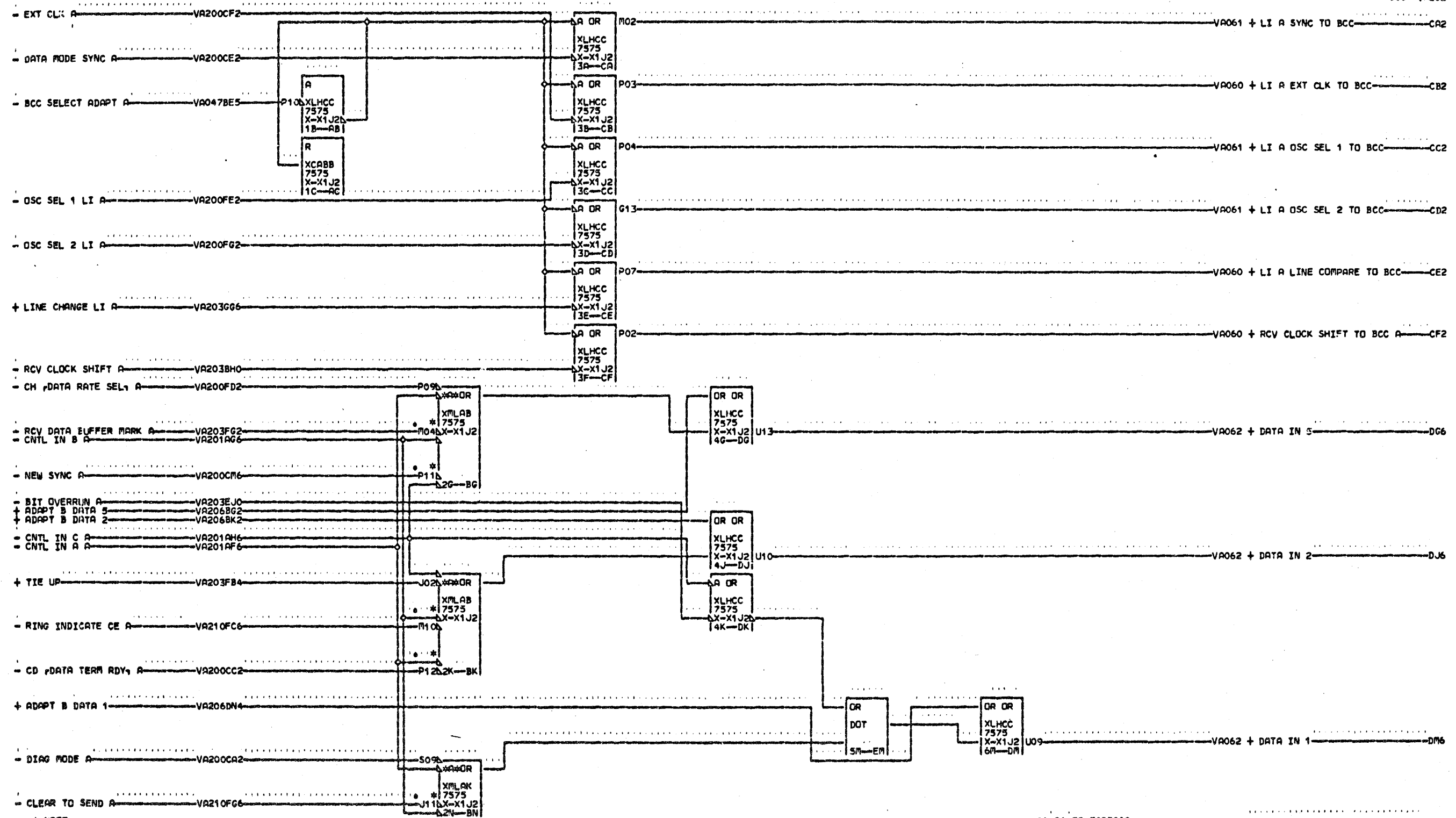


\* NOTE  
 \* FULL FEATURE WIRING SHOWN  
 \* WITH EIA SYNC LINE SET  
 \* SEE VA000 FOR OTHER LINE SET

VA201  
 000

01-26-72 309520C

EIA SYNC			
LINE INTERFACE CARD			
DATE	01-26-72	FRAM	27RNB
LOG	600	FRAM	01
		PaN	1785480
IBM CORP.	SDD BLK.	EN	000



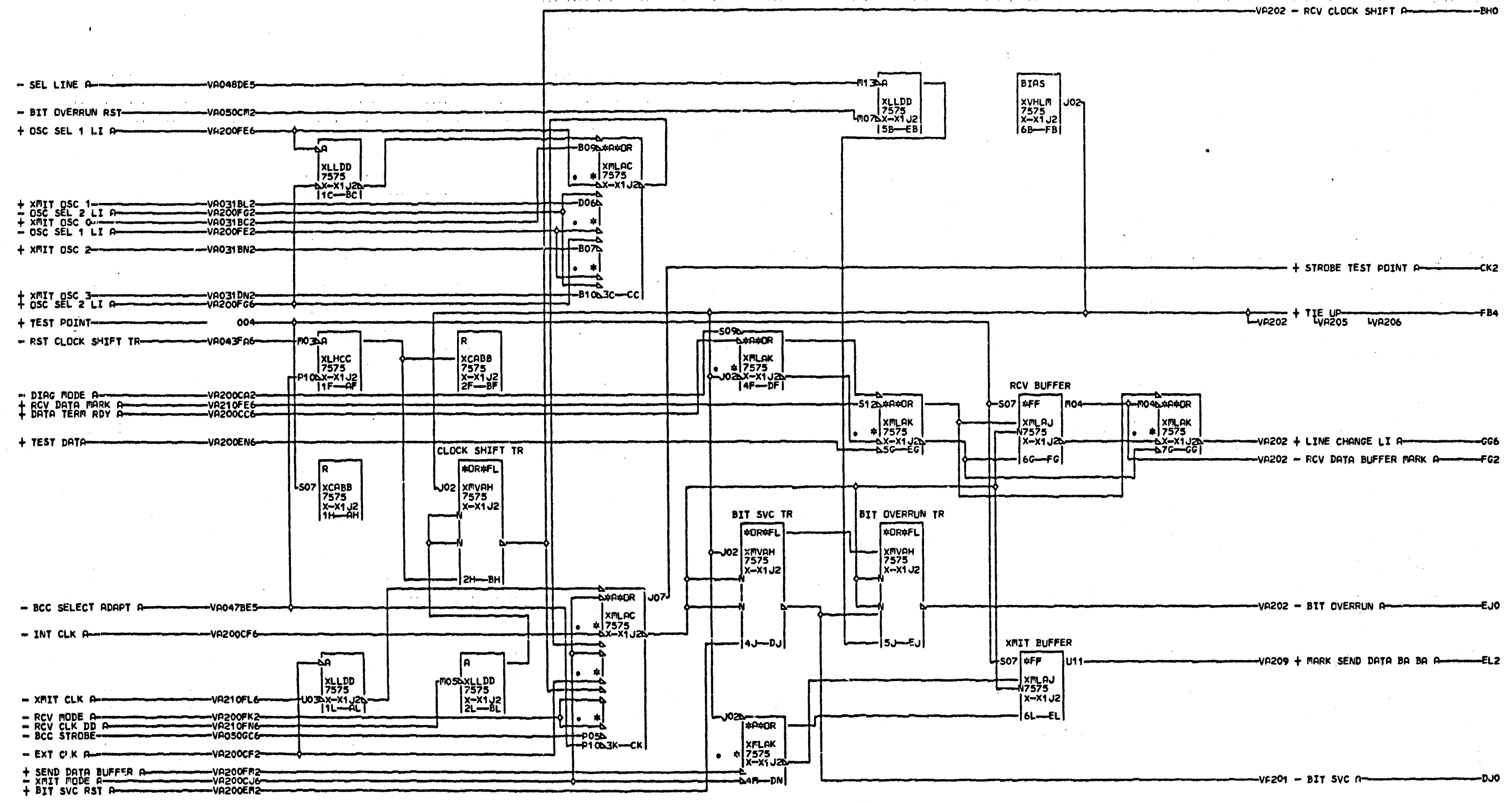
\* NOTE  
 \* FULL FEATURE WIRING SHOWN  
 \* WITH EIA SYNC LINE SET  
 \* SEE VA000 FOR OTHER LINE SET

COO

01-26-72 309520C

EIA SYNC		
LINE INTERFACE CARD		
DATE	01-26-72	MACH# 27RNB
LOG	600	FRAME 01
		P# 1785481
IBA CORP.	SDD BLK.	EN

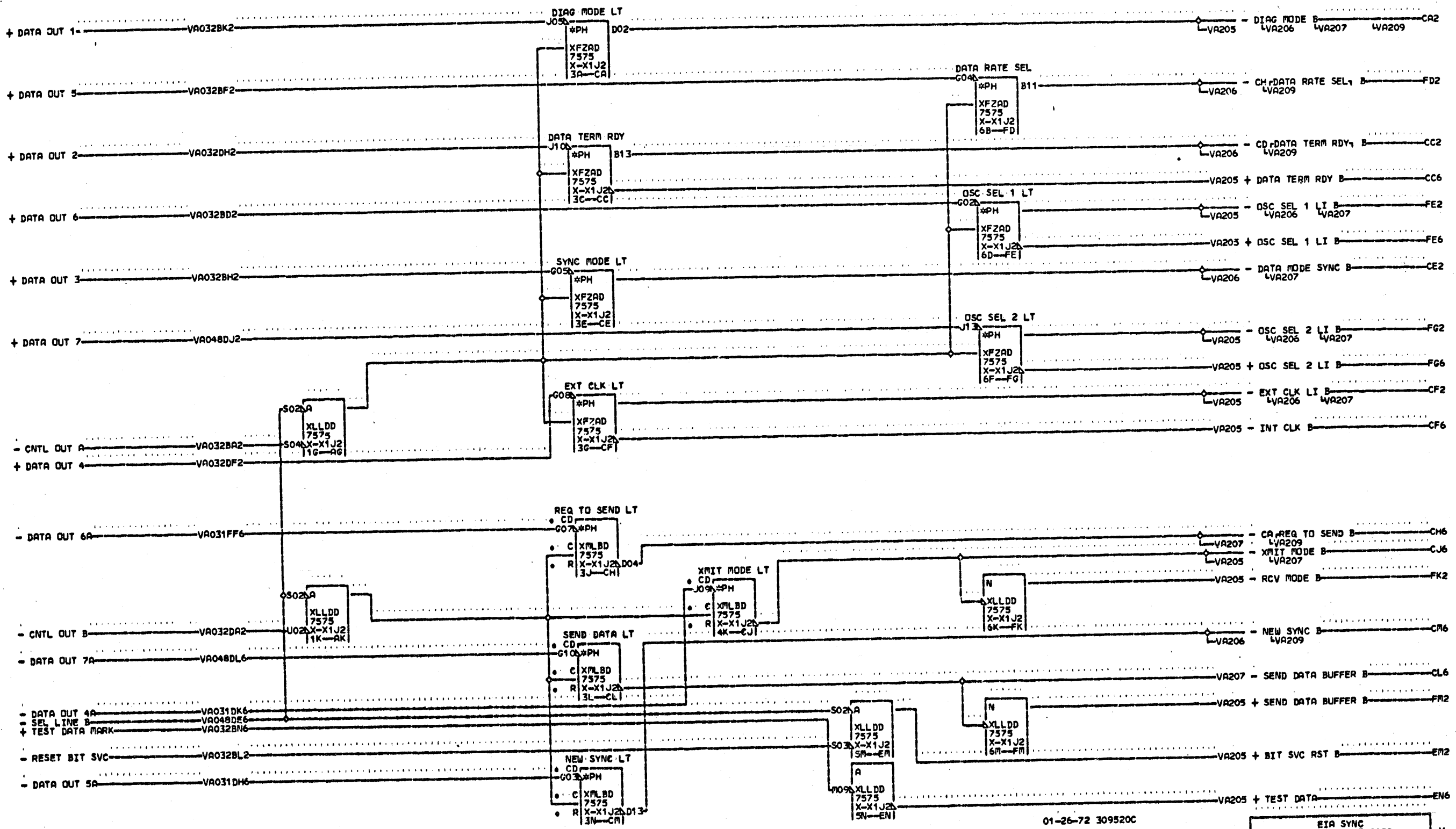
VA202



\* NOTE  
 \* FULL FEATURE WIRING SHOWN  
 V \* WITH EIA SYNC LINE SET  
 A \* AND LINE INTERFACE CARD  
 2 \* PN 8211452 INSTALLED  
 0 \* SEE VA000 FOR OTHER  
 3 \* LINE SETS  
 000

01-26-72 309520C  
 11-11-74 311286

EIA SYNC				VA 20 3
LINE INTERFACE CARD				
DATE	11-22-74	PACH.	27RNB	000
LDC	400	FRAME	01	
PcNo		1785482		
IBM CORP.	SDD	BLK.	GH	

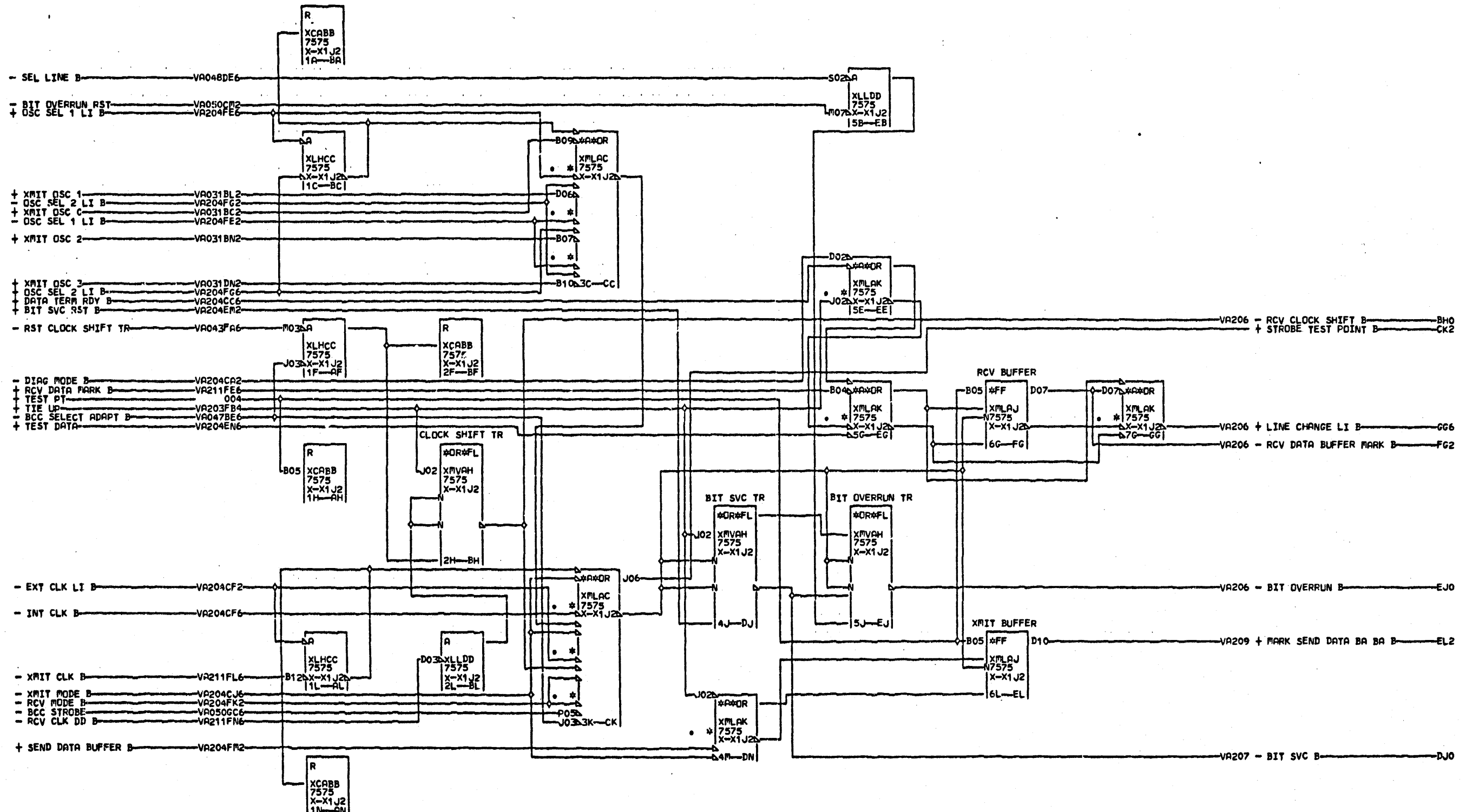


\* NOTE  
\* FULL FEATURE WIRING SHOWN  
\* WITH EIA SYNC LINE SET  
\* SEE VA000 FOR OTHER LINE SET

VA204  
000

EIA SYNC  
LINE INTERFACE CARD  
DATE 01-26-72 MACH# 27RNB  
LOG 600 FRAME 01  
P#N# 1785483  
IBN CORP. SDD BLK. GL

VA204  
000



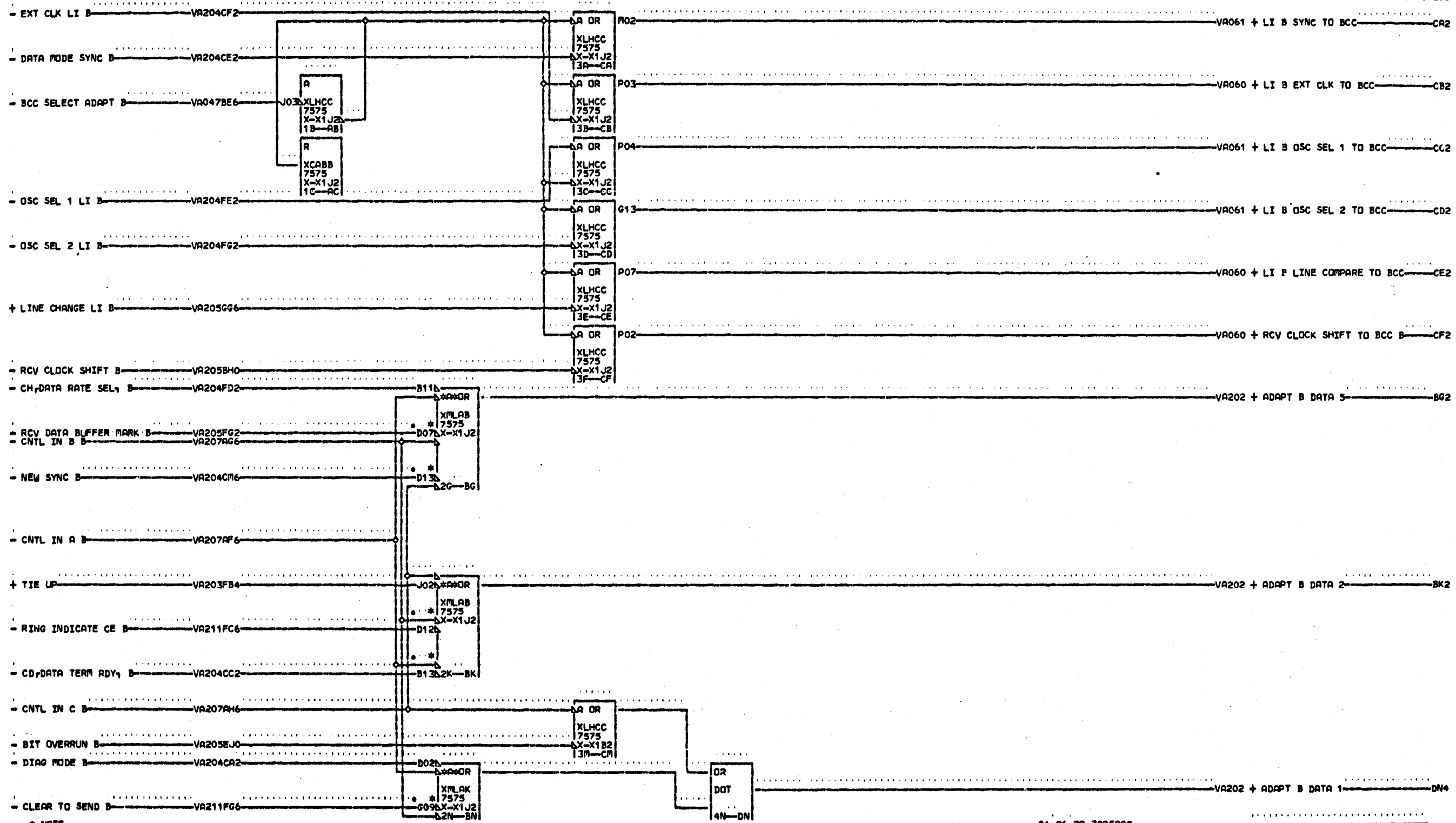
\* NOTE  
 \* FULL FEATURE WIRING SHOWN  
 V \* WITH EIA SYNC LINE SET  
 A \* AND LINE INTERFACE CARD  
 2 \* PN 8211452 INSTALLED  
 0 \* SEE VA000 FOR OTHER  
 5 \* LINE SETS

000

01-26-72 309520C  
 11-11-74 311286

EIA SYNC LINE INTERFACE CARD			
DATE	11-22-74	FRAC#	27RNB
LOG	400	FRAME	01
		P#	1785484
IBR CORP.	SDD	BLK.	CH

VA205  
000

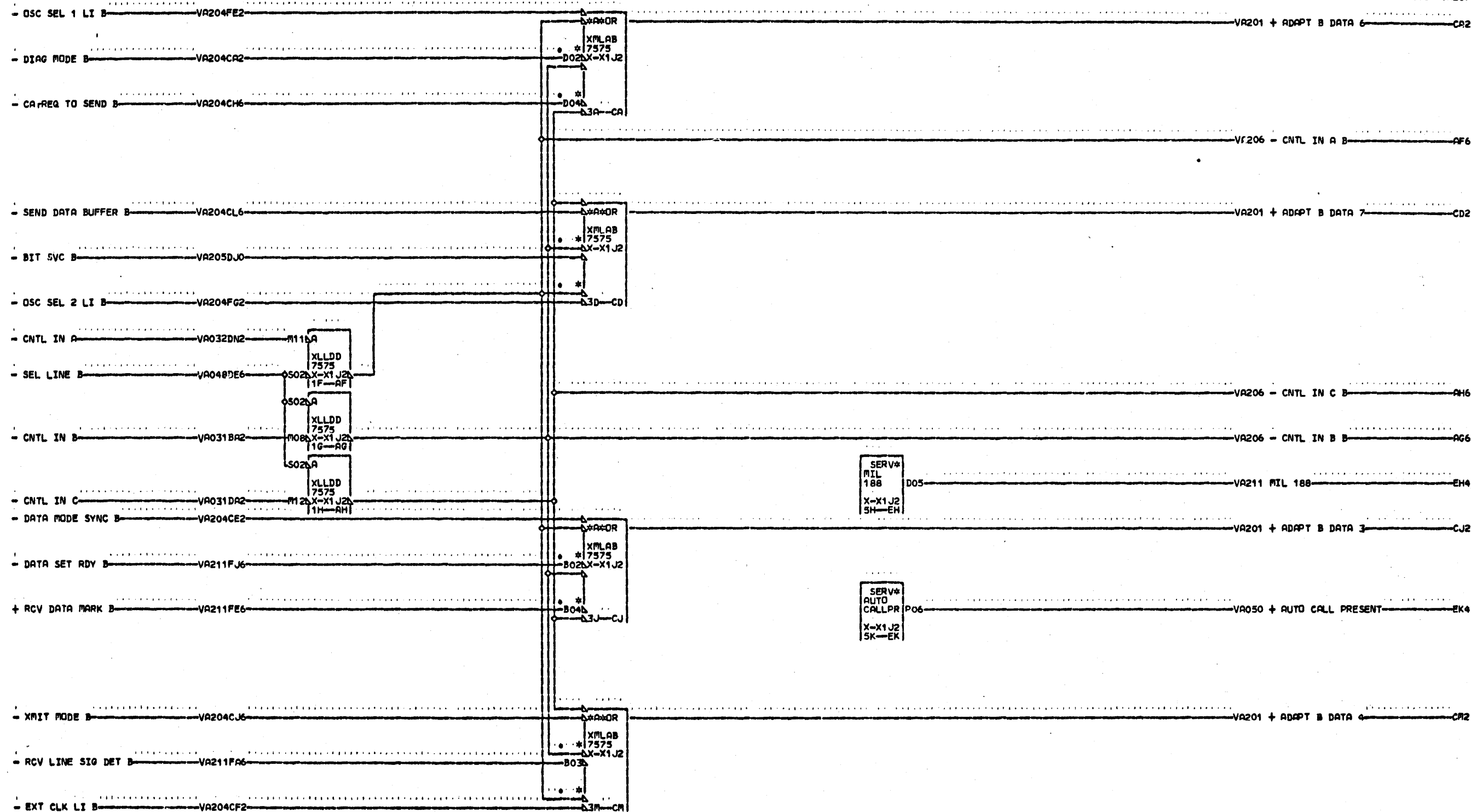


\* NOTE  
 \* FULL FEATURE WIRING SHOWN  
 \* WITH EIA SYNC LINE SET  
 \* SEE VA000 FOR OTHER LINE SET

01-26-72 309520C

EIA SYNC			
LINE INTERFACE CARD			
DATE	01-26-72	MACH	27RNB
LOG	600	FRAME	01
		PeNo	1785485
IBR CORP.	5DD	BLK.	DP

VA206  
000

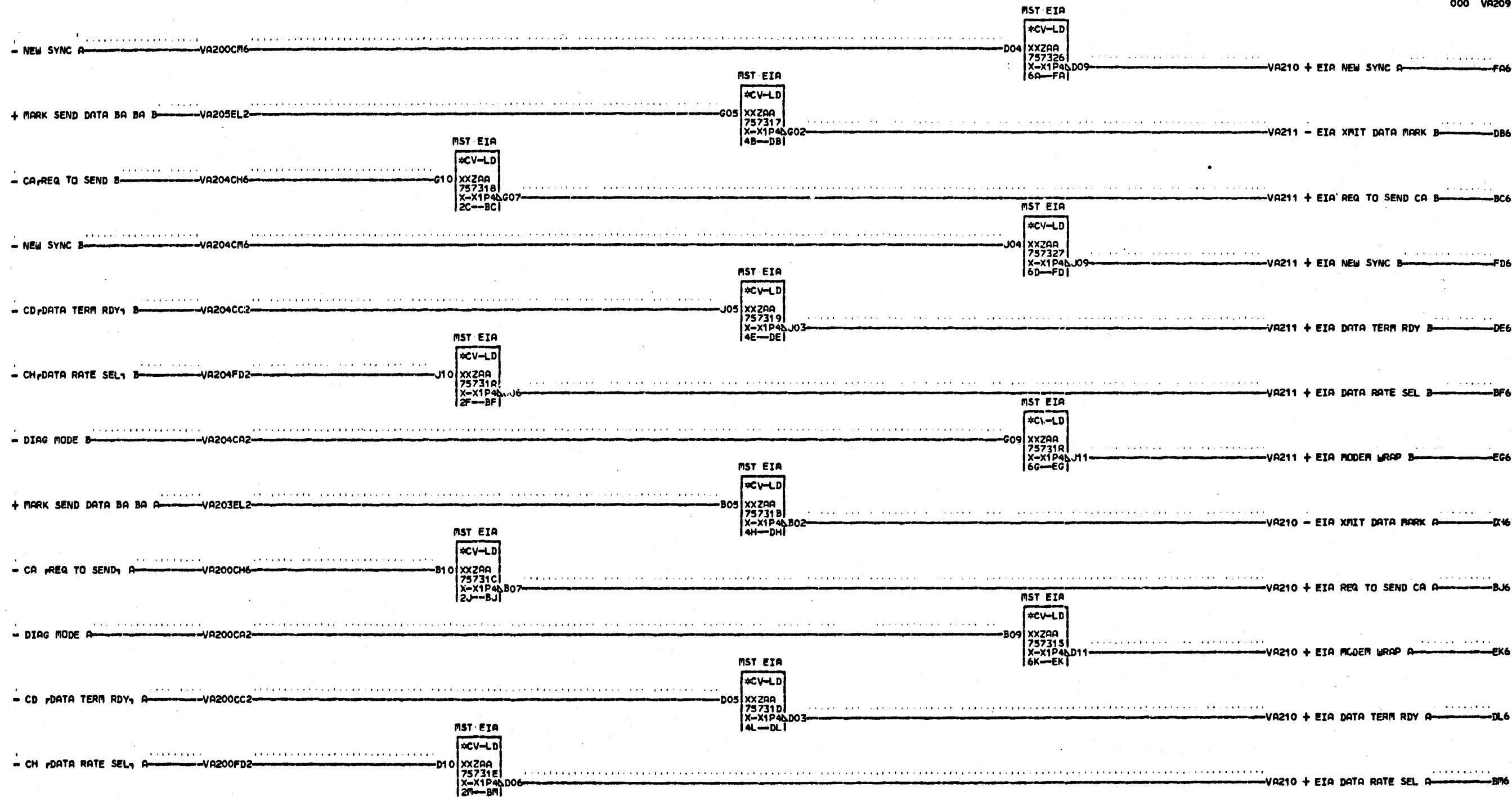


\* NOTE  
 \* FULL FEATURE WIRING SHOWN  
 \* WITH EIA SYNC LINE SET  
 \* SEE VA000 FOR OTHER LINE SET

VA  
 2  
 0  
 7  
 000

01-26-72 309520C

EIA SYNC			
LINE INTERFACE CARD			
DATE	01-26-72	FRAC#	27RNB
LOG	600	FRAME	01
		PaNo	1785486
IBM CORP.	SDD BLK.	EL	000



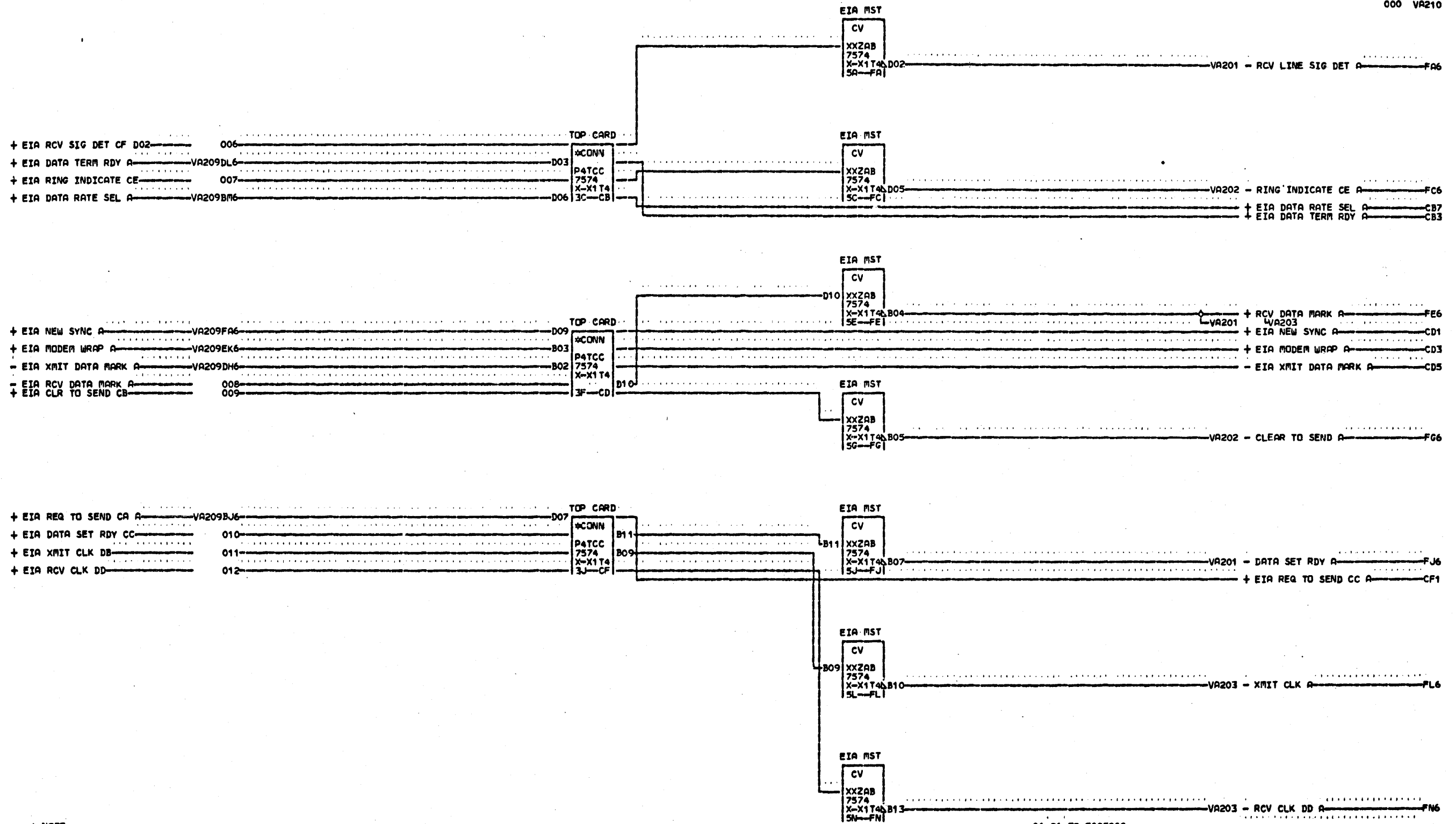
\* NOTE  
 \* FULL FEATURE WIRING SHOWN  
 \* WITH EIA SYNC LINE SET  
 \* SEE VA000 FOR OTHER LINE SET

01-26-72 309520C

EIA SYNC DRIVER CARD			
DATE	01-26-72	FRAC#	27RNB
LOG	600	FRAME	01
		PaNo	1785487
IBM CORP.	SDD	BLK#	FF

VA209  
000

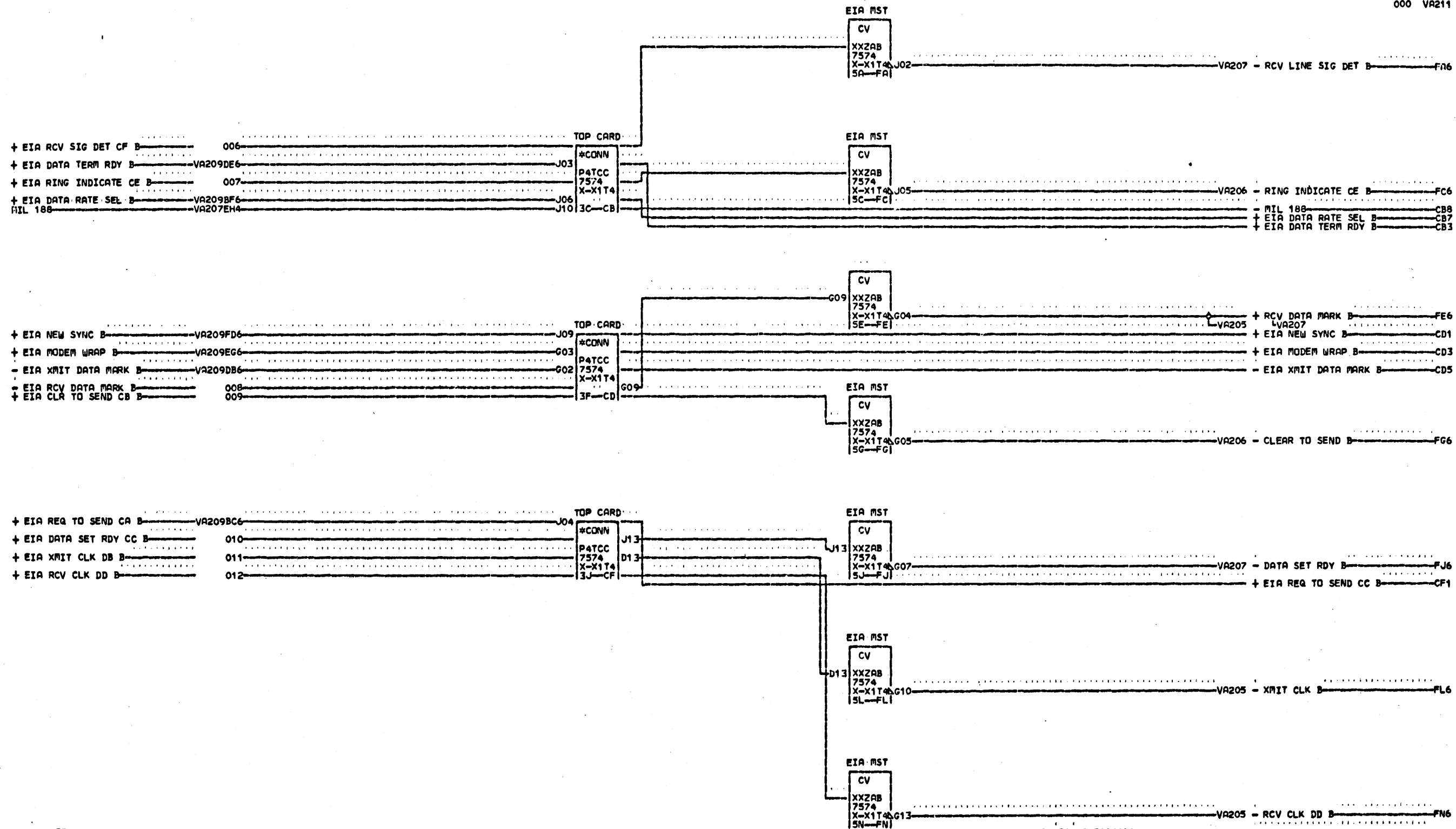




\* NOTE  
 \* FULL FEATURE WIRING SHOWN  
 \* WITH EIA SYNC LINE SET  
 \* SEE VA000 FOR OTHER LINE SET

01-26-72 309520C

EIA SYNC TERMINATOR CARD			VA
DATE	01-26-72	MACH. 27RNB	2
LOG	600	FRAME 01	1
		PaNo. 1785488	0
IBM CORP.	SDD BLK.	FP	000



NOTE  
 \* FULL FEATURE WIRING SHOWN  
 \* WITH EIA SYNC LINE SET  
 \* SEE VA000 FOR OTHER LINE SET

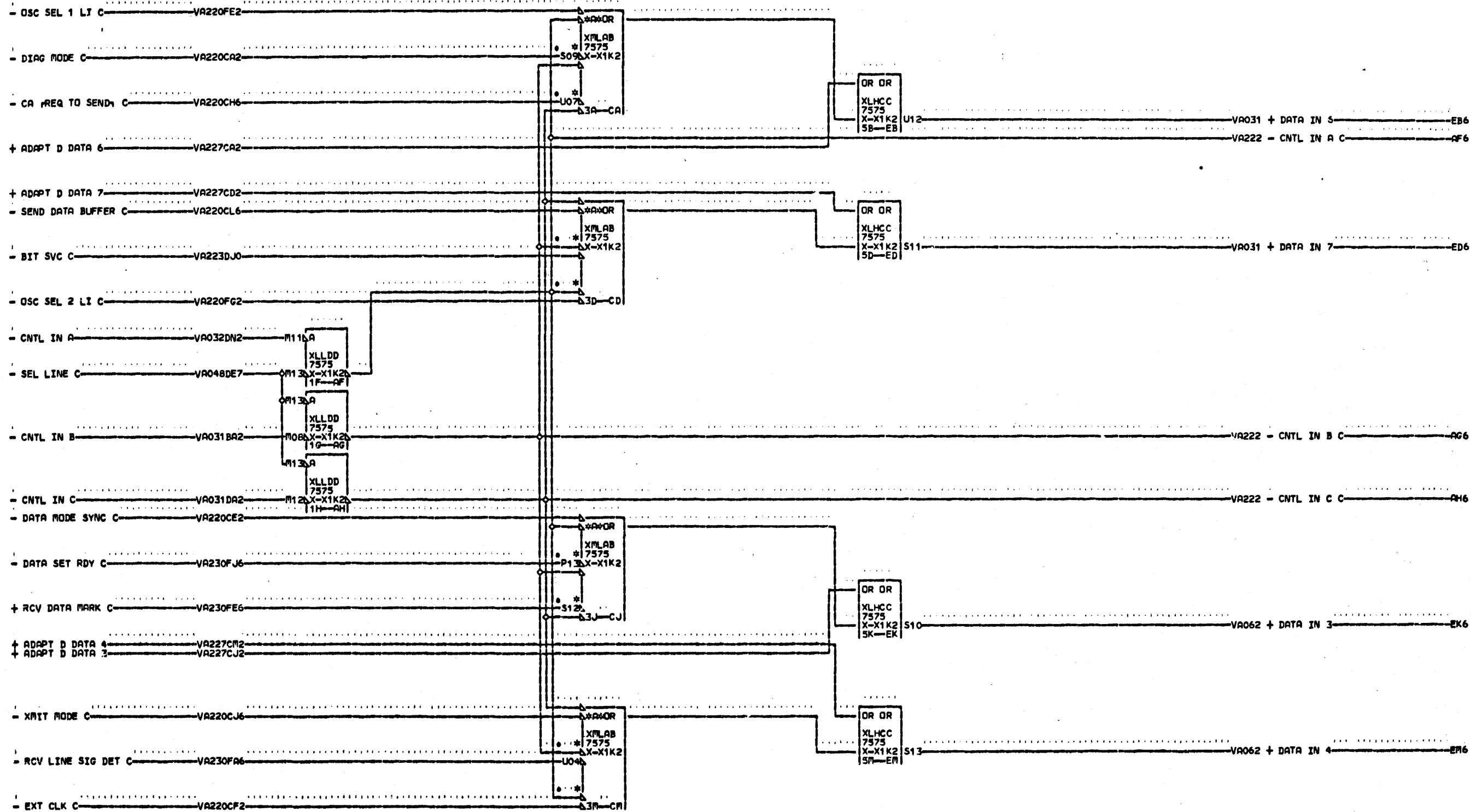
VA211  
 000

01-24-72 309520C

EIA SYNC TERMINATOR CARD			
DATE	01-26-72	FRAMES	27RNB
LOG	600	FRAME	01
		PcNo	1785489
IBM CORP.	SDD BLK.	FP	

VA211  
 000





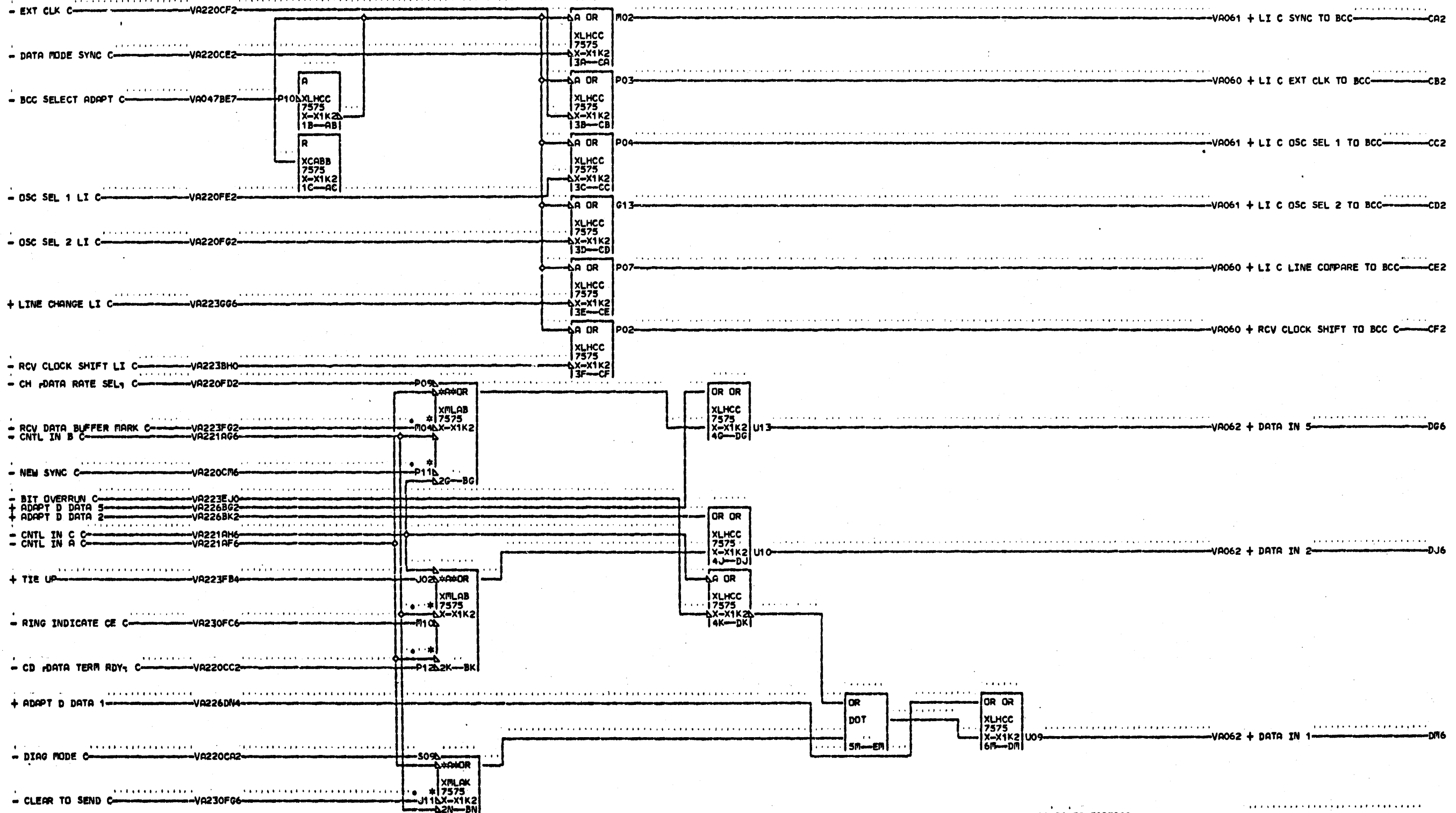
\* NOTE  
 \* FULL FEATURE WIRING SHOWN  
 \* WITH EIA SYNC LINE SET  
 \* SEE VA000 FOR OTHER LINE SET

VA  
 221  
 000

01-26-72 309520C

EIA SYNC LINE INTERFACE CARD			
DATE	01-26-72	PACKAGE	27RNB
LOG	600	FRAME	01
		Part No	1785491
IBM CORP.	SDD	BLK	EN

VA221  
000



\* NOTE  
 \* FULL FEATURE WIRING SHOWN  
 V \* WITH EIA SYNC LINE SET  
 \* SEE VA000 FOR OTHER LINE SET

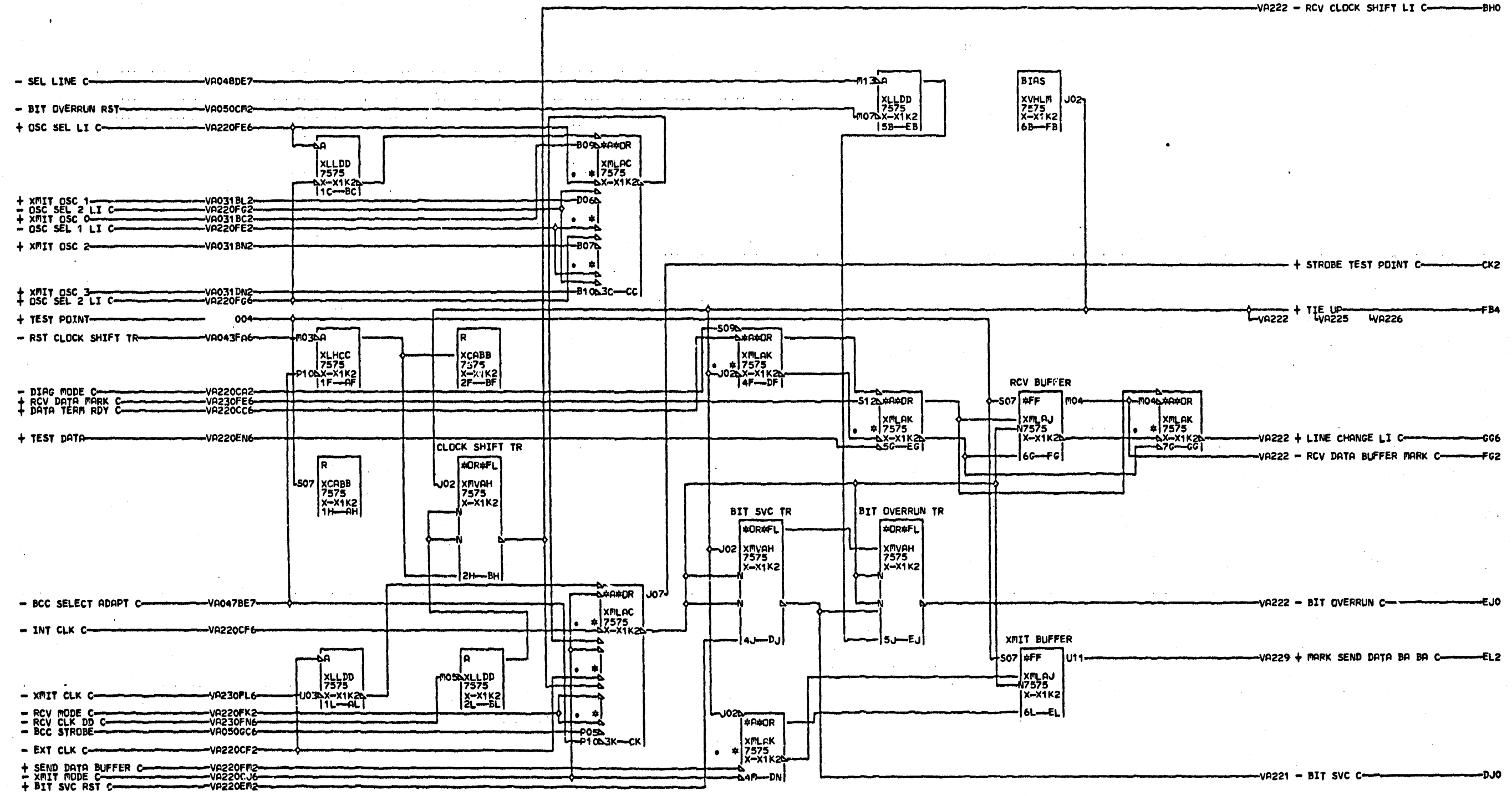
000

01-26-72 309520C

EIA SYNC			
LINE INTERFACE CARD			
DATE	01-26-72	FRAC#	27RNB
LOG	600	FRAME	01
		PaNo	1785492
IBM CORP.	SDD	BLK.	EN

000

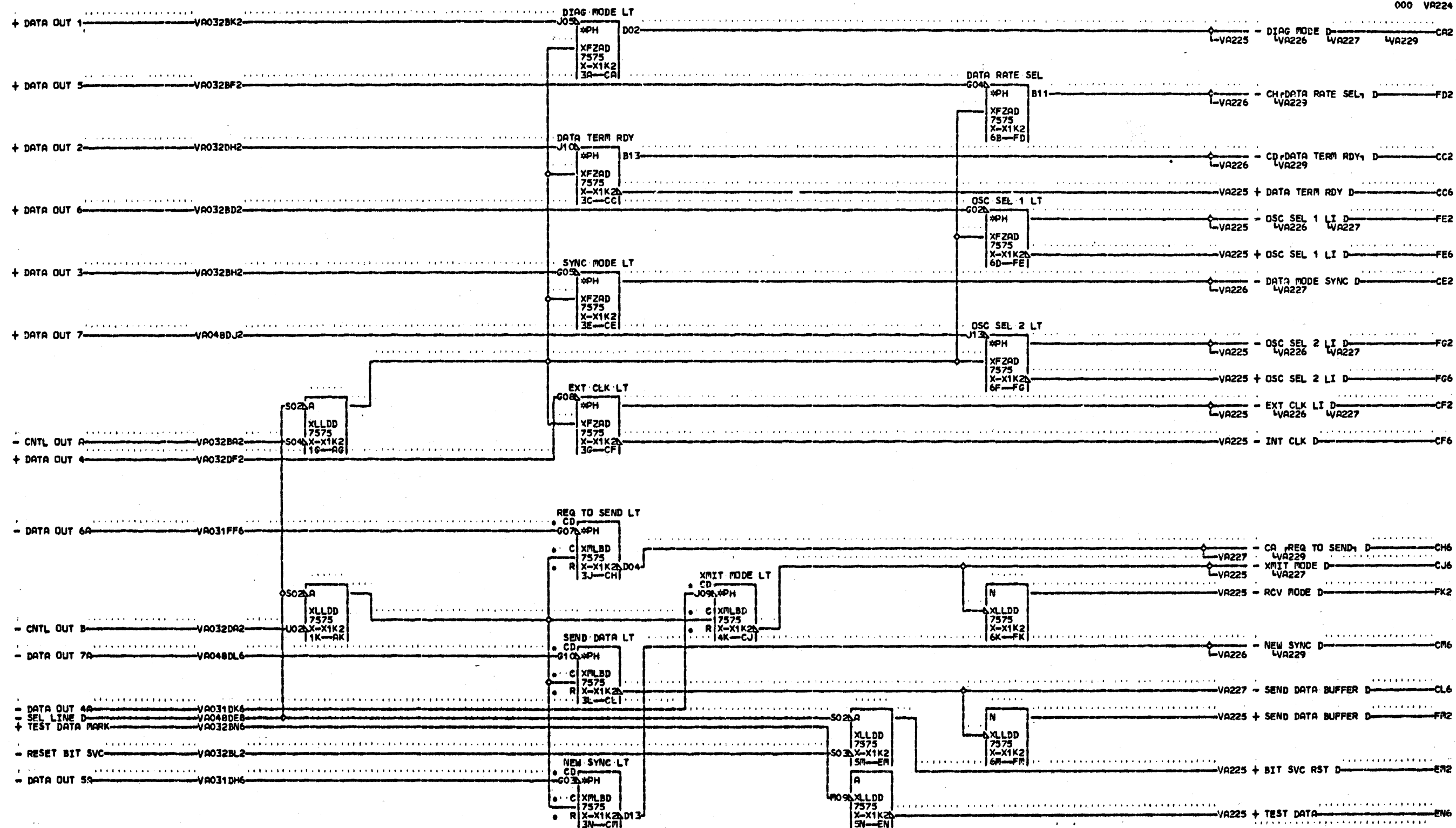
VA222 - RCV CLOCK SHIFT LI C - BHO



\* NOTE  
 \* FULL FEATURE WIRING SHOWN  
 \* WITH EIA SYNC LINE SET  
 \* AND LINE INTERFACE CARD  
 \* PN 8211452 INSTALLED  
 \* SEE VA000 FOR OTHER  
 \* LINE SETS  
 000

01-26-72 309520C  
 11-11-74 311286

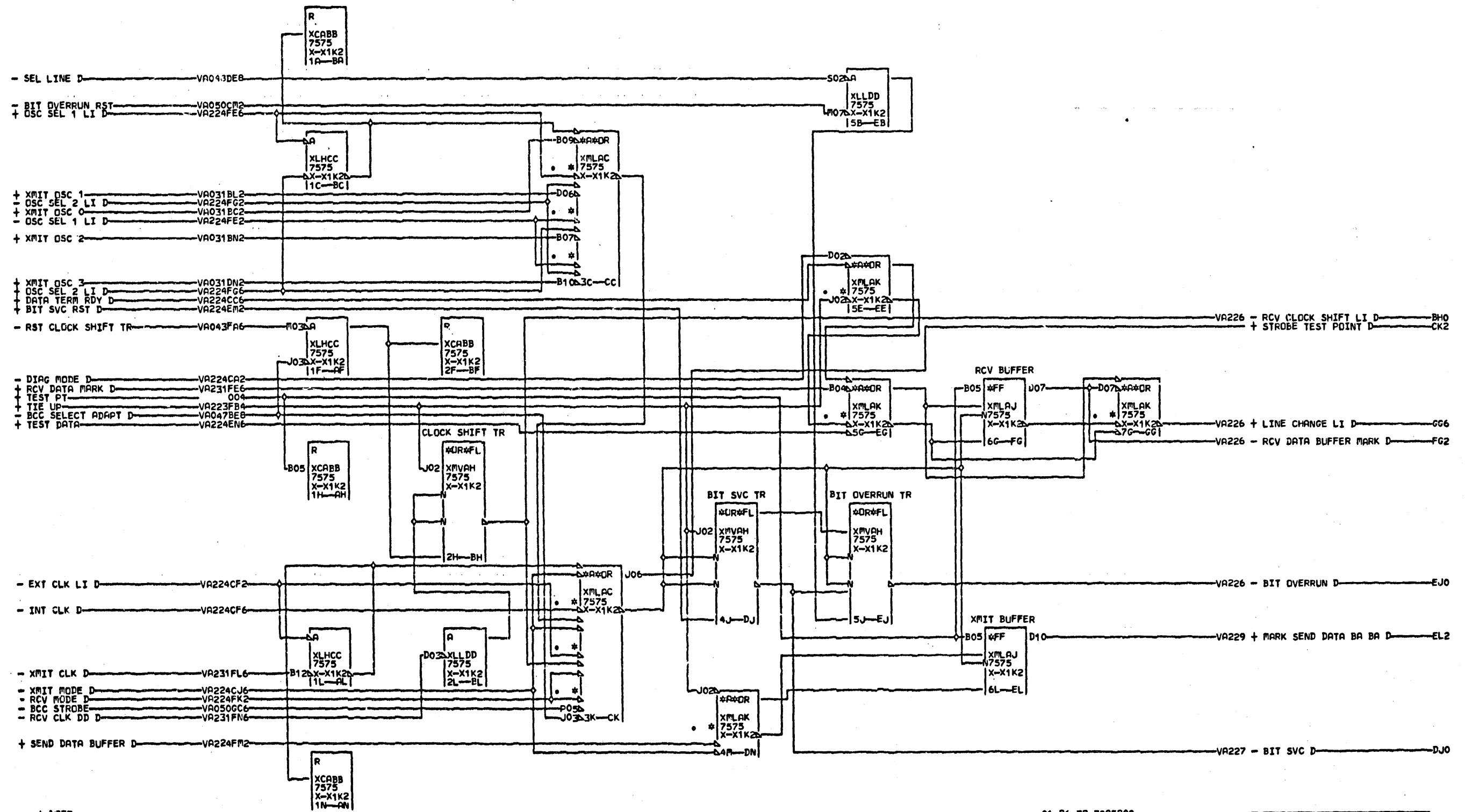
EIA SYNC		
LINE INTERFACE CARD		
DATE	11-22-74	FRM# 27RNB
LOG	400 FRAME	01
P#N# 1785493		
IBM CORP.	SDD BLK.	GH



\* NOTE  
 \* FULL FEATURE WIRING SHOWN  
 \* WITH EIA SYNC LINE SET  
 \* SEE VA000 FOR OTHER LINE SET

01-26-72 309520C

EIA SYNC			VA 2 2 4
LINE INTERFACE CARD			
DATE	01-26-72	MACH. 27RNB	000
LOG	600	FRAME 01	
		PaNo. 1785494	
IBM CORP.	SDD BLK.	GL	



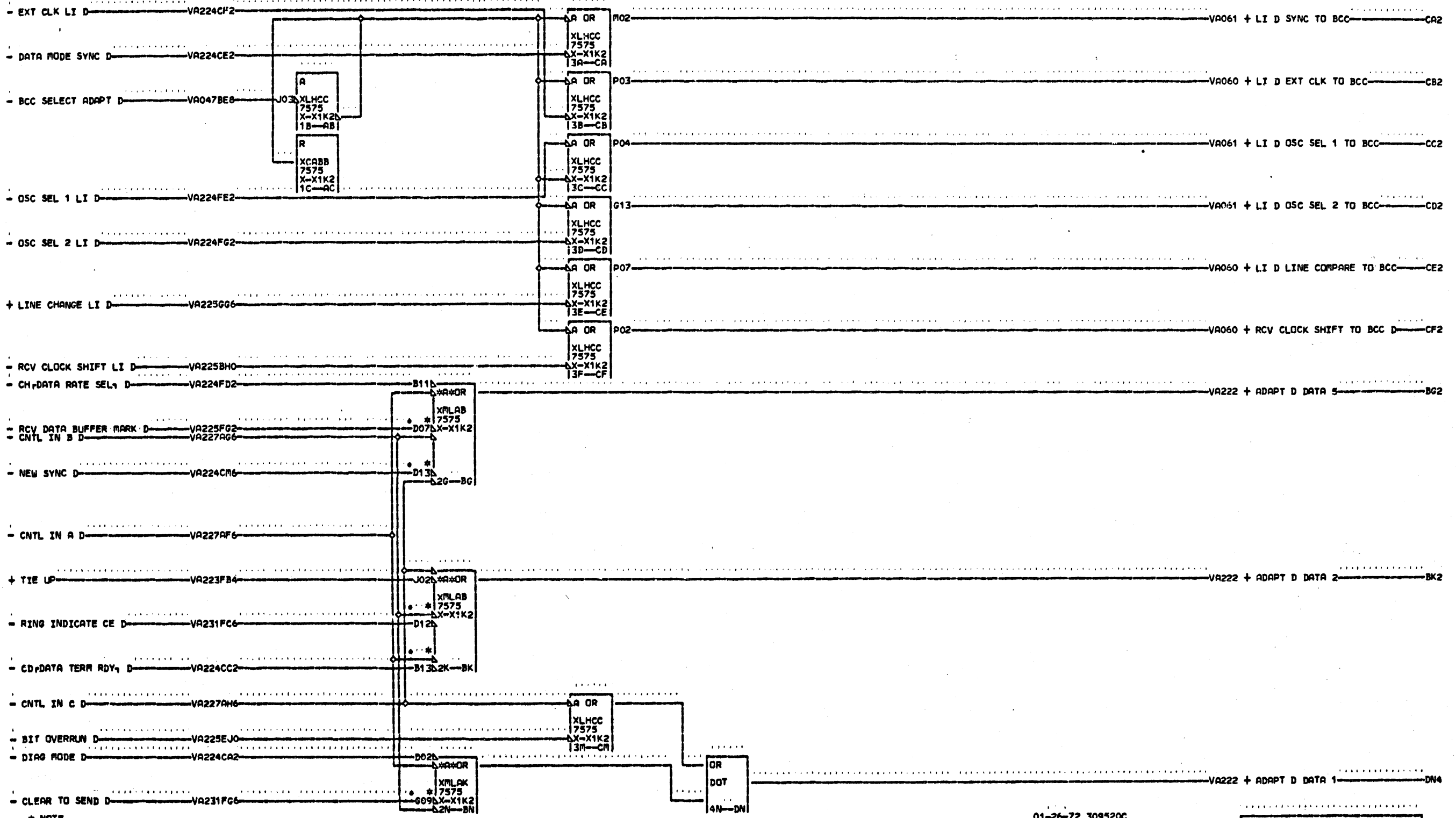
# NOTE  
 # FULL FEATURE WIRING SHOWN  
 V WITH EIA SYNC LINE SET  
 A AND LINE INTERFACE CARD  
 2 # PN #211452 INSTALLED  
 2 # SEE VA000 FOR OTHER  
 5 # LINE SETS

01-26-72 309520C  
 11-11-74 311286

EIA SYNC		
LINE INTERFACE CARD		
DATE	11-22-74	MACH. 27RNB
LOG	400 FRAME	01
P.N. 1785495		000
IBM CORP.	SDD BLK.	GH

V  
 S  
 N  
 D  
 S





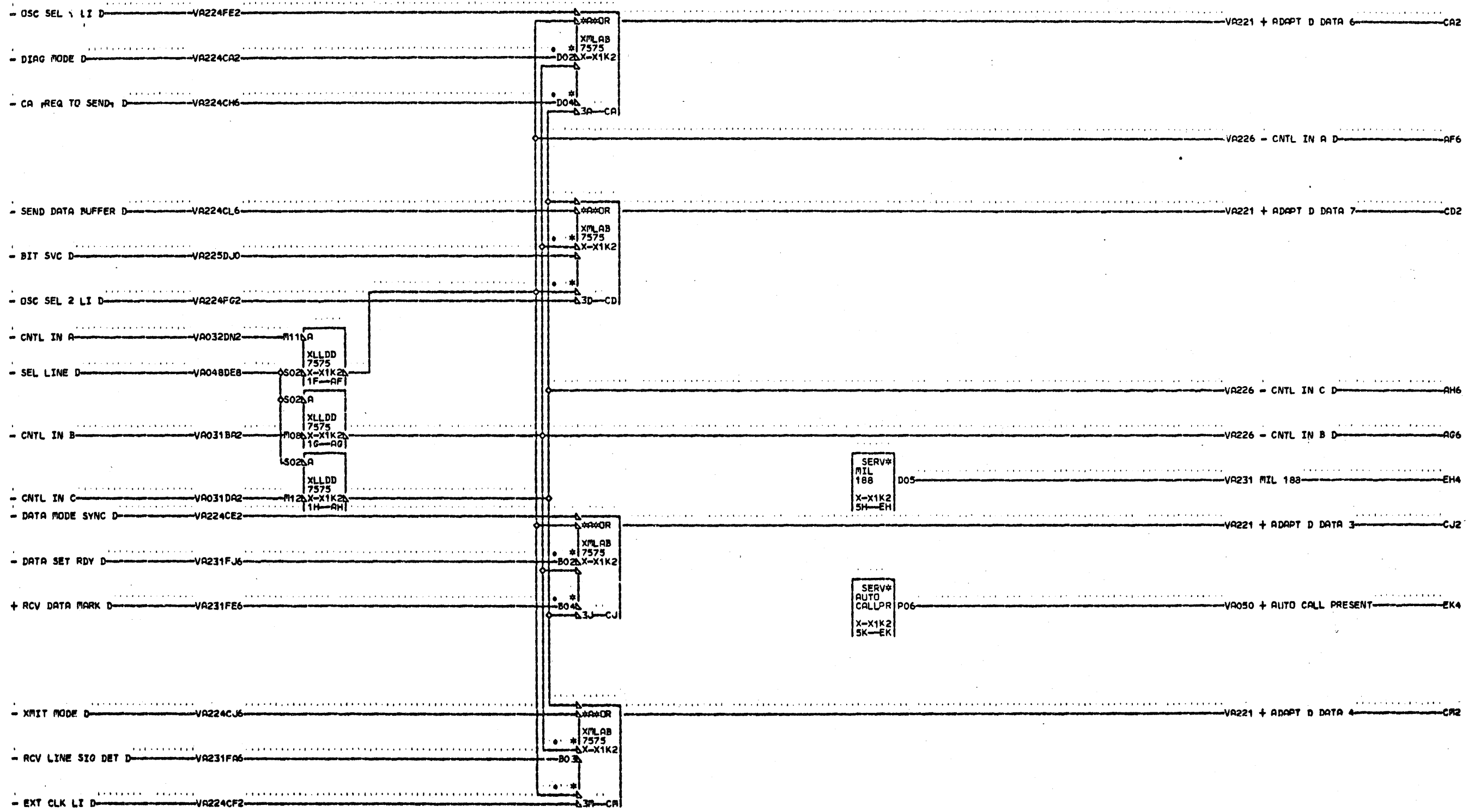
\* NOTE  
 \* FULL FEATURE WIRING SHOWN  
 \* WITH EIA SYNC LINE SET  
 \* SEE VA000 FOR OTHER LINE SET

VA226  
 000

01-26-72 309520C

EIA SYNC LINE INTERFACE CARD		
DATE 01-26-72 MACH. 27RNB		
LOG	600 FRAME	01
PcNo 1785496		000
IBM CORP.	SDD BLK.	DP

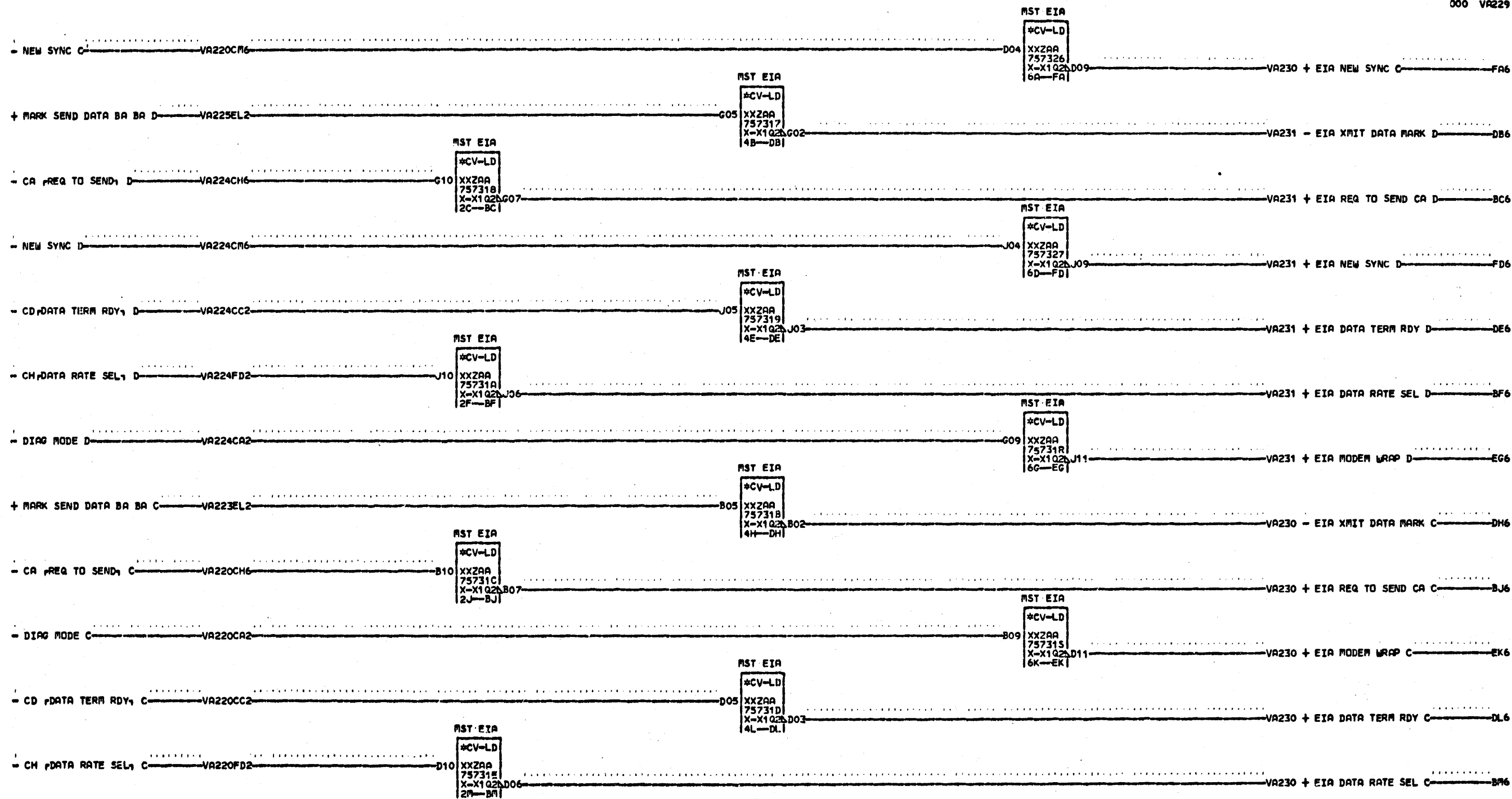
VA226  
 000



\* NOTE  
 \* FULL FEATURE WIRING SHOWN  
 \* WITH EIA SYNC LINE SET  
 \* SEE VA000 FOR OTHER LINE SET

01-26-72 309520C

EIA SYNC			
LINE INTERFACE CARD			
DATE	01-26-72	MACH	27RNB
LOG	600	FRAME	01
		PaNo	1785497
IBM CORP.	SDD BLK.	EL	



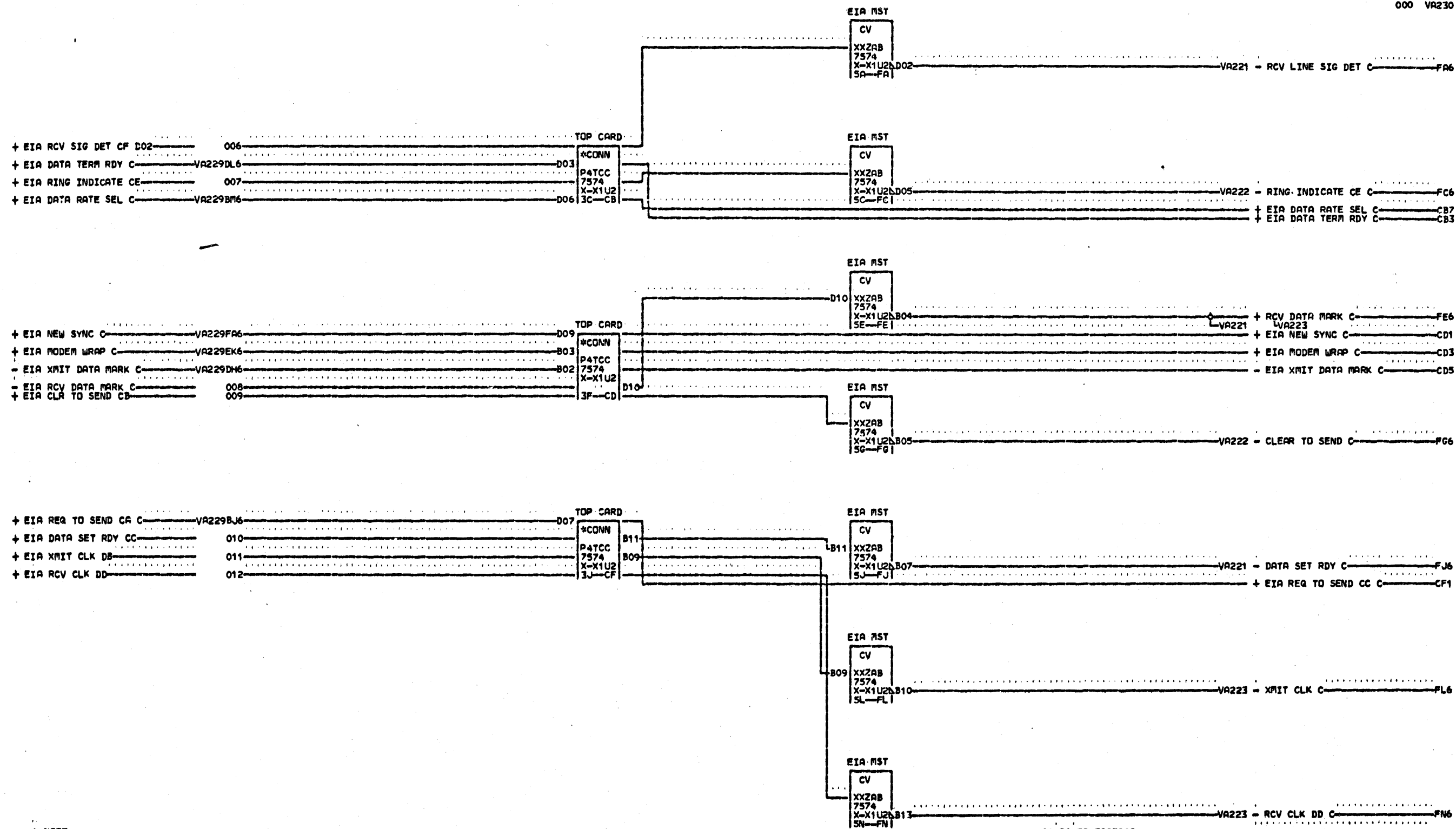
\* NOTE  
 \* FULL FEATURE WIRING SHOWN  
 \* WITH EIA SYNC LINE SET  
 \* SEE VA000 FOR OTHER LINE SET

VA229  
 000

01-26-72 309520C

EIA SYNC DRIVER CARD			
DATE	01-26-72	FRM	27RNB
LDG	600	FRAME	01
		PaNo	1785498
IBM CORP.	SDD BLK.	FF	000

VA229  
 000



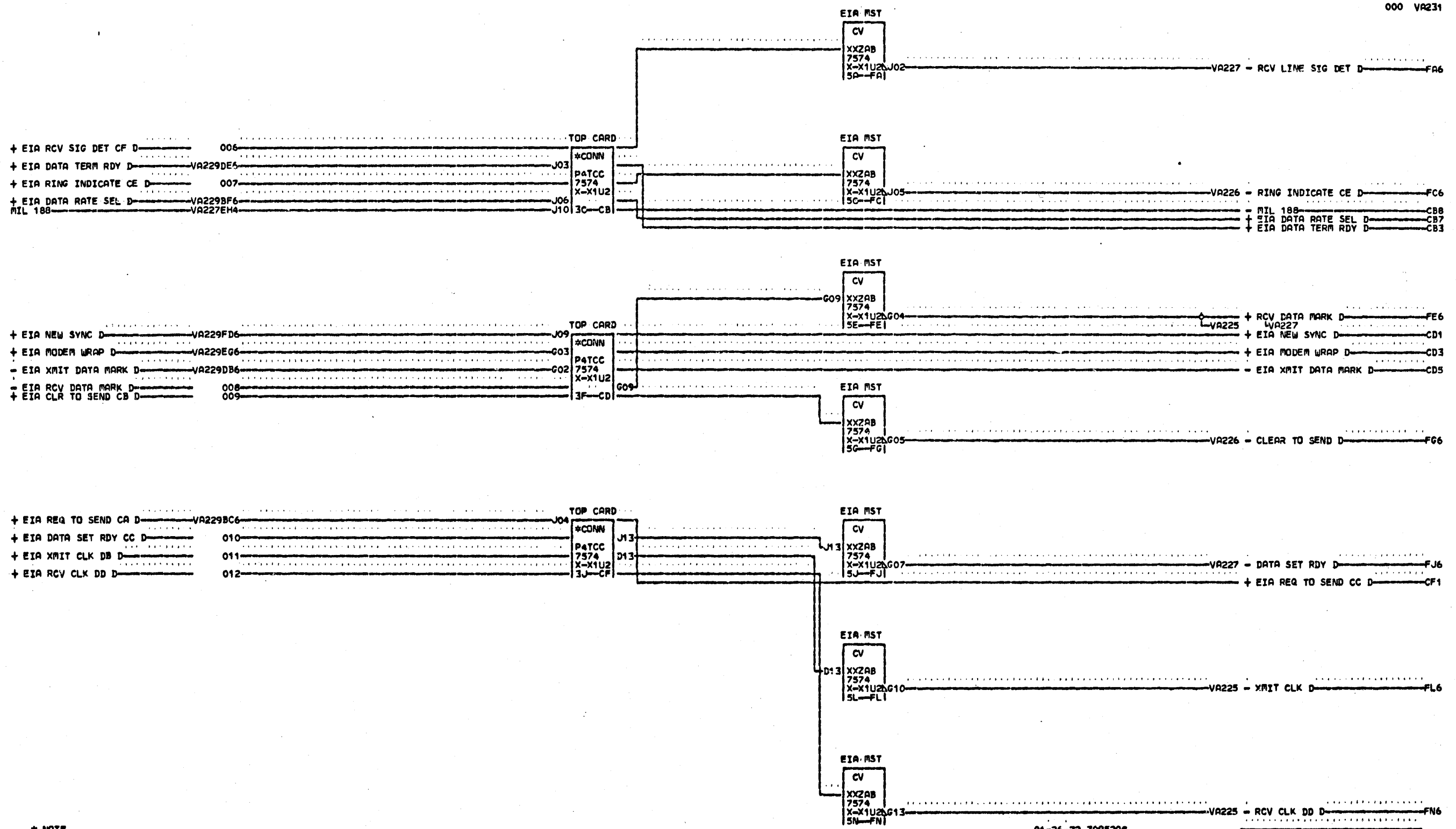
\* NOTE  
 \* FULL FEATURE WIRING SHOWN  
 \* WITH EIA SYNC LINE SET  
 \* SEE VA000 FOR OTHER LINE SET

000

01-26-72 309520C

EIA SYNC  
 TERMINATOR CARD  
 DATE 01-26-72 MACH. 27RNB  
 LOG 600 FRAME 01  
 P.No. 1785499  
 IBM CORP. SDD BLK. FP

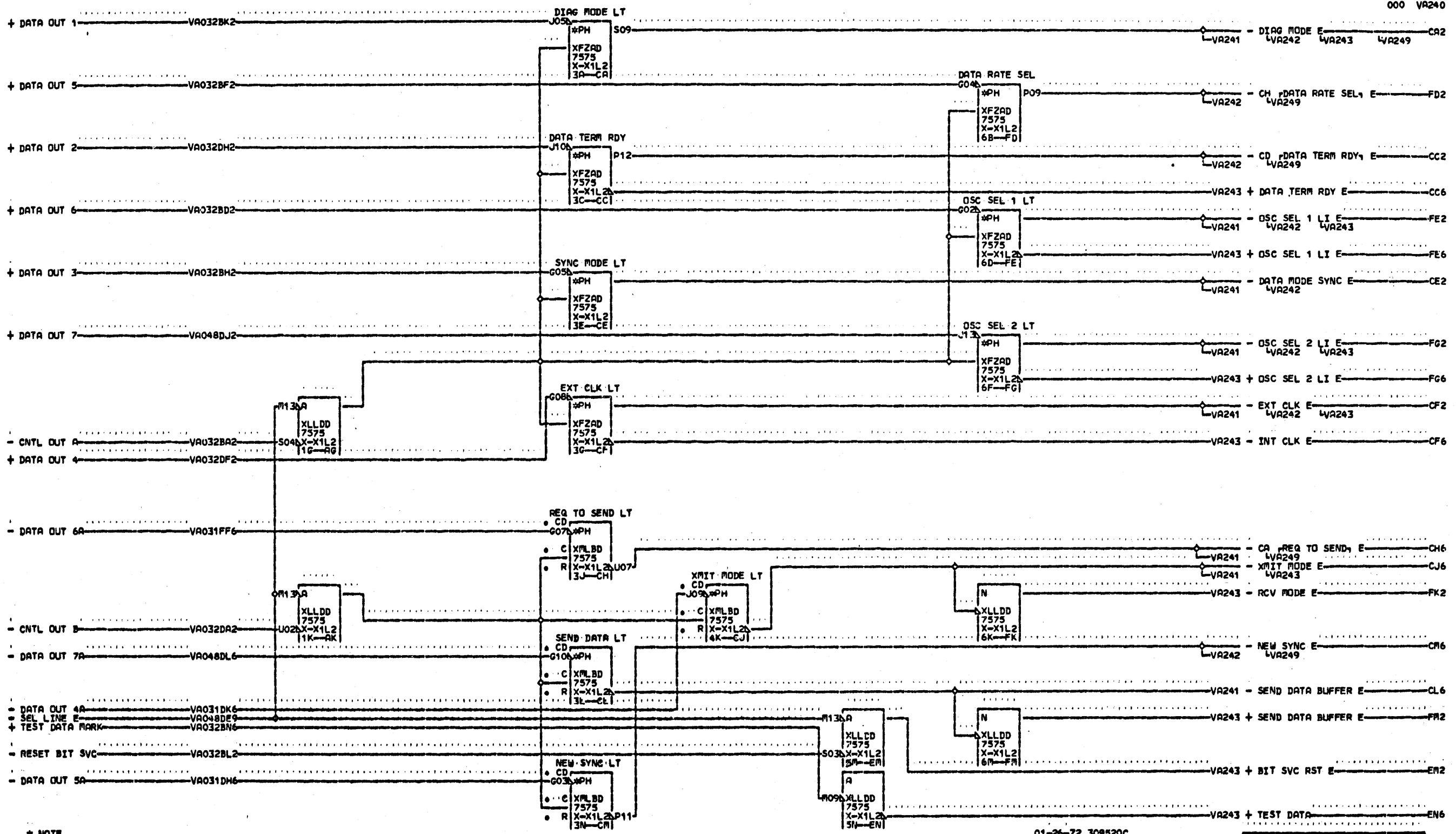
VA230



\* NOTE  
 \* FULL FEATURE WIRING SHOWN  
 \* WITH EIA SYNC LINE SET  
 \* SEE VA000 FOR OTHER LINE SET

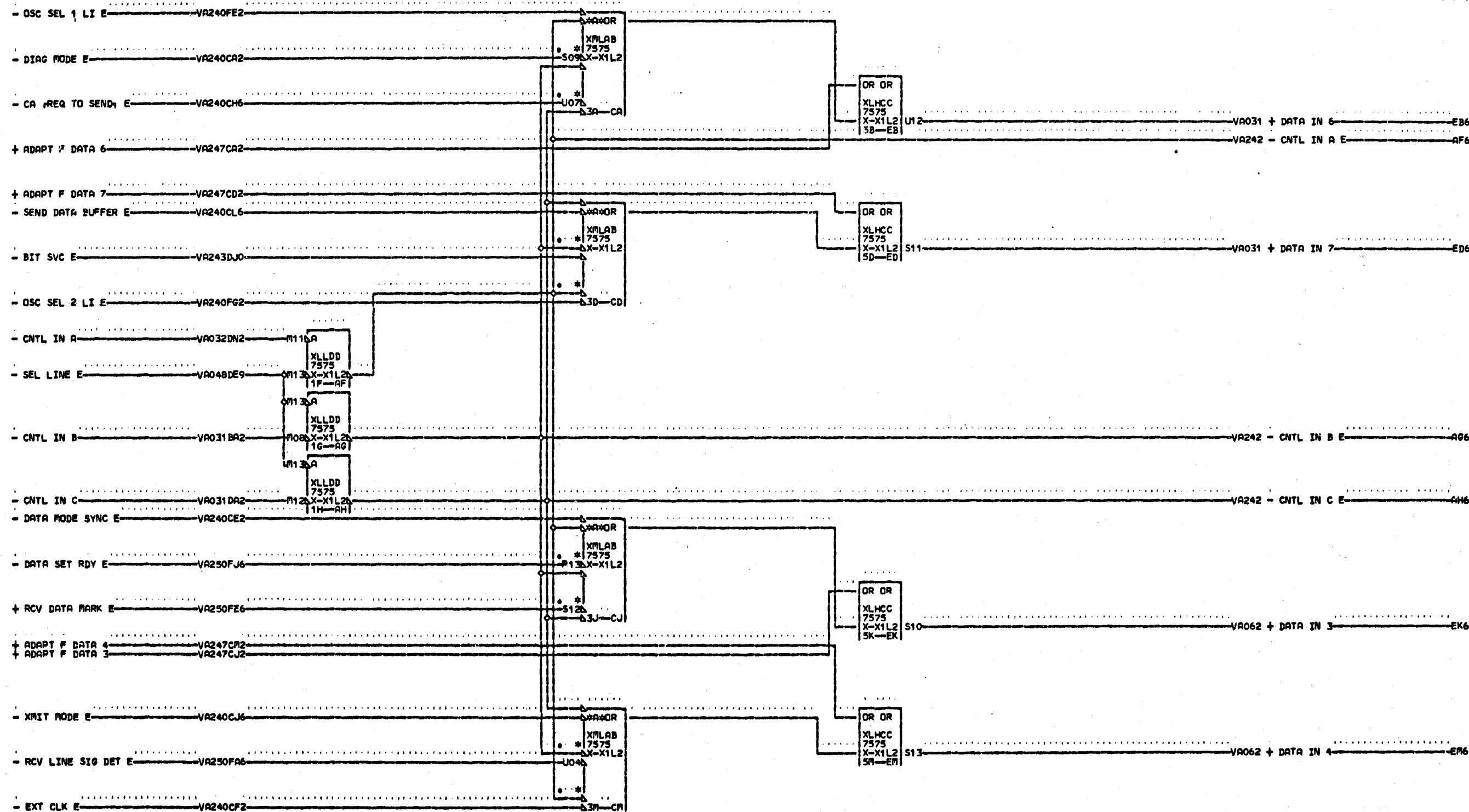
01-26-72 309520C

EIA SYNC TERMINATOR CARD		
DATE	01-26-72	FACH# 27RNB
LOG	600	FRAME 01
PcNo		1785500
IBM CORP.	SDD BLK.	PP



\* NOTE  
 \* FULL FEATURE WIRING SHOWN  
 \* WITH EIA SYNC LINE SET  
 \* SEE VA000 FOR OTHER LINE SET

EIA SYNC		VA240
LINE INTERFACE CARD		
DATE	01-26-72	FRAC# 27RNB
LOG	600	FRAME 01
P.No. 1785501		000
IBM CORP.	SDD BLK.	GL



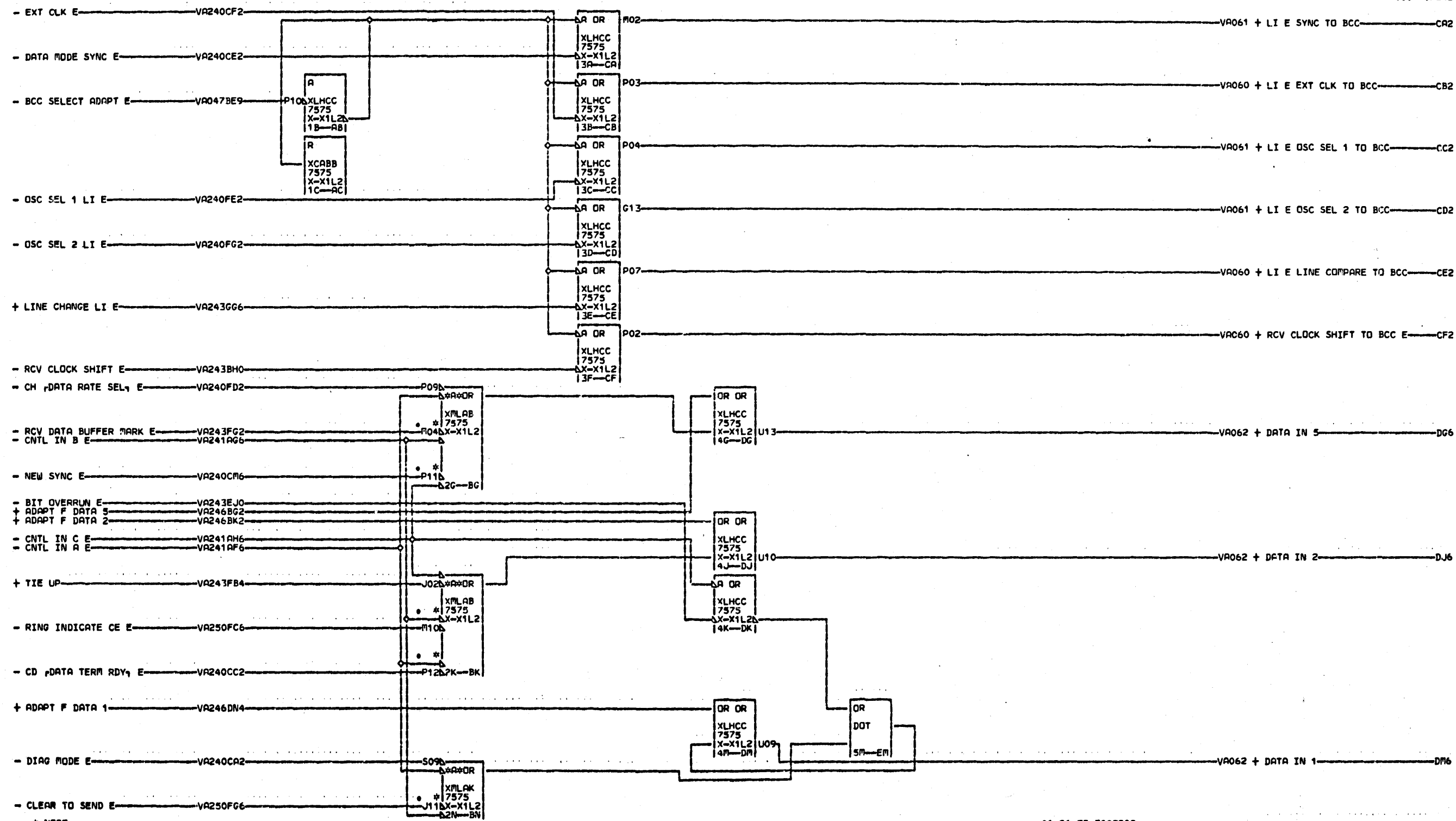
\* NOTE  
 \* FULL FEATURE WIRING SHOWN  
 \* WITH EIA SYNC LINE SET  
 \* SEE VA000 FOR OTHER LINE SET

VA  
 2  
 4  
 1  
 000

01-26-72 309520C

EIA SYNC			
LINE INTERFACE CARD			
DATE	01-26-72	PARC#	27RNB
LOG	600	FRAME	01
		PaNo	1785502
IBM CORP.	SDD	BLK#	EN

VA  
 2  
 4  
 1  
 000

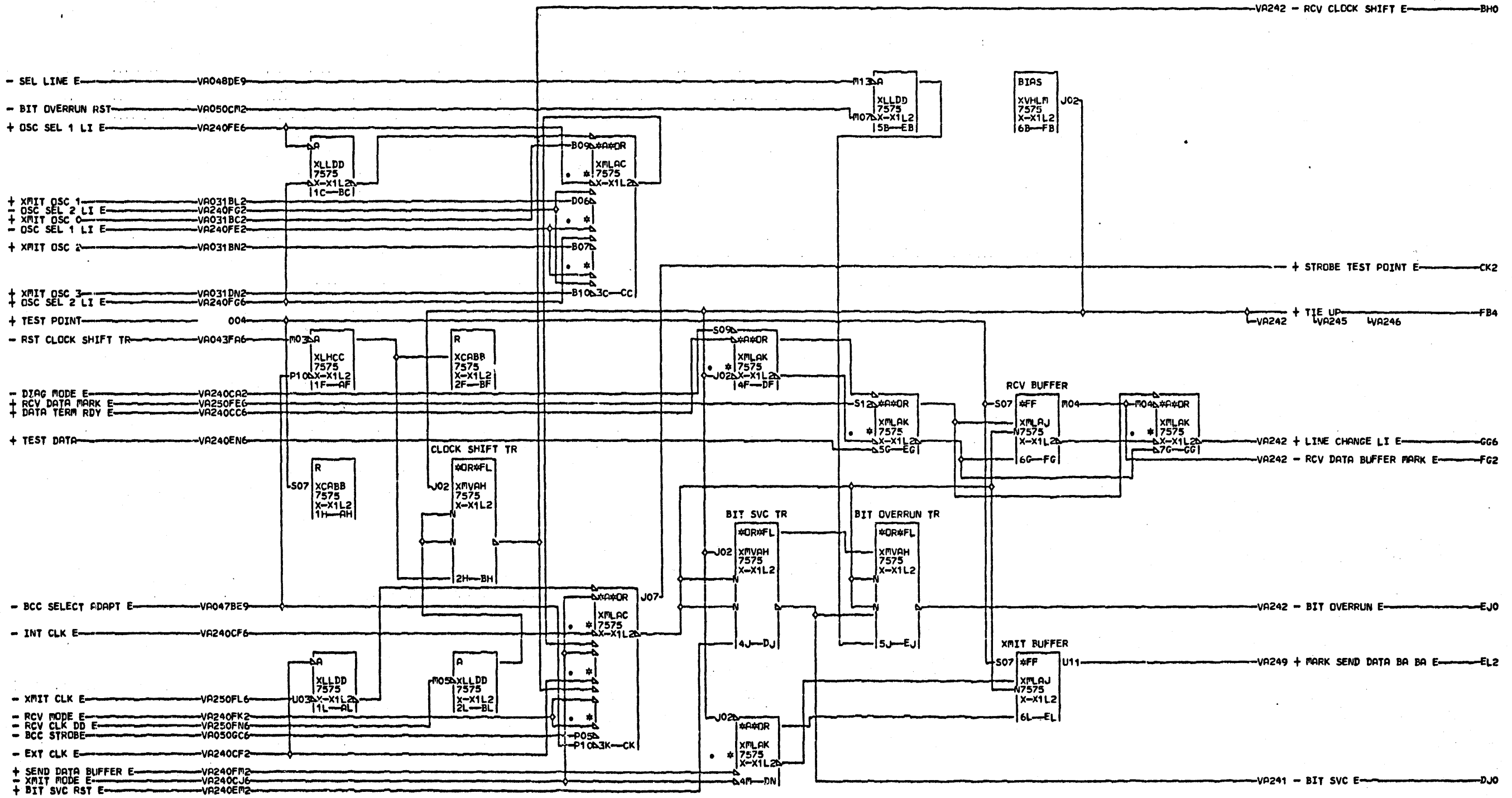


\* NOTE  
 \* FULL FEATURE WIRING SHOWN  
 \* WITH EIA SYNC LINE SET  
 \* SEE VA000 FOR OTHER LINE SET

01-26-72 309520C  
 03-10-72 309540

EIA SYNC		
LINE INTERFACE CARD		
DATE	04-06-72	FRAC# 27RNB
LOG	255	FRAME 01
P#N# 1785503		
IBM CORP.	SDD BLK.	EN



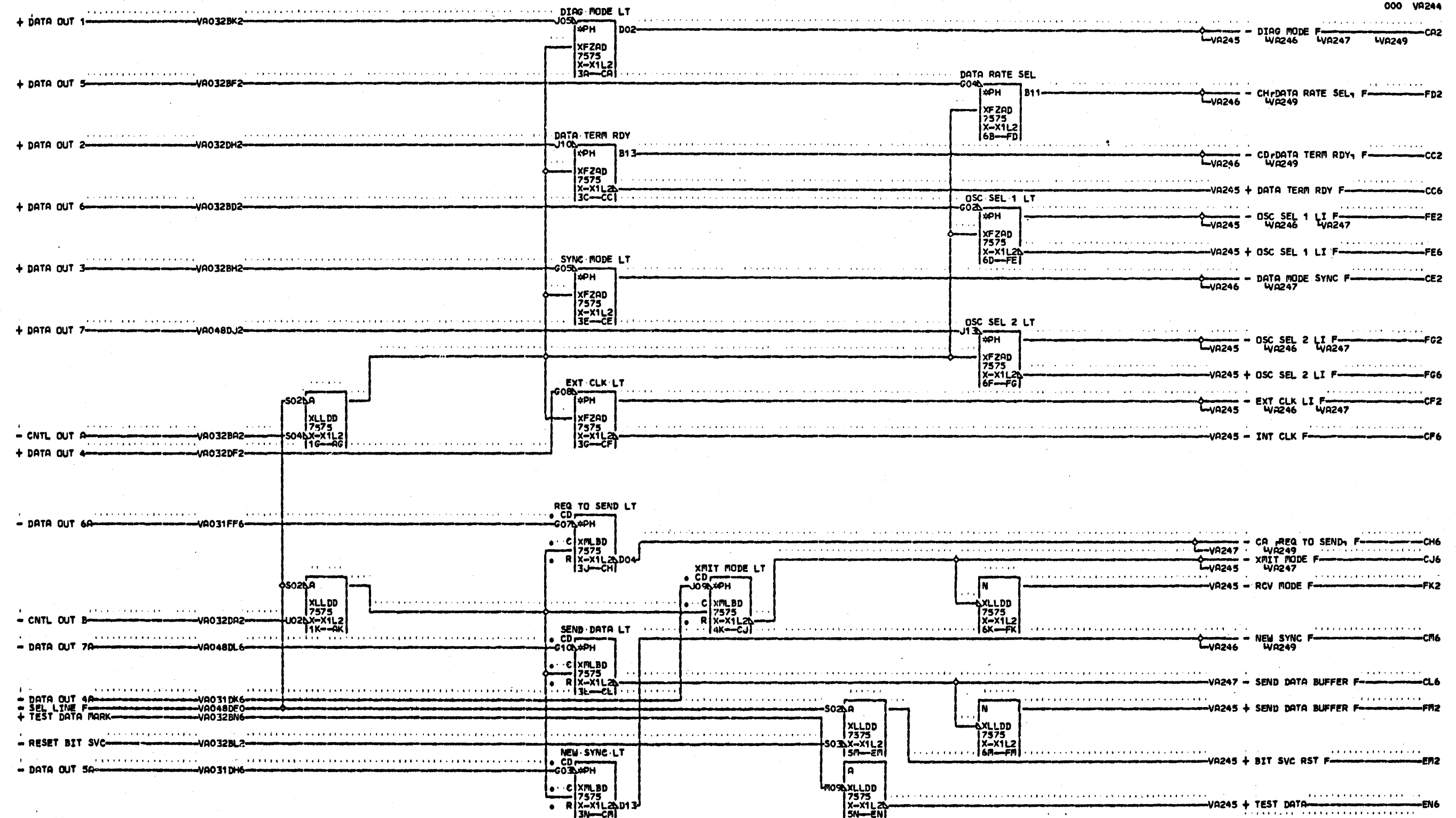


\* NOTE  
 \* FULL FEATURE WIRING SHOWN  
 V \* WITH EIA SYNC LINE SET  
 A \* AND LINE INTERFACE CARD  
 2 \* PN 8211452 INSTALLED  
 4 \* SEE VA000 FOR OTHER  
 3 \* LINE SETS  
 000

01-26-72 309520C  
 11-11-74 311286

EIA SYNC		
LINE INTERFACE CARD		
DATE	11-22-74	PACH, 27RNB
LDC	400	FRAME 01
PcNo		1785504
IBM CORP.	SDD BLK.	GH

VA243  
000



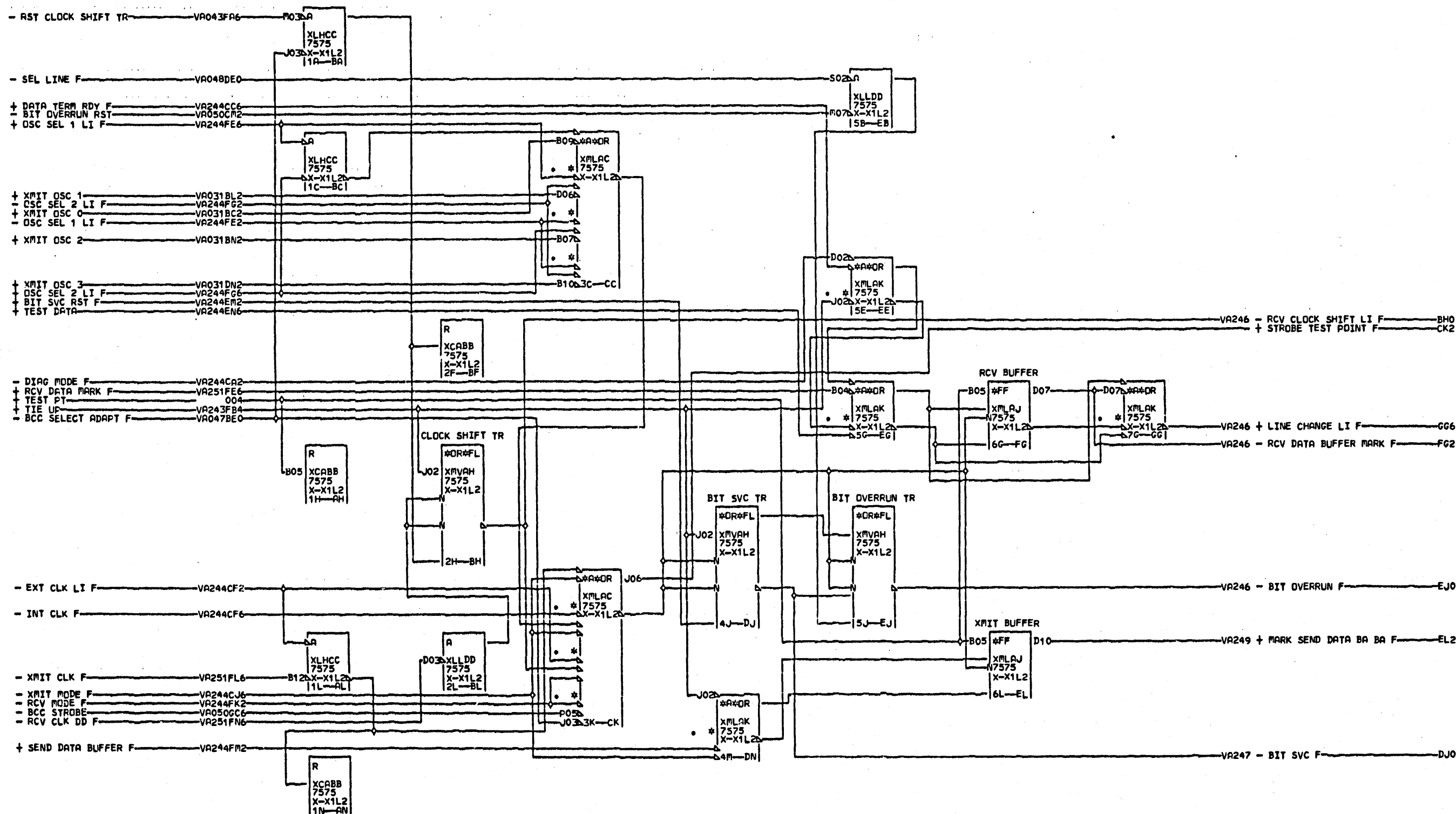
\* NOTE  
 \* FULL FEATURE WIRING SHOWN  
 \* WITH EIA SYNC LINE SET  
 \* SEE VA000 FOR OTHER LINE SET

VA  
 2  
 4  
 4  
 000

01-26-72 309520C

EIA SYNC			
LINE INTERFACE CARD			
DATE 01-26-72 MACH# 27RNB			
LOG	600	FRAME	01
		P#	1785505
IBM CORP.	SDD	BLK.	0L

VA  
 2  
 4  
 4  
 000



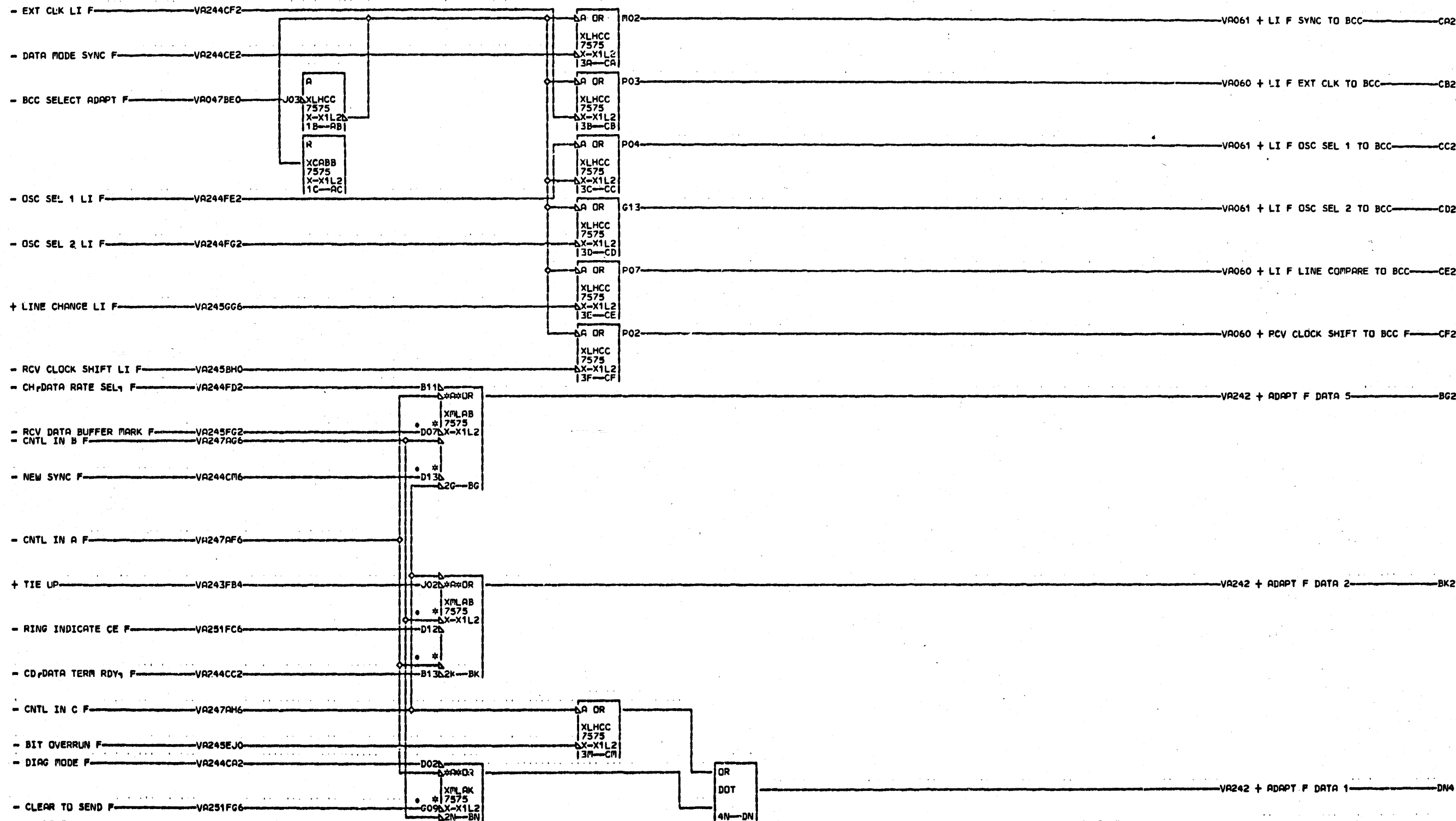
\* NOTE  
 \* FULL FEATURE WIRING SHOWN  
 \* WITH EIA SYNC LINE SET  
 \* AND LINE INTERFACE CARD  
 \* PN 8211452 INSTALLED  
 \* SEE VA000 FOR OTHER  
 \* LINE SETS

000

01-26-72 309520C  
 04-05-72 309540  
 11-11-74 311286

EIA SYNC			V 2 4 5
LINE INTERFACE CARD			
DATE	11-22-74	FRM# 27RNB	000
LOG	400	FRM# 01	
		P# 1785506	
IBM CORP.		SDD BLK.	GH

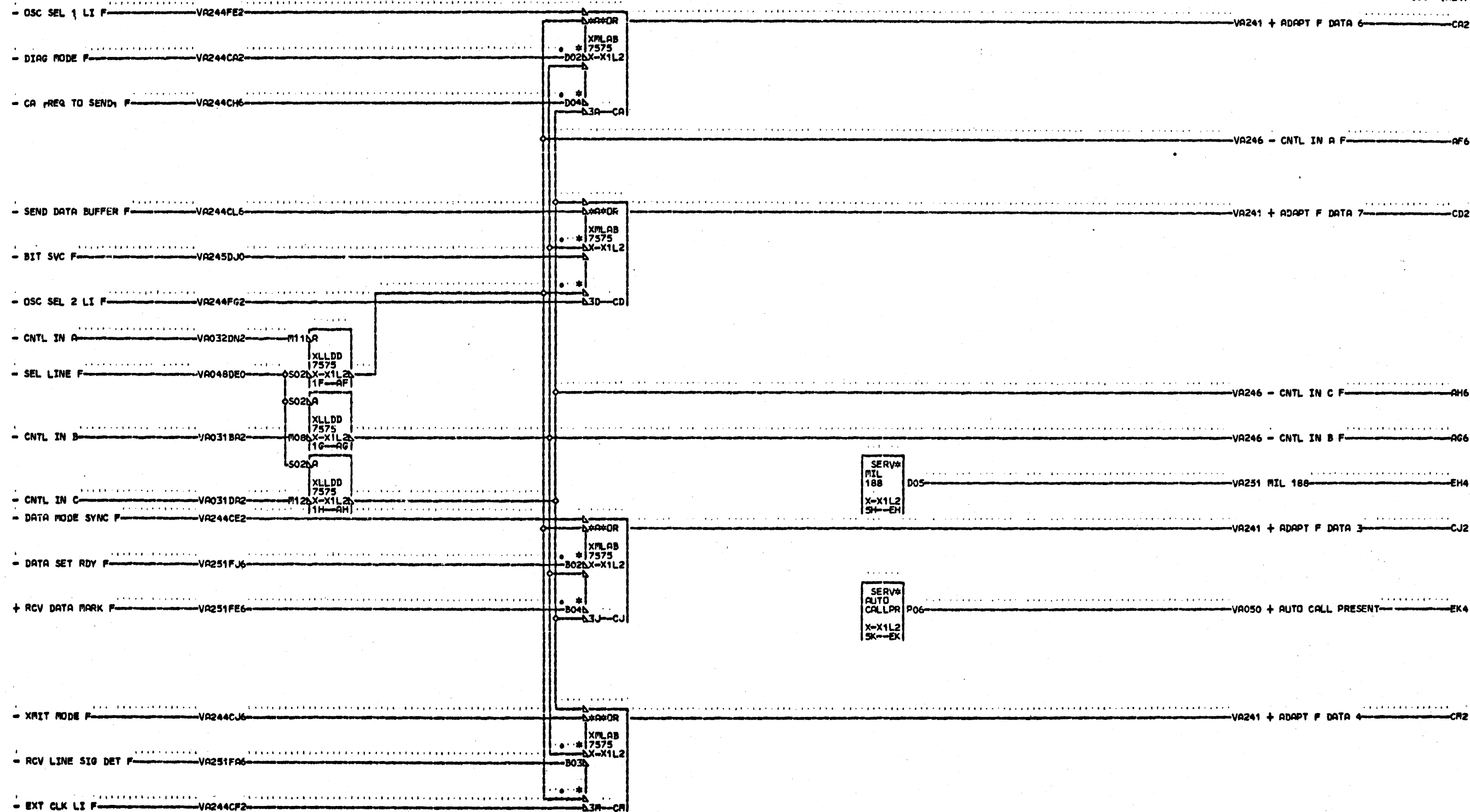
000 VA246



\* NOTE  
 \* FULL FEATURE WIRING SHOWN  
 V \* WITH EIA SYNC LINE SET  
 A \* SEE VA000 FOR OTHER LINE SET  
 2  
 4  
 6  
 000

01-26-72 309520C  
 03-10-72 309540

EIA SYNC			
LINE INTERFACE CARD			
DATE	04-06-72	FRM#	27RNB
LOG	255	FRM#	01
			6
			4
			2
			V
PcNo 1785507			000
IBM CORP.	SDD BLK.	DP	



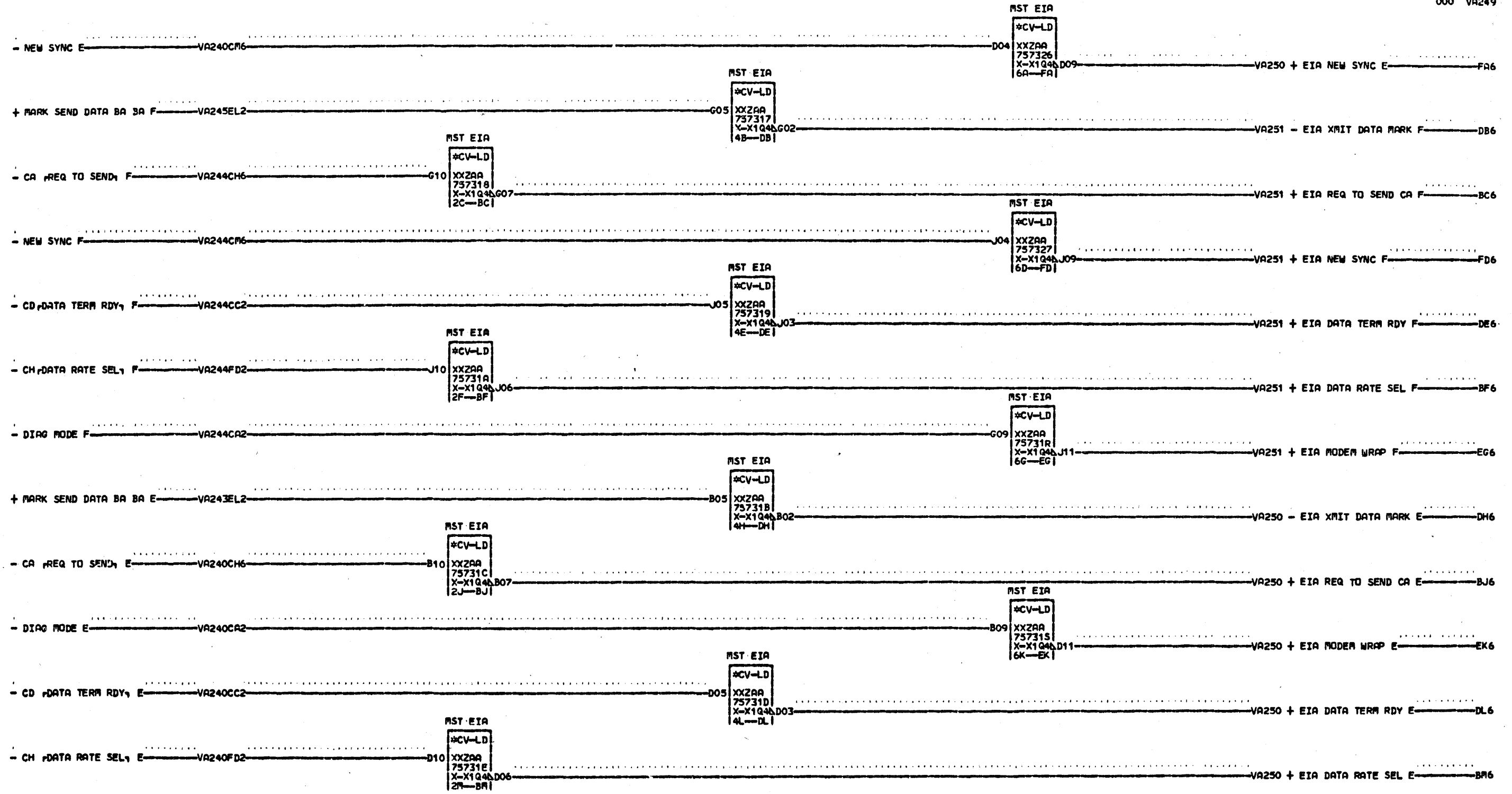
\* NOTE  
 \* ALL FEATURE WIRING SHOWN  
 \* WITH EIA SYNC LINE SET  
 \* SEE VA000 FOR OTHER LINE SET

000

01-26-72 309520C

EIA SYNC	
LINE INTERFACE CARD	
DATE	01-26-72
LOG	600 FRAME 01
PcNo 1785508	
IBM CORP.	SDD BLK.

VA247



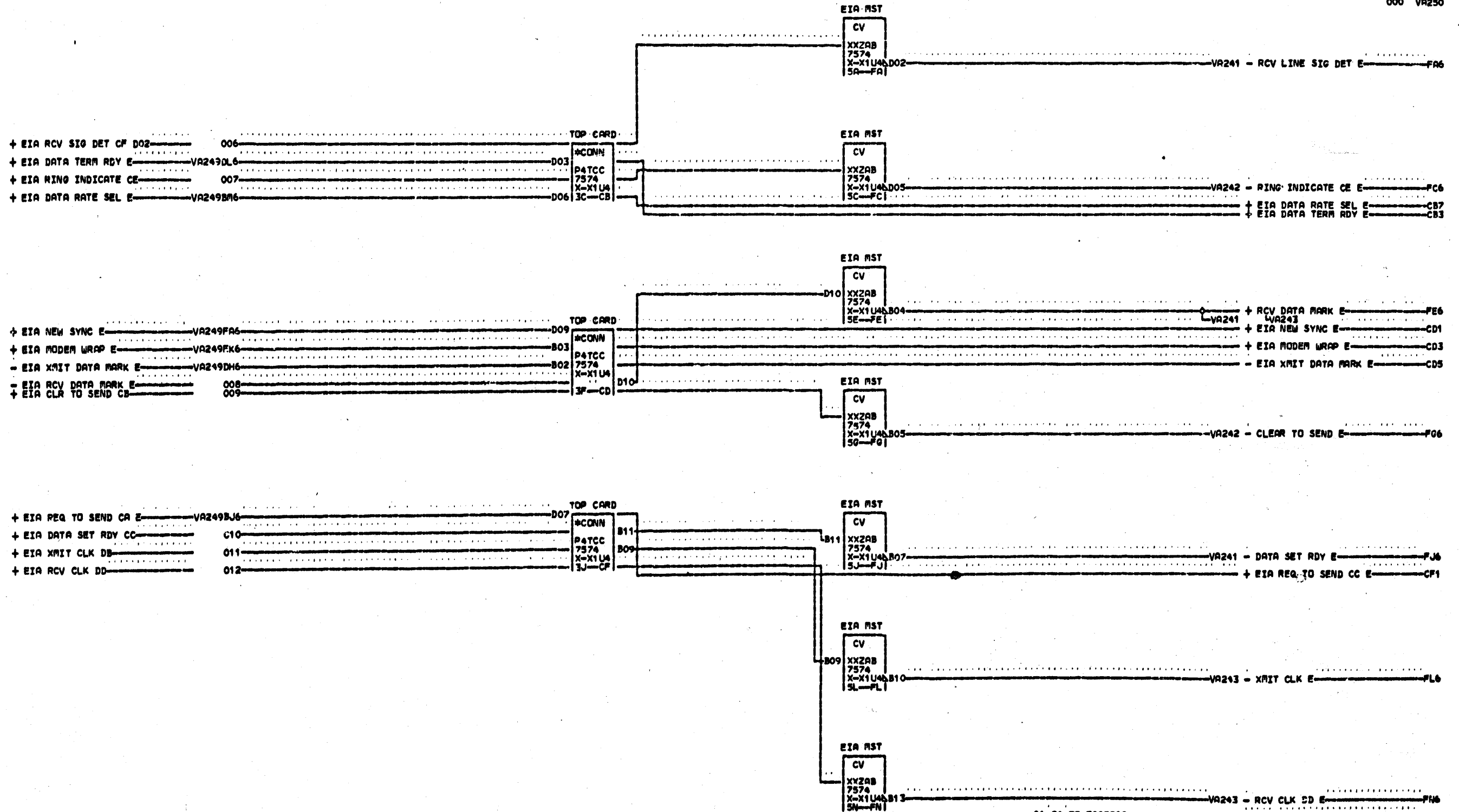
\* NOTE  
 \* FULL FEATURE WIRING SHOWN  
 \* WITH EIA SYNC LINE SET  
 \* SEE VA000 FOR OTHER LINE SET

VA  
 2  
 4  
 9  
 000

01-26-72 309520C

EIA SYNC DRIVER CARD			
DATE	01-26-72	MACH.	27RNB
LOG	600	FRAME	01
		P.No	1785509
IBM CORP.	SDD BLK.	FF	

VA  
 2  
 4  
 9  
 000



TOP CARD

006  
VA243DL6  
007  
VA249BA6

D02  
D03  
D06

RCVN  
P4TCC  
7574  
X-X1U4  
3C-CB

TOP CARD

009  
VA249FA6  
003  
VA249FK6  
002  
VA249DH6  
008  
009

D09  
B03  
B02  
D10  
D10

RCVN  
P4TCC  
7574  
X-X1U4  
3F-CD

TOP CARD

007  
VA249BJ6  
C10  
011  
012

D07  
B11  
B09  
B11  
B09  
B10  
B13

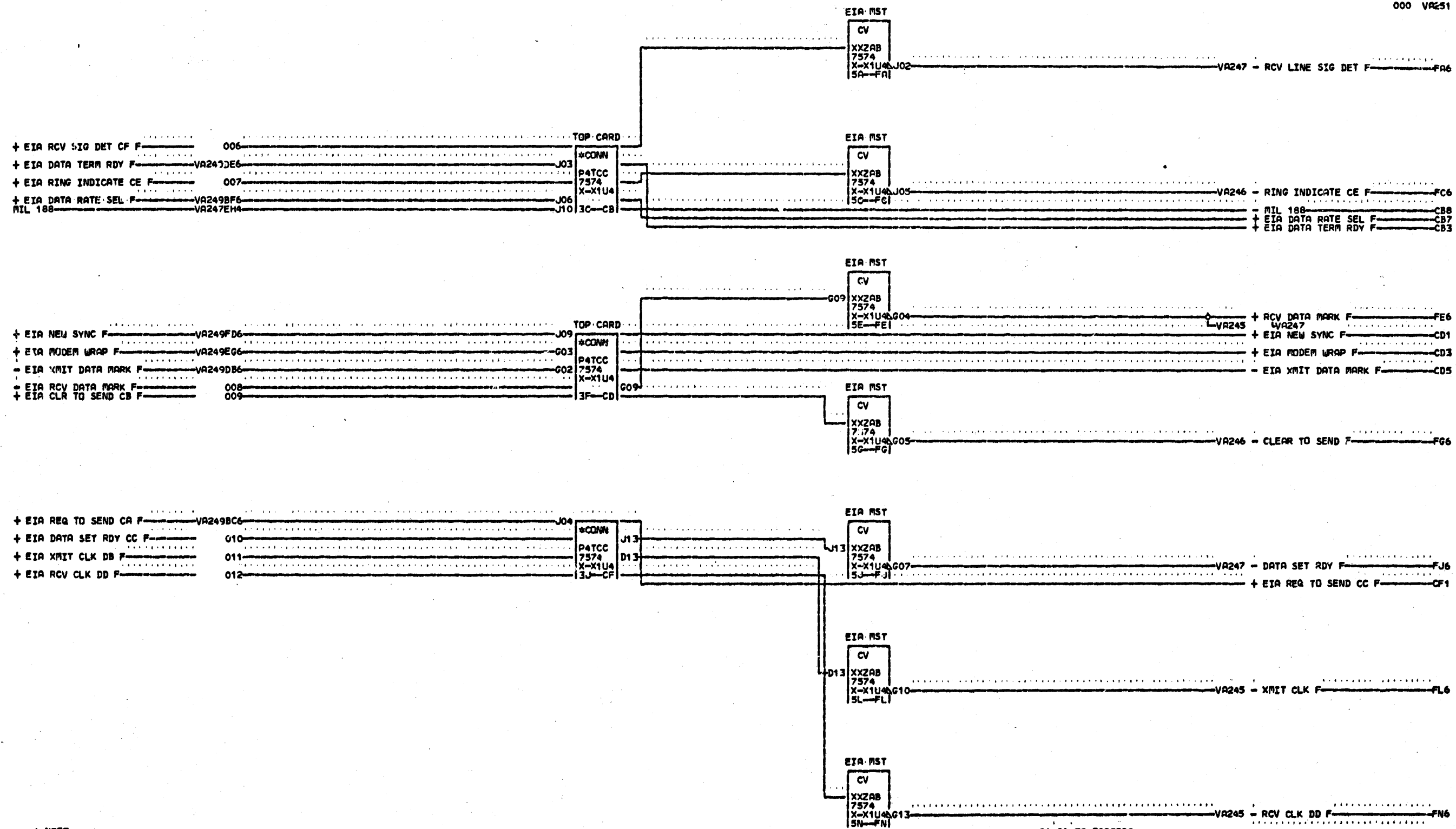
RCVN  
P4TCC  
7574  
X-X1U4  
3J-CF

NOTE  
ALL FEATURE WIRING SHOWN  
WITH EIA SYNC LINE SET  
SEE VA000 FOR OTHER LINE SET

01-26-72 309520C

EIA SYNC TERMINATOR CARD		
DATE	01-26-72	FRAC# 27RNB
LOG	600	FRAME 01
		PeNo 1785510
IBA CORP.	SDD BLK.	FP

VA250  
000



TOP CARD

+ EIA RCV SIG DET CF F ..... 006  
 + EIA DATA TERM RDY F ..... VA243DE6 ..... J03  
 + EIA RING INDICATE CE F ..... 007  
 + EIA DATA RATE SEL F ..... VA249BF6 ..... J06  
 MIL 188 ..... VA247EH4 ..... J10

#CONN  
 P4TCC  
 7574  
 X-X1U4  
 3C-CB

EIA MST

CV  
 XXZAB  
 7574  
 X-X1U4  
 5A-FAI

J02 ..... VA247 - RCV LINE SIG DET F ..... FA6

EIA MST

CV  
 XXZAB  
 7574  
 X-X1U4  
 5C-FCI

J05 ..... VA246 - RING INDICATE CE F ..... FC6  
 ..... MIL 188 ..... C88  
 + EIA DATA RATE SEL F ..... CB7  
 + EIA DATA TERM RDY F ..... CB3

TOP CARD

+ EIA NEW SYNC F ..... VA249FD6 ..... J09  
 + EIA MODER WRAP F ..... VA249EG6 ..... G03  
 - EIA XMIT DATA MARK F ..... VA249DB6 ..... G02  
 - EIA RCV DATA MARK F ..... 008  
 + EIA CLR TO SEND CB F ..... 009

#CONN  
 P4TCC  
 7574  
 X-X1U4  
 3F-CD

EIA MST

CV  
 XXZAB  
 7574  
 X-X1U4  
 5E-FEI

G04 ..... VA245  
 ..... + RCV DATA MARK F ..... FE6  
 ..... + EIA NEW SYNC F ..... CD1  
 ..... + EIA MODER WRAP F ..... CD3  
 ..... - EIA XMIT DATA MARK F ..... CD5

EIA MST

CV  
 XXZAB  
 7574  
 X-X1U4  
 5G-FGI

G05 ..... VA246 - CLEAR TO SEND F ..... FG6

TOP CARD

+ EIA REQ TO SEND CA F ..... VA249BC6 ..... J04  
 + EIA DATA SET RDY CC F ..... 010  
 + EIA XMIT CLK DD F ..... 011  
 + EIA RCV CLK DD F ..... 012

#CONN  
 P4TCC  
 7574  
 X-X1U4  
 3U-CF

EIA MST

CV  
 XXZAB  
 7574  
 X-X1U4  
 5J-FJI

J13 ..... VA247 - DATA SET RDY F ..... FJ6  
 D13 ..... + EIA REQ TO SEND CC F ..... CF1

EIA MST

CV  
 XXZAB  
 7574  
 X-X1U4  
 5L-FLI

D13 ..... VA245 - XMIT CLK F ..... FL6

EIA MST

CV  
 XXZAB  
 7574  
 X-X1U4  
 5N-FNI

D13 ..... VA245 - RCV CLK DD F ..... FN6

\* NOTE  
 \* FULL FEATURE WIRING SHOWN  
 \* WITH EIA SYNC LINE SET  
 \* SEE VA000 FOR OTHER LINE SET

01-26-72 309520C

EIA SYNC TERMINATOR CARD		
DATE	01-26-72	FRAC# 27RNB
LOG	600	FRAME 01
PcN# 1785511		000
IBM CORP.	SDD BLK.	PP