

**Maintenance Library**



**Data Station  
Parts Catalog**

**PREFACE**

This Illustrated Parts Catalog (IPC) contains listing and illustrations of all replaceable assemblies, subassemblies and detail parts released to Production Control on or before April 1, 1975.

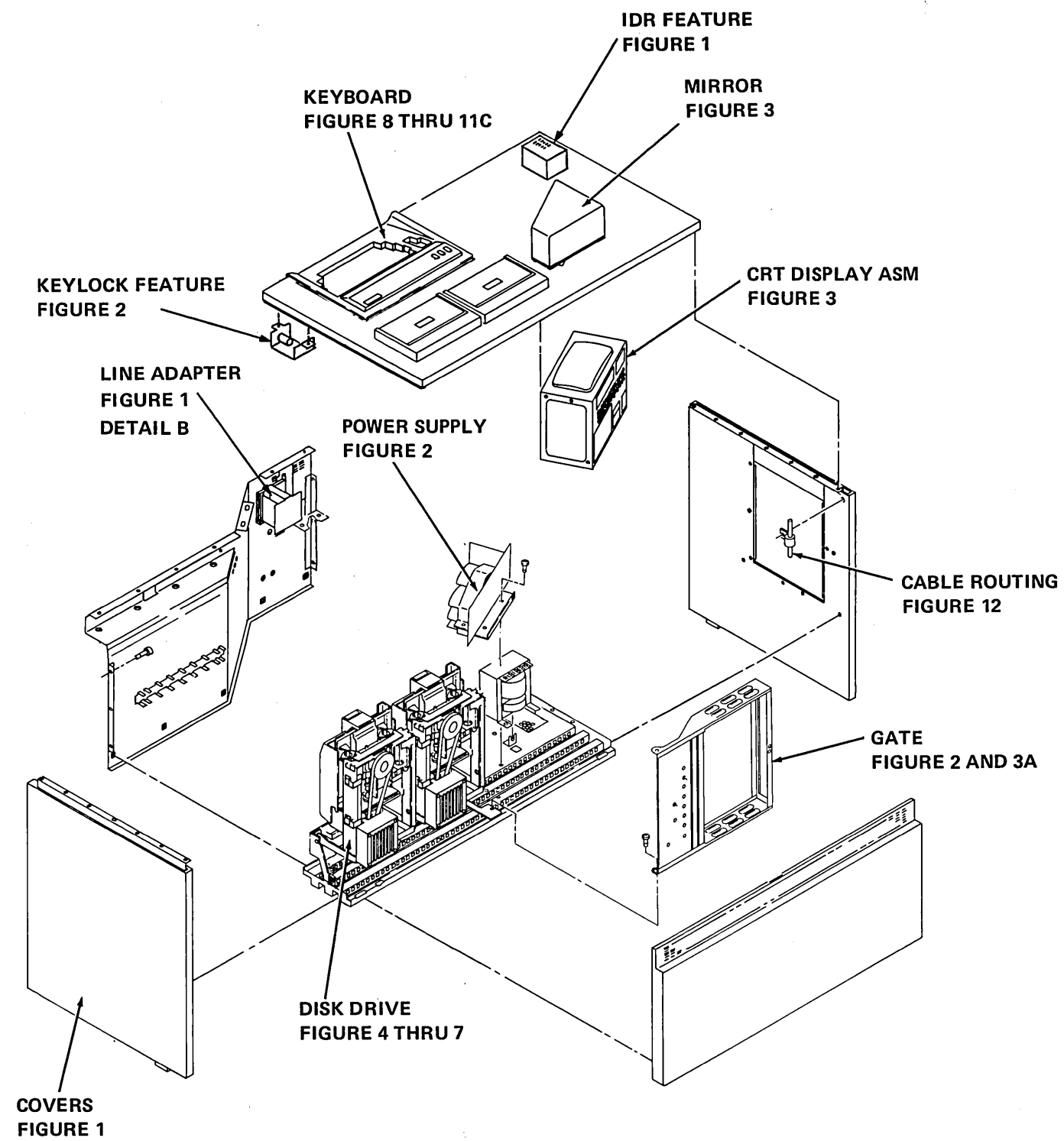
**CONTENTS**

FIGURE	TITLE	PAGE
	Visual Index . . . . .	1
1	Covers and Mounting Hardware . . . . .	3
2	Mechanical Asm. . . . .	7
3	CRT Display Asm. . . . .	11
3A	Planar Asm. . . . .	13
4	Disk Drive Asm. . . . .	15
5	Disk Storage Drive Asm. . . . .	17
6	Baseplate Asm. . . . .	19
7	Disk Clamping Plate Asm. . . . .	21
8	Keyboard Asm., Old Style . . . . .	23
9	Keyboard Asm., New Style . . . . .	25
10	Keyboard Chart, Models 1 and 2 . . . . .	27
10A	Keyboard Chart, Models 3 and 4 . . . . .	33
11	Keybutton Chart, Data Entry Style, Models 1 and 2 . . . . .	39
11A	Keybutton Chart, Proof Style, Models 1 and 2 . . . . .	42
11B	Keybutton Chart, Data Entry Style, Models 3 and 4 . . . . .	45
11C	Keybutton Chart, Proof Style, Models 3 and 4 . . . . .	48
12	Cable Routing . . . . .	51
	Numerical Index . . . . .	X-1

**Third Edition (April 1975)**

Changes are continually made to the specifications herein; any such change will be reported in subsequent revisions or technical newsletters.

A form for reader's comments is provided at the back of this publication. If this form has been removed, comments may be addressed to IBM Corporation, Publications, Department 245, Rochester, Minnesota 55901.



VISUAL INDEX

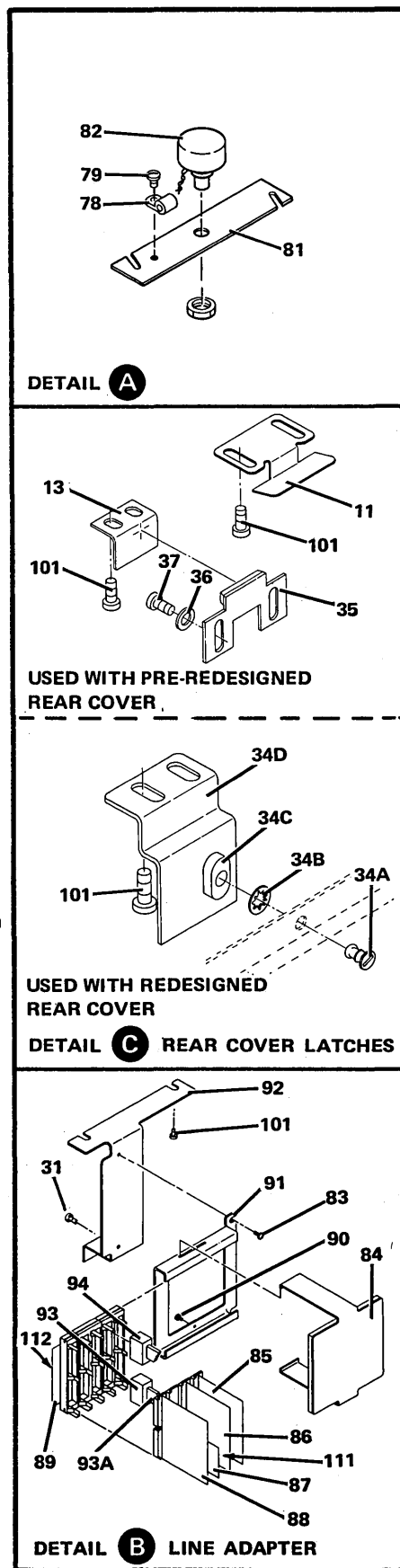
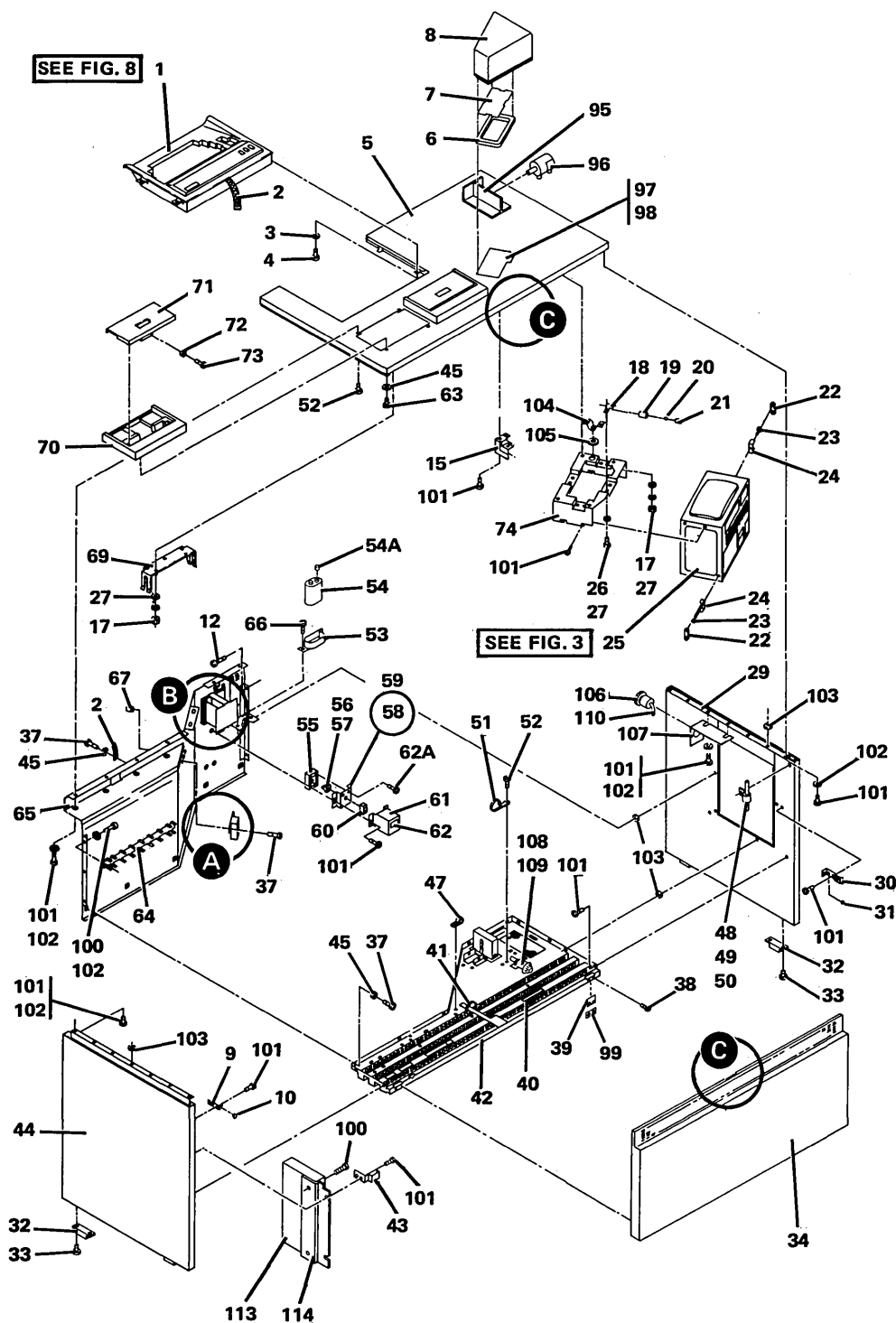


FIGURE 1. COVERS AND MOUNTING HARDWARE. SEE LIST 1.

FIGURE-INDEX NUMBER	PART NUMBER	DESCRIPTION				UNITS PER ASM.	USABLE ON CODE
		1	2	3	4		
1	NO NO.	COVERS AND MOUNTING HARDWARE-3741					
-		FOR ILLUSTRATION SEE FIG. 1					
-	NO NO.	KEYBOARD ASM				1	
-		FOR DETAIL BREAKDOWN SEE LIST 8 AND 9					
-	2101089	GROUND STRAP				1	
-	600395	WASHER, FLAT 13/64 ID X 3/4 OD X 3/32 THK				4	
-	5372858	SCREW				4	
-	2456000	TABLE TOP-TWO DRIVE				1	
-	2456003	TABLE TOP-ONE DRIVE				1	
-	2456427	SEAL				1	
-	2456424	FILTER				1	
-	2456420	MIRROR ASM				1	
-		COMPONENT PARTS ARE NOT REPLACABLE					
-	2456398	BRACKET				1	
-	2595805	BUMPER				1	
-	2455563	BRACKET				1	
-	32042	SCREW, MACH-ED HD 10-32 X 3/8 LG				AR	
-	2456438	BRACKET				1	
-	2456201	BRACKET-WITH STUD				1	
-	11598	NUT, FLAIN HEX 10-32				8	
-	2456208	BRACKET				4	
-	2456449	BARREL				4	
-	186946	BALL				4	
-	300548	SPRING				4	
-	811427	STRAP				2	
-	38442	SCREW, MACH-FLAT HD 6-32 X 1/4 LG				2	
-	2595177	CLAMP				2	
-	2455600	CRT DISPLAY ASM				1	
-		FOR DETAIL BREAKDOWN SEE LIST 3					
-	28413	SCREW, MACH-ED HD 10-32 X 5/16 LG				8	
-	45690	WASHER, FLAT NO. 10 X 7/16 OD X 1/32 THK				7	
-	2456002	LEG-IF THE FINISH ON THE LEG IS SMOOTH, BOTH LEGS MUST BE REPLACED. ORDER ITEM 29 AND 44.				1	
-	2455245	STRIKE				1	
-	2455822	BUMPER				2	
-	2455585	GLIDE				4	
-	5353301	SCREW				4	
-	2456011	COVER-RED				1	
-	2456013	COVER-BLUE				1	
-	2456015	COVER-YELLOW				1	
-	2456017	COVER-GREY				1	
-		ON MACHINES WITH PRE-REDESIGNED LATCH ITEMS 34A, 34B, 34C AND 34D MUST ALSO BE ORDERED WITH COVER					
-	1611309	STUD				1	
-	1611308	RETAINER				1	
-	362177	RECEPTICAL				1	
-	1611307	BRACKET				1	
-	7367424	LATCH ASM				1	
-	22478	WASHER, FLAT 3/16 ID X 3/8 OD X 1/32 THK				2	
-	58207	SCREW, MACH-ED HD 8-32 X 1/4 LG				17	
-	55726	SCREW, MACH-ED HD 6-32 X 3/16 LG				4	
-	2455586	SPRING, ALSO ORDER ITEM 99				1	
-	2538125	LABEL				1	
-	524519	STRAP				1	
-	2456416	BASE				1	
-	2456490	SUPPORT				1	
-	2456001	LEG-IF THE FINISH ON THE LEG IS SMOOTH, BOTH LEGS MUST BE REPLACED. ORDER ITEM 29 AND 44.				2	
-	1940	WASHER, FLAT NO. 10 X 9/16 OD X 3/64 THK				7	
-	2162905	CLAMP				1	
-	2144098	CABLE ASM, IDRM				1	
-	731629	CLAMP				1	
-	515661	SCREW				1	
-	532393	STRAP				1	
-	5319854	SCREW, THD FORM-HEX WSHR HD 8-32 X 3/8 LG				1	
-	5404092	BRACKET				1	
-	5252841	CAPACITOR, 8UF 660 VAC				1	
-	526378	CAP, INSULATOR				2	
-	482193	FRAME-ENGLISH				1	
-	2455550	FRAME-SPANISH				1	
-	8102053	FRAME-ITALIAN				1	
-	6106760	FRAME-FRENCH				1	

1	- 55	8106761	. FRAME-GERMAN	1	
	- 56	482194	. SWITCH HANDLE	1	
	- 57	257963	. SETSCREW,6 FLUTE 4-40 X 3/8 LG	1	
	- 58	2455246	. AC DISTRIBUTION ASM	1	
	- 59	2456120	. BRACKET	1	
	- 60	731506	. SWITCH	1	
	- 61	2456121	. COVER	1	
	- 62	138754	. LABEL	1	
	- 62A	338238	. SCREW,MACH-BD HD 4-40 X 5/16 LG	4	
	- 63	5349929	. SCREW,THD FORM 8-32 X 1/2 LG	2	
	- 64	2454748	. RACEWAY	1	
	- 65	2456012	. SKIRT ASM-RED	1	
	- 65	2456014	. SKIRT ASM-BLUE	1	
	- 65	2456016	. SKIRT ASM-YELLOW	1	
	- 65	2456018	. SKIRT ASM-GRAY	1	
	- 66	5319854	. SCREW,THD FORM-HEX WSHR HD 8-32 X 3/8 LG	AR	
	- 67	2526979	. KNOB	1	
	- 69	2456454	. GUIDE	1	
	- 70	2456457	. BEZEL	1	
	- 71	2456456	. COVER	1	
	- 72	336628	. CLIP	4	
	- 73	35739	. SCREW,MACH-BD HD 6-32 X 7/16 LG	2	
	- 74	2456119	. BRACKET	1	
	- 78	169698	. CLAMP	1	
	- 79	10170	. SCREW,MACH-BD HD 6-32 X 1/4 LG	2	
	- 81	2456171	. PLATE	1	
	- 82	2455605	. POTENTIOMETER AND CABLE ASM	1	
	- 83	32042	. SCREW,MACH BIND HD 10-32 X 3/8 LG	4	
	- 84	2455899	. RETAINER ASM	1	
	- 85	5862859	. CARD ASM-USED WITH SWITCHED LINE AND LEASED LINE FEATURES	1	
	- 85				
	- 86	5863763	. CARD ASM-USED WITH SWITCHED LINE AND LEASED LINE FEATURE	1	
	- 86				
	- 87	5862829	. CARD ASM-USED WITH SWITCHED LINE FEATURE ONLY	1	
	- 87	5863123	. CARD ASM-USED WITH WT 1200 BPS SWITCHED LINE ADAPTER AND COUPLER-FRANCE, ITALY, JAPAN	1	
	- 87				
	- 87	5864233	. CARD ASM-USED WITH WORLD TRADE PSN FEATURE	1	
	- 88	5861862	. CARD ASM-USED WITH SWITCHED LINE FEATURE ONLY	1	
	- 88	5863944	. CARD ASM-USED WITH WT 1200 BPS SWITCHED LINE ADAPTER AND COUPLER-FRANCE, ITALY, JAPAN	1	
	- 88				
	- 88	5863944	. CARD ASM-USED WITH WORLD TRADE PSN FEATURE	1	
	- 89	2455072	. BOARD ASM-USED WITH LEASED LINE FEATURE ONLY	1	
	- 89	2455892	. BOARD ASM-USED WITH SWITCHED LINE FEATURE ONLY	1	
	- 89	1611373	. BOARD ASM-USED WITH WT 1200 BPS SWITCHED LINE ADAPTER AND COUPLER-FRANCE, ITALY, JAPAN	1	
	- 89				
	- 89	1611373	. BOARD ASM-MODEM TO WT PSN BOX	1	
	- 90	438551	. SCREW	2	
	- 91	2455890	. CHASSIS	1	
	- 92	2456710	. BRACKET	1	
	- 93	2455894	. CABLE ASM,1200 BPS MODEM TO CBS COUPLER	1	
	- 93	2455119	. CABLE ASM,LEASED LINE	1	
	- 93	1611380	. CABLE ASM,USED WITH WT 1200 BPS SWITCHED LINE ADAPTER AND COUPLER-FRANCE, ITALY, JAPAN	1	
	- 93				
	- 93A	5863174	. CARD ASM-USED WITH WT 1200 BPS SWITCHED LINE ADAPTER AND COUPLER-FRANCE, ITALY, JAPAN	1	
	- 93A				
	- 94	2455893	. CABLE ASM,BSCA TO 1200 BPS LINE ADAPTER	1	
	- 95	2456392	. BADGE READER ASM-60 HZ 115V	1	
	- 95	2456393	. BADGE READER ASM-50 HZ 123V	1	
	- 95	2456394	. BADGE READER ASM-60 HZ 100V	1	
	- 96	2143469	. MOTOR-60 HZ 115V	1	
	- 96	2143808	. MOTOR-50 HZ 123V	1	
	- 96	2143815	. MOTOR-60 HZ 100V	1	
	- 97	313453	. CLIP	3	
	- 98	2455461	. WASHER	3	
	- 99	2456712	. NUT PLATE, SPRING	2	
	-100	5372858	. SCREW,THD FORM-HEX WSHR HD 10-32 X 1/2 LG	AR	
	-101	2181004	. SCREW,THD FORM-HEX WSHR HD 10-32 X 3/8 LG	AR	
	-102	1940	. WASHER,FLAT NO. 10 X 9/16 OD X 3/64 THK	AR	
	-103	76574	. LOCKWASHER,EXT TOOTH 1/4 ID X 1/2 OD	2	
	-104	313453	. CLIP	3	
	-105	2455461	. SPACER	3	
	-106	2197244	. ALARM	1	
	-107	1611353	. BRACKET	1	
	-108	2456367	. FUSE HOLDER	1	
	-109	338165	. FUSE,3A 100/115/125V W/O PRINTER	1	
	-109	1176668	. FUSE,1.5A 200/220/235/250V W/O PRINTER	1	
	-109	1143492	. FUSE,4A 100 115/123.5/125V WITH PRINTER	1	
	-109	2456618	. FUSE,3A 208 220/230/250V WITH PRINTER	1	
	-110	2456765	. CABLE ASM,ALARM	1	
	-111	816645	. JUMPER	AR	
	-112	5159491	. JUMPER	AR	
	-113	1780955	. WT PSN BOX ASM	1	
	-114	1611390	. WT PSN BRACKET	1	

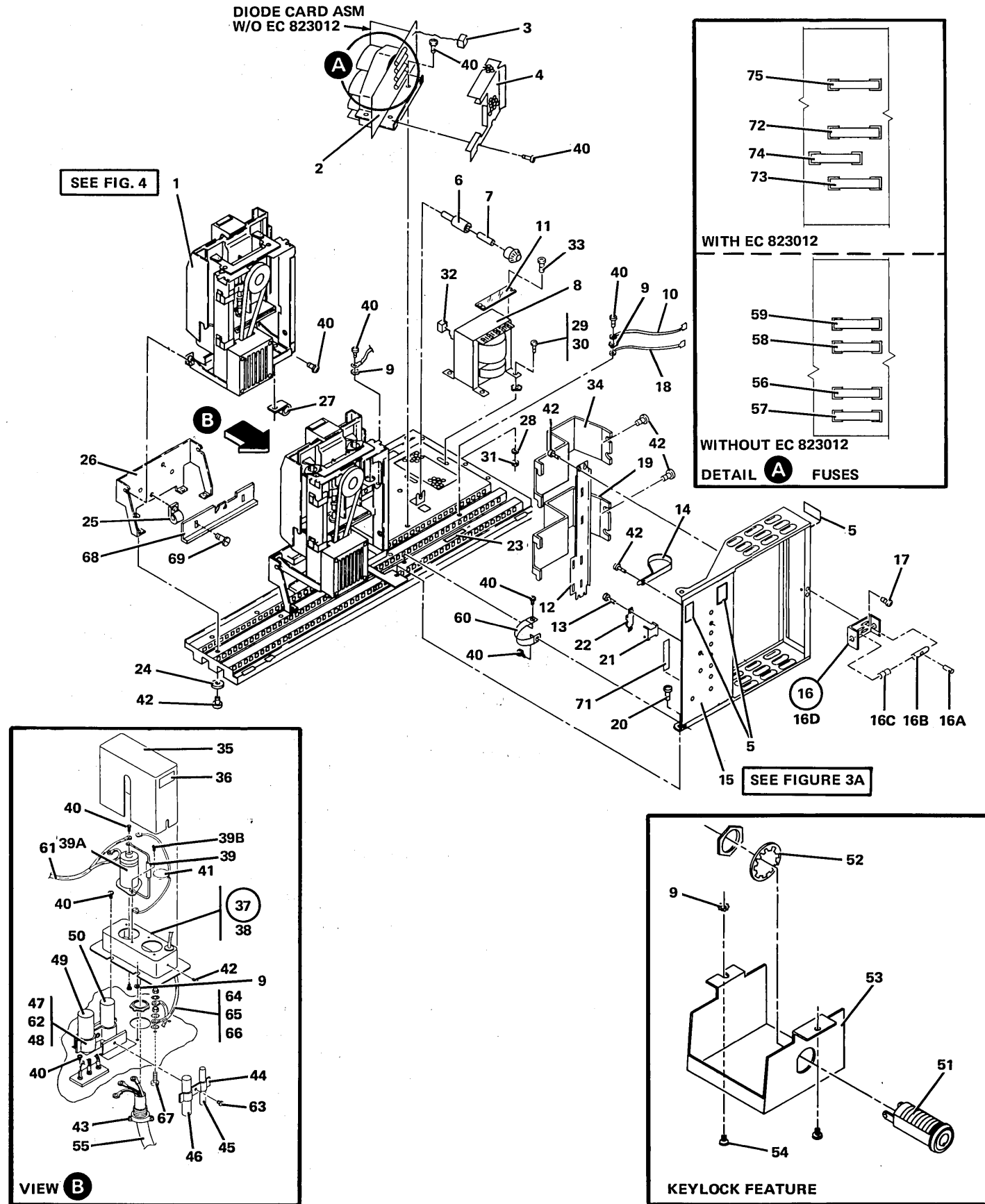


FIGURE 2. MECHANICAL ASM. SEE LIST 2.

FIGURE-INDEX NUMBER	PART NUMBER	DESCRIPTION	1 2 3 4				UNITS PER ASM.	USABLE ON CODE
2 -	NO NO.	MECHANICAL ASM FOR ILLUSTRATION SEE FIG. 2						
- 1	2455098	. DISK DRIVE ASM, 60 HZ 200/208/230V					1	
- 1	2456395	. DISK DRIVE ASM, 50 HZ 100/110/123.5V					1	
- 1	2456450	. DISK DRIVE ASM, 60 HZ 100/110/115V					1	
- 1	2456455	. DISK DRIVE ASM, 50 HZ 200/220/235V					1	
- 1		FOR DETAIL BREAKDOWN SEE LIST 4						
- 2	1620179	. POWER SUPPLY ASM					1	
- 2		INCLUDES EC 823012-DOES NOT HAVE DIODE CARD						
- 3	2456483	. CABLE ASM, WITH 3713 PRINTER DC					1	
- 4	2456630	. SHIELD-USED ON POWER SUPPLY WITH DIODE CARD					1	
- 4	2456991	. SHIELD-USED ON POWER SUPPLY WITHOUT DIODE CARD					1	
- 5	2455703	. LABEL					1	
- 6	2456367	. FUSE HOLDER					1	
- 7	1143492	. FUSE, 4A 125V					AR	
- 7	2456618	. FUSE, 3A 250V					AR	
- 8	1620206	. TRANSFORMER, 60 HZ 115V U.S. AND CANADA					1	
- 8	1620207	. TRANSFORMER, 60 HZ 208/230V U.S. AND CANADA					1	
- 8	4119447	. TRANSFORMER, 50 HZ 110/123.5/220/235V WTC					1	
- 8	4119448	. TRANSFORMER, 60 HZ 100/115/200/208/230V JAPAN					1	
- 8	4119449	. TRANSFORMER, 50 HZ 100/110/123.5/200/220/235V JAPAN					1	
- 9	56079	. LOCKWASHER, EXT TOOTH 3/16 ID X 13/32 OD					5	
- 10	2455382	. JUMPER					1	
- 11	352825	. SHIELD-U.S. AND CANADA					1	
- 11	5762582	. SHIELD-WTC					1	
- 12	1610660	. BAR					1	
- 13	5349929	. SCREW, THD FORM-HEX WSHR HD 8-32 X 1/2 LG					7	
- 14	532393	. CLAMP					4	
- 15	2455198	. GATE					1	
- 16	2456188	. LATCH ASM					1	
- 16A	528337	. . ROLL FIN					1	
- 16B	2456349	. . PLUNGER					1	
- 16C	2229116	. . SPRING					1	
- 16D	2455247	. . BRACKET					1	
- 17	2181005	. SCREW, THD FORM-HEX WSHR HD 6-32 X 3/8 LG					2	
- 18	761386	. JUMPER-WT AND JAPAN					1	
- 19	2455553	. RETAINER ASM					1	
- 20	597014	. SCREW, SHOULDER 10-32 X 1/2 LG					1	
- 21	2456419	. GUIDE					1	
- 22	2456425	. CLAMP					1	
- 23	683406	. LABEL					1	
- 24	1940	. WASHER, FLAT NO. 10 X 9/16 OD X 3/64 THK					4	
- 25	2162905	. CLAMP					1	
- 26	2456453	. BRACKET					1	
- 27	2162901	. CLAMP					1	
- 28	45690	. WASHER, FLAT NO. 10 X 7/16 OD X 1/32 THK					2	
- 29	55918	. SCREW, MACH-BD HD 10-32 X 5/8 LG					2	
- 30	56079	. LOCKWASHER, EXT TOOTH 3/16 ID X 13/32 OD					1	
- 31	11598	. NUT, PLAT IN HEX 10-32					2	
- 32	2456479	. CABLE ASM-WITH 3713 PRINTER AC					1	
- 33	10170	. SCREW, MACH-BD HD 6-32 X 1/4 LG					2	
- 34	1620333	. RETAINER ASM-USED WITH I/O ADAPTER AND CARD I/O FEATURES					1	
- 35	2456390	. COVER					1	
- 36	138754	. LABEL					1	
- 37	2455246	. AC DISTRIBUTION ASM					1	
- 38	2456391	. . CHASSIS					1	
- 39	2455260	. . RESISTOR, 1 MEG OHM 1 WATT					2	
- 39A	2192519	. . CAPACITOR, .01 MF 60 HZ 40 A					2	
- 39B	5700484	. . SCREW, THD FORM-HEX WSHR HD 4-40 X 3/8 LG					4	
- 40	2181004	. SCREW, THD FORM-HEX WSHR HD 10-32 X 3/8 LG					AR	
- 41	1609089	. CAPACITOR ASM, GERMAN MACHINES WITH 3717 PRINTER					1	
- 42	5319854	. SCREW, THD FORM-HEX WSHR HD 8-32 X 3/8 LG					8	
- 43	2100264	. STRAIN RELIEF					1	
- 44	2456396	. CLAMP					1	
- 45	2144098	. CABLE ASM, IDRM					1	
- 46	2455573	. CABLE ASM, DATA SET					1	
- 47	2456397	. CLAMP-2 POSITION CLAMP USED WITH PRINT FEATURE					1	
- 47	2469135	. CLAMP-3 POSITION CLAMP USED WITH CARD I/O OR I/O ADAPTER FEATURE					1	
- 48	604962	. NUTPLATE-2 POSITION-USED WITH PRINT FEATURE					1	
- 48	2469136	. NUTPLATE-3 POSITION-USED WITH CARD I/O OR I/O ADAPTER FEATURE					1	

FIGURE-INDEX NUMBER	PART NUMBER	DESCRIPTION	UNITS PER ASM.	USABLE ON CODE
2 - 49	1795828	. CABLE ASM,SIGNAL-3713 PRINTER	1	
- 49	2455203	. CABLE ASM,SIGNAL-3717 PRINTER	1	
- 49	1620028	. CABLE ASM,SIGNAL-3715 PRINTER	1	
- 50	1795827	. CABLE ASM,POWER-3713 PRINTER	1	
- 50	2455202	. CABLE ASM,POWER-3717 PRINTER	1	
- 50	1620027	. CABLE ASM,POWER-3715 PRINTER	1	
- 51	1611447	. KEYLOCK SWITCH-ORDER ON MES	1	
- 52	2131784	. LOCKWASHER	1	
- 53	2456382	. BRACKET	1	
- 54	2181004	. SCREW,SELF TAP 10-32 X 3/8 LG	2	
- 55	2455030	. MAINLINE CORD,U.S., CANADA 115V 60 HZ 8 FT NON-LOCK PLUG	1	
- 55	2455579	. MAINLINE CORD,U.S., CANADA 115V 60 HZ 8 FT LOCKING PLUG	1	
- 55	2455033	. MAINLINE CORD,U.S., CANADA 115V 60 HZ 6 FT NON-LOCK PLUG	1	
- 55	2455578	. MAINLINE CORD,U.S., CANADA 115V 60 HZ 6 FT LOCKING PLUG	1	
- 55	2455035	. MAINLINE CORD,U.S., CANADA 208/230V 60 HZ 8 FT NON-LOCK PLUG	1	
- 55	2455581	. MAINLINE CORD,U.S., CANADA 208/230V 60 HZ 8 FT LOCKING PLUG	1	
- 55	2455031	. MAINLINE CORD,U.S., CANADA 208/230V 60 HZ 6 FT NON-LOCK PLUG	1	
- 55	2455580	. MAINLINE CORD,U.S., CANADA 208/230V 60 HZ 6 FT LOCKING PLUG	1	
- 55	2455223	. MAINLINE CORD,JAPAN,ALL VOLTAGES 60 HZ 8 FT NO PLUG	1	
- 55	2455034	. MAINLINE CORD,JAPAN AND WTC,ALL VOLTAGES	1	
- 56	338165	. FUSE,F1 WITH POWER SUPPLY 2455745 WITH PRINTER 3.0 AMP 125V	1	
- 56	855252	. FUSE,F1 WITH POWER SUPPLY 2456044 WITH PRINTER 3.0 AMP 250V	1	
- 56	855252	. FUSE,F1 WITH POWER SUPPLY 1260179 W OR W/O PTR 3.0 AMP 250V	1	
- 56	361755	. FUSE,F1 WITH POWER SUPPLY 2455744 W/O PRINTER 2.5 AMP 125V	1	
- 56	855252	. FUSE,F1 WITH POWER SUPPLY 2456043 W/O PRINTER 3.0 AMP 250V	1	
- 57	78951	. FUSE,F2 WITH POWER SUPPLY 2455745 WITH PRINTER 1.6 AMP 125V	1	
- 57	111256	. FUSE,F2 WITH POWER SUPPLY 2456044 WITH PRINTER 1.5 AMP 250V	1	
- 57	111256	. FUSE,F2 WITH POWER SUPPLY 1620179 W OR W/O PTR 1.5 AMP 250V	1	
- 57	505077	. FUSE,F2 WITH POWER SUPPLY 2455744 W/O PRINTER 1.5 AMP 125V	1	
- 57	111256	. FUSE,F2 WITH POWER SUPPLY 2456043 W/O PRINTER 1.5 AMP 250V	1	
- 58	1143492	. FUSE,F3 WITH POWER SUPPLY 2455745 WITH PRINTER 4.0 AMP 125V	1	
- 58	1143492	. FUSE,F3 WITH POWER SUPPLY 2456044 WITH PRINTER 4.0 AMP 125V	1	
- 58	512137	. FUSE,F3 WITH POWER SUPPLY 1620179 W OR W/O PTR 5.0 AMP 125V	1	
- 58	1143492	. FUSE,F3 WITH POWER SUPPLY 2455744 W/O PRINTER 4.0 AMP 125V	1	
- 58	111257	. FUSE,F3 WITH POWER SUPPLY 2456043 W/O PRINTER 4.0 AMP 250V	1	
- 59	1146953	. FUSE,F4 WITH POWER SUPPLY 2455745 WITH PRINTER 8.0 AMP 32V	1	
- 59	433557	. FUSE,F4 WITH POWER SUPPLY 2456044 WITH PRINTER 8.0 AMP 250V	1	
- 59	433557	. FUSE,F4 WITH POWER SUPPLY L620179 W OR W/O PTR 8.0 AMP 250V	1	
- 59	361755	. FUSE,F4 WITH POWER SUPPLY 2455744 W/O PRINTER 2.5 AMP 125V	1	
- 59	855252	. FUSE,F4 WITH POWER SUPPLY 2456043 W/O PRINTER 3.0 AMP 250V	1	
- 60	2101089	. GROUND STRAP	1	
- 61	7365793	. JUMPER ASM	1	
- 62	438588	. SCREW,MACH-BD HD 8-32 X 1-1/4 LG	1	
- 63	25627	. SCREW,MACH-BD HD 8-32 X 1/2 LG	1	
- 64	8112805	. TRANSFORMER GND	1	
- 65	11598	. NUT,PLAIN HEX 10-32	2	
- 66	56079	. LOCKWASHER,EXT TOOTH 3/16 ID X 13/32 OD	3	
- 67	55918	. SCREW,MACH-BD HD 10-32 X 5/8 LG	1	
- 68	2455836	. BRACKET,ADJUSTING	1	
- 69	2181004	. SCREW,THC FORM-HEX WSHR HD 10-32 X 3/8 LG	2	

FIGURE-INDEX NUMBER	PART NUMBER	DESCRIPTION	UNITS PER ASM.	USABLE ON CODE
2 - 71	2456277	. LABEL	1	
- 72	855252	. FUSE,F1 3.0 AMP 250V	1	
- 73	111256	. FUSE,F2 1.5 AMP 250V	1	
- 74	111257	. FUSE,F3 4.0 AMP 250V	1	
- 75	361755	. FUSE,F4 WITH POWER SUPPLY 2455744 W/O PRINTER 2.5 AMP 125V	1	
- 75	1146953	. FUSE,F4 WITH POWER SUPPLY 2455745 WITH PRINTER 8.0 AMP 32V	1	
75	822252	. FUSE,F4 WITH POWER SUPPLY 2456043 W/O PRINTER 3.0 AMP 250V	1	
75	433557	. FUSE,F4 WITH POWER SUPPLY 2456044 WITH PRINTER 8.0 AMP 250V	1	
75	433557	. FUSE,F4 WITH POWER SUPPLY 1620179 W OR W/O PTR 8.0 AMP 250V	1	

FOR PARTS  
NOT SHOWN  
SEE FIG. 1

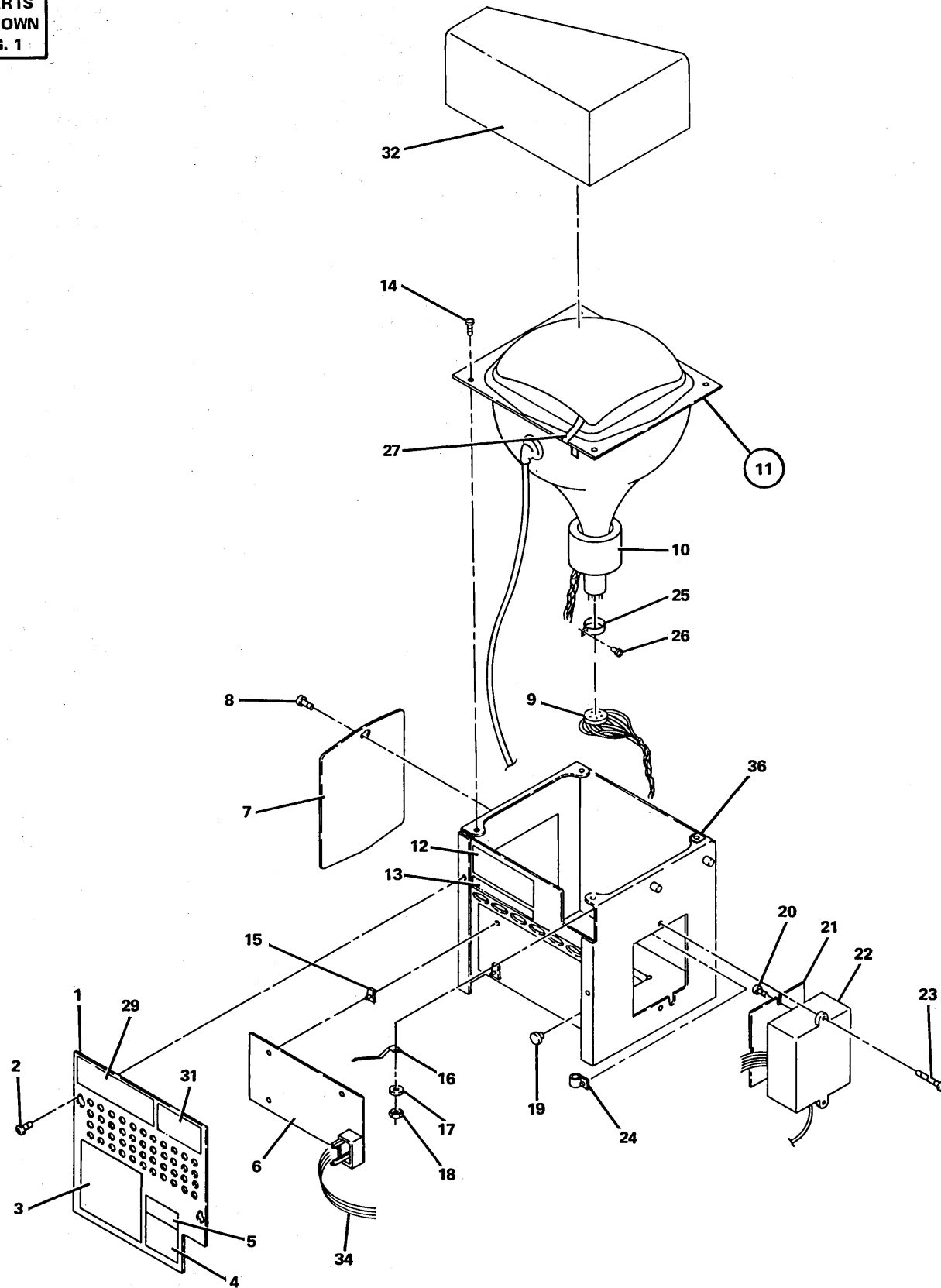


FIGURE 3. CRT DISPLAY ASM. SEE LIST 3.

FIGURE-INDEX NUMBER	PART NUMBER	DESCRIPTION	UNITS PER ASM.	USABLE ON CODE
3 -	2455600	CRT DISPLAY ASM		
-		FOR NEXT HIGHER ASM SEE LIST 1-25 AND FOR ILLUSTRATION SEE FIG. 3		
- 1	2455644	• SHIELD	1	
- 2	5319854	• SCREW, SELF TAP 8-32 X 3/8 LG	2	
- 3	2455577	• LABEL, VOLTAGES	1	
- 4	5719139	• LABEL, WARNING	1	
- 5	369207	• LABEL, HAZARDOUS AREA	1	
- 6	2455595	• CARD ASM	1	
- 7	2456413	• PLATE	1	
- 8	5319854	• SCREW, SELF TAP 8-32 X 3/8 LG	2	
- 9	2456699	• SOCKET ASM	1	
- 10	2455601	• YOKE ASM	1	
- 11	2455625	• CHASSIS AND TUBE ASM	1	
- 12	2455661	• LABEL	1	
- 13	2538125	• LABEL	1	
- 14	5319854	• SCREW, THD FORM-HEX WSHR HD 8-32 X 3/8 LG	4	
- 15	2455623	• SUPPORT	4	
- 16	N/A	• SPRING-USED ONLY ON MACHINES PRIOR TO EC 823238	1	
- 17	1090873	• LOCKWASHER, SPLIT 3/16 ID X 5/16 OD	1	
- 18	257189	• NUT, HEX 8-32	1	
- 19	198982	• BUMPER	1	
- 20	251970	• SCREW, MACH-BD HD 4-40 X 1/4 LG	2	
- 21	2456340	• COVER	1	
- 22	2455603	• CONVERTER ASM	1	
- 23	5349929	• SCREW, SELF TAP 8-32 X 1/2 LG	2	
- 24	2162901	• CLAMP	1	
- 25	2456996	• CLAMP, YOKE	1	
- 26	5349929	• SCREW, SELF TAP 8-32 X 1/2 LG	1	
- 27	1620156	• TAPE, GROUND-USED ONLY ON MACHINES PRIOR TO EC 823238	AR	
- 29	2456709	• LABEL, CAUTION	1	
- 31	2456995	• LABEL, DC FUSE	1	
- 32	2456420	• MIRROR ASM	1	
- 32		• COMPONENT PARTS ARE NOT REPLACABLE		
- 34	2456372	• CABLE ASM-DISPLAY SIGNAL	1	
- 36	308426	• SPEED NUT	1	



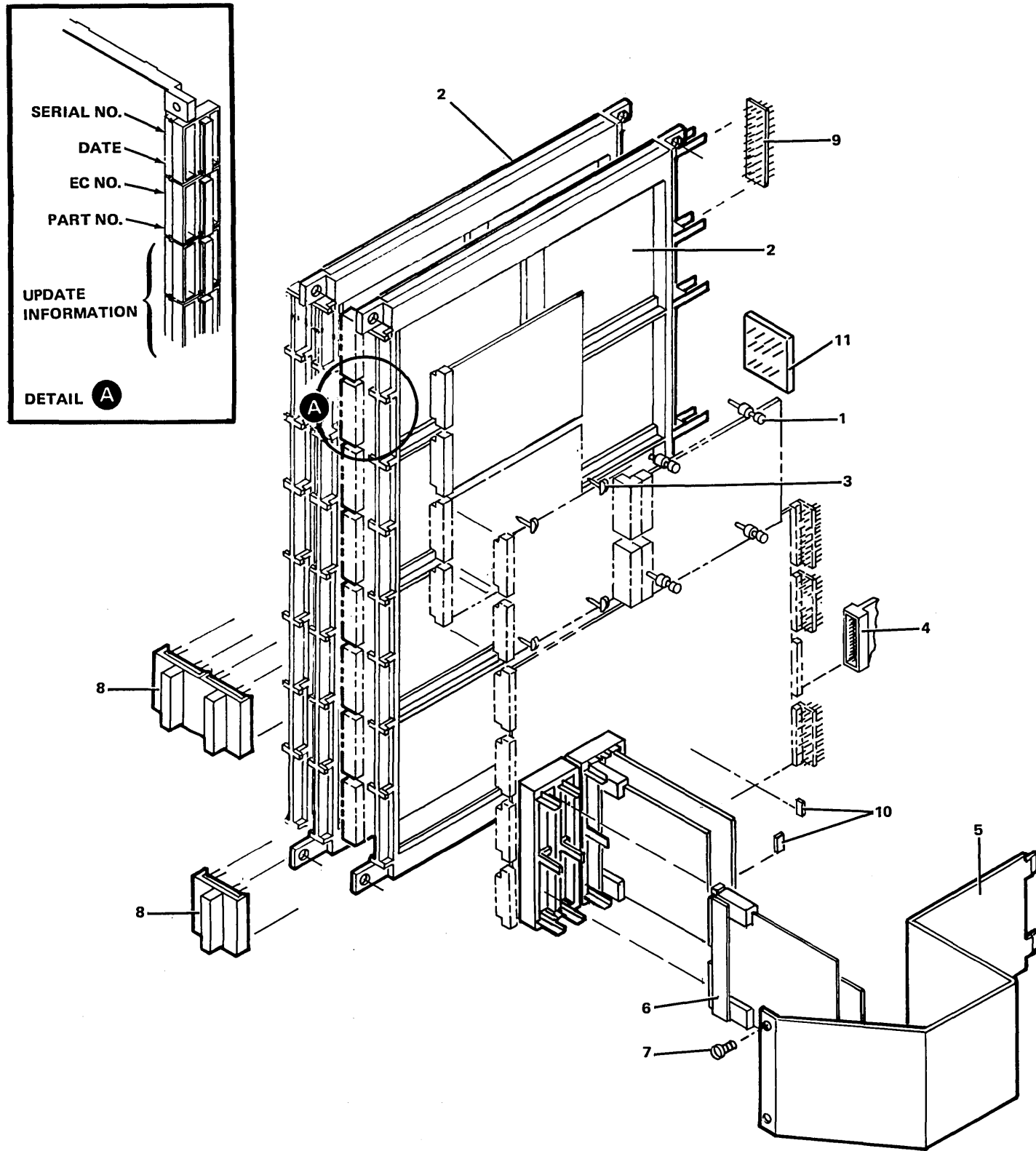


FIGURE 3A. PLANAR ASM. SEE LIST 3A.

FIGURE-INDEX NUMBER	PART NUMBER	1 2 3 4	DESCRIPTION	UNITS PER ASM.	USABLE ON CODE
3A -	NO NO.		GATE ASM	1	
-			FOR ILLUSTRATION SEE FIG. 3A		
- 1	2455377		MOUNTING CLIP	AR	
- 2	2731007		STIFFENER-WITH FEET	AR	
- 2	2456751		STIFFENER-WITHOUT FEET	AR	
- 3	2632773		MOUNTING CLIP	AR	
- 4	2455573		CABLE ASM, MODEM	1	
- 5	2455553		RETAINER ASM	1	
- 6	811804		CARD GUIDE	2	
- 7	5319854		SCREW	2	
- 8	2731026		CROSSOVER CONNECTOR-2 WIDE	AR	
- 8	2732453		CROSSOVER CONNECTOR-4 WIDE	AR	
- 9	2731011		SEG ASM	AR	
- 10	1794401		JUMPER-2 CONTACT	AR	
- 10	5159491		JUMPER-12 CONTACT	AR	
- 11	1809903		CROSSOVER	2	

FOR PARTS NOT SHOWN SEE FIG. 3

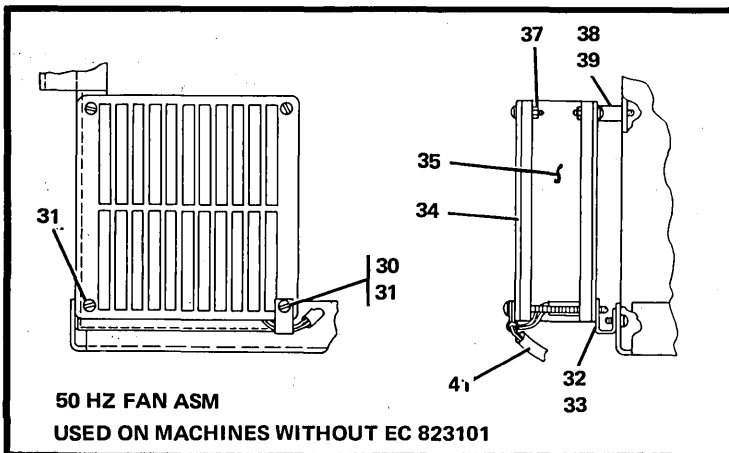
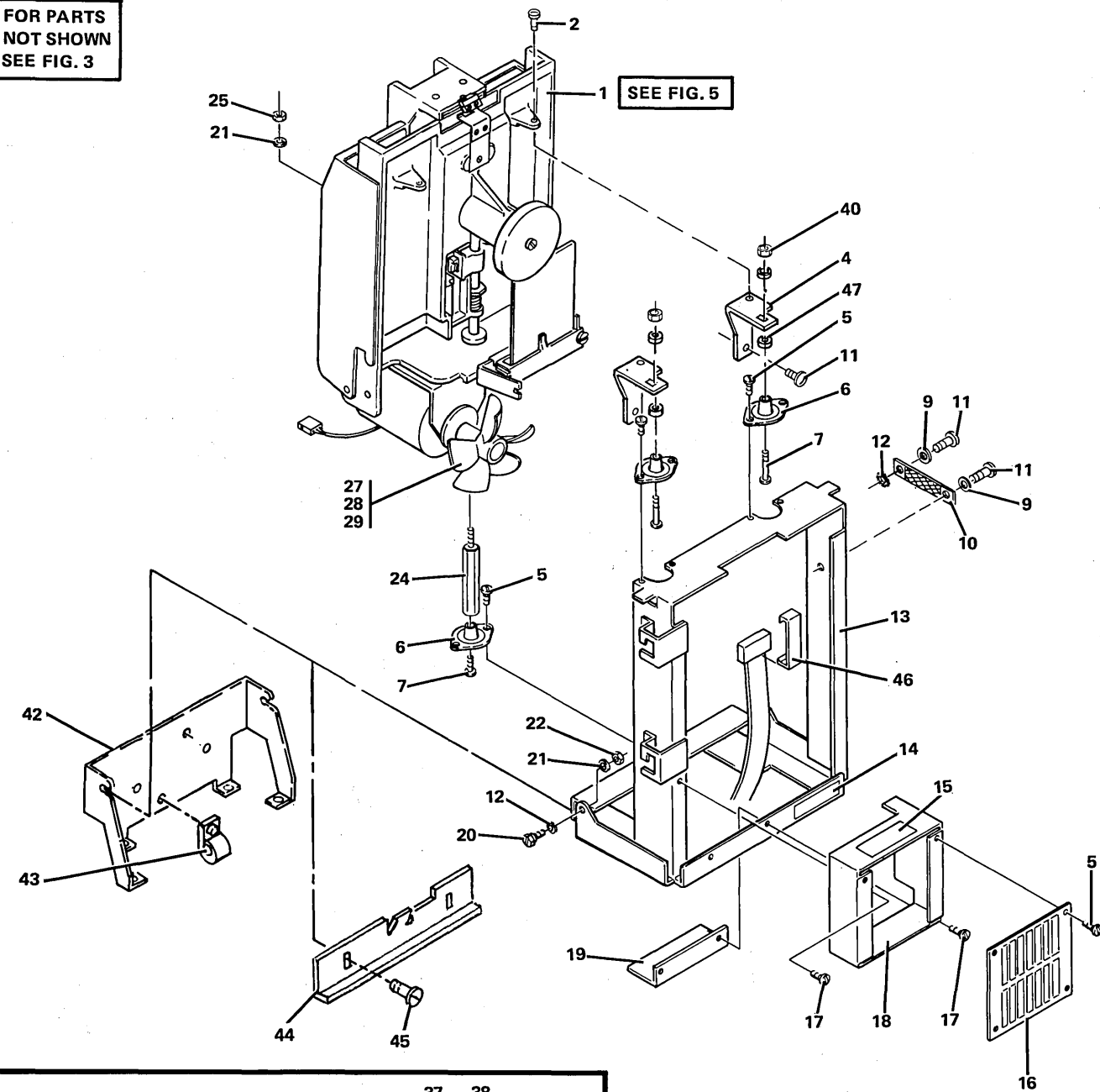


FIGURE 4. DISK DRIVE ASM. SEE LIST 4.

FIGURE-INDEX NUMBER	PART NUMBER	DESCRIPTION	1 2 3 4				UNITS PER ASM.	USABLE ON CODE
			1	2	3	4		
4 -	2455098	DISK DRIVE ASM,60 HZ 200/208/230V						
-	2456395	DISK DRIVE ASM,50 HZ 100/110/123.5V						
-	2456450	DISK DRIVE ASM,60 HZ 100/110/115V						
-	2456455	DISK DRIVE ASM,50 HZ 200/220/235V						
-	-	FOR NEXT HIGHER ASM SEE LIST 3-1 AND FOR ILLUSTRATION SEE FIG. 4						
- 1	2305455	DISK STORAGE DRIVE ASM-60 HZ 100/123.5V				1		
- 1	2305457	DISK STORAGE DRIVE ASM-50 HZ 100/123.5V				1		
- 1	2305454	DISK STORAGE DRIVE ASM-60 HZ 200/235V				1		
- 1	2305456	DISK STORAGE DRIVE ASM-50 HZ 200/235V				1		
- 1	-	FOR DETAIL BREAKDOWN SEE LIST 5						
- 2	5349929	SCREW,MACH-HEX WSHR HD 8-32 X 1/2 LG				2		
- 4	2456990	BRACKET				2		
- 5	2181005	SCREW,SELF TAP 6-32 X 3/8 LG				10		
- 6	2455575	SHOCKMOUNT				3		
- 7	308785	SCREW,MACH-HEX HD 8-32 X 7/8 LG				3		
- 9	1940	WASHER,FLAT NG. 10 X 9/16 OD X 3/64 THK				2		
- 10	2101089	GROUND STRAP				1		
- 11	2181004	SCREW,THD FORMING 10-32 X 3/8 LG				1		
- 12	56079	LOCKWASHER,EXT TGOOTH 3/16 OD X 13/32 OD				3		
- 13	2455571	FRAME				1		
- 14	2455036	LABEL				1		
- 15	369207	LABEL,HAZARDOUS AREA				1		
- 16	2455733	GUARD				1		
- 17	2181005	SCREW,SELF TAP 6-32 X 3/8 LG				3		
- 18	2455816	SHIELD				1		
- 19	2455818	GUARD				1		
- 20	2456489	ECCENTRIC,DISK DRIVE ADJUSTING				2		
- 21	9092	LOCKWASHER,SPLIT 3/16 ID X 5/16 OD				2		
- 22	2456409	NUT				2		
- 24	2455574	STANDOFF				1		
- 25	11598	NUT,HEX 10-32				1		
- 27	2455814	BLADE				1		
- 28	25627	SCREW,MACH BD HD 8-32 X 1/2 LG				1		
- 29	600395	WASHER,FLAT 13/64 ID X 3/4 OD X 3/32 THK				1		
- 30	5213276	CLAMP				1		
- 31	438572	SCREW,MACH-BIND HD 6-32 X 2 LG				2		
- 32	2455584	BRACKET				1		
- 33	58207	SCREW,MACH-6D HD 8-32 X 1/4 LG				2		
- 34	2455733	GAURD-50 HZ				2		
- 35	2455819	FAN ASM,115V 50 HZ WITHOUT EC 823101				1		
- 35	2455820	FAN ASM,208/235V 50 HZ WITHOUT EC 823101				1		
- 37	257187	NUT,HEX 6-32 50 HZ				1		
- 38	2455824	SPACER,50 HZ				1		
- 39	381002	SCREW,MACH-BIND HD 6-32 X 2-1/2 LG 50 HZ				1		
- 40	72828	LOCKNUT,8-32				2		
- 41	2455590	CABLE ASM				1		
- 42	2456453	BRACKET-OLD STYLE				1		
- 43	2162905	CLAMP				1		
- 44	2455836	BRACKET,ADJUSTING-NEW STYLE				1		
- 45	2181004	SCREW,THD FORM-HEX WSHR HD 10-32 X 3/8 LG				2		
- 46	2469295	CLAMP,CABLE				1		
- 47	1090448	WASHER,FLAT 0.18 ID X 7/16 OD X 1/16 THK				4		

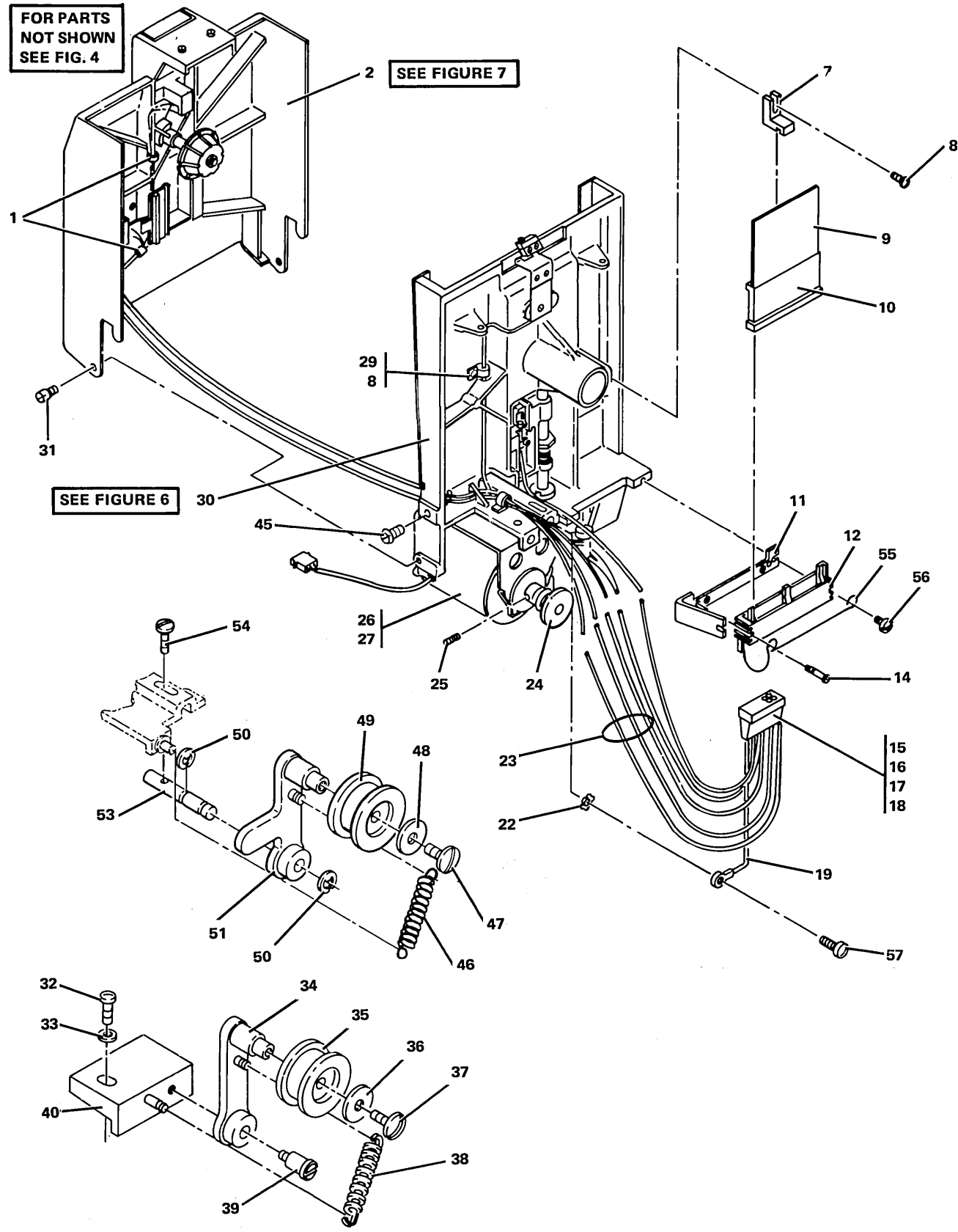


FIGURE 5. DISK STORAGE DRIVE ASM. SEE LIST 5.

FIGURE- INDEX NUMBER	PART NUMBER	DESCRIPTION				UNITS PER ASM.	USABLE ON CODE
		1	2	3	4		
5 -	2305455	DISK STORAGE DRIVE ASM-60 HZ 100/123.5V					
-	2305457	DISK STORAGE DRIVE ASM-50 HZ 100/123.5V					
-	2305454	DISK STORAGE DRIVE ASM-60 HZ 200/235V					
-	2305456	DISK STORAGE DRIVE ASM-50 HZ 200/235V					
-		FOR NEXT HIGHER ASM SEE LIST 4-1 AND FOR ILLUSTRATION SEE FIG. 5					
-	1	2596275	CLIP			2	
-	2	2305551	PLATE ASM, DISK CLAMPING FOR DETAIL BREAKDOWN SEE LIST 7			1	
-	7	2280297	CARD HOLDER			1	
-	8	2181005	SCREW, THD FORM-HEX WSHR HD 6-32 X 3/8 LG			5	
-	9	8524194	LOGIC CARD-VTL			1	
-	10	811804	CARD GUIDE			1	
-	11	2305696	BRACKET			1	
-	12	2274833	CONNECTOR			1	
-	14	438567	SCREW, MACH-BD HD 6-32 X 1.00 LG			2	
-	15	5447741	HOUSING			1	
-	16	5466397	STRAIN RELIEF			2	
-	17	5466393	CLAMP			2	
-	18	109918	SCREW			2	
-	19	2305598	JUMPER ASM			1	
-	22	56722	LOCKWASHER-EXT TOOTH 5/32 ID			1	
-	23	2305599	CABLE ASM, LED AND HEADLOAD			1	
-	23	2305554	CABLE ASM, PHOTO TRANSISTOR			1	
-	24	2305597	PULLEY, 60 HZ			1	
-	24	2305708	PULLEY, 50 HZ			1	
-	25	257970	SETSCREW, 6 FLUTE 6-32 X 1/4 LG			1	
-	26	2305633	MOTOR, 60 HZ 200/235V			1	
-	26	2305672	MOTOR, 60 HZ 100/123.5V			1	
-	26	2305707	MOTOR, 50 HZ 100/123.5V			1	
-	26	2305706	MOTOR, 50 HZ 200/235V			1	
-	27	234341	SCREW AND WASHER, HEX HD 1/4-20 X 5/8 LG			2	
-	29	357433	CLAMP			2	
-	30	NO NO.	BASEPLATE ASM FOR DETAIL BREAKDOWN SEE LIST 6			1	
-	30						
-	31	2305553	SHOULDER SCREW, HEX HD			2	
-	32	234344	SCREW AND WASHER, HEX HD 1/4-20 X 1 LG			1	
-	33	3550	WASHER, FLAT 1/4 X 9/16 OC X 0.05 THK			1	
-	34	2305718	ARM ASM			1	
-	35	2305720	ROLLER			1	
-	36	22478	WASHER, FLAT 3/16 ID X 3/8 OD			1	
-	37	58207	SCREW, MACH-BD HD 8-32 X 1/4 LG			1	
-	38	2305721	SPRING			1	
-	39	2305713	STUD			1	
-	40	2305719	SUPPORT			1	
-	45	2305649	PIN, THREADED			2	
-	46	2305726	SPRING			1	
-	47	58207	SCREW, MACH-BIND HD 8-32 X 1/4 LG			1	
-	48	22478	WASHER, FLAT 11/64 ID X 3/8 OD X 1/32 THK			1	
-	49	2305720	ROLLER			1	
-	50	257982	CLIP			2	
-	51	2305718	ARM ASM			1	
-	53	2305725	SHAFT			1	
-	54	81693	SCREW, MACH-BIND HD 6-32 X 3/8 LG			1	
-	55	2305555	GUIDE, HEAD CABLE			1	
-	56	2181006	SCREW			1	
-	57	2305548	SCREW			1	

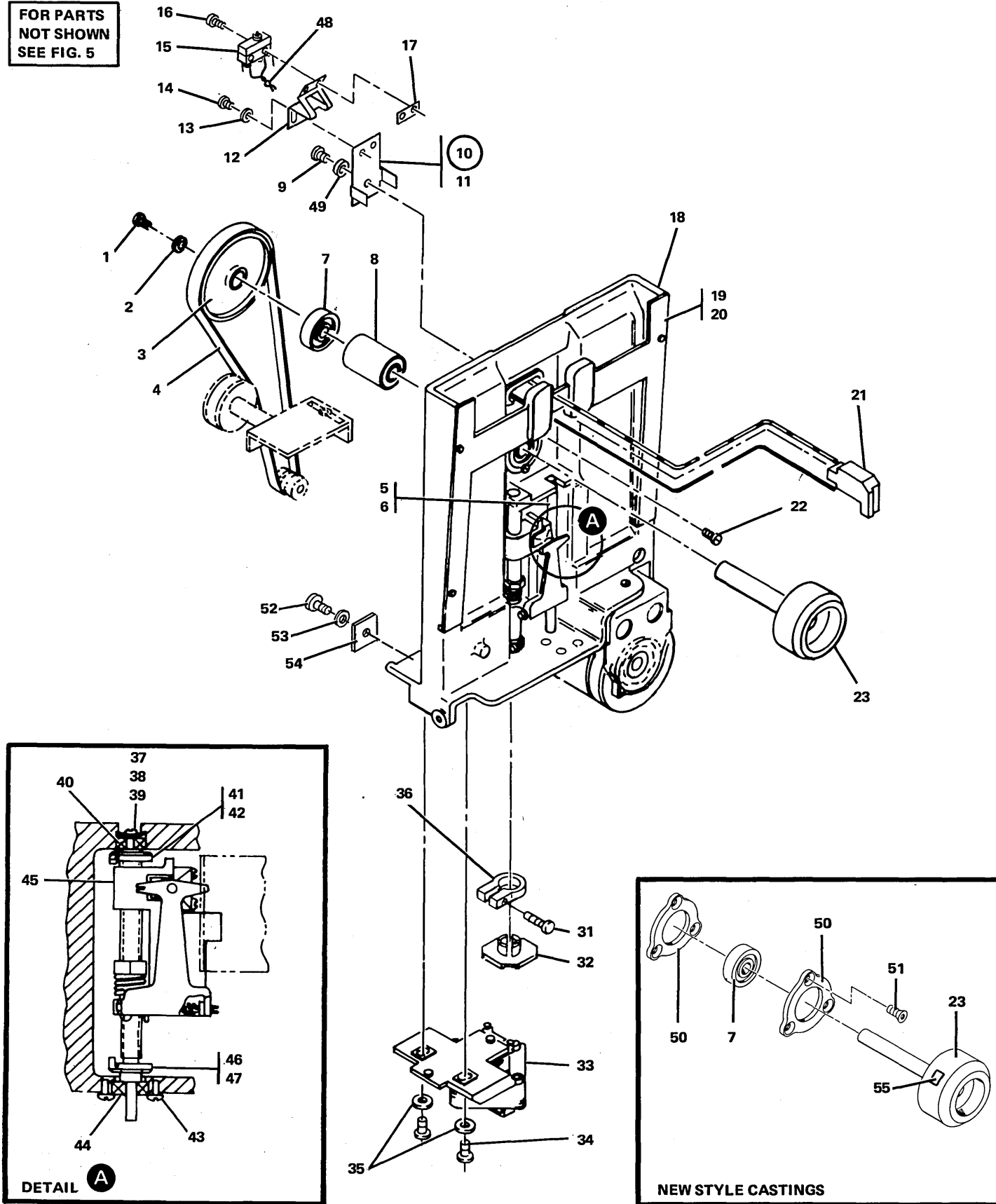


FIGURE 6. BASEPLATE ASM. SEE LIST 6.

FIGURE-INDEX NUMBER	PART NUMBER	DESCRIPTION				UNITS PER ASM.	USABLE ON CODE
		1	2	3	4		
6 -	NO NO.	BASEPLATE ASM					
-		FOR NEXT HIGHER ASM SEE LIST 5-30 AND FOR ILLUSTRATION SEE FIG. 6					
- 1	234331	• SCREW AND WASHER, FIL HD 10-32 X 1/2 LG				1	
- 2	49374	• WASHER				1	
- 3	2305621	• PULLEY				1	
- 4	2305616	• BELT				1	
- 5	2305629	• SHAFT				1	
- 6	2305564	• SCREW				1	
- 7	5344991	• BEARING-MATCHED SET				1	
- 8	2305620	• SFACER-MATCHED SET				1	
- 9	170225	• SCREW AND WASHER, 6-32 X 1/2 LG				1	
- 10	2305535	• SWITCH ASM				1	
- 11	2305531	• BRACKET				1	
- 12	2305532	• SPRING				1	
- 13	257985	• WASHER, FLAT 1/8 ID X 1/4 OD				2	
- 14	438548	• SCREW, MACH BD HD 4-40 X 3/16 LG				2	
- 15	2305534	• SWITCH				1	
- 16	438548	• SCREW, MACH-BD HD 4-40 X 3/16 LG				2	
- 17	535169	• NUT BAR				1	
- 18	2305549	• BASEPLATE CASTING ASM				1	
- 19	2305659	• GUIDE				1	
- 20	5700484	• SCREW				4	
- 21	2305604	• PHOTOTRANSISTOR ASM				1	
- 22	2305547	• SCREW, THD FORM, FLAT HD 8-32 X 7/16 LG				6	
- 23	2305619	• HUB				1	
- 31	357820	• SCREW, MACH-SOC HD 4-40 X 1/2 LG				1	
- 32	2305544	• WHEEL-BLACK				1	
- 33	2305545	• STEPPER MOTOR ASM-STEEL PINS				1	
- 34	2195400	• SCREW				2	
- 35	22478	• WASHER, FLAT 11/64 ID X 3/8 OD X 1/32 THK				2	
- 36	2305689	• CLAMP				1	
- 37	2305663	• WASHER				1	
- 38	2305530	• SPACER				1	
- 39	338238	• SCREW, MACH-BIND HD 4-40 X 5/16 LG				1	
- 40	233355	• BEARING				1	
- 41	2305618	• STOP, TOP				1	
- 42	38250	• SCREW, MACH-FIL HD 2-56 X 3/8 LG				1	
- 43	2305548	• SCREW				2	
- 44	155749	• BEARING				1	
- 45	2305558	• CARRIAGE/LEAD SCREW ASM				1	
- 46	2305528	• STOP, BOTTOM				1	
- 47	21632	• SCREW, MACH-FIL HD 4-40 X 5/8 LG				1	
- 48	2305533	• JUMPER				1	
- 49	2130285	• WASHER				1	
- 50	2305546	• RETAINER				2	
- 51	2305547	• SCREW, THD FORM-FL HD 8-32 X 7/16 LG				6	
- 52	234321	• SCREW AND WASHER ASM, FIL HD 8-32 X 5/8 LG				2	
- 53	600395	• WASHER, FLAT 13/64 ID X 3/4 OD X 3/32 THK				2	
- 54	2305574	• PLATE				2	
- 55	2305572	• LABEL				1	

FOR PARTS  
NOW SHOWN  
SEE FIG. 5

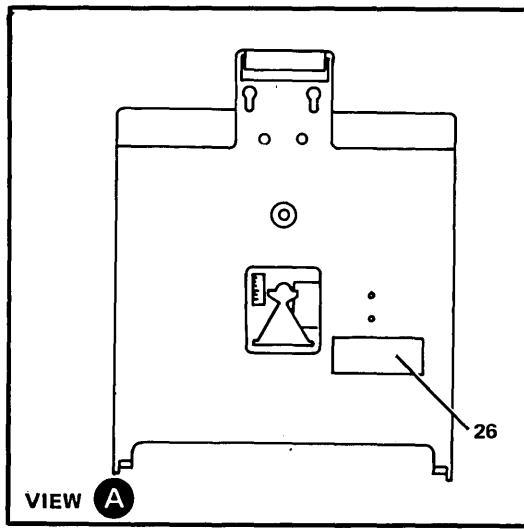
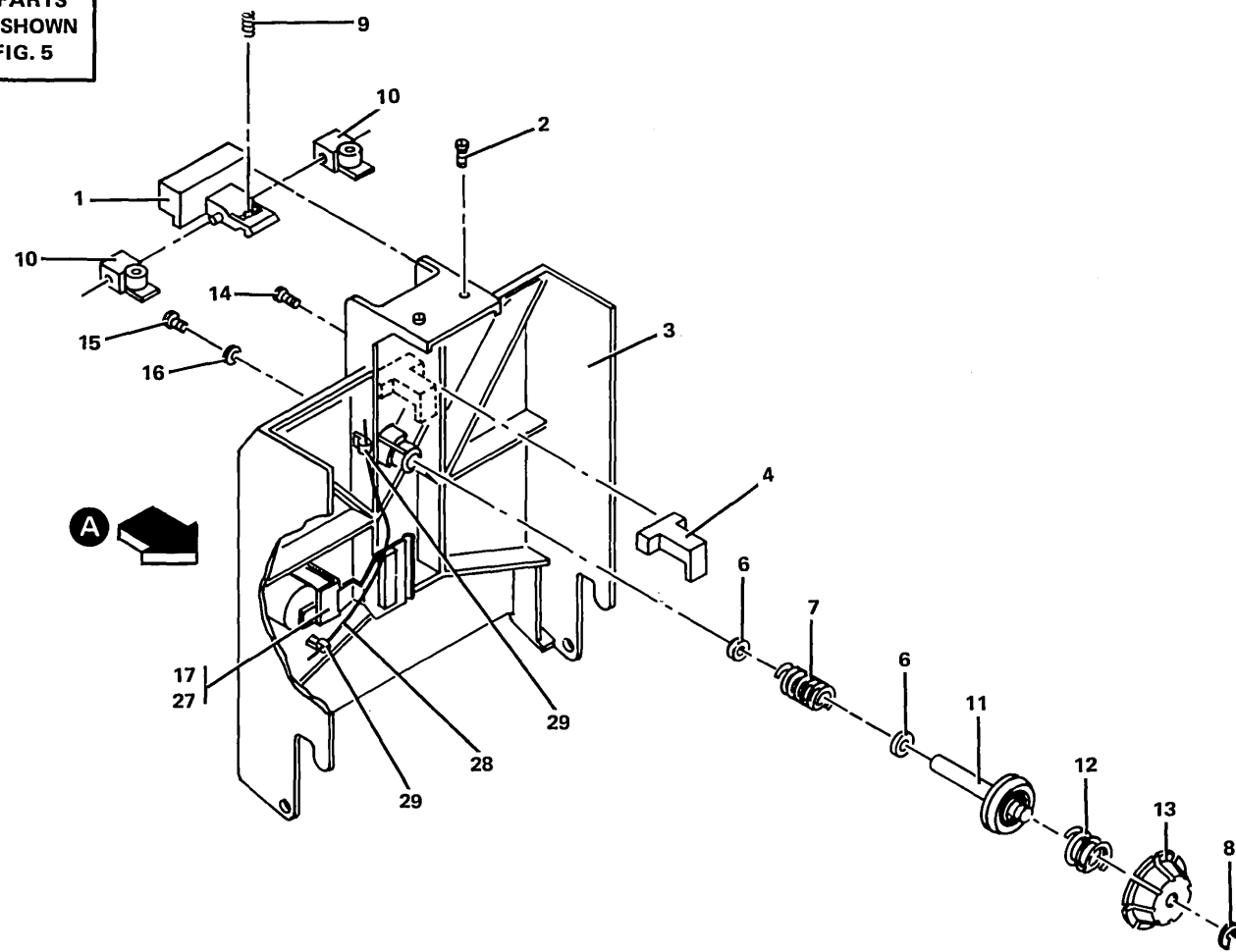


FIGURE 7. DISK CLAMPING PLATE ASM. SEE LIST 7.

FIGURE- INDEX NUMBER	PART NUMBER	DESCRIPTION	1 2 3 4				UNITS PER ASM.	USABLE ON CODE
7 -	2305551	PLATE ASM, DISK CLAMPING						
-		FOR NEXT HIGHER ASM SEE LIST 5-2 AND FOR ILLUSTRATION SEE FIG. 7						
- 1	2305522	• LATCH					1	
- 2	322550	• SCREW, MACH-BIND HD 6-32 X 1/2 LG					2	
- 3	2305648	• PLATE					1	
- 4	2305656	• LED ASM					1	
- 6	25018	• WASHER, FLAT 1/4 ID X 1/2 OD X .046 THK					2	
- 7	2305646	• SPRING					1	
- 8	332747	• CLIP					1	
- 9	736822	• SPRING					1	
- 10	2305523	• PIVOT					2	
- 11	2305526	• CONE AND SHAFT ASM					1	
- 12	2305647	• SPRING					1	
- 13	2305644	• COLLET					1	
- 14	81693	• SCREW, MACH-BIND HD 6-32 X 3/8 LG					2	
- 15	34512	• SCREW, MACH-BIND HD 8-32 X 3/8 LG					1	
- 16	22478	• WASHER, FLAT 3/16 ID X 3/8 OD X 1/32 THK					1	
- 17	2305609	• HEAD LOAD ASM					1	
- 26	2305693	• LABEL					1	
- 27	10170	• SCREW, MACH-BIND HD 6-32 X 1/4 LG					4	
- 28	2305599	• CABLE ASM					1	
- 29	2596275	• CLAMP					2	

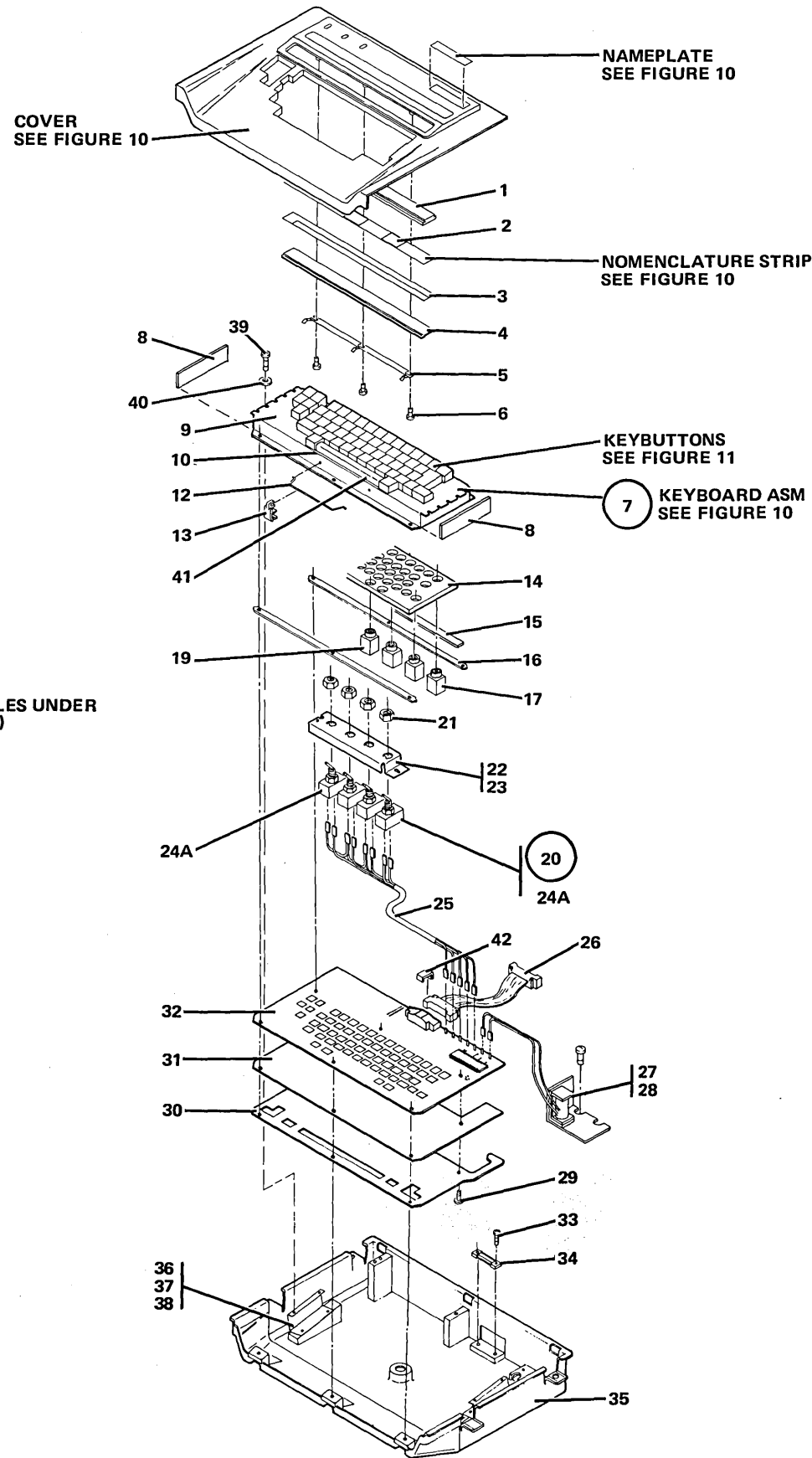
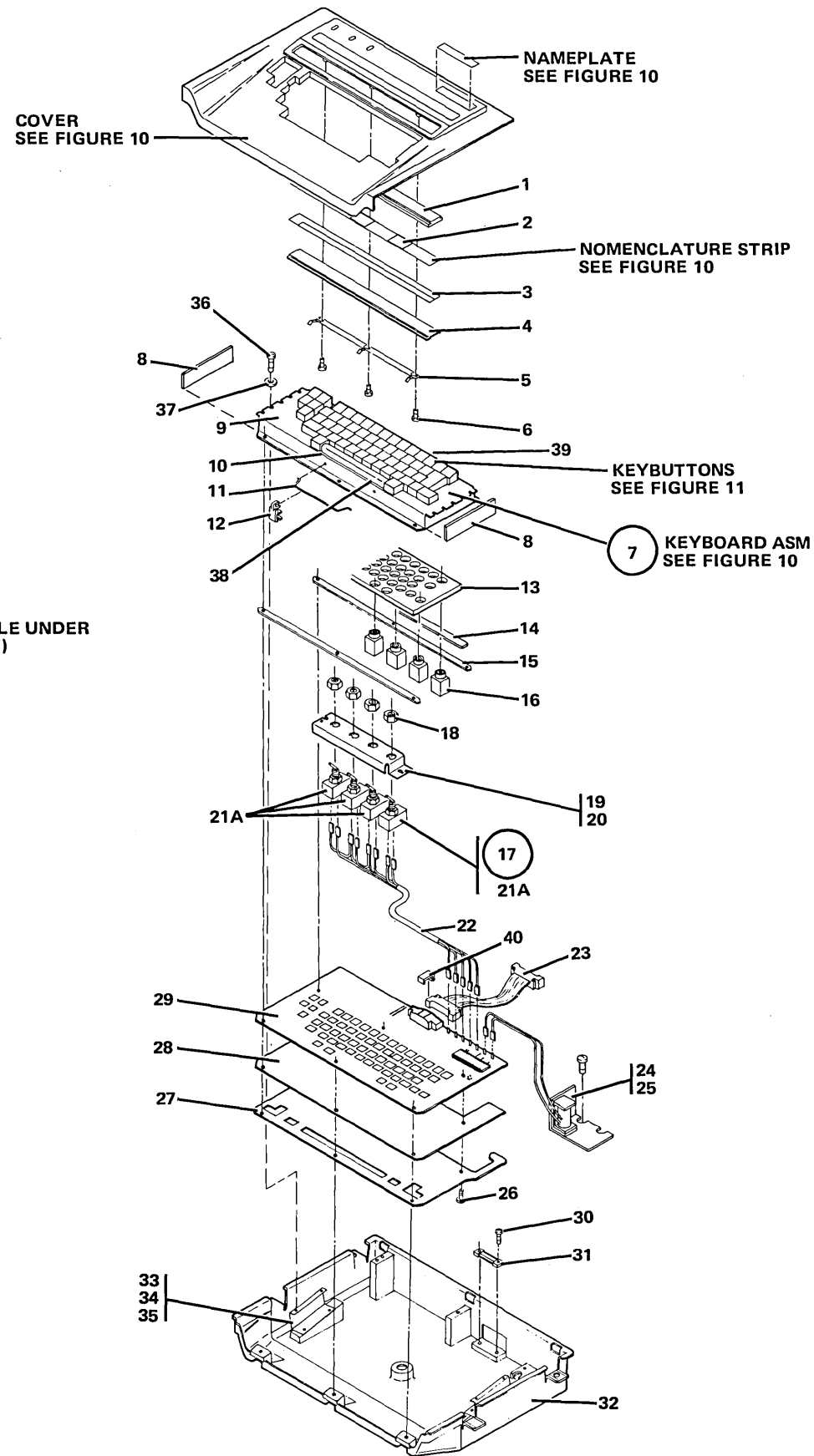


FIGURE 8. KEYBOARD ASM, OLD STYLE. SEE LIST 8.

FIGURE-INDEX NUMBER	PART NUMBER	DESCRIPTION	UNITS PER ASM.				USABLE ON CODE
			1	2	3	4	
8 -	NO NO.	KEYBOARD ASM, OLD STYLE					
-		FOR NEXT HIGHER ASM SEE LIST 1-1 AND FOR ILLUSTRATION SEE FIG. 8					
- 1	2455366	. LENS				1	
- 2	2456196	. TAB				AR	
- 3	2456199	. COLOR STRIP				1	
- 4	2455365	. PLATE				1	
- 5	2455367	. RETAINER				1	
- 6	1611347	. SCREW, PAN HD THD FORM 6-19 X 5/16 LG				3	
- 7	NO NO.	. KEYBOARD ASM-SEE CHART ON FIG. 10 FOR FIELD REPLACEABLE UNIT				1	
- 7	NO NO.	. KEYBOARD ASM-SEE CHART ON FIG. 10 FOR FIELD REPLACEABLE UNIT				1	
- 8	1864454	. . . FOAM END PLATE				2	
- 9	1864994	. . . PROTECTIVE MEMBRANE				1	
- 10	1610680	. . . TAPE				2	
- 12	5995244	. . . STABILIZER-NEW STYLE				1	
- 13	5183362	. . . PIVOT				2	
- 14	1861397	. . . FOAM				1	
- 15	1864447	. . . FOAM STRIP				2	
- 16	5183363	. . . INSULATOR, PLATE				2	
- 17	1748133	. . . KEY MODULE, USED ON ALL KEYS EXCEPT 30 AND 44 FOR MODULES NOT REQUIRING FLYPLATE USE				57	
- 17	NO NO.	. . . THIS MODULE AND REMOVE FLYPLATE					
- 19	5183447	. . . KEY MODULE, KEY POSITION 30 AND 44 THE FLYPLATE MUST BE REMOVED FOR THE KEY MODULE TO BE USED IN THIS POSITION				1	
- 19	NO NO.	. . . THIS MODULE AND REMOVE FLYPLATE					
- 20	2456216	. . . SWITCH ASM, 3 SWITCH				1	
- 20	2456217	. . . SWITCH ASM, 4 SWITCH				1	
- 21	179743	. . . . NUT, HEX 15/32-32				AR	
- 22	2455131	. . . . BRACKET				1	
- 23	1611348	. . . . SCREW, THD FORM BD HD NO. 6-19 X 1/2 LG				AR	
- 24A	1620065	. . . . SWITCH-SPDT INSULATED				AR	
- 25	2455148	. . . . CABLE ASM, 3 SWITCH				1	
- 25	2456292	. . . . CABLE ASM, 4 SWITCH				1	
- 26	2456460	. . . CABLE ASM, KEYBOARD SIGNAL				1	
- 27	1611403	. . . CLICKER ASM				1	
- 28	1611348	. . . SCREW, THD FORM-BD HD NO. 6-19 X 1/2 LG				2	
- 29	1864511	. . . SCREW				6	
- 30	5183420	. . . BASE				1	
- 31	5183364	. . . INSULATOR				1	
- 32	1860846	. . . PRINTED CIRCUIT BOARD-U.S., JAPAN, BELGIUM, U.K., SPAIN, ITALY, FRANCE, GERMANY-ENGLISH, LATIN AMERICA				1	
- 32	1860847	. . . PRINTED CIRCUIT BOARD-PORTUGAL, DENMARK SWEDEN, FINLAND, NORWAY, GERMANY-GERMAN					
- 33	198363	. . . SCREW, THD FORM-BD HD NO. 4 X 1/2 LG					
- 34	652650	. . . STRAIN RELIEF				2	
- 35	2455127	. . . BASE				1	
- 36	2455158	. . . BRACKET				2	
- 37	5319854	. . . SCREW, SELF TAP 8-32 X 3/8 LG				4	
- 38	1090448	. . . WASHER, FLAT 3/16 ID X 7/16 OD X 1/16 THK				4	
- 39	2181005	. . . SCREW, SELF TAP 6-32 X 3/8 LG				4	
- 40	56722	. . . LOCKWASHER, EXT TOOTH 5/32 ID				4	
- 41	1861411	. . . SPACE BAR-NEW STYLE				1	
- 42	2469297	. . . CLAMP, CABLE				1	



NEW STYLE (ONE MODULE UNDER THE RIGHT ADJUST KEY)

FIGURE 9. KEYBOARD ASM, NEW STYLE. SEE LIST 9.

FIGURE-INDEX NUMBER	PART NUMBER	DESCRIPTION				UNITS PER ASM.	USABLE ON CODE
		1	2	3	4		
9 -	NO NO.	KEYBOARD ASM, NEW STYLE					
-		FOR NEXT HIGHER ASM SEE LIST 1-1					
-		AND FOR ILLUSTRATION SEE FIG. 9					
- 1	2455366	• LENS				1	
- 2	2456196	• TAB				AR	
- 3	2456199	• COLOR STRIP				1	
- 4	2455365	• PLATE				1	
- 5	2455367	• RETAINER				1	
- 6	1611347	• SCREW, PAN HD THD FORM 6-19 X 5/16 LG				3	
- 7	NO NO.	• KEYBOARD ASM-SEE CHART ON FIG. 10 FOR FIELD REPLACEABLE UNIT				1	
- 8	1864454	• FOAM END PLATE				2	
- 9	1864941	• PROTECTIVE MEMBRANE				1	
- 10	1610680	• TAPE				2	
- 11	5995244	• STABILIZER				1	
- 12	5183362	• PIVOT				2	
- 13	1861397	• FOAM				1	
- 14	1864447	• FOAM STRIP				2	
- 15	5183363	• INSULATOR				2	
- 16	1748133	• KEY MODULE-USED IN ALL POSITIONS-FOR MODULES NOT REQUIRING FLYPLATE USE THIS MODULE AND REMOVE FLYPLATE				59	
- 17	2456216	• SWITCH ASM, 3 SWITCH				1	
- 17	2456217	• SWITCH ASM, 4 SWITCH				1	
- 18	179743	• NUT, HEX 15/32-32				AR	
- 19	2455131	• BRACKET				1	
- 20	1611348	• SCREW, THD FORM-BD HD NO. 6-19 X 1/2 LG				AR	
- 21A	1620065	• SWITCH-SPDT INSULATED				AR	
- 22	2455148	• CABLE ASM, 3 SWITCH				1	
- 22	2456292	• CABLE ASM, 4 SWITCH				1	
- 23	2456460	• CABLE ASM, KEYBOARD SIGNAL				1	
- 24	1611403	• CLICKER ASM				1	
- 25	1611348	• SCREW, THD FORMING-BD HD NO. 6-19 X 1/2 LG				2	
- 26	1864511	• SCREW				6	
- 27	5183420	• BASE				1	
- 28	5183364	• INSULATOR				1	
- 29	1748151	• PRINTED CIRCUIT BOARD-U.S., JAPAN, BELGIUM, U.K., SPAIN, ITALY, FRANCE, GERMANY-ENGLISH, LATIN AMERICA				1	
- 29	1748152	• PRINTED CIRCUIT BOARD-PORTUGAL, DENMARK, SWEDEN, FINLAND, NORWAY, GERMANY-GERMAN				1	
- 29	1748154	• PRINTED CIRCUIT BOARD-KATAKANA				1	
- 30	198363	• SCREW, THD FORM-BD HD NO. 4 X 1/2 LG				2	
- 31	652650	• STRAIN RELIEF				1	
- 32	2455127	• BASE				1	
- 33	2455158	• BRACKET				1	
- 34	5319854	• SCREW, SELF TAP 8-32 X 3/8 LG				4	
- 35	1090448	• WASHER, FLAT 3/16 ID X 7/16 OD X 1/16 THK				4	
- 36	2181005	• SCREW, THD FORM 6-32 X 3/8 LG				4	
- 37	56722	• LOCKWASHER, EXT TOOTH 5/32 ID				4	
- 38	1861411	• SPACE BAR				1	
- 39	5183448	• KEYLOCK				AR	
- 40	2469297	• CLAMP, CABLE				1	

**DATA ENTRY STYLE – WITHOUT CARD I/O OR I/O ADAPTER FEATURES  
SINGLE STATION – MODELS 1 AND 2  
3 SWITCH**

COUNTRY	KEYBOARD	COVER ASSEMBLY	NAMEPLATE	NOMEN STRIP
U.S.	5183435	2456075	2456087	2455369
JAPAN	1852156	2456075	2456284	2455369
BRAZIL	1852159	2456077	2456087	2455369
BELGIUM	1852162	2456075	2456087	2455369
DENMARK	1852165	2456077	2456087	2455369
SWED/FIN	1852168	2456077	2456087	2455369
NORWAY	1852171	2456077	2456087	2455369
U.K.	1852174	2456075	2456087	2455369
SPAIN	1852177	2456083	2456090	2456263
ITALY	1852180	2456085	2456091	2456267
FRANCE-QWERTY	1852183	2456081	2456089	2456259
GERMANY	1852186	2456079	2456088	2456255
GERMAN W/ENG	1854394	2456092	2456088	2456255
LATIN AMER	1854413	2456083	2456090	2456263
FRANCE-AZERTY	1770685	2456081	2456089	2456259
ASCII	1770680	2456075	2456087	2455369
PORTUGAL	1748183	2456077	2456087	2455369

**4 SWITCH**

COUNTRY	KEYBOARD	COVER ASSEMBLY	NAMEPLATE	NOMEN STRIP
U.S.	5183435	2456076	2456087	2455369
KATAKANA	1854438	2455251	2456284	2455369
BRAZIL	1852159	2456078	2456087	2455369
BELGIUM	1852162	2456076	2456087	2455369
DENMARK	1852165	2456078	2456087	2455369
SWED/FIN	1852168	2456078	2456087	2455369
NORWAY	1852171	2456078	2456087	2455369
U.K.	1852174	2456076	2456087	2455369
SPAIN	1852177	2456084	2456090	2456263
ITALY	1852180	2456086	2456091	2456267
FRANCE-QWERTY	1852183	2456082	2456089	2456259
GERMANY	1852186	2456080	2456088	2456255
GERMAN W/ENG	1854394	2456093	2456088	2456255
LATIN AMER	1854413	2456084	2456090	2456263
FRANCE-AZERTY	1770685	2456082	2456089	2456259
ASCII	1770680	2456076	2456087	2455369
PORTUGAL	1748183	2456078	2456087	2455369

FIGURE 10. KEYBOARD CHART, MODELS 1 AND 2. PART 1 OF 6.

**PROOF STYLE – WITHOUT CARD I/O OR I/O ADAPTER FEATURES  
SINGLE STATION – MODELS 1 AND 2  
3 SWITCH**

COUNTRY	KEYBOARD	COVER ASSEMBLY	NAMEPLATE	NOMEN STRIP
U.S.	1864956	2456075	2456087	2455369
JAPAN	1643101	2456075	2456284	2455369
BRAZIL	1643106	2456077	2456087	2455369
BELGIUM	1643111	2456075	2456087	2455369
DENMARK	1643116	2456077	2456087	2455369
SWED/FIN	1643121	2456077	2456087	2455369
NORWAY	1643126	2456077	2456087	2455369
U.K.	1643131	2456075	2456087	2455369
SPAIN	1643136	2456083	2456090	2456263
ITALY	1643141	2456085	2456091	2456267
FRANCE-QWERTY	1643146	2456081	2456089	2456259
GERMANY	1643151	2456079	2456088	2456255
GERMAN W/ENG	1643156	2456092	2456088	2456255
LATIN AMER	1643161	2456083	2456090	2456263
FRANCE-AZERTY	1643171	2456081	2456089	2456259
PORTUGAL	1748180	2456077	2456087	2455369

**4 SWITCH**

COUNTRY	KEYBOARD	COVER ASSEMBLY	NAMEPLATE	NOMEN STRIP
U.S.	1864956	2456076	2456087	2455369
KATAKANA	1643166	2455251	2456284	2455369
BRAZIL	1643106	2456078	2456087	2455369
BELGIUM	1643111	2456076	2456087	2455369
DENMARK	1643116	2456078	2456087	2455369
SWED/FIN	1643121	2456078	2456087	2455369
NORWAY	1643126	2456078	2456087	2455369
U.K.	1643131	2456076	2456087	2455369
SPAIN	1643136	2456084	2456090	2456263
ITALY	1643141	2456086	2456091	2456267
FRANCE-QWERTY	1643146	2456082	2456089	2456259
GERMANY	1643151	2456080	2456088	2456255
GERMAN W/ENG	1643156	2456093	2456088	2456255
LATIN AMER	1643161	2456084	2456090	2456263
FRANCE-AZERTY	1643171	2456082	2456089	2456259
PORTUGAL	1748180	2456078	2456087	2455369

FIGURE 10. KEYBOARD CHART, MODELS 1 AND 2. PART 2 OF 6.



**DATA ENTRY STYLE – CARD I/O FEATURE  
SINGLE STATION – MODELS 1 AND 2**

**3 SWITCH**

COUNTRY	KEYBOARD	COVER ASSEMBLY	NAMEPLATE	NOMEN STRIP
U.S.	5183435	2456075	2456087	1619912
JAPAN	1852156	2456075	2456284	1619912
BRAZIL	1852159	2456077	2456087	1619912
BELGIUM	1852162	2456075	2456075	1619912
DENMARK	1852165	2456077	2456087	1619912
SWED/FIN	1852168	2456077	2456087	1619912
NORWAY	1852171	2456077	2456087	1619912
U.K.	1852174	2456075	2456087	1619912
SPAIN	1852177	2456083	2456090	1619915
ITALY	1852180	2456085	2456091	1619914
FRANCE-QWERTY	1852183	2456081	2456089	1619916
GERMANY	1852186	2456079	2456088	1619913
GERMAN W/ENG	1854394	2456092	2456088	1619913
LATIN AMER	1854413	2456083	2456090	1619915
FRANCE-AZERTY	1770685	2456081	2456089	1619916
PORTUGAL	1748183	2456077	2456087	1619912

**4 SWITCH**

COUNTRY	KEYBOARD	COVER ASSEMBLY	NAMEPLATE	NOMEN STRIP
U.S.	5183435	2456076	2456087	1619912
BRAZIL	1852159	2456078	2456087	1619912
BELGIUM	1852162	2456076	2456087	1619912
DENMARK	1852165	2456078	2456087	1619912
SWED/FIN	1852168	2456078	2456087	1619912
NORWAY	1852171	2456078	2456087	1619912
U.K.	1852174	2456076	2456087	1619912
SPAIN	1852177	2456084	2456090	1619915
ITALY	1852180	2456086	2456091	1619914
FRANCE-QWERTY	1852183	2456082	2456089	1619916
GERMANY	1852186	2456080	2456088	1619913
GERMAN W/ENG	1854394	2456093	2456088	1619913
LATIN AMER	1854413	2456084	2456090	1619915
FRANCE-AZERTY	1770685	2456082	2456089	1619916
PORTUGAL	1748183	2456078	2456087	1619912

FIGURE 10. KEYBOARD CHART, MODELS 1 AND 2. PART 3 OF 6.

**PROOF STYLE – CARD I/O FEATURE  
SINGLE STATION – MODELS 1 AND 2**

**3 SWITCH**

COUNTRY	KEYBOARD	COVER ASSEMBLY	NAMEPLATE	NOMEN STRIP
U.S.	1864956	2456075	2456087	1619912
JAPAN	1643101	2456075	2456284	1619912
BRAZIL	1643106	2456077	2456087	1619912
BELGIUM	1643111	2456075	2456087	1619912
DENMARK	1643116	2456077	2456087	1619912
SWED/FIN	1643121	2456077	2456087	1619912
NORWAY	1643126	2456077	2456087	1619912
U.K.	1643131	2456075	2456087	1619912
SPAIN	1643136	2456083	2456090	1619915
ITALY	1643141	2456085	2456091	1619914
FRANCE-QWERTY	1643146	2456081	2456089	1619916
GERMANY	1643151	2456079	2456088	1619913
GERMAN W/ENG	1643156	2456092	2456088	1619913
LATIN AMER	1643161	2456083	2456090	1619915
FRANCE-AZERTY	1643171	2456081	2456089	1619916
PORTUGAL	1748180	2456077	2456087	1619912

**4 SWITCH**

COUNTRY	KEYBOARD	COVER ASSEMBLY	NAMEPLATE	NOMEN STRIP
U.S.	1864956	2456076	2456087	1619912
BRAZIL	1643106	2456078	2456087	1619912
BELGIUM	1643111	2456076	2456087	1619912
DENMARK	1643116	2456078	2456087	1619912
SWED/FIN	1643121	2456078	2456087	1619912
NORWAY	1643126	2456078	2456087	1619912
U.K.	1643131	2456076	2456087	1619912
SPAIN	1643136	2456084	2456090	1619915
ITALY	1643141	2456086	2456091	1619914
FRANCE-QWERTY	1643146	2456082	2456089	1619916
GERMANY	1643151	2456080	2456088	1619913
GERMAN W/ENG	1643156	2456093	2456088	1619913
LATIN AMER	1643161	2456084	2456090	1619915
FRANCE-AZERTY	1643171	2456082	2456089	1619916
PORTUGAL	1748180	2456078	2456087	1619912

FIGURE 10. KEYBOARD CHART, MODELS 1 AND 2. PART 4 OF 6.

DATA ENTRY STYLE – I/O ADAPTER FEATURE  
SINGLE STATION – MODELS 1 AND 2

## 3 SWITCH

COUNTRY	KEYBOARD	COVER ASSEMBLY	NAMEPLATE	NOMEN STRIP
U.S.	5183435	2456075	2456087	1620201
JAPAN	1852156	2456075	2456284	1620201
BRAZIL	1852159	2456077	2456087	1620201
BELGIUM	1852162	2456075	2456087	1620201
DENMARK	1852165	2456077	2456087	1620201
SWED/FIN	1852168	2456077	2456087	1620201
NORWAY	1852171	2456077	2456087	1620201
U.K.	1852174	2456075	2456087	1620201
SPAIN	1852177	2456083	2456090	1620203
ITALY	1852180	2456085	2456091	1620202
FRANCE-QWERTY	1852183	2456081	2456089	1620205
GERMANY	1852186	2456079	2456088	1620204
GERMAN W/ENG	1854394	2456092	2456088	1620204
LATIN AMER	1854413	2456083	2456090	1620203
FRANCE-AZERTY	1770685	2456081	2456089	1620205
PORTUGAL	1748183	2456077	2456087	1620201

## 4 SWITCH

COUNTRY	KEYBOARD	COVER ASSEMBLY	NAMEPLATE	NOMEN STRIP
U.S.	5183435	2456076	2456087	1620201
KATAKANA	1854438	2455251	2456284	1620201
BRAZIL	1852159	2456078	2456087	1620201
BELGIUM	1852162	2456076	2456087	1620201
DENMARK	1852165	2456078	2456087	1620201
SWED/FIN	1852168	2456078	2456087	1620201
NORWAY	1852171	2456078	2456087	1620201
U.K.	1852174	2456076	2456087	1620201
SPAIN	1852177	2456084	2456090	1620203
ITALY	1852180	2456086	2456091	1620202
FRANCE-QWERTY	1852183	2456082	2456089	1620205
GERMANY	1852186	2456080	2456088	1620204
GERMAN W/ENG	1854394	2456093	2456088	1620204
LATIN AMER	1854413	2456084	2456090	1620203
FRANCE-AZERTY	1770685	2456082	2456089	1620205
PORTUGAL	1748183	2456078	2456087	1620201

FIGURE 10. KEYBOARD CHART, MODELS 1 AND 2. PART 5 OF 6.

PROOF STYLE – I/O ADAPTER FEATURE  
SINGLE STATION – MODELS 1 AND 2

## 3 SWITCH

COUNTRY	KEYBOARD	COVER ASSEMBLY	NAMEPLATE	NOMEN STRIP
U.S.	1864956	2456075	2456087	1620201
JAPAN	1643101	2456075	2456284	1620201
BRAZIL	1643106	2456077	2456087	1620201
BELGIUM	1643111	2456075	2456087	1620201
DENMARK	1643116	2456077	2456087	1620201
SWED/FIN	1643121	2456077	2456087	1620201
NORWAY	1643126	2456077	2456087	1620201
U.K.	1643131	2456075	2456087	1620201
SPAIN	1643136	2456083	2456090	2468873
ITALY	1643141	2456085	2456091	2468874
FRANCE-QWERTY	1643146	2456081	2456089	2468875
GERMANY	1643151	2456079	2456088	2468876
GERMAN W/ENG	1643156	2456083	2456090	2468877
LATIN AMER	1643161	2456083	2456090	2468878
FRANCE-AZERTY	1643171	2456081	2456089	2468879
PORTUGAL	1748180	2456077	2456087	1620201

## 4 SWITCH

COUNTRY	KEYBOARD	COVER ASSEMBLY	NAMEPLATE	NOMEN STRIP
U.S.	1864956	2456076	2456087	1620201
KATAKANA	1643166	2455251	2456284	1620201
BRAZIL	1643106	2456078	2456087	1620201
BELGIUM	1643111	2456076	2456087	1620201
DENMARK	1643116	2456078	2456087	1620201
SWED/FIN	1643121	2456078	2456087	1620201
NORWAY	1643126	2456078	2456087	1620201
U.K.	1643131	2456076	2456087	1620201
SPAIN	1643136	2456084	2456090	1620203
ITALY	1643141	2456086	2456091	1620202
FRANCE-QWERTY	1643146	2456082	2456089	1620205
GERMANY	1643151	2456080	2456088	1620204
GERMAN W/ENG	1643156	2456093	2456088	1620204
LATIN AMER	1643161	2456084	2456090	1620203
FRANCE-AZERTY	1643171	2456082	2456089	1620205
PORTUGAL	1748180	2456078	2456087	1620201

FIGURE 10. KEYBOARD CHART, MODELS 1 AND 2. PART 6 OF 6.

**DATA ENTRY STYLE – WITHOUT CARD I/O OR I/O ADAPTER FEATURES  
SINGLE STATION – MODELS 3 AND 4  
3 SWITCH**

COUNTRY	KEYBOARD	COVER ASSEMBLY	NAMEPLATE	NOMEN STRIP
U.S.	1643587	2456075	2456087	2455369
JAPAN	1852156	2456075	2456284	2455369
BRAZIL	1645079	2456077	2456087	2455369
BELGIUM	1645076	2456075	2456087	2455369
DENMARK	1643591	2456077	2456087	2455369
SWED/FIN	1643593	2456077	2456087	2455369
NORWAY	1643592	2456077	2456087	2455369
U.K.	1643590	2456075	2456087	2455369
SPAIN	1643594	2456083	2456090	2456263
ITALY	1645077	2456085	2456091	2456267
FRANCE-QWERTY	1645075	2456081	2456089	2456259
GERMANY	1643588	2456079	2456088	2456255
GERMAN W/ENG	1643589	2456092	2456088	2456255
LATIN AMER	1645080	2456083	2456090	2456263
FRANCE-AZERTY	1643649	2456081	2456089	2456259
PORTUGAL	1645078	2456077	2456087	2455369

**4 SWITCH**

COUNTRY	KEYBOARD	COVER ASSEMBLY	NAMEPLATE	NOMEN STRIP
U.S.	1643587	2456076	2456087	2455369
KATAKANA	1854438	2455251	2456284	2455369
BRAZIL	1645079	2456078	2456087	2455369
BELGIUM	1645076	2456076	2456087	2455369
DENMARK	1643591	2456078	2456087	2455369
SWED/FIN	1643593	2456078	2456087	2455369
NORWAY	1643592	2456078	2456087	2455369
U.K.	1643590	2456076	2456087	2455369
SPAIN	1643594	2456084	2456090	2456263
ITALY	1645077	2456086	2456091	2456267
FRANCE-QWERTY	1645075	2456082	2456089	2456259
GERMANY	1643588	2456080	2456088	2456255
GERMAN W/ENG	1643589	2456093	2456088	2456255
LATIN AMER	1645080	2456084	2456090	2456263
FRANCE-AZERTY	1643649	2456082	2456089	2456259
PORTUGAL	1645078	2456078	2456087	2455369

FIGURE 10A. KEYBOARD CHART, MODELS 3 AND 4. PART 1 OF 6.

**PROOF STYLE – WITHOUT CARD I/O OR I/O ADAPTER FEATURES  
SINGLE STATION – MODELS 3 AND 4  
3 SWITCH**

COUNTRY	KEYBOARD	COVER ASSEMBLY	NAMEPLATE	NOMEN STRIP
U.S.	1645081	2456075	2456087	2455369
JAPAN	1643101	2456075	2456284	2455369
BRAZIL	1645094	2456077	2456087	2455369
BELGIUM	1645091	2456075	2456087	2455369
DENMARK	1645085	2456077	2456087	2455369
SWED/FIN	1645087	2456077	2456087	2455369
NORWAY	1645086	2456077	2456087	2455369
U.K.	1645084	2456075	2456087	2455369
SPAIN	1645088	2456083	2456090	2456263
ITALY	1645092	2456085	2456091	2456267
FRANCE-QWERTY	1645090	2456081	2456089	2456259
GERMANY	1645082	2456079	2456088	2456255
GERMAN W/ENG	1645083	2456092	2456088	2456255
LATIN AMER	1645095	2456083	2456090	2456263
FRANCE-AZERTY	1645089	2456081	2456089	2456259
PORTUGAL	1645093	2456077	2456087	2455369

**4 SWITCH**

COUNTRY	KEYBOARD	COVER ASSEMBLY	NAMEPLATE	NOMEN STRIP
U.S.	1645081	2456076	2456087	2455369
KATAKANA	1643166	2455251	2456284	2455369
BRAZIL	1645094	2456078	2456087	2455369
BELGIUM	1645091	2456076	2456087	2455369
DENMARK	1645085	2456078	2456087	2455369
SWED/FIN	1645087	2456078	2456087	2455369
NORWAY	1645086	2456078	2456087	2455369
U.K.	1645084	2456076	2456087	2455369
SPAIN	1645088	2456084	2456090	2456263
ITALY	1645092	2456086	2456091	2456267
FRANCE-QWERTY	1645090	2456082	2456089	2456259
GERMANY	1645082	2456080	2456088	2456255
GERMAN W/ENG	1645083	2456093	2456088	2456255
LATIN AMER	1645095	2456084	2456090	2456263
FRANCE-AZERTY	1645089	2456082	2456089	2456259
PORTUGAL	1645093	2456078	2456087	2455369

FIGURE 10A. KEYBOARD CHART, MODELS 3 AND 4. PART 2 OF 6.

DATA ENTRY STYLE – CARD I/O FEATURE  
SINGLE STATION – MODELS 3 AND 4

## 3 SWITCH

COUNTRY	KEYBOARD	COVER ASSEMBLY	NAMEPLATE	NOMEN STRIP
U.S.	1643587	2456075	2456087	1619912
JAPAN	1852156	2456075	2456284	1619912
BRAZIL	1645079	2456077	2456087	1619912
BELGIUM	1645076	2456075	2456075	1619912
DENMARK	1643591	2456077	2456087	1619912
SWED/FIN	1643593	2456077	2456087	1619912
NORWAY	1643592	2456077	2456087	1619912
U.K.	1643590	2456075	2456087	1619912
SPAIN	1643594	2456083	2456090	1619915
ITALY	1645077	2456085	2456091	1619914
FRANCE-QWERTY	1645075	2456081	2456089	1619916
GERMANY	1643588	2456079	2456088	1619913
GERMAN W/ENG	1643589	2456092	2456088	1619913
LATIN AMER	1645080	2456083	2456090	1619915
FRANCE-AZERTY	1643649	2456081	2456089	1619916
PORTUGAL	1645078	2456077	2456087	1619912

## 4 SWITCH

COUNTRY	KEYBOARD	COVER ASSEMBLY	NAMEPLATE	NOMEN STRIP
U.S.	1643587	2456076	2456087	1619912
BRAZIL	1645079	2456078	2456087	1619912
BELGIUM	1645076	2456076	2456087	1619912
DENMARK	1643591	2456078	2456087	1619912
SWED/FIN	1643593	2456078	2456087	1619912
NORWAY	1643592	2456078	2456087	1619912
U.K.	1643590	2456076	2456087	1619912
SPAIN	1643594	2456084	2456090	1619915
ITALY	1645077	2456086	2456091	1619914
FRANCE-QWERTY	1645075	2456082	2456089	1619916
GERMANY	1643588	2456080	2456088	1619913
GERMAN W/ENG	1643589	2456093	2456088	1619913
LATIN AMER	1645080	2456084	2456090	1619915
FRANCE-AZERTY	1643649	2456082	2456089	1619916
PORTUGAL	1645078	2456078	2456087	1619912

FIGURE 10A. KEYBOARD CHART, MODELS 3 AND 4. PART 3 OF 6.

PROOF STYLE – CARD I/O FEATURE  
SINGLE STATION – MODELS 3 AND 4

## 3 SWITCH

COUNTRY	KEYBOARD	COVER ASSEMBLY	NAMEPLATE	NOMEN STRIP
U.S.	1645081	2456075	2456087	1619912
JAPAN	1643101	2456075	2456284	1619912
BRAZIL	1645094	2456077	2456087	1619912
BELGIUM	1645091	2456075	2456087	1619912
DENMARK	1645085	2456077	2456087	1619912
SWED/FIN	1645087	2456077	2456087	1619912
NORWAY	1645086	2456077	2456087	1619912
U.K.	1645084	2456075	2456087	1619912
SPAIN	1645088	2456083	2456090	1619915
ITALY	1645092	2456085	2456091	1619914
FRANCE-QWERTY	1645090	2456081	2456089	1619916
GERMANY	1645082	2456079	2456088	1619913
GERMAN W/ENG	1645083	2456092	2456088	1619913
LATIN AMER	1645095	2456083	2456090	1619915
FRANCE-AZERTY	1645089	2456081	2456089	1619916
PORTUGAL	1645093	2456077	2456087	1619912

## 4 SWITCH

COUNTRY	KEYBOARD	COVER ASSEMBLY	NAMEPLATE	NOMEN STRIP
U.S.	1645081	2456076	2456087	1619912
BRAZIL	1645094	2456078	2456087	1619912
BELGIUM	1645091	2456076	2456087	1619912
DENMARK	1645085	2456078	2456087	1619912
SWED/FIN	1645087	2456078	2456087	1619912
NORWAY	1645086	2456078	2456087	1619912
U.K.	1645084	2456076	2456087	1619912
SPAIN	1645088	2456084	2456090	1619915
ITALY	1645092	2456086	2456091	1619914
FRANCE-QWERTY	1645090	2456082	2456089	1619916
GERMANY	1645082	2456080	2456088	1619913
GERMAN W/ENG	1645083	2456093	2456088	1619913
LATIN AMER	1645095	2456084	2456090	1619915
FRANCE-AZERTY	1645089	2456082	2456089	1619916
PORTUGAL	1645093	2456078	2456087	1619912

FIGURE 10A. KEYBOARD CHART, MODELS 3 AND 4. PART 4 OF 6.

DATA ENTRY STYLE – I/O ADAPTER FEATURE  
SINGLE STATION – MODELS 3 AND 4

## 3 SWITCH

COUNTRY	KEYBOARD	COVER ASSEMBLY	NAMEPLATE	NOMEN STRIP
U.S.	1643587	2456075	2456087	1620201
JAPAN	1852156	2456075	2456284	1620201
BRAZIL	1645079	2456077	2456087	1620201
BELGIUM	1645076	2456075	2456087	1620201
DENMARK	1643591	2456077	2456087	1620201
SWED/FIN	1643593	2456077	2456087	1620201
NORWAY	1643592	2456077	2456087	1620201
U.K.	1643590	2456075	2456087	1620201
SPAIN	1643594	2456083	2456090	1620203
ITALY	1645077	2456085	2456091	1620202
FRANCE-QWERTY	1645075	2456081	2456089	1620205
GERMANY	1643588	2456079	2456088	1620204
GERMAN W/ENG	1643589	2456092	2456088	1620204
LATIN AMER	1645080	2456083	2456090	1620203
FRANCE-AZERTY	1643649	2456081	2456089	1620205
PORTUGAL	1645078	2456077	2456087	1620201

## 4 SWITCH

COUNTRY	KEYBOARD	COVER ASSEMBLY	NAMEPLATE	NOMEN STRIP
U.S.	1643587	2456076	2456087	1620201
KATAKANA	1854438	2455251	2456284	1620201
BRAZIL	1645079	2456078	2456087	1620201
BELGIUM	1645076	2456076	2456087	1620201
DENMARK	1643591	2456078	2456087	1620201
SWED/FIN	1643593	2456078	2456087	1620201
NORWAY	1643592	2456078	2456087	1620201
U.K.	1643590	2456076	2456087	1620201
SPAIN	1643594	2456084	2456090	1620203
ITALY	1645077	2456086	2456091	1620202
FRANCE-QWERTY	1645075	2456082	2456089	1620205
GERMANY	1643588	2456080	2456088	1620204
GERMAN W/ENG	1643589	2456093	2456088	1620204
LATIN AMER	1645080	2456084	2456090	1620203
FRANCE-AZERTY	1643649	2456082	2456089	1620205
PORTUGAL	1645078	2456078	2456087	1620201

FIGURE 10A. KEYBOARD CHART, MODELS 3 AND 4. PART 5 OF 6.

PROOF STYLE – I/O ADAPTER FEATURE  
SINGLE STATION – MODELS 3 AND 4

## 3 SWITCH

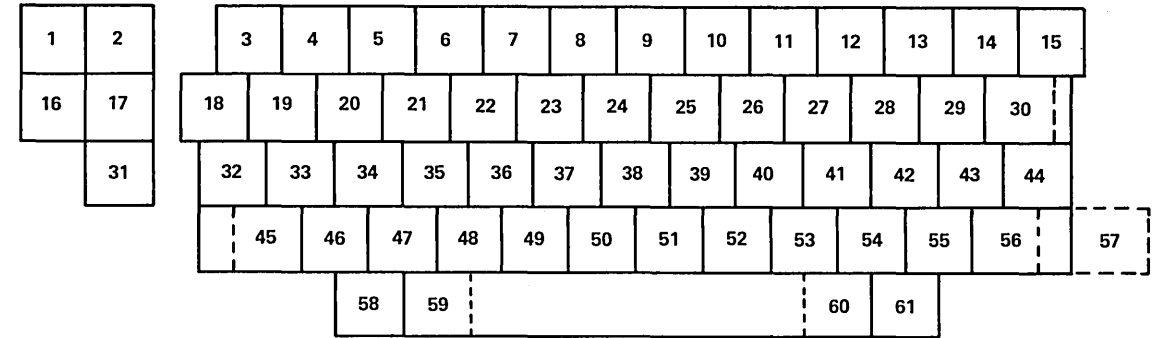
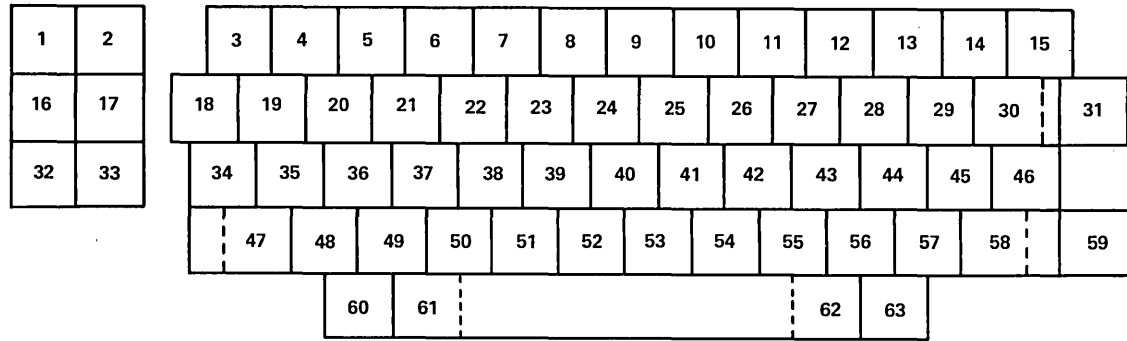
COUNTRY	KEYBOARD	COVER ASSEMBLY	NAMEPLATE	NOMEN STRIP
U.S.	1645081	2456075	2456087	1620201
JAPAN	1643101	2456075	2456284	1620201
BRAZIL	1645094	2456077	2456087	1620201
BELGIUM	1645091	2456075	2456087	1620201
DENMARK	1645085	2456077	2456087	1620201
SWED/FIN	1645087	2456077	2456087	1620201
NORWAY	1645086	2456077	2456087	1620201
U.K.	1645084	2456075	2456087	1620201
SPAIN	1645088	2456083	2456090	2468873
ITALY	1645092	2456085	2456091	2468874
FRANCE-QWERTY	1645090	2456081	2456089	2468875
GERMANY	1645082	2456079	2456088	2468876
GERMAN W/ENG	1645083	2456083	2456090	2468877
LATIN AMER	1645095	2456083	2456090	2468878
FRANCE-AZERTY	1645089	2456081	2456089	2468879
PORTUGAL	1645093	2456077	2456087	1620201

## 4 SWITCH

COUNTRY	KEYBOARD	COVER ASSEMBLY	NAMEPLATE	NOMEN STRIP
U.S.	1645081	2456076	2456087	1620201
KATAKANA	1643166	2455251	2456284	1620201
BRAZIL	1645094	2456078	2456087	1620201
BELGIUM	1645091	2456076	2456087	1620201
DENMARK	1645085	2456078	2456087	1620201
SWED/FIN	1645087	2456078	2456087	1620201
NORWAY	1645086	2456078	2456087	1620201
U.K.	1645084	2456076	2456087	1620201
SPAIN	1645088	2456084	2456090	1620203
ITALY	1645092	2456086	2456091	1620202
FRANCE-QWERTY	1645090	2456082	2456089	1620205
GERMANY	1645082	2456080	2456088	1620204
GERMAN W/ENG	1645083	2456093	2456088	1620204
LATIN AMER	1645095	2456084	2456090	1620203
FRANCE-AZERTY	1645089	2456082	2456089	1620205
PORTUGAL	1645093	2456078	2456087	1620201

FIGURE 10A. KEYBOARD CHART, MODELS 3 AND 4. PART 6 OF 6.



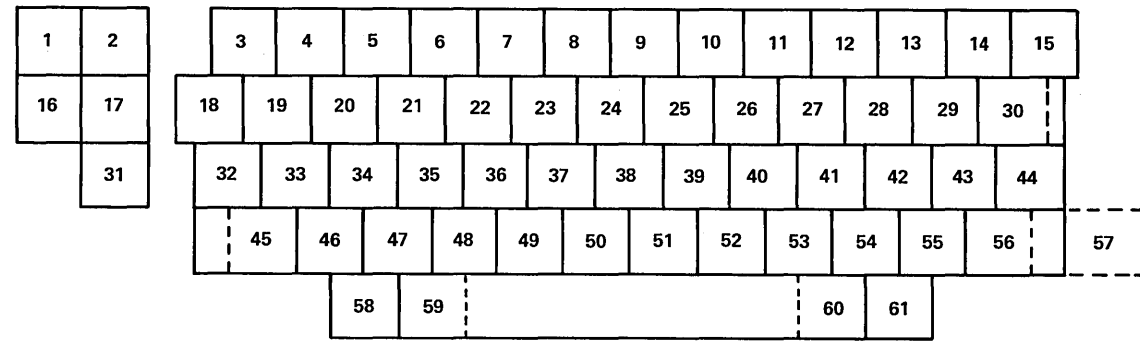


POS. #	KATAKANA
1	5183551
2	1853484
3	1853681
4	1853682
5	1853683
6	1853684
7	1853685
8	1863686
9	1853687
10	1853688
11	1853689
12	1853690
13	1853691
14	1853692
15	1853693
16	1786818
17	1786819
18	1786820
19	1853694
20	1853695
21	1853696
22	1853697
23	1853698
24	1853699
25	1853700
26	1853701
27	1853702
28	1853703
29	1853704
30	1853705
31	5183551
32	5183552
33	1853708
34	1853709
35	1853710
36	1853711
37	1853712
38	1853713
39	1853714
40	1853715
41	1853716
42	1853717
43	1853718
44	1853719
45	1853425
46	1853720
47	1853721
48	1853722
49	1853723
50	1853724
51	1853725
52	1853726
53	1853727
54	1853728
55	1853729
56	1853730
57	1853426
58	1772985
59	---
60	1863820
61	1772985
62	1853706
63	1853707

POS. #	U.S.	JAPAN	BRAZIL	BELGIUM	DENMARK	SWED/FIN	NORWAY	U.K.	SPAIN
1	5183551	1853483	1853483	1853483	1853483	1853483	1853483	1853483	1853485
2	1786810	1786810	1786810	1786810	1786810	1786810	1786810	1786810	1853486
3	1786811	1786811	1786811	1786811	1786811	1786811	1786811	1786811	1786811
4	1158588	1158588	5172383	1853360	5172383	5172383	5172383	1158588	5181035
5	1158589	1158589	1158589	1158589	1158589	1158589	1158589	1158589	1158589
6	1158590	1853356	5153602	1853361	5153602	5153602	5153602	1209786	1853365
7	1786812	1786812	1786812	1786812	1786812	1786812	1786812	1786812	1786812
8	1786813	1786813	1786813	1786813	1786813	1786813	1786813	1786813	1853366
9	5180975	5180975	5180975	5180975	5180975	5180975	5180975	5180975	5180975
10	5180985	5180985	5180985	5180985	5180985	5180985	5180985	5180985	5180985
11	1854924	1854924	1854924	1854924	1854924	1854924	1854924	1854924	1854924
12	1786814	1786814	1786814	1786814	1786814	1786814	1786814	1786814	1853367
13	1853493	1853493	1853493	1853493	1853493	1853493	1853493	1853493	1853368
14	1786816	1786816	1786816	1786816	1786816	1786816	1786816	1786816	1853369
15	1786817	1786817	1786817	1786817	1786817	1786817	1786817	1786817	1853370
16	1786818	1786818	1786818	1786818	1786818	1786818	1786818	1786818	1786818
17	1786819	1786819	1786819	1786819	1786819	1786819	1786819	1786819	1853371
18	1786820	1786820	1786820	1786820	1786820	1786820	1786820	1786820	1853372
19	5180988	5180988	5180988	5153540	5180988	5180988	5180988	5180988	5180988
20	5180989	5180989	5180989	5153541	5180989	5180989	5180989	5180989	5180989
21	1158232	1158232	1158232	1158232	1158232	1158232	1158232	1158232	1158232
22	1786821	1786821	1786821	1853362	1786821	1786821	1786821	1853364	1786821
23	1786822	1786822	1786822	1786822	1786822	1786822	1786822	1786822	1786822
24	1786823	1786823	1786823	1786823	1786823	1786823	1786823	1786823	1786823
25	1854925	1854925	1854925	1854925	1854925	1854925	1854925	1854925	1854925
26	1954926	1854926	1854926	1854926	1854926	1854926	1854926	1854926	1854926
27	1854927	1854927	1854927	1854927	1854927	1854927	1854927	1854927	1854927
28	5180980	5180980	5180980	5180980	5180980	5180980	5180980	5180980	5180980
29	5183551	5183551	1853357	5183551	5153607	1853363	1853363	5183551	5183551
30	---	---	---	---	---	---	---	---	---
31	1786824	1786824	1786824	1786824	1786824	1786824	1786824	1786824	1853374
32	5183552	5183552	5183552	5183552	5183552	5183552	5183552	5183552	1853375
33	1133285	1133285	1133285	1221504	1133285	1133285	1133285	1133285	1133285
34	5180986	5180986	5180986	5180986	5180986	5180986	5180986	5180986	5180986
35	1786826	1786826	1786826	1786826	1786826	1786826	1786826	1786826	1786826
36	1786827	1786827	1786827	1786827	1786827	1786827	1786827	1786827	1786827
37	5180987	5180987	5180987	5180987	5180987	5180987	5180987	5180987	5180987
38	1179871	1179871	1179871	1179871	1179871	1179871	1179871	1179871	1179871
39	5180994	5180994	5180994	5180994	5180994	5180994	5180994	5180994	5180994
40	5180995	5180995	5180995	5180995	5180995	5180995	5180995	5180995	5180995
41	5180996	5180996	5180996	5180996	5180996	5180996	5180996	5180996	5180996
42	5180981	5180981	5153545	5180981	5153608	5153612	5153614	5180981	5153573
43	5183551	5183551	1853358	5183551	5153609	5153613	5153613	5183551	5153566
44 OLD	1785018	1785018	1785018	1785018	1785018	1785018	1785018	1785018	1853373
44 NEW	1854948	1854948	1854948	1854948	1854948	1854948	1854948	1854948	1854949
45	1853425	1853425	1853425	1853425	1853425	1853425	1853425	1853425	1853376
46	1133296	1133296	1133296	1221505	1133296	1133296	1133296	1133296	1133296
47	5180990	5180990	5180990	5180990	5180990	5180990	5180990	5180990	5180990
48	1786829	1786829	1786829	1786829	1786829	1786829	1786829	1786829	1786829
49	1197130	1197130	1197130	1197130	1197130	1197130	1197130	1197130	1197130
50	1786830	1786830	1786830	1786830	1786830	1786830	1786830	1786830	1786830
51	1786831	1786831	1786831	1786831	1786831	1786831	1786831	1786831	1786831
52	1854928	1854928	1854928	1854928	1854928	1854928	1854928	1854928	1854928
53	1854929	1854929	1854929	1854929	1854929	1854929	1854929	1854929	1854929
54	1854930	1854930	1854930	1854930	1854930	1854930	1854930	1854930	1854930
55	1786832	1786832	1853359	1786832	1853359	5153616	5153620	1786832	1853377
56	1853426	1853426	1786832	1853426	1786832	1786832	1786832	1853426	1853378
57	---	---	1853426	---	1853426	1853426	1853426	---	---
58	1772985	1772985	1772985	1772985	1772985	1772985	1772985	1772985	1772985
59	---	---	---	---	---	---	---	---	---
60	1864947	1864947	1864947	1864947	1864947	1864947	1864947	1864947	1864947
61	1772985	1772985	1772985	1772985	1772985	1772985	1772985	1772985	1772985

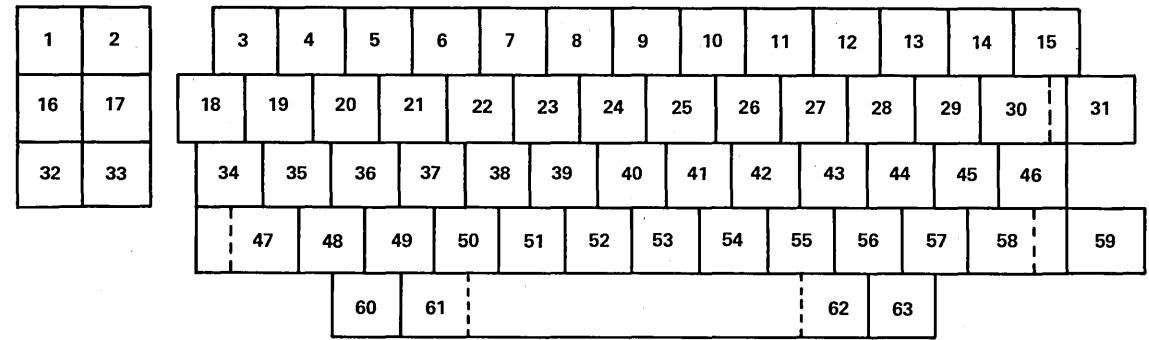
FIGURE 11. KEYBUTTON CHART, MODELS 1 AND 2, DATA ENTRY STYLE. PART 3 OF 3.

FIGURE 11A. KEYBUTTON CHART, MODELS 1 AND 2, PROOF STYLE. PART 1 OF 3.



POS. #	ITALY	FRANCE- QWERTY	GERMANY	GERMAN W/ENG	LATIN AMER	FRANCE- AZERTY	PORTUGAL
1	1853487	1853489	1853491	1853491	1853485	1853489	1853483
2	1853488	1853490	1853492	1853492	1853486	1853490	1786810
3	1853379	1786811	1786811	1786811	1786811	1786811	1786811
4	1158588	1158588	5172383	1158588	5181035	1853360	5172383
5	1158589	1158589	1158589	1158589	1158589	1158589	1158589
6	1158590	1158590	5153602	1158590	1158590	1853361	
7	1786812	1786812	1786812	1786812	1786812	1786812	
8	1853366	1853393	1853403	1853403	1853366	1853393	1786813
9	5180975	5153539	5180975	5180975	5180975	5153539	5180975
10	5180985	5180985	5180985	5180985	5180985	5180985	5180985
11	1854924	1854946	1854947	1854947	1854924	1854946	1854924
12	1853380	1853394	1853404	1853404	1853367	1853394	1786814
13	1853381	1853395	1853408	1853408	1853368	1853395	1853493
14	1853382	1853396	1853405	1853405	1853369	1853396	1786816
15	1853383	1786817	1853406	1853406	1853370	1786817	1786817
16	1786818	1786818	1786818	1786818	5183551	1786818	1786818
17	1786819	1853397	1853407	1853407	1853371	1853397	1786819
18	1786820	1853398	1853409	1853409	1853372	1853398	1786820
19	5180988	5180988	5180988	5180988	5180988	5153540	5180988
20	5180989	5180989	5180989	5180989	5180989	5153541	5180989
21	1158232	1158232	1158232	1158232	1158232	1158232	1158232
22	1786821	1786821	1786821	1786821	1786821	1853362	1786821
23	1786822	1786822	1786822	1786822	1786822	1786822	1786822
24	1786823	1786823	1853410	1786823	1786823	1786823	1786823
25	1854925	1854925	1854925	1854925	1854925	1854925	1854925
26	1854926	1854926	1854926	1854926	1854926	1854926	1854926
27	1854927	1854927	1854927	1854927	1854927	1854927	1854927
28	5180980	5180980	5180980	5180980	5180980	5180980	5180980
29	5183551	5183551	5153556	5183551	5183551	5183551	1853357
30							
31	1853392	1853402	1853416	1853416	5183551	1853402	1786824
32	1853387	1853375	1853412	1853412	1853375	1853375	5183552
33	1133285	1133285	1133285	1133285	1133285	1221504	1133285
34	5180986	5180986	5180986	5180986	5180986	5180986	5180986
35	1786826	1786826	1786826	1786826	1786826	1786826	1786826
36	1786827	1786827	1786827	1786827	1786827	1786827	1786827
37	5180987	5180987	5180987	5180987	5180987	5180987	5180987
38	1179871	1179871	1179871	1179871	1179871	1179871	1179871
39	5180994	5180994	5180994	5180994	5180994	5180994	5180994
40	5180995	5180995	5180995	5180995	5180995	5180995	5180995
41	5180996	5180996	5180996	5180996	5180996	5180996	5180996
42	5153566	5153546	5153558	1853418	5153573	5153546	5153545
43	5183551	5183551	5153559	5183551	5153566	5183551	1853358
44 OLD	1853386	1853399	1853411	1853411	1853373	1853399	1785018
44 NEW	1854950	1854951	1854952	1854952	1854949	1854951	1854948
45	1853388	1853388	1853388	1853388	1853376	1853388	1853425
46	1133296	1133296	1854155	1133296	1133296	1221505	1133296
47	5180990	5180990	5180990	5180990	5180990	5180990	5180990
48	1786829	1786829	1786829	1786829	1786829	1786829	1786829
49	1197130	1197130	1197130	1197130	1197130	1197130	1197130
50	1786830	1786830	1786830	1786830	1786830	1786830	1786830
51	1786831	1786831	1786831	1786831	1786831	1786831	1786831
52	1854928	1854928	1854928	1854928	1854928	1854928	1854928
53	1854929	1854929	1854929	1854929	1854929	1854929	1854929
54	1854930	1854930	1854930	1854930	1854930	1854930	1854930
55	1853389	1853400	1853417	1853413	1853377	1853400	1853359
56	1853390	1853414	1853413	1853414	1853378	1853414	1786832
57			1853414				1853426
58	1853391	1853401	1853415	1853415	1772985	1853401	1772985
59							
60	1864947	1864947	1864947	1864947	1864947	1864947	1864947
61	1853391	1853401	1853415	1853415	1772985	1853401	1772985

FIGURE 11A. KEYBUTTON CHART, MODELS 1 AND 2, PROOF STYLE. PART 2 OF 3.

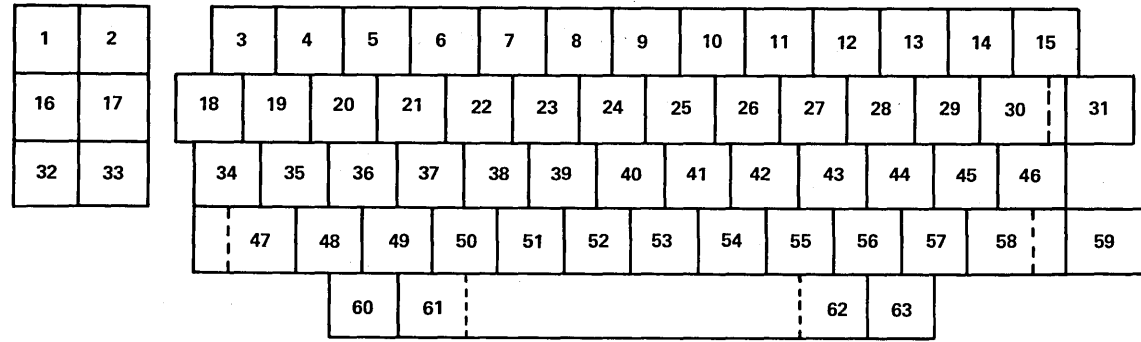


POS. #	KATAKANA
1	5183551
2	1853484
3	1853681
4	1853682
5	1853683
6	1853684
7	1853685
8	1863686
9	1853687
10	1853688
11	1853689
12	1853690
13	1853691
14	1853692
15	1853693
16	1786818
17	1786819
18	1786820
19	1853694
20	1853695
21	1853696
22	1853697
23	1853698
24	1853699
25	1853700
26	1853701
27	1853702
28	1853703
29	1853704
30	1853705
31	5183551
32	5183552
33	1786823
34	1853709
35	1853710
36	1853711
37	1853712
38	1853713
39	1853714
40	1853715
41	1853716
42	1853717
43	1853718
44	1853719
45	1853720
46	1853721
47	1853722
48	1853723
49	1853724
50	1853725
51	1853726
52	1853727
53	1853728
54	1853729
55	1853730
56	1853731
57	1853732
58	1853733
59	1853734
60	1863820
61	1772985
62	1864947
63	1853707

FIGURE 11A. KEYBUTTON CHART, MODELS 1 AND 2, PROOF STYLE. PART 3 OF 3.

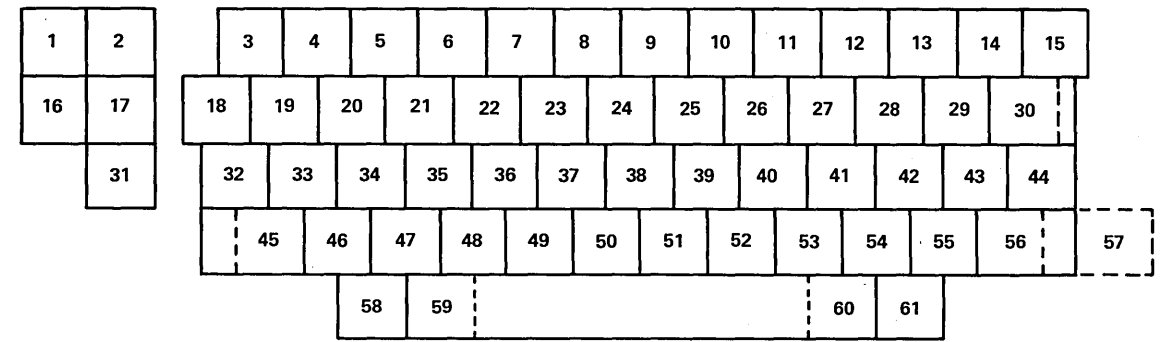






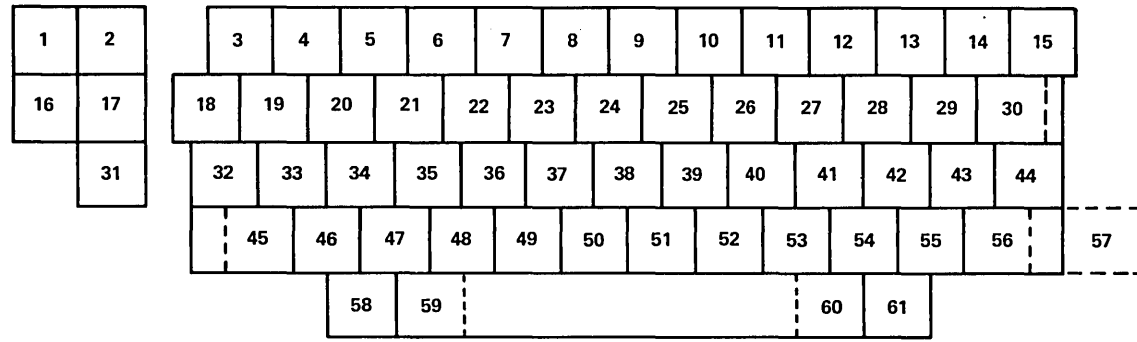
POS. #	KATAKANA
1	5183551
2	1853484
3	1853681
4	1853682
5	1853683
6	1853684
7	1853685
8	1863686
9	1853687
10	1853688
11	1853689
12	1853690
13	1853691
14	1853692
15	1853693
16	1786818
17	1786819
18	1786820
19	1853694
20	1853695
21	1853696
22	1853697
23	1853698
24	1853699
25	1853700
26	1853701
27	1853702
28	1853703
29	1853704
30	1853705
31	5183551
32	5183552
33	1853708
34	1853709
35	1853710
36	1853711
37	1853712
38	1853713
39	1853714
40	1853715
41	1853716
42	1853717
43	1853718
44	1853719
45	1853425
46	1853720
47	1853721
48	1853722
49	1853723
50	1853724
51	1853725
52	1853726
53	1853727
54	1853728
55	1853729
56	1853730
57	1853426
58	1772985
59	---
60	1863820
61	1772985
62	1853706
63	1853707

FIGURE 11B. KEYBUTTON CHART, MODELS 3 AND 4, DATA ENTRY STYLE. PART 3 OF 3.



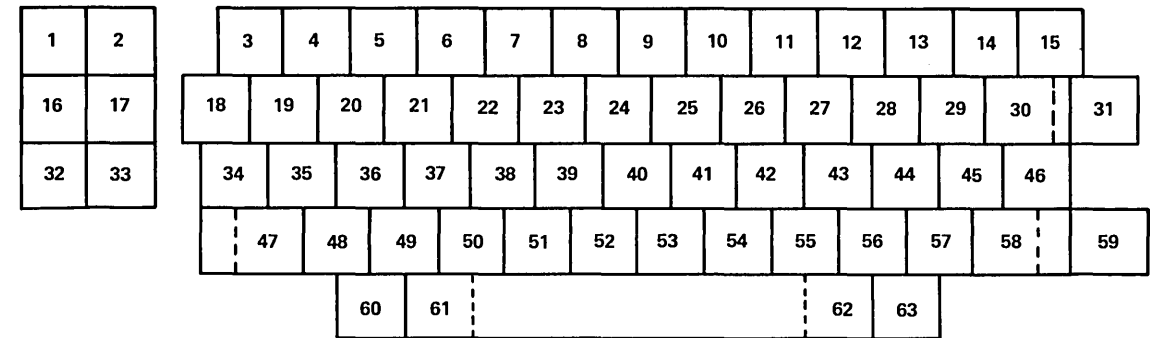
POS. #	U.S.	JAPAN	BRAZIL	BELGIUM	DENMARK	SWED/FIN	NORWAY	U.K.	SPAIN
1	5183551	1853483	1853483	1853483	1853483	1853483	1853483	1853483	1853485
2	1786810	1786810	1786810	1786810	1786810	1786810	1786810	1786810	1853486
3	1786811	1786811	1786811	1786811	1786811	1786811	1786811	1786811	1786811
4	1158588	1158588	5172383	1853360	5172383	5172383	5172383	1158588	5181035
5	1158589	1158589	1158589	1158589	1158589	1158589	1158589	1158589	1158589
6	1158590	1853356	5153602	1853361	5153602	5153602	5153602	1209786	1853365
7	1786812	1786812	1786812	1786812	1786812	1786812	1786812	1786812	1786812
8	1786813	1786813	1786813	1786813	1786813	1786813	1786813	1786813	1853366
9	5180975	5180975	5180975	5180975	5180975	5180975	5180975	5180975	5180975
10	1865001	5180985	1865001	1865001	1865001	1865001	1865001	1865001	1864515
11	1854924	1854924	1854924	1854924	1854924	1854924	1854924	1854924	1854924
12	1786814	1786814	1786814	1786814	1786814	1786814	1786814	1786814	1853367
13	1853493	1853493	1853493	1853493	1853493	1853493	1853493	1853493	1853368
14	1786816	1786816	1786816	1786816	1786816	1786816	1786816	1786816	1853369
15	1786817	1786817	1786817	1786817	1786817	1786817	1786817	1786817	1853370
16	1786818	1786818	1786818	1786818	1786818	1786818	1786818	1786818	1786818
17	1786819	1786819	1786819	1786819	1786819	1786819	1786819	1786819	1853371
18	1786820	1786820	1786820	1786820	1786820	1786820	1786820	1786820	1853372
19	5180988	5180988	5180988	5153540	5180988	5180988	5180988	5180988	5180988
20	5180989	5180989	5180989	5153541	5180989	5180989	5180989	5180989	5180989
21	1865136	1158232	1865136	1865136	1865136	1865136	1865136	1865136	1865137
22	1786821	1786821	1786821	1853362	1786821	1786821	1786821	1853364	1786821
23	1786822	1786822	1786822	1786822	1786822	1786822	1786822	1786822	1786822
24	1786823	1786823	1786823	1786823	1786823	1786823	1786823	1786823	1786823
25	1854925	1854925	1854925	1854925	1854925	1854925	1854925	1854925	1854925
26	1954926	1854926	1854926	1854926	1854926	1854926	1854926	1854926	1854926
27	1854927	1854927	1854927	1854927	1854927	1854927	1854927	1854927	1854927
28	5180980	5180980	5180980	5180980	5180980	5180980	5180980	5180980	5180980
29	5183551	5183551	1853357	5183551	5153607	1853363	1853363	5183551	5183551
30	---	---	---	---	---	---	---	---	---
31	1786824	1786824	1786824	1786824	1786824	1786824	1786824	1786824	1853374
32	5183552	5183552	5183552	5183552	5183552	5183552	5183552	5183552	1853375
33	1133285	1133285	1133285	1221504	1133285	1133285	1133285	1133285	1133285
34	5180986	5180986	5180986	5180986	5180986	5180986	5180986	5180986	5180986
35	1786826	1786826	1786826	1786826	1786826	1786826	1786826	1786826	1786826
36	1786827	1786827	1786827	1786827	1786827	1786827	1786827	1786827	1786827
37	5180987	5180987	5180987	5180987	5180987	5180987	5180987	5180987	5180987
38	1179871	1179871	1179871	1179871	1179871	1179871	1179871	1179871	1179871
39	5180994	5180994	5180994	5180994	5180994	5180994	5180994	5180994	5180994
40	5180995	5180995	5180995	5180995	5180995	5180995	5180995	5180995	5180995
41	5180996	5180996	5180996	5180996	5180996	5180996	5180996	5180996	5180996
42	5180981	5180981	5153545	5180981	5153608	5153612	5153614	5180981	5153573
43	5183551	5183551	1853358	5183551	5153609	5153613	5153613	5183551	5153566
44	1864508	1854948	1864508	1864508	1864508	1864508	1864508	1864508	1864460
45	1853425	1853425	1853425	1853425	1853425	1853425	1853425	1853425	1853376
46	1133296	1133296	1133296	1221505	1133296	1133296	1133296	1133296	1133296
47	5180990	5180990	5180990	5180990	5180990	5180990	5180990	5180990	5180990
48	1786829	1786829	1786829	1786829	1786829	1786829	1786829	1786829	1786829
49	1197130	1197130	1197130	1197130	1197130	1197130	1197130	1197130	1197130
50	1786830	1786830	1786830	1786830	1786830	1786830	1786830	1786830	1786830
51	1786831	1786831	1786831	1786831	1786831	1786831	1786831	1786831	1786831
52	1854928	1854928	1854928	1854928	1854928	1854928	1854928	1854928	1854928
53	1854929	1854929	1854929	1854929	1854929	1854929	1854929	1854929	1854929
54	1854930	1854930	1854930	1854930	1854930	1854930	1854930	1854930	1854930
55	1786832	1786832	1853359	1786832	1853359	5153616	5153620	1786832	1853377
56	1853426	1853426	1786832	1853426	1786832	1786832	1786832	1853426	1853378
57	---	---	1853426	---	1853426	1853426	1853426	---	---
58	1772985	1772985	1772985	1772985	1772985	1772985	1772985	1772985	1772985
59	---	---	---	---	---	---	---	---	---
60	1864947	1864947	1864947	1864947	1864947	1864947	1864947	1864947	1864947
61	1772985	1772985	1772985	1772985	1772985	1772985	1772985	1772985	1772985

FIGURE 11C. KEYBUTTON CHART, MODELS 3 AND 4, PROOF STYLE. PART 1 OF 3.



POS. #	ITALY	FRANCE- QWERTY	GERMANY	GERMAN W/ENG	LATIN AMER	FRANCE- AZERTY	PORTUGAL
1	1853487	1853489	1853491	1853491	1853485	1853489	1853483
2	1853488	1853490	1853492	1853492	1853486	1853490	1786810
3	1853379	1786811	1786811	1786811	1786811	1786811	1786811
4	1158588	1158588	5172383	1158588	5181035	1853360	5172383
5	1158589	1158589	1158589	1158589	1158589	1158589	1158589
6	1158590	1158590	5153602	1158590	1158590	1853361	
7	1786812	1786812	1786812	1786812	1786812	1786812	
8	1853366	1853393	1853403	1853403	1853366	1853393	1786813
9	5180975	5153539	5180975	5180975	5180975	5153539	5180975
10	1864511	1864514	1864940	1865001	1864515	1864514	1865001
11	1854924	1854946	1854947	1854947	1854924	1854946	1854924
12	1853380	1853394	1853404	1853404	1853367	1853394	1786814
13	1853381	1853395	1853408	1853408	1853368	1853395	1853493
14	1853382	1853396	1853405	1853405	1853369	1853396	1786816
15	1853383	1786817	1853406	1853406	1853370	1786817	1786817
16	1786818	1786818	1786818	1786818	5183551	1786818	1786818
17	1786819	1853397	1853407	1853407	1853371	1853397	1786819
18	1786820	1853398	1853409	1853409	1853372	1853398	1786820
19	5180988	5180988	5180988	5180988	5180988	5153540	5180988
20	5180989	5180989	5180989	5180989	5180989	5153541	5180989
21	1865135	1865136	1865133	1865136	1865137	1865136	1865136
22	1786821	1786821	1786821	1786821	1786821	1853362	1786821
23	1786822	1786822	1786822	1786822	1786822	1786822	1786822
24	1786823	1786823	1853410	1786823	1786823	1786823	1786823
25	1854925	1854925	1854925	1854925	1854925	1854925	1854925
26	1854926	1854926	1854926	1854926	1854926	1854926	1854926
27	1854927	1854927	1854927	1854927	1854927	1854927	1854927
28	5180980	5180980	5180980	5180980	5180980	5180980	5180980
29	5183551	5183551	5153556	5183551	5183551	5183551	1853357
30							
31	1853392	1853402	1853416	1853416	5183551	1853402	1786824
32	1853387	1853375	1853412	1853412	1853375	1853375	5183552
33	1133285	1133285	1133285	1133285	1133285	1221504	1133285
34	5180986	5180986	5180986	5180986	5180986	5180986	5180986
35	1786826	1786826	1786826	1786826	1786826	1786826	1786826
36	1786827	1786827	1786827	1786827	1786827	1786827	1786827
37	5180987	5180987	5180987	5180987	5180987	5180987	5180987
38	1179871	1179871	1179871	1179871	1179871	1179871	1179871
39	5180994	5180994	5180994	5180994	5180994	5180994	5180994
40	5180995	5180995	5180995	5180995	5180995	5180995	5180995
41	5180996	5180996	5180996	5180996	5180996	5180996	5180996
42	5153566	5153546	5153558	1853418	5153573	5153546	5153545
43	5183551	5183551	5153559	5183551	5153566	5183551	1853358
44	1864395	1864396	1864461	1864508	1864460	1864396	1864508
45	1853388	1853388	1853388	1853388	1853376	1853388	1853425
46	1133296	1133296	1854155	1133296	1133296	1221505	1133296
47	5180990	5180990	5180990	5180990	5180990	5180990	5180990
48	1786829	1786829	1786829	1786829	1786829	1786829	1786829
49	1197130	1197130	1197130	1197130	1197130	1197130	1197130
50	1786830	1786830	1786830	1786830	1786830	1786830	1786830
51	1786831	1786831	1786831	1786831	1786831	1786831	1786831
52	1854928	1854928	1854928	1854928	1854928	1854928	1854928
53	1854929	1854929	1854929	1854929	1854929	1854929	1854929
54	1854930	1854930	1854930	1854930	1854930	1854930	1854930
55	1853389	1853400	1853417	1853413	1853377	1853400	1853359
56	1853390	1853414	1853413	1853414	1853378	1853414	1786832
57			1853414				1853426
58	1853391	1853401	1853415	1853415	1772985	1853401	1772985
59							
60	1864947	1864947	1864947	1864947	1864947	1864947	1864947
61	1853391	1853401	1853415	1853415	1772985	1853401	1772985

FIGURE 11C. KEYBUTTON CHART, MODELS 3 AND 4, PROOF STYLE. PART 2 OF 3.



POS. #	KATAKANA
1	5183551
2	1853484
3	1853681
4	1853682
5	1853683
6	1853684
7	1853685
8	1863686
9	1853687
10	1853688
11	1853689
12	1853690
13	1853691
14	1853692
15	1853693
16	1786818
17	1786819
18	1786820
19	1853694
20	1853695
21	1853696
22	1853697
23	1853698
24	1853699
25	1853700
26	1853701
27	1853702
28	1853703
29	1853704
30	1853705
31	5183551
32	5183552
33	1786823
34	1853709
35	1853710
36	1853711
37	1853712
38	1853713
39	1853714
40	1853715
41	1853716
42	1853717
43	1853718
44	1853719
45	1853720
46	1853720
47	1853721
48	1853722
49	1853723
50	1853724
51	1853725
52	1853726
53	1853727
54	1853728
55	1853729
56	1853730
57	1853426
58	1772985
59	
60	1863820
61	1772985
62	1864947
63	1853707

FIGURE 11C. KEYBUTTON CHART, MODELS 3 AND 4, PROOF STYLE. PART 3 OF 3.

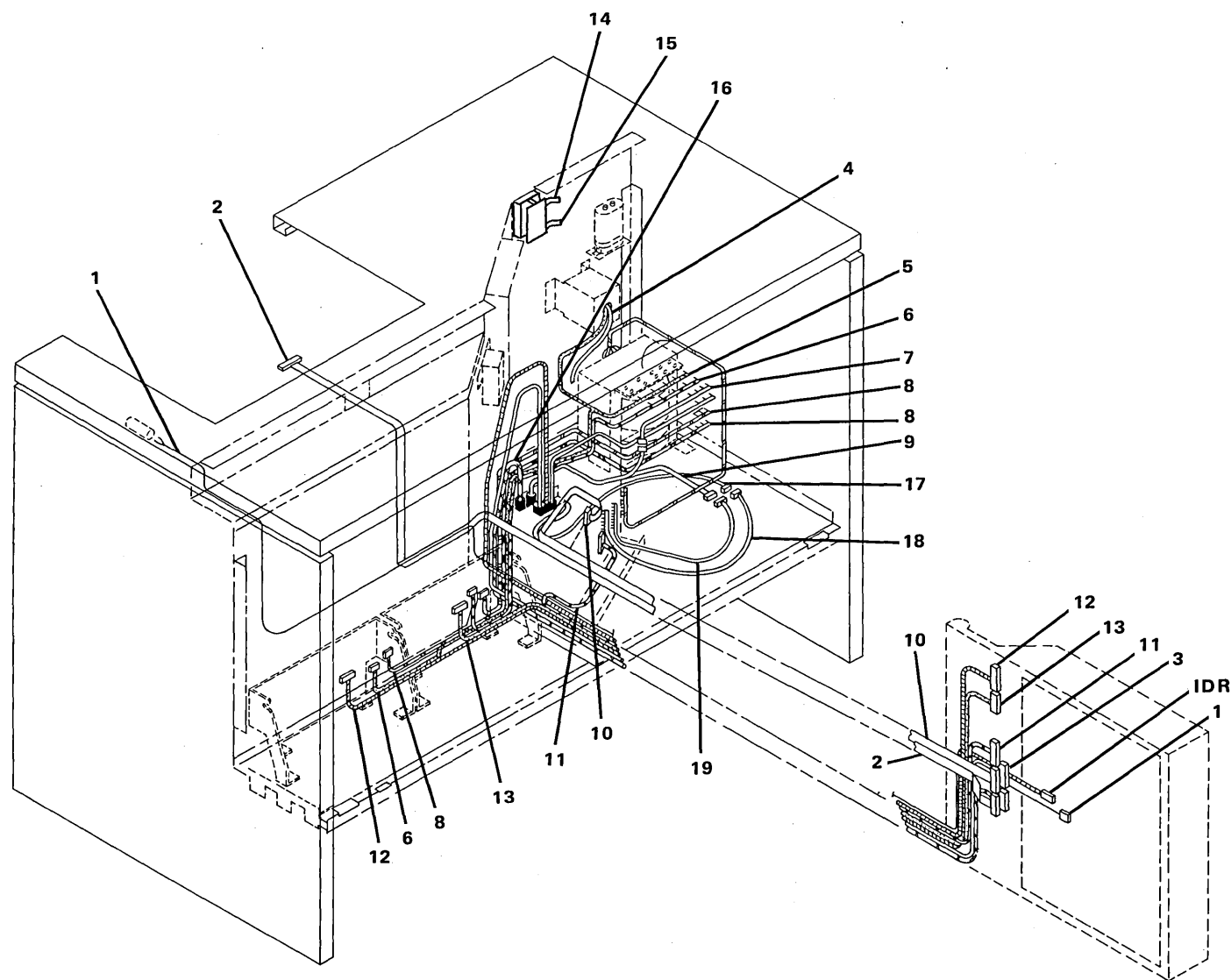


FIGURE 12. CABLE ROUTING, PART 1 OF 2. SEE LIST 12.

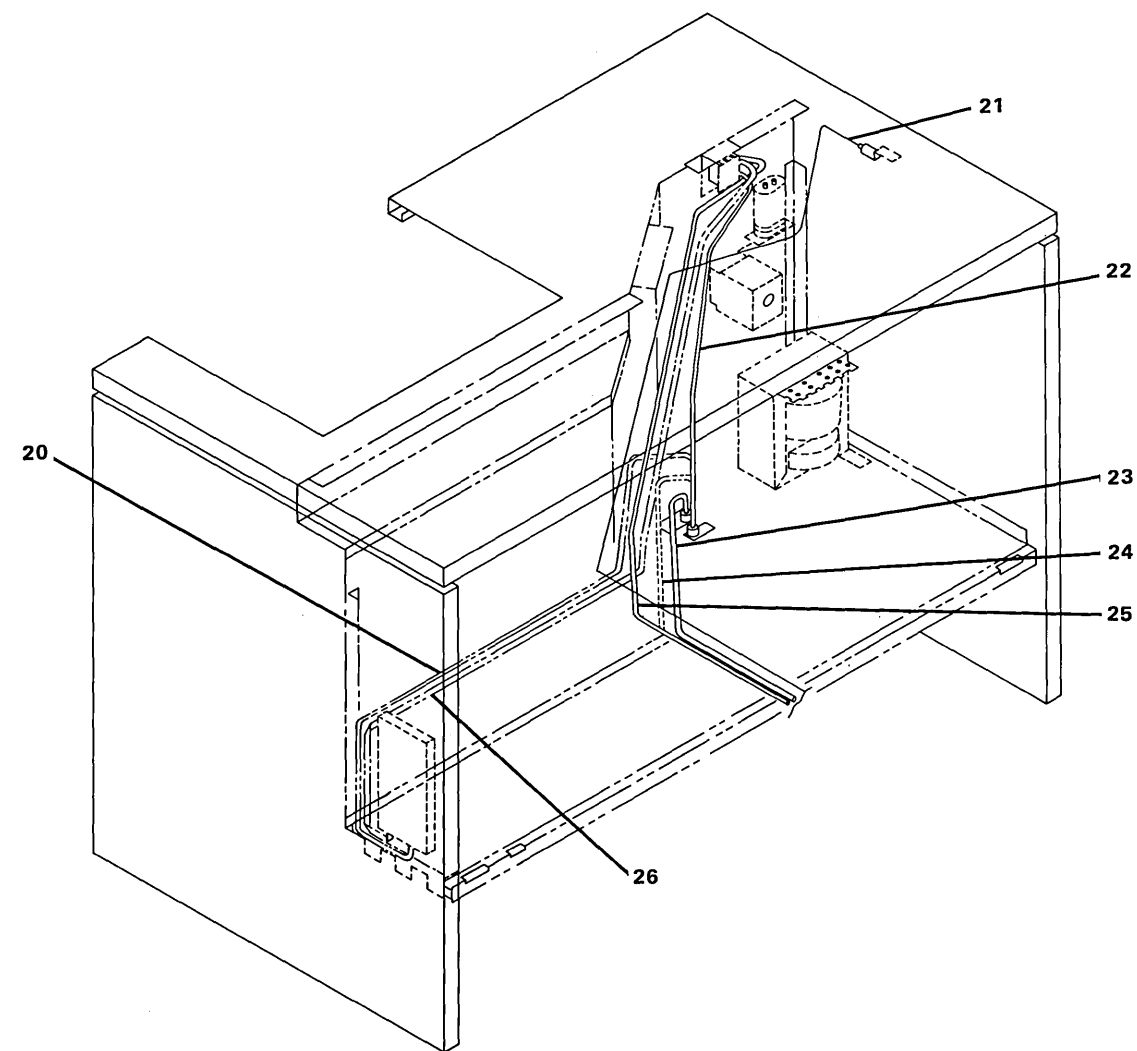


FIGURE 12. CABLE ROUTING, PART 2 OF 2. SEE LIST 12.

FIGURE- INDEX NUMBER	PART NUMBER	DESCRIPTION	1 2 3 4				UNITS PER ASM.	USABLE ON CODE
12 -	NO NO.	CABLE ROUTING ASM						
-		FOR ILLUSTRATION SEE FIG. 12						
- 1	2456418	. CABLE ASM,KEYLOCK				1		
- 2	2456460	. FLAT CABLE GROUP,KEYBOARD				1		
- 4	7365793	. CABLE ASM,FILTER				1		
- 5	2456385	. CABLE ASM,AC DISTRIBUTION 200/235V				1		
- 5	2456462	. CABLE ASM,AC DISTRIBUTION 100/123.5V				1		
- 6	2456386	. CABLE ASM,DISK 2 AC 200/235V				1		
- 6	2456480	. CABLE ASM,DISK 2 AC 100/123.5V				1		
- 7	2456479	. CABLE ASM,3713 PRINTER AC				1		
- 7	2455200	. CABLE ASM,3717 PRINTER AC				1		
- 8	2455590	. CABLE ASM-WTC WITH MUFFIN FAN ON DISK DRIVE				1		
- 9	1620027	. CABLE ASM,EXT POWER ATTACH 3715 PRINTER				1		
- 9	2455202	. CABLE ASM,EXT POWER ATTACH 3717 PRINTER 100/123.5 VAC				1		
- 9	1607451	. CABLE ASM,EXT POWER ATTACH 3717 PRINTER 200/235 VAC				1		
- 9	2456372	. CABLE ASM,DISPLAY SIGNAL				1		
- 11	2456461	. CABLE ASM,DC DISTRIBUTION				1		
- 12	2456402	. CABLE ASM,DISK 1 SIGNAL				1		
- 13	2456403	. CABLE ASM,DISK 2 SIGNAL				1		
- 14	2455893	. CABLE ASM,BSCA TO 1200 BPS LINE ADAPT				1		
- 15	2455119	. CABLE ASM,LEASED LINE				2		
- 15	2455894	. CABLE ASM, 1200BPS MODEM TO CBS COUPLER				1		
- 15	1611380	. CABLE ASM,MODEM TO WT PSN BOX				1		
- 16	1620028	. CABLE ASM,3715 PRINTER SIGNAL ATTACHMENT				1		
- 16	1795828	. CABLE ASM,3713 PRINTER SIGNAL ATTACHMENT				1		
- 16	2455203	. CABLE ASM,3717 PRINTER SIGNAL ATTACHMENT				1		
- 17	1611368	. CABLE ASM,3715 PRINTER 48 VAC				1		
- 18	2455200	. CABLE ASM,3717 PRINTER AC				1		
- 19	2456483	. CABLE ASM,3713 PRINTER DC				1		
- 19	1611367	. CABLE ASM,3715 PRINTER DC				1		
- 19	2455201	. CABLE ASM,3717 PRINTER DC				1		
- 20	2546635	. CABLE ASM,TB TO COUPLER-DOMESTIC				2		
- 20	2469321	. CABLE ASM,TB TO COUPLER-WTC				2		
- 20	2469021	. CABLE ASM,PSN BOX TO TELEPHONE				1		
- 21	2456765	. CABLE ASM,MULTIPOINT ALARM				1		
- 22	2455894	. CABLE ASM,MINI-12 TO DAA				1		
- 22	2455119	. CABLE ASM,MINI-12 TO NON-SWITCHED LINE				1		
- 23	1610677	. CABLE ASM,CARD I/O				1		
- 23	1620318	. CABLE ASM,I/O ADAPTER 20 FT LG				1		
- 23	1620319	. CABLE ASM,I/O ADAPTER 40 FT LG				1		
- 24	2455573	. CABLE ASM,BSCA 20 FT LG				1		
- 24	1611341	. CABLE ASM,BSCA 40 FT LG				1		
- 25	2455893	. CABLE ASM,BSCA TO BPS LINE ADAPTER				1		
- 26	1611380	. CABLE ASM,MODEM TO PSN BOX				1		

## NUMERICAL INDEX

PART NO.	LIST AND INDEX NO.	PART NO.	LIST AND INDEX NO.	PART NO.	LIST AND INDEX NO.	PART NO.	LIST AND INDEX NO.	PART NO.	LIST AND INDEX NO.	PART NO.	LIST AND INDEX NO.	PART NO.	LIST AND INDEX NO.
1940	1 - 45	234344	5 - 32	1090448	4 - 47	1620179	2 - 2	1795827	2 - 50	1853405	11 - 1	2181004	4 - 45
1940	1 -102	251970	3 - 20	1090448	8 - 38	1620206	2 - 8	1795828	2 - 49	1853406	11 - 1	2181005	2 - 17
1940	2 - 24	257187	4 - 37	1090448	9 - 35	1620207	2 - 8	1795828	12 - 16	1853407	11 - 1	2181005	4 - 5
1940	4 - 9	257189	3 - 18	1090873	3 - 17	1620318	12 - 23	1809903	3A- 11	1853407	11 - 1	2181005	4 - 17
3550	5 - 33	257963	1 - 57	1133285	11 - 1	1620319	12 - 23	1853356	11 - 1	1853408	11 - 1	2181005	5 - 8
9092	4 - 21	257970	5 - 25	1133285	11 - 1	1620333	2 - 34	1853357	11 - 1	1853409	11 - 1	2181005	8 - 39
10170	1 - 79	257982	5 - 50	1133296	11 - 1	1748133	8 - 17	1853359	11 - 1	1853410	11 - 1	2181005	9 - 36
10170	2 - 33	257985	6 - 13	1133296	11 - 1	1748133	9 - 16	1853359	11 - 1	1853411	11 - 1	2181006	5 - 56
10170	7 - 27	300548	1 - 21	1143492	1 -109	1748151	9 - 29	1853360	11 - 1	1853412	11 - 1	2192519	2 - 39A
11598	1 - 17	308426	3 - 36	1143492	2 - 7	1748152	9 - 29	1853360	11 - 1	1853412	11 - 1	2195400	6 - 34
11598	2 - 31	308785	4 - 7	1143492	2 - 58	1748154	9 - 29	1853361	11 - 1	1853413	11 - 1	2197244	1 -106
11598	2 - 65	313453	1 - 97	1143492	2 - 58	1772985	11 - 1	1853361	11 - 1	1853414	11 - 1	2229116	2 - 16C
11598	4 - 25	313453	1 -104	1143492	2 - 58	1772985	11 - 1	1853362	11 - 1	1853415	11 - 1	2274833	5 - 12
21632	6 - 47	322550	7 - 2	1146953	2 - 59	1772985	11 - 1	1853362	11 - 1	1853416	11 - 1	2280297	5 - 7
22478	1 - 36	332747	7 - 8	1146953	2 - 75	1772985	11 - 1	1853363	11 - 1	1853416	11 - 1	2305454	4 - 1
22478	5 - 36	336628	1 - 72	1158232	11 - 1	1772985	11 - 1	1853363	11 - 1	1853417	11 - 1	2305454	5 -
22478	5 - 48	338165	1 -109	1158232	11 - 1	1772985	11 - 1	1853364	11 - 1	1853418	11 - 1	2305455	4 - 1
22478	6 - 35	338165	2 - 56	1158588	11 - 1	1772985	11 - 1	1853364	11 - 1	1853425	11 - 1	2305455	5 -
22478	7 - 16	338238	1 - 62A	1158588	11 - 1	1780955	1 -113	1853365	11 - 1	1853425	11 - 1	2305456	4 - 1
25018	7 - 6	338238	6 - 39	1158588	11 - 1	1785018	11 - 1	1853366	11 - 1	1853425	11 - 1	2305456	5 -
25627	2 - 63	352825	2 - 11	1158589	11 - 1	1785018	11 - 1	1853366	11 - 1	1853426	11 - 1	2305457	4 - 1
25627	4 - 28	357433	5 - 29	1158589	11 - 1	1786810	11 - 1	1853367	11 - 1	1853426	11 - 1	2305457	5 -
28413	1 - 26	357820	6 - 31	1158590	11 - 1	1786810	11 - 1	1853368	11 - 1	1853426	11 - 1	2305522	7 - 1
32042	1 - 12	361755	2 - 56	1158590	11 - 1	1786811	11 - 1	1853368	11 - 1	1853426	11 - 1	2305523	7 - 10
32042	1 - 83	361755	2 - 59	1176668	1 -109	1786811	11 - 1	1853369	11 - 1	1853483	11 - 1	2305526	7 - 11
34512	7 - 15	361755	2 - 75	1179871	11 - 1	1786812	11 - 1	1853369	11 - 1	1853484	11 - 1	2305528	6 - 46
35739	1 - 73	362177	1 - 34C	1179871	11 - 1	1786812	11 - 1	1853370	11 - 1	1853485	11 - 1	2305530	6 - 38
38250	6 - 42	369207	3 - 5	1197130	11 - 1	1786813	11 - 1	1853370	11 - 1	1853486	11 - 1	2305531	6 - 11
38442	1 - 23	369207	4 - 15	1197130	11 - 1	1786813	11 - 1	1853371	11 - 1	1853487	11 - 1	2305532	6 - 12
45690	1 - 27	381002	4 - 39	1197130	11 - 1	1786814	11 - 1	1853371	11 - 1	1853488	11 - 1	2305533	6 - 48
45690	2 - 28	433557	2 - 59	1209786	11 - 1	1786814	11 - 1	1853372	11 - 1	1853489	11 - 1	2305534	6 - 15
49374	6 - 2	433557	2 - 59	1216915	11 - 1	1786816	11 - 1	1853372	11 - 1	1853489	11 - 1	2305535	6 - 10
55726	1 - 38	433557	2 - 75	1221504	11 - 1	1786816	11 - 1	1853373	11 - 1	1853490	11 - 1	2305544	6 - 32
55918	2 - 29	433557	2 - 75	1221504	11 - 1	1786816	11 - 1	1853373	11 - 1	1853491	11 - 1	2305545	6 - 33
55918	2 - 67	438548	6 - 14	1221505	11 - 1	1786817	11 - 1	1853374	11 - 1	1853492	11 - 1	2305546	6 - 50
56079	2 - 9	438548	6 - 16	1228623	11 - 1	1786817	11 - 1	1853374	11 - 1	1853493	11 - 1	2305547	6 - 22
56079	2 - 30	438551	1 - 90	1238238	11 - 1	1786818	11 - 1	1853374	11 - 1	1853493	11 - 1	2305547	6 - 51
56079	2 - 66	438567	5 - 14	1607451	12 - 9	1786818	11 - 1	1853375	11 - 1	1853494	11 - 1	2305548	5 - 57
56079	4 - 12	438572	4 - 31	1609089	2 - 41	1786818	11 - 1	1853375	11 - 1	1853494	11 - 1	2305548	6 - 43
56722	5 - 22	438588	2 - 62	1610660	2 - 12	1786819	11 - 1	1853376	11 - 1	1853494	11 - 1	2305549	6 - 18
56722	8 - 40	482193	1 - 55	1610673	8 - 24	1786819	11 - 1	1853376	11 - 1	1853494	11 - 1	2305551	5 - 2
56722	9 - 37	482194	1 - 56	1610673	9 - 21	1786819	11 - 1	1853377	11 - 1	1853495	11 - 1	2305551	7 -
58207	1 - 37	505077	2 - 57	1610677	12 - 23	1786819	11 - 1	1853377	11 - 1	1853495	11 - 1	2305551	7 -
58207	4 - 33	512137	2 - 58	1610680	8 - 10	1786820	11 - 1	1853378	11 - 1	1853497	11 - 1	2305553	5 - 31
58207	5 - 37	515661	1 - 50	1610680	9 - 10	1786820	11 - 1	1853378	11 - 1	1853684	11 - 1	2305554	5 - 23
58207	5 - 47	524519	1 - 41	1610680	9 - 10	1786820	11 - 1	1853379	11 - 1	1853685	11 - 1	2305555	5 - 55
72828	4 - 40	526378	1 - 54A	1611307	1 - J4D	1786820	11 - 1	1853380	11 - 1	1853686	11 - 1	2305558	6 - 45
76574	1 -103	528337	2 - 16A	1611308	1 - 34B	1786820	11 - 1	1853380	11 - 1	1853687	11 - 1	2305564	6 - 6
78951	2 - 57	532393	1 - 51	1611309	1 - 34A	1786821	11 - 1	1853381	11 - 1	1853688	11 - 1	2305572	6 - 55
81693	5 - 54	532393	2 - 14	1611341	12 - 24	1786822	11 - 1	1853382	11 - 1	1853688	11 - 1	2305574	6 - 54
81693	7 - 14	535169	6 - 17	1611347	8 - 6	1786822	11 - 1	1853383	11 - 1	1853689	11 - 1	2305597	5 - 24
109918	5 - 18	597014	2 - 20	1611347	9 - 6	1786823	11 - 1	1853385	11 - 1	1853695	11 - 1	2305598	5 - 19
111256	2 - 57	600395	1 - 3	1611348	8 - 23	1786823	11 - 1	1853386	11 - 1	1853695	11 - 1	2305599	5 - 23
111256	2 - 57	600395	4 - 29	1611348	8 - 28	1786824	11 - 1	1853387	11 - 1	1853697	11 - 1	2305599	7 - 28
111256	2 - 57	600395	6 - 53	1611348	9 - 20	1786824	11 - 1	1853388	11 - 1	1853697	11 - 1	2305604	6 - 21
111256	2 - 73	604962	2 - 48	1611348	9 - 25	1786824	11 - 1	1853389	11 - 1	1853699	11 - 1	2305609	7 - 17
111257	2 - 58	652650	8 - 34	1611353	1 -107	1786824	11 - 1	1853390	11 - 1	1853700	11 - 1	2305616	6 - 4
111257	2 - 74	652650	9 - 31	1611367	12 - 19	1786824	11 - 1	1853391	11 - 1	1853701	11 - 1	2305618	6 - 41
138754	1 - 62	683406	2 - 23	1611373	1 - 89	1786826	11 - 1	1853391	11 - 1	1853702	11 - 1	2305619	6 - 23
138754	2 - 36	731506	1 - 60	1611373	1 - 89	1786827	11 - 1	1853392	11 - 1	1853703	11 - 1	2305620	6 - 8
155749	6 - 44	731629	1 - 49	1611373	1 - 89	1786827	11 - 1	1853392	11 - 1	1853704	11 - 1	2305621	6 - 3
169698	1 - 78	736822	7 - 9	1611380	1 - 93	1786827	11 - 1	1853393	11 - 1	1853705	11 - 1	2305629	6 - 5
170225	6 - 9	761386	2 - 18	1611380	12 - 15	1786827	11 - 1	1853394	11 - 1	1853706	11 - 1	2305633	5 - 26
179743	8 - 21	811427	1 - 22	1611380	12 - 26	1786827	11 - 1	1853395	11 - 1	1853707	11 - 1	2305644	7 - 13
179743	9 - 18	811804	3A- 6	1611390	1 -114	1786829	11 - 1	1853396	11 - 1	1853708	11 - 1	2305646	7 - 7
186946	1 - 20	811804	5 - 10	1611390	12 - 26	1786830	11 - 1	1853397	11 - 1	1853709	11 - 1	2305647	7 - 12
198363	8 - 33	811804	5 - 10	1611403	8 - 27	1786830	11 - 1	1853398	11 - 1	1853710	11 - 1	2305649	5 - 45
198363	9 - 30	816645	1 -111	1611403	9 - 24	1786831	11 - 1	1853399	11 - 1	1853711	11 - 1	2305656	7 - 4
198982	3 - 19	822252	2 - 75	1611447	2 - 51	1786832	11 - 1	1853400	11 - 1	1853712	11 - 1	2305659	6 - 19
233355	6 - 40	855252	2 - 56	1620027	2 - 50	1786832	11 - 1	1853401	11 - 1	1853713	11 - 1	2305663	6 - 37
234321	6 - 52	855252	2 - 56	1620027	12 - 9	1786832	11 - 1	1853402	11 - 1	1853714	11 - 1	2305672	5 - 26
234331	6 - 1	855252	2 - 59	1620028	2 - 49	1786833	11 - 1	1853403	11 - 1	1853715	11 - 1	2305689	6 - 36
234341	5 - 27	855252	2 - 72	1620028	12 - 16	1786833	11 - 1	1853404	11 - 1	1853716	11 - 1	2305693	7 - 26
				1620065	8 - 24A	1786833	11 - 1						
				1620065	9 - 21A	1786833	11 - 1						
				1620156	3 - 27	1794401	3A- 10						

PART NO.	LIST AND INDEX NO.	PART NO.	LIST AND INDEX NO.	PART NO.	LIST AND INDEX NO.	PART NO.	LIST AND INDEX NO.	PART NO.	LIST AND INDEX NO.	PART NO.	LIST AND INDEX NO.	PART NO.	LIST AND INDEX NO.
2305696	5 - 11	2455584	4 - 32	2456382	2 - 53	2595177	1 - 24	5180988	11 - 1	5864233	1 - 87	-	-
2305706	5 - 26	2455585	1 - 32	2456385	12 - 5	2595805	1 - 10	5180989	11 - 1	5995244	8 - 12	-	-
2305707	5 - 26	2455586	1 - 39	2456386	12 - 6	2596275	5 - 1	5180989	11 - 1	5995244	9 - 11	-	-
2305708	5 - 24	2455590	4 - 41	2456390	2 - 35	2596275	7 - 29	5180989	11 - 1	7365793	2 - 61	-	-
2305713	5 - 39	2455590	12 - 8	2456391	2 - 38	2632773	3A- 3	5180990	11 - 1	7365793	12 - 4	-	-
2305718	5 - 34	2455595	3 - 6	2456392	1 - 95	2731007	3A- 2	5180990	11 - 1	7367424	1 - 35	-	-
2305718	5 - 51	2455600	1 - 25	2456393	1 - 95	2731011	3A- 9	5180994	11 - 1	8102053	1 - 55	-	-
2305719	5 - 40	2455600	3 -	2456394	1 - 95	2731026	3A- 8	5180994	11 - 1	8106760	1 - 55	-	-
2305720	5 - 35	2455601	3 - 10	2456395	2 - 1	2732453	3A- 8	5180995	11 - 1	8106761	1 - 55	-	-
2305720	5 - 49	2455603	3 - 22	2456396	4 -	4119447	2 - 8	5180995	11 - 1	8112805	2 - 64	-	-
2305721	5 - 38	2455605	1 - 82	2456396	2 - 44	4119447	2 - 8	5180996	11 - 1	8524194	5 - 9	-	-
2305725	5 - 53	2455623	3 - 15	2456397	2 - 47	4119449	2 - 8	5180996	11 - 1	-	-	-	-
2305726	5 - 46	2455625	3 - 11	2456398	1 - 9	5153540	11 - 1	5181035	11 - 1	-	-	-	-
2454748	1 - 64	2455644	3 - 1	2456402	12 - 12	5153540	11 - 1	5181035	11 - 1	-	-	-	-
2455030	2 - 55	2455661	3 - 12	2456403	12 - 13	5153541	11 - 1	5183362	8 - 13	-	-	-	-
2455031	2 - 55	2455703	2 - 5	2456409	4 - 22	5153541	11 - 1	5183362	9 - 12	-	-	-	-
2455033	2 - 55	2455733	4 - 16	2456413	3 - 7	5153545	11 - 1	5183363	8 - 16	-	-	-	-
2455034	2 - 55	2455733	4 - 34	2456416	1 - 42	5153556	11 - 1	5183363	9 - 15	-	-	-	-
2455035	2 - 55	2455814	4 - 27	2456418	12 - 1	5153559	11 - 1	5183364	8 - 31	-	-	-	-
2455036	4 - 14	2455816	4 - 18	2456419	2 - 21	5153566	11 - 1	5183364	9 - 28	-	-	-	-
2455072	1 - 89	2455818	4 - 19	2456420	1 - 8	5153566	11 - 1	5183420	8 - 30	-	-	-	-
2455098	2 - 1	2455819	4 - 35	2456424	3 - 32	5153573	11 - 1	5183420	9 - 27	-	-	-	-
2455098	4 -	2455820	4 - 35	2456425	2 - 22	5153602	11 - 1	5183447	8 - 19	-	-	-	-
2455119	1 - 93	2455822	1 - 31	2456427	1 - 6	5153602	11 - 1	5183448	9 - 39	-	-	-	-
2455119	12 - 15	2455824	4 - 38	2456438	1 - 13	5153607	11 - 1	5183551	11 - 1	-	-	-	-
2455119	12 - 22	2455836	2 - 68	2456449	1 - 19	5153607	11 - 1	5183551	11 - 1	-	-	-	-
2455127	8 - 35	2455836	4 - 44	2456450	2 - 1	5153608	11 - 1	5183551	11 - 1	-	-	-	-
2455127	9 - 32	2455890	1 - 91	2456450	4 -	5153609	11 - 1	5183551	11 - 1	-	-	-	-
2455131	8 - 22	2455892	1 - 89	2456453	2 - 26	5153612	11 - 1	5183551	11 - 1	-	-	-	-
2455131	9 - 19	2455893	1 - 94	2456453	4 - 42	5153613	11 - 1	5183551	11 - 1	-	-	-	-
2455148	8 - 25	2455893	12 - 14	2456454	1 - 69	5153613	11 - 1	5183551	11 - 1	-	-	-	-
2455148	9 - 22	2455893	12 - 25	2456454	1 - 69	5153614	11 - 1	5183551	11 - 1	-	-	-	-
2455158	8 - 36	2455894	1 - 93	2456455	2 - 1	5153614	11 - 1	5183551	11 - 1	-	-	-	-
2455158	9 - 33	2455894	12 - 15	2456455	4 -	5153614	11 - 1	5183551	11 - 1	-	-	-	-
2455198	2 - 15	2455894	12 - 22	2456456	1 - 71	5153615	11 - 1	5183552	11 - 1	-	-	-	-
2455200	12 - 7	2455899	1 - 84	2456457	1 - 70	5153616	11 - 1	5183552	11 - 1	-	-	-	-
2455200	12 - 18	2456000	1 - 5	2456460	8 - 26	5153618	11 - 1	5183552	11 - 1	-	-	-	-
2455201	12 - 19	2456001	1 - 44	2456460	9 - 23	5153619	11 - 1	5183552	11 - 1	-	-	-	-
2455202	2 - 50	2456002	1 - 29	2456461	12 - 2	5153620	11 - 1	5213276	4 - 30	-	-	-	-
2455202	12 - 9	2456003	1 - 5	2456461	12 - 11	5158539	11 - 1	5252841	1 - 54	-	-	-	-
2455203	2 - 49	2456011	1 - 34	2456462	12 - 5	5159491	1 - 112	5319854	1 - 52	-	-	-	-
2455203	12 - 16	2456012	1 - 65	2456479	2 - 32	5159491	3A- 10	5319854	1 - 66	-	-	-	-
2455223	2 - 55	2456013	1 - 34	2456479	12 - 7	5172383	11 - 1	5319854	2 - 42	-	-	-	-
2455245	1 - 30	2456014	1 - 65	2456480	12 - 6	5172383	11 - 1	5319854	3 - 2	-	-	-	-
2455246	1 - 58	2456015	1 - 34	2456483	2 - 3	5180975	11 - 1	5319854	3 - 8	-	-	-	-
2455246	2 - 37	2456016	1 - 65	2456483	12 - 19	5180975	11 - 1	5319854	3 - 14	-	-	-	-
2455247	2 - 16D	2456017	1 - 34	2456489	4 - 20	5180975	11 - 1	5319854	3A- 7	-	-	-	-
2455260	2 - 39	2456018	1 - 65	2456490	1 - 43	5180976	11 - 1	5319854	8 - 37	-	-	-	-
2455365	8 - 4	2456119	1 - 74	2456491	1 - 109	5180976	11 - 1	5319854	9 - 34	-	-	-	-
2455365	9 - 4	2456120	1 - 59	2456618	2 - 7	5180977	11 - 1	5344991	6 - 7	-	-	-	-
2455366	8 - 1	2456121	1 - 61	2456630	2 - 4	5180977	11 - 1	5349929	1 - 63	-	-	-	-
2455366	9 - 1	2456171	1 - 81	2456699	3 - 9	5180978	11 - 1	5349929	2 - 13	-	-	-	-
2455367	8 - 5	2456188	2 - 16	2456709	3 - 29	5180978	11 - 1	5349929	3 - 23	-	-	-	-
2455367	9 - 5	2456196	8 - 2	2456710	1 - 92	5180979	11 - 1	5349929	3 - 26	-	-	-	-
2455377	3A- 1	2456196	9 - 2	2456712	1 - 99	5180979	11 - 1	5349929	4 - 2	-	-	-	-
2455382	2 - 10	2456199	8 - 3	2456751	3A- 2	5180980	11 - 1	5353301	1 - 33	-	-	-	-
2455461	1 - 98	2456199	9 - 3	2456765	1 - 110	5180980	11 - 1	5372858	1 - 4	-	-	-	-
2455461	1 - 105	2456201	1 - 15	2456765	12 - 21	5180980	11 - 1	5372858	1 - 100	-	-	-	-
2455550	1 - 55	2456208	1 - 18	2456990	4 - 4	5180980	11 - 1	5404092	1 - 53	-	-	-	-
2455553	2 - 19	2456216	8 - 20	2456991	2 - 4	5180981	11 - 1	5447741	5 - 15	-	-	-	-
2455553	3A- 5	2456216	9 - 17	2456995	3 - 31	5180982	11 - 1	5466393	5 - 17	-	-	-	-
2455563	1 - 11	2456217	8 - 20	2456996	3 - 25	5180982	11 - 1	5466397	5 - 16	-	-	-	-
2455571	4 - 13	2456217	9 - 17	2469021	12 - 20	5180982	11 - 1	5700484	2 - 39B	-	-	-	-
2455573	2 - 46	2456276	2 - 70	2469135	2 - 47	5180983	11 - 1	5700484	6 - 20	-	-	-	-
2455573	3A- 4	2456277	2 - 71	2469136	2 - 48	5180983	11 - 1	5719139	3 - 4	-	-	-	-
2455573	12 - 24	2456292	8 - 25	2469295	4 - 46	5180984	11 - 1	5762582	2 - 11	-	-	-	-
2455574	4 - 24	2456292	9 - 22	2469297	8 - 42	5180984	11 - 1	5861862	1 - 88	-	-	-	-
2455575	4 - 6	2456340	3 - 21	2469297	9 - 40	5180985	11 - 1	5862829	1 - 87	-	-	-	-
2455577	3 - 3	2456349	2 - 16B	2469321	12 - 20	5180985	11 - 1	5862859	1 - 85	-	-	-	-
2455578	2 - 55	2456367	1 - 108	2526979	1 - 67	5180986	11 - 1	5863123	1 - 87	-	-	-	-
2455579	2 - 55	2456367	2 - 6	2538125	1 - 40	5180986	11 - 1	5863174	1 - 93A	-	-	-	-
2455580	2 - 55	2456372	3 - 34	2538125	3 - 13	5180987	11 - 1	5863763	1 - 86	-	-	-	-
2455581	2 - 55	2456372	12 - 10	2546635	12 - 20	5180987	11 - 1	5863944	1 - 88	-	-	-	-
						5180988	11 - 1			-	-	-	-

**YOUR COMMENTS, PLEASE . . .**

**S131-0585-2**

Your comments assist us in improving the usefulness of our publications; they are an important part of the input used in preparing updates to the publications. All comments and suggestions become the property of IBM.

Please do not use this form for technical questions about the system or for requests for additional publications; this only delays the response. Instead, direct your inquiries or requests to your IBM representative or to the IBM branch office serving your locality.

Corrections or clarifications needed:

*Page*      *Comment*

Please include your name and address in the space below if you wish a reply.

● Thank you for your cooperation. No postage necessary if mailed in the U.S.A.

**YOUR COMMENTS, PLEASE . . .**

**S131-0585-2**

Your comments assist us in improving the usefulness of our publications; they are an important part of the input used in preparing updates to the publications. All comments and suggestions become the property of IBM.

Please do not use this form for technical questions about the system or for requests for additional publications; this only delays the response. Instead, direct your inquiries or requests to your IBM representative or to the IBM branch office serving your locality.

Corrections or clarifications needed:

*Page*      *Comment*

Please include your name and address in the space below if you wish a reply.

● Thank you for your cooperation. No postage necessary if mailed in the U.S.A.



Cut Along Line

Fold

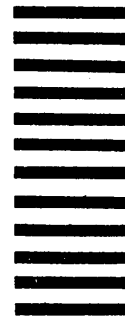
Fold

Fold

Fold

**BUSINESS REPLY MAIL**  
NO POSTAGE STAMP NECESSARY IF MAILED IN THE UNITED STATES

FIRST CLASS  
PERMIT NO. 387  
ROCHESTER, MINN.

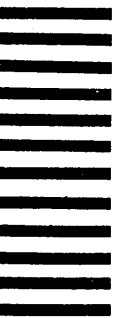


POSTAGE WILL BE PAID BY . . .

IBM Corporation  
General Systems Division  
Development Laboratory  
Publications, Dept. 245  
Rochester, Minnesota 55901

**BUSINESS REPLY MAIL**  
NO POSTAGE STAMP NECESSARY IF MAILED IN THE UNITED STATES

FIRST CLASS  
PERMIT NO. 387  
ROCHESTER, MINN.



POSTAGE WILL BE PAID BY . . .

IBM Corporation  
General Systems Division  
Development Laboratory  
Publications, Dept. 245  
Rochester, Minnesota 55901

Fold

Fold

Fold

Fold

**IBM**

International Business Machines Corporation  
Data Processing Division  
1133 Westchester Avenue, White Plains, New York 10604  
(U.S.A. only)

IBM World Trade Corporation  
821 United Nations Plaza, New York, New York 10017  
(International)

**IBM**

International Business Machines Corporation  
Data Processing Division  
1133 Westchester Avenue, White Plains, New York 10604  
(U.S.A. only)

IBM World Trade Corporation  
821 United Nations Plaza, New York, New York 10017  
(International)

FE  
System  
Maintenance  
Library

3741 Data Station (PC) U.S.A. S131-0585-2

System

cut here



International Business Machines Corporation  
Data Processing Division  
1133 Westchester Avenue, White Plains, New York 10604  
(U.S.A. only)

IBM World Trade Corporation  
821 United Nations Plaza, New York, New York 10017  
(International)