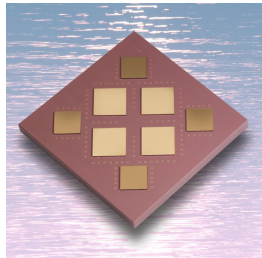


**IBM**



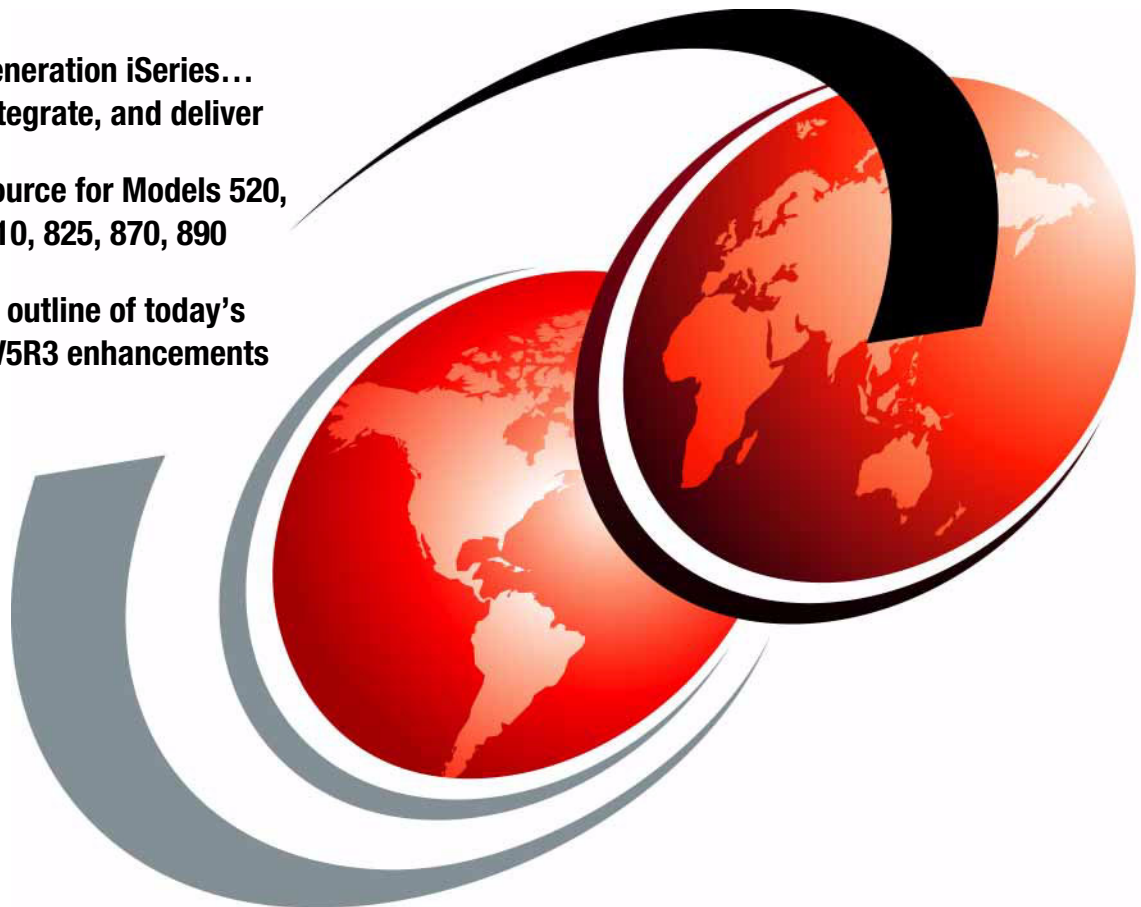
# **IBM @server i5 and iSeries System Handbook**

**IBM i5/OS Version 5 Release 3 May 2004**

**The next generation iSeries...  
simplify, integrate, and deliver**

**iSeries resource for Models 520,  
570, 800, 810, 825, 870, 890**

**A complete outline of today's  
IBM i5/OS V5R3 enhancements**



[ibm.com/redbooks](http://ibm.com/redbooks)

**Redbooks**





International Technical Support Organization

**IBM @server i5 and iSeries System Handbook  
IBM i5/OS Version 5 Release 3**

**May 2004**

**Note:** Before using this information and the product it supports, read the information in “Notices” on page xxi.

**Twenty-sixth edition (May 2004)**

This edition applies to IBM i5/OS Version 5 Release 3 (product number 5722-SS1).

© **Copyright International Business Machines Corporation 1997 - 2004. All rights reserved.**  
Note to U.S. Government Users Restricted Rights -- Use, duplication or disclosure restricted by GSA ADP  
Schedule Contract with IBM Corp.

# Contents

<b>Notices</b> .....	xxi
Trademarks .....	xxii
<b>Preface</b> .....	xxv
The team that wrote this redbook .....	xxvi
Become a published author .....	xxviii
Comments welcome .....	xxviii
<b>Chapter 1. The next generation iSeries</b> .....	3
Simplicity in an on demand world .....	4
Simplify your infrastructure .....	5
Integrate to innovate .....	5
Deliver without disruption .....	6
Looking toward the future .....	6
<b>Chapter 2. iSeries architecture: Fundamental strength of the IBM @server i5 and iSeries</b> .....	7
System concepts .....	8
iSeries architecture .....	9
Single-level storage .....	9
Technology Independent Machine Interface .....	10
POWER Hypervisor .....	11
Hierarchy of microprocessors .....	13
Technology in stride .....	14
Microprocessor excellence .....	16
Silicon On Insulator .....	18
On-chip copper-wiring technology .....	19
Advanced I/O architecture .....	19
High-speed links .....	21
iSeries integration with the Windows Server .....	22
Reliable, managed availability .....	23
Clustering with switchable DASD and IASP .....	25
Cross-site mirroring .....	26
Virtualization technology .....	26
Virtualization Engine .....	26
Dynamic logical partitioning .....	27
Virtual Ethernet .....	27
IBM i5/OS .....	28
Object-based .....	29

DB2 Universal Database . . . . .	29
Linux for iSeries . . . . .	30
Java and e-business for iSeries . . . . .	30
iSeries Web serving . . . . .	31
Lotus Domino for iSeries . . . . .	31
iSeries advanced user interface . . . . .	31
iSeries Navigator . . . . .	32
Management Central-Pervasive . . . . .	33
EZ-Setup . . . . .	33
Summary . . . . .	34
<b>Chapter 3. Workload, capacity, and performance . . . . .</b>	<b>35</b>
Commercial Processing Workload . . . . .	36
5250 CPW . . . . .	36
5250 devices . . . . .	37
Communication WAN restrictions . . . . .	37
Server structure and terminology . . . . .	38
Simultaneous multithreading explained . . . . .	38
iSeries for Domino performance terminology . . . . .	39
Capacity on demand . . . . .	40
Capped and uncapped partitions . . . . .	40
Model 570, 825, 870, and 890 (#2497 and #2498) . . . . .	41
iSeries for Capacity BackUp Edition . . . . .	44
Workload measurement and sizing tools . . . . .	46
IBM @server Workload Estimator . . . . .	46
Disk arm requirements . . . . .	47
Refacing options for the iSeries customer . . . . .	49
IBM WebFacing Tool . . . . .	49
iSeries Editions . . . . .	51
<b>Chapter 4. iSeries direction . . . . .</b>	<b>55</b>
Product Previews . . . . .	56
Product Previews: Open . . . . .	56
Product Previews: Closed . . . . .	59
Statement of Direction . . . . .	59
Statement of Direction: Open . . . . .	59
Statement of Direction: Closed . . . . .	60
Planning information . . . . .	60
Withdrawn products . . . . .	63
Features and devices not supported with V5R3 . . . . .	63
Features and devices not supported with V5R2 . . . . .	64
<b>Chapter 5. Summary of today's iSeries . . . . .</b>	<b>67</b>
Table 1: Summary of the iSeries Model 520 . . . . .	68

Table 2: Summary of the iSeries Model 570 .....	70
Table 3: Summary of the iSeries Model 800 .....	71
Table 4: Summary of the iSeries Model 810 .....	73
Table 5: Summary of the iSeries Model 825 .....	75
Table 6: Summary of the iSeries Model 870 .....	77
Table 7: Summary of the iSeries Model 890 .....	79
Summary of the iSeries expansion units and towers .....	81
Notes for all summary tables .....	83
<b>Chapter 6. iSeries Model 520 .....</b>	<b>89</b>
Model overview .....	90
Minimum functional server .....	90
Required features .....	91
Optional features .....	93
Processor features .....	94
Main storage .....	95
9406 Model 520 schematics .....	96
9406 Model 520 system unit .....	97
High-speed link for Model 520 .....	98
Model 520 PCI cards and features .....	98
External towers .....	99
Model 520 upgrades .....	99
<b>Chapter 7. iSeries Model 570 .....</b>	<b>101</b>
Model overview .....	102
Minimum functional server .....	102
Required features .....	104
Optional features .....	106
Processor features .....	106
Main storage .....	107
9406 Model 570 schematics .....	108
9406 Model 570 system unit .....	108
High-speed link for Model 570 .....	110
Model 570 PCI cards and features .....	110
External towers .....	111
Model 570 upgrades .....	111
<b>Chapter 8. iSeries Model 800 .....</b>	<b>113</b>
Model overview .....	114
Minimum functional server .....	114
Required features .....	115
Optional features .....	116
Processor features .....	118
Main storage .....	119

9406 Model 800 schematics . . . . .	119
9406 Model 800 system unit . . . . .	120
High-speed link on Model 800 . . . . .	122
Model 800 PCI cards and features . . . . .	122
External towers. . . . .	123
Model 800 upgrades. . . . .	123
<b>Chapter 9. iSeries Model 810 . . . . .</b>	<b>125</b>
Model overview . . . . .	126
Minimum functional server . . . . .	126
Required features . . . . .	126
Optional features. . . . .	129
Processor features . . . . .	130
Main storage. . . . .	131
9406 Model 810 schematics. . . . .	132
9406 Model 810 system unit . . . . .	133
High-speed link on Model 810 . . . . .	135
Model 810 PCI cards and features . . . . .	135
External towers. . . . .	136
Model 810 upgrades. . . . .	136
<b>Chapter 10. iSeries Model 825 . . . . .</b>	<b>137</b>
Model overview . . . . .	138
Minimum functional server . . . . .	138
Required features . . . . .	139
Optional features. . . . .	141
Processor features . . . . .	141
Main storage. . . . .	142
9406 Model 825 schematics. . . . .	143
9406 Model 825 system unit . . . . .	144
High-speed link on Model 825 . . . . .	145
Model 825 PCI cards and features . . . . .	146
External towers. . . . .	146
Model 825 upgrades. . . . .	147
<b>Chapter 11. iSeries Model 870 . . . . .</b>	<b>149</b>
Model overview . . . . .	150
Minimum functional server . . . . .	150
Required features . . . . .	151
Optional features. . . . .	153
Processor features . . . . .	153
Main storage. . . . .	154
#9094 Base PCI I/O Enclosure . . . . .	156
#5107 30 Disk Expansion . . . . .	157



#8094 Optional 1.8 M I/O Rack . . . . .	157
#5114 Dual Line Cords - Tower . . . . .	158
9406 Model 870 schematics . . . . .	159
9406 Model 870 system unit . . . . .	159
#9094 Base PCI I/O Enclosure . . . . .	161
#8094 Optional 1.8 M I/O Rack . . . . .	163
High-speed link on Model 870 . . . . .	164
Model 870 PCI cards and features . . . . .	164
External towers . . . . .	165
Model 870 upgrades . . . . .	165
<b>Chapter 12. iSeries Model 890 . . . . .</b>	<b>167</b>
Model overview . . . . .	168
Minimum functional server . . . . .	168
Required features . . . . .	170
Optional features . . . . .	171
Processor features . . . . .	172
Main storage . . . . .	173
#9094 Base PCI I/O Enclosure . . . . .	174
#5107 30 Disk Expansion . . . . .	175
#8094 Optional 1.8 M I/O Rack . . . . .	176
#5114 Dual Line Cords - Tower . . . . .	177
9406 Model 890 schematics . . . . .	177
9406 Model 890 system unit . . . . .	178
#9094 Base PCI I/O Enclosure . . . . .	180
#8094 Optional 1.8 M I/O Rack . . . . .	182
High-speed link on Model 890 . . . . .	183
Model 890 PCI cards and features . . . . .	183
External towers . . . . .	184
Model 890 upgrades . . . . .	184
<b>Chapter 13. Towers, racks, and high-speed link . . . . .</b>	<b>185</b>
PCI and PCI-X expansion towers . . . . .	186
#5074 PCI Expansion Tower . . . . .	186
#5074 PCI Expansion Tower schematic . . . . .	188
#5075 PCI Expansion Tower . . . . .	189
#5075 PCI Expansion Tower schematic . . . . .	190
#5078 PCI Expansion Unit . . . . .	191
#5078 PCI Expansion Unit schematic . . . . .	192
#5079 1.8 M I/O Tower . . . . .	192
#5079 1.8 M I/O Tower schematic . . . . .	194
#5088 PCI-X Expansion Unit . . . . .	195
#5088 PCI-X Expansion Unit schematic . . . . .	197

#0588 PCI-X Expansion Unit in Rack . . . . .	197
#5094 PCI-X Expansion Tower . . . . .	198
#5094 PCI-X Expansion Tower schematic . . . . .	201
#5095 PCI-X Expansion Tower . . . . .	201
#5095 PCI-X Expansion Tower schematic . . . . .	203
#0595 PCI-X Tower Unit in Rack . . . . .	203
#5294 1.8 M I/O Tower . . . . .	204
#5294 1.8 M I/O Tower schematic . . . . .	206
Racks . . . . .	207
#0550 iSeries Rack . . . . .	207
#0551 iSeries Rack . . . . .	207
IBM 9309 Rack Enclosure . . . . .	211
High-speed link . . . . .	212
HSL fabric . . . . .	212
HSL OptiConnect . . . . .	214
HSL copper . . . . .	214
1519-100 Integrated xSeries Adapter for iSeries (direct attach) . . . . .	219
<b>Chapter 14. Upgrades to iSeries servers . . . . .</b>	<b>223</b>
Upgrade considerations . . . . .	224
5250 OLTP considerations . . . . .	225
Hardware migration considerations . . . . .	226
Capacity on Demand upgrades . . . . .	228
Edition upgrades . . . . .	229
RISC-to-RISC Data Migration (#0205) . . . . .	229
Migration towers . . . . .	229
Upgrade options for expansion towers . . . . .	230
<b>Chapter 15. iSeries I/O processors . . . . .</b>	<b>233</b>
System unit hardware (PCI) . . . . .	234
Embedded 32 MB PCI IOP (CCIN 284x) . . . . .	234
Embedded 32 MB PCI IOP (CCIN 286x) . . . . .	234
#2842 PCI IOP . . . . .	234
#2843/#9943 PCI IOP . . . . .	236
#2844/#9844 PCI IOP . . . . .	237
#2791/#2891 Integrated xSeries Server . . . . .	239
#2792/#2892/#9792 PCI Integrated xSeries Server . . . . .	241
#2799/#2899 PCI Integrated xSeries Server . . . . .	243
#4710/#4810/#9710 PCI Integrated xSeries Server . . . . .	245
Migration tower PCI hardware . . . . .	247
#2809 PCI LAN/WAN/Workstation IOP . . . . .	247
#2824 PCI Feature Controller . . . . .	247
#2865 PCI Integrated Netfinity Server . . . . .	247

Migration tower SPD hardware . . . . .	248
#2629 SPD LAN/WAN/Workstation IOP . . . . .	249
#2810 LAN/WAN IOP . . . . .	249
#6618 Integrated Netfinity Server . . . . .	249
<b>Chapter 16. iSeries I/O adapters and controllers . . . . .</b>	<b>251</b>
PCI card technology . . . . .	252
PCI card placement rules . . . . .	253
PCI IOP . . . . .	253
PCI IOA . . . . .	253
Linux direct attach features . . . . .	254
Functions not supported with PCI cards . . . . .	255
System unit hardware (PCI) . . . . .	256
#2742 Two-Line WAN IOA . . . . .	256
#2743 1 Gbps PCI Ethernet IOA . . . . .	257
#2744 PCI 100 Mbps Token Ring IOA . . . . .	257
#2749 PCI Ultra Magnetic Media Controller . . . . .	257
#2757 PCI-X Ultra RAID Disk Controller . . . . .	259
#2760 PCI 1 Gbps Ethernet UTP Adapter . . . . .	260
#2763 PCI RAID Disk Unit Controller . . . . .	260
#2765 PCI Fibre Channel Tape Controller . . . . .	261
#2766 PCI Fibre Channel Disk Controller . . . . .	261
#2768 PCI Magnetic Media Controller . . . . .	262
#2772 and #2773 PCI Dual WAN/Modem IOA . . . . .	264
#2782 PCI-X RAID Disk Unit Controller . . . . .	264
#2787 PCI-X Fibre Channel Disk Controller . . . . .	265
#2793/#2794/#9793/#9794 PCI Dual WAN/Modem IOA . . . . .	266
#2805 and #2806 PCI Quad Modem IOA . . . . .	268
#2849/#9749 10/100 Mbps Ethernet Adapter . . . . .	269
#4745 PCI 2-line WAN IOA . . . . .	269
#4746 PCI Twinaxial IOA . . . . .	270
#4748/#9748 Base PCI RAID Disk Unit Controller . . . . .	270
#4778/#9778 Base PCI RAID Disk Unit Controller . . . . .	271
#4801 PCI Cryptographic Coprocessor . . . . .	271
#4802 PCI Cryptographic Processor . . . . .	272
#4805 PCI Cryptographic Accelerator . . . . .	272
#4838 PCI 100/10 Mbps Ethernet IOA . . . . .	273
#5700 PCI 1 Gbps Ethernet IOA . . . . .	273
#5701 PCI 1 Gbps Ethernet UTP IOA . . . . .	274
#5702 PCI-X Ultra Tape Controller . . . . .	274
#5703 PCI-X RAID Disk Unit Controller . . . . .	276
#5704 PCI-X Fibre Channel Tape Controller . . . . .	277
#5705 PCI-X Tape/DASD Controller . . . . .	278

#5706 PCI-X 1Gbps Ethernet-TX IOA . . . . .	279
#5707 PCI-X 1Gbps Ethernet-SX IOA . . . . .	280
#5709 RAID Enabler Card . . . . .	281
#5712 PCI-X Tape Controller . . . . .	281
#5715 PCI-X Tape/DASD Controller . . . . .	283
#9767 Base PCI Disk Unit Controller . . . . .	284
#9771 Base PCI 2-Line WAN with Modem . . . . .	284
Migration tower PCI hardware . . . . .	286
Migration tower SPD hardware . . . . .	286
Homologation . . . . .	287
<b>Chapter 17. Internal disk, tape, CD-ROM, DVD-RAM, DVD-ROM storage</b>	<b>289</b>
PCI disk units . . . . .	290
Disk storage specifications comparison . . . . .	292
Disk unit conversion . . . . .	294
Load source . . . . .	295
Disk protection and hardware compression . . . . .	296
Device parity protection . . . . .	296
RAID-5 . . . . .	296
Mirroring . . . . .	297
Cross-site mirroring . . . . .	297
Integrated hardware disk compression . . . . .	298
Internal tape, CD-ROM, DVD-RAM, and DVD-ROM . . . . .	298
Internal tape devices . . . . .	302
Alternate IPL . . . . .	308
Tape device technology . . . . .	309
Internal tape features . . . . .	311
Internal CD-ROM, DVD-RAM, and DVD-ROM drives . . . . .	314
iSeries server code distribution . . . . .	319
LPAR support and CD-ROM, DVD-RAM, and DVD-ROM . . . . .	319
RPQ 847184 Convert #63xx/#64xx to #45xx . . . . .	319
<b>Chapter 18. External tape, disk, optical storage, and SAN components</b>	<b>321</b>
External storage tape . . . . .	322
IBM TotalStorage 358x Ultrium Solutions with LTO Technology . . . . .	322
IBM TotalStorage Enterprise Tape System 3590 . . . . .	326
IBM TotalStorage Enterprise Tape System 3592 . . . . .	327
IBM 7206 Model VX2 80 GB External VXA-2 Tape Device . . . . .	327
IBM 7207 Model 122 4 GB External SLR5 QIC Tape Drive . . . . .	328
IBM 7207 Model 330 30 GB External SLR60 Tape Drive . . . . .	328
IBM 7208 Model 345 60 GB External 8mm Tape Drive . . . . .	329
External storage automated tape library . . . . .	330
External tape storage automated library specifications . . . . .	330

Basic concepts . . . . .	333
IBM TotalStorage 3494 Enterprise Tape Library . . . . .	335
Magnetic media controller transfer rates . . . . .	335
External storage DVD-RAM . . . . .	336
IBM 7210 Model 025 External DVD-RAM Drive . . . . .	336
IBM 7210 Model 030 External DVD Drive, 7212-102 Storage Enclosure . . . . .	337
External optical storage . . . . .	337
IBM 3995 Optical Library Cxx models . . . . .	337
External disk storage devices . . . . .	339
IBM TotalStorage Enterprise Storage Server Model 750 . . . . .	339
IBM TotalStorage Enterprise Storage Server Model 800 . . . . .	339
Storage area network components . . . . .	340
SAN switches . . . . .	340
<b>Chapter 19. I/O devices and other components . . . . .</b>	<b>341</b>
iSeries printers . . . . .	342
iSeries workgroup printers . . . . .	344
IBM Infoprint 1312 Workgroup Laser Printer . . . . .	345
IBM Infoprint 1145 Workgroup Laser Printer . . . . .	346
IBM Infoprint 1222 Workgroup Laser Printer . . . . .	346
IBM Infoprint 1226 Workgroup Laser Printer . . . . .	347
IBM Infoprint 1332 Workgroup Laser Printer . . . . .	347
IBM Infoprint 1352 Workgroup Laser Printer . . . . .	348
IBM Infoprint 1372 Workgroup Laser Printer . . . . .	348
IBM Infoprint Color 1354 Laser Printer . . . . .	349
IBM Infoprint Color 1357 Laser Printer . . . . .	349
IBM Infoprint 1410 MFP Printer . . . . .	350
Multifunction printing options . . . . .	350
iSeries departmental and production printers . . . . .	350
IBM Infoprint 62 . . . . .	351
IBM Infoprint 70 Plus . . . . .	352
IBM Infoprint 2060ES . . . . .	353
IBM Infoprint 2075ES . . . . .	353
IBM Infoprint 2085 . . . . .	354
IBM Infoprint 2090ES . . . . .	355
IBM Infoprint 2105 . . . . .	356
IBM Infoprint 2105ES . . . . .	356
IBM Infoprint 2000 . . . . .	357
IBM Infoprint 3000 Advanced Function Printing System . . . . .	358
IBM Infoprint 4000 Advanced Function Printing Systems . . . . .	359
IBM Infoprint 4100 Advanced Function Printing Systems . . . . .	360
Infoprint Color 100 Full-Color Digital Printer . . . . .	360
IBM Color 130 and Color 130 Plus Full-Color Digital Printers . . . . .	361

iSeries industrial printers . . . . .	362
IBM 4230 Impact Matrix Printer . . . . .	362
IBM 4232 Impact Dot Matrix Printer . . . . .	363
IBM 4247 MultiForm Matrix Printer . . . . .	363
IBM 4400 Thermal Label Printers . . . . .	364
IBM 6400 Line Matrix Printers . . . . .	365
<b>Chapter 20. Customer Install Features . . . . .</b>	<b>367</b>
OS/400 features supported on iSeries servers . . . . .	368
Model 520, 570 system unit and tower features. . . . .	368
Model 800, 810, 825, 870, #2497/#2498 890 system unit, tower features. . .	377
Model 250, 270, 820, 830, 840, #2487/#2488 890 system unit, tower features. .	387
<b>Chapter 21. Operating System/400 (5722-SS1): Architecture . . . . .</b>	<b>405</b>
Linux for iSeries . . . . .	407
XML enablers . . . . .	411
IBM Java for iSeries . . . . .	412
New processor resource functions with i5/OS V5R3 . . . . .	413
OS/400 base functions . . . . .	414
OS/400 integrated functions. . . . .	415
Communication and networking . . . . .	418
Security . . . . .	419
DB2 Universal Database for iSeries . . . . .	422
Integrated file system . . . . .	431
Features . . . . .	432
Benefits . . . . .	433
New with V5R3 . . . . .	434
Ease of installation, use, and maintenance with OS/400 . . . . .	434
Operations Console . . . . .	434
Menu interface . . . . .	435
Online help . . . . .	435
iSeries Information Center . . . . .	436
Programming temporary fixes . . . . .	436
System detected software problems . . . . .	437
EZ-Setup . . . . .	437
iSeries Navigator . . . . .	438
Availability and recovery. . . . .	439
Logical partitions . . . . .	442
LPAR partition support . . . . .	444
iSeries clustering . . . . .	447
iSeries Windows integration and Microsoft cluster support. . . . .	450
GUI management and administration. . . . .	451

Work Management . . . . .	451
Save/restore . . . . .	451
Graphical (GUI) management of a system . . . . .	452
Performance collection and evaluation . . . . .	452
IBM @server Technical Support Advantage for iSeries . . . . .	452
Management Central-Pervasive . . . . .	453
Network system management. . . . .	453
Electronic Customer Support . . . . .	453
Application programming interfaces . . . . .	455
Extensive run-time application function. . . . .	455
Integration with Windows servers . . . . .	455
<b>Chapter 22. Operating System/400 (5722-SS1): Product . . . . .</b>	<b>457</b>
New with V5R3. . . . .	458
IBM i5/OS overview . . . . .	459
National language and multilingual support . . . . .	460
Primary and secondary national languages . . . . .	461
Euro currency support. . . . .	462
Options and licensed programs offered with IBM i5/OS. . . . .	463
Programs within IBM i5/OS . . . . .	463
IBM TCP/IP Connectivity Utilities for iSeries (5722-TC1) . . . . .	464
New with V5R3 . . . . .	465
Features . . . . .	465
HTTP Server for iSeries (5722-DG1) . . . . .	466
Internet Printing Server for iSeries . . . . .	472
Valupak for iSeries (5722-VP1). . . . .	475
IBM i5/OS V5R3 options . . . . .	475
System/36 environment (5722-SS1 Option 5) . . . . .	476
System/38 environment (5722-SS1 Option 6) . . . . .	477
System Openness Includes (5722-SS1 Option 13) . . . . .	477
Media and Storage Extensions (5722-SS1 Option 18) . . . . .	478
Object Connect for iSeries (5722-SS1 Option 22) . . . . .	478
OptiConnect for iSeries (5722-SS1 Option 23) . . . . .	479
OS/400 - NetWare Enhanced Integration (5722-SS1 Option 25) . . . . .	480
OS/400 - DB2 Symmetric Multiprocessing (5722-SS1 Option 26) . . . . .	481
OS/400 - DB2 Multisystem (5722-SS1 Option 27) . . . . .	482
OS/400 - Domain Name System (5722-SS1 Option 31). . . . .	483
OS/400 Portable Application Solutions Environment (5722-SS1 Option 33) . . . . .	484
IBM Print Services Facility (5722-SS1 Options 36, 37, 38). . . . .	485
OS/400 High Availability Switchable Resources (5722-SS1 Option 41) . . . . .	489
OS/400 High Availability Journal Performance (5722-SS1 Option 42) . . . . .	490
Supported upgrade paths. . . . .	491

OS/400 single step upgrades . . . . .	492
Current release to previous release support . . . . .	492
<b>Chapter 23. Software terms . . . . .</b>	<b>493</b>
Software Maintenance for iSeries . . . . .	494
Software license and upgrades . . . . .	494
New with V5R3 . . . . .	495
OS/400 terms and conditions changes . . . . .	498
Keyed Stamped Media Distribution . . . . .	500
Keyed Stamped Media Distribution for V5R3 . . . . .	501
Software keys and guidance for LPAR system upgrades . . . . .	502
<b>Chapter 24. IBM licensed programs: Database accessories. . . . .</b>	<b>505</b>
DB2 OLAP Server for iSeries V8.1 (5724-B78) . . . . .	506
Solutions and benefits. . . . .	508
IBM DB2 DataPropagator for iSeries V8.1 (5722-DP4) . . . . .	509
Solutions and benefits. . . . .	510
New with Version 8.1 . . . . .	510
IBM Query for iSeries (5722-QU1) . . . . .	511
Solutions and benefits. . . . .	512
Features . . . . .	512
New with V5R3 . . . . .	513
IBM DB2 Query Manager and SQL Development Kit for iSeries (5722-ST1) . . . . .	513
Solutions and benefits. . . . .	514
Features . . . . .	514
Components . . . . .	515
New with V5R3 . . . . .	515
IBM DB2 QMF Distributed Edition for Multiplatforms V8.1 (5724-E86) . . . . .	516
IBM DB2 UDB Data Warehouse Enterprise Edition and Standard Edition V8.1 (5724-E66) . . . . .	517
DB2 UDB Data Warehouse Enterprise Edition . . . . .	517
DB2 UDB Data Warehouse Standard Edition . . . . .	517
IBM System/38 Utilities for AS/400 (5722-DB1) . . . . .	518
Solutions and benefits. . . . .	518
Features . . . . .	519
DB2 Spatial Extender Version 8 (5765-F40) . . . . .	519
New with Version 8 . . . . .	520
DB2 Table Editor for iSeries, V4.3 (5697-G84) . . . . .	521
Solutions and benefits. . . . .	521
Features . . . . .	522
New with Version 4.3 . . . . .	522
IBM DB2 Web Query Tool for iSeries V1.3 (5697-G85) . . . . .	523
Solutions and benefits. . . . .	523



Features . . . . .	524
New with V1.3 . . . . .	524
IBM DB2 Universal Database Extenders for iSeries V8 (5722-DE1) . . . . .	525
Solutions and benefits . . . . .	526
Features . . . . .	526
New with Version 8 . . . . .	527
IBM DB2 UDB Workgroup Server Edition for Linux (5733-LD1) . . . . .	527
<b>Chapter 25. WebSphere and e-business for iSeries . . . . .</b>	<b>529</b>
Product positioning: WebSphere Application Server and Jakarta Tomcat	532
IBM WebSphere Application Server - Express for iSeries (5722-E51) . . . . .	532
Solutions and benefits . . . . .	533
New with Version 5.1 . . . . .	534
Features . . . . .	534
IBM Web Enablement for iSeries (5722-WE1) . . . . .	536
Benefits . . . . .	537
IBM Business Solutions Version 1.0 (5722-BZ1) . . . . .	537
Benefits . . . . .	538
IBM Telephone Directory Version 5.2 . . . . .	538
IBM Survey Creator Version 1.0 . . . . .	539
IBM Welcome Page Version 1.1 . . . . .	539
IBM WebSphere Application Server Version 5.1 for iSeries (5733-W51) . . . . .	540
Solutions and benefits . . . . .	541
New with V5.1 . . . . .	541
Features . . . . .	542
IBM WebSphere Application Server Version 5.1 for iSeries Developer Edition (5724-D18) . . . . .	543
Solutions and benefits . . . . .	544
IBM WebSphere Commerce for iSeries, Version 5.6 (5724-I38, 5724-I40, 5724-I36) . . . . .	544
Solutions and benefits . . . . .	545
Features . . . . .	546
New with Version 5.6 . . . . .	547
IBM Connect for iSeries Version 2.0 (5733-CO2) . . . . .	548
Solutions and benefits . . . . .	549
New with Version 2.0 . . . . .	550
IBM WebSphere Portal - Express, IBM WebSphere Portal - Express Plus for Multiplatforms, Version 5 (5724-E77) . . . . .	551
Solutions and benefits . . . . .	552
Features . . . . .	552
New with Version 5.0 . . . . .	553
IBM Grid Toolbox V3 for OS/400 (5733-GT1) . . . . .	553
Solutions and benefits . . . . .	554

Features .....	555
<b>Chapter 26. Lotus products for iSeries .....</b>	<b>557</b>
Domino on iSeries .....	558
Domino server options .....	559
IBM Lotus Domino 6.5 for iSeries (5733-L65) .....	560
Solutions and benefits .....	560
New with Lotus Domino 6.5 .....	561
National language support .....	561
Domino Notes client choices .....	562
New with Lotus Domino Clients 6.5 .....	562
IBM Lotus Enterprise Integrator for iSeries (5733-LEI) .....	563
New with Lotus Enterprise Integrator 6.5 .....	564
IBM Lotus Instant Messaging and Web Conferencing (5733-LST) .....	565
Features and benefits .....	566
IBM Lotus Team Workplace (5733-LQP) .....	566
Features and benefits .....	567
IBM Lotus Domino Document Manager (5769-LDD) .....	568
Features and benefits .....	569
IBM Integrated Domino Fax for iSeries (5733-FXD) .....	569
Features and benefits .....	570
<b>Chapter 27. IBM LPP Application Development Products .....</b>	<b>571</b>
IBM CICS Transaction Server for iSeries (5722-DFH) .....	572
New with V5R3 .....	573
Features .....	573
IBM Toolbox for Java (5722-JC1) .....	575
New with V5R3 .....	576
Solutions and benefits .....	577
Features .....	578
Compatibility .....	580
IBM Developer Kit for Java (5722-JV1) .....	581
Solutions and benefits .....	582
Features .....	582
New with V5R3 .....	583
System/36 Migration Aid (5727-MG1) .....	584
System/38 Migration Aid (5714-MG1) .....	584
IBM Application Program Driver for AS/400 (5722-PD1) .....	584
Solutions and benefits .....	585
Features .....	585
IBM VisualAge Generator Server for AS/400 (5769-VG1) .....	586
Solutions and benefits .....	587
Features .....	587

Components .....	588
IBM WebSphere Development Studio for iSeries (5722-WDS) .....	588
Solutions and benefits .....	589
Server components of 5722-WDS .....	590
IBM Integrated Language Environment RPG for iSeries .....	591
IBM ILE COBOL for iSeries .....	592
IBM ILE C and C++ for iSeries .....	594
Application Development ToolSet .....	596
Workstation components of 5722-WDS .....	597
XML Toolkit for iSeries (5733-XT1) .....	602
<b>Chapter 28. IBM licensed programs: Networking products .....</b>	<b>605</b>
IBM Cryptographic Access Provider 128-bit for iSeries (5722-AC3) .....	606
IBM @server iSeries Client Encryption (128-bit) (5722-CE3) .....	607
IBM Cryptographic Support for AS/400 (5722-CR1) .....	607
IBM Communications Utilities for iSeries (5722-CM1) .....	608
IBM Distributed Computing Environment DES Library Routines for AS/400 (5769-DC3) .....	610
IBM WebSphere MQ for iSeries, V5.3 (5724-B41) .....	610
Solutions and benefits .....	611
Features .....	611
New with V5.3 .....	612
Options .....	612
IBM MQSeries for iSeries, V5.2 (5733-A38) .....	612
IBM MQSeries Integrator for iSeries and DB2 Version 1.1 (5697-F49) .....	613
IBM WebSphere Host Integration Solution for iSeries V4.1 (5724-F84/F86) .....	613
<b>Chapter 29. IBM @server iSeries Access products .....</b>	<b>615</b>
IBM @server iSeries Access Family (5722-XW1) .....	616
Components .....	617
IBM @server iSeries Access for Windows (5722-XE1) .....	617
Solutions and benefits .....	619
Features .....	620
New with V5R3 .....	622
IBM @server iSeries Access for Web (5722-XH2) .....	623
Solutions and benefits .....	624
Features .....	625
New with V5R3 .....	627
IBM @server iSeries Access for Linux (5722-XL1) .....	629
IBM WebSphere Host Access Transformation Server Limited Edition (5724-F97-01) .....	630
Features and benefits .....	631
IBM @server iSeries Access for Wireless (5722-XP1) .....	631

Solutions and benefits . . . . .	632
Features . . . . .	633
iSeries ODBC Driver for Linux (5733-L01) . . . . .	634

<b>Chapter 30. IBM licensed programs: System management products and services . . . . .</b>	<b>635</b>
iSeries Operations Console: Direct attach, LAN, remote, and HMC . . . . .	636
iSeries Operations Console features . . . . .	637
Remote control panel . . . . .	641
Hardware Management Console . . . . .	642
IBM @server Technical Support Advantage . . . . .	643
IBM Tivoli Storage Manager Extended Edition (5698-A11) . . . . .	644
Benefits . . . . .	645
IBM Backup Recovery and Media Services for iSeries (5722-BR1) . . . . .	645
Benefits . . . . .	646
BRMS optional features . . . . .	647
New with V5R3 . . . . .	648
Features . . . . .	649
BRMS clients . . . . .	651
IBM Advanced Job Scheduler for iSeries (5722-JS1) . . . . .	652
Benefits . . . . .	652
New with V5R3 . . . . .	653
Features . . . . .	653
IBM Managed System Services for iSeries (5722-MG1) . . . . .	654
Benefits . . . . .	655
New with V5R3 . . . . .	655
IBM System Manager for iSeries (5722-SM1) . . . . .	656
Benefits . . . . .	656
Features . . . . .	657
New with V5R3 . . . . .	657
IBM @server iSeries Enterprise Edition Installation Assistant (5733-ED1) . . . . .	658
IBM Software Integration Assistant for iSeries (5722-IA1) . . . . .	659
Benefits . . . . .	659
Features . . . . .	660
IBM Intelligent Communications Trace Analyzer for iSeries, Version 1.0 (5733-AZ1) . . . . .	660
IBM Performance Tools for iSeries (5722-PT1) . . . . .	661
Features . . . . .	662
PATROL for iSeries – Predict (5620-FIF) . . . . .	663

<b>Chapter 31. IBM licensed programs: Printing and document handling products . . . . .</b>	<b>665</b>
IBM Advanced Function Printing Utilities for iSeries (5722-AF1) . . . . .	666

Solutions and benefits . . . . .	667
Features . . . . .	667
IBM Advanced DBCS Printer Support for iSeries (5722-AP1) . . . . .	668
Features . . . . .	668
IBM AFP Font Collection for Workstations and OS/400 (5648-B45) . . . . .	670
Solutions and benefits . . . . .	671
Features . . . . .	671
Components . . . . .	671
IBM Dictionary and Linguistics Tools for AS/400 (5769-DL1) . . . . .	671
Solutions and benefits . . . . .	672
Features . . . . .	672
IBM Business Graphics Utility for AS/400 (5722-DS1) . . . . .	673
Solutions and benefits . . . . .	673
Features . . . . .	673
IBM Infoprint Fonts for Multiplatforms (5648-E76) . . . . .	674
Solutions and benefits . . . . .	675
Features . . . . .	675
Components . . . . .	675
IBM Facsimile Support for iSeries (5798-FAX) . . . . .	675
Solutions and benefits . . . . .	676
Features . . . . .	676
IBM Advanced Function Printing Fonts for AS/400 (5769-FNT) . . . . .	677
IBM Advanced Function Printing DBCS Fonts for AS/400 (5769-FN1) . . . . .	678
IBM Infoprint Designer for iSeries (5733-ID1) . . . . .	679
Solutions and benefits . . . . .	680
Features . . . . .	681
Components . . . . .	681
New with 1.16 . . . . .	681
Infoprint Server for iSeries (5722-IP1) . . . . .	682
Solutions and benefits . . . . .	683
Features . . . . .	684
New with V5R3 . . . . .	685
IBM Content Manager OnDemand for iSeries (5722-RD1) . . . . .	686
Solutions and benefits . . . . .	686
Features . . . . .	687
New with V5R2 . . . . .	688
IBM Content Manager for iSeries (5722-VI1) . . . . .	688
Solutions and benefits . . . . .	689
Features . . . . .	689
IBM Print Services Facility for iSeries (PSF/400) (5722-SS1 Options 36, 37, and 38) . . . . .	690
Solutions and benefits . . . . .	691
Features . . . . .	691

Components . . . . .	692
New with V5R3 . . . . .	692
<b>Chapter 32. Summary of earlier AS/400, AS/400e, and iSeries models .</b>	<b>695</b>
CISC systems. . . . .	696
RISC servers . . . . .	696
iSeries and AS/400e servers . . . . .	697
9406 Model 270 . . . . .	697
9406 Model 720 . . . . .	702
9406 Model 730 . . . . .	705
9406 Model 740 . . . . .	707
9406 Model 820 . . . . .	710
9406 Model 830 . . . . .	715
9406 Model 840 . . . . .	718
9406 Model 890 . . . . .	726
Notes for all summary tables . . . . .	730
<b>Appendix A. Referenced lists. . . . .</b>	<b>733</b>
Communication references . . . . .	734
Supported communication networks . . . . .	734
Supported communication facilities. . . . .	734
Supported communication protocols. . . . .	734
Options included in OS/400 V5R2 . . . . .	735
Features and devices not supported with V5R1. . . . .	736
Products and features no longer marketed by IBM . . . . .	737
Hardware no longer marketed by IBM . . . . .	738
Software end-of-support dates. . . . .	760
<b>Abbreviations and acronyms . . . . .</b>	<b>761</b>
<b>Related publications . . . . .</b>	<b>769</b>
IBM Redbooks . . . . .	769
Other resources . . . . .	770
Referenced Web sites . . . . .	771
How to get IBM Redbooks . . . . .	775
Help from IBM . . . . .	775
<b>Index . . . . .</b>	<b>777</b>

# Notices

This information was developed for products and services offered in the U.S.A.

IBM may not offer the products, services, or features discussed in this document in other countries. Consult your local IBM representative for information on the products and services currently available in your area. Any reference to an IBM product, program, or service is not intended to state or imply that only that IBM product, program, or service may be used. Any functionally equivalent product, program, or service that does not infringe any IBM intellectual property right may be used instead. However, it is the user's responsibility to evaluate and verify the operation of any non-IBM product, program, or service.

IBM may have patents or pending patent applications covering subject matter described in this document. The furnishing of this document does not give you any license to these patents. You can send license inquiries, in writing, to:  
*IBM Director of Licensing, IBM Corporation, North Castle Drive Armonk, NY 10504-1785 U.S.A.*

*The following paragraph does not apply to the United Kingdom or any other country where such provisions are inconsistent with local law.* INTERNATIONAL BUSINESS MACHINES CORPORATION PROVIDES THIS PUBLICATION "AS IS" WITHOUT WARRANTY OF ANY KIND, EITHER EXPRESS OR IMPLIED, INCLUDING, BUT NOT LIMITED TO, THE IMPLIED WARRANTIES OF NON-INFRINGEMENT, MERCHANTABILITY OR FITNESS FOR A PARTICULAR PURPOSE. Some states do not allow disclaimer of express or implied warranties in certain transactions, therefore, this statement may not apply to you.

This information could include technical inaccuracies or typographical errors. Changes are periodically made to the information herein; these changes will be incorporated in new editions of the publication. IBM may make improvements and/or changes in the product(s) and/or the program(s) described in this publication at any time without notice.

Any references in this information to non-IBM Web sites are provided for convenience only and do not in any manner serve as an endorsement of those Web sites. The materials at those Web sites are not part of the materials for this IBM product and use of those Web sites is at your own risk.

IBM may use or distribute any of the information you supply in any way it believes appropriate without incurring any obligation to you.

Any performance data contained herein was determined in a controlled environment. Therefore, the results obtained in other operating environments may vary significantly. Some measurements may have been made on development-level systems and there is no guarantee that these measurements will be the same on generally available systems. Furthermore, some measurement may have been estimated through extrapolation. Actual results may vary. Users of this document should verify the applicable data for their specific environment.

Information concerning non-IBM products was obtained from the suppliers of those products, their published announcements or other publicly available sources. IBM has not tested those products and cannot confirm the accuracy of performance, compatibility or any other claims related to non-IBM products. Questions on the capabilities of non-IBM products should be addressed to the suppliers of those products.

This information contains examples of data and reports used in daily business operations. To illustrate them as completely as possible, the examples include the names of individuals, companies, brands, and products. All of these names are fictitious and any similarity to the names and addresses used by an actual business enterprise is entirely coincidental.

## COPYRIGHT LICENSE:

This information contains sample application programs in source language, which illustrates programming techniques on various operating platforms. You may copy, modify, and distribute these sample programs in

any form without payment to IBM, for the purposes of developing, using, marketing or distributing application programs conforming to the application programming interface for the operating platform for which the sample programs are written. These examples have not been thoroughly tested under all conditions. IBM, therefore, cannot guarantee or imply reliability, serviceability, or function of these programs. You may copy, modify, and distribute these sample programs in any form without payment to IBM for the purposes of developing, using, marketing, or distributing application programs conforming to IBM's application programming interfaces.

## Trademarks

The following terms are trademarks of the International Business Machines Corporation and the Rational Software Corporation, in the United States, other countries, or both:

@server®	Distributed Relational Database Architecture™	Net.Data®
e-business on demand™	Domino Designer®	Netfinity®
eServer™	Domino.Doc®	Network Station®
ibm.com®	Domino®	NetView®
iNotes™	DB2 Connect™	NetVista™
iSeries™	DB2 OLAP Server™	Notes®
i5/OS™	DB2 Universal Database™	Open Class®
pSeries®	DB2®	Operating System/400®
xSeries®	DRDA®	OS/2®
z/OS®	Electronic Service Agent™	OS/390®
zSeries®	Enterprise Storage Server®	OS/400®
Advanced Function Presentation™	Everyplace®	Passport Advantage®
Advanced Function Printing™	ESCON®	Power Architecture™
Advanced Peer-to-Peer Networking®	FICON®	Power Everywhere™
AnyNet®	GDDM®	PowerPC®
AD/Cycle®	Infoprint®	Print Services Facility™
AFCCU™	Informix®	POWER™
AFP™	Integrated Language Environment®	POWER4™
AIX 5L™	Intelligent Miner™	POWER5™
AIX®	Intelligent Printer Data Stream™	POWER6™
APL2®	IBM®	PROFS®
AS/400e™	IMS™	PS/2®
AS/400®	IPDS™	QuickPlace®
Balance®	Language Environment®	QMF™
BCOCA™	Lotus Enterprise Integrator®	Rational®
C/400®	Lotus Notes®	Redbooks (logo)  ™
ClearCase®	Lotus Workflow™	Redbooks™
Cloudscape™	Lotus®	RPG/400®
ClusterProven®	LPDA®	RS/6000®
CICS/400®	Magstar®	S/370™
CICS®	MQSeries®	S/390®
COBOL/400®	MVS™	Sametime®
DataPropagator™	MVS/SP™	SecureWay®
		SmartSuite®
		System/36™



System/370™

System/38™

Systems Application

Architecture®

SystemView®

SAA®

SQL/400®

Tivoli®

TotalStorage®

TXSeries®

Versatile Storage Server™

Virtualization Engine™

VisualAge®

VisualGen®

VSE/ESA™

WebSphere®

1-2-3®

3090™

The following terms are trademarks of other companies:

Intel, Intel Inside (logos), MMX, and Pentium are trademarks of Intel Corporation in the United States, other countries, or both.

Microsoft, Windows, Windows NT, and the Windows logo are trademarks of Microsoft Corporation in the United States, other countries, or both.

Java and all Java-based trademarks and logos are trademarks or registered trademarks of Sun Microsystems, Inc. in the United States, other countries, or both.

UNIX is a registered trademark of The Open Group in the United States and other countries.

SET, SET Secure Electronic Transaction, and the SET Logo are trademarks owned by SET Secure Electronic Transaction LLC.

Other company, product, and service names may be trademarks or service marks of others.



# Preface

The new IBM® @server i5 servers extend the IBM @server iSeries™ family. They are the first servers in the industry based on the IBM leading-edge POWER5™ 64-bit microprocessor. Today's @server i5 servers give the flexibility to move from one generation of technology to another without disrupting a company's business. IBM i5/OS™ Version 5 Release 3, the next generation of OS/400®, features support for multiple operating systems and application environments on a single, simplified platform. @server i5 servers do more with less.

This twenty-sixth edition of the *IBM @server i5 and iSeries System Handbook*, distributed and respected worldwide, supports these latest IBM @server iSeries announcements. It provides a product and feature overview of the newest @server i5 Models 520 and 570, and describes the newest release of operating system software, i5/OS V5R3. It also describes iSeries Models 800, 810, 825, 870, and 890. Information is featured to describe all aspects of today's @server i5 servers, from the architectural foundation to performance considerations.

This Handbook is written for IBM System Specialists, Marketing Representatives, Business Partners, and Clients to answer first-level questions. It offers a comprehensive guide to the IBM @server iSeries models, associated hardware, and OS/400-related software currently marketed by IBM representatives.

This IBM Redbook is one of three books produced by IBM to highlight the iSeries product line. Use this handbook as a reference for the options that are available. Then, refer to the companion manual *IBM @server iSeries and AS/400e System Builder*, SG24-2155, for more detailed information and configuration rules. You may also refer to *IBM @server iSeries Migration: System Migration and Upgrades at V5R1 and V5R2*, SG24-6055, for details about upgrading to @server i5 520 and 570 servers and iSeries 800, 810, 820, 825, 830, 840, 870, and 890 servers.

Refer to IBM online publications and systems, such as ViewBlue and PartnerInfo (or their equivalent outside of the United States), and your IBM marketing and support representative for final confirmation.

To order a copy or copies of this handbook, see "Related publications" on page 769.

## The team that wrote this redbook

This redbook was produced by a worldwide team of specialists working at the International Technical Support Organization (ITSO), Rochester Center.

**Susan Powers** is a Consulting I/T Specialist at the ITSO, Rochester Center. Prior to joining the ITSO in 1997, she was an AS/400® Technical Advocate in the IBM Support Center with a variety of communications, performance, and work management assignments. Her IBM career began as a Program Support Representative and Systems Engineer in Des Moines, Iowa. She holds a degree in mathematics, with an emphasis in education, from St. Mary's College of Notre Dame. She is the project manager for the iSeries Handbook and System Builder suite of IBM Redbooks™.

**Mary Cheever**, Senior iSeries Techline Specialist, has been with IBM for 27 years. She has experience as an iSeries Systems Engineer and currently provides iSeries pre-sales technical marketing support.

**Louis Cuypers**, iSeries Technical Support Specialist, has been with IBM Belgium for 28 years. He specializes in technical support and problem determination hardware and software for the iSeries server. His previous experience includes working with the System/32, System/34, System/36™, System/38™, and AS/400 system. Louis has participated in many ITSO residencies since the release of OS/400 V4R1. He is recognized worldwide as an advocate for iSeries products and delivery.

**Greg Hidalgo** is an Advisory Techline Specialist on iSeries on the Western Area team in Dallas, Texas. Before joining Techline, he was with Level 2 support for OnDemand/Visual Info and OV/400. Greg joined IBM as a Systems Engineer in Houston and has 25 years of service with the company.

**Axel Lachmann** is a Project Manager and Senior Systems Engineer FoxCom, an iSeries Business Partner in Germany. He has 12 years of experience in the OS/400 field. He is an IBM Certified Solutions Expert - iSeries Technical Solutions. His areas of expertise include e-business enablement of line of business (LOB) applications, application modernization, Server Consolidation with logical partitions (LPARs), Microsoft® Windows® integration, and Linux planning and implementation. Axel also teaches e-business-related topics and technical certification courses extensively for IBM Learning Services in Germany.

**Henry Matos** is a Senior iSeries System Specialist for IBM in Atlanta, Georgia. He joined IBM in 1976 as a Computer Operator Trainee with the Program Information Department (PID) in Hawthorne, New York. After various computer-related assignments with internal IBM, he became a field AS/400 Systems Engineer in 1988 working out of the Manhattan, Midtown Branch office.

Henry later joined the IBM Techline organization and became the first Latin America Techline Specialist from Atlanta, Georgia.

**Glen McClymont** is a Senior AS/400 Techline Specialist with IBM in Canada. Since 1988, he has worked with the iSeries server in customer hardware support, software support, and most recently in pre-sales marketing support. Glen has 30 years with IBM. He is an alumni resident for the ITSO from previous Handbook and Builder residencies, providing expertise between updates.

**Jerry Watson**, iSeries Systems Specialist, has been with IBM United Kingdom for 18 years. After ten years as an AS/400 Systems Engineer working with customers in the London area, he moved to iSeries EMEA Techline and is now based in Leeds. His direct participation in the Handbook and System Builder began with the OS/400 V4R1 residency.

We appreciate contributions from the iSeries Information Center. And we thank the following developers, engineers, and product managers who provided technical validation, consultation, and information about the content and message of this handbook:

- ▶ For input on iSeries processors and features:

Denis Nizinski  
Jeff Trachy  
Dave Wells, team leader

- ▶ For input on iSeries migration and placement rules:

Mike Fallenstein, I/O Configuration

- ▶ For product coordination:

Bill Shaffer, iSeries Product Manager, Printing and E-output  
Mark Olson, IBM @server iSeries Brand Manager

- ▶ For input on hardware, OS/400, or other software products:

Bill Armstrong	Beth Hagemeister	Ray Perkins
Jim Cook	Steve Hank	Ron Peterson
Amit Dave	Jay Hansen	Brian Podrow
Sharon Davidson	Jamie Haverman	Mike Prochaska
Terri Dudek	Tonya Holt	Gene Rentz
Clair Ewert	Ian Jarman	Linda Robinson
Barbara Foss	Craig E. Johnson	Van Sammons
Jim Fritsch	Deb Landon	Doug Schilling
Les Fullem	Kevin Larsen	Jenifer Servais
Mark Funk	Nancy Lowe	Art Snyder
Tim Fynskov	Kyle Lucke	Mike Snyder
Jose Francisco Gazga	Mark Manges	Terry Van Benschoten
Mark Gennrich	Scott Maxson	Jeff Van Heuklon

Bob Gintowt  
Jim Gosack  
Thomas Gray  
Randy Grimm  
Duane Grosz  
IBM Rochester

Mark McDonnell  
Hilary Melville  
Brian Noordyke  
Mark Olson  
Bob Padzieski  
IBM Rochester

Jeff Waldbillig  
Larry C. Walsh  
Deb Ward  
Ron Wesely  
Joe Writz  
IBM Rochester

Mark A. Freeman  
Bill Shaffer  
IBM Boulder

David Slater  
Jenny Wong  
IBM Canada

## Become a published author

Join us for a two- to six-week residency program! Help write an IBM Redbook dealing with specific products or solutions, while getting hands-on experience with leading-edge technologies. You'll team with IBM technical professionals, Business Partners and/or customers.

Your efforts will help increase product acceptance and customer satisfaction. As a bonus, you'll develop a network of contacts in IBM development labs, and increase your productivity and marketability.

Find out more about the residency program, browse the residency index, and apply online at:

[ibm.com/redbooks/residencies.html](http://ibm.com/redbooks/residencies.html)

## Comments welcome

Your comments are important to us!

We want our Redbooks to be as helpful as possible. Send us your comments about this or other Redbooks in one of the following ways:

- ▶ Use the online **Contact us** review redbook form found at:

[ibm.com/redbooks](http://ibm.com/redbooks)

- ▶ Send your comments in an Internet note to:

[redbook@us.ibm.com](mailto:redbook@us.ibm.com)

- ▶ Mail your comments to:

IBM Corporation, International Technical Support Organization  
Dept. JLU Building 107-2  
3605 Highway 52N  
Rochester, Minnesota 55901-7829

# Introduction

# Introduction





## The next generation iSeries

IBM @server i5 servers extend the iSeries family. They are the first servers in the industry based on the IBM game-changing POWER5 64-bit microprocessor. Today's @server i5 servers give you the flexibility to move from one generation of technology to another without disrupting your business.

IBM also announces IBM i5/OS V5R3, the next generation of OS/400. Featuring support for multiple operating systems and application environments on a single, simplified platform, the @server i5 servers help you do more with less. This is exactly what you need to simplify your infrastructure, drive down costs, and drive up productivity in today's on demand world.

These highly integrated, powerful servers offer an on demand computing environment for IBM i5/OS, IBM AIX® 5L™, IBM WebSphere®, Microsoft Windows, Linux, and Java™ solutions. Flexible growth options, resource virtualization, and intuitive management tools mean that @server i5 servers can provide the power and capacity to run core business applications, as well as the freedom and scalability to add new e-business applications on the same server.

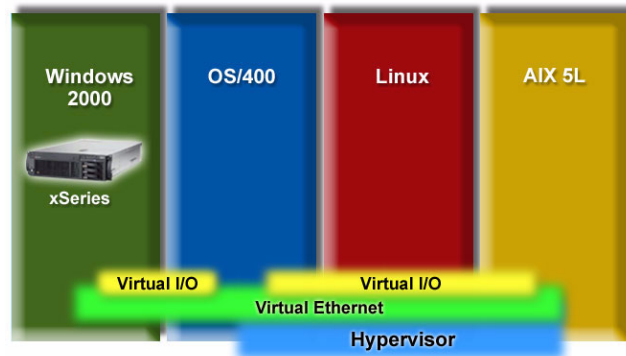
Today's @server iSeries announcements allow you to:

- ▶ Simplify your infrastructure
  - Run i5/OS, Linux, AIX 5L, and Windows on a single server
  - Share resources, maximize utilization with IBM Virtualization Engine™, and manage infrastructure with IBM Director Multiplatform

- ▶ Integrate to innovate
  - Exploit i5/OS integration with IBM software
  - Personalize application access with WebSphere Portal
  - Foster interaction and collaboration with IBM Lotus® Team Workplace
- ▶ Deliver without disruption
  - Extend Capacity on Demand (CoD) leadership with memory and reserve CoD
  - Strive for continuous operations with fault tolerant technologies
  - Deliver robust, open database solutions with IBM DB2® Universal Database™ (UDB)

## Simplicity in an on demand world

Today's on demand world is high-pressure and fast moving. Business demands change constantly. To gain a competitive edge, companies—regardless of how big or small—must be able to react instantly to customers' changing needs. It means having a flexible IT infrastructure



that can grow and dynamically adapt to these demands. All too frequently, this adaptation can mean running multiple servers, which often means greater complexity and increased management costs. Because complex infrastructures are not agile and do not respond well to rapid change, it may also mean lost business opportunities.

But it doesn't have to. The iSeries server demonstrates a unique design that delivers the benefits of today's innovative technology without complexity. It is a highly integrated, reliable server platform that allows businesses to run multiple operating environments simultaneously. It dynamically adjusts to the changing requirements of an e-business.

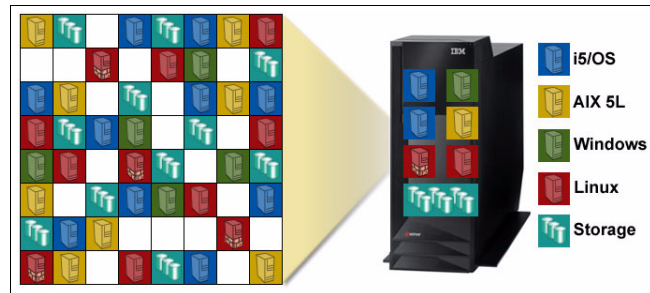
The iSeries offers an integrated architecture combined with legendary availability, high security, easy management, and mainframe-class technology. Because of this, the iSeries is uniquely positioned to play a leadership role in this new way of computing, providing simplicity in an on demand world.

## Simplify your infrastructure

@server i5 servers are designed to reduce complexity, streamline your infrastructure, and enhance productivity through server consolidation. In addition, @server i5 servers can dynamically adjust

resources to meet your computing needs, without adding an extra server every time you take on a new business challenge. The features that are designed to help simplify your infrastructure include:

- ▶ **Support for multiple operating systems** facilitate server consolidation. This helps to decrease complexity, enhance manageability, and promote low total cost of ownership (TCO).
- ▶ **Dynamic, even automatic, distribution of processing resources** help raise server utilization rates and improve productivity.
- ▶ **Dynamic logical partitioning** (part of IBM Virtualization Engine Systems Technologies) is designed to pool resources and optimize their use across up to 254 partitions running multiple application environments and operating systems.



## Integrate to innovate

To deliver new value to your business, you need to integrate. Staying competitive in an on demand world requires that companies react at the pace of e-business and deploy applications quickly. This is why @server i5 servers include a suite of tools to support integrated Web enablement. By integrating applications and data across different databases that run on multiple servers or a diverse operating system, @server i5 servers can help your company unite people, processes, and information more effectively.



The features that are designed to promote integration and innovation in your business include:

- ▶ **A vast array of available applications** from a global network of independent software vendors to simplify deployment and help lower TCO

- ▶ **Integrated middleware** including security and workload management tools; IBM DB2 UDB software with i5/OS V5R3 enhancements, IBM Lotus Domino® software, IBM WebSphere Application Server - Express for iSeries, and IBM HTTP Server (powered by Apache)
- ▶ **Easy-to-use, graphical management tools** built into iSeries Navigator to help streamline administration of multiple operating systems

## Deliver without disruption

Even the most comprehensive, powerful system requires simple management tools to be effective. Application requirements grow as companies expand. Businesses need intuitive, optimized management facilities every step of the way.

The following features of @server i5 servers are designed to enable your company to deliver key data and applications without disruption:


- ▶ **Clear upgrade paths from earlier servers** to enable businesses to seamlessly upgrade their servers between technology generations while helping to build on their investments in storage and networking
- ▶ **IBM @server On/Off Capacity on Demand** designed to dynamically add and subsequently remove extra processor capacity to handle spikes in demand, without permanently activating the processors or purchasing an upgrade
- ▶ **Scalable POWER5 performance** that offers a high scalable, upgradable, industry-standard and rack-optimized building-block architecture to help support balanced growth

## Looking toward the future

As we move forward into the on demand world, the need for businesses to move faster, improve flexibility, and bolster collaboration on a global level will undoubtedly grow. For this reason, the adoption of optimized IT infrastructures based on integration, virtualization, open standards, and autonomic computing will become more and more critical to business success.

The iSeries server possesses all attributes of such an environment, forming a solid technology foundation for on demand IT solutions. Thanks to the iSeries, the on demand computing world of tomorrow is rapidly becoming a reality—today.

This Handbook provides an overview of the hardware and software for Models 520 and 570 supported by i5/OS V5R3, as well as Models 890, 870, 825, 810, and 800 supported by OS/400 V5R3 and V5R2.



## **iSeries architecture: Fundamental strength of the IBM @server i5 and iSeries**

The accelerating rate of change of both hardware and software technologies necessitates that the server you select is designed with the future in mind. The iSeries accommodates inevitable, rapid, and dramatic technology changes with relatively minimum customer effort, to allow customers to meet their on demand requirements.

Paradoxically, the characteristic of the most advanced design and technology is that you do not notice it...you are not meant to do so. It accommodates rapidly-changing hardware and software technologies in stride—permitting you to fully exploit the latest technologies on demand.

iSeries servers and the supporting software offer important advanced capabilities in key areas such as e-business, Java, Web serving, Lotus Domino, integration with Windows, managed availability, database, and Business Intelligence solutions. To gain an appreciation of these technologies and of the particular strength of the iSeries server in delivering them, this chapter provides a summary of each prime element.

With well over 750,000 systems shipped worldwide, the success of the iSeries is realized with the highest customer satisfaction index in the industry, as measured by IBM internal studies. The foundation of success starts with the design of the system, the architecture. Those components are described in this chapter.

In brief, success factors for the iSeries are that it:

- ▶ Offers state-of-the-art 64-bit relational database processing.
- ▶ Supports an object-based design that makes it highly virus resistant.
- ▶ Has proven it can deliver over 99.9% availability.
- ▶ Has operated for more than one year without requiring a re-initial program load (IPL), in hundreds of customer shops.
- ▶ Can have up to 60 Windows servers in a single system while sharing host systems disk storage, tape, and CD-ROM resources.
- ▶ Directly (natively) supports different file structures, such as PC files, UNIX® files, NetWare files, Domino files (Network File System (NSF)), ASCII files, and EBCDIC files.
- ▶ Allows the deployment of Java, ported UNIX applications, Windows 2000, Domino-based applications, and Linux on a single server.
- ▶ Integrates leading edge technology. The iSeries server was the first server with Silicon-On-Insulator (SOI) technology. The POWER5 and POWER4™ technology-based processors are an extension of that technology at the .18 micron level.
- ▶ Offers capacity on demand (permanent or temporary) upgrades to support immediate and future processor utilization.
- ▶ Supports up to 254 partitions running IBM i5/OS, and IBM AIX 5L or Linux.
- ▶ With micropartitioning, allows up to 10 partitions per processor.
- ▶ Can ship with over 650 processor chips under the covers of a “single” large system.
- ▶ Incorporates many autonomic self-healing capabilities.

## System concepts

iSeries servers are designed and built as a *total system*, fully integrating the hardware and system software components that a business demands. As a general-purpose business and network system, it is optimized for the required environment with these unique benefits:

- ▶ The iSeries architecture is a brilliant, technology-neutral architecture. It enables businesses to readily exploit the latest hardware and software

technologies, typically without causing disruption to existing application software. See “iSeries architecture” on page 9.

- ▶ The single purpose pervading each aspect of the iSeries architecture is to *empower a business* with the most advanced technology available, *without encumbering it* with the complexities that such technologies inevitably contain. The iSeries allows you to rapidly deploy advanced business applications and facilitates business growth.
- ▶ Customers typically decide on the required application software first and then select an environment in which to run it. iSeries models have thousands of client/server applications written by IBM Business Partners across the globe. In addition, the iSeries server provides excellent platforms for Windows NT®, Lotus Domino, and Linux applications. iSeries models have national language support for over 50 languages, available in 140 countries or regions. IBM support across the world is provided by an impressive network of global partners.

A concise and expanded explanation of the iSeries server architecture is contained in the renowned book *Fortress Rochester: The Inside Story of the IBM @server iSeries* written by AS/400 and iSeries Chief Architect, Dr. Frank G. Soltis.

## iSeries architecture

This section describes aspects of the iSeries server architecture that contribute most to the server’s success as the *server of choice*.

### Single-level storage

Application programs on an iSeries server are unaware of the underlying hardware characteristics, because of the iSeries layered architecture approach, Technology Independent Machine Interface (TIMI). TIMI frees application code from worrying about processor technology, such as moving from 32- to 64-bit or Complex Instruction Set Computing (CISC) to Reduced Instruction Set Computing (RISC).

The concept of single-level storage means that an application does not deal with storage device specifics. The knowledge of the underlying characteristics of hardware devices (in this case, main storage and disk storage) reside in the System Licensed Internal Code (SLIC). All of the storage is automatically managed by the system. No user intervention is ever needed to take full advantage of any storage technology. Programs work with objects. Objects are accessed by name, not by address.

iSeries servers are commercial servers designed to handle many programs and users running simultaneously. Single-level storage enables very high-speed switching between active and idle programs and users as compared to other operating system architectures. It contributes directly to iSeries high performance characteristics.

The iSeries server address size is vast. iSeries models can address the number of bytes that 64 bits allows it to address. The value  $2^{64}$  is equal to 18,446,744,073,709,551,616. Therefore, the iSeries models can address 18,446,744,073,709,551,616 bytes, or 18.4 quintillion bytes. To put this into more meaningful terms, it is twice the number of millimeters in a light year. Light travels at approximately 6,000,000,000,000 miles in one year.

Single-level storage also enables another extremely important iSeries customers benefit—*object persistence*. Object persistence means that the object continues to exist in single-level storage (unless purposely deleted by the customer). Memory access is extremely fast. A typical server requires that information be stored in a separate file system if the information is to be shared or retained for a long time. The maintenance and awareness of the separate location can impact the total cost of ownership of the application.

Persistence of objects is extremely important for support of object-oriented databases for data accessibility and recovery. Objects continue to exist even after their creator goes away. iSeries models are uniquely positioned to exploit this characteristic of object persistence. Customary systems use a less elegant mechanism that requires them to store their persistent objects in a separate file system, with all the attendant performance implications of application and operating system implementation.

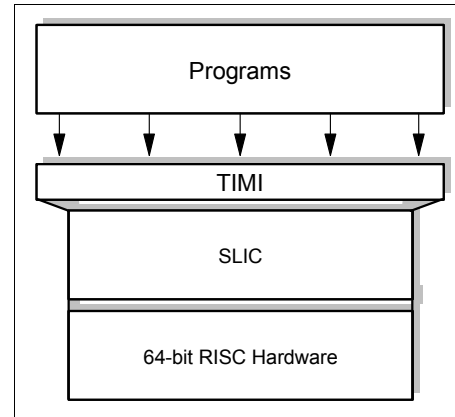
## Technology Independent Machine Interface

iSeries servers are atypical in that they are defined by software, not by hardware. When a program presents instructions to the machine interface for execution, it *thinks* that the interface is the system hardware, but it is not. This interface is known as Technology Independent Machine Interface. The instructions presented to TIMI pass through a layer of microcode before they are “understood” by the hardware itself.

This comprehensive design insulates application programs and their users from changing hardware characteristics. When a different hardware technology is deployed, IBM rewrites sections of the microcode to absorb the fluctuations in hardware characteristics. As a result, the interface presented to the customer remains the same.



The microcode layer is known as the System Licensed Internal Code. Many of the frequently-executed routines run in SLIC. Supervisory resource management functions in SLIC include validity and authorization checks. On a customary system, these routines reside in the operating system. Because SLIC is closer to the silicon, routines performed there are faster than routines placed “higher” in the machine.



The brilliance of this design was dramatically illustrated when the AS/400 system changed its processor technology from CISC processors to 64-bit RISC processors in 1995. With any other system, the move from CISC to RISC would involve recompiling (and possibly some rewriting) programs. Even then, with other systems, the programs would run in 32-bit mode on the newer 64-bit hardware.

This is not so with the iSeries server, because of TIMI. Customers were able to *save* programs off their CISC AS/400 systems and *restore* them on their RISC AS/400e™ models. The programs run as 64-bit programs. As soon as they made this transition, customers had *64-bit application programs* that ran on a *64-bit operating system*, containing a *64-bit relational database* that fully exploited the *64-bit RISC hardware*.

TIMI and SLIC take technology in stride. New architectural features are exploited to fully accommodate post-RISC technologies, which may incorporate 96-bit or 128-bit processors or shifts to different processor technologies. TIMI helps condition the iSeries to bring new technology to market.

## POWER Hypervisor

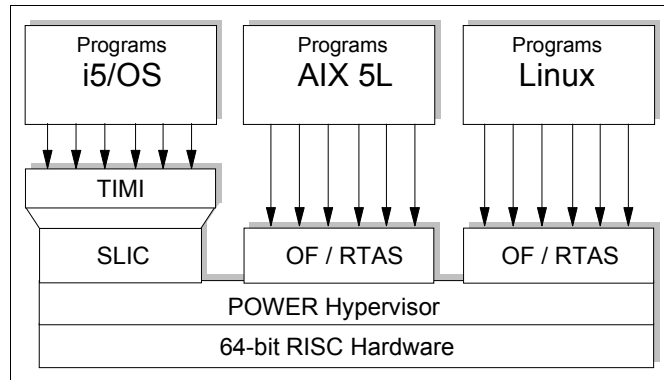
IBM @server i5 servers work with a different structure when compared to the previous technologies used with the iSeries servers. Above the POWER5 technology-based hardware is a new code layer called the *POWER™ Hypervisor*.

This code is part of the firmware shipped with the @server i5 hardware. The POWER Hypervisor resides in flash memory on the Service Processor. This firmware performs the initialization and configuration of the @server i5 hardware, as well as the virtualization support required to run up to 254 partitions concurrently on the @server i5 servers.

The layers above the POWER Hypervisor are different for each supported operating system.

For i5/OS, TIMI and the layers above the POWER Hypervisor are still in place. SLIC, however, is changed and enabled for interfacing with the POWER Hypervisor. The POWER

Hypervisor code is based on the iSeries Partition Licensed Internal Code (PLIC)



code that is enhanced for use with the @server i5 hardware. The PLIC is now part of the POWER Hypervisor.

For the AIX-5L and Linux operating systems, the layers above the POWER Hypervisor are similar, but their content is characteristic for each operating system. The layers of code supporting Linux and AIX-5L consist of System Firmware and Run-Time Abstraction Services (RTAS).

System Firmware is composed of Low Level Firmware and Open Firmware. *Low Level Firmware* is code that performs server unique input/output (I/O) configurations such as high-speed link (HSL)-2/RIO-G loops and PCI-X bridges. *Open Firmware* contains the boot time drivers (for example, SCSI, SSA, token ring, and Ethernet), the boot manager, and the device drivers required to initialize the PCI adapters and attached devices. The Run-Time Abstraction Services consist of code that supplies platform dependent accesses and can be called from the operating system. These calls are passed to the POWER Hypervisor that handles all I/O interrupts.

The @server i5 layered code structure makes the @server i5 platform even more flexible. It also enables easy accommodation of different operating systems.

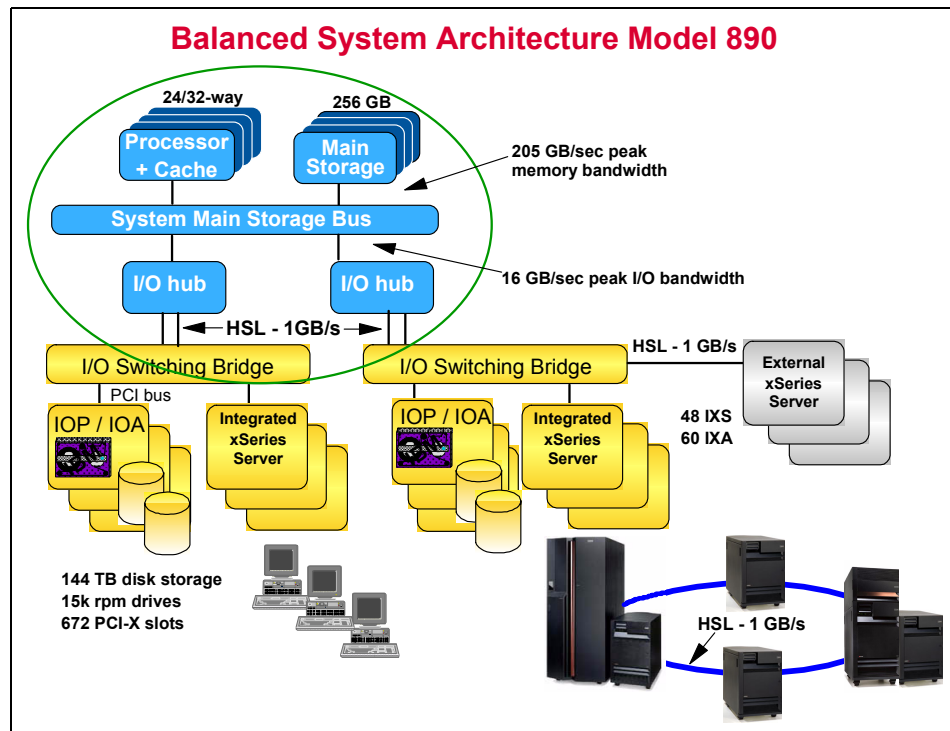
The POWER Hypervisor allows for multiple operating systems to run on the new hardware. i5/OS, Linux, and AIX 5L are supported. New releases of POWER technology-based Linux and AIX 5L are required and are planned to be available later in 2004. No additional investment is required to bring existing applications running on the iSeries today, with an earlier supported OS/400 release, to i5/OS or to the new @server i5 hardware.

## Hierarchy of microprocessors

iSeries servers are designed for business computing. One of the fundamental characteristics of that environment is that it is I/O-intensive, rather than compute-intensive. In addition to outstanding performance in the business environment, the microprocessor design hierarchy gives the iSeries server an elegant method of integrating diverse environments into a single, harmonious customer solution.

The microprocessors that look after a particular I/O device are accommodated on I/O cards that fit into slots on the system buses. One of these cards may be the Integrated xSeries® Server. This is a PC on a card, which enables the iSeries server to run a Windows server, for example.

The following figure shows a highly simplified architecture indicating some of the maximum configuration values for a Model 890.



High performance on an iSeries server is achieved by using many individual high performance microprocessors, I/O devices, and interconnect technologies. Key to the iSeries high performance is the POWER4 distributed switch that supports enormous bandwidth between processors, cache, memory, and I/O. While

programs execute on POWER4 microprocessors, movement of data is handled by high performance I/O adapters and I/O processors. Data moves between I/O towers and to Integrated xSeries Adapter PC servers across HSL at 1 GB/second and storage area network (SAN) disk and tape devices are supported at 2 Gb/second over Fibre Channel.

The multichip modules (MCMs) contain eight processors each. In such an MCM, there are four copper SOI chips. Each chip contains 174 million transistors forming two processors running at a speed of 1.3 GHz. The 8-way MCM is the building block for the system. It is only available with four chips, each with its attached L3 cache. A single processor on a chip has all of the L2 and L3 cache resources attached to the module (134 MB per MCM).

On an iSeries Model 890, a 32-way symmetric multiprocessing (SMP) configuration is implemented with four MCMs, with each MCM containing four dual core POWER4 chips spinning at 1.3 GHz.

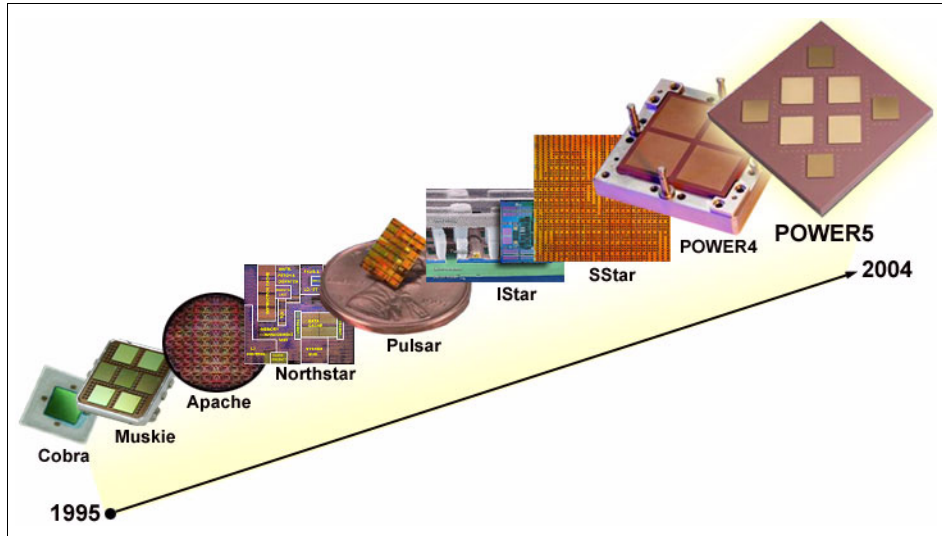
A single large iSeries configuration can have well over 650 processors. The main system processor complex (can be comprised of 32 separate processors) can encounter a request for data to be read from or written to any I/O device. That request for data is delegated to the particular microprocessor dedicated to that I/O device. Meanwhile, the main system processor continues executing another application program. Nanoseconds ( $10^{-9}$  second) is the unit of time used to measure main storage access times. I/O operations are measured in milliseconds ( $10^{-3}$  second).

## Technology in stride

The iSeries server delivers tremendous capacity growth in its product line. The iSeries Layer (also known as Technology Independent Machine Interface) has made it possible to completely change the underlying hardware with minimum, if any, impact to iSeries applications. TIMI helps condition the iSeries to bring new technology to market.

The first AS/400e models based on the 64-bit RISC PowerPC® AS processors were announced in June 1995. In 1997, the 12-way AS/400e system was delivered using Power PCA35 microprocessors. Known as Apache technology, the Power PCA35 microprocessors provided a growth of 4.6 times. In September 1998, a 12-way AS/400e system was delivered using the Power PCA50 microprocessor. Known as code name Northstar, the Power PCA50 microprocessors nearly doubled the high-end capacity. This set of processors provided the fourth generation since the AS/400 system's inception in 1988 with 64-bit AS/400 Power PCs microprocessors.

The advance in processor technology is shown in the following figure.



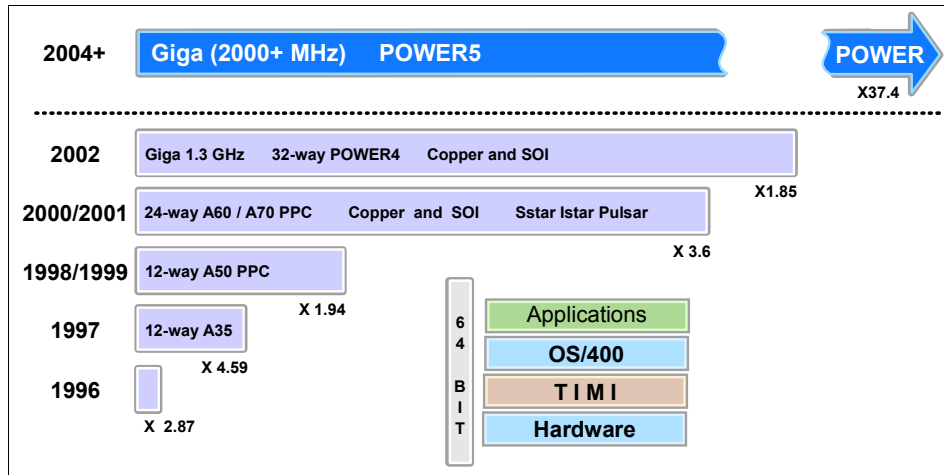
Pulsar, ISTAR, and SSTAR processors use on-chip copper-wiring technology. The Pulsar processors integrate IBM CMOS7S technology. ISTAR and SSTAR processors integrate CMOS8S technology. Previously, Northstar technology used aluminum for on-chip wiring. Copper's better conductivity permits thinner wires to be used, which enables the transistors to be packed closer together. The denser new technology permits additional micro-architecture methods to improve performance.

Delivered in 2002, the next evolution of IBM @server microprocessors was POWER4 fabricated in CMOS8S technology. Keeping multiple levels of high speed cache is still necessary to keep the processors busy. Denser processor technology permits more on-chip cache.

Continuing this industry-leading technology, POWER5 in CMOS9S arrives in 2004. The improved density with CMOS9S technology allows for larger caches, and for cache-controllers and memory controllers to be on-chip, resulting in higher processor performance.

This growth and implementation of new technology is possible because of the iSeries TIMI layer. TIMI allows the system to incorporate significant new hardware technology quickly and transparently. The ease with which customers have migrated to these powerful systems is a testimony to the fundamental strength of the server's architecture.

The following figure shows this change of hardware processor technology and previews what is planned in future generations.



The summary charts in “Summary of today’s iSeries” on page 67 indicate the processor technology is used in each @server i5 and iSeries server.

## Microprocessor excellence

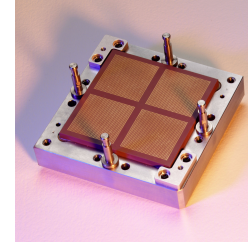
### Multithreading

Multithreading minimizes the processor wait or idle time. In general, multithreading allows a single processor to process multiple threads in a different fashion than a single processor without this capability. There are several distinct differences between different types of multithreading implemented in the industry. We restrict our discussion to IBM technologies only.

Testing indicates significant performance improvement over the multi-threading algorithm used in the hardware multithreading (HMT) of the SSTAR technology processors. Internal laboratory testing indicates that commercial applications see a 25% to 35% throughput improvement compared to no multithreading implementation and approximately 10% for HMT (controlled by the settings of the QPRCMLTTSK system value). The 130 nanometer (nm) chip circuit technology is used.

## POWER4

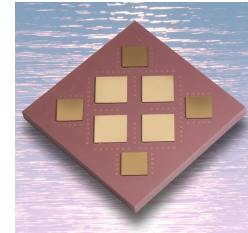
POWER4 cannot be considered only a chip, but rather an architecture of how a set of chips is designed together to build a system. As such, POWER4 can be considered a technology in its own right. The interconnect topology, referred to as a *Distributed Switch*, is new to the industry with POWER4. In that light, systems are built by interconnecting POWER4 chips to form up to 32-way symmetric multiprocessors. The reliability, availability, and serviceability (RAS) design incorporated into POWER4 is pervasive throughout the system and is as much a part of the design. POWER4 is the chip technology used in the iSeries Model 825, 870, and 890.



The POWER4 design can handle a varied and robust set of workloads. This is especially important as the e-business world evolves and data intensive demands on systems merge with commercial requirements. The need to satisfy high performance computing requirements with its historical high bandwidth demands and commercial requirements, along with data sharing and SMP scaling requirements dictate a single design to address both environments.

## POWER5

POWER5 technology is the ninth generation of 64-bit architecture. Although the hardware is based on POWER4, POWER5 is much more than just an improvement in processor or chip design. It is a complete architectural change, creating a much more efficient superscalar processor complex. For example, the high performance distributed switch is enhanced. POWER5 technology is implemented in the @server i5 Model 520 and 570.



As with previous hardware technology, POWER5 technology-based processors have two load/store, two arithmetic, and one branch unit. The *processor complex* design is built in such a way that it can most efficiently execute multiple instruction streams concurrently. With simultaneous multithreading (SMT) active, instructions of two different threads can be issued per single cycle.

The POWER5 concept is a step further into autonomic computing. Several enhanced reliability and availability enhancements are implemented. Along with increased redundant components, it incorporates new technological high standards, such as special ways to reduce junction temperatures to reach a high level of availability. The full system design approach is required to maintain balanced utilization of hardware resources and high availability of the new @server i5 systems.

Memory and CPU sharing, a dual clock, and dual service processors with failover capability are examples of the full system design approach for high availability. IBM designed the @server i5 system processor, caching mechanisms, memory allocation methods, and the RIO-G adapters for performance and availability. In addition, advanced error correction and low power consumption circuitry is improved with thermal management.

Multiprocessor POWER5 technology-based servers have multiple autonomic computing features for higher availability compared with single processor servers. If a processor is running, but is experiencing a high rate of correctable soft errors or is failing a periodic floating point self test, it can be *deconfigured dynamically*. Its workload can be picked up automatically by the remaining processor or processors without an IPL. If there is an unused Capacity Upgrade on Demand processor or if one processor unit of unused capacity in a shared processor pool is available, the deconfigured processor can be replaced dynamically by the unused processor capacity to maintain the same level of processor performance.

## The future

*“Power Architecture™ is more than just a technology, but rather a movement for change. It’s time for architecture that enables innovation to flourish. It’s time for Power Everywhere™.”*

– Nick Donofrio, IBM Senior VP

For the future, Power Architecture microprocessors are being designed to keep running through many hard processor failures. The processor state will be maintained and switched to a hot standby processor. Reliability and availability characteristics associated only with IBM @server zSeries® class machines will be incorporated into the @server i5 systems.

## Silicon On Insulator

In 2000, the iSeries led the industry by delivering the first server with the new Silicon-On-Insulator technology. SOI represents a fundamental advance in the way chips are built. The unique IBM SOI process alters the design of transistors, essentially “turbo charging” them, so they run faster and use less power. For example, a microprocessor designed to operate at a given speed can instead be built using SOI technology to achieve higher speeds. At the same time, if performance levels are held constant, SOI chips can require as little as one-third the power of today's microchips.



The transistors are built within and on top of a thin layer of silicon that is on top of an insulating layer. The insulating layer is fabricated by implanting a thin layer of oxide beneath the primary silicon surface of the wafer. SOI is used by AS/400e and iSeries processors with ISTAR, SSTAR, and POWER4 technology.

Powerful processor features based on the IBM industry leading copper and SOI technology were added in 2002.

## On-chip copper-wiring technology

Pulsar, ISTAR, SSTAR, and POWER4 processors use on-chip copper-wiring technology. Pulsar processors integrate IBM CMOS 7S technology. ISTAR and SSTAR processors integrate IBM CMOS 8S technology. POWER4 processors integrate CMOS 8S3 technology. Northstar technology used in prior AS/400e processors deploys aluminum for on-chip wiring.

Copper's better conductivity permits thinner wires to be used, which enables the transistors to be packed closer together. This denser technology permits additional micro architecture methods to improve performance. Denser processor technology also permits more on-chip cache. Keeping multiple levels of high-speed cache enables efficient utilization of the processors.

## Advanced I/O architecture

AS/400, and now iSeries, servers have a tremendously powerful and flexible I/O architecture, from the main processor or microprocessor all the way to the disk drive, tape device, local area network (LAN) or wide area network (WAN), or other I/O device. Focusing on one component of this architecture, the I/O cards which are inserted into the iSeries servers, are a combination of an I/O processor card (IOP) and an I/O adapter card (IOA).

The IOP/IOA is a mainframe-inspired implementation. Other midrange or PC servers use the IOA. Using the combined IOP/IOA architecture gives the iSeries several advantages. The architecture off loads cycles from the main processor, isolates the main processor from the adapter and network errors, and manages, configures, and services the IOAs.

**Note:** For historical reasons, disk, tape, and workstation IOAs are called *controllers* on the AS/400 and iSeries.

When the first AS/400 systems were announced, a set of IBM proprietary I/O standards called System Products Division (SPD) were used. In the late 1990s, IBM started the movement to the emerging industry I/O standards called Peripheral Component Interconnect (PCI). PCI standards can refer to the I/O

bus, the I/O card slots, and the I/O cards themselves. Vendors can, and do, implement extensions to these standards where the standard hasn't evolved to cover the function, or other customer benefits are seen. IBM tends to implement the standards, adding extensions for function, performance, or reliability.

Like any good set of standards in a dynamic environment, PCI standards continue to evolve. A second generation of PCI standards was implemented in 2000 on the iSeries Model 270, 820, 830, and 840 I/O, and the I/O towers, such as the #5074 PCI Expansion Tower. A number of new PCI I/O cards (IOAs) were also introduced. Excellent investment leverage was provided, as most of the first generation PCI cards worked in the new PCI slots. Most second generation PCI cards worked in the first PCI slots.

## **PCI-X**

In 2002 and 2003, the third generation of PCI standards for iSeries was implemented, called *PCI-X*. PCI-X is a higher speed version of the conventional PCI standard and enables function and performance for iSeries servers beyond that of PCI. This new standard keeps pace with the demands of high-bandwidth business-critical applications such as Fibre Channel, RAID, networking and SCSI. PCI-X adapters also run in PCI slots, but at the slower PCI speed.

Several PCI-X IOAs are introduced with i5/OS, again providing an excellent investment leverage. PCI-X slots are provided in iSeries Models 520, 570, 825, 870, and 890 and in I/O towers such as the #5094 and #5095 PCI-X Expansion Towers. Second generation PCI cards work in the PCI-X slots, and some of the first generation PCI cards work in the PCI-X slots. PCI-X cards can work in the second generation PCI slots.

## **Hot-plugging**

*Hot-plugging* is an industry phrase which can apply to either I/O devices such as disk, tape, or optical drives, or I/O cards. Hot-plugging allows a customer to remove or add an I/O device or card without taking the server down. This improves availability of the system and allows you to perform upgrades, maintenance, or repair without impacting the users of the system.

A method must be in place to inform the operating system of insertion and removal events. Driven by the demand for the highest possible availability, the iSeries advanced technology enables concurrent install of new IOPs, adapters, and devices. The server can recognize this new hardware, load the correct internal code, and make the functions of the newly installed hardware available without interrupting normal operations.

iSeries and AS/400 servers have supported disk hot-plugging on all but the smallest servers for many years. Disk hot-plugging capability is available on @server i5 Models 520 and 570 and iSeries Models 800, 810, 825, 870, and

890. The in-use disk drive must be protected by RAID or mirroring before removing the drive.

PCI hot-plugging was first introduced in 2000 on the iSeries Models 820, 830, and 840, and the 2-way Model 270. It was introduced at the same time the second generation PCI technology was introduced. Hot-plug PCI is supported on @server i5 Models 520 and 570 and iSeries Models 825, 870, and 890, and 2-way Model 810.

PCI hot-plugging in the iSeries models is made possible by power control to individual card slots. In most cases, IOA configurations can be changed while other IOAs on the same IOP remain operational.

Removing the IOP or IOA associated with a running load source disk drive is an obvious example of something which is not hot-pluggable unless the IOP or IOA has been mirrored. The operator interface controlling hot-plugging uses the Hardware Service Manager in the System Service Tools (SST), or a subset of Dedicated Service Tools (DST), depending on which tool you have started.

Refer to the individual PCI card feature descriptions in Chapter 16, “iSeries I/O adapters and controllers” on page 251, and a description of the server models to determine if *hot swapping* of a specific PCI card is supported.

## High-speed links

First introduced in the year 2000 on the iSeries servers, a new bus structure using HSL provided a faster data transportation mechanism. As faster processors, larger caches, faster memory, super fast cross-bar switch complex, faster direct access storage device (DASD), and much faster IOPs and IOAs emerged, it was clear the earlier AS/400 infrastructure needed more speed, capacity, and function as IBM transitioned to iSeries. Today’s iSeries 520 and 570 servers use HSL-2 (RIO-G) loops to provide expansion and server communication. HSL loops can be either copper or optical.

The HSL-2 structure provides performance improvements and future system growth. HSLs are flexible and powerful. An HSL-2 design provides:

- ▶ 2 GB/second technology
- ▶ A simplified and flexible implementation that supports:
  - Loop technology for redundancy
  - Multiple towers per loop: Mix and match the HSL-attached I/O towers on the loop
  - Migration tower attachment to support SPD I/O towers for iSeries Models 820, 830, and 840

- Migration to PCI I/O and HSL-attached I/O towers
- Migration of HSL to HSL-2 attached I/O towers
- Switchable I/O towers with independent auxiliary storage pools (IASPs)
- Expanded Windows capability with attached 1- to 8-way Integrated xSeries Servers via the HSL
- Complex HSL clusters (three iSeries servers and no I/O towers on a loop) (V5R2)
- Simple HSL clusters (two iSeries servers and up to four towers) (V5R1 or later)

In 2004, IBM announced the iSeries POWER5 technology-based servers, the Model 520 and 570. These servers use the second generation of HSL technology called RIO-G (or HSL-2). Although the iSeries POWER5 technology-based processors use the same physical HSL-2 connections as used on the iSeries Model 825, 870, and 890, the Model 520 and 570 can run the RIO-G loop at up to 2 GB/s, twice the speed for previous iSeries servers.

Refer to “High-speed link” on page 212 for additional information about HSL.

## iSeries integration with the Windows Server

iSeries servers include the ability to manage Intel®-based Windows servers via the Integrated xSeries Server or the Integrated xSeries Adapter. The Integrated xSeries Server supports up to 48 servers on selected iSeries models. iSeries servers support the attachment of external n-way IBM @server xSeries servers via the high-speed link.

With the Integrated xSeries Adapter, selected xSeries servers running a Windows 2000 Server can help to extend Windows application scalability. At the same time, they can retain the storage consolidation and systems management advantages of the Integrated xSeries Server.

Virtual storage management enables an administrator to dynamically add storage to a running Windows 2000 Server without a reboot.

User administration features include the ability to synchronize user accounts, user profiles, and passwords between i5/OS and Windows.

Virtual Ethernet can provide a secure, high-performance bus interconnect between Windows, Linux and OS/400 without an external LAN.

Flexible server deployment and testing features include the ability to store multiple Windows server images on the iSeries (for example, different service packs of applications), and then boot only the server required on an Integrated xSeries Server. A single backup methodology for all Windows servers and OS/400 also provides a robust disaster recover solution. Microsoft Cluster Service supports dynamically switching virtual storage spaces (disks) between Windows servers.

The Integrated xSeries Server features a 2.0 GHz Intel Xeon processor with a 512 KB L2 cache, a 400 MHz front side bus (FSB), an on-board 10/100 Mbps Ethernet controller, and four USB ports.

The Integrated xSeries Adapter is a PCI adapter that connects xSeries servers to the iSeries HSL bus, and provides the server virtual storage and Ethernet. The Integrated xSeries Adapter is supported with a range of xSeries servers, including the xSeries 235, 255, 360, and 440.

IBM supports Windows 2000 Server on the Integrated xSeries Adapter and Integrated xSeries Server, and plans to support Windows .NET Standard and Enterprise servers.

Refer to “1519-100 Integrated xSeries Adapter for iSeries (direct attach)” on page 219 for additional information about Integrated xSeries Adapters for the iSeries.

## Reliable, managed availability

The iSeries server has a reliable history of designing key functions into the hardware and software. High availability is one reason to select a managed availability approach. Other reasons include minimal disruptive backup solutions, and the ability to nondisruptively install and pre-test new versions, releases, or software fixes to make optimum use of all company and system resources.

Hallmarks of iSeries availability include redundant internal hardware features, such as RAID-5 and mirroring. The robustness and stability of OS/400 extends into its multiple, subsystem support (batch, interactive, multi-language, and applications). The iSeries server offers managed availability to ensure that it is ready to do business when you are.

iSeries managed availability software is also called *cross-system mirroring*. It provides:

- ▶ The ability to have one system act as a hot backup system to one or more primary systems. The primary and secondary systems do not have to be the same size or model.

- ▶ A rapid switchover to the secondary machine in the event of an emergency.
- ▶ New software versions and releases (OS/400 and associated software), or fixes on the secondary system can be applied while the primary system continues to function. Testing can occur on the secondary system before nondisruptively updating the primary system.

iSeries servers offer superior technology, service, and support in each of five critical components of availability:

- ▶ **Single system reliability:** Architecture and baseline design make the iSeries server one of the most reliable servers in the world. From its inception, the iSeries architecture inherits a design where reliability and availability are equivalent to features such as processor speed, memory capability, and number of disk arms when planning for reliability.

The iSeries design and development resources that enable high levels of availability in a single system environment are useful for prevention of unplanned outages. The single-system iSeries remains the core building block to repeat and extend functions into other areas of the business.

- ▶ **Single-system availability management:** iSeries servers have high-availability facilities that are not only fast and automated, but are easy to use. Planned and unplanned outages are reduced with high availability facilities which include:
  - Automated journal management
  - Access path protection
  - Batch journal caching
  - Save-while-active
  - Parallel save and restore
  - Backup Recovery and Media Services (BRMS) for iSeries
  - RAID-5 disk parity protection
  - Disk mirroring protection
- ▶ **Clusters:** Cluster technology is implemented to reduce downtime caused by planned outages and site disasters. The system availability during planned outages contributes to an increase coverage of unplanned outage. Refer to “iSeries clustering” on page 447.
- ▶ **Cluster-enabled applications:** A high availability solution for the iSeries server involves an active participation of cluster middleware providers. IBM Business Partners provide advanced cluster management and data resiliency tools. Solution developers design applications to maintain the state of an application across an outage.
- ▶ **Availability services and support:** As a world-leading enterprise computing vendor, IBM has a collection of products and services to assist the customer to develop and maintain a high availability environment. The on demand

capabilities of the Model 825, 870, and 890 servers include High Availability and Capacity BackUp business continuity offerings.

## Clustering with switchable DASD and IASP

**Note to reader:** The enhancements to switchable DASD and IASPs offered with V5R3 i5/OS are not reflected in this section of the Handbook at the time of this writing. Refer to the iSeries Information Center.

OS/400 V5R2 and V5R1 with HSL OptiConnect provide switchable disk capability between two servers. V5R2 allows three systems on an HSL loop. IASPs and switched disk clusters provide the ability to access content on a set of disk units from a second system. Support for both planned and unplanned outages is improved when the system currently using a switchable disk experiences an outage. Operations are continued on a system even when an isolated controller or disk unit fails.

Data availability is improved with IASPs or switched disk clustering. Upon an outage within a cluster, users can be switched to an alternate node in the cluster (another iSeries server). Integrated file system (IFS) data and operating system library objects residing in an IASP can be switched to another iSeries server without an IPL. This enables one iSeries to take over data and an I/O controller in a disk tower from another iSeries.

The primary function in the early stages of clustering is to offer coverage for planned upgrades and maintenance on the production system without affecting users accessing data from the switched disk towers, for the user-defined file system (UDFS) only. Cluster management middleware, shipped as part of OS/400 option 41 (HA Switchable Resources), manages the switchover. For high availability purposes, it ensures that no two systems access the disks (data) at the same time.

A properly designed switched disk cluster can offer advantages over a data replication cluster. Because a switched disk cluster does not use data replication, there is less overhead on the systems and, therefore, more resource available to process transactions. A switched disk cluster can be simpler to operate. The application is critical to the design of a true continuously available environment.

Domino takes advantage of this support and uses the switched disk architecture to enable clustering. Switched disks do not remove the requirement to have application resiliency.

## Cross-site mirroring

Cross-site mirroring (XSM), sometimes called *geographic mirroring*, enables you to mirror data on disks at sites that can be separated by a significant geographic distance. You use this technology to extend the functionality of a device cluster resource group (CRG) beyond the limits of physical component connection.

Geographic mirroring provides the ability to replicate changes made to the production copy of an independent disk pool to a mirror copy of that independent disk pool. As data is written to the production copy of an independent disk pool, the operating system mirrors that data to a second copy of the independent disk pool through another system. This process keeps multiple identical copies of the data.

Through the device CRG, should a failover or switchover occur, the backup node can seamlessly take on the role of the primary node. The server or servers that act as backups are defined in the recovery domain. The backup nodes can be at the same or different physical location as the primary.

When an outage occurs on the server defined as the primary node in the recovery domain and a switchover or failover is initiated, the node designated as the backup in the recovery domain becomes the primary access point for the resource and then owns the production copy of the independent disk pool. Therefore, you can gain protection from the single point of failure associated with switchable resources.

## Virtualization technology

Virtual technology enables resource sharing in an integrated, flexible computing environment on a single server. This section discusses key virtual technologies that are available with each iSeries server.

### Virtualization Engine

Virtualization Engine is the name for a technology that describes the ability to see and manage system and storage resources across a computing environment. A set of system services includes workload management, integrated grid services, and a set of tools to help monitor the computing resource. Services have the capability of workload balancing across different operating systems within a single server and across the computing network.

Refer to “Product Previews: Open” on page 56 for a preview of this service.

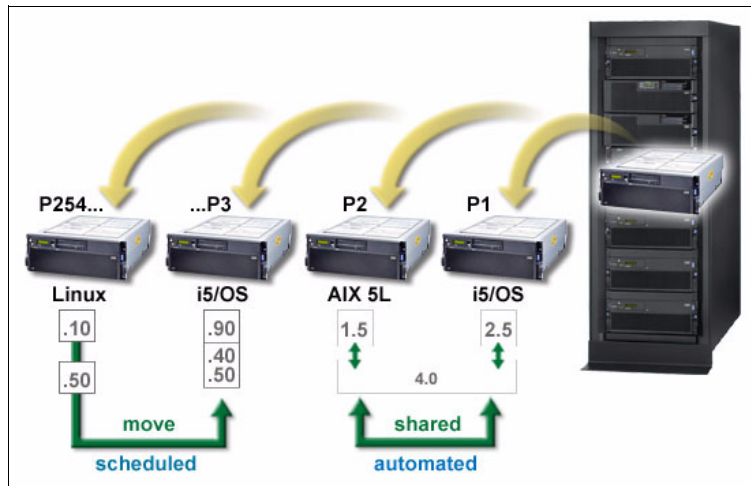


## Dynamic logical partitioning

Logical partitioning (LPAR) enhances the role of the iSeries as a consolidated server. With LPAR, companies have both the power and flexibility to address multiple system requirements in a single machine.

*Server virtualization*, a term often used with partitioning, is accomplished on iSeries through the use of Hypervisor technology. Hypervisor encompasses a combination of both hardware features and control code. @server i5 servers uses POWER Hypervisor, as described in “POWER Hypervisor” on page 11, to deliver this virtualization support.

LPAR as implemented on iSeries extends the original architectural design concept of application execution by allowing OS/400, Linux or AIX to run in a given partition. Extensive dynamic and granular resource sharing is allowed across processors (SMP configurations), memory, disk, tape, and other devices, including Virtual Ethernet, which are covered in the next section. Multiple partitions are supported for selected iSeries uni-processor models. Resource sharing across partitions is illustrated in the following graphic.



You can find more details about LPAR in “Logical partitions” on page 442.

## Virtual Ethernet

Virtual Ethernet (also referred to as Virtual LAN (VLAN)) provides the ability to provide multiple communication paths between applications that are executed in each logical partition. More importantly, Virtual Ethernet allows high-speed bus-to-bus communication between *selective* OS/400 partitions and Linux partitions. It is possible to tie in each of the multiple communication paths

between partitions to a specific application. OS/400 V5R2 introduced the capability to connect Integrated xSeries Servers and Integrated xSeries Adapters via Virtual Ethernet.

@server i5 hardware provides a IEEE 802.1Q VLAN Virtual Ethernet switch as part of the POWER Hypervisor. Up to 4094 VLANs are available with i5/OS V5R3 running on @server i5 hardware. For systems prior to the POWER5 technology-based models, up to 16 independent high-speed internal bus-to-bus communication paths are supported between logical partitions.

The enablement and setup of Virtual Ethernet is easy and does not require an IPL or any special hardware or software. When a virtual communications port is enabled for a given partition, a communication resource (CMNxx) is created for that partition. The user can then create a high-speed 1 Gb Ethernet line description over this resource and set up TCP/IP configuration appropriately to start communicating to another partition. A maximum of 16 virtual ports can be enabled for high-speed communications per partition for systems prior to the POWER5 technology-based models. For i5/OS V5R3 partitions running on @server i5 hardware, thousands of virtual ports can be created per partition.

Additional communications software or hardware is not required.

## IBM i5/OS

One of the single, most dramatic points about the iSeries servers is that the operating system, i5/OS, is a single entity. This section describes the meaning of this concept.

**Note:** IBM i5/OS for V5R2 and earlier versions is called OS/400.

After you buy an iSeries server, you do not have to continue shopping for system software components before the server is ready to run your business. All of the software factors for a relational database, comprehensive security, communications with a broad range of diverse systems, including Internet capabilities, and many more components are already in the operating system. Each is fully integrated into i5/OS. By “fully integrated”, we mean fully tested, too. All components and prerequisites for running business applications in the 2000s work together, and are fully tested together. i5/OS operates as a single entity.

On the iSeries servers, high-level machine instructions execute only on what they are designed for. Only a program (an object) can be executed. Data (also an object) can be read, updated, or deleted, but cannot be executed (a common technique for introducing viruses on other architectures).

## Object-based

An object is a container. Everything the system uses (user and system data structures) is packaged in one of these containers. The objects are encapsulated, which means that you cannot see inside. The list of valid ways in which that object can be used is inseparable from an object.

There are two important consequences of an object-based design. The first is that a system built around an object model supports machine independence. This means that technology changes can be made in the environment without affecting application programs. The second consequence is that an object-based design delivers a high level of system integrity and security.

All objects are structured with a common object header and a functional portion dependent on object type. Therefore, on the iSeries servers, instructions work on only what they are supposed to work. Data cannot be treated as executable code (so that the processor tries, for example, to execute someone's shoe size). Executable code cannot be treated as data by having something written into the middle of it.

Certain instructions apply to all objects, while other instructions work only on specific types of objects. It is not possible to misuse an object, unlike the situation that exists for non-iSeries systems without an object-based approach. The iSeries remains virus-free with features such as this.

## DB2 Universal Database

DB2 Universal Database (UDB) for iSeries offers state-of-the-art database functions and open systems, and standards-based technology. It also provides the maturity, stability, and ease of use that has become the trademark of the iSeries server. DB2 UDB for iSeries is fully integrated into the i5/OS operating system software. It is not a separate product.

DB2 has been enhanced over the years to include many new and emerging standards. The integrated database is a full function database with features competitive to other widely used databases. The fact that the database is integrated allows the operating system to control some of its management functions and makes it easier to maintain than competitive database from other vendors reducing the need for a dedicated Database Administrator. Its security functions are integrated into the operating system. These functions allow a better security model than other databases where additional tools may need to be purchased to provide these functions.

Many iSeries customers have the need for applications that not only access DB2 UDB for iSeries data, but also access data on other databases platforms such as Oracle or Sybase. The SQL Client Integration application programming interface

(API) allows providers of gateways and client/server solutions to integrate their products with DB2 UDB for iSeries.

See “DB2 Universal Database for iSeries” on page 422 for further information about i5/OS for DB2 UDB, and Chapter 24, “IBM licensed programs: Database accessories” on page 505, for associated database products.

## Linux for iSeries

The iSeries family of servers can combine business applications and e-business solutions with Linux applications on a single server. A Linux server can be set up with as little as 10% of an iSeries processor. Each partition supports its own independent operating system image and can be isolated from other partitions, allowing business applications to run securely alongside Internet solutions. With an OS/400 V5R2, processor resources can be dynamically moved between partitions to support changing business demands. @server i5 supports automatic processor movement.

The iSeries award-winning Linux implementation exploits the i5/OS advanced storage architecture by leveraging the storage resources in the OS/400 partition. The 64-bit environments can offer more scalability through larger memory and address spaces than traditional 32-bit Linux environments. Up to 10 Linux partitions per processor are supported, with a system maximum of 254 partitions running on POWER5 technology-based servers, and 31 on POWER4 and SSTAR processors. Linux distributions from Novell, Inc. (SUSE LINUX) and Red Hat, Inc. support the iSeries family of servers.

See “Linux for iSeries” on page 407 for more details.

## Java and e-business for iSeries

Java is the environment of choice for programming in today's network computing environment. It allows true portability of applications between platforms without modification or recompiling. The iSeries servers are uniquely positioned to leverage Java as it evolves from its current Web focus to a full commercial application environment. The strengths of the iSeries server are combined with Java's object-oriented, network computing technology to provide solutions in this millennium.

See “IBM Java for iSeries” on page 412 for more information.

## **iSeries Web serving**

IBM i5/OS base products and features can be used to create a Web presence. Included are TCP/IP, Java, virtual private networking (VPN), cryptographic services, Secure Sockets Layer (SSL), certificate management, HTTP Server, and many more. The IBM WebSphere family of products offered by IBM for the iSeries server allows you to build a complete e-business Web site that is secure, easy to develop and maintain, and scale based on your needs.

For Web serving with the iSeries servers, network computing is supported with IBM HTTP Server for iSeries. See “HTTP Server for iSeries (5722-DG1)” on page 466.

See Chapter 25, “WebSphere and e-business for iSeries” on page 529, and “IBM WebSphere Development Studio for iSeries (5722-WDS)” on page 588 for more information.

## **Lotus Domino for iSeries**

Lotus Domino for iSeries is the leading groupware solution available for the iSeries server. It provides unparalleled capability for iSeries customers to use their business data in collaborative e-business solutions, both within their organizations and with their partners over the Internet. Lotus Domino for iSeries provides a critical foundation as companies begin to move from “information overload” into organizational learning and knowledge management. No competitive product offers the ease of use, low cost of ownership, tight integration, and positioning for the future that Lotus Domino for iSeries delivers. Lotus Domino for iSeries is offered with familiar iSeries and AS/400e terms and conditions for purchase, services, and support.

iSeries for Domino are Model 810 and 825 offerings targeted specifically for Lotus Domino workloads, providing continual growth to support business needs. These offerings have full iSeries functionality, including full database capability.

Refer to Chapter 3, “Workload, capacity, and performance” on page 35, for more information about Domino servers, and Chapter 26, “Lotus products for iSeries” on page 557, for associated software.

## **iSeries advanced user interface**

The iSeries serves the small business customer with minimal skill or resource to manage complex environments. OS/400 delivers advanced graphical user

interface (GUI) functions to iSeries customers. iSeries Navigator is enriched with industry-leading integrated systems management via an easy-to-use GUI.

## iSeries Navigator

The systems management function is delivered via the easy-to-use iSeries Navigator GUI. iSeries Navigator includes:

- ▶ Work management (Active jobs, subsystems, job queues, memory pools)
- ▶ Backup and Recovery (BRMS GUI plug-in)
- ▶ LPAR
- ▶ System values, including a system comparison and update via Management Central
- ▶ Distributed user and group administration via Management Central
- ▶ Licensed program and fix creation, distribution, and installation via Management Central
- ▶ Enhancements to performance monitors and collection services to graph events over extended time periods
- ▶ New monitors and events for managing jobs and messages
- ▶ Complete DASD management: Disk balancing, compression, management of disk pools, and units
- ▶ Simple two-node and complex three-node cluster configuration
- ▶ Integrated xSeries Server: Windows user and group and disk administration
- ▶ Database Navigator: Provides a pictorial view of the database showing the relationships between objects
- ▶ Graphical command prompting
- ▶ TaskPads: A user-interface extension that allows easy access to key administrative tasks

Other ease-of-use initiatives for V5R2 include the addition of numerous GUI extensions to existing iSeries Navigator functions, for the creation of numerous configuration and administration wizards (many of which are in the new GUI areas listed in the previous list), and a new plug-in for performance management. Extensive automation for workload management with new file and business-to-business (B2B) transaction monitors, systems and storage management, backup and media policies, and network management including support for IPv6. Also supported is IBM DB2 UDB transaction management, switched disk cluster management, Linux dynamic partition management, and enterprise identity mapping security.

## Management Central-Pervasive

Management Central-Pervasive (MC-Pervasive) allows iSeries network administrators to keep an eye on their iSeries servers while they are away from their workstation or office. Using an Internet capable cellular phone, personal digital assistant (PDA) with a wireless modem, or a Web browser, the administrator can monitor and manage their iSeries server status and performance metrics on the iSeries servers.

As of V5R1, functions for Management Central-Pervasive include:

- ▶ Additional support for system performance monitoring
- ▶ Monitor specific jobs and servers on multiple systems
- ▶ Monitor message queues on multiple systems
- ▶ Hold, release, or end a job on any endpoint system
- ▶ Run commands on any system or group of systems
- ▶ Manage Integrated xSeries Servers
  - View status of Integrated xSeries Servers
  - Startup and shutdown of Integrated xSeries Servers
  - Run Windows commands
  - Monitor Integrated xSeries events (routed to an iSeries message queue)
- ▶ Read only mode for selected users

These additional V5R1 functions are available via an English-only PTF. Refer to the iSeries Navigator for Wireless Web site to find the PTF numbers to load the code for Management Central-Pervasive:

<http://www-1.ibm.com/servers/eserver/iseries/navigator/pervasive.html>

## EZ-Setup

EZ-Setup is an application intended to simplify the setup of a new iSeries server by having users answer questions in an *interview*. The answers to these questions are then used to produce a customized list of tasks. The tasks include wizards and step-by-step information for completing a server setup, including tasks to:

- ▶ Configure security settings
- ▶ Create a TCP/IP interface
- ▶ Set up iSeries for the Internet
- ▶ Install and configure Domino
- ▶ Configure Operations Console
- ▶ Install Information Center

## Summary

The iSeries server architecture has been extremely successful in delivering on its design goals. However, it is an extensible architecture. It will continue to evolve to exploit technology for the benefit of the commercial IT marketplace in an on demand world.





## Workload, capacity, and performance

Workload and performance are critical considerations in selecting a computing system. The performance that users see with their iSeries server depends on many factors that often involve:

- ▶ The type and number of disk devices
- ▶ The amount of memory
- ▶ The system model and processor
- ▶ The application being run

We recommend that you order sufficient memory to balance memory across processors. For sizing recommendations for the iSeries server, consult your IBM Marketing Representative and service provider. You can find detailed performance information in *iSeries Performance Capabilities Reference*, SC41-0607.

This chapter discusses some of the performance measurements to take into account. This includes workload ratings and processor positioning. This chapter also discusses the tools that are available to measure and size the workload.

# Commercial Processing Workload

The performance capacity of all iSeries servers is represented by a workload measurement called Commercial Processing Workload (CPW). CPW values are given to all iSeries processors and are derived by performing various monitored and measured workloads on iSeries servers. The results (reported values) can be used to compare relative performance characteristics of processor features offered for iSeries servers. The reported values for CPW do not represent a guaranteed level of capacity to perform a given workload. They can serve as a quick means to compare performance.

Several IBM and non-IBM tools are available to do performance analysis and sizing. IBM tools include the IBM Performance Tools for iSeries licensed program product (5722-PT1) for analysis and sizing and the IBM @server Workload Estimator (WLE). Refer to “IBM Performance Tools for iSeries (5722-PT1)” on page 661 and “IBM Eserver Workload Estimator” on page 46 for further information.

## 5250 CPW

5250 CPW is an approximate value that represents the amount of processing power to be used to perform 5250 online transaction processing (OLTP) work.

**Note:** 5250 CPW is known as Interactive CPW on earlier servers.

Remember that:

- ▶ A system administration job submitted to *batch* is not considered 5250 OLTP work.
- ▶ The use of iSeries Navigator (graphical user interface (GUI) administration functions) is not considered 5250 OLTP work.
- ▶ Any task that uses a 5250 data stream is considered 5250 OLTP work and requires some amount of 5250 CPW to process regardless of how the task is started.
- ▶ A task submitted through a 5250 session (5250 device or 5250 emulation) that does display or printer input/output (I/O) requires 5250 CPW.
- ▶ A task submitted through a 5250 session (5250 device or 5250 emulation) as a *batch* job is not considered 5250 OLTP work and does not require any 5250 CPW unless the task does display or printer I/O.

5250 OLTP applications no longer require 5250 CPW after being WebFaced by using the IBM WebFacing Tool of IBM WebSphere Development Studio for iSeries (5722-WDS).

To learn more about how these features influence system performance, see “Refacing options for the iSeries customer” on page 49. This referenced section includes some of the iSeries products available to support 5250 OLTP applications.

Refer to “5250 OLTP considerations” on page 225 for upgrade considerations.

## 5250 devices

The iSeries and AS/400e servers support a family of displays and emulation adapters that are known as *5250*. The supported data stream is known as a *5250 data stream*. Throughput considerations for these workstations account for the flow of the character stream, as discussed in the following section.

A 5250 twinaxial device or 5250 emulation adapter in a PC can support a single address, multiple addresses, or shared sessions on a single address. Whenever a device is powered on or when the 5250 emulation software is started on a PC, any addresses defined respond to the workstation controller polls. These addresses count as an active address, even though no device description may exist on the iSeries server. This occurs when the system value QAUTOCFG is set to \*NO.

- ▶ When a device has *multiple addresses* defined for multiple sessions to support jump screen or an attached printer, each session counts toward the maximum active addresses supported by that workstation controller.
- ▶ When a device has a *single address* defined with shared sessions, that device counts as one of the maximum active addresses. There can be up to four shared sessions on a single device.

There is a maximum of 300 shared sessions per I/O processor (IOP).

Refer to Technote *Twinaxial Attached Device Throughput for Twinaxial Devices*, TIPS0358, to determine the types of sessions that count toward the maximum. It also discusses the 5250 Express Data Stream capabilities relative to twinaxial workstation adapters.

## Communication WAN restrictions

Communication restrictions for Peripheral Component Interconnect (PCI) systems are defined in the “LAN/WAN adapters” section of the model chapters in the *IBM @server iSeries and AS/400e System Builder*, SG24-2155. You can find rules for individual communication cards (adapters or IOPs) and sizing rules in the specific adapter or IOP feature description within each model chapter of the System Builder.

You can also find rules in the iSeries Information Center at:

<http://www.iseries.ibm.com/infocenter>

Select ***your location*** → ***your language of choice*** → **Overview and What's New.**

For general communications performance considerations, refer to the online document *iSeries Performance Capabilities Reference*, SC41-0607.

## Server structure and terminology

The IBM @server i5 520 and 570 servers, and the iSeries 810, 825, 870, and 890 servers, include a Processor feature and an Edition feature:

- ▶ **Processor feature:** Feature code by which the *processor* is ordered
- ▶ **Edition feature:** Feature code by which the *package* of features is ordered
- ▶ **Server feature:** Feature code by which the processor *configuration* is ordered

iSeries models offer two CPW ratings:

- ▶ **Processor CPW:** Represents maximum relative performance running commercial processing workloads for a processor configuration. Use this value to compare relative performance between models with the same or different number of processors.
- ▶ **5250 CPW:** Represents the relative performance available to perform 5250 OLTP (interactive) workloads.

**Important:** Limited 5250 CPW is always available for a system administrator to use 5250 display device I/O to manage various aspects of the server. Multiple administrative jobs quickly exceed this limited 5250 capacity.

## Simultaneous multithreading explained

Although an operating system gives the impression that it is concurrently executing a large number of tasks, each processor in a symmetric multiprocessor (SMP) traditionally executes a single task's instruction stream at any moment.

The QPRCMLTTSK system value controls whether to enable the individual SMP processors to concurrently execute multiple instruction streams. Each instruction stream belongs to separate tasks or threads. When enabled, each individual processor concurrently executes multiple tasks at the same time. The effect of its

use will likely increase the performance capacity of a system or improve the responsiveness of a multithreaded application.

Running multiple instruction streams at the same time does not improve the performance of any given task. Since this is the case with any performance recommendations, results vary in different environments.

The way that multithreading is done depends on the hardware model, and therefore, the performance capacity gains vary. @server i5 Models 520 and 570 support this approach through a concept called simultaneous multithreading (SMT). There are several distinct differences between different types of multithreading implemented in the industry. You may find articles discussing Intel's Hyper-Threading, Superthreading, and other multitasking techniques from several sources.

Older iSeries processors use an approach called *hardware multithreading* (HMT). In the hardware multithreading approach, the hardware automatically switches between the tasks on any long processing delay event, for example, a cache miss. Some models do not support any form of multithreading, which means the QPRCMLTTSK system value has no performance effect. Because the QPRCMLTTSK system value enables the parallel use of shared processor resources, the performance gains depend highly on the application and the model. Refer to the *iSeries Performance Capabilities Reference*, SC41-0607, for guidelines about what performance gains you may expect through its use.

In some exceptional cases, some applications are better served by disabling simultaneous multithreading.

## iSeries for Domino performance terminology

iSeries for Domino models are specially priced and configured for Domino workloads. iSeries for Domino separates mail, instant messaging, and collaborative applications while automatically balancing and adjusting performance. With iSeries for Domino servers, you can run non-Domino workloads without restriction, even when the Domino server is not active.

**Note:** This is unlike the Dedicated Server for Domino servers (now *withdrawn from marketing*), which have restrictions on non-Domino workloads.

The iSeries for Domino servers do not have processing guidelines for non-Domino workloads. Performance is not measured using the CPW measurement, but a Mail and Calendar User (MCU) measurement.

## Mail and Calendar Users

Mail and Calendar Users (MCU) is a relative performance measurement derived by performing mail and calendar functions using Domino and Notes clients. The MCU workload is significantly more complex than the Simple Mail Users (SMU) measured workload.

The MCU workload represents concurrent users on a Notes client who are reading, updating, or deleting documents in an e-mail database. It also represents users who are performing lookups in the Domino Directory, and scheduling calendar appointments and invitations. Reported values reflect 70% processor utilization to allow for growth and peak loads in excess of customer workload estimates.

See “Summary of today’s iSeries” on page 67 for a listing of the MCU rating for each iSeries for Domino server.

## Capacity on demand

iSeries capacity on demand (permanent or temporary) offers the ability to nondisruptively activate one or more additional central processors on the @server i5 570 and iSeries 825, 870, and 890 servers. Any and all of the inactive processors installed in the server can be activated as additional permanent or temporary capacity. This is of significant value for customers who want to add capacity without disruption. There are some differences between the capacity on demand implementation for the different models.

For more information, refer to:

<http://www.ibm.com/servers/eserver/iseries/ondemand/cod/>

## Capped and uncapped partitions

Partitions in a shared processing pool can have a sharing mode of capped or uncapped. A *capped partition* indicates that the logical partition (LPAR) will never exceed its assigned processing capacity. *Uncapped partitions* increase the processing power for a partition and the workload demand needed at a particular time.

You can use capped mode if you know that a software application will never require more than a certain amount of processing power. Any unused processing resource is used only by the uncapped partitions in the shared processing pool.

Uncapped capacity is limited to the minimum of the number of virtual processors assigned to the partition and the capacity of the shared pool. If two partitions

need additional resources at the same time to complete a job, the server can distribute the unused processing resources to both partitions. This distribution process is determined by the uncapped weight of each of the partitions.

Uncapped weight is a number that you set for each uncapped partition in the shared processing pool. By setting the uncapped weight, any available unused capacity is distributed to contending LPARs in proportion to the established value of the uncapped weight.

See “Model 520 uncapped capacity” on page 447 for partitioning limitations.

## Model 570, 825, 870, and 890 (#2497 and #2498)

Each @server i5 570 and iSeries 825, 870, or 890 server (with processor features #2497 and #2498) comes with extra processor capacity built into the server. This extra capacity, known as *inactive (or standby) processors*, can be activated permanently or temporarily.

### Capacity Upgrade on Demand (permanent capacity)

CUoD is the iSeries offering for permanently activating capacity. The following table lists the capacity specifications for iSeries models that support CUoD (permanent capacity).

Server	Processor feature	Server feature	Processors			Processor activation feature
			Startup (active)	Standby (inactive)	Total	
570	#8961	#0919	1	1	2	#7897
	#8961	#0920	2	2	4	#7897
825	#2473	#0873	3	3	6	#1609
870	#2486	#0886	8	8	16	#1611
	#2489	#0889	5	3	8	#1614
890	#2497	#0897	16	8	24	#1612
	#2498	#0898	24	8	32	#1613

When one or more activation features are ordered, an activation code is generated and shipped to the customer (mailed and posted on the Web). The activation code (think of it as a capacity key) must be entered on the proper server screen, and the newly activated processors are ready to use. No initial program load (IPL) is required. The permanently activated processors simply

need to be assigned to a partition prior to use, regardless of whether the server is configured for logical partitioning.

Activating additional processors also requires an additional OS/400 license entitlement to be purchased for every processor or part of processor used by OS/400. This is ordered via a chargeable feature of OS/400 (5722-SS1). Processors activated solely for Linux, AIX 5L, or both do not require an OS/400 license entitlement.

To enable permanent activation of the inactive processors, a quantity of activation features and license entitlements is ordered. IBM manufacturing then generates an activation code (capacity key) unique to the server and the required additional OS/400 license key or keys. The activation code is mailed to the customer and is posted at the following Web site:

<http://www.ibm.com/servers/eserver/series/ondemand/cod/>

The OS/400 license key is mailed to the customer and is posted on the Web at:

<http://www.ibm.com/servers/eserver/series/wkms>

Refer to “OS/400 terms and conditions changes” on page 498 for more information about OS/400 and license entitlements.

### **On/Off Capacity on Demand (temporary capacity)**

On/Off Capacity on Demand is the iSeries offering to temporarily activate capacity. Temporary capacity can be turned on and off to match peak periods. It allows a variable number of days and processors to be requested (processor days). The capacity is effective immediately. An IPL is not required.

Before requesting temporary capacity on the server, the server must be enabled. To do this, an enablement feature (Miscellaneous Equipment Specification (MES) only feature) must be ordered and the required contracts signed. An enablement code allows up to 360 processor days of temporary capacity for the @server i5 570 server, or 192 processor days on other servers.

This means that requests for temporary capacity can be made over the life of the machine as long as the processor day limits are not exceeded. When the limit is reached, a new enablement feature must be ordered, and a new enablement code entered. Every time a new enablement code is entered, the limit of processor days that can be requested is reset.

When temporary capacity is needed, the OS/400 temporary capacity screen on the server is used to specify the number of inactive processors that are required to be temporarily activated, and the number of days. That is, the processor day is equal to the number of processors multiplied by the number of days. The



activated processors simply need to be assigned to a partition prior to use, regardless of whether the server is configured for LPAR. Activating additional processors does not require any additional OS/400 license entitlement to be purchased for the temporarily activated processors.

**Note:** Additional licensing charges may apply for software that is priced by processor. Refer to the software vendor for further information.

It is important that the processors are assigned to a partition as soon as they are activated to achieve the full benefit of the temporary capacity.

**Note:** At the end of the temporary period (processor days requested), the temporarily activated processors must be made available to be reclaimed by the server, or unreturned processor days are billed (per the signed contract).

The contract, signed by the customer before receiving the enablement code, requires the customer to report billing data at least once a month, regardless of whether there is activity. This data is used to determine the proper amount to bill the customer at the end of each billing period (calendar quarter).

Processor days of credit are then applied against any requested or unreturned processor days of temporary capacity. This happens automatically, until they are used up.

Failure to report billing data during a billing quarter results in a bill for 90 days of temporary capacity. The sales channel is notified of customer requests for temporary capacity. As a result, the sales channel is required to place an order for a quantity of billing features (one feature equals one processor day).

Customers pay for activated processor days after or before activation. Billing features are ordered afterward (one feature per processor day). For Model 825, 870, and 890, a Prepaid feature provides additional budget flexibility. A block of 30 processor days can be bought at a discounted price if purchased in advance. The 30 processor days are credit days and are applied by IBM at the end of the billing period. Credit days cannot be transferred to a server with a different type and serial number. Credit days are not transferred if a customer sells the server. Credit days not used in one quarter “roll over” into the next quarter.

The following table lists the capacity on demand enablement and billing features.

Model	Processor feature	Enablement feature	Edition feature	Billing feature	On/Off Prepaid feature*
570	#8961	#7951	All	#7952	-
825	#2473	#1773	#7416 Standard	#1782	#1682
			#7418 Enterprise	#1783	#1683
			#7434 High Availability		
	#2495	#1779	#7439 Capacity BackUp	#1797	#1697
870	#2486	#1776	#7419 Standard	#1785	#1685
			#7421 Enterprise	#1786	#1686
			#7436 High Availability		
	#2489	#1774	#7431 Standard	#1784	#1684
			#7433 Enterprise	#1795	#1695
			#7435 High Availability		
	#2496	#1780	#7440 Capacity BackUp	#1798	#1698
890	#2497	#1777	#7422 Standard	#1788	#1688
			#7424 Enterprise	#1789	#1689
			#7437 High Availability		
	#2498	#1778	#7425 Standard	#1791	#1691
			#7427 Enterprise	#1792	#1692
			#7438 High Availability		
	#2499	#1781	#7441 Capacity BackUp	#1799	#1699

\* On/Off Capacity on Demand features require Cumulative PTF package C3077520 or later at V5R2.

## iSeries for Capacity BackUp Edition

iSeries for Capacity BackUp (CBU) Edition is offered for the Model 825, 870, and 890. These servers provide a solution that requires an off-site, disaster recovery system. CBU is not intended as a backup server for 24x7 high availability solutions that require day-to-day full operation of a backup server.

The iSeries for CBU server has a minimum set of startup processors that can be used for any purpose and a large number of inactive processors that can be

activated temporarily at no charge in the event of a disaster. The inactive processors cannot be permanently activated.

The following table lists the capacity specifications for iSeries models that support CBU.

Model	Processor feature	Edition feature	Processors			No charge processor days
			Startup (active)	Standby (inactive)	Total	
825	#2495	#7439	1	5	6	14
870	#2496	#7440	2	14	16	42
890	#2499	#7441	4	28	32	84

**Note:** The process to enable inactive processors temporarily is the same as for the temporary capacity process for the 570, 825, 870, and 890 servers.

### Model 830, 840, and 890 (#2487 and #2488)

The #2487 and #2488 Model 890 processors (the #2416, #2417, #2419, #2352, #2353, and #2354 Model 840 processors) and the #2349 Model 830 processor each come with inactive capacity that can be permanently activated (CUoD). Each model offers a number of *startup processors* that are in *active* status and a set of *inactive processors* that are in *standby* status.

A customer can permanently activate inactive processors (one or more) by ordering the desired quantity of feature code #1610 for the Model 890, #1604 for the Model 840, or #1605 for the Model 830 as an MES order. Ordering feature #1604, #1605, and #1610 generates an activation code, which is posted on a Web site and mailed to the customer. The customer must enter this activation code on the server console.

These models offer trial capacity—a means of “trying” on demand capacity before buying it. Trial capacity allows 100% of the inactive processors to be activated for a period of 7 by 24 hours of system operation. If powered off, the clock does not count.

For further details, refer to the planning guides for Capacity Upgrade on Demand or On/Off Capacity on Demand on the Web at:

<http://www.ibm.com/servers/eserver/series/ondemand/cod>

**Note:** The 830, 840, and 890 processors (2487 and #2488) are *withdrawn from marketing*.

## Workload measurement and sizing tools

Capacity planning and performance management tools, which are available to work with IBM i5/OS V5R3 and OS/400 V5R2, include:

- ▶ IBM Eserver Workload Estimator
- ▶ IBM Performance Management for eServer™ iSeries
- ▶ IBM Performance Tools for iSeries
- ▶ PATROL for iSeries – Predict
- ▶ IBM WebFacing Tool
- ▶ IBM Disk Magic for Windows

The IBM @server Workload Estimator is a Web-based estimation tool. It recommends a system that best fits overall system needs. It is described in the following section.

Use PM eServer iSeries (formerly called PM/400) to gather performance information and pass the performance statistics to the IBM Eserver Workload Estimator for projecting future needs of installed workloads.

You can use Performance Tools for iSeries to measure resource utilization. Refer to “IBM Performance Tools for iSeries (5722-PT1)” on page 661 for more information.

Use PATROL for iSeries – Predict to perform detailed capacity planning and “what-if” scenarios. For more information, see “PATROL for iSeries – Predict (5620-FIF)” on page 663.

Use the IBM WebFacing Tool to convert 5250 source applications to applications to run with the WebSphere Application Server. The IBM WebFacing Tool is discussed in “IBM WebFacing Tool” on page 49.

Use Disk Magic for iSeries when IBM TotalStorage® Enterprise Storage Server® (ESS) disk drives are in the configuration. See “Disk Magic for iSeries” on page 49 for more information.

### IBM @server Workload Estimator

The IBM @server Workload Estimator is a Web-based estimation tool that automates the manual calculations previously required from paper sizers. It allows the user the option to enter data for multiple workloads, from which a machine recommendation is made that best fits overall system needs.

Workloads supported by IBM @server Workload Estimator include:

- ▶ Installed system
- ▶ PM eServer iSeries

- ▶ Web Serving
- ▶ Java
- ▶ WebSphere Commerce Suite
- ▶ IBM WebFacing Tool
- ▶ WebSphere Portal Server
- ▶ WebSphere Commerce Payments
- ▶ Traditional
- ▶ Generic computing resources
- ▶ Domino
- ▶ File Serving (Linux)
- ▶ Web Serving (Linux)
- ▶ OEM workload

You can learn more about IBM @server Workload Estimator on the Web at:

<http://www-1.ibm.com/servers/eserver/series/perfmgmt/>

When you reach this site, select **Sizing Tools**.

## Disk arm requirements

A physical disk drive (and the processing through the disk controller) performs a specific number of disk accesses each second. The configuration of disk units influences the overall performance of the system. Newer disk arms and controllers provide better performance than previous drives. Therefore, fewer disk drives (disk arms or actuators) can typically be used, yet provide comparable performance.

You can provide for the best obtainable disk subsystem performance and enable the best possible overall system performance. To do so, it is important to size an iSeries server with an appropriate number of disk arms. The white paper *iSeries Disk Arm Requirements* discusses this concept. You can find it on the Web at:

<http://www.ibm.com/servers/eserver/series/perfmgmt/diskarm.htm>

PM eServer iSeries and IBM @server Workload Estimator include disk arm statistics and arm requirements for sizing. Use PM eServer iSeries or IBM Eserver Workload Estimator to help size the minimum number of disk arms required for a given iSeries processor. Performance Tools for iSeries provides detailed reports on collected performance data.

Solution developers and other application solution providers also have recommendations for a minimum configuration as it relates to their solution.

To ensure you have sufficient disk arms to meet the needed workload, it is best to have performance runs from your current system run at a time when the disk

workload is heavy. These can then be used as input to various tools including the IBM @server Workload Estimator and PATROL for iSeries – Predict.

You can also use the reports to determine the number of disk requests/second that are happening on your current system, as reported in the System Performance Report and other Performance Tools reports.

Disk workload is measured in terms of operations/second. Depending on the speed or vintage of the disk drives and controllers, average service time should be somewhere in the 3.5 to 10 millisecond range (lower for newer, higher for old 7200 rpm disks). Numbers higher than these can indicate a disk bottleneck and therefore stored demand. Use tools such as PATROL for iSeries – Predict to determine the stored demand. Note that the tools assume a properly tuned system. If a bottleneck exists, the system cannot be properly tuned.

The number of disk arms required can be determined from the number of disk accesses that must be performed each second.

If upgrading to a larger or newer system, the new system typically can perform more disk requests each second. In addition, more memory acts like a read cache and can reduce the number of physical disk accesses that must occur.

**Note:** There is no substitute for proper modeling.

The following general rules apply in many cases. These rules assume an average disk access size of between 6k and 10k in size (shown in the performance report). If you are in the over 25k range, lower the values by 20%. This also assumes that *all* disks are the same size and use the same type of controller.

Historically 10k rpm disk drives on #2748/#2778/#4727/#4778 controllers (with 15 drives attached to the controller) could do about 20 disk operations/second with adequate or good performance. By the time you reached 25 disk operations per second, you could feel the controller slowing down. Any more than that and the controller started to bottleneck.

Using 10k rpm drives and replacing the above controller with a #2757 meant that you could go up to about 50 disk operations/second/disk with a possibility of still handling peaks at 60 operations per second (after which the disk drive started to bottleneck).

For disk-related performance information, refer to “Chapter 14, DASD Performance Management”, in *iSeries Performance Capabilities Reference*, SC41-0607.

## Disk Magic for iSeries

The IBM Disk Magic for iSeries product is intended for modeling ESS disk drives on iSeries servers. Configuration and workload details are entered into the tool. Algorithms support calibration, configuration changes, workload changes, and automatic cache modeling. The output is available in tabular and graphic reports.

Performance analysis is based on limited measurement data. Disk Magic for iSeries is most useful to obtain rough performance estimates of ESS drives on iSeries servers.

You can find the tool on the Web at:

<http://w3.ibm.com/sales/systems/portal>

<https://www-1.ibm.com/partnerworld/sales/systems/portal>

## Refacing options for the iSeries customer

Several products are available for the iSeries to reface (browser-enable) 5250 application software. Some of the products available from IBM include:

- ▶ IBM WebFacing Tool: Part of WebSphere Development Studio (5722-WDS)
- ▶ iSeries Access for Web: Part of iSeries Access Family (5722-XW1)
- ▶ WebSphere Host on Demand: Part of Host Access Client Package for iSeries (5733-A78)
- ▶ WebSphere Host Publisher: Part of iSeries Access Family and WebSphere Integration Offering V1.0 (5722-XW1 and 5733-A53)
- ▶ WebSphere Host Access Transformation Server (HATS Studio): Part of Host Access Client Package for iSeries (5733-A78)
- ▶ WebSphere Host Access Transformation Server Limited Edition (HATS LE): Part of iSeries Access Family (5722-XW1)

The unique requirements of the customer application determine the best solution for a customer environment. You can find a comparison of functions for many of the IBM products on the Web at:

[http://www-1.ibm.com/servers/eserver/series/access/web/web\\_to\\_host\\_comparisons.html](http://www-1.ibm.com/servers/eserver/series/access/web/web_to_host_comparisons.html)

## IBM WebFacing Tool

The IBM WebFacing Tool provided in the IBM WebSphere Development Studio for iSeries creates a Web-ready GUI to 5250 applications. The applications can

then be made available in a familiar GUI format recognized by any Web user to anyone with a browser.

To create the interface, the IBM WebFacing Tool works from Data Description Specification (DDS) display files and User Interface Manager (UIM) help files. The interface which is generated consists of Java Servlets, JavaServer Pages (JSPs), JavaBeans, and JavaScript. The interface runs under WebSphere - Express for iSeries, WebSphere Application Server V5, or WebSphere Application Server V4. These WebFaced applications do not require 5250 CPW capacity when run on the Model 520, 570, 800, 810, 825, 870, or 890.

Applications that are Web-enabled using the IBM WebFacing Tool generally perform better than applications refaced with other tools. Most other tools convert the 5250 data stream to a Web interface in a run-time conversion. This impacts the execution performance of these refaced applications.

With the IBM WebFacing Tool, the Web interface is created at development time. During application execution, the data from the application is redirected to the Web interface created by the IBM WebFacing Tool. No 5250 data stream is created and there is no run-time conversion. This up-front resource investment pays off with more efficient production operations.

The 5250 data stream and 5250 OLTP are efficient and have been fine-tuned over many years. 5250 applications running with the GUI take significantly more CPU resource than if they run with the original green-screen interface under a 5250 OLTP environment. The magnitude of the increase in resource depends upon the application. The larger the percentage of time is spent doing screen I/O in a 5250 application, the larger the CPW increases when running with a GUI. Typically the application requires several times the processor resource.

**Tip:** Understand the 5250 application functions being brought to the Web, and pilot those parts of the application.

For additional tips and considerations, refer to Chapter 14, “DASD Performance Management”, in *iSeries Performance Capabilities Reference*, SC41-0607.

Use IBM @server Workload Estimator to help predict the system characteristics for these applications that are enhanced by the IBM WebFacing Tool. You can access the tool on the Web at:

<http://www-912.ibm.com/wle/EstimatorServlet>

Refer to “IBM WebSphere Development Studio for iSeries (5722-WDS)” on page 588 to read more about the IBM WebFacing Tool and WebSphere.



## iSeries Editions

iSeries Editions are flexible-options packages that help simplify choices and maximize business value. The editions offered for today's iSeries servers include:

- ▶ **Standard Edition:** This edition is attractively priced to drive new workloads on the @server i5. The Standard Edition is featured for a wide variety of e-business and client server solutions.

**Note:** 5250 OLTP applications WebFaced using the IBM WebFacing Tool of IBM WebSphere Development Studio can be used with the Standard Edition.

- ▶ **Value Edition for iSeries Model 520:** This edition is tailored specifically to small enterprises and is available on select @server i5 520 servers. Minimum hardware requirements apply.
- ▶ **Express Edition for iSeries Model 520:** @server i5 520 Express delivers a choice of three pre-packaged offerings that provide small and medium enterprises with the basic infrastructure for running their core business applications. The 520 Express simplifies your decision process by delivering the key elements of your IT infrastructure in a single server with supporting hardware, software, maintenance, and support at an aggressive price.

**Note:** The actual edition feature code is the 520 Value Edition. Express Edition is a marketing term designed to help communicate the offering concept.

- ▶ **Enterprise Edition:** This edition is designed for customers who require the highest level of flexibility. It is designed as a total system, fully integrating and exploiting all of the fundamental hardware and software all e-businesses need. The Enterprise Edition is featured for customers with dynamic business environments who need to respond immediately to fluctuating, unpredictable e-business needs. The Enterprise Edition leverages the widest range of IBM middleware while still having the ability to run traditional OLTP applications without first being WebFaced by the IBM WebFacing Tool of WebSphere Development Studio.
- ▶ **High Availability Edition (HA):** This edition is designed for customers who require 24 x 7 availability. It provides everything the Enterprise Edition provides, except it is shipped with less software content.
- ▶ **Capacity BackUp Edition (CBU):** This edition is designed for customers who require an off-site disaster recovery system. It provides everything the Enterprise Edition provides, except it is shipped with a minimal set of software

content because IBM software licensing can allow the primary iSeries server's licensing to be transferred to a backup iSeries server in case the primary server is out of production.

- ▶ **Value, Standard and Advanced Editions for iSeries Model 800:** These editions are designed specifically for small enterprises. Each offers a different level of capacity, power, and functionality that support various e-business, client server and 5250 OLTP solutions. Minimum hardware is required.

**Note:** For information that is unique to the edition offering of each iSeries Model, see the appropriate model chapter in this Handbook.

All iSeries Editions include:

- ▶ Support for multiple operating systems (i5/OS (OS/400), Linux, IBM AIX 5L)
- ▶ Support for Web modernization (enhanced IBM WebFacing Tool support)
- ▶ Support for Virtualization Engine Systems Technologies
- ▶ Licensing for i5/OS (WebSphere Express is integrated with i5/OS as part of V5R3)

The following table reflects the specific components that are included with each edition and iSeries model.

	Standard					Advanced	Value			Express			Enterprise				HA		CBU
	520	570	800 #2463	810	825/870/890		800 #2464	520 #7450	520 #7451	800 #2463	520 #0900	520 #0901	520 #0902	520	570	810	825/870/890	810	
<b>Software licenses</b>																			
IBM i5/OS V5R3 (one server license per startup processor)	Y	Y	Y	Y	Y	Y	Y	Y	Y	Y	Y	Y	Y	Y	Y	Y	Y	Y	Y
<b>e-business solution tool licenses</b>																			
WebSphere Portal Express Plus (per user license)	N	N	N	N	N	N	N	N	N	N	N	N	Y	Y	N	Y	N	N	N
DB2 Query Manager & Development Toolkit (one server license)	N	N	Y	N	N	Y	N	N	N	N	Y	Y	Y	Y	Y	Y	Y	Y	N
DB2 symmetric multiprocessor (SMP) (one server license)	N	N	N	N	N	N	N	N	N	N	N	N	N	Y	N	Y	N	Y	N

	Standard					Advanced	Value			Express			Enterprise				HA		CBU
	520	570	800 #2463	810	825/870/890		800 #2464	520 #7450	520 #7451	800 #2463	520 #0900	520 #0901	520 #0902	520	570	810	825/870/890	810	
DB2 UDB Extenders (one server license)	N	N	N	N	N	N	N	N	N	N	N	N	N	Y	N	Y	N	N	N
XML Toolkit (one server license)	N	N	N	N	N	N	N	N	N	N	N	N	N	Y	N	Y	N	N	N
<b>Datacenter management tools licenses</b>																			
Performance Tools (includes Manager Option and one server license)	N	N	Y	N	N	Y	N	N	N	N	N	N	Y	Y	Y	Y	Y	Y	N
Backup Recovery and Media Services (includes Network Option and one server license)	N	N	N	N	N	N	N	N	N	N	N	N	N	Y	N	Y	N	Y	N
HA Switchable Resources (one server license)	N	N	N	N	N	N	N	N	N	N	N	N	N	Y	N	Y	N	Y	N
iSeries Access, Query for iSeries, and WebSphere Development Studio												Y	Y						
Media and Storage Extensions (one server license)	N	N	N	N	N	N	N	N	N	N	N	N	N	Y	N	Y	N	Y	N
Tivoli® Monitoring for Web (one processor license per startup processor)	N	N	N	N	N	N	N	N	N	N	N	N	N	Y	N	Y	N	N	N
Tivoli Storage Manager Extended Edition (one license per start-up processor and five client licenses)	N	N	N	N	N	N	N	N	N	N	N	N	N	Y	N	Y	N	N	N
<b>Education and services</b>																			
IBM Education Credits	N	N	N	N	N	N	N	N	N	N	N	N	N	3	N	1/3/5	N	N	N
IBM Service Voucher(s)	N	N	N	N	N	N	N	N	N	N	N	N	Y	Y	Y	Y	Y	Y	N
<b>Hardware (included with 570, 825, 870, 890 only)</b>																			
Processor Activation for Linux or AIX 5L (if used by i5/OS, one i5/OS processor license required)	N	N	N	N	N	N	N	N	N	N	N	N	N	Y	N	Y	N	N	N
Integrated xSeries Server	N	N	N	N	N	N	N	N	N	N	N	N	N	Y	N	Y	N	N	N

	Standard					Advanced	Value			Express			Enterprise				HA		CBU
	520	570	800 #2463	810	825/870/890		800 #2464	520 #7450	520 #7451	800 #2463	520 #0900	520 #0901	520 #0902	520	570	810	825/870/890	810	
<b>Hardware (required and included/embedded- 520 Value Editions only)</b> (required features = chargeable/included/embedded = no charge)																			
Tape/Disk Controller (embedded)	-	-	1	-	-	-	1	1	1	1	1	1	-	-	-	-	-	-	-
Disk Drive (required)	-	-	2	-	-	-	1	1	1	2	2	2	-	-	-	-	-	-	-
30 GB QIC Tape	-	-	1	-	-	1	-	-	-	1	1	1	-	-	-	-	-	-	-
DVD-ROM or DVD-RAM (required)	-	-	1	-	-	-	1	1	1	1	1	1	-	-	-	-	-	-	-
Main Memory (minimum required)	-	-	512 MB	-	-	1 GB	512 MB	1 GB	256 MB	1 GB	1 GB	2 GB	-	-	-	-	-	-	-
Ethernet LAN (2-LAN adapter embedded)	-	-	1	-	-	1	1	1	-	1	1	1	-	-	-	-	-	-	-
2-Line Comm Adapter (included)	-	-	1	-	-	1	1	1	-	1	1	1	-	-	-	-	-	-	-
Twinax Adapter (included)	-	-	1	-	-	1	-	-	-	1	1	1	-	-	-	-	-	-	-

**Important:** Enterprise Editions ordered for iSeries 825, 870, and 890 servers at V5R2 include licenses for DB2 DataPropagator™, WebSphere Application Server Express, Lotus Instant Messaging and Web Conferencing (Sametime®), and Lotus Team Workplace (QuickPlace®).

For current information about iSeries Editions, see:

<http://www.ibm.com/servers/eserver/iseries/hardware/editions>



## iSeries direction

This chapter outlines both future and present directions of the iSeries platform. It discusses product previews, statements of direction, and general planning information. Products, features, and software withdrawn are identified with announced dates when support is to be discontinued. By communicating these future plans, IBM intends to help our Clients plan for better use of their system.

You can find further information about product previews, statements of direction, and plans for products that are no longer supported on a release, on the iSeries planning information Web site at:

<http://www.ibm.com/servers/eserver/support/series/planning>

## Product Previews

Product Previews identify specific functions IBM has committed to incorporate into future iSeries hardware or software releases. Understanding them can provide insight into IBM plans and directions for future iSeries hardware or software releases. The information released represents the current intent of IBM. They represent goals and objectives only. All statements regarding the plans, directions, and intent of IBM are subject to change or withdrawal without notice.

IBM has announced an intention to provide an update of OS/400 and enhancements to server hardware that include the following enhancements. The previews listed are separated into fulfilled and non-fulfilled categories at the time of each incremental announcement through May 2004.

### Product Previews: Open

- ▶ **IBM @server i5 570 growth plans:** Leveraging a new building block architecture, the Model 570 can cover an extremely broad capacity range. You can start with a 1/2-way server in a single building block and eventually grow to a 16-way server using four building blocks. The building block architecture enables balanced growth for the Model 570. When building blocks are added, the processor, memory, and I/O capacities are increased. Extending the Model 570 to a 16-way server is planned to be available in second half 2004.
- ▶ **Switched I/O tower clustering support:** Support for the #5094, #5294, #5095, and #5095 PCI-X I/O towers and drawers to be installed as switched I/O towers in clusters consisting of @server i5 servers and installed earlier iSeries servers is planned for third quarter 2004. At that time, @server i5 servers will support the attachment of these input/output (I/O) towers and drawers, which have not been enhanced with the faster high-speed link (HSL)-2 hardware. Prior to third quarter 2004, the #5074, #5079, #5088, and #0588 towers and drawers can be used as switched I/O towers in these mixed server clusters. Switching I/O towers is a function of OS/400 that is typically used to increase the iSeries server's availability.
- ▶ **9402 and 9404 upgrades:** Upgrades from iSeries Models 810, 820, 825, and 830 that use the 9406 machine type designation, into the @server i5 Models 520 or 570, are announced and available in June 2004. For Models 810, 820, 825, and 830 that use the less common 9402 and 9404 machine type designators, upgrades are planned to be available starting third quarter 2004.

There is no pricing difference planned between the 9402/9404 upgrades and 9406 upgrades, since there is no physical difference between the machine types for these models. During the 9402/9404 upgrade, the machine type designator is changed to 9406 to allow IBM to better support the server.

For additional information, visit:

<http://www.ibm.com/servers/eserver/support/series/planning/nav.html>

- ▶ **Integrated xSeries Server based on Intel Pentium® M processor technology:** The current Integrated xSeries Server is supported within selected iSeries I/O towers attached to the @server i5. In the second half of 2004, IBM @server iSeries plans to provide a new Integrated xSeries Server, based on Intel Pentium M processor technology, for installation in the system unit or I/O towers of new @server i5 servers.
- ▶ **Linux on Integrated xSeries solutions (Integrated xSeries Server/Integrated xSeries Adapter):** IBM intends to provide support for Linux on selected Integrated xSeries Servers and xSeries servers attached to iSeries via the Integrated xSeries Adapter. This support is planned to be available in second half 2004 as a program temporary fix (PTF) to iSeries Integration for Windows Server (5722-WSV).
- ▶ **Linux on @server i5 servers:** IBM is working with Novell, Inc. and Red Hat, Inc. to certify Linux distributions for @server i5 servers. These distributions, the next version of SUSE LINUX Enterprise Server, and the next quarterly update of Red Hat Enterprise Linux 3, are expected to be available from the Linux distributors in third quarter 2004.

Hardware features used with Linux can be ordered for the Model 520 and 570 servers. These features require a POWER5 Linux distribution. For more information about Linux distributions available for iSeries, see:

<http://www.ibm.com/servers/eserver/series/linux/dist.html>

- ▶ **Virtualization Engine Systems Services:** IBM plans to provide Virtualization Engine Systems Services across the following functional categories in second half 2004:
  - *IBM Director Multiplatform:* A consistent systems management infrastructure allows heterogeneous systems and their resources to be managed in a homogeneous way. It leverages proven technologies from IBM Director. Coupled with the Virtualization Engine console, which provides a common Web-based console for monitoring and managing the overall health of your on demand operating environment, you have a set of powerful system management capabilities.
  - *Systems Provisioning:* Automated change management allows you to deploy and re-purpose (commission and decommission) IT resources to react to changing business demands. Extending the current logical partitioning and integrated Windows attachment capabilities of the @server i5 servers, it allows for the virtualization of resource pools to be redeployed on an as-needed basis.

- *IBM Enterprise Workload Manager*: Allows you to identify work requests based on service class definitions and track performance of those requests against stated business goals. It provides problem isolation and workload optimization of a heterogeneous multitier workload through a set of self-managing capabilities.
- *IBM Grid Toolbox V3 for Multiplatforms*: Provides the infrastructure that customers and independent software vendors (ISVs) need to develop, deploy, and manage distributed workloads with greater ease. It enables you to capitalize on IBM @server and IBM middleware Qualities of Service. The toolbox is based on the Open Grid Services Architecture. This version of the toolbox is best leveraged by businesses that are responsible for deploying and managing grids or for ISVs that develop products designed to assist in the management or deployment of grids.
- ▶ **Capacity on Demand**: IBM plans to enhance Capacity on Demand by adding the following capabilities:
  - Ability to purchase activations for inactive memory on an @server i5 570. IBM will make the memory available for use when permanent or temporary activation codes are applied to an iSeries server.
  - Ability to prepurchase reserve processor capacity, perfect for unplanned business workload peaks. A quantity of inactive processors can be placed in the server's shared processor pool as reserve processors. When the server recognizes that additional capacity is needed by a partition, a processor day is subtracted from the prepurchased total.
  - Ability to request trial processor or memory capacity that can be used for a predetermined consecutive number of days. A trial activation code can be requested at a Capacity on Demand Web site to activate the no-charge capacity for a business workload peak, for a benchmark, or to try a new workload.
- ▶ **Additional High Availability options**: IBM plans to announce and deliver, in the second half of 2004, additional high-availability options:
  - iSeries for High Availability offerings for the @server i5 520 and 570
  - An iSeries for Capacity BackUp offering for the @server i5 570
  - Support for the attachment of more than one Hardware Management Console (HMC) per server
- ▶ **OS/400 support for higher capacity optical libraries**: The iSeries plans to enhance OS/400 V5R3 to support Plasmon's Ultra Density Optical (UDO) drives in the Plasmon G-series libraries in the second half 2004. UDO increases the maximum capacity for a single G-series library to over 19 terabytes.



For more information, see:

<http://www.ibm.com/servers/eserver/support/series/planning/futurehwr.html>

## Product Previews: Closed

The following Product Preview is closed at the time of the May 2003 announcements:

- ▶ **Microsoft Windows .NET:** IBM plans to support Windows .NET Standard and Enterprise servers on the Integrated xSeries Server and the xSeries servers attached to iSeries with the Integrated xSeries Adapter.

This Product Preview was fulfilled in the May 2003 time frame via a Web deliver of PTFs. Windows .NET became Windows Server 2003.

## Statement of Direction

Statements of Direction identify the commitment of IBM to direct iSeries servers toward a given design or technology. Understanding them can provide insight into the design and technology plans of IBM. All statements regarding IBM plans, directions, and intent are subject to change or withdrawal without notice.

## Statement of Direction: Open

The following Statements of Direction remain open at the time of the May 2004 announcement:

- ▶ **Support AIX on iSeries:** IBM plans to further extend the self-managing systems initiative of the IBM autonomic computing initiative with self-optimizing and configuring capabilities that include native support for AIX in logical partitions alongside OS/400 partitions on the iSeries product line. This would allow customers to leverage a broader range of application environments including OS/400, Windows, Linux, and now AIX on a single IBM @server. With this capability, a common set of resources can be managed and shared across a total customer solution, made up of applications targeted to different operating environments. This extends the self-optimization capabilities of iSeries to meet the needs of customers in a simple, low-cost, and efficient manner.
- ▶ **Future iSeries management environment:** IBM plans to deliver an integrated management environment with services such as partitioning, hardware virtualization, and workload management for OS/400, AIX, and Linux applications on an IBM @server. The new management environment will integrate OS/400, middleware, and enhancements from research and

development to deliver dramatically enhanced partitioning, optimized asset utilization, and on-demand resource allocation for heterogeneous operating environments.

## Statement of Direction: Closed

As part of the iSeries announcements made in June 2003, IBM fulfilled the commitment of the following direction:

- ▶ **DB2 and WebSphere Application Server for Linux on iSeries:** IBM plans to make DB2 Universal Database (UDB) and WebSphere Application Server available for Linux on iSeries.

This Product Preview was fulfilled with the general availability of DB2 UDB V8.1 for Linux on iSeries in June 2003, and the general availability of WebSphere Application Server 5.0.2 for Linux on iSeries in July 2003.

## Planning information

As business grows, the information systems needs of a business change, and technology changes to allow more efficient and cost-effective methods to solve business problems. As the iSeries and OS/400 are enhanced, new technology is introduced. Other technology reaches a point where no further enhancements, functions, or maintenance is planned. This section helps customers to plan for these changes and to protect their investment as their business needs change:

- ▶ **OS/400 support of selected AS/400 and iSeries models:** OS/400 V5R2 is the final release to support AS/400e Models 150, 600, 620, 640, 650, S10, S20, S30, S40, and SB1. IBM plans for OS/400 V5R3 to be the final release to be supported on AS/400e Models 170, 250, 720, 730, and 740.

The next release of OS/400 is planned to be supported on Models 270, 520, 570, 800, 810, 820, 825, 830, 840, 870, 890, SB2, and SB3 systems.

- ▶ **Systems Product Division (SPD) I/O:** IBM plans for OS/400 V5R3 to be the final release to support the attachment of SPD towers or SPD Migration towers. Customers must complete the migration or conversion of I/O attached to their iSeries Model 820, 830, or 840 via SPD towers or migration towers before upgrading beyond V5R3 OS/400.

Any SPD I/O cards in these towers or older I/O devices which can only be attached to SPD cards must be replaced by newer I/O. SPD-attached #5065 or #5066 PCI I/O towers must be converted to the #5074 or #5079 PCI HSL-attached Expansion Towers or replaced with newer generation #5094 or #5294 PCI-X towers. The PCI-X towers offer a higher speed HSL connection and the ability to support 15k rpm disk drives.

- ▶ **iSeries Access:** IBM plans to remove the support of the Windows 98 and Windows Me operating systems from the iSeries Access for Windows client. iSeries Access for Windows on Windows 98 and Me continues to be supported in V5R2. In subsequent releases, iSeries Access for Windows will not install on the Windows 95, 98, or Me operating systems.

The removal of Windows 98 and Windows Me applies to all of the functions shipped with iSeries Access for Windows, including EZ-Setup, iSeries Navigator, Management Central, and Operations Console. iSeries Access for Windows will continue to be supported on the Windows NT 4.0, Windows 2000, and Windows XP operating systems. In addition, migration from Client Access for Windows 95 or NT and Client Access Enhanced for Windows 3.1 to iSeries Access for Windows will continue to be supported in V5R2 but will be removed in subsequent releases.

- ▶ **iSeries Support for Windows Network Neighborhood (iSeries NetServer):** IBM plans to remove the support of the Windows 98 and Windows Me operating systems from iSeries NetServer. Windows 98 and Me continue to be supported in V5R2, but not in subsequent releases. iSeries NetServer will continue to support the Windows NT 4.0, Windows 2000, Windows XP, and Linux (running Samba) operating systems.
- ▶ **IBM HTTP Server:** V5R2 is the final release to support HTTP Server (original). With IBM i5/OS, IBM HTTP Server (powered by Apache) includes the generally available version of the Apache Software Foundation's Apache 2.0 Web server. For more information, including migrating HTTP Server (original) configurations to HTTP Server (powered by Apache), visit:

<http://www.ibm.com/eserver/series/software/http>

- ▶ **XML Parsers:** OS/400 V5R2 is the final release to ship the XML for C++ and procedural parsers as part of OS/400. These parsers are service programs QXML4C310 and QXML4PR310 in library QSYS. Comparable XML for C++ and procedural parsers are now available via LPO 5733-XT1 (XML Toolkit for iSeries).
- ▶ **Open Class® Library:** OS/400 V5R2 is the final release to ship the Open Class Library, part of WebSphere Development Studio for iSeries and OS/400. For documentation to assist in migrating from IBM Open Class to the C++ Standard Library, see:

<http://www.ibm.com/servers/eserver/series/support/planning/nav.html>

Suggested replacements: All applications that use the Open Class Headers and Service Programs need to be refreshed using the C++ Standard Library provided with 5722-WDS and 5722-SS1. When discontinued, IBM Open Class Headers shipped in library QSYSINC with a descriptive text of "IOC HEADER" and the IBM Open Class Service Programs, QYPPOC370 and QYPPOC510 are no longer shipped in library QSYS with OS/400.

To assist migration from IBM Open Class to the C++ Standard Library, see:

<http://www.ibm.com/servers/eserver/series/support/planning/pdf/iocmigrwp.pdf>

- ▶ **Distributed Computing Environment (DCE):** OS/400 V5R2 is the final release to support DCE Base Services for AS/400 (5769-DC1) and DCE Data Encryption Standard Library Routines for AS/400 (5769-DC3).

For a suggested replacement, we recommend that our Clients build their distributed applications using the functions provided by MQSeries®, IBM Toolbox for Java, WebSphere Application Server, or Lotus Domino technologies for iSeries.

- ▶ **Ultimedia System Facility (USF):** OS/400 V5R2 is the final release for the USF application programming interfaces (APIs) to be shipped or supported with iSeries Access for Windows.

For suggested replacements, customers have chosen to develop multimedia applications using more standard means such as DB2 UDB for iSeries binary large object (BLOB) support or the integrated file system (IFS).

- ▶ **Access Class Libraries:** OS/400 V5R2 is the final release to support the Access Class Libraries in OS/400. The Access Class Libraries are C++ classes that provide access to OS/400 resources, including DB2 UDB for iSeries.

For suggested replacements, IBM suggests that current users of the Access Class Libraries use appropriate C language APIs to access OS/400 resources. Current users should also consider using Java and the corresponding IBM Toolbox for Java interfaces to access OS/400 resources.

- ▶ **OS/400 Language Feature - English Uppercase:** IBM plans for V5R3 to be the last release to support the English Uppercase language features (#2950 and #5550) for OS/400 (5722-SS1).

- ▶ **S/36 and S/38 migration:** OS/400 V5R2 is the final release to support:

- OS/400 Option 4: S/36 and S/38 Migration
- OS/400 Option 11: S/36 Migration Assistant
- RSTS36FLR command within OS/400 used to restore S/36 folders

- ▶ **Application Development Manager and Application Dictionary Services:** There were two priced features in WebSphere Development Studio for iSeries:

- Application Development Manager (ADM)
- Application Dictionary Services (ADS)

IBM discontinued marketing these products in V5R3. This should not be construed as a lack of interest in source and library control, and impact analysis. The importance of source-control management and impact analysis

has increased greatly in the last several years since the introduction of the Integrated Language Environment® (ILE) to promote modular programming and to encourage code reuse. In recent years, the introduction of Web and Java development and the IBM WebFacing Tool have dramatically increased the number of Java components to manage.

For more information, see the white paper *A Case for Source Control Management on the Web* at:

<http://www.ibm.com/servers/enable/tools/pdf/scmpaper.pdf>

- ▶ **Cryptographic Support for AS/400 (5722-CR1):** IBM plans to support this product for one release beyond V5R3, after which it will be discontinued. Customers looking for a cryptographic API set should consider the following alternatives:
  - IBM i5/OS Cryptographic Services API
  - Common Cryptographic Architecture (CCA) API for the iSeries Cryptographic Coprocessor feature
  - Java Cryptography Extension (JCE)

## Withdrawn products

When products and features are withdrawn from IBM marketing, they are removed from this Handbook. You can find information about earlier iSeries and AS/400e products and features by referencing the *IBM @server iSeries and AS/400e System Builder*, SG24-2155, or searching for a legacy edition of the *IBM @server i5 and iSeries System Handbook*, GA19-5486, which is available on the following Web site or at the iSeries home site:

<http://publib.boulder.ibm.com/pubs/html/as400/online/chgfrm.htm>

Refer to “Products and features no longer marketed by IBM” on page 737 for a list of the recommended replacements for many withdrawn features and products.

## Features and devices not supported with V5R3

iSeries Models 600, 620, 640, 650, 650, S10, S20, S30, S40, SB1, 150, and earlier generations of AS/400 systems, are not supported with V5R3. Also the following features are not supported with IBM i5/OS V5R3:

- ▶ #2811 PCI 25 Mbps UTP ATM
- ▶ #2812 PCI 45 Mbps Coax T3/DS3 ATM
- ▶ #2815 PCI 155 Mbps UTP OC3 ATM
- ▶ #2816 PCI 155 Mbps MMF ATM

- ▶ #2817 PCI 155 Mbps MMF ATM IOA
- ▶ #2818 PCU 155 Mbps SMF OC3 ATM
- ▶ #2819 PCI 34 Mbps Coax E3 ATM
- ▶ #4815 PCI ATM 155 Mbps UTP OC3
- ▶ #4816 PCI ATM 155 Mbps MMF
- ▶ #4818 PCI ATM 155 Mbps SMF OC3
- ▶ #2761 and #4761 PCI Integrated Analog Modem

The other input/output adapters (IOAs) and controllers, which are supported with V5R2 on Models 800, 810, 825, 870, and 890, are supported with V5R3 on the Model 520 and 570.

Some hardware features are supported with V5R3 but are not supported on all iSeries models. Refer to the Planning Web site for more information:

<http://www-1.ibm.com/servers/eserver/iseries/support/planning/v5r3hardware.html>

## Features and devices not supported with V5R2

AS/400 Models 4xx and 5xx are not supported with V5R2 or later. Also the following features are not supported with V5R2 or later:

- ▶ #2750/#4750 PCI ISDN BRI U IOA
- ▶ #2751/#4751 ISDN adapters
- ▶ #4800 PCI Cryptographic Processor
- ▶ #6385/#6485 QIC-5010 13 GB ¼-inch Cartridge Tape

The #2761/#4761 PCI Integrated Analog Modem supports the fax function only with V5R2. The IPX protocol is not supported with V5R2. The NetVista™ Thin Clients device is not supported with V5R2.

**Note:** Some hardware features are supported with V5R2 but are not supported on all iSeries models.

For a list of features, devices, and products not supported or marketed by IBM, refer to “Products and features no longer marketed by IBM” on page 737, and “Features and devices not supported with V5R1” on page 736.

Refer to the Planning Web site for more information:

<http://www-1.ibm.com/servers/eserver/iseries/support/planning/v5r2hardware.html>

# Hardware

# Hardware





## Summary of today's iSeries

The tables in this chapter summarize the resource capabilities and performance characteristics of all processors in the current product line of iSeries servers. Processor and performance characteristics are included, along with the maximum capacities for main storage, disk, local area network (LAN), communication lines, workstations, tape devices, CD devices, and other input/output (I/O) components.

The capacities of iSeries and AS/400e processors that are no longer marketed are summarized in *IBM @server iSeries and AS/400e System Builder*, SG24-2155. You can find information about V5R3 operating system limits, such as the maximum members in a database file, maximum objects in a library, and jobs on the system in the iSeries Information Center at:

<http://www.ibm.com/eserver/iserries/infocenter>

Under Systems Management, select the **Availability** topic, and then click **OS/400 Maximum Capacities**.

You can find information about V5R2 operating system limits in *OS/400 Maximum Capacities V5R2*, REDP-0204.

**Note:** In the following tables, the values in the columns with the darker shaded heading represent the base configuration of the system. The capacities shown may require prerequisites. Some combinations of features are not valid.

## Table 1: Summary of the iSeries Model 520

	Model 520					
Processor feature	#8950	#8951	#8952	#8953	#8954	#8955
Server feature <sup>10</sup>	#0900	#0901	#0902	#0903	#0904	#0905
Relative system performance <sup>1, 2</sup>						
Processor CPW	500	1000	1000	2400	3300	6000
Mail and Calendar Users <sup>9</sup> 5250 CPW <sup>5</sup>	---	2300		5500	7300	13300
#7450, #7451 Value	30	60	-	-	-	-
#7452, #7454, #7458 Standard	-	-	0	0	0	0
#7453, #7455, #7457 Enterprise	-	-	1000	2400	3300	6000
Number/type/speed of processor	1/POWER5/ 1.5 GHz	1/POWER5/ 1.5 GHz	1/POWER5/ 1.5 GHz	1/POWER5/ 1.5 GHz	1/POWER5/ 1.65 GHz	2/POWER5/ 1.65 GHz
L2 Cache (MB)	1.88	1.88	1.88	1.88	1.88	1.88
L3 Cache (MB)	0	0	0	0	36	36
Main storage (GB min/max)	0.5/32	1/32	1/32	1/32	1/32	1/32
Main storage DIMMs (minimum/maximum)	8	8	8	8	8	8
Logical Partitions (LPAR)	2	4	4	10	10	20
Minimum operating system level	V5R3	V5R3	V5R3	V5R3	V5R3	V5R3
Software group <sup>6a</sup>	P05	P10	P10	P10	P20	P30

Numbers are for all 520 processor features	Base system	System maximum
Disk storage (GB)		
Integrated minimum	35.16	-
Integrated maximum	564.48	19615.68
External maximum <sup>7</sup>		
Total maximum		
DASD arms maximum	8	278
Internal arms	8	278
External LUNs		277
Physical packaging		
External HSL-2/RIO-G ports	2	2
External HSL-2/RIO-G loops	1	1
PCI/PCI-X Expansion Tower	-	6
External xSeries Servers	8	8
PCI card slots <sup>12</sup>	6	90
Communication lines <sup>3</sup>	8	192
LAN ports (includes embedded)	5	36
Integrated xSeries Servers	-	18
Twinaxial workstation controllers	3	48
Twinaxial workstations		1920
Internal CD/DVD/tape <sup>4</sup>	2	12
External tape/optical/CD/DVD	-	36
Cryptographic coprocessor	-	8
Cryptographic accelerator	-	2

## Table 2: Summary of the iSeries Model 570

	Model 570	
Processor feature	#8961	#8961 (x2)
Server feature	#0919	#0920
Relative system performance <sup>1, 2</sup>		
Processor CPW	3300/6000	6350/11700
Mail and Calendar Users <sup>9</sup>	7300/13300	14100/25900
5250 CPW <sup>5</sup>		
#7488 Standard	0	-
#7489 Enterprise	Maximum	-
#7469 Standard	-	0
#7470 Enterprise	-	Maximum
Number/type/speed of processor	0/2/POWER5/ 1.65 GHz	2/4/POWER5/ 1.65 GHz
L2 Cache (MB) per processor SCM (SCM)	1.88	1.88
L3 Cache (MB) per processor SCM (SCM)	36	36
Main storage (GB minimum/maximum)	2/32	2/64
Main storage DIMMs (minimum/maximum)	4/8	4/16
Logical partitions (LPAR)	20	40
Minimum i5/OS level <sup>8</sup>	V5R3	V5R3
Software group <sup>6b</sup>	P30	P30
Disk storage (GB)		
Integrated minimum	35.16	35.16
Integrated maximum	19474.56	38525.76
External maximum <sup>7</sup>	19439.40	38490.60
Total maximum	19474.56	38525.76
DASD arms maximum	276	546
Internal arms	276	546
External LUNs	275	545
Physical packaging		
External HSL-2/RIO-G ports	2	4
External HSL-2/RIO-G loops	1	2
PCI/PCI-X Expansion Tower	6	12
External xSeries Servers (IXA)	8	16
PCI card slots <sup>12</sup>	90	173
Communication lines <sup>3</sup>	278	320
LAN ports (includes embedded)	71	96
Integrated xSeries Servers	18	36
Twinaxial workstation controllers	69	134
Twinaxial workstations	2760	5360
Internal DVD-ROM/DVD-RAM <sup>4</sup>	1	1
Internal CD-ROM/Tape	0	0
Feature I/O Tower CD-ROM/Tape	12	24
External tape / LPAR	18/36	18/36
External optical/CD/DVD	18/36	18/36
Cryptographic coprocessor	8	8
Cryptographic accelerator/LPAR max	4/8	4/8

### Table 3: Summary of the iSeries Model 800

	Model 800		
Processor feature	#2463		#2464
Server feature	#0863	#0864	#0865
Relative system performance <sup>1, 2</sup>			
Processor CPW	300	300	950
Mail and Calendar Users <sup>9</sup>			
5250 CPW <sup>5</sup>			
#7400 Value and Standard	25	25	
#7408 Enterprise			50
Number/type/speed of processor	1/SSTAR/540 MHz	1/SSTAR/540 MHz	1/SSTAR/540 MHz
L2 Cache (MB)	0	0	2
Main storage (MB min-max) <sup>11</sup>	256 - 8192	256 - 8192	512 - 8192
Main storage DIMMs (min/max)	1/8	1/8	1/8
Minimum operating system level <sup>8B</sup>	V5R2	V5R2	V5R2
Software group <sup>6c</sup>	P05	P05	P10

Numbers are for all 800 processor features	Base system	#7116 System Expansion Unit	System maximum
Disk storage (GB)			
Integrated minimum	17.5	17.5	
Integrated maximum	423.3	846.7	4445
External maximum <sup>7</sup>	-	-	4375
Total maximum	-	-	4445
DASD arms maximum	6	12	63
Arms internal	6	12	63
LUNs external	-	-	62
Physical packaging			
External HSL ports	2	-	2
External HSL loops	1	-	1
PCI-X Expansion Tower	1	-	1
External xSeries Servers	3	-	3
Embedded IOP	1	-	1
PCI card slots	7	-	21
Maximum PCI IOA cards	6	-	17
Communication lines <sup>3</sup>	18	-	60
LAN ports	3	-	11
Integrated xSeries Servers	1	-	4
Twinaxial workstation controllers	4	-	15
Twinaxial workstations	160	-	600
Internal CD/DVD/tape <sup>4</sup>	2	-	4
External tape	4	-	15
External Optical/CD/DVD	4	-	15
Cryptographic coprocessor	4	-	4
Cryptographic accelerator	2	-	2

## Table 4: Summary of the iSeries Model 810

	Model 810			
Processor feature	#2465	#2466	#2467	#2469
Server feature	#0868	#0866	#0867	#0869
Relative system performance <sup>1, 2</sup>				
Processor CPW	750	1020	1470	2700
Mail and Calendar Users <sup>9</sup>				
5250 CPW <sup>5</sup>				
#7404 Standard	0			
#7406 Enterprise	750			
#7407 Standard and Domino		0		
#7409 Enterprise		1020		
#7410 Standard and Domino	-	-	0	
#7412 Enterprise	-	-	1470	
#7428 Standard and Domino	-	-	-	0
#7430 Enterprise	-	-	-	2700
Number/type/speed of processor	1/SSTAR/540 MHz	1/SSTAR/540 MHz	1/SSTAR/ 750 MHz	2/SSTAR/750 MHz
L2 Cache (MB) per processor	2	2	4	4
Main storage (MB min-max)	512 - 16384	512 - 16384	512 - 16384	512 - 16384
Main storage DIMMs (min/max)	1/8	1/8	1/8	2/16
Minimum operating system level <sup>8A</sup>	V5R2	V5R2	V5R2	V5R2
Software group <sup>6d</sup>	P10	P10	P10	P20

	Model 810 iSeries for Domino		
Processor feature	#2466	#2467	#2469
Server feature <sup>10</sup>	#0769	#0770	#0771
Relative system performance <sup>1, 2</sup>			
Processor CPW	1020	1470	2700
Mail and Calendar Users <sup>9</sup>	3100	4200	7900
5250 CPW <sup>5</sup>			
#7407 Standard and Domino	0		
#7410 Standard and Domino	-	0	
#7428 Standard and Domino	-	-	0
Number/type/speed of processor	1/SSTAR/540 MHz	1/SSTAR/750 MHz	2/SSTAR/750 MHz
L2 Cache (MB) per processor	2	4	4
Main storage (GB min-max)	1.5 - 16	3.5 - 16	5.5 - 16
Main storage DIMMs (max)	8	8	16
Minimum operating system level <sup>8A</sup>	V5R2	V5R2	V5R2
Software group <sup>6d</sup>	P10	P10	P20

Numbers are for all 810 processor features	Base system	#7116 System Expansion Unit	System maximum
Disk storage (GB)			
Integrated minimum	17.5	17.5	
Integrated maximum	423.3	846.7	13971
External maximum <sup>7</sup>	-	-	13901
Total maximum	-	-	13971
DASD arms maximum	6	12	198
Arms internal	6	12	198
LUNs external	-	-	197
Physical packaging			
External HSL ports	2	-	-
External HSL loops	1	-	1
PCI/PCI-X Expansion Tower	4	-	4
External xSeries Servers	7	-	7
Embedded IOP	1	-	5
PCI card slots <sup>12</sup>	7	-	63
Maximum PCI IOA cards	6	-	50
Communication lines <sup>3</sup>	18	-	192
LAN ports	3	-	36
Integrated xSeries Servers	1	-	13
Twinaxial workstation controllers	4	-	48
Twinaxial workstations	160	-	1920
Internal CD/DVD/tape <sup>4</sup>	2	-	10
External tape	4	-	18
External Optical/CD/DVD	4	-	18
Cryptographic coprocessor	4	-	8
Cryptographic accelerator	2	-	2



## Table 5: Summary of the iSeries Model 825

	Model 825			
Processor feature	#2473			#2495
Server feature	#0873			#0890
Server feature for Domino <sup>10</sup>		#0772	#0773	
Relative system performance <sup>1, 2</sup>				
Processor CPW	3600/6600			1250/6600
Mail and Calendar Users <sup>9</sup>		11600	17400	
5250 CPW <sup>5</sup>				
#7416 Standard and Domino	0	0	0	-
#7418 Enterprise	Maximum	-	-	-
#7434 High Availability	Maximum	-	-	-
#7439 Capacity BackUp	-	-	-	Maximum
Number/type/speed of processor	3/6/POWER4/ 1.1 GHz	4/POWER4/ 1.1 GHz	6/POWER4/ 1.1 GHz	1/6/POWER4/ 1.1 GHz
L2 Cache (MB/processor)	0.72	0.72	0.72	0.72
L3 Cache (MB/processor)	16	16	16	16
Main storage (GB min-max)	2 - 48	6 - 48	12 - 48	2 - 48
Main storage DIMMs (min/max)	8/24	8/24	8/24	8/24
Minimum operating system level <sup>8B</sup>	V5R2	V5R2	V5R2	V5R2
Software group <sup>6e</sup>	P30	P30	P30	P30

Numbers are for all 825 processor features	Base system	System maximum
Disk storage (GB)		
Integrated minimum	17.5	17.5
Integrated maximum	1058.4	58216
External maximum <sup>7</sup>	-	58145
Total maximum	-	58216
DASD arms maximum		
Arms internal	15	825
LUNs external	-	824
Physical packaging		
External HSL/HSL-2 ports	6	6
External HSL/HSL-2 loops	3	3
PCI Expansion Towers	16	16
PCI-X Expansion Towers	18	18
External xSeries Servers	18	18
Embedded IOP	1	19
Embedded IOA	1	1
PCI card slots	10	262
Maximum PCI IOA cards	8	205
Communication lines <sup>3a</sup>	30	320
LAN ports	6	96
Integrated xSeries Servers	1	36
Twinaxial workstation controllers	5	135
Twinaxial workstations	200	5400
Internal CD-ROM/DVD-RAM/tape <sup>4</sup>	2	18
External tape/optical/CD/DVD	5	18
Cryptographic coprocessor	5	8
Cryptographic accelerator	4	4

## Table 6: Summary of the iSeries Model 870

	Model 870		
Processor feature	#2486	#2489	#2496
Server feature	#0886	#0889	#0891
Relative system performance <sup>1, 2</sup> Processor CPW 5250 CPW <sup>5</sup>	11500/20000	7700/11500	3200/20000
#7419 Standard	0	--	--
#7421 Enterprise	Maximum	--	--
#7431 Standard	--	0	--
#7433 Enterprise	--	Maximum	Maximum
#7435 High Availability	--	Maximum	Maximum
#7436 High Availability	Maximum	--	--
#7440 High Availability	--	--	Maximum
Number/type/speed of processor	8/16/POWER4/1.3 GHz	5/8/POWER4/1.3 GHz	2/16/POWER4/1.3 GH
L2 and L3 Cache (MB/processor)	16.72	16.72	16.72
Main storage (GB min-max)	8 - 128	8 - 64	8 - 128
Main storage cards (min/max)	2/4	2/2	2/4
Minimum operating system level <sup>8B</sup>	V5R2	V5R2	V5R2
Software group <sup>6f</sup>	P40	P40	P40

Numbers are for all 870 processor features	#9094 Base Tower	System maximum
Disk storage (GB)		
Integrated minimum	17.5	
Integrated maximum	3172.5	144446
External maximum <sup>7</sup>	-	144375
Total maximum	-	144446
DASD arms maximum		
Arms internal	45	2047
LUNs external	-	-
Physical packaging		
External HSL/HSL-2 ports	-/16	-/16
External HSL/HSL-2 loops	-/8	-/8
PCI/PCI-X Expansion Towers	47	47
External xSeries Servers	60	60
Embedded IOP	-	-
Embedded IOA	-	-
PCI card slots <sup>12</sup>	14	672
Maximum PCI IOA cards	11	528
Communication lines <sup>3</sup>	38	480
LAN ports	7	128
Integrated xSeries Servers	2	48
Twinaxial workstation controllers	9	180
Twinaxial workstations	360	7200
Internal CD/DVD/tape <sup>4</sup>	2	26
External tape/optical/CD/DVD	9	26
Cryptographic coprocessor	8	32
Cryptographic accelerator	4	8

## Table 7: Summary of the iSeries Model 890

	Model 890		
Processor feature	#2497	#2498	#2499
Server feature	#0897	#0898	#0892
Relative system performance <sup>1, 2</sup> Processor CPW 5250 CPW <sup>5</sup>	20000/29300	29300/37400	5600/37400
#7422 Standard	0	-	-
#7424 Enterprise	Maximum	-	-
#7425 Standard	-	0	0
#7427 Enterprise	-	Maximum	Maximum
#7441 Capacity BackUp	Maximum	Maximum	Maximum
Number/type/speed of processor	16/24/POWER4/1.3 GHz	24/32/POWER4/1.3 GHz	4/32/POWER4/1.3 GHz
L2 and L3 Cache (MB/processor)	16.72	16.72	16.72
Main storage (GB min-max)	8 - 192	16 - 256	16 - 256
Main storage cards (min/max)	2/6	4/8	4/8
Minimum operating system level <sup>8B</sup>	V5R2	V5R2	V5R2
Software group <sup>6g</sup>	P50	P50	P50

Numbers are for all 890 processor features	#9094 Base Tower	System maximum
Disk storage (GB)		
Integrated minimum	17.5	
Integrated maximum	3175.2	144446
External maximum <sup>4</sup>	11290	144375
Total maximum	14462	144446
DASD arms maximum		
Arms internal	45	2047
LUNs external	160	2046
Physical packaging		
External HSL/HSL-2 ports	-/24	-/24
External HSL/HSL-2 loops	-/12	-/12
PCI/PCI-X Expansion Towers	47	47
External xSeries Servers	60	60
Embedded IOP	-	-
Embedded IOA	-	-
PCI card slots	14	672
Maximum PCI IOA cards	11	528
Communication lines <sup>3</sup>	38	480
LAN ports	7	128
Integrated xSeries Servers	2	48
Twinaxial workstation controllers	9	180
Twinaxial workstations	360	7200
Internal CD-ROM/DVD-RAM/tape <sup>4a</sup>	2	26
External tape/optical/CD/DVD	9	26
Cryptographic coprocessor	8	32
Cryptographic accelerator	4	8

## Summary of the iSeries expansion units and towers

This section identifies the maximum capacities of expansion units and towers supported by the Model 520, 570, 800, 810, 825, 870, and 890.

Numbers are for all 520 processor features	PCI/PCI-X Expansion Unit or Tower
Disk storage (GB) Integrated minimum Integrated maximum External maximum <sup>7</sup> Total maximum DASD arms maximum Internal arms External LUNs	- 19051.2 - 270 270 269
Physical packaging External HSL-2/RIO-G ports External HSL-2/RIO-G loops PCI/PCI-X Expansion Tower External xSeries Servers PCI card slots <sup>1</sup>	- - 6 - 14
Communication lines <sup>3</sup> LAN ports (includes embedded) Integrated xSeries Servers Twinaxial workstation controllers Twinaxial workstations	- - 3 - -
Internal CD/DVD/tape <sup>4</sup> External tape/optical/CD/DVD	- -
Cryptographic coprocessor Cryptographic accelerator	- -

Numbers are for all 570, 800, 810, 825, 870, and 890 processor features	#5095/#0595 PCI-X Expansion Tower	#5094 PCI-X Expansion Tower
Disk storage (GB)		
Integrated minimum	0	0
Integrated maximum	846.7	3175.2
External maximum <sup>7</sup>	6773.7	13548
Total maximum	-	-
DASD arms maximum	12	45
Arms internal	12	45
LUNs external	-	-
Physical packaging		
External HSL ports	-	-
External HSL loops	-	-
PCI-X Expansion Tower	-	-
External xSeries Servers	-	-
Base IOP	1	1
PCI card slots	7	14
Maximum PCI IOA cards	5	11
Communication lines <sup>3</sup>	20	44
LAN ports	5	8
Integrated xSeries Servers	1	3
Twinaxial workstation controllers	5	11
Twinaxial workstations	200	440
Internal CD/DVD/tape <sup>4</sup>	-	2
External tape	5	11
External Optical/CD/DVD	5	11
Cryptographic coprocessor	4	8
Cryptographic accelerator	2	2



## Notes for all summary tables

<b>Note 1</b>	Commercial Processing Workload (CPW) is used to measure the performance of all iSeries and AS/400e processors announced from September 1996 onward. The CPW value is measured on maximum configurations. The type and number of disk devices, the number of workstation controllers, the amount of memory, the system model, other factors, and the application running determine what performance is achievable.
<b>Note 2</b>	Processor performance represents the relative performance (maximum capacity) of a processor feature running CPW in a client/server environment. Processor capacity is achievable when the commercial workload is not constrained by main storage and DASD. 5250 CPW performance represents the relative performance available to perform host-centric workloads. The amount of 5250 CPW capacity consumed reduces the available processor capacity by the same amount.
<b>Note 3</b>	One line is used if #5544 System Console on Operations Console is used. One line might be used if #5546 System Console on 100 Mbps Token Ring or #5548 System Console on 100 Mbps Ethernet is selected and the #0367 Operations Console PCI Cable must be connected. The numbers include the ECS line.
<b>Note 3a Model 825</b>	One line is used if #5544 System Console on Operations Console is used. One line may be used if the #5548 System Console on 100 Mbps Ethernet is selected and the #0367 Operations Console PCI Cable must be connected.
<b>Note 4</b>	There must be one DVD-ROM or DVD-RAM per system. For Models 870 and 890, there must be one DVD-RAM or DVD-ROM in the #9094 Base PCI I/O Enclosure.
<b>Note 5</b>	<p>5250 CPW (Interactive) is an approximate value that reflects the amount of Processor CPW that can be used for workloads performing 5250-based tasks. Remember that:</p> <ul style="list-style-type: none"> <li>▶ The iSeries Enterprise Edition provides maximum 5250 CPW support (up to 100% of the capacity of the active processor CPW).</li> <li>▶ The iSeries Standard Edition provides zero CPW for 5250 work. Limited 5250 CPW is available for a system administrator to use 5250 display device I/O to manage various aspects of the server. Multiple administrative jobs exceed this capability.</li> <li>▶ This text covers the 520 Value Edition at 30/60 5250 CPW, the 800 Value and Standard Edition with 25, and the 800 Advanced Edition with 50.</li> <li>▶ A task submitted through a 5250 session (5250 device or 5250 emulation) that does display or printer I/O requires 5250 CPW.</li> <li>▶ A task submitted through a 5250 session (5250 device or 5250 emulation) as a "batch" job is not considered 5250 OLTP work and does not require any 5250 CPW unless the task does display or printer I/O.</li> <li>▶ Maximum 5250 CPW is equivalent to the processor CPW for the active processor.</li> </ul>

<b>Note 6a Model 520</b>	Software group is determined by the combination of processor feature and edition feature. Display the QPRCFEAT system value or DSPHDWRSC TYPE(*AHW) to display the processor feature code value. This value is also shown for the Capacity Card CCIN value when using SST to perform a Capacity Upgrade on Demand. This table provides a cross reference.				
	Processor	Server feature	Edition feature	Software group	Processor feature code or QPRCFEAT value
	#8950	#0900	#7450 Value	P05	7450
	#8951	#0901	#7451 Value	P10	7451
	#8952	#0902	#7458 Standard	P10	7458
			#7459 Enterprise	P10	7459
	#8953	#0903	#7452 Standard	P10	7452
			#7453 Enterprise	P10	7453
	#8954	#0904	#7454 Standard	P20	7454
			#7455 Enterprise	P20	7455
#8955	#0905	#7456 Standard	P30	7456	
		#7457 Enterprise	P30	7457	
<b>Note 6b Model 570</b>	Software group is determined by the combination of processor feature and edition feature. Display the QPRCFEAT system value or DSPHDWRSC TYPE(*AHW) to display the processor feature code value. This value is also shown for the Capacity Card CCIN value when using SST to perform a Capacity Upgrade on Demand. This table provides a cross reference.				
	Processor	Server feature	Edition feature	Software group	Processor feature code or QPRCFEAT value
	#8961	#0919	#7488 Standard	P30	7488
			#7489 Enterprise	P30	7489
	#8961	#0920	#7469 Standard	P30	7469
			#7470 Enterprise	P30	7470

<b>Note 6c Model 800</b>	Software group is determined by the combination of processor feature and edition feature. Display the QPRCFEAT system value or DSPHDWRSC TYPE(*AHW) to display the processor feature code value. This value is also shown for the Capacity Card CCIN value when using SST to perform a Capacity Upgrade on Demand. This table provides a cross reference.				
	Processor feature	Server feature	Edition feature	Software group	Processor feature code or QPRCFEAT value
	#2463	#0863	#7400 Value	P05	7400
		#0864	#7400 Standard	P05	7400
	#2464	#0865	#7408 Enterprise	P10	7408

<b>Note 6d Model 810</b>	Software group is determined by the combination of processor feature and edition feature. Display the QPRCFEAT system value or DSPHDWRSC TYPE(*AHW) to display the processor feature code value. This value is also shown for the Capacity Card CCIN value when using SST to perform a Capacity Upgrade on Demand. This table provides a cross reference.				
	Processor feature	Server feature	Edition feature	Software group	Processor feature code or QPRCFEAT value
	#2465	#0868	#7404 Standard	P10	7404
			#7406 Enterprise	P10	7406
	#2466	#0866	#7407 Standard	P10	7407
			#7409 Enterprise	P10	7409
		#0769	#7407 Domino	P10	7407
	#2467	#0867	#7410 Standard	P10	7410
			#7412 Enterprise	P10	7412
		#0770	#7410 Domino	P10	7410
	#2469	#0869	#7428 Standard	P20	7428
			#7430 Enterprise	P20	7430
		#0771	#7428 Domino	P20	7428

<b>Note 6e Model 825</b>	Software group is determined by the combination of processor feature and edition feature. Display the QPRCFEAT system value or DSPHDWRSC TYPE(*AHW) to display the processor feature code value. This value is also shown for the Capacity Card CCIN value when using SST to perform a Capacity Upgrade on Demand. This table provides a cross reference.				
	Processor feature	Server feature	Edition feature	Software group	Processor feature code or QPRCFEAT value
	#2473	#0873	#7416 Standard	P30	7416
			#7418 Enterprise	P30	7418
			#7434 High Availability	P30	7418
		#0772	#7416 Domino	P30	7416
		#0773	#7416 Domino	P30	7416
#2495	#0890	#7439 Capacity BackUp	P30	7439	
<b>Note 6f Model 870</b>	Software group is determined by the combination of processor feature and edition feature. Display the QPRCFEAT system value or DSPHDWRSC TYPE(*AHW) to display the processor feature code value. This value is also shown for the Capacity Card CCIN value when using SST to perform a Capacity Upgrade on Demand. This table provides a cross reference.				
	Processor feature	Server feature	Edition feature	Software group	Processor feature code or QPRCFEAT value
	#2486	#0886	#7419 Standard	P40	7419
			#7421 Enterprise	P40	7421
			#7436 High Availability	P40	7421
	#2489	#0889	#7431 Standard	P40	7431
			#7433 Enterprise	P40	7433
#7435 High Availability			P40	7433	
#2496	#0891	#7440 Capacity BackUp	P40	7440	

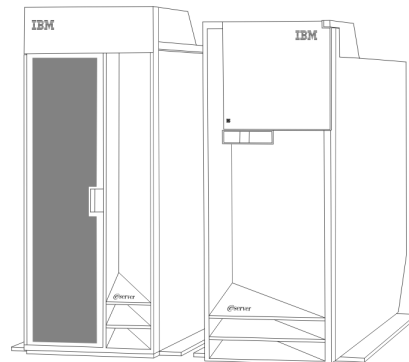
<b>Note 6g Model 890</b>	Software group is determined by the combination of processor feature and edition feature. Display the QPRCFEAT system value or DSPHDWRSC TYPE(*AHW) to display the processor feature code value. This value is also shown for the Capacity Card CCIN value when using SST to perform a Capacity Upgrade on Demand. This table provides a cross reference.				
	<b>Processor feature</b>	<b>Server feature</b>	<b>Edition feature</b>	<b>Software group</b>	<b>Processor feature code or QPRCFEAT value</b>
	#2497	#0897	#7422 Standard	P50	7422
#7424 Enterprise			P50	7424	
#7437 High Availability			P50	7424	
	#2498	#0898	#7425 Standard	P50	7425
#7427 Enterprise			P50	7427	
#7438 High Availability			P50	7427	
	#2499	#0892	#7441 Capacity BackUp	P50	7441
<b>Note 7</b>	External DASD capacity assumes 70.56 GB LUNs. External DASD cannot exceed the maximum system capacity or the maximum number of disk arms.				
<b>Note 8</b>	V5R3 with the (month) 2004 level of LIC and Cumulative PTF package C4nnn530 or V5R3 with the (month) 2004 level of LIC and Cumulative PTF Package C4nnn530. For the latest information, refer to Informational APAR II13365 on the Web at: <a href="http://www.ibm.com/support/us/">http://www.ibm.com/support/us/</a>				
<b>Note 8a Model 810</b>	V5R2 with the February 2003 level of LIC and Cumulative PTF package C3021520 or V5R2 with the May 2003 level of LIC and Cumulative PTF Package C3161520. For the latest information, refer to Informational APAR II13365 on the Web at: <a href="http://www.ibm.com/support/us/">http://www.ibm.com/support/us/</a>				
<b>Note 8b Model 800 825 870 890</b>	V5R2 with the February 2003 level of LIC and Cumulative PTF package C3021520.				
<b>Note 9</b>	MCU is a relative performance measurement derived by performing mail and calendar functions using Domino and Notes clients. The MCU workload represents users on a Notes client who are reading, updating or deleting documents in an e-mail database. It also represents users who are performing lookups in the Domino directory and scheduling calendar appointments and invitations. Reported values reflect 70% processor utilization to allow for growth and peak loads in excess of customer workload estimates.				
<b>Note 10</b>	The Server features used for iSeries for Domino specify the minimum amount of disk, memory, and Domino licenses required for an initial order.				
<b>Note 11</b>	The system can run with 256 MB, but the #0865 Server requires 512 MB of main storage.				
<b>Note 12</b>	When a second HSL-2/RIO-G loop is required, one PCI card slot is used for the HSL-2/RIO-G adapter.				



## iSeries Model 520

The iSeries 520 server is designed for small to mid-sized businesses. These are businesses that need power and capacity to run traditional core business applications and need the freedom and scalability to add new e-business applications to the same server. The 520 is the industry's first POWER5 technology-based server. It has the capability to simultaneously run multiple operating environments and dynamically distribute processing resources.

The 520 is offered as a desktide tower and rack mounted configuration. It provides an integrated set of hardware capabilities including two integrated 1 Gbps Ethernet ports and an integrated Small Computer System Interface (SCSI) controller. An optional redundant power supply is available. Hot-plugging is supported for PCI-X card slots, disk slots, and redundant fans. Hot-plugging of removable media devices is not supported.



*iSeries Model 520 System Unit  
(rack and stand-alone configuration)*

## Model overview

This section takes a closer look at the minimum functional server, required features, and optional features.

### Minimum functional server

A minimum functional server consists of the base server unit and selected priced features. The base server includes:

- ▶ Physical package and power elements
- ▶ Six hot-plug PCI-X card slots
- ▶ Operator panel (mounting hardware is different between the rack mount system and the deskside system)

**Note:** A Hardware Management Console (HMC) is required to manage specific configurations. See “Hardware Management Console” on page 642 for more information.

- ▶ Base 850W (100-127/200-240V) Power Supply (CCIN 51B6)
- ▶ Base direct access storage device (DASD) cage (CCIN 28D2) (four hot-plug internal disk slots)
- ▶ Base SCSI controller (CCIN 570B)

This controller is integrated with the backplane and does not take up one of the PCI-X slots. It provides support for up to eight disk units (four in the base DASD cage and four in the #6574 4-Disk Slot Expansion), the required internal DVD feature, internal feature DVDs, and feature tapes. This controller does not support Redundant Array of Independent Disks (RAID) or hardware data compression. A #5709 - RAID Enabler Card (CCIN 5709) controller must be added if the system data protection is RAID.

The #5709 - RAID Enabler Card (CCIN 5709) plugs into the backplane and does not take up one of the PCI-X slots. It provides support for up to eight disk units, the required internal DVD feature, internal feature DVDs, and feature tapes. This controller supports RAID but does not support hardware data compression. The #5709 has a 16 MB write cache.

- ▶ Three media bays and one operator panel bay
  - The three media bays consist of one half-height (5 ¼-inch wide x 1-inch high, top bay) and two slimline bays. The half-height bay is for SCSI media devices. (Half-high optical devices are not supported in this bay.) The top slimline bay is usable by IBM i5/OS for the required DVD-ROM and



DVD-RAM. The second slimline bay is straight IDE and is usable only with AIX or Linux partitions on 9406 systems.

- In the rack drawer configuration, the bottom bay is for the operator panel. With a deskside configuration, the operator panel is mounted in a separate bracket attached to the top of the system. The bottom bay in a deskside configuration is left empty and is covered by a plate insert.
- ▶ Two serial ports and two USB 2.0 ports  
These ports are not usable by i5/OS.
- ▶ Two 1 Gb, 100 Mb, and 10 Mb Ethernet ports  
These ports are not usable for a local area network (LAN) console.
- ▶ Base Service Processor (CCIN 28D7) (plugs in slot P1-C7)
- ▶ Two HMC ports and two SPCN ports
- ▶ Two high-speed loop (HSL)-2/RIO-G ports
- ▶ #9844 Base PCI IOP (plugs in slot P1-C6)  
This provides support for up to two IOAs (slots P1-C3 and P1-C5).

## Required features

The *required* features for the 520 system unit include:

- ▶ Specific combinations of the Processor feature, Edition feature, and Server feature are allowed as shown in the following table.

Processor	Server feature	Edition feature	Software group
#8950 (500 CPW)	#0900	#7450 Value and 520 Express	P05
#8951 (1000 CPW)	#0901	#7451 Value and 520 Express	P10
#8952 (1000 CPW)	#0902	#7458 Standard	P10
		#7459 Enterprise	P10
#8953 (2400 CPW)	#0903	#7452 Standard	P10
		#7453 Enterprise	P10
#8954 (3300 CPW)	#0904	#7454 Standard	P20
		#7455 Enterprise	P20

Processor	Server feature	Edition feature	Software group
#8955 (6000 CPW)	#0905	#7456 Standard	P30
		#7457 Enterprise	P30

Edition content varies by the processor and server features that are selected. For more information, see “iSeries Editions” on page 51.

Refer to the Model 520 summary chart in “Table 1: Summary of the iSeries Model 520” on page 68 to determine the processor feature code and QPRCFEAT value.

- ▶ Internal disk units - 10k or 15k rpm only
  - #4317 8.58 GB 10k RPM Disk Unit
  - #4318 17.54 GB 10k RPM Disk Unit
  - #4319 35.16 GB 10k RPM Disk Unit
  - #4326 35.16 GB 15k RPM Disk Unit
  - #4327 70.56 GB 15k RPM Disk Unit
- ▶ DVD-ROM or DVD-RAM
  - #2640 DVD-ROM
  - #5751 DVD-RAM
- ▶ System console attachment adapter
  - #5540 System Console on Twinaxial Workstation IOA
    - #4746 PCI Twinaxial IOA (can be placed in either slot P1-C5 or P1-C2)
  - #5544 System Console on Operations Console
    - #0367 Operations Console PCI Cable (attaches to #9793)
  - #5546 System Console on 100 Mbps Token Ring
    - #2744 PCI 100 Mbps Token Ring IOA (can be placed in either slot P1-C5 or P1-C2)
    - #0367 Operations Console PCI Cable
  - #5548 System Console on 100 Mbps Ethernet
    - #2849 10/100 Mbps Ethernet Adapter (can be placed in either slot P1-C5 or P1-C2)
    - #0367 Operations Console PCI Cable
  - #5550 System Console on HMC

The Hardware Management Console is required for systems using logical partitions (LPARs), IBM @server Capacity Upgrade on Demand (CUoD), concurrent maintenance and upgrade operations, and redundant Service Processor operations.

- ▶ #7884 Rack Mount (4 EIA Units - includes rack mounting rails) or #7885 Deskside

## Optional features

The *optional* features for the 520 system unit include:

- ▶ If a Peripheral Component Interconnect (PCI) disk controller is required in the system unit, choose one of the following controllers:
  - #5715 PCI-X Tape/DASD Controller  
Provides support for up to four disk units. This controller supports RAID but does not support hardware data compression.
  - #5703 PCI-X RAID Disk Unit Controller  
Provides support for up to four disk units. This controller supports RAID but does not support hardware data compression.
- ▶ Internal tape unit
  - #1889 80 GB VXA-2 Tape Device
  - #5753 30 GB ¼-inch Cartridge Tape Device
  - #5754 50 GB ¼-inch Cartridge Tape Device
  - #6134 60 GB 8mm Tape Device (supported in Linux and AIX partitions only)
  - #8754 Optional Base 50 GB ¼-inch Cartridge Tape Device
- ▶ #5158 850W Power Supply
  - Requires an additional linecord
  - Enables hot-plugging of either power supply
- ▶ #6574 4-Disk Slot Expansion
  - Provides the disk unit backplane for attachment of up to four additional disk units.
  - Disk units in the #6574 are controlled by the integrated base disk controller or by the #5709 if it is installed.
- ▶ #6594 4-Disk Slot Expansion
  - It can be driven by a disk controller in a PCI slot of the system unit.
  - It cannot be controlled by the integrated base disk controller or by the #5709 if it is installed.
  - The #6594 repositions the SCSI cable connector so that a long card can be placed in card slot 4 and forces card slot 5 to be a short card.

- ▶ Uninterruptible power supply

An external uninterruptible power supply is recommended to protect the system unit and any external components against utility power outages.

The Model 520 initial installation is Customer Setup (CSU). IBM Service Representatives perform the processor upgrades within models.

## Processor features

- ▶ **#8950 Model 520 Processor** (POWER5 1.5 GHz Uni CCIN 522A)
  - Eight Dual Inline Memory Module (DIMM) memory positions (plug directly onto the processor, direct attach)
  - No L3 cache
  - #7450 Processor Capacity Card (CCIN 7451) required with this processor feature
- ▶ **#8951 Model 520 Processor** (POWER5 1.5 GHz Uni CCIN 522A)
  - Eight DIMM memory positions (plug directly onto the processor, direct attach)
  - No L3 cache
  - #7451 Processor Capacity Card (CCIN 7451) required with this processor feature
- ▶ **#8952 Model 520 Processor** (POWER5 1.5 GHz Uni CCIN 522A)
  - Eight DIMM memory positions (plug directly onto the processor, direct attach)
  - No L3 cache
  - #7458 or #7459 Processor Capacity Card (CCIN 7458/7459) required with this processor feature
- ▶ **#8953 Model 520 Processor** (POWER5 1.5G Hz Uni CCIN 522A)
  - Eight DIMM memory positions (plug directly onto the processor, direct attach)
  - No L3 cache
  - #7452 or #7453 Processor Capacity Card (CCIN 7452/7453) required with this processor feature
- ▶ **#8954 Model 520 Processor** (POWER5 1.65 GHz Uni CCIN 5228)
  - Eight DIMM memory positions (plug directly onto processor, direct attach)
  - 36 MB L3 cache

- #7454 or #7455 Processor Capacity Card (CCIN 7454/7455) required with this processor feature
- ▶ **#8955 Model 520 Processor** (POWER5 1.65 GHz 2-way CCIN 5229)
  - Eight DIMM memory positions (plug directly onto the processor - direct attach)
  - 36 MB L3 cache
  - #7456 or #7457 Processor Capacity Card (CCIN 7456/7457) required with this processor feature

Refer to “Table 1: Summary of the iSeries Model 520” on page 68 to find Processor CPW, Mail and Calendar Users (MCU), and 5250 CPW, and to determine the processor feature code and QPRCFEAT value.

## Main storage

Supported memory features for the Model 520 are:

- ▶ #3093 - 512 MB Main Storage (DIMM DDR 256 Mb technology)
- ▶ #3094 - 1 GB Main Storage (DIMM DDR 256 Mb technology)
- ▶ #3096 - 2 GB Main Storage (DIMM DDR 256 Mb technology)
- ▶ #4443 - 512 MB DDR Main Storage (DDR1 - 256 Mb technology, CCIN 309B)
  - Ships two 256 MB DIMMs for a total of 512 MB
  - Only orderable on #8950 processor with a maximum of two of these features per system
- ▶ #4444 - 1 GB DDR Main Storage (DDR1 - 256 Mb technology, CCIN 309B)
  - Ships four 256 MB DIMMs for a total of 1 GB
- ▶ #4445 - 4 GB DDR Main Storage (DDR1 - 128 Mb technology, CCIN 30D3)
  - Ships four 1 GB DIMMs for a total of 4 GB
- ▶ #4447 - 2 GB DDR Main Storage (DDR1 - 64 Mb technology, CCIN 30D2)
  - Ships four 512 MB DIMMs for a total of 2 GB
- ▶ #4449 - 8 GB DDR Main Storage (DDR1 - 128 Mb technology, stacked, CCIN 30D5)
  - Ships four 2 GB DIMMs for a total of 8 GB
- ▶ #4450 - 16 GB DDR Main Storage (DDR1 - 1 GB technology, stacked, CCIN 30AC)
  - Ships four 4 GB DIMMs for a total of 16 GB

Configuration considerations for memory include:

- ▶ DIMMs must be installed in sets of four (quads) with one exception. A single pair of 256 MB DIMMs is allowed on the #8950 processor. Whenever more DIMMs are added, an additional pair of 256MB DIMMs must be added to the original pair (to make a quad). Then one additional quad of DIMMs may be added to the system.
- ▶ For processor #8950, the first DIMM pair goes into DIMM slots J0A and J2A. The second pair of DIMMs goes into slots J0C and J2C.
- ▶ The first quad of DIMMs is plugged into DIMM slots J0A, J2A, J0C, and J2C.
- ▶ The second quad of DIMMs is plugged into DIMM slots J0B, J2B, J0D, and J2D.

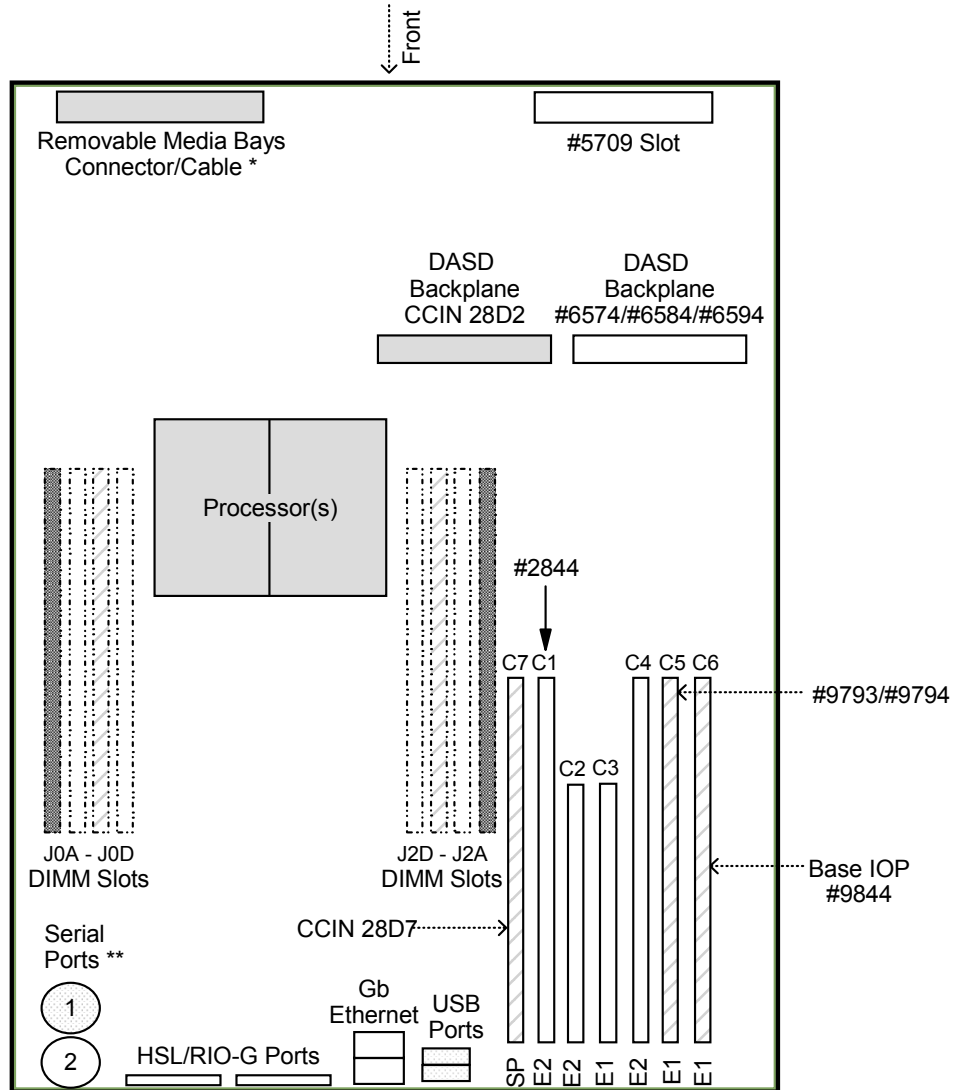
The following table shows allowable main storage capacities in MB for the Model 520 processors.

512*	1024	2048	3072
4096	5120	6144	8192
9216	10240	12288	16384
17408	18432	20480	24576
32768			
* 512 MB is allowed on the #8950 only.			

## 9406 Model 520 schematics

The following diagrams show the slot and feature card arrangement of the Model 520 system unit, processor, memory cards, and supported expansion units.

# 9406 Model 520 system unit



\* One half-high tape slot and two slimline bays.

Top slimline bay is supported by i5/OS.

\*\* Serial port 2 can attach a #1827 cable to connect to a UPS.

## Legend



**Note:** You can find line cord and power receptacle specification information on the Web at:

<http://www.ibm.com/eserver/series/infocenter>

## High-speed link for Model 520

The Model 520 supports a single HSL-2/RIO-G loop. The speed of the HSL-2/RIO-G is doubled compared to the previous HSL-2 adapters operating at 2 GBps. The following rules apply to towers that are supported at these speeds:

- ▶ New #5094, #5294, #0595, and #5095s come with a #9517 HSL-2/RIO-G adapter.
- ▶ HSL-2 adapters in existing #5094, #5294, #0595, and #5095 towers must be replaced with a #6417 2 GBps HSL-2/RIO-G adapter.
- ▶ Mixing of HSL and HSL-2 towers is permitted with the correct combination of cables.

See “High-speed link” on page 212 for information about supported HSL cables and HSL loop maximums. You can find further information in *High-speed Link Loop Architecture for the IBM @server iSeries Server: OS/400 Version 5 Release 2*, REDP-3652, and the HSL Rules presentation available at:

<http://www-1.ibm.com/servers/eserver/series/ha/systemdesign.html>

## Model 520 PCI cards and features

The Model 520 is a PCI-based technology system. The number of PCI cards that can be supported in a Model 520 depends on whether an input/output (I/O) tower is attached and the number of PCI slots. PCI card placement rules and LPAR configuration considerations also affect the number of slots supported.

See the table on page 69 for the number of maximum features supported by the total system and in the Model 520 system unit. See Chapter 15, “iSeries I/O processors” on page 233, and Chapter 16, “iSeries I/O adapters and controllers” on page 251, for full descriptions of the features that are supported. See “Linux direct attach features” on page 254 for supported Linux Direct Attach features.

**Note:** The placement of PCI cards follows special rules. Refer to “PCI card technology” on page 252 and *PCI Card Placement Rules for the IBM @server iSeries Server Version 5 Release 2*, REDP-3638, before you propose any configuration.



Refer to Chapter 20, “Customer Install Features” on page 367, to identify the CIF status for each supported feature.

## External towers

Migration towers are not supported on the Model 520. PCI towers are supported with upgrades for migration only.

Refer to Chapter 13, “Towers, racks, and high-speed link” on page 185, for information about supported towers for the Model 520, and “Summary of the iSeries expansion units and towers” on page 81 for a table of configuration maximums.

## Model 520 upgrades

See Chapter 14, “Upgrades to iSeries servers” on page 223, for general upgrade considerations and server-to-server upgrade possibilities. Supported model upgrades for the Model 520 are identified in *IBM @server iSeries Supported Upgrades*, REDP-0322.

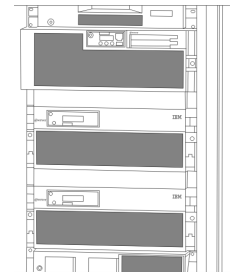




## iSeries Model 570

The iSeries Model 570 is the industry's first POWER5 technology-based server. It has the capability to simultaneously run multiple operating environments with an integrated infrastructure that's simpler, more productive, and more resilient than ever before.

The Model 570 is offered as a rack mounted configuration. It provides an integrated set of hardware capabilities that include two integrated 1 Gbps Ethernet ports and an integrated Small Computer System Interface (SCSI) controller. Also incorporated are hot-plug PCI-X card slots and disk slots, redundant hot-plug power supplies, dual power cords, redundant hot-plug cooling fans, and an optional redundant CPU power regulator. Hot-plugging of removable media devices is not supported.



*iSeries Model 570  
System Unit*

## Model overview

This section takes a closer look at the minimum functional server, required features, and optional features.

### Minimum functional server

A minimum functional server consists of the base server unit and selected priced features. The base server includes:

- ▶ Physical package and power elements
- ▶ Base CEC enclosure (CCIN 788A)
- ▶ I/O Backplane (CCIN 28DA), which includes:
  - Two USB Type A
    - Not supported on IBM i5/OS V5R3; are supported by specific releases of AIX 5L and specific Linux distributions
  - Two 10/100/1000 Mbps UTP Ethernet ports
    - Not supported by i5/OS V5R3 for local area network (LAN) console
  - Two high-speed link (HSL)-2/RIO-G ports
    - Enables 1 HSL-2/RIO-G loop
  - One system connection port (for Service Processor flex cable connection)
  - Six hot-plug PCI-X card slots
    - Slots 1 through 5 are long slots. Slot 6 is a short slot. Slot 6 volume may also be used for HSL-2/RIO-G input/output (I/O) port expansion.
- ▶ Serial Port card (CCIN 25F8)
  - Two serial ports provide a full-duplex serial interface to support communications with serial peripheral devices. Configured as RS232 serial.
  - Not supported by i5/OS V5R3 but are supported by specific releases of AIX 5L and specific Linux distributions.
- ▶ System Serial number, VPD, capacity card
- ▶ Blindswap cassettes
  - Manufacturing installs empty *blindswap cassettes* in all empty PCI-X slots. PCI-X slots 1 to 5 require #7862, and PCI-X slot 6 requires #7861.
  - Additional restrictions may apply, based on specific cards.

- ▶ Direct access storage device (DASD) backplane (CCIN 28DB)
  - One 6-pack DASD cage, supporting up to six 1-inch disk drives.
  - Load source disk installs in card slot 4.
- ▶ Removable media backplane (CCIN 28DC)
  - Two removable media slots.
  - CCIN 180A converts slimline slot from IDE to SCSI and blocks second slot
  - 9406 Model 570 only supports one slimline removable media slot for the required #2640 DVD-ROM (default) or the #5751 DVD-RAM.

**Note:** The 9406 Model 570 does not support a removable magnetic media device in the base CEC. A tower and associated support or an external tape or DVD-RAM device is required.

- ▶ Power and cooling
  - Power Supply Distribution backplane (CCIN 28DD)
  - System midplane (CCIN 28D9)
    - Supports two hot-plug power supplies (CCIN 51B7)
    - Two fans or blowers for temperature regulation purposes
- ▶ Two base 1400W 240V power supplies (CCIN 51B7)
- ▶ CEC backplane (CCIN 27AE)
- ▶ CPU Regulator (CCIN 28E8)
  - A system with one 0/2 way processor cards requires one CPU Regulator.
  - A system with two 0/2 way processor cards (a 2/4-way system) requires two CPU Regulators.
- ▶ Base I/O adapters (IOAs) or I/O processors (IOPs)
  - #5709 RAID Enabler Card (CCIN 5709):
 

The required card fits into a dedicated slot on the backplane and does not use a PCI-X adapter slot. The #5709 provides RAID capability for the embedded disk controller.
  - #9793 or #9794 Two-Line IOA with Modem: PCI-X Slot 2
  - #9844 Base PCI IOP: One in PCI-X Slot 1
- ▶ #1846 Operator Panel (CCIN 28D4)
 

A minimally configured stand-alone system requires a single operator panel for operation.

Operator panel functionality includes:

- One RJ-45 connector
- One USB Type A port

Not supported on i5/OS V5R3; is supported by specific releases of AIX 5L and specific Linux distributions

- 2x16 LCD display
- Power on/off button
- Increment/decrement button
- Enter button
- Key Mode button
- Service Processor Reset button
- System reset button
- Speaker
- Key Mode LED and others

**Note:** A Hardware Management Console (HMC) is required to manage specific configurations. See “Hardware Management Console” on page 642 for more information.

- ▶ Service processor (CCIN 28EA) contains:
  - One Rack Indicator Port
  - Two SPCN (RS485) control for attached I/O subsystems
  - Two Ethernet or HMC ports
- ▶ VPD card
- ▶ Rack Rail Kit
  - Should be considered part of the base CEC hardware.

## Required features

The *required* features for the 570 system unit include:

- ▶ Specific combinations of the Processor feature, Edition feature, and Server feature are allowed as shown in the following table.

Processor	Server feature	Edition feature	Software group
#8961 (3300/6000 CPW)	#0919	#7488 Standard	P30
		#7489 Enterprise	P30
#8961 (6350/11700 CPW)	#0920	#7469 Standard	P30
		#7470 Enterprise	P30

Edition content varies by processor and server features selected. For more information, see “iSeries Editions” on page 51.

- ▶ Main storage
  - All main storage on the Model 570 is feature main storage.
- ▶ DVD-ROM or DVD-RAM
  - #2640 DVD-ROM
  - #5751 DVD-RAM
- ▶ Internal disk units - 10k or 15k rpm only
  - #4317 8.58 GB 10k RPM Disk Unit (supported in system unit for upgrades only)
  - #4318 17.54 GB 10k RPM Disk Unit
  - #4319 35.16 GB 10k RPM Disk Unit
  - #4326 35.16 GB 15k RPM Disk Unit
  - #4327 70.56 GB 15k RPM Disk Unit

One of the following load source specify codes is required:

- #0828 - #4317 Load Source specify
  - #0829 - #4318 Load Source Specify
  - #0830 - #4319 Load Source Specify
  - #0834 - #4326 Load Source Specify
  - #0835 - #4327 Load Source Specify
- ▶ Disk protection specify codes (one must be specified)
    - #0040 Mirrored System Disk Level
    - #0041 RAID Protection - All
    - #0042 Mirrored System IOP Level
    - #0043 Mirrored System Bus Level

#0041 is the default for disk data protection.

- ▶ Internal tape
  - The Model 570 only supports one slimline removable media slot for the required #2640 DVD-ROM (default) or the #5751 DVD-RAM. The 9406 Model 570 does not support a removable magnetic media device in the base CEC. A tower and associated support or an external tape or DVD-RAM device is required.
- ▶ System console attachment adapter
  - #5540 System Console on Twinaxial Workstation IOA
    - #4746 PCI Twinaxial IOA
  - #5544 System Console on Operations Console
    - #0367 Operations Console PCI Cable (attaches to #9793 or #9794)

- #5546 System Console on 100 Mbps Token Ring
  - #2744 PCI 100 Mbps Token Ring IOA
  - #0367 Operations Console PCI Cable
- #5548 System Console on 100 Mbps Ethernet
  - #2849 10/100 Mbps Ethernet Adapter
  - #0367 Operations Console PCI Cable
- #5550 System Console on HMC

The HMC is required for systems using logical partition (LPAR), IBM @server Capacity Upgrade on Demand (CUoD), concurrent maintenance and upgrade operations, and redundant Service Processor operations.

## Optional features

The *optional* features for the 570 system unit include:

- ▶ #1800 HSL-2/RIO-G Bus Expansion Card - 2 port copper  
Adds capacity for second HSL-2/RIO-G loop
- ▶ #1801 Optical Bus Expansion Card - 2 port  
Adds capacity for an optical HSL loop
- ▶ #7875 Redundant CPU Regulator
- ▶ Uninterruptible power supply

An external uninterruptible power supply is recommended to protect the system unit and any external components against utility power outages.

The Model 570 initial installation is IBM installed. Processor upgrades within models are performed by IBM Service Representatives.

## Processor features

The #8961 Processor (POWER5, 0/2-way, 1.65Ghz, SCM, CCIN 25AE) includes:

- ▶ 36 MB L3 cache per processor card (SCM)
- ▶ 1.88 MB L2 cache per processor card (SCM)
- ▶ Eight main memory Dual Inline Memory Module (DIMM) slots per processor card (SCM)

The #0919 Server feature represents a 1/2-way processor. This is one #8961 0/2-way processor and one #8452 Base Processor Activation.



The #0920 Server feature represents a 2/4-way processor. This is two #8961 0/2-way processors and two #8452 Base Processor Activations.

Refer to “Table 2: Summary of the iSeries Model 570” on page 70 to find Processor CPW, Mail and Calendar Users (MCU), 5250 CPW, and to determine the processor feature code and QPRCFEAT value.

## Main storage

Supported memory features for the Model 570 are:

- ▶ #3043 - 512 MB Main Storage DIMM (DDR - 256 Mb technology, unstacked, CCIN 3043) - four are required (upgrades only)
- ▶ #3044 - 1 GB Main Storage DIMM (DDR - 256 Mb technology, stacked, CCIN 3044) four are required (upgrades only)
- ▶ #3046 - 2 GB Main Storage DIMM (DDR - 256 Mb technology, stacked, CCIN 3046) four are required (upgrades only)
- ▶ #4452 - 2 GB DDR Main Storage (DDR1 CCIN 309D)  
Ships four 512 MB DIMMs for a total of 2 GB
- ▶ #4454 - 8 GB DDR Main Storage (DDR1 CCIN 30AA)  
Ships four 2 GB DIMMs for a total of 8 GB
- ▶ #4490 - 4 GB DDR Main Storage (DDR1 CCIN 309E)  
Ships four 1 GB DIMMs for a total of 4 GB
- ▶ #4491 - 16 GB DDR Main Storage (DDR1 CCIN 30B3)  
Ships four 4 GB DIMMs for a total of 16 GB

The Model 570 offers pluggable DIMMs for memory. Each 0/2-way processor card contains eight slots for up to eight pluggable DIMMs. The minimum memory for a 9406 Model 570 is 2 GB. The maximum memory capacity depends on the number of processors ordered for the system and on the type of memory and functionality required.

The main storage cards are installed according to the following rules. There are no restrictions for mixing and matching DIMMs other than:

- ▶ Memory DIMMs must be installed in quads.
- ▶ Quads must all be the same DIMM.

DIMMs are plugged, by quad, in either of the following sequences:

- ▶ J0A, J0C, J1A, J1C
- ▶ J0B, J0D, J1B, J1D

**Note:** We recommend that you perform memory balancing. You must order sufficient memory to balance memory across processors.

The following table shows the allowable main storage capacities in GB for the Model 570 processors.

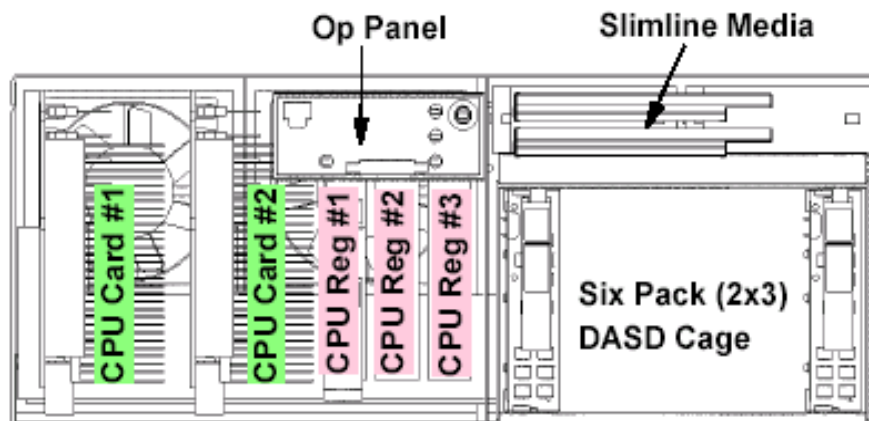
Processor	Main storage capacity
0/2-way	2, 4, 6, 8, 10, 12, 16, 18, 20, 24, 32
2/4-way	2, 4, 6, 8, 10, 12, 14, 16, 18, 20, 22, 24, 26, 28, 30, 32, 34, 36, 40, 42, 44, 46, 48, 50, 52, 56, 64

## 9406 Model 570 schematics

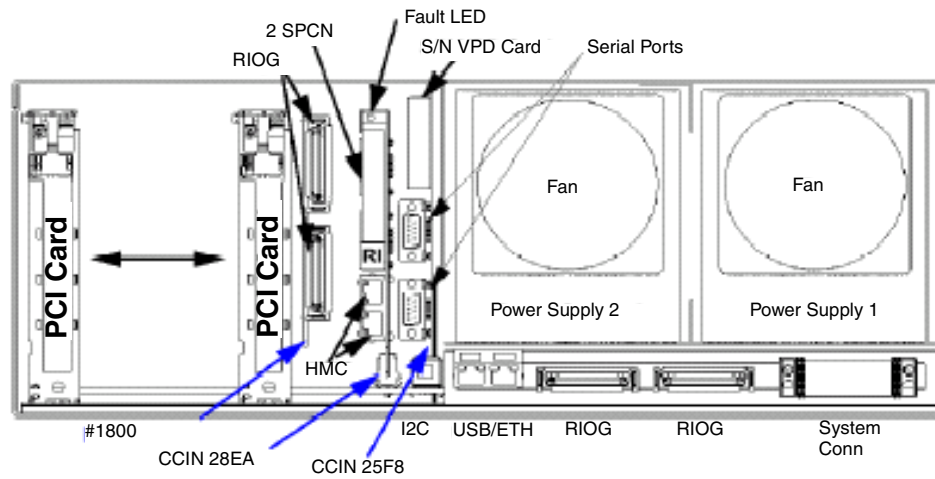
**Note:** The Model 570 system schematics are under construction at the time of publication. The following diagrams show a view of the front, rear, and top of the Model 570. You will find the latest diagrams with card slot placement information in *IBM @server iSeries and AS/400e System Builder*, SG24-2155, which is planned to be available on 14 June 2004.

### 9406 Model 570 system unit

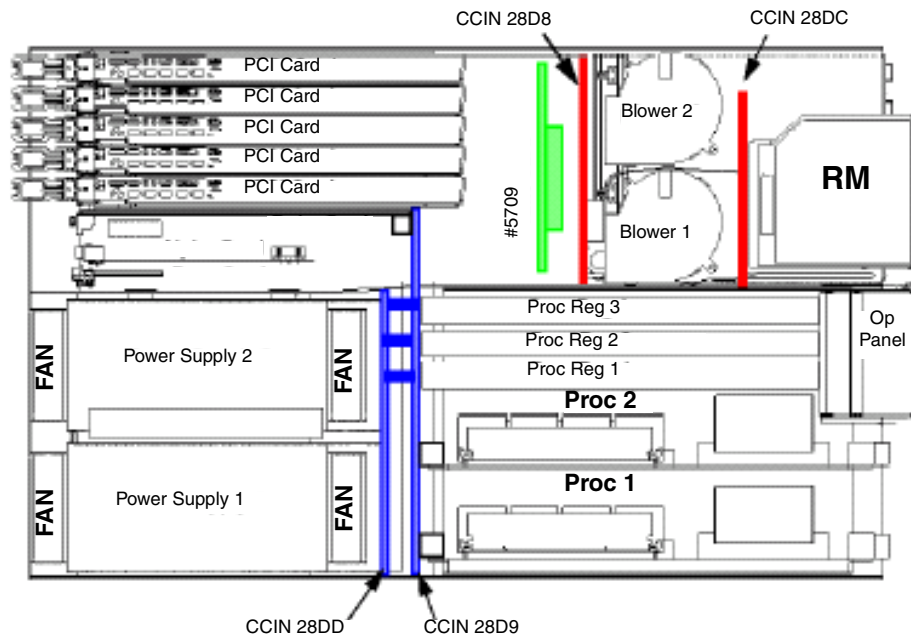
#### Model 570 front view



## Model 570 rear view



## Model 570 top view



**Note:** You can find line cord and power receptacle specification information on the Web at:

<http://www.ibm.com/eserver/series/infocenter>

## High-speed link for Model 570

The Model 570 1/2-way system supports a single HSL-2/RIO-G loop. The 2/4-way system supports two HSL-2/RIO-G loops with a maximum of 12 towers across both loops. The speed of the HSL-2/RIO-G is doubled compared to the previous HSL-2 adapters operating at 2 GBps. The following rules apply to towers that are supported at these speeds:

- ▶ New #5094, #5294, #0595, and #5095 come with a #9517 HSL-2/RIO-G adapter.
- ▶ HSL-2 adapters in existing #5094, #5294, #0595, and #5095 towers must be replaced with a #6417 2 GBps HSL-2/RIO-G adapter.
- ▶ Mixing of HSL and HSL-2 towers is permitted with the correct combination of cables.

See “High-speed link” on page 212 for information about supported HSL cables and HSL loop maximums.

You can find further information in *High-speed Link Loop Architecture for the IBM @server iSeries Server: OS/400 Version 5 Release 2*, REDP-3652, and the HSL Rules presentation available at:

<http://www-1.ibm.com/servers/eserver/series/ha/systemdesign.html>

## Model 570 PCI cards and features

The Model 570 is a Peripheral Component Interconnect (PCI)-based technology system. The number of PCI cards that can be supported in a Model 570 depends on whether an I/O tower is attached and the number of PCI slots. PCI card placement rules and LPAR configuration considerations also affect the number of slots supported.

See the table on page 70 for the number of maximum features supported by the total system and in the Model 570 system unit. See Chapter 15, “iSeries I/O processors” on page 233, and Chapter 16, “iSeries I/O adapters and controllers” on page 251, for full descriptions of the features that are supported. See “Linux

direct attach features” on page 254 for the supported Linux Direct Attach features.

**Note:** The placement of PCI cards follows special rules. Refer to “PCI card technology” on page 252 and *PCI Card Placement Rules for the IBM @server iSeries Server Version 5 Release 2*, REDP-3638, before you propose any configuration.

Refer to Chapter 20, “Customer Install Features” on page 367, to identify the CIF status for each supported feature.

## External towers

Migration towers are not supported on the Model 570. PCI towers are supported with upgrades for migration only.

Refer to Chapter 13, “Towers, racks, and high-speed link” on page 185, for information about supported towers for the Model 570, and “Summary of the iSeries expansion units and towers” on page 81 for a table of configuration maximums.

## Model 570 upgrades

See Chapter 14, “Upgrades to iSeries servers” on page 223, for general upgrade considerations and server-to-server upgrade possibilities. Supported model upgrades for the Model 520 are identified in *IBM @server iSeries Supported Upgrades*, REDP-0322.



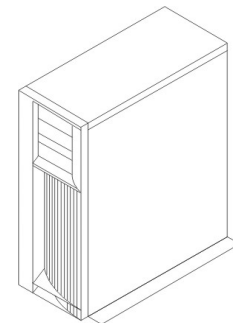


8

## iSeries Model 800

The Model 800 server delivers the performance, reliability, and security needed for applications that incorporate traditional processor workloads typical for a small business. Model 800 configurations offer a competitive entry point for customers who are still interested in 5250 performance, but who do not need the processor performance required to run a full e-business implementation.

The Model 800 offers up to 63 disk units, a high-performance Peripheral Component Interconnect (PCI) bus and hot plug PCI disk slots, a high-speed link, and V.90 integrated modem. Options include a 1 Gb high-speed Ethernet LAN adapter and 100 Mbps high-speed token-ring adapter. The Model 800 supports the 1.6 GHz and 2.0 GHz Integrated xSeries Servers. Options to rack mount the Model 800 are available.



*iSeries Model 800  
System Unit*

## Model overview

This section takes a closer look at the minimum functional server, required features, and optional features.

### Minimum functional server

A minimum functional server consists of the base server unit and selected priced features. The base server includes:

- ▶ Physical package and power elements
- ▶ Seven PCI card slots
- ▶ Operator panel
- ▶ Base direct access storage device (DASD) cage (six internal disk slots)
  - The base DASD cage for #2463 supports concurrent maintenance when a #7137 DASD Concurrent Maintenance Cage is installed.
  - The #2464 has a concurrent maintenance cage shipped with the processor.
- ▶ Two removable media slots (for base DVD-ROM/DVD-RAM)
- ▶ Embedded Base 32 MB PCI IOP (CCIN 286C)

Provides support for a maximum of up to four input/output adapters (IOAs), including:

- Up to two disk controllers
- Up to six disk units, the required DVD-ROM/DVD-RAM, and either an internal tape or additional DVD-ROM/DVD-RAM
- Base console/workstation IOA

The IBM marketing configurator determines which feature combinations are placed on the order based on the #5540, #5544, #5546, or #5548 System Console specify code.

- ▶ Optional Base feature
  - #9746 PCI Twinaxial IOA
    - #0864 iSeries 800 Standard Edition
    - #0865 iSeries 800 Advanced Edition
  - #9749 PCI 100/10 Mbps Ethernet IOA



## Required features

The *required* features include:

- ▶ Specific combinations of the Processor feature, Edition feature, and Server feature are allowed as shown in the following table.

Processor feature	Server feature	Edition feature	Software group
#2463 (300 CPW)	#0863	#7400 Value	P05
	#0864	#7400 Standard	P05
#2464 (950 CPW)	#0865	#7408 Enterprise	P10

**Note:** The iSeries 800 servers have the ability to process 5250 online transaction processing (OLTP) workloads. Each 800 server has a fixed amount of 5250 CPW. The Value and Standard Editions provide 25 CPW and the Advanced Edition provides 50 CPW for 5250 OLTP workloads.

Edition content varies by processor and server features selected. For more information, see “iSeries Editions” on page 51.

- ▶ Main storage

All main storage on the Model 800 is feature main storage. See “Main storage” on page 119 for a list of supported memory features and configuration considerations.

- ▶ PCI disk controller (one must be specified)
  - #2757 PCI-X Ultra RAID Disk Controller
  - #2782 PCI-X RAID Disk Unit Controller
  - #4778 PCI RAID Disk Unit Controller
  - #5703 PCI-X RAID Disk Unit Controller
  - #5705 PCI-X Tape/DASD Controller

The system unit supports up to two disk unit controllers to control disks in the system unit and #7116 System Unit Expansion (if installed).

You must specify one integrated optical device:

- #4530 DVD-RAM
- #4531 DVD-ROM

- ▶ Internal disk units

- #4317 8.58 GB 10k RPM Disk Unit
- #4318 17.54 GB 10k RPM Disk Unit
- #4319 35.16 GB 10k RPM Disk Unit

- #4326 35.16 GB 15k RPM Disk Unit
- #4327 70.56 GB 15k RPM Disk Unit
- #4327 70.56 GB 15k RPM Disk Unit

One of the following load source specify codes is required:

- #0829 - #4318 Load Source Specify
- #0830 - #4319 Load Source Specify
- #0834 - #4326 Load Source Specify
- #0835 - #4327 Load Source Specify

▶ Internal tape device

- #4582 4 GB ¼-inch Cartridge Tape Device
- #4584 30 GB ¼-inch Cartridge Tape Device
- #4585 80 GB VXA-2 Tape Device
- #4587 50 GB ¼-inch Cartridge Tape Device
- #8287 Opt Base 50 GB ¼-inch Cartridge Tape Device
- #9284 30 GB ¼-inch Cartridge Tape Device
- #9285 Base 80 GB VXA-2 Tape Device

▶ System console attachment adapter

- #5540 System Console on Twinaxial Workstation IOA
  - #4746/#9746 PCI Twinaxial IOA
- #5544 System Console on Operations Console
  - #0367 Operations Console PCI Cable (attaches to #9793)
- #5546 System Console on 100 Mbps Token Ring
  - #2744 PCI 100 Mbps Token Ring IOA
  - #0367 Operations Console PCI Cable
- #5548 System Console on 100 Mbps Ethernet
  - #9749 PCI 100/10 Mbps Ethernet IOA/#2849 10/100 Mbps Ethernet Adapter
  - #0367 Operations Console PCI Cable

## Optional features

The *optional* features include:

▶ Internal tape device

- #4582 4 GB ¼-inch Cartridge Tape Device
- #4584 30 GB ¼-inch Cartridge Tape Device
- #4585 80 GB VXA-2 Tape Device
- #4587 50 GB ¼-inch Cartridge Tape Device
- #8287 Opt Base 50 GB ¼-inch Cartridge Tape Device

- #9284 30 GB ¼-inch Cartridge Tape Device
- #9285 Base 80 GB VXA-2 Tape Device
- ▶ #0551 iSeries Rack
  - Up to two Model 800s may be installed in an #0551 rack.
  - Any Model 800 mounted in an #0551 must have the #7116 System Unit Expansion.
  - Specify codes and features supported when used in conjunction with a Model 800 include the #0133 Plant Install in Rack and #0137 Field Install in Rack.

See “#0551 iSeries Rack” on page 207 for a complete description of the #0551 iSeries Rack and supported features and specify codes.

- ▶ #7002 HSL Enabler
  - The #7002 is an high-speed link (HSL) internal flex cable, which enables HSL capability to allow connection to one PCI or PCI-X expansion tower.
  - This cable connects the processor with a right angle bus connector to the back of the machine. Two HSL cables (#14XX) are required to connect the CEC to the expansion tower.
- ▶ #7116 System Unit Expansion
  - System unit expansion supports up to an additional 12 disk units.
  - The #7116 has no PCI card slots and no removable media slots.
  - Supports six disk units.
  - Disk units are driven by up to two disk unit controllers located in the CEC.
  - A #7137 DASD Concurrent Maintenance Cage is required.
  - A #7136 DASD Expansion Unit - 6 slot is required to support more than six disk units.
  - Requires a separate power cord.
  - If installed in an #0551 iSeries Rack, it may be powered by a PDU by ordering #1422 PDU Line Cord.
- ▶ #7136 DASD Expansion Unit - 6 slot
  - DASD six-position expansion unit
  - Supports an additional six disk units (for a total of 12) in the #7116
  - Requires a #7116 System Unit Expansion
- ▶ #7137 DASD Concurrent Maintenance Cage
  - DASD six-pack cage for the Model 800
  - Supports concurrent disk maintenance and replaces the standard non-concurrent maintenance DASD six-pack cage

- Provides a higher speed interface for drives, more than double the bandwidth of the base DASD cage
- Recommended for 15k rpm disk drives
- Required if a #2757 PCI-X Ultra RAID Disk Controller, #7116 System Unit Expansion, or #4326 35.16 GB 15k RPM Disk Unit is installed
- ▶ Uninterruptible power supply
  - An external uninterruptible power supply is recommended to protect the system unit and any external components against utility power outages.

The Model 800 initial installation is Customer Setup (CSU). Processor upgrades within models are performed by IBM Service Representatives.

## Processor features

- ▶ #2463 Model 800 Processor (SSTAR Uni, CCIN 25B9) includes:
  - Eight Dual Inline Memory Modules (DIMM) memory positions (plug directly onto the processor, direct attach)
  - Embedded Base IOP (CCIN 286C)
  - Common Service Processor (CSP) (CCIN 25B9)
- ▶ #2464 Model 800 Processor (SSTAR Uni, CCIN 25BA) includes:
  - Eight DIMM memory positions (plug directly onto the processor, direct attach)
  - Embedded Base IOP (CCIN 286C)
  - Common Service Processor (CSP) (CCIN 25B9)

The iSeries for Domino processors include a regular processor feature and a special server feature. The server feature is used for pricing and for initial order placement. Upgrades are supported in the normal way based on the Processor and Edition feature.

Refer to “Table 3: Summary of the iSeries Model 800” on page 71, to find Processor CPW, Mail and Calendar Users (MCU), 5250 CPW, and to determine the processor feature code and QPRCFEAT value.

## Main storage

Supported memory features for the Model 800 are:

- ▶ #3092 - 256 MB Main Storage (DIMM DDR 128 Mb technology)
- ▶ #3093 - 512 MB Main Storage (DIMM DDR 256 Mb technology)
- ▶ #3094 - 1 GB Main Storage (DIMM DDR 256 Mb technology)
- ▶ #3096 - 2 GB Main Storage (DIMM DDR 256 Mb technology)

Configuration considerations for memory include:

- ▶ A single main storage DIMM is allowed.
- ▶ When additional memory is required, the existing memory card must be paired with a card of similar capacity. Additional DIMMs must be added in pairs of the same capacity and technology.
- ▶ Eight slots are available in the base system for main storage DIMMs, which plug directly onto the processor (direct attach).
- ▶ The #0864 and #0865 Server features require a minimum of 512 MB.

The following table shows the allowable main storage capacities in MB for the Model 800 processors.

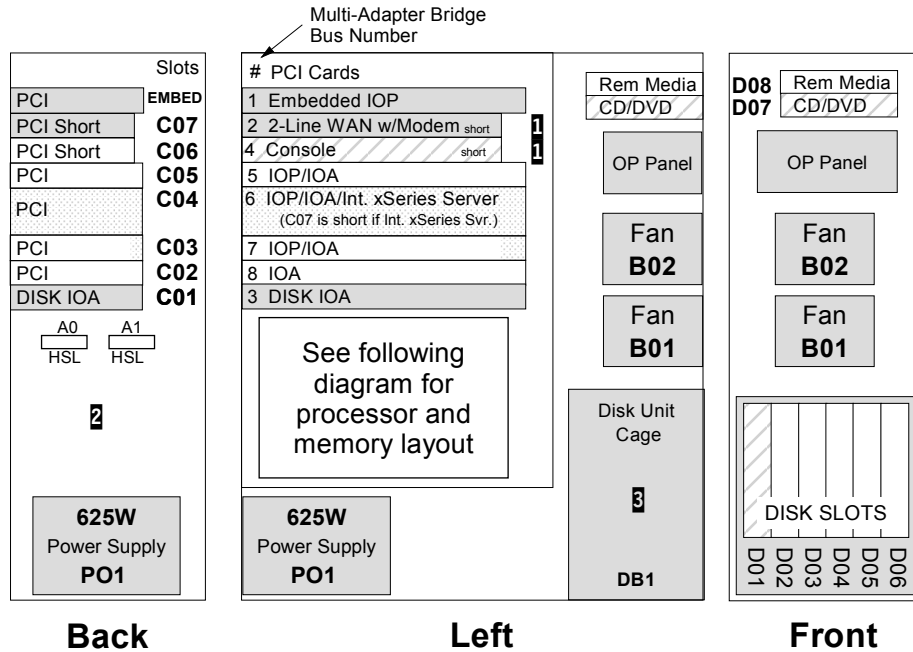
256*	512*	1024	1536
2048	2560	3072	3584
4096	4608	5120	5632
6144	6656	7168	7680
8192			
* The #0864 and #0865 Server features require a minimum of 512 MB.			

## 9406 Model 800 schematics

The following diagrams show the slot and feature card arrangement of the Model 800 system unit, processor, memory cards, and supported expansion units.

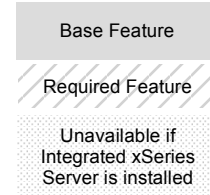
# 9406 Model 800 system unit

## #2463 and #2464 Processors



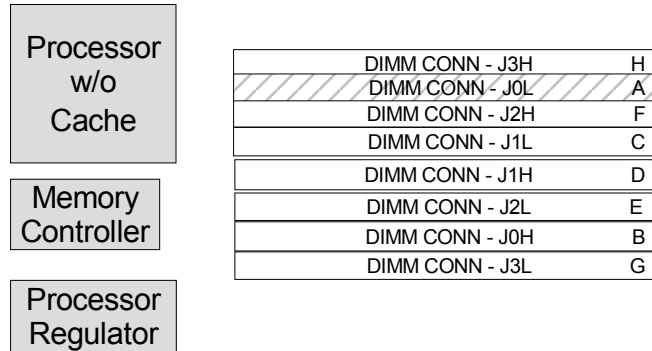
- Note 1:** Cards may be reversed depending on choice of console.
- Note 2:** Card slots do not support hot plugging with #2463 processor.
- Note 3:** Non-concurrent maintenance cage shipped with #2463 processor. Concurrent maintenance cage shipped with #2464 processor.

### Legend

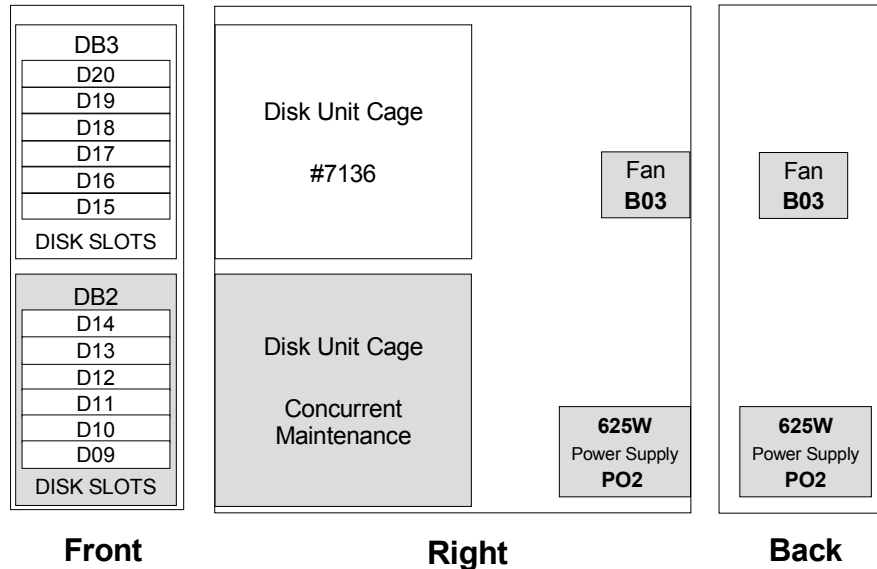


## Model 800 Processor and Memory

#2463 and #2464



## Model 800 #7116 System Unit Expansion DASD Sidecar



For information about the #5075 PCI Expansion Tower, see “#5075 PCI Expansion Tower” on page 189.

**Note:** You can find line cord and power receptacle specification information on the Web at:

<http://www.ibm.com/eserver/series/infocenter>

## High-speed link on Model 800

The Model 800 supports a single HSL loop. See “High-speed link” on page 212 for information about supported HSL cables and HSL loop maximums.

You can find further information in *High-speed Link Loop Architecture for the IBM @server iSeries Server: OS/400 Version 5 Release 2*, REDP-3652, and the HSL Rules presentation available on the Web at:

<http://www-1.ibm.com/servers/eserver/series/ha/systemdesign.html>

## Model 800 PCI cards and features

The Model 800 is a PCI-based technology system. The number of PCI cards that can be supported in a Model 800 depends on whether an I/O tower is attached and the number of PCI slots. PCI card placement rules and logical partition (LPAR) configuration considerations also affect the number of slots supported. PCI hot plugging is not allowed.

See the table on page 72 for the number of maximum features supported by the total system and in the Model 520 system unit. See Chapter 15, “iSeries I/O processors” on page 233, and Chapter 16, “iSeries I/O adapters and controllers” on page 251, for full descriptions about the features that are supported. See “Linux direct attach features” on page 254 for supported Linux Direct Attach features.

**Note:** The placement of PCI cards follows special rules. Refer to “PCI card technology” on page 252 and *PCI Card Placement Rules for the IBM @server iSeries Server Version 5 Release 2*, REDP-3638, before you propose any configuration.

Refer to Chapter 20, “Customer Install Features” on page 367, to identify the CIF status for each supported feature.



## External towers

Refer to Chapter 13, “Towers, racks, and high-speed link” on page 185, for information about supported towers for the Model 800.

## Model 800 upgrades

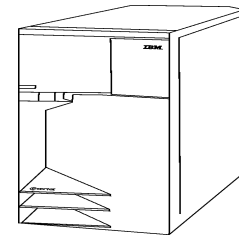
See Chapter 14, “Upgrades to iSeries servers” on page 223, for general upgrade considerations and processor upgrades within the Model 800. Supported processor upgrades for the Model 800 are identified in *IBM @server iSeries Supported Upgrades*, REDP-0322.



## iSeries Model 810

The iSeries 810 is an integrated, reliable server that supports multiple operating environments. It can run a variety of applications simultaneously. The Model 810 offers small to medium-size companies legendary iSeries security and availability. It also offers the power and capacity to run traditional core business applications while providing the freedom and scalability to add new e-business technologies.

The Model 810 memory can be increased up to a maximum of 16 GB. There is a maximum of 198 disk units from four expansion towers, all based on a system unit that includes a high-performance PCI bus and hot plug Peripheral Component Interconnect (PCI) disk slots, a high-speed link (HSL), and V.90 integrated modem. Options include a 1 Gb high-speed Ethernet LAN adapter and 100 Mbps high-speed token-ring adapter. The Model 810 supports the 1.6 GHz and 2.0 GHz Integrated xSeries Servers. Options to rack mount the Model 810 are available. The Model 810 provides an external connection to expansion towers and xSeries servers.



*iSeries Model 810  
System Unit*

## Model overview

This section takes a closer look at the minimum functional server, required features, and optional features.

### Minimum functional server

A minimum functional server consists of the base server unit and selected priced features. The base server includes:

- ▶ Physical package and power elements
- ▶ Seven PCI card slots
  - No hot plugging of PCI cards with #2465, #2466, and #2467 processors
  - Hot plugging of PCI cards is supported with the #2769 processor
- ▶ Operator panel
- ▶ Base direct access storage device (DASD) cage (six internal disk slots)
- ▶ Supports concurrent maintenance
- ▶ Two removable media slots
- ▶ Embedded Base PCI IOP (CCIN 286D, CCIN 286E)

Provides support for a maximum of up to four input/output adapters (IOAs), including:

- A PCI disk controller (Small Computer System Interface (SCSI) IOA)
- #9749 PCI 100/10 Mbps Ethernet IOA
- #9771/#9793/#9794 Base PCI Two-Line WAN with integrated modem
- Base console/workstation IOA

The IBM marketing configurator determines which feature combinations are to be on the order based on the #5540, #5544, #5546, or #5548 System Console specify code.

### Required features

The *required* features include:

- ▶ Specific combinations of the Processor feature, Edition feature, and Server feature are allowed as shown in the following table.

Processor feature	Server feature	Edition feature	Software group
#2465 (750 CPW)	#0868	#7404 Standard #7406 Enterprise	P10 P10
#2466 (1020 CPW)	#0866	#7407 Standard	P10
		#7409 Enterprise	P10
	#0769	#7407 Domino	P10
#2467 (1470 CPW)	#0867	#7410 Standard	P10
		#7412 Enterprise	P10
	#0770	#7410 Domino	P10
#2469 (2700 CPW)	#0869	#7428 Standard	P20
		#7430 Enterprise	P20
	#0771	#7428 Domino	P20

Edition content varies by processor and server features selected. For more information, see “iSeries Editions” on page 51.

The Server feature used for iSeries for Domino specifies the minimum amount of disk, memory, and Domino licenses required for an initial order, as noted in the following table.

Server feature	Processor feature	Edition feature	Min. DASD (GB)	Min. Memory (GB)	Required Domino licenses		MCU rating*
					Server	Client	
#0769	#2466	#7407	105	1.5	1	100	3100
#0770	#2467	#7410	315	3.5	1	100	4200
#0771	#2469	#7428	525	5.5	1	400	7900

\* The Mail and Calendar User (MCU) ratings cannot be achieved using the minimum configurations described in the preceding table.

► Main storage

All main storage on the Model 810 is feature main storage. See “Main storage” on page 131 for a list of supported memory features and configuration considerations.

- ▶ PCI disk unit controller (one must be specified)
  - #2757 PCI-X Ultra RAID Disk Controller
  - #2763 PCI RAID Disk Unit Controller (supported as migration feature only)
  - #2782 PCI-X RAID Disk Unit Controller
  - #4748 PCI RAID Disk Unit Controller (supported as migration feature only)
  - #4778 PCI RAID Disk Unit Controller
  - #5703 PCI-X RAID Disk Unit Controller
  - #5705 PCI-X Tape/DASD Controller

The system unit supports up to two disk unit controllers to control disks in the system unit and #7116 System Unit Expansion (if installed).

- ▶ Internal disk units
  - #4308 4.19 GB Disk Unit (supported as migration feature only)
  - #4314 8.58 GB Disk Unit (supported as migration feature only)
  - #4317 8.58 GB 10k RPM Disk Unit
  - #4318 17.54 GB 10k RPM Disk Unit
  - #4319 35.16 GB 10k RPM Disk Unit
  - #4324 17.54 GB Disk Unit (supported as migration feature only)
  - #4326 35.16 GB 15k RPM Disk Unit
  - #4327 70.56 GB 15k RPM Disk Unit
  - #4331 1.6 GB Read Cache Device
- ▶ Integrated optical
  - #4525 CD-ROM (supported as migration feature only)
  - #4530 DVD-RAM
  - #4531 DVD-ROM
- ▶ System console attachment adapter
  - #5540 System Console on Twinaxial Workstation IOA
    - #4746 PCI Twinaxial IOA
  - #5544 System Console on Operations Console
    - #0367 Operations Console PCI Cable
  - #5546 System Console on 100 Mbps Token Ring
    - #2744 PCI 100 Mbps Token Ring IOA
    - #0367 Operations Console PCI Cable
  - #5548 System Console on 100 Mbps Ethernet
    - #2849 10/100 Mbps Ethernet Adapter
    - #0367 Operations Console PCI Cable

## Optional features

The *optional* features include:

- ▶ Internal tape device
  - #4582 4 GB ¼-inch Cartridge Tape Device
  - #4583 16 GB ¼-inch Cartridge Tape Device
  - #4584 30 GB ¼-inch Cartridge Tape Device
  - #4585 80 GB VXA-2 Tape Device
  - #4586 25 GB ¼-inch Cartridge Tape Device
  - #4587 50 GB ¼-inch Cartridge Tape Device
- ▶ #0551 iSeries Rack
  - Up to two Model 810s may be installed in a #0551 iSeries Rack.
  - Any iSeries Model 810 mounted in a #0551 must have the #7116 System Unit Expansion.
  - Specify codes and features supported when used in conjunction with an iSeries Model 810 are the #0133 Plant Install in Rack and #0137 Field Install in Rack.

See “#0551 iSeries Rack” on page 207 for a complete description of the #0551 iSeries Rack and supported features and specify codes.

- ▶ #7116 System Unit Expansion
  - The #7116 is a feature system unit expansion that allows up to an additional 12 disk units to be added. It has no PCI card slots and no removable media slots.
  - Supports six disk units (standard). Requires a #7136 to support more than six disk units.
  - The #7116 disk units are driven by a disk unit controller located in the CEC.
  - A separate power cord is required.
  - If installed in a #0551 iSeries Rack, it may be powered by a PDU by ordering feature #1422 PDU Line Cord.
- ▶ #7136 DASD Expansion Unit - 6 slot
  - The #7136 is a concurrent maintenance DASD six-position expansion feature, which may be ordered to support an additional six disk units (for a total of 12) in the #7116.
  - The #7116 is required.

- ▶ Uninterruptible power supply

An external uninterruptible power supply is recommended to protect the system unit and any external components against utility power outages.

The Model 810 initial installation is Customer Setup (CSU). IBM Service Representatives perform processor upgrades within models.

## Processor features

- ▶ #2465 Processor (SSTAR Uni, CCIN 25BA) includes:
  - 2 MB L2 cache
  - Eight Dual Inline Memory Module (DIMM) memory positions (plug directly onto the processor, direct attach)
  - Embedded Base IOP (CCIN 286D)
  - Common Service Processor (CSP) (CCIN 25BA)
- ▶ #2466 Processor (SSTAR Uni, CCIN 25BA) includes:
  - 2 MB L2 cache
  - Eight DIMM memory positions (plug directly onto the processor, direct attach)
  - Embedded Base IOP (CCIN 286D)
  - Common Service Processor (CSP) (CCIN 25BA)
- ▶ #2467 Processor (SSTAR Uni, CCIN 25F0) includes:
  - 4 MB L2 cache
  - Eight DIMM memory positions (plug directly onto the processor (direct attach)
  - Embedded Base IOP (CCIN 286E)
  - Common Service Processor (CSP) (CCIN 25F0)
- ▶ #2469 Processor (SSTAR 2-way, CCIN 25EB) includes:
  - 4 MB L2 cache per processor
  - Sixteen DIMM memory positions via the memory riser card (CCIN 2884)
  - Base I/O backplane (CCIN 282F)
  - Embedded Base IOP (CCIN 284E)
  - Common Service Processor (CSP) (CCIN 282F)

The iSeries for Domino processors include a regular processor feature and a special server feature. The server feature is used for pricing and for initial order



placement. Upgrades are supported in the normal way based on the Processor and Edition feature.

Refer to “Table 4: Summary of the iSeries Model 810” on page 73 to find Processor CPW, Mail and Calendar Users (MCU), 5250 CPW, and to determine the processor feature code and QPRCFEAT value.

## Main storage

Supported memory features for the #2465, #2466, and #2467 processors are:

- ▶ #3092 - 256 MB Main Storage (DIMM DDR 128 Mb technology) (Unstacked)
- ▶ #3093 - 512 MB Main Storage (DIMM DDR 256 Mb technology) (Unstacked)
- ▶ #3094 - 1 GB Main Storage (DIMM DDR 256 Mb technology) (Stacked)
- ▶ #3096 - 2 GB Main Storage (DIMM DDR 256 Mb technology) (Stacked)

Configuration considerations include:

- ▶ A single main storage DIMM is allowed.
- ▶ Additional DIMMs must be added in pairs of the same capacity and technology.
- ▶ Eight slots are available in the base system for main storage DIMMs, which plug directly onto the processor (direct attach).

Supported memory features for the #2469 processor are:

- ▶ #3022 - 128 MB Main Storage (64 Mb technology)  
Support can be ordered only up to the minimum number of DIMMs required to meet a pairing or quad system memory requirement.
- ▶ #3024 - 256 MB Main Storage (128 Mb technology) (unstacked)
- ▶ #3025 - 512 MB Main Storage (128 Mb technology) (stacked)  
Cannot be mixed with #3026 for pairing or quadding.
- ▶ #3026 - 512 MB Main Storage (256 Mb technology) (unstacked)  
Cannot be mixed with #3025 for pairing or quadding.
- ▶ #3027 - 1 GB Main Storage (256 Mb technology) (stacked)
- ▶ #3029 - 128 MB Main Storage (128 Mb technology) (unstacked)
  - Cannot be mixed with #3022 for pairing or quadding.
  - Maximum of eight #3029 allowed on a system.

Memory in the #2469 Model 810 is not compatible and does not migrate to the Model 870.

Configuration considerations include:

- ▶ A base CCIN 2884 Memory Expansion Card with 16 DIMM slots is included. All main storage DIMM features plug into this card.
- ▶ A minimum of two DIMMS (same feature code and technology) must be selected. If more than two DIMMs are required, all memory features must be in sets of four (quads), including making a quad out of the initial pair. Each DIMM in the set of four must be of the same feature code and technology.
- ▶ All DIMMs must be plugged in quads starting from the outer four corners going toward the center (for example A, B, C, D, then E, F, G, H). The exception allows a single set of two main storage DIMMs if these are the only two on the system.
- ▶ Mixing quad “groups” on the same riser card is allowed, including mixing stacked (#3025) and unstacked (#3024) memory technology.

The following table shows the allowable main storage capacities in MB for the Model 810 processors.

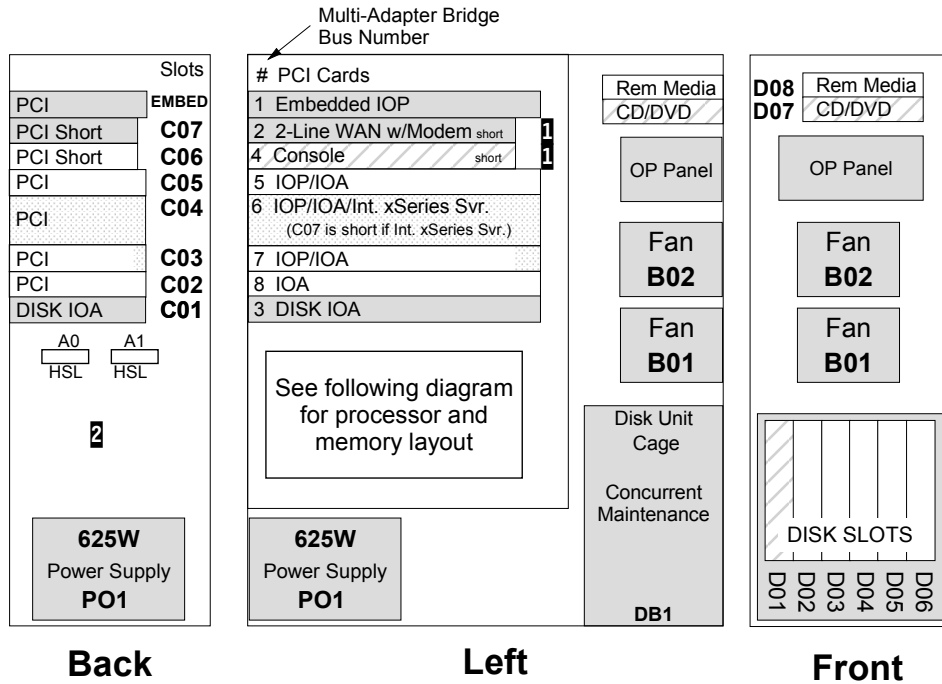
-	512	1024	1536
2048	2560	3072	3584
4096	4608	5120	5632
6144	6656	7168	7680
8192	8704	9216	9728
10240	10752	11264	12288
12880	13312	14336	16384

## 9406 Model 810 schematics

The following diagrams show the slot and feature card arrangement of the Model 810 system unit, processor, memory cards, and supported expansion units.

# 9406 Model 810 system unit

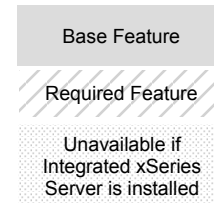
## #2465, #2466, #2467, and #2469 Processors



**Note 1:** Cards may be reversed depending on choice of console.

**Note 2:** Card slots do not support hot plugging with #2466 and #2467 processors.

### Legend



# Model 810 Processor and Memory

#2465, #2466, #2467

Processor  
w/o  
Cache

Memory  
Controller

Processor  
Regulator

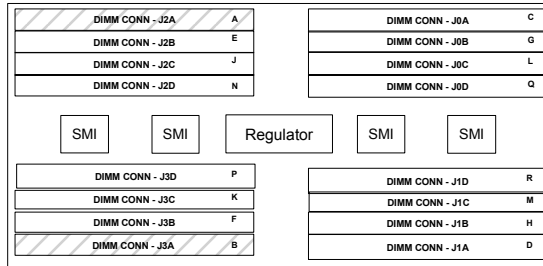
DIMM CONN - J3H	H
DIMM CONN - J0L	A
DIMM CONN - J2H	F
DIMM CONN - J1L	C
DIMM CONN - J1H	D
DIMM CONN - J2L	E
DIMM CONN - J0H	B
DIMM CONN - J3L	G

#2469

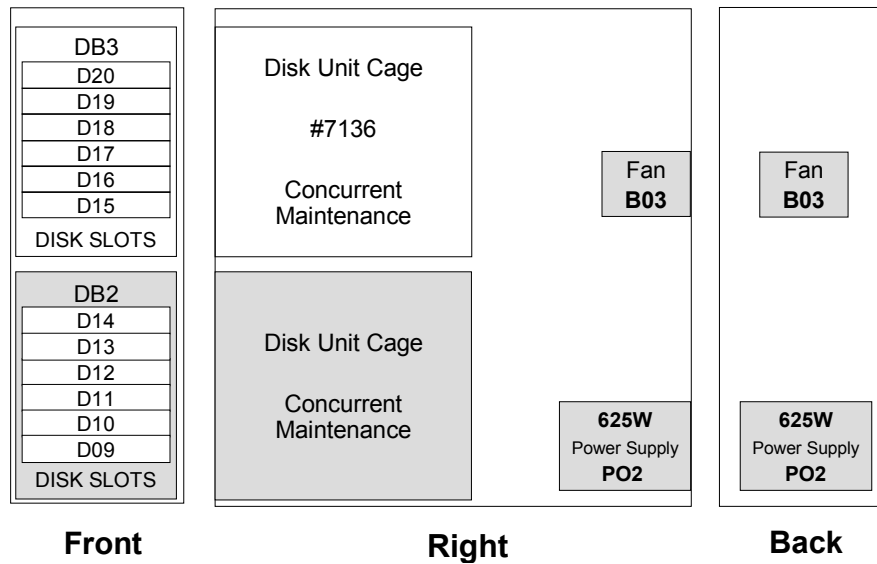
M02 Processor  
Regulator CPU

M01 Memory Riser Card

## CCIN 2884 Memory Riser Card



## Model 810 #7116 System Unit Expansion DASD Sidecar



**Note:** You can find line cord and power receptacle specification information on the Web at:

<http://www.ibm.com/eserver/iserries/infocenter>

## High-speed link on Model 810

The Model 810 supports a single HSL loop. See "High-speed link" on page 212 for information about supported HSL cables and HSL loop maximums.

You can more information in *High-speed Link Loop Architecture for the IBM @server iSeries Server: OS/400 Version 5 Release 2*, REDP-3652, and the HSL Rules presentation that is available on the Web at:

<http://www-1.ibm.com/servers/eserver/iserries/ha/systemdesign.html>

## Model 810 PCI cards and features

The Model 810 is a PCI-based technology system. See the table on page 74 for the number of maximum features supported by the total system and in the Model

520 system unit. See Chapter 15, “iSeries I/O processors” on page 233, and Chapter 16, “iSeries I/O adapters and controllers” on page 251, for full descriptions of the features that are supported.

See “Linux direct attach features” on page 254 for the supported Linux Direct Attach features.

**Note:** The placement of PCI cards follows special rules. Refer to “PCI card technology” on page 252 and *PCI Card Placement Rules for the IBM @server iSeries Server Version 5 Release 2*, REDP-3638, before you propose any configuration.

Refer to Chapter 20, “Customer Install Features” on page 367, to identify the CIF status for each supported feature.

## External towers

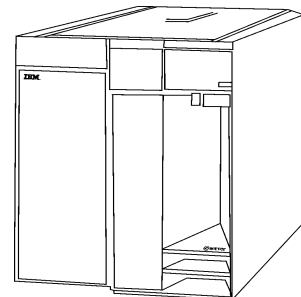
Refer to Chapter 13, “Towers, racks, and high-speed link” on page 185, for information about supported towers for the Model 810.

## Model 810 upgrades

See Chapter 14, “Upgrades to iSeries servers” on page 223, for general upgrade considerations and server upgrade possibilities within the Model 810. Supported processor upgrades for the Model 810 are identified in *IBM @server iSeries Supported Upgrades*, REDP-0322.

## iSeries Model 825

The iSeries 825 is a powerful server that is designed for medium to large enterprises that need high versatility in a world of e-business on demand™. The Model 825 supports multiple operating environments and can run a variety of applications simultaneously. It provides excellent scalability and large input/output (I/O) capacity for server consolidation. Capacity on demand capabilities and a choice of Editions provide outstanding flexibility to respond to changing business needs.



*iSeries Model 825*

## Model overview

This section takes a closer look at the minimum functional server, required features, and optional features.

### Minimum functional server

A minimum functional server consists of the base server unit and selected priced features. The base server includes:

- ▶ Physical package and power elements
- ▶ System unit (CEC)
- ▶ Active backplane (CCIN 25CA)
  - 10 PCI-X card slots
  - Hot plug PCI capability
  - Two high-speed link (HSL) slots/connectors
  - Integrated/embedded 10/100 Mbps Ethernet IOA (CCIN 288E)
- ▶ Operator panel (CCIN 250A)
- ▶ #9793/#9794 Base PCI Two-Line WAN with integrated modem
- ▶ Base direct access storage device (DASD) cage

Concurrent disk maintenance is supported. One base DASD Cage (CCIN 28BC) is included in the base system unit and provides five disk unit slots. Up to two additional #7124 DASD Expansion Unit - 5 slot cages can be added, for a maximum of three DASD cages and up to 15 disk units in the base system (CEC).

- ▶ HSL bus adapters
  - #9787 Base HSL-2 Ports - 2 Copper (CCIN 28B3)
  - In addition to the #9787, one of the following HSL adapters must be specified:
    - #9785 Base HSL-2 Ports - 2 Copper
    - #9786 Base HSL Ports - 2 Optical
- ▶ Two 1040 W Power Supply (two line cords required)
  - Power supply and fan hot plugging is supported.
- ▶ #9844 Base PCI IOP

Provides support for the Converged Service Processor and up to four input/output adapters (IOAs).



## Required features

The *required* features include:

- Specific combinations of the Processor feature, Edition feature, and Server feature are allowed as shown in the following table:

Processor feature	Server feature	Edition feature	Software group
#2473 (3600/6600 CPW)	#0873	#7416 Standard	P30
		#7418 Enterprise	P30
		#7434 High Availability	P30
	#0772	#7416 Domino	P30
	#0773	#7416 Domino	P30
#2495 (1250/6600 CPW)	#0890	#7439 Capacity BackUp	P30

Edition content varies by processor and server features selected. For more information, see “iSeries Editions” on page 51.

The Domino servers have minimum requirements for the number of processors, DASD, memory, and Domino server and client licenses.

The following table lists the Domino measurements for the iSeries Model 825.

Model	Server feature	Processor feature	Edition feature	MCU rating <sup>*</sup>
825	#0772	#2473	#7416	11600
	#0773	#2473	#7416	17400
* The MCU ratings cannot be achieved using minimum configurations.				

- Main storage
  - See “Main storage” on page 142 for a list of supported memory features, and configuration considerations.
- PCI disk controller (Small Computer System Interface (SCSI) IOA)
  - The SCSI IOA supports the DVD-ROM, DVD-RAM, migrated CD-ROM, internal tape, and disk units (in the CEC).
  - The Model 825 system unit supports three disk unit cages (five-pack) and two removable media bays.
    - #2757 PCI-X Ultra RAID Disk Controller
    - #2782 PCI-X RAID Disk Unit Controller

- #4778 PCI RAID Disk Unit Controller
- #5703 PCI-X RAID Disk Unit Controller

**Note:** The PCI SCSI Disk Controller must have its SCSI bus 0 cabled to the base (upper) DASD cage. The Load Source DASD must be placed in the base DASD cage.

- ▶ Removable optical device (one must be specified)
  - #4630 DVD-RAM
  - #4631 DVD-ROM (Default)
- ▶ Internal disk units
  - #4317 8.58 GB 10k RPM Disk Unit
  - #4318 17.54 GB 10k RPM Disk Unit
  - #4319 35.16 GB 10k RPM Disk Unit
  - #4326 35.16 GB 15k RPM Disk Unit
  - #4327 70.56 GB 15k RPM Disk Unit

One of the following load source specify codes is required:

- #0829 - #4318 Load Source Specify
- #0830 - #4319 Load Source Specify
- #0834 - #4326 Load Source Specify
- #0835 - #4327 Load Source Specify
- ▶ Disk protection specify codes (one must be specified)
  - #0040 Mirrored System Disk Level
  - #0041 RAID Protection - All
  - #0042 Mirrored System IOP Level
  - #0043 Mirrored System Bus Level

#0041 is the default for disk data protection.

- ▶ System console attachment adapter
 

The console on LAN options require a dedicated LAN adapter. A #0367 Operations Console PCI Cable is added to the order by the IBM marketing configurator.

  - #5540 System Console on Twinaxial Workstation IOA
    - #4746 PCI Twinaxial IOA
  - #5544 System Console on Operations Console
    - #0367 Operations Console PCI Cable

- #5548 System Console on 100 Mbps Ethernet
  - Embedded 10/100 Mbps Ethernet IOA (CCIN 288E)
  - #0367 Operations Console PCI Cable

**Note:** The #5546 System Console on 100 Mbps Token Ring is not supported.

## Optional features

The *optional* features include:

▶ #0551 iSeries Rack

Up to two Model 825s may be installed in an #0551 rack. See “#0551 iSeries Rack” on page 207 for a complete description of the #0551 iSeries Rack and supported features and specify codes.

▶ #7124 DASD Expansion Unit - 5 slot

The #7124 is a 5-pack DASD cage for the Model 825 system unit. The #7124 includes the DASD cage, DASD backplane, and associated SCSI cables. A maximum of two may be ordered on a Model 825 system.

▶ Internal tape devices

- #4682 4 GB ¼-inch Cartridge Tape Device
- #4684 30 GB ¼-inch Cartridge Tape Device
- #4685 80 GB VXA-2 Tape Device
- #4687 50 GB ¼-inch Cartridge Tape Device

The Model 825 initial installation and model upgrades are performed by an IBM Service Representative.

## Processor features

The #2473 3/6-way (POWER4 1.1 GHz) includes:

- ▶ Three processor cards (CCIN 25DC)
- ▶ 96 MB L3 Cache (16 MB L3/ processor)
- ▶ Smart Chip Processor VPD Card (CCIN 2473)
- ▶ Base I/O backplane (CCIN 25CA)
- ▶ #9787 CCIN 28B3 Expansion Card (provides two HSL-2 ports)
- ▶ CCIN 289D Connector Card

Specify one #1609 POD Activation feature for each additional standby processor activated (maximum of three). Specify one #1773 TCoD Enablement feature for

each additional standby processor when approaching limit of usable on/off processor days.

The #2495 1/6-way (POWER4 1.1 GHz) includes:

- ▶ Three processor cards (CCIN 25DC)
- ▶ 96 MB L3 Cache (16 MB L3/ processor)
- ▶ Smart Chip Processor VPD Card (CCIN 2473)
- ▶ Base I/O backplane (CCIN 25CA)
- ▶ #9787 CCIN 28B3 Expansion Card (provides two HSL-2 ports)
- ▶ CCIN 289D Connector Card

Select one #1779 On/Off Capacity on Demand enablement feature for each additional standby processor when approaching the limit of usable on/off processor days.

**Note:** The capacity on demand (permanent and temporary) capabilities, including activation, enablement, and billing features, are described in “Capacity on demand” on page 40.

Refer to “Table 5: Summary of the iSeries Model 825” on page 75 to find Processor CPW, Mail and Calendar Users (MCU), and 5250 CPW, and to determine the processor feature code and QPRCFEAT value.

## Main storage

The following memory features are available on the Model 825:

- ▶ #3042 - 256 MB Main Storage DIMM DDR - 128 Mb Technology (Unstacked)
- ▶ #3043 - 512 MB Main Storage DIMM DDR - 256 Mb Technology (Unstacked)
- ▶ #3044 - 1024 MB Main Storage DIMM DDR - 256 Mb Technology (Stacked)
- ▶ #3046 - 2048 MB Main Storage DIMM DDR - 512 Mb Technology (Stacked)

For the Model 825, the main storage Dual Inline Memory Modules (DIMMs) are installed directly onto the processor cards. Each processor card has eight DIMM slots. The eight slots are arranged in two sets of four. The DIMMs must be installed in sets of four (quads). Each set of four DIMMs must be the same memory capacity and technology. Each system order must have at least one set of three main storage DIMM quads (12 DIMMs total) installed. An exception is the 2 GB memory capacity point, where two quads (eight DIMMs total) are allowed.

Three processor cards (three multichip modules (MCMs)) are installed in the Model 825 system. There is a total of 24 DIMM slots, in which 8, 12, 16, 20, or 24 memory DIMMs may be installed.

The following main storage requirements apply:

- ▶ The marketing configurator defaults to 3 GB of memory. If 2 GB of total main storage is specified, a message is issued indicating this memory configuration is not recommended by IBM.
- ▶ Except on systems with 2 GB of memory capacity, no Single Chip Model (SCM) board is allowed to contain more than twice the memory capacity of any other processor.

The marketing configurator determines the correct number and combination of memory features to fulfill a chosen increment. It is based on the minimum number of memory features required to meet the increment within the requirements of one quad per SCM board. No SCM board having more than two times the total memory of any other SCM board is allowed.

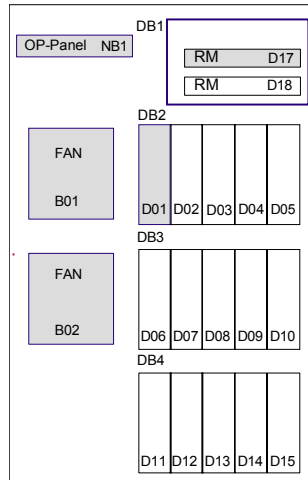
The following table shows the allowable main storage capacities in MB for the Model 825 processors.

2048	12288	22528	33792
3072	13312	23552	34816
4096	14336	24576	35840
5120	15360	25600	36864
6144	16384	26624	37888
7168	17408	27648	38912
8192	18432	28672	40960
9216	19456	29696	41984
10240	20480	30720	43008
11264	21504	31744	45056
		32768	49152

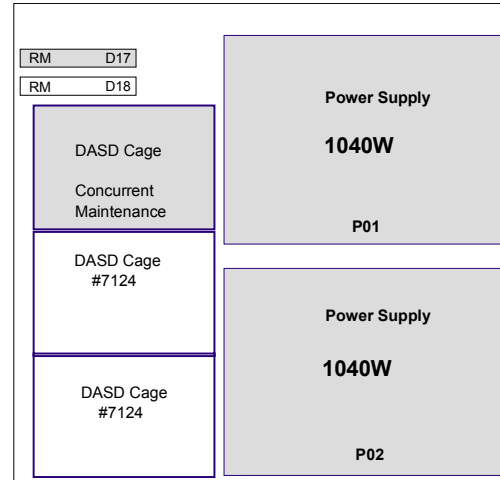
## 9406 Model 825 schematics

The following diagrams show the slot and feature card arrangement of the Model 825 system unit, base enclosure, and rack. You can find schematics of any supported expansion units in Chapter 13, “Towers, racks, and high-speed link” on page 185.

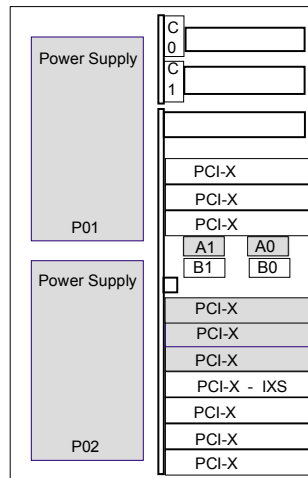
# 9406 Model 825 system unit



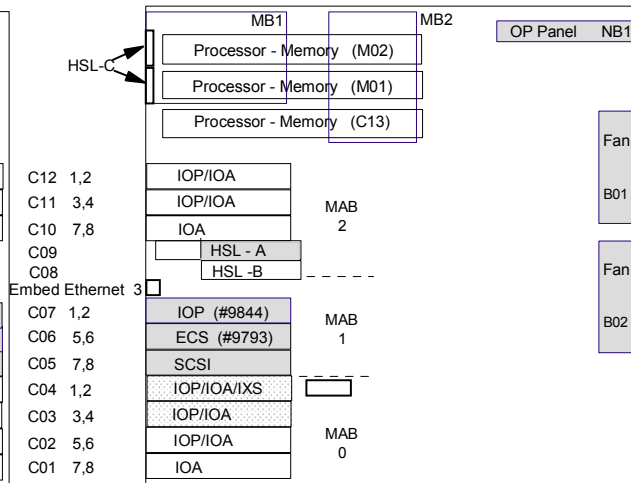
**Front**



**Right**



**Back**



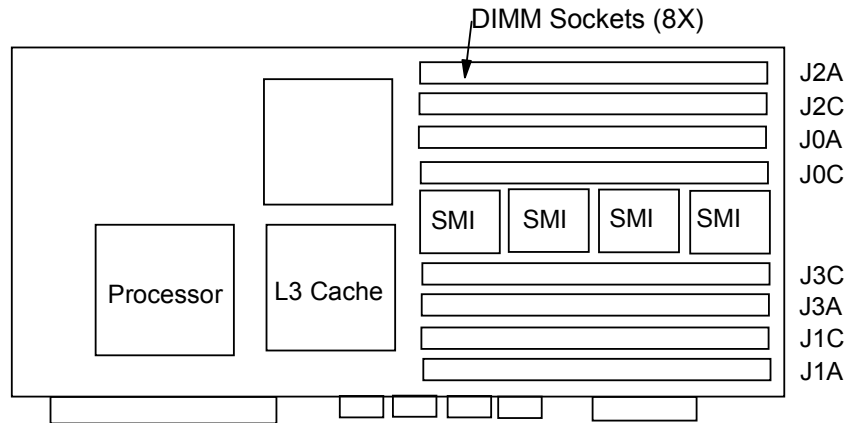
**Left**

Slot Multi-Adapter Bridge Bus Number

**Note:** Hot plug and concurrent add of the following items are supported:

- ▶ PCI cards
- ▶ Disk units
- ▶ Removable media
- ▶ Power supplies
- ▶ Fans

## 9406 Model 825 Processor and Memory



**Note:** DIMM quad plugging is J1A, J3A, J0A, J2A, and then J1C, J3C, J0C, J2C

**Note:** You can find line cord and power receptacle specification information on the Web at:

<http://www.ibm.com/eserver/series/infocenter>

## High-speed link on Model 825

The Model 825 supports up to three HSL loops, two of which can be optical fiber HSL loops. The optical fiber HSL loop extends the distance between the Model 825 system unit and the I/O units from a limit of 15 meters prior to V5R2, to a maximum of 250 meters. The extra length can help to improve data reliability and protection. See “High-speed link” on page 212 for information about supported HSL cables and HSL loop maximums.

You can find further information in *High-speed Link Loop Architecture for the IBM eServer iSeries Server: OS/400 Version 5 Release 2*, REDP-3652, and the HSL Rules presentation, which is available on the Web at:

<http://www-1.ibm.com/servers/eserver/series/ha/systemdesign.html>

**Important:** The Model 825 has a unique set of rules that influence the maximum number of components on a HSL loop. As such, rules specific to the Model 825 warrant a more detailed description than what is presented in *High-speed Link Loop Architecture for the IBM @server iSeries Server: OS/400 Version 5 Release 2*, REDP-3652. TechNote *iSeries Model 825 High-speed Link Loop*, TIPS0297, complements this Redpaper.

## Model 825 PCI cards and features

The Model 825 is a PCI-based technology system. Since migration towers cannot attach to the Model 825, System Products Division (SPD) cards in systems or towers migrating to the Model 825 must be replaced with PCI card equivalents. Refer to “Hardware no longer marketed by IBM” on page 738 for a list of SPD functions not supported by PCI adapters.

See the table on page 76 for the number of maximum features supported by the total system and in the Model 825 system unit. See Chapter 15, “iSeries I/O processors” on page 233, and Chapter 16, “iSeries I/O adapters and controllers” on page 251, for full descriptions of the features that are supported. See “Linux direct attach features” on page 254 for supported Linux Direct Attach features.

**Note:** The placement of PCI cards follows special rules. Refer to “PCI card technology” on page 252 and *PCI Card Placement Rules for the IBM @server iSeries Server Version 5 Release 2*, REDP-3638, before you propose any configuration.

Refer to Chapter 20, “Customer Install Features” on page 367, to identify the CIF status for each supported feature.

## External towers

Migration towers are not supported on the Model 825. PCI towers are supported with upgrades for migration only.

Refer to Chapter 13, “Towers, racks, and high-speed link” on page 185, for information about supported towers for the Model 825, and “Summary of the iSeries expansion units and towers” on page 81 for a table of configuration maximums.



## Model 825 upgrades

See Chapter 14, “Upgrades to iSeries servers” on page 223, for general upgrade considerations and server-to-server upgrade possibilities. Supported model upgrades for the Model 825 are identified in *IBM @server iSeries Supported Upgrades*, REDP-0322.

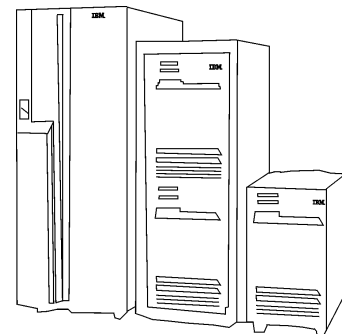


## iSeries Model 870

The iSeries 870 is a mainframe-class server that is built to handle the needs of large enterprises. This server includes IBM @server Capacity Upgrade on Demand (CUoD) features to provide tremendous power and maximum flexibility to run mixed, multiple workloads.

The Model 870 delivers outstanding response times for mainstay 5250 online transaction processing (OLTP) applications, high performance for Web and e-business applications, plus a wide array of integrated management tools that can help you respond to business needs in an instant.

The 5/8-way and 8/16-way are POWER4 processors. Configurations range from 7700 to 20000 CPW, up to 128 GB of memory and up to 37 TB of disk.



*iSeries Model 870*

## Model overview

This section takes a closer look at the minimum functional server, required features, and optional features.

### Minimum functional server

A minimum functional server consists of the base server unit and selected priced features. The Model 870 supports hot plug and concurrent add of Peripheral Component Interconnect (PCI) cards, disk units, and removable media devices. Included in the base server are the physical package and power elements as follows:

- ▶ System unit (CEC)
- ▶ #9094 Base PCI I/O Enclosure (with #5114) or #8094 Optional 1.8 M I/O Rack
- ▶ Line cord features: Two line cord features should be specified for the 870 CEC, with two additional line cord features for the #9094. If the #8094 Optional 1.8 M I/O Rack is ordered instead of the #9094 Base PCI I/O Enclosure, then two line cords are needed for the lower tower as well as one or two line cords for the upper tower.
- ▶ Bulk Power Regulator (CCIN CQ02)
  - Two required with 24-way processor feature
  - Four required with 32-way processor feature
- ▶ Bulk Power Controller (CCIN RGA1)
  - Two required with all processor features
  - Bulk Power Distribution (CCIN RGA2)
  - Two required with 24-way and 32-way processor features
- ▶ Distributed Converter Assembly (CCIN DCA1)
  - Two DCAs are “base”
  - Two DCAs added with 24-way processor feature (total of four DCAs)
  - Three DCAs added with 32-way processor features (total of five DCAs)
- ▶ Capacitor Card (CCIN 274F): One is “base”  
One Capacitor Card is added with 24-way and 32-way processor features (total of two).
- ▶ Clock card (CCIN 25C1)
- ▶ Pass-through card (CCIN 272D): Two on the #2486 processor
- ▶ PCI and Common Service Processor (CSP) card (CCIN 28AA)
- ▶ Operator Panel with key stick (CCIN 247A)

- ▶ #9730 Base HSL-2 Ports - 4 Copper (CCIN 273B)
  - ▶ #9771/#9793/#9794 Base PCI Two-Line WAN with integrated modem
  - ▶ #9844 Base PCI IOP provides support for:
    - The required Small Computer System Interface (SCSI) input/output adapter (IOA), which controls up to 15 disk units, the required DVD-RAM/DVD-ROM, and a feature internal tape or a feature DVD-RAM/DVD-ROM
    - A base console/workstation IOA
- The IBM marketing configurator determines which feature combinations are to be on the order based on the #5540, #5544, #5546, or #5548 System Console specify code.
- The #9771/#9793/#9794 Base PCI Two-Line WAN with integrated modem

**Note:** In countries (or regions) where #9771/#9793/#9794 is not homologated, the marketing configurator adds a #4745 PCI Two-Line WAN IOA or a #2742 PCI Two-Line WAN IOA, a #0032 modem feature, and a #0348 cable to the order. The #4745/#2742 is mandatory and cannot be removed from the system until the #9793/#9794 homologation is completed. The #0032 and #0348 features may be removed from the order or system at any time.

## Required features

The *required* features include:

- ▶ Specific combinations of the Processor feature, Edition feature, and Server feature are allowed as shown in the following table:

Processor feature	Server feature	Edition feature	Software group
#2486 (11500/20000 CPW)	#0886	#7419 Standard	P40
		#7421 Enterprise	P40
		#7436 High Availability	P40
#2489 (7700/11500 CPW)	#0889	#7431 Standard	P40
		#7433 Enterprise	P40
		#7435 High Availability	P40
#2496 (3200/20000 CPW)	#0891	#7440 Capacity BackUp	P40

Edition content varies by processor and server features selected. For more information, see “iSeries Editions” on page 51.

- ▶ Main storage
 

See “Main storage” on page 154 for a list of supported memory features, and configuration considerations.
- ▶ PCI disk controller (SCSI IOA)
 

The SCSI IOA supports the DVD-ROM, DVD-RAM, migrated CD-ROM, internal tape, and disk units in the base PCI enclosure.

  - #2757 PCI-X Ultra RAID Disk Controller
  - #4748 PCI RAID Disk Unit Controller
  - #4778 PCI RAID Disk Unit Controller
- ▶ Removable optical device (one must be specified)
  - #4425 CD-ROM (supported as migration feature only)
  - #4430 DVD-RAM (supported as migration feature only)
  - #4625 CD-ROM (Miscellaneous Equipment Specification (MES) only)
  - #4630 DVD-RAM
  - #4631 DVD-ROM
- ▶ Internal disk units
  - #4317 8.58 GB 10k RPM Disk Unit
  - #4318 17.54 GB 10k RPM Disk Unit
  - #4319 35.16 GB 10k RPM Disk Unit
  - #4326 35.16 GB 15k RPM Disk Unit
  - #4327 70.56 GB 15k RPM Disk Unit

One of the following load source specify codes is required:

  - #0829 - #4318 Load Source Specify
  - #0830 - #4319 Load Source Specify
  - #0834 - #4326 Load Source Specify
  - #0835 - #4327 Load Source Specify
- ▶ Disk protection specify codes (one must be specified)
  - #0040 Mirrored System Disk Level
  - #0041 RAID Protection - All
  - #0042 Mirrored System IOP Level
  - #0043 Mirrored System Bus Level

#0041 is the default for disk data protection.
- ▶ System console/communications adapter
 

The console on LAN options require a dedicated LAN adapter. A #0367 Operations Console PCI Cable is added to the order by the marketing configurator.

  - #5540 System Console on Twinaxial Workstation IOA
    - #4746 PCI Twinaxial IOA

- #5544 System Console on Operations Console
  - #0367 Operations Console PCI Cable
- #5546 System Console on 100 Mbps Token Ring
  - #2744 PCI 100 Mbps Token Ring IOA
  - #0367 Operations Console PCI Cable
- #5548 System Console on 100 Mbps Ethernet
  - #2849 10/100 Mbps Ethernet Adapter – or –
  - #4838 PCI 100/10 Mbps Ethernet IOA
  - #0367 Operations Console PCI Cable

## Optional features

The *optional* features include the following internal tape devices:

- ▶ #4482 4 GB ¼-inch Cartridge Tape Device (supported only as a migration feature)
- ▶ #4483 16 GB ¼-inch Cartridge Tape Device
- ▶ #4486 25 GB ¼-inch Cartridge Tape Device
- ▶ #4487 50 GB ¼-inch Cartridge Tape Device (supported only as a migration feature)
- ▶ #4682 4 GB ¼-inch Cartridge Tape Device
- ▶ #4684 30 GB ¼-inch Cartridge Tape Device
- ▶ #4685 80 GB VXA-2 Tape Device
- ▶ #4686 25 GB ¼-inch Cartridge Tape Device
- ▶ #4687 50 GB ¼-inch Cartridge Tape Device

IBM Service Representatives perform the Model 870 initial installation and model upgrades.

## Processor features

The #2486 8/16-way (POWER4 1.3 Ghz) includes:

- ▶ Processor Capacity Card (CCIN 7419 or CCIN 7421)
- ▶ Processor 0 (CCIN 25D3)
- ▶ Processor 1 (CCIN 25D3)

The #2486 Model 870 has two processor modules. Each processor module has eight processors. The system comes with a minimum of eight processors activated. Specify one #1611 POD Activation feature for each additional standby processor activated (maximum of eight). Specify one #1776 TCoD Enablement feature for each additional standby processor when approaching the limit of usable on/off processor days.

The #2489 5/8-way (POWER4 1.3 Ghz) includes:

- ▶ Processor Capacity Card (CCIN 7431 or CCIN 7433)
- ▶ Processor 0 (CCIN 25D3)

The #2489 Model 870 has one processor module. Each processor module has eight processors. For #2489, the processor module should be plugged in plug/slot 0. The system comes with a minimum of five processors activated.

Specify one #1614 POD Activation feature for each additional standby processor activated (maximum of eight). Specify one #1776 TCoD Enablement feature for each additional standby processor when approaching limit of usable on/off processor days.

The #2496 2/16-way (POWER4 1.3 Ghz) includes:

- ▶ Processor Capacity Card (CCIN 7440)
- ▶ Processor 0 (CCIN 25D3)
- ▶ Processor 1 (CCIN 25D3)

The #2496 Model 870 has two processor modules. Each processor module has eight processors. The system comes with a minimum of two processors activated.

Specify one #1780 TCoD Enablement feature for each additional standby processor when approaching the limit of usable on/off processor days.

**Note:** The capacity on demand (permanent and temporary) capabilities, including activation, enablement and billing features, are described in “Capacity on demand” on page 40.

Refer to “Table 5: Summary of the iSeries Model 825” on page 75 to find Processor CPW, Mail and Calendar Users (MCU), 5250 CPW, and to determine the processor feature code and QPRCFEAT value.

## Main storage

Eight main storage card sockets exist on the backplane of the Model 870. A maximum of four of the following main storage cards can be placed in the system:

- ▶ #3015 - 8192 MB Main Storage Card
- ▶ #3017 - 32768 MB Main Storage Card
- ▶ #3020 - 4096 GB Main Storage Card
- ▶ #3035 - 16384 MB Main Storage Card



A minimum of two main storage cards of equal capacity are required. The main storage cards are installed according to the following rules:

- ▶ Installed in pairs of equal capacity
- ▶ The pairs of must plug into memory card slots under the same multichip modules (MCM) (slots 0 and 1, slots 2 and 3)
- ▶ Mixed main storage cards must be of the adjacent capacity. For example, 4 GB and 8 GB are allowed, but 4 GB and 16 GB are not allowed.
- ▶ There is no requirement when mixed main storage cards are used, for cards of higher capacity to precede or follow those of smaller capacity.

The following table shows the allowable main storage capacities and slot positioning for the #2489 Model 870 processor.

Allowable memory capacity (GB)	Memory card slot 0	Memory card slot 1	Memory card slot 2	Memory card slot 3	Memory card slots 4 to 7
8	#3020 4 GB	#3020 4 GB	Empty	Empty	Empty
16	#3015 8 GB	#3015 8 GB	Empty	Empty	Empty
32	#3035 16 GB	#3035 16 GB	Empty	Empty	Empty
64	#3017 32GB	#3017 32 GB	Empty	Empty	Empty

The next table shows the allowable main storage capacities and slot positioning for the #2486 and #2496 Model 870 processors.

Allowable memory capacity (GB)	Memory card slot 0	Memory card slot1	Memory card slot 2	Memory card slot 3	Memory card slots 4 to 7
8	#3020 4 GB	#3020 4 GB	Empty	Empty	Empty
16	#3020 4 GB	#3020 4 GB	#3020 4 GB	#3020 4 GB	Empty
24	#3015 8 GB	#3015 8 GB	#3020 4 GB	#3020 4 GB	Empty
24	#3020 4 GB	#3020 4 GB	#3015 8 GB	#3015 8 GB	Empty
32	#3015 8 GB	#3015 8 GB	#3015 8 GB	#3015 8 GB	Empty

Allowable memory capacity (GB)	Memory card slot 0	Memory card slot1	Memory card slot 2	Memory card slot 3	Memory card slots 4 to 7
48	#3035 16 GB	#3035 16 GB	#3015 8 GB	#3015 8 GB	Empty
48	#3015 8 GB	#3015 8 GB	#3035 16 GB	#3035 16 GB	Empty
64	#3035 16 GB	#3035 16 GB	#3035 16 GB	#3035 16 GB	Empty
96	#3017 32 GB	#3017 32 GB	#3035 16 GB	#3035 16 GB	Empty
96	#3035 16 GB	#3035 16 GB	#3017 32 GB	#3017 32 GB	Empty
128	#3017 32 GB	#3017 32 GB	#3017 32 GB	#3017 32 GB	Empty

## #9094 Base PCI I/O Enclosure

The #9094 Base PCI I/O Enclosure is the base PCI-X I/O enclosure shipped with the Model 870 and 890 system units. A #9094 is attached to the system unit via an high-speed link (HSL) cable through a #9887 Base HSL-2 Bus Adapter. One JTAG cable and one V/S Communication cable (VPD and SPCN combined) are included for the attachment of the #9094 to the system unit. The #5114 Dual Line Cords - Tower is a required feature. Specify two line cords for the #9094.

The #9094 has 15 disk unit slots, with an additional 30 slots available when using feature #5107 30 Disk Expansion. The 45 disk unit positions are in three groups of 15. Each group of 15 disk units is further divided into three groups of five disk units with each group of five disk units supported on a separate SCSI bus.

The #9094 also has two removable media slots and 14 PCI-X card slots. A #9844 Base PCI IOP is included in the base. A #2757 PCI-X Ultra RAID Disk Controller or #4748/#4778 PCI RAID Disk Unit Controller is required to drive the disk units in the base 15 disk unit slots and the removable media devices in the two removal media slots.

The #9094 Base PCI I/O Enclosure supports up to nine OS/400 or Linux controlled #2757/#4748/#4778/#5703 disk controllers (up to nine in total). The #5703 PCI-X RAID Disk Unit Controller can be used after three #2757/#4748/#4778 controllers are installed. The #0143 Disk Controller Placement Exception is a prerequisite for this configuration when the #5703 is the only disk unit controller ordered.

A maximum of three #2757 PCI-X Ultra RAID Disk Controller or #4748/#4778 PCI RAID Disk Unit Controllers are allowed per #9094. Up to 15 disk units per #2757 are supported in a #9094.

The 11 PCI IOAs are supported by the #9844 Base PCI IOP, by feature #2844 PCI IOPs, and by the #2791, #2792/#9792, #4710/#9710, or #2799 PCI Integrated xSeries Server.

Two cables must be ordered to attach to the HSL or HSL-2 ports. When ordering cables to connect to the HSL interface, optical HSL, copper HSL, copper HSL-2, or copper HSL to HSL-2 cables are required. An HSL loop uses all optical or all copper ports and cables. A copper loop can intermix I/O towers or units with copper HSL and copper HSL-2 ports. Select the appropriate cable based on the type of HSL ports to which it is being attached, and the cable length required.

One SPCN cable is required for each tower.

## **#5107 30 Disk Expansion**

The #5107 is a disk unit expansion enclosure feature for the #9094 Base PCI I/O Enclosure. The #5107 includes two 15 disk unit enclosures, one 840-watt power supply, backplanes, and cables.

A #2757 PCI-X Ultra RAID Disk Controller or #4748/#4778 PCI RAID Disk Unit Controller or #5703 PCI-X RAID Disk Unit Controller is required to support disk units in each of the two disk unit enclosures included with #5107. Each group of 15 disk units is further divided into three groups of five disk units with each group of five disk units supported on a separate SCSI bus. A minimum of two disk unit controllers and a maximum of six are required to support 30 disk units.

## **#8094 Optional 1.8 M I/O Rack**

The #8094 is a optional base I/O rack shipped on the Model 890 instead of the #9094 Base PCI I/O Enclosure. The #8094 supports up to 90 disk units, up to 22 PCI IOAs, and up to three additional removable media units. A #8094 is a 1.8 M rack with two enclosures.

- ▶ The bottom enclosure is a #9094 Base PCI I/O Enclosure with side covers and casters removed and a #5107 30 Disk Expansion included in the base (no feature code required). The #5114 Dual Line Cords - Tower is a mandatory feature for the #9094.
- ▶ The top enclosure is a #5094 PCI-X Expansion Tower with side covers and casters removed, and a #5108 30-Disk Expansion Feature (no feature code

required) included in the base. The #5115 Dual Line Cords - Tower feature code is required for dual line cords in the top enclosure.

- ▶ The #0694 - (#5094 Equivalent) is a prerequisite.

Included with the bottom enclosure is one JTAG cable and one VPD-S cable, required to attach the bottom enclosure to the system unit. Also included is the #9887 Base HSL-2 Bus Adapter and #9844 Base PCI IOP.

The #8094 also supports up to four removable media devices (internal tape, CD-ROM, and DVD). These removable media devices are supported by the two #2757 PCI-X Ultra RAID Disk Controller, #4748/#4778 PCI RAID Disk Unit Controller, or #9778 Base PCI RAID Disk Unit Controller that support the first group of 15 disk units in each enclosure.

The two enclosures in the #8094 are separately attached to the system unit via HSL cables as though they were a stand-alone #9094 and #5094. They are also treated as separate units for HSL loop plugging and configuration rules and recommendations. As such, the bottom enclosure must be attached to the system unit's first HSL loop.

A bus adapter is included to provide the HSL interface to the top enclosure. Select one of the following types:

- ▶ #9886 - Base Optical Bus Adapter, to specify four optical HSL ports
- ▶ #9887 Base HSL-2 Bus Adapter, to specify four copper HSL-2 ports

Three or four cables must be ordered to attach to the HSL or HSL-2 ports. When ordering cables to connect to the HSL interface, optical HSL, copper HSL, copper HSL-2, or copper HSL to HSL-2 cables are required. An HSL loop uses all optical or all copper ports and cables. A copper loop can intermix I/O towers and units with copper HSL and copper HSL-2 ports. Select the appropriate cable based on the type of HSL ports to which it is being attached and the cable length required.

Specify three or four line cords for the #8094 Optional 1.8 M I/O Rack.

If the top enclosure is to be attached to a different system than what was initially ordered, remove for Record Purpose Only (RPO) the #0694 specify code from the initially ordered system and add it to the target system.

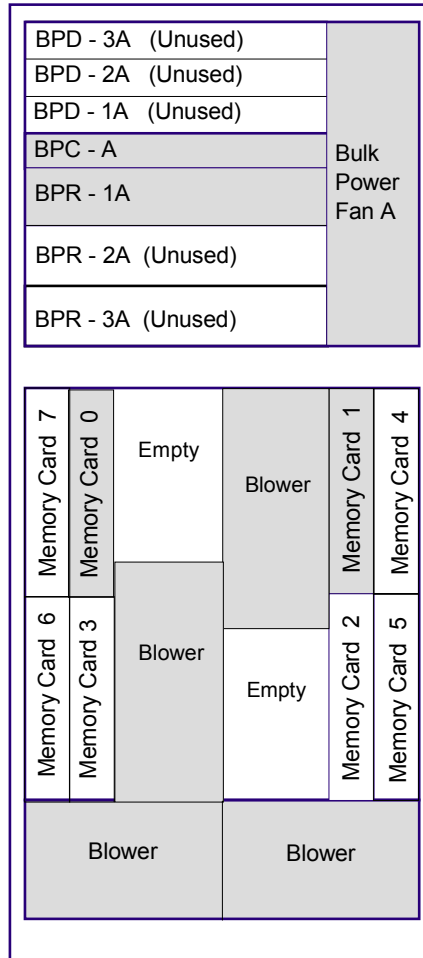
## **#5114 Dual Line Cords - Tower**

The required #5114 feature provides dual line cord support for the #9094 Base PCI I/O Enclosure on the Model 870 and 890 and for the lower enclosures of the #8093 and #8094 towers. With the #5114, the enclosure requires two #14xx line cords and has two AC input boxes.

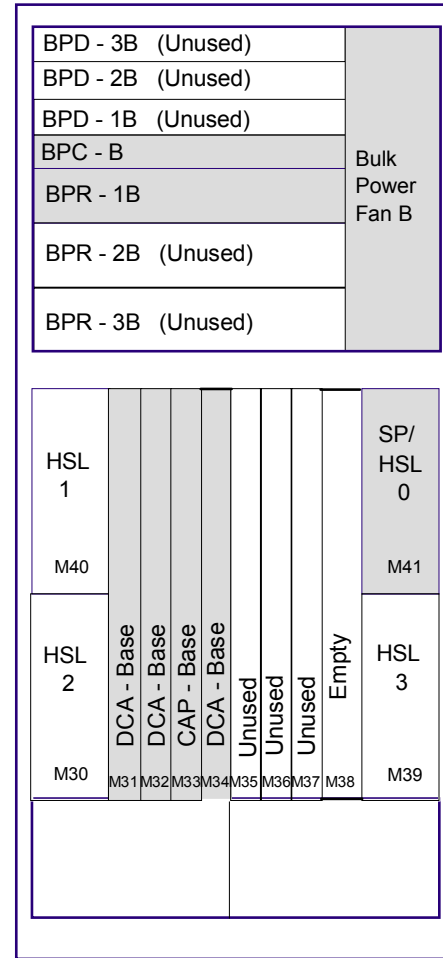
# 9406 Model 870 schematics

The following diagrams show slot and feature card arrangement of the Model 870 system unit, base enclosure, and rack. You can find schematics of any supported expansion units in Chapter 13, "Towers, racks, and high-speed link" on page 185.

## 9406 Model 870 system unit

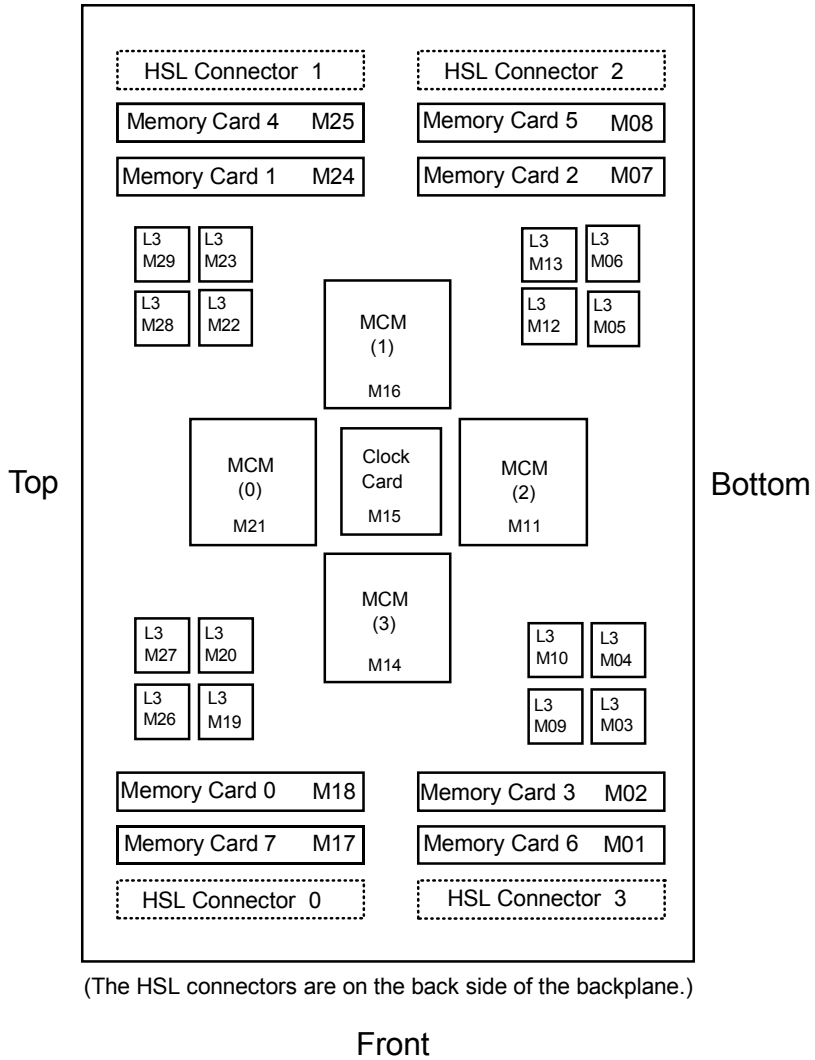


Front



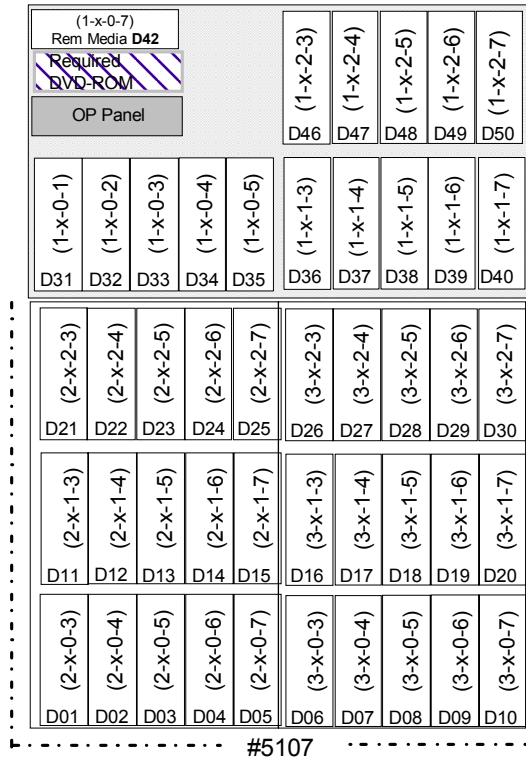
Back

# Model 870 CEC Backplane

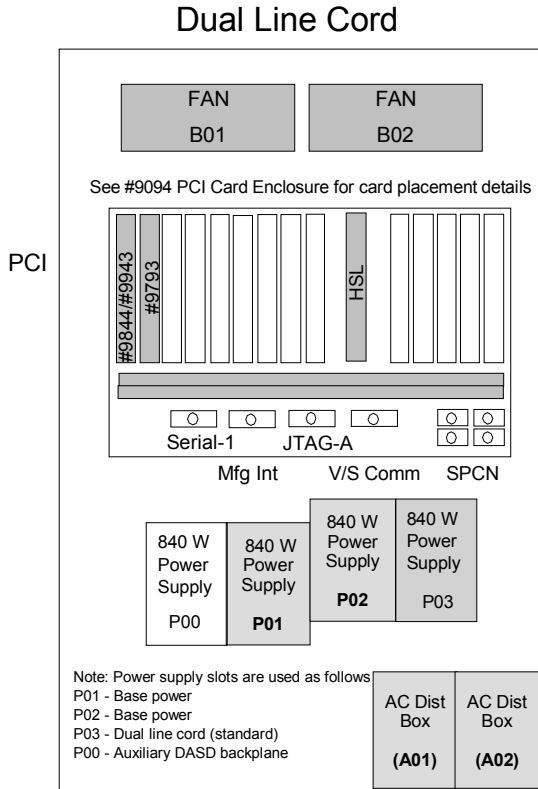
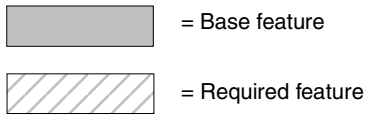


**Note:** MCM slots 0 and 2 contain processor modules. MCM slots 1 and 3 have pass-through cards (CCIN 272D) installed.

# #9094 Base PCI I/O Enclosure

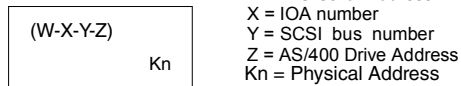


Front



Back

## LEGEND



**Note:** Hot plug and concurrent add of PCI cards, disk units, and removable media devices are supported.

## #9094 PCI Card Enclosure

Slots	Multi-Adapter Bridge Bus Number	PCI Cards
C01	1,2 #9844 / #9943 <b>3</b>	Multi-Adapter Bridge Boundary
C02	3,4 #9793	
C03	5,6 IOP/IOA	
C04	7,8 IOA	
C05	1,2 IOP/IXS	<b>1</b>
C06	3 IOA	
C07	4 IOA	
C08	5,6 IOP/IOA	
C09	7,8 IOA	Multi-Adapter Bridge Boundary
C10	#9886 / #9887	
C11	1,2 IOP/IXS	
C12	3 IOA <b>2</b>	
C13	4 IOA	
C14	5,6 IOP/IOA	
C15	7,8 IOA	

### Legend

	Base Feature
	Required Feature
	Unavailable if Integrated xSeries Server is installed

**Note 1:** If C05 has an Integrated xSeries Server, slot C06 is unavailable, and slot C07 is available only as a short slot. A #2792 does not reduce a third slot to a short slot.

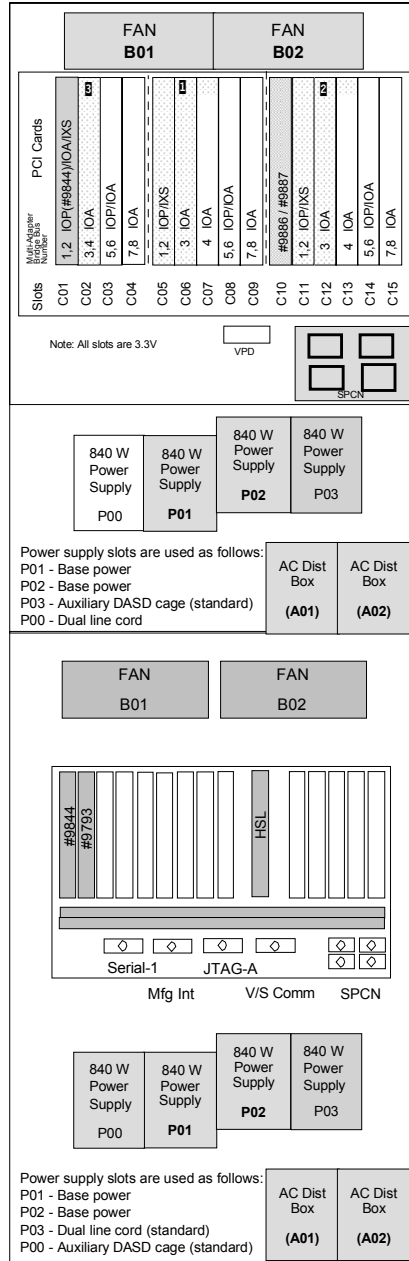
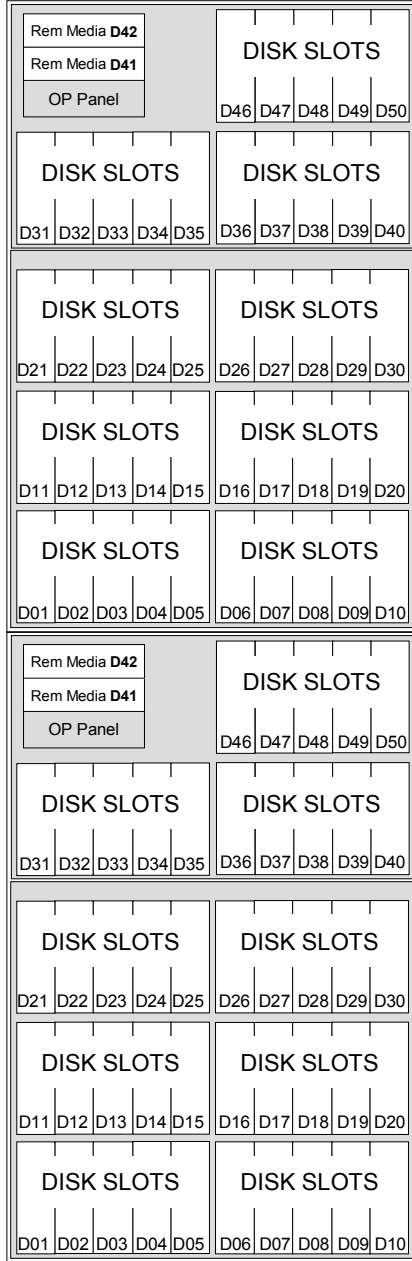
**Note 2:** If C11 has an Integrated xSeries Server, slot C12 is unavailable, and slot C13 is available only as a short slot. A #2792 does not reduce a third slot to a short slot.

**Note 3:** Slot C01 in the #9094 for a Model 870 has a #9844, and a #9844 or #9943 for a Model 890.

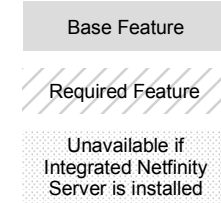


# #8094 Optional 1.8 M I/O Rack

**Note:** The total number of disk bays is 2 x 45.



## Legend



**Note 1:** If C05 has an Integrated xSeries Server, slot C06 is unavailable, and slot C07 is available only as a short slot. A #2792 does not reduce a third slot to a short slot.

**Note 2:** If C11 has an Integrated xSeries Server, slot C12 is unavailable, and slot C13 is available only as a short slot. A #2792 does not reduce a third slot to a short slot.

**Note 3:** Integrated xSeries Server placement is not supported from the plant. Only a #2792 is allowed in this position.

See the #9094 PCI Card Enclosure for card placement details.

**Note:** You can find line cord and power receptacle specification information on the Web at:

<http://www.ibm.com/eserver/series/infocenter>

## High-speed link on Model 870

The Model 870 supports up to eight HSL loops, six of which can be optical fiber HSL loops. The optical fiber HSL loop extends the distance between the Model 870 system unit and the I/O units from a limit of 15 meters prior to V5R2, to a maximum of 250 meters. The extra length can help to improve data reliability and protection.

See “High-speed link” on page 212 for information about supported high-speed link (HSL) cables and HSL loop maximums. You can find further information in *High-speed Link Loop Architecture for the IBM @server iSeries Server: OS/400 Version 5 Release 2*, REDP-3652, and the HSL Rules presentation, which is available at:

<http://www-1.ibm.com/servers/eserver/series/ha/systemdesign.html>

## Model 870 PCI cards and features

The Model 870 is a PCI-based technology system. Since migration towers cannot attach to the Model 870, System Products Division (SPD) cards in systems or towers migrating to the Model 870 must be replaced with PCI card equivalents. Refer to “Hardware no longer marketed by IBM” on page 738 for a list of SPD functions not supported by PCI adapters.

See the table on page 78 for the number of maximum features supported by the total system and in the Model 870 system unit. See Chapter 15, “iSeries I/O processors” on page 233, and Chapter 16, “iSeries I/O adapters and controllers” on page 251, for full descriptions of the features that are supported. See “Linux direct attach features” on page 254 for supported Linux Direct Attach features.

**Note:** The placement of PCI cards follows special rules. Refer to “PCI card technology” on page 252 and *PCI Card Placement Rules for the IBM @server iSeries Server Version 5 Release 2*, REDP-3638, before you propose any configuration.

Refer to Chapter 20, “Customer Install Features” on page 367, to identify the CIF status for each supported feature.

## External towers

Migration towers are not supported on the Model 870. PCI towers are supported with upgrades for migration only.

Refer to Chapter 13, “Towers, racks, and high-speed link” on page 185, for information about supported towers for the Model 825, and “Summary of the iSeries expansion units and towers” on page 81 for a table of configuration maximums.

## Model 870 upgrades

See Chapter 14, “Upgrades to iSeries servers” on page 223, for general upgrade considerations and server-to-server upgrade possibilities. Supported model upgrades for the Model 870 are identified in *IBM @server iSeries Supported Upgrades*, REDP-0322.

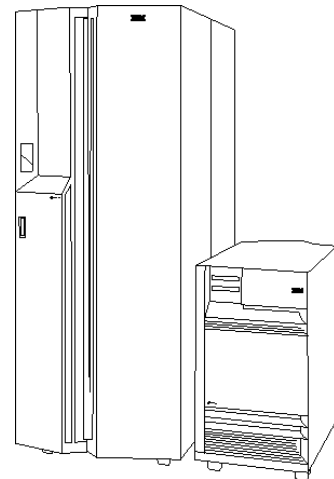




## iSeries Model 890

The iSeries 890 is the largest and most powerful iSeries server. The Model 890 can support thousands of users and deliver top-end performance for Web, e-business, and mainstay 5250 online transaction processing (OLTP) applications. With IBM @server Capacity Upgrade on Demand (CUoD) and multi-platform and application support, this server delivers maximum function and adaptability for e-business in an on demand world.

The 16-way and 32-way POWER4 processors range from 20000 to 37400 CPW, up to 256 GB of memory and up to 144 TB of disk.



*iSeries Model 890*

## Model overview

This section takes a closer look at the minimum functional server, required features, and optional features.

### Minimum functional server

A minimum functional server consists of the base server unit and selected priced features. The Model 890 supports hot plug and concurrent add of PCI cards, disk units, and removable media devices. Included in the base server are the physical package and power elements as follows:

- ▶ System unit (CEC)
- ▶ #9094 Base PCI I/O Enclosure or #8094 Optional 1.8 M I/O Rack
- ▶ Line cord features
  - Two line cord features should be specified for the 890 CEC, with two additional line cord features for the #9094. Three or four are needed for the #8094.
- ▶ Bulk Power Regulator (CCIN CQ02)
  - Two required with 24-way processor feature
  - Four required with 32-way processor feature
- ▶ Bulk Power Controller (CCIN RGA1)
  - Two required with all processor features
- ▶ Bulk Power Distribution (CCIN RGA2)
  - Two required with 24-way and 32-way processor features
- ▶ Distributed Converter Assembly (CCIN DCA1)
  - Two DCAs are “base”
  - Two DCAs added with 24-way processor feature (total of four DCAs)
  - Three DCAs added with 32-way processor features (total of five DCAs)
- ▶ Capacitor Card (CCIN 274F): One is “base”
  - One Capacitor Card is added with 24-way and 32-way processor features (total of two)
- ▶ CEC Backplane (CCIN 25C0)
- ▶ Clock card (CCIN 25C2)
- ▶ Pass-through card (CCIN 272D)
  - One installed with 24-way processor to fill empty multichip modules (MCM) slot

- ▶ Peripheral Component Interconnect (PCI) and Common Service Processor (CSP) card (CCIN 28AA)
  - ▶ Operator Panel (CCIN 247A)
  - ▶ Four MCM sockets for up to four processor modules
  - ▶ Eight main storage card sockets
  - ▶ Four slots for base and feature high-speed link (HSL)-2 adapters
  - ▶ #9730 Base HSL-2 Ports - 4 Copper (CCIN 273B)
  - ▶ #9771/#9793/#9794 Base PCI Two-Line WAN with integrated modem
  - ▶ #9844 Base PCI IOP provides support for:
    - The required SCSI IOA which controls up to 15 disk units, the required DVD-RAM/DVD-ROM, and a feature internal tape or a feature DVD-RAM/DVD-ROM
    - A base Console/Workstation IOA
- The IBM marketing configurator determines which feature combinations are placed on the order based on the #5540, #5544, #5546, or #5548 System Console specify code.
- The #9771/#9793/#9794 Base PCI Two-Line WAN with integrated modem

**Note:** In countries (or regions) where #9771/#9793/#9794 is not homologated, the marketing configurator adds a #4745 PCI 2-line WAN IOA or a #2742 Two-Line WAN IOA, a #0032 modem feature, and a #0348 cable to the order. The #4745/#2742 is mandatory and cannot be removed from the system until the #9793/#9794 homologation is completed. The #0032 and #0348 features may be removed from the order or system at any time.

## Required features

The *required* features include:

- ▶ Specific combinations of the Processor feature, Edition feature, and Server feature are allowed as shown in the following table.

Processor feature	Server feature	Edition feature	Software group
#2497 (20000/29300 CPW)	#0897	#7422 Standard	P50
		#7424 Enterprise	P50
		#7437 High Availability	P50
#2498 (29300/37400 CPW)	#0898	#7425 Standard	P50
		#7427 Enterprise	P50
		#7438 High Availability	P50
#2499 (5600/37400 CPW)	#0892	#7441 Capacity BackUp	P50

Edition content varies by processor and server features selected. For more information, see “iSeries Editions” on page 51.

- ▶ Main storage
  - See “Main storage” on page 173 for a list of supported memory features and configuration considerations.
- ▶ PCI disk controller (SCSI IOA)
  - The SCSI IOA supports the DVD-ROM, DVD-RAM, migrated CD-ROM, internal tape, and disk units in the base PCI enclosure.
    - #2757 PCI-X Ultra RAID Disk Controller
    - #4748 PCI RAID Disk Unit Controller
    - #4778 PCI RAID Disk Unit Controller
- ▶ Removable optical device (one must be specified)
  - #4425 CD-ROM (supported as migration feature only)
  - #4430 DVD-RAM (supported as migration feature only)
  - #4625 CD-ROM (Miscellaneous Equipment Specification (MES) only)
  - #4630 DVD-RAM
  - #4631 DVD-ROM
- ▶ Internal disk units
  - #4317 8.58 GB 10k RPM Disk Unit
  - #4318 17.54 GB 10k RPM Disk Unit
  - #4319 35.16 GB 10k RPM Disk Unit
  - #4326 35.16 GB 15k RPM Disk Unit
  - #4327 70.56 GB 15k RPM Disk Unit



One of the following load source specify codes is required:

- #0829 - #4318 Load Source Specify
- #0830 - #4319 Load Source Specify
- #0834 - #4326 Load Source Specify
- #0835 - #4327 Load Source Specify
- ▶ Disk protection specify codes (one must be specified)
  - #0040 Mirrored System Disk Level
  - #0041 RAID Protection - All
  - #0042 Mirrored System IOP Level
  - #0043 Mirrored System Bus Level

#0041 is the default for disk data protection.
- ▶ System console/communications adapter

The console on LAN options requires a dedicated LAN adapter. A #0367 Operations Console PCI Cable is added to the order by the marketing configurator.

  - #5540 System Console on Twinaxial Workstation IOA
    - #4746 PCI Twinaxial IOA
  - #5544 System Console on Operations Console
    - #0367 Operations Console PCI Cable
  - #5546 System Console on 100 Mbps Token Ring
    - #2744 PCI 100 Mbps Token Ring IOA
    - #0367 Operations Console PCI Cable
  - #5548 System Console on 100 Mbps Ethernet
    - #2849 10/100 Mbps Ethernet Adapter – or –
    - #4838 PCI 100/10 Mbps Ethernet IOA
    - #0367 Operations Console PCI Cable

## Optional features

The *optional* features include the following internal tape devices:

- ▶ #4482 4 GB ¼-inch Cartridge Tape Device (supported only as a migration feature)
- ▶ #4483 16 GB ¼-inch Cartridge Tape Device
- ▶ #4486 25 GB ¼-inch Cartridge Tape Device
- ▶ #4487 50 GB ¼-inch Cartridge Tape Device (supported only as a migration feature)
- ▶ #4682 4 GB ¼-inch Cartridge Tape Device
- ▶ #4684 30 GB ¼-inch Cartridge Tape Device

- ▶ #4685 80 GB VXA-2 Tape Device
- ▶ #4686 25 GB ¼-inch Cartridge Tape Device
- ▶ #4687 50 GB ¼-inch Cartridge Tape Device

IBM Service Representatives perform the Model 890 initial installation and model upgrades.

## Processor features

- ▶ #2497 16/24-way (POWER4 1.3 GHz) includes:

- Processor Capacity Card (CCIN 2487)
- Processor 0 (CCIN 25D3)
- Processor 1 (CCIN 25D3)
- Processor 2 (CCIN 25D3)

Specify one #1612 POD Activation feature for each additional standby processor activated (maximum of eight). Specify one #1777 TCoD Enablement feature for each additional standby processor when approaching the limit of usable on/off processor days.

- ▶ #2498 24/32-way (POWER4 1.3 GHz) includes:

- Processor Capacity Card (CCIN 2488)
- Processor 0 (CCIN 25D3)
- Processor 1 (CCIN 25D3)
- Processor 2 (CCIN 25D3)
- Processor 3 (CCIN 25D3)

Specify one #1613 POD Activation feature for each additional standby processor activated (maximum of eight). Specify one #1778 TCoD Enablement feature for each additional standby processor when approaching the limit of usable on/off processor days.

- ▶ #2499 4/32-way Processor (POWER4 1.3 GHz) includes:

- Processor Capacity Card (CCIN 7441)
- Processor 0 (CCIN 25D3)
- Processor 1 (CCIN 25D3)
- Processor 2 (CCIN 25D3)
- Processor 4 (CCIN 25D3)

Specify one #1781 TCoD Enablement feature for each additional standby processor when approaching limit of usable on/off processor days.

**Note:** The capacity on demand (permanent and temporary) capabilities, including activation, enablement and billing features, are described in “Capacity on demand” on page 40.

Refer to “Table 6: Summary of the iSeries Model 870” on page 77, to find Processor CPW, Mail and Calendar Users (MCU), 5250 CPW, and to determine the processor feature code and QPRCFEAT value.

## Main storage

The available main storage features are:

- ▶ #3015 - 8 GB Main Storage Card (inside) (DRAM)
- ▶ #3016 - 8 GB Main Storage Card (outside) (DRAM)
- ▶ #3017 - 32 GB Main Storage Card (inside) (DRAM)
- ▶ #3018 - 32 GB Main Storage Card (outside) (DRAM)
- ▶ #3020 - 4 GB Main Storage Card (inside) (DRAM)
- ▶ #3021 - 4 GB Main Storage Card (outside) (DRAM)
- ▶ #3035 - 16 GB Main Storage Card (inside) (DRAM)
- ▶ #3036 - 16 GB Main Storage Card (outside) (DRAM)

All main storage cards on the Model 890 must be added in pairs of the same capacity and technology. Six slots are available for main storage cards in the #2487, #2497 and #0197 processors. Eight slots are available for main storage cards in the #2488, #2498, #2499 and #0198 processors. The slots are arranged in groups of “inner” and “outer” slots. The 24-way has four inner slots and two outer slots. The 32-way has four inner and four outer slots. Inner slots are filled first.

**Important:** Fill all slots. An exception is allowed for 16 GB on a 24-way processor and for 24 GB on a 32-way processor.

The main storage cards are installed according to the following rules:

- ▶ Main storage cards are installed in pairs of equal capacity.
- ▶ The pairs of main storage cards must plug into slots under the same MCM (slots 0 and 1, slots 2 and 3, slots 4 and 5, slots 6 and 7).
- ▶ Mixed memory pairs must be adjacent capacities.
- ▶ Maximum of two card sizes on each Model 890.

The following table shows the allowable main storage capacities in MB for the Model 890 processors.

Processor Memory increment	#2497	#2498/#2499
8 GB	Y *	Y *
16 GB	Y	Y *
24 GB	Y	Y
32 GB	Y	Y
40 GB	Y	Y
48 GB	Y	Y
56 GB	-	Y
64 GB	Y	Y
80 GB	Y	Y
98 GB	Y	Y
112 GB	-	Y
160 GB	Y	Y
192 GB	Y	Y
224 GB	-	Y
256 GB	-	Y
* Not recommended for most configurations.		

## #9094 Base PCI I/O Enclosure

The #9094 Base PCI I/O Enclosure is the base PCI-X I/O enclosure shipped with the Model 870 and 890 system units. A #9094 is attached to the system unit via an high-speed link (HSL) cable through a #9887 Base HSL-2 Bus Adapter. One JTAG cable and one V/S Communication cable (VPD and SPCN combined) are included for the attachment of the #9094 to the system unit. The #5114 Dual Line Cords - Tower is a required feature. Specify two line cords for the #9094.

The #9094 has 15 disk unit slots, with an additional 30 slots available when using feature #5107 30 Disk Expansion. The 45 disk unit positions are in three groups of 15. Each group of 15 disk units is further divided into three groups of five disk units with each group of five disk units supported on a separate SCSI bus.

The #9094 also has two removable media slots and 14 PCI-X card slots. A #9844 Base PCI IOP is included in the base. A #2757 PCI-X Ultra RAID Disk Controller

or #4748/#4778 PCI RAID Disk Unit Controller is required to drive the disk units in the base 15 disk unit slots and the removable media devices in the two removal media slots.

The #9094 Base PCI I/O Enclosure supports up to nine OS/400 or Linux controlled #2757/#4748/#4778/#5703 disk controllers (up to nine in total). The #5703 PCI-X RAID Disk Unit Controller can be used after three #2757/#4748/#4778 controllers are installed. The #0143 Disk Controller Placement Exception is a prerequisite for this configuration when the #5703 is the only disk unit controller ordered.

A maximum of three #2757 PCI-X Ultra RAID Disk Controllers or #4748/#4778 PCI RAID Disk Unit Controllers are allowed per #9094. Up to 15 disk units per #2757 are supported in a #9094.

The 11 PCI IOAs are supported by the #9844 Base PCI IOP, by feature #2844 PCI IOPs, and by the #2791, #2792/#9792, #4710/#9710, or #2799 PCI Integrated xSeries Server.

Two cables must be ordered to attach to the HSL or HSL-2 ports. When ordering cables to connect to the HSL interface, optical HSL, copper HSL, copper HSL-2, or copper HSL to HSL-2 cables are required. An HSL loop uses all optical or all copper ports and cables. A copper loop can intermix I/O towers or units with copper HSL and copper HSL-2 ports. Select the appropriate cable based on the type of HSL ports to which it is being attached, and the cable length required.

One SPCN cable is required for each tower.

## **#5107 30 Disk Expansion**

The #5107 is a disk unit expansion enclosure feature for the #9094 Base PCI I/O Enclosure. The #5107 includes two 15 disk unit enclosures, one 840-watt power supply, backplanes, and cables.

A #2757 PCI-X Ultra RAID Disk Controller or #4748/#4778 PCI RAID Disk Unit Controller or #5703 PCI-X RAID Disk Unit Controller is required to support the disk units in each of the two disk unit enclosures included with #5107. Each group of 15 disk units is further divided into three groups of five disk units with each group of five disk units supported on a separate SCSI bus. A minimum of two disk unit controllers and a maximum of six are required to support 30 disk units.

## #8094 Optional 1.8 M I/O Rack

The #8094 is a optional base I/O rack shipped on the Model 890 instead of the #9094 Base PCI I/O Enclosure. The #8094 supports up to 90 disk units, up to 22 PCI IOAs, and up to three additional removable media units. A #8094 is a 1.8 M rack with two enclosures.

- ▶ The bottom enclosure is a #9094 Base PCI I/O Enclosure with side covers and casters removed and a #5107 30 Disk Expansion included in the base (no feature code required). The #5114 Dual Line Cords - Tower is a mandatory feature for the #9094.
- ▶ The top enclosure is a #5094 PCI-X Expansion Tower with side covers and casters removed and a #5108 30-Disk Expansion Feature (no feature code required) included in the base (#5115 Dual Line Cords - Tower feature code is required for dual line cords in the top enclosure).
- ▶ The #0694 - (#5094 Equivalent) is a prerequisite.

Included with the bottom enclosure is one JTAG cable and one VPD-S cable required to attach the bottom enclosure to the system unit. Also included are #9887 Base HSL-2 Bus Adapter and #9844 Base PCI IOP.

Each enclosure supports 45 disk unit positions, for a total of 90. The 90 disk unit positions are in groups of 15, each supported by a minimum of one separate disk controller.

The #8094 also supports up to four removable media devices (internal tape, CD-ROM, DVD). These removable media devices are supported by the two #2757 PCI-X Ultra RAID Disk Controllers, #4748/#4778 PCI RAID Disk Unit Controllers, or #9778 Base PCI Raid Disk Unit Controllers that can support the first group of disk units in each enclosure.

The two enclosures in the #8094 are separately attached to the system unit via HSL cables as though they were a stand-alone #9094 and #5094. They are also treated as separate units for HSL loop plugging and configuration rules and recommendations. As such, the bottom enclosure must be attached to the system unit's first HSL loop.

A bus adapter is included to provide the HSL interface to the top enclosure. Select one of the following options:

- ▶ #9886 - Base Optical Bus Adapter, to specify four optical HSL ports
- ▶ #9887 Base HSL-2 Bus Adapter, to specify four copper HSL-2 ports

Three or four cables must be ordered to attach to the HSL or HSL-2 ports.

When ordering cables to connect to the HSL interface, optical HSL, copper HSL, copper HSL-2, or copper HSL to HSL-2 cables are required. An HSL loop uses all optical or all copper ports/cables. A copper loop can intermix I/O towers or units with copper HSL and copper HSL-2 ports. Select the appropriate cable based on the type of HSL ports to which it is being attached, and the cable length required.

Specify three or four line cords for the #8094 Optional 1.8 M I/O Rack.

If the top enclosure is to be attached to a different system than what was initially ordered, remove for Record Purpose Only (RPO) the #0694 specify code from the initially ordered system and add it to the target system.

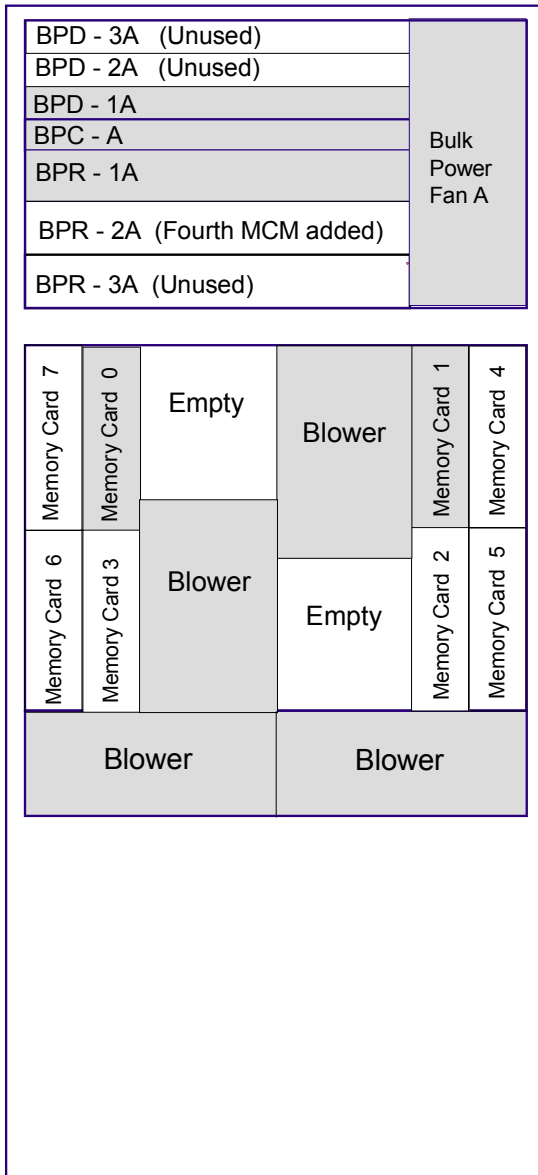
### **#5114 Dual Line Cords - Tower**

The #5114 required feature provides dual line cord support for the #9094 Base PCI I/O Enclosure on the Model 870 and 890 and for the lower enclosures of the #8093 and #8094 towers. With the #5114, the enclosure requires two #14xx line cords and has two AC input boxes.

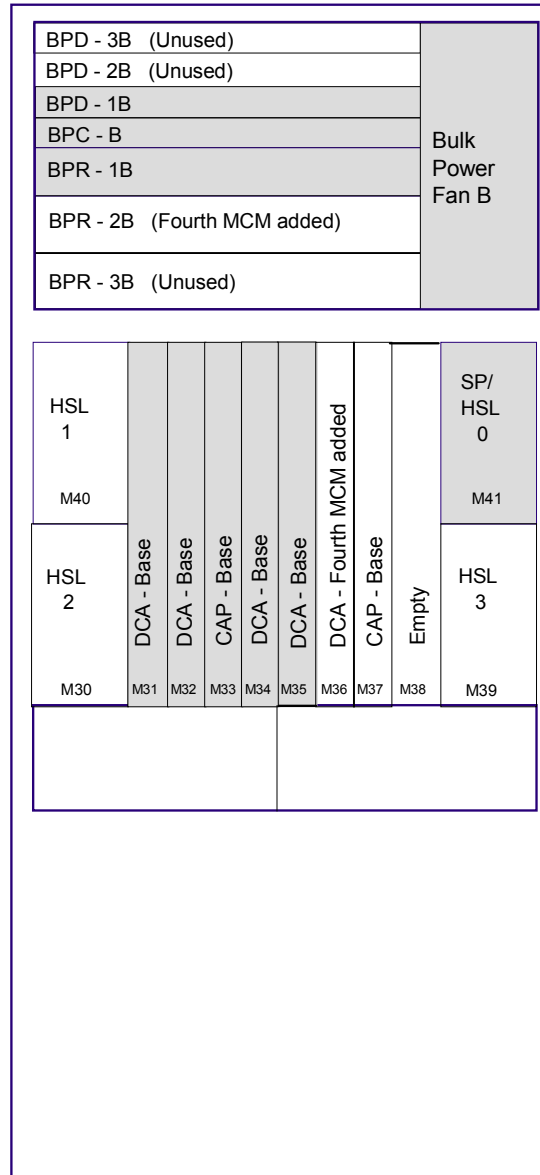
## **9406 Model 890 schematics**

The following diagrams show the slot and feature card arrangement of the Model 890 system unit, base enclosure, and rack. Chapter 13, “Towers, racks, and high-speed link” on page 185, shows the schematics of any supported expansion units.

## 9406 Model 890 system unit



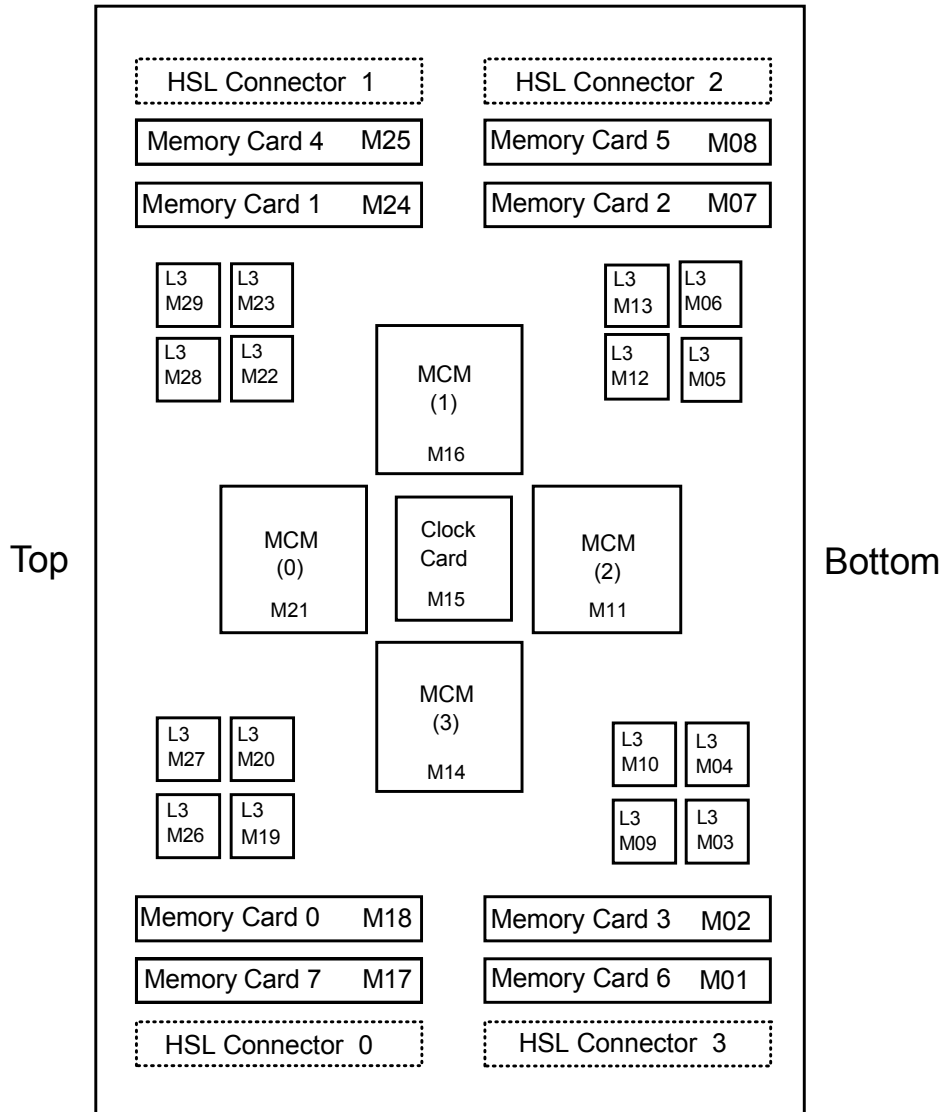
Front



Back



# Model 890 CEC Backplane

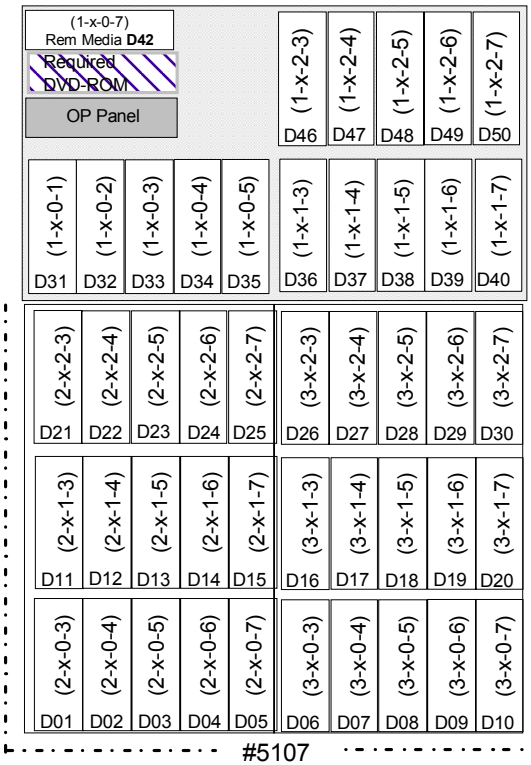


(The HSL connectors are on the back side of the backplane.)

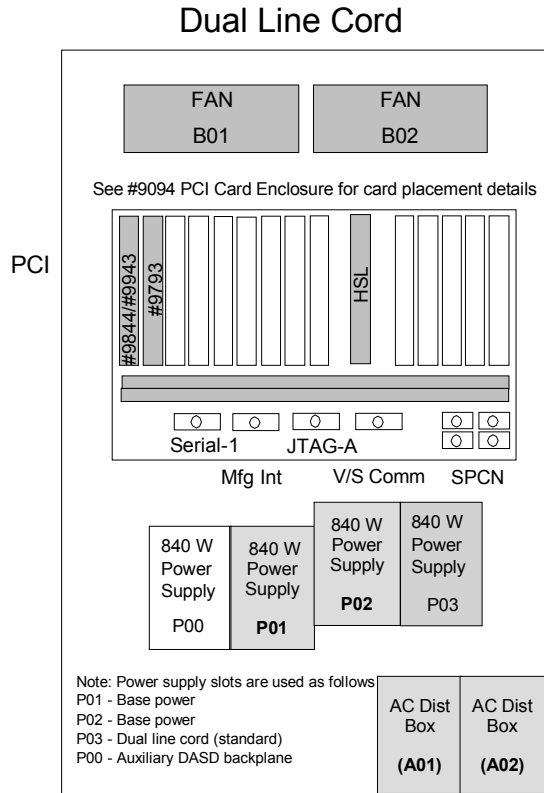
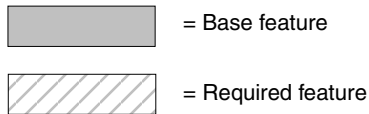
Front

**Note:** One pass-through card (CCIN 272D) is installed with the 24-way processor to fill empty MCM slot 1.

# #9094 Base PCI I/O Enclosure

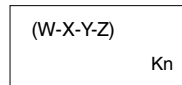


Front



Back

## LEGEND



W = DS Card Address  
 X = IOA number  
 Y = SCSI bus number  
 Z = AS/400 Drive Address  
 Kn = Physical Address

**Note:** Hot plug and concurrent add of PCI cards, disk units, and removable media devices are supported.

# #9094 PCI Card Enclosure

Slots	Multi-Adapter Bridge Bus Number	PCI Cards
C01	1,2 #9844 / #9943 <b>3</b>	
C02	3,4 #9793	Multi-Adapter Bridge Boundary
C03	5,6 IOP/IOA	
C04	7,8 IOA	
C05	1,2 IOP/IXS	
C06	3 IOA <b>1</b>	
C07	4 IOA	
C08	5,6 IOP/IOA	Multi-Adapter Bridge Boundary
C09	7,8 IOA	
C10	#9886 / #9887	
C11	1,2 IOP/IXS	
C12	3 IOA <b>2</b>	
C13	4 IOA	
C14	5,6 IOP/IOA	
C15	7,8 IOA	

## Legend

Base Feature	Required Feature	Unavailable if Integrated xSeries Server is installed
--------------	------------------	---

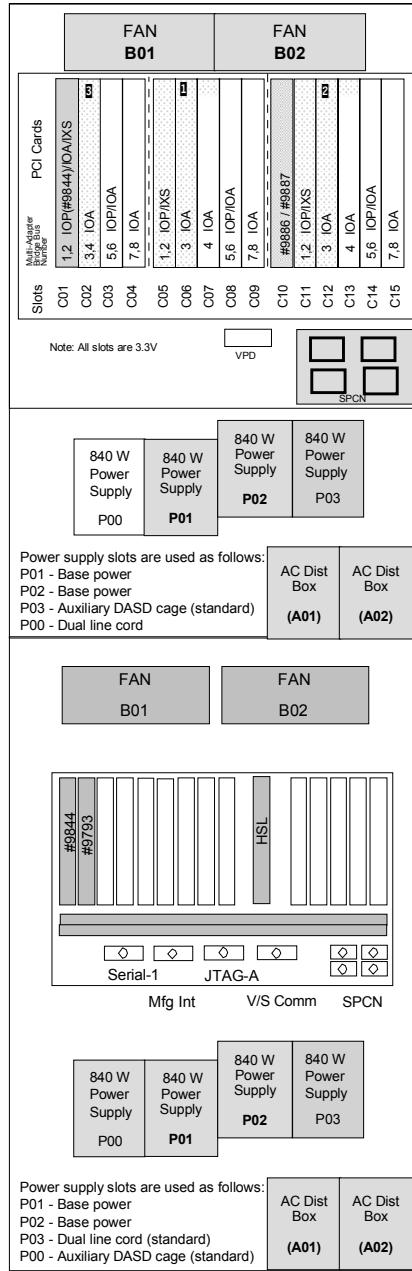
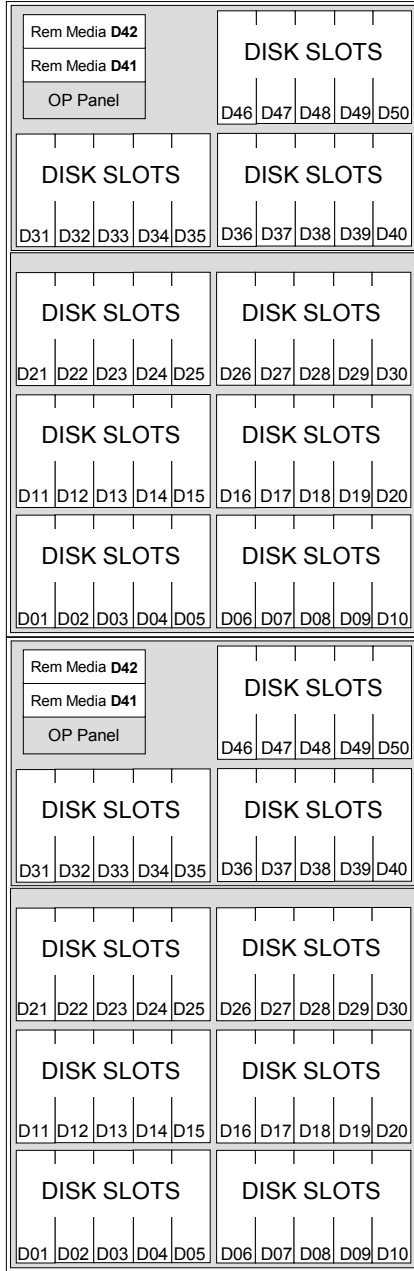
**Note 1:** If C05 has an Integrated xSeries Server, slot C06 is unavailable, and slot C07 is available only as a short slot. A #2792 does not reduce a third slot to a short slot.

**Note 2:** If C11 has an Integrated xSeries Server, slot C12 is unavailable, and slot C13 is available only as a short slot. A #2792 does not reduce a third slot to a short slot.

**Note 3:** Slot C01 in the #9094 for a Model 870 has a #9844, and a #9844 or #9943 for a Model 890.

# #8094 Optional 1.8 M I/O Rack

Note: The total number of disk bays is 2 x 45.



**Note:** You can find line cord and power receptacle specification information on the Web at:

<http://www.ibm.com/eserver/iseriess/infocenter>

## High-speed link on Model 890

The Model 890 (24- and 32-way models) supports up to 14 HSL loops, 12 of which can be optical fiber HSL loops. The 16- and 24-way models support up to 12 HSL loops, 10 of which can be optical fiber HSL loops. The optical fiber HSL loop extends the distance between the Model 890 system unit and the I/O units from a limit of 15 meters prior to V5R2, to a maximum of 250 meters. The extra length can help to improve data reliability and protection.

See “High-speed link” on page 212 for information about supported high-speed link (HSL) cables and HSL loop maximums. Further information can be found in *High-speed Link Loop Architecture for the IBM @server iSeries Server: OS/400 Version 5 Release 2*, REDP-3652, and the HSL Rules presentation, which is available on the Web at:

<http://www-1.ibm.com/servers/eserver/iseriess/ha/systemdesign.html>

## Model 890 PCI cards and features

The Model 890 is a PCI-based technology system. Since migration towers cannot attach to the Model 890, System Products Division (SPD) cards in systems or towers migrating to the Model 890 must be replaced with PCI card equivalents. Refer to “Hardware no longer marketed by IBM” on page 738 for a list of SPD functions not supported by PCI adapters.

See the table on page 80 for the number of maximum features supported by the total system and in the Model 890 system unit. See Chapter 15, “iSeries I/O processors” on page 233, and Chapter 16, “iSeries I/O adapters and controllers” on page 251, for full descriptions. See “Linux direct attach features” on page 254 for supported Linux Direct Attach features.

**Note:** The placement of PCI cards follows special rules. Refer to “PCI card technology” on page 252 and *PCI Card Placement Rules for the IBM @server iSeries Server Version 5 Release 2*, REDP-3638, before you propose any configuration.

Refer to Chapter 20, “Customer Install Features” on page 367, to identify the CIF status for each supported feature.

## External towers

Migration towers are not supported on the Model 890. PCI towers are supported with upgrades for migration only.

Refer to Chapter 13, “Towers, racks, and high-speed link” on page 185, for information about supported towers for the Model 890, and “Summary of the iSeries expansion units and towers” on page 81 for a table of configuration maximums.

## Model 890 upgrades

See Chapter 14, “Upgrades to iSeries servers” on page 223, for general upgrade considerations and server-to-server upgrade possibilities. Supported model upgrades for the Model 890 are identified in *IBM @server iSeries Supported Upgrades*, REDP-0322.



## Towers, racks, and high-speed link

To house components beyond the capability of the system unit, towers are added. Expansion towers are offered for new or migrated PCI features. Rack mounting options are available for select systems and towers. Towers and rack-mounted devices are connected to each other using high-speed links (HSL) (HSL or HSL-2/RIO-G).

For information about the software required to support towers and input/output (I/O) on iSeries servers, refer to Informational APAR II13440 on the Web at:

<http://www.ibm.com/support/us/>

For information about planning for iSeries racks, including PDU specifications, the number of PCI cards supported, and the number of EIA units, refer to the “iSeries Racking” presentation at:

<http://www.ibm.com/servers/eserver/support/series/planning>

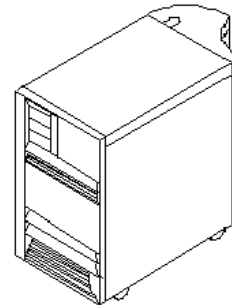
Migration Towers are not supported by the 520, 570, 800, 810, 825, 870 and 890 models and are *withdrawn from IBM marketing*. Refer to “Migration towers” on page 229 for a brief description of the #5033, #5034, #5035, and #5077 Migration Towers. Refer to the *IBM @server iSeries and AS/400e System Builder*, SG24-2155, for detailed information.

## PCI and PCI-X expansion towers

Expansion towers provide iSeries servers with the ability to support additional I/O and disk units. For information about the number and types of towers supported by each iSeries server, see Chapter 5, “Summary of today’s iSeries” on page 67.

### #5074 PCI Expansion Tower

The #5074 is attached to Models 520, 570, 810, 820, 825, 830, 840, 870, and 890 for adding up to 45 disk units, up to 11 Peripheral Component Interconnect (PCI) input/output adapters (IOAs), and up to two removable media units. The #5074 includes the #9691 Base Bus Adapter or the #9739 Base Optical Bus Adapter to provide the HSL interface to the system. The IBM marketing configurator adds the #9691 to the order. The #5074 contains two buses.



*#5074 PCI Expansion Tower*

Select any two HSL cable features for the first or only tower of an HSL loop. For additional towers on the HSL loop, select one HSL cable per tower. A list of the supported HSL cables is shown in the table on page 216. A list of the supported SPCN cables is shown in the table on page 216.

The #5074 has a #9943 Base PCI IOP. It also has PCI slots for up to 11 PCI IOAs, space for up to 45 disk units (15 are “base”, 30 additional with #5101), space for two removable media devices (internal tape, CD-ROM, or DVD-RAM), one battery backup, and redundant or hot swap power supplies.

The 11 PCI IOAs are supported (driven) by a #2843 PCI IOP, #2844 PCI IOP, #9943 Base PCI IOP, #2790 PCI Integrated Netfinity Server, or the #2791/#2792/#2799 or #4710 PCI Integrated xSeries Server.

The #5074 can contain Ultra2 SCSI disk units that are controlled by a #2757/#4748/#4778 PCI RAID Disk Unit Controller. The removable media devices are supported by the same #2757/#4748/#4778 which supports the first set of 15 disk units. A maximum of three #2757/#4748/#4778 PCI RAID Disk Unit Controllers (any combination) are supported.

The #5074 PCI Expansion Tower supports four 32-bit and seven 32/64-bit PCI slots.

The mounting for the first 15 disk units is included in the #5074 PCI Expansion Tower (base). The mounting for the next 30 disk units is optional by ordering a #5101 30 Disk Unit Expansion.



The #5074 also supports up to two removable media devices (internal tape, CD-ROM, or DVD-RAM). On new orders, select one line cord with each #5074 PCI Expansion Tower.

### **#5105 Dual Line Cords - I/O Tower**

The #5105 Dual Line Cords - I/O Tower provides dual line cord capability for a #5074 and the top units in an #8079 or #8093. Two #14XX line cords must be ordered for each tower with a #5105, or top unit when ordered as an initial order. No batteries are shipped, and two 840W power supplies are shipped with this configuration. When ordering a #5105 as a simple Miscellaneous Equipment Specification (MES) against an existing #5074 or #8079/#8093 top unit, one additional #14XX line cord is required to be ordered (for a total of two line cords). Existing batteries are removed, and the 765W power supplies are removed and replaced with two 840W power supplies.

The #5074s mounted in an #0551 rack support the #5101 30 Disk Unit Expansion feature. If the #5074 has a #5101 30 Disk Unit Expansion installed, the #5101 must be converted to a #5111 (no parts required).

OS/400 V5R1 and supporting PTFs are required. Refer to Informational APAR II12950 at:

<http://as400service.rochester.ibm.com/supporthome.nsf/document/10000035>

IBM marketing configurator users can refer to this Web site for ordering information:

[http://w3.ibm.com/sales/systems/portal/\\_s.155/253](http://w3.ibm.com/sales/systems/portal/_s.155/253)

### **#5101 30 Disk Unit Expansion**

The #5101 is a disk unit expansion enclosure feature for the #5074 PCI Expansion Tower, the #9074 Base I/O Tower, and the #9079 Base I/O Tower. The #5101 includes two 15 disk unit enclosures, one 765-watt power supply, backplanes, and cables. One #2757/#4748/#4778 PCI RAID Disk Unit Controller is required to support the 15 disk units in each of the two disk unit enclosures included with #5101. Two #2757/#4748/#4778 PCI RAID Disk Unit Controllers are required to support 30 disk units.

### **#5111 30 Disk Expansion with Dual Line Cord**

The #5111 is a disk unit expansion enclosure for systems and towers that are dual line cord enabled. It includes two 15 disk unit enclosures, backplanes, and cables. Two #2757/#4748/#4778 PCI RAID Disk Unit Controllers are required to support 30 disk units.

The prerequisites are:

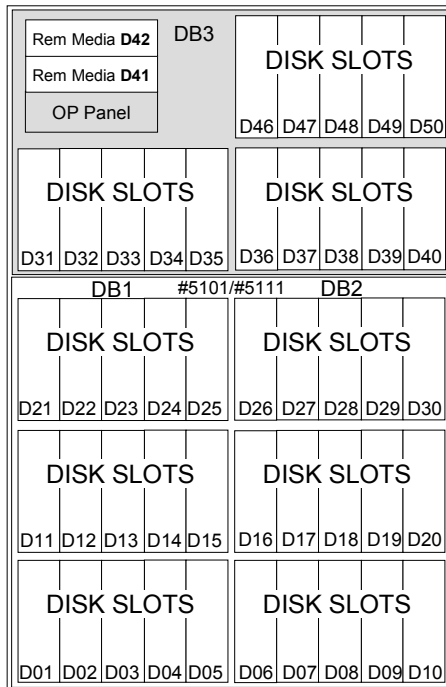
- ▶ #5103 when ordered for a Model 830 system unit (#9074 Base I/O Tower)
- ▶ #5104 when ordered for a Model 840 system unit (#9079 Base I/O Tower)
- ▶ #5105 when ordered for a stand-alone #5074 or the top unit in a #8079

OS/400 V5R1 and supporting PTFs are required. Refer to Informational APAR I112950 at:

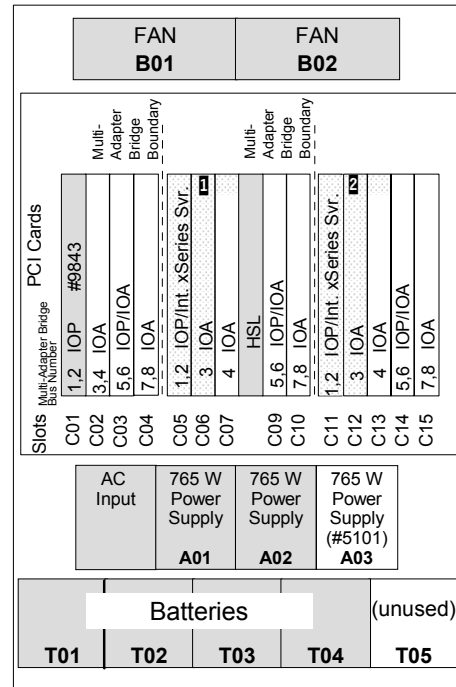
<http://as400service.rochester.ibm.com/supporthome.nsf/document/10000035>

## #5074 PCI Expansion Tower schematic

**Note:** Total number of disk bays is 45

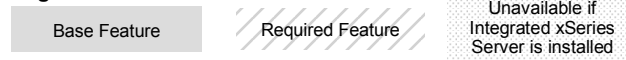


Front



Back

### Legend

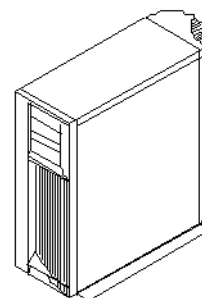


**Note 1:** If C05 has an Integrated xSeries Server, slot C06 is unavailable, and slot C07 is available only as a short slot.

**Note 2:** If C11 has an Integrated xSeries Server, slot C12 is unavailable, and slot C13 is available only as a short slot.

## #5075 PCI Expansion Tower

The #5075 PCI Expansion Tower is attached to Models 270, 810, 820, and 825 for adding up to six disk units and up to seven PCI IOAs. The #5075 has a 32 MB PCI IOP (CCIN 284B) embedded on the backplane. The #2842 PCI IOP (when attached to a Model 270), the #2843 PCI IOP (when attached to a Model 820) PCI IOP or the #2844 PCI IOP may be added. A #4748/#4778 PCI RAID Disk Unit Controller, #2757 PCI-X Ultra RAID Disk Controller, a #2763 PCI RAID Disk Unit Controller, #2782 PCI-X RAID Disk Unit Controller or a #9767 Base PCI Disk Unit Controller may be installed in PCI slot C01 to control the disk units. The #9767 supports up to four disk units when installed in the #5075. The #5075 contains two buses.



#5075 PCI  
Expansion Tower

Select any two of the supported HSL cables. A list of the supported HSL cables is shown in the table on page 216.

Select one of the following SPCN cables per Model 270 or 820:

- ▶ #1463 - 2m SPCN Cable
- ▶ #1464 - 6m SPCN Cable
- ▶ #1465 - 15m SPCN Cable

The #5075 can control Ultra2 SCSI disk units. A maximum of one disk unit controller is allowed within a #5075.

On new orders, specify one line cord with each #5075 PCI Expansion Tower. Marketing configurators default to the line cord type of the system.

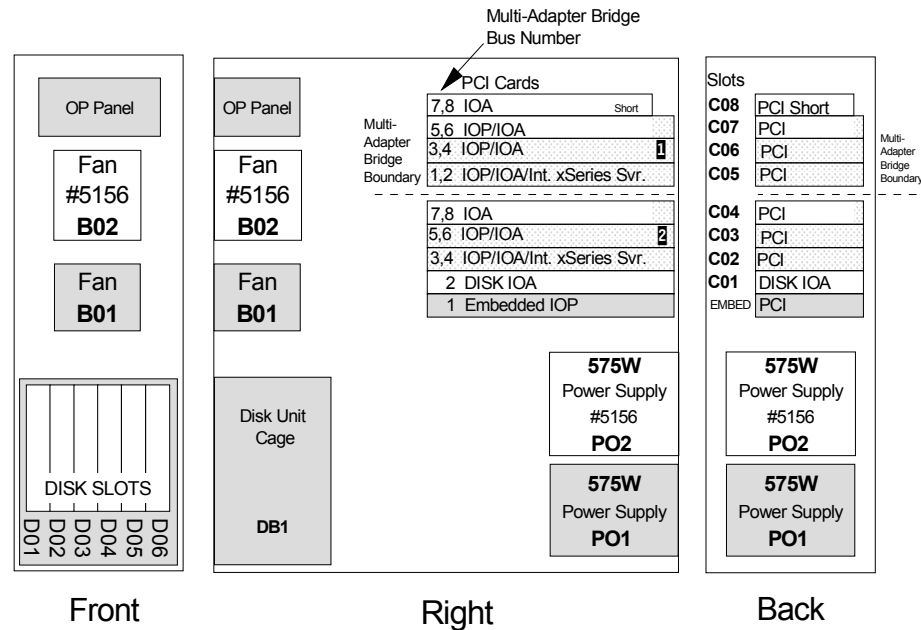
When the #5075 is attached to the Model 270 or 810, the seven PCI IOAs are supported (driven) by an embedded 32 MB PCI IOP and by the #2842 PCI IOP, #2844 PCI IOP, the #2890 PCI Integrated Netfinity Server, or the #2891/#2892/#2899 PCI Integrated xSeries Servers.

When the #5075 is attached to the Models 810, 820, and 825, the seven PCI IOAs are supported (driven) by an embedded 32 MB PCI IOP and by a #2843 PCI IOP, #2844 PCI IOP, the #2790 PCI Integrated Netfinity Server, or the #2791/#2792/#2799 PCI Integrated xSeries Servers.

The #5075 PCI Expansion Tower is not supported on Model 520, 570, 830, 840, 870, or 890 servers. When performing upgrades, the #5075 can be converted to a #5074. Some features in the #5075 are migrated or converted to the #5074 at no charge. Other features allowed in the #5075 are not supported in the #5074 and must be replaced. See “Upgrade options for expansion towers” on page 230 for a further discussion about the #5075 to #5074 feature conversion.

The #5075 is not supported on Models 520 and 570. The #5075 was *withdrawn from marketing* on 21 November 2003.

## #5075 PCI Expansion Tower schematic



### Legend

Base Feature	Required Feature	Unavailable if Integrated xSeries Server is installed
--------------	------------------	---

**Note 1:** If C05 has an Integrated xSeries Server, slot C06 is unavailable, and slot C07 is available only as a short slot.

**Note 2:** If C02 has an Integrated xSeries Server, slot C03 is unavailable, and slot C04 is available only as a short slot.

## #7002 HSL Enabler

The #7002 is a feature HSL internal flex cable, which enables connection to a #5075 PCI Expansion Tower. It can be ordered only on the #2248, #2250, #2422, and #2431 processors of the Model 270.

This cable connects the processor using a right-angle bus connector to the back of the machine. Two HSL cables (#14xx) are required to connect the system unit to the expansion tower.

On processor upgrades from #2248, #2250, #2422, or #2431 to other processor features, the marketing configurator removes for Record Purpose Only (RPO) the #7102 from the inventory records.

### **#5156 Redundant Power and Cooling**

The #5156 adds an additional 575-watt power supply for redundancy and an additional cooling fan to the #5075 PCI Expansion Tower, which attaches to Models 270 and 820.

Marketing configurators default, on a Model 820, to a #5156 for any added #5075 when the system unit contains a #5155 575-watt power supply. If a #5155 is ordered as an MES to an existing Model 820, default one #5156 for each #5075 present or ordered. The #5156s are not mandatory and can be removed from an order.

## **#5078 PCI Expansion Unit**

The #5078 is a “top hat” that installs on the top of the #9079 Base I/O Tower (Model 840 only), #5074 PCI Expansion Tower, or #5094 PCI-X Expansion Tower to allow PCI IOAs to be installed. The #5078 may be ordered with a #5074 PCI Expansion Tower or #9079 Base I/O Tower or added at a later time. If the #5078 is ordered with the #5074/#9079, the #5074/#5079 ships with the #5078 installed.

The #5078 includes the #9691 bus adapter or the #9739 optical bus adapter to provide the HSL interface to the system. The marketing configurator adds the #9691 to the order automatically.

The #5078 contains two buses. PCI cards are supported using the same rules as the #5074/#9079. Internal disk and removable media devices are not supported in the #5078. The #5078 may be on the same HSL loop on which the #5074/#9079 is mounted, or it may be on a separate HSL loop.

Select any two of the supported HSL cable features for the first or only tower of an HSL loop. For additional towers on the HSL loop, select one HSL cable per tower. A list of the supported HSL cables is shown in the table on page 216. When the #5078 is on the same HSL loop as the #5074/#9079 on which it is mounted, the #1461 3m Copper HSL cable is sufficient.

Select one SPCN cable per tower. A list of the supported SPCN cables is shown in the table on page 216. The #5078 includes two electrical cables to connect to a #5074/#9079 power source.

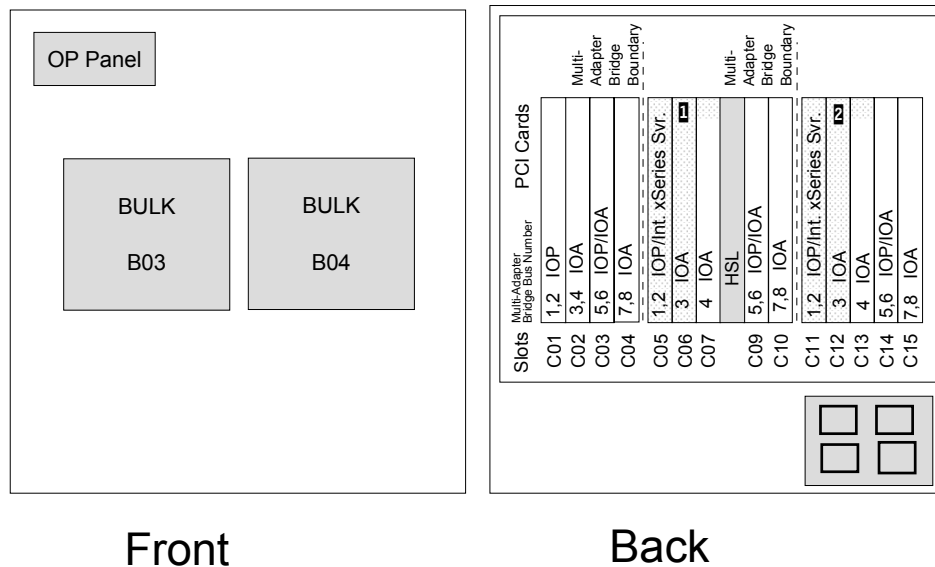
The #5078 PCI Expansion Unit supports four 32-bit and seven 32/64-bit PCI slots. The 11 PCI IOAs are supported (driven) by feature #2843 PCI IOPs, #2844

PCI IOPs, the #2790 PCI Integrated Netfinity Server, or the #2791/#2792/#2799 or #4710 PCI Integrated xSeries Servers.

The #5078 can also be mounted in an #0550 and #0551 iSeries Rack by ordering feature code #0578 instead of #5078. See page “Racks” on page 207 for information about the #0550, #0551, and #0578. The #5078 PCI Expansion Unit counts as one tower for HSL loop rules.

The #5078/#0578 is not supported on Models 520 and 570.

## #5078 PCI Expansion Unit schematic



### Legend

Base Feature

Required Feature

Unavailable if Integrated xSeries Server is installed

**Note 1:** If C05 has an Integrated xSeries Server, slot C06 is unavailable, and slot C07 is available only as a short slot.

**Note 2:** If C11 has an Integrated xSeries Server, slot C12 is unavailable, and slot C13 is available only as a short slot.

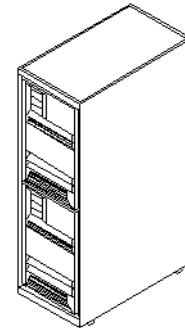
## #5079 1.8 M I/O Tower

The #5079 1.8 M I/O Tower is essentially two #5074 PCI Expansion Towers, with side covers and casters removed, placed in a 1.8 M tower. Each #5079 tower counts as two #5074s toward the system model maximum number of towers.

The #5079 is attached to Models 520, 570, 810, 820, 825, 830, 840, 870, and 890 for adding up to 90 disk units, up to 22 PCI IOAs, and up to four removable media units. The #5079 includes two #9691 Bus Adapters, two #9739 Optical Bus Adapters, or one each of #9691 and #9739, to provide the HSL interface to the system.

The #5079 can control Ultra2 SCSI disk units and supports up to four removable media devices (internal tape, CD-ROM, or DVD-RAM). These removable media devices are supported by the two #2757/#4748/#4778 PCI RAID Disk Unit Controllers, which support the first two groups of 15 disk units. Up to six #2757/#4748/#4778s are supported per #5079.

The upper and lower enclosures (#5074s) in the #5079 are not connected with an HSL cable. If both enclosures of the #5079 are to be placed in the same HSL loop, a #1460 3m Copper HSL cable must be ordered to connect the upper and lower enclosures. Or, if both enclosures of the #5079 are to be placed in the same optical HSL loop, a #1470 6m Optical HSL cable must be ordered to connect the upper and lower enclosures.



*#5079 1.8 M PCI  
I/O Expansion Tower*

The #5074 is the default when a PCI IOP or IOA is ordered that requires a PCI expansion unit. The #5079 may be specified on the extra controllers screen. For each #5079 ordered, a quantity of two #0574 (#5074 equivalent) specify codes is added to the order. If a #5079 is to be shared between two systems, one #0574 must be removed from the original ordering system and added to the sharing system, using an RPO change.

Select any two to four of the supported HSL cables for each additional tower. A list of the supported HSL cables is shown in the table on page 216.

Select two SPCN cables per tower. A list of the supported SPCN cables is shown in the table on page 216.

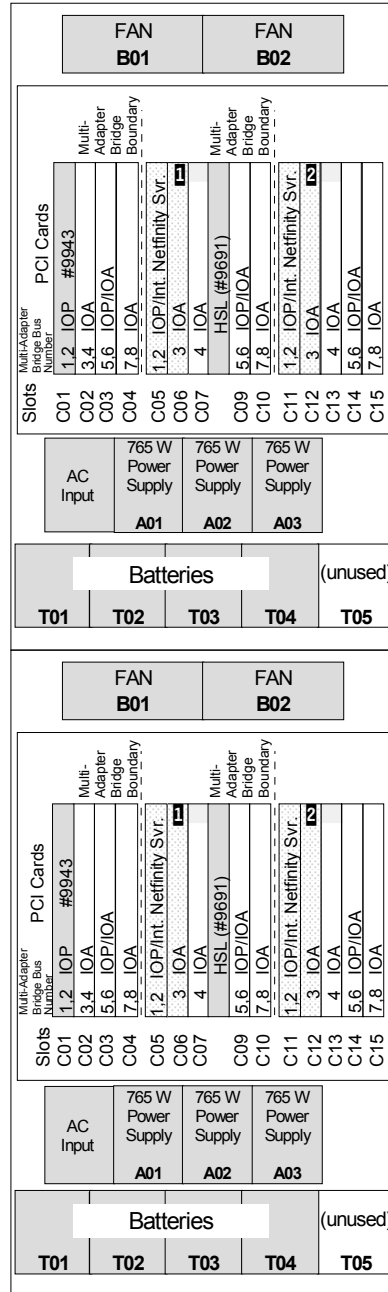
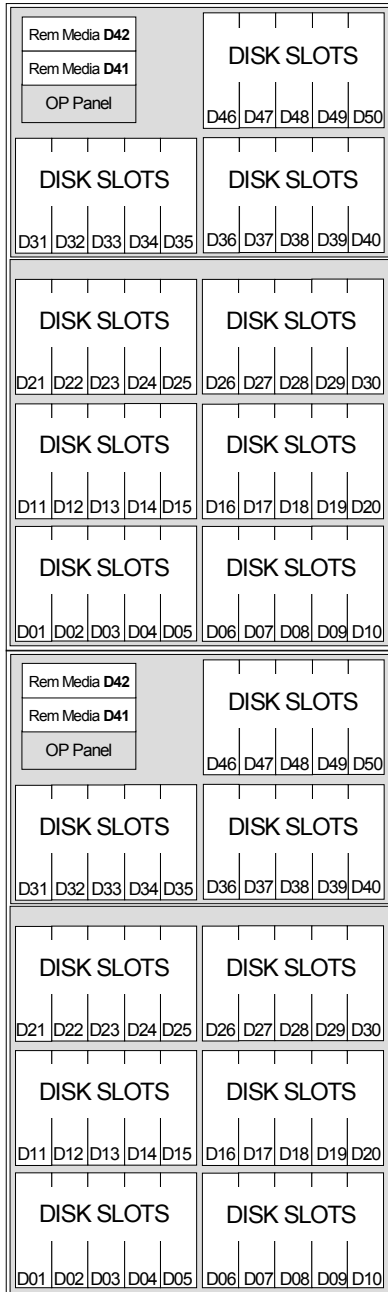
A #5079 has two #9943 Base PCI IOPs. It also has PCI slots for up to up to 22 PCI IOAs, and space for up to 90 disk units.

The 22 PCI IOAs are supported (driven) by feature #2843 PCI IOPs, #2844 PCI IOPs, the #2790 PCI Integrated Netfinity Server, or the #2791/#2792/#2799 or #4710 PCI Integrated xSeries Servers.

On new orders, select two line cords with each #5079 1.8 M PCI I/O Expansion Tower. At least one #0574 specify feature must be ordered for any #5079 initial order.

# #5079 1.8 M I/O Tower schematic

Note: Total number of disk bays is 2 x 45



## Legend

Base Feature

Required Feature

Unavailable if Integrated Netfinity Server is installed

**Note 1:** If C05 has an Integrated Netfinity Server, slot C06 is unavailable, and slot C07 is available only as a short slot.

**Note 2:** If C11 has an Integrated Netfinity Server, slot C12 is unavailable, and slot C13 is available only as a short slot.



## #5106 Dual Line Cord - I/O Tower

The #5106 Dual Line Cords - #5079 Tower provides dual line cord capability for a single unit in a #5079 tower. Two #14XX line cords must be ordered for each #5106 present when a #5106 is ordered on an initial order of a #5079. No batteries are shipped, and two 840W power supplies are shipped with this configuration. When ordering a #5106 as a simple MES against an existing #5079, one additional #14XX line cord is required to be ordered with each #5106 ordered. Existing batteries are removed, and the 765W power supplies are removed and replaced with two 840W power supplies.

The marketing configurator defaults a quantity of two #5106s for each #5079 ordered, on a system that has dual line cords on the CEC.

OS/400 V5R1 (with PTFs) or later is required. Refer to Informational APAR I112950 at:

<http://as400service.rochester.ibm.com/supporthome.nsf/document/10000035>

IBM marketing configurator users can refer to this Web site for ordering information:

[http://w3-1.ibm.com/sales/systems/portal/\\_s.155/253](http://w3-1.ibm.com/sales/systems/portal/_s.155/253)

## #5088 PCI-X Expansion Unit

The #5088 is an eight-EIA-unit-high “top hat” installed on top of a #5074/#5094 expansion tower, or on top of a #9079 Base I/O Tower or #9094 Base PCI I/O Enclosure. The #5088 has 14 PCI-X slots for PCI IOPs and IOAs. Disk units and removable media are not supported by the #5088.

The #5088 has two redundant 575W power supplies and two internal power connectors that attach to the AC distribution box in the #5074/#5094/#9079/#9094. The #5074/#5094/#9079 may have one or two line cords, so the #5088 may or may not have dual line cord capability depending on the configuration of the #5074, #5094 or #9079. The #9094 has dual line cord included.

If the #5088 is ordered together with a #5094/#9094, the #5094/#9094 ships with the #5088 installed. The #5088 may also be ordered for field install on an existing #5074/#5094/#9094. The #5088 may not be installed on a #5294 1.8m I/O Tower or #8094 Optional 1.8 M I/O Rack.

A #9844 can be used in a #5088, but cannot be ordered with or on a #5088.

A bus adapter to provide the HSL interface to the system is included. Select one of the following options:

- ▶ #9876 - Base Optical Bus Adapter (replacement for #9886)
- ▶ #9877 - Base HSL-2 Bus Adapter (replacement for #9887)
- ▶ #9886 - Base Optical Bus Adapter to specify two optical HSL ports
- ▶ #9887 - Base HSL-2 Bus Adapter to specify two copper HSL-2 ports

One or two cables must be ordered to attach to the HSL or HSL-2 ports. When ordering cables to connect to the HSL interface, optical HSL, copper HSL, copper HSL-2, or copper HSL to HSL-2 cables are required. An HSL loop uses all optical or all copper ports and cables. A copper loop can intermix I/O towers and units with copper HSL and copper HSL-2 ports. Select the appropriate cable based on the type of HSL ports to which it is being attached, and the cable length required.

- ▶ Copper HSL to HSL-2 (HSL on one end and HSL-2 on the other end)
  - #1474 - 6m HSL to HSL-2 Cable
  - #1475 - 10m HSL to HSL-2 Cable
- ▶ Copper HSL-2 (HSL-2 on both ends of the cable)
  - #1482 - 3.5m HSL-2 Cable
  - #1483 - 10m HSL-2 Cable
  - #1485 - 15m HSL-2 Cable
- ▶ Optical HSL
  - #1470 - 6m HSL Optical Cable
  - #1471 - 30m HSL Optical Cable
  - #1472 - 100m HSL Optical Cable
  - #1473 - 250m HSL Optical Cable

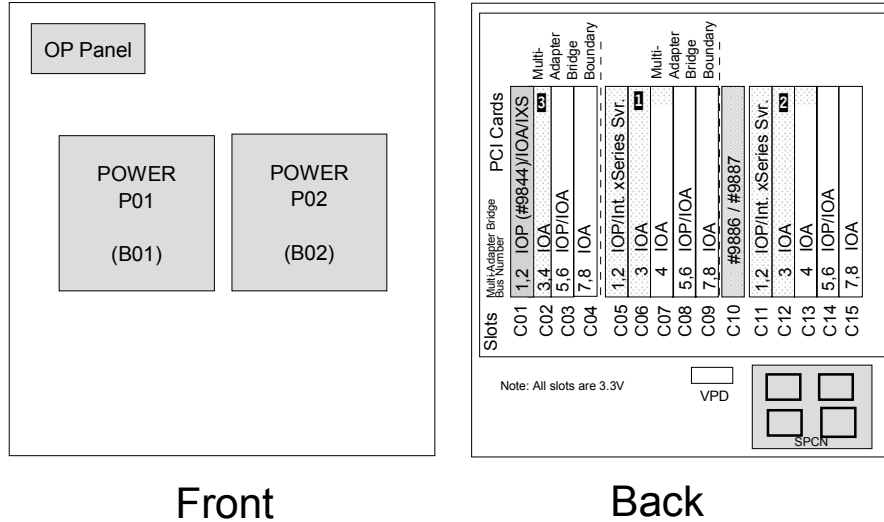
For each I/O tower or unit, select one SPCN cable. A list of the supported SPCN cables is shown in the table on page 216.

A maximum of one per #5074, #5094, or #9094 is allowed.

This feature requires OS/400 V5R2, plus PTFs. Refer to Informational APAR I113440 at the following Web site:

<http://www.ibm.com/eserver/iseriessupport>

## #5088 PCI-X Expansion Unit schematic



### Legend

Base Feature	Required Feature	Unavailable if Integrated xSeries Server is installed
--------------	------------------	---

**Note 1:** If C05 has an Integrated xSeries Server, slot C06 is unavailable, and slot C07 is available only as a short slot. A #2792 does not reduce a third slot to a short slot.

**Note 2:** If C11 has an Integrated xSeries Server, slot C12 is unavailable, and slot C13 is available only as a short slot. A #2792 does not reduce a third slot to a short slot.

**Note 3:** Integrated xSeries Server placement is not supported from the plant. Only a #2792 is allowed in this position.

## #0588 PCI-X Expansion Unit in Rack

The #0588 is the equivalent of a #5088 PCI-X Expansion Unit, but the #0588 is mounted in an #0551 or #0550 rack. A #0588 is eight EIA units high and has 14 PCI-X slots for PCI IOPs and IOAs. Disk units and removable media are not supported by the #0588. An #0588 can be on initial, upgrade, or MES orders, but cannot be converted to a #5088.

PCI IOAs are supported by feature #2843/#2844 PCI IOPs, feature #2790, #2890 PCI Integrated Netfinity® Servers and feature #2791, #2792, #2799, #2891, #2892, #2899 PCI Integrated xSeries Servers. A #9844 may be used in an #0588. It cannot be ordered with or for a #0588.

The #0588 has two redundant 575W power supplies and two integrated Power Distribution Units (PDU) compatible line cords. The line cords may be connected to the same PDU or separate PDUs in the #0550 or #0551 rack. When the line cords are connected to separate PDUs, and those PDUs are connected to two different power sources, the #0588 has dual line cord capability.

Up to four #0588s can be mounted in an #0551, and one #0588 may be mounted in an #0550. A PDU is required when one, two, or three #0588s are to be installed in the same #0551. A minimum of two PDUs are required if four #0588s are ordered for the same #0551. One PDU (or two for dual line cords) is required for an #0588 in an #0550.

A bus adapter to provide the HSL interface to the system is included. Select one of the following options:

- ▶ #9876 - Base Optical Bus adapter (replacement for #9886)
- ▶ #9877 - Base HSL-2/RIO-G Bus adapter (replacement for #9887)
- ▶ #9886 - Base Optical Bus Adapter to specify two optical HSL ports
- ▶ #9887 - Base HSL-2 Bus Adapter to specify two copper HSL-2 ports

One or two cables must be ordered to attach to the HSL or HSL-2 ports. When ordering cables to connect to the HSL interface, optical HSL, copper HSL, copper HSL-2, or copper HSL to HSL-2 cables are required. An HSL loop uses all optical or all copper ports and cables. A copper loop can intermix I/O towers and units with copper HSL and copper HSL-2 ports. Select the appropriate cable based on the type of HSL ports to which it is being attached, and the cable length required:

- ▶ Copper HSL to HSL-2 (HSL on one end and HSL-2 on the other end)
- ▶ Copper HSL-2 (HSL-2 on both ends of the cable)
- ▶ Optical HSL

A list of the supported HSL cables is shown in the table on page 216. For each I/O tower or unit, select one SPCN cable. A list of the supported SPCN cables is shown in the table on page 216.

This feature requires OS/400 V5R2, plus PTFs. Refer to Informational APAR I113440 at the following Web site:

<http://www.ibm.com/eserver/iseriessupport>

## **#5094 PCI-X Expansion Tower**

The #5094 has 15 disk unit slots, with an additional 30 slots available when using feature #5108 Disk Unit Expansion. The 45 disk unit positions are in groups of 15. Each group of 15 disk units is further divided into three groups of five disk units with each group of five disk units supported on a separate SCSI bus.

The #5094 also has two removable media slots and 14 PCI-X card slots. A #9844 Base PCI IOP is included in the base. A #2757 PCI-X Ultra RAID Disk Controller or #4748/#4778 PCI RAID Disk Unit Controller is required to drive the disk units in the base 15 disk unit slots and the removable media devices in the two removable media slots.

For Models 270, 800, 810, 820, 825, 830, 840, 870, and 890, up to nine OS/400 controlled disk controllers, or up to nine Linux-controlled disk controllers can be used (total is nine combined). The #5703 PCI-X RAID Disk Unit Controller can be used after three #2757/#4748/#4778 controllers are installed. The #0143 Disk Controller Placement Exception is a prerequisite for the #5703. Up to 18 disk units per #2757 are supported in the system unit or external tower disk cage of the Model 270, 800, and 810. Up to 15 disk units per #2757 are supported in a #9094 Base PCI I/O Enclosure attached to a Model 870 or 890.

For Model 520 and 570, a maximum of nine #5703/#5715 (any combination) are supported per #5094. There is no requirement for a #2757/#4748/#4778 controller to be installed. All other disk controllers installed in a #5094 are limited to a maximum of three. Up to 20 disk units per #2757 are supported in a #5094 PCI-X Expansion Tower attached to a Model 520 or 570.

A bus adapter to provide the HSL interface to the system is included. Select one of the following options:

- ▶ #6417 HSL-2/RIO-G Bus Adapter (for upgrades only)
- ▶ #9517 - Base HSL-2/RIO-G Bus Adapter (copper) for attach to 520 and 570
- ▶ #9876 - Base Optical Bus adapter (replacement for #9886)
- ▶ #9877 - Base HSL-2 Bus adapter (replacement for #9887)
- ▶ #9886 - Base Optical Bus Adapter to specify two optical HSL ports
- ▶ #9887 - Base HSL-2 Bus Adapter to specify two copper HSL-2 ports

One or two cables must be ordered to attach to the HSL or HSL-2 ports.

When ordering cables to connect to the HSL interface, optical HSL, copper HSL, copper HSL-2, or copper HSL to HSL-2 cables are required. An HSL loop uses all optical or all copper ports and cables. A copper loop can intermix I/O towers and units with copper HSL and copper HSL-2 ports. Select the appropriate cable based on the type of HSL ports to which it is being attached, and the cable length required.

- ▶ Copper HSL to HSL-2 (HSL on one end and HSL-2 on the other end)
- ▶ Copper HSL-2 (HSL-2 on both ends of the cable)
- ▶ Optical HSL

A list of the supported HSL cables is shown in the table on page 216. For each I/O tower or unit, select one SPCN cable. A list of the supported SPCN cables is shown in the table on page 216.

This feature requires OS/400 V5R2, plus PTFs. Refer to Informational APAR I113440 at the following Web site:

<http://www.ibm.com/eserver/iserries/support>

**Note:** A #9877 - Base HSL-2 Bus adapter is shipped with new orders of a #5094 for Models 800, 810, 820, 825, 830, 840, 870, and 890. A #9517 - Base HSL-2/RIO-G Bus Adapter is shipped for Models 520 and 570.

### **#5108 30-Disk Expansion Feature**

The #5108 is a disk unit expansion enclosure feature for a #5094 Base I/O Expansion Tower and the #9094 Base PCI I/O Enclosure. It includes two 15 disk unit enclosures, one 840-watt power supply, backplanes, and cables.

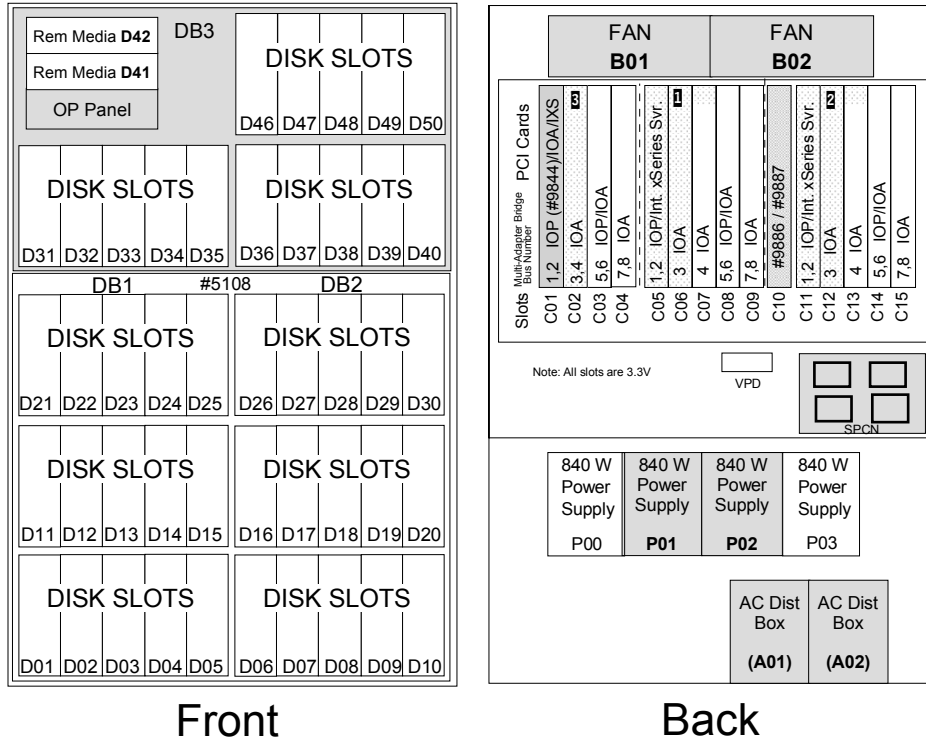
A #2757 PCI-X Ultra RAID Disk Controller or #4748/#4778 PCI RAID Disk Unit Controller or #5703 PCI-X RAID Disk Unit Controller is required to support the disk units in each of the two disk unit enclosures included with #5108. Each group of 15 disk units is further divided into three groups of five disk units with each group of 5 disk units supported on a separate SCSI bus. A minimum of two disk unit controllers and a maximum of six are required to support 30 disk units.

### **#5115 Dual Line Cords - Tower**

The #5115 is a dual line cord enabler for the upper unit in a #8094 Optional 1.8 M I/O Rack, and for the #5094 PCI-X Expansion Tower. The #5115 includes two AC input boxes. An additional line cord must be specified.

## #5094 PCI-X Expansion Tower schematic

**Note:** Total number of disk bays is 45



### Legend

Base Feature

Required Feature

Unavailable if Integrated xSeries Server is installed

**Note 1:** If C05 has an Integrated xSeries Server, slot C06 is unavailable, and slot C07 is available only as a short slot. A #2792 does not reduce a third slot to a short slot.

**Note 2:** If C11 has an Integrated xSeries Server, slot C12 is unavailable, and slot C13 is available only as a short slot. A #2792 does not reduce a third slot to a short slot.

**Note 3:** Integrated xSeries Server placement is not supported from the plant. Only a #2792 is allowed in this position.

## #5095 PCI-X Expansion Tower

The #5095 has seven PCI-X IOP/IOA slots and supports up to 12 disk units. A #9844 Base PCI IOP is included.

A bus adapter to provide the HSL interface to the system is included. Select one of the following options:

- ▶ #6417 HSL-2/RIO-G Bus Adapter (for upgrades only)
- ▶ #9517 - Base HSL-2/RIO-G Bus Adapter (copper) (for new towers only)
- ▶ #9876 - Base Optical Bus Adapter (replacement for #9886)

- ▶ #9877 - Base HSL-2 Bus Adapter (replacement for #9887)
- ▶ #9886 - Base Optical Bus Adapter to specify two optical HSL ports
- ▶ #9887 - Base HSL-2 Bus Adapter to specify two copper HSL-2 ports

One or two cables must be ordered to attach to the HSL or HSL-2 ports. When ordering cables to connect to the HSL interface, optical HSL, copper HSL, copper HSL-2, or copper HSL to HSL-2 cables are required. An HSL loop uses all optical or all copper ports and cables. A copper loop can intermix I/O towers and units with copper HSL and copper HSL-2 ports. Select the appropriate cable based on the type of HSL ports to which it is being attached, and the cable length required.

- ▶ Copper HSL to HSL-2 (HSL on one end and HSL-2 on the other end)
- ▶ Copper HSL-2 (HSL-2 on both ends of the cable)
- ▶ Optical HSL

A list of the supported HSL cables is shown in the table on page 216. For each I/O tower or unit, select one SPCN cable. A list of the supported SPCN cables is shown in the table on page 216.

The #5095 has redundant power when feature #5138 Redundant Power and Cooling is specified. The #5138 includes a second 435W power supply, and a second line cord must also be ordered to provide dual line cord capability.

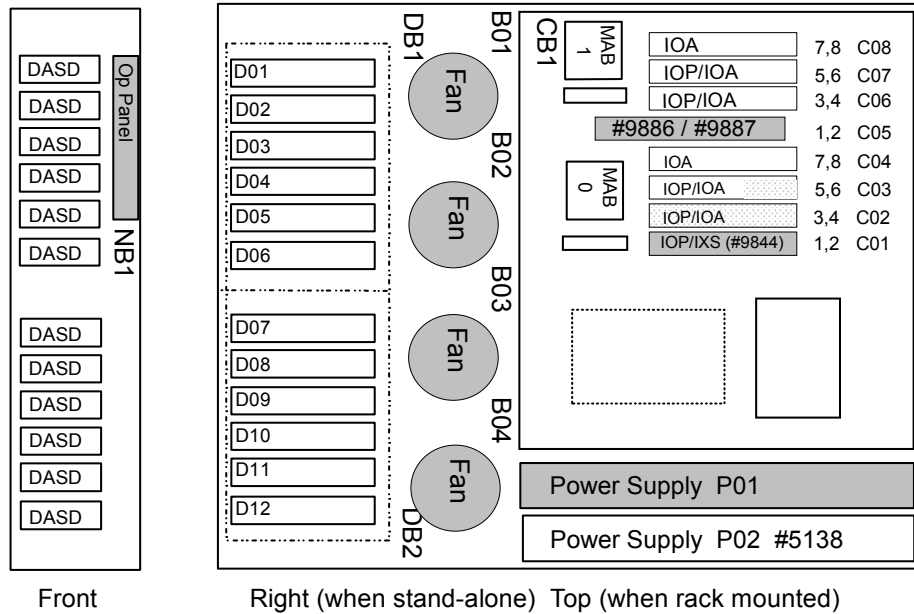
This feature requires OS/400 V5R2, plus PTFs. Refer to Informational APAR I113440 at the following Web site:

<http://www.ibm.com/eserver/iserries/support>

**Note:** A #9877 - Base HSL-2 Bus adapter is shipped with new orders of a #5095 for Models 800, 810, 820, 825, 830, 840, 870, and 890. A #9517 - Base HSL-2/RIO-G Bus Adapter is shipped for Models 520 and 570.



## #5095 PCI-X Expansion Tower schematic



## #0595 PCI-X Tower Unit in Rack

Feature #0595 is the racked version of the #5095 PCI-X Expansion Tower which provides I/O capability for iSeries servers. The #0595 has functional capabilities identical to the #5095. The #0595 has seven PCI-X IOP/IOA slots and supports up to 12 disk units. A #9844 Base PCI I/O is included. The #0595 uses five EIA units of space in the tower and up to seven #0595 may be installed in a #0551 iSeries Rack.

The #0595 has redundant power when feature #5138 is specified. Feature #5138 includes a second 435W power supply and a second line cord must also be ordered to provide dual line cord capability.

A bus adapter to provide the HSL interface to the system is included. Select one of the following options:

- ▶ #6417 HSL-2/RIO-G Bus Adapter (for upgrades only)
- ▶ #9517 - Base HSL-2/RIO-G Bus Adapter (copper) (for new towers only)
- ▶ #9876 - Base Optical Bus Adapter (replacement for #9886)
- ▶ #9877 - Base HSL-2 Bus Adapter (replacement for #9887)
- ▶ #9887 - Base HSL-2 Bus Adapter to specify two copper HSL-2 ports
- ▶ #9886 - Base Optical Bus Adapter to specify two optical HSL ports

One or two cables must be ordered to attach to the HSL or HSL-2 ports. When ordering cables to connect to the HSL interface, optical HSL, copper HSL, copper HSL-2, or copper HSL to HSL-2 cables are required. An HSL loop uses all optical or all copper ports and cables. A copper loop can intermix I/O towers and units with copper HSL and copper HSL-2 ports. Select the appropriate cable based on the type of HSL ports to which it is being attached, and the cable length required.

- ▶ Copper HSL to HSL-2 (HSL on one end and HSL-2 on the other end)
- ▶ Copper HSL-2 (HSL-2 on both ends of the cable)
- ▶ Optical HSL

A list of the supported HSL cables is shown in the table on page 216. For each I/O tower or unit, select one SPCN cable. A list of the supported SPCN cables is shown in the table on page 216.

This feature requires OS/400 V5R2, plus PTFs. Refer to Informational APAR I113440 at the following Web site:

<http://www.ibm.com/eserver/series/support>

**Note:** A #9877 - Base HSL-2 Bus adapter is shipped with new orders of a #0595 for Models 800, 810, 820, 825, 830, 840, 870, and 890. A #9517 - Base HSL-2/RIO-G Bus Adapter is shipped for Models 520 and 570.

## #5294 1.8 M I/O Tower

The #5294 has space for up to 90 disk units, 28 PCI-X IOA/IOP slots, and up to four removable media units. Two #9844 Base PCI IOPs are included. A #5294 is equivalent to two #5094 PCI-X Expansion Towers with side covers and casters removed, and with a 30-disk expansion included (no feature required) and placed in a 1.8 M tower.

The 90 disk unit positions are controlled by up to 18 OS/400 or Linux controlled disk controllers.

The #5294 also supports up to four removable media devices (internal tape or CD-ROM/DVD). These removable media devices are supported by the two #2757/#4748/#4778 PCI RAID Disk Unit Controllers that support the first two groups of disk units.

A bus adapter to provide the HSL interface to the system is included. Select two of the following options:

- ▶ #6417 HSL-2/RIO-G Bus Adapter (for upgrades only)
- ▶ #9517 - Base HSL-2/RIO-G Bus Adapter (copper) (for new towers only)
- ▶ #9876 - Base Optical Bus Adapter (replacement for #9886)

- ▶ #9877 - Base HSL-2 Bus Adapter (replacement for #9887)
- ▶ #9887 - Base HSL-2 Bus Adapter to specify two copper HSL-2 ports
- ▶ #9886 - Base Optical Bus Adapter to specify two optical HSL ports

Two to four cables must be ordered to attach to the HSL or HSL-2 ports. When ordering cables to connect to the HSL interface, optical HSL, copper HSL, copper HSL-2, or copper HSL to HSL-2 cables are required. An HSL loop uses all optical or all copper ports and cables. A copper loop can intermix I/O towers and units with copper HSL and copper HSL-2 ports. Select the appropriate cable based on the type of HSL ports to which it is being attached, and the cable length required.

- ▶ Copper HSL to HSL-2 (HSL on one end and HSL-2 on the other end)
- ▶ Copper HSL-2 (HSL-2 on both ends of the cable)
- ▶ Optical HSL

A list of the supported HSL cables is shown in the table on page 216. For each I/O tower or unit, select one SPCN cable. A list of the supported SPCN cables is shown in the table on page 216.

The prerequisite is the #0694 (#5094 equivalent). This feature requires OS/400 V5R2, plus PTFs. Refer to Informational APAR II13440 at the following Web site:

<http://www.ibm.com/eserver/iserries/support>

**Note:** A #9877 - Base HSL-2 Bus adapter is shipped with new orders of a #5294 for Models 800, 810, 820, 825, 830, 840, 870, and 890. A #9517 - Base HSL-2/RIO-G Bus Adapter is shipped for Models 520 and 570.

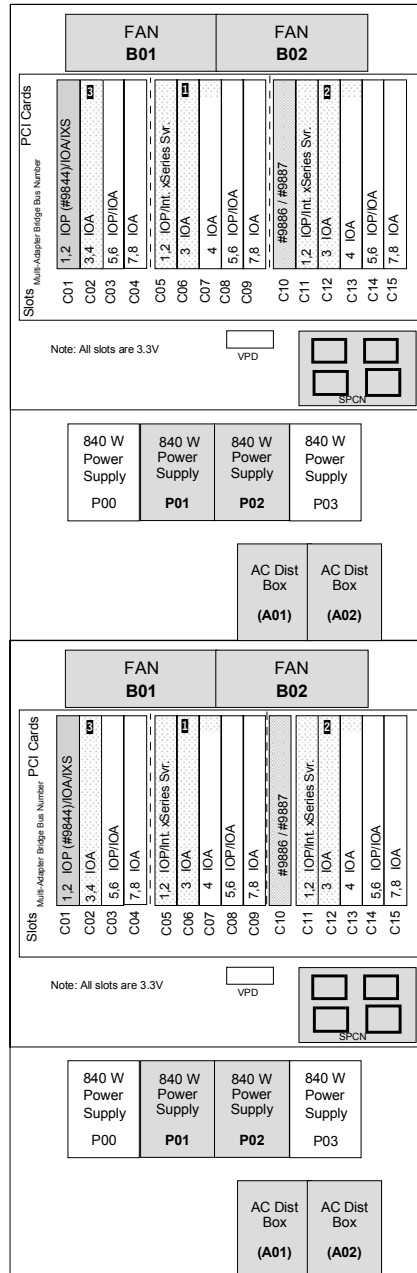
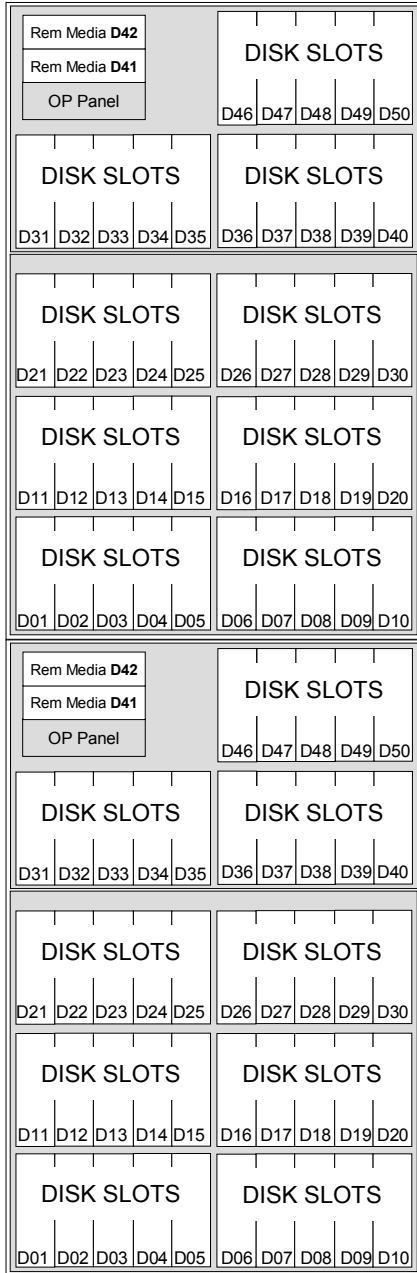
### **#5116 Dual Line Cords - #5294 Tower**

The #5116 provides dual line cord capability for a single enclosure in a #5294 tower. Two line cords must be specified for each #5116 ordered with a #5294. When ordering a #5116 for an installed #5294, an additional line cord must be specified for each #5116. One power supply is shipped with each #5116.

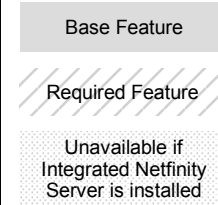
The marketing configurator defaults two #5116s for each #5294 ordered, with a system that has dual line cords on the system unit.

# #5294 1.8 M I/O Tower schematic

Note: Total number of disk bays is 2 x 45



## Legend



**Note 1:** If C05 has an Integrated xSeries Server, slot C06 is unavailable, and slot C07 is available only as a short slot. A #2792 does not reduce a third slot to a short slot.

**Note 2:** If C11 has an Integrated xSeries Server, slot C12 is unavailable, and slot C13 is available only as a short slot. A #2792 does not reduce a third slot to a short slot.

**Note 3:** Integrated xSeries Server placement is not supported from the plant. Only a #2792 is allowed in this position.

# Racks

Options are available to rack mount selected iSeries server models and towers. Rack mounting allows multiple components to be mounted in a rack, conserving floor space and providing a secure environment for the devices.

## #0550 iSeries Rack

The #0550 iSeries Rack is a 1.8-meter rack with an iSeries 830 model installed. The #0550 is ordered as a feature to allow a Model 830 to be installed in the rack. The Model 830 occupies the lower 26 EIA units of the rack, leaving 10 EIA units available for installation of other devices. When an #0550 is ordered, a #5101 30 Disk Unit Expansion is included in the 830 server.

The marketing configurator does not manage rack space in the #0550 rack.

**Note:** The #0550 is only valid on an initial order. Existing 830 servers cannot be installed in a rack due to weight restrictions.

Up to two PDUs may be installed in the #0550. The PDUs may be ordered as part of the initial order or added at a later time. Each PDU has six power sockets that provide power for devices that support the #1422 PDU Line Cord. A country (region)-specific line cord must be ordered for each PDU to connect to external power. The supported PDUs are:

- ▶ #5160 Power Distribution Unit - 1 Phase NEMA
- ▶ #5161 Power Distribution Unit - 1 Phase IEC
- ▶ #5162 Power Distribution Unit - 2 of 3 Phase

The Model 830 does not support the #1422 PDU Line Cord and cannot be powered by a PDU. A country (region)-specific line cord must be ordered for the 830 installed in the #0550 iSeries Rack.

## #0551 iSeries Rack

The #0551 iSeries Rack is an empty 1.8-meter rack that provides a total of 36 EIA units of space. The #0551 can be ordered as a feature of an iSeries server as part of an initial order or added at a later time. The following features specify the means of populating the #0551:

- ▶ #0121 Lower Unit in Rack Specify (270) (*withdrawn from marketing 21 November 2003*)
- ▶ #0122 Upper Unit in Rack Specify (270) (*withdrawn from marketing 21 November 2003*)

- ▶ #0123 - #5074 Lower Unit in Rack (810, 820, 825, 830, 840, 870, 890) (*withdrawn from marketing 3 December 2002*)
- ▶ #0125 - #9079 Lower Unit in Rack (840) (*withdrawn from marketing 21 November 2003*)
- ▶ #0127 - 270 Field Install in Rack (270) (*withdrawn from marketing 7 May 2003*)
- ▶ #0133 Plant Install in Rack (270, 800, 810)
- ▶ #0134 Field Install in Rack (HD) (825) (*withdrawn from marketing 21 November 2003*)
- ▶ #0137 Field Install in Rack (270, 800, 810)
- ▶ #0138 Field Install in Rack (825)
- ▶ #0578 PCI Expansion Unit in Rack (810, 820, 825, 830, 840, 870, 890)
- ▶ #0588 PCI-X Expansion Unit in Rack (800, 810, 820, 825, 830, 840, 870, 890)
- ▶ #0595 PCI-X Expansion Unit in Rack (270, 800, 810, 820, 830, 840, 870, 890)
- ▶ #7884 520 Rack Mount

The following are optional features for the #0551 rack:

- ▶ #6068 Optional Front Door (black/flat)
- ▶ #6580 Optional Rack Security Kit
- ▶ #7840 Side-by-Side for 1.8m Racks
- ▶ #7841 Ruggedize Rack Kit

The marketing configurator does not manage rack space in the #0551 iSeries Rack. Use the following table to determine the number of EIA units required in the #0551 for each iSeries system unit or expansion tower.

System unit or expansion tower	EIA units (includes one EIA for #0133 and #0134)
Model 270 System Unit	16 EIA units (includes one for #0127, 2 for #0133 and #0137)
Model 520 System Unit	4
Model 570 Processor Enclosure	4
Model 800 System Unit	16 EIA units (includes 2 EIA for #0133 and #0137)
Model 810 System Unit	16 EIA units (includes 2 EIA for #0133 and #0137)
Model 825 System Unit	16 EIA units (includes 2 EIA for #0134 and #0138)
#0551	36
#0595 PCI-X Tower Unit in Rack	5

System unit or expansion tower	EIA units (includes one EIA for #0133 and #0134)
#0578 PCI Expansion Unit in Rack	8
#0588 PCI-X Expansion Unit in Rack	8
#7212	1
3581	5
3582	4
3583	14

For more information about the EIA units used in a rack or tower, refer to the following Web site:

<http://www-1.ibm.com/servers/eserver/support/iserries/planning/index.html>

Up to four Power Distribution Units may be installed in the #0551. The PDUs may be ordered as part of the initial order or added at a later time. Each PDU has six power sockets that provide power for devices that support the #1422 PDU Line Cord. A country (region)-specific line cord must be ordered for each PDU to connect to external power.

The supported PDUs are:

- ▶ #5160 Power Distribution Unit - 1 Phase NEMA
- ▶ #5161 Power Distribution Unit - 1 Phase IEC
- ▶ #5162 Power Distribution Unit - 2 of 3 Phase
- ▶ #5163 Power Distribution Unit - 3 Phase

The supported specify codes are:

- ▶ #0121 Lower Unit in Rack Specify (270) (*withdrawn from marketing 21 November 2003*)
- ▶ #0122 Upper Unit in Rack Specify (270) (*withdrawn from marketing 21 November 2003*)
- ▶ #0133 Plant Install in Rack
  - #0133 Plant Install in Rack feature is used to mount a Model 270, 800 or 810 system unit (sidecar feature must be present) in a #0551 rack either in the plant or in the field.
  - #0133 Plant Install in Rack is IBM installed in the plant or customer installed in the field.
  - #0133 can be ordered on initial orders, MES orders, or model upgrades into the Model 810.

- If the system order received at the plant contains a system unit, sidecar feature (#7104 or #7116), #0551 rack, and the #0133, the system is mounted in the #0551 at the plant. If any of these four components are missing from the order, the system is *not* mounted in the #0551 at the plant.
- If the system is not installed in a #0551 in the plant, the #0133 feature provides the hardware components: a set of “slides”, cable management arm, a heavy duty tray, a 270/800/810 adapter plate, and a pair of 270/800/810 lift covers. The #0133 is customer installed in the field.
- A line cord is required for both the system unit and the system unit expansion.

**Note:** For system units being mounted in the upper portions of a rack and *not* using the #1422 PDU cord, be sure the line cord (and SPCN cable, if present) is of sufficient length.

- An #0551 iSeries Rack is required for mounting a Model 270, 800, or 810, but the #0551 is not required on the order or on the inventory records for the system that is ordering an #0133 Plant Install in Rack.
- ▶ #0134 Field Install in Rack (HD)
  - The #0134 is used to mount a Model 825 system unit in an #0551 iSeries Rack.
  - The #0134 was *withdrawn from marketing* on 21 November 2003.
- ▶ #0137 Field Install in Rack
  - #0137 Field Install in Rack is an IBM installed feature.
  - The #0137 Field Install in Rack feature is used to mount a Model 270, 800 or 810 system unit (sidecar feature #7104 or #7116 must be present) in a #0551 rack in the field. This feature provides a set of “slides”, cable management “arm”, a heavy duty ray, a 270, 800, or 810 adapter plate, and a pair of 270/800/810 lift covers.
  - #0137 may be specified on any type of order (initial, model upgrades into a Model 810 or simple MES).
  - A line cord is required for both the system unit and the system unit expansion.

**Note:** For system units being mounted in the upper portions of a rack and not using the #1422 PDU cord, be sure the line cord (and SPCN cable, if present) is of sufficient length.



- An #0551 iSeries Rack is required for mounting a Model 270, 800 or 810, but the #0551 is not required on the order or on the inventory records for the system that is ordering a #0137 Field Install in Rack.
- ▶ #0138 Field Install in Rack
  - #0138 Field Install in Rack is an IBM installed feature.
  - The #0138 Field Install in Rack feature is used to mount a Model 825 system unit in a #0551 rack. This feature provides a set of “slides”, cable management “arm”, a tray, an 825 adapter plate and a pair of 825 lift covers.
  - #0138 may be specified on any type of order (initial, model upgrade or simple MES).

**Note:** For system units being mounted in the upper portions of a rack and not utilizing the #1422 PDU cord, be sure the line cord (and SPCN cable, if present) is of sufficient length.

- An #0551 iSeries Rack is required for mounting a Model 825, but the #0551 is not required on the order or on the inventory records for the system that is ordering a #0138 Field Install in Rack.
- ▶ #0123 #5074 Lower Unit in Rack Specify (*withdrawn from marketing* on 03 December 2002)
- ▶ #0125 #9079 Lower Unit in Rack Specify (*withdrawn from marketing* on 07 May 2003)
- ▶ #0127 270 Field Install in Rack Specify (*withdrawn from marketing* on 07 May 2003)

## IBM 9309 Rack Enclosure

The 9309 Rack Enclosures provide operator control panels, acoustic noise reduction, power control to all units within the rack (under the control of the System Unit), and power control to the next rack SPCN chain. All additional racks attached to the system unit are termed “secondary” racks.

iSeries 9406 models support the 9309 Rack Enclosures. External I/O devices, such as direct access storage device (DASD), magnetic tapes, and diskette units, can be accommodated in these 1.6 M racks.

The following 9309 Rack and System Unit Rack Enclosures are supported:

- ▶ **9309 #9171**: General Purpose I/O Rack with SPCN
- ▶ **9406 #5044**: System Unit Expansion Rack (9406-5X0, 620, 640, and 650 models only)

## High-speed link

### HSL fabric

HSL loops provide redundancy to all attached towers. In addition, the implementation of HSL and OS/400 provide data flow balancing across the loop by assigning communication paths during an initial program load (IPL) to optimize loop throughput based upon loop and tower configurations.

HSL loops can be either copper or optical. Optical provides longer distance, but offers a lower data rate. With iSeries Models 825, 870, and 890, and with I/O towers, such as the #5094 PCI-X Expansion Tower, #0595/#5095 PCI-X Expansion Tower, and #0588/#5088 PCI-X Expansion Unit, a slightly different copper HSL port is used—HSL-2. There is no change to the optical HSL loop on Models 825, 870, and 890.

Due to the high bandwidth of HSL, you should see comparable performance, whether using copper or optical HSL, even though optical runs at a slower speed. However, if you have intensive I/O bandwidth requirements (for example, large system data mining), you may experience some performance degradation with optical HSL. The recommendation is to use less than the allowed maximum number of I/O towers on an optical fiber HSL loop to optimize performance.

HSL was initially implemented at OS/400 V5R1 using copper interconnect cables. These cables allow for high-speed and high-quality parallel data transfer. In August 2001, technology was introduced using optical fibres and optical adapters to interconnect the Central Electronic Complex (CEC) and the towers of the iSeries server.

Copper HSL cables have a higher bandwidth compared to the optical HSL cables. The optical cables are available in longer lengths (up to 250m compared to 15m for copper). Optical HSL cables are smaller and easier to work with, particularly during installation.

The longer optical cable lengths extend the distance between I/O units and the Model 570, 825, 830, 840, 870, and 890 servers from the current 15m to 250m. Expanded I/O location alternatives can help improve data reliability and protection.

The HSL bus structure provides:

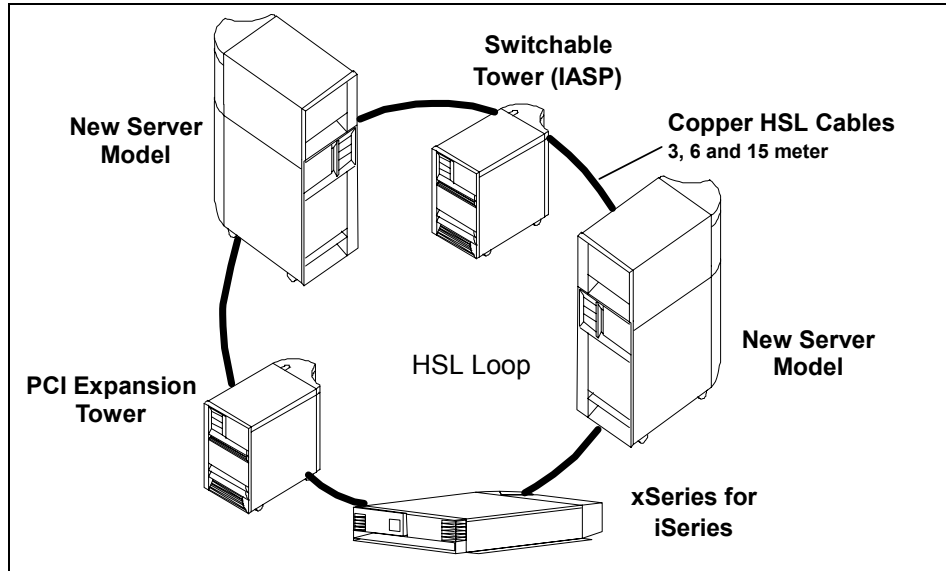
- ▶ Performance improvements and future system growth
  - Up to 1 GB/sec technology with HSL or HSL-2 (copper HSL or HSL-2 cables)
  - Up to 2 GB/sec technology with HSL-2/RIO-G (copper HSL-2 cables) on Models 520 and 570, up to the 10m cable length: Use of the 15m cables on these loops results in reduced speeds.
- ▶ Simplified implementation
  - Loop technology for redundancy
  - Multiple towers per loop
  - 1.75m, 3m, 6m, 15m copper HSL cables
  - 6m, 30m, 100m 250m optical HSL cables
  - 4m, 10m, 15m copper HSL-2 cables
  - 6m, 10m HSL to HSL-2 cables
  - Migration tower attachment supports SPD I/O towers and #5065/#5066 Storage/PCI Expansion Towers
- ▶ Homogeneous HSL network with HSL adapters
  - Simple HSL clusters (two iSeries)
  - Complex HSL clusters (three iSeries with V5R2 only)
  - xSeries for iSeries HSL connectivity
  - Switchable HSL connected tower with IASP

The following figure shows the HSL connectivity of loops.

**Note:** Servers and I/O towers can be on the same copper loop, whether the connection is HSL or HSL-2. The appropriate HSL cabling must be used.

For more information about HSL configuration per model, see the product sections within this book.

You can find the base rules for tower placement in the *IBM @server iSeries and AS/400e System Builder*, SG24-2155. HSL rules and migration considerations are described in *IBM @server iSeries Migration: System Migration and Upgrades at V5R1 and V5R2*, SG24-6055.



## HSL OptiConnect

In system complexes that contain only V5R1 HSL hardware, the HSL OptiConnect loop implementation consists of loops that may contain up to four PCI/PCI-X I/O towers and units or external xSeries servers between two iSeries servers. The same is also true for V5R2 scenarios. However, V5R2 allows for three iSeries servers to be connected on an HSL OptiConnect loop. When there are three iSeries servers on a loop, there cannot be any I/O towers or external xSeries servers on that loop.

In an HSL OptiConnect loop, external xSeries servers count against the per loop tower limits. The HSL OptiConnect speed is 500 mb per second. Depending on the number of towers and the number of I/O operations performed in these towers, overall system performance may be impacted.

## HSL copper

The IBM @server i5 models have HSL-2/RIO-G ports to serve loops at a maximum speed of 2 GB per second. Only a limited number of towers can be enabled for this higher speed.

See “Summary of the iSeries expansion units and towers” on page 81 for the maximum number of features supported in each iSeries expansion tower.

The #5094, #5294, #0595 and #5095 towers can be converted to HSL-2 RIO-G. The #5088/#0588 have HSL-2 interface, but cannot be upgraded to the new HSL-2 RIO-G interface. The #5075 and #0578 /#5078 also have an HSL adapter. They are not supported on @server i5 models.

For #5094, #5294, #5095 and #0595 towers that attach to the @server i5 models, new #5094, #5294, #5095 and #0595 towers ship with a #9517 2 GBps HSL-2/RIO-G adapter.

Existing #5094, #5294, #5095 and #0595 towers that attach to an @server i5 model and want to run at the 2 GBps speeds need to have the HSL-2 adapters exchanged with a #6417 2 GBps HSL-2/RIO-G adapter.

Connecting supported HSL, HSL-2 and HSL-2/RIO-G is possible with the correct combination of cables. However, one adapter or cable in the loop can slow down the complete loop. If this is necessary, we recommend that you keep these items on one loop so that you do not slow down the HSL-2/RIO-G loop if applicable.

**Note:** HSL-2 also supports HSL towers (such as #5074 or #5079) in the loop. However, mixing these towers with HSL-2 in the same loop slows down faster devices.

Upgrades are available for the #5294/#5094 PCI-X towers to upgrade the ports from HSL/RIO to HSL-2/RIO-G.

Considerations for loop configurations include:

- ▶ iSeries Models 825, 870, 890 with V5R2 or V5R3 do not support HSL-2/RIO-G even with RIO-G nodes attached. A link between two RIO-G nodes runs at HSL-2/RIO-G speed only.
- ▶ The speed allowed by the two nodes of a link with @server i5 servers attached are:
  - 1 GB/sec for RIO-G to RIO-G
  - 500 MB/sec for RIO to RIO-G

The following table identifies the HSL cables by length, which can be attached directly to each iSeries server and supported expansion tower.

HSL	HSL copper	HSL to HSL-2	HSL-2/RIO-G	Optical HSL
1.2 meter	-	-	#1481	-
1.75 meter	-	-	#1307	-
2.5 meter	-	-	#1308	-
3 meter	#1460	-	-	-
3.5 meter	-	-	#1482	-
6 meter	#1461	#1474	-	#1470
10 meter		#1475	#1483	-
15 meter	#1462	-	#1485*	-
30 meter	-	-	-	#1471
100 meter	-	-	-	#1472
* Use when greater distance is required. Performance can be degraded.				

The following table identifies the HSL cables, which can be attached directly to each iSeries server. See “Table 1: Summary of the iSeries Model 520” on page 68 for the maximum number of HSL features supported by each iSeries server.

Cable feature	270	520	570	800 810	820	825	830 840	870 890
<b>Copper</b>								
#1460 - 3m Copper HSL Cable	X			X	X		X	
#1461 - 6m Copper HSL Cable	X			X	X		X	
#1462 - 15m Copper HSL Cable	Note 2				Note 2		X	
#1474 - 6m HSL to HSL-2 Cable	X			X	X	X	X	X
#1475 - 10m HSL to HSL-2 Cable	Note 2				Note 2	X	X	X
#1482 - 3.5m HSL-2 Cable						X		X
#1483 - 10m HSL-2 Cable						X		X
#1485 - 15m HSL-2 Cable						X		X

Cable feature	270	520	570	800 810	820	825	830 840	870 890
<b>Fiber optic<sup>1</sup></b>								
#1470 - 6m Optical HSL Cable						X	X	X
#1471 - 30m Optical HSL Cable						X	X	X
#1472 - 100m Optical HSL Cable						X	X	X
#1473 - 250m Optical HSL Cable						X	X	X
<b>SPCN<sup>3</sup></b>								
#1463 - 2m SPCN Cable	X			X	X	X	X	X
#1464 - 6m SPCN Cable	X			X	X	X	X	X
#1465 - 15m SPCN Cable	X			X	X	X	X	X
#1466 - 30m SPCN Cable	X			X	X	X	X	X
#1468 - 250m Optical SPCN Cable	X				X	X	X	X
#0369 100m Optical SPCN Cable	X				X	X	X	X
<sup>1</sup> A fiber optic cable requires a base or feature optical HSL port card in the system <sup>2</sup> Not supported on the A1 port of the Model 270 or 820. Is supported on the A0 port. <sup>3</sup> Fiber optic SPCN cables include two copper to fiber adapter, p/n 90H6827								

The following table identifies the HSL cables, which can be attached directly to each iSeries supported expansion tower. See “Summary of the iSeries expansion units and towers” on page 81 for the maximum number of HSL features supported in each iSeries expansion tower.

Cable feature	#5074	#5075	#5078 #0578	#5079 #8079	IXA card	#5094 #9094	#5095 #0595	#5088 #0588	#5294 #8094
<b>Copper</b>									
#1460 - 3m Copper HSL Cable	X	X	X	X	X				
#1461 - 6m Copper HSL Cable	X	X	X	X	X				
#1462 - 15m Copper HSL Cable	X	X	X	X	X				
#1474 - 6m HSL to HSL-2 Cable	X	X	X	X	X	X	X	X	X
#1475 - 10m HSL to HSL-2 Cable	X	X	X	X	X	X	X	X	X
#1482 - 3.5m HSL-2 Cable						X	X	X	X
#1483 - 10m HSL-2 Cable						X	X	X	X

Cable feature	#5074	#5075	#5078 #0578	#5079 #8079	IXA card	#5094 #9094	#5095 #0595	#5088 #0588	#5294 #8094
#1485 - 15m HSL-2 Cable						X	X	X	X
<b>Fiber optic<sup>1</sup></b>									
#1470 - 6m Optical HSL Cable	X		X	X		X	X	X	X
#1471 - 30m Optical HSL Cable	X		X	X		X	X	X	X
#1472 - 100m Optical HSL Cable	X		X	X		X	X	X	X
#1473 - 250m Optical HSL Cable	X		X	X		X	X	X	X
<b>SPCN<sup>2</sup></b>									
#1463 - 2m SPCN Cable	X	X	X	X	X	X	X	X	X
#1464 - 6m SPCN Cable	X	X	X	X	X	X	X	X	X
#1465 - 15m SPCN Cable	X	X	X	X	X	X	X	X	X
#1466 - 30m SPCN Cable	X	X	X	X	X	X	X	X	X
#1468 - 250m Optical SPCN Cable	X		X	X	X	X	X	X	X
#0369 100m Optical SPCN Cable	X		X	X	X	X	X	X	X
<sup>1</sup> Optical cable requires a base or feature optical HSL port card in the tower									
<sup>2</sup> Fiber optic SPCN cables include two copper to fiber adapter, p/n 90H6827									

The following table identifies the HSL loop maximums.

System maximums	520	570	270	800	810	820	825	830	840	870	890
HSL loops	1	2	1	1	1	1	3	4	8	8	14
HSL loops supporting fiber optic cables	0	1	0	0	0	0	2	1	2	6	12
I/O units	6	12	1	1	4	5	18	13	23	47	47
Integrated xSeries Adapter cards in xSeries towers	8	16	2	3	7	8	18	16	60	60	60
I/O units and Integrated xSeries Adapter cards	9	18	3	4	8	9	27	21	60	60	60
HSL OptiConnect loops			1	1	1	1	2	2	4	8	14
HSL migration tower	0	0	0	0	0	1	0	1	1	0	0



System maximums	520	570	270	800	810	820	825	830	840	870	890
<b>HSL loop maximums</b>											
I/O units	6	6	1	1	4	5	6	6	6	6	6
Integrated xSeries Adapter cards in xSeries towers	8	8	2	3	7	8	8*	8	8	8	8
I/O units and Integrated xSeries Adapter cards	9	9	3	4	8	9	9	9	9	9	9
<b>HSL OptiConnect loop: Two systems</b>											
I/O units and Integrated xSeries Adapter cards			4	4	4	4	4	4	4	4	4
<b>HSL OptiConnect loop: Three systems</b>											
I/O units and Integrated xSeries Adapter cards			N/A	N/A	N/A	N/A	0	0	0	0	0
<p><b>Notes:</b> I/O unit maximums do not include the base I/O tower attached to Models 840, 870, and 890. An I/O unit contains two HSL ports (0 and 1). The #5079 I/O tower has two I/O units.</p> <p>* On Model 825, a maximum of five Integrated xSeries Adapters per loop are supported on loops A and C. Eight are supported on loop B.</p>											

Due to the high bandwidth of HSL, you should see comparable performance, whether using copper or optical HSL, even though optical runs at a slower speed. However, for intensive I/O bandwidth requirements (for example, large system data mining), you may experience some performance degradation with optical HSL. Use less than the allowed maximum number of I/O towers on an optical HSL loop to optimize performance.

OS/400 V5R1 and supporting PTFs are required. Refer to Informational APAR I112949 at:

[http://www-912.ibm.com/n\\_dir/nas4apar.nsf/nas4aparhome](http://www-912.ibm.com/n_dir/nas4apar.nsf/nas4aparhome)

## 1519-100 Integrated xSeries Adapter for iSeries (direct attach)

The IBM Integrated xSeries Adapter for iSeries provides a direct high-speed attachment (HSL) of an xSeries server to an iSeries server. It installs in select xSeries servers. The Integrated xSeries Adapter extends iSeries integration with Microsoft Windows 2000 Server to xSeries high performance n-way Intel architecture servers. With the Integrated xSeries Adapter, more Windows users and more complex Windows applications can be integrated with iSeries servers.

The direct attach server consists of an xSeries server tower that contains an Integrated xSeries Adapter for iSeries (1519-100). The Integrated xSeries Adapter reports to the iSeries Hardware Service Manager as CCIN 2689.

The external xSeries server has SPCN control. SPCN cabling for the external xSeries server follows the same rules as SPCN cabling for existing HSL-attached towers.

The external xSeries server attaches to Model 270, 520, 570, 800, 810, 820, 825, 830, 840, 870, and 890 servers via a copper HSL. Optical HSL is not supported.

The number of Integrated xSeries Servers and Integrated xSeries Adapters that can be attached varies by model, HSL loops, and number of I/O towers. For example, the Model 810 supports up to 13 Integrated xSeries Servers and seven Integrated xSeries Adapters. The Model 890 supports up to 48 Integrated xSeries Servers and 60 Integrated xSeries Adapters.

The maximum external xSeries servers by model are:

- ▶ Model 270: System maximum is two.
- ▶ Model 520: System maximum is eight.
- ▶ Model 570: System maximum is sixteen.
- ▶ Model 800: System maximum is three.
- ▶ Model 810: System maximum is seven.
- ▶ Model 820: System maximum is eight.
- ▶ Model 825: System maximum is eighteen.
- ▶ Model 830: System maximum is sixteen.
- ▶ Model 840: System maximum is sixty.
- ▶ Model 870: System maximum is sixty.
- ▶ Model 890: System maximum is sixty.

The maximum external xSeries servers per HSL loop by model are:

- ▶ Model 270: Maximum per loop is two (system limit).
- ▶ Model 520: Maximum per loop is eight (system limit).
- ▶ Model 570: Maximum per loop is eight.
- ▶ Model 800: Maximum per loop is three (system limit).
- ▶ Model 810: Maximum per loop is seven (system limit).
- ▶ Model 820: Maximum per loop is eight (system limit).
- ▶ Model 825: Maximum on loops A and C is five per loop. Maximum on loop B is eight.
- ▶ Model 830: Maximum per loop is eight (limit on first loop is one, 0 if with migration tower).

- ▶ Model 840: Maximum per loop is eight (limit on first loop is five, 0 if with migration tower).
- ▶ Model 870: Maximum per loop is eight.
- ▶ Model 890: Maximum per loop is eight.

For performance and stability reasons, place the external xSeries servers on their own loop, if possible, or in the middle of an HSL loop. That is, place the external xSeries server between the end of the HSL strings (redundant part of the loop) that attach to each HSL port.

We recommend that no I/O tower should communicate with the system by having its data flow through an external xSeries server. However on the Model 820 with a migration tower, Integrated xSeries Adapters cannot be adjacent to the migration tower. This means that, in some configurations, there are I/O towers with their data flow through an Integrated xSeries Adapter.

Do not surround any I/O tower with Integrated xSeries Adapters. Switched towers are required to be adjacent to the alternate system or a tower owned by the alternate system. If an external xSeries server must be on a loop with a switched tower, place the external xSeries server so it does not communicate with the system through a private tower.

Each external xSeries server is independent of the number of internal Integrated xSeries Servers and Integrated Netfinity Servers. See “iSeries Windows integration and Microsoft cluster support” on page 450 for information about integrating Windows, and *IBM @server iSeries Migration: System Migration and Upgrades at V5R1 and V5R2*, SG24-6055, for migration considerations.

See “#2799/#2899 PCI Integrated xSeries Server” on page 243 for information about Integrated xSeries Servers. You can find the latest information about which xSeries or Netfinity Servers can be ordered on the xSeries server Web site at:

<http://www.iseries.ibm.com/windowsintegration/>

## Ordering information

The HSL adapter for the xSeries is ordered as Machine Type 1519 Model 100. It is supported as a *peripheral* in the marketing configurator.

The marketing configurator uses the #0092 External xSeries Attach to ensure that the correct type and number of cables are on the order.



## Upgrades to iSeries servers

The term *upgrade* in this chapter means a change or enhancement to an existing server, which can result in a more powerful server, but has the same machine type and serial number. An extensive set of upgrades to iSeries servers is supported both to a different model and within an existing model. Supported upgrades between and within the IBM @server i5 and iSeries models are identified in the following table.

	Model 520	Model 570	Model 270	Model 800	Model 810	Model 820	Model 825	Model 830	Model 840	Model 870	Model 890
Model 270			Y		Y						
Model 520	Y										
Model 570		Y									
Model 800				Y							
Model 810	Y*	Y*			Y						
Model 820	Y*	Y*			Y	Y	Y			Y	

	Model 520	Model 570	Model 270	Model 800	Model 810	Model 820	Model 825	Model 830	Model 840	Model 870	Model 890
Model 825		Y*					Y			Y	
Model 830	Y	Y*					Y	Y		Y	Y
Model 840									Y	Y	Y
Model 870		Y*								Y	Y
Model 890											Y
* Restrictions apply											

Model upgrades into the 520 and 570 consist of a processor-to-server upgrade and either an edition-to-edition or an interactive-to-edition conversion. Model upgrades within Models 800, 810, 825, 870, and 890 consist of a processor-to-processor upgrade and a package-to-package upgrade as appropriate.

**Note:** Upgrades from AS/400e 720, 730, and 740 servers to iSeries Models 810, 820, 825, 830, 840, 870, and 890 were *withdrawn from IBM Marketing* on 8 October 2003. Upgrades to the iSeries 820, 830, and 840 servers are not supported as of 21 November 2003.

## Upgrade considerations

Because there are differences in the physical packaging and underlying technologies of the newer iSeries models, upgrades within or into these iSeries models can involve a change to the system unit and input/output (I/O). Newer hardware and applications can require newer levels of software. Careful planning can minimize time, effort, change impact, and business cost.

Upgrades from the iSeries Model 810 and 820 into the Model 520, and from Models 810, 820, 825, 830 into the Model 570, use a 9406 machine designator to allow IBM to better support the server. There is no physical difference between the machine types for these models. Planning and configuration tools can be used for configuration analysis by bypassing the difference in the 9402, 9404, or 9406 machine type designation. Refer to “Product Previews: Open” on page 56 for planning information about upgrades using a 9402 or 9404 machine type designation.

**Note:** IBM plans to use the same serial number in a *9402/9404 upgrade* even though the machine type designation changes to a *9406*. Customers should anticipate the change to a combined machine type/serial number as an identifier and make appropriate arrangements in the customer asset tracking system. A special process will apply in the unlikely event that a 9406 already has the same serial number.

The supported processor upgrade path for each model of the current @server i5 and iSeries product line is documented in *IBM @server iSeries Supported Upgrades*, REDP-0322. This Redpaper is updated as additional upgrade paths are announced or withdrawn.

Refer to “Planning information” on page 60 and “Withdrawn products” on page 63 to understand upgrade considerations. Refer to *IBM @server iSeries Migration: System Migration and Upgrades at V5R1 and V5R2*, SG24-6055, for guidance about upgrading to iSeries server models.

For software considerations, see “Supported upgrade paths” on page 491, and “Current release to previous release support” on page 492.

## 5250 OLTP considerations

iSeries 5250 online transaction processing (OLTP) is a powerful, efficient, and reliable transaction processor that is used by many customers. If upgrading to the Model 520, 570, 810, 825, 870, or 890 with an Enterprise Edition, a maximum 5250 CPW is offered. The server’s entire resources are available for 5250 OLTP applications if desired. The High Availability and Capacity BackUp Editions also provide maximum 5250 CPW.

A Model 520, 570, 810, 825, 870, or 890 with a Standard Edition has zero 5250 Commercial Processing Workload (CPW). The maximum 5250 CPW is available with an upgrade from a Standard to Enterprise Edition. Many additional software, hardware, services, and education components are included in the Enterprise Edition. However, the additional components are not included during a Standard Edition upgrade to an Enterprise Edition.

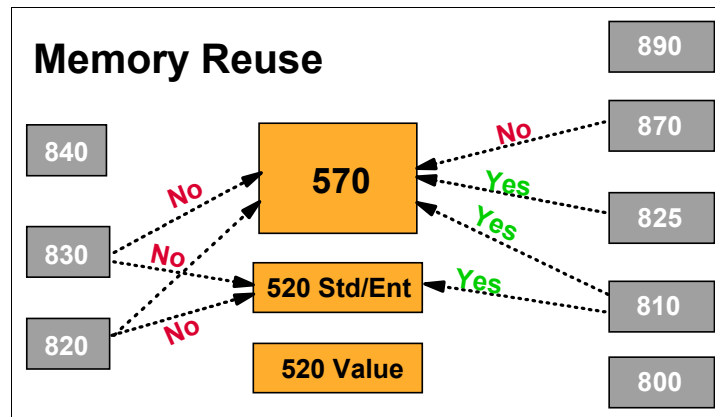
The iSeries 820, 830, 840, and 890 processors that were announced in 2002 without an Enterprise Edition, as well as earlier AS/400 models, use a set of specific 5250 CPW points designated by a 5250 interactive feature code. Customers are encouraged to review current 5250 CPW utilization with PM eServer iSeries, Management Central, PATROL for iSeries – Predict, or Performance Tools for iSeries.

You can find further information about 5250 CPW in Chapter 3, “Workload, capacity, and performance” on page 35.

## Hardware migration considerations

When migrating to iSeries models from earlier models, keep the following considerations in mind:

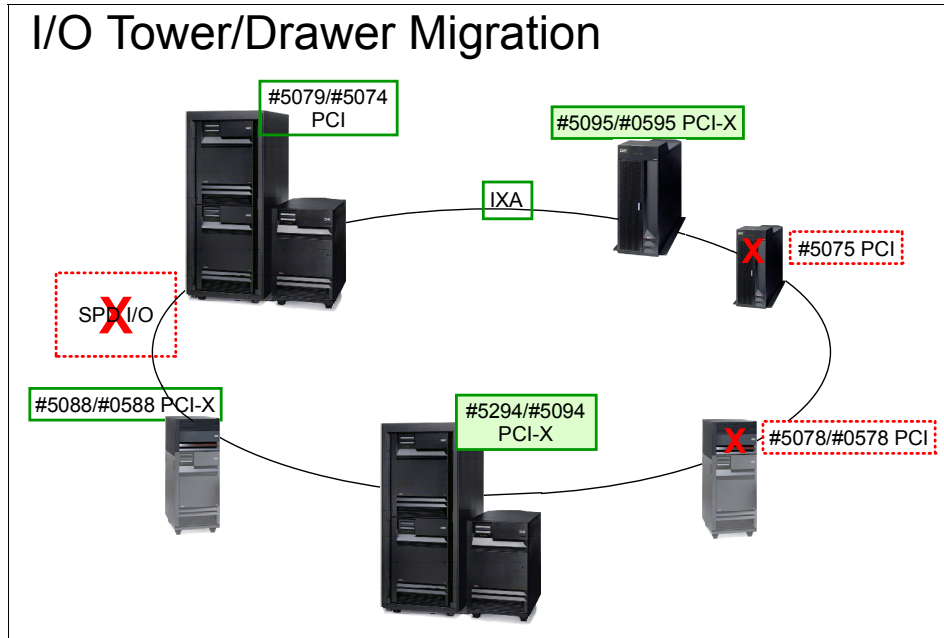
- ▶ Model 520 and 570 processor features require IBM i5/OS V5R3.
- ▶ Some upgrades require a two-step approach to reach the requested model. An upgrade is performed via an intervening processor model or edition.
- ▶ Main storage features of one model typically cannot be used in a different model. However, some Model 810 and 825 main storage features can be used in the Model 520 and 570, if quad rules for these systems are fulfilled.
- ▶ Memory in the #2469 Model 810 processor is not compatible and does not migrate to the Model 570. Refer to the following diagram to see what memory can be reused when upgrading to the @server i5 servers.



- ▶ Some features supported on earlier models cannot be ordered on new Models 520, 570, 800, 810, 825, 870, or 890.
- ▶ When upgrading existing I/O towers:
  - Integrated xSeries Adapters in #5074, #5079, #5078, #0588 remain *as is*.
  - Integrated xSeries Adapters and SPD I/O are not supported in #5078, #0578, and #5075.
  - The #5094, #5294, #5095, and #0595 must be enhanced with higher speed high-speed link (HSL)-2 electronics (the #6417 2 GBps HSL-2/RIO-G adapter).



Switched I/O tower support is a third quarter 2004 exception.



- ▶ With the noticeable exception of System Products Division (SPD) I/O and migration towers, most I/O supported on OS/400 V5R1 or later on Models 270, 820, 830, or 840 is also supported on Models 520, 570, 800, 810, 825, 870, or 890. Some of the features supported on earlier models cannot be ordered on new servers, but are supported if they are present.
- ▶ SPD I/O is not supported by the @server i5 models. Customers running on the 720, 730, 740, 820, 830, and 840 can continue to use their existing SPD I/O when upgrading to V5R3. Exceptions are noted in “Products and features no longer marketed by IBM” on page 737, and on the iSeries Upgrade Planning Web site at:  
<http://www-1.ibm.com/servers/eserver/iseries/support/planning/v5r3hardware.html>
- ▶ Most I/O supported on OS/400 V4R1 or later is also supported on Models 820, 830, or 840. SPD I/O is supported when using a migration tower with Models 820, 830, or 840.
- ▶ A hardware upgrade to a Model 810, 825, or 870, or to a Model 890 #2497 or #2498 processor, requires the following code as a minimum:
  - February 2003 level of Licensed Internal Code (LIC)
  - OS/400 V5R2 Operating System (5722-SS1)
  - Cumulative PTF package C3021520 or later

- Model 810 #2465 requires the May 2003 level of LIC or February level of LIC and Cumulative PTF package C3161520 or later

For the latest information, refer to Informational APAR II13365 at:

<http://www.ibm.com/eserver/series/support>

- ▶ Models 825, 870, and 890 with On/Off Capacity on Demand features require Cumulative PTF package C3077520 or later.
- ▶ When upgrading a Capacity Upgrade on Demand (CUoD) model to or within a newer Model 825, 870, or 890 CUoD model, all interactive (standby) processors must be activated first.
- ▶ When upgrading from a CUoD Model 825, 830, or 870 to a CUoD Model 520 or 570, CUoD activation is not needed.
- ▶ Some features have software requirements. Refer to Informational APAR II13440 on the Web at:

<http://www.ibm.com/eserver/series/support>

Supported model upgrades are identified in *IBM @server iSeries Supported Upgrades*, REDP-0322. Refer to *IBM @server iSeries Migration: System Migration and Upgrades at V5R1 and V5R2*, SG24-6055, for a full explanation of migration considerations.

## Capacity on Demand upgrades

Considerations when Capacity on Demand configurations are involved in an upgrade include:

- ▶ All processors must be permanently activated and have OS/400 licenses for all processors before upgrading
- ▶ When upgrading from a Model 830 4/8-way:
  - All eight processors must be active when upgrading to a Model 870 or 890.
  - Additional processor activations are not required when upgrading to a Model 570.
- ▶ When upgrading from a Model 825 3/6-way or Model 870 5/8-way:
  - All processors must be active and OS/400 processor licenses in place for all processors before upgrading to a Model 870 or 890.
  - Neither processor activation or optional OS/400 licenses are required when upgrading to a Model 570.

Optional Model 825 or 870 OS/400 processor licenses can be used on the Model 570.

## Edition upgrades

Upgrade rules for editions include:

- ▶ Upgrades from non-edition servers to edition servers are eligible for the content of the full edition.
- ▶ Upgrades from edition servers are eligible only for OS/400 content and 5250 capacity.
- ▶ The High Availability edition must be converted to the Enterprise Edition prior to an upgrade. No additional content is offered for the conversion.
- ▶ The Model 800 Value to Standard and Standard to Advanced Edition allow only for 5250 capacity for the upgrade.
- ▶ Upgrades from the 520 Value Edition to any other Edition are not supported.
- ▶ The iSeries for Domino leverages the Standard Edition and, therefore, can be upgraded to any of the supported Standard or Enterprise Edition offerings.

## RISC-to-RISC Data Migration (#0205)

The #0205 RISC-to-RISC Data Migration specify code is used when a customer orders a new iSeries server to replace an existing RISC-based AS/400e or iSeries server. The #0205 is used when the new server has a different serial number, but is not an upgrade.

The #0205 specify code is orderable on the initial order of an iSeries Model 520, 570, 800, 810, 820, 825, 830, 840, 870, or 890. IBM manufacturing loads the System Licensed Internal Code (SLIC) through QSYS of OS/400 when the #0205 specify code is ordered. This limited code load allows data, profiles, user interface customizing, and so on to be moved from the existing server to the new server with less effort.

Using the #0205 specify code means that any new and additional software that might preloaded by IBM is now loaded by the customer after the information from the original server is moved over.

## Migration towers

Migration towers are the result of an upgrade from an AS/400e Model 600, 620, 640, 650, 720, 730, 740, or Sxx to an iSeries Model 820, 830, or 840. All the I/O and disk units in the former system unit and any attached towers remain accessible to the upgraded system through the connection of the migration tower to the HSL loop.

Migration towers are not supported by the 520, 570, 800, 810, 825, 870, and 890 models.

Configuration rules for towers are fully described in Chapter 4 “Migration rules” in *IBM @server iSeries Migration: System Migration and Upgrades at V5R1 and V5R2*, SG24-6055.

- ▶ #5033 Migration Tower I (600/S10 System Unit)
- ▶ #5034 Migration Tower I (10 disk S20/620, 720 system)
- ▶ #5035 Migration Tower I (15 disk S20/620, 720 system)
- ▶ #5077 Migration Tower II
- ▶ SPD expansion towers (attached to iSeries 820, 830, and 840 models via the #5034 or #5035, and #5077 Migration Towers)

Refer to the *IBM @server iSeries and AS/400e System Builder*, SG24-2155, for detailed information about each Migration Tower.

## Upgrade options for expansion towers

Converting the #5065, #5066, and #5075 PCI Expansion Tower allows you to upgrade to newer, faster, and higher function HSL-attached I/O towers. Conversions are available for:

- ▶ #5065 Storage/PCI Expansion Tower to #5074 PCI Expansion Tower
- ▶ #5066 1.8 M I/O Tower to #5079 1.8 M I/O Tower
- ▶ #5075 PCI Expansion Tower to #5074 PCI Expansion Tower

While most features from the expansion towers are supported in the new towers, many require no-charge feature conversions because the feature number is different in the new tower. Those features not supported in the new towers must be re-installed in the system unit or replaced with a new feature.

The no-charge feature conversions in the following table are available to move features from the #5065/#5066 towers to PCI or PCI-X towers and expansion units in iSeries Models 520, 570, 810, 820, 825, 830, 840, 870, and 890.

From feature	To feature	From feature	To feature
#2723	#4723	#9723	#4723
#2745	#4745	#2746	#4746
#2748	#4748	#2750	#4750
#2751	#4751	#2761	#4761
#4748	#4778	#2815	#4815

From feature	To feature	From feature	To feature
#2816	#4816	#2818	#4818
#2838	#4838	#4802	#4801

The converted features are physically and functionally identical.

**Note:** The feature numbers and some names change to designate installation information.

The #5065/#5066 features listed in the following table are not supported in the #5074/#5079 towers. They must be replaced.

From feature	Suggested replacement feature
#2718 PCI Magnetic Media Controller	#2768 PCI Magnetic Media Controller
#2721 PCI Two-line WAN IOA	#4745 PCI 2-line WAN IOA
#2722 Twinaxial Workstation IOA	#4746 PCI Twinaxial IOA
#2724 PCI 16/4 Mbps Token Ring IOA	#2744 PCI 100 Mbps Token Ring IOA
#2729 PCI Magnetic Media Controller	#2749 PCI Ultra Magnetic Media Controller
#2824 PCI Feature Controller	#2843 PCI IOP

The #5075 features listed in the following table are not supported in the #5074 tower. They must be re-installed in the system unit or replaced.

From feature	Suggested replacement feature
#2763 PCI RAID Disk Unit Controller	#4778 PCI RAID Disk Unit Controller
#2842 PCI IOP	#2843 PCI IOP
#9767 Base PCI Disk Unit Controller	#4778 PCI RAID Disk Unit Controller





## iSeries I/O processors

iSeries servers are designed for business computing. One of the fundamental characteristics of that environment is that it is input/output (I/O)-intensive, rather than compute-intensive.

This chapter discusses Peripheral Component Interconnect (PCI) system unit, and PCI and System Products Division (SPD) Migration tower I/O processors (IOP) available from IBM for iSeries servers and associated towers.

Refer to Chapter 16, “iSeries I/O adapters and controllers” on page 251, for I/O adapter (IOA) information.

## System unit hardware (PCI)

This section describes the PCI IOPs that are supported by current iSeries models.

### Embedded 32 MB PCI IOP (CCIN 284x)

On the Model 270, a 32 MB PCI IOP is embedded on the CEC backplane. For the #2248, #2250, and #2422 processors, the embedded IOP is CCIN 284D. For the other Model 270 processors, the embedded IOP is CCIN 284E.

On the Model 820, a 32 MB PCI IOP (CCIN 284C) is embedded on the backplane. The #5075 PCI Expansion Tower contains a 32 MB PCI IOP (CCIN 284B) embedded on its backplane.

### Embedded 32 MB PCI IOP (CCIN 286x)

On the Model 270, a 32 MB PCI IOP is embedded on the CEC backplane. For the #2431, #2432, and #2452 processors, the embedded IOP is CCIN 286C.

On the Model 800, a 32 MB PCI IOP (CCIN 286C) is embedded on the backplane.

For the Model 810 #2465 processor, the embedded IOP is CCIN 286D. For the Model 810 #2466 processor, the embedded IOP is CCIN 286D. For the Model 810 #2467 and #2469 processors, the embedded IOP is CCIN 286E.

### #2842 PCI IOP

The #2842 PCI IOP is an I/O processor with 32 MB of memory that drives PCI IOA adapters on the Model 270 or 810 and on the #5075 PCI Expansion Tower (when attached to a Model 270). The #2842 is supported on the Model 810 and the #5095 PCI-X Expansion Tower.

The #5075 PCI Expansion Tower has a 32 MB PCI IOP (CCIN 284B) embedded on the backplane. When the #5075 is attached to a Model 270, up to three feature #2842 PCI IOPs may be added to the #5075.

These IOAs are supported by the embedded PCI IOP on the Models 270, 800, and 810, the #5075, and the #2842 PCI IOP:

- ▶ #2742 Two-Line WAN IOA
- ▶ #2743 1 Gbps PCI Ethernet IOA
- ▶ #2744 PCI 100 Mbps Token Ring IOA
- ▶ #2749 PCI Ultra Magnetic Media Controller



- ▶ #2757 PCI-X Ultra RAID Disk Controller
- ▶ #2760 PCI 1 Gbps Ethernet UTP Adapter
- ▶ #2763 PCI RAID Disk Unit Controller (*withdrawn from marketing* on 21 November 2003)
- ▶ #2765 PCI Fibre Channel Tape Controller
- ▶ #2766 PCI Fibre Channel Disk Controller
- ▶ #2768 PCI Magnetic Media Controller
- ▶ #2772/#2773 PCI Dual WAN/Modem IOA
- ▶ #2793/#9793 Two-Line WAN IOA with Modem
- ▶ #2794/#9794 Two-Line IOA with Modem
- ▶ #2782 PCI-X RAID Disk Unit Controller (*withdrawn from marketing* on 01 January 2004)
- ▶ #2787 PCI-X Fibre Channel Disk Controller
- ▶ #2805/#2806 Quad Modem Adapter
- ▶ #2817 PCI 155 Mbps MMF ATM IOA
- ▶ #2849 10/100 Mbps Ethernet Adapter
- ▶ #4723 PCI 10 Mbps Ethernet Adapter
- ▶ #4745 PCI 2-line WAN IOA
- ▶ #4746 PCI Twinaxial IOA
- ▶ #4748 PCI RAID Disk Unit Controller (*withdrawn from marketing* on 21 November 2003)
- ▶ #4750 PCI ISDN BRI U IOA
- ▶ #4751 PCI ISDN BRI S/T IOA
- ▶ #4761 PCI Integrated Analog Modem (up to V5R2, pre 2003 systems only)
- ▶ #9778/#4778 PCI RAID Disk Unit Controller
- ▶ #4801 PCI Cryptographic Coprocessor (not supported by embedded IOP)
- ▶ #4805 PCI Cryptographic Accelerator (not supported by embedded IOP)
- ▶ #4838 PCI 100/10 Mbps Ethernet IOA
- ▶ #5700 PCI 1 Gbps Ethernet IOA
- ▶ #5701 PCI 1 Gbps Ethernet UTP IOA
- ▶ #5702 PCI-X Ultra Tape Controller
- ▶ #5703 PCI-X RAID Disk Unit Controller
- ▶ #5704 PCI-X Fibre Channel Tape Controller
- ▶ #5705 PCI-X Tape/DASD Controller
- ▶ #9767 Base PCI Disk Unit Controller
- ▶ #9771 Base PCI Two-Line WAN with integrated modem

The #2842 can drive a maximum of four IOAs. Further restrictions apply, as stated in the IOP descriptions in this chapter and in the “PCI card placement rules for the iSeries server” chapter of the *IBM @server iSeries and AS/400e System Builder*, SG24-2155.

The #2842 was *withdrawn from marketing* on 21 November 2003.

## #2843/#9943 PCI IOP

The #2843/#9943 is a PCI I/O processor with 64 MB of memory that drives PCI IOA adapters on the Models 820, 830, 840, 890, SB2, and SB3, on the #5075 PCI Expansion Tower when attached to the Model 820, the #5074 PCI Expansion Tower, the #5079 1.8 M I/O Tower, and the #5078 PCI Expansion Unit.

The #2843 is supported on the Models 810, 825, 870, and 890, and the #5088, #5094, #5095 and #5294.

Up to five feature #2843 PCI IOPs may be added to the Model 820 system unit. The #5075, when attached to a Model 820, can contain or support up to three #2843 PCI IOP features.

On the Models 830, 840, SB2, and SB3, a PCI IOP is not embedded on the backplane, but a #9943 Base PCI IOP is included with the system. Up to four #2843 PCI IOPs may be added in the system unit of the Models 830 and 840. On the #5074 PCI Expansion Tower, a PCI IOP is not embedded, but a #9943 Base PCI IOP is included. Up to five #2843 PCI IOPs may be added to a #5074. Up to six #2843 PCI IOPs may be added to a #5078.

On the #5079 1.8 M I/O Tower, a PCI IOP is not embedded, but two #9943 Base PCI IOP are included. Up to 10 #2843 PCI IOPs may be added to the #5079.

**Note:** The #9943 may only be on initial system orders or on Miscellaneous Equipment Specification (MES) orders that add #5074, #5078, or #5079 towers to an installed system. The maximum number of #9943s installed on a system is one in the system unit, plus one in each #5074 and two in each #5079.

These IOAs are supported (driven) by the embedded PCI IOP (Model 820) and the #2843/#9943 Base PCI IOP:

- ▶ #2742 Two-Line WAN IOA
- ▶ #2743 1 Gbps PCI Ethernet IOA
- ▶ #2744 PCI 100 Mbps Token Ring IOA
- ▶ #2749 PCI Ultra Magnetic Media Controller
- ▶ #2757 PCI-X Ultra RAID Disk Controller
- ▶ #2760 PCI 1 Gbps Ethernet UTP Adapter
- ▶ #2763 PCI RAID Disk Unit Controller (*withdrawn from marketing* on 21 November 2003)
- ▶ #2765 PCI Fibre Channel Tape Controller
- ▶ #2766 PCI Fibre Channel Disk Controller
- ▶ #2768 PCI Magnetic Media Controller

- ▶ #2772/#2773 PCI Dual WAN/Modem IOA
- ▶ #2787 PCI-X Fibre Channel Disk Controller
- ▶ #2793/#9793 Two-Line WAN IOA with Modem
- ▶ #2794/#9794 Two-Line IOA with Modem
- ▶ #2805/#2806 Quad Modem Adapter
- ▶ #2817 PCI 155 Mbps MMF ATM IOA
- ▶ #2849 10/100 Mbps Ethernet Adapter
- ▶ #4723 PCI 10 Mbps Ethernet Adapter
- ▶ #4745 PCI 2-line WAN IOA
- ▶ #4746 PCI Twinaxial IOA
- ▶ #4748 PCI RAID Disk Unit Controller (*withdrawn from marketing* on 21 November 2003)
- ▶ #4750 PCI ISDN BRI U IOA
- ▶ #4751 PCI ISDN BRI S/T IOA
- ▶ #4761 PCI Integrated Analog Modem (up to V5R2, pre 2003 systems only)
- ▶ #4778 PCI RAID Disk Unit Controller
- ▶ #4801 PCI Cryptographic Coprocessor (not supported by embedded IOP)
- ▶ #4805 PCI Cryptographic Accelerator (not supported by embedded IOP)
- ▶ #4838 PCI 100/10 Mbps Ethernet IOA
- ▶ #5700 PCI 1 Gbps Ethernet IOA
- ▶ #5701 PCI 1 Gbps Ethernet UTP IOA
- ▶ #5702 PCI-X Ultra Tape Controller
- ▶ #5703 PCI-X RAID Disk Unit Controller
- ▶ #5704 PCI-X Fibre Channel Tape Controller
- ▶ #5705 PCI-X Tape/DASD Controller
- ▶ #9767 Base PCI Disk Unit Controller
- ▶ #9771 Base PCI Two-Line WAN with integrated modem
- ▶ #9778 Base PCI RAID Disk Unit Controller

The #2843/#9943 can drive a maximum of four IOAs. Further restrictions apply, as stated in the IOP descriptions in this chapter and the “PCI card placement rules for the iSeries server” chapter of the *IBM @server iSeries and AS/400e System Builder*, SG24-2155.

## #2844/#9844 PCI IOP

The #2844 PCI IOP is an I/O processor which drives PCI IOA adapters on the Model 270, 520, 570, 800, 810, 820, 825, 830, 840, 870, and 890 system units, and on the following expansion towers and units:

- ▶ #0578 PCI Expansion Unit in Rack
- ▶ #0588 PCI-X Expansion Unit in Rack
- ▶ #0595 PCI-X Expansion Unit in Rack
- ▶ #5074 PCI Expansion Tower

- ▶ #5075 PCI Expansion Tower (*withdrawn from marketing* on 21 November 2003)
- ▶ #5078 PCI Expansion Unit
- ▶ #5079 1.8 M I/O Tower
- ▶ #5088 PCI-X Expansion Unit
- ▶ #5094 PCI-X Expansion Tower
- ▶ #5095 PCI-X Expansion Tower
- ▶ #5294 1.8 M I/O Tower
- ▶ #8079 Opt Base 1.8 M I/O Rack
- ▶ #8093 Opt Base 1.8 M I/O Rack
- ▶ #8094 Opt Base 1.8 M I/O Rack
- ▶ #9079 Base I/O Tower (PCI)
- ▶ #9094 Base PCI-X I/O Enclosure

The #9844 Base PCI IOP is included with Models 520, 570, 825, 870, and 890, and PCI-X I/O towers #0595, #5094, #5095, #5294, #8094, and #9094.

Placement considerations include:

- ▶ Up to two #2844 PCI IOPs may be placed in the Model 270, 800, and 810 system units.
- ▶ Up to five #2844 PCI IOPs may be placed in the Model 820 system unit.
- ▶ Up to three #2844 PCI IOPs may be placed in the Model 825 system unit.
- ▶ Up to three #2844 PCI IOPs may be placed in a #5075.
- ▶ Up to two #2844 PCI IOPs may be placed in a #5095.
- ▶ Up to four #2844 PCI IOPs may be placed in the Model 830, 840, 870, and 890 system units.
- ▶ On the #0595/#5095 PCI-X Expansion Tower, a #9844 PCI IOP is included as base. Up to two #2844 PCI IOPs may be added.
- ▶ On the #5094 PCI-X Expansion Tower, a #9844 PCI IOP is included as base. Up to five #2844 PCI IOPs may be added to a #5074/#5094.
- ▶ On the #5078#5088/#0578/#0588 PCI Expansion Unit a #9844 PCI IOP is not included in the base. Up to six #2844 PCI IOPs may be added.
- ▶ On the #5294 1.8M I/O Tower two #9844 PCI IOPs are included as base. Up to 10 #2844 PCI IOPs may be added to a #5079/#5294.

The following IOAs are supported (driven) by the #2844/#9844 PCI IOP:

- ▶ CCIN 288E - Embedded 10/100 Mbps Ethernet IOA (Model 825 only)
- ▶ #2742 Two-Line WAN IOA
- ▶ #2743 1 Gbps PCI Ethernet IOA
- ▶ #2744 PCI 100 Mbps Token Ring IOA
- ▶ #2749 PCI Ultra Magnetic Media Controller

- ▶ #2757 PCI-X Ultra RAID Disk Controller
- ▶ #2760 PCI 1 Gbps Ethernet UTP Adapter
- ▶ #2763 PCI RAID Disk Unit Controller (*withdrawn from marketing* on 21 November 2003)
- ▶ #2765 PCI Fibre Channel Tape Controller
- ▶ #2766 PCI Fibre Channel Disk Controller
- ▶ #2768 PCI Magnetic Media Controller
- ▶ #2772/#2773 PCI Dual WAN/Modem IOA
- ▶ #2782 PCI-X RAID Disk Unit Controller (*withdrawn from marketing* on 01 January 2004)
- ▶ #2787 PCI-X Fibre Channel Disk Controller
- ▶ #2793/#9793 Two-Line WAN IOA with Modem
- ▶ #2794/#9794 Two-Line IOA with Modem
- ▶ #2805/#2806 Quad Modem Adapter
- ▶ #2817 PCI 155 Mbps MMF ATM IOA
- ▶ #2849 10/100 Mbps Ethernet Adapter
- ▶ #4723 PCI 10 Mbps Ethernet Adapter
- ▶ #4745 PCI 2-line WAN IOA
- ▶ #4746 PCI Twinaxial IOA
- ▶ #4748 PCI RAID Disk Unit Controller (*withdrawn from marketing* on 21 November 2003)
- ▶ #4750 PCI ISDN BRI U IOA
- ▶ #4751 PCI ISDN BRI S/T IOA
- ▶ #4761 PCI Integrated Analog Modem (up to V5R2, pre 2003 systems only)
- ▶ #9778/#4778 PCI RAID Disk Unit Controller
- ▶ #4801 PCI Cryptographic Coprocessor (not supported by embedded IOP)
- ▶ #4805 PCI Cryptographic Accelerator (not supported by embedded IOP)
- ▶ #4838 PCI 100/10 Mbps Ethernet IOA
- ▶ #5700 PCI 1 Gbps Ethernet IOA
- ▶ #5701 PCI 1 Gbps Ethernet UTP IOA
- ▶ #5702 PCI-X Ultra Tape Controller
- ▶ #5703 PCI-X RAID Disk Unit Controller
- ▶ #5704 PCI-X Fibre Channel Tape Controller
- ▶ #5705 PCI-X Tape/DASD Controller
- ▶ #5712 PCI-X Tape Controller (V5R3 and POWER5 systems only)
- ▶ #5715 PCI-X Disk/Tape Controller (V5R3 and POWER5 systems only)
- ▶ #9767 Base PCI Disk Unit Controller
- ▶ #9771 Base PCI Two-Line WAN with integrated modem

## **#2791/#2891 Integrated xSeries Server**

The #2791/#2891 PCI Integrated xSeries Server contains an 850 MHz processor and four memory slots in the xSeries IOP.

The #2791 is supported on the CEC of Models 820, 830, 840, 890, SB2, and SB3, on the #5074 PCI Expansion Tower, on the #5078 PCI Expansion Unit, on the #5079 1.8 M I/O Tower, and on the #5075 PCI Expansion Tower when it is attached to the Model 820.

The #2891 is supported only on the Model 270 system unit and on the #5075 PCI Expansion Tower when it is attached to the Model 270. Each memory slot can contain either a 128 MB, a 256 MB, or a 1024 MB xSeries IOP memory card. This provides a total memory capacity ranging from 128 MB to 4 GB.

**Note:** When the maximum memory is installed, only 3712 MB is addressable.

At least one memory card on the Netfinity or xSeries IOP is required.

The feature numbers of the server IOP memory cards are:

- ▶ #2795 - 128 MB server memory
- ▶ #2796 - 256 MB Server IOP Memory
- ▶ #2797 - 1 GB Server IOP Memory

Allowable main storage increments (MB)							
128	256	384	512	640	768	896	1024
1152	1280	1408	1536	1664	1792		2048
2176	2304	2432	2560				3072
3200	3328						4096

At least one LAN IOA is required. Refer to the “PCI card placement rules for the iSeries server” chapter of the *IBM @server iSeries and AS/400e System Builder*, SG24-2155, for details and limitations.

The #2791 and #2891 support up to three, in any combination, of these LAN IOA features:

- ▶ #2743 1 Gbps PCI Ethernet IOA
- ▶ #2760 PCI 1 Gbps Ethernet UTP Adapter
- ▶ #4838 PCI 100/10 Mbps Ethernet IOA
- ▶ #2744 PCI 100 Mbps Token Ring IOA

One #0225 (1 Gbps Ethernet on the Integrated xSeries Server) is required for each 1 Gbps Ethernet adapter selected to run on the #2791/#2891.

One #0224 (100/10 Mbps Ethernet on the Integrated xSeries Server) is required for each #4838 selected to run on the #2791/#2891.

One #0223 (100 Mbps Token-Ring on the Integrated xSeries Server) is required for each #2744 selected to run on the #2791/#2891.

Native iSeries functions are not supported, and the #2791/#2891 servers do not support external host LAN.

The #2791/#2891 requires three PCI card slots on the system or expansion tower backplane. Two slots are consumed by the #2791. The third slot is reduced to a short card slot, which is then used by the first LAN IOA card.

The #2791/#2891 ships with a keyboard or mouse splitter cable.

The #2791/#2891 supports only the Windows NT and Windows 2000 operating systems. These points apply:

- ▶ The #0325 IPCS Extension Cable for Windows is the default (but may be removed).
- ▶ A minimum of 128 MB xSeries IOP memory is required.
- ▶ The #1700 IPCS Keyboard or Mouse for Windows is the default (in those countries (regions) that offer it).
- ▶ A display must be connected to the Integrated xSeries Server to support Windows.

For a non-U.S.A. keyboard or mouse and display, see:

<http://www.iseries.ibm.com/windowsintegration>

## **#2792/#2892/#9792 PCI Integrated xSeries Server**

The #2792 and #2892 PCI Integrated xSeries Server contain a 1.6 GHz processor and four memory slots in the xSeries IOP.

The #2792 is supported on the CEC of Models 820, 825, 830, 840, 870, and 890. It is also supported on the #0578/#5078 PCI Expansion Unit, #0588/#5088 PCI-X Expansion Unit, #0595/#5095 PCI-X Expansion Tower, #5094 PCI-X Expansion Tower, #5294 1.8m I/O Tower, #8093/#8094 Optional 1.8 M I/O Rack, and the #5075 PCI Expansion Tower when attached to these models.

The #9792 is a base feature used on Models 825, 870, and 890 when ordered with the iSeries Enterprise Edition. The #9792 includes two #9726 server memory features (must be ordered as a pair).

The feature numbers of the #2792 PCI Integrated xSeries Server memory cards are:

- ▶ #0426/#9726 - 512 MB server memory
- ▶ #0427 - 1 GB server memory

The #2892 is supported on the Model 270, 800, and 810 system units, on the #5075 PCI Expansion Tower when it is attached to the Model 270, and on all towers attached to the Models 800 and 810.

The feature numbers of the #2892 PCI Integrated xSeries Server memory cards are:

- ▶ #0446 - 512 MB server memory
- ▶ #0447 - 1 GB server memory

At least two memory cards in the xSeries IOP are required. Allowable main storage increments in MB are:

- ▶ 1024
- ▶ 2048
- ▶ 3072
- ▶ 4096

The #2792 and #2892 include one embedded 100/10 Mbps Ethernet LAN controller. The #2792 and #2892 support up to three, in any combination, of these LAN IOA features:

- ▶ #2744 PCI 100 Mbps Token Ring IOA (one #0223 required for each #2744)
- ▶ #5700 PCI 1 Gbps Ethernet IOA (one #0226 required for each #5700)
- ▶ #5701 PCI 1 Gbps Ethernet UTP IOA (one #0226 required for each #5700)

Native iSeries functions are not supported. The #2792/#2892 servers do not support an external host LAN.

The #2792/#2892 requires two PCI card slots on the system or expansion tower backplane. The card does not reduce a third slot to a short slot.

The #2792/#2892 ships with a keyboard or mouse splitter cable.

The #2792/#2892 supports only the Windows 2000 and Windows .NET Server operating systems. These points apply:

- ▶ The #0325 IPCS Extension Cable for Windows is the default (but may be removed).
- ▶ A minimum of 1 GB xSeries IOP memory is required.
- ▶ The #1700 IPCS Keyboard or Mouse for Windows is the default (in those countries (regions) that offer it).



- ▶ A display must be connected to the Integrated xSeries Server to support Windows.

For a non-U.S.A. keyboard or mouse and display, see:

<http://www.iseries.ibm.com/windowsintegration>

The #2792, #2892, and #9792 were *withdrawn from marketing* 01 January 2004.

## #2799/#2899 PCI Integrated xSeries Server

The #2799 and #2899 PCI Integrated xSeries Server contain a 1.0 GHz Intel Pentium III processor and four memory slots in the xSeries IOP.

The #2899 is supported only on the Model 270 system unit and on the #5075 PCI Expansion Tower when it is attached to the Model 270.

Each memory slot can contain either a 128 MB, a 256 MB, or a 1024 MB server memory card. This provides a total memory capacity ranging from 128 MB to 4 GB.

**Note:** When the maximum memory is installed, only 3712 MB is addressable.

At least one server memory card is required.

The feature numbers of the xSeries IOP memory cards are:

- ▶ #2795/#2895 - 128 MB server memory
- ▶ #2796/#2896 - 256 MB server memory
- ▶ #2797/#2897 - 1 GB server memory

Allowable main storage increments (MB)							
128	256	384	512	640	768	896	1024
1152	1280	1408	1536	1664	1792		2048
2176	2304	2432	2560				3072
3200	3328						4096

At least one LAN IOA is required. Refer to the “PCI card placement rules for the iSeries server” chapter of the *IBM @server iSeries and AS/400e System Builder*, SG24-2155, for complete rules for placing these PCI cards in configurations.

The #2799 or #2899 supports up to three, in any combination, of these LAN IOA features:

- ▶ #2743 1 Gbps PCI Ethernet IOA
- ▶ #2760 PCI 1 Gbps Ethernet UTP Adapter
- ▶ #4838 PCI 100/10 Mbps Ethernet IOA
- ▶ #2744 PCI 100 Mbps Token Ring IOA

One #0225 (1 Gbps Ethernet on the Integrated xSeries Server) is required for each 1 Gbps Ethernet adapter selected to run on the #2799 or #2899.

One #0224 (100/10 Mbps Ethernet on the Integrated xSeries Server) is required for each #4838 selected to run on the #2799 or #2899.

One #0223 (100 Mbps Token-Ring on the Integrated xSeries Server) is required for each #2744 selected to run on the #2799 or #2899.

Native iSeries functions are not supported. The #2799 or #2899 servers do not support external host LAN.

The #2899 requires two PCI card slots on the Model 270 system unit. One slot is consumed. The second slot is reduced to a short card slot, which is then used by the first attached LAN IOA card.

The #2799 requires three PCI card slots on the Model 820, 830, 840, SB2, or SB3 system unit backplane. Two slots are consumed by the #2799. The third slot is reduced to a short card slot, which is then used by the first LAN IOA card.

The #2799 or #2899 requires three PCI card slots on the expansion tower backplane. Two slots are consumed by the #2799 or #2899. The third slot is reduced to a short card slot, which is then used by the first LAN IOA card.

The #2799 or #2899 ships with a keyboard or mouse splitter cable. The #2799 or #2899 supports only the Windows NT and Windows 2000 operating systems. These points apply:

- ▶ A #0325 IPCS Extension Cable for Windows is the default (but may be removed).
- ▶ A minimum of 128 MB server memory is required.
- ▶ The #1700 IPCS Keyboard or Mouse for Windows is the default (in those countries (regions) that offer it).
- ▶ A display must be connected to the Integrated xSeries Server to support Windows.

For a non-U.S.A. keyboard or mouse and display, see:

<http://www.iseries.ibm.com/windowsintegration>

The #2799 and #2899 PCI Integrated xSeries Server require OS/400 V5R1 (with program temporary fixes (PTFs)) or later. For required PTF information, see Informational APAR II13105 at:

[http://www-912.ibm.com/n\\_dir/nas4apar.nsf/nas4aparhome](http://www-912.ibm.com/n_dir/nas4apar.nsf/nas4aparhome)

The #2799 was *withdrawn from marketing* on 21 November 2003.

## **#4710/#4810/#9710 PCI Integrated xSeries Server**

The #4710, #4810, or #9710 has a 2 GHz processor and four memory slots. Each server memory slot can contain one of the following features, providing a total main storage capacity from 1,024 MB to 4,096 MB:

- ▶ 512 MB server memory (#0426/#9726)
- ▶ 1 GB server memory (#0427)

A minimum of two server memory cards are required and must be installed in identical capacity pairs. On model upgrades or MES orders, you may order a #4710/#4810 without memory features if usable supported memory features already exist on the installed system.

The #4710, #4810, or #9710 includes one embedded 100/10 Mbps Ethernet LAN controller. It can support the following LAN IOAs in combination:

- ▶ PCI 100/16/4Mbps Token-Ring IOA (#2744)
- ▶ PCI 1 Gbps Ethernet IOA (#5700)
- ▶ PCI 1 Gbps Ethernet UTP IOA (#5701)

You can order the #4710/#4810 without any LAN IOA features.

When a LAN feature is used in conjunction with a #4710, the following ordering rules apply:

- ▶ If #2744 is driven, then one #0223, 100/16/4 Mbps Token-Ring Specify, is required for each #2744 driven.
- ▶ If #5700/#5701 is driven, then one #0226 (1 Gbps Ethernet Specify) is required for each #5700/#5701 driven.

Up to three IOA LAN features can be supported by the #4710/#4810, depending on the system unit or tower position into which the #4710/#4810 is placed.

Native AS/400 functions are *not* supported.

The #4710, #4810, or #9710 does not support external host LAN.

The #4710/#9710 is supported in the system unit of Models 820, 825, 830, 840, 870, and 890. It is also supported in the following expansion towers when attached to these models and the Model 520 and 570: #0578, #0588, #0595, #5074, #5075, #5078, #5079, #5088, #5094, #5095, and #5294, #8079, #8094, #9079, and #9094.

The #4810 is supported in the system unit of Models 270, 800, and 810. It is also supported in the #5075 #0578/#5078, #0588/#5088, and #0595/#5095 when these towers are attached to a Model 270, 800, or 810. For Models 800 and 810, if the #4810 is placed in a #5094 or #5294, the customer installation instructions indicate that a CE must be called for card installation.

The #9710 is supported in the system unit of Models 825, 870, and 890. It is also supported in the following expansion towers when attached to these Models: #0578, #0588, #0595, #5074, #5075, #5078, #5079, #5088, #5094, #5095, and #5294.

The #4710, #4810, or #9710 does not require a #2843, #2844, #9943 or #9844, but placement is limited to specific slots within the various system units and expansion towers. The #4710, #4810, or #9710 requires two PCI card slots and does not hang over a third slot.

The #4710, #4810, or #9710 ships with a standard keyboard or mouse splitter cable and can support either standard or USB 1.1 keyboard, mouse, or both. Windows 2000 Server and Windows 2003 Server operating systems are supported. The following conditions apply:

- ▶ #0325 (IPCS Extension Cable for Windows) is the default but may be removed.
- ▶ A minimum of 1 GB server memory is required.
- ▶ #1700 (IPCS Keyboard or Mouse for Windows) is the default in countries (regions) that offer it.
- ▶ A display must be connected to the Integrated Server to support Windows.

For a non-U.S.A. keyboard or mouse and display, see:

<http://www.iseries.ibm.com/windowsintegration>

OS/400 V5R2 plus PTFs, or later, is required. For required PTF information, refer to Informational APAR II13609 at:

<http://www.ibm.com/eserver/series/support>

## Migration tower PCI hardware

Some or all of the IOPs in the following sections were *withdrawn from marketing*. This section offers a reference to assist in planning system upgrades.

**Important:** Keep in mind that IBM @server i5 520 and 570 and iSeries 800, 810, 825, 870, and 890 models do not support migration towers.

### #2809 PCI LAN/WAN/Workstation IOP

The #2809 PCI LAN/WAN/Workstation IOP can be used for attaching PCI LAN, WAN, and workstation IOAs to the system. The #2809 supports different combinations of cards depending on where it is installed on the #503x Migration Tower. It is supported for migration only on the #503x Migration Tower.

The #2809 was *withdrawn from marketing* on 31 May 2001.

### #2824 PCI Feature Controller

This IOP is a feature I/O processor with 32 MB of memory installed on the #5034 and #5035 Migration Tower I, the #5055 Storage Expansion Unit, and the #5066 1.8 M I/O Tower. It is supported for migration only on the #503x Migration Tower.

The #2824 was *withdrawn from marketing* on 29 December 2001.

### #2865 PCI Integrated Netfinity Server

The #2865 PCI Integrated Netfinity Server contains an Intel 333 MHz Pentium II processor, four main storage slots, and two LAN IOA slots. The #2865 provides high performance serving to LAN attached PCs. OS/2® Warp Server for AS/400, Novell NetWare, Lotus Domino, Flowmark, Firewall for AS/400, and Microsoft Windows NT Server are supported on the Integrated Netfinity Server.

The #2865 requires two (reserved) PCI card positions: one for the processor card and one for a bridge card that acts as the interface to the system. The IPCS comes with a special cable that allows for a connection on the back of the bridge card to industry-standard keyboard, mouse, serial, and parallel connectors.

Between one and four memory features must be installed on the Integrated Netfinity Server and allows between 32 MB and 512 MB of main storage:

- ▶ #2861: 32 MB IOP Memory (*withdrawn from marketing* 28 December 2001)
- ▶ #2862: 128 MB IOP Memory (*withdrawn from marketing* 28 December 2001)
- ▶ #2867: 256 MB IOP Memory (*withdrawn from marketing* 02 July 2002)

When running OS/2, a maximum of 512 MB IOP memory is supported.

One or two of these LAN IOA features must be installed on the Integrated Netfinity Server:

- ▶ #2723 PCI Ethernet IOA (*withdrawn from marketing* 28 December 2001)
- ▶ #2724 PCI 16/4 Mbps Token Ring IOA (*withdrawn from marketing* 31 July 2001)
- ▶ #2838 PCI 100/10 Mbps Ethernet IOA

Only one of the LAN IOAs can be a #2838 100/10 Mbps Ethernet IOA. If the #2838 is run on the #2865 Integrated Netfinity Server, the #0222 100/10 Mbps Ethernet on IPCS is required.

If Windows NT is running on the #2865 PCI Integrated Netfinity Server, these considerations apply to the Integrated Netfinity Server:

- ▶ The #0325 IPCS Extension Cable for Windows NT (required)
- ▶ The #1700 IPCS Keyboard or Mouse for Windows NT (default in certain countries (regions))
- ▶ A display must be connected to the IPCS to support Windows NT
- ▶ A minimum of 64 MB IOP memory on the Integrated Netfinity Server

For keyboard or mouse and display support in countries (regions) outside of the U.S.A., see the Web site at:

[http://www-132.ibm.com/content/home/store\\_IBMPublicUSA/en\\_US/eServer/iSeries/](http://www-132.ibm.com/content/home/store_IBMPublicUSA/en_US/eServer/iSeries/)

The #2865 was *withdrawn from marketing* on 02 July 2002.

## Migration tower SPD hardware

All of the IOPs described in the following sections were *withdrawn from marketing*. For a list of withdrawn features, see “Products and features no longer marketed by IBM” on page 737. This section is included for reference purposes to assist in planning system upgrades.

**Important:** Keep in mind that @server i5 520 and 570 and iSeries 800, 810, 825, 870, and 890 models do not support migration towers or SPD hardware.

For SPD to PCI migration considerations, refer to:

<http://www.ibm.com/servers/eserver/support/series/planning/>

## #2629 SPD LAN/WAN/Workstation IOP

This adapter uses one SPD slot. It supports up to three of the following IOAs:

- ▶ #6149 16/4 Mbps Token Ring IOA
- ▶ #6180 Twinaxial Workstation IOA (*withdrawn from marketing* 31 July 2001)
- ▶ #6181 ASCII Workstation Controller (*withdrawn from marketing* 31 July 2001)

One #2629 supports any combination of adapters with one restriction. There is a maximum of two LAN IOAs.

Up to seven #2629s can be placed into each #5072 1063 Mbps System Unit Expansion Tower. The #2629 is not allowed in slot 14 of the #5072 1063 Mbps System Unit Expansion Tower. No restrictions apply when using the #2629 with a #5073 tower.

The #2629 was *withdrawn from marketing* on 31 May 2001.

## #2810 LAN/WAN IOP

The #2838 PCI 100/10 Mbps Ethernet IOA is used in SPD cages for attaching the #2838 PCI 100/10 Mbps Ethernet IOA or one of the #281x PCI ATM IOAs. It is a high workload IOP and has configuration limitations.

The #2810 was *withdrawn from marketing* on 31 May 2001.

## #6618 Integrated Netfinity Server

The #6618 Integrated Netfinity Server contains an Intel 333 MHz Pentium II processor, four main storage slots, and three LAN IOA slots. The IPCS provides high-performance LAN serving to LAN-attached PCs. OS/2 Warp Server for AS/400, Novell IntraNetWare, Lotus Domino, Flowmark, Firewall for AS/400, and Windows NT server are supported on the Integrated Netfinity Server.

The #6618 Integrated Netfinity Server requires three IOP slots. It comes with no base main memory and supports up to four of these memory features to allow between 32 MB and 1024 MB of memory:

- ▶ #2861 32 MB IOP Memory Card (*withdrawn from marketing* 28 December 2001)

- ▶ #2862 128 MB IOP Memory Card (*withdrawn from marketing* 28 December 2001)
- ▶ #2867 256 MB IOP Memory Card (*withdrawn from marketing* 02 July 2002)

When running OS/2, the memory maximum is 512 MB.

Each LAN slot can contain either a Token-ring or an Ethernet IOA from this list, up to a maximum of three. At least one IOA feature is required:

- ▶ #2723/#9723 PCI Ethernet IOA (10 Mbps) (*withdrawn from marketing* 28 December 2001 and 02 July 2002 respectively)
- ▶ #2724/#9724 PCI Token Ring IOA (*withdrawn from marketing* 31 July 2001 and 02 July 2002, respectively)
- ▶ #2838/#9738 PCI 100/10 Mbps Ethernet IOA

If the #2724/#9724 is selected, an #0220 (token-ring on IPCS) is required for each #2724/#9724 selected to run on the #6618. If the #2723/#9723 is selected, a #0221 (Ethernet on IPCS) is required for each #2723/#9723 selected to run on the #6618. If the #2838/#9738 is selected, an #0222 (100/10 Mbps Ethernet on IPCS) is required for each #2838/#9738 selected to run on the #6618.

All three PCI slots can be used for the Integrated Netfinity Server with only two of the three slots supporting native iSeries functions. A maximum of two #2838/#9738 can be used on each Integrated Netfinity Server: one native and one Windows NT dedicated. The #6618 cannot be placed on a #5044.

An external cable is included to enable connectivity to IPCS hardware (keyboard or mouse), which also allows for optional use of parallel and serial ports. If you run Windows NT on the #6618, these considerations apply:

- ▶ The #0325 IPCS Extension Cable for Windows NT can be ordered.
- ▶ A #1700 IPCS Keyboard or Mouse for Windows NT is the default in certain countries (regions) and is orderable.
- ▶ A display is connected to the IPCS to support Windows NT.
- ▶ A minimum of 64 MB IOP memory is available on the Integrated Netfinity Server.

For keyboard or mouse and display support in countries (regions) outside the U.S.A., see the Web site at:

[http://www-132.ibm.com/content/home/store\\_IBMPublicUSA/en\\_US/eServer/iSeries/](http://www-132.ibm.com/content/home/store_IBMPublicUSA/en_US/eServer/iSeries/)

The #6618 was *withdrawn from marketing* on 28 December 2001.





## iSeries I/O adapters and controllers

This chapter discusses input/output adapters (IOA) that are available from IBM for iSeries Peripheral Component Interconnect (PCI) system units and associated PCI and System Products Division (SPD) migration towers. Refer to Chapter 15, “iSeries I/O processors” on page 233, for input/output processor (IOP) information.

## PCI card technology

The original AS/400 systems used SPD cards to input/output (I/O) services to the system. SPD cards integrate the IOP and IOA function on a single card. PCI I/O architecture separates IOP and IOA functions so that you can add one IOP and have several different IOAs controlled by the one IOP.

PCI architecture provides more flexibility in the placement of IOPs and IOA cards. This results in more efficient use of card slots, potentially resulting in a lower cost of implementation. PCI I/O structure enables customer setup of the server and select features on all models.

The fundamental bus architecture remains unchanged in iSeries servers with the implementation of PCI adapters. PCI architecture offers advantages over other non-iSeries (or non-AS/400e) system structures. The system IOP is architected to offload the main processor, isolate the host from adapter and network errors, and to manage, configure, and service the adapters. On all current models, adding or removing PCI cards can be performed without taking the server down. This allows you to power down a PCI slot and remove the PCI card from the system without powering down the system. This improves the availability of the system and allows you to perform upgrades, maintenance, or repair without impacting the users of the system.

**Note:** Refer to the individual PCI card descriptions and the system descriptions to see if *hot swapping* of a specific PCI card is supported.

Increased flexibility of configuration, however, adds a degree of complexity to the configuration process. With the implementation of PCI technologies, a full understanding of configuration rules associated with the various I/O features of the iSeries server is required.

Due to the possibility of having to reset an IOP occasionally as a result of tape problems, we recommend that you do not combine any other critical IOAs (particularly disk IOAs) with a tape IOA on the same IOP. Resetting an IOP causes all IOAs downstream of it to be deactivated during the reset.

**Note:** If a system or expansion tower has the capability of concurrent maintenance, it is possible to reset only the IOA. However, there are instances that require resetting an IOP.

Refer to “PCI-X” on page 20 for a description of PCI-X, the newest generation of PCI technology used on iSeries servers.

## PCI card placement rules

There are two sets of rules that govern the placement of PCI cards in the iSeries servers:

- ▶ **Hard rules:** Impose restrictions on the type of card, size, and valid slot placement. Hard rules are taken into account by the IBM marketing configurator.
- ▶ **Soft rules:** Impose restrictions based on possible performance bottlenecks associated with certain configuration and use. Soft rules depend on the use of the cards and required performance and, therefore, are not supported by the marketing configurator and must be taken into account separately.

The placement of PCI cards follows special rules. For a complete explanation of both *hard* and *soft* rules, as well the types of cards and slots supported on each system, refer to *PCI Card Placement Rules for the IBM eServer iSeries Server Version 5 Release 2*, REDP-3638, before you propose any configuration. Rules are also explained in the iSeries Information Center at:

[https://submit.boulder.ibm.com/eserver/hardware/cur/v1r2m0/en\\_US/info/iphak/iphak.pdf](https://submit.boulder.ibm.com/eserver/hardware/cur/v1r2m0/en_US/info/iphak/iphak.pdf)

## PCI IOP

There are several types of I/O processor controller cards:

- ▶ **Integrated IOPs:** These are integrated on the backplane of a system or tower.
- ▶ **PCI IOP controller cards:** These cards support a number of low-speed PCI card slots and a number of high-speed PCI card slots depending on how the backplane is wired. They require a controller position on the backplane.
- ▶ **Integrated xSeries Server IOP:** This is a special case of a PCI IOP controller card. It drives a select subset of supported PCI IOA cards.

In the Model 250, the Integrated xSeries Server IOP requires two specialized slots (a processor slot and bridge slot) and a PCI IOP. In Models 270, 520, 570, 800, 810, 820, 825, 830, 840, 870, and 890, the Integrated xSeries Server IOP occupies a valid IOP slot in the system. An additional IOP card is not required.

## PCI IOA

When installed and configured in an OS/400 (IBM i5/OS) partition, PCI IOAs have to be driven by a PCI IOP.

Several types of PCI adapter cards, each of which can require a specialized slot on the system backplane, exist:

- ▶ **Low-speed PCI adapter cards:** These cards require a PCI card slot and a PCI controller to drive them. The PCI controller can either be included on the backplane or as a separate PCI card that attaches to the backplane.
- ▶ **High-speed PCI adapter cards:** These cards require a higher bandwidth connection to the PCI controllers than low-speed PCI cards require. The PCI controller can be included on the backplane or as a separate PCI card that attaches to the backplane.
- ▶ **Low-speed/high-speed PCI adapter cards:** These cards can be installed in either a low-speed slot or high-speed slot.
- ▶ **PCI controller cards:** PCI controller cards support a number of low-speed PCI card slots and a number of high-speed PCI card slots depending on how the backplane is wired. They require a controller position on the backplane.
- ▶ **Integrated xSeries Server for iSeries controller cards:** The latest manufacturing variance of the PCI controller cards, the Integrated xSeries Server for iSeries, supports PCI card slots and requires a PCI controller to drive it. The Integrated xSeries Server occupies a reserved two-slot controller position on the backplane. One slot is for the Integrated xSeries Server processor card, and one is for the Integrated iSeries Server Bridge card.

Refer to the system diagrams to identify which slots are supported.

**Note:** If the card is configured as a dedicated IOA in a Linux partition, then it does not require an IOP and does not support the enhanced functions stated previously.

PCI adapter are customer install features. Refer to Chapter 20, “Customer Install Features” on page 367, for a list of CIF features for current iSeries models.

## Linux direct attach features

The IBM marketing configurator supports ordering IOAs without IOPs when a Linux partition is defined using the following feature codes:

- ▶ #0601 Direct Attach - #2743 PCI 1 Gbps Ethernet IOA
- ▶ #0602 Direct Attach - #2760 PCI 1 Gbps Ethernet UTP IOA
- ▶ #0603 Direct Attach - #2744 PCI 100 Mbps Token-Ring IOA
- ▶ #0604 Direct Attach - #2763 PCI RAID Disk Unit Controller
- ▶ #0605 Direct Attach - #4748 PCI RAID Disk Unit Controller
- ▶ #0606 Direct Attach - #4778 PCI RAID Disk Unit Controller
- ▶ #0607 Direct Attach - #4838 PCI 100/10 Mbps Ethernet IOA

- ▶ #0608 Direct Attach - #4745 PCI WAN IOA
- ▶ #0609 Direct Attach - #2772 PCI Dual WAN/Modem IOA
- ▶ #0610 Direct Attach - #2773 PCI Dual WAN/Modem IOA
- ▶ #0612 Direct Attach - #2766 PCI Fibre Channel Disk Controller
- ▶ #0613 Direct Attach - #2742 PCI 2-Line WAN IOA
- ▶ #0614 Direct Attach - #2793 PCI 2-Line WAN w/Modem
- ▶ #0615 Direct Attach - #2793 Two-Line WAN IOA with Modem
- ▶ #0616 Direct Attach - #2805 PCI Quad Modem IOA
- ▶ #0617 Direct Attach - #2806 PCI Quad Modem (CIM)
- ▶ #0618 Direct Attach - #2757 PCI-X Ultra RAID Disk Controller
- ▶ #0619 Direct Attach - #2782 PCI-X RAID Disk Unit Controller
- ▶ #0620 Direct Attach - #5700 PCI 1 Gbps Ethernet IOA
- ▶ #0621 Direct Attach - #5701 PCI 1 Gbps Ethernet UTP IOA
- ▶ #0623 Direct Attach - #2849 PCI 100/10Mbps Ethernet IOA
- ▶ #0624 Direct Attach - #5702 PCI-X Ultra Tape Controller
- ▶ #0626 Direct Attach - #2787 PCI-X Fibre Channel Disk Controller
- ▶ #0628 Direct Attach - #5703 PCI-X RAID Disk Unit Controller
- ▶ #0643 Direct Attach - #5706 PCI-X 1Gbps Ethernet-TX IOA
- ▶ #0644 Direct Attach - #5707 PCI-X 1 Gbps Ethernet-SX IOA
- ▶ #0645 Direct Attach - #5712 PCI-X Tape/DASD Controller

Not all features are supported on all models.

## Functions not supported with PCI cards

The following functions provided by SPD cards do not have equivalent function PCI cards:

- ▶ ASCII Adapter
- ▶ V.25 Autocall cable
- ▶ Select standby mode
- ▶ X.21 switched WAN dial-up or shorthold mode WAN
- ▶ Asynchronous communication speeds of less than 300 bps
- ▶ Data Rate Select signal on the EIA 232/V.24 interface: This function is used by some older 2400 bps modems to reduce the speed to 1200 bps.
- ▶ Link Problem Determination Aids (LPDA®)-1: This is a diagnostic function supported by some modems.
- ▶ V.54 local and remote loopback (diagnostics functions supported by some modems)

PCI adapters also do not support X.21 switched WAN dial-up or shorthold mode WAN.

## System unit hardware (PCI)

iSeries PCI IOAs available from IBM are described in this section. IOAs that are supported but are now *withdrawn from marketing* are described in the *IBM @server iSeries and AS/400e System Builder*, SG24-2155. Withdrawn features are identified in “Products and features no longer marketed by IBM” on page 737.

Refer to Chapter 20, “Customer Install Features” on page 367, to identify the CIF status for each supported feature.

### #2742 Two-Line WAN IOA

The #2742 Two-Line WAN IOA supports up to two multiple protocol communications ports when one or two (in any combination) of the following cables are attached:

- ▶ #0348 V.24/EIA232 20-ft. (6m) PCI cable
- ▶ #0349 V.24/EIA232 50-ft. (15m) PCI cable (*withdrawn from marketing* 03 December 2002)
- ▶ #0353 V.35 20-ft. PCI cable
- ▶ #0354 V.35 50-ft./15m PCI cable (*withdrawn from marketing* 03 December 2002)
- ▶ #0355 V.35 80-ft. PCI cable
- ▶ #0356 V.36 20-ft. PCI cable
- ▶ #0358 V.36 150-ft. PCI cable
- ▶ #0359 X.21 20-ft. PCI cable
- ▶ #0360 X.21 50-ft./15m PCI cable (*withdrawn from marketing* 03 December 2002)
- ▶ #0365 V.24/EIA232 80-ft. PCI cable
- ▶ #0367 Operations Console PCI Cable

Multiple #0367 cables may be ordered (but only one per #2742) to serve as consoles for secondary partitions when Logical Partitioning (#0140) is specified.

When #2742 is selected to support ECS, one of following cables must be specified: #0348, #0349 or #0365. The #2742 does not support Remote Power On.

When used as a Direct Attached Adapter for Linux, order the #0613 in place of the #2742.

## #2743 1 Gbps PCI Ethernet IOA

The #2743 1 Gbps PCI Ethernet IOA allows iSeries servers to attach to IEEE standard 802.3Z high-speed Ethernet local area networks (LANs) (1 Gbps). The adapter supports multi-mode fibre media attachment from the adapter to a Gb-capable switch with at least one port that supports a 1000 BASE-SX interface with IEEE 802.3z and 802.3u compliance. The #2743 supports a multi-mode fibre interface with a 62.5 micron or 50.0 micron cable for attachment to customer-supplied cabling.

The #2743 1 Gbps PCI Ethernet IOA supports a 1000 Mbps (1 Gbps) full duplex interface only and TCP/IP only. Cannot negotiate down to a lower speed. Stations on 10 Mb, 100 Mb, and 1000 Mb (1 Gb) switched LANs can interface with the #2743 through a switch that is capable of handling the lower speed. The #2743 can run under a #2791 or #2799 or #2891/#2899 PCI Integrated xSeries Server in V5R1. A #0225 1 Gbps Ethernet Specify is needed for each #2743 running under one of these integrated servers.

When used as a Direct Attached Adapter for Linux, order the #0601 in place of the #2743.

## #2744 PCI 100 Mbps Token Ring IOA

The #2744 PCI 100 Mbps Token Ring IOA provides a single attachment to a 100 Mbps, 16 Mbps, or 4 Mbps IBM Token Ring network. The feature consists of an IOA card, internal code, which supplies IEEE 802.5 Media Access Control (MAC), and IEEE 802.2 Logical Link Control (LCC) functions. The 100/16/4 Token Ring IOA is capable of operating in half or full duplex mode.

The #2744/#9744 comes standard with an 8-ft./2.44m Token-Ring cable. Alternately, a separately purchased twisted-pair cable to the RJ-45 connection on the IOA may be attached.

If the #2744 is selected to run on a #2791 or #2799 or #2891/#2899 PCI Integrated xSeries Server, one #0223 (100 Mbps Token-Ring on Integrated Netfinity Server) is required for each #2744 ordered.

When used as a Direct Attached Adapter for Linux, order the #0603 in place of the #2744.

## #2749 PCI Ultra Magnetic Media Controller

The #2749 PCI Ultra Magnetic Media Controller is an Ultra SCSI high voltage differential (HVD) controller for attachment of an external HVD tape device or an external HVD optical device. When attaching Ultra SCSI to a #2749, the

instantaneous data transfer rate is 40 MB per second, and the sustained rate is 38 MB per second. The #2749 feature is hot pluggable.

**Note:** If a #3995 Optical Library Dataserver is attached to a #2749, the #2749 should not be placed under the same IOP that drives the Load Source direct access storage device (DASD).

The devices that are supported by the #2749 include:

- ▶ 3490E
  - C11/C22/C1A/C2A ½-inch Cartridge Tape Subsystem with the #5040
  - E01/E11 ½-inch Cartridge Tape Subsystem
  - F00/F01/F11/F1A ½-inch Cartridge Tape Subsystem
- ▶ 3494
  - L10 ½-inch Cartridge Tape Library Control Unit Frame (one 3490E-C1A/C2A with the #5040 or one or two 3490E-F1A)
  - L12 ½-inch Cartridge Tape Library Control Unit Frame (one or two 3590-B1A)
  - D10 ½-inch Cartridge Tape Library Device Frame (one 3490E-C1A/C2A with the #5040 or one or two 3490E-F1A)
  - D12 ½-inch Cartridge Tape Library Device Frame (one to six 3590-B1A)
- ▶ 3570
  - B00/B01/B02/B11/B12/B1A Cassette Tape Subsystem
  - C00/C01/C02/C11/C12/C1A Cassette Tape Subsystem
- ▶ 3575-L06/L12/L18/L24/L32 ½-inch Cartridge Tape Subsystem
- ▶ 3580-H11/H13/H23 Ultrium Tape Drive
- ▶ 3581-H17 Ultrium Tape Autoloader
- ▶ 3583-Lxx Ultrium Scalable Tape Library
- ▶ 3584-L32 or D32 UltraScalable Tape Library
- ▶ 3590-B11/B1A/E11/H11/E1A/H1A ½-inch Cartridge Tape Subsystem
- ▶ 3995-C40/C42/C44/C46/C48 Optical Library Dataserver
- ▶ 7208-012/222/232/234/342 8mm Cartridge Tape Device
- ▶ 9348-001 ½-inch Reel Tape Device–Rack Mount
- ▶ 9348-002 ½-inch Reel Tape Device–Table Top
- ▶ 9427-21x 8mm Tape Library

**Tip:** Use the #5702 PCI-X Ultra Tape Controller to attach tape devices with low voltage differential (LVD) connections.



## #2757 PCI-X Ultra RAID Disk Controller

The #2757 PCI-X Ultra RAID Disk Controller is an Ultra SCSI disk unit controller with a 757 MB compressed maximum cache that provides RAID-5 protection for internal disk units. It also supports internal tape devices, CD-ROM, and DVD units. The #2757 has four Ultra SCSI buses.

The #2757 is designed to work as a high performance controller for disks protected by system mirroring or disks with no protection. In a RAID-5 configuration, disk unit protection is provided at less cost than mirroring, and with greater performance than system checksums. DASD compression is not supported.

The #2757 controls up to two removable media devices (internal tape, CD-ROM, and DVD).

The number of disk units per #2757 varies by configuration:

- ▶ Up to 20 disk units per #2757 are supported in a #5094 PCI-X Expansion Tower attached to a Model 520 or 570.
- ▶ Up to 18 disk units per #2757 are supported in the system unit or external tower disk cage of the Model 270, 800, and 810.
- ▶ Up to 15 disk units per #2757 are supported in a #9094 Base PCI I/O Enclosure attached to a Model 870 or 890.

For all other configurations, contact your IBM marketing representative.

A minimum of three disk units of the same capacity is needed for a valid RAID-5 configuration. A maximum of six arrays is allowed per controller, with a maximum of 18 disk units allowed per array.

Parity is spread across either two, four, eight, or 16 disk units in an array, dependent upon the number of disk units started in the array, as represented in the following table.

Number of units in the array	Number of units parity is spread across
3	2
4 - 7	4
8 - 15	8
16 - 18	16

## #2760 PCI 1 Gbps Ethernet UTP Adapter

The #2760 PCI 1 Gbps Ethernet UTP Adapter allows attachment to IEEE standard 802.3Z high-speed Ethernet LANs (1 Gbps) to provide a significant performance improvement over other LAN solutions. The adapter supports a UTP CAT 5 media interface. The #2760 supports half and full duplex mode, and TCP/IP only.

The #2760 can negotiate to a lower speed and can directly attach to 10 Mbps or 100 Mbps networks with appropriate switches and hubs. Direct attachment via crossover cables is not supported. A #2760 is supported under a #2791 or #2799 or #2891/#2899 PCI Integrated xSeries Server in V5R1. A #0225 1 Gbps Ethernet Specify is needed for each #2743 running under one of these Integrated Netfinity Servers or Integrated xSeries Servers. Use Enhanced Category 5 cable for the best results.

When used as a Direct Attached Adapter for Linux, order the #0602 in place of the #2760.

The #2760 PCI 1 Gbps Ethernet UTP Adapter and the #5701 PCI 1 Gbps Ethernet UTP IOA are functionally equivalent.

## #2763 PCI RAID Disk Unit Controller

The #2763 PCI RAID Disk Unit Controller is an Ultra2 SCSI disk unit controller with a 10 MB write-cache that provides RAID-5 protection for internal disk units and supports internal tape and CD-ROM units.

The #2763 is designed to work as a high-performance controller for disks protected by system mirroring or disks with no protection. In the RAID-5 configuration, disk unit protection is provided at a lower cost than mirroring and with greater performance than system checksums.

The #2763 controller supports a maximum of 12 disk units and up to two removable media devices including a DVD. The #2763 is available on the Model 270, the Model 820, and the #5075 PCI Expansion Tower.

A minimum of four drives of the same capacity is needed for a valid RAID-5 configuration. A maximum of three arrays is allowed, with a maximum of 10 drives allowed per array. All drives in an array must be of the same capacity.

The #2763 PCI RAID Disk Unit Controller is hot pluggable.

When used as a Direct Attached Adapter for Linux, order the #0604 in place of the #2763.

The #2763 was *withdrawn from marketing* on 21 November 2003. The #5703 PCI-X RAID Disk Unit Controller is the recommended replacement.

## #2765 PCI Fibre Channel Tape Controller

The #2765 PCI Fibre Channel Tape Controller provides Fibre Channel attachment capability for external tape devices. The #2765 supports point-to-point and arbitrated loop topologies. The #2765 is auto-sensing and is fully enabled for 1 Gbps and 2 Gbps. V5R2 is required for 2 Gbps. Each #2765 is shipped with a wrap connector (PN#05N6767).

The following options are available to attach SC-type fibre cables:

- ▶ A #0371 two meter LC-SC Adapter kit is used to connect the #2765 to a 50 micron cable.
- ▶ A #0372 two meter LC-SC Adapter kit is used to connect the #2765 to a 62.5 micron cable.

Fibre Channel attachment for tape devices offers tremendous performance capabilities and long distance options. It is also easier for you to share these valuable resources with multiple systems.

The tape subsystems that are supported by the #2765 PCI Fibre Channel Tape Controller are:

- ▶ 3590 Models E11/H11 or E1A/H1A with feature #9510 (on new orders)
- ▶ 3590 Models E11/H11 or E1A/H1A with feature #3510 (upgrade of installed SCSI tape devices to Fibre Channel)
- ▶ 3583 with drive feature #8005
- ▶ 3584 with drive feature #1456
- ▶ 3584 LTO 2 with drive feature #1476

Only one tape device can be connected per IOA.

The #5704 PCI-X Fibre Channel Tape Controller is the recommended replacement.

## #2766 PCI Fibre Channel Disk Controller

The #2766 PCI Fibre Channel Disk Controller provides Fibre Channel attachment capability for external disk devices. The #2766 supports point-to-point and arbitrated loop topologies. The #2766 is auto-sensing and is fully enabled for 1 Gbps and 2 Gbps. V5R2 is required for 2 Gbps. Each #2766 is shipped with a wrap connector (PN #05N6767).

The following options are available to attach SC-type fibre cables:

- ▶ A #0371 two meter LC-SC Adapter kit used to connect the #2765 to a 50 micron cable.
- ▶ A #0372 two meter LC-SC Adapter kit used to connect the #2765 to a 62.5 micron cable.

The #2766 requires a dedicated IOP. No other IOA is allowed on an IOP with the #2766.

Some iSeries customers may find storage area network (SAN)-attached DASD devices to be appealing for their environment. If consolidating large amounts of DASD from different platforms is important, consider SAN. However, a complex commercial business environment usually requires good, predictable response time to maintain user productivity and satisfaction. Carefully consider the performance implications of sharing resources in this environment, because the sharing may introduce more variable performance. For critical workloads, dedicated direct attach DASD resources can ensure more predictable performance.

When used as a Direct Attached Adapter for Linux, order the #0612 in place of the #2766.

**Important:** A #2766 PCI Fibre Channel Disk Controller, supported on the iSeries with OS/400 V5R1, can be used to attach the IBM TotalStorage Enterprise Storage Server (ESS). The #2766 is not supported as a load source IOP in secondary (system is unable to IPL via a #2766), but remote load source mirroring is supported through the #2766.

The #2787 PCI-X Fibre Channel Disk Controller is the recommended replacement.

## #2768 PCI Magnetic Media Controller

The #2768 PCI Magnetic Media Controller is an Ultra SCSI HVD controller for attachment of an external tape device or an external CD-ROM device that has a single-ended SCSC interface.

The #2768 PCI Magnetic Media Controller supports one, or a combination, of these devices:

- ▶ 7207 Model 122 QIC-SLR Tape Bridge Box
- ▶ 7207 Model 330 External SLR60 Tape Drive
- ▶ 7210 Model 330
- ▶ 7210 Model 020 CD-ROM Bridge Box

- ▶ 7210 Model 025 DVD-RAM drive
- ▶ 7329 Model 308 SLR100 ¼-inch Tape Autoloader
- ▶ 7208 Model 345 60 GB External 8mm Tape Drive
- ▶ One 7210 Model 025 and one 7210 Model 020: The two devices are daisy-chained).
- ▶ One 7210 Model 025 and one 7210 Model 020: The two devices are daisy chained with the 7210-025 physically connected first. No #0120 attachment specify code is required for the 7210-020.
- ▶ One 7207 Model 122 and one 7210 Model 020: The two devices are daisy chained with the 7207-122 physically connected first. No #0120 attachment specify code is required for the 7210-020.
- ▶ One 7207 Model 122 and one 7210 Model 025: The two devices are daisy chained with the 7207-122 physically connected first.
- ▶ One 7208-345 and one 7210-020: The two devices are daisy chained with the 7208-345 physically connected first. No #0120 attachment specify code is required for the 7210-020.
- ▶ One 7208-345 and one 7210-025: The two devices are daisy chained with the 7208-345 physically connected first.
- ▶ The #0120 7210-020 Attachment Specify: This is required for each 7210 Model 020 CD-ROM Bridge Box.

The 7210-020 External CD-ROM Drive is to be connected directly (not daisy chained) to the system through a #2768.

**Note:** If the 7210-020 is to be daisy chained with another external device, the #0120 specify code must not be present.

The #0162 Extended Single Ended Attach Specify is required when these devices are directly attached (not second on a daisy-chained string) to an iSeries server via a #2768 PCI Magnetic Media Controller:

- ▶ 7329 Model 308 SLR100 ¼-inch Tape Autoloader
- ▶ 7210-025 External DVD- RAM Drive

**Note:** If either of the previous devices is daisy chained from another device, the #0162 specify code must not be present.

The #2768 PCI Magnetic Media Controller is hot pluggable.

## #2772 and #2773 PCI Dual WAN/Modem IOA

The #2772 PCI Dual WAN/Modem IOA and #2773 PCI Dual WAN/Modem IOA are basically the same interface. The #2772 is the non-Complex Impedance Matching (CIM) version of this card. Both are 2-line WAN adapters, with two ports (RJ11) supporting V.90 56K Async PPP and FAX applications at data rates up to 14.4K via internal modems. Connection to the V.90 ports is via a telephone cable. Both of these features do not support remote power on. The new cards can be used for the purpose of multilink. These cards need country (region)-specific telephone cables (a minimum of one and a maximum of two per card).

Feature #2773, the Complex Impedance Matching version, is intended for Australia and New Zealand only. All cable features must be the same on the same iSeries server.

Cable features supported with the #2772 are:

- ▶ #1010 Modem Cable-Austria
- ▶ #1011 Modem Cable-Belgium
- ▶ #1012 Modem Cable-Africa
- ▶ #1013 Modem Cable-Israel
- ▶ #1014 Modem Cable-Italy
- ▶ #1015 Modem Cable-France
- ▶ #1016 Modem Cable-Germany
- ▶ #1017 Modem Cable-U.K.
- ▶ #1018 Modem Cable-Iceland/Sweden
- ▶ #1020 Modem Cable-China (Hong Kong S.A.R.)/New Zealand
- ▶ #1021 Modem Cable-Finland/Norway
- ▶ #1022 Modem Cable-Netherlands
- ▶ #1023 Modem Cable-Swiss
- ▶ #1024 Modem Cable-Denmark
- ▶ #1025 Modem Cable-U.S.A./Canada

Cable features supported with the #2773 are:

- ▶ #1019 Modem Cable-Australia
- ▶ #1020 Modem Cable-China (Hong Kong S.A.R.)/New Zealand

When used as a Direct Attached Adapter for Linux, order the #0609 in place of the #2772, and the #0610 ordered in place of the #2773.

## #2782 PCI-X RAID Disk Unit Controller

The #2782 PCI-X RAID Disk Unit Controller is an Ultra SCSI disk unit controller with a 40 MB cache that provides RAID-5 protection for internal disk units. It also

supports internal tape devices, CD-ROM, and DVD units. The #2782 has two Ultra SCSI buses.

The #2782 is designed to work as a high performance controller for disks protected by system mirroring or disks with no protection. In the RAID-5 configuration, disk unit protection is provided at less cost than mirroring, and with greater performance than system checksums.

The #2782 controller supports a maximum of 12 disk units. DASD compression is not supported.

The #2782 controls up to two removable media devices (internal tape, CD-ROM and DVD).

**Note:** Due to a system unit and external tower disk cage designs, only the Models 270 and 810, and the #0595/#5095 PCI-X Expansion Tower have a suitable system configuration to allow 12 disk units to attach to a single #2782. All other system unit and tower disk configurations restrict the number of attaching disk units to 10 or less.

A minimum of three disk units of the same capacity are needed for a valid RAID-5 configuration. A maximum of four arrays are allowed per controller, with a maximum of 12 disk units allowed per array.

Parity is spread across either two, four, eight, or 16 disk units in an array, as represented in the following table.

Number of units in the array	Number of units parity is spread across
3	2
4 - 7	4
8 - 12	8

The #2782 and #0619 Linux Direct Attach - #2782 PCI-X RAID Disk Unit Controller were *withdrawn from marketing* on 01 January 2004. The #5703 PCI-X RAID Disk Unit Controller is the recommended replacement for the #2782. The #0628 is the recommended replacement for the #0619.

## #2787 PCI-X Fibre Channel Disk Controller

The #2787 PCI-X Fibre Channel Disk Controller provides Fibre Channel attachment capability for external disk devices. The #2787 supports point-to-point and arbitrated loop topologies and has an LC-type cable connector.

Each #2787 is shipped with a wrap connector (part number 05N6767). The #2787 supports 64-bit, 133MHz PCI-X bus speeds.

The following adapter kits are required when connecting SC-type cables to the #2787:

- ▶ #0371 - LC-SC Adapter Kit (50 um) can be ordered, both on initial, model upgrades, and simple MES orders. This optional kit is used to attach SC-type fibre (50 micron) cables to a #2787. The #0371 kit contains a 2m LC-ST cable and ST-SC adapter for 50 micron fiber cable.
- ▶ #0372 - LC-SC Adapter Kit (62.5 um) can be ordered, both on initial, model upgrades, and simple MES orders. This optional kit is used to attach SC-type fiber (62.5 micron) cables to a #2787. The #0372 kit contains a 2m LC-ST cable and ST-SC adapter for 62.5 micron fiber cable.

An optics cleaning kit (part number 46G6844) and instruction sheet (part number 21P6238, form number SY27-2604) is supplied, one per system, when a #2787 is present or ordered.

**Note:** Customers are to supply all Fibre Channel cables for the #2787 PCI-X Fibre Channel Disk Controller.

The #2787 PCI-X Fibre Channel Disk Controller is the recommended replacement card for the #2766 PCI Fibre Channel Disk Controller.

When used as a Direct Attached Adapter for Linux, order the #0626 in place of the #2787.

## **#2793/#2794/#9793/#9794 PCI Dual WAN/Modem IOA**

The #2793/#2794/#9793/#9794 PCI Dual WAN/Modem IOA cards all provide the same interface. The #2793/#9793 are offered in all countries (regions) except Australia and New Zealand, where the #9793/#9794 is offered instead. The #9793/#9794 are base models.

The #2793/#9793 is a two-line WAN with Modem adapter and is the non-Complex Impedance Matching (CIM) version. The #2794/#9794 is the CIM version.

Port 0 is the modem port and supports V.92 56K Async PPP, V.92 data modem, V.44 data compression, V.34 FAX modem and FAX functions such as ECM and 2D/1D conversion. Port 0 does not provide Sync modem capabilities (SDLC and Sync PPP). Port 1 is the RVX port and supports multiple communications protocols.



Select one of the following cables to attach to port 0 (the modem port):

- ▶ #1010 Modem Cable-Austria
- ▶ #1011 Modem Cable-Belgium
- ▶ #1012 Modem Cable-Africa
- ▶ #1013 Modem Cable-Israel
- ▶ #1014 Modem Cable-Italy
- ▶ #1015 Modem Cable-France
- ▶ #1016 Modem Cable-Germany
- ▶ #1017 Modem Cable-U.K.
- ▶ #1018 Modem Cable-Iceland/Sweden
- ▶ #1020 Modem Cable-China (Hong Kong S.A.R.)/New Zealand
- ▶ #1021 Modem Cable-Finland/Norway
- ▶ #1022 Modem Cable-Netherlands
- ▶ #1023 Modem Cable-Swiss
- ▶ #1024 Modem Cable-Denmark
- ▶ #1025 Modem Cable-U.S.A./Canada

Cable features supported with the #2794 are:

- ▶ #1019 Modem Cable-Australia
- ▶ #1020 Modem Cable-China (Hong Kong S.A.R.)/New Zealand

Select one of the following cables to attach to port 1 (the RVX port):

- ▶ #0348 V.24/EIA232 20-ft. (6m) PCI cable
- ▶ #0349 V.24/EIA232 50-ft. (15m) PCI cable (*withdrawn from marketing* 03 December 2002)
- ▶ #0353 V.35 20-ft. PCI cable
- ▶ #0354 V.35 50-ft./15m PCI cable (*withdrawn from marketing* 03 December 2002)
- ▶ #0356 V.36 20-ft. PCI cable
- ▶ #0359 X.21 20-ft. PCI cable
- ▶ #0360 X.21 50-ft./15m PCI cable (*withdrawn from marketing* 03 December 2002)
- ▶ #0365 V.24/EIA232 80-ft. PCI cable
- ▶ #0367 Operations Console PCI Cable

Multiple #0367 cables can be ordered (but only one per #2793) to serve as consoles for secondary partitions when logical partitioning (#0140) is specified.

ECS is supported from the RVX port. A #0348, #0349, or #0365 cable is required to support ECS. ECS is also supported from the modem port.

The #2793/#2794/#9793/#9794 PCI Dual WAN/Modem IOA does not support the remote ring indicate function.

When used as a Direct Attached Adapter for Linux, order the #0614 in place of the #2793, and order the #0615 in place of the #2794.

## **#2805 and #2806 PCI Quad Modem IOA**

The #2805 PCI Quad Modem IOA and #2806 PCI Quad Modem (CIM) are basically the same interface. The #2805 is the non-Complex Impedance Matching (CIM) version of the card. Both are 4-line WAN modem adapters, with four RJ-11 ports that support V.92 56K Async SLIP/PPP and V.34 Fax applications at data rates up to 33.6K via internal modems. Connection to the V.92 ports is via a telephone cable.

The V.92 functions offer increased throughput for upload operations, improved V.44 data compression, and shortened modem synchronization periods. The call waiting and modem-on-hold functions associated with V.92 are not supported. Remote Power-On via ring-indicator, SDLC, and synchronous PPP are not supported.

The #2805 and #2806 cards need country (region)-specific telephone cables (a minimum of one and a maximum of four per card). Feature #2806, the CIM version, is intended for Australia and New Zealand only. The #2805/#2806 require country (region) certification/homologation.

A minimum of one modem cable must be ordered for each #2805/#2806. All modem cables installed on a system must be the same feature number.

The cable features that are supported with the #2805 are:

- ▶ #1010 Modem Cable-Austria
- ▶ #1011 Modem Cable-Belgium
- ▶ #1012 Modem Cable-Africa
- ▶ #1013 Modem Cable-Israel
- ▶ #1014 Modem Cable-Italy
- ▶ #1015 Modem Cable-France
- ▶ #1016 Modem Cable-Germany
- ▶ #1017 Modem Cable-U.K.
- ▶ #1018 Modem Cable-Iceland/Sweden
- ▶ #1020 Modem Cable-China (Hong Kong S.A.R.)/New Zealand
- ▶ #1021 Modem Cable-Finland/Norway
- ▶ #1022 Modem Cable-Netherlands
- ▶ #1023 Modem Cable-Swiss
- ▶ #1024 Modem Cable-Denmark
- ▶ #1025 Modem Cable-U.S.A./Canada

Cable features supported with the #2806 are:

- ▶ #1019 Modem Cable-Australia
- ▶ #1020 Modem Cable-China (Hong Kong S.A.R.)/New Zealand

When used as a Direct Attached Adapter for Linux, order the #0616 in place of the #2805, and order the #0617 in place of the #2806.

OS/400 V5R1 (with PTFs) or later is required. For required PTF information, availability, and ordering information, refer to Informational APAR II13079 at:

<http://www-912.ibm.com/supporthome.nsf/document/10000035>

## **#2849/#9749 10/100 Mbps Ethernet Adapter**

The #2849 10/100 Mbps Ethernet Adapter and #9749 card allows an iSeries server to attach to standardized 100 Mbps high speed Ethernet LANs and allows attachment to existing 10 Mbps Ethernet LANs. The adapter comes standard with an RJ45 connector for attachment to UTP-5 media.

The #2849 is not supported on any Integrated Netfinity or Integrated xSeries Server.

When used as a Direct Attached Adapter for Linux, order the #0623 in place of the #2849.

## **#4745 PCI 2-line WAN IOA**

The #4745 PCI 2-line WAN IOA supports up to two multiple protocol communications ports when one of two (in any combination) of these cables are attached:

- ▶ #0348 V.24/EIA232 20-ft./6m PCI cable
- ▶ #0349 V.24/EIA232 50-ft./15m PCI cable (*withdrawn from marketing 03 December 2002*)
- ▶ #0353 V.35 20-ft./6m PCI cable
- ▶ #0354 V.35 50-ft./15m PCI cable (*withdrawn from marketing 03 December 2002*)
- ▶ #0355 V.35 80-ft./24m PCI cable
- ▶ #0356 V.36 20-ft./6m PCI cable
- ▶ #0358 V.36 150-ft./45m PCI cable
- ▶ #0359 X.21 20-ft./6m PCI cable

- ▶ #0360 X.21 50-ft./15m PCI cable (*withdrawn from marketing* 03 December 2002)
- ▶ #0365 V.24/EIA232 80-ft./24m PCI cable
- ▶ #0367 Operations Console PCI Cable

Only one #0367 Operations Console PCI Cable is allowed per #4745. Multiple #0367s can be ordered (but only one allowed per #4745) to serve as consoles for secondary partitions when logical partitioning (#0140) is specified.

When used as a Direct Attached Adapter for Linux, order the #0608 in place of the #4745.

## **#4746 PCI Twinaxial IOA**

The #4746 PCI Twinaxial IOA is an 8-port twinaxial workstation IOA with a 20-foot attachment cable for attaching up to 40 5250-type displays and printers. Each port supports seven attached devices and allows up to 56 attached addresses of which only 40 can be active. When the attached display supports address sharing, a maximum of 120 shared sessions is supported.

## **#4748/#9748 Base PCI RAID Disk Unit Controller**

The #4748/#9748 Base PCI RAID Disk Unit Controller is an Ultra2 SCSI disk unit controller with a 26 MB write-cache that provides RAID-5 protection for internal disk units and supports internal tape, CD-ROM, and DVD devices. The #4748/#9748 supports both compression and non-compression modes. The mode of operation is determined by a hardware jumper, which is in the non-compression mode position when shipped. By moving the hardware jumper, the controller functions in compression mode.

In addition to providing RAID-5 protection for disks, the #4748/#9748 is also designed to work as a high-performance controller for disks protected by system mirroring or disks with no protection. In the RAID-5 configuration, disk unit protection is provided at a lower cost than mirroring and with greater performance than system checksums.

The #4748/#9748 controller supports a maximum of 18 drives. A minimum of four drives of the same capacity is needed for a valid RAID-5 configuration. A maximum of four arrays is allowed, with a maximum of 10 drives allowed per array. All drives in an array must be of the same capacity.

The #4748/#9748 also supports two removable media devices.

The #4748 feature is hot pluggable.

When used as a Direct Attached Adapter for Linux, order the #0605 in place of the #4748.

The #4748 was *withdrawn from marketing* on 21 November 2003. The recommended replacement is a #2757 PCI-X Ultra RAID Disk Controller.

## #4778/#9778 Base PCI RAID Disk Unit Controller

The #4778/#9778 Base PCI RAID Disk Unit Controller is an Ultra2 SCSI adapter with a maximum compressed write cache size of 104 MB that provides RAID-5 protection and compression for internal disk units, as well as support for internal tape devices, CD-ROM, and DVD units. The #4778/#9778 has three Ultra2 SCSI buses.

The #4778/#9778 supports both disk compression and enhanced modes. The mode of operation is determined by a hardware jumper. The #4778/#9778 Ultra2 SCSI adapter is shipped in enhanced mode, which enables compression of the write cache. Extended Adaptive Cache (requires a Read Cache Device) or RAID-protection is also supported.

In addition to providing RAID-5 protection for disks, the #4778/#9778 is designed to work as a high performance controller for disks protected by system mirroring or disks with no protection.

The #4778/#9778 controller supports a maximum of 18 disk units. Hardware data compression is supported for 35 GB or smaller disk units.

**Note:** Due to system CEC and external tower disk unit cage SCSI bus designs, only the Models 270, 800, and 810 have a suitable system configuration to allow 18 disk units to attach to a single #4778. All other CEC or tower disk unit configurations restrict the number of attaching disk units to 15 or less.

The #4778/#9778 requires OS/400 V5R1 or later.

When used as a Direct Attached Adapter for Linux, order the #0606 in place of the #4778.

## #4801 PCI Cryptographic Coprocessor

The #4801 PCI Cryptographic Coprocessor is a hardware cryptography solution based on the IBM 4758-023 card. The #4801 is a half-length PCI card that offers rich cryptography function, secure storage of cryptographic keys, and triple DES

capability. The Cryptographic Access Provider licensed program (no-charge 5722-AC3) must be installed to set the key length prior to using the adapter.

The #4801 is available worldwide.

**Note:** On new systems from the plant, the #4801 is shipped with the system. Due to temperature requirements (card temperature must not drop below 5 degrees Fahrenheit (-15 degrees Celsius)), it is not installed.

## #4802 PCI Cryptographic Processor

The #4802 PCI Cryptographic Processor is a hardware cryptography solution based on the IBM 4758-023 card. The #4802 is a half-length PCI card that offers rich cryptography function, secure storage of cryptographic keys, and triple DES capability. The #4802 provides greater security by use of 112-bit keys (compared to a 56-bit key of the #4800). The Cryptographic Access Provider licensed program (no-charge 5722-AC3) must be installed to set the key length prior to using the adapter.

The #4802 is only supported in the #5065 Storage/PCI Expansion Tower and the #5066 1.8 M I/O Tower.

The #4800 is not supported on the iSeries Models 820, 830, 840, and 890 nor in #503X/#5077 Migration Tower II and their attached expansion towers. Convert each #4800 PCI Cryptographic Processor installed in a Model 720, 730, or 740 or attached expansion towers to a #4802 PCI Cryptographic Processor.

**Note:** On new shipments from the plant, the #4802 is shipped with the system. Due to temperature requirements (card temperature must not drop below 5 degrees Fahrenheit (-15 degrees Celsius)), it is not installed.

The #4802 is available worldwide.

## #4805 PCI Cryptographic Accelerator

The #4805 PCI Cryptographic Accelerator feature provides improved performance for high transaction rate secure Web applications, which use the Secure Sockets Layer (SSL) or Transport Layer Security (TLS) protocols. Establishing SSL/TLS secure Web connections requires very compute intensive cryptographic processing.

You can use the Cryptographic Accelerator to offload cryptographic processing. SSL/TLS secure Web connections typically protect information (for example,

credit card number) as it is transferred over the Internet, for example between a Web browser and a server.

There is a maximum of two #4805 PCI Cryptographic Accelerators per IOP. They are restricted to a maximum of one per IOP if the IOP also drives a 1 Gbps Ethernet LAN card (#2743, #2760, #5700, or #5701).

**FIPS:** Applications that require a FIPS 140 certified, tamper-resistant module for storing cryptographic keys or require financial PIN processing should continue to use the IBM 4758-023 Cryptographic Coprocessor PCI card (#4801 or #4802).

FIPS 140-1 is a U.S. Government National Institute of Standards & Technology (NIST) administered standard and certification program for cryptographic modules.

## **#4838 PCI 100/10 Mbps Ethernet IOA**

The #4838 PCI 100/10 Mbps Ethernet IOA allows iSeries servers to attach to a standardized 100 Mbps high-speed Ethernet LAN. It also allows the attachment to existing 10 Mbps Ethernet LANs. The adapter comes with an RJ-45 connector for attachment to UTP-5 media. Cabling for 10 Mbps must be CAT-3 or CAT-5. Cabling for 100 Mbps must be CAT 5 that meets or exceeds Industry Standard EIA/TIA T568A or T568B. The maximum cable length is 100 meters. The Ethernet/IEEE 802.3 IOA is capable of operating in half or full duplex mode.

If the #4838 is selected to run on a #2791/#2799 PCI Integrated xSeries Server or #2891/#2899 PCI Integrated xSeries Server, one #0224 (100/10 Mbps Ethernet on Integrated Netfinity Server) is required for each #4838 ordered.

When used as a Direct Attached Adapter for Linux, order the #0607 in place of the #4838.

## **#5700 PCI 1 Gbps Ethernet IOA**

The #5700 PCI 1 Gbps Ethernet IOA allows attachment to IEEE standard 802.3Z high-speed (1 Gbps) Ethernet LANs. It can also be used to connect to existing 100 Mbps Ethernet LANs via switches capable of handling multiple speeds with 10 Mbps, 100 Mbps, or 1000 Mbps ports. It cannot be directly attached (crossover cables are not supported) to 10 Mbps or 100 Mbps networks.

The #5700 supports a multimode fiber interface with a 62.5 micron or 50.0 micron cable requirement. The adapter has a duplex LC fiber optic connector for attachment to customer supplied cabling.

The #5700 adapter only supports TCP/IP.

There is a maximum of one #5700 per Multi-Adapter Bridge Boundary (MABB), except where the second #5700 is controlled by an Integrated xSeries Server. Combinations of Integrated xSeries Server controlled and PCI IOP controlled #5700s within a MABB are permitted. If a #5700 is controlled by a #2792/#2892 PCI Integrated xSeries Server, then specify code #0226 - 1 Gbps Ethernet Specify is specified for each #5700 controlled by an Integrated xSeries Server.

When used as a Direct Attached Adapter for Linux, order the #0620 in place of the #5700.

## **#5701 PCI 1 Gbps Ethernet UTP IOA**

The #5701 PCI 1 Gbps Ethernet UTP IOA allows attachment to IEEE standard 802.3Z high-speed (1 Gbps) Ethernet LANs. The #5701 PCI 1 Gbps Ethernet UTP IOA can negotiate to a lower speed and can directly attach to 10 Mbps or 100 Mbps networks with appropriate switches and hubs. Direct attachment via crossover cables is not supported. The #5701 adapter supports a UTP CAT 5 media interface.

The #5701 adapter only supports TCP/IP.

There is a maximum of one #5701 per MABB, except where the second #5701 is controlled by an Integrated xSeries Server. Combinations of Integrated xSeries Server controlled and PCI IOP controlled #5701s within a MABB are permitted. If a #5701 is controlled by a #2792 or #2892 Integrated xSeries Server, then specify code #0226 - 1 Gbps Ethernet Specify is specified for each #5701 controlled by an Integrated xSeries Server.

When used as a Direct Attached Adapter for Linux, order the #0621 in place of the #5701.

The #2760 PCI 1 Gbps Ethernet UTP Adapter and the #5701 PCI 1 Gbps Ethernet UTP IOA are functionally equivalent.

## **#5702 PCI-X Ultra Tape Controller**

The #5702 PCI-X Ultra Tape Controller is an Ultra SCSI LVD controller for attachment of two external tape devices or an external CD-ROM device that has a single-ended SCSI interface.

Each port of the #5702 PCI-X Ultra Tape Controller supports one, or a combination, of these devices:



- ▶ 3580-L23 IBM TotalStorage Ultrium 2 Tape Drive
- ▶ 3582-L23 IBM Ultrium Tape Library, LVD Ultrium 2 drive feature
- ▶ 3583-Lxx IBM Ultrium Scalable Tape Library, LVD Ultrium 2 drive feature
- ▶ 3584 UltraScalable Tape Library, LVD Ultrium 2 drive feature
- ▶ 7206-VX2 80 GB VXA-2 External Tape Drive
- ▶ 7207-122 QIC-SLR Tape Bridge Box (4 GB External ¼-inch Cartridge Tape Drive)
- ▶ 7208-345 60 GB External 8mm Tape Drive
- ▶ 7210-020 External CD-ROM
- ▶ 7210-025 External DVD-RAM
- ▶ 7329-308 SLR100 ¼-inch Tape Autoloader
  
- ▶ One 7210 Model 025 and one 7210 Model 025: The two devices are daisy chained.
  
- ▶ One 7210 Model 025 and one 7210 Model 020: The two devices are daisy chained with the 7210-025 physically connected first. No #0120 attachment specify code is required for the 7210-020.
  
- ▶ One 7207 Model 122 and one 7210 Model 020: The two devices are daisy chained with the 7207-122 physically connected first. No #0120 attachment specify code is required for the 7210-020.
  
- ▶ One 7207 Model 122 and one 7210 Model 025: The two devices are daisy chained with the 7207-122 physically connected first.
  
- ▶ One 7208 Model 345 and one 7210 Model 020: The two devices are daisy chained with the 7208-345 physically connected first. No #0120 attachment specify code is required for the 7210-020.
  
- ▶ One 7208 Model 345 and one 7210 Model 025: The two devices are daisy chained with the 7208-345 physically connected first.

The #0120 7210-020 Attachment Specify is required for each 7210-020 External CD-ROM Drive to be connected directly (not daisy chained) to the system through a #5702.

**Note:** If the 7210-020 is daisy chained with another external device, the #0120 specify code must not be present.

The #0162 Extended Single Ended Attach Specify is required when these devices are directly attached (not second on a daisy chained string) to an iSeries server, via a #5702 PCI-X Ultra Tape Controller:

- ▶ 7329-308 SLR100 ¼-inch Tape Autoloader
- ▶ 7210-025 External DVD-RAM

**Note:** If either of these devices is daisy chained with another device, the #0162 specify code must not be present.

The #5702 PCI-X Ultra Tape Controller is hot pluggable.

When used as a Direct Attached Adapter, order the #0624 in place of the #5702.

**Note:** The #5702 has both internal and external SCSI ports. Devices cannot be attached both internally and externally on the same bus.

## #5703 PCI-X RAID Disk Unit Controller

The #5703 PCI-X RAID Disk Unit Controller is an Ultra3 SCSI controller with a cache size of 40 MB that provides RAID-5 protection for internal disks and internal tape units, CD-ROM, DVD-RAM, and DVD-ROM units. The #5703 has two Ultra3 SCSI buses and runs on a U320 (320 MB/s) data rate.

In addition to providing RAID-5 protection for disks, the #5703 is designed to work as a high performance controller for disks protected by system mirroring or disks with no protection. In the RAID-5 configuration, disk unit protection is provided at less cost than mirroring, and with greater performance than system checksums.

The #5703 controller supports a maximum of 12 disk units. DASD compression is not supported.

**Restriction:** Due to a system CEC and external tower disk unit cage SCSI bus designs, only Models 270, 800, and 810, and the #0595/#5095 PCI-X Expansion Tower have a suitable system configuration to allow 12 disk units to attach to a single #5703. All other CEC and tower disk configurations restrict the number of attaching disk units to 10 or less.

A minimum of three disk units of the same capacity are needed for a valid RAID-5 configuration. A maximum of four arrays are allowed per controller, with a maximum of 12 disk units allowed per array. All disk units in an array must be of the same capacity. Parity is spread across either two, four, or eight disk units in an array. If an array of three disk units is started, parity is spread across two disk units. If an array of four to seven disk units is started, parity is spread across four disk units. If an array of 8 to 12 disk units is started, parity is spread across eight disk units.

The number of arrays and size of each array can be influenced by specifying an optimization of either Balance, Performance, or Capacity in Operations Navigator when starting arrays. An optimization of *Balance* is used by default when starting arrays from the green screens. If disk units are included into an existing array, parity may be spread across less than the preferred number of disk units. In this case, you must stop and then start the RAID function to redistribute the parity.

The #5703 controls up to two removable media devices (internal tape, CD-ROM, DVD-RAM, DVD-ROM).

The #5703 PCI-X RAID Disk Unit Controller is the recommended replacement for the #2782 PCI-X RAID Disk Unit Controller.

When used as a Direct Attached Adapter, order the #0628 in place of the #5703. The #0143 Disk Controller Placement Exception is a prerequisite for the #5703.

## #5704 PCI-X Fibre Channel Tape Controller

The #5704 PCI-X Fibre Channel Tape Controller provides Fibre Channel attachment capability for external tape devices. The #5704 supports point-to-point and arbitrated loop topologies and has an LC-type cable connector. Each #5704 is shipped with a wrap connector (part number 05N6767). The #5704 supports 64-bit, 133 MHz PCI-X bus speeds.

The following adapter kits are required when connecting SC-type cables to the #5704:

▶ #0371 - LC-SC Adapter Kit (50 micron)

The #0371 can be ordered on initial, model upgrades, and simple MES orders. This optional kit is used to attach SC-type fibre (50 micron) cables to a #5704. The #0371 kit contains a 2m LC-ST cable and ST-SC adapter for 50 micron fiber cable.

▶ #0372 - LC-SC Adapter Kit (62.5 micron)

The #0372 can be ordered on initial, model upgrades, and simple MES orders. This optional kit is used to attach SC-type fibre (62.5 micron) cables to a #5704. The #0372 kit contains a 2m LC-ST cable and ST-SC adapter for 62.5 micron fiber cable.

An optics cleaning kit (part number 46G6844) and instruction sheet (part number 21P6238, form number SY27-2604) are supplied, one per system, when you order a #5704.

**Note:** Customers are to supply all Fibre Channel cables for the #5704 PCI-X Fibre Channel Tape Controller.

The #5704 PCI-X Fibre Channel Tape Controller is the PCI-X card replacement for the #2765 PCI Fibre Channel Tape Controller.

## #5705 PCI-X Tape/DASD Controller

The #5705 PCI-X Tape/DASD Controller provides SCSI Ultra PCI attachment capability for external tape devices, up to two removable media devices (internal tape, CD-ROM or DVD), and internal disk devices. The #5705 has two SCSI buses, with each bus providing an internal and an external device port (four ports total: two internal and two external). Each bus can only support one connection, either an internal DASD connection or internal tape on the internal port, or an external tape or removable media connection on the external port.

The internal SCSI DASD port supports up to six disk units. RAID is not supported.

The internal tape port supports one #4585 80 GB VXA-2 Tape Device.

The external tape port supports one, or a combination, of these devices:

- ▶ 3580-L23 IBM TotalStorage Ultrium 2 Tape Drive
- ▶ 3582-L23 IBM Ultrium Tape Library, LVD Ultrium 2 drive feature
- ▶ 3583-Lxx IBM Ultrium Scalable Tape Library, LVD Ultrium 2 drive feature
- ▶ 3584 UltraScalable Tape Library, LVD Ultrium 2 drive feature
- ▶ 7206-VX2 80 GB VXA-2 External Tape Drive
- ▶ 7207-122 QIC-SLR Tape Bridge Box (4 GB External ¼-inch Cartridge Tape Drive)
- ▶ 7208-345 60 GB External 8mm Tape Drive
- ▶ 7210-020 External CD-ROM
- ▶ 7210-025 External DVD-RAM
- ▶ 7329-308 SLR100 ¼-inch Tape Autoloader
  
- ▶ One 7210-025 External DVD-RAM and one 7210-025 External DVD-RAM: The two devices are daisy chained.
- ▶ One 7210-025 External DVD-RAM and one 7210-020 External CD-ROM: The two devices are daisy chained with the 7210-025 physically connected first. No #0120 attachment specify code is required for the 7210-020.
- ▶ One 7207-122 QIC-SLR Tape Bridge Box (4 GB External ¼-inch Cartridge Tape Drive) and one 7210-020 External CD-ROM: The two devices are daisy chained with the 7207-122 physically connected first. No #0120 attachment specify code is required for the 7210-020.
- ▶ One 7207-122 QIC-SLR Tape Bridge Box (4 GB External ¼-inch Cartridge Tape Drive) and one 7210-025 External DVD-RAM: The two devices are daisy chained with the 7207-122 physically connected first.

- ▶ One 7208-345 60 GB External 8mm Tape Drive and one 7210-020 External CD-ROM: The two devices are daisy chained with the 7208-345 physically connected first. No #0120 attachment specify code is required for the 7210-020.
- ▶ One 7208-345 60 GB External 8mm Tape Drive and one 7210-025 External DVD-RAM: The two devices are daisy chained with the 7208-345 physically connected first.

The #0120 7210-020 Attachment Specify is required for each 7210-020 External CD-ROM to be connected directly (not daisy chained) to the system through a #5705.

**Note:** If the 7210-020 is daisy chained with another external device, the #0120 specify code must not be present.

The #0162 Extended Single Ended Attach Specify is required when these devices are directly attached (not second on a daisy-chained string) to an iSeries server via a #5705 PCI-X Tape/DASD Controller:

- ▶ 7329-308 SLR100 ¼-inch Tape Autoloader
- ▶ 7210-025 External DVD-RAM

**Note:** If either of these devices is daisy chained with another device, the #0162 specify code must not be present.

If two external SCSI ports are required, order a #5702.

## #5706 PCI-X 1Gbps Ethernet-TX IOA

The #5706 is a 2-port 1000/100/10 Mbps Base-TX Ethernet PCI-X Adapter. The #5706 is a Full Duplex, dual ported, Gigabit Ethernet adapter designed with highly integrated components. This adapter can be configured to run each port at 1000, 100, or 10 Mbps data rates. This adapter interfaces to the system via a PCI or PCI-X bus and connects to a network using a 4-pair CAT-5 Unshielded Twisted Pair (UTP) cable for distances of up to 100m. The adapter conforms to the IEEE 802.3ab 1000Base-T standard. The #5706 also supports jumbo frames when running at the 1000 Mbps speed.

The #5706 supports a function called *Large Send* or sometimes known as *TCP Segmentation*. This function offloads the TCP segmentation operation from the IP layer to the adapter for outgoing (transmit side) TCP segments.

The #5706 also supports a function known as *Checksum Offload*, which offloads the TCP/UDP Checksum Operation or workload from the CPU to the adapter.

The #5706 is the first IOA for the iSeries server that does not require a PCI IOP. The IOP functions are already integrated into the IOA. There are no additional restrictions of where the #5706 can be placed. The system recognizes IOP-less cards and handles them appropriately, regardless of where they are placed (in front of or behind IOPs).

**Note:** For optimum performance, place the adapter in a 64-bit PCI-X card slot whenever possible.

Note the following restrictions:

- ▶ The 1000 Mbps speed is not supported in Half Duplex (HDX) mode.
- ▶ Systems Network Architecture (SNA) is not supported.
- ▶ A cross-over cable is not supported.

It is supported in Models 520 and 570 with i5/OS V5R3.

When used as a Direct Attached Adapter, order the #0643 in place of the #5706. The #5706 is a Customer Install Feature.

## #5707 PCI-X 1Gbps Ethernet-SX IOA

The #5707 is a 2-Port Gigabit Ethernet-SX PCI-X Adapter that provides two 1 Gbps (1000 Base-SX) full-duplex Ethernet LAN connections with throughput on a standard shortwave multimode optical cable that conforms to the IEEE 802.3z standard. The adapter supports distances of 260m for 62.5 micron Multi Mode Fiber (MMF) and 550m for 50.0 micron MMF.

The #5707 supports a function called *Large Send* or sometimes known as *TCP Segmentation*. This function offloads the TCP segmentation operation from the IP layer to the adapter for outgoing (transmit side) TCP segments.

The #5707 also supports a function known as *Checksum Offload*, which offloads the TCP/UDP Checksum Operation or workload from the CPU to the adapter.

There are no additional restrictions of where the #5707 can be placed. The system recognizes IOP-less cards and handles them appropriately, regardless of where they are placed (in front of or behind IOPs).

**Note:** For optimum performance, place the adapter in a 64-bit PCI-X card slot whenever possible.

The 2-Port IBM Gigabit Ethernet-SX PCI-X Adapter incorporates an LC type connector on the card.

Note the following restrictions:

- ▶ Half Duplex (HDX) mode is not supported.
- ▶ SNA is not supported.
- ▶ A cross-over cable is not supported.

It is supported in Models 520 and 570 with i5/OS V5R3.

When used as a Direct Attached Adapter, order the #0644 in place of the #5707. The #5707 is a Customer Install Feature.

## **#5709 RAID Enabler Card**

The #5709 RAID Enabler Card has 16 MB write cache. It supports up to eight disk unit positions in the Model 520 system unit and up to six disk unit positions in the Model 570 system unit. The #5709 provides RAID capability to the embedded SCSI controller. It plugs into its own specific internal slot and does not require or use a PCI card slot. Hardware disk compression is not supported.

In the Model 520, you can use the #5709 with or without a #6574 4-Disk Slot Expansion. When installed without a #6574, the #5709 supports four disk units. When installed with a #6574, the #5709 supports a maximum of eight disk units.

The #5709 is an optional feature for the Model 520. It is required for the Model 570 system unit.

It is supported in Models 520 and 570 with i5/OS V5R3.

The #5709 is a Customer Install Feature.

## **#5712 PCI-X Tape Controller**

The #5712 is an Ultra SCSI controller for attachment of two external tape devices or an external CD-ROM device that has a single-ended SCSI interface.

Each port of the #5712 PCI-X Tape/DASD Controller supports one, or a combination, of these devices:

- ▶ 3580-L23 IBM TotalStorage Ultrium 2 Tape Drive
- ▶ 3582-L23 IBM Ultrium Tape Library, LVD Ultrium 2 drive feature
- ▶ 3583-Lxx IBM Ultrium Scalable Tape Library, LVD Ultrium 2 drive feature
- ▶ 3584 UltraScalable Tape Library, LVD Ultrium 2 drive feature
- ▶ 7206-VX2 80 GB VXA-2 External Tape Drive
- ▶ 7207-122 QIC-SLR Tape Bridge Box (4 GB External ¼-inch Cartridge Tape Drive)
- ▶ 7208-345 60 GB External 8mm Tape Drive
- ▶ 7210-020 External CD-ROM

- ▶ 7210-025 External DVD-RAM
- ▶ 7329-308 SLR100 ¼-inch Tape Autoloader
- ▶ Two 7210 Model 025 External DVD-RAMs. The two devices are daisy chained.
- ▶ One 7210 Model 025 and one 7210 Model 020: The two devices are daisy chained with the 7210-025 physically connected first. No #0120 attachment specify code is required for the 7210-020.
- ▶ One 7207 Model 122 and one 7210 Model 020: The two devices are daisy chained with the 7207-122 physically connected first. No #0120 attachment specify code is required for the 7210-020.
- ▶ One 7207 Model 122 and one 7210 Model 025: The two devices are daisy chained with the 7207-122 physically connected first.
- ▶ One 7208 Model 345 and one 7210 Model 020: The two devices are daisy chained with the 7208-345 physically connected first. No #0120 attachment specify code is required for the 7210-020.
- ▶ One 7208 Model 345 and one 7210 Model 025: The two devices are daisy chained with the 7208-345 physically connected first.

The #0120 7210-020 Attachment Specify is required for each 7210-020 External CD-ROM Drive to be connected directly (not daisy chained) to the system through a #5702.

**Note:** If the 7210-020 is daisy chained with another external device, the #0120 specify code must not be present.

The #0162 Extended Single Ended Attach Specify is required when these devices are directly attached (not second on a daisy chained string) to an iSeries server, via a #5702 PCI-X Ultra Tape Controller:

- ▶ 7329-308 SLR100 ¼-inch Tape Autoloader
- ▶ 7210-025 External DVD-RAM

**Note:** If either of these devices is daisy chained with another device, the #0162 specify code must not be present.

The #5712 is hot pluggable.

When used as a Direct Attached Adapter, order the #0645 in place of the #5712.

**Note:** The #5712 has both internal and external SCSI ports. Devices cannot be attached both internally and externally on the same bus.



## #5715 PCI-X Tape/DASD Controller

The #5715 PCI-X Tape/DASD Controller provides Ultra SCSI attachment capability for external tape devices, up to two removable media devices (internal tape, CD-ROM, or DVD), and up to four internal disk devices. The #5715 has two SCSI buses, with each bus providing an internal and an external device port (four ports total: two internal and two external). Each bus can only support one connection, either an internal DASD connection or internal tape on the internal port, or an external tape or removable media connection on the external port. The #5715 supports RAID-5. It does not support hardware data compression.

The external tape port supports one, or a combination, of these devices:

- ▶ 3580-L23 IBM TotalStorage Ultrium 2 Tape Drive
- ▶ 3582-L23 IBM Ultrium Tape Library, LVD Ultrium 2 drive feature
- ▶ 3583-Lxx IBM Ultrium Scalable Tape Library, LVD Ultrium 2 drive feature
- ▶ 3584 UltraScalable Tape Library, LVD Ultrium 2 drive feature
- ▶ 7206-VX2 80 GB VXA-2 External Tape Drive
- ▶ 7207-122 QIC-SLR Tape Bridge Box (4 GB External ¼-inch Cartridge Tape Drive)
- ▶ 7208-345 60 GB External 8mm Tape Drive
- ▶ 7210-020 External CD-ROM
- ▶ 7210-025 External DVD-RAM
- ▶ 7329-308 SLR100 ¼-inch Tape Autoloader
  
- ▶ Two 7210-025 External DVD-RAMs. The two devices are daisy chained.
- ▶ One 7210-025 External DVD-RAM and one 7210-020 External CD-ROM: The two devices are daisy chained with the 7210-025 physically connected first. No #0120 attachment specify code is required for the 7210-020.
- ▶ One 7207-122 QIC-SLR Tape Bridge Box (4 GB External ¼-inch Cartridge Tape Drive) and one 7210-020 External CD-ROM: The two devices are daisy chained with the 7207-122 physically connected first. No #0120 attachment specify code is required for the 7210-020.
- ▶ One 7207-122 QIC-SLR Tape Bridge Box (4 GB External ¼-inch Cartridge Tape Drive) and one 7210-025 External DVD-RAM: The two devices are daisy chained with the 7207-122 physically connected first.
- ▶ One 7208-345 60 GB External 8mm Tape Drive and one 7210-020 External CD-ROM: The two devices are daisy chained with the 7208-345 physically connected first. No #0120 attachment specify code is required for the 7210-020.
- ▶ One 7208-345 60 GB External 8mm Tape Drive and one 7210-025 External DVD-RAM: The two devices are daisy chained with the 7208-345 physically connected first.

The #0120 7210-020 Attachment Specify is required for each 7210-020 External CD-ROM to be connected directly (not daisy chained) to the system through a #5705.

**Note:** If the 7210-020 is daisy chained with another external device, the #0120 specify code must not be present.

The #0162 Extended Single Ended Attach Specify is required when these devices are directly attached (not second on a daisy-chained string) to an iSeries server via a #5705 PCI-X Tape/DASD Controller:

- ▶ 7329-308 SLR100 ¼-inch Tape Autoloader
- ▶ 7210-025 External DVD-RAM

**Note:** If either of these devices is daisy chained with another device, the #0162 specify code must not be present.

If two external SCSI ports are required, order a #5712.

## #9767 Base PCI Disk Unit Controller

The #9767 Base PCI Disk Unit Controller is an Ultra2 SCSI disk unit and removable media device controller. It is the default controller in the Model 270 and controls up to six disk units and up to two removable media devices (internal tape or CD-ROM/DVD). It is also the default controller in the Model 820 when RAID (#0041 device parity protection-All) is not on the order. It controls up to six disk units on the pre-V5R1 processors and up to four disk units on the new V5R1 processors.

Up to two removable media devices (internal tape or CD-ROM or DVD) are also supported. In the #5075 PCI Expansion Tower, the #9767 supports up to four disk units.

## #9771 Base PCI 2-Line WAN with Modem

The #9771 Base PCI Two-Line WAN with integrated modem supports multiple protocol communications on one port with the second port supporting V.90 56K Async Data on PPP via an internal modem. Connection to the V.90 port is via a telephone cable.

Connection to the WAN port is through one of these cables:

- ▶ #0348 V.24/EIA232 20-ft. PCI cable
- ▶ #0349 V.24/EIA232 50-ft. PCI cable (*withdrawn from marketing* 03 December 2002)
- ▶ #0353 V.35 20-ft. PCI cable
- ▶ #0354 V.35 50-ft./15m PCI cable (*withdrawn from marketing* 03 December 2002)
- ▶ #0355 V.35 80-ft. PCI cable
- ▶ #0356 V.36 20-ft. PCI cable
- ▶ #0358 V.36 150-ft. PCI cable
- ▶ #0359 X.21 20-ft. PCI cable
- ▶ #0360 X.21 50-ft./15m PCI cable (*withdrawn from marketing* 03 December 2002)
- ▶ #0365 V.24/EIA232 80-ft. PCI cable

Electronic Customer Support (ECS) on the telephone cable (RJ-11) port over TCP/IP is supported in V5R1 or with V4R5 and PTF SF64124 (5769-SS1). Download and install V4R5 Client Access Express Service Pack 2 or later to obtain the wizard (5769-XE1 SF64217). Then use iSeries Navigator to configure this Universal Connection as stated in cover letter SF64124. This Universal Connection operates using the integrated high-speed V.90. This includes electronic fix retrieval and problem reporting.

In addition, this internal modem provides the ability for IBM to provide remote support over a dial-up connection.

PM eServer iSeries and Electronic Service Agent™ for AS/400 over TCP/IP is available. These applications are also enabled over the Universal Connection. In addition, the ability to inventory multiple systems hardware and software information is provided. This is done by consolidating multiple systems onto one Management Central system prior to transmission over this connection. For additional information, see:

<http://www.iseries.ibm.com/tstudio/planning/esa/esa.htm>

Fax is supported on the V.90 port with V5R1.

The #9771 Base PCI Two-Line WAN with integrated modem supports the #5544 System Console on Operations Console on the RVX port with OS/400 V5R1.

## Migration tower PCI hardware

Some or all of the IOAs listed in the following sections were *withdrawn from marketing*. For a complete list of withdrawn features, see “Products and features no longer marketed by IBM” on page 737. This section is included for reference purposes to assist in planning system upgrades.

- ▶ #2720/#9720 Base PCI WAN/Twinaxial IOA
- ▶ #2721/##9721 Base PCI Two-Line WAN IOA
- ▶ #2722 Twinaxial Workstation IOA
- ▶ #2723/#9723 PCI Ethernet IOA (10 Mbps)
- ▶ #2724/#9724 PCI Token Ring IOA
- ▶ #2745/#9745 PCI Two-Line WAN IOA
- ▶ #2746 PCI Twinaxial Workstation IOA
- ▶ #2750 PCI ISDN BRI U Adapter
- ▶ #2751 PCI ISDN BRI S/T IOA
- ▶ #2761 Integrated Analog Modem
- ▶ #2838/#9738 PCI 100/10 Mbps Ethernet IOA
- ▶ #2718 PCI Magnetic Media Controller
- ▶ #2726 PCI RAID Disk Unit Controller Ultra SCSI
- ▶ #2729 PCI Magnetic Media Controller
- ▶ #2740 PCI RAID Disk Unit Controller
- ▶ #2741 PCI RAID Disk Unit Controller
- ▶ #2748 PCI RAID Disk Unit Controller
- ▶ #9728 Base Disk Unit Controller

For SPD to PCI migration considerations, refer to:

<http://www.ibm.com/servers/eserver/support/series/planning>

Refer to the *IBM @server iSeries and AS/400e System Builder*, SG24-2155, for feature descriptions.

## Migration tower SPD hardware

All of the IOAs listed in the following sections were *withdrawn from marketing*. For a list of withdrawn features, see “Products and features no longer marketed by IBM” on page 737. This section is included for reference purposes to assist in planning system upgrades.

- ▶ #2699/#9699 Base Two-Line WAN IOA
- ▶ #6149 16/4 Mbps Token Ring IOA
- ▶ #6180/#9280 Twinaxial Workstation IOA
- ▶ #6181/#9381 Base Ethernet IEEE 802.3 IOA
- ▶ #6501 Tape/Disk Device Controller (SPD)

- ▶ #6513 Internal Tape Device Controller (SPD)
- ▶ #6533 RAID Disk Unit Controller Ultra SCSI (SPD)
- ▶ #6534 Magnetic Media Controller (SCSI SPD)
- ▶ CCIN 671A MFIO with RAID

See the iSeries Planning site for a discussion about replacement features and for SPD to PCI migration considerations:

<http://www.ibm.com/servers/eserver/support/series/planning>

Refer to the *IBM @server iSeries and AS/400e System Builder*, SG24-2155, for feature descriptions.

## Homologation

Homologation is the process to obtain a country's (region's) government approval to ship a device and connect it to the country's (region's) telecommunications network. The action is similar to Federal Communications Commission (FCC) approval in the United States.

There are features on the system that require homologation by a country's (region's) government organizations, usually Post Telephone and Telegram (PTTs) departments. The following table summarizes the PCI features that may require homologation in certain countries (regions).

Feature code	Description
#0032	High-speed modem
#2750	PCI ISDN Bri U IOA - 2-wire
#2751	PCI ISDN Bri S/T IOA - 4-wire
#2761	PCI Integrated Analog Modem
#2772	PCI Two-Line WAN with integrated modems
#2773	PCI Two-Line WAN with integrated modems
#2793	PCI Two-Line WAN with integrated modem
#2794	PCI Two-Line WAN with integrated modem
#2805	PCI Quad Modem IOA
#2806	PCI Quad Modem IOA
#4750	PCI ISDN Bri U IOA - 2-wire

<b>Feature code</b>	<b>Description</b>
#4751	PCI ISDN Bri S/T IOA 4-wire
#4761	PCI Integrated Analog Modem
#9771	Base PCI Two-Line WAN with Modem
#9793	Base PCI Two-Line WAN with modem
#9794	Base PCI Two-Line WAN with modem



## **Internal disk, tape, CD-ROM, DVD-RAM, DVD-ROM storage**

This chapter discusses disk storage, tape, CD-ROM, and DVD-RAM internal to the system unit or tower complex. It also presents information about speeds, specifications, and feature descriptions, including disk protection, hardware disk compression, and alternate initial program load (IPL) options.

## PCI disk units

This section summarizes information for Peripheral Component Interconnect (PCI) disk features supported by iSeries servers. The following table identifies the system and expansion units, which support each PCI disk feature, and specifications such as Redundant Array of Independent Disks (RAID) and mirror support, number of bytes, and the minimum operating system level required.

PCI internal disks		System and expansion units supported						RAID/Mirror <sup>1</sup>	Minimum OS/400 level <sup>3</sup>
Feature description	Bytes	520 570	800 810 825 870 890	#5074 #5075 #5079	#5094 #5095 #5294	#503x	#5065 #5066		
#1312 1.03 GB Disk Kit	1					S		B/5	V4R5
#1313 1.96 GB Disk Kit	1					S		A/4	V4R5
#1322 1.03 GB Disk Kit	2					S		B/5	V4R5
#1323 1.96 GB Disk Kit	2					S		A/4	V4R5
#1325 1.03 GB Disk Kit	2					S		B/5	V4R5
#1326 1.96 GB Disk Kit	2					S		A/4	V4R5
#1327 4.19 GB Disk Kit	2					S		C/6	V4R5
#1333 8.58 GB Disk Kit	2					S		D/7	V4R5
#1334 17.54 GB Disk Kit	2					S		E/8	V4R5
#1336 1.96 GB Disk Kit	2					S		A/4	V4R5
#1337 4.19 GB Disk Kit	2					S		C/6	V4R5
#4308 4.19 GB Disk Unit	2			S <sup>4</sup>	S		S	F/6	V4R5
#4314 8.58 GB Disk Unit	2		S	S	S		S	G/7	V4R5
#4317 8.58 GB 10k RPM Disk Unit	2	S	S	S	S		S	G/7	V4R5
#4318 17.54 GB 10k RPM Disk Unit	2	S	N	N	N		M	H/8	V4R5
#4319 35.16 GB 10k RPM Disk Unit	2	N	N	N	N			J/9	V5R1
#4324 17.54 GB Disk Unit	2		S	S	S			H/8	V4R5
#4326 35.16 GB 15K RPM Disk	2	N	N		N			J/9	V5R2
#4327 70.56 GB 15K RPM Disk	2	N	N		N			K/10	V5R2
#4331 1.6 Gb Read Cache	2			S			S		V4R5



PCI internal disks		System and expansion units supported						RAID/Mirror <sup>1</sup>	Minimum OS/400 level <sup>3</sup>
Feature description	Bytes	520 570	800 810 825 870 890	#5074 #5075 #5079	#5094 #5095 #5294	#503x	#5065 #5066		
#6717 8.58 GB 10K RPM Disk	2			R			R	G/7	V4R5
#6718 17.54 GB 10K RPM Disk	2			R			R	H/8	V4R5
#6806 1.96 GB Disk Unit	2					S		A/4	V4R5
#6807 4.19 GB Disk Unit	2					S		C/6	V4R5
#6813 8.58 GB Disk Unit	2					S		D/7	V4R5
#6817 8.58 GB 10K RPM Disk Unit <sup>2</sup>	2					S		D/7	V4R5
				R			R	G/7	V4R5
#6818 17.54 GB 10K RPM Disk Unit <sup>2</sup>	2					M		E/8	V4R5
				R			R	H/8	V4R5
#6824 17.54 GB Disk Unit	2					S		E/8	V4R5
#6831 1.6 Gb Read cache	2					S			V4R5
#8617 8.58 GB 10K RPM Disk	2			R			R	G/7	V4R5
#8618 17.54 GB 10K RPM Disk	2			R			R	H/8	V4R5
#8813 Opt. Base 8.58 GB Disk	2					S		D/7	V4R5
#8817 Opt. Base 8.58 GB 10k RPM Disk <sup>2</sup>	2					S		D/7	V4R5
				R			R	G/7	V4R5
#8818 Opt. Base 17.54 GB 10k RPM Disk <sup>2</sup>	2					S		E/8	V4R5
				R			R	H/8	V4R5
#8824 Opt. Base 17.54 GB Disk Unit	2					S		E/8	V4R5
#8917 Opt. Base 8.58 GB 10k RPM Disk	2							D/7	V4R5
#8918 Opt. Base 17.54 GB 10k RPM Disk	2							E/8	V4R5
#8924 Opt. Base 17.54 GB Disk Unit	2							E/8	V4R5
#9313 Base 8.58 GB Disk	2							D/7	V4R5

PCI internal disks		System and expansion units supported						RAID/Mirror <sup>1</sup>	Minimum OS/400 level <sup>3</sup>
Feature description	Bytes	520 570	800 810 825 870 890	#5074 #5075 #5079	#5094 #5095 #5294	#503x	#5065 #5066		
<b>Notes:</b>									
1. Like lettered disks can be part of the same RAID array, and like numbered disks can mirror each other.									
2. Disk unit is not supported on the #6502, #6512, or #6530 Disk Unit Controllers.									
3. Minimum operating system support level on iSeries.									
4. The #4308 is supported on #5074/#5079 when converted from #5065/#5066.									
<b>N</b> Available as a new disk.									
<b>M</b> Available via Miscellaneous Equipment Specification (MES) only.									
<b>R</b> Feature conversion to #4317 or #4318 during an MES upgrade is required to allow mounting of disk units in #5074, #5079, or #5065 towers, or iSeries System Units. Feature conversion is not available when the NEWSYS function of the IBM marketing configurator is used to replace a system. RPO 847102 may be used in place of feature conversion to obtain mounting hardware and instructions.									
<b>S</b> Supported but not orderable.									

## Disk storage specifications comparison

This section outlines a comparison of disk storage specifications and provides descriptions for disk units that are supported on the iSeries server. The following table shows the specifications of the current and legacy IBM internal disk technologies supported on the iSeries servers.

Disk type	Disk diameter	Capacity	SCSI type	Average seek time	Average latency	RPM	Data-rate (burst)	Areal density Mb/inch <sup>2</sup>	Read ahead cache
#4308	3.5 inches	4.19 GB	Ultra	R 6.5 ms W 8.0 ms	4.17 ms	7200	40 MB/s	1109 to 1253	1 MB
#4314	3.5 inches	8.58 GB	Ultra	R 6.5 ms W 7.5 ms	4.17 ms	7200	40 MB/s	1109 to 1253	1 MB
#4317	3.5 inches	8.58 GB	Ultra 2	R 5.3 ms W 6.3 ms	2.99 ms	10 K	80 MB/s	1353 to 2024	4 MB
#4318	3.5 inches	17.54 GB	Ultra 2	R 4.9 ms W 5.9 ms	2.99 ms	10 K	80 MB/s	3197 to 3535	2 MB
#4319	3.5 inches	35.16 GB	Ultra 2	R 4.9 ms W 5.9 ms	3.00 ms	10 K	80 MB/s	7040	3.58 MB
#4324	3.5 inches	17.54 GB	Ultra	R 7.0 ms W 8.0 ms	4.17 ms	7200	40 MB/s	3025	1.79 MB

Disk type	Disk diameter	Capacity	SCSI type	Average seek time	Average latency	RPM	Data-rate (burst)	Areal density Mb/inch <sup>2</sup>	Read ahead cache
#4326	3.5 inches	35.16 GB	Ultra3	R: 3.6 ms W: 4 ms	2 ms	15 K	160 MB/s	34000	8 MB
#4327	3.5 inches	70.56 GB	Ultra3	R: 3.6 ms W: 4 ms	2 ms	15 K	160 MB/s	34000	8 MB
#6605	3.5 inches	1.031 GB	SCSI	7.8 ms	4.17 ms	7200	20 MB/s	562	512 KB
#6606	3.5 inches	1.967 GB	SCSI	7.8 ms	4.17 ms	7200	20 MB/s	532	512 KB
#6607	3.5 inches	4.19 GB	SCSI	8.3 ms	4.17 ms	7200	20 MB/s	829	512 KB
#6650	3.5 inches	1.96 GB	SCSI	9.5 ms	5.56 ms	5400	20 MB/s	354	512 KB
#6652	3.5 inches	1.03 GB	SCSI	8.9 ms	5.56 ms	5400	20 MB/s	354	512 KB
#6713	3.5 inches	8.58 GB	Ultra	8.3 ms	4.17 ms	7200	40 MB/s	829	1024 KB
#6714	3.5 inches	17.54 GB	Ultra	8.5 ms	4.17 ms	7200	40 MB/s	1253	1024 KB
#6717	3.5 inches	8.58 GB	Ultra	R 5.3 ms W 6.3 ms	2.99 ms	10 K	40 MB/s	1353 to 2024	4 MB
#6718	3.5 inches	17.54 GB	Ultra	R 4.9 ms W 5.9 ms	2.99 ms	10 K	40 MB/s	3197 to 3535	2 MB
#6806	3.5 inches	1.96 GB	Ultra	7.8 ms	4.17 ms	7200	40 MB/s	532	512 KB
#6807	3.5 inches	4.19 GB	Ultra	8.3 ms	4.17 ms	7200	40 MB/s	829	512 KB
#6813	3.5 inches	8.58 GB	Ultra	8.3 ms	4.17 ms	7200	40 MB/s	829	1024 KB
#6817	3.5 inches	8.58 GB	Ultra	R 5.3 ms W 6.3 ms	2.99 ms	10 K	40 MB/s	1353 to 2024	4 MB
#6818	3.5 inches	17.54 GB	Ultra	R 4.9 ms W 5.9 ms	2.99 ms	10 K	40 MB/s	3197 to 3535	2 MB
#6824	3.5 inches	17.54 GB	Ultra	8.5 ms	4.17 ms	7200	40 MB/s	1253	1024 KB
#6906	3.5 inches	1.96 GB	Ultra	7.8 ms	4.17 ms	7200	40 MB/s	532	512 KB
#6907	3.5 inches	4.19 GB	Ultra	8.3 ms	4.17 ms	7200	40 MB/s	829	512 KB
#8617	3.5 inches	8.58 GB	Ultra	R 5.3 ms W 6.3 ms	2.99 ms	10 K	40 MB/s	1353 to 2024	4 MB
#8618	3.5 inches	17.54 GB	Ultra	R 4.9 ms W 5.9 ms	2.99 ms	10 K	40 MB/s	3197 to 3535	2 MB
#8813	3.5 inches	8.58 GB	Ultra	8.3 ms	4.17 ms	7200	40 MB/s	829	1024 KB

Disk type	Disk diameter	Capacity	SCSI type	Average seek time	Average latency	RPM	Data-rate (burst)	Areal density Mb/inch <sup>2</sup>	Read ahead cache
#8817	3.5 inches	8.58 GB	Ultra	R 5.3 ms W 6.3 ms	2.99 ms	10 K	40 MB/s	1353 to 2024	4 MB
#8818	3.5 inches	17.54 GB	Ultra	R 4.9 ms W 5.9 ms	2.99 ms	10 K	40 MB/s	3197 to 3535	2 MB
#8824	3.5 inches	17.54 GB	Ultra	8.5 ms	4.17 ms	7200	40 MB/s	1253	1024 KB
#9707	3.5 inches	4.19 GB	Ultra	8.3 ms	4.17 ms	7200	40 MB/s	829	512 KB

## Disk unit conversion

The direct access storage device (DASD) units that can be migrated to the 810, 825, 870, or 890 servers, or their supporting towers, include those features that support 80-pin connections and are of 10K RPM or faster.

### 10k RPM Disk Unit Conversion

Conversion of 10k RPM Disk Unit features is available to support upgrades to 810, 820, 825, 830, 840, 870 and 890 servers. Feature conversion facilitates moving existing disk units to newer HSL expansion towers.

The feature conversions that are supported are:

- ▶ #6717, #6817, #8617, and #8817 to #4317
- ▶ #6718, #6818, #8618, and #8818 to #4318

### RPQ 843977 AS/400 DASD mounting

RPQ 843977 is for customers who want to move four, eight, or 17 GB disk units from one server to another.

This RPQ ships the disk mounting hardware and instructions required to mount one unit of disk device type #6607/#6907 (4.194 GB), one #6713 (8.58 GB), or one #6714 (17.54 GB) in the system unit of a server Model 740, 730, 640, 650, S30, S40, and the #5052, #5055, #5057, #5058, #5070, #5071, #5072, #5073, #5080, #5081, #5082, and #5083 disk expansion features. These target enclosures use SPD technology.

After the disk drives are installed, process an Record Purpose Only (RPO) change to add a #6607/#6907 feature for each #6607/#6907 device type added, a #6713 feature for each #6713 device that is added, and a #6714 feature for each #6714 device type added.

This RPQ does not specifically apply to the 800, 810, 825, 870, and 890 servers. However, after DASD is located in the “migrated to” enclosure, some of that DASD can then be moved under RPQ 847102.

## **RPQ 847102 10K RPM DASD to PCI tower mounting**

**Note:** On 12 February 2002, this RPQ was replaced with direct support in the marketing configurator to convert #6717, #6817, #8617, and #8817 Disk Units to #4317 Disk Units and #6718, #6818, #8618, and #8818 Disk Units to #4318 Disk Units during MES upgrades. RPQ 847102 remains available for those instances when a MES upgrade path is not available to facilitate the feature conversion.

RPQ 847102 ships the disk mounting hardware and instructions to convert one #6x17/#8x17 disk unit (8.58 GB) to a #4317 or one #6x18/#8x18 disk unit to a #4318. This conversion allows the customer to move 8.5 GB 10K RPM and 17 GB 10K RPM disk units from the current towers to the #5065/#5066 PCI Storage Tower, iSeries Server 270, 800, 810, 825, 870, and 890 System Units, and #5075/#5074/#5079 PCI Expansion Towers.

After the conversion, process an RPO change to add a #4317 or #4318 feature for each #6x17/#6x18/#8x17/#8x18 feature converted, and remove the appropriate number of #6x17/#6x18/#8x17/#8x18 features.

## **Load source**

Beginning with the V5R1 announcement, one of the following load source specify codes is required on all initial orders of an iSeries server:

- ▶ #0826 - #4314 Load Source specify
- ▶ #0827 - #4324 Load Source specify
- ▶ #0828 - #4317 Load Source specify
- ▶ #0829 - #4318 Load Source specify
- ▶ #0830 - #4319 Load Source specify
- ▶ #0834 - #4326 Load Source specify
- ▶ #0835 - #4327 Load Source specify

Manufacturing uses this specify to place the corresponding disk unit feature in the load source position. These specify codes can be changed on server upgrades or on simple MES orders.

# Disk protection and hardware compression

This section discusses the functions that can be used to protect iSeries disk drives.

## Device parity protection

Device parity protection is a hardware function that protects data from being lost because of a disk unit failure or damage to a disk. Calculating and saving a parity value for each bit of data protects data. Conceptually, the parity value is computed from the data at the same location on each of the other disk units in the device parity set. When a disk failure occurs, the data on the failing unit can be reconstructed by using the saved parity value and the values of the bits in the same locations on the other disk.

Device parity protection is a high-availability function. It allows the iSeries server to continue to operate when a single disk failure has occurred. The system runs in an exposed mode until the repair operation is complete and the data is rebuilt. If a failure occurs, correct the problem quickly. Otherwise, in the unlikely event that another disk fails, you can lose data.

The base disk unit controller in the 9406 Server 520, 570, and 820 does not support device parity protection. The #5709 RAID Enabler Card supports device parity protection. The #5709 is an option in the Model 520. It is a required feature in the Model 570.

The disk array subsystems supplied by IBM enhance the selection of recovery options available on the iSeries server. This method of protection is based on the Redundant Array of Independent Disks (RAID) specifications that were published by the University of California in 1987. The high-availability servers with device parity protection use a technique similar to RAID-5 data-redundancy technology to protect data. Throughout this documentation, RAID and RAID-5 are often referenced, and are, for the most part, synonymous with device parity protection.

## RAID-5

With the #2757 PCI-X Ultra RAID Disk Controller and #2782 PCI-X RAID Disk Unit Controller available with V5R2, a minimum of three disk units of the same capacity are required for a valid RAID-5 configuration. Previous disk controllers have a minimum requirement of four disks.

Parity information can be spread across two, four, eight, or 16 of the disk units in an array, and is automatically maintained as part of the RAID-5 protection feature. Internal disk units of different technology (that is, different feature numbers), but of the same capacity, can be either mirrored or RAID-5 protected.

Number of units in the array	Number of units parity is spread across
3	2
4 - 7	4
8 - 15	8
16 - 18	16

Having parity spread across 16 disk units gives better performance in the event of a disk unit failure, since the data required to dynamically rebuild the data on the failed disk is accessed from one sixteenth of the disk units as opposed to an eighth, quarter, or half of the disk units.

If one disk unit fails, it cannot be used to read or write data. The disk unit controller then reads the parity and data from the same data areas as the other disk units to dynamically rebuild the original data from the failed disk unit to satisfy ongoing read requests. When data needs to be written, the controller generates the parity information for the failed disk unit as though it were still operating. As far as the iSeries server is concerned, the disk units continue to respond to I/O even though a single disk unit has failed.

RAID-5 protection is supported for all internal disks, provided that it is supported by the disk controller. A RAID controller is required to support concurrent maintenance.

## Mirroring

Mirrored protection is a function that increases the availability of iSeries servers in the event of a failure of a disk-related hardware component. It can be used on all iSeries servers. Software support is a part of the Licensed Internal Code (LIC).

Different levels of mirrored protection are possible, depending on the hardware that is duplicated. Mirroring involves duplicating disk-related hardware. When a disk-related mirrored component fails, the system remains available.

## Cross-site mirroring

Cross-site mirroring (XSM), combined with the geographic mirroring function, enables you to mirror data on disks at sites that can be separated by a significant geographic distance. This technology can be used to extend the functionality of a device cluster resource group (CRG) beyond the limits of physical component connection.

Geographic mirroring provides the ability to replicate changes made to the production copy of an independent auxiliary storage pool (IASP) to a mirror copy of that IASP. As data is written to the production copy of an IASP, the operating system mirrors that data to a second copy of the IASP through another system. This process keeps multiple identical copies of the data.

## Integrated hardware disk compression

Data is dynamically compressed or uncompressed by the DASD controller as data is written to and read from disk. Disk compression has no effect on the main CPU utilization since compression is performed by the DASD controller input/output processor (IOP).

Support for Integrated Hardware Disk Compression is provided by DASD controllers #2741 PCI RAID Disk Unit Controller, #2748 PCI RAID Disk Unit Controller, #4748/#9748 Base PCI RAID Disk Unit Controller, #4778/#9778 Base PCI RAID Disk Unit Controller, #6533 RAID Disk Unit Controller, and CCIN 671A multifunction input/output processor (MFIOP).

The compression ratio results of DASD varies. The compression ratio achieved and the impact on DASD performance depends on the data and how it is accessed. Compression is limited to user auxiliary storage pools (ASPs).

## Internal tape, CD-ROM, DVD-RAM, and DVD-ROM

The following table shows which internal storage devices are supported in the iSeries 520, 570, 800, 810, 820, 825, 830, 840, 870, and 890 system units.

Internal storage media	System units supported				
	520	570	800	810	825 870 890
#1889/#9689 80/160 GB Internal Tape Device	X				
#2640 DVD-ROM	X	X			
#4425 CD-ROM					S
#4430 DVD-RAM					X
#4482 4 GB ¼-inch Cartridge Tape Device					X
#4483 16 GB ¼-inch Cartridge Tape Device					S



Internal storage media	System units supported				
	520	570	800	810	825 870 890
#4486 25 GB ¼-inch Cartridge Tape Device					S
#4487 50 GB ¼-inch Cartridge Tape Device					X
#4525 CD-ROM				S	
#4530 DVD-RAM			X	X	
#4531 DVD-ROM			X	X	
#4533 DVD-RAM			X	X	
#4582 4 GB ¼-inch Cartridge Tape Device			X	X	
#4583 16 GB ¼-inch Cartridge Tape Device				S	
#4584 30 GB ¼-inch Cartridge Tape Device			X	X	
#4585 80 GB VXA-2 Tape Device			X	X	
#4685 80 GB VXA-2 Tape Device					X
#4686 25 GB ¼-inch Cartridge Tape Device				S	
#4687 50 GB ¼-inch Cartridge Tape Device			X	X	
#4625 CD-ROM					S
#4630 DVD-RAM					X
#4631 DVD-ROM					X
#4633 DVD-RAM					X
#4682 4 GB ¼ inch					X
#4684 30 GB ¼ inch					X
#4686 25 GB ¼ inch					S
#4687 50 GB ¼ inch					X
#5751 DVD-RAM	X	X			
#5753/#9653 30 GB ¼ inch Cartridge Tape Unit	X				
#5754/#8754 Optional Base 50 GB ¼-inch Cartridge Tape Device	X				
#6134 60 GB 8mm Tape Device	X				

Internal storage media		System units supported				
Feature		520	570	800	810	825 870 890
#6325 Optional CD-ROM						
#6380 2.5 GB ¼-inch Cartridge Tape Unit						
#6381 2.5 GB ¼-inch Cartridge Tape						
#6382 4 GB ¼-inch Cartridge Tape Unit						
#6383 16 GB ¼-Inch Cartridge Tape Unit						
#6384 30 GB ¼ inch Cartridge Tape Unit						
#6385 13 GB ¼-Inch Cartridge Tape Unit		S				
#6386 25 GB ¼-inch Cartridge Tape Unit						
#6485 13 GB ¼-Inch Cartridge Tape Unit						
#8287 50 GB ¼ inch Cartridge Tape Unit				X		
#9284 30 GB ¼ inch Cartridge Tape Unit				X		
#9285 80 GB ¼ inch Cartridge Tape Unit				X		
<b>Notes:</b>						
▶ All tape features #44xx and #45xx are CIF. Orders for these devices are installed by the customer. The IBM Customer Engineer (CE) can install these CIF as a billable service.						
X Available as a new tape.						
S Supported but not orderable.						

The following table shows which internal storage devices are supported in the expansion units that can be attached to the Server 800, 810, 825, 870, and 890 system units.

Internal storage media		Expansion Units supported					
Feature	Media	#5077	#5072 #5073	#5074 #5079	#503x	#5065 #5066	#5094 #5294
#1349	1.2 GB ¼ inch				S		
#1350	2.5 GB ¼ inch				S		
#1355	13 GB ¼ inch				S		
#1360	7 GB 8mm				S		
#1379	1.2 GB ¼ inch	S	S				

Internal storage media		Expansion Units supported					
Feature	Media	#5077	#5072 #5073	#5074 #5079	#503x	#5065 #5066	#5094 #5294
#1380	2.5 GB ¼ inch	S	S				
#4425 (withdrawn from marketing 02 November 2003)	CD-ROM			X		M	S
#4430 (withdrawn from marketing 01 January 2004)	DVD-RAM			X			S
#4482 (withdrawn from marketing 01 January 2004)	4 GB ¼ inch			X		M	S
#4483	16 GB ¼ inch			X		M	S
#4486	25 GB ¼ inch			X		M	S
#4487 (withdrawn from marketing 01 January 2004)	50 GB ¼ inch			X			X
#4625	CD-ROM			X			S
#4630	DVD-RAM			X			X
#4631	DVD-ROM			X			X
#4633	DVD-RAM			X			X
#4682	4 GB ¼ inch			X			X
#4684	30 GB ¼ inch			X		M	X
#4685	80 GB VXA-2			X		X	X
#4686	25 GB ¼ inch			S			S
#4687	50 GB ¼ inch			X			X
#6325	CD-ROM	X	M				
#6380	2.5 GB ¼ inch	S	S				
#6381	2.5 GB ¼ inch	X	M				
#6382	4 GB ¼ inch	X	M				
#6383	16 GB ¼ inch	X	M				
#6384	30 GB ¼ inch	M	M				
#6385	13 GB ¼ inch	S	S				

Internal storage media		Expansion Units supported					
Feature	Media	#5077	#5072 #5073	#5074 #5079	#503x	#5065 #5066	#5094 #5294
#6386	25 GB ¼ inch	N	M				
#6390	7 GB 8mm	S	S				
#6425	CD-ROM				M		
#6480	2.5 GB ¼ inch				M		
#6481	2.5 GB ¼ inch				M		
#6482	4 GB ¼ inch				M		
#6483	16 GB ¼ inch				M		
#6484	30 GB ¼ inch				M		
#6485	13 GB ¼ inch				S		
#6486	25 GB ¼ inch				M		
#6490	7 GB 8mm				S		
<b>Notes:</b> <ul style="list-style-type: none"> <li>▶ All tape features #44xx and #45xx are CIF. Orders for these devices are installed by the customer. The IBM CE can install these CIF as a billable service.</li> <li><b>X</b> Available as a new tape.</li> <li><b>S</b> Supported but not orderable.</li> <li><b>M</b> Available via MES.</li> </ul>							

## Internal tape devices

This section identifies the read/write capability, capacity, and performance specifications for internal tape devices.

### Tape device read/write compatibilities

Through optional tape compaction or compression, the tape devices identified in the following table can double their storage capacities (except the #6380 2.5 GB ¼-inch Cartridge Tape Unit). The following table shows the internal tape read/write compatibilities.

Format	Capacity	Media	2.5 GB <sup>4</sup>	2.5 GB <sup>4</sup>	4 GB	13 GB <sup>4</sup>	16 GB	25 GB	30 GB	50 GB	80 GB
			#6380	#6381 #6481	#4482 #4582 #6382 #6482	#6385 #6485	#4483 #4583 #6383 #6483	#4486 #4586 #6386 #6486	#4584 #4684 #5753 #6384 #6484 #9284 #9653	#4487 #4587 #5754 #8287 #8754	#1889 #4585 #4685 #9285 #9689
MLR3 <sup>1</sup>	25 GB	MLR3-25GB	--	--	--	--	--	R/W	R/W	R/W	
QIC5010 <sup>1</sup>	16 GB	MLR1-16GB	--	--	--	R/W	R/W	R/W	R/W	R	
	13 GB	DC5010	--	--	--	R/W	R/W	R/W	R/W	R	
	2 GB	MLR1-2GB	--	--	--	R/W	R/W	R/W	R/W	R	
QIC4DC <sup>2</sup>	8 GB	SLR5-4GB	--	--	R/W	--	R	R	R	R	
QIC4GB	4 GB	SLR5-4GB	--	--	R/W	--	R	R	R	R	
QIC2DC <sup>2</sup>	5 GB	DC9250	--	R/W	R/W	--	R	R	R		
QIC2GB	2.5 GB	DC9250	R/W	R/W	R/W	R/W	R	R	R		
QIC1000	1.2 GB	DC9120	R/W	R/W	R/W	R/W	--	--			
QIC525	525 MB	DC6525	R/W	R/W	R/W	R/W <sup>5</sup>	--	--			
QIC525	320 MB	DC6320	R/W	R/W	R/W	R/W	--	--			
QIC120	120 MB	DC6150	R/W	R/W	R/W	R/W <sup>5</sup>	--	--			
QIC24 <sup>3</sup>	60 MB	DC6150	R	R	--	--	--	--			
SLR100	50 GB	SLR100-50GB	--	--	--	--	--	--	--	R/W	
	5 GB	SLR100-5GB	--	--	--	--	--	--	R/W	R/W	
SLR60	30 GB	SLR60-30GB	--	--	--	--	--	--	R/W	R/W	
VXA 2 <sup>1</sup>	80 GB	V23-80GB	--	--	--	-	-	-	-	-	R/W
	59 GB	V17-59GB	--	--	--	-	-	-	-	-	R/W
	20 GB	V6-20GB	--	--	--	-	-	-	-	-	R/W

Format	Capacity	Media	2.5 GB <sup>4</sup>	2.5 GB <sup>4</sup>	4 GB	13 GB <sup>4</sup>	16 GB	25 GB	30 GB	50 GB	80 GB
			#6380	#6381 #6481	#4482 #4582 #6382 #6482	#6385 #6485	#4483 #4583 #6383 #6483	#4486 #4586 #6386 #6486	#4584 #4684 #5753 #6384 #8287 #9284 #9653	#4487 #4587 #5754 #8287 #8754	#1889 #4585 #4685 #9285 #9689

**Notes:**

1. Indicates that the capacity can double typically when the compression option is selected.
2. QIC-2DC and QIC-4DC are compression formats. Cartridge capacity is data dependent. Capacities shown are typical.
3. QIC24 format is written by S/36.
4. Available as a migration feature only during an upgrade.
5. Use of DC6150 and DC6525 media may shorten the life of the tape device and require more frequent maintenance.

### Internal tape device cartridges

The cartridge part numbers for internal tape devices are:

- ▶ 80 GB V23 230 M IBM Data Cartridge (19P4876)
- ▶ 59 GB V17 170 M IBM Data Cartridge (19P4877)
- ▶ 20 GB V6 20 M IBM Data Cartridge (19P4878)
- ▶ 50 GB 455 M IBM SLR100 Data Cartridge (35L0968)
- ▶ 30 GB with SLR60-30 GB Data Cartridge (19P4209)
- ▶ 25 GB with IBM MLR3-25 GB Data Cartridge (59H4128)
- ▶ 16 GB with IBM MLR1-16 GB Data Cartridge (59H4175)
- ▶ 13 GB with IBM DC5010 Data Cartridge (*withdrawn from marketing*)
- ▶ 8 GB (QIC4DC compressed format) with IBM SLR5-4 GB Data Cartridge (59H3660)
- ▶ 5 GB 45 M IBM SLR100 Data Cartridge (35L0661)
- ▶ 5 GB (QIC2DC compressed format) with IBM DC9250 Data Cartridge (16G8436)
- ▶ 4 GB (QIC4GB format) with IBM SLR5-4 GB Data Cartridge (59H3660)
- ▶ 2.5 GB (QIC2GB format) with IBM DC9250 Data Cartridge (16G8436)
- ▶ 2 GB with IBM MLR1-2 GB Data Cartridge (35L0589)
- ▶ 1.2 GB (QIC1000 format) with IBM DC9120 Data Cartridge (21F8730)
- ▶ 525 MB (QIC525 format) with IBM DC6525 Data Cartridge (21F8597)
- ▶ 120 MB (QIC120 format) with IBM DC6150 Data Cartridge (21F8578)

## Internal tape device specifications

The following table shows the data transfer rate and pertinent specifications of the internal tape devices.

Feature	Description	OS/400 version (minimum)	Compaction algorithm <sup>1</sup>	Data transfer rate (native) <sup>4</sup>	Max capacity (compressed) <sup>2</sup>
#6381 #6481	2.5 GB QIC	V3R0M5	HDC, LZ1	600 K/sec	5 GB
				300 K/sec	5 GB
				300 K/sec	2.4 GB
				200 K/sec	1 GB
				120 K/sec	240 MB
#4482 #4582 #6382 #6482	4 GB QIC	V4R1	LZ1	760 K/sec	8 GB
				380 K/sec	8 GB
				600 K/sec	5 GB
				300 K/sec	5 GB
				300 K/sec	2.4 GB
				200 K/sec	1 GB
				120 K/sec	240 MB
#6385 #6485	13 GB QIC	V3R7	LZ1	1.5 M/sec	26 GB
				300 K/sec	5 GB
				300 K/sec	2.4 GB
				200 K/sec	1 GB
				120 K/sec	240 MB
#4483 #4583 #6383 #6483	16 GB QIC	V4R1	LZ1	1.5 M/sec	32 GB
				760 K/sec	8 GB
				380 K/sec	8 GB
				600 K/sec	5 GB
				300 K/sec	5 GB

Feature	Description	OS/400 version (minimum)	Compaction algorithm <sup>1</sup>	Data transfer rate (native) <sup>4</sup>	Max capacity (compressed) <sup>2</sup>
#4584 #4684 #6384 #6484 #9284	30 GB QIC	V4R5	LZ1	4 M/sec	60 GB
				4 M/sec	10 GB
				2 M/sec	50 GB
				1.5 M/sec	32 GB
				1.5 M/sec	26 GB
				1.5 M/sec	4 GB
				760 K/sec	8 GB
				380 K/sec	8 GB
				380 K/sec	8 GB
				300 K/sec	4 GB
#5753 #9653	30 GB QIC	V5R3	LZ1	4 M/sec	60 GB
				4 M/sec	10 GB
				2 M/sec	50 GB
				1.5 M/sec	32 GB
				1.5 M/sec	26 GB
				1.5 M/sec	4 GB
				760 K/sec	8 GB
				380 K/sec	8 GB
				380 K/sec	8 GB
				300 K/sec	4 GB
#1889 #9689	80 GB VXA-2	V5R3		6 MB/sec	160 GB
#4585 #4685 #9285	80 GB VXA-2	V5R1	ALDC	6 M/sec	160 GB
				6 M/sec	118 GB
				6 M/sec	40 GB



Feature	Description	OS/400 version (minimum)	Compaction algorithm <sup>1</sup>	Data transfer rate (native) <sup>4</sup>	Max capacity (compressed) <sup>2</sup>
#4486 #4586 #6386 #6486	25 GB QIC	V4R1	LZ1	2 M/sec	50 GB
				1.5 M/sec	32 GB
				760 K/sec	8 GB
				380 K/sec	8 GB
				600 K/sec	5 GB
				300 K/sec	5 GB
#4487 #4587 #8287	50 GB QIC	V5R1	LZ1	5 M/sec	100 GB
				5 M/sec	10 GB
				2 M/sec	50 GB
				1.5 M/sec	32 GB
				1.5 M/sec	26 GB
				1.5 M/sec	4 GB
				760 K/sec	8 GB
				380 K/sec	8 GB
#5754 #8754	50 GB QIC	V5R3	LZ1	5 M/sec	100 GB
				5 M/sec	10 GB
				2 M/sec	50 GB
				1.5 M/sec	32 GB
				1.5 M/sec	26 GB
				1.5 M/sec	4 GB
				760 K/sec	8 GB
				380 K/sec	8 GB
#6390 #6490 #1261	7 GB 8mm	V3R0M5	IDRC	500 k/sec	14 GB
				500 k/sec	10 GB
				240 k/sec	2.3 GB native (no compression in the drive)
#6134	60 GB 8mm	Linux	ALDC	12 MB/sec	150 GB

Feature	Description	OS/400 version (minimum)	Compaction algorithm <sup>1</sup>	Data transfer rate (native) <sup>4</sup>	Max capacity (compressed) <sup>2</sup>
<b>Notes:</b>					
1. Indicates whether the attachment IOP supports Hardware Data Compression (HDC) and whether the tape subsystem controller supports a compaction algorithm, either Improved Data Recording Capability (IDRC) or Lempel Ziv 1 (LZ1). These algorithms enable more data to be written to tape up to the maximum shown.					
2. Compressed values assume a 2:1 compression. Actual results may vary depending on the type and volume of data.					
3. QIC2DC and QIC4DC are compressed formats. Cartridge capacity is data dependent. The capacities shown are typical.					
4. Effective Data Transfer Rate typically doubles when data is compressed or compacted.					
5. These formats only have read-only support on these drives.					

## Alternate IPL

Throughout this book and in the *IBM @server iSeries and AS/400e System Builder*, SG24-2155, the term *alternate IPL* (ALT-IPL) is used to describe both alternate IPL devices and alternate installation devices. It is important to understand the differences between the two concepts.

An alternate IPL device must be attached to an IOA adapter card that is controlled by the base IOP in the system. Any other tape device can be an alternate installation device.

Alternate installation device support allows you to perform installation and recovery procedures using a combination of devices. Prior to V4R1, these types of activities could only be performed using devices attached to the first system bus. The first system bus connects to the service processor IOP. Typically this is where the optical device or tape devices used for installations are attached. On OS/400 V4 and later systems, you can use a combination of devices that are attached on the first system bus and on additional buses. The alternate installation device is not attached to the first system bus.

On the 520, 570, 800, 810, 825, 870, and 890 servers, the alternate IPL device is attached to an I/O adapter that is controlled by the base IOP in the system.

**Note:** The #2765 PCI Fibre Channel Tape Controller does not support the alternate IPL device function. A D-mode IPL is required using CD-ROM, DVD-ROM, or another alternate IPL tape device. Then select a #2765 to complete the installation or recovery process.

If you use the alternate installation function, the system uses existing support (a device on the first system bus) to install or recover enough of the Licensed Internal Code required to perform an IPL with an IPL-type D. When using the alternate installation device support, the system continues the operation using media in the alternate installation device. This function supports installation and recovery from tape media, such as SAVSYS tapes or distribution tapes that you created, which contain Licensed Internal Code and may contain the operating system, licensed programs, and data.

See *Backup and Recovery V5R3*, SC41-5304, for more information.

## **Tape device technology**

### **4 GB ¼-inch Internal Cartridge Tape Device Technology**

The 4 GB tape technology may be used for save/restore, alternate IPL, program distribution, migration, and ¼-inch cartridge tape exchange. Backward read/write capability to previous generations of QIC drives protects the customers investment in QIC technology.

This tape is not compatible with System/36 tape devices. For read and write compatibility, refer to the internal tape read/write compatibilities table 303.

### **16 GB ¼-inch Internal Cartridge Tape Device Technology**

The 16 GB tape technology can be used for save/restore, alternate IPL, program distribution, migration, and ¼-inch cartridge tape exchange. Backward read/write capability to the previous MLR1-S format and backward read capability to the last three QIC formats protects the customer's investment in QIC technology.

It provides 16 GB capacity native and 32 GB capacity compressed with a data transfer rate of 1.5 MB per second (native) and 3 MB per second (with compression) using a 1500-foot cartridge tape.

It also is capable of 13 GB capacity native and 26 GB capacity compressed with a data transfer rate of 1.5 MB per second (native) and 3 MB per second (with compression) using a 1200-foot cartridge tape.

However, the tape compression used by the #6381/#6481 2.5 GB and #4482, #4582, #6382, and #6482 4 GB tape devices is not compatible with the compaction on the #4483, #4583, #6383, and #6483 16 GB. The #6385/#6485 uncompact or uncompressed tapes are compatible within each device's format limitations.

This tape is not compatible with System/36 tape devices. For read and write compatibility, refer to the internal tape read/write compatibilities table 303.

## **25 GB ¼-inch Internal Cartridge Tape Device Technology**

The 25 GB tape technology can be used for save/restore, alternate IPL, program distribution, migration, and ¼-inch cartridge tape exchange.

Tape tensioning control improvements in the tape device eliminate the need for an auto-retension pass during the data cartridge load sequence. This is a major time saving since the auto-retension pass on earlier QIC tape devices can take up to five minutes. The tape device retensions the data cartridge only when a loss of tension is detected. For typical operating conditions, this is expected to happen infrequently.

However, the tape compression used by the #6381/#6481 2.5 GB and #4482, #4582, #6382, and #6482 4 GB tape devices is not compatible with the compaction on the #4486, #4586, #6386, and #6486 25 GB tape devices. Uncompacted or uncompressed tapes are compatible within each device's format limitations.

This tape is not compatible with System/36 tape devices. For read and write compatibility, refer to the internal tape read/write compatibilities table 303.

## **30 GB ¼-inch Cartridge Tape Device Technology**

The 30 GB ¼-inch Cartridge Tape Device technology may be used for save/restore, alternate IPL, program distribution, migration, and ¼-inch cartridge tape exchange. The 30 GB tape technology provides 30 GB of storage capacity. With data compression, up to 60 GB can be stored per cartridge, providing unattended backup capability for a broad range of medium sized iSeries servers.

The unit can store data at a rate of 4 MB per second (8 Mb per second with two to one (2:1) compression). It writes 30 GB with IBM SLR60-30GB Data Cartridge (up to 60 GB with compression in SLR60 format), 25 GB with IBM MLR3-25GB Data Cartridge (up to 50 GB with compression in MLR3 format), 16 GB with IBM MLR1-16GB Data Cartridge (up to 32 GB with compression in QIC5010 format), and 2 GB with IBM MLR1-2GB Data Cartridge (up to 4 GB with compression in QIC5010 format). The unit reads 4 GB with SLR5-4GB Data Cartridge (QIC4GB format) and 2.5 GB with IBM DC9250 Data Cartridge (QIC2GB format).

This tape is not compatible with System/36 tape devices. For read and write compatibility, refer to the internal tape read/write compatibilities table 303.

## **50 GB ¼-inch Cartridge Tape Device Technology**

The 50 GB ¼-inch Cartridge Tape Device technology may be used for save/restore, alternate IPL, program distribution, migration, and ¼-inch cartridge tape exchange. The 50 GB tape technology provides 50 GB of storage capacity.

With data compression, up to 100 GB can be stored per cartridge, providing unattended backup capability for a broad range of medium sized iSeries servers.

These tape features are an iSeries specific implementation of Scalable Linear Recording (SLR) technology, identified as SLR100. The unit can store data at a rate of 5 MB per second (10 MB per second with a 2:1 compression). This data rate is twice the rate of previous ¼-inch tape backup used on the iSeries. In addition to reading and writing on new SLR100 50 GB or 5 GB data cartridges, there is backward write and read compatibility with MLR3 (SLR50) and backward read compatibility with MLR1 (DC 5010) tape formats.

This tape is not compatible with System/36 tape devices. For read and write compatibility, refer to the internal tape read/write compatibilities table 303.

### **80 GB VXA-2 Tape Device Technology**

The VXA technology tape device offerings can store 80 GB of data on a 230 meter cartridge at 6 MB per second data transfer rate (160 GB capacity and 12 MB per second data rate with software data compression). These tape devices can provide an unattended backup solution for a large number of low-end iSeries servers.

The 80 GB VXA-2 Tape Devices (#1889, #4585, #4685, #9285, #9689) are integrated features. The IBM 7206-VX2 Tape Device is a stand-alone external device.

The VXA-2 devices use a new media format that is not compatible with any of the tape devices that are currently offered on the iSeries server.

## **Internal tape features**

This section describes the internal tape devices supported in the iSeries server.

### **#1889 80 GB VXA-2 Tape Device**

The #1889/#9689 80/160 GB Internal Tape Device with VXA Technology is a 5.25-inch, half-high, Ultra2 LVD 16-bit tape device. It provides a high capacity for save/restore and archive functions. It uses VXA tape data cartridges and is compression capable, providing a capacity of up to 160 GB. The #1889 is a CIF.

### **#4482 4 GB ¼-inch Cartridge Tape Device**

Can be mounted in the system unit of iSeries Servers 830 and 840, and in the #5074/#5079 PCI Expansion Towers. The #4482 is a CIF.

The #4482 was *withdrawn from marketing* on 01 January 2004.

**#4483 16 GB ¼-inch Cartridge Tape Device**

Can be mounted in the system unit of iSeries 830 and 840, and in the #5074/#5079 PCI Expansion Towers. The #4483 is a CIF.

**#4486 25 GB ¼-inch Cartridge Tape Device**

Can be mounted in the system unit of iSeries 830 and 840, and in the #5074/#5079 PCI Expansion Towers. The #4486 is a CIF.

**#4487 50 GB ¼-inch Cartridge Tape Device**

Can be mounted in the system unit of iSeries 830 and 840, and in the #5074/#5079 PCI Expansion Towers. The #4487 is a CIF.

The #4487 was *withdrawn from marketing* on 01 January 2004.

**#4582 4 GB ¼-inch Cartridge Tape Device**

Can be mounted in the system unit of the iSeries 270 or 820. The #4582 is a CIF.

**#4583 16 GB ¼-inch Cartridge Tape Device**

Can be mounted in the system unit of the iSeries 270 or 820. The #4583 is a CIF.

**#4584 30 GB ¼-inch Cartridge Tape Device**

Can be mounted in the system unit of the iSeries 270, 800, 810, or 820. The #4584 is a CIF.

**#4585 80 GB VXA-2 Tape Device**

Can be mounted in a removable media device slot of a 270, 800, 810, or 820 system unit. The #4585 is a CIF.

**#4586 25 GB ¼-inch Cartridge Tape Device**

Can be mounted in the system unit of the iSeries 270, 810, or 820. The #4586 is a CIF.

**#4587 50 GB ¼-inch Cartridge Tape Device**

Can be mounted in the system unit of the iSeries 270, 800, 810, or 820. The #4587 is a CIF.

**#4684 30 GB ¼-inch Cartridge Tape Device**

Can be mounted in the system unit of iSeries 830, 840, and 890 and in the #5074/#5079 PCI Expansion Towers. The #4684 is a CIF.

### **#4685 80 GB VXA-2 Tape Device**

The #4685 can be mounted in a removable media device slot of a Server 825, 830, 840, 870, or 890 system unit, or a #5065, #5066, #5074, #5079, #5094, #5294 Expansion Tower on any 800, 810, 825, 870, or 890 server. The #4685 is a CIF.

### **#5032 Removable Media Cluster Box**

The #5032 requires a 9309 rack. This is a rack-mounted box that allows the attachment between one and four #6368 1.2 GB QIC or #6369 2.5 GB QIC Tape Devices. The #5032 is supported for migration only and cannot be ordered as a new feature. It attaches to the #2621 Storage Device Controller.

### **#5753 30 GB ¼-inch Cartridge Tape Device**

The #5753/#9653 is a 30 GB ¼-Inch Cartridge Tape Unit that can be mounted in a removable media device slot of a 520 system unit. The #5753 may be used for save/restore, alternate IPL, program distribution, migration and ¼-inch cartridge tape exchange. It is supported in the Model 520 system unit with i5/OS V5R3.

The #5753 is a CIF.

### **#5754 50 GB ¼-inch Cartridge Tape Device**

The #5754 is a 50 GB ¼-Inch Cartridge Tape Unit that can be mounted in a removable media device slot of a 520 system unit. The #5754 may be used for save/restore, alternate IPL, program distribution, migration and ¼-inch cartridge tape exchange. It is supported in the Model 520 system unit with i5/OS V5R3.

The #5754 is a CIF.

### **#6134 60 GB 8mm Tape Device**

The #6134 is a 8mm, 5.25-inch half-high, 16-bit, internal Auto-docking tape drive, usable with a Linux operating system only. This drive provides a high capacity tape drive for save/restore and archiving functions. This tape drive uses IBM 8mm data cartridges and is compression capable, providing a capacity of up to 150 GB. It is supported in Model 520 Linux and AIX partition only.

The #6134 is a CIF.

### **#8754 Optional Base 50 GB ¼-inch Cartridge Tape Device**

The #8754 is the optional base #5754 50 GB ¼-inch Cartridge Tape Device.

### **#8287 50 GB ¼-inch Cartridge Tape Device**

The #8287 can be used for save/restore, alternate IPL, migration, and ¼-inch cartridge tape exchange using appropriate media and density.

### **#9284 30 GB ¼-inch Cartridge Tape Device**

The #9284 can be used for save/restore, alternate IPL, migration, and ¼-inch cartridge tape exchange using appropriate media and density.

### **#9285 80 GB VXA-2 8mm Tape Device**

Can be used for save/restore, alternate IPL, migration, and 8mm cartridge tape exchange using appropriate media and density.

### **#9653 30 GB ¼-inch Cartridge Tape Device**

The #9653 is the base #5753 30 GB ¼-inch Cartridge Tape Device

### **#9689 80/160 GB Internal Tape Device**

The #9689 is the base #1889 80 GB VXA-2 Tape Device

## **Internal CD-ROM, DVD-RAM, and DVD-ROM drives**

A prerequisite disk controller is required in the system unit or tower where the CD-ROM, DVD-RAM, or DVD-ROM is mounted.

Valid PCI controllers are:

- ▶ #2757 PCI-X Ultra RAID Disk Controller
- ▶ #2763 PCI RAID Disk Unit Controller (*withdrawn from marketing* on 21 November 2003)
- ▶ #2782 PCI-X RAID Disk Unit Controller (*withdrawn from marketing* on 01 January 2004)
- ▶ #4748 PCI RAID Disk Unit Controller (*withdrawn from marketing* on 21 November 2003)
- ▶ #4778 PCI RAID Disk Unit Controller
- ▶ #5705 PCI-X Tape/DASD Controller
- ▶ #5709 RAID Enabler Card
- ▶ #5715 PCI-X Tape/DASD Controller
- ▶ #9748 Base PCI RAID Disk Unit Controller



- ▶ #9767 Base PCI Disk Unit Controller
- ▶ #9778 Base PCI RAID Disk Unit Controller

The following table identifies the CD-ROM, DVD-ROM, and DVD-RAM devices supported in iSeries servers. Also listed is the supported format, maximum capacity, minimum operating system level, and the required IOA.

Feature	Description	OS/400 version (minimum)	Adapter	Supported formats	Maximum capacity (compressed)*
#2640	DVD-ROM	V5R3		CD ROM	650 MB
				DVD-ROM	9.4 GB
#4425 #4525 #4625	CD-ROM	V4R4	#2748 #2757 #2763 #2782 #4748 #4778 #5705 #9778	CD-ROM Read Only	650 MB
#4430 #4530 #4630	DVD-RAM	V4R5	#2748 #2757 #2763 #2782 #4748 #4778 #5705 #9778	CD-ROM Read Only	650 MB
				DVD-RAM Single-sided	4.7 GB
				DVD-RAM Double-sided	9.4 GB
#4533	DVD-RAM	V5R3	System unit of Model 800 and 810	CD-ROM Read Only	650 MB
				DVD-RAM Single-sided	4.7 GB
				DVD-RAM Double-sided	9.4 GB
#4633	DVD-RAM	V5R3	Expansion towers of 520, 570, 800, 810, 825, 870, 890,	CD-ROM Read Only	650 MB
				DVD-RAM Single-sided	4.7 GB
				DVD-RAM Double-sided	9.4 GB

Feature	Description	OS/400 version (minimum)	Adapter	Supported formats	Maximum capacity (compressed)*
#5751	DVD-RAM	V5R3		CD-ROM Read Only	650 MB
				DVD-RAM Single-sided	4.7 GB
				DVD-RAM Double-sided	9.4 GB
#4531 #4631	DVD-ROM	V5R2	#2748 #2757 #2763 #2782 #4748 #4778 #5705 #9778	CD-ROM (read only)	650 MB
				DVD-RAM single sided (read only)	4.7 GB
				DVD-RAM double sided (read only)	9.4 GB

\* Compressed values assume a 2:1 compression. Actual results may vary depending on the type and volume of data.

### #2640 DVD-ROM

The 2640 8X/24X (maximum) Slimline IDE DVD-ROM Drive is an internal tray loading DVD-ROM drive providing up to 3600KB/sec (CD-ROM) and 10.3MB/sec (DVD-ROM) data transfer rates. It is supported in Model 520 and 570 with i5/OS V5R3.

The #2640 is a CIF.

### #4425 CD-ROM

The #4425 is a feature CD-ROM device that can be mounted in the system unit of Servers 830, 840, SB2, and SB3, and in the #5074/#5079 PCI Expansion Towers. The #4425 is used for alternate IPL (IBM distributed CD-ROM media only) and program distribution.

The #4425 was *withdrawn from marketing* on 21 November 2003.

### #4430 DVD-RAM

The #4430 is an optional feature that mounts in the system unit of Servers 830, 840, SB2, and SB3, and in the #5074/#5079 PCI Expansion Towers.

DVD-RAM may be selected in place of a CD-ROM drive in the minimum server configuration. The #4430 is capable of writing and reading 4.7 GB on a single disk. The #4430 is also capable of reading 650 MB CD-ROM disks.

The #4430 can be used for alternate IPL, program distribution, and data interchange (using ISO 9660 and UDF formats). The #4430 is not supported as an alternate installation device (by Boot Manager in Dedicated Service Tools (DST)) with OS/400 V5R1.

The #4430 was *withdrawn from marketing* on 01 January 2004.

### **#4525 CD-ROM**

The #4525 is a feature CD-ROM that can be mounted in the system unit of Servers 810 (migration only), 270, and 820.

The #4525 can be used for alternate IPL (IBM distributed CD-ROM media only) and program distribution.

### **#4530 DVD-RAM**

The #4530 is an optional feature that mounts in the system unit of Servers 270, 800, 810, and 820.

DVD-RAM may be selected in place of a CD-ROM drive in the minimum server configuration of a 270 or 820.

The #4530 is capable of writing and reading 4.7 GB on a single disk. The #4530 is also capable of reading 650 MB CD-ROM disks.

The #4530 can be used for alternate IPL, program distribution, and data interchange (using ISO 9660 and UDF formats). The #4530 is not supported as an alternate installation device (by Boot Manager in DST) with OS/400 V5R1.

### **#4531 DVD-ROM**

The #4531 is a DVD-ROM device which can be selected as the base optical device for iSeries servers. The #4531 is a 5 ¼-inch device which is mounted in a removable media device slot in the system unit of the Servers 270, 800, 810, or 820. The #4531 is capable of reading 640 MB CD-ROM, CD-R, CD-RW media, DVD-ROM, and 4.7 GB DVD-RAM (non-cartridge) media.

The #4531 can be used for Alternate IPL (IBM distributed CD-ROM media only) and program distribution.

### **#4533 DVD-RAM**

The #4533 is a DVD-RAM, half high optical media device. The #4533 uses cartridgeless media only. This is different from the #4630 which can use cartridge media. The media can be removed from the cartridge to be used in the #4533 drive. Media support is limited to writing DVD-RAM only and reading of CD-ROM, CD-R, DVD-ROM and DVD-RAM.

It is supported in the Model 270, 800, and 810 system unit. The minimum operating system level is OS/400 V5R2.

The #4533 is a CIF.

### **#4625 CD-ROM**

The #4625 is a CD-ROM device that can be mounted in the system unit of a Model 825, 830, 840, 870, 890, SB2 or SB3, and in a #5074, #5079, #5094, #5294, #8093, #8094, #9079, or #9094 tower. It replaces the #4425 CD-ROM and differs from the #4425 in its mounting hardware. A #4625 can be placed in every removable media position in which a #4425 can be placed, but can also be placed in a Model 825 system unit. The #4425 does not fit in a Model 825 system unit.

The #4625 can be used for Alternate IPL (IBM distributed CD-ROM media only) and program distribution.

### **#4630 DVD-RAM**

The #4630 is a DVD-RAM device which is supported in a removable media device slot of a Server 825, 830, 840, 870, 890, SB2, or SB3, or a #5074, #5079, #5094, #5294, #8093, #8094, or #9094 tower. It is capable of writing and reading 4.7 GB on a single disk (single side). For double-sided media, the media must be manually flipped. The #4630 is also capable of reading 640 MB CD-ROM media.

The #4630 may be used for Alternate IPL, program distribution, and data interchange.

The #4630 is not supported as an alternate installation device (by Boot Manager in DST) with OS/400 V5R1.

### **#4631 DVD-ROM**

The #4631 is a 5 ¼-inch DVD-ROM device which is supported in a removable media device slot of a Server 825, 830, 840, 870, 890, SB2, or SB3, or a #5074, #5079, #5094, #5294, #8093, #8094, or #9094 tower. The #4631 is capable of reading 640 MB CD-ROM media and 4.7 GB DVD-RAM media.

The #4631 can be used for Alternate IPL (IBM distributed CD-ROM media only) and program distribution.

### **#4633 DVD-RAM**

The #4633 is a DVD-RAM, half high optical media device. The #4633 uses cartridgeless media only. This is different from the #4630 which can use cartridge media. The media can be removed from the cartridge to be used in the #4633

drive. Media support is limited to writing DVD-RAM only and reading of CD-ROM, CD-R, DVD-ROM, and DVD-RAM.

The #4633 is supported in Model 820, 825, 830, 840, SB2, and SB3 system units and in #5074, #5079, #5094, #5294 and #9094 towers. The minimum operating system level is OS/400 V5R2.

The #4633 is a CIF.

### **#5751 DVD-RAM**

The #5751 is an IDE DVD slimline device with multiple DVD media read/write capability. It is supported in Models 520 and 570 with i5/OS V5R3.

The #5751 is a CIF.

## **iSeries server code distribution**

iSeries server code is distributed on CD-ROM media. One CD-ROM, DVD-RAM, or DVD-ROM drive is required on all 520, 570, 800, 810, 825, 870, and 890 servers, and must be ordered as a separate feature on the system unit. The CD-ROM and DVD-ROM can also be used for alternate IPL but not as a save/restore device for the system. The DVD-RAM can be an alternate IPL and save/restore device.

## **LPAR support and CD-ROM, DVD-RAM, and DVD-ROM**

Logical partition (LPAR) requirements may cause a need for external devices. In this case, the 7210-025 External DVD-RAM may be used. For a full description of this device, see "IBM 7210 Model 025 External DVD-RAM Drive" on page 336.

For information about LPAR and the CD-ROM, DVD-RAM, and DVD-ROM feature requirements, see:


<http://www.ibm.com/eserver/iserries/lpar/>

## **RPQ 847184 Convert #63xx/#64xx to #45xx**

RPQ 837184 provides the mounting hardware to convert selected iSeries #63xx/#64xx features into the #45xx equivalents for installation in iSeries servers. System records should be updated via RPO to reflect removal of the #63xx and #64xx device from the prior server and installation of the #45xx device on the iSeries.

Installation is not included in the price of this RPQ.





## External tape, disk, optical storage, and SAN components

This chapter describes the latest external storage media devices that are marketed today for iSeries servers. Specification charts are provided for the supported attachment methods and external devices. It also covers storage area network (SAN) components that are marketed and supported by the iSeries server.

You can find more information about iSeries storage on the Web at:

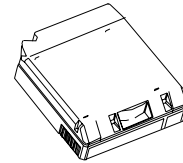
<http://www.storage.ibm.com/>

## External storage tape

This section describes select external storage tape devices supported by the current iSeries product line.

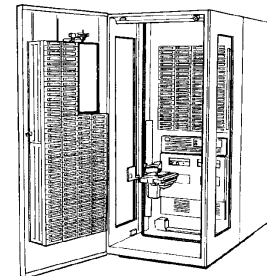
### IBM TotalStorage 358x Ultrium Solutions with LTO Technology

The 358x Ultrium tape family of devices supports the latest industry standard Linear Tape-Open (LTO) technology. LTO technology enhances data compression capacity, performance, and reliability. A powerful open tape architecture, Ultrium sets the stage for a new generation of tape storage products expected to surpass current tape capacity and performance benchmarks while maintaining the highest data integrity.



Ultrium 1 technology offers:

- ▶ Cartridge capacity (using Ultrium 1 media)
  - 100 GB native capacity
  - 200 GB with two to one (2:1) compression
- ▶ Data transfer rate
  - 15 MB/sec native
  - 30 MB/sec with 2:1 compression



Ultrium 2 technology offers:

- ▶ Cartridge capacity (using Ultrium 2 media)
  - 200 GB native capacity
  - 400 GB with 2:1 compression
- ▶ Data transfer rate
  - 35 MB/sec native
  - 70 MB/sec with 2:1 compression

**Note:** Compressed data rates are estimates and are data, application, and processor dependent. User results may vary.

The 3580, 3581, 3582, 3583, and 3584 are connected to iSeries servers by high-volume density (HVD) Ultra Small Computer System Interface (SCSI) fast/wide adapters, and for some models, low-volume density (LVD) Ultra 160 SCSI or Fibre Channel. OS/400, Windows 2000, Windows NT, and open systems operating systems are supported.

Some advantages of the Ultrium family include:



- ▶ Latest Open Standard technology and a strategic IBM platform
- ▶ Cost effective solution for high capacity and fast tape storage
- ▶ 3583 and 3584 are modular and expandable
- ▶ Enables larger-capacity or higher-performance tape backup
- ▶ Better alternative product to other externally attached Digital Linear Tape, ¼-inch, 4 mm, or 8 mm tape
- ▶ Supports random and auto modes on library models

Five models of the 358x are supported on the iSeries and AS/400e servers as shown in the following table.

Models	Description	Number of drives	Maximum number of cartridges	Interface
<b>3580</b> <b>H13, H11</b>	Ultrium 1 Tape Drive	1	1	HVD
<b>3580</b> <b>L23, H23</b>	Ultrium 2 Tape Drive	1	1	LVD HVD
<b>3581</b> <b>H17, H13</b>	Ultrium 1 Tape Autoloader	1	7	HVD
<b>3581</b> <b>L28, F28</b>	Ultrium Tape Autoloader Ultrium 2	1	8	LVD / HVD FC
<b>3581</b> <b>L23, H23</b>		1	7	LVD HVD
<b>3582</b> <b>L23</b>	Ultrium Tape Library	1 - 2	24	LVD,
<b>3583</b> <b>L18 - 18 Carts</b> <b>L36 - 16 Carts</b> <b>L72 - 72 Carts</b>	Ultrium Scalable Tape Library	1 - 6	72	LVD/HVD FC
<b>3584</b> <b>L32 / L52 - Base Frame</b> <b>D32 / D52 - Expansion</b> <b>Frame (up to 16 frames)</b>	3584 Ultrascalable Tape Library Ultrium 1 Ultrium 2	1- 192	6881 (maximum number of cartridges decreases as tape drives are added)	LVD, HVD, FC
				LVD, HVD, FC
<b>3592</b> <b>L22 - Base Frame</b> <b>D22 - Expansion Frame</b>	3592 Enterprise Tape Drive			

The adapter speed is also a factor in tape performance. Note that the LTO Ultrium 2 HVD drives do not see a performance increase over LTO Ultrium 1

HVD drives when attached to #2729 PCI Magnetic Media Controller, #2749 PCI Ultra Magnetic Media Controller, or #6534 Magnetic Media Controller.

Installing more than one Ultrium drive on a SCSI bus may impact the save rate of the device.

The IBM TotalStorage 358x tape devices supported on iSeries servers include:

► **IBM TotalStorage Ultrium External Tape Drive 3580**

This is one building block of a family of scalable, flexible tape solutions. It is available as a stand-alone or rack mounted unit. By leveraging advanced LTO technology, the IBM Tape Drive is suited for handling the backup, save and restore, and archival data storage needs of a wide range of small systems.

The new Ultrium 2 models of the IBM TotalStorage Ultrium External Tape Drive have a capacity of up to 400 GB with compression (2:1) with the use of the new IBM TotalStorage LTO Ultrium 200 GB Data Cartridge. IBM Ultrium 2 Tape Drives can read and write first generation LTO Ultrium Data Cartridges at original capacities and with improved performance. With its higher capacity and tape drive performance that more than doubles up to 35 MB/sec native data transfer rate (70 MB/sec with 2:1 compression), the new IBM Ultrium External Tape Drive 3580 is an excellent alternative to S-DLT, DLT, ¼-inch, 4 mm, or 8 mm tapes drives.

► **IBM TotalStorage Ultrium Tape Autoloader 3581**

This is an external stand-alone rack-mountable unit and contains a LTO Ultrium tape drive designed for the heavy demands of backup tape storage. The Ultrium Tape Autoloader 3581 capacity is seven to eight tape cartridges depending on the model.

The new Ultrium 2 models of the IBM TotalStorage Ultrium Tape Autoloader 3581 incorporate the IBM TotalStorage Ultrium 2 Tape Drives. This more than doubles tape drive performance over the first generation LTO Ultrium Tape Drive. It is designed to support up to 35 MB/sec native data transfer rates (70 MB/sec with 2:1 compression). In addition, with the use of the IBM TotalStorage LTO Ultrium 200 GB Data Cartridge, the IBM TotalStorage Ultrium 2 Tape Drive doubles the tape cartridge capacity up to 200 GB native capacity (400 GB with 2:1 compression). The IBM TotalStorage Ultrium 2 Tape Drives can read and write first generation LTO Ultrium Data Cartridges at original capacities and with improved performance.

It is an ideal automation solution for handling the storage needs of small- to medium-sized environments.

► **IBM TotalStorage Ultrium Tape Library 3582**

This is an external stand-alone unit that may be optionally rack-mounted. It supports up to two IBM TotalStorage Ultrium 2 Tape Drives with up to 35

MB/sec native data transfer rates (70 MB/sec with 2:1 compression) per drive. It provides tape cartridge capacity up to 200 GB native capacity (400 GB with 2:1 compression) when using the new IBM TotalStorage LTO Ultrium 200 GB Data Cartridge. The IBM TotalStorage Ultrium 2 Tape Drives can read and write original LTO Ultrium data cartridges at first generation Ultrium 1 capacities with improved performance.

It is an ideal automation solution for handling the storage needs of small to medium sized environments. The Ultrium Tape Library is designed to leverage the LTO technology to cost-effectively handle growing storage requirements.

► **IBM TotalStorage Ultrium ScalableTape Library 3583**

This now supports the IBM TotalStorage Ultrium 2 Tape Drive. It more than doubles tape drive performance over the first generation LTO Ultrium Tape Drive. It is designed to support up to 35 MB/sec native data transfer rates (70 MB/sec with 2:1 compression). In addition, with the use of the IBM TotalStorage LTO Ultrium 200 GB Data Cartridge, the IBM TotalStorage Ultrium 2 Tape Drive doubles the tape cartridge capacity up to 200 GB native capacity (400 GB with 2:1 compression).

The IBM TotalStorage Ultrium 2 Tape Drives can read and write original LTO Ultrium data cartridges at first generation Ultrium 1 capacities with improved performance. The Ultrium 2 tape drives and cartridges can be resident in the same 3583 library with first generation Ultrium tape drives and cartridges and applications to the LTO logical library.

► **IBM TotalStorage UltraScalable Tape Library 3584**

This provides a mid-range, open systems, and network server tape storage solution. It combines reliable, automated tape handling, and storage with reliable, high-performance IBM LTO Ultrium tape devices.

It supports up to 16 frames housing a maximum of 6,881 tape cartridges and 192 Ultrium tape drives. Support for the IBM TotalStorage Ultrium 2 Tape Drive more than doubles tape drive performance over the first generation LTO Ultrium Tape Drive. It is designed to support up to 35 MB/sec native data transfer rates (70 MB/sec with 2:1 compression).

In addition, with the use of the new IBM TotalStorage LTO Ultrium 200 GB Data Cartridge, the IBM TotalStorage Ultrium 2 Tape Drive doubles the tape cartridge capacity up to 200 GB native capacity (400 GB with 2:1 compression). The IBM TotalStorage Ultrium 2 Tape Drives can read and write original LTO Ultrium data cartridges at first generation Ultrium 1 capacities with improved performance. The Ultrium 2 tape drives and cartridges can be resident in the same 3584 Library frame with first generation Ultrium tape drives and Cartridges. The UltraScalable Tape Library is designed with a variety of advanced features. The IBM Multi-path Architecture is designed to simultaneously attach heterogeneous servers and

applications to LTO logical library partitions, including mixed Ultrium drives and media.

For additional information about the 3580, 3581, 3582, 3583, 3584, and all LTO products, go to the following Web site:

[http://www.storage.ibm.com/hardsoft/tape/lto/prod\\_data/ultrium.html](http://www.storage.ibm.com/hardsoft/tape/lto/prod_data/ultrium.html)

## IBM TotalStorage Enterprise Tape System 3590

The IBM TotalStorage Enterprise Tape System 3590 consists of a family of powerful integrated storage solutions. They are designed to provide high levels of performance and data reliability for both stand-alone and automated systems.

The Enterprise Tape System 3590 offers:

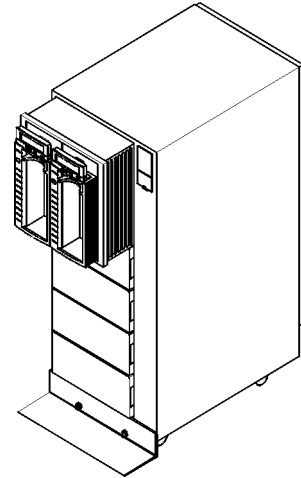
- ▶ Native drive data rate
  - Up to 14 MB/sec
  - 3590 Models E and H with Ultra SCSI attachment are capable of reaching sustained data rates of up to 34 MB/sec (with 3:1 compression). With native Fibre Channel attachment, the maximum sustained data rate is 42 MB/sec (with three to one (3:1) compression).
- ▶ Standard LZ1 compression
- ▶ Support for extended-length cartridges
- ▶ Fast and wide SCSI-2 interface, Ultra SCSI interface, or native Fibre Channel attachment
- ▶ Two ports

Each port can be connected to a different iSeries server and the 3590 can be shared between two systems.

The 3590 Models B11, E11, and H11 incorporate a standard 10-slot ACF for high-capacity stand-alone unattended operation. The 3590 Models B1A, E1A, and H1A come without the ACF. They are designed to go into the IBM 3494 Enterprise Automated Tape Library.

For additional information about all 3590 products, go to the following Web site:

<http://www.storage.ibm.com/tape/drives/3590/index.html>



## IBM TotalStorage Enterprise Tape System 3592

The IBM TotalStorage Enterprise Tape System 3592 surpasses the capabilities of its predecessors by providing up to five times the capacity and two and a half times the data transfer rates of the Enterprise Tape System 3590.

The Enterprise Tape System 3592 offers:

- ▶ 300 GB native, up to 900 GB with compression using rewritable
- ▶ 60 GB short length cartridge, 30% of locate time using rewritable

**Note:** Write-Once-Read-Many (WORM) is not supported when the 3592 is attached to iSeries servers

- ▶ Transfer rate native 40 MB/sec
- ▶ Throughput capability of up to 20% more than LTO (type2) and can restore up to 390 GB per hour from a single drive.
- ▶ Attachment via the #2765 PCI Fibre Channel Tape Controller or #5704 PCI-X Fibre Channel Tape Controller adapters
- ▶ Supported in the IBM TotalStorage UltraScalable Tape Library 3584
- ▶ Small form factor which allows double the drives in a single 3494 frame, as compared to the Enterprise Tape System 3590
- ▶ Stand-alone rack option also available

The 3592 also has additional enhancements that may help improve performance, capacity and availability including N+1 power supplies, Channel calibration, a large internal data calibration, large internal data buffer, digital speed matching and more.

For more information regarding the 3592 Tape Drives, see:

<http://www.storage.ibm.com/tape/drives/3592/index.html>

## IBM 7206 Model VX2 80 GB External VXA-2 Tape Device

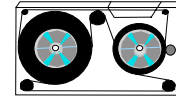
The IBM 7206 Model VX2 External Tape Drive is a VXA-2 streaming tape drive that writes data to tape cartridges using a Discrete Packet Format. It features data compression that can provide an effective capacity of up to 160 GB and a data transfer rate of up to 6.0 MB per second. The 7206 Model VX2 provides a cost effective solution for save, restore, and archiving functions. VXA-2 is not compatible with previous 8mm format tape devices.

For additional information about the 7206-VX2 and other 7206 products, go to the following Web site:

[http://www.storage.ibm.com/tape/drives/7206/models/model\\_vx2.html](http://www.storage.ibm.com/tape/drives/7206/models/model_vx2.html)

## **IBM 7207 Model 122 4 GB External SLR5 QIC Tape Drive**

The IBM 7207 Model 122 4 GB External SLR5 QIC Tape Drive is a stand-alone streaming linear tape drive in a raven black enclosure incorporating the most recent Single Channel Linear Recording (SLR5) QIC technology.



It provides up to 4 GB (8 GB with 2:1 compression) data storage per cartridge. It has a sustained data transfer rate of 380 KB per second (760 KB /sec with 2:1 compression). The 7207 Model 122 uses the QIC-4GB format, but is read and write backward compatible with QIC-120/150, QIC-525, QIC-1000, and QIC-2GB formats. It has two dual-ported wide connectors and attaches to a wide SCSI bus.

The Model 122 is an excellent solution if you use QIC tape or require a low-cost entry solution for tape backup.

For additional information about the 7207-122 and other 7207 products, go to the following Web site:

<http://www.storage.ibm.com/tape/drives/7207/index.html>

## **IBM 7207 Model 330 30 GB External SLR60 Tape Drive**

The IBM 7207 Model 330 30 GB External SLR60 Tape Drive is a stand-alone streaming tape drive in a single, externally attached enclosure. It incorporates new 4-Channel Scalable Linear Recording (SLR) technology.

The Model 330 provides up to 30 GB (60 GB with 2:1 compression) of data storage per cartridge and a sustained data transfer rate of 4 MB per second (8 MB per second with 2:1 compression). It has two SCSI-wide input and output connectors. It uses the SLR60 30 GB format and is designed to be backward read and write compatible with SLR100, MLR3, and MLR1 for all members of the quarter-inch cartridge (QIC) family of products. The Model 330 is also designed to be read-only compatible with SLR5 and DC9250 QIC tape formats.

The 7207 Model 330 tape drive is an enhancement to the IBM 7207 Model 122 tape drive. It can be used to replace other tape technologies (such as Mammoth and DLT tape drives) that attach externally to the iSeries families of workstations

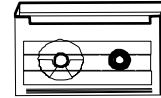
and servers. It offers flexible read and write compatibility with SLR, MLR, and QIC tape formats for data exchange and software distribution.

For additional information about the 7207-330 and other 7207 products, see the following Web site:

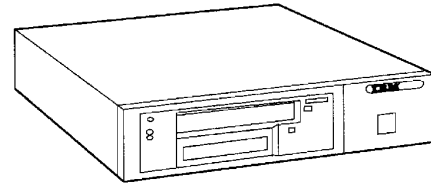
<http://www.storage.ibm.com/tape/drives/7207/index.html>

## IBM 7208 Model 345 60 GB External 8mm Tape Drive

The 7208 Model 345 is a stand-alone SCSI 8mm streaming tape device with the capacity of a 60 GB per cartridge. It uses the new IBM Mammoth-2 AME media data cartridge with SmartClean technology. The Model 345 also provides backward read compatibility with previous 20.0 GB 8mm AME tape cartridges.



The 7208 Model 345 can provide a media capacity of up to 150 GB of data storage per cartridge using the ALDC algorithm for compression. It has a sustained data rate of 12 M per second (20 M per second with a 2.5:1 compression ratio). This gives three times the capacity and four times the data rate of the 7208 Model 342.



The 7208 Model 345 is an excellent migration and interchange path from other 8mm tape drives and is a cost-effective solution for save-and-restore and archiving functions.

For additional information about the 7208-345, see the following Web site:

<http://www.storage.ibm.com/tape/drives/7208/index.html>

### External storage tape and DVD-RAM specifications

The following table helps to distinguish the technical characteristics of the IBM 7206, 7207, 7208 tape, and 7210 DVD devices.

Machine model	7206-VXA	7207-122 7207-330	7208-342	7208-345	7210-025
Description	VXA-2	QIC ¼ inch	8mm Mammoth	8mm Mammoth-2	DVD-RAM
Native / Compressed <sup>1</sup>	80 GB / 160 GB	<b>122:</b> 4 GB/8 GB <b>330:</b> 30 GB/60 GB	20 GB / 40 GB	60 GB / 150 GB	2.6 GB / 4.7 GB
Maximum Data Rate/sec <sup>2</sup>	6 MB/s 12 MB/w	<b>122:</b> 380 KB/s 760 KB/s <b>330:</b> 4 MB/s 8 MB/s	3 MB/s 6 MB/s	12 MB/s 20 MB/s	CD: 3.6 MB/s DVD-RAM: 1.35 MB/s <sup>3</sup> 2.7 MB/s <sup>4</sup>
Interface	Ultra2 SCSI LVD	<b>122:</b> Wide SCSI <b>330:</b> Ultra2 SCSI LVD	SCSI Fast/wide differential	LVD/SE Ultra wide SCSI-2	SCSI-2
Supported Controllers	#2718 #2768 #5702 <sup>5</sup> #5705 <sup>5</sup>	#2718 #2768 #5702 <sup>5</sup> #5705 <sup>5</sup>	#6534 #2729 #2479 <sup>6</sup>	#2718 #2768 #5702 <sup>5</sup> #5705 <sup>5</sup>	#2718 #2768 #5702 <sup>5</sup> #5705 <sup>5</sup>
Minimum operating system level	V5R1	<b>122:</b> V4R2 with PTFs <b>330:</b> V5R1 with PTFs	V4R1	V4R5	V5R1
<b>Notes:</b> 1. The degree of compression that is achieved is highly sensitive to the characteristics of the data being compressed. 2. Compressed data rates are estimates and are data, application, and processor dependent. User results may vary. 3. Write rate of DVD. 4. Read rate of DVD. 5. V5R2 is required to support the #5702 and #5705. 6. V4R5 or later is required to support the #2749.					

## External storage automated tape library

This section describes select external storage automated tape library supported by the iSeries servers marketed today.

### External tape storage automated library specifications

This table helps to distinguish the technical characteristics of the external storage automated tape library devices supported by the iSeries and AS/400e servers marketed today.



The last models of the 3490E range were *withdrawn from marketing* 28 June 2002. They are included in the table for comparison purposes.

The last models of the 3570 range were *withdrawn from marketing* on 27 December 2002. They are included in the table for comparison purposes.

The last models of the 3575 range were *withdrawn from marketing* on 28 June 2002. They are included in the table for comparison purposes.

Machine model	Desktop 3490E-F10  Rack 3490E-F11  Library 3490-F1A <sup>9</sup>	3494-L12 3494-D12 3494-L10 3494-D10 3494-HA1	Desktop 3570-C01 3570-C02  Rack 3570-C11 3570-C12	3575-L06 3575-L12 3575-L18 3575-L24 3575-L32	Desktop/Rack 3581-H17 3582-L23  Library, Floor/Rack 3583-L18 3583-L36 3583-L72  Library 3584-D32 3584-L323490-F1A <sup>9</sup>	3590-B1A 3590-B11 3590-E1A 3590-E11 3590-H1A 3590-H11 3592-J1A	7329-308
Description	½-inch tape	Library for 3490-x1A 3590-x1A	C-XL format 0.31 inch	C-XL format 0.31 inch	LTO	½-inch tape	QIC ½-inch AutoLoader
Technology	Longitudinal Serpentine	N/A	Longitudinal Serpentine	Longitudinal Serpentine	Longitudinal Serpentine	Longitudinal Serpentine J: Linear Serpentine	Longitudinal Serpentine
Native/ compressed <sup>1</sup>	800 MB/2.4 GB	Depends on installed drives	7 GB 21 GB	7 GB 21 GB	Ultrium1 100 GB and 200 GB Ultrium2 200 GB 400 GB	B: 10 or 20 GB <sup>7</sup> 30 or 60 GB <sup>7</sup> E: 20 or 40 GB <sup>7</sup> 60 or 120 GB <sup>7</sup> H: 30 or 60 GB <sup>7</sup> 90 or 180 GB J: 300GB/900GB <sup>7</sup>	50 GB 100 GB
Maximum number of cartridges/ library	10	6240	20	L06: 60 L12: 120 L18: 180 L24: 240 L32: 324	H17: 7 L23: 24 L18: 18 L36: 32 L72: 72 L32 + D32: 281-6881	B1A: 1 B11: 10 E1A: 1 E11: 10 H1A: 1 H11: 10 J1A: 1	8

Machine model	Desktop 3490E-F10  Rack 3490E-F11  Library 3490-F1A <sup>9</sup>	3494-L12 3494-D12 3494-L10 3494-D10 3494-HA1	Desktop 3570-C01 3570-C02  Rack 3570-C11 3570-C12	3575-L06 3575-L12 3575-L18 3575-L24 3575-L32	Desktop/Rack 3581-H17 3582-L23  Library, Floor/Rack 3583-L18 3583-L36 3583-L72  Library 3584-D32 3584-L323490-F1A <sup>9</sup>	3590-B1A 3590-B11 3590-E1A 3590-E11 3590-H1A 3590-H11 3592-J1A	7329-308
Maximum total capacity	24 GB	748 TB	420 GB	L06: 1.2 TB L12: 2.5 TB L18: 3.78 TB L24: 5.04 TB L32: 6.8 TB	H17: 1.4 TB L23: 9.6 TB L18: 7.2TB L36: 14.4 TB L72: 28.8 TB L32 + D32: 56.2 to 2752 TB	B1A: 60 GB B11: 6 TB E1A: 120 GB E11: 1.2 TB H1A: 180 GB H11: 1.8 TB J1A:300GB/900GB comp	800 GB
Maximum data rate/sec <sup>2</sup>	3 MB/s 9 MB/s	Depends on installed drives	7MB/s 15 MB/s	7MB/s 15 MB/s	Ultrium 1 15 MB/s 30 MB/s  Ultrium 2 35 MB/s 70 MB/s	B11: 7 MB/s, 15 MB/s E11 14 MB/s, 30 MB/s H11 14 MB/s, 30 MB/s J1A:40MB/s,	5 MB/s 10 MB/s
Time to load	81 sec	30 sec	19 sec	20 sec		56 sec	
Interface	SCSI-2 Fast/wide differential	RS232 Async or LAN for robotics	SCSI-2 Fast/wide differential	SCSI-2 Fast/wide differential	SCSI-2 HVD Ultra160 SCSI LVD Fibre	SCSI-2 Fibre	Ultra SCSI-2 SE interface
Compression/compaction method <sup>6</sup>	HDC IDRC	Depends on installed drives	LZ1	LZ1	LZ1	IDRC LZ1	LZ1
Controllers supported	#2729 #2749 <sup>3</sup> #6501 #6534	Depends on installed drives	#2729 #2749 <sup>3</sup> #6501 #6534	#2729 #2749 <sup>3</sup> #6501 #6534	#2729 #2749 <sup>3</sup> #6501 #6534 #2765 <sup>4,5</sup> #5702 <sup>8</sup> #5705	#2729 #2749 #6501 (not H1x) #6534 #2765 <sup>4,6</sup>	#2718 #2768 #5702 #5705

Machine model	Desktop 3490E-F10  Rack 3490E-F11  Library 3490-F1A <sup>9</sup>	3494-L12 3494-D12 3494-L10 3494-D10 3494-HA1	Desktop 3570-C01 3570-C02  Rack 3570-C11 3570-C12	3575-L06 3575-L12 3575-L18 3575-L24 3575-L32	Desktop/Rack 3581-H17 3582-L23  Library, Floor/Rack 3583-L18 3583-L36 3583-L72  Library 3584-D32 3584-L323490-F1A <sup>9</sup>	3590-B1A 3590-B11 3590-E1A 3590-E11 3590-H1A 3590-H11 3592-J1A	7329-308
Minimum operating system level	V4R1	V2R3	V3R1	V4R1	Ultrium 1 - V4R4 Ultrium 2 - V5R1	B1x: V3R1 E1x: V4R1 H1x: V4R5	V4R5
Alternate IPL device specify	#5504	Depends on tape devices installed	#5515	#5515	#5537	#5519	#5536
<p><b>Notes:</b></p> <ol style="list-style-type: none"> <li>The actual degree of compression achieved is highly sensitive to the characteristics of the data being compressed.</li> <li>This entry illustrates the best possible performance. Other components of the system may limit the actual performance achieved. The best source of information about performance is the <i>iSeries Performance Capabilities Reference</i>, SC41-0607.</li> <li>The #2749 attachment requires a minimum of OS/400 V4R5.</li> <li>The #2765 attachment requires a minimum of OS/400 V5R1.</li> <li>The #2765 supports attachment to the 3582, 3583, and 3584 only.</li> <li>The #2765 supports attachment to the 3590-Exx and 3590-Hxx only.</li> <li>The 3590 capacities depend on cartridge type. The Extended High Performance Cartridge has twice the capacity of the original High Performance Cartridge.</li> <li>The #5702 and #5705 attachment requires a minimum of OS/400 V5R2.</li> <li>The maximum number of drives depends on the adapter used to attach to the iSeries server: <ul style="list-style-type: none"> <li>#6501: Three drives, media changers, or both per adapter with a maximum of ten devices in the library, excluding the 3494.</li> <li>#2729, #6534, #2765, #5702: 16 drives, media changers, or both per adapter with a maximum of 96 devices in the library partition.</li> <li>OS/400 is limited to 32 drives pooled per library, regardless of how the drives are attached (one versus multiple).</li> </ul> </li> </ol>							

## Basic concepts

To help you understand the meaning of some of the functional characteristics of each tape device, refer to these descriptions:

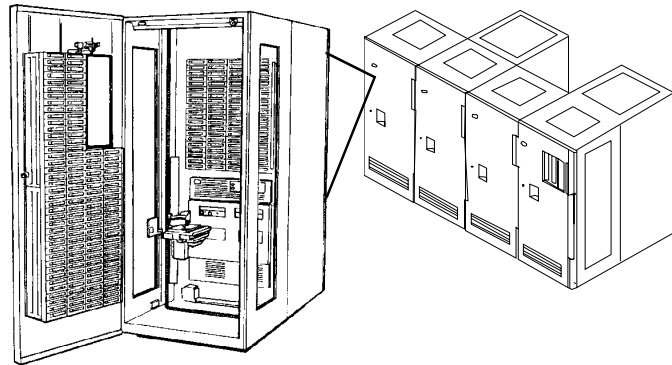
- ▶ **Random mode:** A mode where the library can retrieve and load cartridges at random based on user demand.

- ▶ **Auto mode:** A mode where the library sequentially loads cartridges to save or retrieve data and automatically advances to the next cartridge after a cartridge is filled or restored sequentially.
- ▶ **Base mode:** All drives see all tapes. Must be attached to one system.
- ▶ **Split mode:** The tape device is split into two groups. The library can be shared between systems, but the cartridges can be used only by the tape device dedicated to them.
- ▶ **Multi-control path architecture:** Allows each tape device in a library access to the robot arm as though it was the only drive in the library.
- ▶ **Multiple partitions:** The tape library can be split into partitions. Each drive has assigned cassettes it can use.
- ▶ **Tape pooling:** Tape devices can be attached to separate controllers, but the system software recognizes resources with equal capabilities in a common library device. At vary on, all equal resources are displayed under the common library device description. This allows Backup Recovery and Media Services (BRMS) to assign jobs for a specific resource to a pool of tapes that are available under this resource. It is available on OS/400 V4R5 or later.
- ▶ **Performance:** The actual throughput that you may achieve is a function of many components, such as system processor, disk data rate, data block size, data compressibility, input/output (I/O) attachments, and the system or application software used. The numbers stated here are the maximum throughput attainable by the tape device. The best source of information about performance is the *iSeries Performance Capabilities Reference*, SC41-0607.

As a general rule, it is important to note that SCSI bus technology used by the iSeries runs at 20 or 40 MB per second. High-end tape devices can attain transfer speeds in the 30 to 45 GB per second range, which means the throughput is that of the entire SCSI bus. Even though most tape devices allow more tape devices connected to the same bus, this is not recommended since you never attain full utilization of these drives due to SCSI transfer limitations.

## IBM TotalStorage 3494 Enterprise Tape Library

The IBM TotalStorage 3494 Enterprise Tape Library (also known as the 3494 Tape Library Dataserver) is a stand-alone automated tape storage subsystem for ½-inch cartridges available for attachment to the iSeries or AS/400e server. It provides an automated tape solution for automating tape operations such as save and restore, migration of data between disk and tape, and other mass data applications.



The IBM TotalStorage Enterprise Automated Tape Library provides a modular tape automation solution for multiple computing environments. This flexible design enables organizations to install a solution that helps address current capacity requirements and to add capacity when needed. Configurations include a Library Base Frame that may be configured with drive frames, storage frames, and up to two IBM TotalStorage Virtual Tape Servers. It provides cost-effective, reliable, and space-efficient tape automation.

For additional information about the 3494 Enterprise Tape Library, see:

<http://www.storage.ibm.com/tape/libraries-autoloaders/3494/index.html>

## Magnetic media controller transfer rates

The following table identifies the transfer rate of iSeries magnetic media controllers.

IOP or IOA	Transfer rate/user mix of data
#2729 PCI Magnetic Media Controller HVD, HD68	Up to 13 MB/s (47 GB/hour) Aggregate sustained data rates up to 108 GB/hour
#2749 PCI Ultra Magnetic Media Controller IOA HVD, HD68 OS/400 V4R5	Up to 38 MB/s Aggregate sustained data rates up to 108 GB/hour
#2765 PCI Fibre Channel Tape Controller OS/400 V5R1	Up to 100 MB/s

IOP or IOA	Transfer rate/user mix of data
#5702 PCI-X Ultra Tape Controller or #5705 PCI-X Tape/DASD Controller	80 MB/s Up to 160 MB/s with MF30636 applied
#5704 PCI-X Fibre Channel Tape Controller	
#5705 PCI-X Tape/DASD Controller	80 MB/s Up to 160 MB/s with MF30636 applied
#6501 Tape/Disk Device Controller (SPD) HVD: Requires #2895 interposer. Further limitations may apply.	Up to 17 MB/s (60 GB/hour) Aggregate sustained data rates up to 108 GB/hour
#6534 Magnetic Media Controller (SPD) HVD, HD68	Up to 17 MB/s (60 GB/hour) Aggregate sustained data rates up to 108 GB/hour

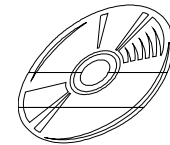
You can find additional information about performance in the *iSeries Performance Capabilities Reference*, SC41-0607.

## External storage DVD-RAM

This section describes select external storage DVD-RAM devices supported by the current iSeries product line.

### IBM 7210 Model 025 External DVD-RAM Drive

The IBM 7210 External DVD-RAM drive provides data interchange capability in support of LPAR configurations for iSeries. DVD-RAM is a new optical technology that advances the capabilities that CD-ROM brings to the iSeries. You can use DVD-RAM on iSeries servers to help lower costs associated with:



- ▶ Software distribution
- ▶ Data and software backup
- ▶ System backup
- ▶ Data interchange (ISO 9660 and UDF formats)

The 7210 Model 25 is flexible, supporting synchronous and asynchronous data transfer and accommodates both 12 cm and 8 cm disks. The Model 025 reads multi-session disks, CD-recordable disks, and CD-RW disks. DVD disk capacities of 2.6 GB, 4.7 GB, 5.2 GB, and 9.4 GB are supported. The IBM 7210 External DVD-RAM Drive enhances the function and capabilities of the iSeries.

The capacity of the DVD media is over seven times larger than CD-ROM. Software that may have been distributed on multiple CDs may now need only one DVD-RAM cartridge, reducing the cost of media. The 7210-025 can be used as an alternate IPL device. It is not supported by Boot Manager. The 7210 Model 025 is not supported by BRMS (5722-BR1).

For additional information about the 7210-025, see:

<http://www.storage.ibm.com/tape/optical/7210/>

## IBM 7210 Model 030 External DVD Drive, 7212-102 Storage Enclosure

**Note:** IBM Storage Group has announced a new external DVD (7210-030) and a 7212-102 storage enclosure, a two bay box that can have a combination of two of DVD, SLR60 QIC or SLR100 QIC. These devices are of interest to those customers implementing LPAR on the iSeries.

Information is not available for the Handbook at the time of this writing. Refer to the storage site for more information:

<http://www.storage.ibm.com/tape/optical/>

## External optical storage

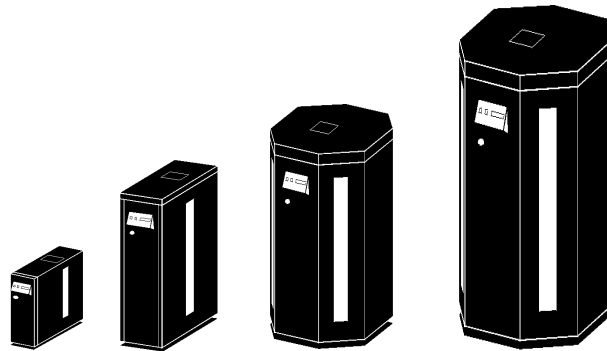
This section describes select external storage optical devices supported by the current iSeries product line.

### IBM 3995 Optical Library Cxx models

The IBM 3995 Optical Library C-Models feature high capacity 5.2G or Extended Multifunction optical drives, known as *8X technology*. It is eight times the capacity of the first generation optical technology.

The drives use industry standard 5 ¼-inch optical cartridges, supporting these optical technologies:

- ▶ Magneto-Optical (MO) rewritable, which allows data on the cartridge
- ▶ Permanent WORM, which provides a permanent and unalterable copy of the data by physically ablating (burning) holes into the recording layer



3995 Optical Library Models C40, C42, C46, and C48

- ▶ Continuous Composite Worm (CCW), which provides an unalterable copy of data through a software implementation of WORM, using rewritable media

Rewritable, permanent (ablative) WORM and CCW optical cartridges can be mixed within the same library.

The 5.2G (8X) optical drives in the C models can read and write to 5.2G (8X) and 2.6G (4X) optical cartridges and read only 1.3G (2X) and 650M (1X) optical cartridges. The 2.6G (4X) optical drives in the C models can read and write to 2.6G (4X) and 1.3G (2X) optical cartridges and read only 650M (1X) optical cartridges.

Each library has an auto changer, which is used to move the optical cartridges between the optical drives, the cartridge storage cells, and the entry/exit slot located on the top of the libraries. Certain models feature a dual-gripper cartridge picker on this auto changer for improved performance. All models have a viewing window through which the auto changer can be seen.

The following table summarizes the 3995 C-Models supported on the iSeries server.

3995 Model	Capacity		Number of drives	Attachment	Number of auto changer grippers	Supported Controllers
	G	Disks				
C40	104	20	1-2	Direct	1	#2729
C42	270	52	2	Direct	2	#2749
C44	540	104	2 or 4	Direct	2	#6534
C46	811	156	4 or 6	Direct	2	
C48	1341	258	4 or 6	Direct	2	

The only supported model upgrade is the 3995 Model C44 to the Model C46.

**Note:** The following iSeries controllers support the attachment of external storage devices:

- ▶ #2729 PCI Magnetic Media Controller when using OS/400 V4R2 or later (*withdrawn from marketing 2 July 2002*)
- ▶ #2749 PCI Ultra Magnetic Media Controller when using OS/400 V4R5 or later
- ▶ #6534 Magnetic Media Controller (SPD) when using OS/400 V4R2 or later (*withdrawn from marketing 31 May 2001*)



For additional information about the 3995 Optical Library, see the Web site:

<http://www.storage.ibm.com/tape/optical/3995/index.html?as400/as400e.html>

## External disk storage devices

This section describes select external storage disk storage devices that are supported by the current iSeries product line.

### IBM TotalStorage Enterprise Storage Server Model 750

The IBM TotalStorage Enterprise Storage Server (ESS) Model 750 is a new model in the family of Enterprise Storage Servers. It is designed to help meet the needs of clients who do not require the full range of capacity and performance scalability offered by the ESS Model 800, but need enterprise level functionality intended to support reliable, continuous access to data at an affordable price.

The ESS Model 750 provides an entry point into the ESS product family comprised of ESS Model 750 and ESS Model 800. The ESS Model 750 offers many of the features of ESS Model 800, but is based on a two-way processor with 8 GB cache and 2 GB of Non Volatile Storage (NVS). This is in contrast to the four- or six-way processors available with the ESS Model 800.

With support for up to 4.6 TB of physical capacity and six 2 Gb Fibre Channel/FICON® or ESCON® host adapters, the ESS Model 750 is designed to provide an attractive price/performance balance for clients requiring smaller configurations. The ESS Model 750 is well-suited for environments where the workload access densities average two operations per second per GB.

For additional information about ESS, go to the Web site at:

<http://www.storage.ibm.com/disk/ess/index.html>

### IBM TotalStorage Enterprise Storage Server Model 800

The IBM TotalStorage Enterprise Storage Server Model 800, the third generation of IBM intelligent storage, sets yet another milestone in ESS functionality, flexibility, performance, and overall value available to meet today's storage requirements. The Model 800 is designed to provide performance, scalability, and flexibility. Meanwhile, it supports 24 x 7 operations to help provide the access and protection demanded by today's business environment and delivers the flexibility and centralized management needed to lower long-term costs.

The Model 800 integrates a new generation of hardware, including faster symmetrical multiprocessors (SMP) with an optional Turbo feature, 64 GB cache, double internal bandwidth, and 2 Gb Fibre Channel/FICON Host Adapters. This hardware, in addition to RAID-10 support and 15,000 rpm drives, enables the Model 800 to deliver excellent levels of performance throughput.

For additional information about ESS, see the Web site:

<http://www.storage.ibm.com/disk/ess/index.html>

## Storage area network components

SAN can be defined as a combination of technologies (including hardware, software, and networking components) that provide any-to-any interconnection of server and storage elements.

SANs connect SAN storage (usually tape, disk) together with servers into a network called a *fabric*. Today's industry standard for interconnecting components of a SAN is Fibre Channel. The iSeries supports connection of disk and tape using Fibre Channel. The advantage of SAN are greater distances to devices (500 m using shortwave and up to 10 Km using longwave fiber) and the ability to share resources on a SAN.

The components that are supported by the #2765 and #5704 Fibre Channel Tape Controllers, and the #2766, #2787 PCI-X Fibre Channel Disk Controller, and #5704 Fibre Channel Disk Controllers, include:

- ▶ IBM TotalStorage Enterprise Storage Server
- ▶ IBM TotalStorage Enterprise Tape Drive 3590
- ▶ Ultrium 3581 2U
- ▶ Ultrium Tape Library 3582
- ▶ Ultrium Scalable Tape Library 3583
- ▶ UltraScalable Tape Library 3584
- ▶ 3592 Enterprise Tape Drive

Fibre attachment is either directly from the iSeries adapter to an storage server or tape drive, or via a Fibre Channel switch or fabric.

## SAN switches

SAN switches are supported on iSeries servers for connecting multiple host servers with storage servers and devices, creating a SAN. There are a variety of SAN switches supported by the iSeries. For more information, refer to:

<http://www.storage.ibm.com/ibmsan/index.html>



## **I/O devices and other components**

This chapter describes the printers that are offered and supported today for iSeries servers.

## iSeries printers

iSeries printers are designed, built, tested, and supported as an integrated component of the system. Printer options are scalable from desktop to production, impact to laser, with 375 characters per second up to 2200 impressions per minute.

This section describes the current line of printers for the iSeries. The descriptions are divided into three sections depending on typical usage:

- ▶ Workgroup printers
- ▶ Departmental and production printers
- ▶ Industrial printers

You can find information about iSeries print applications on the iSeries printing Web site at:

<http://www.printers.ibm.com/R5PSC.NSF/Web/as400overview>

The following table summarizes the characteristics of each of these printers, including the duty cycle ratings.

Category	Printer	Machine number	Printer form	Speed (IPM)	Maximum monthly usage (pages)*	IPDS™
Workgroup monochrome	Infoprint® 1312	4519	Cutsheet laser	20 IPM	15K	N
	Infoprint 1222	4922		22 IPM	50K	N
	Infoprint 1226	4526		26 IPM	65K	Y
	Infoprint 1332	4527		35 IPM	175K	Y
	Infoprint 1352	4528		40 IPM	200K	Y
	Infoprint 1372	4529		45 IPM	225K	Y
	Infoprint 1145	4545		45 IPM	250K	Y
	Infoprint 1410	4541		(22 ppm)	50K	
<p><b>IPM</b> Impressions per minute  <b>IPS</b> Inches per second  <b>CPS</b> Characters per second  <b>LPM</b> Lines per minute  <b>K</b> 1,000  <b>M</b> 1,000,000  * IBM does not recommend printing at the maximum monthly usage rate on a continuous basis.</p>						

Category	Printer	Machine number	Printer form	Speed (IPM)	Maximum monthly usage (pages)*	IPDS™
Workgroup color	Infoprint color 1354	4921	Cutsheet laser	20 IPM	85K	Y
	Infoprint Color 1357	4928		28 IPM	100K	Y
Midrange	Infoprint 62	4370	Cutsheet laser	62 IPM	600K	Y
	Infoprint 70 Plus	3170		70 IPM	600K	Y
	Infoprint 2060ES	2761		60 IPM	300K	Y
	Infoprint 2075ES	2775		75 IPM	300K	Y
	Infoprint 2085	2785		85 IPM	800K	Y
	Infoprint 2090ES	2790		90 IPM	800K	Y
	Infoprint 2105	2705		105 IPM	1M	Y
	Infoprint 2105ES	2706		105 IPM	1M	Y
	Infoprint 2000	2710		110 IPM	2M	Y
Production	Infoprint 3000	3300	Continuous form laser	344 IPM	4.4M - 8.8M	Y
	Infoprint 4000	4000		1002 IPM	11.6M	Y
	Infoprint 4100	4100		2200 IPM	23.2M	Y
Production color	Infoprint Color 100	3170	Continuous form laser	100 IPM	---	N
	Infoprint Color 130	3170		130 IPM	---	Y
Thermal	IBM 4400	4400	Thermal	10 IPS	---	Y
<b>IPM</b> Impressions per minute <b>IPS</b> Inches per second <b>CPS</b> Characters per second <b>LPM</b> Lines per minute <b>K</b> 1,000 <b>M</b> 1,000,000 * IBM does not recommend printing at the maximum monthly usage rate on a continuous basis.						

Category	Printer	Machine number	Printer form	Speed (IPM)	Maximum monthly usage (pages)*	IPDS™
Impact	IBM 4230	4230	Continuous form matrix	600 CPS	---	Y
	IBM 4232	4232		600 CPS	---	N
	IBM 4247	4247		1100 CPS	---	Y
	IBM 6400-i05	6400	Continuous form line matrix	500 LPM	---	Y
	IBM 6400-i5p	6400		500 LPM	---	Y
	IBM 6400-i10	6400		1000 LPM	---	Y
	IBM 6400-i1P	6400		1000 LPM	---	Y
	IBM 6400-i15	6400		1500 LPM	---	Y
IBM 6400-i2S	6400	2000 LPM	---	Y		
<b>IPM</b> Impressions per minute <b>IPS</b> Inches per second <b>CPS</b> Characters per second <b>LPM</b> Lines per minute <b>K</b> 1,000 <b>M</b> 1,000,000 * IBM does not recommend printing at the maximum monthly usage rate on a continuous basis.						

## iSeries workgroup printers

IBM Infoprint workgroup printers are a family of high-performance laser printers designed for iSeries and network printing environments. iSeries workgroup printers provide high fidelity (600 dots-per-inch (dpi) or 1200 dpi), multiple concurrent connections, support for multiple print data streams (Advanced Function Printing™ (AFP™)/Intelligent Printer Data Stream™ (IPDS), PostScript, Printer Control Language (PCL), Portable Document Format (PDF), a wide range of paper handling options, high-performance color, and a complete line of multifunction printer (MFP) options.

Key features shared by IBM Infoprint workgroup printers include:

- ▶ Connections to multiple client and server systems
  - iSeries and local area network (LAN) connectivity, including token-ring, Ethernet, twinaxial, and parallel
  - Concurrent handling of iSeries, network, and client print applications
- ▶ Complete integrated IPDS printer featuring:
  - Native, system-managed printing with page-level error recovery
  - Current AFP document features such as 2D barcodes and finishing
  - Full range of AFP fonts: iSeries and printer-resident, raster, and outline formats
  - IPDS connection over TCP/IP provides the same level of application and print management support as twinaxial-connected iSeries printers

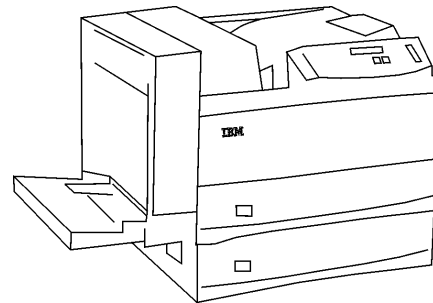
**Note:** IPDS is not available on Infoprint 1312 and 1222.

- ▶ One-stop support from IBM, the experts in iSeries printing

## IBM Infoprint 1312 Workgroup Laser Printer

Infoprint 1312 is a cost-effective monochrome laser printer that offers flexible network options, broad media support, and features generally only found in much higher priced printers. The highlights of this printer include:

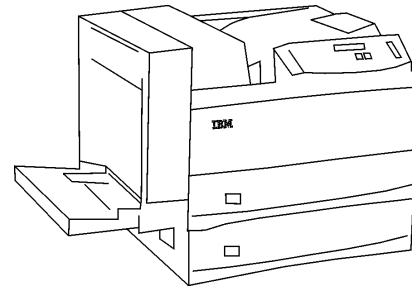
- ▶ Print up to 20 impressions per minute with fast first-page-out time
- ▶ 1200 dpi image quality produces professional results
- ▶ Fast EtherNet, token-ring, and Wireless Ethernet networking
- ▶ Support for PCL 6 and Postscript Level 3 standard
- ▶ Supported by OS/400 Host Print Transform (PCL)



## IBM Infoprint 1145 Workgroup Laser Printer

This is the fastest workgroup printer from IBM. It offers robust finishing and connectivity functions, including:

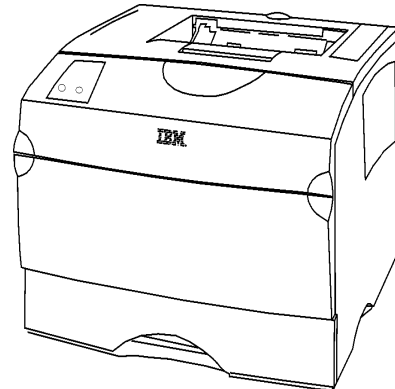
- ▶ Up to 45 pages per minute throughput with fast time to first page
- ▶ Optional finisher provides stacking, stapling, and hole punching
- ▶ iSeries integration and support
- ▶ Rich print data stream support includes IBM AFP/IPDS (option), PCL, and PostScript
- ▶ Supports a variety of media up to ledger size paper
- ▶ IBM MFP option adds copy, fax, and scan capabilities
- ▶ Onsite support from IBM Service, the experts in iSeries printing



## IBM Infoprint 1222 Workgroup Laser Printer

The IBM Infoprint 1222 is an excellent printing solution for small workgroups requiring a rugged printer with a compact design. It offers:

- ▶ Up to 22 pages per minute throughput with fast time to first page
- ▶ Standard duplex capability
- ▶ iSeries integration
- ▶ High-speed processor for faster handling of complex applications

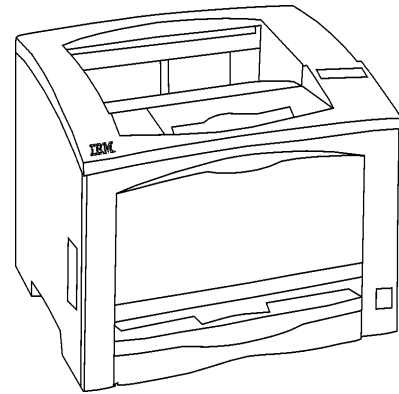




## IBM Infoprint 1226 Workgroup Laser Printer

The IBM Infoprint 1226 provides fast printing and large-format support at an attractive price. It offers:

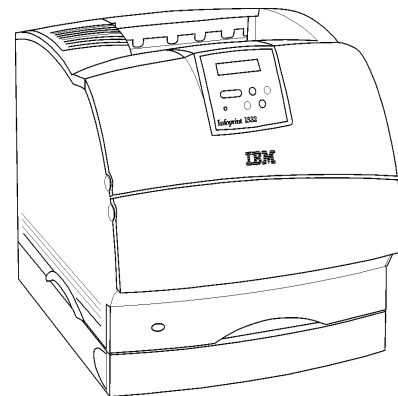
- ▶ Up to 26 pages per minute throughput with fast time to first page
- ▶ iSeries integration
- ▶ IPDS option for robust iSeries printing, full management, and complete error recovery
- ▶ High-speed processor for faster handling of complex applications



## IBM Infoprint 1332 Workgroup Laser Printer

The IBM Infoprint 1332 is a mid-speed laser printer designed for both iSeries and workgroup applications. The highlights of this printer include:

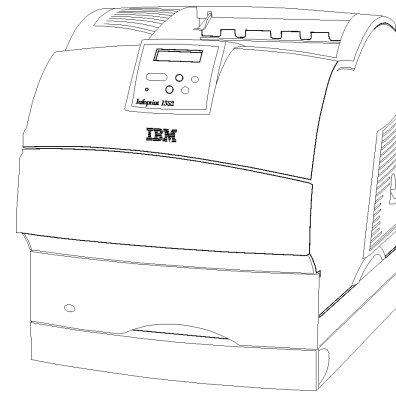
- ▶ Up to 35 impressions per minute, with fast first-page-out time
- ▶ True 1200 x 1200 dpi image quality
- ▶ Memory and hard-drive options to boost performance with large jobs
- ▶ Print and hold function facilitates secure printing of confidential documents
- ▶ Available MFP to add scan, fax, and copy functions to the hardware
- ▶ IPDS and PDF data stream support



## IBM Infoprint 1352 Workgroup Laser Printer

The IBM Infoprint 1352 is a high-speed workgroup laser printer at a low cost-per-page and with a wide array of options. The highlights of this printer include:

- ▶ Up to 40 impressions per minute with fast first-page-out time
- ▶ Versatile and extensive finishing options including staple, hole punch, and job offset
- ▶ True 1200 x 1200 dpi image quality
- ▶ Available MFP to add scan, fax, and copy functions
- ▶ Integrated IPDS for reliable business printing
- ▶ PCL 6, Postscript Level 3, and PDF data stream support



## IBM Infoprint 1372 Workgroup Laser Printer

The IBM Infoprint 1372 provides high-performance monochrome workgroup laser printing with the memory and speed to handle complex documents at a high throughput rate. The key features include:

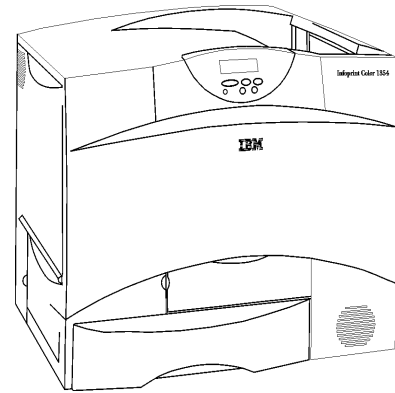
- ▶ Up to 45 impressions per minute with fast first-page-out time
- ▶ Versatile and extensive finishing options including staple, hole punch, and job offset
- ▶ True 1200 x 1200 dpi
- ▶ Available MFP to add scan, fax, and copy functions
- ▶ IPDS for reliable business printing includes latest document features such as 2D barcode support
- ▶ PCL 6, Postscript Level 3, and PDF data stream support
- ▶ Minimize operator intervention with high yield supplies and MarkVision printing management software



## IBM Infoprint Color 1354 Laser Printer

The IBM Infoprint 1354 provides high-performance color and monochrome laser printing at a low cost-per-page and with a wide array of options. The highlights of this printer include:

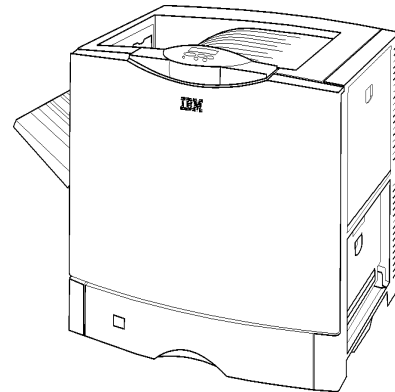
- ▶ Up to 20 impressions per minute throughput color or black-and-white, with fast first-page-out time
- ▶ Versatile finishing options including staple, hole punch, and job offset
- ▶ True 1200 x 1200 dpi and 2400 image quality
- ▶ Available MFP to add scan, fax, and copy functions
- ▶ IPDS and PDF data stream support



## IBM Infoprint Color 1357 Laser Printer

The IBM Infoprint Color 1357 provides high-performance color and monochrome laser printing at a low cost-per-page and with a wide array of options. The key features include:

- ▶ Up to 28 impressions per minute color and black-and-white, with fast first-page-out time
- ▶ Supports A3/ledger paper and banner printing up to three feet
- ▶ Helps manage supply costs with authorization control
- ▶ True 1200 x 1200 dpi and 2400 image quality with automatic color correction
- ▶ Available MFP to add scan, fax, and copy functions
- ▶ IPDS integrated option for reliable business printing
- ▶ Direct PDF data stream support available



## IBM Infoprint 1410 MFP Printer

The IBM Infoprint 1410 MFP is a low-cost, high-performance machine that is ideal for small workgroups and businesses, especially those with limited space. The operational advantages include:

- ▶ Obtain advanced functionality by replacing aging output equipment with a new multifunction device
- ▶ Up to 22 ppm with a first-page-out-time as fast as 10 seconds
- ▶ Resolution settings of up to 600 dpi and 1200 image quality
- ▶ One supply item—a single toner cartridge
- ▶ Range of network access capabilities, including wireless Ethernet

## Multifunction printing options

MFP options enable you to protect and expand your printer investment by adding scan, fax, and copy functions to IBM Infoprint 1000 series workgroup printers. MFP options can be included with the printer or purchased later. The following table summarizes current Infoprint MFP options.

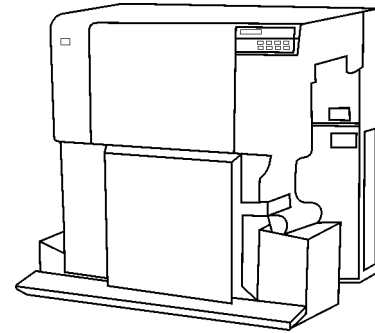
MFP option	Mono scan (IPM)	Color scan (IPM)	Duplex	Printers supported
M22	15	14	N	Infoprint 1332, 1352, 1372
M26	23	14	Y	Infoprint 1332, 1352, 1372
M30	23	14	Y	Infoprint 1332, 1352, 1354, 1372
M32	34	19	Y	Infoprint 1357
M35	40	N/A	N	Infoprint 1145

## iSeries departmental and production printers

In the same manner that the iSeries server scales up in performance, IBM system printers provide a wide range of choices at midrange and production printing speeds (generally 60 impressions per minute and up). These include both cutsheet and continuous form printers, currently achieving up to 2200 impressions per minute (with the IBM Infoprint 4100). All of the departmental and production printers feature the Advanced Function Common Control Unit (AFCCU™), a high-performance controller using the same processor technology as the iSeries servers.

## IBM Infoprint 62

The IBM Infoprint 62 helps to streamline supply chain management by ensuring that your products have accurate, legible labels that can be easily scanned. The Infoprint 62 cost-effectively prints documents at the point-of-need. Print jobs can be submitted to the Infoprint 62 using a corporate intranet, providing easy access from all parts of your enterprise. Software support is provided by PSF/400.



By supporting a wide range of paper, one IBM Infoprint 62 can replace several specialty printers:

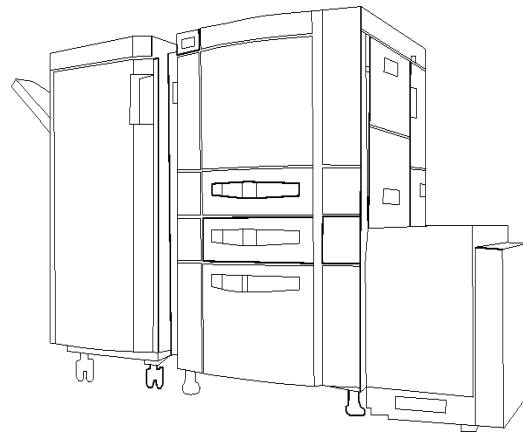
- ▶ Direct attachment to network and iSeries via Ethernet or token-ring
- ▶ The straight paper path minimizes operator intervention and allows the use of difficult-to-print, heavy stock, and labels
- ▶ The printer uses non-contact, flash-fusing technology, which makes it ideal for both production printing and special forms printing, such as heavy stock, labels, and ID cards
- ▶ Simplified paper management with the printer's auto load and auto unload features

The operator simply inserts the paper into the input tractors and it loads automatically when a job starts. At the end of a job, the printer cuts the paper and repositions the leading edge at the input tractors. This procedure simplifies paper handling and minimizes paper waste.

- ▶ Available in 240 dpi and 300 dpi models

## IBM Infoprint 70 Plus

Today's e-business applications require a fast, reliable, high-quality output solution that is accessible from virtually any location at any time. IBM Infoprint 70 Plus, when combined with Infoprint Manager, provides Internet-ready output capabilities that allow you to keep pace in an e-business world. IBM Infoprint 70 Plus offers a high-quality, high-volume cutsheet printer with a compact footprint. With advanced IBM controller and imaging technology, Infoprint 70 Plus supports:



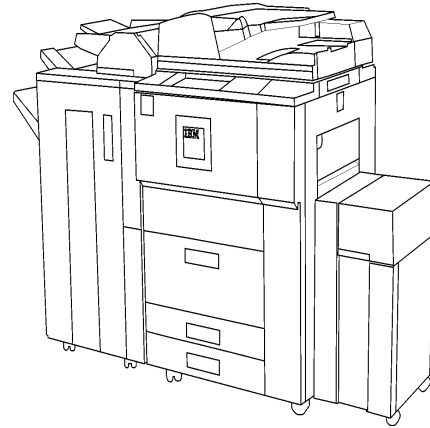
- ▶ Up to 70 impressions per minute with excellent 600 dpi print quality
- ▶ Automated conversion of 240, 300, or 600 dpi AFP/IPDS applications
- ▶ Direct attachment to network and iSeries via Ethernet or token-ring
- ▶ Standard duplex
- ▶ Built-in AFP/IPDS and optional PCL, PostScript, and PDF support flexible finishing capabilities
- ▶ Standard 2000 sheet output stacker can staple up to 50 sheets
- ▶ Input capacity up to 6,150 sheets
- ▶ New IBM Homerun RISC controller, with 400 MHz, 128 MB of memory, and 3.2 GB of disk, built to provide the kind of performance and functionality normally reserved for high-end production printers from IBM

With Infoprint 70 Plus, you can produce up to 400,000 impressions per month. Even complex jobs can run at or near the rated speed of 70 impressions per minute. Advanced controller technology ensures native support for IBM AFP and IPDS. Page-level error detection and recovery capabilities help prevent job resends, minimize human intervention, and streamline printing. Software support is provided by PSF/400.

## IBM Infoprint 2060ES

The IBM Infoprint 2060ES is the 60 impression per minute member of the ES midrange production printing family. This cutsheet printer effectively combines high-speed iSeries production printing with full reproduction capabilities. The highlights of this printer include:

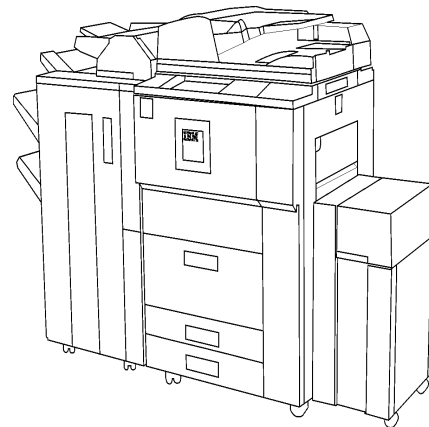
- ▶ Print speeds up to 60 impressions per minute at 1200 dpi resolution
- ▶ Duplication facilities are standard with 60 impressions per minute scanning
- ▶ Cutsheet production printing at an affordable price
- ▶ Finishing includes 50-staple finisher, 100-staple finisher, booklet finisher, and hole-punch options
- ▶ Web and Extensible Markup Language (XML)-based job ticketing
- ▶ Integrated IPDS for reliable, high-speed iSeries business printing
- ▶ The latest AFP enhancements include 2D barcodes and color grayscale printing
- ▶ A standard 40 GB hard-drive improves print caching and performance (for example, AFP fonts are preloaded for fast IPDS throughput)
- ▶ Full support for PostScript, PCL and PDF data streams is available



## IBM Infoprint 2075ES

The IBM Infoprint 2075ES is the 675 impression per minute member of the ES midrange production printing family. This cutsheet digital multi-function system effectively combines high-speed iSeries production printing with full reproduction capabilities. The highlights of this printer include:

- ▶ Print speeds up to 75 impressions per minute at 1200 dpi resolution
- ▶ Duplication (copier) facilities are standard

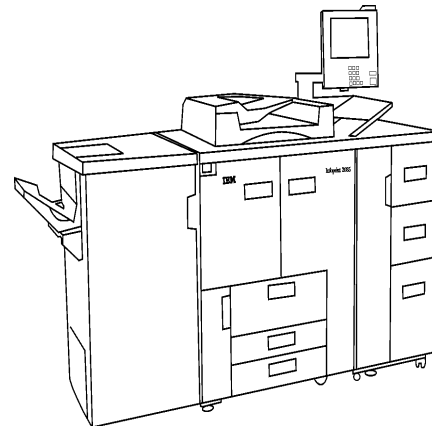


- ▶ Cutsheet production printing at an affordable price
- ▶ Finishing includes a 50-staple finisher, 100-staple finisher, booklet finisher, and hole-punch options
- ▶ Web and XML-based job ticketing
- ▶ IPDS for reliable, high-speed iSeries business printing
- ▶ A standard 40 GB hard drive improves print caching and performance (for example, AFP fonts are preloaded for fast IPDS throughput)
- ▶ The latest AFP enhancements include 2D barcodes and color grayscale printing
- ▶ PostScript, PCL, and PDF data streams are available

## IBM Infoprint 2085

The IBM Infoprint 2085 cutsheet laser printer is a midrange production printer that effectively combines high-speed iSeries production printing with full reproduction capabilities. The highlights of this printer include:

- ▶ Print speeds up to 85 impressions per minute
- ▶ Duplication facilities are standard
- ▶ Cutsheet production printing at an affordable price
- ▶ 600 dots-per-inch resolution with automatic conversion of lower-resolution applications
- ▶ Fully integrated with IPDS for reliable, high-speed iSeries printing
- ▶ PostScript, PCL, and PDF data streams are available

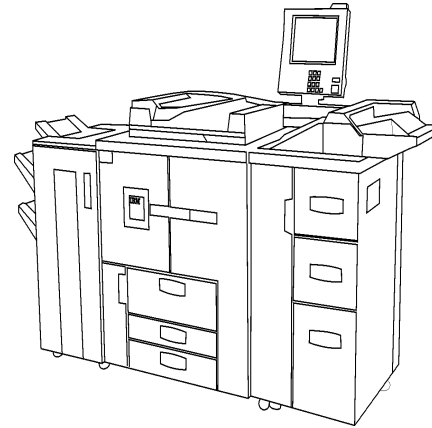




## IBM Infoprint 2090ES

The IBM Infoprint 2090ES is the 90 impression per minute member of the ES midrange production printing family. This cutsheet digital multi-function system effectively combines high-speed iSeries production printing with full reproduction capabilities. The highlights of this printer include:

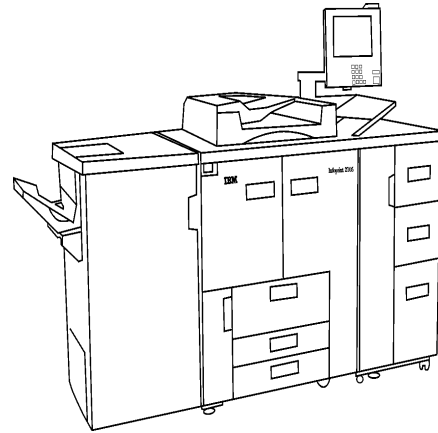
- ▶ Print speeds up to 90 impressions per minute at 1200 dpi resolution
- ▶ Duplication (copier) facilities are standard
- ▶ Cutsheet production printing at an affordable price
- ▶ Finishing options include a 50-staple finisher, 100-staple finisher, booklet finisher, and hole-punch
- ▶ Web and XML-based job ticketing
- ▶ IPDS for reliable, high-speed iSeries business printing
- ▶ A standard 40 GB hard drive improves print caching and performance (for example, AFP fonts are preloaded for fast IPDS throughput)
- ▶ The latest AFP enhancements include 2D barcodes and color grayscale printing
- ▶ PostScript, PCL, and PDF data streams are available



## IBM Infoprint 2105

The IBM Infoprint 2105 cutsheet laser printer is a midrange production printer that effectively combines high-speed iSeries production printing with full reproduction capabilities. The highlights of this printer include:

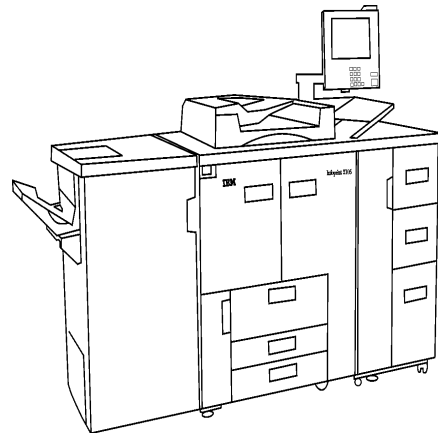
- ▶ Print speeds up to 105 impressions per minute
- ▶ Duplication facilities are standard
- ▶ Cutsheet production printing at an affordable price
- ▶ 600 dots-per-inch resolution with automatic conversion of lower-resolution applications
- ▶ Fully integrated with IPDS for reliable, high-speed iSeries printing
- ▶ Full support for ASCII (PostScript, PCL, and PDF) data streams is available



## IBM Infoprint 2105ES

The IBM Infoprint 2105ES is the 105 impression per minute member of the ES midrange production printing family. This cutsheet digital multi-function system effectively combines high-speed iSeries production printing with full reproduction capabilities. The highlights of this printer include:

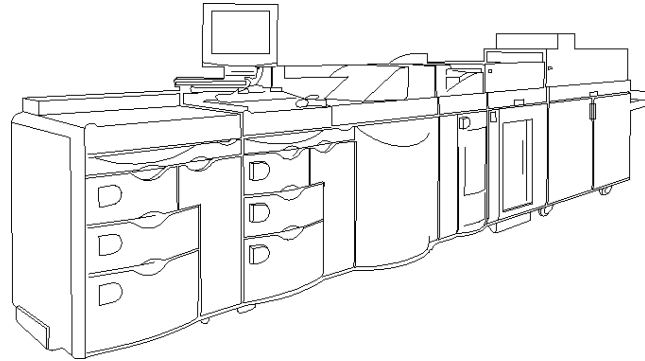
- ▶ Print speeds up to 105 impressions per minute at 1200 dpi resolution
- ▶ Duplication (copier) facilities are standard
- ▶ Cutsheet production printing at an affordable price
- ▶ Finishing options include a 50-staple finisher, 100-staple finisher, booklet finisher, and hole-punch
- ▶ Web and XML-based job ticketing
- ▶ IPDS for reliable, high-speed iSeries business printing



- ▶ A standard 40 GB hard drive improves print caching and performance (for example, AFP fonts are preloaded for fast IPDS throughput)
- ▶ The latest AFP enhancements include 2D barcodes and color grayscale printing
- ▶ Full support for ASCII (PostScript, PCL, and PDF) data streams is available

## IBM Infoprint 2000

Infoprint 2000 printers bring cutsheet printer capabilities to address the output needs of an e-business. This high-speed cutsheet printer combines advanced hardware and software technologies to provide exceptional performance, flexibility, and control. The



integration with Infoprint Manager brings Infoprint 2000 into heterogeneous environments, converting PostScript and PCL jobs to AFP/IPDS. The software creates a central point for managing all print jobs through the enterprise and provides workload balancing to help ensure printers are always printing.

Inherent with this solution, Infoprint 2000 supports Internet Printing Protocol (IPP) and is ready for e-business. IPP provides mobile users the means to address a printer from anywhere, allows companies to provide their clients with direct access to their printer, and provides notifications to communicate printer status.

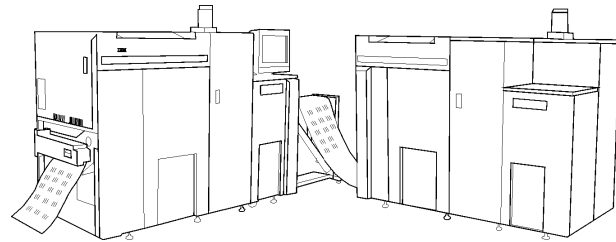
Powered by an advanced imaging technology, Infoprint 2000 is designed to monitor and self-adjust print quality as needed. Establishing new AFP/IPDS benchmark print quality, Infoprint 2000 produces fine lines and offset-like halftones. To ensure user-friendly paper support and reliability, the system has a straight paper path, as well as three standard and three optional vacuum fed paper drawers for preventing paper mis-feeds. In addition, IBM Infoprint 2000 with AFCCU offers:

- ▶ Up to 110 impressions per minute at 600 dpi
- ▶ Up to 2,000,000 impressions per month
- ▶ Superb image quality with Grayscale Resolution Enhancement Technology (GRET) producing crisper, clearer halftones, and more accurate reproduction of finer fonts

- ▶ Automatic enhancement of existing 240 dpi and 300 dpi applications
- ▶ Simple, direct attachment with Ethernet or token-ring
- ▶ Supports paper sizes ranging from 8-by-10.5 to 11-by-17 and paper weights in the range of 16 pound bond to 110 pound index
- ▶ Input and output paper capabilities of up to 8,000 sheets (4,000 sheets are standard)
- ▶ Trayless duplexing and a shorter, straighter paper path means benchmark levels of reliability
- ▶ Software support provided by PSF/400
- ▶ IBM world class service and support

## IBM Infoprint 3000 Advanced Function Printing System

IBM Infoprint 3000 is a high-speed, high-resolution, continuous-form production printing system designed and integrated for high-volume iSeries printing. The IBM Infoprint 3000 Advanced Function



Printing System is an intermediate production printing family that fits between iSeries midrange printers (Infoprint 62 and Infoprint 70 Plus) and the high-end production printing systems (Infoprint 4100). IBM Infoprint 3000 printers deliver print speeds from 112 to 344 impressions per minute, with the ability to perform two-up printing (8.5-by-11-inch pages) using the new 17-inch print-head technology. Monthly print volumes can go up to 4.4 million impressions.

This new printing system not only prints at high speeds, but also prints high quality. Print fidelity is at 480 dpi or 600 dpi, and the print resolution is switchable. Existing iSeries applications developed at 240 dpi or 300 dpi are automatically enhanced to either 480 dpi or 600 dpi.

The IBM Infoprint 3000 is directly attached to the iSeries (using Ethernet or token-ring) and is fully supported by Print Services Facility/400, the full-function print management subsystem of OS/400. Full application enablement includes system printer file function, DDS, Infoprint Designer for iSeries, AFP Utilities, Advanced Print Utility (APU), Page Printer Formatting Aid (PPFA/400), AFP Toolbox, and many other IBM and third-party document composition products.

With high-volume applications such as reports, statements, documents, and direct mail, continuous-forms printing ensures high reliability. They also ensure the attachment of a wide variety of pre- and post-processing devices (paper roll input, cutters, inserters, and so on) for a smooth end-to-end process. This is an intelligent process that starts with blank paper and can end up a complete package ready for mailing.

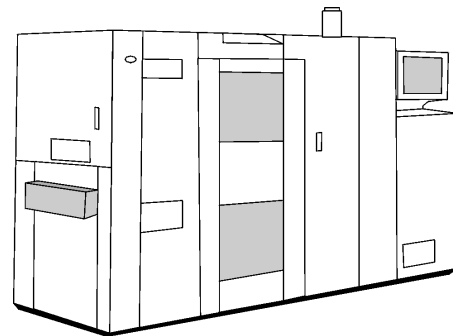
Additional features include:

- ▶ Simplex and duplex configurations. Duplex configurations (two Infoprint 3000 printers in tandem) can also be run in dual simplex mode when required.
- ▶ The RISC-based Advanced Function Controller provides comprehensive print and document functionality, as well as high performance for even the most complex jobs.
- ▶ It has the smallest footprint (up to 25% smaller) in its class.

## IBM Infoprint 4000 Advanced Function Printing Systems

Infoprint 4000 is a high-speed, continuous-form production printer family for iSeries servers. Speeds range up to 1002 impressions (on 8.5-by-11-inch sheets) per minute. Models include simplex, wide, and duplex with resolutions of 240, 480, and 600 dpi.

Infoprint architecture provides higher resolutions and support for PostScript data streams to meet far more wide-ranging organizational document requirements, including the replacement of applications that traditionally went to offset printing. Infoprint 4000 attaches to iSeries servers over a token-ring or Ethernet network.



The key features include:

- ▶ Maximum usage of up to 17.4 million impressions per month
- ▶ Driven by IBM AFCCU, which provides high-speed processing of complex documents, full IPDS function, and comprehensive connectivity
- ▶ Wide models provide 17-inch wide platen for two-up printing of 8.5-by-11-inch output
- ▶ Designed for production print environments with appropriate intelligent preprocessing (such as roll paper input) and postprocessing (for example, cutters and collators) equipment

- ▶ Optional pinless drive replaces traditional tractor-fed paper
- ▶ Optional Infoprint Hi-lite Color post processor enables variable data in color, up to three colors per page

## IBM Infoprint 4100 Advanced Function Printing Systems

The Infoprint 4100 offers continuous forms printing with 19-inch wide print line for digital publishing and statements printing. Speeds up to 762 two-up, duplex letter or 718 two-up, duplex A4 impressions per minute with 480/600 dpi resolution. simplex and duplex models are available in this printer family.

Infoprint architecture provides higher resolutions and support for PostScript data streams. This helps to meet far more wide-ranging organizational document requirements, including replacement of applications that traditionally went to offset printing. The Infoprint 4100 attaches to the iSeries server over an Ethernet or token-ring network.

The key features include:

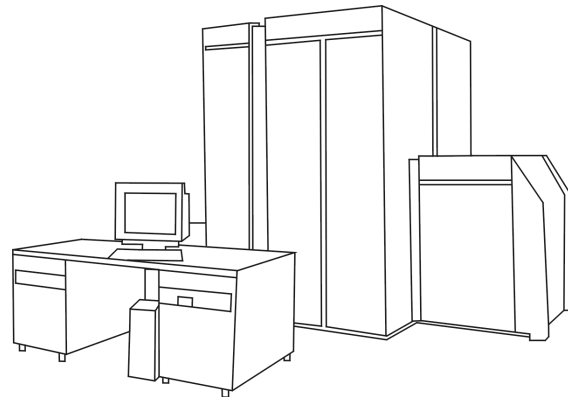
- ▶ Industry leading 600 dpi image quality
- ▶ Prints true 3-up 6-by-9-inch pages at up to 2200 impressions per minute
- ▶ Extra-wide format (19-inch print width)
- ▶ Reduced total cost of printing

## Infoprint Color 100 Full-Color Digital Printer

This printer offers high-quality, wide-format process-color for enhanced print-on-demand applications and variable content publishing.

Its features include:

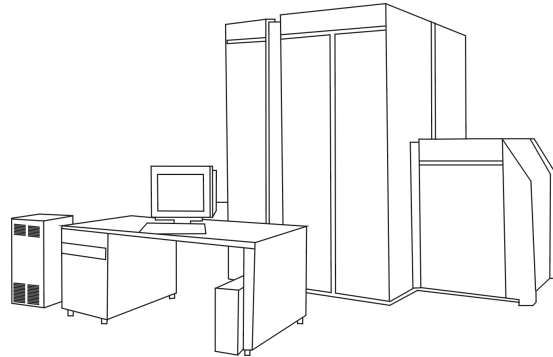
- ▶ Up to 105 full-color impressions-per-minute (ideal for duplex printing)
- ▶ New, dual 400 MHz Intel Pentium II processors increase RIP speed
- ▶ Extensive variable data capabilities
- ▶ Enhanced cross-Web registration and paper conditioning for optimal print quality
- ▶ Large 18.7-inch image area on a 20-inch paper width



- ▶ Automated registration and density control for greater ease-of-use
- ▶ Requires IBM Infoprint Manager

## IBM Color 130 and Color 130 Plus Full-Color Digital Printers

This high-speed, full-color printer helps transform e-business intelligence into effective, highly personalized full-color marketing collateral. The Color 130 Plus adds IBM AFCCU technology, enabling the benefits of AFP—variable data and production control. Requires IBM Infoprint Manager.



### Features for the Color 130

- ▶ New, state-of-the-art printing system designed for complex, variable-content full-color printing of PostScript application
- ▶ Up to 138 full-color impressions per minute with 4 bits per spot for superior output quality
- ▶ Powerful RIP server with two 800 MHz Intel Pentium III processors
- ▶ High-performance press server with two 600 MHz Intel Pentium III processors
- ▶ Press server software provides page impositions and variable data merging
- ▶ New XML-based book ticket file to manage print jobs

### Features for the Color 130 Plus

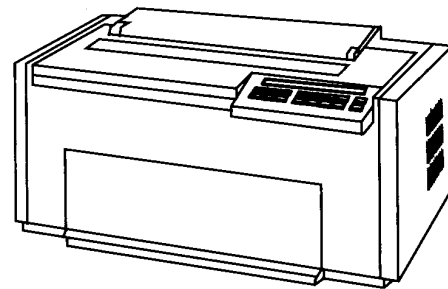
- ▶ Designed for complex, variable content, full-color printing
- ▶ Production workflow is automated, no operator involvement in ripping
- ▶ System can be automatically restarted or redirected from last page printed, no need to rerun the entire job
- ▶ Prints applications using AFP, Adobe PostScript 3, and PDF 1.3
- ▶ 450 MHz processor with 4 GB of high-speed memory and 72 GB of high-speed storage in the printer controller

## iSeries industrial printers

Central to today's supply chain environments, iSeries industrial printers are designed for harsh environments and multi-part form applications. The printer technology is either dot matrix or line matrix. IPDS is supported throughout, both for complete print management and graphics function (for example, barcodes). This category includes the IBM 4230, IBM 4232, IBM 4247, and IBM 6400 printer families.

### IBM 4230 Impact Matrix Printer

The 4230 range of printers provides heavy-duty, impact matrix printing. The six models of 4230, the 101, 1S2, 4S3, 111, 102, and 4I3, can all be twinaxial attached to an iSeries server using the twinaxial workstation controller. The Model 4S3 and 4I3 also offer serial and parallel attach.



All 4230s have an LCD display that provides prompts and menu selections in a choice of eight languages. They also have forms handling modules for continuous forms and document insertion. One of these forms modules is supplied with the initial order, as selected by the customer. The others are available as options.

Models 101 and 1S2 have 32K memory as standard and support the IBM 4214 data stream SNA Character String (SCS). Models 111 and 102 have 128K memory as standard and support the IBM IPDS. Memory on the 111 and 102 can be increased to 512K as an option. Models 4S3 and 4I3 have 128K memory as standard. Model 4S3 supports the SCS data stream, while Model 4I3 supports IPDS. The following table shows each model's print speeds.

Model	Mode			
	Fast draft	DP	DP text	NLQ
101, 111	375 cps	300 cps	150 cps	75 cps
1S2, 102	480 cps	400 cps	200 cps	100 cps
4S3, 4I3	600 cps	400 cps	200 cps	100 cps

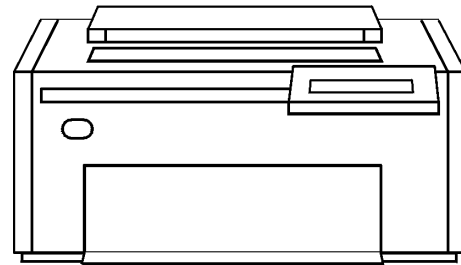


## IBM 4232 Impact Dot Matrix Printer

The 4232 is a heavy-duty, unattended impact dot matrix printer, capable of printing 600 cps. It is designed for workstation printing or shared printer applications using an ASCII data stream.

The 4232 Model 302 can be used for printing data processing, office, and business documents, as well as barcode labels and multipart forms.

The 4232 has an LCD display that provides prompts and menu selections in a choice of eight languages. It also has forms handling modules for continuous forms and document insertion.



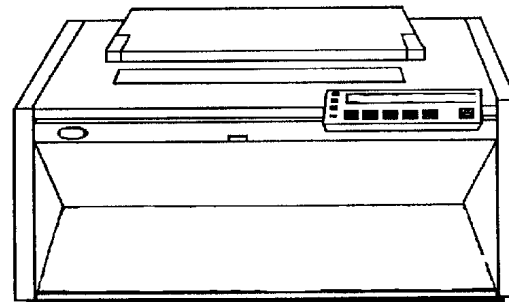
## IBM 4247 MultiForm Matrix Printer

The 4247 printers are desktop model impact printers. They are capable of printing up to 1100 cps in its fastest data processing (DP) mode. They include two continuous paper paths and a standard manual cutsheet input.

The 4247 can be used as a directly attached workstation printer, as a system printer, remote or distributed, or for departmental printing. Supported applications include word processing and spreadsheets, business graphics such as pie charts, barcode printing, line drawings from CAD/CAM applications, and special forms for checks, labels, and mailers.

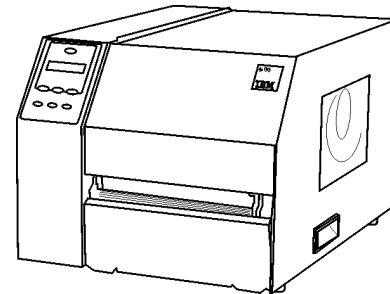
The 4247 models have a duty cycle of up to 20 million characters-per-month and print qualities include DP, DP Text, and Near Letter Quality (NLQ).

- ▶ Attachment to the system can be Twinaxial, Serial/Parallel, Ethernet, and token-ring; coax and attachment to LAN using ASCII interface are also available
- ▶ IPDS support for the full range of electronic printing capabilities (barcode, electronic forms, image, graphics, and variable fonts), and full printing error recovery



## IBM 4400 Thermal Label Printers

The IBM 4400 Thermal Label printers provide high-performance, high-quality thermal printing geared to the iSeries, network, and Supply Chain industrial environments in which they must operate. This is an environment where iSeries application integration, reliable output management, and network deployment and administration are essential.



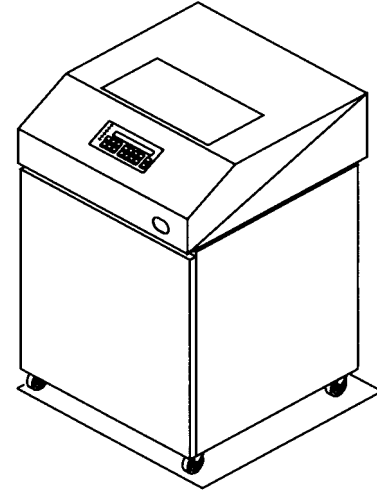
The key design elements of the system—integration, reliability, scalability, ease of use, and designed for e-business—are reflected in the IBM 4400 Thermal Laser printers. Support for Intelligent Printer Data Stream means that any Advanced Function Presentation™ application interface can be used. IPDS also means industrial-strength printing management, even when the printer is deployed in a TCP/IP network. Support for additional thermal data streams ensures compatibility with existing applications.

Features of the IBM 4400 series include:

- ▶ Print resolution up to 300 dots per inch, print speeds up to 10 inches per second, and media widths of 6.8 inches or 8.75 inches
- ▶ Ideal for barcode and graphics applications, supporting IPDS barcodes (including new 2D symbologies), and existing Code V and Intelligent Graphics Processor (IGP) barcode applications
- ▶ Supported by IBM Printer Management Utility for remote administration
- ▶ Rugged footprint and construction designed for tough industrial environments
- ▶ IPDS support for iSeries application integration and robust print management

## IBM 6400 Line Matrix Printers

The dependable IBM 6400 line matrix printer family is designed for heavy-duty, continuous use in both system and network environments. Extensive data stream support (SCS, IPDS, ASCII, Code V, IGP) ensures application compatibility. Speeds range from a low-cost 500 line-per-minute pedestal model to models supporting print speeds up to 2000 lines per minute. The new, integrated Ethernet IPDS enables the IBM 6400 to be placed in an IP network, yet retains all the application function and print management control of a direct-attached iSeries printer.



The 6400 family of line matrix printers provides heavy-duty, continuous-form impact line printing with low total cost of operation. A variety of emulations, options, and speeds address just about any print requirements.

There are six models of the 6400 family as shown in this table.

Model	Speed (lines per minute)	Package
6400-i05	500	Cabinet
6400-i5P	500	Pedestal
6400-i10	1000	Cabinet
6400-i1P	1000	Pedestal
6400-i15	1500	Cabinet
6400-i20	2000	Cabinet

An optional feature for Intelligent Printer Data Stream support enables full graphical applications with electronic forms, barcodes, graphics, scalable fonts, and optical character recognition.

Web access to operator panel enables remote control of network-connected 6400 models.





## Customer Install Features

Many iSeries models are designated as Customer Setup (CSU). Several of the features for the current product line are Customer Install Features (CIF). CIF and CSU designations provide the customer with flexibility in installing new iSeries servers and adding new features to installed systems. Customers can schedule installations to minimize the disturbance to their business operations.

Miscellaneous Equipment Specification (MES) is an IBM term for IBM-supplied changes to an installed or on-order system. On MES orders that include a mixture of IBM install and CIF features, the customer may choose to have the IBM service representative install all of the features, including those designated as CIF. On MES orders where all features are CIF, the customer can install all of the features.

The customer is responsible for the installation of external cables, displays, printers, and modems. IBM service personnel can perform these activities for a charge. IBM installation for CSU and CIF units is available for a charge under normal service contracts.

## OS/400 features supported on iSeries servers

The tables in this chapter list the commonly ordered feature codes for the latest iSeries models marketed by IBM. They identify which features are CIF features, in which iSeries model and expansion unit the feature is supported, and the minimum release of OS/400 required to support the feature.

For a comprehensive list of features, as a cross reference of feature codes and CCIN number, see the “Feature Code” and “CCIN” chapters of the *IBM @server iSeries and AS/400e System Builder*, SG24-2155. These chapters include most power cord and cable features, as well as the load source specify features. Refer to “iSeries Editions” on page 51 for a list of the features codes for iSeries Editions.

The columns in the following tables contain:

- ▶ The feature code (FC)
- ▶ The feature description as used in the IBM marketing configurator
- ▶ A Y if the feature is a CIF, or an N if it is an “installed by IBM” feature
- ▶ How the features are installed in each of the iSeries models currently marketed by IBM

The installation options are defined as follows:

- **B**: Plant or MES installation
- **M**: MES install only (available for field installation only)
- **P**: Plant install only (available on new system orders only)
- **PU**: Plant install only; for model upgrades, an MES install
- **S**: Supported in the specified iSeries model configuration. The feature may be migrated to the specified iSeries model as part of a model upgrade, but individual orders are not available.
- **SC**: Supported for conversion
- ▶ Minimum operating system level

The operating system version and release that supports the feature, either natively or with program temporary fixes (PTFs)

## Model 520, 570 system unit and tower features

The following table shows the features supported in Models 520 and 570, the associated expansion units, and the CIF designation of each feature.

FC and description	CIF	Model or tower					Min. OS/400
		520	570	5095	5094	5088	
#0041 Device Parity Protection-All	Y	B	B	-	-	-	V4R5
#0092 External xSeries Attach	Y	B	B	-	-	-	V5R1
#0123 #5074 Lower Unit in Rack	Y	S	S	-	-	-	V4R5
#0325 IPCS Extension Cables for NT	Y	B	B	B	B	B	V4R2
#0367 Operations Console PCI Cable	Y	B	B	B	B	B	V4R3
#0369 100m Optical SPCN Cable	Y	-	B	B	B	B	V5R1
#0371 LC-SC Adapter Kit (50 um)	Y	B	B	B	B	B	V5R1
#0372 LC-SC Adapter Kit (62.5 um)	Y	B	B	B	B	B	V5R1
#0446 512 MB DDR Server Memory	Y	B	B	B	B	B	V5R2
#0447 1 GB DDR Server Memory	Y	B	B	B	B	B	V5R2
#0551 iSeries Rack	Y	B	B	-	-	-	V4R5
#0588 PCI-X Expansion Unit in Rack	Y	B	B	-	-	-	V5R2
#0595 PCI-X Expansion Unit in Rack	Y	B	B	-	-	-	V5R2
#0601 - Linux Direct Attach #2743	Y	SC	SC	S	S	S	V5R1
#0602 - Linux Direct Attach #2760	Y	SC	SC	S	S	S	V5R1
#0603 - Linux Direct Attach #2744	Y	B	B	B	B	B	V5R1
#0607 - Linux Direct Attach #4838	Y	SC	SC	S	S	S	V5R1
#0608 - Linux Direct Attach #4745	Y	SC	SC	S	S	S	V5R2
#0609 - Linux Direct Attach #2772	Y	B	B	B	B	B	V5R2
#0610 - Linux Direct Attach #2773	Y	B	B	B	B	B	V5R2
#0612 - Linux Direct Attach #2766	Y	M	M	B	B	B	V5R2
#0613 - Linux Direct Attach #2742	Y	B	B	B	B	B	V5R2
#0614 - Linux Direct Attach #2793	Y	B	B	B	B	B	V5R2
#0615 - Linux Direct Attach #2794	Y	B	B	B	B	B	V5R2
#0616 - Linux Direct Attach #2805	Y	B	B	B	B	B	V5R2
#0617 - Linux Direct Attach #2806	Y	B	B	B	B	B	V5R2

FC and description	CIF	Model or tower					Min. OS/400
		520	570	5095	5094	5088	
#0620 - Linux Direct Attach #5700	Y	B	B	B	B	B	V5R2
#0621 - Linux Direct Attach #5701	Y	B	B	B	B	B	V5R2
#0623 - Linux Direct Attach #2849	Y	B	B	B	B	B	V5R2
#0624 Linux Direct Attach-5702	Y	M	M	B	B	B	V5R2
#0626 Linux Direct Attach-2787	Y	B	B	B	B	B	V5R2
#0628 Linux Direct Attach-5703	Y	B	B				V5R2
#0694 #5094 Equivalent	Y	B	B	-	B	-	V5R2
#1307 - 1.75m HSL-2/RIO-G Cable	Y	B	B				V5R3
#1308 - 2.5m HSL-2/RIO-G Cable	Y	B	B				V5R3
#1460 - 3m Copper HSL Cable	Y	B	B	-	-	-	V4R5
#1461 - 6m Copper HSL Cable	Y	B	B	-	-	-	V4R5
#1462 - 15m Copper HSL Cable	Y	B	B	-	-	-	V4R5
#1463 - 2m SPCN Cable	Y	S	S	B	B	B	V4R5
#1464 - 6m SPCN Cable	Y	S	S	B	B	B	V4R5
#1465 - 15m SPCN Cable	Y	S	S	B	B	B	V4R5
#1466 - 30m SPCN Cable	Y	S	S	B	B	B	V4R5
#1468 - 250m Optical SPCN Cable	Y	-	B	B	B	B	V5R1
#1470 - 6m Optical HSL Cable	Y	-	B	B	B	B	V5R1
#1471 - 30m Optical HSL Cable	Y	-	S	B	B	B	V5R1
#1472 - 100m Optical HSL Cable	Y	-	B	B	B	B	V5R1
#1473 - 250m Optical HSL Cable	Y	-	B	B	B	B	V5R1
#1474 - 6m HSL to HSL-2 Cable	Y	B	B	B	B	B	V5R2
#1475 - 10m HSL to HSL-2 Cable	Y	B	B	B	B	B	V5R2
#1476 - 4.3m 200V/12A Power Cd U.K.	Y	B	B	-	B	-	V4R5
#1481 - 1.2m HSL-2/RIO-G Cable	Y	B	B				V5R3
#1482 - 3.5m HSL-2 Cable	Y	B	B	-	B	B	V5R2
#1483 - 10m HSL-2 Cable	Y	B	B	-	B	B	V5R2



FC and description	CIF	Model or tower					Min. OS/400
		520	570	5095	5094	5088	
#1485 - 15m HSL-2 Cable	Y	B	B	-	B	B	V5R2
#1800 HSL-2 Ports - 2 Copper	Y	-	B	-	-	-	V5R3
#1801 HSL-2 Ports - 2 Optical	Y	-	B	-	-	-	V5R3
#1889 80 GB VXA-2 Tape Device	Y	B	-	-	-	-	V5R3
#2640 IDE DVD-ROM (slim-line)	Y	B	B				V5R3
#2739 Optical Bus Adapter	N	-	B	-	-	-	V5R1
#2742 Two-Line WAN IOA	Y	B	B	B	B	B	V5R2
#2743 1 Gbps PCI Ethernet IOA	Y	SC	SC	S	S	S	V4R5
#2744 PCI 100 Mbps Token Ring IOA	Y	B	B	B	B	B	V4R5
#2749 PCI Ultra Magnetic Media Controller	Y	M	S	B	B	B	V4R5
#2757 PCI-X Ultra RAID Disk Controller	Y	-	B	B	B	-	V5R2
#2760 PCI 1 Gbps Ethernet UTP Adapter	Y	SC	SC	S	S	S	V5R1
#2763 PCI RAID Disk Unit Controller	Y	S	S	SC	-	-	V4R5
#2765 PCI Fibre Channel Tape Controller	Y	S	S	S	S	S	V5R1
#2766 PCI Fibre Channel Disk Controller	Y	SC	SC	S	S	S	V5R1
#2768 PCI Magnetic Media Controller	Y	M	S	S	S	S	V4R5
#2772 PCI Dual WAN/Modem IOA	Y	B	B	B	B	B	V5R1
#2773 PCI Dual WAN/Modem IOA	Y	B	B	B	B	B	V5R1
#2782 PCI-X RAID Disk Unit Controller	Y	S	S	B	-	-	V5R2
#2787 PCI-X Fibre Channel Disk Controller	Y	B	B	B	B	B	V5R2
#2793 Two-Line WAN IOA with Modem	Y	B	B	B	B	B	V5R2
#2794 Two-Line WAN IOA with Modem	Y	B	B	B	B	B	V5R2
#2805 PCI Quad Modem IOA	Y	B	B	B	B	B	V5R1
#2806 PCI Quad Modem (CIM)	Y	B	B	B	B	B	V5R1
#2842 PCI IOP	Y	S	-	S	-	-	V4R5
#2843 PCI IOP	Y	SC	SC	S	S	S	V4R5
#2844 PCI IOP	Y	B	B	B	B	B	V5R2

FC and description	CIF	Model or tower					Min. OS/400
		520	570	5095	5094	5088	
#2849 10/100 Mbps Ethernet Adapter	Y	B	B	B	B	B	V5R2
#2886 Optical Bus Adapter	Y	-	-	M	M	M	V5R2
#2887 HSL-2 Bus Adapter	Y	M	-	M	M	M	V5R2
#2890 PCI Integrated Netfinity Server	Y	-	SC	S	S	S	V4R5
#2891 PCI Integrated xSeries Server	Y	-	SC	S	S	S	V4R5
#2892 PCI Integrated xSeries Server	Y	-	SC	S	S	S	V5R2
#2895 128 MB Server Memory	Y	SC	SC	S	S	S	V4R5
#2896 256 MB Server Memory	Y	M	M	M	M	M	V4R5
#2897 1 GB Server Memory	Y	M	M	M	M	M	V4R5
#2899 PCI Integrated xSeries Server	Y	SC	SC	S	S	S	V5R1
#3043 - 512MB Main Storage	N	-	S	-	-	-	V5R2
#3044 1024 MB Main Storage	Y	-	S	-	-	-	V5R2
#3046 2048 MB Main Storage	Y	-	S	-	-	-	V5R2
#3093 512 MB Main Storage	Y	S	-	-	-	-	V5R2
#3094 1024 MB Main Storage	Y	S	-	-	-	-	V5R2
#3096 2048 MB Main Storage	Y	S	-	-	-	-	V5R2
#4263 Direct Attach Tape Cable	Y	B	-	-	-	-	V5R3
#4317 8.58 GB 10k RPM Disk Unit	Y	SC	SC	S	S	-	V4R4
#4318 17.54 GB 10k RPM Disk Unit	Y	SC	SC	SC	SC	-	V4R4
#4319 35.16 GB 10k RPM Disk Unit	Y	B	B	B	B	-	V5R1
#4326 35.16 GB 15k RPM Disk Unit	Y	B	B	B	B	-	V5R2
#4327 70.56 GB 15k RPM Disk Unit	Y	B	B	B	B	-	V5R2
#4425 CD-ROM	Y	-	-	-	S	-	V4R4
#4430 DVD-RAM	Y	-	-	-	S	-	V4R5
#4443 - 512 MB Main Storage	Y	B	-	-	-	-	V5R3
#4444 - 1 GB Main Storage	Y	B	-	-	-	-	V5R3
#4445 - 4 GB Main Storage	Y	B	-	-	-	-	V5R3

FC and description	CIF	Model or tower					Min. OS/400
		520	570	5095	5094	5088	
#4447 - 2 GB Main Storage	Y	B	-	-	-	-	V5R3
#4449 - 8 GB Main Storage	Y	B	-	-	-	-	V5R3
#4450 - 16 GB Main Storage	Y	B	-	-	-	-	V5R3
#4452 - 2 GB Main Storage	N	-	B	-	-	-	V5R3
#4454 - 8 GB Main Storage	Y	-	B	-	-	-	V5R3
#4482 4 GB ¼-inch Cartridge Tape Device	Y	-	-	-	S	-	V4R4
#4483 16 GB ¼-inch Cartridge Tape Device	Y	-	-	-	S	-	V4R4
#4486 25 GB ¼-inch Cartridge Tape Device	Y	-	-	-	S	-	V4R4
#4487 50 GB ¼-inch Cartridge Tape Device	Y	-	-	-	S	-	V5R1
#4490 - 4 GB Main Storage	Y	-	B	-	-	-	V5R3
#4491 - 16 GB Main Storage	Y	-	B	-	-	-	V5R3
#4625 CD-ROM	Y	-	-	-	SC	-	V5R2
#4630 DVD-RAM	Y	-	-	-	SC	-	V5R2
#4631 DVD-ROM	Y	-	-	-	B	-	V5R2
#4633 DVD-RAMBO	Y	-	-	-	B	-	V5R2
#4682 4 GB ¼-inch Cartridge Tape Device	Y	SC	-	-	S	-	V5R2
#4683 - 16 GB QIC Cartridge Tape Device	Y	SC	SC		S		V5R2
#4684 30 GB ¼-inch Cartridge Tape Device	Y	B	-	-	B	-	V5R2
#4685 80 GB VXA-2 Tape Device	Y	-	-	-	B	-	V5R1
#4686 25 GB ¼-inch Cartridge Tape Device	Y	SC	-	-	SC	-	V5R2
#4687 50 GB ¼-inch Cartridge Tape Device	Y	B	-	-	B	-	V5R2
#4723 PCI 10 Mbps Ethernet Adapter	Y	SC	SC	S	S	S	V4R5
#4745 PCI 2-line WAN IOA	Y	SC	SC	S	S	S	V4R5
#4746 PCI Twinaxial IOA	Y	B	B	B	B	B	V4R5
#4748 PCI RAID Disk Unit Controller	Y	SC	SC	SC	SC	-	V4R5
#4778 PCI RAID Disk Unit Controller	Y	SC	SC	SC	SC	-	V4R5
#4801 PCI Cryptographic Coprocessor	Y	B	B	B	B	B	V4R5

FC and description	CIF	Model or tower					Min. OS/400
		520	570	5095	5094	5088	
#4805 PCI Cryptographic Accelerator	Y	B	B	B	B	B	V5R2
#4810 PCI Integrated xSeries Server	Y	B	B				V5R2
#4838 PCI 100/10 Mbps Ethernet IOA	Y	-	SC	SC	SC	SC	V4R5
#5074 PCI Expansion Tower	Y	SC	SC	-	-	-	V4R5
#5079 1.8 M I/O Tower	Y	SC	SC	-	-	-	V4R5
#5088 PCI-X Expansion Unit	N	B	B	-	B	-	V5R2
#5094 PCI-X Expansion Tower	Y	B	B	-	-	-	V5R2
#5095 PCI-X Expansion Tower	Y	B	B	-	-	-	V5R2
#5108 30-Disk Expansion Feature	N	-	-	-	B	-	V5R2
#5111 30 Disk Expansion with Dual Line Cord	N	M	M	-	-	-	V5R1
#5115 Dual Line Cords - Tower	Y	-	-	-	B	-	V5R2
#5116 Dual Line Cords - 5294 Tower	Y	-	-	-	B	-	V5R2
#5138 Redundant Power and Cooling	Y	-	-	B	-	-	V5R2
#5158 AC Power Supply, 850W	Y	B		-	-	-	V5R3
#5160 Power Dist Unit 1 Phase NEMA	N	B	B	-	-	-	V5R1
#5161 Power Distribution Unit	N	B	B	-	-	-	V5R1
#5162 Power Distribution Unit	N	S	S	-	-	-	V5R1
#5163 Power Distribution Unit	Y	B	B	-	-	-	V5R3
#5294 1.8m I/O Tower	Y	B	B	-	-	-	V5R2
#5540 System Console on Twinaxial Workstation IOA	Y	B	B	-	-	-	V4R5
#5544 System Console on Operations Console	Y	B	B	-	-	-	V4R5
#5546 System Console on 100 Mbps Token Ring	Y	B	B	-	-	-	V5R1
#5548 System Console on 100 Mbps Ethernet	Y	B	B	-	-	-	V5R1
#5550 System Console on HNV	Y	B	B				V5R3
#5700 PCI 1 Gbps Ethernet IOA	Y	B	B	B	B	B	V5R2
#5701 PCI 1 Gbps Ethernet UTP IOA	Y	B	B	B	B	B	V5R2
#5702 PCI-X Ultra Tape Controller	Y	SC	SC	S	S	S	V5R2

FC and description	CIF	Model or tower					Min. OS/400
		520	570	5095	5094	5088	
#5703 PCI-X Tape/DASD Controller	Y	B	B	B	B		V5R2
#5704 PCI-X Fibre Channel Tape Controller	Y	B	B			B	V5R2
#5706 - 2 Port PCI-X 1000/100/10Mbps Ethernet Adapter	Y	B	B	B	B	-	V5R3
#5707 - 2 Port PCI-X 1Gbps Ethernet-SX IOA	Y	B	B	B	B	-	V5R3
#5709 Ultra320 RAID SCSI Controller	Y	B	B				V5R3
#5712 PCI-X Tape Controller	Y	B	B	B	B	B	V5R3
#5715 PCI-X Tape/DASD Controller	Y	B	B	B	B		V5R3
#5751 IDE DVD-RAMBO (slime-line)	Y	B	B				V5R3
#5753 30 GB ¼-inch Cartridge Tape Device	Y	B	-	-	-	-	V5R3
#5754 50 GB ¼-inch Cartridge Tape Device	Y	B	-	-	-	-	V5R3
#6068 Optional Front Door for 1.8m Rack	Y	B	B	-	-	-	V5R3
#6134 60 GB 8mm Tape Device	Y	B	-	-	-	-	V5R3
#6417 HSL-2/RIO-G Bus Adapter	Y	-	-	M	M		V5R3
#6574 - Ultra320 SCSI 4-pack	N	B	-				V5R3
#6580 Optional Rack Security Kit	Y	B	B	-	-	-	V5R3
#6587 Model 520 Rear Cover	Y	B	-	-	-	-	V5R3
#6594 - 4-Disk Slot Expansion	Y	B	-	-	-	-	V5R3
#7801 - 6m HMC Attachment Cable	Y	B	B	-	-	-	V5R3
#7802 - 15m HMC Attachment Cable	Y	B	B	-	-	-	V5R3
#7840 Side-by-side Attach Kit 1.8m Rack	Y	B	B	-	-	-	V5R3
#7841 Ruggedize Rack Kit	Y	B	B	-	-	-	V5R3
#7875 CPU Power Regulator	Y	-	B	-	-	-	V5R3
#7884 Rack Mount	Y	B	-				V5R3
#7885 Deskside	Y	B					V5R3
#8754 Optional Base 50 GB ¼-inch Cartridge Tape Device	Y	B	-	-	-	-	V5R3
#8950 Model 520 Processor	N	P	-	-	-	-	V5R3

FC and description	CIF	Model or tower					Min. OS/400
		520	570	5095	5094	5088	
#8951 Model 520 Processor	N	B	-	-	-	-	V5R3
#8952 Model 520 Processor	N	B	-	-	-	-	V5R3
#8953 Model 520 Processor	N	B	-	-	-	-	V5R3
#8954 Model 520 Processor	N	B	-	-	-	-	V5R3
#8955 Model 520 2-way Processor	N	P	-	-	-	-	V5R3
#8961 Model 570 CUOD 0/2-way Processor	Y	-	B	-	-	-	V5R3
#9517 Base HSL-2/RIO-G Bus Adapter	Y	-	-	B	B	B	V5R3
#9570 Reserved Rack Space	y	-	P	-	-	-	V5R3
#9710 Base PCI Integrated xSeries Server	Y	-	B	-	-	-	V5R2
#9726 Base 512 MB Server Memory	Y	-	B	PU	PU	PU	V5R2
#9771 Base PCI Two-Line WAN with integrated modem	Y	S	S	-	-	-	V4R5
#9793 Two-Line WAN IOA with Modem	Y	P	P	-	-	-	V5R2
#9794 Two-Line IOA with Modem	Y	P	P	-	-	-	V5R2
#9844 Base PCI IOP	Y	P	P	B	B	-	V5R2
#9876 Base Optical Bus Adapter	N	-	P	-	P	P	V5R3
#9877 Base HSL-2 Bus Adapter	N	P	P	P	P	P	V5R3

## Model 800, 810, 825, 870, #2497/#2498 890 system unit, tower features

The following table shows the features supported in Models 800, 810, 825, 870, and 890 (#2497 and #2498 processors), associated expansion units, and the CIF designation of each feature.

FC and description	CIF	Model or tower								Min. OS/400
		800	810	825	870	890	5095	5094	5088	
#0041 Device Parity Protection-All	Y		B	B	B	B				V4R5
#0092 External xSeries Attach	Y	B	B	B	B	B				V5R1
#0123 #5074 Lower Unit in Rack	Y		S	S	S	S				V4R5
#0126 CEC EIA Reduction Option	N				B	B				V5R2
#0133 Plant Install in Rack	Y	B	B	-	-	-	-	-	-	V5R2
#0134 Field Install in Rack (HD)	Y	-	-	B	-	-	-	-	-	V5R2
#0197 Model 890 24-way Processor	N	-	-	-	-	B	-	-	-	V5R2
#0198 Model 890 32-way Processor	N	-	-	-	-	B	-	-	-	V5R2
#0325 IPCS Extension Cables for NT	Y	B	B	B	B	B	B	B	B	V4R2
#0367 Operations Console PCI Cable	Y	B	B	B	B	B	B	B	B	V4R3
#0369 100m Optical SPCN Cable	Y	-	-	B	B	B	B	B	B	V5R1
#0371 LC-SC Adapter Kit (50 um)	Y	B	B	B	B	B	B	B	B	V5R1
#0372 LC-SC Adapter Kit (62.5 um)	Y	B	B	B	B	B	B	B	B	V5R1
#0383 Remote Control Panel Cable	Y	B	B	B	B	B				V5R2
#0426 512 MB Server Memory	N	-	-	B	B	B	B	B	B	V5R2
#0427 1 GB Server Memory	N	-	-	B	B	B	B	B	B	V5R2
#0446 512 MB DDR Server Memory	Y	B	B	-	-	-	B	B	B	V5R2
#0447 1 GB DDR Server Memory	Y	B	B	-	-	-	B	B	B	V5R2
#0551 iSeries Rack	Y	B	B	B	B	B	-	-	-	V4R5
#0578 PCI Expansion Unit in Rack	N	-	S	S	S	B	-	-	-	V5R1
#0588 PCI-X Expansion Unit in Rack	N	B	B	B	B	B	-	-	-	V5R2
#0595 PCI-X Expansion Unit in Rack	Y	B	B	B	B	B	-	-	-	V5R2

FC and description	CIF	Model or tower								Min. OS/400
		800	810	825	870	890	5095	5094	5088	
#0601 - Linux Direct Attach #2743	Y	-	SC	SC	SC	B	S	S	S	V5R1
#0602 - Linux Direct Attach #2760	Y	-	SC	SC	SC	B	S	S	S	V5R1
#0603 - Linux Direct Attach #2744	Y	B	B	B	B	B	B	B	B	V5R1
#0604 - Linux Direct Attach #2763	Y	SC	SC	SC	SC	SC	SC	-	-	V5R1
#0605 - Linux Direct Attach #4748	Y	-	-	SC	SC	SC	S	S	-	V5R1
#0606 - Linux Direct Attach #4778	Y	-	-	B	B	B	B	B	-	V5R1
#0607 - Linux Direct Attach #4838	Y	-	SC	SC	SC	B	S	S	S	V5R1
#0608 - Linux Direct Attach #4745	Y	-	SC	SC	SC	SC	S	S	S	V5R2
#0609 - Linux Direct Attach #2772	Y	B	B	B	B	B	B	B	B	V5R2
#0610 - Linux Direct Attach #2773	Y	B	B	B	B	B	B	B	B	V5R2
#0612 - Linux Direct Attach #2766	Y	B	B	B	B	B	B	B	B	V5R2
#0613 - Linux Direct Attach #2742	Y	B	B	B	B	B	B	B	B	V5R2
#0614 - Linux Direct Attach #2793	Y	B	B	B	B	B	B	B	B	V5R2
#0615 - Linux Direct Attach #2794	Y	B	B	B	B	B	B	B	B	V5R2
#0616 - Linux Direct Attach #2805	Y	B	B	B	B	B	B	B	B	V5R2
#0617 - Linux Direct Attach #2806	Y	B	B	B	B	B	B	B	B	V5R2
#0618 - Linux Direct Attach #2757	Y	B	B	B	B	B	B	B	-	V5R2
#0619 - Linux Direct Attach #2782	Y	B	B	B	-	-	B	-	-	V5R2
#0620 - Linux Direct Attach #5700	Y	B	B	B	B	B	B	B	B	V5R2
#0621 - Linux Direct Attach #5701	Y	B	B	B	B	B	B	B	B	V5R2
#0623 - Linux Direct Attach #2849	Y	B	B	B	B	B	B	B	B	V5R2
#0624 Linux Direct Attach-5702	Y	B	B	B	B	B	B	B	B	V5R2
#0626 Linux Direct Attach-2787	Y	B	B	B	B	B	B	B	B	V5R2
#0628 Linux Direct Attach-5703	Y	B	B	B	B	B	B	B	B	V5R2
#0694 #5094 Equivalent	Y	-	-	-	-	-	-	B	-	V5R2
#1460 - 3m Copper HSL Cable	Y	B	B	B	-	-	-	-	-	V4R5
#1461 - 6m Copper HSL Cable	Y	B	B	B	-	-	-	-	-	V4R5



FC and description	CIF	Model or tower								Min. OS/400
		800	810	825	870	890	5095	5094	5088	
#1462 - 15m Copper HSL Cable	Y	B	B	B	-	-	-	-	-	V4R5
#1463 - 2m SPCN Cable	Y	B	B	B	B	B	B	B	B	V4R5
#1464 - 6m SPCN Cable	Y	B	B	B	B	B	B	B	B	V4R5
#1465 - 15m SPCN Cable	Y	B	B	B	B	B	B	B	B	V4R5
#1466 - 30m SPCN Cable	Y	B	B	B	B	B	B	B	B	V4R5
#1468 - 250m Optical SPCN Cable	Y	-	-	B	B	B	B	B	B	V5R1
#1470 - 6m Optical HSL Cable	Y	-	-	B	B	B	B	B	B	V5R1
#1471 - 30m Optical HSL Cable	Y	-	-	B	B	B	B	B	B	V5R1
#1472 - 100m Optical HSL Cable	Y	-	-	B	B	B	B	B	B	V5R1
#1473 - 250m Optical HSL Cable	Y	-	-	B	B	B	B	B	B	V5R1
#1474 - 6m HSL to HSL-2 Cable	Y	B	B	B	B	B	B	B	B	V5R2
#1475 - 10m HSL to HSL-2 Cable	Y	B	B	B	B	B	B	B	B	V5R2
#1476 4.3m 200V/12A Power Cd U.K.	Y	-	-	-	-	-	-	B	-	V4R5
#1482 - 3.5m HSL-2 Cable	Y	-	-	B	B	B	-	B	B	V5R2
#1483 - 10m HSL-2 Cable	Y	-	-	B	B	B	-	B	B	V5R2
#1485 - 15m HSL-2 Cable	Y	-	-	B	B	B	-	B	B	V5R2
#1576 5250 CPW Capacity Card	N	-	-	-	-	PU	-	-	-	V5R2
#1577 5250 CPW Capacity Card	N	-	-	-	-	B	-	-	-	V5R2
#1578 5250 CPW Capacity Card	N	-	-	-	-	B	-	-	-	V5R2
#1579 5250 CPW Capacity Card	N	-	-	-	-	B	-	-	-	V5R2
#1581 5250 CPW Capacity Card	N	-	-	-	-	B	-	-	-	V5R2
#1583 5250 CPW Capacity Card	N	-	-	-	-	B	-	-	-	V5R2
#1585 5250 CPW Capacity Card	N	-	-	-	-	B	-	-	-	V5R2
#1587 5250 CPW Capacity Card	N	-	-	-	-	B	-	-	-	V5R2
#1588 5250 CPW Capacity Card	N	-	-	-	-	B	-	-	-	V5R2
#1591 5250 CPW Capacity Card	N	-	-	-	-	B	-	-	-	V5R2
#1609 POD Activation	Y	-	-	B	-	-	-	-	-	V5R2

FC and description	CIF	Model or tower								Min. OS/400
		800	810	825	870	890	5095	5094	5088	
#1610 POD Activation	Y	-	-	-	-	B	-	-	-	V5R2
#1611 POD Activation	Y	-	-	-	B	-	-	-	-	V5R2
#1612 POD Activation	Y	-	-	-	-	B	-	-	-	V5R2
#1613 POD Activation	Y	-	-	-	-	B	-	-	-	V5R2
#1700 IPCS Keyboard or Mouse for NT	Y	B	B	B	B	B	B	B	B	V4R1
#1773 TCoD Enablement for Mod 825	Y	-	-	M	-	-	-	-	-	V5R2
#1776 TCoD Enablement for Mod 870	Y	-	-	-	M	-	-	-	-	V5R2
#1777 TCoD Enablement for Mod 890	Y	-	-	-	-	M	-	-	-	V5R2
#1778 TCoD Enablement for Mod 890	Y	-	-	-	-	M	-	-	-	V5R2
#2463 Model 800 Processor	N	P	-	-	-	-	-	-	-	V5R2
#2464 Model 800 Processor	N	B	-	-	-	-	-	-	-	V5R2
#2465 Model 810 Processor	N	-	B	-	-	-	-	-	-	V5R2
#2466 Model 810 Processor	N	-	B	-	-	-	-	-	-	V5R2
#2467 Model 810 Processor	N	-	B	-	-	-	-	-	-	V5R2
#2469 Model 810 2-way Processor	N	-	B	-	-	-	-	-	-	V5R2
#2473 Model 825 3/6-Way POD Processor	N	-	-	B	-	-	-	-	-	V5R2
#2486 Model 870 8/16-way Processor	N	-	-	-	B	-	-	-	-	V5R2
#2487 Model 890 16/24-way Processor	N	-	-	-	-	B	-	-	-	V5R2
#2488 Model 890 24/32-way Processor	N	-	-	-	-	B	-	-	-	V5R2
#2497 Model 890 16/24-way Processor	N	-	-	-	-	B	-	-	-	V5R2
#2498 Model 890 24/32-way Processor	N	-	-	-	-	B	-	-	-	V5R2
#2738 HSL Ports - 8 Copper	N	-	-	M	M	M	-	-	-	V5R2
#2739 Optical Bus Adapter	N	-	-	-	-	-	-	-	-	V5R1
#2742 Two-Line WAN IOA	Y	B	B	B	B	B	B	B	B	V5R2
#2743 1 Gbps PCI Ethernet IOA	Y	-	S	S	S	B	S	S	S	V4R5
#2744 PCI 100 Mbps Token Ring IOA	Y	B	B	B	B	B	B	B	B	V4R5
#2749 PCI Ultra Magnetic Media Controller	Y	B	B	B	B	B	B	B	B	V4R5

FC and description	CIF	Model or tower								Min. OS/400	
		800	810	825	870	890	5095	5094	5088		
#2757 PCI-X Ultra RAID Disk Controller	Y	B	B	B	B	B	B	B	B	-	V5R2
#2760 PCI 1 Gbps Ethernet UTP Adapter	Y	-	S	S	S	S	S	S	S	S	V5R1
#2763 PCI RAID Disk Unit Controller	Y	-	SC	SC	SC	SC	SC	-	-	-	V4R5
#2765 PCI Fibre Channel Tape Controller	Y	B	B	B	B	B	B	B	B	B	V5R1
#2766 PCI Fibre Channel Disk Controller	Y	B	B	B	B	B	B	B	B	B	V5R1
#2768 PCI Magnetic Media Controller	Y	-	S	S	S	B	S	S	S	S	V4R5
#2772 PCI Dual WAN/Modem IOA	Y	B	B	B	B	B	B	B	B	B	V5R1
#2773 PCI Dual WAN/Modem IOA	Y	B	B	B	B	B	B	B	B	B	V5R1
#2776 HSL-2 Ports - 8 Copper	N	-	-	-	B	B	-	-	-	-	V5R2
#2782 PCI-X RAID Disk Unit Controller	Y	B	B	B	-	-	B	-	-	-	V5R2
#2785 HSL-2 Ports - 2 Copper	Y	-	-	B	-	-	-	-	-	-	V5R2
#2786 HSL Ports - 2 Optical	Y	-	-	B	-	-	-	-	-	-	V5R2
#2787 PCI-X Fibre Channel Disk Controller	Y	B	B	B	B	B	B	B	B	B	V5R2
#2788 HSL Ports - 8 Optical	N	-	-	-	B	B	-	-	-	-	V5R2
#2790 PCI Integrated Netfinity Server	N	-	-	S	S	S	S	S	S	S	V4R5
#2791 PCI Integrated xSeries Server	N	-	-	S	S	S	S	S	S	S	V4R5
#2792 PCI Integrated xSeries Server	N	-	-	B	B	B	B	B	B	B	V5R2
#2793 Two-Line WAN IOA with Modem	Y	B	B	B	B	B	B	B	B	B	V5R2
#2794 Two-Line WAN IOA with Modem	Y	B	B	B	B	B	B	B	B	B	V5R2
#2795 128 MB Server Memory	N	-	-	M	M	B	M	M	M	M	V4R5
#2796 256 MB Server Memory	N	-	-	M	M	B	M	M	M	M	V4R5
#2797 1 GB Server Memory	N	-	-	M	M	B	M	M	M	M	V4R5
#2799 PCI Integrated xSeries Server	N	-	-	S	S	B	S	S	S	S	V5R1
#2805 PCI Quad Modem IOA	Y	B	B	B	B	B	B	B	B	B	V5R1
#2806 PCI Quad Modem (CIM)	Y	B	B	B	B	B	B	B	B	B	V5R1
#2817 PCI 155 Mbps MMF ATM IOA	Y	-	S	S	S	S	S	S	S	S	V5R1
#2842 PCI IOP	Y	-	S	-	-	-	S	-	-	-	V4R5

FC and description	CIF	Model or tower								Min. OS/400
		800	810	825	870	890	5095	5094	5088	
#2843 PCI IOP	Y	-	S	S	S	B	S	S	S	V4R5
#2844 PCI IOP	Y	B	B	B	B	B	B	B	B	V5R2
#2849 10/100 Mbps Ethernet Adapter	Y	B	B	B	B	B	B	B	B	V5R2
#2886 Optical Bus Adapter	Y	-	-	-	-	-	M	M	M	V5R2
#2887 HSL-2 Bus Adapter	Y	-	-	-	-	-	M	M	M	V5R2
#2890 PCI Integrated Netfinity Server	Y	-	SC	-	-	-	S	S	S	V4R5
#2891 PCI Integrated xSeries Server	Y	-	SC	-	-	-	S	S	S	V4R5
#2892 PCI Integrated xSeries Server	Y	B	B	-	-	-	B	B	B	V5R2
#2895 128 MB Server Memory	Y	-	M	-	-	-	M	M	M	V4R5
#2896 256 MB Server Memory	Y	-	M	-	-	-	M	M	M	V4R5
#2897 1 GB Server Memory	Y	-	M	-	-	-	M	M	M	V4R5
#2899 PCI Integrated xSeries Server	Y	-	SC	-	-	-	S	S	S	V5R1
#3015 8 GB Main Storage	N	-	-	-	B	B	-	-	-	V5R2
#3016 8 GB Main Storage	N	-	-	-	-	B	-	-	-	V5R2
#3017 32 GB Main Storage	N	-	-	-	B	B	-	-	-	V5R2
#3018 32 GB Main Storage	N	-	-	-	-	B	-	-	-	V5R2
#3020 4 GB Main Storage	N	-	-	-	B	B	-	-	-	V5R2
#3021 4 GB Main Storage	N	-	-	-	-	B	-	-	-	V5R2
#3022 128 MB Main Storage	Y	-	M	-	-	-	-	-	-	V4R5
#3024 256 MB Main Storage	Y	-	B	-	-	-	-	-	-	V5R1
#3025 512 MB Main Storage	Y	-	S	-	-	-	-	-	-	V4R5
#3026 512 MB Main Storage	Y	-	B	-	-	-	-	-	-	V4R5
#3027 1 GB Main Storage	Y	-	B	-	-	-	-	-	-	V5R1
#3029 128 MB Main Storage	Y	-	B	-	-	-	-	-	-	V5R1
#3035 16 GB Main Storage	N	-	-	-	B	B	-	-	-	V5R2
#3036 16 GB Main Storage	N	-	-	-	-	B	-	-	-	V5R2
#3042 256 MB Main Storage	Y	-	-	B	-	-	-	-	-	V5R2

FC and description	CIF	Model or tower								Min. OS/400
		800	810	825	870	890	5095	5094	5088	
#3043 512 MB Main Storage	Y	-	-	B	-	-	-	-	-	V5R2
#3044 1024 MB Main Storage	Y	-	-	B	-	-	-	-	-	V5R2
#3045 1024 MB Main Storage	Y	-	-	B	-	-	-	-	-	V5R2
#3046 2048 MB Main Storage	Y	-	-	B	-	-	-	-	-	V5R2
#3092 256 MB Main Storage	Y	B	B	-	-	-	-	-	-	V5R2
#3093 512 MB Main Storage	Y	B	B	-	-	-	-	-	-	V5R2
#3094 1024 MB Main Storage	Y	B	B	-	-	-	-	-	-	V5R2
#3095 1024 MB Main Storage	Y	B	B	-	-	-	-	-	-	V5R2
#3096 2048 MB Main Storage	Y	B	B	-	-	-	-	-	-	V5R2
#4308 4.19 GB Disk Unit	Y	-	-	-	-	-	-	S	-	V4R4
#4314 8.58 GB Disk Unit	Y	-	S	S	S	S	S	S	-	V4R4
#4317 8.58 GB 10k RPM Disk Unit	Y	-	SC	SC	SC	SC	S	S	-	V4R4
#4318 17.54 GB 10k RPM Disk Unit	Y	B	B	B	B	B	B	B	-	V4R4
#4319 35.16 GB 10k RPM Disk Unit	Y	B	B	B	B	B	B	B	-	V5R1
#4324 17.54 GB Disk Unit	Y	-	S	S	S	S	S	S	-	V4R4
#4326 35.16 GB 15k RPM Disk Unit	Y	B	B	B	B	B	B	B	-	V5R2
#4327 70.56 GB 15k RPM Disk Unit	Y	B	B	B	B	B	B	B	-	V5R2
#4425 CD-ROM	Y	-	-	-	S	S	-	S	-	V4R4
#4430 DVD-RAM	Y	-	-	-	S	B	-	S	-	V4R5
#4482 4 GB ¼-inch Cartridge Tape Device	Y	-	-	-	S	B	-	S	-	V4R4
#4483 16 GB ¼-inch Cartridge Tape Device	Y	-	-	-	S	S	-	S	-	V4R4
#4486 25 GB ¼-inch Cartridge Tape Device	Y	-	-	-	S	S	-	S	-	V4R4
#4487 50 GB ¼-inch Cartridge Tape Device	Y	-	-	-	S	B	-	S	-	V5R1
#4525 CD-ROM	Y	-	SC	-	-	-	-	-	-	V4R5
#4530 DVD-RAM	Y	B	B	-	-	-	-	-	-	V4R5
#4531 DVD-ROM	Y	B	B	-	-	-	-	-	-	V5R2
#4533 DVD-RAM	Y	B	B	-	-	-	-	-	-	V5R2

FC and description	CIF	Model or tower								Min. OS/400
		800	810	825	870	890	5095	5094	5088	
#4582 4 GB ¼-inch Cartridge Tape Device	Y	B	B	-	-	-	-	-	-	V4R5
#4583 16 GB ¼-inch Cartridge Tape Device	Y	-	SC	-	-	-	-	-	-	V4R5
#4584 30 GB ¼-inch Cartridge Tape Device	Y	B	B	-	-	-	-	-	-	V4R5
#4585 80 GB VXA-2 Tape Device	Y	B	B	-	-	-	-	-	-	V5R1
#4586 25 GB ¼-inch Cartridge Tape Device	Y	-	SC	-	-	-	-	-	-	V4R5
#4587 50 GB ¼-inch Cartridge Tape Device	Y	B	B	-	-	-	-	-	-	V5R1
#4625 CD-ROM	Y	-	-	SC	SC	SC	-	SC	-	V5R2
#4630 DVD-RAM	Y	-	-	B	B	B	-	B	-	V5R2
#4631 DVD-ROM	Y	-	-	B	B	B	-	B	-	V5R2
#4633 DVD-RAM	Y	-	-	B	B	B	-	B	-	V5R2
#4682 4 GB ¼-inch Cartridge Tape Device	Y	-	-	B	B	B	-	B	-	V5R2
#4684 30 GB ¼-inch Cartridge Tape Device	Y	-	-	B	B	B	-	B	-	V5R2
#4685 80 GB VXA-2 Tape Device	Y	-	-	B	B	B	-	B	-	V5R1
#4686 25 GB ¼-inch Cartridge Tape Device	Y	-	-	SC	SC	SC	-	SC	-	V5R2
#4687 50 GB ¼-inch Cartridge Tape Device	Y	-	-	B	B	B	-	B	-	V5R2
#4723 PCI 10 Mbps Ethernet Adapter	Y	-	SC	SC	SC	SC	S	S	S	V4R5
#4745 PCI 2-line WAN IOA	Y	-	S	S	S	B	S	S	S	V4R5
#4746 PCI Twinaxial IOA	Y	B	B	B	B	B	B	B	B	V4R5
#4748 PCI RAID Disk Unit Controller	Y	-	SC	SC	SC	SC	SC	SC	-	V4R5
#4778 PCI RAID Disk Unit Controller	Y	B	B	B	B	B	B	B	-	V4R5
#4801 PCI Cryptographic Coprocessor	Y	B	B	B	B	B	B	B	B	V4R5
#4810 PCI Integrated xSeries Server	Y	B	B							V5R2
#4805 PCI Cryptographic Accelerator	Y	B	B	B	B	B	B	B	B	V5R2
#4815 PCI ATM 155 Mbps UTP OC3	Y	-	SC	SC	SC	SC	S	S	S	V4R5
#4816 PCI ATM 155 Mbps MMF	Y	-	SC	SC	SC	SC	S	S	S	V4R5
#4818 PCI ATM 155 Mbps SMF OC3	Y	-	SC	SC	SC	SC	S	S	S	V4R5
#4838 PCI 100/10 Mbps Ethernet IOA	Y	-	SC	SC	SC	B	SC	SC	SC	V4R5

FC and description	CIF	Model or tower								Min. OS/400
		800	810	825	870	890	5095	5094	5088	
#5074 PCI Expansion Tower	Y	-	SC	SC	SC	B	-	-	-	V4R5
#5075 PCI Expansion Tower	Y	-	S	S	-	-	-	-	-	V4R5
#5078 PCI Expansion Unit	N	-	-	-	-	-	-	S	-	V4R5
#5079 1.8 M I/O Tower	Y	-	SC	SC	SC	B	-	-	-	V4R5
#5088 PCI-X Expansion Unit	N	-	-	-	B	B	-	B	-	V5R2
#5094 PCI-X Expansion Tower	Y	B	B	B	B	B	-	-	-	V5R2
#5095 PCI-X Expansion Tower	Y	B	B	B	B	B	-	-	-	V5R2
#5107 30 Disk Expansion	N	-	-	-	B	B	-	-	-	V5R2
#5108 30-Disk Expansion Feature	N	-	-	-	-	-	-	B	-	V5R2
#5111 30 Disk Expansion with Dual Line Cord	N	-	-	-	-	-	-	-	-	V5R1
#5114 Dual Line Cords - Tower	N	-	-	-	B	B	-	-	-	V5R2
#5115 Dual Line Cords - Tower	Y	-	-	-	B	B	-	B	-	V5R2
#5116 Dual Line Cords - 5294 Tower	Y	-	-	-	-	-	-	B	-	V5R2
#5138 Redundant Power and Cooling	Y	-	-	-	-	-	B	-	-	V5R2
#5160 Power Dist Unit 1 Phase NEMA	N	B	B	B	B	B	-	-	-	V5R1
#5161 Power Distribution Unit	N	B	B	B	B	B	-	-	-	V5R1
#5162 Power Distribution Unit	N	B	B	B	B	B	-	-	-	V5R1
#5294 1.8m I/O Tower	Y	-	B	B	B	B	-	-	-	V5R2
#5540 System Console on Twinaxial Workstation IOA	Y	B	B	B	B	B	-	-	-	V4R5
#5544 System Console on Operations Console	Y	B	B	B	B	B	-	-	-	V4R5
#5546 System Console on 100 Mbps Token Ring	Y	B	B	-	B	B	-	-	-	V5R1
#5548 System Console on 100 Mbps Ethernet	Y	B	B	B	B	B	-	-	-	V5R1
#5700 PCI 1 Gbps Ethernet IOA	Y	B	B	B	B	B	B	B	B	V5R2
#5701 PCI 1 Gbps Ethernet UTP IOA	Y	B	B	B	B	B	B	B	B	V5R2

FC and description	CIF	Model or tower								Min. OS/400	
		800	810	825	870	890	5095	5094	5088		
#5702 PCI-X Ultra Tape Controller	Y	B	B	B	B	B	B	B	B	B	V5R2
#5703 PCI-X Tape/DASD Controller	Y	B	B	B	B	B	B	B	B		V5R2
#5705 PCI-X Tape/DASD Controller	Y	P	B	-	-	-	-	-	-	-	V5R2
#7002 HSL Enabler	Y	B	-	-	-	-	-	-	-	-	V4R5
#7116 System Unit Expansion	Y	B	B	-	-	-	-	-	-	-	V5R2
#7124 DASD Expansion Unit - 5 slot	Y	-	-	B	-	-	-	-	-	-	V5R2
#7136 DASD Expansion Unit - 6 slot	Y	B	B	-	-	-	-	-	-	-	V5R2
#7137 DASD Concurrent Maintenance Cage	Y	B	-	-	-	-	-	-	-	-	V5R2
#8093 Optional 1.8 M I/O Rack	N	-	-	-	-	PU	-	-	-	-	V5R2
#8094 Optional 1.8 M I/O Rack	N	-	-	-	PU	PU	-	-	-	-	V5R2
#9079 Base I/O Tower	N	-	-	-	SC	SC	-	-	-	-	V4R5
#9094 Base PCI I/O Enclosure	N	-	-	-	PU	PU	-	-	-	-	V5R2
#9603 POD Activation	N	-	-	-	P	P	-	-	-	-	V5R2
#9726 Base 512 MB Server Memory	Y	-	-	PU	PU	PU	PU	PU	PU	PU	V5R2
#9730 Base HSL-2 Ports - 4 Copper	Y				PU	PU					V5R2
#9746 Base PCI Twinax Wrkstn IOA	Y	P	-	-	-	-	P	P	P	P	V5R2
#9749 Base PCI 100/10 Ethernet IOA	Y	P	-	-	-	-	P	P	P	P	V5R2
#9771 Base PCI Two-Line WAN with integrated modem	Y	P	PU	PU	PU	PU	-	-	-	-	V4R5
#9785 Base HSL-2 Ports - 2 Copper	Y	-	-	PU	-	-	-	-	-	-	V5R2
#9786 Base HSL Ports - 2 Optical	Y	-	-	PU	-	-	-	-	-	-	V5R2
#9787 Base HSL-2 Ports - 2 Copper	N	-	-	B	-	-	-	-	-	-	V5R2
#9789 Base HSL Ports - 4 Optical	Y				-	PU					V5R2
#9792 Base PCI Integrated xSeries Server	Y	-	-	PU	PU	PU	PU	PU	PU	PU	V5R2
#9793 Two-Line WAN IOA with Modem	Y	P	PU	PU	PU	PU	-	-	-	-	V5R2
#9794 Two-Line IOA with Modem	Y	P	PU	PU	PU	PU	-	-	-	-	V5R2
#9844 Base PCI IOP	Y	-	-	PU	PU	PU	B	B	-	-	V5R2



FC and description	CIF	Model or tower									Min. OS/400
		800	810	825	870	890	5095	5094	5088		
#9886 Base Optical Bus Adapter	Y	-	-	-	-	-	B	B	B	V5R2	
#9887 Base HSL-2 Bus Adapter	Y	-	-	-	B	B	B	B	B	V5R2	
#9943 Base PCI IOP	Y	-	-	-	-	B	-	-	-	V4R5	

## Model 250, 270, 820, 830, 840, #2487/#2488 890 system unit, tower features

The following table shows the features supported in the Model 250, 270, 820, 830, 840, and 890 (#2487, #2488, #0197, and #0198 processors), associated expansion units, and the CIF designation of each feature.

FC and description	CIF	Model or tower															Min. OS/400	
		250	270	820	830	840	890	503X	5065	5074	5075	5078	5079	8079	8093	9074		9079
0041 Device Parity Protection-All	Y	-	B	B	B	B	B	-	-	-	-	-	-	-	-	-	-	V4R5
0087 7207-122 Attachment	Y	-	B	B	B	B	-	-	-	-	-	-	-	-	-	-	-	V4R4
0089 External Tape Attach	Y	-	B	B	B	B	-	-	-	-	-	-	-	-	-	-	-	V4R5
0092 External xSeries Attach	Y	-	B	B	B	B	B	-	-	-	-	-	-	-	-	-	-	V5R1
0120 7210-020 Attachment	Y	-	B	B	B	B	-	-	-	-	-	-	-	-	-	-	-	V4R5
0121 270 Lower Unit in Rack	Y	-	P	-	-	-	-	-	-	-	-	-	-	-	-	-	-	V4R5
0122 270 Upper Unit in Rack	Y	-	P	-	-	-	-	-	-	-	-	-	-	-	-	-	-	V4R5
0123 #5074 Lower Unit in Rack	Y	-	-	B	B	B	S	-	-	-	-	-	-	-	-	-	-	V4R5
0125 #9079 Lower Unit in Rack	Y	-	-	-	-	P	S	-	-	-	-	-	-	-	-	-	-	V4R5
0126 CEC Reduction Option	N	-	-	-	-	-	P	-	-	-	-	-	-	-	-	-	-	V5R2
0127 Field Install in Rack	N	-	B	-	-	-	-	-	-	-	-	-	-	-	-	-	-	V4R5
0133 Field Install in Rack	Y	-	B	-	-	-	-	-	-	-	-	-	-	-	-	-	-	V5R2
0140 Logical Partitioning Specify	Y	-	B	B	B	B	B	-	-	-	-	-	-	-	-	-	-	V4R4
0141 HSL OptiConnect Specify	Y	-	B	B	B	B	B	-	-	-	-	-	-	-	-	-	-	V5R1
0142 Linux Partition Specify	Y	-	B	B	B	B	B	-	-	-	-	-	-	-	-	-	-	V5R1

FC and description	CIF	Model or tower														Min. OS/400		
		250	270	820	830	840	890	503X	5065	5074	5075	5078	5079	8079	8093		9074	9079
0150 Model 820 Base Processor	N	-	-	B	-	-	-	-	-	-	-	-	-	-	-	-	-	V5R1
0151 Model 820 Base Processor	N	-	-	B	-	-	-	-	-	-	-	-	-	-	-	-	-	V5R1
0152 Model 820 Base Processor	N	-	-	B	-	-	-	-	-	-	-	-	-	-	-	-	-	V5R1
0153 Model 830 8-way Processor	N	-	-	-	B	-	-	-	-	-	-	-	-	-	-	-	-	V5R2
0158 Model 840 12-way Processor	N	-	-	-	-	B	-	-	-	-	-	-	-	-	-	-	-	V5R2
0159 Model 840 24-way Processor	N	-	-	-	-	B	-	-	-	-	-	-	-	-	-	-	-	V5R2
0162 Extended Single Ended Attach	Y	-	B	B	B	B	B	-	-	-	-	-	-	-	-	-	-	V5R1
0163 Fibre Channel Attach	Y	-	B	B	B	B	B	-	-	-	-	-	-	-	-	-	-	V5R1
0164 Differential Attach	Y	-	-	-	-	-	B	-	-	-	-	-	-	-	-	-	-	V5R1
0197 Model 890 24-way Processor	N	-	-	-	-	-	B	-	-	-	-	-	-	-	-	-	-	V5R2
0198 Model 890 32-way Processor	N	-	-	-	-	-	B	-	-	-	-	-	-	-	-	-	-	V5R2
0208 No Alt Install Device Use	Y	-	P	P	P	P	-	-	-	-	-	-	-	-	-	-	-	V4R5
0223 100 Mbps Token-Ring Specify	Y	-	B	B	B	B	B	-	-	-	-	-	-	-	-	-	-	V4R5
0224 100/10 Mbps Ethernet Specify	Y	-	B	B	B	B	B	-	-	-	-	-	-	-	-	-	-	V4R5
0225 1 Gbps Ethernet Specify	Y	-	B	B	B	B	B	-	-	B	B	B	B	B	B	B	B	V5R1
0226 1 Gbps Ethernet Specify	Y	-	B	B	B	B	B	-	-	-	-	-	-	-	-	-	-	V5R2
0297 Model 250 Package	Y	S	-	-	-	-	-	-	-	-	-	-	-	-	-	-	-	V5R1
0298 Model 250 package	Y	S	-	-	-	-	-	-	-	-	-	-	-	-	-	-	-	V5R1
0369 100m Optical SPCN Cable	Y	-	-	-	B	B	B	-	-	B	-	B	B	B	B	B	B	V5R1
0371 LC-SC Adapter Kit (50 um)	Y	-	B	B	B	B	B	-	-	B	B	B	B	B	B	B	B	V5R1
0372 LC-SC Adapter Kit (62.5 um)	Y	-	B	B	B	B	B	-	-	B	B	B	B	B	B	B	B	V5R1
0382 Remote Control Panel Cable	Y	-	S	S	S	S	S	-	-	-	-	-	-	-	-	-	-	V4R5
0383 Remote Control Panel Cable	Y	-	B	B	B	B	B	-	-	-	-	-	-	-	-	-	-	V5R2
0426 512 MB Server Memory	N	-	-	B	B	B	B	-	-	B	B	B	B	B	B	B	B	V5R2
0427 1 GB Server Memory	N	-	-	B	B	B	B	-	-	B	B	B	B	B	B	B	B	V5R2
0446 512 MB DDR Server Memory	Y	-	B	-	-	-	-	-	-	-	B	-	-	-	-	-	-	V5R2
0447 1 GB DDR Server Memory	Y	-	B	-	-	-	-	-	-	-	B	-	-	-	-	-	-	V5R2

FC and description	CIF	Model or tower														Min. OS/400		
		250	270	820	830	840	890	503X	5065	5074	5075	5078	5079	8079	8093		9074	9079
0550 830 Rack	N	-	-	-	P	-	-	-	-	-	-	-	-	-	-	-	-	V4R5
0551 #0551 iSeries Rack	Y	-	B	B	B	B	B	-	-	-	-	-	-	-	-	-	-	V4R5
0565 #5065 Equivalent	Y	-	-	-	-	-	-	S	-	-	-	-	-	-	-	-	-	V4R4
0574 #5074 Equivalent	Y	-	-	B	B	B	B	-	-	-	-	-	-	-	-	-	-	V4R5
0578 PCI Expansion Unit in Rack	N	-	-	B	B	B	B	-	-	-	-	-	-	-	-	-	-	V5R1
0588 PCI Expansion Unit in Rack	N	-	-	B	B	B	B	-	-	-	-	-	-	-	-	-	-	V5R2
0595 PCI Expansion Unit in Rack	Y	-	B	B	B	B	B	-	-	-	-	-	-	-	-	-	-	V5R2
0601 Linux Dir Attach-2743	Y	-	B	B	B	B	B	-	-	B	B	B	B	B	B	B	B	V5R1
0602 Linux Dir Attach-2760	Y	-	B	B	B	B	B	-	-	B	B	B	B	B	B	B	B	V5R1
0603 Linux Dir Attach-2744	Y	-	B	B	B	B	B	-	-	B	B	B	B	B	B	B	B	V5R1
#0604 - Linux Direct Attach #2763	Y	-	B	B	-	-	-	-	-	-	B	-	-	-	-	-	-	V5R1
#0605 - Linux Direct Attach #4748	Y	-	B	S	S	S	S	-	-	S	S	-	S	S	S	S	S	V5R1
#0606 - Linux Direct Attach #4778	Y	-	B	B	B	B	B	-	-	B	B	-	B	B	B	B	B	V5R1
0607 Linux Dir Attach-4838	Y	-	B	B	B	B	B	-	-	B	B	B	B	B	B	B	B	V5R1
0608 Linux Dir Attach-4745	Y	-	B	B	B	B	M	-	-	B	B	B	B	B	B	B	B	V5R1
0609 Linux Dir Attach-2772	Y	-	B	B	B	B	B	-	-	B	B	B	B	B	B	B	B	V5R1
0610 Linux Dir Attach-2773	Y	-	B	B	B	B	B	-	-	B	B	B	B	B	B	B	B	V5R1
0611 Linux Dir Attach-2765	Y	-	B	B	B	B	B	-	-	B	B	B	B	B	B	B	B	V5R1
0612 Linux Dir Attach-2766	Y	-	B	B	B	B	B	-	-	B	B	B	B	B	B	B	B	V5R1
0613 Linux Dir Attach-2742	Y	-	B	B	B	B	B	-	-	B	B	B	B	B	B	B	B	V5R2
0614 Linux Dir Attach-2793	Y	-	B	B	B	B	B	-	-	B	B	B	B	B	B	B	B	V5R2
0615 Linux Dir Attach-2794	Y	-	B	B	B	B	B	-	-	B	B	B	B	B	B	B	B	V5R2
0616 Linux Dir Attach-2805	Y	-	B	B	B	B	B	-	-	B	B	B	B	B	B	B	B	V5R1
0617 Linux Dir Attach-2806	Y	-	B	B	B	B	B	-	-	B	B	B	B	B	B	B	B	V5R1
0618 Linux Dir Attach-2757	Y	-	B	B	B	B	B	-	-	B	B	B	B	B	B	B	B	V5R2
0619 Linux Dir Attach-2782	Y	-	-	B	-	-	-	-	-	-	-	-	-	-	-	-	-	V5R2
0620 Linux Dir Attach-5700	Y	-	B	B	B	B	B	-	-	B	B	B	B	B	B	B	B	V5R2

FC and description	CIF	Model or tower														Min. OS/400			
		250	270	820	830	840	890	503X	5065	5074	5075	5078	5079	8079	8093		9074	9079	
0621 Linux Dir Attach-5701	Y	-	B	B	B	B	B	-	-	B	B	B	B	B	B	B	B	B	V5R2
0623 Linux Dir Attach-2849	Y	-	B	B	B	B	B	-	-	B	B	B	B	B	B	B	B	B	V5R2
0624 Linux Dir Attach-5702	Y	-	B	B	B	B	B	-	-	B	B	B	B	B	B	B	B	B	V5R2
0705 Forced #2749 Placement	Y	-	-	-	-	-	B	-	-	-	-	-	-	-	-	-	-	-	V5R1
0707 Forced #2768 Placement	Y	-	-	-	-	-	B	-	-	-	-	-	-	-	-	-	-	-	V5R1
0826 #4314 Load Source Specify	Y	-	M	M	M	M	M	-	-	-	-	-	-	-	-	-	-	-	V4R5
0827 #4324 Load Source Specify	Y	-	M	M	M	M	M	-	-	-	-	-	-	-	-	-	-	-	V4R5
0828 #4317 Load Source Specify	Y	-	B	B	B	B	M	-	-	-	-	-	-	-	-	-	-	-	V4R5
0829 #4318 Load Source Specify	Y	-	B	B	B	B	B	-	-	-	-	-	-	-	-	-	-	-	V4R5
0830 #4319 Load Source Specify	Y	-	B	B	B	B	B	-	-	-	-	-	-	-	-	-	-	-	V5R1
1460 3m Copper HSL Cable	Y	-	B	B	B	B	-	B	-	B	B	B	B	B	B	B	B	B	V4R5
1461 6m Copper HSL Cable	Y	-	B	B	B	B	-	B	-	B	B	B	B	B	B	B	B	B	V4R5
1462 15m Copper HSL Cable	Y	-	B	B	B	B	-	B	-	B	B	B	B	B	B	B	B	B	V4R5
1463 2m SPCN Cable	Y	-	B	B	B	B	B	B	-	B	B	B	B	B	B	B	B	B	V4R5
1464 6m SPCN Cable	Y	-	B	B	B	B	B	B	-	B	B	B	B	B	B	B	B	B	V4R5
1465 15m SPCN Cable	Y	-	B	B	B	B	B	B	-	B	B	B	B	B	B	B	B	B	V4R5
1466 30m SPCN Cable	Y	-	B	B	B	B	B	B	-	B	B	B	B	B	B	B	B	B	V4R5
1468 250m Optical SPCN Cable	Y	-	-	-	B	B	B	-	-	B	-	B	B	B	B	B	B	B	V5R1
1470 6m HSL Optical Cable	Y	-	-	-	B	B	B	-	-	B	-	B	B	B	B	B	B	B	V5R1
1471 30m HSL Optical Cable	Y	-	-	-	B	B	B	-	-	B	-	B	B	B	B	B	B	B	V5R1
1472 100m HSL Optical Cable	Y	-	-	-	B	B	B	-	-	B	-	B	B	B	B	B	B	B	V5R1
1473 250m HSL Optical Cable	Y	-	-	-	B	B	B	-	-	B	-	B	B	B	B	B	B	B	V5R1
1474 6m HSL to HSL-2 Cable	Y	-	B	B	B	B	B	-	-	B	B	B	B	B	B	B	B	B	V5R2
1475 10m HSL to HSL-2 Cable	Y	-	B	B	B	B	B	-	-	B	B	B	B	B	B	B	B	B	V5R2
1482 3.5m HSL-2 Cable	Y	-	-	-	-	-	B	-	-	-	-	-	-	-	-	-	-	-	V5R2
1483 10m HSL-2 Cable	Y	-	-	-	-	-	B	-	-	-	-	-	-	-	-	-	-	-	V5R2
1485 15m HSL-2 Cable	Y	-	-	-	-	-	B	-	-	-	-	-	-	-	-	-	-	-	V5R2

FC and description	CIF	Model or tower														Min. OS/400		
		250	270	820	830	840	890	503X	5065	5074	5075	5078	5079	8079	8093		9074	9079
1516 5250 CPW Capacity Card	N	-	P	-	-	-	-	-	-	-	-	-	-	-	-	-	-	V4R5
1517 5250 CPW Capacity Card	N	-	B	-	-	-	-	-	-	-	-	-	-	-	-	-	-	V4R5
1518 5250 CPW Capacity Card	N	-	B	-	-	-	-	-	-	-	-	-	-	-	-	-	-	V4R5
1519 5250 CPW Capacity Card	N	-	B	-	-	-	-	-	-	-	-	-	-	-	-	-	-	V4R5
1520 5250 CPW Capacity Card	N	-	B	-	-	-	-	-	-	-	-	-	-	-	-	-	-	V4R5
1521 5250 CPW Capacity Card	N	-	-	B	-	-	-	-	-	-	-	-	-	-	-	-	-	V4R5
1522 5250 CPW Capacity Card	N	-	-	B	-	-	-	-	-	-	-	-	-	-	-	-	-	V4R5
1523 5250 CPW Capacity Card	N	-	-	B	-	-	-	-	-	-	-	-	-	-	-	-	-	V4R5
1524 5250 CPW Capacity Card	N	-	-	B	-	-	-	-	-	-	-	-	-	-	-	-	-	V4R5
1525 5250 CPW Capacity Card	N	-	-	B	-	-	-	-	-	-	-	-	-	-	-	-	-	V4R5
1526 5250 CPW Capacity Card	N	-	-	B	-	-	-	-	-	-	-	-	-	-	-	-	-	V4R5
1527 5250 CPW Capacity Card	N	-	-	B	-	-	-	-	-	-	-	-	-	-	-	-	-	V4R5
1531 5250 CPW Capacity Card	N	-	-	-	B	-	-	-	-	-	-	-	-	-	-	-	-	V4R5
1532 5250 CPW Capacity Card	N	-	-	-	B	-	-	-	-	-	-	-	-	-	-	-	-	V4R5
1533 5250 CPW Capacity Card	N	-	-	-	B	-	-	-	-	-	-	-	-	-	-	-	-	V4R5
1534 5250 CPW Capacity Card	N	-	-	-	B	-	-	-	-	-	-	-	-	-	-	-	-	V4R5
1535 5250 CPW Capacity Card	N	-	-	-	B	-	-	-	-	-	-	-	-	-	-	-	-	V4R5
1536 5250 CPW Capacity Card	N	-	-	-	B	-	-	-	-	-	-	-	-	-	-	-	-	V4R5
1537 5250 CPW Capacity Card	N	-	-	-	B	-	-	-	-	-	-	-	-	-	-	-	-	V4R5
1540 5250 CPW Capacity Card	N	-	-	-	-	B	-	-	-	-	-	-	-	-	-	-	-	V4R5
1541 5250 CPW Capacity Card	N	-	-	-	-	B	-	-	-	-	-	-	-	-	-	-	-	V4R5
1542 5250 CPW Capacity Card	N	-	-	-	-	B	-	-	-	-	-	-	-	-	-	-	-	V4R5
1543 5250 CPW Capacity Card	N	-	-	-	-	B	-	-	-	-	-	-	-	-	-	-	-	V4R5
1544 5250 CPW Capacity Card	N	-	-	-	-	B	-	-	-	-	-	-	-	-	-	-	-	V4R5
1545 5250 CPW Capacity Card	N	-	-	-	-	B	-	-	-	-	-	-	-	-	-	-	-	V4R5
1546 5250 CPW Capacity Card	N	-	-	-	-	B	-	-	-	-	-	-	-	-	-	-	-	V4R5
1547 5250 CPW Capacity Card	N	-	-	-	-	B	-	-	-	-	-	-	-	-	-	-	-	V4R5

FC and description	CIF	Model or tower														Min. OS/400		
		250	270	820	830	840	890	503X	5065	5074	5075	5078	5079	8079	8093		9074	9079
1548 5250 CPW Capacity Card	N	-	-	-	-	B	-	-	-	-	-	-	-	-	-	-	-	V5R1
1576 5250 CPW Capacity Card	N	-	-	-	-	-	P	-	-	-	-	-	-	-	-	-	-	V5R2
1577 5250 CPW Capacity Card	N	-	-	-	-	-	B	-	-	-	-	-	-	-	-	-	-	V5R2
1578 5250 CPW Capacity Card	N	-	-	-	-	-	B	-	-	-	-	-	-	-	-	-	-	V5R2
1579 5250 CPW Capacity Card	N	-	-	-	-	-	B	-	-	-	-	-	-	-	-	-	-	V5R2
1581 5250 CPW Capacity Card	N	-	-	-	-	-	B	-	-	-	-	-	-	-	-	-	-	V5R2
1583 5250 CPW Capacity Card	N	-	-	-	-	-	B	-	-	-	-	-	-	-	-	-	-	V5R2
1585 5250 CPW Capacity Card	N	-	-	-	-	-	B	-	-	-	-	-	-	-	-	-	-	V5R2
1587 5250 CPW Capacity Card	N	-	-	-	-	-	B	-	-	-	-	-	-	-	-	-	-	V5R2
1588 5250 CPW Capacity Card	N	-	-	-	-	-	B	-	-	-	-	-	-	-	-	-	-	V5R2
1591 5250 CPW Capacity Card	N	-	-	-	-	-	B	-	-	-	-	-	-	-	-	-	-	V5R2
1604 POD Activation	Y	-	-	-	-	B	-	-	-	-	-	-	-	-	-	-	-	V4R5
1605 POD Activation	Y	-	-	-	B	-	-	-	-	-	-	-	-	-	-	-	-	V5R1
1610 890 POD Activation	Y	-	-	-	-	-	B	-	-	-	-	-	-	-	-	-	-	V5R2
2248 Model 270 Processor	N	-	P	-	-	-	-	-	-	-	-	-	-	-	-	-	-	V4R5
2250 Model 270 Processor	N	-	B	-	-	-	-	-	-	-	-	-	-	-	-	-	-	V4R5
2252 Model 270 Processor	N	-	B	-	-	-	-	-	-	-	-	-	-	-	-	-	-	V4R5
2253 Model 270 2-way Processor	N	-	B	-	-	-	-	-	-	-	-	-	-	-	-	-	-	V4R5
2301 Model 270 Processor	N	-	B	-	-	-	-	-	-	-	-	-	-	-	-	-	-	V5R1
2302 Model 270 Processor	N	-	B	-	-	-	-	-	-	-	-	-	-	-	-	-	-	V5R1
2303 Model 820 Processor	N	-	-	B	-	-	-	-	-	-	-	-	-	-	-	-	-	V5R1
2315 Model SB2 8-way Processor	N	-	-	-	-	-	-	-	-	-	-	-	-	-	-	-	-	V4R5
2316 Model SB3 12-way Processor	N	-	-	-	-	-	-	-	-	-	-	-	-	-	-	-	-	V4R5
2318 Model SB3 24-way Processor	N	-	-	-	-	-	-	-	-	-	-	-	-	-	-	-	-	V4R5
2349 Model 830 4/8-way Proc	N	-	-	-	P	-	-	-	-	-	-	-	-	-	-	-	-	V5R1
2351 Model 830 1/8-way POD	N	-	-	-	P	-	-	-	-	-	-	-	-	-	-	-	-	V5R1
2352 Model 840 8/12-way POD	N	-	-	-	-	B	-	-	-	-	-	-	-	-	-	-	-	V5R1

FC and description	CIF	Model or tower														Min. OS/400		
		250	270	820	830	840	890	503X	5065	5074	5075	5078	5079	8079	8093		9074	9079
2353 Model 840 12/18-way POD	N	-	-	-	-	B	-	-	-	-	-	-	-	-	-	-	-	V5R1
2354 Model 840 18/24-way POD	N	-	-	-	-	B	-	-	-	-	-	-	-	-	-	-	-	V5R1
2395 Model 820 Processor	N	-	-	B	-	-	-	-	-	-	-	-	-	-	-	-	-	V4R5
2396 Model 820 Processor	N	-	-	B	-	-	-	-	-	-	-	-	-	-	-	-	-	V4R5
2397 Model 820 2-way Processor	N	-	-	B	-	-	-	-	-	-	-	-	-	-	-	-	-	V4R5
2398 Model 820 4-way Processor	N	-	-	B	-	-	-	-	-	-	-	-	-	-	-	-	-	V4R5
2400 Model 830 2-way Processor	N	-	-	-	B	-	-	-	-	-	-	-	-	-	-	-	-	V4R5
2402 Model 830 4-way Processor	N	-	-	-	B	-	-	-	-	-	-	-	-	-	-	-	-	V4R5
2403 Model 830 8-way Processor	N	-	-	-	B	-	-	-	-	-	-	-	-	-	-	-	-	V4R5
2416 Model 840 8/12-way POD	N	-	-	-	-	B	-	-	-	-	-	-	-	-	-	-	-	V4R5
2417 Model 840 12/18-way POD	N	-	-	-	-	B	-	-	-	-	-	-	-	-	-	-	-	V4R5
2418 Model 840 12-way Processor	N	-	-	-	-	B	-	-	-	-	-	-	-	-	-	-	-	V4R5
2419 Model 840 18/24-way POD	N	-	-	-	-	B	-	-	-	-	-	-	-	-	-	-	-	V4R5
2420 Model 840 24-way Processor	N	-	-	-	-	B	-	-	-	-	-	-	-	-	-	-	-	V4R5
2422 Dedicated Domino Processor	N	-	P	-	-	-	-	-	-	-	-	-	-	-	-	-	-	V4R5
2423 Dedicated Domino Processor	N	-	B	-	-	-	-	-	-	-	-	-	-	-	-	-	-	V4R5
2424 Dedicated Domino 2-way Proc	N	-	B	-	-	-	-	-	-	-	-	-	-	-	-	-	-	V4R5
2425 Dedicated Domino Processor	N	-	-	P	-	-	-	-	-	-	-	-	-	-	-	-	-	V4R5
2426 Dedicated Domino 2-way Proc	N	-	-	B	-	-	-	-	-	-	-	-	-	-	-	-	-	V4R5
2427 Dedicated Domino 4-way Proc	N	-	-	B	-	-	-	-	-	-	-	-	-	-	-	-	-	V4R5
2431 Model 270 Processor	N	-	B	-	-	-	-	-	-	-	-	-	-	-	-	-	-	V5R1
2432 Model 270 Processor	N	-	B	-	-	-	-	-	-	-	-	-	-	-	-	-	-	V5R1
2434 Model 270 2-way Processor	N	-	B	-	-	-	-	-	-	-	-	-	-	-	-	-	-	V5R1
2435 Model 820 Processor	N	-	-	B	-	-	-	-	-	-	-	-	-	-	-	-	-	V5R1
2436 Model 820 Processor	N	-	-	B	-	-	-	-	-	-	-	-	-	-	-	-	-	V5R1
2437 Model 820 2-way Processor	N	-	-	B	-	-	-	-	-	-	-	-	-	-	-	-	-	V5R1
2438 Model 820 4-way Processor	N	-	-	B	-	-	-	-	-	-	-	-	-	-	-	-	-	V5R1

FC and description	Model or tower														Min. OS/400			
	CIF	250	270	820	830	840	890	503X	5065	5074	5075	5078	5079	8079		8093	9074	9079
2452 Dedicated Domino Processor	N	-	B	-	-	-	-	-	-	-	-	-	-	-	-	-	-	V5R1
2454 Dedicated Domino 2-way Proc	N	-	B	-	-	-	-	-	-	-	-	-	-	-	-	-	-	V5R1
2456 Dedicated Domino Processor	N	-	-	P	-	-	-	-	-	-	-	-	-	-	-	-	-	V5R1
2457 Dedicated Domino 2-way Proc	N	-	-	B	-	-	-	-	-	-	-	-	-	-	-	-	-	V5R1
2458 Dedicated Domino 4-way Proc	N	-	-	B	-	-	-	-	-	-	-	-	-	-	-	-	-	V5R1
2460 Model 840 12-way Processor	N	-	-	-	-	B	-	-	-	-	-	-	-	-	-	-	-	V5R1
2461 Model 840 24-way Processor	N	-	-	-	-	B	-	-	-	-	-	-	-	-	-	-	-	V5R1
2487 Model 890 16/24-way Proc	N	-	-	-	-	-	B	-	-	-	-	-	-	-	-	-	-	V5R2
2488 Model 890 24/32-way Proc	N	-	-	-	-	-	B	-	-	-	-	-	-	-	-	-	-	V5R2
2723 PCI Ethernet IOA (CIF=Y in 5033 and 250)	N	S	-	-	-	-	-	S	S	-	-	-	-	-	-	-	-	V4R1
2724 PCI 16/4 Mbps Token-Ring IOA (CIF=Y in 5033 and 250)	N	S	-	-	-	-	-	S	S	-	-	-	-	-	-	-	-	V4R1
#2729 PCI Magnetic Media Controller (CIF=Y in 5033, 250)	N	S	-	-	-	-	-	S	S	-	-	-	-	-	-	-	-	V4R1
2738 HSL Ports - 8 Copper	N	-	-	-	-	-	B	-	-	-	-	-	-	-	-	-	-	V5R2
2739 Optical Bus Adapter	N	-	-	-	-	-	-	-	-	M	-	M	M	M	M	M	M	V5R1
2742 PCI Two-Line WAN IOA	Y	-	B	B	B	B	B	-	-	B	B	B	B	B	B	B	B	V5R2
2743 PCI 1 Gbps Ethernet IOA	Y	-	B	B	B	B	B	-	-	B	B	B	B	B	B	B	B	V4R5
2744 PCI 100 Mbps Token-Ring IOA	Y	-	B	B	B	B	B	-	-	B	B	B	B	B	B	B	B	V4R5
2745 PCI Two-line WAN IOA (CIF=Y in 5033 and 250)	N	M	-	-	-	-	-	M	M	-	-	-	-	-	-	-	-	V4R4
2746 PCI Twinaxial Workstn IOA (CIF=Y in 5033 and 250)	N	M	-	-	-	-	-	M	M	-	-	-	-	-	-	-	-	V4R4
2748 PCI RAID Disk Unit Controller (CIF=Y in 5033 and 250)	N	S	-	-	-	-	-	S	S	-	-	-	-	-	-	-	-	V4R4
#2749 PCI Ultra Magnetic Media Controller	Y	-	B	B	B	B	B	-	-	B	B	B	B	B	B	B	B	V4R5
2750 PCI ISDN BRI U IOA (CIF=Y in 5033 and 250)	N	S	-	-	-	-	-	S	S	-	-	-	-	-	-	-	-	V4R4



FC and description	CIF	Model or tower														Min. OS/400		
		250	270	820	830	840	890	503X	5065	5074	5075	5078	5079	8079	8093		9074	9079
2751 PCI ISDN BRI S/T IOA (CIF=Y in 5033 and 250)	N	S	-	-	-	-	-	S	S	-	-	-	-	-	-	-	-	V4R4
2754 HSL Ports - 8 Copper	N	-	-	-	M	-	-	-	-	-	-	-	-	-	-	-	-	V5R1
2755 HSL Ports -16 Copper	N	-	-	-	-	M	-	-	-	-	-	-	-	-	-	-	-	V5R1
2757 PCI-X Ultra RAID Disk Controller	Y	-	B	B	B	B	B	-	-	B	B	-	B	B	B	B	B	V5R2
2758 HSL Ports - 2 Opt/6 Copper	N	-	-	-	M	-	-	-	-	-	-	-	-	-	-	-	-	V5R1
2759 HSL Ports - 4 Opt/12 Copper	N	-	-	-	-	M	-	-	-	-	-	-	-	-	-	-	-	V5R1
2760 PCI 1 Gbps Ethernet UTP IOA	Y	-	B	B	B	B	B	-	-	B	B	B	B	B	B	B	B	V5R1
2761 PCI Integrated Analog Modem (CIF=Y in 5033)	N	S	-	-	-	-	-	S	S	-	-	-	-	-	-	-	-	V4R4
#2763 PCI RAID Disk Unit Controller (CIF=N in 250)	Y	M	B	B	-	-	-	-	-	-	B	-	-	-	-	-	-	V4R5
#2765 PCI Fibre Channel Tape Controller	Y	-	B	B	B	B	B	-	-	B	B	B	B	B	B	B	B	V5R1
2766 PCI Fibre Channel Disk Controller	Y	-	B	B	B	B	B	-	-	B	B	B	B	B	B	B	B	V5R1
2768 PCI Magnetic Media Controller	Y	-	B	B	B	B	B	-	-	B	B	B	B	B	B	B	B	V4R5
2772 PCI Dual WAN/Modem IOA	Y	-	B	B	B	B	B	-	-	B	B	B	B	B	B	B	B	V5R1
2773 PCI Dual WAN/Modem IOA (ANSI)	Y	-	B	B	B	B	B	-	-	B	B	B	B	B	B	B	B	V5R1
2774 HSL Ports - 2 Opt/6 Copper	N	-	-	-	M	-	-	-	-	-	-	-	-	-	-	-	-	V5R1
2776 HSL-2 Ports - 8 Copper	N	-	-	-	-	-	B	-	-	-	-	-	-	-	-	-	-	V5R2
2777 HSL Ports - 8 Copper	N	-	-	-	M	-	-	-	-	-	-	-	-	-	-	-	-	V5R1
2778 PCI RAID Disk Unit Controller	N	-	-	-	-	-	-	-	M	-	-	-	-	-	-	-	-	V5R1
2782 PCI-X RAID Disk Controller	Y	-	B	B	-	-	-	-	-	-	-	-	-	-	-	-	-	V5R2
2788 HSL Ports - 8 Optical	N	-	-	-	-	-	B	-	-	-	-	-	-	-	-	-	-	V5R2
2790 PCI Integ Netfinity Server	N	-	-	S	S	S	S	-	-	S	S	S	S	S	S	S	S	V4R5
2791 PCI Integ xSeries Server	N	-	-	S	S	S	S	-	-	S	S	S	S	S	S	S	S	V4R5
2792 PCI Integ xSeries Server	N	-	-	B	B	B	B	-	-	B	B	B	B	B	B	B	B	V5R2
2793 PCI 2-Line WAN w/Modem	Y	-	B	B	B	B	B	-	-	B	B	B	B	B	B	B	B	V5R2
2794 PCI 2-Line WAN w/Modem (CIM)	Y	-	B	B	B	B	B	-	-	B	B	B	B	B	B	B	B	V5R2

FC and description	Model or tower														Min. OS/400			
	CIF	250	270	820	830	840	890	503X	5065	5074	5075	5078	5079	8079		8093	9074	9079
2795 128 MB Server Memory	N	-	-	B	B	B	B	-	-	B	B	B	B	B	B	B	B	V4R5
2796 256 MB Server Memory	N	-	-	B	B	B	B	-	-	B	B	B	B	B	B	B	B	V4R5
2797 1 GB Server Memory	N	-	-	B	B	B	B	-	-	B	B	B	B	B	B	B	B	V4R5
#2799 PCI Integrated xSeries Server	N	-	-	B	B	B	B	-	-	B	B	B	B	B	B	B	B	V5R1
2805 PCI Quad Modem IOA	Y	-	B	B	B	B	B	-	-	B	B	B	B	B	B	B	B	V5R1
2806 PCI Quad Modem IOA (CIM)	Y	-	B	B	B	B	B	-	-	B	B	B	B	B	B	B	B	V5R1
2817 PCI 155 Mbps MMF ATM	Y	-	B	B	B	B	B	-	-	B	B	B	B	B	B	B	B	V5R1
2824 PCI LAN/WAN/Workstation IOP (CIF=Y in 5033 and 250)	N	M	-	-	-	-	-	M	M	-	-	-	-	-	-	-	-	V4R4
2838 PCI 100/10 Mbps Ethernet IOA (CIF=Y in 5033 and 250)	N	M	-	-	-	-	-	M	M	-	-	-	-	-	-	-	-	V4R1
2842 #2842 PCI IOP	Y	-	B	-	-	-	-	-	-	-	B	-	-	-	-	-	-	V4R5
2843 PCI IOP	Y	-	-	B	B	B	B	-	-	B	B	B	B	B	B	B	B	V4R5
2844 PCI IOP	Y	-	B	B	B	B	B	-	-	B	B	B	B	B	B	B	B	V4R5
2849 PCI 100/10 Mbps Ethernet IOA	Y	-	B	B	B	B	B	-	-	B	B	B	B	B	B	B	B	V5R2
2881 Main Storage Expansion	N	-	-	-	B	-	-	-	-	-	-	-	-	-	-	-	-	V4R5
2884 Main Storage Expansion	Y	-	B	B	-	-	-	-	-	-	-	-	-	-	-	-	-	V4R5
2890 PCI Integ Netfinity Server	Y	-	S	-	-	-	-	-	-	-	S	-	-	-	-	-	-	V4R5
2891 PCI Integ xSeries Server	Y	-	S	-	-	-	-	-	-	-	S	-	-	-	-	-	-	V4R5
2892 PCI Integ xSeries Server	Y	-	B	-	-	-	-	-	-	-	B	-	-	-	-	-	-	V5R2
2895 128 MB Server Memory	Y	-	B	-	-	-	-	-	-	-	B	-	-	-	-	-	-	V4R5
2896 256 MB Server Memory	Y	-	B	-	-	-	-	-	-	-	B	-	-	-	-	-	-	V4R5
2897 1 GB Server Memory	Y	-	B	-	-	-	-	-	-	-	B	-	-	-	-	-	-	V4R5
2899 PCI Integ xSeries Server	Y	-	B	-	-	-	-	-	-	-	B	-	-	-	-	-	-	V5R1
3000 Migrated 128 MB Main Storage	N	-	-	M	M	-	-	-	-	-	-	-	-	-	-	-	-	V4R5
3005 512 MB Main Store	Y	-	-	B	-	-	-	-	-	-	-	-	-	-	-	-	-	V4R5
3006 512 MB Main Storage	Y	-	-	B	-	-	-	-	-	-	-	-	-	-	-	-	-	V4R5
3007 1 GB Main Storage	Y	-	-	B	-	-	-	-	-	-	-	-	-	-	-	-	-	V5R1

FC and description	CIF	Model or tower														Min. OS/400		
		250	270	820	830	840	890	503X	5065	5074	5075	5078	5079	8079	8093		9074	9079
3009 128 MB Main Storage	Y	-	-	B	-	-	-	-	-	-	-	-	-	-	-	-	-	V5R1
3015 8 GB Main Storage	N	-	-	-	-	-	B	-	-	-	-	-	-	-	-	-	-	V5R2
3016 8 GB Main Storage	N	-	-	-	-	-	B	-	-	-	-	-	-	-	-	-	-	V5R2
3017 32 GB Main Storage	N	-	-	-	-	-	B	-	-	-	-	-	-	-	-	-	-	V5R2
3018 32 GB Main Storage	N	-	-	-	-	-	B	-	-	-	-	-	-	-	-	-	-	V5R2
3020 4 GB Main Storage	N	-	-	-	-	-	B	-	-	-	-	-	-	-	-	-	-	V5R2
3021 4 GB Main Storage	N	-	-	-	-	-	B	-	-	-	-	-	-	-	-	-	-	V5R2
3022 128 MB Main Storage	Y	M	B	-	-	-	-	-	-	-	-	-	-	-	-	-	-	V4R5
3024 256 MB Main Storage	Y	M	B	-	-	-	-	-	-	-	-	-	-	-	-	-	-	V4R5
3025 512 MB Main Storage	Y	-	B	-	-	-	-	-	-	-	-	-	-	-	-	-	-	V4R5
3026 512 MB Main Storage	Y	-	B	-	-	-	-	-	-	-	-	-	-	-	-	-	-	V4R5
3027 1 GB Main Storage	Y	-	B	-	-	-	-	-	-	-	-	-	-	-	-	-	-	V5R1
3029 128 MB Main Storage	Y	-	B	-	-	-	-	-	-	-	-	-	-	-	-	-	-	V5R1
3032 256 MB Main Storage	Y	-	B	-	-	-	-	-	-	-	-	-	-	-	-	-	-	V5R1
3033 512 MB Main Storage	Y	-	B	-	-	-	-	-	-	-	-	-	-	-	-	-	-	V5R1
3034 1 GB Main Storage	Y	-	B	-	-	-	-	-	-	-	-	-	-	-	-	-	-	V5R1
3035 16 GB Main Storage	N	-	-	-	-	-	B	-	-	-	-	-	-	-	-	-	-	V5R2
3036 16 GB Main Storage	N	-	-	-	-	-	B	-	-	-	-	-	-	-	-	-	-	V5R2
3062 128 MB Main Storage	N	-	-	-	B	-	-	-	-	-	-	-	-	-	-	-	-	V4R5
3064 256 MB Main Storage	N	-	-	-	B	-	-	-	-	-	-	-	-	-	-	-	-	V4R5
3065 512 MB Main Storage	N	-	-	-	B	-	-	-	-	-	-	-	-	-	-	-	-	V4R5
3066 512 MB Main Storage	N	-	-	-	B	-	-	-	-	-	-	-	-	-	-	-	-	V4R5
3067 1 GB Main Storage	Y	-	-	-	B	-	-	-	-	-	-	-	-	-	-	-	-	V5R1
3195 4096 MB Main Storage	N	-	-	-	-	S	-	-	-	-	-	-	-	-	-	-	-	V4R5
3196 8192 MB Main Storage	N	-	-	-	-	B	-	-	-	-	-	-	-	-	-	-	-	V4R5
3197 1024 MB Main Storage	N	-	-	-	-	S	-	-	-	-	-	-	-	-	-	-	-	V4R5
3198 2048 MB Main Storage	N	-	-	-	-	S	-	-	-	-	-	-	-	-	-	-	-	V4R5

FC and description	CIF	Model or tower														Min. OS/400		
		250	270	820	830	840	890	503X	5065	5074	5075	5078	5079	8079	8093		9074	9079
3612 1024 MB Main Storage	N	-	-	-	-	B	-	-	-	-	-	-	-	-	-	-	-	V4R5
3613 2048 MB Main Storage	N	-	-	-	-	B	-	-	-	-	-	-	-	-	-	-	-	V4R5
3614 4096 MB Main Storage	N	-	-	-	-	B	-	-	-	-	-	-	-	-	-	-	-	V4R5
4308 4.19 GB Disk Unit	Y	-	-	-	-	-	-	-	S	S	-	-	S	S	S	S	S	V4R4
4314 8.58 GB Disk Unit	Y	-	S	S	S	S	S	-	S	S	S	-	S	S	S	S	S	V4R4
#4317 8.58 GB 10k RPM Disk Unit	Y	-	B	B	B	B	S	-	M	B	B	-	B	B	B	B	B	V4R4
#4318 17.54 GB 10k RPM Disk Unit	Y	-	B	B	B	B	B	-	M	B	B	-	B	B	B	B	B	V4R4
4319 35.16 GB 10k rpm Disk Unit	Y	-	B	B	B	B	B	-	-	B	B	-	B	B	B	B	B	V5R1
4324 17.54 GB Disk Unit	Y	-	S	S	S	S	S	-	S	S	S	-	S	S	S	S	S	V4R4
4326 35.16 GB 15k rpm Disk Unit	Y	-	-	-	-	-	B	-	-	-	-	-	-	-	-	-	-	V5R2
4327 70.56 GB 15k rpm Disk Unit	Y	-	-	-	-	-	B	-	-	-	-	-	-	-	-	-	-	V5R2
4331 1.6 GB Read Cache Device	Y	-	S	S	S	S	-	-	S	S	S	-	S	S	S	S	S	V4R4
4425 #4425 CD-ROM	Y	-	-	-	B	B	S	-	M	B	-	-	B	B	B	B	B	V4R4
4430 DVD-RAM	Y	-	-	-	B	B	B	-	-	B	-	-	B	B	B	B	B	V4R5
4482 4 GB ¼-inch Cartridge Tape	Y	-	-	-	B	B	B	-	M	B	-	-	B	B	B	B	B	V4R4
4483 16 GB ¼-inch Cartridge Tape	Y	-	-	-	B	B	S	-	M	B	-	-	B	B	B	B	B	V4R4
4486 25 GB ¼-inch Cartridge Tape	Y	-	-	-	B	B	S	-	M	B	-	-	B	B	B	B	B	V4R4
4487 50 GB ¼-inch Cartridge Tape	Y	-	-	-	B	B	B	-	M	B	-	-	B	B	B	B	B	V5R1
4525 CD-ROM	Y	-	B	B	-	-	-	-	-	-	-	-	-	-	-	-	-	V4R5
4530 DVD-RAM	Y	-	B	B	-	-	-	-	-	-	-	-	-	-	-	-	-	V4R5
4582 4 GB ¼-inch Cartridge Tape	Y	-	B	B	-	-	-	-	-	-	-	-	-	-	-	-	-	V4R5
4583 16 GB ¼-inch Cartridge Tape	Y	-	B	B	-	-	-	-	-	-	-	-	-	-	-	-	-	V4R5
4584 30 GB ¼-inch Cartridge Tape	Y	-	B	B	-	-	-	-	-	-	-	-	-	-	-	-	-	V4R5
#4585 80 GB VXA-2 Tape Device	Y	-	B	B	-	-	-	-	-	-	-	-	-	-	-	-	-	V5R1
4586 25 GB ¼-inch Cartridge Tape	Y	-	B	B	-	-	-	-	-	-	-	-	-	-	-	-	-	V4R5
4587 50 GB ¼-inch Cartridge Tape	Y	-	B	B	-	-	-	-	-	-	-	-	-	-	-	-	-	V5R1
4684 30 GB ¼-inch Cartridge Tape	Y	-	-	-	B	B	B	-	M	B	-	-	B	B	B	B	B	V4R5

FC and description	Model or tower														Min. OS/400			
	CIF	250	270	820	830	840	890	503X	5065	5074	5075	5078	5079	8079		8093	9074	9079
#4685 80 GB VXA-2 Tape Device	Y	-	-	-	B	B	B	-	B	B	-	B	-	-	-	-	-	V5R1
4687 50 GB ¼-inch Cartridge Tape	Y	-	-	-	B	B	B	-	-	B	-	-	B	B	-	B	B	V5R1
4723 PCI 10 Mbps Ethernet IOA	Y	-	S	S	S	S	S	-	-	S	S	S	S	S	S	S	S	V4R5
4745 PCI Two-Line WAN IOA	Y	-	B	B	B	B	B	-	-	B	B	B	B	B	B	B	B	V4R5
4746 PCI Twinaxial Workstation IOA	Y	-	B	B	B	B	B	-	-	B	B	B	B	B	B	B	B	V4R5
#4748 PCI RAID Disk Unit Controller	Y	-	S	S	S	S	S	-	-	S	S	-	S	S	S	S	S	V4R5
4750 PCI ISDN BRI U IOA	Y	-	S	S	S	S	-	-	-	S	S	S	S	S	S	S	S	V4R5
#4751 PCI ISDN BRI S/T IOA	Y	-	S	S	S	S	-	-	-	S	S	S	S	S	S	S	S	V4R5
#4761 PCI Integrated Analog Modem	Y	-	S	S	S	S	-	-	-	S	S	S	S	S	S	S	S	V4R5
#4778 PCI RAID Disk Unit Controller	Y	-	B	B	B	B	B	-	-	B	B	-	B	B	B	B	B	V5R1
#4801 PCI Cryptographic Coprocessor	Y	M	B	B	B	B	B	-	-	B	B	B	B	B	B	B	B	V4R5
#4802 PCI Cryptographic Processor (CIF=Y in 5033)	N	-	-	-	-	-	-	S	S	-	-	-	-	-	-	-	-	V4R5
#4805 PCI Cryptographic Accelerator	Y	-	B	B	B	B	B	-	-	B	B	B	B	B	B	B	B	V5R2
#4815 PCI ATM 155 Mbps UTP OC3	Y	-	S	S	S	S	S	-	-	S	S	S	S	S	S	S	S	V4R5
#4816 PCI ATM 155 Mbps MMF	Y	-	S	S	S	S	S	-	-	S	S	S	S	S	S	S	S	V4R5
#4818 PCI ATM 155 Mbps SMF OC3	Y	-	S	S	S	S	S	-	-	S	S	S	S	S	S	S	S	V4R5
#4838 PCI 100/10 Mbps Ethernet IOA	Y	-	B	B	B	B	B	-	-	B	B	B	B	B	B	B	B	V4R5
5029 Software Version V5R2	Y	M	B	B	B	B	B	-	-	-	-	-	-	-	-	-	-	V5R2
#5033 Migration Tower I	N	-	-	M	S	-	-	-	-	-	-	-	-	-	-	-	-	V4R5
#5034 Migration Tower I	N	-	-	M	M	-	-	-	-	-	-	-	-	-	-	-	-	V4R5
#5035 Migration Tower I	N	-	-	M	M	-	-	-	-	-	-	-	-	-	-	-	-	V4R5
#5065 Storage/PCI Expansion Tower	Y	-	-	-	-	-	-	S	-	-	-	-	-	-	-	-	-	V4R4
#5066 1.8 M I/O Tower	Y	-	-	-	-	-	-	S	-	-	-	-	-	-	-	-	-	V4R4
#5074 PCI Expansion Tower	Y	-	-	B	B	B	B	-	-	-	-	-	-	-	-	-	-	V4R5
#5075 PCI Expansion Tower	Y	-	B	B	-	-	-	-	-	-	-	-	-	-	-	-	-	V4R5
#5077 Migration Tower II	N	-	-	-	B	B	-	-	-	-	-	-	-	-	-	-	-	V4R5

FC and description	CIF	Model or tower														Min. OS/400		
		250	270	820	830	840	890	503X	5065	5074	5075	5078	5079	8079	8093		9074	9079
#5078 PCI Expansion Unit	N	-	-	-	-	B	-	-	-	B	-	-	B	B	B	B	B	V5R1
#5079 1.8 M I/O Tower	Y	-	-	B	B	B	B	-	-	-	-	-	-	-	-	-	-	V4R5
#5088 PCI-X Expansion Unit	N	-	-	-	-	B	B	-	-	B	-	-	-	-	-	-	B	V5R2
#5094 PCI-X Expansion Tower	Y	-	B	B	B	B	B	-	-	-	-	-	-	-	-	-	-	V5R2
#5095 PCI-X Expansion Tower	Y	-	B	B	B	B	B	-	-	-	-	-	-	-	-	-	-	V5R2
#5101 30 Disk Unit Expansion	N	-	-	-	B	B	-	-	M	B	-	-	B	B	B	B	B	V4R4
5102 Dual Line Cords - 820 CEC	N	-	-	B	-	-	-	-	-	-	-	-	-	-	-	-	-	V5R1
5103 Dual Line Cords - 830 CEC	N	-	-	-	B	-	-	-	-	-	-	-	-	-	-	-	-	V5R1
5104 Dual Line Cords - 840 CEC	N	-	-	-	-	B	-	-	-	-	-	-	-	-	-	-	-	V5R1
5105 Dual Line Cords - I/O Tower	N	-	-	-	-	-	-	-	-	B	-	-	B	B	B	B	B	V5R1
5106 Dual Line Cords - 5079 Tower	N	-	-	-	-	-	-	-	-	B	-	-	B	B	B	B	B	V5R1
5107 30-Disk Expansion Feature	N	-	-	-	-	-	B	-	-	-	-	-	-	-	-	-	-	V5R2
5111 30-Disk Exp w/Dual Line Cord	N	-	-	-	B	B	B	-	-	B	-	-	B	B	B	B	B	V5R1
5114 Dual Line Cords - Tower	Y	-	-	-	-	-	B	-	-	-	-	-	-	-	-	-	-	V5R2
5117 30-Disk Exp w/Dual Line Cord	N	-	-	-	-	-	B	-	-	-	-	-	-	-	-	-	-	V5R2
5155 Redundant Power and Cooling	Y	-	-	B	-	-	-	-	-	-	-	-	-	-	-	-	-	V4R5
5156 Redundant Power and Cooling	Y	-	-	-	-	-	-	-	-	-	B	-	-	-	-	-	-	V4R5
5157 Feature Power Supply	Y	-	-	B	-	-	-	-	-	-	-	-	-	-	-	-	-	V4R5
5160 Power Dist Unit 1 Phase NEMA	N	-	B	B	B	B	B	-	-	-	-	-	-	-	-	-	-	V5R1
5161 Power Dist Unit 1 Phase IEC	N	-	B	B	B	B	B	-	-	-	-	-	-	-	-	-	-	V5R1
5162 Power Dist Unit 2 of 3 Phase	N	-	B	B	B	B	B	-	-	-	-	-	-	-	-	-	-	V5R1
#5294 1.8m I/O Tower	Y	-	-	B	B	B	B	-	-	-	-	-	-	-	-	-	-	V5R2
5537 Alt IPL spec for 3580	Y	-	B	B	B	B	-	-	-	-	-	-	-	-	-	-	-	V4R5
5538 Alt IPL spec for DVD-RAM	Y	-	B	B	B	B	-	-	-	-	-	-	-	-	-	-	-	V4R5
5546 Sys Console 100 Mbps Token-Rng	Y	-	B	B	B	B	B	-	-	-	-	-	-	-	-	-	-	V5R1
#5548 System Console on 100 Mbps Ethernet	Y	-	B	B	B	B	B	-	-	-	-	-	-	-	-	-	-	V5R1


FC and description	Model or tower														Min. OS/400			
	CIF	250	270	820	830	840	890	503X	5065	5074	5075	5078	5079	8079		8093	9074	9079
5599 No Save/Restore Device	-	-	B	B	B	B	-	-	-	-	-	-	-	-	-	-	-	V4R5
#5700 PCI 1 Gbps Ethernet IOA	Y	-	B	B	B	B	B	-	-	B	B	B	B	B	B	B	B	V5R2
#5701 PCI 1 Gbps Ethernet UTP IOA	Y	-	B	B	B	B	B	-	-	B	B	B	B	B	B	B	B	V5R2
#5702 PCI-X Ultra Tape Controller	Y	-	B	B	B	B	B	-	-	B	B	B	B	B	B	B	B	V5R2
6384 30 GB ¼-inch Cartridge Tape	Y	M	-	-	-	-	-	-	-	-	-	-	-	-	-	-	-	V4R5
6425 CD-ROM (CIF=Y in 5033)	N	-	-	-	-	-	-	S	-	-	-	-	-	-	-	-	-	V4R4
6484 30 GB ¼-inch Cartridge Tape (CIF=Y in 5033)	N	-	-	-	-	-	-	M	-	-	-	-	-	-	-	-	-	V4R5
#6818 17.54 GB 10k RPM Disk Unit (CIF=Y in 5033 and 250)	N	M	-	-	-	-	-	M	-	-	-	-	-	-	-	-	-	V4R4
#6831 1.6 GB Read Cache Device (CIF=Y in 5033 and 250)	N	S	-	-	-	-	-	S	-	-	-	-	-	-	-	-	-	V4R4
#7002 HSL Enabler	Y	-	B	-	-	-	-	-	-	-	-	-	-	-	-	-	-	V4R5
#7104 System Unit Expansion	Y	-	B	-	-	-	-	-	-	-	-	-	-	-	-	-	-	V4R5
#7123 DASD Expansion Unit	Y	-	B	-	-	-	-	-	-	-	-	-	-	-	-	-	-	V4R5
#7127 DASD Expansion Unit	Y	-	-	B	-	-	-	-	-	-	-	-	-	-	-	-	-	V4R5
#7133 DASD Concurrent Maintenance Cage	N	-	B	-	-	-	-	-	-	-	-	-	-	-	-	-	-	V4R5
7500 Quantity 150 of #4314	Y	-	-	S	S	S	S	-	S	S	-	-	S	S	S	S	S	V4R5
7501 Quantity 150 of #4317	Y	-	-	B	B	B	S	-	M	B	-	-	B	B	B	B	B	V4R5
7502 Quantity 150 of #4318	Y	-	-	B	B	B	B	-	M	B	-	-	B	B	B	B	B	V4R5
7503 Quantity 150 of #4324	Y	-	-	S	S	S	S	-	S	S	-	-	S	S	S	S	S	V4R5
7504 Quantity 150 of #4319	Y	-	-	B	B	B	B	-	-	B	-	-	B	B	B	B	B	V5R1
8079 Opt Base 1.8 M I/O Rack	Y	-	-	-	-	P	-	-	-	-	-	-	-	-	-	-	-	V4R5
8093 Opt Base 1.8 M I/O Rack	Y	-	-	-	-	-	P	-	-	-	-	-	-	-	-	-	-	V5R2
9002 Dual Line Cord Enabler	N	-	-	P	-	-	-	-	-	-	-	-	-	-	-	-	-	V5R1
9057 Storage Exp Unit	N	-	-	-	B	B	-	-	-	-	-	-	-	-	-	-	-	V4R5
9074 Base I/O Enclosure	Y	-	-	-	B	-	-	-	-	-	-	-	-	-	-	-	-	V4R5
#9079 Base I/O Tower	Y	-	-	-	-	B	-	-	-	-	-	-	-	-	-	-	-	V4R5

FC and description	Model or tower														Min. OS/400			
	CIF	250	270	820	830	840	890	503X	5065	5074	5075	5078	5079	8079		8093	9074	9079
#9094 Base PCI I/O Enclosure	Y	-	-	-	-	-	P	-	-	-	-	-	-	-	-	-	-	V5R2
9301 Upgraded 30-Disk Expansion	N	-	-	-	-	M	-	-	-	-	-	-	-	-	-	-	-	V4R5
#9330 PCI Integrated Expansion Unit	N	-	-	-	-	-	-	S	-	-	-	-	-	-	-	-	-	V4R4
9691 Base Bus Adapter	Y	-	-	-	-	-	-	-	-	B	-	B	B	B	B	B	B	V4R5
9730 Base HSL-2 Ports - 4 Copper	Y	-	-	-	-	-	P	-	-	-	-	-	-	-	-	-	-	V5R2
9732 Base HSL Ports - 8 Copper	Y	-	-	-	B	-	-	-	-	-	-	-	-	-	-	-	-	V4R5
9733 Base HSL Ports - 8 Copper	Y	-	-	-	B	-	-	-	-	-	-	-	-	-	-	-	-	V4R5
9737 Base HSL Ports - 16 Copper	Y	-	-	-	-	B	-	-	-	-	-	-	-	-	-	-	-	V4R5
9739 Base Optical Bus Adapter	Y	-	-	-	-	-	-	-	-	B	-	B	B	B	B	B	B	V5R1
9748 Base PCI Disk Unit Controller	Y	-	-	-	S	S	-	-	-	-	-	-	-	-	-	-	-	V4R5
9752 Base HSL Ports - 8 Copper	Y	-	-	-	P	-	-	-	-	-	-	-	-	-	-	-	-	V5R1
9755 Base HSL Ports - 16 Copper	Y	-	-	-	-	P	-	-	-	-	-	-	-	-	-	-	-	V5R1
9758 Base HSL Ports - 2 Opt/6 Copper	-	-	-	-	B	-	-	-	-	-	-	-	-	-	-	-	-	V5R1
9759 Base HSL Ports - 4 Opt/12 Copper	-	-	-	-	-	B	-	-	-	-	-	-	-	-	-	-	-	V5R1
9767 Base PCI Disk Unit Controller	Y	-	P	P	-	-	-	-	-	-	S	-	-	-	-	-	-	V4R5
9771 Base PCI 2-Line WAN w/Modem	Y	S	P	P	P	P	P	-	-	-	-	-	-	-	-	-	-	V4R5
9774 Base HSL Ports - 2 Opt/6 Copper	-	-	-	-	B	-	-	-	-	-	-	-	-	-	-	-	-	V5R1
9777 Base HSL Ports - 8 Copper	N	-	-	-	P	-	-	-	-	-	-	-	-	-	-	-	-	V5R1
9778 Base PCI RAID Disk Unit Controller	Y	-	-	-	B	B	-	-	-	-	-	-	-	-	-	-	-	V5R1
9789 Base HSL Ports - 4 Optical	Y	-	-	-	-	-	P	-	-	-	-	-	-	-	-	-	-	V5R2
9793 Base PCI 2-Line WAN w/Modem	Y	-	P	P	P	P	P	-	-	-	-	-	-	-	-	-	-	V5R2
9794 Base PCI 2-Line WAN w/Modem	Y	-	P	P	P	P	P	-	-	-	-	-	-	-	-	-	-	V5R2
9887 Base HSL-2 Bus Adapter	Y	-	-	-	-	-	B	-	-	-	-	-	-	-	-	-	-	V5R2
9943 Base PCI IOP	Y	-	-	-	B	B	B	-	-	B	-	B	B	B	B	B	B	V4R5



**Software**

**Software**



## Operating System/400 (5722-SS1): Architecture

The iSeries operating system, Operating System/400 (OS/400), is architected as a single entity. This means that such facilities as relational database, communication and networking capabilities, online help, Web enablement technologies, easy enterprise management, and much more are fully integrated into the operating system and the machine. The user communicates with all components of OS/400 using a single command language Control Language (CL) or administers and manages the system using a graphical user interface (GUI).

OS/400 provides the industry's foremost application flexibility with support for iSeries, Linux, Windows 2000, Java, and UNIX applications. It combines high availability with superior workload management and logical partitioning. The next generation of applications can be quickly deployed and managed in a single, partitioned server alongside current business applications.

With OS/400, a business can simply and rapidly deploy e-business applications with seamless integration of existing applications and data. With extensions to its robust security and networking options, OS/400 enables business-to-business connectivity through the supply chain and to customers.

This chapter describes the capabilities and enhancements integrated into the iSeries operating system which enable iSeries as servers a network-centric

system. Features of the operating system product itself are described in “Operating System/400 (5722-SS1): Product” on page 457.

In brief, the mainstays of OS/400 are discussed in the following sections.

### **iSeries Navigator**

OS/400 has an extensive graphical interface that provides visualization, wizards, and integration for simplicity of advanced operations from both PCs and pervasive or mobile devices. Operating your server has never been this simple.

**Note:** Prior to Version 5 Release 2 (V5R2) of OS/400, iSeries Navigator was known as Operations Navigator.

### **Management Central-Pervasive**

Management Central-Pervasive offers a leading-edge capability to manage multiple systems via an Internet-capable phone, personal digital assistant (PDA), or Web browser.

### **DB2 Universal Database**

For iSeries servers with OS/400 Version 4 or later, the system price includes OS/400 at no additional charge. The full function robust commercial database, DB2 Universal Database (UDB) for iSeries, is also included at no additional cost. The operating system and the database do not have user-based charges. This provides for an effective return on investment with no surprise fees for additional users.

### **Logical partitioning and server consolidation**

With dynamic and granular logical partitioning, OS/400 makes it easy to manage multiple applications in a single server. Logical partitioning supports multiple OS/400 releases, Linux, and AIX 5L. A server consolidation focus allows multiple copies of OS/400, Linux, and AIX 5L on a single system. This reduces or eliminates Initial Program Load (IPL) requirements when changing logical partition (LPAR) configurations and resources.

The iSeries can now provide a storage area network for directly attached Windows 2000 and Windows 2003 servers.

### **Clustering and high availability**

High availability options include faster, less expensive system-to-system clustering options and the ability to switch applications, data, and resources between multiple iSeries servers. Cross-site mirroring (XSM), new with OS/400

Version 5 Release 3 (V5R3), extends mirrored support for independent auxiliary storage pools (IASPs) to geographically distant servers.

High-speed link (HSL) OptiConnect is much faster and lower cost than System Products Division (SPD) OptiConnect. Switchable disk with switchable IASPs offers a way to switch applications and data to a backup system to keep the data constantly available.

OS/400 V5R3 supports output queues, some operating system objects, and integrated file systems (IFS) in the IASPs.

## **TCP/IP**

e-business runs on Transmission Control Protocol/Internet Protocol (TCP/IP). iSeries TCP/IP is rich in function and is designed for high performance and ease of use. Dynamic Domain Name System and Network Quality of Service are among the features supported.

## **Wireless capabilities**

This built-in feature enables business-to-business (B2B) solutions and connects mobile devices to core business solutions with Extensible Markup Language (XML) enablers built in to OS/400.

## **OS/400 PASE**

OS/400 Portable Application Solutions Environment (PASE) offers improved enablement for porting UNIX applications to the iSeries server. OS/400 PASE now provides 64-bit support for AIX Version 5.2.

## **OS/400 Directory Services**

OS/400 Directory Services supports IBM SecureWay® Directory Version 3.2. It provides distributed functions support for products such as WebSphere, Policy Director, MQSeries, Meta-Directory, and HTTP Server.

## **Internet Printing Protocol**

Internet Printing Protocol (IPP) provides Web-enabled worldwide print support.

## **Linux for iSeries**

Linux enables a stream of e-business applications to complement the strengths of the iSeries as an integrated core business solution. Linux inherits important strengths and reliability features of the iSeries architecture.

OS/400 is enhanced to support Linux running in a secondary logical partition. The primary partition must run OS/400 V5R1 or later. Up to 31 Linux partitions are supported, depending on the iSeries model.

Processor features for iSeries Model 270, 800, 810, 820, and 840 servers using SSTAR technology, Models 825, 870, and 890 using POWER4 technology, and Models 520 and 570 using POWER5 technology, allow Linux to run in a shared processor pool, where one processor can be shared between four OS/400 or IBM i5/OS and Linux partitions. On n-way processor features for iSeries Model 820, 830, and 840 servers with ISTAR technology, Linux requires a minimum of one processor per Linux partition.

### **New with V5R3**

- ▶ Linux partition management is enhanced with iSeries Navigator including:
  - Starting and shutting down a server
  - Creating and deleting a disk
  - Linking and unlinking disk drives to the server
- ▶ Enhanced grid participation via IBM Grid Toolbox V3 for Linux on iSeries (5733-GD1)

Linux on the iSeries can be implemented in two ways:

- ▶ Hosted
- ▶ Non-hosted

In a hosted environment, Linux uses virtual resources (such as disk, tape, CD-ROM, and LAN), which are owned by an OS/400 partition and shared with the OS/400 partition. Linux is started from the hosting OS/400 partition by varying on a network server description (NWSD).

The NWSD is used to control the LPAR functions. LPAR can only be active when the server is active and not in restricted state. When OS/400 is in a restricted state, all NWSDs are automatically varied off.

An OS/400 partition can host multiple LPARs subject to appropriate capacity planning.

In a non-hosted environment, the Linux partition does not depend on a hosting OS/400 partition for any I/O resources. The LPAR has its own disk units or the partition uses networking support to perform a network start.

You can start a non-hosted LPAR can be started even if the primary partition is not fully active. You can start it from the Work with Partitions Status display. The non-hosted LPAR has its own resources defined to it.

**Note:** Linux is not part of OS/400. Therefore, it must have its own partition of the system processor resources segregated from OS/400.

### **Virtual I/O in a Linux partition**

Virtual I/O resources are devices owned by the hosting OS/400 partition that provides I/O function to the LPAR. The iSeries Linux kernel and OS/400 support several different kinds of virtual I/O resources:

- ▶ Virtual console  
Virtual console provides console function for the LPAR through an OS/400 partition. Using virtual console allows the installation program to communicate with the user prior to networking resources being configured.
- ▶ Virtual disk unit  
A virtual disk unit provides access to virtual disks for Linux. The Create Network Server Storage Space (CRTNWSSTG) command creates a storage space to be used by a network server, in this case the Linux partition. The Linux installation program reformats the disk for Linux or you can use Linux commands, such as **fdisk** and **mke2fs**, to format the disk for Linux.
- ▶ Virtual CD  
A virtual CD is needed to support the installation of Linux. By default, a Linux partition can see all CD drives on the host LPAR. You can restrict Linux from accessing some or all of those drives.
- ▶ Virtual tape  
Virtual tape provides access to the OS/400 tape drives from an LPAR. By default, an LPAR can see all tape drives on the host partition. You can restrict Linux from accessing some or all of those drives.
- ▶ Virtual Ethernet  
Virtual Ethernet provides the same function as using a 1 Gbps Ethernet adapter. An LPAR can use virtual Ethernet to establish multiple high speed inter-partition connections. OS/400 and Linux partitions can communicate with each other using TCP/IP over the virtual Ethernet communication ports.

### **Directly attached I/O in a Linux partition**

With directly attached I/O, Linux manages the hardware resources directly. All I/O resources are under the control of the Linux operating system.

Disk units, tape devices, optical devices, and LAN adapters can all be allocated to an LPAR that is running Linux. A NWSD is necessary to install Linux in an partition. After Linux is installed, the partition can be configured to start

independently. For directly attached hardware, all failure and diagnostic messages are displayed within the LPAR.

With direct I/O, devices are owned by Linux. OS/400 does not see the devices and cannot directly use them. Since Linux does not support IOPs, they are not used with direct I/O. Refer to “Linux direct attach features” on page 254 for a list of Linux direct attach features.

The Linux console is a PC connected to the iSeries primary or hosting partition via a TCP/IP LAN. Operations Console with LAN Connectivity (a function of iSeries Access) is required to establish a secure connection to OS/400. A Telnet environment is then used to connect into the Linux environment through the Virtual Ethernet. The console is used for installation and problem determination operations. There is no console adapter in the Linux partition.

To enable Linux to run on iSeries, IBM uses open source kernel version 2.4 for PowerPC. Linux for iSeries is available directly from Linux distributors, as well as product upgrades, support, and maintenance. IBM is currently working with:

- ▶ Red Hat, Inc.
- ▶ SUSE LINUX AG

**Note:** When an iSeries server or processor upgrade is ordered, it is possible to order Red Hat Enterprise Linux AS 3 (5639-RDH) through IBM.

## Linux integration with OS/400

The following products help to integrate Linux and the iSeries:

- ▶ iSeries Open Database Connection (ODBC) driver for Linux

Linux programs written to the ODBC interface can access DB2 UDB for iSeries databases via an ODBC driver for Linux. The ODBC driver is called to carry out database requests. These requests are sent to the iSeries for processing via the database host server over an IP connection.

For further information and to download the product, go to:

<http://www-1.ibm.com/servers/eserver/iseries/linux/odbc/>

- ▶ iSeries Access for Linux

iSeries Access for Linux offers Linux-based access to iSeries servers. It allows you to access the DB2 UDB for iSeries using its ODBC driver and to establish a 5250 session to an iSeries server from a Linux client.

For further information and download, see:

<http://www-1.ibm.com/servers/eserver/iseries/access/linux/>



- ▶ Grid Toolbox V3 for Linux on iSeries (5733-GD1)

Grid Toolbox V3 for Linux on iSeries assists enterprises that deploy, manage, and control grid computing. It also assists developers who create products that assist in managing and deploying grids.

For further information, see:

<http://www.alphaworks.ibm.com/tech/gridtoolbox>

- ▶ DB2 UDB Workgroup Server Edition for Linux (5733-LD1)

DB2 UDB Workgroup Server Edition for Linux is a database designed for the small business or department involving a small number of internal users. It is available only on the 520, 570, 810, 825, 870 and 890 Enterprise Editions (otherwise orderable via Passport Advantage®).

For more information, see:

<http://www-306.ibm.com/software/data/db2/udb/edition-wse.html>

- ▶ WebSphere Application Server Express for Linux (5733-WL1)

WebSphere Application Server Express for Linux is a tightly integrated development tool and application server that provides an easily affordable entry point to e-business for companies creating dynamic Web sites. It is available on the 570, 810, 825, 870, and 890 Enterprise Editions (otherwise orderable via Passport Advantage).

## Suggested reading

For additional information about Linux, see the following Web site:

<http://www.ibm.com/eserver/series/linux>

## XML enablers

IBM has committed the iSeries server to support XML. This support is demonstrated by the suite of XML application enablers delivered with OS/400, providing a core of XML services for applications to build on.

XML is one of the key technologies fueling growth of e-business and mobile e-business solutions. It is becoming the standard way to represent data in a portable, reusable format for use in a number of solutions. These solutions range from business-to-business (B2B) solutions that link together trading partners to pervasive computing applications, which connect mobile devices such as cell phones to core business solutions.

The XML application enablers provided in OS/400 include:

- ▶ XML parsers for use with Java and C++ applications  
XML parsers are a common building block that XML-based solutions use to work with data in XML format.
- ▶ XML parsing interfaces for procedural languages such as RPG, COBOL, and C  
These interfaces open the realm of XML to existing solutions, providing an easy path to extend these solutions with XML support.
- ▶ An XSL processor used to apply XSL stylesheets to transform an XML document into another markup language format  
XSL stylesheets are the standard way to convert data between two XML document types. They are commonly used to convert XML data to HTML for presentation in a Web browser environment.

iSeries system support for XML is delivered through IBM XML Toolkit for iSeries (5733-XT1). See “XML Toolkit for iSeries (5733-XT1)” on page 602 for more information.

## IBM Java for iSeries

Java is a key application development environment for the iSeries server. The Java virtual machine (JVM), which resides below the iSeries Layer, enables fast interpretation and execution of Java code on the iSeries servers. A *class transformer* enables the direct execution of Java on the system without the overhead of interpretation.

Java is a complete computing environment, reaching new standards for program portability and programmer productivity. Java provides an object-oriented programming environment that is dramatically simpler than C++. iSeries Java implementation provides improved scalability compared to other Java platforms and synergy with the iSeries object-based architecture.

Because of its portability, Java is the programming language for e-business on demand. And the iSeries system support for Java is the best of breed.

### Components

Java support on the iSeries is delivered in the following components:

- ▶ IBM Developer Kit for Java (5722-JV1)
- ▶ IBM Toolbox for Java (5722-JC1)

Both are included with every OS/400 order of V5R2 and V5R3. See “IBM Toolbox for Java (5722-JC1)” on page 575 and “IBM Developer Kit for Java (5722-JV1)” on page 581 for product information.

## **Solutions and benefits**

A Java-compatible JVM is integrated under the iSeries machine interface (MI) to optimize Java software performance. Java programs are compiled into platform-independent object code interpreted by the run-time support (JVM) on each platform.

Remote method invocation (RMI) is built into the iSeries Java software. IBM Toolbox for Java can run on any platform to access iSeries data. Data in XML format is a key requirement for developing mobile, heterogeneous e-business solutions.

## **Features**

Java support includes these primary functions and capabilities:

- ▶ An Object-Oriented Programming Language, developed at Sun Microsystems
- ▶ A JVM that is integrated in the OS/400 operating system
- ▶ A Java “static compilation” option, designed for improved performance, that compiles Java into iSeries-dependent object code

Java's primary benefit is its ability to develop portable applications using the Internet and intranets, whose “objects” can run on many different platforms in the same network.

- ▶ A Java Secure Sockets Layer (SSL) package that is included with OS/400 to leverage the integrated SSL function built into the iSeries server

You can easily build more secure distributed applications using Java. All data exchanged between the tiers on the multiple platforms can be encrypted using the SSL protocol.

- ▶ SQL embedded in the Java programming language at V5R1 and later  
Supported SQL statements include SQL data-manipulation statements to operate on data stored in tables in relational databases.

## **New processor resource functions with i5/OS V5R3**

- ▶ Dedicated processors

Partitions use processing resources. These processing resources cannot be used by any other partition while the partition is active. However, with V5R3

on the Model 520 and 570, when the partition is shut down, its processors become available by any partition using the uncapped sharing mode.

▶ Shared and capped processors

Processors using the capped shared mode are assigned from the shared processor pool. A partition using processors in this mode is guaranteed the use of the total processor capacity assigned to it if the workload requires it. This is similar to how shared processors are currently implemented.

▶ Shared uncapped processors

Processors using the uncapped sharing mode are also assigned from the shared pool. The partition is guaranteed the use of the total processor capacity assigned to it if it needs it (such as shared capped). However, if the workload requires it, the shared uncapped partition can acquire additional processing capacity. This additional processor capacity can be taken from the shared processor pool from which that partition is using resources.

A processor using uncapped mode can always use its assigned capacity. Partitions using uncapped processors can *weigh* the importance of a partition to give importance to one uncapped partition over another.

You can find more information about, and a demonstration for, uncapped processors in the Capacity on Demand section in the iSeries Information Center at:

[http://publib.boulder.ibm.com/infocenter/eserver/v1r2s/en\\_US/index.htm?info/iphathatsharedproc.htm](http://publib.boulder.ibm.com/infocenter/eserver/v1r2s/en_US/index.htm?info/iphathatsharedproc.htm)

▶ Memory

Memory used by the POWER5 technology-based processors is moved in blocks known as a *logical memory block* (LMB). Also known as a memory region, a LMB is the smallest memory unit managed by the POWER5 processors. The LMB size on Models 520 and 570 is 16 MB. The LMB size on Models 800, 810, 825, 870, and 890 is 1 MB. Dynamic memory movement between logical partitions is on LMB boundaries (1 MB or 16 MB depending on the model).

## OS/400 base functions

OS/400 is a 64-bit operating system that runs on all models of the iSeries server. OS/400 with its base function provides ease of implementation, management, and operation in one totally integrated object-oriented operating system. The integrated features are:

- ▶ Advanced GUI support to provide for:
  - Easy setup and management of the system, including the TCP/IP function
  - Database functions

- User and printer job administration
- System management
- Software distribution
- Performance monitoring
- Centralized management of multiple systems
- Plug-in support for Domino, Backup Recovery and Media Services (BRMS), and others
- ▶ Network computing
- ▶ IFS with industry standards
- ▶ Multiple operating environments and LPARs
  - Different versions and releases of OS/400
  - Linux
  - AIX 5L
  - OS/400 PASE
  - Resource sharing
- ▶ Clustering and shared resources
- ▶ High system availability
- ▶ Client/server connectivity
- ▶ DB2 UDB for iSeries
- ▶ Transaction processing
- ▶ Batch processing
- ▶ Extensive run-time applications
- ▶ Openness standards
- ▶ PM eServer iSeries
- ▶ Electronic Customer Support
- ▶ Comprehensive security for system resources
- ▶ Interfaces to system functions
- ▶ Connectivity to remote devices, systems, and networks
- ▶ Office services
- ▶ National language versions and multilingual support

Each function of OS/400 follows a consistent design philosophy. This consistency is one of the cornerstones of iSeries ease of use. Ease-of-use translates into higher productivity for its users and easier systems management.

The cornerstone functions are highlighted next.

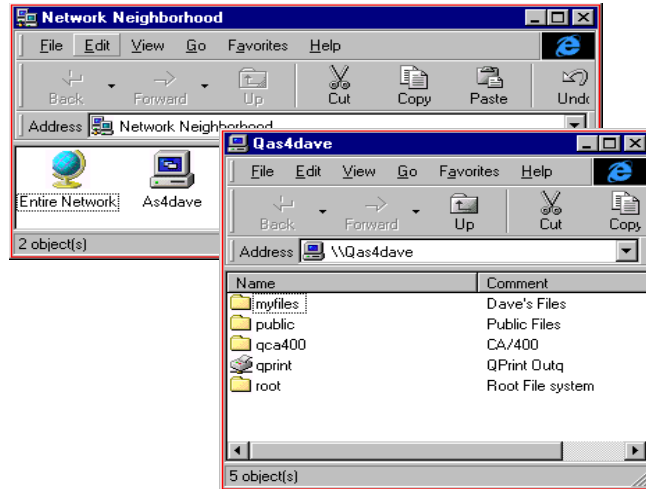
## **OS/400 integrated functions**

The following sections explain the functions that are integrated into the OS/400 operating system.

## NetServer: File and print serving

iSeries NetServer is an operating system function that is used to satisfy file and print serving needs for end users. NetServer unites the IFS and iSeries output queues into the Microsoft Network Neighborhood. User benefits include better control of user visibility to resources, for example. The only directories or printers that can be seen by end users are those set up as “shared” by an administrator or resource owner.

Desktop users can fully satisfy their file and print serving needs through the iSeries NetServer function. Therefore, the file and print serving functions facilitated with other iSeries Client Access clients are removed from the Express client. To use the iSeries NetServer, only the client for Microsoft Networks (shipped with Microsoft 32-bit operating



systems) is required. Current supported clients are Windows NT, Windows 2000, Windows XP and Windows Server 2003, and a Linux/Samba client.

iSeries NetServer file and printer “shares” are easy to create, locate, and manage by using the iSeries Navigator printer list and IFS list. The current file shares can be listed separately to make it easy to explore the contents of a file share or map a drive to it. File shares support CCSID-to-CCSID conversion.

### Features

- ▶ iSeries NetServer can operate as the *Logon Server* for Windows clients. OS/400 can authenticate logging onto Windows, provide the home directory, and log on scripts to the Windows user. In addition, you can store and retrieve Windows user profiles, including Desktop, Start Menu, Favorites, and policies, from an iSeries server. A separate networked Windows 2000 or Windows 2003 server is no longer needed.
- ▶ The iSeries Navigator provides an enhanced management of users, including managing disabled user profiles with menus. Application programming interfaces (APIs) are also available.
- ▶ A Windows-compatible 128-character password and NTLMV2 password hash are now supported.

- ▶ User IDs longer than 10 characters are truncated (to 10 characters) instead of being rejected when checking for an iSeries user ID.
- ▶ An iSeries NetServer Setup wizard within iSeries Navigator helps you set up your iSeries NetServer. This wizard can also help to configure logon support.
- ▶ You can access files larger than 2 GB in the IFS.
- ▶ Using iSeries Navigator and APIs, a new session identifier allows better management and tracking of iSeries NetServer sessions. This is extremely important in a Windows Terminal Serving environment where many users have sessions through a single Windows system. You can end sessions or observe properties on single sessions rather than all the sessions coming from a single system.
- ▶ Windows NT Background services can access the iSeries NetServer without user intervention.
- ▶ Printer Shares can be published in Directory Services (Lightweight Directory Access Protocol (LDAP)) for use by Windows 2000 systems using *Active Directory* to find printers.
- ▶ iSeries support for the Windows Network Neighborhood program complies with the Common Internet File System (CIFS) standard currently proposed by Microsoft.

For additional information, refer to:

<http://www.ibm.com/servers/eserver/iseries/netserver>

## **Network printing support**

Distributed print support provides a connection to local area network (LAN)-attached ASCII printers and support for Advanced Function printers. The iSeries server provides a seamless path for customers to direct printed output through an iSeries network and to other print servers. You can use Systems Network Architecture (SNA) or TCP/IP protocols (line printer requester/line printer daemon (LPR/LPD)) to transport the spooled file and its attributes to the remote system.

This integrated OS/400 function supports the printing of text, images, graphics, barcodes, electronic forms, multiple fonts, logos, signatures, and more. These formats provide the basis for business solutions such as business reports, preprinted forms, customer statements and invoices, and letters. Double byte character set (DBCS) documents that enable printing of Chinese, Korean, Japanese, or Thai characters are also supported.

OS/400 supports IBM and non-IBM printers, which vary in price, function, speed, and use.

## **Host print transform**

Most printers are designed to work with a specific data stream. OS/400 includes a function to automatically transform the program-generated data stream to that required by the printer to which it is sent. It is not necessary for the application to generate the correct data stream. The system automatically transforms it as necessary at print time.

Customization objects are provided for over 125 popular IBM and non-IBM ASCII printers, such as Hewlett Packard PCL, Lexmark PPDS, and HP LaserJet TIFF Packbit. An API brings the capabilities of Host Print Transform to the iSeries application developer.

## **Printer load balancing**

Local and remote output queues permit more than one active writer, allowing spooled output on one output queue to be printed on multiple printers. In addition, you can place a limit on the size of spooled files printed during a specified time period. With these features, large print jobs can be deferred to print during non-peak hours.

# **Communication and networking**

## **Connectivity to remote devices, systems, and networks**

OS/400 offers many integrated capabilities and functions that enable communications with a variety of IBM and non-IBM systems, either in batch or interactive modes. This integrated connectivity function provides customer solutions by enhancing the integration of business systems. Worldwide standard TCP/IP or the traditional SNA hierarchy, as well as SNA peer networks and Systems Application Architecture® (SAA®) standards, are supported and offer the greatest flexibility possible in network design.

For a list of supported networks, communication facilities, and protocols, see Appendix A, “Referenced lists” on page 733.

Other communication facilities are available as licensed programs, such as IBM Communications Utilities for iSeries (5722-CM1). See Chapter 28, “IBM licensed programs: Networking products” on page 605, for further information.

TCP/IP Utilities (5722-TC1) is included with OS/400 (although not part of OS/400) from V3R1 onward and automatically ships with each order of OS/400. TCP/IP Utilities include applications such as Telnet, File Transfer Protocol (FTP), support for Domain Name system, and many others. For more information about TCP, see “IBM TCP/IP Connectivity Utilities for iSeries (5722-TC1)” on page 464.



## Network management facilities

Several communications and systems management functions are available to manage iSeries servers. Some are integrated into OS/400, and some are separately-priced features. These functions help manage and control local systems and distributed systems that operate within a network controlled by a host system or by another iSeries server.

Network management functions available for the iSeries server include:

- ▶ Systems management in TCP/IP networks
- ▶ Alerts support to NetView®, System/36, System/38, iSeries
- ▶ Distributed System Node Executive (DSNX)

## Security

The many levels of security available with OS/400 ease the job of system security management. The five levels of security range from minimal to an enhanced level that enables the iSeries servers to operate at the C2 level of trust as defined by the United States Government. Security foundation offered with OS/400 includes system integrity with digital signature and object signing, a Digital Certificate Manager, and password protection.

The base level of security is set simply by using a system value, as shown in the following table.

Security level	Description	Use of this level	Considerations
10	Minimal security	No passwords are used.	Any user can perform any function.
20	Password security	Passwords are used to provide access to the system.	Any user can perform any function once they are signed on.
30	Resource security	Passwords are required and object usage can be controlled.	Users can be restricted to specific functions.
40	Resource security and operating system integrity	Passwords are required and object usage can be controlled. Users can be restricted to specific functions.	Using unsupported interfaces is restricted.
50	Enhanced resource security and operating system integrity	Passwords are required and object usage can be controlled. Users can be restricted to specific functions. Using unsupported interfaces is restricted.	Parameter validation into the operating system and restrictions on use of user domain objects. A security journal is provided that logs all security violations.
* Enables iSeries servers to operate at the C2 level of trust as defined by the U.S. Government. Refer to publication DOD 5200.28-STD, "Department of Defense Trusted Computer System Evaluation Criteria" (Orange Book), for details about the U.S. Government definition of C2 trust level.			

OS/400 is distributed with the security level set to 40.

See *Tips and Tools for Securing Your iSeries*, SC41-5300, for information about iSeries security implementation.

## Network Security

OS/400 includes many ways to secure network connections and transactions between other servers and clients. The strategic methods include:

### ► Secure Sockets Layer

SSL has become the industry standard for enabling applications for secure communication sessions over an unprotected network such as the Internet. SSL involves two protocols:

- *Record protocol*: This protocol controls the flow of the data between the two endpoints of an SSL session.
- *Handshake protocol*: This protocol authenticates one or both endpoints of the SSL session and establishes a unique symmetric key, which is used to generate keys to encrypt and decrypt data for that SSL session.

### ► Digital Certificate Management

A digital certificate is an electronic credential to establish proof of identity in an electronic transaction. Digital certificates are increasingly used to provide enhanced network security measures. They are essential to configure and use the SSL to secure connections between users and server applications across an untrusted network, such as the Internet, by protecting such key data as user names and passwords. Many iSeries services and applications (including FTP, Telnet, and HTTP Server for iSeries) provide SSL support to ensure data privacy.

OS/400 provides extensive digital certificate support to use digital certificates as credentials with SSL or for client authentication in both SSL and virtual private network (VPN) transactions. Digital certificates can also sign objects, making it possible to detect changes or possible tampering to object contents.

The Digital Certificate Manager (DCM) allows the creation and management of certificates on the iSeries and those obtained from another Certificate Authority (CA).

### ► Enterprise Identity Mapping (EIM)

EIM for iSeries is the OS/400 implementation of an IBM infrastructure intended to solve the problem of managing multiple user registries across an enterprise. The need for multiple user registries evolves into a large administrative problem that affects users, administrators, and application developers. EIM enables inexpensive solutions for easier management of multiple user registries and user identities in your enterprise.

EIM allows the creation of a system of identity mappings called associations, between the various user identities in various user registries for a person in your enterprise. It also provides a common set of APIs. They can be used to develop applications that use these identity mappings to look up the relationships between user identities across platforms.

In conjunction with network authentication service, the OS/400 implementation of Kerberos, EIM provides an SSO environment that is managed and configured through iSeries Navigator.

- ▶ Network Authentication Service

Network Authentication Service allows the iSeries server and several iSeries services, such as iSeries Access for Windows, to use a Kerberos ticket as an optional replacement for a user name and password for authentication. The Kerberos protocol, developed by Massachusetts Institute of Technology (MIT), allows a principal (a user or service) to prove its identity to another service within an unsecure network. Authentication of principals is completed through a centralized server called a Kerberos server or key distribution center (KDC).

- ▶ Virtual private networking

VPN allows a company to extend its private intranet securely over the existing framework of a public network, such as the Internet. It controls network traffic while providing important security features such as authentication and data privacy.

OS/400 VPN is an optionally-installable component of iSeries Navigator. It allows the creation of a secure end-to-end path between any combination of host and gateway. OS/400 VPN uses authentication methods, encryption algorithms, and other precautions to ensure that data sent between the two endpoints of its connection remains secure.

- ▶ IP filtering and Network Address Translation (NAT)

IP filtering and NAT act as a firewall to protect internal network from intruders. With IP filtering, IP traffic is controlled by filtering packets according to rules that are user-defined. NAT allows the hiding of unregistered private IP addresses behind a set of registered IP addresses. This serves to protect internal networks from outside networks. NAT also alleviates the IP address depletion problem, since many private addresses can be represented by a small set of registered addresses.

## DB2 Universal Database for iSeries

DB2 UDB for iSeries offers state-of-the-art database functions and open systems, standards-based technology, while providing the maturity, stability, and ease of use that is the trademark of the iSeries server. It is not a separate product. DB2 UDB for iSeries is fully integrated into OS/400 software.



DB2 UDB for iSeries can be used for both transaction processing and *complex* decision support applications. Advanced parallel processing and advanced query optimization techniques support queries of large decision support databases for applications such as business-to-business, business-intelligence, customer relationship management (CRM), and other e-business applications.

In an on demand world, standards and globalization are important for integration and openness. Application portability through standards and the flexibility to access the database via numerous client interfaces from Linux partitions and Windows systems allows the application provider and the customer the most flexibility possible.

DB2 UDB for iSeries embodies that flexibility through the support of its traditional database interface along with enhancing the Structured Query Language (SQL)-based database required by today's enterprise application systems. Enhancements to the RPQ SQL pre-compiler help customers and independent software vendors (ISVs) to more easily make use of both interfaces.

### Features

- ▶ Object-relational technology

Object-relational technology with Large Object (LOB) and Data Link Support enables you to store and manage non-traditional data elements as a normal part of the database. DB2 UDB for iSeries can store and manipulate LOB data fields. An iSeries record with LOB fields can hold up to 2 GB of data.

This improves the ability of DB2 UDB for iSeries to support applications that hold data such as very large text, image, and audio.

- ▶ DATALINK data type

For the DATALINK data type, actual data stored in the column is only a pointer to the object such as an image file, a voice recording, or a text file. You can store a Uniform Resource Locator (URL) to resolve to the object.

- ▶ **DB2 UDB Extenders for iSeries**

DB2 UDB Extenders provide enablers to link and exchange data in XML and Text Extender documents with DB2 UDB. They also provide sophisticated text search capabilities.

DB2 XML Extender allows you to convert your existing relational data into an XML document and vice-versa. DB2 Text Extender enables high-speed rich text and multimedia search and manipulation capabilities such as fuzzy searches and synonym searches.
- ▶ **Advanced query optimization technologies**

Query optimization, including the IBM patented encoded vector indexing technology, enhances the performance of query and SQL processes.
- ▶ **DB2 UDB family compatibility**

There is compatibility across the DB2 UDB family with such cross-family utilities as Data Propagator, DB2 OLAP, QMF™, and more.
- ▶ **Database SQL portability**

DB2 UDB for iSeries adds Java to the list of languages in which stored procedures can be written. Additional languages supported are C, C++, Cobol, Rexx, Fortran, and PL1.
- ▶ **National language support (NLS)**

Data in multiple national languages can reside in the same table. You can access it across distributed database platforms.

NLS allows customers to interact with DB2 UDB for iSeries and store data in their preferred language, character set, and sort sequence. You can also store double-byte graphic characters and compare data in different character sets.
- ▶ **User-defined types**

User-defined types are derived from existing predefined types such as integer and character. You can create your own data types for strong typing and for creating functions for different types. You can call a function for each row of a result set and return a value based on the user-defined data type.
- ▶ **User-defined functions (UDF)**

SQL lets you define your own functions to use within SQL itself. This saves you time by reusing common building blocks that you develop yourself. UDFs are necessary building blocks to support the database extenders.
- ▶ **Declarative referential integrity**

Declarative referential integrity provides SQL database integrity support intrinsic to the database, eliminating the need to code integrity constraints into

each application program. This support ensures database consistency by preventing conflicting data from being entered into the database.

▶ Column-level security

You can control access to individual table columns for each user. Row-level locking individual records (such as, records) are locked from simultaneous, conflicting access as appropriate to the type of processing being done. Using commitment control, the user can define a group of records all of whose locks are held until the user application declares a multiple-change transaction complete.

▶ Two-phase commit transaction management

▶ Data replication

▶ Open Database Connectivity (ODBC) driver for DB2 UDB for iSeries enhanced with ODBC 3.5 support and support for Microsoft Transaction Server (MTS)

MTS support enables DB2 UDB for iSeries to participate in transactions involving two-phase commit coordinated through MTS. ODBC 3.5 support also delivers support for Unicode.

▶ System-wide database catalog

▶ Multiple-level concurrency control

Multiple-level concurrency control provides read stability, cursor stability, uncommitted read, repeatable read, and no-commit isolation levels with row-level locking to support large numbers of users in complex application scenarios.

▶ Server consolidation

Multiple DB2 UDB database images within a single instance of the operating system allows for application flexibility and server consolidation. It provides the ability for a single application to access multiple database instances with common database names.

▶ SQL enhancements

- A major SQL enhancement is *Identity columns*. You can use them to generate artificial or surrogate key values by telling DB2 to auto-increment the column value as new rows are inserted into the table.
- Support for unions in a view allows the user to shift some programming effort into DB2. Instead of forcing the user to remember to combine (union) all of the required tables, you can create a single SQL view to simplify this process.
- The SQL procedural language used in the creation of SQL user-defined table functions (UDTF), UDFs, triggers and stored procedures is also

enhanced in V5R2 to improve DB2 UDB compatibility. Most significant is support for nested compound statements. They enable the user to bundle related statements together into their own execution block within an SQL procedure, trigger, or function.

- Removal of the *Order By* restriction that required any column used to order/sort query results to be included in the results. Statement 3 is supported with V5R2.
  - SQL procedures, functions, and triggers no longer require licensed program product 5722-ST1 to be installed on the iSeries. Interactive SQL and embedded SQL require 5722-ST1 to function on the iSeries server.
- ▶ SQL Repeatable Read  
A standard compliant isolation level, Repeatable Read support, is included in MQSeries for iSeries, a separately-licensed program, 5722-MQ1.
  - ▶ Journaling and SQL DDL operation journaling (V5R1)

### **Open standards-based interoperability**

Support for client/server environments is greatly enhanced in DB2 UDB for iSeries by incorporating popular database standards and transmission protocols, such as support for:

- ▶ ANSI X3.135.1999, ISO 9075-1999, and FIPS 127-2 SQL
- ▶ The Open Group's Distributed Relational Database Architecture™ (DRDA®) Distributed Unit of Work - Application Directed
- ▶ Microsoft's ODBC
- ▶ Apple's Data Access Language (DAL)
- ▶ XML
- ▶ JDBC
- ▶ Object Link Embedded (OLE) DB and ADO
- ▶ U.S. Government C2 security
- ▶ UCS-2 (Unicode or ISO 10646)
- ▶ Euro character support
- ▶ Stored procedures
- ▶ Triggers
- ▶ Join operators
- ▶ Enhanced SQL query support

X/Open's Call Level Interface (CLI) supported transmission protocols for the iSeries include:

- ▶ TCP/IP
- ▶ Advanced Program-to-Program Communication (APPC)
- ▶ Advanced Peer-to-Peer Networking® (APPN)
- ▶ X/Open Call Level Interface to SQL

The integrated database is a full-function database with features competitive to other widely used databases, reducing the need for a dedicated Database Administrator. The fact that the database is integrated allows the operating system to control some of its management functions and makes it easier to maintain than a competitive database. With security built-into OS/400, DB2 UDB allows a better security model than other database where additional tools are purchased to provide the security functions.

The SQL Client Integration API allows providers of gateways and client/server solutions to integrate their products with DB2 UDB for iSeries. Many iSeries customers need applications that both access DB2 UDB for iSeries data, and access data on other databases platforms such as Oracle or Sybase.

### **Distributed database support**

OS/400 supports distributed relational databases using SQL. Distributed database support allows read and write access from an iSeries server to another iSeries server or to any other database supporting the Open Group DRDA architecture, including DB2 UDB for OS/390® and z/OS®, DB2 UDB for Windows, and DB2 UDB for AIX.

DB2 Relational Connect, a feature of DB2 UDB for Windows and UNIX servers, allows access to additional databases such as Oracle, Microsoft SQL Server, and others. An iSeries server can connect to a system running DB2 Relational Connect to access data in the databases accessible by DB2 Relational Connect.

The CPI for database is SQL. The customer's investment in data is protected by distributed support with data connectivity across platforms. Interactive access to distributed database is possible using the prompted facilities of interactive SQL (ISQL). This is available in DB2 Query Manager and SQL Development Kit for iSeries (5722-ST1), which is a separately licensed program.

### **High performance database server (centralized and distributed server)**

The high performance iSeries server and improvements in communication performance combine to strengthen the position of the iSeries server as a high performance database server. In addition, DB2 UDB for iSeries offers enhanced



performance for both centralized and distributed client/server database access, making the iSeries the database server of choice for many computing needs.

The following DB2 UDB for iSeries functions are available to enhance application performance:

▶ **Advanced SQL optimizer**

This optimizer converts SQL requests into optimally efficient database access methods, using proven mathematical rules and to query specific cost estimates. Optimal performance is maintained over time by the automatic rebind feature, which redetermines access methods based on changes to the database objects and statistics. The optimizer detects changes in the number of processors on each query. When processors are moved to an LPAR or when Capacity Upgrade on Demand adds additional processors, the query plan is automatically re-optimized if necessary.

▶ **SQL encoded vector indexes (EVIs)**

An EVI can be created through SQL and improve query performance, especially for long-running queries that run against large files using many selection criteria. An EVI has several advantages over a traditional index with the same keys, for example:

- Precise statistics about the distribution of key values are automatically maintained and can be accessed quicker by the query optimizer than traditional indexes.
- EVIs can be built much faster and take significantly less storage than traditional indexes. Less storage means less main storage is necessary to run the query.
- The query optimizer can scan EVIs and dynamically build bitmaps quicker than from traditional indexes.

▶ **Explain function**

The Explain function examines and reports the access method used by individual SQL queries. The output can be examined to determine whether the access method generated for the query can be improved by query or database changes.

▶ **Block INSERT and FETCH**

Block Insert and Fetch provides applications with the ability to store and retrieve arrays of data directly, instead of one row at a time.

▶ **Automatic record blocking**

An automatic recording blocking function improves client/server performance by returning rows to the client in blocks rather than individually. Subsequent

record access of the current block can then be performed locally at the client without accessing the server. This ability is provided for all isolation levels.

- ▶ Parallel data access

Queries returning or requiring DB2 UDB for iSeries to process large amounts of data require significant input/output (I/O) activity. Due to the iSeries' single-level store architecture, this data is often spread across many physical devices. The parallel data access feature allows multiple internal DB2 UDB for iSeries tasks to be activated for each physical device, allowing DB2 UDB for iSeries to transfer data from disk to memory faster than with the previous single task I/O architecture.

- ▶ Query Governor

Long-running queries can have negative performance effects for other users of a database, so that a single query can consume an unusually large amount of resources, which negatively affects the performance of other users.

The governor facility allows a time limit to be set for a query. Before the query is started, its run time is estimated. If the estimate exceeds the specified time limit, the query is not started. This is advantageous over similar functions on other databases that let the query run for a portion of time and then stop it since no unnecessary processing of the query occurs.

- ▶ Query tuning

DB2 UDB for iSeries provides both iSeries Navigator graphical and programmatic CL command interfaces to help tune SQL queries. Users can dynamically control how DB2 UDB for iSeries is to optimize queries by changing a set of query attributes (such as the parallel degree characteristic). Both summary and detailed database performance monitors can be used to track and analyze SQL statement performance. A Visual Explain capability can be used to graphically show how a specific query has been optimized and can suggest indexes that may help performance.

- ▶ Scalability

DB2 UDB for iSeries supports very large database environments. A single table can be up to one TB and 4.2 billion rows. Distributed tables can be up to 32 TB.

DB2 Symmetric Multiprocessing (SMP) for iSeries and DB2 Multisystem support enable both horizontal and vertical growth.

## **Ease of use and management**

The iSeries' reputation for usability and maintainability is unsurpassed in the industry. This is due in part to the tight integration of OS/400 and DB2 UDB for iSeries. Users do not have to learn separate operating system and database functions, nor are they burdened with maintaining the complex interfaces

between multiple layers of software. In addition to seamless integration, a rich set of utilities continue to be provided for easy management of DB2 UDB for iSeries databases.

Some of these utilities include:

- ▶ iSeries Navigator database (Database Navigator)

The iSeries Navigator database is a graphical interface that you can use to perform many common administrative database options. From iSeries Navigator you can create, change, delete, move, and copy database objects. You can enter data into tables, view table contents, run SQL scripts, graphically display the relationships of your database objects, graphically display your query optimization with Visual Explain, monitor database performance, and perform other database management tasks.

The iSeries Navigator is enhanced with a Database Navigator interface that displays the relationship among relational objects such as tables, views, and indexes. Another enhancement to the iSeries Navigator interface is the ability to generate the SQL statements used to create a database object regardless of whether it was created with SQL.

- ▶ Online backup and restore

Online database maintenance can be performed, including the ability to backup and restore, while users are accessing and changing the database. This provides for around-the-clock operation.

- ▶ Object-level recovery

Recovery can be at an object level. This allows you to restore a single file when necessary. It is not necessary to restore the entire database to “fix” a single file.

- ▶ Roll forward and backward recovery

The ability to roll forward and backward to recover records allows database changes made after the last backup to be reapplied after a restore, or for recent changes to be backed out if the database needs to be returned to a specific state. This can be done for a specific user, time, or job.

- ▶ Audit trail

An audit trail maintains a record of database changes such as the user, program, and job making the change.

- ▶ Performance tuning and trace

The performance tuning and trace function analyzes processor and disk workloads for improved performance. The integrated nature of the database allows the entire system to be tuned, not just the database.

### ***New with V5R3***

- ▶ Enhancements that promote globalization and portability through adherence to standards:
  - UTF-8 and UTF-16 support within the database
  - SEQUENCE Object support enabled DB2 to handle key value (for example, order ID) generation on behalf of your application
  - EXCEPT/INTERSECT SQL set operators
  - New BINARY/VARBINARY data type support
  - More robust error handling with GET DIAGNOSTICS SQL statement
  - Encryption capabilities enhanced with DB2 Family Column Encryption functions
  - NATIVE Microsoft .NET provider
  - CLI column-wise binding
  - Availability of Materialized Query Tables (MQTs) as a technology preview with the ability to create and refresh MTQs
  - Additional SQL enhancements that satisfy ISO and ANSI standards
- ▶ Performance improvements to DB2 UDB for iSeries including:
  - Parallel Concurrent table reorganize
  - SQL Query Engine enhancements that have performance improvements on a variety of customer queries
  - Star Join enhancements
  - Faster SQL deletes
  - Faster stored procedure call processing
  - On demand statistics generation
- ▶ Improved server consolidation and enterprise growth by increasing limits on the system and providing additional Migration Toolkits for moving data and queries from other databases; example of limits that increased are:
  - 1.7 TB tables
  - Partitioned table support
  - Larger decimal precision
  - 256 tables (members) in a view

Refer to “Summary of today’s iSeries” on page 67 to see a source of documentation identifying these and other software limits for OS/400.

# Integrated file system

A file system provides the support to access specific segments of storage that are organized as logical units. These logical units on the iSeries server are files, directories, libraries, and objects.

Each file system has a set of logical structures and rules for interacting with information in storage. These structures and rules can be different from one file system to another. In fact, from the perspective of structures and rules, the OS/400 support for accessing database files and various other object types through libraries can be thought of as a file system. Similarly, the OS/400 support for accessing documents (which are really stream files) through the folders structure can be thought of as a separate file system.

The IFS is a part of OS/400 that lets you support stream input, output, and storage management similar to personal computer and UNIX operating systems. The IFS treats the library and folders support as separate file systems. Other types of file management support that have differing capabilities are also treated as separate file systems.

Supported file systems within the IFS are:

- ▶ **Network File System (NFS):** This file system provides the user with access to data and objects that are stored on a remote NFS server. An NFS server can export an NFS that NFS clients then mount dynamically.
- ▶ **QDLS:** The document library services file system. This file system provides access to documents and folders.
- ▶ **QFileSvr.400:** The QFileSvr.400 file system provides access to other file systems that reside on remote iSeries servers.
- ▶ **QNetWare:** The QNetWare file system provides access to local or remote data and objects that are stored on a server that runs stand-alone PC servers running Novell NetWare. A user can dynamically mount NetWare file systems over existing local file systems.
- ▶ **QNTC:** QNTC is the Windows NT Server file system. This file system provides access to data and objects that are stored on a server running Windows NT 4.0 or later. It allows iSeries applications to use the same data as Windows NT clients. This includes access to the data on a Windows NT Server that is running on an Integrated PC Server (IPCS).

The QNTC file system lets you share data with servers that can communicate using the Windows NT LM 0.12 dialect.

The QNTC file system can communicate with Windows NT servers. This includes a stand-alone server and any Windows NT Application Processors

(NTAP) servers running in the domain. See *IBM AS/400 Integration for Windows Server - Setup*, SC41-5439, for details.

**Note:** The QNTC file system lets you share data with servers that can communicate using the Windows NT LM 0.12 dialect. The SMB server (iSeries support for Windows Network Neighborhood) does not use the Windows NT LM 0.12 dialect.

- ▶ **QOpenSys:** QOpenSys is the open systems file system. QOpenSys is compatible with UNIX-based open system standards, such as Portable Operating System Interface (POSIX) and XPG. Like the root file system, QOpenSys takes advantage of the stream file and directory support that is provided by the IFS. It also supports case-sensitive object names.
- ▶ **QOPT:** QOPT is the optical file system. QOPT provides access to stream data that is stored on optical media.
- ▶ **QSYS.LIB:** QSYS.LIB is the library file system. QSYS.LIB supports the iSeries library structure and provides access to database files and all of the iSeries object types that the library support manages.
- ▶ **root (/):** “root” is the / file system. The root file system takes full advantage of the stream file support and hierarchical directory structure of the IFS. The root file system has the characteristics of a Disk Operating System (DOS) and OS/2 file systems.
- ▶ **UDFS:** User-defined file system (UDFS). The UDFS file system resides on an auxiliary storage pool (ASP). The user creates and manages the UDFS file system. Independent ASPs in V5R1 use the UDFS structure.

You can interact with any of the file systems through a common interface that includes commands, menus, displays, and APIs. The interface is optimized for the I/O of stream data, in contrast to the record I/O provided through the data management interfaces.

## Features

- ▶ Is a hierarchical directory structure.
- ▶ Provides support for storing information in stream files that can contain long continuous strings of data.
- ▶ Is a common interface that allows users and applications to access not only the stream files, but also database files, documents, and other objects that are stored in the iSeries server.

- ▶ Provides a common view of stream files that are stored locally on the iSeries server, an Integrated Netfinity Server for iSeries, or a remote Windows NT server.
- ▶ User applications can store and manipulate stream file sizes up to 256 GB in the root (/), QOpenSys, and user-defined file systems.
- ▶ A set of 64-bit UNIX-type APIs and easy mapping of existing 32-bit UNIX-type APIs to 64-bit APIs are provided.
- ▶ Threadsafe IFS API interfaces to access objects in a multi-threaded job are provided.
- ▶ Text file I/O can convert between CCSIDs with characters of differing lengths.
- ▶ PC created files (even read only files) can be managed through a command and API interfaces.
- ▶ You can copy whole subtrees on the iSeries without using an interactive interface or user-written programming.
- ▶ Pipes and First In First Out (FIFO) objects provide program-to-program communication through file system objects. A *dev/null* character is useful for applications to discard output from sub-applications without changing the subapplication. The dev/null character special file can be written to forever, but is always empty when read.
- ▶ Stream I/O supports save files. This allows you to extract the contents of a save file, transport the save file through the network using stream file protocols, and place the contents back into another save file.
- ▶ File system APIs support parameters and buffers in teraspace for large I/O operations.
- ▶ Deadlock detection helps diagnose applications with a conflict in locking order.

## Benefits

The IFS offers the following benefits:

- ▶ Fast access to OS/400 data
- ▶ Efficient handling of stream data, including images, audio, and video
- ▶ A file system and directory base to support UNIX-based open system standards, such as POSIX and XPG
- ▶ File management through a common interface
- ▶ Consistent use of object names and associated object information across national languages

## New with V5R3

A new security page sets scanning settings for objects created in files and folders. It also specifies auditing value, change options, user ID, and primary group ID.

- ▶ Ability to make objects savable
- ▶ Ability to set objects created in a folder to be scanned
- ▶ Restrict rename and unlink
- ▶ UDFS enhancements
  - Setting objects to be scanned
  - Restricting rename and unlink
  - Specify a default file format for UDFS
  - User and group ID settings cannot be changed on a mounted UDFS

## Ease of installation, use, and maintenance with OS/400

### Operations Console

iSeries 800, 810, 825, 870, and 890 servers support a directly-attached or LAN-attached full-function 5250 PC console that includes a graphical control panel application. The user interface of the control panel application resembles its hardware counterpart.

The console emulator application (PC5250) serves as the console “device” of the iSeries server. The graphical control panel application permits remote entry of most of the functions supported by the hardware control panel mounted on the front of iSeries server units.

Control panel functions, such as power up/down, re-initial program load (IPL), and mode changes, are supported. The console and control panel applications can be used together or separately, but each requires its own direct cable attachment to an iSeries server. Each cable must be purchased separately from IBM for the iSeries model being used. Both cables are only available in a single length of six meters.

Functions provided by Operations Console and Remote Operator and Control Panel, are managed via the Hardware Management Console (HMC) for the Model 520 and 570. To understand equivalent functions to operations console for the Models 520 and 570, refer to “Hardware Management Console” on page 642.

For further information about Operations Console, refer to “iSeries Operations Console: Direct attach, LAN, remote, and HMC” on page 636.



## Remote capabilities

The direct-attach Operations Console can serve as a gateway for a remote, dial-in Operations Console. The remote Operations Console can be configured to run the 5250 emulator application and the graphical control panel application. In general, both applications make it possible to perform the majority of system operations tasks, for example backup and recovery, with the iSeries servers and managing staff in physically separate locations.

The connection between the remote and direct-attach Operations Consoles uses Windows dial-up networking (Point-to-Point Protocol (PPP). Direct-attach Operations Console uses Windows NT Remote Access Service (RAS) for access.

See “iSeries Operations Console: Direct attach, LAN, remote, and HMC” on page 636 for details about Operations Console and cabling requirements.

## Software requisites

Operations Console is a component of iSeries Access for Windows (known as *Client Access Express for iSeries* in releases prior to V5R2). The PC must be running the Windows NT 4.0, 2000, or XP Professional operating system to be supported. The LAN-attached Operations Console is supported on servers with OS/400 V5R1 or later.

## Menu interface

System-supplied menus to most system functions provide a task-oriented approach so that a user unfamiliar with control language can set up and use OS/400. The menus use an object-oriented approach by providing a list of objects for the user to work with. A fast path gives quick access to system functions for the more experienced users.

## Online help

The iSeries help facility provides comprehensive explanations of display functions to help users be more productive. The index search facility can be used to request help for a task that involves multiple displays. Index search includes many synonyms so that users can ask for information in their own words or in the terms used by the system.

The help information provided is determined by the current location of the cursor on the display. It can be specific to a field or line on the screen, or to extended help on the use of the display.

## iSeries Information Center

The V5R3 iSeries Information Center is available with tips, techniques, scenarios, and technical information to help you take advantage of all of the features of your iSeries server. From hardware specifications to wireless management and EIM information, the iSeries Information Center is a prime technical resource for your iSeries information needs.

See the *Basics* section to find everything you need to get started if you are new to iSeries. Find what you are looking for with advanced search functions. And use advisors to identify considerations for your business' network infrastructure. You can use interactive finders to search over 2000 APIs and 1600 CL commands.

The Supplemental Library on Portable Document Format (PDF) is integrated with the Information Center to provide a one-stop place to obtain technical information. You can search the PDF and Hypertext Markup Language (HTML) files in one search at the Internet site. The iSeries Information Center is available on the Internet at:

<http://www.ibm.com/eserver/iseriess/infocenter>

The iSeries Information Center is also provided on CD-ROM with iSeries hardware and OS/400 orders. The CD-ROM includes a wizard to install the iSeries Information Center to an intranet server from the iSeries server. The wizard can even configure your HTTP server and setup search on the intranet.

## Programming temporary fixes

Programming temporary fixes (PTFs) can be shipped to a central site, either on media or electronically, and then packaged and distributed to remote license sites, either on media or electronically. Customers can download PTFs over the Internet. The client hardware needed is a PC with Windows 95/NT, a TCP connection to the iSeries over a LAN, and access to the Internet. Configuration and setup information is documented on the Web at:

<http://www-912.ibm.com/supporthome.nsf/document/10000045>

Except for the medium of transport (Internet), the functionality and entitlement rules are the same as for the ECS method of transport.

PTFs (including Licensed Internal Code (LIC) changes) are loaded and applied using a command.

## System detected software problems

Symptom strings are automatically created by the OS/400 licensed program at the time an error occurs. They make the management of problems in the system easier and recovery quicker by improving the rate at which customers can find appropriate fixes for problems. Problem resolution time is decreased when failure data is collected at the time of occurrence and reduces the need to recreate failures.

## EZ-Setup

EZ-Setup is part of the iSeries Access code, and is delivered on the Setup and Operations CD-ROM which is shipped with all orders. The code runs on a PC on Microsoft Windows 98, Windows Me, Windows NT 4.0, Windows 2000, and Windows XP. An Operations Console connection is required to set up TCP/IP if you are using a PC console. EZ-Setup then uses a TCP/IP connection to communicate with the server.

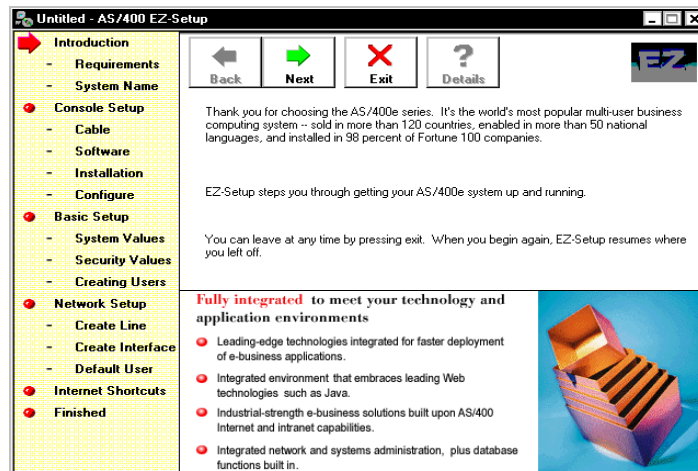
EZ-Setup consists of two parts:

- ▶ An interview process
- ▶ The task list

Customers can complete the interview either on the Internet or on the PC where they have installed iSeries Access. The output of this interview includes a setup definition file that is used to customize the EZ-Setup task list. EZ-Setup also requires a connection to the iSeries Information Center, either on the Internet or locally installed.

## EZ-Setup wizard

EZ-Setup wizard reduces both the number of decisions you need to make during setup and the amount of installation information you need to enter. The interface is all graphical as shown in the image on the right. *Guided Setup*



is a collection of HTML pages for the same tasks as those in the EZ-Setup wizard.

The EZ-Setup wizard is designed to provide the following functions through wizards:

- ▶ Begin PM eServer iSeries Data Collection
- ▶ Install Information Center
- ▶ Set server date, time, and name
- ▶ Configure NetServer
- ▶ Configure Operations Console
- ▶ Create administrative user profiles
- ▶ Configure Directory Services
- ▶ Configure security settings
- ▶ Create a TCP/IP interface
- ▶ Set up iSeries servers for the Internet
- ▶ Change TCP/IP attributes
- ▶ Register the server
- ▶ Configure Universal Connection for Information Center and software updates
- ▶ Set up Extreme Support
- ▶ Install and configure Domino

EZ-Setup also provides convenient links to the iSeries Information Center for information to help complete other tasks such as installing licensed programs and preparing a backup and recovery plan.

## **iSeries Navigator**

OS/400 provides iSeries Navigator, the premier iSeries user interface for managing and administering your iSeries servers from your Windows desktop. The iSeries Navigator interface is packaged as a component of iSeries Access for Windows. No license is required. The installation image for iSeries Access for Windows comes pre-loaded on V5R3 and V5R2 iSeries systems. You can install the image over a TCP/IP network using iSeries NetServer, from a CD-ROM, or from a peer server.

iSeries Navigator provides wizards that help simplify iSeries management for a wide variety of functions including security, TCP/IP services, applications, and more. You can customize the powerful iSeries Navigator displays to optimize your productivity.

iSeries Navigator includes Management Central, a technology for doing systems management tasks across one or more servers simultaneously. This includes task scheduling, real-time performance monitoring, managing fixes, distributing objects, and running commands from a central system. Systems management tasks can be requested on multiple servers with just one request.

The Setup and Operations CD provided with every system can be used to install iSeries Navigator and EZ-Setup. If you do not install everything, you can add iSeries Navigator components at any time by selecting **File** → **Install Options** → **Selective Setup** from the iSeries Navigator window.

## Availability and recovery

Many functions are available to help maintain the availability of an iSeries server. They include:

- ▶ System Managed Access Path Protection (SMAPP)  
SMAPP supports and automates the process of selecting which access paths should be protected. This can improve IPL performance.
- ▶ Uninterruptable power supply  
Uninterruptable power supply maintains power to the iSeries server during a site power loss.
- ▶ Redundant Array of Independent Disks (RAID)  
The iSeries provides disk protection and availability. RAID-0, RAID-1 (disk, controller, and bus level protection), and RAID-5 are supported. Concurrent maintenance of disks is also supported.
- ▶ Journaling  
Journaling provides the ability to record all changes to records in a file as they occur. These journaled changes are applied to the file if the system is lost. With the implementation of remote journals, faster transport to a second iSeries server on behalf of high availability can be achieved. Faster IPL recovery can be achieved for critical access paths within the database by either explicitly journaling these objects, or by establishing an appropriate Systems Management Access Path protection target value. Byte stream files and directories can also be journaled.
- ▶ Commitment control  
Commitment control ensures that if a transaction requires multiple database changes, all of them (or none of them) are made.
- ▶ Batch journal caching  
The caching of journals in batch provides a significant performance improvement for batch environments which use journaling. Applications that perform large numbers of database add, update, or delete operations typically see the greatest improvement. Although directed primarily toward batch jobs, some interactive applications may also benefit from this feature.

- ▶ Save-while-active (SWA)

Save-while-active allows one or more libraries to be saved while operations, including changes, continue against the libraries. SWA can be used with a short period of acquiesced operation where a checkpoint is taken of all libraries being saved before the first save operation begins, so that all libraries are synchronized.

In V5R3, the new *partial transaction save* (ragged SWA) feature allows for a save with open committed transactions or open commit cycles.

- ▶ Save/restore to multiple tapes concurrently

Otherwise known as parallel save and restore, V5R1 supports the capability to use multiple tape devices (from 2 to 32), or multiple resources in a tape library, in parallel. In particular, parallel tape support reduces the amount of time required to save and restore very large objects.

- ▶ ASPs

ASPs are individual disks reserved for particular objects (such as individual libraries). ASPs can be used to isolate those objects to assist in their recovery. Up to 31 user ASPs and 223 independent ASPs are supported offered with V5R2. All systems ship with one system ASP configured.

- ▶ IASP

IASPs can be defined as stand-alone or switched. UDFSs or database and program, journals, or operating system objects can be created in these IASPs. When the IASP is moved from one system to another, the IASP can then be mounted on the new system and made available to applications and users. This protects customers from hardware failures other than hard disk failures of the IASP.

**Note:** All I/O, not just the disk in the I/O tower, is switched. Any LAN, wide area network (WAN), workstation controllers, etc. in the I/O tower are switched at the same time.

- ▶ Large capacity disk load balancing

The ability to balance data across disk arms in an ASP, based on performance, capacity, average utilization, and hot and cold data is provided. i5/OS V5R3 supports an optimization of “Availability” (in addition to Balance, Performance, and Capacity).

A parity set optimized for availability offers a greater level of protection because it allows a parity set to remain functional in the event of a SCSI bus failure. The availability optimization value ensures that a parity set is formed from at least three disk units of equal capacity each attached to a separate bus on the input/output adapter (IOA). For example, if an I/O adapter had 15

disk units and was optimized for availability, the result may be five parity sets with three disk units each attached to separate SCSI buses on the adapter. OS/400 V5R3 is required to optimize for availability.

These functions are controlled with CL commands.

- ▶ Teraspace storage

Each iSeries job has up to 1 TB of contiguous, process-local, temporary storage. Applications can allocate dynamic storage in excess of 16 MB using C dynamic storage functions (malloc, calloc, realloc, and free) and POSIX shared memory APIs.

- ▶ Expert Cache

Expert Cache provides a disk cache tuner option, which allows the iSeries server to take advantage of available main storage capacity. It dynamically responds to system jobs to cache pages of data in main storage to reduce the time to process disk I/O.

- ▶ Integrated hardware disk compression

The compression of data on disk is supported by OS/400. Data is dynamically compressed and uncompressed by the direct access storage device (DASD) controller as data is written to and read from disk. Disk compression does not affect the main CPU utilization since this function is performed by the DASD controller input/output processor (IOP). Integrated Hardware Disk Compression is supported by select DASD controllers.

Compression is limited to user ASPs only. Most data compresses at a 20% to 40% reduction. The compression reduction and subsequent impact on DASD performance depends on the attributes of the data.

- ▶ Hierarchical Storage Management (HSM)

OS/400 includes HSM APIs used by BRMS for iSeries (5722-BR1) to provide HSM functions. Use these APIs to develop custom HSM applications.

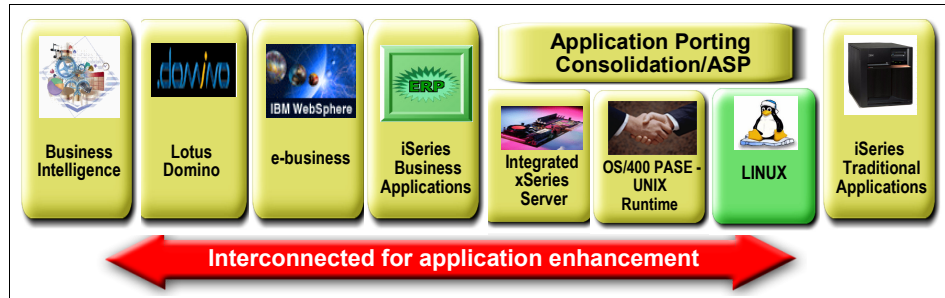
- ▶ Concurrent maintenance

Concurrent maintenance can be done for I/O cards, power, and other components contained in expansion towers. With concurrence maintenance, you can power off an expansion tower and add, remove, replace, upgrade, move, or swap a card or other component without stopping or powering off your system. Concurrent maintenance of some components are feature or configuration dependent.

Select models of 270, 250, 520, 570, 800, 810, 820, 825, 830, 840, 870, and 890 hardware also support concurrent maintenance. This allows the operator to identify and power off IOPs and associated IOA card slots so concurrent maintenance of the PCI cards can be performed.

## Logical partitions

Logical partitioning enhances the role of the iSeries as a consolidated server. With LPAR, companies have both the power and flexibility to address multiple system requirements in a single machine to achieve server consolidation, business unit consolidation, a mix of production and test environments, and integrated clusters.



LPARs are ideal for companies that want to run varied workloads in a single iSeries system. They allow the CPW performance of an iSeries system to be flexibly allocated between partitions. Licenses can be managed across partitions.

Each partition's system name is distinct and the system values can be set independently. Each partition can have a different primary and secondary national language and can be operated using different time zones. This flexibility is ideal for multinational companies to centralize operations in a single location, yet retain the national characteristics of each system.

LPAR allows for the simultaneous running of multiple independent servers, each with its own system processor or (with V5R1 onward) with parts of shared processors. Memory can be shared within a single iSeries server.

The iSeries LPAR capabilities have been improved with every new release since V4R4. Enhancements with OS/400 V5R3 include:

- ▶ Hardware Management Console

This is required for POWER5 processors implementing LPAR. It features a specific NetVista workstation running Linux with preloaded HMC software to perform multi-partition LPAR management function (and CUoD) as well as console functions. A maximum of 40 partitions on a maximum of two different servers is supported (Model 520 and 570 only).

Refer to "Product Previews" on page 56 to understand the future direction of HMC.

- ▶ Dynamic creation and deletion of partitions



- ▶ Partition shared processor resource specified as *uncapped* (Model 520 and 570 only)
 

Idle processing resources may be used by that partition up to the number of virtual processor specified.
- ▶ Unallocated, powered off dedicated or newly added processor resources (via CoD) can make part of a shared pool that is used by uncapped partitions (Model 520 and 570 only)
- ▶ Software Licensed Management (SLM) APIs
 

These APIs allow customers and business partners to monitor usage counts across the system rather than for each partition.
- ▶ A dynamic movement of processor, memory, and 5250 CPW performance between partitions spreads the system workload to where resources are needed, and potentially reduces the total amount of resource required on a system. The granularity of this processor movement can be 1/10th of each processor.
- ▶ The capability to support partial (fractional) processors was introduced with V5R1. The number of partitions allowed per physical processor depends on the processor type. With IBM i5/OS and IBM @server i5 servers (Model 520 and 570), the maximum number of partitions has increased to 254.
- ▶ Multiple operating system support
  - OS/400
  - Linux
  - AIX 5L
  - Windows (via Integrated xSeries Server or Integrated xSeries Adapter)
- ▶ Multiple OS/400 versions within a partitioned environment on appropriate systems
 

See the LPAR table on page 444 to understand what operating system release is supported in the primary and secondary partitions of each iSeries server.
- ▶ Virtual OptiConnect emulates external OptiConnect hardware by providing a virtual bus between logical partitions. To use Virtual OptiConnect, you only need to purchase OptiConnect for OS/400. Additional hardware is not required. If multiple paths between partitions are available, OptiConnect software selects the Virtual OptiConnect path over either a HSL or SPD OptiConnect external path. An IPL of the affected partitions is not required.
- ▶ Up to 4064 virtual networks are supported between partitions on the Models 520 and 570. Virtual Ethernet provides 16 independent high-speed virtual 1Gb Ethernet internal bus-to-bus communication paths between logical partitions on Models 270, 800, 810, 825, 870, and 890.

Virtual Ethernet supports TCP/IP. Additional communication hardware is not required.

The enablement and setup of Virtual Ethernet is easy and does not require an IPL.

- ▶ With the POWER5 hardware, you can configure a maximum of 4064 virtual networks using IEEE 802.1Q VLAN.
- ▶ iSeries Navigator support creates and manages partitions including a scheduled movement of resources where HMC is not available including:
  - Configuration support of Linux with the Create Partition wizard
  - The ability to save partition configuration data
  - The ability to export configuration data to HTML format for hardcopy prints
  - Partition numbers are visible with names
  - The ability to change virtual processors when moving processing units
  - Updates to partition profiles for shared and dedicated processors
  - The ability to select views by selecting columns to display

**Note:** Some LPAR capabilities have hardware or software dependencies.

## LPAR partition support

The following table shows the operating system releases that are supported in secondary and primary LPARs on iSeries Model 270, 800, 820, 820, 825, 830, 840, 870, and 890 servers.

Supported processors	Primary partition	Shared processor	Partitions per processor	Secondary partition					
				V4R5 <sup>3</sup>	V5R1	V5R2	V5R3	Linux	AIX 5L
Model 270 (SSTAR Uni) #2431, #2432, #2452	V5R1	Yes	4	Yes	Yes	Yes		Yes	No
	V5R2	Yes	4	No	Yes	Yes	Yes	Yes	No
	V5R3	Yes	4	No		Yes	Yes	Yes	No
Model 270 (SSTAR 2-way) #2434 and #2454	V5R1	Yes	4	Yes	Yes	Yes		Yes	No
	V5R2	Yes	4	No	Yes	Yes	Yes	Yes	No
	V5R3	Yes	4	No		Yes	Yes	Yes	No
Model 800 (SSTAR Uni) #2463 and #2464	V5R2	Yes	4	No	Yes	Yes	Yes	Yes	No
	V5R3	Yes	4	No		Yes	Yes	Yes	No

Supported processors	Primary partition	Shared processor	Partitions per processor	Secondary partition					
				V4R5 <sup>3</sup>	V5R1	V5R2	V5R3	Linux	AIX 5L
Model 810 (SSTAR Uni & 2-way) #2465, #2466, #2467, #2469 (2-way)	V5R2	Yes	4	No	Yes	Yes	Yes	Yes	No
	V5R3	Yes	4	No		Yes	Yes	Yes	No
Model 820 (Pulsar Uni) #2395, #2396, #2425	V5R1	Yes	4	Yes	Yes	Yes		No	No
	V5R2	Yes	4	No	Yes	Yes	Yes	No	No
	V5R3	Yes	4	No		Yes	Yes	No	No
Model 820 #2397, #2398, #2426, #2427	V5R1	Yes <sup>2</sup>	4	Yes	Yes	Yes		Ded	No
	V5R2	Yes <sup>2</sup>	4	No	Yes	Yes	Yes	Ded	No
	V5R3	Yes	4	No		Yes	Yes	Ded	No
Model 820 (SSTAR Uni) #0150, #2435, #2436, #2456	V5R1	Yes	4	Yes	Yes	Yes		Yes	No
	V5R2	Yes	4	No	Yes	Yes	Yes	Yes	No
	V5R3	Yes	4	No		Yes	Yes	Yes	No
Model 820 (SSTAR n-way) #0151, #0152, #2437, #2438, #2457, #2458	V5R1	Yes	4	Yes	Yes	Yes		Yes	No
	V5R2	Yes	4	No	Yes	Yes	Yes	Yes	No
	V5R3	Yes	4	No		Yes	Yes	Yes	No
Model 825 (POWER4 n-way) #2473	V5R2	Yes	10	No	Yes	Yes	Yes	Yes	No
	V5R3	Yes	10	No		Yes	Yes	Yes	No
Model 830 (ISTAR n-way) #0153 and #2349	V5R1	Yes	4	Yes	Yes	Yes		Ded	No
	V5R2	Yes	4	No	Yes	Yes	Yes	Ded	No
	V5R3	Yes	4	No		Yes	Yes	Ded	No
Model 830 (ISTAR n-way) #2400, #2402, #2403	V5R1	Yes <sup>2</sup>	4	Yes	Yes	Yes		Ded	No
	V5R2	Yes <sup>2</sup>	4	No	Yes	Yes	Yes	Ded	No
	V5R3	Yes <sup>2</sup>	4	No		Yes	Yes	Ded	No
Model 840 (ISTAR n-way) #2416, #2417, #2418, #2419, #2420	V5R1	Yes <sup>2</sup>	4	Yes	Yes	Yes		Ded	No
	V5R2	Yes <sup>2</sup>	4	No	Yes	Yes	Yes	Ded	No
	V5R3	Yes <sup>2</sup>	4	No		Yes	Yes	Ded	No
Model 840 (SSTAR n-way) #0158 and #0159	V5R1	Yes	4	Yes	Yes	Yes		Yes	No
	V5R2	Yes	4	No	Yes	Yes	Yes	Yes	No
	V5R3	Yes	4	No		Yes	Yes	Yes	No

Supported processors	Primary partition	Shared processor	Partitions per processor	Secondary partition					
				V4R5 <sup>3</sup>	V5R1	V5R2	V5R3	Linux	AIX 5L
Model 840 (SSTAR n-way) #2461, #2460, #2352, #2353, #2354	V5R1	Yes	4	Yes	Yes	Yes		Yes	No
	V5R2	Yes	4	No	Yes	Yes	Yes	Yes	No
	V5R3	Yes	4	No		Yes	Yes	Yes	No
Model 870 (POWER4 n-way) #2486	V5R2	Yes	10	No	Yes	Yes	Yes	Yes	No
	V5R3	Yes	10	No		Yes	Yes	Yes	No
Model 890 (POWER4 n-way) #0197, #0198, #2487, #2488, #2497, #2498	V5R2	Yes	10	No	Yes	Yes	Yes	Yes	No
	V5R3	Yes	10	No		Yes	Yes	Yes	No
<b>Notes:</b>									
1. All partitions must be at V5R1 or later to support processor sharing and dynamic movement of processor resources.									
2. Linux is supported on Dedicated Processors only; other partitions support processor sharing.									
3. Dedicated processors only.									

The following table shows the operating system releases that are supported in partitions of the @server i5 Model 520 and 570.

Supported processors	Shared processor	Partitions per processor	Release of partition					
			V4R5 <sup>3</sup>	V5R1	V5R2	V5R3	Linux	AIX 5L
Model 520 (POWER5) #8950	Yes	2	No	No	No	Yes	Yes	Yes
Model 520 (POWER5) #8951, #8952	Yes	4	No	No	No	Yes	Yes	Yes
Model 520 (POWER5) #8953, #8954	Yes	10	No	No	No	Yes	Yes	Yes
Model 520 (POWER5 2-way) #8955	Yes	10	No	No	No	Yes	Yes	Yes
Model 570 (POWER5 1/2-way) #8961	Yes	10	No	No	No	Yes	Yes	Yes
Model 570 (POWER5 2/4-way) #8961	Yes	10	No	No	No	Yes	Yes	Yes

Supported processors	Shared processor	Partitions per processor	Release of partition			
			V4R5 <sup>3</sup>	V5R1	V5R2	V5R3
<b>Notes:</b> 1. All partitions must be at V5R1 or later to support processor sharing and dynamic movement of processor resources. 2. Linux is supported on Dedicated Processors only; other partitions support processor sharing. 3. Dedicated processors only.						

### Model 520 uncapped capacity

The partitioning limitations with shared processor and uncapped capacity of the Model 520 is represented in the following table.

Model 520 processor	Maximum partitions with full processor activation	Dedicated processors	Shared processor/ uncapped capacity
#8950	2	No	Yes / No
#8951	4	No	Yes / No
#8952	4	No	Yes / No
#8953	10	Yes	Yes / Yes
#8954	10	Yes	Yes / Yes
#8955	20	Yes	Yes / Yes

### Suggested reading

For additional information about logical partitioning, see:

<http://www.ibm.com/servers/eserver/series/lpar>

<http://www-1.ibm.com/servers/eserver/series/service/itc>

### iSeries clustering

A cluster is a group of independent servers that appears on a network as a single machine. It is a collection of complete systems that work together to provide a single unified computing resource.

**Note:** On systems prior to V5R1, the iSeries server offered multisystem coupling that provides peer or tiered node clusters, constructed by Solution Developers using distributed data management and journaling. Systems in the cluster are managed separately by the customer. Database replication is provided by high-availability business partner solutions. However, this is not clustering.

Today, iSeries clusters enable you to set up an environment to provide availability beyond 99.94% for critical applications and critical data. iSeries server high availability business partners and Solution Developers complete the solution with easy-to-use cluster management, robust data resiliency, and resilient applications that take advantage of the new technology.

IASPs offer significant functions that allow even more flexibility and improved availability. Data residing in IASPs can be switched between servers using HSL OptiConnect loop. IASPs allow you to take data offline and bring data online independent of the system ASP and other user ASPs. IASPs also support:

- ▶ Journaling of IFS objects, data areas and data queues, and options to reduce the amount of data journaled
- ▶ System services support of HA Switchable Resources, which allows use of resilient device cluster resource groups that contain IASPs
- ▶ HSL OptiConnect support as a cluster communications fabric
- ▶ Options to adjust the tuning and configuration parameters of your cluster to match better your communications environment
- ▶ IBM Cluster Management Utility, which allows you to create and manage a simple four-node, switched disk cluster

See *IBM @server iSeries Independent ASPs: A Guide to Moving Applications to IASPs*, SG24-6802, and *Independent ASP Performance Study on the IBM @server iSeries Server*, REDP-3771, for more information about IASPs.

Cluster Resource Services consists of an open set of APIs that provide cluster facilities. iSeries application providers and customers use the APIs to enhance their application availability and to create, configure, and administer the cluster. Systems are defined into the cluster as *cluster nodes*. Communication interface addresses are defined to form the cluster node-to-node interconnection links. Resilient resources (objects replicated to one or more nodes) are associated with a Cluster Resource Group (CRG) so they can be managed as a single unit.

Two types of CRGs are supported: one for data resilience and one for application resilience. Data CRGs provide the control to switch the point of access for a set of data to a backup node that maintains an exact replica of that data. Application

CRGs control switching an IP address that represents the application server to a backup node and restart the application in the event of a primary node failure.

Cluster Resource Services includes integrated facilities such as heartbeat monitoring, reliable message delivery, switch-over administration, and distributed activities. The services are built on a robust cluster topology and messaging functions that keep track of each node in the cluster and ensure that all nodes have consistent information about the state of cluster resources.

Heartbeat monitoring ensures that each node is active. When the heartbeat for a node fails, the condition is reported so that the cluster can automatically failover to the resilient resources on the backup node. System Services for high availability solutions are enhanced with real-time recording of IFS stream file changes into journals. Data resiliency applications can use this function to provide enhanced support for this class of objects.

IBM works closely with the cluster middleware business partners to provide easy-to-use cluster management applications, including Lakeview Technology and Vision Solutions.

iSeries clusters support up to 128 nodes. Any OptiConnect, WAN, and LAN connectivity options can be used to build a cluster, as follows:

- ▶ HSL copper and fiber bus connections are fully supported system features. When used with OptiConnect software, they are attractive connectivity methods for high-end and mid-range models existing in the same location. IASPs and switched disk work in this environment as of V5R1.
- ▶ ATM provides a high-performance connection to remote systems in the cluster.
- ▶ Ethernet and token-ring LANs are ideal for connecting low-end iSeries models into the cluster.

All systems are managed from a single workstation that contains the high-availability business partner cluster management application. The required minimum release of OS/400 to support each node in the cluster is V4R4.

High Availability Switchable Resources installs as Option 41 of OS/400. A chargeable option of OS/400, HA Switchable Resources provides the capability to achieve a highly available environment using switchable resources (IASPs). The resources are physically switched between systems so that only one copy of the resource is required.

### **New with V5R3**

OS/400 V5R3 enhances iSeries clustering with additional capabilities, including:

- ▶ IASPs containing OS/400 DB2 library-based objects and output queues
- ▶ Groups of IASPs that can be linked together
- ▶ Thread relative naming for controlling job attributes
- ▶ Multiple library namespaces that allow multiple databases and duplicate library names across different namespaces
- ▶ Clustered Hash Table Server for sharing and replicating of non-persistent data between cluster nodes
- ▶ Clustered Hash Table APIs for connection control, storage, and retrieval table of entries, and generate keys and information about stored entries
- ▶ Cluster GUI enhancements
- ▶ On rejoin, cluster node ability to self start
- ▶ Fully supported cluster commands
- ▶ User control of automatic failover
- ▶ Fully supported cluster commands

### **Suggested reading**

For additional information about clustering, refer to the following Web sites:

<http://www-1.ibm.com/servers/eserver/series/ha>

<http://www-1.ibm.com/servers/eserver/series/service/itc>

## **iSeries Windows integration and Microsoft cluster support**

iSeries Integrated xSeries Server and Integrated xSeries Adapter offerings support Virtual Ethernet LAN, Microsoft Cluster Services, and Automatic Cartridge Loader support. With V5R2, new xSeries models are now supported using the Integrated xSeries Adapter.

### **Virtual Ethernet LAN**

The Virtual Ethernet introduced in V5R1 to enable high-speed communications between OS/400 and Linux partitions within the iSeries server is extended to support Integrated xSeries Servers and xSeries servers attached with Integrated xSeries Adapters. With this support, Windows servers can communicate with each other and with OS/400 and Linux partitions over the fast, more secure, and reliable Virtual Ethernet LANs.



## **Microsoft Cluster Services**

With the clustering support provided in Windows 2000 Advanced Server, two Integrated xSeries Servers or two xSeries servers attached with Integrated xSeries Adapters can form a cluster and use the 16 new shared storage spaces available with V5R2. In the cluster environment, if there is an outage on one of the Windows servers, the storage spaces can be switched to the second Windows server. The applications can be automatically restarted to reduce the length of the system outage.

## **Auto Cartridge Loader**

Customers who have systems with large amounts of data often have Auto Cartridge Loader (ACL) tape devices (3570, 3580, and 3590) with the ability to automatically load another tape cartridge. Support is now added in the Windows integration support to handle commands for ACLs. Multiple tape cartridges can be accessed during backup/restore operations initiated from the Windows server.

## **Suggested reading**

For additional information about Windows Integration, see the following Web site:

<http://www-1.ibm.com/servers/eserver/series/windowsintegration>

# **GUI management and administration**

## **Work Management**

The Work Management function of OS/400 eases the job of systems management by giving the operator control of the activities of a job and of its performance characteristics. Work Management supports concurrent execution of batch jobs, 5250 CPW jobs, and non-conversational transactions on the system. Each job is protected from other jobs on the system. However, job-to-job communication is allowed.

The system can be setup to dynamically adjust the execution priority of jobs that are forced to wait for an opportunity to use the CPU. This configuration is designed to prevent high priority jobs from monopolizing the CPU at the expense of all other jobs in the system.

## **Save/restore**

Save is the capability of making a backup copy of objects or members on tape or online save file. Restore is the capability to copy saved objects back to the original or a different system.

Save-while-active enables objects to be saved while they are being used by applications. The system ensures the object saved to save media is consistent with the status of the object when the save operation is initiated.

For more information, see the High Availability and Clusters Web site at:

<http://www-1.ibm.com/servers/eserver/iseriess/ha>

## Graphical (GUI) management of a system

iSeries Navigator and Management Central run on a Windows NT 4.0, XP, or Windows 2000 client. It provides a graphical user interface for most administrative and configuration tasks on the iSeries, and a central management point to manage distributed iSeries servers. Performance is monitored graphically.

## Performance collection and evaluation

Users can manually collect system performance data for a single time period or automatically collect data on a weekly schedule using a set of commands and menus. This systems management function provides data to assist the user in workload scheduling, system tuning, performance reporting, performance problem analysis, and capacity planning. The user can also work with this data using the Performance Tools/400 licensed program (5722-PT1).

## IBM @server Technical Support Advantage for iSeries

An important aspect of technology is its need of effective technical support to help make that technology work for us as people. That is what IBM Technical Support Advantage delivers in this increasingly Web-based world, an easier access to total solutions. It provides additional options to connect to IBM, easier access to other IBM @server support information, and more.

As the part of Technical Support Advantage that covers the iSeries product line, IBM has enhanced its Extreme Support through Personalization initiative to include more easy-to-use, proactive and personalized tools. Extreme Support features and functions for the iSeries include:

- ▶ Management Central-Pervasive for remote management of servers
- ▶ Easier access to IBM @server Technical Support Web sites
- ▶ IBM Electronic Services for iSeries
- ▶ Universal Connection: ECS over TCP/IP
- ▶ PM eServer iSeries Integrated with IBM @server Workload Estimator
- ▶ Physical Device Placement Assistant (PDPA)
- ▶ Software Inventory Assistant

- ▶ iSeries University
- ▶ Web interface to manage software keys
- ▶ Enhanced software knowledge base
- ▶ Streamlined fix downloads
- ▶ Easy search for technical information

For information about Technical Support Advantage, refer to:

<http://www.ibm.com/eserver/series/support>

## Management Central-Pervasive

Management Central-Pervasive allows network administrators to monitor the performance and status of their iSeries servers while away from their workstation or office. Using a cellular phone or PDA with a wireless modem, the administrator can check on iSeries server status and monitor performance metrics on the iSeries servers. Management Central-Pervasive also runs from a Web browser running on PCs or Network Stations.

For more information about Management Central-Pervasive, see “IBM Eserver iSeries Access for Wireless (5722-XP1)” on page 631.

## Network system management

OS/400 system management functions include Simple Network Management Protocol (SNMP) APIs and access to additional management information. The SNMP APIs for managing applications have the ability to manipulate management data via local or remote SNMP agents. Information can be retrieved from systems on SNA or TCP/IP networks. This makes it easier to discover and manage potential problems anywhere within the network.

## Electronic Customer Support

Electronic Customer Support (ECS) is an integrated approach to help users service and support single or complex systems and networks. It is menu-driven and supported by online help text. ECS includes functions available locally, with access to remote marketing support systems and IBM service support.

Simplicity and ease-of-use characteristics mean that configuring and supporting systems requires limited data processing knowledge or experience. Electronic Customer Support enables third-party software and support organizations to support systems and networks from a central site, providing business solutions and partnerships to maintain service and support to iSeries customers.

Systems management capabilities of ECS include:

- ▶ Resource management and configuration management
- ▶ Problem management, network management, and change management
- ▶ Online and remote technical support
- ▶ Electronic hardware and software service support
- ▶ Remote marketing support
- ▶ Universal Connection

The ability to run Electronic Customer Support over TCP/IP is available using the integrated high-speed V.90 modem. This includes electronic fix retrieval and problem reporting. In addition, IBM remote support over a dial-up connection using the integrated high-speed V.90 modem is enabled. This includes making available CL commands for creating simple point- to-point configurations to aid in connecting to IBM Support for the customer to use as well. In addition, you can configure a safe reliable VPN connection to run over an Internet connection.

For the PTFs required to enable these functions, see:

<http://www.ibm.com/servers/eserver/iseriess>

If a hardware or software problem arises, you can download PTFs to the iSeries server to assist in problem determination and resolution. The ECS connection can also be used for IBM Electronic Service Agent for iSeries, where the iSeries server initiates a call to an IBM service center at a prearranged time for its error logs to be checked and to enable service actions to be taken. This often occurs before the customer is aware of the existence of a problem.

### **Internet PTFs**

iSeries customers can download PTFs over the Internet. The client system required is a PC with Windows NT, 2000, or XP, a TCP connection to the iSeries server over a LAN, and access to the Internet. Selected configurations and setup information are documented on the Web at:

<http://www.ibm.com/eserver/iseriess/support>

Except for the medium of transport, the functionality and entitlement of PTF download over the Internet is the same as the Electronic Customer Support method of transport. The user selects the PTFs and options using a Web browser and submits the order. At the iSeries service Web site, the user can also search for and read PTF cover letters before the order is placed. The same entitlement rules that apply on the ECS connection are enforced. In other words, if a user can acquire PTFs electronically with ECS, they can acquire PTFs over the Internet.

## Application programming interfaces

Hundreds of OS/400 APIs can provide access to functions and data not available through any other interface or levels of performance not available through other interfaces. These CLIs are intended for use by Solution Developers and IBM Business Partners whose applications require these functions and data. You can find a complete list in *System API Reference*, SC41-5801.

## Extensive run-time application function

Operating System/400® is a functionally-rich platform for applications. Because it is enabled to run a wide range of applications, customers can easily grow their application base as their business needs grow. The extensive run-time function integrated into the OS/400 licensed program enables application programs created with these languages, utilities, and support:

- ▶ ILE RPG for iSeries
- ▶ RPG/400®
- ▶ IBM System/36-Compatible RPG II
- ▶ IBM System/38-Compatible RPG III
- ▶ ILE COBOL for iSeries
- ▶ COBOL/400®
- ▶ IBM System/36-Compatible COBOL
- ▶ IBM System/38-Compatible COBOL
- ▶ ILE C for iSeries
- ▶ SAA AD/Cycle® C/400®
- ▶ System C/400
- ▶ VisualAge® C++ for iSeries
- ▶ AS/400 BASIC
- ▶ AS/400 Pascal
- ▶ AS/400 PL/I
- ▶ RM/COBOL-85 for the AS/400

The corresponding licensed programs are not required for systems that execute the code.

## Integration with Windows servers

The iSeries servers offer integration with Windows to support larger and more complex Windows applications and additional tools to help reduce the cost of managing a Windows server environment.

### Attachment of n-way xSeries servers

iSeries supports the attachment of n-way xSeries servers via the high-speed link. With the Integrated xSeries Adapter, select xSeries servers running Windows

2000 Server can be used to extend Windows application scalability, while retaining the storage consolidation and systems management advantages of the Integrated xSeries Server.

### **Enhanced hardware support**

Enhancements for the Integrated xSeries Server includes support for:

- ▶ Up to 32 servers on select iSeries models
- ▶ 1 Gb Ethernet LAN adapter
- ▶ iSeries DVD device

### **iSeries Navigator support for Windows disk and user management**


Additional facilities are added to iSeries Navigator to manage Integrated xSeries Servers and xSeries servers that are directly attached to iSeries via the Integrated xSeries Adapter. In addition to server management, iSeries Navigator now supports disk and user management for these Windows servers. Enhancements include the ability to create, delete, copy, link, unlink, and show status for Windows server disks. Administrators can manage OS/400 user profiles that are enrolled into a Windows server environment.

## Operating System/400 (5722-SS1): Product

The computing industry is moving rapidly toward a network-centric world made up of global networks. The newest releases of IBM i5/OS builds on this to make the iSeries servers key players in this vibrant and vital area.

This chapter describes the features and enhancements of the iSeries operating system product. The functionality and integrated capabilities of the operating system are described in “Operating System/400 (5722-SS1): Architecture” on page 405. Associated licensed programs and enhancements are described in the following chapters of this Handbook.

IBM Operating System/400 (5722-SS1)	
Product number	5722-SS1
Version and release	V5R3
Program size	
HIPO	1000
Availability	11 June 2004



<b>IBM Operating System/400 (5722-SS1)</b>	
Software type	Usage Processor based Software Subscription - Yes IPLA - Yes Keyed - Yes
Ordering	
Installation prerequisites	None
Related products	All
Client code	Delivered as 5722-XE1, which is stored in an integrated file system (IFS) directory and is downloaded to the PC.
Replaces product	5722-JC1 (functions included in OS/400) 5769-SS1, 5716-SS1, 5763-SS1, 5763-VP1
Further information	

## New with V5R3

i5/OS is necessary for the new POWER5 technology-based hardware. Consider it as an upgrade from previous versions of OS/400 to take advantage of new and enhanced functions, such as:

- ▶ Capacity on demand to include memory, trial processor, and reserve processor. Refer to “Product Previews” on page 56 to understand the future direction for iSeries customers.
- ▶ Automatic processor balancing with uncapped processor partitioning
- ▶ Hardware Management Console (HMC) that is used to manage multiple logical partitions (LPARs) without needing a primary partition
- ▶ AIX 5L to be run in a LPAR on Model 520 and 570 servers
- ▶ POWER5 Linux kernel and distributions in common with the IBM @server pSeries® servers. Extended storage area network (SAN) and storage connectivity options for the Linux environment
- ▶ Extending Windows integration options with support for Windows 2003 server
- ▶ Increased storage space size up to 1 TB for Windows and Linux storage spaces
- ▶ Storage allocation for Linux and AIX 5L in iSeries Navigator
- ▶ DB2 scalability enhanced with partition tables and materialized query tables
- ▶ Configuration of Management Central as a highly available application



- ▶ Independent auxiliary storage pool (IASP) support extended to include output queues
- ▶ Cross-site mirroring (XSM) extends mirroring support for geographic mirroring, a part of High Availability Switchable resources
- ▶ New time zone architecture that includes Simple Network Time Protocol (SNTP) client and server support and is positioned for future benefits
- ▶ Enhanced OS/400 Portable Application Solutions Environment (PASE) and now based on AIX 5.2
- ▶ New and enhanced functions for single signon (SSO) including enhancements and a Synchronize Functions wizard for Enterprise Identity Mapping (EIM) and network authentication service
- ▶ Partial transaction saves (ragged save) of save-while-active when the commit cycle has not completed

Support is another reason to upgrade to V5R3. The intended policy is that there is a 12-month notice to announce end-of-service for V5R3 when *release +2* is announced. The date of support will be extended further to the last day of September or March, whichever comes first.

## IBM i5/OS overview

i5/OS contains the base operating system, additional optional feature components, and separate licensed programs bundled with the operating system at no extra charge. The customer can purchase advanced features and functions that are not included in the base group of products shipped with the operating system.

V5R3 of i5/OS provides system support for the following RISC models:

- ▶ 170
- ▶ 250
- ▶ 270
- ▶ 520, 570
- ▶ 720, 730, 740
- ▶ 800, 810, 820, 825, 830, 840, 870, 890
- ▶ SB1, SB2, SB3

**Important:** Some functions of the operating system are available *only* on newer hardware.

V5R2 of OS/400 is the last release to support the following RISC models:

- ▶ 150
- ▶ 600, 620, 640, 650
- ▶ S10, S20, S30, S40

**Note:** V5R2 of OS/400 does not run on models of the AS/400 system based on internal microprogram instruction (IMPI) processors (CISC models) and some earlier RISC models, namely, the Bxx, Cxx, Dxx, Exx, Fxx, 100, 135, 140, 2xx, 3xx, 4xx, 500, 510, and 530.

Refer to “Planning information” on page 60 for information about OS/400 and processor compatibility.

Version 5 OS/400 is offered for no additional charge. See “New with V5R3” on page 495.

The following sections briefly describe the components of i5/OS. Programs within i5/OS are described in “Programs within IBM i5/OS” on page 463. Refer to “IBM i5/OS V5R3 options” on page 475 and “Options included in OS/400 V5R2” on page 735 for a list of all OS/400 options available at V5R3 and V5R2.

OS/400 Version 5 is delivered on CD-ROM to speed loading of software and to reduce the risk of media errors. All manuals are delivered in softcopy on CD-ROM.

## National language and multilingual support

The iSeries server with i5/OS is a worldwide product that addresses many country (region)-unique requirements. For different countries (regions)/languages, specific support is provided, either with translated machine-readable information (MRI), such as screens and messages, or with keyboards and displays on the local or remote workstation twinaxial controller.

Multilingual support allows multiple users on the same system to operate in different languages. This means that system messages, displays, and help information, as well as user applications, can be presented to the end user in their national language.

**Note:** 5722-SS1 can be ordered in Farsi, Albanian, Bulgarian, Estonian, Macedonian, Latvian, Lithuanian and Serbian, Laotian, Vietnamese, Belgium, and English.

Translations are available in Albanian, Arabic, Brazilian-Portuguese, Bulgarian, Chinese (Simplified and Traditional), Croatian, Czech, Danish, Dutch, Dutch-Belgium, English, English-Belgium, English DBCS, English Uppercase, English Uppercase DBCS, Estonian, Farsi, Finnish, French, French-Belgium, French Canadian, French-MNCS, German, German-MNCS, Greek, Hebrew, Hungarian, Icelandic, Italian, Italian MNCS, Japanese, Korean, Lao, Latvian, Lithuanian, Macedonian, Norwegian, Polish, Portuguese, Portuguese-MNCS, Romanian, Russian, Serbian, Slovakian, Slovene, Spanish, Swedish, Thai, Turkish, and Vietnamese.

Not all licensed programs are translated into all languages, nor are all national language versions available from all program release support centers.

All MRIs are in English.

## Primary and secondary national languages

The national language in which licensed programs are ordered is considered the primary national language. New in V5R3 is the ability to order additional primary languages for use in LPAR situations where some partitions support a different country (region) to other partitions.

Second languages in a single partition are known as *secondary languages*. Users can switch among the languages as necessary. Multiple national language versions can be installed on a single iSeries server. Regardless of the national language version, all system commands are in U.S.A. English. Therefore, a single set of system commands works in all national language environments.

## Universal Coded Character Set support

Many customers do business in a worldwide environment. It is too costly and time consuming to redesign and rewrite an application to support users in another national language or culture. These applications require the ability to store and process character data from more than one national language.

For example, a database file may need to contain customer names in English, German, Greek, Arabic, Japanese, and Thai characters. This capability must be available in a client/server environment and in a network of heterogeneous systems that exchanges character data via customer applications.

The Universal Coded Character Set (UCS) is an emerging global character encoding, developed jointly by the industry (UNICODE 1.1) and the International Organization for Standardization (ISO). ISO/IEC 10646-1 defines a code page (UCS-2) encompassing the characters used by all currently significant languages, a rich set of scientific and publishing symbols, and a variety of script languages. This common code page spans the character sets of many languages. It can ease application development and management issues historically found in multiple code page system environments and networks. This capability is provided in i5/OS with the UCS2 Level 1 support for database to permit characters of any national language to “coexist” in database files.

### **Locale support of cultural values**

Cultural values change from one national language to another. Examples of cultural values are:

- ▶ Date and time format
- ▶ Currency symbol
- ▶ Sort (collating) sequence

Locale support allows for the creation, deletion, and access of locale-based information. C-applications can access locale information via C-runtime functions. Non-C applications can retrieve locale information via application programming interfaces (APIs). i5/OS simplifies the tasks that an application must perform to provide local cultural values. This support can be used whether a national language version (primary or secondary) is installed for that language on the iSeries server.

### **Bidirectional language support**

Bidirectional language support (BIDI) is a series of routines to transform the physical order of characters to a logical order. Culturally correct BIDI language support requires that the flow of text, left to right or right to left, be determined by the character entered or displayed at the workstation or printer device. However, the data must be stored in DB2 Universal Database (UDB) for iSeries (or any file system) in the sequence the characters are entered, and not how they are displayed.

## **Euro currency support**

Euro currency sign support is offered to those countries (regions) that are currently supported in the iSeries national language structure, that are inside and outside the European Monetary Units (EMU), and whose national standards authorities have approved the appropriate standards. This support has been available in OS/400 since V4R5.

## Options and licensed programs offered with IBM i5/OS

The following sections describe the options that can be ordered or ship with the i5/OS operating system.

**Note:** A table is shown in each option description. It summarizes whether the product is included with the operating system automatically or if it must be ordered separately. The status states whether the product is a chargeable or a no-charge feature.

## Programs within IBM i5/OS

The licensed programs in the following table appear within the iSeries Software Resources and Licensed Program menus as a separate product. Each is part of the base i5/OS (product 5722-SS1). Each program ships with i5/OS automatically with no additional charge and does not need to be ordered separately.

The following programs are included with all i5/OS shipments:

- ▶ 5722-DG1 HTTP Server\*
- ▶ 5722-IA1 Software Integration Assistant
- ▶ 5722-JC1 Toolbox for Java\*
- ▶ 5722-JV1 Developer Kit for Java\*
  - Option 5 Java Developer Kit 1.3\*
  - Option 6 Java Developer Kit 1.4
- ▶ 1TME-LCF Tivoli Management Agent\*
- ▶ 5722-TC1 TCP/IP Utilities\*
- ▶ 5722-WSV Integration for Windows 2000 and 2003\*
- ▶ 5722-XE1 iSeries Access for Windows\*
- ▶ 5722-XP1 iSeries Access for Wireless
- ▶ Business Solutions V1.0

**Note:** All of the previously listed software is included in the software order. Those product and product options identified with an asterisk (\*) are preloaded on all new system orders.

Product name	Product number	For further information, see:
DB2 UDB for iSeries	N/A	Chapter 24, "IBM licensed programs: Database accessories" on page 505
HTTP Server for iSeries	5722-DG1	"IBM TCP/IP Connectivity Utilities for iSeries (5722-TC1)" on page 464
IBM Software Integration Assistant for iSeries	5722-IA1	"IBM Software Integration Assistant for iSeries (5722-IA1)" on page 659
IBM Toolbox for Java	5722-JC1	Chapter 27, "IBM LPP Application Development Products" on page 571
Integration for Windows Server	5722-WSV	"iSeries Windows integration and Microsoft cluster support" on page 450
IBM Developer Kit for Java	5722-JV1	Chapter 27, "IBM LPP Application Development Products" on page 571
TCP/IP Connectivity Utilities for iSeries	5722-TC1	"IBM TCP/IP Connectivity Utilities for iSeries (5722-TC1)" on page 464
iSeries Access for Windows iSeries Navigator*	5722-XE1	Chapter 29, "IBM Eserver iSeries Access products" on page 615
Tivoli Management Agent	1TMELCF	"IBM Tivoli Storage Manager Extended Edition (5698-A11)" on page 644
* Formerly known as Client Access Express and Operations Navigator		

## IBM TCP/IP Connectivity Utilities for iSeries (5722-TC1)

iSeries servers come with a complete and robust suite of TCP/IP protocols, servers, and services. It is easy to implement full-featured intranets by simply cabling iSeries servers and workstations together and starting the desired services. In most cases, no additional software or hardware is required.

TCP/IP networking on iSeries is administered and managed directly from iSeries Navigator running on a PC client. You can define Dynamic Host Configuration Protocol (DHCP), Domain Name System (DNS), and Dynamic Domain Name System (DDNS) servers from a single graphical interface.

iSeries TCP/IP configuration can be managed through graphical user interfaces integrated with iSeries Navigator. Included is a graphical wizard that provides simplified step-by-step guidance for configuring TCP/IP. The administration service based on the DHCP is built into OS/400 to centrally administer all workstation configuration data for IP networks. iSeries server network administration has never been easier.

The TCP/IP protocol stack on the iSeries is tuned for robust, secure, and scalable TCP/IP services and servers. This results in significant improvements in capacity for TCP/IP users.

The base protocols are implemented within OS/400 and OS/400 microcode for excellent performance, security, and stability. A wide range of physical interfaces is supported.

<b>IBM TCP/IP Connectivity Utilities</b>	
Product number	5722-TC1
Ordering	Included free of charge with OS/400
Minimum operating system level	V5R1
Program size	56 MB
HIPO	-
Availability	25 May 2001
Software type	Software Subscription
Related products	
Replaces product	5769-TC1
More information	<a href="http://www-1.ibm.com/servers/eserver/iseries/tcpip">http://www-1.ibm.com/servers/eserver/iseries/tcpip</a> <i>IBM @server iSeries IP Networks: Dynamic!, SG24-6718</i>

## New with V5R3

For V5R3, many TCP/IP enhancements are implemented with additional security features. TCP/IP is updated to include:

- ▶ Enhancements to iSeries Kerberos support
- ▶ Adding a Kerberos Server in OS/400 PASE
- ▶ Implementation of new Java security standards

## Features

TCP/IP Connectivity Utilities for iSeries (5722-TC1) has a rich suite of servers and services including:

- ▶ Graphical user interface (GUI) configuration support
- ▶ File Transfer Protocol (FTP) client and server
- ▶ Simple Mail Transfer Protocol (SMTP)
- ▶ Post Office Protocol (POP) Version 3 server

- ▶ Line printer requester (LPR)/line printer daemon (LPD)
- ▶ TELNET client and server
- ▶ REXEC client and server

TCP/IP is an extremely popular protocol that is regarded as the de facto standard for computer networking. TCP/IP is fundamental to the network computing paradigm and helps make the iSeries an even more powerful e-business server. Much of the iSeries e-business infrastructure runs exclusively on TCP/IP, including Lotus Domino, Java, WebSphere, Web serving, and IBM Network Stations.

The TCP/IP communication protocol function, along with related administration and configuration support, are packaged with OS/400.

TCP/IP Connectivity Utilities (5722-TC1) is automatically shipped to all customers that order OS/400. TCP/IP applications shipped as part of the TCP/IP Utilities include TELNET, SMTP, FTP, Remote Execution (REXEC) Server, and LPR/LPD (remote print support).

For a full description of TCP functions and features, refer to the Networking - TCP/IP section of the iSeries Information Center, and *IBM @server iSeries IP Networks: Dynamic!*, SG24-6718.

## HTTP Server for iSeries (5722-DG1)

HTTP servers are the core foundation of technology at the heart of all e-business applications. They handle the communication with the client (typically browsers or Extensible Markup Language (XML)-rendering devices such as personal digital assistant (PDAs)) and provide the entry point into server resources. These resources can range from simple Hypertext Markup Language (HTML) and GIF files, to e-business and e-commerce applications, all the way to complete business-to-business, collaborative enterprises.

For the iSeries servers, network computing is supported with HTTP Server for iSeries. An iSeries server can access a vast network of computers as though they were a single entity. Everyone and everything can access and distribute information, applications, and services provided by the network.

Based on the popular Apache 2.0 open-source software, the HTTP Server (powered by Apache) is the IBM strategic HTTP server. Multiple HTTP servers can be active simultaneously on a single iSeries.



The HTTP Server for iSeries product also contains several Internet-enablement tools to aid in Web/Internet application development:

- ▶ Apache Software Foundation (ASF) Jakarta Tomcat
- ▶ Net.Data®
- ▶ Search and Web Crawler

These tools are described further in this section.

HTTP Server for iSeries (5722-DG1)	
Included in base	Yes
Status	Shipped with OS/400 as no charge feature
Related products	
Further information	<a href="http://www.ibm.com/eserver/iserries/software/http">http://www.ibm.com/eserver/iserries/software/http</a> <a href="http://www.webdav.org/">http://www.webdav.org/</a> <a href="http://www.apache.org/">http://www.apache.org/</a>

Refer to this Web site for information about preventive service planning (PSP) for the iSeries HTTP Server:

<http://www.ibm.com/eserver/iserries/software/http>

Apache, a freeware HTTP server, is open-source software that implements the industry standard HTTP/1.1 protocol. The focus is on being highly configurable and easily extendable. It is built and distributed under the Apache Software License by the ASF. You can find it on the Web at:

<http://www.apache.org>

### **Features**

- ▶ Support for the latest Apache 2.0 level  
Apache 2.0 offers multiple benefits including multithreaded mode, filtering, input/output (I/O) buffering, and new Apache APIs.
- ▶ Apache Portable Run-Time and multiprocessing modules
- ▶ Support and documentation of the Apache Portable Runtime (APR) APIs  
APR APIs allow user-written modules to be platform-independent. They allow Web developers to write modules and applications independent of the platform. This makes it easier to bring your applications to the iSeries product line. Operating system specific functionality is encapsulated into the APIs.

- Header files are provided for all supported APIs.
- The sample user module `mod_example` is provided. This module demonstrates a use of the Apache APIs.
- ▶ Easy to use IBM Web Administration GUI
 

The IBM Web Administration for iSeries interface combines forms, tools, and wizards to create a simplified environment to set up and manage many different servers and server types on your iSeries server.
- ▶ Support for Server Side Includes (SSI)
 

SSI tags are comments within HTML that direct the Web server to dynamically generate information for the page. SSI tags allow a Web developer to easily include common HTML statements such as headers and footers, so that they are easily managed and consistent across an entire Web site. SSI can be used to include static HTML, to call and execute programs (such as through Common Gateway Interface (CGI) programs) to allow the insertion of results.

Added SSI support includes two varieties of SSI and CGI combinations:

  - Parse an HTML document and include the output of a CGI program as dynamic content on an HTML page.
  - Parse the output of a CGI program to resolve SSI tags before returning the output to the client browser.
- ▶ Support for WebDAV (MOD\_DAV)
 

World Wide Web distributed authoring and versioning is a set of extensions to the HTTP protocol that allows users to collaborate to edit and manage files on remote Web servers. WebDAV provides a network protocol to create interoperable, collaborative applications. Features of the protocol include:

  - *Locking (Concurrency Control)*: Long-duration exclusive and shared-write locks prevent the overwrite problem, where two or more collaborators write to the same resource without first merging changes.
  - *Properties*: XML properties provide storage for arbitrary metadata, such as a list of authors on Web resources. These properties can effectively be set, deleted, and retrieved using the DAV protocol.
  - *Namespace manipulation*: Since resources may need to be copied or moved as a Web site evolves, DAV supports copy and move operations. Collections, similar to file system directories, can be created and listed.
- ▶ Support for Apache Module MOD\_REWRITE
 

This module provides a rule-based rewriting engine to rewrite requested Uniform Resource Locators (URLs) on the fly.

- ▶ Lightweight Directory Access Protocol (LDAP) used to store configuration information and user authentication information
- ▶ A Domino plug-in to allow the HTTP server to access documents stored in Notes
- ▶ Integrated with OS/400 security, enabling exploitation of the Internet for marketing and merchandising
 

Multiple HTTP servers are supported to balance content and workload. A Web browser can be used to administer and configure these servers.
- ▶ Tracking world-wide Web (WWW) activity through the server to identify the audiences accessing the customer server
- ▶ Client Authentication supports Secure Sockets Layer (SSL) V3 and Transport Layer Security (TLS) V1, including client and server authentication
 

You can associate client certificates with iSeries user profiles or validation lists, allowing users seamless access to your Web server's resources without having to sign on.
- ▶ Expanded CGI support includes RPG, REXX, C, C++, Cobol, Perl, and Control Language
 

You can bypass the server on output using no-parsed header CGIs. You can also fully configure any codepage conversions the server performs on your Web application's input or output. Multithreaded CGI programs are supported.
- ▶ Automatic Browser Detection for different documents for different clients, allowing your Web site to seamlessly exploit the unique capabilities of whatever browser your customers use
- ▶ Support for SSL provided by the cryptographic product IBM Cryptographic Access Provider 128-bit for iSeries (5722-AC3)
- ▶ Digital ID authentication requires SSL client authentication for HTTP server client certificates. This offers resource protection with:
  - Valid client certificates
  - Client certificates with certain distinguished names values
  - Client certificates associated with iSeries user profiles
  - Client certificates associated with iSeries validation lists
- ▶ The administration of certificates centralized in the DCM product
 

The HTTP server is a certificate "customer".
- ▶ Authentication using LDAP, iSeries user profiles, validation lists, and Kerberos
- ▶ Caching of Web pages in server's local memory cache for better static page serving performance
- ▶ Socks and SSL tunneling

- ▶ Support for named protection setups
 

Named protection setup allows the same set of authentication directives to be defined in multiple containers by the use of include files
- ▶ Support for group files
 

Group files provide the ability to grant access to resources based on a defined group of users.
- ▶ Logging of World Wide Web server access for tracking activity
 

This allows iSeries owners to obtain feedback on who accesses their servers and what parts are accessed.
- ▶ National Language Support (NLS) enablement
- ▶ Denial of Service detection and prevention
- ▶ Support for all iSeries file system types
- ▶ Highly available HTTP Server makes it possible to build a highly available Web site, improving the availability of business-critical Web applications.
  - Highly available HTTP servers provide function that monitors a URL that is part of your Web site and takes recovery action if the Web server is no longer serving your Web content. For example, the monitor function attempts to end and start your Web server or initiates a switch-over to move your HTTP server function to the backup node in the cluster.
  - You can write your CGI programs using highly available CGI APIs to save CGI state into the iSeries cluster. In the event of a failed node in the cluster, a CGI program can maintain its state, even after the application switches to a new node in the cluster.
- ▶ Log rollover is the ability to automatically close the current log file and open a new one based on a set of user-defined parameters.
- ▶ Log maintenance provides the ability to automatically delete log files based on age, aggregate size, or both.
- ▶ Improved navigation, usability, and accessibility enhancements for the HTTP Server administration interface.
- ▶ Fast Response Cache Accelerator (FRCA) is a caching technology that can more than double capacity for serving static content compared to conventional server architectures. It has allowed IBM to establish a leadership position in Web server performance.
 

FRCA is a general purpose architecture that enables the iSeries to move performance-critical TCP/IP application functions, such as the HTTP server, into lower levels of the operating system, greatly improving Web serving performance.

- ▶ HTTP data collection category to contain HTTP performance data for Collection Services. The HTTP performance data can then be queried to analyze HTTP server activity and better understand the types of HTTP transactions that are being processed by the iSeries (for example, static files, CGI, or Java Servlets).
- ▶ Support for Apache Module MOD-DEFLATE
- ▶ This module does compression on the data that is sent to the browser. This decreases the amount of data that the server needs to send over the network thus improving network performance and response times.

### ***New with V5R3***

The IBM HTTP Server for iSeries adds support for:

- ▶ CGI enhancements for running an initialization URL at startup and ability to set CGI jobs' library list
- ▶ Kerberos authentication

This enhancement offers Windows clients that are using Active Directory and Kerberos login a single sign-on between a Windows desktop and Microsoft Internet Explorer accessing HTTP Server on iSeries. EIM can be used in this environment.

The Web Administration GUI included in the IBM HTTP Server for iSeries adds support for:

- ▶ WebSphere Application Server Base Edition
 

This same level of function is provided for WebSphere Application Server - Express via browser-based administration. It offers easy-to-use wizards for creating HTTP and application server instances, deploying Java 2 platform, Enterprise Edition (J2EE) applications, and managing HTTP and application servers and their applications.
- ▶ WebSphere Portal - Express
 

An easy-to-use interface helps you to set up a WebSphere Portal via a wizard that walks the user through the necessary steps to create and configure all the necessary servers. You can also perform other setup necessary to get Portal up and running.
- ▶ Retrieval and display of HTTP statistical information via a Web browser
 

Statistics used to track cached and non-cached data sent and received to a particular HTTP server. Statistical subsets indicate whether the data has been handled by the IBM HTTP server (powered by Apache), a CGI program, an application server, or a user module.

## **Apache Software Foundation Jakarta Tomcat (5722-DG1)**

The HTTP Server includes the popular ASF Tomcat Servlet Engine. With ASF Tomcat, you can serve both servlets and JavaServer Pages (JSPs) using an “In Process” or “Out of Process” servlet engine. Tomcat, which is based on open source software, is compatible with the IBM HTTP Server (powered by Apache).

### ***Features***

- ▶ Lightweight and easy-to-use software is provided as an extension to the IBM HTTP Web server.
- ▶ ASF’s Jakarta Tomcat support can be used as a simple starting point for IBM Business Partners and Clients who are interested in learning about or piloting Java Servlet applications.
- ▶ ASF Jakarta Tomcat 3.2.4
- ▶ Compliance with JSP 1.1
- ▶ Compliance with Java Servlet 2.2 specification
- ▶ In-process ASF Jakarta Tomcat
- ▶ Out-of-process ASF Jakarta Tomcat using mod\_jk ajp12 protocol support
- ▶ Out-of-process ASF Jakarta Tomcat using mod\_jk ajp13 protocol support
- ▶ Support of JDK 1.2 and 1.3

### **Net.Data**

The IBM HTTP Server product includes Net.Data. IBM Net.Data is an application that allows Web developers to easily build dynamic Internet applications using “Web Macros”. Net.Data Web Macros combine the simplicity of HTML with the power of dynamic SQL. Net.Data provides connectivity to a variety of relational data sources as well as flat files.

### ***Features***

- ▶ High performance connectivity to dynamic data
- ▶ Use existing business logic to Web-enable client/server applications
- ▶ Rapid development of Internet and intranet applications
- ▶ Power your IBM DB2 UDB applications

For more information, see the following Web site:

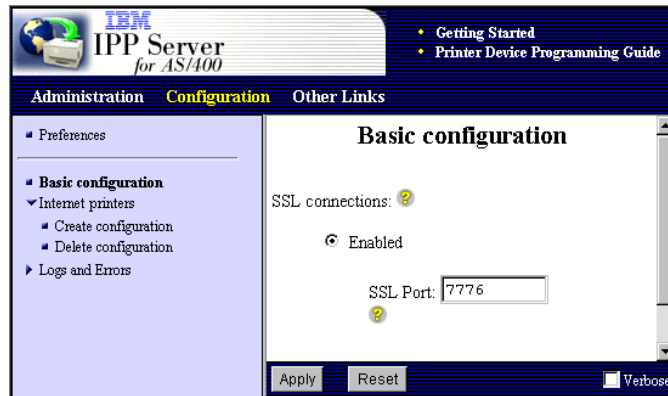
<http://www.iseries.ibm.com/netdata>

## **Internet Printing Server for iSeries**

The Internet Printing Protocol (IPP) defines an industry-standard method of delivering print jobs using Internet technologies providing for Web-enabled print around the world. The IPP was developed by the Printer Working Group, a consortium of all major companies involved in network printing. IPP is fast

becoming the single standard interface for printing on the Internet, with broad vendor implementation and customer acceptance.

The IPP Server for iSeries, included in OS/400, provides an IPP Version 1.0 compatible print server for the iSeries. The IPP Server for iSeries allows anyone working remotely, to submit and manage print jobs on a distant iSeries. IPP is built on top of HTTP, which in



turn, runs over TCP/IP. Customers can now use the same print solution on local area networks, intranets, and the Internet. The same process used to send a print document to the department printer down the hall can be used to send the document to the corporate printer across the country (region).

The IPP Server for iSeries provides security features for user authentication and encryption of print jobs using SSL 3.

## iSeries Webserver Search Engine

The iSeries Webserver Search Engine allows you to perform full text searches on HTML and text files from any Web browser. The Webserver Search Engine also includes a Web crawler.

### Features

- ▶ Indexes documents for fast searching

Indexes HTML or text files into a format that allows a large number of documents to be searched quickly. Multiple indexes can be created and documents from multiple directories can be placed in a single index.

- ▶ Advanced search functions

Supports advanced search capabilities such as exact search, fuzzy search, wild card search, proximity search, English word stemming, case sensitive search, boolean search, and document ranking.

- ▶ Search with thesaurus

Search results can be improved by automatically accessing a thesaurus during search. The thesaurus is user defined so that terms that are relevant to the indexed documents can be included in the thesaurus.

► Customizable search forms

The search form and the search result form are completely customizable by the end user using the Net.Data scripting language. This gives the user the ability to specify the type of search to be done and how the results are to be displayed.

The information that can optionally be displayed on the results page includes:

- The number of documents satisfying the search
- The number of occurrences of the search term
- The number of documents returned on this page
- The URL associated with each document
- The document's ranking, last modified date, and size

Any and all of this information can be displayed however the user chooses.

► Web-based administration

Administration of the search indexes is handled as part of the IBM Web Administration GUI pages. The search administration forms allow you to create and delete search indexes, update search indexes when documents are modified, and view the status of an index.

Administration using CL commands. All the functions supported on the Search Setup form can also be performed using the CL commands.

► Multiple language support

The Webserver Search Engine supports indexing and searching documents in multiple national languages including the double byte languages Chinese, Japanese, and Korean.

► Web crawler

Crawl remote Web sites and download the files to your system. The Web crawler is another way to build a document list for creating a search index.

You can set up the Web crawler to crawl one URL or use a URL object with a list of URLs to crawl. Crawling attributes such as the HTTP proxy server and port can be stored in an options object for re-use. The Web crawler also supports basic and server authentication.

For more information, see:

<http://www-1.ibm.com/servers/eserver/iseriessoftware/http/services/searchinfo.htm>

<http://www-1.ibm.com/servers/eserver/iseriessoftware/http/services/webcrawler.htm>



## Valupak for iSeries (5722-VP1)

Valupak for iSeries is a package of chargeable products which provides a discount rather than buy all the products separately.

Valupak consists of:

- ▶ 5722-PT1 Performance Tool for iSeries
- ▶ 5722-PT1 - Option 1 Manager Feature
- ▶ 5722-QU1 Query for iSeries
- ▶ 5722-ST1 DB2 Query Manager and SQL Development Kit for iSeries
- ▶ 5722-XW1 iSeries Access (user based)

The number of iSeries Access licenses varies with the software tier of the Valupak ordered as shown in the following table.

Software tier	Client Access users
P05	10
P10	20
P20	50
P30	70
P40	125
P50	150
P60	175

When upgrading to a new version or release, the upgrade is achieved by using individual product upgrades, and not by upgrading to a new ValuPak. Similarly if an iSeries upgrade involves a processor upgrade, which requires moving to a new software tier, the software charges are calculated on an individual product basis, not as a Valupak upgrade.

## IBM i5/OS V5R3 options

The programs in the following list appear within the iSeries Software Resources and Licensed Program menus as a separate product. Each is part of the base i5/OS (product 5722-SS1). Some programs ship with i5/OS automatically with no additional charge. Others are ordered separately or are a chargeable option.

- ▶ Option 1 OS/400 - Extended Base Support\*
- ▶ Option 2 OS/400 - Online Information\*
- ▶ Option 3 OS/400 - Extended Base Directory Support\*

- ▶ Option 5 OS/400 - System/36 Environment
- ▶ Option 6 OS/400 - System/38 Environment
- ▶ Option 7 OS/400 - Example Tools Library
- ▶ Option 8 OS/400 - AFP Compatibility Fonts
- ▶ Option 9 OS/400 - \*PRV CL Compiler Support
- ▶ Option 12 OS/400 - Host Servers\*
- ▶ Option 13 OS/400 - System Openness Includes
- ▶ Option 14 OS/400 - GDDM®
- ▶ Option 21 OS/400 - Extended NLS Support
- ▶ Option 22 OS/400 - ObjectConnect
- ▶ Option 25 OS/400 - NetWare Enhanced Integration
- ▶ Option 30 OS/400 - Qshell\*
- ▶ Option 31 OS/400 - Domain Name System\*
- ▶ Option 33 OS/400 - Portable Application Solutions Environment\*
- ▶ Option 34 OS/400 - Digital Certificate Manager\*
- ▶ Option 35 OS/400 - CCA Crypto Service Provider
- ▶ Option 39 OS/400 - International Components for Unicode
- ▶ Option 43 OS/400 - Additional Fonts

For a list of options included in OS/400 V5R2, refer to “Options included in OS/400 V5R2” on page 735.

## System/36 environment (5722-SS1 Option 5)

Most System/36 applications can run on the iSeries server using the System/36 environment. When running in the System/36 environment, OS/400 supports a set of commands designed to migrate data between the System/36 and the iSeries server or the iSeries server and the System/36. These commands save and restore library source, procedure members, and data files between the two systems.

System/36 environment (5722-SS1 Option 5)	
Included in base	Yes
Status	No charge
Related products	
Further information	

## System/38 environment (5722-SS1 Option 6)

The System/38 environment provides:

- ▶ Migration from System/38 systems
- ▶ Intermixing System/38 and iSeries functions
- ▶ Maintenance of System/38 applications on the iSeries server

System/38 environment (5722-SS1 Option 6)	
Included in base	Yes
Status	No charge
Related products	
Further information	

The System/38 environment allows the execution of most programs written for a System/38 system. The same job can execute any combination of iSeries or System/38 programs. The programmer menu on the iSeries supports source types to enable the identification of System/38 syntax. The programmer can maintain either iSeries or System/38 programs during the same job.

## System Openness Includes (5722-SS1 Option 13)

System Openness Includes provides developers with header files for the many callable APIs and exits found in OS/400. The header files are provided in a high-level language source for application development in languages such as C, C++, OPM RPG, ILE RPG, OPM COBOL, and ILE COBOL. They provide for easier access to many of the functions found in OS/400.

The Pthread APIs are based on open APIs described in the ANSI/IEEE Standard 1003.1, 1996 edition (also known as ISO/IEC 9945-1: 1996) and the Single UNIX Specification, Version 2, 1997 standards.

System Openness Includes (5722-SS1 Option 13)	
Included in base	Yes
Status	No charge
Related products	
Further information	

Some of the header files provided are based on industry standards from the POSIX and the single UNIX specification. These standards enable source code

portability of applications over platforms such as OS/400, AIX, MVS™, and other non-IBM operating systems. Industry standard interfaces include the IFS, Interprocess Communications, Pthreads, Remote Procedure Call (RPC), Signal, SNMP, Sockets, Secure Sockets, LDAP, NLS, and network authentication, among others.

Header files are also provided for callable APIs and exits unique to the iSeries, allowing platform unique customization of the system. System-unique interfaces include clustering, Dynamic Screen Manager, object management, OS/400 PASE, NLS, software and PTF management, and work management.

## Media and Storage Extensions (5722-SS1 Option 18)

For software developers who want to customize their own storage management applications, Media and Storage Extensions provides an API to enable application monitoring and control of media usage, including volumes to be selected and volume expiration dates. The API also enables fast search for IBM 3480, 3490, 3490E, and 3575 tape devices.

Media and Storage Extensions (5722-SS1 Option 18)	
Included in base	No
Status	Charged feature
Related products	Backup Recovery and Media Services (BRMS) (5722-BR1) Tivoli Storage Manager (5697-TSM)
Further information	

An API is provided to handle the interruption that occurs when an application tries to open a database file that has been migrated to offline media. The API enables an on demand recall of a database file from offline media to direct access storage device (DASD) and resumption of the application. Application changes are not required.

These APIs provide support to use or build applications to manage tape usage and the recall of data from offline media to DASD. This feature is a prerequisite feature to BRMS. It is also required when developing HSM dynamic retrieval functions.

## Object Connect for iSeries (5722-SS1 Option 22)

Object Connect for iSeries provides support to simply and efficiently move individual objects, entire libraries, or entire IFS directories from one iSeries

server to another over a standard communications connection. Systems can be connected via standard APPC (using APPN), TCP/IP communications lines (using AnyNet®), local area network (LAN), or an high-speed link (HSL) OptiConnect loop (fiber or copper). The economy of not requiring intermediate save file procedures and copies to distribution queues saves DASD and improves performance in a manner that is nondisruptive to system operations.

<b>Object Connect for iSeries (5722-SS1 Option 22)</b>	
Included in base	Yes
Status	No Charge
Related products	
Further information	

### **OptiConnect for iSeries (5722-SS1 Option 23)**

OptiConnect for iSeries provides high-speed transparent access to data through SPD fiber optic bus connections or HSL fiber optic and copper bus connections. It also includes performance enhancements to iSeries Distributed Data Management (DDM).

<b>OptiConnect for iSeries (5722-SS1 Option 23)</b>	
Included in base	No
Status	Charged feature
Related products	
Further information	<a href="http://www-1.ibm.com/servers/eserver/series/ha/opticonnect">http://www-1.ibm.com/servers/eserver/series/ha/opticonnect</a>

The mechanism used by OptiConnect for iSeries to access database files on connected systems is modeled after DDM. Just as DDM uses a DDM file and APPC communications to redirect file access operations, OptiConnect for iSeries uses DDM files and a specialized transport service to redirect file access operations to a target system.

Using OptiConnect for iSeries among systems sharing the same bus (connected with SPD fiber or HSL fiber/copper cables only) can achieve transport efficiencies not possible with more general purpose, wide-area communications protocols.

With HSL OptiConnect for iSeries, customers can off load the database application CPU cycles of up to 28 iSeries servers given three CECs per loop. However when three CECs are on a loop, no I/O towers can exist on that loop.

The major advantages of OptiConnect for iSeries are realized by customers who are rapidly approaching system capacity limits, and who intend to implement distributed database application servers within a data center or short-distance campus environment. OptiConnect for iSeries is also an integral part of high availability configurations.

When used with the Object Connect for iSeries facility, OptiConnect for iSeries provides a high-efficiency migration aid for the iSeries Advanced Series.

## OS/400 - NetWare Enhanced Integration (5722-SS1 Option 25)

OS/400 - NetWare Enhanced Integration provides NetWare client and integration services for iSeries users, operators, and applications. This is achieved using a Network Loadable Module (NLM) that runs on NetWare 6.0.

**Note:** Novell no longer supports NetWare 4.2 and NetWare 5.0. Therefore, IBM does not support them either. A license is required for each NetWare server.

TCP/IP support in OS/400 is used to connect the iSeries using a token-ring adapter, an Ethernet adapter, IPCS, X.25, or frame relay adapters. OS/400 Enhanced Integration for Novell NetWare provides user profile and password integration from the iSeries to NetWare. iSeries user or group profiles can be propagated to multiple NetWare Directory Services (NDS) trees. When iSeries users change their passwords, the change is propagated to NetWare.

OS/400 - NetWare Enhanced Integration (5722-SS1 Option 25)	
Included in base	Yes
Status	No charge
Related products	
Further information	<a href="http://www-1.ibm.com/servers/eserver/iseries/netware/as4nwhm.htm">http://www-1.ibm.com/servers/eserver/iseries/netware/as4nwhm.htm</a>

OS/400 - NetWare Enhanced Integration provides iSeries-to-NetWare printing support. An iSeries user's printed output is sent from an iSeries output queue to a printer queue managed by the NetWare server. OS/400 host print transform services are used to translate the output to print on common PC printers.

IFS support is provided, allowing iSeries users, including iSeries Access users, and applications access to files and directories in multiple NDS trees throughout the network. Full integration with NetWare security ensures that each iSeries user of these services is fully authenticated in NetWare Directory Services. Another use of the file system is to access files on NetWare servers to be served by OS/400 Internet connection support:

- ▶ Internet Connection Server for AS/400 (V4R1 and V4R2 only)
- ▶ HTTP Server for iSeries (V4R3 or later release)

Server configuration and management tasks can operate from iSeries interfaces. This is not intended to provide full management and operations of a NetWare server. However, iSeries operators can manage user connections and disk resources. Facilities are provided for creating, extending, and mounting or dismounting volumes on NetWare servers.

## OS/400 - DB2 Symmetric Multiprocessing (5722-SS1 Option 26)

OS/400 - DB2 Symmetric Multiprocessing (SMP) expands on the parallel capabilities of DB2 UDB for iSeries. This separately priced feature of OS/400 improves the performance of the database for the iSeries server. This improved performance is critical, especially in a data warehouse or decision-support environment. The performance gains provided by this feature allow for better and more effective business decisions to be made in a timely manner.

OS/400 - DB2 Symmetric Multiprocessing further enables DB2 UDB for iSeries with SMP on any n-way iSeries server. SMP capabilities have existed since the introduction of the iSeries n-way systems. This form of SMP allows multiple database operations to take place simultaneously on multiple processors. Each database operation runs on a single processor, therefore, optimizing DB2 UDB for iSeries for online transaction processing.

OS/400 - DB2 Symmetric Multiprocessing (5722-SS1 Option 26)	
Included in base	No
Status	Charged feature
Related products	DB2 Multisystem for iSeries
Further information	<a href="http://www-1.ibm.com/servers/eserver/iseries/db2/db2sym.htm">http://www-1.ibm.com/servers/eserver/iseries/db2/db2sym.htm</a>

With the introduction of DB2 Symmetric Multiprocessing, a single database operation can run on multiple processors at the same time or in parallel. These database operations are typically queries. However, parallel processing is also

supported for import and export between DB2 UDB for iSeries and other databases.

This parallel index build, splitting an individual query into many smaller subtasks, can then be run independently on separate processors before the subtask results are combined again. This allows for significant performance increases. These performance increases become more pronounced with the addition of more processors. For example, if a query is running in 20 seconds on an iSeries with a dedicated processor, adding a second dedicated processor along with the DB2 Symmetric Multiprocessing feature may allow this query to run in approximately 10 seconds. Adding two additional processors may allow this query to run in approximately 5 seconds.

This example illustrates how scalable the technology is, which is important with database parallelism. Scalability governs how much benefit is gained from adding additional processors. Perfect scalability allows for four processors to run a query in one-fourth of the time that a single processor could, as explained in the previous example. The advanced architecture of the iSeries and of OS/400 have enabled DB2 Symmetric Multiprocessing to show industry-leading scalability across all iSeries n-way systems.

OS/400 - DB2 Symmetric Multiprocessing can be configured differently for each user of the system. This allows a system administrator to have the greatest control over how parallelism is used on a system, and therefore, greater control over how system resources are used. Part of this enablement process allows the selection of just how much parallelism is used, or in other words, how many subtasks are used for each query. Using fewer subtasks than processors available allows a greater amount of the total system resources to be used by other users. Using more subtasks than available processors allows an individual user to use more of the total system resources. This flexibility allows administrators to balance the needs of all system users with the available resources.

## **OS/400 - DB2 Multisystem (5722-SS1 Option 27)**

The iSeries server and OS/400 - DB2 Multisystem provide a scalable solution for data warehousing that spans from the smallest datamart to the largest enterprise data warehouse. DB2 Multisystem allows multiple iSeries servers to be connected to allow the processing power and storage capacity of all the servers to be used. From a database perspective, these interconnected iSeries servers appear as a single large system. It is intended for use when iSeries servers are used for large data warehouse installations.



<b>OS/400 - DB2 Multisystem (5722-SS1 Option 27)</b>	
Included in base	No
Status	Charged feature
Related products	DB2 Symmetric Multiprocessing
Further information	

## **OS/400 - Domain Name System (5722-SS1 Option 31)**

OS/400 includes a full-function Domain Name System server. It can be configured for primary, secondary, and caching roles. DNS configuration data from other platforms can easily be migrated to the iSeries DNS server. In addition, a migration utility that moves existing iSeries host table information into the DNS configuration databases is provided.

<b>OS/400 - Domain Name System (5722-SS1 Option 31)</b>	
Included in base	Yes
Status	No charge feature
Related products	Requires 5722-SS1 Option 33 (OS/400 PASE) to run with full functionality
Further information	

### **Dynamic DNS**

OS/400 DNS services are based on the widely used industry-standard DNS reference implementation. A dynamic update capability is offered that transforms the DNS into a DDNS.

The Version 8.2 BIND option of the DNS services requires the installation of OS/400 Option 33 (OS/400 PASE).

Combined with iSeries DHCP server, dynamic DNS update transactions can be sent to enable an integrated Dynamic IP solution that automatically manages TCP/IP addresses and their associated DNS host names on your networks.

## OS/400 Portable Application Solutions Environment (5722-SS1 Option 33)

OS/400 PASE is an integrated runtime that provides simplified porting of selected solution provider UNIX applications. OS/400 PASE complements and expands the iSeries solution portfolio by focusing on rapidly porting UNIX applications to the iSeries platform.



OS/400 PASE is a library of APIs and system services that enable AIX programs to run in OS/400. It provides a subset of AIX functionality to support running 32-bit and 64-bit UNIX applications directly on iSeries hardware. OS/400 PASE includes full support for X-Windows.

OS/400 PASE applications are created on an AIX workstation and execute on iSeries hardware. As of V5R2, OS/400 PASE applications written in C or C++ can be compiled within OS/400 PASE. The environment provides libraries containing hundreds of basic system APIs that are compatible with:

- ▶ 32-bit applications for AIX 4.2.1 or later
- ▶ 64-bit application for AIX 5.1

OS/400 PASE (5722-SS1 Option 33)	
Included in base	Header and export file extensions are packaged with OS/400 Option 33
Status	No charge feature
Related products	
Further information	<a href="http://www-1.ibm.com/servers/enable/site/porting/iseries/pase">http://www-1.ibm.com/servers/enable/site/porting/iseries/pase</a>

OS/400 PASE exploits the iSeries processor's ability to switch between OS/400 and AIX runtime modes within an OS/400 job. This allows applications deployed using OS/400 PASE to run directly on iSeries hardware and take full advantage of OS/400 services such as file systems, security, and DB2 UDB for iSeries.

OS/400 PASE is not an operating system. It does not provide support for developing UNIX applications. Any changes or additions required to port UNIX applications to OS/400 PASE are compiled and linked on an RS/6000® workstation running a level of AIX supported by OS/400 PASE. Applications deployed using OS/400 PASE run in a normal OS/400 job and are managed using standard OS/400 operations. Serviceability, backup and restore, and other administrative tasks are performed using standard OS/400 operations and system management facilities.

OS/400 PASE contains the same command line interface (CLI) set of APIs for DB2 UDB iSeries that is supported for Integrated Language Environment (ILE).

Data returned from DB2 UDB iSeries can be presented in ASCII format, which is expected by the majority of UNIX applications.

OS/400 PASE applications can be fully integrated with other iSeries server applications, for example, an Enterprise Resource Planning (ERP) application implemented in ILE, a WebSphere application written in Java, or Lotus Domino. A suite of applications can run together in a job mix or be separated into their own LPARs, depending on the performance and scheduling requirements of the customer.

### **New with V5R2**

- ▶ AIX 5L support
- ▶ Linux library support through AIX 5L
- ▶ Compile C, C++ programs WITHIN OS/400 PASE
- ▶ PTY, TTY support
- ▶ Support for launching JVM from OS/400 PASE

OS/400 PASE now supports an expanded application development environment. It has additional installation support and use of the IBM VisualAge C++ Professional for AIX V6 (5765-F56) and IBM C for AIX V6 (5765-F57) compiler programs. These compilers can be installed and used in OS/400 PASE, eliminating the need to compile OS/400 PASE applications on a separate AIX system.

OS/400 PASE programs can now also launch the iSeries integrated JVM. Conversely, the iSeries integrated JVM supports native methods implemented as procedures in an OS/400 PASE executable. It is easier to port AIX applications that use a combination of Java and C/C++ code to OS/400 PASE.

## **IBM Print Services Facility (5722-SS1 Options 36, 37, 38)**

IBM Print Services Facility™ for OS/400 (PSF/400) provides support for high-function Advanced Function Presentation (AFP) electronic printing and print management of Intelligent Printer Data Stream (IPDS) printers. With AFP, application output can be transformed into fully graphical documents with electronic forms, image, graphics, barcoding, lines, boxes, and text in a wide variety of fonts. This flexibility enables the production of electronic documents that are more effective, and enables the re-engineering of business processes.

Documents and reports can be produced using a variety of enabling tools, including Infoprint Designer for iSeries (5733-ID1). Other enabling tools include OS/400 printer file keywords (for front and back overlays, N-up, and duplex), DDS printer files, iSeries page and form definitions, Advanced Print Utility (APU), and AFP Toolbox. Output created by network and client applications can be transformed to AFP, and, therefore, managed by PSF/400 to IPDS printers.

OS/400 Version 5 includes capabilities (via Infoprint Server for iSeries) to handle PCL, PostScript, and PDF output with PSF/400 print management.

PSF/400 is the OS/400 subsystem driving the interactive management of IPDS printers. IPDS is a bidirectional print architecture that ensures that the printing process can be managed every step of the way. When an OS/400 writer is started to an IPDS printer, PSF/400 provides these services:

- ▶ Establishes communication and query printer capabilities and status
- ▶ Manages overlay, image, and font resources required in the printer
- ▶ Transforms the iSeries spooled file (from AFP, IPDS, or SCS) into a printer-specific IPDS data stream
- ▶ Manages the print process, including handling error conditions and managing error recovery down to the page level

The net effect of this level of print management is to ensure each page of each spooled file is printed completely and accurately. PSF/400 enables all parameters of the printer file and all DDS print keywords (subject to printer limitations). IPDS printing takes on added significance across the network. TCP/IP print support is more limited than traditional iSeries print management. The Send Network Spooled Files (SNDNETSPLF) command (LPR in TCP/IP terminology) simply sends a spooled file with limited instructions and no feedback as to whether it was received and printed correctly.

Applying IPDS to a TCP/IP network restores the same level of print support (as described above) as twinaxial-connected printers. This includes sending standard SCS spooled files across the network.

To create an IPDS printer on the system, you must (after specifying the device type as IPDS) specify AFP(\*YES) in the printer device description. Any printer defined as Type(\*IPDS) and AFP(\*YES) needs PSF/400. Twinaxial connected IPDS printers can be defined as AFP(\*NO) and, therefore, do not require PSF/400. Regardless of connection type, AFP(\*NO) means that there is no AFP resource management for fonts, images, or overlays. All IP-connected IPDS printers must be configured with AFP(\*YES) and, therefore, require PSF/400.

The PSF feature of OS/400 required is based on the speed of the fastest printer measured in impressions per minute (IPM), not by your CPU size. The number of printers does not matter. The speed of the fastest printer does.

The OS/400 option number associated with each tier is represented in the following table.

Option number	Feature description
36	1 to 45 IPM
37	1 to 100 IPM
38	Any speed printer support

An unlimited number of printers within each tier is supported.

IBM Print Services Facility (5722-SS1 Options 36, 37, 38)	
Included in base	No
Status	Charged feature/keyed stamped media
Related products	Advanced Function Printing Utilities (5722-AF1) Infoprint Designer for iSeries (5733-ID1) iSeries Facsimile Support (5722-FAX) Infoprint Server for iSeries (5722-IP1) IBM AFP Font Collection (5648-B45) IBM Infoprint Fonts (5648-E77)
Further information	<a href="http://www.printers.ibm.com/internet/wwsites.nsf/vwwebpublished/psfhome_i_ww">http://www.printers.ibm.com/internet/wwsites.nsf/vwwebpublished/psfhome_i_ww</a>

### New with V5R3

Print Services Facility for OS/400 (PSF/400) is the integrated AFP system manager and Intelligent Printer Data Stream (IPDS) printer driver for the iSeries servers. V5R3 brings significant fundamental enhancements to the iSeries output architecture. These changes include:

- ▶ Continued Unicode implementation
- ▶ Support for TrueType and OpenType fonts
- ▶ Capabilities to import network standard image and graphic formats directly into iSeries documents
- ▶ Enhanced support for full color

Both OS/400 and PSF/400 are enhanced to add these functions. The net result is an output architecture supporting a much broader range of document content and function.

- ▶ PSF/400 V5R3 also provides support for new iSeries printers.
- ▶ Print Services Facility implements phase II of Unicode. Unicode is the emerging text encoding standard that uses an expanded 16-bit data address to represent nearly all of the characters in the all the world's languages in one

interface. Phase II of the Unicode comprises most of the world's languages except those that require complex text support. With Unicode, applications that require multiple languages are greatly simplified.

- ▶ Prior to V5R3, iSeries documents used EBCDIC-encoded AFP fonts. TrueType and OpenType fonts are ASCII-encoded and represent the standard in many personal, network, and UNIX environments. With V5R3, TrueType and OpenType fonts can be specified directly in iSeries output. These fonts can be cataloged in the IFS and referenced with the FONTNAME keyword.

The Infoprint Fonts product (5648-E77) has a font installer program that enables simple installation of TrueType and OpenType fonts. AFP, TrueType, and OpenType fonts can be intermixed on the same page. The ability to use TrueType and OpenType fonts greatly expands the universe of fonts available for iSeries applications while providing for flexibility and consistency among various organization documents.

- ▶ Full color and image capabilities are significantly extended with V5R3. Full process color debuted in V5R2 with the implementation of high-resolution, highly-compressed AFP color (called IOCA Function Set 45, or FS45, of the AFP image object architecture). With V5R3, PSF/400 supports the new OS/400 capabilities to import network or Web standard graphics objects directly into iSeries documents. These graphic or image object types reside on the IFS and are referenced with the AFPRSC keyword. The ASCII formats supported are:
  - JFIF (JPEG File Image Format, commonly referred to as JPEG)
  - TIFF (Tag Image File Format)
  - EPS (Encapsulated Postscript)
  - EPSTR (EPS with transparency)
  - PDFSPL (PDF single page)
  - PDFSPOTR (PDF single page with transparency)
  - PCLPO (PCL page object)

The AFP objects types that can be imported directly from the IFS are:

- BCOCA™ (AFP barcode object)
- GOCA (AFP graphics object)
- IOCA (AFP image object)

These object types are stored in a new structure within the AFP data stream called an object container. Object containers support a mixture of EBCDIC and ASCII-encoded data within the same document or report.

- ▶ Document content within object containers also integrates with the PDF services support in Infoprint Server for iSeries (5722-IP1). For example, a full color logo can be pulled directly from an IFS directory into an iSeries document then passed to Infoprint Server and converted into PDF for distribution.

- ▶ Support for the following iSeries printers (as IPDS printers) is added with PSF/400 V5R3:
  - IBM Infoprint 1312 Printer
  - IBM Infoprint 1332L Printer
  - IBM Infoprint 1354 Printer
  - IBM Infoprint 1354L Printer
  - IBM Infoprint 1372 Printer
  - IBM Infoprint Color 1354L Printer
  - IBM Infoprint 2060ES Printer
  - IBM Infoprint 2075ES Printer
  - IBM Infoprint 2090ES Printer
  - IBM Infoprint 2105ES Printer
  - IBM 4247 IPDS

## OS/400 High Availability Switchable Resources (5722-SS1 Option 41)

OS/400 High Availability (HA) Switchable Resources provides the capability to achieve a highly available environment using switchable resources. The resources are physically switched between systems so that only one copy of the resource is required.

High Availability Switchable Resources (5722-SS1 Option 41)	
Included in base	No
Status	Charged feature Keyed - Yes
Related products	
Further information	<a href="http://www-1.ibm.com/servers/eserver/series/ha/clustertech.htm">http://www-1.ibm.com/servers/eserver/series/ha/clustertech.htm</a>

Option 41 includes support for:

- ▶ **Switchable IASPs:** Allow you to move the data to a backup system to keep the data constantly available. The data is contained in a collection of switchable disk units such as an I/O tower.
- ▶ **IBM Simple Cluster Management GUI:** Allows you to create and manage a simple four-node, switched disk cluster. The utility includes wizards and help text that simplify the tasks involved in and managing the cluster.

To define switchable IASPs or to use the IBM Cluster Management Utility, OS/400 Option 41, HA Switchable Resources is required.

## OS/400 High Availability Journal Performance (5722-SS1 Option 42)

For V5R2, there are several improvements and additions to journal management. For the most demanding high-availability clustering environments supported by our high availability Business Partners, Journal Standby Mode and Asynchronous Journaling capabilities enable faster failover and reduce performance bottlenecks. Both the Journal Caching feature and the Journal Standby feature are provided by installing OS/400 option 42.

OS/400 - High Availability Journal Performance (5722-SS1 Option 42)	
Included in base	No
Status	Charged feature Keyed - Yes
Related products	
Further information	

### Journal Caching feature

The Journal Caching feature was available as PRPQ 84486 before V5R2 and is now a standard orderable feature in V5R2. This feature allows batch applications to substantially reduce the number of synchronous disk write operations performed, thereby reducing overall elapsed batch execution time.

Journal Caching provides significant performance improvement for batch applications that perform large numbers of add, update, or delete operations against journaled objects. Applications using commitment control see less improvement (commitment control already performs some Journal Caching). Journal caching is especially useful for situations where journaling is being used to enable replication to a second system.

**Important:** We recommend that you do *not* use Journal Caching if it is unacceptable to lose any recent change in the event of a system failure where the contents of main memory are not preserved. This type of journaling is directed toward batch jobs. It may not be suitable for interactive applications where single system recovery is the primary reason for using journaling.

### Journal Standby feature

You may want to put a journal in standby state if the journal is on a backup system. By having the journal in standby state, a switchover to the target system can be accomplished more quickly because all objects on the backup system can be journaled, therefore allowing the switchover processing to skip the costly step of starting journaling for all objects. At the same time, the backup system does



not incur the overhead of journaling because most journal entries are not deposited when the journal is in standby state.

Using commitment control is not allowed while in \*STANDBY state.

### Suggested reading

You can find more information about backup and recovery and learn which journal entries are allowed to be deposited in these states in the iSeries Information Center at:

<http://www.iseries.ibm.com/infocenter>

## Supported upgrade paths

The following table identifies software upgrade paths supported for OS/400.

From:	To:	V5R1	V5R2	V5R3
V3R2				
V4R1				
V4R2				
V4R3				
V4R4		X		
V4R5		X	X	
V5R1			X	X
V5R2				X

**Note:** OS/400 V4R5 is the last release to offer single step CISC-to-RISC upgrade capabilities from V3R2. For single step CISC-to-RISC upgrades from V3R2, the Enhanced Upgrade Assistant (5798-TBU) is now *withdrawn from marketing* (8 January 2003). Refer to *AS/400 Road Map for Changing to PowerPC Technology*, SA41-5150.

## OS/400 single step upgrades

Single step RISC-to-RISC upgrades are supported as normal upgrade procedures. You can find instructions in the software installation publication that corresponds to the release.

If a new RISC iSeries server replaces an existing RISC iSeries server, order #0205 RISC-to-RISC Data Migration against the hardware to restrict the preload of all software except SLIC and the basic functions of OS/400. This allows the remaining libraries to be migrated from the existing system to the new system.

## Current release to previous release support

The following table indicates which target release can be specified when compiling or saving objects on a given OS/400 system.

Values for the TGTRLS parameter			
Current OS/400 release	*Current	*PRV	Other valid values
V5R3	V5R3	V5R2	V5R1
V5R2	V5R2	V5R1	V4R5
V5R1	V5R1	V4R5	V4R4
V4R5	V4R5	V4R4	V4R3, V4R2, V3R2
V4R4	V4R4	V4R3	V4R2, V3R2
V4R3	V4R3	V4R2	V4R1, V3R7, V3R2
V3R7	V3R7	V3R6	V3R2, V3R1, V3R0M5



## Software terms

This section discusses software migration, upgrade paths, previous release support, software maintenance, terms and conditions, and software upgrades.

Software on iSeries servers is priced in one of three ways:

- ▶ Processor based by the grouping of processors into one of seven tiers
- ▶ By the number of processors on which the software is running
- ▶ By the number of users

Processor-based software is grouped into seven groups: P05, P10, P20, P30, P40, P50, and P60. Each server is placed into a group based on its processor and, for older models, its 5250 Commercial Processing Workload (CPW) feature. Software pricing is then based on this group for that server. Each server in the hardware section has a software group indicated.

Some Software products are chargeable by the number of processors on which the software is running, rounded up to the nearest processor. If the number of processors is increased, by Capacity Upgrade on Demand (CUoD) for example, an additional charge becomes payable.

User-based pricing depends on the number of actual active users using that software on a system. Keyed software where user pricing is required needs a software key for the “base” license and for the allowed number of users. In some cases, after purchasing a certain amount of licenses in a particular software group, the user is then entitled to unlimited use of that software on that system.

Where user pricing is applicable, the terms of use are stated in the respective chapters.

## Software Maintenance for iSeries

Software Maintenance for iSeries (SWMA) is a processor group priced offering that provides entitlement to new versions and releases of Operating System/400 (OS/400) and selected iSeries Licensed Program Products (LPP) and provides access to IBM world class iSeries software support services for assistance with routine, short duration installation and usage (how-to) questions, and code-related problems. The eligible Software Maintenance products are listed on the Web at:

<http://www-1.ibm.com/servers/eserver/series/sfts01/subscript3.htm>

In addition to being able to acquire support during normal business hours, SWMA customers are entitled to receive severity-1 assistance 24 hours a day, every day.

Each newly configured iSeries system includes one year of SWMA with an associated charge. This may be upgraded to a three-year coverage period. For an additional fee, active U.S. Software Maintenance for iSeries customers can add a 24 x 7 all-severity support option.

This option consists of:

- ▶ Access to IBM remote technical software support, regardless of severity, 24 hours per day, seven days per week
- ▶ Processor-based pricing at a single price per system

## Software license and upgrades

With the one- or three-year Software Maintenance option included for a price with every new iSeries purchase, customers are entitled to order future versions and releases for eligible software products during the period they are covered by Software Maintenance. At renewal time, the customer is required to purchase Software Maintenance for iSeries to maintain their entitlement to future versions and releases of eligible products they are licensed for.

Failure to renew makes a customer ineligible to receive new versions, releases, or updates. The customer becomes liable for an After License fee in addition to the applicable Software Maintenance for iSeries offering charge when renewal of

Software Maintenance eventually takes place. The customer *must* ensure that renewals are on a timely basis to avoid this After License Fee.

The pricing structure for Software Maintenance for iSeries is based on the software group within which the covered system is contained.

The Software Subscription for iSeries offerings were *withdrawn from marketing* 31 July 2003. They are replaced by this new Software Maintenance for iSeries offering. Existing Software Subscription for iSeries contracts are honored through to their renewal date. Software Subscription for iSeries customers who let their contract lapse, and later want to re-establish their coverage, are subject to a Software Maintenance After License Fee in addition to Software Maintenance for iSeries offering charges.

Products that are not listed within the eligible Software Maintenance for iSeries products table have software upgrade entitlement and support available via Passport Advantage. This is an IBM program that covers software license acquisition and maintenance options under a single common set of agreements, processes, and tools. Using Passport Advantage Online, IBM Clients can submit contact updates, view purchase history, and more.

You can find full details about Passport Advantage on the Passport Advantage Home page at:

[http://www.lotus.com/services/passport.nsf/WebDocs/Passport\\_Advantage\\_Home](http://www.lotus.com/services/passport.nsf/WebDocs/Passport_Advantage_Home)

## **New with V5R3**

OS/400 is included with iSeries systems and licensed under the International Program License Agreement (IPLA). OS/400 Version 5 is software keyed to the designated serial number of the machine where it is initially installed. OS/400 Version 5 is licensed to operate on only that serial number machine and may not be moved or transferred from one machine to another except in an emergency backup situation.

There is a per-processor charge, which applies when running OS/400 on iSeries Models 520, 570, 800, 810, 825, 870, and 890 (processors #2497 and #2498 only). These terms do not apply to Model 890 systems with #0197, #0198, #2487, or #2488 feature processor cards.

Terms are not changed for OS/400 running on other models of iSeries or AS/400e servers.

For Models 520, 570, 800, 810, 825, 870, and 890 (processors #2497 and #2498 only), OS/400 is priced based on the number of processors actually using

OS/400 on the system. If Linux or AIX 5L is run on a n-way system, an OS/400 license may not be required for the standby processors in the secondary partition.

The number of processors that need an OS/400 license entitlement are the aggregation of all processors, including partial shares of a processor, across all partitions of a single system where OS/400 is used, rounded up to the next highest whole number. Customers must license based on what the iSeries is configured to use, the dedicated and capped partitions, and the virtual processor quantity for uncapped partitions. If large Virtual Processor quantities are configured for uncapped partitions, IBM does not require OS/400 licensing for processors larger than the number of processors in a system.

Each IBM @server iSeries Edition feature includes the quantity of OS/400 processor licenses for the startup processors of the hardware model, for example:

- ▶ A uni-processor Model 520 with the IBM @server iSeries Standard or Enterprise Edition includes one OS/400 processor license entitlement.
- ▶ A Model 570 2/4-way system with the Standard or Enterprise Edition includes two OS/400 processor license entitlements.

When upgrading from a previous AS/400e or iSeries model to Models 520, 570, 810, 825, 870, or 890 (processors #2497 and #2498 only), one of either the Standard or Enterprise Edition feature must be selected. If a software version or release upgrade of OS/400 is needed to support the hardware upgrade, a current Software Subscription or Software Maintenance contract for the system is required, or an After License Fee paid and the Software Maintenance contract acquired for the system.

When upgrading Models 520, 570, 800, 810, 825, 870, or 890 (processors #2497 and #2498 only), the hardware upgrade includes a quantity of OS/400 processor license entitlements. For example, customers with the server package on a 3/6-way system upgrading to an 8/16-way system receive an additional five OS/400 processor license entitlements (startup to startup) for no additional charge as a part of the hardware upgrade. In this example, the startup quantity of the “from” system is three and the startup quantity of the “to” system is eight. The hardware upgrade includes five OS/400 processor license entitlements so that after the upgrade, there are license entitlements for all of the startup processors.

Activating standby processors requires that a processor license entitlement for OS/400 be acquired, if OS/400 is run on any fraction of the standby processor. If a standby processor that only uses the Linux operating system is activated, an OS/400 license entitlement is not necessary. A model-to-model per processor upgrade charge applies to OS/400 license entitlements for standby processors.

Software License Manager/400 (SLM/400) assists in license compliance by counting the number of processors using OS/400 and comparing this level of use to the usage limit in the Work License Information (WRKLCINF) interface. If the license entitlement is exceeded, additional OS/400 processor licenses must be acquired, or the configuration of the system must be changed to run OS/400 only on the quantity of processors licensed. A software license key for OS/400 must be entered for continued use past 70 days. This software license key is preloaded by IBM on new iSeries hardware purchases.

A Proof of Entitlement (POE) document may not be shipped with software as proof of a valid license. Otherwise an Electronic Proof of Entitlement (ePoE) is available from the Web. See “OS/400 terms and conditions changes” on page 498 for a full description of this.

In the event that the designated system is transferred (or sold), OS/400 must transfer with it. Notify the receiving party of the program's terms, and provide the POE, LID, IPLA, and Software License Key Sheet documents for OS/400 to the purchaser. IBM licenses the receiving party when that party accepts the program's license terms by initial use of the program. Your OS/400 license is then terminated. When OS/400 is transferred with the system, the bonus programs are also transferred.

When ordering upgrades to software licensed under the IPLA, such as OS/400, provide a copy of the POE to your IBM Representative or IBM Business Partner to validate the license to the software.

To operate on the system with the designated serial number, OS/400 Version 4 or later requires a unique software key supplied by IBM. This is an 18-character alphanumeric code that allows a software product or feature to be used on a specific iSeries server. The OS/400 software key is preloaded by IBM on new iSeries server purchases.

In the case of a hardware upgrade to a Version 5 server or a software-only upgrade to an OS/400 Version 5 release, the OS/400 software key provided by IBM should be entered at the time of installation. However, the system and software operate for 70 days without the software key. During those 70 days, the system generates daily warning messages requesting that the customer obtain and enter an OS/400 software key from IBM. The first IPL requested after 70 days requires a valid OS/400 software key to complete the successfully.

For software-only OS/400 Version 5 orders, the OS/400 License Authorization Code is ordered from IBM. Contact your IBM Representative or IBM Business Partner for ordering information.

Many of the program products and optional features also require a software key to function. These are all included in the Keyed Stamped Media distribution.

## OS/400 terms and conditions changes

Note the following changes to the terms and conditions for OS/400:

► Online software agreements

In V5R3, it is a system requirement that online software agreements are accepted for the Licensed Internal Code (LIC) and OS/400 operating system. On software upgrades, this is through the Prepare for Install menu. If these software agreements are not accepted, the upgrade of LIC cannot continue. Any other programs that have software agreements must also be accepted before they are upgraded to V5R3.

Software agreements can be accessed from the WRKSFWAGR command.

► Electronic Proof of Entitlement

With V5R3, the following products have ePoE, which replaces the printed POE that shipped in the past.

Product	OS/400 option
Operating System	5722-SS1
Media and Storage Extensions	5722-SS1 Opt.18
OptiConnect	5722-SS1 Opt. 23
DB2 Symmetric Multiprocessing	5722-SS1 Opt. 26
DB2 Multisystem	5722-SS1 Opt. 27
PSF/400 1-45 IPM Printer Support	5722-SS1 Opt. 36
PSF/400 1-100 IPM Printer Support	5722-SS1 Opt. 37
PSF/400 Any Speed Printer Support1	5722-SS1 Opt. 38
High Availability (HA) Switchable Resources	5722-SS1 Opt. 41
HA Journal Performance	5722-SS1 Opt.42
Cryptographic Access Provider 128-bit for iSeries	5722-AC3
Advanced Function Printing Utility	5722-AF1
Advanced DBCS Printer Support for AS/400	5722-AP1
Backup, Recovery, and Media Services (BRMS) for iSeries	5722-BR1
Cryptographic Access Provider 128-bit	5722-CE3
Communications Utilities for iSeries	5722-CM1
Connect for iSeries V2.0	5733-CO2



<b>Product</b>	<b>OS/400 option</b>
Cryptographic Support for AS/400	5722-CR1
System/38 Utilities	5722-DB1
DB2 Universal Database (UDB) Extenders for iSeries V8	5722-DE1
CICS® for iSeries	5722-DFH
Business Graphics Utility for AS/400	5722-DS1
DB2 DataPropagator 7.2	5722-DP4
Facsimile Support for iSeries	5798-FAX
Domino Fax for iSeries	5733-FXD
Infoprint Designer for iSeries	5733-ID1
Grid Toolbox for iSeries	5733-GT1
Infoprint Server for iSeries	5722-IP1
Advanced Job Scheduler for iSeries	5722-JS1
DB2 Universal Database (UDB) Express Server Edition for Linux as available with iSeries Enterprise Editions	5722-LD1
Managed System Services for iSeries	5722-MG1
Application Program Driver for AS/400	5722-PD1
WebSphere Portal - Express Plus V5.0.2 for iSeries as available with iSeries Enterprise Editions (5733-ED1)	5733-PE1
Performance Tools	5722-PT1
Query for iSeries	5722-QU1
System Manager for iSeries	5722-SM1
DB2 Query Management and SQL Developers Kit for iSeries	5722-ST1
Tivoli Monitoring for Web Infrastructure as available with iSeries Enterprise Editions	5733-TMW
WebSphere Development Studio for iSeries as available with iSeries Enterprise Editions	5722-WDS
Web Enablement	5722-WE1
XML Toolkit for iSeries	5733-XT1
Client Access Windows Family	5722-XW1

An ePoE is created for new software orders for which entitlement is purchased at Version 5 Release 1, 2, or 3. To access an ePoE, you must register first at this site to receive a Web ID:

<http://www.ibm.com/account/registration/selfreg>

After you receive the Web ID, you can access the ePoE and software key from the following Web site:

<http://www.ibm.com/software/lms>

You access ePoE and software key data to view and print, transfer to another system, or update customer information about which the product is installed.

For V5R1 and V5R2 products purchased prior to 11 June 2004, the capability to transfer those products outside the enterprise will continue to require a hardcopy POE. For those purchased after 11 June 2004, an ePoE is available. When a product is upgraded, destroy the original IBM-printed POE.

For the V5R3 products mentioned, these programs are not transferable to another party outside of the enterprise and its subsidiaries (where a subsidiary is more than 50% owned by the enterprise).

## Keyed Stamped Media Distribution

Many OS/400 product features are available on Keyed Stamped Media shipped with OS/400. This provides on demand delivery of these products and features and allows a 70-day evaluation period for any of the provided products or features. To use the software distributed on the Keyed Stamped Media after the 70-day evaluation period, the software license must be ordered and a software key is created. Contact your IBM Representative or IBM Business Partner for ordering information.

New software license keys are required when the version, release, or modification level of the software changes, or the software is transferred to a different system. Some software is keyed based on the software group. A new software key must be obtained when the software group changes.

**Note:** When ordering software license keys for the iSeries 720, 730, 740, and newer models, the Processor Feature code that is used is displayed in the QPRCFEAT system value or in the Hardware Service Manager report.

If a keyed product or feature is to be upgraded, the current Proof of Entitlement or the invoice must be provided to your IBM Representative or IBM Business Partner as proof of license.

## Keyed Stamped Media Distribution for V5R3

The following products are included with the standard set for every software or upgrade order.

- ▶ **5722-SS1** IBM i5/OS
  - Option 18 Media and Storage Extensions
  - Option 36 Print Services Facility 1-45 IPM Printer Support
  - Option 37 Print Services Facility 1-100 IPM Printer Support
  - Option 38 Print Services Facility Any speed Printer Support
  - Option 41 High Availability Switchable Resources
  - Option 42 High Availability Journal Performance
- ▶ **5722-AF1** AFP Utilities for iSeries
- ▶ **5722-AP1** Advanced DBCS Printer Support for iSeries
  - Option 1 Advanced DBCS Printer Support - IPDS
- ▶ **5722-BR1** Backup Recovery and Media Services for iSeries
  - Option 1 - Network
  - Option 2 - Advance
- ▶ **5722-CM1** Communication Utilities for iSeries
- ▶ **5722-DE1** DB2 Universal Databases Extenders for iSeries V7.2
- ▶ **5722-DP4** DB2 DataPropagator for iSeries V8.1
- ▶ **5722-IP1** Infoprint Server for iSeries
- ▶ **5722-JS1** Advanced Job Scheduler for iSeries
- ▶ **5722-PT1** Performance Tools for iSeries
  - Option 1 - Manager
  - Option 2 - Agent
- ▶ **5722-QU1** Query for iSeries
- ▶ **5722-ST1** DB2 Query Manager and SQL Development Kit for iSeries
- ▶ **5722-WDS** WebSphere Development Studio
- ▶ **5722-XH2** iSeries Access for Web
- ▶ **5722-XW1** iSeries Access
  - Option 1 - iSeries Access Enablement Support

## Software keys and guidance for LPAR system upgrades

Customers running logical partitioning (LPAR) may have more than one version or release of a software product on the same iSeries server. Version and release upgrades are acquired via Software Maintenance for customers running in LPAR just as they are for customers without LPAR.

It is now possible at V5R2 and V5R3 to order additional primary languages for use in a partitioned iSeries which has multiple languages. This is supported by the following feature codes.

Language	V5R2	V5R3
Dutch	8023	8123
English U/L SBCS	8024	8124
Danish	8026	8126
French	8028	8128
German	8029	8129
Spanish	8031	8131
Italian	8032	8132
Swedish	8037	8137
English U/C DBCS	8038	8138
German	8039	8139
Japanese	8062	8162
English U/L DBCS	8084	8184
Korean	8086	8186
Traditional Chinese	8087	8187

Customers who perform both a software group upgrade and a release upgrade at the same time must also perform the software group upgrade for the current product version and release, and then upgrade the release to the desired level. The necessary keys are sent automatically with this method.

Customers who perform a software group upgrade following a software release upgrade must contact the software key center to request necessary back level keys at the higher software group level. Ensure that the software key center is informed that it is an LPAR system. Customers with an LPAR system are entitled

to keys for the latest version and release they own and for any earlier version and release.

When calling the software key center, the customer should have their:

- ▶ IBM customer number
- ▶ Specific product and feature information for requested software keys
- ▶ If available, incomplete Software Key Sheet shipped with their software order
- ▶ The POE document (or IBM invoice for the software product)
- ▶ Hardware serial number for the system about which they are calling

Temporary software keys (40-day usage) are provided if a permanent software key cannot be provided due to entitlement or other problems requiring an IBM Business Partner or IBM Representative support to correct.

Key center contact information			
Site	Hours	Telephone number	e-mail address
U.S.A	Monday to Friday 06:00 to 17:00 MST	1-800-446-8989 1-303-924-4671 Fax: 1-303-924-9644	<a href="mailto:uskeys@dk.ibm.com">uskeys@dk.ibm.com</a>
Canada	Monday to Thursday 09:00 to 18:00 Eastern Time Friday 09:00 to 17:00 Eastern Time	1-800-426-2255 1-905-316-0323  Fax: 1-905-316-5267	<a href="mailto:swkeys@ca.ibm.com">swkeys@ca.ibm.com</a>
Asia Pacific South	08:30 to 17:00	61-2-9951-9629 1-800-812-894 (Australia only) Fax: 61- 2-9951-9791 and 1-800-650-434 (Aus. only)	<a href="mailto:keys@au1.ibm.com">keys@au1.ibm.com</a>
Japan	09:00 to 17:30 Japan Time	81-46-215-6808 Fax:81-462-74-4714	<a href="mailto:E20721@jp.ibm.com">E20721@jp.ibm.com</a>
Austria	08:00 to 23:00 Central European Time	0800-291461 Fax: +45 48 14 03 91	<a href="mailto:dekeys@dk.ibm.com">dekeys@dk.ibm.com</a>
Belgium	08:00 to 23:00 Central European Time	0800-738-21 0800-716-04 Fax: +45 48 14 03 91	<a href="mailto:bn1keys@dk.ibm.com">bn1keys@dk.ibm.com</a>
Denmark	08:00 to 23:00 Central European Time	80-32-16-19 Fax: +45 48 14 03 91	<a href="mailto:nordkeys@dk.ibm.com">nordkeys@dk.ibm.com</a>
Finland	08:00 to 23:00 Central European Time	0800-1-145 66 Fax: +45 48 14 03 91	<a href="mailto:nordkeys@dk.ibm.com">nordkeys@dk.ibm.com</a>

Key center contact information			
Site	Hours	Telephone number	e-mail address
France	08:00 to 23:00 Central European Time	0800-910-212 Fax: +45 48 14 03 91	<a href="mailto:frkeys@dk.ibm.com">frkeys@dk.ibm.com</a>
Germany	08:00 to 23:00 Central European Time	0800-1817683 Fax: +45 48 14 03 91	<a href="mailto:dekeys@dk.ibm.com">dekeys@dk.ibm.com</a>
Ireland	08:00 to 23:00 Central European Time	1-800-554-507 Fax: +45 48 14 03 91	<a href="mailto:ukkeys@dk.ibm.com">ukkeys@dk.ibm.com</a>
Italy	08:00 to 23:00 Central European Time	800-876319 Fax: +45 48 14 03 91	<a href="mailto:itkeys@dk.ibm.com">itkeys@dk.ibm.com</a>
Luxembourg	08:00 to 23:00 Central European Time	0800-2250 (French) Fax: +45 48 14 03 91	<a href="mailto:bnlkeys@dk.ibm.com">bnlkeys@dk.ibm.com</a>
Netherlands	08:00 to 23:00 Central European Time	0800-022-3305 Fax: +45 48 14 03 91	<a href="mailto:bnlkeys@dk.ibm.com">bnlkeys@dk.ibm.com</a>
Norway	08:00 to 23:00 Central European Time	80-01-00-62 Fax: +45 48 14 03 91	<a href="mailto:nordkeys@dk.ibm.com">nordkeys@dk.ibm.com</a>
Poland	08:00 to 23:00 Central European Time	00800-4511308 Fax: +45 48 14 03 91	<a href="mailto:eastkeys@dk.ibm.com">eastkeys@dk.ibm.com</a>
Portugal	08:00 to 23:00 Central European Time	080-084-5770 Fax: +45 48 14 03 91	<a href="mailto:ibekeys@dk.ibm.com">ibekeys@dk.ibm.com</a>
South Africa	08:00 to 23:00 Central European Time	0800-994-407 Fax: +45 48 14 03 91	<a href="mailto:ukkeys@dk.ibm.com">ukkeys@dk.ibm.com</a>
Spain	08:00 to 23:00 Central European Time	900-994-547 Fax: +45 48 14 03 91	<a href="mailto:ibekeys@dk.ibm.com">ibekeys@dk.ibm.com</a>
Sweden	08:00 to 23:00 Central European Time	020-798-456 Fax: +45 48 14 03 91	<a href="mailto:nordkeys@dk.ibm.com">nordkeys@dk.ibm.com</a>
Switzerland	8:00 to 23:00 Central European Time	0800-787371 Fax: +55 11 885 2263	<a href="mailto:dekeys@dk.ibm.com">dekeys@dk.ibm.com</a>
United Kingdom	08:00 to 23:00 Central European Time	0800-965-441 Fax: +45 48 14 03 91	<a href="mailto:ukkeys@dk.ibm.com">ukkeys@dk.ibm.com</a>
Other countries (regions) including Europe, Middle East, Africa, Latin America	08:00 to 23:00 Central European Time	+45-48-14-03-91 Fax: +45 48 14 03 91	<a href="mailto:eastkeys@dk.ibm.com">eastkeys@dk.ibm.com</a>

For more information about key centers, see:

<http://www.ibm.com/servers/eserver/series/wkms>



## **IBM licensed programs: Database accessories**

DB2 Universal Database (UDB) for iSeries is the relational database manager that is fully integrated on your iSeries server. Because it is integrated, DB2 UDB for iSeries is easy to use and manage. DB2 UDB for iSeries embodies flexibility through the support of its traditional database interface along with enhancing the Structured Query Language (SQL)-based database required by today's Enterprise Application Systems.

Multiple databases are now supported on an iSeries server through the use of independent disk pools. You can manage all of the databases on the server using iSeries Navigator. DB2 UDB provides databases access from client interfaces such as Linux partitions and Windows systems.

This chapter describes the accessories available from IBM to complement the IBM i5/OS integrated database.

Product name	Product number	Refer to page
DB2 OLAP Server™ for iSeries, V8.1	5724-B78	506
IBM System/38 Utilities for AS/400	5722-DB1	518
IBM DB2 Universal Database Extenders for iSeries V7.2	5722-DE1	525
IBM DB2 DataPropagator for iSeries, V8.1	5722-DP4	509
IBM DB2 Warehouse Manager V8	5724-E66	517
DB2 QMF Distributed Edition V8.1 for Multiplatforms	5724-E86	516
DB2 Spatial Extender Version 8	5765-F40	519
DB2 Table Editor for iSeries V4.3	5697-G84	521
IBM DB2 Web Query Tool for iSeries V1.3	5697-G85	523
IBM DB2 UDB Workgroup Server Edition	5733-LD1	527
IBM Query for iSeries	5722-QU1	511
IBM DB2 Query Manager and SQL Development Kit for iSeries	5722-ST1	513

The following database accessory products are part of the iSeries Access Family (5722-XW1):

- ▶ iSeries Access for Windows (5722-XE1) delivers an iSeries Open Database Connectivity (ODBC) driver and OLE DB provider for accessing DB2 for iSeries. It also provides an end-user graphical user interface (GUI) and ActiveX Automation Objects, for uploading PC data to DB2 for iSeries or downloading DB2 for iSeries data to the PC.
- ▶ iSeries Access for Web (5722-XH2) delivers an end-user GUI for uploading or downloading DB2 UDB for iSeries data. It also provides the capability to download database information to a PC browser or spreadsheet, and to convert it to Portable Document Format (PDF) or Extensible Markup Language (XML) format.

Refer to Chapter 29, “IBM Eserver iSeries Access products” on page 615, for a description of these products.

## DB2 OLAP Server for iSeries V8.1 (5724-B78)

The DB2 OLAP Server for iSeries V8.1 program is based on Hyperion Essbase 6.5. It integrates several enhancements from Hyperion Essbase 6.2 and 6.1,



which are available to DB2 OLAP Server for AS/400, V7.1 customers via fix packs. In addition, the OLAP Miner feature is included in DB2 OLAP Server for iSeries V8.1.

### Hybrid analysis for cube scalability

DB2 OLAP Server for iSeries can access lower-level data in a relational database in a seamless way. It improves:

- ▶ Scalability of the cube
- ▶ Relational drill-through

The Hybrid Analysis function in DB2 OLAP Server V8.1 has essentially extended the online analytical processing (OLAP) Server. It has moved from a multidimensional OLAP (MOLAP), which delivers excellent query performance to a hybrid OLAP (HOLAP), which combines MOLAP with relational OLAP (ROLAP). This allows the OLAP application designer create cubes based on optimized query performance and data scalability.

DB2 OLAP Integration Server is required for data description tasks of Hybrid Analysis.


With DB2 OLAP Server for iSeries, V8.1, parallelism is extended to help exploit the modern hardware and to improve system performance and throughput.

### Integration server improvements

DB2 OLAP Integration Server is based on Essbase Integration Services 6.5.

IBM DB2 OLAP Server Miner is a no-charge feature of DB2 OLAP Server. OLAP Miner combines the powerful IBM data mining technologies with OLAP technologies.

DB2 OLAP Server for iSeries V8.1	
Product number	5724-B78
Minimum operating system level	V5R2
Availability	15 November 2002
Software type	Passport Advantage and Software Maintenance
Installation prerequisites	Refer to the announcement letter for prerequisites required for the client.



<b>DB2 OLAP Server for iSeries V8.1</b>	
Related products	ESSBASE-Ready ISV Products DB2 Data Warehouse Center and DB2 Warehouse Manager DB2 Intelligent Miner™ for Data
Client code	Packaged and delivered with server code separate from OS/400
Replaces product	DB2 OLAP Server for AS/400, Version 7.1 (5686-OLP)
Further information	<a href="http://www.ibm.com/software/data/db2/db2olap/">http://www.ibm.com/software/data/db2/db2olap/</a> <a href="http://publib.boulder.ibm.com/html/as400/infocenter.html">http://publib.boulder.ibm.com/html/as400/infocenter.html</a> <a href="http://www.redbooks.ibm.com">http://www.redbooks.ibm.com</a> <a href="http://www-1.ibm.com/servers/solutions/bi/iseries/">http://www-1.ibm.com/servers/solutions/bi/iseries/</a>

## Solutions and benefits

DB2 OLAP Server can be used for management, reporting, analysis, modeling, planning and data warehousing applications. Typical applications include Sales, Profitability, Market share, Supplier Analysis, Executive Information System (EIS), Financial consolidations, Budgeting, Forecasting, and Enterprise performance measurement.

Relational Storage Manager is included with DB2 OLAP Server. The optional features include:

- ▶ **Currency Conversion:** Converts financial data using any currency exchange rate scenario.
- ▶ **API:** Lets you use standard tools to create custom DB2 OLAP Server applications that take advantage of the powerful data storage, retrieval, and analytical capabilities.
- ▶ **Extended Spreadsheet Toolkit:** Includes more than 20 macros and Visual Basic functions, letting you build custom Lotus 1-2-3® or Microsoft Excel applications that tightly integrate with DB2 OLAP Server.
- ▶ **DB2 OLAP Server for iSeries Partitioning Option V8.1:** Provides a collection of powerful features that makes it easy to design and administer multidimensional databases (cubes or star schemas) that span OLAP applications or servers.
- ▶ **DB2 OLAP Server for iSeries Builder V8.1:** Builder assists in moving enterprise data to the AS/400 by transforming and simplifying online transaction data into meaningful information.
- ▶ **Data distribution:** Can distribute data from DB2 Distributed Relational Database Access (DRDA) data sources other than the AS/400, including DB2 UDB running on OS/390, AIX, and Windows NT.

Builders are available for:

- ▶ DB2, AIX, or MVS sources
- ▶ DB2 or Windows NT source
- ▶ Oracle or SQL Server sources
- ▶ Additional DB2 for iSeries sources
- ▶ Microsoft Access or Excel (no charge)
- ▶ Lotus Domino (no charge)


## IBM DB2 DataPropagator for iSeries V8.1 (5722-DP4)

DB2 DataPropagator for iSeries V8.1 provides read-only, update anywhere, and on demand replication between relational sources and targets. It consists of the following autonomous components and programs:

- ▶ **Administration:** New Replication Center (included with the DB2 Control Center in DB2 Connect™ Personal Edition)
- ▶ **Capture:** Captures changes made to data on replication sources
- ▶ **Apply:** Reads previously captured changed data and applies it to target tables

**Note:** IBM DB2 DataPropagator Version 7.1 for AS/400 (5769-DP3) is still available for earlier releases of the operating system.

IBM DB2 DataPropagator for iSeries, V8.1	
Product number	5722-DP4
Ordering	OS/400 software group-based
Minimum operating system level	V5R2
Program size	15 MB
HIPO	1035
Availability	30 August 2002
Software type	Software Subscription
Prerequisites	OS/400 V5R2 The Replication Center requires Windows



<b>IBM DB2 DataPropagator for iSeries, V8.1</b>	
Replaces products	IBM DB2 DataPropagator Version 7.1 for AS/400 (5769-DP3) IBM DB2 DataPropagator Relational for AS/400 V5.1 (5769-DP2) IBM DB2 DataPropagator Relational Capture and Apply OS/400 (5769-DP1)
Further information	<a href="http://www.ibm.com/software/data/dpropr/">http://www.ibm.com/software/data/dpropr/</a> <a href="http://publib.boulder.ibm.com/html/as400/infocenter.html">http://publib.boulder.ibm.com/html/as400/infocenter.html</a> <a href="http://www.redbooks.ibm.com">http://www.redbooks.ibm.com</a> <a href="http://www.ibm.com/software/data/dpropr/cmd/as400cmd.html">http://www.ibm.com/software/data/dpropr/cmd/as400cmd.html</a>

## Solutions and benefits

Companies need sophisticated information integration capabilities to view and analyze multiple aspects of their business. Replication provides the ability to share the same data among multiple locations or multiple business functions. Data replication can consistently deliver the right data, to the right people, at the right time allowing them to improve decision making, increase online throughput, improve data availability, and reduce application costs.

Data replication has proven value in these key application areas:

- ▶ Information integration
- ▶ Business intelligence (BI)
- ▶ e-business
- ▶ Enterprise Application Integration (EAI)
- ▶ Mobile computing

These areas are all characterized by the need to share access to data in a distributed computing environment. In addition to one-for-one copying of data from source to target, replication allows customers to combine data from multiple sources into a single target location for easy access or analysis.

## New with Version 8.1

The following enhancements are new with Version 8.1:

- ▶ Usability improvements
  - A new powerful GUI tool, the Replication Center
  - Greater control over what is captured for each registration
  - Greater control over recapturing data from replicas
  - Reorganization of change data tables and unit of work table upon controlled-end of capture

- ▶ Performance improvements
  - Fewer joins between replication tables
  - Optimal memory allocation: Capture keeps historical information for smarter decisions on memory allocation
  - Fewer updates for subscription sets with multiple members
  - Apply program optimizes processing if it has only one subscription set
- ▶ New functions
  - Allows multiple sets of Capture Control tables
  - Automated monitoring
  - On demand monitoring
  - Additional historical data in control tables
  - Long table names and column names
  - More frequent commits by the Apply program
  - Referential integrity for more types of target tables
  - New option for replicating changes to target-key columns
  - New signals to control the Capture program
  - More ways to set operational parameters for the Capture program
  - Rule enforcement
  - Migration utility
- ▶ Serviceability improvements
  - New trace facility for Apply program
  - Improved Replication Analyzer program

## IBM Query for iSeries (5722-QU1)

Query for iSeries is recommended for non-programming users of 5250-family workstations or remotely attached 3270-family Web links who must extract, display, and format reports containing data from the iSeries database, and merge resulting data into documents.

IBM Query for iSeries	
Product number	5722-QU1
Ordering	Shipped as a chargeable Licensed Program Offering (LPO) OS/400 software group-based Requires software key Included on the Distribution Keyed Media CD
Minimum i5/OS level	V5R3



IBM Query for iSeries	
Program size	8.5 MB
HIPO	1009
Availability	11 June 2004
Software type	Software Subscription (keyed media) 5733-SW1 or 5733-SW3 5733-SU1 or 5733-SU3 Software Support 5733-SX1 or 5733-SX3
Prerequisites	Any RISC model of the iSeries
Related product	IBM DB2 Query Manager and SQL Development Kit for iSeries (5722-ST1)
Replaces product	IBM Query for AS/400 (5769-QU1)
Further information	<a href="http://publib.boulder.ibm.com/series/v5r2/ic2924/index.htm">http://publib.boulder.ibm.com/series/v5r2/ic2924/index.htm</a> <a href="http://www.ibm.com/eserver/series/infocenter">http://www.ibm.com/eserver/series/infocenter</a>

## Solutions and benefits

Query for iSeries is an interactive query definition, management, and execution facility that allows users to extract and analyze data from their databases. You can create and modify queries using a variety of record selection criteria. Programming knowledge is not required. Users can control the formatting of the extracted data for display upon a workstation or printer or save the data in a database file.

Query for iSeries is also useful to format reports from the DB2 UDB database, regardless of how the data has been acquired. For example, users can use Integrated Language Environment (ILE) COBOL for iSeries, 5722-WDS, programs with embedded Systems Application Architecture (SAA) SQL/400® statements to extract the data to a database file, and then format a report containing data using Query for iSeries.

## Features

Query for iSeries offers a user-friendly and easy method of extracting data from database files. All iSeries database files are supported.

- ▶ Menu-driven definitions
- ▶ A list-processing option for selection assistance
- ▶ Run queries interactive or non-interactive
- ▶ Report-writing functions for SQL users
- ▶ Predictive Query Governor to control long-running queries

## New with V5R3


Query for iSeries includes the following enhancements:

- ▶ Support for the following data types:
  - Binary, Varbinary
  - CLOB
  - BLOB
  - DBCLOB
  - User defined
  - UTF-8
  - UTF-16
- ▶ Packed and zoned decimal data types now support up to 63 digits
- ▶ Support for partitioned tables

## IBM DB2 Query Manager and SQL Development Kit for iSeries (5722-ST1)

The DB2 Query Manager and SQL Development Kit for iSeries provides an interactive query and report writing interface. It also provides precompilers and tools to assist in writing SQL application programs in high-level programming languages.

The DB2 Query Manager and SQL Development Kit for iSeries provides an SQL Development Kit for relational database access using programming languages such as C, RPG, COBOL, PL/I, and REXX. The interactive query interfaces, *Query Manager* and *Interactive SQL*, are provided for users to generate queries and reports, and for programmers to test complex SQL statements.

IBM DB2 Query Manager and SQL Development Kit for iSeries		
Product number	5722-ST1	
Ordering	Shipped as a chargeable LPO OS/400 software group-based A software key is required. Included on the Distribution Keyed Media CD	
Minimum i5/OS level	V5R3	
Program size	24.6 MB	
HIPO	1101	

<b>IBM DB2 Query Manager and SQL Development Kit for iSeries</b>	
Availability	11 June 2004
Software type	Software Subscription (Keyed Media) 5733-SW1 or 5733-SW3 5733-SU1 or 5733-SU3 Software Support 5733-SX1 or 5733-SX3
Prerequisites	Any RISC model of the iSeries or AS/400 except the Model 236
Related product	IBM Query for AS/400 (5722-QU1)
Replaces product	IBM DB2 Query Manager and SQL Development Kit for AS/400 (5769-ST1)
Further information	<a href="http://www-1.ibm.com/servers/eserver/series/db2/db2sql.htm">http://www-1.ibm.com/servers/eserver/series/db2/db2sql.htm</a> <a href="http://www.ibm.com/eserver/series/infocenter">http://www.ibm.com/eserver/series/infocenter</a> <a href="http://www.ibm.com/servers/eserver/series/db2/">http://www.ibm.com/servers/eserver/series/db2/</a>

## Solutions and benefits

The DB2 Query Manager and SQL Development Kit for iSeries provides precompilers and tools to assist in developing SQL applications and queries. Once created, the applications and queries can be restored and run on other systems that do not have this product installed.

A significant advantage of the DB2 UDB for iSeries database manager, along with Query Manager and SQL Development Kit, is that DB2 UDB for iSeries SQL objects are compatible with OS/400 objects.

## Features

Most SQL functions may be performed either interactively or in application programs written in one of the following high-level programming languages: RPG, COBOL, C, PL/I, and REXX. Other features include:

- ▶ SQL may be used to define tables (physical files) and views (logical files). This is similar to a DDS definition of a file. For example, you can create tables and views that include column/field definitions, such as the name and data attributes. A user may also maintain the tables/files and views.
- ▶ SQL statements may be used to perform a query on a table or view. The system responds with the records that meet the criteria for the columns/fields requested.
- ▶ SQL statements may be used to perform maintenance of table/file data by specifying selection criteria and new values.



- ▶ The support of SQL allows program developers to write applications that can be transported easily to different IBM system architectures that support SQL.
- ▶ An SQL Assist function in iSeries Navigator helps to create SQL statements that can be used to create and run queries and reports.
- ▶ A Predictive Query Governor can control long running queries.

### **Non-programmer functions**

Query Manager furnishes a report customizing interface. This interface enables non-programmers to tailor reports separately from the method of extracting the data. This improves productivity by permitting the users to change report design without re-accessing the original database. The resulting report objects are compliant with the OS/400 Query Management CPI and, therefore, are portable to other SAA environments.

## **Components**

- ▶ **Query Manager**, an interactive query and report generator, allows users to define and run queries accessing DB2 UDB for iSeries databases. Data edit and report capabilities are also provided.
- ▶ **SQL Development Kit** provides precompilers and tools for processing SQL statements embedded in the C, RPG, COBOL, PL/I, and REXX programming languages. Support is also included for the ILE compilers. Runtime support for the programming languages is provided directly by the DB2 UDB for iSeries database manager.
- ▶ **Interactive SQL** is a query environment that allows users and programmers to enter and execute SQL interactively.

## **New with V5R3**

Query Manager and SQL Development Kit for iSeries include the following enhancements:

- ▶ Interactive SQL session attributes:
  - Partitioned table support added for file output
  - A session attribute added for SQL rules
  - A session attribute added for password visibility
- ▶ Query Manager
  - Data type support for Binary, Varbinary, up to 63 digits for large decimal numbers, UTF-8 and UTF-16

- ▶ SQL Pre-compilers
  - Binary, Varbinary, and up to 63 digits for large decimal numbers
  - New command parameters COMPILEOPT and DECRESULT
  - Allow a data structure in an UPDATE statement
  - SQL diagnostics area changes
  - Increased length of user ID parameter
  - ILE RPQ enhancements that allow the use of:
    - Qualified subfields
    - Array data structures
    - LIKEDS
    - RPG logical (indicator) variable
    - LIKEREK
    - Recognize CCSID keyword
    - Add an option so that /Copy directives and the conditional logic of / If, / Else, / Elseif, / Endif, / Eof, / Define, and / Undefine directives are understandable for the precompiler.


## IBM DB2 QMF Distributed Edition for Multiplatforms V8.1 (5724-E86)

IBM QMF Distributed Edition for Multiplatforms V8.1	
Product number	5724-E86
Minimum client and OS/400 level	Microsoft Windows (on the Integrated xSeries Server) or client based Server capable of running OS/400 V5R1 or later
Availability	26 March 2004, electronic software delivery, media, and documentation
Software type	Passport Advantage
Further information	<a href="http://www-3.ibm.com/software/data/qmf/">http://www-3.ibm.com/software/data/qmf/</a> <a href="ftp://ftp.software.ibm.com/software/data/qmf/pdfs/r202046.pdf">ftp://ftp.software.ibm.com/software/data/qmf/pdfs/r202046.pdf</a> <a href="http://www.ibm.com/servers/eserver/iseries/db2/db2udbprod.htm">http://www.ibm.com/servers/eserver/iseries/db2/db2udbprod.htm</a> <a href="http://www.ibm.com/software/data/qmf/library.html">http://www.ibm.com/software/data/qmf/library.html</a>



# IBM DB2 UDB Data Warehouse Enterprise Edition and Standard Edition V8.1 (5724-E66)

IBM is a leader in Business Intelligence. The technology built into the DB2 UDB Data Warehouse Editions enables real-time information integration, insight, and decision making. The new editions combine the strength of DB2 UDB with the essential IBM BI infrastructure.

IBM DB2 UDB Warehouse Enterprise Edition and Standard Edition V8.1		
Product number	5724-E66 Part number BB0HENA for DB2 UDB Data Warehouse Enterprise Edition V8.1 Media Pack Part number BB0HFNA for DB2 UDB Data Warehouse Standard Edition V8.1	
Prerequisites	<a href="http://www-3.ibm.com/software/data/db2/datawarehouse/">http://www-3.ibm.com/software/data/db2/datawarehouse/</a>	
Availability	27 June 2003 (electronic software delivery) 25 July 2003 (media and documentation)	
Software type	Passport Advantage	
Replaces product	DB2 Warehouse Manager V8 (5765-F42)	
Further information	<a href="http://www-3.ibm.com/software/data/db2/datawarehouse/">http://www-3.ibm.com/software/data/db2/datawarehouse/</a>	

## DB2 UDB Data Warehouse Enterprise Edition

DB2 UDB Data Warehouse Enterprise Edition provides a comprehensive BI platform to fulfill the needs of customers and partners to build next-generation BI solutions. This powerful BI platform includes DB2, federated data access, data partitioning, integrated OLAP, advanced data mining, enhanced extract, transform, load (ETL), and workload management. It also provides light BI for the desktop.

## DB2 UDB Data Warehouse Standard Edition

DB2 UDB Data Warehouse Standard Edition is a complete data mart infrastructure product. It includes DB2, integrated OLAP, advanced data mining, and ETL, and provides light BI for the desktop.

## IBM System/38 Utilities for AS/400 (5722-DB1)

System/38 Utilities is used to run applications that were written using System/38 Data File Utility or System/38 Query and that were migrated from the System/38. The alternative is to rewrite all these existing System/38 applications. The Text Management/38 component of System/38 Utilities for AS/400 is for use by migrators whose word processing and data processing personnel use the Text Management/38 component of System/38 Personal Services.

IBM System/38 Utilities for AS/400	
Product number	5722-DB1
Ordering	Shipped as a chargeable LPO OS/400 software group-based A software key is required. Included on the Distribution Keyed Media CD
Minimum i5/OS level	V5R3
Program size	82.4 MB
HIPO	1021
Availability	11 June 2004
Software type	Software Subscription 5733-SW1 or 5733-SW3 5733-SU1 or 5733-SU3 Software Support 5733-SX1 or 5733-SX3
Prerequisite	10.2 MB of auxiliary storage System/38 Environment support The extended language support provided by Text Management/38 requires the Language Dictionary (5716-DCT) product as a corequisite.
Related products	5716-DCT is shipped with the System/38 Utilities product (5722-DB1)
Replaces product	IBM System/38 Utilities for AS/400 (5769-DB1)
Further information	<a href="http://www.ibm.com/eserver/series/infocenter">http://www.ibm.com/eserver/series/infocenter</a>



### Solutions and benefits

The System/38 Utilities for AS/400 program provides functions that are compatible with System/38 Release 8 functions to allow applications dependent upon those functions to be migrated to the iSeries server. These functions are also tools used by the application developer on System/38.

## Features

Data File Utility/38 (DFU/38) permits users to establish their own data entry application, optimized for their use, and unique to their requirements. This is similar to the System/38 Release 8 Interactive Database Utilities for OS/400 DFU function.

Query/38 provides the capability to access (but not change) information in database files. The user first creates the Query application by responding to a series of menus and prompts. The application may then be executed to produce the report (printed or displayed) or output to a database file. Query/38 provides compatibility with the System/38 Release 8 Interactive Database Utilities for the OS/400 Query function.

Text Management/38 provides word processing capabilities to migrating System/38 customers with no integrated iSeries office support. Text Management/38 allows users to create, store, retrieve, revise, check document spelling, provide synonyms and automatic hyphenation, and print documents. The user can access the database interactively from the Text Management/38 program at edit time or at print time to include database information in a text document. In addition, forms can be created and filled in on the display or stored in the system for later use.

No further enhancements are planned for this product.

## DB2 Spatial Extender Version 8 (5765-F40)

DB2 Spatial Extender allows you to store, manage, and analyze spatial data (information about the location of geographic features) in DB2 UDB along with traditional data for text and numbers. With this capability, you can generate, analyze, and exploit spatial information about geographic features, such as the locations of office buildings or the size of a flood zone.

DB2 Spatial Extender extends the function of DB2 UDB with a set of advanced spatial data types that represent geometries such as points, lines, and polygons and many functions and features that interoperate with those new data types. These capabilities allow you to integrate spatial information with your business data, adding another element of intelligence to your database.

DB2 Spatial Extender Version 8	
Product number	5765-F40
Minimum operating system level	AIX, HP-UX, Linux, Solaris, Windows 2000, Windows NT
Related products	DB2 Universal Database for Linux, UNIX, and Windows
Further information	<a href="http://www-306.ibm.com/software/data/spatial/index.html">http://www-306.ibm.com/software/data/spatial/index.html</a>



## New with Version 8

- ▶ Support for additional operating systems  
 In addition to AIX and Windows, DB2 Spatial Extender Version 8 now runs on Solaris, Linux/Intel, Linux for S/390®, and HP-UX. As of FixPak 2, Spatial Extender supports 64-bit processing capabilities for all platforms except Linux for zSeries
- ▶ Support for DB2 Personal Edition and DB2 Workgroup Edition (and continued support for DB2 Enterprise Server Edition)  
 Spatial Extender is included with PE and WSE (up to five users) and as a priced feature of Workgroup Unlimited and Enterprise Server Editions.
- ▶ Indexing guidance tool that provides help with performance and tuning considerations.
- ▶ Improved import and export capabilities for shape files  
 These capabilities allow more precision and control over where and how spatial data is stored.
- ▶ Improved set of administrative stored procedures
- ▶ Enhancements to the Spatial Extender functions within the Control Center  
 These enhancements include support for Spatial Extender enhanced stored procedures as well as a more consistent look and feel with the rest of the Control Center, including support for features like sort, filter and find (for lists).
- ▶ Dynamic query support for units of measure  
 This allows you to specify the unit that is to be used to measure lengths, distances, and areas. For example, you can ask for the distance between New York and London in kilometers or miles.
- ▶ Capability for users to define their own specialized spatial types, methods, and functions to further customize Spatial Extender to their business needs

- ▶ New command-line processor that mirrors the Spatial Extender functions provided in the Control Center and also provides support for migration
- ▶ Automated, streamlined migration from Version 7


## DB2 Table Editor for iSeries, V4.3 (5697-G84)

DB2 Table Editor lets you easily support your business processes and empower novice end users, with customized task-specific table editing forms. Database experts gain a robust set of tools to perform ad hoc table editing tasks across multiple databases and platforms. Since end users only need a browser, the solutions you choose to create with DB2 Table Editor have maximum reach.

DB2 Table Editor makes it possible to provide direct DB2 database access to anyone, for creating, reviewing, or updating data. Task-specific forms restricted to specific data and actions can be quickly built and rolled out to novice end users. An expert interface can be used for browsing existing databases and ad hoc actions.

A Java-enabled browser is all you need on the client machine for using DB2 Table Editor solutions.

DB2 Table Editor for iSeries, V4.3	
Product number	5697-G84
Ordering	Shipped as a chargeable LPO OS/400 software group-based
Minimum operating system level	V5R1
Availability	26 July 2002
Software type	Software Subscription 5733-SW1 or 5733-SW3
Replaces product	IBM DB2 Forms for iSeries V2 (5697-G14)
Further information	<a href="http://www-3.ibm.com/software/data/db2imstools/">http://www-3.ibm.com/software/data/db2imstools/</a> <a href="http://www-3.ibm.com/software/data/db2imstools/db2tools/db2tableedit.html">http://www-3.ibm.com/software/data/db2imstools/db2tools/db2tableedit.html</a>



### Solutions and benefits

DB2 Table Editor supports multiple DB2 database platforms, mission-critical DB2 features, such as existing DB2 security and referential integrity, and advanced DB2 features, such as large object support. Customers who need to safely

provide data editing and data entry capabilities to end users at the front lines of a business or to database administrators find that DB2 Table Editor is a valuable offering.

## Features

DB2 Table Editor for iSeries, V4.3, includes the following features:

- ▶ Gives database experts the tools to perform table editing tasks across multiple databases and platforms
- ▶ Provides for general data entry
- ▶ Allows customer information self-service via the Web
- ▶ Offers enhanced support for large objects
- ▶ Support for new types of forms

## New with Version 4.3

Key DB2 Table Editor for iSeries, V4.3 enhancements include:

- ▶ Edit with formulas  
With Table Editor, apply a formula to change a column value in one or more rows.
- ▶ Usability enhancements:
  - When editing data, the input text size is limited by the column data type and definition.
  - The thousands separator is now displayed in numeric columns.
  - The ability to migrate forms from test to production environment (list and change tables used) is supported.
  - For form layout forms, position on the last row of the result set after reaching the end.
  - The ability to lock columns for list control is supported.
  - The ability to work with tables with ROWID columns is supported.
  - Object list window can stay open (Windows only).
  - Support for refer back in validation rules is provided.
- ▶ Enhanced support for LOBs  
A new button, *Launch LOB*, supports the association of a file extension/program for a LOB column. There is also an enhanced internal LOB control that can display additional LOB data types.




- ▶ Previous row support  
The Table Editor Java player now supports the Previous Row button.
- ▶ Support for new types of forms  
Table Editor allows you to create a form without having to associate it with a primary table. This new feature allows you to build new types forms. For example, you can create a *menu form* that simply controls the launching of other forms.

## IBM DB2 Web Query Tool for iSeries V1.3 (5697-G85)

IBM DB2 Web Query Tool connects all your users directly to multiple enterprise databases, securely and simultaneously, regardless of database size, hardware, operating system, or location.

IBM DB2 Web Query Tool for iSeries V1.3	
Product number	5697-G85
Ordering	Shipped as a chargeable LPO OS/400 software group-based
Minimum operating system level	V5R1
Availability	26 July 2002
Software type	Software Subscription 5733-SW1 or 5733-SW3
Prerequisites	DB2 UDB for iSeries Version 4 or later
Replaces product	DB2 Web Query Tool for iSeries, Version 1.2
Further information	<a href="http://www-3.ibm.com/software/data/db2imstools/">http://www-3.ibm.com/software/data/db2imstools/</a>



### Solutions and benefits

When any part of your business operations require faster, more creative, or more complex data operations, DB2 Web Query Tool is the authoring environment to use. Web Query Tool's advanced SQL functionality extracts the full performance out of DB2 databases while making it easy for users at all levels to access enterprise-wide data. Wherever data access and data integration can bring value, DB2 Web Query Tool can deliver that value. DB2 Web Query Tools are capable of accessing DB2 data on z/OS, iSeries, AIX, Linux, Windows, HP-UX, and Sun platforms. The products run on Web servers, which do not need to be on the same platform as the database servers.

## Features

DB2 Web Query Tool for iSeries Version 1.3 can:

- ▶ Connect Web-based users to multiple enterprise database platforms and brands simultaneously
- ▶ Use any client via a JDBC connection and Web browser
- ▶ Support large objects

## New with V1.3

- ▶ Java 2 Platform, Enterprise Edition (J2EE) support  
Web Query is now a J2EE-compliant Web application. As such, it can now be deployed on WebSphere V4.
- ▶ Shared catalog  
To avoid having to set up a separate catalog at each location or connection, you can choose to share saved objects (queries and results) in a Web Query catalog.
- ▶ Usability enhancements  
Several usability enhancements are included in this new release including the ability to save and reuse settings and filters, additional filter specification (including case sensitive filters), a streamlined query execution path, and context-sensitive help. An SQL assistant component is also included that helps less technical users write and run queries.
- ▶ Server-side Extensible Stylesheet Language (XSL)  
Server-side XSL transformations are now applied to the generated XML or XSL data. It removes all requirements for client side XML translation software components.
- ▶ Stored procedure support  
You can run a DB2 stored procedure by selecting it from the Web Query object tree. You can also run a stored procedure by specifying a CALL statement in your query.
- ▶ Web Services (Simple Object Access Protocol (SOAP))  
A saved query can be published as a SOAP service that any SOAP requester can access.
- ▶ Scalable Vector Graphing (SVG)  
Result sets can be transformed to graphs or charts using the SVG model.

► Large Object Support

You can retrieve LOB data in Web Query. Web Query can also launch the appropriate viewing application to render the LOB data (picture, video, audio, etc.).

## IBM DB2 Universal Database Extenders for iSeries V8 (5722-DE1)

Web-enabled e-business is driving most companies to redefine their IT strategy. Moving away from proprietary data formats toward an open, interchangeable format, such as XML, to transact business on the Web is a key part of the strategy.

In this electronic age, the bulk of a company's managed data (90%), including e-mail, technical and business documents, contracts, problem reports, and customer complaints, is still in textual form. Companies continue to look for efficient ways to leverage such massive textual data to provide valuable information.

IBM DB2 Universal Database Extenders for iSeries V8	
Product number	5722-DE1
Ordering	Shipped as a chargeable LPO OS/400 software group-based
Minimum operating system level	V5R3
Program size	73 to 300 MB + indexes
HIPO	1004
Availability	11 June 2004
Software type	Software Subscription (Keyed Stamped Media) 5733-SW1 or 5733-SW3 5733-SU1 or 5733-SU3 Software Support 5733-SX1 or 5733-SX3 SUx and SXx must be combined
Further information	<a href="http://www.ibm.com/software/data/db2/extenders/">http://www.ibm.com/software/data/db2/extenders/</a> <a href="http://www-1.ibm.com/servers/eserver/series/db2/">http://www-1.ibm.com/servers/eserver/series/db2/</a>



## Solutions and benefits

Together, the DB2 UDB XML Extender and DB2 UDB Text Extender help you leverage iSeries to manage your critical business information in DB2 databases to engage in business-to-business (B2B) and business-to-customer (B2C) solutions in the next generation of e-business.

## Features

It is now possible to combine structured XML information with traditional relational data. You can choose whether to store entire XML documents in DB2 as an XML Character Large Object (XMLCLOB), or you can map the XML content as traditional data in relational tables. The DB2 UDB XML Extender adds the ability for powerful searching of rich data types of XML element or attribute values, even for nontraditional XML data types.

The DB2 UDB XML Extender for iSeries, for the most part, provides the same function as on other DB2 platforms. The exceptions are:

- ▶ MQSeries stored procedures
- ▶ XSL transformation (XSLT) user-defined files (UDFs)

The DB2 UDB Text Extender provides full-text search through a set of UDFs. These extend the SQL query language by providing additional functionality. It is easy to combine full-text search with parametric search. Text search capabilities depend on the index type chosen when the documents are indexed.

The Text Extender for iSeries provides the same function as on other DB2 platforms with the following differences:

- ▶ It is not possible to define referential constraints on tables that are enabled for text search. Text Extender does not support automatic index update for delete of records in a table with defined referential constraints. However, tables containing referential constraints can be enabled for text search.
- ▶ The GET ENVIRONMENT workstation command to retrieve the setting of the Text Extender environment variables is not required and not supported on the iSeries server.
- ▶ With structured documents, it is not possible to index and search on attribute sections (DATE, TIME, FLOAT, INTEGER).
- ▶ Text preparation and administration commands for the client must be invoked at the database server itself.
- ▶ There is no datalink support.

## **New with Version 8**

The DB2 UDB XML Extender enhancements in i5/OS V5R3 include:

- ▶ Full Schema support
- ▶ Support for decomposing of documents that contain non-unique attribute and element names
- ▶ A new encoding parameter for several UDFs that allows encoding specification of the source or destination file
- ▶ XML Extender use of the XML Parser which is delivered in the XML Toolkit for iSeries (5733-XT1)

## **IBM DB2 UDB Workgroup Server Edition for Linux (5733-LD1)**

IBM DB2 V8 for Linux, UNIX, and Windows marks the next stage in the evolution of the relational database. DB2 is the database of choice for the development and deployment of critical solutions such as:

- ▶ e-business
- ▶ Business Intelligence
- ▶ Content management
- ▶ Enterprise Resource Planning
- ▶ Customer Relationship Management

DB2 for Linux supports and embraces open standards including Java and XML. It integrates with many open source products such as Apache, PHP, Perl, and Python. DB2 UDB is the most scalable database in production today that can manage mission-critical data on a single PC, symmetric multiprocessors (SMPs), clusters, and the mainframe for Linux. Also, with IBM DB2 Everyplace®, customers can manage mission-critical data on linux and embedded Linux devices.

<b>IBM DB2 Universal Database Extenders for iSeries V8</b>	
Product number	5733-LD1
Minimum operating system level	V5R2
Software type	When the Enterprise Edition for iSeries is ordered on Models 825, 870, and 890 IBM IPLA
Maintenance	Includes Software Maintenance for one year from the Hardware Edition purchase. Customers need to register for this Software Maintenance coverage, along with the Software Maintenance for other Passport Advantage products in the Hardware Editions at: <a href="http://www.ibm.com/servers/eservers/series/hardware/editions/index.html">http://www.ibm.com/servers/eservers/series/hardware/editions/index.html</a>
Availability	12 September 2003
System requirements	The validation status for new Linux kernels and distributions is frequently updated. To obtain the current information for supported Linux software levels, see: <a href="http://www.ibm.com/software/data/db2/linux/validate/">http://www.ibm.com/software/data/db2/linux/validate/</a>
Further information	<a href="http://www.ibm.com/software/data/db2/udb/edition-wse.html">http://www.ibm.com/software/data/db2/udb/edition-wse.html</a> <a href="http://www.ibm.com/software/data/db2/udb/opsys-linux.html">http://www.ibm.com/software/data/db2/udb/opsys-linux.html</a>



## WebSphere and e-business for iSeries

IBM i5/OS contains everything you need to quickly create a Web presence. As the integrated platform, it provides the infrastructure and components necessary to "Start Simple" with e-business adoption. For example, WebSphere Application Server - Express is now included in i5/OS V5R3. In addition to these base features, a set of e-business products is available to help you "Grow Fast", allowing you to build a complete e-business Web site that is secure and easy to develop, maintain, and scale based on your needs. These products (listed in the following table) belong to the WebSphere family of products offered by IBM for the iSeries server.

Product name	Product number	Refer to page
IBM Business Solutions	5722-BZ1	537
IBM Connect for iSeries Version 2.0	5733-CO2	548
IBM WebSphere Application Server Version 5.1, Developer Edition	5724-D18	543
IBM WebSphere Application Server - Express Version 5.1 for iSeries	5722-E51	532
IBM WebSphere Portal Express and Express Plus	5724-E77	551
IBM Grid Toolbox V3 for OS/400	5733-GT1	553

Product name	Product number	Refer to page
IBM WebSphere Commerce for iSeries, Version 5.6 Business Edition, Professional Edition, and Express	5724-I38, 5724-I40, 5724-I36	544
IBM WebSphere Application Server Version 4.0, Advanced Edition for iSeries	5733-WA4	531
IBM Web Enablement for iSeries	5722-WE1	536
IBM WebSphere Application Server Version 4.0, Advanced Single Server Edition for iSeries	5733-WS4	531
IBM WebSphere Application Server Version 5.1 for iSeries	5733-W51	540
IBM WebSphere Application Server Version 5.1, Network Deployment for iSeries	5733-W51	540

Each of these products addresses specific customer requirements to build e-business applications quickly and easily. They often include graphical user interface (GUI)-based PC development and management tools.

The base of these WebSphere products is the WebSphere Application Server technology. An application server "serves" applications written in Java, which in turn can leverage your existing iSeries programs and data.

iSeries customers have the following WebSphere Application Server offerings from which they can choose:

- ▶ **IBM WebSphere Application Server - Express for iSeries:** This is a Java application server based on a servlet-based engine that turns your existing Web server (IBM HTTP Server for iSeries) into a Java Web application server. This offers small and mid-sized companies with an integrated package with:
  - IBM WebSphere Application Server - Express, Version 5 for iSeries, an application server with JavaServer Pages (JSPs) and Java Servlets
  - WebSphere Development Studio Client for iSeries, the latest in tool integration for iSeries application development
  - IBM Telephone Directory V 5.1 for iSeries, a business application that can be used for a company's directory of white pages
  - Web Services Object Runtime Framework (WORF), a Web service for accessing DB2 Universal Database (UDB)
- ▶ **IBM WebSphere Application Server V5.1 for iSeries:** WebSphere Application Server Network Deployment Version 5.1 extends WebSphere Application Server Version 5.1, for iSeries with clustering, edge services, and high availability for distributed configurations. As the foundation of the



WebSphere software platform, WebSphere Application Server V5.1 reinforces its reputation as the premier Java and Web Services technology-based application platform, integrating enterprise data and transactions with the dynamic e-business world. It offers a rich e-business application deployment environment with a set of application services that includes transaction management, security, clustering, performance availability, connectivity, and scalability. WebSphere Application Server is designed for full Java 2 Platform, Enterprise Edition (J2EE) V1.3 compatibility. It supports SDK 1.4 to meet the changing demands of e-business.

- ▶ **WebSphere Application Server Version 4.0, Advanced Single Server Edition (5733-WS4):** This is a Java application server based on a servlet-based engine that turns your existing Web server (IBM HTTP Server for iSeries) into a Java Web application server. As the core element of the Application Framework for e-business, Advanced Edition, single server option is the foundation of the WebSphere application server family.
- ▶ **WebSphere Application Server Version 4.0, Advanced Edition (5733-WA4):** This is a powerful Java-based development and deployment environment for e-business applications. WebSphere Advanced Edition provides support for scaling Web sites into security-enhanced, transactional-based e-business application sites. WebSphere Advanced Edition provides Enterprise JavaBean (EJB) support for host-based transactions, and offers sophisticated tools to simplify distributed, component-based application development. The EJB architecture is component-based for the development and deployment of server-based business applications. It greatly simplifies the separation of business applications from underlying system services.

To understand the IBM e-business-on-demand strategy for the iSeries server, refer to *WebSphere for IBM @server iSeries Server Buying and Selling Guide*, REDP-3646.

**Note:** The Commercial Processing Workload (CPW) and memory configuration references listed for the WebSphere products described in this chapter represent the recommended minimum requirements. Deployments that must support many users, or require shorter response times, may require additional resources. Use the IBM @server Workload Estimator to help in sizing all system configurations:

<http://www-912.ibm.com/wle/EstimatorServlet>

## **Product positioning: WebSphere Application Server and Jakarta Tomcat**

The strategic Web application server from IBM is WebSphere Application Server. The latest version of WebSphere Application Server is Version 5.1. All WebSphere Application Server offerings support Servlets, JSPs, EJBs, and more.

Some iSeries customers want a basic, no-cost Web application server that supports servlets and JavaServer Pages. Relying on the IBM HTTP Server (powered by Apache) as its Web server, the Apache Software Foundation's Jakarta Tomcat provides a basic Web application server for iSeries customers. Jakarta Tomcat is available with OS/400 and at no additional cost to customers.

Jakarta Tomcat is offered as a way for iSeries customers to "get started" with Java server-side components and Web application serving. Customers should select WebSphere Application Server when they need to deploy e-business solutions that are J2EE compliant, provide the most function, and deliver the highest levels of reliability, scalability, and security.

If an IBM or Solution Developer application requires WebSphere Application Server as the base Web application server, do not consider Jakarta Tomcat as an alternative Web application server. Examples of IBM products that require WebSphere Application Server as the base Web application server include WebSphere Commerce, WebSphere Payment Manager, and WebSphere Host Publisher.


Customers who require a robust and scalable Web application server can select WebSphere Application Server. Jakarta Tomcat provides fewer functions and capabilities compared to the IBM WebSphere Application Server. For example, Jakarta Tomcat does not support Enterprise JavaBeans, is not J2EE compliant, and does not provide Domino integration.

For more information, see *iSeries e-business Handbook: A Technology and Product Reference*, SG24-5694.

## **IBM WebSphere Application Server - Express for iSeries (5722-E51)**

IBM WebSphere Application Server - Express for iSeries is for fast, productive development, deployment, and management of dynamic Web sites. With smaller budgets and limited IT resources, you face special challenges getting started in e-business. IBM WebSphere Application Server - Express for iSeries, delivers

broad server functionality with a smaller, up-front investment. Think of it as your low-risk, affordable entry to e-business.

<b>IBM WebSphere Application Server - Express Version 5.1 for iSeries</b>		
Product number	5722-E51	
Ordering	5724-D06 Also see: <a href="http://publib-b.boulder.ibm.com/Redbooks.nsf/Portals/AS400Redbooks">http://publib-b.boulder.ibm.com/Redbooks.nsf/Portals/AS400Redbooks</a>	
Minimum operating system level	V5R1	
HIPO	N/A	
Availability	20 February 2004	
Software type	Passport Advantage	
Installation prerequisites	<a href="http://www-1.ibm.com/servers/eserver/iseries/software/websphere/wsappserver/">http://www-1.ibm.com/servers/eserver/iseries/software/websphere/wsappserver/</a>	
Program size	796 MB	
Related products	IBM WebSphere Application Server, Version 5 for iSeries (5733-WS5) WebSphere Application Server Version 4.0, Advanced Single Server Edition (5733-WA4) WebSphere Application Server Version 4.0, Advanced Edition (5733-WS4) IBM Web Enablement (5722-WE1) IBM WebSphere Application Server - Express Version 5.0 for iSeries	
Replaces product	WebSphere Application Server Standard Edition V3.5 (5733-AS3)	
More information	<a href="http://www-3.ibm.com/software/webservers/appserv/">http://www-3.ibm.com/software/webservers/appserv/</a> <a href="http://www-1.ibm.com/servers/eserver/iseries/software/websphere/wsappserver/">http://www-1.ibm.com/servers/eserver/iseries/software/websphere/wsappserver/</a> <a href="http://publib-b.boulder.ibm.com/Redbooks.nsf/Portals/AS400Redbooks">http://publib-b.boulder.ibm.com/Redbooks.nsf/Portals/AS400Redbooks</a>	

## Solutions and benefits

IBM WebSphere Application Server - Express for iSeries is a premier Java and Web Services technology-based application platform integrating enterprise data and transactions with the dynamic e-business world. It provides the rich e-business application deployment environment of the iSeries with a set of application services including capabilities for transaction management, security, performance, availability, connectivity, and scalability. It manages and integrates enterprise-wide applications while leveraging open technologies and application program interfaces (APIs). These enhancements solidify the iSeries role as the integrator of a WebSphere software platform. Industry-leading integrated support

for key Web Services open standards enable the iSeries with production-ready Web application server for the deployment of enterprise Web Services solutions for dynamic e-business.

WebSphere Application Server - Express for iSeries provides tight integration with the iSeries HTTP server through an easy-to-use Web-based GUI. Wizards allow for easy configuration of multiple application servers and deployment of applications. The wizards allow for easy configuration of both HTTP servers and access to iSeries databases.

## **New with Version 5.1**

- ▶ Simplified development for database access, Web site design, and rich user interface controls to enable rapid time to value for new applications
- ▶ Support for Software Development Kit (SDK) for Java Technology Edition 1.4
- ▶ Additional security with Web server security plug-ins
- ▶ Browser-based interface for near-zero administration

## **Features**

### **Application server**

WebSphere Application Server - Express for iSeries offers:

- ▶ Support for servlets, based on the Java Servlet 2.3 specification
- ▶ Support for JSPs, based on the JSP 1.2 specification
- ▶ Support for Web services standards, such as Simple Object Access Protocol (SOAP), Web Service Description Language (WSDL), and Universal Description, Discovery, and Integration (UDDI), that offer companies the ability to create secure distributed applications that integrate software components developed with disparate tools and architectures over the Web
- ▶ Support for JDBC 2.0, Java Naming and Directory Interface (JNDI), JavaMail 1.2, JavaBean Activation Framework (JAF) 1.0, and Java API for Extensible Markup Language (XML) parsing (JAXP)
- ▶ Support for server-side JavaScripts using Bean Scripting Framework (BSF)
- ▶ Browser-base administration with easy-to-use wizards for creating HTTP and application server instances, deploying J2EE applications, and management of HTTP and application servers and their applications
- ▶ Integration with IBM WebSphere Studio, built on Eclipse, the open systems development environment
- ▶ Integration with IBM HTTP Servers for iSeries and with Domino for iSeries

- ▶ Integration with OS/400 security for authentication of users
- ▶ HTTP session support
- ▶ Migration support for WebSphere Standard Edition (SE) and Apache Software Foundation (ASF) Jakarta Tomcat
- ▶ Migration support to more advanced WebSphere Application Serving configurations

Based on the latest Java and Web services standards, WebSphere Application Server - Express for iSeries lets you convert static Web sites into dynamic Web sites by viewing and performing simple information updates in back-end databases. It also enables you to consume Web services and resources for integrating with packaged applications.

IBM WebSphere Application Server - Express for iSeries is based on the latest Java and Web Services standards. When more advanced development and deployment capabilities are needed, IBM WebSphere Application Server - Express offers smooth migration to other WebSphere Application Servers.

### **Development tools**

WebSphere Application Server - Express includes development tools based on WebSphere Development Studio. The tools are a subset of WebSphere Studio Site Developer, which comes with the WebSphere Development Studio Client for iSeries. The main difference is that the subset of functions provides deployment to WebSphere Application Server - Express only. The full function of the WebSphere Development Studio Client for iSeries allows development and deployment to any application server. For details, see “IBM WebSphere Development Studio for iSeries (5722-WDS)” on page 588.

### **IBM Telephone Directory**

Included with WebSphere Application Server - Express for iSeries, IBM Telephone Directory V5.2 for iSeries is a business application that provides a company with a directory for managing information about people. This browser-based application is ready to use immediately for managing names, telephone numbers, and e-mail addresses for company personnel. This telephone directory application is integrated into the WebSphere Application Server - Express for iSeries GUI for easy deployment and administration. Personnel information is managed securely by the OS/400's Lightweight Directory Access Protocol (LDAP) server.

The telephone directory can be searched and managed using a Web browser. It is powered by JSPs and servlets running in the application server. The directory can also be used as a security repository for Web user authentication by HTTP or application servers. Version 5.2 now includes integration with Lotus Instant

Messaging and Web Conferencing (Sametime) servers and Enterprise Identity Mapping (EIM) domain servers. It provides the following functions:

- ▶ Search by name, telephone number, e-mail address, and job description
- ▶ View organizational structure (report to chain)
- ▶ Store personalized information (photograph)
- ▶ Initiate chat sessions with colleagues using Lotus Instant Messaging and Web Conferencing technology
- ▶ Add entries to Lotus Instant Messaging and Web Conferencing contact lists (or buddy lists)
- ▶ View and self-manage EIM registries

The IBM Telephone Directory supports up to 1000 entries. If additional entries are needed, contact IBM Global Services to purchase and customize the application for your needs.

### **Web Services Object Runtime Framework**


WebSphere Application Server - Express includes WORF. Web services are XML-based application functions that can be invoked over the Internet. Included with WebSphere Application Server - Express for iSeries, WORF provides an environment to easily create simple XML-based Web services that access DB2.

WORF is integrated with WebSphere Application Server - Express for iSeries run time, allowing for easy administration and deployment of DB2 UDB Web services. A sample application is provided and easily deployed from the application server's integrated GUI.

**Note:** The recommended minimum hardware configuration includes an iSeries processor with a CPW rating of 300 and 512 MB of memory. Deployments on smaller configurations may be possible for light applications, or where longer responses and startup time are acceptable.

## **IBM Web Enablement for iSeries (5722-WE1)**

IBM Web Enablement for iSeries is a license only product that delivers WebSphere Application Server - Express Version 5.0 and Version 5.1 (5722-IWE and 5722-E51). Web Enablement is included on every i5/OS order. It can be removed from the order if desired. This makes an application server available with i5/OS at no additional cost to the customer.

<b>IBM Web Enablement for iSeries</b>		
Product number	5722-WE1	
Ordering	5722-WE1	
Minimum i5/OS level	V5R3	
HIPO	No	
Availability	11 June 2004	
Software type	LP specific	
Installation prerequisites	See 5722-E51	
Program size	N/A	
Related products	IBM WebSphere Application Server - Express, Version 5.1 for iSeries (5722-E51) IBM WebSphere Application Server - Express, Version 5.0 for iSeries (5722-IWE)	
Replaces product	N/A	
More information	<a href="http://www.ibm.com/servers/eserver/iseries/software/websphere/products.html">http://www.ibm.com/servers/eserver/iseries/software/websphere/products.html</a>	

## Benefits

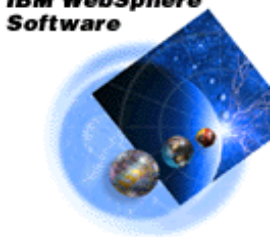
The IBM Web Enablement product is a license only product that delivers WebSphere Application Server - Express Version 5.0 and Version 5.1 with the operating system. WebSphere Application Server - Express is made available at no additional cost to the customer so that an application server can be installed for other IBM products that might require it.

For product information about WebSphere Application Server - Express, see “IBM WebSphere Application Server - Express for iSeries (5722-E51)” on page 532. Web Enablement is available for ordering in the configurator.

## IBM Business Solutions Version 1.0 (5722-BZ1)

IBM Business Solutions Version 1.0 (5722-BZ1) provides a set of enterprise Web applications available for iSeries servers. Each application is an integrated solution to a common business need that works in conjunction with your existing applications, server components, and enterprise data. The applications

demonstrate the value of integrated e-business solutions, increase worker productivity, provide services that virtually any business may find useful, and are easy to understand and use.

<b>IBM Business Solutions</b>		
Product number	5722-BZ1	
Ordering	5722-BZ1	
Minimum operating system level	V5R1	
HIPO	No	
Availability	December 2003	
Software type	LP specific	
Installation prerequisites	<a href="http://www-1.ibm.com/servers/eserver/iseries/software/websphere/wsappserver/bizapps/product/about.html">http://www-1.ibm.com/servers/eserver/iseries/software/websphere/wsappserver/bizapps/product/about.html</a>	
Program size	N/A	
Related products	IBM WebSphere Application Server - Express, Version 5.1 for iSeries (5722-E51) IBM WebSphere Application Server - Express, Version 5.0 for iSeries (5722-IWE) WebSphere Application Server for iSeries and WebSphere Application Server - Network Deployment for iSeries (5733-WS5 or 5733-WS5)	
Replaces product	N/A	
More information	<a href="http://www-1.ibm.com/servers/eserver/iseries/software/websphere/wsappserver/bizapps/product/about.html">http://www-1.ibm.com/servers/eserver/iseries/software/websphere/wsappserver/bizapps/product/about.html</a>	

## Benefits

The IBM Business Solutions provides applications that can be deployed into an application server. The new Web Administration GUI included with the IBM HTTP Server (5722-DG1) (as described in “HTTP Server for iSeries (5722-DG1)” on page 466) provides setup and deployment wizards that can make the enterprise Web applications provided by Business Solutions ready to use immediately.

The following sections describe each of the enterprise Web applications.

## IBM Telephone Directory Version 5.2

This is the same IBM Telephone Directory Web-based business application that is included with WebSphere Application Server - Express. Version 5.2 includes



integration with Lotus Instant Messaging and Web Conferencing servers and EIM domain servers.

For information about the IBM Telephone Directory application, see “IBM WebSphere Application Server - Express for iSeries (5722-E51)” on page 532.

## **Features**

New functions provided in Version 5.2 include the ability to:

- ▶ Initiate chat sessions with colleagues using Lotus Instant Messaging and Web Conferencing technology
- ▶ Add entries to Lotus Instant Messaging and Web Conferencing contact lists (or “buddy lists”)
- ▶ View and self-manage EIM registries

## **IBM Survey Creator Version 1.0**

The IBM Survey Creator Version 1.0 is a browser-based application that is ready to use for creating, configuring, and managing surveys. Web user authentication-related information is managed securely by OS/400's LDAP server. The survey application provides multiple question and answer formats to choose from for configuring the content of a survey.

Information relating to the configuration of a survey and subsequent results from users who take the survey are stored in an IBM DB2 UDB on the iSeries server.

## **Features**

The following functions are provided:

- ▶ Create and edit surveys
- ▶ Conduct online surveys allowing anonymous responses or requiring identification
- ▶ View survey results
- ▶ Define list of eligible respondents

## **IBM Welcome Page Version 1.1**


IBM Welcome Page Version 1.1 is a Web-based business application that provides two functions. First it is a starting point for non-administrators to find links to business applications provided by IBM Business Solutions. Second, it provides administrative interfaces used for set up and configuration of the other business applications. This application is provided with IBM WebSphere Application Server - Express.

## Features

- ▶ Set up new or modify existing LDAP directories
- ▶ Manage LDAP directories, SSL, Lotus Instant Messaging and Web Conferencing, and EIM configuration properties
- ▶ Link to administrator pages provided by the other business applications
- ▶ View a menu of available business applications (those installed and active)

## IBM WebSphere Application Server Version 5.1 for iSeries (5733-W51)

As the foundation of the WebSphere software platform, IBM WebSphere Application Server Version 5.1 for iSeries and the Network Deployment option reinforce their reputation as premier Java and Web Services technology-based application platforms, integrating enterprise data and transactions with the dynamic e-business world. WebSphere Application Server offers a rich e-business application deployment environment with a set of application services that includes transaction management, security, clustering, performance availability, connectivity, and scalability.

<b>IBM WebSphere Application Server Version 5.1 for iSeries and                      IBM WebSphere Application Server Version 5.1, Network Deployment for iSeries</b>		
Product number	5733-W51	
Ordering product number	Passport Advantage BA0BWML BA0BVML - Network Deployment	
HIPO	N/A	
Minimum operating system level	V5R1	
Program size	830 MB ▶ Plus 635 MB for Network Deployment ▶ Plus 102 MB for WebSphere MQ	
Availability	16 January 2004	
Software type	Passport Advantage	
Installation prerequisites	<a href="http://www.ibm.com/servers/eserver/iseries/software/websphere/wsappserver/">http://www.ibm.com/servers/eserver/iseries/software/websphere/wsappserver/</a>	

<b>IBM WebSphere Application Server Version 5.1 for iSeries and            IBM WebSphere Application Server Version 5.1, Network Deployment for iSeries</b>	
Related products	IBM WebSphere Application Server - Express, Version 5.1 for iSeries (5722-E51) IBM WebSphere Application Server - Express, Version 5.0 for iSeries (5722-IWE) IBM WebSphere Application Server Version 5.0 for iSeries (5733-WS5) IBM WebSphere Application Server Version 5.0, Network Deployment for iSeries (5733-WS5) WebSphere Application Server Version 4.0, Advanced Single Server Edition (5733-WA4) WebSphere Application Server Version 4.0, Advanced Edition (5733-WS4)
Replaces products	IBM WebSphere Application Server Version 5.0 for iSeries (5733-WS5) IBM WebSphere Application Server Version 5.0, Network Deployment for iSeries (5733-WS5) WebSphere Application Server Version 4.0, Advanced Single Server Edition (5733-WA4) WebSphere Application Server Version 4.0, Advanced Edition (5733-WS4) WebSphere Applications Server Advanced Edition V3.5 (5733-WA3)
More information	<a href="http://www.ibm.com/servers/eserver/iseries/software/websphere/wsappserver/">http://www.ibm.com/servers/eserver/iseries/software/websphere/wsappserver/</a> <a href="http://publib-b.boulder.ibm.com/Redbooks.nsf/Portals/AS400Redbooks">http://publib-b.boulder.ibm.com/Redbooks.nsf/Portals/AS400Redbooks</a> <a href="http://www-1.ibm.com/servers/eserver/iseries/software/websphere/wsappserver/product/announceb51.html">http://www-1.ibm.com/servers/eserver/iseries/software/websphere/wsappserver/product/announceb51.html</a>

## Solutions and benefits

WebSphere Application Server V5.1 creates the infrastructure to build your own Java- and Web services-based applications or to purchase solutions offered by IBM or an independent software vendor. The software enables iSeries servers to supply robust commercial and e-business applications and supports the full suite of J2EE Version 1.3 technologies. WebSphere Application Server leverages existing software assets and helps make administrative resources more productive.

## New with V5.1

- ▶ Complete client and server support for Software Development Kit for Java Technology Edition 1.4 (SKD 1.4)
- ▶ Support for Linux on iSeries server

- ▶ Advanced Performance Advisors and Request Metrics: Automatic features that help enhance performance through tuning advice and monitoring capabilities
- ▶ Support for the JDK 1.4 client container is the first step toward J2EE 1.4 compliance
- ▶ First production-level application server to support the June 2003 Board Approved Draft of the WS-I Basic Profile 1.0, giving developers a head start on interoperating across heterogeneous environments and enterprise boundaries

## Features

Industry-leading integrated support for key Web Services open standards makes WebSphere Application Server one of the first production-ready Web application servers for the deployment of enterprise Web Services solutions for dynamic e-business. This includes:

- ▶ Native Java Messaging Services (JMS) provider
- ▶ Single code base with multiple configuration options, including improved systems management via browser-based administration and Java Management Extensions (JMX)
- ▶ With new packaging, your choice of deployment options, from simple administration of single server to clustered, highly available, high-volume configurations (Network Deployment)
- ▶ Integration with WebSphere Studio Application Developer and WebSphere Development Studio, both built on Eclipse, the open systems development environment
- ▶ Advanced Performance Advisors, which make suggestions on how to set the most critical parameters to maximize performance
- ▶ Improved administration of WebSphere applications via browser-based GUI and XML configuration
- ▶ Automated distributed systems management via centralized Deployment Manager for simplified administration of clustered environments

The WebSphere Application Server - Network Deployment provides the items from the previous list and includes:

- ▶ Enhanced workload management and dynamic caching and performance management tools that distribute workload across multiple servers through sophisticated load balancing and clustering capabilities

- ▶ Enables isolation of application servers to avoid single points of failure
- ▶ Provides first failure data capture to report and analyze problems as they occur

Systems that do not meet the recommended minimums may be used in environments that support a limited number of users, and where longer server initialization times can be tolerated.

### WebSphere Application Server and Network Deployment


The minimum hardware requirements for base and Network Deployment option are the same. For Network Deployment, this considers a single WebSphere Application Server instance. For the base server instance, the requirements reflect only servlets and JSP files.

**Note:** The recommended minimum hardware requirements include an iSeries processor with a CPW rating of 450 and 768 MB of memory. These requirements are based on a single WebSphere Application Server Network Deployment instance. Extra WebSphere Application Server instances or Network Deployment instances running concurrently require additional resources.

## IBM WebSphere Application Server Version 5.1 for iSeries Developer Edition (5724-D18)

The IBM WebSphere Application Server V5.1 for iSeries Developer Edition is shipped as a licensed program option (LPO). It is the same product as WebSphere Application Server V5.1 for iSeries (Base edition) with different licensing.

IBM WebSphere Application Server Version 5.1 for iSeries, Developer Edition	
Product number	5724-D18
Ordering product number	BA0BUML
HIPO	N/A
Minimum operating system level	V5R1
Program size	830 MB
Availability	16 January 2004



**IBM WebSphere  
Software**

<b>IBM WebSphere Application Server Version 5.1 for iSeries, Developer Edition</b>	
Software type	Passport Advantage
Installation prerequisites	<a href="http://www.ibm.com/servers/eserver/series/software/websphere/wsappserver/">http://www.ibm.com/servers/eserver/series/software/websphere/wsappserver/</a>
Related products	IBM WebSphere Application Server Version 5.1 for iSeries (5733-W51) IBM WebSphere Application Server Version 5.1, Network Deployment for iSeries (5733-W51)
Replaces product	N/A
More information	<a href="http://www.ibm.com/servers/eserver/series/software/websphere/wsappserver/">http://www.ibm.com/servers/eserver/series/software/websphere/wsappserver/</a> <a href="http://www-1.ibm.com/servers/eserver/series/software/websphere/wsappserver/product/announceb51.html">http://www-1.ibm.com/servers/eserver/series/software/websphere/wsappserver/product/announceb51.html</a>

## Solutions and benefits

WebSphere Application Server V5.1 Developer Edition provides lower cost licensing terms for a development environment. It is functionally equivalent to the WebSphere Application Server - Base edition.

## IBM WebSphere Commerce for iSeries, Version 5.6 (5724-I38, 5724-I40, 5724-I36)


IBM WebSphere Commerce for iSeries, Version 5.6 is a complete e-commerce solution for your business-to-consumer (B2C) or business-to-business (B2B) Web sites.

WebSphere Commerce Express is an easily installed, yet complete solution to help growing mid-market companies do business on the Web. It is ready to go out-of-the-box to affordably build and maintain an e-commerce site for B2B or B2C.

WebSphere Commerce Professional Edition increases site functionality for B2B and B2C retailers. By enhancing customer buying experiences and improving operational efficiencies, Professional Edition can increase customer satisfaction and loyalty.

WebSphere Commerce Business Edition provides a powerful solution for running large high-volume B2B and advanced B2C e-commerce Web sites for global e-businesses. It is a flexible infrastructure based on a unified platform for running complex and high volume sites.

WebSphere Commerce V5.6 is a comprehensive set of integrated software components that help to build, maintain, and manage stores to sell goods and services on the Web. V5.6 builds on the reputation for dependability, scalability, and performance by adding new capabilities to interact with complete context, leverage best practices and to integrate across and beyond the enterprise. Marketing and sales teams can attract and retain customers, and store developers can create and maintain their stores using an improved set of tools.

<b>IBM WebSphere Commerce for iSeries, Version 5.6 Business Edition, Professional Edition, and Express</b>		
Product number	5724-I38, 5724-I40, 5724-I36	
Ordering	5724-I38, 5724-I40, 5724-I36 Ordered via Passport Advantage	
Minimum operating system level	V5R2	
HIPO	No	
Availability	30 April 2004	
Software type	Passport Advantage	
Installation prerequisites	<a href="http://www.ibm.com/software/webservers/commerce/">http://www.ibm.com/software/webservers/commerce/</a>	
Program size	1.25 GB	
Related products	IBM WebSphere Payment Manager V5.6 (5733-PYS)	
Replaces products	IBM WebSphere Commerce for iSeries Version 5.5 (5724-A18) IBM WebSphere Payment Manager for iSeries Version 5.5 (5722-PY3) WebSphere Commerce Suite Version 5.1(5798-WC5) WebSphere Commerce V5.4 (5733-WC5)	
More information	<a href="http://www.ibm.com/software/webservers/commerce/">http://www.ibm.com/software/webservers/commerce/</a> <a href="http://www7b.software.ibm.com/wsdd/zones/commerce/">http://www7b.software.ibm.com/wsdd/zones/commerce/</a>	

**Note:** The recommended minimum hardware requirements include an iSeries processor with a CPW rating of 750 and 1.5 GB of memory.

## Solutions and benefits

Tap into the vast Internet market and increase your business by creating an e-commerce site with WebSphere Commerce for iSeries V5.6:

- ▶ Implement a complete e-commerce solution implementation, including payment processing and fulfillment

- ▶ Conduct business-to-consumer or business-to-business transactions
- ▶ Engage in mobile commerce
- ▶ Improve your business and extend your reach:
  - Reduce the cost of sales transactions
  - Attract and retain customers with enhanced relationship marketing
  - Create and manage marketing campaigns and promotions with WebSphere Commerce Accelerator
  - Track shoppers' past purchasing activities for improved customer service
  - Use WebSphere Commerce Business Edition to provide online buyer/seller collaboration and advanced user management and access control

## Features

IBM WebSphere Commerce for iSeries V 5.6 is packaged with a complement of products to provide the functions and features previously described. The list of products included varies according to the edition.

The features that are offered can include:

- ▶ Java-based Commerce Server
- ▶ Multicultural support
- ▶ Payment protocols supported include Paymentech, VisaNet, and BankServACH
- ▶ Pervasive computing enablement
- ▶ WebSphere Application Server Version 5.0
- ▶ Advanced store development tool
- ▶ WebSphere Commerce Accelerator for store, product, and order management; marketing and customer service
- ▶ Advanced relationship marketing including rules-based personalization
- ▶ Auctions (open cry, sealed bid, and Dutch bid)
- ▶ WebSphere Commerce Analyzer
- ▶ WebSphere Commerce Administration Console allows a site administrator or store administrator to perform tasks related to site and store configuration.
- ▶ Loader package allows the initial load of product information through ASCII and XML files.



- ▶ Store Services provides a central location for creating, customizing, and maintaining certain operational features of a store.
- ▶ Tivoli WebSite Analyzer
- ▶ Lotus Instant Messaging and Web Conferencing V3.0.1

## **New with Version 5.6**

WebSphere Commerce V5.6 provides more choice, function, power, flexibility and scalability than previous versions of WebSphere Commerce.

- ▶ Analytics and business intelligence

WebSphere Commerce Analyzer is now integrated with Tivoli Web Site Analyzer.

- ▶ Business accounts and contracts (Business Edition)

Payment and shipping information can now be included in the Account notebook within WebSphere Commerce Accelerator. Display customization term and condition, and search feature in account lists are new to the Account notebook.

- ▶ Catalog Filtering (Business Edition)

Catalog filtering restricts the master catalog view to a specific set of users. You can include or exclude all or a subset of categories and catalog entries.

- ▶ Catalog Import Utility

Previously only supported with the Business Edition is now included with the Professional Edition and Express.

- ▶ Documentation

The help system of WebSphere Commerce has been replaced with an information center. Included in the information center are advanced search and bookmark functions, and a feedback link.

- ▶ Integration

Current reference applications available for download show how to integrate WebSphere Commerce with a CRM system, with an ERP application, and with a call center application.

- ▶ Promotions

The promotions system now provides support for redemption limits and promotion codes. Any promotion type may be distributed as a coupon.

- ▶ Request for Quote (RFQ) (Business Edition)

A buyer can create an RFQ using the contents in their shopping cart.

- ▶ Sales Catalogs  
This function is built into the base of Version 5.6.
- ▶ Store Creation Wizard (Business Edition)  
The Store Creation wizard supports the creation of hosted B2B stores.
- ▶ WebSphere Commerce Payments  
The 3-D Secure Merchant Plug-in is included with the installation of WebSphere Commerce for iSeries.
- ▶ Developer Editions are available for Business, Professional and Express to replace WebSphere Commerce Studio  
One user license is included with WebSphere Commerce for iSeries - Express.

## **IBM Connect for iSeries Version 2.0 (5733-CO2)**

The Internet market continues to evolve. B2B commerce and collaboration are major growth areas. Increased efficiencies and access to broader markets can improve your competitive advantage.

Connect for iSeries, a software enablement framework for e-business, enables you to integrate your existing core business applications with applications of other companies—more securely, more quickly, and more easily. With Connect for iSeries, you can:

- ▶ Implement flexible, integrated solutions that work seamlessly with existing business processes
- ▶ Reduce the complexity of implementing new e-business solutions

Connect for iSeries Version 2.0 builds on the B2B supplier-enablement function provided in V1 (5733-B2B) by adding the ability to handle many XML protocols. In addition, a broad range of transactions beyond e-commerce transactions is supported.

The objective of business-to-business operations is to reduce costs, increase responsiveness, and increase communications between businesses. With Connect for iSeries, you extend your processes and products to other businesses.

Connect for iSeries Version 2.0 enables seamless and secure integration of your existing core business applications with the business applications of your trading partners. Connect for iSeries helps you achieve low-cost, high-function business integration previously only available with EDI solutions.

IBM Connect for iSeries Version 2.0	
Product number	5733-CO2
Ordering product number	5733-CO2
HIPO	No
Minimum operating system level	V5R1
Availability	18 October 2002
Software type	Software Subscription
Installation prerequisites	Advanced Edition (5733-WA3) Cryptographic Access Provider for AS/400 (5769-AC3 or 5722-AC3) <a href="http://www-1.ibm.com/servers/eserver/iseries/btob/connect/library.htm">http://www-1.ibm.com/servers/eserver/iseries/btob/connect/library.htm</a>
Related products	WebSphere Application Server, WebSphere Commerce Suite, Lotus Domino
Replaces product	Connect for iSeries V1(5733-B2B)
More information	<a href="http://www-1.ibm.com/servers/eserver/iseries/btob/connect/">http://www-1.ibm.com/servers/eserver/iseries/btob/connect/</a> <a href="http://www.software.ibm.com">http://www.software.ibm.com</a> <a href="http://www.redbooks.ibm.com">http://www.redbooks.ibm.com</a>



## Solutions and benefits

The objectives of B2B operations are to:

- ▶ Reduce costs
- ▶ Increase responsiveness
- ▶ Increase communications between businesses

With Connect for iSeries, you extend your processes and products to other businesses. Take advantage of low-cost and pervasive Internet access, and widespread use of XML-based business transactions, to automate business transactions with your partners, customers, and suppliers.

Support is built in for some popular Internet business transaction dialects including Ariba's cXML. Samples and tools help you create connectors to pass these transactions to your existing business applications for processing.

A variety of integration interfaces are accommodated, including MQSeries messages and mapping the XML transactions to API calls. Not only does this product make it easier and faster to implement your solution, it also insulates

your business applications from the likely changes to these XML-based business transactions as technologies mature.

Start simple at a very low cost, and then grow at your own pace.

## New with Version 2.0

Version 2.0 of Connect for iSeries builds on a solid foundation, extending functional capability and flexibility. Some enhancements in Version 2.0 include:

- ▶ The ability to handle many XML protocols
- ▶ Improved custom protocol development tools
  - A new set of wizards for developing custom XML protocols as part of the integrated development environment (IDE), easing the development of support for private XML protocols between business partners
- ▶ Support for a broader range of transactions beyond e-commerce transactions
  - The Connect for iSeries user interface is generalized to accommodate partner-provider types of relationships. Examples of possible new applications for Connect for iSeries include:
    - Insurance industry (XML claim processing)
    - Medical industry (patient demographics information exchange)
    - Travel industry (XML reservation processing)
- ▶ Enhanced e-catalog support
  - Support for custom catalog formats
  - Auto-refresh, export, and publish of catalogs
  - Additional and extended product attribute support
- ▶ Support for IBM strategic middleware
  - WebSphere Application Server V5.0 (5733-WS5) and WebSphere Application Server - Express V5.0 (5722-IWE)
  - WebSphere Commerce, Business and Pro Editions (5724-A18)
  - MQSeries (included on the CD)
    - MQSeries V5.2 (5733-A38)
    - MQSeries AMI (5724-A23)
    - MQSeries for Java (5648-C60)
- ▶ Support for OS/400 V5R1 and V5R2

**Note:** The recommended minimum hardware configuration for systems hosting applications using only servlets and JSPs is an iSeries processor with a CPW rating of 450 and 512 MB.

# IBM WebSphere Portal - Express, IBM WebSphere Portal - Express Plus for Multiplatforms, Version 5 (5724-E77)

IBM WebSphere Portal - Express for Multiplatforms (5724-E77) is one of the industry's most comprehensive portal offerings. It contains a wide range of portal technologies that can help develop and maintain first-class B2C, B2B, and business-to-employee (B2E) portals.

Portals serve as a simple, unified access point to Web applications and do much more. They provide valuable functions such as security, search, collaboration, and workflow. A portal delivers integrated content and applications, plus a unified, collaborative workplace. Indeed, portals are the next-generation desktop, delivering e-business applications over the Web to all kinds of client devices.

IBM WebSphere Portal - Express, IBM WebSphere Portal - Express Plus on iSeries	
Product number	5724-E77
Ordering product number	Express BAOBYML, Express Plus BAOCOML 5724-E77 via Passport Advantage
Minimum operating system level	V5R2
HIPO	No
Availability	19 December 2003
Software type	Passport Advantage
Installation prerequisites	<a href="http://www.ibm.com/developerworks/websphere/zones/portal/proddoc.html">http://www.ibm.com/developerworks/websphere/zones/portal/proddoc.html</a> <a href="http://www.ibm.com/software/genservers/portalexpress/requirements/index.html">http://www.ibm.com/software/genservers/portalexpress/requirements/index.html</a>
Program size	1.5 GB
Related products	WebSphere Application Server Version 5 for iSeries (5733-WS5) Enterprise Enablement for WebSphere Application Server and Enterprise Enablement for WebSphere Application Server Network Deployment (limited availability offering; bundled with WebSphere Portal)
Replaces product	N/A WebSphere Portal Enable V4.1 upgrade to WebSphere Portal Express V5 is not supported
Further information	<a href="http://www.ibm.com/servers/eserver/iseries/software/websphere/portal">http://www.ibm.com/servers/eserver/iseries/software/websphere/portal</a> <a href="http://www-106.ibm.com/developerworks/websphere/zones/portal/proddoc.html">http://www-106.ibm.com/developerworks/websphere/zones/portal/proddoc.html</a>



## Solutions and benefits

IBM WebSphere Portal allows people to interact with the on-demand world in a personalized way. They can automatically get the dynamic information they need. They can quickly execute business processes across critical applications. They can collaborate with portal users inside and outside your e-business. By providing these industry-leading portal solutions for your e-business, IBM helps you improve employee productivity, cut costs and strengthen relationships with your customers and trading partners.

WebSphere Portal Express and Express Plus offers iSeries server customers a great way to integrate existing, as well as new applications into a robust, reliable and scalable portal environment. Customers implanting WebSphere Portal Express can provide a single, personalized interface for employees (B2E), suppliers (B2B), consumers (B2C), or all three.

Using iSeries Access for the Web, iSeries server customers can take the first step with their portal integration plans by portal-enabling 5250 applications. Over time, customers can improve end-user satisfaction and productivity, increase revenue and reduce the complexities of integrating multiple solutions from IBM and Business Partners.

## Features

WebSphere Portal - Express for Multiplatforms combines features of the WebSphere Portal family with simplified installation and the option for user or processor-based licensing. This combination enables small businesses and departments within larger companies to more easily deploy sophisticated employee, business partner, and customer portals.

WebSphere Portal - Express for Multiplatforms, Version 5.0.2, contains the customizable portal, an integrated document manager, a selection of portlets, the toolkit for creating new portlets and the WebSphere Application Server for running the portal.

The WebSphere Portal - Express and Express Plus product offerings are not OS/400 licensed programs. You cannot order them using the IBM marketing configurator.

WebSphere Portal - Express Plus V5.0.2 for iSeries is available beginning September 2003 with OS/400 Enterprise Editions package (5733-ED1). As included in the Enterprise Editions package, it is referred to and ordered as 5733-PE1. An order for 5733-PE1 includes a one-year maintenance — product number 5733-A86. The product can optionally be removed from the Edition.

**Note:** The recommended minimum hardware configuration for systems hosting applications using only servlets and JSPs is an iSeries processor with a CPW rating of 750 and 2 GB of memory. These minimum requirements are based on a non-clustered environment running a single WebSphere Application Server instance. To run multiple WebSphere Application Server instances at the same time, additional system resources are required.

## New with Version 5.0


New features in Version 5.0 include:

- ▶ User-based licensing and processor-based licensing can be used on either an intranet, extranet, or Internet-based portal.
- ▶ Productivity components allow for the viewing and editing of simple documents, spreadsheets and presentations within the portal.
- ▶ A document manager allows portal users to store, categorize, search, and share documents with others.
- ▶ Integrated database is provided for departmental and proof-of-concept portals.
- ▶ New portlets simplify frequently-used administration tasks.

WebSphere Portal - Express Plus for Multiplatforms, Version 5.0.2 contains all the features of WebSphere Portal - Express. It adds in collaboration features, such as instant messaging, team calendars, and team work spaces, and displays online status for portal user names.

## IBM Grid Toolbox V3 for OS/400 (5733-GT1)

The IBM Grid Toolbox V3 for OS/400 is designed to provide building blocks for the emerging grid computing environment that can enable rapid deployment and integration of business applications and processes in a grid. This grid-enabling toolkit contains accepted, standardized development code approved by the Global Grid Forum as part of the Global Toolkit, plus an added database and run-time environment.

<b>IBM Grid Toolbox V3 for OS/400</b>		
Product number	5733-GT1	
Ordering product number	5733-GT1	
HIPO	No	
Minimum i5/OS level	V5R3	
Program size	650 MB	
Availability	Download - 25 June 2004 CD - 30 July 2004	
Software type	LP specific	
Installation prerequisites	i5/OS V5R3, IBM Developer Kit for Java V1.3, Qshell, Host Servers, PASE, Digital Certificate Manager, IBM HTTP Server, IBM WebSphere Application Server - Express V5.0 and Cryptographic Access Provider (5722-AC3) <a href="http://publib.boulder.ibm.com/eserver/v1r1/en_US/index.html">http://publib.boulder.ibm.com/eserver/v1r1/en_US/index.html</a>	
Related product	IBM Web Enablement for iSeries (5722-WE1)	
Replaces product	N/A	
More information	<a href="http://publib.boulder.ibm.com/eserver/v1r1/en_US/index.html">http://publib.boulder.ibm.com/eserver/v1r1/en_US/index.html</a> <a href="http://www.ibm.com/common/ssi">http://www.ibm.com/common/ssi</a>	

The IBM Grid Toolbox for OS/400 is supported on iSeries Models 170, 250, 270, 720, 730, 740, 820, 830, 840, 520, and 570.

## Solutions and benefits

The IBM Grid Toolbox is a licensed program based on open standards. With grid computing, you can virtualize entire data centers. It enables you to share and manage distributed computing resources as though these resources were a single, unified computing instance.

IBM provides superior samples to show developers how to implement a grid and which types of applications can be dispatched to a grid. IBM Grid Toolbox includes object code for multiple IBM platforms tested on applicable IBM servers. Certain integrated IBM middleware including a run-time environment and an IBM data management solution for reliability and scalability.



## Features

In addition, IBM Grid Toolbox offers:

- ▶ A user-friendly installation process to provide a means of pursuing an entry-level grid project
- ▶ Integrated run-time environment, which includes the embedded version of WebSphere Application Server - Express V5.0.2
- ▶ Integrated database technologies from IBM Cloudscape™ V5.1 for storing data used by grid code
- ▶ A Java-based management user interface to simplify management across platforms
- ▶ The grid services provided that are built with the Open Grid Services Architecture (OGSA), an open set of standards and protocols that enable communications across heterogeneous, geographically dispersed environments

The middleware provided with the IBM Grid Toolbox supports that product only. It *cannot* be used to host or deploy user-built applications.





## Lotus products for iSeries

IBM and Lotus work in partnership to provide solutions for today's business environment. This chapter describes the following IBM products that are offered by Lotus Software.

Product name	Product number	Refer to page
Lotus Domino 6 Message Server	Licensing option	559
Lotus Domino 6 Enterprise Server	Licensing option	559
Lotus Domino 6 Utility Server	Licensing option	559
IBM Lotus Domino Collaboration Express offering	Licensing option	557
IBM Lotus Domino Utility Server Express offering	Licensing option	557
IBM Lotus Domino 6.5 for iSeries	5733-L65	560
Lotus Domino client	Varies	562
IBM Lotus Enterprise Integrator® for iSeries	5733-LEI	563
IBM Lotus Instant Messaging and Web Conferencing for iSeries	5733-LST	565
IBM Lotus Team Workplace for iSeries	5733-LQP	566

Product name	Product number	Refer to page
IBM Lotus Domino Document Manager	5769-LDD	568
IBM Integrated Domino Fax for iSeries	5733-FXD	569

## Domino on iSeries

A Domino on iSeries solution uses the same iSeries values that are discussed in “Reliable, managed availability” on page 23 to provide a compelling case for using the iSeries as the Domino server of choice. Of particular interest to Domino users are:

- ▶ Reliability
 

The stability of the iSeries hardware and software coupled with the iSeries architecture, which logically insulates applications from one another, promotes uninterrupted performance.
- ▶ Availability
 

Centralized backup and recovery for applications and data and the ability to run multiple partitioned Domino servers (DPARs) on one physical iSeries server leads to increased system availability.
- ▶ Scalability
 

The iSeries server product line allows for nondisruptive growth from a uni-processor to a 32-way system on the same operating system, using the same skill sets.
- ▶ Server efficiency
 

iSeries servers feature system management capabilities that allow processor resources to be highly used. Servers that lack these capabilities lead to server farms of poorly used systems.
- ▶ Server consolidation
 

Multiple physical Domino servers can be consolidated into one iSeries server, and additional users can be catered for without additional servers. This saves cost and eases the management environment. Local area network (LAN) traffic declines as Domino servers communicate over the virtual Ethernet within the iSeries hardware.
- ▶ Integration
 

Domino for iSeries is designed to integrate with many of the built-in Operating System/400 (OS/400) services including security, backup and recovery, systems management, iSeries Navigator, Java virtual machine (JVM), and IBM DB2 Universal Database (UDB) for iSeries. Furthermore, the iSeries is

the only server that allows deployment of Linux, Java, UNIX, Windows, AIX 5L and Domino-based applications on a single server.

## Domino server options

Lotus Domino for iSeries is a powerful, popular, versatile, and integrated groupware product from Lotus Software. It provides functions that include e-mail, workflow-based computing, and the integration and management of both structured and unstructured data. Domino is a *server* product that runs on a variety of platforms, providing easy-to-manage interpretability in a heterogeneous network.

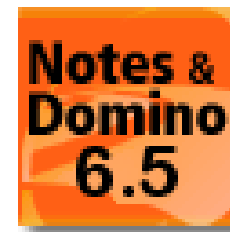
Versions of IBM Lotus Domino prior to Version 6 are not supported at IBM i5/OS V5R3. Lotus Domino 6 for iSeries includes five separately orderable components, as represented in the following table.

Domino Server Options	Description
IBM Lotus Domino Messaging Server	IBM Lotus Domino Messaging Server combines full support for the latest Internet mail standards with Domino's state of the art messaging and calendaring capabilities, all in one manageable and reliable package.
IBM Lotus Domino Enterprise Server	IBM Lotus Domino Enterprise Server includes all functions of the messaging server, plus support for custom intranet and Internet applications, and partitioning and clustering technology for high availability.
IBM Lotus Domino Utility Server	IBM Lotus Domino Utility Server is an application server license option that includes unlimited access to non-mail applications. Entitlement to messaging capability is <i>not</i> available with this option.
IBM Lotus Domino Collaboration Express offering	The IBM Lotus Domino Collaboration Express offering is powered by the Domino Enterprise Server and allows customers to use both the messaging and collaborative capabilities of Domino. Customers can choose to access Domino via Lotus Notes® or Lotus Domino Web Access (iNotes™) clients for both e-mail and collaborative applications.
IBM Lotus Domino Utility Server Express offering	The IBM Lotus Domino Utility Server Express offering is powered by the Domino Enterprise Server. It provides unlimited access to collaborative applications, but does not allow the use of individual mail files. Customers can choose to access their Domino applications through a Web browser or via a separately purchased Lotus Notes client. IBM Lotus Domino Utility Server Express makes applications available to users who are internal to that organization and to external users. Access is allowed for individually authenticated and anonymous users.

## IBM Lotus Domino 6.5 for iSeries (5733-L65)

With the delivery of Domino 6.5 Lotus continues to play a major role in the e-business revolution. To meet the challenges of business globalization, frequent mergers and acquisitions, and the increasing demand for Web-based business tools, Lotus has combined both evolution and innovation in its latest upgrade of Domino server technology. The features in Domino 6.5 build on the features in previous releases to address rapidly changing industry trends and meet their challenges directly.

IBM Lotus Domino 6.5 for iSeries	
Product number	5733-L65
Ordering product number	5724-E70
Minimum operating system level	V5R1
HIPO	N/A
Availability	September 2003 (6.5) March 2004 (6.5.1)
Software type	Software Maintenance
Installation prerequisites	<a href="http://www.lotus.com/products/product4.nsf/wdocs/65dominosysrequirements">http://www.lotus.com/products/product4.nsf/wdocs/65dominosysrequirements</a> <a href="http://www-10.lotus.com/1dd/notesua.nsf/RN?OpenView">http://www-10.lotus.com/1dd/notesua.nsf/RN?OpenView</a>
Related products	IBM Integrated Domino Fax for iSeries (5733-FXD) Lotus Enterprise Integrator (LEI) (5733-LE1)
Replaces product	Lotus Domino Server for iSeries R5
Ordering	Domino 6 is orderable through standard Lotus channels only. <a href="http://www.ibm.com/software/howtobuy">http://www.ibm.com/software/howtobuy</a>
Further information	<a href="http://www.ibm.com/servers/eserver/series/domino/">http://www.ibm.com/servers/eserver/series/domino/</a> <a href="http://www.lotus.com/products/r5web.nsf/webpi/Domino+for+iSeries/">http://www.lotus.com/products/r5web.nsf/webpi/Domino+for+iSeries/</a> <a href="http://www.lotus.com/1dd/domino6">http://www.lotus.com/1dd/domino6</a>



### Solutions and benefits

Domino 6.5 innovations expand the capabilities of the Domino messaging and collaboration server. This maximizes the value of Domino within an existing infrastructure and provides robust support for Notes messaging and Web applications. Whether users are working with a Notes client, Web browser, or a mobile device, a single application can meet their needs.

The benefits to your business include:

- ▶ Reduced time and costs required to deploy and configure software by using Lotus Notes Smart Upgrade and Lotus Domino policy-based administration
- ▶ Streamlined system efficiency by decreasing bandwidth usage through integrated network compression
- ▶ Storage of copies of critical e-mail automatically through mail-message journaling
- ▶ Maximized server availability with advanced clustering, server fault recovery, and automated diagnostic tools
- ▶ Prevention of the delivery of unsolicited e-mail with server-based mail rules, anti-relay controls, and Domain Name System (DNS) blacklist filtering
- ▶ Support of multiple organizations and multiple languages on a single server, reducing the need for additional hardware and software

## **New with Lotus Domino 6.5**

The new features in Lotus Domino 6.5 include:

- ▶ New platform support of the Microsoft Windows 2003 Server
- ▶ The ability to rename a resource by changing its name, site, and category (for resources of type “other”)
- ▶ Unified interface for fault recovery and cleanup scripts
- ▶ Server.Load support of workloads for Domino Web Access, Internet Message Access Protocol (IMAP), and Domino R6 Mail
- ▶ The replication of database unread marks between databases on clustered servers or on all servers where the database resides

## **National language support**

Unlike Domino, fully translated versions of the Domino 6 product are not available. Only Language Packs are supported. The user needs to install the English server, and then use the Language Pack installation process to change the language. Separating the code from the language permits the use of different languages in Domino logical partitions (LPAR) without implementing OS/400 LPARs, which is the case with Domino 5.

## Domino Notes client choices

The choice of clients supported by Domino for iSeries are represented in the following table.

Lotus Notes clients	Description
IBM Lotus Domino Access for Microsoft Outlook	IBM Lotus Domino Access for Microsoft Outlook allows Microsoft Outlook users to access e-mail and calendar features based on Lotus Domino.
IBM Lotus Domino Web Access (iNotes)	IBM Lotus Domino Web Access extends Domino messaging and collaboration, personal information management (PIM), and offline services to Web browsers clients.
IBM Lotus Notes for Messaging	IBM Lotus Notes for Messaging is a license-only Lotus Notes client option with capability limited to messaging, calendar, and discussions. The degree of function available to the user is controlled by the administrator via a parameter in the Domino Directory.
IBM Lotus Notes for Collaboration	IBM Lotus Notes for Collaboration is a full-function integrated client for messaging, calendar, and discussions, plus the capability to use custom Domino applications.
Domino Administrator	Domino Administrator is the Win32 graphical interface for administration and management of the Domino environment, including registration of users and servers. It is provided with the Domino server and with the Domino Designer® client. It is not available separately.
Domino Designer	Domino Designer is the interactive, Win32 graphical development environment for creation of powerful intranet and Internet applications. The Domino Designer client option also includes Lotus Notes for Collaboration and Domino Administrator.

### New with Lotus Domino Clients 6.5

The clients provided for Domino build upon previous clients. They include such enhancements as:

- ▶ Single access point for Lotus Notes users  
Improve productivity by providing unified access to the tools, tasks, and people with whom users work. There is also an introduction to portals.
- ▶ Lotus Instant Messaging integration  
Single signon gives users the ability to view and manage online status and be aware of a colleagues presence through online status indicators while users remain within the context of a e-mail or task.
- ▶ Enablement of applications to start IBM Lotus Instant Messaging via application integration
- ▶ Follow up  
You have the ability the mark e-mails with a follow up flag (high, normal, or low) to indicate further action is necessary. Alarms can be set for specific date



and time, including e-mail notifications. The inbox can be sorted via the follow-up priority flags.

▶ Inbox management features

Anti-spam features block e-mails from specified senders reducing junk mail. A QuickRules option on the Tools menu automates the creation of rules by populating sender, domain, and subject from selected messages.

▶ Further productivity features

You have the ability to drag and drop e-mails from the inbox view to the calendar. You can view only unread mail in the inbox view by toggling the message on and off. A facility is included to allow Lotus Notes to be set as the default mail client, so that when users click a mailto: link on a Web page a new message window is automatically open in Notes.

▶ Linux client support via a Mozilla browser in Lotus Domino Web Access (iNotes)

▶ Lotus Domino Web Access 6.5 integration of Lotus Instant Messaging functionality and an increased feature parity with Lotus Notes

▶ Changes to Lotus Domino Access for Microsoft Outlook

The new architecture uses open Internet standards (IMAP/Simple Mail Transfer Protocol (SMTP)/iCAL), with improved scalability, lower resource use, and a more solid solution. It also supports Outlook 2000 and 2002 clients.

Refer to the following Web site for information about Domino client choices:

<http://www.lotus.com/engine/jumpages.nsf/wdocs/products>

## **IBM Lotus Enterprise Integrator for iSeries (5733-LEI)**

The Lotus Enterprise Integrator (LEI) is a server-based product that provides data movement between DB2 UDB for iSeries and Domino with no programming required. LEI allows the exchange of data with the integrated file system (IFS) of the iSeries and Enterprise Resource Planning (ERP) applications. Domino forms-based interfaces are used to map fields in a Domino database to columns in a DB2 table. Lotus Enterprise Integrator takes care of the movement and conversion of data between the data sources.

<b>IBM Lotus Enterprise Integrator 6.5 for iSeries</b>	
Product number	5733-LEI
Ordering product number	5724-E89
Minimum operating system level	V5R1
HIPO	N/A
Availability	September 2003 (6.5) March 2004 (6.5.1)
Software type	Software Maintenance
Installation prerequisites	None
Related product	Lotus Domino Enterprise Server for iSeries (5733-LD6)
Replaces product	IBM Lotus Enterprise Integrator for Domino R5 (5769-LNP)
Ordering	LEI is orderable through standard Lotus Channels only.
Further information	<a href="http://www.lotus.com/products/product4.nsf/wdocs/enterpriseintegrator/">http://www.lotus.com/products/product4.nsf/wdocs/enterpriseintegrator/</a> <a href="http://www-1.ibm.com/servers/eserver/series/domino/related/lei.htm">http://www-1.ibm.com/servers/eserver/series/domino/related/lei.htm</a>



The following table shows the Domino and LEI release compatibility.

<b>LEI for iSeries versions and updates</b>	<b>Compatible Domino releases</b>
LEI 6.5.1 for iSeries	Domino 6.5.1
LEI 6.5.0 for iSeries	Domino 6.5.0 and Domino 6.0.3
LEI 6 for iSeries	LEI 6.0.1 for Domino 6.0.1, LEI 6.0.2 for Domino 6.0.2

## **New with Lotus Enterprise Integrator 6.5**

The new features in LEI 6.5 include:

- ▶ Support for installation in multiple Domino partitions on a single iSeries
- ▶ Performance improvements for virtual document activities
- ▶ Read access control for connection and activity documents

- ▶ Expanded connectivity options connecting to Oracle, Informix®, SQL Server, and Sybase
- ▶ Extended platform support including Windows 2003

## IBM Lotus Instant Messaging and Web Conferencing (5733-LST)

Lotus Instant Messaging and Web Conferencing is real-time collaboration software, with online awareness, instant messaging, application sharing and virtual meetings. Lotus Instant Messaging and Web Conferencing helps your organization be more responsive and more efficient by allowing your employees, customers, partners, and suppliers to easily interact with one another in real-time.

Real-time collaboration is a natural extension to e-mail. You are not just chatting with colleagues, but using the Web to improve customer service, reduce travel costs, and create communities among your employees, customers, partners, and suppliers.

The product is also included within WebSphere Portal - Express Plus. WebSphere Portal - Express Plus is included with the Enterprise Edition of the Models 520 and 570. For more information about WebSphere Portal Express Plus, refer to “IBM WebSphere Portal - Express, IBM WebSphere Portal - Express Plus for Multiplatforms, Version 5 (5724-E77)” on page 551.

<b>IBM Lotus Instant Messaging and Web Conferencing</b>	
Product number	5733-LST
Minimum operating system level	V5R1
HIPO	N/A
Availability	07 October 2002
Software type	Software Maintenance Passport Advantage
Installation prerequisites	<a href="http://www.ibm.com/eserver/iseries/sametime/sysreq.html">http://www.ibm.com/eserver/iseries/sametime/sysreq.html</a>
Related products	IBM Lotus Domino 6 for iSeries (5733-LD6) IBM Lotus Domino 6.5 for iSeries (5733-L65) IBM Lotus Team Workplace (QuickPlace) (5733-LQP)
Replaces product	None

IBM Lotus Instant Messaging and Web Conferencing	
Ordering	Through standard Lotus channels or free with the Enterprise Edition of Models 825, 870, and 890
Further information	<a href="http://www.ibm.com/eserver/series/sametime">http://www.ibm.com/eserver/series/sametime</a> <a href="http://www.lotus.com/sametime">http://www.lotus.com/sametime</a> <a href="http://www.lotus.com/ldd">http://www.lotus.com/ldd</a>

## Features and benefits

The features and benefits of Lotus Instant Messaging and Web Conferencing include:

- ▶ **Add presence awareness:** Speed communications by allowing people to initiate instant messaging sessions directly from within applications and documents.
- ▶ **Link communities:** Simplify and speed distribution of information to suppliers, customers, and partners by securely connecting with their respective instant messaging communities.
- ▶ **Customize and embed:** Extending the capabilities and reach of Lotus Instant Messaging and Web Conferencing is easy for a broad range of developers because Lotus Instant Messaging and Web Conferencing supports the tools needed to integrate with Web- and Windows-based applications.
- ▶ **Make the best use of technology:** With Lotus Instant Messaging and Web Conferencing 3.0, users have a tool that integrates well with the business tools they use to be productive, including Lotus Notes, IBM Lotus Team Workplace, mobile phones, and wireless personal digital assistants (PDAs).

## IBM Lotus Team Workplace (5733-LQP)

IBM Lotus Team Workplace (QuickPlace) is the Web-based solution for creating team work spaces for collaboration. The product is also included within WebSphere Portal - Express Plus. WebSphere Portal - Express Plus is included with the Enterprise Edition of the Models 520 and 570. For more information about WebSphere Portal Express Plus, refer to "IBM WebSphere Portal - Express, IBM WebSphere Portal - Express Plus for Multiplatforms, Version 5 (5724-E77)" on page 551.

<b>IBM Lotus Team Workplace for iSeries</b>	
Product number	5733-LQP
Minimum operating system level	V5R1
HIPO	N/A
Availability	15 November 2002
Software type	Software Maintenance Passport Advantage
Installation prerequisites	<a href="http://www.ibm.com/eserver/iseries/quickplace/sysreq.htm">http://www.ibm.com/eserver/iseries/quickplace/sysreq.htm</a>
Related products	IBM Lotus Domino 6.5 for iSeries (5733-L65) IBM Lotus Instant Messaging and Web Conferencing (5733-LST)
Replaces product	None
Ordering	Via Lotus Reseller or included with iSeries Models 825, 870, and 890 Enterprise Edition
Further information	<a href="http://www.ibm.com/eserver/iseries/quickplace">http://www.ibm.com/eserver/iseries/quickplace</a> <a href="http://www.lotus.com/quickplace">http://www.lotus.com/quickplace</a> <a href="http://www.lotus.com/ldd">http://www.lotus.com/ldd</a>

## Features and benefits

With IBM Lotus Team Workplace, non-technical professionals can instantly create an electronic shared work space to support a task, project, or initiative. Browser access to an intranet or the Internet allows authorized team members to access the work space to communicate, share knowledge and ideas, maintain a project calendar, organize team information, and more.

iSeries servers give the flexibility, reliability, and scalability needed to put IBM Lotus Team Workplace to work and make team projects more effective. IBM Lotus Domino 6.5 for iSeries is required to support IBM Lotus Team Workplace in the same OS/400 partition.

- ▶ Find information faster by searching across all work spaces or within a single "Place". Quickly locate and enter team work spaces through the new "My Places" feature.
- ▶ Work more efficiently in real time by using Lotus Instant Messaging and Web Conferencing. See if a team member is online and ask questions using instant messages capabilities, or schedule and attend Web meetings directly from within IBM Lotus Team Workplace group calendar.

- ▶ Keep information organized in a single location. As team members switch teams, IBM Lotus Team Workplace keeps information where new team members can access and review it.
- ▶ Schedule meetings more effectively using the IBM Lotus Team Workplace 3.0 team calendar. Make a reservation for Lotus Instant Messaging and Web Conferencing events and have them automatically appear in Lotus Notes R5, Notes 6, or Microsoft Outlook calendars.

## IBM Lotus Domino Document Manager (5769-LDD)

IBM Lotus Domino Document Manager (Domino.Doc®) brings scalable, flexible document Management capabilities to Domino. It extends the concept of a shared document library via an open, Web accessible, distributed, and collaborative environment.

IBM Lotus Document Manager	
Product number	5769-LDD
Minimum operating system level	V4R5
HIPO	N/A
Availability	July 2001
Software type	Software Maintenance Passport Advantage
Installation prerequisites	<a href="http://www-1.ibm.com/servers/eserver/series/domino/related/domdoc.htm">http://www-1.ibm.com/servers/eserver/series/domino/related/domdoc.htm</a>
Related products	IBM Lotus Workflow™ IBM Instant Messaging and Web Conferencing
Replaces product	None
Ordering	Through standard Lotus channels
Further information	<a href="http://www.lotus.com/products/domdoc.nsf/content/domdohomepage">http://www.lotus.com/products/domdoc.nsf/content/domdohomepage</a>

## Features and benefits


The features and benefits of IBM Lotus Domino Document Manager include:

- ▶ Integration with other IBM Lotus products including IBM Lotus Domino V6 for iSeries and IBM Lotus Instant Messaging and Web Conferencing (Lotus Workflow)
- ▶ Versatility to organize, manage, access, and share documents from a variety of desktop applications including Web browsers, Lotus Notes, and Microsoft Outlook e-mail systems
- ▶ Facilitation of collaboration with built in tools
- ▶ Rigorous and flexible security options to help protect critical business documents and content
- ▶ Access from WebSphere Portal to all the functionality available today in the IBM Lotus Domino Document Manager client

## IBM Integrated Domino Fax for iSeries (5733-FXD)

IBM Integrated Domino Fax for iSeries enables Lotus Notes users to send and receive faxes directly from their Notes client, using their current telephone system and Domino infrastructure. Domino Fax for iSeries supports more than just simple text. Notes memos containing rich text and graphics can also be faxed. Files attached to Notes memos can also be formatted and faxed. In addition with the Print-to-Fax driver (available for download at no charge), Notes users can send faxes directly from within a Microsoft Windows application, such as word processing or spreadsheet software.

IBM Integrated Domino Fax for iSeries	
Product number	5733-FXD
Minimum operating system level	V5R1
HIPO	N/A
Availability	12 December 2000
Software type	Software Subscription
Installation prerequisites	<a href="http://www-1.ibm.com/servers/eserver/iseries/domino/related/fxd/">http://www-1.ibm.com/servers/eserver/iseries/domino/related/fxd/</a>
Related product	Lotus Domino 6 for iSeries



<b>IBM Integrated Domino Fax for iSeries</b>	
Replaces product	Lotus Fax for Domino V4R1
Ordering	IBM Licensed Program Product. Not available through Passport Advantage.
Further information	<a href="http://www-1.ibm.com/servers/eserver/series/domino/related/fxd/">http://www-1.ibm.com/servers/eserver/series/domino/related/fxd/</a>

## Features and benefits

IBM Integrated Domino Fax for iSeries brings the ability to fax directly to the Notes desktop. Integrated Domino Fax for iSeries features include:

- ▶ Simultaneously send and receive faxes from Notes Desktop as easily as e-mail
- ▶ Easily fax rich text, graphics, and attached files
- ▶ Automatically delay fax transmission until telephone rates drop
- ▶ Easily select cover page and cost codes
- ▶ Run on your existing Lotus Domino for iSeries mail server (only requires a Windows NT workstation for fax conversions)
- ▶ Supports iSeries or AS/400e fax hardware
- ▶ Supports Web browsers and POP3 clients

Integrated Domino Fax for iSeries is convenient, reliable, and costs less. With other fax solutions, additional servers are necessary to run this function. With Domino Fax, the fax server can be run on the same iSeries server that handles the mail. Benefits to business include:

- ▶ Domino Fax uses the existing mail server. Administrators do not need to add another server dedicated to fax, as with many other products.
- ▶ Domino Fax uses familiar Domino administration tools for configuration and management, both locally and remotely.
- ▶ Servers can be clustered together for dynamic load balancing for maximum efficiency. Outbound faxes are automatically routed through the most efficient path.
- ▶ Outbound faxes are prioritized automatically based on the senders' default priority levels, administrator-defined rules, and the time a fax waits in queue.
- ▶ Domino Fax fully preserves the appearance of documents during conversion to image format for faxing, offers full fidelity of fonts and graphics, and automatically faxes content of mail memos.
- ▶ Domino Fax supports Web browsers, Post Office Protocol 3 (POP3) clients.





## IBM LPP Application Development Products

Business leaders who are looking to solve business problems with automation start by choosing an application to fit their business goals and needs. iSeries customers worldwide have tens of thousands of proven business applications from which to select. Application development is an undeniable strength of the iSeries server. This strength is based on the support for traditional and e-business development provided in the iSeries operating system.

This chapter describes today's application development Licensed Program Offerings (LPOs). It focuses on the key tools for application development for the iSeries server.


To understand the IBM e-business-on-demand strategy for the iSeries server, refer to *WebSphere for IBM @server iSeries Server Buying and Selling Guide*, REDP-3646. See Chapter 25, "WebSphere and e-business for iSeries" on page 529, to understand the strength of the WebSphere family of products.

**Tip:** As an operating system (AIX within OS/400) and an application development suite (AIX/UNIX application development for OS/400), OS/400 Portable Application Solutions Environment (PASE) gives application providers a path to the iSeries product line. Refer to "OS/400 PASE" on page 407 for a description of OS/400 PASE.

Product name	Product number	Refer to page
IBM CICS Transaction Server for iSeries	5722-DFH	572
IBM WebSphere Application Server Version 5.1 for iSeries Developer Edition	5724-D18	543
IBM Grid Toolbox V3 for OS/400	5733-GT1	553
IBM Java for iSeries IBM Toolbox for Java IBM Developer Kit for Java	5722-JC1 5722-JV1	575 581
System/36 Migration Aid	5727-MG1	584
System/38 Migration Aid	5714-MG1	584
IBM Application Program Driver for AS/400	5722-PD1	584
IBM VisualAge Generator Server for AS/400	5769-VG1	586
IBM WebSphere Development Studio for iSeries Server components: Application Development ToolSet ILE RPG ILE COBOL ILE C ILE C++ Workstation components: IBM WebSphere Development Studio Client for iSeries, V5.1.2  IBM WebSphere Development Studio Client Advanced Edition for iSeries V5.1.2	5722-WDS       5722-WDS (Standard client is free with entitlement)  (Advanced client is offered via the Passport Advantage channel)	588  596 591 592 594 594 597 597  599
IBM XML Toolkit for iSeries	5733-XT1	602

## IBM CICS Transaction Server for iSeries (5722-DFH)

The Customer Information Control System (CICS) platform is widely used as a basis for implementing business solutions. The CICS architecture defines a common programming interface and inter-system communications between various systems. Because of this architecture, CICS Transaction Server for iSeries enables many of these applications to be made available on the iSeries server without excessive costs of code conversion. CICS applications and data can coexist with iSeries applications and data.

IBM CICS Transaction Server for iSeries		
Product number	5722-DFH	
Ordering product number	5722-DFH	
Minimum operating system level	V5R2	
HIPO	Yes	
Availability	30 August 2002	
Software type	Software Subscription	
Installation prerequisites	IBM WebSphere Development Studio for iSeries Application Development Toolset (5722-WDS) for creating CICS application programs ILE COBOL for AS/400 (5769-CB1 or 5722-WDS) or ILE C for compiling programs on the server	
Program size	92 MB	
Related product	WebSphere Development Studio for iSeries (5722-WDS)	
Replaces products	CICS Transaction Server for iSeries (5722-DFH) (V5R1) CICS for AS/400 (5769-DFH)	
Further information	<a href="http://www-3.ibm.com/software/ts/cics/">http://www-3.ibm.com/software/ts/cics/</a>	

## New with V5R3

- ▶ Support is added to the Create CICS/400® Program (CRTCICSCBL) command to provide access to the WebSphere Development Studio Integrated Language Environment (ILE) COBOL compiler for creating CICS COBOL programs.
- ▶ The CRTCICSCBL command has additional parameters that correspond to the Create COBOL Module (CRTCBMOD) and the Create Bound COBOL Program (CRTBNDCBL) commands. It now invokes the commands as appropriate to create the CICS COBOL program.

## Features

CICS for iSeries supports the following features:

- ▶ A major subset of the CICS command-level application programming interface (API)

The CICS API can be used in iSeries COBOL or C applications. COBOL or C applications developed for the mainframe (CICS Transaction Server for z/OS,

CICS Transaction Server for OS/390, or CICS Transaction Server for VSE/ESA™ or predecessor systems) or TXSeries® (which contains CICS for AIX, CICS for HP-UX, CICS for SUN Solaris, and CICS for Windows NT) are source compatible with CICS for iSeries. Application support is available for applications based on either single-byte or double-byte character sets.

- ▶ Basic Mapping Support (BMS) for generating character-based user interfaces  
BMS maps are source compatible, provided that they use BMS commands from the CICS minimal function architecture subset. This level provides the functions used by most CICS applications.

- ▶ CICS transactional execution models

This includes conversational and non-conversational transactions, asynchronous transactions, and transactions based on queues or timers.

- ▶ The CICS VSAM interface for access to OS/400 database files.

The CICS VSAM API is mapped to standard OS/400 database files. Standard OS/400 commands are used to create and manage these database files. These files are also accessible from other OS/400 applications and queries. CICS applications can also be created using Structured Query Language (SQL) interfaces to access OS/400 database files.

- ▶ OS/400 users share data and applications with other systems using CICS Intersystem Communications

This allows connectivity to other CICS platforms and provides access to both applications (transaction routing and distributed program link) and data (function shipping) on the following systems:

- CICS Transaction Server on zSeries and S/390: This includes CICS Transaction Server for z/OS, CICS Transaction Server for OS/390, and CICS Transaction Server for VSE/ESA and predecessor systems.
- CICS Transaction Server for iSeries and CICS for AS/400
- CICS on open systems: This includes the TXSeries products (CICS for AIX, CICS for HP-UX, CICS for Sun Solaris, and CICS for Windows NT).
- CICS for OS/2

- ▶ Data integrity ensured through the use of OS/400 two-phase commit capability

When a CICS for iSeries application updates multiple systems, it ensures successful updates of all files and backs out partial updates if the full transaction is not completed.

- ▶ Connectivity from CICS Clients and from the CICS Transaction Gateway

This allows standard CICS applications to be used as either client/server applications or as Web-serving applications. CICS for iSeries provides

connectivity to these systems over SNA, TCP62 (AnyNet), and TCP/IP. TCP/IP support is new for V5R2. CICS Clients and the CICS Transaction Gateway may be run on Windows 2000, Windows NT, or on UNIX systems including AIX.

CICS for iSeries is fully integrated with OS/400. OS/400 Command Language (CL) commands are provided for installation and administration of CICS. CICS transactions are executed in standard OS/400 jobs. These jobs are managed using standard OS/400 work management services. CICS data is stored in standard OS/400 database files.

CICS uses OS/400 communications services to network with other CICS systems. While using many OS/400 services, CICS for iSeries also provides a set of standard CICS transactions for similar functions such as the Execution Diagnostic Facility (EDF), CICS Master Terminal (CEMT), and the CICS command level interpreter (CECI).

## IBM Toolbox for Java (5722-JC1)

IBM Toolbox for Java is a set of Java classes that allow you to write Java applications, applets, and servlets to access data on your iSeries server. IBM Toolbox for Java also provides a set of graphical user interface (GUI) classes. These classes use the access classes to retrieve data and then present the data to the user.

IBM Toolbox for Java	
Product number	5722-JC1
Ordering product number	Included with 5722-SS1
Minimum operating system level	V5R1
HIPO	yes, with 5722-SS1
Availability	11 June 2004
Software type	Software Subscription
Installation prerequisites	Host Server (option 12 of 5722-SS1) and TCP/IP <a href="http://publib.boulder.ibm.com/iseries/v5r2/ic2924/index.htm">http://publib.boulder.ibm.com/iseries/v5r2/ic2924/index.htm</a>
Program size	83 MB
Related products	The IBM Developer Kit for Java, WebSphere Application Server for iSeries, Qshell



IBM Toolbox for Java	
Replaces product	N/A
Further information	<a href="http://publib.boulder.ibm.com/series/v5r2/ic2924/index.htm">http://publib.boulder.ibm.com/series/v5r2/ic2924/index.htm</a> <a href="http://www-1.ibm.com/servers/eserver/series/toolbox">http://www-1.ibm.com/servers/eserver/series/toolbox</a>

## New with V5R3

### Packages

The com.ibm.as400.comtrace package provides a set of classes that enable Java programs to work with communications trace data for a specified local area network (LAN) (Ethernet or token ring) line description. Raw trace data can be formatted, parsed, or both to extract desired information. This handling of trace data is improved over previous restriction of output to stream or output file. You can also run one of the classes as a stand-alone, command line utility.

### Classes

IBM Toolbox for Java V5R3 features new classes in existing packages. The new classes enable you to:

- ▶ Transform HTML documents into other kinds of documents, such as a Portable Document Format (PDF) document.
- ▶ Use the IFSFileSystemView class as a graphical gateway to the integrated file system (IFS) on your server.
- ▶ Use the CommandHelpRetriever class to generate IBM-formatted CL command help documentation. You can run CommandHelpRetriever from a command line or embed the functionality into your Java program.

### Enhanced classes

In V5R3, IBM Toolbox for Java includes enhancements to existing classes. The enhancements offer updates in the HTML classes, which make it easier to create HTML or XSL FO source data and create head tags for your HTML pages.

### Extensible Markup Language component

In V5R3, IBM Toolbox for Java has added the Extensible Program Call Markup Language (XPCML). By supporting Extensible Markup Language (XML) schemas, XPCML offers enhanced functionality and usability when compared to Program Call Markup Language (PCML). For example, you can use XPCML to specify and pass values for program parameters, retrieve the results of a program call to your iSeries server in XPCML, and more.

## Graphical toolbox

IBM Toolbox for Java incorporates the following features:

- ▶ Displays cells in a table column as check boxes
- ▶ Specifies a minimum height and width for dialogs to ensure proper display of dialog elements
- ▶ Specifies that the first column in a table contains a dynamic hierarchical tree, where each cell corresponds to a tree node

## Programmed access to PDF and e-mail services

A new spooled file copy method provides an identical copy of a target spooled file to be made and routed to an output queue. Application developers can set up a dynamic, programmed interface to PDF and e-mail services. This is the same technique used by both iSeries Navigator and iSeries Access for Web to use Infoprint Server PDF and e-mail functions. The spooled file copy method support is provided in the form of a functional PTF for IBM Toolbox for Java for V5R2.

The spooled copy method enables the application developer to create an API-like process to access PDF services. The developer can monitor the PDF data queue to see when PDF processing has completed and then proceed with any “downstream” function with the PDF file. The spooled copy method performs three functions:

- ▶ Provides an identical copy of the target spooled file, leaving the target spooled file as is for other disposition
- ▶ Enables PDF and e-mail parameters to be associated with the new copy
- ▶ Drops the spooled file in the target PDF writer queue, which automatically invokes PDF processing

## Solutions and benefits

IBM Toolbox for Java supports the SSL specification. Data flowing between the workstation and an iSeries running OS/400 V5R1 or later can run across an SSL connection providing data encryption and server authentication.

IBM Toolbox for Java uses the iSeries Host Servers as access points to the system. Because IBM Toolbox for Java uses communication functions built into Java, you do not need to use iSeries Access Express for Windows to use IBM Toolbox for Java. Each server runs in a separate job on the server, and each server job sends and receives data streams on a socket connection.

IBM Toolbox for Java is Java-compatible so it can run on any platform that fully supports the JVM 1.1.8 specification, supports Java applets and applications, and provides JavaBeans for most public interfaces. It uses OS/400 servers as the

access points to the iSeries server and is fully national language support (NLS) enabled.

The classes can be used by Java applets and applications to easily access iSeries data and resources. When using IBM Toolbox for Java on an iSeries server when the server is a client, no additional support beyond the inherent OS/400 support of JVM and the iSeries Developer Kit for Java is required. IBM Toolbox for Java provides support for similar functions to those provided by iSeries Access APIs. It uses the OS/400 host servers (part of OS/400) to access the iSeries data and resources.

## Features

IBM Toolbox for Java includes:

- ▶ A user interface framework to provide a productive development environment for building graphical panels

The framework automatically handles the exchange of data. The developer only needs to create one or more data beans and bind them to the panel components using tags defined by the Panel Definition Markup Language (PDML).

- ▶ A user interface framework to create a platform and technology independent representation of graphical panels based on XML

Also included is a pure Java framework for interpreting the XML and constructing user interface panels based on the Java Foundation Classes (JFC).

- ▶ A resource script converter to convert Windows dialogs to equivalent Java panels defined in XML
- ▶ Graphical Toolbox, a GUI builder tool (a What You See Is What You Get (WYSIWYG) GUI editor) to develop custom interface panels in Java
- ▶ A program-called framework, provided via a PCML, a tag language used for supporting the program call function of the toolbox

The language fully describes all parameters, structures, and field relationships necessary to call an iSeries program.

- ▶ Easy access to additional iSeries resources, to work better in a three-tier environment, and to make it easier to write servlets and write GUI applications with improvements to the GUI builder tool
- ▶ Additional Java APIs for accessing iSeries resources

APIs are added to call iSeries service programs, call iSeries Java programs, interact with the iSeries File Transfer Protocol (FTP) server, and work with profile tokens.



- ▶ Ability to run many IBM Toolbox for Java classes with a proxy server running on a middle tier

IBM Toolbox for Java separates interface classes from implementation classes. These two parts can be run in the same JVM (traditional two-tier model) or can be run on different machines (three-tier model). By running in a three-tier model, the IBM Toolbox for Java package on the end tier is smaller. In an applet environment, this makes the download faster, and a thinner client can be used on the end tier.

- ▶ Servlet/HTTP components help developers write applications for a Web environment

As in the other IBM Toolbox for Java components, these are not complete applications, but are building blocks for application developers. Two sets of components are provided. HTML classes provide a set of generic HTML components. Servlet classes provide components that use the IBM Toolbox for Java access classes to retrieve data and then convert the results to an HTML table or form.

- ▶ Enhanced GUI Builder tool of the Graphical Toolbox with an improved, easier to use interface and additional editing capabilities
- ▶ Support for IBM Toolbox for Java to run on a Linux workstation, run in Java 2, and implement GUI components using Swing 1.1. IBM Toolbox for Java connects to iSeries servers running OS/400 V5R1 or later
- ▶ IBM Toolbox for Java containing a spooled file viewer class  
This GUI class shows print output.
- ▶ An IFS class that extends the Java `java.io.file` class  
This class can be used in applications that currently use `java.io.file` so the application acts on files in the IFS of the iSeries server.
- ▶ Provides access to the following iSeries server resources:
  - iSeries user and group information
  - Database access via Java Database Connection (JDBC)
  - Database access via record-level file input/output (I/O)
  - iSeries program call
  - iSeries command call
  - iSeries IFS
  - iSeries print resources, including spooled files
  - iSeries message queues
  - iSeries data queues
  - iSeries active job information
  - iSeries system values

## Compatibility

- ▶ IBM Toolbox for Java no longer ships the x4j400.jar (IBM XML parser). We recommend that you use one of the following JAXP-compliant XML parsers for your applications:
  - The XML parser that is built into JDK 1.4 and higher
  - The Apache Xerces XML parser available from:  
<http://xml.apache.org/>
  - One of the XML parsers that ship on OS/400 under  
/QIBM/ProdData/OS400/xml/lib
- ▶ IBM Toolbox for Java no longer supports running in the default JVM in Netscape Navigator or Microsoft Internet Explorer. For applets that use IBM Toolbox for Java classes to run in a browser, install a plug-in such as the Sun Java 2 Runtime Environment (JRE) 1.3.0 plug-in.
- ▶ The classes that were in data400.jar are now in jt400.jar.
- ▶ The getObject() methods for ResultSet and CallableStatement now return Integer objects when the SQLType is SMALLINT. Previously, these methods returned Short objects. If you use readObject to read SMALLINT columns, you must alter your Java application to accommodate the new type of returned object.
- ▶ Different error reporting when throwing data truncation errors results in warnings that do not cause your application to fail.
- ▶ You cannot use this release of IBM Toolbox for Java to deserialize some objects that you serialized using releases prior to V5R1.
- ▶ If you are using SSL to encrypt data flowing between the client and the server, you must use one of the following options:
  - Java Secure Socket Extension (JSSE)
  - SSL objects delivered in a V5R1 or later version of iSeries Client Encryption licensed program 5722-CE2 or 5722-CE3. This release of IBM Toolbox for Java does not work with V4R5 and earlier versions of iSeries Client Encryption.
- ▶ To use all the IBM Toolbox for Java classes, use the Java 2 Platform Standard Edition (J2SE). Using the vaccess classes or the Graphical Toolbox requires using the Swing package, which comes with J2SE. Using PDML requires that you run version 1.4 or later of the JRE.

## IBM Developer Kit for Java (5722-JV1)

IBM Developer Kit for Java facilitates the creation of Java applets and full-scale applications. It includes a collection of development tools, help files, and documentation for Java programmers. As Sun Microsystems, Inc. rolls out new Java technologies and provides updates, the Developer Kit is also updated. iSeries server support of Java is planned to be made available over several releases, and applications written using the Developer Kit are portable.

The iSeries server supports multiple Java 2 Software Developer Kit (SDK) (J2SDK) Standard Editions. It also supports the use of multiple JDKs simultaneously, but only through multiple JVMs. A single JVM runs one specified JDK. Find the JDK that you are using or want to use, and select the coordinating option to install. You can install more than one JDK at one time. The java.version system property determines which JDK to run. After a JVM is up and running, changing the java.version system property has no effect.

**Note:** In V5R3, Options 1 (JDK 1.1.6), 2 (JDK 1.1.7), 3 (JDK 1.2.2), and 4 (JDK1.1.8) are no longer available. They cannot be installed or used.

IBM Developer Kit for Java (5722-JV1)	
Product number	5722-JV1
Ordering product number	Included with 5722-SS1
Minimum IBM i5/OS level	V5R3
HIPO	Yes
Availability	11 June 2004
Software type	Software Subscription
Installation prerequisites	<a href="http://publib.boulder.ibm.com/series/v5r3/ic2924/index.htm">http://publib.boulder.ibm.com/series/v5r3/ic2924/index.htm</a>
Program size	Varies
Related product	IBM Toolbox for Java (5722-JC1)
Replaces product	None
Further information	<a href="http://publib.boulder.ibm.com/series/v5r3/ic2924/index.htm">http://publib.boulder.ibm.com/series/v5r3/ic2924/index.htm</a> <a href="http://publib.boulder.ibm.com/series/v5r3/ic2924/index.htm?info/rzaha/whatitis.htm">http://publib.boulder.ibm.com/series/v5r3/ic2924/index.htm?info/rzaha/whatitis.htm</a> <a href="http://publib.boulder.ibm.com/pubs/html/as400/infocenter.htm">http://publib.boulder.ibm.com/pubs/html/as400/infocenter.htm</a>



## Solutions and benefits

- ▶ The IBM Developer Kit for Java is optimized for use in an iSeries server environment. It uses the compatibility of Java programming and user interfaces, so you can develop your own applications for the iSeries server. The Developer Kit for Java allows you to create and run Java programs on the system.
- ▶ The SQL99 Command Language Interface (CLI), on which the JDBC API is based, is the basis for Open Database Connectivity (ODBC). JDBC provides a natural and easy-to-use mapping from the Java programming language to the abstractions and concepts defined in the SQL standard.

## Features

The IBM Developer Kit for Java includes such features as:

- ▶ IBM Just in Time (JIT) Version 3.6 programs
- ▶ Compliance with Sun's Java2 Standard Edition specifications; includes:
  - Java programming language and compiler
  - Java interpreter and virtual machine
  - Java run-time (class files and packages)
  - Java Developer Kit commands and utilities
  - iSeries server CL commands for creating and managing Java programs
  - Java debugging facility
- ▶ Unique aspects of the IBM Developer Kit for Java design include:
  - The integration of critical Java virtual machine components below the Technology Independent Machine Interface (TIMI)
  - A Java transformer for the conversion of Java bytecodes to RISC machine instructions
  - Advanced, scalable implementations of garbage collection, object allocation, and synchronization
  - The Native Abstract Window Toolkit (NAWT) implementation that supports java.awt APIs. Remote AWT is not available with V5R3, only NAWT.
- ▶ Is not an ILE language. It introduces a new language environment on iSeries that is built on Java, American National Standard Code for Information Interchange (ASCII), IFS, and other industry standards.
- ▶ Supports the common JDK tools, such as **javac**, **javadoc**, and **jar**. There are also CL commands and iSeries Navigator interfaces to the Developer Kit for Java.

- ▶ Enhanced support allows you to build Java applications for the iSeries servers. Enhanced functions include:
  - JDBC Standard Extension support
  - Bidirectional coded character set identifiers (CCSID) support
  - Environment variable wrappers
  - Additional SSL encryption and key support
  - Graphical enhancements to the GUI builder, wizards, and help utilities
- ▶ Classes for handling lists of iSeries objects (users, jobs) including list buffering, data faulting, and lazy data conversions. Performance improvements include:
  - Command and program call optimizations
  - Text conversion improvements
  - Connection pooling
  - Improved list handling of files in the IFS

## New with V5R3

The changes to the IBM Developer Kit for Java in V5R3 include:

- ▶ New System properties, including using QIBM\_JAVA\_PROPERTIES\_FILE job-level environment variable to point to a specific properties file
- ▶ New Time zone configuration information
- ▶ New File.encoding values and the closest matching iSeries CCSID
- ▶ New JVM properties for the JDBC section
- ▶ SQLJ.REFRESH\_CLASSES procedure added to the SQLJ\_procedures section
- ▶ The Java\_stored\_procedures and Java user-defined scalar functions sections added
- ▶ The iSeries JVM added support for the use of teraspace\_storage model native methods
- ▶ New Java Invocation API support

For more enhancements and additional details, see:

<http://publib.boulder.ibm.com/iseries/v5r3/ic2924/index.htm?info/rzaha/whatitis.htm>

## System/36 Migration Aid (5727-MG1)

System/36 Migration Aid provides the facilities on System/36 to analyze data, libraries, files, and programs prior to saving them for migration to the iSeries server. Files and data providing system-related information, for example, security, configuration information, and document folders, can also be migrated. After they are saved using a choice of media, facilities are provided on the iSeries server to load and reformat the data as required. These facilities are part of OS/400.

These facilities are no longer shipped as part of i5/OS beginning with V5R3.


## System/38 Migration Aid (5714-MG1)

System/38 Migration Aid provides facilities and functions to select and migrate System/38 objects to the iSeries server. System/38 programs can be transported in object format and re-encapsulated automatically on the iSeries server.

These facilities are no longer shipped as part of i5/OS beginning with V5R3.

## IBM Application Program Driver for AS/400 (5722-PD1)

Application Program Driver (APD) for AS/400 is a tool that can help bring productivity to both developers and users of AS/400 applications. For developers, it provides a set of standardized functions that are needed in almost every business application. These are run-time functions, such as backup and restore, sophisticated security controls, and more, that can be incorporated with little or no change into existing code.

IBM Application Program Driver for AS/400		
Product number	5722-PD1	
Ordering	Shipped as a chargeable, Licensed Program Offering (LPO) OS/400 software group-based	
Minimum operating system level	V5R1	
HIPO	Yes	
Availability	25 May 2001	
Software type	Software Subscription	

<b>IBM Application Program Driver for AS/400</b>	
Installation prerequisites	ILE COBOL for AS/400 (5769-CB1 or 5722-WDS) for compile on server
Program size	77 MB
Related product	
Replaces products	IBM Application Program Driver/400 Version 3 (5763-PD1) IBM Application Program Driver/400 Version 4 (5769-PD1)
More information	

## Solutions and benefits

APD for AS/400 allows menu items from different applications to be integrated on the same menu and to be accessed from that menu without intervening security constraints. This can greatly simplify user navigation between applications.

## Features

APD provides the following major functions:

- ▶ Menu creation and control
- ▶ Security (authorization and conflict management)
- ▶ Direct access to menus and programs (fastpath between applications)
- ▶ Backup and restore
- ▶ Batch job scheduling and support
- ▶ Restart supervision routines
- ▶ Multiple data set and multi-installation support
- ▶ System services
- ▶ Application installation procedures

In addition to these major application functions, APD for AS/400 provides the following features, intended to broaden the applicability and appeal of the product:


- ▶ Windowing features within APD for OS/400 menu design and control automatically cause the APD for OS/400-defined menus to be presented in a more modern, window format:
  - Menu bars with up to six choices
  - Pull-down windows with up to nine choices and dynamically determined window height
  - Pop-up and cascaded windows
  - Menu windows with up to 99 scrollable options
  - An unlimited number of cascaded windows
  - Customizable colors for menus, window bars, and borders

- ▶ APD for AS/400 administrative menus are also presented in windows.
- ▶ Multilingual support is provided for user applications that are coded to support multi-lingual environments.
- ▶ Support for updating user applications via APIs is provided to permit users to update the APD for AS/400 information tables about their applications whenever they have new releases or important changes.

## IBM VisualAge Generator Server for AS/400 (5769-VG1)

VisualAge Generator is the IBM VisualAge offering focused on bringing productivity to organizations. It is a powerful, integrated development workbench used by programmers to fully define, test, build, and deploy traditional and Web-ready enterprise level systems on a variety of platforms in record time.

With VisualAge Generator, applications are defined from a productive desktop environment, using easy-to-learn, powerful, and high-level specifications. The application definition is completely independent from the target runtime environment. The complexity of the system software infrastructure (transactional and database management system (DBMS) APIs, Web server complexity, and communications protocols) is hidden.

IBM VisualAge Generator Server for AS/400		
Product number	5769-VG1	
Ordering product number	5769-VG1	
Minimum operating system level	V4R4	
HIPO	Yes - 1033	
Availability	25 May 2001	
Software type	Software Subscription	
Installation prerequisites	ILE COBOL for AS/400 (5769-CB1 or 5722-WDS) for compile on server	
Program size	15.8 MB	
Related product		
Replaces product	VisualGen® Host Services for OS/400	
More information	<a href="http://www.ibm.com/software/ad/visgen/">http://www.ibm.com/software/ad/visgen/</a>	



## Solutions and benefits

IBM VisualAge Generator makes traditionally skilled developers more productive as they build high-volume transaction-processing applications in multi-platform environments. Scalable and flexible, VisualAge Generator is perfect for today's changing business environments.

## Features

To address the first primary design point of programmer productivity, VisualAge Generator is equipped with four core facilities:

- ▶ Data model driven automatic code generation
- ▶ Visual construction from components
- ▶ High-level 4GL specification facility
- ▶ Interactive Test Facility (ITF) integrated with the development facilities

### Fulfilling the enterprise requirements

An *enterprise-class* application development solution must be capable of fulfilling the following key requirements:

- ▶ Provide a robust development workbench that can scale up to large development teams
- ▶ Deliver systems that can scale up to the highest available transactional throughputs
- ▶ Produce systems that can run on a wide variety of platforms
- ▶ Ease integration with existing legacy systems, allowing access to legacy data
- ▶ Deliver enterprise IT assets to the Web
- ▶ Be usable by traditionally-skilled programmers

### Delivering e-business solutions

Developing e-business solutions is quickly becoming the next strategic direction as companies see the potential for cost saving, better customer service, and streamlined business processes. Such solutions include:

- ▶ Web Transaction Rapid Application Development (RAD)
- ▶ Integration with VisualAge for Java
- ▶ Generation of JavaBean and Enterprise JavaBean (EJB) components

## Components

VisualAge Generator consists of a family of products:

- ▶ **VisualAge Generator Developer for OS/2 and Windows NT**

Provides the development workbench to define, test, and generate traditional, as well as Web-based systems. Standard templates are included to allow a highly productive model-driven approach to programming.
- ▶ **VisualAge Generator Templates Customizer**

Provides the ability to tailor the standard templates or create new templates to meet unique business requirements.
- ▶ **VisualAge Generator Server for OS/2, AIX, Windows NT, HP-UX, and Sun Solaris**

Provides a set of runtime libraries invoked by VisualAge Generator programs generated for workstation platforms.
- ▶ **VisualAge Generator Server for MVS, VSE, and VM**

Provides a set of runtime libraries invoked by VisualAge Generator programs generated for S/390 platforms.
- ▶ **VisualAge Generator Server for iSeries**

Provides a set of runtime libraries invoked by VisualAge Generator programs generated for the iSeries platform.

**Note:** The Enterprise Generation Language (EGL) component of WebSphere Development Studio Client Advanced Edition replaces the capabilities in the VisualAge Generator family of products.

## IBM WebSphere Development Studio for iSeries (5722-WDS)

WebSphere Development Studio for iSeries is an attractively-priced, integrated, comprehensive suite of application development tools for both e-business and traditional iSeries development. It is the pervasive iSeries development tool set, shipping on over 80% of iSeries V5R2 systems. This suite of tools contains both server and workstation components that are optimized for iSeries development. With WebSphere Development Studio for iSeries, you can create new iSeries server applications and new e-business applications more productively. You can also quickly and easily convert existing business applications to Web-enabled solutions.

IBM WebSphere Development Studio for iSeries	
Product number	5722-WDS
Ordering product number	5722-WDS
Minimum operating system level	V5R1
HIPO	Yes
Availability	Server tools: 11 June 2004 Workstation tools: 16 July 2004
Software type	Software Subscription
Installation prerequisites	<a href="http://www-306.ibm.com/software/awdtools/wds400/">http://www-306.ibm.com/software/awdtools/wds400/</a>
Program size	22 - 449 MB based on installed components
Related product	
Replaces products	5769-CB1 ILE COBOL for AS/400 5769-CL2 VA RPG and CODE/400 5769-CL3 WebSphere Development Tools for AS/400 5769-CX2 ILE C for AS/400 5769-CX5 VisualAge for C++ for AS/400 5799-GDW ILE C++ for AS/400 PRPQ 5769-PW1 Application Development ToolSet for AS/400 (ADTS) 5769-RG1 ILE RPG for AS/400  <b>Note:</b> Customers with Software Subscription can upgrade, at no additional charge, to 5722-WDS from any of the products listed, except 5799-GDW.
More information	<a href="http://www-306.ibm.com/software/awdtools/wds400/">http://www-306.ibm.com/software/awdtools/wds400/</a> <a href="http://www-306.ibm.com/software/awdtools/library/">http://www-306.ibm.com/software/awdtools/library/</a> <a href="http://www.ibm.com/servers/eserver/series/support/planning/nav.html">http://www.ibm.com/servers/eserver/series/support/planning/nav.html</a>



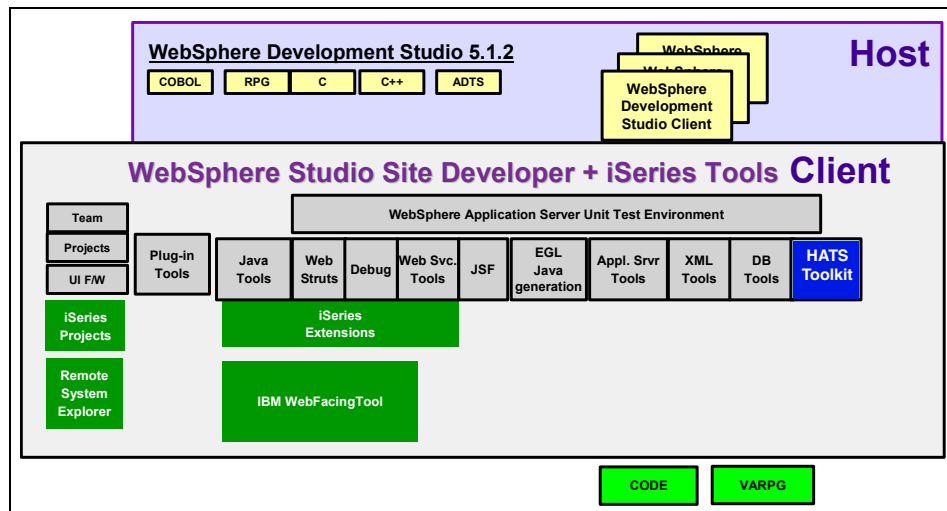
## Solutions and benefits

WebSphere Development Studio for iSeries V5R3 offers existing tools, such as RPG and Remote System Explorer (RSE) for traditional development, and enhanced tools, such as Web, Java, XML, Web services, and IBM WebFacing Tool for e-business development.

For customers and solution providers who need to create e-business applications for the iSeries server, WebSphere Development Studio for iSeries provides a comprehensive, cost-effective suite of tools that helps them to:

- ▶ Web-enable existing 5250 applications
- ▶ Create new Web applications that access iSeries data and applications
- ▶ Build new e-business applications with Java, ILE RPG, ILE COBOL, XML, Web services, and Web tools
- ▶ Port e-business applications from other platforms

The following diagram shows the server (host) and workstation (client) components of WebSphere Development Studio 5.1.2. The workstation components are those included with the 'base' client.



A description of the host and workstation components of WebSphere Development Studio and enhancements offered with V5R3 are highlighted in the following sections.

## Server components of 5722-WDS

The host (server-based programming tools) components of WebSphere Development Studio include:

- ▶ IBM Integrated Language Environment RPG for iSeries
- ▶ IBM Integrated Language Environment Cobol for iSeries
- ▶ IBM Integrated Language Environment C and C++ for iSeries
- ▶ Application Development ToolSet

Each component is described in the following sections.

## IBM Integrated Language Environment RPG for iSeries

RPG is the most popular language for writing iSeries business logic because of its ease of use and tight integration with the server. V5R3 is the largest release of RPG IV since the introduction of ILE RPG in V3R1. V5R1 enhancements include totally free-form C-specs, improved RPG-calling-Java support, and improved data structure support, such as support for data structures, qualified names, and more built-in functions.

IBM ILE RPG/400 consists of the RPG compilers listed in the following table.

RPG compiler option	Install option in 5722-WDS
ILE RPG IV	31
IBM System/36-Compatible RPG II	32
IBM System/38-Compatible RPG III	33
RPG/400	34
ILE RPG-IV *PRV	35

ILE RPG for iSeries is designed for writing various types of application programs. This language is easy to learn, yet offers many advanced functions for experienced programmers. It delivers RPG IV, the next evolution of the programming language. The RPG IV compiler offers improved programmer productivity and application growth and quality.

### Features

- ▶ Java enablement to simplify coding of calls to Java classes and methods
- ▶ More granular exception monitoring (MONITOR operation code)
- ▶ Built-in functions %ALLOC, %REALLOC, %CHECK, %CHECKR, %LOOKUPxx, %TLOOKUPxx, %OCCUR, %SHTDN, %SQRT, and %XLATE
- ▶ Date, time, and timestamp operations allowed in expressions
- ▶ Free-form calculation specifications
- ▶ Runtime control of the file to be opened
- ▶ LICOPT support to pass options directly to the translator
- ▶ Qualified names in data structures
- ▶ ELSEIF operation code
- ▶ Predefined /DEFINE names
- ▶ Compiler directive /INCLUDE

### New with V5R3

The IBM tradition of adding more function to the RPG IV compiler continues with ILE RPG. These enhancements to the compiler include:

- ▶ New built-in function %SUBARR (assign to, sort, or return, a subarray)
- ▶ Direct conversion of date, time, and time stamp to numeric using %DEC
- ▶ Control specification CCSID(\*CHAR : \*JOB RUN) for correct conversion of character data at runtime
- ▶ Second parameter for %TRIM, %TRIMR and %TRIML indicating what characters to trim
- ▶ New prototype option OPTIONS(\*TRIM) to pass a trimmed parameter
- ▶ Support for 63-digit packed and zoned decimal values
- ▶ An RPG preprocessor enabling the SQL preprocessor to handle conditional compilation and nested/COPY
- ▶ Relaxation of the rules for using a result data structure for I/O to externally-described files and record formats
- ▶ Support for new environment variables for use with RPG programs calling Java methods

For an exhaustive list of the current and previous enhancements to the RPG compiler, see:

[http://www.ibm.com/software/awdtools/wds400/about/ile\\_rpg.html](http://www.ibm.com/software/awdtools/wds400/about/ile_rpg.html)

## IBM ILE COBOL for iSeries

COBOL is also a popular language for writing iSeries business logic because of its ease of use and integration with the system. V5R1 enhancements include COBOL-calling-Java support (along with the appropriate documentation), UCS-2 (UNICODE) support, and three new process options to enable developers port applications from the mainframe platform to the iSeries server.

IBM ILE COBOL for iSeries consists of the COBOL components listed in the following table.

COBOL compiler option	Install option in 5722-WDS
ILE COBOL	41
System/36-Compatible COBOL	42
System/38-Compatible COBOL	43
OPM COBOL	44
ILE COBOL *PRV	45

ILE COBOL for iSeries is a programming language that is used in the processing of business problems. COBOL can be used to manipulate DB2 Universal Database (UDB) for iSeries database files in a relatively simple way. COBOL uses English-like syntax to assist the programmer in generating self-documenting, structured programming constructs.

Through ANSI-85 high-level functions of ILE COBOL for iSeries, such as nested source programs, it is easier to port code to the iSeries server from other platforms. Programmer productivity is increased with ILE COBOL for iSeries, through its extensive database and workstation support, static, inter-language calls, interactive syntax checking, debug facilities, and a full complement of compile-time error diagnostics.

## Features

- ▶ UCS-2 (Unicode) support
  - National data, a new type of data item, is added to provide support for the coded character set specified in ISO/IEC 10646-1 as UCS-2. The code set is the basic set defined in the Unicode standard.
  - Includes the NTLPADCHAR compiler option and PROCESS statement option.
- ▶ Java interoperability support

The QCBLESRC.JNI file provides the same definitions and prototypes that are provided in the JNI.j file, but written in COBOL rather than C.
- ▶ iSeries portability support
  - PROCESS statement option NOCOMPASBIN/COMPASBIN
  - PROCESS statement option NOLSPTRALIGN/LSPTRALIGN
  - Complex OCCURS DEPENDING ON (ODO) support
- ▶ LICOPT parameter added to the CRTCBMOD and CRTBNDCBL commands to allow advanced users to specify Licensed Internal Code (LIC) options

## New with V5R3

The host tools of WebSphere Development Suite offer significant enhancements to ILE COBOL at V5R3:

- ▶ Large VALUE clause support
- ▶ CONSTANT data type
- ▶ XML PARSE statement that provides the interface to a high-speed XML parser, which is part of the COBOL runtime
- ▶ Alternate Record Key support
- ▶ DBCS data item names (DBCS word support)

- ▶ 63-digit support
- ▶ Seven new ANSI Intrinsic functions
- ▶ New CRTBND CBL and CRT CBLMOD options
- ▶ New PROCESS statement options
- ▶ Program status structure

For an exhaustive list of current and previous enhancements to the COBOL compiler, see:

[http://www.ibm.com/software/awdtools/wds400/about/ile\\_cobol.html](http://www.ibm.com/software/awdtools/wds400/about/ile_cobol.html)

## IBM ILE C and C++ for iSeries

### ILE C

The ILE C compiler is updated this release to the most current C compiler that IBM offers on any platform. This new compiler has added more ANSI support and significant improvement for cross-platform portability. Portability is further enhanced with the new teraspace support, which allows for pointer usage and memory management that is more consistent with other platforms. This new compiler retains all of the iSeries-specific functionality that it had in previous releases.

### ILE C++

In this release, the C++ compiler has been updated to the most current C++ compiler that IBM offers. It includes support for the latest C++ language features such as namespaces, improved template support, bool data type, etc. It also includes an improved AT&T class library, a complete ANSI Standard Template Library, and the latest version of IBM Open Class library.

Improvements to the stream classes in the ILE C++ libraries include 64-bit indexing and explicit control on CCSID-translation. The compiler now reads source from and produces listings to either the IFS or the native iSeries file system. This new compiler features excellent cross-platform portability, which is enhanced with new support for the teraspace memory management model. The compiler retains all of the iSeries-specific functionality as in previous releases. The C++ PRPQ compiler is included for previous release support and to ease migration to the latest ANSI standard. This iSeries native compiler replaces both the VisualAge C++ cross-compiler and the native C++ PRPQ compiler.

IBM ILE C and C++ for iSeries consists of the C components in the following table.



C and C++ compiler options	Install option in 5722-WDS
ILE C	51
ILE C++	52
ILE C *PRV	53
ILE C++ *PRV	54

### ILE C features

- ▶ Completely refreshed compiler from the latest AIX compiler
- ▶ Compliant with the ANSI ISO/IEC 9899-1990 (1992) C standard
- ▶ Read source and includes from IFS or native, but still produces \*MODULEs in native file system
- ▶ Produce native or IFS spooled file listings
- ▶ Teraspace Phase 2 support
- ▶ A third parameter for main() contains current set of environment variables
- ▶ Target V4R4, V4R5, and V5R1
- ▶ A wider variety of source file CCSIDs
- ▶ Preprocessor output targeting specified file
- ▶ A Qshell command for compiling
- ▶ New LICOPT and CSOPT command keywords
- ▶ Asynchronous signals
- ▶ More in-sync with ILE C++

### ILE C++ features

- ▶ Completely refreshed compiler from the latest AIX compiler
- ▶ Compliant with the latest ANSI ISO/IEC 14882-1998 C++ standard
- ▶ Template library and namespace support
- ▶ Replaces that VAC++ cross compiler and native PRPQ compiler
- ▶ Support of release V5 of IBM Open Class class libraries bool data type
- ▶ Read source and includes from IFS or native database
- ▶ Produce native database or IFS spooled file listings
- ▶ 64-bit file indexing for stream classes
- ▶ Teraspace addressing support to improve portability and performance
- ▶ Preprocessor output targeting specified file
- ▶ A Qshell command for compiling
- ▶ Functions more in-sync with ILE C

### New with V5R3

- ▶ Removal of IOC runtime and headers (C++ only)
- ▶ GB18030 support (C and C++)
- ▶ Namespace support for debugging (C++ only)

- ▶ 63-digit packed decimal (C only)
- ▶ C++ 8-byte runtime (Teraspace Phase III)
- ▶ Linkage improvements (C and C++)
- ▶ Template registry support (C++ only)
- ▶ Alias option (C and C++)
- ▶ Weak definition for static template members (C++ only)
- ▶ Removal of pragma enumsize (replaced with pragma enum, C and C++)
- ▶ Removal of restriction for PRFDTA (C and C++)
- ▶ Increased parameters passed to PEP (C and C++)

For an exhaustive list of the current and previous enhancements to the C and C++ compilers, see:

[http://www.ibm.com/software/awdtools/wds400/about/ile\\_ccpp.html](http://www.ibm.com/software/awdtools/wds400/about/ile_ccpp.html)

## Application Development ToolSet

Application Development ToolSet (ADTS) is the traditional tool suite for iSeries application development programmers. These tools are included in the package so that existing iSeries programmers can more easily make the shift to the new development tools and environment.

ADTS contains these utilities:

- ▶ Programming Development Manager (PDM)
- ▶ Source Entry Utility (SEU)
- ▶ Screen Design Aid (SDA)
- ▶ Report Layout Utility (RLU)
- ▶ Data File Utility/Application Development (DFU/AD)
- ▶ File Compare and Merge Utility (FCMU)
- ▶ Interactive Source Debugger (ISDB)

### New with V5R3

ADTS has made minor enhancements to support the V5R3 system changes. For details about the components of ADTS, see the following Web site:

<http://www.ibm.com/software/awdtools/wds400/about/adts.html>

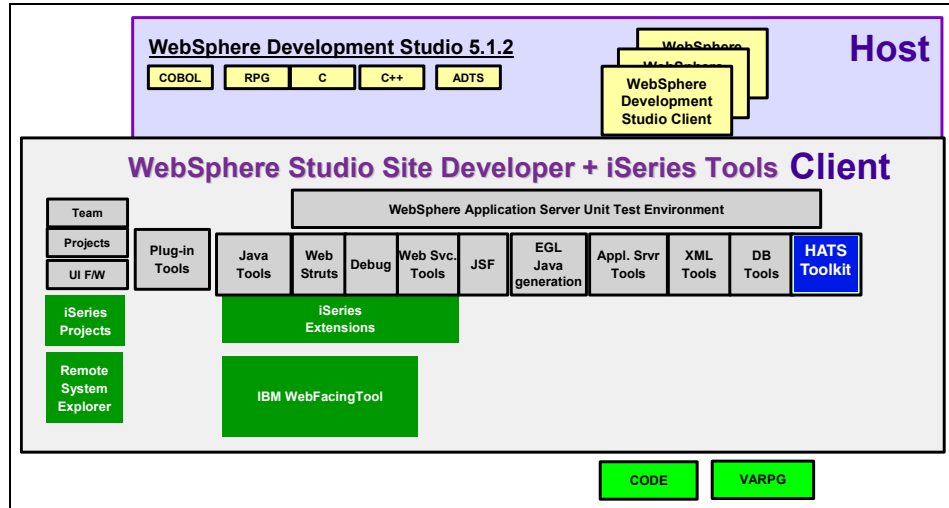
ADTS no longer offers the optional server features available prior to V5R3:

- ▶ Application Dictionary Services
- ▶ Application Development Manager

# Workstation components of 5722-WDS

The client (workstation-based programming tools) components of WebSphere Development Studio are delivered in IBM WebSphere Development Studio Client for iSeries, V5.1.2.

The following diagram shows the workstation (client) and server (host) components of WebSphere Development Studio.



Each product is described in the following sections.

**Note:** You must have i5/OS V5R3 for the server portion of WebSphere Development Studio, but the client V5.1.2 can work with OS/400 V5R1, V5R2 or V5R3. The C++ compiler requires a machine capable of running OS/400 PASE and Option 33 of OS/400 (5722-SS1).

## IBM WebSphere Development Studio Client for iSeries, V5.1.2

WebSphere Development Studio Client for iSeries inherits and extends the robust, easy-to-use development environment of WebSphere Studio Site Developer V5.1.2. WebSphere Studio Site Developer V5.1.2 is an easy-to-use, highly productive IDE for visually constructing, testing, and deploying dynamic Web sites, Web services, and Java applications. Site developer simplifies Java development with RAD tools, templates, and wizards.

Site Developer V5.1.2 is built on Eclipse, an open standards-based development platform for development tools. Site Developer enables you to maximize developer productivity by integrating best-of-breed plug-in tools from IBM, IBM

Business Partners, and the Eclipse community and customizing your development environment to meet your needs.

Site Developer V5.1.2 offers enhancements to make Web development faster and developers' productivity higher. There is support for new industry standards that simplify the development of rich Web user interfaces and business logic. Site Developer also offers high productivity tools for business-oriented developers that are new to Java. The benefits of Site Developer include the ability to:

- ▶ Build dynamic Web user interfaces with minimal coding using standards-based JSF components
- ▶ Visually design and develop rich Web user interfaces using drag-and-drop reusable components and visual Page Designer
- ▶ Build data-driven Web pages with minimal coding and point-and-click database connectivity
- ▶ Use a fourth generation language, EGL, to generate business logic and data-driven Web applications in Java
- ▶ Build rich Web user interfaces with performance and maintenance characteristics of thin clients using JSF extensions

The IBM WebFacing Tool quickly, easily, and cost effectively generates Web interfaces to 5250 applications that run in batch mode:

- ▶ Source code-based application modernization for the Web
- ▶ Support for the INVITE and DSPATR keywords is added
- ▶ Improved Web page response times when connecting to the IBM WebFacing server that has the latest service level applied
- ▶ Improved performance of iSeries job and system information retrieval

The HATS Toolkit quickly and easily generates a default dynamic runtime transformation of the 5250 data stream. The resulting Web interface can also be customized with the HATS Toolkit. The Web interface can be deployed to production with the purchase of HATS separately.

- ▶ Allow users to give Host applications a Web “look and feel”
- ▶ Improve the navigation of host applications and generate portal interfaces
- ▶ No access to source code is required

For a more detailed comparison of the IBM WebFacing Tool and the HATS Toolkit, see:

<http://www.ibm.com/software/awdtools/wdt400/about/webfacing.html>

### ***New with V5.1.2***

- ▶ Remote System Explorer continues to enhance the editor functions. The V5R3 iSeries RPG, COBOL, CL (syntax checking only), and DDS language support for syntax checking, program verifying, and help is included. There is also SQL syntax checking for ILE RPG, and expanded remote searching capabilities.
- ▶ iSeries Web Tools provides improved integration with the Web Diagram Editor and Web Site Designer, and improved message handling.
- ▶ iSeries Java Tools provides enhancements to make the import and export extensions more widely available by moving the extensions into the Eclipse base. There are improved PCML support, Program Call Wizard usability and Web service generation.
- ▶ The Eclipse debugger provides support in RSE (service entry point) for debugging Web applications.
- ▶ iSeries programs and commands can be started via run launch configurations.
- ▶ Improved access to remote Linux, UNIX, and Windows systems

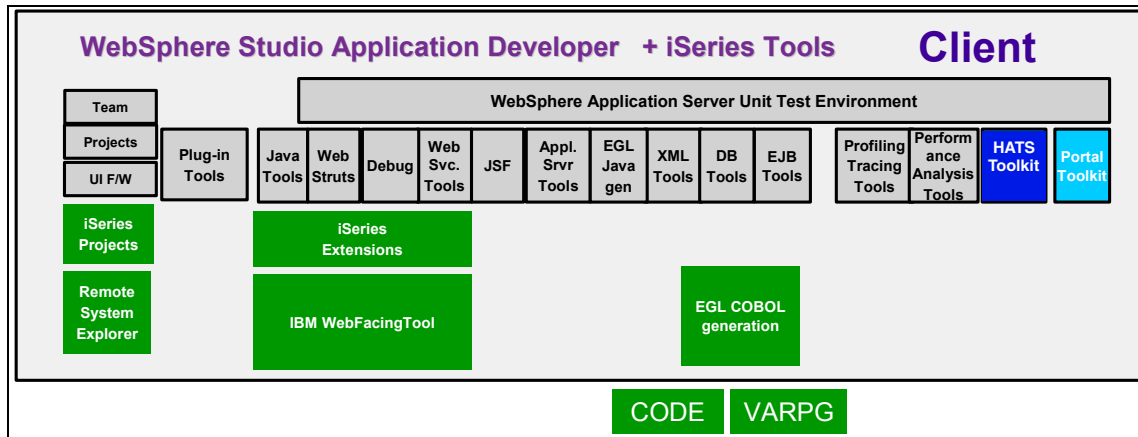
The Remote System Explorer can also be used for accessing remote Linux, UNIX and Windows systems. This includes running remote commands, remote editing, compiling and searching. The 5.1.2 release adds support for working with remote archives.

WebSphere Development Studio for iSeries (5722-WDS) orders ship the workstation tools, WebSphere Development Studio Client for iSeries, V5.1.2 as free automatic entitlement.

### **WebSphere Development Studio Client Advanced Edition for iSeries V5.1.2**

WebSphere Development Studio Client Advanced Edition for iSeries inherits and extends the capabilities of WebSphere Studio Application Developer (Application Developer) V5.1.2, which is the IBM core development environment for visually designing, constructing, testing, and deploying Web services, portal applications, and J2EE applications. Application Developer speeds J2EE development by providing a complete set of high productivity tools, templates and wizards.

The following diagram shows the workstation (client) components of WebSphere Development Studio Client Advanced Edition for iSeries V5.1.2.



With WebSphere Studio Application Developer (Application Developer) V5.1.2, you can:

- ▶ Accelerate the development of Web services and J2EE applications with visual tools, templates, and wizards
- ▶ Detect performance issues early with graphical performance and profiling trace tools
- ▶ Visualize and graphically edit code through the Unified Modeling Language (UML) Visual Editor for Java and EJB
- ▶ Collaborate and share assets across the team using the included Rational® ClearCase® LT version control
- ▶ Create and test portlets in a visual environment along with Portal Toolkit:
  - Create JSF portlets
  - Create Struts portlets using Web Diagram Editor
  - Testing and debugging on WebSphere Portal Test Environment

**Note:** Portal Toolkit and WebSphere Portal installation are required to create portlet development environment on top of WebSphere Studio Application Developer.

### ***New with V5.1.2***

In V5.1.2, the IBM Development Studio Client Advanced Edition delivers significant advanced capabilities including:

- ▶ IBM WebFacing Tool
  - Support for iSeries system screens (non-DDS screens). The 5250 data streams associated with the system screens are converted into Web GUIs which run in batch mode.
  - Support for generating Struts portlets.
  - Single signon (SSO) support using Enterprise Identity Mapping (EIM).
  - A wizard is provided to generate a Struts-compliant interface to a 5250 application. This is an architected interface that can be easily extended with other Struts-based Web applications. Struts actions can be added to enhance the generated application.
  - The developer can use command keys to invoke user-defined actions to integrate new functions delivered by a Web application into the Web-enabled interface.
  - Support for displaying and printing iSeries spooled files.
- ▶ Enterprise Generation Language
  - Support for the generation of 5250 COBOL applications as well as Java applications from Enterprise Generation Language. The runtime components for both types of applications are provided in the tool.
  - EGL, with support for generating both Java and ILE COBOL applications, is the replacement for the VisualAge Generator product. There is an upgrade option in WebSphere Development Studio Client Advanced Edition for Visual Generator customers.
- ▶ iSeries Web Tools
  - Support for SSO using EIM
- ▶ iSeries Java Tools
  - Allows the specification of J2EE Connection Architecture (JCA) connector using Java Naming and Directory Interface (JNDI) name in the Program Call Wizard

WebSphere Development Studio Client Advanced Edition for iSeries V5.1.2 is a workstation product delivered through the Passport Advantage channel. It is priced on a “per developer seat” basis.

## Web technology choices

Your goal	Technology	Features
Quickly Web-enable existing interactive iSeries applications	IBM WebFacing Tool	Converts a display file (DSPF) DDS to JSPs built on struts
Build Web applications with iSeries business logic	Web Tools for iSeries	Wizards and Web components for building JSP files that provide a user interface for iSeries business logic; build on Struts
Build Web applications with iSeries data	JavaServer Faces (JSF)	Rich tagging choices for user interface; strategic choice for data-driven applications that have little business logic; emerging technology (a potential follow-on to Struts)
Build Web applications with iSeries data, moving more user interface logic to the client.	JSFs with client-side scripting	Provides better response times by reducing trips to the server; validation and formatting is done on the client; uses JSF extensions
Build Web applications with Java business logic	Struts and Struts tools	Rich tagging choices for model-controller; leverages JSPs for the user interface
Encapsulate your applications from future technology changes and enable them for multiple platforms	EGL	Fourth generation language (4GL); abstracts your applications at a higher level and generated the appropriate Java (standard edition) or iSeries COBOL code (Advanced Edition only); leverages JSF; learning time relatively short for COBOL or RPG programmers

## XML Toolkit for iSeries (5733-XT1)

XML is widely touted as a solution to the problem of information exchange between applications and within B2B environments. It is simple, extensible, and non-proprietary. XML parser APIs assist in the creation, navigation, or modification of XML document content.

XML Toolkit for iSeries	
Product number	5733-XT1
Ordering product number	5733-XT1
Minimum operating system level	V5R1
HIPO	No
Availability	25 June 2004.



<b>XML Toolkit for iSeries</b>	
Software type	Software Subscription
Installation prerequisites	<a href="http://www.ibm.com/servers/eserver/series/software/xml">http://www.ibm.com/servers/eserver/series/software/xml</a>
Program size	48 MB; varies
Related product	IBM DB2 UDB XML Extender (5722-DE1)
Replaces product	XML Parsers service programs QXML4C310 and QXMLPR310
More information	<a href="http://www.ibm.com/servers/eserver/series/software/xml">http://www.ibm.com/servers/eserver/series/software/xml</a>

### **New with V5R3**

This refresh of the XML Toolkit provides V5.0, V5.2, and V5.3 of the XML parser. A new addition to the XML Toolkit is the XSLT transformer to create XSL stylesheets to transform XML documents from one type to another (for instance SQL Markup Language (SML) or HTML).

This latest refresh adds additional support. It is consistent with the Apache Software Foundation's Xerces-C++ 2.3 as well as support for Xalan-C++ 1.6. This includes the following functions:


- ▶ Implements the W3C recommendation 16 November 1999 XSL Transformations Version 1.0
- ▶ Incorporates SML Path Language Version 1.0
- ▶ Xalan-C++ uses Xerces-C++ to parse XML documents and XSL stylesheets
- ▶ Command line utility for convenient file-to-file transformations
- ▶ Supports C++ extension functions

### **Features**

- ▶ Supports the latest parsers
- ▶ Supports grammar preparsing and grammar caching
- ▶ Uses Apache-recommended DOM C++ Binding
- ▶ Provides documentation and sample programs
- ▶ C++ namespace support
- ▶ C++ schema 1.0 errata implementation
- ▶ C++ experimental implementation of XML 1.1

XML Toolkit for iSeries assists in the general industry movement toward XML by providing an interface to an XML parser for C++ and procedural language use, such as RPG, C, or COBOL. The XML Toolkit for iSeries is based on V4 and V5 levels of IBM XML for C++ parser (XML4C and XML4PR V5.3.1).





## IBM licensed programs: Networking products

Access to network resources is a fundamental requirement for today's business environment. This chapter describes the Licensed Program Products (LPP) that serve to connect users to the iSeries server or to link the iSeries server to a network. It also covers licensed programs that support secure network access.

Product name	Product number	Refer to page
IBM Cryptographic Access Provider 128-bit for iSeries	5722-AC3	607
IBM MQSeries for iSeries, V5.2	5733-A38	612
IBM WebSphere MQ for iSeries, V5.3	5724-B41	610
iSeries Client Encryption (128-bit)	5722-CE3	607
IBM Communications Utilities for iSeries	5722-CM1	608
IBM Cryptographic Support for AS/400	5722-CR1	607
IBM Distributed Computing Environment DES Library Routines for AS/400	5769-DC3	610
IBM MQSeries Integrator for iSeries and DB2 Version 1.1	5697-F49	613

Product name	Product number	Refer to page
IBM WebSphere Host Integration Solution for iSeries V4.1	5724-F84 / F86	613

## IBM Cryptographic Access Provider 128-bit for iSeries (5722-AC3)

The Cryptographic Access Provider 128-bit for iSeries product (5722-AC3) provides the support to secure e-business transactions by implementing the security needed to send proprietary or confidential information over the Internet and corporate intranets. This product enables encryption in the iSeries server for use by other products such as IBM HTTP Server for iSeries. Install the Cryptographic Access Provider product on the iSeries server to enable the Secure Sockets Layer (SSL) function of the Hypertext Transfer Protocol (HTTP) server.

The SSL protocol is widely used to enable secure communications between servers and clients on the World Wide Web. Data transferred between the server and client is encrypted to ensure the data remains private. In addition, the identity of the server is authenticated by the client, through the use of a certificate (or digital ID). Most popular Web browsers support SSL. This means that SSL-enabled Web browsers can establish a secure communications session with the iSeries server, where the browser authenticates the identity of the iSeries server and the data transferred is encrypted.

Cryptographic Access Provider 128-bit supports 128-bit data encryption.

**Note:** IBM Cryptographic Access Provider 128-bit for iSeries (5722-AC3) is not a chargeable feature. This feature usually supports e-business applications on iSeries.

IBM Cryptographic Access Provider 128-bit for iSeries	
Product number	5722-AC3
Minimum operating system level	V5R1
Installation prerequisites	None
Related products	iSeries Client Encryption (128 bit) (5722-CE3)
Replaces product	IBM Cryptographic Access Provider 128-bit for AS/400 (5769-AC3)

## IBM @server iSeries Client Encryption (128-bit) (5722-CE3)

IBM @server iSeries Client Encryption (128-bit) provides SSL for use by iSeries Access clients (5722-XW1) and the IBM Toolbox for Java (5722-JC1). The Client Encryption 128-bit product includes an SSL for Windows 95, 98, Me, 2000, XP, and NT, and an SSL for Java.

**Note:** iSeries Client Encryption 128-bit (5722-CE3) is not a chargeable feature. This feature usually supports e-business applications on iSeries.

iSeries Client Encryption (128-bit)	
Product number	5722-CE3
Minimum operating system level	V5R1
HIPO	1019
Installation prerequisites	IBM Cryptographic Access Provider 128-bit for iSeries (5722-AC3)
Related products	IBM Cryptographic Access Provider 128-bit for iSeries (5722-AC3) Part of a V5R3 XW1 refresh feature which allows V5R2 XW1 customers to get V5R3 iSeries Access products.
Replaces product	IBM AS/400 Client Encryption (40-bit) (5769-CE1)
Client code	5722-CE3 is client code. The code is shipped in the LPP, stored in the IFS directory, and downloaded from the IFS directory to the PC.

5722-CE3 provides 128-bit encryption. 5722-CE3 is not restricted to the U.S.A. or Canada.

## IBM Cryptographic Support for AS/400 (5722-CR1)

Cryptographic Support for AS/400 is a legacy product designed to be functionally equivalent to the cryptographic facilities of the IBM 4700 Finance Controller. Cryptographic Support for AS/400 supports the following functions:

- ▶ Data encryption/decryption using the Data Encryption Standard (DES) and 56-bit keys
- ▶ Message Authentication Code generation and verification using DES

- ▶ Key management
- ▶ 3624 Personal Identification Number (PIN) generation and verification

IBM Cryptographic Support for AS/400 is a skip-ship product at V5R3. No code changes are made.

<b>IBM Cryptographic Support for AS/400</b>	
Product number	5722-CR1
Minimum operating system level	V5R1
Installation prerequisites	None
Related product	None
Replaces product	None

Customers looking for a cryptographic application programming interface (API) set should consider the following alternatives before ordering this product:

- ▶ The OS/400 Cryptographic Services API set provides access to cryptographic operations running within the Licensed Internal Code or optionally on the 2058 Cryptographic Accelerator.
- ▶ The Common Cryptographic Architecture (CCA) API set is provided for running cryptographic operations (including those related to financial PIN processing) on a Cryptographic Coprocessor for iSeries.
- ▶ Java Cryptographic Extension (JCE) is a standard extension to the Java Software Development Kit.

For more information about these alternatives, refer to the iSeries Information Center V5R3 at:

<http://www.ibm.com/eserver/iseriess/infocenter>

## **IBM Communications Utilities for iSeries (5722-CM1)**

The Communications Utilities for iSeries comprise the MVS/VM bridge and Remote Job Entry (RJE) functions. These capabilities provide the interchange of mail and files and the submitting or receiving of jobs between connected systems.

<b>IBM Communications Utilities for iSeries</b>	
Product number	5722-CM1
Minimum operating system level	V5R1
Installation prerequisites	None
Related product	None
Replaces product	None

The MVS/VM bridge provides support to allow the movement of mail and files to and from a zSeries host system (VM PROFS® and RSCS) using the bisynchronous (BSC) protocol or Systems Network Architecture (SNA) over Synchronous Datalink Control (SDLC) lines, over an X.25 network, or over an IBM Token-Ring Network. SDLC and X.25 lines can connect through an X.21 interface. This support also includes direct connection to VM/RSCS or MVS using JES2 or JES3. Other operating systems can be reached indirectly through the RSCS or JES network including DOS/VSE using VSE/POWER. Other iSeries, System/36s, and System/38s that are connected to an iSeries MVS/VM bridge system using SNA Distribution Services (SNADS) can exchange mail and files with systems in the network.

The MVS/VM bridge capability enables the iSeries server to exchange RSCS files, spooled output, and messages generated using SNADS on the iSeries server, the System/36, or the System/38 with VM systems. Other files, such as job streams, generated on an iSeries server, a System/36, or a System/38, can be stored on the VM system and forwarded to the appropriate iSeries, System/36, or System/38 using the MVS/VM bridge.

The RJE portion of the Communications Utilities for iSeries allows the iSeries server to function as an RJE workstation for the submission of jobs or receipt of output from a host IBM 308x, 3090™, 937x, or 43xx using BSC, SNA over SDLC lines, over an X.25 network, or over IBM Token-Ring Network. SDLC and X.25 lines can connect through an X.21 interface. RJE supports communication with host systems running MVS/SP™ JES2, MVS/SP JES3, VM RSCS Networking, and VSE/AF POWER.

IBM Communications Utilities is refreshed at V5R3. No code changes are made.

## IBM Distributed Computing Environment DES Library Routines for AS/400 (5769-DC3)

The IBM Distributed Computing Environment (DCE) DES Library Routines for AS/400 product provides data encryption support for the DCE Base Services. It provides secure communications when using DCE services on the iSeries.


IBM Distributed Computing Environment DES Library Routines for AS/400	
Product number	5769-DC3
Minimum operating system level	V4R3
Installation prerequisites	None
Related product	None
Replaces product	None

Distributed Computing Environment DES Library Routine for AS/400 is not supported at V5R3. Therefore, make plans to migrate applications to Kerberos, Lightweight Directory Access Protocol (LDAP) or Java 2 Platform, Enterprise Edition (J2EE).

## IBM WebSphere MQ for iSeries, V5.3 (5724-B41)

IBM WebSphere MQ for iSeries provides an open, scalable, industrial-strength messaging backbone which supports high volume throughput, time-independent communication, with assured one-time delivery. To this, WebSphere MQ V5.3 adds enhanced security via SSL support, enhanced performance especially for Java Message Service (JMS) applications and other new features that enhance system scalability and reliability.

IBM WebSphere MQ for iSeries, V5.3	
Product number	5724-B41
Minimum operating system level	V5R1
Availability	28 June 2002
Software type	Passport Advantage One-year subscription (5733-M27) Three-year subscription (5733-M28)





IBM WebSphere MQ for iSeries, V5.3	
Related product	None
Replaces product	MQSeries for iSeries V5.2 5733-A38
Further information	<a href="http://www.ibm.com/software/ts/mqseries/messaging/">http://www.ibm.com/software/ts/mqseries/messaging/</a> <a href="http://www.ibm.link.ibm.com/usalets&amp;parms=H_202-074">http://www.ibm.link.ibm.com/usalets&amp;parms=H_202-074</a>

## Solutions and benefits

IBM WebSphere MQ for iSeries is market-leading business integration software. It connects all your business software together to form one efficient enterprise by providing an open, scalable, industrial-strength messaging backbone.

WebSphere MQ minimizes the time taken to integrate key resources and applications held in different systems, so your company can respond to the changing demands of e-business. By connecting business information with people and other applications, you can extract more value from existing investment, and quickly integrate new systems to support new market strategies.

## Features

The features of IBM WebSphere MQ for iSeries include:

- ▶ Connect any commercial systems in business today (over 35 platforms supported)
- ▶ Ignore network disruptions: Important data is always delivered
- ▶ Use less time and resources to become an e-business
- ▶ Exploit rich support from over 550 IBM Business Partners
- ▶ Allows business to integrate disparate islands of automation
- ▶ Time independent communication
- ▶ Assured one-time delivery
- ▶ WebSphere MQ supports high volume throughput, customer experience in excess of 250 million messages a day
- ▶ Supported network protocols are SNA LU6.2 and TCP/IP

**Note:** DCE is not supported. Only the Java and JMS MQ clients, and not the C client, are available for iSeries.

## New with V5.3

WebSphere MQ for iSeries is enhanced in V5.3 to include:

- ▶ Added security using SSL, the Internet standard for secure communication
- ▶ Enhanced performance, especially for JMS applications, making WebSphere MQ the JMS provider of choice
- ▶ New features that enhance system scalability and reliability
- ▶ Simplified development of API exits to allow monitoring of local standards to be implemented
- ▶ Assured message delivery on multiple platforms and a variety of ways to solve your e-business needs from the WebSphere MQ family
- ▶ Combine DB2 Universal Database (UDB) transactions and WebSphere MQ transactions in a single unit of work using native OS/400 commitment control

## Options

WebSphere MQ for iSeries includes these options:


- ▶ External transaction processing managers (server only)
- ▶ CICS/400
- ▶ WebSphere Application Server V4 and V5

## IBM MQSeries for iSeries, V5.2 (5733-A38)

The IBM MQSeries family provides an open, scalable, industrial-strength messaging and information infrastructure, enabling tighter integration of business processes, dynamic workload distribution to form an efficient enterprise- or community-wide system. The MQSeries family consists of three products:

- ▶ **MQSeries Messaging:** Provides robust middleware for secure and reliable communications across over 35 platforms (5733-A38)
- ▶ **MQSeries Integrator:** Centralizes and applies the rules for transformation and routing of application messaging contents as transmitted by MQSeries (5697-F49)
- ▶ **MQSeries Workflow:** Enables the capture, visualization, and automation business processes using predefined workflow modules (5801-AAR, #3604)

IBM MQSeries for iSeries V5.2 is not supported on i5/OS V5R3.

IBM MQSeries for iSeries, V5.2		
Product number	5733-A38	
Minimum operating system level	V4R4	
Availability	October 2000	
Software type	Software Subscription	
Related product	None	
Replaces product	None	
Further information	<a href="http://www.ibm.com/software/ts/mqseries">http://www.ibm.com/software/ts/mqseries</a> <a href="http://www.ibm.com/software/ts/mqseries/platforms/os400/">http://www.ibm.com/software/ts/mqseries/platforms/os400/</a>	

## IBM MQSeries Integrator for iSeries and DB2 Version 1.1 (5697-F49)

MQSeries Integrator is not supported on OS/400 V5R2 or later. Replace it with WebSphere MQSeries Integrator V2.1. V2.1 is currently not supported on OS/400 and needs to be run in a supported platform that best fits your environment, such as Windows 2000 on the Integrated xSeries Server or on AIX.

**Note:** IBM MQSeries Integrator for iSeries and DB2 Version 1.1 *was withdrawn* at V5R2. For more information, see:

<http://www-1.ibm.com/servers/eserver/support/series/planning/v5r2software.html>

## IBM WebSphere Host Integration Solution for iSeries V4.1 (5724-F84/F86)

Every user in an organization should be able to access critical business applications via one of the programs in the Host Integration Solution package. What was called Host Access Client Package (HACP) has been renamed and enhanced to include:

- ▶ IBM Communications Server (Windows V6.1.1 and AIX V6.1).
- ▶ WebSphere Application Server - Express (5.0.2)
- ▶ WebSphere Host On-Demand V8.0
- ▶ IBM Personal Communications V5.7

- ▶ WebSphere Studio Site Developer and WebSphere Studio Client for iSeries
- ▶ IBM WebSphere Host Access Transformation Services (HATS) V5.0

This product is only available via IBM Resellers/Distributors for WorkStation Software under Passport Advantage. It is not configurable using the e-configurator or Software Subscription.

For more information, see:

<http://www.ibm.com/software/webservers/hostintegration/>



## IBM @server iSeries Access products

IBM @server iSeries Access (5722-XW1) provides the middleware software to connect other systems and platforms to iSeries servers. This chapter describes the iSeries Access products.

Product name	Product number	Refer to page
IBM @server iSeries ODBC Driver for Linux	5733-L01	629
IBM @server iSeries Access for Windows	5722-XE1	617
IBM @server iSeries Access for Web	5722-XH2	629
IBM @server iSeries Access for Linux	5722-XL1	629
IBM @server iSeries Access for Wireless	5722-XP1	631
IBM @server iSeries Access Family	5722-XW1	615
WebSphere Host Access Transformation Servers Limited Edition (HATS LE)	5724-F97-01	630

## IBM @server iSeries Access Family (5722-XW1)

iSeries Access Family is a single product to solve all your desktop-to-iSeries connectivity needs. It provides data connectivity from other systems and platforms to iSeries servers.

Increasingly, application providers are taking advantage of heterogeneous platforms to deliver solutions. iSeries Access Family provides the middleware so that applications can easily be built to run on the desktop, browsers, and wireless devices, yet work with iSeries resources simply and efficiently. This combination provides iSeries customers with more application options and helps to lower the cost of management for these solutions.

Deploying PCs to your users should enhance their productivity without increasing your PC network administration costs. iSeries Access is your ideal connectivity solution because it contains a unique set of products that integrate the use of a variety of PCs and workstation desktops, browsers, and wireless devices with the iSeries server. It has the functions that end users need, yet it is built to be centrally administered.

<b>iSeries Access Family (5722-XW1)</b>	
Product number	5722-SS1
Minimum IBM i5/OS level	V5R3
Program size	2.7 MB
HIPO	
Availability	11 June 2004
Software type	Software Subscription
Ordering	
Installation prerequisites	
Related products	All
Client code	5722-XE1
Replaces products	Client Access Family (5722-XW1) Client Access Family (5769-XW1)
Further information	

## Components

iSeries Access Family customers who are running OS/400 V5R2 and have software subscription can acquire and use the V5R3 versions of the following products by ordering the 5722-XW1 refresh.

iSeries Access includes the following products:

- ▶ IBM @server iSeries Access for Web (5722-XH2)
- ▶ IBM @server iSeries Access for Linux (5722-XL1)
- ▶ WebSphere Host Access Transformation Server Limited Edition (HATS LE) (5724-F97-01)

As in prior releases, V5R3 iSeries Access for Windows (5722-XE1) is available as a bonus program with i5/OS orders (5722-SS1). However, use of the PC5250 Display/Printer Emulation and Data Transfer components requires that the customer has purchased iSeries Access Family licenses.

## IBM @server iSeries Access for Windows (5722-XE1)

IBM @server iSeries Access for Windows, previously known as iSeries Client Access Express for iSeries, is a component of the IBM @server iSeries Access family (5722-XW1). It offers a powerful set of capabilities to connect PCs to iSeries servers. It also enables end users and application programmers to leverage business information, applications, and resources across an enterprise by extending the iSeries resources to the PC desktop.

iSeries Access for Windows provides:

- ▶ TCP/IP connectivity with Secure Sockets Layer (SSL) for client functions to improve TCP/IP network security
- ▶ iSeries NetServer for PC file serving and network print support
- ▶ Operations Console for both local and remote system console access
- ▶ All functions of iSeries Navigator for working with iSeries resources and administering and operating iSeries servers, plus graphical interfaces to work with these iSeries

Integrated graphical user interface (GUI) features deliver increased productivity for end users who access resources on iSeries servers.

iSeries Access for Windows is compatible with Windows 98, Windows Me, Windows 2000, Windows XP, and Windows NT 4.0 operating systems.

<b>iSeries Access for Windows</b>	
Product number	5722-XE1
Minimum i5/OS level	V5R3
Program size	188.2 MB
HIPO	1000
Availability	11 June 2004
Software type	Software Subscription
Ordering	Included with i5/OS
Installation prerequisites	<i>IBM @server iSeries Access for Windows – Setup</i> , SC41-5507 Some functions of iSeries Access for Windows require the XW1 product on the server--specifically the PC5250 display/prINTER emulation and Data Transfer components.
Related products	iSeries Access for Web (5722-XH2), iSeries Access for Wireless (5722-XP1), and iSeries Access for Linux (5722-XL1)
Client code	This is an iSeries Access client that runs on Windows operating systems. The code is shipped in the LPP and stored in IFS directory and is downloaded from the IFS directory to the PC and is shipped on a PC CD.
Replaces products	Client Access Express (5722-XE1) Client Access Express (5769-XE1)
Further information	<a href="http://publib.boulder.ibm.com/iseries/v5r2/ic2924/index.htm">http://publib.boulder.ibm.com/iseries/v5r2/ic2924/index.htm</a> <a href="http://www.ibm.com/eserver/iseries/access">http://www.ibm.com/eserver/iseries/access</a>



**Note:** A license for 5722-XW1 is required to run the PC5250 Display Emulation and Data Transfer components of iSeries Access for Windows. A license is not required to install these components.

In addition to PC5250 Display and Printer Emulation and Data Transfer components, all other functions require only an OS/400 license before you can use them.

To receive all the products in the iSeries Access family, order 5722-XW1. If you have not ordered 5722-XW1, you may evaluate the product from the Keyed Stamped Media for 70 days. At the end of the 70-day evaluation period, the product is disabled if you do not order the product and receive a software license.



## Solutions and benefits

iSeries Access for Windows offers a variety of PC-to-iSeries server functions, applications, and enablers. Some of the solutions and benefits include:

- ▶ Uses industry standard TCP/IP and provides network security through SSL  
Leverages the World Wide Web (WWW) through local area networks (LANs), wide area networks (WANs), and the Internet. The entire client uses SSL for server authentication.  
PC5250 emulation provides client authentication. iSeries Access for Windows is tightly integrated with iSeries Key Management to simplify the administration of SSL connections.
- ▶ 5250 emulation
  - Version 5.5 of the PC5250 emulator is now included.
  - Bypass signon can now be used in conjunction with Kerberos tickets to avoid a signon display.
  - Allows copy and paste of text across fields and lines without breaking a word or ending a line with an invalid word.
  - Allows moving the plus (+) or minus (-) sign before the number when copying and pasting (consistent with other Windows applications).
  - Offers improved error messages.
  - Customized keyboard, toolbar, and printer workstation profiles are available for each end user.
- ▶ Data transfer
  - Upload or download data from an Excel spreadsheet in one step.
  - Use wizards to create transfer requests. Data conversion is performed automatically.
  - Use application programming interface (API) ActiveX controls to perform data transfer requests in your own application.
  - Support is provided for uploading more than 256 columns of data to a database file.
  - Support of the Lotus 123 Version 9 file format is provided.
- ▶ Includes middleware for PC-to-iSeries applications
  - Best performing iSeries ODBC driver: Use any Windows application written to Open Database Connectivity (ODBC) to access iSeries database information

- Pop-in wizards for writing Visual Basic applications using OLE DB driver: Provides record-level access and works with stored procedures, remote commands, Structured Query Language (SQL), and more
- ▶ Includes PC Network Administration
  - Provides both a Microsoft Windows and OS/400 user profile technique to control user access to iSeries resources.
  - A silent installation, auto update of the PC code simplifies the initial installation and further updates.
- ▶ Database Access
  - ODBC and OLE DB now support ROWID, 64K SQL statements, and additional descriptor information.
  - OLE DB can now support updated cursors for the SQL dialect.
  - OLE DB is thread safe.
  - Data can be accessed from multiple independent auxiliary storage pools (IASPs).
- ▶ Security
  - iSeries Access for Windows can now use a Kerberos server for authentication to an iSeries. Kerberos tickets are sent to the iSeries in place of a user ID and password, so users do not receive a security prompt if they choose this option.
  - Users of 56-bit encryption can use 128-bit encryption.

## Features

iSeries Access for Windows is a Windows client to be used over TCP/IP. It includes these features:

- ▶ A full-function client that includes many components from the pre-V5R2 product, Client Access for Windows 95 or NT, such as PC5250 and data transfer (with additional enhancements)
- ▶ Can communicate with iSeries servers using a secure connection that uses SSL
- ▶ A streamlined installation that also gives administrators more flexibility and control
- ▶ Java-compatible access
- ▶ Uses file and print serving capabilities integrated into iSeries Support for Windows Network Neighborhood (iSeries NetServer) function, which is included in OS/400 beginning with V5R1

This improves overall stability and eliminates the need for daemons (background tasks) to run on the client.

- ▶ Includes an extensive number of APIs for ODBC, Active X, ADO, OLE DB, and others

- ▶ Includes iSeries Navigator connection to your system with a graphical interface that looks and feels familiar to Microsoft Windows platforms

The Navigator provides capabilities for stepping through the initial iSeries and OS/400 setup and configuration, and then moves into providing a GUI for day-to-day management of servers. You get point-and-click functionality to manage a single or hundreds of servers.

- ▶ Includes EZ-Setup, which is a set of wizards that guides you through the initial setup of a new iSeries server

EZ-Setup helps you configure OS/400 Operations Console, set system values, configure security, create system administration user profiles, configure a connection from the iSeries to LAN, set up a Domino, Internet, or a Lightweight Directory Access Protocol (LDAP) server, and back up your server.

- ▶ Includes Operations Console, which allows your PC to be used as the system console and to perform control panel functions

You can administer your local iSeries server as well as iSeries servers at different locations. Operations Console provides support for a LAN, TCP/IP dial-up connectivity, and direct cable attachment. This enables you to perform system functions such as performing an initial program load (IPL) on the system and more.

- ▶ A task tray icon that enables silent installations so that users know when a silent installation is occurring
- ▶ The creation of customized install CD images to include the SSL component
- ▶ The ODBC and OLE DB components ported to run natively on 64-bit Windows .NET Server 2003 operating system (on Intel Itanium hardware)

Most other components run in 32-bit mode on 64-bit hardware (print drivers and SSL support do not run with 64-bit applications).

- ▶ iSeries Navigator

The GUIs that work with output queues and spooled files are expanded to include ad hoc access to Portable Document Format (PDF) and e-mail functions. These functions are active when iSeries Navigator detects that Infoprint Server for iSeries (5722-IP1) is installed. One or more spooled files can be selected and PDF and e-mail operations interactively invoked.

► Migration

You can migrate to V5R2 iSeries Access for Windows from the following products:

- Client Access Enhanced for Windows 3.1
- Client Access for Windows 95/NT (V3R2.0 only)

See Informational APAR II13196 at the following Web site for more information about migration paths:

<http://www.ibm.com/eserver/series/support>

**Note:** Windows 95 is no longer supported.

## New with V5R3

PC5250 emulator is now at V5.7. The enhancements include:

- Additional accessibility to the Operator Information Area (OIA)
- Popup keypad
- Color mapping
- Visual indications of sounds
- Enhanced mouse marking
- Bidirectional (LamAlef)
- USB Japanese 106 keyboard
- Basic ASCII print PDF and PDT

Data Transfer includes new unicode enablement and a text file type, plus support for:

- Larger decimal precision
- BINARY and VARBINARY SQL data types
- UTF-8 and UTF-16 in DB2 tables
- Standard date and time cells in Microsoft Excel
- Numeric-to-character conversion when transferring Microsoft Excel data
- Most recently used request list and last directory in Excel Add-in

New.NET data provider (names IBM.DATA.DB2.iSeries) that allows Windows applications to use the Microsoft.NET framework to access DB2 Universal Database (UDB) for iSeries databases.

The ODBC driver for iSeries includes support for:

- BINARY and VARBINARY data types
- UTF-8 and UTF-16 data
- Increased precision of decimal numbers and enhanced MTS support

In addition to the existing OLE DB data provider (IBMDA400), two OLE DB data providers are added:

- ▶ SQL-only provider (IBMDASQL)

The SQL-only provider includes SQL commitment control, runs in an MTS environment, and provides custom blocking, data compression and SQL package support.

- ▶ Record-Level Access-only provider (IBMDARLA)

The Record-Level access provider includes support for forward-only cursors and blocked reads.

All the OLE DB data providers now include support for database BINARY and VARBINARY data types, database larger decimal precision support, and UTF-8 and UTF-16 support.

The Incoming Remote Command includes a new option (called */loadprof*) that allows commands to have access to the user-specific registry and environment variable settings while they are running. This option is called *Load user profile when command run in user context*. You can save it on the Incoming Remote Command tab of iSeries Access for Windows Properties.

## IBM @server iSeries Access for Web (5722-XH2)


IBM @server iSeries Access for Web is a Java application that runs in a Web application server (for example, WebSphere Application Server or Apache Software Foundation ASF Tomcat) on V5R2 or later iSeries servers. End users access its functions by starting their browser and connecting to an iSeries server.

iSeries Access for Web can now be used with the Mozilla browser as well as Internet Explorer and Netscape. This enables users on desktop operating systems such as Windows, UNIX, Linux, and MacIntosh to access iSeries resources.

It provides a variety of functions, such as 5250 emulation, and access to iSeries printers, printer output, database, jobs, job queues, message queue, etc. It also provides the ability to run OS/400 CL batch commands without using a 5250 emulation session.

iSeries Access for Web also contains iSeries Access for Linux which provides an ODBC driver to access the DB2 UDB for iSeries and a 5250 emulator.

See “IBM Eserver iSeries Access for Linux (5722-XL1)” on page 629 for more information.

iSeries Access for Web		
Product number	5722-XH2	
Minimum i5/OS level	V5R3	
Program size	192 MB	
HIPO	1012	
Availability	11 June 2004	
Software type	Software Subscription	
Installation prerequisites	<a href="http://www.ibm.com/eserver/iseries/access/web/guide.htm">http://www.ibm.com/eserver/iseries/access/web/guide.htm</a>	
Related products	iSeries Access for Windows (5722-XE1) and iSeries Access for Web (5722-XP1)	
Replaces product	5722-XH1	
Further information	<a href="http://www-1.ibm.com/eserver/iseries/access/web/">http://www-1.ibm.com/eserver/iseries/access/web/</a> <a href="http://www-1.ibm.com/servers/eserver/iseries/access/linux/">http://www-1.ibm.com/servers/eserver/iseries/access/linux/</a>	

## Solutions and benefits

- ▶ IBM @server iSeries Access for Web is your solution for Web browser-to-server connectivity. Using the iSeries Access for Web functions, you can use your Web browser to access and administer your servers.
- ▶ iSeries Access for Web enables end users to leverage business information, applications and resources across an enterprise by extending the iSeries resources to the client desktop through a Web browser.
- ▶ iSeries Access for Web has the following advantages:
  - Is server based
  - Is implemented using Java Servlet technology
  - Uses industry standard protocols—Hypertext Transfer Protocol (HTTP), Secured HTTP (HTTPS), and Hypertext Markup Language (HTML)
  - Is lightweight, requiring only a browser on the client
  - Provides access to 5250 user interface, database, integrated file system (IFS), print, jobs, batch commands, and messages

For more details about the capabilities in the 5250 interface, refer to:

<http://www.ibm.com/eserver/iseries/access/web/5250.html>

- ▶ Mail users can e-mail the results of a database, CL or file command, or PDF view of print information to another user. This can be used as a one-step method to distribute information across a network, even to non-iSeries users.

## Features

iSeries Access for Web includes the following features:

- ▶ It runs on the iSeries server, not the desktop:
  - Works with any desktop browser, NetScape, Internet Explorer, and more
  - Downloads HTML pages to desktop browser
- ▶ It runs on any desktop with a browser:
  - Linux, Windows, Macintosh, UNIX, AIX, Network Stations, OS/2
  - Uses standard HTTP or HTTPS (for SSL) ports
- ▶ iSeries Access for Web now contains its own 5250 interface and no longer uses the WebSphere Host Publisher XML Gateway when starting 5250 sessions. This new 5250 interface contains many additional capabilities, for example:
  - Workstation ID (device ID) can be configured and provides wildcard support similar to the PC5250 emulator in iSeries Access for Windows.
  - Two switchable views, Web view and traditional view, are each fully customizable.
  - Function keys and Page Up and Page Down are supported (works with Internet Explorer 5, and later browsers, and requires JavaScript).
- ▶ iSeries DB2 UDB access

GUI access to upload and download data (for example into an Excel spreadsheet). Many database functions, such as insert, delete, update, and query, are provided.
- ▶ Database functions have been enhanced. Results of an SQL statement can now be in PDF format. Users can configure functions such as page size, orientation, margins, table header and footer, column heading, table style, and alignment, or upload or download Extensible Markup Language (XML), so that data can be interchanged with other XML-enabled applications.
- ▶ iSeries Access for Web provides access to iSeries resources:
  - Use iSeries printers and printer output (plus PDF)
  - Work with jobs, send and receive messages, run non-interactive CL commands (with Prompt support)
  - A simple interface for working with information in the IFS, including download and view capabilities
- ▶ Workflow support

E-mail work output anywhere (from database request, CL commands, or file system), or store in your's or other's personal folders.

- ▶ Jobs support is now included in iSeries Access for Web. Users can now view jobs they've submitted and server jobs working on their behalf. These jobs can also be managed using the hold, release, delete, and view job log commands.
- ▶ Batch commands have been enhanced. Commands can now be saved and retrieved later. They can also be searched by name or description. For example, users can enter CRT\*, \*DEV, or \*PRT, or work with active jobs to find what they want.
- ▶ IFS enhancements include copy file, rename file and directory mail file, delete file and directory, and create directory.
- ▶ Personal folders reside on the Web server and can be accessed only by the owner. This can be combined with the new mail function to notify users when new items are placed in a folder. This is an easy way to avoid sending large attachments and can be used to improve workflow.
- ▶ Printer output can now be viewed as PDF. A PDF viewer is required on the PC. Also, GIF viewing has a better resolution (300 dpi), and more printer-friendly views.

**Note:** If IBM Infoprint Server for iSeries (5722-IP1) is installed on the iSeries, iSeries Access for Web uses it instead of its own internal PDF conversion routine. With 5722-IP1, a new PDF Output tab shows the output that was previously converted.

- ▶ Provides a window to your iSeries
 

Customize the iSeries Access for Web front page to be your iSeries connection starting point or window. Run 5250 applications and other tasks from there.
- ▶ Supports the following Web application servers on V5R2 and V5R1 iSeries servers:
  - IBM WebSphere Application Server V5.0 for iSeries (5733-WS5)
  - IBM WebSphere Application Server - Express, Version 5.0 for iSeries (5722-IWE)
  - IBM WebSphere Application Server Version 4.0, Advanced Edition for iSeries (5733-WA4)
  - IBM WebSphere Application Server Version 4.0 Advanced Single Server Edition for iSeries (5733-WS4)
  - ASF Tomcat 3.2.4 (a component of IBM HTTP Server for iSeries (5722-DG1))



V5R2 iSeries Access for Web can be configured to run concurrently on more than one Web application server.

- ▶ V5R2 iSeries Access for Web does not support WebSphere 3.5. V5R1 iSeries Access for Web was delivered with a product identifier of 5722-XH1 and supported WebSphere 3.5. In V5R2, several changes were made to iSeries Access for Web to use the technology available when running under WebSphere 4.0 or Apache Software Foundation Tomcat Web application servers. These changes do not allow V5R2 iSeries Access for Web to support WebSphere 3.5.

**Note:** WebSphere Application Server V3.5 users should continue to use V5R1 iSeries Access for Web.

## New with V5R3

There are several new enhancements in this release.

The 5250 emulator has a portlet version that integrates into the WebSphere Portal for iSeries V4.1 (Express and Express Plus). The other functions in iSeries Access for Web can also be used in this environment as IFrame portlets. See “IBM WebSphere Portal - Express, IBM WebSphere Portal - Express Plus for Multiplatforms, Version 5 (5724-E77)” on page 551 for information about IBM WebSphere Portal - Express.

The 5250 emulator now includes preferences and policy functions so it can be fully customized for end users by the iSeries administrator. Administrators can now create shortcuts to session configurations and macro definitions for users or groups, and specify an initial macro to play immediately after a session is started. Users can now share an active sessions with other users and groups while the user who starts the session maintains full control of it. Users can now position their cursor at an exact location within a field.

New PDF Printer and PDF Printer Output tabs are added so that conversion of iSeries printer output (AFPDS or SCS) is automatically done when a spooled file is routed to a printer output device. The interfaces for working with printer output, Internet printers, and Internet printer shares has been consolidated and simplified.

The SQL Database wizard has been enhanced to build requests, which can prompt the user for one or more condition values when the request is run. Users can also use Run SQL to manually create statements with parameter markers. The run SQL and Copy Data to Table functions now additionally support the Microsoft Excel XML format, which is the XML spreadsheet format used by

Microsoft Excel 2002. Files created with the new iSeries Access for Windows Data Transfer file format can also be imported into iSeries Access for Web.

Extract Server Data is a new feature that can be used to retrieve information about objects on the iSeries server and store those results in a database table. Results can then be retrieved in a variety of ways. Object-specific information can also be retrieved for the following objects types: directory entries, messages, software fixes, software products, system pool, and user profiles.

The Files function for working with data in the IFS has been enhanced to display the directory contents in the current browser window, and the Name, Size, Type, and Modified column headers can now be sorted. If the user has the appropriate OS/400 authority, the Browse Files and Browse NetServer File Share functions can be edited (for example, authority, change object owner, change primary group for object, change authorization list for object, and perform zip and unzip operations).

A new message function has been added so that break messages can be sent to iSeries workstations, and Lotus Instant Messaging and Web Conferencing (Sametime) announcements can be sent to iSeries Access for Web Lotus Instant Messaging and Web Conferencing users. See "IBM Lotus Instant Messaging and Web Conferencing (5733-LST)" on page 565 for more information.

The My Folder function, which enables users to store the results of commands, PDF output, etc., in their own and other iSeries Access for Web users folders, has two new actions for folder items:

- ▶ **Copy:** Allows a user to copy folder items to another user's personal folder
- ▶ **Copy to file:** Allows a user to copy the contents of the folder item to a file in the IFS

For iSeries administrators, policies now exist to help them control the maximum number of items or amount of disk space allowed for a user's personal folder and notify users when the number of items or total size reaches a percentage of the maximum items allowed. Notifications can now be sent to a Lotus Instant Messaging and Web Conferencing user name in addition to a configured e-mail address.

A new functional category called "DownLoad" is now available for file distribution. A downloadable file can be stored on the iSeries server and made available for distribution through iSeries Access for Web. A set of management functions is provided for updating and controlling access to the downloadable files. The new iSeries Access for Linux product is provided as a downloadable file. Administrators can create other downloadable files (for example, a tailored version of the iSeries Access for Windows product) for easy distribution to Windows users.

New functions are also available under the Other tab. For example, a new Bookmark utility can create a bookmark file with entries for each link in the iSeries Access for Web navigation tabs. The Connection pool menu item has changed to display the current status of the connection pool and enable the administrator to directly customize the connection pool settings.

The Customize function has been enhanced to allow easier administration for restricting access to functional categories. It also has new policies to restrict users to a category of functions without the need to deny each of the functions individually. The Customize interface also has options to view all of the current policy settings for a user or group profile in a report view and to generate a printer friendly link so it can be sent to a printer.

## IBM @server iSeries Access for Linux (5722-XL1)

iSeries Access for Linux runs natively on Linux operating systems. Linux can be used on systems with Intel processors or Power PCs, or in an iSeries server logical partition (LPAR). iSeries access for Linux contains a 5250 emulator and an ODBC driver.

It is not available as an individually orderable product. However, it is available with the iSeries Access for Web (5722-XH2) client or via download from the Web:

<http://www14.software.ibm.com/webapp/download/search.jsp?go=y&rs=ilinux>

The 5250 Display Emulation component requires an iSeries Access Family (5722-XW1) license before it can be used.

iSeries Access for Linux	
Product number	5722-XL1
Minimum operating system level	V5R1
Program size	2.6 Mb
Availability	17 December 2003 (Version1.3)
Software type	Software Subscription (5722-XW1)
Installation prerequisites	<a href="http://www-1.ibm.com/servers/eserver/iseries/access/linux/guide/">http://www-1.ibm.com/servers/eserver/iseries/access/linux/guide/</a>
Related products	iSeries Access for Web 5722-XH2
Web link	<a href="http://www.ibm.com/eserver/iseries/access/linux/">http://www.ibm.com/eserver/iseries/access/linux/</a>

As enhancements or fixes are made to the product, new versions are placed on the Web page listed. Additionally, the iSeries Access for Web V5.3 product provides a new download function to enable Linux users to install iSeries Access for Linux on their desktops.

It is available with the iSeries Access for Web (5722-XH2) client or via download. It is not available as an individually orderable product.

The 5250 Display Emulation component requires an iSeries Access Family (5722-XW1) license before it can be used.

## IBM WebSphere Host Access Transformation Server Limited Edition (5724-F97-01)

WebSphere HATS LE is a new member of the iSeries Access family. HATS LE dynamically transforms all 5250 screens with a point-and-click Web interface. Screens are converted in real time and delivered as HTML to the end user's Web browser (Internet Explorer or Netscape).

WebSphere Host Access Transformation Server Limited Edition (5724-F97-01)	
Product number	5724-F97-01
Minimum operating system level	V5R1
Program size	
HIPO	
Availability	30 June 2003
Software type	Software Subscription ordering ID 5733-XW1
Ordering	5722-XW1
Installation prerequisites	
Related product	
Client code	
Replaces product	
Further information	<a href="http://www.ibm.com/eserver/series/access/hats">http://www.ibm.com/eserver/series/access/hats</a> <a href="http://www.ibm.com/software/webservers/hostintegration/">http://www.ibm.com/software/webservers/hostintegration/</a>

## Features and benefits

WebSphere HATS LE adds many features and benefits to the iSeries Access family. Its features include:

- ▶ Dynamically transform 5250 screens to HTML
- ▶ Does not require access to source code
- ▶ Rejuvenates legacy applications with a Web-like look and feel
- ▶ Does not require programming skills
- ▶ Provides stock HTML templates which can be tailored, for example, to change the company name and logo in the template
- ▶ Integrates with WebSphere Application Server

HATS LE supports the following Web application servers:

- ▶ WebSphere Application Server - Express for iSeries
- ▶ WebSphere Application Server V5 for iSeries
- ▶ WebSphere Application Server V4 Advanced Edition for iSeries (plus the latest PTFs)
- ▶ WebSphere Application Server V4 Advanced Edition Single Server for iSeries

HATS LE includes a subset of the capabilities provided in the IBM WebSphere Host Access Transformation Server product. HATS provides a complete set of tools for extending iSeries applications to the Web. With no programming or access to source code, HATS can transform the presentation and navigation of any 5250 application.

**Note:** The full HATS product is available as part of the IBM WebSphere Host Integration Solution for iSeries product (5724 F84/F86) via Passport Advantage and WorkStation Software IBM Business Partners and Distributors.

## IBM @server iSeries Access for Wireless (5722-XP1)

IBM @server iSeries Access for Wireless provides access to iSeries administrative functions and development tools intended for wireless devices such as personal digital assistants (PDAs) and Internet-enabled phones. Using the functions of the iSeries Access for Wireless licensed program, you can use your wireless device to access and administer your servers.

iSeries Access for Wireless consists of two separate services that can be used individually, or together, to provide the access you need:

- ▶ iSeries Navigator for Wireless
- ▶ IBM Toolbox for Java 2 Micro Edition

<b>iSeries Access for Wireless (5722-XP1)</b>	
Product number	5722-XP1
Minimum i5/OS level	V5R3
Program size	
HIPO	
Availability	4 June 2002
Software type	Software Subscription
Ordering	Included with i5/OS for no additional charge
Installation prerequisites	
Related products	iSeries Access for Windows (5722-XE1) and iSeries Access for Web (5722-XH2)
Client code	This product is client code that runs on wireless devices. The code is shipped in the LPP and stored in IFS directory and is downloaded to the client device.
Replaces product	
Further information	<a href="http://www-1.ibm.com/servers/eserver/iseries/access/wireless/">http://www-1.ibm.com/servers/eserver/iseries/access/wireless/</a>



## Solutions and benefits

iSeries Access for Wireless provides a user interface to perform some systems management activities from wireless, handheld devices. Network administrators can monitor an iSeries server while away from the office.

IBM Toolbox for Java 2 Micro Edition provides a set of Java classes that allow you to develop Java programs to access iSeries servers from wireless, handheld devices. You can use these classes to write client/server applications that work with data and resources on your iSeries server. For example, you can access iSeries database data using functions similar to Java Database Connectivity (JDBC), an industry standard.

With iSeries Navigator for Wireless, administrators have even more flexibility in how they access and interact with Management Central. iSeries Navigator for

Wireless allows administrators to remotely monitor and manage system performance, status, jobs, and messages using an Internet-ready telephone, a PDA with a wireless modem, or a traditional Web browser on a workstation.

## Features

iSeries Access for Wireless allows you to perform the following functions:

- ▶ Work with Management Central tasks, work with file monitors and business-to-business (B2B) Activity monitors, and customize your display
- ▶ Watch the system status
- ▶ View the properties of the system
- ▶ View the detailed summaries of commands
- ▶ Manage Integrated xSeries Servers for iSeries; run commands on all Integrated xSeries Servers at the same time or on a single Integrated xSeries Server, start the Integrated xSeries Servers, or shut them down
- ▶ Run i5/OS commands across multiple systems
- ▶ View the metrics and current values being monitored, as well as the top 20 items (jobs, disk units, and so forth) that make up the metric value. Work with jobs listed in the monitor (display details, hold, release, and end)
- ▶ View all jobs and messages across systems matching monitor criteria. See metrics and current values being monitored. Work with the jobs and messages listed in the monitor (display details, hold, release, end, delete, and reply)
- ▶ View the detailed status of files, including system path, size, date modified, and the text that triggered the file
- ▶ View B2B transaction details and see metrics and current values being monitored
- ▶ Limit what users can do by enabling read-only support, or by setting user-access levels with Application Administration; allow users to view status information without the ability to take action

## iSeries ODBC Driver for Linux (5733-L01)

The iSeries ODBC Driver for Linux is an ODBC driver that allows you to access the iSeries database from a Linux client. Linux applications written to the ODBC API can use this driver to connect to an iSeries server to access the database.

<b>iSeries ODBC Driver for Linux (5733-L01)</b>	
Product number	5733-L01
Minimum operating system level	V5R1
Related products	iSeries Access for Windows (5722-XE1) and iSeries Access for Web (5722-XH2)
Client code	This product is client code
Replaces product	
Further information	<a href="http://www-1.ibm.com/servers/eserver/iseries/linux/odbc">http://www-1.ibm.com/servers/eserver/iseries/linux/odbc</a>





## IBM licensed programs: System management products and services

The management of an iSeries is handled by built-in functions and licensed programs for specific needs, each complemented by service offerings. This chapter discusses the products and services that are listed in the following table.

Product or service name	Product number	Refer to page
iSeries Operations Console: Direct Attach, LAN, and Remote	---	636
IBM @server Technical Support Advantage	---	643
IBM Intelligent Communications Trace Analyzer for iSeries, Version 1.0	5733-AZ1	660
IBM Tivoli Storage Manager Extended Edition V5.2	5698-A11	644
IBM Backup Recovery and Media Services for iSeries	5722-BR1	645
Enterprise Edition Installation Assistant	5733-ED1	658
PATROL for iSeries – Predict	5620-FIF	663
IBM Software Integration Assistant for iSeries	5722-IA1	659

Product or service name	Product number	Refer to page
IBM Advanced Job Scheduler for iSeries	5722-JS1	652
IBM Managed System Services for iSeries	5722-MG1	654
IBM Performance Tools for iSeries	5722-PT1	660
IBM System Manager for iSeries	5722-SM1	656

## iSeries Operations Console: Direct attach, LAN, remote, and HMC

Operations Console is a Model 270, 800, 810, 825, 870, and 890 operators interface for systems management. These iSeries servers support integrated remote console and control panel capabilities to simplify remote systems management tasks. iSeries Operations Console support allows a personal computer (PC) to be a local or remote console of iSeries servers. This allows a system administrator to monitor the system from another location. A twinaxial connection for console functions is not required.

The remote console application is a full-function 5250 PC console session. The remote control panel application complements the remote console function and provides a graphical user interface (GUI) that resembles its hardware counterpart. Both applications, in general, make it possible to perform the majority of system operations tasks, for example backup and recovery, when the iSeries server and the operations staff are in physically separate locations.

**Important:** All existing console types are supported in IBM i5/OS V5R3 partitions and on IBM @server i5 Models 520 and 570.

Hardware Management Console (HMC) is required for managing partitions and Capacity on Demand. Although the HMC can be used as a console device, all previously available console types are still valid.

The #0367 is to be used for direct attached Operations Console and is delivered when Operations Console on the local area network (LAN) is selected. The #0367 is also orderable for each partition running i5/OS when the customer chooses a console type making use of this cable.

The remote operator panel function of Operations Console is not supported on @server i5 Models 520 and 570. Refer to "Hardware Management Console" on page 642 for equivalent support for Model 520 and 570 operators.

## iSeries Operations Console features

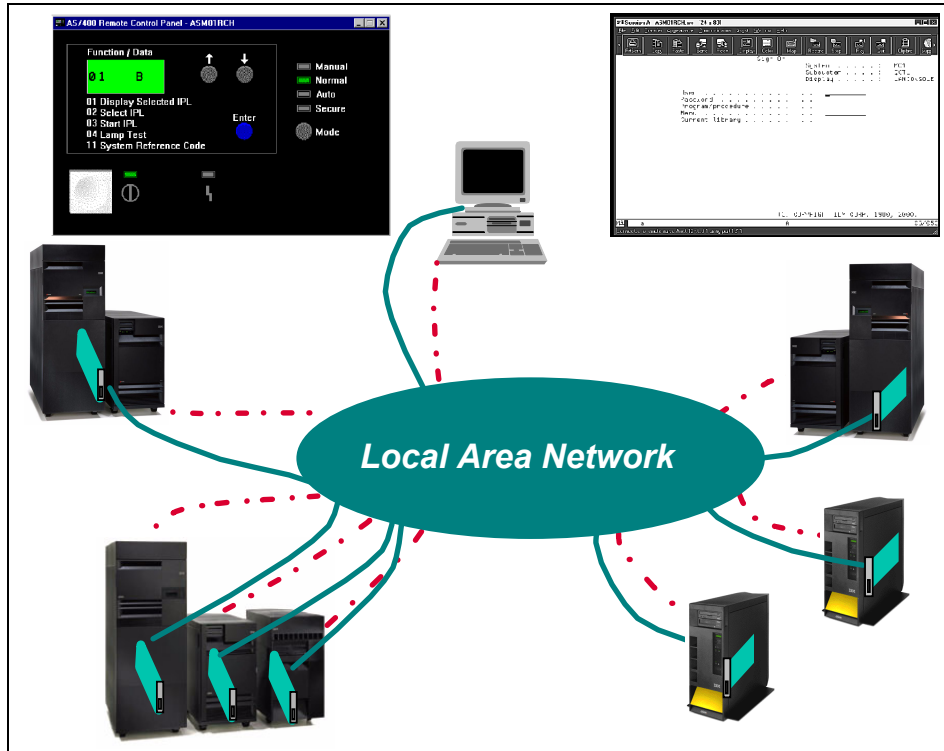
Operations Console enables connections across a LAN and enables directly cabled connections. Multiple Operations Console LAN connections can be active per system or partition at a time. Only one interface can be the console at a time even though they all have data on the screen. A separate dedicated interface for each partition is required.

A single PC can have multiple connections to multiple iSeries servers and can be the console for multiple iSeries servers. Only one PC can have control of the iSeries server at a given time. It also allows multiple local consoles on a network connection, with only one directly cabled configuration.

You can use the remote control panel functions on the same PC for any connected iSeries server. You can use the remote control panel for logical partitions through a LAN connection to the primary partition.

There is a high level of security for the connections of Operations Console on the LAN. Enhanced authentication and data encryption provide network security for console procedures. Operations Console with LAN connectivity uses a version of Secure Sockets Layer (SSL) that supports device and user authentication, without using certificates.

These scenarios are illustrated in the following figure.



Basic knowledge of the Service Tools Security framework is necessary to understand how Operations Console on the LAN works. The main concepts are:

- ▶ **Service tools device ID:** This is a unique device description with an associated password (can be 128 characters long). Service device authentication assures which physical device is the console.
- ▶ **Service tools user ID:** Service tools user IDs are used to access the service tools functions for which the profile has been granted authorization. You can create service tools user IDs yourself and grant authority for specific service tools functions. Service tools user IDs of QSECOFR, QSRV, 11111111, and 22222222 are provided with IBM i5/OS.
- ▶ **Service tools security log:** The service tools security log contains entries of actions performed against service tools security such as granting or revoking authority, creating or deleting profiles, or attempting to violate service tools security. A service tools user ID with the proper authority can work with the service tools security log to view, display, print, save, or restore service tools security log data.

**Note:** You can specify a device ID for security that permits only specific PC workstations to perform Operations Console LAN connections and Control Panel functions.

The console is determined on a first in, first served basis. For example, the first LAN-connected console becomes the console. Subsequent LAN connecting PCs are presented a special Dedicated Service Tool (DST) Signon window or the Console Information Status window depending on whether the new *Allow console to be taken over by another console* option is enabled.

If concurrent standard LAN activity is desired, such as running workstation functions, configure a second LAN adapter and vary it on. Separate IP addresses are required.

Operations Console on the LAN does not need a #0383 Remote Control Panel Cable to work with the functions of the Remote Control Panel for logical partitions. This function is enabled by default during setup but can be disabled in Properties. You would use the privileges granted for the Service Tools Device ID and the Service Tools User ID to get the Remote Control Panel to work on the PC. By default the user and device ID are created with enough authority to use the remote control panel.

When you select the Operations Console on the LAN for your iSeries server, IBM delivers one #0367 Operations Console PCI Cable with a new order. It is shipped with an upgrade if that cable is not on the configuration.

Operation Console over the LAN connection is highly secured. Only one PC can use a Service Tools device ID. After a successful connection is established the associated password is changed and encrypted. You can encrypt the data flow between the console and the server by installing a Client Encryption product on the Operations Console PC (5722-CEx) and the Cryptographic Access Provider product (5722-ACx) on the iSeries server.

Operations Console and Remote Control Panel (#0383 for direct-attach) are installed and used from PCs using the Windows XP Professional PC operating system, Windows 2000 Professional PC operating system, or Windows NT Workstation 4.0. The console and control panel applications can be used together or separately. Each requires its own direct cable attachment. The cables are purchased separately and are unique to the system being used. POWER5 hardware does not support a directly attached remote control panel. For remote power on capability on this platform, consider remote Hardware Management Console (HMC) (Remote Client) or Advanced System Management Interface (ASMI).

The #0382 Remote Control Panel Cable was *withdrawn from marketing* on 02 July 2002. The #0383 Remote Control Panel Cable replaces the #0382. The PC that connects to the #0383 cable must have V5R2 iSeries Access for Windows with service pack SI06631 installed, or later.

The iSeries systems use a parallel interface to connect the Remote Control Panel for Models 270, 800, 810, 820, 825, 830, 840, 870, and 890. This is valid only when the #0383 Remote Control Panel Cable is used.

iSeries Navigator can be enabled on the Operations Console PC. An advantage of this is that you can centralize system management functions through a single asynchronous connection to the iSeries server using the iSeries console, Remote Control Panel capabilities, and iSeries Navigator on one PC.

Operations Console is a follow-on to the AS/400 Client Access Communications console. It is packaged with the iSeries Access for Windows product (5722-XE1), which is part of the iSeries Access family of software (5722-XW1). Operations Console is an optionally installed component of 5722-XE1, but no 5722-XW1 license is required to use this component. Licensing is covered as part of OS/400 and iSeries Access for Windows can be found in the *iSeries Setup and Operations* CD-ROM.

Operations Console supports three types of local console configurations:

- ▶ **Local console directly attached:** A PC locally attached to an iSeries server through the Operations Console cable. Remote users are unable to connect to this PC.
- ▶ **Local console directly attached with remote access allowed:** A PC locally attached to an iSeries server through the Operations Console cable. Remote users can connect to this PC, with or without the intervention of an operator.
- ▶ **Local console on a network:** A PC that is using the Service Tools Security framework and connects to the iSeries Server over the LAN. The PC can be set up to have the console function as well as the Remote Control Panel function. A dedicated LAN adapter is required. To allow the Remote Control Panel function which allows an iSeries server to be powered on, the #0383 Remote Control Panel Cable must also be installed for Models 270, 800, 810, 820, 825, 830, 840, 870, and 890.

**Remote console through dial-up support:** Remote consoles are PCs that dial in to a local console directly attached with remote access allowed for remote access to the iSeries server. The PC dialing in remotely can then become the console. If the remote control panel is installed and configured on the local console, you can also use the remote control panel functions.

iSeries Access for Windows must be installed to use iSeries Operations Console. During the installation of iSeries Access for Windows, iSeries Operations Console support is installed. If PC5250 or IBM Personal Communications Version 5.7 with CSD 1 minimum or later is not already installed, a 5250 emulator is installed during the iSeries Access for Windows installation. The Operations Console Cable is required to use the console function for a direct attached Operations Console PC. The remote control panel cable is required to use the remote control panel function (a graphical control panel to operate as the iSeries control panel). The control panel cable part number is 53P5704 (CCIN is 0383).

iSeries Operations Console support is available for OS/400 V5R1 and later. For V5R1 and later, it is the only type of PC console supported by the iSeries Model 270, 800, 810, 820, 825, 830, 840, 870, and 890 systems.

You can find setup information in the iSeries Information Center at:

<http://www.ibm.com/eserver/iseriess/infocenter>

Under Connecting to iSeries, select the **Operations Console** topic.

## Remote control panel

iSeries 270, 800, 810, 820, 825, 830, 840, 870, and 890 servers use a parallel interface (LPT) instead of a COM port for the Remote Control Panel. The 520 and 570 POWER5 models do not support a directly cabled remote control panel.

The #0383 Remote Control Panel Cable enables use of the Remote Control Panel function on a PC supporting a Model 270, 800, 810, 820, 825, 830, 840, 870, and 890.

For cable connection details and PC requirements, in the iSeries Information Center, under Connecting to iSeries, see Operations Console on the Web at:

<http://www.ibm.com/eserver/iseriess/infocenter>

Consider these points:

- ▶ V5R1 and later Operations Console users may want to consider Virtual Control Panel to obtain Remote Control Panel functions without needing a direct parallel cable connection. For further information about installing Virtual Control Panel, in the Information Center, under Connecting to iSeries, see Operations Console on the Web at:

<http://www.ibm.com/eserver/iseriess/infocenter>

- ▶ Use of the Remote Control Panel function is independent of the System Console.

- ▶ The Remote Control Panel Cable is not required for a LAN-attached console (#5546 or #5548).

Remote Control Panel is installed and used from PCs that run the Windows NT 4.0, Windows 2000 Professional PC, or Windows XP Professional operating system.

## Hardware Management Console

The IBM Hardware Management Console is a PC-based console that runs a Linux-based server management application. It is required for any of the new POWER5 technology-based IBM @server systems that implement partitions, capacity on demand, or support concurrent maintenance. It is only available for POWER5 technology-based servers and runs on a pre-installed Linux-based workstation via an Ethernet LAN connection. An Ethernet cable attaches to the HMC port.

Hardware Management Console can be used to manage from one to two partitioned systems. It is not required for non-logically partitioned (LPAR) systems. It can connect to one or more managed systems. A Model 520 or 570 can be managed by only one HMC. A virtual console terminal can be configured to run on the HMC for each partition, reducing the need for extra hardware in each partition.

Some service functions available with System and Dedicated Service Tools can now be performed by the HMC. Management functions offered through the use of HMC include the ability to:

- ▶ Create and maintain a LPAR environment
- ▶ Display a virtual console session for each i5/OS partition
- ▶ Detect, report, and store changes in hardware conditions
- ▶ Power managed systems on and off
- ▶ Act as a service focal point for service representatives to determine an appropriate service strategy and enable Service Agent to call home to IBM
- ▶ Activate additional resources on demand

The HMC operates as a single, dedicated console for iSeries servers, providing 5250 console support to run diagnostics and monitor operations. Updates to HMC are made via microcode (firmware). In some ways, HMC replaces the primary partition of system.



The HMC is available in two 7310 models:

- ▶ **7310-C03:** Desktop HMC
- ▶ **7310-CR2:** Rack-mounted HMC

Each 7310 can be used only for the control and service functions of the POWER5 technology-based servers it servers and is not available for use as a general purpose computing resource.

### **Advanced System Management Interface**

ASMI is a browser-based interface. It allows you to perform general and privileged service tasks such as reading service processor error logs and vital product data, setting up the service processor, and controlling the system power. If you already have an HMC or an ASCII console, ASMI is not required.

**Note:** User access to HMC applications is via a GUI only.

Refer to the V5R3 iSeries Information Center for setup information for the Hardware Management Console:

<http://www.ibm.com/eserver/iseriess/infocenter>

See the *V5R3 i5/OS Console Positioning Paper* to help decide what type of console to use on IBM @server i5 520 and 570 servers. You can find this white paper on the Web at:

<http://www-1.ibm.com/servers/eserver/iseriess/literature/index.html>

## **IBM @server Technical Support Advantage**

An important aspect of technology is technical support that helps make that technology work for us as people. The IBM @server Technical Support Advantage is a comprehensive set of resources available to IBM Clients, each focused on one objective: the simplification and streamlining support of each IBM @server solution. It offers easier access to total iSeries solutions in this increasingly Web-based world.

The Technical Support Advantage initiative offers total server support that you need for today's e-business world. You receive great support that is personalized, flexible, and in the form you need it. What counts is keeping your business running and helping you drive your business to the next level.

Technical Support Advantage is the total solutions focus of IBM for iSeries servers. It involves voice and Web-based technical support and support that is

integrated into the product. Emphasis is on a collaborative approach to technical support that helps to ensure a personal touch. You can find more information about technical support and resources for iSeries and AS/400 on the Web at:

<http://www-1.ibm.com/servers/eserver/series/support/index.html>  
<http://www.ibm.com/planetwide/>

## IBM Tivoli Storage Manager Extended Edition (5698-A11)

IBM Tivoli Storage Manager Extended Edition core functions include data backup and restore, managed data archive and retrieve, planning for disaster recovery, Network Data Management Protocol (NDMP), and support for large tape libraries. It has a UNIX look and feel, but contains the necessary modification to permit it to function in the OS/400 Portable Application Solutions Environment (PASE) environment. It supports the non-storage area network (SAN) environment.

The IBM Tivoli Storage Manager product provides a server that runs using OS/400 PASE. OS/400 PASE is an integrated runtime environment for AIX or other UNIX-like applications running on the iSeries server.

Tivoli Storage Manager Extended Edition (5698-A11)	
Product number	5698-A11
Minimum operating system level	V5R1
HIPO	
Availability	
Software type	
Ordering	
Installation prerequisites	
Related products	Backup Recovery and Media Services (5722-BR1) Tivoli Storage Manager V5.1 (5698-ISM)
Client code	
Replaces product	Tivoli Storage Manager Extended Edition V5.1 (5698-ISX)
Further information	<a href="http://www.ibm.com/software/tivoli/">http://www.ibm.com/software/tivoli/</a>

## Benefits

Tivoli Storage Manager Extended Edition does more than just backup client data. It has numerous products that integrate directly with the centralized server. These products allow you to back up your application databases, help you generate a plan for recovering from a disaster, and generate in-depth reports to help you analyze and forecast your backup procedures.

On the iSeries server, Tivoli Storage Manager Extended Edition can be optionally combined with IBM Backup Recovery and Media Services (BRMS) (5722-BR1) to provide a single centralized backup and recovery solution to your entire storage server environment.

You can find additional information about IBM Tivoli Storage Manager V5.2 or V5.1.5 running under OS/400 PASE in *Integrating Backup Recovery and Media Services and IBM Tivoli Storage Manager on the IBM @server iSeries Server*, SG24-7031.

## IBM Backup Recovery and Media Services for iSeries (5722-BR1)

IBM Backup Recovery and Media Services is the IBM strategic solution for planning and managing the backup of your iSeries server. It provides all of the functions that most iSeries users need to implement a fully automated, single system, backup, recovery, and media management strategy.

BRMS facilitates centralized management of media by maintaining a consistent view of removable tape media, its contents, location, and availability across multiple iSeries servers or OS/400 partitions referred to as *networked systems*. This common media scratch pool contains shared tape volumes, which are eligible for use by any participating networked system. When a networked system uses one of the shared volumes, that usage is broadcast to all networked systems so that each system has a current view of the active media and the available expired media.

BRMS provides the iSeries server with support for policy-oriented setup and execution of archive, backup, recovery, and other removable media-related operations. BRMS uses a consistent set of intuitive concepts and operations, which can be used to develop and implement a backup strategy tailored to your business requirements. The user interface is menu-driven, with a significant number of functions enabled through the optional BRMS iSeries Navigator client, a plug-in to iSeries Navigator.

IBM Backup Recovery and Media Services for iSeries	
Product number	5722-BR1 <sup>1</sup>
Minimum i5/OS level	V5R3
Program size	Base - 275 MB Option 1 - 8 KB Option 2 - 8 KB
HIPO	1002 per PLDb
Availability	30 April 2004
Software type	Software Subscription
Installation prerequisites	5722-SS1 Option 18 Media and Storage Extensions 5733-197 IBM Tivoli Storage Manager Application Programming Interface for iSeries (Required for Tivoli Storage Manager) <sup>3</sup>
Related product	Tivoli Storage Manager for OS/400 PASE (5698-A13)
Replaces products	5769-BR1, 5716-BR1
Client code	Delivered with the server. More functions on V5R3 than V5R2 and V5R1.
Further information	<a href="http://www-1.ibm.com/servers/eserver/iseries/service/brms/">http://www-1.ibm.com/servers/eserver/iseries/service/brms/</a> <a href="http://www-1.ibm.com/servers/eserver/iseries/service/brms/adsmperf.htm">http://www-1.ibm.com/servers/eserver/iseries/service/brms/adsmperf.htm</a>



## Benefits

The base product offers an unlimited number of media, shared tape devices, automated taped libraries, and IBM Tivoli Storage Manager servers. It supports backup of a single library or single QSYS.LIB object in parallel using up to 32 tape devices. Parallel backup with its easy-to-use interface lets users shorten backup windows by using more tape devices. Using parallel backup, with an automated tape library device, users can save a large library, for example, to all currently available tape resources. Parallel backup also supports \*ALLUSR, \*IBM, and generic library names.

Using BRMS, users can perform online backups of their Lotus servers. This includes full online backups and incremental online backup of their Lotus server databases. BRMS provides ready-made Lotus server backup policies and exclude lists, which allow users to back up only the Lotus server databases or all system objects except the Lotus server databases.

**Note:** The base product does not support shared media, archive, dynamic retrieval, or automated migration operations.

## BRMS optional features

BRMS is structured to allow the addition of functions and features incrementally as business needs change and grow. Two optional features can be added to the base product to build a full function BRMS system as explained in the following sections.

### BRMS Network Feature

With the BRMS Network Feature, a BRMS system is connected to other BRMS systems in the network using native TCP/IP, Advanced Peer-to-Peer Network (APPN), or both. A BRMS network system shares the inventory and policies associated with media managed by a central BRMS system.

In addition, users can view the saved history of any system in the network from a single system. If two systems in the network share a common device, a user can automatically restore objects on one system that are saved on another system.

The networking feature also allows users to off-load their media duplication task by using one system in the network to duplicate media on behalf of another system in the network. The systems in a BRMS network can be other iSeries systems or individual OS/400 partitions.

### BRMS Advanced Feature

The BRMS Advanced Feature enables Hierarchical Storage Manager (HSM) archive with HSM dynamic retrieval and automated auxiliary storage pool (ASP) data migration.

Parallel backup works with the BRMS Advanced Feature to allow for parallel archive and parallel dynamic retrieval of a single object. The ability to dynamically retrieve a large database file in parallel helps to reduce the window of the retrieval process. Therefore, it increases the rewards for using HSM archive and dynamic retrieval support.

The BRMS Advanced Feature allows archive capabilities of database files, stream files, and documents based on frequency of use, inactivity limit, object size, or ASP thresholds.

## New with V5R3

BRMS is refreshed at V5R3 to make it more powerful and easier to use. The new functions with V5R3 include:

- ▶ New backup items are added to backup control groups. This gives users better control for managing the backups of their integrated file system (IFS) objects when they run online Lotus server backups. In addition, new lists are provided so users can define items to be omitted from the IFS saves in addition to omitted Lotus online data.
- ▶ Lotus online incremental backup is updated so that Lotus database files, which cannot be saved incrementally (such as new databases), are saved using a full online backup.
- ▶ Support is added to BRMS for saving and restoring objects saved with pending transactions. Users can now save journaled objects using save-while-active without waiting for a transaction boundary (pending transaction). The restoration of objects saved with pending transactions allows for automatic recovery of associated journals, journal receivers, and application or removal of journal changes to a point in time.
- ▶ BRMS duplication of media is enhanced so that users can use the BRMS network feature to off-load the duplication task to another system in the BRMS network.
- ▶ An Expire media set volumes (EXPSETMED) parameter is added to the Start Expiration for BRM (STREXPBRM) and Start Maintenance for BRM (STRMNTBRM) commands. This parameter enables an IBM patented function to expire the volumes in a set which contain no active files. This new function allows users to return these volumes to the scratch pool sooner and reduces the number of active volumes you need to maintain.
- ▶ System alias name support is added to the BRMS Networking feature. Aliases allow users to define a system name other than the default local name for communicating with systems in the BRMS network.
- ▶ TCP/IP support now allows users to specify interfaces they want started while in restricted state to resolve scratch volume allocation requests from the centralized media pool.
- ▶ The default value of the Audit system media (AUDSYSMED) parameter is changed to \*NONE. The Refree auto-retrieved objects (REFREE) parameter is added to allow for better control of these maintenance actions. Running these actions periodically rather than daily improves the performance of BRMS maintenance operations.
- ▶ The Move Media using BRM (MOVMEDBRM) command is enhanced to allow the moved volume information to be placed in an outfile so that it can be processed programmatically.

- ▶ Start Backup using BRM (STRBKUBRM) has a new option that allows users to submit a restricted state backup to batch in the controlling subsystem. It bypasses the need to start the BRMS console monitor on the system console session. A new Omits (OMITS) parameter is also added so that users can indicate to BRMS whether to process or ignore omitted items without having to modify the control group.
- ▶ BRMS backup and saved history is updated to allow for saving and restoring saved spooled file from output queues residing on ASP devices.
- ▶ BRMS now ships four new programs that can be used when defining BRMS as the Media Management System for Tivoli Storage Manager Server for OS/400 PASE. These programs use BRMS to perform mounts, dismounts, expire, and delete operations on behalf of this IBM Tivoli Storage Manager server.
- ▶ BRMS continues to enhance the System Recovery report by re-introducing step numbering, more detailed descriptions of recovery tasks and the inclusion of ASP devices saved on other systems. In addition, the \*RESUME option is enhanced to preserve your remaining recovery items through a sign-off or across an initial program load (IPL).
- ▶ The storage required for the media information of saved IFS objects is significantly reduced. The smaller QUSRBRM library means faster saves of the IBM libraries and saves of the BRMS media information, especially if users have saved many IFS objects and maintain object detail.
- ▶ The BRMS installation process is improved by deferring the QUSRBRM updates until after the installation has completed. This results in reduced installation times for your software upgrades and allows you to better plan for the BRMS software update.
- ▶ BRMS incremental backup is improved through the use of better reference date management to eliminate use of older reference dates, which cause redundant saves of library objects.
- ▶ The size limitation of the SAVxxxBRM commands is removed by extending the command length to the full 32 KB limit.
- ▶ The Display Log for BRM (DSPLOGBRM) and Work with Saved Spooled Files (WRKSPLFBRM) commands are updated to allow the displaying of more than 10,000 entries.

## Features

The features of BRMS include:

- ▶ Operation planning facilities assist in anticipating resources such as devices, media, operational steps, and so on. BRMS operations are guided, making them less error prone.

- ▶ Policy support enables users to define a hierarchical system of defaults, which makes setup fast, easy, and consistent. A Backup Control Group (named \*SYSTEM) is shipped with the BRMS product. This control group can be used to backup the entire system including all user data. If Lotus servers exist on the system, BRMS automatically creates the policies needed to run online full and online incremental backups of these servers.
- ▶ Stand-alone device and automated media library support is integrated into the product. This allows users to use a wide range of supported IBM tape drives for backups. In addition, users can save to savefiles which BRMS automatically manages for you. With the BRMS IBM Tivoli Storage Manager client, user objects can be saved to any available IBM Tivoli Storage Manager server.
- ▶ BRMS can recover from media-related errors, identified by OS/400 as *recoverable*, improving automation and allowing for unattended operations.
- ▶ Replication of media content information across systems in a BRMS network allows for hot-site recovery by enabling one system to act as a data recovery center for another system.
- ▶ The *fast search* facility for files on tape improves the tape performance by positioning the tape to the start block, rather than shipping a file at a time. Fast search is supported on all IBM tape drives attached to the iSeries server that supports this function.
- ▶ An *automatic database file recall* (Dynamic Retrieval) facility enables archived files to be restored automatically when they are opened by a program. This means that the user does not need to be concerned about the data being accessed, whether it is on disk or tape. Dynamic Retrieval can be implemented without any changes to application code.
- ▶ HSM provides the ability to reduce storage costs by storing objects that are infrequently accessed on less costly storage media. Some of the functions provided by HSM are:
  - Automatic, transparent management of data across a storage hierarchy consisting of high-performance disk, compressed disk, tape, and IBM Tivoli Storage Manager server storage
  - Migration of user libraries, folders, and spooled files between ASPs
  - Archival of database files, database file members, or documents
  - Migration of stream files between various storage media
  - Dynamic retrieval offers transparent access to migrated or archived data from applications
  - Automatic movement of data, based on system policies



BRMS is available on the Keyed Stamped Media shipped with every iSeries server. It can be installed and used for 70 days, without charge. After 70 days, a license key is required.

## BRMS clients

### BRMS Tivoli Storage Manager client

The BRMS client to Tivoli Storage Manager provides users with a means to define BRMS as an application client to Tivoli Storage Manager, and the Tivoli Storage Manager server as a device to BRMS. This capability enables users to save user data to any available Tivoli Storage Manager server. The BRMS Tivoli Storage Manager client is shipped with the base product.

For information related to the BRMS Client to Tivoli Storage Manager, see *Backup Recovery and Media Services for iSeries*, SC41-5345.

### BRMS iSeries Navigator client

BRMS also provides an optional client to iSeries Navigator, which is installed as a plug-in on a workstation running iSeries Access. This BRMS iSeries Navigator client allows users to perform many BRMS operations within the iSeries Navigator environment.

You can find detailed information about the BRMS iSeries Navigator client on the Web at:

<http://www.ibm.com/servers/eserver/iseries/service/brms/plugginguide.htm>

### ***New with V5R3***

BRMS iSeries Navigator client enhancements include:

- ▶ A Reclaim wizard is available to assist you in copying the active files on fragmented media to new media so you can reduce your media inventory and minimize your media purchases.
- ▶ An enhanced search capability is added to the backup history Include panel. It makes finding objects in the backup history easier. For example, searches for objects can scan all saved libraries or all saved directories.
- ▶ The displaying of the BRMS log is enhanced to support improved search and sorting of the log entries.
- ▶ New backup policy controls are provided that allow you to optionally stop and restart Lotus or TCP/IP servers or run maintenance when the backup completes.
- ▶ Backup policy omit support is added so you can define omits of libraries, library objects, or folders for individual backup policies.

- ▶ Improved BRMS network management controls and Tivoli Storage Manager client controls are added to the Global properties.
- ▶ The Restore Wizard is updated to include restores of saved printer output and archived objects.
- ▶ New tasks are added that allow you to create Hypertext Markup Language (HTML)-based reports of your backup policies, move policies, and media.
- ▶ Accessibility improvements are made to almost all of the BRMS iSeries Navigator client panels and windows.

## IBM Advanced Job Scheduler for iSeries (5722-JS1)

Easily manage your job automation across multiple systems running the IBM Advanced Job Scheduler for iSeries. For example, with the Advanced Job Scheduler on multiple systems, you can condition jobs on one system to only start when a job on another system is successful or ends in error. Supported network environments for the Advanced Job Scheduler include TCP/IP.

IBM Advanced Job Scheduler for iSeries	
Product number	5722-JS1
Minimum operating system level	V5R1
Installation prerequisites	None
Related product	IBM Managed System Services for iSeries (5722-MG1)
Replaces produc	5769-JS1
Further information	<a href="http://www.ibm.com/servers/eserver/series/jscheduler">http://www.ibm.com/servers/eserver/series/jscheduler</a>

## Benefits

IBM Advanced Job Scheduler for iSeries is a part of the IBM SystemView® family of offerings. It facilitates unattended operations, which can reduce the cost of ownership and help improve efficiency and accuracy in managing batch applications. It provides a highly comprehensive, full-function job scheduler and report distribution system on the iSeries server, with GUI capabilities plugged into iSeries Navigator. It also provides wireless access to your scheduled jobs via IBM Advanced Job Scheduler.

## New with V5R3

IBM Advanced Job Scheduler is enhanced with the following functions added to the iSeries Navigator plug-in GUI with V5R3:

- ▶ Wireless support for scheduled activity via personal digital assistant (PDA) or Internet cell phone
- ▶ Ability to set up multiple scheduling environments
- ▶ Flexibility to change weekly schedule to allow skipping a run
- ▶ Addition of fiscal calendars to available calendars
- ▶ Option to notify a user if scheduled job does not start by date and time
- ▶ Report distribution to graphical interface
- ▶ A time of day to start scheduled jobs field
- ▶ Notification capabilities such as e-mail
- ▶ The addition of a command that users can include in CL programs to log steps in the program
- ▶ Added job documentation and local data areas to scheduled jobs

## Features

The leading-edge scheduling functions include:

- ▶ Wireless access to scheduled jobs
- ▶ Automation of scheduling jobs
- ▶ Management of the batch job stream
- ▶ Forward planning and production forecasting
- ▶ Full calendaring of operations
- ▶ Dependency scheduling
- ▶ Job, active, and resource dependencies
- ▶ Report distribution
- ▶ Periodic frequency based on start time
- ▶ Job security
- ▶ Multiple scheduling environments

These features allow any batch-capable function to be scheduled on a single iSeries server or across a network. This allows complete user control of how, when, and where a job is submitted.

Job Scheduler also offers the following functions:

- ▶ A full integration with iSeries Navigator functions. The iSeries Navigator user interface provides a full GUI and inter-operates with users who continue to use a green-screen interface.

- ▶ The graphical interface provides:
  - An easy-to-use way to define and control batch job operations based on successor or predecessor jobs and complex scheduling needs
  - System and resource conditions
- ▶ For tasks that can be performed across systems as listed, the Advanced Job Scheduler can be used to replace the base job scheduler entries available with OS/400. These include cross-system group functions such as:
  - Program temporary fix (PTF) distribution and management
  - Hardware, software, and PTF inventory collections
  - Distribution of objects, files, system values, and other objects
  - Schedule remote operations

After installation, the user interface launched provides the preferred scheduling information.

## IBM Managed System Services for iSeries (5722-MG1)

IBM Managed System Services for iSeries (MSS) licensed program is part of an integrated offering Operation Control Center/400, which includes System Manager for iSeries. MSS enables an iSeries server to be managed from a central site running either S/390 NetView Distribution Manager for MVS (Release 5 or later) for MVS-based networks or System Manager for iSeries-based networks.

The central site defines, schedules, and tracks software distribution (change management) requests sent to an iSeries server with Managed System Services for iSeries installed. These change management requests include sending, receiving, and deleting iSeries system files, programs, and other objects (libraries, save files, message files, documents, folders, PTFs, and so on).

IBM Managed System Services for iSeries	
Product number	5722-MG1
Minimum operating system level	V5R1
Program size	
HIPO	
Availability	
Software type	

<b>IBM Managed System Services for iSeries</b>	
Ordering	
Installation prerequisites	None
Related product	System Manager for iSeries (5722-SM1)
Client code	
Replaces product	5769-MG1
Further information	

## Benefits

The ability of the central site to define, schedule, and run change requests one time or repetitively enhances significantly the unattended operation of remote iSeries servers. MSS, together with central site control and tracking, provides a significant set of automated operations. However, it doesn't provide real-time monitoring and automated action for the entire iSeries operating environment.

iSeries server objects can be sent directly to or received from iSeries libraries or through the local iSeries distribution repository.

Running programs, installing products, applying PTFs, and performing IPL again can be scheduled to run automatically under IBM Managed System Services for iSeries control. MSS forwards the results of all change requests to the central site for tracking.

MSS supports unscheduled running of iSeries commands issued by the central site, without signing on first to the iSeries server with MSS. Printed output from these commands can optionally be returned to the central site that issued them.

The system manager function automates the tracking and management of co-requisite PTFs. This reduces the risks and complexities of managing such relationships.

MSS can send and receive remote command requests that support the password composition rules and length to allow essentially any character and a password length of 128 characters.

## New with V5R3

MSS is refreshed at V5R3 to include current code updates (via PTFs). No new function is added.

## IBM System Manager for iSeries (5722-SM1)

iSeries objects can be sent directly to or received from iSeries libraries or through the local iSeries distribution repository with IBM System Manager for iSeries. Non-iSeries objects can be received into, stored, and distributed from the iSeries distribution directory. The capability for the central site iSeries to define, schedule, run these change requests one time or repetitively, and track their status significantly enhances unattended operation of the remote systems supported by System Manager.

IBM System Manager for iSeries	
Product number	5722-SM1
Minimum operating system level	V5R1
Program size	
HIPO	
Availability	
Software type	Part of the integrated offering Operations Control Center/400, which includes Managed System Services for iSeries
Ordering	
Installation prerequisites	None
Related product	Managed System Services for iSeries (5722-MG1)
Client code	
Replaces product	5769-SM1
Further information	

### Benefits

You can send iSeries commands to remote iSeries servers using MSS without signing on. This is intended for unplanned operations to be performed on one or more remote iSeries servers. An example is to delete a particular file or library that is found to no longer be in use. This support is generally equivalent to the NetView Remote Operations Manager MVS support and works with either NetView Remote Operations Agent/400 or MSS.

System Manager integrates with Simple Network Management Protocol (SNMP) management products, such as NetView for AIX. An SNMP manager can monitor for alerts, obtain system information, and execute remote commands if

the iSeries server is to be managed from an SNMP platform. The central site system does not need to have all software that a remote site has installed to service the remote site. This allows savings on direct access storage device (DASD), management, and time at the central site.

## Features

System Manager for iSeries provides central site control for:

- ▶ Remote iSeries problem management  
This includes remote problem analysis, comparison of existing available PTFs, automatic distribution of selected PTFs, and a single connection to IBM electronic support for new problem reporting, to IBM or Solution Developers for processing.
- ▶ Central site packaging of Solution Developer applications for iSeries Licensed Program management support  
This enables Solution Developer applications to receive the same system support as IBM licensed programs.
- ▶ Central site distribution and change management support for remote iSeries servers using MSS, remote pSeries (RS/6000) systems using NetView DM/6000, remote PS/2® systems using NetView DM/2, and remote Novell NetWare Servers using NVDM for NetWare

System Manager permits the central site iSeries server to define, schedule, and track software distribution (change management) requests sent to iSeries servers with Managed System Services for iSeries, NetView DM/2, or NetView DM/6000 installed or Novell NetWare. These change management requests include sending, receiving, and deleting files, programs, other iSeries objects (libraries, save files, message files, documents, folders, PTFs), and non-iSeries (OS/2 and RISC/6000) files, programs and software. The change management functions support the IFS.

The RUNSMGCMD, ADDCMDCRQA, and CHGCMDCRQA commands from System Manager for iSeries provide an option that allows end users to select a password that exceeds ten characters in length and does not restrict the character set allowed for password composition.

## New with V5R3

System Manager for iSeries is refreshed at V5R3 to include current code updates (via PTFs). No new function is added.

# IBM @server iSeries Enterprise Edition Installation Assistant (5733-ED1)

The iSeries Enterprise Edition Installation Assistant consists of CD images for some of the products included with the Enterprise Editions offering. It includes an installation assistant to use in installing those products on the iSeries.

IBM Enterprise Edition Installation Assistant	
Product number	5733-ED1
Minimum operating system level	V5R2
Program size	
HIPO	
Availability	
Software type	Software maintenance - yes
Ordering	Shipped with OS/400 at no charge
Installation prerequisites	
Related product	
Client code	
Replaces product	N/A
Included in base	Not orderable; included with Enterprise Editions
Status	
Further information	<a href="http://www.ibm.com/servers/eserver/series/hardware/editions">http://www.ibm.com/servers/eserver/series/hardware/editions</a>

The Installation Assistant is installed on the iSeries with a set of virtual CD images. It is then used to select and install iSeries software products from the virtual CD-ROM images.

The products that are supported vary as components of the iSeries Enterprise Edition. At the time of this writing, they include:

- ▶ Tivoli Storage Manager Extended Edition (5698-A11)
- ▶ WebSphere Portal-Express Plus (5733-PE1)
  - Lotus Sametime (5733-LST)
  - Lotus QuickPlace (5733-LQP)



- ▶ DB2 Universal Database (UDB) Express Server Edition for Linux (5733-LD1)
- ▶ Tivoli Monitoring for Web Infrastructure (5733-TMW)

The 5733-ED1 product is available and shipped only to those who order an Enterprise Edition iSeries. It cannot be ordered directly.

## IBM Software Integration Assistant for iSeries (5722-IA1)

Some IBM software products are created and packaged so that a single version of the software can be installed on any one of several operating system platforms, including i5/OS. The IBM Software Integration Assistant for iSeries provides mechanisms that enable standard iSeries fix (PTF) delivery and application procedures for these multiplatform products. These products are not packaged as iSeries licensed programs because the same product can be installed on platforms other than iSeries.

IBM Software Integration Assistant for iSeries	
Product number	5733-IA1
Minimum i5/OS level	V5R3
Program size	
HIPO	
Availability	
Software type	Shipped with i5/OS at no charge
Ordering	
Installation prerequisites	
Related product	
Client code	
Replaces product	New in V5R3
Further information	

### Benefits

After the necessary enablement is implemented for an IBM multiplatform software product, fix packs for the product can be delivered and installed as iSeries PTFs. This allows customers to use standard i5/OS PTF commands to manage many aspects of the fix packs for the software product. They can choose

whether to order and apply IBM multiplatform software product fixpacks using the process common to all platforms or to order and install them as i5/OS PTFs.

## Features

A separate option of Software Integration Assistant is created for each multiplatform software product that implements the required integration functions. For the customer to take advantage of the integrated PTF management capabilities for a particular multiplatform product, both the 5733-IA1 base option and the option associated with the multiplatform product must be installed.

When a multiplatform product uses the capabilities of the Software Integration Assistant (IA1) to deliver i5/OS PTFs, more information about ordering and installing the PTFs is provided. For example, the following multiplatform software products are among the first planning to use the PTF integration functions provided by the Software Integration Assistant:

- ▶ IBM WebSphere Portal - Express for Multiplatforms (5724-E77) V5.0.2
- ▶ IBM WebSphere Portal - Express Plus for Multiplatforms (5724-E77) V5.0.2

## IBM Intelligent Communications Trace Analyzer for iSeries, Version 1.0 (5733-AZ1)

The IBM Intelligent Communications Trace Analyzer for iSeries, Version 1.0 runs as an iSeries Navigator plug-in.

IBM Intelligent Communications Trace Analyzer for iSeries	
Product number	5733-AZ1
Minimum operating system level	V5R1
Program size	
HIPO	
Availability	
Software type	
Ordering	
Installation prerequisites	None
Related product	Performance Tools for iSeries (5722-PT1)
Client code	

<b>IBM Intelligent Communications Trace Analyzer for iSeries</b>	
Replaces product	
More information	<a href="http://www-1.ibm.com/servers/eserver/support/series/news/commtabeta.html">http://www-1.ibm.com/servers/eserver/support/series/news/commtabeta.html</a>

IBM Intelligent Communications Trace Analyzer for iSeries uses a TCP/IP Communications Trace to diagnose many common connection, performance, and security problems such as:

- ▶ Excessive Packet retransmissions
- ▶ Duplicate and out of order packets
- ▶ Unexpected resets
- ▶ Fragmented frames
- ▶ Windows shrinkage
- ▶ Slow packet round trip times
- ▶ Failed pings
- ▶ Broadcast storms

## **IBM Performance Tools for iSeries (5722-PT1)**

Performance Tools for iSeries is a program product that provides a set of reporting, analysis, and modeling functions to assist an iSeries administrator to manage the performance of the system. It provides printed and online reports. These can be in graphic or tabular form.

The Performance Advisor function assists the user in analyzing system performance and provides recommendations. Performance Tools for iSeries, through its modeling facility, can be used to help predict probable system performance before changes are made.

<b>IBM Performance Tools for iSeries</b>	
Product number	5722-PT1
Minimum operating system level	V5R1
Program size	
HIPO	1008
Availability	
Software type	
Ordering	

IBM Performance Tools for iSeries	
Installation prerequisites	None
Related product	PATROL for iSeries – Predict (5620-FIF)
Client code	Client Access Express plug-in distributed with 5722-PT1
Replaces products	5769-PT1, 5716-PT1, 5763-PT1, 5769-GP1, 5769-VP1, 5798-RYP
Further Information	<a href="http://www-1.ibm.com/servers/eserver/iseries/perfmgmt/pt400.htm">http://www-1.ibm.com/servers/eserver/iseries/perfmgmt/pt400.htm</a>

## Features

Performance Tools for iSeries uses an easy-to-use menu interface. From this menu interface, users can initiate requests for performance reports and enter the results into a capacity planning session.

The Performance Advisor component of Performance Tools for iSeries makes recommendations to improve system performance and can implement tuning recommendations, if specified by the user. The knowledge-based Advisor also provides detailed explanations of its analysis, which is of great benefit to novice and experienced users.

**Note:** All BEST/1 for AS/400-related commands and menu options are removed from Performance Tools for iSeries at V5R3 and V5R2.

Performance Tools for AS/400 is divided into three elements: Enabler, Manager, and Agent. Enabler is the base code onto which you must add Manager or Agent.

- ▶ **Manager and Enabler** give full Performance Tools functionality as described previously. Select Status Type, Performance Reports, Capacity Planning, Programmer Performance Utilities, System Activity, Performance Graphics, and all the functions of the Agent.
- ▶ **Agent and Enabler** give the equivalent functionality as Performance Tools Subset for customers who do not need all of the tools. Such key functions as Collect Performance Data, Delete/Copy/Convert Data, Display Performance Data, Work with Historical Data, and Performance Advisor are included.

The Manager and Agent elements are mutually exclusive.

Performance Tools for iSeries includes the Performance Explorer. This is the primary detailed analysis tool for iSeries servers based on PowerPC technology and is included in the base option.

### New with i5/OS V5R3

- ▶ When collecting performance data for iSeries Access, a new file QAPMJSUM is used. Previously both batch and interactive jobs were classified under CA4. There is now a separate category for iSeries Access - Batch.
- ▶ DDM server jobs moved from interactive to non-interactive reflecting their true performance characteristics.
- ▶ Calculation of CPU utilization improved in partitions by using shared processor pools.
- ▶ The Collection Services option from the Perform menu, Option 2 (Collect performance data), now takes advantage of the new performance collection CL commands rather than collector APIs.
- ▶ The WRKSYSACT command changed to calculate and show values consistent with the other performance tools.

## PATROL for iSeries – Predict (5620-FIF)

PATROL for iSeries – Predict is a performance analysis and capacity planning product for iSeries. Using existing performance data from Collection Services or STRPFRMON, PATROL for iSeries – Predict provides comprehensive response-time analysis and predictive modeling capabilities. The “what-if” analysis capabilities reveal the impact of changes, such as load, configuration, and users across the iSeries environment. With this approach, users can prevent performance, service and response-time problems before they occur, and ensure ongoing success by provisioning the right hardware upgrades, at the right time.

PATROL for iSeries – Predict	
Product number	5620-FIF
Minimum operating system level	V4R4
Program size	
HIPO	
Availability	02 September 2002
Software type	
Ordering	
Installation prerequisites	

PATROL for iSeries – Predict	
Related products	5722-PT1
Client code	
Replaces product	BEST/1-400 function of 5722-PT1
Further information	<a href="http://www.bmc.com/products/proddocview/0,2832,19052_19429_23137_7064,00.html">http://www.bmc.com/products/proddocview/0,2832,19052_19429_23137_7064,00.html</a>

PATROL for iSeries – Predict provides powerful graphical planning. It is made up of two components:

- ▶ Create Model functions (similar to BEST/1) for identifying OS/400 jobs and assigning work to workloads based upon user ID, job name, OS/400 subsystem, and other categories. Performance Monitor database files from V4R2 and later are supported for input to creating the model.
- ▶ A workstation-based (Windows PC) GUI for validating the model and performing capacity planning scenarios. The capacity planning component provides the following functions:
  - CPU, disk, and ASP (logical volume) capacity planning
  - 5250 CPW feature utilization, variable 5250 CPW for LPAR partition
  - Percent growth per “time-period”
  - HTML-based graphical displays for “reports” and bar charts
  - Many more reports are now available, divided into seven report groups.
  - Validate model (predicted compared to measured)
  - Multiple CPUs can coexist in a single model
  - Task pads for status messages, icons to indicate warning (threshold reached) and guideline reached per resource
  - Ability to process performance data from multiple releases
  - Allows for “what-if” scenarios by changing the system configuration or workloads



## IBM licensed programs: Printing and document handling products

Office and printing products provide the vehicle for communications both inside and outside a company. To help you understand the iSeries print solutions that are available for a particular set of business requirements, refer to this Web site:

<http://www.printers.ibm.com/R5PSC.NSF/Web/4sw>

The office and printing products that are listed in the following table are discussed in this chapter.


Product name	Product number	Refer to page
IBM Advanced Function Printing Utilities for iSeries	5722-AF1	666
IBM Advanced DBCS Printer Support for iSeries	5722-AP1	668
IBM AFP Font Collection for Workstations and OS/400	5648-B45	670
IBM Dictionary and Linguistics Tools for AS/400	5769-DL1	671
IBM Business Graphics Utility for AS/400	5722-DS1	673

Product name	Product number	Refer to page
IBM Infoprint Fonts for Multiplatforms	5648-E77	674
IBM Facsimile Support for iSeries	5798-FAX	675
IBM Advanced Function Printing Fonts for AS/400	5769-FNT	677
IBM Advanced Function Printing DBCS Fonts for AS/400 V4R3	5769-FN1	678
IBM Infoprint Designer for iSeries	5733-ID1	679
Infoprint Server for iSeries	5722-IP1	682
IBM Content Manager OnDemand for iSeries	5722-RD1	686
IBM Content Manager for iSeries	5722-VI1	688
IBM Print Services Facility for iSeries (PSF/400)	5722-SS1 options 36, 37, and 38	690

## IBM Advanced Function Printing Utilities for iSeries (5722-AF1)

Advanced Function Printing (AFP) Utilities consists of three integrated utilities that support AFP print applications. Included are Overlay Utility for electronic forms, Resource Management Utility for managing document resources, and Print Format Utility, a “Query/AFP” tool to help you build advanced electronic output directly from iSeries database files. For most iSeries document design functions, look at Infoprint Designer (5733-ID1).

IBM Advanced Function Printing Utilities for iSeries	
Product number	5722-AF1
Minimum operating system level	V5R1
Program size	18.1 MB
HIPO	1001
Availability	23 April 2001
Software type	Software Subscription 5733-SW1 or 5733-SW3
Ordering	Chargeable software group-based OS/400 Licensed Program Offering (LPO).





<b>IBM Advanced Function Printing Utilities for iSeries</b>	
Installation prerequisites	5722-SS1 Option 36, 37, or 38 PSF is required
Related products	Infoprint Server, Infoprint Designer, Page Printer Formatting Aid, AFP Toolbox, and iSeries Access
Replaces product	IBM Advanced Function Printing for AS/400 (5769-AF1)
Further information	<a href="http://www.printers.ibm.com/internet/wwsites.nsf/vvwebpublished/supportoverview_ww">http://www.printers.ibm.com/internet/wwsites.nsf/vvwebpublished/supportoverview_ww</a> <a href="http://www.redbooks.ibm.com">http://www.redbooks.ibm.com</a> <a href="http://www.printers.ibm.com/R5PSC.NSF/Web/software+overview">http://www.printers.ibm.com/R5PSC.NSF/Web/software+overview</a>

## Solutions and benefits

Through the near What You See Is What You Get (WYSIWYG) editor, the user can interactively design, create, and verify AFP resources such as overlays. In addition to the AFP resource creation and management, it provides the capability to print users' data contained in a database file in various formats, with various fonts and barcodes on the Intelligent Printer Data Stream (IPDS) printer without developing any application programs. For example, it allows users to print barcode labels from data stored in the database file.

With this program, users with various levels of experience, including non-programmers and users with a variety of industry requirements, can easily take full advantage of IPDS printer capability that is either not accessible to them now or accessible only with great difficulty.

## Features

- ▶ **Overlay Utility:** Enables design of AFP electronic forms through an iSeries interface. The design interface includes all elements of typical electronic forms such as lines, boxes, text, images, graphics, and barcodes. Overlay Utility provides both an interactive, near-graphical design interface and a command interface. iSeries resident and printer-resident fonts are supported. Complete facilities are included to compile, print, and manage an organization's electronic forms.
- ▶ **Print Format Utility:** Enables the interactive creation of special electronic printing applications, directly from the iSeries database. Print Format Utility is well suited for producing packing lists, shipping labels, or similar applications that require graphical output. Both tumble and standard duplex are supported. Print Format Utility produces complex output that features overlays, image, and barcodes.

- ▶ **Resource Management Utility:** A “workbench” for AFP resources that enables you to create, print, copy, and maintain overlays and images.

## IBM Advanced DBCS Printer Support for iSeries (5722-AP1)

Advanced DBCS Printer Support for iSeries is a set of the following utilities:

- ▶ Advanced Print Writer (APW)
- ▶ Advanced Page Printer Writer (APPW)
- ▶ Kanji Print Function (KPF)
- ▶ Printer Function Control (PFC)
- ▶ System/36 Resource Migration

IBM Advanced DBCS Printer Support for iSeries	
Product number	5722-AP1
Minimum operating system level	V5R1
Program size	15.5 MB
HIPO	1014
Availability	25 May 2001
Software type	Software Subscription
Ordering	Included on the Keyed Stamped Media
Related products	Infoprint Server, Infoprint Designer, Advanced Print Utility, Page Printer Formatting Aid, AFP Toolbox, and iSeries Access
Replaces product	5769-AP1
Further information	<a href="http://www.printers.ibm.com/R5PSC.NSF/Web/software+overview">http://www.printers.ibm.com/R5PSC.NSF/Web/software+overview</a> <a href="http://www.redbooks.ibm.com">http://www.redbooks.ibm.com</a> <a href="http://www.ibm.com/eserver/iseries/infocenter">http://www.ibm.com/eserver/iseries/infocenter</a>



## Features

The difference in these utilities is the supported printers and the print functions described in the following sections.

### APW

The printers supported include double-byte character set (DBCS) line impact printers (54xx, 5317, 5327), PC printers (557x, 558x), and AFP printers.

**Note:** 5722-AP1 option 1 is required to print on AFP DBCS printers.

The print functions include:

- ▶ Characters per inch (CPI): 10, 12, 13.4, 15, and 18
- ▶ IGCCPI (DBCS characters per inch): 5, 6, 6.7, and 7.5
- ▶ Lines per inch (LPI): 4, 6, 7.5, and 8
- ▶ Character magnification: 1/2Hx1/2V, 1Hx2V, 2Hx1V, 2Hx2V, 2Hx4V, 4Hx2V, 4Hx4V, and 3Hx3V
- ▶ Grid line: Thin solid, thick solid, pair solid, thin dotted, bold dotted, and pair thin dotted
- ▶ Character rotation
- ▶ Barcode
- ▶ Superscript and subscript
- ▶ Shade
- ▶ User-defined dot pattern image
- ▶ SBCS font selection

### **APPW**

The printer supported is the 5337-01 printer. The print functions include:

- ▶ CPI: 10, 12, 13.4, 15, and 20
- ▶ IGCCPI: 5, 6, 6.7, 7.5, 10, and 15
- ▶ LPI: 2, 3, 4, 6, 7.5, 8, 10, and 15
- ▶ Character magnification: 1/2Hx1/2V, 1Hx2V, 2Hx1V, 2Hx2V, 2Hx4V, 4Hx2V, and 4Hx4V
- ▶ Grid line: Thin solid, thick solid, pair solid, and thin dotted
- ▶ Character rotation
- ▶ Barcode
- ▶ User defined dot pattern image
- ▶ SBCS font selection
- ▶ DBCS font selection
- ▶ Download user-defined DBCS characters

### **KPF**

The printer supported is the 5583-200 printer. The print functions include:

- ▶ CPI: 10, 12, and 15
- ▶ IGCCPI: 5, 6, 6.7, and 7.5
- ▶ LPI: 4, 6, 7.5, 8, and 9
- ▶ Character Magnification: 2Hx1V and 2Hx2V
- ▶ Grid line: Thin solid, thick solid, and pair solid
- ▶ Character rotation

## PFC

PFC supports the capability to print user-defined SBCS characters on DBCS printers configured as a 5553 type. It is mainly used to print OCR fonts on DBCS printers. Since the recent printers support OCR fonts, PFC may be required only for old printers.

## System/36 Resource Migration


The equivalent functions of APW, KPF, and PFC were provided on an IBM System/36 as a PRPQ. This utility migrates the resources of those System/36 PRPQs to the iSeries servers.

## IBM AFP Font Collection for Workstations and OS/400 (5648-B45)

The IBM AFP Font Collection for Workstations and OS/400 provides fonts that can be used by most Advanced Function Presentation products. Skillful use of fonts in typography can dramatically improve the readability and effectiveness of your documents. The IBM AFP Font Collection CD is bundled and shipped with all orders of PSF/400.

The AFP Font Collection is designed to support printing on AFP/IPDS printers that accept host downloaded fonts using Print Services Facility or Infoprint Manager. The AFP Font Collection CD is shipped automatically with PSF/400.

IBM AFP Font Collection for Workstations and OS/400	
Product number	5648-B45 V2.1.1
Minimum operating system level	V2
HIPO	N/A
Availability	30 June 2000
Software type	
Ordering	
Installation prerequisites	5722-SS1 Option 36, 37, or 38
Related products	Infoprint Server, Infoprint Designer, PSF/400 Advanced Print Utility, Page Printer Formatting Aid, AFP Toolbox, and iSeries Access
Replaces product	5648-B45 V2.1.0

The image shows the cover art for the IBM AFP Font Collection CD. It features a blue background with a large, stylized white arrow pointing to the right. Below the arrow are four white icons: a wrench, a pencil, a hammer, and a pair of pliers. At the bottom of the cover, there is a binary code sequence '101101010101110'.

<b>IBM AFP Font Collection for Workstations and OS/400</b>	
Further information	<a href="http://www.printers.ibm.com/internet/wwsites.nsf/vwebpublished/supportoverview_ww">http://www.printers.ibm.com/internet/wwsites.nsf/vwebpublished/supportoverview_ww</a> <a href="http://www.redbooks.ibm.com">http://www.redbooks.ibm.com</a> <a href="http://www.printers.ibm.com/R5PSC.NSF/Web/as400overview">http://www.printers.ibm.com/R5PSC.NSF/Web/as400overview</a>

## Solutions and benefits

AFP Font Collection provides one-stop shopping for iSeries printer fonts, with the most popular type families—Helvetica, Times New Roman, Gothic, Courier—the fonts you need to realize the full potential of your business communications. These fonts are provided in a full range of resolutions (240 dpi, 300 dpi, and outlines) and in over 48 languages. The new outline fonts in AFP Font Collection provide the ability to change font sizes easily, to support the latest IPDS printers, and to enable full graphical document viewing, as well as offer a performance savings over raster fonts.

## Features

- ▶ Provides a comprehensive set of AFP fonts for more effective, competitive documents
- ▶ Provides fonts for printing at 240 or 300 dpi, or higher resolutions using outlines
- ▶ Includes raster fonts for use with older IPDS printers and applications
- ▶ Provides support for 48 languages, including DBCS languages
- ▶ Font design feature converts Adobe and TrueType fonts to AFP

## Components

AFP Font Collection includes an optional Type Transformer and Utilities.

## IBM Dictionary and Linguistics Tools for AS/400 (5769-DL1)

Dictionary and Linguistics Tools provides 36 dictionaries and a set of dictionary access methods (application programming interfaces (APIs)) to allow customers to write applications to access the dictionaries directly. Advanced linguistic information is built into each dictionary, such as hyphenation, synonyms, spelling aid, morphological identification, and tokenization.

<b>IBM Dictionary and Linguistics Tools for AS/400</b>	
Product number	5769-DL1
Minimum operating system	V5R1
Program size	69 MB
HIPO	1026
Availability	25 May 2001
Software type	Software Maintenance <ul style="list-style-type: none"> <li>▶ One Year 5733-M89</li> <li>▶ Three Year 5733-M90</li> </ul>
Ordering	5716-DCT is shipped with the System/38 Utilities product (5722-DB1)
Installation prerequisites	None
Replaces product	Language Dictionaries (5716-DCT)

## Solutions and benefits

Dictionary and Linguistics Tools allow you to write your own APIs and support more languages than the Language Dictionary product.

## Features

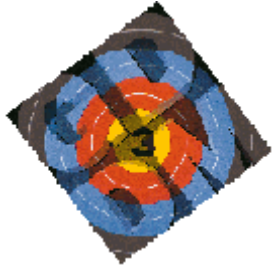
The following languages are available:

Afrikaans	Italian	Australian English
Brazilian Portuguese	Norwegian	Czech
Catalan	Norwegian Nynorsk	Hungarian
Danish	Portuguese	Polish
Dutch	Russian	Turkey
Dutch Modern	Spanish	Arabic
Finnish (hyphenation support only)	Swedish	Hebrew
French National	Swiss German	Simplified Chinese
French Canadian	U.K. English	Traditional Chinese
German	U.S.A. English	Japanese
Greek	U.S.A. English Legal	Korean
Icelandic	U.S.A. English Medical	Thai

# IBM Business Graphics Utility for AS/400 (5722-DS1)

The Business Graphics Utility (BGU) for AS/400 licensed program provides a very flexible and powerful business graphics function through a menu-driven interface. Users can create, modify, store, display, print, and plot business graphics using data from a keyboard or database file.

Exercise and tutorial materials are supplied in the *BGU User's Guide* to provide the necessary familiarization.

IBM Business Graphics Utility for AS/400		
Product number	5722-DS1	
Minimum operating system level	V5R1	
Program size	6.3 MB	
HIPO	1027	
Availability	25 May 2001	
Software type	Software Subscription 5733-SW1 or 5733-SW3	
Ordering	Shipped as a chargeable software group-based OS/400 LPO.	
Installation prerequisites	None	
Replaces product	IBM Business Graphics Utilities for AS/400 (5769-DS1)	

## Solutions and benefits

Extensive options provided by BGU offer users considerable flexibility in creating computer-generated charts. Font style, font size, font color, line styles, legend type, legend position, annotation, and grid line construction are a few of the many options.

## Features

A chart management facility provides convenient storage, retrieval, deletion, modifications, renaming, and copying of charts. BGU highlights include:

- ▶ Menu-driven interface to business graphics functions
- ▶ Programming not required

- ▶ Extensive user options for creating charts such as:
  - Bar charts
  - Line graphs
  - Surface charts
  - Histograms
  - Pie charts
  - Venn diagrams
  - Text charts

## IBM Infoprint Fonts for Multiplatforms (5648-E76)

IBM Infoprint Fonts for Multiplatforms provides fonts that can be used by most Advanced Function Presentation products. It includes all the outline fonts in the IBM AFP Font Collection V2.1, with these enhancements:

- ▶ Euro support for Eastern European and Asia Pacific languages
- ▶ SAP support for Asia Pacific languages
- ▶ GB18030 support for People's Republic of China
- ▶ JIS X0213 support for Japan
- ▶ An improved graphical user interface (GUI) with context-sensitive help for the Type Transformer
- ▶ An improved GUI for RMARK font data

In addition, the GUIs that were in the AFP Font collection are improved.

Some additional considerations for Infoprint Fonts are:

- ▶ Infoprint Fonts does not include the raster fonts included with the AFP Font Collection (5648-B45).
- ▶ If you currently have the AFP Font Collection and do not need the preceding functions, you do not need to migrate to Infoprint Fonts for Multiplatforms.
- ▶ The AFP Font Collection is shipped automatically with PSF/400.

<b>IBM Infoprint Fonts for Multiplatforms</b>	
Product number	5648-E76 V1.1
Minimum operating system level	V5R1
HIPO	N/A
Availability	20 December 2002
Ordering	



<b>IBM Infoprint Fonts for Multiplatforms</b>	
Installation prerequisites	5722-SS1 Option 36, 37, or 38; PSF/400 is required
Related products	Infoprint Server, Infoprint Designer, Page Printer Formatting Aid, AFP Toolbox, iSeries Access
Replaces product	None
Further information	<a href="http://www.printers.ibm.com">http://www.printers.ibm.com</a> <a href="http://www.printers.ibm.com/R5PSC.NSF/web/as400overview">http://www.printers.ibm.com/R5PSC.NSF/web/as400overview</a>

## Solutions and benefits

IBM Infoprint Fonts provides one-stop shopping for iSeries printer fonts, with the most popular type families—Helvetica, Times New Roman, Gothic, Courier—the fonts you need to realize the full potential of your business communications. These outline fonts can be used in a full range of resolutions and are provided in over 48 languages. The outline fonts in Infoprint Fonts provide the ability to change font sizes easily, to support the latest IPDS printers, and to enable full graphical document viewing, as well as offer a performance improvement over raster fonts.

## Features

The Infoprint Fonts for Multiplatforms solution includes:

- ▶ A comprehensive set of AFP fonts for more effective, competitive documents
- ▶ Fonts for printing at any resolution using outlines
- ▶ Support for 48 languages, including DBCS languages
- ▶ Font design feature converts Adobe and TrueType fonts to AFP
- ▶ Optional font installer enables the installation of TrueType and OpenType fonts to the integrated file system (IFS) for use with new V5R3 architecture support in iSeries applications.

## Components


IBM Infoprint Fonts for Multiplatforms includes an optional Type Transformer and Utilities.

## IBM Facsimile Support for iSeries (5798-FAX)

Facsimile Support for iSeries enables your users and your applications to send and receive faxes. Combined with native integrated modem hardware solutions, it

provides a convenient, cost efficient fax solution for your business. It provides users with direct fax capabilities, which help increase operational efficiency and productivity through rapid information dispersal.

Cost savings may also be achieved through reduced human intervention time, paper cost, telephone charges, postage charges, and document delivery time. Also, there is an audit trail of both inbound and outbound activity to track the flow of your business data.

IBM Facsimile Support for iSeries		
Product number	5798-FAX	
Minimum operating system level	V5R1	
HIPO	N/A	
Availability	23 April 2001	
Software type	Software Subscription 5733-SW1 or 5733-SW3	
Ordering	Shipped as a chargeable software group-based OS/400 LPO	
Installation prerequisites	For hardware and software requirements, see: <a href="http://www-1.ibm.com/servers/eserver/series/fax400/">http://www-1.ibm.com/servers/eserver/series/fax400/</a>	
Related products	IBM Integrated Domino Fax (5733-FXD)	
Replaces product	IBM Facsimile Support for AS/400 (5769-TBY)	
Further information	<a href="http://www-1.ibm.com/servers/eserver/series/fax400/">http://www-1.ibm.com/servers/eserver/series/fax400/</a> <a href="http://www.ibm.com/eserver/series/infocenter">http://www.ibm.com/eserver/series/infocenter</a> <a href="http://www.redbooks.ibm.com">http://www.redbooks.ibm.com</a>	

## Solutions and benefits

IBM Facsimile Support for iSeries can be used in all industry segments to add an enhanced migration path for future growth of Fax communications. With Facsimile Support for iSeries, Fax becomes a “load and go” solution on the iSeries server. It is designed to be easily integrated with existing or new application programs.

## Features

- ▶ Growth and flexibility, as it is supported on the entire range of iSeries servers and can grow as your needs grow
- ▶ Fax distribution lists

- ▶ DTMF routing
- ▶ View received faxes
- ▶ Detailed auditing of all outbound and inbound transactions
- ▶ Security for transmission of sensitive information
- ▶ Full function end-user interface
- ▶ Capabilities to send faxes during off-shift hours when telephone rates are less expensive
- ▶ Faxing of documents from PC applications
- ▶ Can be used in conjunction with the intelligent routing (e-delivery) functions of Infoprint Server (5722-IP1)

Facsimile Support for iSeries works with any multiple combination of the following hardware options:

- ▶ #9771 Base PCI Two-Line WAN with integrated modem
- ▶ #2772 Adapter Card with two integrated 56 Kbps modems
- ▶ #2793/#2794/#9793/#9794 PCI Dual WAN/Modem IOA
- ▶ #2805/#2806 Quad Modem IOA with four integrated 56 Kbps modems
- ▶ IBM 7852 Model 400 Modem

The #2805 and #2806 cards include the more robust fax capabilities such as error correction mode (ECM), more than two ports, two dimensional support, and fax banners.

See the following Web page for details and updates to supported hardware:

<http://www.ibm.com/servers/eserver/support/series/planning>

## IBM Advanced Function Printing Fonts for AS/400 (5769-FNT)


This is a set of 240 dpi fonts that primarily is provided for compatibility with existing print applications. Unless you have applications that require these specific fonts, the standard font product for OS/400 is AFP Font Collection (5648-B45). This font product includes these font families:

**Note:** RPQ 8A5061 provides 300 dpi versions of the Sonoran fonts only.

Sonoran Serif	Sonoran Serif Headliner	Sonoran Sans Serif
Sonoran Sans Serif Headliner	Sonoran Sans Serif Condensed	Monotype Garamond
Sonoran Sans Serif Expanded	Century Schoolbook	Pi and Specials
ITC Avant Garde Gothic	Mathematics and Science	ITS Souvenir
OCR-A and OCR-B	DATA1	APL2®

These text-type families also include characters to support various national language groups. Some of the popular uses for these families are for printing books, brochures, business plans, handbooks, magazines, manuals, operating schedules, price lists, presentation materials, headlines, subtitles, and reports.

IBM Advanced Function Printing Fonts for AS/400	
Product number	5769-FNT
Minimum operating system level	V5R1
Program size	0.5 - 50 MB
HIPO	1520
Availability	25 May 2001
Software type	Software Subscription
Ordering	
Installation prerequisites	
Related products	Infoprint Server, Infoprint Designer, Advanced Print Utility, Page Printer Formatting Aid, AFP Toolbox, and iSeries Access
Replaces product	None
Further information	<a href="http://www.printers.ibm.com/internet/wwsites.nsf/vwwebpublished/main_ww">http://www.printers.ibm.com/internet/wwsites.nsf/vwwebpublished/main_ww</a>



## IBM Advanced Function Printing DBCS Fonts for AS/400 (5769-FN1)

IBM Advanced Function Printing DBCS Fonts for AS/400 is a rich selection of DBCS font families for use on 240 dots-per-inch, non-impact printers supported by AFP software integrated in the OS/400. This program includes:

- ▶ Japanese fonts
- ▶ Korean fonts
- ▶ Traditional Chinese fonts

- ▶ Simplified Chinese fonts
- ▶ Thai fonts

AFP is designed to allow printing on page printers. These fonts allow customers more flexibility in printing. Some common uses for these families are for printing books, brochures, business plans, handbooks, magazines, manuals, operating schedules, price lists, presentation materials, headlines, subtitles, and reports.

Some of the features of IBM Advanced Function Printing are:

- ▶ Provides a double-byte font library for use with 240 dots-per-inch, non-impact printers attached to an iSeries server
- ▶ Enhances system management flexibility with AFP resources transfer
- ▶ Allows for growth and flexibility in the use of AFP printers
- ▶ Enhances user productivity by printing the same object on AFP printers attached to an S/370™ or iSeries server

<b>IBM Advanced Function Printing DBCS Fonts for AS/400</b>	
Product number	5769-FN1
Minimum operating system level	V5R1
Program size	1 - 129 MB
HIPO	1535, 1536, 1537, 1538, 1539
Availability	25 May 2001
Software type	Software Subscription
Ordering	
Installation prerequisites	
Related products	Infoprint Server, Infoprint Designer, Advanced Print Utility, Page Printer Formatting Aid, AFP Toolbox, and iSeries Access
Replaces product	5716-FN1
Further information	<a href="http://www.printers.ibm.com/internet/wwwsites.nsf/vwebpublished/main_ww">http://www.printers.ibm.com/internet/wwwsites.nsf/vwebpublished/main_ww</a>

## **IBM Infoprint Designer for iSeries (5733-ID1)**

Infoprint Designer for iSeries provides a fully-graphical document composition interface to the iSeries printing and e-output system. It supports the requirements

of today's complex documents and reports to produce fully electronic documents combining data, text, electronic forms, graphics, image, barcoding, and typographic fonts. Infoprint Designer for iSeries can be used for the design of new output applications or the re-engineering of existing applications.

<b>IBM Infoprint Designer for iSeries</b>	
Product number	5733-ID1
Minimum operating system level	V4R5
HIPO	N/A
Availability	25 May 2001
Software type	Software Subscription 5733-SW1 or 5733-SW3
Ordering	Shipped as a chargeable software group-based OS/400 LPO
Installation prerequisites	5722-SS1 and option 37, 38, or 39 are optional iSeries Access for Windows
Related products	Infoprint Server, iSeries Access, and PSF/400
Replaces product	IBM Advanced Function Printing Utilities for iSeries (5722-AF1)
Further information	<a href="http://www.printers.ibm.com/internet/wwsites.nsf/vwebpublished/main_ww">http://www.printers.ibm.com/internet/wwsites.nsf/vwebpublished/main_ww</a>

## Solutions and benefits

- ▶ Infoprint Designer for iSeries provides an end-to-end e-business output solution. It has a fully graphical, application-independent document composition interface to the iSeries printing system.
- ▶ Affordably priced, Infoprint Designer for iSeries provides exceptional value. It is software application independent so you don't need to change line of business programs. This helps save time and money, making it a real business advantage.
- ▶ With Infoprint Designer for iSeries, you can build complex print applications easily. It enables you to design image components, design electronic forms, automatically retrieve current application data or spooled files, design the final page layout, and upload all component resources to the iSeries or AS/400 so the application can be put into production. The entire interface is designed for a non-technical user.

- ▶ Infoprint Designer is integrated in three ways:
  - Design functions are integrated with automatic retrieval of application data and automatic upload and creation of print resources.
  - You design iSeries page resources in native formats.
  - The application resources enable the designed print application to be put into production with a simple printer file change.
- ▶ Under the covers, Infoprint Designer defines the format of pages with page and form definition resource objects. These are part of the iSeries and AS/400 print architecture. Designing with these resources is application independent (unlike DDS). They are also compatible with existing or new applications that define output data with DDS. With V5, OS/400 automatically writes these applications as full AFP (ensuring viewing and PCL support).

## Features

- ▶ Provides a fully graphical document design system for the iSeries
- ▶ Facilitates access to the outstanding printing capabilities of the iSeries, featuring AFP and IPDS
- ▶ Enables easy development of iSeries native print resources
- ▶ Integrates completely with iSeries servers from design through printing and “e-output”
- ▶ Designed for the non-programmer, providing superior ease of use, functionality, and precision
- ▶ Delivers an affordable, comprehensive e-business solution

## Components

Infoprint Designer for iSeries consists of three components:

- ▶ **Infoprint Overlay Editor:** Designs overlays (electronic forms) to be used in the print application
- ▶ **Infoprint Image Editor:** Designs the images to be used in the print application
- ▶ **Infoprint Layout Editor:** Puts all the design components together into the final document or report

## New with 1.16

Infoprint Designer is enhanced on an ongoing basis via functional PTFs. The base version of the product remains as V4R5. The current version is 1.16.

The key recent enhancements include:

- ▶ Two-dimensional barcode support includes UPS Maxicode, PDF417, and Datamatrix. These are new barcode symbologies that are far denser in data than traditional barcodes. For example, a UPC barcode can store 10 to 12 characters of data (representing a product ID). In contrast, a PDF417 barcode can store up to 3000 characters of data.
- ▶ Infoprint Designer is now available in French, Italian, German, and Spanish language versions.
- ▶ Font selection in Infoprint Designer is simplified by enabling selection by code page and character set. This provides more flexibility than the coded font selection currently available.
- ▶ Finishing by subdocument or subgroup means that a spooled file can be electronically segmented (using several new options in V5), and finishing, such as stapling, can be performed on these subgroups of the spooled file.
- ▶ Infoprint Designer comes with MICR fonts for checking applications and expanded project samples.
- ▶ A conditional design wizard enables greater ease of use in designing more complex document applications.
- ▶ Full color images can now be created and used in documents with support for the AFP full color image standard - Function Set 45 (FS45).

**Note:** A client workstation is required and when applications designed using Infoprint Designer are printed with PSF/400. The fonts in the AFP Font Collection for Workstations and OS/400 (program product 5648-B45) are required.

## Infoprint Server for iSeries (5722-IP1)

The focus of Infoprint Server is to extend the considerable capabilities of the iSeries beyond printing to the management and dissemination of output. As business applications are re-engineered into e-business applications, the output of those applications may need to change and flow electronically to the consumer of that output. Infoprint Server provides for *multi-channel* delivery of communications that include print, e-mail, Web, and other options.

For enterprise printing requirements, Infoprint Server delivers improved efficiency, improved reliability, and lower overall printing costs. It applies iSeries printing management and iSeries-attached printers to the task of handling all of the essential printing generated across the network.



Infoprint Server for iSeries	
Product number	5722-IP1
Minimum operating system level	V5R1
Program size	102 MB
HIPO	1006
Availability	25 May 2001
Software type	Software Subscription 5733-SW1 or 5733-SW3
Ordering	Shipped as a chargeable software group-based OS/400 LPO
Prerequisites	OS/400 Option 33 PASE is required for PostScript, PCL, or Portable Document Format (PDF) to AFPDS transforms
Related products	PSF/400, Infoprint Designer, and Content Manager OnDemand
Replaces product	None
Further information	<a href="http://www.printers.ibm.com/internet/wwsites.nsf/vwebpublished/main_ww">http://www.printers.ibm.com/internet/wwsites.nsf/vwebpublished/main_ww</a>



## Solutions and benefits

Infoprint Server for iSeries provides a wide range of capabilities to address the print and electronic communication requirements of e-business and network applications. Infoprint Server delivers these print and e-output components:

- ▶ **PDF services for iSeries:** On the e-output side, Infoprint Server provides PDF and portable AFP support for the iSeries. Any standard iSeries and AS/400 output format can be transformed into PDF. The PDF is text-based, fully navigable and offers high-performance. In addition, enhancements to DDS (OS/400) enable you to segment an output file, triggering the PDF server to create multiple PDF files. This is an “electronic burst and bind” function.
- ▶ **Integrated e-mail of iSeries output, including electronic segmentation:** E-mail of output (via PDF) has been integrated and automated. Output files can be transformed to PDF and automatically sent to any destination. Integrated e-mail also provides user exits for customizing (for example, using the trigger field, such as a customer number, to look up an e-mail ID in an address book).
- ▶ **Multichannel profile and delivery of output via intelligent routing capabilities:** By integrating with segmentation and PDF services, you can profile recipients and define how information is to be delivered to each (for

example, print, e-mail Web, archival, and linkage with other delivery processes, such as facsimile).

- ▶ **Support for Web AFP and spooled file indexing and segmentation:** Infoprint Server provides portable AFP support for the iSeries. The new Create AFP Data (CRTAFPDTA) command provides three critical functions:
  - Converts print formatted with page definitions to AFP
  - Creates a portable file by pulling in external fonts, page segments, and overlays
  - Inserts indexing to facilitate easy navigation when viewing the print file
- ▶ **Transforms for Web image (TIF, GIF, and JPEG) to iSeries image:** The standard Web, e-business image formats are GIF, TIF, and JPEG. Infoprint Server provides transforms (Windows-based) to convert those to iSeries and AS/400 images (IOCA, page segments).
- ▶ **Transforms for network print data streams—PostScript, PCL, and PDF—to AFP:** The other key focus of Infoprint Server is iSeries management of network output. Infoprint Server provides transforms for PCL, PostScript, and PDF into AFP so output generated in those formats can be brought into the iSeries and effectively managed to the printer. The PostScript and PDF transforms are the result of joint development by IBM and Adobe and deliver full-function Level 3 capability.

## Features

With Infoprint Server, you can:

- ▶ Produce PDF output from standard iSeries application output
- ▶ Electronically segment print files and take separate actions on each segment
- ▶ Profile recipients of document and reports, defining how output is to be delivered to each (intelligent routing)
- ▶ Provide direct action for e-mail, catalog to the database, and re-queue for print of print files or print file segments
- ▶ Provide for linkage to “downstream” multichannel delivery functions such as facsimile and archival
- ▶ Transform network print jobs (in Postscript, PCL, or PDF) in to AFP format for printing on IPDS printers
- ▶ Index application output files for Web and client viewing or PDF bookmarking
- ▶ Segment print files into logical sub-documents or sub-reports

- ▶ Create fully-formed AFP print files for system-to-system or system-to-client transfer
- ▶ Transform Web image data (JPEG, TIFF, BMP) into an iSeries format

## New with V5R3

With V5R3, Infoprint Server is enhanced as follows:

- ▶ Intelligent routing, for comprehensive multi-channel delivery of documents and reports based on defined recipient profiles
 

Multi-channel delivery includes print, Web, e-mail, and interfaces to additional “downstream” functions such as fax and archive.
- ▶ A new end user interface added to simplify the set up of Intelligent routing applications
 

This new interface uses a new iSeries object, the PDF mapping object to store profile and delivery information. The interface is in addition to the existing user exit and iSeries Access interfaces.
- ▶ The ability to re-queue print files or print file segments as AFP for additional action
- ▶ PDF security enhancement with encryption, password protection, and revision control
- ▶ PDF operational enhancements including reduced file sizes and rotation control
- ▶ PDF support for 2D barcodes (PDF417, UPS MaxiCode, and DataMatrix)
- ▶ Support for full-color images using the new OS/400 Function Set 45 (FS45) specification
- ▶ Support for new “direct import” of image files from IFS
- ▶ Infoprint Server processes these file types into a PDF format:
  - JFIF (JPEG File Image Format, commonly referred to as JPEG)
  - TIFF (Tag Image File Format)
  - EPS (Encapsulated Postscript)
  - EPSTR (EPS with transparency)
  - PDFSPF (PDF single page)
  - PDFSPOTS (PDF single page with transparency)
  - PCLPO (PCL page object)
- ▶ The APF object types that can be imported directly from the IFS are:
  - BCOCA (AFP barcode object)
  - GOCA (AFP graphics object)
  - IOCA (AFP image object)

These object types are stored in a new structure within the AFP data stream called an object container. Object containers support a mixture of EBCDIC and ANSII-encoded data within the same document or report.

## IBM Content Manager OnDemand for iSeries (5722-RD1)

IBM Content Manager OnDemand for iSeries provides a powerful Enterprise Report Management solution to electronically capture and archive large volumes of computer-generated information. This includes customer statements, invoices, reports, scanned images, and e-mails.

Content Manager OnDemand (OnDemand/400) supports electronic statement presentation solutions through robust, advanced client applications for both desktop and standard Web browsers, with advanced search and report mining capabilities. With OnDemand/400, enterprises can automatically organize printed output, and provide rapid, direct access to specific information, making more effective use of the massive amounts of information captured over time.

IBM Content Manager OnDemand for iSeries	
Product number	5722-RD1
Minimum operating system level	V5R1
Installation prerequisites	None
Related products	IBM Content Manager for iSeries, Content Manager CommonStore for Lotus Domino, Enterprise Information Portal
Client code	Downloaded from <a href="ftp://service.software.ibm.com/software/ondemand/fixes/v71/">ftp://service.software.ibm.com/software/ondemand/fixes/v71/</a>
Replaces product	5769-RD1
Further information	<a href="http://www.ibm.com/software/data/ondemand/400">http://www.ibm.com/software/data/ondemand/400</a>

## Solutions and benefits

With Content Manager OnDemand, companies can easily manage the vast amount of reports and documents that are created every day.

- ▶ By providing immediate access to invoices, statements, and other printed reports, employees can quickly handle customer questions in one phone call, eliminating the need for callbacks.
- ▶ OnDemand/400 can support a Web self-service environment, potentially eliminating customer service calls.

- ▶ For any company that manages printed output, OnDemand/400 provides hard-dollar payback by reducing paper printouts and microfiche costs and by increasing productivity of workers searching for information.

## Features

IBM Content Manager OnDemand for iSeries provides:

- ▶ Enhanced indexing capabilities:
  - Up to 32 key fields on each defined report
  - Support for line data, SCS, SCS-extended, and AFPDS spooled files, as well as images and other file types
  - Flexible grouping of reports for searching from the OnDemand Client
  - Full text search across a selected set of documents in the repository
  - Industry-standard compression algorithms that produce superior compression ratios, reducing storage space requirements for your reports and documents
- ▶ Support for multiple Content Manager OnDemand environments
- ▶ Significant security enhancements:
  - Permit or deny view, print, fax, and others
  - Allow or prohibit creation of logical views, and update or delete of annotations
- ▶ The OnDemand Web Enablement Kit provides:
  - Searching, retrieving, and viewing of documents and reports stored in the Content Manager OnDemand Common Server via a standard Web browser
  - CGI scripts and Java servlets to easily enable Web access to business documents, supporting electronic statement or invoice viewing via the Web
- ▶ The PDF indexer feature allows users to:
  - Extract index data from PDF files as they are stored in Content Manager OnDemand
  - Retrieve and view PDF files from the Content Manager OnDemand Common Server repository, using generally available PDF viewing options such as those available from Adobe

## New with V5R2

With V5R2, OnDemand/400 includes the following enhancements:


- ▶ Support for automatic loading of non-spoiled data in IFS, such as PC files, through the STRMONOND command in the OnDemand Common Server. This frees the end user from manually loading PC files into the Common Server environment.
- ▶ Enables text search for AFPDS documents in the Common Server environment.
- ▶ Includes enhanced OnDemand commands to take advantage of new OS/400 spooled file attributes.
- ▶ Provides additions and enhancements to the sample programs for both the Common Server and Spool File Archive environments.

## IBM Content Manager for iSeries (5722-VI1)

IBM Content Manager for iSeries provides document imaging and workflow technology designed to replace cumbersome paper document processing with image processing to achieve greater productivity and process reliability. With *Advanced Workflow*, Content Manager provides a fast, efficient way to customize and automate business processes by automatically routing documents and folders through a business.

Content Manager is highly scalable, from entry level to enterprise level needs. It extends the information infrastructure to manage unstructured content, integrate content with core business applications, and automate business processes.

IBM Content Manager for iSeries	
Product number	5722-VI1
Minimum operating system level	V5R1
Program size	135.5 MB
HIPO	1034
Availability	25 May 2001
Software type	Software Maintenance <ul style="list-style-type: none"><li>▶ One Year 5733-M81</li><li>▶ Three Year 5733-M82</li></ul>
Ordering	



<b>IBM Content Manager for iSeries</b>	
Installation prerequisites	<a href="http://www.ibm.com/software/data/ondemand/400/">http://www.ibm.com/software/data/ondemand/400/</a>
Related products	Content Manager OnDemand, Content Manager CommonStore for Lotus Domino, Content Manager CommonStore for SAP, Enterprise Information Portal
Replaces product	IBM Content Manager for AS/400 (5769-VI1)
Further information	<a href="http://www-3.ibm.com/software/data/cm/cmgr/400">http://www-3.ibm.com/software/data/cm/cmgr/400</a>

## Solutions and benefits

IBM Content Manager for iSeries saves you money in many ways. By storing large quantities of documents and making them available throughout your organization in seconds, Content Manager can provide dramatic increases in productivity. Even in geographically dispersed enterprises, mission-critical information can be delivered to users when they need it, in the form they need. Content Manager Advanced Workflow provides increased control over documents and tight integration with business applications.

## Features

The Content Manager library and object server functions provide:

- ▶ Flexible indexing and classification
- ▶ Security and access control
- ▶ Automated storage management
- ▶ Scalability to manage growing volumes of large objects

The Content Manager client provides an easy interface to aid user productivity, whether searching, indexing, or reorganizing customer information. Users can drag and drop items between folders and workbaskets.

APIs allow customers to integrate or develop customized document management solutions to content-enable line of business applications seamlessly. With interfaces on both the server and client, Content Manager enables integration with desktop applications and with traditional iSeries-based line of business applications.

Content Manager workflow is available for adhoc users and advanced, business process control. With adhoc workflow, users can simply choose where to send a document or folder. Advanced Workflow provides a fast, efficient way to:

- ▶ Build a work process
- ▶ Automatically route documents and folders through a business
- ▶ Customize and automate business processes

The Content Manager Web Enablement Kit is an optional feature that provides a new, enhanced Content Manager eClient and its associated Enterprise Information Portal (EIP) prerequisites. The eClient is a browser thin client that provides the graphical user interface to the Content Manager and related systems.

With the Content Manager Web Enablement Kit, organizations can Web enable their Content Manager system with the IBM strategic client application and EIP APIs. The Content Manager eClient leverages EIP connectors to provide federated access to documents across multiple Content Manager and Content Manager OnDemand servers, on iSeries, and on other supported Content Manager platforms.

## **IBM Print Services Facility for iSeries (PSF/400) (5722-SS1 Options 36, 37, and 38)**

Print Services Facility for OS/400 (PSF/400), a feature of OS/400, provides support for high-function Advanced Function Presentation (AFP) electronic printing and print management of IPDS printers. With AFP, application output can be transformed into fully graphical documents with electronic forms, image, graphics, barcoding, lines, boxes, and text in a wide variety of fonts. This flexibility enables the production of electronic documents that are more effective and enables the re-engineering of business processes.

To create an IPDS printer on the iSeries server, you must (after specifying the device type as IPDS) specify AFP(\*YES) in the printer device description. Any printer defined as Type (\*IPDS) and AFP (\*YES) needs the PSF of OS/400. Twinaxial-connected IPDS printers may be defined as AFP(\*NO) and, therefore, do not require PSF. Regardless of connection type, AFP (\*NO) means that there are no AFP resource management for fonts, images, or overlays. All IP-connected IPDS printers must be configured with AFP(\*YES) and, therefore, require PSF/400.

<b>IBM Print Services Facility for iSeries (PSF/400)</b>	
Product number	5722-SS1 options 36, 37, and 38
Minimum operating system level	V5R1
Program size	0.5 MB
HIPO	1501, 1502, or 1503
Availability	23 April 2001



<b>IBM Print Services Facility for iSeries (PSF/400)</b>	
Software type	Software Subscription
Ordering	Feature of OS/400
Installation prerequisites	None
Related products	Infoprint Server for iSeries, AFP Font Collection Type Transformer for Windows, Infoprint Designer for iSeries, and Facsimile Support for iSeries
Replaces product	PSF/400 (5769-SS1)
Further information	<a href="http://www.printers.ibm.com/internet/wwsites.nsf/vwebpublished/main_ww">http://www.printers.ibm.com/internet/wwsites.nsf/vwebpublished/main_ww</a>

## Solutions and benefits

PSF/400 is the common denominator across the many trends impacting business and e-business communications and occupies a central role in the flow of output from applications to users.

- ▶ Documents and reports can be produced using a variety of enabling tools, including the new Infoprint Designer for iSeries (5733-ID1). Other enabling tools include OS/400 printer file keywords (for front and back overlays, N-Up, and duplex), DDS printer files, iSeries page and form definitions, APU, and AFP Toolbox.
- ▶ Output created by network and client applications can also be transformed to AFP and thus managed by PSF/400 to IPDS printers.

## Features

PSF/400 supports these features:

- ▶ PSF/400 is the OS/400 subsystem driving the interactive management of IPDS printers. IPDS is a bi-directional print architecture that ensures that the printing process can be managed every step of the way. When an OS/400 writer is started to an IPDS printer, PSF/400 provides the following services:
  - Establish communication and query printer capabilities and status
  - Manage overlay, image, and font resources required in the printer
  - Transform the AS/400 spooled file (from AFP, IPDS, or SCS) into a printer-specific IPDS data stream
  - Manage the print process, including handling error conditions and managing error recovery down to the page level
- ▶ The level of print management provided by PSF/400 ensures each page of each spooled file is printed completely and accurately. PSF/400 enables all

parameters of the printer file and all DDS print keywords (subject to printer limitations).

- ▶ IPDS printing takes on added significance across the network. TCP/IP print support is much more limited than traditional AS/400 print management. The Send Network Spooled Files (SNDNETSPLF, LPR in TCP/IP terminology) command simply sends a spooled file with limited instructions and no feedback as to whether it was received and printed correctly. Applying IPDS to a TCP/IP network restores the same level of print support (as described above) as twinaxial-connected printers. This includes sending standard SCS spooled files across the network.
- ▶ iSeries program products that complement PSF/400 for developing AFP applications include:
  - Infoprint Designer for iSeries (5733-ID1)
  - Infoprint Server for iSeries (5722-IP1)
  - Advanced Function Printing Utilities (5722-AF1)
  - Advanced Print Utility (a product of AFP PrintSuite for AS/400) (program offering 5798-AF3 or 5798-AF4)
  - IBM AFP Font Collection (5648-B45)
  - Infoprint Fonts for Multiplatforms (5648-E76)

## Components

PSF/400 is a feature of OS/400 with the following support tiers:

- ▶ Unlimited number of printers from 1 to 45 impressions per minute
- ▶ Unlimited number of printers from 1 to 100 impressions per minute
- ▶ Unlimited number of printers at any speed

The PSF feature of OS/400 that is required is based on the speed of the fastest printer measured in impressions per minute (IPM), not by your iSeries processor tier. After you license PSF/400 under a speed category, you can have an unlimited number of printers attached to the server within that category.

## New with V5R3

V5R3 brings significant fundamental enhancements to the iSeries output architecture. These changes include:

- ▶ Continued Unicode implementation
- ▶ Support for TrueType and OpenType fonts

- ▶ Capabilities to import network standard image and graphic formats directly into iSeries documents
- ▶ Enhanced support for full color

Both OS/400 and PSF/400 have been enhanced to add these functions. The end result is an output architecture that supports a much broader range of document content and function:

- ▶ PSF/400 V5R3 also provides support for the new iSeries printers.
- ▶ Print Services Facility implements phase II of Unicode. Unicode is the emerging text encoding standard that uses an expanded 16-bit data address to represent nearly all of the characters in all of the world's languages, in one interface. Phase II of the Unicode comprises most of the world's languages except those that require complex text support. With Unicode, applications that require multiple languages are greatly simplified.
- ▶ Prior to V5R3, iSeries documents used EBCDIC-encoded AFP fonts. TrueType and OpenType fonts are ASCII-encoded and represent the standard in many personal, network, and UNIX environments. With V5R3, TrueType and OpenType fonts can be specified directly in iSeries output. These fonts can be cataloged in the IFS and referenced with the FONTNAME keyword.

The Infoprint Fonts product (5648-E77) has a font installer program that enables simple installation of TrueType and OpenType fonts. AFP, TrueType, and OpenType fonts can be intermixed on the same page. The ability to use TrueType and OpenType fonts greatly expands the universe of fonts available for iSeries applications while providing flexibility and consistency among various organization documents.

- ▶ Full color and image capabilities are significantly extended with V5R3. Full process color debuted in V5R2 with the implementation of high resolution, highly-compressed AFP color (called IOCA Function Set 45, or FS45, of the AFP image object architecture). With V5R3, PSF/400 supports the new OS/400 capabilities to import network or Web standard graphics objects directly into iSeries documents. These graphic or image object types reside on the IFS and are referenced with the AFPRSC keyword. The ASCII formats supported are:
  - JFIF
  - TIFF
  - EPS
  - EPSTR
  - PDFSPF
  - PDFSPOTS
  - PCLPO

- ▶ The APF object types that can be imported directly from the IFS are:
  - BCOCA
  - GOCA
  - IOCA

These object types are stored in a new structure within the AFP data stream called an object container. Object containers support a mixture of EBCDIC and ANSI-encoded data within the same document or report.

- ▶ Document content within object containers also integrates with the PDF services support in Infoprint Server for iSeries (5722-IP1). For example, a full color logo can be pulled directly from an IFS directory into an iSeries document, and then passed to Infoprint Server and converted into PDF for distribution.
- ▶ Support for the following iSeries printers (as IPDS printers) is added with PSF/400 V5R3:
  - IBM Infoprint 1312 Printer
  - IBM Infoprint 1332L Printer
  - IBM Infoprint 1354 Printer
  - IBM Infoprint 1354L Printer
  - IBM Infoprint 1372 Printer
  - IBM Infoprint Color 1354L Printer
  - IBM Infoprint 2060ES Printer
  - IBM Infoprint 2075ES Printer
  - IBM Infoprint 2090ES Printer
  - IBM Infoprint 2105ES Printer
  - IBM 4247 IPDS



## Summary of earlier AS/400, AS/400e, and iSeries models

This chapter identifies resources and capacities for all AS/400e and iSeries processors that are no longer marketed by IBM. For the models most recently withdrawn from IBM marketing, processor and performance characteristics are included, along with the maximum capacities for main storage, disk, local area network (LAN), communication lines, workstations, tape devices, CD devices, and other input/output (I/O) components. Refer to other ITSO deliverables for the equivalent information for those processors withdrawn from IBM marketing at an earlier date.

You can find summary charts of iSeries processors currently marketed by IBM in Chapter 5, “Summary of today’s iSeries” on page 67.

## CISC systems

You can find resource and capacity information for the AS/400 CISC systems sold beginning in 1988 in *AS/400 CISC System Builder*, REDP-0042. This Redpaper covers the following AS/400 systems:

- ▶ 9401 Models P01, P02, P03 and 10S
- ▶ 9402 Models C04, C06, D02, D04, D06, E02, E04, E06, F02, F04, F06
- ▶ 9402 Model 200, 236
- ▶ 9402 Model 400
- ▶ 9402 Model 436
- ▶ 9404 Models B10, B20, C10, C20, C25, D10, D20, D25, E10, E20, E25, F10, F20, F25
- ▶ 9406 Models B30, B35, B40, B45, B50, B60, B70, D35, D45, D50, D60, D70, D80, E35, E45, E50, E60, E70, E80, E90, E95, F35, F45, F50, F60, F70, F80, F90, F95, F97
- ▶ 9406 Models 300, 310, 320
- ▶ 9406 Models 500, 510, 530
- ▶ 9406 Model 600, 620, 640, 650

## RISC servers

You can find resource and capacity information for the AS/400e RISC servers sold beginning in 1996 in *AS/400e RISC System Builder*, REDP-0342. This Redpaper covers the following AS/400e servers:

- ▶ 9402 Model 436
- ▶ 9402 Server Model 100 and 9404 Server Models 135 and 140
- ▶ 9402 Server Model 20S and 9406 Server Model 30S
- ▶ 9402 Model 40S
- ▶ 9406 Model S10
- ▶ 9406 Model S20
- ▶ 9406 Model S30
- ▶ 9406 Model S40
- ▶ 9406 Model 170
- ▶ 9406 Models 50S and 53S
- ▶ 9406 Model SB1
- ▶ 9406 Model S30 and S40 Custom Mixed-Mode IBM @server
- ▶ 9401 Model 150
- ▶ 9402 2xx
- ▶ 9402 Model 400
- ▶ 9402 Model 40S
- ▶ 9406 Model S20 Custom Mixed-Mode Server

## iSeries and AS/400e servers

This section presents resource and capacity information for the most recent withdrawals from IBM marketing and *IBM @server iSeries and AS/400e System Builder*, SG24-2155.

Refer to the *IBM @server iSeries and AS/400e System Builder*, SG24-2155, for resource and capacity information, and detailed information about supported features, for the following servers:

- ▶ 9406 Model 250 packages
- ▶ 9406 Models SB2 and SB3

The following AS/400e and iSeries servers are found in this section:

- ▶ 9406 AS/400e Model 270
- ▶ 9406 AS/400e Model 720
- ▶ 9406 AS/400e Model 730
- ▶ 9406 AS/400e Model 740
- ▶ 9406 iSeries Model 820
- ▶ 9406 iSeries Model 830
- ▶ 9406 iSeries Model 840
- ▶ 9406 iSeries Model 890 (#0197, #0198, #2487, #2488)

### 9406 Model 270

Model	270			
	#2248	#2250	#2252	#2253
Relative system performance <sup>1, 2</sup>				
Processor CPW	150	370	950	2000
5250 CPW <sup>5</sup>				
Base #1516	-	0	0	0
#1517	25	-	-	-
#1518	-	30	-	-
#1519	-	-	50	-
#1520	-	-	-	70
Number/type/speed of processors	1/Pulsar/400 MHz	1/Pulsar/400 MHz	1/Pulsar/450 MHz	2/Pulsar/450 MHz
L2 Cache (MB)/processor	0	0	2	4
Main storage (MB min/max)	256 - 4096	256-4096	256-8192	256-8192
Main storage DIMMs (min/max)	2/8	2/8	2/16	2/16
Minimum operating system level	V4R5	V4R5	V4R5	V4R5
Software group <sup>7</sup>	P05	P10/P10	P05	P20/P20

Model	270 Dedicated Server for Domino		
Processor feature	#2422	#2423	#2424
Relative system performance (CPW) <sup>1, 2</sup>			
Processor CPW	50	100	200
5250 CPW <sup>5</sup>	0	0	0
Simple Mail Users	2400	3860	7580
Mail and Calendaring Users	1600	2570	5050
Number/type/speed of processors	1/Pulsar/400 MHz	1/Pulsar/450 MHz	2/Pulsar/450 MHz
L2 Cache (MB)	0	2	4
Main storage (MB min/max)	256-4096	256-8192	256-8192
Main storage DIMMs (min/max)	2/8	2/16	2/16
Minimum operating system level	V4R5	V4R5	V4R5
Software group <sup>7</sup>	P05	P05	P10

	Model 270		
Processor feature	#2431	#2432	#2434
Relative system performance <sup>1, 2</sup>			
Processor CPW	465	1070	2350
5250 CPW <sup>5</sup>			
#1516 (Base)	-	0	0
#1517	-	-	-
#1518	30	-	-
#1519	-	50	-
#1520	-	-	70
Number/type/speed of processors	1/SSTAR/ 540 MHz	1/SSTAR/ 540 MHz	2/SSTAR/ 600 MHz
L2 Cache (MB)/processor	0	2	4
Main storage (MB min/max)	256 - 8192	256 - 8192	256 - 16384
Main storage DIMMs (min/max)	1/8	1/8	2/16
Minimum operating system level	V5R1	V5R1	V5R1
Software group <sup>8</sup>	P10	P10	P20



	Model 270 Dedicated Server for Domino	
Processor feature	#2452	#2454
Relative system performance <sup>1, 2</sup>		
Processor CPW	100	240
5250 CPW <sup>5</sup>	0	0
Mail and Calendar Users <sup>2</sup>	3070	6660
Number/type/speed of processors	1/SSTAR/540 MHz	2/SSTAR/600 MHz
L2 Cache (MB)	2	4
Main storage (MB min/max)	256 - 8192	256 - 16384
Main storage DIMMs (min/max)	1/8	2/16
Minimum operating system level	V5R1	V5R1
Software group <sup>8</sup>	P05	P10

	Model 270		
Processor feature	#2431	#2432	#2434
Relative system performance <sup>1, 2</sup>			
Processor CPW	465	1070	2350
5250 CPW <sup>5</sup>			
#1516 (Base)	-	0	0
#1517	-	-	-
#1518	30	-	-
#1519	-	50	-
#1520	-	-	70
Number/type/speed of processors	1/SSTAR/ 540 MHz	1/SSTAR/ 540 MHz	2/SSTAR/ 600 MHz
L2 Cache (MB)/processor	0	2	4
Main storage (MB min/max)	256 - 8192	256 - 8192	256 - 16384
Main storage DIMMs (min/max)	1/8	1/8	2/16
Minimum operating system level	V5R1	V5R1	V5R1
Software group <sup>8</sup>	P10	P10	P20

<b>Note 1</b>	CPW is used to measure the performance of all iSeries and AS/400e processors announced from September 1996 onward. The CPW value is measured on maximum configurations. The type and number of disk devices, the number of workstation controllers, the amount of memory, the system model, other factors, and the application running determine what performance is achievable.			
<b>Note 2</b>	Processor performance represents the relative performance (maximum capacity) of a processor feature running CPW in a client/server environment. Processor capacity is achievable when the commercial workload is not constrained by main storage and DASD. Interactive performance represents the relative performance available to perform host-centric workloads. The amount of interactive capacity consumed reduces the available processor capacity by the same amount. On the Dedicated Servers for Domino, the Processor CPW is an approximate value reflecting the maximum amount of non-Domino workload (10 to 15% of CPU) that can be supported.			
<b>Note 3</b>	The total number of tape devices does not increase.			
<b>Note 4</b>	One line is used if the #5544 System Console on Operations Console is used on a #9771 WAN adapter. One line might be used if the #5546 or #5548 System Console on LAN is selected and the #0367 Operations Console PCI Cable is connected.			
<b>Note 5</b>	<p>5250 online transaction processing (OLTP) CPW is an approximate value that reflects the amount of Processor CPW that can be used for workloads performing 5250-based tasks.</p> <p>Any task that uses a 5250 data stream is considered 5250 OLTP work and requires some amount of 5250 CPW to process no matter how the task was started.</p> <p>A task submitted through a 5250 session (5250 device or 5250 emulation) that does display or printer I/O requires 5250 CPW.</p> <p>A task submitted through a 5250 session (5250 device or 5250 emulation) as a "batch" job is not considered 5250 OLTP work and does not require any 5250 CPW unless the task does display or printer I/O.</p> <p>Limited 5250 CPW is available when 5250 Interactive CPW = 0, for a system administrator to use 5250 display device I/O to manage various aspects of the server. Multiple administrative jobs exceed this capability.</p>			
<b>Note 6</b>	There must be one CD-ROM or DVD-RAM per system.			
<b>Note 7</b>	External DASD capacity maximum assumes 35.16 GB LUNs. External DASD cannot exceed the maximum system capacity or the maximum number of disk arms.			
<b>Note 8</b>	Software group is determined by a combination of the processor and interactive feature. The following table provides a cross reference.			
	<b>Processor</b>	<b>Interactive feature</b>	<b>Processor feature</b>	<b>Software group</b>
	#2248	#1517	22A2	P05
	#2250	#1516	22A4	P10
		#1518	22A5	P10
	#2252	#1516	22A7	P10
		#1519	22A8	P10
	#2253	#1516	22AA	P20
		#1520	22AB	P20
	#2422	N/A	2422	P05
	#2423	N/A	2423	P05
	#2424	N/A	2424	P10

Summary	Base system	System Unit Expansion #7104	PCI Expansion Tower #5075/#5095	Total maximum	LPAR maximum
Disk storage (GB)					
Integrated minimum	17.56	-	-	8.58	-
Integrated maximum	210.9	421.9	210.9	843.9	843.9
External maximum <sup>7</sup>	808.7	-	808.7	808.7	808.7
Total maximum	843.9	421.9	808.7	843.9	843.9
DASD arms maximum	23	12	23	24	24
Arms internal	6	12	6/12	24	24
LUNs external	23	-	23	23	23
Physical packaging					
External HSL ports	2	-	-	2	2
External HSL loops	1	-	-	1	1
#5075 PCI Expansion Tower	1	-	-	1	1
#5095 PCI-X Expansion Tower	1	-	-	1	1
#5074 PCI Expansion Tower	-	-	-	-	-
External xSeries Servers supported	2	-	-	2	2
Embedded IOP	1	-	1	2	2
PCI card slots	7	-	8	15	15
Maximum PCI IOA cards	6	-	7	13	13
Communication lines <sup>4</sup>	26	-	34	50	50
LAN ports	3	-	5	8	8
Integrated xSeries Servers	1	-	2	3	3
Twinaxial workstation controllers	4	-	6	6	6
Twinaxial workstations	160	-	240	240	240
Internal/CD-ROM/DVD-RAM/tape <sup>6</sup>	2	-	-	2	2
External tape adapters	3	-	3	3	6
External CD-ROM/DVD-RAM <sup>6</sup>	3	-	3	3	6
Tape libraries <sup>3</sup>	3	-	3	3	6
Optical libraries	3	-	4	4	8
Diskettes (5 ¼-inch or 8-inch)	-	-	-	-	-
Cryptographic coprocessor	3	-	3	3	3

## 9406 Model 720

Model	720			
	#2061	#2062	#2063	#2064
Relative system performance <sup>1</sup> Version 4 Release 3 and later Processor CPW	240	420	810	1600
Interactive CPW/system feature code				
#1500 (Base)	35/206A	35/206D	35/207B	35/207F
#1501	70/206B	70/206E	-	-
#1502	120/206C	120/206F	120/207C	120/208A
#1503	-	240/207A	240/207D	240/208B
#1504	-	-	560/207E	560/208C
#1505	-	-	-	1050/208D
Number of processors	1	1	2	4
Main storage (MB)	256-2048	256-4096	256-8192	256-8192
Software group <sup>7</sup>	P10-P20	P10-P20	P20-P30	P20-P30

Numbers are for all processor features	Base system	SUE #9364 PCI (#9329) PCI (#9330)	SUE #9364 SPD (#9331)	#5065 Stg/PCI Exp Tower	Expansion tower	System maximum
Disk storage base (G)		(note 4)	(note 4)			
Maximum internal (G)	4.194	263.2	263.2	386.5	561.5	1625.9
Maximum external (G)	263.2		(note 2)		(note 2)	1595.3
Total maximum (G)	(note 5)					1625.9
External SPD bus		4	4		0	4
Maximum card slots-SPD	0	0	6	0	13	58
Maximum card slots-PCI	8	14	0	12	0	70
Communication lines <sup>3</sup>	18	0-40	0-36	0-42	0-78	128
LAN/ATM adapters	1-3	0-6	0-6	0-6	0-13	24
Maximum workstation controllers						
Twinaxial 6	5	11	18	12	39	66
ASCII <sup>6</sup>	0	0	6	0	13	58
Maximum workstations						
Twinaxial	188	440	720	480	1560	2628
ASCII	0	0	108	0	234	1044
¼-inch/8mm cartridge tape	1	3	3	3	4	17
CD-ROM	1	0-1	0	0-1	0-1	6
½-inch tape	1	2	8	3	8	8
Reel 9348	1	2	4	3	4	4
Reel 2440	0	0	4	0	4	4
Reel 9347	0	0	2	0	2	2
Cartridge 34xx, 35xx	1	2	8	3	8	8
Tape libraries maximum						
½-inch cartridge	1	2	8	3	8	8
8mm	1	2	4	3	4	4
8mm cartridge (external)	1	2	4	3	4	4
Optical libraries	1	2	13	3	14	14
Diskettes (5 ¼-inch or 8-inch)	0	0	2	0	2	2
LAN ports maximum	3	6	12	6	24	24
Wireless IOP maximum	0	0	3	0	3	3
FSIOP maximum	0	0	3	0	6	16
FSIOA (IPCS) maximum	1	1	0	0	0	2
PCI LAN maximum	3	6	0	6	0	9
Cryptographic processors	1	3	1	3	1	6
Fax adapters	0	0	6	0	13	32

<b>Note 1</b>	CPW is now being used to measure the performance of all iSeries and AS/400e processors. The CPW value is measured on maximum configurations. The type and number of disk devices, the number of workstation controllers, the amount of memory, the system model, other factors, and the application being run determine the performance that is achievable. All iSeries and AS/400e processors announced from September 1996 onward have only CPW performance measurements.			
<b>Note 2</b>	External DASD can be attached using a System Products Division (SPD) card in the Expansion Unit.			
<b>Note 3</b>	One line is used for Client Access Console or Operations Console if selected. The maximum is nine if Twinaxial Console is selected.			
<b>Note 4</b>	The #9364 must be configured with #9329 /#9330 (PCI) or #9331 (SPD). Therefore, these columns are mutually exclusive.			
<b>Note 5</b>	Maximum is 175.4 GB on the #2061 Processor.			
<b>Note 6</b>	Any combination of Twinax or ASCII workstation controllers up to either maximum shown is allowed, Maximums are not additive.			
<b>Note 7</b>	Software group is determined by a combination of the processor and interactive feature. The following table provides a cross reference.			
	<b>Processor</b>	<b>Interactive feature</b>	<b>System feature code</b>	<b>Software group</b>
	#2061	#1500	206A	P10
		#1501	206B	P20
		#1502	206C	P20
	#2062	#1500	206D	P10
		#1501	206E	P20
		#1502	206F	P20
		#1503	207A	P20
	#2063	#1500	207B	P20
		#1502	207C	P30
		#1503	207D	P30
		#1504	207E	P30
	#2064	#1500	207F	P20
		#1502	208A	P30
		#1503	208B	P30
		#1504	208C	P30
		#1505	208D	P30
<b>Note 8</b>	The total number of internal tapes and CD-ROM per tower cannot exceed the maximum quantity shown for internal tapes. The system maximum for internal tapes and CD-ROMs is 18.			

# 9406 Model 730

Model	730			
	#2065	#2066	#2067	#2068
Relative system performance <sup>1</sup> Version 4 Release 3 and later Processor CPW Interactive CPW/system feature code	560	1050	2000	2890
#1506 (Base)	70/2A6A	70/2A6E	70/2B6D	70/2C6C
#1507	120/2A6B	120/2A6F	-	-
#1508	240/2A6C	240/2B6A	240/2B6E	240/2C6D
#1509	560/2A6D	560/2B6B	560/2B6F	560/2C6E
#1510	-	1050/2B6C	1050/2C6A	1050/2C6F
#1511	-	-	2000/2C6B	2000/2D6A
Number of processors	1	2	4	8
Main storage (MB)	512-24576	512-24576	512-24576	1024-24576
Software group <sup>4</sup>	P20-P30	P20-P30	P30-P40	P30-P40

Numbers are for all processor features	System maximum
Disk storage	
Base (GB)	4.19
Maximum internal (GB)	1683.6/2499.6 (V4R3/V4R4)
Maximum external (GB)	1649.2/2473.9 (V4R3/V4R4)
Total maximum (GB)	1683.6/2499.6 (V4R3/V4R4)
Disk unit IOPs <sup>2</sup>	1-37
Communication lines	1-250
Maximum workstation controllers	1-175
Maximum workstations	
Twinaxial	7000
ASCII	3150
¼-inch/8mm cartridge tape (internal) <sup>5</sup>	0-18
CD-ROM (internal) <sup>5</sup>	1-18
½-inch tape <sup>3</sup>	
Reel 9348	4
Reel 2440	4
Reel 9347	2
Cartridge 34XX, 35XX	8
Tape libraries maximum	10
½-inch cartridge	4
8mm	4
8mm cartridge (external)	4
Optical libraries	14
Diskettes (5 ¼-inch or 8-inch)	2
LAN/ATM ports maximum	1-48
Wireless IOP maximum	3
IPCS maximum	16
Cryptographic processors	6
Fax IOPs (2 lines/IOP)	32

<b>Note 1</b>	CPW is now being used to measure the performance of all iSeries and AS/400e processors. The CPW value is measured on maximum configurations. The type and number of disk devices, the number of workstation controllers, the amount of memory, the system model, other factors, and the application being run determine the performance that is achievable. All iSeries and AS/400e processors announced from September 1996 onward have only CPW performance measurements.			
<b>Note 2</b>	This total includes the MFIOP. The combination of internal and external IOPs cannot exceed this number.			
<b>Note 3</b>	The maximum combination of 2440, 7208, or 9348 and Tape Libraries may not exceed four.			
<b>Note 4</b>	The software group is determined by a combination of processor and interactive feature. The following table provides a cross reference.			
	<b>Processor</b>	<b>Interactive feature</b>	<b>System feature code</b>	<b>Software group</b>
	#2065	#1506	2A6A	P20
		#1507	2A6B	P30
		#1508	2A6C	P30
		#1509	2A6D	P30
	#2066	#1506	2A6E	P20
		#1507	2A6F	P30
		#1508	2B6A	P30
		#1509	2B6B	P30
		#1510	2B6C	P30
	#2067	#1506	2B6D	P30
		#1508	2B6E	P40
		#1509	2B6F	P40
		#1510	2C6A	P40
		#1511	2C6B	P40
	#2068	#1506	2C6C	P30
		#1508	2C6D	P40
		#1509	2C6E	P40
		#1510	2C6F	P40
		#1511	2D6A	P40
<b>Note 5</b>	The system maximum for internal tapes and CD-ROMs is 18.			



## 9406 Model 740

Model	740	
Processor feature	#2069	#2070
Relative system performance <sup>1, 2</sup> Version 4 Release 3 and later Processor CPW	3660	4550
Interactive CPW/system feature code		
#1514 (Base)	120/2D6B	120/2E6A
#1510	1050/2D6C	1050/2E6B
#1511	2000/2D6D	2000/2E6C
#1512	3660/2D6E	3660/2E6D
#1513	-	4550/2E6E
Number of processors	8	12
Main storage (MB)	1024-40960	1020-40960
Software group <sup>4</sup>	P40-P50	P40-P50

Numbers are for all processor features	System maximum
Disk storage	
Base (GB)	4.19
Maximum internal (GB)	2095.9/4294.9 (V4R3/V4R4)
Maximum external (GB)	2061.3/4260.6 (V4R3/V4R4)
Total maximum (GB)	2095.9/4294.9 (V4R3/V4R4)
Disk unit IOPs <sup>2</sup>	1-37
SPD I/O bus	1-19
I/O card slots	3-237
Communication lines	1-300
Maximum workstation controllers	1-175
Maximum workstations	
Twinaxial	7000
ASCII	3150
¼-inch/8mm cartridge tape (internal) <sup>5</sup>	0-18
CD-ROM (internal) <sup>5</sup>	1-18
½-inch tape <sup>3</sup>	
Reel 9348	4
Reel 2440	4
Reel 9347	2
Cartridge 34XX, 35XX	8
Tape libraries maximum	14
½-inch cartridge	4
8mm	4
8mm cartridge (external)	4
Optical libraries	22
Diskettes (5 ¼-inch or 8-inch)	2
LAN/ATM ports maximum	1-72
Wireless IOP maximum	3
IPCS maximum	16
Cryptographic processors	6
Fax IOPs (2 lines/IOP)	32

<b>Note 1</b>	CPW is now being used to measure the performance of all iSeries and AS/400e processors. The CPW value is measured on maximum configurations. The type and number of disk devices, the number of workstation controllers, the amount of memory, the system model, other factors, and the application being run determine the performance that is achievable. All iSeries and AS/400e processors announced from September 1996 onward have only CPW performance measurements.			
<b>Note 2</b>	This total includes the MFIOP. The combination of internal and external IOPs cannot exceed this number.			
<b>Note 3</b>	The maximum combination of 2440, 7208, or 9348 and Tape Libraries may not exceed four.			
<b>Note 4</b>	Software group is determined by a combination of the processor and interactive feature. The following table provides a cross reference.			
	<b>Processor</b>	<b>Interactive feature</b>	<b>System feature code</b>	<b>Software group</b>
	#2069	#1514	2D6B	P40
		#1510	2D6C	P50
		#1511	2D6D	P50
		#1512	2D6E	P50
	#2070	#1514	2E6A	P40
		#1510	2E6B	P50
		#1511	2E6C	P50
		#1512	2E6D	P50
		#1513	2E6E	P50
<b>Note 5</b>	The system maximum for internal tapes and CD-ROMs is 18.			

## 9406 Model 820

Model	820			
Processor feature	#2395	#2396	#2397	#2398
Relative system performance <sup>1</sup> Processor CPW	370	950	2000	3200
5250 CPW				
#1521	-	35	35	35
#1522	35	70	70	70
#1523	70	120	120	120
#1524	120	240	240	240
#1525	240	560	560	560
#1526	-	-	1050	1050
#1527	-	-	-	2000
Number/type/speed of processors	1/Pulsar/400 MHz	1/Pulsar/450 MHz	2/ISTAR/500 MHz	4/ISTAR/500 MHz
L2 Cache (MB)	0	2	4	4
Main storage (MB min/max)	256 - 4096	256-8192	256-16384	256-16384
Main storage DIMMs (min/max)	2/8	2/16	2/32	2/32
Minimum operating system level	V4R5	V4R5	V4R5	V4R5
Software group <sup>11</sup>	P10-P20	P20-P30	P20-P30	P30-P40

Model	820 Dedicated Server for Domino		
Processor feature	#2425	#2426	#2427
Relative system performance <sup>1</sup> Processor CPW	950	2000	3200
5250 CPW <sup>8</sup>	0	0	0
Simple Mail Users	4250	8000	14400
Mail and Calendaring Users	2570	5610	9890
Number/type/speed of processors	1/Pulsar/450 MHz	2/ISTAR/500 MHz	4/ISTAR/500 MHz
L2 Cache (MB)	2	4	4
Main storage (MB min/max)	256-8192	256-16384	256-16384
Main storage DIMMs (min/max)	2/16	2/32	2/32
Minimum operating system level	V4R5	V4R5	V4R5
Software group <sup>11</sup>	P05	P10	P10

	Model 820			
Processor feature	#2435	#2436	#2437	#2438
Relative system performance <sup>1</sup> Processor CPW	600	1100	2350	3700
5250 CPW <sup>8</sup>	-	-	-	-
None	-	-	-	-
#1521	35	35	35	35
#1522	70	70	70	70
#1523	120	120	120	120
#1524	240	240	240	240
#1525	-	560	560	560
#1526	-	-	1050	1050
#1527	-	-	-	2000
Number/type/speed of processors	1/SSTAR/ 600 MHz	1/SSTAR/ 600 MHz	2/SSTAR/ 600 MHz	4/SSTAR/ 600 MHz
L2 Cache (MB)	2	2	4	4
Main storage (MB min/max)	256 - 8192	256 - 16384	256 - 32768	256 - 32768
Main storage DIMMs	2/8	2/16	2/32	2/32
Minimum operating system level	V5R1	V5R1	V5R1	V5R1
Software group <sup>11</sup>	P10 or P20	P20 or P30	P20 or P30	P30 or P40

	Model 820 Dedicated Server for Domino		
Processor feature	#2456	#2457	#2458
Relative system performance <sup>1</sup> Processor CPW	1100	2350	3700
5250 CPW <sup>8</sup>	0	0	0
Mail and Calendar Users <sup>1</sup>	3110	6600	11810
Number/type/speed of processors	1/SSTAR/600 MHz	2/SSTAR/600 MHz	4/SSTAR/600 MHz
L2 Cache (MB)	2	4	4
Main storage (MB min/max)	256 - 16384	256 - 32768	256 - 32768
Main storage DIMMs (min/max)	2/16	2/32	2/32
Minimum operating system level	V5R1	V5R1	V5R1
Software group <sup>11</sup>	P05	P10	P10

Summary	Base system	#5075 PCI Expansion Tower	#5074 PCI Expansion Tower	Migrated total with #503x <sup>5, 7</sup>	New system max <sup>6</sup>	LPAR system max
Disk storage minimum (GB)	8.58				8.58	
Maximum internal (GB)	421.9	210.9	1582.4	1625.9	8334.1	
Maximum external (GB) <sup>10</sup>	4501.1	4501.1	6751.6	1595.3	8298.9	
Total maximum (GB)	4923.1	4712.1	8298.9	1625.9	8334.1	
DASD arms maximum	140	134	236		237	
Internal	12	6	45	210	237	
LUNs external	128	128	192	209	236	
Diskette (8 or 5 ¼-inch)	-	-	-	2	-	
Communication lines <sup>3</sup>	44	34	52	128	160	
Twinax workstation controllers	7	7	11	66	62	
Twinaxial devices	280	280	440	2628	2480	
Internal CD-ROM/DVD-RAM/tape <sup>4</sup>	2	-	2	18 <sup>9</sup>	12	
External CD-ROM/DVD-RAM <sup>4</sup>	7	7	8	8	8	18
External tape	7	7	8	8	8	18
Tape libraries maximum <sup>2</sup>	7	7	8	8	8	18
Optical libraries	7	7	14	14	14	18
Physical packaging						
External HSL ports	2	-	-	-	2	
External HSL loops	1	-	-	-	1	
#5074/#5075 Towers	5	-	-	-	5	
Integrated xSeries Adapter	8	-	-	-	8	
SPD towers supported	-	-	-	4	-	
Embedded IOPs	1	1	-	1	6	
PCI adapter card slots	12	8	14	86	82	
Maximum PCI IOA cards	9	7	11	70	63	
LAN ports maximum	7	5	8	24	30	
Maximum Integrated xSeries Server	2	2	2	16	12	
Cryptographic processor	7	7	8	3	8	

	Model 820		
Processor feature	#0150	#0151	#0152
Relative system performance <sup>1</sup>			
Processor CPW	1100	2350	3700
5250 CPW <sup>8</sup>			
None	0	0	0
#1521	-	-	-
#1522	-	-	-
#1523	-	-	-
#1524	-	-	-
#1525	-	-	-
#1526	-	-	-
#1527	-	-	-
Number/type/speed of processors	1/SSTAR/600 MHz	2/SSTAR/600 MHz	4/SSTAR/600 MHz
L2 Cache (MB)	2	4	4
Main storage (MB min/max)	256 - 16384	256 - 32768	256 - 32768
Main storage DIMMs	2/16	2/32	2/32
Minimum operating system level	V5R1	V5R1	V5R1
Software group <sup>11</sup>	P20	P20	P30

<b>Note 1</b>	<p>CPW is used to measure the performance of all iSeries and AS/400e processors announced from September 1996 onward. The CPW value is measured on maximum configurations. The type and number of disk devices, the number of workstation controllers, the amount of memory, the system model, other factors, and the application running determine what performance is achievable.</p> <p>Processor performance represents the relative performance (maximum capacity) of a processor feature running CPW in a client/server environment. Processor capacity is achievable when the commercial workload is not constrained by main storage and DASD. Interactive performance represents the relative performance available to perform host-centric workloads. The amount of interactive capacity consumed reduces the available processor capacity by the same amount.</p> <p>On the Dedicated Servers for Domino, the Processor CPW is an approximate value reflecting the maximum amount of non-Domino workload (10 to 15% of CPU) that can be supported.</p>
<b>Note 2</b>	Total number of tape devices does not increase.
<b>Note 3</b>	One line is used if the #5544 System Console on Operations Console is used on a #9771 WAN adapter. One line might be used if #5546 or #5548 System Console on LAN is selected and the #0367 Operations Console PCI Cable is connected.
<b>Note 4</b>	There must be one CD-ROM or DVD-RAM per system.
<b>Note 5</b>	Includes the #503x Migration Tower and all SPD bus towers attached to the #503x.
<b>Note 6</b>	New systems only. Does not apply to migrated systems.

<b>Note 7</b>	This column does not apply to Dedicated Domino Servers.
<b>Note 8</b>	<p>5250 OLTP CPW is an approximate value that reflects the amount of Processor CPW that can be used for workloads performing 5250-based tasks.</p> <p>Any task that uses a 5250 data stream is considered 5250 OLTP work and requires some amount of 5250 CPW to process no matter how the task was started.</p> <p>A task submitted through a 5250 session (5250 device or 5250 emulation) that does display or printer I/O requires 5250 CPW.</p> <p>A task submitted through a 5250 session (5250 device or 5250 emulation) as a "batch" job is not considered 5250 OLTP work and does not require any 5250 CPW unless the task does display or printer I/O.</p> <p>Limited 5250 CPW is available when 5250 Interactive CPW = 0, for a system administrator to use 5250 display device I/O to manage various aspects of the server. Multiple administrative jobs exceed this capability.</p>
<b>Note 9</b>	Includes a base CD-ROM in the migration tower (no feature code).
<b>Note 10</b>	External DASD capacity maximum assumes 35.16 GB LUNs. External DASD cannot exceed the maximum system capacity or the maximum number of disk arms.

<b>Note 11</b>	Software group is determined by a combination of the processor and interactive feature. The following table provides a cross reference.			
	Processor	Interactive feature	Processor feature	Software group
	#2396	#1521	#23A9	P20
		#1522	#23AA	P30
		#1523	#23AB	P30
		#1524	#23AC	P30
		#1525	#23AD	P30
	#2397	#1521	#23B1	P20
		#1522	#23B2	P30
		#1523	#23B3	P30
		#1524	#23B4	P30
		#1525	#23B5	P30
		#1526	#23B6	P30
	#2398	#1521	#23B8	P30
		#1522	#23B9	P40
		#1523	#23BA	P40
		#1524	#23BB	P40
		#1525	#23BC	P40
		#1526	#23BD	P40
#1527		#23BE	P40	



## 9406 Model 830

Model	830	
Processor feature	#2402	#2403
Relative system performance <sup>1</sup> Processor CPW	4200	7350
5250 CPW		
#1531 (Base)	70	70
#1532	120	120
#1533	240	240
#1534	560	560
#1535	1050	1050
#1536	2000	2000
#1537	-	4550
Number/type/speed of processors	4/ISTAR/540 MHz	8/ISTAR/540 MHz
L2 Cache (MB)	4	4
Main storage (GB min/max)	1-64	1-64
Main storage DIMMs (min/max)	8/64	8/64
Minimum operating system level	V4R5	V4R5
Software group <sup>9</sup>	P30-P40	P40-P50

	Model 830		
Processor feature	#0153	#2349	#2400
Relative system performance <sup>1</sup> Processor CPW	7350	4200/7350	1850
5250 CPW <sup>9</sup>	0		
#1531 (Base)		70	70
#1532		120	120
#1533		240	240
#1534		560	560
#1535		1050	1050
#1536		2000	-
#1537		4550	-
Number/type/speed of processors	8/ISTAR/540 MHz	4/8/ISTAR/540 MHz	2/ISTAR/400 MHz
L2 Cache (MB)	4	4	2
Main storage (GB min-max)	1 - 64	1 - 64	1 - 64
Main storage DIMMs (min/max)	8/64	8/64	8/64
Minimum operating system level	V5R1	V5R1	V4R5
Software group <sup>11</sup>	P30	P30 or P40	P20 or P30

Numbers are for all processor features	Base System #9074	PCI Exp Tower #5074	Migrated total with #5034, #5035 <sup>5</sup>	Migrated total with #5077 <sup>6</sup>	New system maximum <sup>7</sup>	LPAR system maximum
Disk storage minimum (GB)	8.58	-	-	-	8.58	
Maximum internal (GB)	1582.4	1582.4	1625.9	4294.9	22153.9	
Maximum external (GB)	5626.4	6751.6	1595.3	4260.9	22118.8	
Total maximum (GB) <sup>10</sup>	7208.8	8298.9	1625.9	4294.9	22153.9	
DASD arms maximum <sup>10</sup>	205	205		596	630	
Internal	45	45	210	596	630	
External LUNs	160	192	595	595	629	
Diskette (8 or 5 ¼-inch)	-	-	2	2	-	
Communication lines <sup>4</sup>	40	52	128	300	300	
Twinax workstation controllers	9	11	66	175	152	
Twinaxial devices	360	440	2628	7000	6080	
Internal CD-ROM/DVD-RAM <sup>3</sup>	2	2	18 <sup>8</sup>	18 <sup>8</sup>	18	28
Internal tape	1	2	17	17	17	28
External CD-ROM/DVD-RAM <sup>3</sup>	8	10	8	14	10	34
External tape (max/system)	8	10	8	14	10	34
Tape libraries maximum <sup>2</sup>	8	10	8	14	10	34
Optical libraries	8	11	14	22	22	34
Physical packaging				-		
External HSL ports	8	-	-	-	8	
External HSL loops	4	-	-	-	4	
#5074 Towers	13	-	-	18	13	
Integrated xSeries Adapter	16	-	-	-	16	
SPD towers supported	-	-	4	18	-	
Embedded IOPs	-	-	2	-	-	
PCI adapter card slots	14	14	86	270	196	
Maximum PCI IOA cards	11	11	70	216	154	
LAN ports maximum	6	8	24	72	72	
Maximum Integrated xSeries Server	2	2	16	16	16	
Cryptographic processors	3	3	3	3	3	

<b>Note 1</b>	CPW is used to measure the performance of all iSeries and AS/400e processors announced from September 1996 onward. The CPW value is measured on maximum configurations. The type and number of disk devices, the number of workstation controllers, the amount of memory, the system model, other factors, and the application running determine what performance is achievable.			
<b>Note 2</b>	The total number of tape devices does not increase.			
<b>Note 3</b>	There must be one CD-ROM or DVD-RAM per system.			
<b>Note 4</b>	One line is used if the #5544 System Console on Operations Console is used on a #9771 WAN adapter. One line might be used if the #5546 or #5548 System Console on LAN is selected and the #0367 Operations Console PCI Cable is connected.			
<b>Note 5</b>	Includes the #5034 or #5035 tower and all the SPD bus towers attached to the #5034 or #5035.			
<b>Note 6</b>	Includes the #5077 tower and all the SPD bus towers attached to the #5077.			
<b>Note 7</b>	New systems only, does not apply to migrated towers.			
<b>Note 8</b>	Includes a base CD-ROM in the migration tower (no feature code).			
<b>Note 9</b>	<p>5250 OLTP CPW is an approximate value that reflects the amount of Processor CPW that can be used for workloads performing 5250-based tasks.</p> <p>Any task that uses a 5250 data stream is considered 5250 OLTP work and requires some amount of 5250 CPW to process no matter how the task was started.</p> <p>A task submitted through a 5250 session (5250 device or 5250 emulation) that does display or printer I/O requires 5250 CPW.</p> <p>A task submitted through a 5250 session (5250 device or 5250 emulation) as a "batch" job is not considered 5250 OLTP work and does not require any 5250 CPW unless the task does display or printer I/O.</p> <p>Limited 5250 CPW is available when 5250 Interactive CPW = 0, for a system administrator to use 5250 display device I/O to manage various aspects of the server. Multiple administrative jobs exceed this capability.</p>			
<b>Note 10</b>	External DASD capacity maximum assumes 35.16 GB LUNs. External DASD cannot exceed the maximum system capacity or the maximum number of disk arms.			
<b>Note 11</b>	Software group is determined by a combination of the processor and interactive feature. The following table provides a cross reference.			
	<b>Processor</b>	<b>Interactive feature</b>	<b>Processor feature</b>	<b>Software group</b>
	#2402	#1531	#23D1	P30
		#1532	#23D2	P40
		#1533	#23D3	P40
		#1534	#23D4	P40
		#1535	#23D5	P40
		#1536	#23D6	P40

<b>Note 11 (cont.)</b>	#2403	#1531	#23D8	P40
		#1532	#23D9	P50
		#1533	#23DA	P50
		#1534	#23DB	P50
		#1535	#23DC	P50
		#1536	#23DD	P50
		#1537	#23DE	P50

## 9406 Model 840

Processor feature	Model 840				
	#0158	#0159	#2352	#2353	#2354
Relative system performance <sup>1</sup>					
Processor CPW	12000	20200	9000-12000	12000-16500	16500-20200
5250 CPW <sup>8</sup>	0	0			
#1540 (Base)			120	120	120
#1541			240	240	240
#1542			560	560	560
#1543			1050	1050	1050
#1544			2000	2000	2000
#1545			4550	4550	4550
#1546			10000	10000	10000
#1547			-	16500	16500
#1548			-	-	20200
Number/type/speed of processors	12/SSTAR/ 600 MHz	24/SSTAR/ 600 MHz	8 - 12/ SSTAR/ 600 MHz	12 - 18/ SSTAR/ 600 MHz	18 - 24/ SSTAR/ 600 MHz
L2 Cache (MB)	16x4	16x4	16x4	16x4	16x4
Main storage (GB min/max)	4/128	4/128	4/128	4/128	4/128
Main storage cards (min/max)	4/16	4/16	4/16	4/16	4/16
Minimum operating system level	V5R1	V5R1	V5R1	V5R1	V5R1
Software group <sup>10</sup>	P40	P40	P40 or P50	P40 or P50	P40 or P50

Numbers are for all processor features	#9079 Base I/O Tower	PCI Expansion Tower #5074	Migrated total with #5077 <sup>5</sup>	New system maximum <sup>6</sup>	LPAR maximum
Disk storage minimum (GB)	8.58	-	-		
Maximum internal (GB)	1582.4	1582.4	4294.9	37978.2	
Maximum external (GB)	5626.4	6751.6	4260.6	37943.0	
Total maximum (GB) <sup>9</sup>	7208.8	8298.9	4294.9	37978.2	
DASD arms maximum <sup>9</sup>	205	205		1080	
Internal	45	45	596	1080	
External LUNs	160	192	595	1079	
Diskette (8 or 5 ¼-inch)	-	-	2	-	
Communication lines <sup>4</sup>	40	52	300	400	
Twinax workstation controllers	9	11	175	175	
Twinaxial devices	360	440	7000	7000	
Internal CD-ROM/DVD-RAM <sup>3</sup>	2	2	18 <sup>7</sup>	24	34
Internal tape	1	2	17	26	34
External CD-ROM/DVD-RAM <sup>3</sup>	8	11	14	26	34
External tape (max/system)	8	11	14	26	34
Tape libraries maximum <sup>2</sup>	8	11	14	26	34
Optical libraries	8	11	22	26	34
Physical packaging					
External HSL ports	16	-	-	16	
External HSL loops	8	-	-	8	
#5074 Towers	23	-	-	23	
Integrated xSeries Adapter	32	-	-	32	
SPD towers supported	-	-	18	-	
PCI adapter card slots	14	14	270	336	
Maximum PCI IOA cards	11	11	216	264	
LAN ports maximum	6	8	72	96	
Maximum Integrated xSeries Server	2	2	16	16	
Cryptographic processor	3	3	3	3	

<b>Note 1</b>	CPW is used to measure the performance of all iSeries and AS/400e processors announced from September 1996 onward. The CPW value is measured on maximum configurations. The type and number of disk devices, the number of workstation controllers, the amount of memory, the system model, other factors, and the application running determine what performance is achievable.
<b>Note 2</b>	The total number of tape devices does not increase.
<b>Note 3</b>	There must be one CD-ROM or DVD-RAM per system.
<b>Note 4</b>	One line is used if the #5544 System Console on Operations Console is used on a #9771 WAN adapter. One line might be used if the #5546 or #5548 System Console on LAN is selected and the #0367 Operations Console PCI Cable is connected.
<b>Note 5</b>	Includes the #5077 and all the SPD Bus towers attached to the #5077.
<b>Note 6</b>	New systems only. Does not apply to migrated system.
<b>Note 7</b>	Includes a base CD-ROM in the migration tower (no feature code).
<b>Note 8</b>	<p>5250 CPW (Interactive) is an approximate value that reflects the amount of Processor CPW that can be used for workloads performing 5250-based tasks.</p> <ul style="list-style-type: none"> <li>▶ Any task that uses a 5250 data stream is considered 5250 online transaction processing (OLTP) work and requires some amount of 5250 CPW to process regardless of how the task was started.</li> <li>▶ A task submitted through a 5250 session (5250 device or 5250 emulation) that does display or printer I/O requires 5250 CPW.</li> <li>▶ A task submitted through a 5250 session (5250 device or 5250 emulation) as a "batch" job is not considered 5250 OLTP work and does not require any 5250 CPW unless the task does display or printer I/O.</li> <li>▶ Limited 5250 CPW is available when 5250 CPW = 0 for a system administrator who wants to use 5250 display device I/O to manage various aspects of the server. Multiple administrative jobs exceed this capability.</li> </ul>
<b>Note 9</b>	External DASD capacity maximum assumes 35.16 GB LUNs. External DASD cannot exceed the maximum system capacity or the maximum number of disk arms.

<b>Note 10</b>	Software group is determined by the combination of processor feature and edition feature. Display the QPRCFEAT system value or DSPHDWRSC TYPE(*AHW) to display the processor feature code value. This value is also shown for the Capacity Card CCIN value when using SST to perform a Capacity Upgrade on Demand.			
	Processor feature	Interactive feature	Software group	Processor feature code or QPRCFEAT value
	#0158	N/A	P40	0158
	#0159	N/A	P40	0159
	#2352	#1540	P40	26B0
		#1541	P50	#26B1
		#1542	P50	26B2
		#1543	P50	26B3
		#1544	P50	26B4
		#1545	P50	26B5
	#2353	#1546	P50	26B6
		#1540	P40	26B8
		#1541	P50	26B9
		#1542	P50	26BA
		#1543	P50	26BB
		#1544	P50	26BC
		#1545	P50	26BD
	#1546	P50	26BE	
	#2354	#1547	P50	26BF
		#1540	P40	26C0
		#1541	P50	26C1
		#1542	P50	26C2
		#1543	P50	26C3
		#1544	P50	26C4
		#1545	P50	26C5
		#1546	P50	26C6
		#1547	P50	26C7
	#1548	P50	26C8	

Model	840					
Processor feature	#2416	#2417	#2418	#2419	#2420	#2461
Relative system performance <sup>1, 2</sup>						
Processor CPW	10000	13200	10000	16500	16500	20200
5250 CPW						
#1540 (Base)	120	120	120	120	120	120
#1541	240	240	240	240	240	240
#1542	560	560	560	560	560	560
#1543	1050	1050	1050	1050	1050	1050
#1544	2000	2000	2000	2000	2000	2000
#1545	4550	4550	4550	4550	4550	4550
#1546	10000	10000	10000	10000	10000	10000
#1547	-	-	-	16500	16500	16500
#1548						20200
Number/type/speed of processors	8 to 12/ ISTAR/ 500 MHz	12 to 18/ ISTAR/ 500 MHz	12/ISTAR/ 500 MHz	18 to 24/ ISTAR/ 500 MHz	24/ISTAR/ 500 MHz	24/SSTAR/ 600 MHz
L2 Cache (MB)	8	8	8	8	8	16x4
Main storage (GB min/max)	4/128	4/128	4/128	4/128	4/128	4/128
Main storage cards (min/max)	4/16	4/16	4/16	4/16	4/16	4/16
Minimum operating system level	V4R5	V4R5	V4R5	V4R5	V4R5	V5R1
Software group <sup>9</sup>	P40-P50	P40-P50	P40-P50	P40-P50	P40-P50	P40-P50



Numbers are for all processor features	#9079 Base I/O Tower	PCI Expansion Tower #5074	Migrated total with #5077 <sup>5</sup>	New system maximum <sup>6</sup>	LPAR maximum
Disk storage minimum (GB)	8.58	-	-		
Maximum internal (GB)	1582.4	1582.4	4294.9	37978.2	
Maximum external (GB)	5626.4	6751.6	4260.6	37943.0	
Total maximum (GB) <sup>9</sup>	7208.8	8298.9	4294.9	37978.2	
DASD arms maximum <sup>9</sup>	205	205		1080	
Internal	45	45	596	1080	
External LUNs	160	192	595	1079	
Diskette (8 or 5 ¼-inch)	-	-	2	-	
Communication lines <sup>4</sup>	40	52	300	400	
Twinax workstation controllers	9	11	175	175	
Twinaxial devices	360	440	7000	7000	
Internal CD-ROM/DVD-RAM <sup>3</sup>	2	2	18 <sup>7</sup>	24	34
Internal tape	1	2	17	26	34
External CD-ROM/DVD-RAM <sup>3</sup>	8	11	14	26	34
External tape (max/system)	8	11	14	26	34
Tape libraries maximum <sup>2</sup>	8	11	14	26	34
Optical libraries	8	11	22	26	34
Physical packaging					
External HSL ports	16	-	-	16	
External HSL loops	8	-	-	8	
#5074 Towers	23	-	-	23	
Integrated xSeries Adapter	32	-	-	32	
SPD towers supported	-	-	18	-	
PCI adapter card slots	14	14	270	336	
Maximum PCI IOA cards	11	11	216	264	
LAN ports maximum	6	8	72	96	
Maximum Integrated xSeries Server	2	2	16	16	
Cryptographic processor	3	3	3	3	

<b>Note 1</b>	CPW is used to measure the performance of all iSeries and AS/400e processors announced from September 1996 onward. The CPW value is measured on maximum configurations. The type and number of disk devices, the number of workstation controllers, the amount of memory, the system model, other factors, and the application running determine what performance is achievable.			
<b>Note 2</b>	The total number of tape devices does not increase.			
<b>Note 3</b>	There must be one CD-ROM or DVD-RAM per system.			
<b>Note 4</b>	One line is used if the #5544 System Console on Operations Console is used on a #9771 WAN adapter. One line might be used if the #5546 or #5548 System Console on LAN is selected and the #0367 Operations Console PCI Cable is connected.			
<b>Note 5</b>	Includes the #5077 and all the SPD Bus towers attached to the #5077.			
<b>Note 6</b>	New systems only. Does not apply to migrated system.			
<b>Note 7</b>	Includes a base CD-ROM in the migration tower (no feature code).			
<b>Note 8</b>	<p>5250 OLTP CPW is an approximate value that reflects the amount of Processor CPW that can be used for workloads performing 5250-based tasks.</p> <p>Any task that uses a 5250 data stream is considered 5250 OLTP work and requires some amount of 5250 CPW to process no matter how the task was started.</p> <p>A task submitted through a 5250 session (5250 device or 5250 emulation) that does display or printer I/O requires 5250 CPW.</p> <p>A task submitted through a 5250 session (5250 device or 5250 emulation) as a "batch" job is not considered 5250 OLTP work and does not require any 5250 CPW unless the task does display or printer I/O.</p> <p>Limited 5250 CPW is available when 5250 Interactive CPW = 0, for a system administrator to use 5250 display device I/O to manage various aspects of the server. Multiple administrative jobs exceed this capability.</p>			
<b>Note 9</b>	External DASD capacity maximum assumes 35.16 GB LUNs. External DASD cannot exceed the maximum system capacity or the maximum number of disk arms.			
<b>Note 10</b>	Software group is determined by a combination of the processor and interactive feature. The following table provides a cross reference.			
	<b>Processor</b>	<b>Interactive feature</b>	<b>Processor feature</b>	<b>Software group</b>
	#2416	#1540	#24C0	P40
		#1541	#24C1	P50
		#1542	#24C2	P50
		#1543	#24C3	P50
		#1544	#24C4	P50
		#1545	#24C5	P50
		#1546	#24C6	P50

**Note 10  
(cont.)**

Software group is determined by a combination of the processor and interactive feature. The following table provides a cross reference.

Processor	Interactive feature	Processor feature	Software group
#2417	#1540	#24C8	P40
	#1541	#24C9	P50
	#1542	#24CA	P50
	#1543	#24CB	P50
	#1544	#24CC	P50
	#1545	#24CD	P50
	#1546	#24CE	P50
#2418	#1540	#23E8	P40
	#1541	#23E9	P50
	#1542	#23EA	P50
	#1543	#23EB	P50
	#1544	#23EC	P50
	#1545	#23ED	P50
	#1546	#23EE	P50
#2419	#1540	#24D0	P40
	#1541	#24D1	P50
	#1542	#24D2	P50
	#1543	#24D3	P50
	#1544	#24D4	P50
	#1545	#24D5	P50
	#1546	#24D6	P50
	#1547	#24D7	P50
#2420	#1540	#23F8	P40
	#1541	#23F9	P50
	#1542	#23FA	P50
	#1543	#23FB	P50
	#1544	#23FC	P50
	#1545	#23FD	P50
	#1546	#23FE	P50
	#1547	#23FF	P50

<b>Note 10 (cont.)</b>	Software group is determined by a combination of the processor and interactive feature. The following table provides a cross reference.			
	Processor	Interactive feature	Processor feature	Software group
	#2461	#1540	#26D0	P40
		#1541	#26D1	P50
		#1542	#26D2	P50
		#1543	#26D3	P50
		#1544	#26D4	P50
		#1545	#26D5	P50
		#1546	#26D6	P50
		#1547	#26D7	P50
#1548		#26D8	P50	

## 9406 Model 890

Processor feature	Model 890			
	#0197	#0198	#2487	#2488
Relative system performance <sup>1</sup> Processor CPW 5250 CPW <sup>5</sup> #1576 (Base) #1577 #1578 #1579 #1581 #1583 #1585 #1587 #1588 #1591	29300 0	37400 0	20200 - 29300  120 240 560 1050 2000 4550 10000 16500 20200 ---	29300 - 37400  120 240 560 1050 2000 4550 10000 16500 20200 37400
Number/type/speed of processor	24/POWER4/ 1.3 GHz	32/POWER4/ 1.3 GHz	16 - 24/POWER4/ 1.3 GHz	24 - 32/POWER4/ 1.3 GHz
L2 Cache (MB)	1.5 MB/chip set	1.5 MB/chip set	1.5 MB/chip set	1.5 MB/chip set
L2 and L3 Cache (MB/processor)	16.72	16.72	16.72	16.72
Main storage (GB min-max)	16 - 192	24 - 256	16 - 192	24 - 256
Main storage cards (min/max)	2/6	4/8	2/6	4/8
Minimum operating system level <sup>7</sup>	V5R2	V5R2	V5R2	V5R2
Software group <sup>6</sup>	P50	P50	P50-P60	P50-P60

<b>Numbers are for all 890 processor features</b>	<b>Base Tower #9094</b>	<b>PCI-X Expansion Tower #5095/#0595</b>	<b>PCI-X Expansion Tower #5094</b>	<b>Total maximum</b>	<b>LPAR system maximum</b>
Disk storage (GB)					
Integrated minimum	17.5	17.5	17.5		
Integrated maximum	3175.2	846.7	3175.2	144446	144446
External maximum <sup>4</sup>	11290	3175	13548	144375	144375
Total maximum	14462	4021	16720	144446	144446
DASD arms maximum					
Arms internal	45	12	45	2047	2047
LUNs external	160	127	192	2046	2046
Physical packaging					
External HSL/HSL-2 ports	-/24	-	-	-/24	-/24
External HSL/HSL-2 loops	-/12	-	-	-/12	-/12
PCI/PCI-X Expansion Towers	47	-	-	47	47
External xSeries Servers	60	-	-	60	60
Embedded IOP	-	-	-	-	-
Embedded IOA	-	-	-	-	-
PCI card slots	14	7	14	672	672
Maximum PCI IOA cards	11	5	11	528	528
Communication lines <sup>3</sup>	38	20	44	480	480
LAN ports	7	5	8	128	128
Integrated xSeries Servers	2	1	3	48	48
Twinaxial workstation controllers	9	5	11	180	180
Twinaxial workstations	360	200	440	7200	7200
Internal CD-ROM/DVD-RAM/tape <sup>2</sup>	2	-	2	26	48
External tape/optical/CD/DVD	9	5	11	26	48
Cryptographic coprocessor	8	3	8	32	32
Cryptographic accelerator	4	4	4	8	8

<b>Note 1</b>	CPW is used to measure the performance of all iSeries and AS/400e processors announced from September 1996 onward. The CPW value is measured on maximum configurations. The type and number of disk devices, the number of workstation controllers, the amount of memory, the system model, other factors, and the application running determine what performance is achievable.
<b>Note 2</b>	There must be one DVD-RAM or DVD-ROM in the #9094 Base PCI I/O Enclosure.
<b>Note 3</b>	One line is used if #5544 System Console on Operations Console is used. One line might be used if the #5546 or #5548 System Console on LAN is selected and the #0367 Operations Console PCI Cable must be connected.
<b>Note 4</b>	External DASD capacity assumes 70.56 GB LUNs. External DASD cannot exceed the maximum new system capacity or the maximum number of disk arms.
<b>Note 5</b>	<p>5250 CPW (Interactive) is an approximate value that reflects the amount of Processor CPW that can be used for workloads performing 5250-based tasks. The iSeries Enterprise Edition provides maximum 5250 CPW support (up to 100% of the capacity of the active processor CPW). Remember that:</p> <ul style="list-style-type: none"> <li>▶ Any task that uses a 5250 data stream is considered 5250 online transaction processing (OLTP) work and requires some amount of 5250 CPW to process regardless of how the task was started.</li> <li>▶ A task submitted through a 5250 session (5250 device or 5250 emulation) that does display or printer I/O requires 5250 CPW.</li> <li>▶ A task submitted through a 5250 session (5250 device or 5250 emulation) as a "batch" job is not considered 5250 OLTP work and does not require any 5250 CPW unless the task does display or printer I/O.</li> <li>▶ Limited 5250 CPW is available with the Standard Edition for a system administrator who wants to use 5250 display device I/O to manage various aspects of the server. Multiple administrative jobs exceed this capability.</li> <li>▶ Maximum 5250 CPW is equivalent to the processor CPW for the active processor.</li> </ul>

<b>Note 6</b>	Software group is determined by the combination of processor feature and edition feature. Display the QPRCFEAT system value or DSPHDWRSC TYPE(*AHW) to display the processor feature code value. This value is also shown for the Capacity Card CCIN value when using SST to perform a Capacity Upgrade on Demand.				
	Processor feature	Server feature	Edition feature/ Edition	Software group	Processor feature code or QPRCFEAT value
	#0197			P50	25D3
	#0198			P50	25D5
	#2487		#1576	P50	2AF0
			#1577	P60	2AF1
			#1578	P60	2AF2
			#1579	P60	2AF3
			#1581	P60	2AF5
			#1583	P60	2AF7
			#1585	P60	2AF9
			#1587	P60	2AFB
	#2488		#1588	P60	2AFC
			#1576	P50	2AD0
			#1577	P60	2AD1
			#1578	P60	2AD2
			#1579	P60	2AD3
		#1581	P60	2AD5	
		#1583	P60	2AD7	
		#1585	P60	2AD9	
		#1587	P60	2ADB	
	#1588	P60	2ADC		
	#1591	P60	2ADF		
<b>Note 7</b>	V5R2 with the February 2003 level of LIC and Cumulative PTF package C3021520.				

## Notes for all summary tables

### Notes:

- ▶ Commercial Processing Workload (CPW) values give a relative performance rating of all iSeries processors.
  - ▶ The capacities shown may require prerequisites. Some combinations of features are not valid.
1. CPW is used to measure the performance of all iSeries and AS/400e processors. The CPW value is measured on maximum configurations. The type and number of disk devices, the number of workstation controllers, the amount of memory, the system model, other factors, and the application being run determine what performance is achievable. For more details, see “Commercial Processing Workload” on page 36.
  2. The 9404 Model B10 with 16M main storage and 945M of Disk assigned value of 1.0. All data for 70% system utilization and maximum configurations. IBM RAMP-C workload. Customer results may vary.
  3. There are particular limitations within SSP, which means that quoted minimums and maximums are often with OS/400 installed.
  4. RSP CPW 5.5/17.1 refers to interactive and client/server environments respectively on the 9401 Server 10S. RSP RAMP-C of 1.9/5.9 also refers to these two environments in the same order.
  5. Three LANs are allowed when running IBM Firewall for AS/400 (5769-FW1).
  6. One tape is required.
  7. Does not include Operations Console.
  8. These cards may have one or two LAN ports. The #6617 SPD Integrated PC Server can have up to three ports.
  9. V4R2 or later is a prerequisite for optical library support.
  10. Either #9329 (PCI cards) or #9331 (SPD cards) must be chosen on a #5064/#9364. Therefore, columns two and three below this point are mutually exclusive.
  11. The lower figure is for #2175, #2179, and #2180 processors. The higher number is for the #2181 and #2182 processors.
  12. External DASD can be attached through an SPD disk controller in this unit.



13. Maximums are:

12 of #6500

20 of #6501

9 of #6502, #6512, #6530, #6532, #6533

These maximums may be limited when used in combination with other disk controllers.

14. With V4R1, a maximum of two workstation controllers is supported.

15. The combined maximum of local and remote displays attached to ASCII and Twinax is seven with V4R1 and 28 with V4R2 and V4R3.

16. The lower number is for the #2161 processor. The higher number is for #2163, #2165, and #2166 processors.

17. If there is no workstation controller specified, the console must be specified by #9721.

18. One line is used for Operations Console. The maximum is nine if there is a Twinaxial System Console.

19. For systems shipped between October 1997 and February 1998, maximum storage is 2048M.

21. The maximum reflects the usage of two slot wide IPCS. If using a three slot wide IPCS, Integrated Netfinity Server, or Integrated xSeries Server, the maximum is two.

22. The maximum reflects the usage of two slot wide IPCS. If using a three slot wide IPCS, Integrated Netfinity Server, or Integrated xSeries Server, the maximum is four.

23. Requires V4R2 or later.

24. On the 9401 Model 150, the processor is the same on both the Twinaxial and Server Models, and therefore, the performance figures are the same.

25. The performance figures shown are for a "constrained" workload due to memory and disk limitations on the 9401 Model 150. If these limitations are lifted, the "unconstrained" CPW measurements in the following table apply.

Processor	Interactive	Client/server
#0591 and #0593	13.8	27.0
#0592 and #0592	20.6	35.0

26. The system also includes a CD-ROM for IBM software.

27. The 9401 Model 150 includes BasePak software in the hardware cost. This includes OS/400, Client Access Family for Windows, Query, SQL, Facsimile Support, and PSF/400. Additional programs have to be purchased.
  28. Two of these PCI I/O card slots are reserved for the Integrated Netfinity Server. Three are driven by the multifunction I/O processor.
  29. Six lines in total, but one is reserved for Operations Console.
  30. A maximum of one LAN can be driven off the multifunction I/O processor. If Integrated Netfinity Server is installed, no LANs are supported on the MFIOP.
- † This processor was announced in September 1996 when IBM introduced CPW as the new method of measuring the performance of AS/400e processors. For this and future processor announcements, CPW values only are quoted.



# A

## Referenced lists

This appendix accommodates lists and details that are considered pertinent to you, as referred to within the context of this publication. The details are presented in this appendix to improve the readability of the base information.

## Communication references

These networks, communication facilities, and protocols are supported on the iSeries.

### Supported communication networks

Network types supported on the iSeries are:

- ▶ 1 Gbps Ethernet
- ▶ 100/10 Mbps Fast Ethernet
- ▶ IBM Token Ring 100/16/4 Mbps Network
- ▶ ATM 155 Mbps LAN
- ▶ X.21
- ▶ X.25
- ▶ ISDN Data Link Control (IDLC)
- ▶ T1/E1/J1 and Fractional T1 Networks (high bandwidth)
- ▶ Asynchronous
- ▶ Binary synchronous
- ▶ Synchronous Data Link Control (SDLC)
- ▶ Ethernet Version 2 or IEEE 802.3
- ▶ IBM Token-Ring 16 Mbps Network (IEEE 802.5 and 802.2)
- ▶ FDDI/SDDI LANs (100 Mbps medium)

### Supported communication facilities

The iSeries offers the following facilities:

- ▶ Simple Network Management Protocol (SNMP) in TCP/IP Networks
- ▶ Alerts support to NetView, iSeries, System/36, and System/38
- ▶ IBM Token-Ring Network Management Support
- ▶ Distributed Host Command Facility (DHCF)
- ▶ Link Problem Determination Aid (LPDA)
- ▶ Distributed System Node Executive (DSNX)

### Supported communication protocols

The protocols that are supported by the iSeries are:

- ▶ TCP/IP support
- ▶ X.21 Shorthand Mode (SHM) and multiple port sharing (MPS)
- ▶ Remote Workstation Support
- ▶ 3x74 Remote Attach
- ▶ 5x94 Remote Attach
- ▶ Intersystem Communications Function
- ▶ Advanced Peer-to-Peer Networking (APPN)

- ▶ Dependent Logical Unit Requester (DLUR)
- ▶ Advanced Program-to-Program Communication (APPC)
- ▶ SNA Upline Facility to System/370™ IMS™ and CICS Hosts
- ▶ Binary Synchronous Communications Equivalence Link (BSCCEL)
- ▶ ICF Retail Communications Support
- ▶ ICF Finance Communications Support
- ▶ Non-ICF Finance Communications Support
- ▶ SNA Distribution Services (SNADS)
- ▶ SNA Primary Logical Unit 2 Support
- ▶ SNA/Management Services Transport
- ▶ Distributed Relational Database Support
- ▶ Object Distribution Facility (ODF)
- ▶ Display Station Pass-through
- ▶ Distributed Data Management (DDM)
- ▶ SNA Pass-through
- ▶ IBM Network Routing Facility (NRF) Support/400
- ▶ Autodial Support
- ▶ 3270 Device Emulation
- ▶ 3270 SNA API Support for IBM 3278 Model 3, 4, and 5
- ▶ ISDN Support
- ▶ 5394/5494 SNA Backbone Support
- ▶ File Transfer Support
- ▶ Interactive Terminal Facility (ITF)
- ▶ Systems Application Architecture (SAA) Common Programming Interface for Communications (CPI-C)
- ▶ ATM LAN Emulation

## Options included in OS/400 V5R2

- ▶ Option 1 OS/400 - Extended Base Support\*
- ▶ Option 2 OS/400 - Online Information\*
- ▶ Option 3 OS/400 - Extended Base Directory Support\*
- ▶ Option 4 OS/400 - S/36 and S/38 Migration
- ▶ Option 5 OS/400 - System/36 Environment
- ▶ Option 6 OS/400 - System/38 Environment
- ▶ Option 7 OS/400 - Example Tools Library
- ▶ Option 8 OS/400 - AFP Compatibility Fonts
- ▶ Option 9 OS/400 - \*PRV CL Compiler Support
- ▶ Option 11 OS/400 - S/36 Migration Assistant
- ▶ Option 12 OS/400 - Host Servers\*
- ▶ Option 13 OS/400 - System Openness Includes
- ▶ Option 14 OS/400 - GDDM
- ▶ Option 16 OS/400 - Ultimedia System Facilities

- ▶ Option 21 OS/400 - Extended NLS Support
- ▶ Option 22 OS/400 - ObjectConnect
- ▶ Option 25 OS/400 - NetWare Enhanced Integration
- ▶ Option 29 OS/400 - iSeries Integration for Windows Server
- ▶ Option 30 OS/400 - Qshell\*
- ▶ Option 31 OS/400 - Domain Name System
- ▶ Option 33 OS/400 - Portable Application Solutions Environment\*
- ▶ Option 34 OS/400 - Digital Certificate Manager\*
- ▶ Option 35 OS/400 - CCA Crypto Service Provider
- ▶ Option 39 OS/400 - International Components for Unicode
- ▶ Option 43 OS/400 - Additional Fonts

The following are included with all V5R2 OS/400 shipments:

- ▶ V5R2 HTTP Server\*
- ▶ V5R2 Toolbox for Java\*
- ▶ V5R2 Developer Kit for Java\*
  - Option 3 Java Developer Kit 1.2
  - Option 4 Java Developer Kit 1.1.8
  - Option 5 Java Developer Kit 1.3\*
  - Option 6 Java Developer Kit 1.4
- ▶ V3R7 Tivoli Management Agent\*
- ▶ V5R2 Electronic Service Agent\*
- ▶ V5R2 TCP/IP Utilities\*
- ▶ V5R2 Integration for Windows Server\*
- ▶ V5R2 iSeries Access for Windows\*
- ▶ V5R2 iSeries Access for Wireless

All of the previously listed software is included in the software order.

**Note:** Those product and product options identified with an asterisk (\*) are preloaded on all new system orders.

## Features and devices not supported with V5R1

These features are not supported with OS/400 V5R1 or later:

- ▶ #2620 Full Cryptographic Processor
- ▶ #2628 Limited Cryptographic Processor
- ▶ #2851 Integrated PC Server
- ▶ #2854 PCI Integrated PC Server
- ▶ #6509 Additional 16 MS FSIOP Memory
- ▶ #6516 16 MB One-Port FSIOP
- ▶ #6517/#9517 32 MB One-Port FSIOP

- ▶ #6518 48 MB One-Port FSIOP
- ▶ #6519 64 MB One-Port FSIOP
- ▶ #6520 Upgrade 1 to 2 Port FSIOP
- ▶ #6526 16 MB Two-Port FSIOP
- ▶ #6527 32 MB Two-Port FSIOP
- ▶ #6528 48 MB Two-Port FSIOP
- ▶ #6529 64 MB Two-Port FSIOP
- ▶ #6616 Integrated PC Server
- ▶ #8716 Optional 16 MB One-Port FSIOP
- ▶ #8717 Optional 32 MB One-Port FSIOP
- ▶ #8718 Optional 48 MB One-Port FSIOP
- ▶ #8719 Optional 64 MB One-Port FSIOP
- ▶ #8726 Optional 16 MB Two-Port FSIOP
- ▶ #8727 Optional 32 MB Two-Port FSIOP
- ▶ #8728 Optional 48 MB Two-Port FSIOP
- ▶ #8729 Optional 64 MB Two-Port FSIOP

The following devices are not supported with OS/400 V5R1 or later:

- ▶ 2440
- ▶ 3422
- ▶ 3430
- ▶ 3995: Models 042, 043, 142, 143, A43
- ▶ 3995: All models connected via a #2621 are no longer supported
- ▶ 9347
- ▶ 9331: Models 001 and 002

Some hardware features are supported with V5R1 but are not supported on all iSeries models. Refer to the Planning Web site for more information:

<http://www-1.ibm.com/servers/eserver/iseries/support/planning/v5r1hardware.html>

## Products and features no longer marketed by IBM

As products and features are withdrawn from marketing, they are removed from the published edition of the handbook. The tables in this section identify such products.

The currently available features are listed in this book, which may assist with providing a replacement. Refer to the iSeries Planning Web site for further information:

<http://www.ibm.com/servers/eserver/support/iseries/planning>

## Hardware no longer marketed by IBM

### SPD technology

The following functions that are supported with SPD technology do not have equivalent function PCI cards for Models 270, 520, 570, 800, 810, 820, 825, 830, 840, 870, and 890:

- ▶ ASCII Adapter
- ▶ V.25 Autocall cable
- ▶ Select standby mode
- ▶ X.21 switched wide area network (WAN) dial-up or shorthold mode WAN
- ▶ Asynchronous communication speeds of less than 300 bps
- ▶ Data Rate Select signal on the EIA 232/V.24 interface

This function is used by some older 2400 bps modems to reduce the speed to 1200 bps.

- ▶ LPDA-1 (Link Problem Determination Aids)

This is a diagnostic function supported by some (primarily older IBM) modems.

- ▶ V.54 local and remote loopback (diagnostics functions supported by some modems)

PCI adapters also do not support X.21 switched WAN dial-up or shorthold mode WAN.

### Hardware withdrawn from marketing

The hardware products and features shown in the following table are now withdrawn from marketing.

Product or feature	Description	Withdrawal date	Recommended replacement
2105 Model B09	Versatile Storage Server™ (VSS)	24 November 1999	2105-800
2105 Models Exx	IBM TotalStorage Enterprise Storage Server (ESS)	29 September 2000	2105-800
2105 Model F10	ESS	22 November 2000	2105-800
2105 Model F20	ESS	31 December 2003	2105-800
2109 Mod S08 S16	SAN Fibre Channel Switch	30 January 2003	3534 Model F08, 2109 Model F16



Product or feature	Description	Withdrawal date	Recommended replacement
2422	½-inch Reel Tape Drive		3580, 3590
2440	Magnetic Tape Subsystem (½-inch Reel Tape Drive)	20 January 1992	3580, 3590
2480	Wireless LAN Access Point (2480-RS0)	13 January 1999	N/A
2480	Wireless LAN Access Point (2480-E00, -EB0, -TR0, -TB0)	24 May 1999	N/A
2482	AS/400 Wireless Portable Transaction Computer (PTC)	24 May 1999	N/A
2483	Integrated Laser PTC for AS/400 Wireless Network	24 May 1999	N/A
2484	Industrial PTC for AS/400 Wireless Network	24 May 1999	N/A
2486	IBM PTC	24 May 1999	N/A
3430	Magnetic Tape Subsystem (½-in. Reel Tape Drive)	19 December 1989	3580, 3590
3490E Models F00 F01, F11, F1A, FC0	Magnetic Tape	28 June 2002	3580, 3590
3494 - L10, D10	IBM TotalStorage Enterprise Tape Library	27 December 2002	3494 L12, D12
3499 All Model	Media	26 December 2003	N/A
3534 Model 1RU	SAN Fibre Channel Managed Hub	14 February 2003	3534-F08
3570 Models Bxx	Magstar® MP (Multi-Purpose) Tape Library	31 December 1999	3580, 3581, 3582
3570 Models Cxx	Magstar MP (Multi-Purpose) Tape Library	27 December 2002	3580, 3581, 3582
3575 Models Lxx	Magstar MP (Multi-Purpose) Tape Library Datasever	28 June 2002	3583, 3584
3584-D42	UltraScalable Tape Library	25 April 2003	N/A
3995 Models A43, 043 143, 042, 142	Optical library	06 December 1996	3995 C40, C42, C44, C48
3995 Models C20, C22, C24, C26, C28	Optical Library, LAN attached	31 January 2002	N/A
5308	ASCII to 5250 Connection	21 December 1999	N/A
5494	Remote Control Unit	21 December 1999	N/A
5500	Express IP Control Unit	21 December 1999	N/A

Product or feature	Description	Withdrawal date	Recommended replacement
6299	Midrange Hub	01 September 1999	N/A
7210-020	External CD ROM	29 June 2001	7210-025
7208-342	External 8mm Tape Drive	27 June 2003	7208-345
7852-40Z	AS/400 Data/Fax Modem V.34	12 March 2002	#0032 Modem
7852-400	External V.34 Data/Fax Modem	01 November 2003	#0032 Modem
8361 -100	Network Station® series 100 Ethernet	14 October 1999	Neoware Eon Thin Client
8361 - 200	Network Station series 100 Token-Ring	14 October 1999	Neoware Eon Thin Client
8361 - 210	Network Station series 300 Token-Ring	31 December 1999	Neoware Eon Thin Client
8361 - 341	Network Station series 300 Twinax	31 December 1999	Neoware Eon Thin Client
9309	1.6m Rack Enclosure	01 October 2002	#0551 iSeries Tower
9331- 001 and 002	Diskette drive	25 October 1995	N/A
9331- 011 and 011	Diskette drive	15 September 1998	N/A
9347	Tape drive	31 October 2000	3580
9348	Magnetic tape device	26 February 1999	3580
Model 150	System and features	31 October 2000	Model 250
Model 150	V4R1 and V4R2 Model 150 packages	31 December 1999	V5 PPS software
Model 236	Model upgrades from Model 236 to Model 436	25 February 2000	N/A
Model 436	Processor upgrades within the Model 436	25 February 2000	N/A
Model 170	V4R2 processor features on new systems: #2160, #2164, #2176, and #2183	25 February 2000	N/A
Model 170	All models	31 May 2002	Model 250 2396, 520
Model 170	All processor upgrades	28 December 2001	Model 250, 520
Model 250	All models	16 June 2004	Model 520
Model 270	All models, new model sales	21 November 2003	Model 520
Model 4xx	Model upgrades from 4xx to 7xx	30 June 2000	N/A

Product or feature	Description	Withdrawal date	Recommended replacement
Model 5xx	Model upgrades from 5xx to 7xx	30 June 2000	N/A
Model 6xx	Model 600, 620, 640, and 650	31 May 1999	Model 520, 570
Model 6xx	Model upgrades from 6xx to 6xx and processor feature conversions within 6xx models	31 May 2000	N/A
Model 6xx/Sxx	Model upgrades from 6xx/Sxx to 7xx/8xx	28 September 2001	N/A
Model 7xx	All models, new model sales	28 December 2001	Model 520, 570, 825, 870, 890
Model 7xx	7xx model to 7xx model upgrades	28 December 2001	N/A
Model 7xx	Processor and interactive feature upgrades within 7xx models	02 July 2002	N/A
Model 7xx	7xx model to 8xx model upgrades	08 October 2003	N/A
Model 820	#2396, #2397, #2398, #2425, #2426, and #2427 Model 820 processors	21 November 2003	Model 520, 570
Model 830	#2402 and #2403 Model 830 processors	21 November 2003	Model 570, 825, 870
Model 840	#2416, #2417, #2418, #2419, #2420, and #2461 Model 840 processors	21 November 2003	Model 570, 870, 890
Model 890	#0197, #0198, #2487, and #2488 Model 890 processors	07 May 2003	Model 890 #2497, #2498
Model SB1	System	29 December 2000	Model SB2, Model SB3
Model SB2 and SB3	System	03 December 2002	Model 570, 870
Model Sxx	Model S10, S20, S30, S40	31 May 1999	Model 520, 570
Model Sxx	Model upgrades from Sxx to Sxx and processor feature conversions within Sxx	31 May 2000	N/A
Model Sxx	Model upgrades from Sxx to 7xx/8xx	28 September 2001	N/A
#0001	MES Bulk Order	02 July 2002	N/A
#0018	2440-xxx Local Source Rack Mount	30 June 2000	N/A
#0029	9347-xx Lcl Src Rack Mount	31 October 2000	N/A
#0034	Red Covers	31 October 2000	N/A
#0046	OptiConnect system	28 December 2001	N/A

Product or feature	Description	Withdrawal date	Recommended replacement
#0059	Transition Data Link	30 June 2000	N/A
#0059	9401 Model 150 Transition Data Link	31 May 2000	N/A
#0086	Optimize 3590 Performance	31 May 1999	N/A
#0088	OptiConnect Cluster Specify	28 December 2001	N/A
#0117	436 Custom Configuration	02 July 2002	N/A
#0123	#5074 Lower Unit in Rack	03 December 2002	N/A
#0127	Field Install in a Rack	07 May 2003	N/A
#0150	820 Base Processor	21 November 2003	Model 520
#0151	820 Base Processor	01 October 2004	Model 520
#0152	820 Base Processor	01 October 2004	Model 520
#0153	830 8-way Processor	21 November 2003	Model 570
#0158	840 12-way Processor	21 November 2003	Model 890
#0159	840 24-way Processor	21 November 2003	Model 890
#0185	Performance Enhancement Model 150	31 October 2000	N/A
#0197	Model 890 24-way processor	07 May 2003	Model 890 #2497
#0198	Model 890 24-way processor	07 May 2003	Model 890 #2498
#0121	270 Lower Unit in a Rack	21 November 2003	N/A
#0122	270 Upper Unit in a Rack	21 November 2003	N/A
#0202	Staged Upgrade Offering	31 May 1999	N/A
#0203	Side-by-Side Install	02 July 2002	N/A
#0204	Staged Side-by-Side Upgrade	31 May 1999	N/A
#0220	Token ring on IPCS		#0223
#0221	Ethernet on IPCS		#0224, #0225
#0295	Performance Enhancement/28WS	31 October 2000	N/A
#0297	Model 250 Package	16 June 2004	Model 520
#0298	Model 250 Package	16 June 2004	Model 520
#0328	Operations Console Cable	21 November 2003	#0367
#0329	V.24/EIA232 80-ft. Cable	31 August 1998	#0365

Product or feature	Description	Withdrawal date	Recommended replacement
#0330	V.24/EIA232 20-ft. Cable	02 July 2002	#0348
#0331	V.24/EIA232 50-ft. Cable	02 July 2002	#0349
#0335	V.36/EIA449 20-ft. Cable	02 July 2002	#0356
#0336	V.36/EIA449 50-ft. Cable	30 June 2000	#0356
#0337	V.36/EIA449 150-ft. Cable	30 June 2000	#0356
#0338	V.35 20-ft. Cable	02 July 2002	#0353
#0339	V.35 50-ft. Cable	02 July 2002	#0353
#0340	V.35 80-ft. Cable	30 June 2000	#0355
#0341	X.21 20-ft. Cable	02 July 2002	#0359
#0342	X.21 50-ft. Cable	02 July 2002	#0359
#0349	#0349 V.24/EIA232 50-ft. (15m) PCI cable	03 December 2002	#0348
#0354	#0354 V.35 50-ft./15m PCI cable	03 December 2002	#0353
#0355	V.35 80-ft. PCI Cable	30 June 2000	#0353
#0358	V.36 150-ft. PCI Cable	30 June 2000	#0356
#0360	#0360 X.21 50-ft./15m PCI cable	03 December 2002	#0359
#0362	20-ft. Comm Console Cable	31 January 2001	#0367
#0365	V.24/EIA232 80-ft. PCI Cable	03 December 2002	#0348
#0366	Optical Bus Cable 20m	28 December 2001	N/A
#0380 #0381 #0382	Remote Control Panel Cable	02 July 2002	Virtual Control Panel, see Info APAR II13117
#0398	Operations Console Package	02 July 2002	#9771
#0399	4 Port Twinaxial Expansion	30 June 2000	N/A
#0399	Model 150 4 port Twinaxial Expansion	31 May 2000	N/A
#0578	PCI Expansion Unit in Rack	01 October 2004	N/A
#0591	Entry Twinaxial Package V4R4 (type 9401)	31 October 2000	Model 250 #2395
#0592	Growth Twinaxial Package V4R4 (type 9401)	31 October 2000	Model 250 #2396
#0593	Entry Server Package V4R4 (type 9401)	31 October 2000	Model 250 #2396
#0594	Growth Server Package V4R4 (type 9401)	31 October 2000	Model 250 #2395

Product or feature	Description	Withdrawal date	Recommended replacement
#0601	Direct Attach - #2743 new orders only	01 October 2004	#0620
#0602	Direct Attach - #2760 new order only	01 October 2004	#0621
#0604	Direct Attach - #2763 new orders only Feature conversions still available	21 November 2003	#0618
#0605	Direct Attach - #4748 new orders only Feature conversions available	02 July 2002	#0606
#1312	1-Byte 1.03 GB Disk Unit Kit	31 October 2000	N/A
#1313	1-Byte 1.96 GB Disk Unit Kit	31 October 2000	N/A
#1322	2-Byte 1.03 GB Disk Unit Kit	31 October 2000	N/A
#1323	2-Byte 1.96 GB Disk Unit Kit	31 October 2000	N/A
#1325	2-Byte 1.03 GB Disk Unit Kit	31 October 2000	N/A
#1326	2-Byte 1.96 GB Disk Unit Kit	31 October 2000	N/A
#1327	2-Byte 4.19 GB Disk Unit Kit	31 October 2000	N/A
#1333	2-Byte 8.58 GB Disk Unit Kit	31 October 2000	N/A
#1334	2-Byte 17.54 GB Disk Unit Kit	31 October 2000	N/A
#1336	2-Byte 1.96 GB Disk Unit Kit	31 October 2000	N/A
#1337	2-Byte 4.19 GB Disk Unit Kit	31 October 2000	N/A
#1349	1.2 GB ¼-inch Tape Kit	31 October 2000	#4582
#1350	2.5 GB ¼-inch Tape Kit	31 October 2000	#4582
#1355	13.0 GB ¼-inch Tape Kit	31 October 2000	#4583
#1360	7.0 GB 8mm Cartridge Tape Kit	31 October 2000	7208-345 8mm
#1471	30m Optical HSL Cable	21 November 2003	#1472
#1490 to #1496	Interactive Capacity Specify	02 July 2002	Enterprise Edition iSeries
#1500 to #1514	Interactive Capacity Cards	02 July 2002	Enterprise Edition iSeries
#1517 to #1527	Interactive Capacity Cards	01 October 2004	Enterprise Edition iSeries
#1531 to #1547	Interactive Capacity Cards	01 October 2004	Enterprise Edition iSeries

<b>Product or feature</b>	<b>Description</b>	<b>Withdrawal date</b>	<b>Recommended replacement</b>
#1576	Interactive Capacity Card	21 November 2004	Enterprise Edition iSeries
#1577 to #1578	Interactive Capacity Card	01 October 2004	Enterprise Edition iSeries
#1579	Interactive Capacity Card	21 November 2003	Enterprise Edition iSeries
#1581 / 3 / 5 / 7 / 8	Interactive Capacity Card	21 November 2003	Enterprise Edition iSeries
#1591	Interactive Capacity Card	21 November 2003	Enterprise Edition iSeries
#2061	Model 720 Processor	28 December 2001	Model 520 #0900, #0901, #0902
#2062	Model 720 Processor	02 July 2002	Model 520 #0900, #0901, #0902
#2063	Model 720 2-way Processor	02 July 2002	Model 520 #0901, #0902, #0903
#2064	Model 720 4-way Processor	02 July 2002	Model 520 #0903
#2065	Model 730 Processor	28 December 2001	Model 520 #0901, #0902
#2066	Model 730 2-way Processor	02 July 2002	Model 520 #0903
#2067	Model 730 4-way Processor	02 July 2002	Model 520 #0903, #0904
#2068	Model 730 8-way Processor	02 July 2002	Model 520 #0904 Model 570 #0919
#2069	Model 740 Processor	28 December 2001	Model 570 #0919
#2070	Model 740 12-way Processor	02 July 2002	Model 570 #0919, #0920
#2159	Model 170 Processor	February 2000	Model 520
#2248	Model 270 Processor	21 November 2003	Model 520 #0900
#2250	Model 270 Processor	03 December 2002	Model 520 #0900, #0901
#2252	Model 270 Processor	03 December 2002	Model 520 #0902, #0903
#2253	Model 270 2-way Processor	03 December 2002	Model 520 #0903, #0904

Product or feature	Description	Withdrawal date	Recommended replacement
#2289	Model 170 Processor	31 May 2002	Model 520 #0900
#2295	Model 250 Processor	02 July 2002	Model 520 #0900
#2296	Model 250 Processor	02 July 2002	Model 520 #0900
#2310	Model SB1 8-way Processor	25 July 2000	
#2311	Model SB1 12-way Processor	25 July 2000	
#2312	Model SB1 8-way Processor	25 July 2000	
#2313	Model SB1 12-way Processor	25 July 2000	
#2315	Model SB2 8-way Processor	03 December 2002	
#2316	Model SB3 12-way Processor	03 December 2002	
#2318	Model SB3 24-way Processor	03 December 2002	
#2349	Model 830 4/8-way Processor	01 October 2004	Model 570 #0919, #0920
#2351	Model 830 1-8-way Processor (POD)	21 November 2003	Model 570 #0919, #0920
#2352	Model 840 8/12-way Processor (POD)	21 November 2003	Model 570 #0920
#2353	Model 840 12/18-way Processor	01 October 2004	Model 570 #0920, Model 890
#2354	Model 840 18/24-way Processor	01 October 2004	Model 890
#2395	820 Processor	21 November 2003	Model 520
#2396	Model 820 Processor	03 December 2002	Model 520
#2397	Model 820 2-way Processor	03 December 2002	Model 520
#2398	Model 820 4-way Processor	03 December 2002	Model 520, 570
#2400	Model 830 2-way processor	21 November 2003	Model 520
#2402	Model 830 4-way Processor	03 December 2002	Model 520, 570
#2403	Model 830 8-way Processor	03 December 2002	Model 570 #0920
#2407	Model 170 Dedicated Domino Processor	31 May 2002	
#2416	Model 840 8/12-way POD	03 December 2002	Model 890 #2497
#2417	Model 840 12/18-way POD	03 December 2002	Model 890 #2498
#2418	Model 840 12-way Processor	03 December 2002	Model 890 #2497



Product or feature	Description	Withdrawal date	Recommended replacement
#2419	Model 840 18/24-way Processor	03 December 2002	Model 890 #2498
#2420	Model 840 24-way Processor	03 December 2002	Model 890 #2498
#2422	Model 270 Dedicated Domino Processor	03 December 2002	
#2423	Model 270 Dedicated Domino Processor	03 December 2002	
#2424	Model 270 Dedicated Domino 2-way Processor	03 December 2002	
#2425	Model 820 Dedicated Domino Processor	03 December 2002	
#2426	Model 820 Dedicated Domino 2-way Processor	03 December 2002	
#2427	Model 820 Dedicated Domino 4-way Processor	03 December 2002	
#2431	9406 Model 270 Processor	01 October 2004	
#2432	9406 Model 270 Processor	01 October 2004	
#2434	9406 Model 270 Processor	01 October 2004	
#2435	9406 820 Processor	01 October 2004	
#2436	9406 820 Processor	01 October 2004	
#2437	9406 820 2-way Processor	01 October 2004	
#2438	9406 820 4-way Processor	01 October 2004	
#2452	9406 Model 270 Processor	01 October 2004	
#2454	9406 Model 270 Processor	01 October 2004	
#2461	9406 Model 840 24-way Processor	03 December 2002	
#2487	9406 Model 890 16/24-way Processor	07 May 2003	
#2488	9406 Model 890 24/32-way Processor	07 May 2003	Model 890
#2605	ISDN Basic Rate Adapter	31 December 1999	#2742
#2609	EIA 232/V.24 Two-Line Adapter	31 March 1999	#2742
#2610	X.21 Two-Line Adapter	31 March 1999	#2742, #2772, #2773, #2805, #2806
#2612	EIA 232/V.24 One-Line Adapter	31 March 1999	#2742, #2793, #2794
#2613	V.35 One-Line Adapter	31 March 1999	#2742, #2793, #2794

Product or feature	Description	Withdrawal date	Recommended replacement
#2614	X.21 One-Line Adapter	31 March 1999	#2742, #2793, #2794
#2617	Ethernet/IEEE 802.3 CMSA/CD Adapter	31 March 1999	#2744, #2849, #5700, #5701
#2618	Fiber Distributed Data Adapter	31 August 1998	N/A
#2619	16/4 Mbps Token-Ring Adapter/HP	31 March 1999	#2744
#2620	Cryptographic processor	31 December 1999	#4801
#2621	Removable media device attach	30 June 2000	#5702, #2749
#2623	Six line communications controller	31 December 1999	#2742
#2624	Storage device controller	28 December 2001	N/A
#2626	16/4 Mbps token-ring adapter	01 July 1997	#2744
#2628	Limited cryptographic processor	31 December 1999	#4801
#2629	LAN/WAN/workstation IOP	31 May 2002	#2844
#2644	34xx magnetic tape attachment	31 March 1999	#2749
#2654	EIA 232/V.24 20E	31 August 1998	#2742
#2655	EIA 232/V.24 20	31 August 1998	#2742
#2656	X.21 Two line 20	31 August 1998	#2742
#2657	EIA 232/V.24 50E	31 August 1998	#2742
#2658	EIA 232/V.24 50	31 August 1998	#2742
#2659	X.21 Two line 50	31 August 1998	#2742
#2664	Integrated fax adapter	31 December 1999	#2742 with #0032
#2665	Copper distributed data interface	31 August 1998	#2849, #2744, #5701
#2666	Frame relay adapter		#2742
#2668	Wireless LAN adapter	31 August 1998	N/A
#2669	Shared bus interface card	28 December 2001	N/A
#2673	Optical bus adapter	30 June 2000	N/A
#2674	Optical bus adapter	30 June 2000	N/A
#2680	Optical bus receiver - 266 Mbps	28 December 2001	N/A

Product or feature	Description	Withdrawal date	Recommended replacement
#2683	266 Mbps OptiConnect receiver	28 December 2001	N/A
#2685	1063 Mbps OptiConnect receiver	28 December 2001	#2792
#2686	Optical link processor	28 December 2001	#2842, #2843
#2688	Optical link processor	01 October 2004	#2842, #2843
#2695	Optical Bus Adapter	01 October 2004	N/A
#2699	Two-Line WAN IOA	28 December 2001	N/A
#2718	PCI magnetic media ctr	02 July 2002	#5702
#2720	PCI WAN/twinaxial IOA	02 July 2002	#4746 & #2742
#2721	PCI two-line WAN IOA	31 October 2000	#2742
#2722	PCI twinaxial workstation IOA	31 July 2001	#4746
#2723	PCI Ethernet IOA	28 December 2001	#2849
#2724	PCI 16/4 Mbps Token Ring IOA	31 July 2001	#2744
#2726	PCI RAID disk unit controller	30 June 2000	#2757
#2729	#2729 PCI Magnetic Media Controller	02 July 2002	#2749
#2730	Programmable Regulator	01 October 2004	N/A
#2738	HSL ports - 8 copper	07 May 2003	N/A
#2740	PCI RAID disk unit controller	31 May 2002	#2757
#2741	PCI RAID disk unit controller	31 May 2002	#2757
#2743	PCI 1Gbps Ethernet IOA	16 June 2004	#5701, #5700
#2745	PCI 2-Line WAN IOA	01 October 2004	#2742
#2746	PCI Twinaxial Workstation IOA	01 October 2004	#4746
#2748	#2748 PCI RAID Disk Unit Controller	08 July 2003	#2757
#2749	PCI Ultra Magnetic Media Controller	01 October 2004	N/A
#2760	PCI 1Gbps Ethernet UTP IOA	01 October 2004	#5701
#2761	PCI integrated analog modem	02 July 2002	#2772, #2773
#2763	#2763 PCI RAID Disk Unit Controller	21 November 2003	#5703
#2766	PCI Fibre Channel disk Controller	01 October 2004	#2787
#2768	PCI Magnetic Media Controller	01 October 2004	#5702

Product or feature	Description	Withdrawal date	Recommended replacement
#2778	PCI RAID Disk Controller	01 October 2004	#2757
#2782	#2782 PCI-X RAID Disk Unit Controller	01 January 2004	#5703
#2790	PCI Integrated Netfinity Server	31 May 2002	#4810
#2791	PCI Integrated xSeries Server	03 December 2002	#4810
#2799	#2799 PCI Integrated xSeries Server	21 November 2003	#4810
#2809	PCI LAN/WAN/workstation IOP	31 May 2002	#2844
#2810	LAN/WAN IOP	31 May 2002	#2844
#2811	PCI 25 Mbps UTP ATM IOA	31 May 1999	N/A
#2812	PCI 45 Mbps Coax T3/DS3 ATM IOA	31 May 1999	N/A
#2815	PCI 155 Mbps UTP ATM IOA	31 May 2002	N/A
#2816	PCI 155 Mbps MMF IOA	28 December 2001	N/A
#2817	PCI 155 Mbps MMF ATM	03 December 2002	N/A
#2818	PCI 155 Mbps SMF ATM IOA	31 May 2002	N/A
#2819	PCI 34 Mbps Coax E3 ATM IOA	31 May 1999	N/A
#2824	PCI LAN/WAN Workstation IOP	28 December 2001	N/A
#2830	Main storage expansion	03 December 2002	N/A
#2838	PCI 100/10 Mbps Ethernet IOA	21 November 2003	#4838, #2849
#2842	#2842 PCI IOP	21 November 2003	#2844
#2843	PCI IOP	01 October 2004	#2844
#2850	Integrated PC Server 32 MB	31 March 1999	#4710, #4810
#2851	Integrated PC Server	31 March 1999	#4710, #4810
#2852	PCI Integrated PC Server	30 June 2000	#4710, #4810
#2854	PCI Integrated PC Server	31 May 1999	#4710, #4810
#2857	PCI Integrated PC Server (Model 170 only)	31 May 1999	#4710, #4810
#2858	FSIOA 128 MB memory, keyboard and mouse	30 June 2000	N/A
#2860	Integrated PC Server Memory	31 March 1999	N/A
#2861	32 MB IOP memory	28 December 2001	
#2862	128 MB IOP memory	28 December 2001	N/A

Product or feature	Description	Withdrawal date	Recommended replacement
#2865	PCI Integrated Netfinity Server	02 July 2002	N/A
#2866	PCI Integrated Netfinity Server	02 July 2002	N/A
#2867	256 MB IOP memory	02 July 2002	N/A
#2868	PCI Integrated Netfinity Server (type 9401)	31 October 2000	N/A
#2890	PCI Integrated Netfinity Server	31 May 2002	N/A
#2891	PCI Integrated xSeries Server	03 December 2002	N/A
#2892	PCI Integrated xSeries Server	01 January 2004	N/A
#2899	PCI Integrated xSeries Server	21 November 2003	N/A
#3000 / 2 / 4 / 6 / 7 / 9	Memory features (various)	01 October 2004	#3614
#3001 / 3 / 5	Memory features	31 May 2002	#3612
#3032 to #3034	Memory features	01 October 2004	#3613
#3025	512 MB main storage	03 December 2002	N/A
#3065	512 MB main storage	03 December 2002	N/A
#3103	32 MB main storage	31 March 1999	N/A
#3104	64 MB main storage	31 March 1999	N/A
#3110	64 MB main storage	30 March 2001	N/A
#3117	8 MB main storage	31 March 1999	N/A
#3118	16 MB main storage	31 March 1999	N/A
#3120	8 MB main storage	31 March 1999	N/A
#3121	8 MB main storage	31 March 1999	N/A
#3122	32 MB main storage	31 March 1999	N/A
#3133	64 MB main storage	31 March 1999	N/A
#3134	128 MB main storage	31 March 1999	N/A
#3135	256 MB main storage	31 March 1999	N/A
#3136	256 MB main storage	31 March 1999	N/A
#3138	64 MB main storage	31 March 1999	N/A
#3144	8 MB main storage	31 March 1999	N/A
#3145	16 MB main storage	31 March 1999	N/A

Product or feature	Description	Withdrawal date	Recommended replacement
#3146	32 MB main storage	31 March 1999	N/A
#3147	32 MB main storage	31 March 1999	N/A
#3149	128 MB main storage	31 March 1999	N/A
#3172	32 MB main storage (two SIMMS)	31 March 1999	N/A
#3179	256 MB main storage	03 December 2002	N/A
#3180	512 MB main storage	03 December 2002	N/A
#3182	32 MB main storage	31 May 2002	N/A
#3189	128 MB main storage	03 December 2002	N/A
#3190	256 MB main storage	03 December 2002	N/A
#3191	512 MB main storage	03 December 2002	N/A
#3192	1024 MB main storage	03 December 2002	N/A
#3193	2048 MB main storage	03 December 2002	N/A
#3195	4096 MB main storage	03 December 2002	N/A
#3197	1024 MB main storage	03 December 2002	N/A
#3198	2048 MB main storage	03 December 2002	N/A
#4308	4.19 GB disk unit	29 December 2000	#4326
#4314	8.58 GB disk unit	23 October 2000	#4326
#4317	8.58 GB 10k RPM Disk Unit Feature conversions still available	03 December 2002	#4326
#4318	#4318 17.54 GB 10k RPM Disk Unit	01 June 2004	#4326
#4324	17.54 GB Disk Unit	23 October 2000	#4326
#4425	#4425 CD-ROM	21 November 2003	#4625
#4430	DVD-RAM	01 January 2004	#4630
#4482	4 GB ¼-inch cartridge tape	01 January 2004	#4682
#4483	16 GB ¼-inch cartridge tape	03 December 2002	#4684
#4486	25 GB ¼-inch cartridge tape	03 December 2002	#4684
#4487	50 GB ¼-inch cartridge tape	01 January 2004	#4687
#4525	CD-ROM	21 November 2003	#4625

Product or feature	Description	Withdrawal date	Recommended replacement
#4583	16 GB ¼-inch cartridge tape	03 December 2002	#4584
#4586	25 GB ¼-inch cartridge tape	03 December 2002	#4584
#4723	PCI 10 Mbps Ethernet IOA	28 December 2001	#2849
#4748	#4748 PCI RAID Disk Unit Controller Feature conversions available	21 November 2003	#2757
#4761	PCI integrated analog modem	02 July 2002	#2772, #2773 #2805 or #2806
#4800	PCI Crypto Coprocessor	29 December 2000	#4801
#4802	PCI Crypto Coprocessor	21 November 2003	#4801
#4815	PCI 155 Mbps UTP ATM IOA	28 December 2001	#5700, #5701
#4816	PCI 155 Mbps MMF ATM IOA	28 December 2001	#5700, #5701
#4818	PCI 155 Mbps SMF ATM IOA	28 December 2001	#5700, #5701
#5033	Migration Tower I	07 May 2003	N/A
#5034	Migration Tower I	21 November 2003	N/A
#5035	Migration Tower I	21 November 2003	N/A
#5043	Convert primary rack to secondary rack	31 March 1999	N/A
#5044	System unit expansion rack	31 March 1999	#5094, #5294
#5051	Eight disk unit expansion	30 June 2000	#5108, #7127
#5052	Storage expansion unit	31 May 2002	#5108, #7127
#5055	Storage expansion unit	31 May 2002	#5108, #7127
#5057	Storage Expansion Unit Feature conversions available	02 July 2002	#5108, #7127
#5058	Storage expansion unit	31 May 2002	#5108, #7127
#5062	OptiConnect in tower	28 December 2001	N/A
#5063	OptiConnect in system unit tower	28 December 2001	N/A
#5064	System unit expansion	28 December 2001	N/A
#5065	Storage/PCI Expansion Tower	21 November 2003	#5094
#5066	1.8m I/O Tower	21 November 2003	#5294
#5070	266 Mbps System Unit Expansion Tower	30 June 2000	#5088, #0588

Product or feature	Description	Withdrawal date	Recommended replacement
#5071	266 Mbps System Unit Expansion Tower	02 July 2002	#5088, #0588
#5073	1063 Mbps System Unit Expansion Tower	28 December 2001	#5088, #0588
#5075	#5075 PCI Expansion Tower	21 November 2003	#5095 / #0595
#5080	266 Mbps System Unit Expansion Tower	30 June 2000	#5088, #0588
#5081	266 Mbps Storage Expansion Tower	02 July 2002	#5094 with #5108
#5082	1063 Mbps Storage Expansion Tower	30 June 2000	#5094 with #5108
#5083	1063 Mbps Storage Expansion Tower	28 December 2001	#5094 with #5108
#5117	30-Disk Expansion with Dual Linecord	07 May 2003	
#5135	Feature power supply	30 June 2000	N/A
#5143	Feature power supply (400W)	02 July 2002	N/A
#5150	Battery backup (ext.) (Models 840 and SB3 only)	20 November 2001	N/A
	Battery backup (external)	02 July 2002	N/A
#5151	Power supply (650 watts)	02 July 2002	N/A
#5153	Redundant Power Supplies	02 July 2002	N/A
#5155	Redundant Power & Cooling	01 October 2004	N/A
#5157	Feature Power Supply	01 October 2004	N/A
#5518	Alt IPL Spec 13 GB Tape	31 October 2000	N/A
#5543	Sys Console on comm	29 December 2000	N/A
#5601	OptiConnect in Rack	28 December 2001	N/A
#6050	Twinaxial workstation IOP	31 May 2002	#4746
#6140	Twinaxial workstation IOP	27 March 1998	#4746
#6141	ASCII workstation controller	31 March 1999	N/A
#6142	ASCII 12-Port Expansion	31 March 1999	N/A
#6148	Eight-Port Twinaxial Expansion	30 June 2000	#4746
#6149	16/4 Mbps Token Ring IOA	31 May 2002	#2744
#6151	X.21 One-line adapter	31 August 998	#2742
#6152	EIA 232/V.24 adapter	31 October 1996	#2742
#6153	V.35 One-line adapter	31 August 1998	#2742



Product or feature	Description	Withdrawal date	Recommended replacement
#6173	V.35 One-line adapter 50 foot	31 August 1998	#2742
#6180	Twinaxial workstation IOA	31 July 2001	#4746
#6181	Ethernet IOA	31 July 2001	#2849
#6325	CD-ROM New orders withdrawn Feature conversions available	02 July 2002	#4525, #4625
#6380	2.5 GB ¼-inch cartridge tape	30 June 2000	#4582, #4682
#6381	2.5 GB ¼-inch cartridge tape	29 December 2000	#4582, #4682
#6382	4 GB ¼-inch cartridge tape	03 December 2002	#4582, #4682
#6383	16 GB ¼-inch cartridge tape	03 December 2002	#4583, #4683
#6384	30 GB ¼-inch cartridge tape	21 November 2003	#4584, #4684
#6385	13 GB ¼-inch cartridge tape	31 May 2000	#4583, #4683
#6386	25 GB ¼-inch cartridge tape	03 December 2002	#4584, #4684
#6425	CD-ROM	02 July 2002	#4525, #4625
#6480	2.5 GB ¼-inch cartridge tape	02 July 2002	#4582, #4682
#6481	2.5 GB ¼-inch cartridge tape	29 December 2000	#4582, #4682
#6482	4 GB ¼-inch cartridge tape	03 December 2002	#4582, #4682
#6483	16 GB ¼-inch cartridge tape	03 December 2002	#4583, #4683
#6484	30 GB ¼-inch cartridge tape	21 November 2004	#4584, #4684
#6485	13 GB ¼-inch cartridge tape	31 May 2000	#4583, #4683
#6486	25 GB ¼-inch cartridge tape	03 December 2002	#4584, #4684
#6501	#6501 Tape/Disk Device Controller	31 July 2001	#2787 for Disk #2749 for Tape
#6502	Disk device controller	02 November 1997	#2757
#6512	Disk unit controller for RAID	30 June 2000	#2757
#6513	Internal tape controller device SPD	01 October 1999	#2749 or #5702
#6522	Disk unit controller for RAID	30 June 2000	#2757
#6523	Storage device controller	30 June 2000	#2757
#6530	Direct access storage device (DASD) controller	31 March 1999	#2757

Product or feature	Description	Withdrawal date	Recommended replacement
#6532	RAID disk unit controller	30 June 2000	#2757
#6533	RAID disk unit controller	31 May 2002	#4317
#6534	Magnetic media controller	31 May 2002	#2749
#6607	4.19 GB Disk Unit	29 December 2000	#4326
#6616	Integrated PC Server	31 March 1999	#4710, #4810
#6617	Integrated PC Server	31 May 1999	#4710, #4810
#6618	Integrated PC Server	28 December 2001	#4710, #4810
#6713	8.58 GB Disk Unit: New Features: Feature conversions withdrawn:	23 October 2000 02 July 2002	#4326
#6714	17.54 GB disk unit	23 October 2000	#4326
#6717	8.58 GB 10k RPM disk unit: New orders withdrawn Feature conversions still available	03 December 2002	#4326
#6718	17.54 GB Disk Unit	03 December 2002	#4326
#6807	4.19 GB disk unit	29 December 2000	#4326
#6813	8.58 GB disk unit	23 October 2000	#4326
#6817	8.58 GB 10k RPM disk unit	03 December 2002	#4326
#6818	17.54 GB 10k RPM disk unit	01 June 2004	#4326
#6824	17.54 GB disk unit	23 October 2000	#4326
#6907	4.19 GB disk unit	29 December 2000	#4326
#7000	Panel Keylock	30 June 2000	N/A
#7101	System unit expansion	31 May 2002	N/A
#7102	System unit expansion	02 July 2002	N/A
#7108	Expansion gate	30 June 2000	N/A
#7117	Integrated expansion unit	30 June 2000	N/A
#7123	DASD Expansion Unit	01 October 2004	
#7127	DASD Expansion Unit	01 October 2004	
#7128	DASD Expansion Unit	01 October 2004	
#7130	Expansion unit tape/cage	02 July 2002	N/A

Product or feature	Description	Withdrawal date	Recommended replacement
#7174	Ethernet IEEE 802.3 Adapter	31 August 1998	#2849
#7175	16/4 Mbps token-ring adapter	31 August 1998	#2744
#7500	Quantity 150 of #4314	23 October 2000	N/A
#7501	Quantity 150 of #4317	03 December 2002	N/A
#7502	Quantity 150 of #4318	01 June 2004	N/A
#7503	Quantity 150 of #4324	23 October 2000	N/A
#8079	Opt Base 1.8 I/O Rack	21 November 2003	
#8093	Opt Base 1.8 M I/O Rack	07 May 2003	#8094
#8180	Opt. Base 512 MB main storage	28 December 2001	N/A
#8191	Opt. Base 512 MB main storage	28 December 2001	N/A
#8192	Opt. Base 1024 MB main storage	28 December 2001	N/A
#8193	Opt. Base 2048 MB main storage	28 December 2001	N/A
#8617	Opt. Base 8.58 Gb 10k RPM Disk Unit	28 December 2001	#4326
#8618	Opt. Base 17.54 Gb 10k RPM Disk Unit	28 December 2001	#4326
#8713	Opt Base 8.58 GB Disk Unit - New orders w/d: Feature conversions withdrawn:	31 January 2001 02 July 2002	#4326
#8714	Opt Base 17.54 GB Disk Unit (7200 RPM) New orders withdrawn Features conversions withdrawn	31 January 2001 02 July 2002	#4326
#8809	EIA 232/V.24 Two line adapter		#2745
#8813	Opt Base 8.58 GB Disk Unit	23 October 2000	#4326
#8813	Opt Base 8.58 GB Disk Unit (7200 RPM)	31 January 2001	#4326
#8817	Opt. Base 8.58 Gb 10k RPM Disk Unit	28 December 2001	#4326
#8818	Opt. Base 17.54 Gb 10k RPM Disk Unit	28 December 2001	#4326
#8824	Opt Base 17.54 GB Disk Unit	23 October 2000	#4326
#8824	Opt Base 17.54 GB Disk Unit (7200 RPM)	31 January 2001	#4326
#8863	EIA 232/V.24 Two line adapter	31 May 2001	#2745
#8866	EIA 232/V.24 Two line adapter (50-foot)	31 May 2001	#2745
#8917	Opt Base 8.58 GB 10k rpm Disk	02 July 2002	#4326

Product or feature	Description	Withdrawal date	Recommended replacement
#8918	Opt Base 17GB 10k rpm Disk	02 July 2002	#4326
#8924	Opt Base 17.54 GB Disk Unit	23 October 2000	#4326
#8924	Opt Base 17.54 GB Disk Unit (7200 RPM)	31 January 2001	#4326
#9052	Standard Storage Expansion Unit (16 disk)	02 July 2002	N/A
#9080	Watertight Line Cord	02 July 2002	N/A
#9082	120/240V 14-ft. Line Cord	02 July 2002	N/A
#9083	Locking Line Cord Plug	02 July 2002	N/A
#9116	High Performance CD Enable	02 July 2002	N/A
#9119	Migrated DASD	02 July 2002	N/A
#9174	Ethernet/IEEE 802.3 Adapter		#2749
#9175	16/4 Mbps Token-Ring Adapter		#2744
#9179	Base 256 MB main storage	02 July 2002	N/A
#9180	Line Cord Specify	02 July 2002	N/A
#9182	14-ft. Line Cord Specify	02 July 2002	N/A
#9183	Locking Line Cord Plug	02 July 2002	N/A
#9190	Base 256 MB main storage	31 May 2002	N/A
#9240	Base 400 W Power Supply	30 June 2000	N/A
#9243	400 W Power Supply	30 June 2000	N/A
#9244	Expansion Unit 320 W Power Supply	30 June 2000	N/A
#9245	Base Battery Backup	30 June 2000	N/A
#9249	Base 16/4 Mbps Token Ring IOA	31 May 2002	#2744
#9251	Base I/O Tower	02 July 2002	N/A
#9280	Base Twinaxial Workstation Controller	28 December 2001	#2746 or #9746
#9313	Base 8.58 Disk Unit	23 October 2000	#4326
#9313	Base 8.58 GB Disk Unit (7200 RPM)	31 January 2001	#4326
#9329	Base PCI Integrated Expansion Unit	31 May 2002	N/A
#9330	Base PCI Integrated Exp Unit New orders withdrawn Feature conversions available	02 July 2002	N/A

Product or feature	Description	Withdrawal date	Recommended replacement
#9331	Base expansion unit for SPD cards	28 December 2001	N/A
#9347	Local Source Rack Mount	31 October 2000	N/A
#9364	Base System Unit Expansion	28 December 2001	N/A
#9381	Base Ethernet IOA	28 December 2001	#2849
#9699	Base Two-Line WAN IOA	28 December 2001	#2742
#9707	Base 4.19 GB Disk Unit	29 December 2000	#4326
#9720	Base PCI WAN/Twinaxial IOA	02 July 2002	#4746 and #2742
#9721	Base PCI Two-Line WAN IOA	31 October 2000	#2742
#9723	Base Ethernet IOA	02 July 2002	#2849
#9724	Base 16/4Mbps Token-Ring IOA	02 July 2002	#2744
#9728	Base PCI Disk Unit Controller	02 July 2002	#2757
#9738	Base PCI 100/10 Mbps Ethernet	02 July 2002	#2849
#9740	Base PCI RAID Disk Unit Controller	02 July 2002	#2757
#9745	Base PCI Two-Line WAN IOA	02 July 2002	#2742
#9748	Base PCI Disk Unit Controller	08 July 2003	#2757
#9751	Base MFIOp with RAID (Models 640, 650, S30, S40, SB1)	31 May 1999	N/A
#9754	Base MFIOp with RAID	28 December 2001	N/A
#9778	Base PCI RAID Disk Controller	21 November 2003	#2757
#9789	Base HSL Ports - 4 Optical	07 May 2003	#9710
#9792	PCI Integrated xSeries Server	01 January 2004	N/A
#9853	20.0 Meter Optical Bus Cable	31 October 2000	N/A
#9902	Do not integrate	02 July 2002	N/A
#9907	Base 4.19 GB Disk Unit	29 December 2000	#4326

## Software end-of-support dates

With the high quality and reliability of the current OS/400 software releases, OS/400 users may not recognize the importance of periodic upgrading to stay on a supported release. Every release of OS/400 has a finite support period. After the end of that support period, IBM no longer accepts problems for defect analysis.

The following table lists the dates OS/400 and associated licensed programs that were withdrawn from marketing and program support.

Version/release/modification	General availability	End of marketing	End of program support	Fee-based support extension
R7.5 SSP	8 March 1996	9 February 1999	31 May 2000	N/A
V3R0.5	3 June 1994	11 February 1997	31 May 1997	N/A
V3R1	30 June 1995	11 February 1997	31 October 1998	N/A
V3R2	21 June 1996	10 February 1998	31 May 2000	N/A
V3R6	29 September 1995	19 August 1997	31 October 1998	N/A
V3R7	8 November 1996	1 September 1998	30 June 1999	N/A
V4R1	29 August 1997	9 February 1999	31 May 2000	N/A
V4R2	27 February 1998	9 February 1999	31 May 2000	31 January 2001
V4R3	11 September 1998	15 February 2000	31 January 2001	N/A
V4R4	21 May 1999	31 May 2001	31 May 2000	30 November 2001
V4R5	28 July 2000	2 July 2002	31 December 2002	N/A
V5R1	25 May 2001	21 November 2003	30 September 2005	N/A
V5R2	30 August 2002		*	N/A
*: Actual termination date is declared with a minimum of 12-months advanced notice.				

# Abbreviations and acronyms

## Measurements

<b>K</b>	1,024 bytes
<b>M</b>	1,000,000 bytes
<b>M</b>	1,048,576 bytes
<b>G</b>	1,000M bytes
<b>T</b>	1,000G bytes
<b>bps</b>	bits per second
<b>Kbps</b>	1,024 bps
<b>Mbps</b>	1,048,576 bps
<b>lpm</b>	lines per minute
<b>lpi</b>	lines per inch
<b>cps</b>	characters per second
<b>cpi</b>	characters per inch
<b>bpi</b>	bits per inch
<b>cpl</b>	characters per line
<b>ips</b>	inches per second
<b>dpi</b>	dots per inch
<b>ipm</b>	impressions per minute

## Keywords

<b>ACD</b>	Automated Call Director
<b>ACL</b>	Auto Cartridge Loader
<b>ADCS</b>	Advanced Data Communications for Stores
<b>ADM</b>	Application Development Manager
<b>ADS</b>	Application Dictionary Services
<b>ADSM</b>	ADSTAR Distributed Storage Manager
<b>AFP</b>	Advanced Function Printing
<b>APAR</b>	Authorized Program Analysis Report
<b>API</b>	application programming interface

<b>APPC</b>	Advanced Program to Program Communication
<b>APPN</b>	Advanced Peer to Peer Network
<b>APW</b>	Advanced Print Writer
<b>ARP</b>	Address Resolution Protocol
<b>ASMI</b>	Advanced System Management Interface
<b>ASP</b>	Application Solution Provider
<b>ASP</b>	auxiliary storage pool
<b>ATM</b>	asynchronous transfer mode
<b>AUI</b>	Attachment Interface Unit
<b>AWT</b>	Abstract Windowing Toolkit
<b>B2B</b>	business to business
<b>B2C</b>	business to consumer
<b>B2E</b>	business to employee
<b>BBU</b>	Battery Backup Unit
<b>BGU</b>	Business Graphics Utility
<b>BI</b>	Business Intelligence
<b>BIOS</b>	Basic Input Output System
<b>BLOB</b>	binary large object
<b>BMS</b>	Basic Mapping Support
<b>BRI</b>	Basic Rate Interface
<b>BRMS</b>	Backup and Recovery Media Services
<b>BSC</b>	bisynchronous
<b>BSF</b>	Bean Scripting Framework
<b>CBU</b>	Capacity Backup
<b>CBX</b>	computerized
<b>CCA</b>	Common Cryptographic Architecture
<b>CCIN</b>	Custom Card Identification Number
<b>CCSID</b>	Coded Character Set ID
<b>CCW</b>	Continuous Composite Worm

<b>CDMF</b>	Commercial Data Masking Facility	<b>DDM</b>	Data Directory Manager
<b>CEC</b>	Central Electronics Complex	<b>DDS</b>	Data Description Specification
<b>CEMT</b>	CICS Master Terminal	<b>DECS</b>	Domino Enterprise Connection Services
<b>CGI</b>	Common Gateway Interface	<b>DES</b>	Data Encryption Standard
<b>CICS</b>	Customer Information Control System	<b>DFU</b>	Data File Utility
<b>CIF</b>	Customer Install Feature	<b>DHCF</b>	Distributed Host Command Facility
<b>CIFS</b>	Common Internet File System	<b>DIMM</b>	Dual Inline Memory Module
<b>CIM</b>	Complex Impedance Matching	<b>DLL</b>	Dynamic Link Library
<b>CISC</b>	Complex Instruction Set Computing	<b>DMZ</b>	Demilitarized Zone
<b>CL</b>	Control Language	<b>DOLS</b>	Domino Off-Line Services
<b>CLI</b>	Call Level Interface	<b>DOM</b>	Document Object Model
<b>CLOB</b>	Character Large Object	<b>DRDA</b>	Distributed Relational Database Architecture
<b>CODE</b>	Cooperative Development Environment	<b>DSD</b>	Dedicated Server Domino
<b>COLD</b>	Computer Output to Laser Disk	<b>DSL</b>	Digital Subscriber Line
<b>CORBA</b>	Common Object Request Broker Architecture	<b>DSNX</b>	Distributed System Node Executive
<b>CPA</b>	Common Programming APIs	<b>DSP</b>	Digital Signal processing
<b>CPM</b>	continuously powered main storage	<b>DST</b>	Dedicated Service Tools
<b>CPW</b>	Commercial Processing Workload	<b>DTD</b>	Document Type Definition
<b>CRG</b>	Cluster Resource Group	<b>DUOW</b>	Distributed Unit of Work
<b>CRM</b>	customer relationship management	<b>EADS</b>	A term used to represent the Multi-Adapter Bridge Boundary
<b>CSA</b>	Callpath Services Architecture	<b>EAI</b>	Enterprise Application Integration
<b>CSP</b>	Common Service Processor	<b>ECM</b>	error correction mode
<b>CSU</b>	Customer Setup	<b>ECS</b>	Electronic Customer Support
<b>CSV</b>	comma separated variable	<b>EDF</b>	Execution Diagnostic Facility
<b>CUoD</b>	Capacity Upgrade on Demand	<b>EGL</b>	Enterprise Generation Language
<b>DASD</b>	direct access storage device	<b>EIM</b>	Enterprise Identity Mapping
<b>DBCS</b>	double byte character set	<b>EIP</b>	Enterprise Information Portal
<b>DBLOB</b>	double-byte large object	<b>EIS</b>	Executive Information System
<b>DCA</b>	Distributed Converter Assembly	<b>EJB</b>	Enterprise JavaBeans
<b>DCA</b>	Document Content Architecture	<b>EJS</b>	Enterprise JavaServer
<b>DCE</b>	Distributed Computing Environment	<b>EMU</b>	European Monetary Unit
<b>DCM</b>	Digital Certificate Manager	<b>ePoE</b>	Electronic Proof of Entitlement
<b>DDE</b>	Dynamic Data Exchange	<b>ERP</b>	Enterprise Resource Planning
<b>DDL</b>	Database Definition Language		



<b>ESP</b>	Extreme Support Through Personalization	<b>ICMP</b>	Internet Control Message Protocol
<b>ESS</b>	Enterprise Storage Server	<b>ICSS</b>	Internet Connection Secure Server
<b>EVI</b>	encoded-vector index	<b>IDLC</b>	ISDN Datalink Control
<b>FCMU</b>	File Compose and Merge Utility	<b>IDRC</b>	improved data recording capability
<b>FFDC</b>	first failure data capture	<b>IGP</b>	Intelligent Graphics Processor
<b>FFT</b>	Final Form Text	<b>IIOB</b>	Internet Inter-ORB Protocol
<b>FIFO</b>	First In First Out	<b>IKE</b>	Internet Key Exchange
<b>FIPS</b>	Federal Information Processing Standard	<b>ILE</b>	Integrated Language Environment
<b>FRCA</b>	Fast Response Cache Accelerator	<b>IMAP</b>	Internet Message Access Protocol
<b>FSIOP</b>	File Serving Input Output Processor	<b>IMPI</b>	Internal Machine Program Instruction
<b>FSB</b>	front side bus	<b>IMPI</b>	Internal microprogram instruction
<b>FTP</b>	File Transfer Protocol	<b>INS</b>	Integrated Netfinity Server
<b>FULIC</b>	Featured User Licensed Internal Complex	<b>IOA</b>	Input Output Adapter
<b>GUI</b>	graphical user interface	<b>IOP</b>	Input Output Processor
<b>HACP</b>	Host Access Client Package	<b>IPCS</b>	Integrated PC Server
<b>HATS</b>	Host Access Transformation Services	<b>IPDS</b>	Intelligent Printer Data Stream
<b>HCP</b>	Host Command Processor	<b>IPL</b>	Initial Program Load
<b>HMC</b>	Hardware Management Console	<b>IPLA</b>	International Program License Agreement
<b>HMT</b>	hardware multithreading	<b>IPP</b>	Internet Printing Protocol
<b>HOLAP</b>	hybrid online analytical processing	<b>IPS</b>	IP over SNA Snackets
<b>HPOFS</b>	High Performance Optical File System	<b>IPSec</b>	IP Security Protocol
<b>HPT</b>	Host Print Transform	<b>IPX</b>	Internet Packet exchange
<b>HSL</b>	high-speed link	<b>ISA</b>	Industry Standard Architecture
<b>HSM</b>	Hierarchical Storage Manager	<b>ISDB</b>	Interactive Source Debugger
<b>HTML</b>	Hypertext Markup Language	<b>ISDN</b>	Integrated Services Digital Network
<b>HTTP</b>	Hypertext Transfer Protocol	<b>ISV</b>	independent software vendor
<b>HVD</b>	High Voltage Differential	<b>ITF</b>	Interactive Terminal Facility
<b>IASP</b>	independent auxiliary storage pool	<b>ITU</b>	International Telecommunication Union
<b>IBM</b>	International Business Machines	<b>IXA</b>	Integrated xSeries Adapter
<b>ICA</b>	Integrated Computing Architecture	<b>IXS</b>	Integrated xSeries Server for iSeries
<b>ICC</b>	Information Catalog Center	<b>J2EE</b>	Java 2 Platform, Enterprise Edition
<b>ICM</b>	Information Catalog Manager	<b>J2SDK</b>	Java 2 Software Developer Kit
		<b>J2SE</b>	Java 2 Platform, Standard Edition
		<b>JAF</b>	JavaBean Activation Framework

<b>JAXP</b>	Java API for XML parsing	<b>MABB</b>	Multi-Adapter Bridge Boundary
<b>JCE</b>	Java Cryptographic Extension	<b>MAC</b>	Media Access Control
<b>JDBC</b>	Java Database Connection	<b>MBPS</b>	Megabytes Per Second
<b>JDBC</b>	Java Database Connectivity	<b>MCM</b>	multichip module
<b>JDK</b>	Java Developer Kit	<b>MCU</b>	Mail and Calendaring Users
<b>JFC</b>	Java Foundation Class	<b>MDI</b>	Microsoft Data Interchange
<b>JIT</b>	Just in Time (Java compiler)	<b>MES</b>	Miscellaneous Equipment Specification
<b>JMS</b>	Java Messaging Service	<b>MFIOF</b>	multifunction input/output processor
<b>JMX</b>	Java Management Extension	<b>MIB</b>	Management Information Base
<b>JNDI</b>	Java Naming and Directory Interface	<b>MMF</b>	Multi Mode Fiber
<b>JSF</b>	JavaServer Faces	<b>MO</b>	Magneto-Optical
<b>JSP</b>	JavaServer Pages	<b>MOLAP</b>	multidimensional online analytical processing
<b>JSSE</b>	Java Secure Socket Extension	<b>MQI</b>	Message Queue Interface
<b>JVM</b>	Java virtual machine	<b>MQT</b>	Materialized Query Table
<b>KDC</b>	key distribution center	<b>MRI</b>	machine-readable information
<b>L2TP</b>	Level 2 Tunneling protocol	<b>MSF</b>	Mail Services Framework
<b>LAN</b>	local area network	<b>MSS</b>	Managed System Services
<b>LDAP</b>	Lightweight Directory Access Protocol	<b>MTS</b>	Microsoft Transaction Server
<b>LEI</b>	Lotus Enterprise Integrator	<b>MULIC</b>	Machine User License Internal Code
<b>LIC</b>	Licensed Internal Code	<b>MVS</b>	Multiple Virtual Storage
<b>LID</b>	License Information Document	<b>NAT</b>	Network Address Translation
<b>LLC</b>	Logical Link Control	<b>NAWT</b>	Native Abstract Window Toolkit
<b>LMB</b>	logical memory block	<b>NC</b>	Network Computer
<b>LOB</b>	Large Object	<b>NDMP</b>	Network Data Management Protocol
<b>LOB</b>	line of business	<b>NFS</b>	Network File System
<b>LPAR</b>	logical partition	<b>NIST</b>	National Institute of Standards & Technology
<b>LPD</b>	line printer daemon	<b>NLM</b>	Network Loadable Module
<b>LPDA</b>	Link Problem Determination Aid	<b>NLS</b>	national language support
<b>LPR</b>	line printer requester	<b>NNTP</b>	Net News Transfer Protocol
<b>LPO</b>	Licensed Program Offering	<b>NRF</b>	Network Routing Facility
<b>LPP</b>	licensed program product	<b>NSM</b>	Network Station Manager
<b>LTO</b>	Linear Tape Open	<b>NTAP</b>	Windows NT Application Processors
<b>LVD</b>	Low Voltage Differential		
<b>LZ1</b>	Lempel Ziv 1		

<b>ODBC</b>	Open Database Connectivity	<b>PSP</b>	preventive service planning
<b>ODF</b>	Object Distribution Facility	<b>PTF</b>	program temporary fix
<b>OGSA</b>	Open Grid Services Architecture	<b>PVC</b>	Private Virtual Circuit
<b>OIA</b>	Operator Information Area	<b>QIC</b>	Quarter Inch Cartridge
<b>OLAP</b>	Online Asynchronous Processing	<b>QMF</b>	Query Management Facility
<b>OLE</b>	Object Link Embedded	<b>R/DARS</b>	Report Data Archive and Retrieval System
<b>OLP</b>	Optical Link Processor	<b>RAD</b>	Rapid Application Development
<b>OLTP</b>	online transaction processing	<b>RAID</b>	Redundant Array of Independent Disks
<b>ORB</b>	Object Request Broker	<b>RAS</b>	reliability, availability, serviceability
<b>OSF</b>	Open Software Foundation	<b>RAS</b>	Remote Access Service
<b>PASE</b>	Portable Application Solutions Environment	<b>RCD</b>	Read Cache Device
<b>PBX</b>	Private Branch Exchange	<b>RDBMS</b>	relational database management system
<b>PCI</b>	Peripheral Component Interconnect	<b>REXEC</b>	Remote Execution
<b>PCL</b>	Printer Control Language	<b>RF</b>	Radio Frequency
<b>PCML</b>	Program Call Markup Language	<b>RFC</b>	Request for Comments
<b>PDA</b>	personal digital assistant	<b>RFT</b>	Revisable Form Text
<b>PDF</b>	Portable Document Format	<b>RIP</b>	Routing Information Protocol
<b>PDM</b>	Programming Development Manager	<b>RISC</b>	Reduced Instruction Set Computing
<b>PDML</b>	Panel Definition Markup Language	<b>RJE</b>	Remote Job Entry
<b>PDPA</b>	Physical Device Placement Assistant	<b>RLU</b>	Report Layout Utility
<b>PDU</b>	Power Distribution Unit	<b>RMI</b>	remote method invocation
<b>PICS</b>	Platform for Internet Content Selection	<b>ROLAP</b>	relational online analytical processing
<b>PIM</b>	personal information management	<b>RPG</b>	Report Program Generator
<b>PIN</b>	Personal Identification Number	<b>RPO</b>	Record Purpose Only
<b>PING</b>	Packet Internet Groper	<b>RPQ</b>	Request for Price Quotation
<b>PLIC</b>	Partition Licensed Internal Code	<b>RPR</b>	Relative Performance Rating
<b>POD</b>	Processor on Demand	<b>RSP</b>	relative system performance
<b>POE</b>	Proof of Entitlement	<b>RTAS</b>	Run-Time Abstraction Services
<b>POP</b>	Post Office Protocol	<b>SAA</b>	Systems Application Architecture
<b>PPP</b>	Point-to-Point Protocol	<b>SAN</b>	storage area network
<b>PRPQ</b>	Programming Request for Price Quotation	<b>SCM</b>	Single Chip Model
<b>PSF</b>	Printing Support Facility	<b>SCM</b>	Software Configuration Management

<b>SCSI</b>	Small Computer System Interface	<b>SWA</b>	Save-while-active
<b>SDA</b>	Screen Design Aid	<b>TCP/IP</b>	Transmission Control Protocol/Internet Protocol
<b>SDF</b>	Server Definition File	<b>TIMI</b>	Technology Independent Machine Interface
<b>SDK</b>	Software Developer Kit	<b>TMA</b>	Tivoli Management Agent
<b>SDLCL</b>	Synchronous Datalink Control	<b>UDB</b>	Universal Database
<b>SEU</b>	System Expansion Unit Source Entry Utility	<b>UDDI</b>	Universal Description, Discovery, and Integration
<b>SHM</b>	Short Hold Mode	<b>UDF</b>	user defined functions
<b>SIMM</b>	Single Online Memory Module	<b>UDFS</b>	user-defined file system
<b>SLIC</b>	System Licensed Internal Code	<b>UDO</b>	Ultra Density Optical
<b>SLIP</b>	Serial Line Internet Protocol	<b>UDP</b>	User Datagram Protocol
<b>SLM</b>	Software Licensed Management	<b>UDT</b>	user defined types
<b>SMAPP</b>	System Managed Access Path Protection	<b>UIM</b>	User Interface Manager
<b>SMF</b>	Single Mode Fiber	<b>UOW</b>	Unit of Work
<b>SML</b>	SQL Markup Language	<b>UPS</b>	uninterruptible power supply
<b>SMP</b>	symmetric multiprocessing	<b>URL</b>	Universal Resource Locator
<b>SMT</b>	simultaneous multithreading	<b>URL</b>	Uniform Resource Locator
<b>SMTPL</b>	Simple Mail Transfer Protocol	<b>USF</b>	Ultimedia System Facility
<b>SMU</b>	Simple Mail Users	<b>UTP</b>	Unshielded Twisted Pair
<b>SNA</b>	Systems Network Architecture	<b>VLAN</b>	Virtual LAN
<b>SNADS</b>	SNA Distribution Services	<b>VM</b>	Virtual Machine
<b>SNMP</b>	Simple Network Management Protocol	<b>VPN</b>	virtual private network
<b>SOAP</b>	Simple Object Access Protocol	<b>VRU</b>	Voice Response Unit
<b>SOI</b>	Silicon On Insulator	<b>VSE</b>	Virtual Storage Extended
<b>SP</b>	Service Processor	<b>W3</b>	World Wide Web
<b>SPCN</b>	System Power Control Network	<b>WAF</b>	Workfolder Application Facility
<b>SPD</b>	System Products Division	<b>WAN</b>	Wide Area Network
<b>SQL</b>	Structured Query Language	<b>WLE</b>	IBM @server Workload Estimator
<b>SSL</b>	Secure Sockets Layer	<b>WML</b>	Wireless Markup Language
<b>SSO</b>	single signon	<b>WORF</b>	Web Services Object Runtime Framework
<b>SSP</b>	System Support Program	<b>WORM</b>	Write-Once-Read-Many
<b>SST</b>	System Service Tools	<b>WSDL</b>	Web Service Description Language
<b>SUE</b>	System Unit Expansion	<b>WWW</b>	World Wide Web
<b>SVC</b>	Switched Virtual Circuit	<b>WYSIWYG</b>	What You See Is What You Get
<b>SVG</b>	Scalable Vector Graphing		

<b>XPCML</b>	Extensible Program Call Markup Language
<b>XSL</b>	Extensible Stylesheet Language
<b>XSLT</b>	XSL transformation
<b>XSM</b>	cross-site mirroring
<b>XML</b>	Extensible Markup Language



# Related publications

The publications listed in this section are considered particularly suitable for a more detailed discussion about the topics covered in this redbook.

## IBM Redbooks

For information about ordering these publications, see “How to get IBM Redbooks” on page 775.

- ▶ *IBM @server i5 and iSeries System Handbook*, GA19-5486

Periodically, the content of this handbook is revised to keep readers informed about changes between IBM printed hardcopy editions. Incremental editions are annotated as -22a, where “a” represents a level of update. They are orderable in hardcopy from a print-on-demand vendor through the IBM Redbooks site.

The latest update to this Handbook is always available in soft copy on the World Wide Web. You can also view, search, or download in PDF or HTML formats of this book from the Redbooks Web site. Simply enter iSeries Handbook or GA19-5486 in the search parameter on the Web site.

You can also access the handbook directly at:

<http://www.redbooks.ibm.com/pubs/pdfs/redbooks/ga195486.pdf>

- ▶ *IBM @server iSeries and AS/400e System Builder*, SG24-2155
- ▶ *IBM Web-to-Host Integration Solutions*, SG24-5237
- ▶ *Building Integration Objects With IBM SecureWay Host Publisher Version 2.1*, SG24-5385
- ▶ *Developing an e-business Application for the IBM WebSphere Application Server*, SG24-5423
- ▶ *WebSphere Application Servers: Standard and Advanced Editions*, SG24-5460
- ▶ *CCF Connectors and Database Connections Using WebSphere Advanced Edition Connecting Enterprise Information Systems to the Web*, SG24-5514
- ▶ *Web Enabling AS/400 Applications with IBM WebSphere Studio*, SG24-5634
- ▶ *iSeries e-business Handbook: A Technology and Product Reference*, SG24-5694

- ▶ *Design and Implement Servlets, JSPs, and EJBs for IBM WebSphere Application Server*, SG24-5754
- ▶ *IBM @server iSeries Migration: System Migration and Upgrades at V5R1 and V5R2*, SG24-6055
- ▶ *WebSphere Scalability: WLM and Clustering Using WebSphere Application Server Advanced Edition*, SG24-6153
- ▶ *e-Commerce Patterns Using WebSphere Commerce Suite, Patterns for e-business Series*, SG24-6156
- ▶ *e-Marketplace Pattern using WebSphere Commerce Suite, MarketPlace Edition Patterns for e-business Series*, SG24-6158
- ▶ *WebSphere Personalization Solutions Guide*, SG24-6214
- ▶ *IBM @server iSeries in Storage Area Networks: Implementing Fibre Channel Disk and Tape with iSeries*, SG24-6220 (Redbook Draft)
- ▶ *IBM @server iSeries IP Networks: Dynamic!*, SG24-6718
- ▶ *IBM @server iSeries Independent ASPs: A Guide to Moving Applications to IASPs*, SG24-6802
- ▶ *Integrating Backup Recovery and Media Services and IBM Tivoli Storage Manager on the IBM @server iSeries Server*, SG24-7031
- ▶ *OS/400 Maximum Capacities V5R2*, REDP-0204
- ▶ *IBM @server iSeries Supported Upgrades*, REDP-0322
- ▶ *WebSphere for IBM @server iSeries Server Buying and Selling Guide*, REDP-3646
- ▶ *Independent ASP Performance Study on the IBM @server iSeries Server*, REDP-3771
- ▶ *Twinaxial Attached Device Throughput for Twinaxial Devices*, TIPS0358
- ▶ *iSeries Model 825 High-speed Link Loop*, TIPS0297

## Other resources

These publications are also relevant as further information sources:

- ▶ Soltis, Frank G. *Fortress Rochester: The Inside Story of the IBM @server iSeries*. 29th Street Press, July 2001. ISBN 1583040838.
- ▶ *IBM TotalStorage Enterprise Tape System 3590 Introduction and Planning Guide*, GA32-0329
- ▶ *AS/400 Road Map for Changing to PowerPC Technology*, SA41-5150
- ▶ *iSeries Performance Capabilities Reference*, SC41-0607



- ▶ *System/36 Migration Planning*, SC41-4152
- ▶ *System/38 Migration Planning*, SC41-4153
- ▶ *Tips and Tools for Securing Your iSeries*, SC41-5300
- ▶ *Backup and Recovery V5R2*, SC41-5304
- ▶ *Backup Recovery and Media Services for iSeries*, SC41-5345
- ▶ *IBM AS/400 Integration for Windows Server - Setup*, SC41-5439
- ▶ *Client Access Express for Windows – Setup*, SC41-5507
- ▶ *Operations Console Setup*, SC41-5508
- ▶ *System API Reference*, SC41-5801
- ▶ *Using the Intelligent Miner for Data V6.1*, SH12-6394
- ▶ *Intelligent Miner for Data V6.1 API*, SH12-6395
- ▶ *Intelligent Miner for Data V6.1 Using the Associations Visualizer*, SH12-6396
- ▶ *Physical Planning Quick Reference*

You can find this document in the iSeries Information Center at:

<http://www.ibm.com/eserver/iseries/infocenter>

For V5R2, select ***your language*** and **V5R2**. Then select **Plan for hardware and software** → **Planning reference**.

For V5R3, select ***your language*** and **V5R3**. Then select **Planning**.

## Referenced Web sites

These Web sites are also relevant as further information sources:

- ▶ Redbooks home page  
<http://www.redbooks.ibm.com/>  
<http://w3.itso.ibm.com>
- ▶ Redbooks Portal for Technical Studio  
<http://www.as400.ibm.com/tstudio>
- ▶ iSeries Information Center  
<http://www.ibm.com/eserver/iseries/infocenter>  
<http://publib.boulder.ibm.com/pubs/html/as400/v5r2/ic2924/index.htm>
- ▶ iSeries and AS/400 publications: “What’s new” by release  
<http://publib.boulder.ibm.com/pubs/html/as400/online/chgfrm.htm>

- ▶ IBM @server iSeries Resource Library  
<http://www.ibm.com/eserver/iseries/library>
- ▶ IBM @server iSeries Support: Software Knowledge Base  
<http://www.as400service.ibm.com/supporthome.nsf/Document/10000051>
- ▶ iSeries Technical Articles and Whitepapers  
<http://www.ibm.com/servers/enable/resources/i/index.html>
- ▶ V5R3 i5/OS Console Positioning Whitepaper  
<http://www-1.ibm.com/servers/eserver/iseries/literature/index.html>
- ▶ IBM Product Publications  
<http://www.elink.ibm.com/public/applications/publications/cgi-bin/pbi.cgi>
- ▶ IBM Publications Center (intranet site)  
<http://w3.ehone.ibm.com/public/applications/publications/cgi-bin/pbi.cgi>
- ▶ iSeries Nation  
<http://www-1.ibm.com/servers/eserver/iseries/nation/>
- ▶ Partnerworld for Developers - IBM @server iSeries  
<http://www.iseries.ibm.com/developer/index.html>
- ▶ IBM @server iSeries server site  
<http://www-1.ibm.com/servers/eserver/iseries/>
- ▶ iSeries Software  
<http://www.ibm.com/eserver/iseries/software>
- ▶ ibm.com/software site  
<http://www.software.ibm.com>
- ▶ iSeries Planning  
<http://www.ibm.com/servers/eserver/support/iseries/planning>
- ▶ IBM @server Solution Connection  
[http://www-1.ibm.com/servers/solutions/finder/CSFServlet.wss?mvcid=main&packageid=1000&ca=oiesc\\_uk&me=W](http://www-1.ibm.com/servers/solutions/finder/CSFServlet.wss?mvcid=main&packageid=1000&ca=oiesc_uk&me=W)
- ▶ Performance Center  
<http://www.iseries.ibm.com/developer/performance/index.html>  
<http://www.iseries.ibm.com/developer/performance/dasdmnu.html>

- ▶ IBM @server Workload Estimator  
<http://www-912.ibm.com/wle/EstimatorServlet>
- ▶ iSeries Technical Support Overview  
<http://www.as400service.ibm.com/supporthome.nsf/document/20965550>
- ▶ Storage networking home page  
<http://www.storage.ibm.com/ibmsan/index.html>
- ▶ IBM @server iSeries Support  
<http://www.ibm.com/series400/support>
- ▶ iSeries hardware editions  
<http://www-1.ibm.com/servers/eserver/series/hardware/editions>
- ▶ BRMS application client performance  
<http://www-1.ibm.com/servers/eserver/series/service/brms/adsmperf.htm>
- ▶ CICS  
<http://www.ibm.com/software/ts/cics/>
- ▶ IBM Connect for iSeries  
<http://www.ibm.com/eserver/series/btob/connect>
- ▶ iSeries Navigator for Wireless: Offers information and helpful links about Management Central-Pervasive  
<http://www-1.ibm.com/servers/eserver/series/navigator/pervasive.html>
- ▶ 5250 Emulation Products  
<http://www.networking.ibm.com/525>
- ▶ Capacity Upgrade on Demand  
<http://www.ibm.com/eserver/series/ondemand>
- ▶ OS/400 CPA Threads to Kernel Threads Road Map  
<http://www.as400.ibm.com/developer/threads/cpa/roadmap.doc.html>
- ▶ Integrated Netfinity Server for AS/400 Hardware  
<http://www.as400.ibm.com/windowsintegration/ntins.htm>
- ▶ Windows Integration (with iSeries)  
<http://www.series.ibm.com/windowsintegration>
- ▶ Electronic Support Access  
<http://www.series.ibm.com/tstudio/planning/esa/esa.htm>

- ▶ Ultrium Linear Tape-Open benefits  
[http://www.storage.ibm.com/hardsoft/tape/lto/prod\\_data/ultrium.html](http://www.storage.ibm.com/hardsoft/tape/lto/prod_data/ultrium.html)
- ▶ IBM NetVista  
<http://www.pc.ibm.com/ww/netvista/index.html>
- ▶ Application Factory - OS/400 PASE  
<http://www.iseries.ibm.com/developer/factory/pase>
- ▶ Linux for IBM @server iSeries  
<http://www.ibm.com/eserver/series/linux>
- ▶ The Apache Software Foundation  
<http://www.apache.org>
- ▶ Logical partitioning  
<http://www.ibm.com/servers/eserver/series/lpar>
- ▶ VisualAge Generator  
<http://www-4.ibm.com/software/ad/visgen>
- ▶ IBM Toolbox for Java  
<http://www.ibm.com/servers/eserver/series/toolbox>
- ▶ Thin Client  
[http://www.pc.ibm.com/ww/netvista/thinclient/choose\\_country.html](http://www.pc.ibm.com/ww/netvista/thinclient/choose_country.html)
- ▶ IBM Electronic Services for iSeries and AS/400e  
<http://www.ibm.com/services/electronic>
- ▶ IBM Content Manager  
<http://www.ibm.com/software/data/cm/cmgr>
- ▶ Backup Recovery and Media Services  
<http://www.ibm.com/servers/eserver/series/service/brms.htm>
- ▶ Facsimile Support for iSeries  
<http://www.ibm.com/servers/eserver/series/fax400>
- ▶ Lotus SmartSuite®  
<http://www.lotus.com/smartsuite>
- ▶ Lotus Domino  
<http://www.lotus.com/domino>
- ▶ Lotus Domino core technologies  
<http://www.lotus.com/home.nsf/welcome/eizone>

- ▶ Lotus Domino R5 Enterprise Server  
<http://www.lotus.com/dominoenterpriseserver>
- ▶ Lotus Domino Support  
<http://www.ibm.com/servers/eserver/series/domino/support>
- ▶ Lotus Messaging  
<http://www.lotus.com/messaging>
- ▶ Lotus Enterprise Integration  
<http://www.edge.lotus.com>
- ▶ The ATM Forum  
<http://www.atmforum.com>
- ▶ Baan home page  
<http://www.baan.com>
- ▶ SAP home page  
<http://www.sap.com>

## How to get IBM Redbooks

You can search for, view, or download Redbooks, Redpapers, Hints and Tips, draft publications and Additional materials, as well as order hardcopy Redbooks or CD-ROMs, at this Web site:

[ibm.com/redbooks](http://ibm.com/redbooks)

## Help from IBM

IBM Support and downloads

[ibm.com/support](http://ibm.com/support)

IBM Global Services

[ibm.com/services](http://ibm.com/services)



# Index

## Symbols

- #0092 External xSeries Attach 221
- #0121 Lower Unit in #0551 Rack 117, 209
- #0122 Upper Unit in #0551 Rack 209, 211
- #0133 Plant Install in Rack 209
- #0137 Field Install in Rack 210
- #0138 Field Install in Rack 211
- #0153 Model 830 8-way processor 715
- #0348 V.24/EIA232 20-ft./6m PCI cable 269
- #0349 V.24/EIA232 50-ft./15m PCI cable 269
- #0353 V.35 20-ft./6m PCI cable 269
- #0354 V.35 50-ft./15m PCI cable 269
- #0355 V.35 80-ft./24m PCI cable 269
- #0356 V.36 20-ft./6m PCI cable 269
- #0358 V.36 150-ft./45m PCI cable 269
- #0359 X.21 20-ft./6m PCI cable 269
- #0360 X.21 50-ft./15m PCI cable 270
- #0365 V.24/EIA232 80-ft./24m PCI cable 270
- #0367 Operations Console PCI cable 270
- #0382 Remote Control Panel cable 639
- #0383 Remote Control Panel cable 641
- #0551 iSeries Rack 117, 129, 141, 207
- #0588 PCI-X Expansion Unit in Rack 197
- #0601 Direct Attach - #2743 PCI 1 Gbps Ethernet IOA 254
- #0602 Direct Attach - #2760 PCI 1 Gbps Ethernet UTP IOA 254
- #0603 Direct Attach - #2744 PCI 100 Mbps Token-Ring IOA 254
- #0604 Direct Attach - #2763 PCI RAID Disk Unit Controller 254
- #0605 Direct Attach - #4748 PCI RAID Disk Unit Controller 254
- #0606 Direct Attach - #4778 PCI RAID Disk Unit Controller 254
- #0607 Direct Attach - #4838 PCI 100/10 Mbps Ethernet IOA 254
- #0608 Direct Attach - #4745 PCI WAN IOA 255
- #0609 Direct Attach - #2772 PCI Dual WAN/Modem IOA 255
- #0610 Direct Attach - #2773 PCI Dual WAN/Modem IOA 255
- #0612 Direct Attach - #2766 PCI Fibre Channel Disk Controller 255
- #0613 Direct Attach - #2742 PCI 2-Line WAN IOA 255
- #0614 Direct Attach - #2793 PCI 2-Line WAN w/Modem 255
- #0615 Direct Attach - #2793 Two-Line WAN IOA with Modem 255
- #0616 Direct Attach - #2805 PCI Quad Modem IOA 255
- #0617 Direct Attach - #2806 PCI Quad Modem (CIM) 255
- #0618 Direct Attach - #2757 PCI-X Ultra RAID Disk Controller 255
- #0619 Direct Attach - #2782 PCI-X RAID Disk Unit Controller 255
- #0620 Direct Attach - #5700 PCI 1 Gbps Ethernet IOA 255
- #0621 Direct Attach - #5701 PCI 1 Gbps Ethernet UTP IOA 255
- #0623 Direct Attach - #2849 PCI 100/10Mbps Ethernet IOA 255
- #0624 Direct Attach - #5702 PCI-X Ultra Tape Controller 255
- #0626 Direct Attach - #2787 PCI-X Fibre Channel Disk Controller 255
- #0628 Direct Attach - #5703 PCI-X RAID Disk Unit Controller 255
- #0643 Direct Attach - #5706 PCI-X 1Gbps Ethernet-TX IOA 255
- #0644 Direct Attach - #5707 PCI-X 1 Gbps Ethernet-SX IOA 255
- #0645 Direct Attach - #5712 PCI-X Tape / DASD Controller 255
- #1312 290
- #1313 290
- #1322 290
- #1323 290
- #1325 290
- #1326 290
- #1327 290
- #1333 290
- #1334 290
- #1336 290
- #1337 290

#1500	702	#2062	702
#1501	702	#2063	702
#1502	702	#2064	702
#1503	702	#2065	705
#1504	702	#2066	705
#1505	702	#2067	705
#1506	705	#2068	705
#1507	705	#2069	707
#1508	705	#2070	707
#1509	705	#2248	697
#1510	705, 707	#2250	697
#1511	705, 707	#2252	697
#1512	707	#2253	697
#1513	707	#2349	Model 830 4/8-way Processor 715
#1514	707	#2395	710
#1521	710–711, 713, 715	#2396	710
#1522	710–711, 713, 715	#2397	710, 715
#1523	710–711, 713, 715	#2398	710, 715
#1524	710–711, 713, 715	#2400	2-way processor 715
#1525	710–711, 713, 715	#2416	722
#1526	710–711, 713, 715	#2417	722
#1527	710–711, 713, 715	#2418	722
#1531	715	#2419	722
#1532	715	#2420	722
#1533	715	#2422	698
#1534	715	#2423	698
#1535	715	#2424	698
#1536	715	#2425	710
#1537	715	#2426	710
#1540	718, 722	#2427	710
#1541	718, 722	#2431	processor 698–699
#1542	718, 722	#2432	processor 698–699
#1543	718, 722	#2434	2-way processor 698–699
#1544	718, 722	#2435	processor 711
#1545	718, 722	#2436	processor 711
#1546	718, 722	#2437	2-way processor 711
#1547	718, 722	#2452	Dedicated Domino processor 699
#1576	726	#2454	Dedicated Domino processor 699
#1577	726	#2456	Dedicated Domino processor 711
#1578	726	#2457	711
#1579	726	#2463	processor 118
#1581	726	#2464	processor 118
#1583	726	#2465	processor 130
#1585	726	#2466	processor 130
#1587	726	#2467	processor 130
#1588	726	#2469	processor 130
#1591	726	#2699/9699	SPD Two-Line WAN IOA 286
#1889	80GB VXA-2 Tape Drive 311	#2718	PCI Magnetic Media Controller 286
#2061	702	#2720	Base PCI WAN/Twinaxial IOA 286



#2721/#9721 PCI Two-Line WAN IOA	286	#2892 PCI Integrated xSeries Server	241
#2722 PCI Twinaxial Workstation IOA	286	#2899 PCI Integrated xSeries Server	243
#2723 PCI Ethernet IOA (10 Mbps)	286	#3043 - 512 MB Main Storage	107
#2724/#9724 PCI 16/4 Mbps Token-Ring IOA	286	#3044 - 1 GB Main Storage	107
#2726 PCI RAID Disk Unit Controller Ultra SCSI	286	#3046 - 2 GB Main Storage	107
#2729 PCI Magnetic Media Controller SCSI	286	#3092 256 MB Main Storage	119
#2740 PCI RAID Disk Unit Controller	286	#3093 512 MB Main Storage	95, 119
#2741 PCI RAID Disk Unit Compression Controller	286	#3094 1 GB Main Storage	95, 119
#2742 PCI Two-Line WAN IOA	256	#3096 2 GB Main Storage	95, 119
#2743 1 Gbps PCI Ethernet IOA	257	#4308	290
#2744 PCI 100 Mbps Token Ring IOA	257	#4314	290
#2745/#9745 PCI Two-Line WAN IOA	286	#4317	290
#2746 PCI Twinaxial Workstation IOA	286	#4318	290
#2749 PCI Ultra Magnetic Media Controller	257	#4319	290
#2750 PCI ISDN BRI U IOA	286	#4324	290
#2751 PCI ISDN BRI S/T IOA	286	#4326	290
#2757 PCI-X Ultra RAID Disk Controller	259	#4327	290
#2760 PCI 1 Gbps Ethernet UTP Adapter	260	#4331	290
#2761 Integrated Analog Modem	286	#4425 CD-ROM	316
#2763 PCI RAID Disk Unit Controller	260	#4430 DVD-RAM	316
#2765 PCI Fibre Channel Tape Controller	261	#4443 - 512 MB DDR Main Storage	95
#2766 PCI Fibre Channel Disk Controller	261	#4444 - 1 GB DDR Main Storage	95
#2768 PCI Magnetic Media Controller	262	#4445 - 4 GB DDR Main Storage	95
#2772 PCI Dual WAN/Modem IOA	264	#4447 - 2 GB DDR Main Storage	95
#2773 PCI Dual WAN/Modem IOA	264	#4449 - 8 GB DDR Main Storage	95
#2782 PCI-X RAID Disk Unit Controller	264	#4450 - 16 GB DDR Main Storage	95
#2787 PCI-X Fibre Channel Disk Controller	265	#4452 - 2 GB DDR Main Storage	107
#2791 Integrated xSeries Server	239	#4454 - 8 GB DDR Main Storage	107
#2792 PCI Integrated xSeries Server	241	#4482 4 GB ¼-inch Cartridge Tape Unit	311
#2792/#2892/#9792 PCI Integrated xSeries Server	241	#4483 16 GB ¼-inch Cartridge Tape Unit	312
#2793/#2794/#9793/#9794 PCI Dual WAN/Modem IOA	266	#4486 25 GB ¼-inch Cartridge Tape Unit	312
#2799 PCI Integrated xSeries Server	243	#4487 50 GB ¼-inch Cartridge Tape Unit	312
#2805 PCI Quad Modem IOA	268	#4490 - 4 GB DDR Main Storage	107
#2806 PCI Quad Modem (CIM)	268	#4491 - 16 GB DDR Main Storage	107
#2810 LAN/WAN IOP	249	#4525 CD-ROM	317
#2824 PCI Feature Controller	247	#4530 DVD-RAM	317
#2838 PCI 100/10 Mbps Ethernet IOA	286	#4531 DVD-ROM	317
#2842 PCI IOP	234	#4533 DVD-RAM	317
#2843 PCI IOP	236	#4582 4 GB ¼-inch Cartridge Tape Unit	312
#2849 10/100 Mbps Ethernet Adapter	269	#4583 16 GB ¼-inch Cartridge Tape Unit	312
#2861 32 MB IOP Memory Card	247, 249	#4584 30 GB ¼-inch Cartridge Tape Unit	312
#2862 128 MB IOP Memory Card	247, 250	#4585 80 GB VXA-2 Tape Device	312
#2865 PCI Integrated Netfinity Server	247	#4586 25 GB ¼-inch Cartridge Tape Unit	312
#2867 256 MB IOP Memory Card	247, 250	#4587 50 GB ¼-inch Cartridge Tape Unit	312
#2891 Integrated xSeries Server	239	#4625 CD-ROM	318
		#4630 DVD-RAM	318
		#4631 DVD-ROM	318
		#4633 DVD-RAM	318
		#4684 30 GB ¼-inch Cartridge Tape Unit	312

#4685 80 GB VXA-2 Tape Device	313	#5754 50 GB ¼-inch Cartridge Tape Unit	313
#4745 PCI Two-Line WAN IOA	269	#6134 60GB 8mm Tape Unit	313
#4746 PCI Twinaxial IOA	270	#6149 16/4 Mbps Token-Ring IOA	286
#4767 Base PCI Disk Unit Controller	284	#6180/#9280 Twinaxial Workstation IOA	286
#4767/#9767 Base PCI Disk Unit Controller	284	#6181/#9381 Base Ethernet IEEE 802.3 IOA	286
#4778 PCI RAID Disk Unit Controller	271	#6501 Tape/Disk Device Controller SPD	286
#4801 PCI Cryptographic Coprocessor	271	#6513 Internal Tape Device Controller (SPD)	287
#4802 PCI Cryptographic Processor	272	#6533 RAID Disk Unit Controller Ultra SCSI (SPD)	287
#4805 Cryptographic Accelerator	272	#6534 Magnetic Media Controller SCSI SPD	287
#4838 PCI 100/10 Mbps Ethernet IOA	273	#6618 Integrated Netfinity Server	249
#5032 Removable Media Cluster Box	313	#6717 8.58 GB 10k RPM Disk Unit	291
#5033 Migration Tower I	230	#6718 17.54 GB 10k RPM Disk Unit	291
#5034 Migration Tower I	230	#6806 1.96 GB Disk Unit	291
#5035 Migration Tower I	230	#6807 4.19 GB Disk Unit	291
#5074 PCI Expansion Tower	186	#6813	291
#5075 PCI Expansion Tower	189	#6817	291
#5077 Migration Tower II	230	#6818 17.54 GB 10k RPM Disk Unit	291
#5078 PCI Expansion Unit	191	#6824 17.54 GB Disk Unit	291
#5079 1.8 M I/O Tower	192	#6831	291
#5088 PCI-X Expansion Unit	195	#7002 HSL Enabler	117
#5094 PCI-X Expansion Tower	198	#7104 System Unit Expansion	117
#5095 PCI-X Expansion Tower	201, 203	#7116 System Unit Expansion	129
#5101 30 Disk Unit Expansion	187	#7123 DASD Expansion Unit	117
#5105 Dual Line Cord	187	#7136 DASD Expansion Unit	129
#5107 30 Disk Expansion	175	#7137 DASD Concurrent Maintenance Cage	117
#5108 30-Disk Expansion Feature	200	#7884 Rack Mount	93
#5114 Dual Line Cords - Tower	177	#7885 Deskside	93
#5115 Dual Line Cords - Tower	200	#8079 Optional Base I/O Rack	157
#5116 Dual Line Cords - 5294 Tower	205	#8094 Optional 1.8 M I/O Rack	176
#5138 Redundant Power and Cooling	202	#8287 50 GB ¼-inch Cartridge Tape Device	314
#5156 Redundant Power and Cooling	191	#8617 8.58 GB 10k RPM Disk Unit	291
#5160 Power Distribution Unit	207, 209	#8618 17.54 GB 10k RPM Disk Unit	291
#5161 Power Distribution Unit	207, 209	#8754 Optional Base 50 GB ¼-inch Cartridge Tape Device	313
#5162 Power Distribution Unit	207, 209	#8813 Opt. Base 8.58 GB Disk Unit	291
#5163 Power Distribution Unit	209	#8817 Opt. Base 8.58 GB 10k RPM Disk Unit	291
#5294 1.8 M I/O Tower	204	#8818 Opt. Base 17.54 GB 10k RPM Disk Unit	291
#5700 PCI 1 Gbps Ethernet IOA	273	#8824 Opt. Base 17.54 GB Disk Unit	291
#5701 PCI 1 Gbps Ethernet UTP IOA	274	#8917 Opt. Base 8.58 GB 10k RPM Disk Unit	291
#5702 PCI-X Ultra Tape Controller	274	#8918 Opt. Base 17.54 GB 10k RPM Disk Unit	291
#5703 PCI-X RAID Disk Unit Controller	276	#8924 Opt. Base 17.54 GB Disk Unit	291
#5704 PCI-X Fibre Channel Tape Controller	277	#8950 Model 520 Processor	94
#5705 PCI-X Tape/DASD Controller	278	#8951 Model 520 Processor	94
#5706 PCI-X 1Gbps Ethernet-TX IOA	279	#8952 Model 520 Processor	94
#5707 PCI-X 1Gbps Ethernet-SX IOA	280	#8953 Model 520 Processor	94
#5709 RAID Enabler Card	281	#8954 Model 520 Processor	94
#5712 PCI-X Tape Controller	281	#8955 Model 520 Processor	95
#5715 PCI-X Tape/DASD Controller	283	#9094 Base PCI I/O Enclosure	174
#5751 DVD-RAM	319		
#5753 30 GB ¼-inch Cartridge Tape Unit	313		

#9284 30 GB ¼-inch Cartridge Tape Unit 314  
#9285 80 GB VXA-2 8mm Tape Device 314  
#9313 Base 8.58 GB Disk Unit 291  
#9653 30 GB ¼-inch Cartridge Tape Device 314  
#9653 Base 30 GB ¼-inch Cartridge Tape Device  
314  
#9689 Base 80 GB VXA-2 Tape Drive 314  
#9720 Base PCI WAN/Twinaxial IOA 286  
#9721 PCI Two-Line WAN IOA 286  
#9723 PCI Ethernet IOA 286  
#9728 Base Disk Unit Controller 286  
#9738 PCI 100/10 Mbps Ethernet IOA 286  
#9748 Base PCI RAID Disk Unit Controller 270  
#9767 Base PCI Disk Unit Controller 284  
#9771 Base PCI 2-Line WAN with Modem 284  
#9778 Base PCI RAID Disk Unit Controller 271  
#9792 PCI Integrated xSeries Server 241  
#9793/#9793 PCI Dual WAN/Modem IOA 266  
#9943 PCI IOP 236  
/loadprof 623

## Numerics

150 Model 9401 696  
1519-100 Integrated xSeries Adapter for iSeries  
219  
250 Model 9406 697  
270 Model 9406 697  
2xx Model 9402 696  
3494 Tape Library Dataserver 335  
3580 322  
3581 322  
3582 322  
3583 322  
3584 322  
358x Ultrium Tape Drive 322  
3590 Tape System 326  
3592 Tape System 327  
3995 Optical Library 337  
4 GB External QIC Tape Drive 328  
4230 Impact Matrix Printer 362  
4232 Impact Dot Matrix Printer 363  
4247 MultiForm Matrix Printer 363  
520 model 89  
520 System Unit 89  
5250 data stream 37  
5250 online transaction processing (OLTP) CPW  
38  
5250 throughput 37

5620-FIF PATROL for iSeries - Predict 663  
5648-B45 IBM AFP Font Collection for Workstations  
and OS/400 670  
5648-E76 IBM Infoprint Fonts for Multiplatforms  
674  
5697-F49 IBM MQSeries Integrator for iSeries and  
DB2 Version 1.1 613  
5697-G84 DB2 Table Editor for iSeries 521  
5697-G85 IBM DB2 Web Query Tool for iSeries  
V1.3 523  
570 model 101  
570 System Unit 101  
5714-MG1 System/38 Migration Aid 584  
5722-AF1 IBM Advanced Function Printing Utilities  
666  
5722-AP1 IBM Advanced DBCS Printer Support for  
iSeries 668  
5722-BR1 IBM Backup Recovery and Media Servic-  
es for iSeries 645  
5722-CE3 iSeries Client Encryption (128-bit) 607  
5722-CM1 IBM Communications Utilities for iSeries  
608  
5722-CR1 IBM Cryptographic Support for AS/400  
607  
5722-DB1 IBM System/38 Utilities for AS/400 518  
5722-DE1 IBM DB2 Universal Database Extenders  
for iSeries V8 525  
5722-DFH IBM CICS Transaction Server for iSeries  
572  
5722-DG1 HTTP Server for iSeries 466, 475  
5722-DP4 IBM DB2 DataPropagator for iSeries  
V8.1 509  
5722-DS1 IBM Business Graphics Utility for AS/400  
673  
5722-IP1 Infoprint Server for iSeries 682  
5722-IWE IBM WebSphere Application Server - Ex-  
press for iSeries 532  
5722-JC1 IBM Java for iSeries 412  
5722-JC1 IBM Toolbox for Java 575  
5722-JS1 IBM Advanced Job Scheduler for iSeries  
652  
5722-JV1 IBM Developer Kit for Java 581  
5722-JV1 IBM Java for iSeries 412  
5722-MG1 IBM Managed System Services for iSer-  
ies 654  
5722-PD1 IBM Application Program Driver for  
AS/400 584  
5722-PT1 IBM Performance Tools for iSeries 661  
5722-QU1 IBM Query for iSeries 511

5722-RD1 IBM Content Manager OnDemand for iSeries 686  
 5722-SA3 Enhanced Integration with Novell NetWare 480  
 5722-SM1 IBM System Manager for iSeries 656, 658–659  
 5722-SS1 Operating System/400 405, 457  
 5722-SS1 Option 13 System Openness Includes 477  
 5722-SS1 Option 18 Media and Storage Extensions 478  
 5722-SS1 Option 22 Object Connect for iSeries 478  
 5722-SS1 Option 23 OptiConnect for iSeries 479  
 5722-SS1 Option 25 Enhanced Integration with Novell NetWare 480  
 5722-SS1 Option 26 DB2 Symmetric Multiprocessing for OS/400 481  
 5722-SS1 Option 27 DB2 Multisystem for iSeries 482  
 5722-SS1 Option 31 Domain Name System and Dynamic Domain Name System Server 483  
 5722-SS1 Option 33 OS/400 PASE 484  
 5722-SS1 Option 41 High Availability Switchable Resources 489  
 5722-SS1 Option 42 High Availability Journal Performance 490  
 5722-SS1 Options 36, 37, 38 IBM Print Services Facility 485  
 5722-SS1 Options 36,37,38 IBM Print Services Facility for iSeries 690  
 5722-ST1 IBM DB2 Query Manager and SQL Development Kit for iSeries 513  
 5722-TC1 IBM TCP/IP Connectivity Utilities for iSeries 464  
 5722-VI1 IBM Content Manager for iSeries 688  
 5722-WDS IBM Integrated Language Environment COBOL for iSeries 592  
 5722-WDS IBM Integrated Language Environment RPG for iSeries 591  
 5722-WDS IBM WebSphere Development Studio for iSeries 588  
 5722-XP1 iSeries Access for Wireless 631  
 5724-B78 DB2 OLAP Server for iSeries V8.1 506  
 5724-D18 543  
 5724-E86 IBM QMF Distributed Edition for Multiplatforms V8.1 516  
 5727-MG1 System/36 Migration Aid 584  
 5733-A38 IBM MQSeries for iSeries, V5.2 612  
 5733-A38 IBM WebSphere MQ for iSeries, V5.3 610  
 5733-CO2 IBM Connect for iSeries Version 2.0 548  
 5733-FXD IBM Integrated Domino Fax for iSeries 569  
 5733-ID1 IBM Infoprint Designer for iSeries 679  
 5733-L65 IBM Lotus Domino 6.5 for iSeries 560  
 5733-LE1 IBM Lotus Enterprise Integrator for iSeries 563  
 5733-LQP IBM Lotus QuickPlace for iSeries 566  
 5733-LST IBM Lotus Sametime for iSeries 565  
 5733-WC5 IBM WebSphere Commerce for iSeries, Version 5.4 544  
 5733-WS4 531  
 5733-WS5 IBM WebSphere Application Server Version 5.0 for iSeries 540  
 5733-XT1 XML Toolkit for iSeries 602  
 5769-AC3 IBM Cryptographic Access Provider 128-bit for iSeries 606  
 5769-BR1 Backup Recovery and Media Services for iSeries 645  
 5769-DC3 IBM Distributed Computing Environment DES Library 610  
 5769-DL1 IBM Dictionary and Linguistics Tools for AS/400 671  
 5769-FN1 IBM Advanced Function Printing (AFP) DBCS Fonts for AS/400 678  
 5769-FNT IBM Advanced Function Printing (AFP) Fonts for AS/400 677  
 5769-VG1 IBM VisualAge Generator Server for AS/400 586  
 5798-FAX IBM Facsimile Support for iSeries 675  
 5801-AAR DB2 Spatial Extender Version 2.1.1 519  
 6400 Line Matrix Printers 365  
 64-bit application program 11  
 64-bit operating system 11  
 64-bit relational database 11  
 64-bit RISC hardware 11  
 720 model 702  
 720 Model 9406 697  
 7206 Model VX2 327  
 7206 Tape Drive 327  
 7207 Model 122 328  
 7207 Model 330 328  
 7207 Tape Drive 328  
 7208 Model 342 329  
 7208 Model 345 60 GB External 8mm Tape Drive 329  
 7208 Tape Drive 329

7210 DVD-RAM 336–337  
 7210 Model 025 External DVD-RAM Drive 336–337  
 730 Model 9406 697  
 7310-C03 643  
 7310-CR2 643  
 740 model 707  
 740 Model 9406 697  
 80 GB External VXA-2 Tape Drive 327  
 800 model 113  
 800 System Unit 113  
 810 model 125  
 810 System Unit 125  
 820 Model 9406 697  
 825 model 137  
 830 model 715  
 830 Model 9406 697  
 840 model 718  
 840 Model 9406 697  
 843977 RPQ 294  
 870 model 149  
 890 model 167  
 890 Model 9406 697  
 8mm Cartridge Tape 329  
 8X technology 337  
 9401 Model 150 696  
 9401 Models P01 and P02 696  
 9401 Models P03 and 10S 696  
 9402 and 9404 upgrades 56  
 9402 Model 100 696  
 9402 Model 200 696  
 9402 Model 20S 696  
 9402 Model 236 696  
 9402 Model 2xx 696  
 9402 Model 400 696  
 9402 Model 400 Packages 696  
 9402 Model 40S 696  
 9402 Model 40S Packages 696  
 9402 Model 436 696  
 9402 Model S10 696  
 9402 Models C04 and C06 696  
 9402 Models D02, D04, and D06 696  
 9402 Models E02, E04, and E06 696  
 9402 Models F02, F04, F06 696  
 9402/9404 upgrade 225  
 9404 Models 135 and 140 696  
 9404 Models B10, B20 696  
 9404 Models C10, C20, C25 696  
 9404 Models D10, D20, D25 696  
 9404 Models E10, E20, E25 696  
 9404 Models F10, F20, F25 696  
 9406 Model 170 696  
 9406 Model 250 697  
 9406 Model 270 697  
 9406 Model 30S 696  
 9406 Model 520 89  
     schematics 96  
 9406 Model 570 101  
     schematics 108  
     system unit 108  
 9406 Model 600 696  
 9406 Model 620 696  
 9406 Model 640 696  
 9406 Model 650 696  
 9406 Model 720 697, 702  
 9406 Model 730 697  
 9406 Model 740 697, 707  
 9406 Model 800 113  
     schematics 119  
 9406 Model 810 125  
     schematics 132  
 9406 Model 820 697  
 9406 Model 825 137  
     schematics 143  
 9406 Model 830 697  
 9406 Model 840 697  
 9406 Model 870 149  
     schematics 159  
 9406 Model 890 167, 697  
     schematics 177  
 9406 Model S20 696  
 9406 Model S20 Custom Mixed-Mode Server 696  
 9406 Model S30 696  
 9406 Model S30 and S40 Custom Mixed-Mode eServers 696  
 9406 Model S40 696  
 9406 Model SB1 696  
 9406 Model SB2 697  
 9406 Model SB3 697  
 9406 Models 300, 310, and 320 696  
 9406 Models 500, 510, 530 696  
 9406 Models 50S and 53S 696  
 9406 Models B30, B35, B40, B45, B50, B60, and B70 696  
 9406 Models D35, D45, D50, D60, D70, and D80 696  
 9406 Models E35, E45, E50, E60, E70, E80, E90, and E95 696

9406 Models F35, F45, F50, F60, F70, F80, F90, F95, and F97 696

## A

Access Class Libraries 62  
Active Directory 417  
ADTS features 596  
Advanced DBCS Printer Support for iSeries 668  
Advanced Function Printing (AFP) DBCS Fonts for AS/400 678  
Advanced Function Printing (AFP) Fonts for AS/400 677  
Advanced Function Printing Utilities for iSeries 666  
    Overlay Utility 667  
    Print Format Utility 667  
    Resource Management Utility 668  
Advanced Job Scheduler for iSeries 652  
Advanced System Management Interface (ASMI) 643  
advanced user interface 31  
Advanced Workflow 688  
AFP 666, 668, 670, 677–678  
AFP Font Collection 670  
AIX support 59  
Allow console to be taken over by another console 639  
allowable main storage  
    Model 520 96  
    Model 570 108  
    Model 800 119  
    Model 810 132  
    Model 870 155  
    Model 890 173  
alternate installation device 308  
alternate IPL 308  
ALT-IPL 308  
APD/400 584  
Application Development Manager 62  
Application Development ToolSet (ADTS) 596  
Application Dictionary Services 62  
Application Program Driver for AS/400 584  
AS/400 withdrawn products 63  
automatic database file recall 650  
automatic record blocking 427  
availability 23, 296–297

## B

Backup Recovery and Media Services for iSeries

645  
Balance 277  
Base OS/400 414  
BEST/1 35  
BGU (Business Graphics Utility) 673  
blindswap cassette 102  
Block INSERT and FETCH 427  
BRMS  
    Advanced Feature 647  
    Network Feature 647  
    optional features 647  
BRMS/400 645  
Business Graphics Utility (BGU) 673  
Business Graphics Utility for AS/400 673

## C

Capacity on Demand 58  
capacity on demand (CoD) 40  
Capacity Upgrade on Demand (CUoD) 142, 154, 172  
capped partition 40  
CCIN 671A MFIOp with RAID 287  
CCW (continuous composite worm) 338  
CD-ROM 298, 314  
    #4425 316  
    #4525 317  
    #4625 318  
Checksum Offload 279–280  
CICS Transaction Server for iSeries 572  
CIF (Customer Install Feature) 367  
CIF features 99, 111, 123, 136  
CL (Control Language) 405  
class transformer 412  
Client Encryption 607  
cluster enabled 24  
cluster node 448  
cluster technology 24  
clustering with switchable DASD and IASP 25  
ClusterProven 24  
CMOS 7S technology 19  
CMOS 8S technology 19  
CoD (capacity on demand) 40  
Commercial Processing Workload (CPW) 36  
communication and networking 418  
communication facilities 734  
communication networks 734  
communication protocols 734  
communication references 734

- communication WAN restrictions 37
- Communications Utilities for iSeries 608
- compatibility tape 298, 302–303
- compression 298
- Concurrency Control 468
- concurrent maintenance 92, 106, 439, 441, 642
- Connect for iSeries Version 2.0 548
- connectivity 418
- Content Manager for iSeries 688
- Content Manager OnDemand for iSeries 686
- continuous composite worm (CCW) 338
- Control Language (CL) 405
- controller 19
- CPA Toolkit 477
- CPW (Commercial Processing Workload) 36
- cross-site mirroring (XSM) 26
- cross-system mirroring 23
- Cryptographic Access Provider 128-bit for iSeries 606
- Cryptographic Support for AS/400 607
- cryptography 271
- cultural value 462
- CUoD (Capacity Upgrade on Demand) 142, 154, 172
- current release to previous release support 492
- Customer Install Feature (CIF) 367

## D

- database 29
- DB2 DataPropagator for iSeries V8.1 509
- DB2 Multisystem for iSeries 482
- DB2 OLAP Server for iSeries V8.1 506
- DB2 Query Manager and SQL Development Kit for iSeries 513
- DB2 Spatial Extender Version 2.1.1 519
- DB2 Symmetric Multiprocessing for OS/400 481
- DB2 Table Editor for iSeries, V4.3 521
- DB2 UDB Text Extender 526
- DB2 UDB XML Extender 526
- DB2 Universal Database
  - column-level security 424
  - declarative referential integrity 423
  - distributed database 426
  - encoded-vector index 427
  - Explain function 427
  - journal enhancements 425
  - national language support 423
  - parallel data access 428

- Query Governor 428
- query tuning 428
- scalability 428
- SQL optimizer 427
- SQL query support 425
- symmetric multiprocessing 481
- system-wide database catalog 424
- triggers 425
- user-defined functions 423
- user-defined types 423
- DB2 Universal Database for iSeries 29, 422
- DB2 Web Query Tool for iSeries V1.3 523
- DCE (Distributed Computing Environment) 62
- declarative referential integrity 423
- dev/null character 433
- Developer Kit for Java 581
- device parity protection 296
- devices no longer supported by IBM 64
- devices no longer supported with V5R1 63–64, 736
- devices not supported with V5R2 760
- Dictionary and Linguistics Tools for AS/400 671
- digital signature 420
- disk arm requirements 47
- disk compression 298
- disk protection
  - device parity protection 296
  - mirroring 297
  - RAID-5 296
- disk storage specifications comparison 292
- disk unit conversion 294
- Disk Units
  - PCI
    - #4308 4.19 GB Disk Unit 290
    - #4314 8.58 GB Disk Unit 290
    - #4317 8.58 GB 10k RPM Disk Unit 290
    - #4318 17.54 GB 10k RPM Disk Unit 290
    - #4319 35.16 GB 10k RPM Disk Unit 290
    - #4324 17.54 GB Disk Unit 290
    - #4327 7056 GB Disk Unit 290
    - #4331 1.6 Gb Read Cache 290
    - #4336 35.16 GB Disk Unit 290
    - #6831 1.6 Gb Read Cache 291
  - SPD
    - #1312 1.03 GB Disk Unit Conversion Kit 290
    - #1313 1.96 GB Disk Unit Conversion Kit 290
    - #1322 1.03 GB Disk Unit Conversion Kit 290

#1323 1.96 GB Disk Unit Conversion Kit 290  
 #1325 1.03 GB Disk Unit Conversion Kit 290  
 #1326 1.96 GB Disk Unit Conversion Kit 290  
 #1327 4.19 GB Disk Unit Conversion Kit 290  
 #1333 8.58 GB Disk Unit Conversion Kit 290  
 #1334 17.54 GB Disk Unit Conversion Kit 290  
 #1336 1.96 GB Disk Unit Conversion Kit 290  
 #1337 4.19 GB Disk Unit Conversion Kit 290  
 #6717 8.58 GB 10k RPM Disk Unit 291  
 #6718 17.54 GB 10k RPM Disk Unit 291  
 #6806 1.96 GB Disk Unit 291  
 #6807 4.19 GB Disk Unit 291  
 #6813 8.58 GB Disk Unit 291  
 #6817 17.54 GB 10k RPM Disk Unit 291  
 #6818 17.54 GB 10k RPM Disk Unit 291  
 #6824 17.54 GB Disk Unit 291  
 #8617 8.58 GB 10k RPM Disk Unit 291  
 #8618 17.54 GB 10k RPM Disk Unit 291  
 #8813 Opt. Base 8.58 GB Disk Unit 291  
 #8817 Opt. Base 17.54 GB 10k RPM Disk Unit 291  
 #8817 Opt. Base 8.58 GB 10k RPM Disk Unit 291  
 #8824 Opt. Base 17.54 GB Disk Unit 291  
 #8917 Opt. Base 8.58 GB 10k RPM Disk Unit 291  
 #8918 Opt. Base 17.54 GB 10k RPM Disk Unit 291  
 #8924 Opt. Base 17.54 GB Disk Unit 291  
 #9313 Base 8.58 GB Disk Unit 291  
 disk units 292  
 Distributed Computing Environment (DCE) 62  
 Distributed Computing Environment DES Library 610  
 distributed database 426  
 Distributed Switch 17  
 Domain Name System and Dynamic Domain Name System Server 483  
 Domino iNotes clients 562  
 DVD, 7210 336–337  
 DVD-RAM 298  
 #4430 316  
 #4530 317  
 #4533 317  
 #4630 318  
 #4633 318  
 #5751 319  
 DVD-ROM #4631 318  
 Dynamic Domain Name System Server 483  
 dynamic logical partitioning 27  
 Dynamic Retrieval 650  
**E**  
 e-business 31  
 Edition feature 38  
 Edition upgrades 229  
 Electronic Proof of Entitlement 497  
 encoded-vector index 427  
 end of support dates for software 760  
 Enhanced Integration with Novell NetWare 480  
 Enhanced Parallel Port (EPP) 641  
 Enterprise Identity Mapping (EIM) 420  
 ePoE 497  
 EPP (Enhanced Parallel Port) 641  
 eServer i5 3  
     Model 570 growth plans 56  
 Ethernet IOA 100/10 Mbps 286  
 Euro Currency Support 462  
 expansion tower 186  
 expansion unit summary 81  
 Explain function 427  
 External 8mm Tape Drive 329  
 external towers  
     Model 520 99  
     Model 570 111  
     Model 800 123  
     Model 810 136  
     Model 825 146  
     Model 870 165  
     Model 890 184  
 EZ-Setup wizard 33, 437  
**F**  
 fabric 340  
 Facsimile Support for iSeries 675  
 fast search 650  
 features no longer supported with V5R1 63–64, 736  
 features not supported with V5R2 760



file and print serving 416  
functions no longer supported 63–64, 736

## G

geographic mirroring 26  
graphical system management 452  
GUI management 452  
guidance for LPAR system upgrades 502  
Guided Setup 437

## H

handshake protocol 420  
hard rules 253  
Hardware Management Console 642  
hardware multithreading 39  
hardware no longer marketed by IBM 738  
HATS (Host Access Transformation Server Limited Edition) 630  
hierarchy of microprocessors 13  
high availability 296  
High Availability Journal Performance 490  
High Availability options 58  
High Availability Switchable Resources 489  
high-availability 296  
high-speed link  
    Model 520 98  
    Model 570 110  
    Model 800 122  
    Model 810 135  
    Model 825 145  
    Model 870 164  
    Model 890 183  
high-speed link (HSL) 21–22, 119  
    HSL fabric 212  
High-speed link on Model 520 96  
HMC 642  
homologation 252  
hosted and non-hosted Linux partitions 408  
hot swapping 21, 252  
hot-plug PCI 20  
hot-plugging 20  
HSL (high-speed link) 21  
HSL OptiConnect 214  
HTTP Server for iSeries 466, 475  
HTTP Server for iSeries (powered by Apache) 606  
Hypervisor 11

## I

I/O architecture 19  
I/O processor features 233, 251, 367  
i5/OS 3, 28, 405, 413  
    DB2 Universal Database 29  
    object based 29  
    overview 459  
IBM Cluster Management Utility 489  
IBM Director Multiplatform 57  
IBM Enterprise Workload Manager 58  
IBM eServer i5 server 3  
IBM eServer Technical Support Advantage 452, 643  
IBM eServer Workload Estimator 46  
IBM Grid Toolbox V3 for Multiplatforms 58  
IBM i5/OS 3, 28  
IBM Toolbox for Java 575  
IBM WebFacing Tool 49  
Identity column 424  
ILE C 594  
ILE C features 595  
ILE C++ 594  
ILE C++ features 595  
Impact Dot Matrix Printer 363  
Impact Matrix Printer 362  
inactive processor 41, 45  
independent ASP 448, 489  
Infoprint 3000 358  
Infoprint 4000 Advanced Function Printing Systems 359  
Infoprint Designer for iSeries 679  
    Infoprint Image Editor 681  
    Infoprint Layout Editor 681  
    Infoprint Overlay Editor 681  
Infoprint Fonts for Multiplatforms 674  
Infoprint Image Editor 681  
Infoprint Layout Editor 681  
Infoprint Overlay Editor 681  
Infoprint Server for iSeries 682  
Information Center 436  
infrastructure 5  
integrated DB2 Universal Database for iSeries 422  
Integrated Domino Fax for iSeries 569  
integrated file system 431  
integrated hardware disk compression 298  
Integrated Language Environment COBOL for iSeries 592  
Integrated Language Environment RPG for iSeries 591

- Integrated xSeries Adapter for iSeries 219
  - Integrated xSeries Server based on Intel Pentium M processor 57
  - integration with Novell NetWare 480
  - Intelligent Printer Data Stream 362
  - Interactive SQL 513
  - internal CD-ROM drives 314
  - internal drives
    - CD-ROM 314
    - DVD-RAM drives 314
  - Internal Magnetic Media 289
  - Internal Tape Device Controller (SPD) 287
  - internal tape unit 298
    - #4482 4 GB ¼-inch Cartridge 311
    - #4483 16 GB ¼-inch Cartridge 312
    - #4486 25 GB ¼-inch Cartridge 312
    - #4487 50 GB ¼-inch Cartridge 312
    - #4582 4 GB ¼-inch Cartridge 312
    - #4583 16 GB ¼-inch Cartridge 312
    - #4586 25 GB ¼-inch Cartridge 312
    - #4587 50 GB ¼-inch Cartridge 312
    - #5032 Removable Media Cluster Box 313
    - migrated 302
  - internal tape, CD-ROM, DVD-RAM 298
  - International Program License Agreement 495
  - interoperability 425
  - IPLA 495, 497
  - iSeries
    - advanced user interface 31
    - AIX support 59
    - architecture 7, 9
    - closed Statement of Direction 60
    - direction 55
    - hierarchy of microprocessors 13
    - integration with Windows Server 22
    - management environment 59
    - microprocessor 16
    - open Statement of Direction 59
    - planning information 60
    - POWER Hypervisor 11
    - Product Preview 56
    - Product Preview closed 59
    - Product Preview open 56
    - single-level storage 9
    - Statement of Direction 59
    - summary of current models 67
    - summary of expansion units and towers 81
    - system concepts 8
    - TIMI layer 10
    - withdrawn products 63
  - iSeries Access 615
  - iSeries Access for Linux (5722-XL1) 629
  - iSeries Access for Windows 641
  - iSeries Access for Wireless 631
  - iSeries Client Encryption (128-bit) 607
  - iSeries Editions 51
  - iSeries Information Center 436
  - iSeries Model 520 68, 89
  - iSeries Model 570 70, 101
  - iSeries Model 800 71, 113
  - iSeries Model 810 73, 125
  - iSeries Model 825 75, 137
  - iSeries Model 870 77, 149
  - iSeries Model 890 79, 167
  - iSeries Navigator 32, 438
    - Windows disk and user management 456
  - iSeries Operations Console 636
  - iSeries planning information Web site 55
  - iSeries Webserver Search Engine 473
  - ISTAR 19
- J**
- Jakarta Tomcat 532
  - Java 30, 412
  - Java for iSeries 412
  - Journal Caching feature 490
  - Journal Standby feature 490
  - journaling 425
- K**
- keyed products for V5R3 501
  - Keyed Stamped Media 500
  - Keyed Stamped Media Distribution 501
- L**
- LAN/WAN IOP 249
  - Large Send 279–280
  - Launch LOB button 522
  - LID 497
  - Line Matrix Printers 365
  - Linear Tape-Open 322
  - Linux direct attach features 254
  - Linux for iSeries 30, 407
  - Linux on eServer i5 servers 57
  - Linux on Integrated xSeries solution 57
  - LMB (logical memory block) 414

- load source 295
- Load user profile when command run in user context 623
- locale support 462
- locking 468
- logical memory block (LMB) 414
- logical partitioning 27
- Logon Server 416
- Lotus Domino 6.5 for iSeries 560
- Lotus Domino for iSeries 31
- Lotus Enterprise Integrator for iSeries 563
- Lotus QuickPlace for iSeries 566
- Lotus Sametime for iSeries 565
- Low Level Firmware 12
- LPAR 319, 442
  - system upgrade software keys and guidance 502
- LPAR table 444, 446
- LTO (Linear Tape-Open) 322

## M

- Magnetic media controller transfer rate 335
- Magneto Optical (MO) 337
- main storage
  - Model 520 95
  - Model 570 107
  - Model 800 119
  - Model 810 131
  - Model 825 142
  - Model 870 154
  - Model 890 173
- Managed System Services for iSeries 654
- Management Central-Pervasive (MC-Pervasive) 33
  - MC-Pervasive 33
- Media and Storage Extensions 478
- menu form 523
- menu interface 435
- MES (Miscellaneous Equipment Specification) 367
- MFIOP with RAID 287
- microprocessor hierarchy 13
- Microsoft Windows .NET 59
- migrated internal tape units 302
- migrating 10K DASD 295
- migration tower 229
- minimum functional server
  - Model 520 90
  - Model 570 102

- Model 800 114
- Model 810 126
- Model 825 138
- Model 870 150
- minimum number of disk arms 47
- Miscellaneous Equipment Specification (MES) 367
- MO (Magneto Optical) 337
  - Model 100 696
  - Model 170 696
  - Model 200 696
  - Model 20S 696
  - Model 236 696
  - Model 30S 696
  - Model 400 696
  - Model 40S 696
  - Model 436 696
  - Model 520 89
    - external towers 99
    - HSL 98
    - main storage 95
    - minimum functional server 90
    - optional features 93
    - overview 90
    - PCI cards and features 98
    - POWER5 17
    - processor features 94
    - required features 91
    - schematics 96
    - summary 68
    - system unit 97
    - upgrades 99
- Model 520 and 570 performance terminology 38
- Model 570 101
  - external towers 111
  - HSL 110
  - main storage 107
  - minimum functional server 102
  - optional features 106
  - overview 102
  - PCI cards and features 110
  - POWER5 17
  - processor features 106
  - required features 104
  - schematics 108
  - summary 70
  - system unit 108
  - upgrades 111
- Model 600 696
- Model 620 696

- Model 640 696
- Model 650 696
- Model 800 113
  - external towers 123
  - high-speed link 119
  - HSL 122
  - main storage 119
  - minimum functional server 114
  - optional features 116
  - overview 114
  - PCI cards and features 122
  - performance terminology 38
  - processor feature 118
  - required features 115
  - schematics 119
  - summary 71
  - system unit 120
  - upgrades 123
- Model 810 125
  - external towers 136
  - HSL 135
  - main storage 131
  - minimum functional server 126
  - optional features 129
  - overview 126
  - PCI cards and features 135
  - processor features 130
  - required features 126
  - schematics 132
  - summary 73
  - system unit 133
  - upgrades 136
- Model 810, 825, 870 and 890 performance terminology 38
- Model 810, 825, 870, 890 performance terminology 38
- Model 825 137
  - external towers 146
  - HSL 145
  - main storage 142
  - minimum functional server 138
  - optional features 141
  - overview 138
  - PCI cards and features 146
  - processor features 141
  - required features 139
  - schematics 143
  - summary 75
  - system unit 144
- upgrades 147
- Model 870 149
  - #5107 30 Disk Expansion 157
  - #5114 Dual Line Cords - Tower 158
  - #8094 Optional 1.8 M I/O Rack 157, 163
  - #9094 Base PCI I/O Enclosure 156, 161
  - external towers 165
  - HSL 164
  - main storage 154
  - minimum functional server 150
  - optional features 153
  - overview 150
  - PCI cards and features 164
  - processor features 153
  - required features 151
  - schematics 159
  - summary 77
  - system unit 159
  - upgrades 165
- Model 890 167
  - #5107 30 Disk Expansion 175
  - #5114 Dual Line Cords - Tower 177
  - #8094 Optional 1.8 M I/O Rack 176, 182
  - #9094 Base PCI I/O Enclosure 174, 180
  - external towers 184
  - HSL 183
  - main storage 173
  - minimum functional server
    - minimum functional server
      - Model 890 168
      - optional features 171
      - overview 168
      - PCI cards and features 183
      - POWER4 17
      - processor features 172
      - required features 170
      - schematics 177
      - summary 79
      - system unit 178
      - upgrades 184
- Model P03 and 10S 696
- Model S10 696
- Model S20 696
- Model S20 Custom Mixed-Mode Server 696
- Model S30 696
- Model S40 696
- Model SB1 696
- Models 135 and 140 696
- Models 300, 310, and 320 696

- Models 500, 510, and 530 696
- Models 50S and 53S 696
- Models B10 and B20 696
- Models B30, B35, B40, B50, B60, and B70 696
- Models C04 and C06 696
- Models C10, C20, and C25 696
- Models D02, D04, and D06 696
- Models D10, D20, and D25 696
- Models D35, D45, D50, D60, D70, and D80 696
- Models E02, E04, and E06 696
- Models E10, E20, and E25 696
- Models E35, E45, E50, E60, E70, E80, E90, and E95 696
- Models F02, F04, and F06 696
- Models F10, F20, and F25 696
- Models F35, F45, F50, F60, F70, F80, F90, and F95 696
- Models P01 and P02 696
- Models S30, S40 Custom Mixed-Mode Servers 696
- MQSeries for iSeries, V5.2 612
- MQSeries Integrator for iSeries and DB2 Version 1.1 613
- multi-channel delivery 682
- MultiForm Matrix Printer 363
- multiple addresses 37
- multithreading 16

## N

- namespace manipulation 468
- national language support 423
- NetServer
  - features 416
  - file and print serving 416
- Network Deployment for iSeries 540, 543
- network printing support 417
- networked system 645
- new with V5R2
  - Content Manager OnDemand for iSeries 688
  - OS/400 PASE 485
- new with V5R3 495
  - Backup Recover and Media Services for iSeries 648
  - DB2 UDB for iSeries 427
  - i5/OS 458
  - IBM Developer Kit for Java 583
  - IBM Toolbox for Java 576
  - Infoprint Server for iSeries 685
  - Integrated Language Environment COBOL for

- iSeries 593
- Integrated Language Environment RPG for iSeries 591, 595–596
- iSeries Access for Web 627
- iSeries Access for Wireless 634
- iSeries clustering 450
- Linux for iSeries 408
- Managed System Services for iSeries 655
- OS/400 413, 458
- Print Services Facility 487
- Print Services Facility for iSeries 692
- Query for iSeries 513
- Query Manager and SQL Development Kit for iSeries 515
- System Manager for iSeries 657
- WebSphere Development Studio for iSeries 590
- WebSphere Host Publisher 630
- Northstar technology 19
- n-way xSeries server attachment 455

## O

- Object Connect for iSeries 478
- object persistence 10
- object signing 420
- object-based 29
- on demand 4
- on-chip copper-wiring technology 19
- OnDemand/400 686
- Open Class Library 61
- Open Firmware 12
- open standards-based interoperability 425
- Operating System/400 28, 405, 457
- Operations Console 434, 636
  - remote capabilities 435
  - software requisites 435
- optical cartridges
  - Continuous Composite Worm (CCW) 338
  - Write-Once-Read-Many (WORM) 338
- optical libraries 58
- optical library, 3995 337
- OptiConnect for iSeries 479
- optional features
  - Model 520 93
  - Model 570 106
  - Model 800 116
  - Model 810 129
  - Model 825 141

- Model 870 153
- Model 890 171
- options and licensed programs in OS/400 463
- Order By restriction removed 425
- OS/400 28, 405, 457
  - Base 414
  - communication and networking 418
  - DB2 Symmetric Multiprocessing 481
  - DB2 Universal Database for iSeries 422
  - functions 415
  - Keyed Stamped Media Distribution 500
  - menu interface 435
  - Operations Console 434
  - options and licensed programs 463
  - overview 459
  - programs 463
  - security 419
  - single-step upgrades 492
  - Software Subscription 504
  - Software Subscriptionsoftware license 494
  - V5R2 included options 735
  - V5R3 included options 475
- OS/400 - DB2 Multisystem 482
- OS/400 - High Availability Journal Performance 490
- OS/400 - High Availability Switchable Resources 489
- OS/400 - NetWare Enhanced Integration 480
- OS/400 PASE 484
  - new with V5R2 485
  - Tivoli Storage Manager 644
- OS/400 PASE (Portable Application Solutions Environment) 484

## P

- packages
  - 9402 400 696
  - 9402 40S 696
- parallel data access 428
- partial transaction save 440
- partitioning limits with processor activation on Model 520 447
- partitions
  - Linux, hosted and non-hosted 408
  - uncapped, capped 40
- Passport Advantage 495
- PATROL for iSeries - Predict 663
- PCI 19

- 100/10 Mbps Ethernet IOA 286
  - architecture 19
  - card technology 19, 252
  - disk units 290
  - Ethernet IOA 286
  - Magnetic Media Controller 286
  - RAID Disk Unit Controller 286
  - twinaxial workstation IOA 286
  - Two-Line WAN IOA 269
- PCI cards and features
  - Model 520 98
  - Model 570 110
  - Model 800 122
  - Model 810 135
  - Model 825 146
  - Model 870 164
  - Model 890 183
- PCI-X 19–20
- PDU (Power Distribution Unit) 209
  - performance 35, 47
  - Performance Advisor 662
  - Performance Tools for iSeries 661
    - Performance Advisor 662
- Peripheral Component Interconnect 164
- Permanent Write-Once-Read-Many 337
- planning information 60
- PM eServer iSeries 46
- PM/400 46
- POE 497
- positioning
  - 7208 Model 345 60 GB External 8mm Tape Drive 329
  - 7210 Model 025 External DVD-RAM Drive 336
  - Jakarta Tomcat 532
  - WebSphere Application Server 532
- Power Distribution Unit (PDU) 209
- POWER Hypervisor 11
- POWER4 17, 19
- POWER5 17
  - performance 6
- previous release support 492
- primary national language 461
- Print Services Facility (PSF) 485
  - new with V5R3 487
- Print Services Facility for iSeries 690
- printer load balancing 418
- processor complex design 17
- Processor CPW 38
- processor features 38

- Model 520 94
- Model 570 106
- Model 800 118
- Model 810 130
- Model 825 141
- Model 870 153
- Model 890 172
- Product Preview 56
- products no longer supported by IBM 64
- products, features no longer marketed by IBM 737
- programs within OS/400 463
- Proof of Entitlement 497
- PSF (Print Service Facility) 485
- PSF/400 485, 690
- PULSAR 19

## Q

- QMF Distributed Edition for Multiplatforms V8.1 516
- Query for iSeries 511
- Query Governor 428
- Query Manager 513
- query tuning 428

## R

- racks 185
- ragged SWA 440
- RAID Disk Unit Controller Ultra SCSI 286
- RAID Disk Unit Controller Ultra SCSI (SPD) 287
- RAID-5 296
- record protocol 420
- Redbooks Web site 775
  - Contact us xxviii
- redundant power supply 103
- referenced lists 733
- referential integrity 423
- remote control panel 639
- required features
  - Model 520 91
  - Model 570 104
  - Model 800 115
  - Model 810 126
  - Model 825 139
  - Model 870 151
  - Model 890 170
- RISC to RISC Data Migration (#0205) 229
- RPQ
  - 843977 disk unit conversion 294
  - 847102 295

- 847102 10K DASD Mounting 295
- 847102 10K DASD to PCI Tower/270/8xx 295

## S

- S/36 environment 476
- S/38 environment 477
- SAN (storage area network) 340
- SB2 Model 9406 697
- SB3 Model 9406 697
- scalability 428
- schematics
  - expansion tower 188
    - Model 520 96
    - Model 570 108
    - Model 800 119
    - Model 810 132
    - Model 825 143
    - Model 870 159
    - Model 890 177
- secondary language 461
- security 419
  - features 420
- server code distribution 319
- Server feature 38
- server structure 38
- server virtualization 27
- Silicon On Insulator (SOI) 18
- Simple Cluster Management GUI 489
- simultaneous multithreading 17
- single address 37
- single system reliability 24
- single-level storage 9–10
- single-step upgrades 492
- single-system availability management 24
- SLIC (System Licensed Internal Code) 11
- SLM/400 497
- soft rules 253
- software end of support dates 760
- software keys for LPAR system upgrades 502
- Software License Manager/400 497
- software no longer marketed by IBM 738, 760
- Software Subscription 494, 504
- software terms 493
- software upgrade paths 493
- software upgrades 494
- SOI (Silicon On Insulator) 18
- SPD Expansion Towers 230
- SQL Development Kit 513

- SQL optimizer 427
- SQL query support 425
- SSTAR technology 19
- standby processor 41
- startup processor 45
- Statement of Direction 59
- storage area network (SAN) components 340
- summary
  - iSeries expansion units and towers 81
  - iSeries Model 520 68
  - iSeries Model 570 70
  - iSeries Model 800 71
  - iSeries Model 810 73
  - iSeries Model 825 75
  - iSeries Model 870 77
  - iSeries Model 890 79
  - Model 100 696
  - Model 170 696
  - Model 200 696
  - Model 20S 696
  - Model 236 696
  - Model 30S 696
  - Model 400 696
  - Model 40S 696
  - Model 436 696
  - Model 600 696
  - Model 620 696
  - Model 640 696
  - Model 650 696
  - Model D35, D45, D50, D60, D70, and D80 696
  - Model S10 696
  - Model S20 696
  - Model S20 Custom Mixed-Mode Server 696
  - Model S30 696
  - Model S40 696
  - Model SB1 696
  - Models 135 and 140 696
  - Models 300, 310, and 320 696
  - Models 500, 510, and 530 696
  - Models 50S and 53S 696
  - Models B10, B20 696
  - Models B30, B35, B40, B50, B60, and B70 696
  - Models C04 and C06 696
  - Models C10, C20 and C25 696
  - Models D02, D04, and D06 696
  - Models D10, D20, and D25 696
  - Models E02, E04, and E06 696
  - Models E10, E20, and E25 696
  - Models E35, E45, E50, E60, E70, E80, E90, and E95 696
  - Models F02, F04, and F06 696
  - Models F10, F20, and F25 696
  - Models F35, F45, F50, F60, F70, F80, F90, and F95 696
  - Models P01 and P02 696
  - Models P03 and 10S 696
  - Models S30, S40 Custom Mixed-Mode Servers 696
  - table notes 83
- Summary table
  - Model 270 697
  - Model 720 702
  - Model 740 707
  - Model 820 710
  - Model 830 715
  - Model 840 718
  - Model 890 726
- supported upgrade paths 491
- switchable independent ASP 489
- switched I/O tower clustering support 56
- system concepts 8
- system concepts and architecture 7
  - hierarchy of microprocessors 13
  - single-level storage 9–10
  - Technology Independent Machine Interface 10
- System Licensed Internal Code (SLIC) 11
- System Manager for iSeries 656, 658–659
- System Openness Includes 477
- system unit
  - Model 520 97
  - Model 570 108
  - Model 800 120
  - Model 810 133
  - Model 825 144
  - Model 870 159
  - Model 890 178
- System/36 Migration Aid 584
- System/38 Migration Aid 584
- System/38 Utilities for AS/400 518
- Systems Provisioning 57
- system-wide database catalog 424

**T**

- tape compatibility 298, 302–303
- tape drive
  - 7206 327
  - 7207 328



- 7208 329
- tape library dataserver 335
- tape library, 3494 335
- tape speeds 305
- tape units 302
- Tape/Disk Device Controller SPD 286
- TCP Segmentation 279–280
- TCP/IP Connectivity Utilities for iSeries 464
- Technical Support Advantage 452, 643
- Technology Independent Machine Interface (TIMI) 10
- terminology 38
- terms and conditions 495
  - new with V5R3 495
- Text Extender 526
- Text Extender for iSeries 525
- threads 477
- TIMI (Technology Independent Machine Interface) 10
- Tivoli Management Agent 663
- Tivoli Storage Manager Extended Edition (5798-A11) 644
- Tivoli Storage Manager for OS/400 PASE Server 644
- TotalStorage 3494 Enterprise Tape Library 335
- TotalStorage 358x 322
- TotalStorage Enterprise Tape Library 3494 335
- TotalStorage Enterprise Tape System 3590 326
- TotalStorage Enterprise Tape System 3592 327
- tower summary 81
- towers 185
  - #5033 230
  - #5034 230
  - #5035 230
  - #5074 186
  - #5075 189
  - #5077 230
  - #5078 191
  - #5079 192
  - SPD 230
- triggers 425

## U

- Ultimedia System Facility (USF) 62
- Ultrium with Linear Tape-Open 322
- uncapped capacity on Model 520 447
- uncapped partition 40
- uncapped weight 41

- Universal Coded Character Set support 461
- upgrades 223
  - considerations 224
    - Model 520 99
    - Model 570 111
    - Model 800 123
    - Model 810 136
    - Model 825 147
    - Model 870 165
    - Model 890 184
- user interface 31
- user-defined functions 423
- user-defined types 423
- USF (Ultimedia System Facility) 62

## V

- V5R3 keyed products 501
- Virtual Ethernet 27
- Virtual LAN 27
- Virtualization Engine 26
- Virtualization Engine System Services 57
- virtualization technology 26
- VisualAge Generator Server for AS/400 586
- VXA-2 tape 327

## W

- WA4 531
- WAN IOA (Two-Line) 269
- WAN restrictions 37
- Web crawler 473–474
- Web serving 31
- Web technology choices 602
- WebFacing Tool 49
- Webserver Search Engine 473
- WebSphere Application Server 532
- WebSphere Application Server - Express for iSeries 532
- WebSphere Application Server Version 4.0, Advanced Edition (5733-WA4) 531
- WebSphere Application Server Version 4.0, Advanced Single Server Edition (5733-WS4) 531
- WebSphere Application Server Version 5.0 for iSeries 540
- WebSphere Application Server Version 5.0, Network Deployment for iSeries option 540
- WebSphere Application Server Version 5.1 for iSeries 543
- WebSphere Application Server Version 5.1, Net-

work Deployment for iSeries option 543  
WebSphere Commerce for iSeries, Version 5.4 544  
WebSphere Development Studio for iSeries 588  
WebSphere Host Access Transformation Server  
Limited Edition 630  
WebSphere MQ for iSeries, V5.3 610  
Windows integration support for Auto Cartridge  
Loader 451  
Windows Server 22  
withdrawn products 63  
workload 35  
Workload Estimator for iSeries 46  
WORM (Write-Once-Read-Many) 337  
Write-Once-Read-Many (WORM) 337

## **X**

XML enablers 411  
XML Extender 526  
XML Extender for iSeries 525  
XML Parsers 603  
XML parsers 412  
XML Toolkit for iSeries 602  
XSM (cross-site mirroring) 26



**Redbooks**

**IBM @server i5 and iSeries  
System Handbook IBM i5/OS  
Version 5 Release 3 May 2004**

(1.5" spine)  
1.5" <-> 1.998"  
789 <-> 1051 pages







# IBM *@*server i5 and iSeries System Handbook

IBM i5/OS Version 5 Release 3 May 2004



**Redbooks**

**The next generation  
iSeries...  
simplify, integrate,  
and deliver**

**iSeries resource for  
Models 520, 570, 800,  
810, 825, 870, 890**

**A complete outline of  
today's IBM i5/OS  
V5R3 enhancements**

The new IBM *@*server i5 servers extend the IBM *@*server iSeries family. They are the first servers in the industry based on the IBM leading-edge POWER5 64-bit microprocessor. Today's *@*server i5 servers give the flexibility to move from one generation of technology to another without disrupting a company's business. IBM i5/OS Version 5 Release 3, the next generation of OS/400, features support for multiple operating systems and application environments on a single, simplified platform. *@*server i5 servers do more with less.

This twenty-sixth edition of the *IBM @server i5 and iSeries System Handbook*, distributed and respected worldwide, supports these latest IBM *@*server iSeries announcements. It provides a product and feature overview of the newest *@*server i5 Models 520 and 570, and describes the newest release of operating system software, i5/OS V5R3. It also describes iSeries Models 800, 810, 825, 870, and 890. Information is featured to describe all aspects of today's *@*server i5 servers, from the architectural foundation to performance considerations.

This Handbook is written for use by IBM System Specialists, Marketing Representatives, Business Partners, and Clients to answer first-level questions. It offers a comprehensive guide to the IBM *@*server iSeries models, associated hardware, and OS/400-related software currently marketed by IBM representatives.

## **INTERNATIONAL TECHNICAL SUPPORT ORGANIZATION**

### **BUILDING TECHNICAL INFORMATION BASED ON PRACTICAL EXPERIENCE**

IBM Redbooks are developed by the IBM International Technical Support Organization. Experts from IBM, Customers and Partners from around the world create timely technical information based on realistic scenarios. Specific recommendations are provided to help you implement IT solutions more effectively in your environment.

**For more information:  
[ibm.com/redbooks](http://ibm.com/redbooks)**