

LOGIC TITLE OR FUNCTION	PAGENO.	PART NO.	DA LEV.	E/C LEV
AC POWER DISTR POWER SEQUENCE	05.40.01.1	02157596	3C07000	408324
AC POWER-MASTER TO SAT FEEDTHRU	C2.06.03.1	02154768	3B22000	407467
ACCESS CONTROLS	C2.23.02.1	02157241	3C02000	407253B
ACCESS LOGIC + PHOTOCCELL AMPL	C2.23.05.1	02154792	3C07000	408324
ACCESS SEQUENCE	C2.13.10.1	02157598	3C10000	408334
ACCESSING LOGIC	C2.23.06.1	02154793	3C02000	407253B
ADDRESS AND AGC GATES	05.22.10.1	02157277	3B24000	407426
AFR SMS CARD SCHEMATIC	C2.90.00.4	02157200	0A00000	407002
AGC DISABLE AND BLOCKING GATE	05.22.20.1	02155322	3B24000	407426
AHK SMS CARD SCHEMATIC	C2.90.00.4	02157200	0A00000	407002
AJW SMS CARD SCHEMATIC	C2.90.00.6	02157579	0A02000	407005B
ATTACHMENT INDICATORS	05.04.10.1	02157271	3C00000	407253
AXH SMS CARD SCHEMATIC	C2.90.00.6	02157579	0A02000	407005B
AXP SMS CARD SCHEMATIC	C2.90.00.7	02157581	0A06000	407420
AXQ SMS CARD SCHEMATIC	C2.90.00.7	02157581	0A06000	407420
AXV SMS CARD SCHEMATIC	C2.90.00.8	02157582	0A02000	407005B
AXW SMS CARD SCHEMATIC	C2.90.00.8	02157582	0A21000	408282B
AYA SMS CARD SCHEMATIC	C2.90.00.9	02157238	0A22000	408317
AYB SMS CARD SCHEMATIC	C2.90.01.0	02157201	0A00000	407002
AYC SMS CARD SCHEMATIC	C2.90.01.0	02157201	0A00000	407002
AYD SMS CARD SCHEMATIC	C2.90.02.0	02157202	0A00000	407002
AYE SMS CARD SCHEMATIC	C2.90.02.0	02157202	0A00000	407002
AYF SMS CARD SCHEMATIC	C2.90.03.0	02157203	0A00000	407002
AYG SMS CARD SCHEMATIC	C2.90.03.0	02157203	0A00000	407002
AYH SMS CARD SCHEMATIC	C2.90.04.0	02157204	0A00000	407002
AYJ SMS CARD SCHEMATIC	C2.90.04.0	02157204	0A00000	407002
AYL SMS CARD SCHEMATIC	C2.90.05.0	02157205	0A00000	407002
AYM SMS CARD SCHEMATIC	C2.90.05.0	02157205	0A00000	407002
AYN SMS CARD SCHEMATIC	C2.90.06.0	02157206	0A18000	408264
AYP SMS CARD SCHEMATIC	C2.90.06.2	02154773	0A18000	408264
AYQ SMS CARD SCHEMATIC	C2.90.07.0	02157207	0A12000	407452C
AYS SMS CARD SCHEMATIC	C2.90.07.0	02157207	0A12000	407452C
AYU SMS CARD SCHEMATIC	C2.90.08.0	02157208	0A00000	407002
AYV SMS CARD SCHEMATIC	C2.90.08.0	02157208	0A00000	407002
AYY SMS CARD SCHEMATIC	C2.90.09.0	02157209	0A04000	407204
AYZ SMS CARD SCHEMATIC	C2.90.09.0	02157209	0A04000	407204
AZB SMS CARD SCHEMATIC	C2.90.10.0	02157210	0B00000	407172
AZC SMS CARD SCHEMATIC	C2.90.10.0	02157210	0B00000	407172
AZE SMS CARD SCHEMATIC	C2.90.11.0	02157211	0A00000	407002
AZF SMS CARD SCHEMATIC	C2.90.11.0	02157211	0A00000	407002
BCT SMS CARD SCHEMATIC	C2.90.11.5	02157242	0A18000	408264
BIT RING	05.20.40.1	02155309	3B25000	407454
BIT RING	05.20.30.1	02155310	3B25000	407454
BIT RING ADVANCE	05.20.20.1	02155308	3C00000	407253
CE PANEL	05.04.05.1	02157696	3C00000	407253
CEYB SMS CARD SCHEMATIC	C2.90.12.0	02157212	0A01000	407002B
CHECK CIRCUITS	05.30.10.1	02155350	3B32000	407465
COMPONENT LOCATION SEQUENCE BOX	05.40.15.1	02162725	3C00000	407253
CONNECTOR CHART GATE A AND B	05.40.12.1	02155411	3B25000	407454
COUNTER DECODE - MAR GATING	05.15.60.1	02155293	3C02000	407253B
COUNTER SET	05.15.30.1	02155290	3B25000	407454
COUNTER SET CONTROL R-W	05.15.20.1	02155289	3C02000	407253B
CPU CHECK RESETS	05.30.20.1	02155351	3B32000	407465
CPU DATA GATING CF BIT	05.09.40.1	02155239	3A00000	407002B
CPU DATA GATING 21 BIT	05.09.60.1	02155241	3A00000	407002B
CPU DATA GATING 84 BIT	05.09.50.1	02155240	3A00000	407002B
CPU RD-WR MODIFIERS	05.08.40.1	02155235	3A07000	407258
CPU SYNC MBR RESET FILE RESET	05.09.20.1	02155237	3B25000	407454
DATA ENABLE GATES AND SET MBR	05.09.10.1	02155236	3B32000	407465

LOGIC TITLE OR FUNCTION	PAGENO.	PART NO.	DA LEV.	E/C LEV
DAX SMS CARD SCHEMATIC	C2.90.12.8	02157240	0A01000	407002B
DC PANEL	05.40.16.1	02155415	3B00000	407153B
DC POWER MOTOR + HEADS EXT	C2.03.03.3	02154770	3B00000	407153
DC POWER-MASTER TO SAT FEEDTHRU	C2.06.03.3	02154769	3B00000	407153
DED SMS CARD SCHEMATIC	C2.90.12.8	02157240	0A01000	407002B
DEF SMS CARD SCHEMATIC	C2.90.13.0	02157213	0A00000	407002
DEG SMS CARD SCHEMATIC	C2.90.13.0	02157213	0A00000	407002
DEH SMS CARD SCHEMATIC	C2.90.14.0	02157214	0A00000	407002
DEJ SMS CARD SCHEMATIC	C2.90.14.0	02157214	0A00000	407002
DEK SMS CARD SCHEMATIC	C2.90.15.0	02157215	0A00000	407002
DEL SMS CARD SCHEMATIC	C2.90.15.0	02157215	0A00000	407002
DEM SMS CARD SCHEMATIC	C2.90.16.0	02157216	0A00000	407002
DFJ SMS CARD SCHEMATIC	C2.90.16.0	02157216	0A00000	407002
DFQ SMS CARD SCHEMATIC	C2.90.17.0	02157217	0A00000	407002
DFR SMS CARD SCHEMATIC	C2.90.17.0	02157217	0A00000	407002
DGA SMS CARD SCHEMATIC	C2.90.17.2	02157584	0A02000	407005B
DGC SMS CARD SCHEMATIC	C2.90.17.3	02157239	0A15000	408263
DGD SMS CARD SCHEMATIC	C2.90.18.0	02157218	0A00000	407002
DGF SMS CARD SCHEMATIC	C2.90.18.0	02157218	0A00000	407002
DGH SMS CARD SCHEMATIC	C2.90.19.0	02157219	0A00000	407002
DGJ SMS CARD SCHEMATIC	C2.90.19.0	02157219	0A00000	407002
DGL SMS CARD SCHEMATIC	C2.90.17.3	02157239	0A15000	408263
DGS SMS CARD SCHEMATIC	C2.90.20.0	02157220	0A00000	407002
DGT SMS CARD SCHEMATIC	C2.90.20.0	02157220	0A00000	407002
DGU SMS CARD SCHEMATIC	C2.90.21.0	02157221	0A00000	407002
DGV SMS CARD SCHEMATIC	C2.90.21.0	02157221	0A00000	407002
DGW SMS CARD SCHEMATIC	C2.90.22.0	02157222	0A00000	407002
DGX SMS CARD SCHEMATIC	C2.90.22.0	02157222	0A00000	407002
DGY SMS CARD SCHEMATIC	C2.90.23.0	02157223	0A15000	408263
DGZ SMS CARD SCHEMATIC	C2.90.23.0	02157223	0A15000	408263
DHA SMS CARD SCHEMATIC	C2.90.24.0	02157224	0A00000	407002
DHB SMS CARD SCHEMATIC	C2.90.24.0	02157224	0A00000	407002
DHC SMS CARD SCHEMATIC	C2.90.25.0	02157225	0A00000	407002
DHE SMS CARD SCHEMATIC	C2.90.25.0	02157225	0A00000	407002
DHF SMS CARD SCHEMATIC	C2.90.26.0	02157226	0A00000	407002
DHT SMS CARD SCHEMATIC	C2.90.26.0	02157226	0A00000	407002
DHU SMS CARD SCHEMATIC	C2.90.27.0	02157227	0A00000	407002
DHV SMS CARD SCHEMATIC	C2.90.27.1	02157580	0A02000	407005B
DHW SMS CARD SCHEMATIC	C2.90.27.0	02157227	0A00000	407002
DHX SMS CARD SCHEMATIC	C2.90.28.0	02157228	0A00000	407002
DHY SMS CARD SCHEMATIC	C2.90.27.2	02157583	0A02000	407005B
DHZ SMS CARD SCHEMATIC	C2.90.27.2	02157583	0A02000	407005B
DKW- SMS CARD SCHEMATIC	C2.90.28.3	02157592	0A09000	407460
EDGE CONN AND TERM STRIP LOC CHART	05.40.14.1	02160683	3C10000	408334
END 1A AND END RECORDS GATES	05.22.60.1	02157279	3B41000	408296
EVEN FILE BUFFER REG C B A BITS	05.12.10.1	02155247	3A00000	407002B
EVEN FILE BUFFER REG B 4 2 1 BITS	05.12.20.1	02155248	3A00000	407002B
EVEN MBR TRANS TO FILE	05.05.15.1	02155207	3B00000	407153B
EVEN READ XLATOR	05.11.20.1	02155244	3B32000	407465
EXECUTION TIMING AND MAR 8 BIT 10THS	05.06.30.1	02155225	3C02000	407253B
FBR RESETS	05.12.50.1	02155251	3B25000	407454
FCU LINE DRIVERS	05.33.40.1	02155374	3C02000	407253B
FCU LINE DRIVERS	05.33.50.1	02155376	3B32000	407465
FCU LINE RECEIVERS	05.33.20.1	02155373	3C02000	407253B
FEEDTHRU-1311-1620	05.01.02.1	02157244	3B26000	407426A
FEEDTHRU-1620-1311	05.01.01.1	02157243	3B43000	408299
FILE CLOCK	05.14.10.1	02155280	3B41000	408294
FILE CONTROL CYCLE	05.07.20.1	02155229	3B47000	408324
FILE CONTROL STATUS	05.06.20.1	02155224	3C00000	407253
FILE CONTROL UNIT RESET	05.32.10.1	02155365	3C00000	407253

LOGIC TITLE OR FUNCTION	PAGENO.	PART NO.	DA LEV.	E/C LEV
FILE EXIT	05.07.30.1	02157273	3C11000	408346
FILE LOAD CONTROL	05.06.05.1	02155221	3B32000	407465
FILE LOAD GATING	05.06.06.1	02155222	3B32000	407465
FILE MBR EVEN DATA TO 1620	05.05.30.1	02155217	3B00000	407153
FILE MBR ODD DATA TO 1620	05.05.30.2	02155231	3B00000	407153B
FILE READ GATE	05.22.70.1	02155327	3B13000	407745
FILE SELECT REG AND SET CONTROL	05.25.20.1	02155336	3B32000	407465
FILE TO 1620	05.05.21.1	02155212	3B34000	408260
FILE TO 1620	05.05.22.1	02155215	3B32000	407465
FILE TO 1620	05.05.23.1	02155214	3B12000	407434
FUNCTIONAL AND HAR RESETS	05.32.20.1	02155366	3B47000	408324
GAP GATE AND 1A - RECORD GATE	05.22.50.1	02157278	3B25000	407454
GATE MBR TO XLATOR	05.09.30.1	02155238	3B25000	407454
GJ SMS CARD SCHEMATIC	C2.90.28.0	02157228	0A00000	407002
HEAD ADDRESS REG AND SET CONTROLS	05.25.30.1	02155337	3A00000	407002B
HEAD ADDRESS REG DECODE	05.25.40.1	02155339	3B00000	407153B
HEADS + SELECTION MATRIX	C2.33.10.1	02154795	3B41000	408294
IA COMPARE CONTROL	05.21.30.1	02157276	3C00000	407253
INDICATOR ROUTING	05.04.30.1	02155205	3C00000	407253
LATE CYCLE	05.08.20.1	02155233	3B41000	408294
MAR DATA TRANS TO FILE	05.05.20.1	02155213	3B00000	407153B
MAR GATING - DATA GATING	05.15.70.1	02155294	3A00000	407002B
MAR HUND DATA TRANS TO FILE	05.05.19.1	02155211	3B00000	407153B
MAR TENS DATA TRANS TO FILE	05.05.19.2	02155209	3B34000	408260
MAR THOU DATA TRANS TO FILE	05.05.18.1	02155210	3B00000	407153B
MAR UNITS DATA TRANS TO FILE	05.05.18.2	02155206	3B00000	407153B
MASTER INPUT GATING	05.33.60.1	02155375	3C03000	407253C
MASTER TO SATELLITE FEEDTHRU	C2.06.02.2	02154778	3B34000	408260
MASTER TO SATELLITE FEEDTHRU	C2.06.02.1	02154777	3A00000	407002B
METER AND POWER PACK	C2.33.30.1	02157297	3B45000	408299A
MINI WATT DC POWER SUPPLY D GATE	05.40.04.1	02157697	3C02000	40253 B
MINUS 12V DC SMS SPLY	05.40.07.1	02155406	3A00000	407002B
MINUS 36V DC SPLY 8 PERCENT * 2.5 AMP	05.40.09.1	02155408	3B22000	407467
MINUS 36V DC SPLY 2 PERCENT AT 0.7 A	05.40.05.1	02157698	3C02000	407253B
MINUS 6V DC SMS SPLY	05.40.08.1	02155407	3A00000	407002B
MOTOR SEQUENCE + PHOTOCELLS	C2.13.05.1	02162724	3C07000	408324
MULTIPLE USE COUNTER	05.15.40.1	02157275	3B13000	407443
MX SMS CARD SCHEMATIC	C2.90.29.0	02157229	0A00000	407002
ODD MBR TRANS TO FILE	05.05.16.1	02155208	3B00000	407153B
ODD EVEN CONTROL	05.08.30.1	02157274	3B25000	407454
ODD FILE BUFFER REG B 4 2 1 BITS	05.12.40.1	02155250	3A00000	407002B
ODD FILE BUFFER REG C B A BITS	05.12.30.1	02155249	3A00000	407002B
ODD READ XLATOR	05.11.30.1	02155245	3B25000	407454
OP MODE DECODE AND CONTROL LINES	05.06.10.1	02155223	3C02000	407253B
PARITY ERROR	05.30.30.1	02155352	3C00000	407253B
PLUGGABLE UNIT CHART GATE B	05.00.80.1	02157695	3C07000	408324
PLUGGABLE UNIT CHART GATE A	05.00.75.1	02157694	3C11000	408346
PLUS 12V DC SPLY 2 PERCENT AT 4.4 A	05.40.06.1	02155405	3A12000	407447A
PLUS 12V DC SPLY 2 PERCENT AT 4.4 A	05.40.06.1	02157699	3C00000	407253A
POWER SEQUENCE	05.40.02.1	02157599	3C10000	408334
RE SMS CARD SCHEMATIC	C2.90.29.0	02157229	0A00000	407002
READ AMPL AND CLOCKING	C2.33.20.1	02154797	3C00000	407253
READ PREAMPLIFIER	C2.33.15.1	02154796	3C02000	407253B
RELAY RC NET SW AND FUSE LOC CHART	05.40.13.1	02160682	3C11000	408346
REVENUE METER CONTROL	C2.33.25.1	02157289	3B40000	408260K
SATELLITE TO MASTER FEEDTHRU	C2.06.01.2	02154776	3A01000	407163

LOGIC TITLE OR FUNCTION	PAGENO.	PART NO.	DA LEV.	E/C LEV
SATELLITE TO MASTER FEEDTHRU	C'.06.01.1	02154775	3B09000	407411
SECTOR CYCLE	05.07.10.1	02155228	3B32000	407465
SECTOR START-TRACK START	05.21.10.1	02155315	3C02000	407253B
SEEK COUNTER GATING	05.15.50.1	02155292	3A00000	407002B
SERIAL WRITE DATA C B A BITS	05.12.70.1	02155253	3B25000	407454
SERIAL WRITE DATA B 4 2 1 BITS	05.12.80.1	02155254	3A00000	407002B
SERVICE WIRING GATE A	05.00.85.1	02157539	3C00000	407253
SERVICE WIRING GATE B	05.00.86.1	02157549	3C02000	407253B
SET COUNTER CONTROL SEEK	05.15.10.1	02155288	3A00000	407002B
SIGNAL GATE AND COUNT CLOCK	05.22.30.1	02155323	3B41000	408294
SMS CARD SCHEMATIC-CE X20	C2.90.00.3	02157399	0A21000	408282B
SMS CARD SCHEMATIC-CE	C2.90.00.2	02157398	0A21000	408282B
SMS CARD SCHEMATIC-CE. OSC.	C2.90.00.3	02157399	0A21000	408282B
SMS CARD SCHEMATIC-CE X10	C2.90.00.2	02157398	0A21000	408282B
SMS DC POWER SUPPLIES	05.40.03.1	02155402	3B00000	407153
STANDARD READ DATA	05.14.20.1	02155281	3B41000	408294
STANDARD READ DATA GATING TO FBR	05.12.90.1	02155255	3B25000	407454
TAB SMS CARD SCHEMATIC	C2.90.30.0	02157230	0A00000	407002
TAG SMS CARD SCHEMATIC	C2.90.30.0	02157230	0A00000	407002
TAH SMS CARD SCHEMATIC	C2.90.31.0	02157231	0A00000	407002
TCK SMS CARD SCHEMATIC	C2.90.31.0	02157231	0A00000	407002
TCZ SMS CARD SCHEMATIC	C2.90.32.0	02157232	0A00000	407002
TDB SMS CARD SCHEMATIC	C2.90.32.0	02157232	0A00000	407002
TFC SMS CARD SCHEMATIC	C2.90.33.0	02157233	0A05000	407411
TRACK GATE	05.21.20.1	02155316	3C02000	407253B
TRIG 30 AND EARLY CYCLES	05.08.10.1	02155232	3B41000	408294
TTW SMS CARD SCHEMATIC	C2.90.33.0	02157233	0A05000	407411
TTY SMS CARD SCHEMATIC	C2.90.33.3	02157594	0A20000	407253
TUA SMS CARD SCHEMATIC	C2.90.33.3	02157594	0A20000	407253
TUB SMS CARD SCHEMATIC	C2.90.33.4	02157595	0A20000	407253
TUC SMS CARD SCHEMATIC	C2.90.33.4	02157595	0A20000	407253
TUD SMS CARD SCHEMATIC	C2.90.33.5	02157286	0A20000	407253
TUF SMS CARD SCHEMATIC	C2.90.33.5	02157286	0A20000	407253
TUG SMS CARD SCHEMATIC	C2.90.33.6	02157287	0A13000	407426
TUH SMS CARD SCHEMATIC	C2.90.33.6	02157287	0A13000	407426
TUJ SMS CARD SCHEMATIC	C2.90.33.7	02157254	0A11000	407458
TUY SMS CARD SCHEMATIC	C2.90.33.7	02157254	0A11000	407458
VOLTAGE DISTRIBUTION GATE A	05.40.10.1	02157690	3C00000	407253
VOLTAGE DISTRIBUTION GATE B	05.40.11.1	02157691	3C02000	407253B
WRITE DATA	05.14.30.1	02155283	3C00000	407253
WRITE ERASE AND Y HEAD SELECT	C2.33.05.1	02154794	3C00000	407253
WRITE GATE	05.22.80.1	02155328	3C02000	407253B
WRITE STROBES	05.12.60.1	02155252	3B25000	407454
WRITE XLATOR	05.11.10.1	02155243	3A00000	407002B
YEK SMS CARD SCHEMATIC	C2.90.33.0	02157233	0A05000	407411
YKE SMS CARD SCHEMATIC	C2.90.34.0	02157234	0A00000	407002
YKF SMS CARD SCHEMATIC	C2.90.34.0	02157234	0A00000	407002
YKG SMS CARD SCHEMATIC	C2.90.35.0	02157235	0A11000	407458
YKJ SMS CARD SCHEMATIC	C2.90.36.0	02157236	0A21000	408282B
YKM SMS CARD SCHEMATIC	C2.90.37.0	02157237	0A11000	407458
YNA SMS CARD SCHEMATIC	C2.90.37.0	02157237	0A11000	407458
YNE SMS CARD SCHEMATIC	C2.90.38.0	02157593	0A14000	407429
YNF SMS CARD SCHEMATIC	C2.90.38.0	02157593	0A14000	407429
YNH SMS CARD SCHEMATIC	C2.90.38.4	02157298	0A17000	407489
YNM SMS CARD SCHEMATIC	C2.90.38.4	02157298	0A17000	407489
YNR SMS CARD SCHEMATIC	C2.90.38.6	02157299	0A17000	407489
YNS SMS CARD SCHEMATIC	C2.90.39.0	02157281	0A22000	408317
ZGU SMS CARD SCHEMATIC	C2.90.39.0	02157281	0A22000	408317

LOGIC TITLE OR FUNCTION	PAGENO.	PART NO.	DA LEV.	E/C LEV
1620 TO FILE	05.05.31.1	02155218	3843000	408299
1620 TO FILE	05.05.32.1	02155219	3C07000	408324

END OF INDEX

1311			
MODS			
1	2	3	4 5
X	X	X	ASC
X	X	X	DIA
X	X	X	DSOV
X	X	X	FTR
X	X	X	MM
X	X	X	NDIA
X	X	X	NMI
X	X	X	NSOV
X	X	X	SCI
X	X	X	SCN
X	X	X	SOV

ANY SEEK COMPLETE

DIRECT ACCESS (DIRECT SEEK)

DIRECT SEEK OVERLAP (DIRECT ACCESS OR SEEK OVERLAP) NOTE I

FULL TRACK RECORD

MULTI MODULE

NON DIRECT ACCESS

NO ADDITIONAL MEMORY NOTE II

NO SEEK OVERLAP

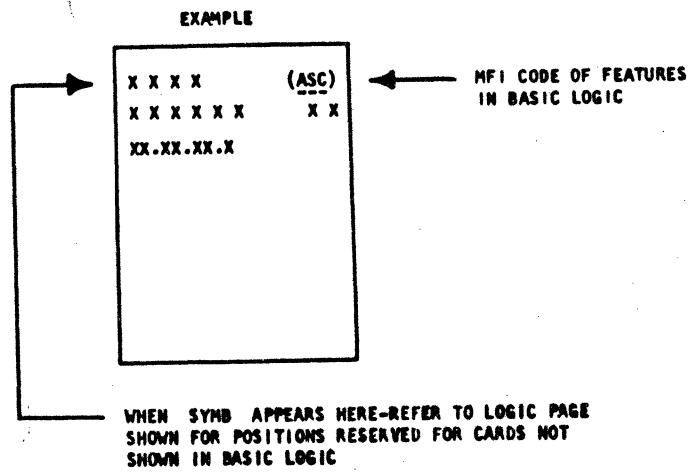
SEEK INTERRUPT

SCAN

SEEK OVERLAP

NOTE I: "DSOV" DOES NOT APPLY TO "D" SUFFIX MOD II

NOTE II: THESE CARDS ARE NECESSARY FOR ALL 1620 MOD II SYSTEMS REGARDLESS OF STORAGE CAPACITY AND FOR 1620 MOD I SYSTEMS WITHOUT 1623.



FIELD REPLACEMENT (MULTI CIRCUIT) * SMS CARDS

CARD CODE	PRESENT ASM P/N	CIRCUIT NAME	FIELD REPL P/N	SCHEMATIC LOGIC PAGE
AXM	372207	4-2 WAY, 1-3 WAY (-A, -0)	370954	C2.90.40.4
AXP	372213	4-2 WAY, 1-3 WAY W/OLOAD	370954	C2.90.40.4
AXQ	372214	4-3 WAY (-A, -0) W/OLOAD	370954	C2.90.40.4
AXW	372236	4-3 WAY (-A, -0) W/OLOAD	370954	C2.90.40.4
DEH	372195	1-6 WAY, 1-4 WAY W/OLOAD (-A)	370953	C2.90.40.3
DGX	370376	5 WAY LOW SPEED W/OLOAD	370953	C2.90.40.3
DGY	370375	5 WAY LOW SPEED W/OLOAD	370953	C2.90.40.3
DGZ	370373	10 WAY LOW SPEED W/OLOAD		
DHA	370374	10 WAY LOW SPEED W/OLOAD		
DHB	370348	INV LOW SPEED W/OLOAD	370950	C2.90.40.0
DHC	370372	INV LOW SPEED W/OLOAD	370950	C2.90.40.0
DHV	372193	1-6 WAY, 1-4 WAY W/OLOAD (-A)	370953	C2.90.40.3
DHY	372193	1-8 WAY, 1-2 WAY W/OLOAD	370953	C2.90.40.3
DHZ	372194	1-8 WAY, 1-2 WAY W/OLOAD	370953	C2.90.40.3

* REFER TO GENERAL CEM'S FOR CAP KIT & CONTACT STRIP

6

7

8

9

10

11

12

13

14

15

A	B	C	D	E	F
TCK- 370334 13 05.05.31.1 05.05.31.1 05.05.31.1 05.05.32.1 05.05.32.1	TCK- 370334 13 05.05.20.1 05.05.20.1 05.05.20.1 05.05.20.1 05.05.20.1	TCK- 370334 13 05.05.11.1 05.05.11.1 05.05.11.1 05.05.11.1 05.05.11.1	TCK- MMI 370334 13 05.05.18.1 05.05.18.2 05.05.18.2 05.05.18.2 05.05.18.2	TAB 370066 04 05.05.30.1 05.05.30.1 05.05.30.1 05.05.30.1	CEYB 371032 04 05.06.06.1 05.06.05.1 05.05.22.1 05.07.10.1
07-13	09-13	07-13	09-13		
TDB- 370389 04 05.05.33.1 05.05.33.1 05.05.32.1	TDB- 370389 04 05.05.20.1 05.05.20.1 05.05.20.1	TDB- 370389 04 05.05.11.1 05.05.11.1 05.05.11.1	TDB- 370389 04 05.05.18.1 05.05.18.2 05.05.18.2	TAB 370066 04 05.05.30.1 05.05.30.2 05.05.30.2	AHK- 370322 04 05.05.23.1 05.05.23.1 05.05.23.1
TDB- 370389 04 05.05.33.1 05.05.33.1 05.05.32.1	TDB- 370389 04 05.05.20.1 05.05.20.1 05.05.20.1	TDB- 370389 04 05.05.11.1 05.05.11.1 05.05.11.1	TDB- 370389 04 05.05.18.1 05.05.18.2 05.05.18.2	DED- 371987 04 05.05.21.1 05.05.21.1 05.05.21.1	DAX- 370084 04 05.05.21.1 05.05.21.1 05.05.21.1
DFJ- 370232 12 05.05.31.1 05.05.31.1 05.05.31.1 05.05.31.1 05.05.31.1		TCK- 370334 13 05.05.11.1 05.05.11.1 05.05.11.1 05.05.11.1	TCK- MMI 370334 13 05.05.18.1 05.05.18.2 05.05.18.2	TAB 370066 04 05.05.30.1 05.05.30.2 05.05.30.2	DAX- 370084 04 05.05.21.1 05.05.21.1 05.05.21.1
DFJ- 370232 12 05.05.31.1 05.05.31.1 05.05.31.1 05.05.31.1 05.05.31.1		TDB- 370389 04 05.05.16.1 05.05.16.1 05.05.16.1	TDB- 370389 04 05.05.19.2 05.05.19.2 05.05.19.2		AHK- 370322 04 05.05.22.1 05.05.21.1 05.07.30.1 05.05.31.1
	DFJ- 370232 12 05.05.31.1 05.05.31.1 05.05.31.1 05.05.31.1 05.07.10.1 05.07.20.1 05.07.30.1 05.05.23.1	DFJ- 370232 12 05.05.31.1 05.05.31.1 05.05.31.1 05.05.31.1 05.05.31.1	TDB- 370389 04 05.05.19.1 05.05.19.2 05.05.19.2	DFJ- 370232 12 05.05.31.1 05.05.31.1 05.05.31.1 05.05.31.1 05.08.10.1 05.08.10.1 05.30.10.1 05.05.30.2	DED- 371987 04 05.05.21.1 05.05.21.1 05.05.21.1
DHB- 370348 06 05.05.33.1 05.05.33.1 05.05.33.1 05.05.33.1 05.05.33.1	DHB- 370348 06 05.05.20.1 05.05.20.1 05.05.20.1 05.05.20.1 05.05.20.1	DHB- 370348 06 05.05.11.1 05.05.11.1 05.05.11.1 05.05.11.1 05.05.11.1	DFJ- 370232 12 05.05.31.1 05.05.31.1 05.05.31.1 05.05.31.1 05.05.31.1	BGT- 370380 04 05.09.20.1 05.09.20.1 05.08.20.1 04	DFJ- 370232 12 05.05.20.1 05.05.20.1 05.05.20.1 05.05.20.1 05.05.20.1 05.08.40.1 05.08.40.1 05.08.40.1 05.05.31.1
DHB- 370348 06 05.05.33.1 05.05.33.1 05.05.33.1 05.05.33.1 05.06.10.1	DHB- 370348 06 05.05.20.1 05.05.20.1 05.05.20.1 05.05.20.1 05.07.30.1 05.30.20.1	DHB- 370348 06 05.05.11.1 05.05.11.1 05.05.11.1 05.05.11.1 05.05.11.1	DHB- 370348 06 05.05.18.1 05.05.18.2 05.05.18.2 05.05.18.2 05.05.18.2	DHB- 370348 06 05.05.19.1 05.05.19.2 05.05.19.2 05.05.19.2 05.30.20.1	DGT- 370380 04 05.05.20.1 05.05.20.1 05.05.20.1 05.05.20.1 05.05.20.1
DGT- 370380 04 05.06.10.1 05.06.10.1 05.06.10.1	DFQ- 370225 03 05.05.31.1 05.06.10.1 05.06.10.1		DHB- 370348 06 05.05.18.1 05.05.18.2 05.05.18.2 05.05.18.2 05.05.18.2	DEH- 370218 03 05.05.21.1 05.12.50.1 05.12.50.1	DHC- 370372 04 05.05.20.1 05.05.20.1 05.05.20.1 05.06.30.1 05.08.40.1 05.08.40.1
DGV- 370378 03 05.06.10.1 05.06.10.1 05.06.10.1		DGV- 370377 03 05.09.10.1 05.07.30.1 05.07.30.1		DGU- 370379 04 05.11.30.1 05.11.30.1 05.11.30.1	DGT- 370380 04 05.05.20.1 05.05.20.1 05.05.20.1 05.07.10.1

16

A	B	C	D	E	F
DGT- 370380 04 05.06.10.1 05.06.10.1 05.06.30.1 05.07.10.1	DEF- 370216 04 05.12.70.1 05.08.40.1 05.09.10.1 05.07.10.1	DGV- 370378 03 05.30.10.1 05.07.10.1 05.09.20.1	DEF- 370216 04 05.09.40.1 05.09.40.1 05.09.40.1 05.09.50.1	DGT- 370380 04 05.11.30.1 05.11.30.1 05.11.30.1 05.11.30.1	DHW- 372191 06 05.30.10.1 05.30.10.1 05.30.10.1 05.30.10.1 05.30.10.1 05.30.10.1

17

DFR-	DEJ-	DGW-	DEG-	DGV-	DHW-
370226 04 05.06.10.1 05.06.10.1 05.06.30.1 05.07.20.1	370219 03 05.12.70.1 05.12.70.1 05.12.70.1	370377 03 05.07.30.1 05.06.30.1 05.08.10.1	370217 04 05.09.40.1 05.09.40.1 05.09.40.1 05.09.40.1	370378 03 05.11.30.1 05.11.30.1 05.30.20.1	372191 06 05.30.10.1 05.30.10.1 05.30.10.1 05.30.10.1 05.06.30.1

18

DHB-	DEJ-	DFQ-	DGU-	DGW-	DEM-
370348 06 05.30.10.1 05.06.30.1 05.06.30.1 05.06.30.1 05.12.90.1 05.08.10.1	370219 03 05.12.70.1 05.12.80.1 05.12.80.1	370225 03 05.07.30.1 05.07.30.1	370379 04 05.09.40.1 05.09.40.1 05.09.40.1 05.30.20.1	370377 03 05.11.30.1 05.12.60.1	370222 01 05.07.30.1

19

	DEJ-	DGU-	DEG-	DGX-	DGW-
	370219 03 05.12.80.1 05.12.80.1 05.12.80.1	370379 04 05.08.20.1 05.09.30.1 05.30.10.1 05.09.20.1	370217 04 05.09.50.1 05.09.50.1 05.09.50.1	370376 02 05.11.30.1	370377 03 05.30.10.1 05.30.10.1

20

DGW-	DEJ-	DEF-	DEG-	DGU-	DGU-
370377 03 05.07.10.1 05.07.10.1 05.08.20.1	370219 03 05.12.80.1 05.12.80.1 05.12.80.1	370216 04 05.30.10.1 05.30.20.1 05.09.60.1 05.09.60.1	370217 04 05.09.50.1 05.09.50.1 05.09.50.1	370379 04 05.11.20.1 05.11.20.1 05.11.20.1	370379 04 05.09.20.1 05.30.10.1 05.09.20.1 05.30.20.1

21

DGU-	DEH-	DEH-	DGU-	DGT-	DEF-
370379 04 05.07.10.1 05.07.10.1 05.07.20.1 05.07.30.1	370218 03 05.12.70.1 05.12.80.1 05.12.90.1	370218 03 05.12.90.1 05.12.60.1 05.12.60.1	370379 04 05.09.50.1 05.09.50.1 05.09.50.1	370380 04 05.11.20.1 05.11.20.1 05.11.20.1	370216 04 05.07.30.1 05.11.20.1 05.11.30.1 05.09.10.1

22

RE--	DGY-	DGX-	DEG-	DEH-
371699 01 05.04.10.1	370375 02 05.07.10.1 05.30.20.1	370376 02 05.12.90.1 05.30.10.1	370217 04 05.09.60.1 05.09.60.1 05.09.60.1 05.09.60.1	370218 03 05.11.20.1 05.11.20.1 05.11.20.1 05.08.40.1

23

DHC-	DFQ-	DFQ-	DEG-	DGW-	DFR-
370372 06 05.07.10.1 05.04.10.1 05.07.20.1 05.06.10.1 05.07.30.1	370225 03 05.12.70.1 05.07.10.1	370225 03 05.12.90.1 05.12.90.1 05.11.10.1	370217 04 05.09.60.1 05.09.60.1 05.09.60.1	370377 03 05.11.20.1 05.11.20.1 05.09.20.1	370226 04 05.11.20.1 05.11.30.1 05.30.10.1 05.08.20.1

24

DHW-	DGV-		DGU-
372191 06 05.07.10.1 05.07.10.1 05.07.20.1 05.07.20.1 05.07.30.1 05.07.30.1	370378 03 05.12.70.1 05.12.70.1 05.07.20.1		370379 04 05.09.60.1 05.09.60.1 05.09.60.1 05.09.60.1

25

DHB-	DFR-	DGU-	DEJ-
370348 06 05.07.10.1 05.07.10.1 05.07.20.1 05.07.20.1 05.07.20.1 05.07.30.1	370226 04 05.08.10.1 05.06.10.1 05.05.32.1 05.05.32.1	370379 04 05.12.20.1 05.12.20.1 05.12.20.1 05.12.20.1	370219 03 05.12.60.1 05.12.60.1 05.09.30.1

	A	B	C	D	E	F
36	DGT- MM 370380 04 05.25.20.1 05.25.20.1 05.25.20.1			DGU- 370379 04 05.09.30.1 05.09.30.1 05.08.40.1 05.09.20.1		
37	DGT- MM 370380 04 05.25.20.1 05.25.20.1 05.25.20.1 01	DGW- MM 370377 03 05.25.20.1 05.25.20.1	DHW- MM 372191 06 05.25.20.1 05.25.20.1 05.25.20.1	DGT- DIA 370380 04 05.06.30.1 05.06.30.1 05.07.10.1 05.07.10.1	DGT- DIA 370380 04 05.07.10.1 05.07.10.1 05.07.10.1	DGZ- DIA 370373 02 05.06.30.1 05.06.30.1
38	DGY- MM 370375 02 05.25.20.1 05.25.20.1	DGW- MM 370377 03 05.25.20.1	DHW- MM 372191 06 05.25.20.1 05.25.20.1 05.25.20.1	DGV- DIA 370378 03 05.07.10.1 05.07.10.1 05.06.30.1	DGX- DIA 370376 02 05.07.20.1 05.07.20.1	
39						
40	AFR- 371943 06 05.06.05.1 05.06.05.1 05.06.05.1 05.06.05.1	TAG- 370366 04 05.06.06.1 05.05.31.1 05.05.31.1	TAG- 370366 04 05.06.06.1 05.06.06.1 05.06.06.1 05.06.05.1	DAX- 370084 04 05.06.06.1 05.06.06.1 05.06.06.1 05.06.10.1		
41	TFC- 370646 04 05.06.05.1 05.06.06.1 05.06.06.1 05.05.32.1	DAX- 370084 04 05.06.06.1 05.06.06.1 05.06.06.1 05.06.06.1	AHK- 370322 04 05.06.06.1 05.06.06.1 05.06.06.1 05.06.05.1			
42	TAH- 370367 03 05.06.06.1 05.06.06.1 05.06.06.1	DAX- 370084 04 05.06.06.1 05.06.06.1 05.06.06.1 05.06.06.1	DAX- 370084 04 05.06.06.1 05.06.06.1 05.06.06.1 05.06.06.1	TAG- 370366 04 05.05.21.1 05.05.21.1 05.05.21.1		
43	TAH- 370367 03 05.06.06.1 05.06.06.1 05.06.06.1	TAG- 370366 04 05.06.05.1 05.06.06.1 05.06.06.1	TAG- 370366 04 05.06.06.1 05.06.06.1 05.06.06.1	MX- 371661 04 05.05.31.1 05.05.31.1		
44	TAG- 370366 04 05.06.06.1 05.06.06.1 05.06.06.1 05.06.06.1	TAH- 370367 03 05.06.06.1 05.06.06.1 05.06.06.1	TAG- 370366 04 05.06.05.1 05.06.05.1 05.06.05.1			
45	TCZ- 370335 02 05.06.05.1 05.06.05.1	TCZ- 370335 02 05.06.05.1 05.06.05.1	TCZ- 370335 02 05.06.05.1	TAH- 370367 03 05.06.05.1 05.06.06.1		

UNIT PLUGGING CHART

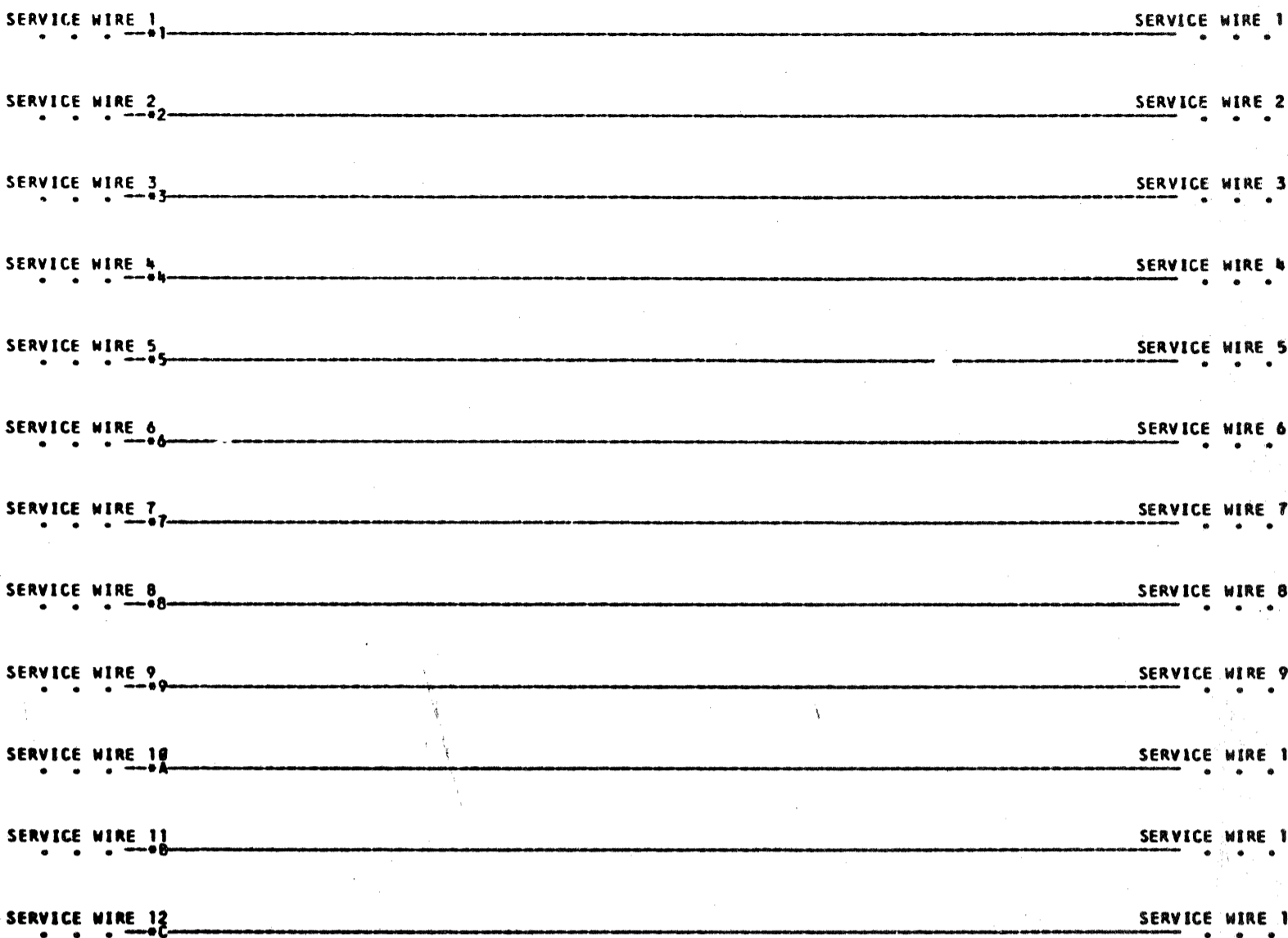
1311-3

	A	B	C	D	E	F
15		TUC- 372548 01 C2.33.20.1	DGX- 370376 02 C2.23.05.1 C2.23.06.1	DGW- DIA 370377 03 C2.23.05.1	AYF- 372313 02 C2.23.06.1 C2.23.06.1	YNS- 372690 09 C2.33.25.1 C2.33.25.1 C2.33.25.1 C2.33.25.1 C2.33.25.1 C2.33.25.1 C2.33.25.1 C2.33.25.1
				02,03		
14	AYS- 372297 01 02.33.20.1	YKJ- 372304 01 C2.33.05.1	DIIC- 370372 06 C2.23.05.1 C2.23.06.1 C2.23.06.1 C2.23.05.1 C2.23.06.1 C2.33.15.1	YNM- 372596 03 C2.33.05.1 C2.33.05.1 C2.33.05.1	RESERVED PHYSICAL CONFLICT	DEF- 370216 04 05.33.20.1 05.15.60.1 05.15.60.1 05.15.60.1
13	AYM- 372302 01 C2.33.20.1	AYP- 372308 01 C2.33.05.1	TTW- MM 372542 01 C2.33.05.1	DGV- 370378 03 C2.23.02.1 C2.23.05.1 C2.23.06.1	AYH- DIA 372315 03 C2.23.06.1 C2.23.06.1 C2.23.06.1	DEF- 370216 04 05.33.20.1 05.33.20.1 05.33.20.1 05.33.20.1
12	YNI- 372592 01 C2.33.20.1	YKF- 372306 01 C2.33.05.1	DGV- 370378 03 C2.23.05.1 C2.23.05.1 C2.23.05.1	YNE- 372614 01 C2.23.05.1	AYB- NDIA 372316 06 C2.23.06.1 C2.23.06.1 C2.23.06.1 C2.23.05.1 C2.23.05.1 C2.23.06.1	AZC- MM 372256 04 05.33.50.1 05.33.50.1 05.33.50.1 C2.33.25.1
11	YNR- 372691 03 C2.33.20.1 C2.33.20.1 C2.33.20.1	AYU- 372318 01 C2.33.05.1	DGT- 370380 04 C2.23.05.1 C2.23.05.1 C2.23.05.1 05.21.10.1	AYJ- 372296 01 C2.23.05.1	TUJ- 372598 01 C2.23.05.1	AZF- MM 372259 08 05.33.50.1 05.33.50.1 05.33.50.1 C2.33.25.1 05-06 07-08
10	YNA- 372612 01 C2.33.15.1	YNF- 372616 01 C2.33.05.1	DGT- 370380 04 C2.23.06.1 C2.23.05.1 C2.23.06.1 C2.23.02.1	DGT- DIA 370380 04 C2.23.05.1 C2.23.05.1 C2.23.05.1 01		AZC- MM 372256 04 05.33.50.1 05.33.40.1 05.33.50.1 05.33.40.1
09	TUY- 372613 01 C2.33.15.1	AYQ- 372309 01 C2.33.05.1	DGT- 370380 04 C2.33.05.1 C2.23.02.1 C2.23.06.1 C2.23.05.1	DGT- DIA 370380 04 C2.23.06.1 C2.23.06.1 C2.23.06.1 C2.23.06.1		AZC- MM 372256 04 05.33.40.1 05.33.40.1 05.33.40.1 05.33.40.1
08	AYV- 372319 01 C2.33.15.1	AYY- 372321 02 C2.33.05.1 C2.33.05.1	DHB- 370348 06 C2.23.02.1 C2.23.05.1 05.30.30.1 C2.23.05.1 C2.33.20.1 C2.23.05.1	DGT- DIA 370380 04 C2.23.06.1 C2.23.05.1 C2.23.05.1 C2.23.06.1		
07		RESERVED FOR CE TEST CARD	AYE- 372298 05 C2.23.05.1 C2.23.05.1 C2.23.05.1 C2.23.05.1 C2.23.05.1	DHE- DIA 370262 01 C2.23.06.1		
06		TUG- 372578 01 C2.33.05.1	TUF- 372579 01 C2.33.05.1		RESERVED FOR CE CRYSTAL OSC	DHT- MM 372168 06 05.33.40.1 05.33.40.1 05.33.50.1 C2.33.25.1 05,06

	A	B	C	D	E	F
25	RE-- 371699 01 C2.33.15.1	DHC-- 370372 06 05.22.80.1 05.22.00.1 05.22.20.1 C2.33.20.1 C2.23.02.1 03	DEH-- 370218 03 05.14.30.1 05.21.30.1 05.15.40.1	DGT-- 370380 04 05.33.20.1 05.33.20.1 05.33.20.1 05.21.10.1	DFQ-- 370225 03 05.14.10.1 05.15.60.1 05.14.10.1	DEK-- 370220 02 05.30.30.1 05.30.30.1
24	DEJ-- 370219 03 05.21.20.1 05.08.20.1 05.22.50.1	ZGU-- 372603 03 05.22.20.1 05.21.20.1 05.21.20.1	DEF-- 370216 04 05.14.30.1 05.21.30.1 05.21.30.1 05.22.50.1	DEF-- 370216 04 05.30.30.1 05.14.20.1 05.30.30.1 05.14.30.1	DGF-- 370247 01 05.14.10.1	DHF-- 370350 02 05.30.30.1 05.30.30.1
23			BCT-- SCI 372510 02 C2.23.02.1 C2.23.02.1		AYH-- R/S 372315 03 C2.13.10.6 01,02	
22					DHB-- R/S 370348 06 C2.13.10.6 02,03,04,05, 06	DEK-- 370220 02 05.04.10.1 05.21.10.1
21						DGT-- 370380 04 05.33.60.1 05.33.60.1 05.33.20.1 05.06.20.1
20			DEF-- 370216 04 C2.23.02.1 05.30.30.1 05.30.30.1 05.21.10.1	TUB-- 372549 03 C2.33.20.1 C2.33.20.1 C2.33.20.1	S001 747175 06 C2.23.05.1 C2.33.15.1 05.33.60.1 C2.33.15.1 02,03,04	DGT-- DIA 370380 04 05.33.60.1 05.33.60.1 05.33.60.1 05.33.60.1
19			DEH-- 370218 03 05.20.20.1 05.33.60.1 C2.23.06.1	TTY-- 372544 04 C2.33.20.1 C2.33.20.1 C2.33.20.1 C2.33.20.1	S001 747175 06 05.33.60.1 05.33.60.1 C2.23.02.1 C2.23.02.1 05.33.60.1 05.33.60.1	
18			TJA-- 372547 02 C2.33.20.1 C2.33.20.1	TUD-- 372546 01 C2.33.20.1	S001 747175 06 05.15.60.1 05.33.40.1 C2.23.06.1 05.33.20.1 C2.23.05.1 C2.23.05.1	AZB-- MM 372255 04 05.33.20.1 05.33.20.1 05.33.20.1 05.33.20.1
17		GJ-- 371501 01 C2.33.15.1			AYG-- 372314 03 C2.23.06.1 C2.23.05.1 C2.23.06.1	
16		DHU-- 372169 06 C2.33.05.1 C2.33.15.1 C2.33.20.1 C2.33.02.1 C2.33.05.1	RCT-- 372510 02 C2.23.05.1 C2.23.05.1		RESERVED PHYSICAL CONFLICT	

	A	B	C	D	E	F
35	JEN- 374811 02 05.20.30.1 05.20.30.1	DGY- 370375 02 05.25.30.1 05.25.30.1	AXX- 372237 02 05.25.30.1 05.25.30.1	DGX- 370376 02 05.25.40.1 05.25.40.1	DFQ- 370225 03 05.15.60.1 05.25.30.1 05.20.20.1	
34	DGU- 370379 04 05.20.30.1 05.22.60.1 05.15.10.1 05.21.20.1	JEN- 374811 02 05.20.30.1 05.20.30.1	JEN- 374811 02 05.20.30.1 05.20.40.1	JEN- 374811 02 05.20.40.1 05.20.40.1	DEH- 370218 03 05.25.30.1 05.22.30.1 05.15.60.1	
33	DEL- 370221 02 05.21.30.1 05.21.30.1	DEM- 370222 01 05.21.30.1			JEN- 374811 02 05.20.40.1 05.20.40.1	
32	DGW- 370377 03 05.06.20.1 05.22.60.1 05.21.30.1	DFQ- 370225 02 05.21.30.1 05.30.30.1	DEH- 370218 03 05.15.70.1 05.21.30.1 05.22.20.1	DEF- 370216 04 05.20.30.1 05.22.80.1 05.22.70.1 05.21.30.1	DFQ- 370225 03 05.20.20.1 05.32.10.1 05.20.20.1	DHT- 372168 06 05.06.20.1 05.06.20.1 05.33.60.1 05.22.50.1 05.22.10.1 05.20.30.1
31	ZGU- 372603 03 05.22.80.1 05.22.60.1 05.22.60.1	DGH- 370249 01 05.21.30.1		DEH- 370218 03 05.20.20.1 05.22.10.1 02	DEL- 370221 02 05.20.20.1 05.21.30.1	DEH- 370218 03 05.21.10.1 05.15.60.1 05.14.30.1
30			DEM- 370222 01 05.22.50.1	DEH- 370218 03 05.22.50.1 05.22.70.1 05.22.70.1	DEG- 370217 04 05.30.30.1 05.20.30.1 05.30.30.1 05.21.10.1	DFR- 370226 04 05.32.10.1 05.15.40.1 05.33.60.1 05.14.20.1
29	DGU- 370379 04 05.22.10.1 05.22.30.1 05.22.10.1 05.06.20.1	DFR- 370226 04 05.21.20.1 05.22.10.1 05.22.10.1 05.22.10.1	DGU- 370379 04 05.22.20.1 05.22.50.1 05.22.20.1 05.22.50.1	DFR- 370226 04 05.21.30.1 05.21.10.1 05.22.60.1 05.14.10.1	DEF- 370216 04 05.22.30.1 05.22.30.1 05.06.20.1 05.22.30.1	DEF- 370216 04 05.21.10.1 05.21.30.1 05.21.30.1 05.14.10.1
28	ZGU- 372603 03 05.22.30.1 05.22.10.1 05.22.10.1	DHU- 372169 06 05.21.20.1 05.21.10.1 05.22.10.1 05.22.10.1 05.30.30.1	DGW- 370377 03 05.22.10.1 05.22.30.1 05.06.20.1	DEM- 370222 01 05.14.20.1	DFR- 370226 04 05.22.50.1 05.22.50.1 05.22.80.1 05.22.80.1	DFQ- 370225 03 05.33.20.1 05.15.70.1 05.14.10.1
27	DEM- 370222 01 05.21.10.1	DFQ- 370225 03 05.21.10.1 05.15.70.1 05.21.10.1	DHB- 370348 06 05.21.10.1 05.21.10.1 05.21.30.1 05.22.20.1 05.06.20.1 05.33.60.1		DFR- 370226 04 05.33.05.1 05.21.10.1 05.21.10.1 05.22.50.1	DHT- 372168 06 05.14.10.1 05.14.10.1 05.21.30.1 05.21.30.1 05.06.20.1 05.33.20.1
26	DEM- 370222 01 05.21.10.1	DGH- 370249 01 05.21.10.1	DGT- 370380 04 05.21.10.1 05.21.10.1 05.21.10.1 05.22.80.1	DEJ- 370219 03 05.21.20.1 05.21.30.1 05.15.60.1	DGJ- 370250 01 05.14.10.1	DHT- 372168 06 05.14.30.1 05.30.30.1 05.30.30.1 05.33.20.1 05.21.10.1 05.14.20.1

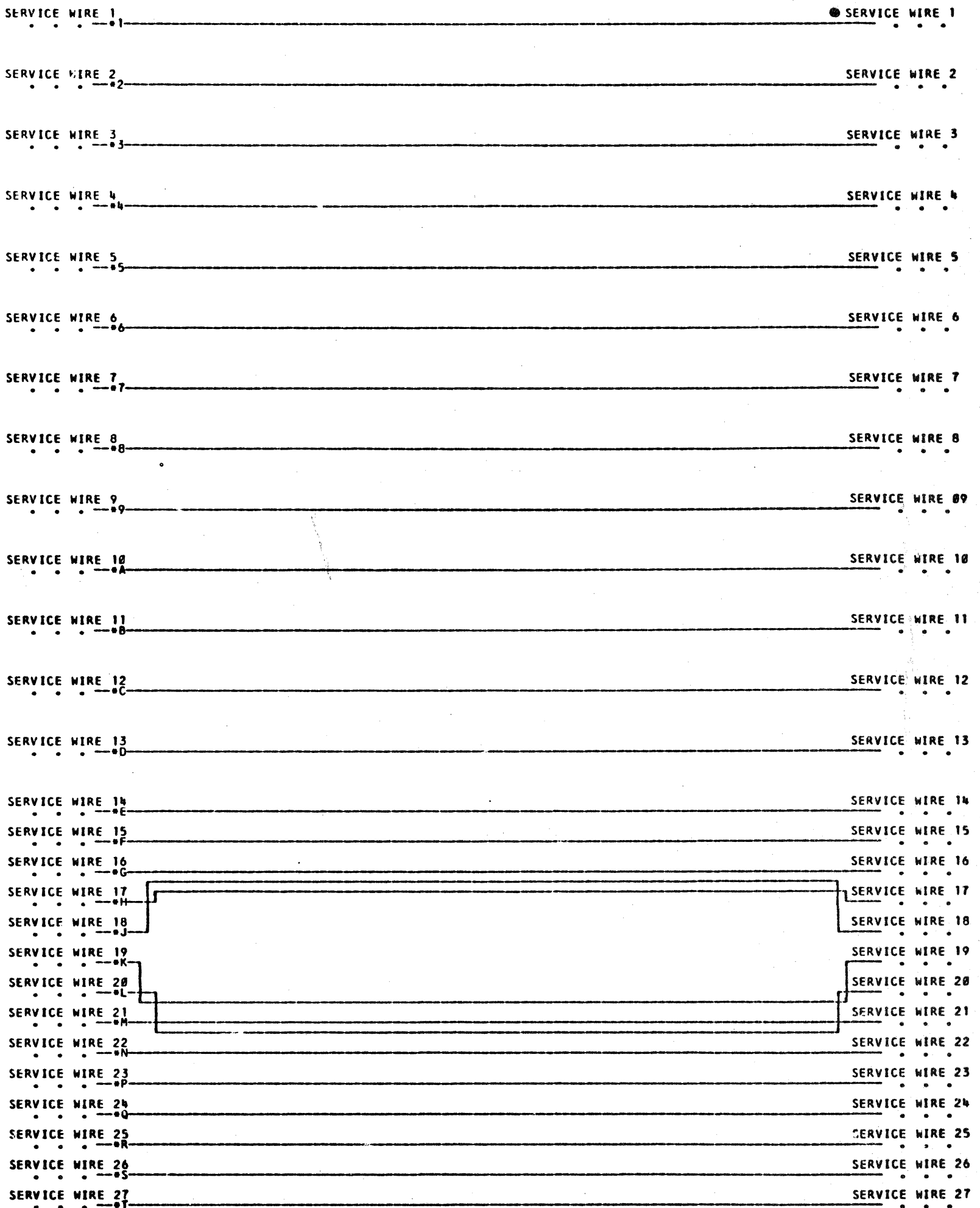
	A	B	C	D	E	F
45	DFQ- 370225 03 05.15.70.1 05.15.70.1 05.15.70.1					DHC- 370372 06 05.04.30.1 05.04.30.1 05.04.30.1 05.21.30.1 04,06
44	DEF- 370216 04 05.15.70.1 05.15.70.1 05.15.70.1 05.15.60.1	DHT- 372168 06 05.15.60.1 05.15.60.1 05.15.60.1 05.15.60.1 05.22.20.1	DEF- 370216 04 05.22.20.1 05.15.40.1 05.15.40.1 05.15.40.1			DHC- 370372 06 05.04.10.1 05.04.10.1 05.04.10.1 05.04.30.1 03,06
43	DEK- 370220 02 05.15.60.1 05.15.60.1	DEK- 370220 02 05.15.60.1 05.15.60.1	DFQ- 370225 03 05.15.60.1 05.15.60.1 05.15.60.1	DFQ- 370225 03 05.15.60.1 05.15.40.1 05.15.40.1	DEF- 370216 04 05.15.40.1 05.21.10.1 05.32.10.1 05.22.50.1	
42	JEM- 374810 02 05.15.40.1 05.15.40.1	DHX- 372192 02 05.15.40.1 05.15.40.1	DEF- 370216 04 05.15.40.1 05.15.40.1 05.15.40.1 05.15.40.1	DHX- 372192 02 05.15.40.1 05.15.40.1	DHX- 372192 02 05.15.40.1 05.15.40.1	DGS- 370347 06 05.04.30.1 05.04.30.1 05.04.30.1 05.04.10.1 05.04.10.1 05.04.10.1
41	DHC- 370372 06 05.15.50.1 05.15.50.1 05.15.30.1 05.15.30.1 05.15.30.1 05.15.30.1	DFQ- 370225 03 05.15.50.1 05.15.70.1 05.15.50.1	DGT- 370380 04 05.15.50.1 05.15.50.1 05.15.30.1 05.15.30.1	DHW- 372191 03 05.15.40.1 05.25.40.1 05.32.20.1	DEH- 370218 03 05.15.40.1 05.15.30.1 05.15.20.1	
40	DGX- 370376 02 05.15.30.1 05.15.30.1	DHC- 370372 06 05.15.30.1 05.15.30.1 05.15.30.1 05.25.40.1 05.30.30.1 05.32.20.1	DGT- 370380 04 05.15.30.1 05.15.20.1 05.15.20.1 05.15.20.1	DGT- 370380 04 05.15.20.1 05.15.20.1 05.15.20.1 05.06.20.1	DFR- 370226 04 05.15.50.1 05.25.40.1 05.32.10.1	
39	DGX- 370376 02 05.15.30.1 05.32.20.1	DHT- 372168 06 05.15.20.1 05.22.50.1 05.32.20.1 05.06.20.1 05.06.20.1 05.21.30.1	DGT- 370380 04 05.15.20.1 05.15.10.1 05.15.10.1 05.15.10.1	DGT- 370380 04 05.15.10.1 05.15.10.1 05.15.10.1	DFG- 370247 01 05.15.50.1	
38	DHT- 372168 06 05.25.40.1 05.25.40.1 05.25.40.1 05.25.40.1 05.30.30.1 05.21.10.1	DGT- 370380 04 05.15.70.1 05.15.70.1 05.06.20.1 05.06.20.1	DFR- 370226 04 05.25.40.1 05.25.40.1 05.25.40.1	DFR- 370226 04 05.25.40.1 05.25.40.1 05.25.40.1	DFQ- 370225 03 05.15.50.1 05.32.20.1 05.32.10.1	DHT- 372168 06 05.25.40.1 05.25.40.1 05.25.40.1 05.25.40.1 05.25.40.1 05.25.40.1
37	DGW- 370377 03 05.32.20.1 05.32.60.1 05.15.40.1	DGU- 370379 04 05.32.20.1 05.32.20.1 05.32.20.1 05.22.20.1	DGX- 370376 02 05.25.40.1 05.25.40.1	DGX- 370376 02 05.25.40.1 05.25.40.1	DFR- 370226 04 05.25.40.1 05.15.40.1 05.22.80.1 02.23.02.1	DFR- 370226 04 05.32.10.1 05.32.10.1 05.32.10.1 05.32.10.1 05.22.60.1
36	DFR- 370226 04 05.22.60.1 05.21.20.1 05.15.60.1 05.32.10.1	AXX- 372237 02 05.25.30.1 05.25.30.1	DGX- 370376 02 05.25.40.1 05.25.40.1	DGX- 370376 02 05.25.40.1 05.25.40.1	DFQ- 370225 03 05.32.10.1 05.20.20.1 05.32.10.1	



1A
1B
1C
1D
1E
1F
1G
1H
1I

7A
7B
7C
7D
7E
7F
7G
7H
7I

*1-01A1A1K	01A1B1K	01A1C1K	*2-01A1A13K	01A1B13K	01A1C13K
*3-01A1A08M	01A1B08M	01A1C08M	*4-01A1A07M	01A1B07M	01A1C07M
*5-01A1A08N	01A1B08N	01A1C08N	*6-01A1A07N	01A1B07N	01A1C07N
*7-01A1D14K	01A1E14K	01A1F14K	*8-01A1D13K	01A1E13K	01A1F13K
*9-01A1D08M	01A1E08M	01A1F08M	*A-01A1D07M	01A1E07M	01A1F07M
*B-01A1D08N	01A1E08N	01A1F08N	*C-01A1D07N	01A1E07N	01A1F07N



*1-01B1A16K	01B1B16K	*2-01B1A18K	01B1B18K	*3-01B1A16M	01B1B16M
*4-01B1A18M	01B1B18M	*5-01B1A22N	01B1B22N	01B1C22N	*6-01B1A24N
01B1B24N	01B1C24N	*7-01B1B08K	01B1C08K	*8-01B1B12K	01B1C12K
*9-01B1B08M	01B1C08M	*A-01B1B12M	01B1C12M	*B-01B1B08N	01B1C08N
*C-01B1B12N	01B1C12N	*D-01B1D06K	01B1E06K	01B1E08K	01B1F08K
*E-01B1D09K	01B1E09K	01B1F09K	*F-01B1D08M	01B1E08M	01B1F08M
*G-01B1D09M	01B1E09M	01B1F09M	*H-01B1D08N	01B1E08N	*J-01B1D09N
01B1E09N	*K-01B1D22N	01B1E22N	01B1D23N	01B1E23N	*M-01B1E18N
01B1F18N	*N-01B1E19N	01B1F19N	*L-01B1D23N	01B1E23N	*Q-01B1B09M
01B1B11M	*R-01B1B17L	01B1B17N	*P-01B1B09K	01B1B12K	01B1E17M
*T-01B1B07P	01B1C06P	01B1B17N	01B1B17Q	*S-01B1B17R	01B1D19P
01B1D11P	01B1D06P	01B1C13P	01B1C18P		

E. C. 4072538

COMMENTS

TAG DATE D.A.NO. TAG DATE D.A.NO. TAG DATE D.A.NO. TAG DATE D.A.NO.

A 02-18-64 3C02000

1620-2 LOGIC

1620-1 LOGIC

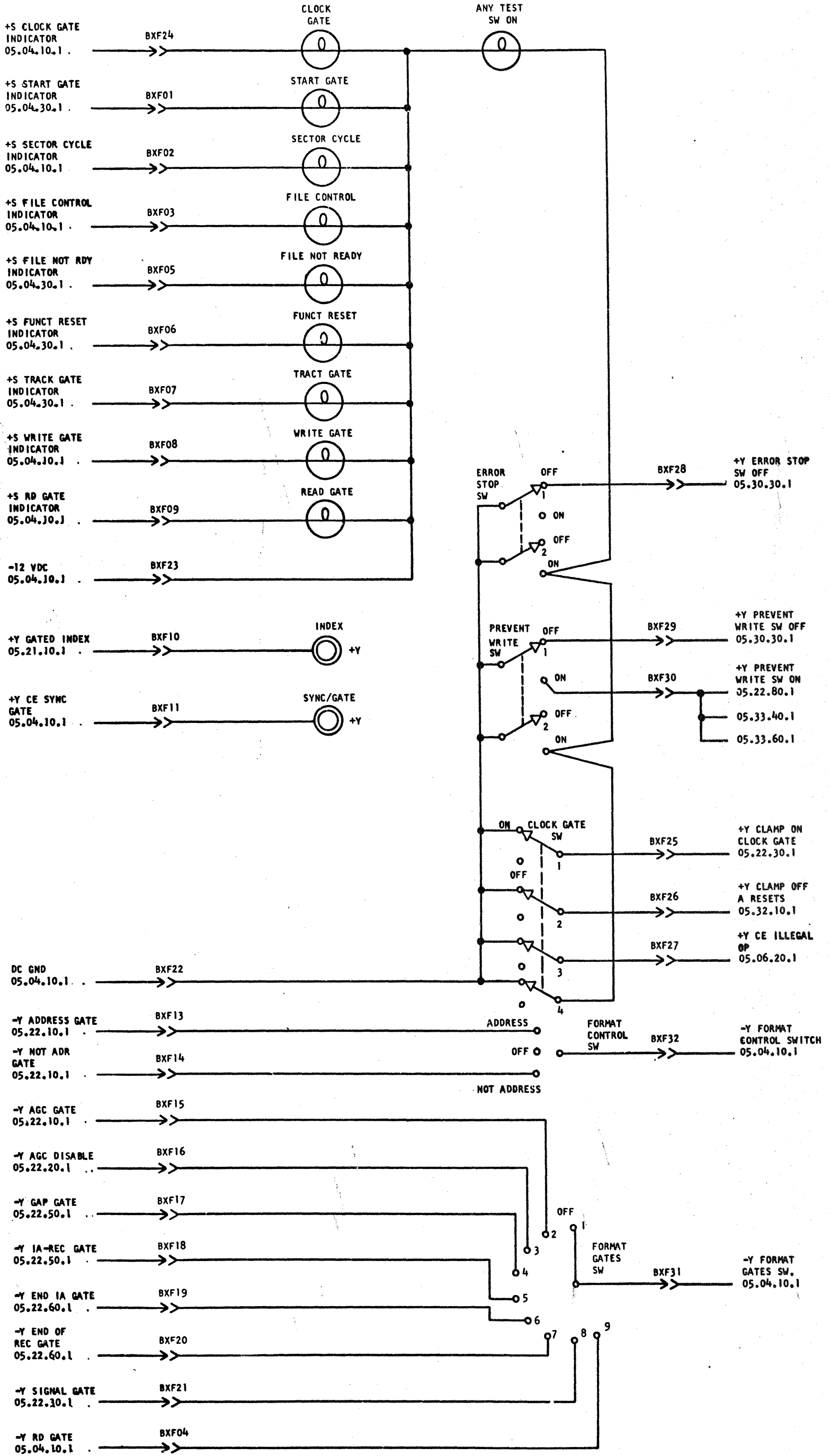
LINE NAME

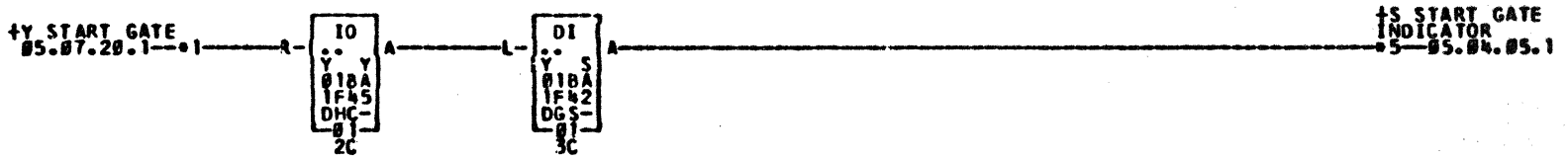
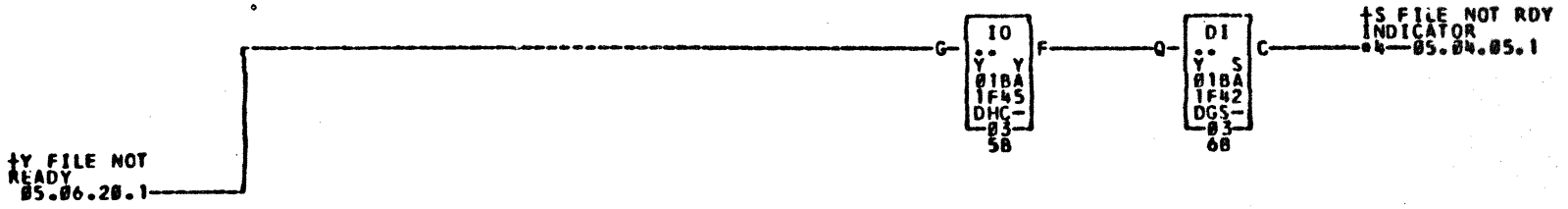
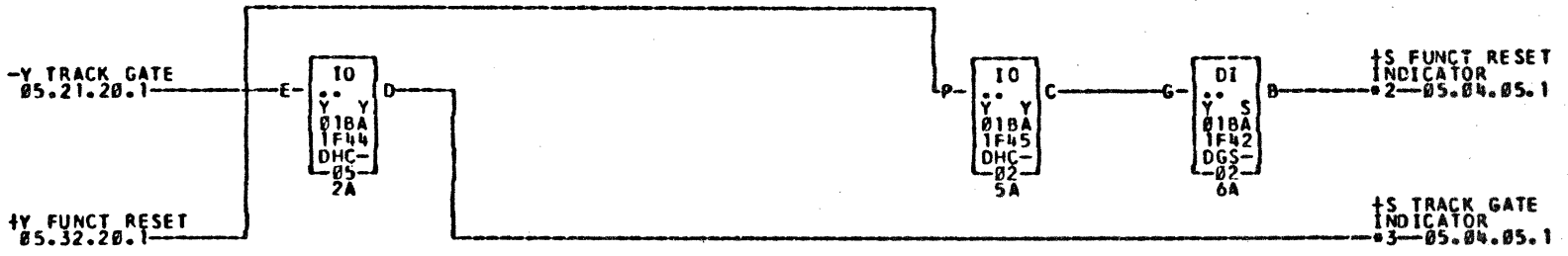
1311 LOGIC

12.89.16.1	01.41.08.1	-C MBR F BIT EV	05.05.15.1
12.89.16.1	01.41.08.1	TW MBR F BIT EV	05.05.15.1
12.89.16.1	01.41.08.1	-C MBR C BIT EV	05.05.15.1
12.89.16.1	01.41.08.1	TW MBR C BIT EV	05.05.15.1
12.89.16.1	01.41.08.1	-C MBR 1 BIT EV	05.05.15.1
12.89.16.1	01.41.08.1	TW MBR 1 BIT EV	05.05.15.1
12.89.16.1	01.41.08.1	-C MBR 2 BIT EV	05.05.15.1
12.89.16.1	01.41.08.1	TW MBR 2 BIT EV	05.05.15.1
12.89.16.1	01.41.08.1	-C MBR 4 BIT EV	05.05.15.1
12.89.16.1	01.41.08.1	TW MBR 4 BIT EV	05.05.15.1
12.89.16.1	01.41.08.1	-C MBR 8 BIT EV	05.05.15.1
12.89.16.1	01.41.08.1	TW MBR 8 BIT EV	05.05.15.1
12.89.16.1	01.41.08.1	-C MBR F BIT OD	05.05.16.1
12.89.16.1	01.41.08.1	TW MBR F BIT OD	05.05.16.1
12.89.16.1	01.41.08.1	-C MBR C BIT OD	05.05.16.1
12.89.16.1	01.41.08.1	TW MBR C BIT OD	05.05.16.1
12.89.16.1	01.41.08.1	-C MBR 1 BIT OD	05.05.16.1
12.89.16.1	01.41.08.1	TW MBR 1 BIT OD	05.05.16.1
12.89.16.1	01.41.08.1	-C MBR 2 BIT OD	05.05.16.1
12.89.16.1	01.41.08.1	TW MBR 2 BIT OD	05.05.16.1
12.89.16.1	01.41.08.1	-C MBR 4 BIT OD	05.05.16.1
12.89.16.1	01.41.08.1	TW MBR 4 BIT OD	05.05.16.1
12.89.16.1	01.41.08.1	-C MBR 8 BIT OD	05.05.16.1
12.89.16.1	01.41.08.1	TW MBR 8 BIT OD	05.05.16.1
12.89.20.1	01.41.04.2	-C MAR C BIT UNITS	05.05.20.1
12.89.20.1	01.41.04.2	TW MAR C BIT UNITS	05.05.20.1
12.89.20.1	01.41.04.2	-C MAR 1 BIT UNITS	05.05.20.1
12.89.20.1	01.41.04.2	TW MAR 1 BIT UNITS	05.05.20.1
12.89.20.1	01.41.04.1	-C MAR 2 BIT UNITS	05.05.18.2
12.89.20.1	01.41.04.1	TW MAR 2 BIT UNITS	05.05.18.2
12.89.20.1	01.41.04.1	-C MAR 4 BIT UNITS	05.05.18.2
12.89.20.1	01.41.04.1	TW MAR 4 BIT UNITS	05.05.18.2
12.89.20.1	01.41.04.1	-C MAR 8 BIT UNITS	05.05.18.2
12.89.20.1	01.41.04.1	TW MAR 8 BIT UNITS	05.05.18.2
12.89.20.1	01.41.04.2	-C MAR C BIT TENS	05.05.20.1
12.89.20.1	01.41.04.2	TW MAR C BIT TENS	05.05.20.1
12.89.20.1	01.41.04.1	-C MAR 1 BIT TENS	05.05.19.2
12.89.20.1	01.41.04.1	TW MAR 1 BIT TENS	05.05.19.2
12.89.20.1	01.41.04.1	-C MAR 2 BIT TENS	05.05.19.2
12.89.20.1	01.41.04.1	TW MAR 2 BIT TENS	05.05.19.2
12.89.20.1	01.41.04.1	-C MAR 4 BIT TENS	05.05.19.2
12.89.20.1	01.41.04.1	TW MAR 4 BIT TENS	05.05.19.2
12.89.20.1	01.41.04.1	-C MAR 8 BIT TENS	05.05.19.2
12.89.20.1	01.41.04.1	TW MAR 8 BIT TENS	05.05.19.2
12.89.24.1	01.41.04.2	-C MAR C BIT HUND	05.05.20.1
12.89.24.1	01.41.04.2	TW MAR C BIT HUND	05.05.20.1
12.89.24.1	01.41.04.1	-C MAR 1 BIT HUND	05.05.19.1
12.89.24.1	01.41.04.1	TW MAR 1 BIT HUND	05.05.19.1
12.89.24.1	01.41.04.1	-C MAR 2 BIT HUND	05.05.19.1
12.89.24.1	01.41.04.1	TW MAR 2 BIT HUND	05.05.19.1
12.89.24.1	01.41.04.1	-C MAR 4 BIT HUND	05.05.19.1
12.89.24.1	01.41.04.1	TW MAR 4 BIT HUND	05.05.19.1
12.89.24.1	01.41.04.1	-C MAR 8 BIT HUND	05.05.19.1
12.89.24.1	01.41.04.1	TW MAR 8 BIT HUND	05.05.19.1
12.89.24.1	01.41.04.2	-C MAR C BIT THOU	05.05.20.1
12.89.24.1	01.41.04.2	TW MAR C BIT THOU	05.05.20.1
12.89.24.1	01.41.04.1	-C MAR 1 BIT THOU	05.05.18.1
12.89.24.1	01.41.04.1	TW MAR 1 BIT THOU	05.05.18.1
12.89.24.1	01.41.04.1	-C MAR 2 BIT THOU	05.05.18.1
12.89.24.1	01.41.04.1	TW MAR 2 BIT THOU	05.05.18.1
12.89.24.1	01.41.04.1	-C MAR 4 BIT THOU	05.05.18.1
12.89.24.1	01.41.04.1	TW MAR 4 BIT THOU	05.05.18.1
12.89.24.1	01.41.04.1	-C MAR 8 BIT THOU	05.05.18.1
12.89.24.1	01.41.04.1	TW MAR 8 BIT THOU	05.05.18.1
12.89.28.1	01.41.04.2	-C MAR C BIT 10 THOU	05.05.20.1
12.89.28.1	01.41.04.2	TW MAR C BIT 10 THOU	05.05.20.1
12.89.28.1	01.41.04.1	-C MAR 1 BIT 10 THOU	05.05.18.2
12.89.28.1	01.41.04.1	TW MAR 1 BIT 10 THOU	05.05.18.2
12.89.28.1	01.41.04.2	-C MAR 2 BIT 10 THOU	05.05.20.1
12.89.28.1	01.41.04.2	TW MAR 2 BIT 10 THOU	05.05.20.1
12.89.28.1	01.41.04.2	-C MAR 4 BIT 10 THOU	05.05.20.1
12.89.28.1	01.41.04.2	TW MAR 4 BIT 10 THOU	05.05.20.1
11.05.31.1	01.05.31.1	+S TR 30	05.05.31.1
11.05.31.1	01.05.31.1	+Y M-Q 1 BIT	05.05.31.1
11.05.31.1	01.05.31.1	+Y M-Q 2 BIT	05.05.31.1
11.05.31.1	01.05.31.1	+Y M-Q 4 BIT	05.05.31.1
11.05.31.1	01.05.31.1	+Y M-Q 8 BIT	05.05.31.1
11.05.31.1	01.05.31.1	+S A TRIG	05.05.31.1
11.05.31.1	01.05.31.1	+S FILE OP	05.05.31.1
11.05.31.1	01.05.31.1	-C FCU CLOCK CONTROL	05.05.31.1
11.05.31.1	01.05.31.1	TW FCU CLOCK CONTROL	05.05.31.1

<u>1620-2 LOGIC</u>	<u>1620-1 LOGIC C</u>	<u>LINE NAME</u>	<u>1311 LOGIC</u>
11.89.80.1	01.05.31.1	-C FILE OP E ENT ADV	05.05.31.1
	01.05.31.1	TW FILE OP E ENT ADV	05.05.31.1
11.89.80.1	01.05.31.1	-C B ADV W6 D2/RAM AA'TOD2	05.05.31.1
	01.05.31.1	TW B ADV W6 D2/RAM AA'TOD2	05.05.31.1
11.89.80.1	01.05.31.1	-C E CYC ADV	05.05.31.1
	01.05.31.1	TW E CYC ADV	05.05.31.1
	01.05.32.1	-C NOT C9P	05.05.31.1
	01.05.32.1	TW NOT C9P	05.05.31.1
11.05.31.1	01.05.32.1	+Y I CY RESET	05.05.32.1
11.05.31.1	01.05.32.1	+Y SWITCH THOU	05.05.32.1
11.05.32.1	01.05.32.1	+Y OP 34 C	05.05.32.1
11.05.32.1	01.05.32.1	+Y OP 36 RN	05.05.32.1
11.05.32.1	01.05.32.1	+Y OP 38 WN	05.05.32.1
12.89.28.1	01.05.32.1	-C W2 D3/T14 D3 (1620-2)	05.05.32.1
	01.05.32.1	TW W2 D3/T14 D3 (1620-2)	05.05.32.1
12.89.28.1	01.05.32.1	-C C3P/FC CYC T9 D10 (1620-2)	05.05.32.1
	01.05.32.1	TW C3P/FC CYC T9 D10 (1620-2)	05.05.32.1
12.89.28.1	01.05.32.1	-C C7P/T14 D10 (1620-2)	05.05.32.1
	01.05.32.1	TW C7P/T14 D10 (1620-2)	05.05.32.1
11.05.31.1	01.05.32.1	+Y MANUAL RESET	05.05.32.1
11.05.22.1	NOT USED	+Y 1620-2 INTLK	05.11.20.1
11.05.32.1	01.05.32.1	+Y CPU METER ON	05.05.19.2

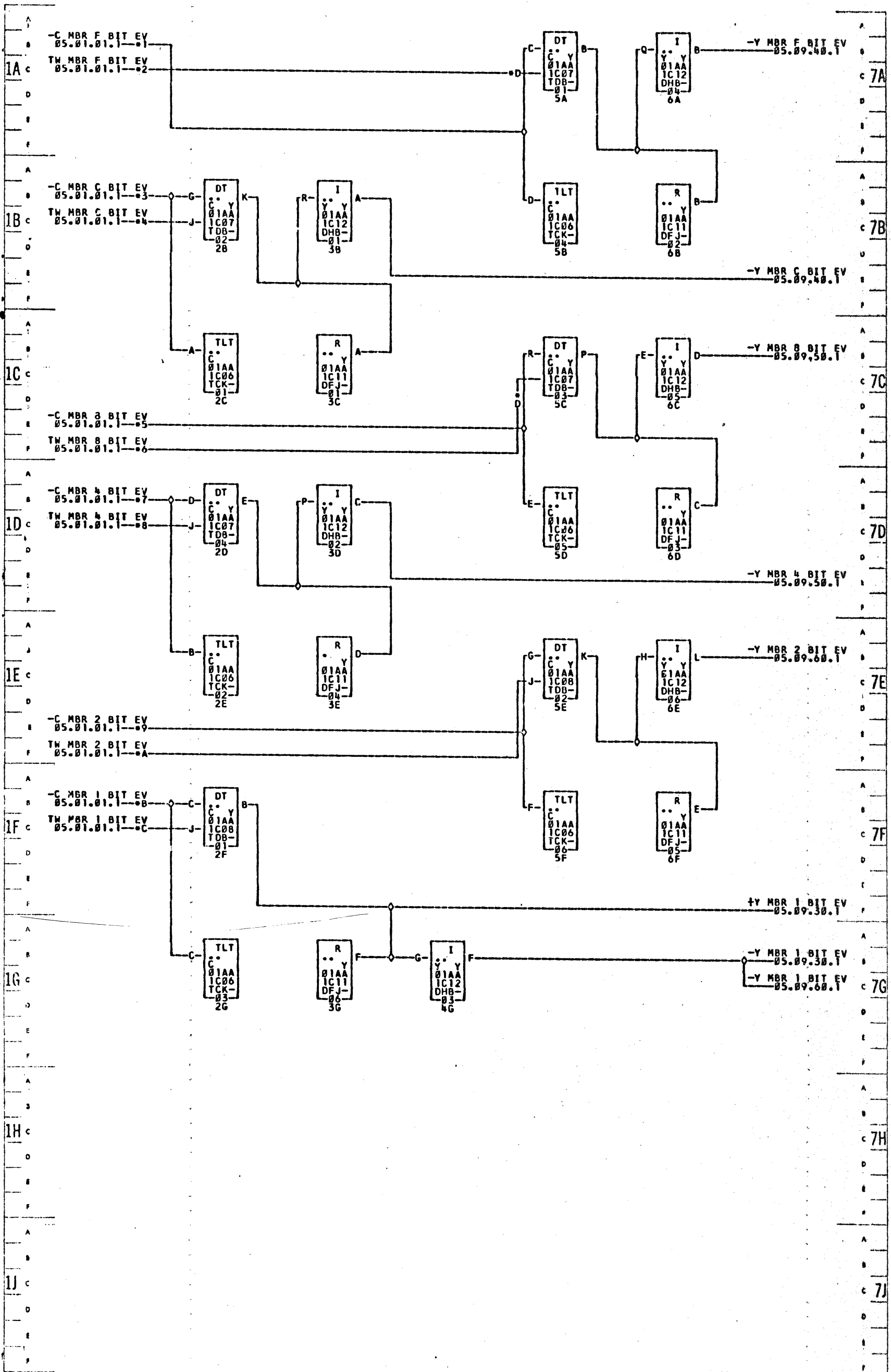
1311 LOGIC	LINE NAME	1620 -1 LOGIC	1620-2 LOGIC
05.05.21.1	+S FILE SYNC EXTENDER	01.05.21.1	11.05.23.1
05.05.21.1	+S HOLD FILE EXTENDER	01.05.21.1	11.05.23.1
05.05.21.1	+S TR 30 FILE EXTENDER	01.05.21.1	11.05.23.1
05.05.21.1	+S FILE W CYCLE EXTENDER	01.05.21.1	11.05.23.1
05.05.22.1	+S CLOCK STOP FILE EXTENDER	01.05.22.1	11.05.23.1
05.05.22.1	+S INCR +2 FILE EXTENDER	01.05.22.1	11.05.23.1
05.05.22.1	+S BLK MBR-MDR RESET FILE EXT	01.05.22.1	NOT USED
05.05.22.1	+S READ CHECK FILE EXTENDER	01.05.22.1	11.05.22.1
05.05.22.1	+S WRITE CHECK FILE EXTENDER	01.05.22.1	11.05.22.1
05.05.22.1	-C FILE SECTOR CYCLE	01.05.22.1	11.05.22.1
05.05.22.1	TW FILE SECTOR CYCLE	01.05.22.1	
05.05.22.1	+S I CYCLE ENTRY	01.05.22.1	11.05.22.1
05.05.22.1	-C FILE READ RESET	01.05.22.1	NOT USED
05.05.22.1	TW FILE READ RESET	01.05.22.1	NOT USED
05.05.22.1	-S FILE Z CYCLE DE FILE EXT	01.05.22.1	NOT USED
05.05.23.1	+S WLR-RBC OFF FILE EXTENDER	01.05.23.1	11.05.23.1
05.05.23.1	+S BYPASS FILE EXTENDER	01.05.23.1	11.05.23.1
05.05.23.1	+S ADDR CK OFF FILE EXTENDER	01.05.23.1	11.05.23.1
05.05.23.1	+S CYL O-F OFF FILE EXTENDER	01.05.23.1	11.05.23.1
05.05.23.1	-C FILE CTRL CYCLE	01.05.21.1	11.05.22.1
05.05.23.1	TW FILE CTRL CYCLE	01.05.21.1	
05.05.23.1	-C FILE MAR 8 BIT 10 THOU	01.05.23.1	11.05.23.1
05.05.23.1	TW FILE MAR 8 BIT 10 THOU	01.05.23.1	
05.05.23.1	+S ACCESS READY	01.05.23.1	11.87.72.1
05.06.05.1	FILE OR1 LAMP 049	01.05.24.1	11.05.31.1
05.06.05.1	FILE PR3 LAMP 087	01.05.24.1	11.05.31.1
05.06.05.1	FILE OR2 LAMP 125	01.05.24.1	11.05.31.1
05.06.05.1	FILE HUND LAMP 162	01.05.24.1	11.05.23.1
05.06.05.1	FILE UNITS LAMP 163	01.05.24.1	11.05.23.1
05.06.06.1	+S WR OR1 FILE EXTENDER	01.05.24.1	11.05.24.1
05.06.06.1	+S WR PR3 FILE EXTENDER	01.05.24.1	11.05.24.1
05.06.06.1	+S WR OR2 FILE EXTENDER	01.05.24.1	11.05.24.1
05.06.06.1	+S WR UNITS FILE EXTENDER	01.05.24.1	11.05.24.1
05.06.06.1	+S INCREMENT FILE EXTENDER	01.05.24.1	11.05.24.1
05.06.06.1	+S WR TENS FILE EXTENDER	01.05.24.1	11.05.24.1
05.06.06.1	+S WR HUND FILE EXTENDER	01.05.24.1	11.05.24.1
05.06.06.1	+S WR THOU FILE EXTENDER	01.05.24.1	11.05.24.1
05.06.06.1	+S WR 10 THOU FILE EXTENDER	01.05.24.1	11.05.24.1
05.05.21.1	-C RD OR1 FILE	01.05.24.1	11.05.24.1
05.05.21.1	TW RD OR1 FILE	01.05.24.1	11.05.24.1
05.05.21.1	-C RD OR2 FILE	01.05.24.1	NOT USED
05.05.21.1	TW RD OR2 FILE	01.05.24.1	NOT USED
05.05.21.1	-C RD PR3 FILE	01.05.24.1	11.05.24.1
05.05.21.1	TW RD PR3 FILE	01.05.24.1	11.05.24.1
05.06.06.1	+S DECREMENT FILE EXTENDER	01.05.24.1	11.05.24.1
05.06.06.1	+S SET DBT EV FILE EXTENDER	01.05.24.1	NOT USED
05.06.06.1	+S SET DBT OD FILE EXTENDER	01.05.24.1	NOT USED
05.06.06.1	+S SET OOXXX FILE EXTENDER	01.05.24.1	11.05.24.1
05.06.06.1	+S FILE LOAD FILE EXTENDER	01.05.24.1	11.05.24.1
05.06.06.1	+S FREEZE A-B FILE EXTENDER	01.05.24.1	11.05.24.1
05.05.30.1	-C NOT FBR F BIT EV	01.41.17.1	12.88.92.1
05.05.30.1	TW NOT FBR F BIT EV	01.41.17.1	
05.05.30.1	-C NOT FBR C BIT EV	01.41.17.1	12.88.92.1
05.05.30.1	TW NOT FBR C BIT EV	01.41.17.1	
05.05.30.1	-C NOT FBR 1 BIT EV	01.41.17.1	12.88.94.1
05.05.30.1	TW NOT FBR 1 BIT EV	01.41.17.1	
05.05.30.1	-C NOT FBR 2 BIT EV	01.41.17.1	12.88.94.1
05.05.30.1	TW NOT FBR 2 BIT EV	01.41.17.1	
05.05.30.1	-C NOT FBR 4 BIT EV	01.41.17.1	12.88.92.1
05.05.30.1	TW NOT FBR 4 BIT EV	01.41.17.1	
05.05.30.1	-C NOT FBR 8 BIT EV	01.41.17.1	12.88.92.1
05.05.30.1	TW NOT FBR 8 BIT EV	04.41.17.1	
05.05.30.2	-C NOT FBR F BIT OD	01.41.07.1	12.88.92.1
05.05.30.2	TW NOT FBR F BIT OD	01.41.07.1	
05.05.30.2	-C NOT FBR C BIT OD	01.41.07.1	12.88.92.1
05.05.30.2	TW NOT FBR C BIT OD	01.41.07.1	
05.05.30.2	-C NOT FBR 1 BIT OD	01.41.07.1	12.88.94.1
05.05.30.2	TW NOT FBR 1 BIT OD	01.41.07.1	
05.05.30.2	-C NOT FBR 2 BIT OD	01.41.07.1	12.88.94.1
05.05.30.2	TW NOT FBR 2 BIT OD	01.41.07.1	
05.05.30.2	-C NOT FBR 4 BIT OD	01.41.07.1	12.88.92.1
05.05.30.2	TW NOT FBR 4 BIT OD	01.41.07.1	
05.05.30.2	-C NOT FBR 8 BIT OD	01.41.07.1	12.88.92.1
05.05.30.2	TW NOT FBR 8 BIT OD	01.41.07.1	
05.05.21.1	-C BIT RING S2	NOT USED	11.05.23.1
05.05.21.1	TW BIT RING S2	NOT USED	
05.06.05.1	-S FILE UNITS	NOT USED	11.05.24.1





10
11
12
13
14
15
16
17
18
19
20
21
22
23
24
25
26
27
28
29
30
31
32
33
34
35
36
37
38
39
40
41
42
43
44
45
46
47
48
49
50
51
52
53
54
55
56
57
58
59
60
61
62
63
64
65
66
67
68
69
70
71
72
73
74
75
76
77
78
79
80
81
82
83
84
85
86
87
88
89
90
91
92
93
94
95
96
97
98
99
100

- 1-01B1F01J
01B1F05
- 2-01B1F03F
01B1F03A
- 3-01B1F03G
- 4-01B1F03E
- 5-01B1F03A
- 6-01B1F03C
- 7-01B1F03E
- 8-01B1F03E



- *1-01A1B03B
- *4-01A1B03C
- *7-01A1B03H
- *A-01A1B03J
- *D-01A1C06J

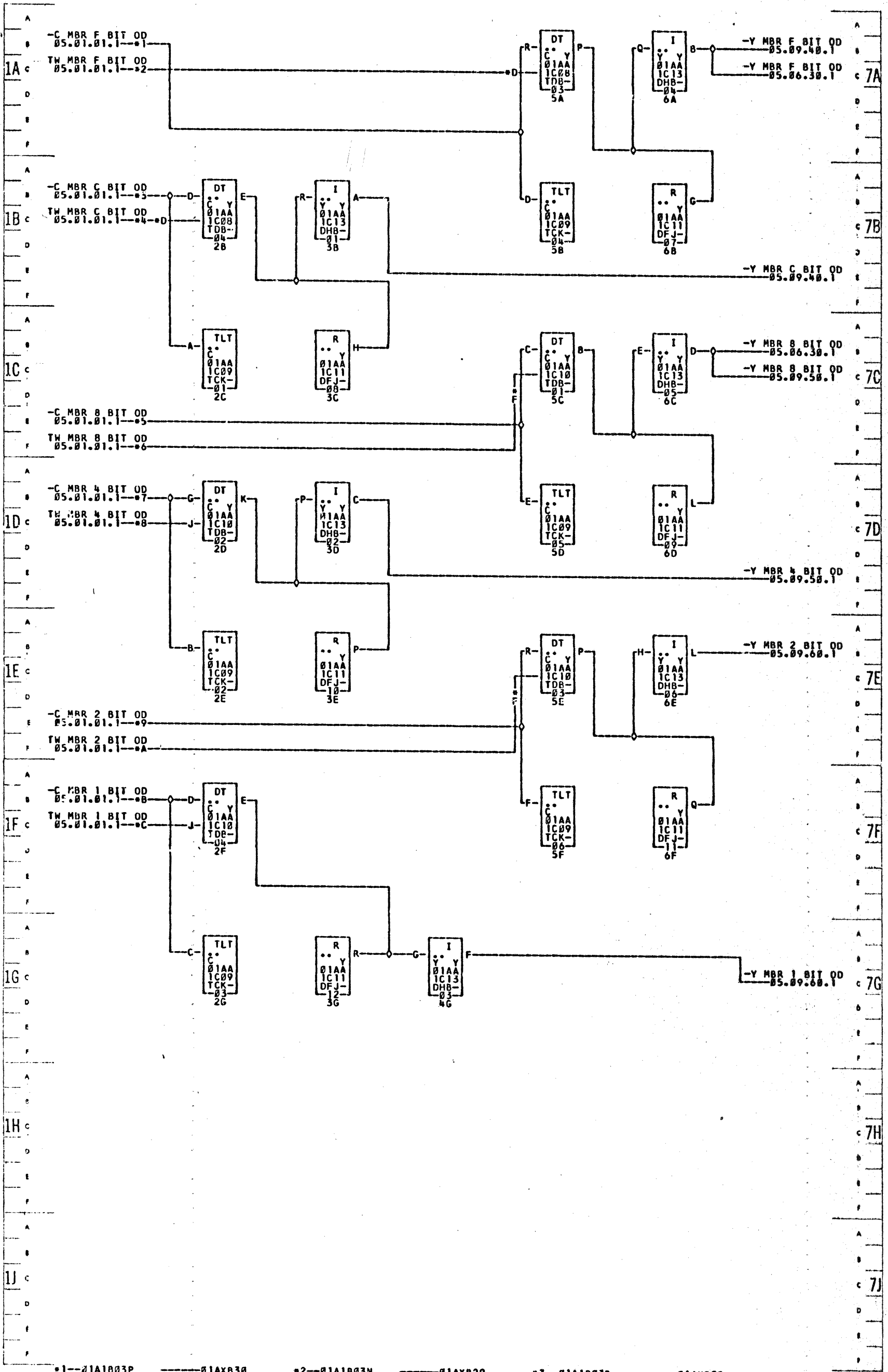
- 01AXB18
- 01AXB19
- 01AXB24
- 01AXB25

- *2-01A1B03A
- *5-01A1B03F
- *8-01A1B03G
- *B-01A1B03M

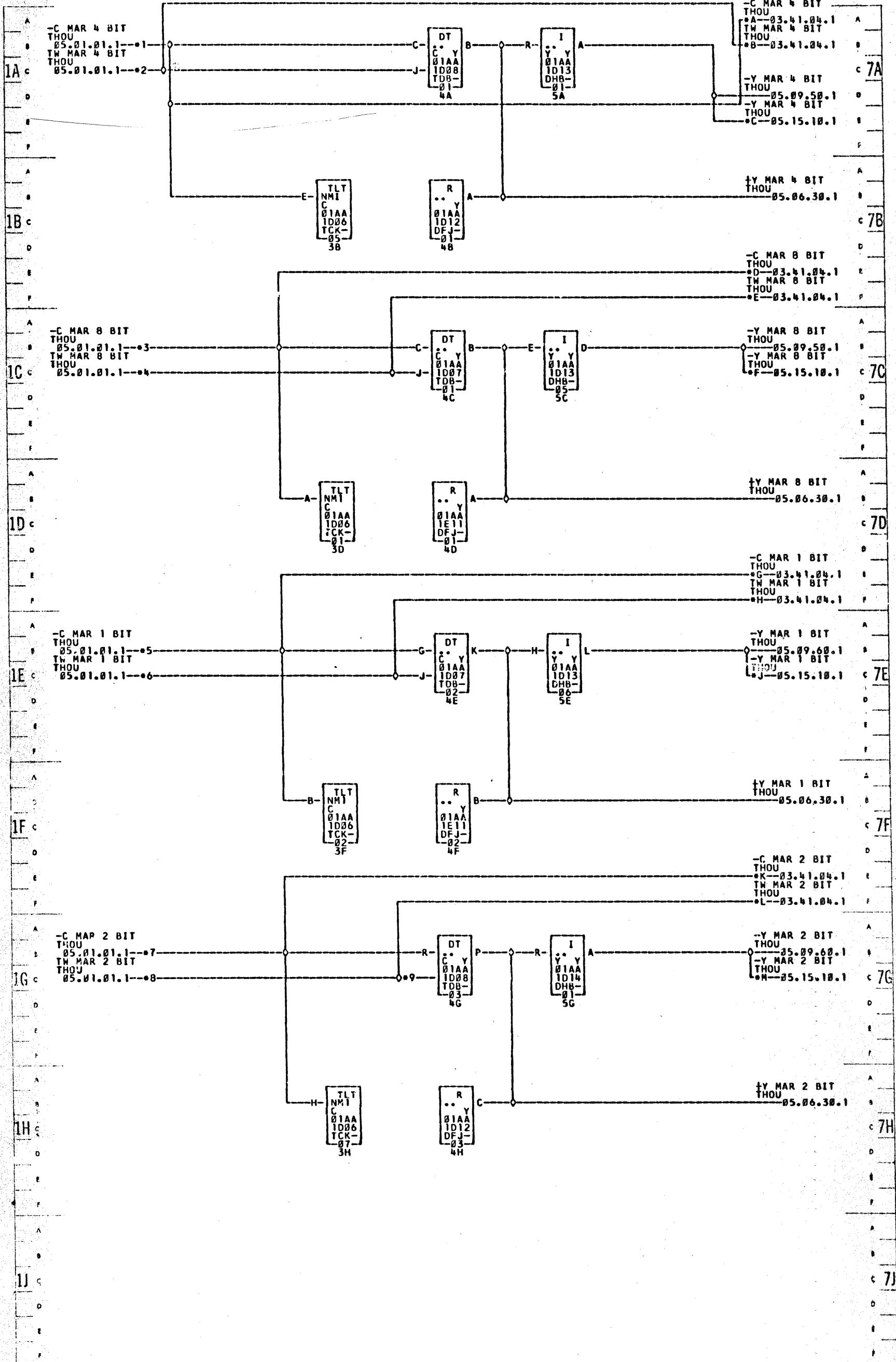
- 01AXB17
- 01AXB22
- 01AXB23
- 01AXB28

- *3-01A1B03D
- *6-01A1B03E
- *9-01A1B03K
- *C-01A1B03L

- 01AXB20
- 01AXB21
- 01AXB26
- 01AXB27



- #1--01A1B03P #4--01A1B03Q #7--01A1A04R #A--01A1A03N #D--01A1C09J
- #2--01A1B03N #5--01A1A04H #8--01A1A03R #F--01A1C11J
- #3--01A1B03R #6--01A1A04C #9--01A1A03P #C--01A1B03Q
- 01AXB30 -----01AXB31 -----01AXB29 -----01AXB32
- 01AXA16 -----01AXA15 -----01AXA08 -----01AXA07
- 01AXB3N -----01AXB32 -----01AXA30 -----01AXA31

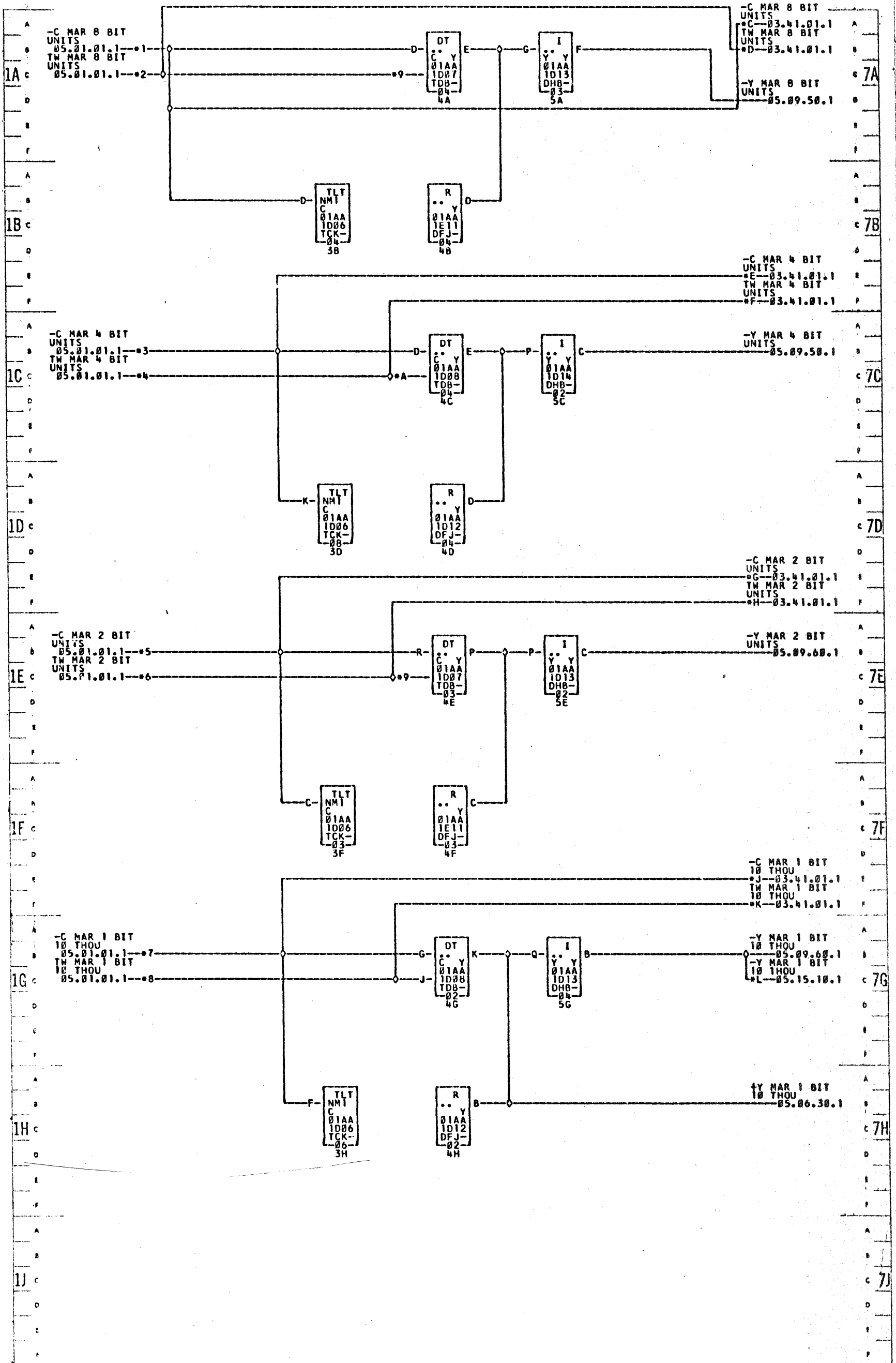


- *1---01AXD02 ---01A1D04B *2---01AXD01 ---01A1D04A *3---01AXD04 ---01A1D04D
- *4---01AXD03 ---01A1D04C *5---01AXD30 ---01A1D03P *6---01AXD29 ---01A1D03N
- *7---01AXD32 ---01A1D03R *8---01AXD31 ---01A1D03Q *9---01A1D09J *A---01AXG02
- 01A1D04B *B---01AXG01 ---01A1D04A *C---01A1D01H *D---01AXG04 ---01A1D04D
- 01AXG03 ---01A1D04C *F---01A1D01P *G---01AXG30 ---01A1D03P *H---01AXC29
- 01A1D03N *J---01A1D01D *K---01AXG32 ---01A1D03R *L---01AXG31 ---01A1D03Q
- *M---01A1D01E

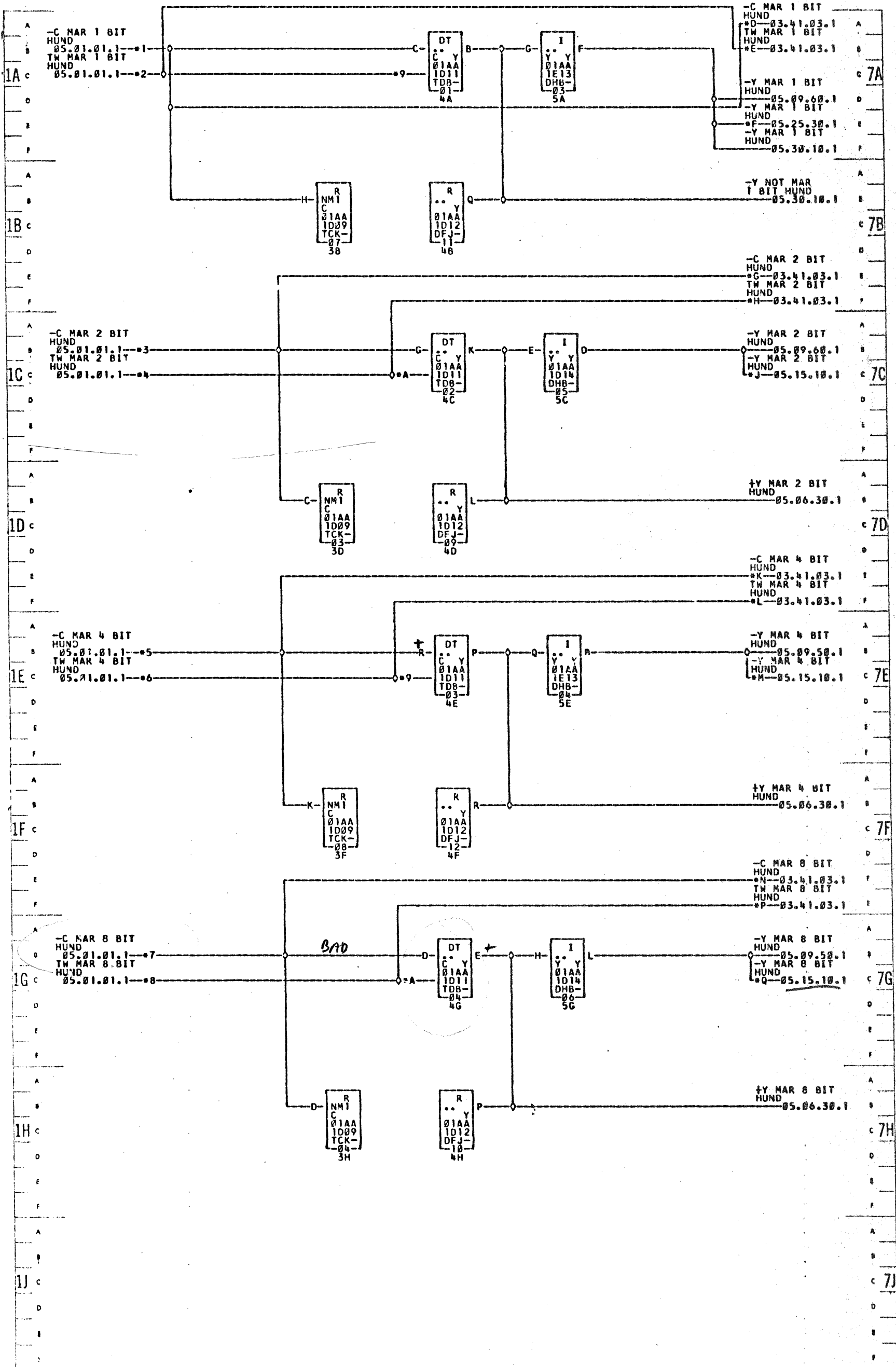
E. C. 407153

COMMENTS

TAG	DATE	D.A.NO.	TAG	DATE	D.A.NO.	TAG	DATE	D.A.NO.	TAG	DATE	D.A.NO.
A	10-22-62	3800000									



- 1--01AXD12 -----01A1D04M • 2--01AXD11 -----01A1D04L • 3--01AXD10 -----01A1D04K
- 4--01AXD09 -----01A1D04J • 5--01AXD08 -----01A1D04H • 6--01AXD07 -----01A1D04G
- 7--01AXD06 -----01A1D04F • 8--01AXD05 -----01A1D04E • 9--01AXD04 -----01A1D04D
- C--01AXG12 -----01A1D04M • D--01AXG11 -----01A1D04L • E--01AXG10 -----01A1D04K
- F--01AXG09 -----01A1D04J • G--01AXG08 -----01A1D04H • H--01AXG07 -----01A1D04G
- J--01AXG06 -----01A1D04F • K--01AXG05 -----01A1D04E • L--01AXG04 -----01A1D04D



- *1--01AXD22
- *4--01AXD23
- *7--01AXD28
- *D--01AXG22
- *L--01AXG25
- 01A1D03L

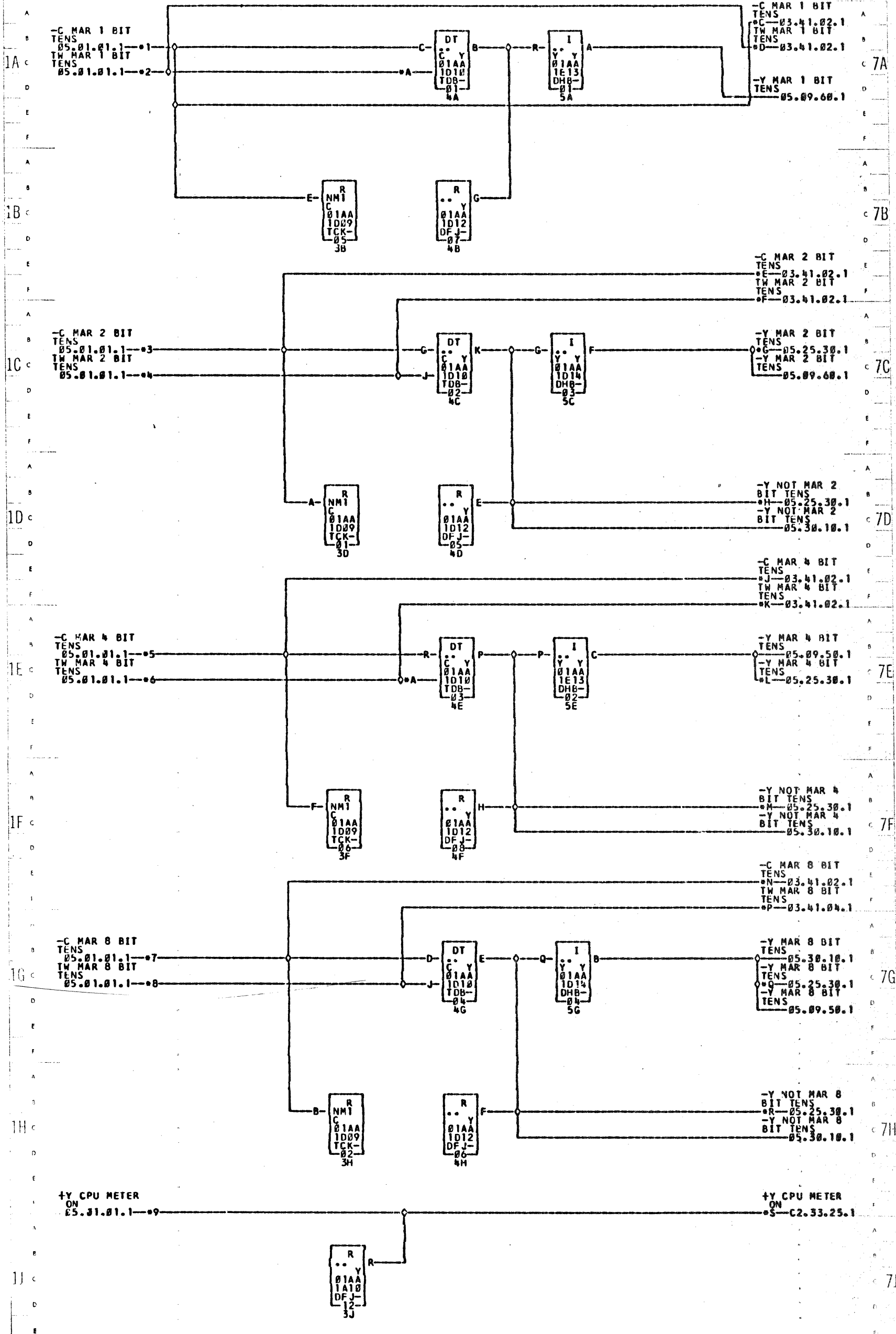
- 01A1D03F
- 01A1D03G
- 01A1D03M
- 01A1D03F
- *H--01AXG23
- 01A1D03J
- *Q--01A1D03K

- *2--01AXD21
- *5--01AXD26
- *8--01AXD27
- *E--01AXG21
- 01A1D03G
- *M--01A1D03J

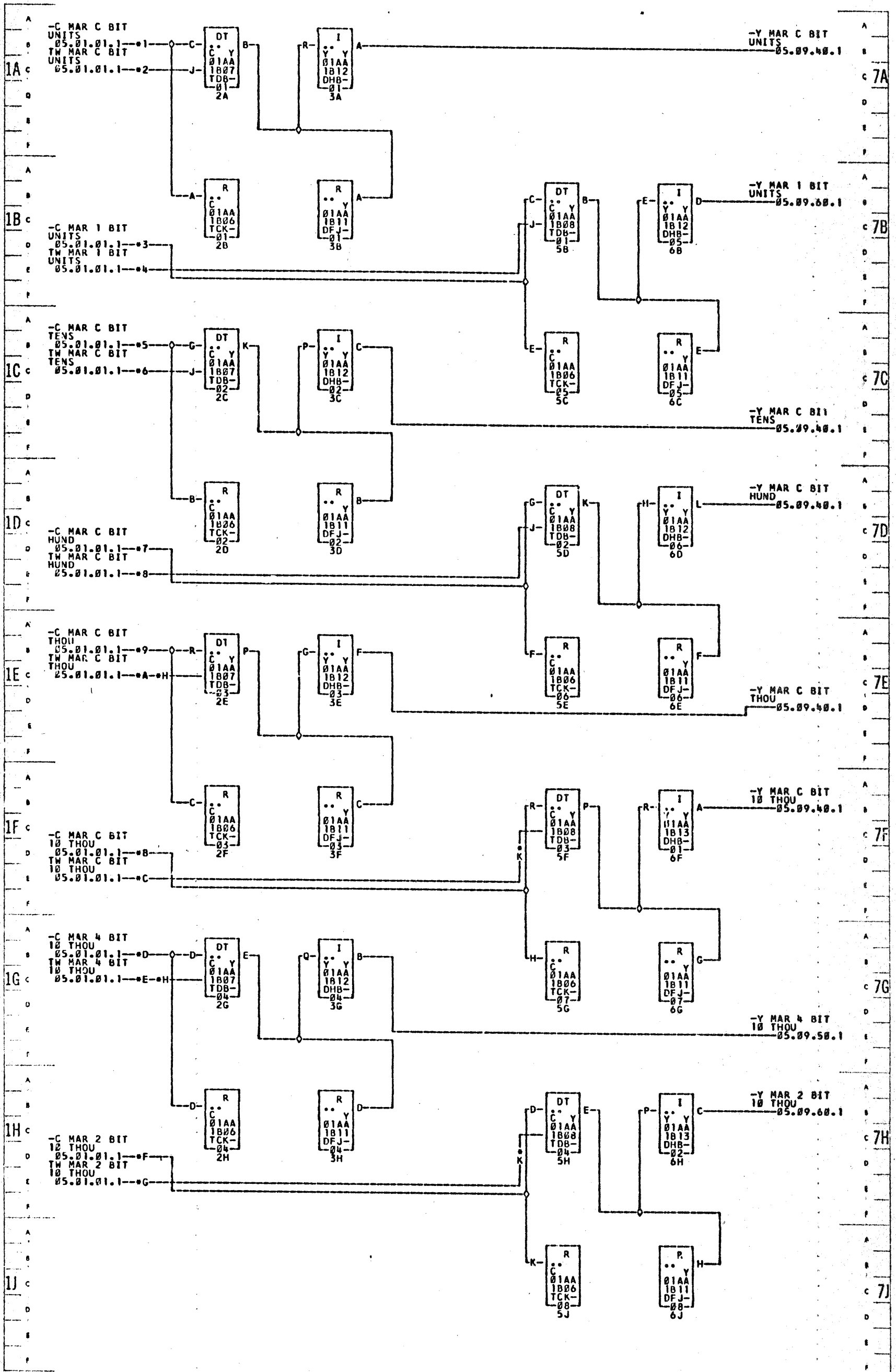
- 01A1D03E
- 01A1D03K
- 01A1D03L
- 01A1D03E
- *J--01A1D03G
- *N--01AXG28

- *3--01AXD24
- *6--01AXD25
- *9--01A1D13J
- *F--01A1D02G
- *K--01AXG26
- 01A1D03M

- 01A1D03H
- 01A1D03J
- *A--01A1D12J
- *G--01AXG24
- *C--01A1D03K
- *P--01AXG27



- 1-01AXD14
- 2-01AXD13
- 3-01AXD16
- 4-01AXD15
- 5-01AXD18
- 6-01AXD17
- 7-01AXD20
- 8-01AXD19
- 9-01AXF30
- A-01A1D11J
- B-01A1D04P
- C-01AXG14
- D-01AXG13
- E-01AXG16
- F-01AXG15
- G-01A1D02K
- H-01A1D02N
- I-01A1D03A
- J-01AXG18
- K-01AXG17
- L-01A1D02M
- M-01A1D02L
- N-01AXG20
- O-01A1D02N
- P-01AXG19
- Q-01A1D02N
- R-01A1D02J
- S-01A1F01R
- T-01A1D04P
- U-01A1D040
- V-01A1D030
- W-01A1D03B
- X-01A1D03C
- Y-01A1D04P
- Z-01A1D04Q
- AA-01A1D03A
- AB-01A1D03C
- AC-01A1D04N
- AD-01A1D03B
- AE-01A1D03C
- AF-01AXG13
- AG-01A1D02K
- AH-01A1D02N
- AI-01A1D02M
- AJ-01A1D02N
- AK-01A1D02J
- AL-01A1D04R
- AM-01A1D03A
- AN-01A1F03P
- AO-01AXG16
- AP-01AXG18
- AQ-01AXG20
- AR-01A1F01R



- *1--01A1B04B
- *4--01A1B04Q
- *7--01A1B04F
- *A--01A1B04G
- *D--01A1B04M
- *G--01A1B04N

- 01AXB02
- 01AXB15
- 01AXB06
- 01AXB07
- 01AXB12
- 01AXB13

- *2--01A1B04A
- *5--01A1B04D
- *8--01A1B04E
- *B--01A1B04K
- *E--01A1B04L
- *H--01A1B04J

- 01AXB01
- 01AXB04
- 01AXB05
- 01AXB10
- 01AXB11
- *K--01A1B09J

- *3--01A1B04R
- *6--01A1B04C
- *9--01A1B04H
- *C--01A1B04J
- *F--01A1B04P

- 01AXB16
- 01AXB03
- 01AXB08
- 01AXB09
- 01AXB14

1A

1B

1C

1D

1E

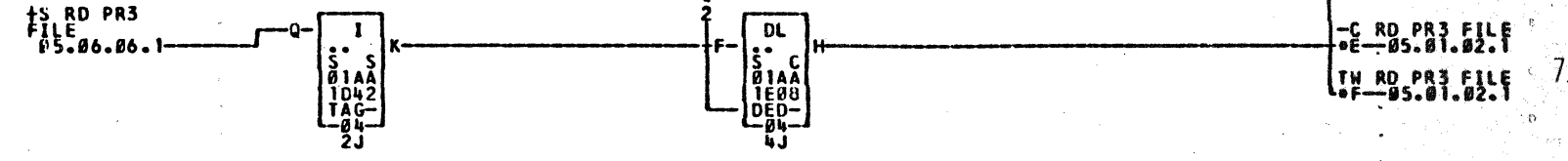
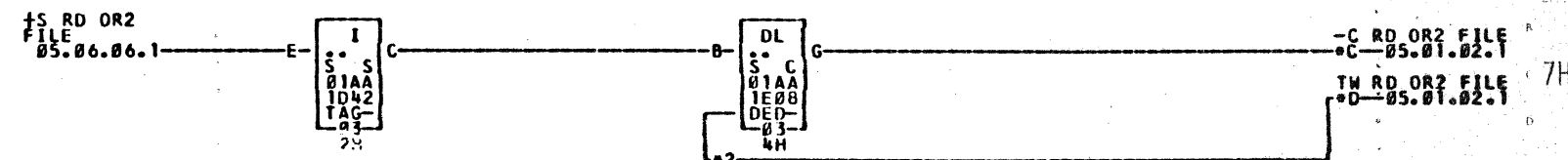
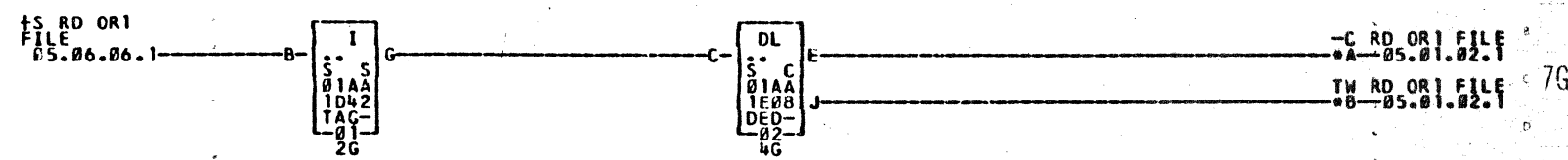
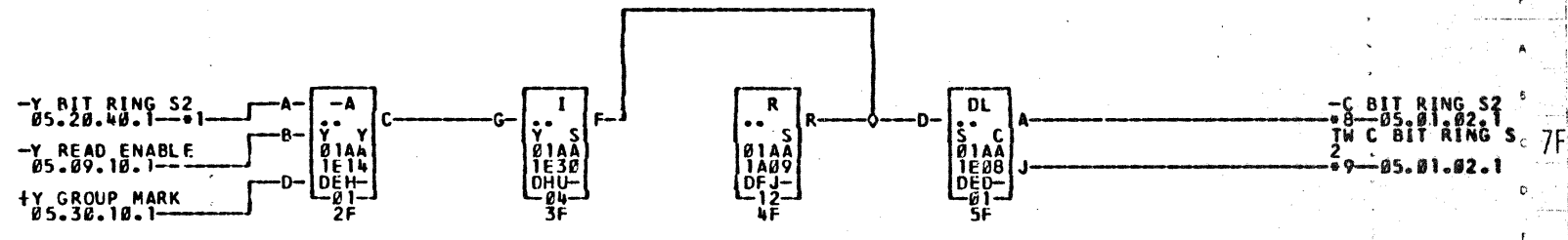
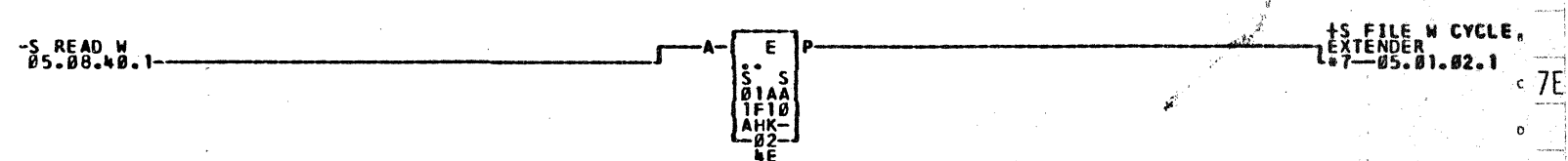
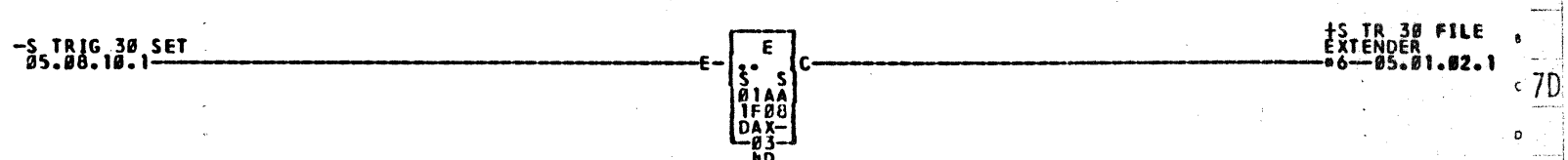
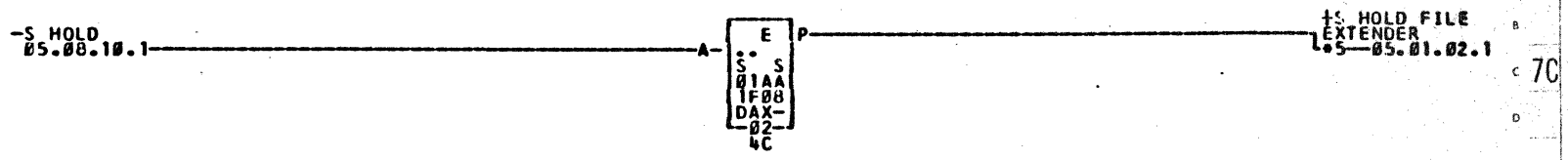
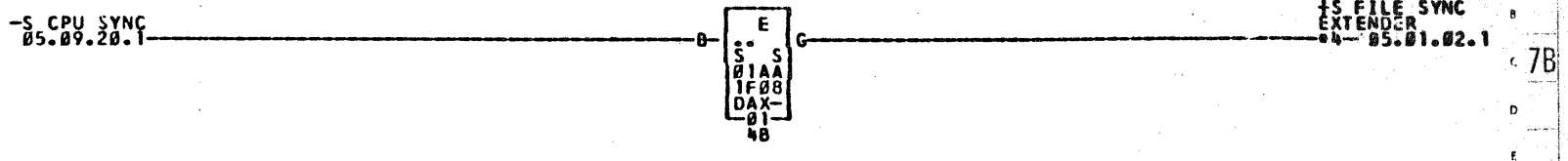
1F

1G

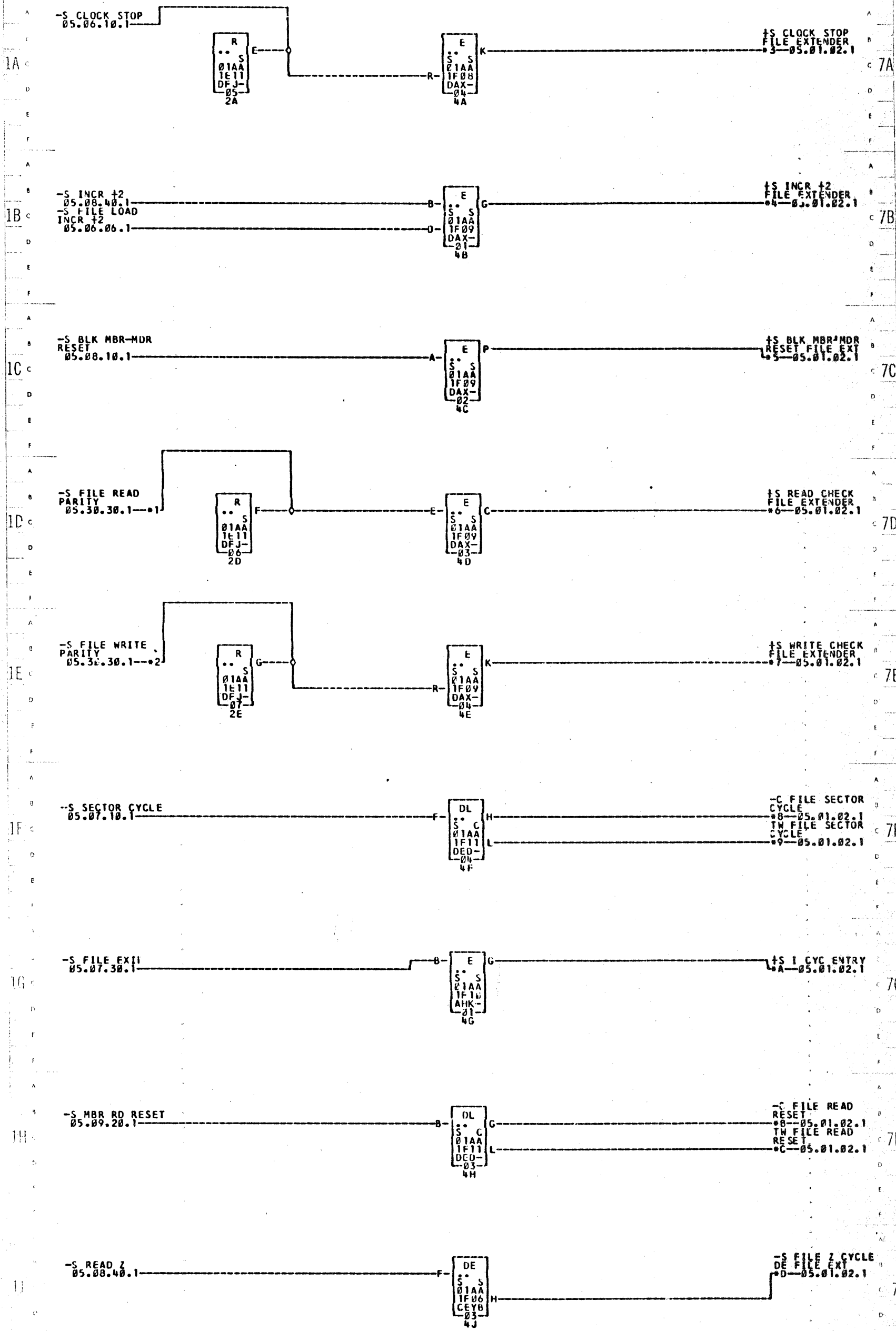
1H

1J

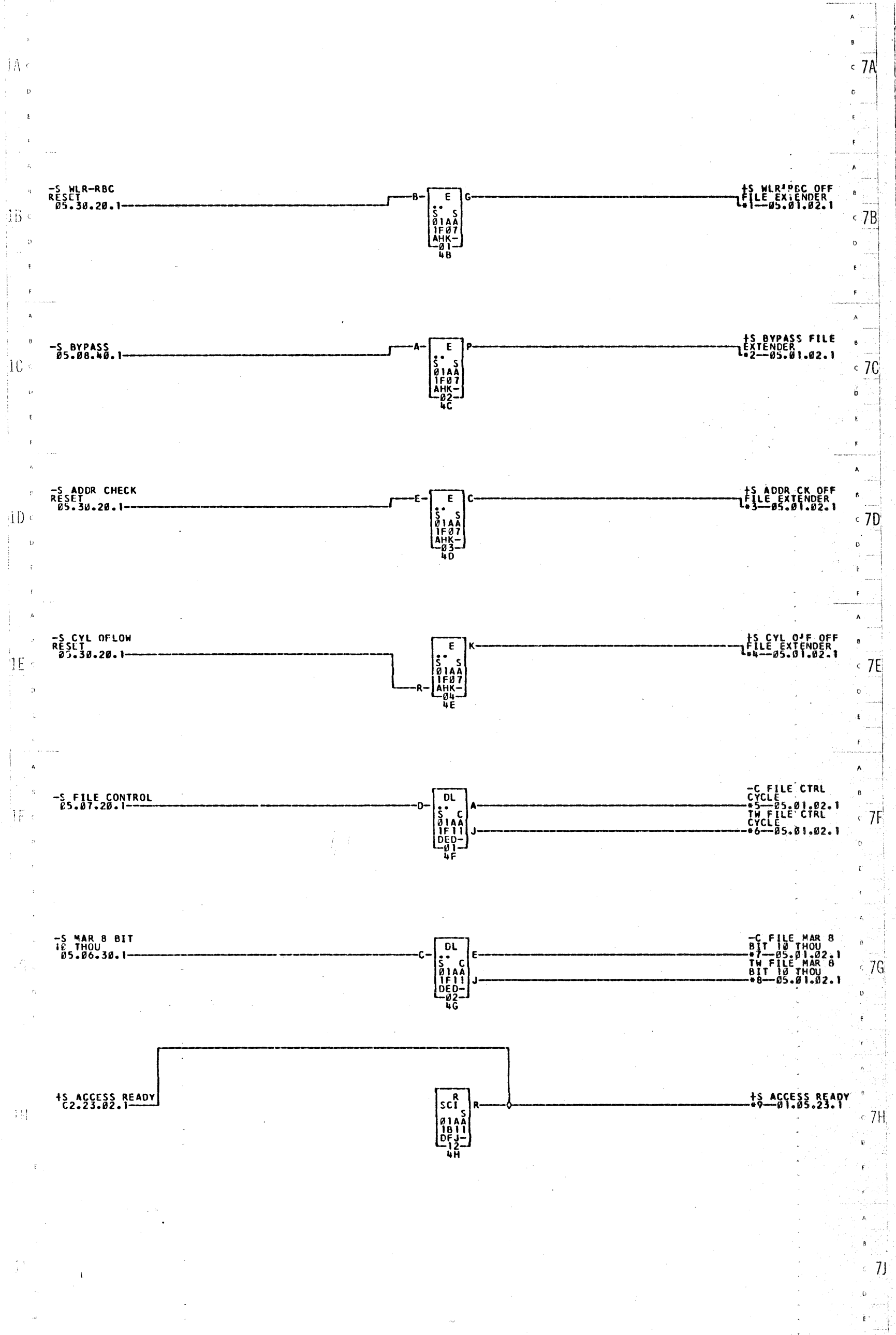
A
B
C 7A
D
E
F
A
B
C 7B
D
E
F
A
B
C 7C
D
E
F
A
B
C 7D
D
E
F
A
B
C 7E
D
E
F
A
B
C 7F
D
E
F
A
B
C 7G
D
E
F
A
B
C 7H
D
E
F
A
B
C 7J



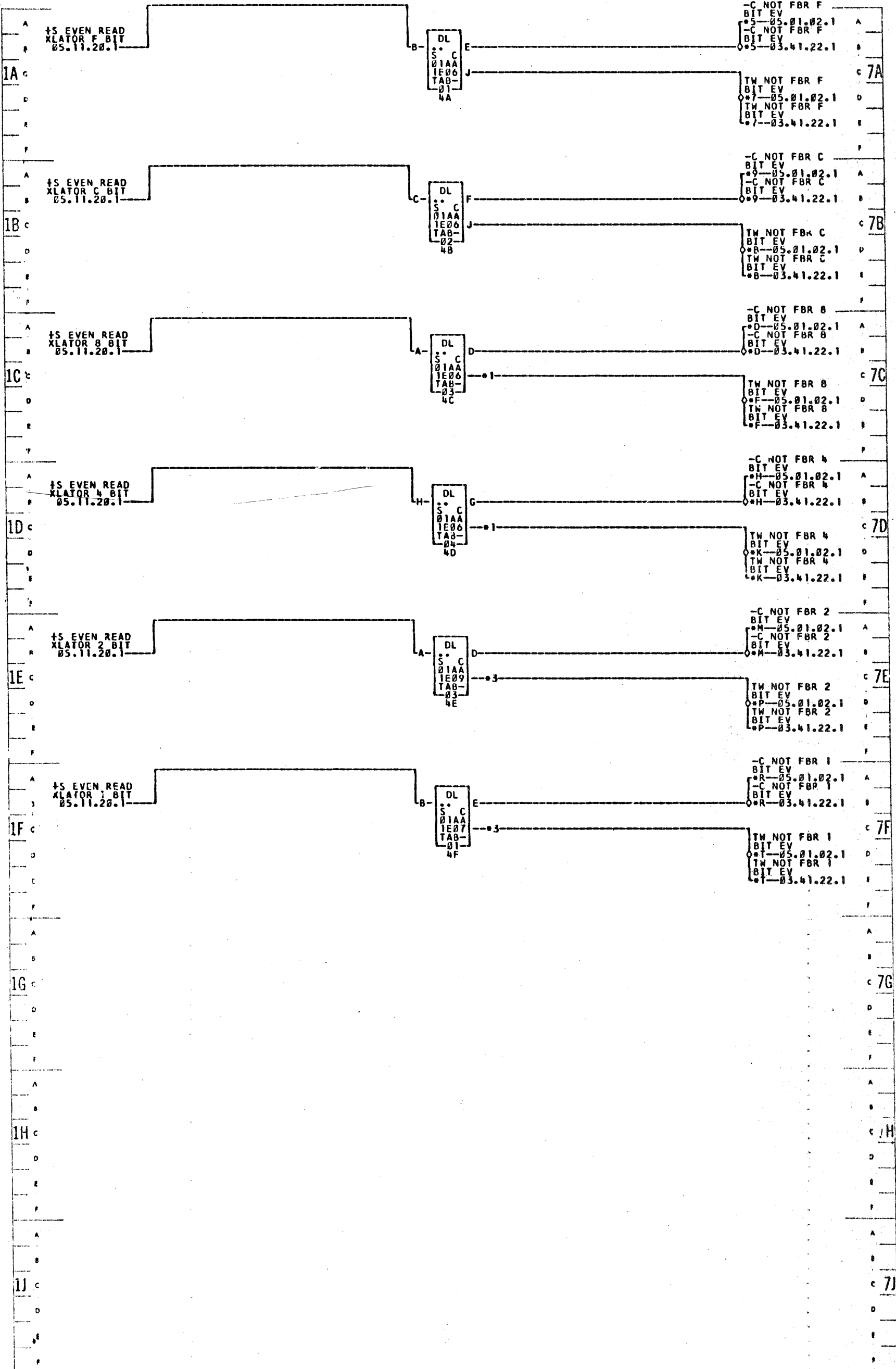
- 1-01A1E01B
- 2-01A1E10J
- 4-01A1F04F
- 01AXF06
- 5-01A1F03L
- 01AXF27
- 6-01A1F04H
- 01AXF08
- 7-01A1F04E
- 01AXF05
- 8-01A1F03D
- 01AXF20
- 9-01A1F03C
- 01AXF19
- A-01A1C04D
- 01AXC04
- B-01A1C04C
- 01AXC03
- C-01A1C03H
- 01AXC24
- D-01A1C03G
- 01AXC23
- E-01A1C03K
- 01AXC26
- F-01A1C03J
- 01AXC25



- 1—01A1D01N
- 2—01A1D01Q
- 3—01AXF29
- 4—01AXF11
- 5—01AXF12
- 6—01AXF13
- 7—01AXF14
- 8—01AXC20
- 9—01AXC19
- A—01AXF15
- B—01AXC22
- C—01AXC21
- D—01AXF10
- E—01A1F03N
- F—01A1F04N
- G—01A1C03C
- H—01A1F04L
- I—01A1C03E
- J—01A1F04P
- K—01A1F04Q
- L—01A1F04K



- *1--01AXC09
- *2--01AXF01
- *3--01AXC10
- *4--01AXC11
- *5--01AXC16
- *6--01AXC15
- *7--01AXC18
- *8--01AXC17
- *9--01A1D02E
- 01A1C04J
- 01A1F04A
- 01A1C04K
- 01A1C04L
- 01A1C04R
- 01A1C04Q
- 01A1C03B
- 01A1C03A
- 01A1C04A

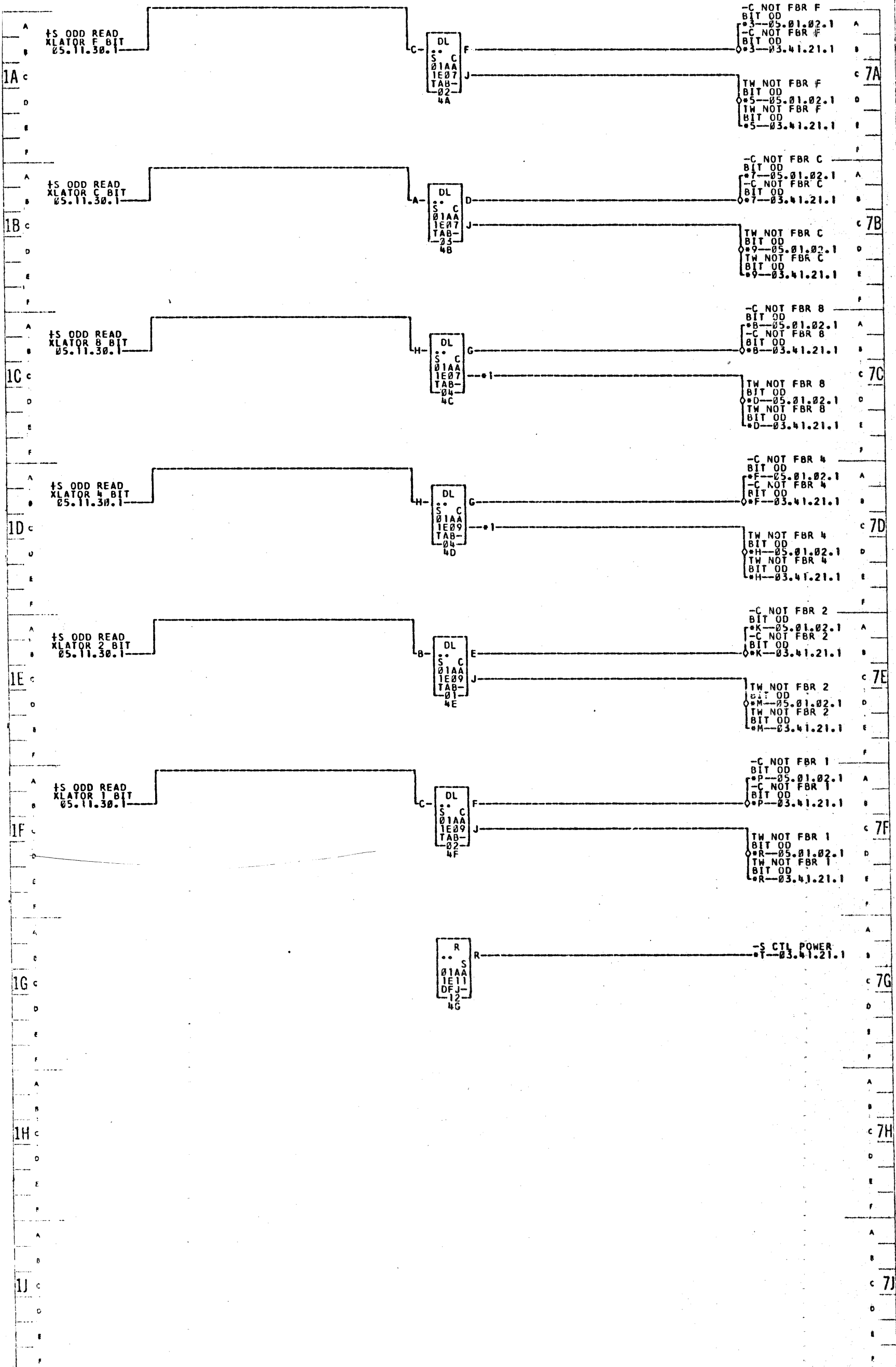


- *1--01A1F06J
- *3--01A1F07J
- *5--01AXE16
- 01A1E04R
- *7--01AXE15
- 01A1E04Q
- *9--01AXE14
- 01A1E04P
- *R--01AXE13
- 01A1E04N
- *D--01AXE18
- 01A1E03B
- *F--01AXE17
- 01A1E03A
- *H--01AXE20
- 01A1E03D
- *K--01AXE19
- 01A1E03C
- *M--01AXE22
- 01A1E03F
- *P--01AXE21
- 01A1E03E
- *R--01AXE24
- 01A1E03H
- *T--01AXE23
- 01A1E03G

E. C. 407153

COMMENTS

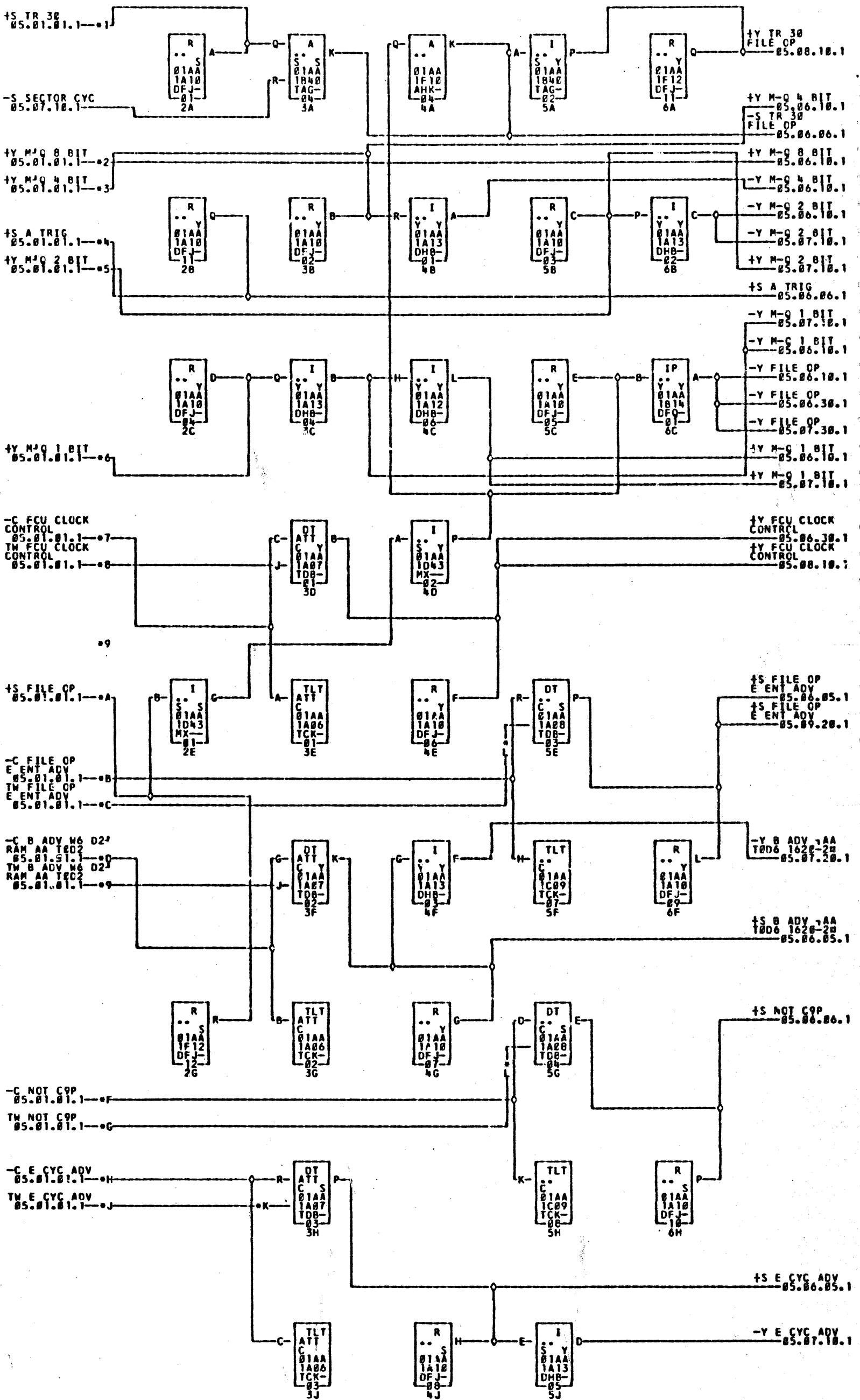
TAG	DATE	D.A.NO.	TAG	DATE	D.A.NO.	TAG	DATE	D.A.NO.	TAG	DATE	D.A.NO.
A	10-22-62	3800000									



- *1--01A1E08J
- *3--01AXE04
- 01A1E04D
- *5--01AXE03
- 01A1E04C
- *7--01AXE02
- 01A1E04B
- *9--01AXE01
- 01A1E04A
- *8--01AXE06
- 01A1E04F
- *D--01AXE05
- 01A1E04E
- *F--01AXE08
- 01A1E04H
- *H--01AXE07
- 01A1E04G
- *K--01AXE10
- 01A1E04K
- *M--01AXE09
- 01A1E04J
- *P--01AXE12
- 01A1E04M
- *R--01AXE11
- 01A1E04L
- *T--01AXE28
- 01A1E03M

E. C. 407153 COMMENTS TAG DATE D.A.NO. TAG DATE D.A.NO. TAG DATE D.A.NO. TAG DATE D.A.NO.

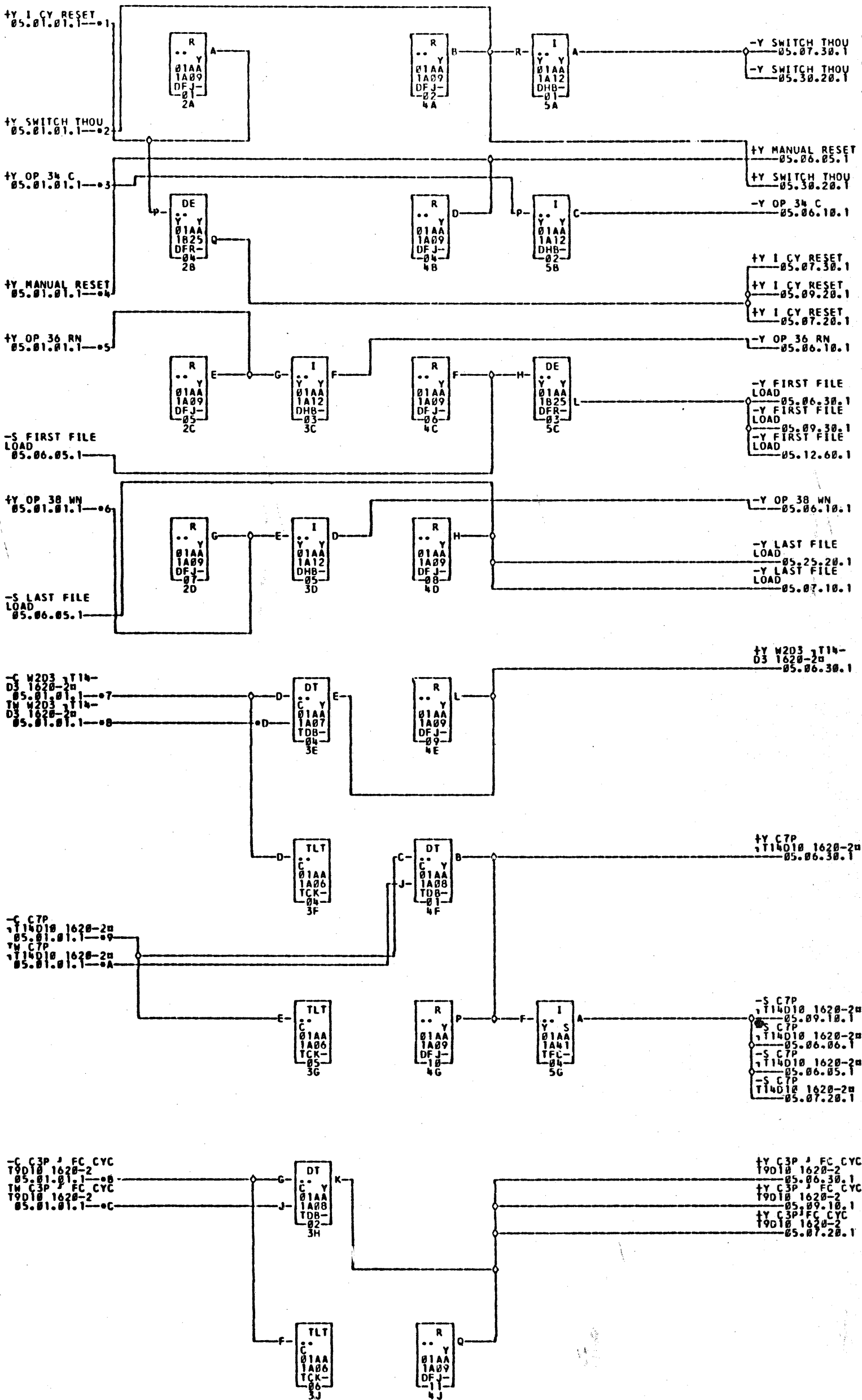
TAG DATE D.A.NO.	TAG DATE D.A.NO.	TAG DATE D.A.NO.	TAG DATE D.A.NO.
A 10-22-62 3800000			



- 1-01A1A04J
- 2-01A1C04E
- 3-01A1A04K
- 4-01A1C04F
- 5-01A1A04L
- 6-01A1C04G
- 7-01A1A04M
- 8-01A1C04H
- 9-01A1A04N
- A-01A1C04I
- B-01A1A04O
- C-01A1C04J
- D-01A1A04P
- E-01A1C04K
- F-01A1A04Q
- G-01A1C04L
- H-01A1A04R
- I-01A1C04M
- J-01A1A04S
- K-01A1C04N
- L-01A1A04T

- 1-01AXA09
- 2-01AXC27
- 3-01AXA24
- 4-01AXC00
- 5-01AXA26
- 6-01AXC28
- 7-01AXA28
- 8-01AXC05
- 9-01AXC06
- A-01AXA23
- B-01AXA21
- C-01AXA14
- D-01AXA27

- 1-01A1A04
- 2-01A1C04
- 3-01A1A04
- 4-01A1C04
- 5-01A1A04
- 6-01A1C04
- 7-01A1A04
- 8-01A1C04
- 9-01A1A04
- A-01A1C04
- B-01A1A04
- C-01A1C04
- D-01A1A04
- E-01A1C04
- F-01A1A04
- G-01A1C04
- H-01A1A04
- I-01A1C04
- J-01A1A04
- K-01A1C04
- L-01A1A04



•1-01A1A04A
 •4-01A1A04E
 •7-01A1A03B
 •A-01A1A03C
 •D-01A1A06J

==== 01AXA01
 ===== 01AXA05
 ===== 01AXA10
 ===== 01AXA19

•2-01A1A04B
 •5-01A1A04D
 •8-01A1A03A
 •B-01A1A03F

==== 01AXA02
 ===== 01AXA04
 ===== 01AXA17
 ===== 01AXA22

•3-01A1A04C
 •6-01A1A04F
 •9-01A1A03D
 •C-01A1A03E

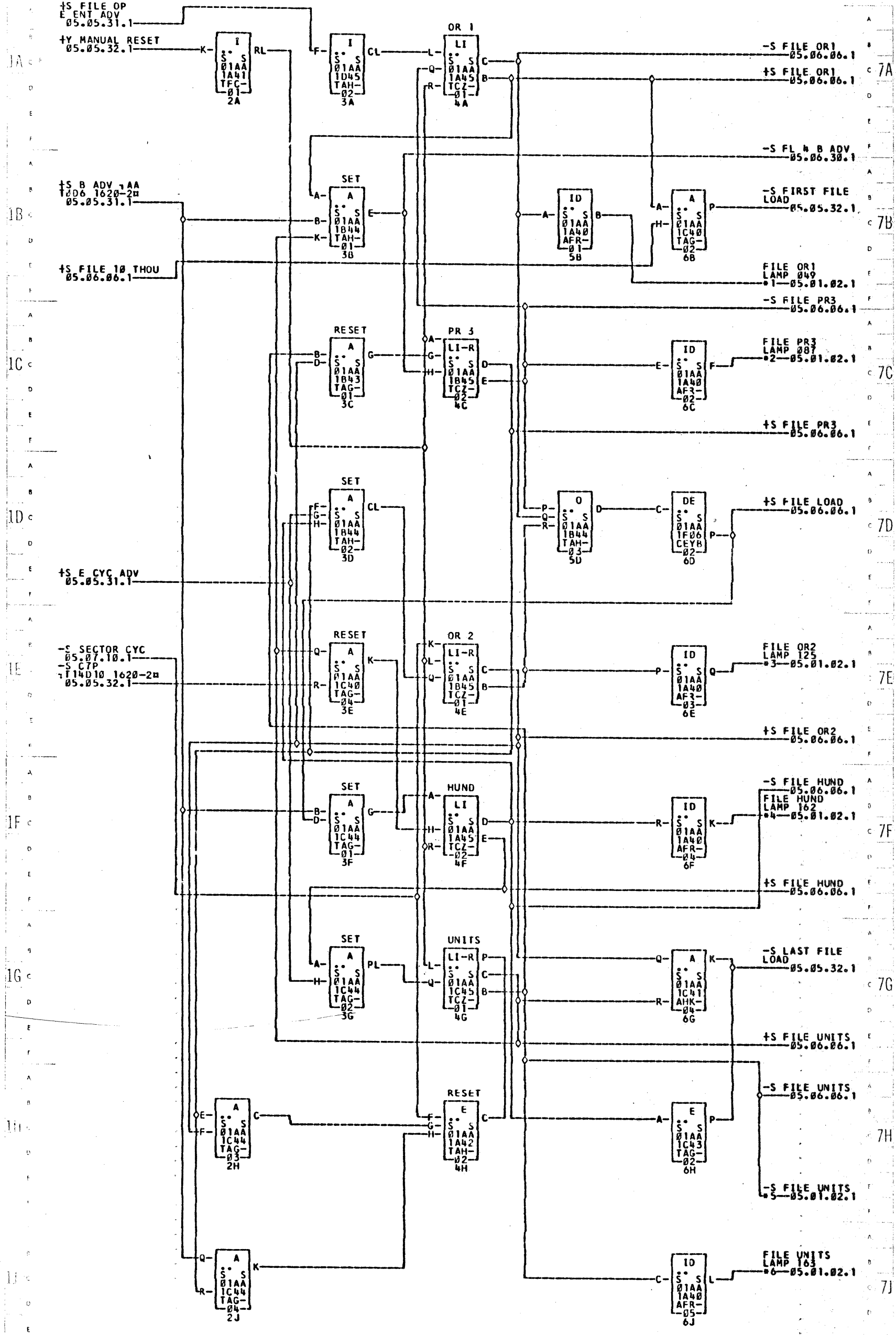
==== 01AXA03
 ===== 01AXA06
 ===== 01AXA20
 ===== 01AXA21

2155221

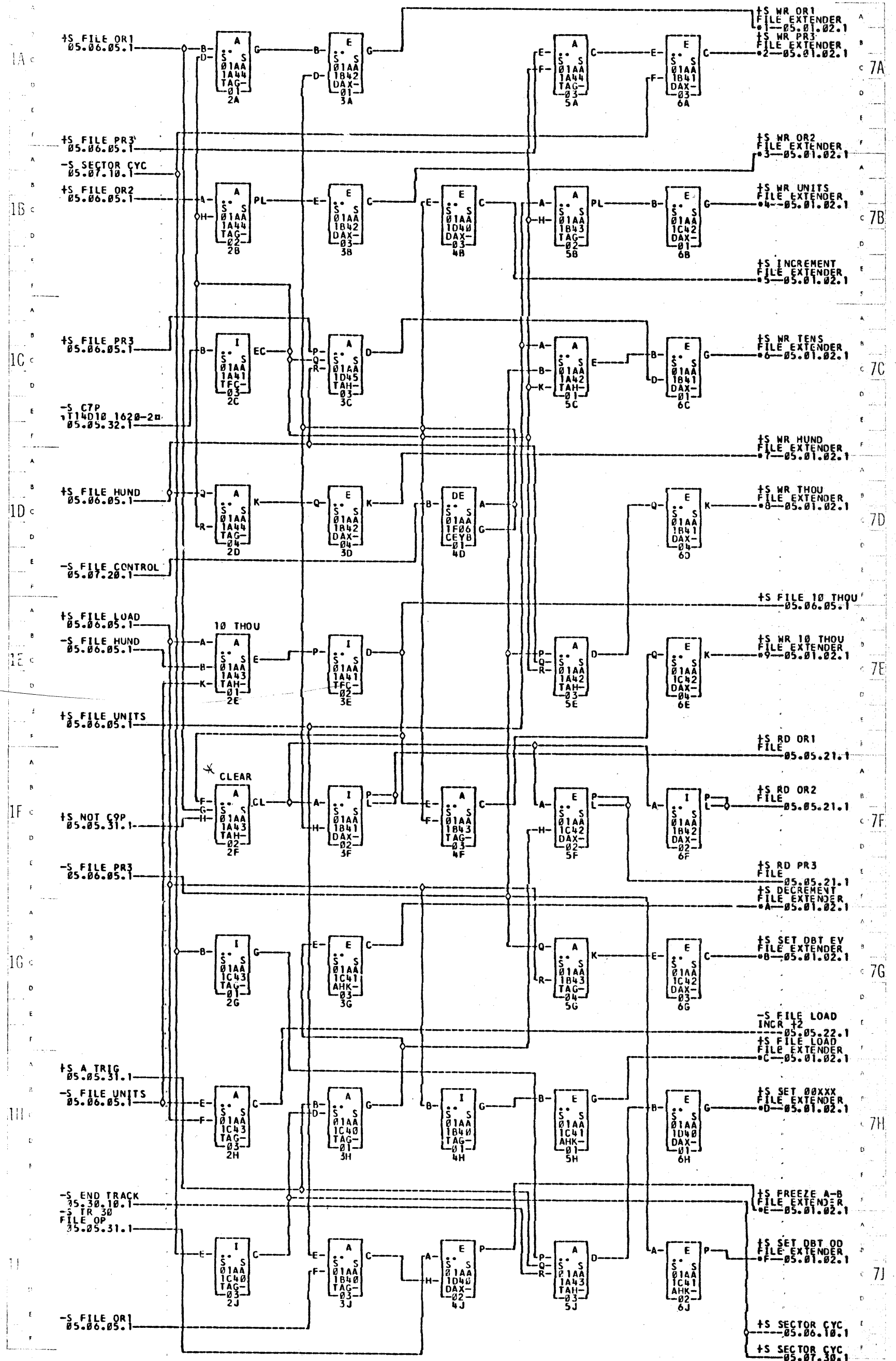
FILE LOAD CONTROL

1311-3

05.06.05.1



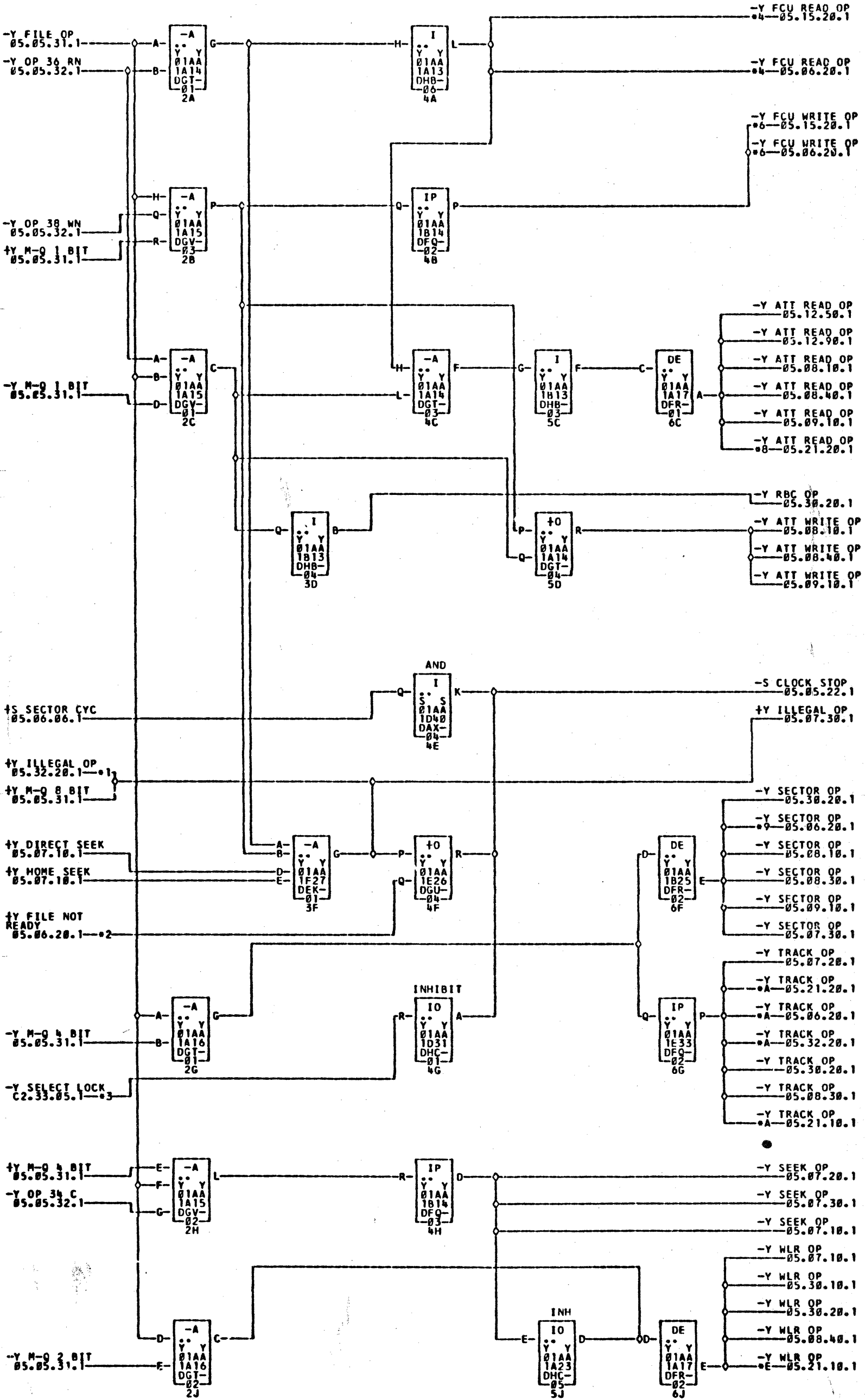
- *1--01A1C03M
- *2--01A1C03N
- *3--01A1C03P
- *4--01A1C03Q
- *5--01A1C04M
- *6--01A1C03R
- 01AXC28
- 01AXC29
- 01AXC30
- 01AXC31
- 01AXC12
- 01AXC32



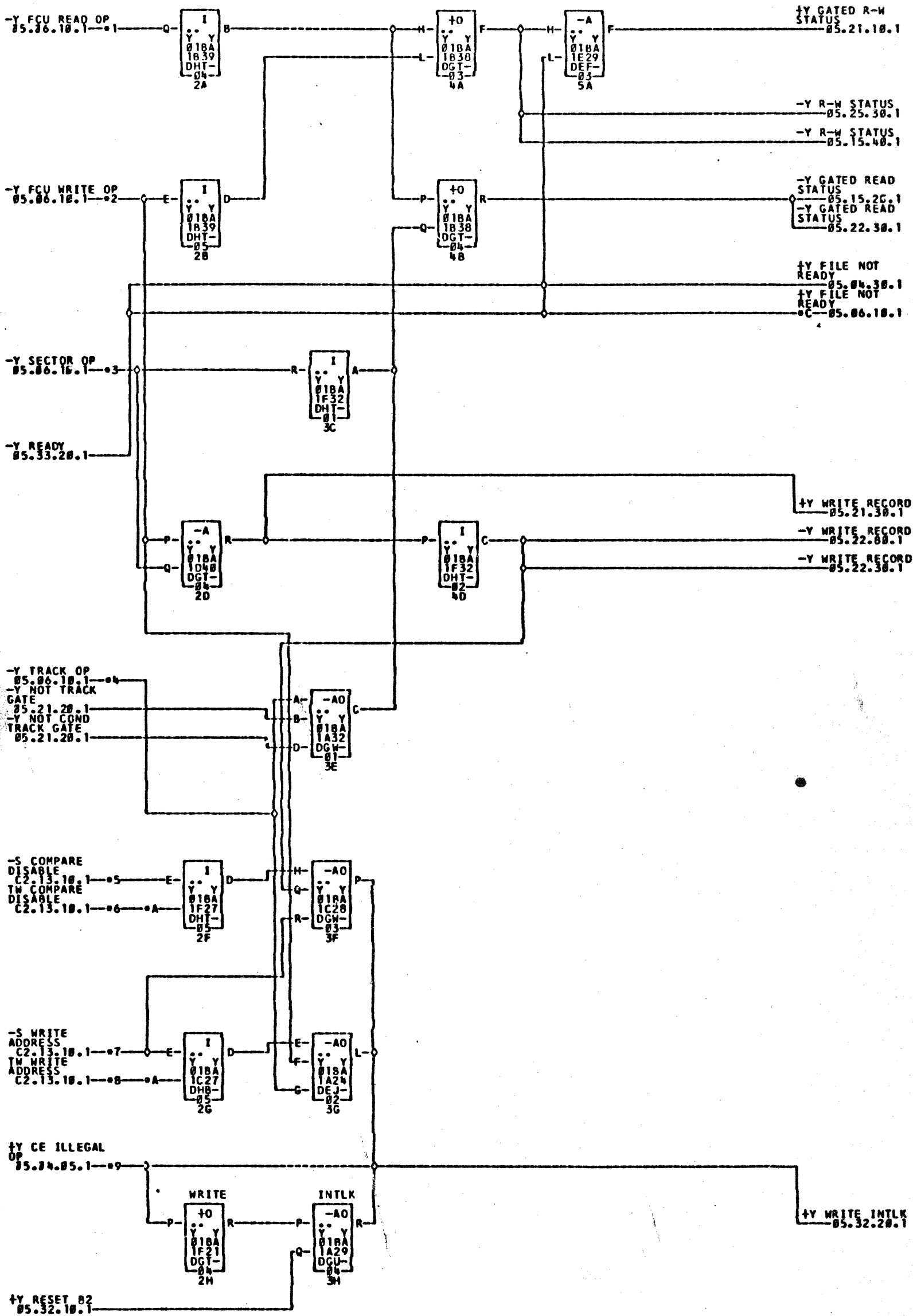
- 1-01A1F04B
- 2-01A1F04D
- 3-01A1F04C
- 4-01A1F04G
- 5-01A1F03G
- 6-01A1F04J
- 7-01A1F04R
- 8-01A1F03A
- 9-01A1F03B
- A-01A1F03F
- B-01A1F03J
- C-01A1C04P
- D-01A1F03M
- E-01A1F03K

- 01AXF02
- 01AXF07
- 01AXF16
- 01AXF22
- 01AXF28
- 01AXF04
- 01AXF23
- 01AXF17
- 01AXF25
- 01AXF26

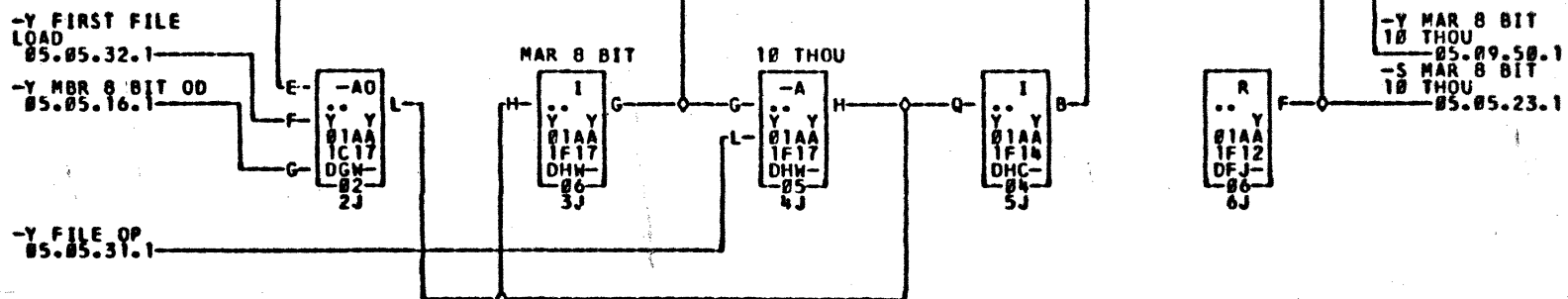
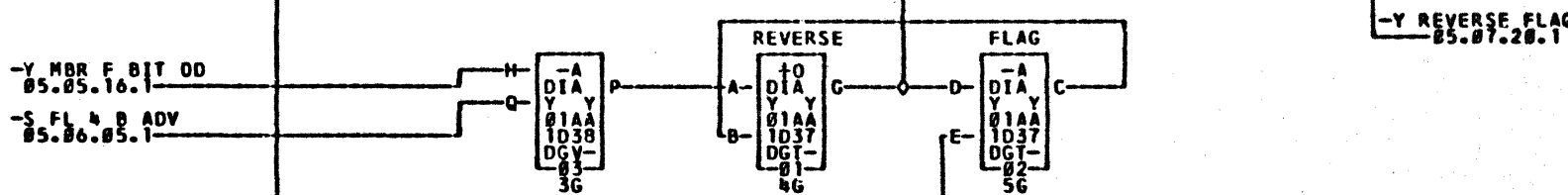
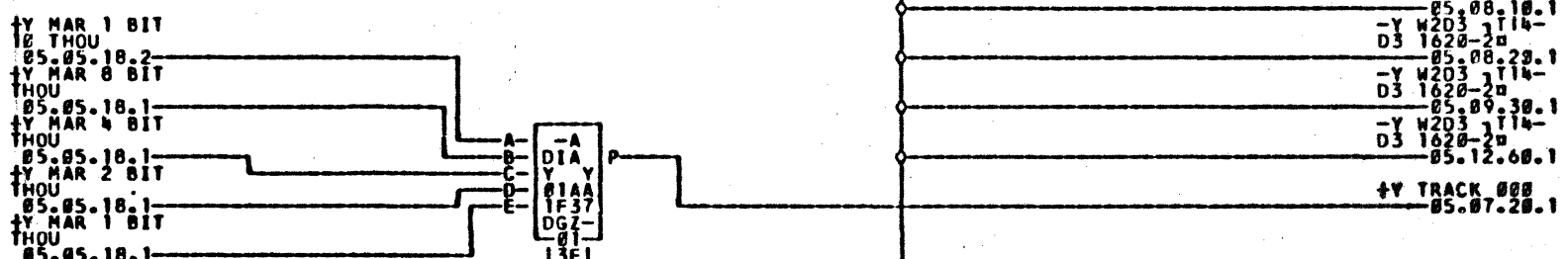
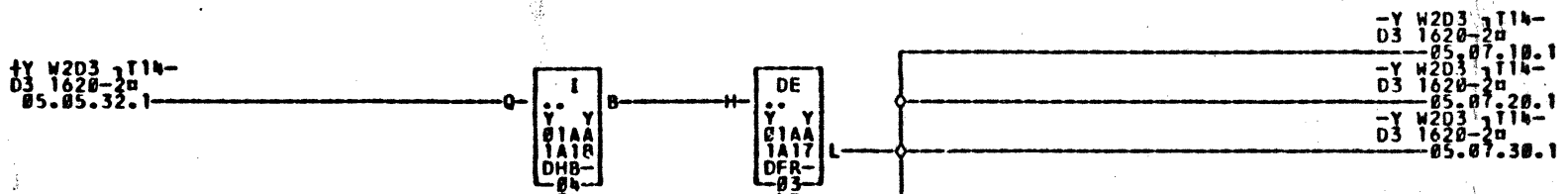
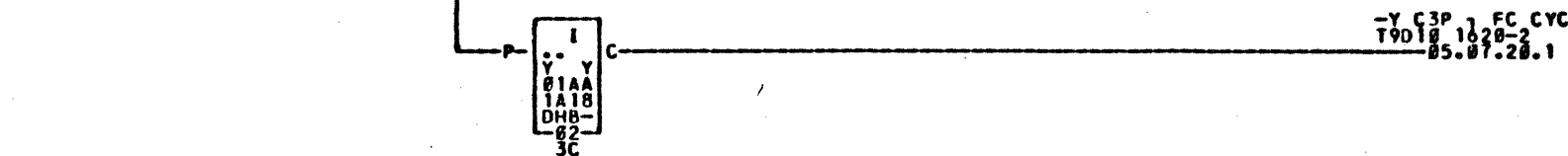
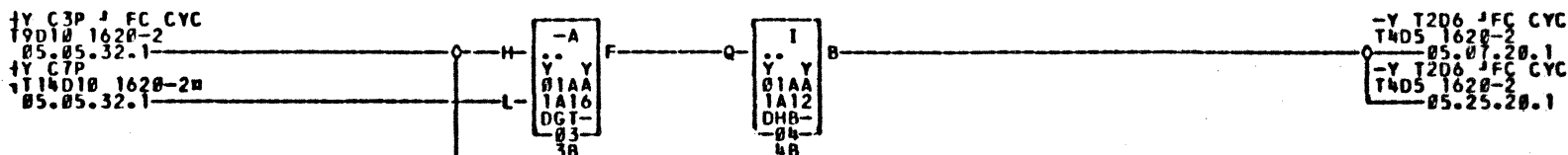
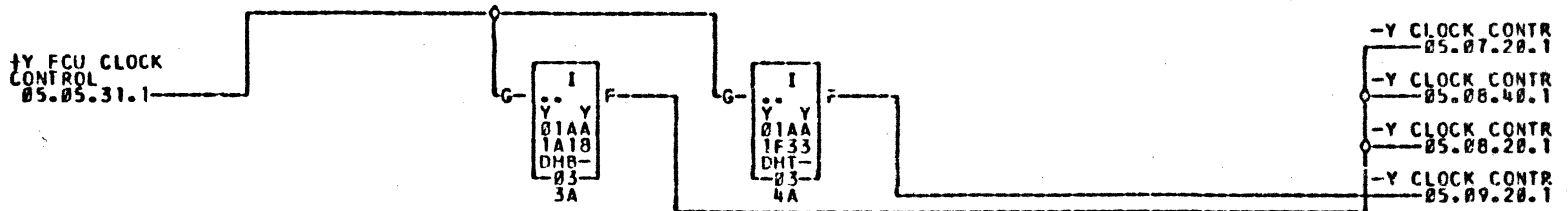
- 3-01A1F04C
- 4-01A1F04J
- 5-01A1F03B
- 6-01A1F03H
- 7-01A1F03I
- 8-01A1F03L
- 9-01A1F03M
- A-01A1F03N
- B-01A1F03O
- C-01A1F03P
- D-01A1F03Q
- E-01A1F03R
- F-01A1F03S
- G-01A1F03T
- H-01A1F03U
- I-01A1F03V
- J-01A1F03W
- K-01A1F03X
- L-01A1F03Y
- M-01A1F03Z

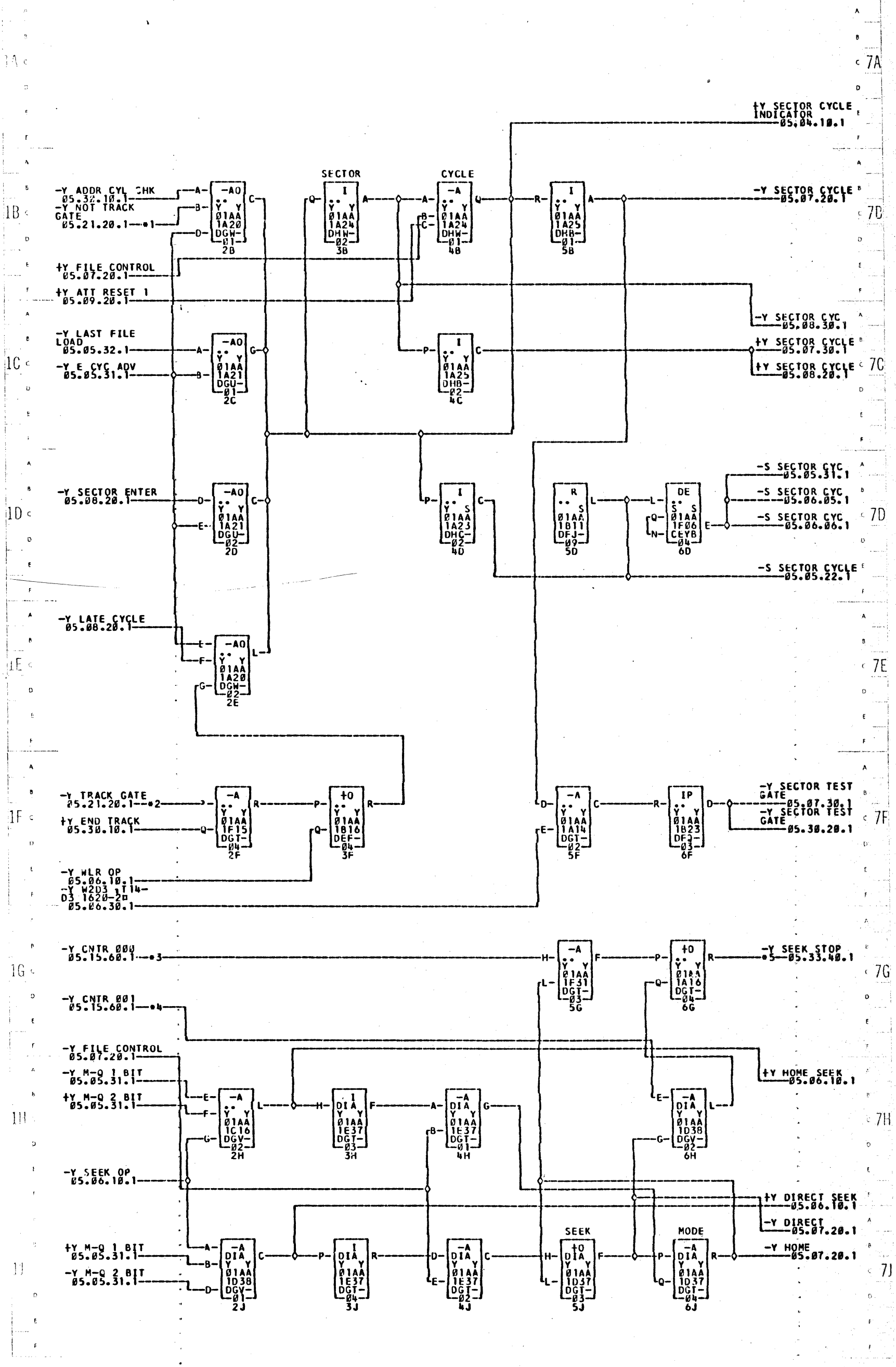


- *1-01A10B2C
- *2-01A10B1C
- *3-01A1F01B
- *4-01A10B1A
- *6-01A1F01H
- *8-01A10B1B
- *9-01A1F01L
- *A-01A1E01E
- *E-01A10B1H

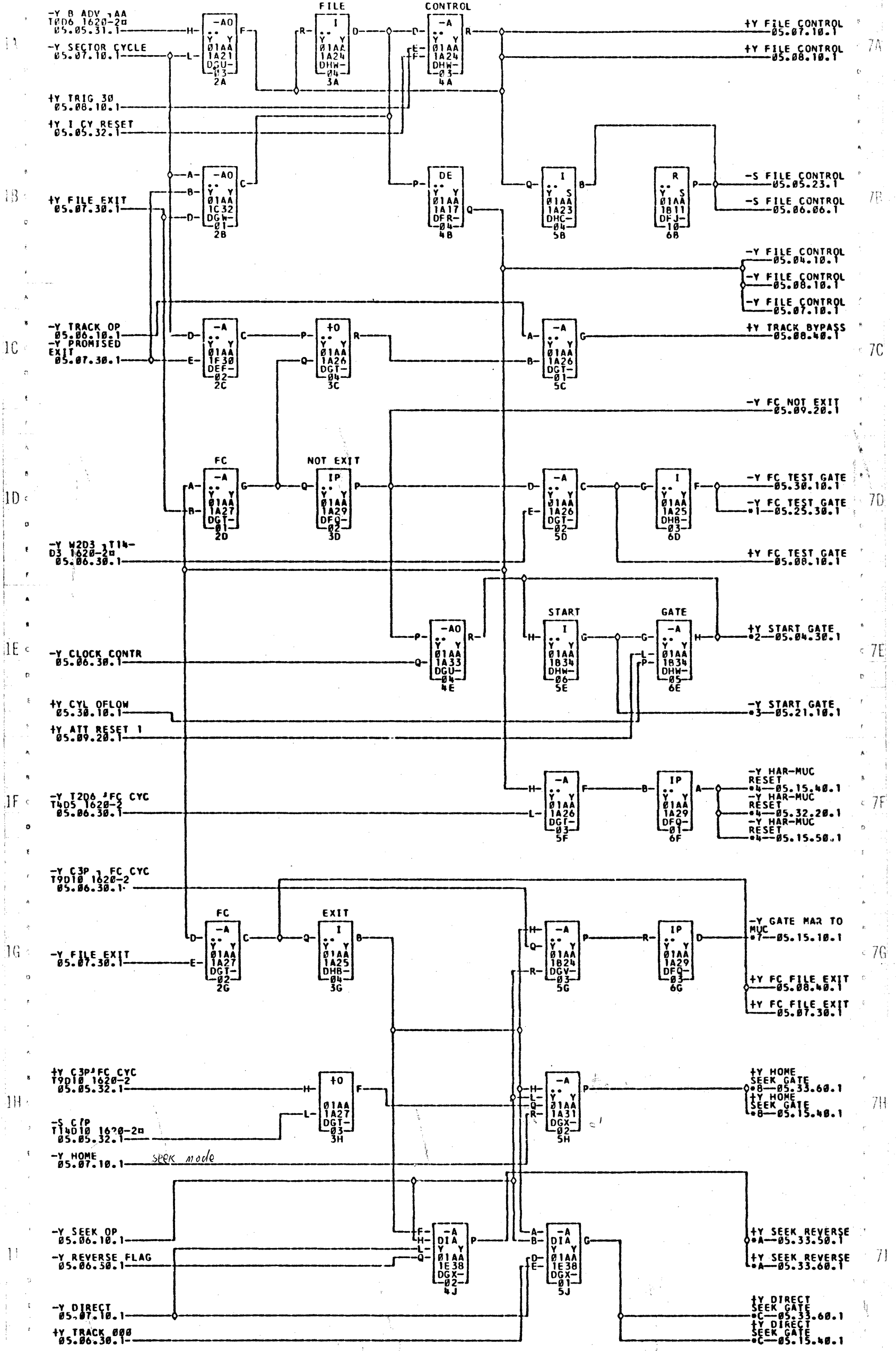


*1--01B1D01A *2--01B1F01M *3--01B1F01L *4--01B1E01E *5--01B1C02D *6--01B1C02C
 *7--01B1C02B *8--01B1C02A *9--01B1F04L ---01B1X27 *A--01B1D11J *C--01B1D01C

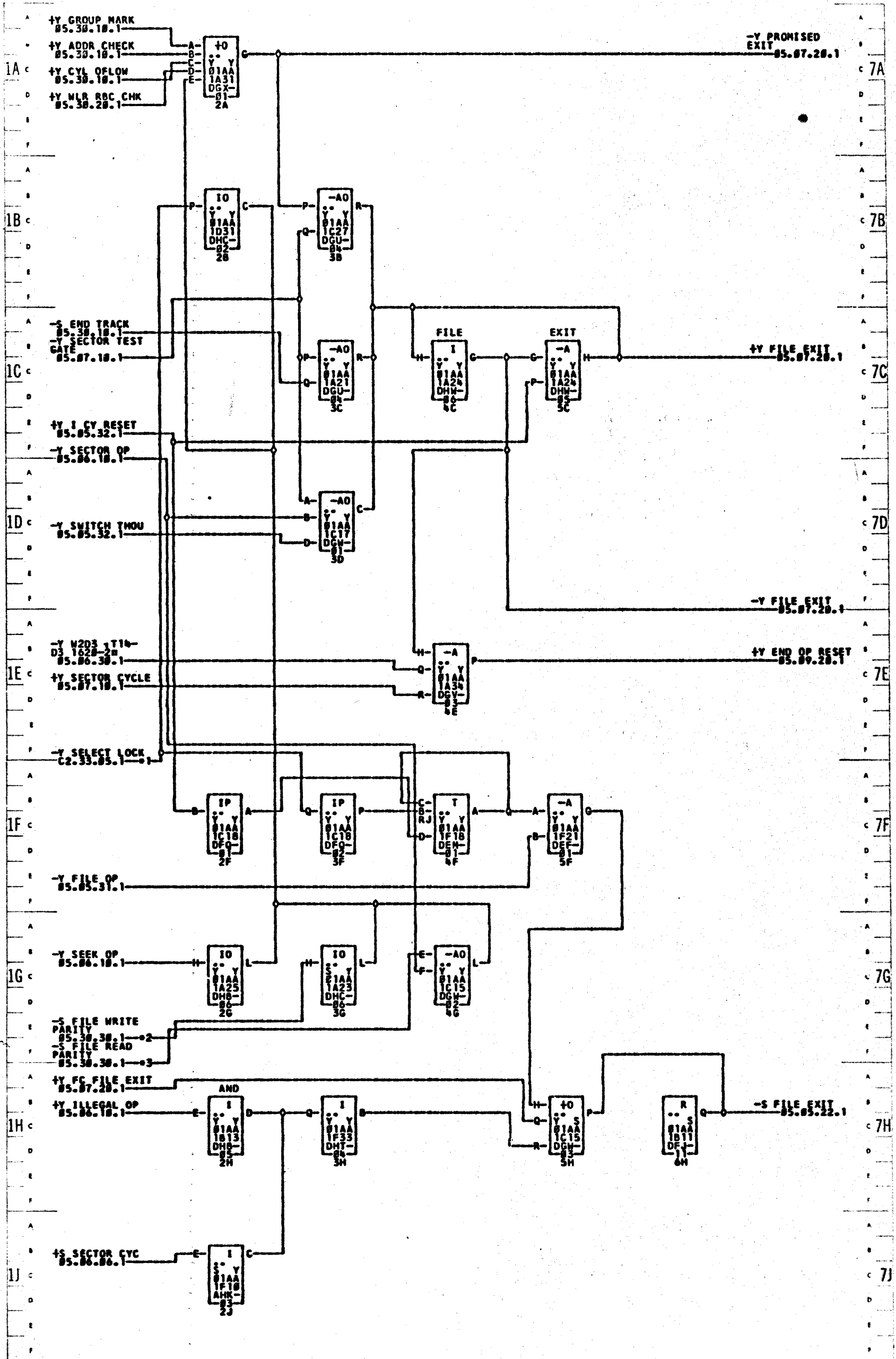




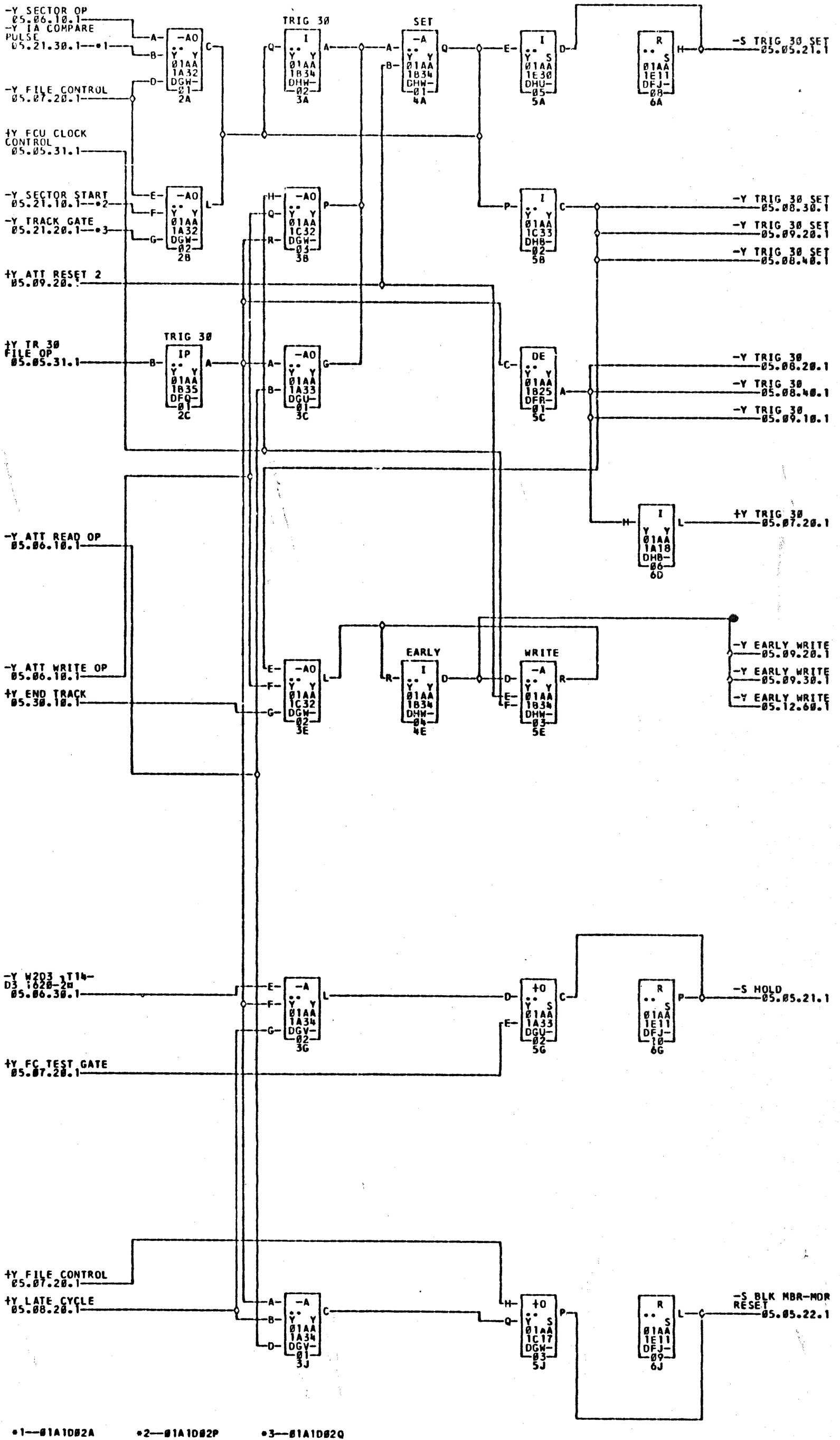
*1-01A1E02C *2-01A1D02Q *3-01A1E01N *4-01A1E01P *5-01A1F02B 01B1F02B

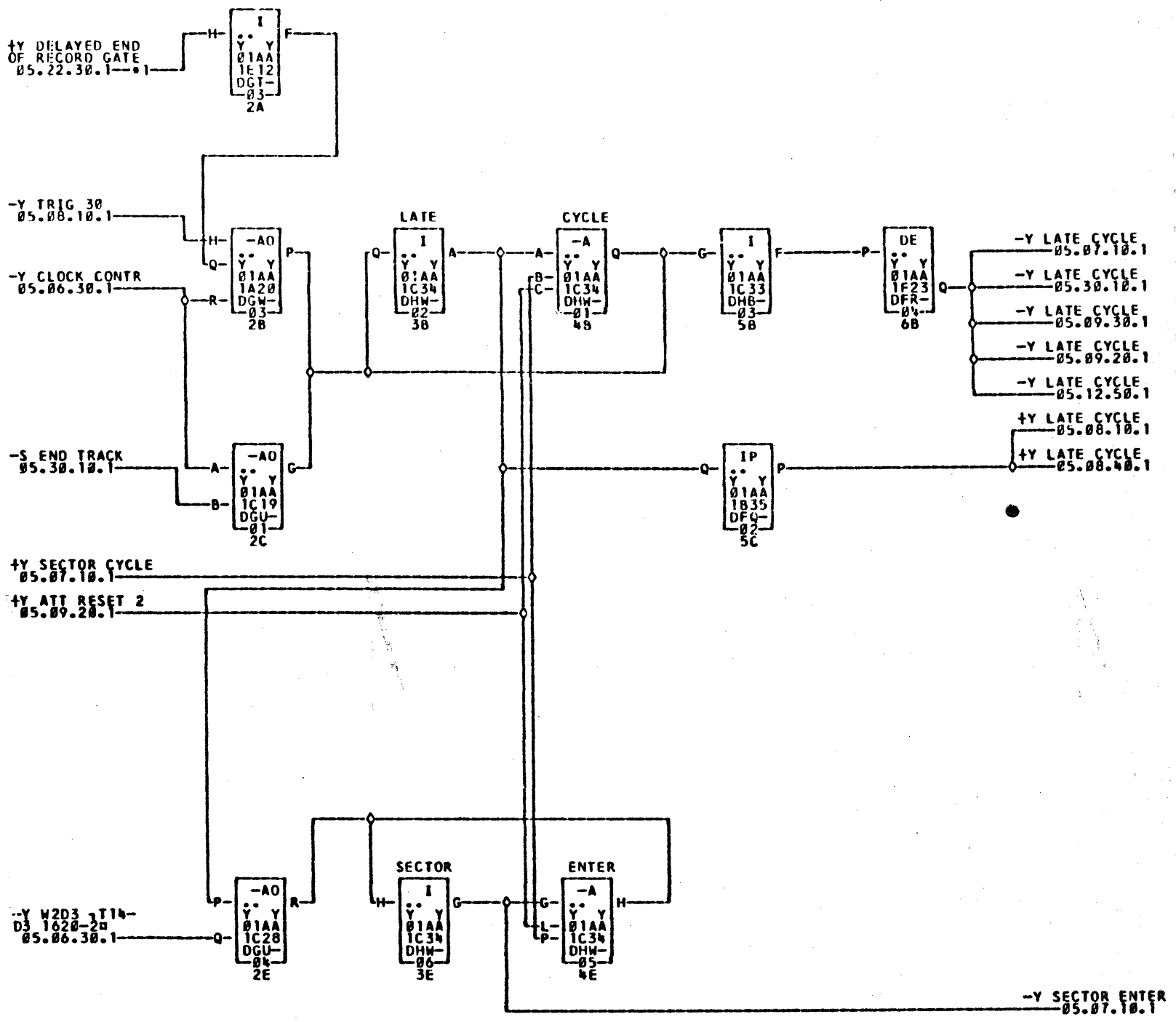


*1-01A1E01D *2-01A1F01J *3-01A1D01R *4-01A1F02D *7-01A1D02B *8-01A1F02E

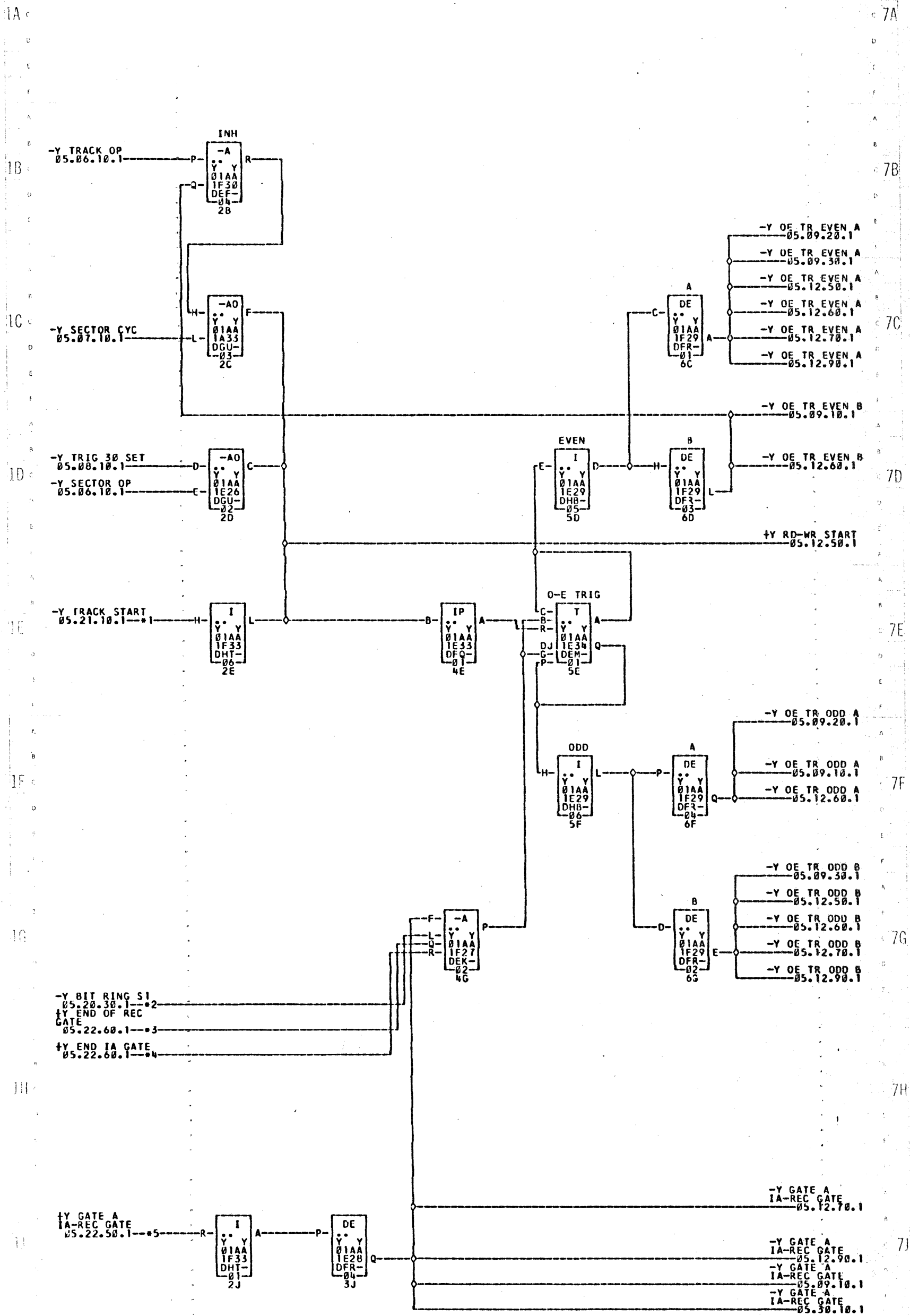


*1-01A1F01B *2-01A1D01Q *3-01A1D01M

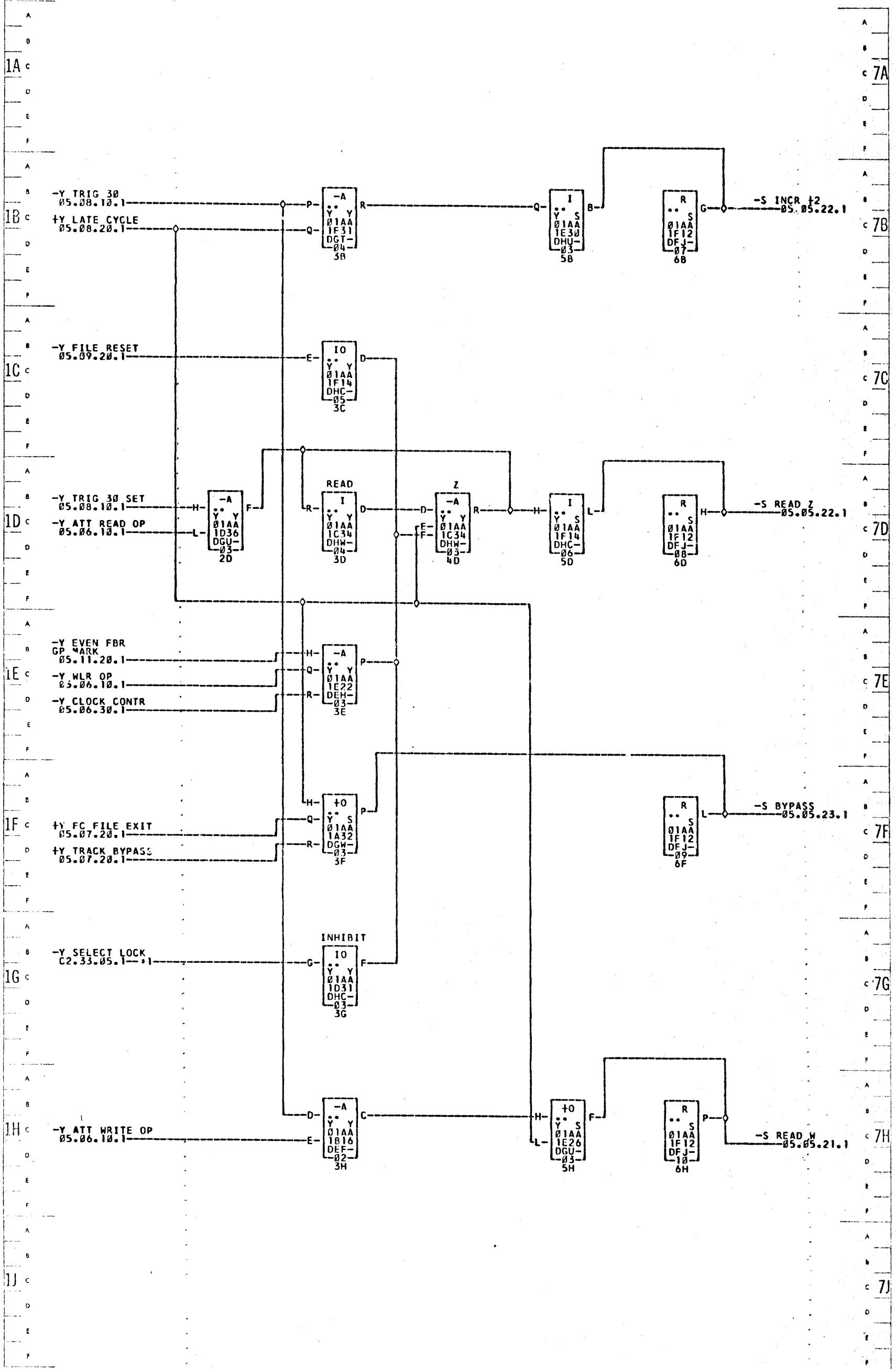




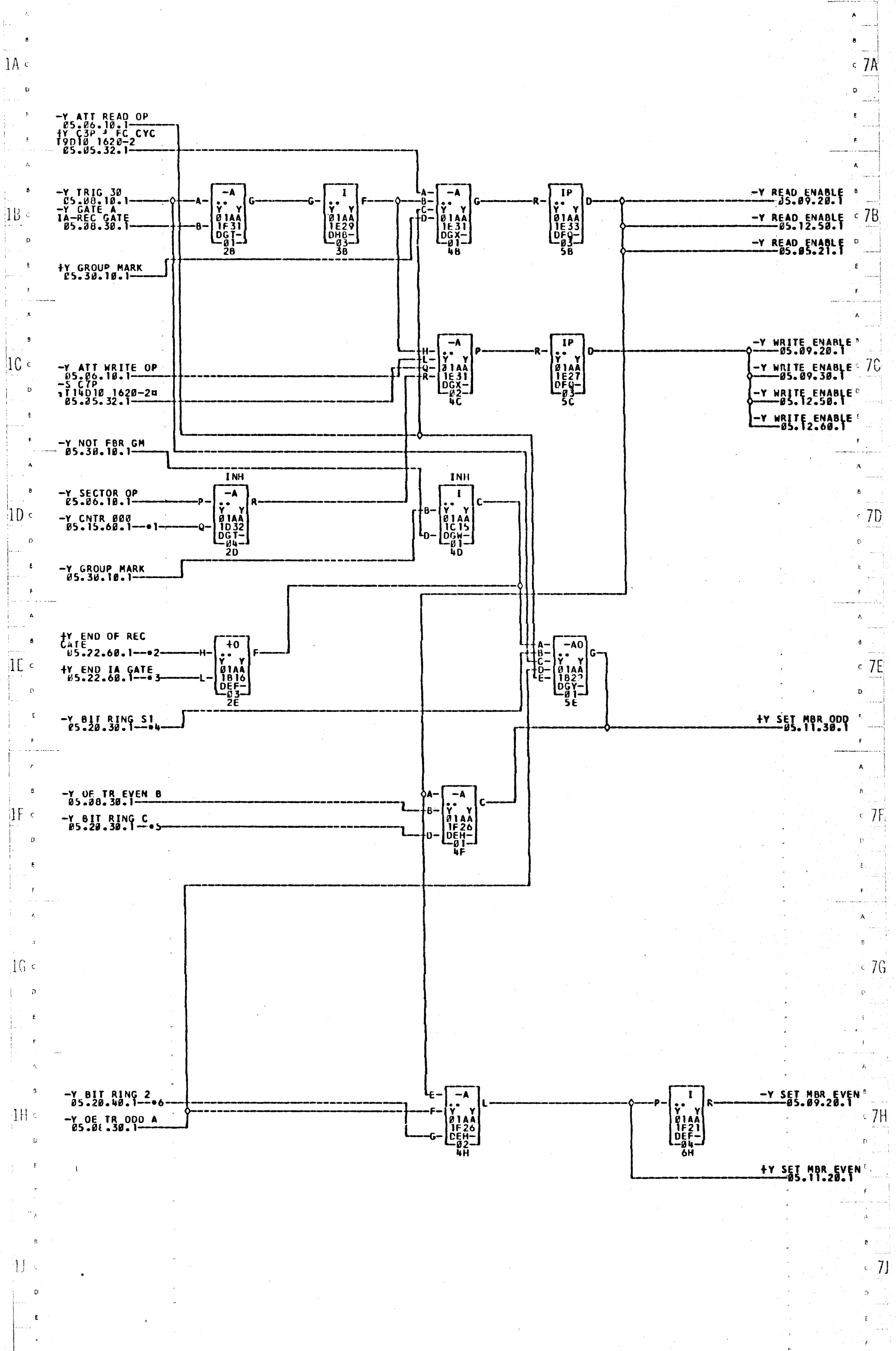
*1-01A1E02F



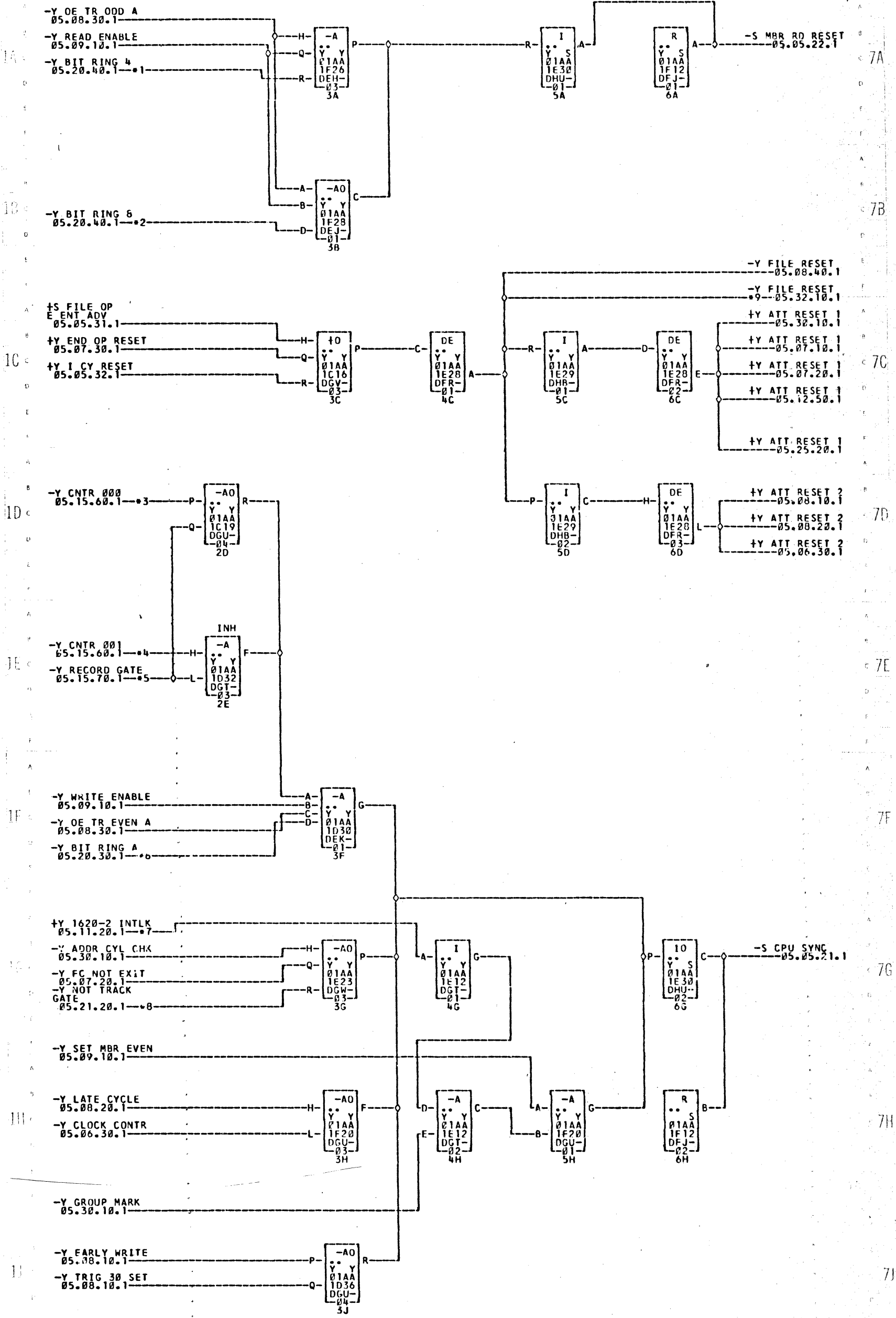
- *1--01A1E02G
- *2--01A1E01G
- *3--01A1D02R
- *4--01A1E02B
- *5--01A1E02E



*1--01A1F010



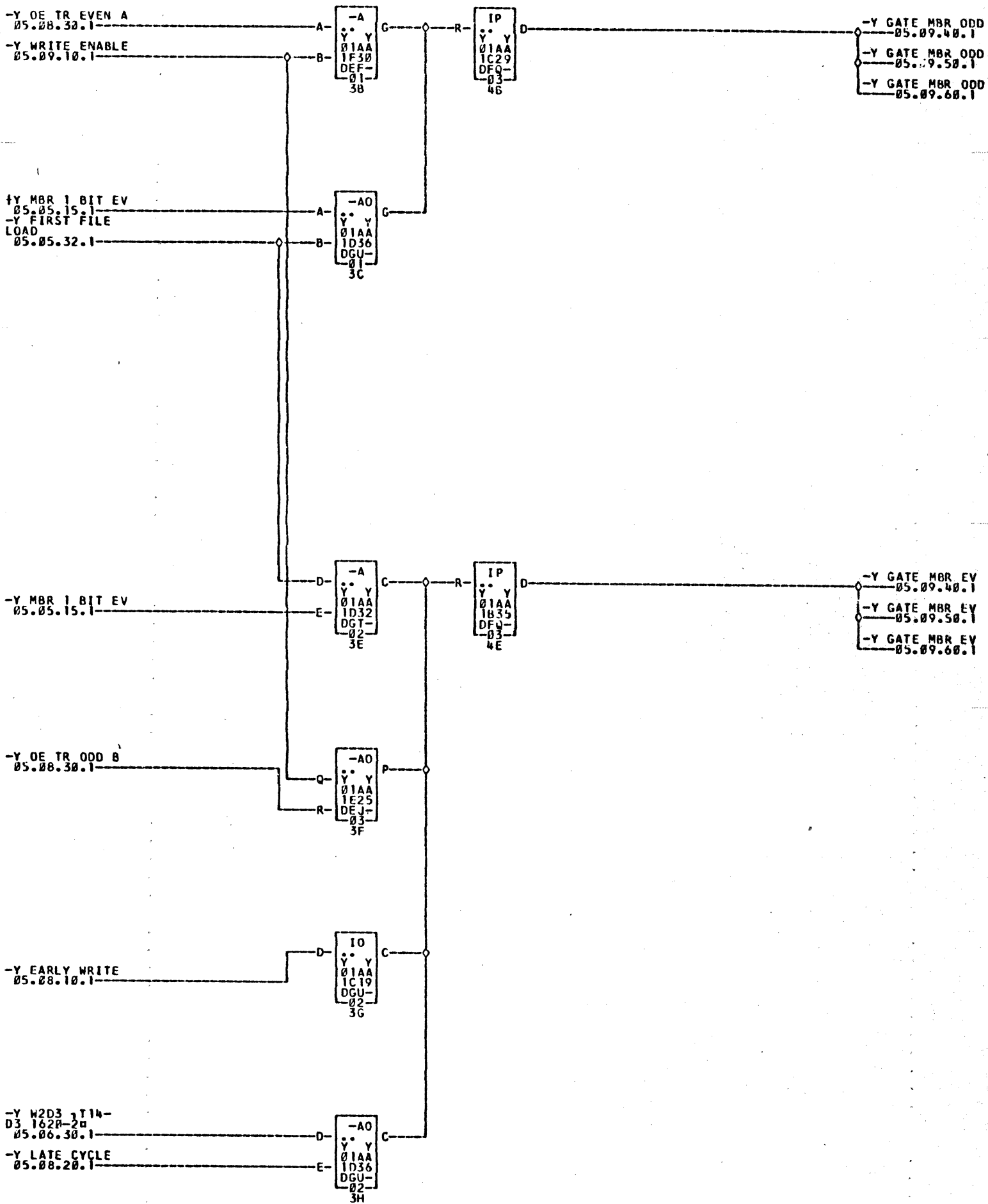
- 1--01A1E01N
- 2--01A1D02R
- 3--01A1E02B
- 4--01A1E01G
- 5--01A1E01F
- 6--01A1E02M

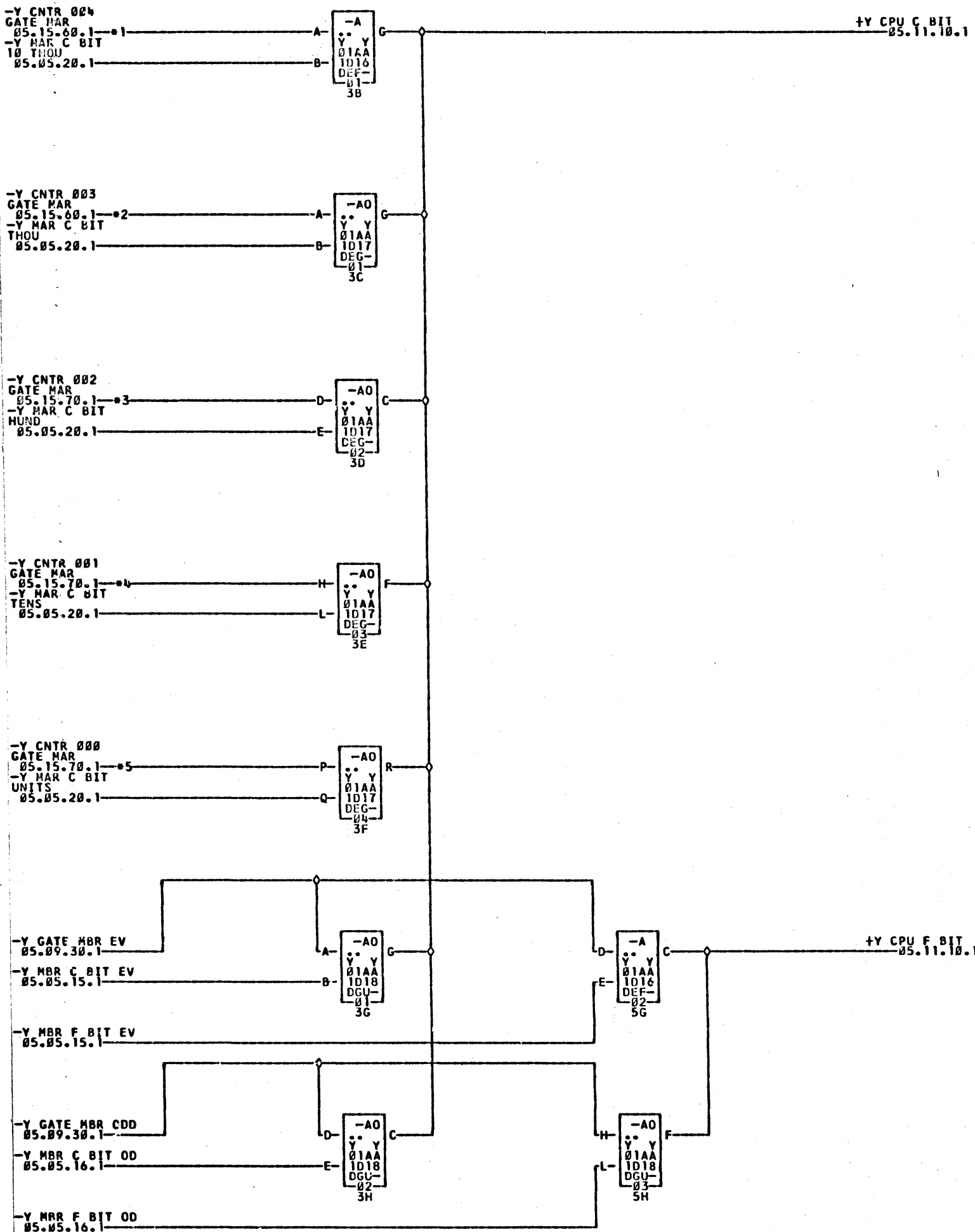


- *1--01A1E02K
- *2--01A1E02J
- *3--01A1E01N
- *4--01A1E01P
- *5--01A1E01A
- *6--01A1E01K
- *7--01A1C04B
- *8--01A1E02C
- *9--01A1F01G

1A
1B
1C
1D
1E
1F
1G
1H
1I

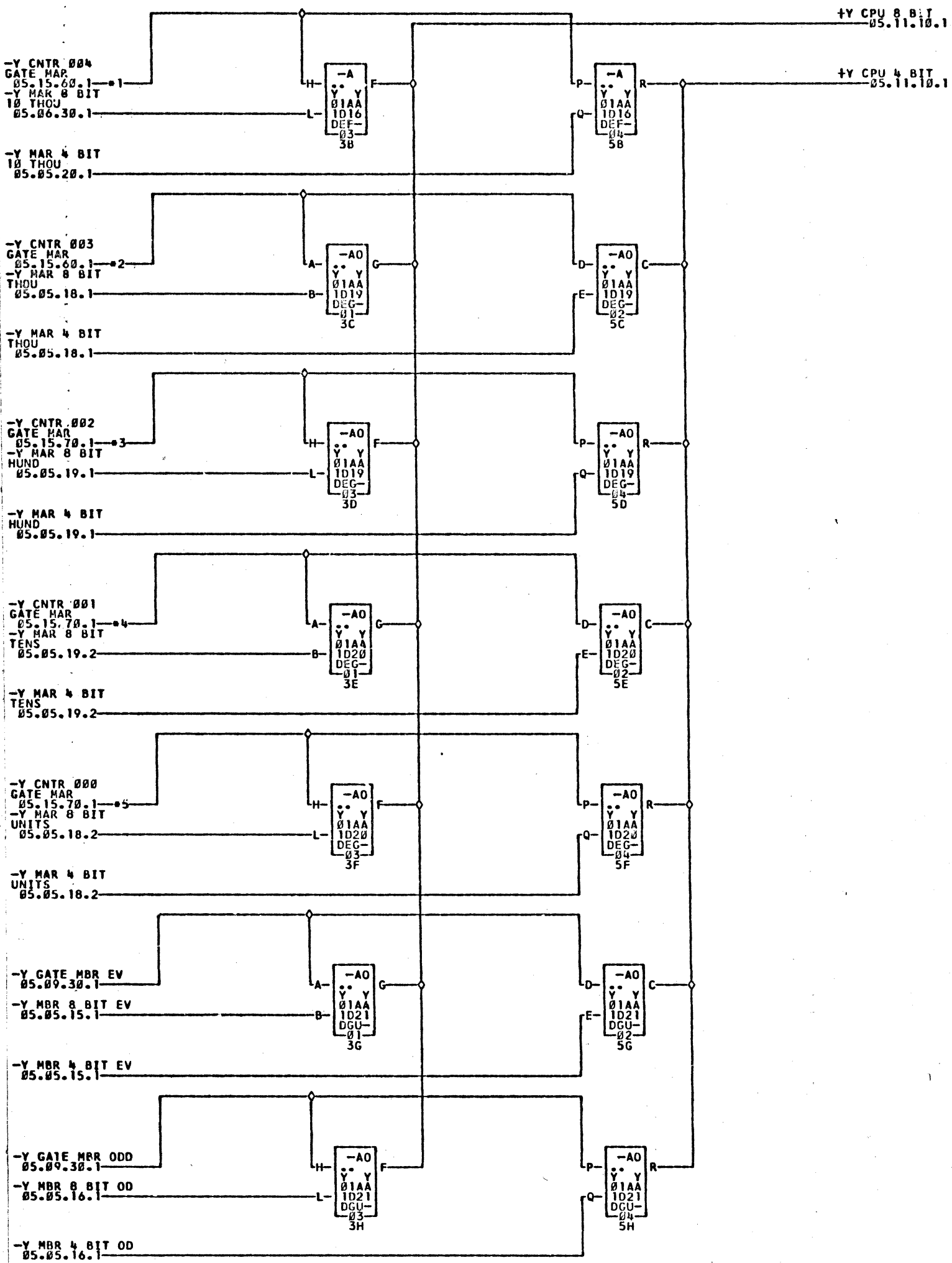
7A
7B
7C
7D
7E
7F
7G
7H
7I



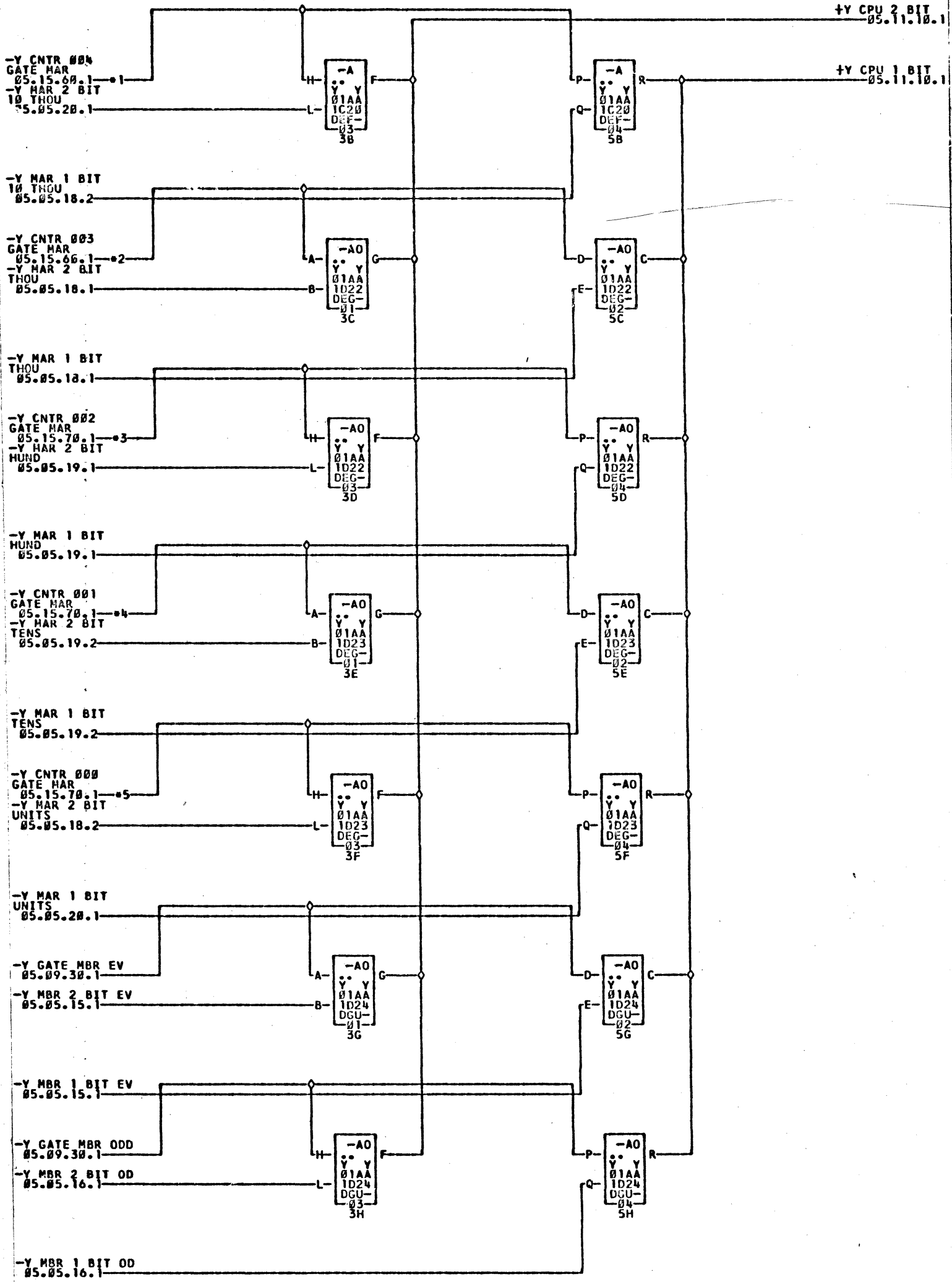


- *1--01A1F02K
- *2--01A1F02J
- *3--01A1F02H
- *4--01A1F02G
- *5--01A1F02F

E. C. 407002B COMMENTS TAG DATE D.A.NO. TAG DATE D.A.NO. TAG DATE D.A.NO. TAG DATE D.A.NO.



*1-01A1F02K *2-01A1F02J *3-01A1F02H *4-01A1F02G *5-01A1F02F



- *1—01A1F02K
- *2—01A1F02J
- *3—01A1F02H
- *4—01A1F02G
- *5—01A1F02F

E. C. 4870028

COMMENTS

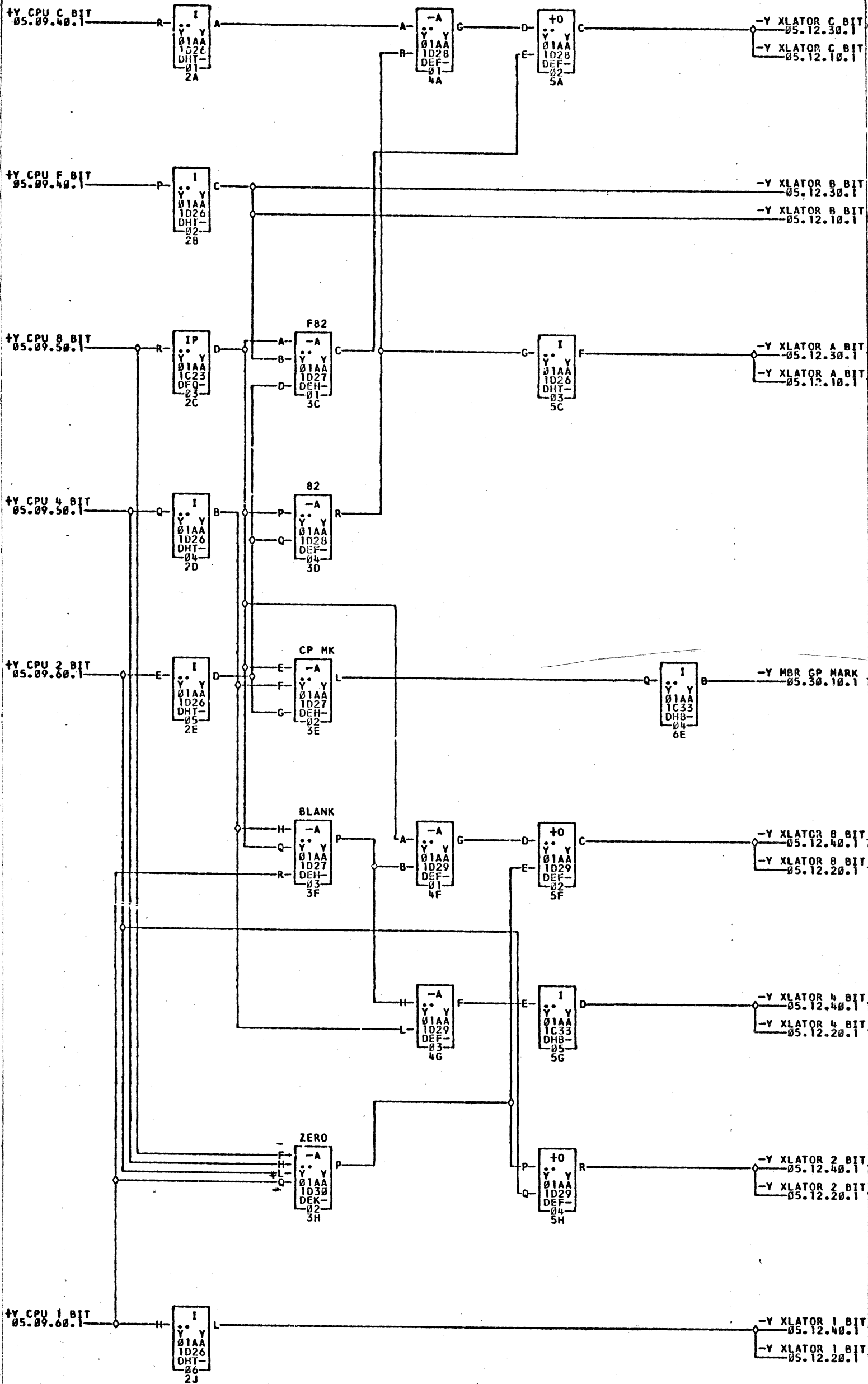
TAG DATE D.A.NO.
A 07-10-62 3A00000

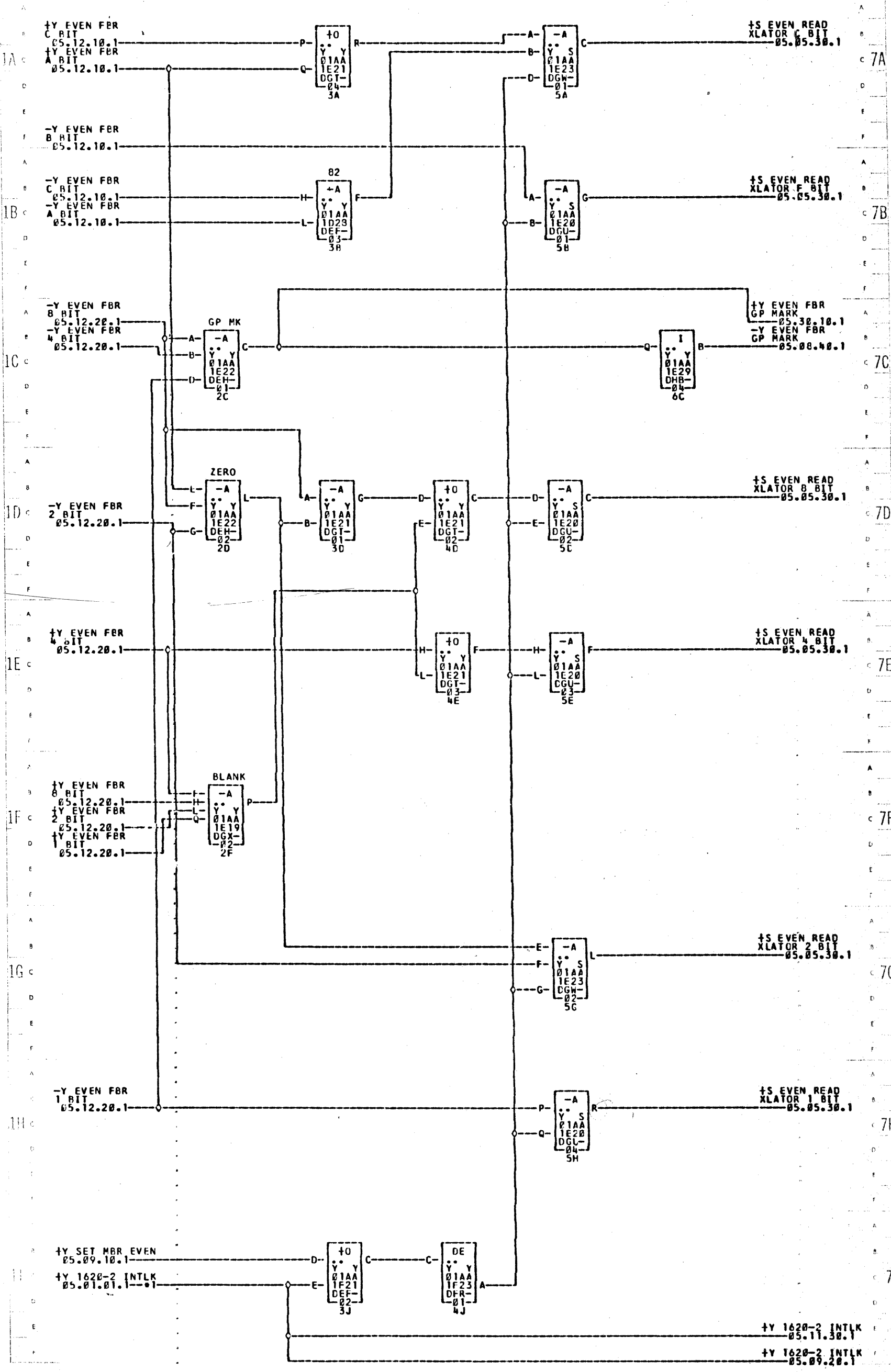
TAG DATE D.A.NO.

TAG DATE D.A.NO.

TAG DATE D.A.NO.

CF8421





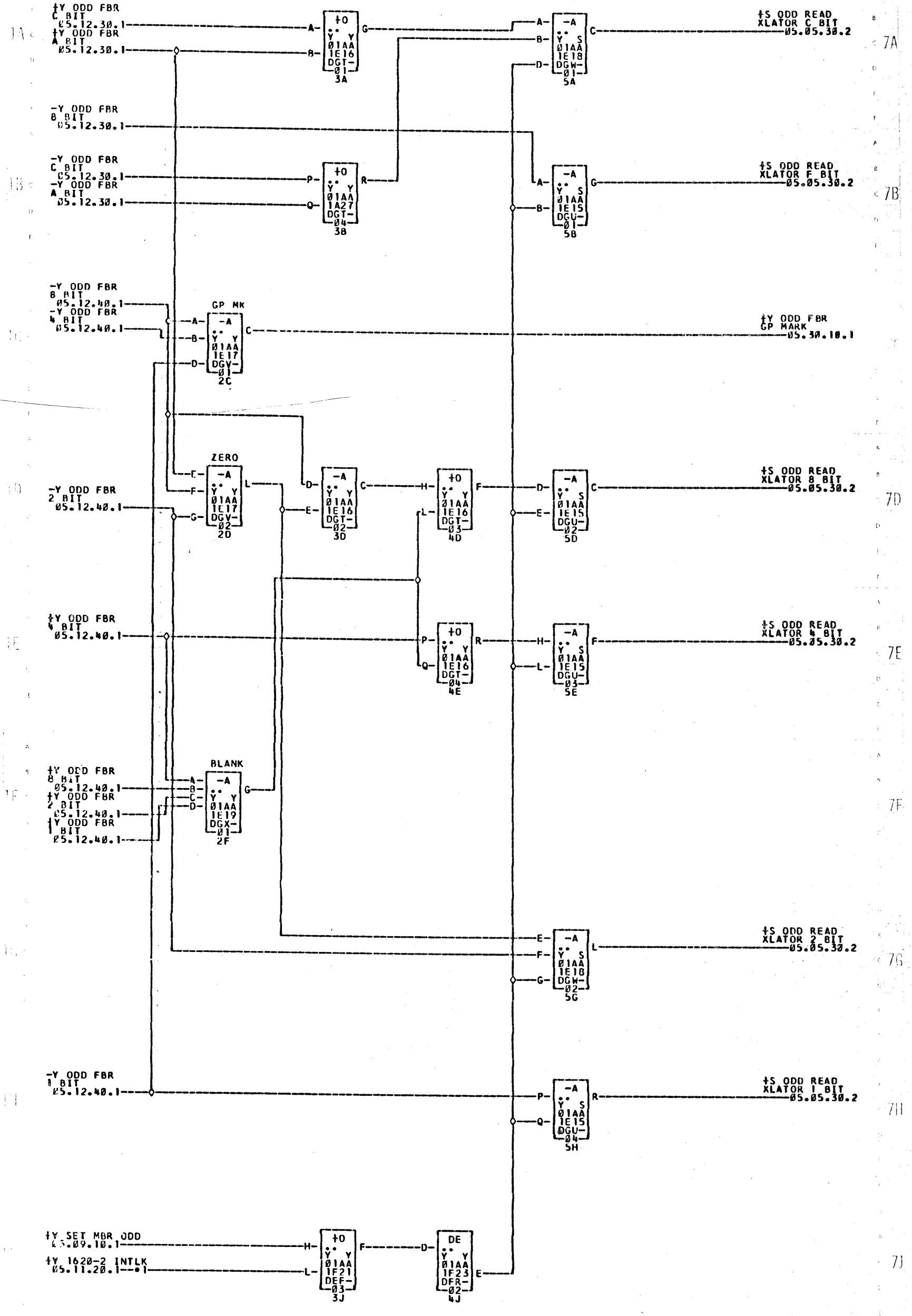
*1--01A1C040 01AXC02

E. C. 407465

COMMENTS

TAG DATE D.A.NO. TAG DATE D.A.NO. TAG DATE D.A.NO. TAG DATE D.A.NO.

A 09-11-63 3832000



!-01A1C04B -01AXC02

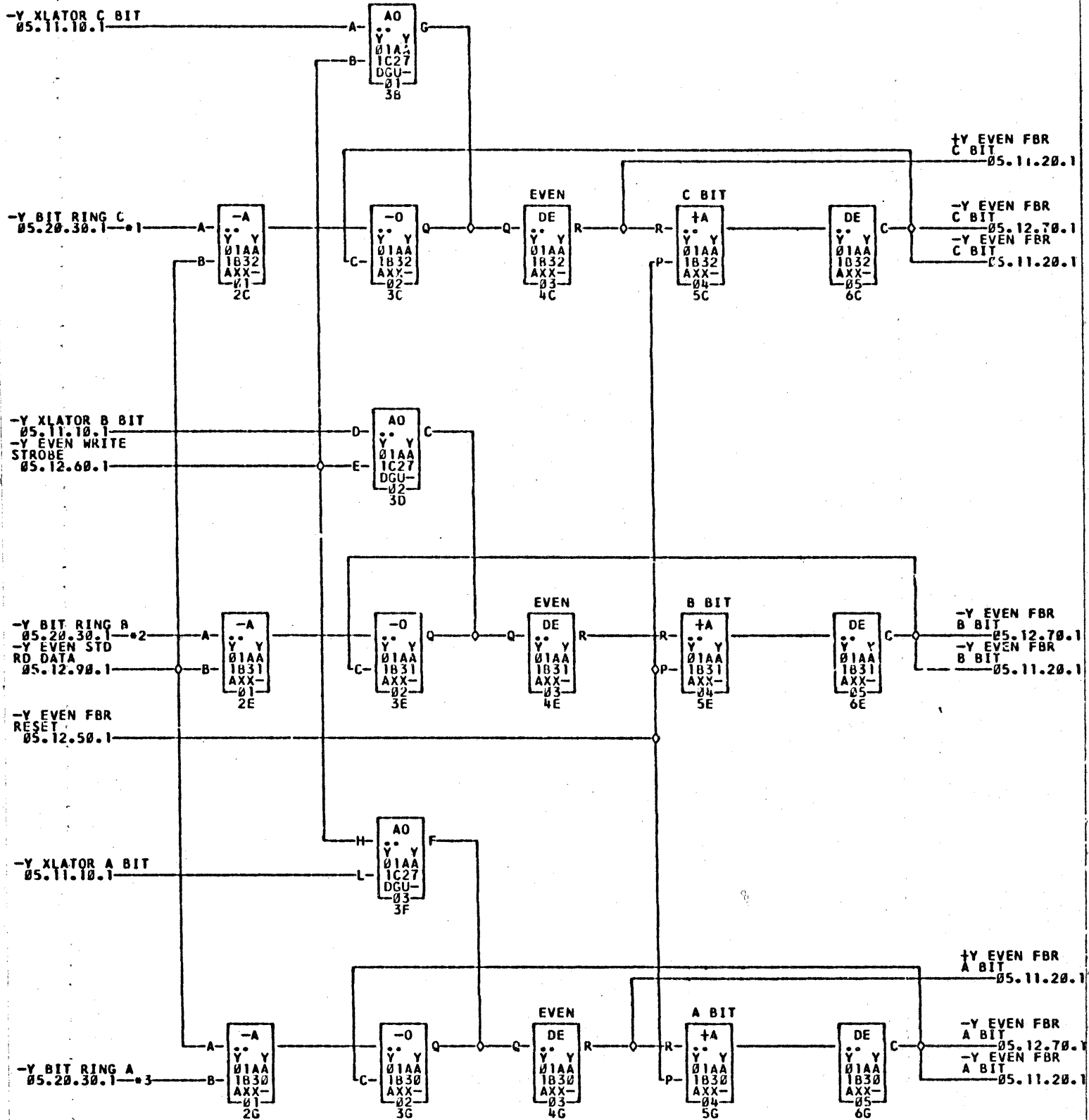
E. C. 407454

COMMENTS

TAG DATE D.A.NO. A 06-19-63 3825000

TAG DATE D.A.NO. TAG DATE D.A.NO. TAG DATE D.A.NO.

IBM



*1-01A1E01F *2-01A1E01J *3-01A1E01K

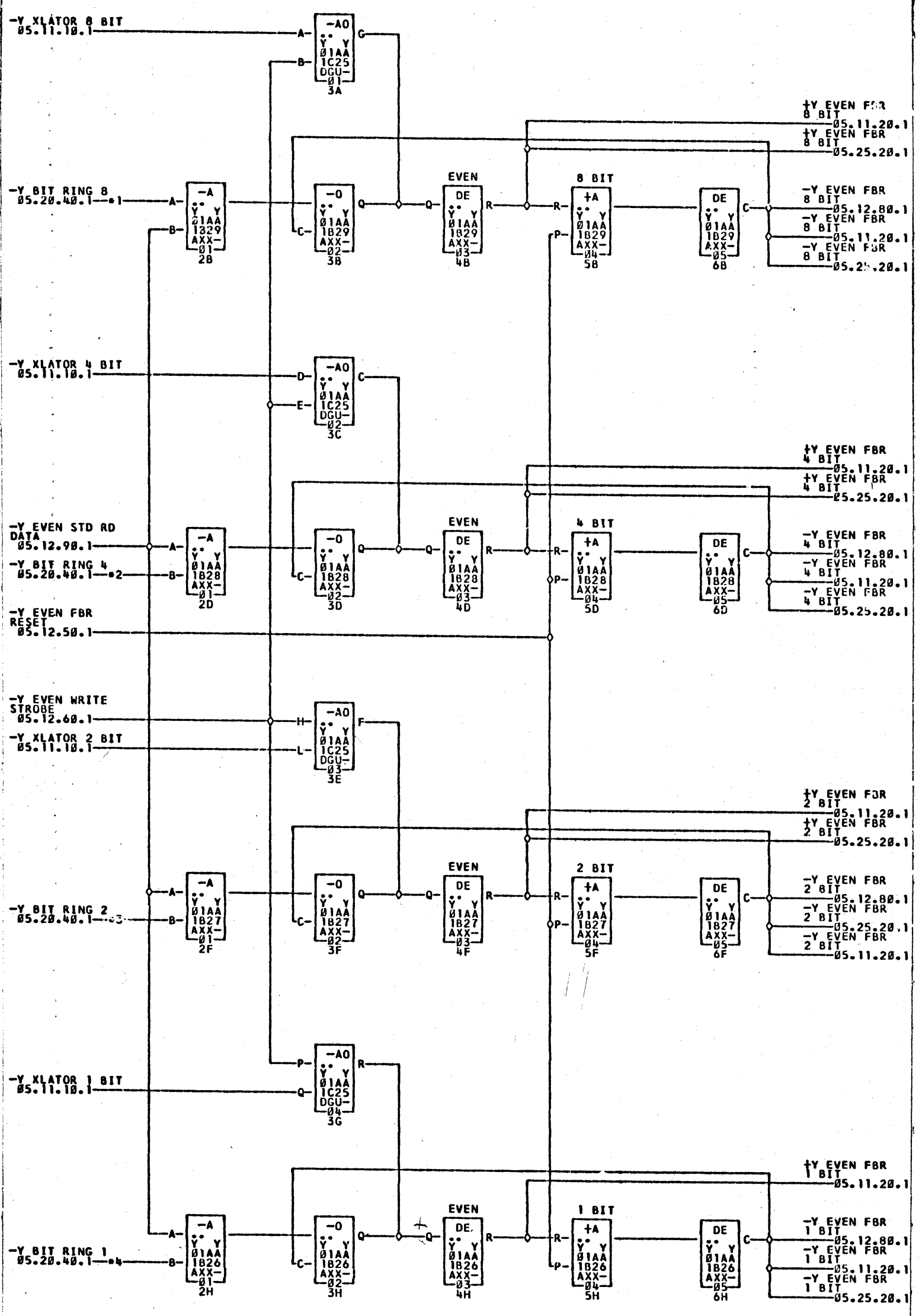
04CC442
1989

2155248

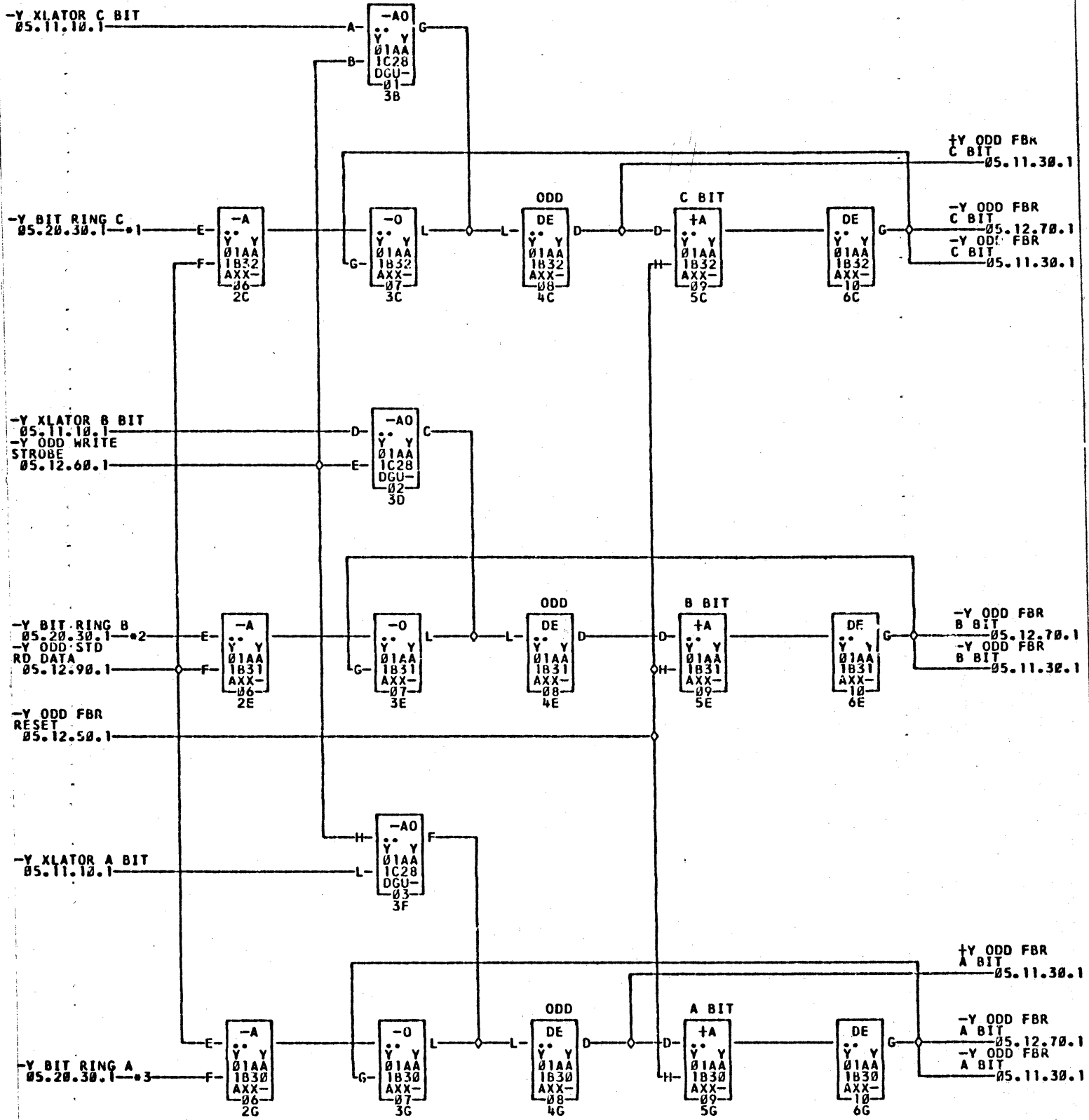
EVEN FILE BUFFER REG 8 4 2 1 BITS

1311-3

05.12.20.1



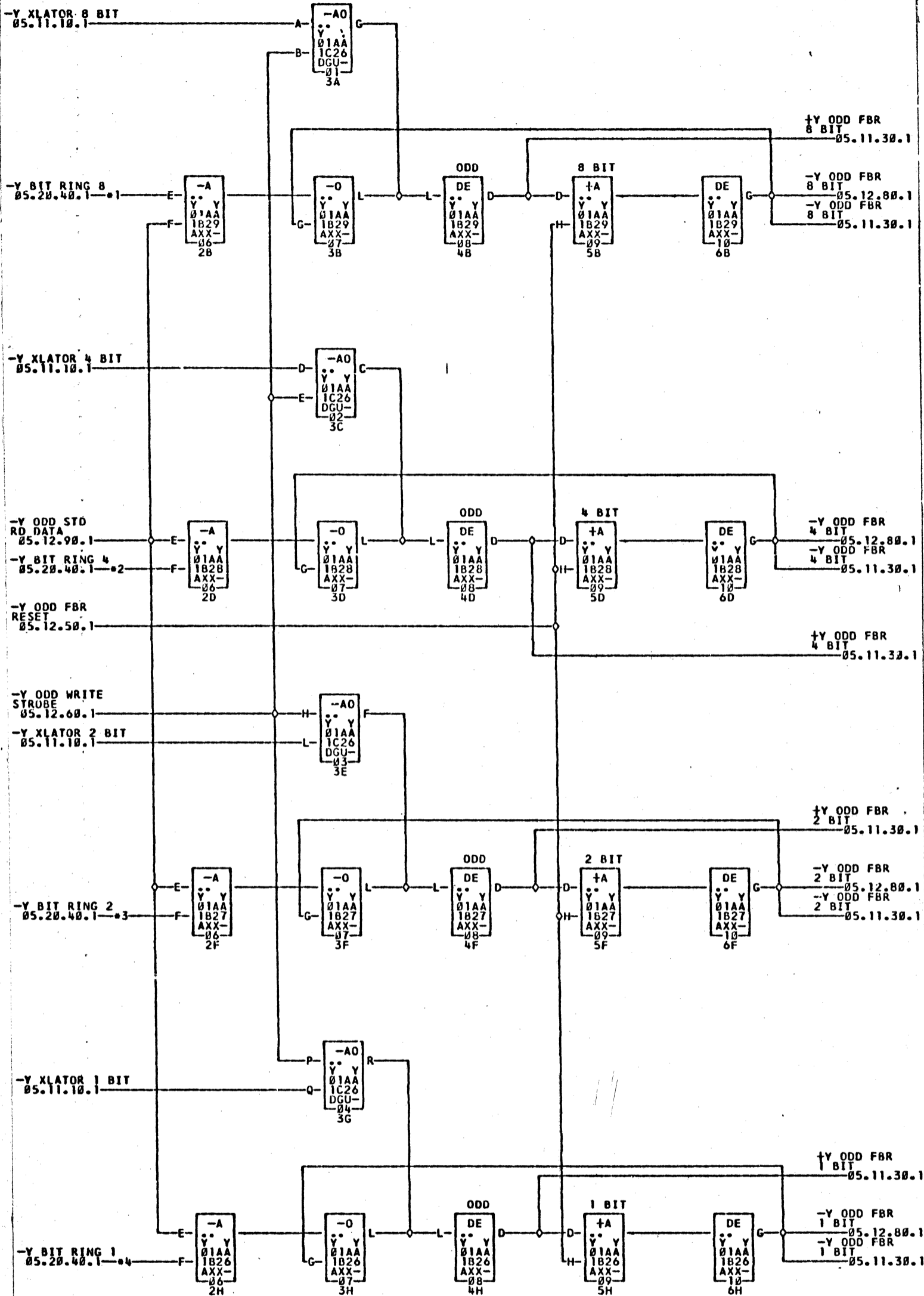
- *1—01A1E02J
- *2—01A1E02K
- *3—01A1E02M
- *4—01A1E02P



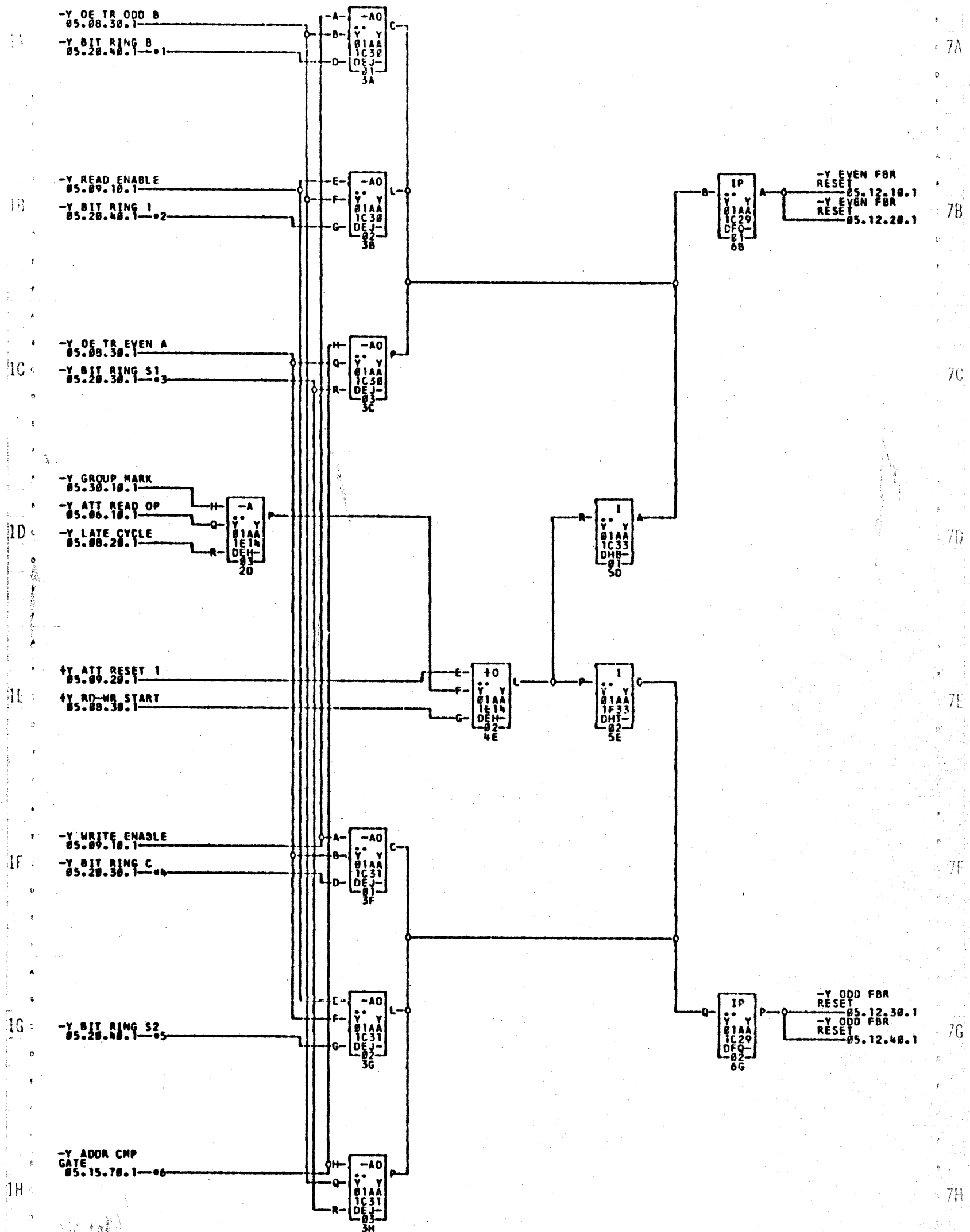
*1-01A1E01F

*2-01A1E01J

*3-01A1E01K



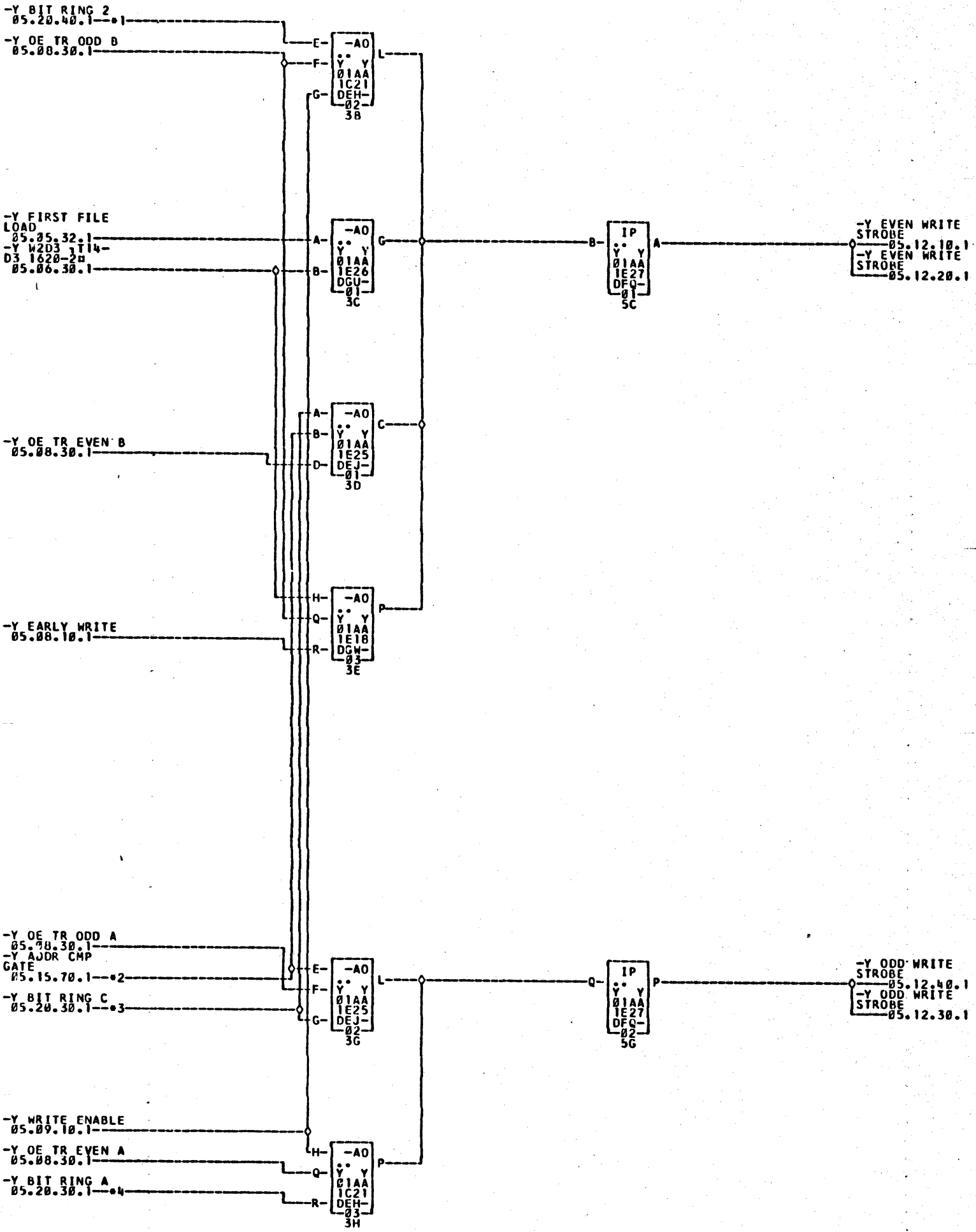
*1--01A1E02J *2--01A1E02K *3--01A1E02M *4--01A1E02P



- 1—01A1E02J
- 2—01A1E02P
- 3—01A1E01C
- 4—01A1E01F
- 5—01A1E01D
- 6—01A1F01D

1A
D
E
F
1B
D
E
F
1C
D
E
F
1D
D
E
F
1E
D
E
F
1F
D
E
F
1G
D
E
F
1H
D
E
F

7A
7B
7C
7D
7E
7F
7G
7H
7I



*1--01A1E02M *2--01A1F01D *3--01A1E01F *4--01A1E01K

1A

D

E

F

A

B

1B

D

E

F

A

B

1C

D

E

F

A

B

1D

D

E

F

A

B

1E

D

E

F

A

B

1F

D

E

F

A

B

1G

D

E

F

A

B

1H

D

E

F

A

B

1I

-Y BIT RING C
05.20.30.1--*1
-Y EVEN FBR
C BIT
05.12.10.1

-Y ODD FBR
C BIT
05.12.30.1

1Y SERIAL 0421
BITS FROM FBR
05.12.80.1

-Y EVEN FBR
B BIT
05.12.10.1

-Y BIT RING B
05.20.30.1--*2

-Y ODD FBR
B BIT
05.12.30.1

-Y EVEN FBR
A BIT
05.12.10.1

-Y BIT RING A
05.20.30.1--*3

-Y ODD FBR
A BIT
05.12.30.1

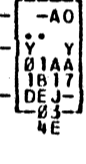
1Y FORCE
DIGITS
05.15.60.1--*4

-Y OE TR EVEN A
05.08.30.1

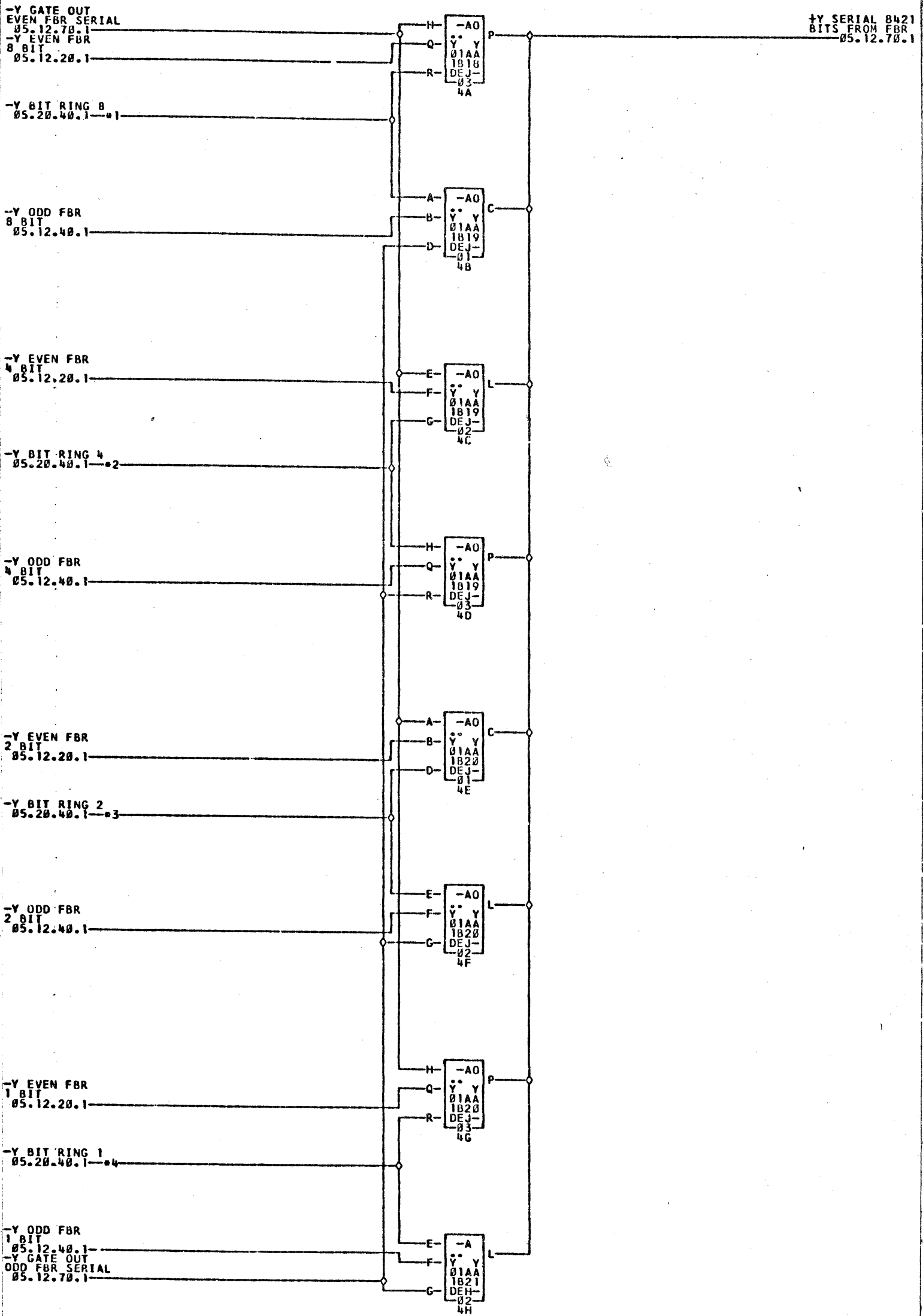
-Y GATE A
IA-REC GATE
05.08.30.1

1Y INHIBIT FBR
SERIAL GATE OUT
05.12.90.1

-Y OE TR ODD B
05.08.30.1



- *1--01A1E01F
- *2--01A1E01J
- *3--01A1E01K
- *4--01A1D01L
- *5--01A1F02R



- 1—01A1E02J
- 2—01A1E02K
- 3—01A1E02M
- 4—01A1E02P

1A

7A

1B

7B

1C

7C

1D

7D

1E

7E

1F

7F

1G

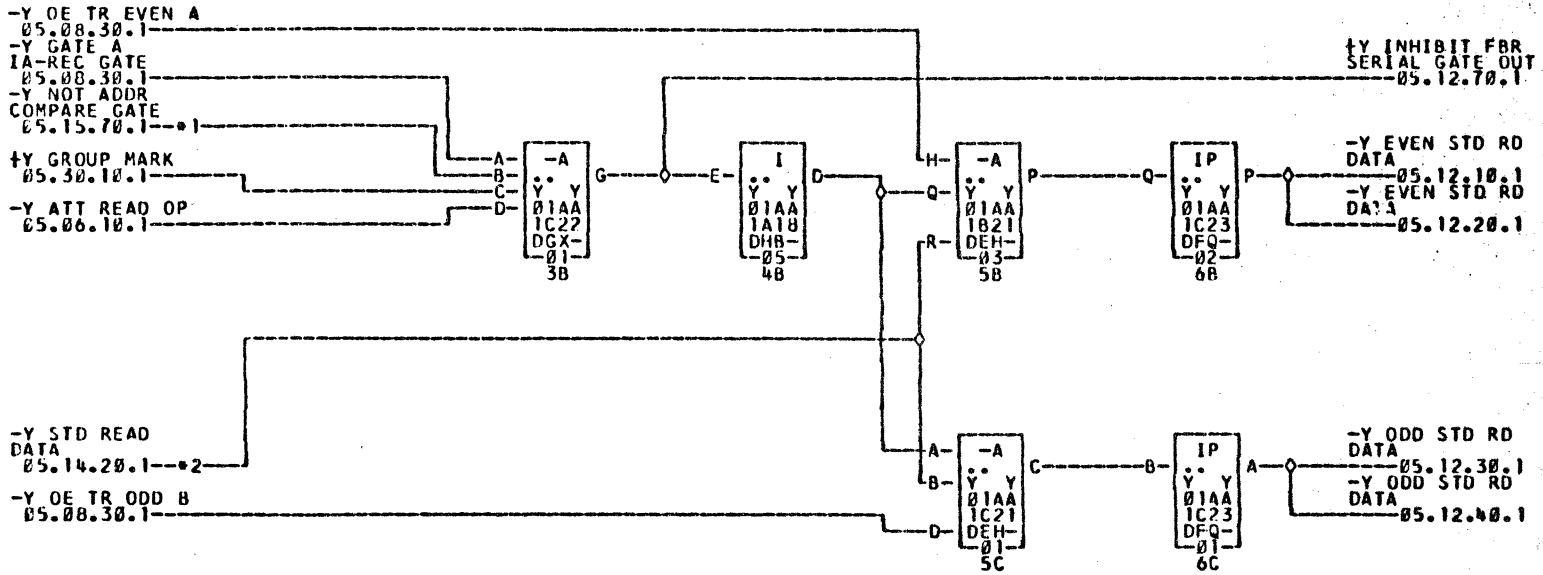
7G

1H

7H

1I

7I



*1--01A1F01E

*2--01A1D02F

7A

7B

7C

7D

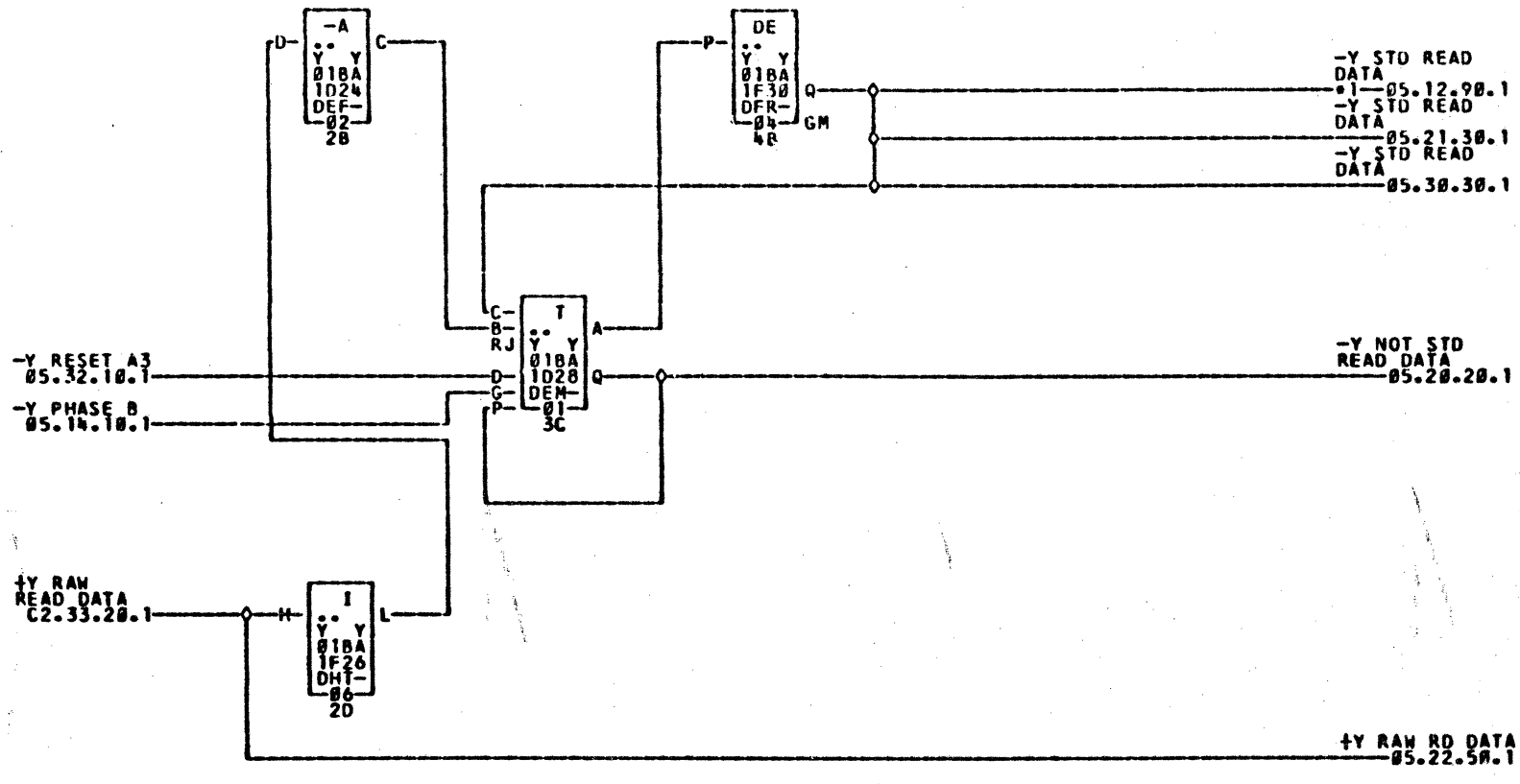
7E

7F

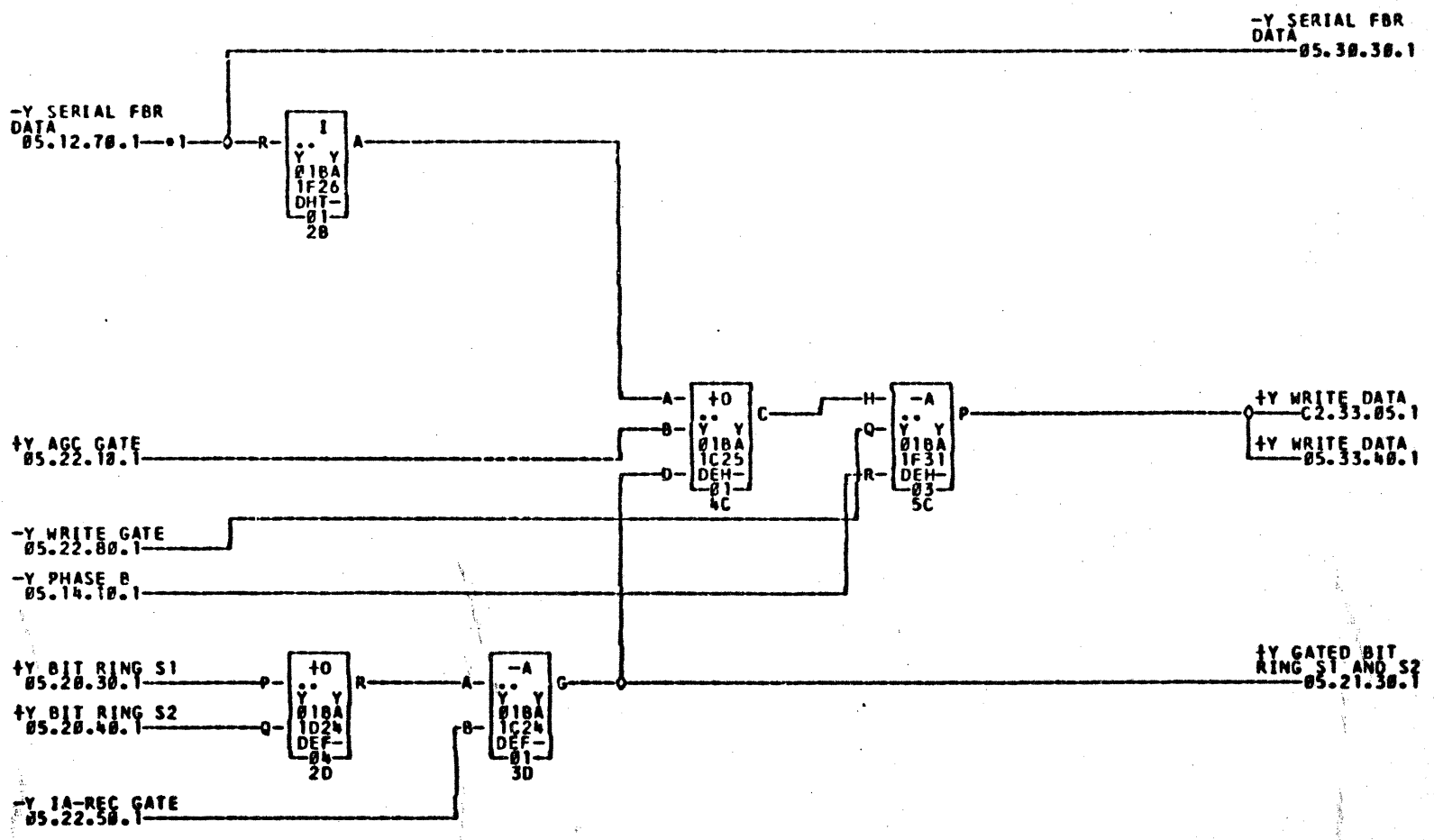
7G

7H

7J



*1-0181002F



01-0101F02R

2155288

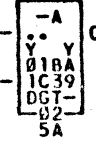
SET COUNTER CONTROL SEEK

1311-3

05.15.10.1

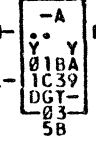
-Y MAR 2 BIT
HUND
05.05.19.1-01

+Y COUNTER
POSITION 2
05.15.30.1



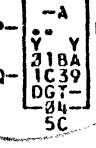
-Y MAR 4 BIT
HUND
05.05.19.1-02

+Y COUNTER
POSITION 4
05.15.30.1



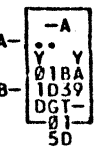
-Y MAR 8 BIT
HUND
05.05.19.1-03

+Y COUNTER
POSITION 8
05.15.30.1



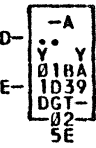
-Y MAR 1 BIT
THOU
05.05.18.1-04

+Y COUNTER
POSITION 10
05.15.30.1



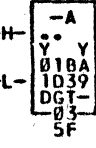
-Y MAR 2 BIT
THOU
05.05.18.1-05

+Y COUNTER
POSITION 20
05.15.30.1



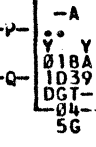
-Y MAR 4 BIT
THOU
05.05.18.1-06

+Y COUNTER
POSITION 40
05.15.30.1



-Y MAR 8 BIT
THOU
05.05.18.1-07

+Y COUNTER
POSITION 80
05.15.30.1



-Y MAR 1 BIT
10 THOU
05.05.18.2-08
-Y GATE MAR TO
MUC
05.07.20.1-09

+Y SET CNTR 128
-100
05.15.40.1

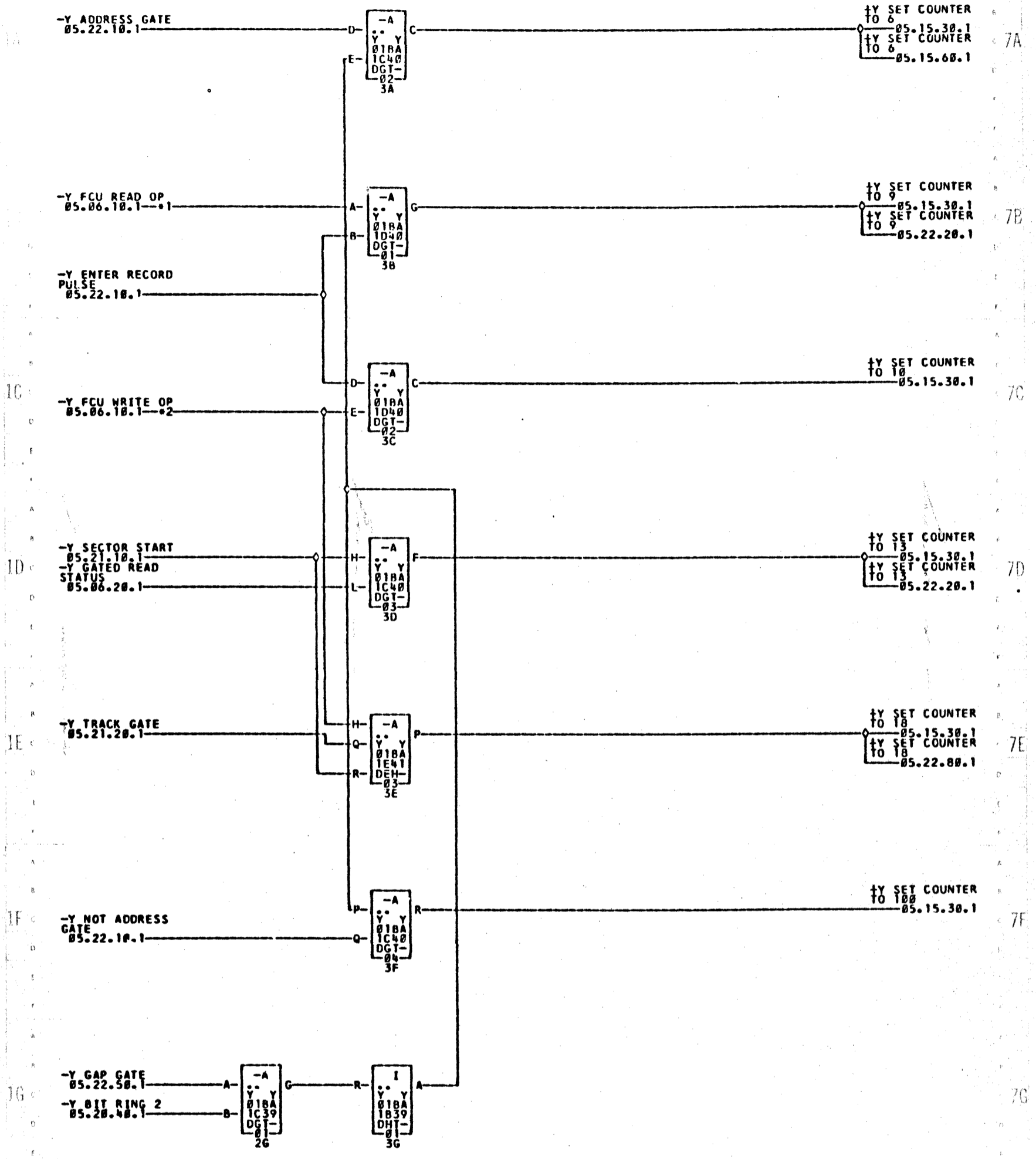


- *1-01B1D01G
- *2-01B1D01J
- *3-01B1D01K
- *4-01B1D01D
- *5-01B1D01E
- *6-01B1D01H
- *7-01B1D01P
- *8-01B1D01F
- *9-01B1D02B

E. C. 4070028

COMMENTS

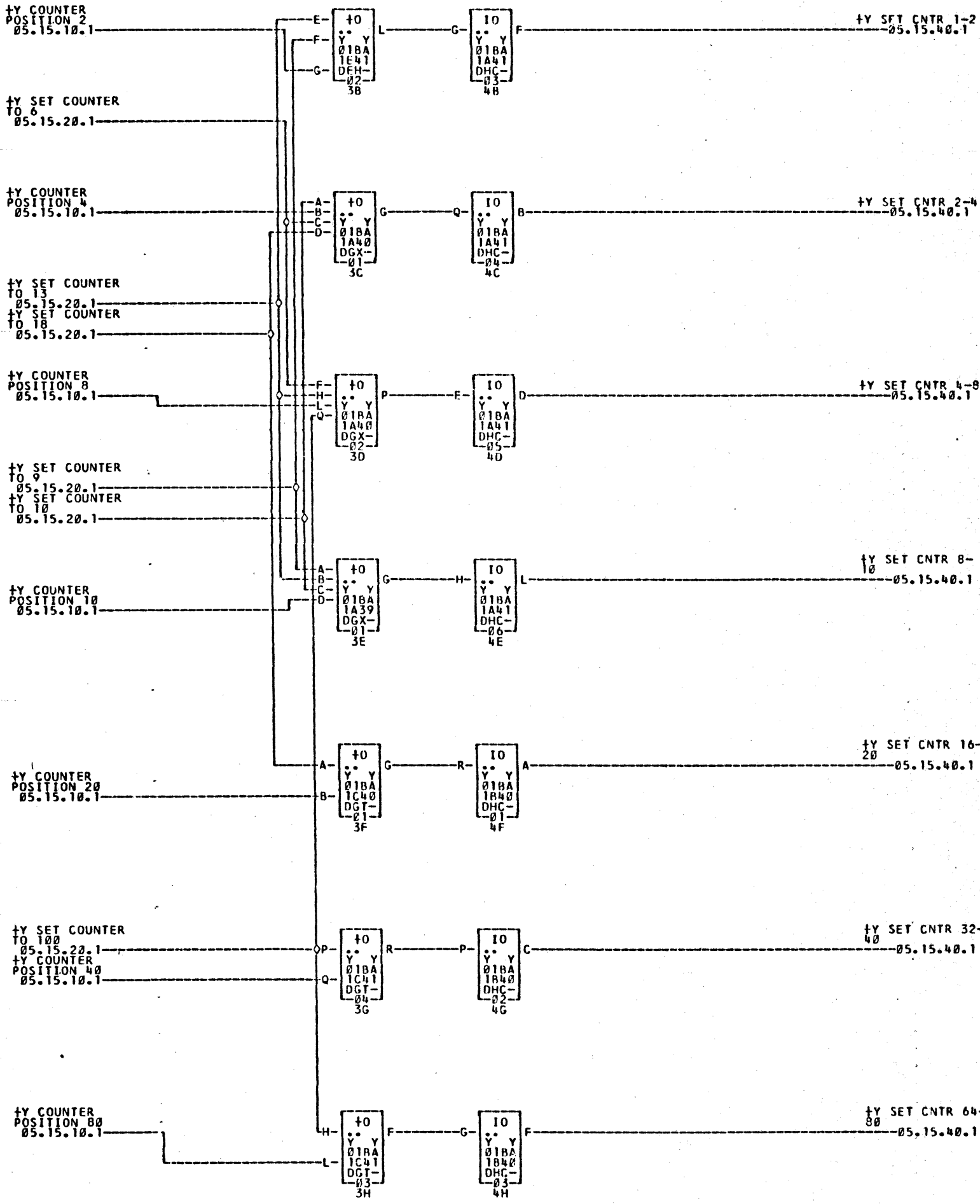
TAG DATE	D.A.NO.	TAG DATE	D.A.NO.	TAG DATE	D.A.NO.	TAG DATE	D.A.NO.
A 07-10-62	3A00000						

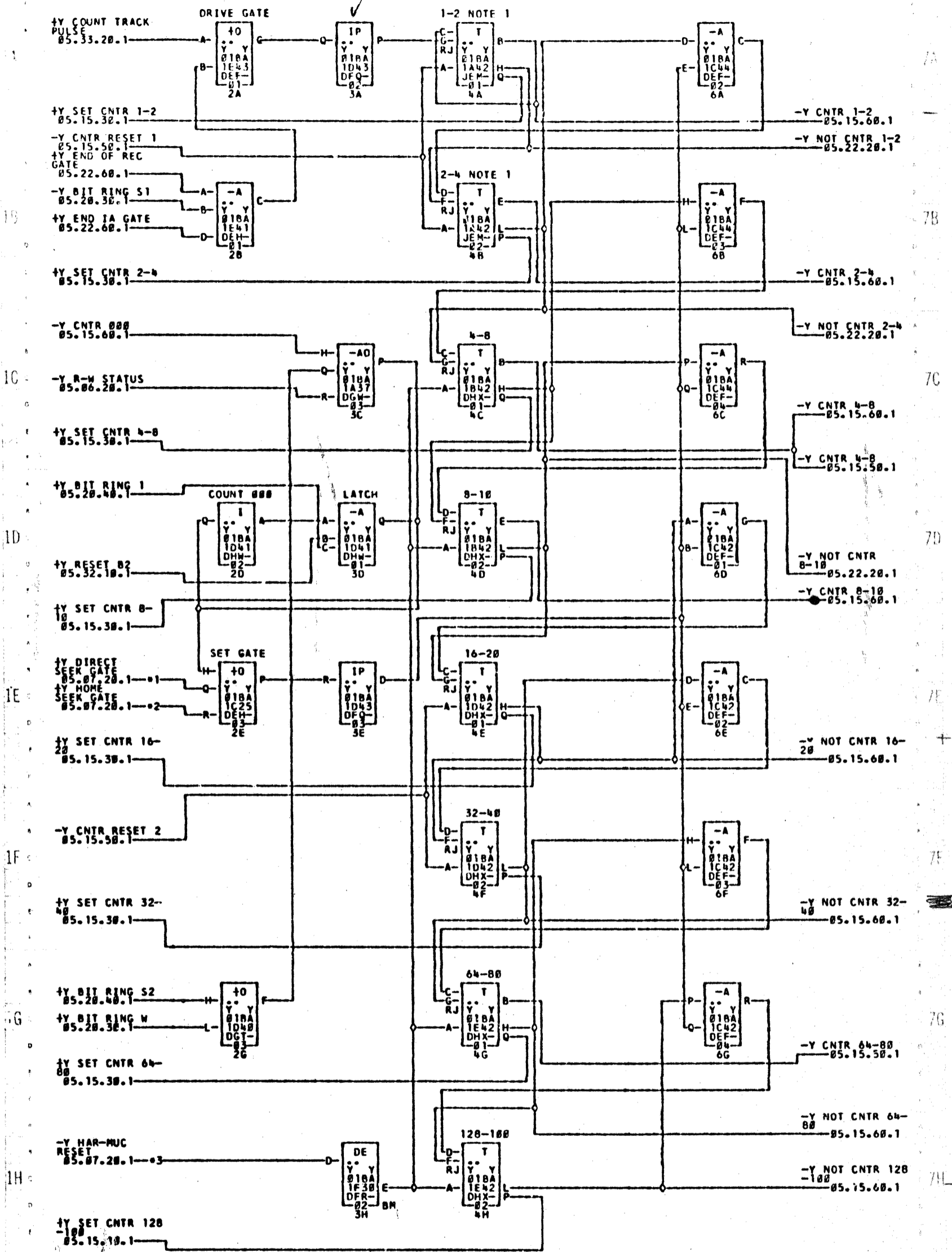


*1-0101001A *2-0101F01H

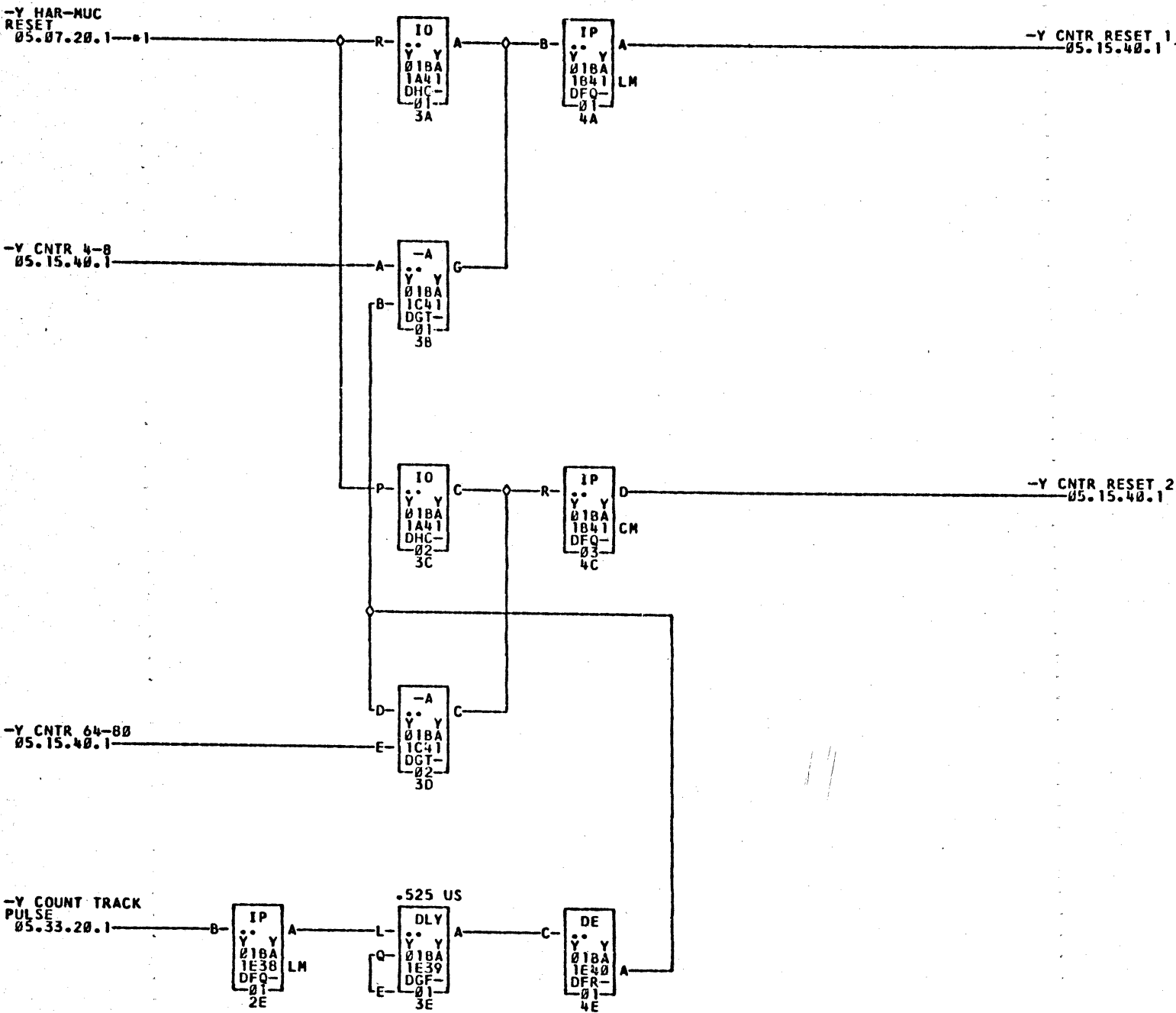
1A
1B
1C
1D
1E
1F
1G
1H
1I

7A
7B
7C
7D
7E
7F
7G
7H
7I

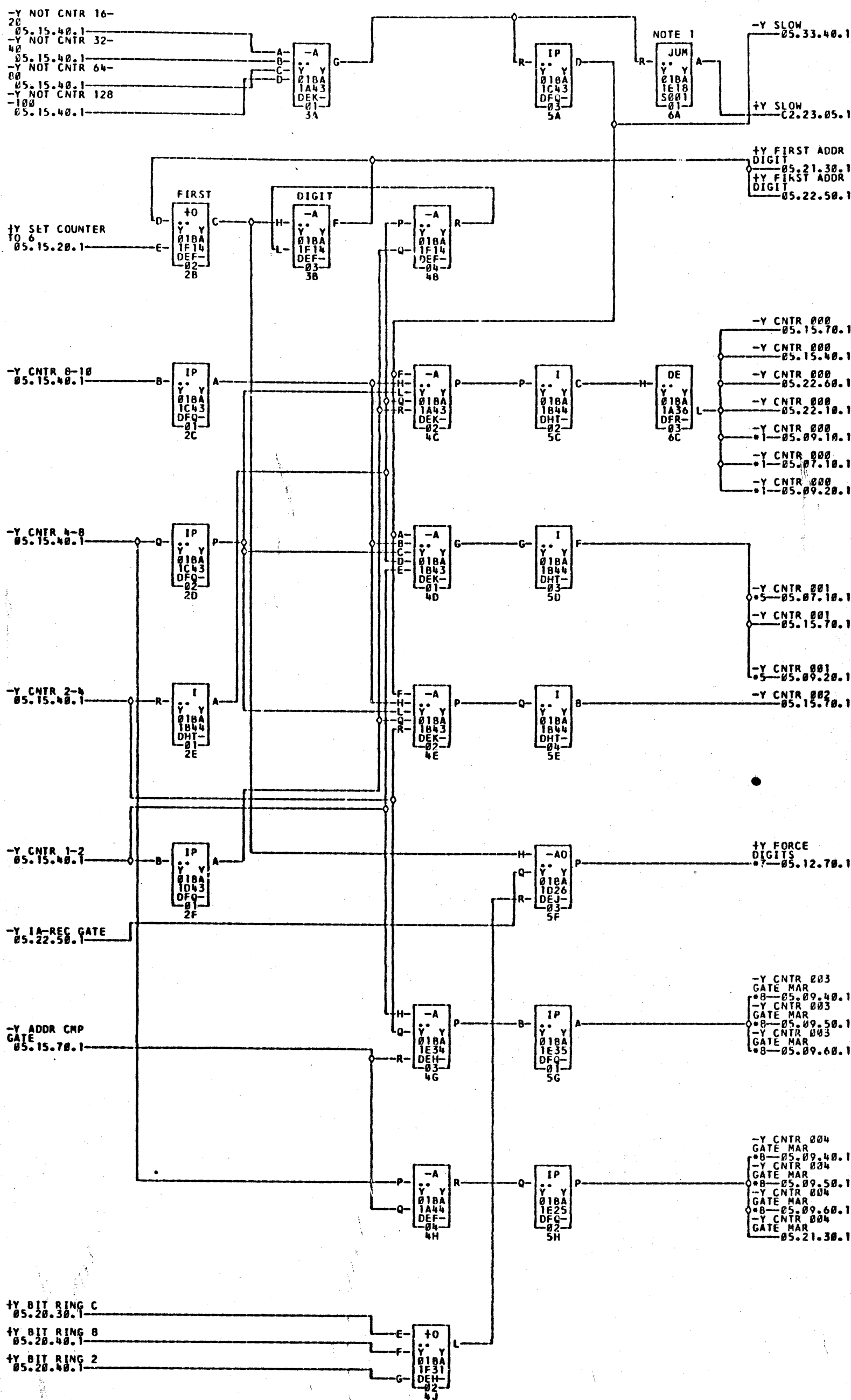




*1-01B1F02C *2-01B1F02E *3-01B1F02D



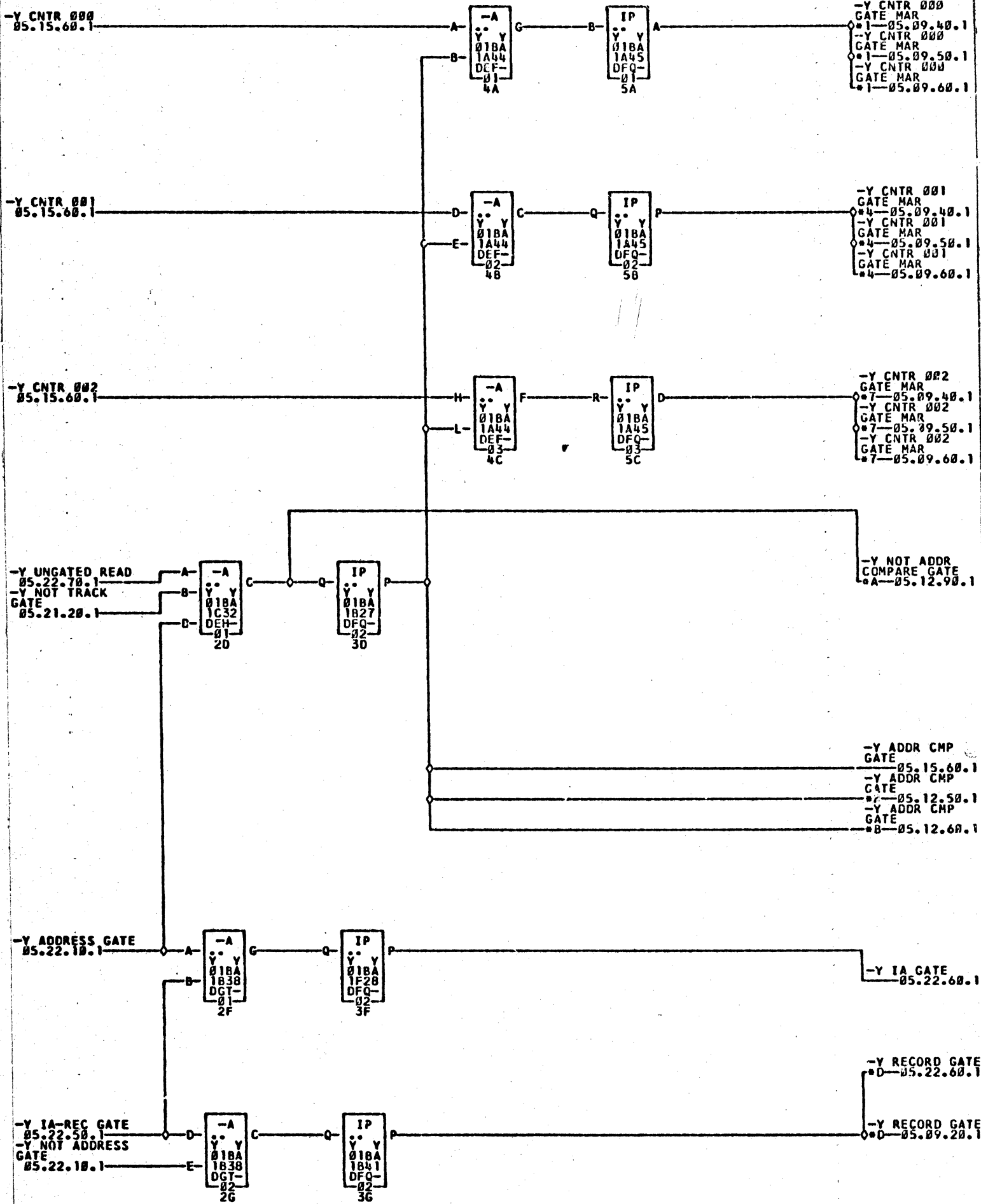
*1-0181F02D



*1-01B1E01N *5-01B1E01P *7-01B1D01L *8-01B1F02J *8-01B1F02K

COMMENTS
 E. C. 407253B
 NOTE 1 THIS JUMPER CARD IS REMOVED
 WHEN THE CE BOX PADDLE CONNECTORS
 ARE PLUGGED IN.

TAG DATE	D.A.NO.	TAG DATE	D.A.NO.	TAG DATE	D.A.NO.	TAG DATE	D.A.NO.
A 02-18-64	3C02000						



•1-01B1F02F •4-01B1F02G •7-01B1F02H •A-01B1F01E •B-01B1F01D •D-01B1E01A

-Y NOT IA REC
GATE
05.22.50.1
-Y NCT WRITE
GATE
05.22.80.1

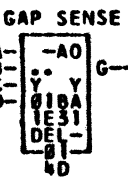
-Y PHASE C
05.14.10.1

+Y ERROR STOP
05.30.30.1

-Y PHASE B
05.14.10.1

-Y GAP GATE
05.22.50.1

-Y NOT STD
READ DATA
05.14.20.1



+Y BIT RING ADV
05.20.30.1

+Y BIT RING ADV
05.20.30.1
+Y BIT RING ADV
05.20.40.1

+Y BIT RING ADV
05.20.40.1

7A

7B

7C

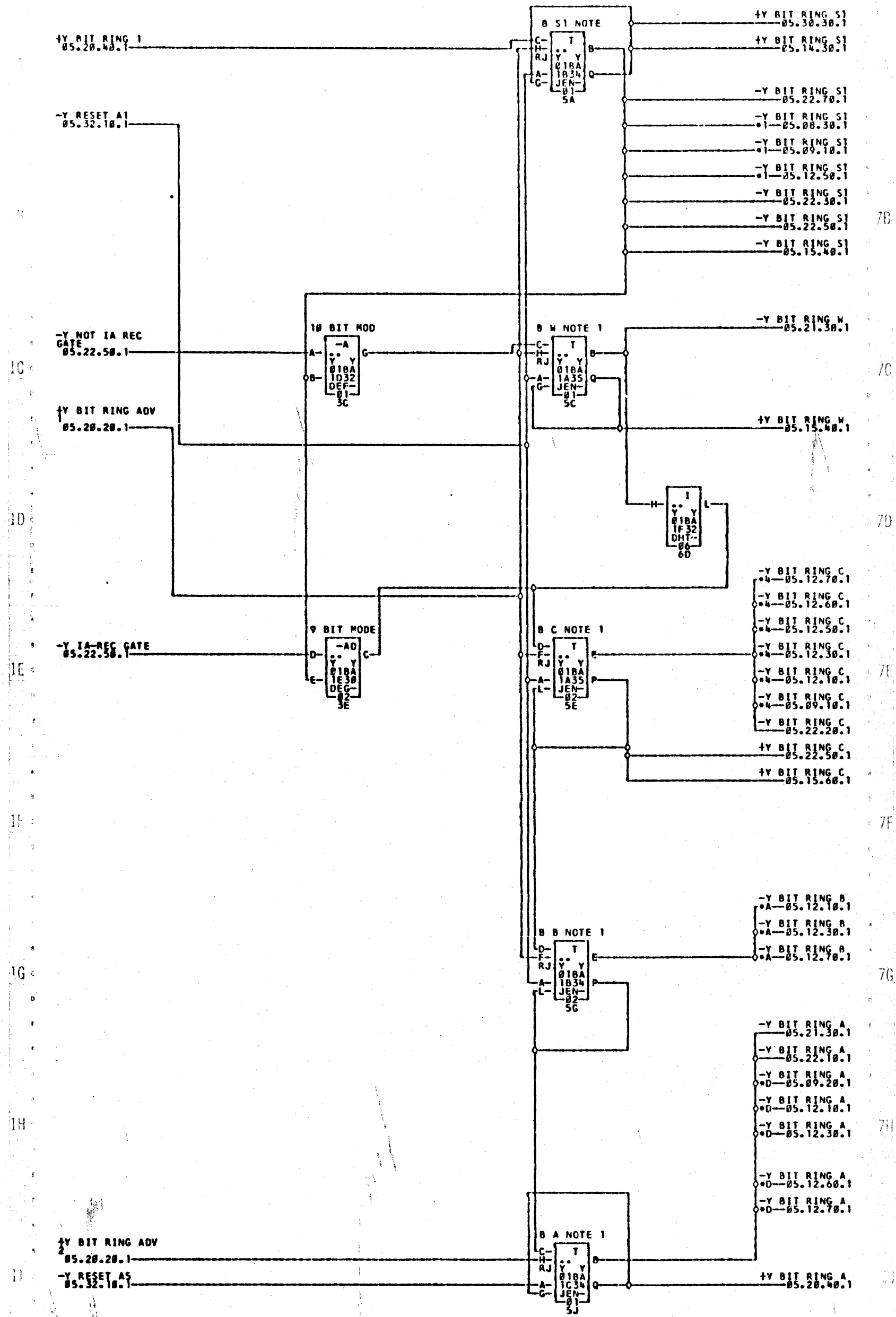
7D

7E

7F

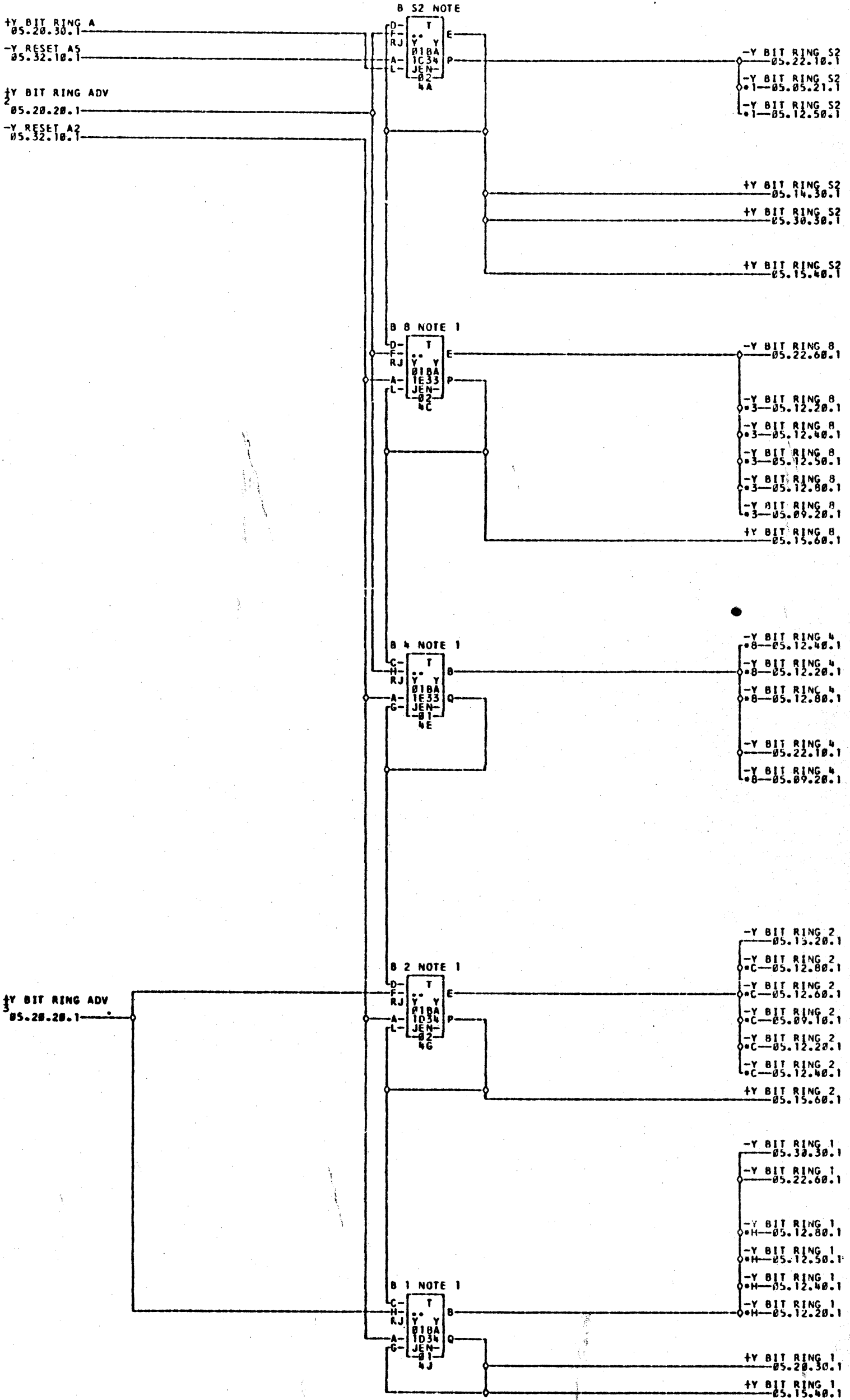
7G

7H

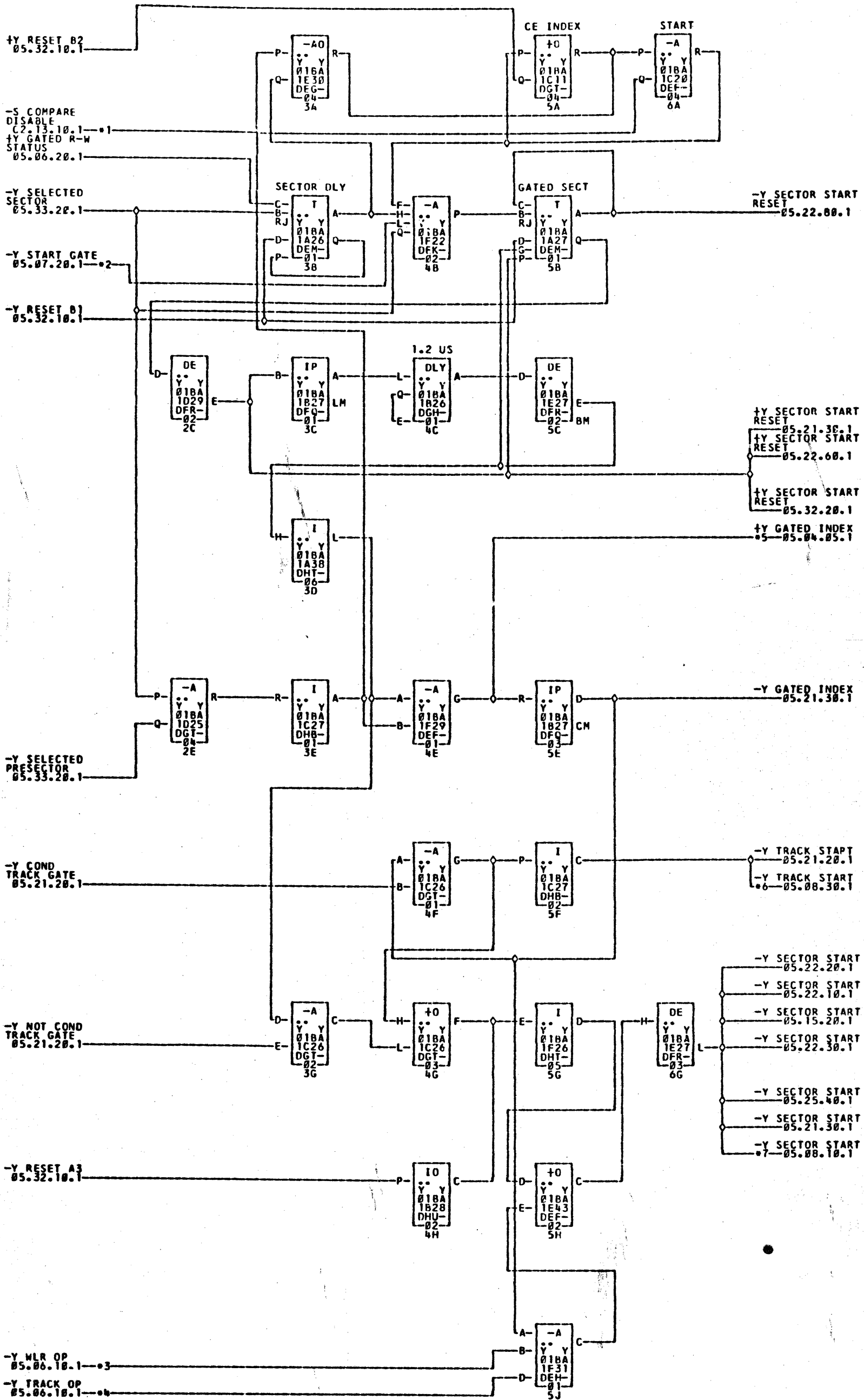


*1-0101E0G *4-0101E0F *A-0101E0J *D-0101E0K

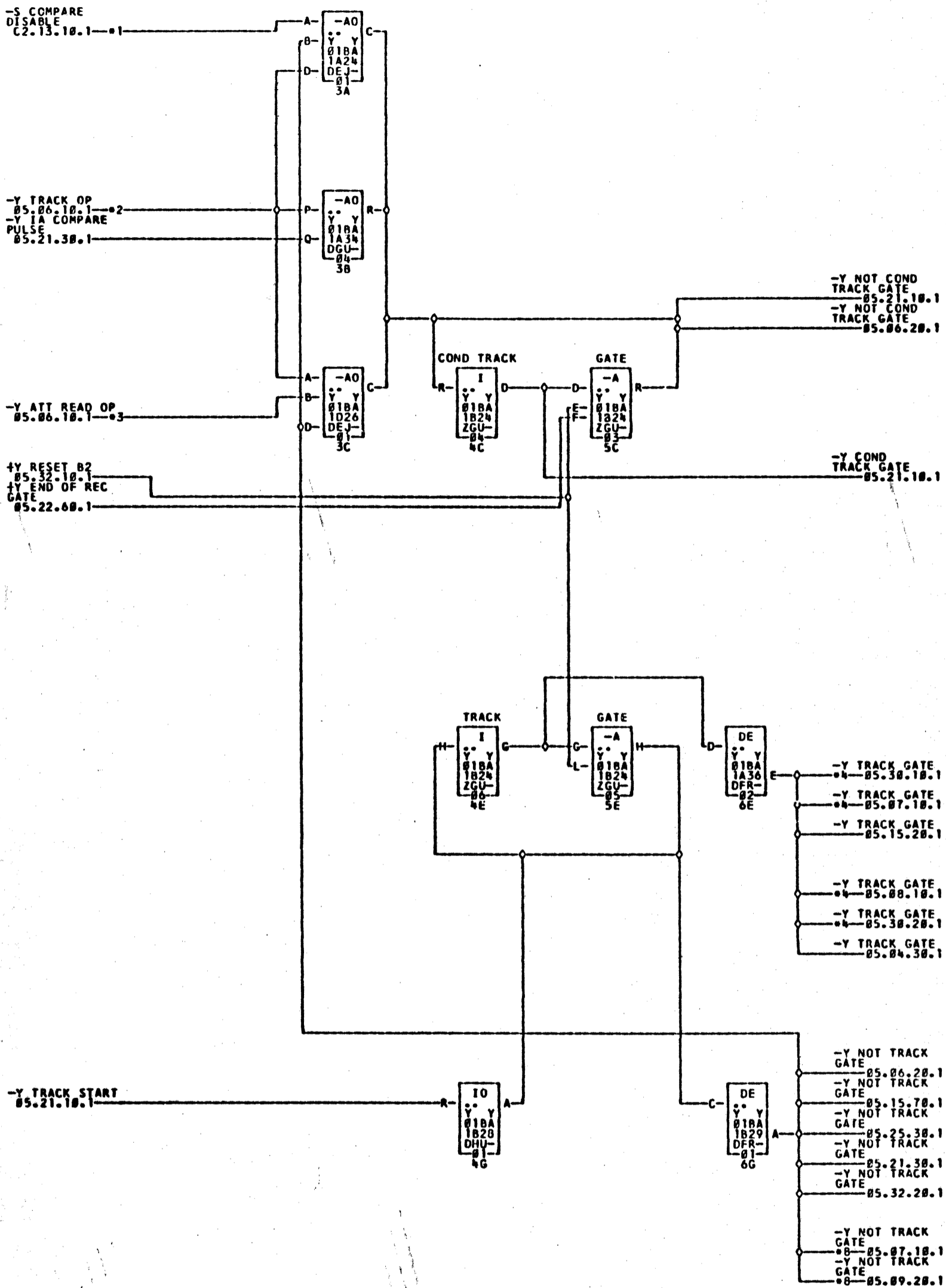
1B
1C
1D
1E
1F
1G
1H
1J



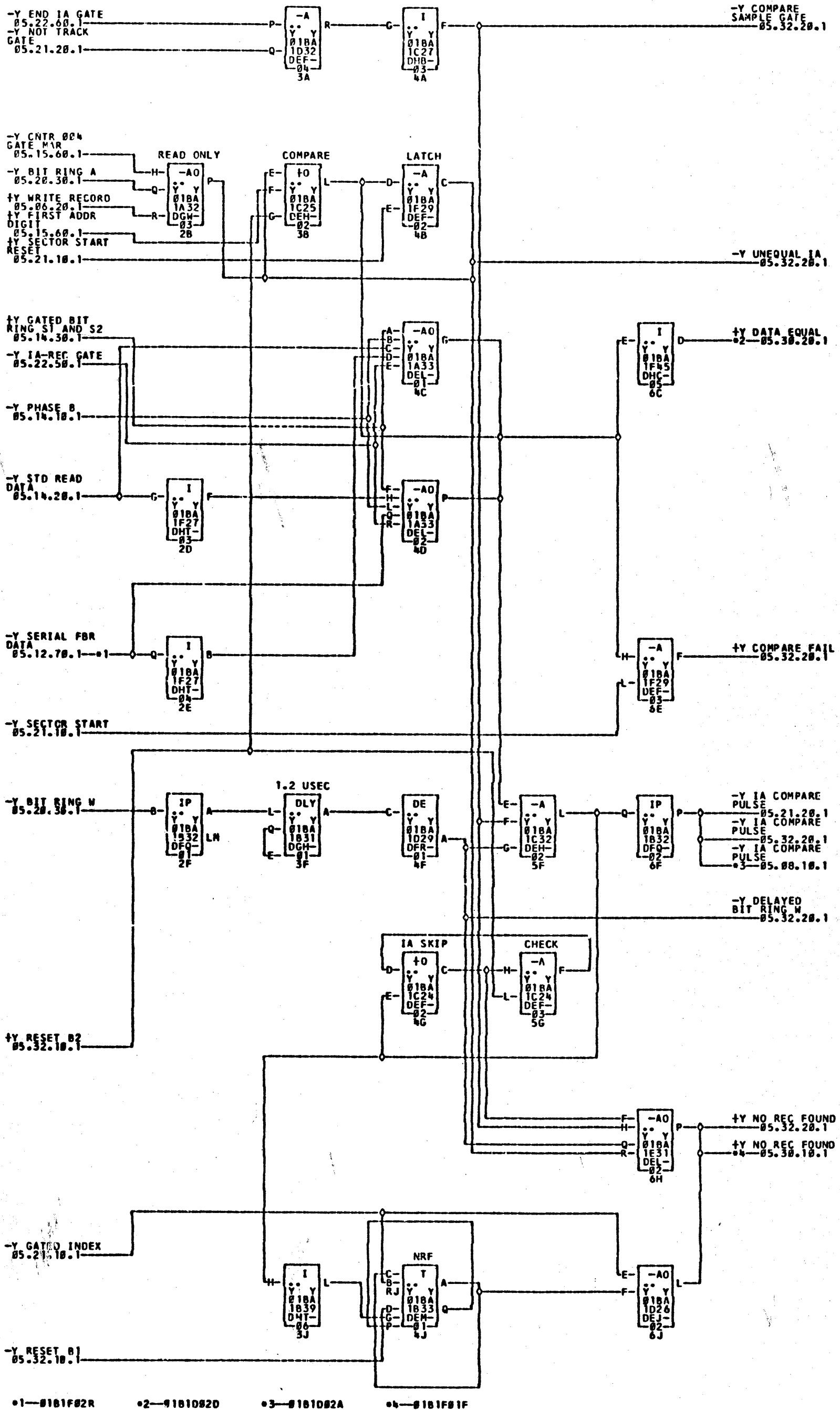
•1—0181E01B •3—0181E02J •8—0181E02K •C—0181E02M •H—0181E02P



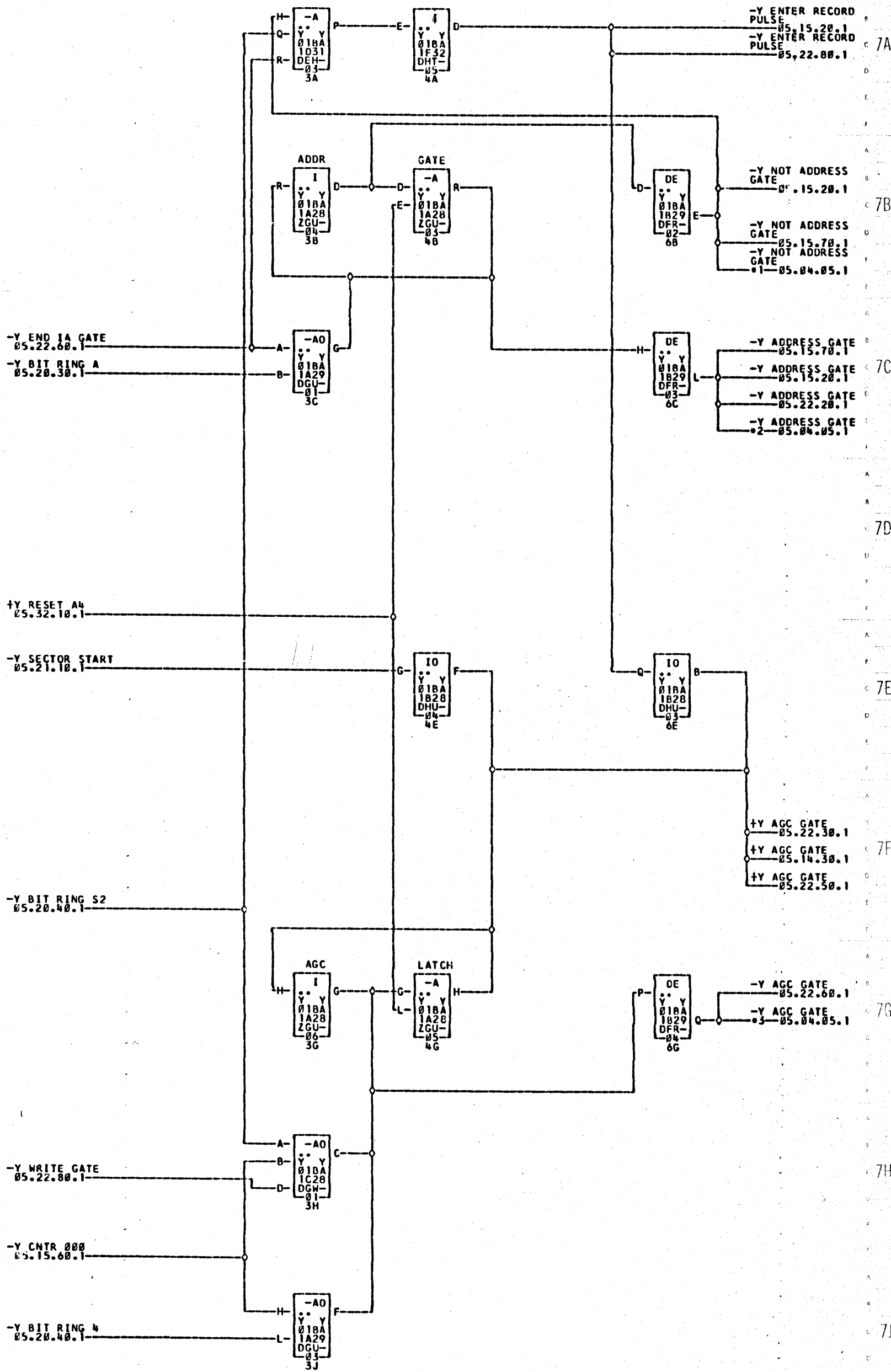
*1-01B1C02D *2-01B1D01R *3-01B1D01M *4-01B1E01E *5-01B1F03K -01B1X10



- 1—01B1C02D
- 2—01B1E01E
- 3—01B1D01B
- 4—01B1D02Q
- 8—01B1E02C



*1-#181F02R *2-#181D02D *3-#181D02A *4-#181F01F



*1--01B1F03P ———— 01B1XF14 *2--01B1F03N - - - - 01B1XF13 *3--01B1F03Q ———— 01B1XF15

1A

7A

1B

7B

1C

7C

1D

7D

1E

7E

1F

7F

1G

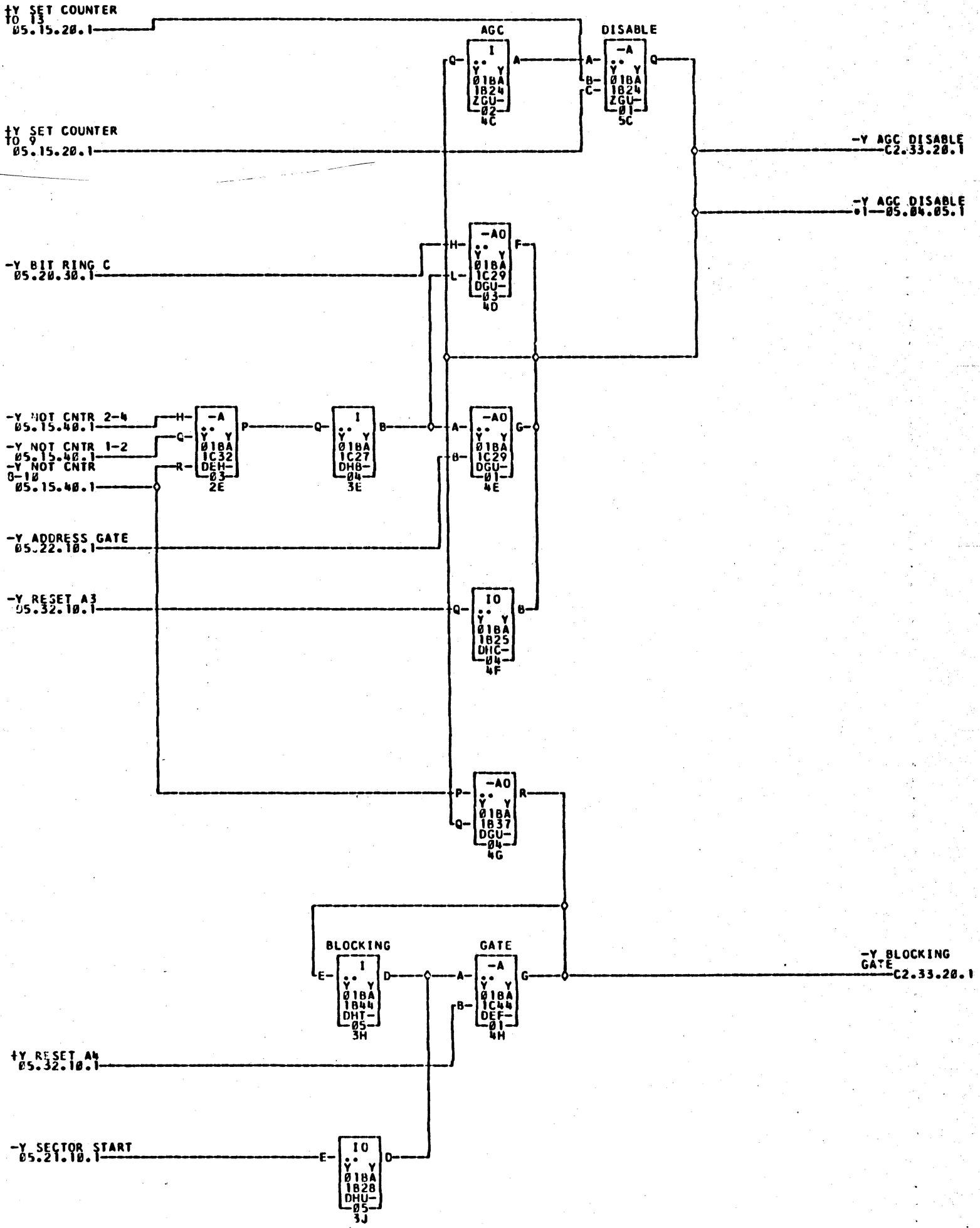
7G

1H

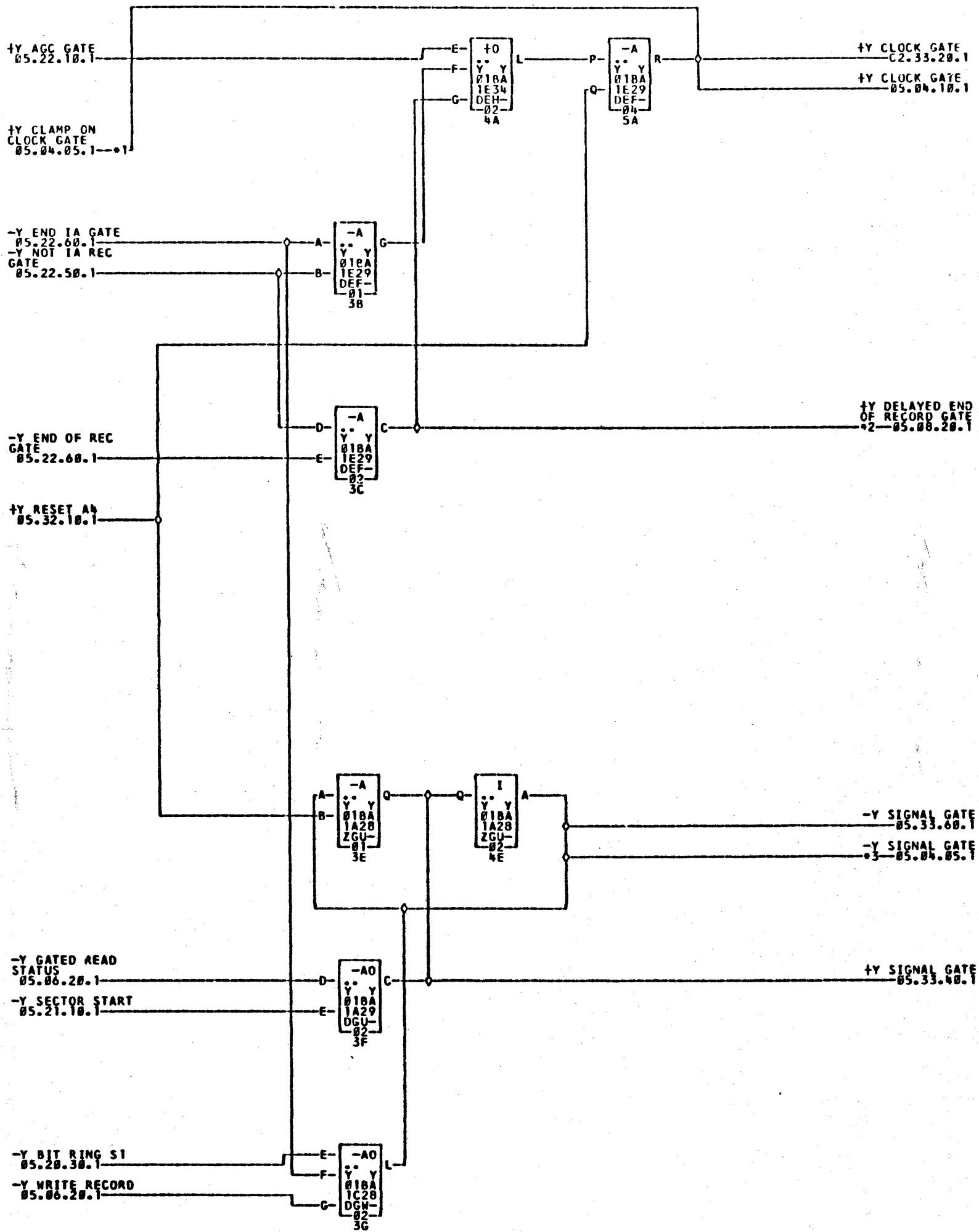
7H

1I

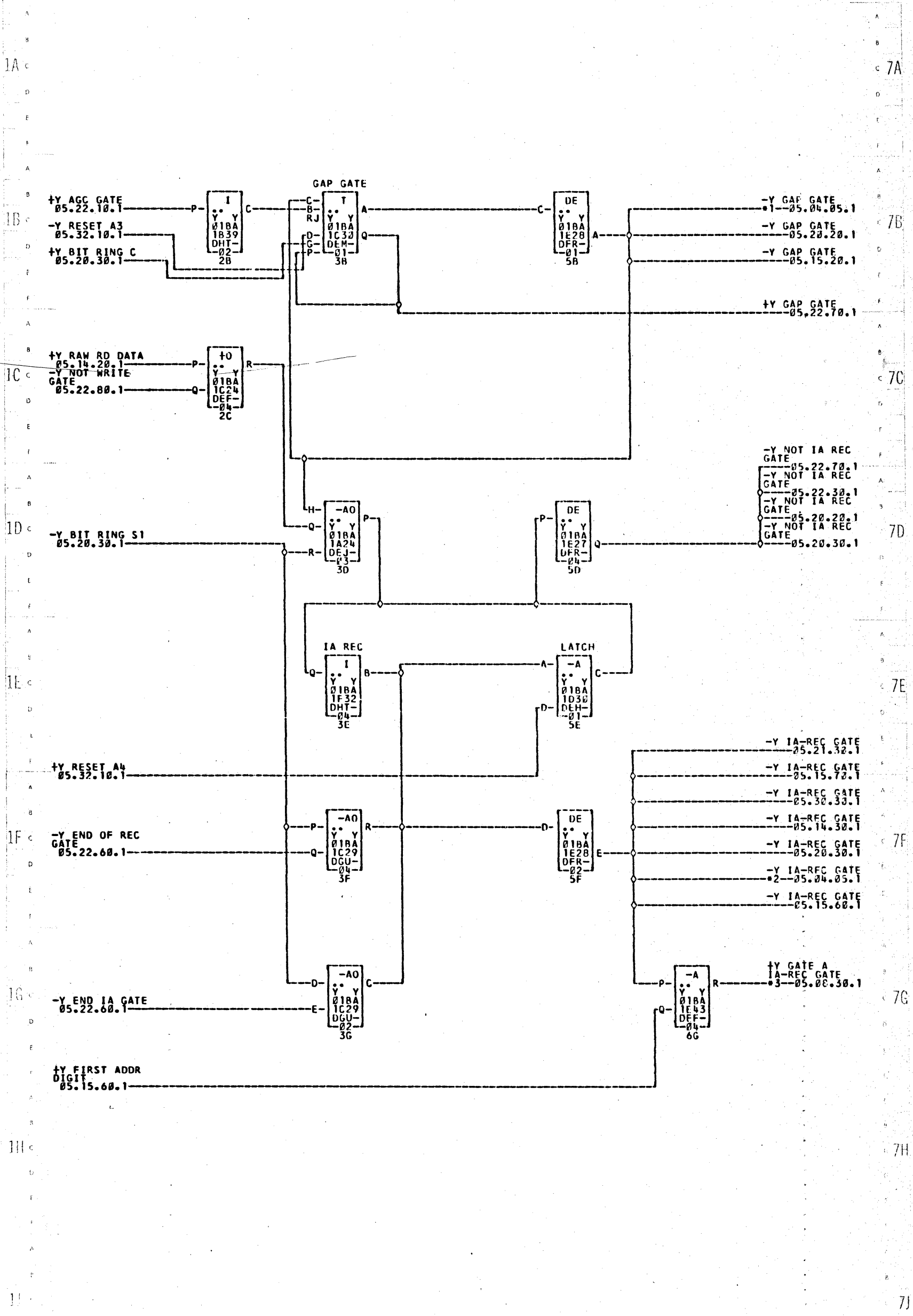
7I



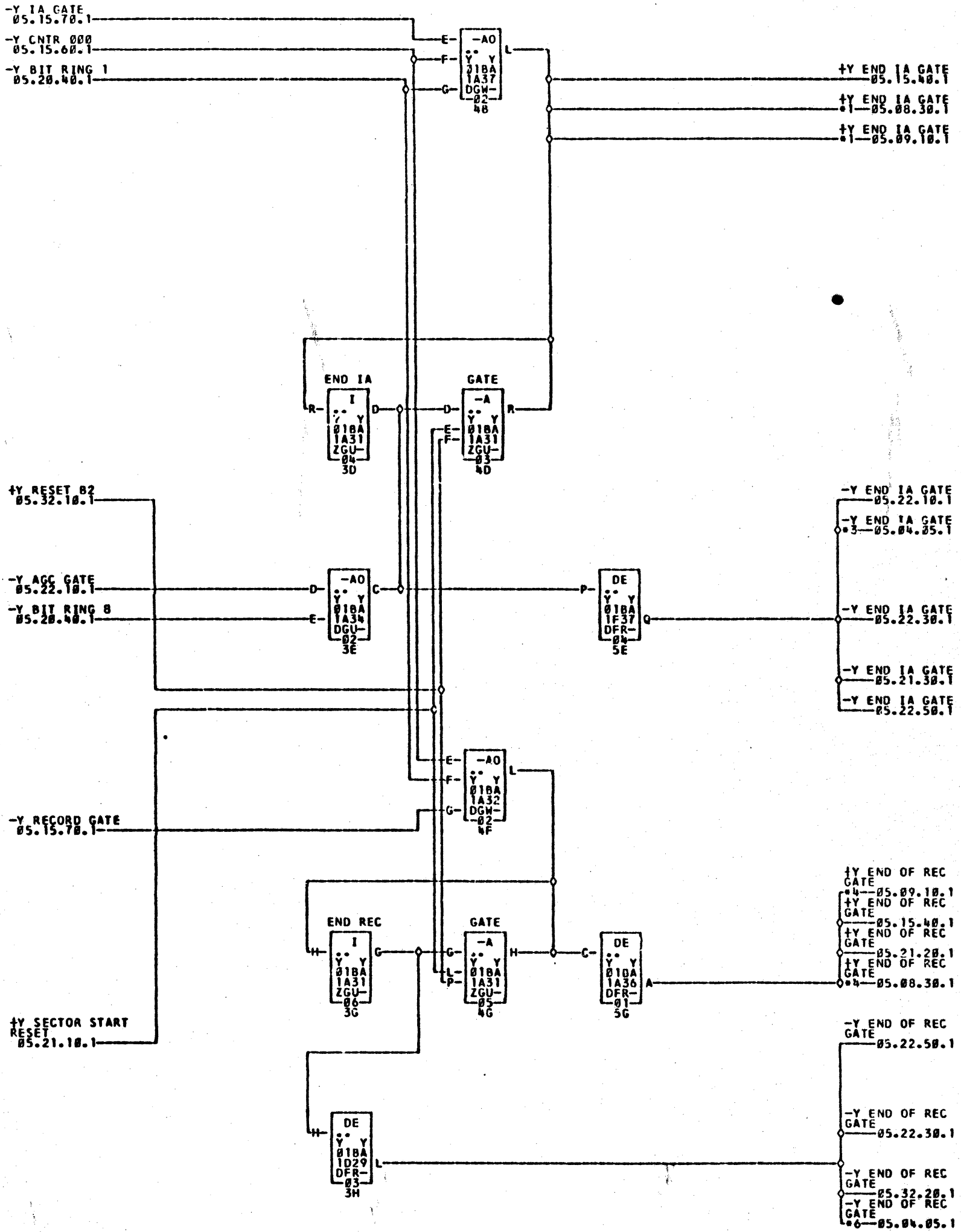
•1--01B1F03R ---01BXF16



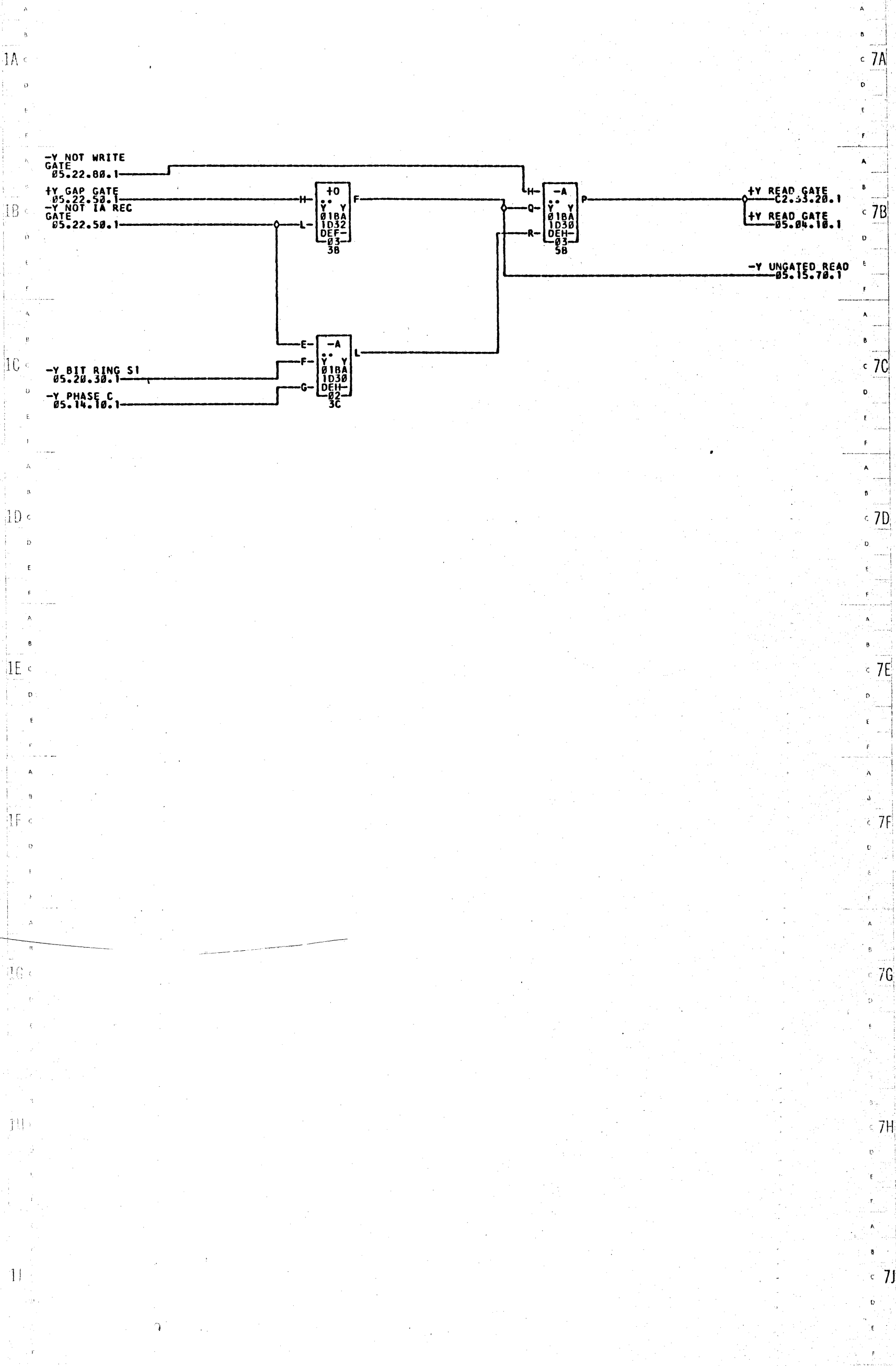
*1-01B1F04J 01BXF25 *2-01B1E02F *3-01B1F04E 01BXF21



*1--01B1F04A ———— 01BXF17 *2--01B1F04B ———— 01BXF18 *3--01B1E02E



•1--01B1E02B •3--01B1F04C ———01B1XF19 •4--01B1D02R •6--01B1F04D ———01B1XF20



7A

7B

7C

7D

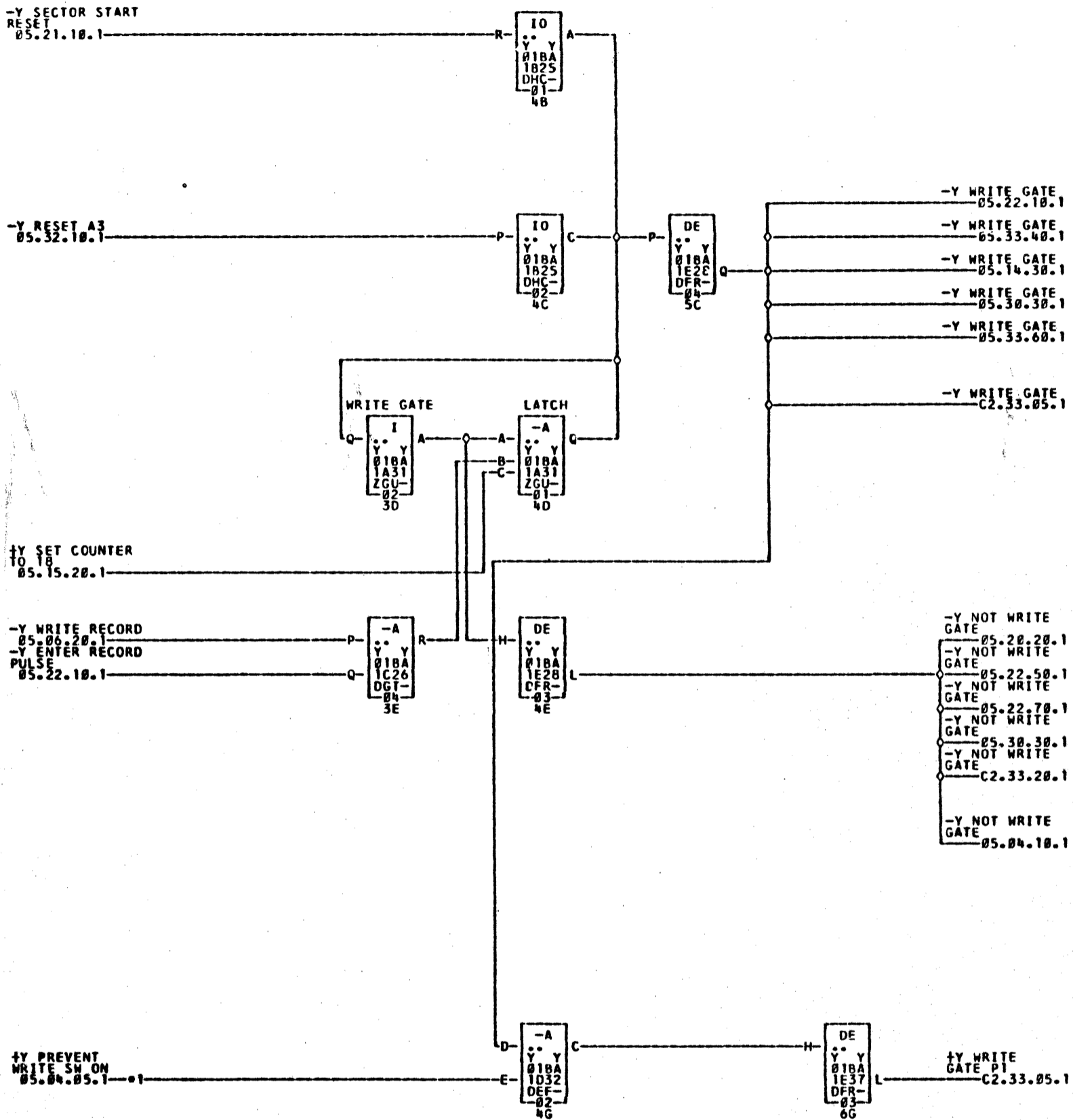
7E

7F

7G

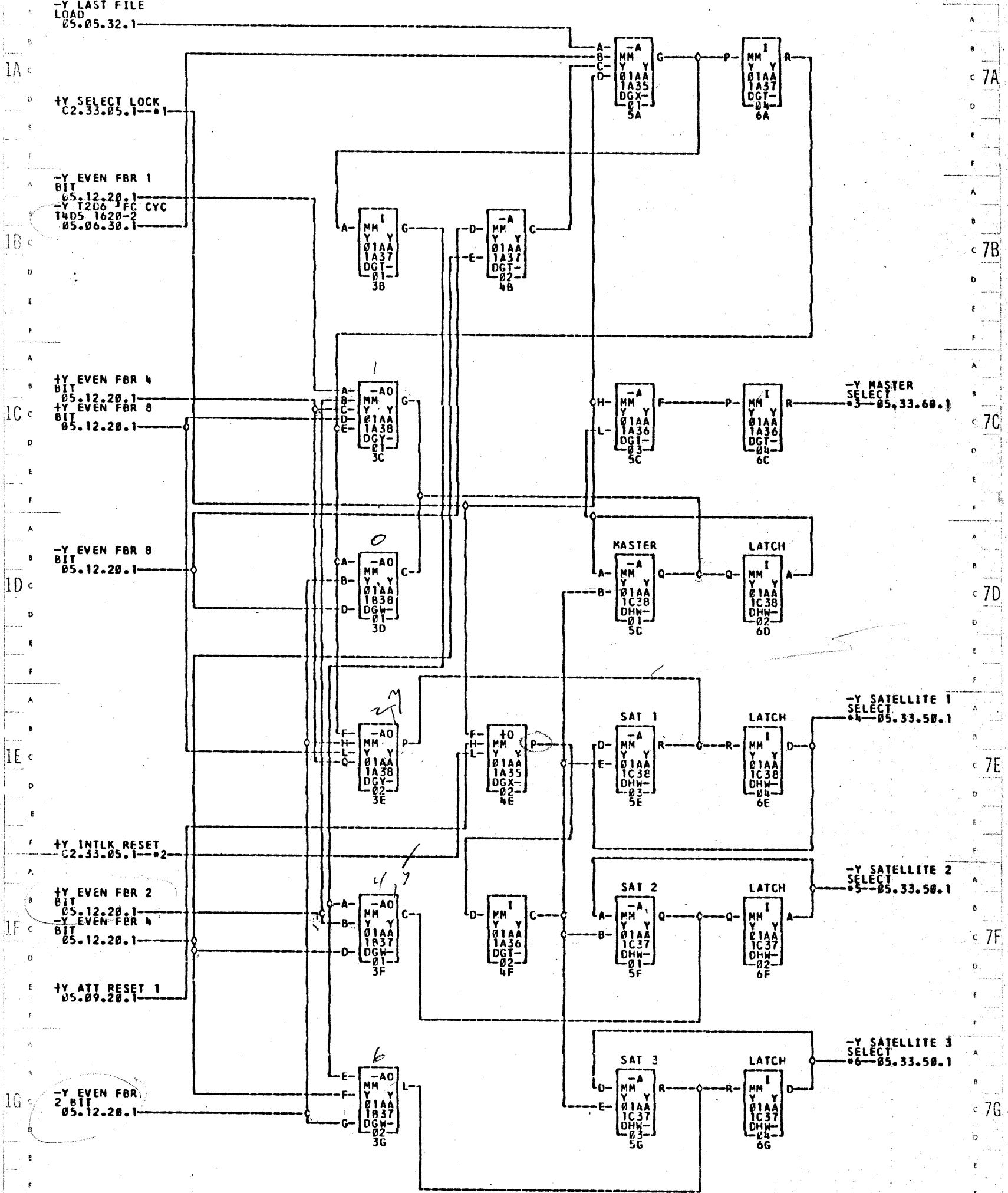
7H

7I



01--01B1F04P 01BXF30

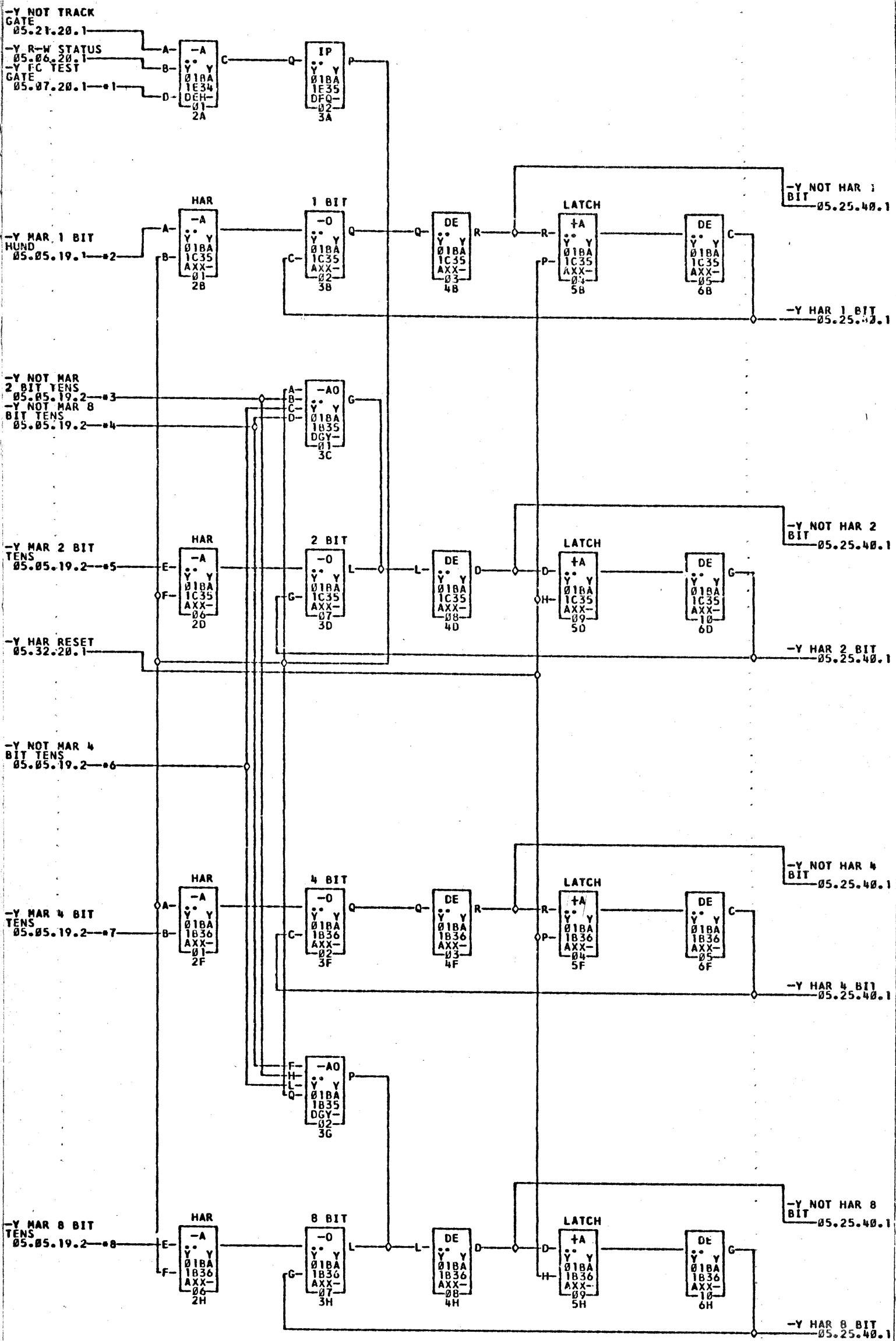
T248 05.11.10.1



2

7A
7B
7C
7D
7E
7F
7G
7H
7I

- 1--01A1F01A
- 2--01A1E01R
- 3--01A1F02L
- 4--01A1F02M
- 5--01A1F02N
- 6--01A1F02P



*1-01B1E01D
*7-01B1D02M

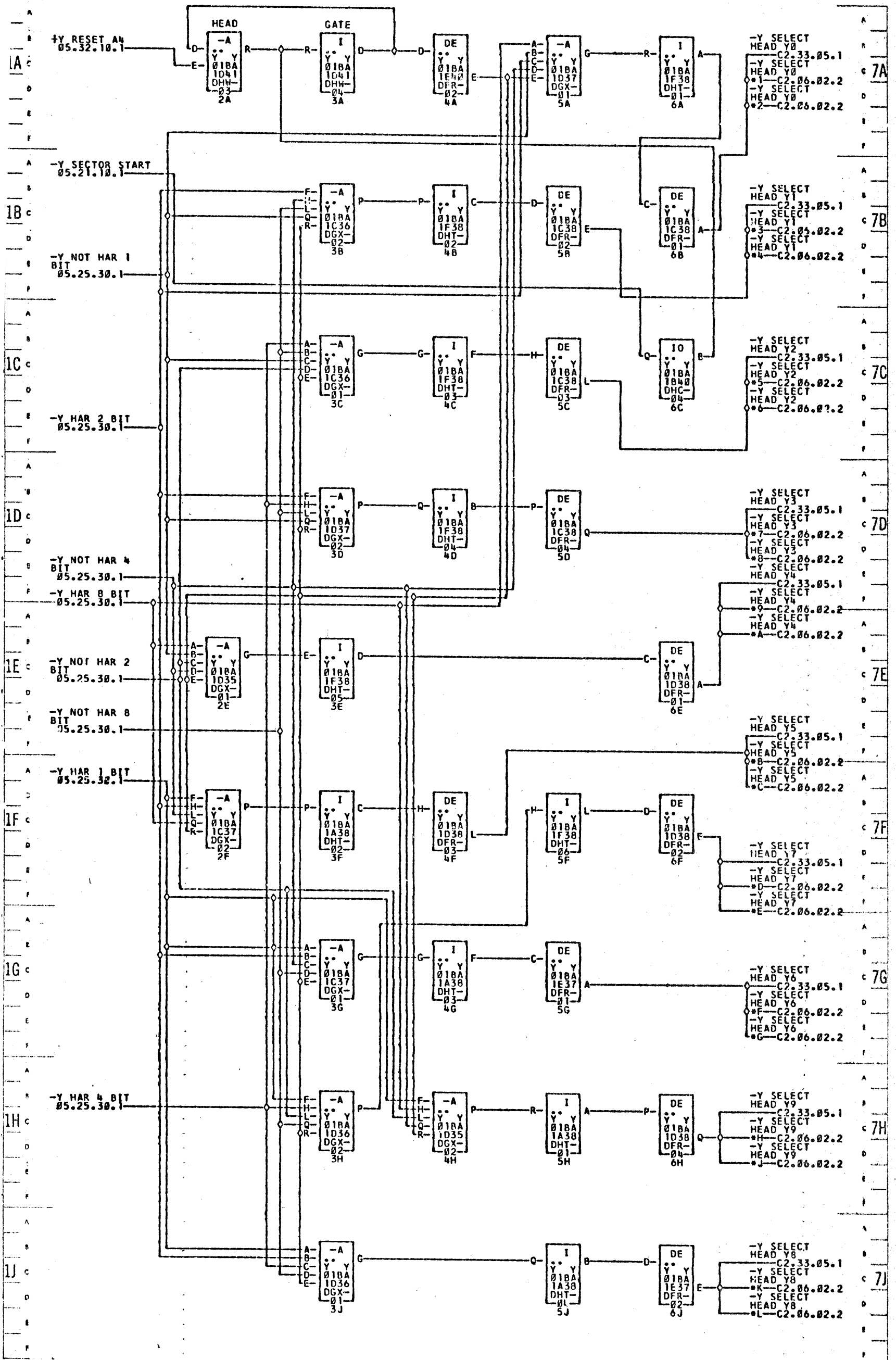
*2-01B1D02G
*8-01B1D02N

*3-01B1D02H

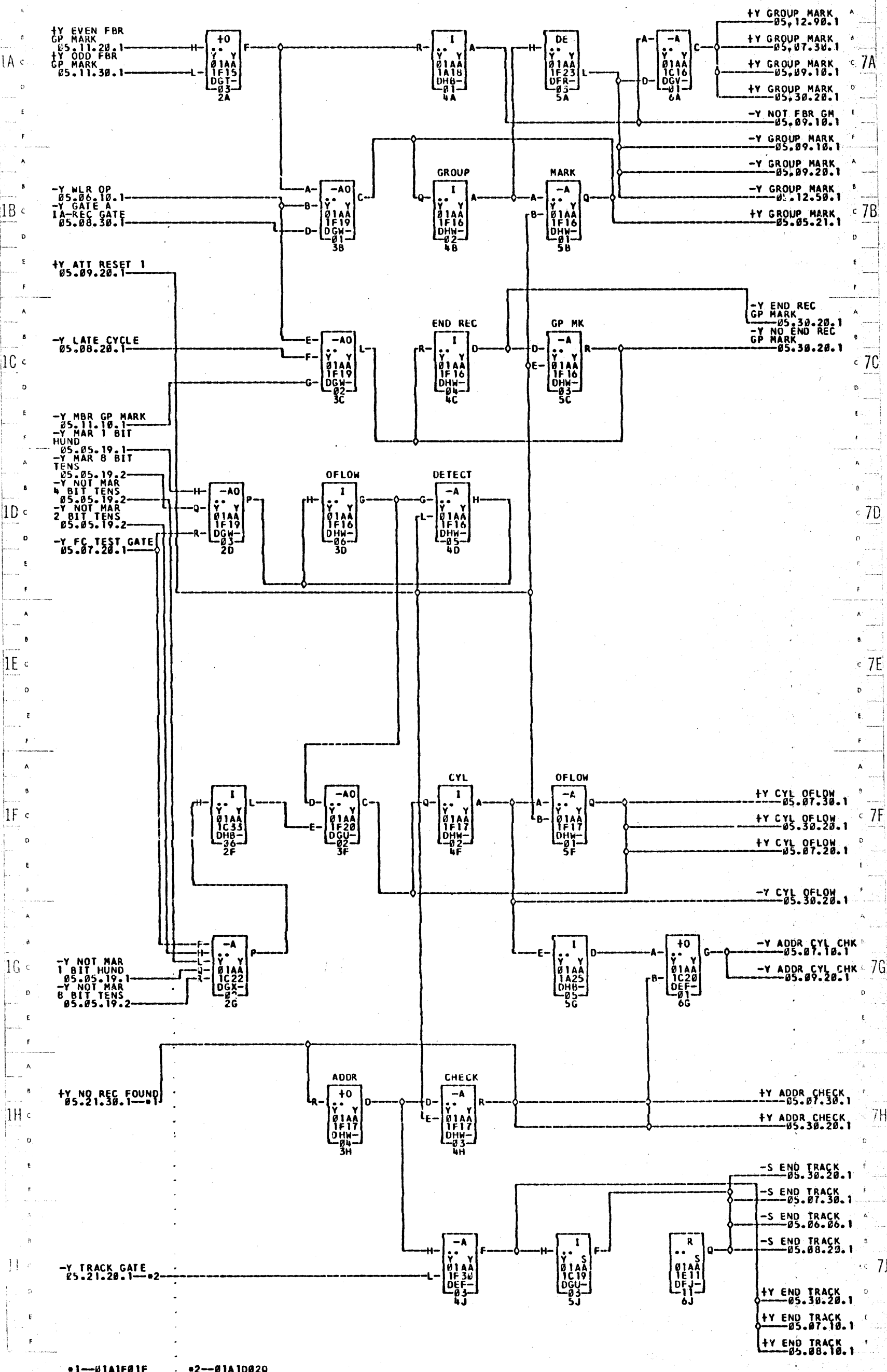
*4-01B1D02J

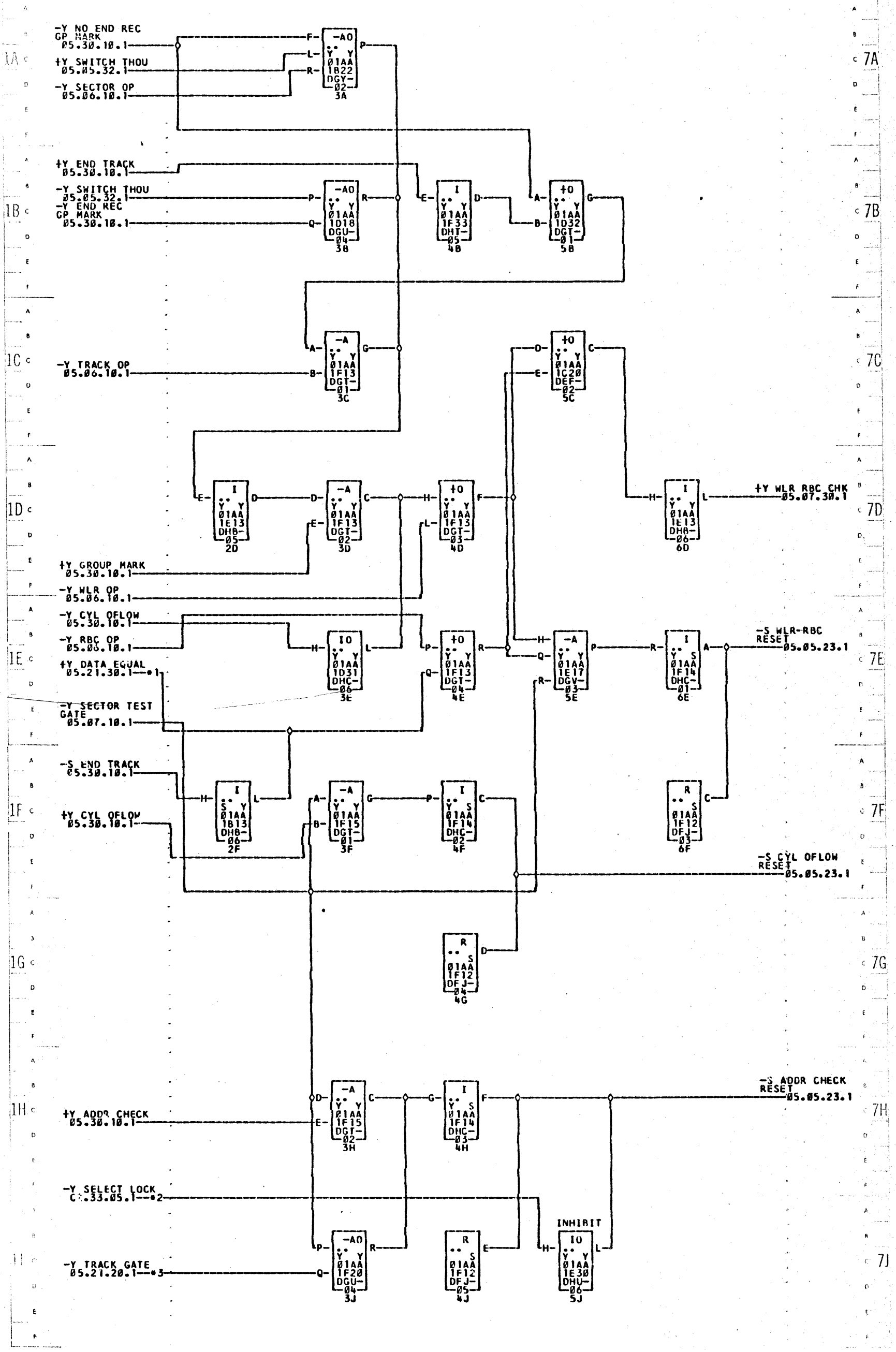
*5-01B1D02K

*6-01B1D02L

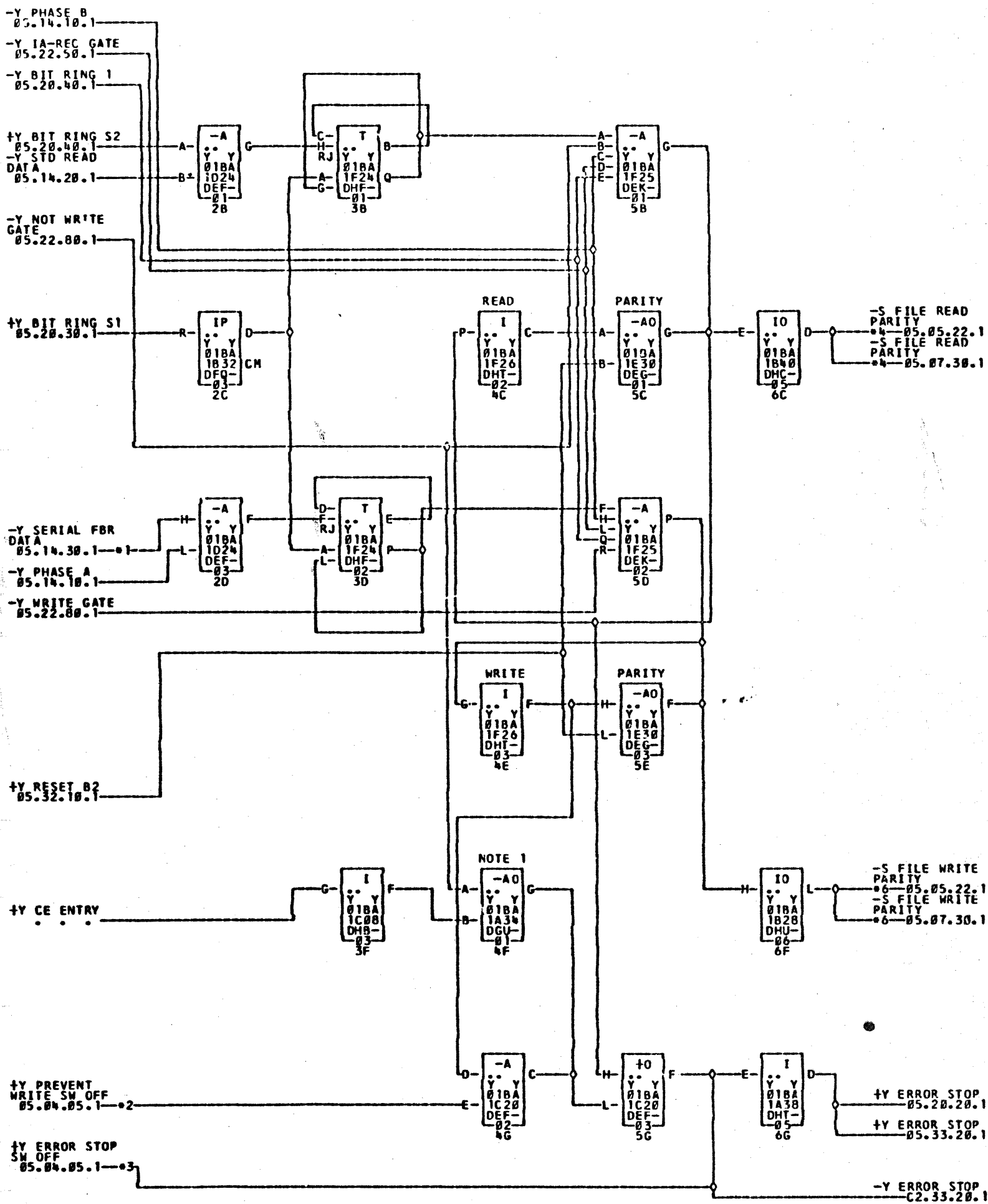


- | | | | | | |
|-------------|---------|-------------|---------|-------------|---------|
| *1-01B1A03A | 01BX001 | *2-01B1A03A | 01BX001 | *3-01B1A03B | 01BX002 |
| *4-01B1A03B | 01BX002 | *5-01B1A03C | 01BX003 | *6-01B1A03C | 01BX003 |
| *7-01B1A03D | 01BX004 | *8-01B1A03D | 01BX004 | *9-01B1A03E | 01BX005 |
| *A-01B1A03E | 01BX005 | *B-01B1A03F | 01BX006 | *C-01B1A03F | 01BX006 |
| *D-01B1A03H | 01BX008 | *E-01B1A03H | 01BX008 | *F-01B1A03G | 01BX007 |
| *G-01B1A03C | 01BX007 | *H-01B1A03K | 01BX010 | *J-01B1A03K | 01BX010 |
| *K-01B1A03J | 01BX009 | | | | |





*1--01A1D02D *2--01A1F01B *3--01A1D02Q



*1--01B1F02R
*6--01B1D01Q

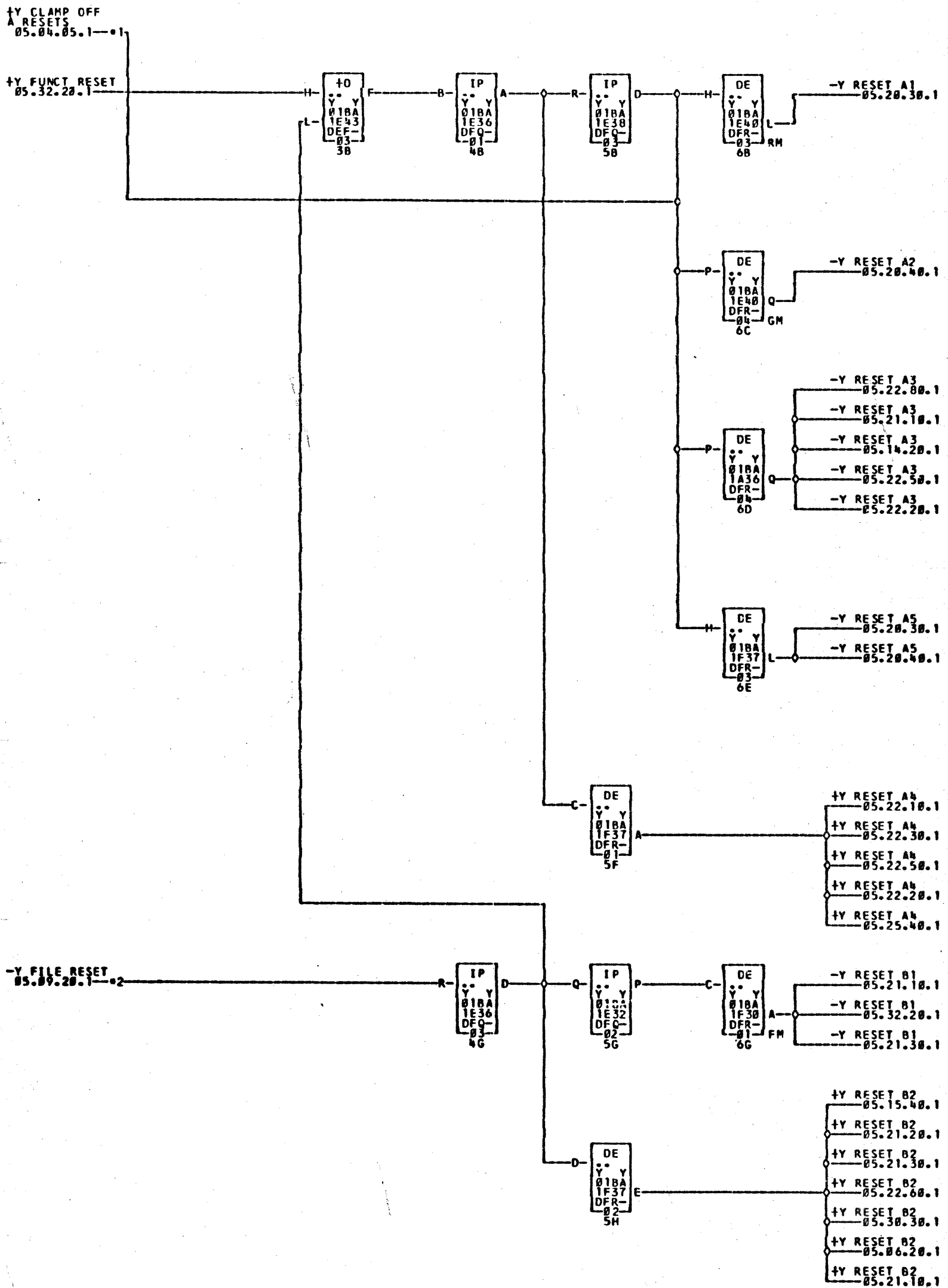
*2--01B1F04M

---01B1XF29

*3--01B1F04M

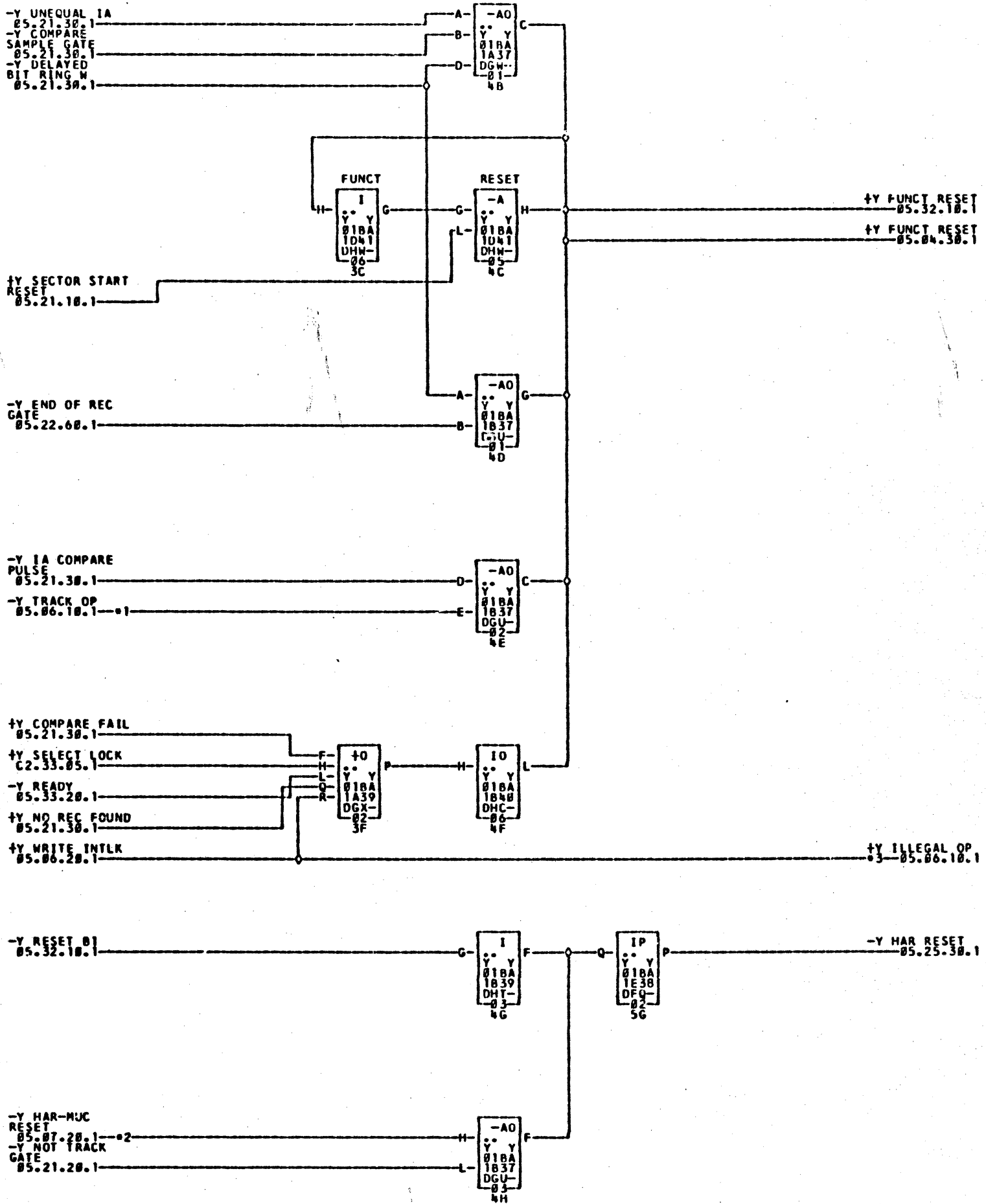
---01B1XF28

*4--01B1D01N

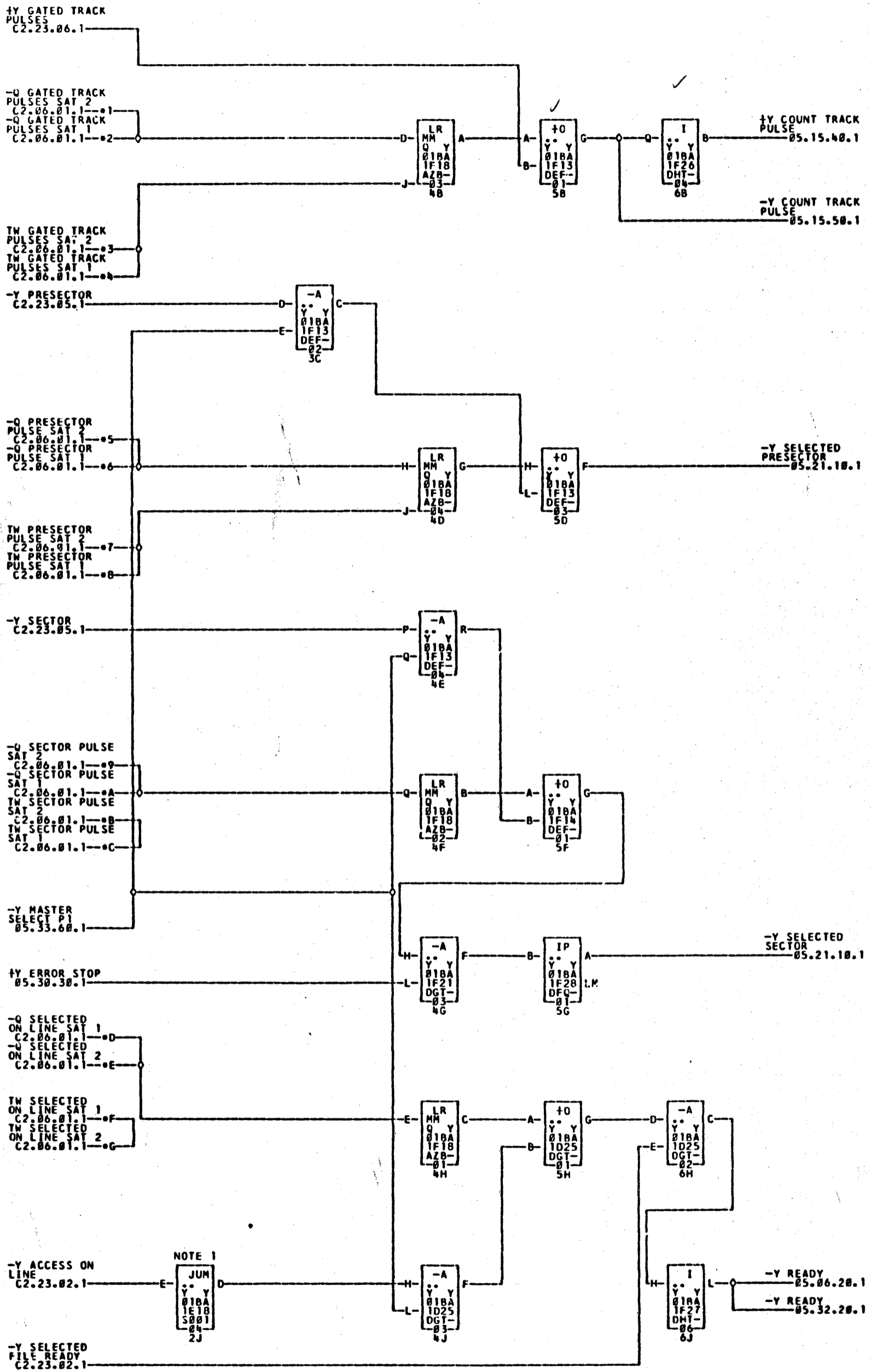


78
7C
7D
7E
7F
7G
7H
7I

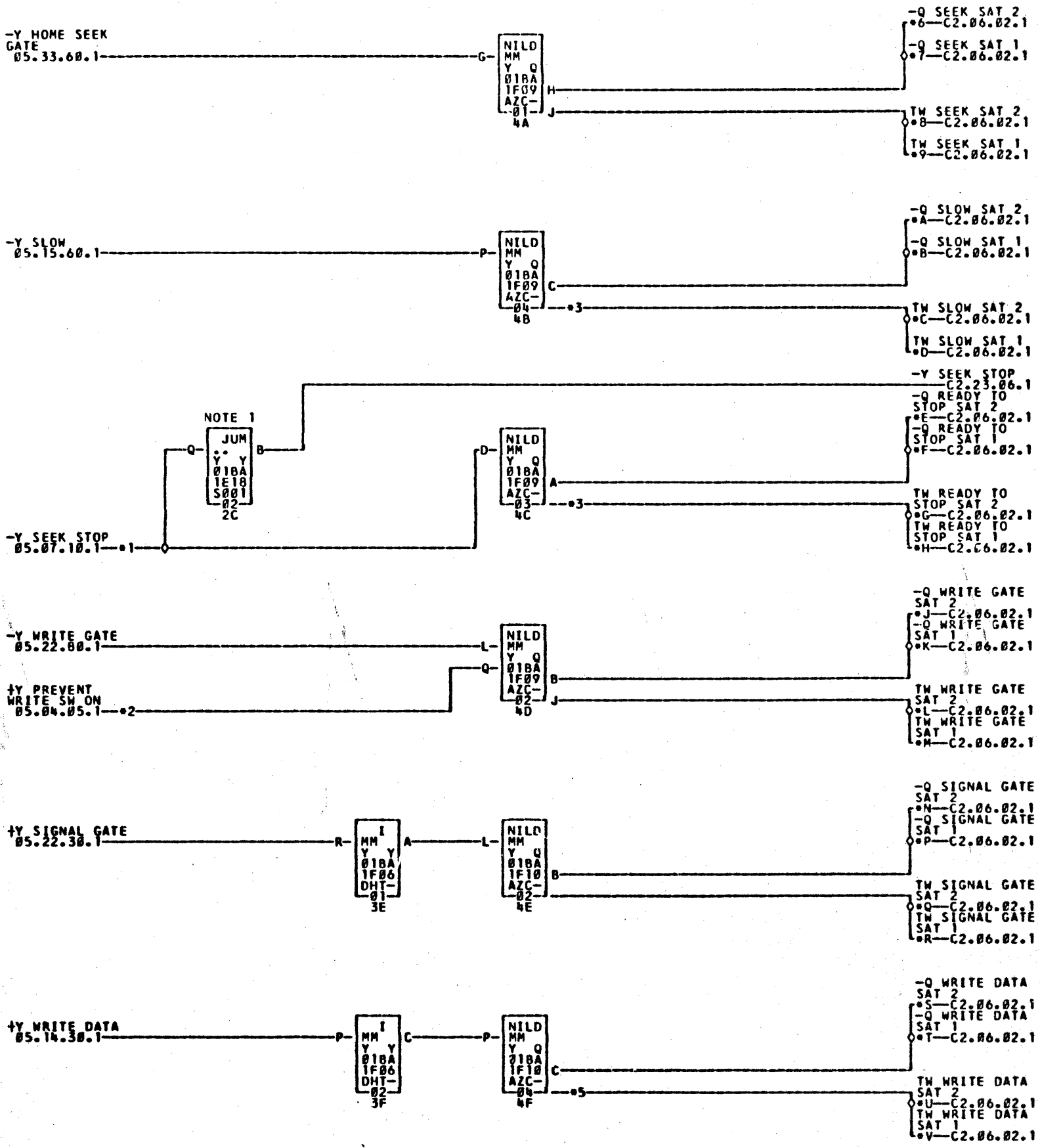
01-0101F04K 010XF26 02-0101F01C



*1--0101E01E *2--0101F02D *3--0101D02C



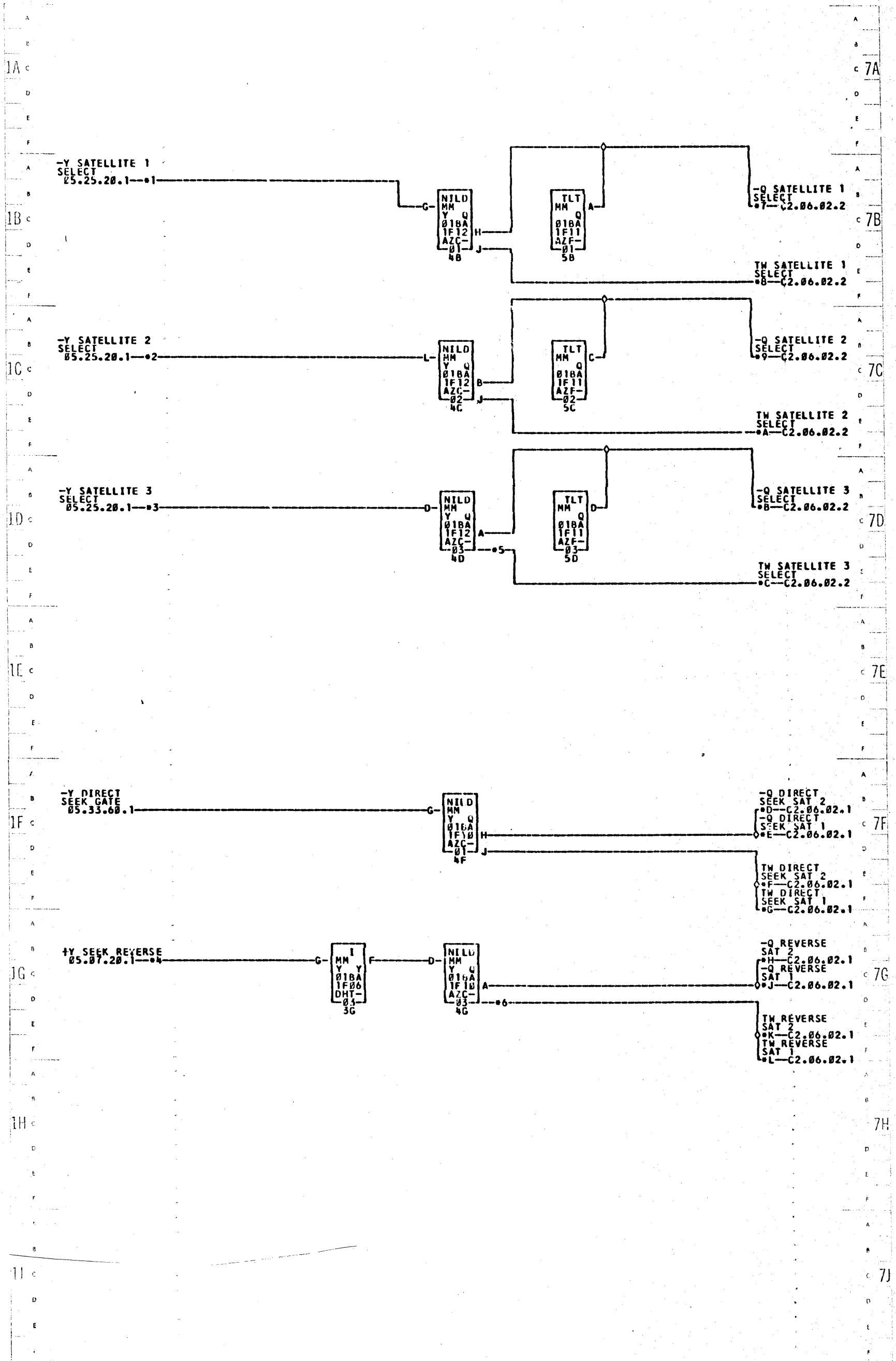
*1-01B1D04F	=====01BXD22	*2-01B1C04F	=====01BXC22	*3-01B1D04E	=====01BXD21
*4-01B1C04E	=====01BXC21	*5-01B1D04K	=====01BXD26	*6-01B1C04K	=====01BXC26
*7-01B1D04J	=====01BXD25	*8-01B1C04J	=====01BXC25	*9-01B1D04M	=====01BXD28
*A-01B1C04M	=====01BXC28	*B-01B1D04L	=====01B1F06J	*C-01B1C04L	=====01BXC28
*B-01B1F06J	=====01BXC27	*D-01B1C04H	=====01BXC24	*E-01B1D04H	=====01BXD24
*F-01B1C04G	=====01B1F06J	=====01BXC23	*C-01B1D04G	=====01B1F06J	=====01BXD23



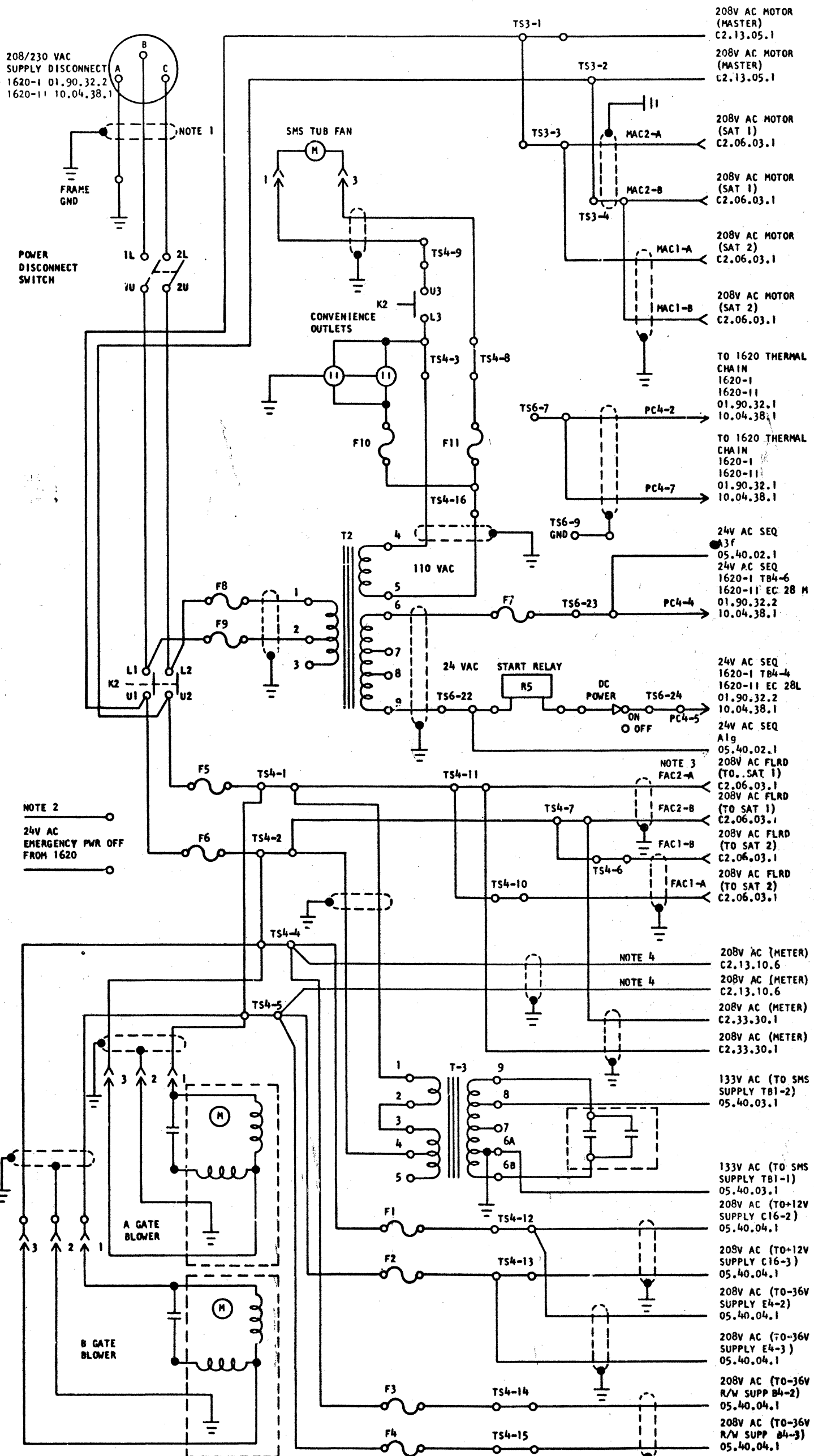
NOTE 1



- *1-01B1F02B
- *2-01B1F04P
- *3-01B1F07J
- *4-01B1F08J
- *5-01B1F08J
- *6-01B1D03R
- *7-01B1C03R
- *8-01B1D03Q
- *9-01B1C03Q
- *A-01B1D04B
- *B-01B1C04B
- *C-01B1D04A
- *D-01B1C04A
- *E-01B1D04D
- *F-01B1C04D
- *G-01B1D04P
- *H-01B1C04P
- *I-01B1D04N
- *J-01B1C04N
- *K-01B1D04Q
- *L-01B1C04Q
- *M-01B1D04C
- *N-01B1C04C
- *O-01B1D03C
- *P-01B1C03C
- *Q-01B1D03B
- *R-01B1C03B
- *S-01B1D03A
- *T-01B1C03A
- *U-01B1D03D
- *V-01B1C03D



- 1--01B1F02M
- 2--01B1F02N
- 3--01B1F02P
- 4--01B1F02A
- 5--01B1F11J
- 6--01B1F13J
- 7--01B1C03F
- 8--01B1C03E
- 9--01B1D03F
- 0--01B1C05
- 1--01B1D03E
- 2--01B1C06
- 3--01B1C03D
- 4--01B1C03C
- 5--01B1C03B
- 6--01B1C03A
- 7--01B1D03D
- 8--01B1D03C
- 9--01B1D03B
- 0--01B1D03A
- 1--01B1C03G
- 2--01B1C03F
- 3--01B1C03E
- 4--01B1C03D
- 5--01B1C03C
- 6--01B1C03B
- 7--01B1C03A
- 8--01B1D03G
- 9--01B1D03F
- 0--01B1D03E
- 1--01B1D03D
- 2--01B1D03C
- 3--01B1D03B
- 4--01B1D03A
- 5--01B1C03H
- 6--01B1C03G
- 7--01B1C03F
- 8--01B1C03E
- 9--01B1C03D
- 0--01B1C03C
- 1--01B1C03B
- 2--01B1C03A
- 3--01B1D03H
- 4--01B1D03G
- 5--01B1D03F
- 6--01B1D03E
- 7--01B1D03D
- 8--01B1D03C
- 9--01B1D03B
- 0--01B1D03A
- 1--01B1C03I
- 2--01B1C03H
- 3--01B1C03G
- 4--01B1C03F
- 5--01B1C03E
- 6--01B1C03D
- 7--01B1C03C
- 8--01B1C03B
- 9--01B1C03A
- 0--01B1D03H
- 1--01B1D03G
- 2--01B1D03F
- 3--01B1D03E
- 4--01B1D03D
- 5--01B1D03C
- 6--01B1D03B
- 7--01B1D03A
- 8--01B1C03J
- 9--01B1C03I
- 0--01B1C03H
- 1--01B1C03G
- 2--01B1C03F
- 3--01B1C03E
- 4--01B1C03D
- 5--01B1C03C
- 6--01B1C03B
- 7--01B1C03A
- 8--01B1D03H
- 9--01B1D03G
- 0--01B1D03F
- 1--01B1D03E
- 2--01B1D03D
- 3--01B1D03C
- 4--01B1D03B
- 5--01B1D03A



208/230 VAC
SUPPLY DISCONNECT
1620-1 01.90.32.2
1620-11 10.04.38.1

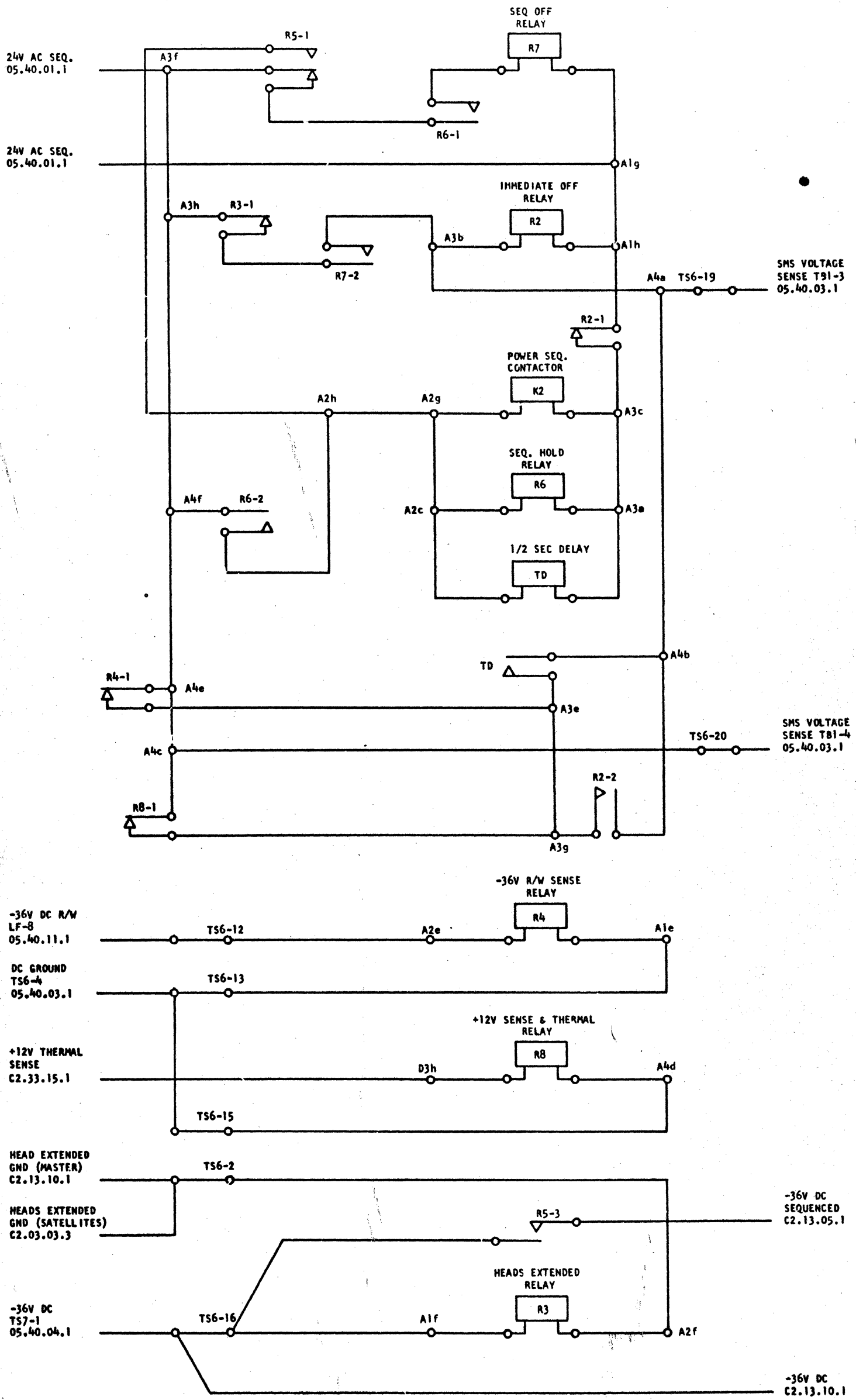
NOTE 1

POWER
DISCONNECT
SWITCH

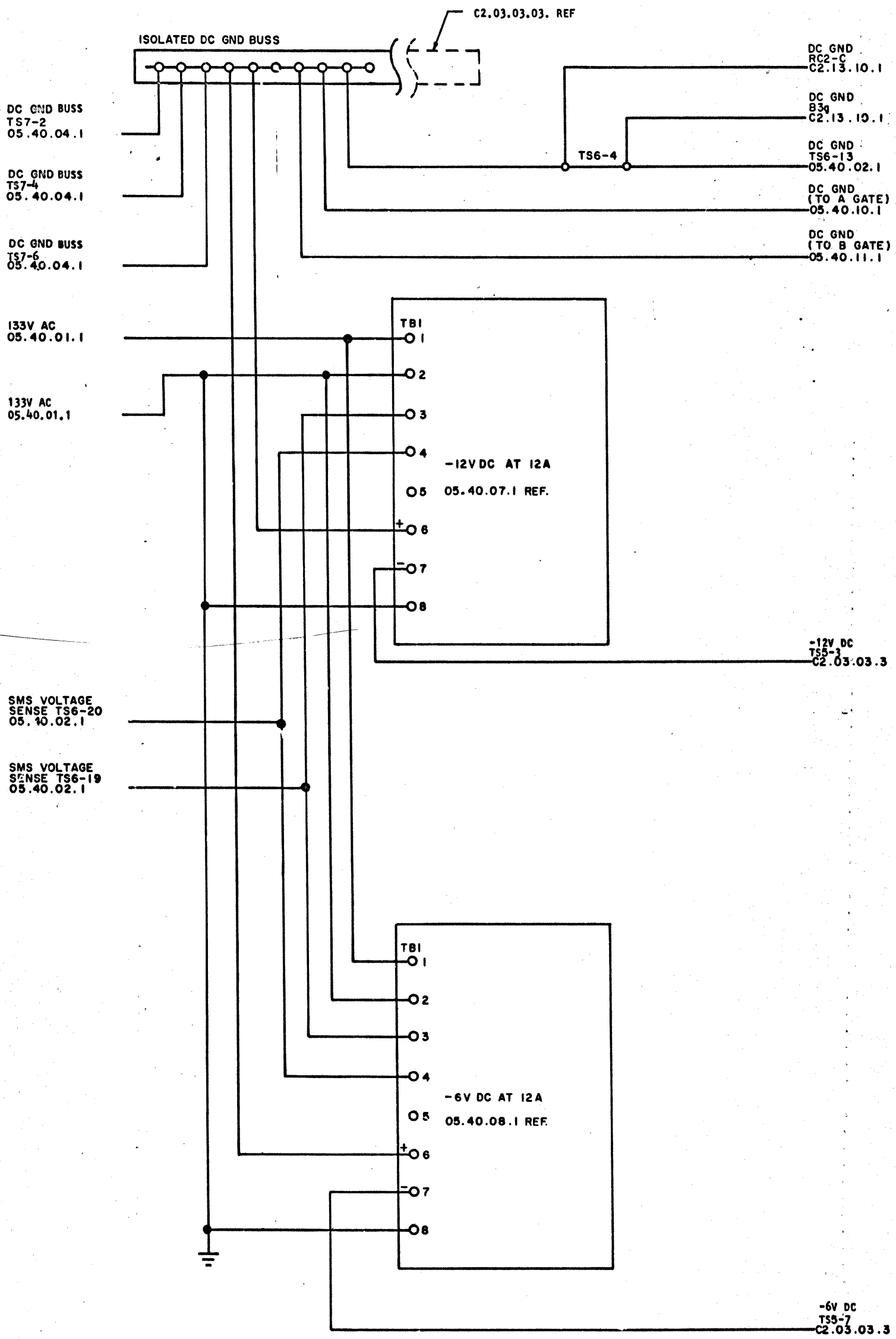
NOTE 2
24V AC
EMERGENCY PWR OFF
FROM 1620

- 208V AC MOTOR (MASTER) C2.13.05.1
- 208V AC MOTOR (MASTER) C2.13.05.1
- 208V AC MOTOR (SAT 1) C2.06.03.1
- 208V AC MOTOR (SAT 1) C2.06.03.1
- 208V AC MOTOR (SAT 2) C2.06.03.1
- 208V AC MOTOR (SAT 2) C2.06.03.1
- TO 1620 THERMAL CHAIN 1620-1 1620-11 01.90.32.1 10.04.38.1
- TO 1620 THERMAL CHAIN 1620-1 1620-11 01.90.32.1 10.04.38.1
- 24V AC SEQ 3f 05.40.02.1
- 24V AC SEQ 1620-1 TB4-6 1620-11 EC 28 M 01.90.32.2 10.04.38.1
- 24V AC SEQ 1620-1 TB4-4 1620-11 EC 28L 01.90.32.2 10.04.38.1
- 24V AC SEQ A1g 05.40.02.1
- NOTE 3 FAC2-A 208V AC FLRD (TO SAT 1) C2.06.03.1
- NOTE 3 FAC2-B 208V AC FLRD (TO SAT 1) C2.06.03.1
- NOTE 3 FAC1-B 208V AC FLRD (TO SAT 2) C2.06.03.1
- NOTE 3 FAC1-A 208V AC FLRD (TO SAT 2) C2.06.03.1
- NOTE 4 208V AC (METER) C2.13.10.6
- NOTE 4 208V AC (METER) C2.13.10.6
- NOTE 4 208V AC (METER) C2.33.30.1
- NOTE 4 208V AC (METER) C2.33.30.1
- 133V AC (TO SMS SUPPLY TB1-2) 05.40.03.1
- 133V AC (TO SMS SUPPLY TB1-1) 05.40.03.1
- 208V AC (TO-12V SUPPLY C16-2) 05.40.04.1
- 208V AC (TO-12V SUPPLY C16-3) 05.40.04.1
- 208V AC (TO-36V SUPPLY E4-2) 05.40.04.1
- 208V AC (TO-36V SUPPLY E4-3) 05.40.04.1
- 208V AC (TO-36V R/W SUPP B4-2) 05.40.04.1
- 208V AC (TO-36V R/W SUPP B4-3) 05.40.04.1

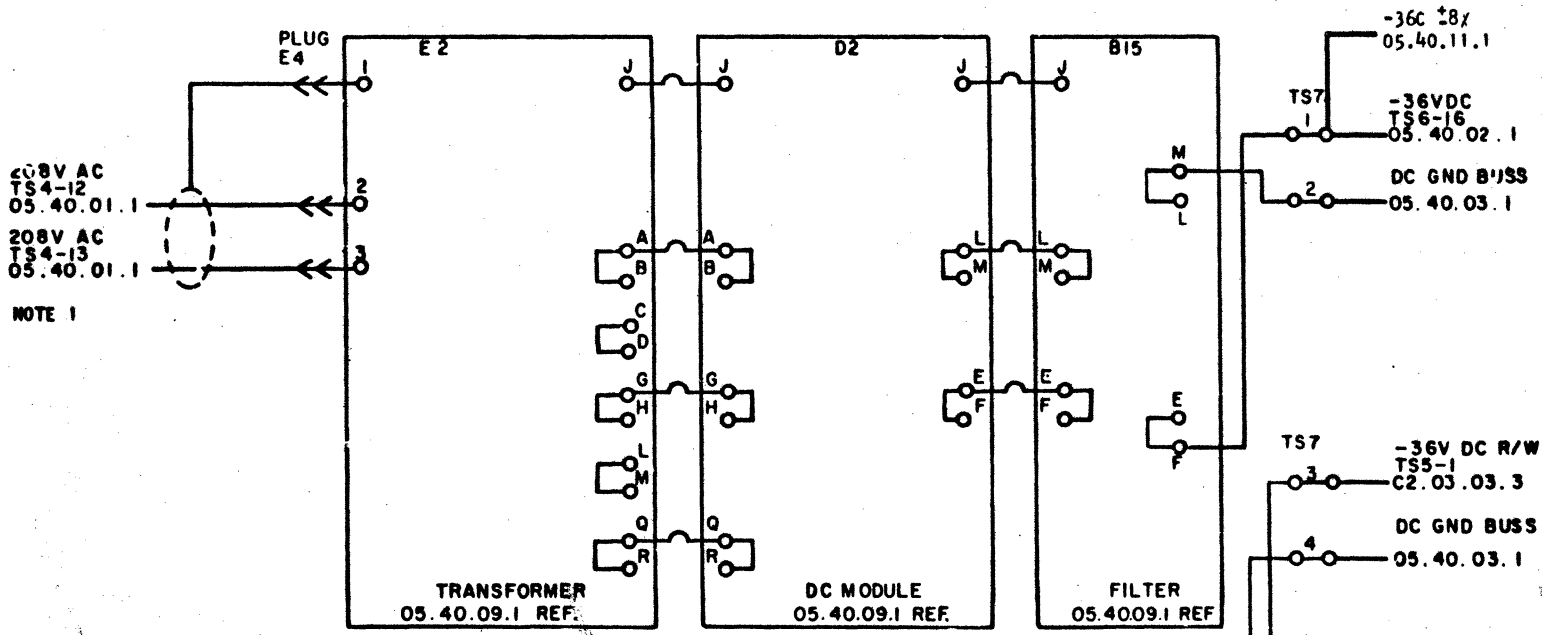
NOTE 1 SHIELD GOUNDED ON 1311 END ONLY
NOTE 2 24V AC EPO LINES FROM 1620 ARE TAPED IN CABLE ON 'C' SUFFIX 1311'S
NOTE 3 208 VAC FLRD LINES ARE NOT USED WITH 'D' SUFFIX 1311'S
NOTE 4 R/S METER



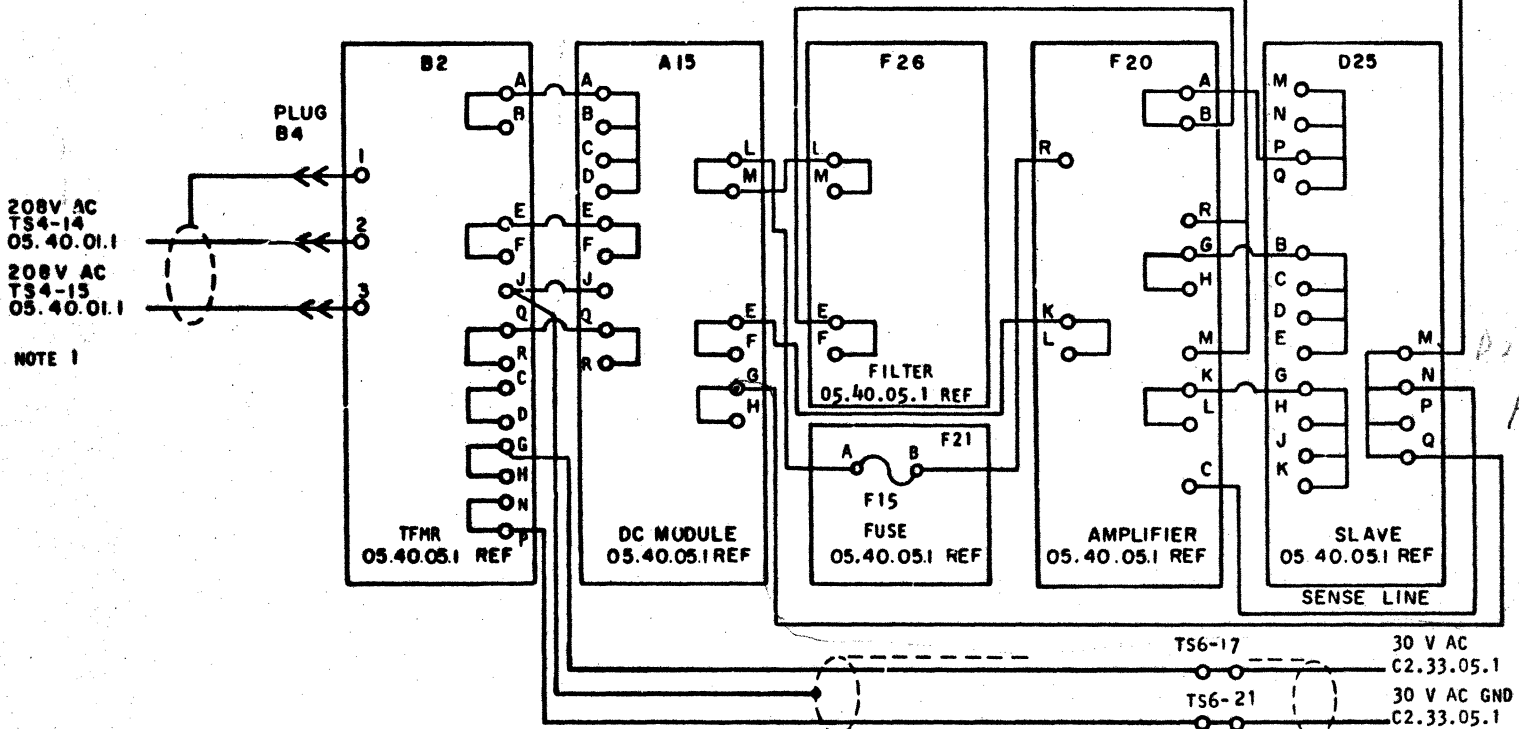
POWER SEQUENCE TIMING CHART
REF: 05.40.09.1



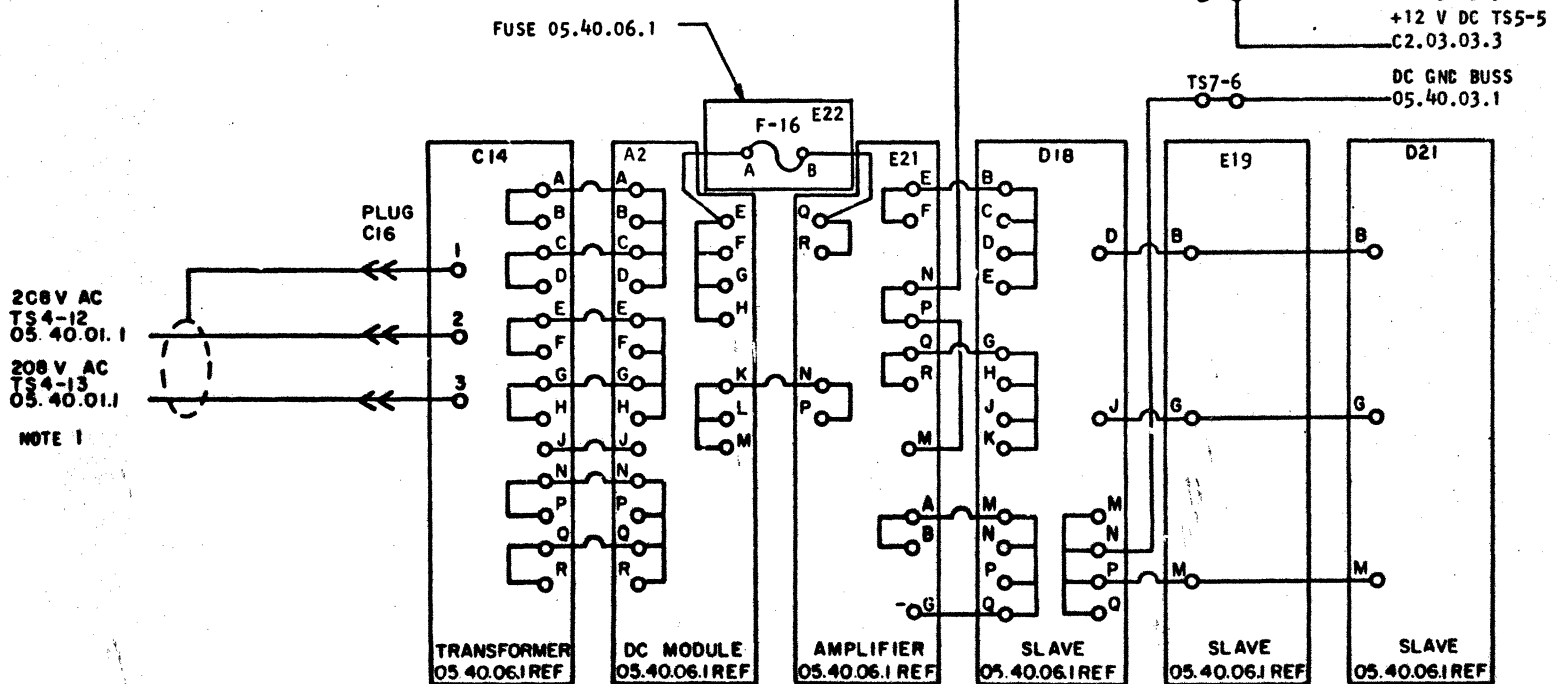
-36V DC 8% AT 2.5 AMP



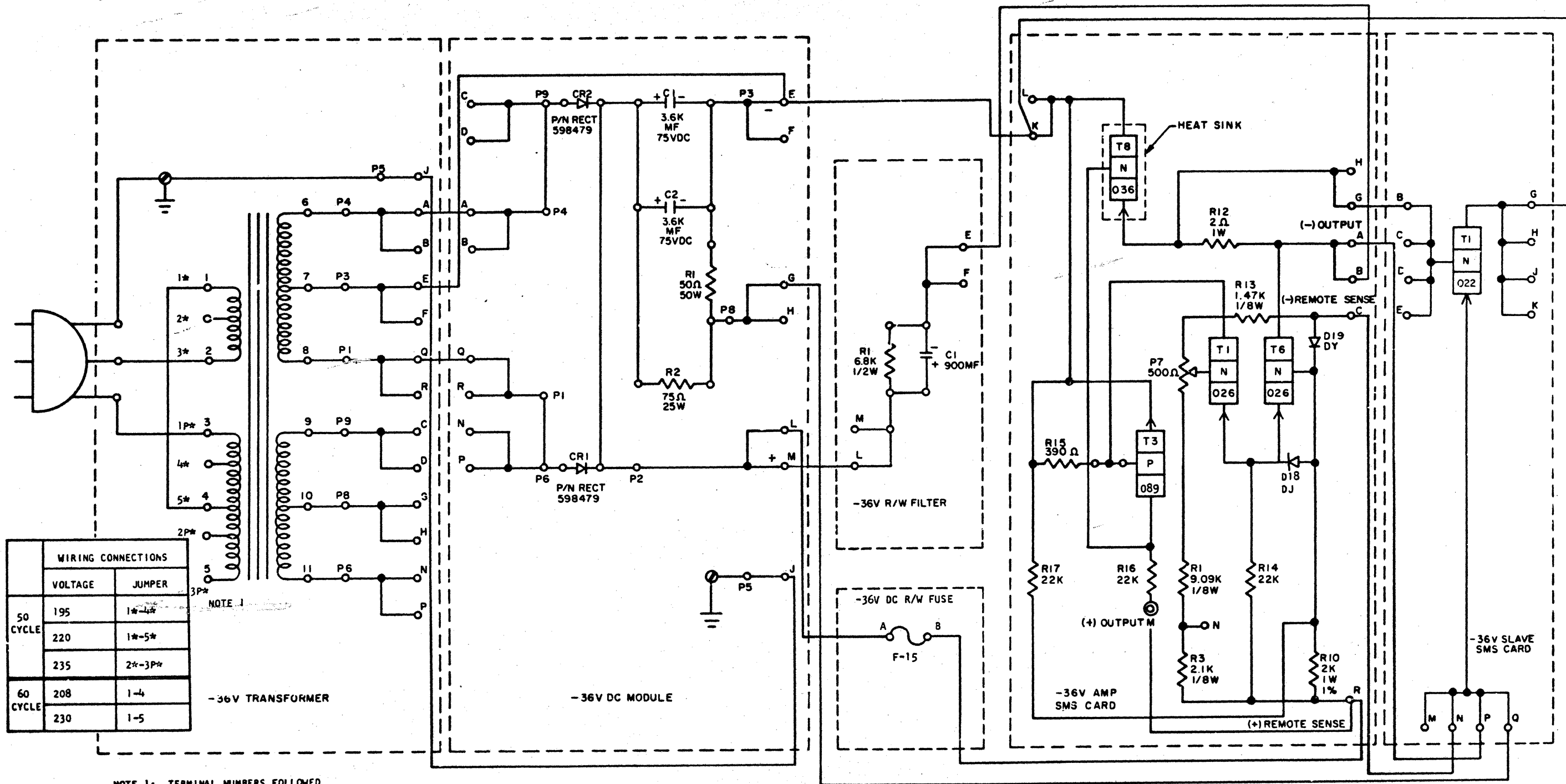
-36V DC R/W 2% AT 0.7 AMP



+12 V DC 2% AT 4.4 AMP



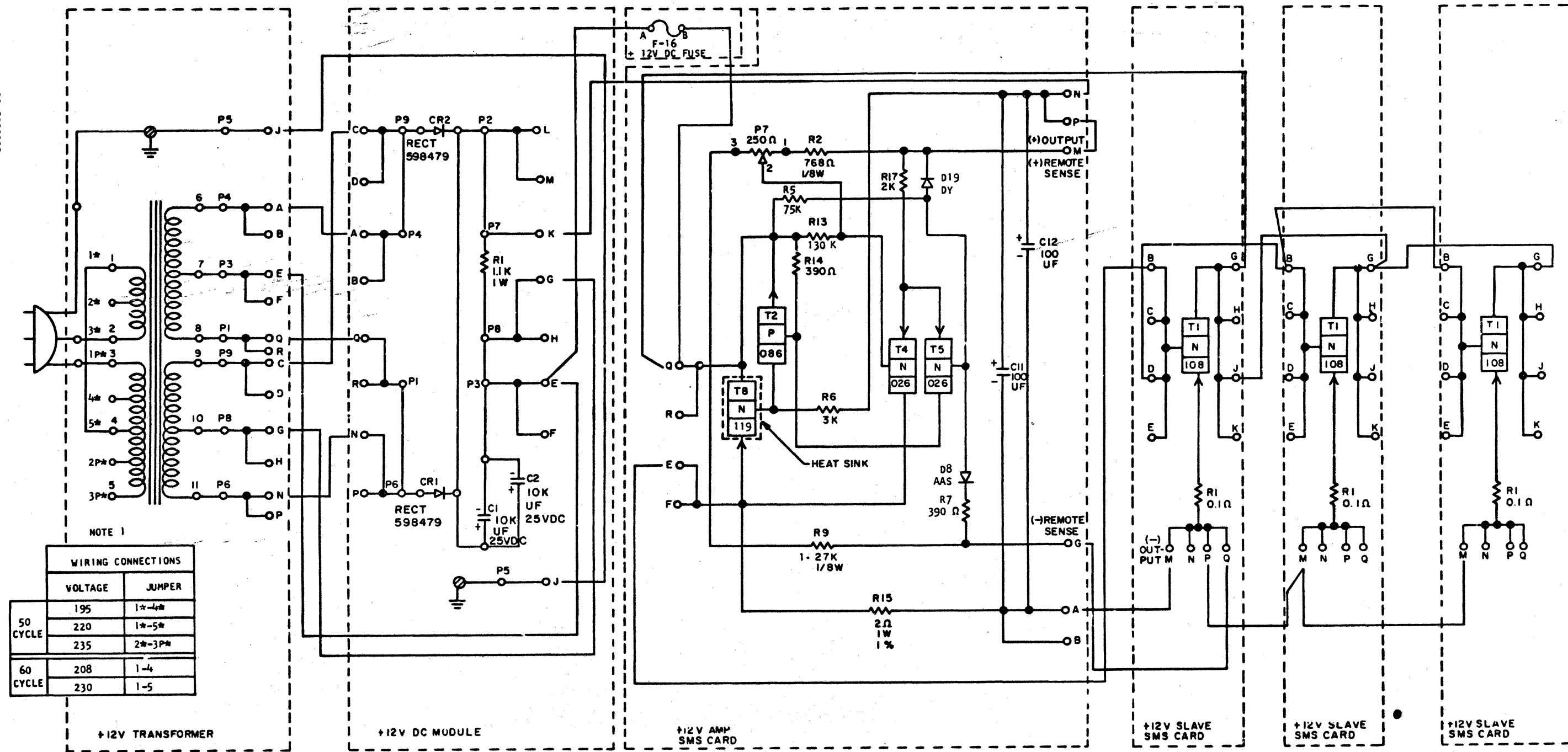
NOTE 1: 208V AC IS 220V AC ON
50 CYCLE FILE



WIRING CONNECTIONS		
	VOLTAGE	JUMPER
50 CYCLE	195	1*-4*
	220	1*-5*
	235	2*-3P*
60 CYCLE	208	1-4
	230	1-5

NOTE 1

NOTE 1: TERMINAL NUMBERS FOLLOWED BY AN ASTERISK (*) ARE FOR 50 CYCLE TRANSFORMER



NOTE 1

WIRING CONNECTIONS		
	VOLTAGE	JUMPER
50 CYCLE	195	1*-4*
	220	1*-5*
	235	2*-3P*
60 CYCLE	208	1-4
	230	1-5

NOTE 1: TERMINAL NUMBERS FOLLOWED BY AN ASTERISK (*) ARE FOR 50 CYCLE TRANSFORMER

+12V TRANSFORMER

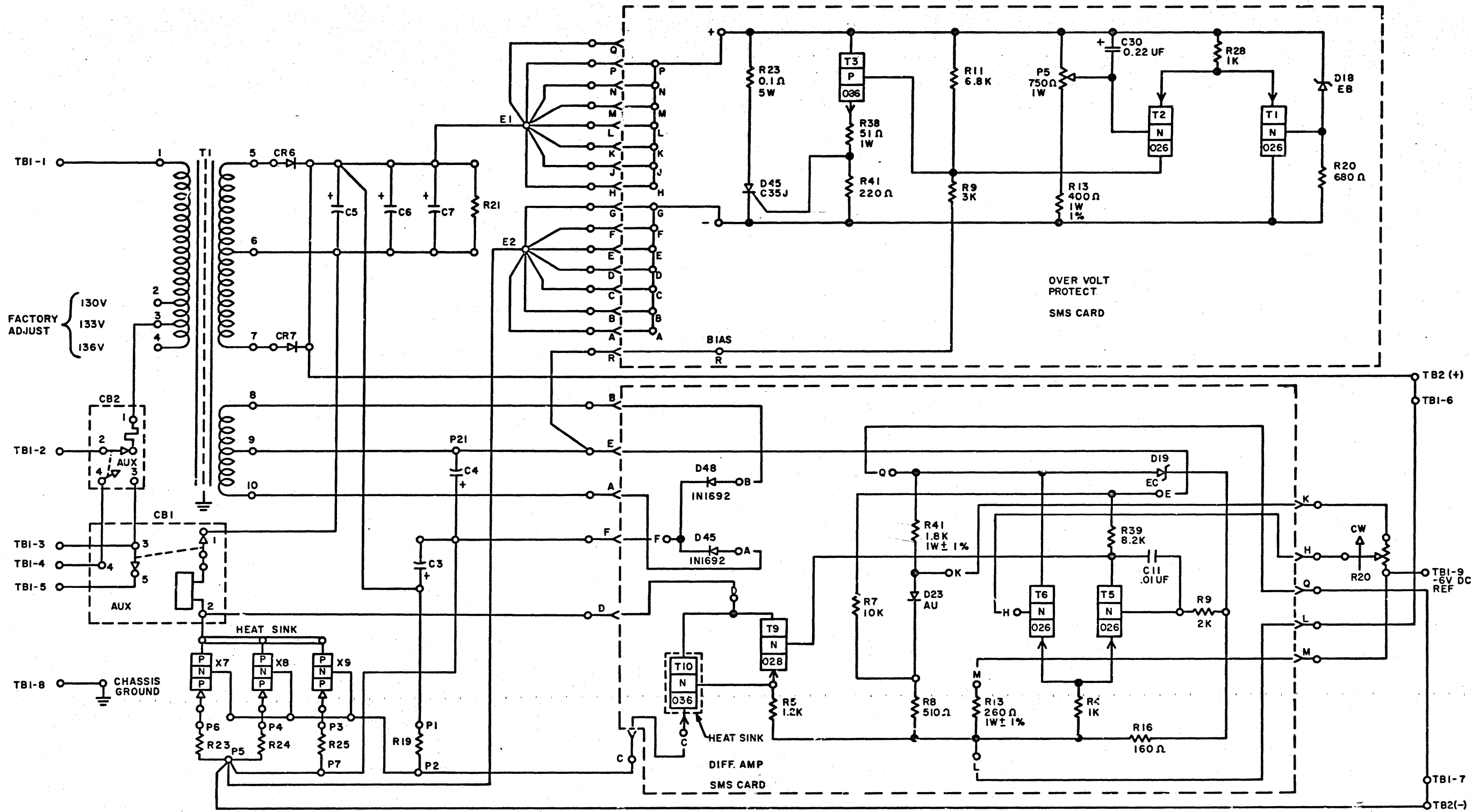
+12V DC MODULE

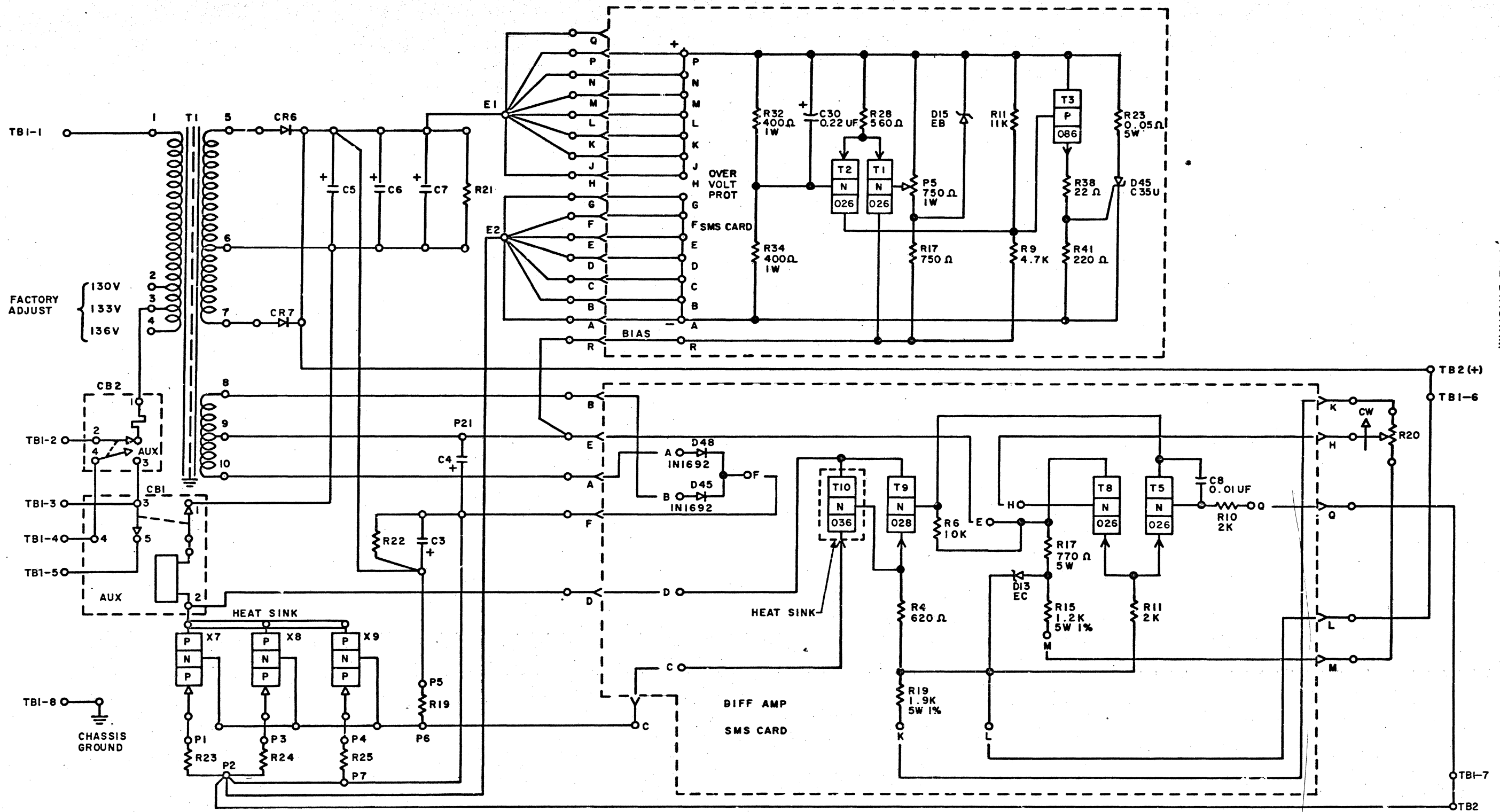
+12V AMP SMS CARD

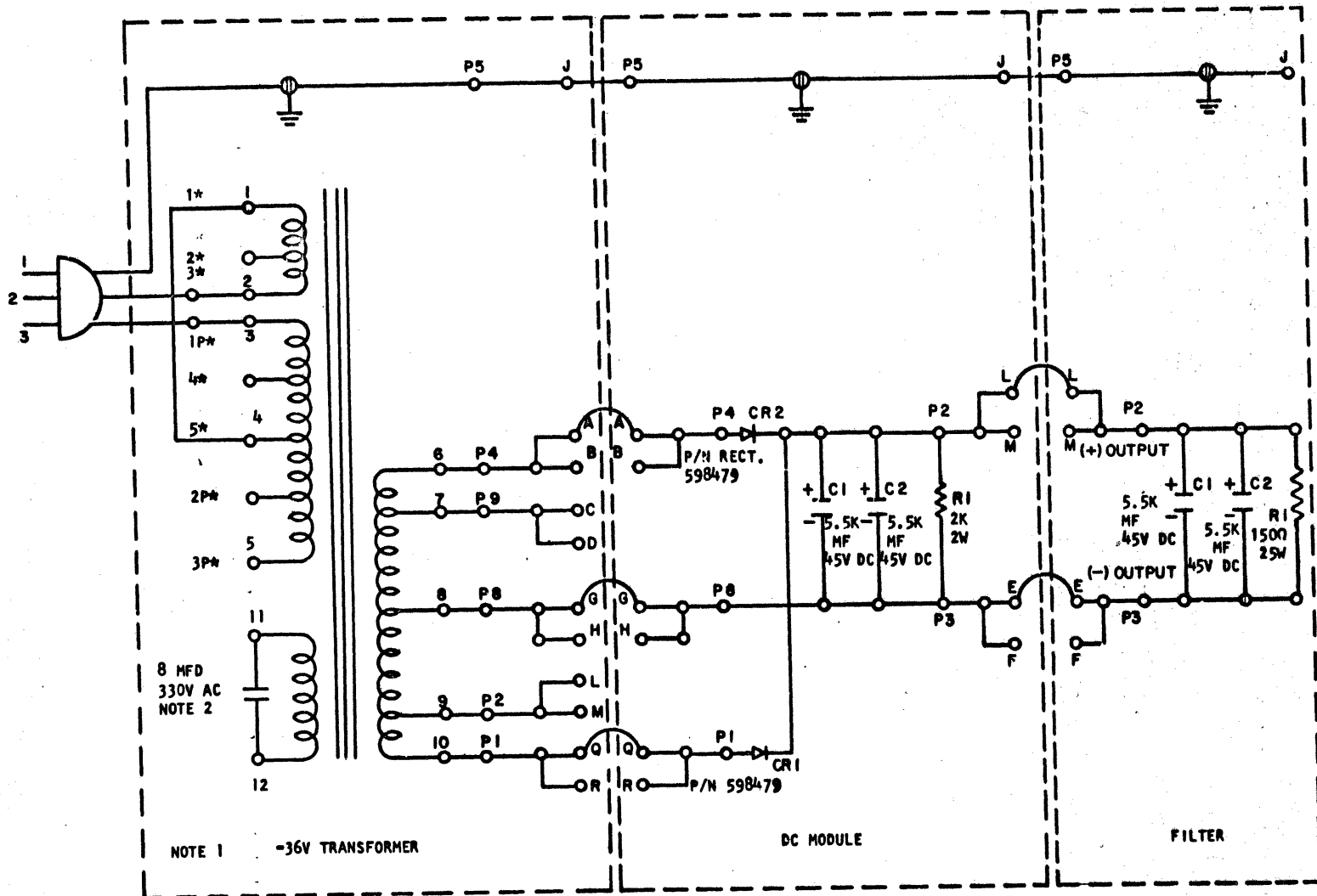
+12V SLAVE SMS CARD

+12V SLAVE SMS CARD

+12V SLAVE SMS CARD





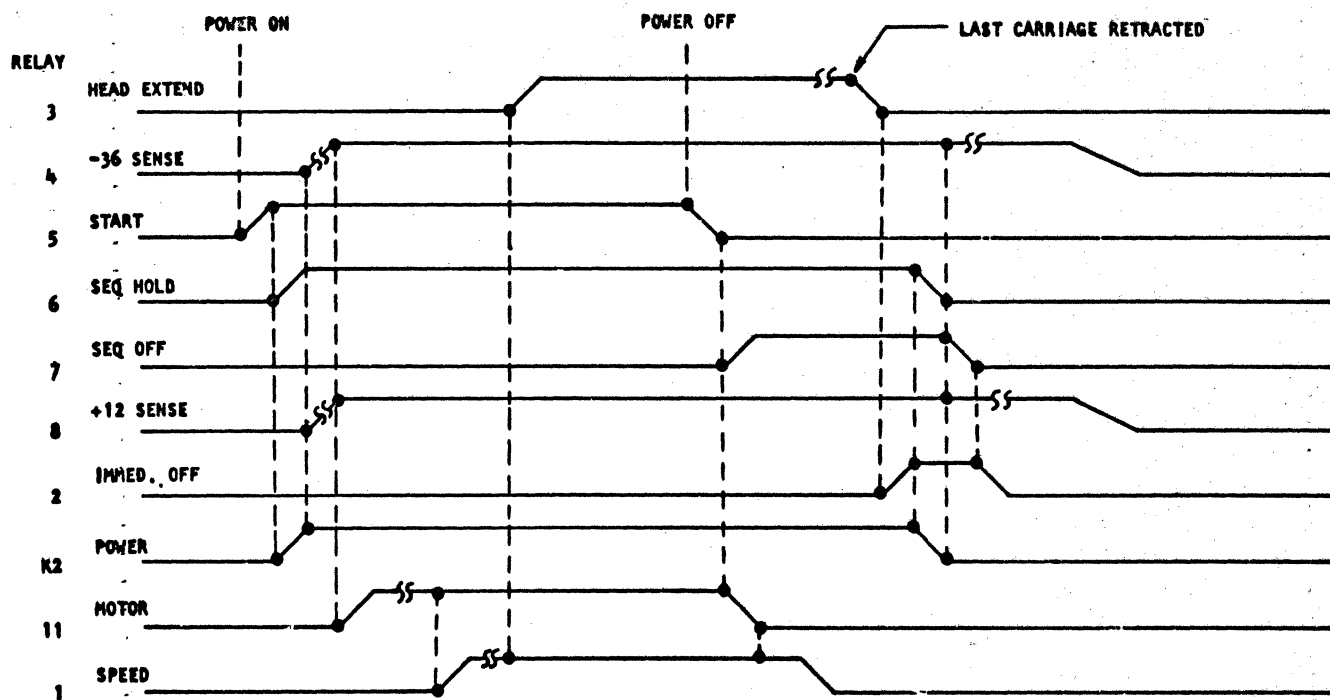


WIRING CONNECTIONS		
	VOLTAGE	JUMPER
50 CYCLE	195	1*-4*
	220	1*-5*
	225	2*-3P*
60 CYCLE	208	1-4
	203	1-5

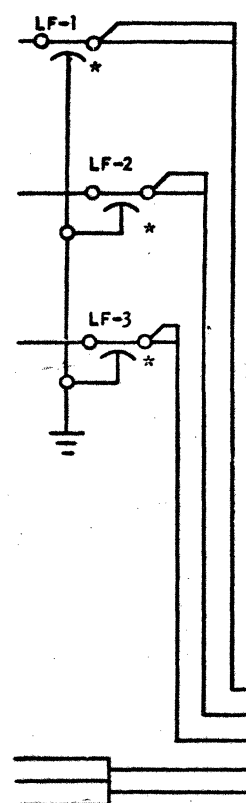
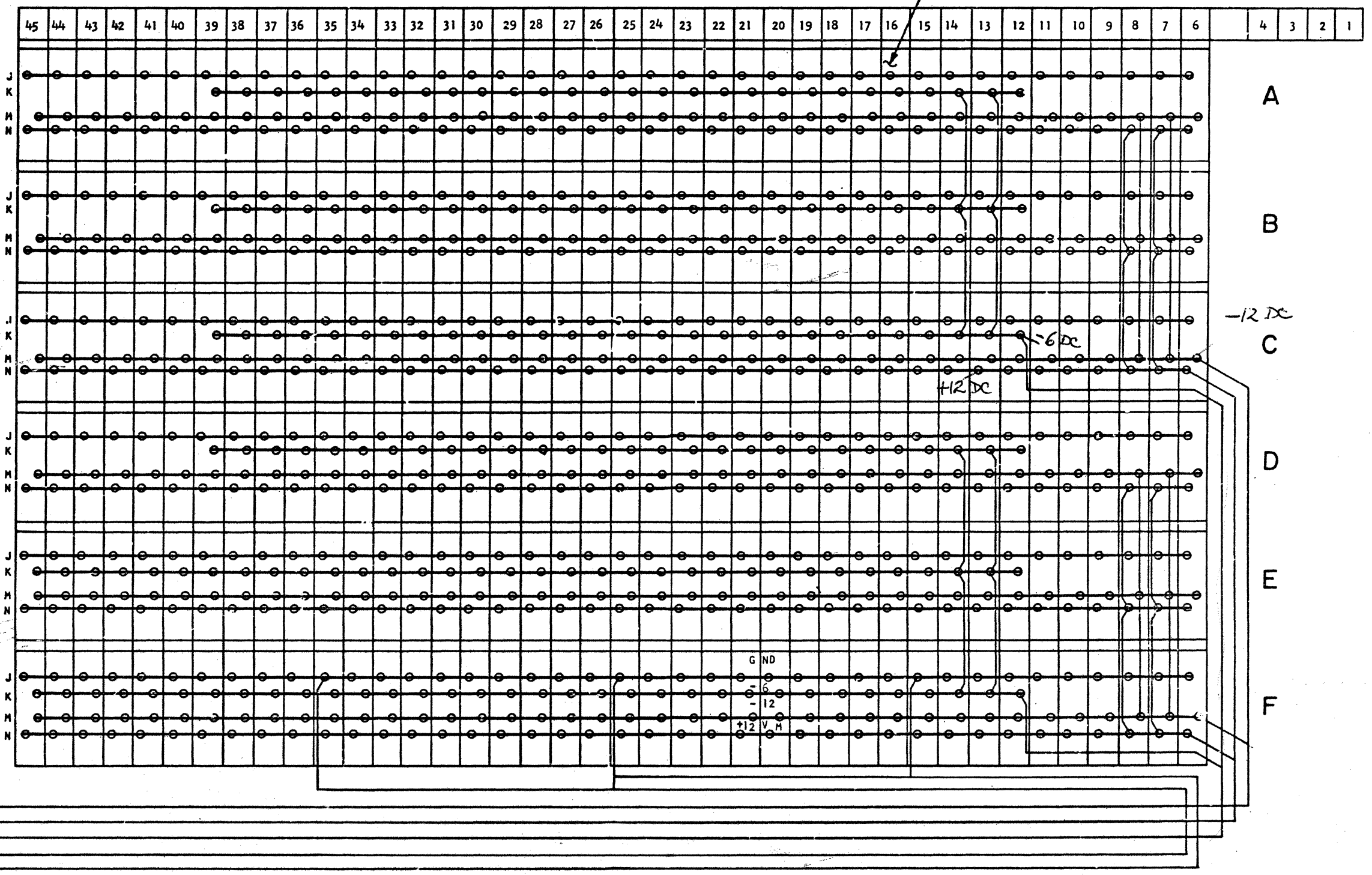
NOTE 1: TERMINAL NUMBERS FOLLOWED BY AN ASTERISK (*) ARE FOR 50 CYCLE TRANSFORMER.

NOTE 2: CAPACITOR IS 10 MFD 330V AC ON 50 CYCLE TRANSFORMER.

POWER SEQUENCE
TIMING CHART



NOTE:
INSTALL GROUND PLANE ON ENTIRE SURFACE



-12V DC
TS5-3
C2.03.03.3

+12V MDC
TS5-9
C2.03.03.3

-6V DC
TS5-7
C2.03.03.3

DC GND
05.40.03.1

* INDICATES FEED THROUGH CAPACITORS

EC 407253B

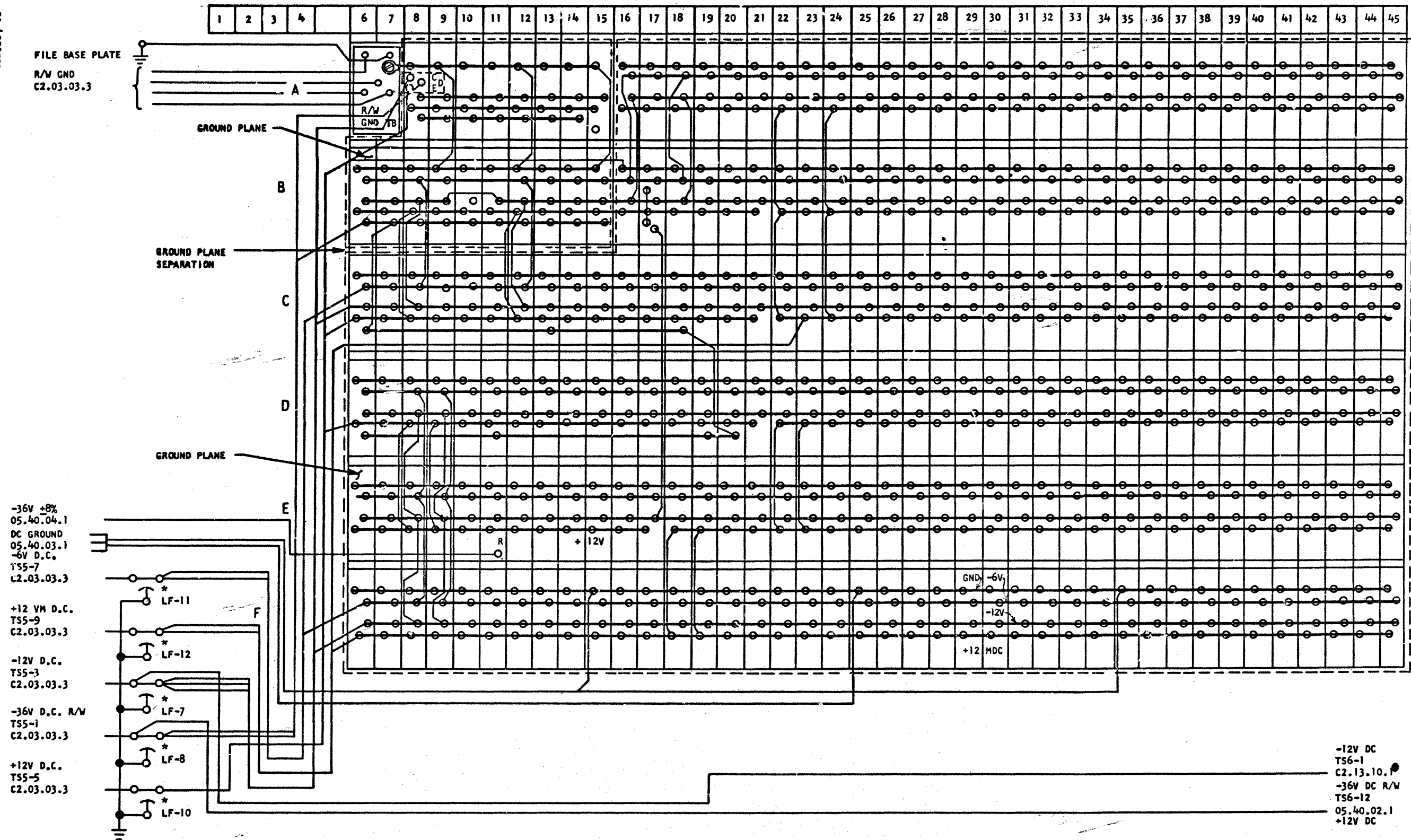
DA 3002000

2157691

VOLTAGE DISTRIBUTION GATE B

1311-3

05.40.11.1



* FEED THRU CAPACITORS

T-6
M-12
F W+12

AX CONNECTORS

	AX-A	AX-B	AX-C	AX-D	AX-E	AX-F	AX-G
1	05.05.32.1	05.05.20.1	05.05.23.1	05.05.18.1	05.05.30.2	05.05.23.1	05.05.18.1
2	05.05.32.1	05.05.20.1	05.11.20.1	05.05.18.1	05.05.30.2	05.06.06.1	05.05.18.1
3	05.05.32.1	05.05.20.1	05.05.21.1	05.05.18.1	05.05.30.2	05.06.06.1	05.05.18.1
4	05.05.32.1	05.05.20.1	05.05.21.1	05.05.18.1	05.05.30.2	05.06.06.1	05.05.18.1
5	05.05.32.1	05.05.20.1	05.05.31.1	05.05.18.2	05.05.30.2	05.05.21.1	05.05.18.2
6	05.05.32.1	05.05.20.1	05.05.31.1	05.05.18.2	05.05.30.2	05.05.21.1	05.05.18.2
7	05.05.16.1	05.05.20.1	05.05.31.1	05.05.18.2	05.05.30.2	05.06.06.1	05.05.18.2
8	05.05.16.1	05.05.20.1	05.05.31.1	05.05.18.2	05.05.30.2	05.05.21.1	05.05.18.2
9	05.05.31.1	05.05.20.1	05.05.23.1	05.05.18.2	05.05.30.2	05.06.06.1	05.05.18.2
10	05.05.31.1	05.05.20.1	05.05.23.1	05.05.18.2	05.05.30.2	05.05.22.1	05.05.18.2
11	05.05.31.1	05.05.20.1	05.05.23.1	05.05.18.2	05.05.30.2	05.05.22.1	05.05.18.2
12	05.05.31.1	05.05.20.1	05.06.05.1	05.05.18.2	05.05.30.2	05.05.22.1	05.05.18.2
13	05.05.31.1	05.05.20.1		05.05.19.2	05.05.30.1	05.05.22.1	05.05.19.2
14	05.05.31.1	05.05.20.1	05.06.06.1	05.05.19.2	05.05.30.1	05.05.22.1	05.05.19.2
15	05.05.16.1	05.05.20.1	05.05.23.1	05.05.19.2	05.05.30.1	05.05.22.1	05.05.19.2
16	05.05.16.1	05.05.20.1	05.05.23.1	05.05.19.2	05.05.30.1	05.06.06.1	05.05.19.2
17	05.05.32.1	05.05.15.1	05.05.23.1	05.05.19.2	05.05.30.1	05.06.06.1	05.05.19.2
18	05.05.32.1	05.05.15.1	05.05.23.1	05.05.19.2	05.05.30.1	05.06.06.1	05.05.19.2
19	05.05.32.1	05.05.15.1	05.05.22.1	05.05.19.2	05.05.30.1	05.05.21.1	05.05.19.2
20	05.05.32.1	05.05.15.1	05.05.22.1	05.05.19.2	05.05.30.1	05.05.21.1	05.05.19.2
21	05.05.32.1	05.05.15.1	05.05.22.1	05.05.19.1	05.05.30.1		05.05.19.1
22	05.05.32.1	05.05.15.1	05.05.22.1	05.05.19.1	05.05.30.1	05.06.06.1	05.05.19.1
23	05.05.31.1	05.05.15.1	05.05.21.1	05.05.19.1	05.05.30.1	05.06.06.1	05.05.19.1
24	05.05.31.1	05.05.15.1	05.05.21.1	05.05.19.1	05.05.30.1	05.06.06.1	05.05.19.1
25	05.05.31.1	05.05.15.1	05.05.21.1	05.05.19.1		05.06.06.1	05.05.19.1
26	05.05.31.1	05.05.15.1	05.05.21.1	05.05.19.1		05.06.06.1	05.05.19.1
27	05.05.31.1	05.05.15.1	05.05.31.1	05.05.19.1		05.05.21.1	05.05.19.1
28	05.05.31.1	05.05.15.1	05.06.05.1	05.05.19.1	05.05.30.2	05.06.06.1	05.05.19.1
29	05.05.16.1	05.05.16.1	05.06.05.1	05.05.18.1		05.05.22.1	05.05.18.1
30	05.05.16.1	05.05.16.1	05.06.05.1	05.05.18.1			05.05.18.1
31	05.05.16.1	05.05.16.1	05.06.05.1	05.05.18.1			05.05.18.1
32	05.05.16.1	05.05.16.1	05.06.05.1	05.05.18.1			05.05.18.1

BX CONNECTORS

	BX-A	BX-B	BX-C	BX-D	BX-E	BX-F
1	05.25.40.1	05.25.40.1				05.04.30.1
2	05.25.40.1	05.25.40.1				05.04.10.1
3	05.25.40.1	05.25.40.1	05.33.40.1	05.33.40.1		05.04.10.1
4	05.25.40.1	05.25.40.1	05.33.40.1	05.33.40.1		05.04.10.1
5	05.25.40.1	05.25.40.1	05.33.50.1	05.33.50.1		05.04.30.1
6	05.25.40.1	05.25.40.1	05.33.50.1	05.33.50.1		05.04.30.1
7	05.25.40.1	05.25.40.1	05.33.50.1			05.04.30.1
8	05.25.40.1	05.25.40.1	05.33.50.1			05.04.10.1
9	05.25.40.1	05.25.40.1				05.04.10.1
10	05.25.40.1	05.25.40.1				05.21.10.1
11			05.33.50.1	05.33.50.1		05.04.10.1
12			05.33.50.1	05.33.50.1		05.04.10.1
13			05.33.50.1	05.33.50.1		05.22.10.1
14			05.33.50.1	05.33.50.1		05.22.10.1
15			05.33.40.1	05.33.40.1		05.22.10.1
16			05.33.40.1	05.33.40.1		05.22.20.1
17			05.33.40.1	05.33.40.1		05.22.50.1
18			05.33.40.1	05.33.40.1		05.22.50.1
19			05.33.40.1	05.33.40.1		05.22.60.1
20			05.33.40.1	05.33.40.1		05.22.60.1
21			05.33.20.1	05.33.20.1		05.22.30.1
22			05.33.20.1	05.33.20.1		05.04.10.1
23			05.33.20.1	05.33.20.1		05.04.10.1
24			05.33.20.1	05.33.20.1		05.04.10.1
25			05.33.20.1	05.33.20.1		05.22.30.1
26			05.33.20.1	05.33.20.1		05.32.10.1
27			05.33.20.1	05.33.20.1		05.06.20.1
28			05.33.20.1	05.33.20.1		05.21.20.1
29			05.33.40.1	05.33.40.1		05.21.10.1
30			05.33.40.1	05.33.40.1		05.21.30.1
31	C2.33.05.1	C2.33.05.1	05.33.40.1	05.33.40.1		05.04.10.1
32	C2.33.05.1	C2.33.05.1	05.33.40.1	05.33.40.1		05.04.10.1

RELAY	COIL	CONTACT			NAME
		1	2	3	
1	C2.13.10.1	C2.13.10.1	C2.13.05.1	C2.13.10.1	SPEED
2	05.40.02.1	05.40.02.1	05.40.02.1	C2.13.10.1	IMMEDIATE OFF
3	05.40.02.1	05.40.02.1		C2.13.05.1	HEAD EXTENDED
4	05.40.02.1	05.40.02.1			-36V R/W VOLT SENSE
5	05.40.01.1	05.40.02.1	C2.13.10.1	05.40.02.1	START
6	05.40.02.1	05.40.02.1	05.40.02.1		SEQUENCE HOLD
7	05.40.02.1		05.40.02.1		SEQUENCE OFF
8	05.40.02.1	05.40.02.1			+12V SENSE & THERMAL
11	C2.13.10.1	C2.13.05.1			MOTOR
K2	05.40.02.1	05.40.01.1	05.40.01.1	05.40.01.1	SEQUENCE CONTACTOR
TD	05.40.02.1	05.40.02.1			PWR. SEQ. TIME DELAY

RC NETS	PAGE NUMBER
RC1-1	C2.13.10.1
RC1-2	C2.13.10.1
RC1-3	C2.13.10.1
RC1-4	
RC2-1	
RC2-2	C2.13.10.1
RC2-3	C2.13.10.1
RC2-4	

FUSE	RATING	CIRCUIT	PAGE NO.
F-0 (50 CYCLE ONLY)	5.0A FAST-BLO	220V CONV OUTLET	05.40.01.1 (50 CYC PAGE)
F-1	1.0A SLO-BLO	208V AC -36V +12V	05.40.01.1
F-2	1.0A SLO-BLO	208V AC -36V +12	05.40.01.1
F-3	0.6A SLO-BLO	208V AC -36V R/W	05.40.01.1
F-4	0.6A SLO-BLO	208V AC -36V R/W	05.40.01.1
F-5	8.0A FAST-BLO	208V AC T-3	05.40.01.1
F-6	8.0A FAST-BLO	208V AC T-3	05.40.01.1
F-7	3.0A SLO-BLO	24V AC T-2	05.40.01.1
F-8	10.0A FAST-BLO	208V AC T-2	05.40.01.1
F-9	10.0A FAST-BLO	208V AC T-2	05.40.01.1
F-10	10 A FAST-BLO	115V AC CONV OUTLET	05.40.01.1
F-11	1.0A FAST-BLO	115V AC FANS	05.40.01.1
F-12	NOTE 1 SLO-BLO	208V AC MOTOR	C2.13.05.1
F-13	NOTE 1 SLO-BLO	208V AC MOTOR	C2.13.05.1
F-15	1.5A FAST-BLO	-36V DC R/W MINIWATT	05.40.05.1
F-16	8 A FAST-BLO	+12V DC MINIWATT	05.40.06.1

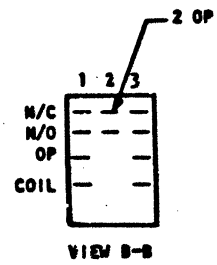
NOTE 1 FOR .5 HP MOTOR, USE 8 AMP FUSE IN F12 AND 8 OR 10 AMP IN F13.
FOR .75 HP MOTOR, USE 10 AMP IN F12 AND F13.

SWITCH	SIDE A	PAGE NO.	SIDE B
MOTOR	C2.13.10.1		C2.13.10.1
SECTOR BLOCK IN PLACE	C2.13.10.1		
INT SW (ENABLE DISABLE)	C2.30.30.1		
PACK ON	C2.13.10.1		
HEADS EXTENDED	C2.13.10.1		C2.13.10.1
FULL TRACK	C2.13.10.1		C2.13.10.1
COMPARE DISABLE -CE	C2.13.10.1		
MASTER POWER	05.40.01.1		
OIL PRESSURE	C2.13.10.1		
COVER INTERLOCK	C2.13.10.1		

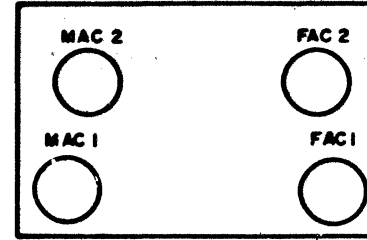
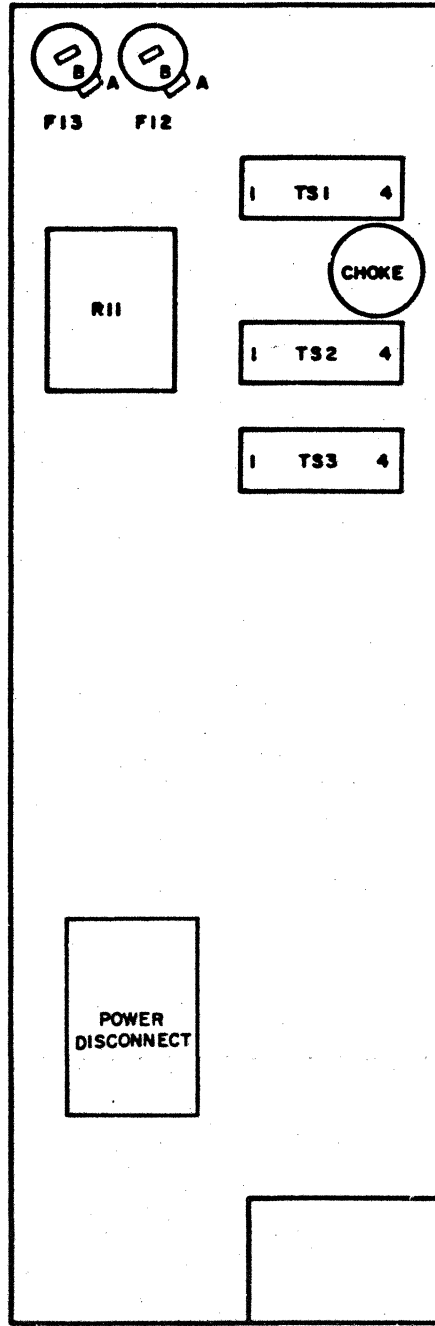
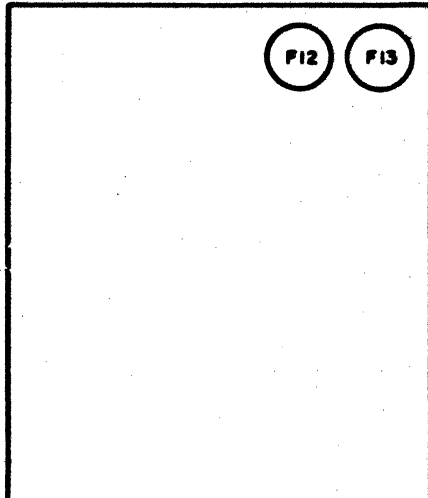
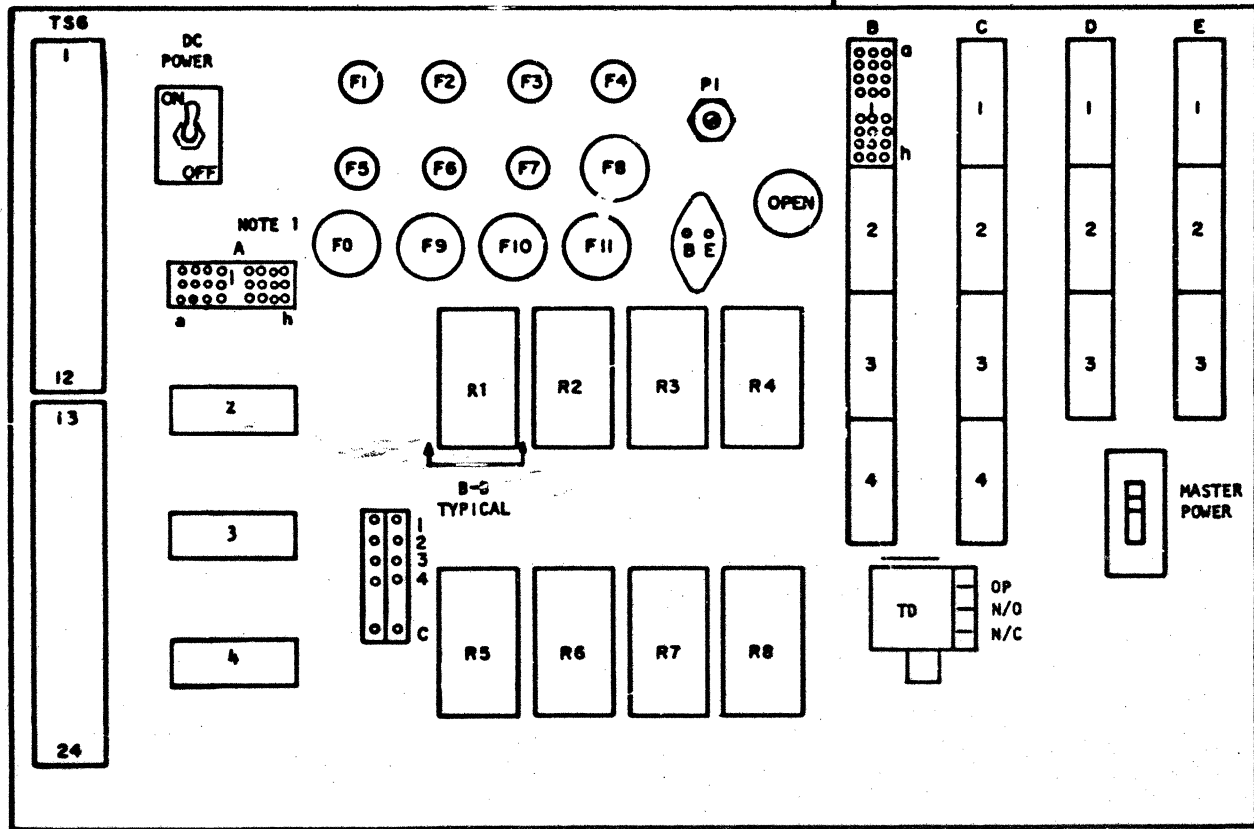
POINTS	EDGE CONN. SEQUENCE PANEL				
	A	B	C	D	E
1a	10	10	10	10	
1b	05	05	05	10	10
1c	10	10	10	05	10
1d	10			10	10
1e	05.40.02.1	10	10	10	10
1f	05.40.02.1	10		10	10
1g	05.40.02.1	10	10	10	10
1h	05.40.02.1	10	10	10	10
2a	10	05	05	10	10
2b	05		05	10	10
2c	05.40.02.1	05	05	10	10
2d	10	10	10	10	10
2e	05.40.02.1	05	05	10	10
2f	05.40.02.1	10	10	10	10
2g	05.40.02.1	10	10	10	10
2h	05.40.02.1		05	10	10
3a	05.40.02.1	10	10	10	10
3b	05.40.02.1	10		10	10
3c	05.40.02.1	10		10	10
3d	10	10	10	10	10
3e	05.40.02.1	10	10	10	10
3f	05.40.02.1	10			
3g	05.40.02.1	10	10	10	10
3h	05.40.02.1	10	10	05.40.02.1	05
4a	05.40.02.1	10	10		
4b	05.40.02.1	10	10		
4c	05.40.02.1	10	10		
4d	05.40.02.1	10	10		
4e	05.40.02.1	10	10		
4f	05.40.02.1	10			
4g	10	10	10		
4h	10	10	10		

NOTE:
ALL POINTS LOCATED ON PAGE C2.13.XX.1 UNLESS
OTHERWISE NOTED.

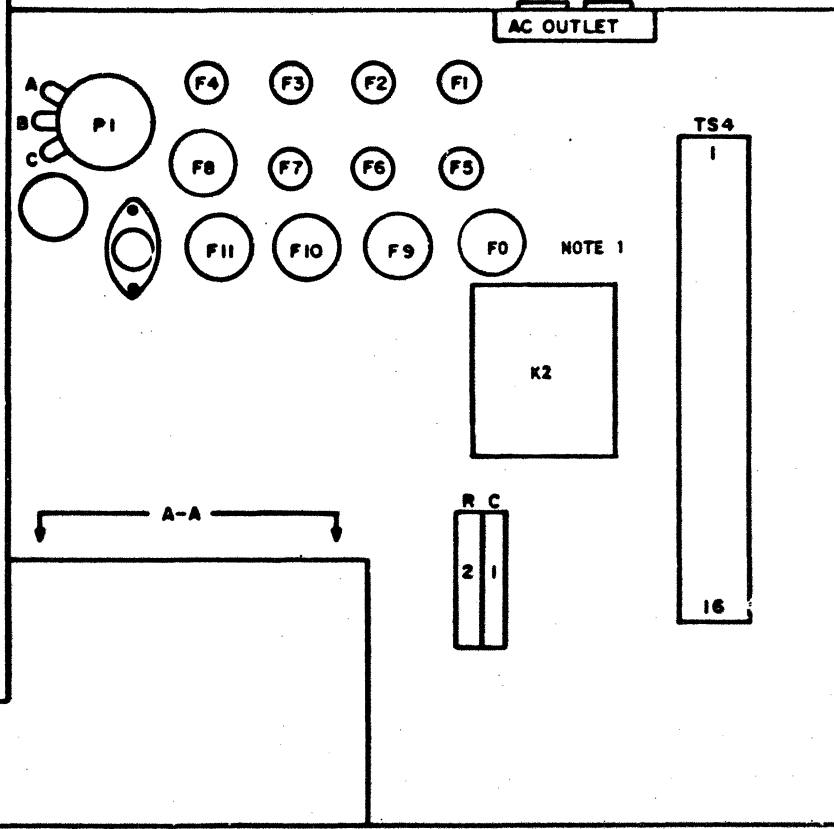
POINTS	TERM STRIP - TS							
	1	2	3	4	5	6	7	8
1	C2.13.05.1	C2.13.05.1	05.40.01.1	05.40.01.1	C2.03.03.3	C2.13.10.1	05.40.04.1	C2.13.10.1
2		C2.13.05.1	05.40.01.1	05.40.01.1	C2.03.03.3	05.40.02.1	05.40.04.1	C2.13.10.1
3		05.40.01.1	05.40.01.1	05.40.01.1	C2.03.03.3	C2.13.05.1	05.40.04.1	
4	C2.13.05.1		05.40.01.1	05.40.01.1	C2.03.03.3	05.40.03.1	05.40.04.1	
5				05.40.01.1	C2.03.03.3	C2.13.05.1	05.40.04.1	
6				05.40.01.1	C2.03.03.3		05.40.04.1	
7				05.40.01.1	C2.03.03.3	05.40.01.1		
8				05.40.01.1	C2.03.03.3			
9				05.40.01.1	C2.03.03.3	05.40.01.1		
10				05.40.01.1	C2.03.03.3			
11				05.40.01.1	C2.03.03.3			
12				05.40.01.1	C2.03.03.3	05.40.02.1		
13				05.40.01.1		05.40.02.1		
14				05.40.01.1				
15				05.40.01.1		05.40.02.1		
16				05.40.01.1		05.40.02.1		
17						05.40.04.1		
18						C2.03.03.3		
19						05.40.02.1		
20						05.40.02.1		
21						05.40.04.1		
22						05.40.01.1		
23						05.40.01.1		
24						05.40.01.1		



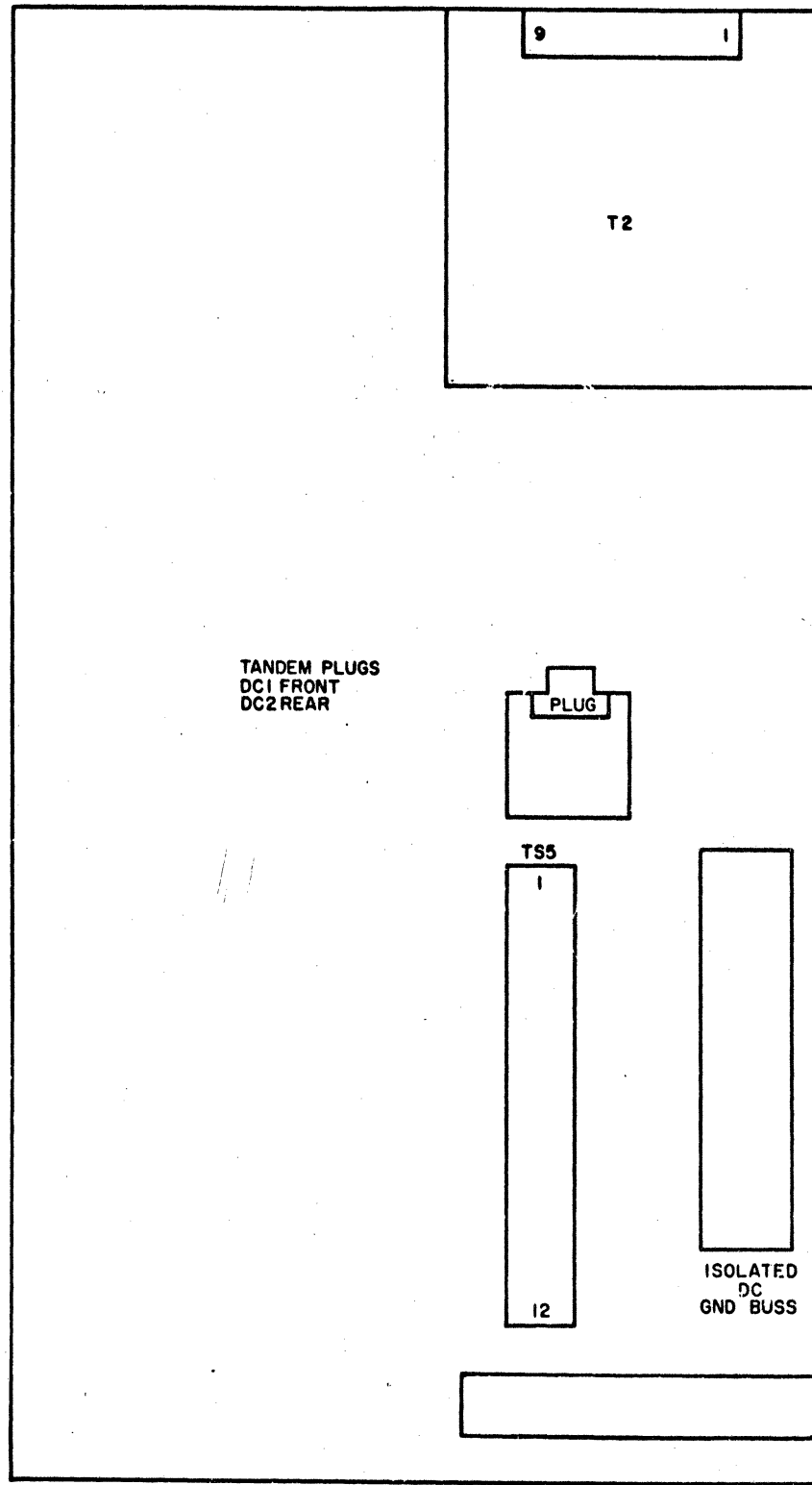
NOTE 1
FO IS ON 50 CYCLE FILE ONLY

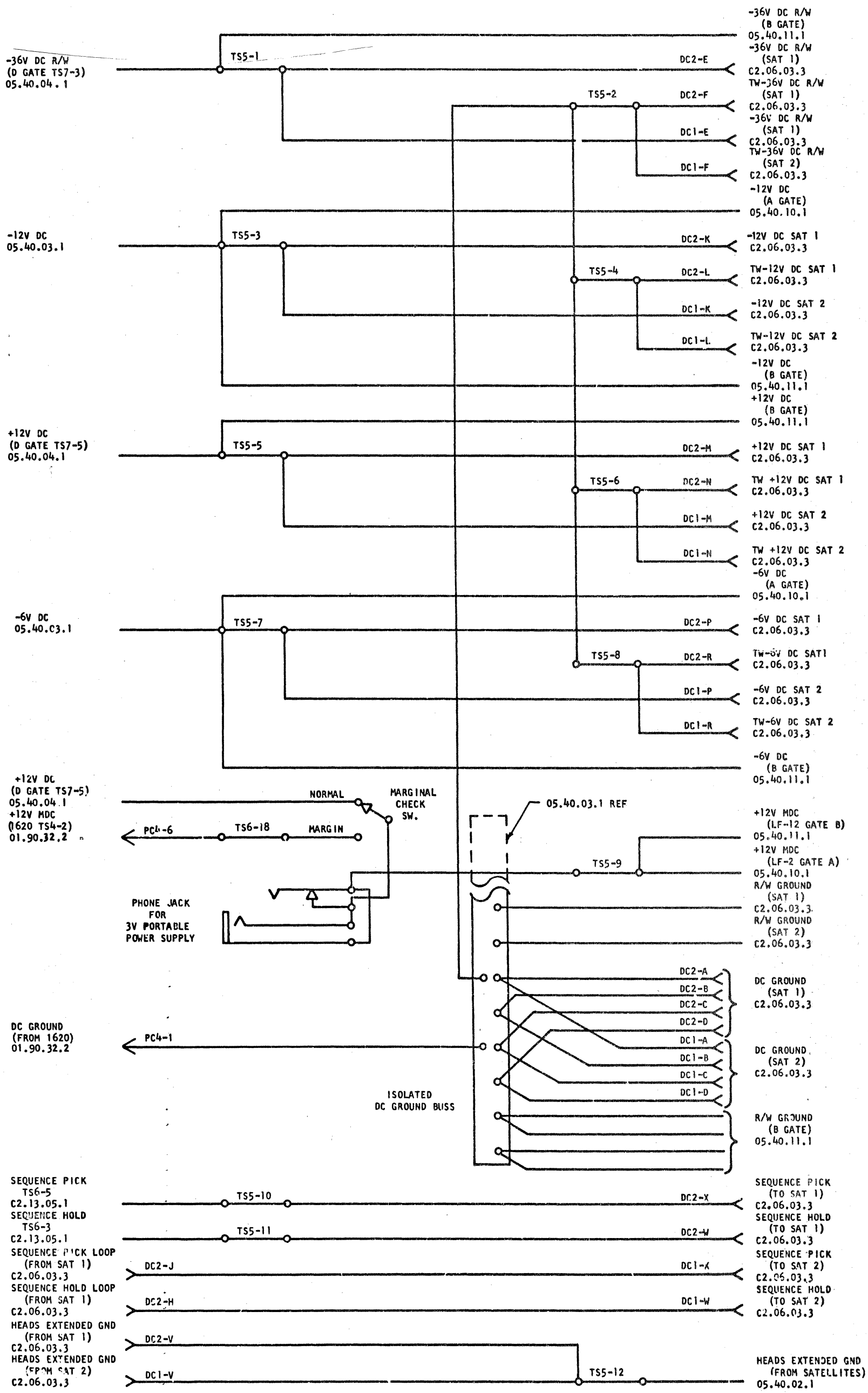


VIEW A-A



AC OUTLET





2154775

SATELLITE TO MASTER
FEEDTHRU

1311-3

C2.06.01.1

SHEET 1 OF 2

PREAMP OUTPUT
SIDE A (FROM SAT 1)
C2.06.01.1
PREAMP OUTPUT
SIDE B (FROM SAT 1)
C2.06.01.1

SAT 1 PREAMP
OUTPUT A
C2.33.15.1
SAT 1 PREAMP
OUTPUT B
C2.33.15.1

PREAMP OUTPUT
SIDE A (FROM SAT 2)
C2.06.01.1
PREAMP OUTPUT
SIDE B (FROM SAT 2)
C2.06.01.1

SAT 2 PREAMP
OUTPUT A
C2.33.15.1
SAT 2 PREAMP
OUTPUT B
C2.33.15.1

PREAMP OUTPUT
SIDE A (FROM SAT 3)
C2.06.01.1
PREAMP OUTPUT
SIDE B (FROM SAT 3)
C2.06.01.1

SAT 3 PREAMP
OUTPUT A
C2.33.15.1
SAT 3 PREAMP
OUTPUT B
C2.33.15.1

2154776

SATELLITE TO MASTER FEEDTHRU

1311-3

C2.06.01.2

+Y SELECTED AND
READY (FROM SAT 1)
C2.06.01.2

----- * 1 -----

+Y SELECTED
AND READY SAT 1
C2.23.02.1

TW SELECTED AND
READY (FROM SAT 1)
C2.06.01.2

----- * 2 -----

TW SELECTED
AND READY SAT 1
C2.23.02.1

+Y SELECTED AND
READY (FROM SAT 2)
C2.06.01.2

----- * 3 -----

+Y SELECTED
AND READY SAT 2
C2.23.02.1

TW SELECTED AND
READY (FROM SAT 2)
C2.06.01.2

----- * 4 -----

TW SELECTED
AND READY SAT 2
C2.23.02.1

+Y BUSY
(FROM SAT 1)
C2.06.01.2

----- * 5 -----

+Y BUSY
SATELLITE 1
C2.23.02.1

TW BUSY
(FROM SAT 1)
C2.06.01.2

----- * 6 -----

TW BUSY
SATELLITE 1
C2.23.02.1

+Y BUSY
(FROM SAT 2)
C2.06.01.2

----- * 7 -----

+Y BUSY
SATELLITE 2
C2.23.02.1

TW BUSY
(FROM SAT 2)
C2.06.01.2

----- * 8 -----

TW BUSY
SATELLITE 2
C2.23.02.1

- * 1--01BXA24 * 2--01BXA23 * 3--01BXB24 * 4--01BXB23
- * 5--01BXA26 * 6--01BXA25 * 7--01BXB26 * 8--01BXB25

-Q DIRECT
SEEK SAT 1
05.33.50.1

-Q DIRECT
SEEK SAT 1
C2.06.02.1

TV DIRECT
SEEK SAT 1
05.33.50.1

TV DIRECT
SEEK SAT 1
C2.06.02.1

-Q DIRECT
SEEK SAT 2
05.33.50.1

-Q DIRECT
SEEK SAT 2
C2.06.02.1

TV DIRECT
SEEK SAT 2
05.33.50.1

TV DIRECT
SEEK SAT 2
C2.06.02.1

-Q SEEK SAT 1
05.33.40.1

-Q SEEK SAT 1
C2.06.02.1

TV SEEK SAT 1
05.33.40.1

TV SEEK SAT 1
C2.06.02.1

-Q SEEK SAT 2
05.33.40.1

-Q SEEK SAT 2
C2.06.02.1

TV SEEK SAT 2
05.33.40.1

TV SEEK SAT 2
C2.06.02.1

-Q SLOW SAT 1
05.33.40.1

-Q SLOW SAT 1
C2.06.02.1

TV SLOW SAT 1
05.33.40.1

TV SLOW SAT 1
C2.06.02.1

-Q SLOW SAT 2
05.33.40.1

-Q SLOW SAT 2
C2.06.02.1

TV SLOW SAT 2
05.33.40.1

TV SLOW SAT 2
C2.06.02.1

-Q REVERSE
SAT 1
05.33.50.1

-Q REVERSE
SAT 1
C2.06.02.1

TV REVERSE
SAT 1
05.33.50.1

TV REVERSE
SAT 1
C2.06.02.1

-Q REVERSE
SAT 2
05.33.50.1

-Q REVERSE
SAT 2
C2.06.02.1

TV REVERSE
SAT 2
05.33.50.1

TV REVERSE
SAT 2
C2.06.02.1

-Q SIGNAL GATE
SAT 1
05.33.40.1

-Q SIGNAL GATE
SAT 1
C2.06.02.1

TV SIGNAL GATE
SAT 1
05.33.40.1

TV SIGNAL GATE
SAT 1
C2.06.02.1

-Q SIGNAL GATE
SAT 2
05.33.40.1

-Q SIGNAL GATE
SAT 2
C2.06.02.1

TV SIGNAL GATE
SAT 2
05.33.40.1

TV SIGNAL GATE
SAT 2
C2.06.02.1

-Q WRITE GATE
SAT 1
05.33.40.1

-Q WRITE GATE
SAT 1
C2.06.02.1

TV WRITE GATE
SAT 1
05.33.40.1

TV WRITE GATE
SAT 1
C2.06.02.1

-Q WRITE GATE
SAT 2
05.33.40.1

-Q WRITE GATE
SAT 2
C2.06.02.1

TV WRITE GATE
SAT 2
05.33.40.1

TV WRITE GATE
SAT 2
C2.06.02.1

-Q READY TO
STOP SAT 1
05.33.40.1

-Q READY TO
STOP SAT 1
C2.06.02.1

TV READY TO
STOP SAT 1
05.33.40.1

TV READY TO
STOP SAT 1
C2.06.02.1

-Q READY TO
STOP SAT 2
05.33.40.1

-Q READY TO
STOP SAT 2
C2.06.02.1

TV READY TO
STOP SAT 2
05.33.40.1

TV READY TO
STOP SAT 2
C2.06.02.1

-Q WRITE DATA
SAT 1
05.33.40.1

-Q WRITE DATA
SAT 1
C2.06.02.1

TV WRITE DATA
SAT 1
05.33.40.1

TV WRITE DATA
SAT 1
C2.06.02.1

-Q WRITE DATA
SAT 2
05.33.40.1

-Q WRITE DATA
SAT 2
C2.06.02.1

TV WRITE DATA
SAT 2
05.33.40.1

TV WRITE DATA
SAT 2
C2.06.02.1

-Y SELECT HEAD Y0 SAT 1 05.25.40.1		-Y SELECT HEAD Y0 SAT 1 C2.06.02.2
-Y SELECT HEAD Y0 SAT 2 05.25.40.1		-Y SELECT HEAD Y0 SAT 2 C2.06.02.2
-Y SELECT HEAD Y1 SAT 1 05.25.40.1		-Y SELECT HEAD Y1 SAT 1 C2.06.02.2
-Y SELECT HEAD Y1 SAT 2 05.25.40.1		-Y SELECT HEAD Y1 SAT 2 C2.06.02.2
-Y SELECT HEAD Y2 SAT 1 05.25.40.1		-Y SELECT HEAD Y2 SAT 1 C2.06.02.2
-Y SELECT HEAD Y2 SAT 2 05.25.40.1		-Y SELECT HEAD Y2 SAT 2 C2.06.02.2
-Y SELECT HEAD Y3 SAT 1 05.25.40.1		-Y SELECT HEAD Y3 SAT 1 C2.06.02.2
-Y SELECT HEAD Y3 SAT 2 05.25.40.1		-Y SELECT HEAD Y3 SAT 2 C2.06.02.2
-Y SELECT HEAD Y4 SAT 1 05.25.40.1		-Y SELECT HEAD Y4 SAT 1 C2.06.02.2
-Y SELECT HEAD Y4 SAT 2 05.25.40.1		-Y SELECT HEAD Y4 SAT 2 C2.06.02.2
-Y SELECT HEAD Y5 SAT 1 05.25.40.1		-Y SELECT HEAD Y5 SAT 1 C2.06.02.2
-Y SELECT HEAD Y5 SAT 2 05.25.40.1		-Y SELECT HEAD Y5 SAT 2 C2.06.02.2
-Y SELECT HEAD Y6 SAT 1 05.25.40.1		-Y SELECT HEAD Y6 SAT 1 C2.06.02.2
-Y SELECT HEAD Y6 SAT 2 05.25.40.1		-Y SELECT HEAD Y6 SAT 2 C2.06.02.2
-Y SELECT HEAD Y7 SAT 1 05.25.40.1		-Y SELECT HEAD Y7 SAT 1 C2.06.02.2
-Y SELECT HEAD Y7 SAT 2 05.25.40.1		-Y SELECT HEAD Y7 SAT 2 C2.06.02.2
-Y SELECT HEAD Y8 SAT 1 05.25.40.1		-Y SELECT HEAD Y8 SAT 1 C2.06.02.2
-Y SELECT HEAD Y8 SAT 2 05.25.40.1		-Y SELECT HEAD Y8 SAT 2 C2.06.02.2
-Y SELECT HEAD Y9 SAT 1 05.25.40.1		-Y SELECT HEAD Y9 SAT 1 C2.06.02.2
-Y SELECT HEAD Y9 SAT 2 05.25.40.1		-Y SELECT HEAD Y9 SAT 2 C2.06.02.2
-Q SATELLITE 1 SELECT 05.33.50.1		-Q SATELLITE A SELECT (TO SAT 1) C2.06.02.2
TW SATELLITE 1 SELECT 05.33.50.1		TW SATELLITE A SELECT (TO SAT 1) C2.06.02.2
-Q SATELLITE 2 SELECT 05.33.50.1		-Q SATELLITE A SELECT (TO SAT 2) C2.06.02.2
TW SATELLITE 2 SELECT 05.33.50.1		TW SATELLITE A SELECT (TO SAT 2) C2.06.02.2
-Q SATELLITE 3 SELECT 05.33.50.1		-Q SATELLITE B SELECT (TO SAT 3) C2.06.02.2
TW SATELLITE 3 SELECT 05.33.50.1		TW SATELLITE B SELECT (TO SAT 3) C2.06.02.2
-Y DESELECT SAT 1 C2.33.05.1		-Y DESELECT SAT 1 C2.06.02.2
TW DESELECT SAT 1 C2.33.05.1		TW DESELECT SAT 1 C2.06.02.2
-Y DESELECT SAT 2 C2.33.05.1		-Y DESELECT SAT 2 C2.06.02.2
TW DESELECT SAT 2 C2.33.05.1		TW DESELECT SAT 2 C2.06.02.2
-Q CPU METER ON SAT 1 C2.33.25.1		-Q CPU METER ON SAT 1 C2.06.02.2
TW CPU METER ON SAT 1 C2.33.25.1		TW CPU METER ON SAT 1 C2.06.02.2
-Q CPU METER ON SAT 2 C2.33.25.1		-Q CPU METER ON SAT 2 C2.06.02.2
TW CPU METER ON SAT 2 C2.33.25.1		TW CPU METER ON SAT 2 C2.06.02.2
+Y INTERMEDIATE SWITCH SAT 1 C2.33.25.1		+Y INTERMEDIATE SWITCH SAT 1 C2.06.02.2
TW INTERMEDIATE SWITCH SAT 1 C2.33.25.1		TW INTERMEDIATE SWITCH SAT 1 C2.06.02.2
+Y INTERMEDIATE SWITCH SAT 2 C2.33.25.1		+Y INTERMEDIATE SWITCH SAT 2 C2.06.02.2
TW INTERMEDIATE SWITCH SAT 2 C2.33.25.1		TW INTERMEDIATE SWITCH SAT 2 C2.06.02.2

2154768

AC POWER FEEDTHRU
MASTER TO SATELLITE

1311-3

C2.06.03.1

208 VAC MOTOR (SAT 1) 05.40.01.1	_____	208 VAC MOTOR (SAT 1) C2.06.03.1
208 VAC MOTOR (SAT 1) 05.40.01.1	_____	208 VAC MOTOR (SAT 1) C2.06.03.1
208 VAC MOTOR (SAT 1) 05.40.01.1	_____	208 VAC MOTOR (SAT 2) C2.06.03.1
208 VAC MOTOR (SAT 2) 05.40.01.1	_____	208 VAC MOTOR (SAT 2) C2.06.03.1
208 VAC FILTERED (SAT 1) 05.40.01.1	_____	208 VAC FILTERED (SAT 1) C2.06.03.1
208 VAC FILTERED (SAT 1) 05.40.01.1	_____	208 VAC FILTERED (SAT 1) C2.06.03.1
208 VAC FILTERED (SAT 2) 05.40.01.1	_____	208 VAC FILTERED (SAT 2) C2.06.03.1
208 VAC FILTERED (SAT 2) 05.40.01.1	_____	208 VAC FILTERED (SAT 2) C2.06.03.1

NOTE 1

NOTE 1: 208V AC IS 220V AC ON
50 CYCLE FILE

2154769

D.C. POWER, MOTOR SEQUENCE
& HEAD EXTENDED FEEDTHRU

1311-3

C2.06.03.3

-36V DC R/W
(TO SAT 1)
C2.03.03.3

TW-36V DC R/W
(TO SAT 1)
C2.03.03.3

-36V DC R/W
(TO SAT 2)
C2.03.03.3

TW-36V DC R/W
(TO SAT 2)
C2.03.03.3

-12V DC
(TO SAT 1)
C2.03.03.3

TW-12V DC
(TO SAT 1)
C2.03.03.3

-12V DC
(TO SAT 2)
C2.03.03.3

TW-12V DC
(TO SAT 2)
C2.03.03.3

+12V DC
(TO SAT 1)
C2.03.03.3

TW+12V DC
(TO SAT 1)
C2.03.03.3

+12V DC
(TO SAT 2)
C2.03.03.3

TW+12V DC
(TO SAT 2)
C2.03.03.3

-6V DC
(TO SAT 1)
C2.03.03.3

TW-6V DC
(TO SAT 1)
C2.03.03.3

-6V DC
(TO SAT 2)
C2.03.03.3

TW-6V DC
(TO SAT 2)
C2.03.03.3

DC GROUND
(TO SAT 1)
C2.03.03.3

DC GROUND
(TO SAT 2)
C2.03.03.3

R/W GROUND
(TO SAT 1)
C2.03.03.3

R/W GROUND
(TO SAT 2)
C2.03.03.3

SEQUENCE PICK
(TO SAT 1)
C2.03.03.3

SEQUENCE HOLD
(TO SAT 1)
C2.03.03.3

SEQUENCE PICK LOOP
(FROM SAT 1)
C2.06.03.3

SEQUENCE HOLD LOOP
(FROM SAT 1)
C2.06.03.3

SEQUENCE PICK
(TO SAT 2)
C2.03.03.3

SEQUENCE HOLD
(TO SAT 2)
C2.03.03.3

SEQUENCE PICK LOOP
(FROM SAT 2)
C2.06.03.3

SEQUENCE HOLD LOOP
(FROM SAT 2)
C2.06.03.3

HEADS EXTENDED GND
(FROM SAT 1)
C2.06.03.3

HEADS EXTENDED GND
(FROM SAT 2)
C2.06.03.3

-36V DC R/W
(TO SAT 1)
C2.06.03.3

TW-36V DC R/W
(TO SAT 1)
C2.06.03.3

-36V DC R/W
(TO SAT 2)
C2.06.03.3

TW-36V DC R/W
(TO SAT 2)
C2.06.03.3

-12V DC
(TO SAT 1)
C2.06.03.3

TW-12V DC
(TO SAT 1)
C2.06.03.3

-12V DC
(TO SAT 2)
C2.06.03.3

TW-12V DC
(TO SAT 2)
C2.06.03.3

+12V DC
(TO SAT 1)
C2.06.03.3

TW+12V DC
(TO SAT 1)
C2.06.03.3

+12V DC
(TO SAT 2)
C2.06.03.3

TW+12V DC
(TO SAT 2)
C2.06.03.3

-6V DC
(TO SAT 1)
C2.06.03.3

TW-6V DC
(TO SAT 1)
C2.06.03.3

-6V DC
(TO SAT 2)
C2.06.03.3

TW-6V DC
(TO SAT 2)
C2.06.03.3

DC GROUND
(TO SAT 1)
C2.06.03.3

DC GROUND
(TO SAT 2)
C2.06.03.3

R/W GROUND
(TO SAT 1)
C2.06.03.3

R/W GROUND
(TO SAT 2)
C2.06.03.3

SEQUENCE PICK
(TO SAT 1)
C2.06.03.3

SEQUENCE HOLD
(TO SAT 1)
C2.06.03.3

SEQUENCE PICK LOOP
(FROM SAT 1)
C2.03.03.3

SEQUENCE HOLD LOOP
(FROM SAT 1)
C2.03.03.3

SEQUENCE PICK
(TO SAT 2)
C2.03.03.3

SEQUENCE HOLD
(TO SAT 2)
C2.06.03.3

* NOT CONNECTED

* NOT CONNECTED

HEADS EXTENDED GND
(FROM SAT 1)
C2.03.03.3

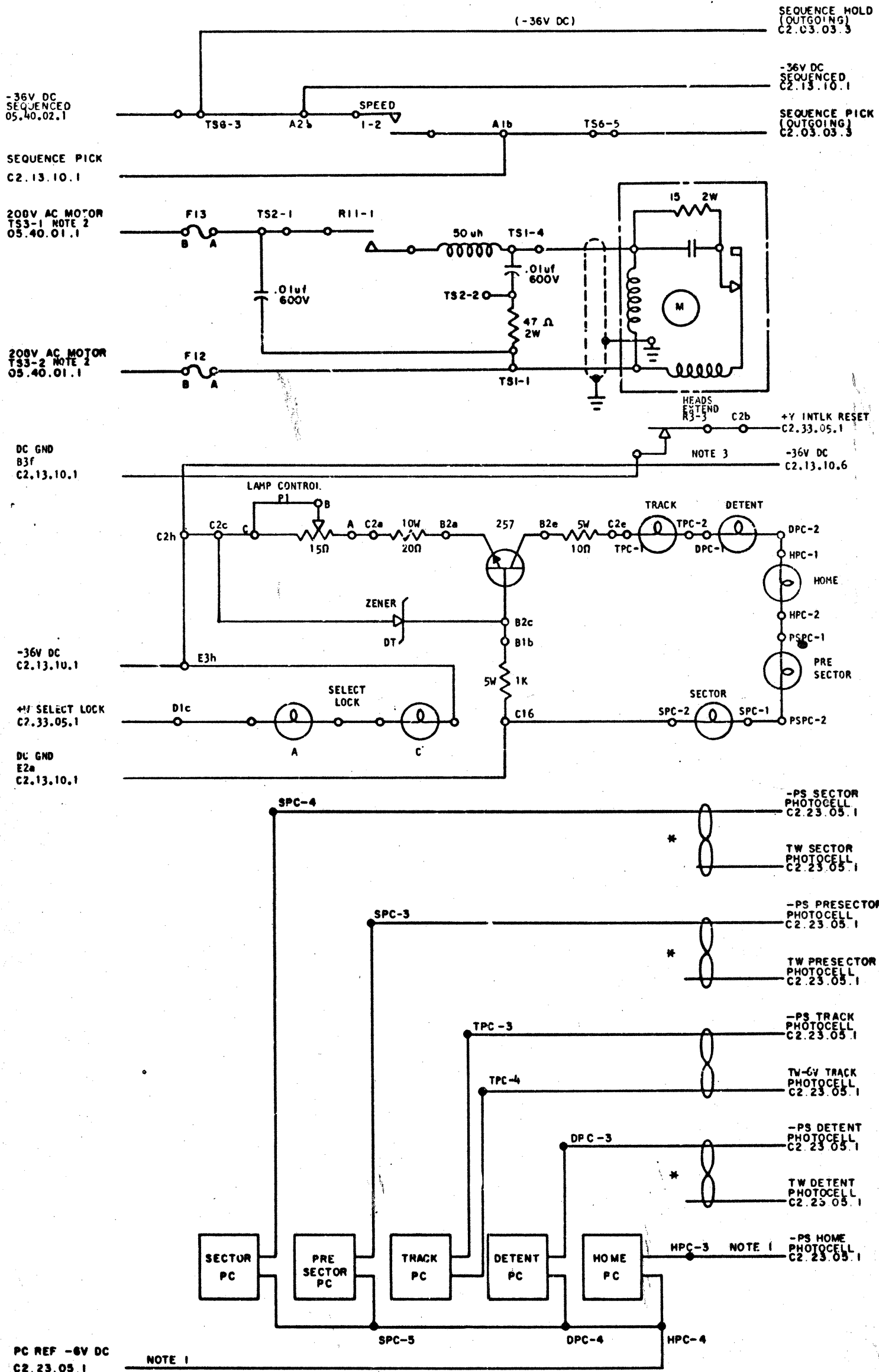
HEADS EXTENDED GND
(FROM SAT 2)
C2.03.03.3

2162724

MOTOR SEQUENCE & PHOTOCELLS

1311-3

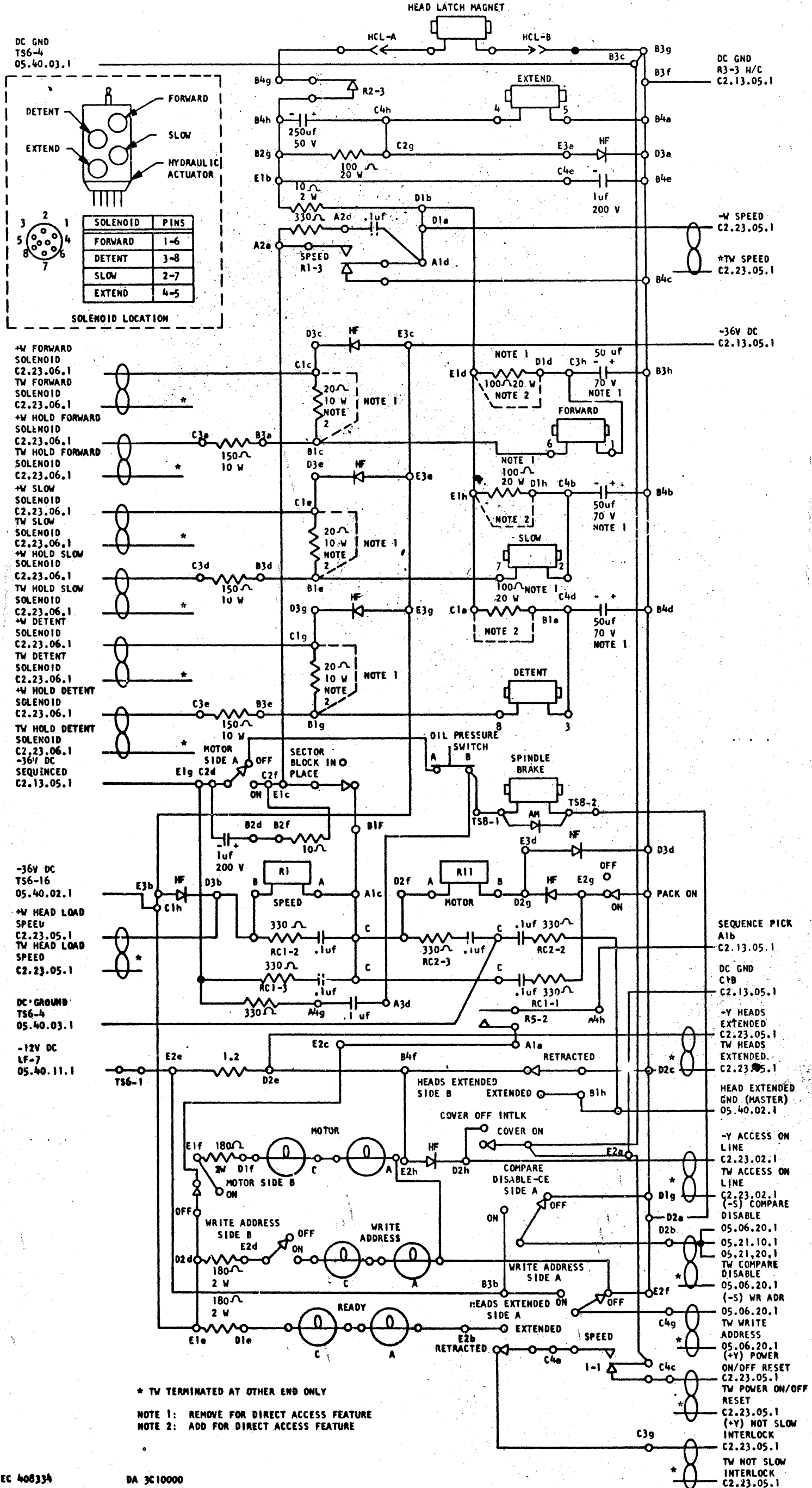
C2.13.05.1

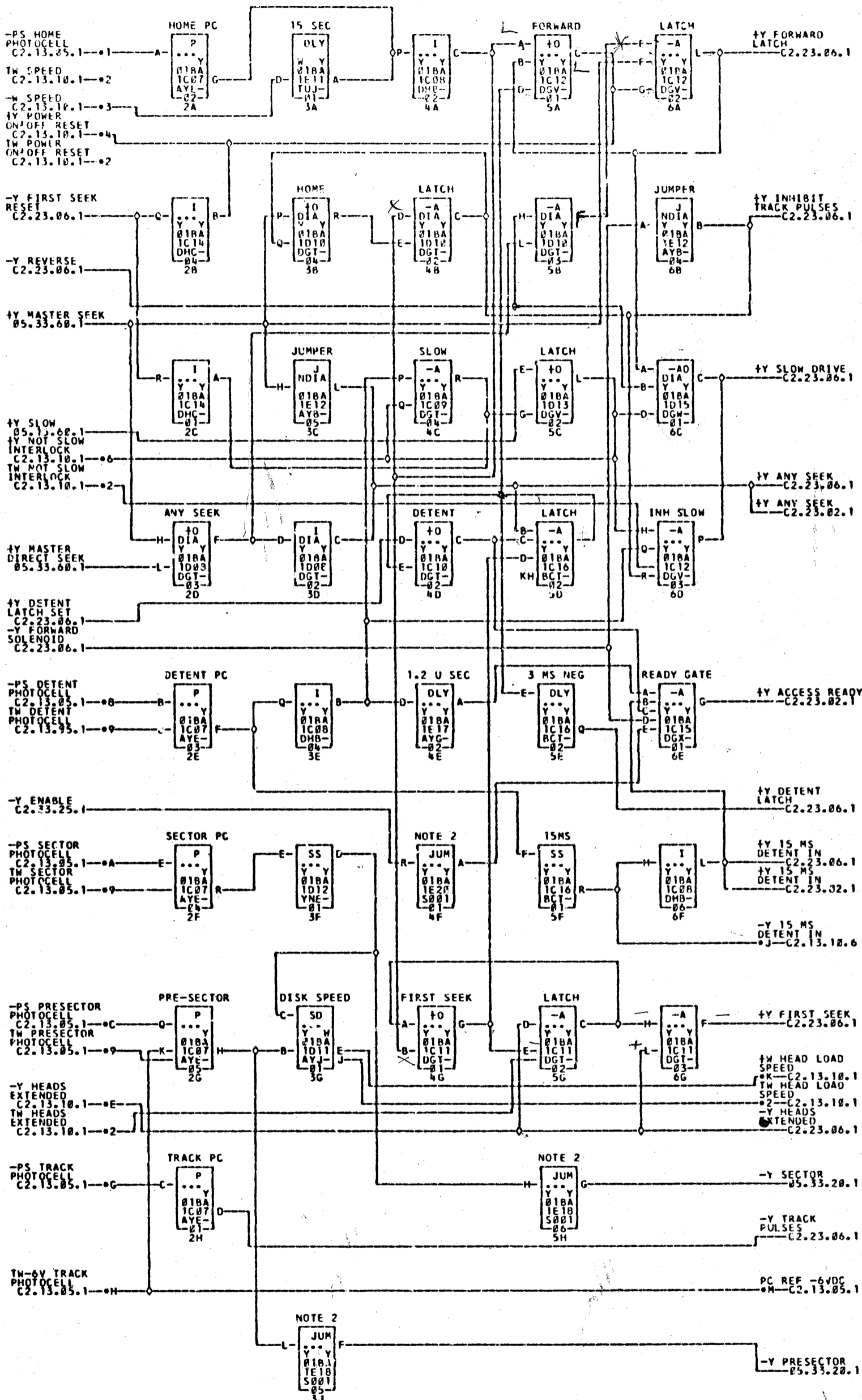


PC REF -6V DC
C2.23.05.1

NOTE 1

- * TW TERMINATED AT OTHER END ONLY
- NOTE 1: TWISTED WIRE (PC REF -6V DC & -PS HOME PHOTOCELL)
- 2: 208V AC IS 220V AC IN 50 CYCLE FILE
- 3: R/S METER.





- *1-01B1B01R
- *2-01B1C01G
- *3-01B1C02P
- *4-01B1C01J
- *5-01B1C01M
- *6-01B1C01K
- *7-01B1C02P
- *8-01B1C01Q
- *9-01B1C01N
- *A-01B1B02R
- *B-01B1C01L
- *C-01B1B02P
- *D-01B1C01M
- *E-01B1C01R
- *F-01B1C01M
- *G-01B1B01M
- *H-01B1B01L
- *J-RS METER
- *K-01B1C01M
- *M-01B1B01Q

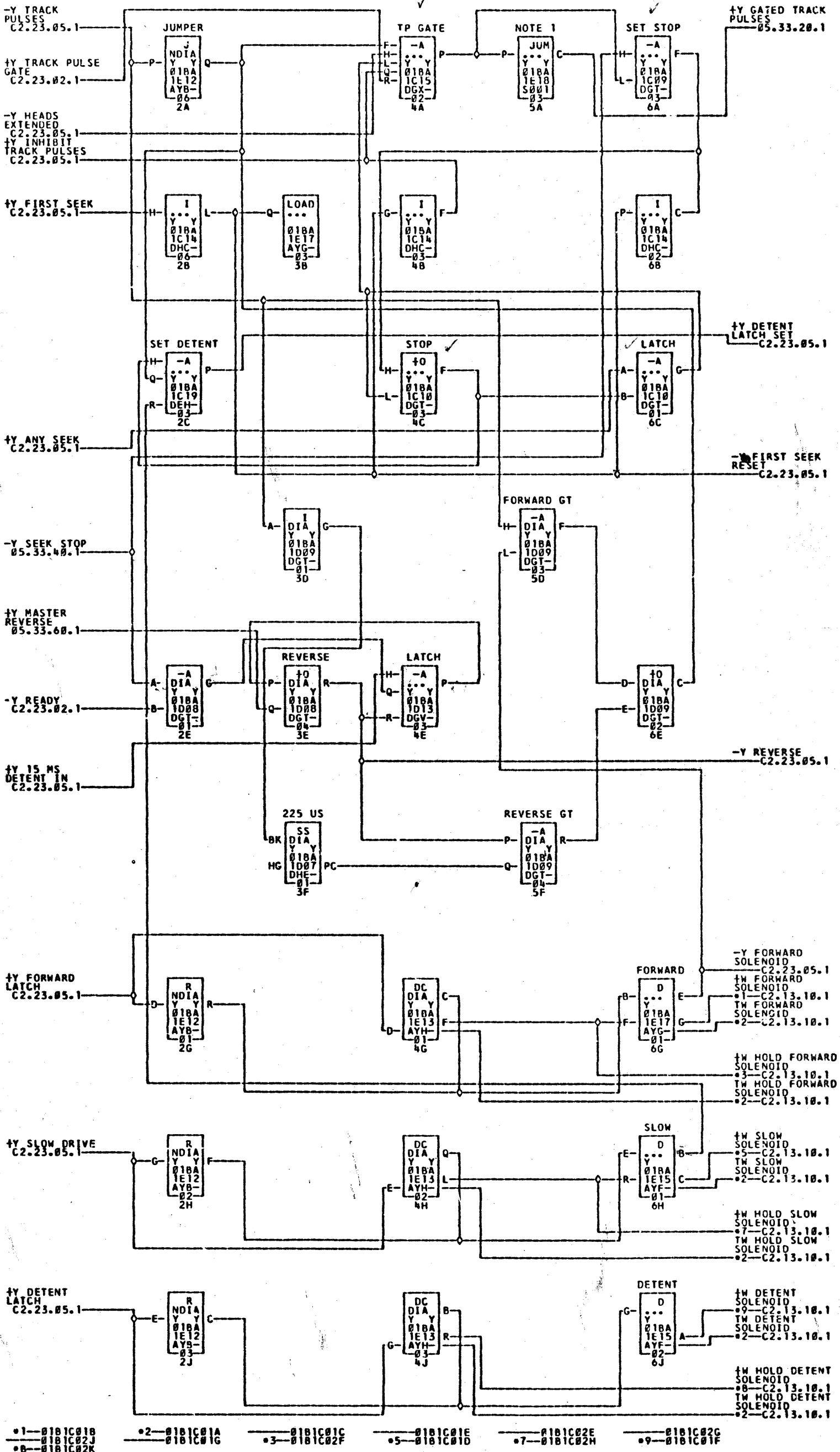
E. C. 408324 COMMENTS TAG DATE D.A. NO. TAG DATE D.A. NO. TAG DATE D.A. NO. TAG DATE D.A. NO.
 NOTE 1 INDEX PULSE SYNC AT 01B1D11F A 06-11-64 3C07000

2154793

ACCESSING LOGIC

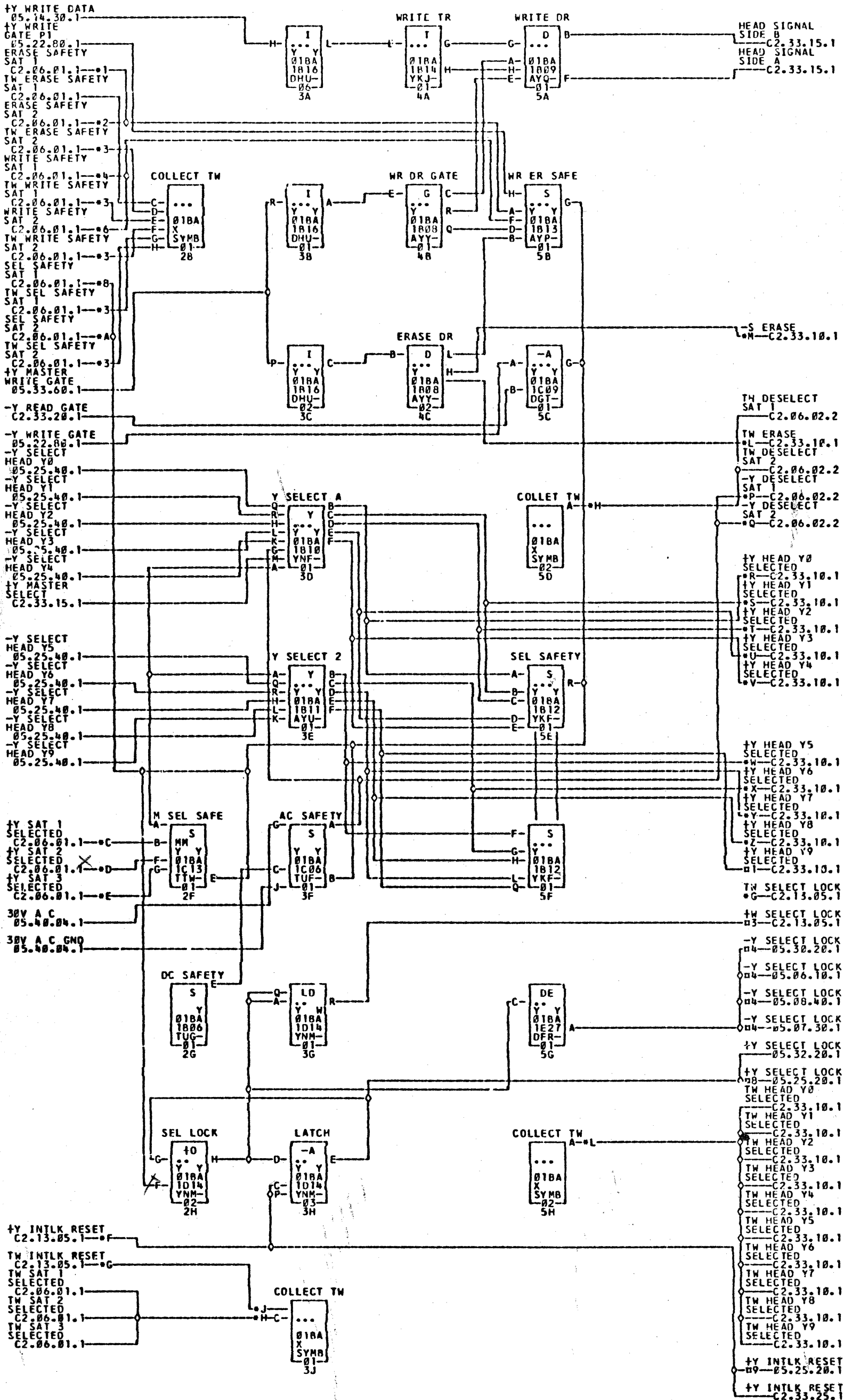
1311-3

C2.23.06.1



COMMENTS
 E. C. 407253B
 NOTE 1 THIS JUMPER CARD IS REMOVED
 WHEN THE CE BOX PADDLE CONNECTORS

TAG DATE	D.A.NO.	TAG DATE	D.A.NO.	TAG DATE	D.A.NO.	TAG DATE	D.A.NO.
A 02-18-64	3C02000						



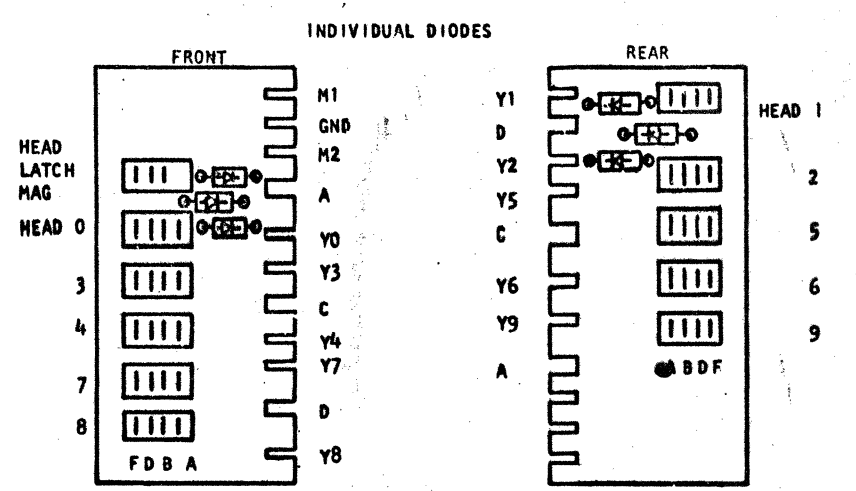
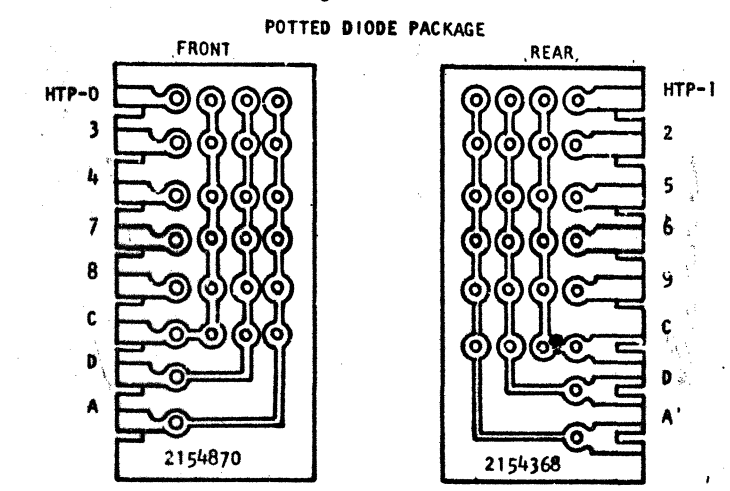
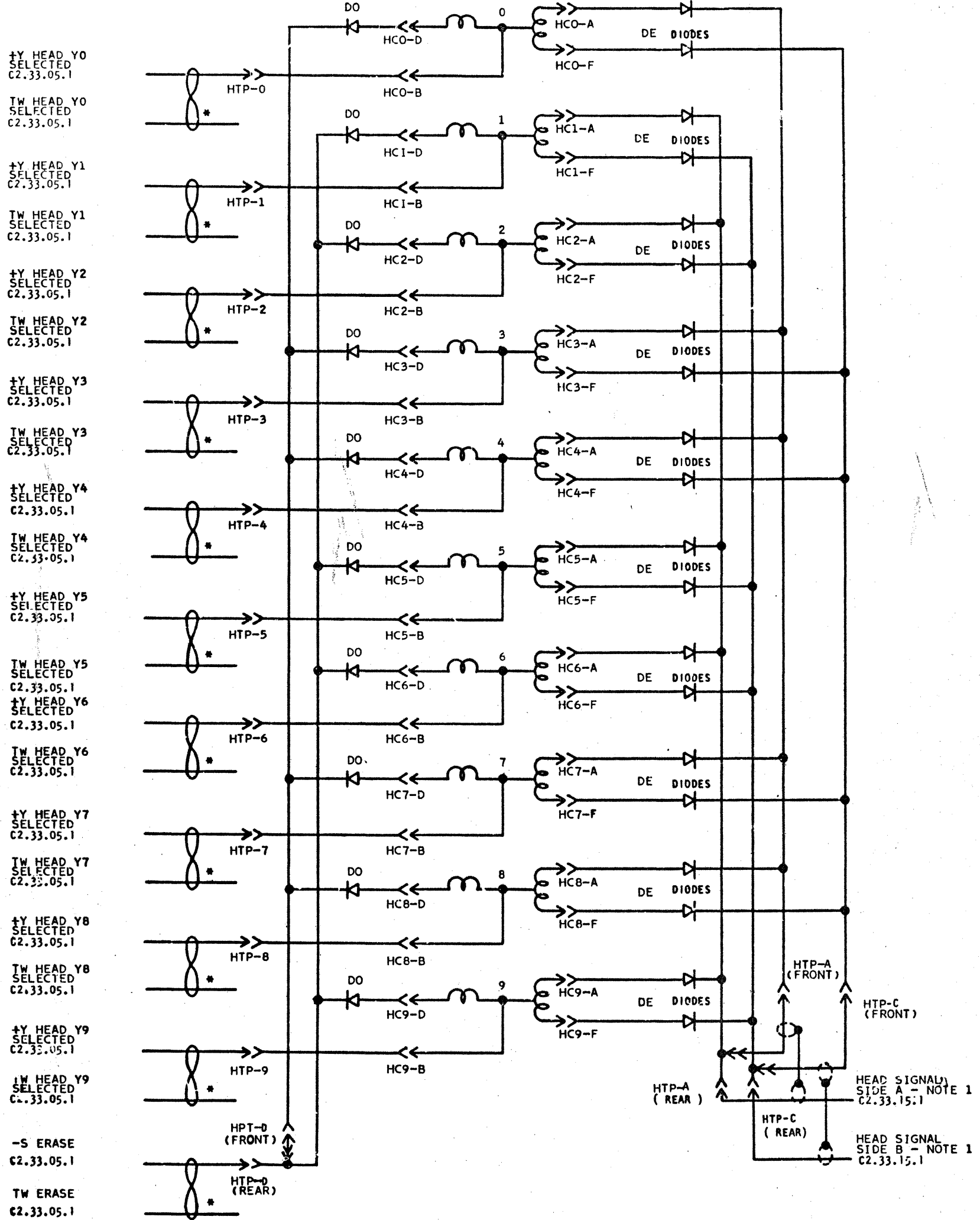
- 1-01B1A04B
- 2-01B1B04B
- 3-01B1A04A
- 4-01B1A04C
- 5-01B1A04E
- 6-01B1A04D
- 7-01B1A04F
- A-01B1B04C
- C-01B1A04M
- D-01B1B04M
- E-01B1A04P
- F-01B1C02M
- G-01B1C02L
- H-01B1C00J
- I-01B1C00L
- J-01B1A04N
- K-01B1A04L
- L-01B1B02J
- M-01B1B02C
- N-01B1B02G
- O-01B1B02E
- P-01B1B02A
- Q-01B1B02I
- R-01B1B02C
- S-01B1B01A
- T-01B1B01E
- U-01B1B01G
- V-01B1B01J
- W-01B1B01A
- X-01B1B01F
- Y-01B1B01B
- Z-01B1B02K
- 1-01B1B02K
- 2-01B1B02M
- 3-01B1C02R
- 4-01B1F01B
- 5-01B1B02D
- 6-01B1F01A
- 7-01B1E01R

2157667

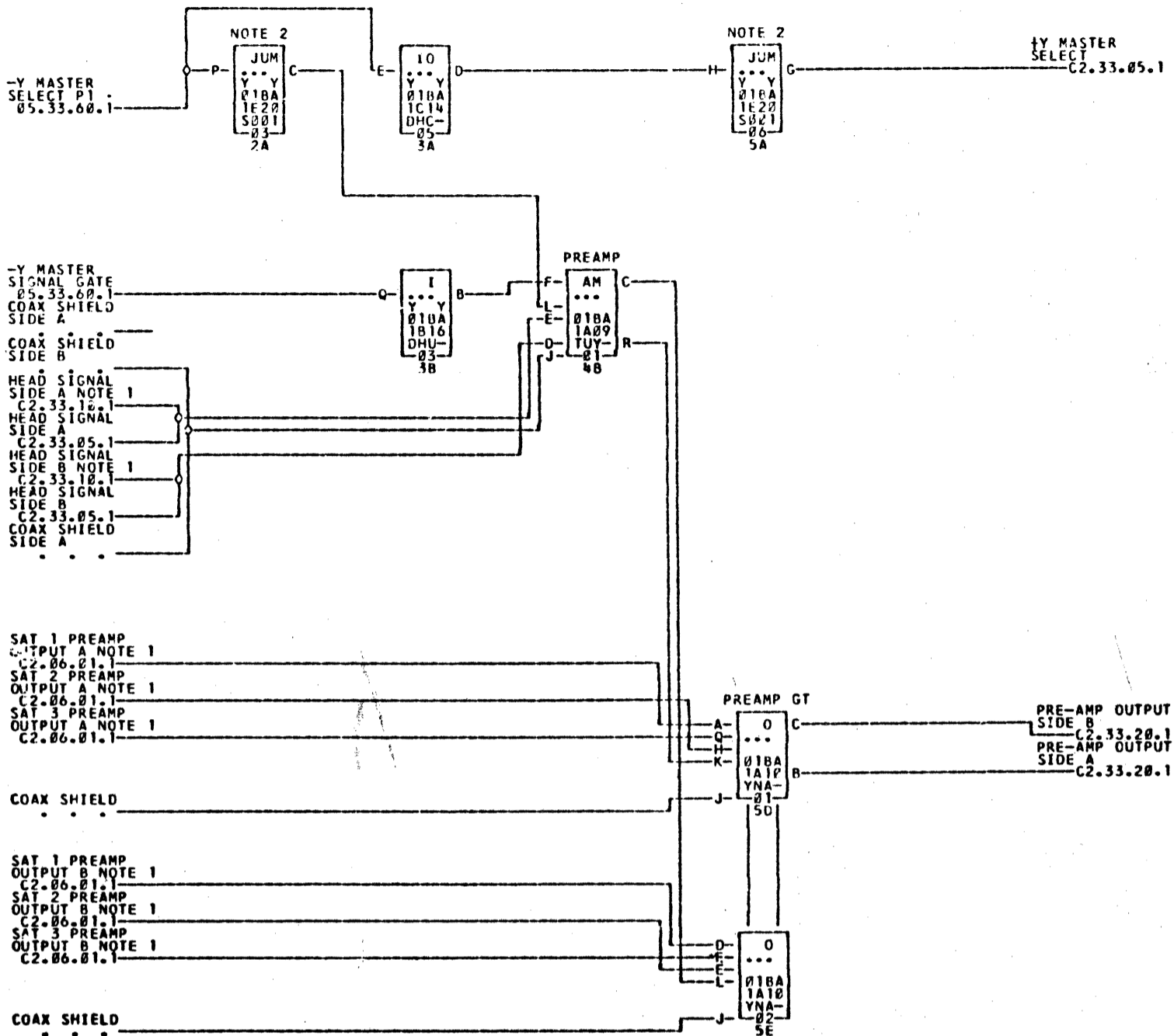
HEADS & SELECTION MATRIX

1311-3

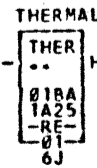
C2.33.10.1



* TW TERMINATED AT OTHER END ONLY
 NOTE 1. — COAX CONDUCTOR. SHIELD TERMINATED AT OTHER END ONLY.



+12V THERMAL SENSE
05.04.10.1-01

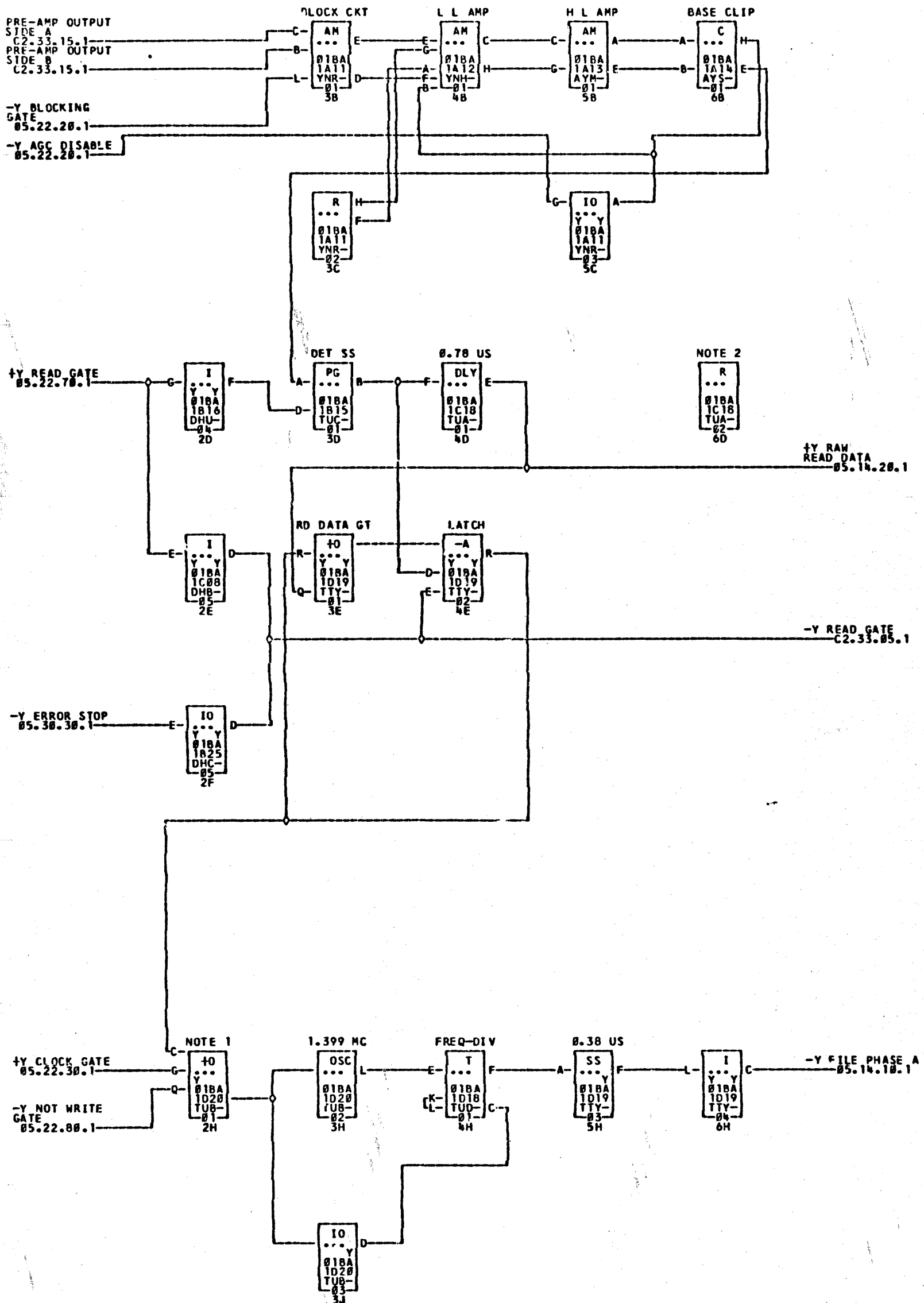


+12V THERMAL SENSE
02-05.40.02.1

*1-01B1E01H *2-01B1A02R

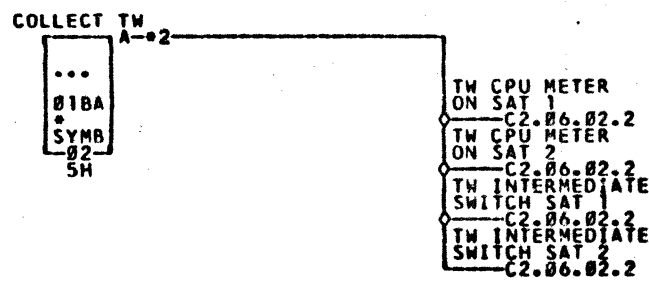
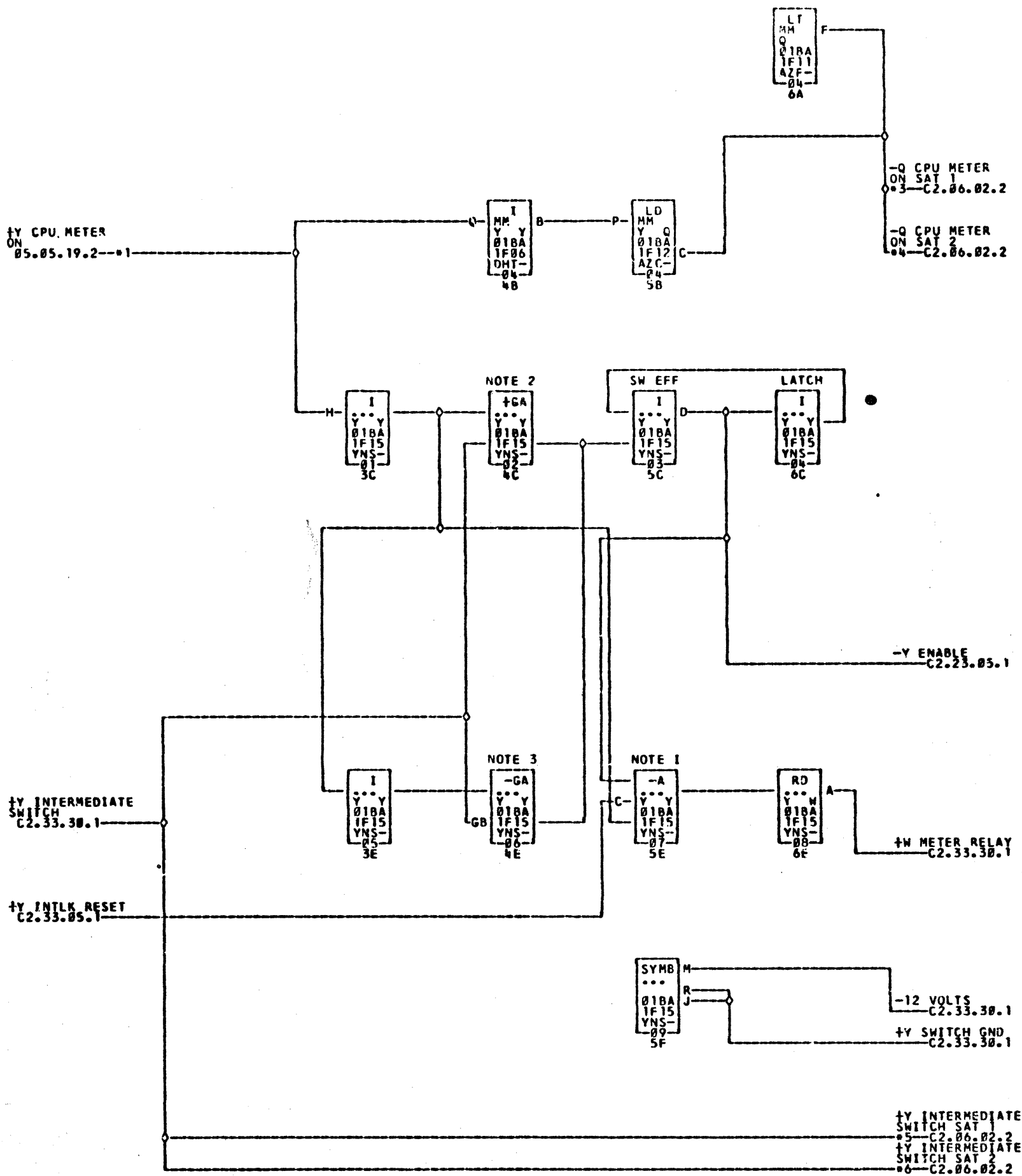
COMMENTS
E. C. 407253B
NOTE 1 COAX CONDUCTOR
NOTE 2 THIS JUMPER CARD REMOVED
WHEN THE CE BOX PADDLE CONNECTORS
ARE PLUGGED IN.

AG DATE	D.A.NO.	AG DATE	D.A.NO.	AG DATE	D.A.NO.	AG DATE	D.A.NO.
A 02-26-64	3C02000						

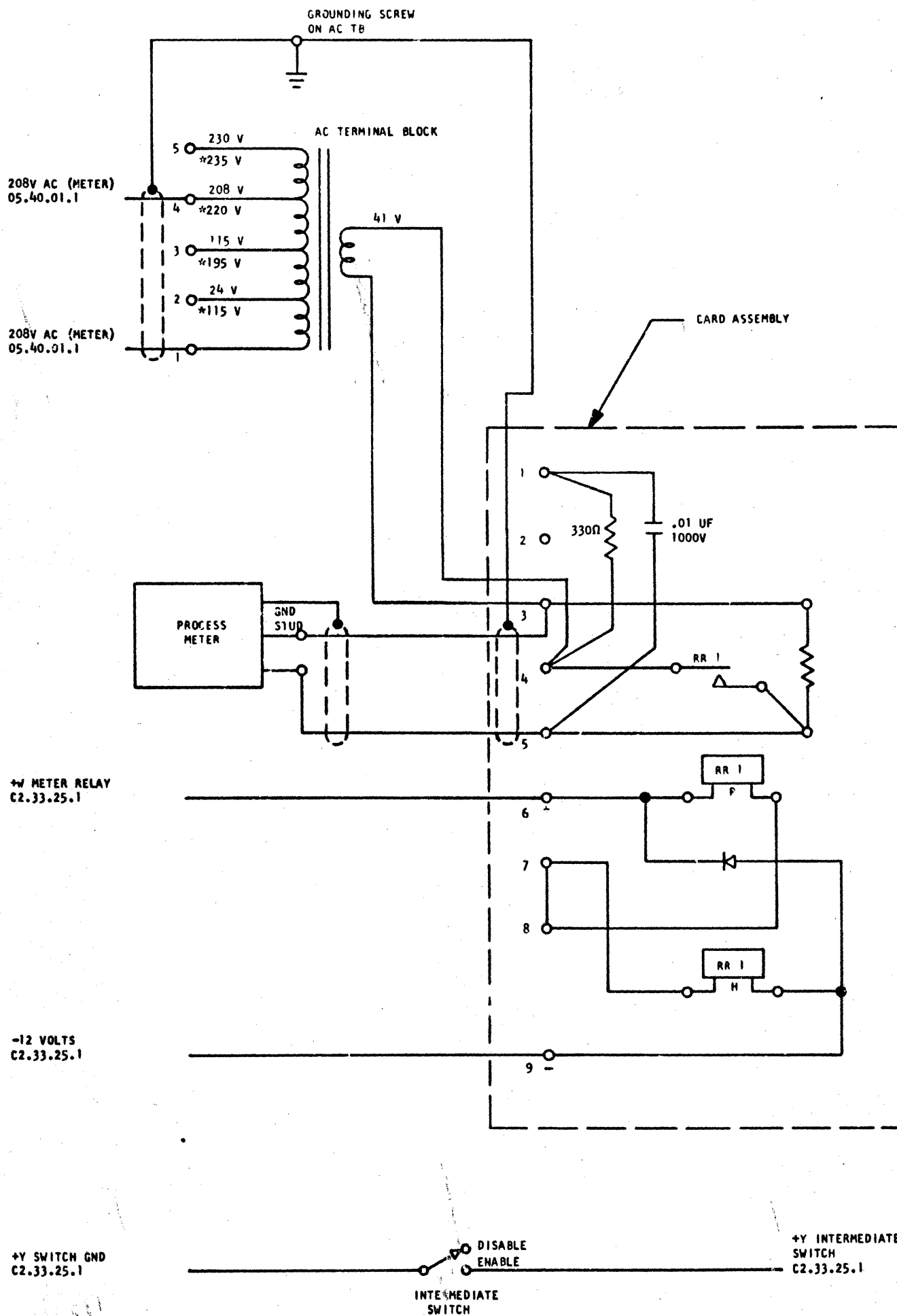


COMMENTS
 E. C. 407253
 NOTE 1 NO INVERSION IN THIS BLOCK.
 GROUND PIN R TO GATE OSC ON.
 NOTE 2. RESISTOR NET TO VARY CLIPPING
 LEVEL OF BASE CLIPPER. SEE C.E. MANUAL.

TAG DATE	D.A.NO.	TAG DATE	D.A.NO.	TAG DATE	D.A.NO.	TAG DATE	D.A.NO.
A 11-08-63	3C00000						



- 1--01B1F01R •2--01B1A03M - - - -01B1A03Q - - - -01B1B03N - - - -01B1B03O - - - -01B1C00J
- 3--01B1B03R - - - -01BXB16 •4--01B1A03R - - - -01BXA16 •5--01B1A03P - - - -01BXA14
- 6--01B1B03P



NOTE 1: ASTERISK (*) VOLTAGES ARE 50 CYCLE CONNECTIONS.