

P/N 4247825

DISPLAY ADAPTER FEATURE WIRE LIST

A6010

THE FOLLOWING BLACK WIRES PN 811695 ARE ADDED WHEN THE SPECIFIED FEATURES ARE INSTALLED.

<u>CODE</u>	<u>BOARD PN.</u>	<u>LOWEST BOARD EC</u>	<u>NET NUMBER</u>	<u>PIN LOC</u>	<u>PIN LOC</u>
MODEL 2 DISPLAY FEATURE	(WIRE MUST BE ADDED WHEN FEATURE IS INSTALLED ON 5412 SYSTEM)			B-B2L3D10	TO B-B2M2D05
KATAKANA FEATURE	(WIRE MUST BE ADDED WHEN FEATURE IS INSTALLED ON 5412 SYSTEM)			B-B2K5B03	TO B-B2M2D05
LAST BOARD ON CHANNEL				B-B2E2B06 B-B2E3B06	TO B-B2B2B07 TO B-B2B3B07
NOT LAST BOARD ON CHANNEL				B-B2D2D08 B-B2D3D08	TO B-B2B2B07 TO B-B2B3B07

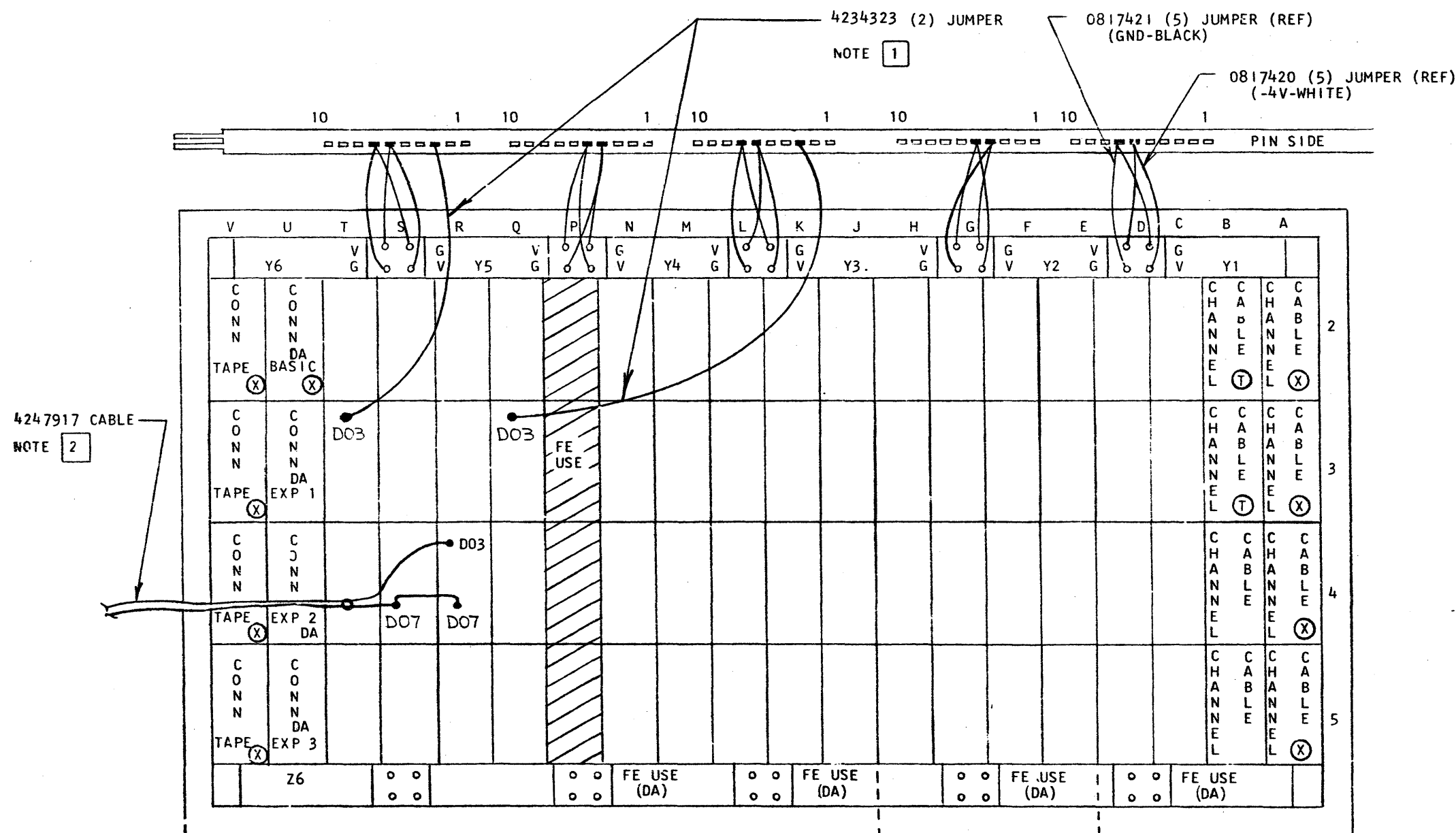
DATE EC NO
26SEP75 827809

DATE EC NO
06JAN76 827831

DATE EC NO

DATE EC NO

DATE EC NO



NOTES

- 1 BOTH JUMPERS REQUIRED FOR DA. ONLY Q3 JUMPER IS REQUIRED FOR TAPE ATCH BY ITSELF
- 2 DA ONLY
- 3 CHANNEL CABLE GROUP IS DEPENDENT UPON CHANNEL BANK 2 CONFIGURATION

LEGEND:

- (X) CABLE ALWAYS PRESENT IF FEATURE IS INSTALLED
- (T) TERMINATOR CARDS IN THESE POSITIONS IF B-B2 IS LAST BOARD ON CHANNEL BANK 2

TAPE AND DA

POSITION	CABLE PART NUMBER
A2	CHANNEL CABLE
A3	
A4	
A5	
B2	CHANNEL CABLE
B3	
B4	
B5	
U2	4234244
U3	
U4	
U5	
V2	2454931
V3	
V4	
V5	

EC HISTORY		DRAWING TITLE	
11JUL75	827756	CONNECTOR CHART BOARD 01B-B2	
		MACH	
		PART NO 4247914	
C	CLASSIFICATION		IBM CORP
	MJR	6-26-75	

Z A 2 2 2

Z A 2 2 2

DATE 04-01-76

MST-1 BOARD DISCRETE WIRE EQUIVALENT LIST SEQUENCED BY NET NUMBER

PAGE 1

PART NO. 1639958 E.C. NO. 571834 VERSION 000 SIZE SINGLE MACHINE S3IDA-12 LOCATION 50Z-W7

PIN ID: #-I/O PIN PLANES: 1-CARD SIDE SHALLOW 3-PROBE SIDE SHALLOW WIRE TYPES: YEL-YELLOW, 30, AG NTR-90 CHM TRI-LEAD
*-I/O & LOGIC 2-PROBE SIDE SHALLOW 4-PROBE SIDE SHALLOW TWL-TWIN LEAD WRAP FTW-50 CHM TWIN LEAD
T-TERMINATING RES. W-DISCRETE OVERFLOW TW-TWIST PR CONNECT NTW-90 CHM TWIN LEAD
V-VOLTAGE/GROUND FTR-50 OHM TRI-LEAD CX-COAX CONNECTOR

NOTES: WIRE LENGTH IS IN TENTHS OF AN INCH. YELLOW WIRE LENGTH INCLUDES WIRE FOR WRAP.

Table with columns: NET NO., FROM PIN, P L, TO PIN, P L, WIRE TYP, WIRE LNPTH. It lists wire connections for various components like HT100BK2, HT240BH2, HT340GC6, etc.

PART NO. 1639958 E.C. NO. 571834 VERSION 000 SIZE SINGLE MACHINE S3IDA-12 LCCATION 50Z-W7

PIN ID: #-I/O PIN PLANES: 1-CARD SIDE SHALLOW 3-PROBE SIDE SHALLOW WIRE TYPES: YEL-YELLOW, 30, AG NTR-90 OHM TRI-LEAD
*-I/O & LOGIC 2-PROBE SIDE SHALLOW 4-PROBE SIDE SHALLOW TWL-TWIN LEAD WRAP FTW-50 OHM TWIN LEAD
T-TERMINATING RES. W-DISCRETE OVERFLOW TW-TWIST PR CONNECT NTW-90 OHM TWIN LEAD
V-VOLTAGE/GROUND FTR-50 OHM TRI-LEAD CX-CCAX CONNECTOR

NOTES: WIRE LENGTH IS IN TENTHS OF AN INCH. YELLOW WIRE LENGTH INCLUDES WIRE FOR WRAP.

Table with columns: NET NO., FROM PIN, P L, TO PIN, P L, WIRE TYP, WIRE LNPTH, FROM PIN, P L, TO PIN, P L, WIRE TYP, WIRE LNPTH, FROM PIN, P L, TO PIN, P L, WIRE TYP, WIRE LNPTH. It lists wire connections for various components like JR220AR2, JR220AS6, etc.

DATE 04-01-76

MST-1

BOARD DISCRETE WIRE EQUIVALENT LIST SEQUENCED BY NET NUMBER

PAGE 3

PART NO. 1639958

E.C. NO. 571834

VERSION 000

SIZE SINGLE

MACHINE S3IDA-12

LOCATION 50Z-W7

PIN ID: #-I/O PIN
*-I/O & LOGIC
T-TERMINATING RES.
V-VOLTAGE/GROUND

PLANES: 1-CARD SIDE SHALLOW 3-PROBE SIDE SHALLOW WIRE TYPES:
2-PROBE SIDE SHALLOW 4-PROBE SIDE SHALLOW
W-DISCRETE OVERFLOW

YEL-YELLOW, 30, AG
TWL-TWIN LEAD WRAP
TW-TWIST PR CONNECT
FTR-5C OHM TRI-LEAD

NTR-90 OHM TRI-LEAD
FTW-50 OHM TWIN LEAD
NTW-90 OHM TWIN HEAD
CX-COAX CONNECTOR

NOTES: WIRE LENGTH IS IN TENTHS OF AN INCH. YELLOW WIRE LENGTH INCLUDES WIRE FOR WRAP.

NET NO.	FROM PIN	P L	TO PIN	P L	WIRE TYP	LNTH	FROM PIN	P L	TO PIN	P L	WIRE TYP	LNTH	FROM PIN	P L	TO PIN	P L	WIRE TYP	LNTH		
	T4D12	2	S4D12	2	YEL	5.0	T4D10	2	S4D10	2	YEL	4.5	JR740FD6	M3D11	W	M4D06	W	YEL	5.0	
	S4D12	2	R4D12	2	YEL	5.0	L5D03	2	R4D10	W	YEL	7.0	JR74CFM6	R2B03	1	Q2B03	1	YEL	4.5	
	L5B11	W	R4D12	W	YEL	8.0	S5D05	2	R5D05	2	YEL	4.5		R2B03	2	M2B12	2	YEL	8.0	
JR640DM2	J2B02	W	L5B11	W	YEL	10.0	T5D05	2	S5D05	2	YEL	4.5	JR740GJ7	M2D13	W	M4D13	W	YEL	7.0	
	L4B10	2	P5B05	2	YEL	6.0	L3B11	W	R5D05	W	YEL	8.0	JR740GM6	M2D11	W	N4D10	W	YEL	7.0	
	T4B11	2	P5B05	2	YEL	7.0	L5D05	2	K2B02	1	YEL	10.0		T2B03	2	T2B03	2	YEL	4.5	
	S4B11	2	S4B11	2	YEL	4.5	JR650FC2	K2D04	W	L4D11	W	YEL	8.0		T2B03	2	M2D11	2	YEL	8.0
	S4B11	2	R4B11	2	YEL	4.5	JR650GJ2	L3D11	2	K2B12	2	YEL	5.5	JR750AC4	S3B02	2	R3B02	1	YEL	4.5
	R4B11	2	J2B03	2	YEL	12.0	JR660DK6	C2B09	1	L2D04	2	YEL	9.0		Q3B02	2	M2B04	2	YEL	7.0
JR640FA2	L4D07	2	J3D13	2	YEL	6.0	JR660FK4	K5D06	W	L4B02	W	YEL	6.0		R3B02	2	C3B02	2	YEL	4.5
	R5D13	2	L4D07	2	YEL	6.0		M2B07	W	K5D06	W	YEL	9.0		T3B02	1	S3B02	1	YEL	4.5
	S5D13	2	R5D13	2	YEL	4.5	JR710DB6	A3B10	W	M5D02	W	YEL	7.0	JR750DF6	N2D11	W	M3D13	W	YEL	6.0
	T5D13	2	S5D13	2	YEL	4.5	JR710DE2	N3B11	2	M3B05	2	YEL	4.5	JR750FD7	M3D05	W	M4D04	W	YEL	5.5
JR640FE2	J3D13	W	P2D11	2	YEL	8.0	JR710DG6	N3B08	2	M3D02	2	YEL	4.5	JR810BK4	M3B08	2	L2B09	2	YEL	6.0
	J4B03	2	P2B04	2	YEL	10.0	JR710DJ6	N3D11	1	M4D02	2	YEL	4.5		P5B04	W	N2D05	W	YEL	9.0
	L5D13	1	J4B03	1	YEL	8.0	JR710DL6	M2D07	W	N3D09	W	YEL	6.0		M3B08	W	P5B04	W	YEL	7.0
	R5B07	2	L5D13	2	YEL	7.0	JR710FM2	M2B05	W	L3B13	W	YEL	7.0	JR810CM2	N3D13	2	L2D13	2	YEL	6.0
	S5B07	2	R5B07	2	YEL	4.5	JR720AA2	Q2D13	2	S3D02	1	YEL	5.5	JR810DE4	P4D12	W	K5B05	W	YEL	7.0
	T5B07	2	S5B07	2	YEL	4.5		S3D02	2	M5D04	2	YEL	11.0		N2D09	W	P4D12	W	YEL	8.0
JR640FH2	J2D03	2	P2B12	2	YEL	7.0		P4D07	W	M5D04	W	YEL	5.5	JR810DK4	P5D11	2	Q4B07	1	YEL	6.0
	L5D12	2	J2D03	2	YEL	11.0		L3D04	W	P4C07	W	YEL	7.0		K5D13	1	P5D11	1	YEL	7.0
	R5D03	2	L5D12	2	YEL	8.0	JR720AC2	P3B12	2	R2B13	2	YEL	7.0		N2D04	2	K5D13	1	YEL	12.0
	S5D03	2	R5D03	2	YEL	4.5		P3B12	2	M5D10	1	YEL	8.0		Q4B07	2	M3D04	2	YEL	8.0
JR640FM6	T5D03	2	S5D03	2	YEL	4.5	JR720AE2	M5D10	1	L3B08	1	YEL	8.0	JR810DL4	M3D04	1	L2D12	2	YEL	4.5
	L4B11	2	J5B09	2	YEL	6.0		L3B09	2	P4D03	2	YEL	8.0		N5B07	2	P4B13	2	YEL	5.0
	R4B09	2	P3D12	2	YEL	6.0		T3D02	1	R2D13	1	YEL	5.0		Q4B05	2	N5B07	2	YEL	7.0
	S4B09	2	R4B09	2	YEL	4.5	JR720AF4	T3D02	2	M5C05	2	YEL	12.0		M3B03	2	L2B12	2	YEL	4.5
	T4B09	2	S4B09	2	YEL	4.5		P4D03	2	M5D05	2	YEL	7.0	JR810EC6	M3B03	W	C4B05	W	YEL	7.0
	J5B09	W	P3D12	W	YEL	5.0	JR720BA2	L3B04	2	M5B05	2	YEL	8.0	JR810EH6	N3D02	2	M2D02	2	YEL	5.5
JR640GC2	L5D11	1	R5B09	1	YEL	10.0		P2D04	W	M5B05	W	YEL	10.0	JR810EK6	M2B10	W	M4D09	W	YEL	7.0
	S5B09	2	J3B13	2	YEL	8.0	JR720BA2	M5B13	2	P4D04	2	YEL	10.0		L2D05	1	N5D03	1	YEL	10.0
	T5B09	2	R5B09	2	YEL	4.5		T2D13	2	Q2B13	1	YEL	6.0	JR810EM4	L2D05	2	C2D10	2	YEL	9.0
	J3B13	W	P2B03	W	YEL	8.0		T2D13	2	P4D04	2	YEL	9.0		N5D07	2	P5B12	2	YEL	4.5
JR650BA2	L4D13	1	K2B10	1	YEL	8.0	JR720BC2	M5B13	1	L3B03	1	YEL	9.0		Q4C06	2	F5B12	2	YEL	7.0
JR650BA5	S4D02	2	R4D02	2	YEL	4.5		Q3D02	1	T2B13	1	YEL	5.5		Q4D06	2	M3D03	2	YEL	8.0
	T4D02	2	S4D02	2	YEL	4.5		L3B12	2	M5D12	2	YEL	10.0	JR810FA4	M3D03	2	L2B13	2	YEL	5.0
	L5B03	W	R4D02	W	YEL	8.0		Q3D02	2	P3D13	2	YEL	5.5	JR810GD4	N5B10	W	P5D03	W	YEL	5.0
JR650BA8	S5D09	1	R5D09	2	YEL	4.5	JR720BE2	P3D13	W	M5D12	W	YEL	8.0	JR810GF6	L3D03	W	N5C05	W	YEL	8.0
	T5D09	2	S5D09	2	YEL	4.5		P4B11	2	R3D02	1	YEL	8.0	JR810GG6	N3B13	2	L3D13	2	YEL	4.5
	L3B10	W	R5D09	W	YEL	5.0		P4B11	2	M5B09	2	YEL	8.0	JR810GG6	L4B03	W	N4B03	W	YEL	5.0
JR650BD5	T4B10	1	S4B10	2	YEL	4.5	JR720BK2	L4D04	W	M5B09	W	YEL	6.0	JR820BB6	T3B05	2	S3B05	2	YEL	4.5
	S4B10	2	R4B10	2	YEL	4.5		P4B08	2	S2B13	1	YEL	8.0		N4D13	W	T3B05	W	YEL	8.0
	L5B07	W	R4B10	W	YEL	7.0		P4B08	2	M5B11	2	YEL	7.0	JR820BM2	N5B05	1	M2D06	1	YEL	9.0
JR650BD8	S4B12	2	T4B12	2	YEL	4.5	JR720BN2	N5B11	2	L3C09	1	YEL	8.0	JR820CC6	N3B12	2	M2D04	1	YEL	7.0
	S4B12	2	R4B12	2	YEL	4.5		N2B07	1	S2D13	2	YEL	7.0	JR820CH2	D2B13	W	N3D06	W	YEL	10.0
	L5D09	W	R4B12	W	YEL	7.0		P4B12	2	M5B12	1	YEL	10.0	JR820FC2	N2B04	2	C3B05	2	YEL	7.0
JR650BG2	S5B03	2	T5B03	1	YEL	5.0		P4B12	2	L5D06	2	YEL	7.0		R3B05	2	C3B05	2	YEL	4.5
	R5B03	W	S5B03	W	YEL	4.5	JR720DA6	K3B12	W	M5D13	W	YEL	8.0	JR820FK6	N2D07	2	M2B13	1	YEL	5.0
	L5B05	W	R5B03	W	YEL	7.0	JR720EN6	K3B13	W	M5D09	W	YEL	7.0	JR83CAL2	N3D03	W	M4D03	W	YEL	5.5
JR650BG5	S5B05	2	T5B05	1	YEL	5.0	JR730DA0	N4B10	W	L5B13	W	YEL	6.0	JR83CDG6	M3B02	W	N4D06	W	YEL	6.0
	S5B05	2	R5B05	2	YEL	4.5	JR730DA4	M4D12	W	L4B07	1	YEL	5.0	JR83CFD6	M2D10	W	M4D04	W	YEL	7.0
	L5D07	W	R5B05	W	YEL	7.0	JR730DA6	N4D10	2	L4B04	2	YEL	5.0		C5B12	W	M2D10	W	YEL	12.0
JR650BG8	S5B10	1	T5B10	1	YEL	5.0	JR730DA6	M4D11	W	L5B09	W	YEL	5.5	JR830FF6	C3B05	W	N4B04	W	YEL	10.0
	L4D06	W	R5B10	W	YEL	8.0	JR730CC0	N5D11	2	L4B08	2	YEL	6.0	JR830FJ2	M3B10	W	N2D13	W	YEL	5.5
	S4D05	2	R4D05	2	YEL	4.5	JR730DC4	N4D09	2	L5B10	2	YEL	6.0	JR830GE2	N5D10	2	C3D02	2	YEL	12.0
JR650BK2	T4D05	2	S4D05	2	YEL	4.5	JR730DC6	L5B12	1	M5B10	2	YEL	4.5	JR840FL2	P5B11	2	K4B03	1	YEL	11.0
	L4D12	W	R4D05	W	YEL	7.0	JR730DE6	M5D07	2	L5D10	1	YEL	4.5		N4B13	W	P5B11	W	YEL	5.5
JR650BK5	S4D10	2	R4D10	2	YEL	4.5	JR730EL6	N3D10	2	M4B03	2	YEL	5.0	JR952AH4	Q3D03	2	H2B11	2	YEL	9.0
																	G2B11	2	YEL	4.5
																	F2B11	2	YEL	4.5

DATE 04-01-76

PART NO. 1639958 E.C. NO. 571834 VERSION 000 SIZE SINGLE MACHINE S3IDA-12 LOCATION 50Z-W7

PIN ID: #-I/O PIN *-I/O & LOGIC T-TERMINATING RES. V-VOLTAGE/GROUND PLANES: 1-CARD SIDE SHALLOW 2-PROBE SIDE SHALLOW 3-PROBE SIDE SHALLOW 4-PROBE SIDE SHALLOW WIRE TYPES: YEL-YELLOW, 30, AG TWL-TWIN LEAD WRAP TW-TWIST PR CONNECT FTR-50 OHM TRI-LEAD NTR-90 OHM TRI-LEAD FTW-50 OHM TWIN LEAD NTH-90 OHM TWIN HEAD CX-COAX CONNECTOR

NOTES: WIRE LENGTH IS IN TENTHS OF AN INCH. YELLOW WIRE LENGTH INCLUDES WIRE FOR WRAP.

Table with columns: NET NO., FROM PIN, P, TO PIN, P, WIRE TYP, WIRE LNPTH, and multiple columns for wire connections and lengths. Includes entries like JS0708A4, JS0708C4, JS0708D4, JS0708F4, JS0708G4, JS0708J4, JS0708L4, JS0708M4, JS0708N4, JS100FH4, JS920GB6, JS920GE4, JS920GG4, JS930EE2, JS930EL6, JS930FG2, JS930FJ6, JS930FL6, JS930GG6, JS930GJ6, JS930GL6, JS940FB6, JS940FC6, JS940FD6, JS940FF6, JS940FG6, JS940FH6, JS940FK6, JS940FL6, JS940FM6, WT001BA4, WT001BC4, WT001BE4, WT001BG4, WT001BJ4, WT001BL4, WT001DA4, WT001DC4, WT001DE4, WT001DL4, WT001FA4, WT001FC4, WT001FE4, WT001FG4, WT001FJ4, WT001FL4, WT001FM4, WT030CB2, WT030CB3, WT030CB4, WT030CB5, WT030CB6, WT030CG2, WT030CG5, WT030CG7, WT040AB2.

DATE 04-01-76

MST-1

BOARD DISCRETE WIRE EQUIVALENT LIST SEQUENCED BY NET NUMBER

PAGE 5

PART NO. 1639958

E.C. NO. 571834

VERSION 000

SIZE SINGLE

MACHINE S3IDA-12

LOCATION 50Z-W7

PIN ID: #-I/O PIN
*-I/O & LOGIC
T-TERMINATING RES.
V-VOLTAGE/GROUND

PLANES: 1-CARD SIDE SHALLOW 3-PROBE SIDE SHALLOW WIRE TYPES:
2-PROBE SIDE SHALLOW 4-PROBE SIDE SHALLOW
W-DISCRETE OVERFLOW

YEL-YELLOW, 30, AG
TWL-TWIN LEAD WRAP
TW-TWIST PR CONNECT
FTR-5C OHM TRI-LEAD

NTR-90 OHM TRI-LEAD
FTW-50 OHM TWIN LEAD
NTW-90 OHM TWIN HEAD
CX-COAX CONNECTOR

NOTES: WIRE LENGTH IS IN TENTHS OF AN INCH. YELLOW WIRE LENGTH INCLUDES WIRE FOR WRAP.

NET NO.	FROM PIN	P L	TO PIN	P L	WIRE TYP	LNTH	FROM PIN	P L	TO PIN	P L	WIRE TYP	LNTH	FROM PIN	P L	TO PIN	P L	WIRE TYP	LNTH		
WT040AB3	V3D06	1	V3D04	1	YEL	4.0	WT050FD7	85D06#	2	A5C06#	2	YEL	4.5	WT21CB02	D5D07	2	B2B04#	1	YEL	11.0
WT040AB5	V3B05	2	V3B03	2	YEL	4.0	WT050FF1	B5D11#	2	A5D11#	2	YEL	4.5		Q4B04	2	F3B11	2	YEL	10.0
WT040AB6	V3D10	1	V3D08	1	YEL	4.0	WT050FF3	B5D13#	2	A5C13#	2	YEL	4.5		Q4B04	2	D5D07	2	YEL	12.0
WT040AB7	V3B09	1	V3B07	1	YEL	4.0	WT050FF7	B5B09#	2	A5B09#	2	YEL	4.5		A2B04#	W	F3B11	W	YEL	8.0
WT040AD2	V5D04	1	V5D02	1	YEL	4.0	WT050FH1	B5B10#	2	A5B10#	2	YEL	4.5	WT210BD3	F3B07	1	D2B12	2	YEL	8.0
WT040AD3	V5B05	1	V5B03	1	YEL	4.0	WT120FA1	P2D10	1	N6B04#	1	YEL	12.0		D2B12	2	B2B05#	2	YEL	6.0
WT040AD5	V5B09	1	V5B07	1	YEL	4.0	WT120FA3	P2D03	2	N6A04#	1	YEL	12.0	WT21CB04	A2B05#	W	F3B07	W	YEL	8.0
WT040AD6	V5D10	1	V5D08	1	YEL	4.0	WT120FA5	N6D04#	2	N6B03	W	YEL	5.5		B2B06#	1	C4B05	1	YEL	8.0
WT040AD7	V5B13	1	V5B11	1	YEL	4.0	WT120FA7	P5B02	2	N6E04#	1	YEL	6.0	WT210BD5	F3D10	2	A2B06#	2	YEL	10.0
WT040FA1	V3D03#	2	G3D09	2	YEL	13.0	WT120FC1	P5B07	2	M6E04#	2	YEL	5.5		F3B10	1	C4D04	1	YEL	8.0
WT040FA2	V3B04#	2	G2D12	2	YEL	12.0	WT120FC3	P5D02	2	M6E02#	2	YEL	5.5		C4D04	1	B2B08#	1	YEL	8.0
WT040FA3	V3D05#	2	G2D13	2	YEL	13.0	WT120FC5	P5D09	2	M6C02#	1	YEL	5.5	WT21CB06	A2B08#	W	F3B10	W	YEL	8.0
WT040FA4	V3B06#	2	G3D02	1	YEL	12.0	WT120FC7	P5D06	2	N6A02#	1	YEL	5.5		E3D04	2	B2B09#	2	YEL	7.0
WT040FA5	V3B08#	2	G3D03	2	YEL	12.0	WT120FE1	P5D10	1	M6B02#	1	YEL	5.5		E3D04	2	D3B11	2	YEL	5.5
WT040FD1	V3D09#	2	G3D04	2	YEL	12.0	WT120FE3	P5B10	2	M6E04#	1	YEL	5.5	WT21CB07	D3B11	2	A2B09#	2	YEL	8.0
WT040FD2	V3B10#	2	G3D05	2	YEL	12.0	WT120FE5	P5B09	1	M6A04#	1	YEL	6.0		A2B10#	1	E3D05	2	YEL	7.0
WT040FD3	V3D11#	2	G3D06	2	YEL	12.0	WT120FE7	P5D05	2	N6B02#	1	YEL	5.5		D3B08	2	B2B10#	2	YEL	6.0
WT040FD4	V3B12#	2	G3D07	2	YEL	12.0	WT120FE2	P5D13	2	L6D02#	1	YEL	5.5	WT21CB08	Q4B07	W	E3D05	W	YEL	11.0
WT040FG1	V5D03#	2	E3D07	2	YEL	14.0	WT120FF4	P5B13	2	L6C04#	2	YEL	6.0		D3B08	W	C4C07	W	YEL	11.0
WT040FG2	V5B04#	2	H5D04	2	YEL	11.0	WT120FH3	P4B04	2	J6C04#	2	YEL	10.0		B2B12#	2	D3B09	2	YEL	6.0
WT040FG3	V5D05#	2	H2D12	2	YEL	13.0	WT120FH5	P4B03	2	K6A04#	2	YEL	10.0	WT21CB09	E3D03	2	A2B12#	2	YEL	7.0
WT040FG4	V5B06#	2	F5D10	2	YEL	13.0	WT120FH7	P4B02	2	K6E04#	1	YEL	10.0		E3D03	2	C3B09	2	YEL	5.0
WT040FG5	V5B08#	2	F3D05	2	YEL	13.0	WT120FK3	P4D02	2	K6B02#	2	YEL	10.0		A2B13#	1	D3D09	2	YEL	8.0
WT040FK1	V5D09#	2	F4D05	2	YEL	13.0	WT120FK5	P4D09	1	H6E02#	1	YEL	10.0		E3D02	2	D3D09	2	YEL	5.0
WT040FK2	V5B10#	2	F4D13	2	YEL	13.0	WT120FK7	P4D06	2	J6C02#	2	YEL	10.0	WT21CBF4	B2B13#	W	E3C02	W	YEL	6.0
WT040FK3	V5D11#	2	E2D12	2	YEL	15.0	WT120FM1	P4D10	2	H6D02#	1	YEL	10.0		E3B02	2	B5B13#	2	YEL	11.0
WT040FK4	V5B12#	2	G3B08	2	YEL	13.0	WT120FM3	P4B10	1	H6C04#	1	YEL	10.0	WT21CBG1	E3B02	2	A5B13#	2	YEL	11.0
WT050CB4	B2D04	2	B2B03	2	YEL	4.0	WT120FM5	P4B09	1	H6C04#	1	YEL	10.0		E3D09	2	B3D02#	2	YEL	9.0
	B2D12	2	B2B11	2	YEL	5.0	WT120FM7	P4D05	1	J6C02#	1	YEL	10.0		H4D13	2	C5D09	2	YEL	8.0
	B2D08	1	B2D04	1	YEL	4.0	WT210BA1	E2D11	2	B2D02#	2	YEL	7.0	WT21CBG2	H4D13	2	A3D02#	2	YEL	11.0
WT050CD4	B2D08	1	B2D12	1	YEL	4.0		E2D11	2	D4B08	2	YEL	8.0		C5B03	2	B3D03#	2	YEL	8.0
	B3D08	W	B3D12	W	YEL	4.0	WT210BA2	D4B08	2	A2D02#	2	YEL	10.0	WT210BG3	F5D11	2	C5B03#	2	YEL	7.0
	B3B03	W	B3D04	W	YEL	4.0		B2D03#	1	E2C02	1	YEL	5.5		F5D11	2	A3D03#	2	YEL	11.0
	B3D12	2	B3B11	2	YEL	4.0		F2D02	2	D3C03	2	YEL	6.0		B3D05#	1	C5D07	1	YEL	8.0
WT050CF4	B3D04	1	B3D08	2	YEL	5.0	WT210BA3	D3D03	2	A2C03#	2	YEL	8.0	WT210BG4	G5B08	2	C5D07	2	YEL	6.0
	B4D08	2	B4B07	2	YEL	4.0		F2D03	2	B2D05#	2	YEL	5.5		F4D09	2	A3D05#	2	YEL	11.0
	B4B03	2	B4D04	2	YEL	5.0	WT210BA4	E2D03	2	D3B05	2	YEL	7.0		F4D09	2	C4D07	2	YEL	5.5
	B4B07	2	B4B03	2	YEL	4.5		O3B05	2	A2C05#	2	YEL	7.5	WT210BG5	F4D09	2	A3D06#	2	YEL	9.0
	B4D12	1	B4D08	1	YEL	4.0		B2D06#	2	E2D04	2	YEL	5.5		B3D06#	W	C4D07	W	YEL	5.5
WT050CH4	B4B11	1	B4D12	1	YEL	4.0		E2D04	2	D5D03	2	YEL	9.0		B3D07#	2	E3D06	2	YEL	5.5
	B5D12	2	B5B11	2	YEL	4.0	WT210BA5	D5D03	2	A2D06#	2	YEL	11.0	WT210BG6	E3D06	1	C5B08	1	YEL	9.0
	B5D08	2	B5B07	2	YEL	4.0		E2C05	2	B2C07#	2	YEL	5.5		C5B08	2	A3D07#	2	YEL	9.0
	B5D04	2	B5B03	2	YEL	4.0		D3D06	2	A2C07#	2	YEL	7.0		C5D02	2	B3C09#	2	YEL	7.0
	B5B03	2	B5B07	2	YEL	4.0	WT210BA6	E2C05	W	D3C06	W	YEL	5.5		F2D03	2	C5D02	2	YEL	11.0
	B5D12	2	B5D08	1	YEL	4.0		E2D06	2	B2D09#	2	YEL	5.5	WT210BG7	F2D03	2	A3D09#	2	YEL	9.0
WT050CJ4	D2B06	1	C2B06	1	YEL	5.0		D5B10	2	A2D09#	1	YEL	11.0		B2D10#	2	E3D11	2	YEL	5.5
WT050CK4	C3B06	V	D3B06	V	YEL	4.5	WT210BA7	E2D06	W	D5B10	W	YEL	10.0		F3D11	2	C5B02	2	YEL	8.0
WT050CL4	C4B06	V	D4B06	V	YEL	4.5		A2D10#	2	D5B03	2	YEL	10.0	WT210BG8	C5B02	2	A3D10#	2	YEL	7.0
WT050CM4	C5B06	V	D5B06	V	YEL	4.5		E2D07	2	D5B03	2	YEL	11.0		C5D04	2	B3D11#	2	YEL	7.0
WT050EJ4	S2B06	2	T2B06	1	YEL	4.5	WT210BA8	E2D07	2	B2C10#	2	YEL	5.5		F2B04	2	A3D11#	2	YEL	9.0
WT050EK4	S3B06	V	T3B06	V	YEL	4.5		B2D11#	2	E2C09	2	YEL	5.5	WT210BG9	F2B04	W	C5D04	W	YEL	9.0
WT050EL4	S4B06	V	T4B06	V	YEL	4.5		F2D09	2	O5D11	1	YEL	10.0		C4D06	2	B3D13#	2	YEL	5.0
WT050EM4	T5B06	V	S5B06	V	YEL	6.0	WT210BA9	D5D11	1	A2D11#	1	YEL	11.0		E3D09	2	C4D06	2	YEL	6.0
WT050FB1	B4B06#	1	A4B06#	1	YEL	5.5		B2D13#	1	E2C10	2	YEL	5.5	WT21CBK1	F3D09	2	A3D13#	2	YEL	7.0
WT050FB5	B4B09#	1	A4B09#	1	YEL	5.5		A2D13#	2	D5B13	2	YEL	11.0		C3B02#	2	A3B02#	2	YEL	4.5
WT050FD1	B5D02#	2	A5D02#	2	YEL	4.5	WT210BD1	E2D10	2	D5B13	1	YEL	10.0	WT210BK2	C3D12	1	B3B04#	2	YEL	6.0
WT050FD3	B5D03#	2	A5D03#	2	YEL	4.5		F2D04	1	B2B02#	1	YEL	7.0		N2B09	2	C3D12	2	YEL	12.0
WT050FD5	B5D05#	2	A5D05#	2	YEL	4.5		C3B13	2	A2B02#	2	YEL	8.0	WT210BK3	A3B04#	W	N2B09	W	YEL	12.0
								F2D04	W	C3B13	W	YEL	8.0		D4D04	2	A3B05#	2	YEL	8.0

DATE 04-01-76

MST-1

BOARD DISCRETE WIRE EQUIVALENT LIST SEQUENCED BY NET NUMBER

PAGE 6

PART NO. 1639958 E.C. NO. 571834 VERSION 000 SIZE SINGLE MACHINE S3IDA-12 LOCATION 50Z-W7

PIN ID: #-I/O PIN PLANES: 1-CARD SIDE SHALLOW 3-PROBE SIDE SHALLOW WIRE TYPES: YEL-YELLOW, 30, AG NTR-90 CHM TRI-LEAD
*-I/O & LOGIC 2-PROBE SIDE SHALLOW 4-PROBE SIDE SHALLOW TWL-TWIN LEAD WRAP FTW-50 CHM TWIN LEAD
T-TERMINATING RES. W-DISCRETE OVERFLOW TW-TWIST-PR CONNECT NTW-90 CHM TWIN HEAD
V-VOLTAGE/GROUND FTR-5C OHM TRI-LEAD CX-COAX CONNECTOR

NOTES: WIRE LENGTH IS IN TENTHS OF AN INCH. YELLOW WIRE LENGTH INCLUDES WIRE FOR WRAP.

NET NO.	FROM PIN	P L	TO PIN	P L	WIRE TYP	WIRE LNPTH	FROM PIN	P L	TO PIN	P L	WIRE TYP	WIRE LNPTH	FROM PIN	P L	TO PIN	P L	WIRE TYP	WIRE LNPTH
	Q5D05	1	H5B13	1	YEL	5.0												
	Q5D05	2	B3B05#	2	YEL	16.0												
	D4D04	W	H5B13	W	YEL	5.0												
WT21CBK4	B3B06#	1	D2D10	1	YEL	6.0												
	H2B10	2	D2D10	2	YEL	6.0												
	H2B10	2	A3B06#	2	YEL	5.0												
WT210BK5	E4D07	2	B3B08#	1	YEL	7.0												
	K3D02	1	E4D07	1	YEL	5.0												
	K3D02	2	A3B08#	2	YEL	16.0												
WT210BK6	B3B09#	2	A3B09#	2	YEL	4.5												
WT210BK7	P2D13	2	B3B10#	2	YEL	13.0												
	P2D13	2	A3B10#	2	YEL	13.0												
WT210BK8	B3B12#	2	A3B12#	2	YEL	4.5												
WT210BK9	C4B13	2	B3B13#	2	YEL	6.0												
	F2D05	2	C4B13	2	YEL	11.0												
	F2D05	2	A3B13#	2	YEL	16.0												

END OF LIST

DATE 04-01-76

MST-1

BOARD DISCRETE WIRE EQUIVALENT LIST SEQUENCED BY PIN NUMBER

PAGE 1

PART NO. 1639958

E.C. NO.

571834

VERSION 000

SIZE SINGLE

MACHINE S3ICA-12

LOCATION 50Z-47

PIN ID: #-I/O PIN

*-I/O & LCGIC

V-VOLTAGE/GROUND

NOTE: *T* FOLLOWING PIN LOCATION INDICATES TERMINATING RESISTOR

PIN	NET NO.	PIN	NET NO.	PIN	NET NO.	PIN	NET NO.	PIN	NET NO.	PIN	NET NO.	PIN	NET NO.
A2B02#	WT210BD1	A5B10#	WT050FH1	B4B04#	WT001FL4	C2C06	JR310BL4	C5B11	JR210AC2	D4DC2	JR320AX6	E3B09	HT310FK2
A2B04#	WT210BD2	A5B12#	WT050FH3	B4B05#	HT350FC2	C2D07	JR250CA2	C5B12	JR830FC6	D4DC3	JR330AX6	E3B10	HT320CJ6
A2B05#	WT210BD3	A5B13#	WT210BF4	B4B06#	WT050CFB1	C2D09	JR230AY2	C5B13	JR240EB6	D4DC4	WT210BK3	E3B11	HT200AC2
A2B06#	WT210BD4	A5D02#	WT050FD1	B4B07#	WT050CF4	C2G10	JR810EK6	C5C02	WT210CB6	D4DC5	JR420CFK6	E3B12	HT360FA2
A2B08#	WT210BD5	A5D03#	WT050FD3	B4B08#	JR230BC6	C2G11	JR250FF2	C5C03	JR230AP6	D4DC6	JR350CB2	E3B13	HT330CC2
A2B09#	WT210BD6	A5D05#	WT050FD5	B4B09#	WT050FB5	C2G12	JR250EJ6	C5C04	WT210BG6	D4DC7	JR350CA2	E3D02	HT210EF9
A2B10#	WT210BD7	A5D06#	WT050FD7	B4B10#	HT340GC6	C2D13	JR240EG6	C5C05	JR220CAS6	D4DC8	JR310AX6	E3D03	HT210EF8
A2B12#	WT210BD8	A5D07#	WT050FF4	B4B11#	WT050CF4	C3B02	JS930EE2	C5C06	JR210CAV2	D4D10	JR310CAV7	E3D04	HT210EF6
A2B13#	WT210BD9	A5D09#	WT050FF3	B4B12#	JR230AC6	C3B03	JR320AY6	C5C07	WT210CBG2	D4D11	JR310CBJ6	E3D05	HT210EF7
A2C02#	WT210BA1	A5D10#	WT050FF1	B4B13#	HT340GC6	C3B04	JR260BF6	C5C09	WT210CBG1	D4D12	JR310CAV3	E3D06	HT210EF5
A2C03#	WT210BA2	A5D11#	WT050FF2	B4D02#	WT001FA4	C3B05	JR830FF6	C5C10	JR210CAV2	D4D13	JR310CBH6	E3D07	HT210EF1
A2C05#	WT210BA3	A5D13#	WT050FF3	B4D03#	WT001CA4	C3B06	WT050CK4	C5C11	JR220CAR6	D5B02	WT050CK4	E3D09	HT210EG9
A2C06#	WT210BA4	B2B02#	WT210BD1	B4D04#	WT050CF4	C3B07	JR260AB2	C5C12	JR220CAC6	D5B03	WT050CF4	E3D10	HT210EG5
A2C07#	WT210BA5	B2B03#	WT050CCB4	B4D05#	WT001BA4	C3B08	JR420CC2	C5C13	JR220CAL2	D5B04	JR310CAV3	E3D11	HT210EG7
A2C09#	WT210BA6	B2B04#	WT210BD2	B4D06#	WT001FC4	C3B09	JR210AF2	C2B02	JR220CAS2	D5B05	JR310CAV6	E3D12	HT320FL6
A2C10#	WT210BA7	B2B05#	WT210BD3	B4D07#	WT050CF4	C3B10	JR230CE6	C2B04	WT050CF4	D5B06	WT050CCN4	E3D13	HT200AC2
A2C11#	WT210BA8	B2B06#	WT210BD4	B4D08#	WT050CF4	C3B11	JR240CG2	C2B05	JR220CBF6	D5B07	JR320CAF6	E4B02	HT330CK6
A2C13#	WT210BA9	B2B08#	WT210BD5	B4D09#	WT001BC4	C3B12	JR210AS2	C2B06	WT050CCJ4	D5B08	JR310CAV6	E4B03	HT300AR2
A3B02#	WT210BK1	B2B05#	WT210BD6	B4D10#	WT001FE4	C3B13	WT210BF1	C2B09	WT210CAY2	D5B09	JR350CAA6	E4B04	HT340CE6
A3B04#	WT210BK2	B2B10#	WT210BD7	B4D11#	WT001CE4	C3C02	JR830GE2	C2B10	JR220CAL6	D5B10	WT210CBA6	E4B05	HT360CF6
A3B05#	WT210BK3	B2B11#	WT050CCB4	B4D12#	WT050CF4	C3C03	JR240CF6	C2B12	WT210CBG2	D5B11	WT210CBAS	E4B07	HT310AF6
A3B06#	WT210BK4	B2B12#	WT210BD8	B4D13#	WT001BE4	C3C04	JR260AL2	C2B13	JR220CCF2	D5B12	JR350CAV2	E4B08	HT350CF6
A3B08#	WT210BK5	B2B13#	WT210BD9	B5B02#	HT230FM2	C3C05	JS020EN2	C2C02	WT050CCB4	D5B13	WT050CCB4	E4B09	HT310AF6
A3B09#	WT210BK6	B2D02#	WT210CBA1	B5B03#	WT050CH4	C3C06	JR320CAW6	C2C04	JS930EE2	D5B14	JR410CGJ2	E4B10	HT330FC6
A3B10#	WT210BK7	B2D03#	WT210CBA2	B5B04#	WT001BJ4	C3C07	JR350AG2	C2C05	JR320EBC4	D5B15	JR310CAY6	E4B11	HT340CC6
A3B12#	WT210BK8	B2D04#	WT050CCB4	B5B05#	WT001CL4	C3C11	JR320CAX6	C2C06	WT050CCB4	D5B16	JR310CAY7	E4B12	HT330FA6
A3B13#	WT210BK9	B2D05#	WT210CBA3	B5B06#	WT050CH4	C3C12	WT210CEK2	C2C07	JR350CAW2	D5B17	WT210CBC2	E4B13	HT320CF6
A3C02#	WT210CBG1	B2D06#	WT210CBA4	B5B07#	WT050CH4	C3C13	JR240GJ2	C2C08	WT050CAE4	D5B18	JR310CAV5	E4C02	HT340FF6
A3C03#	WT210CBG2	B2D07#	WT210CBA5	B5B08#	JS930FG2	C4B02	JR250AL2	C2C09	JR320CAE5	D5B19	JR510BC4	E4C03	HT240CF2
A3C05#	WT210CBG3	B2D08#	WT050CCB4	B5B09#	WT050FF7	C4B03	JR260AE6	C2C10	WT210CBK4	D5B20	WT210CBAG	E4C04	HT240CF4
A3C06#	WT210CBG4	B2D09#	WT210CBA6	B5B10#	WT050FH1	C4B04	JR220AV2	C2C11	JR320CAT6	D5B21	JR360CAC7	E4D05	HT420AM6
A3C07#	WT210CBG5	B2D10#	WT210CBA7	B5B11#	WT050CH4	C4B05	WT210CBG4	C2C12	JR320CAY6	D5B22	HT300CGE2	E4C06	HT1400CE2
A3C09#	WT210CBG6	B2D11#	WT210CBA8	B5B12#	WT050FH3	C4B06	WT050CL4	C2C15	WT210CBA3	E2B03	HT300CGE2	E4D07	HT210EK5
A3C10#	WT210CBG7	B2D12#	WT050CCB4	B5B13#	WT210BF4	C4B07	JR210AT2	C2C16	WT050CCK4	E2B04	HT300CGC2	E4D09	HT360CF6
A3C11#	WT210CBG8	B2D13#	WT210CBA9	B5D02#	WT050FD1	C4B08	JR230AN4	C2C17	JR350CAG2	E2B05	HT300CGE2	E4D10	HT320CF6
A3C13#	WT210CBG9	B3B02#	WT210CBK1	B5D03#	WT050FD3	C4B09	JR210AY2	C2C18	WT210BD7	E2B06	WT050CAE4	E4D11	HT340GC6
A4B02#	WT001FG4	B3B03#	WT050CD4	B5D04#	WT050CH4	C4B10	JR210AZ2	D3B09	WT210BD8	E2B07	HT300CAC2	E4D12	HT260CB2
A4B04#	WT001FL4	B3B04#	WT210BK2	B5D05#	WT050FD5	C4B11	JR220AT2	D3B10	JR310AV9	E2B08	HT350BD2	E4D13	HT110AK2
A4B05#	HT350FC2	B3B05#	WT210BK3	B5D06#	WT050FD7	C4B12	JR230AM4	D3B11	WT210BD6	E2B09	HT200FA6	E5B02	HT330CN6
A4B06#	WT050FB1	B3B06#	WT210BK4	B5D07#	WT001FM4	C4B13	WT210BK9	D3B12	WT210BL4	E2B10	JR952AH4	E5B03	HT310GC6
A4B08#	JR230BC6	B3B08#	WT210BK5	B5D08#	WT050CH4	C4D02	JR330AE9	D3B13	JR420BA6	E2B11	HT310AA2	E5B05	HT300AA2
A4B09#	WT050FB5	B3B09#	WT210BK6	B5D09#	WT001BG4	C4D03	JR330BJ7	D3C03	WT210BA2	E2B12	HT300CL2	E5B07	HT330CB6
A4B10#	HT340GC6	B3B10#	WT210BK7	B5D10#	WT001FJ4	C4D04	JR330BJ7	D3C06	WT210BA5	E2B13	WT210BA2	E5B08	HT260FE6
A4B12#	JR230AQ6	B3B11#	WT050CD4	B5D11#	WT050FF1	C4D05	JR250AB2	D3D07	JR350AG6	E2D02	WT210BA3	E5B09	WT001DL4
A4B13#	HT340GD6	B3B12#	WT210BK8	B5D12#	WT050CH4	C4D06	WT210BG9	D3C08	WT050AF4	E2D03	WT210BA4	E5B10	WT001FM4
A4D02#	WT001FA4	B3B13#	WT210BK9	B5D13#	WT050FF3	C4D07	WT210BG4	D3C09	WT210BD9	E2D04	WT210BA5	E5B11	WT001BJ4
A4D03#	WT001DA4	B3D02#	WT210BG1	C2B02	JR330AE5	C4D09	JR240BE6	D3C12	JR360AQ2	E2D05	WT210BA6	E5B12	HT250CC6
A4D05#	WT001BA4	B3D03#	WT210BG2	C2B03	JR250GJ6	C4D10	JR240CB2	D3D13	JR330AR6	E2D06	WT210BA7	E5B13	HT310GE2
A4D06#	WT001FC4	B3D04#	WT050CD4	C2B04	JR250GF6	C4D11	JR210AX2	D4B02	JR340CB4	E2D07	WT210BA8	E5D02	HT330BF6
A4D07#	WT001DC4	B3D05#	WT210BG3	C2B05	JR250GE6	C4D12	JR260AM6	D4B03	JR420CL2	E2D10	WT210BA9	E5D03	HT100BK2
A4D09#	WT001BC4	B3D06#	WT210BG4	C2B06	WT050CJ4	C4D13	JR220AR2	D4B04	JR320AW6	E2D11	WT210BA1	E5D04	HT330BH6
A4D10#	WT001FE4	B3D07#	WT210BG5	C2B07	JR250CN2	C5B02	WT210BG7	D4B05	JR330BJ7	E2D12	WT040FK3	E5D05	HT300AC2
A4D11#	WT001DE4	B3D08#	WT050CD4	C2B09	JR660DK6	C5B03	WT210BG2	D4B06	WT050CL4	E2D13	HT200GB6	E5D06	HT240FD6
A4D13#	WT001BE4	B3D09#	WT210BG6	C2B10	JR330AR6	C5B04	JR210AU2	D4B07	JR330BJ4	E3B02	WT210BF4	E5D07	HT330FB6
A5B02#	HT230FM2	B3D10#	WT210BG7	C2B12	JR250FN6	C5B05	JR220AU6	D4B08	WT210BA1	E3B03	HT230GB6	E5D09	HT410BF6
A5B04#	WT001BJ4	B3D11#	WT210BG8	C2B13	JR350BC4	C5B06	WT050CM4	D4B09	JR510AL6	E3B04	HT310FM2	E5D10	HT360CA6
A5B05#	WT001DL4	B3D12#	WT050CD4	C2D02	JR330AS6	C5B07	JR220AS6	D4B10	JR330AE7	E3B05	HT310FJ2	E5D11	HT200SD6
A5B06#	WT001BL4	B3D13#	WT210BG9	C2D03	JR330AE3	C5B08	WT210BG5	D4B11	JR330AE5	E3B06	WT050AC4	E5D12	HT310GB2
A5B08#	JS930FG2	B4B02#	WT001FG4	C2D04	JR250DF6	C5B09	JR230AT6	D4B12	JR330AE3	E3B07	HT360BC2	E5D13	HT350FC2
A5B09#	WT050FF7	B4B03#	WT050CF4	C2D05	JR250GL6	C5B10	JR230AQ6	D4B13	WT001BJ4	E3B08	HT310FL2	F2B02	HT230GB6

MST-1 BOARD DISCRETE WIRE EQUIVALENT LIST SEQUENCED BY PIN NUMBER

DATE 04-01-76

PAGE 2

PART NO. 1639958 E.C. NO. 571834 VERSION 000 SIZE SINGLE MACHINE S3IDA-12 LOCATION 50Z-W7

PIN ID: #-I/J PIN

*-I/J & LOGIC

V-VOLTAGE/GROUND

NOTE: *T* FOLLOWING PIN LOCATION INDICATES TERMINATING RESISTOR

PIN	NET NO.	PIN	NET NO.	PIN	NET NO.	PIN	NET NO.	PIN	NET NO.	PIN	NET NO.	PIN	NET NO.
F2B03	HT200GD6	F4D10	HT220AB6	G3D07	WT040FD4	H2D05	HT140CB2	H5D10	HT400AH6	J4D03	WT001FA4	K3B10	JR250CN2
F2B04	WT210BG8	F4D11	HT320DJ6	G3D09	WT040FA1	H2D06	HT140BG2	H5D12	HT410BF6	J4D04	JR630FA6	K3B11	JR510BJ6
F2B05	HT240BF6	F4D12	HT310AA2	G3D10	HT260CB2	H2D07	WT001FC4	H5D13	HT400AE6	J4D05	JR310AW5	K3B12	JR720DA6
F2B07	HT400AG6	F4D13	WT040FK2	G3D11	HT360CH6	H2D09	HT140BC2	H6C04#	WT120FM5	J4D06	JR310AW3	K3B13	JR720EN6
F2B09	HT400AE6	F5B02	HT330BF6	G3D12	HT200GB6	H2D10	WT001BA4	H6D02#	WT120FM1	J4D07	JR310AV9	K3D02	WT210BK5
F2B10	HT400AH6	F5B03	HT420AM6	G3D13	HT330BF6	H2D11	HT140AA2	H6D04#	WT120FM3	J4D09	WT001FC4	K3D04	JR350AN2
F2B11	JR952AH4	F5B04	HT330DB6	G4B02	HT200AB2	H2D12	WT040FG3	H6E02#	WT120FK5	J4D10	JS060AP7	K3D05	JS040BA2
F2B12	HT250CC6	F5B05	HT340FK6	G4B03	HT330DB6	H2D13	HT330FC6	J2B02	JR640DH2	J4D11	JR230AT6	K3D06	JR220AR2
F2B13	HT260CB2	F5B07	HT360CA6	G4B04	HT230FF2	H3B02	WT001FA4	J2B03	JR640DM2	J4D12	JS020AP6	K3D07	JR350BC4
F2D02	HT110EK6	F5B09	HT260FE6	G4B05	HT360BC2	H3B03	HT140CM2	J2B04	JR230AP6	J4D13	JR310AV5	K3D09	JR210AY2
F2D03	WT210BG6	F5B10	HT200AC2	G4B07	HT420AR6	H3B04	HT440AH2	J2B05	JR230AS6	J5B02	JR230AN4	K3D10	JS010BA2
F2D04	WT210BD1	F5B11	HT120CA6	G4B08	HT350DF6	H3B05	WT001DC4	J2B07	JR630GC6	J5B03	JR630FC6	K3D11	JR260AB2
F2D05	WT210BK9	F5B12	HT340CE6	G4B10	HT200GE2	H3B09	HT260EB6	J2B09	JR230AM4	J5B04	WT001BE4	K3D12	JS040AC8
F2D06	HT200GB6	F5B13	HT410AV2	G4B11	HT420AW6	H3B11	WT001DE4	J2B10	JR630FE6	J5B05	JR530AG4	K3D13	JR250GE6
F2D07	HT220GB6	F5D02	HT240GH4	G4B12	HT420AS6	H3B12	WT001BE4	J2B11	JR520AY6	J5B07	JS040AC5	K4B02	JR520AF6
F2D09	HT400AF6	F5D03	HT400CB2	G4B13	HT420AT6	H3B13	HT220AC6	J2B12	JR530AG8	J5B08	JS040AD2	K4B03	JR840FL2
F2D10	HT360CF6	F5D04	HT360CH6	G4D02	HT200AC2	H3D02	HT140FJ2	J2B13	WT001DA4	J5B09	JR640FM6	K4B04	JR510AL6
F2D11	HT260BX4	F5D05	HT200AA2	G4D03	HT310GB2	H3D03	HT140BL2	J2D02	JS040BN2	J5B10	JS060AF7	K4B05	JR530AG0
F2D12	HT320FL6	F5D07	HT250AB2	G4D04	HT330CK6	H3D04	HT430AP2	J2D03	JR640FH2	J5B11	JR520BH2	K4B07	JR530AG6
F2D13	HT130DK4	F5D09	HT310GE2	G4D05	HT120CA6	H3D05	HT140AE2	J2D04	JS040BN7	J5B12	JR250DF6	K4B08	JR210AV2
F3B02	HT120FL6	F5D10	WT040FG4	G4D06	HT120FB6	H3D06	HT300AA2	J2D05	JS030AR6	J5B13	JR520AU6	K4B09	JR630GA6
F3B03	HT400CF6	F5D11	WT210BG2	G4D07	HT120CD6	H3D07	WT001FE4	J2D06	JS030AT6	J5D02	JS040AD7	K4B10	JR530BR2
F3B04	HT230FF2	F5D12	HT240BH2	G4D09	HT120FE6	H3D09	HT220HB2	J2D07	JR240BE6	J5D03	JR630EC6	K4B11	JR550AV4
F3B05	WT001BG4	F5D13	HT220HB2	G4D10	HT120CF6	H3D10	HT330FB6	J2D09	JR630EE6	J5D04	JR350BB2	K4B12	JR550BC6
F3B07	WT210BD3	G2B02	HT100G32	G4D11	HT120CH6	H3D11	HT220GC6	J2D10	JS030AS6	J5D05	JS040AP2	K4B13	JR630FC6
F3B08	HT200AD2	G2B03	HT100GD2	G4D12	HT120FJ6	H3D12	HT310AA2	J2D11	JS030AQ6	J5D06	JR350AN2	K4D02	JR210AQ2
F3B09	HT330FA6	G2B04	HT100G32	G4D13	HT120FL6	H3D13	HT220AB6	J2D12	JR630GE6	J5D07	JR530AG6	K4D03	JS010AP2
F3B10	WT210BD5	G2B05	HT100GA2	G5B02	HT410BF6	H4B02	HT220GB6	J2D13	WT001BA4	J5D09	JS060AG7	K4D04	JR520BN2
F3B11	WT210BD2	G2B07	HT100GM2	G5B03	HT420AV6	H4B03	HT120CA6	J3B02	JR520AZ2	J5D10	JS060AG2	K4D05	JR530AW6
F3B12	HT220GC6	G2B09	HT100GK2	G5B04	HT260FE6	H4B04	HT240BE6	J3B03	JR520BN2	J5D11	JS060AP2	K4D06	JR220AS6
F3B13	HT220AC6	G2B10	HT100GJ2	G5B05	HT420AU6	H4B09	HT200FA6	J3B04	JR260AM6	J5D12	JR210AZ2	K4D07	JS040AN6
F3D02	HT250DB2	G2B11	JR952AH4	G5B07	HT240FD6	H4B10	HT200AD2	J3B05	JR260AE6	J5D13	JS060AQ2	K4D09	JS040AN2
F3D03	HT320DG6	G2B12	HT100GF2	G5B08	WT210BG3	H4B12	HT200AA2	J3B07	JR240DB2	J6C02#	WT120FK7	K4D10	JR630FE6
F3D04	WT001FJ4	G2B13	HT100GN2	G5B09	HT130CG2	H4B13	HT320DB6	J3B08	JR310AW9	J6C04#	WT120FH3	K4D11	JR630EE6
F3D05	WT040FG5	G2D02	HT300GE2	G5B10	HT130FC6	H4D02	HT240GH4	J3B09	WT001BC4	J6D02#	WT120FM7	K4D12	JS030BN2
F3D06	HT440AH2	G2D03	HT300GD2	G5B11	HT110EE6	H4D03	HT420AW6	J3B10	JR310AW7	K2B02	JR650CE2	K4D13	JR330AE7
F3D07	HT310AC6	G2D04	HT300GC2	G5B12	HT330FB6	H4D04	HT420AT6	J3B11	WT001DC4	K2B03	JR530AG4	K5B02	JR420CL2
F3D09	HT200AB2	G2D05	HT300GB2	G5B13	WT001BL4	H4D05	HT420AV6	J3B12	JR640DA2	K2B04	JR220AT2	K5B03	JR550001
F3D10	WT210BD4	G2D06	HT300AD2	G5D02	HT140CB2	H4D06	HT420AU6	J3B13	JR640GC2	K2B05	JR250FN6	K5B04	JS040AN4
F3D11	HT200FA6	G2D07	HT300AC2	G5D03	HT140AA2	H4D09	HT300GB2	J3D02	JR530AG0	K2B07	JR240BG6	K5B05	JR810DE4
F3D12	HT120CH6	G2D09	HT300AB2	G5D04	HT140BC2	H4D10	HT300AD2	J3D05	JS030BN2	K2B09	JR250GF6	K5B07	JS040AC5
F3D13	HT350BD2	G2D10	HT300AA2	G5D05	HT140AE2	H4D12	HT200AC2	J3D06	JS040AN4	K2B10	JR650BA2	K5B08	JS040AP2
F4B02	HT120CF6	G2D11	HT310GD2	G5D06	HT140BG2	H4D13	WT210BG1	J3D07	JS010AP2	K2B11	JR540CC6	K5B09	JR530AV6
F4B03	HT260EB6	G2D12	WT040FA2	G5D07	HT140AJ2	H5B02	HT360CA6	J3D09	WT001FE4	K2B12	JR650GJ2	K5B10	JR530AU6
F4B04	HT410BF6	G2D13	WT040FA3	G5D09	HT140BL2	H5B03	HT400CF6	J3D10	WT001DE4	K2B13	JR630EC6	K5B11	JR520AU6
F4B05	HT130HA2	G3B02	HT140FJ2	G5D10	HT140CM2	H5B04	HT400AF6	J3D11	JS010BA2	K2D02	JR210AU2	K5B12	JR510AX6
F4B07	HT120FE6	G3B03	HT340FK6	G5D11	HT110GA6	H5B05	HT130CG2	J3D12	JS040AN2	K2D03	JR210AW2	K5B13	JR510AM6
F4B08	HT120CD6	G3B05	HT130GF2	G5D12	HT130DK4	H5B07	HT400CG4	J3D13	JR640FA2	K2D04	JR650FC2	K5D02	JR330AE5
F4B09	HT300AB2	G3B07	HT130HA2	G5D13	HT240GH4	H5B08	HT250AB2	J4B02	JR640FE2	K2D05	JS040AH8	K5D03	JR630GC6
F4B10	HT300AA2	G3B08	WT040FK4	H2B02	HT200AB2	H5B09	HT340FK6	J4B03	JR640FE2	K2D07	JR540CA6	K5D04	JR530BX6
F4B11	HT120FB6	G3B09	HT110EK6	H2B03	HT400BX4	H5B10	HT420AQ6	J4B04	JS040AC8	K2D10	JS020AP6	K5D05	JR530AT6
F4B12	HT130CG2	G3B10	HT110AK2	H2B04	HT410AV2	H5B12	HT400AG6	J4B05	JS040AH8	K2D12	JR260BH6	K5D06	JR660FK4
F4B13	HT240FD6	G3B11	HT100BK2	H2B05	HT260FE6	H5B13	WT210BK3	J4B07	JR310AV3	K2D13	JR350AG2	K5D07	JR510BC4
F4D02	HT200GE2	G3B12	HT420AQ6	H2B07	WT001BC4	H5D02	HT420AS6	J4B08	JR630EA6	K3B02	JR520AY6	K5D09	JR330AE3
F4D03	HT230F42	G3B13	HT330CM6	H2B09	HT140AJ2	H5D03	HT120CF6	J4B09	JS040AN6	K3B03	JR520AZ2	K5D10	JR510BR6
F4D04	WT001FG4	G3D02	WT040FA4	H2B10	WT210BK4	H5D04	WT040FG2	J4B10	JS060AQ7	K3B04	JR510BH6	K5D11	JR250AB2
F4D05	WT040FK1	G3D03	WT040FA5	H2B11	JR952AH4	H5D05	HT400CB2	J4B11	JR310AV7	K3B05	JR210AX2	K5D12	JR530AG8
F4D06	WT001FL4	G3D04	WT040FD1	H2B12	HT240BH2	H5D06	HT420AM6	J4B12	JS060AF2	K3B07	JR220AU6	K5D13	JR810DK4
F4D07	HT320DB6	G3D05	WT040FD2	H2B13	WT001DA4	H5D07	HT110GA6	J4B13	JR630GA6	K3B08	JR520BH2	K6A04#	WT120FH5
F4D09	WT210BG4	G3D06	WT040FD3	H2D03	HT240FD6	H5D09	HT420AR6	J4D02	JS040BA2	K3B09	JR210AT2	K6B02#	WT120FK3

DATE 04-01-76

PART NO. 1639958

E.C. NO.

571834

VERSION 000

SIZE SINGLE

MACHINE S3IDA-12

LOCATION 50Z-W7

PIN ID: #-I/O PIN

*-I/O & LOGIC

NOTE: *T* FOLLOWING PIN LOCATION INDICATES TERMINATING RESISTOR

PIN	NET NO.	PIN	NET NO.	PIN	NET NO.	PIN	NET NO.	PIN	NET NO.	PIN	NET NO.	PIN	NET NO.
K6B04#	WT120FH7	L4D10	JR620FK2	M3D04	JR810DK4	N2D04	JR810DK4	N5B12	JR520AU6	P3D11	JR250AB2	Q2D13	JR720AA2
L2B02	JR630EE6	L4D11	JR650FC2	M3D05	JR750FD7	N2D05	JR810BK4	N5B13	JR530B6	P3D12	JR640FM6	Q3B02	JR750AC4
L2B03	JR250CN2	L4D12	JR650BK2	M3D10	JR210AZ2	N2D06	JR420CC2	N5D02	JR240EB6	P3D13	JR720BC2	Q3B05	JR820FC2
L2B04	JR630GC6	L4D13	JR650BA2	M3D11	JR740FD6	N2D07	JR820FK6	N5D03	JR810EK6	P4B02	WT120FH7	Q3D02	JR720BC2
L2B05	JR630EA6	L5B02	JS040AD7	M3D13	JR750DF6	N2D09	JR810DE4	N5D04	JR210AQ2	P4B03	WT120FH5	Q3D03	JR952AH4
L2B07	JR630EC6	L5B03	JR650BA5	M4B02	JR210AU2	N2D10	JR350AA6	N5D05	JR810GD4	P4B04	WT120FH3	Q3D04	JR952EF4
L2B09	JR810BK4	L5B04	JR240GG2	M4B03	JR730EL6	N2D11	JR750DF6	N5D06	JR530AW6	P4B05	JS040AD7	Q3D05	JR951DD6
L2B10	JS070BF4	L5B05	JR650BG2	M4B04	JR730DG6	N2D12	JS030AQ6	N5D07	JR810EM4	P4B07	JS040AD2	Q3D06	JR951BG2
L2B11	JS070BD4	L5B07	JR650BD5	M4B05	JS030AQ6	N2D13	JS030FJ2	N5D09	WTG01FL4	P4B08	JR720BK2	Q3D07	JR951DF6
L2B12	JR810DL4	L5B08	JR350BA2	M4B07	JS060AG2	N3B02	JR350AG6	N5D10	JR830GE2	P4B09	WT120FM5	Q3D09	JR951BE2
L2B13	JR810EM4	L5B09	JR730DA8	M4B09	JR740GA7	N3B03	JR210AW2	N5D11	JR260AD6	P4B10	WT120FM3	Q3D10	JR953BF4
L2D02	JR240GJ2	L5B10	JR730DC4	M4B10	JR730DA0	N3B04	JR530AV6	N5D12	WT001FM4	P4B11	JR720BE2	Q3D11	JR954EF4
L2D03	JR630GA6	L5B11	JR640DH2	M4B11	JS060AP2	N3B08	JR710DG6	N5D13	JR320BF6	P4B12	JR720BN2	Q3D13	JR953EF4
L2D04	JR660DK6	L5B12	JR730DC6	M4B12	JS060AG7	N3B09	JR210AX2	N6A02#	WT120FC7	P4B13	JR810DL4	Q4B04	WT210BD2
L2D05	JR810EK6	L5B13	JR730DA0	M4B13	JR740GE7	N3B10	JR710DB6	N6A04#	WT120FA3	P4D02	WT120FK3	Q4B05	JR810DL4
L2D06	JR630FE6	L5D02	JR250BJ6	M4D02	JR710DJ6	N3B11	JR710DE2	N6B02#	WT120FA7	P4D03	JR720AE2	Q4B07	JR810DK4
L2D07	JR630FC6	L5D03	JR650BK5	M4D03	JR830AL2	N3B12	JR820CC6	N6B04#	WT120FA1	P4D04	JR720BA2	Q4B11	JR410EJ6
L2D09	JR240CH6	L5D04	JR250GJ6	M4D04	JR750FD7	N3B13	JR810GF6	N6D04#	WT120FA5	P4D05	WT120FM7	Q4B12	JR320AT6
L2D10	JR630FA6	L5D05	JR650CE2	M4D05	JR750CB6	N3D02	JR810EC6	N6E02#	WT120FC3	P4D06	WT120FK7	Q4B13	JR330BJ4
L2D11	JS070BG4	L5D06	JR720BN2	M4D06	JR740FD6	N3D03	JR830AL2	N6E04#	WT120FA7	P4D07	JR720AA2	Q4D02	JR330AE9
L2D12	JR810DK4	L5D07	JR650BG5	M4D07	JR210AW2	N3D04	JR210AZ2	P2B02	JS930GG6	P4D09	WT120FK5	Q4D03	JR420CL2
L2D13	JR810CM2	L5D09	JR650BD8	M4D09	JR730DC4	N3D05	JR530AU6	P2B03	JR640GC2	P4D10	WT120FM1	Q4D04	JR320BF6
L3B02	JS070BL4	L5D10	JR730DC8	M4D10	JR730DA6	N3D06	JR820CH2	P2B04	JR640FE2	P4D11	JS040BN7	Q4D05	JR530AT6
L3B03	JR720BA2	L5D11	JR640GC2	M4D11	JR730DA8	N3D07	JR630FA6	P2B05	JS430GJ6	P4D12	JR810DE4	Q4D06	JR810EM4
L3B04	JR720AF4	L5D12	JR640FH2	M4D12	JR730DA4	N3D09	JR710DL6	P2B07	JS930EL6	P4D13	JS930FG2	Q4D07	WT210BD7
L3B05	JS070BJ4	L5D13	JR640FE2	M4D13	JR740GJ7	N3D10	JR730EL6	P2B09	JS930GL6	P5B02	WT120FA7	Q4D09	JR420BA6
L3B07	JS070RA4	L6D02#	WT120FF2	M5B02	JS060AF2	N3D11	JR710DJ6	P2B10	JR510BC4	P5B03	WT120FA5	Q4D10	JR310AW9
L3B08	JR720AC2	L6D04#	WT120FF4	M5B04	JS060AQ7	N3D12	JR820FF6	P2B11	JR640DE2	P5B04	JR810BK4	Q4D11	JR420CE2
L3B09	JR720AE2	M2B02	JR220AR2	M5B05	JR720AF4	N3D13	JR810CM2	P2B12	JR640FH2	P5B05	JR640DM2	Q4D12	JR220AR2
L3B10	JR650BA8	M2B03	JR750AG4	M5B07	JS060AQ2	N4B02	JR310BL4	P2B13	JS920GE4	P5B07	WT120FC1	Q4D13	JR420CD2
L3B11	JR650BK8	M2B04	JR750AC4	M5B08	JR710GF6	N4B03	JR810GG6	P2D02	JS920GB6	P5B08	JR640DH2	Q5B02	JR310AV7
L3B12	JR720BC2	M2B05	JR710FM2	M5B09	JR720BE2	N4B04	JR630FF6	P2D03	WT120FA3	P5B09	WT120FE5	Q5B03	JS030AR6
L3B13	JR710FM2	M2B07	JR660FK4	M5B10	JR730DC6	N4B05	JS030AP6	P2D04	JR720AF4	P5B10	WT120FE3	Q5B04	JR420CH2
L3D02	JS070BM4	M2B09	JR210AX2	M5B11	JR720BK2	N4B07	JR220AS6	P2D05	JS930FJ6	P5B11	JR840FL2	Q5B05	JS040BN2
L3D03	JR810GD4	M2B10	JR810EH6	M5B12	JR720BN2	N4B08	JR840FE6	P2D06	JS930FL6	P5B12	JR810EM4	Q5B07	JR620FK4
L3D04	JR720AA2	M2B11	JS030AR6	M5B13	JR720BA2	N4B09	JR630EA6	P2D07	JS930001	P5B13	WT120FF4	Q5B08	JS040BN7
L3D05	JR250GL6	M2B12	JR740FM6	M5D02	JR710DB6	N4B10	JR220AV2	P2D09	JS920GG4	P5D02	WT120FC3	Q5B09	JR310AW7
L3D06	JR250AL2	M2B13	JR820FK6	M5D03	JS060AP7	N4B11	JS030BR2	P2D10	WT120FA1	P5D03	JR810FA4	Q5B10	JR250GJ6
L3D07	JS070BV4	M2D02	JR810EC6	M5D04	JR720AA2	N4B12	JR210AV2	P2D11	JR640FA2	P5D04	JR250FF2	Q5B11	JR510BC4
L3D09	JR720BK2	M2D04	JR820CC6	M5D05	JR720AE2	N4B13	JR840FL2	P2D12	JP640DA2	P5D05	WT120FE7	Q5B12	JR310AV3
L3D10	JR620010	M2D05	JR750GM4	M5D06	JS060AF7	N4D02	JR820FM6	P2D13	WT210BK7	P5D06	WT120FC7	Q5D02	JR410GJ2
L3D11	JR650GJ2	M2D06	JR820BM2	M5D07	JR730DC8	N4D03	JR820FA6	P3B02	JS940FM6	P5D07	JR350BC4	Q5D03	JR420CG2
L3D12	JS070BC4	M2D07	JR710DL6	M5D09	JR720EN6	N4D04	JR830FD6	P3B03	JR220AT2	P5D09	WT120FC5	Q5D04	JR350AG2
L3D13	JR810GF6	M2D09	WT001BE4	M5D10	JR720AC2	N4D05	JR210AT2	P3B04	JS040BN2	P5D10	WT120FE1	Q5D05	WT210BK3
L4B02	JR660FK4	M2D10	JR830FD6	M5D11	JR730DC0	N4D06	JR830DG6	P3B05	JS940FC6	P5D11	JR810DK4	Q5D06	WT001FC4
L4B03	JR810GG6	M2D11	JR740GM6	M5D12	JR720BC2	N4D07	JR840FB6	P3B07	JS940FF6	P5D12	JS930GE2	Q5D07	JR620FK2
L4B04	JR730DA6	M2D12	JR730DE6	M5D13	JR720DA6	N4D09	JR810EH6	P3B08	JS930EE2	P5D13	WT120FF2	Q5D09	JS030AC6
L4B05	JR640DA2	M2D13	JR740GJ7	M6A04#	WT120FE5	N4D10	JR740GM6	P3B09	JS940FH6	P6E02	JR966AH4	Q5D10	JR420FK6
L4B07	JR730DA4	M3B02	JR830DG6	M6B02#	WT120FE1	N4D11	JR550BC6	P3B10	JR350AC2	P6E04#	JS940FL6	Q5D11	JR420CC2
L4B08	JR730DC0	M3B03	JR810DL4	M6B04#	WT120FE3	N4D12	JR260AL2	P3B11	JR220AS6	Q2B03	JR740FM6	Q5D12	JR310AV5
L4B09	JR630GE6	M3B04	JR720DL4	M6C02#	WT120FC5	N4D13	JR820BB6	P3B12	JR720AC2	Q2B09	JR951EJ4	Q5D13	JR410CM4
L4B10	JR640DM2	M3B05	JR710DE2	M6E04#	WT120FC1	N5B02	JR230AY2	P3B13	JS940FL6	Q2B10	JR954GD2	Q6D02#	JS940FK6
L4B11	JR640FM6	M3B08	JR810BK4	N2B02	JR330AE9	N5B03	JR530AT6	P3D02	JS940FB6	Q2B11	JR952BJ4	Q6D04#	JS940FH6
L4B12	JR730DE6	M3B09	JR220AV2	N2B03	JR510BR6	N5B04	JR350AN2	P3D03	JS930002	Q2B12	JR951BC2	R2B03	JR740FM6
L4B13	JS040AD2	M3B10	JR830FJ2	N2B04	JR820FC2	N5B05	JR820BM2	P3D04	JR210AT2	Q2B13	JR720BA2	R2B09	JR955EJ4
L4D04	JR720BE2	M3B11	JR220AU6	N2B05	JR410CM4	N5B07	JR810DL4	P3D05	JS940FD6	Q2D02	JR952BF4	R2B10	JR958GD2
L4D05	JR640DE2	M3B12	JR220AS6	N2B07	JR720BN2	N5B08	JR820CF2	P3D06	JS940FG6	Q2D05	JR954RF4	R2B11	JR952BJ4
L4D06	JR650BG8	M3B13	JR210AT2	N2B09	WT210BK2	N5B09	WT001FC4	P3D07	JR210AZ2	Q2D09	JR953GD2	R2B12	JR955BC2
L4D07	JR640FA2	M3D02	JR710DG6	N2D02	JR840009	N5B10	JR810FA4	P3D09	JS940FK6	Q2D11	JR951DE6	R2B13	JR720AC2
L4D09	JR620FK4	M3D03	JR810EM4	N2D03	JR410EJ6	N5B11	JR320AY6	P3D10	JS920CD6	Q2D12	JR952GD2	R2D02	JR956BF4

DATE 04-01-76

PART NO. 1639958

E.C. NO. 571834

VERSION 000

SIZE SINGLE

MACHINE S3IDA-12

LOCATION 50Z-W7

PIN ID: #-I/O PIN
*-I/O & LOGIC
V-VOLTAGE/GROUND

NOTE: *T* FOLLOWING PIN LOCATION INDICATES TERMINATING RESISTOR

PIN	NET NO.	PIN	NET NO.	PIN	NET NO.	PIN	NET NO.	PIN	NET NO.	PIN	NET NO.	PIN	NET NO.
R2D05	JR958BF4	S2B09	JR961EJ4	S5D11	JR640DA2	T5D03	JR640FH2	V3B13	WT040AB7				
R2D09	JR957GD2	S2B10	JR964SD2	S5D12	JS100FH4	T5D04	JR240BG6	V3D02	WT040AB2				
R2D11	JR955DE6	S2B11	JR952BJ4	S5D13	JR640FA2	T5D05	JR650BK8	V3D03#	WT040FA1				
R2D12	JR956GD2	S2B12	JR961BC2	S6A02#	JS940FB6	T5D06	JS070BF4	V3D04	WT040AB2				
R2D13	JR720AE2	S2B13	JR720BK2	S6A04#	JS940FM6	T5D07	JR966BJ4	V3D05#	WT040FA3				
R3B02	JR750AC4	S2D02	JR962BF4	T2B03	JR740GM6	T5D09	JR650BA8	V3D06	WT040AB2				
R3B05	JR820FC2	S2D05	JR964BF4	T2B06	WT050EJ4	T5D10	JR250DN2	V3D08	WT040AB5				
R3D02	JR720BE2	S2D09	JR963GD2	T2B09	JR965EJ4	T5D11	JR640DA2	V3D09#	WT040FD1				
R3D03	JR966AH4	S2D11	JR961DE6	T2B10	JR968GD2	T5D12	JS100FH4	V3D10	WT040AB5				
R3D04	JR956EF4	S2D12	JR962GD2	T2B11	JR966BJ4	T5D13	JR640FA2	V3D11#	WT040FD3				
R3D05	JR955DD6	S2D13	JR720BN2	T2B12	JR965BC2	T6A02	JR966AH4	V4B04#	HT310FK2				
R3D06	JR955BG2	S3B02	JR750AC4	T2B13	JR720BC2	T6A04#	JS920GE4	V4B05	WT030CG2				
R3D07	JR955DF6	S3B05	JR820BB6	T2D02	JR966BF4	T6E02#	JS920GG4	V4B06#	HT310FJ2				
R3D09	JR955BE2	S3B06 V	WT050EK4	T2D05	JR968BF4	T6E04#	JS930GL6	V4B08#	HT130GF2				
R3D10	JR957BF4	S3D02	JR720AA2	T2D09	JR967GD2	U2B02#	JR952BF4	V4B09	WT030CG5				
R3D11	JR958EF4	S3D03	JR966AH4	T2D11	JR965DE6	U2D07#	JR953BF4	V4B10#	HT250DB2				
R3D13	JR957EF4	S3D04	JR962EF4	T2D12	JR966GD2	U2D13#	JR954BF4	V4B12#	HT400CG4				
R4B07	JR540CC6	S3D05	JR961DD6	T2D13	JR720BA2	U3B02#	JR956BF4	V4B13	WT030CG7				
R4B08	JS070BN4	S3D06	JR961BG2	T3B02	JR750AC4	U3D07#	JR957BF4	V4D02	WT030CG2				
R4B09	JR640FM6	S3D07	JR961DF6	T3B05	JR820BB6	U3D13#	JR958BF4	V4D04	WT030CG2				
R4B10	JR650BD5	S3D09	JR961BE2	T3B06 V	WT050EK4	U4B02#	JR962BF4	V4D05#	HT310FL2				
R4B11	JR640DM2	S3D10	JR963BF4	T3D02	JR720AE2	U4D07#	JR963BF4	V4D06	WT030CG2				
R4B12	JR650BD8	S3D11	JR964AH4	T3D03	JR966AH4	U4D13#	JR964BF4	V4D08	WT030CG5				
R4B13	JS070BL4	S3D13	JR963EF4	T3D04	JR966EF4	U5B02#	JR966BF4	V4D09#	HT360FA2				
R4D02	JR650BA5	S4B06	WT050EL4	T3D05	JR965DD6	U5D07#	JR967BF4	V4D10	WT030CG5				
R4D03	JS100FH4	S4B07	JR540CC6	T3D06	JR965BG2	U5D13#	JR968BF4	V4D11#	HT330CD2				
R4D05	JR650BK2	S4B08	JS070BN4	T3D07	JR965DF6	U6C02#	JS930FL6	V4D12	WT030CG7				
R4D06	JR540CA6	S4B09	JR640FM6	T3D09	JR965BE2	U6C04#	JS930EL6	V4D13#	HT310FM2				
R4D07	JR952BJ4	S4B10	JR650BD5	T3D10	JR967BF4	U6D02#	JS930FJ6	V5B03	WT040AD3				
R4D10	JR650BK5	S4B11	JR640DM2	T3D11	JR968EF4	U6D04#	JS930GJ6	V5B04#	WT040FG2				
R4D12	JR640DH2	S4B12	JR650BD8	T3D13	JR967EF4	V2B03	WT030CB3	V5B05	WT040AD3				
R4D13	JS070BM4	S4B13	JS070BL4	T4B06	WT050EL4	V2B04#	HT100GG2	V5B06#	WT040FG4				
R5B02	JS070BJ4	S4D02	JR650BA5	T4B07	JR540CC6	V2B05	WT030CB3	V5B07	WT040AD5				
R5B03	JR650BG2	S4D03	JS100FH4	T4B08	JS070BN4	V2B06#	HT100GC2	V5B08#	WT040FG5				
R5B04	JR640DE2	S4D05	JR650BK2	T4B09	JR640FM6	V2B07	WT030CB4	V5B09	WT040AD5				
R5B05	JR650BG5	S4D06	JR540CA6	T4B10	JR650DM2	V2B08#	HT100GA2	V5B10#	WT040FK2				
R5B07	JR640FE2	S4D07	JR966BJ4	T4B11	JR640DM2	V2B09	WT030CB4	V5B11	WT040AD7				
R5B08	JS070BD4	S4D10	JR650BK5	T4B12	JR650BDR	V2B10#	HT100GK2	V5B12#	WT040FK4				
R5B09	JR640GC2	S4D12	JR640DH2	T4B13	JS070BL4	V2B11	WT030CB6	V5B13	WT040AD7				
R5B10	JR650BG8	S4D13	JS070BM4	T4D02	JR650BA5	V2B12#	HT100GF2	V5D02	WT040AD2				
R5B11	JS070BC4	S5B02	JS070BJ4	T4D03	JS100FH4	V2B13	WT030CB6	V5D03#	WT040FG1				
R5B12	JS070BA4	S5B03	JR650BG2	T4D05	JR650BK2	V2D02	WT030CB2	V5D04	WT040AD2				
R5B13	JR420CE2	S5B04	JR640DE2	T4D06	JR540CA6	V2D03#	HT100GN2	V5D05#	WT040FG3				
R5D02	JS070BG4	S5B05	JR650BG5	T4D07	JR966BJ4	V2D04	WT030CB2	V5D06	WT040AD2				
R5D03	JR640FH2	S5B06 V	WT050EM4	T4D10	JR650BK5	V2D05#	HT100GD2	V5D08	WT040AD6				
R5D04	JR240BG6	S5B07	JR640FE2	T4D12	JR640DH2	V2D06	WT030CB2	V5D09#	WT040FK1				
R5D05	JR650BK8	S5B08	JS070BD4	T4D13	JS070BM4	V2D09#	HT100GM2	V5D10	WT040AD6				
R5D06	JS070BF4	S5B09	JR640GC2	T5B02	JS070BJ4	V2D10	WT030CB5	V5D11#	WT040FK3				
R5D07	JR952BJ4	S5B10	JR650BG8	T5B03	JR650BG2	V2D11#	HT100GJ2	V6B02#	JS920GB6				
R5D09	JR650BA8	S5B11	JS070BC4	T5B04	JR640DE2	V2D12	WT030CB5	V6B04#	JS930GG6				
R5D10	JR250DV2	S5B12	JS070BA4	T5B05	JR650BG5	V3B03	WT040AB3						
R5D11	JR640DA2	S5B13	JR420CG2	T5B06 V	WT050EM4	V3B04#	WT040FA2						
R5D12	JS100FH4	S5D02	JS070BG4	T5B07	JR640FE2	V3B05	WT040AB3						
R5D13	JR640FA2	S5D03	JR640FH2	T5B08	JS070BD4	V3B06#	WT040FA4						
R6B02#	JS940FG6	S5D04	JR240BG6	T5B09	JR640GC2	V3B07	WT040AB6						
R6B04#	JS940FF6	S5D05	JR650BK8	T5B10	JR650BG8	V3B08#	WT040FA5						
R6C02#	JS940FD6	S5D06	JS070BF4	T5B11	JS070BC4	V3B09	WT040AB6						
R6C04#	JS940FC6	S5D07	JR966BJ4	T5B12	JS070BA4	V3B10#	WT040FD2						
S2B03	JR740G4	S5D09	JR650BA8	T5B13	JR420CD2	V3B11	WT040AB7						
S2B06	WT050EJ4	S5D10	JR250DN2	T5D02	JS070BG4	V3B12#	WT040FD4						

PART NO. 1639958 E.C. NO. 571834 VERSION 000 SIZE SINGLE MACHINE S3IDA-12 LOCATION 50Z-W7

				VOLTAGE PINS					
B2A14	-4.0	B2C06	-4.0	B3A14	-4.0	B3C06	-4.0	B3E01	-4.0
B4A14	-4.0	B4C06	-4.0	B4E01	-4.0	B5C06	-4.0	B5E01	-4.0
C2C06	-4.0	C3C06	-4.0	C4C06	-4.0	C5C06	-4.0	D1B13	-4.0
D1C10	-4.0	D2B06	-4.0	D3B06	-4.0	D4B06	-4.0	D5B06	-4.0
D6B05	-4.0	D6C02	-4.0	E2B06	-4.0	E3B06	-4.0	E4B06	-4.0
E5B06	-4.0	F2B06	-4.0	F3B06	-4.0	F4B06	-4.0	F5B06	-4.0
G1C13	-4.0	G1D10	-4.0	G2B06	-4.0	G3B06	-4.0	G4B06	-4.0
G5B06	-4.0	G6C05	-4.0	G6D02	-4.0	H2B06	-4.0	H3B06	-4.0
H4B06	-4.0	H5B06	-4.0	J2B06	-4.0	J3B06	-4.0	J4B06	-4.0
J5B06	-4.0	K1E13	-4.0	K2B06	-4.0	K3B06	-4.0	K4B06	-4.0
K5B06	-4.0	K6E05	-4.0	L1A10	-4.0	L2B06	-4.0	L3B06	-4.0
L4B06	-4.0	L5B06	-4.0	L6A02	-4.0	M2B06	-4.0	M3B06	-4.0
M4B06	-4.0	M5B06	-4.0	N2B06	-4.0	N3B06	-4.0	N4B06	-4.0
N5B06	-4.0	P1B13	-4.0	P1C10	-4.0	P2B06	-4.0	P3B06	-4.0
P4B06	-4.0	P5B06	-4.0	P6B05	-4.0	P6C02	-4.0	Q2B06	-4.0
Q3B06	-4.0	Q4B06	-4.0	Q5B06	-4.0	R2B06	-4.0	R3B06	-4.0
R4B06	-4.0	R5B06	-4.0	S1C13	-4.0	S1D10	-4.0	S2B06	-4.0
S3B06	-4.0	S4B06	-4.0	S5B06	-4.0	S6C05	-4.0	S6D02	-4.0
T2C06	-4.0	T3C06	-4.0	T4C06	-4.0	T5C06	-4.0	U2A14	-4.0
J2C06	-4.0	U3A14	-4.0	U3C06	-4.0	U3E01	-4.0	U4A14	-4.0
U4C06	-4.0	U4E01	-4.0	U5C06	-4.0	U5E01	-4.0		
A1E13	GND	A2B03	GND	A2B07	GND	A2B11	GND	A2D04	GND
A2D08	GND	A2D12	GND	A3B03	GND	A3B07	GND	A3B11	GND
A3D04	GND	A3D08	GND	A3D12	GND	A4B03	GND	A4B07	GND
A4B11	GND	A4D04	GND	A4D08	GND	A4D12	GND	A5B03	GND
A5B07	GND	A5B11	GND	A5D04	GND	A5D08	GND	A5D12	GND
A6E04	GND	B1A11	GND	B1D13	GND	B1E11	GND	B2C03	GND
B2C04	GND	B2C07	GND	B2C11	GND	B2C12	GND	B2D08	GND
B2E14	GND	B3A01	GND	B3C03	GND	B3C04	GND	B3C07	GND
B3C11	GND	B3C12	GND	B3D08	GND	B3E14	GND	B4A01	GND
B4C03	GND	B4C04	GND	B4C07	GND	B4C11	GND	B4C12	GND
B4D08	GND	B4E14	GND	B5A01	GND	B5C03	GND	B5C04	GND
B5C07	GND	B5C11	GND	B5C12	GND	B5D08	GND	B6A02	GND
B6D04	GND	B6E02	GND	C1C13	GND	C1D11	GND	C2C03	GND
C2C04	GND	C2C07	GND	C2C11	GND	C2C12	GND	C2D08	GND
C3C03	GND	C3C04	GND	C3C07	GND	C3C11	GND	C3C12	GND
C3D08	GND	C4C03	GND	C4C04	GND	C4C07	GND	C4C11	GND
C4C12	GND	C4D08	GND	C5C03	GND	C5C04	GND	C5C07	GND
C5C11	GND	C5C12	GND	C5D08	GND	C6C04	GND	C6D02	GND
D1B10	GND	D1C13	GND	D2D08	GND	D3D06	GND	D4D08	GND
D5D08	GND	D6B02	GND	D6C05	GND	E1A13	GND	E1B11	GND
E1E13	GND	E2D08	GND	E3D08	GND	E4D08	GND	E5D08	GND
E6A04	GND	E6B02	GND	E6E04	GND	F1A11	GND	F1D13	GND
F1E11	GND	F2D08	GND	F3D08	GND	F4D08	GND	F5D08	GND
F6A02	GND	F6D04	GND	F6E02	GND	G1C10	GND	G1D13	GND
G2D08	GND	G3D08	GND	G4D08	GND	G5D08	GND	G6C02	GND
G6D05	GND	H1B13	GND	H1C11	GND	H2D08	GND	H3D08	GND
H4D08	GND	H5D08	GND	H6B04	GND	H6C02	GND	J1A13	GND
J1B11	GND	J1E13	GND	J2D08	GND	J3D08	GND	J4D08	GND
J5D08	GND	J6A04	GND	J6B02	GND	J6E04	GND	K1A11	GND
K1E10	GND	K2D08	GND	K3D08	GND	K4D08	GND	K5D08	GND
K6A02	GND	K6E02	GND	L1A13	GND	L1E13	GND	L2D08	GND
L3D08	GND	L4D08	GND	L5D08	GND	L6A05	GND	L6E04	GND
M1A11	GND	M1D13	GND	M1E11	GND	M2D08	GND	M3D08	GND
M4D08	GND	M5D08	GND	M6A02	GND	M6D04	GND	M6E02	GND
N1C13	GND	N1D11	GND	N2D08	GND	N3D08	GND	N4D08	GND
N5D08	GND	N6C04	GND	N6D02	GND	P1B10	GND	P1C13	GND
P2D08	GND	P3D08	GND	P4D08	GND	P5D08	GND	P6B02	GND
P6C05	GND	Q1A13	GND	Q1B11	GND	Q1E13	GND	Q2D08	GND
Q3D08	GND	Q4D08	GND	Q5D08	GND	Q6A04	GND	Q6B02	GND

PART NO.	1639958	E.C. NO.	571834	VERSION 000	SIZE SINGLE	MACHINE S3IDA-12	LOCATION 50Z-W7
					VOLTAGE PINS		
06E04	GND	R1A11	GND	R1D13	GND	R1E11	GND
R3D08	GND	R4D08	GND	R5D08	GND	R6A02	GND
R6E02	GND	S1C10	GND	S1D13	GND	S2D08	GND
S4D08	GND	S5D08	GND	S6C02	GND	S6D05	GND
T1C11	GND	T2C03	GND	T2C04	GND	T2C07	GND
T2C12	GND	T2D08	GND	T3C03	GND	T3C04	GND
T3C11	GND	T3C12	GND	T3D08	GND	T4C03	GND
T4C07	GND	T4C11	GND	T4C12	GND	T4D08	GND
T5C04	GND	T5C07	GND	T5C11	GND	T5C12	GND
T6B04	GND	T6C02	GND	U1A13	GND	U1B11	GND
U2C03	GND	U2C04	GND	U2C07	GND	U2C11	GND
J2D08	GND	U2E14	GND	U3A01	GND	U3C03	GND
J3C07	GND	U3C11	GND	U3C12	GND	U3D08	GND
J4A01	GND	U4C03	GND	U4C04	GND	U4C07	GND
U4C12	GND	U4D08	GND	U4E14	GND	U5A01	GND
J5C04	GND	U5C07	GND	U5C11	GND	U5C12	GND
J6A04	GND	U6B02	GND	U6E04	GND	V1A11	GND
V2B07	GND	V2B11	GND	V2D04	GND	V2D08	GND
V3B03	GND	V3B07	GND	V3B11	GND	V3D04	GND
V3D12	GND	V4B03	GND	V4B07	GND	V4B11	GND
V4D08	GND	V4D12	GND	V5B03	GND	V5B07	GND
V5D04	GND	V5D08	GND	V5D12	GND	V6A02	GND
							R2D08
							GND
							R6D04
							GND
							S3D08
							GND
							T1B13
							GND
							T2C11
							GND
							T3C07
							GND
							T4C04
							GND
							T5C03
							GND
							T5D08
							GND
							U1E13
							GND
							U2C12
							GND
							U3C04
							GND
							U3E14
							GND
							U4C11
							GND
							U5C03
							GND
							U5D08
							GND
							V2B03
							GND
							V2D12
							GND
							V3D08
							GND
							V4D04
							GND
							V5B11
							GND

FOR ANY VOLTAGE PIN NOT INDICATED IN THE VOLTAGE PIN LIST, USE THE NET NUMBER TO LOCATE THE ALD PAGE FOR DETERMINING THE VOLTAGE INFORMATION

END OF LIST

ADD-DELETE REWORK

PAGE 1

MACHINE S3IDA-12 PRESENT PN 1639958 EC 571834 VERSION 000 RUN 011
 BOARD 502-W7 PREVIOUS PN 1639958 EC 571797 VERSION 000 03-22-76
 PROBE SIDE SHALLOW DELETE TOO.

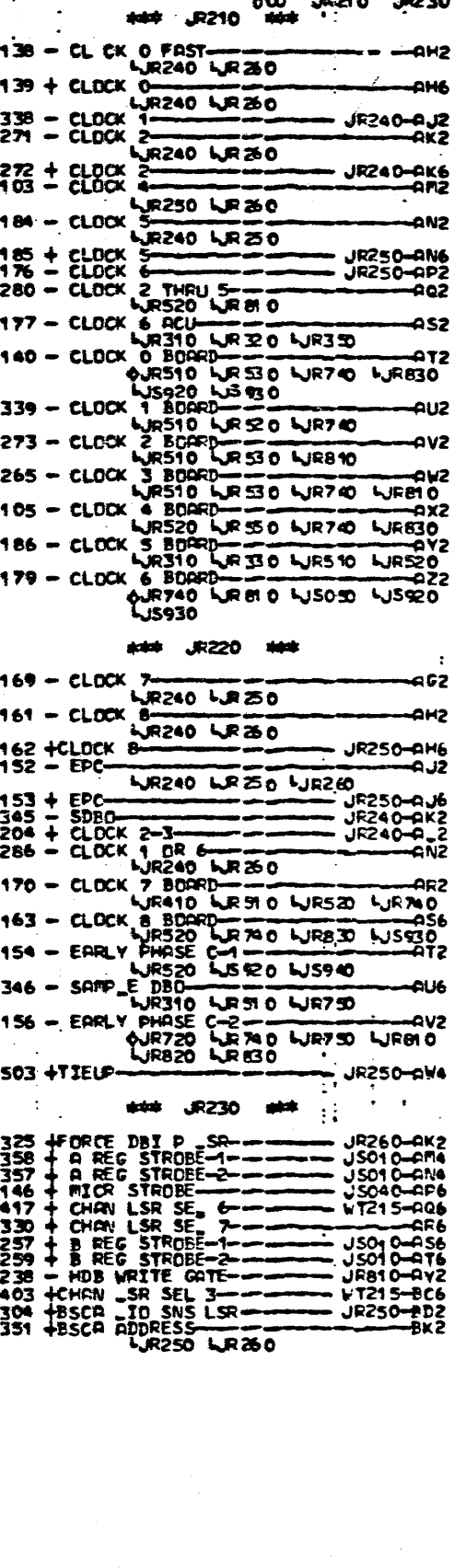
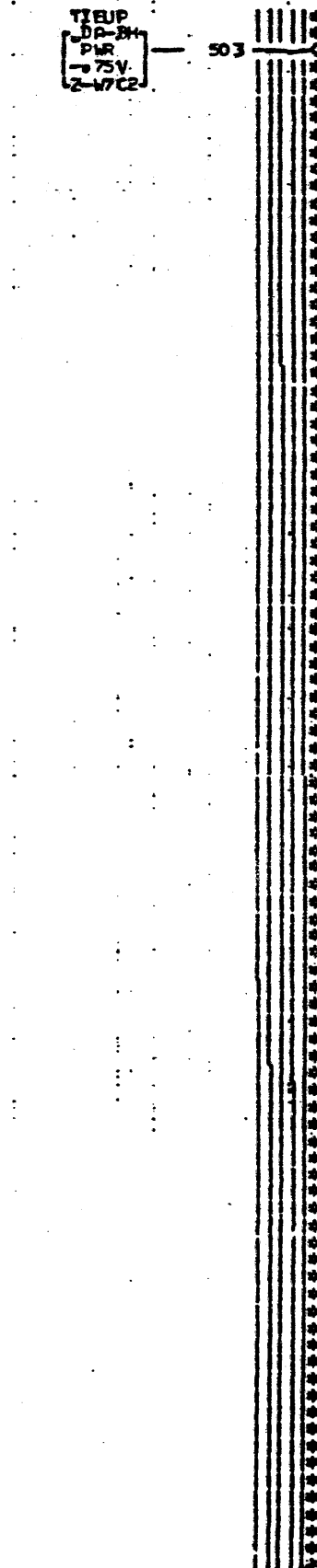
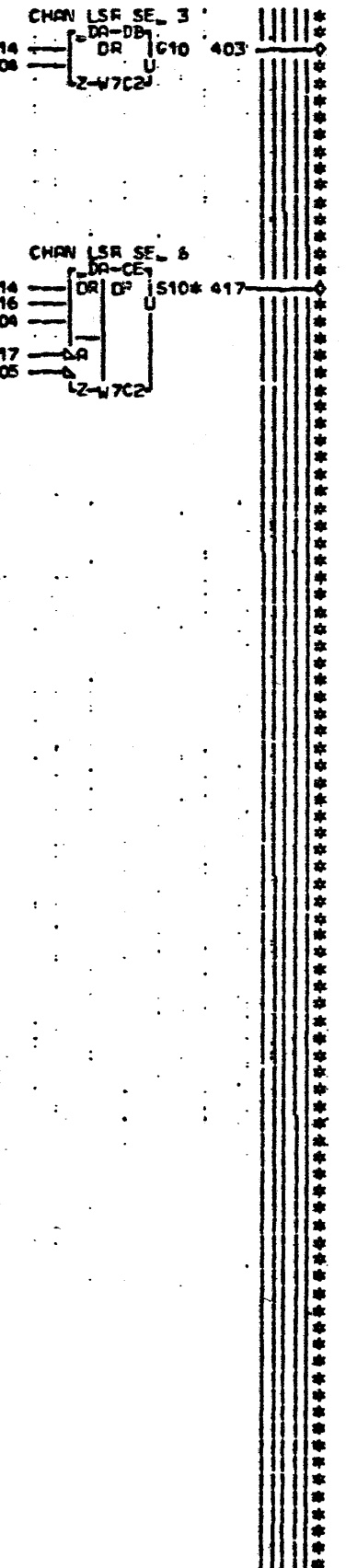
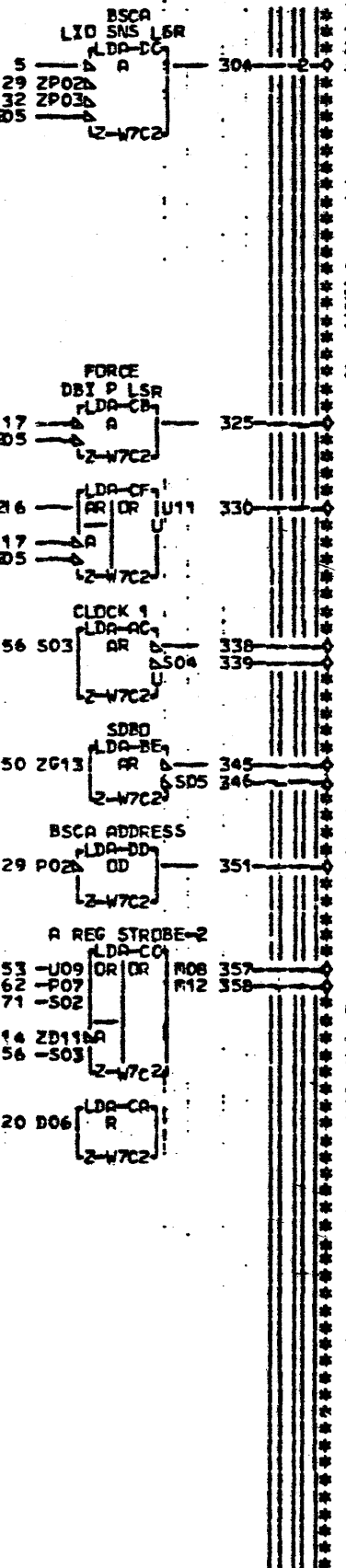
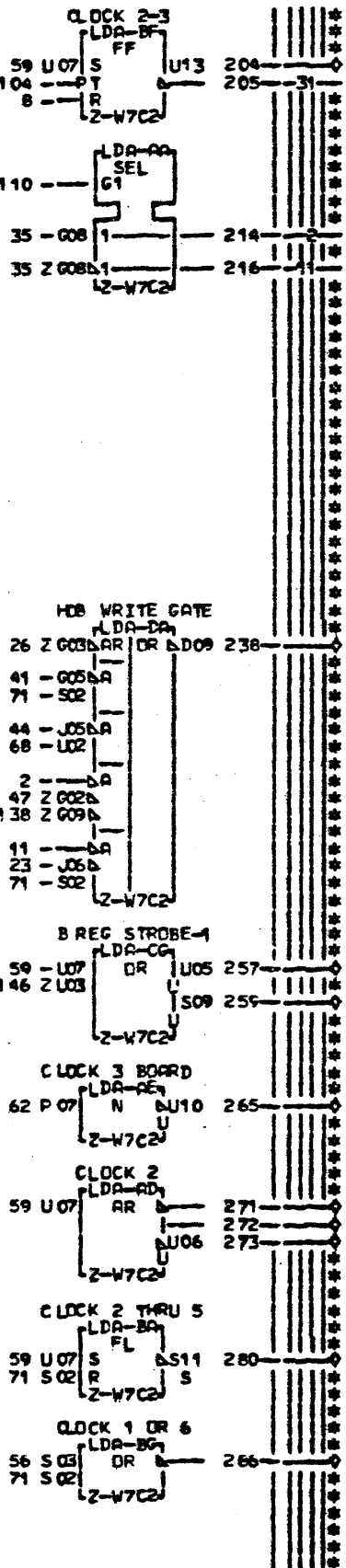
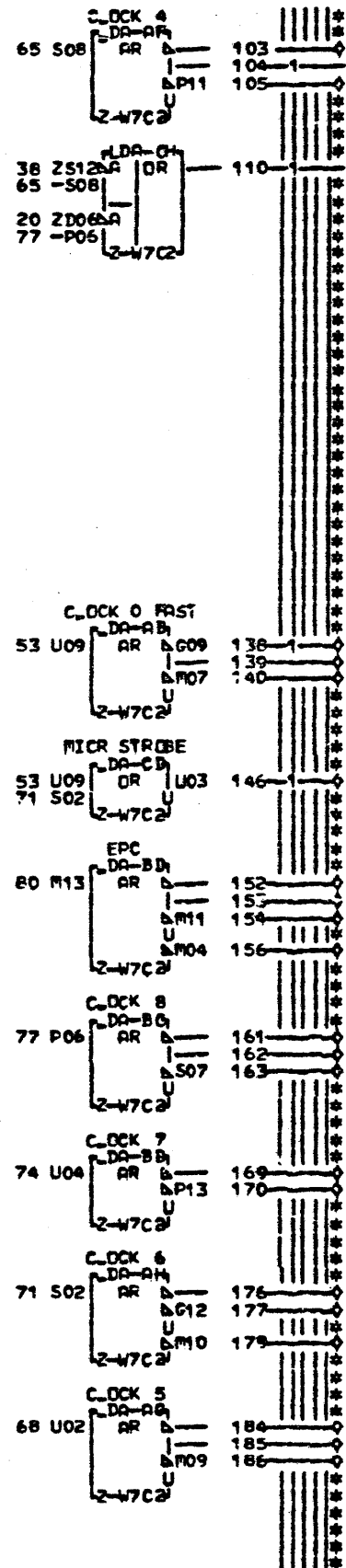
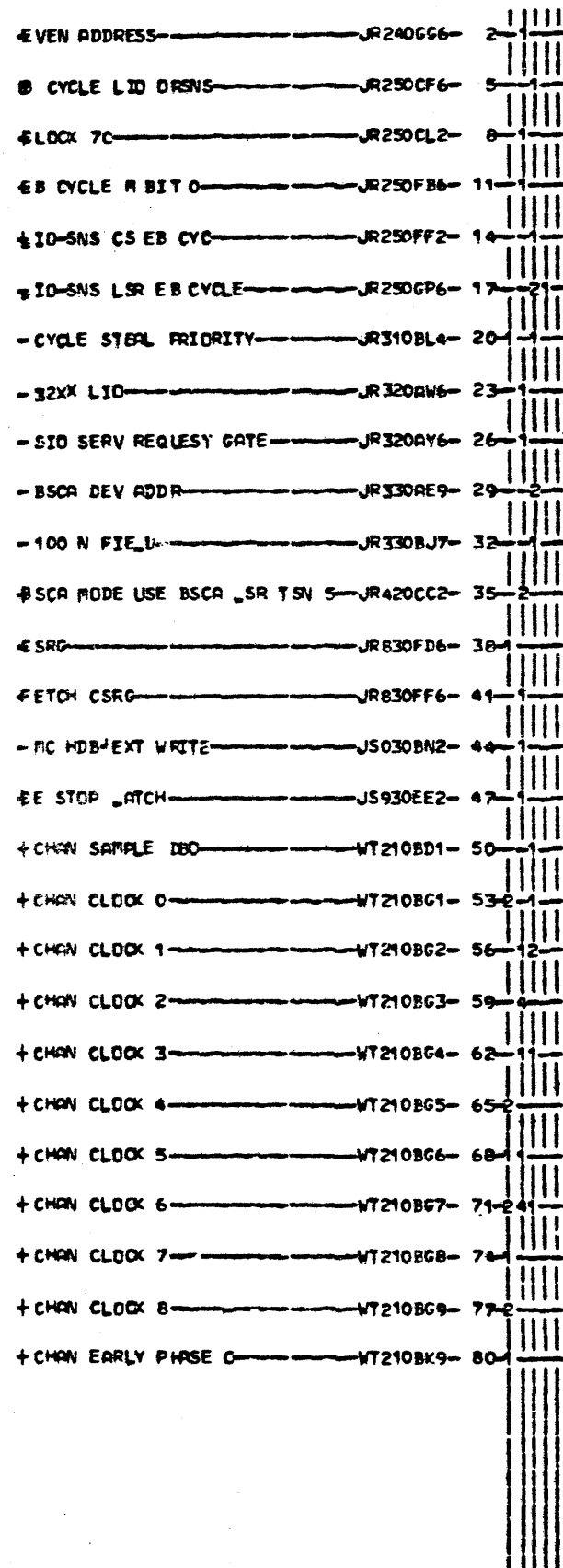
DELETE					ADD					
CHECK DE=	DE EYE COL	PINS IN NET	NET IMAGE	RELOCATED SUB-NETS	ADD CO.	WIRE TYPE	WIRE LGTH	FROM PIN	TO PIN	NET ID

***** NO REWORK INSTRUCTIONS FOR THIS ENGINEERING CHANGE *****

CARD ADD-DELETE LIST RUN 011 03-22-76 PAGE 1
 MACHINE S3IDA-12 PRESENT PN 1639958 EC 571834 VERS 000 XFER 571834 AD
 LOCATION 502-W7 PREVIOUS PN 1639958 EC 571797 VERS 000 XFER 571797 AP

DELETE					ADD				
SOCKET	TYPE	PART NO.	SIZE	ACC	SOCKET	TYPE	PART NO.	SIZE	ACC
F2	Y579	8234568	56-05	TAPE	F2	Y579	8251265	56-05	TAPE

END OF LIST



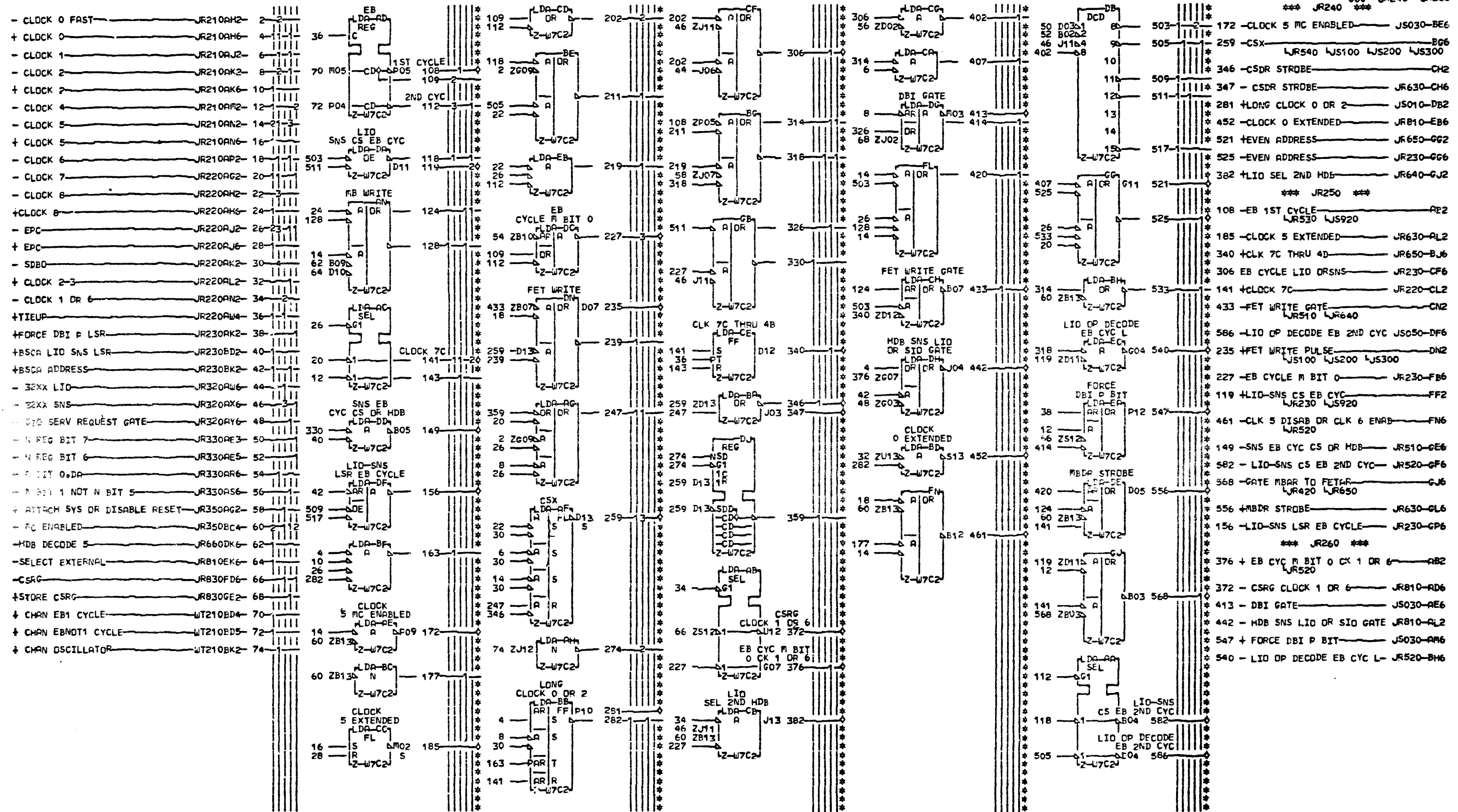
A-5408 BOARD 50Z-W7 15 01A-A2
 3412 BOARD 50Z-W7 15 01B-A2
 B-5408 BOARD 50Z-W7 15 01A-A2
 5412 BOARD 50Z-W7 15 01B-A2
 C-5408 BOARD 50Z-W7 15 01A-A2
 #210 3412 BOARD 50Z-W7 15 01B-A2
 #230

EDGE CONN
 403 Z-W7A808
 503-W7B808
 417 Z-W7A812
 502-W7B812

UC TYPE
 Z-W7C2 P83

PAGE VER EC EV
 JR210 000 571776
 JR220 000 571776
 JR230 000 571793

CHANNEL POWERING			
E-C-HISTORY	0	FRAMES	50
571776			JR210
DATE	LAST EC	IBN CORP. RD	JR230
09-05-75	571793	PAGE	163304 000



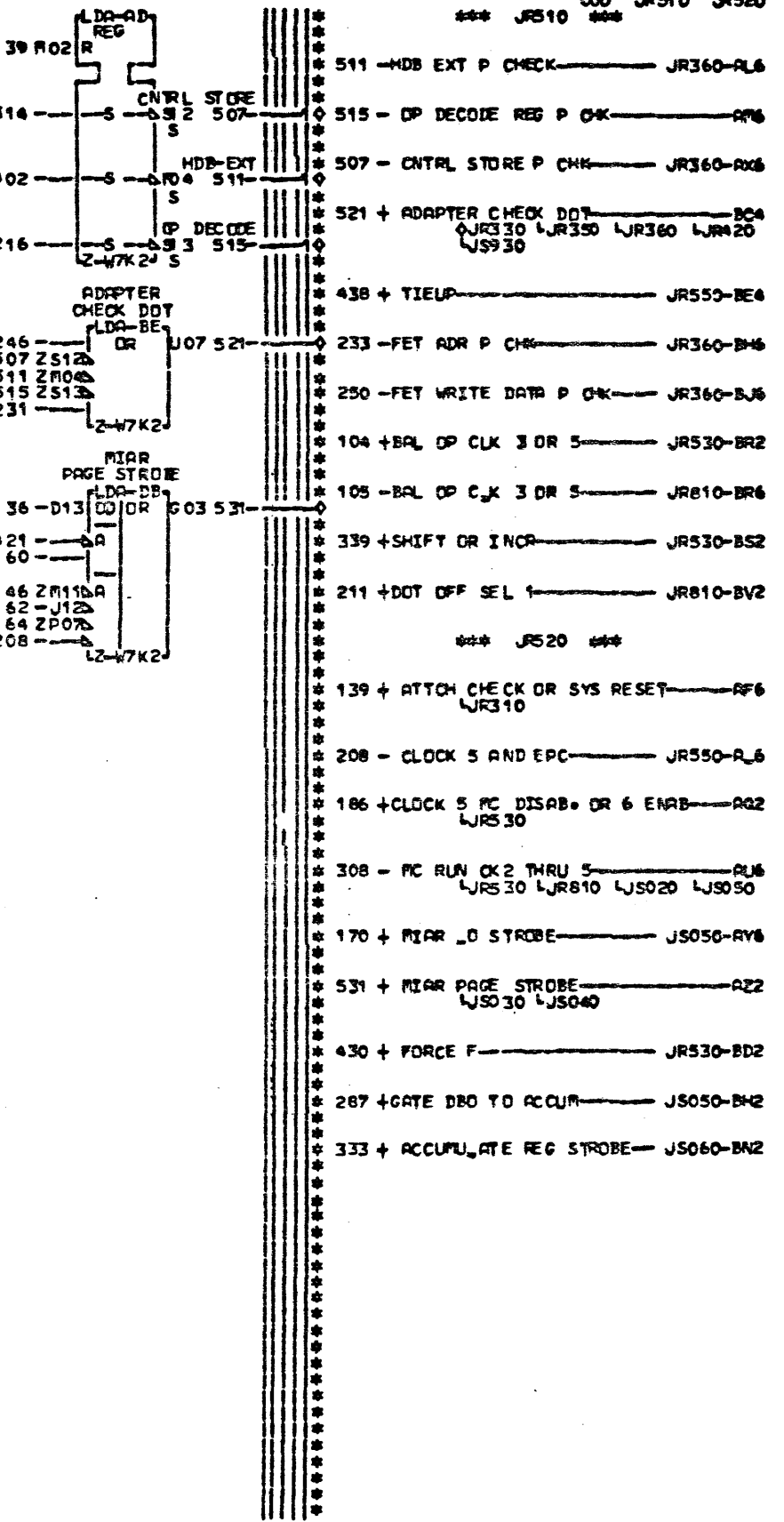
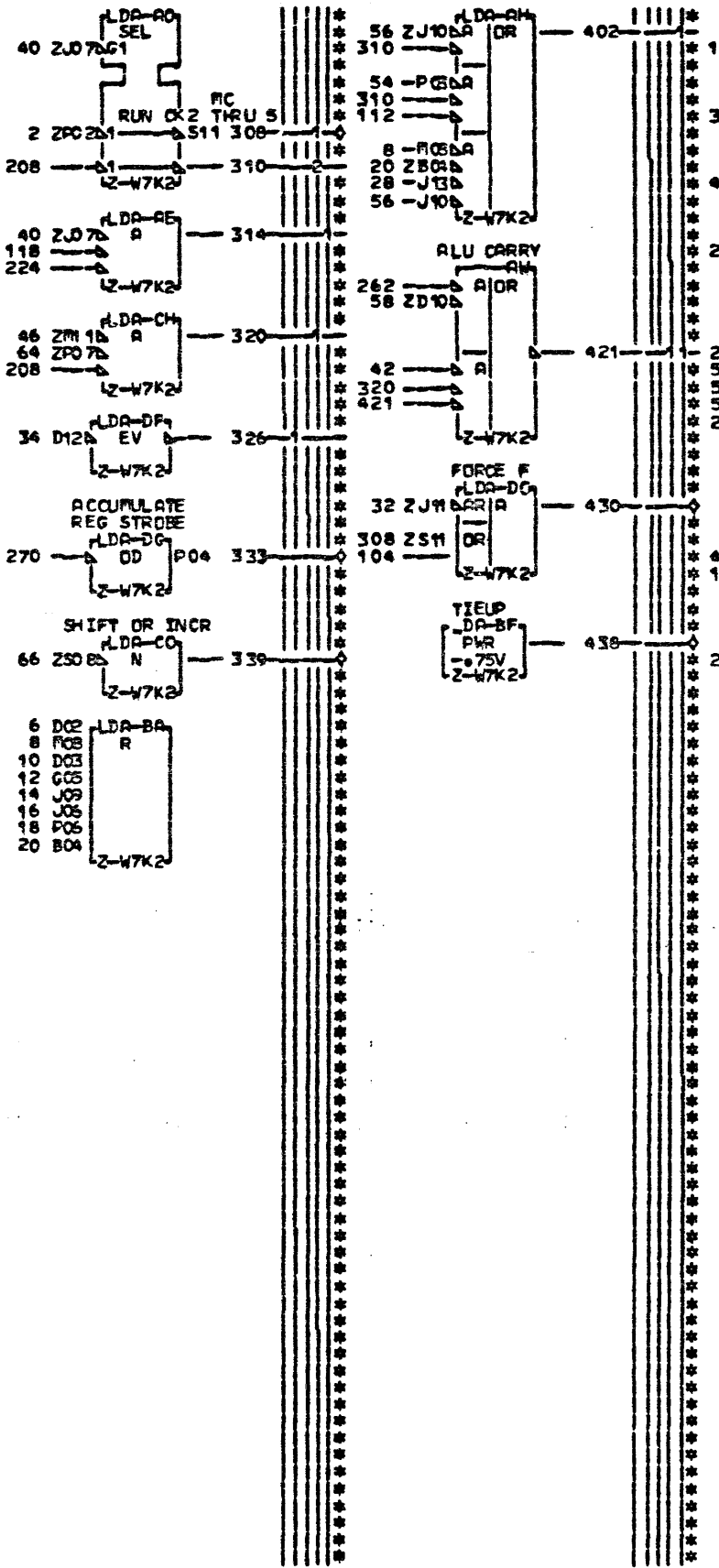
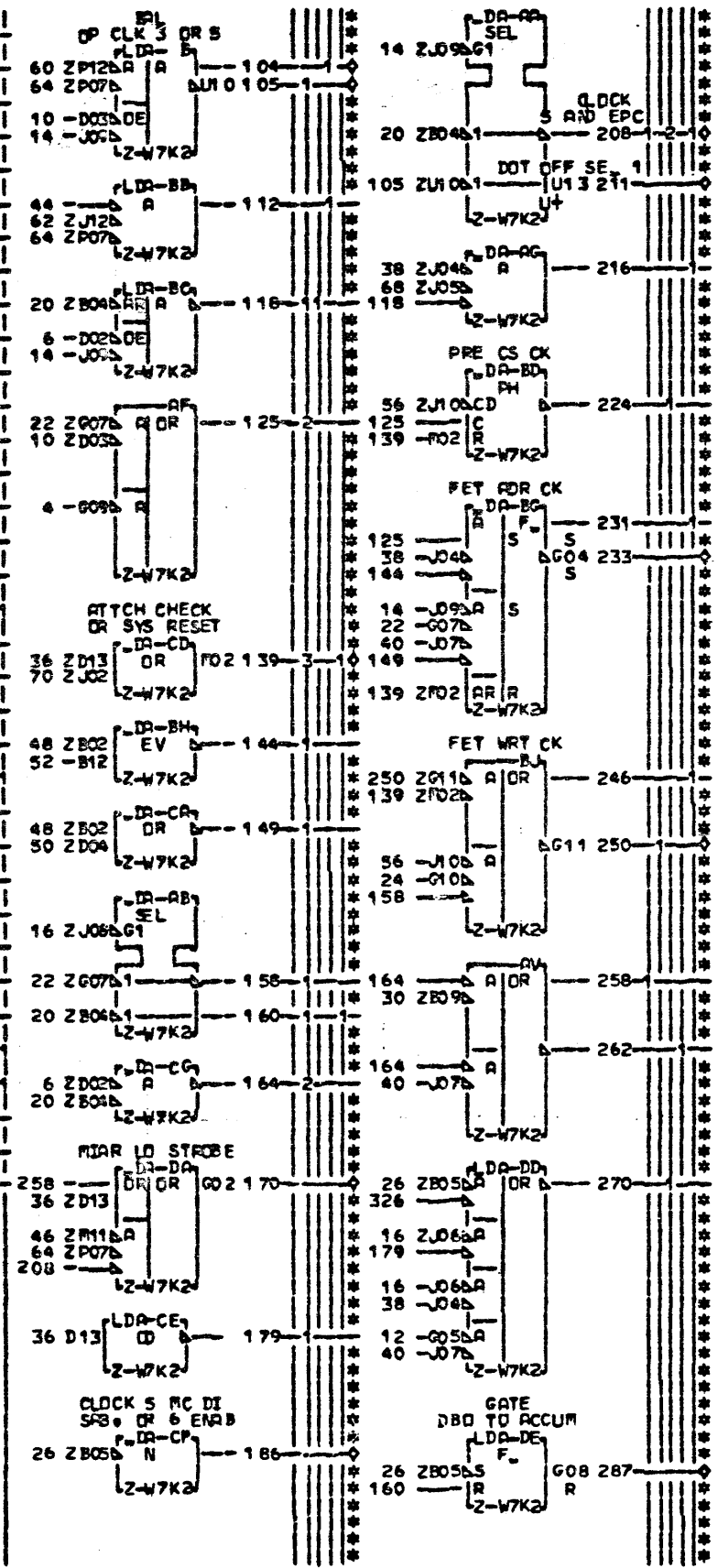
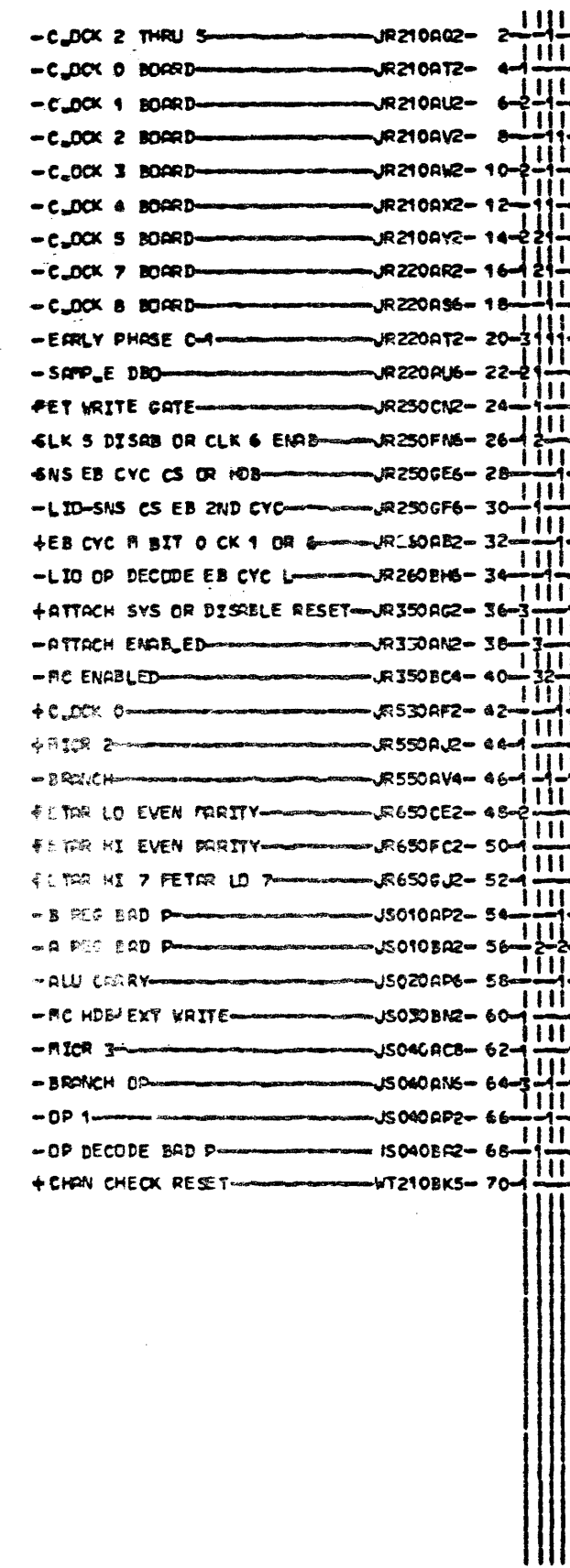
A. 5408-BOARD 50Z-W7 IS 01A-A2
 5412-BOARD 50Z-W7 IS 01B-B2
 B. 5408-BOARD 50Z-W7 IS 01A-A2
 5412-BOARD 50Z-W7 IS 01B-B2
 C. 5408-BOARD 50Z-W7 IS 01A-A2
 5412-BOARD 50Z-W7 IS 01B-B2

JR240
 JR260
 000

LCC. TYPE
 Z-W7C2 AF83

PAGE VER EC LEV
 JR240 000 571776
 JR250 000 571793
 JR260 000 571834

CHANNEL POWERING	
E.C. HISTORY	C. MACH. S3IDA-12
571776	FRAME 50 JR240
571783	IBR CORP. JR260
DATE LAST EC	P.No. 1623055 000
02-25-76 571834	

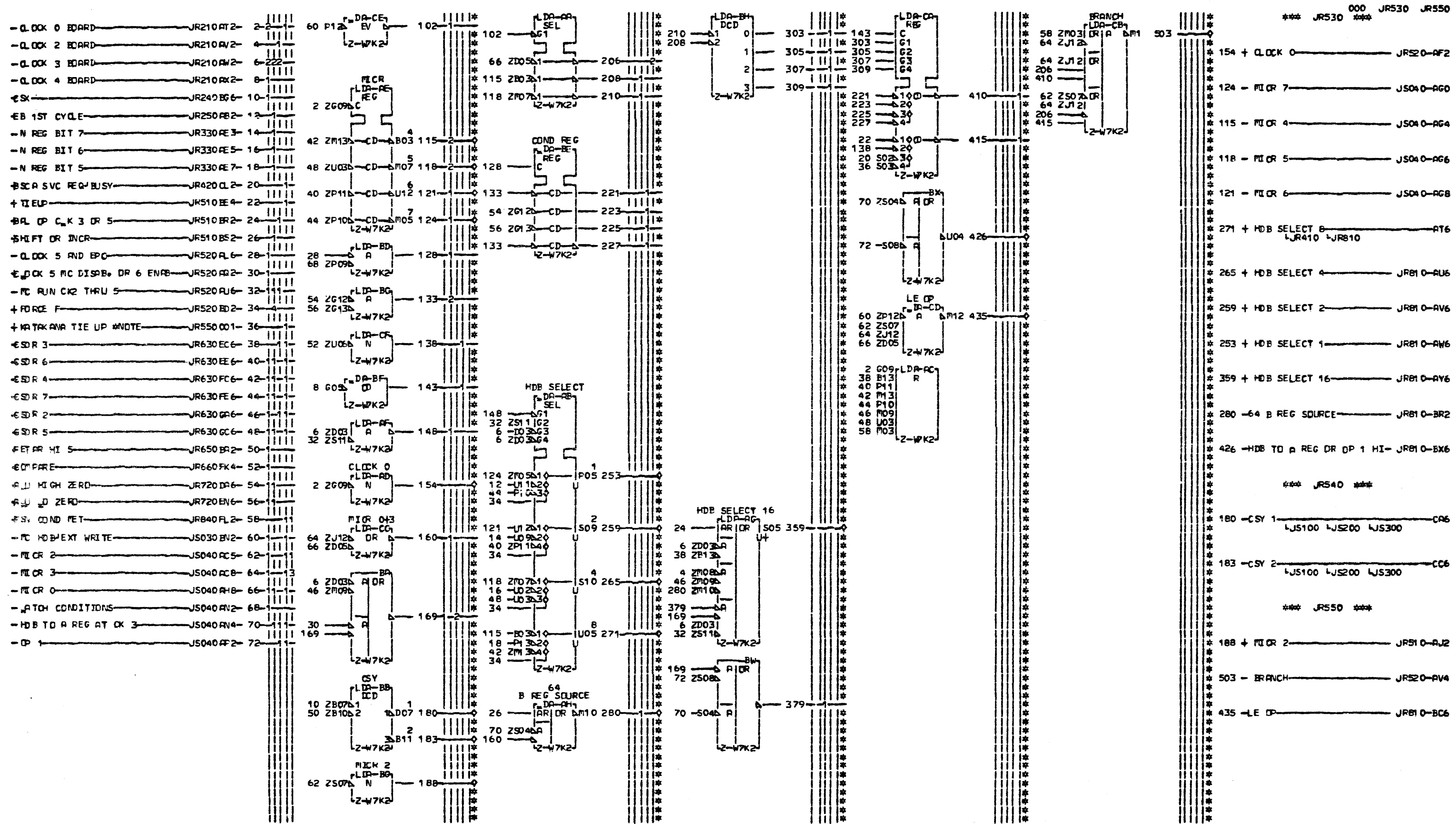


A-5408-BOARD 50Z-W7 IS 01A-A2
5412-BOARD 50Z-W7 IS 01B-B2
B-5408-BOARD 50Z-W7 IS 01A-A2
5412-BOARD 50Z-W7 IS 01B-B2

DC TYPE
Z-W7K2 1P 85

PAGE VER EC LEV
JR510 000 571793
JR520 000 571776

PL CONTINUL		
E-C-HISTORY	C-MACH-53IDA-12	
571776		
DATE	LWST EC	
09-03-75	571793	
FRAME	50	JR510
IBM CORP-ND		JR520
P-#	1633059	000



000 JR530 JR550
 *** JR530 ***

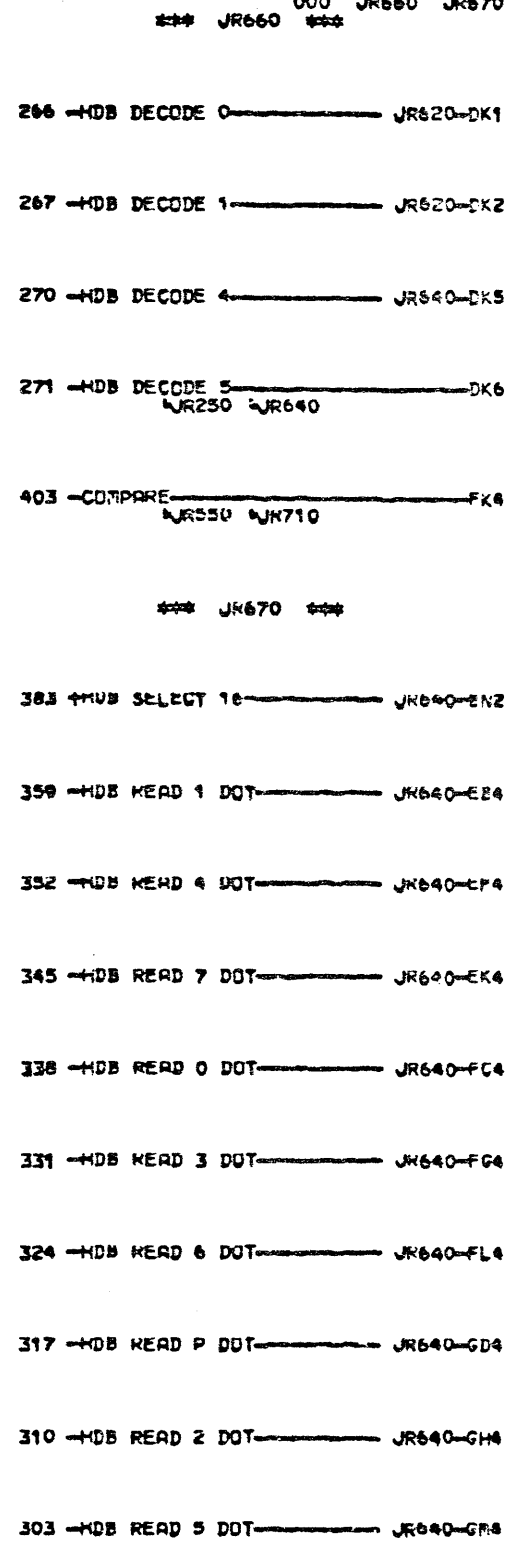
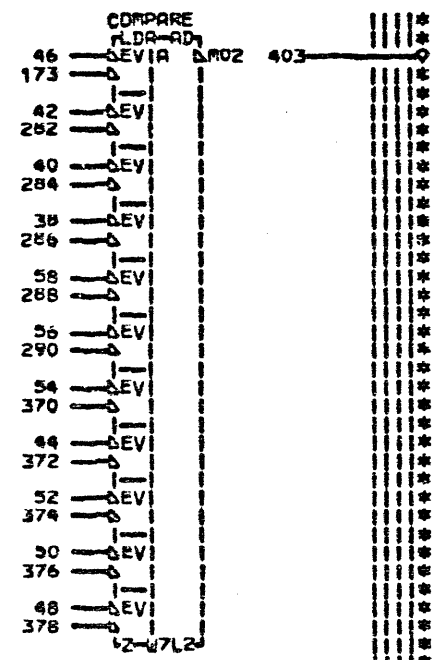
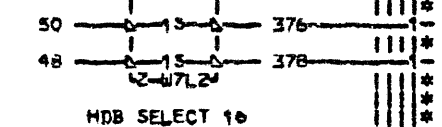
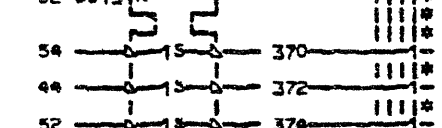
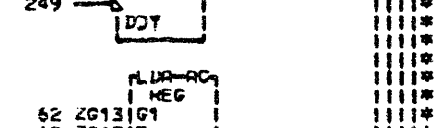
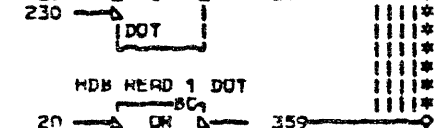
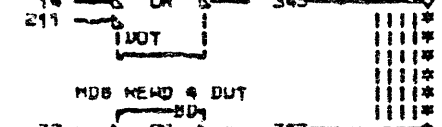
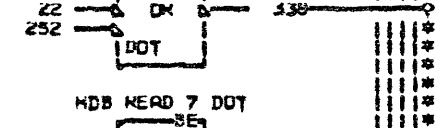
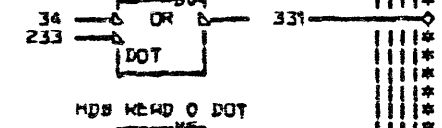
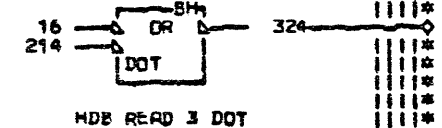
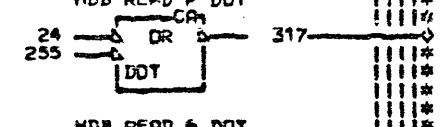
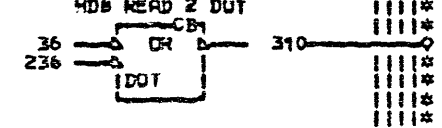
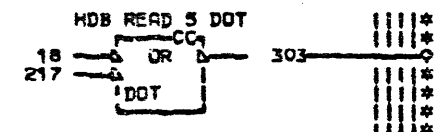
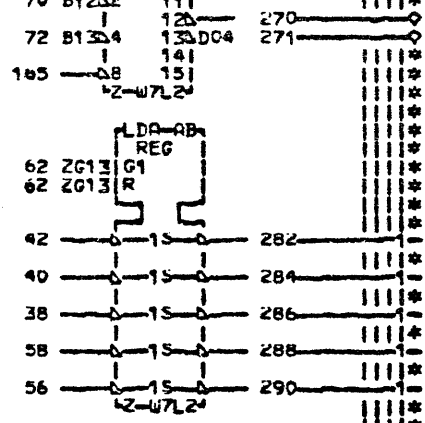
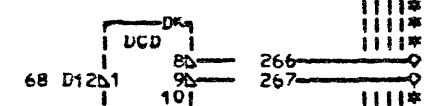
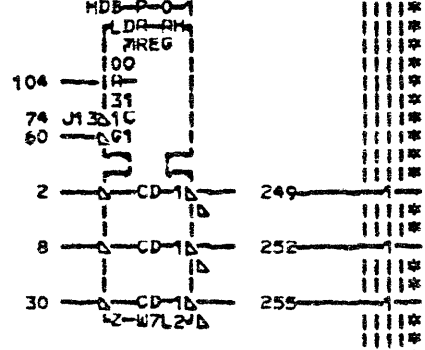
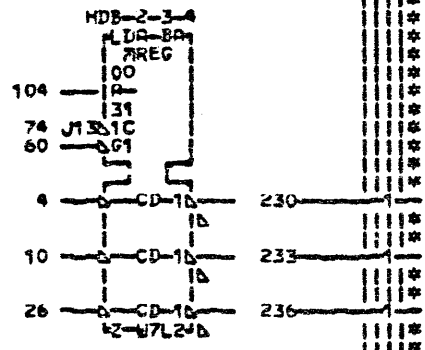
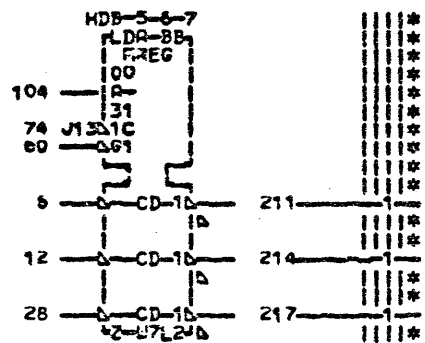
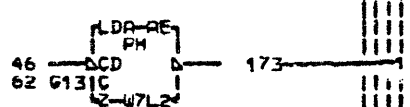
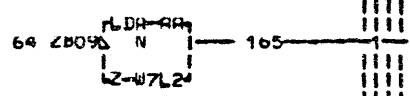
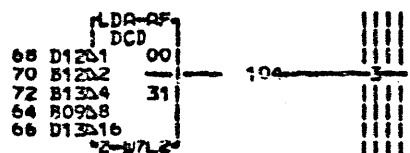
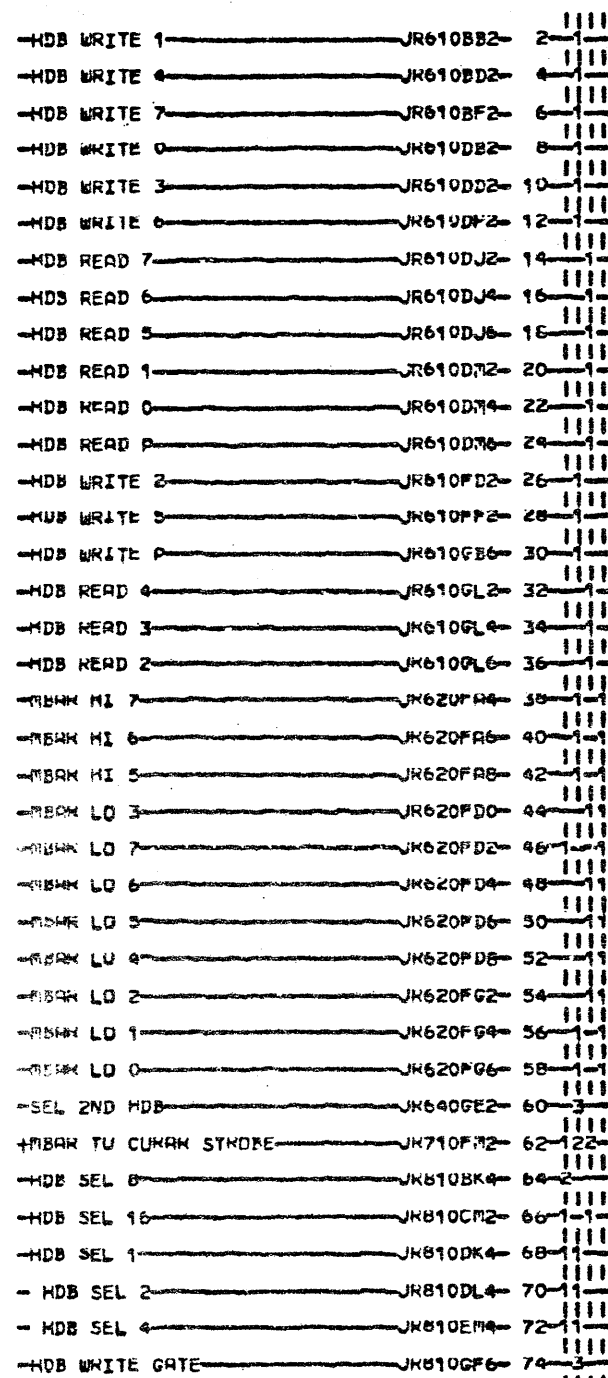
- 154 + CLOCK 0 ————— JR520-AF2
- 124 - PU CR 7 ————— JS040-AG0
- 115 - PU CR 4 ————— JS040-AG4
- 118 - PU CR 5 ————— JS040-AG6
- 121 - PU CR 6 ————— JS040-AG8
- 271 + HDB SELECT 8 ————— AT6
 LJR410 LJR810
- 265 + HDB SELECT 4 ————— JR810-AU6
- 259 + HDB SELECT 2 ————— JR810-AV6
- 253 + HDB SELECT 1 ————— JR810-AW6
- 359 + HDB SELECT 16 ————— JR810-AY6
- 280 -64 B REG SOURCE ————— JR810-BR2
- 426 -HDB TO p REG DR DP 1 HI- JR810-BX6
- *** JR540 ***
- 180 -CSY 1 ————— CA6
 LJS100 LJS200 LJS300
- 183 -CSY 2 ————— CC6
 LJS100 LJS200 LJS300
- *** JR550 ***
- 188 + PU CR 2 ————— JR510-AJ2
- 503 - BRANCH ————— JR520-AV4
- 435 -LE DP ————— JR810-BC6

A 5408-BOARD 50Z-W7 IS 01A-02
 5412-BOARD 50Z-W7 IS 01B-02
 B 5408-BOARD 50Z-W7 IS 01A-02
 5412-BOARD 50Z-W7 IS 01B-02
 C 5408-BOARD 50Z-W7 IS 01A-02
 5412-BOARD 50Z-W7 IS 01B-02
 #330 5412-BOARD 50Z-W7 IS 01B-02
 NOTE-1- KATAKAWA FEATURE
 #330 INSTALLED W/ME K2503 TO #2D05
 USING 4-PLK W/ME #N 811699
 UW KE TO NET JK750699

DC TYPE
 Z-W7K2 P 85

PAGE VER EC LEV
 JR530 000 571776
 JR540 000 571776
 JR550 000 571797

HDB SELECT AND BRANCH LOGIC	
E-C HISTORY	C-NACH-S31DA-12
571776	
DATE LAST EL	MM/YY 50 JR530
10-06-75 571797	IBM CORP MD JR550
	P/N# 1633060 000



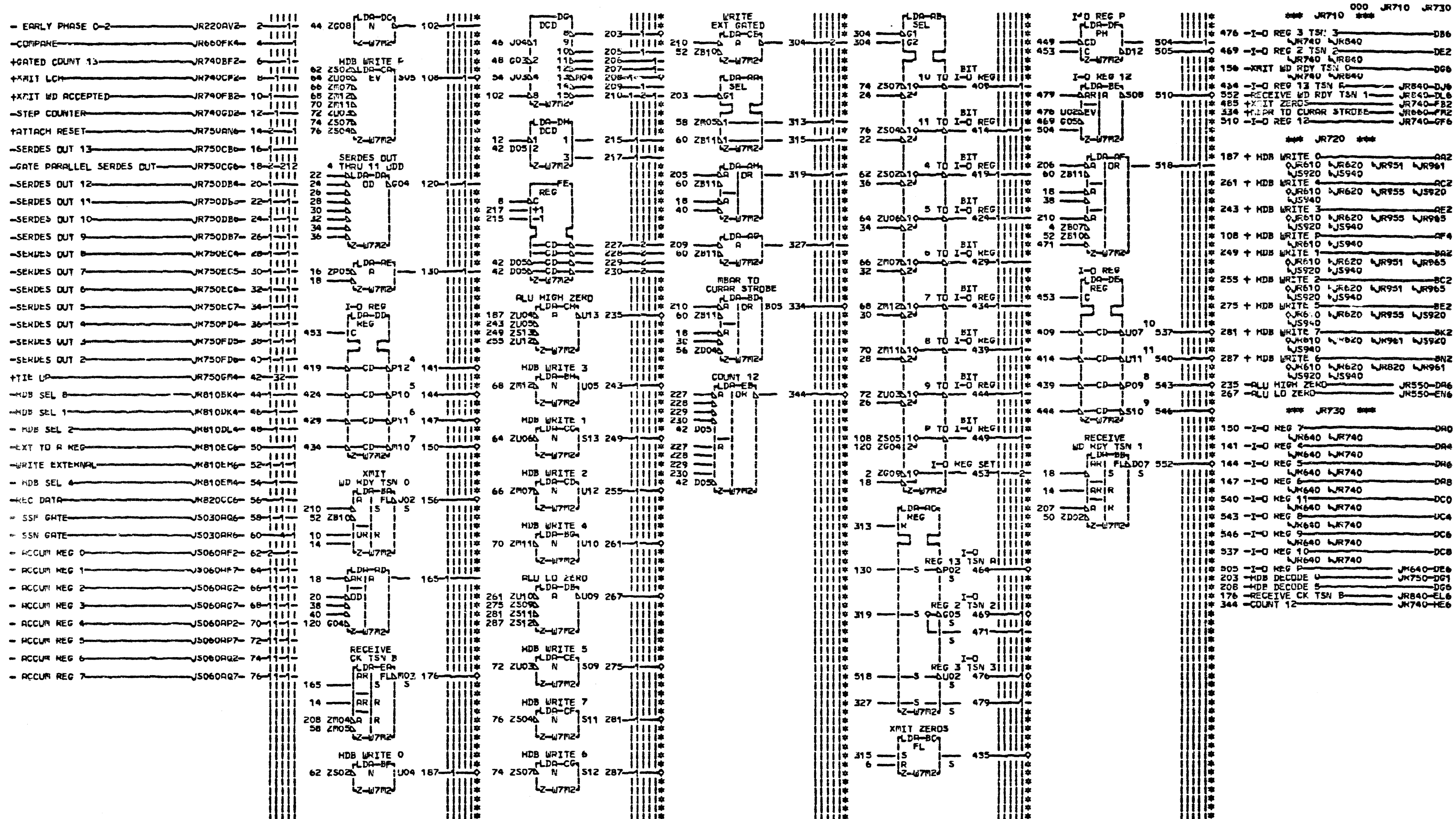
A-5408 BOARD 50Z-W7 IS 01A-AZ
 5412 BOARD 50Z-W7 IS 01B-BZ
 B-5408 BOARD 50Z-W7 IS 01A-AZ
 5412 BOARD 50Z-W7 IS 01B-BZ

LOC. TYPE
 Z-W7L2 AP84

PAGE VER EC LEV
 JR660 000 571776
 JR670 000 571776

MDS-ABAR-FETAR-CSUR-ABDR	
COMPARE REG	
E-C-HISTORY	C-RACH-S3IDA-12
DATE LAST EC	FRAME 50 JR660
06-23-75 571776	IBM CORP.GSD JR670
	PN# 1633063 000

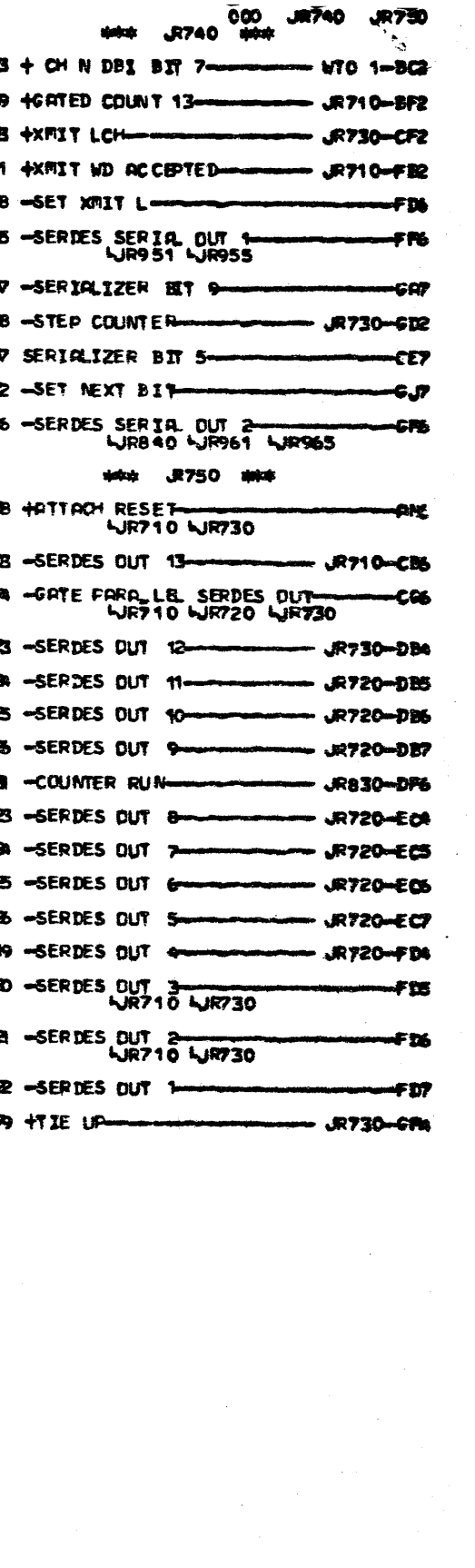
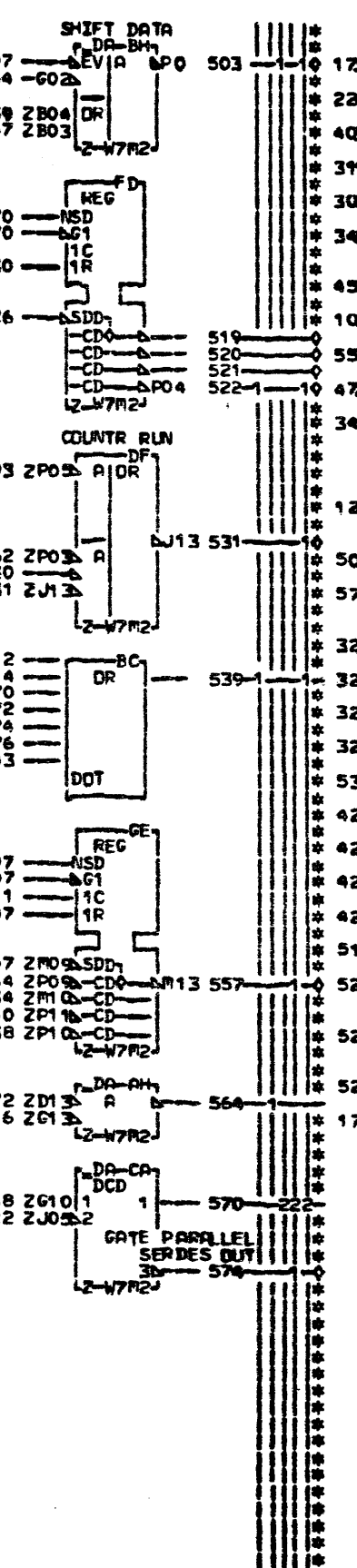
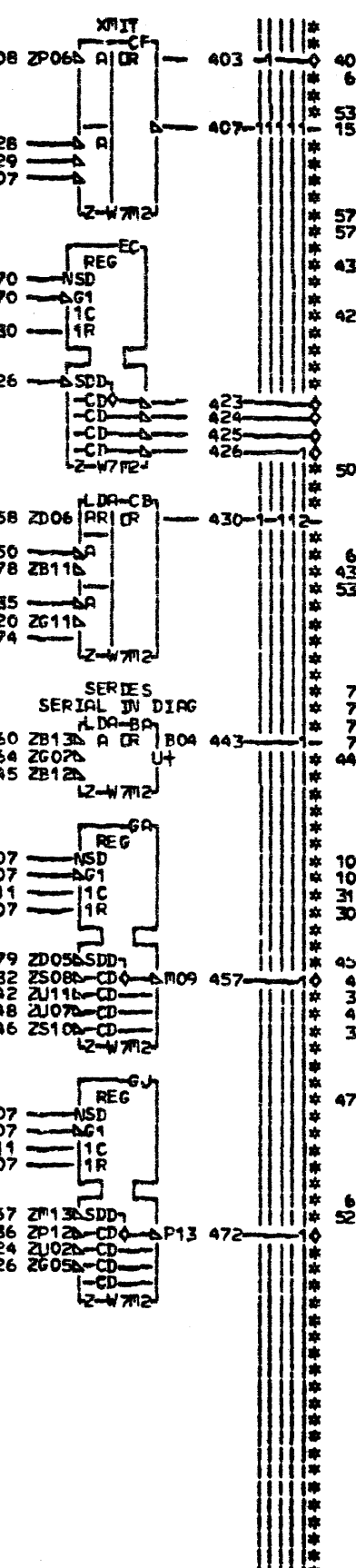
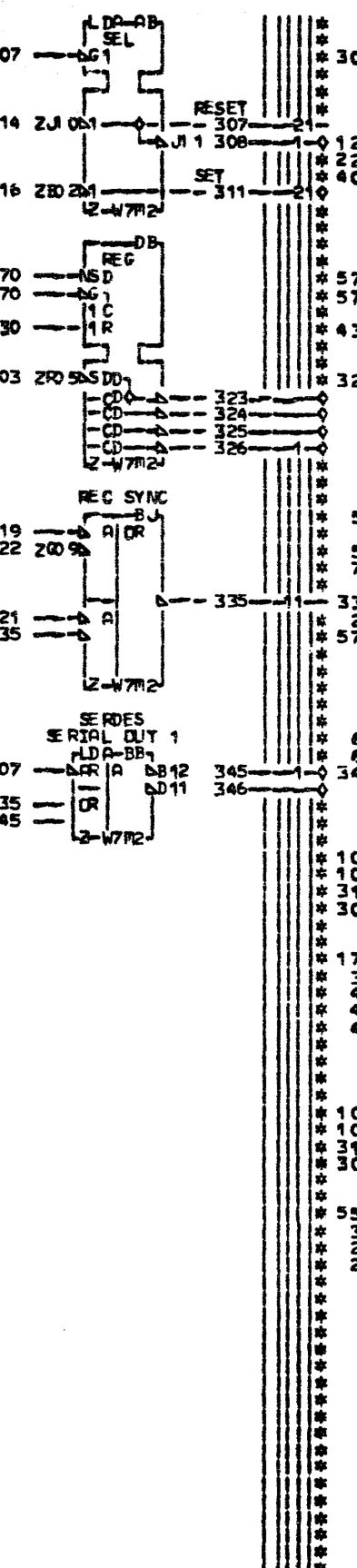
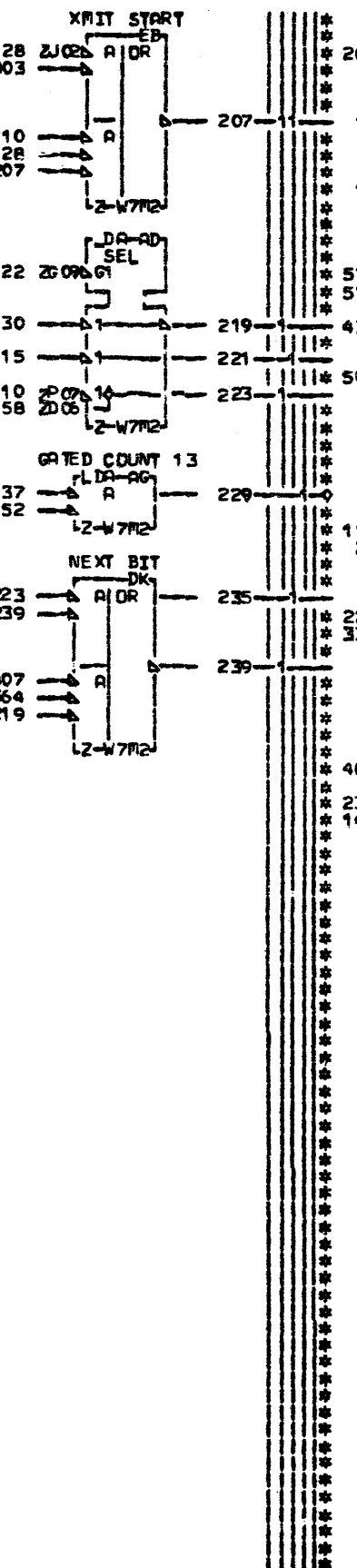
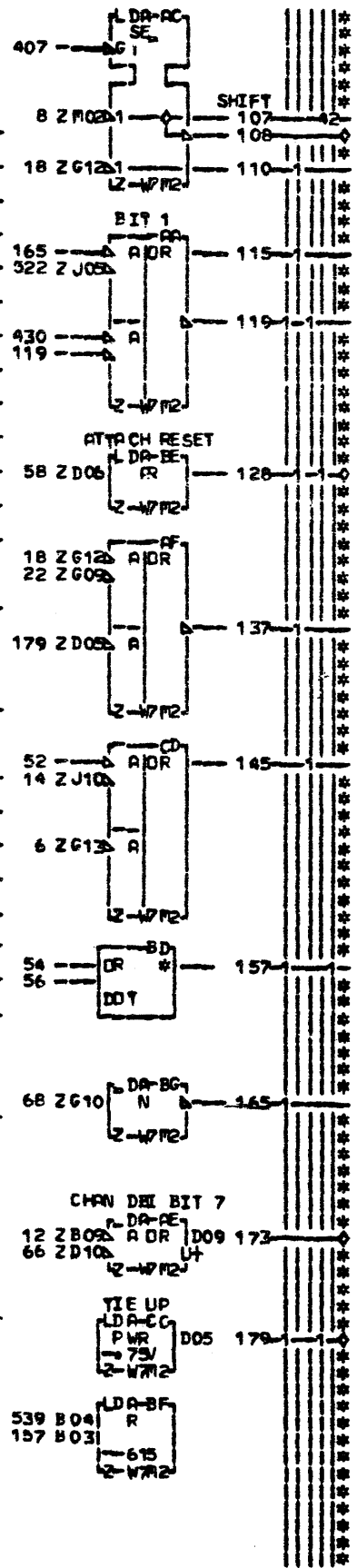
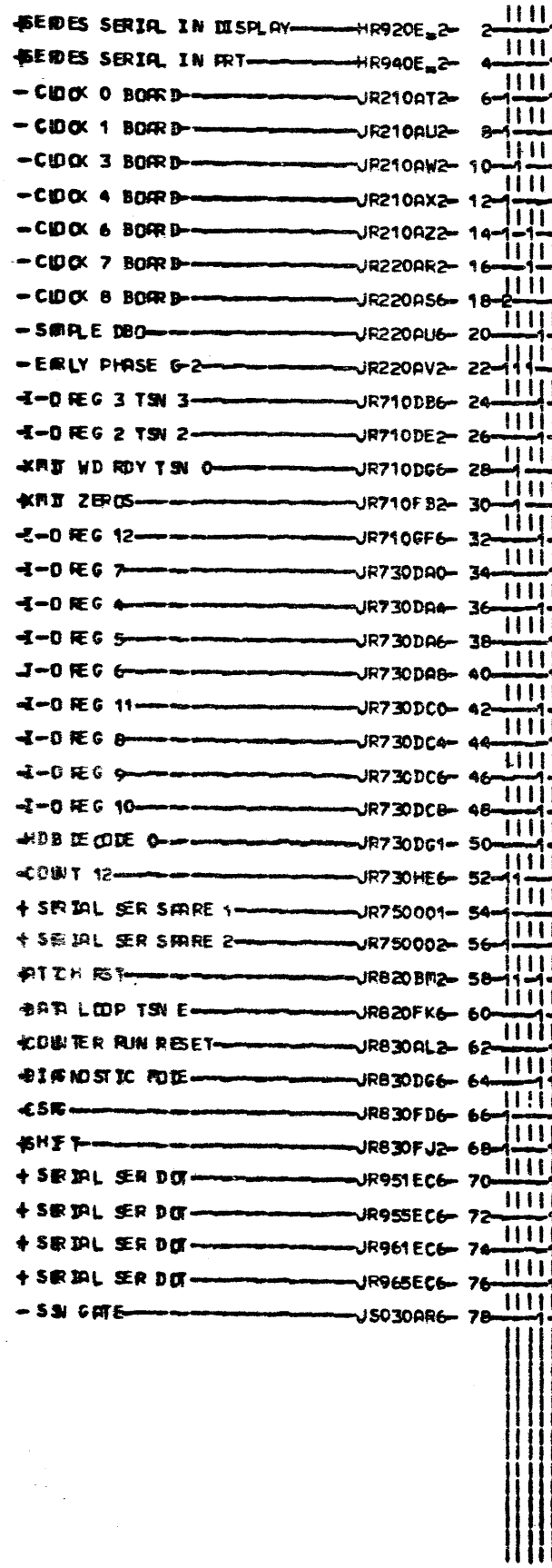
51
 JR660
 JR670
 000



A. 5408 BOARD 502-47 IS 01A-Q2
 5412 BOARD 502-47 IS 01B-B2
 B. 5408 BOARD 502-47 IS 01A-Q2
 5412 BOARD 502-47 IS 01B-B2
 C. 5408 BOARD 502-47 IS 01A-Q2
 5412 BOARD 502-47 IS 01B-B2
 JR710
 JR730
 000

LOC. TYPE
 Z-W7M2 R-80
 PAGE VER EC LEV
 JR710 U00 571776
 JR720 U00 571776
 JR730 000 571776

I-O REGISTER	FRAME	50	JR710
REGISTER GATING	ISB CORP.6SD		JR730
E-C HISTORY	MACH. S3IDA-12		
DATE	LAST EC		
06-23-75	571776	P. No	1633064 000



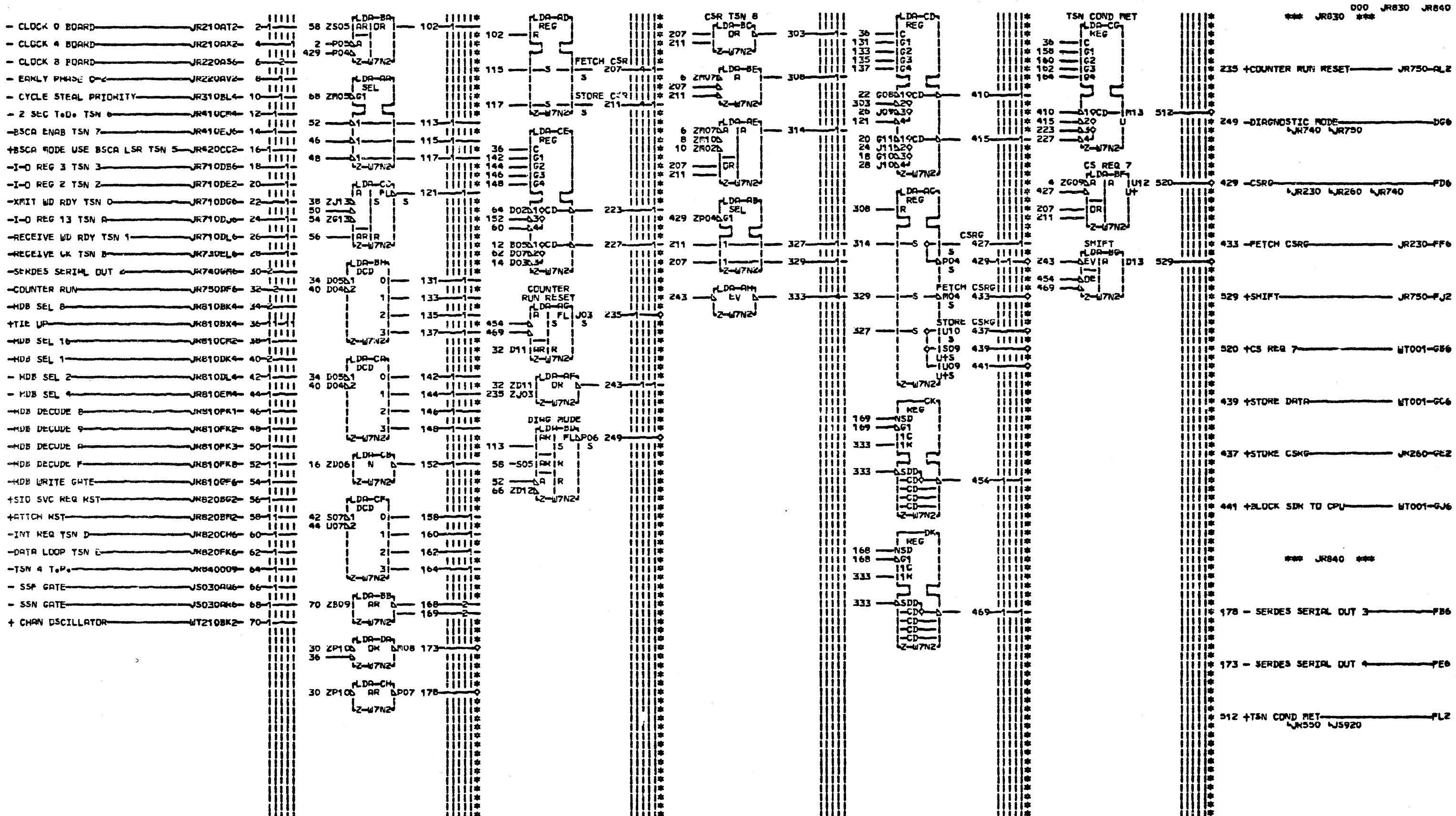
A 5408 BOARD 502-47 IS 01A-A2
 B 472 BOARD 502-47 IS 01B-B2
 C 6008 BOARD 502-47 IS 01A-A2
 D 412 BOARD 502-47 IS 01B-B2

LOC. TYPE
 Z-W7M2 HF80

PAGE VEN EC LEV
 JR740 000 571776
 JR750 000 571776

I-U REGISTER
 XMIT SERDES
 LOGIC HISTORY - C PACH S3IDA-12
 571776
 DATE LMS1 EL
 10-06-75 571777
 NAME SU JR740
 IBM COMP 650 JR730
 PCH 163065 000

#74
 #75
 000



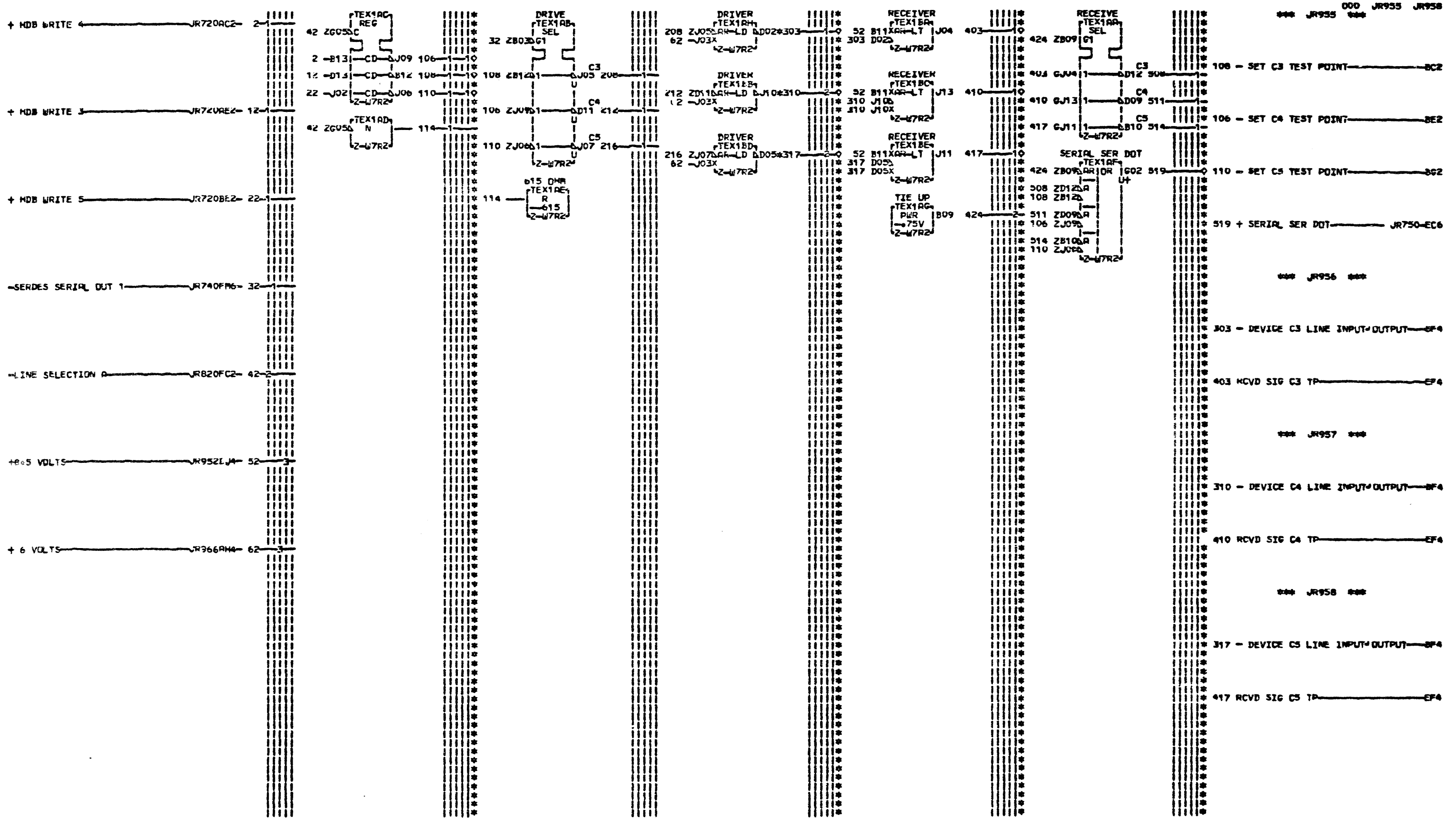
A:5408 BOARD 50Z-W7 IS 01A-AZ
 5412 BOARD 50Z-W7 IS 01B-BZ
 B:5408 BOARD 50Z-W7 IS 01A-AZ
 5412 BOARD 50Z-W7 IS 01B-BZ

LDC TYPE
 Z-W7N2 8F81

PAGE VER EC LEV
 JR830 000 571776
 JR840 000 571776

GENERAL CONTROLS	
CYCLE STEAL + DIAGNOSTIC MODE	
E-C-HISTORY	C-MACH-S3IDA-12
DATE LAST EC	FRAME 50 JR830
06-23-75 571776	IBM CORP-GSD JR840
	IP-No 1633067 000

JR830
 JR840
 000



000 JR955 JR958
 *** JR955 ***

*** JR956 ***

*** JR957 ***

*** JR958 ***

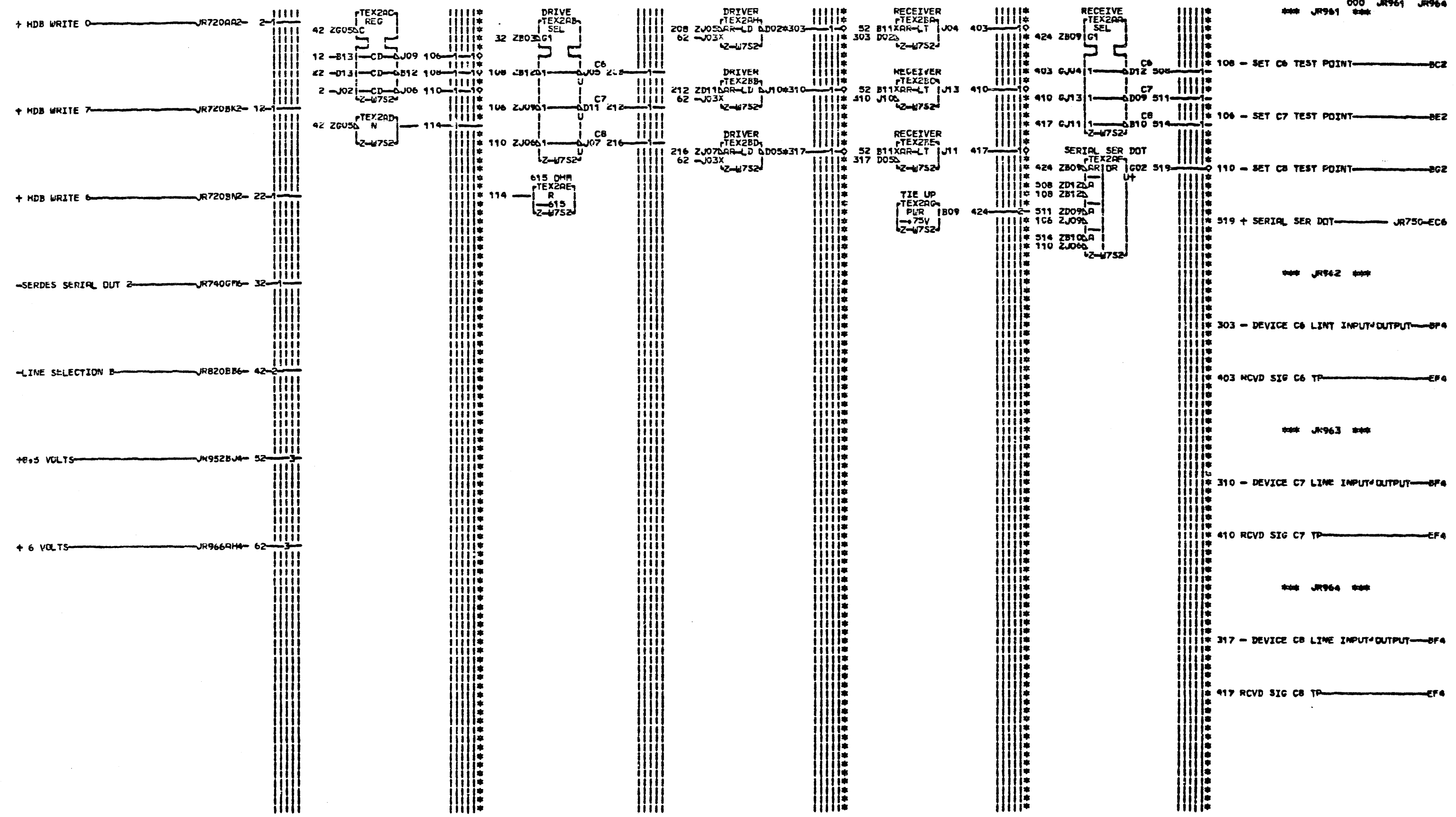
A.5408	BOARD	502-47	15	01A-AZ
5412	BOARD	502-47	15	01B-BZ
B.5408	BOARD	502-47	15	01A-AZ
5412	BOARD	502-47	15	01B-BZ
C.5408	BOARD	502-47	15	01A-AZ
5412	BOARD	502-47	15	01B-BZ
D.5408	BOARD	502-47	15	01A-AZ
5412	BOARD	502-47	15	01B-BZ

EDGE CONN.
 303 Z-47U3B02
 310 Z-47U3D07
 317 Z-47U3D13

LOC. TYPE
 Z-47K2 RP78

PAGE VER EC LEV
 JR955 000 571776
 JR956 000 571776
 JR957 000 571776
 JR958 000 571776

TRIPLE LINE DRIVER/RECEIVER			
E-C-HISTORY		C-PACK# S3IDA-12	
FRANK	50	JR955	
DATE LAST EC		IBR CORP. JR958	
06-23-75	571776	P#N 1433069 000	



*** JR962 ***

*** JR963 ***

*** JR964 ***

705408	BOARD	502-47	15	01A-82
5412	BOARD	502-47	15	01B-82
805408	BOARD	502-47	15	01A-82
5412	BOARD	502-47	15	01B-82
C05408	BOARD	502-47	15	01A-82
5412	BOARD	502-47	15	01B-82
D05408	BOARD	502-47	15	01A-82
5412	BOARD	502-47	15	01B-82

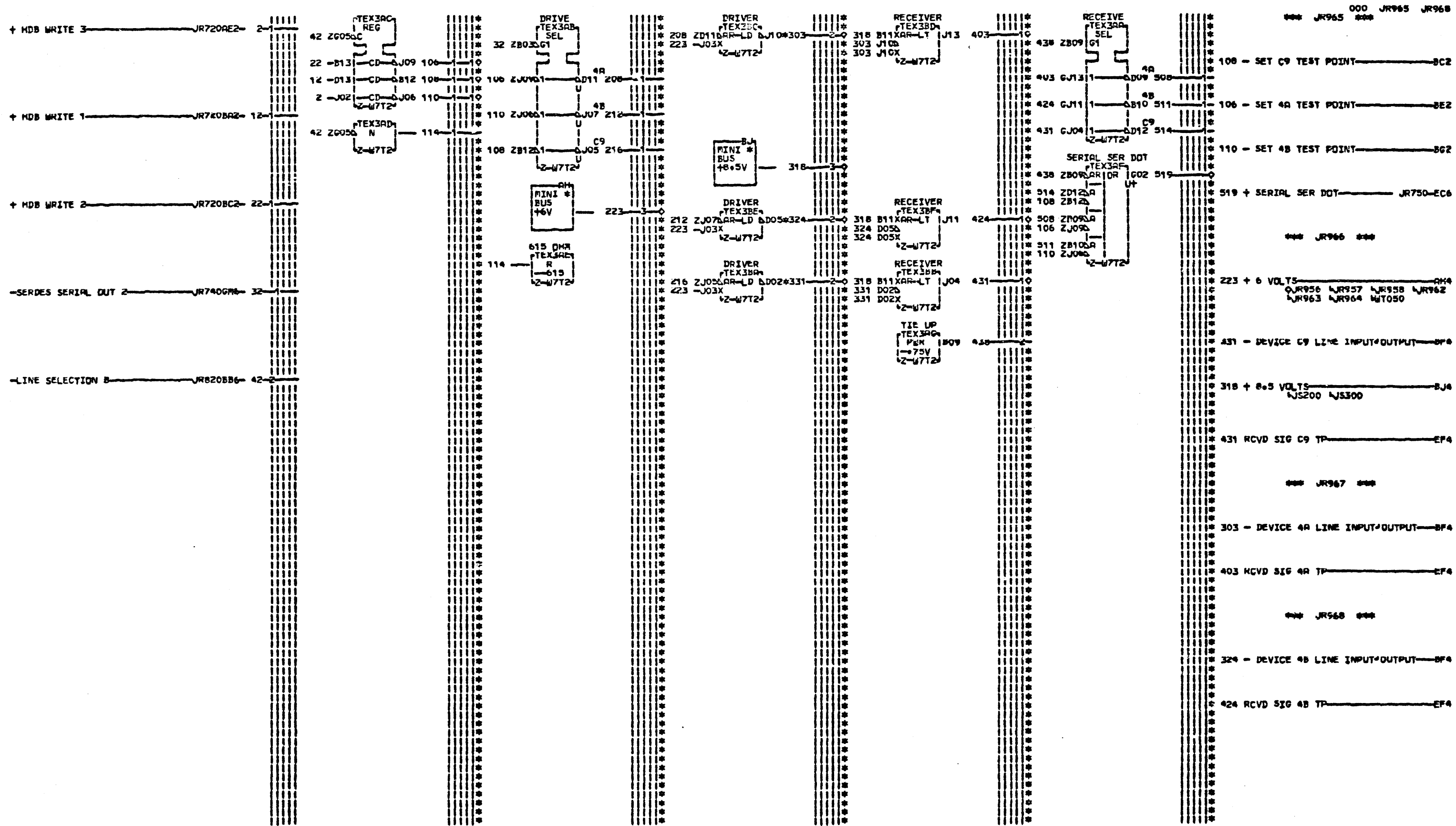
EDGE CONN#
303 Z-47U4B02
310 Z-47U4D07
317 Z-47U4D13

LDC# TYPE
Z-4752 AF78

PAGE	VER	EC	LEV
JR961	000	571776	
JR962	000	571776	
JR963	000	571776	
JR964	000	571776	

TRIPLE LINE DRIVER/RECEIVER	
E-C-HISTORY	C-PACK# 531DA-12
DATE	LAST EC
06-23-75	871776
IP#	1613070
FRM#	50
IBR	CORP#
JR961	JR964
000	000

20



000 JR965 JR968
 *** JR965 ***

*** JR966 ***

*** JR967 ***

*** JR968 ***

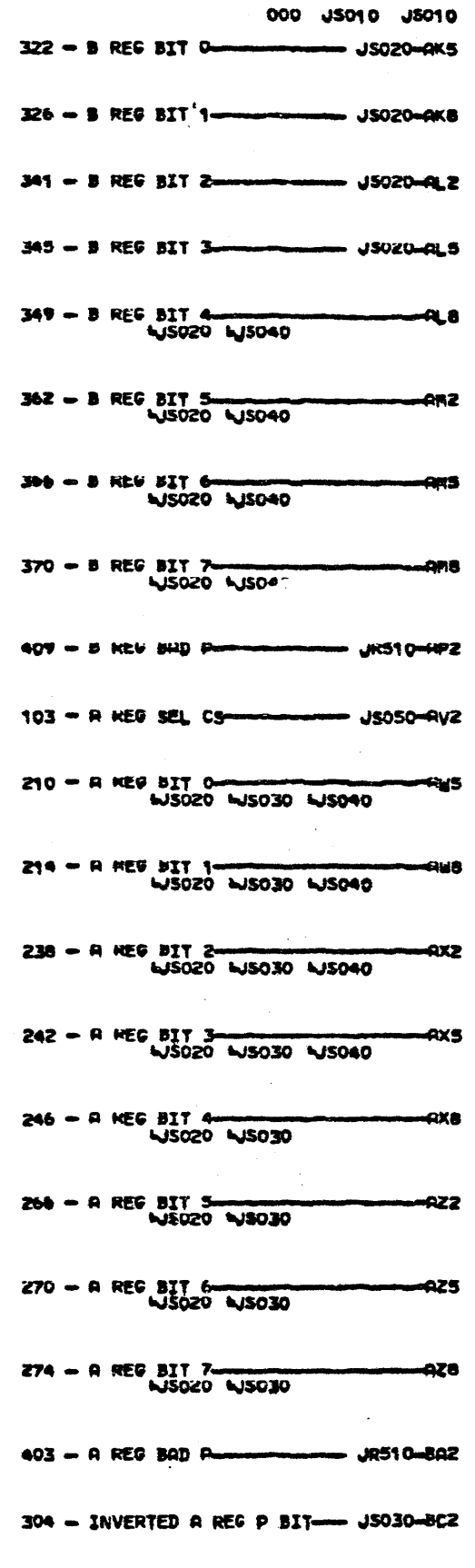
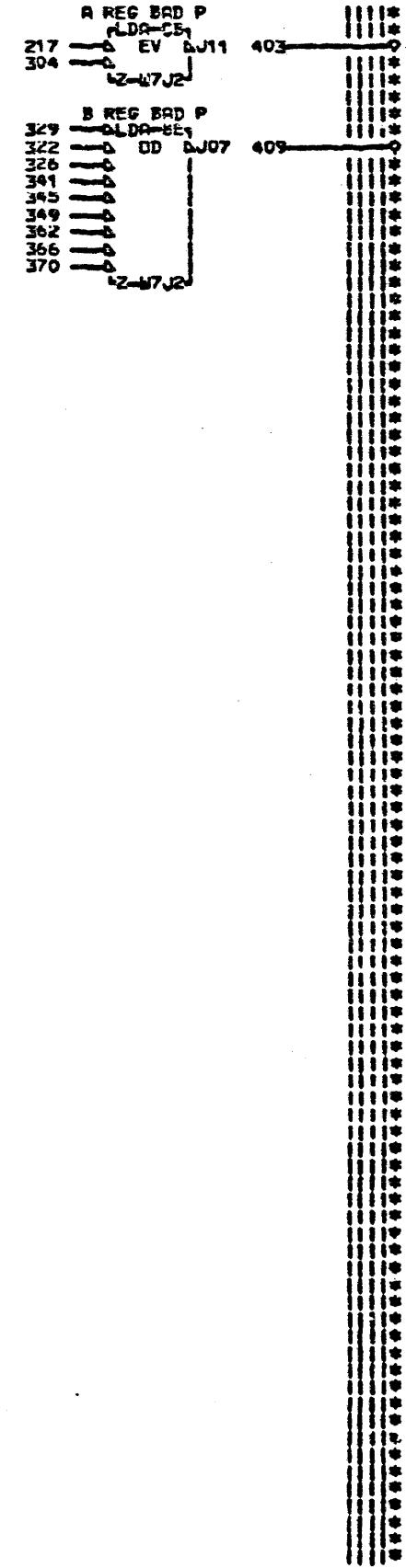
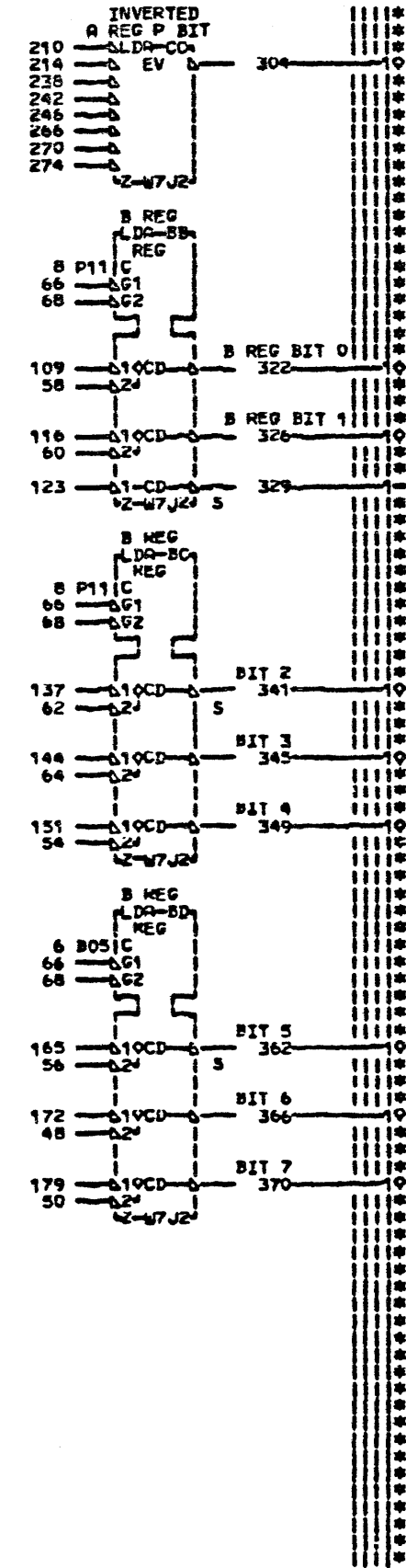
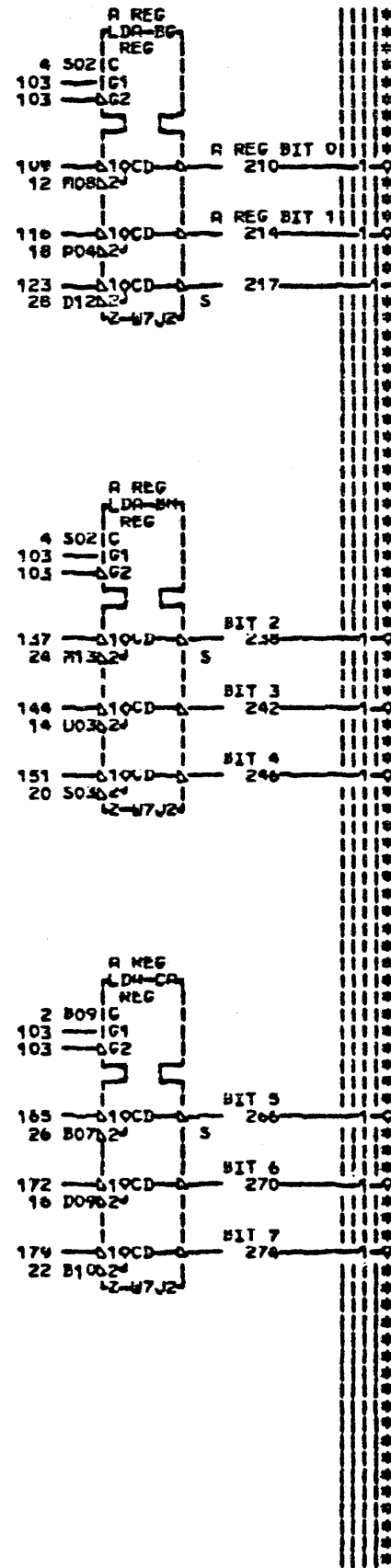
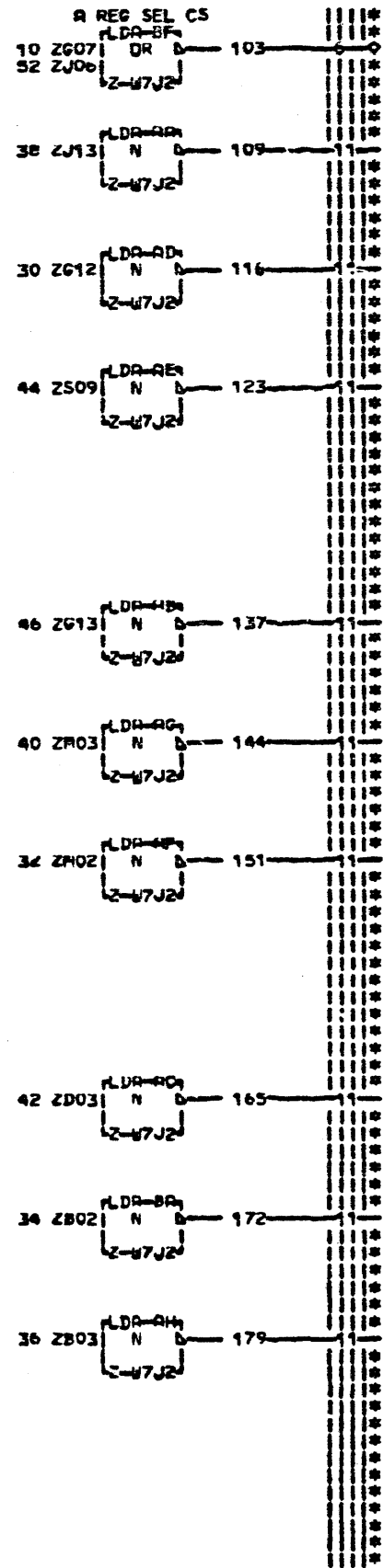
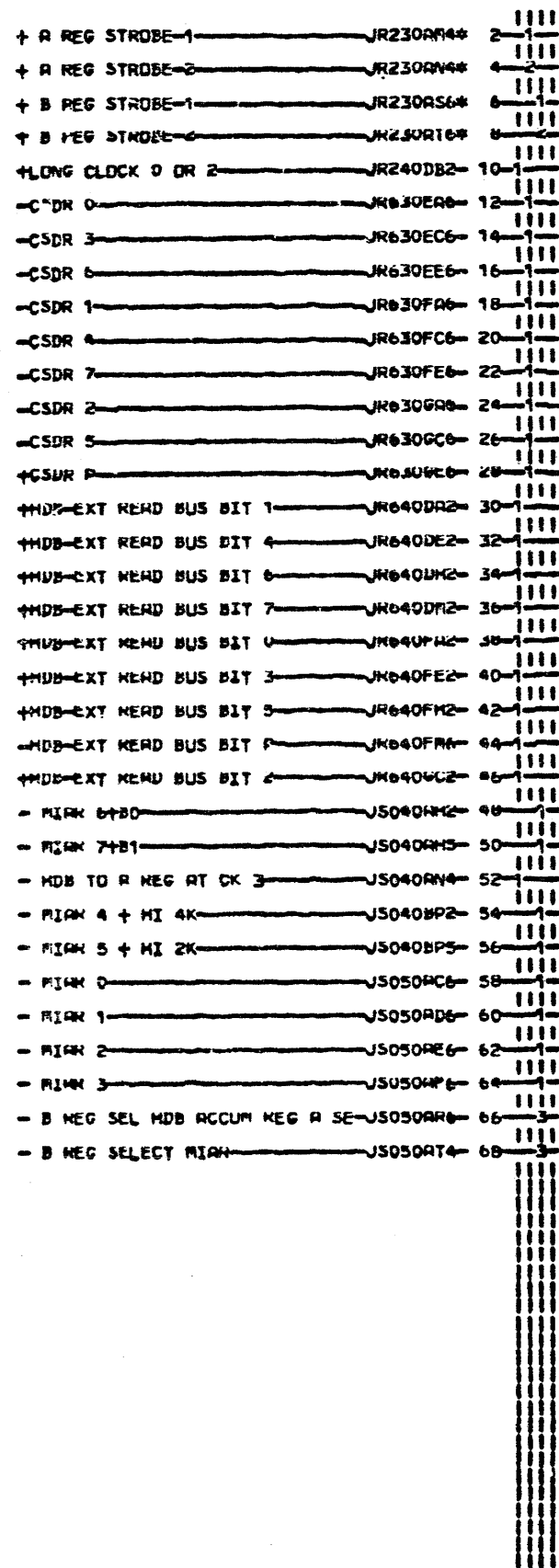
A-5408-BOARD 502-47 IS 01A-82
 5412-BOARD 502-47 IS 01B-82
 B-5408-BOARD 502-47 IS 01A-82
 5412-BOARD 502-47 IS 01B-82
 C-5408-BOARD 502-47 IS 01A-82
 5412-BOARD 502-47 IS 01B-82
 D-5408-BOARD 502-47 IS 01A-82
 5412-BOARD 502-47 IS 01B-82

EDGE CONN#
 303 Z-4715D07
 324 Z-4715D12
 331 Z-4715B02

LOC# TYPE
 Z-4772 AF78

PAGE VER EC LEV
 JR965 000 571776
 JR966 000 571776
 JR967 000 571776
 JR968 000 571776

TRIPLE LINE DRIVER/RECEIVER	
E-C-HISTORY	C-MACH#S3IDA-12
FRAM# 50	JR965
IBR CORP.	JR968
DATE LAST EC	P.No 1633071 000
06-23-75 571776	



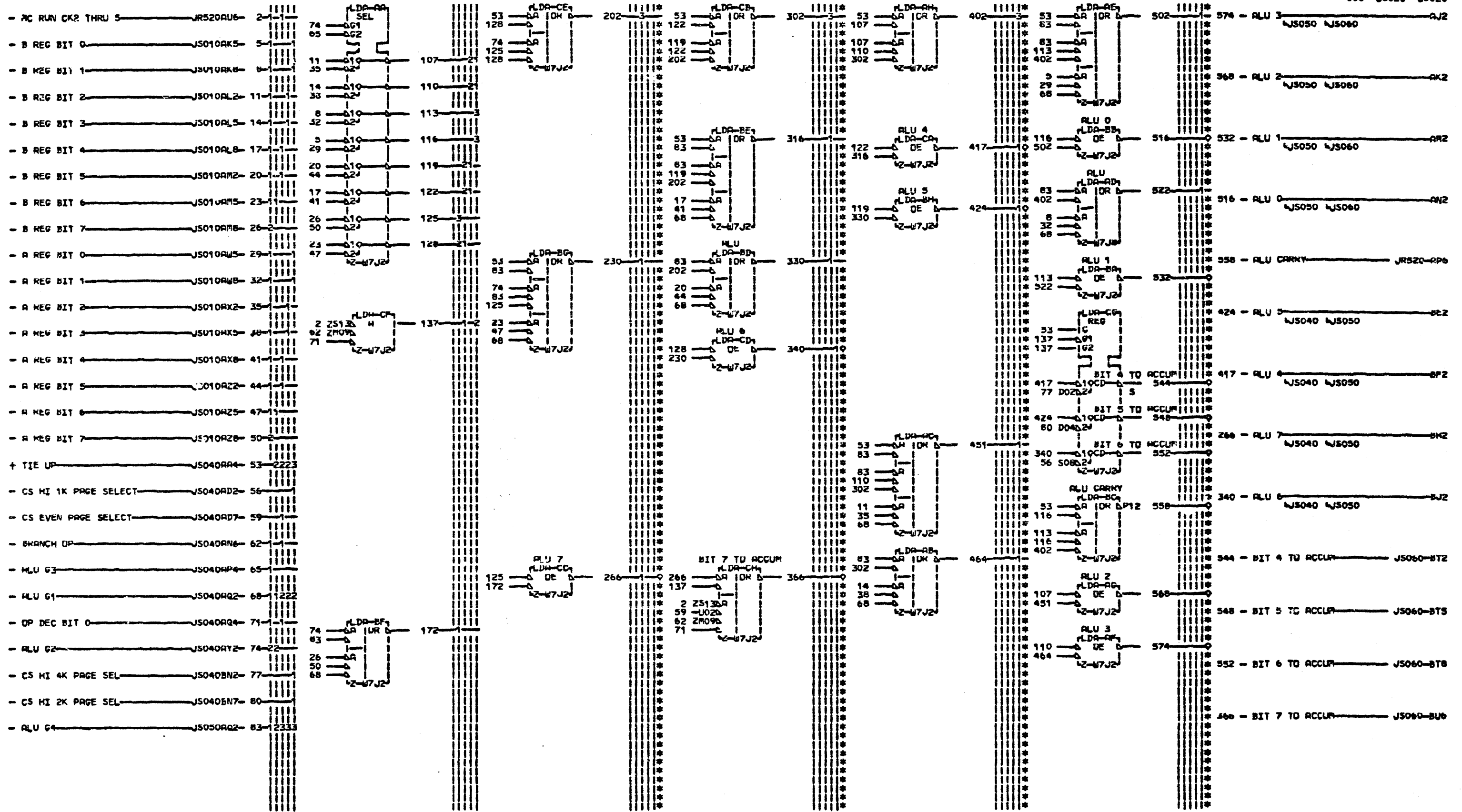
5408 BOARD 50Z-W7 IS 01A-AZ
 5412 BOARD 50Z-W7 IS 01B-AZ

EDGE CONN.
 2 RESISTOR Z-W7J2B09
 4 RESISTOR Z-W7J2S02
 6 RESISTOR Z-W7J2B05
 8 RESISTOR Z-W7J2P11

LOC. TYPE
 Z-W7J2 AP 88

PAGE VEH EC LEV
 JS010 000 571776

MICROCONTROLLER A AND B REGISTER		
E.C. HISTORY — PACH-531DA-12		
DATE	LAST EC	FRAME 50 JS010
06-23-75	571776	IBM CORP-RO JS010
		P.No. 1633072 000



5406-BOARD 502-47 IS 01A-AZ
 5412-BOARD 502-47 IS 01B-BZ

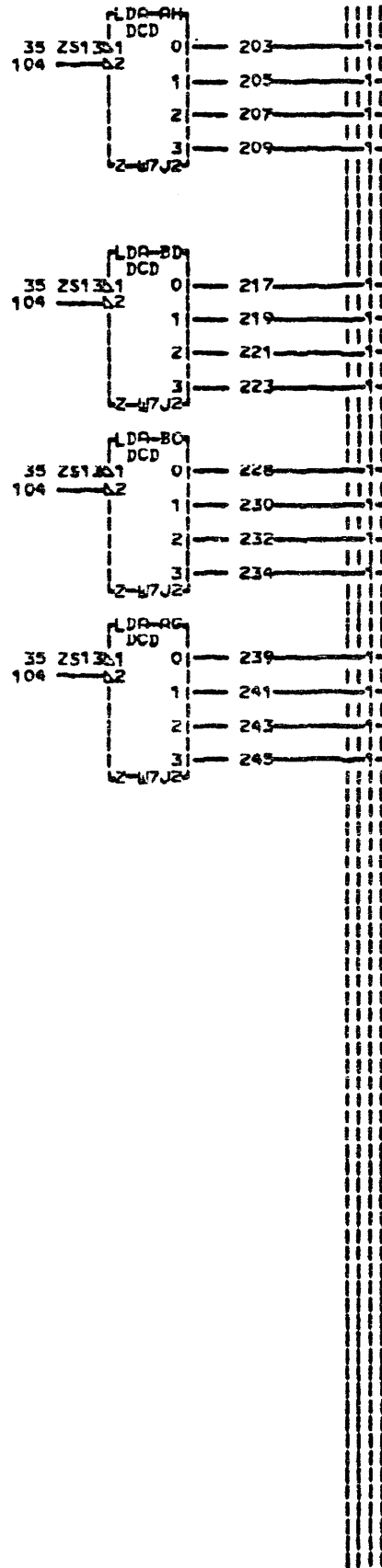
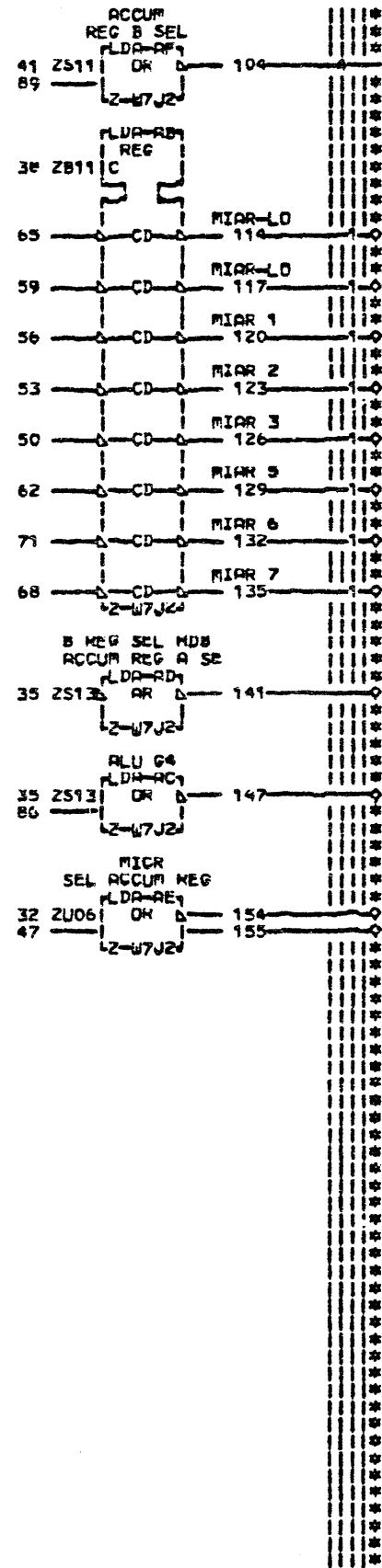
LOC. TYPE
 Z-47J2 AP88

PAGE VER EC LEV
 JS020 000 571778

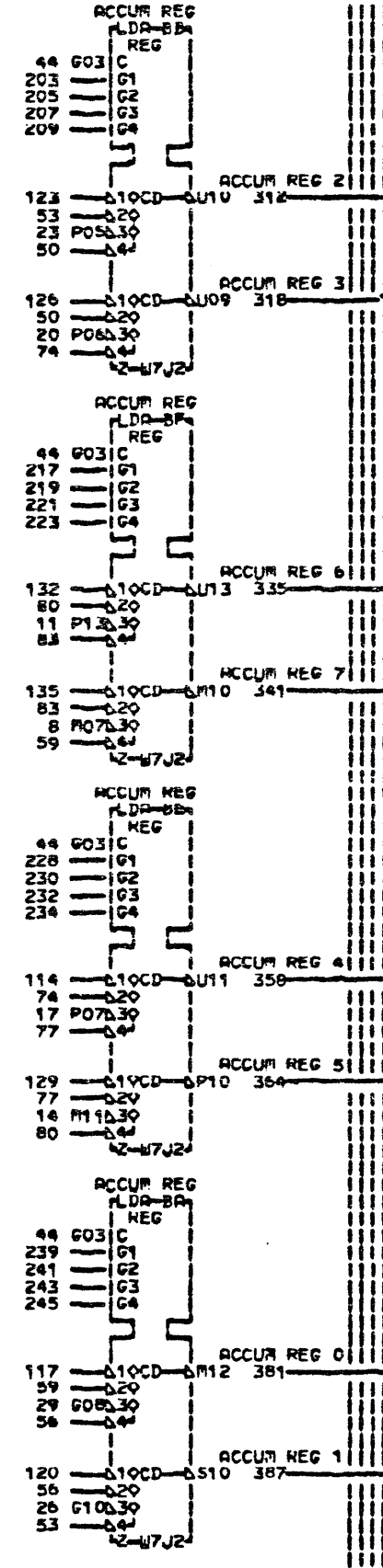
MICROCONTROLLER	
ALU	C-MACH-531DA-12
E-Co-HISTORY	FRAME 50 JS020
DATE LAST EC	IBM CORP. JS020
06-23-75 571778	PN# 1633160 000

JS020
 JS020
 000

- CLOCK 6 BOARD JR210AZZ 2
 - LIO OP DECODE EB 2ND CYC JR250DF6 5
 - DBO REG BIT 7 JK310AV4 8
 - DBO REG BIT 6 JK310AV5 11
 - DBO REG BIT 5 JK310AV7 14
 - DBO REG BIT 4 JK310AV9 17
 - DBO REG BIT 3 JK310AV4 20
 - DBO REG BIT 2 JK310AV5 23
 - DBO REG BIT 1 JK310AV7 26
 - DBO REG BIT 0 JK310AV9 29
 - ATTACH ENABLED JK350AN2 32
 - PC MUN CKZ THRU 5 JK520AV6 35
 + MIAR LU STROBE JK520AV6 38
 + GATE DBO TO ACCUM JK520BK2 41
 + ACCUMULATE REG STROBE JK520BN2 44
 - M REG SEL CS JS010AV2 47
 - ALU 3 JS020AJ4 50
 - ALU 2 JS020AK2 53
 - ALU 1 JS020AP2 56
 - ALU 0 JS020AN2 59
 - ALU 5 JS020BE2 62
 - ALU 4 JS020BF2 65
 - ALU 7 JS020BH2 68
 - ALU 6 JS020BJ2 71
 - BIT 4 TO ACCUM JS020BT2 74
 - BIT 5 TO ACCUM JS020BT5 77
 - BIT 6 TO ACCUM JS020BT8 80
 - BIT 7 TO ACCUM JS020BU6 83
 + INCREMENT INSTRUCTION JS030AN2 86
 + SHIFT INSTRUCTION JS030AP2 89



LOC. TYPE Z-47JZ AP 86



PAGE VER EC LEV JS050 000 571776 JS060 000 571776

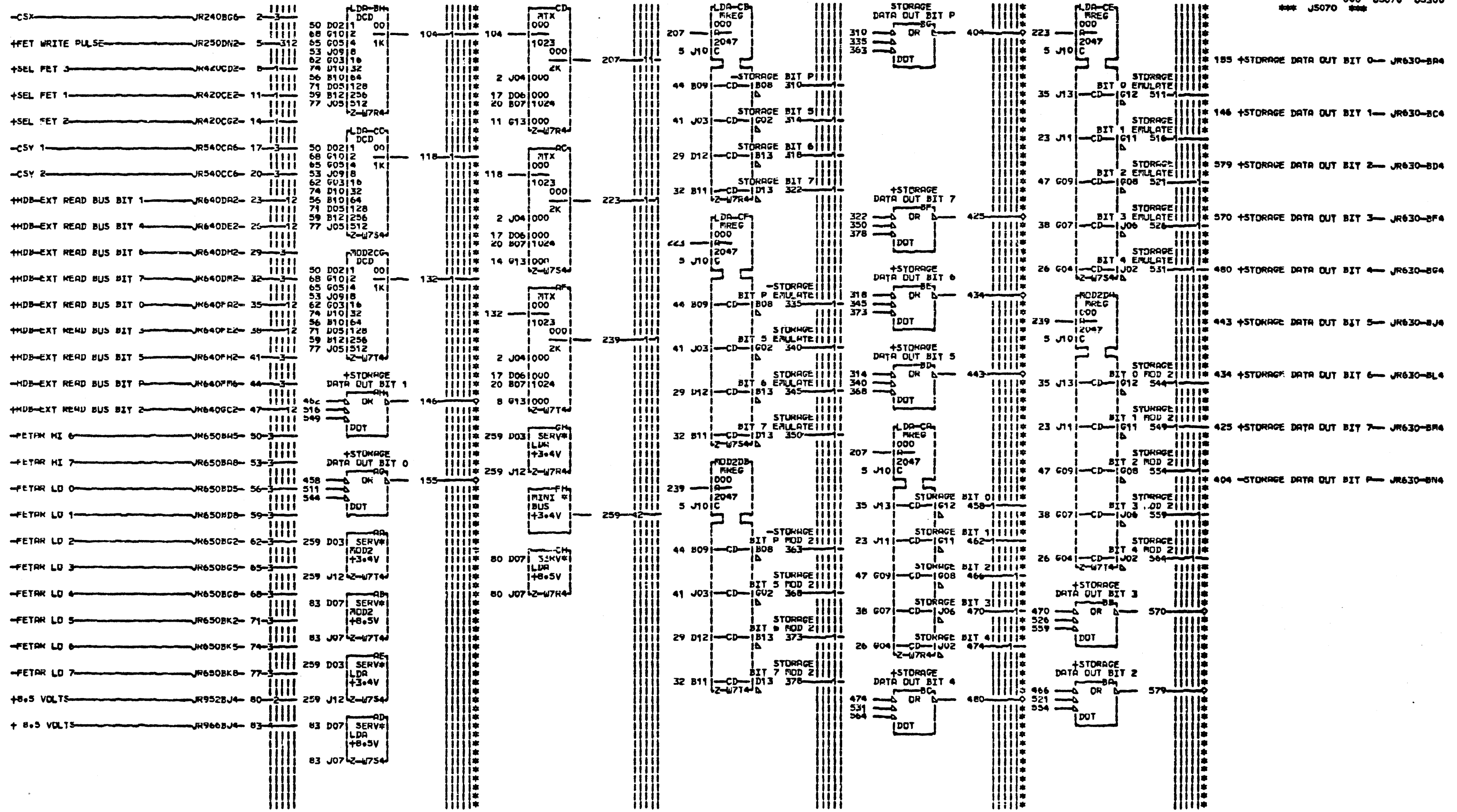


000 JS050 JS060
 *** JS050 ***
 117 - MIAR 0 JS010-AC6
 120 - MIAR 1 JS010-AD6
 123 - MIAR 2 JS010-AE6
 126 - MIAR 3 JS010-AF6
 114 - MIAR 4 JS040-AJ6
 129 - MIAR 5 JS040-AK6
 132 - MIAR 6 JS040-AL6
 135 - MIAR 7 JS040-AM6
 413 - LIO OP DECODE WRITE JS040-AN6
 147 - ALU G4 JS020-AQ2
 141 - B REG SEL MDR ACCUM REG A SE JS010 JS040
 406 - B REG SELECT MIAR JS010 JS040
 *** JS060 ***
 381 - ACCUM REG 0 JK720-AP2
 387 - ACCUM REG 1 JK720-AQ7
 312 - ACCUM REG 2 JK720-AR2
 318 - ACCUM REG 3 JK720-AG7
 358 - ACCUM REG 4 JK720 JS040
 364 - ACCUM REG 5 JK720 JS040
 335 - ACCUM REG 6 JK720 JS040
 341 - ACCUM REG 7 JK720 JS040

A.5408-BOARD 50Z-47 15 01A-AZ
 5412-BOARD 50Z-47 15 01B-BZ
 B.5408-BOARD 50Z-47 15 01A-AZ
 5412-BOARD 50Z-47 15 01B-BZ

JS050
 JS060
 000

MICROCONTROLLER
 MIAR-LD + SELECT GATING
 E.C.-HISTORY C-MACH-33IDA-12
 FRAME 50 JS050
 IBM CORP. RD JS060
 DATE LAST EC 06-23-75 571776
 PoNo 1633074 000



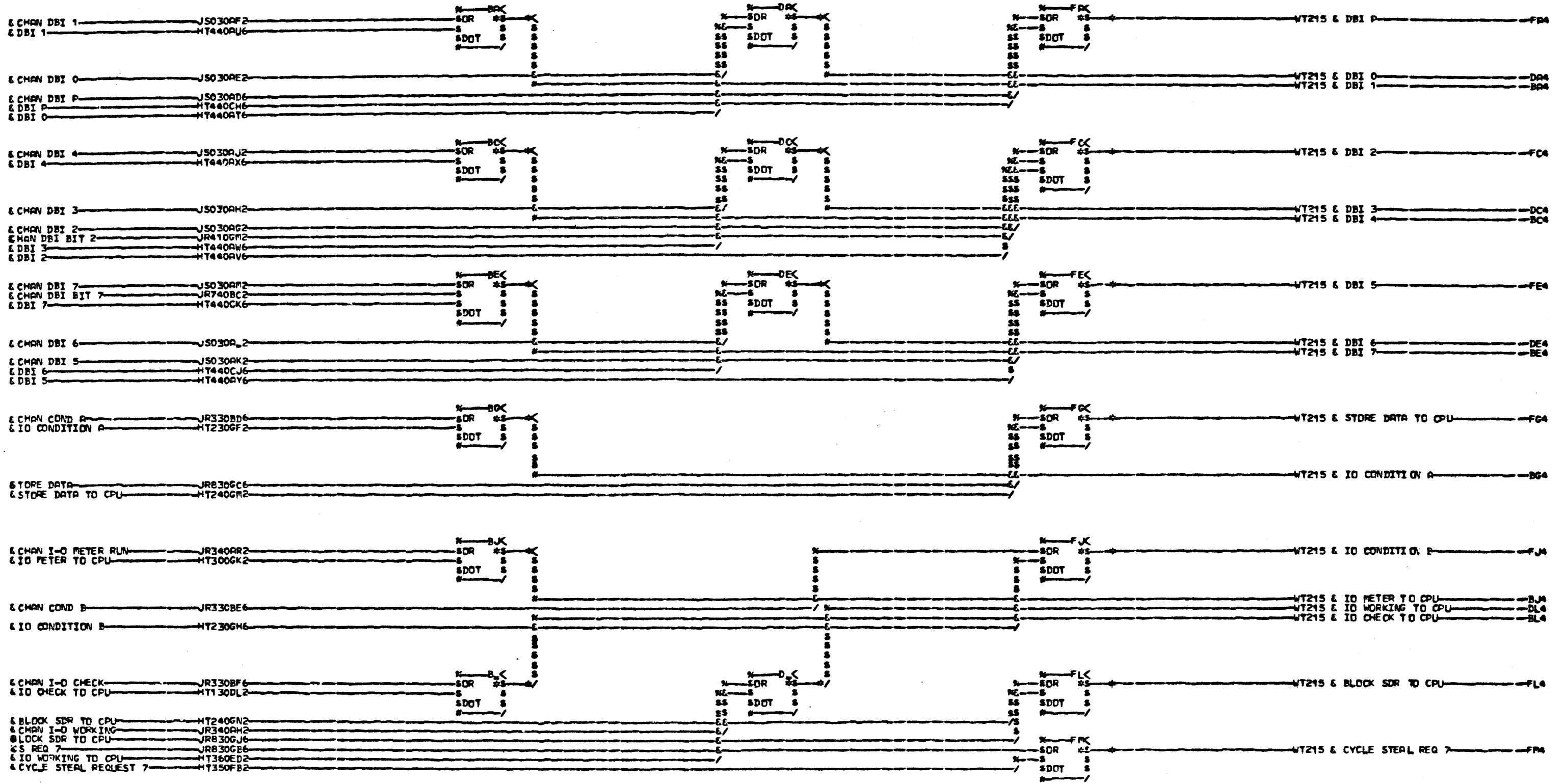
K-5408 BOARD 50Z-W7 IS 01A-AZ
 5412 BOARD 50Z-W7 IS 01B-BZ
 B-5408 BOARD 50Z-W7 IS 01A-AZ
 5412 BOARD 50Z-W7 IS 01B-BZ
 C-5408 BOARD 50Z-W7 IS 01A-AZ
 JS070 5412 BOARD 50Z-W7 IS 01B-BZ
 D-5408 BOARD 50Z-W7 IS 01A-AZ
 JS300 5412 BOARD 50Z-W7 IS 01B-BZ

LOC. TYPE
 Z-W7R4 Y82J
 Z-W754 Y82J
 Z-W7T4 Y82J

PAGE VER EC LEV
 JS070 000 571776
 JS100 000 571776
 JS200 000 571776
 JS300 000 571776

PET DATA DOTTING	
Z-C-HISTORY	O-RACH-S3IDA-12
DATE LAST EC	FRAME 50 JS070
	JBR CORP-GSD JS300

-CLOCK 0 BOARD	JR210AT2	2-1	72	NFECDACK	80	206	302	403	502	156	-CLOCK 8	J590-BAG
-CLOCK 6 BOARD	JR210AZ2	1-1	72	NFECDACK	80	206	302	403	502	156	-CLOCK 8	J590-BAG
-CLOCK 8 BOARD	JR220AS6	6-1	68	NFECDACK	107	206	302	403	502	156	-CLOCK 8	J590-BAG
-EARLY PHASE C-1	JR220PT2	0-1	68	NFECDACK	107	206	302	403	502	156	-CLOCK 8	J590-BAG
& ATTACH SYS OR DISABLE RESET	JR350AG2	10-1-1	10	NFECDACK	26108	206	302	403	502	156	-CLOCK 8	J590-BAG
-PC ENABLED	JR350BC4	12-1	74	NFECDACK	26108	206	302	403	502	156	-CLOCK 8	J590-BAG
& ADAPTER CHECK DOT	JR510BC4	1-1	74	NFECDACK	26108	206	302	403	502	156	-CLOCK 8	J590-BAG
MDB-EXT READ BUS BIT 1	JR640DA2	1-1	74	NFECDACK	26108	206	302	403	502	156	-CLOCK 8	J590-BAG
MDB-EXT READ BUS BIT 4	JR640DE2	1-1	74	NFECDACK	26108	206	302	403	502	156	-CLOCK 8	J590-BAG
MDB-EXT READ BUS BIT 6	JR640DH2	2-1	74	NFECDACK	26108	206	302	403	502	156	-CLOCK 8	J590-BAG
MDB-EXT READ BUS BIT 7	JR640DM2	2-1	74	NFECDACK	26108	206	302	403	502	156	-CLOCK 8	J590-BAG
MDB-EXT READ BUS BIT 0	JR640FA2	2-1	74	NFECDACK	26108	206	302	403	502	156	-CLOCK 8	J590-BAG
MDB-EXT READ BUS BIT 3	JR640FE2	2-1	74	NFECDACK	26108	206	302	403	502	156	-CLOCK 8	J590-BAG
MDB-EXT READ BUS BIT 5	JR640FK2	2-1	74	NFECDACK	26108	206	302	403	502	156	-CLOCK 8	J590-BAG
MDB-EXT READ BUS BIT P	JR640FM6	3-1	74	NFECDACK	26108	206	302	403	502	156	-CLOCK 8	J590-BAG
MDB-EXT READ BUS BIT 2	JR640GC2	3-1	74	NFECDACK	26108	206	302	403	502	156	-CLOCK 8	J590-BAG
& HDB WRITE 0	JR720AA2	3-1	76	NFECDACK	26108	206	302	403	502	156	-CLOCK 8	J590-BAG
& HDB WRITE 4	JR720AC2	3-1	76	NFECDACK	26108	206	302	403	502	156	-CLOCK 8	J590-BAG
& HDB WRITE 3	JR720AE2	3-1	76	NFECDACK	26108	206	302	403	502	156	-CLOCK 8	J590-BAG
& HDB WRITE P	JR720AF4	4-1	76	NFECDACK	26108	206	302	403	502	156	-CLOCK 8	J590-BAG
& HDB WRITE 1	JR720BA2	4-1	76	NFECDACK	26108	206	302	403	502	156	-CLOCK 8	J590-BAG
& HDB WRITE 2	JR720BC2	4-1	76	NFECDACK	26108	206	302	403	502	156	-CLOCK 8	J590-BAG
& HDB WRITE 5	JR720BE2	4-1	76	NFECDACK	26108	206	302	403	502	156	-CLOCK 8	J590-BAG
& HDB WRITE 7	JR720BK2	4-1	76	NFECDACK	26108	206	302	403	502	156	-CLOCK 8	J590-BAG
& HDB WRITE 6	JR720BV2	5-1	76	NFECDACK	26108	206	302	403	502	156	-CLOCK 8	J590-BAG
-CS HI 4K PAGE SEL	JS040MV2	5-1-1	149	NFECDACK	26108	206	302	403	502	156	-CLOCK 8	J590-BAG
-CS HI 2K PAGE SEL	JS040BV7	5-1-1	149	NFECDACK	26108	206	302	403	502	156	-CLOCK 8	J590-BAG
RESTART PC	JS910EA4	5-1	149	NFECDACK	26108	206	302	403	502	156	-CLOCK 8	J590-BAG
SELECTION BIT 1	JS910AJ4	5-1	149	NFECDACK	26108	206	302	403	502	156	-CLOCK 8	J590-BAG
SELECTION BIT 2	JS910BJ4	6-1	149	NFECDACK	26108	206	302	403	502	156	-CLOCK 8	J590-BAG
SELECTION BIT 4	JS910CJ4	6-1	149	NFECDACK	26108	206	302	403	502	156	-CLOCK 8	J590-BAG
SELECTION BIT 8	JS910DJ4	6-1	149	NFECDACK	26108	206	302	403	502	156	-CLOCK 8	J590-BAG
MI HDB EXT DISPLAY	JS910EJ4	6-1	149	NFECDACK	26108	206	302	403	502	156	-CLOCK 8	J590-BAG
STOP ATTACH ON PATCH	JS910FE4	6-1	149	NFECDACK	26108	206	302	403	502	156	-CLOCK 8	J590-BAG
EXT DISPLAY	JS910FJ4	7-1	149	NFECDACK	26108	206	302	403	502	156	-CLOCK 8	J590-BAG
SINGLE CYCLE MC	JS910GA4	7-1	149	NFECDACK	26108	206	302	403	502	156	-CLOCK 8	J590-BAG
RESTART PC	JS910GE4	7-1	149	NFECDACK	26108	206	302	403	502	156	-CLOCK 8	J590-BAG
RST ADR HI	JS920CE2	7-2	149	NFECDACK	26108	206	302	403	502	156	-CLOCK 8	J590-BAG
GET ADR HI BITS	JS920DC6	7-2	149	NFECDACK	26108	206	302	403	502	156	-CLOCK 8	J590-BAG
ADDRESS MATCH	JS920EM6	8-1	149	NFECDACK	26108	206	302	403	502	156	-CLOCK 8	J590-BAG
CE DISP INPUT BIT 2	JS930CO1	8-1	149	NFECDACK	26108	206	302	403	502	156	-CLOCK 8	J590-BAG
CE DISP INPUT BIT 3	JS930CO2	8-1	149	NFECDACK	26108	206	302	403	502	156	-CLOCK 8	J590-BAG
ROW A SW 1 BIT 8	WT120FA1	8-1	149	NFECDACK	26108	206	302	403	502	156	-CLOCK 8	J590-BAG
ROW B SW 1 BIT 4	WT120FH3	8-1	149	NFECDACK	26108	206	302	403	502	156	-CLOCK 8	J590-BAG
ROW B SW 2 BIT 2	WT120FK5	9-1	149	NFECDACK	26108	206	302	403	502	156	-CLOCK 8	J590-BAG
& CHAN CLOCK MUN	WT210EK7	9-2	149	NFECDACK	26108	206	302	403	502	156	-CLOCK 8	J590-BAG

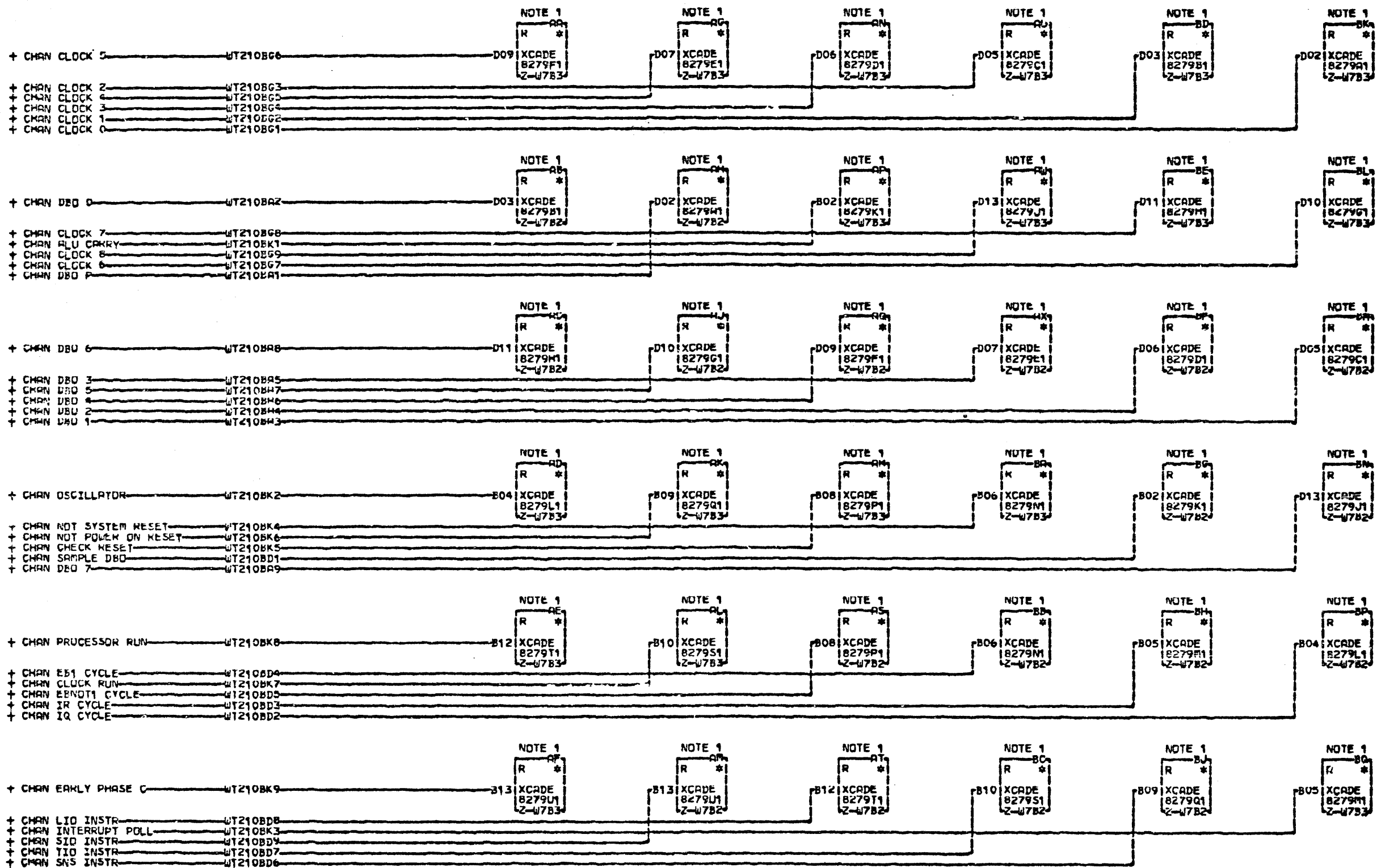


5408-BOARD 502-47 IS 01A-02
 5412-BOARD 502-47 IS 01B-02

W	502-4784D05	502-4785B04	DL2 2-4785B03	502-4784B02
T	502-4784D05	BL2 2-4785B06	502-4785B05	FJ2 2-4785D10
0	BC2 2-4784D09	502-4785B06	FA2 2-4784D02	502-4785D10
0	502-4784D09	UAC 2-4784U03	502-4784U02	PL2 2-4784B04
1	BC2 2-4784U13	502-4784D03	PC2 2-4784U06	502-4784B04
	502-4784U13	DC2 2-4784U07	502-4784U06	PR2 2-4784U07
	502-4784U08	502-4784D07	FE2 2-4784U10	502-4784D07
	502-4784U09	UE2 2-4784U11	502-4784U10	
	502-4784B04	502-4784U11	502-4784B02	

LC TYPE

CHANNEL IN DOTS	
Co-HISTORY	CMACH-S3I DR-1 28 T
8571770	0 0
	0 0
	0 1
	0 1
UNIT LMSI EC	0 0
808-04-75 571785	0 0
	0 0
	0 0

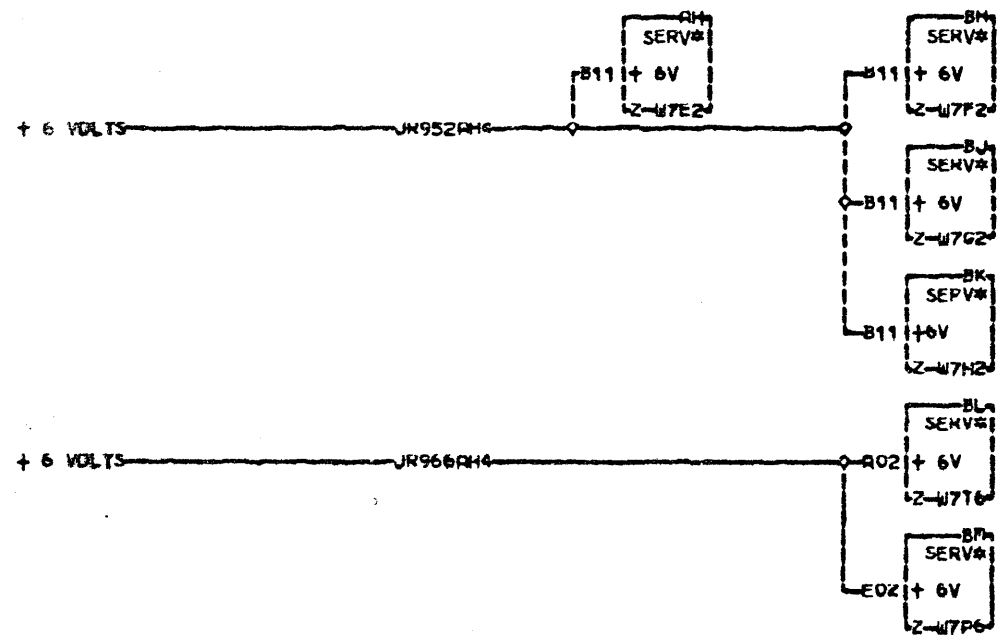
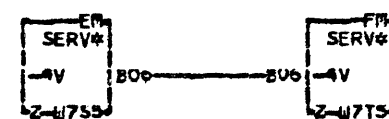
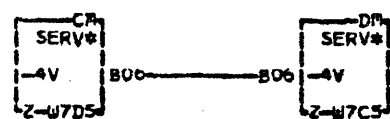
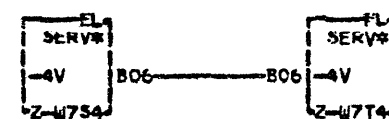
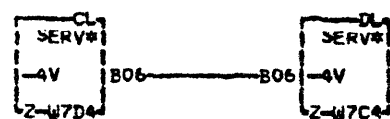
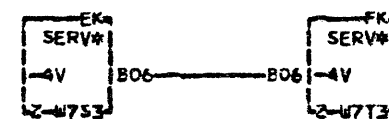
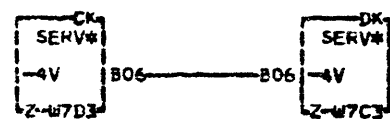
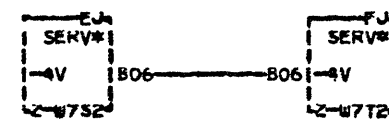
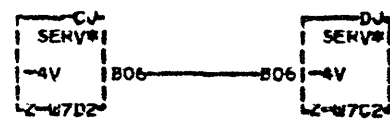
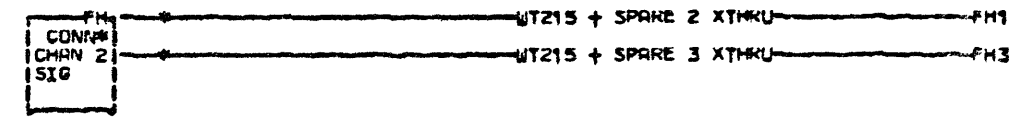
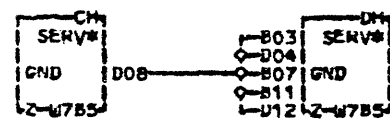
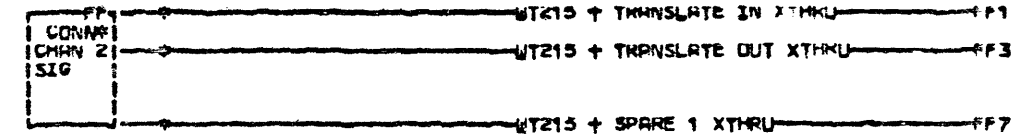
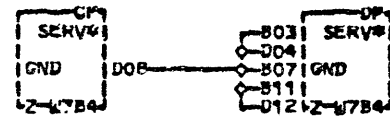
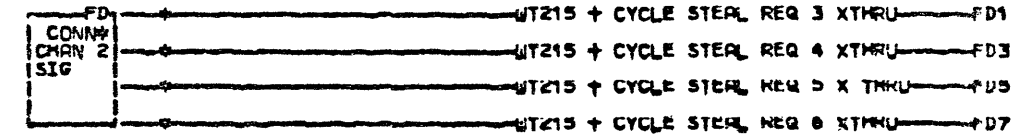
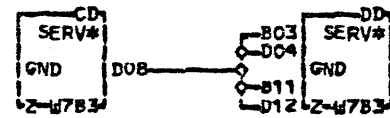
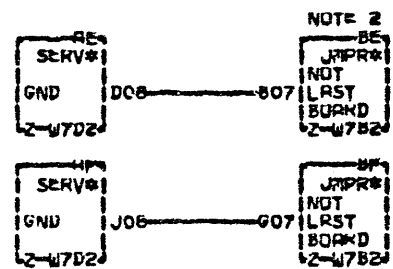
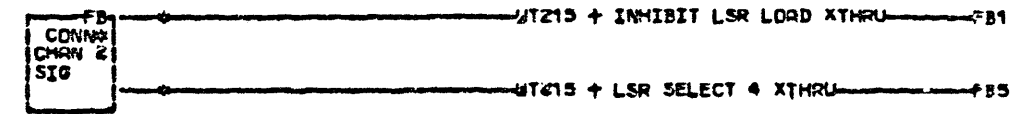
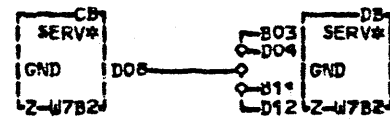
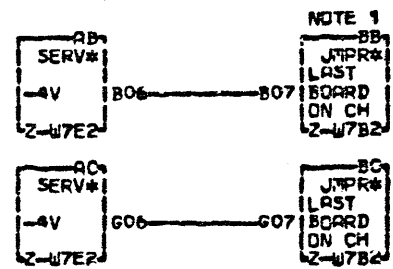


NOTE 1 CHND 5808279 WILL BE IN SOCKETS B2 AND B3 WHEN THIS BOARD IS THE ONLY OR LAST FEATURE ON THE CHANNEL WHEN THIS BOARD IS NOT THE ONLY OR LAST CABLES WILL BE IN SOCKETS 0 B2-B3-B4-B5

0005408—BOARD 502-47 IS 01A-AZ
 5/12—BOARD 502-47 IS 01B-BZ

LOC. TYPE

CHANNEL BANK TERMINATORS	
E.C.—HISTORY	FRAME 50
DATE LAST EC	IBM CORP. GSD
06-23-75 571776	PO# 1633061

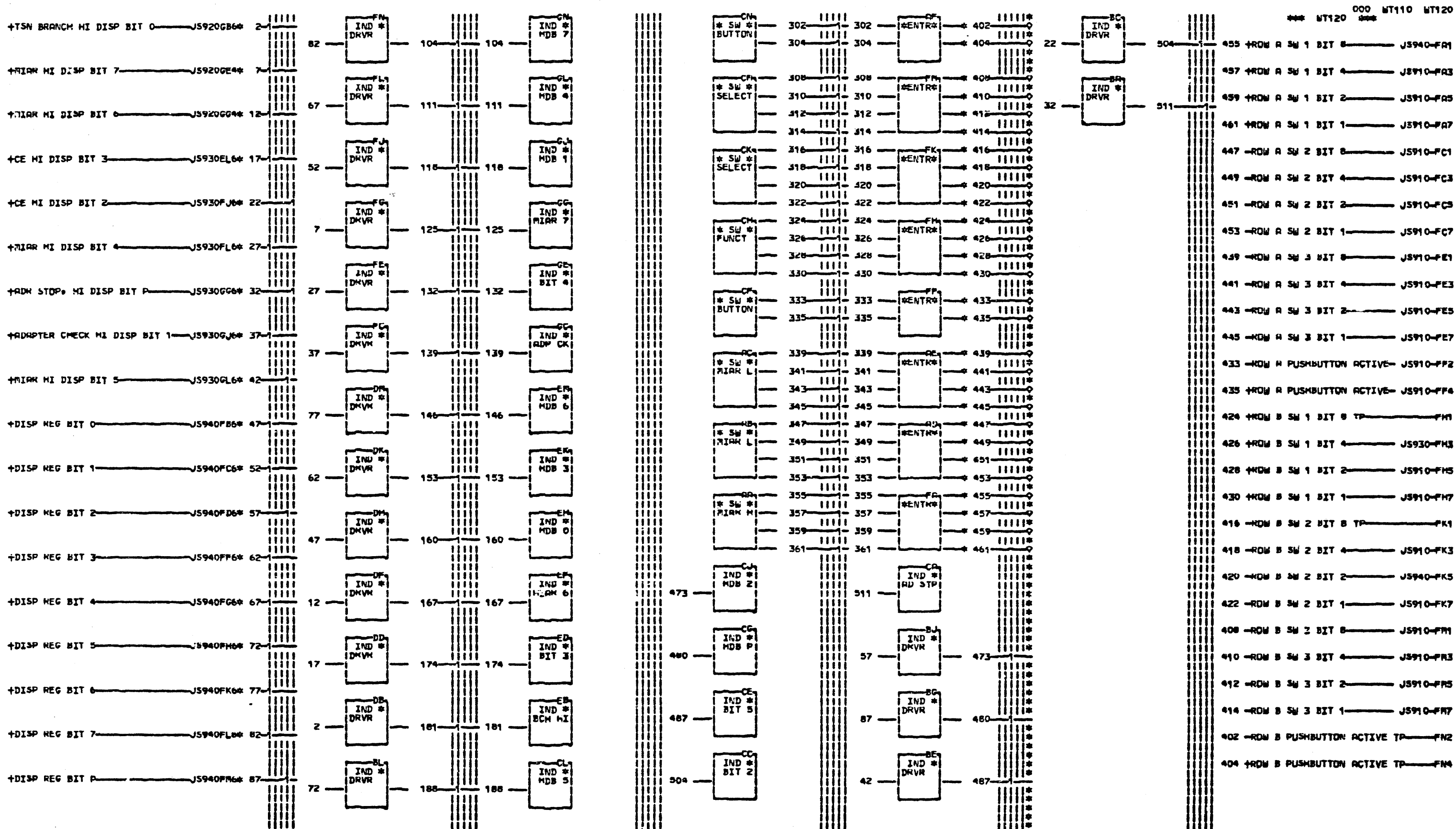


NOTE 1 IF THIS IS LAST BOARD ON CHANNEL WIRE FROM E2406 TO B4B07 AND E2406 TO B2607
 0 NOTE 2 IF THIS IS NOT LAST BOARD ON CHANNEL WIRE 0 D2308 TO B2307 AND D2J08 TO B2607
 0005438-BOARD 502-47 IS 01A-AZ
 5412-BOARD 502-47 IS 01B-BZ

FBI Z-47A4B06 502-47B5D05 FH1 Z-47A5B10
 502-47B4B06 PD7 Z-47A5D06 502-47B5B10
 FB5 Z-47A4B09 502-47B5D06 FH3 Z-47A5B12
 502-47B4B09 PF1 Z-47A5D11 502-47B5B12
 PD1 Z-47A5D02 502-47B5D11
 502-47B5D02 PF3 Z-47A5D13
 FD3 Z-47A5D03 502-47B5D13
 502-47B5D03 PF7 Z-47A5B09
 PD5 Z-47A5D05 502-47B5B09

LOC. TYPE

CHANNEL BANK		WT
BOARD SERVICE CONNECTIONS		0
E-C-HISTORY	C1 FACH-SSIDA-12	0
	FRAME	50
	IBM CORP. GSD	0
DATE LAST EC	IP.No. 1633080	000
106-23-75 571776		



A-5408—BOARD 502-47 15 01A-82
 5412—BOARD 502-47 15 01B-82
 B-5408—BOARD 502-47 15 01A-82
 5412—BOARD 502-47 15 01B-82

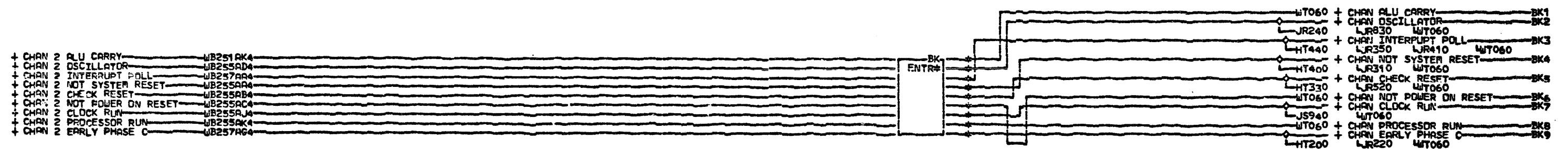
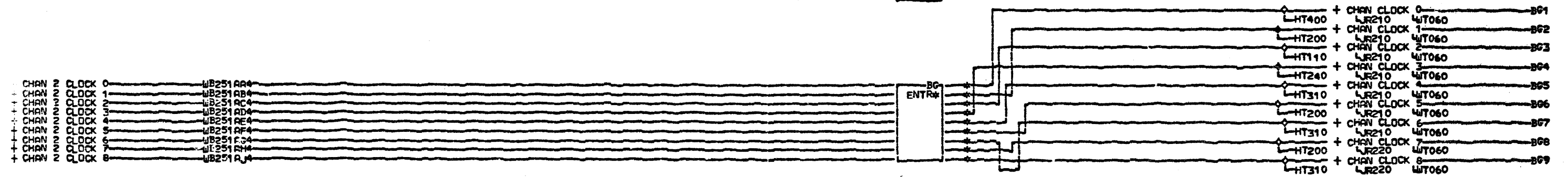
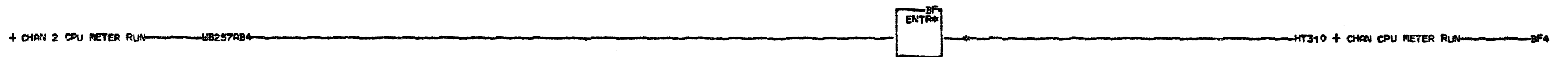
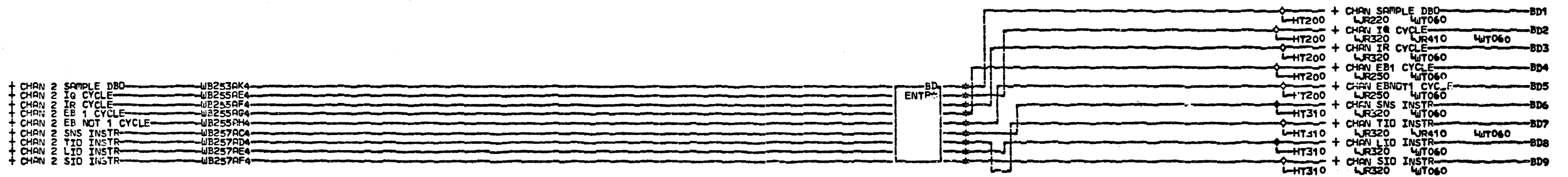
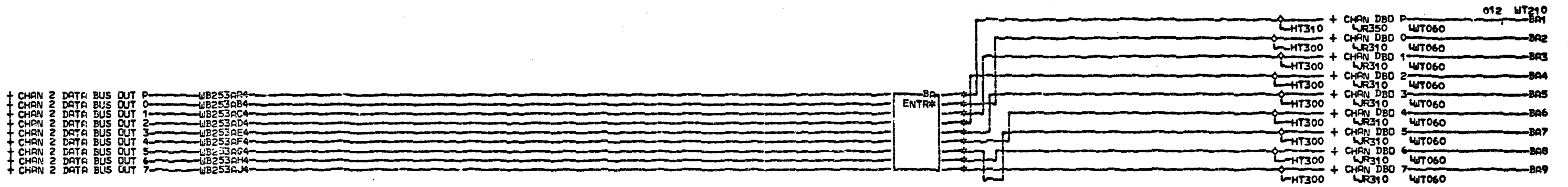
EDGE CONN#	47	Z-4756A02	404	Z-4776A04	426	Z-4776C04	449	Z-4776E02
	2	Z-4776B02	52	Z-4776C04	408	Z-4776D02	428	Z-4776E02
	7	Z-4776E04	57	Z-4776C02	410	Z-4776D04	430	Z-4776E04
	12	Z-4776E02	62	Z-4776B04	412	Z-4776C04	433	Z-4776D02
	17	Z-4776C04	67	Z-4776B02	414	Z-4776D02	435	Z-4776E04
	22	Z-4776D02	72	Z-4776D04	416	Z-4776B04	439	Z-4776E02
	27	Z-4776C02	77	Z-4776D02	418	Z-4776B02	441	Z-4776E04
	32	Z-4776B04	82	Z-4776E04	420	Z-4776E02	443	Z-4776A04
	37	Z-4776D04	87	Z-4776A04	422	Z-4776C02	445	Z-4776B02
	42	Z-4776E04	92	Z-4776A02	424	Z-4776D04	447	Z-4776E04

LDC TYPE

PAGE VEN EC LEV
 WT110 000 571776
 WT120 000 571776

CE CONTROLS AND INDICATORS	
E-C-HISTORY	C-MACH-533DA-12
DATE LAST EC	FRANF. 50 WT110
06-23-75 571776	IBR CORP-GSD WT120
	IP-N 1633082 000

38
 WT110
 WT120
 000



5412 BOARD 502-W7 IS 01B-B2

BA1 2-W7A2D02	502-W7B2D02	BD1 2-W7A2B02	502-W7B2B02	BF4 2-W7A5B13	502-W7B3D06	BG9 2-W7A3D13	502-W7B3B06	BK9 2-W7A3B13
502-W7B2D02	BA6 2-W7A2D09	502-W7B2B02	502-W7A2B09	502-W7A5B13	502-W7A3D07	502-W7B3D13	502-W7A3B08	502-W7B3B13
BA2 2-W7A2D03	502-W7B2D09	BD2 2-W7A2B04	502-W7B2B09	502-W7A3D02	502-W7B3D07	BK1 2-W7A3B02	502-W7B3B08	
502-W7B2D03	BA7 2-W7A2D10	502-W7B2B04	502-W7A2B10	502-W7B3D02	BG6 2-W7A3D09	502-W7B3B02	BK6 2-W7A3B09	
BA3 2-W7A2D05	502-W7B2D10	BD3 2-W7A2B05	502-W7B2B10	BG2 2-W7A3D03	502-W7B3D09	BK2 2-W7A3B04	502-W7B3B09	
502-W7B2D05	BA8 2-W7A2D11	502-W7B2B05	502-W7A2B12	502-W7B3D03	BG7 2-W7A3D10	502-W7B3B04	BK7 2-W7A3B10	
BA4 2-W7A2D06	502-W7B2D11	BD4 2-W7A2B06	502-W7B2B12	BG3 2-W7A3D05	502-W7B3D10	BK3 2-W7A3B05	502-W7B3B10	
502-W7B2D06	BA9 2-W7A2D13	502-W7B2B06	502-W7A2B13	502-W7A3D05	BG8 2-W7A3D11	502-W7B3B05	BK8 2-W7A3B12	
BA5 2-W7A2D07	502-W7B2D13	BD5 2-W7A2B08	502-W7B2B13	BG4 2-W7A3D06	502-W7B3D11	BK4 2-W7A3B06	502-W7B3B12	

LOC. TYPE

CHANNEL ENTRY	
E.C. HISTORY 827809	C. MACH. 531DA-12
DATE LAST EC 09-25-75 827816	FRAME 50
	IBR CORP. GSD
	P.No. 4247974

+ DBI P	WT001FA4	BA	WB201	+ DA CHAN 2 DATA BUS IN P	BA1
+ DBI 0	WT001DA4	*EXIT*	WB201	+ DA CHAN 2 DATA BUS IN 0	BA2
+ DBI 1	WT001BA4		WB201	+ DA CHAN 2 DATA BUS IN 1	BA3
+ DBI 2	WT001CA4		WB201	+ DA CHAN 2 DATA BUS IN 2	BA4
+ DBI 3	WT001DC4		WB201	+ DA CHAN 2 DATA BUS IN 3	BA5
+ DBI 4	WT001EC4		WB201	+ DA CHAN 2 DATA BUS IN 4	BA6
+ DBI 5	WT001FE4		WB201	+ DA CHAN 2 DATA BUS IN 5	BA7
+ DBI 6	WT001DE4		WB201	+ DA CHAN 2 DATA BUS IN 6	BA8
+ DBI 7	WT001BE4		WB201	+ DA CHAN 2 DATA BUS IN 7	BA9

+ STORE DATA TO CPU	WT001FG4	BD	WB203	+ DA CHAN 2 STORE DATA	BD1
+ BLOCK SDR TO CPU	WT001FL4	*EXIT*	WB205	+ DA CHAN 2 BLOCK SDR	BD2
+ BINARY SUBTRACT	HT350FC2		WB205	+ DA CHAN 2 BINARY SUBTRACT	BD3
+ INHIBIT LSR LOAD XTHRU	WT050FB1		WB205	+ DA CHAN 2 INHIBIT LSR LOAD	BD4
+ CHAN LSR SEL 3	JR230BC6		WB203	+ DA CHAN 2 LSR SELECT 3	BD5
+ LSR SELECT 4 XTHRU	WT050FB5		WB203	+ DA CHAN 2 LSR SELECT 4	BD6
+ LSR SELECT 5	HT340CC6		WB203	+ DA CHAN 2 LSR SELECT 5	BD7
+ CHAN LSR SEL 6	JR230AB6		WB203	+ DA CHAN 2 LSR SELECT 6	BD8
+ LSR SELECT 7	HT340CD6		WB203	+ DA CHAN 2 LSR SELECT 7	BD9

+ CYCLE STEAL REQ 3 XTHRU	WT050FD1	BC	WB205	+ DA CHAN 2 CSR 3	BC1
+ CYCLE STEAL REQ 4 XTHRU	WT050FD3	*EXIT*	WB205	+ DA CHAN 2 CSR 4	BC2
+ CYCLE STEAL REQ 5 XTHRU	WT050FD5		WB205	+ DA CHAN 2 CSR 5	BC3
+ CYCLE STEAL REQ 6 XTHRU	WT050FD7		WB205	+ DA CHAN 2 CSR 6	BC4
+ CYCLE STEAL REQ 7	WT001FM4		WB205	+ DA CHAN 2 CSR 7	BC5
+ IO CONDITION A	WT001BC4		WB207	+ DA CHAN 2 I-O CONDITION A	BC6
+ IO CONDITION B	WT001FJ4		WB207	+ DA CHAN 2 I-O CONDITION B	BC7
+ TRANSLATE IN XTHRU	WT050FF1		WB203	+ DA CHAN 2 TRANSLATE IN	BC8
+ TRANSLATE OUT XTHRU	WT050FF3		WB203	+ DA CHAN 2 TRANSLATE OUT	BC9

+ IO ATTENTION TO CPU	HT230FM2	BK	WB205	+ DA CHAN 2 I-O ATTENTION	BK1
+ IO METER TO CPU	WT001BJ4	*EXIT*	WB207	+ DA CHAN 2 I-O METER RUN	BK2
+ IO WORKING TO CPU	WT001DL4		WB207	+ DA CHAN 2 I-O WORKING	BK3
+ IO CHECK TO CPU	WT001EL4		WB207	+ DA CHAN 2 I-O CHECK	BK4
+ BURST REQUEST TO CPU	JS930FC2		WB203	+ DA CHAN 2 BURST REQUEST	BK5
+ SPARE 1 XTHRU	WT050FF7			SPARE 1	BK6
+ SPARE 2 XTHRU	WT050FH1			SPARE 2	BK7
+ SPARE 3 XTHRU	WT050FH3			SPARE 3	BK8

5412-BOARD 502-47 IS 01B-32

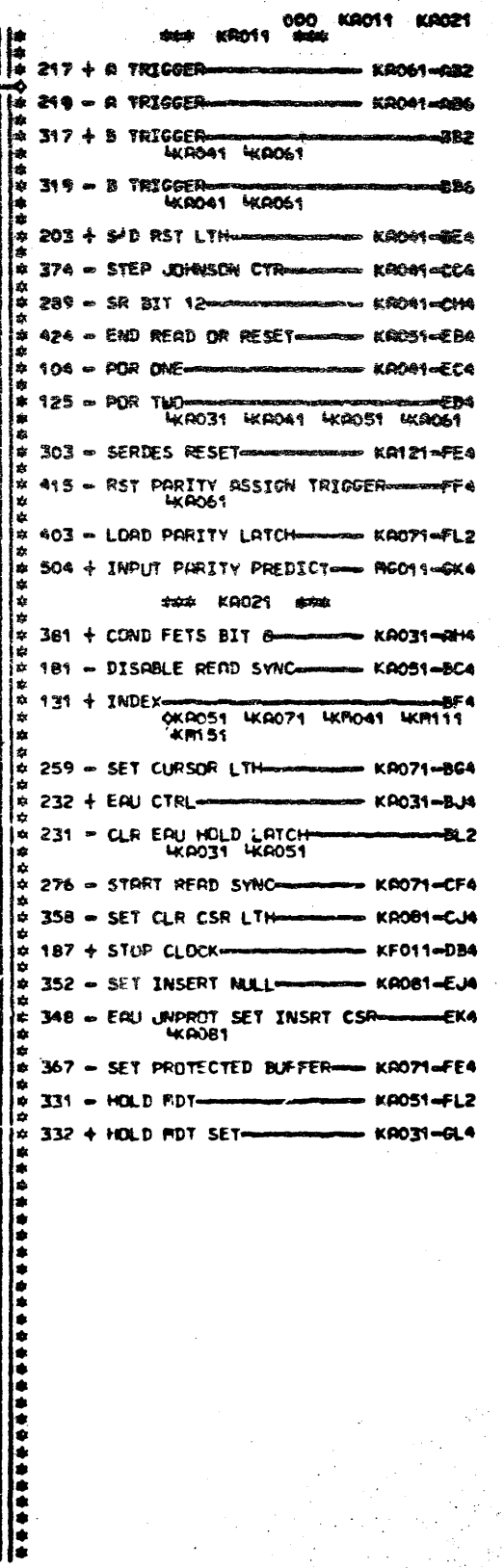
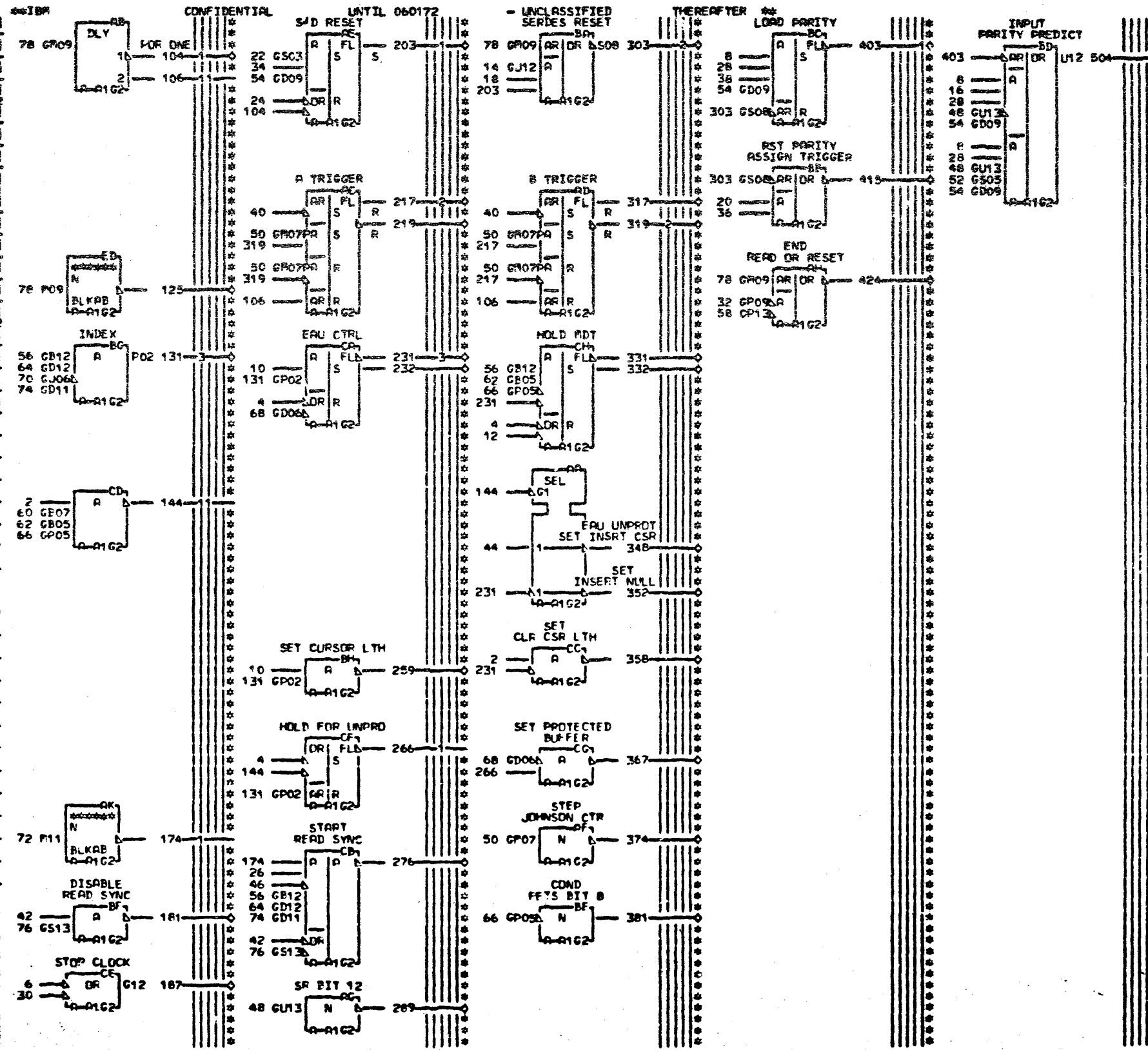
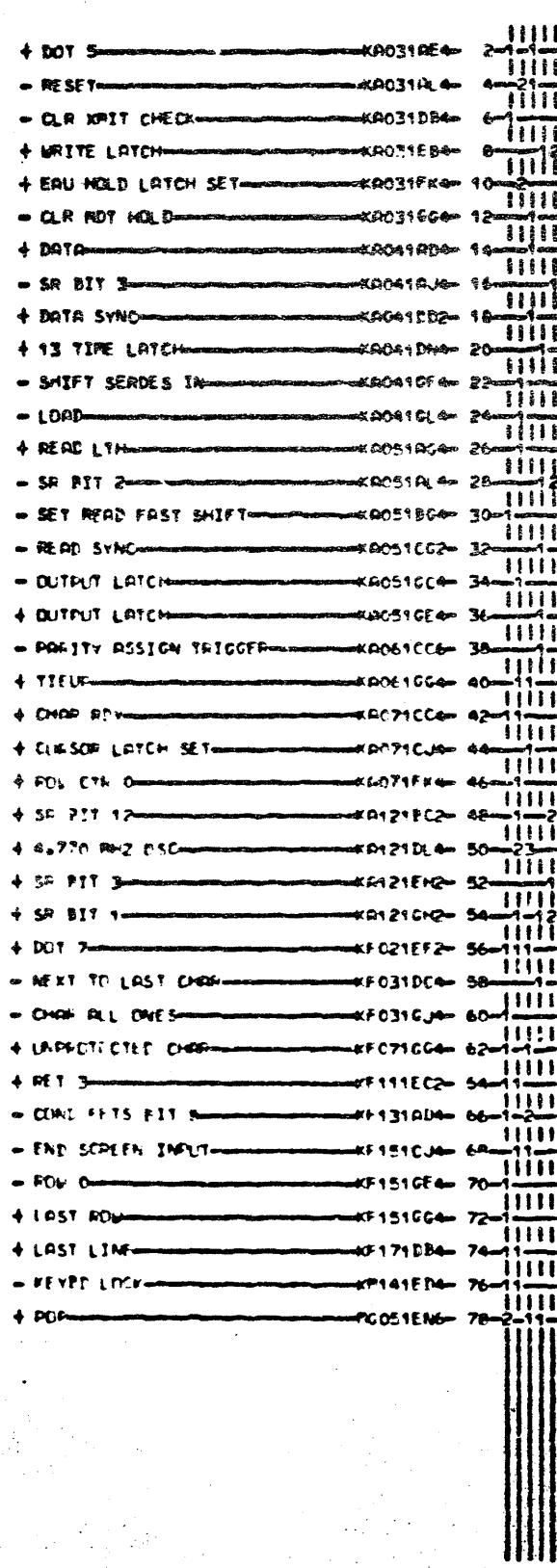
07
A-M-T-E

012
SIA TO PW EC 571785

LDC. TYPE

CHANNEL EXIT PAGE	
E.C. HISTORY	C. MACH. S.I.D.A-12
027809	
DATE	LAST EC
09-25-75	027816
FRAME	50
IBR COMP. GSD	
P.N. 424795	

WT
215

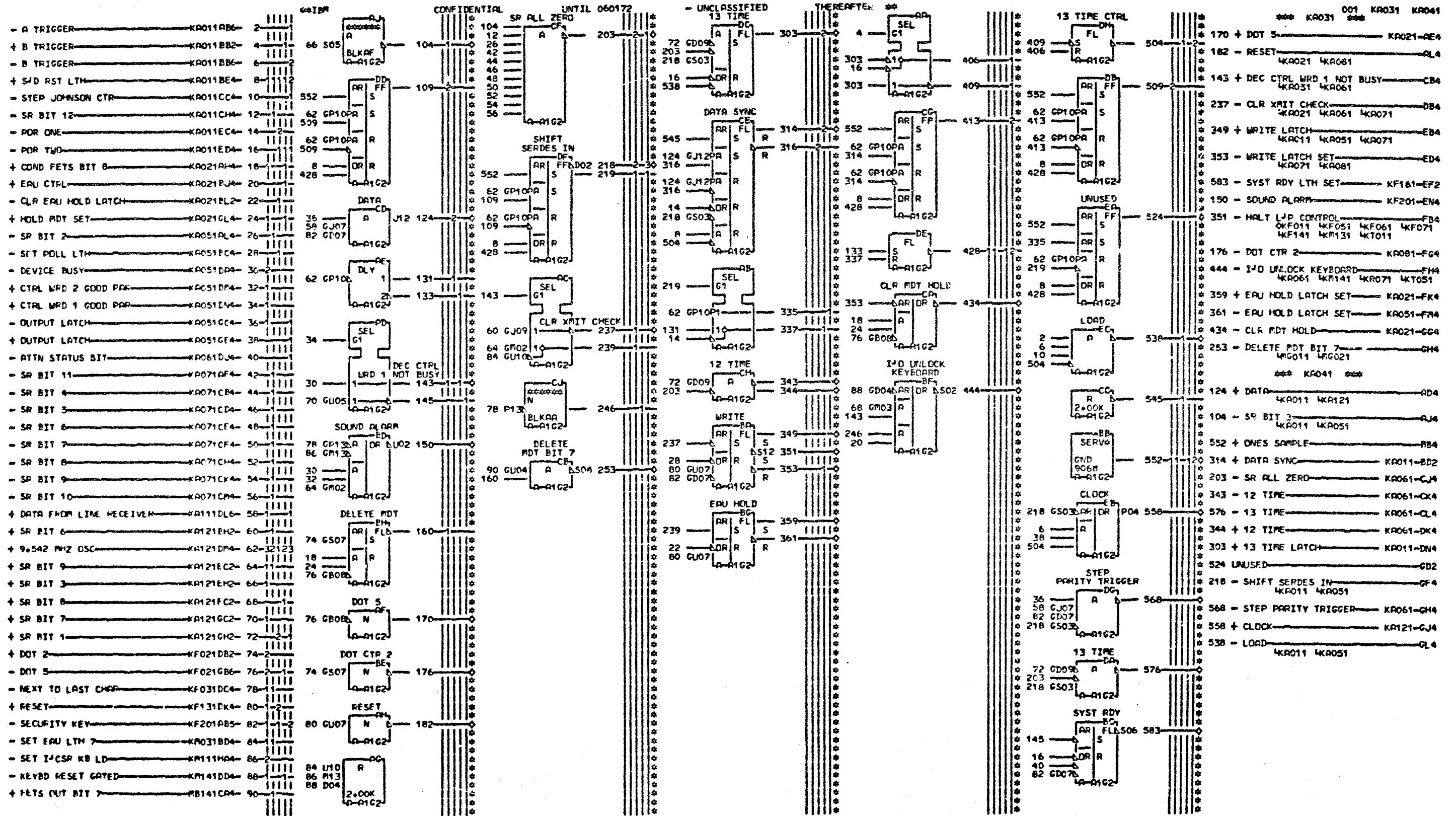


KA011
KA021
000

LOC. TYFF
A-11G2 9068

PAGE VER EC LEV
KA011 000 717946
KA021 000 717946

I/O CONTROL			
Co-HISTORY	8	ARCH	3277
717473		FRAME	01 KA011
716949		IBN CORP. SDD	KA021
717442		P.No.	1823849 000
DATE	LAST EC		
08-05-72	717946		



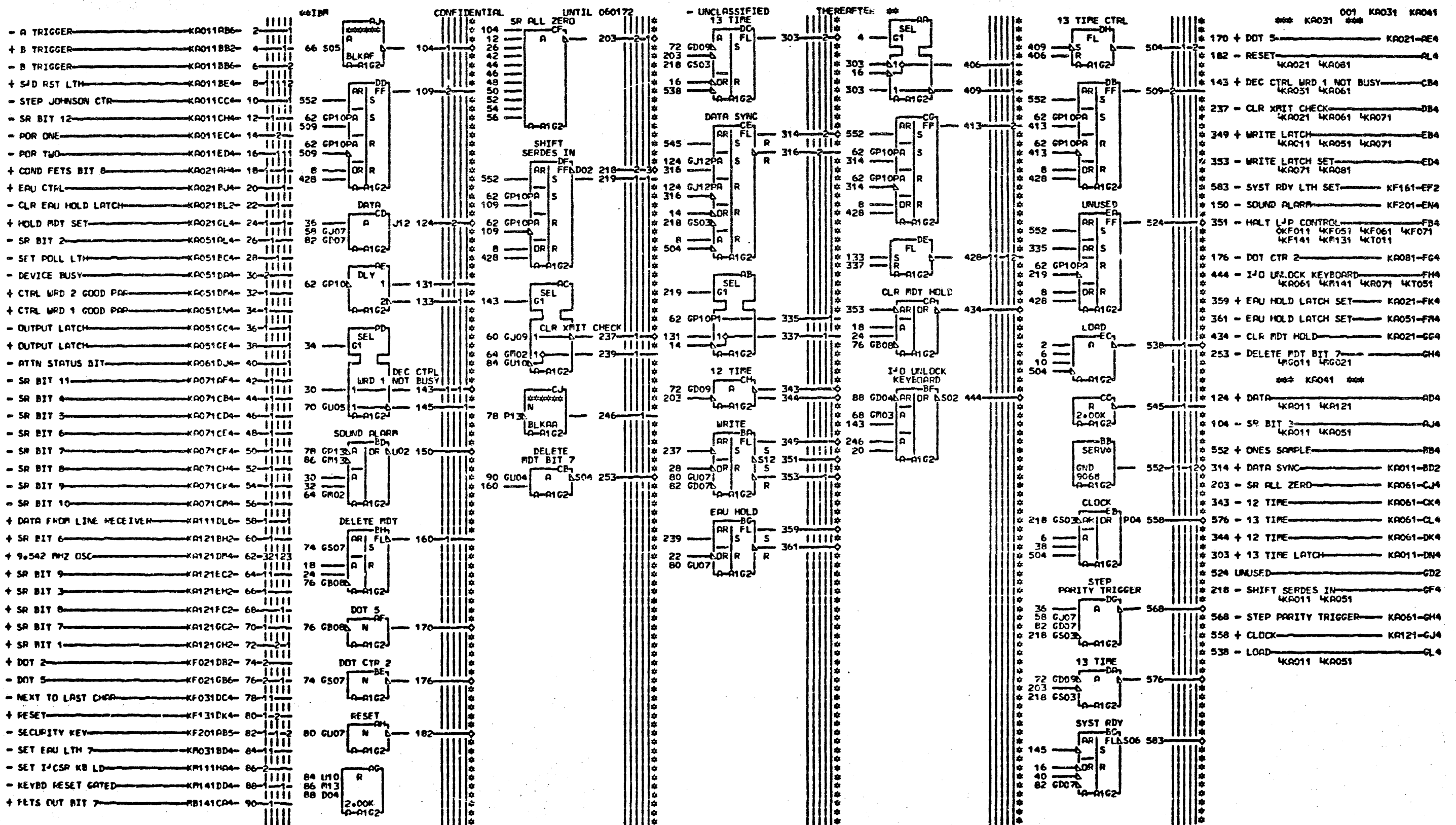
A-SIA TO PN 1563732 EC 717946
 B-SIA TO PN 1563733 EC 717946

LOC. TYPE
 A-A1G2 9068

PAGE VER EC LEV
 KA031 001 717946
 KA041 001 717946

I/O CONTROL		
E-C-HISTORY	B-RACH-3277	
717473		
716959	FRAME 01	KA031
717492		
DATE LAST EC	IBR CORP. SDD	KA041
08-05-72 717946	P.N. 1823090	001

KA031
 KA041
 001



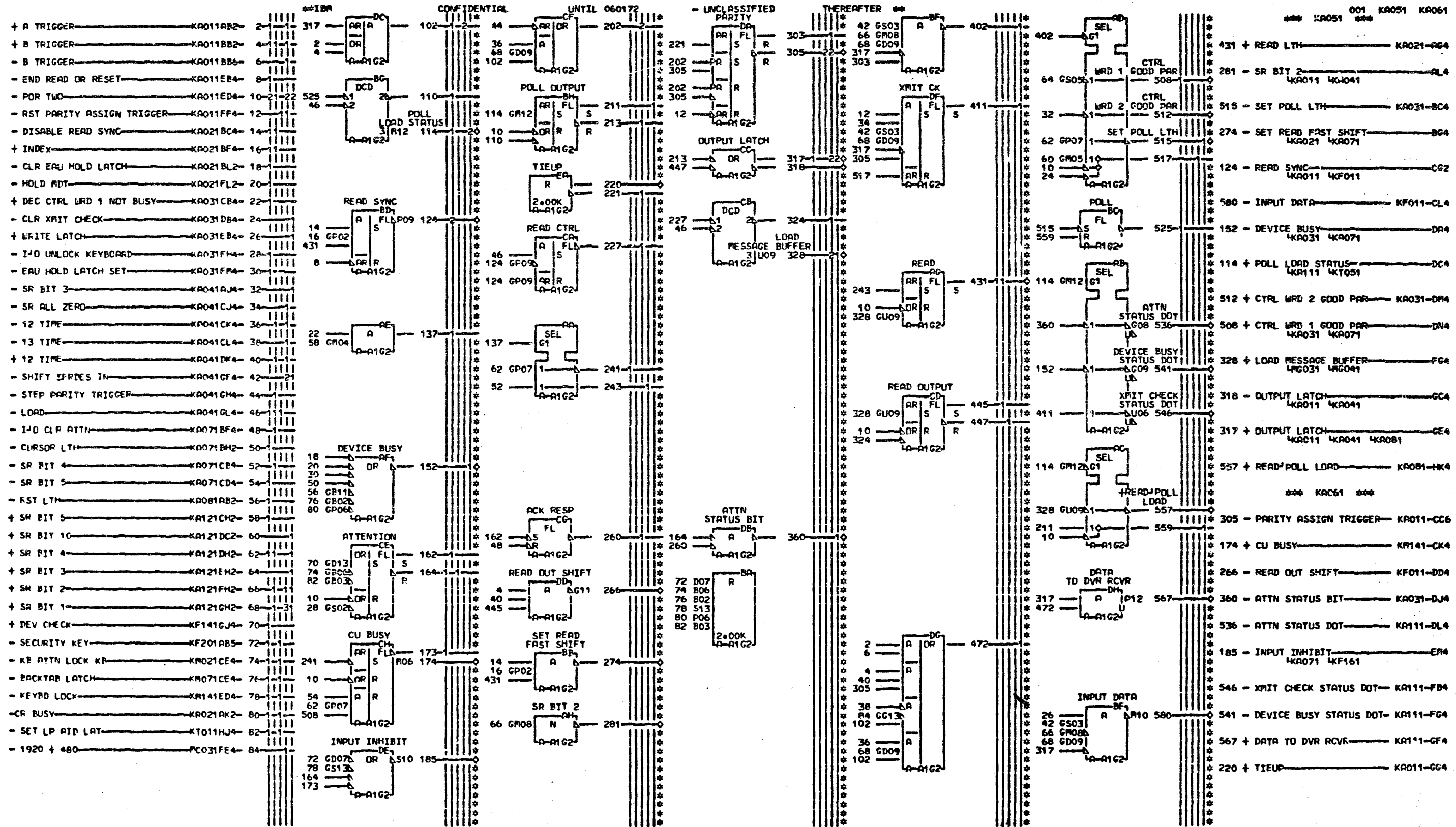
A-SIR TO PN 1563732 EC 717946
 B-SIR TO PN 1563733 EC 717946

LOC. TYPE
 A-A1 J2 9068

PAGE VER EC LEV
 KA031 001 717946
 KA041 001 717946

I/O CONTROL			
E-CO-HISTORY	B-RACH-3277		
717473			
716959	FRAME 01		KA031
717492			
DATE LAST EC	IBA CORP.SDD		KA041
08-05-72 717946	P.No 1823090		001

KA031
 KA041
 001



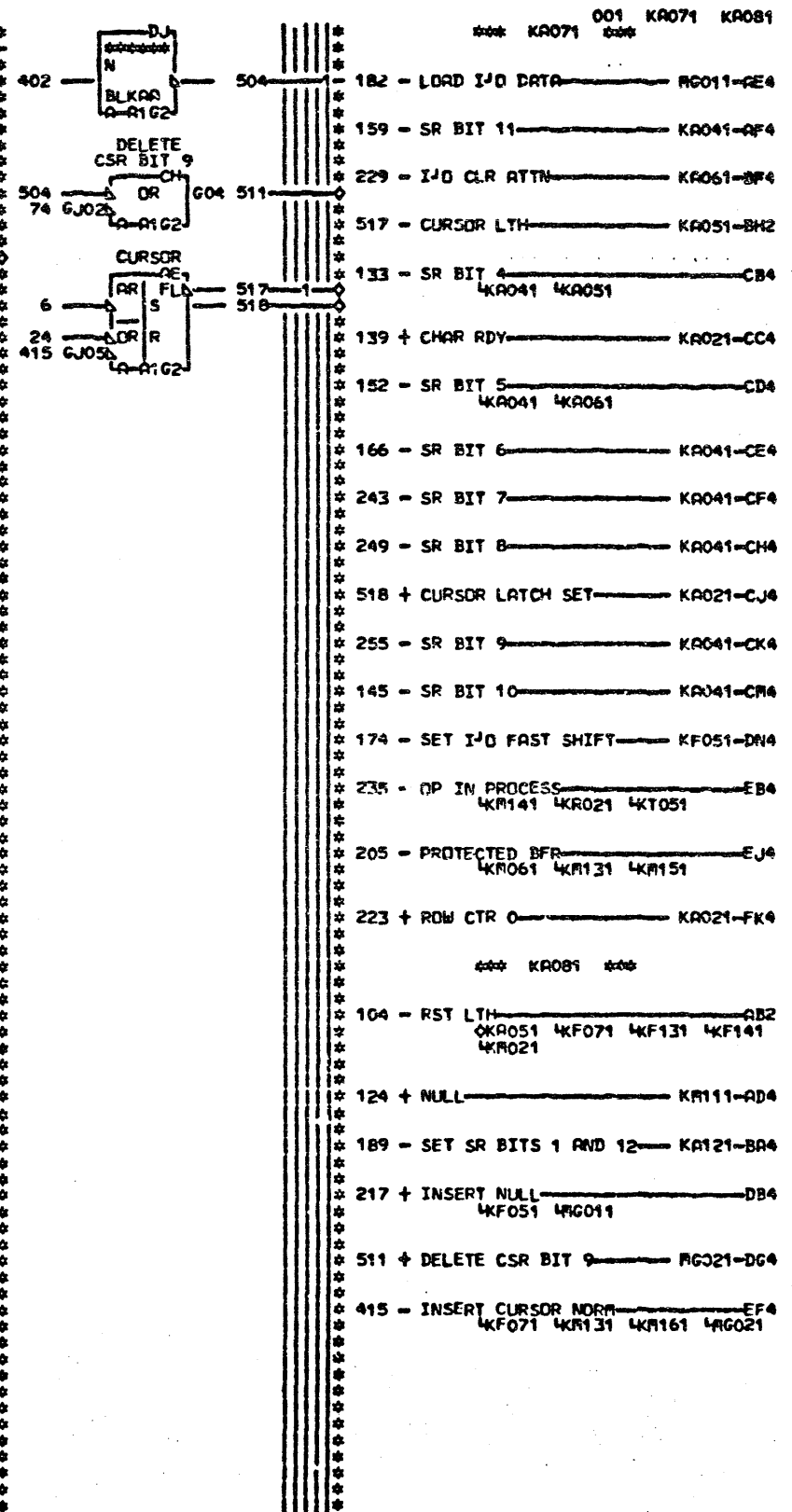
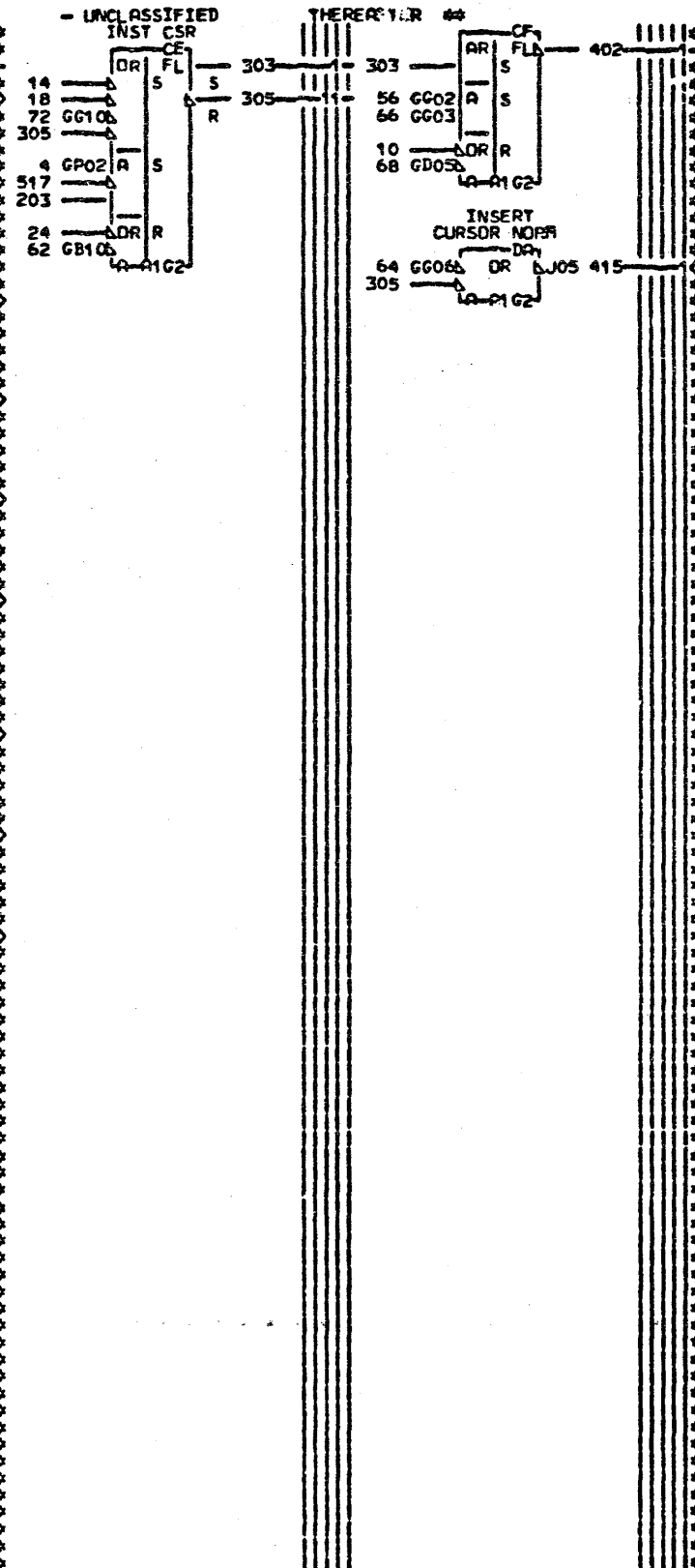
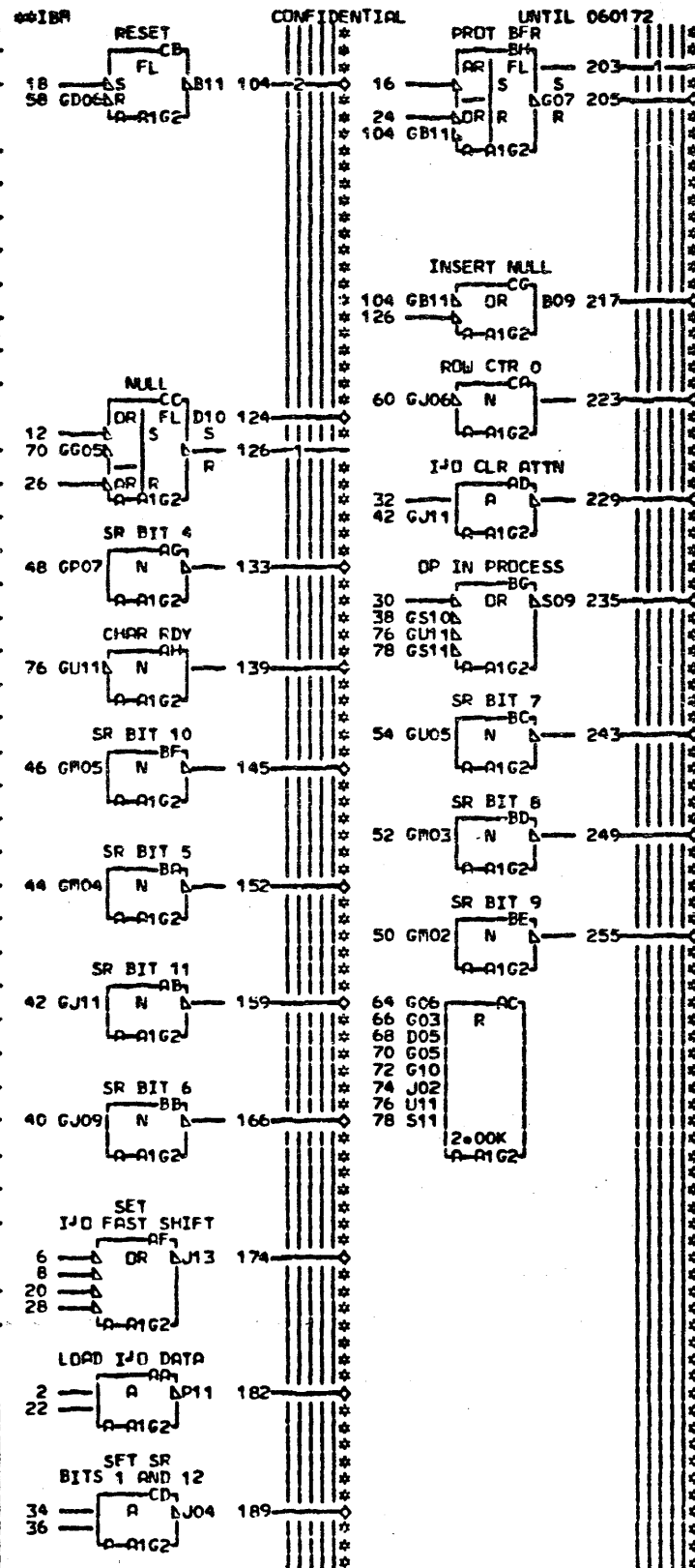
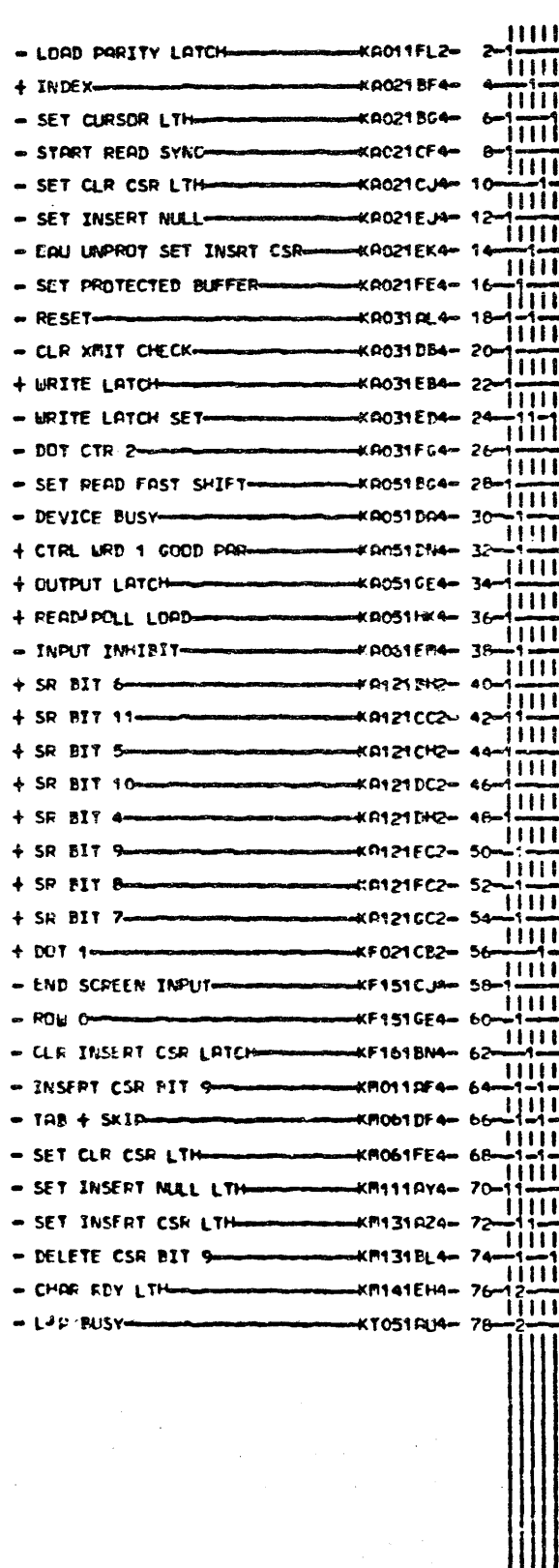
A-SIM TO PN 1563734 EC 717946
 B-SIM TO PN 1563735 EC 717946

LDC TYPE
 A-A1G2 9068

PAGE VER EC LEV
 KA051 001 717946
 KA061 001 717946

I/O CONTROL	
E-C-HISTORY	B-MACH-3277
717473	FRAME 01 KA051
716959	
717492	
DATE LAST EC	IBR CORP. SDD KA061
08-05-72 717946	P.No. 1823095 001

KA051
 KA061
 001



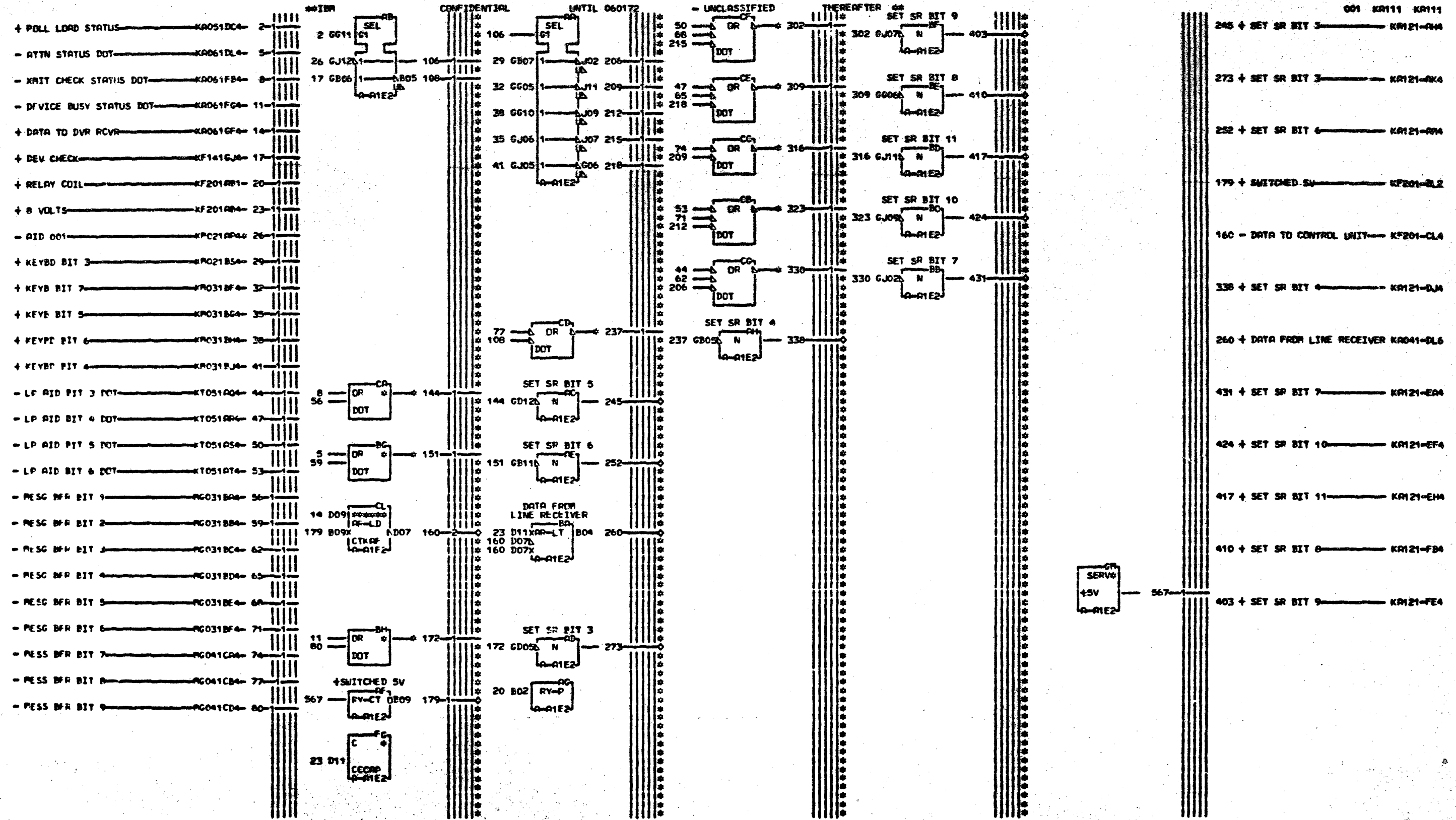
A-SIM TO PN 1563736 EC 717492

LOC. TYPE
A-A1G2 9068

PAGE VER EC LEV
KA071 001 717492
KA081 000 717946

I/O CONTROL			
E.C. HISTORY	B. MACH. 3277		
717473			
716959	FRAME 01	KA071	
717492			
DATE LAST EC	IBM CURP. SDD	KA081	
08-05-72 717946	PaNo 1823100	001	

KA071
KA081
00

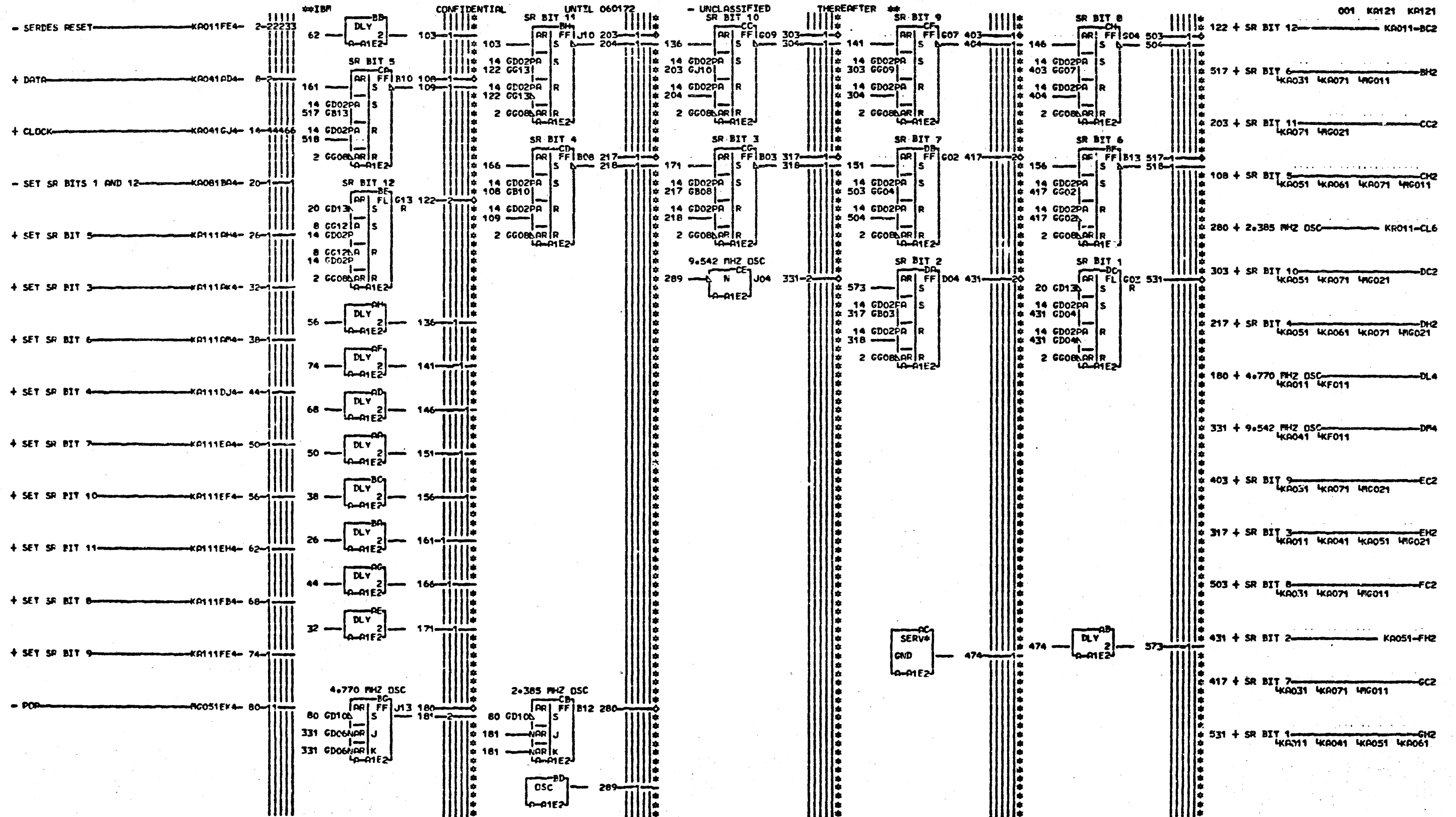


EDGE CONN.	A-A1E2B05	A-A1E2J02
26 RESISTOR	302 RESISTOR	
A-A1E2J12	A-A1E2J07	
144 RESISTOR	309 RESISTOR	
A-A1E2D12	A-A1E2C06	
151 RESISTOR	316 RESISTOR	
A-A1E2E11	A-A1E2J11	
172 RESISTOR	323 RESISTOR	
A-A1E2T05	A-A1E2J09	
237 RESISTOR	330 RESISTOR	

LOC. TYPE
A-A1E2 LS14

PAGE VER EC LEV
KR111 001 717946

E-C-HISTORY		B-RACH-3277	
717473		FRAME	01 KR111
716959		IBR CORP-KN	KR111
717492			
DATE	LAST EC	P.No.	1824194 001
08-05-72	717946		

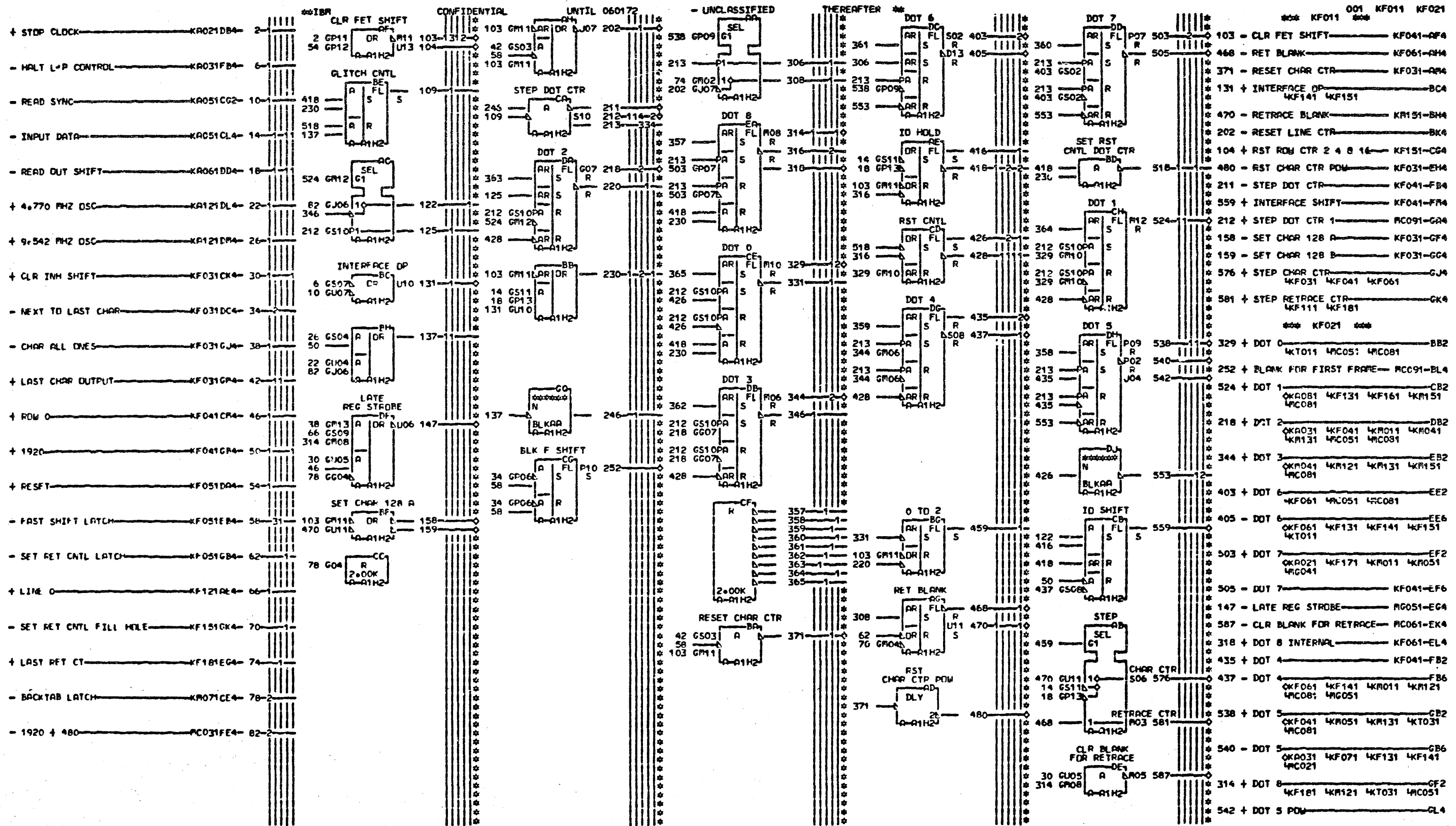


LDC TYPE
A-A1E2 L514

PAGE VER EC LEV
KA121 001 717492

SERDES / SPECIAL CIRCUITS		
E-C-HISTORY	B-PACH-3277	
717473		
716939	FRAME 01	KA121
DATE LAST EC	IBP CORP-KN	KA121
06-01-72 717492	PaNo 1823103	001

KA121
KA 21
001 SIR TO PN 1563739 EC 717492



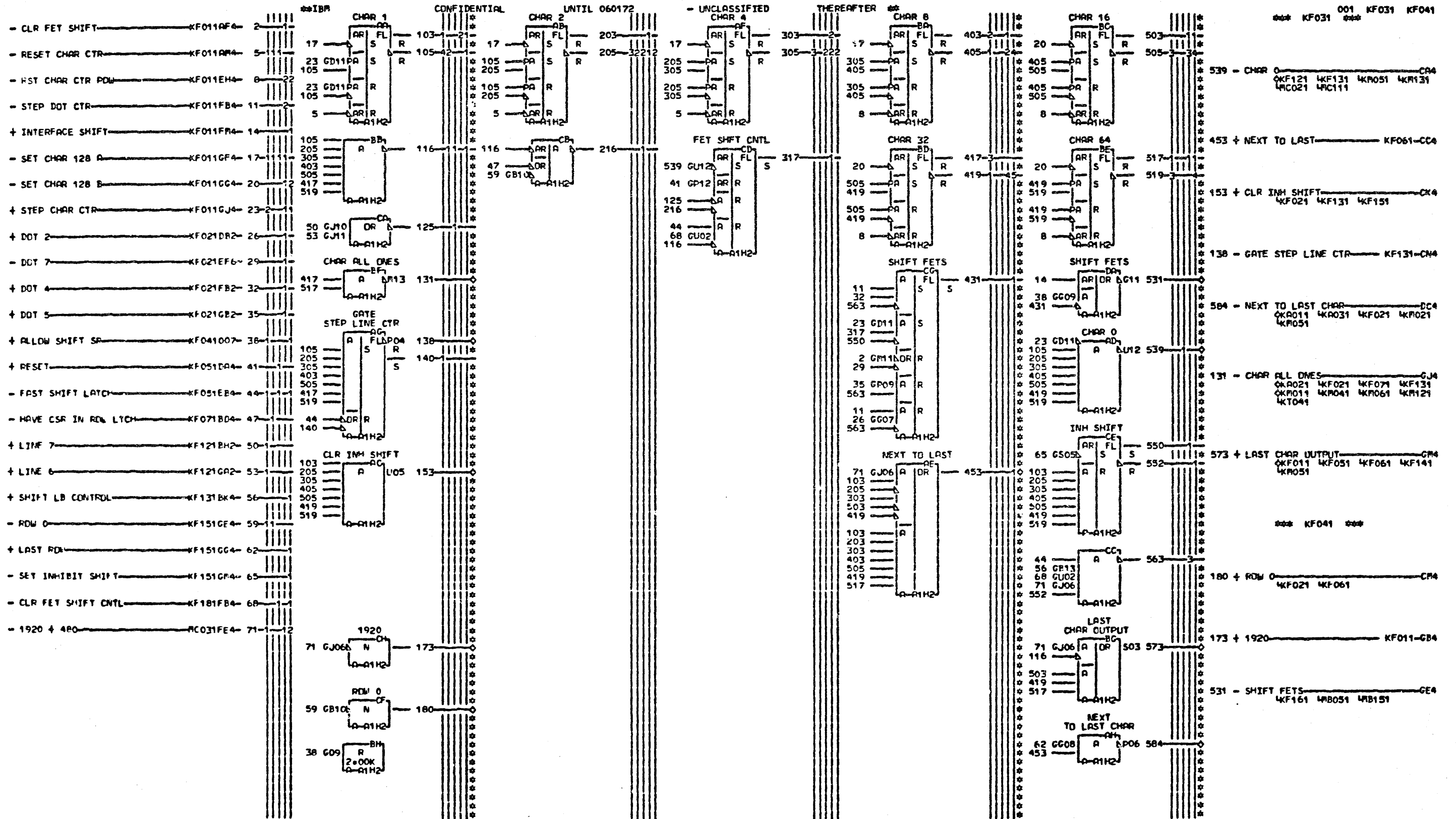
A-SIP TO PN 1563740 EC 717946
 B-SIP TO PN 1563741 EC 717946

LOC. TYPE
 A-A1H2 9071

PAGE VER EC LEV
 KF011 001 717946
 KF021 001 717946

CLOCK AND STEP CONTROL		
E-C-HISTORY	B-RACH-3277	
717473	FRAME 01	KF011
716959		
717492		
DATE LAST EC	IBR CORP-KN	KF021
08-05-72 717946	P-# 1823105	001

KF011
 KF021
 001



A-SIM TO PN 1563742 EC 717946

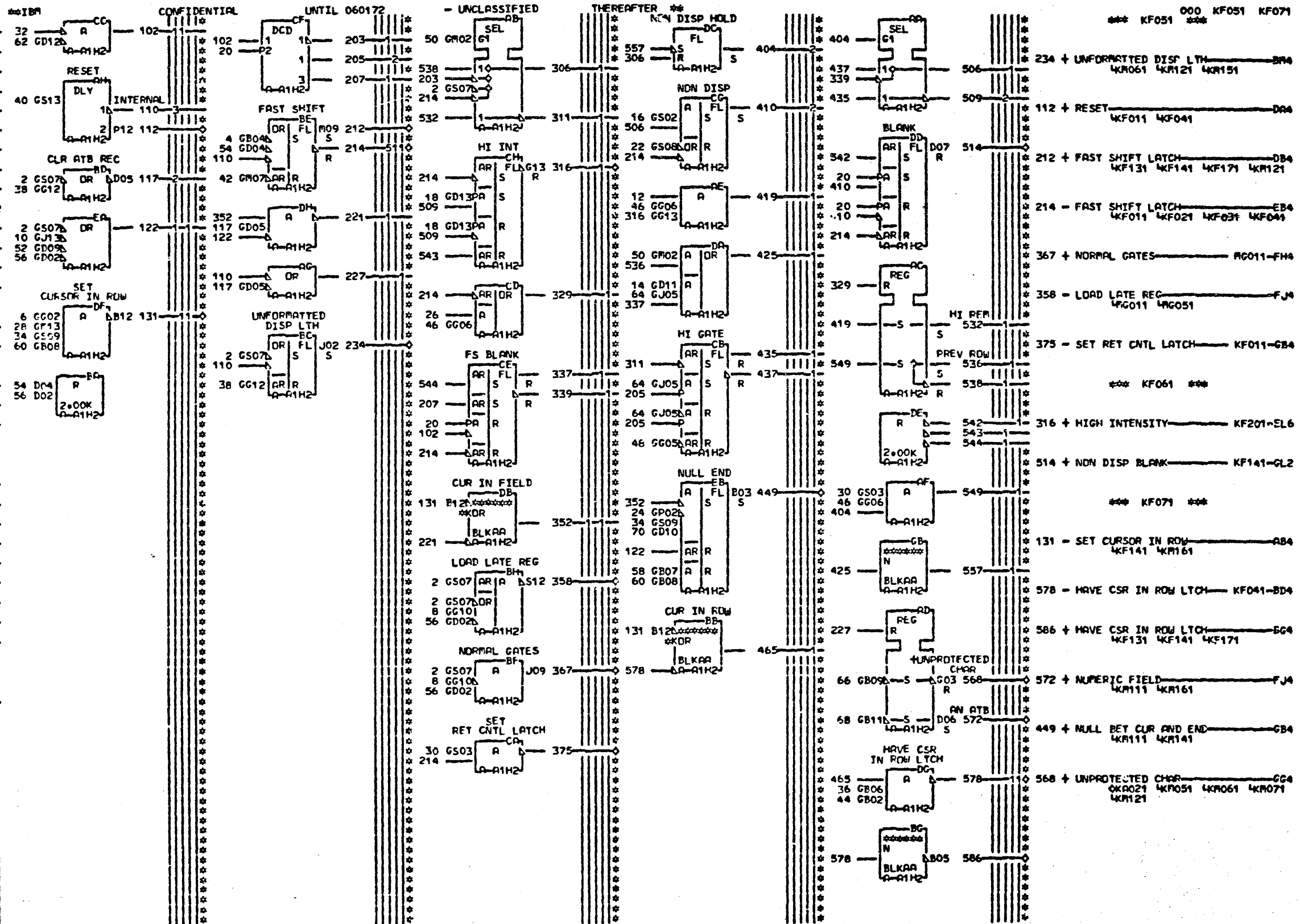
LOC. TYPE
A-A1H2 9071

PAGE VEP EC LEV
KF031 001 717946
KF041 000 717946

CLOCK AND STEP CONTROL			
-E-C-HISTORY	-B-RACH-3277		
717473		FRARE 01	KF031
716959			
717492		IBM CORP-KN	KF041
DATE	LAST EC	P-N-1823112	001
08-05-72	717946		

KF031
KF041
001

- WRITE LATCH SET - KA031FB4- 2-21
- SET I/O FAST SHIFT - KA071DN4- 4-1
- RST LTH - KA081AB2- 6-1
- + INSERT NULL - KA081DB4- 8-1
- INSERT CURSOR NORM - KA081EF4- 10-1
- RET BLANK - KF011AH4- 12-1
- + STEP CHAR CTR - KF011GJ4- 14-1
- + DOT 6 - KF021EE2- 16-1
- DOT 6 - KF021EE6- 18-1
- + DOT 8 INTERNAL - KF021EL4- 20-1
- DOT 4 - KF021EB6- 22-1
- DOT 5 - KF021GB6- 24-1
- + NEXT TO LAST - KF031CC4- 26-1
- CHAR ALL ONES - KF031GJ4- 28-1
- + LAST CHAR OUTPUT - KF031CP4- 30-1
- + ROW 0 - KF041CP4- 32-1
- + LINE 0 - KF121AE4- 34-1
- + LINE CTR CYCLE - KF131DA4- 36-1
- + CLR ATB REG - KF131FD4- 38-1
- + RESET - KF131DK4- 40-1
- END SCREEN INPUT - KF151CJ4- 42-1
- COND ROW CTR CLR - KF151DL4- 44-1
- + LAST LINE - KF171DB4- 46-1
- RETRACE 6 - KF181PC4- 48-1
- + LAST RET CT - KF181EC4- 50-1
- F 0 INSERT BIT 9 - KP011AG4- 52-1
- SET KB FAST SHIFT - KA041GJ4- 54-1
- LOAD LATE REG CT - KM131FH4- 56-2
- + FEYS OUT BIT 8 - MB141BD4- 58-1
- + FEYS OUT BIT 9 - MB141CB4- 60-1
- BIT 8 FROM LINE BUFFER - PC021BL4- 62-1
- + NOW DIS OR HI INTEN - PC081GB4- 64-1
- ATTB REG BIT 2 - PG031CA4- 66-1
- ATTB REG BIT 3 - PG031CB4- 68-1
- + NULL IN FEYS - PG041EA4- 70-1

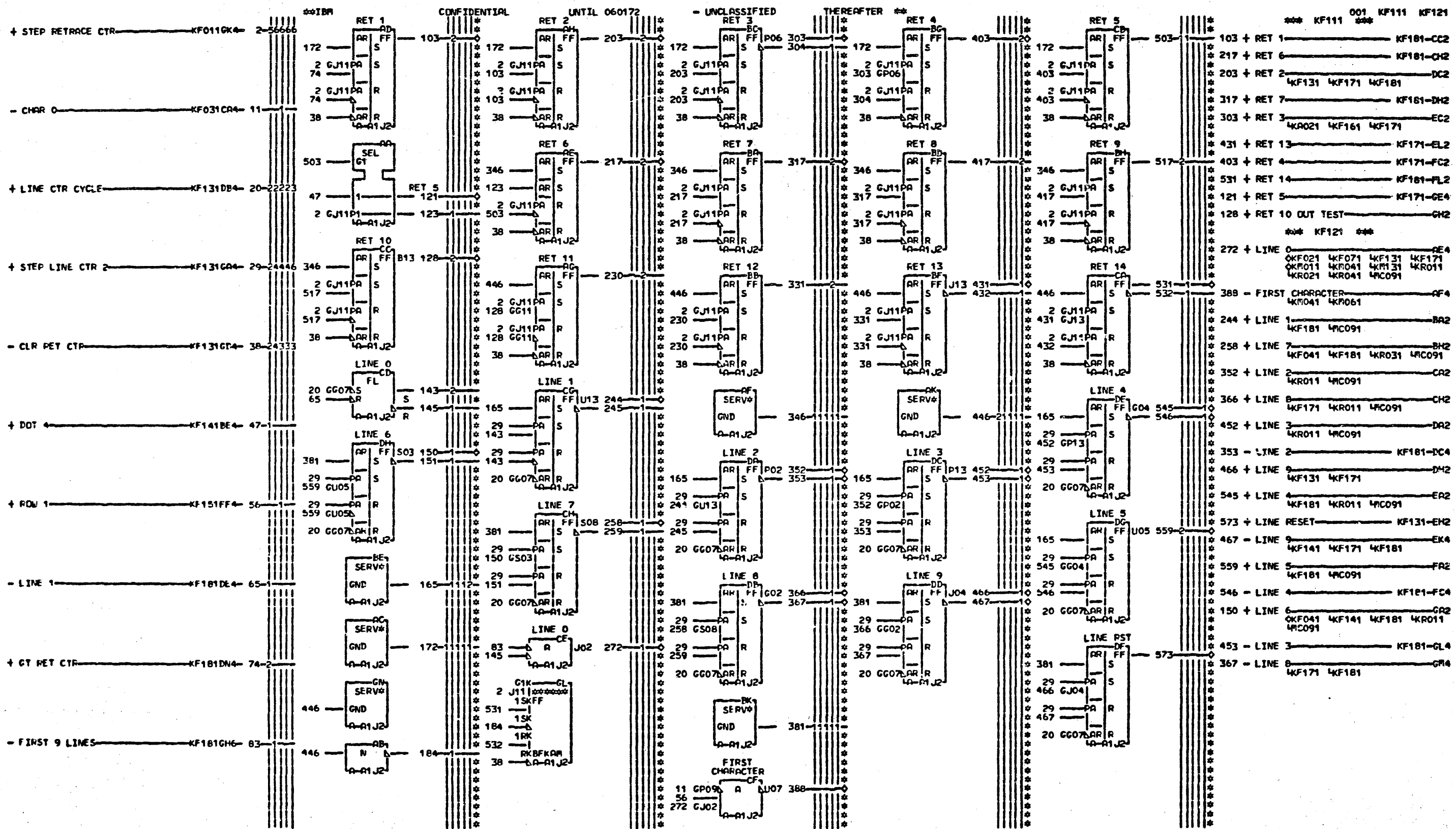


LOC. TYPE
A-1H2 9071

PAGE VFR EC LEV
KF051 000 717946
KF061 000 717946
KF071 000 717946

CLOCK AND STEP CONTROL			
E-C-HISTORY		B-PACH-3277	
717473	FRARE	01	KF051
716959	IBA CORP	KN	KF071
717492	DATE	LAST EC	
08-05-72	717946	PoNo	1823118 000

KF051
KF071
000



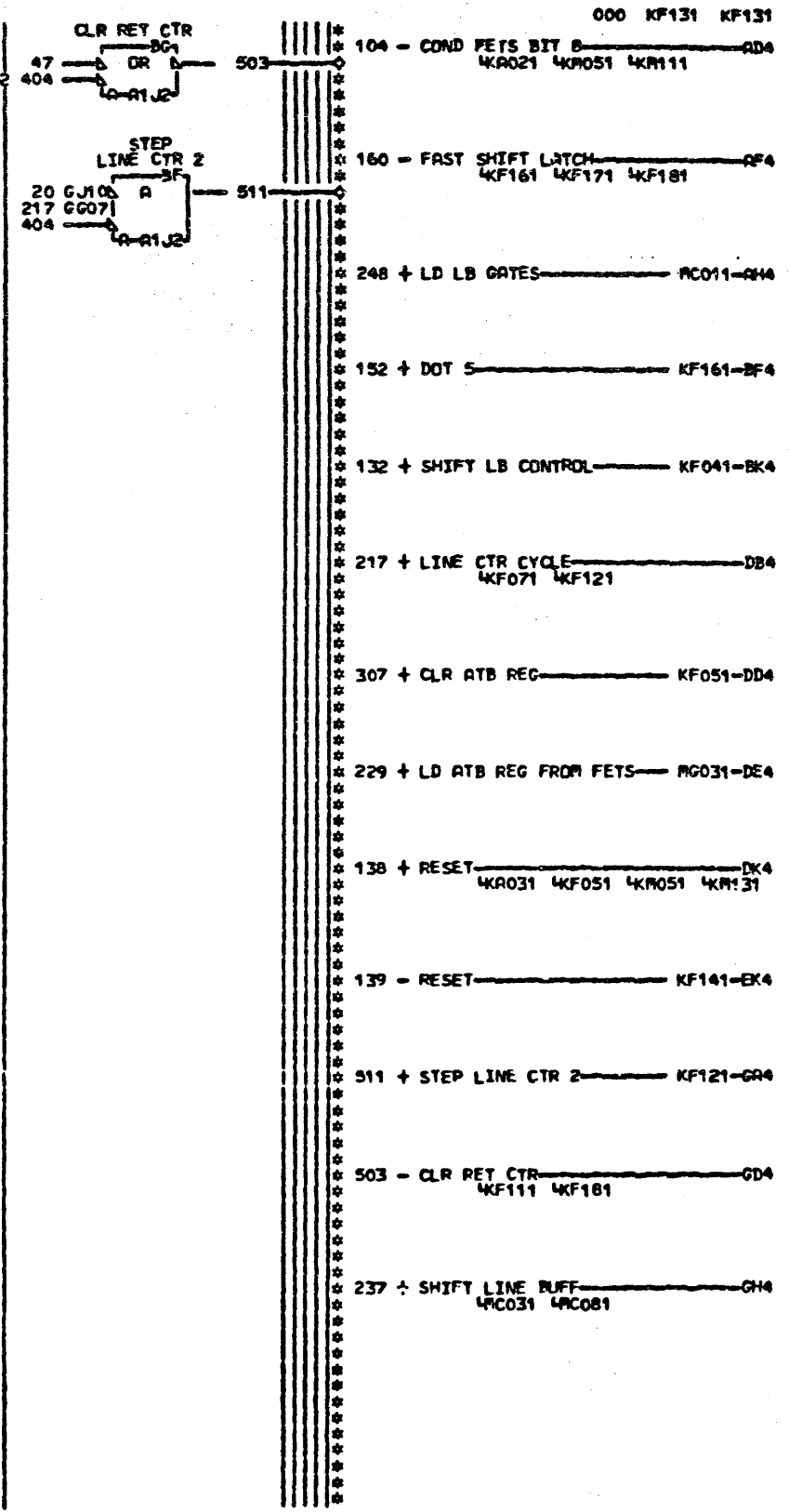
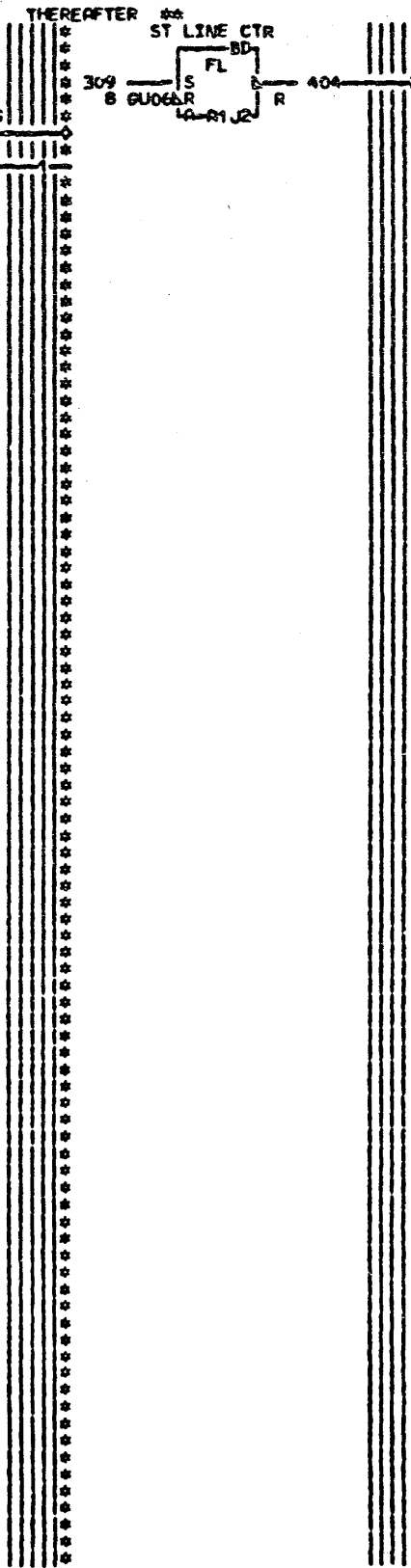
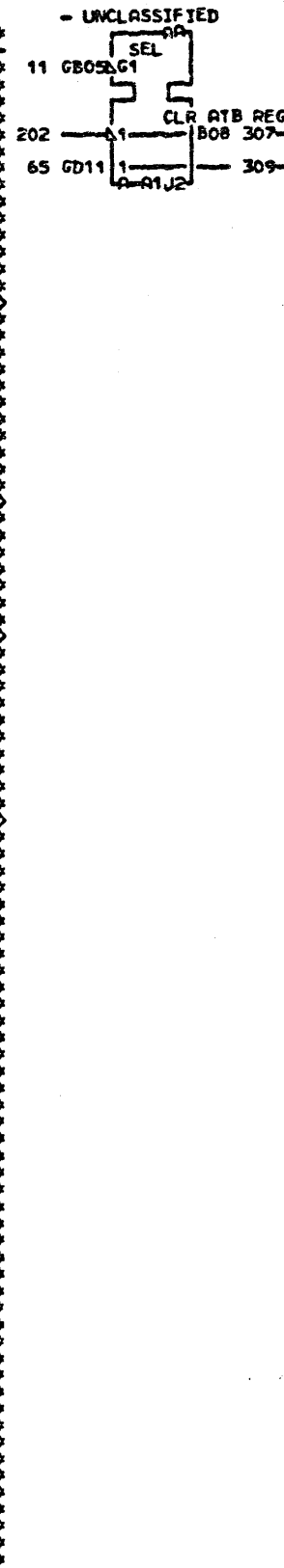
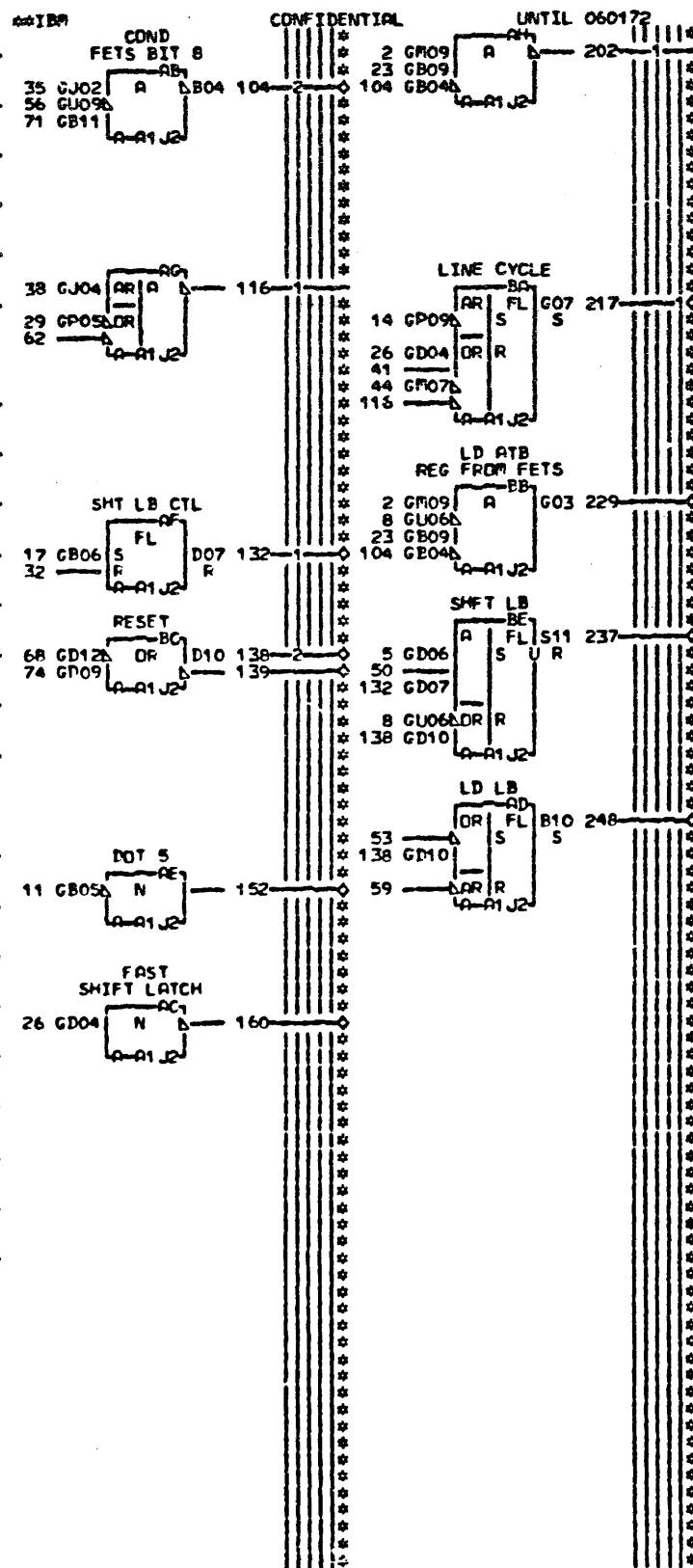
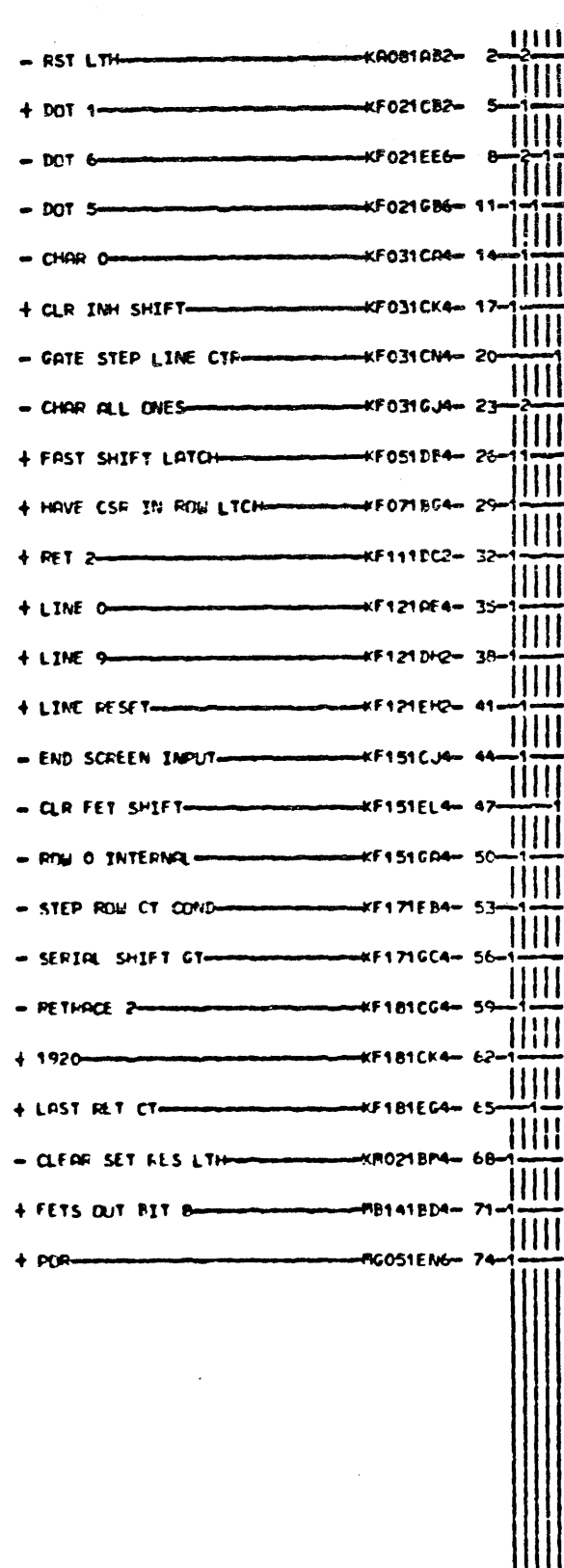
B-SIP TO PN 1563748 EC 717946

LOC. TYPE
A-A1J2 9067

PAGE VER EC LEV
KF111 000 717492
KF121 001 717946

DISPLAY CONTROL			
E-C-HISTORY	B-MACH	3277	
717473	FRAME	01	KF111
717492	IBR CORP	KN	KF121
DATE	LAST EC	PoNo	1323123 001
08-05-72	717946		

24
KF111
KF121
001

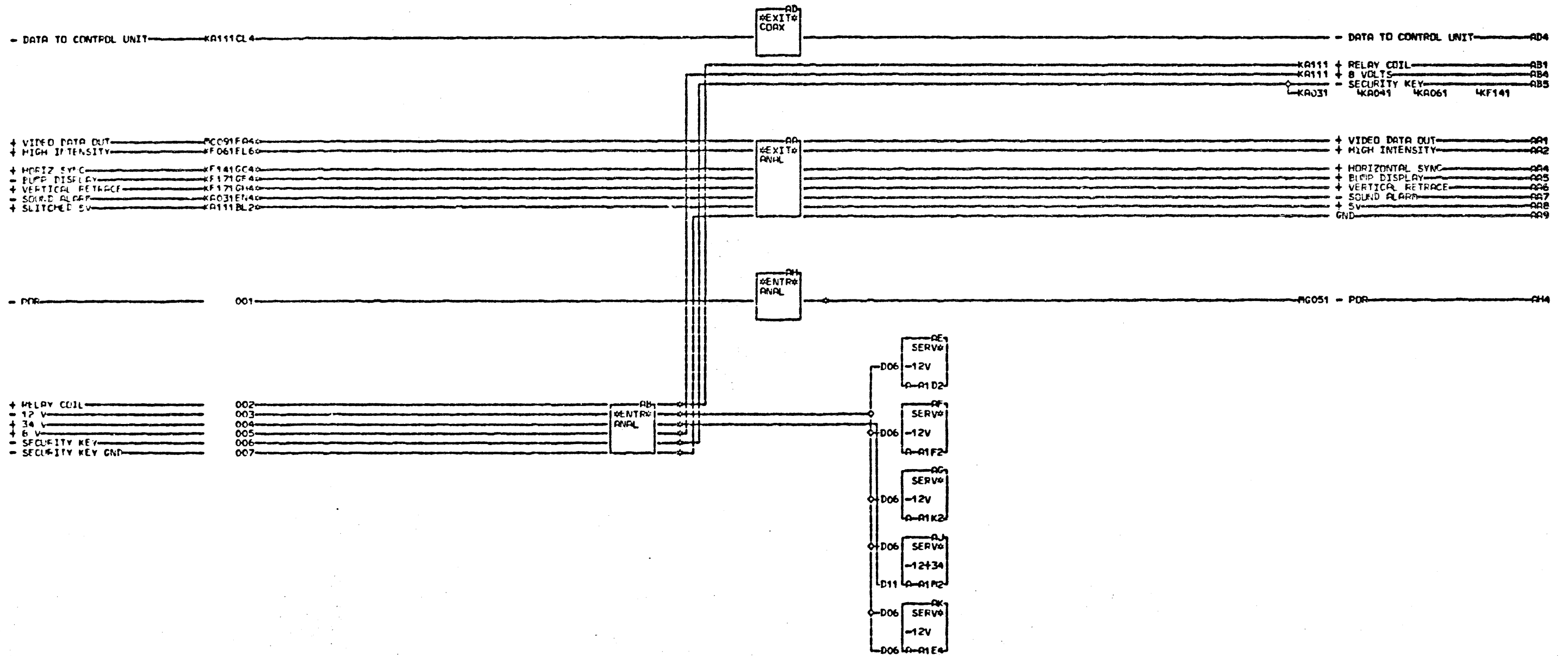


LOC. TYFF
A-A1J2 9067

PAGE VER EC LEV
KF131 000 717946

DISPLAY CONTROL			
EoCo-HISTORY	B	MACH	3277
717473		FRAME	01 KF131
717492		IDB CORP	KN KF131
DATE	LAST EC	PoN	1823127 000
08-05-72	717946		

KF131
13
KF131
00



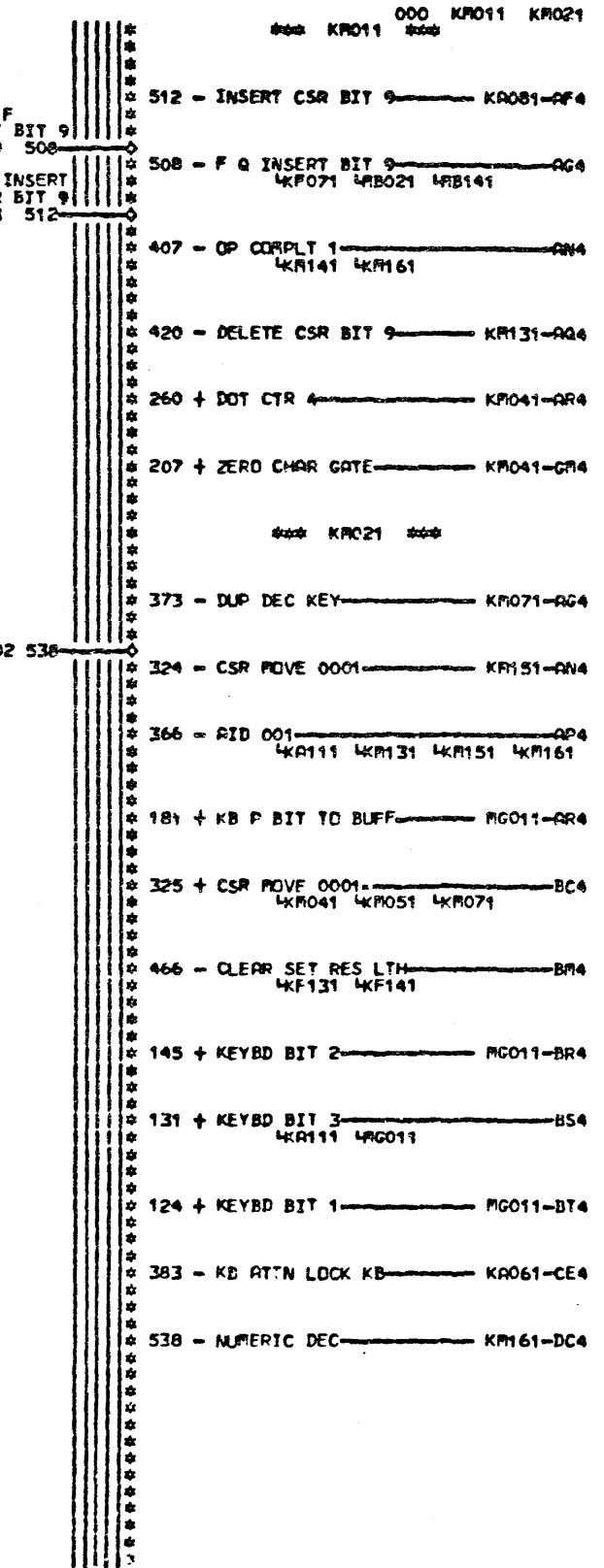
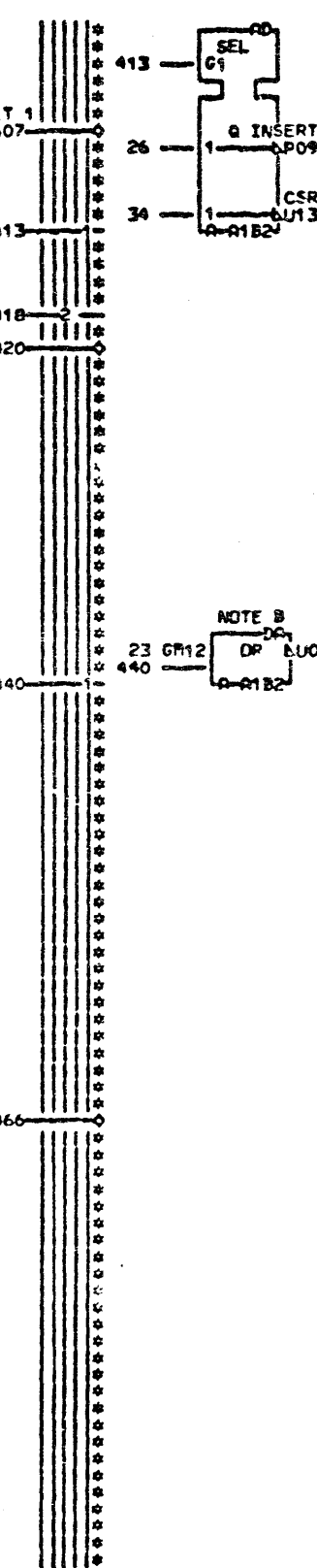
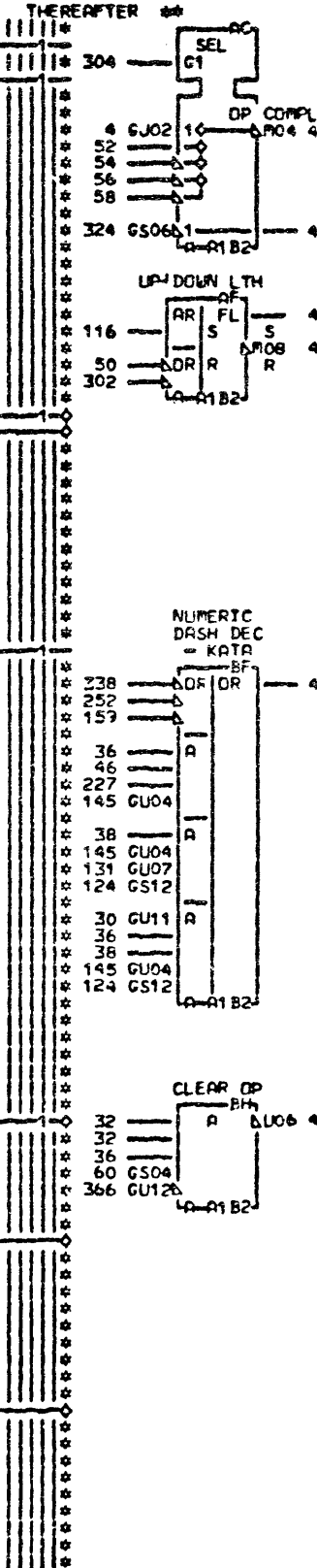
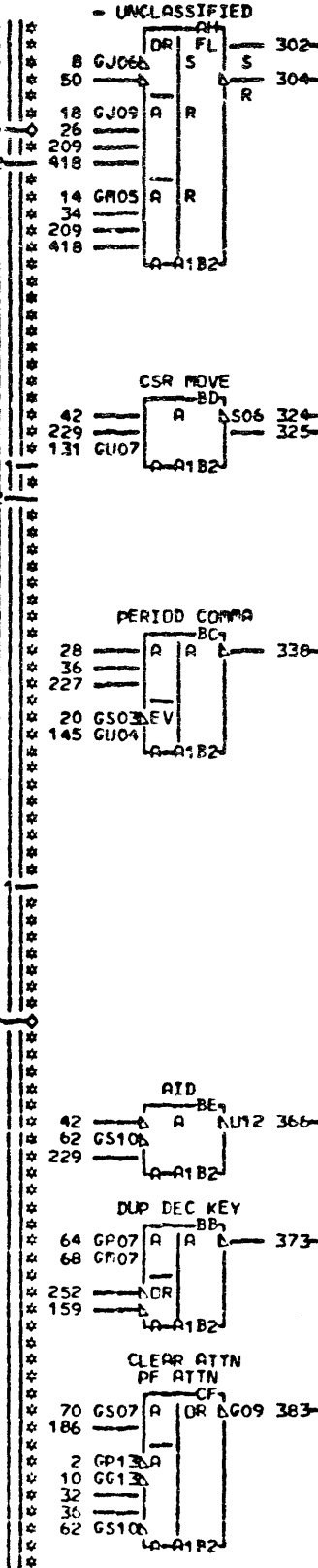
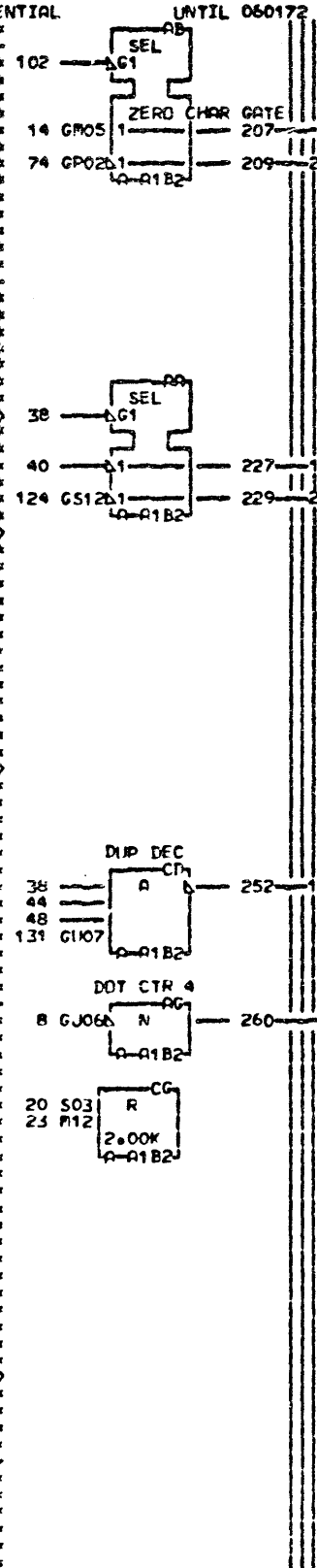
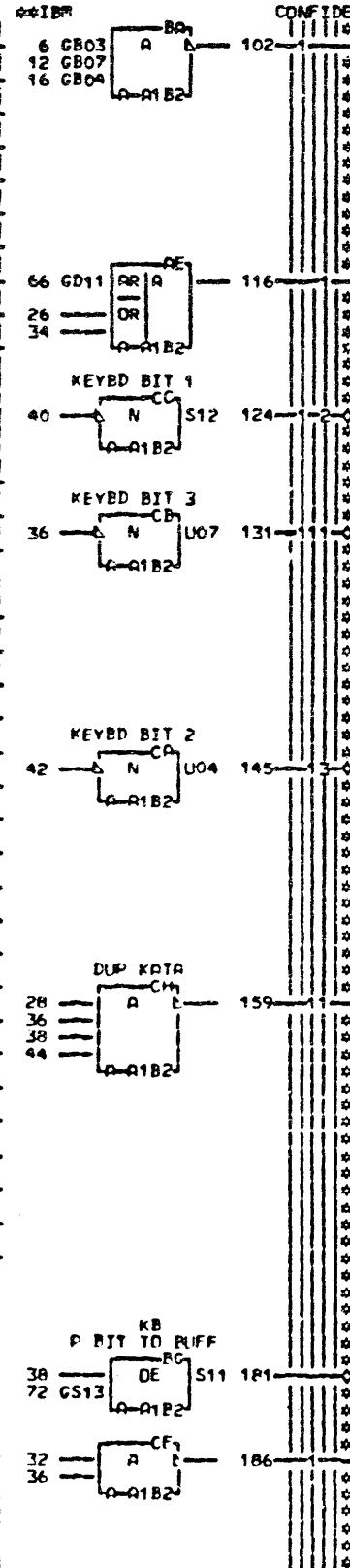
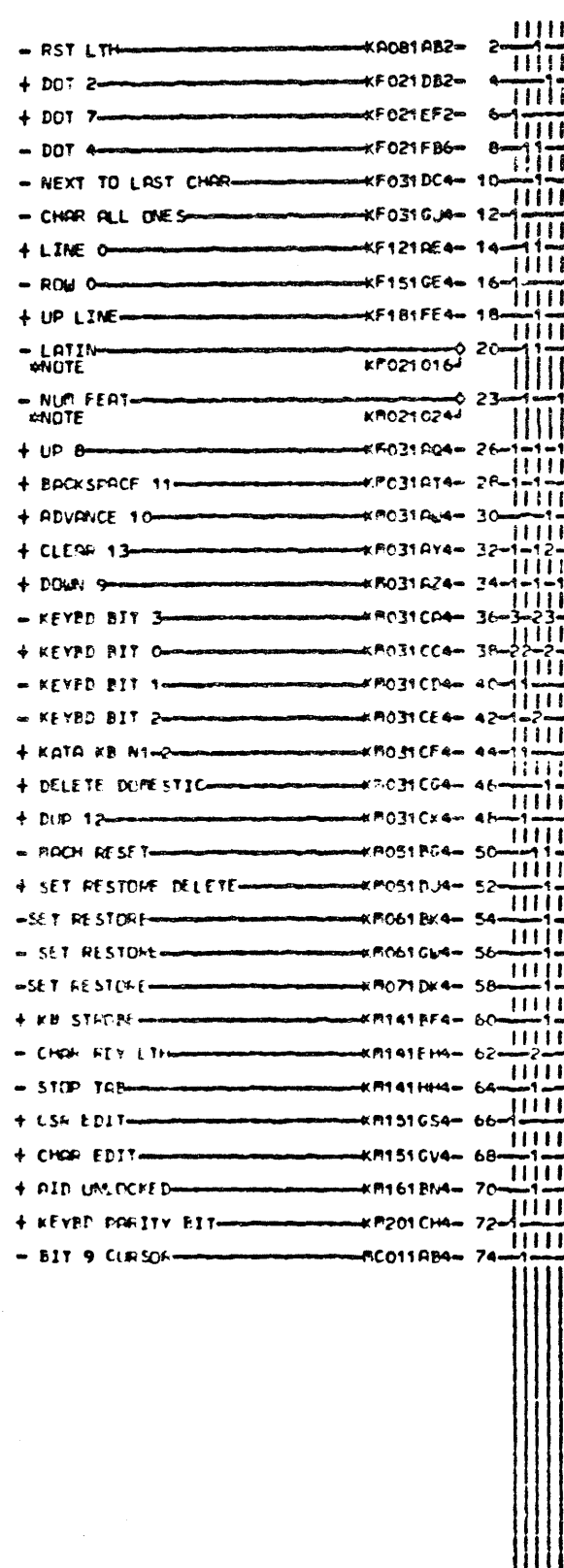
9/1
 001
 574 TO PN 1563755 EC 717946

KA031E4	01A-A1H6E04	AB5 A-A1H6A02
01A-A1K6A04	KF171G4	AB6 A-A1J6E02
KA111FL2	01A-A1J6B04	01A-A1H6C02
01A-A1H6B02	PC091FA4	AM4 A-A1K6B02
KF061EL6	01A-A1H6C04	
01A-A1J6E02	AB1 A-A1J6E04	
KF141G4	AB2 A-A1J6C04	
01A-A1J6D04	AB3 A-A1K6B04	
KF171G4	AB4 A-A1J6A04	

LOC. TYPE

CONNECTOR PAGE	
-E.C.-HISTORY-	B. PACH. 3277
717473	FRAME 01
716959	
717492	
DATE	LAST EC
08-03-72	717946
	P.No. 1823146

KF201



NOTE - SEE REFERENCE PAGE 22101 FOR KEYBOARD FEATURE JUMPERS

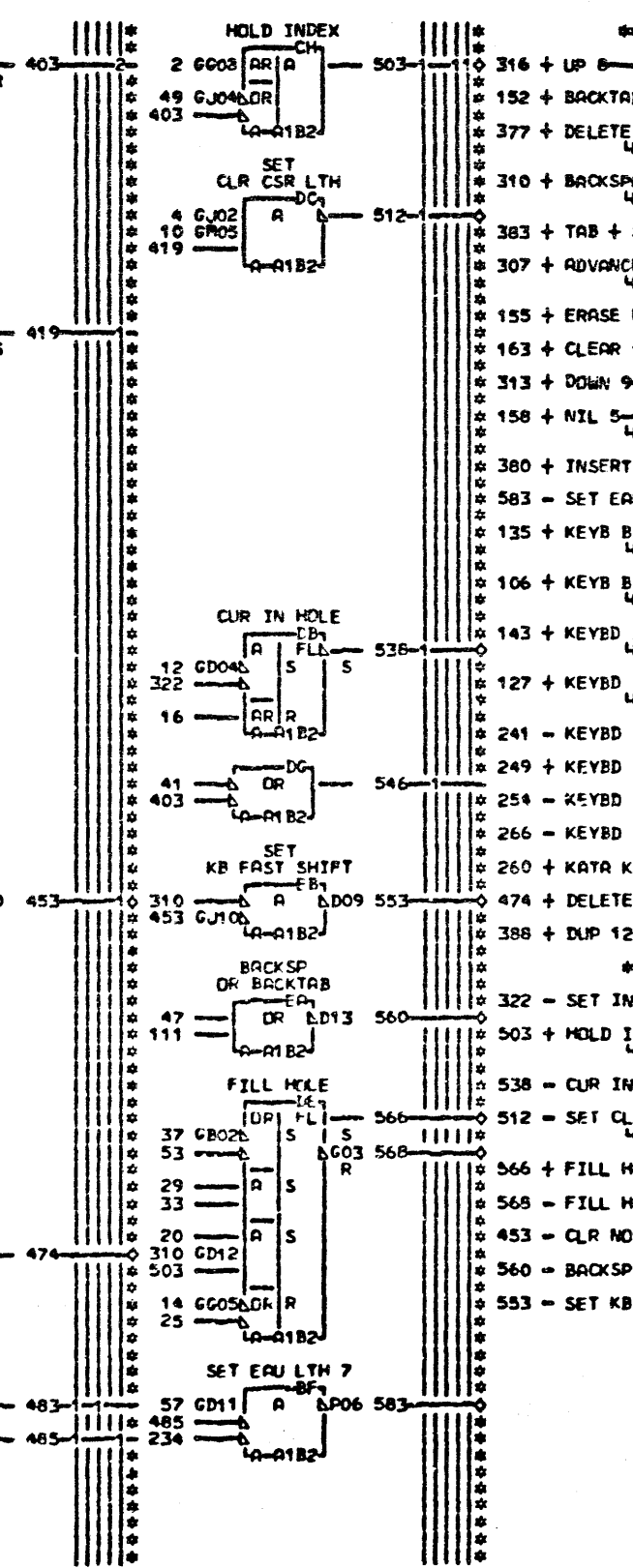
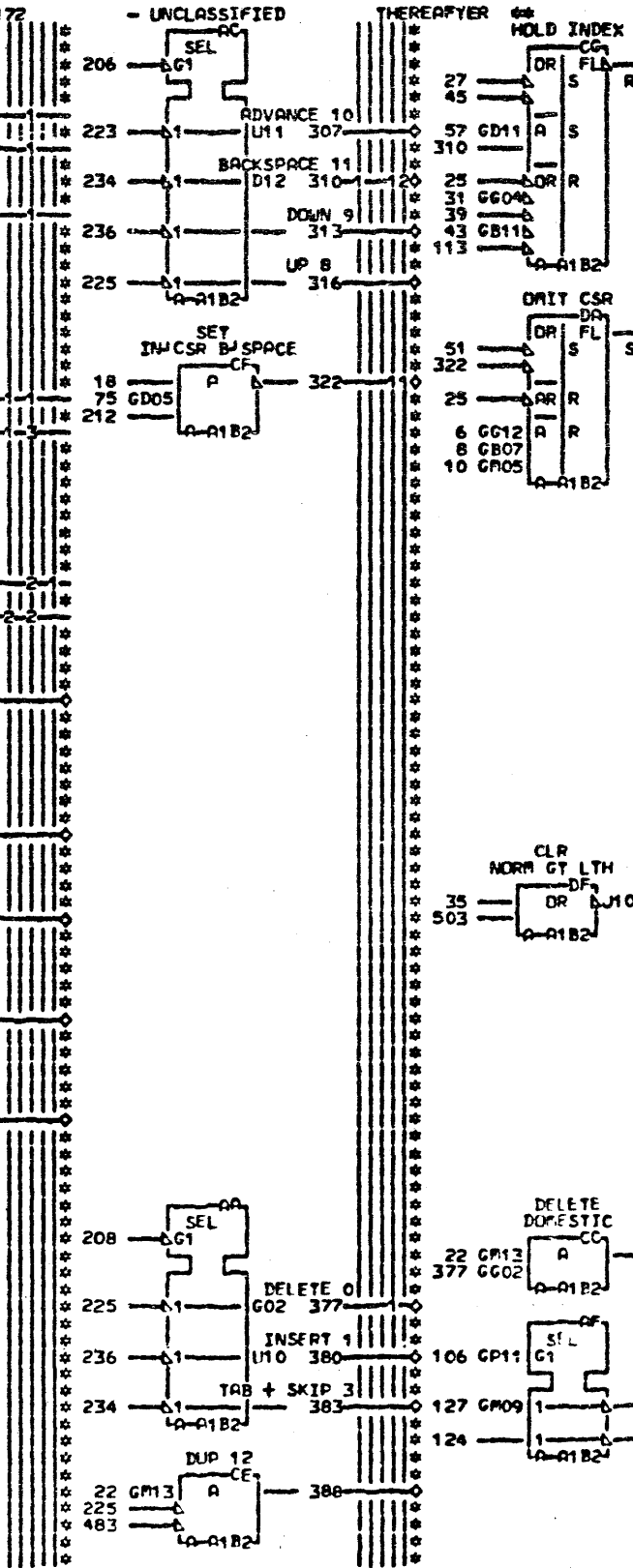
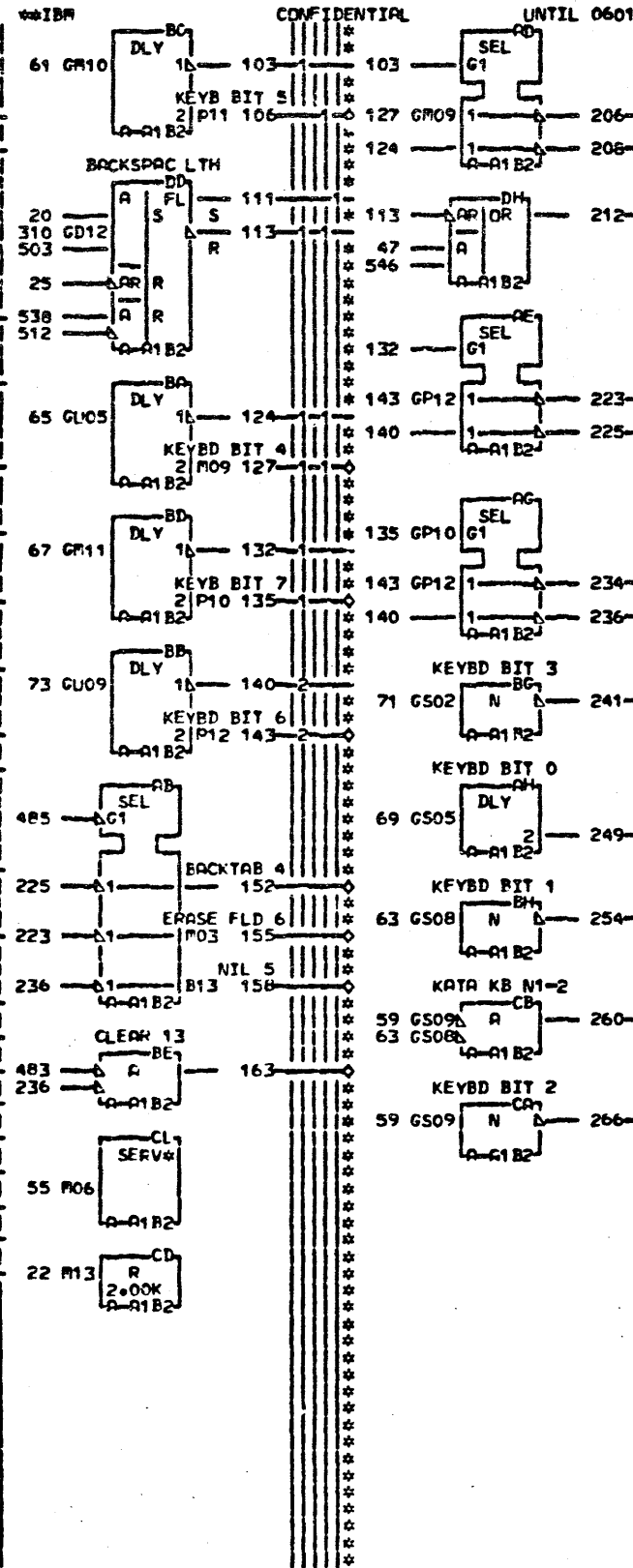
LOC. TYPE A-1 B2 9069

PAGE VER EC LEV KRO11 000 717946 KRO21 000 717946

KEYBOARD CONTROLS 41			
E-C-HISTORY	B-PACH	3277	
717473			
716959	FRAME	01	KRO11
717492			
DATE LAST EC	IBR CORP	KN	KRO21
05-05-72 717946	PaNo	1823152	000

KRO11
KRO21
000

+ INDEX — KA021BF4 — 2
 + DOT 2 — KF021DB2 — 4
 + DOT 3 — KF021EB2 — 6
 - CHAR ALL ONES — KF031GJ4 — 8
 + LINE 0 — KF121AE4 — 10
 - FIRST CHARACTER — KF121AF4 — 12
 - CLR FILL HOLE LATCH — KF151DP4 — 14
 + DOT CTR 4 — KM011AR4 — 16
 + ZERO CHAR GATE — KM011CA4 — 18
 + CSR MOVE 0001 — KM021BC4 — 20
 - KATA KB MNOTE — KM031009 — 22
 - MACH RESFT — KM051EG4 — 25
 - SET HOLD DELETE — KM051CG4 — 27
 + DELETE LTH — KM051IC4 — 29
 - DELETE LATCH — KM051DE4 — 31
 + NEXT TO LAST CHAR — KM051DH4 — 33
 + SET RESTORE DELETE — KM051DJ4 — 35
 - SET FOR DELETE — KM051EC4 — 37
 - BACKTAB RESET W/INDEX — KM051GR4 — 39
 - GT FEYS BIT R — KM051GL4 — 41
 - TAB + SKIP — KM061DF4 — 43
 - SET W/INDEX R/TAB — KM071PB4 — 45
 + BACKTAB LATCH — KM071CC4 — 47
 - BACKTAB LATCH — KM071CE4 — 49
 - SET OMIT CSR — KM071EE4 — 51
 - SET FILL HOLE — KM071GD4 — 53
 - NIL SET FA — KM131BT4 — 55
 + CSR EDIT — KM151GS4 — 57
 + KEYBD BIT 2 — KM201CD4 — 59
 + KEYBD BIT 3 — KM201CF4 — 61
 + KEYBD BIT 1 — KM201DC4 — 63
 + KEYBD BIT 4 — KM201DE4 — 65
 + KEYBD BIT 7 — KM201DG4 — 67
 + KEYBD BIT 0 — KM201EB4 — 69
 + KEYBD BIT 3 — KM201ED4 — 71
 + KEYBD BIT 6 — KM201EF4 — 73
 + FEYS OUT BIT 9 — MB141CB4 — 75



000 KRO31 KRO41
 316 + UP 8 — KRO11-004
 152 + BACKTAB 4 — KRO71-GR4
 377 + DELETE 0 — KS4
 310 + BACKSPACE 11 — KM021-KM121-AT4
 383 + TAB + SKIP 3 — KRO61-AV4
 307 + ADVANCE 10 — KM021-KM151-004
 155 + ERASE FLD 6 — KM151-RX4
 163 + CLEAR 13 — KRO21-AY4
 313 + DOWN 9 — KRO11-AZ4
 158 + NIL 5 — KM061-KM131-BA4
 380 + INSERT 1 — KM121-BC4
 583 - SET EAU LTH 7 — KRO31-BD4
 135 + KEYB BIT 7 — KM111-MG021-BF4
 106 + KEYB BIT 5 — KM111-MG021-BG4
 143 + KEYBD BIT 6 — KM111-MG021-BH4
 127 + KEYBD BIT 4 — KM111-MG011-BJ4
 241 - KEYBD BIT 3 — KRO21-CA4
 249 + KEYBD BIT 0 — KRO21-CC4
 254 - KEYBD BIT 1 — KRO21-CD4
 266 - KEYBD BIT 2 — KRO21-CE4
 260 + KATA KB M1-2 — KM021-CF4
 474 + DELETE DOMESTIC — KM021-CG4
 388 + DUP 12 — KM021-CK4
 *** KRO41 ***
 322 - SET INWCSR B/SPACE — KM061-BG4
 503 + HOLD INDEX — KM051-KM071-CE4
 538 - CUR IN HOLE — KM071-ED4
 512 - SET CLR CSR LTH — KM061-KM071-EG4
 566 + FILL HOLE — KM051-FG4
 568 - FILL HOLE — KF151-FJ4
 453 - CLR NORM GT LTH — KM131-GK4
 560 - BACKSP OR BACKTAB — KM151-GT4
 553 - SET KB FAST SHIFT — KF051-GW4

A. NOTE SEE REFERENCE PAGE
 Z2101 FOR KEYBOARD FEATURE
 JUMPERS

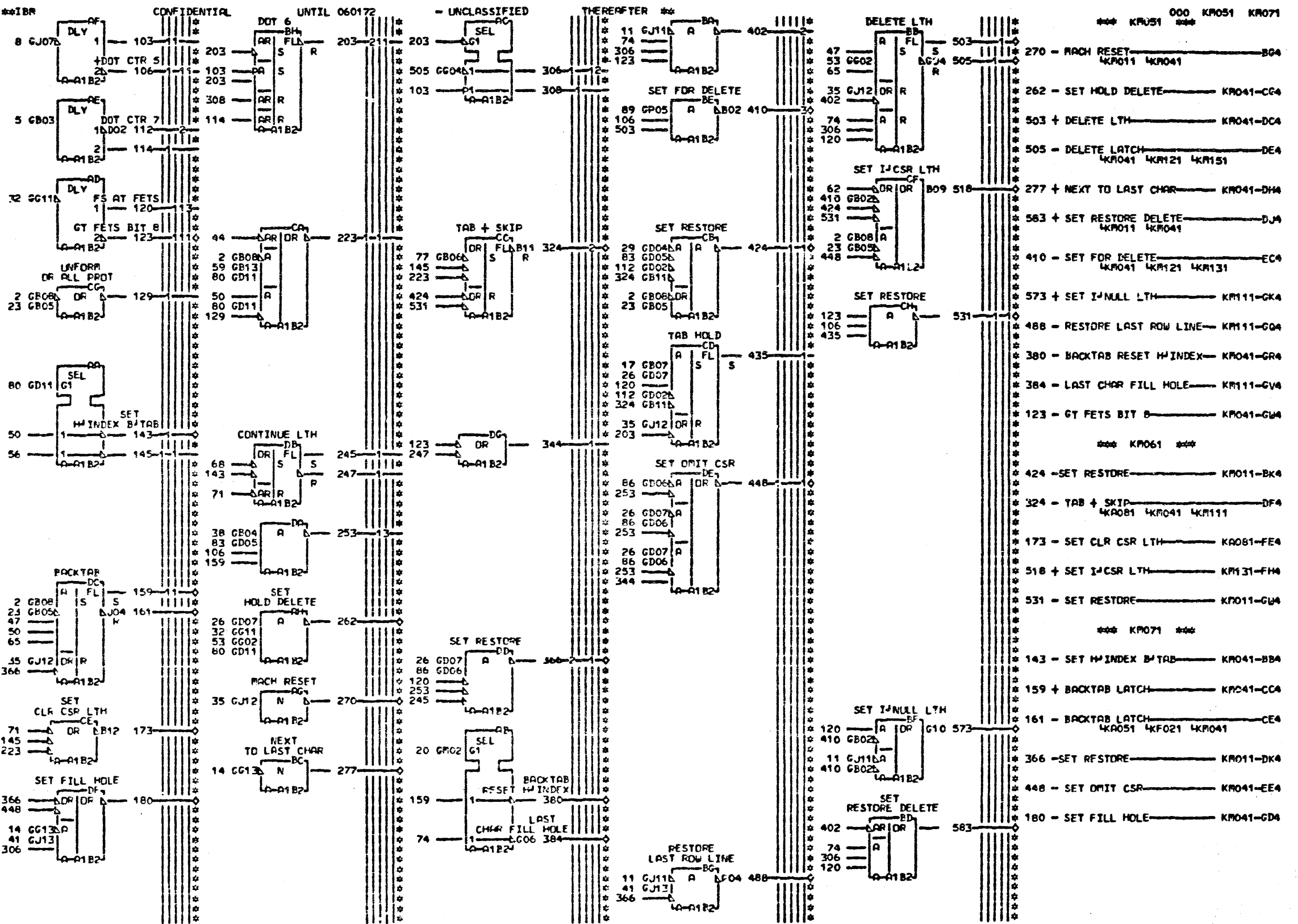
LOC. TYPE
 A-A1B2 9069

PAGE VER EC LEV
 KRO31 000 717946
 KRO41 000 717946

KEYBOARD CONTROLS #1			
E.C. = HISTORY	B. PACH 3277	FRAME 01	KRO31
717473			
717492			
DATE LAST EC	IBR CORP. KN		KRO41
08-05-72 717946	PoNo 1823756		000

KRO31
 KRO41
 000

- PROTECTED BFR KA071EJ4 2-21-11
- + DOT 7 KF021EF2 5
- + DOT 5 KF021GB2 8
- CHAR 0 KF031CA4 11
- NEXT TO LAST CHAR KF031DC4 14
- CHAR ALL ONES KF031GJ4 17
- + LAST CHAR OUTPUT KF031GR4 20
- + UNFORMATTED DISP LTH KF051BP4 23
- + UNPROTECTED CHAR KF071GC4 26
- FIRST CHARACTER KF121AF4 29
- COND FETS BIT 8 KF131AD4 32
- + RESET KF131DK4 35
- ROW 0 KF151GE4 38
- + LAST ROW KF151GG4 41
- DEL DEC KEY KF021AG4 44
- + CSR MOVE 0001 KF021EC4 47
- + BACKTAB 4 KF031AR4 50
- + DELETE 0 KF031AS4 53
- + TAB + SKIP 3 KF031AV4 56
- + NIL 5 KF031BR4 59
- SET IM CSR IN SPACE KF041BG4 62
- + HOLD INDEX KF041CE4 65
- CLR IN HOLE KF041ED4 68
- SET CLR CSR LTH KF041EG4 71
- + FILL HOLE KF041FG4 74
- SET TAB NUM SKIP KF111HE4 77
- + CSR EDIT KF151GS4 80
- + FETS OUT BIT 9 KF141CB4 83
- + LATE REG BIT 8 KF061CF2 86
- + LATE REG BIT 9 KF061CH2 89



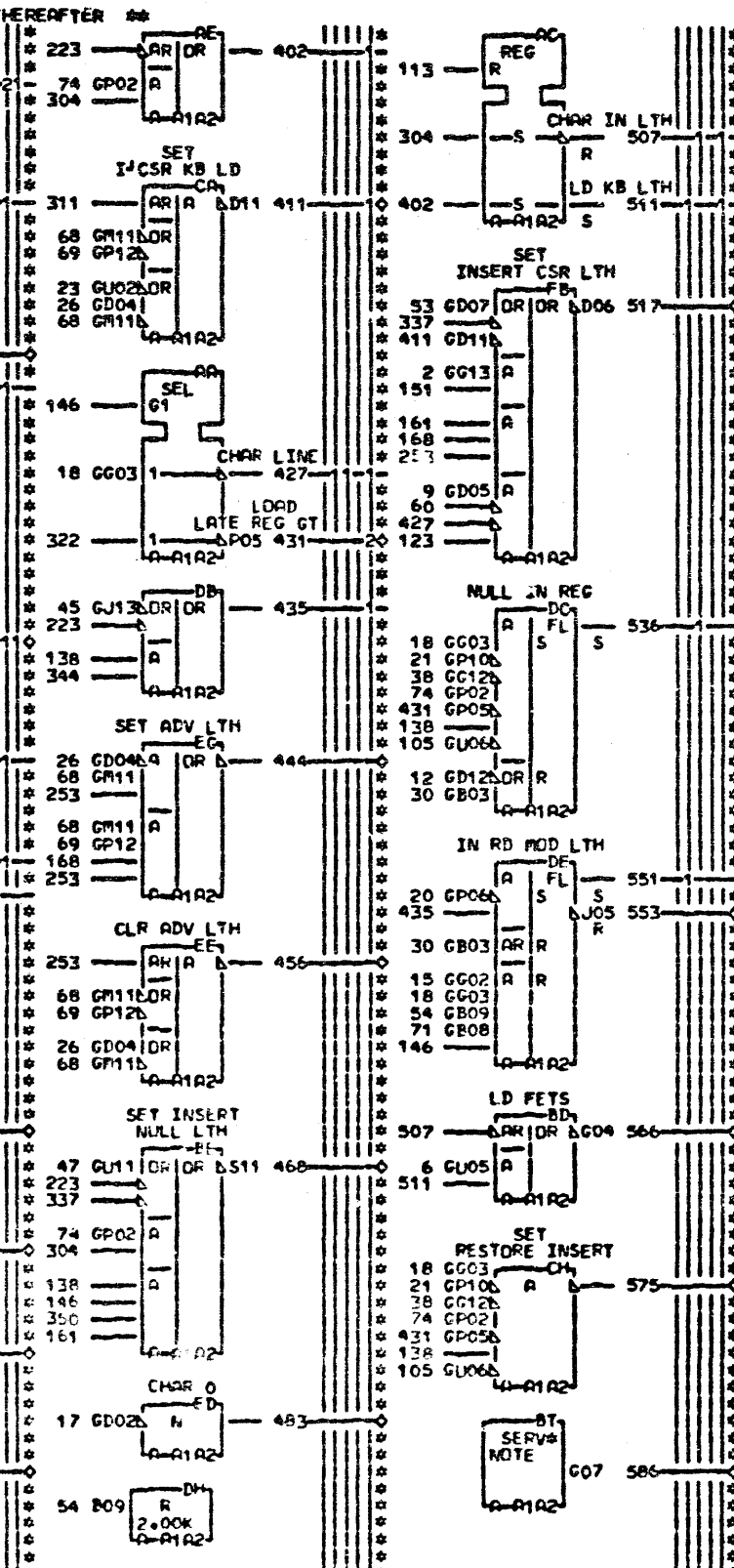
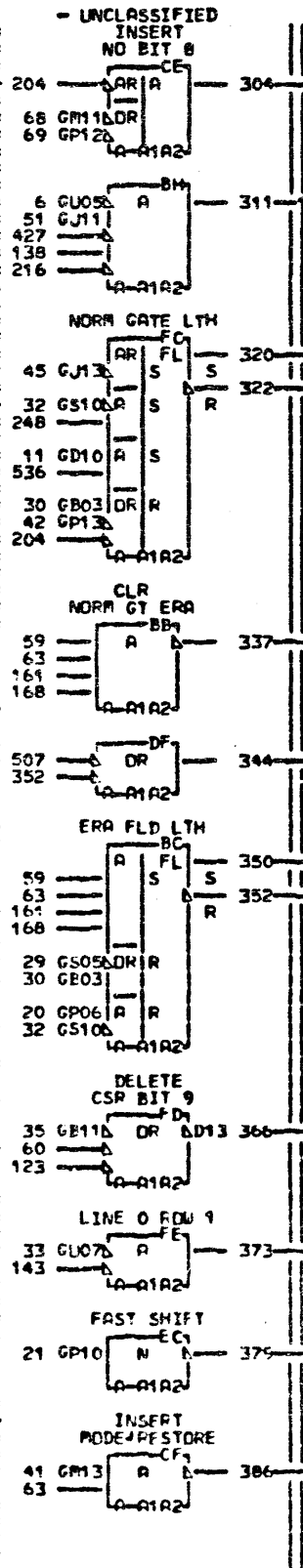
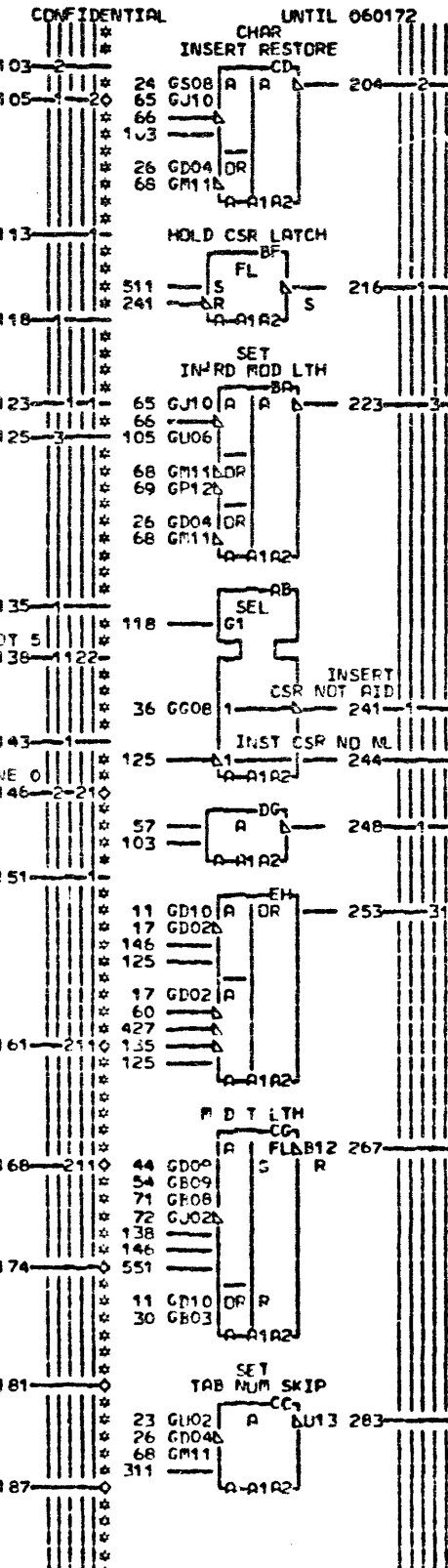
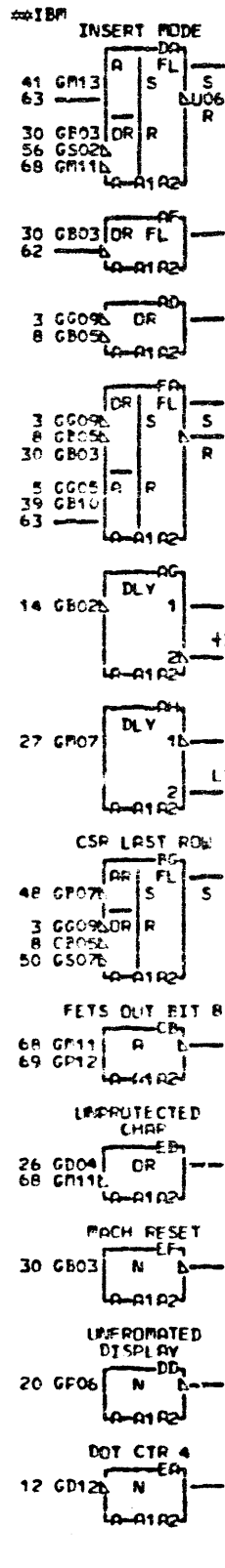
LOC. TYPE
D-A1B2 9069

PAGE VER EC LEV
KRO51 000 717946
KRO61 000 717946
KRO71 000 717946

KEYBOARD CONTROLS #1			
E-C-HISTORY	B-MACH-3277		
717473		FRAME 01	KRO51
716959			
717492		IBA CORP-KN	KRO71
DATE	LAST EC		
08-05-72	717946	Pa. No. 1823758	000

KRO51
KRO71
000

+ INDEX KA021BF4- 2
 - MFT L/P CONTROL KA031FB4- 3
 + PROTECTED BFR KA071EJ4- 5
 - NULL KA081AD4- 6
 - INSERT CURSOR NORM KA081EF4- 8-3
 + DOT 2 KA021DB2- 9
 + DOT 3 KA021EB2- 11-21
 - DOT KA021FB4- 12
 + DOT 5 KA021GB2- 14-1
 + DOT 8 KA021GF2- 15
 - CHAR 0 KA031CA4- 17-2-1
 - CHAR ALL ONES KA031GJ4- 18
 + UNFORMATTED DISP LTH KA051BF4- 20-1-1
 + FAST SHIFT LATCH KA051DB4- 21-1-2
 + NUMERIC FIELD KA071FJ4- 23-1-1
 + NULL BET CUR AND END KA071GR4- 24-1-1
 + UNPROTECTED CHAR KA071GC4- 26-1-3
 - LINE 0 KA121AE4- 27-1
 - COND FETS BIT 8 KA131AD4- 29-1
 + RESET KA131DK4- 30-1-2
 - END SCREEN INPUT KA151CJ4- 32-2
 - ROW 1 KA151GF4- 33-1
 - DELETE CSR BIT 9 KA011AQ4- 35-1
 - RID 001 KA021AF4- 36-1
 + RACKSPACE 11 KA031AT4- 38-2
 - ALL 5 KA031PA4- 39-1
 + INSERT 1 KA031PC4- 41-1-1
 - CLR NORM GT LTH KA041GF4- 42-1
 - DELETE LATCH KA051DE4- 44-1
 - SET FOR DELETE KA051EC4- 45-1-1
 + SET IN NULL LTH KA051GK4- 47-1-1
 - RESTORE LAST ROW LTH KA051GG4- 48-1
 - LAST CHAR FILL HOLD KA051GV4- 50-1-1
 - TAB + SKIP KA061EF4- 51-1-1
 + SET I'CSR LTH KA061FH4- 53-1-1
 + RUP R/A CODEPAGE KA121OJ3- 54-1-1
 - KEYPD RESET GATED KA141DD4- 56-1
 - SET NORM GT CODE KA151CJ4- 57-1
 + ERASE FIELD GATED KA151FA4- 59-2
 - ADV LTH SET KA151GK4- 60-1-1
 - DOT CTR 1 KA151GR4- 62-1
 + CSR EDIT 2 KA151GU4- 63-2-3
 + CHG EDIT KA151GV4- 65-2
 - ALLOW CHG LOAD KA161E24- 66-2
 + GATE KEYBOARD KA071AG4- 68-3-1-1
 + FETS OUT BIT 6 KA141ED4- 69-1-1-3
 + F 0 SER IN BIT 6 KA021FJ4- 71-1
 + F 0 SER IN BIT 7 KA021GF4- 72-1
 + NULL IN FETS KA041EA4- 74-1-2-2



001 KM111 KM131
 *** KM111 ***
 337 - CLR NORM GT ERA KM141-AC4
 566 - LD KB TD FETS KM141-KMG011
 468 - SET INSERT NULL LTH KA081-AY4
 411 - SET I'CSR KB LD KA031-HA4
 161 - FETS OUT BIT 8 KM151-HC4
 283 - SET TAB NUM SKIP KM061-HE4
 204 - CHAR INSERT RESTORE KM141-WF4
 *** KM121 ***
 386 - INSERT MODE/RESTORE KM141-AC4
 267 - MDT LD BIT 7 KM141-KMG011
 575 - SET RESTORE INSERT KM141-AH4
 105 - INSERT MODE KM141-AM4
 553 - INSERT R/L MOD OP4
 181 - UNFORMATTED DISPLAY KM151-AZ4
 187 + DOT CTR 4 KM151-GS4
 168 + UNPROTECTED CHAR KM141-KM151
 379 - FAST SHIFT KM151-GZ4
 *** KM131 ***
 483 + CHAR 0 KM151-AC4
 456 - CLR ADV LTH KM151-AH4
 174 - MACH RESET KM151-AP4
 444 - SET ADV LTH KM151-AN4
 517 - SET INSERT CSR LTH A24
 244 + INST CSR NO ML KM151-BA4
 241 - INSERT CSR NOT AID KM141-BC4
 320 - LOAD LATE REG KM141-BF4
 431 - LOAD LATE REG GT KM141-BH4
 366 - DELETE CSR BIT 9 KA081-BL4
 146 + LINE 0 KM151-BN4
 373 + LINE 0 ROW 1 KM151-BS4
 586 - NULL SET FR KM031-BT4

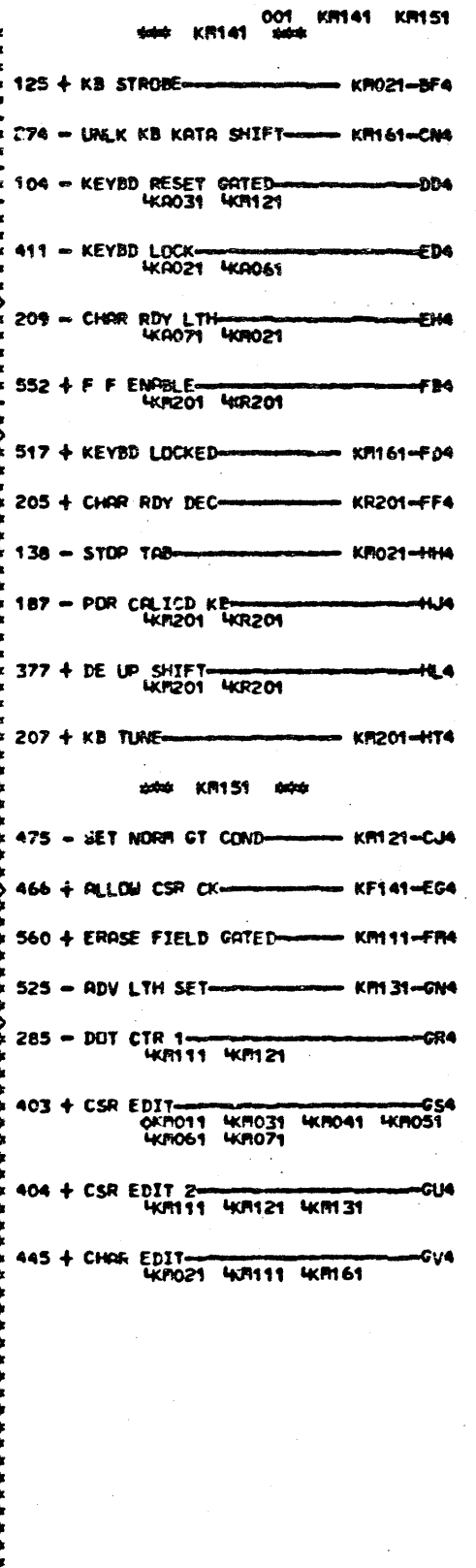
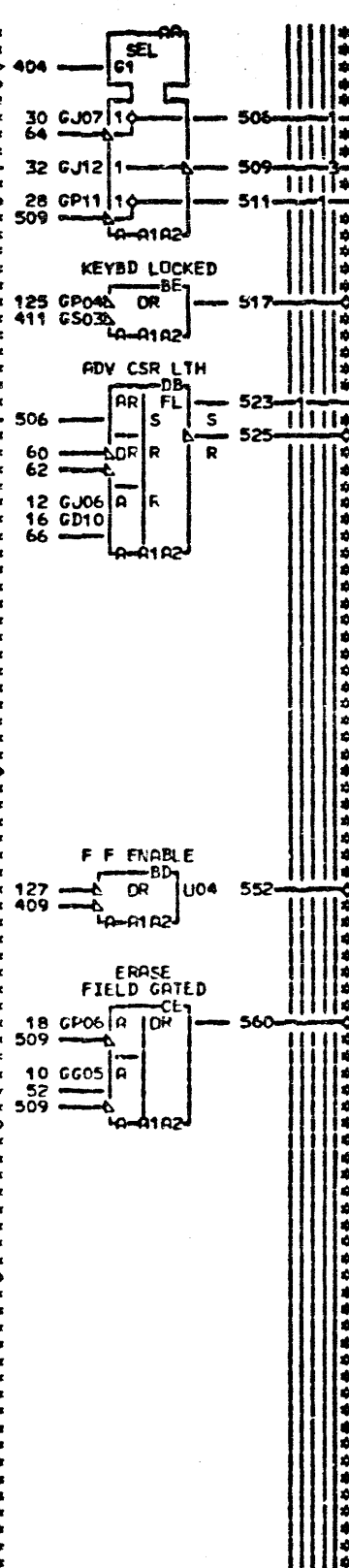
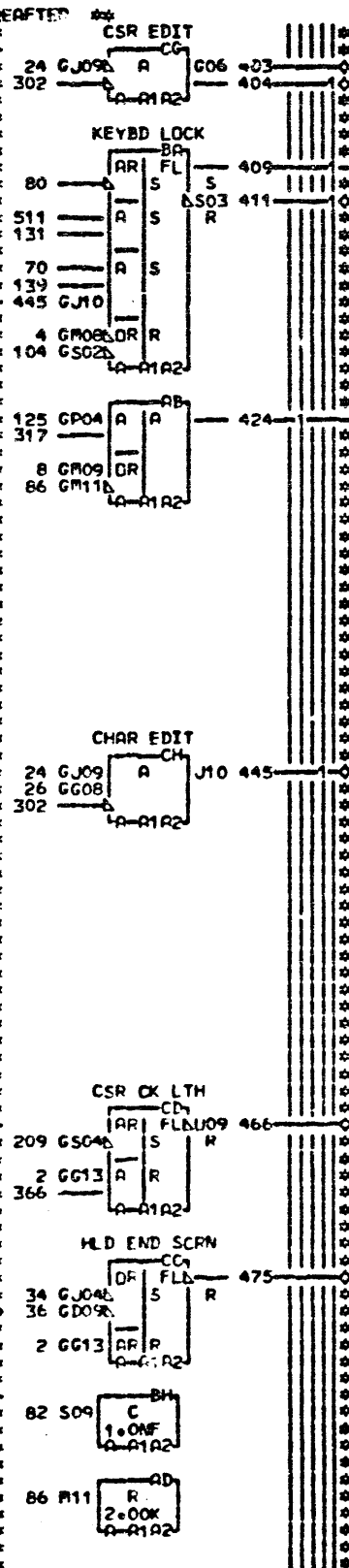
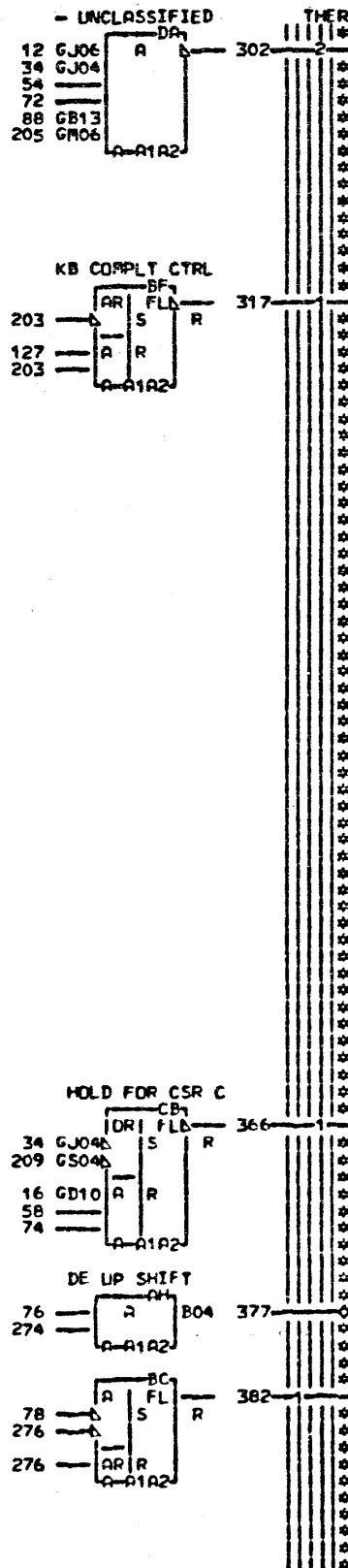
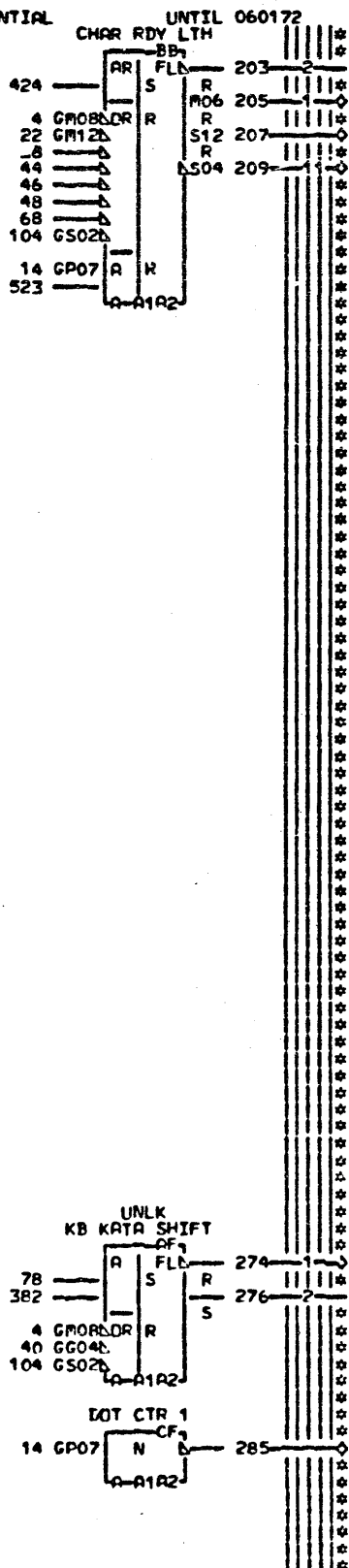
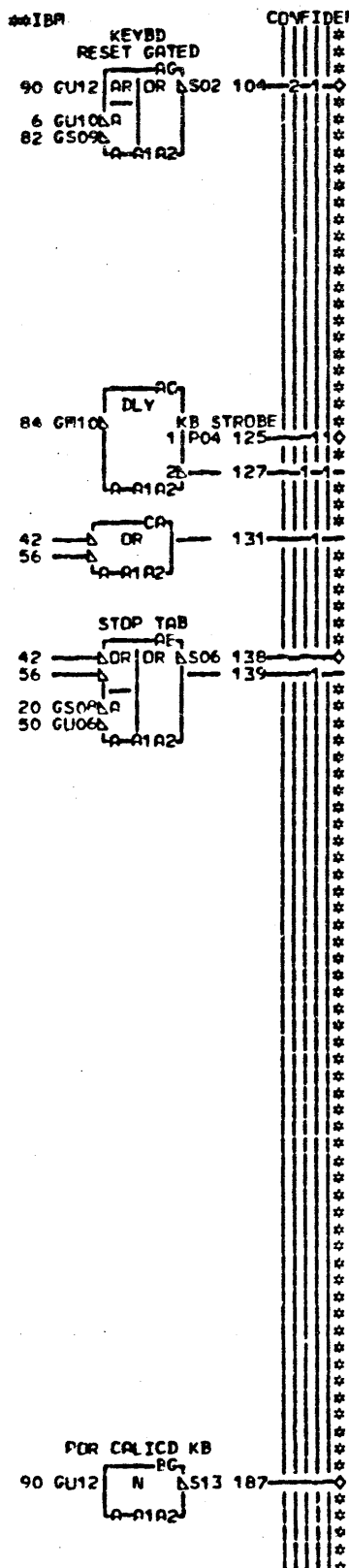
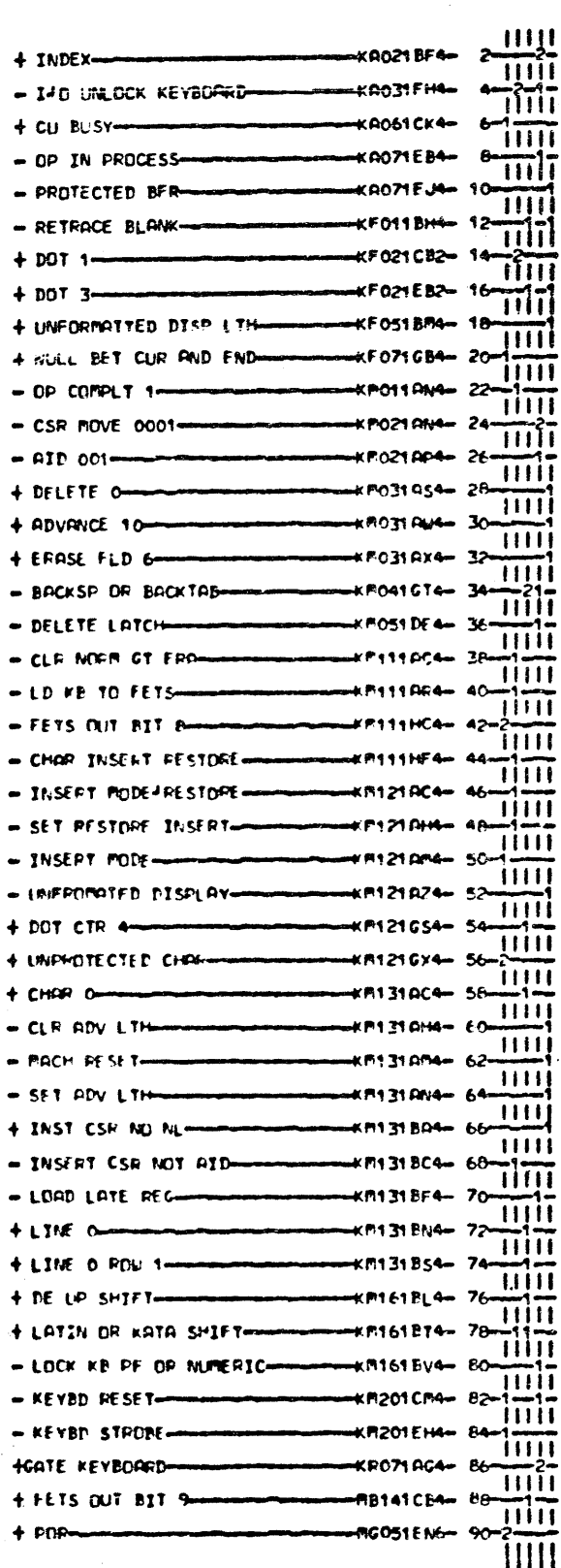
A-SIA TO PN 1563763 EC 717946
 B-SIA TO PN 1563764 EC 717946
 COMPUTE SEE REFERENCE PAGE 22102
 IF RPO AB3953 INSTALLED
 SIM TO PN 1563765 EC 717946

LDC TYPE A-A1A2 9072

PAGE VER EC LEV
 KM111 001 717946
 KM121 001 717946
 KM131 001 717946

KEYBOARD CONTROLS J2
 -E-C-HISTORY-B-RACK-3277
 717473
 716959 FRAME 01 KM111
 717492
 DATE LAST EC IBA CORP-KN KM131
 08-05-72 717946 P.O. 1823761 001

KM111
 KM131
 001



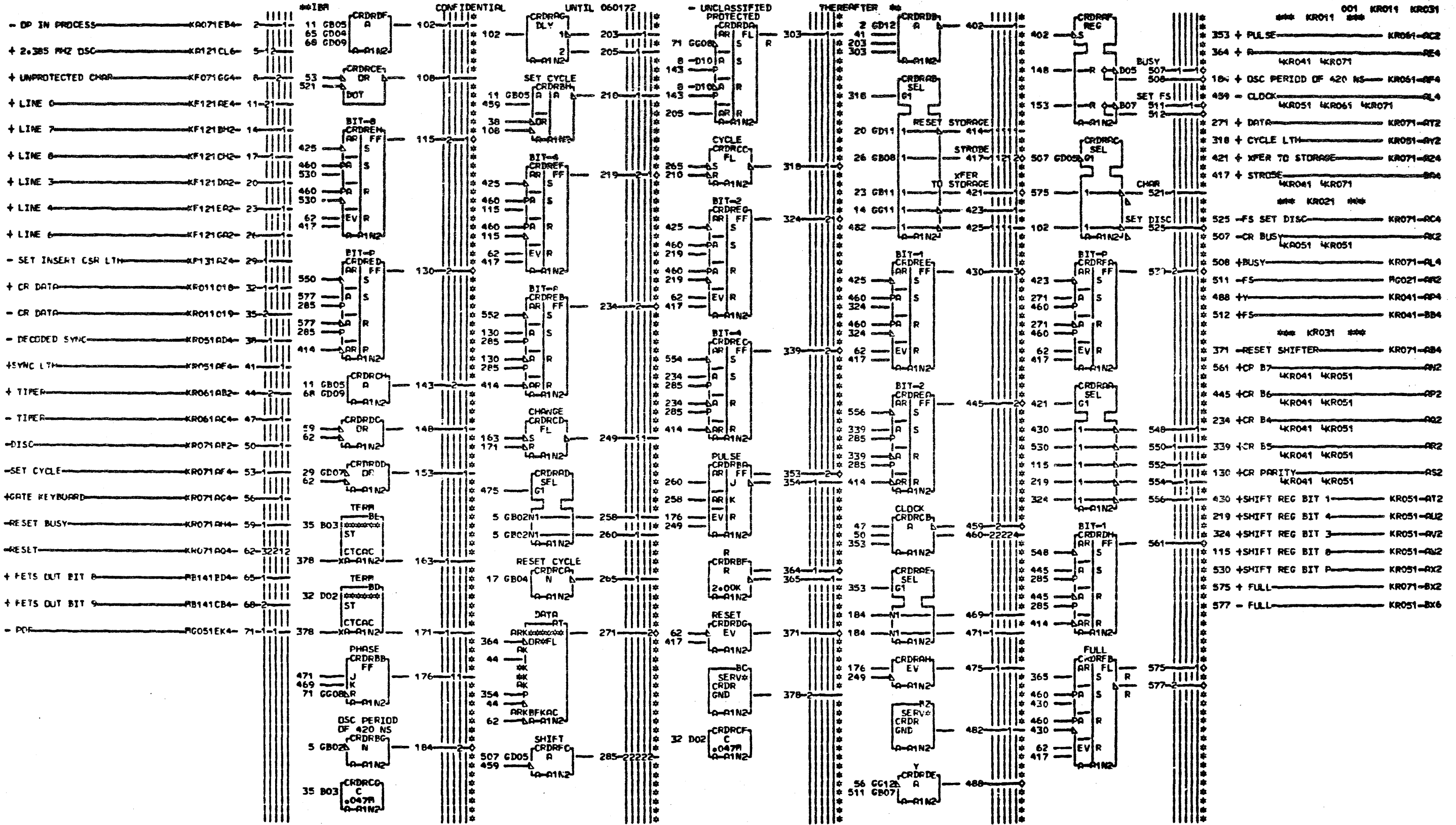
NOTE SEE REFERENCE PAGE 22101 FOR KEYBOARD FEATURE JUMPERS. SIR TO PN 1563766 EC 717946

LOC TYPE A-A1A2 9072

PAGE VEP EC LEV KR141 001 717946 KR151 000 717946

KEYBOARD CONTROLS J2			
LOGIC INTERFACE			
E-C-HISTORY	B-RACH-3277		
717473			
716959	FRAME 01	KR141	
717492			
	IBR COPP-KN	KR151	
DATE LAST EC			
08-05-72 717946	PN# 1823766		001

KR141
KR151
OC1

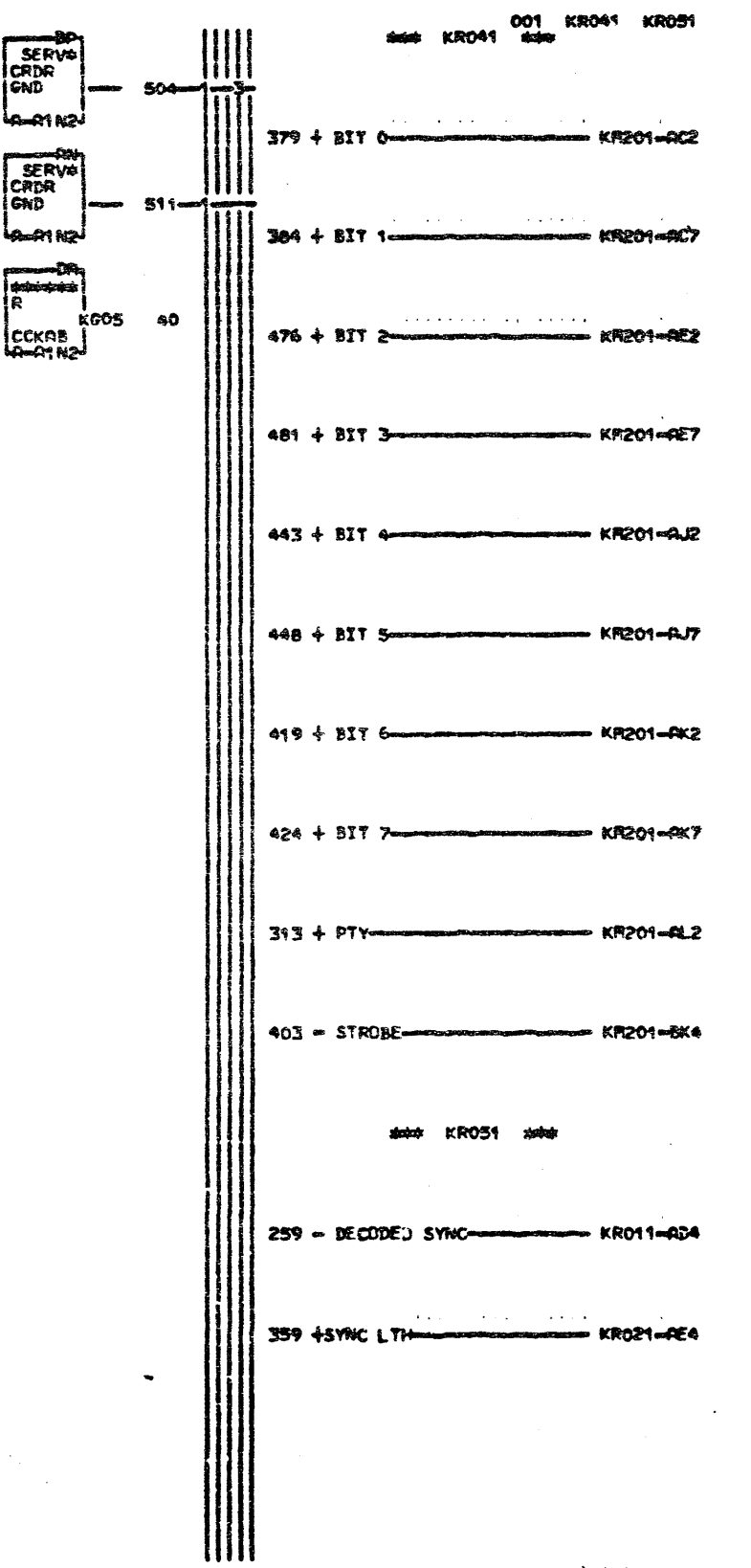
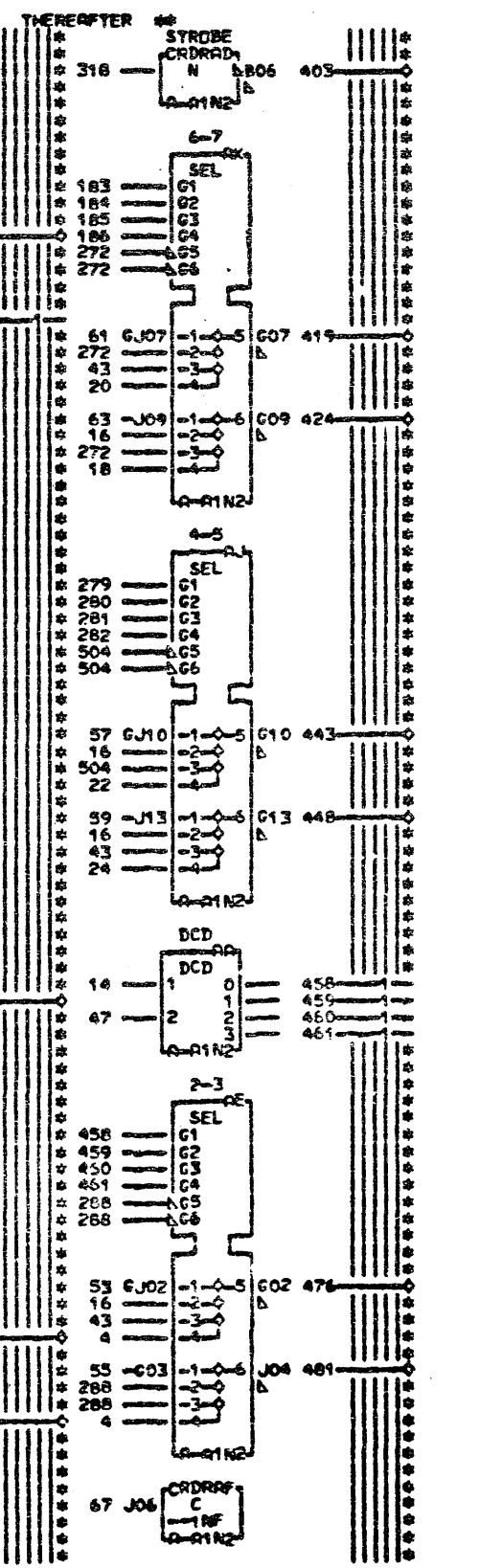
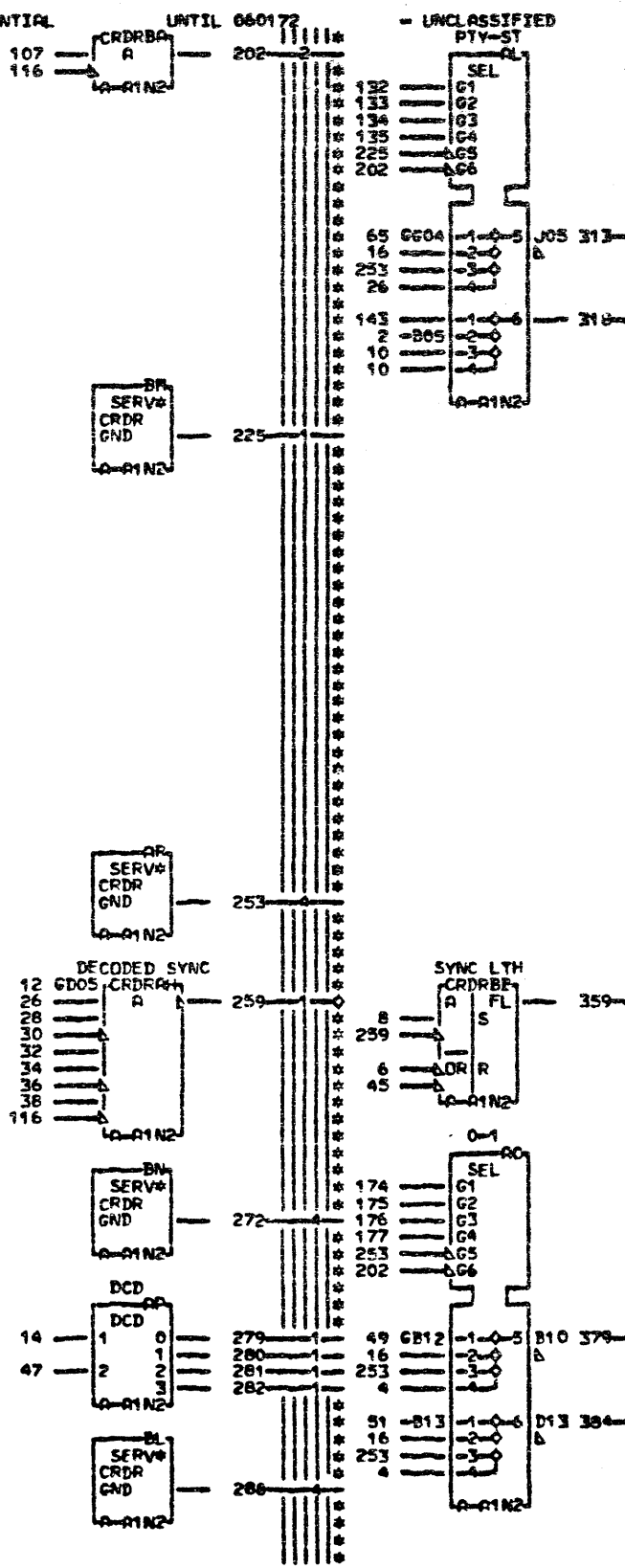
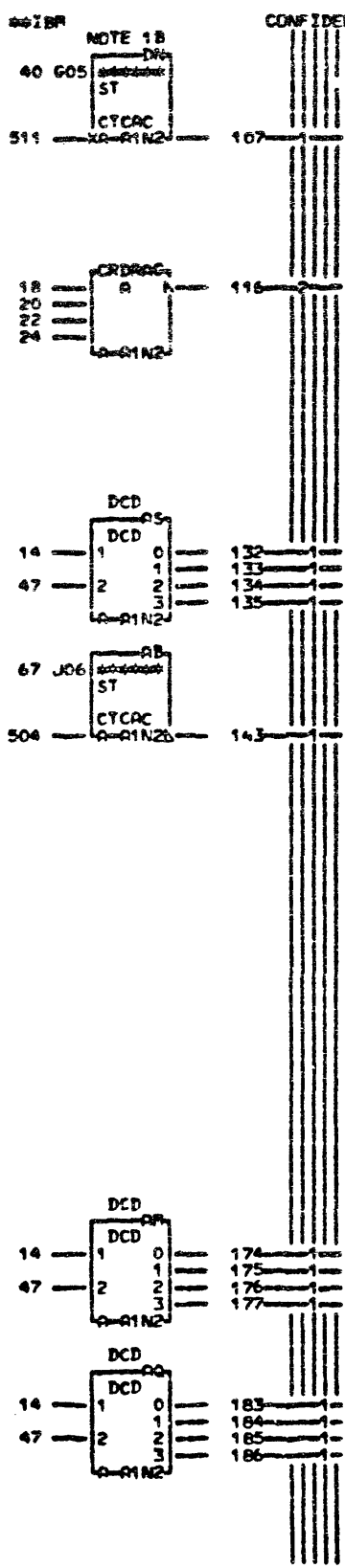
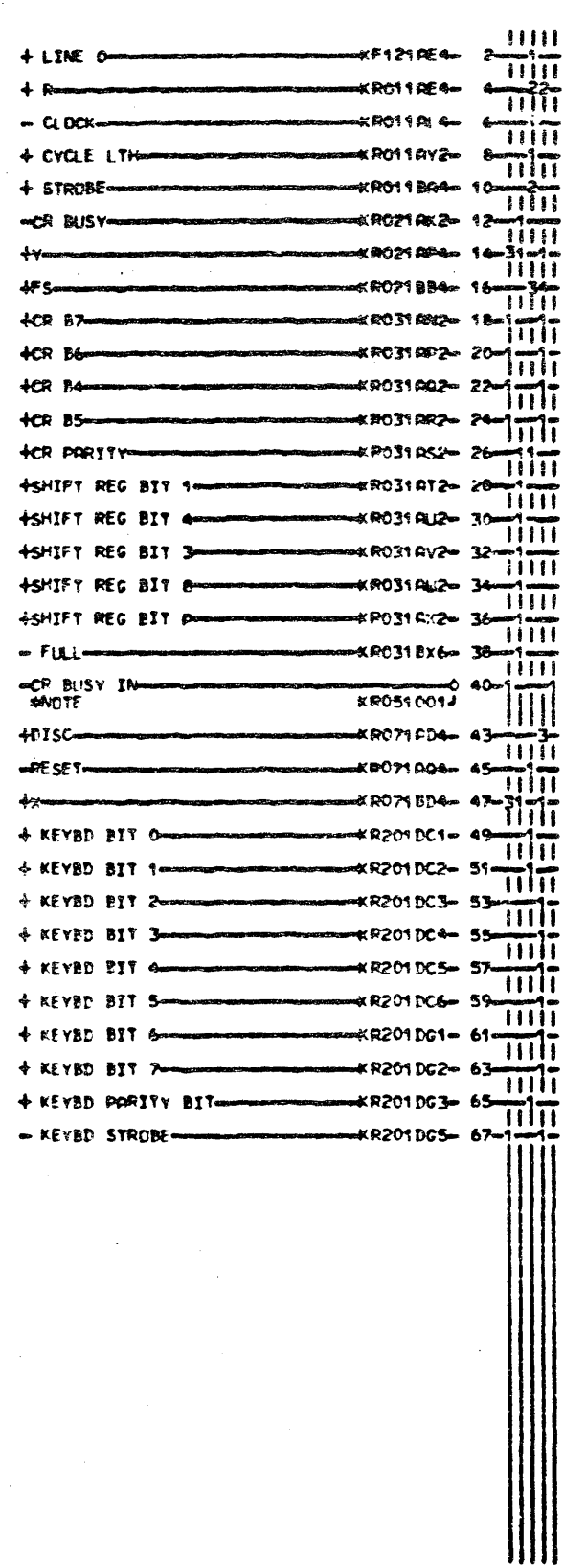


LDC TYPE
A-A1N2 2229

PAGE VER EC LEV
KRO11 001 717492
KRO21 001 717946
KRO31 001 717492

CARD READER			
-E-C-HISTORY-	B-NACH-3277		
717473		FRAME 01	KRO11
716959			
717492			
DATE	LAST EC	IBN CORP-SDD	KRO31
08-05-72	717946	P-N-1823769	001

KRO11
KRO21
001

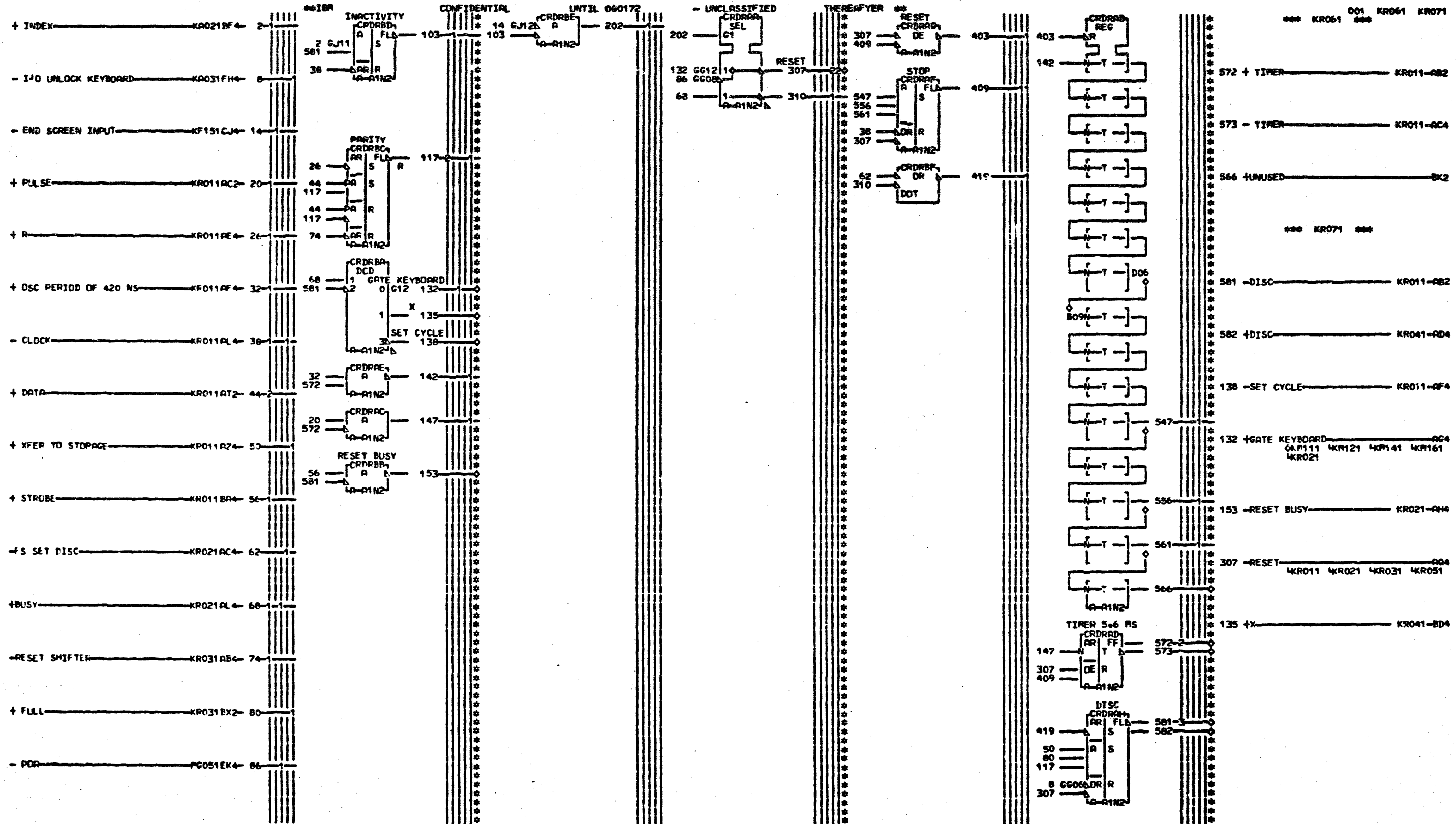


NOTE SEE REFERENCE PAGE 22101 FOR CARD READER FEATURE JUMPER

LDC TYPE A-11N2 2229

PAGE VER EC LEV KR041 001 717492 KR051 001 717492

CARD READER	
E.C. HISTORY 717473 716959	B. RACH. 3277
DATE LAST EC 06-01-72 717492	FRAGE 01 KR041
	IBM CORP. SDD KR051
	PaNo 1623770 001

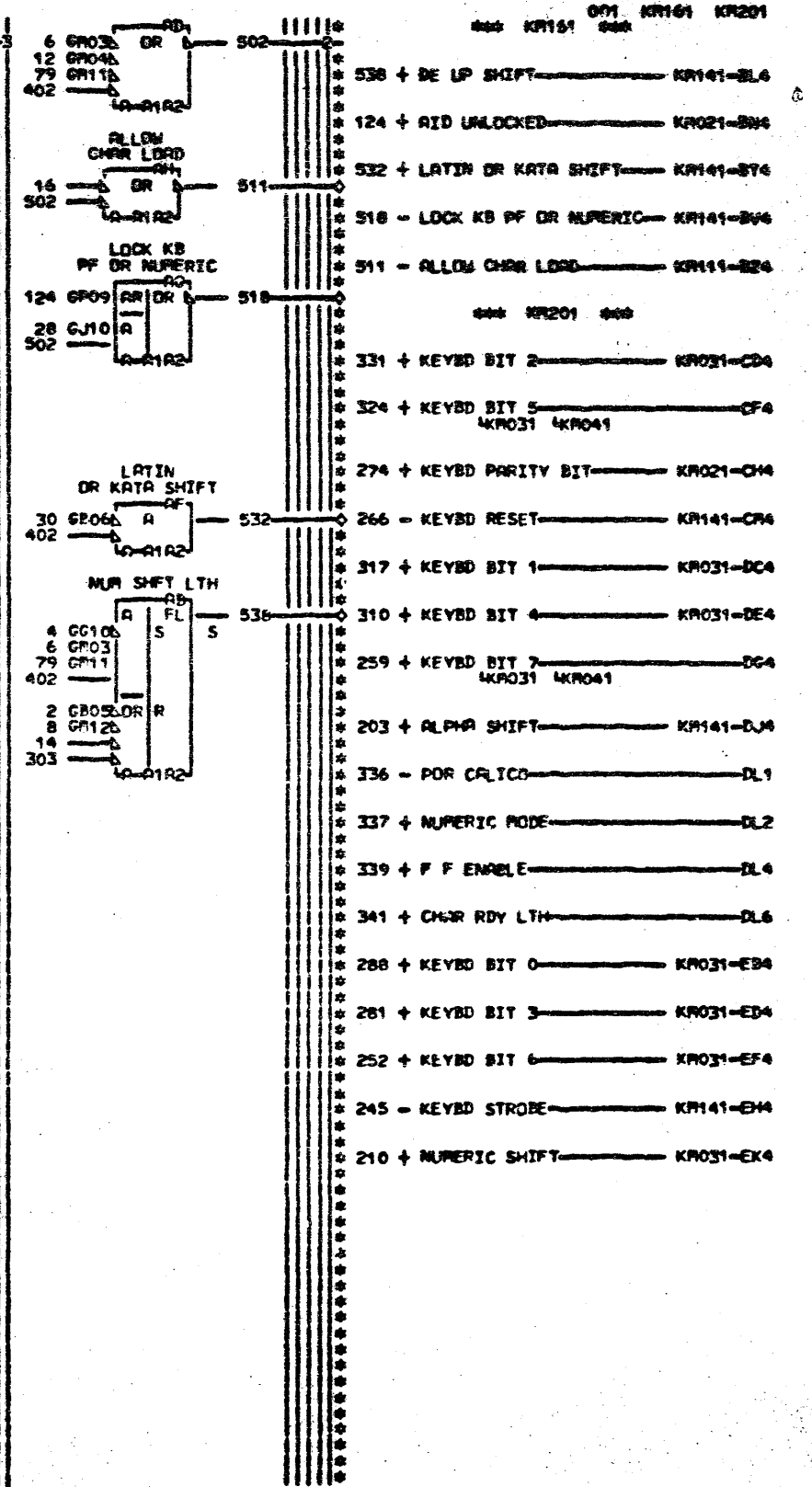
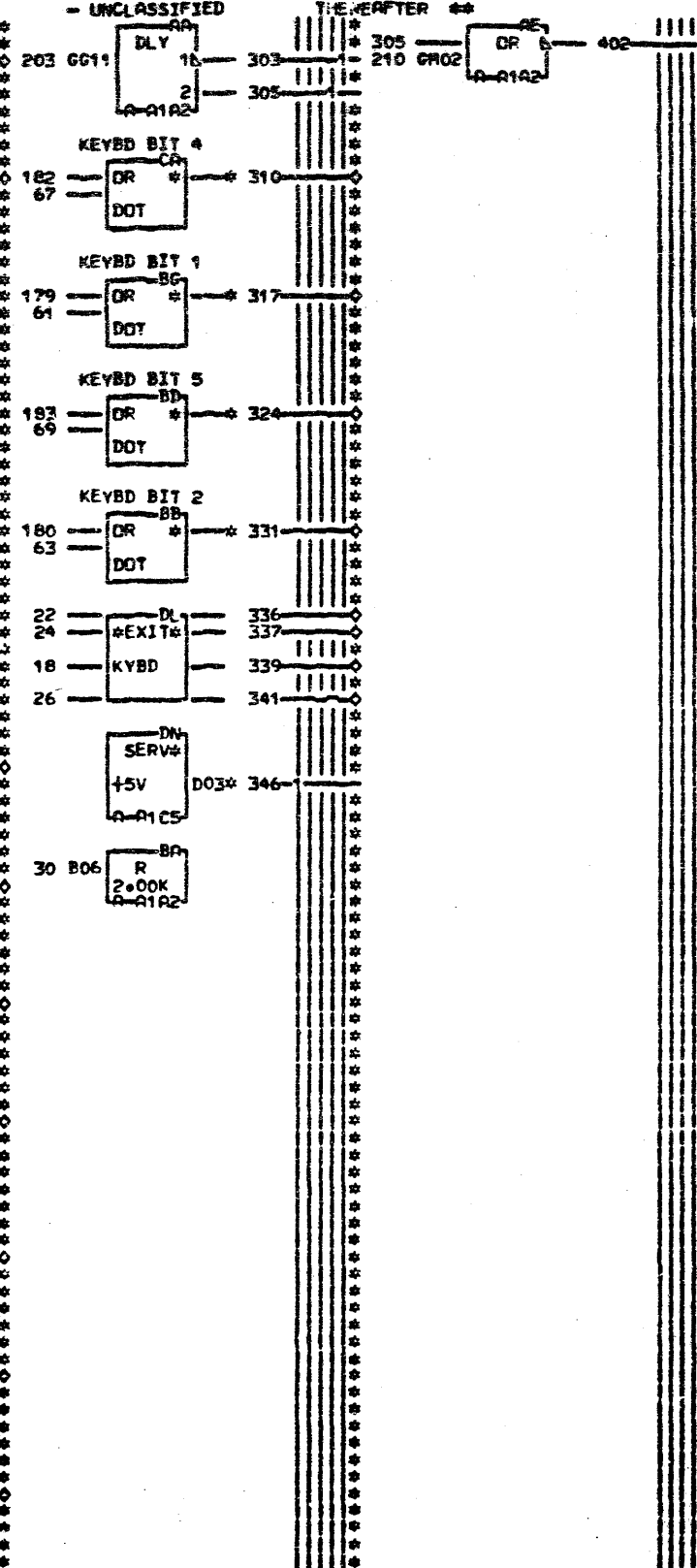
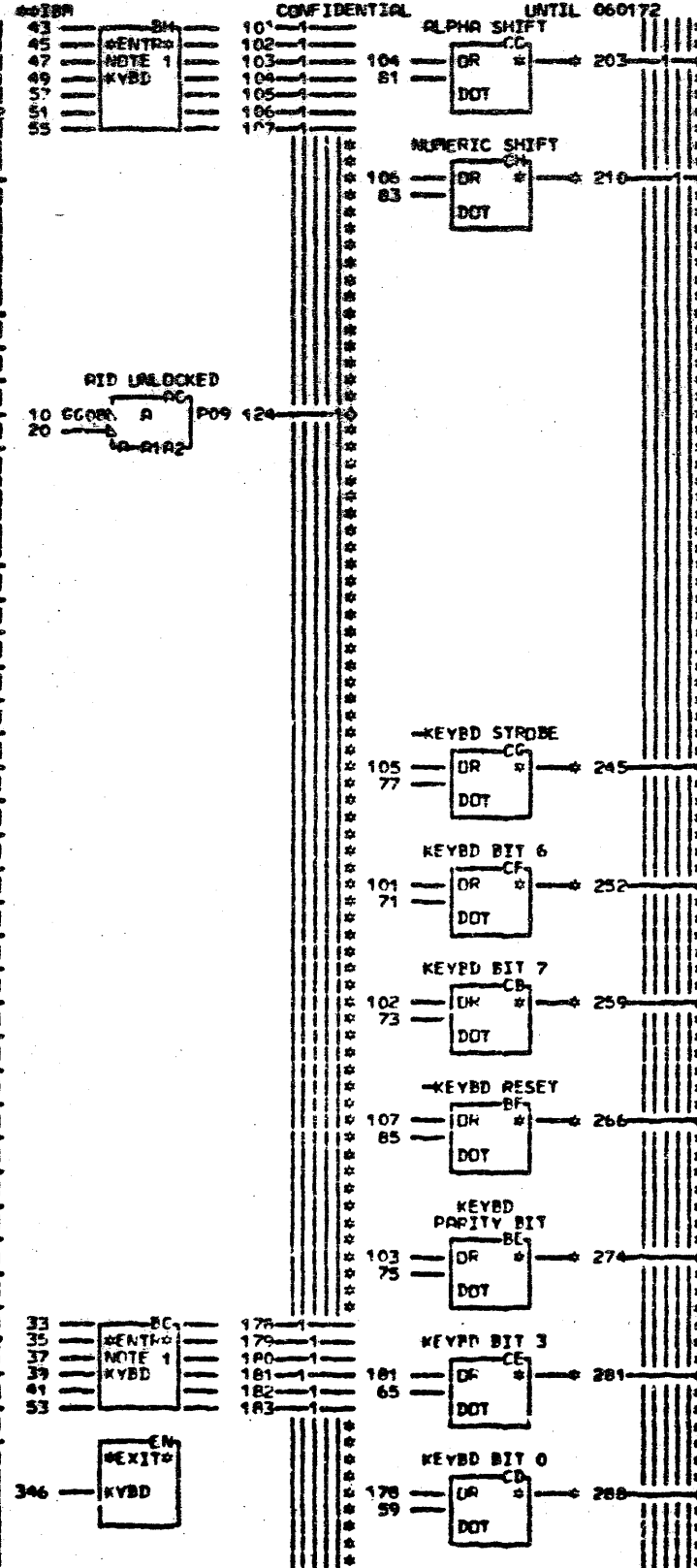
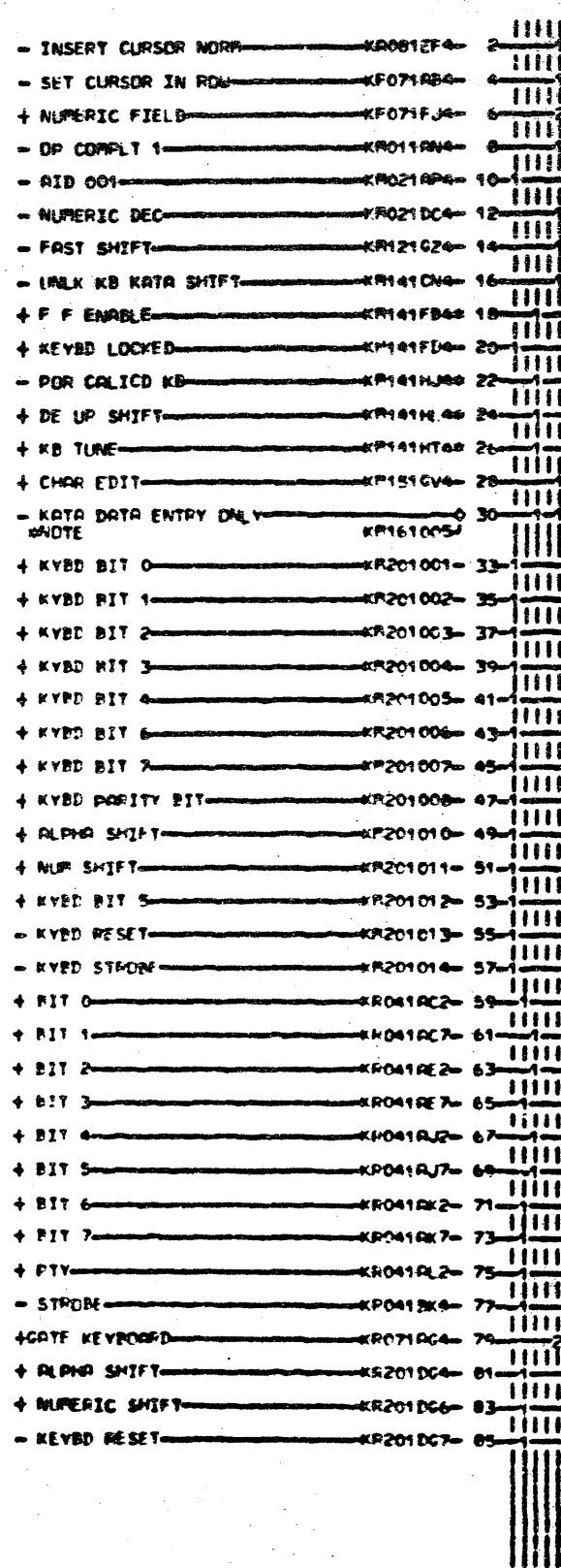


LOC. TYPE
A-A1N2 2229

PAGE VER EC LEV
KR061 001 717492
KR071 001 717946

CARD READER			
-E-C-HISTORY-		-PACH-3277	
717473	FRAME	01	KR061
716959	IBR	CRP.	KR071
717492	DATE	LAST EC	
08-05-72	717946	P.No.	1823771 001

KR061
KR071
J01



A-SIA TO PN 1563768 EC 717946
 B-NOTE 1 21 SOCKET FOR KYBD
 MFD CARD REFRP
 SIR TO PN 1563769 EC 717946

EDGE CONN.	01A-01C6P02	324	A-01B6D04
18	A-01B6C02	252	A-01B6E04
22	A-01C6A02	259	A-01C6A04
24	A-01B6A02	266	A-01C6D04
26	A-01C6E02	01A-01A6B04	
203	A-01A6D02	274	A-01C6B04
01A-01L6P02	281	A-01B6B04	
210	A-01B6P02	288	A-01A6F04
01A-01L6E02	310	A-01B6C04	
245	A-01C6C04	317	A-01A6E04

LOC. TYPE
A-01A2 9072

PAGE VER EC LEV
 KR161 001 717946
 KR201 001 717946

KEYBOARD CONTROLS #2			
LOGIC INTERFACE			
-EC-HISTORY-			
717473			
716959			
717492			
DATE	LAST EC	ISSR CORP-KW	
09-03-72	717946	P-N: 1824193	001

KR161
 KR201
 001

+ KYBD BIT 0
 + KYBD BIT 1
 + KYBD BIT 2
 + KYBD BIT 3
 + KYBD BIT 4
 + KYBD BIT 5

001
 002
 003
 004
 005
 006

DC
 #ENTR#
 CRDR 1
 KYBD

KR041 + KEYBD BIT 0
 KR041 + KEYBD BIT 1
 KR041 + KEYBD BIT 2
 KR041 + KEYBD BIT 3
 KR041 + KEYBD BIT 4
 KR041 + KEYBD BIT 5

DC1
 DC2
 DC3
 DC4
 DC5
 DC6

+ KYBD BIT 6
 + KYBD BIT 7
 + KYBD PARITY BIT
 + ALPH SHIFT
 + KYBD STROBE
 + NUMERIC SHIFT
 + KYBD RESET

007
 008
 009
 010
 011
 012
 013

DC
 #ENTR#
 CRDR 1
 KYBD

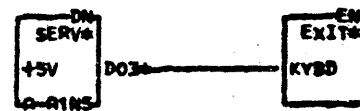
KR041 + KEYBD BIT 6
 KR041 + KEYBD BIT 7
 KR041 + KEYBD PARITY BIT
 KR201 + ALPH SHIFT
 KR041 + KEYBD STROBE
 KR201 + NUMERIC SHIFT
 KR201 + KEYBD RESET

DG1
 DG2
 DG3
 DG4
 DG5
 DG6
 DG7

- POR CALICD KB KM141H40
 + DE UP SHIFT KM141H40
 + F F ENABLE KM141FB40
 + CHAR RDY DEC KM141FF40

DK
 #EXIT#
 CRDR 1
 KYBD

- POR CALICD DK1
 + DE UP SHIFT DK2
 + FF ENABLE DK4
 + SOUND KYBD DK6



NOTE 1 24 SOCKET FOR KYBD WITH CARD READER

KM141FB4	DC2	A-01L6C04	01A-01A6E02
01A-01A6A02	DC3	A-01L6D04	DM A-01N6A02
KM141FF4	DC4	A-01L6E04	
01A-01N6C02	DC5	A-01A6A04	
KM141H40	DC6	A-01A6B04	
01A-01A6D02	DC1	A-01A6C04	
KM141H4	DC2	A-01A6D04	
01A-01L6D02	DC3	A-01A6E04	
DC1 A-01L6B04	DC5	A-01N6A04	

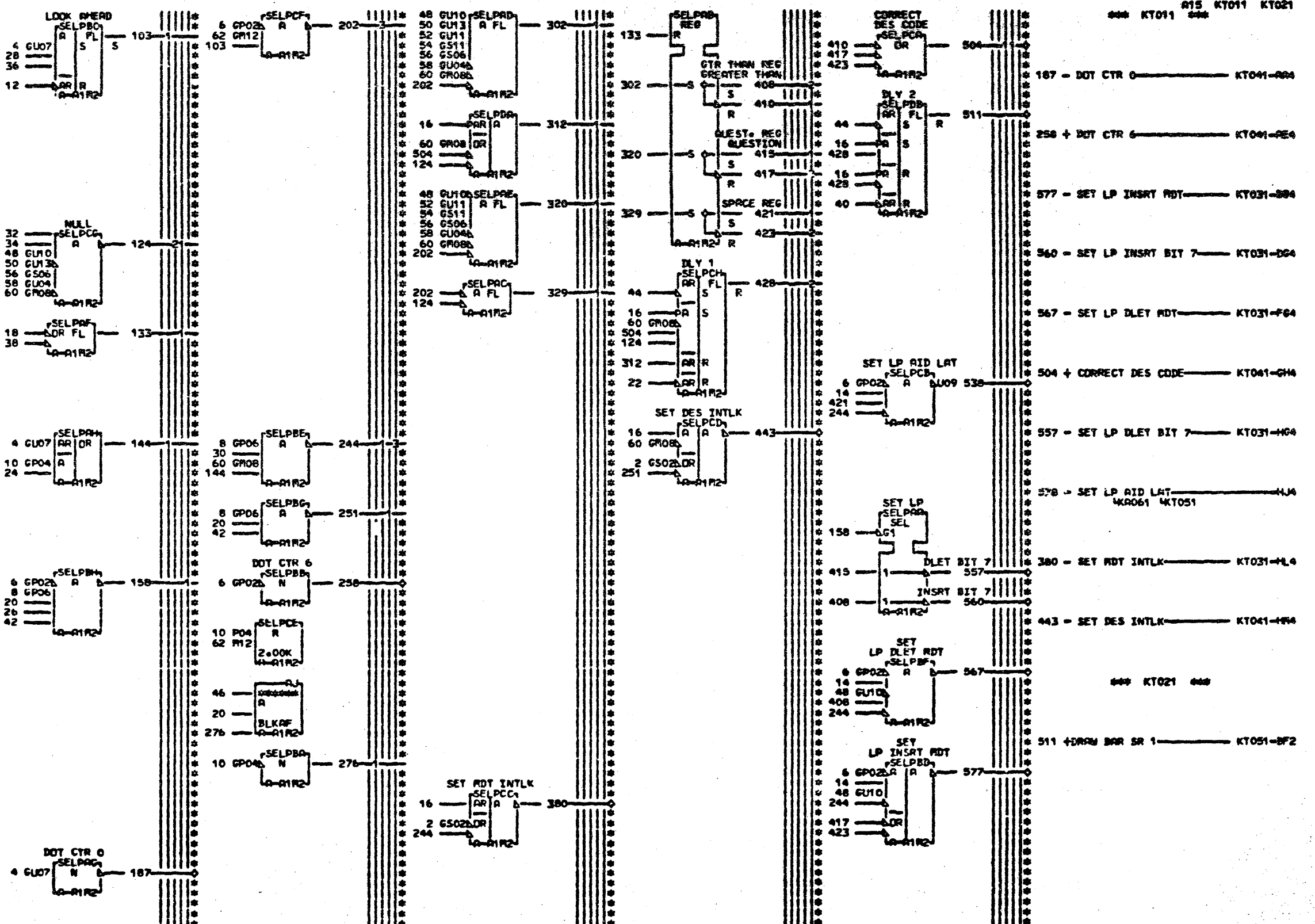
LOC. TYPE

KEYBOARD INTERFACE FOR CR	
E-C-HISTORY 717473	FRCH. 3277
DATE 02-18-72	LAST EC 716059
IBR CORP. KN	FRME 01
P.No. 1823772	

KR201

001

- HALT LP CONTROLS KA031FB4- 2
- + DDT 0 KF021BB2- 4
- DDT 6 KF021EE6- 6
- + LAST LINE KF171DB4- 8
- 19SR DR 48 SR CONN KT011002- 10
- DDT CTR 6 KT031AC4- 12
- RDT INTLK SET KT031BB4- 14
- + DDT CTR 6 KT031BC4- 16
- ADD 1 FS KT041AP4- 18
- + STRIKE LAT KT041AR4- 20
- STRIKE LAT KT041AS4- 22
- + DES INTLK SET KT041AT4- 24
- DES INTLK SET KT041AU4- 26
- + FS ON LINE 5 KT041BB4- 28
- CHAR ALL DVES DR ROW 0 KT041B4- 30
- BIT 4 LB KT051A24- 32
- BIT 5 LB KT051AB4- 34
- + BITS 4 AND 5 SPD KT051AE4- 36
- RESET KT051AZ4- 38
- LP CTR 0 KT061AS4- 40
- + LP CTR 0 KT061AY4- 42
- + V KT061AL4- 44
- + LP CTR 1 KT061AY4- 46
- PRE RUS BIT 7 AC021BA4- 48
- + BIT 6 FROM LINE BUFFER AC021BB4- 50
- + BIT 5 FROM LINE BUFFER AC021BC4- 52
- + BIT 4 FROM LINE BUFFER AC021BD4- 54
- PRE RUS BIT 3 AC021BE4- 56
- PRE RUS BIT 2 AC021BF4- 58
- + BIT 8 FROM LINE BUFFER AC021BG4- 60
- + LWR CASE BIT 1 LB AC111BL6- 62



KT011 KT021

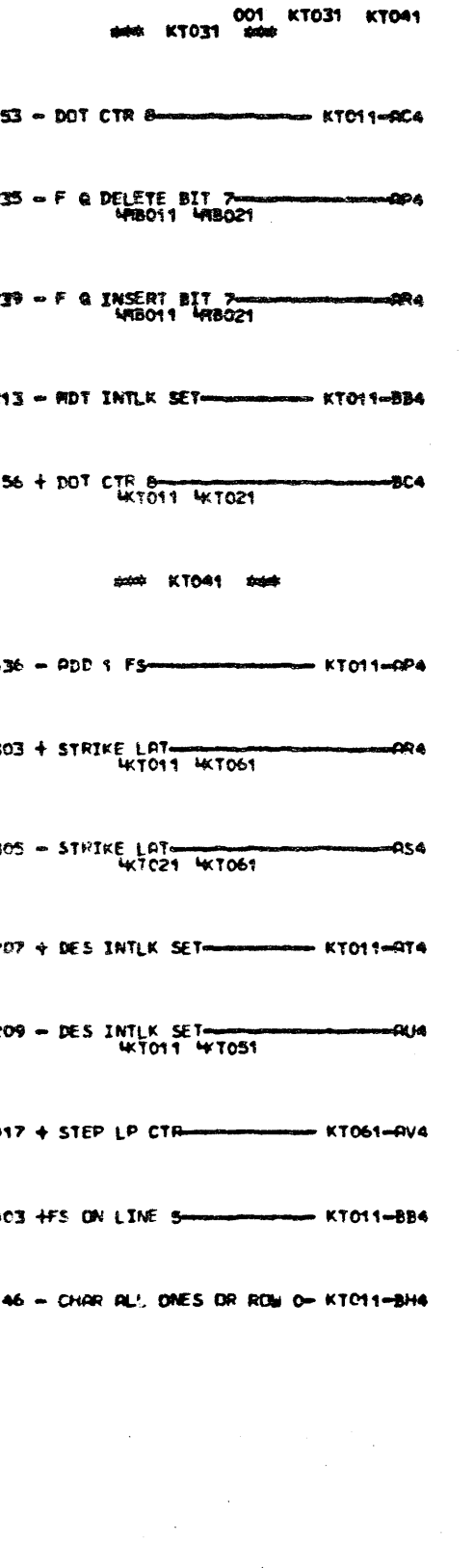
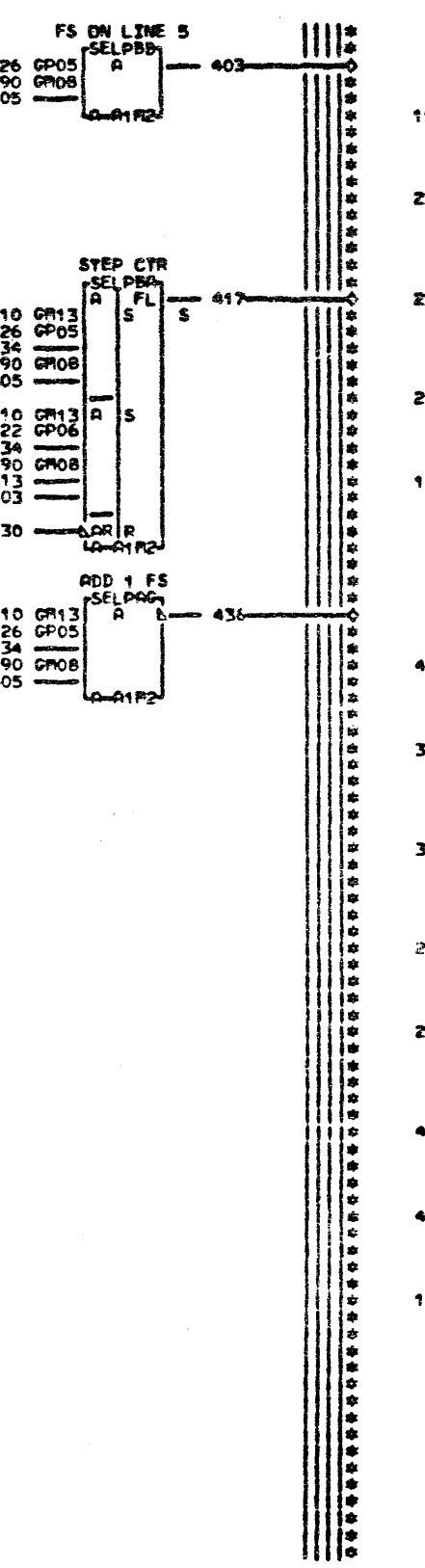
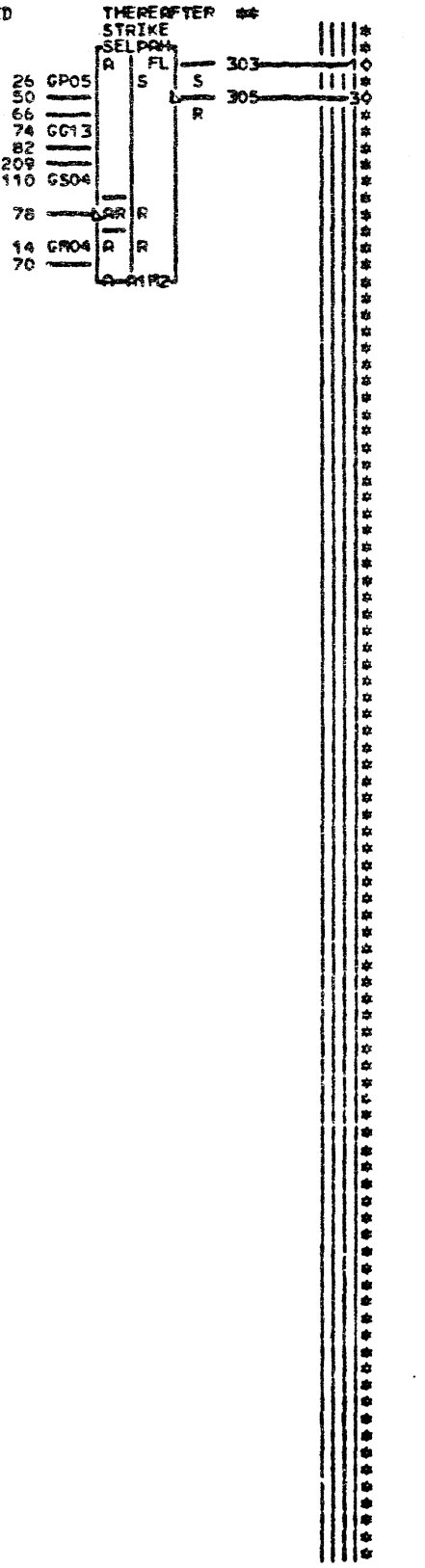
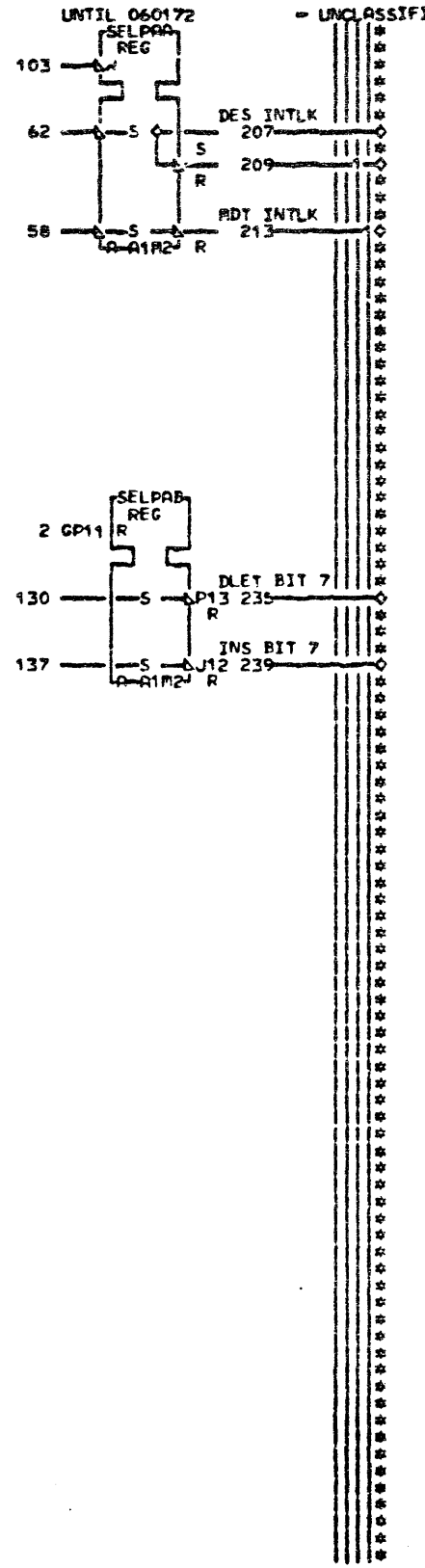
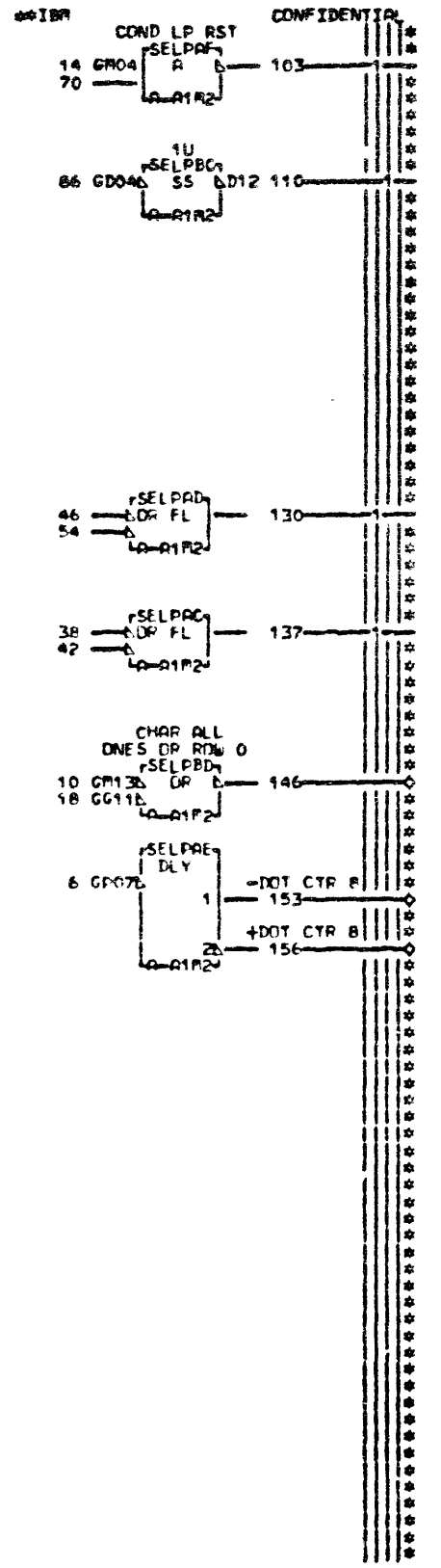
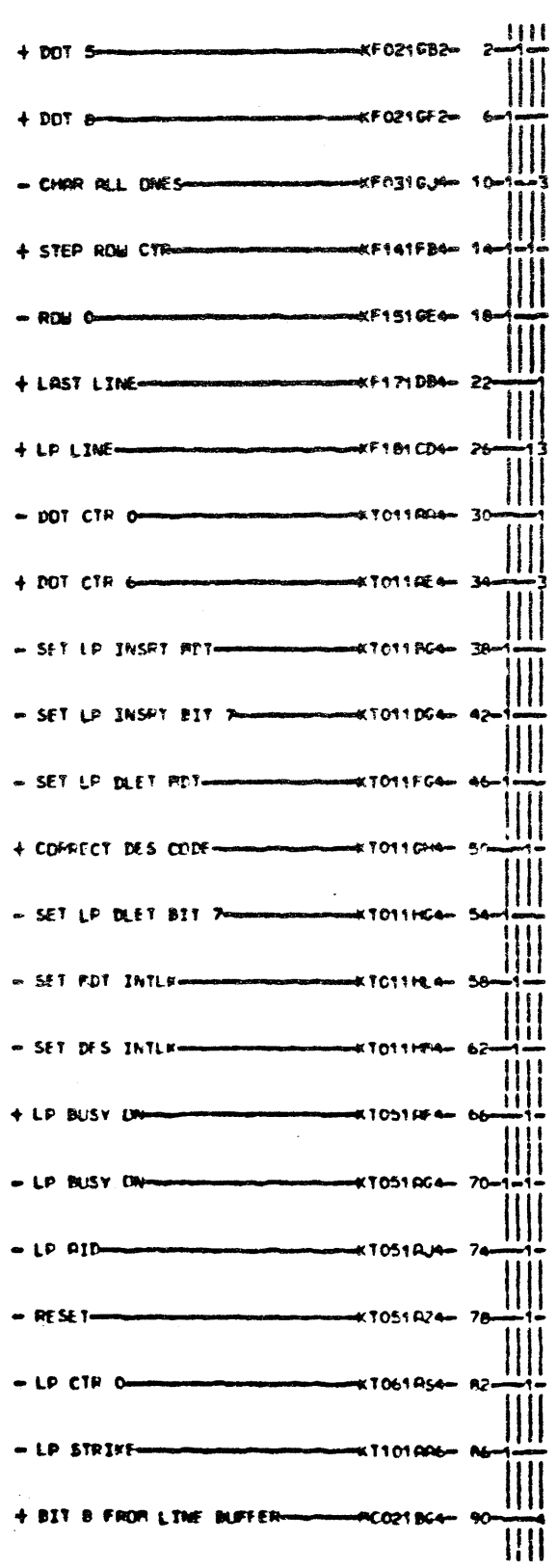
- 167 - DDT CTR 0 KT041-AB4
- 258 + DDT CTR 6 KT041-AC4
- 577 - SET LP INSRT RDT KT031-BA4
- 560 - SET LP INSRT BIT 7 KT031-BA4
- 567 - SET LP DLET RDT KT031-FA4
- 504 + CORRECT DES CODE KT041-GH4
- 557 - SET LP DLET BIT 7 KT031-HG4
- 578 - SET LP AID LAT KRA061 KTO51
- 380 - SET RDT INTLK KT031-HL4
- 443 - SET DES INTLK KT041-IF4
- 511 + DRAW BAR SR 1 KT051-BF2

LOC. TYPE
A-A1R2 9088

PAGE VER EC LEV
KT011 A15 717946
KT021 A15 717946

RMR 1948 LP CTRL			
E.C. HISTORY		PACH 3277	
717473		FRAME 01	KT011
716959		IBN CORP. KN	KT021
DATE LAST EC	08-03-72 717946	P.No 1823774	A15

KT011
KT021
A15

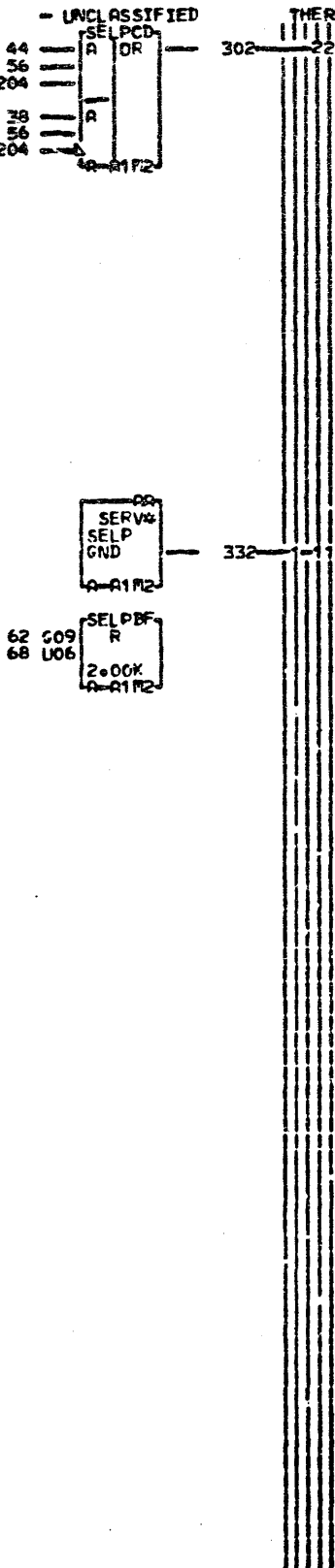
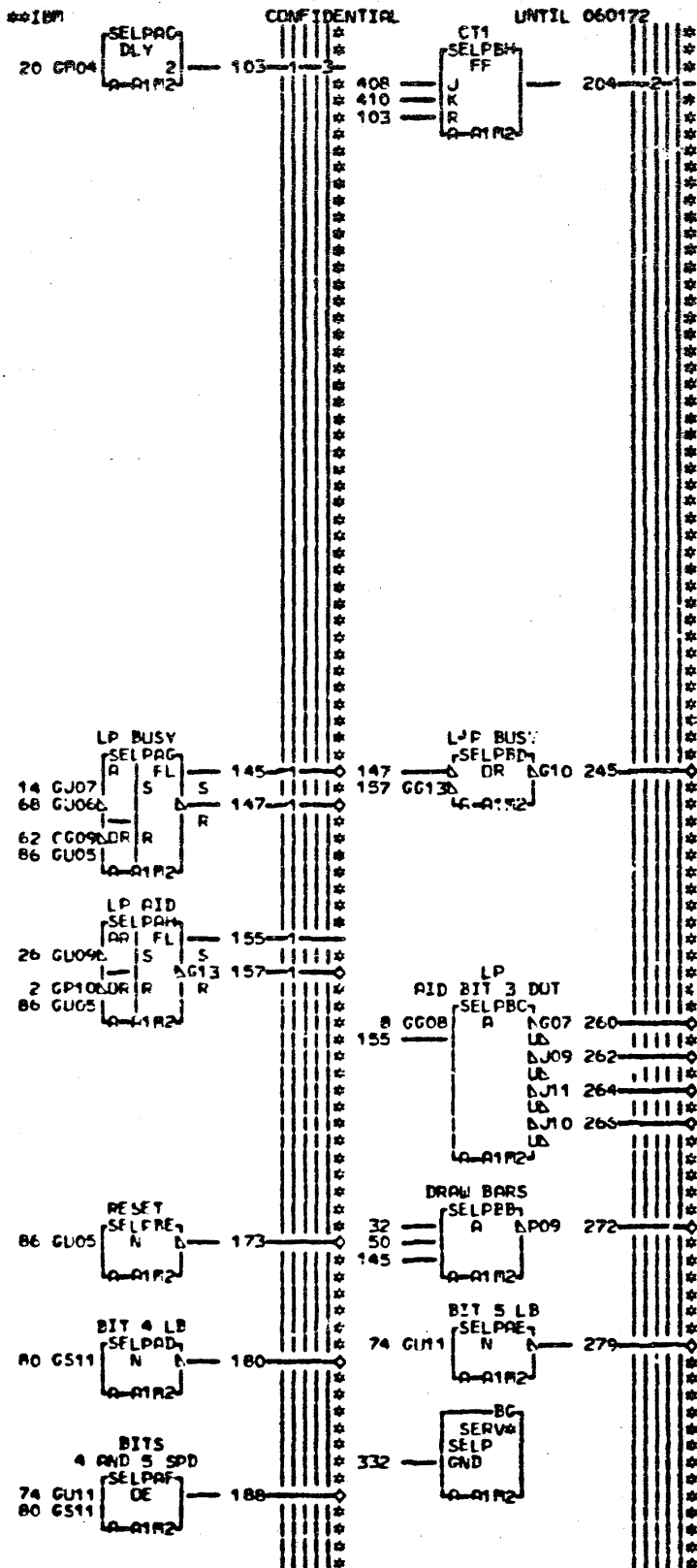
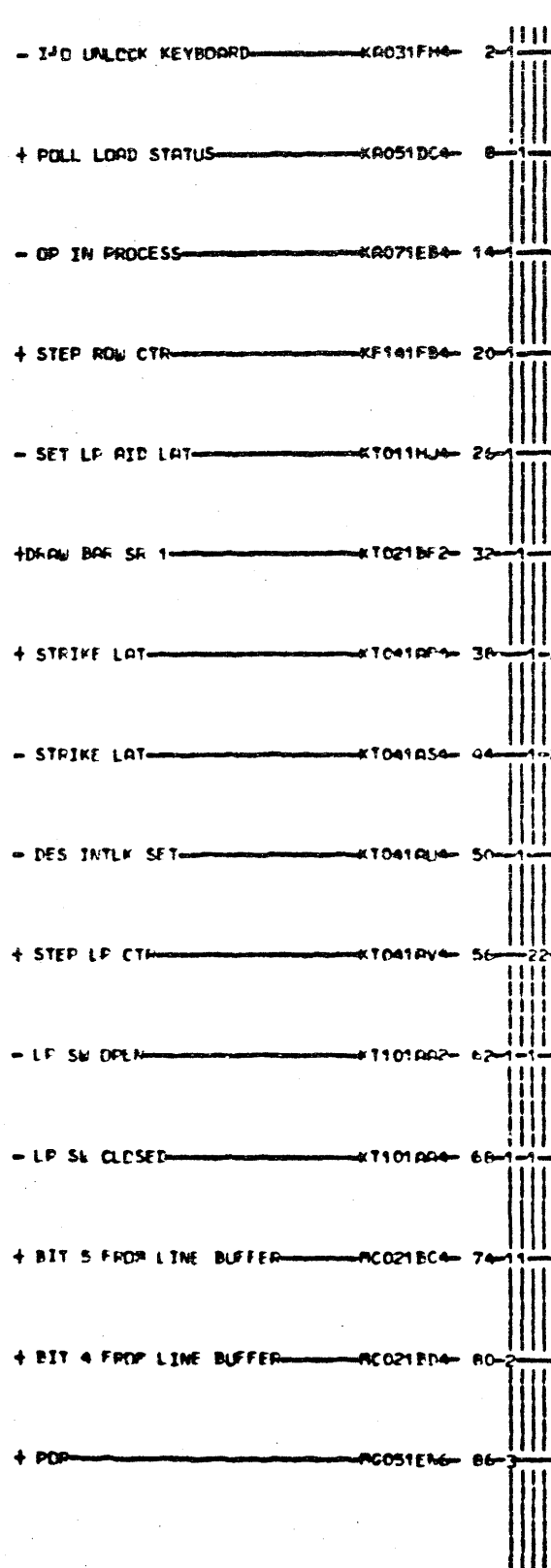


LDC. TYPE
A-A1R2 9088

PAGE VPR EC LEV
KT031 001 717473
KT041 001 717946

RMR 19448 LP CTRL			
E.C. HISTORY		B. P. 717473	
DATE	LAST EC	FRAME	01
08-05-72	717946	IBM CORP. KN	KT041
P. No. 1823776		001	

82
KT031
KT041
001

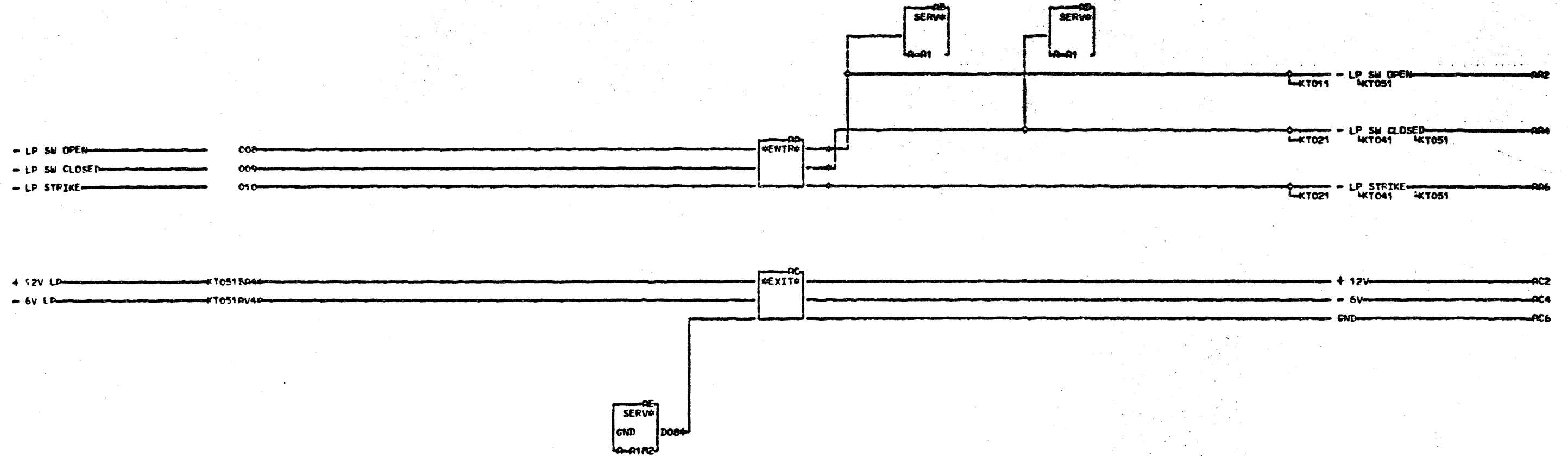


LDC TYPE
A-A1R2 9088

PAGE VER EC LEV
KT051 001 717946
KT061 001 717473

RNR 19448 LP CTRL	
E-C-HISTORY	D-RACH-3277
717473	FRAME 01
716959	KT051
717492	IBR CORP-KN
KT061	KT061
DATE LAST EC	P-N-1823780
08-05-72 717946	001

KT051
KT061
001



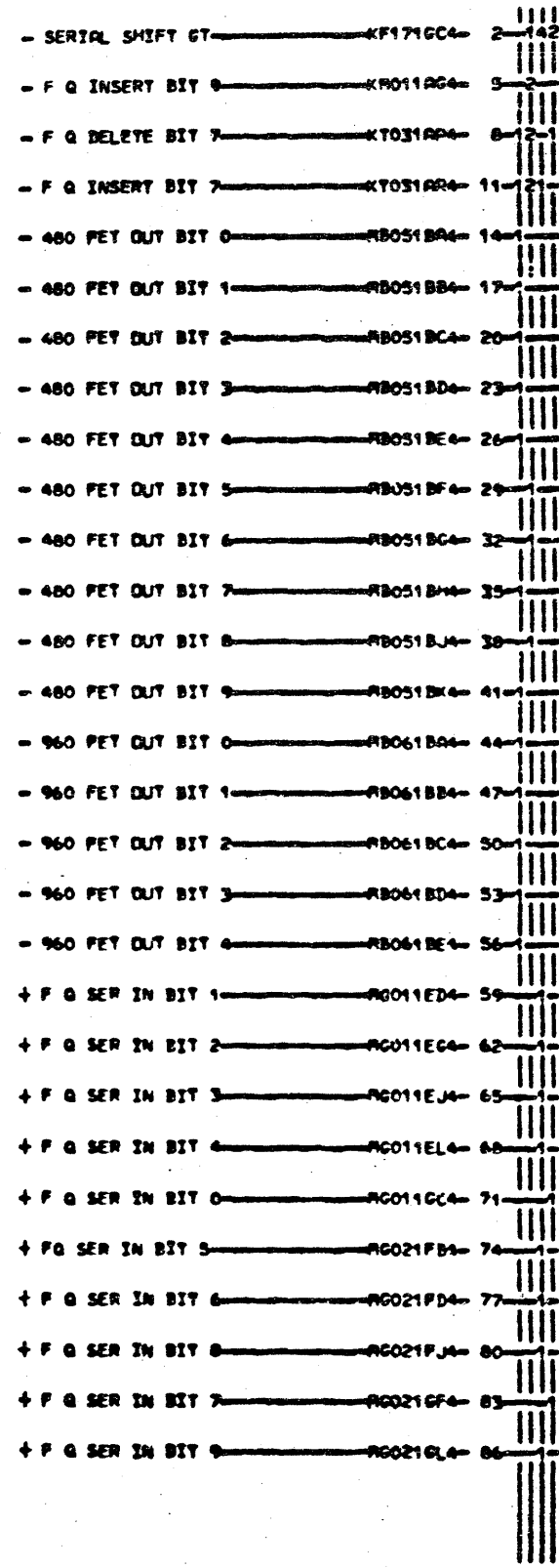
30
40-17K
001

KT051RV4 RE4 A-01R1B13
 C08 A-01R1D13
 C09 A-01R1D13
 C10 A-01R1C13
 AC2 A-01R1C13
 AC4 A-01R1E11
 AC6 A-01L1E11
 D08 A-01L1E11
 RE4 A-01L1E13

LOC. TYPE

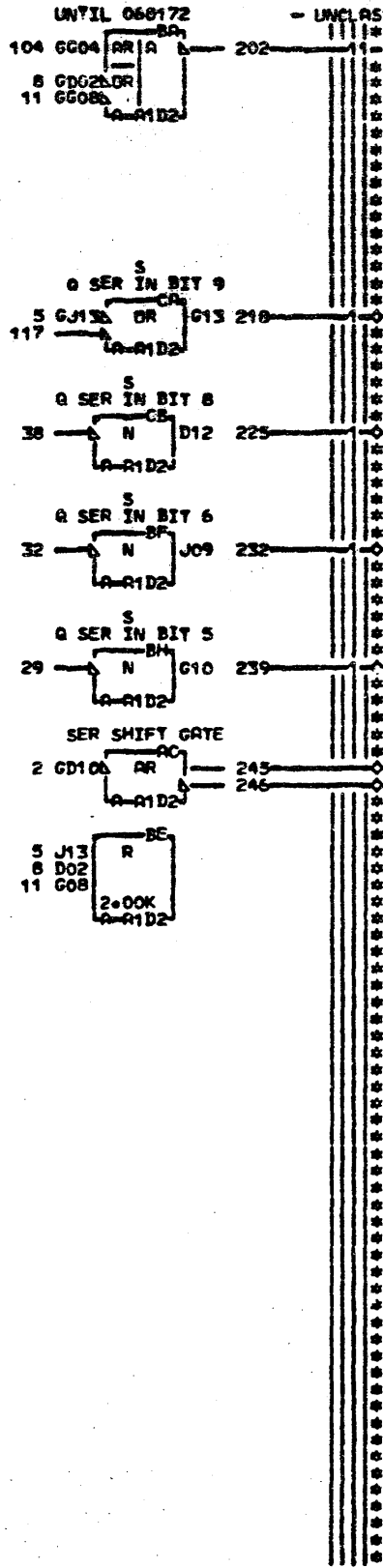
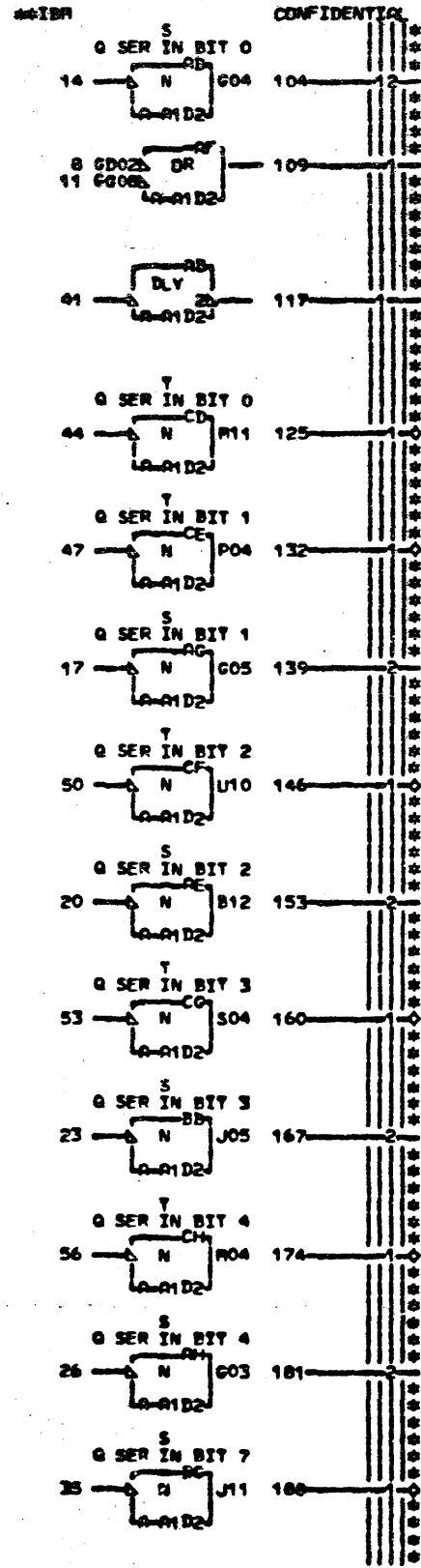
SELECTOR PEN INTERFACE LINES
 E.C. HISTORY - B. PACH. 3277
 717473
 FRAME 01
 IBP CORP. SDD
 DATE LAST EC
 06-01-72 717492
 P.O. No. 1823763

K
T
1
0
1

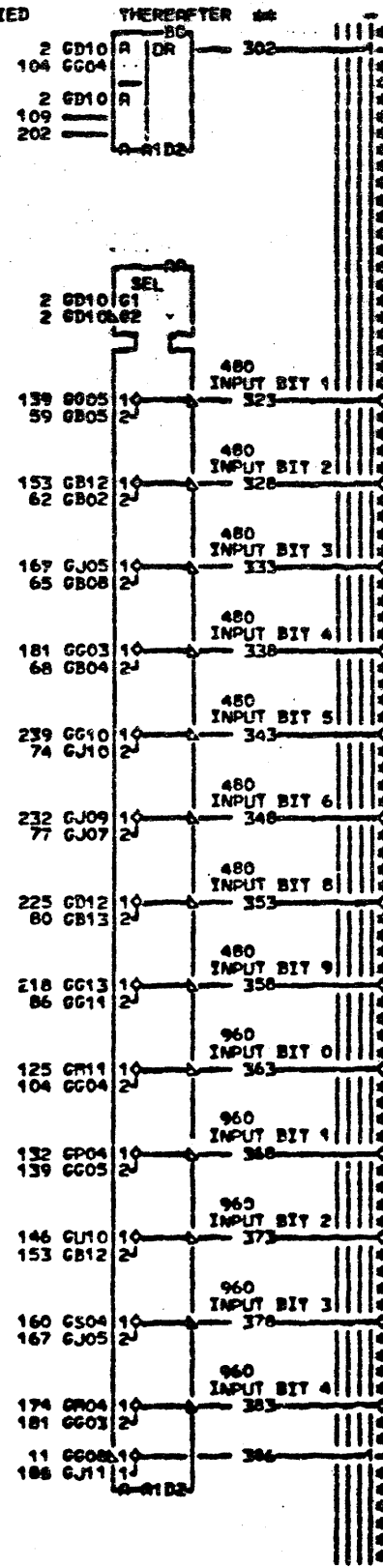


A-SIR TO PW 1563770 EC 717473
 B-SIR TO PW 1563771 EC 717473

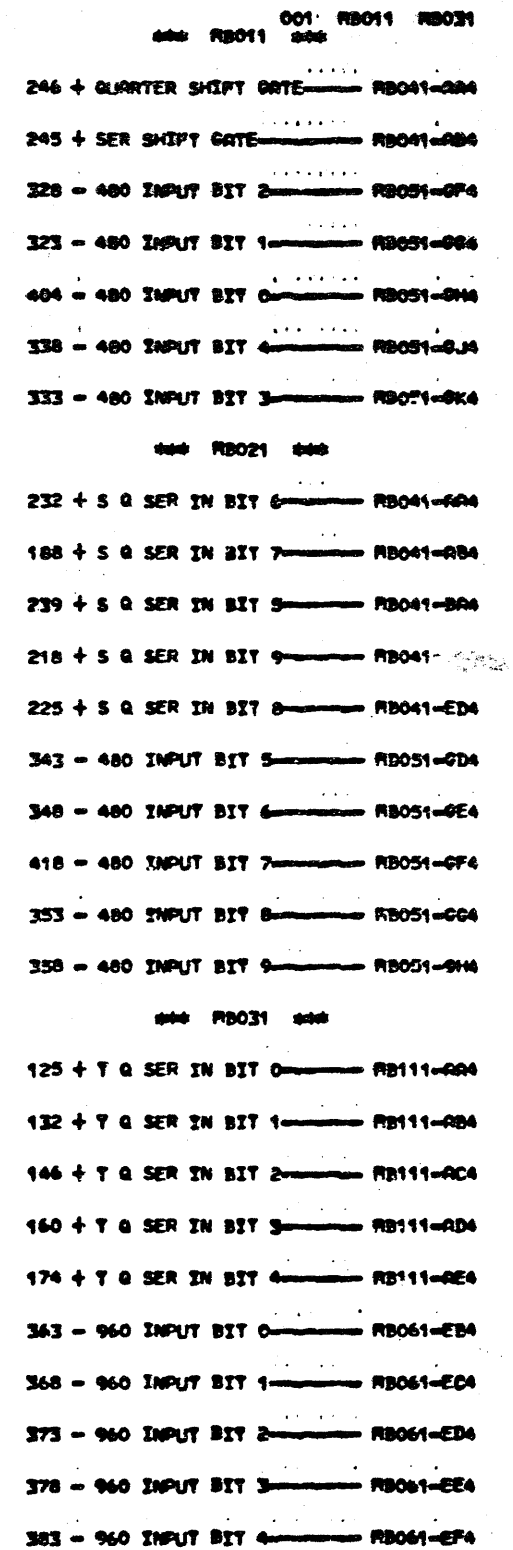
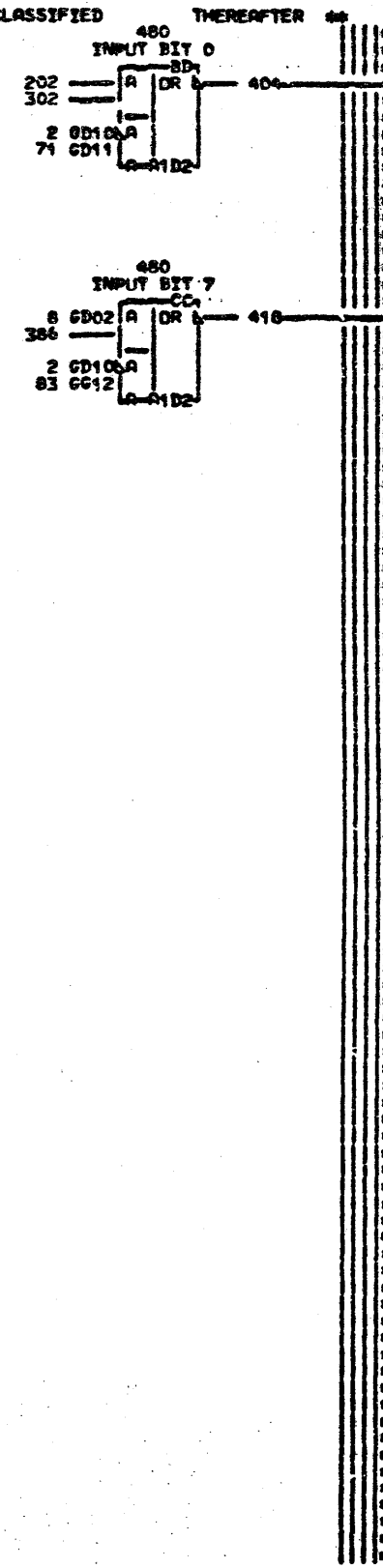
RB011
 RB031
 001



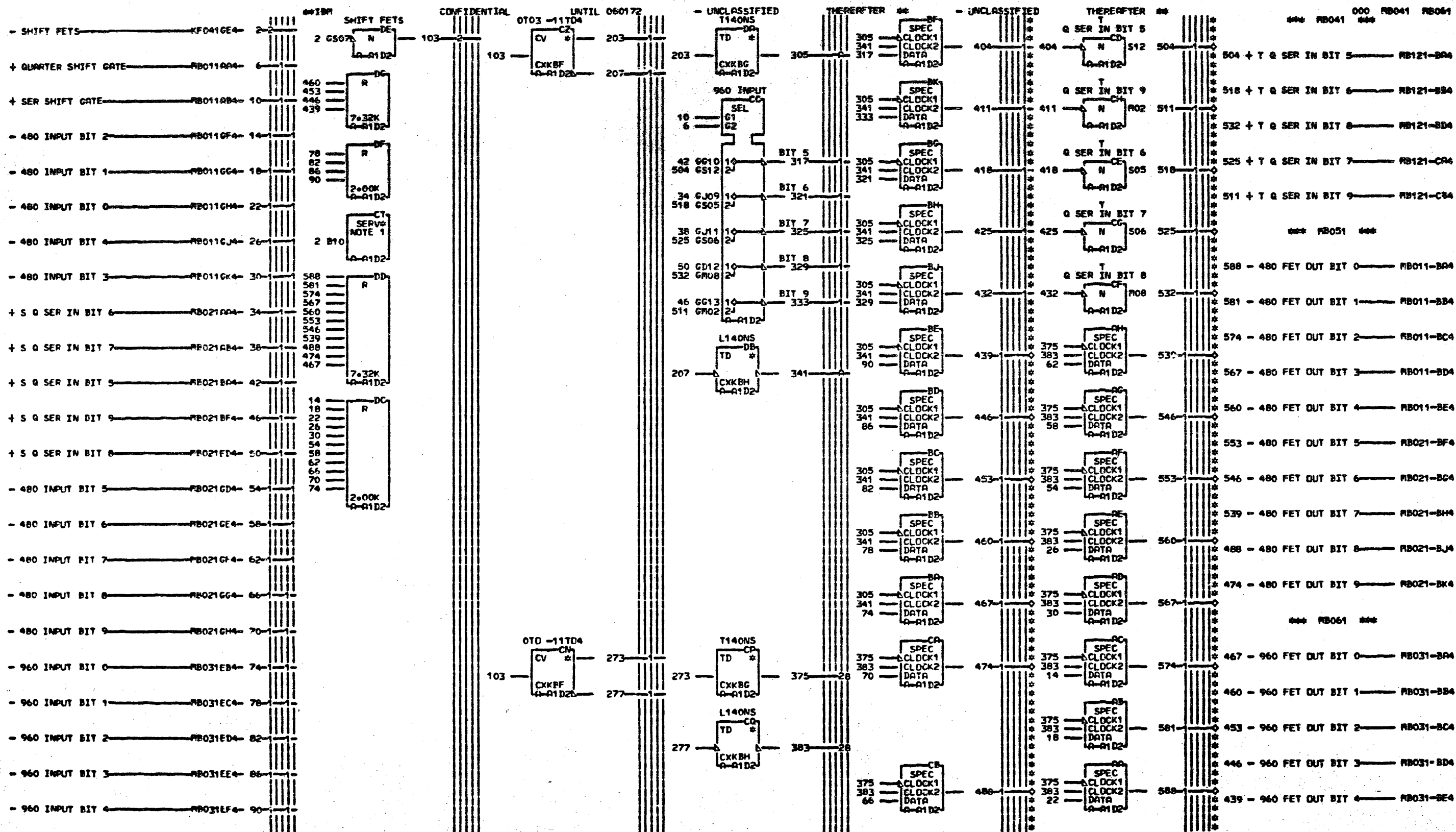
LDC TYPE
 A-R1D2 9065



PAGE VER EC LEV
 RB011 001 717473
 RB021 001 717473
 RB031 000 717473



960 STOR + GATE
 -E-C-HISTORY- RACH-3277
 FRAPPE 01 RB011
 DATE LAST EC IBM CORP-KM RB031
 01-21-72 717473 P.No. 1823785 001

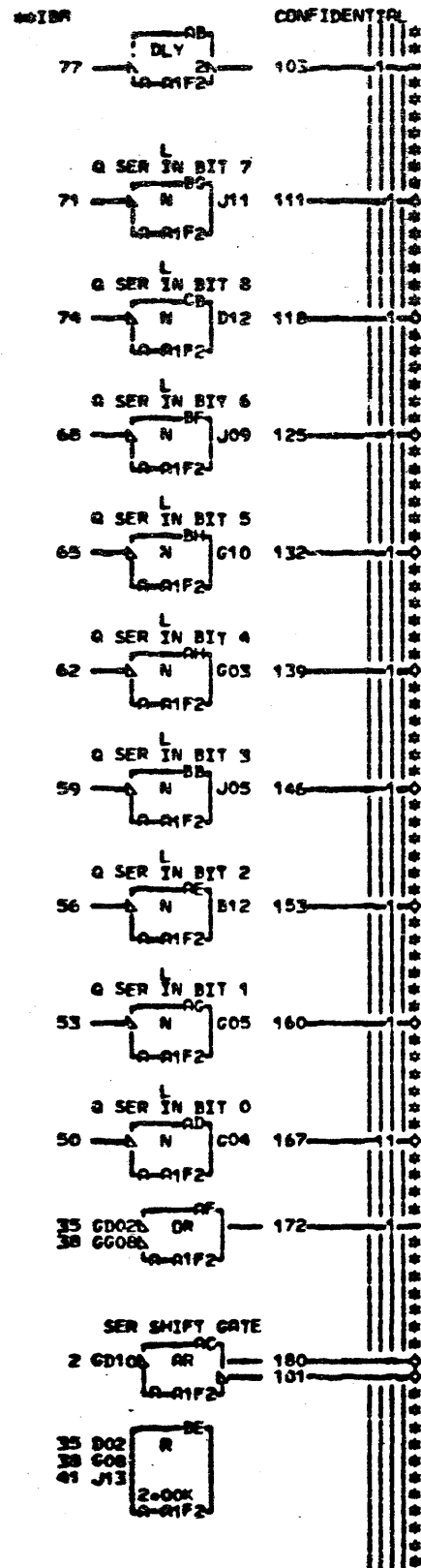
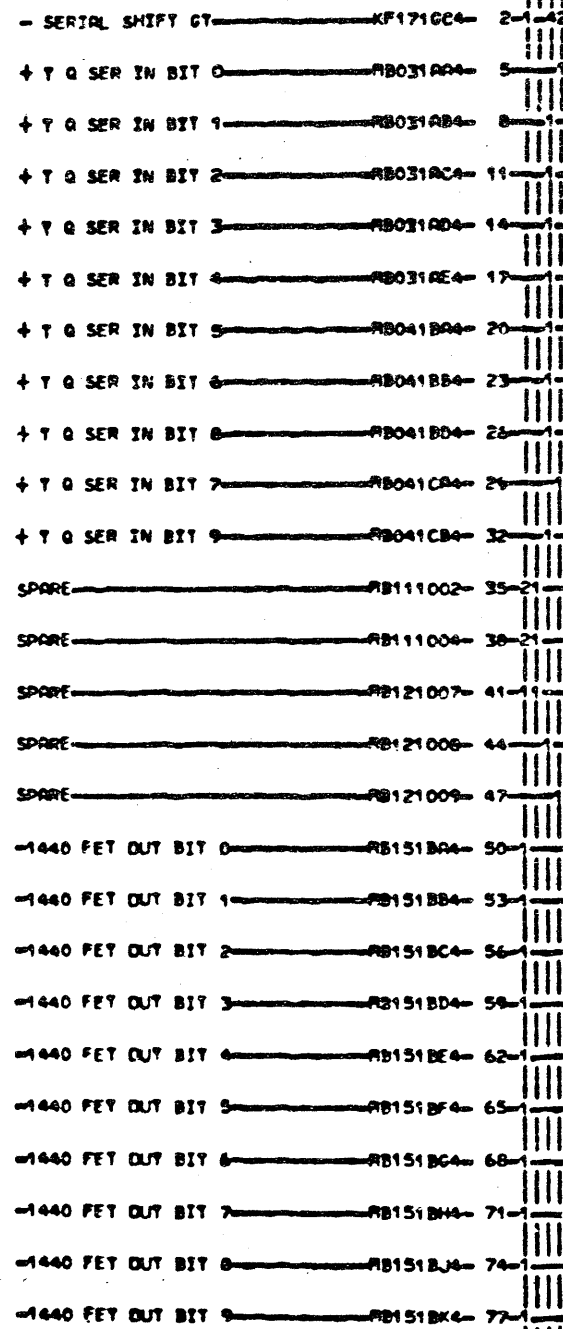


LDC. TYPE
A-A1D2 9065

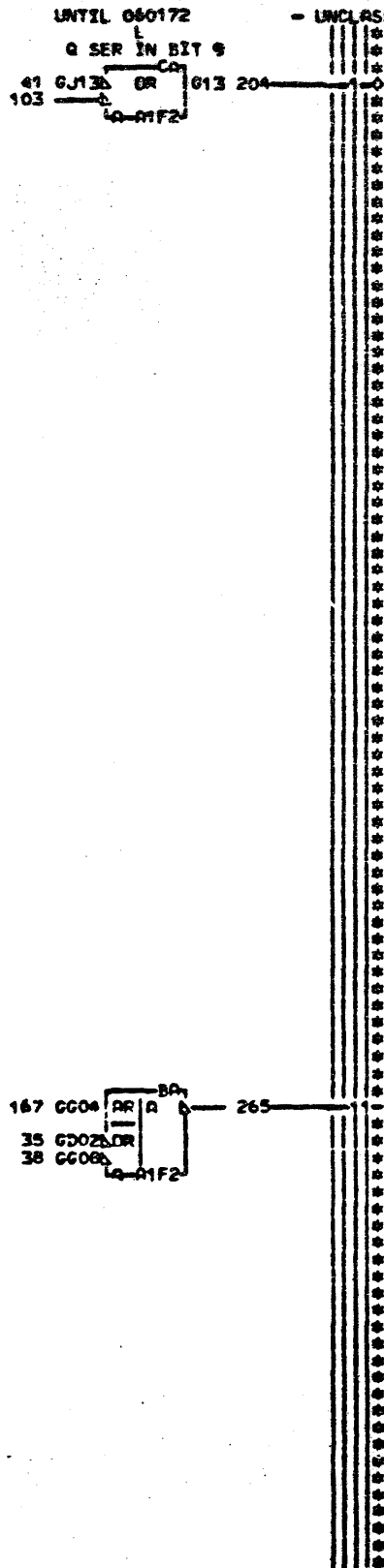
PAGE VER EC LEV
RB041 000 717492
RB051 000 717946
RB061 000 717492

960 STOR + GATE	
-E-C-HISTORY-	5-MACH-3277
717473	FRAME 01 RB041
717492	IBR CORP-KN RB061
DATE LAST EC	PaNo 1823769 000
08-05-72 717946	

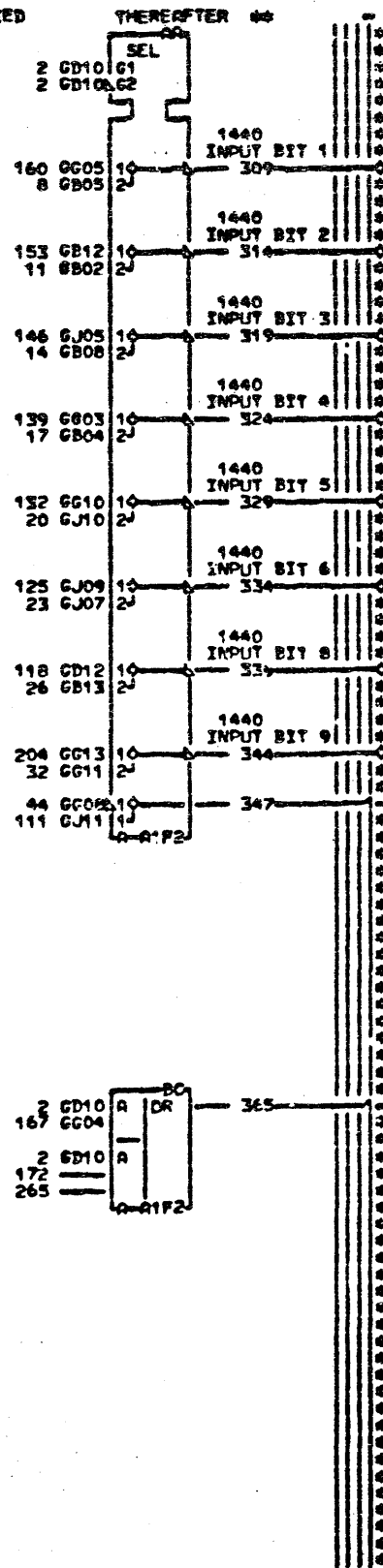
RB041
RB061
000



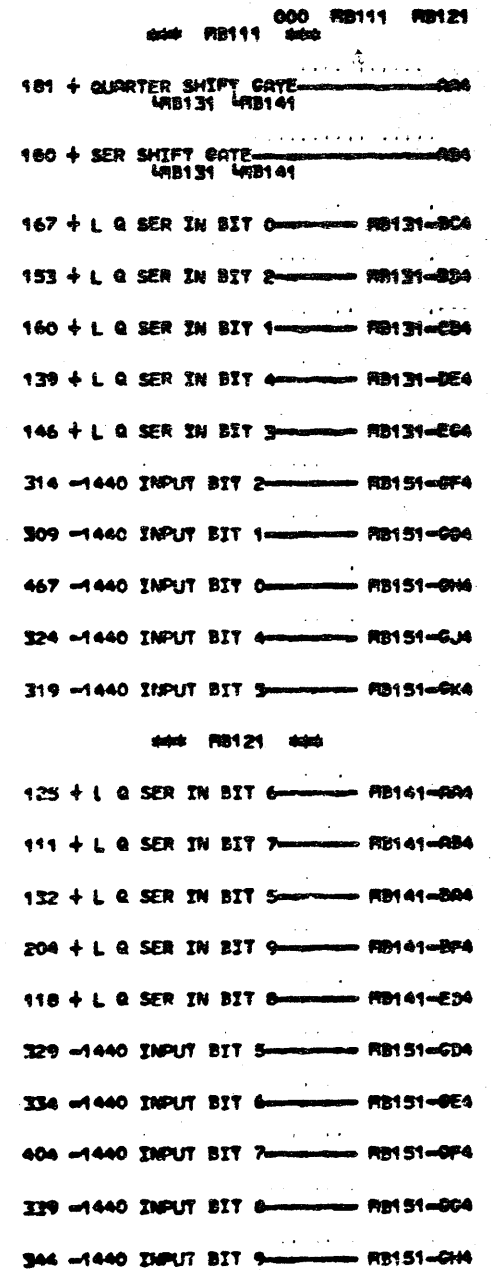
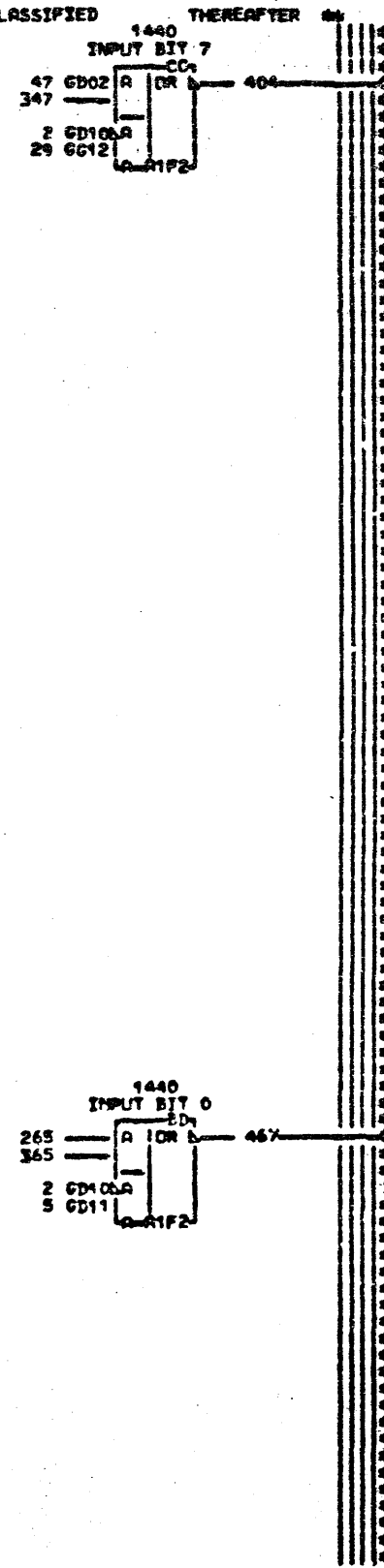
CONFIDENTIAL



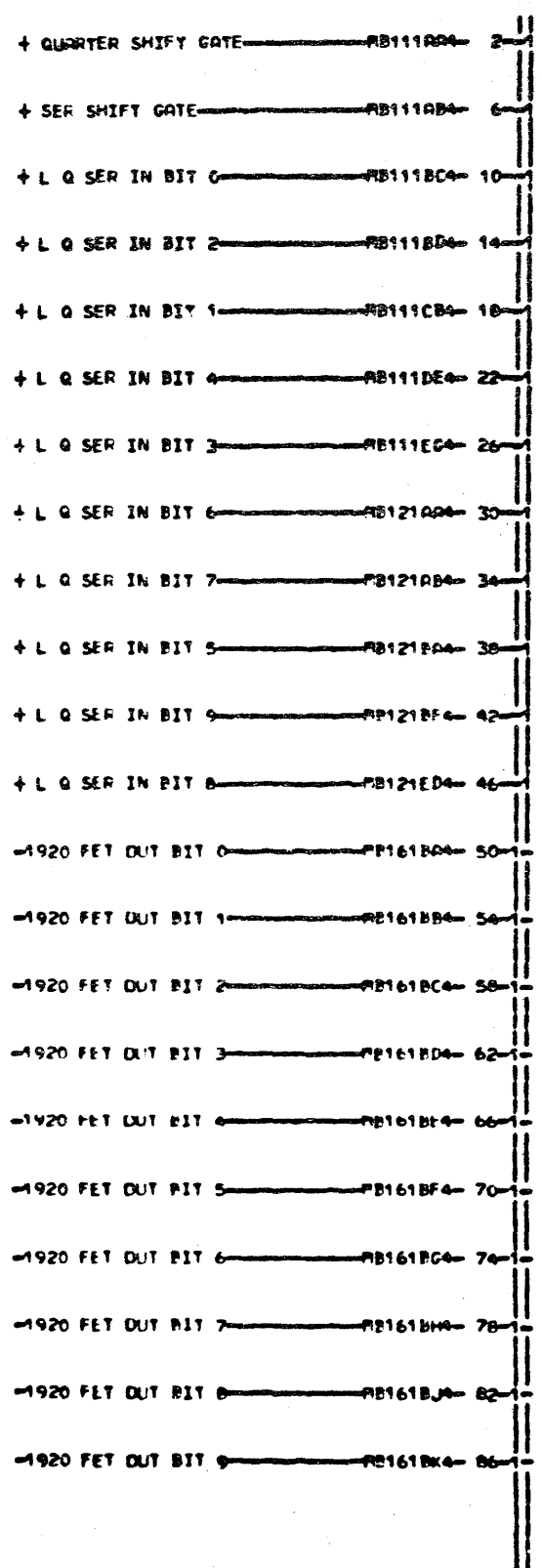
LOC. TYPE
A-A1F2 9065



PAGE VER EC LEV
RB111 000 717473
RB121 000 717473



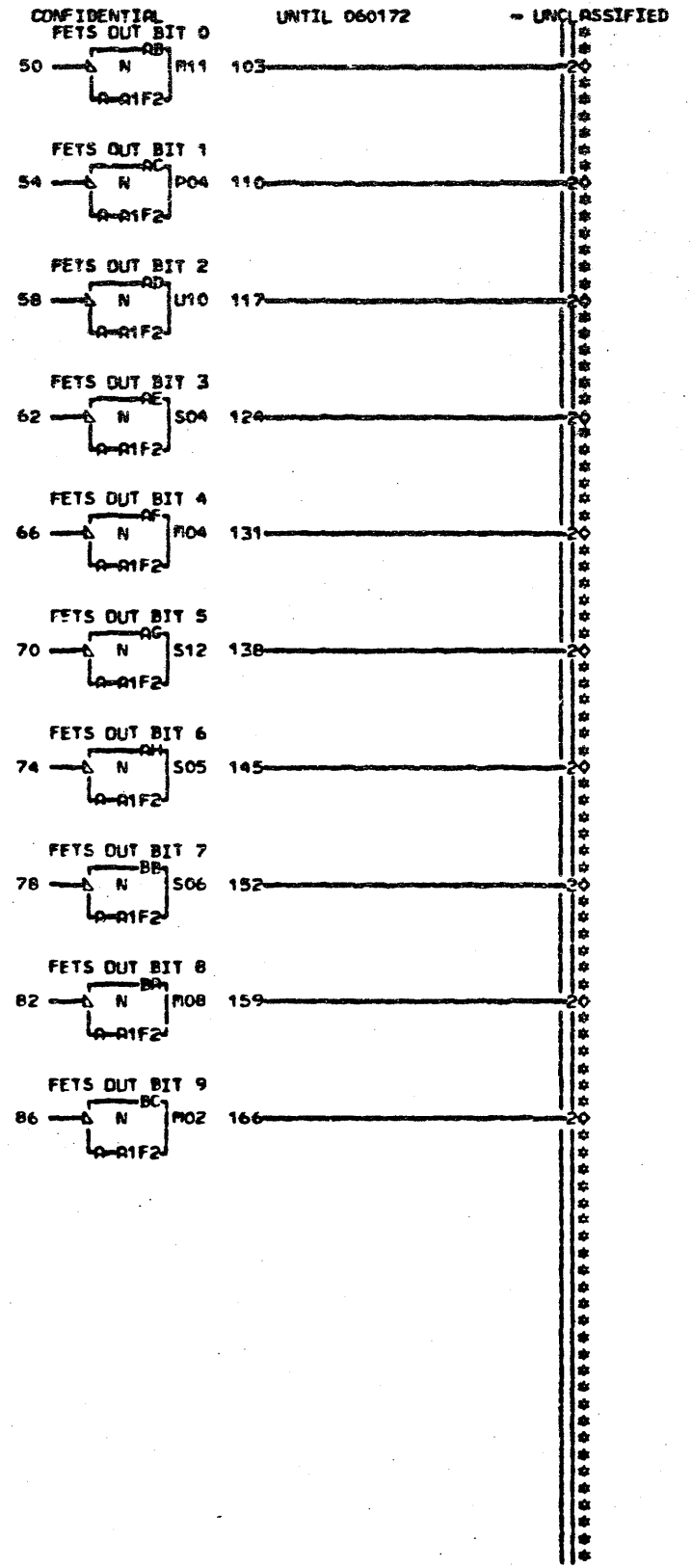
960 STOR + GATE	
E.C. HISTORY	P. RACH 3277
DATE LAST EC	FRAGE 01 RB111
01-21-72 717473	IBM CORP. KN RB121
	P. No. 1823782 000



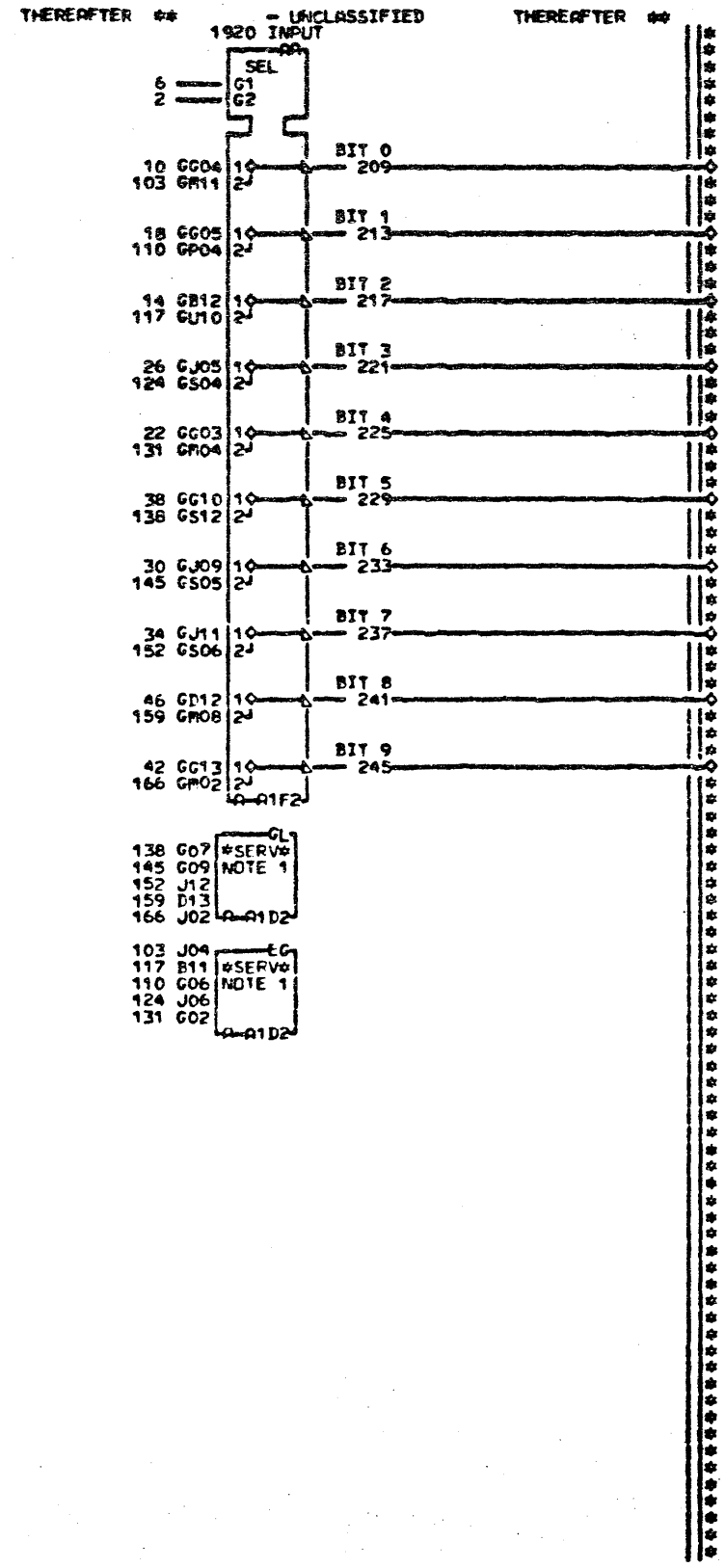
A. NOTE 1 FOR 480 FORMAT
 SIM TO PN 156377B EC 717473
 B. NOTE 1 FOR 480 FORMAT

RB131
 RB141
 001

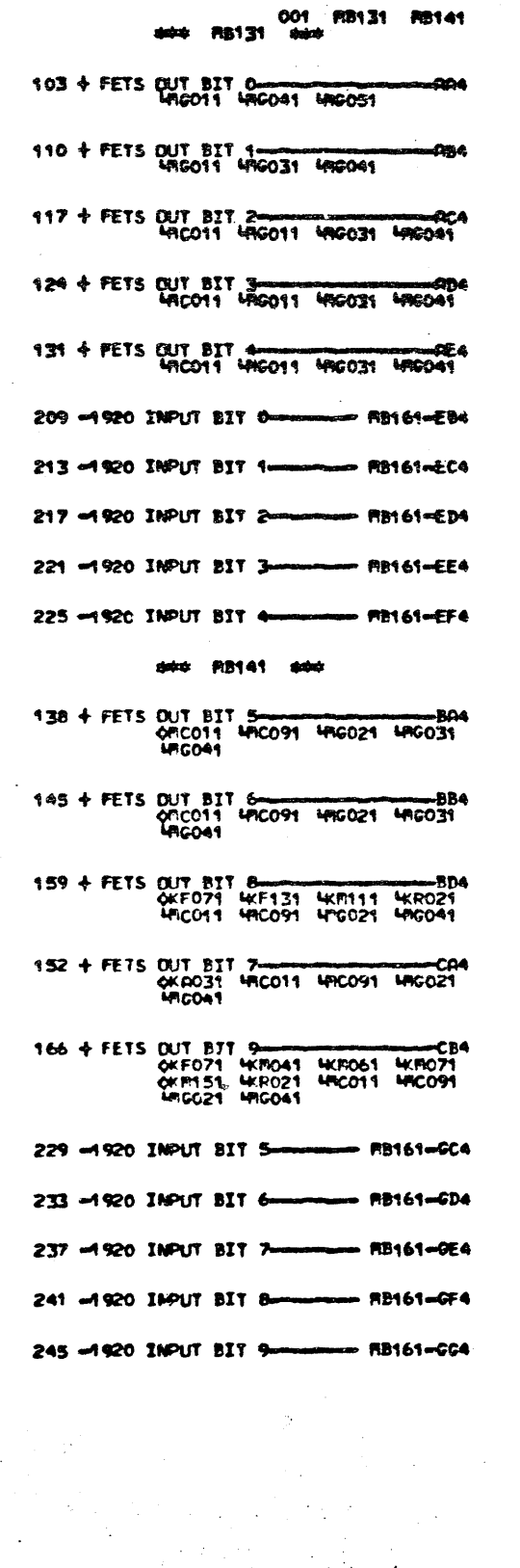
IBM



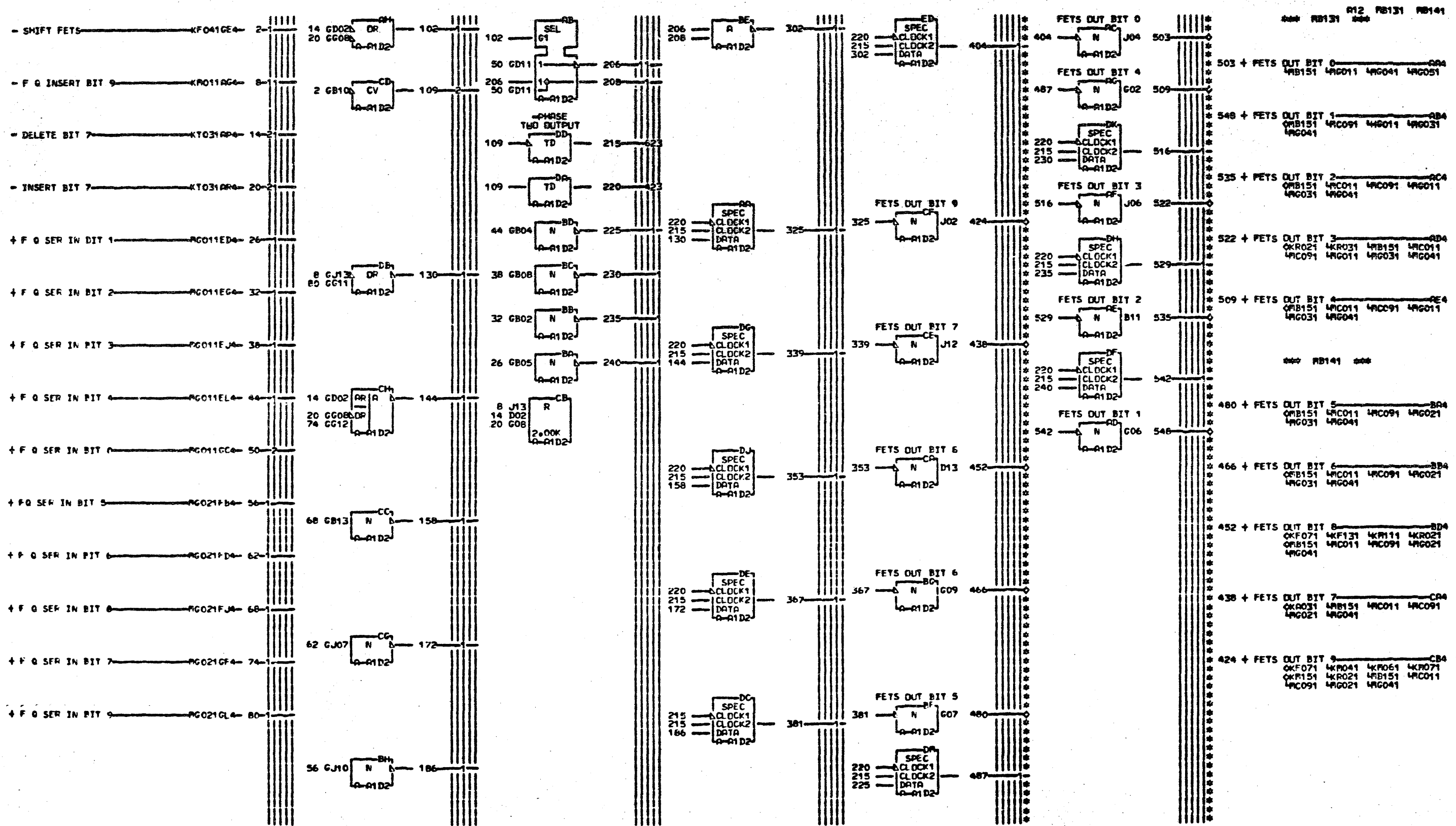
LDC TYPE
 A-R1F2 9065



PAGE VER FC LEV
 RB131 001 717473
 RB141 000 717946



960 STORE + GATE
 -E-C-HISTORY- B. PACH. 3277
 717473
 FRAME 01 RB131
 IBM CORP. PD RB141
 DATE LAST EC P. No. 1823795 001
 08-05-72 717946



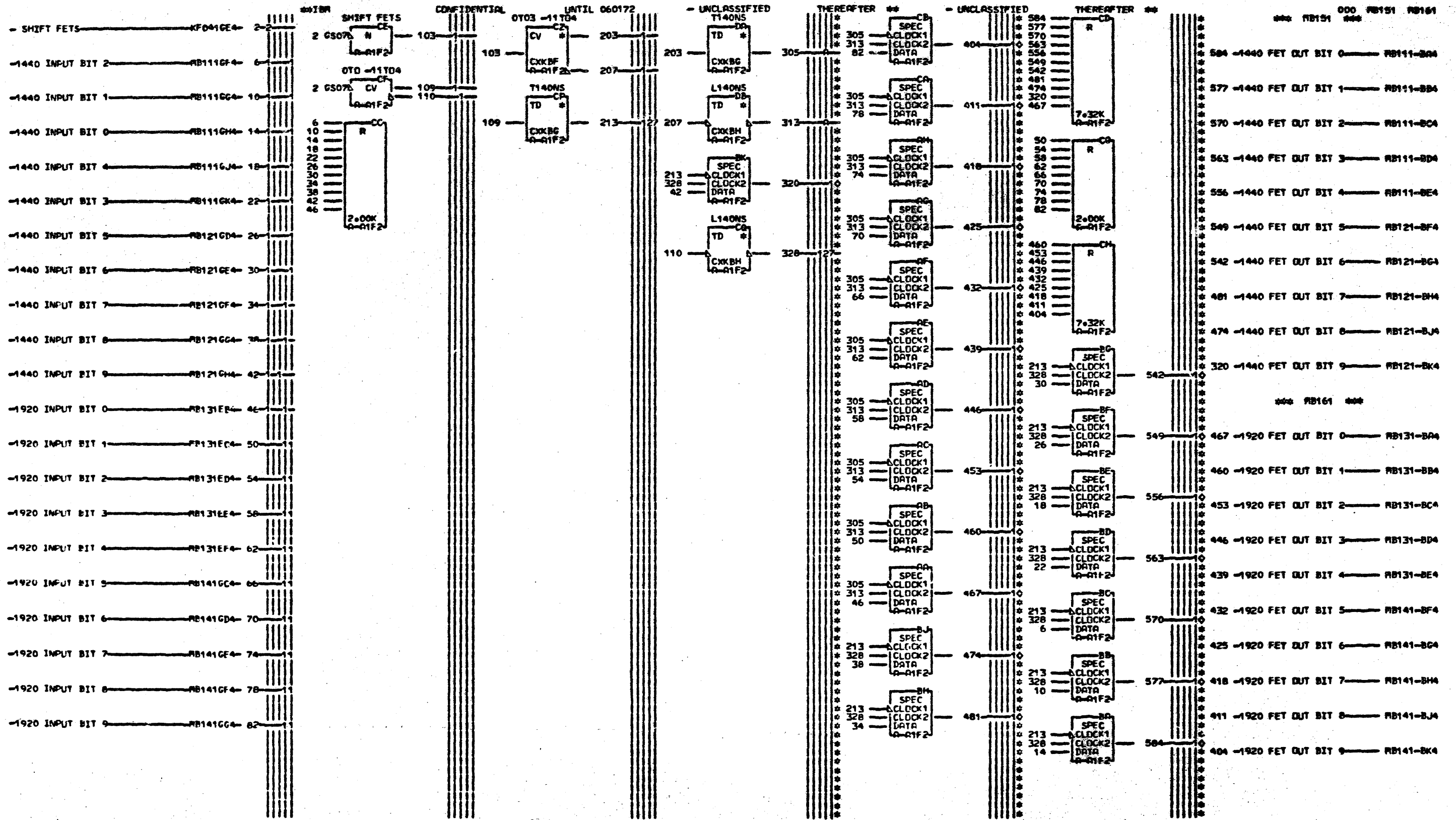
A-SIM TO PN 1563778 EC 717473
 B-SIM TO PN 1563779 EC 717946

LOC. TYPE
 A-A1D2 9057

PAGE VER EC LEV
 RB131 A12 717946
 RB141 A12 717946

RB131
 RB141
 A12

480 STORAGE BITS 0-4			
E-C-HISTORY		PACH-3277	
717473		FRAME 01	RB131
717492			
DATE	LAST EC	IB7 CORP-KN	RB141
08-05-72	717946	PoN: 1823799	A12



LOC. TYPE
A-A1F2 9065

PAGE VER EC LEV
RB151 000 717946
RB161 000 717492

960 STOR + GATE			
E-Co-HISTORY	B-RACH#3277		
717473		FRMR	01 RB151
717492		IBF CORP.PD	RB161
DATE	LAST EC	PoN#	1823801 000
08-05-72	717946		

RB151
RB161
000

IBM

CONFIDENTIAL

UNTIL 060172

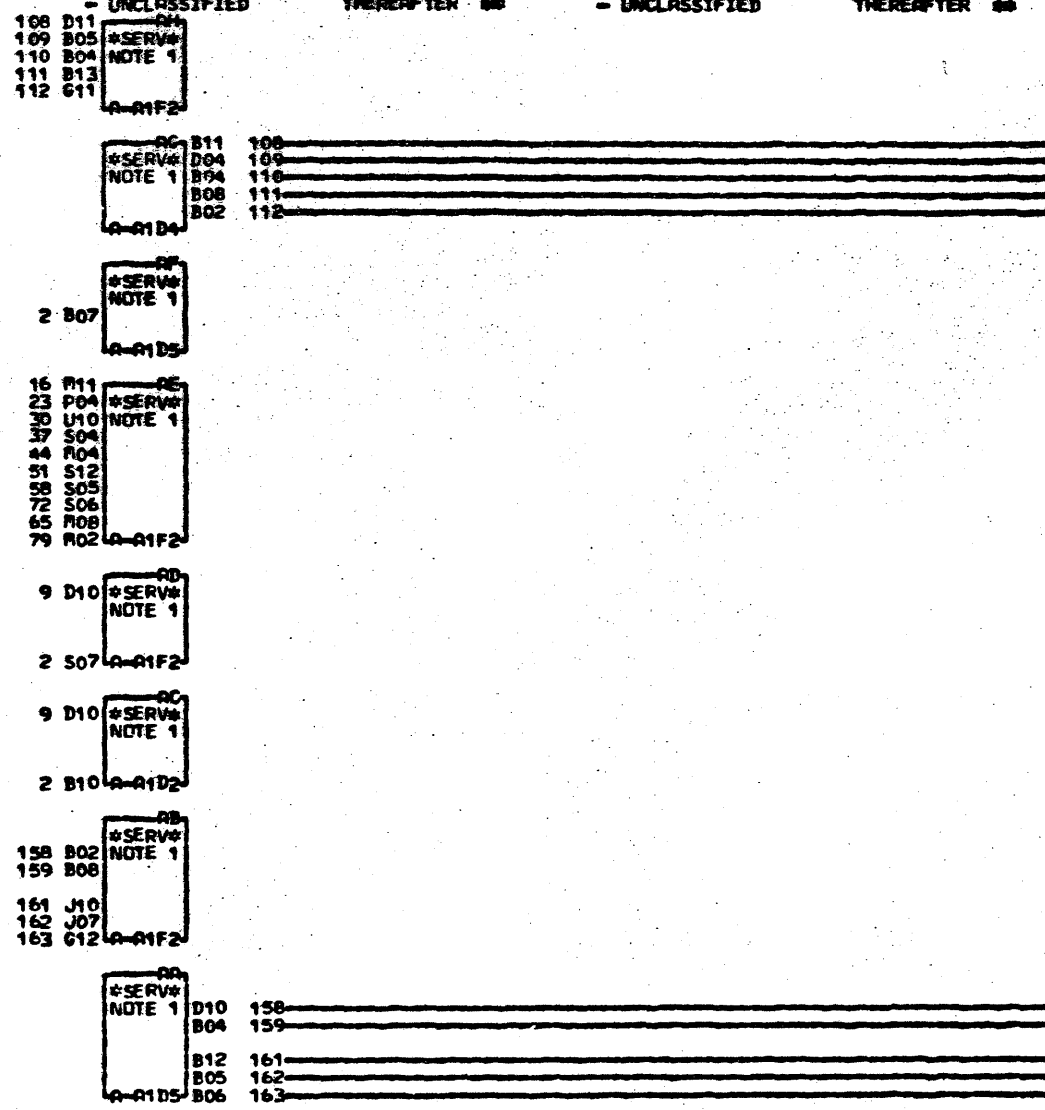
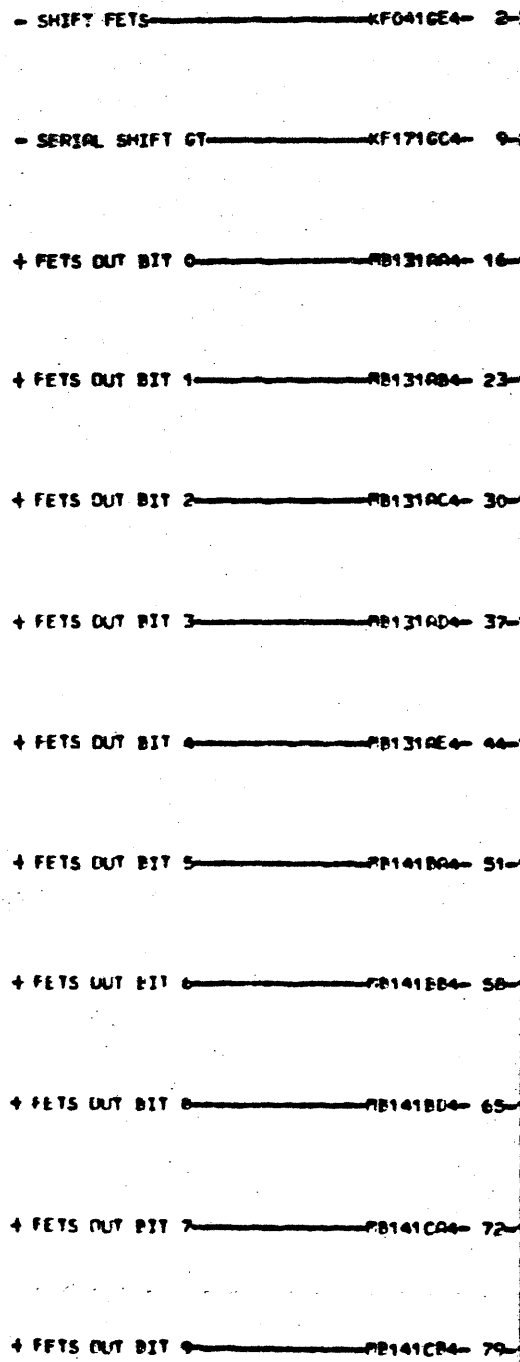
UNCLASSIFIED

THEREAFTER

UNCLASSIFIED

THEREAFTER

002 RB151 RB161



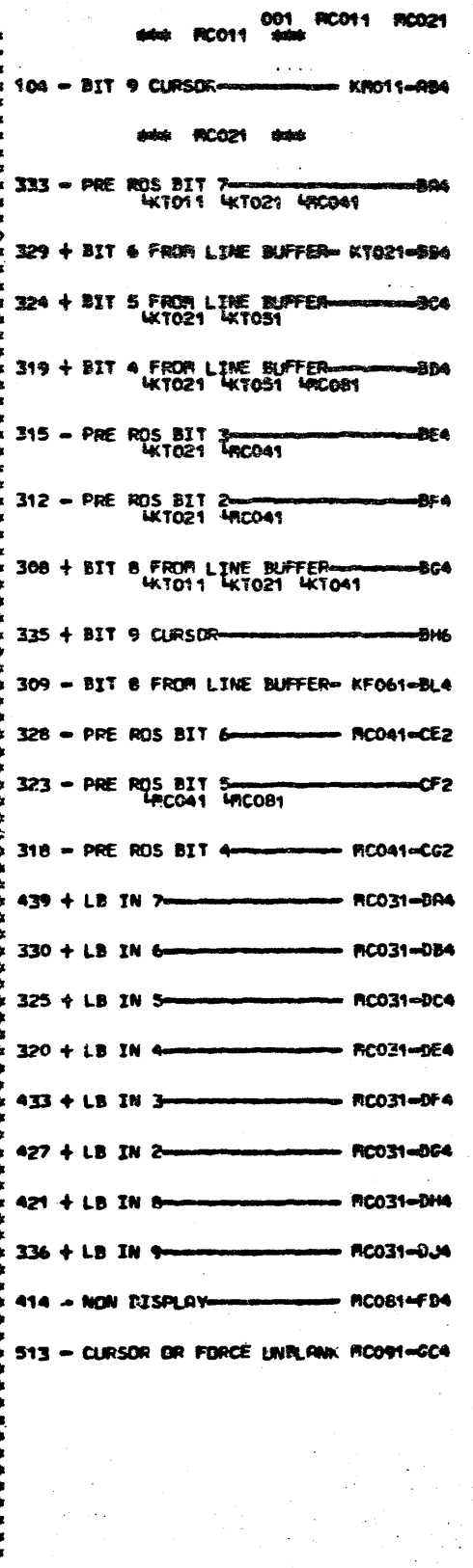
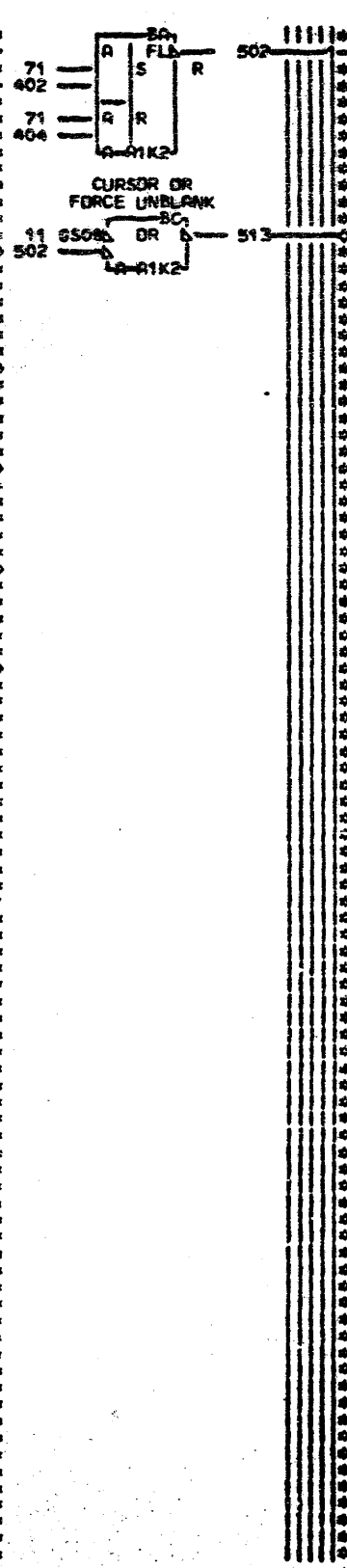
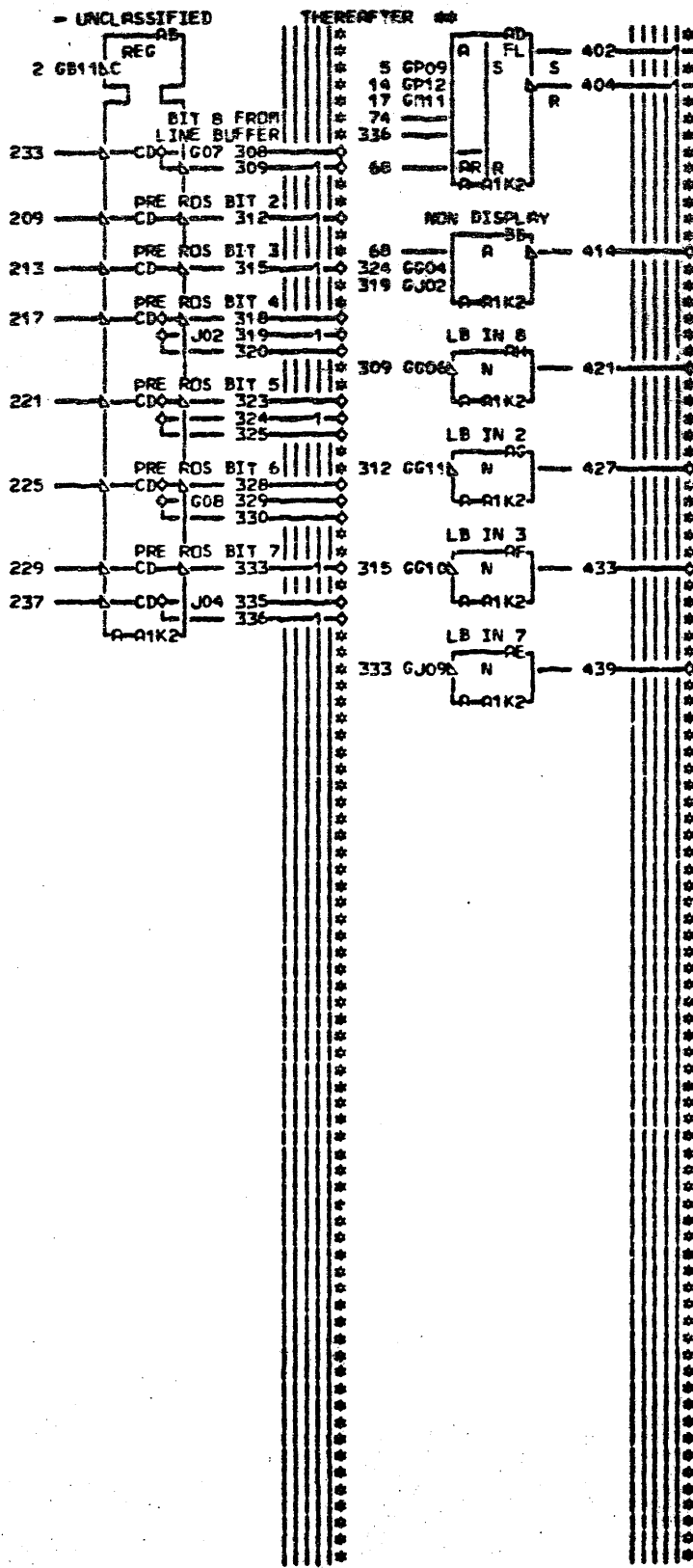
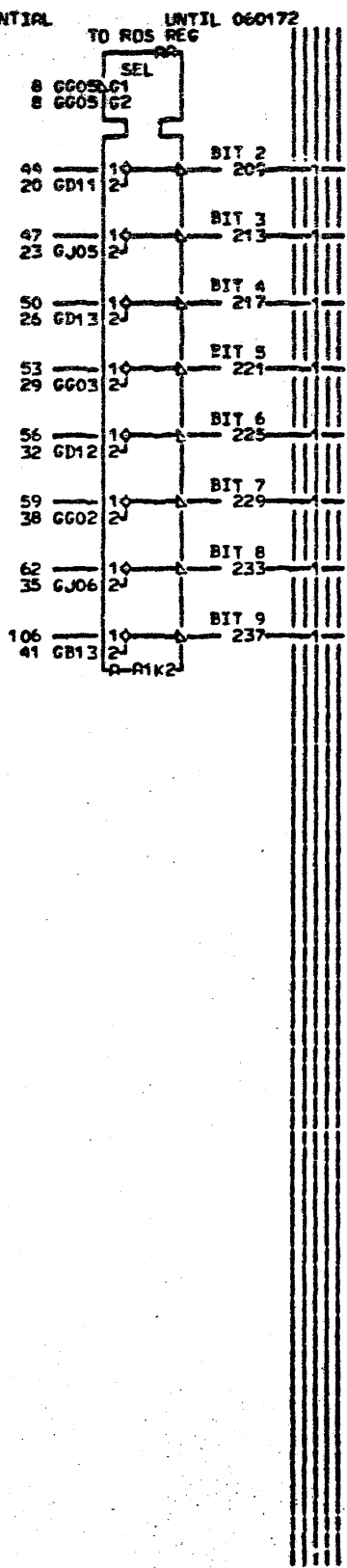
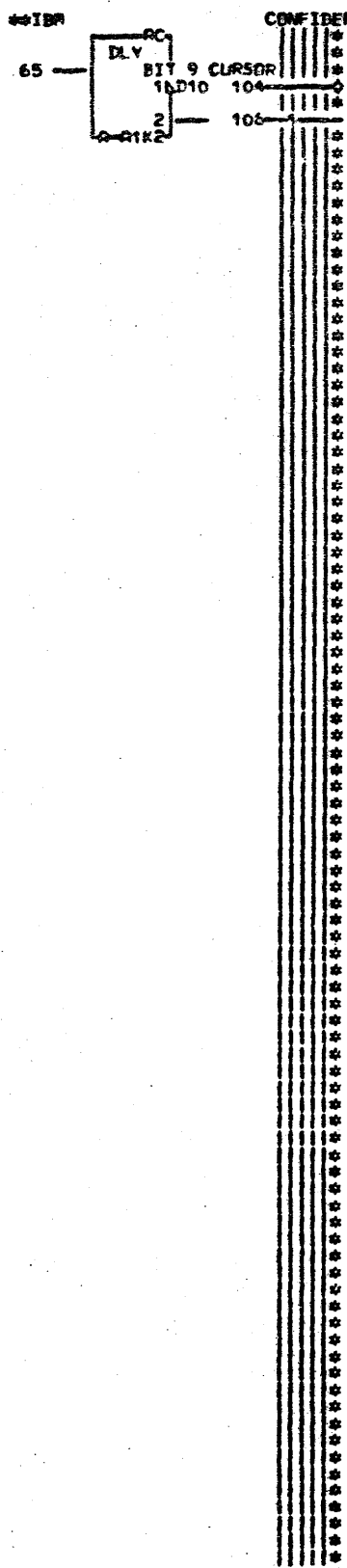
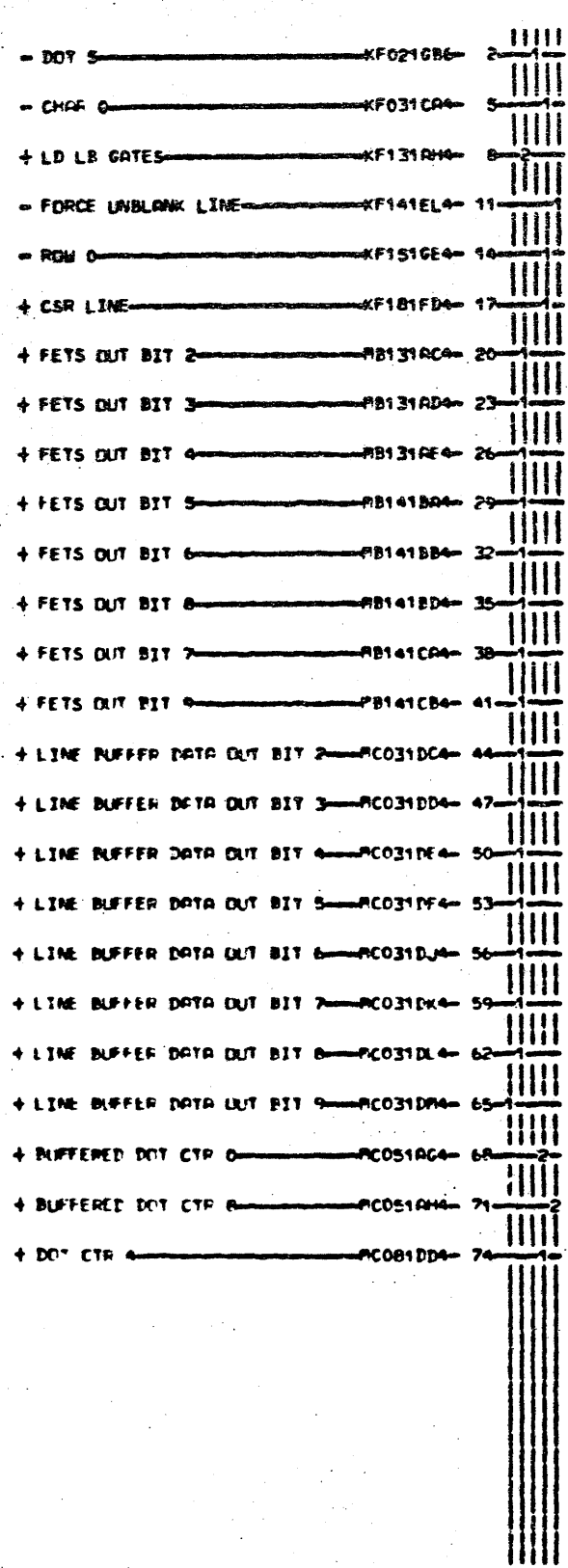
A-NOTE 1 FOR 1920 POPPAT
 SIM TO PN 1563780 EC 717946
 B-SIM TO PN 1563781 EC 717473

LOC. TYPE

PAGE VER EC LEV
 RB151 002 717946
 RB161 002 717473

REF 1520 BOARD WIRING			
E-CO-HISTORY	D-PACK	3277	
717473	FRPRE	01	RB151
DATE	LAST EC	IBM CORP-SDD	RB161
08-11-72	717946	P-N 1823802	002

36
 RB151
 RB161
 002



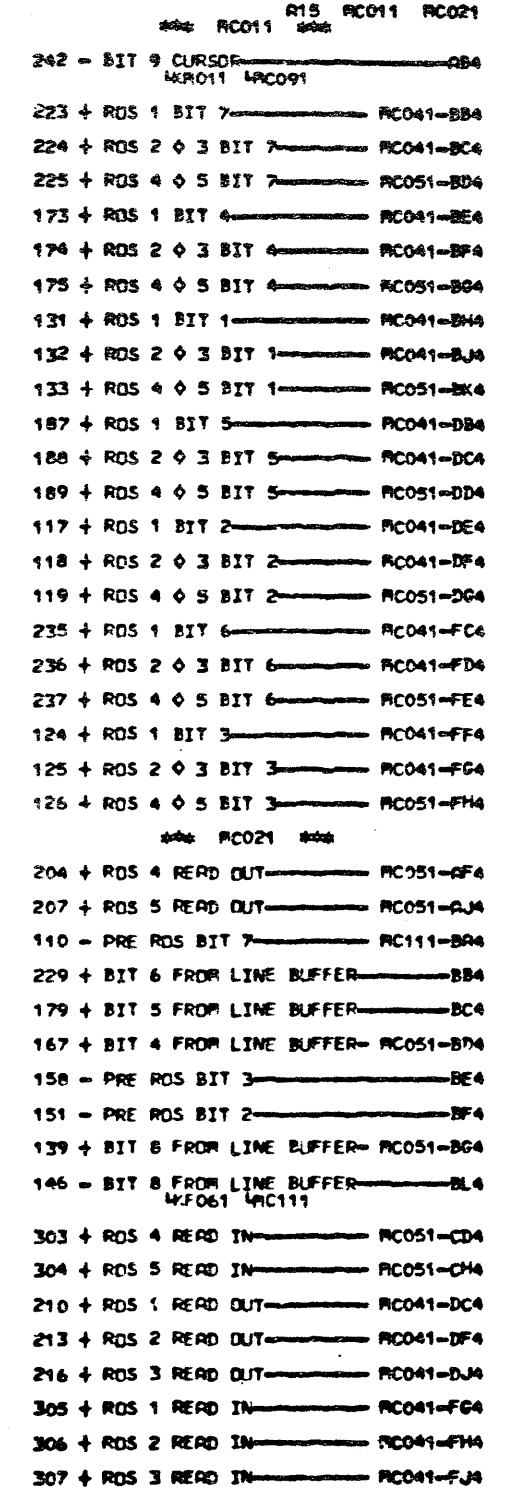
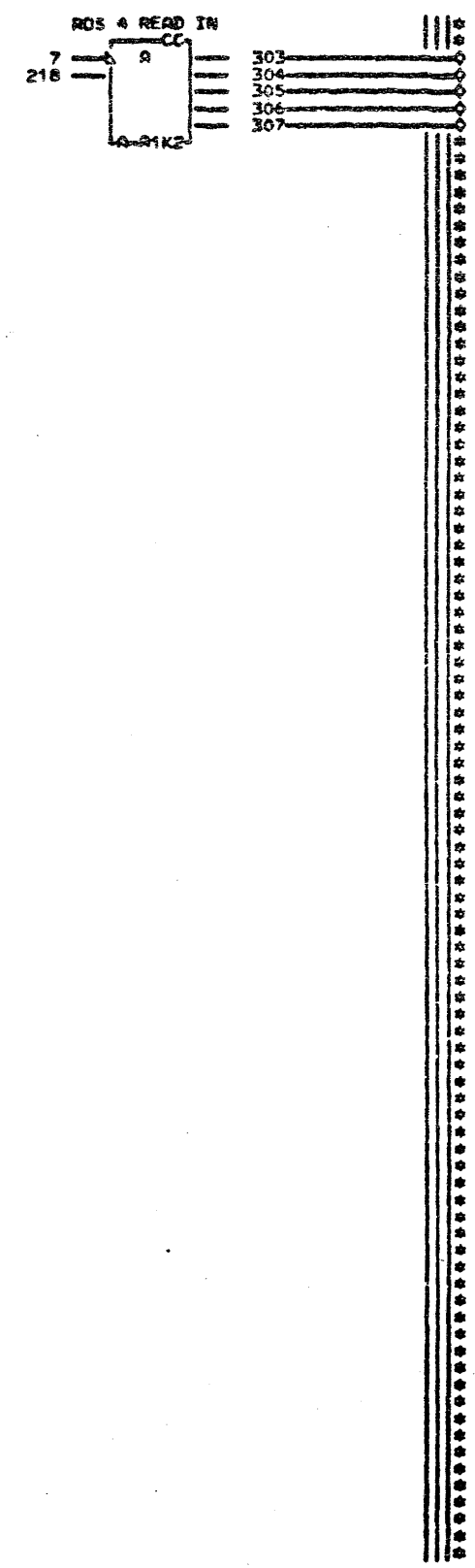
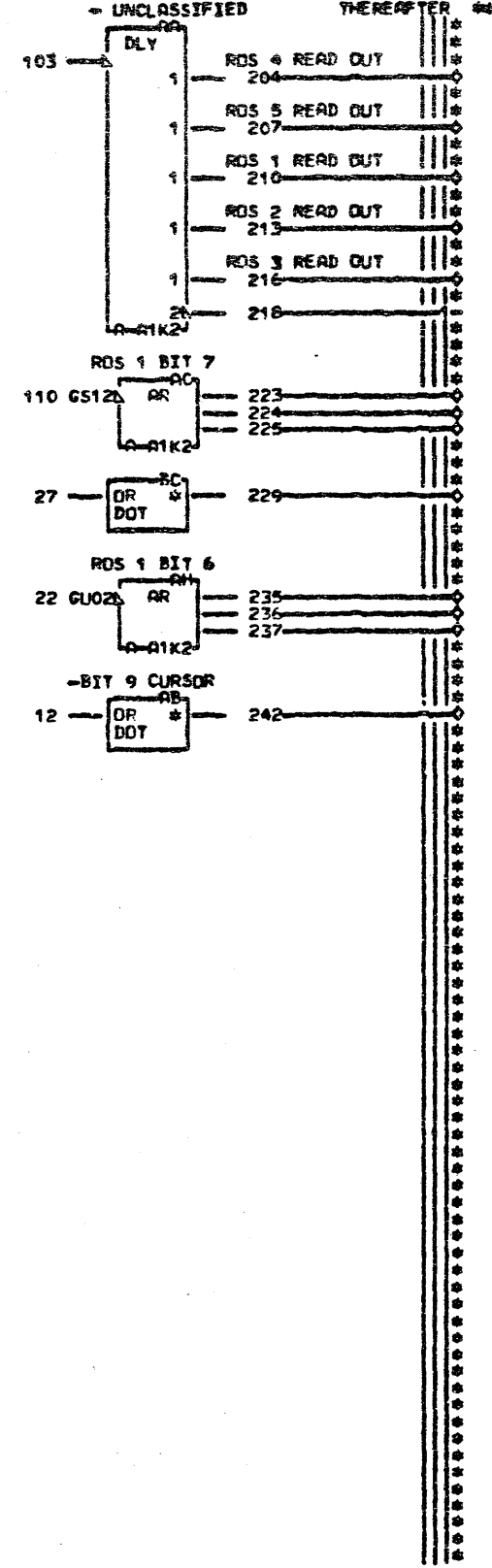
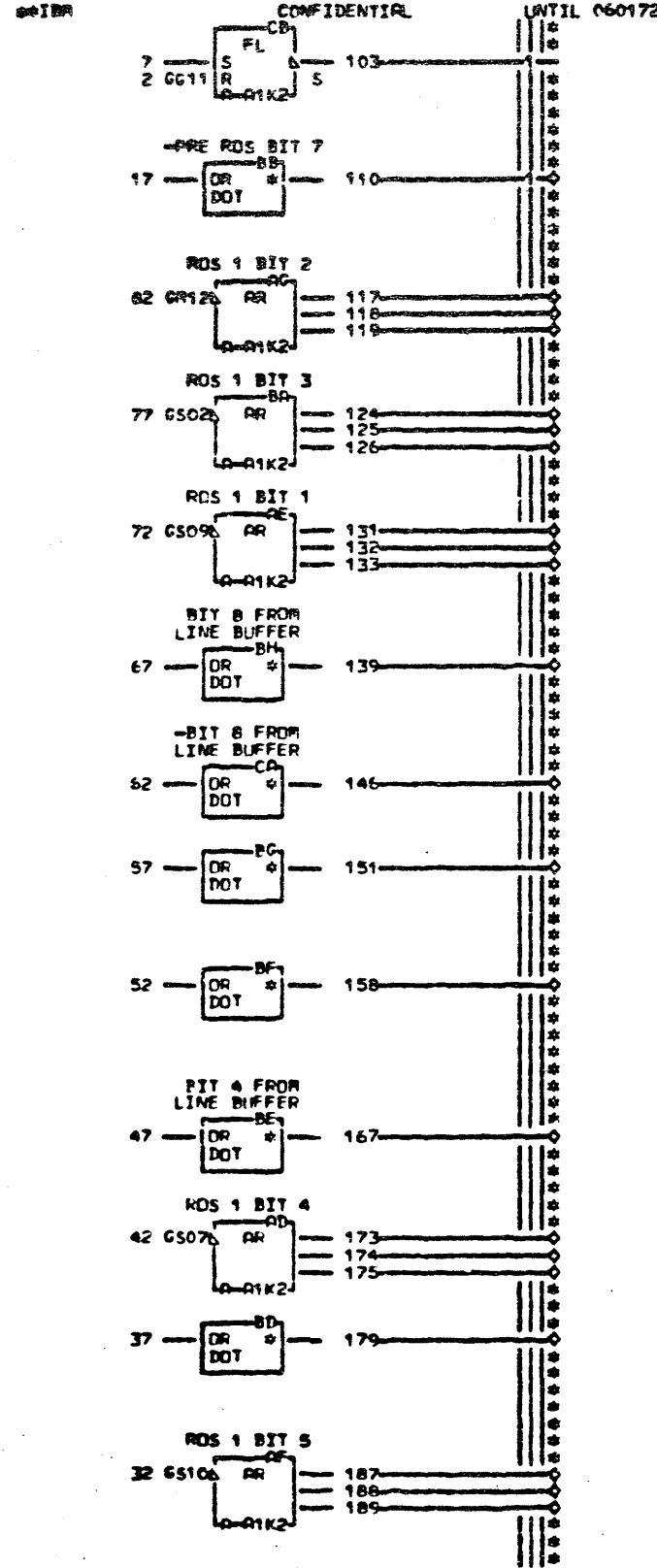
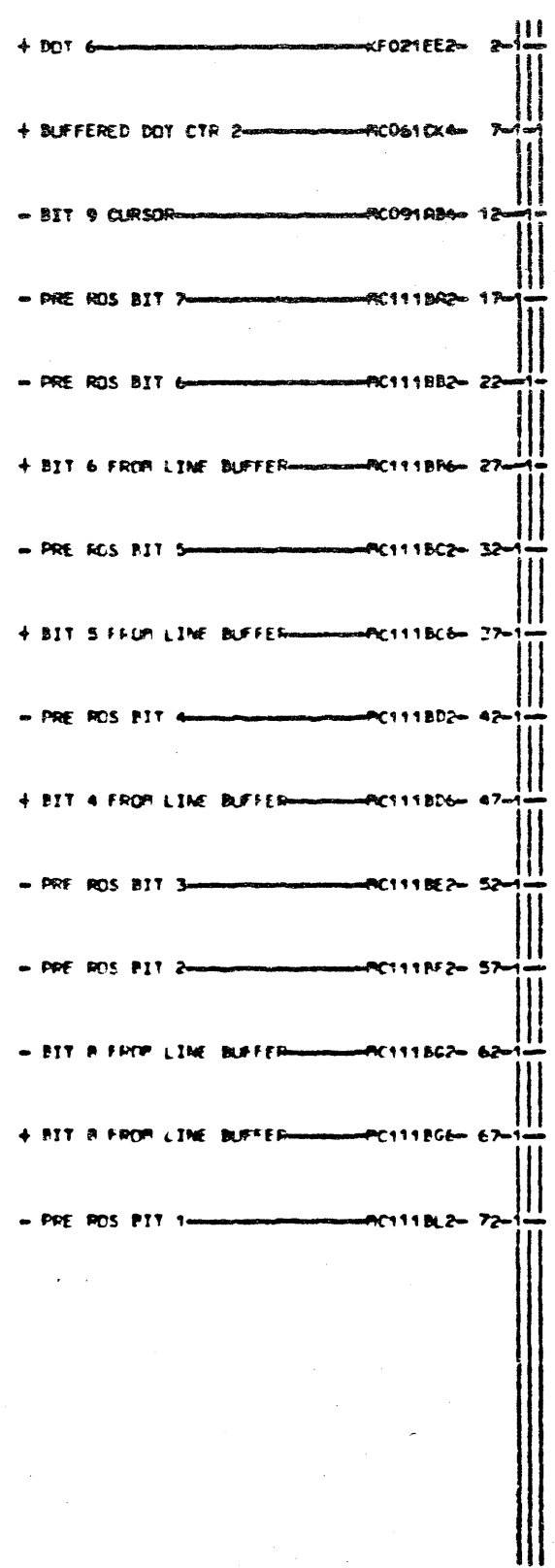
A. NOTE SEE REFERENCE PAGE 22101 FOR CHARACTER GENERATOR CARDS
 B. NOTE SEE REFERENCE PAGE 22101 FOR CHARACTER GENERATOR CARDS
 SIM TO PN 1563783 EC 717946

LDC. TYPE
 A-A1K2 9070

PAGE VER FC LEV
 RC011 000 717992
 RC021 001 717946

LINE BUFFER + CHR. GEN.			
E.C. HISTORY	B. PACH. 3277		
717473		FRAME 01	RC011
717492			
DATE LAST EC		IBM CORP. KN	RC021
08-05-72 717946		P.N. 1823804	001

RC011
 RC021
 001

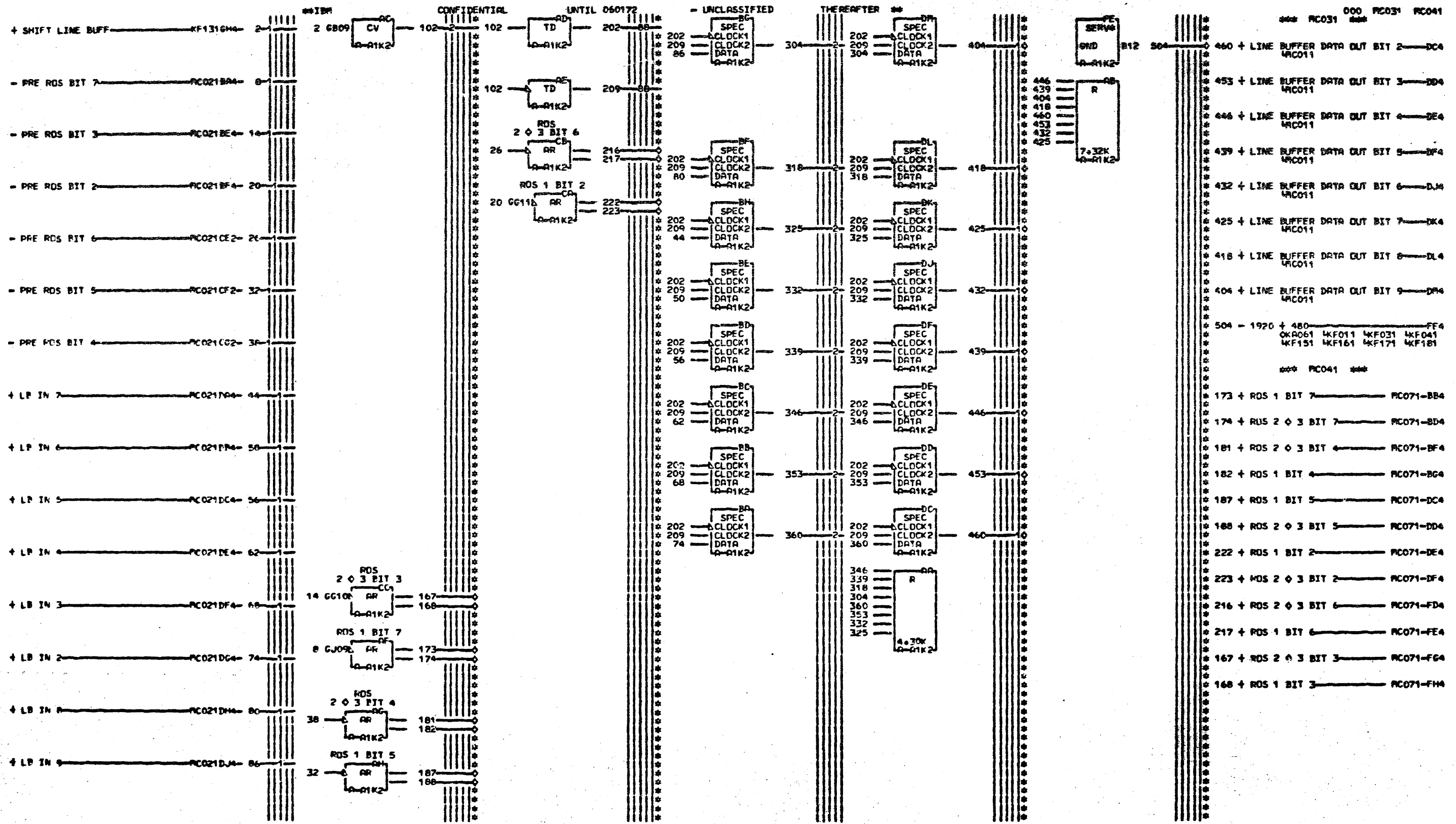


A. NOTE SEE REFERENCE PAGE 22101 FOR CHARACTER GENERATOR CARDS. SIM TO PN 1563782 EC 717802
 B. SEE REFERENCE PAGE 22101 FOR CHARACTER GENERATOR CARDS. SIM TO PN 1563783 EC 717806
 A15

LOC. TYPE A-41K2 9123

PAGE VFP EC LEV RC011 005 718541 RC021 A15 718541

480 + 1920 CHAR. GEN. KATAKANA OR EXTENDED CHAR SET		E. Co. HISTORY B. PACH 3277	
717473	FRARE 01	RC011	
717492			
717946	IBP CORP. SDD	RC021	
DATE LAST EC	P. No. 1823810	A15	
10-02-72 718541			



A. NOTE SEE REFERENCE PAGE
22101 FOR CHARACTER GENERATOR
CARDS

B. NOTE SEE REFERENCE PAGE
22101 FOR CHARACTER GENERATOR
CARDS

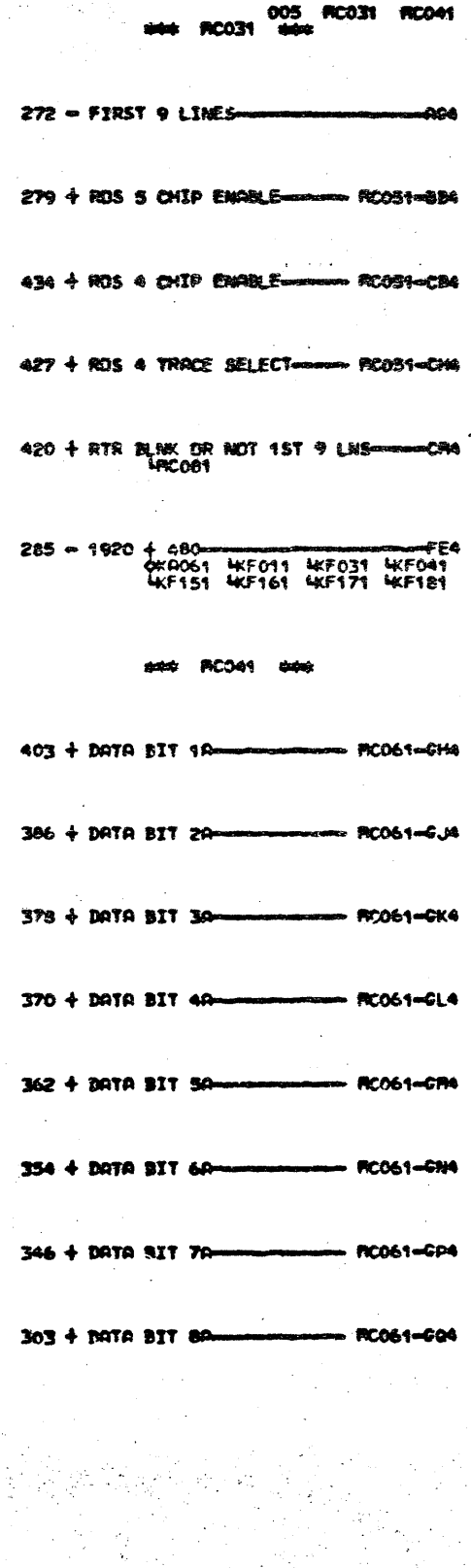
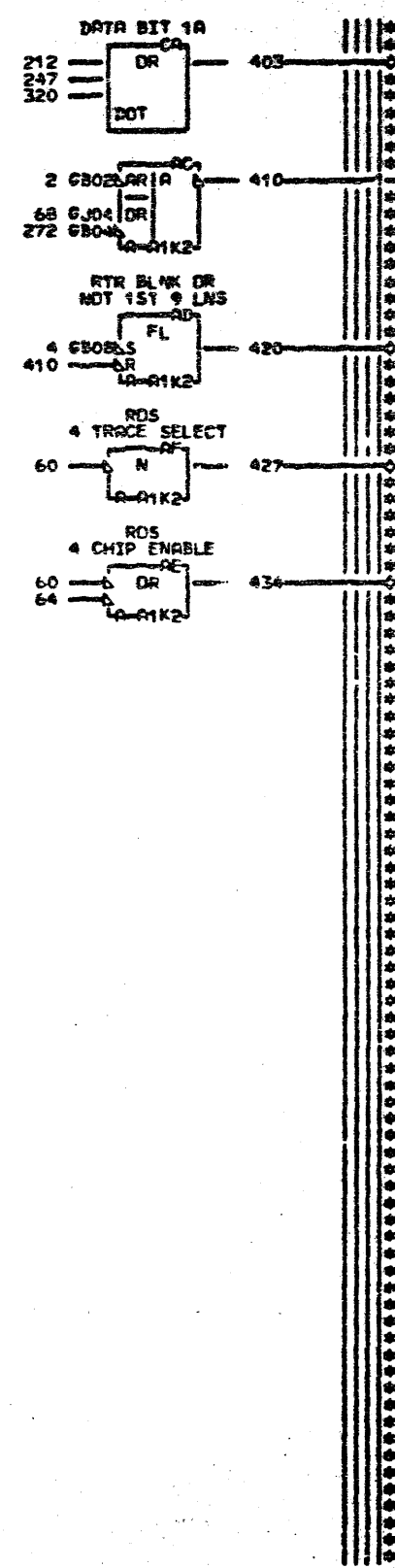
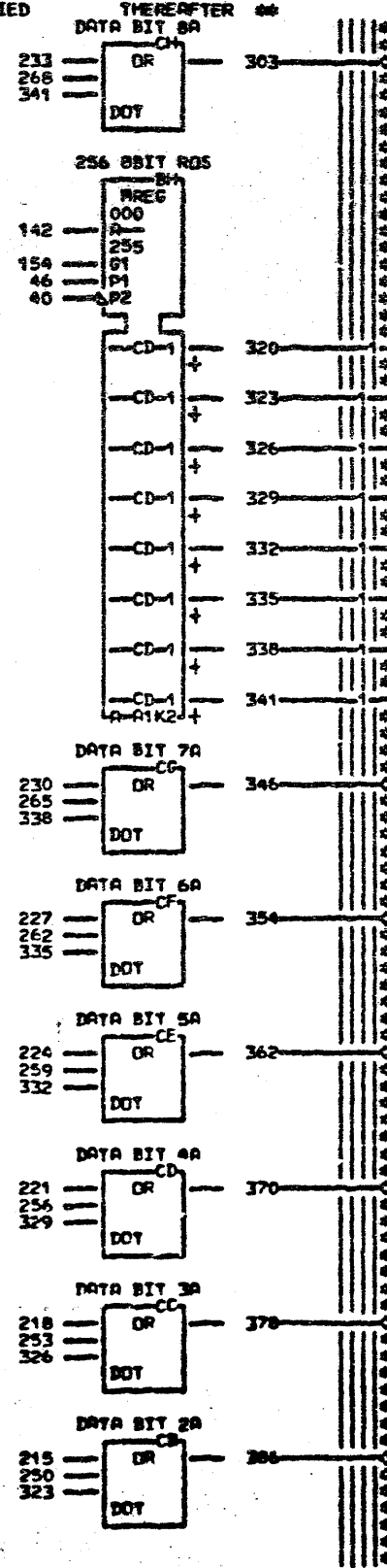
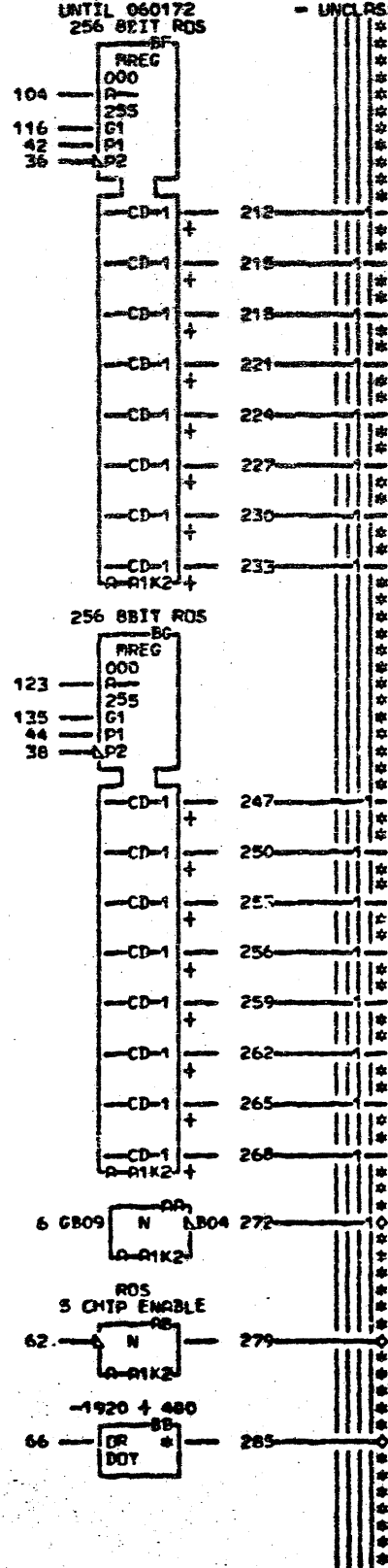
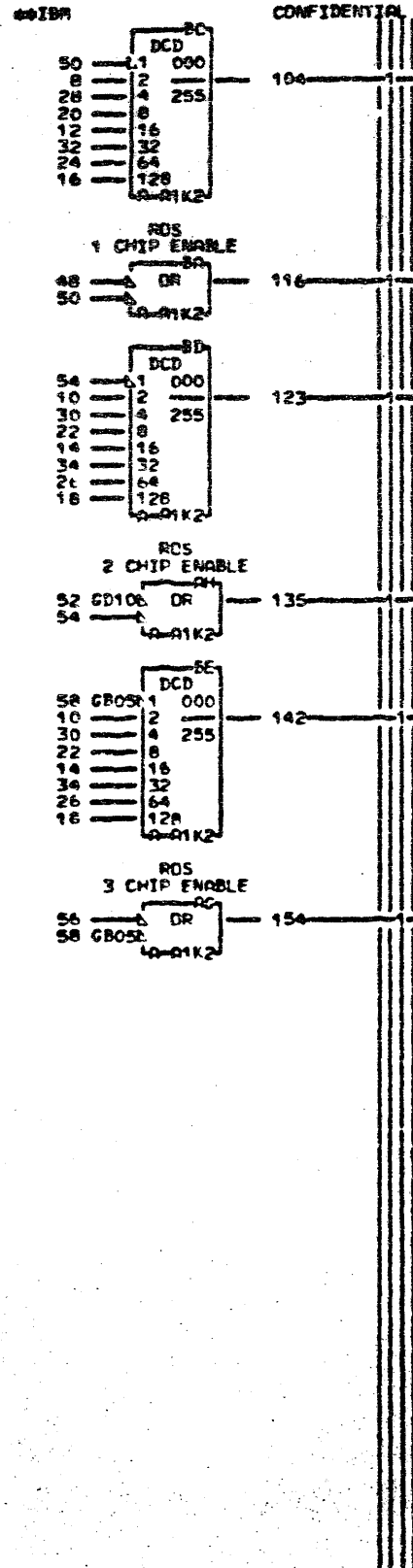
LOC. TYPE
A-1K2 9070

PAGE VER EC LEV
PC031 000 717492
PC041 000 717946

LINE BUFFER + CHAR. GEN.			
-E-C-HISTORY-		-R-PCCH-3277	
717473		FRAME	01 PC031
717492		IBM CORP. KN	PC041
DATE	LAST EC	Page	1823811 000
08-05-72	717946		

PC031
PC041
000

- CLR BLANK FOR RETRACE - KF021EK - 2
- SET BLANK FOR RETRACE - KF181AL - 4
- + FIRST 9 LINES - KF181GK - 6
- + RDS 1 BIT 7 - AC011BA - 8
- + RDS 2 3 BIT 7 - AC011BC - 10
- + RDS 1 BIT 6 - AC011BE - 12
- + RDS 2 3 BIT 6 - AC011BF - 14
- + RDS 1 BIT 5 - AC011BH - 16
- + RDS 2 3 BIT 5 - AC011BJ - 18
- + RDS 1 BIT 4 - AC011BD - 20
- + RDS 2 3 BIT 4 - AC011DC - 22
- + RDS 1 BIT 3 - AC011DE - 24
- + RDS 2 3 BIT 3 - AC011DF - 26
- + RDS 1 BIT 2 - AC011FE - 28
- + RDS 2 3 BIT 2 - AC011FD - 30
- + RDS 1 BIT 1 - AC011FF - 32
- + RDS 2 3 BIT 1 - AC011FG - 34
- + RDS 1 READ OUT - AC021DC - 36
- + RDS 2 READ OUT - AC021TF - 38
- + RDS 3 READ OUT - AC021BJ - 40
- + RDS 1 READ IN - AC021FC - 42
- + RDS 2 READ IN - AC021FH - 44
- + RDS 3 READ IN - AC021FJ - 46
- LINE CTR 0 - AC081EC - 48
- LINE CTR 1 - AC081ED - 50
- LINE CTR 2 - AC081EE - 52
- LINE CTR 3 - AC081EF - 54
- LINE CTR 4 - AC081EG - 56
- LINE CTR 5 - AC081EH - 58
- LINE CTR 6 - AC081EI - 60
- LINE CTR 7 - AC081EJ - 62
- LINE CTR 8 - AC081EK - 64
- LINE CTR 9 - AC081EL - 66
- + 1920 + 480 - AC121FE - 68
- + CSA LN FROM LB - AC131AA - 70

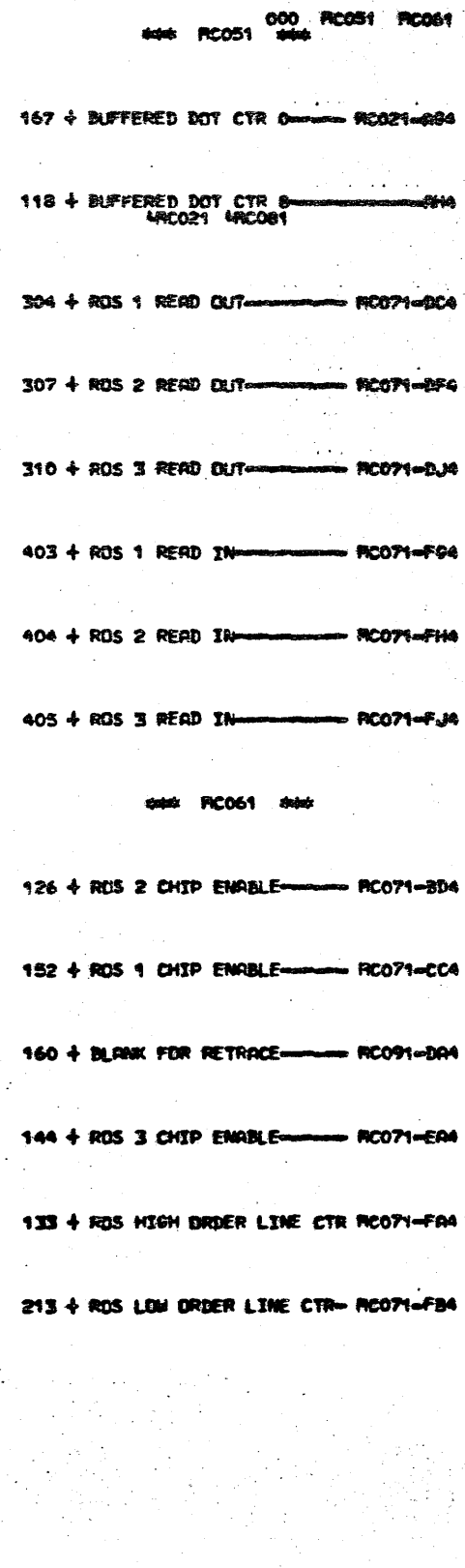
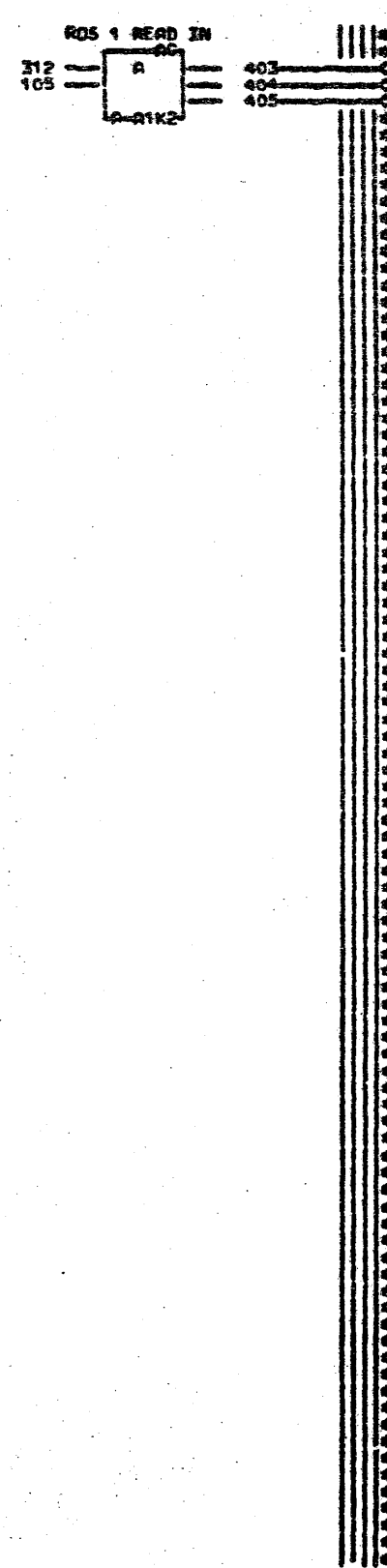
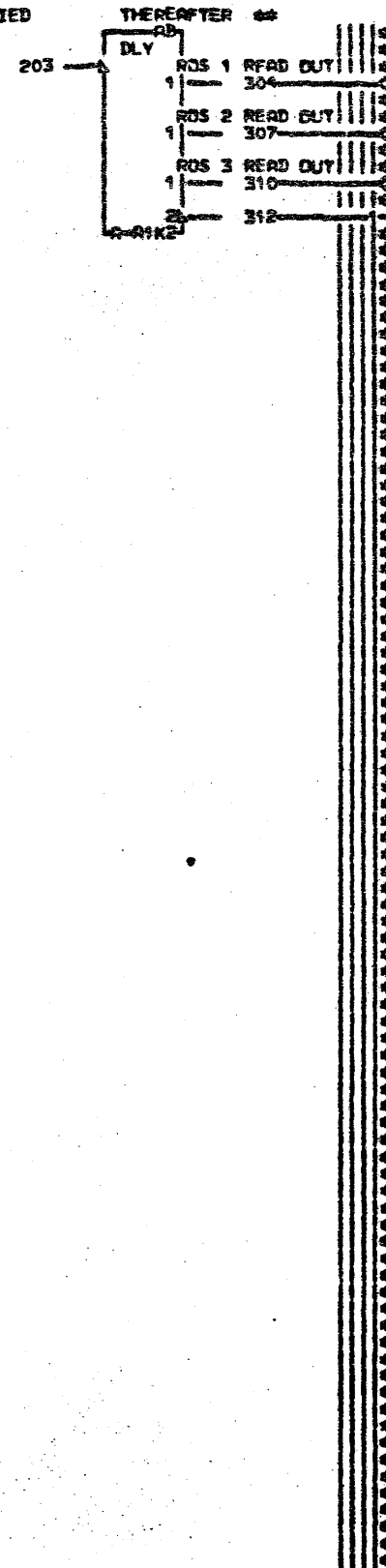
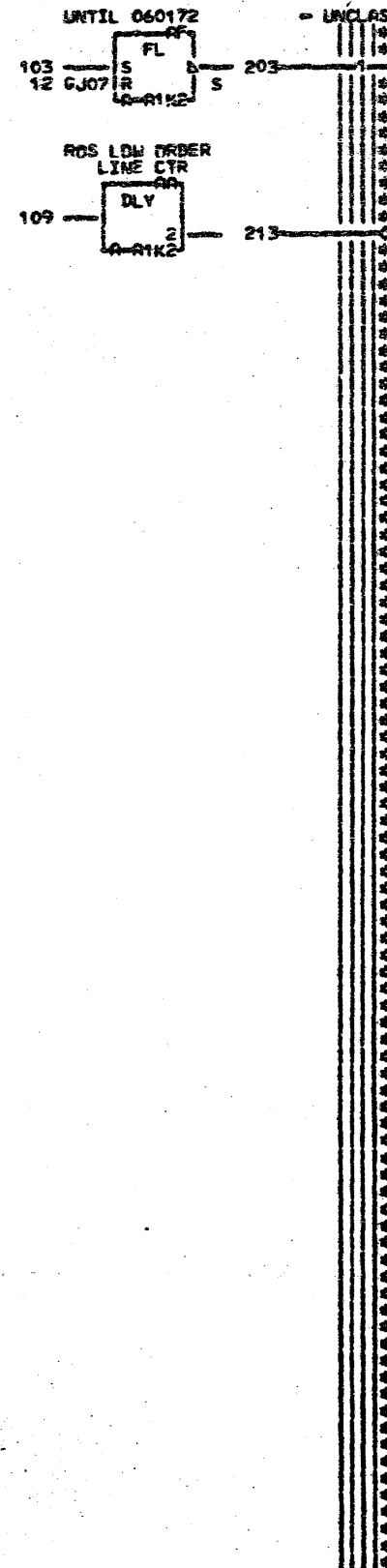
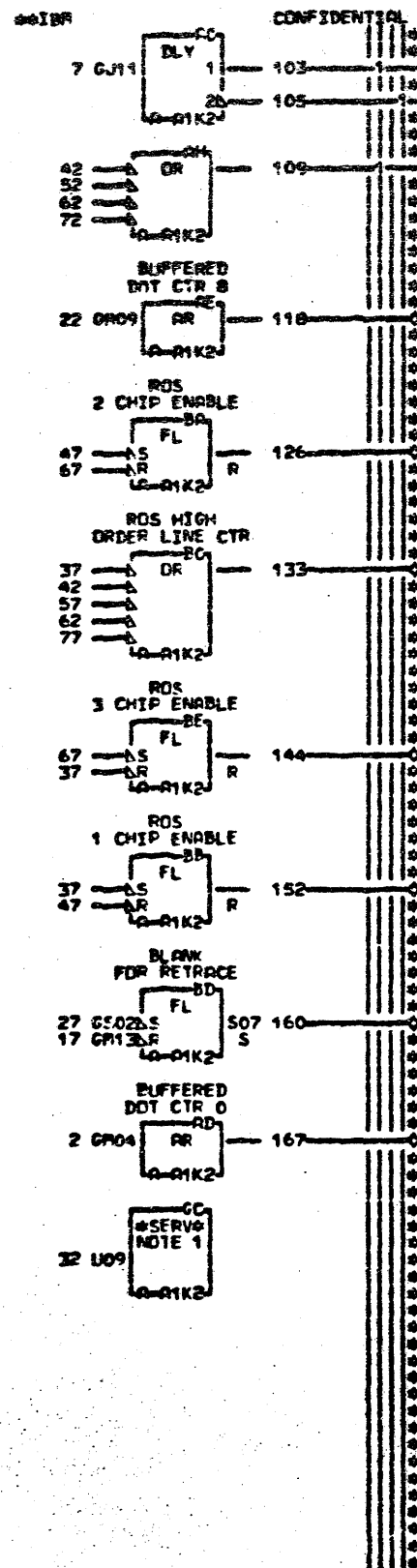
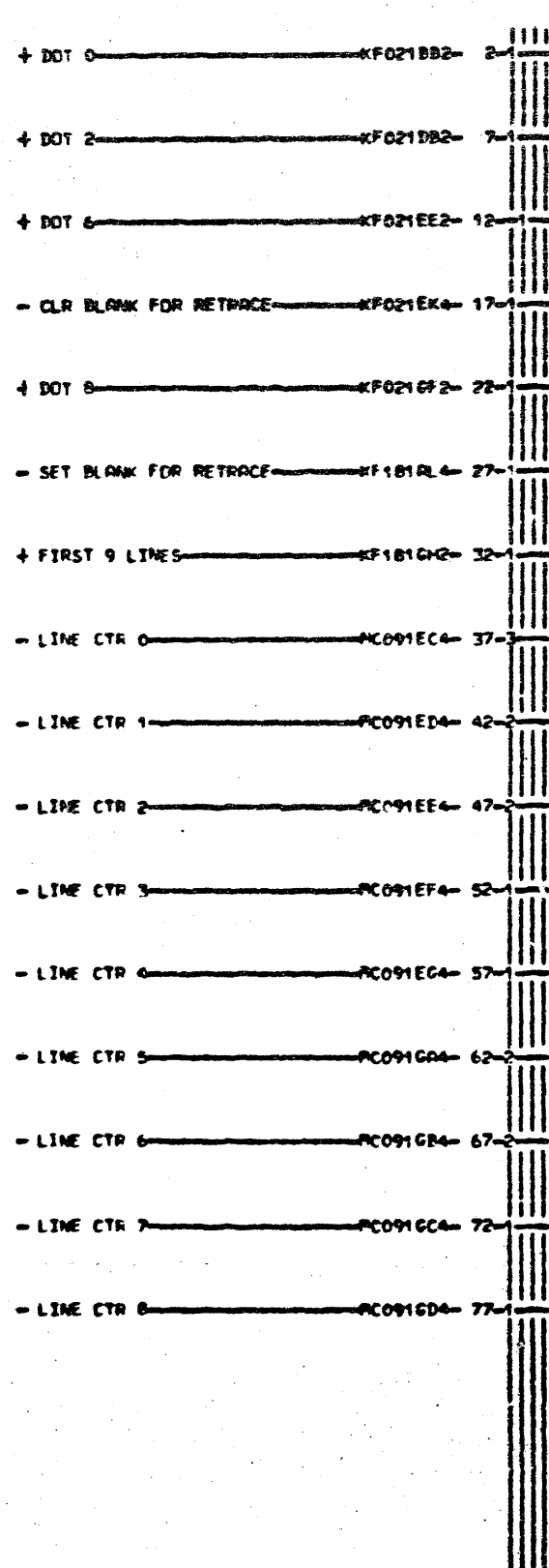


A-NOTE SEE REFERENCE PAGE 22101 FOR CHARACTER GENERATOR CARDS.
 SIM TO PN 1563784 EC 717992
 B-NOTE SEE REFERENCE PAGE 22101 FOR CHARACTER GENERATOR CARDS.
 SIM TO PN 1563785 EC 717994

LOC. TYPE
 A-1K2 9123

PAGE VER EC LEV
 AC031 005 718541
 AC041 005 718541

480 + 1920 CHAR. GEN.
 KATAKANA OR EXTENDED CHAR SET
 E.C. HISTORY - B. PACH. 3277
 717473
 717492
 717946
 DATE LAST EC
 10-02-72 718541
 FRAME 01
 IBP CORP. SDD
 P.No. 1823013
 AC031
 AC041
 005



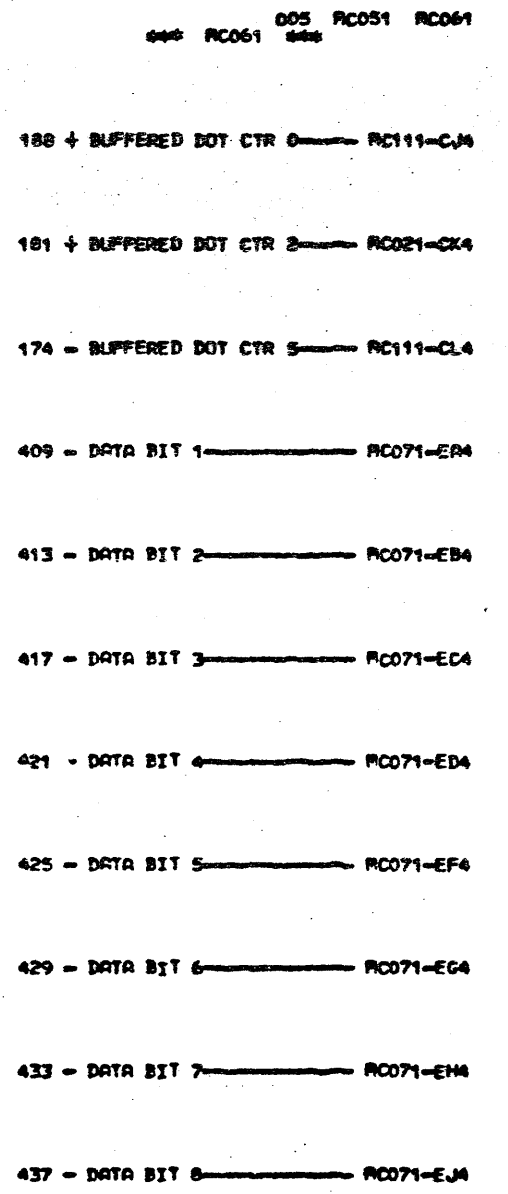
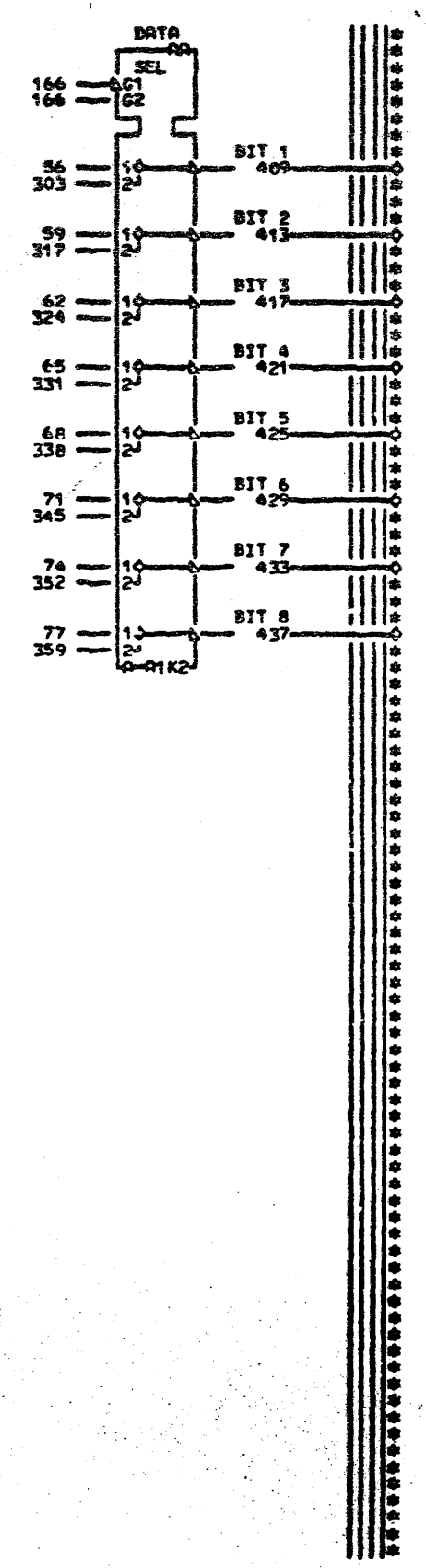
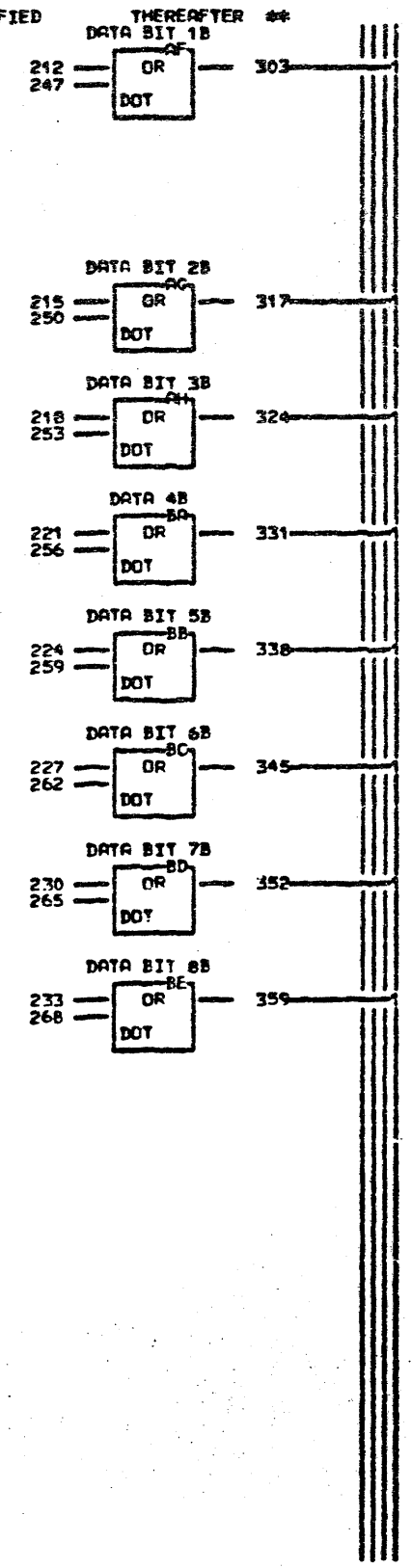
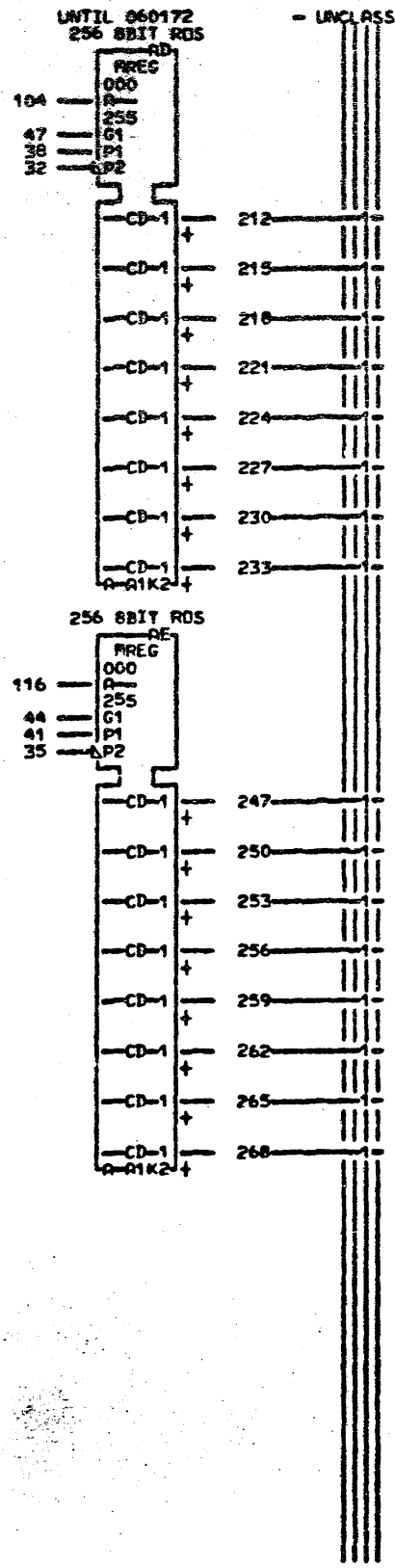
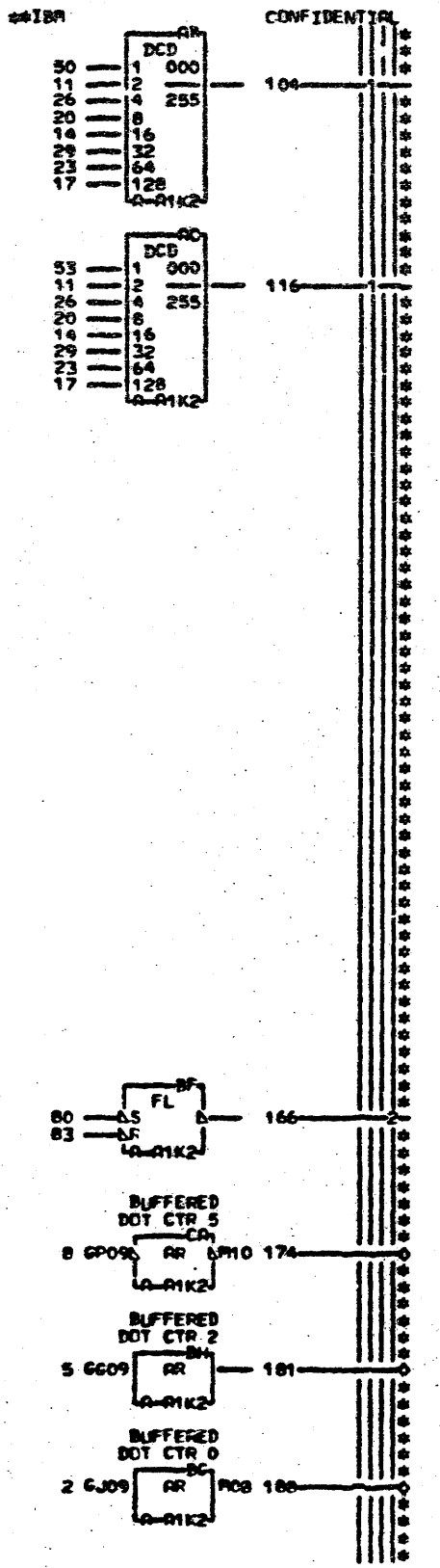
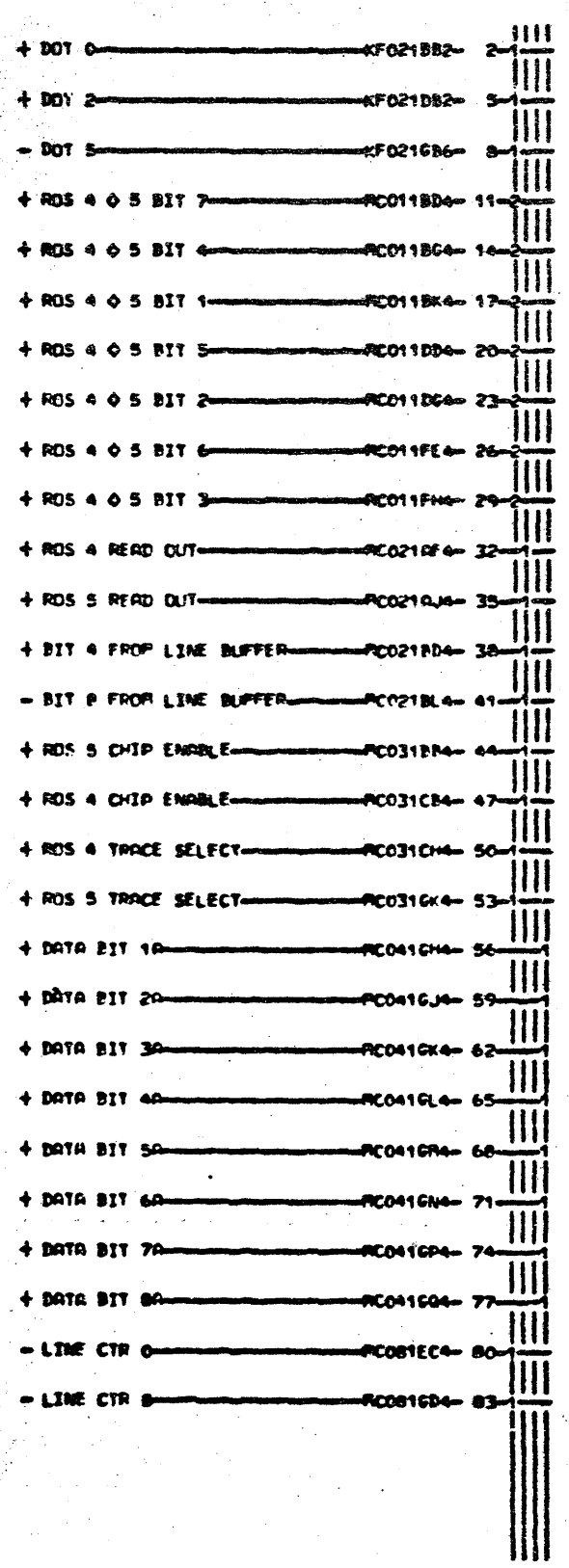
A-NOTE SEE REFERENCE PAGE 27101 FOR CHARACTER GENERATOR CARDS
 B-NOTE 2 SEE REFERENCE PAGE 27101 FOR CHARACTER GENERATOR CARDS

LOC. TYPE
 A-R1K2 9070

PAGE VER EC LEV
 RC051 000 717492
 RC061 000 717492

LINE BUFFER + CHAR. GEN.
 E-C-HISTORY-B-PACH-3277
 717473
 DATE LAST EC
 06-01-72 717492
 FROM 01 RC051
 IBM CORP. KH RC061
 IP.N. 1823816 000

RC 1
 RC061
 000

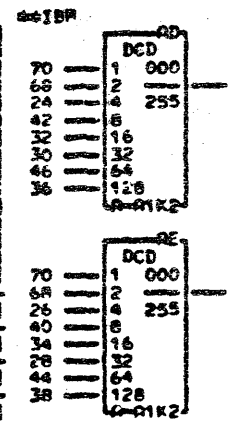
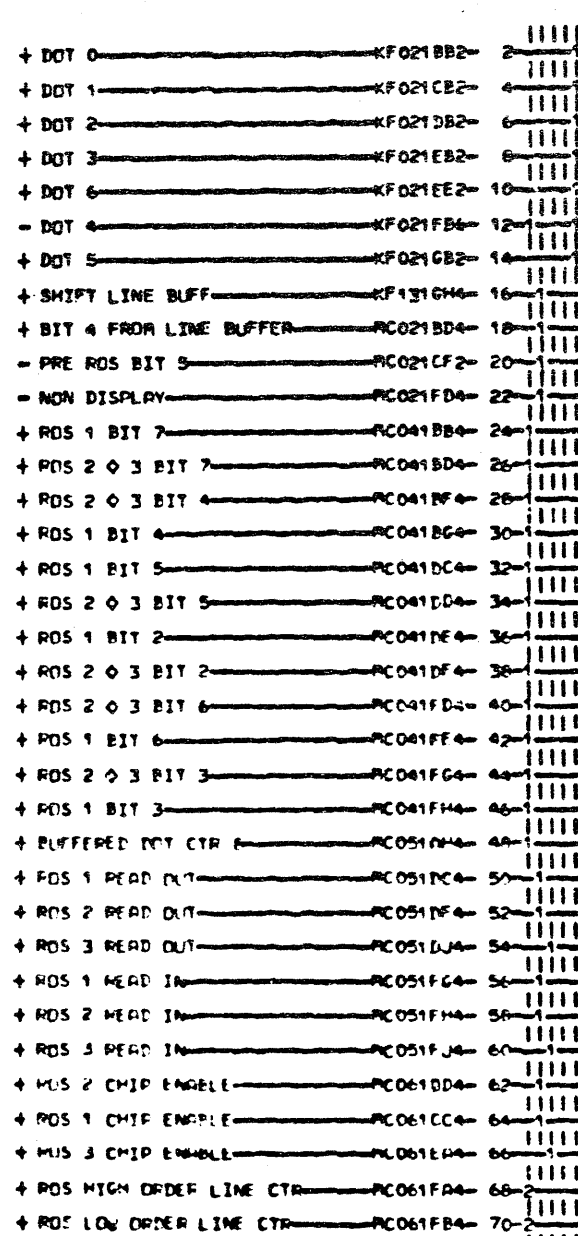


NOTE SEE REFERENCE PAGE 22101 FOR CHARACTER GENERATOR CARDS.
 IP TO PN 15637A6 EC 717492
 NOTE SEE REFERENCE PAGE 22101 FOR CHARACTER GENERATOR CARDS.
 SIP TO PN 15637A7 EC 717492
 005

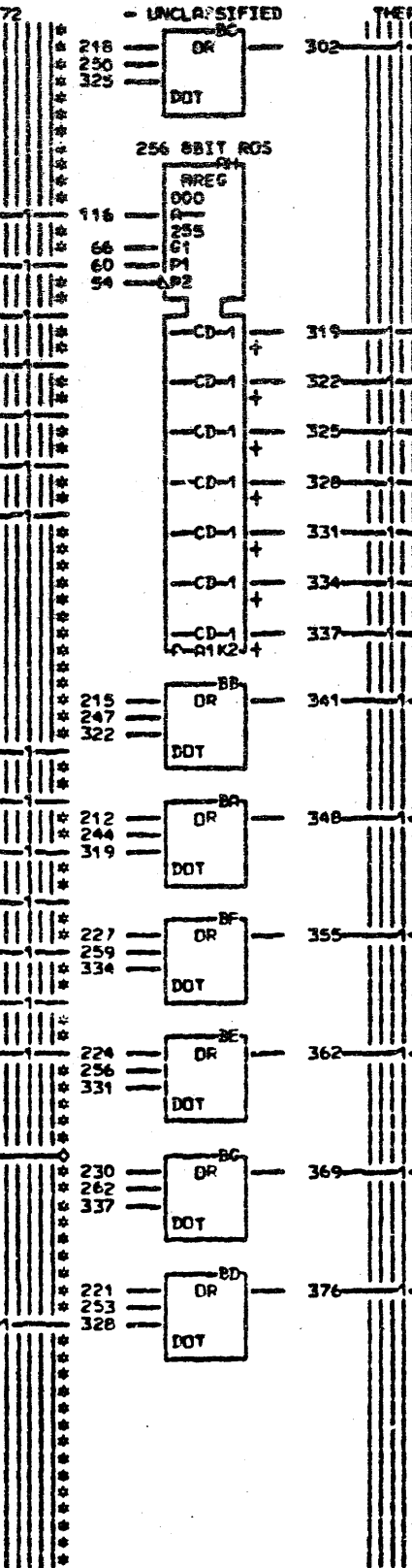
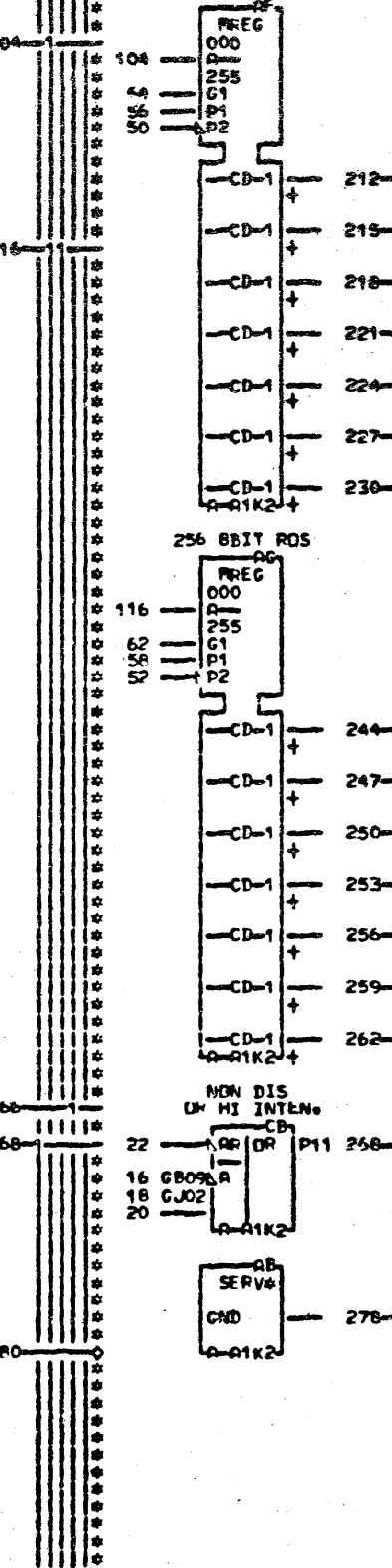
LDC TYPE A-A1K2 9123

PAGE VER EC LEV
 RC051 005 718541
 RC061 005 718541

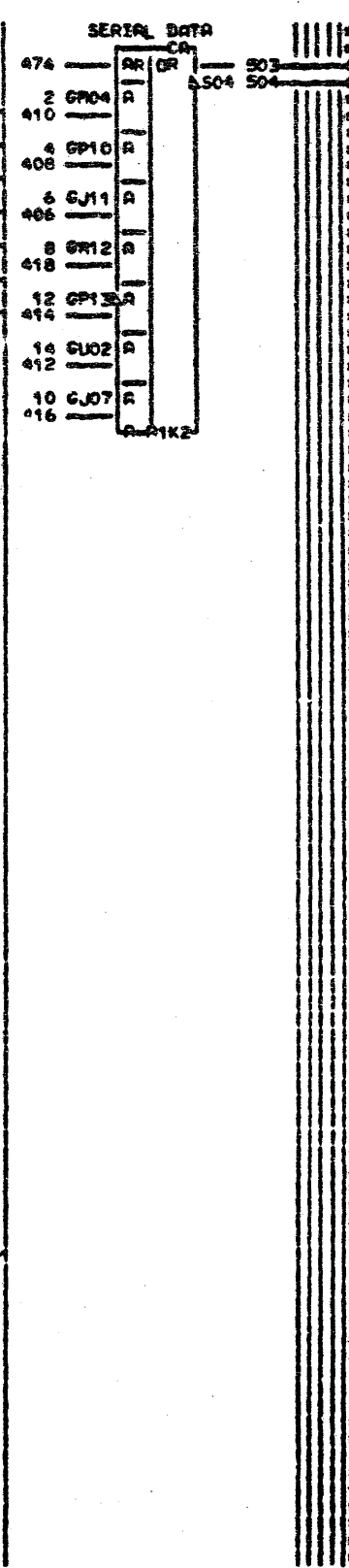
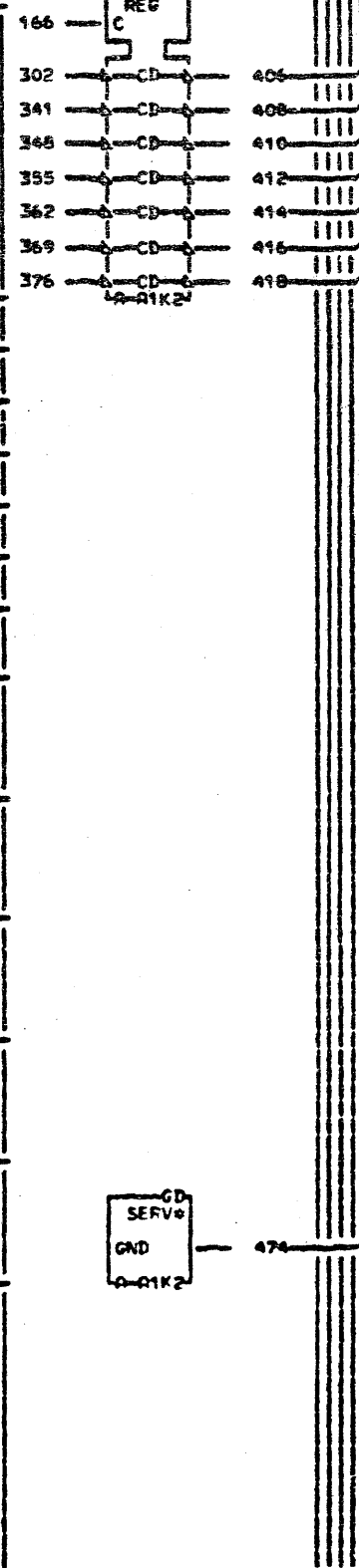
400 + 1920 CHAR. GEN.
 KATAKANA OR EXTENDED CHAR SET
 -EoC-HISTORY- B-PACH-3277
 717473
 717492
 717946
 DATE LAST EC 10-02-72 718541
 FRAME 01 RC051
 IBA CORP.SDD RC061
 Pch# 1823818 005



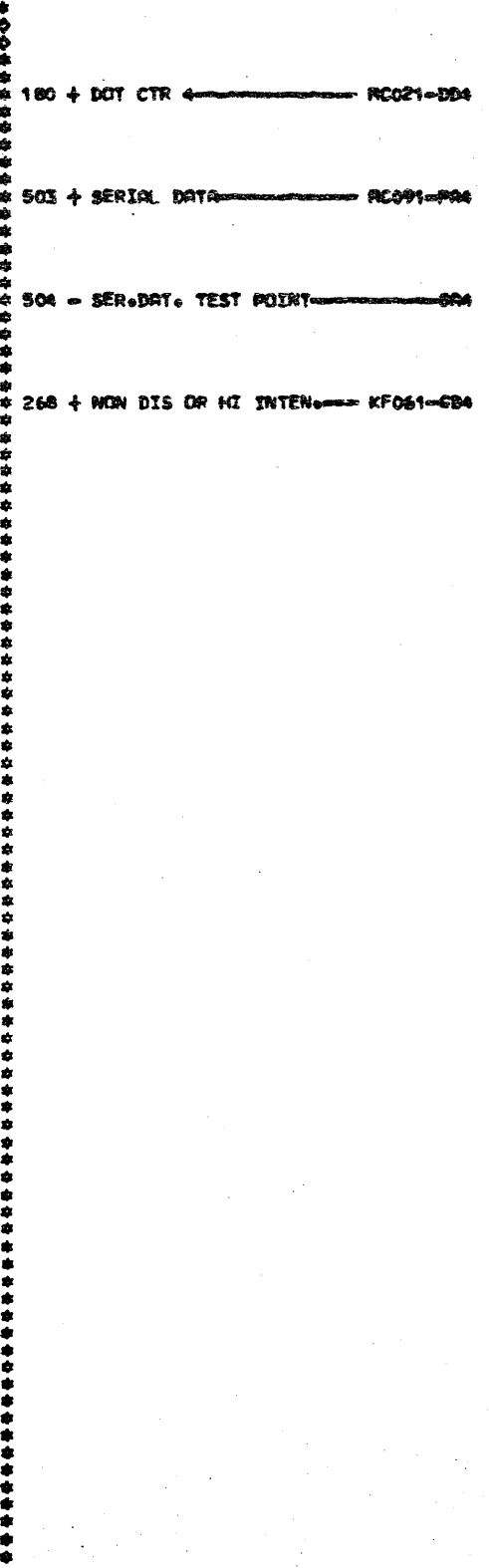
CONFIDENTIAL UNTIL 060172



- UNCLASSIFIED THEREAFTER



000 RC071 RC081



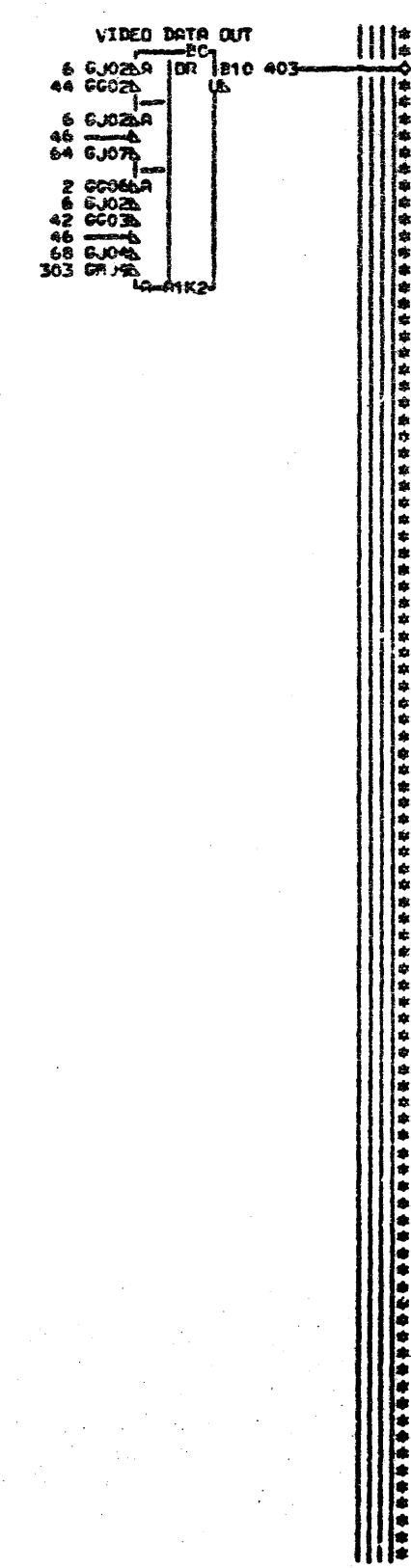
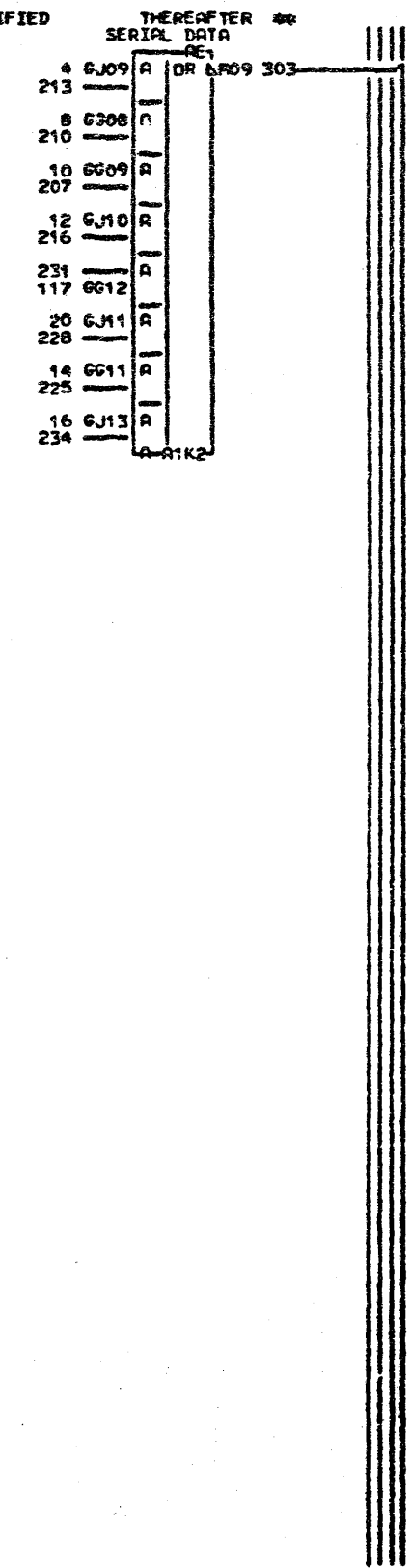
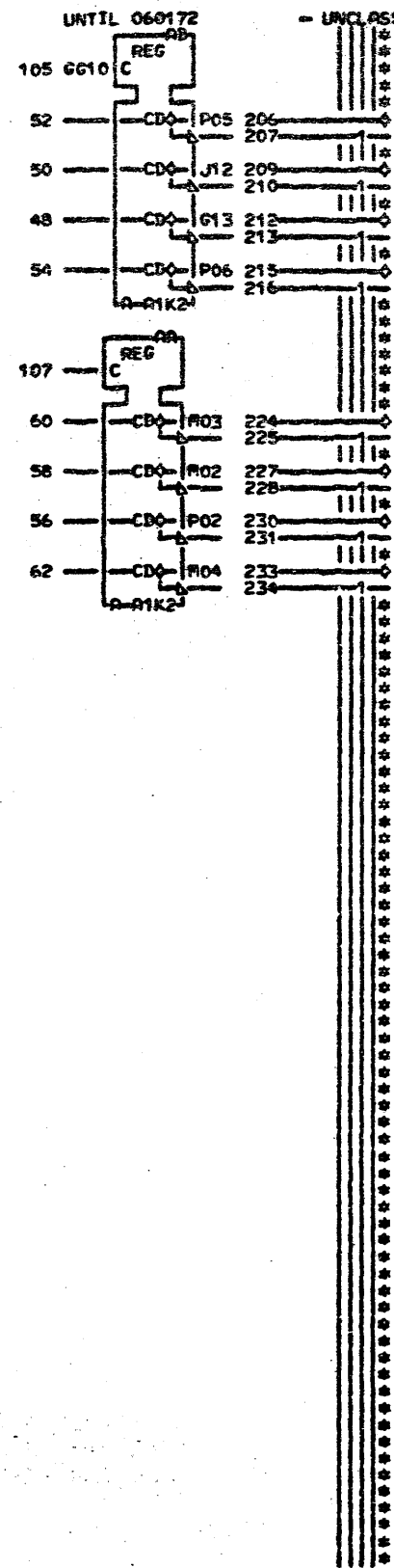
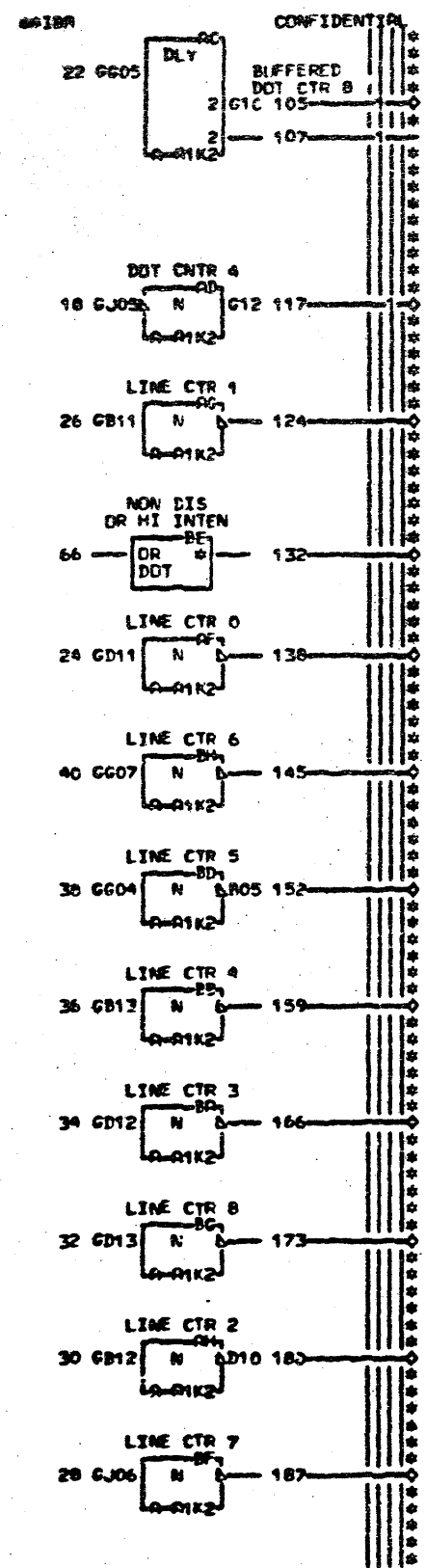
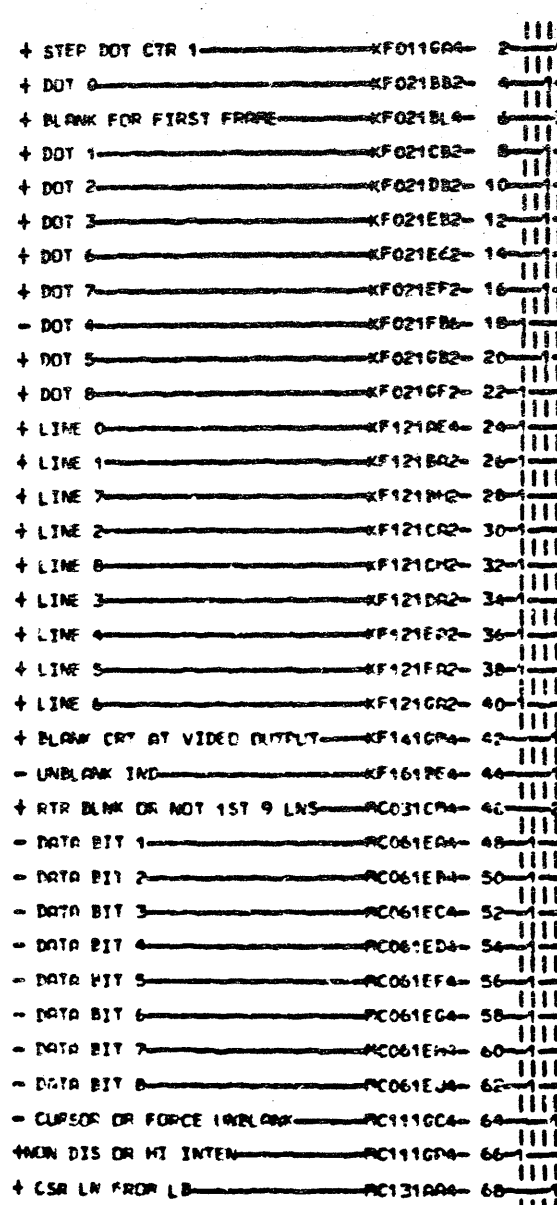
A-NOTE SEE REFERENCE PAGE 22101 FOR CHARACTER GENERATOR CARDS
 B-NOTE SEE REFERENCE PAGE 22101 FOR CHARACTER GENERATOR CARDS

LOC. TYPE A-1K2 9070

PAGE VF1 EC LEV
 RC071 000 717492
 RC081 000 717946

LINE BUFFER + CHAR. GEN.	
E.C. HISTORY	S. PACH. 3277
717473	FRAME 01 RC071
717492	IBR CORP. KN RC081
DATE LAST EC	P.No 1823821 000
06-05-72 717946	

RC071
 RC081
 000



NOTE SEE REFERENCE PAGE
 Z2101 FOR CHARACTER
 GENERATOR CARDS.
 SIP TO PN 156379 EC 717992
 B. JTF SEE REFERENCE PAGE
 Z2101 FOR CHARACTER
 GENERATOR CARDS.
 SIP TO PN 156379 EC 717992

LDL TYPE
 A-11K2 9123

PAGE VER EC LEV
 PC071 005 718541
 PC081 005 718541

480 + 1920 CHAR GEN	GEN	
KATAKANA OR EXTENDED CHAR SET		
E.C. HISTORY	B. RACH 3277	
717473		
716959	FRAME 01	PC071
717492		
717946	JSA CORPORN	PC081
DATE LAST EC		
10-02-72 718541	P.No 1823823	005

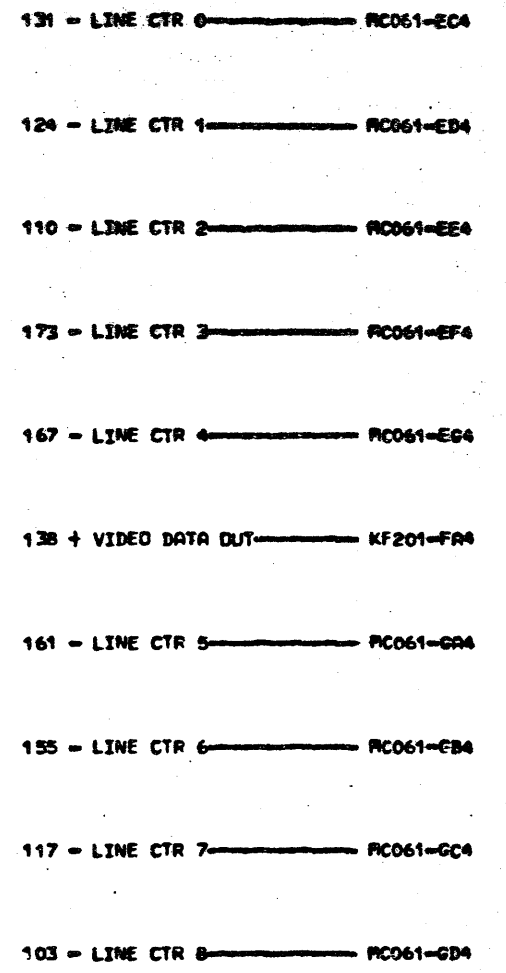
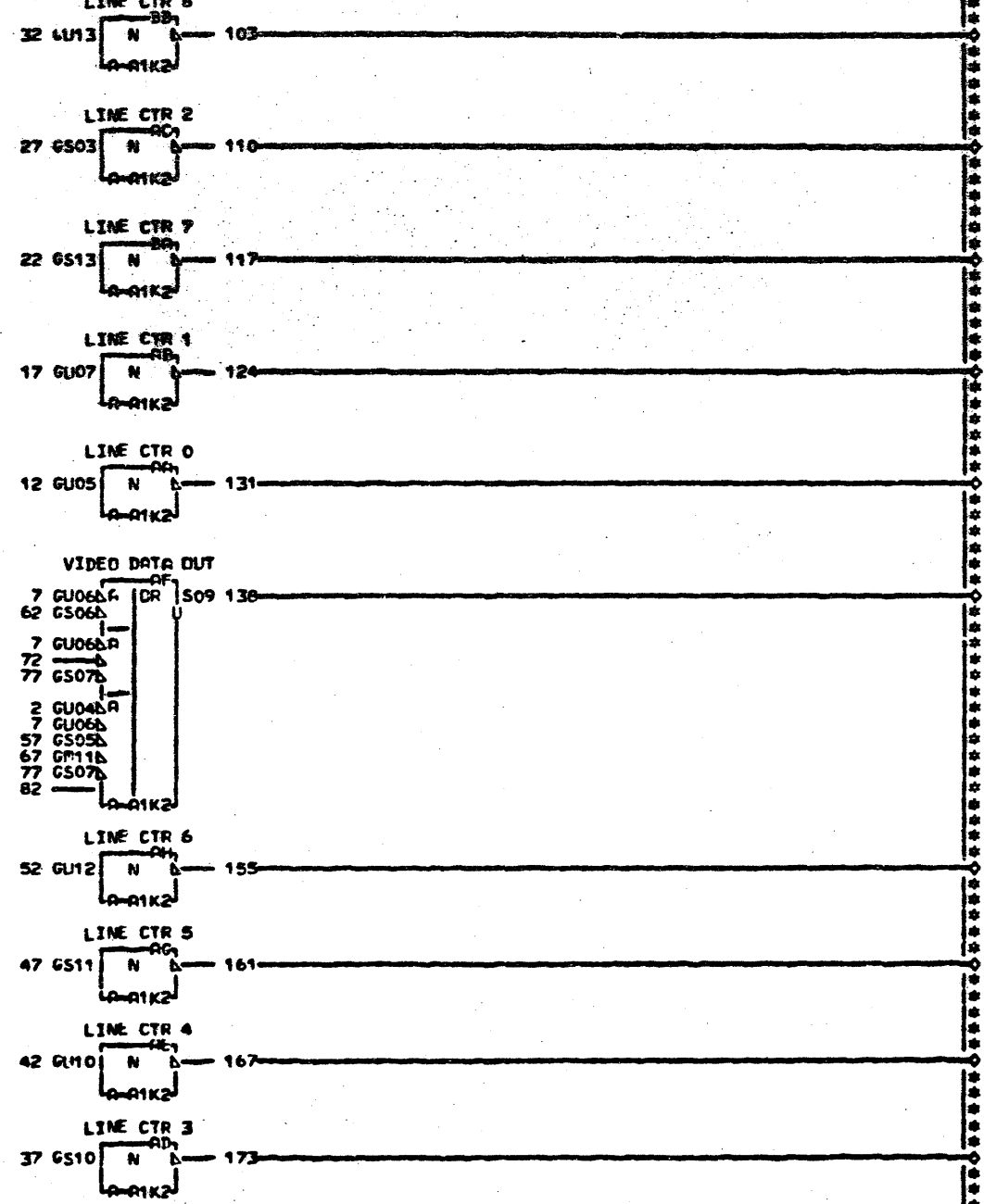
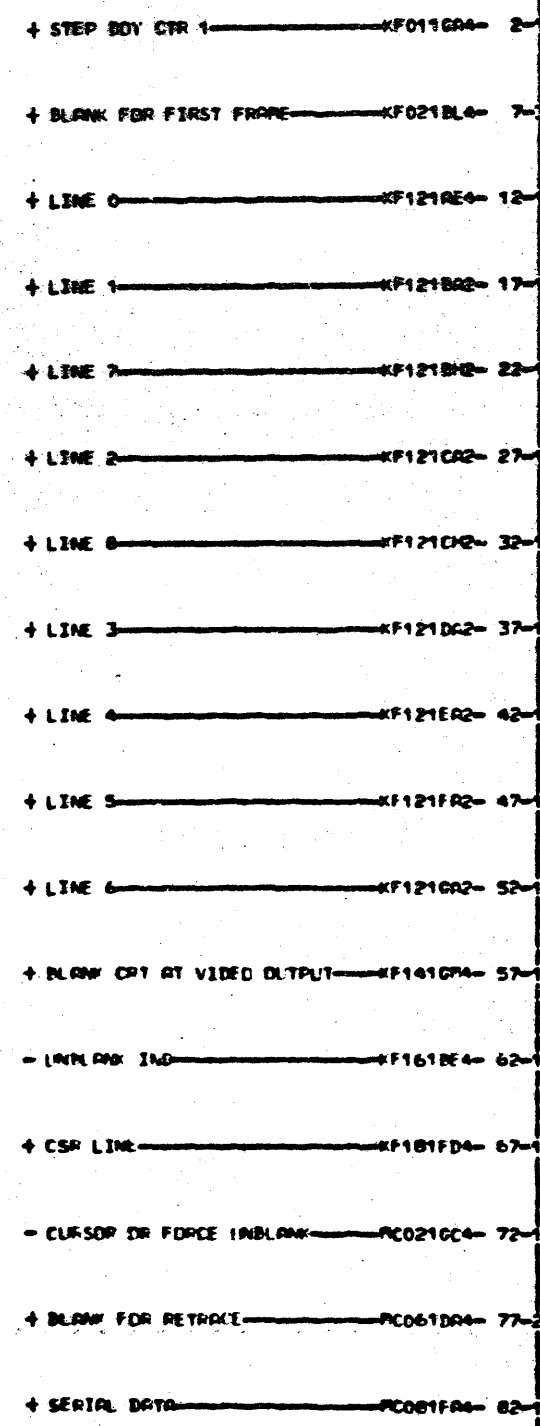
IBM

CONFIDENTIAL

UNTIL 060172

- UNCLASSIFIED THEREAFTER

000 RC091 RC091



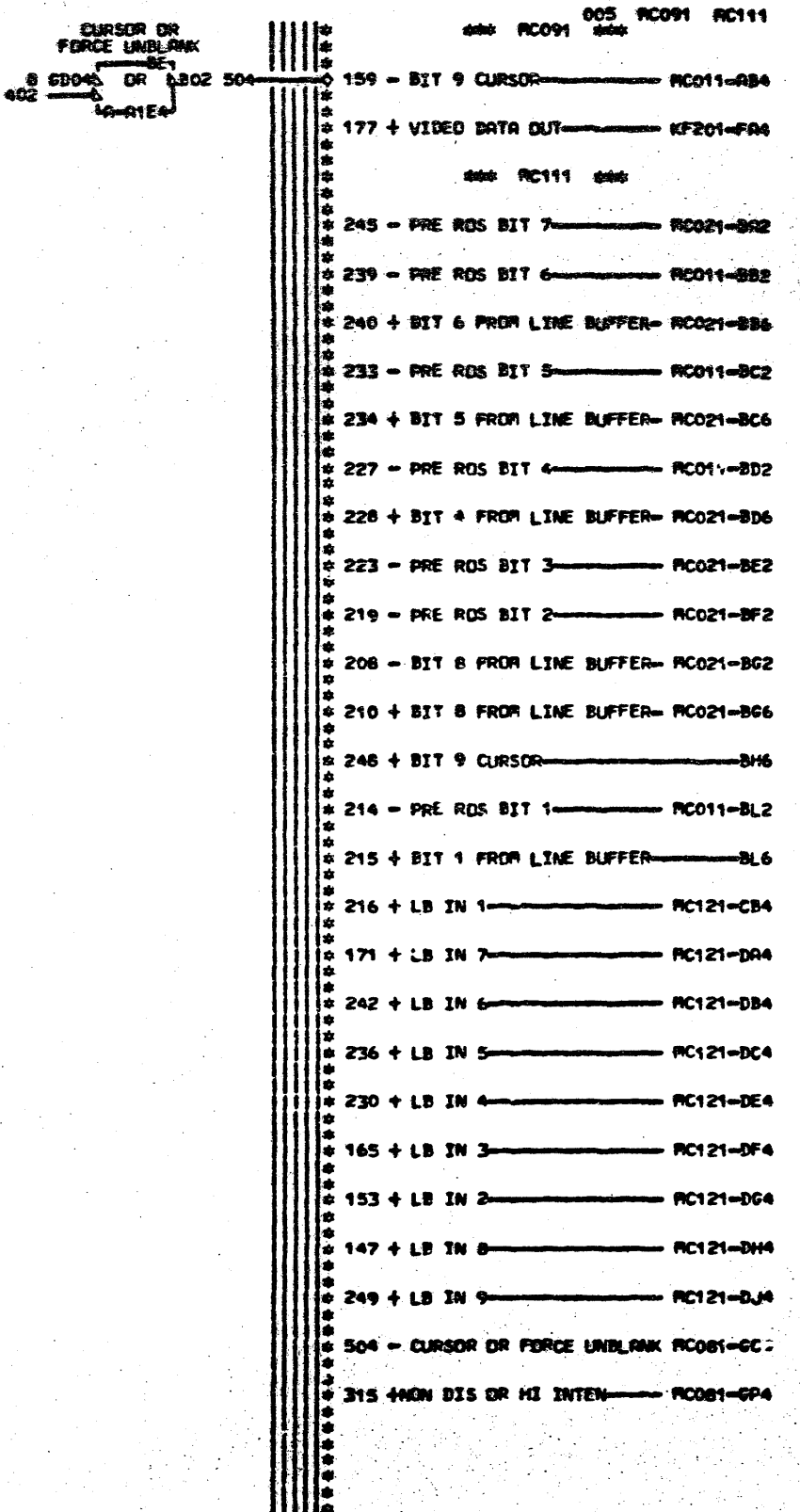
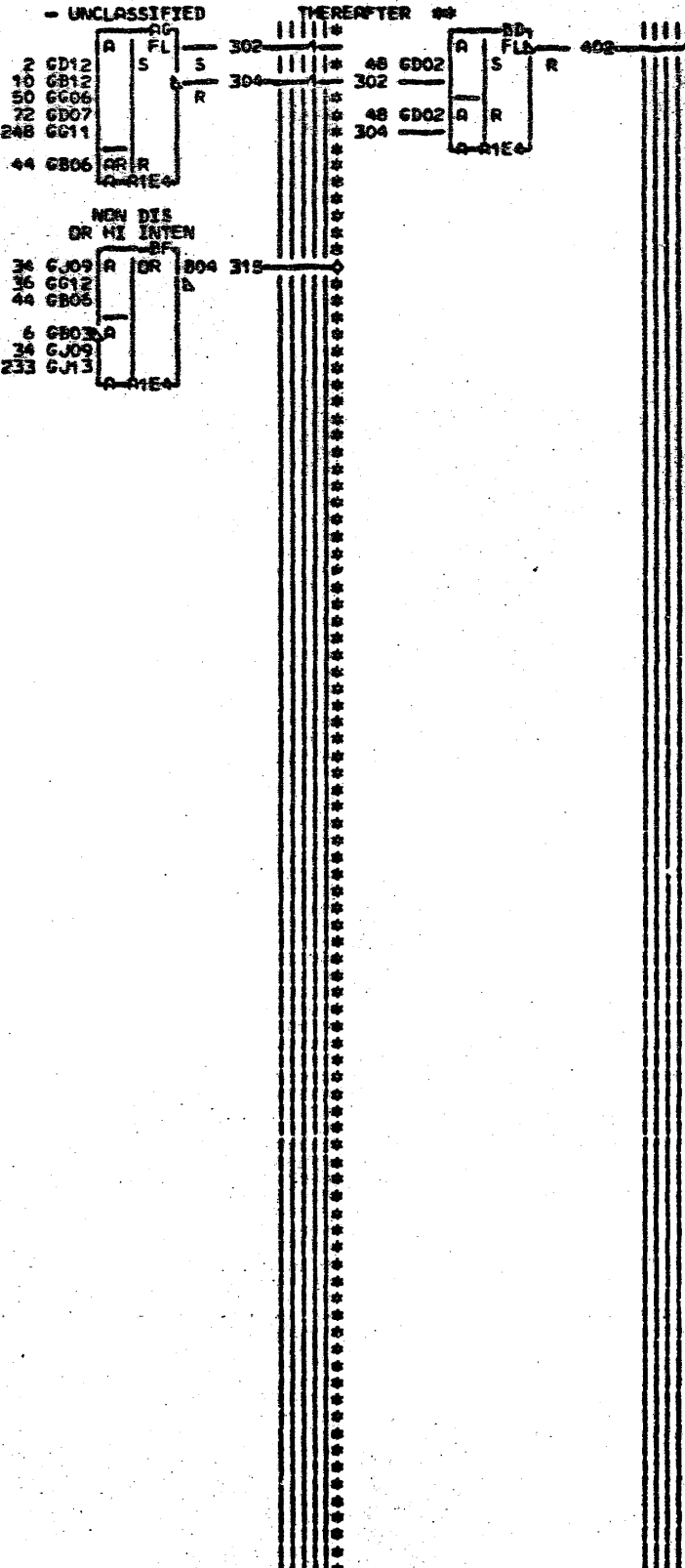
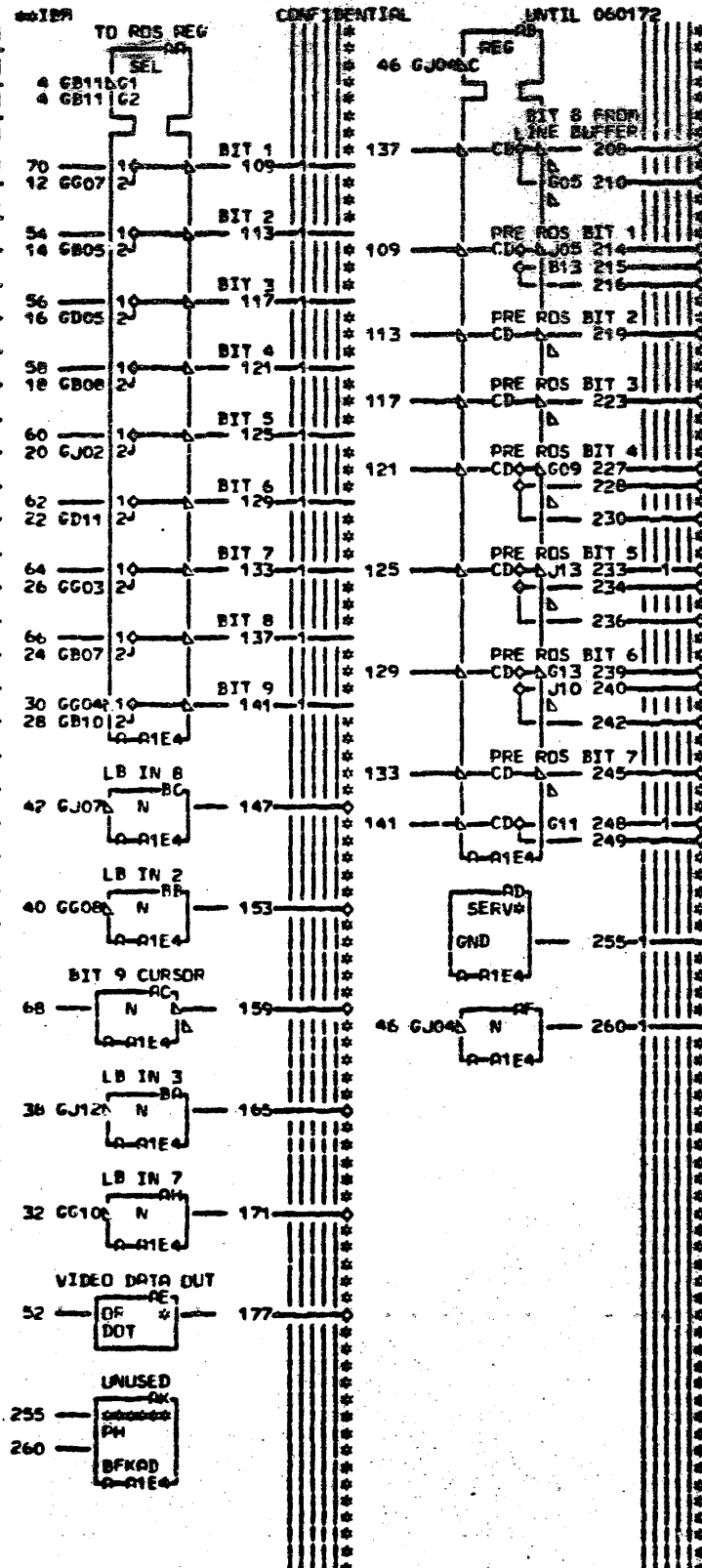
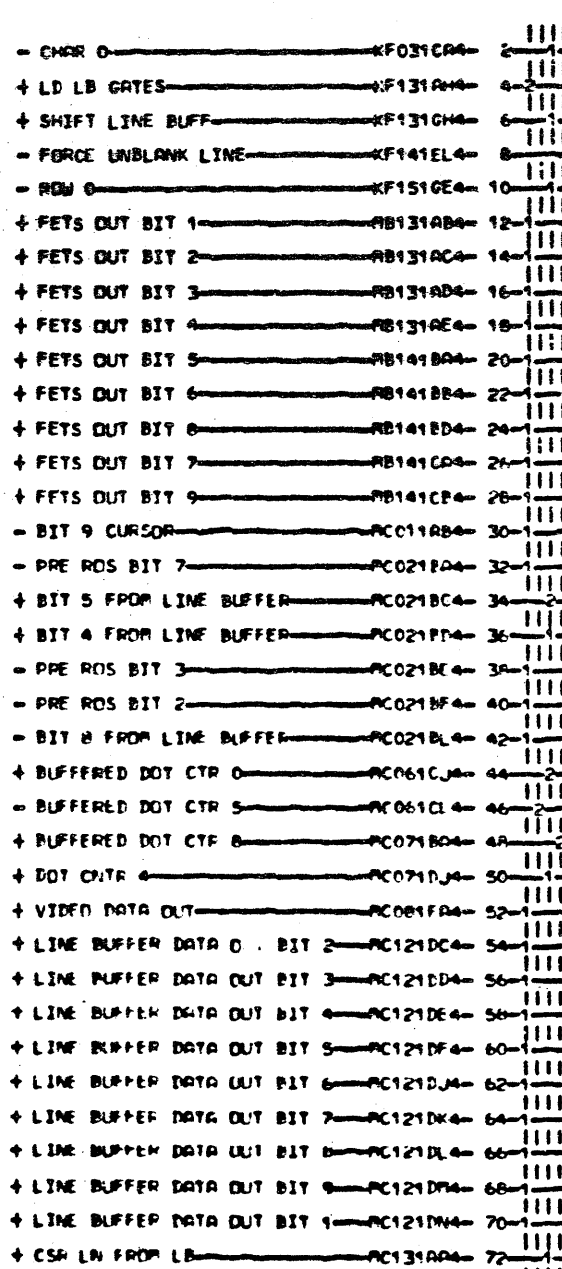
NOTE SEE REFERENCE PAGE 22101 FOR CHARACTER GENERATOR CARDS

LDC TYPE A-R1K2 9070

PAGE VER EC LEV RC091 000 717946

LINE BUFFER + CHAR GEN			
- E.C. HISTORY -		S. PACH 3277	
717473			
717492		FRAME 01	RC091
		IBM CORP. KN	RC091
DATE	LAST EC	P.No. 1E23E26	000
08-05-72	717946		

RC091
RC091
000



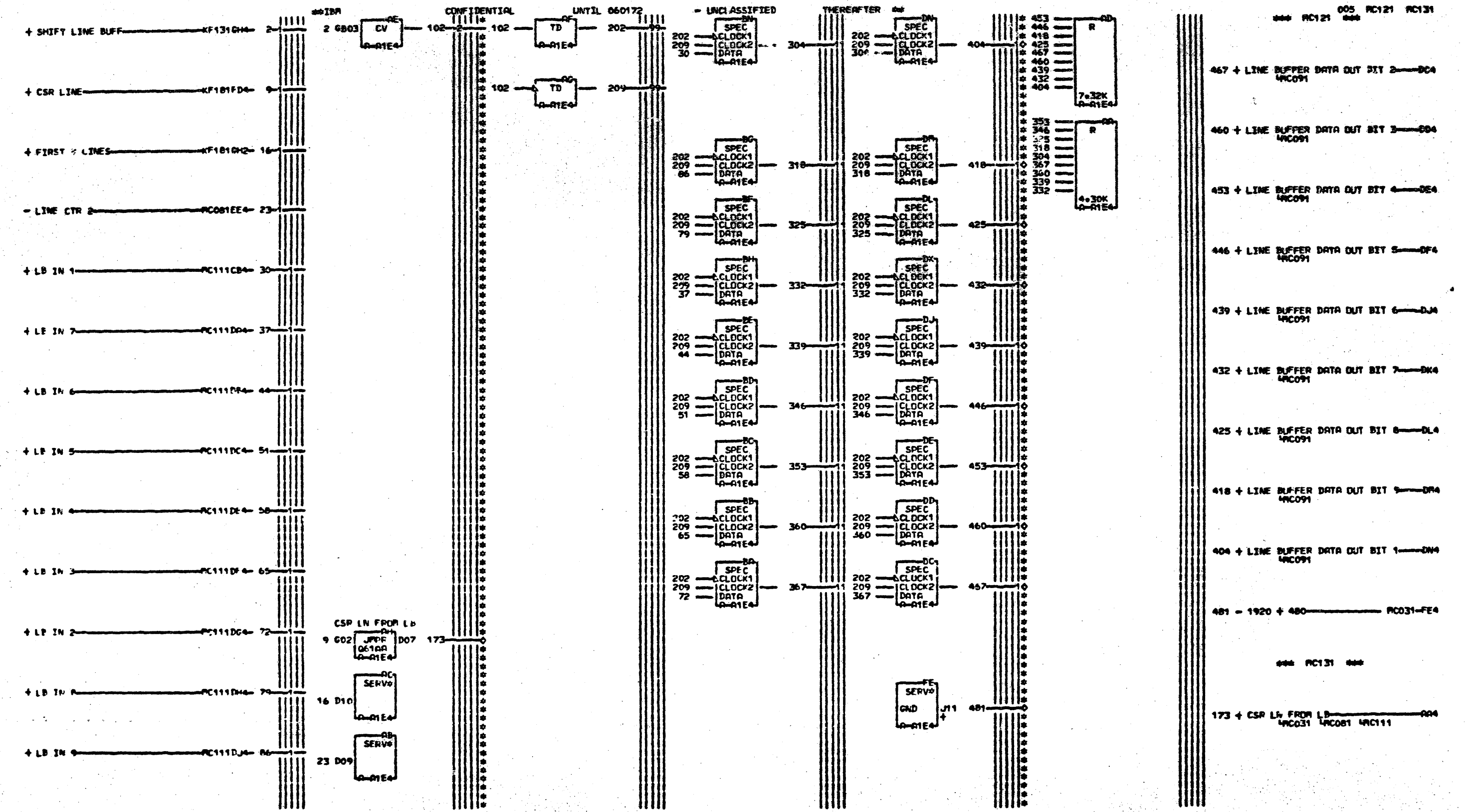
A-NOTE SEE REFERENCE PAGE 22101 FOR CHARACTER GENERATOR CARDS.
 B-NOTE SEE REFERENCE PAGE 22101 FOR CHARACTER GENERATOR CARDS.

AC091
 AC111
 005

LOC. TYPE
 A-A1E4 2227

PAGE VFR EC LEV
 AC091 005 717946
 AC111 005 717946

1920 LINE BUFFER EXTENDED CHAR SETS		AC111
E.C. HISTORY		AC111
717473	FRAME 01	AC091
716959	IBR CORR. SDD	AC111
717492		
DATE LAST EC	P.No. 1823828	005
06-05-72 717946		



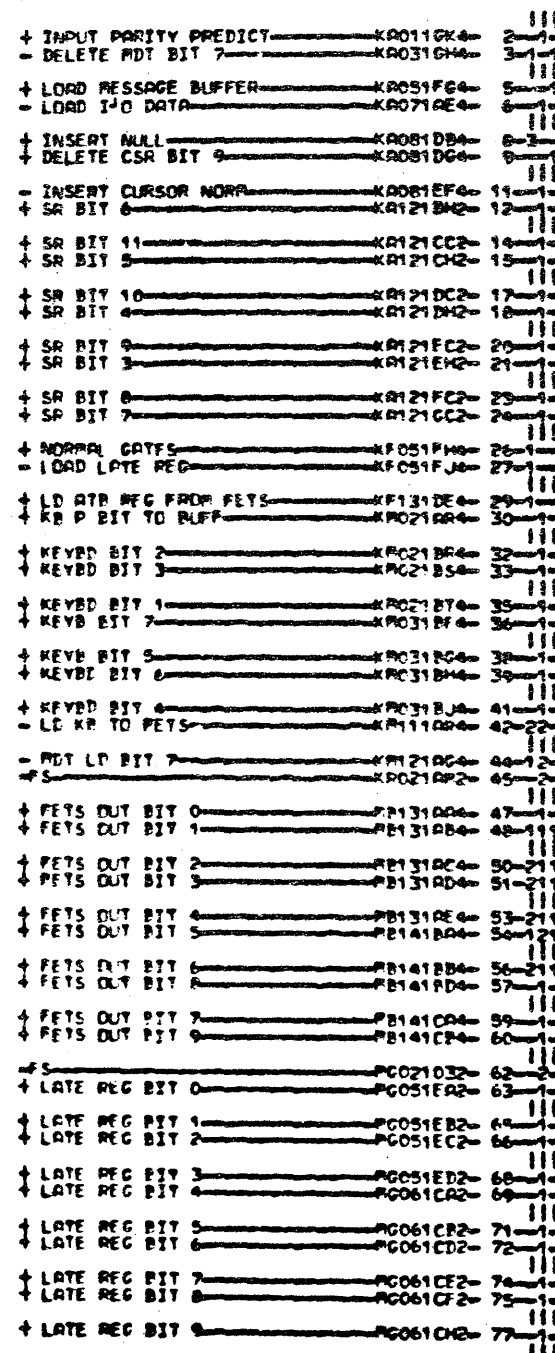
A-NOTE SEE REFERENCE PAGE 22101 FOR CHARACTER GENERATOR CARDS.
 B-NOTE SEE REFERENCE PAGE 22101 FOR CHARACTER GENERATOR CARDS.

LDC TYPE
 A-A1E4 2227

PAGE VER EC LEV
 RC121 005 717946
 RC131 005 717492

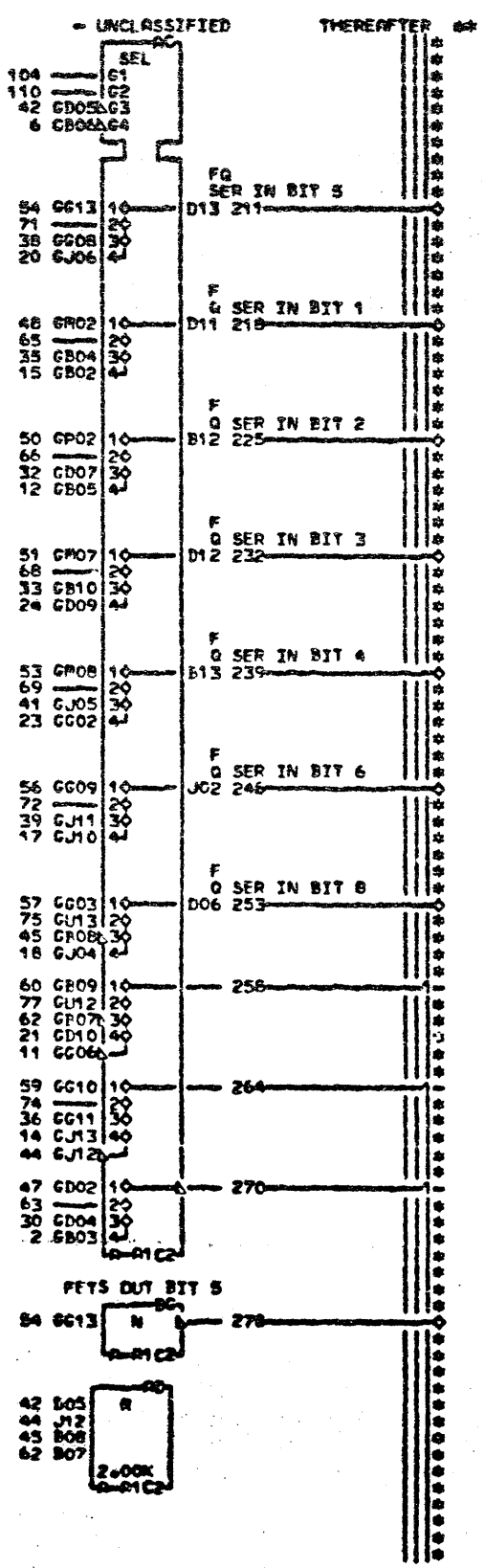
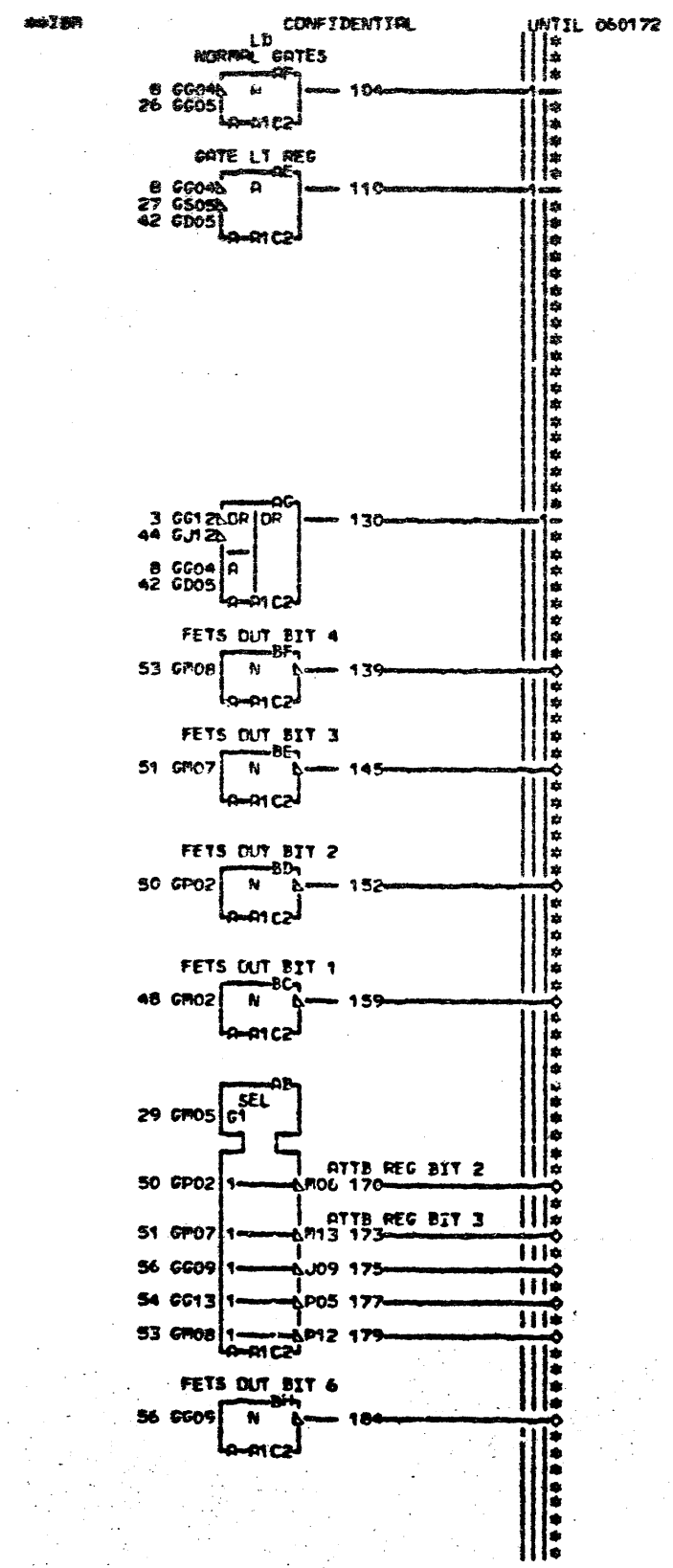
1920 LINE BUFFER EXTENDED CHAR SETS E-C-HISTORY			RACK#3277		
717473	FRAME	01	RC121		
716959	IBM CORP. SDD		RC131		
717492	DATE	LAST EC	P.O. # 1823831 005		
08-05-72 717946					

87
 RC121
 RC131
 0



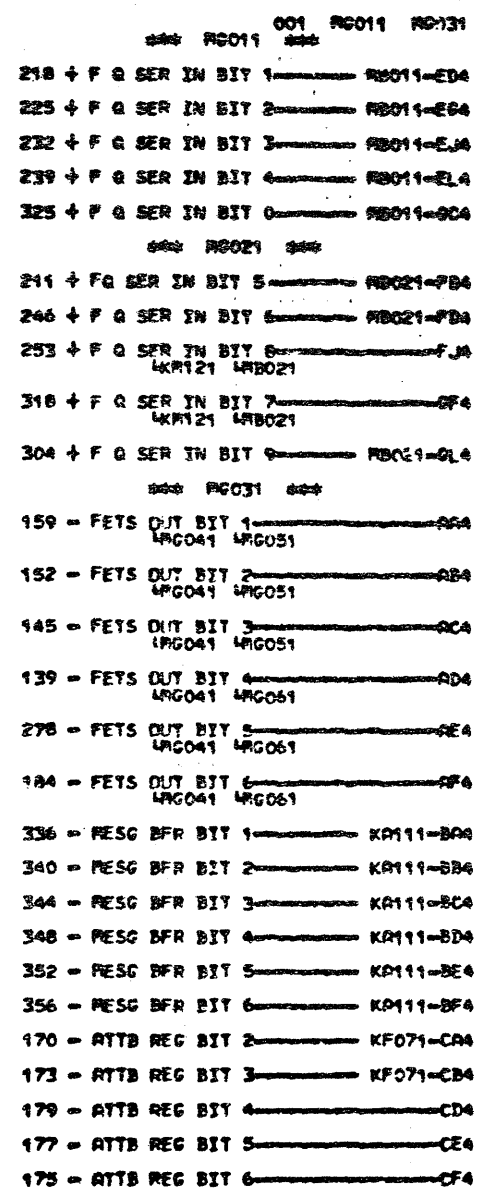
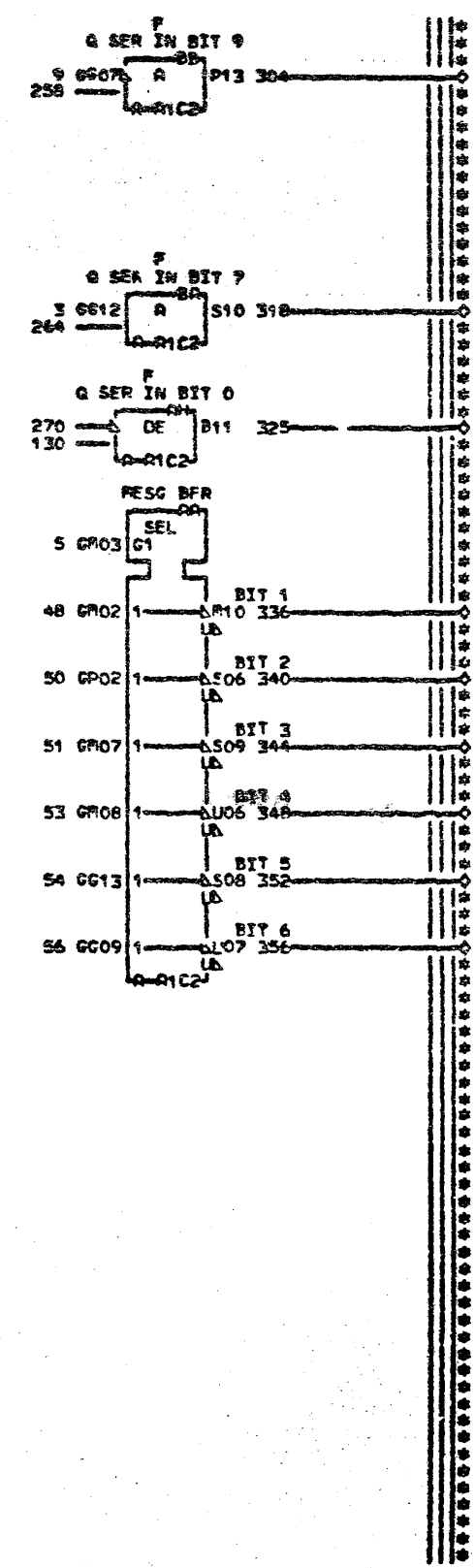
D:SIM TO PW 1563702 EC 717473

PG011
PG031
001

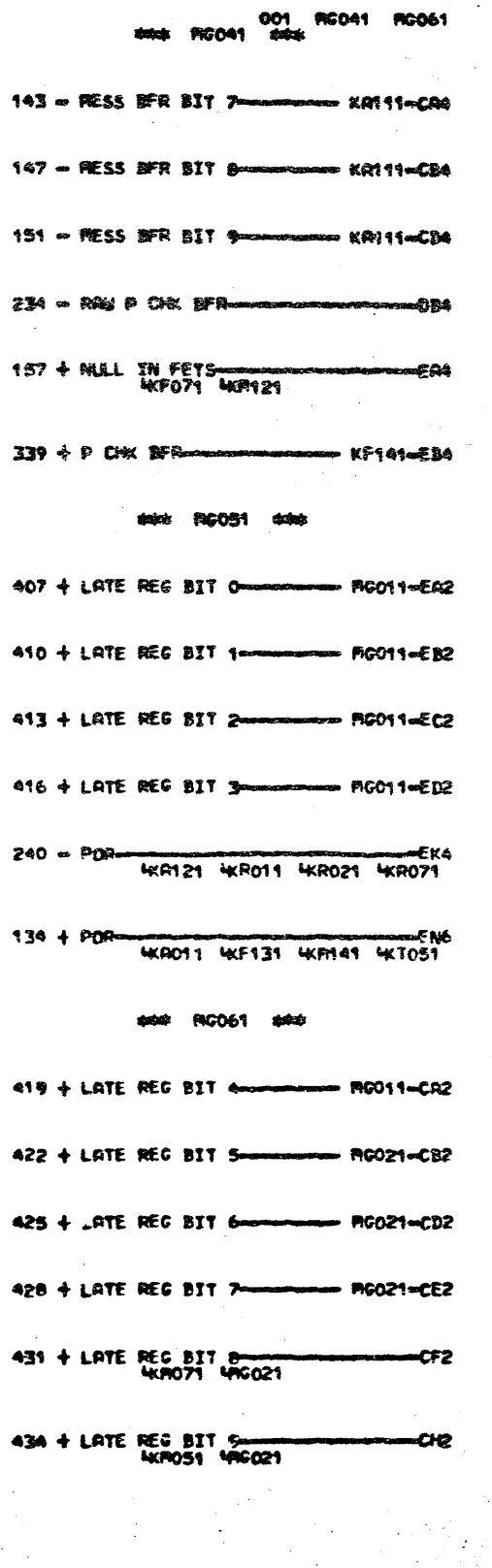
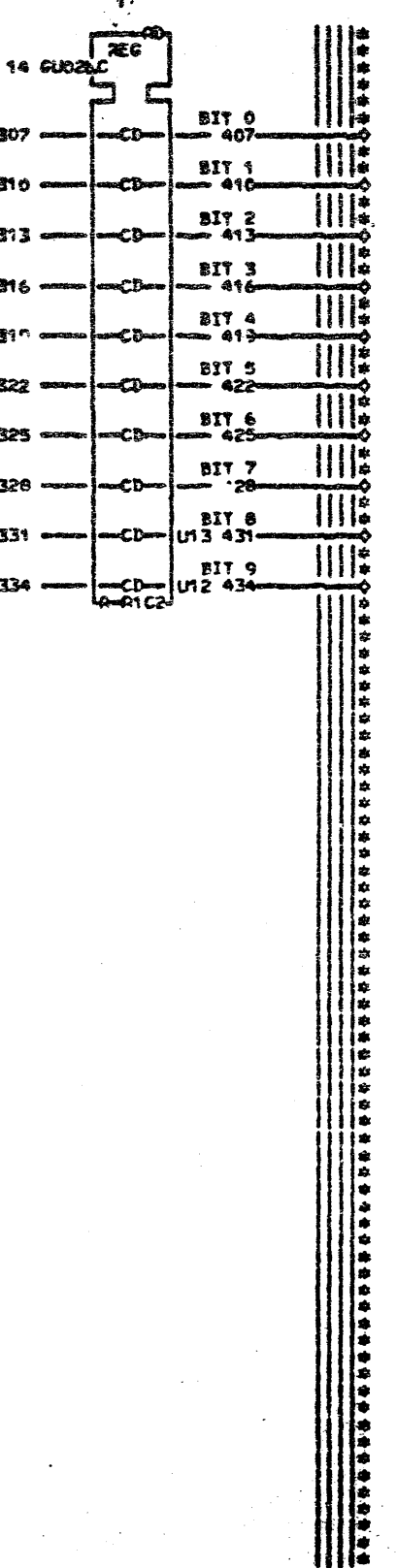
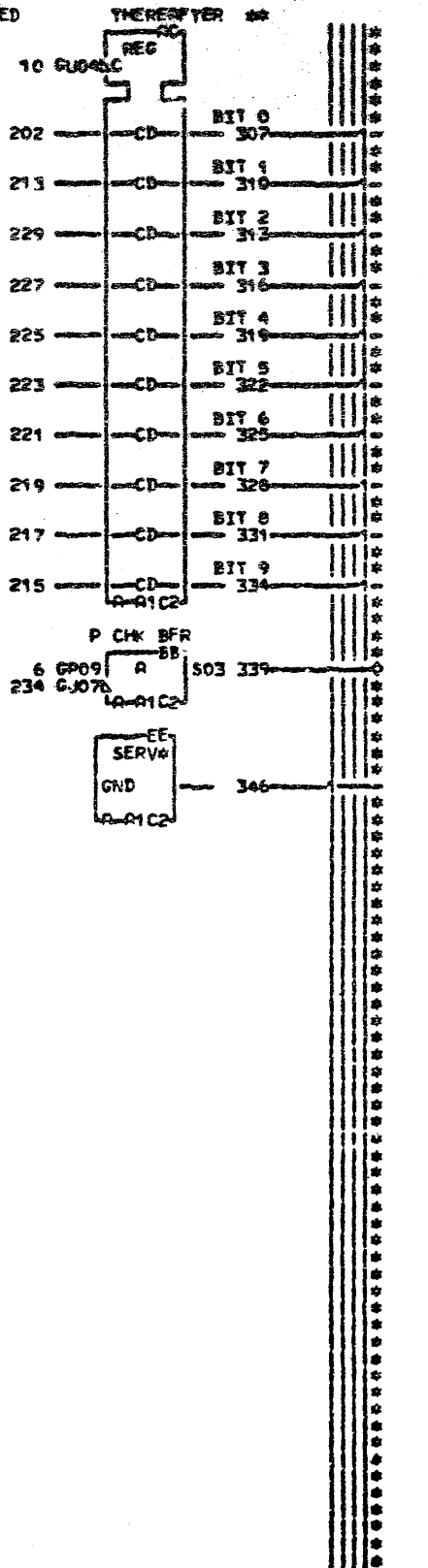
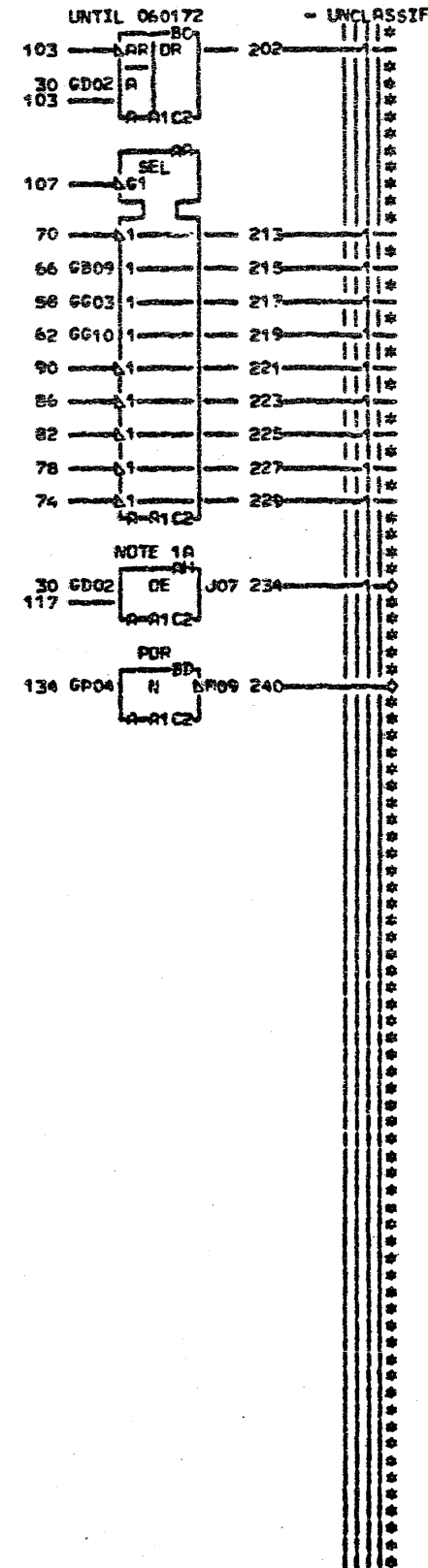
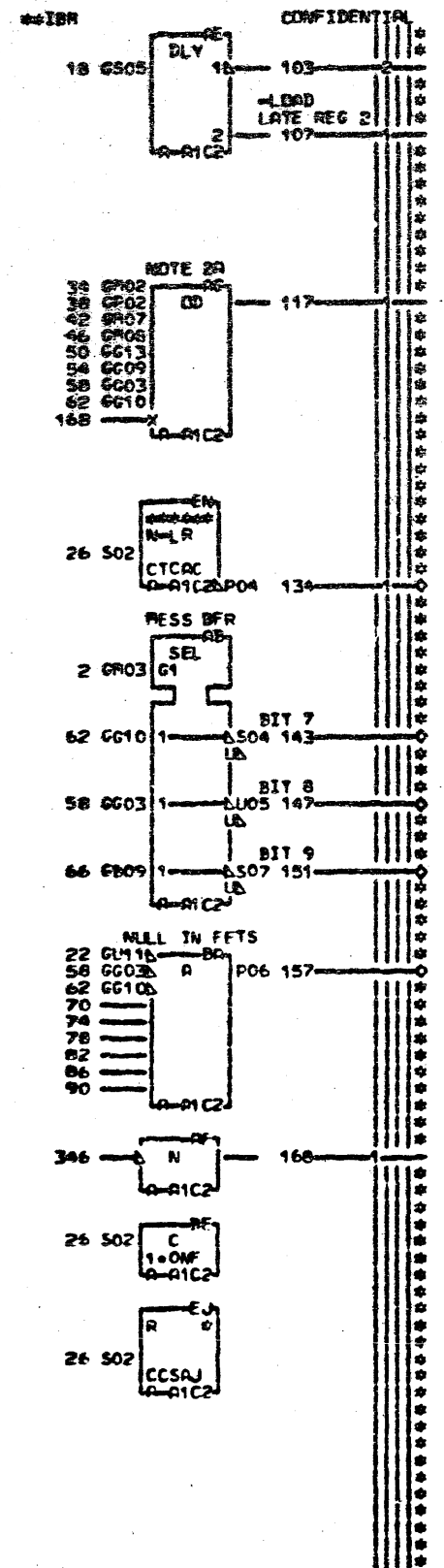
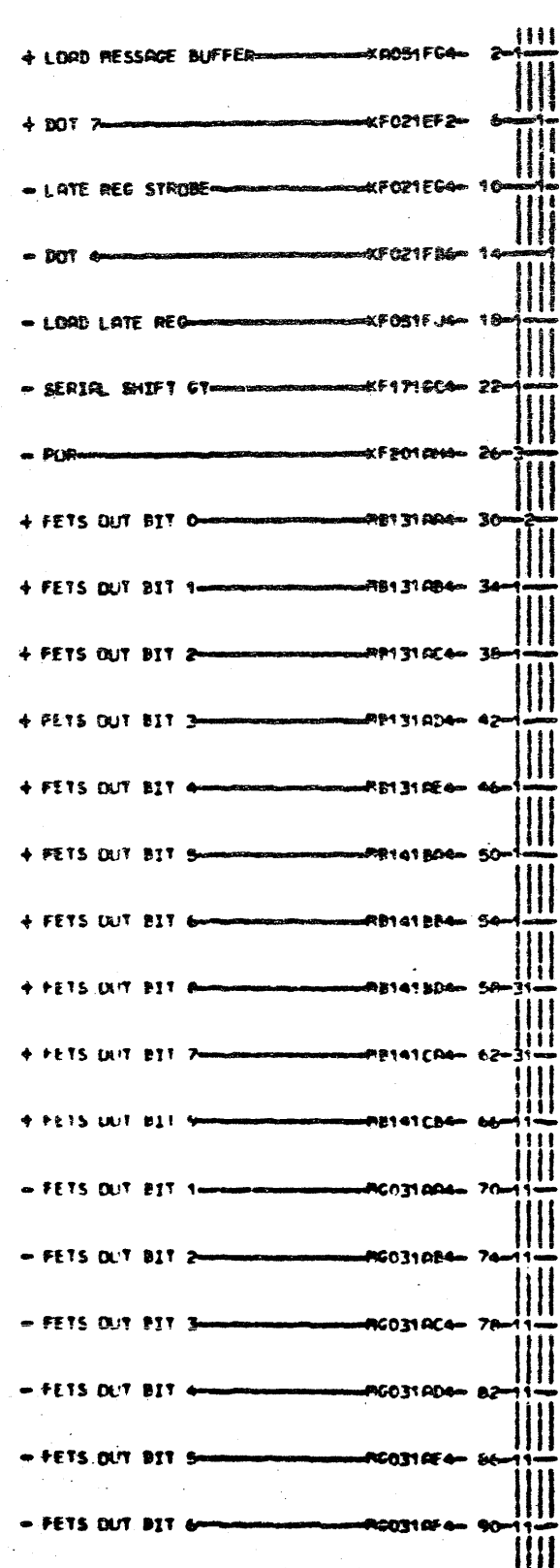


LDC TYPE
B-11C2 9066

PAGE VER EC LEV
PG011 000 717482
PG021 001 717482
PG031 000 717473



I/O GATING AND PARITY			
E.C. HISTORY		PAGE 01 PG011	
717473		IBN CORP. KN PG031	
DATE	LAST EC	P.No.	1822835 001
06-01-72	717482		



A-SIR TO PN 1563794 EC 717946
 B-SIR TO PN 1563795 EC 717946

LDC TYPE
 R-A1C2 9066

PAGE VER FC LEV
 RG041 001 717946
 RG051 001 717946
 RG061 000 717973

I/O GATING AND PARITY		
E-C-HISTORY	D-RACH-3277	
717473	FRAPR 01	RG041
716959		
717492		
DATE LAST EC	IBM CORP. SDD	RG061
08-05-72 717946	P.No. 1823840	001

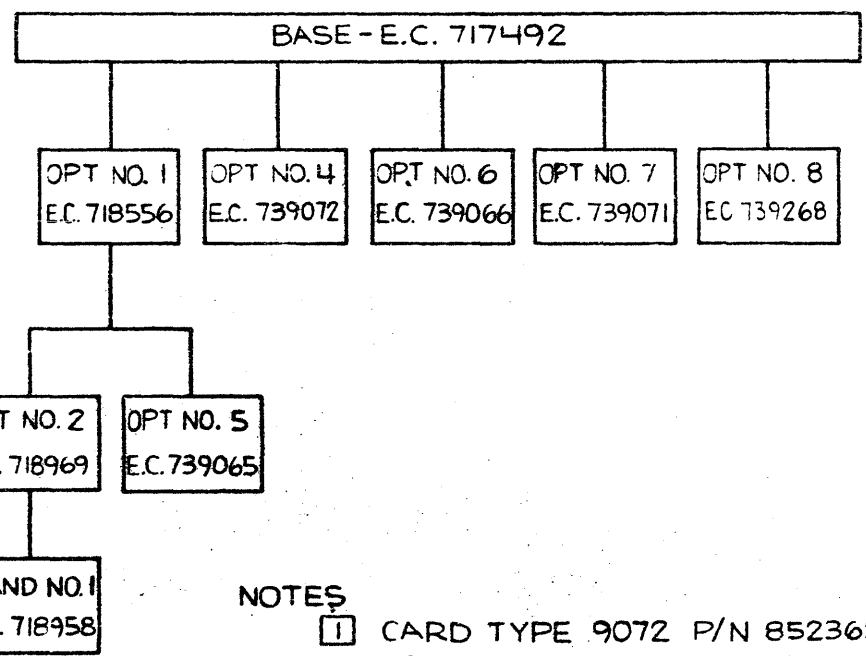
CARD DESCRIPTION	WHERE USED	CARD TYPE	LOGIC PAGE GROUP	CARD LOC	CARD PART NUMBERS										PRODUCTION PRACTICE
					BASE E.C. 717492	OPT #1 E.C. 718556	MAND NO. 1 (CARD READER FEATURE ONLY) EC 718958	OPT NO. 2 E.C. 718969	OPT NO. 4 E.C. 739072	OPT NO. 5 E.C. 739065	OPT NO. 6 E.C. 739066	OPT NO. 7 E.C. 739071	OPT NO. 8 EC 739268	OPT NO.	
KEYBOARD CONTROL #2	KEYBOARD ADAPTER	9072	KMIXX	A2 *	8522128	8522001	NOTE 1	8523616							8527296
KEYBOARD CONTROL #1	KEYBOARD ADAPTER	9069	KMOXX	B2 *	8521178	8522852				8524282					8524282
I/O GATING & PARITY	ALL MACHINES	9066	MGOXX	C2	8521992							8523648			8523648
480 BUFFER	MOD 1 ONLY	9057	MBXXX	D2	8521862										8521862
960 BUFFER	MOD 2 ONLY	9065			8521863										
SERDES	ALL MACHINES	L514	KAIXX	E2 *	8522013										8527302
480 EXTENDED CHAR	MOD 1 EXT CHAR	2231	MCXXX	E4	8521437									8524314	8524314
1920 EXTENDED CHAR	MOD 2 EXT CHAR	2227			8521436										8524301
960 BUFFER	MOD 2 ONLY	9065	MBXXX	F2	8521863										8521863
I/O CONTROL	ALL MACHINES	9068	KA0XX	G2 *	8522109	8522151				8523664					8523664
CLOCK & STEP	ALL MACHINES	9071	KFOXX	H2 *	8521981	8522825						8523649			8524604
DISPLAY CONTROL	ALL MACHINES	9067	KFIXX	J2 *	8522014	8522836									8522836
CHARACTER GEN.	SEE PAGE ZZ101		MCXXX	K2 *										*	*
SELECTOR PEN	EXTENDED BOARD	9088	KTOXX	M2	8521505										8521505
ID CARD READER	EXTENDED BOARD	2229	KROXX	N2	8522108		8523257								8523257

* REFER TO "ZZ" PAGES FOR INTERCHANGEABLE CARDS FOR FEATURES AND RPQ'S

EXPLANATION OF LOGIC USE

THIS SYSTEMS DIAGRAMS VOLUME CONTAINS ALL THE LOGIC REQUIRED FOR ANY FEATURE COMBINATION OF 3277 DISPLAYS. THE VOLUME IS BROKEN DOWN INTO THE LOGIC GROUPS SHOWN ABOVE. THE WHITE PAGES ARE BASE MOD 2. IF A CARD READER OR SELECTOR PEN IS IN THE MACHINE, THE BLUE KR & KT PAGES SHOULD BE CONSIDERED PART OF THE LOGIC. IF THE MACHINE IS A MOD 1, THE YELLOW MB PAGES SHOULD BE CONSIDERED A REPLACEMENT FOR THE WHITE MB PAGES. IF THE MACHINE HAS AN EXTENDED CHARACTER SET, THE GREEN MC PAGES SHOULD BE CONSIDERED A REPLACEMENT FOR THE WHITE MC PAGES.

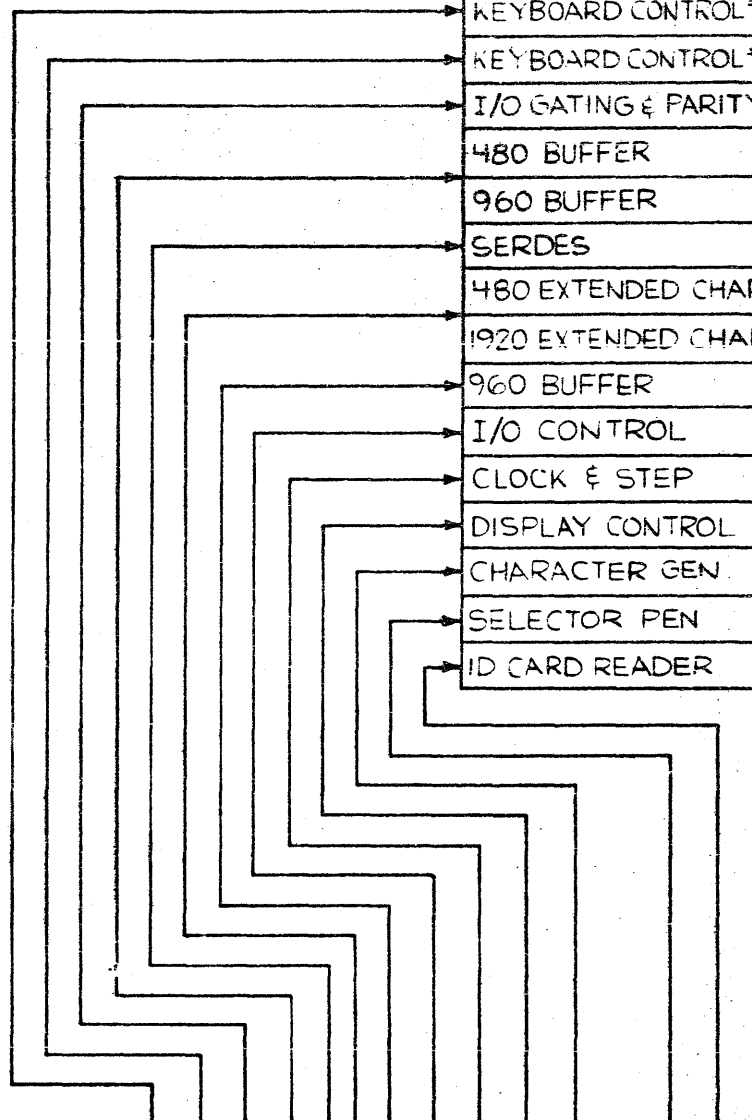
E.C. SEQUENCE STRUCTURE



NOTE 1

NOTES

1 CARD TYPE 9072 P/N 8523623 (FOR W.T. ONLY) OR EC 718969 INSTALLED



	Y1	Y2	Y3	Y4
2				
1		*	*	*
3	*			
4	*			
5		*		
	A	B	C	D
	E	F	G	H
	J	K	L	M
	N			
	Z1	Z2	Z3	Z4

CARD SIDE BOARD

EXTENDED BOARD FEATURE

BOARD PART NO.	BOARD DESCRIPTION
2625204	BASE W/O FEAT EXT
2625206	BASE WITH FEAT EXT
2625208	EXT CHAR SET W/O FEAT
2625210	EXT CHAR SET WITH FEAT

SEE EC HISTORY		DRAWING TITLE
JUL74	740382	3277 SOCKET LIST
JAN75	741246	MACH 3277
MAR75	741258	PART NO 1832870

D	CLASSIFICATION	IBM CORP

AA115

AA115

COMPONENT & CONNECTOR LOCATIONS

TITLE	MOD 1	MOD 2
ANALOG CARD	01B/A2	01C/A1
AUDIBLE ALARM	01C/DS1	01C/DS1
LVPS	01B/PS1	01D/PS1
HVPS	01B/PS2	01C/PS1
-12V REG CARD	01B/VRI	01D/VRI
VOLTAGE DIST CARD	01C/Z1	01C/TBI
SECURITY KEY LOCK	01C/S1	01C/S1
CONTROL UNIT I/O CONN	01S/J4	01S/J4
KEYBOARD CONN	01S/J1	01S/J1
CARD READER CONN	01S/J2	01S/J2

ANALOG CARD

SIGNAL	BD CONN	I/O CONN		
		MOD 1	MOD 2	PIN
+VIDEO DATA OUT	H6C04			P4-12
+HI INTENSITY	J6E02			P4-15
+HORIZ SYNC	J6D04			P4-14
-BUMP DISPLAY	H6E04			P4-8
+VERTICAL RETRACE	J6B04			P4-10
-SOUND ALARM	K6A04	01B/A2	01C/A1	P4-16
				P4-19
+SWITCHED 5V	H6B02			P4-11
				P4-20
-POR	K6B02			P4-21
-12V	J6C04			P3-5
+34V	K6B04			P3-6
+8V	J6A04			P3-4
+RELAY COIL	J6E04	01C/ZPI	01C/TBI	3
-SECURITY KEY	H6A02			---
	J6B02			---
-SECURITY KEY GND	H6C02			---

KEYBOARD WITH & WITHOUT CARD READER

SIGNAL	BD CONN - 01A - A1		I/O CONN	KYBD PIN - KBI	
	KYBD (Z1)	CD RDR (Z4)		MICRO	CALICO
+KYBD BIT 0	A6D04	L6B04	1	D	B05
+KYBD BIT 1	A6E04	L6C04	2	E	B06
+KYBD BIT 2	B6A04	L6D04	3	F	D13
+KYBD BIT 3	B6B04	L6E04	4	H	B08
+KYBD BIT 4	B6C04	M6A04	5	J	B09
+KYBD BIT 5	B6D04	M6B04	18	K	B10
+KYBD BIT 6	B6E04	M6C04	6	L	B13
+KYBD BIT 7	C6A04	M6D04	7	M	B12
+KYBD PARITY BIT	C6B04	M6E04	8	N	B04
+ALPHA SHIFT	A6D02	L6B02	14	T	D05
-KYBD STROBE	C6B02	M6E02	9	R	B02
	C6C04	N6A04			
+NUMERIC SHIFT	B6B02	L6E02	16	S	D06
-KYBD RESET	C6D04	N6B04	22	C	D12
-POR CALICO KYBD	C6A02	M6D02	19	SPARE	SPARE
+DE UP SHIFT	B6A02	L6D02	15	U	D04
+FF ENABLE	B6C02	M6A02	17	P	D11
+KYBD TUNE	C6E02	---	10	---	AUD FDBK SIGNAL
+CHAR RDY DEC	---	N6C02			---

POWER DISTRIBUTION

SIGNAL	TERMINAL		I/O CONN	KYBD PIN - KBI	
	MOD 1 01A/TBI	MOD 2 01C/TBI		01S/J1	MICRO
+8V	2	23	24	W,V	D03
			25	AUDIBLE FDBK	
-12V	4	19	13	Z	D02
DC RTN	6	22	11	X,Y	D08
			12	AUDIBLE FDBK	

COAX

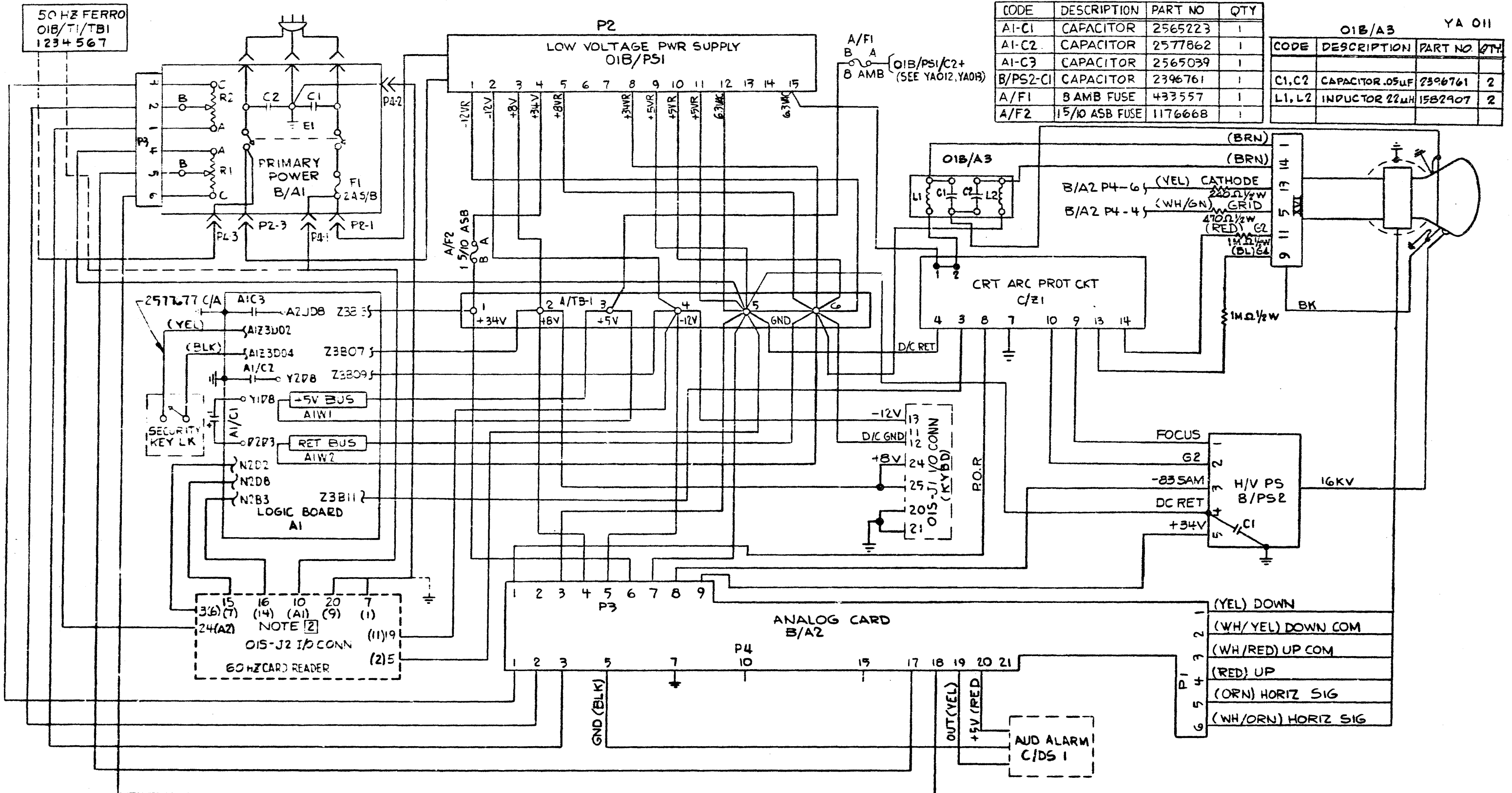
SIGNAL	BD CONN PIN
DATA	01A-A1E2D07
GND	01A-A1E2D08

LIGHT PEN CONNECTOR

SIGNAL	BD SIDE 01A-A1	LIGHT PEN SIDE
-LP SW OPEN	M1C13	B05
	N1B11	
-LP SW CLOSED	L1B11	B08
	L1E13	
-LP STRIKE(SIGNAL)	L1B13	B03
+12V LP	L1C13	B02
-6V LP	M1D13	B09
GND	M1B13	B07
	M1A11	

SEE EC HISTORY		DRAWING TITLE	
JUL74	740382	3277-MOD 1/2 CONN & CABLE REF GUIDE	
JAN75	741246	MACH 3277	
MAR75	741258	PART NO 1832870	
CLASSIFICATION		IBM CORP	

AA115



CODE	DESCRIPTION	PART NO	QTY
A1-C1	CAPACITOR	2565223	1
A1-C2	CAPACITOR	2577862	1
A1-C3	CAPACITOR	2565039	1
B/PS2-C1	CAPACITOR	2396761	1
A/F1	8 AMB FUSE	433557	1
A/F2	15/10 ASB FUSE	1176668	1

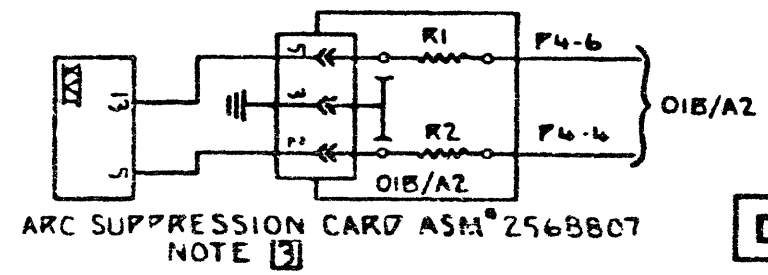
O1B/A3		YA 011	
CODE	DESCRIPTION	PART NO	QTY
C1, C2	CAPACITOR .05UF	2396761	2
L1, L2	INDUCTOR 22MH	15B2907	2

NOTES:

1 WHEN KEYBD FEAT IS NOT ATTACHED TO DISPLAY LOAD RESIS 7577676 REF MOUNTS TO B/TB1-2 & 6, AND 2577619 REF MOUNTS TO B/TB1-3 & 6

2 THE 50 HZ CARD READER RECEIVES ITS POWER FROM FERRO O1B/T1/TB1-1 & 4 NOT THRU PRIME POWER O1B/A1/P4 CONN POS 1 & 9 TIE DIRECTLY TO FR GND ON GUSSET. NUMBERS IN PARENTHESIS REPRESENT THE 50 HZ CONNECTOR POSITIONS

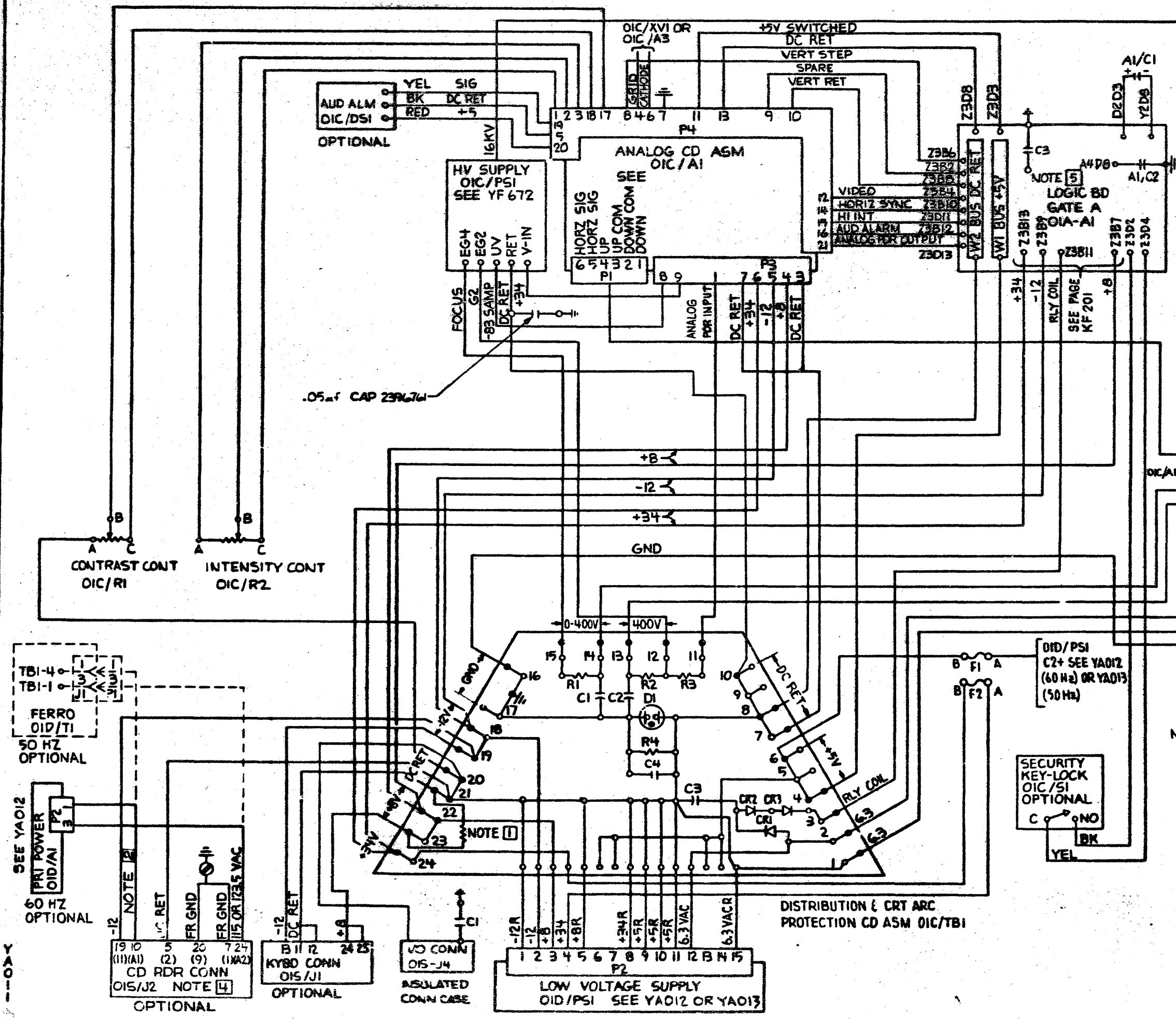
3 ARC SUPPRESSION CARD ASM IS ONLY USED ON UNITS WITH 2565236 ANALOG CARD ASM.



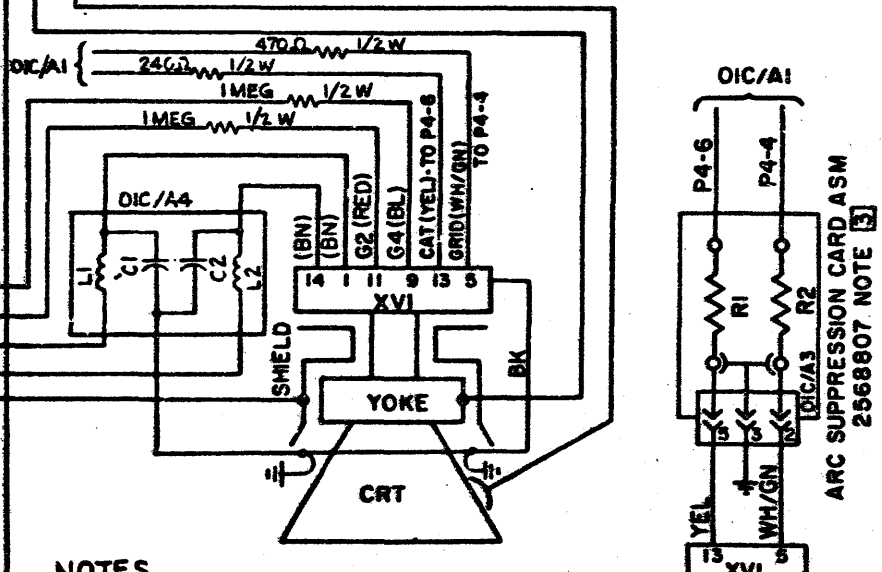
SEE EC HISTORY	DRAWING TITLE
AUG73 733401	POWER DIST
MAR74 739992	MACH
3FEB75 741722	PART NO 2577870
MAY75 741690	CLASSIFICATION

D

THIS DOCUMENT IS THE PROPERTY OF IBM. ITS USE IS AUTHORIZED ONLY FOR THE PERFORMANCE OF A REQUEST FOR QUOTATION. GO FOR THE PERFORMANCE OF WORK FOR IBM. ALL QUESTIONS MUST BE REFERRED TO THE IBM PURCHASING DEPARTMENT.

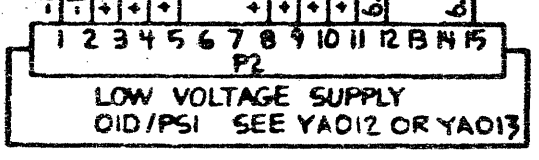
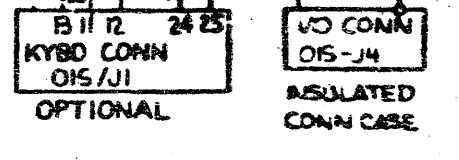
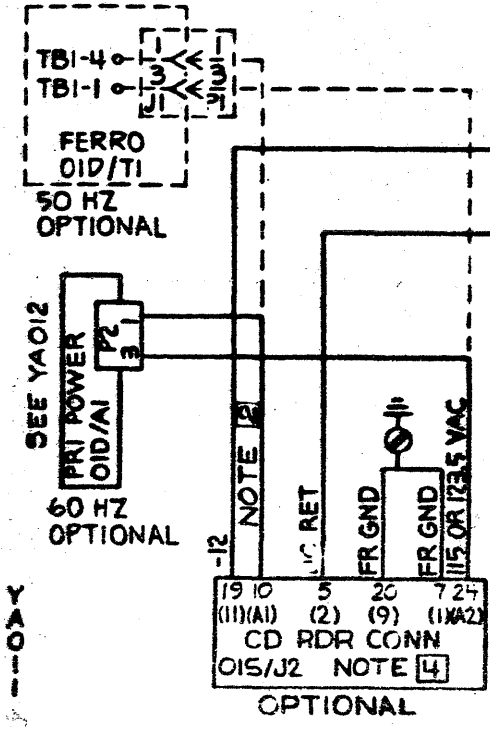


OIC/TBI			
CODE	DESCRIPTION	PART NO.	QTY
R1, R2	RESISTOR 1M 2W	5252840	2
R3	RESISTOR 22M 1/2W	505370	1
R4	RESISTOR 20K 1/2W	300723	1
C1, C2	CAPACITOR 9000pF	5252644	2
C3	CAPACITOR 56-15DC	222091	1
D1	NEON NE 2H	602653	1
CR1,2,3	DIODE 6Y	2414891	3
C4	CAPACITOR .05μF	2396761	1
OIA-AI			
A1/C1	CAPACITOR	2565223	1
C2, C3	CAPACITOR .05μF	2565039	2
OIC/A4			
L1, L2	INDUCTOR 22 μH	1582907	2
C1, C2	CAPACITOR .05 μF	2396761	2
OIC/A3			
R1, R2	RESISTOR 100Ω 1W	2396969	2
OIC/			
F1	FUSE 8AMB	433557	1
F2	FUSE 15/10 ASB	1176668	1
OIS-J4			
C1	CAPACITOR .1μF	5213736	1



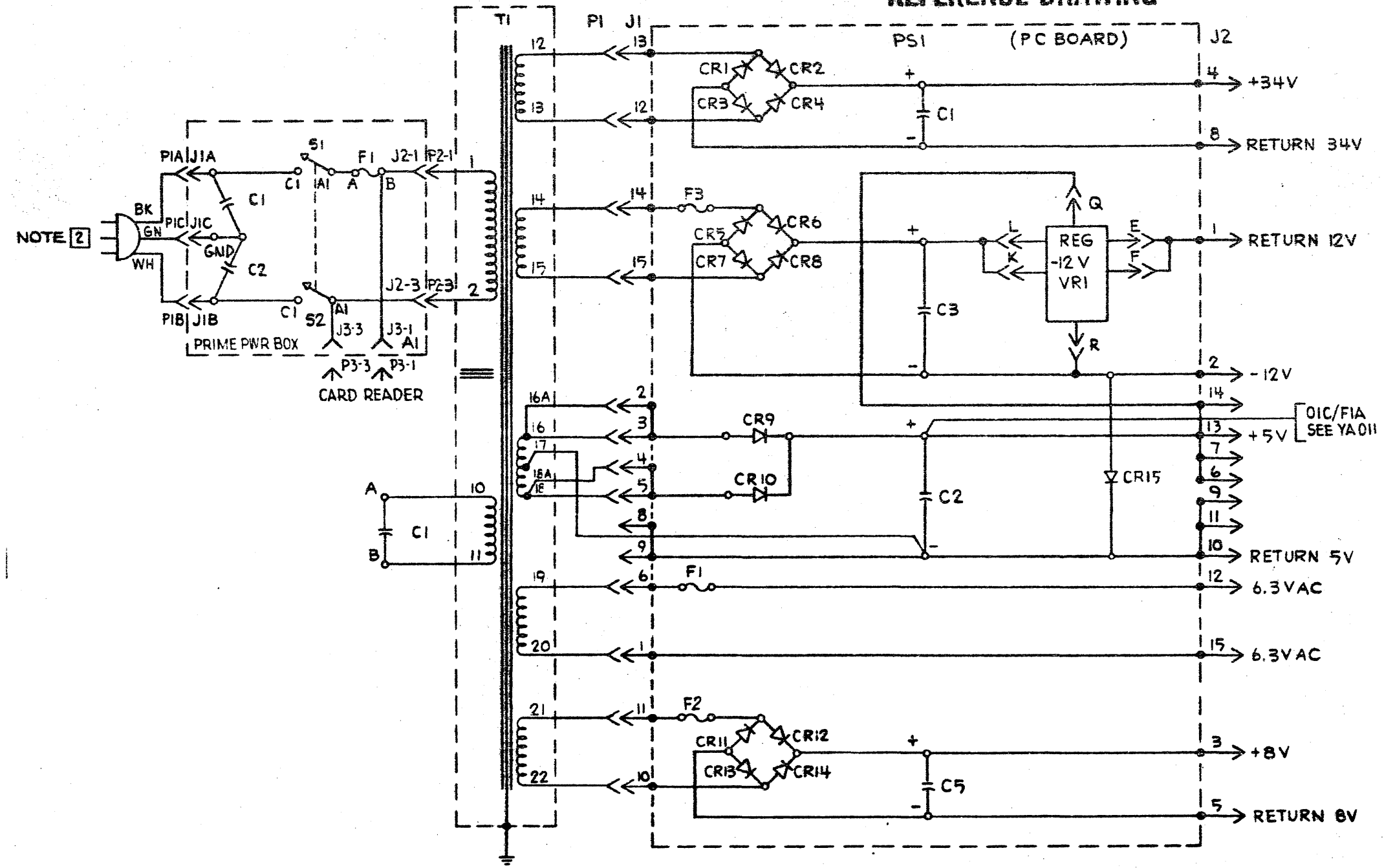
- NOTES
- RESISTOR ASM 2565195 (25Ω, 5W) TO BE USED WHEN KEYBOARD IS NOT CONNECTED
 - 100 VAC 60HZ, 115 VAC 60HZ OR 123.5 50 HZ
 - ARC SUPPRESSION CARD ASM IS ONLY USED ON UNITS WITH 2565236 ANALOG CARD ASM
 - NUMBERS IN PARENTHESIS ARE CONNECTOR PINS USED IN 50HZ APPLICATIONS
 - TERMINATES AT K3DB WITH 1/2 BD & N3DB WITH 2/3 BD

SEE EC HISTORY		DRAWING TITLE	
30 JAN 73	718867	POWER DIST & ANALOG	
14 JUN 73	738622	MACH 3277-002	
MAR 74	739991	PART NO 2564997	
3 FEB 75	741722	CLASSIFICATION	IBM CORP
APR 75	739999		



DISTRIBUTION & CRT ARC PROTECTION CD ASM OIC/TBI

REFERENCE DRAWING



CODE	DESCRIPTION	PART NO
PS1	PRINTED CIRCUIT BOARD ASM	2481185
VRI	REGULATOR CARD -12V	2481207
PSIC1	CAPACITOR, 7.2K μ F 40V	5712125
PSIC2	CAPACITOR, 240K μ F 75V	5252526
PSIC3	CAPACITOR, 3.1K μ F 25V	483107
PSIC5	CAPACITOR, 60K μ F 10V	5252514
AIC1 #AIC2	CAPACITOR, FILTER .01 μ F	737805
C1	CAPACITOR, 4 μ F 660VAC	2582939
CR1-CR8, CR15	DIODE, 1AMP 180V	5214324
CR9 & CR10	DIODE, 10AMP 150V	598479
CR11-CR14	DIODE, 3AMP 100V	1149212
AIF1, PSIF1	FUSE, 2AMP SB 125 V	332009
PSIF2	FUSE, 5AMP SB 125 V	512137
PSIF3	FUSE, 2AMP SB 125 V	332009
S1 & S2	SWITCH, 10AMP 125/250V	5252566
TI	FERRO, 60HZ	NOTE 2

NOTES

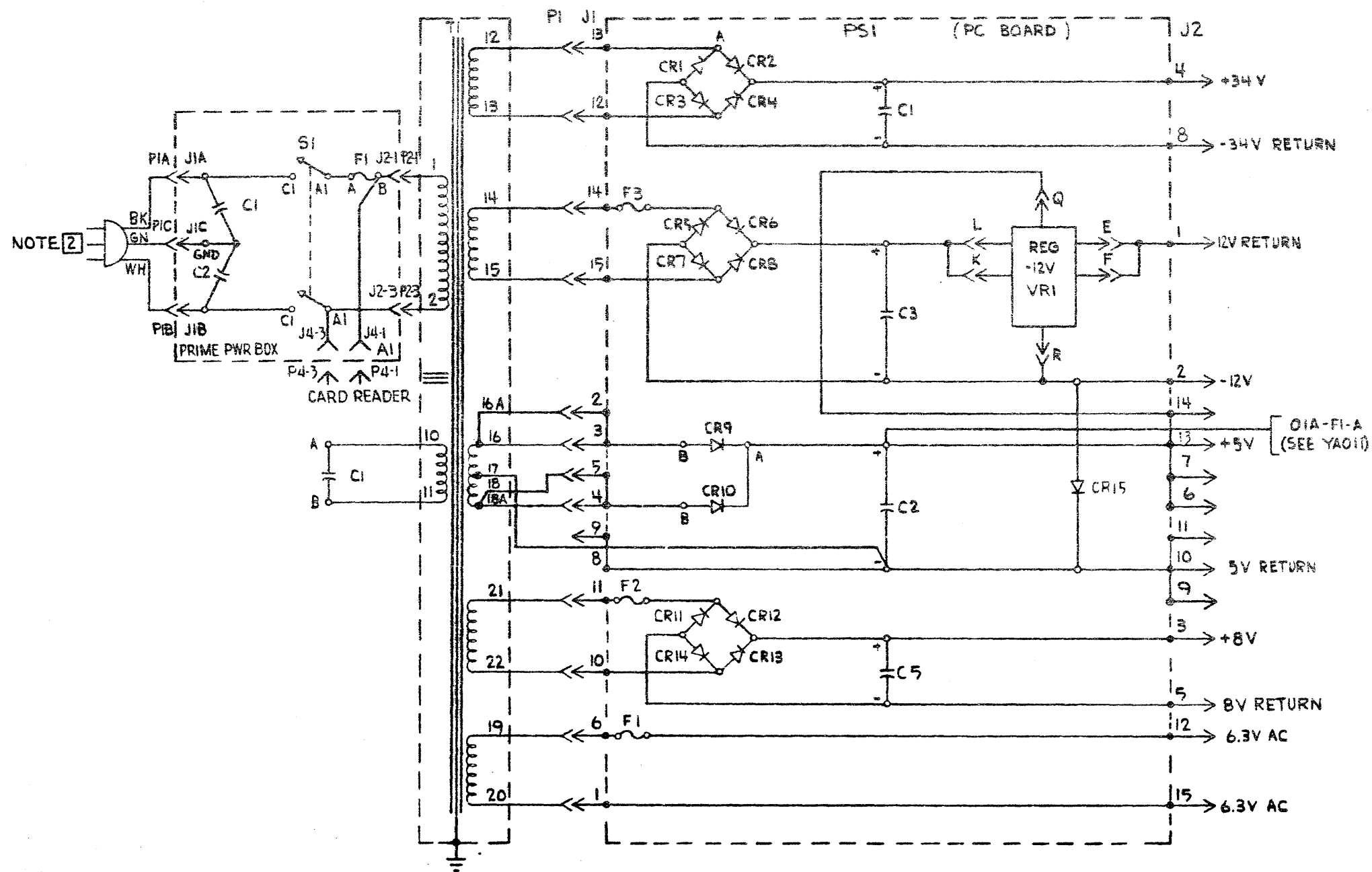
- 1 ALL POWER UNITS IN O/D/ZONE
- 2 THIS WIRING DIAGRAM PERTAINS TO 115 VAC 1 ϕ 60HZ UNITS (FERRO P/N 2582999), OR 100VAC 1 ϕ 60HZ JAPAN UNITS (FERRO P/N 4119307).

EC HISTORY		DRAWING TITLE	
SEE EC HISTORY	16 JUL 73	739021	CKT. DIAG. 19C DISPL. UNIT 60HZ
3 FEB 75	741722		MACH
			PART NO 2481235
			CLASSIFICATION
			IBM CORP

YA012

YA012

REFERENCE DRAWING



CODE	DESCRIPTION	PART NO
PSI	PRINTED CIRCUIT BOARD ASM	2481185
VRI	REGULATOR CARD -12V	2481207
PSIC1	CAPACITOR 7.2K μ F 40V	5712125
PSIC2	CAPACITOR 240K μ F 75V	5252526
PSIC3	CAPACITOR 3.1K μ F 25V	483107
PSIC5	CAPACITOR 60K μ F 10V	5252514
AIC1 & AIC2	CAPACITOR, FILTER .01 μ F	737805
C1	CAPACITOR, AC 4 μ F 660VAC	2582939
CR1-CR8, CR15	DIODE 1AMP 180V	5214324
CR9 & CR10	DIODE 10AMP 150V	598479
CR11-CR14	DIODE 3AMP 100V	1149212
AIF1, PSIF1	FUSE 2AMP SB 125V	332009
PSIF2	FUSE 5AMP SB 125V	512137
PSIF3	FUSE 2AMP SB 125V	332009
S1	SWITCH	5252626
T1	FERRO, 60HZ	NOTE [2]

NOTES

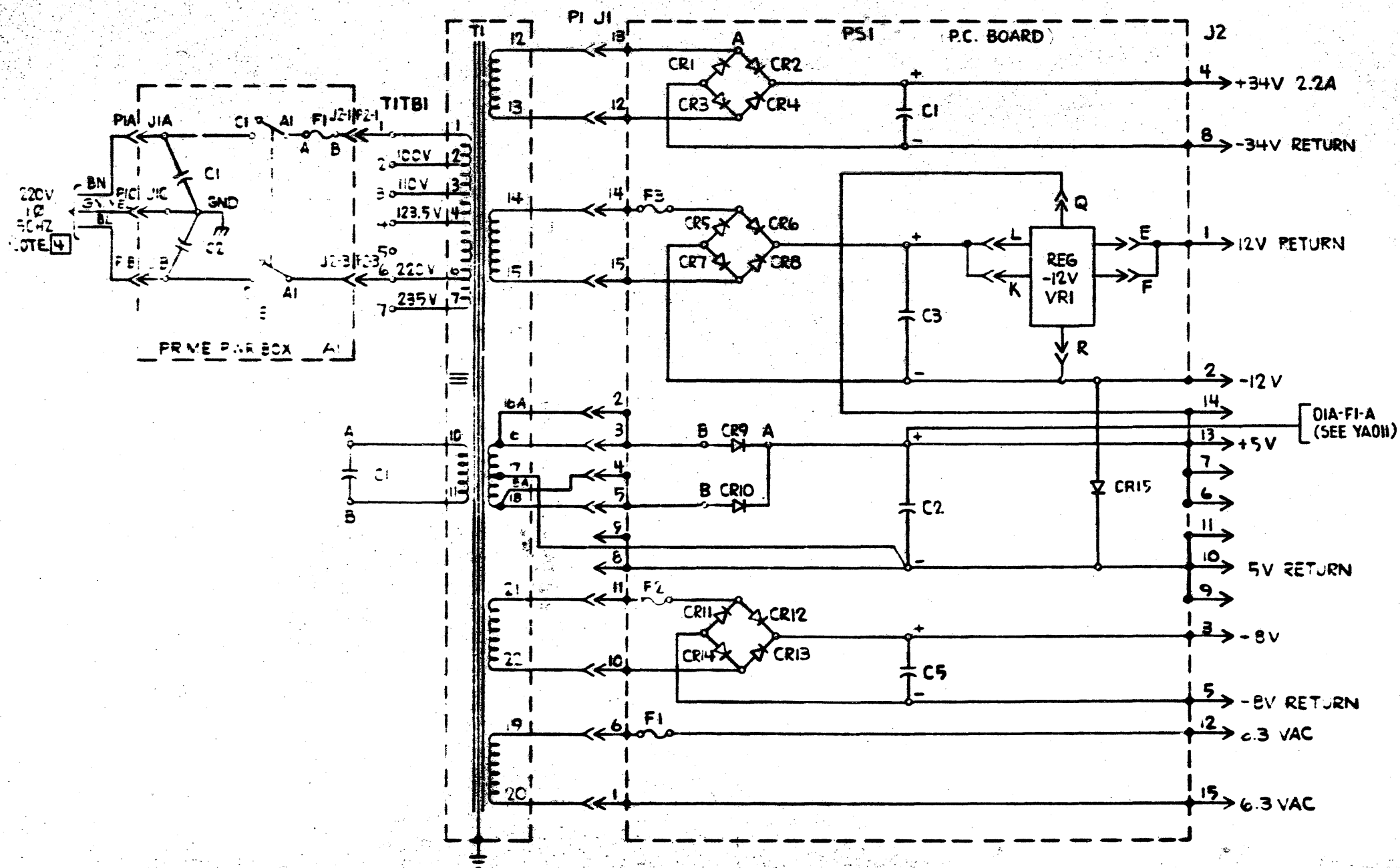
- 1 ALL POWER UNITS IN 01D/ZONE
- 2 THIS WIRING DIAGRAM PERTAINS TO 115VAC 1 ϕ 60HZ UNITS (FERRO P/N 2582999), OR 100VAC 1 ϕ 60HZ JAPAN UNITS (FERRO P/N 4119307).

EC HISTORY		DRAWING TITLE	
SEE EC	HISTORY	SYS DIAG 48C DISPL UNIT 60HZ	
16 JUL 73	739021	MACH	
3 FEB 75	741722	PART NO 2481234	
D		CLASSIFICATION	IBM CORP
		DATE 10/7/75 BY 2770	

151 YAO12

YAO12

REFERENCE DRAWING



CODE	DESCRIPTION	PART NO
PSI	PRINTED CIRCUIT BOARD ASM	2481185
VRI	REGULATOR CARD -12V	2481207
PSIC1	CAPACITOR 7.2K UF +0V	5712125
PSIC2	CAPACITOR 240K UF 7.5V	5252526
PSIC3	CAPACITOR 3.1K UF 25V	483107
PSIC5	CAPACITOR 60K UF 10V	5252514
AC1 & AC2	CAPACITOR, FILTER .01UF	737805
C1	CAPACITOR AC -UF .660VAC	2582939
CR1-CR4	DIODE 1AMP 180V	5214324
CR5-CR8	DIODE 1AMP 150V	598479
CR11-CR14	DIODE 3AMP .00V	1149212
PSIF1	FUSE 2AMP SB125 V	332009
PSIF2	FUSE 5AMP SB125 V	512137
PSIF3	FUSE 2AMP SB125 V	332009
AIF1	FUSE 1AMP SB 250 V	NOTE [2]
	FUSE 2AMP SB 125 V	NOTE [3]
S1	SWITCH	5252626
T1	FERRO, 5CHZ	4119212

NOTES

- 1 ALL POWER UNITS IN 01D/ZONE
- 2 FUSE 303549 IS REQUIRED WHEN THE UNIT IS WIRED FOR 220V OR 235V
- 3 FUSE 330309 IS REQUIRED WHEN THE UNIT IS WIRED FOR 100V, 110V OR 123.5V

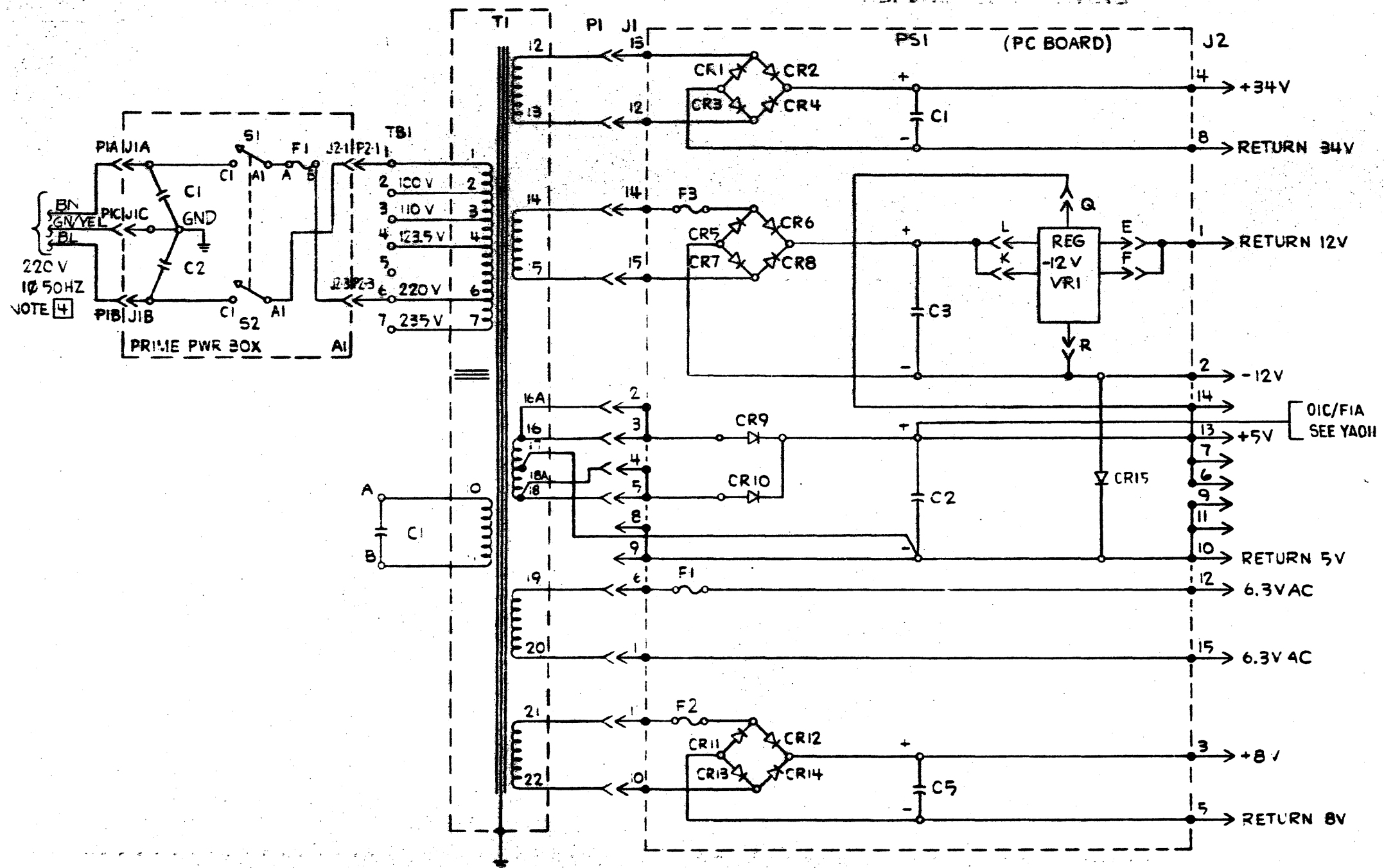
[4] THE INPUT COLOR CODING FOR 100 VAC 10 50HZ JAPAN UNITS IS BK, WH, GN/YEL

EC HISTORY		DRAWING TITLE	
10 OCT 71	716727	SYS DIAG	48C DISPL UNIT 50HZ
5 MAY 72	717675	MACH	
9 FEB 73	738312	PART NO	2481238
16 JUL 73	739021	CLASSIFICATION	
3 FEB 75	741722	DATE 1/1/75	IBM Corp

Y
A
0
1
3
55

Y
A
0
1
3

REFER TO DRAWING



CODE	DESCRIPTION	PART NO
PSI	PRINTED CIRCUIT BOARD ASM	2481185
VR1	REGULATOR CARD -12V	2481207
PSIC1	CAPACITOR, 7.2K UF 40V	5712125
PSIC2	CAPACITOR, 240K UF 7.5V	5252526
PSIC3	CAPACITOR, 3.1K UF 25V	483107
PSIC5	CAPACITOR, 60 K UF 10V	5252514
AIC1 & AIC2	CAPACITOR, FILTER .01UF	737805
C1	CAPACITOR, 4UF 660VAC	2582939
CR1-CR8, CR15	DIODE, 1AMP 180 V	5214324
CR9 & CR10	DIODE, 10AMP 150V	598479
CR11-CR14	DIODE, 3AMP 100V	1149212
PSIF1	FUSE, 2AMP SB 125 V	332009
PSIF2	FUSE, 5AMP SB 125 V	512137
PSIF3	FUSE, 2AMP SB 125 V	332009
AIF1	FUSE, 1AMP SB 250 V	NOTE 2
	FUSE, 2AMP SB 125 V	NOTE 3
S1 & S2	SWITCH, 10AMP 125/250V	5252566
T1	FERRO, 50 HZ	4119272

NOTES

- 1 ALL POWER UNITS IN OID/ZONE
- 2 FUSE 303549 IS REQUIRED WHEN THE UNIT IS WIRED FOR 220V OR 235V
- 3 FUSE 332009 IS REQUIRED WHEN THE UNIT IS WIRED FOR 100V, 110V, OR 123.5V

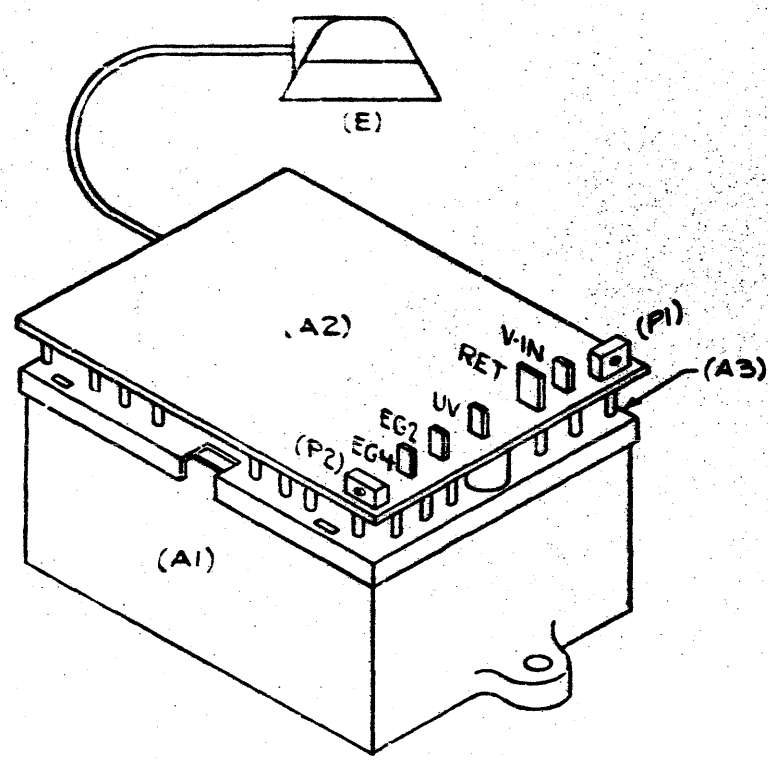
4 THE INPUT CABLE COLOR CODING FOR 100VAC 1Ø 50HZ JAPAN UNITS IS BK,WH,GN/YEL

EC HISTORY		DRAWING TITLE	
SEE EC	HISTORY	CKT DIAG 19C DISPL UNIT 50HZ	
16 JUL 73	739021	MACH	
3 FEB 75	741722	PART NO 2481236	
CLASSIFICATION		IBM	
MFL 1/5/77		MFR 1/5/77	

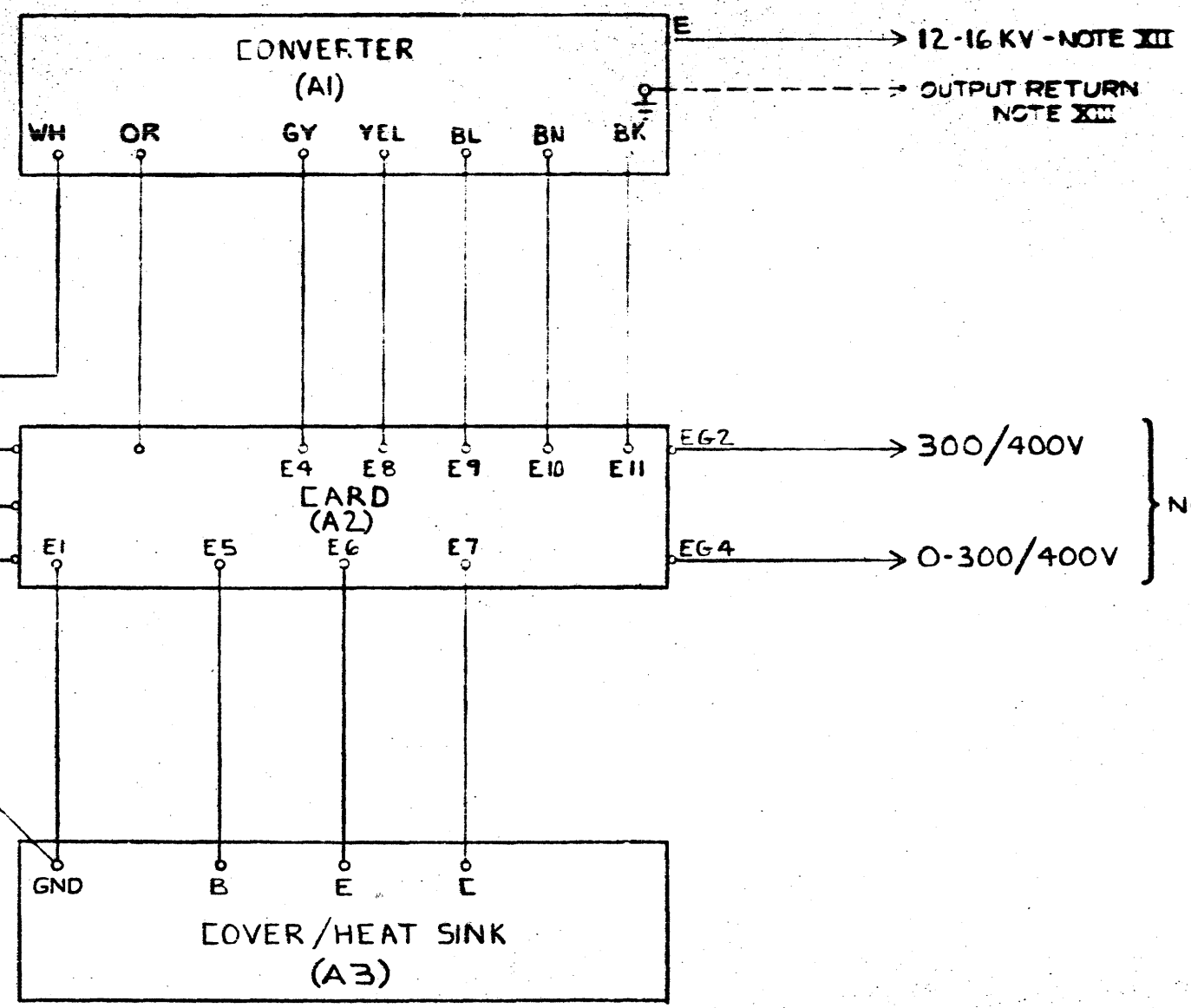
3-004Y

YA013

12-16 KV/300-400 VOLT POWER SUPPLY
REFERENCE DWG



(INPUT) V-IN
RET
LIV



COMPONENT CHART		
CCDE	DESCRIPTION	PART NO.
A1	CONVERTER	2582937
A2	CARD ASM	2582934
A3	COVER/HEAT SINK	2611058

NOTE:
 X THIS SUPPLY IS NOT TO BE REPAIRED IN THE FIELD
 XI EXTERNAL SUPPRESSION NETWORKS MUST BE PROVIDED BY USER TO PREVENT SUPPLY DAMAGE IN CASE OF THE LOAD (CRT) ARCING BETWEEN THE HIGH & LOW VOLTAGE LEVELS

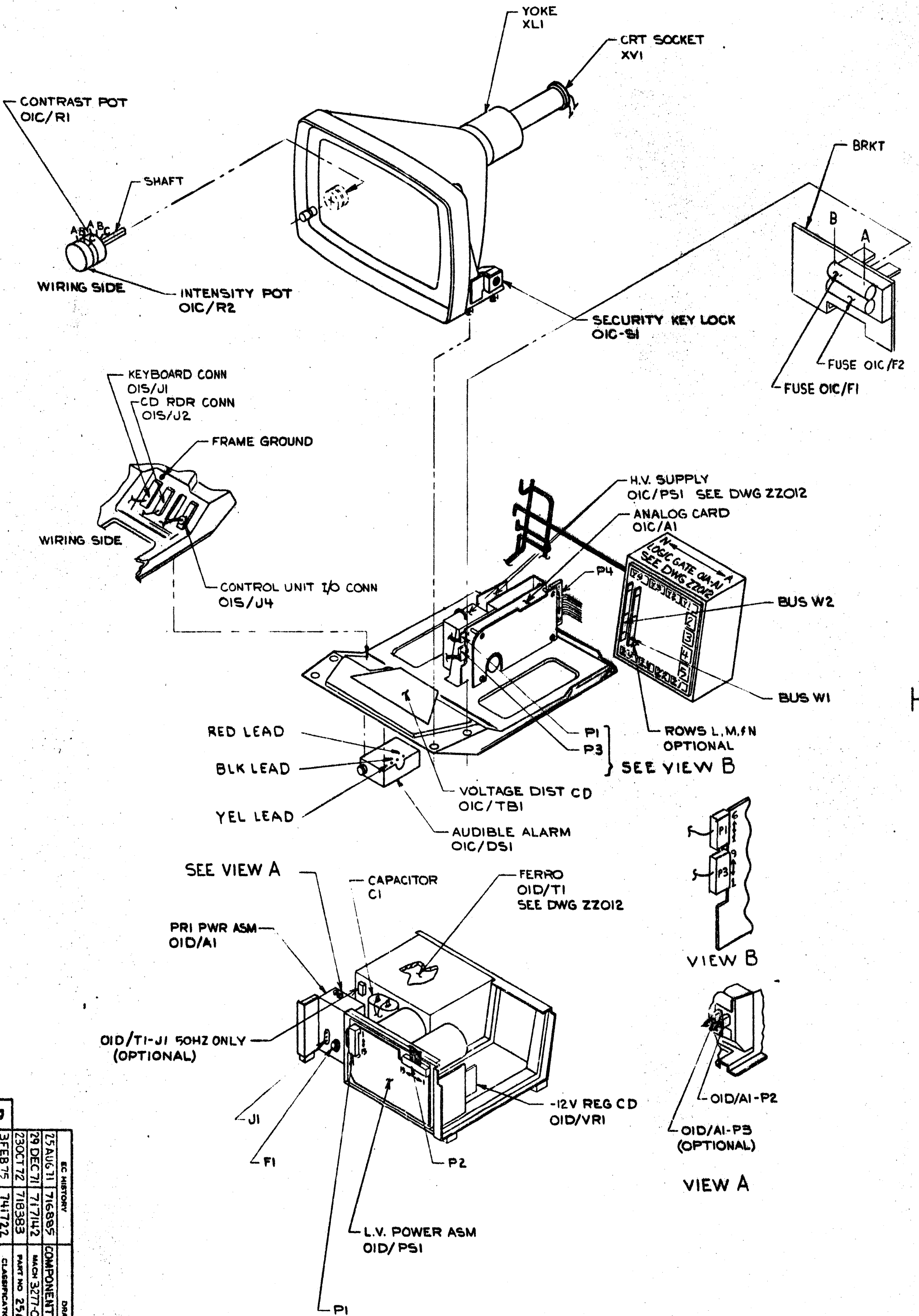
XII P1-HIGH VOLTAGE ADJUSTMENT (12-16KV)
 -DO NOT FIELD AJUST.
 P2-EG4 VOLTAGE ADJUSTMENT(0-300/400V)
 - FOCUS ADJUSTMENT.
 XIII OUTPUT RETURN PATH IS THRU CHASSIS OF SUPPLY. CONVERTER CASE MUST BE GROUNDED

RELEASED FOR ASM 2611025(REF)

THIS DOCUMENT IS THE PROPERTY OF IBM. ITS USE IS AUTHORIZED ONLY FOR RESPONDING TO A REQUEST FOR QUOTATION OR FOR THE PERFORMANCE OF WORK FOR IBM. ALL QUESTIONS MUST BE REFERRED TO THE IBM PURCHASING DEPARTMENT.

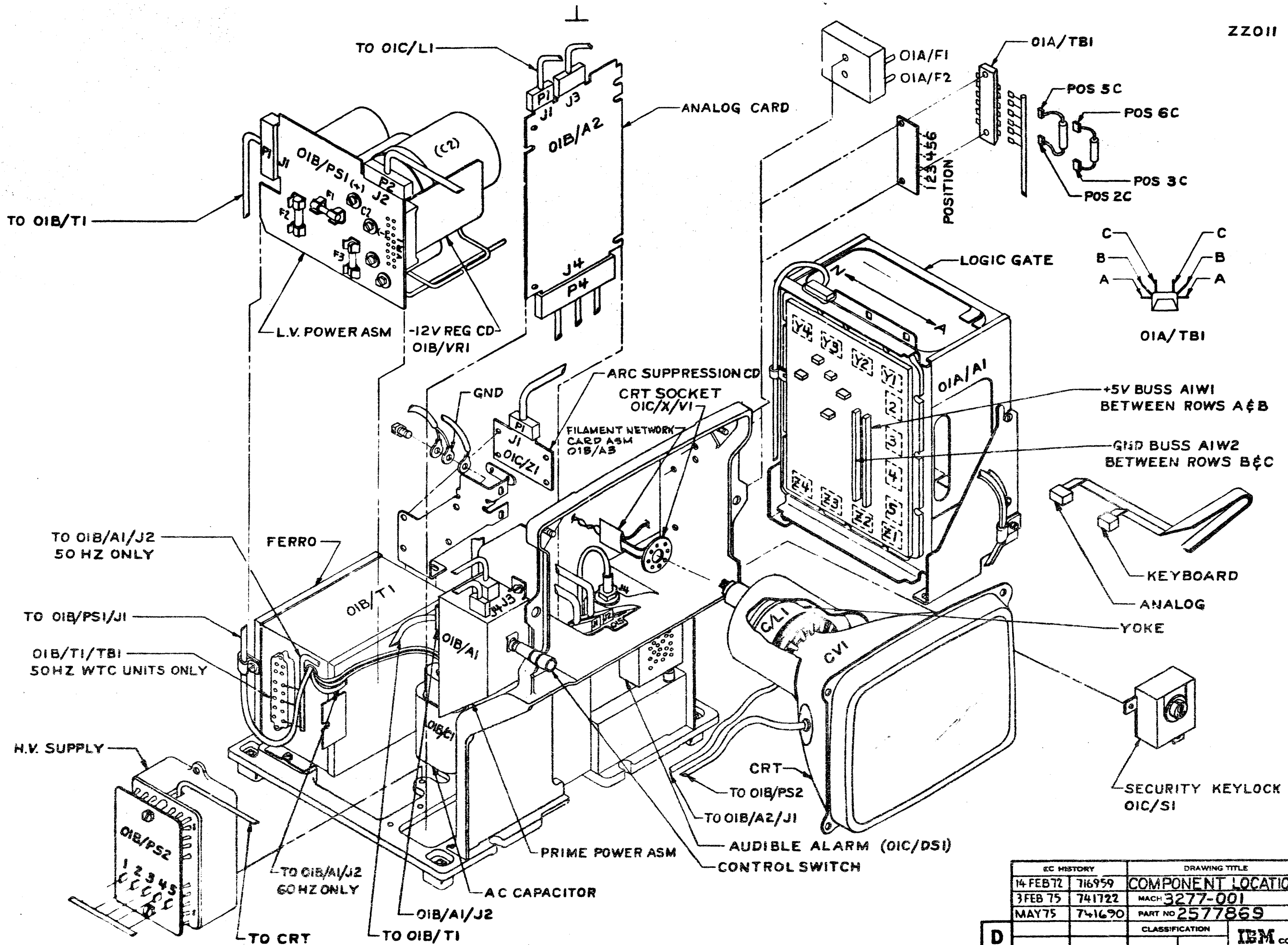
SEE EC HISTORY		DRAWING TITLE	
3 OCT 72	718306	SYSTEMS DIAGRAM	
29 OCT 72	718307	MACH	
11 JAN 73	738051	PART NO 2611043	
D		CLASSIFICATION	IBM CORP
		10-1046	

Y
F
G
7
2



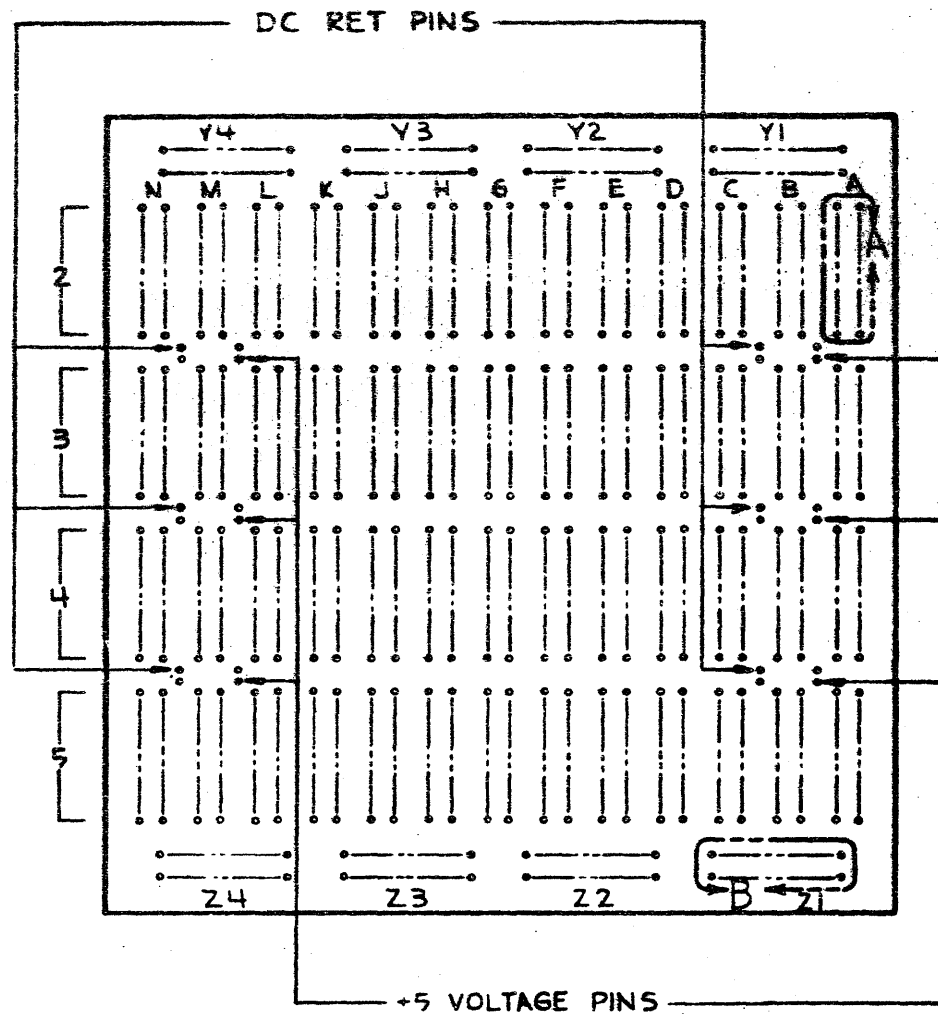
D	3 FEB 75	741722	CLASSIFICATION	IBM COMP
	23 OCT 72	718383	PART NO 2564995	
	29 DEC 71	717142	MACH 327-002	
	25 AUG 71	716885	COMPONENT LOCATION	
	EC HISTORY			

FOR 3277-002 ONLY

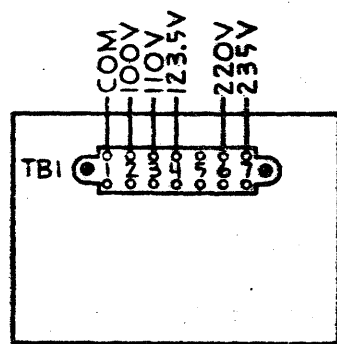


EC HISTORY		DRAWING TITLE	
14 FEB 72	716959	COMPONENT LOCATION	
3 FEB 75	741722	MACH	3277-001
MAY 75	741690	PART NO	2577869
D		CLASSIFICATION	IBM CORP

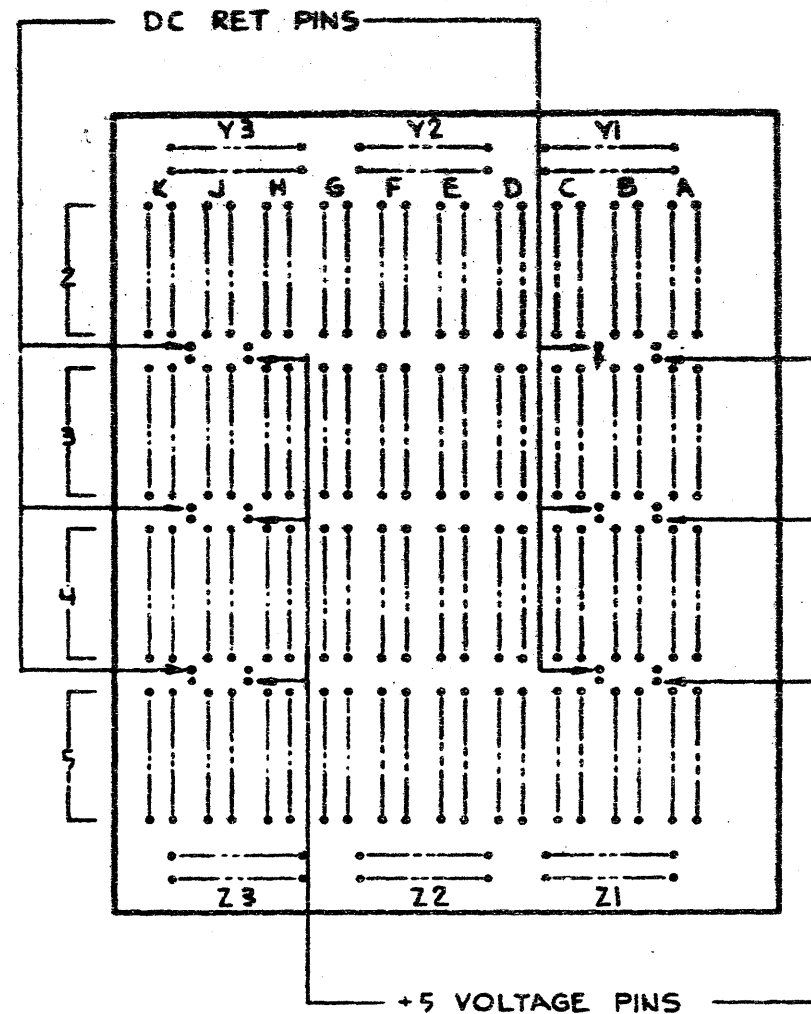
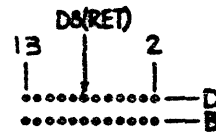
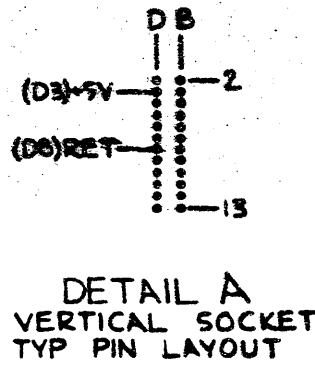
ZZ011



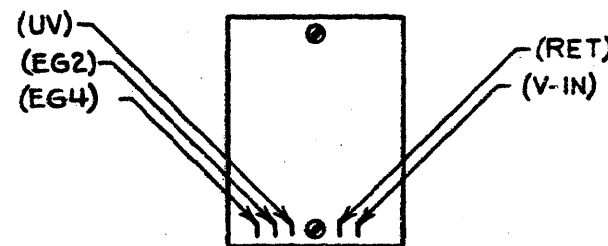
2/3 BD PIN SIDE LAYOUT



50 HZ FERRO
SEE ZZ 011



1/2 BD PIN SIDE LAYOUT



EC HISTORY		DRAWING TITLE	
25 AUG 71	716885	COMPONENT LOCATION	
29 DEC 71	717142	MACH 3275 # 3277	
7 AUG 72	718098	PART NO 2564993	
D		CLASSIFICATION	IBM CORP

Z
2
0
1
2

Z
2
0
1
2



TABLE 1
CHARACTER GENERATOR CARD

THE FOLLOWING LIST DESCRIBES THE PART NUMBER CARD TO BE IN THE A-A1 K2 CARD SOCKET DEPENDING ON THE FEATURE OR RPQ REQUIRED:

MACHINE TYPE	LANGUAGE	CARD TYPE	LATEST P/N (852)	EQUIVALENT P/N (852)
MOD I MONO CASE	U.S. ENGLISH	9058	4302	0576
	USAC II A	9103	4305	0584
	USAC II B	9104	4306	0585
	U.K. ENGLISH	9102	4304	0583
	GERMAN	9101	4303	0582
	SWD/FIN	W068	4307	1455
	NOR/DEN	W069	4308	1456
	SPANISH	W070	4309	1457
	PORT/BRAZIL	W072	4311	1459
MOD II MONO CASE	U.S. ENGLISH	9070	4289	0577
	USAC II A	9098	4292	0580
	USAC II B	9099	4293	0581
	U.K. ENGLISH	9097	4291	0579
	GERMAN	9096	4290	0578
	SWD/FIN	W075	4294	1462
	NOR/DEN	W076	4295	1463
	SPANISH	W077	4296	1464
	PORT/BRAZIL	W079	4298	1466
MOD I & II DUAL CASE	U.S. ENGLISH	4710	1708	_____
	U.K. ENGLISH	4711	1709	_____
	KATA KANA	9123	1707	_____
	AUS/GER	4712	1710	_____
	BEL/FRANCE	4713	1711	_____
	DEN/NOR	X415	1854	_____
	FIN/SWD	X416	1855	_____
	ITALY	X417	1858	_____
	SPANISH	X418	1859	_____
PORT/BRAZIL	X419	1857	_____	

TABLE 2
INTERCHANGEABLE CARDS

THE FOLLOWING CARDS CAN BE USED INTERCHANGEABLY ONLY THE LATEST P/N IS SHOWN IN THE LOGIC. THESE CARDS ARE IDENTICAL IN LOGIC

TYPE NO.	LATEST P/N	EQUIVALENT P/N	EQUIVALENT P/N
9067	8522836	8522014	_____
9068	8523664	8522151	8522109
L514	8527302	8522013	_____
9069	8524282	8522852	_____
9069	_____	8524282	8523647
9072	8527296	8522001	_____
9072	8527296	8523633	8523616
9066	8523648	8521992	_____
9071	8524604	8523649	_____
9071	8524604	8523617	_____
9071	8524604	8522825	8521981

NOTE 1
NOTES 1 & 2
NOTE 1
NOTE 1
NOTE 2
NOTE 1
NOTE 2
NOTE 1
NOTE 1
NOTE 1
NOTES 1 & 2

TABLE 3
KEYBOARD FEATURE JUMPER

THE FOLLOWING LIST DESCRIBES THE JUMPERS REQUIRED ON THE A-A1 BOARD DEPENDING ON THE PARTICULAR KEYBOARD CONFIGURATION. THESE JUMPERS ARE NO. 30 BLACK WIRE (P/N 811695)

FEATURE NAME	FEATURE B/M	JUMPER REQUIRED
KATAKANA LANG	2568804	ADD A2B06 TO A2D08 B4B13 TO B3D08
NUMERIC LOCK FOR: U.S. ENGLISH U.K. ENGLISH KATAKANA	2568694	ADD B4B12 TO B4D08 REMOVE (IF IN)- B5B03 TO B5D08
NUMERIC LOCK FOR: GERMAN FRENCH ITALIAN	2568696	ADD B4B12 TO B4D08 B5B03 TO B5D08

CARD READER FEATURE JUMPERS

[FEATURE NO. 4600 WITH 2706]
IF A CARD READER IS INSTALLED IN A MACHINE WITH THE KATAKANA LANGUAGE FEATURE, A JUMPER IS REQUIRED ON THE A-A1 BOARD BETWEEN N2D05 AND N3B05 USING NO. 30 BLACK WIRE (P/N 811695)

[FEATURE NO. 4600 IN ANY 3277 MACHINE]
IF A CARD READER IS INSTALLED IN ANY 3277 MACHINE, A RESISTOR ASM. P/N 2568741 IS REQUIRED ON THE A-A1 BOARD BETWEEN N2D03 AND N2J06

NOTES

- 1 THE "LATEST" P/N IS INTERCHANGEABLE FOR THE "EQUIVALENT" P/N, BUT THE "EQUIVALENT" IS NOT INTERCHANGEABLE FOR THE "LATEST"
- 2 EQUIVALENT PART NO. ARE INTERCHANGEABLE

ZZ101

T

EC HISTORY		DRAWING TITLE	
JUL74	740382	3277 MOD I & 2 FEATURE	
JAN75	741246	MACH 3270	
MAR75	741258	PART NO 1564041	
D		CLASSIFICATION	
		IBM CORP	

ZZ101