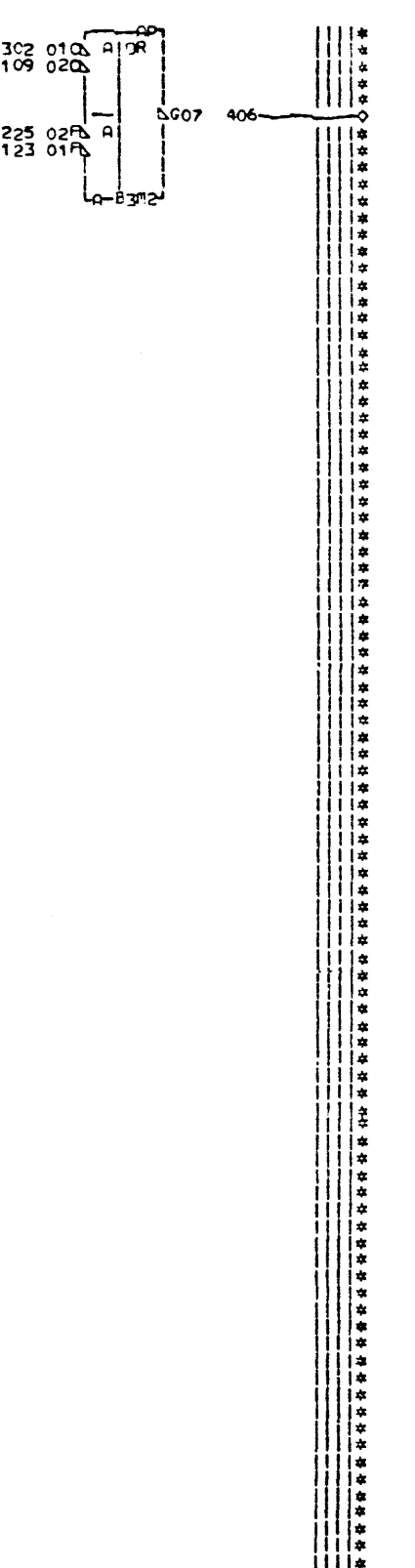
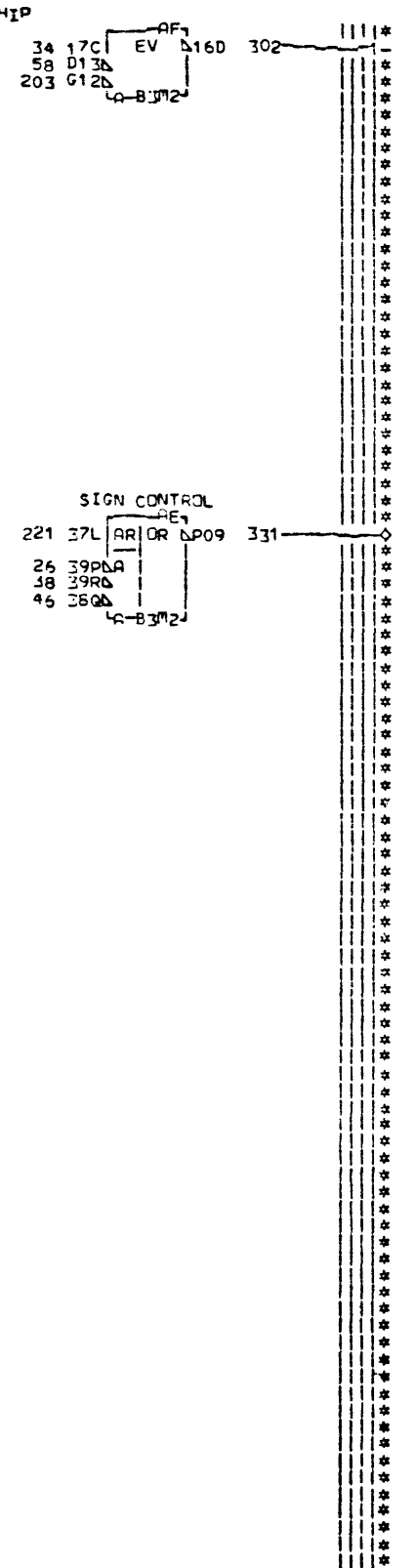
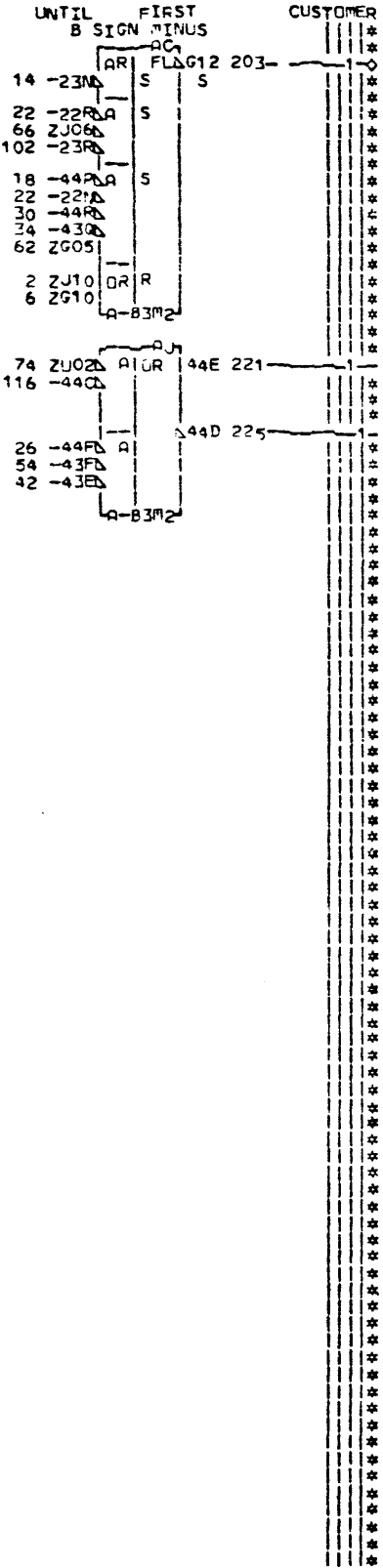
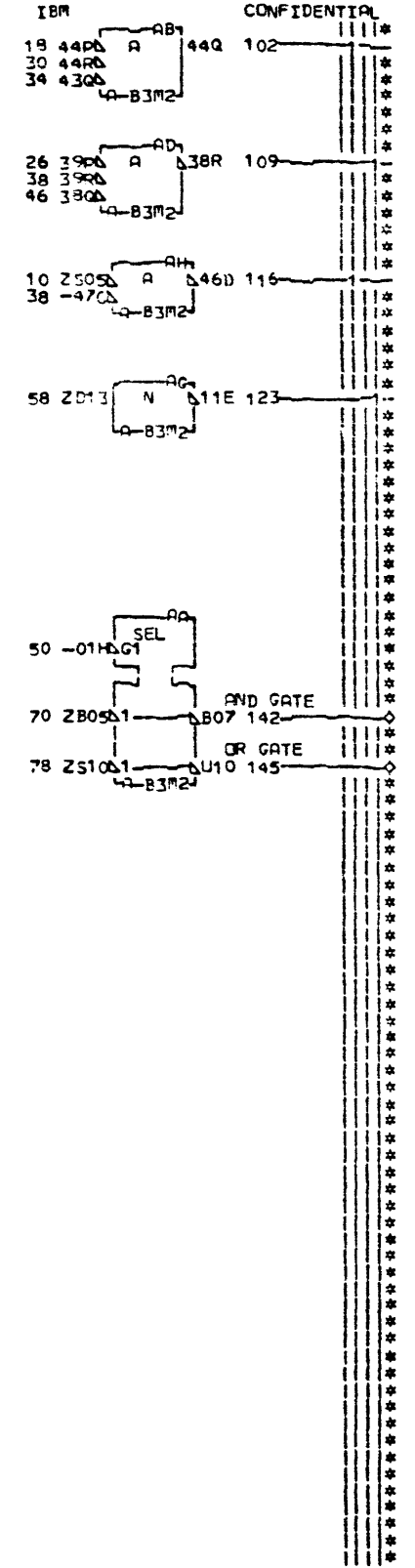


+ SYSTEM RESET TO CHANNEL KA202AX6 2
 + CLOCK 3CD KC142AL2 6
 - EA CYCLE KD121AN6 10-1
 + TIE UP KY111AM4 14
 - ZERO AND ADD INSTR KY111BQ6 19-1
 - 3CD CLOCK KY141AD2 22-2
 - DEC INSTR KY141AF6 26-1-1
 - E-B CYCLE KY141AH6 30-1
 + RECOMPL CYCLE KY141AJ2 34-1-1
 - CLOCK 3C TO 5C KY141AK6 38-2-1
 + FIRST E CYCLE KY141AL2 42-1
 - FIRST E CYCLE KY141AL6 46-1-1
 - E-B CLOCK 3C TO 5C KY141AV6 50-1
 - E CYCLE 3C TO 5C KY141AX6 54-1
 - B REG BIT 2 RA101AP2 59-1
 - A REG BIT 2 RA121AV2 62-1
 - SDR SIGN MINUS RA151AU6 66-1
 - AND RN121AN6 70-1
 - EDIT INSTR RN121AY6 74-1
 - OR RN121AZ6 78-1



000 KY101. KY101

203 - B REG SIGN MINUS KG111-AG6
 331 - SIGN CONTRL AV112-AL2
 406 - CHANGE ALU BIT 2 AV112-AP6
 142 - AND GATE Q06
 LAV122 LAV144
 145 - OR GATE AS6
 LAV122 LAV144

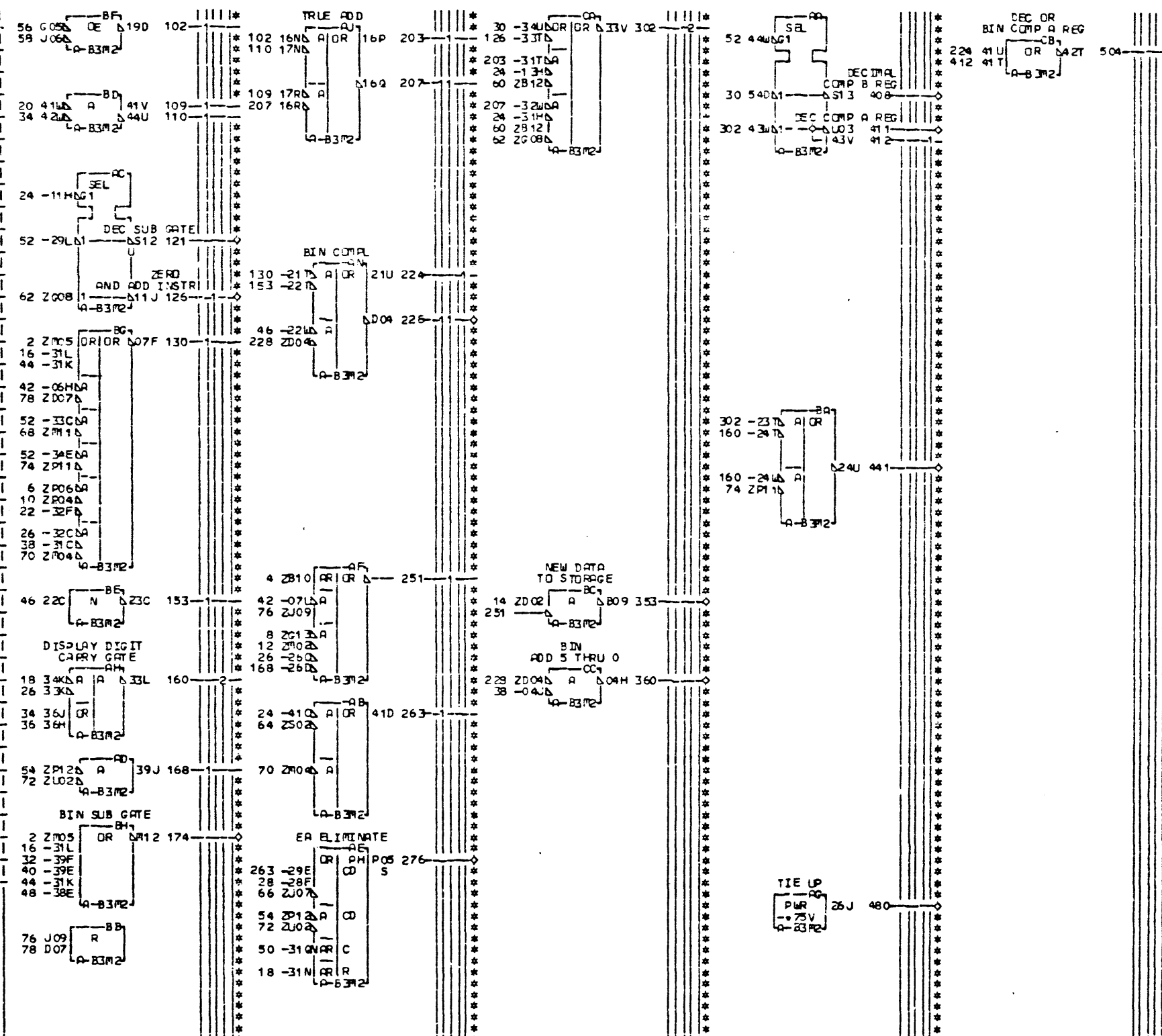
LOC. TYPE
P-B3M2 Y642

PAGE VER EC LEV
KY101 000 830225

KY101
 KY101
 000

ALU CONTROLS			
E.C. HISTORY	MACH. CPU15FST	FRAME 01	KY101
DATE LAST EC	IBM CORP. GSD		KY101
04-15-76 830225	P. No. 4278854		000

+ TEST MODE ----- KA242AB6- 2-2
 + ALTER STORAGE ----- KA312AU6- 4-
 - IR CYCLE ----- KD121AG6- 6-1
 + SIGNIFICANT DIGIT ----- KD131DE6- 8-
 + IR PROG BACKUP ----- KD151AP2- 10-
 - STORE DATA GRP NEW ----- KN131AG6- 12-
 - INVALID ADDRESS ----- KR262AL2- 14-
 + FAST I CYC ----- KY141AB2- 16-2
 + OP END ----- KY141AC2- 18-
 - 300 CLOCK ----- KY141AD2- 20-
 + CLOCK 3-4 ----- KY141AE2- 22-
 - DEC INSTR ----- KY141AF6- 24-12
 - E-B CYCLE ----- KY141AH6- 26-2
 + RECOMPL CYCLE ----- KY141AJ2- 28-
 - RECOMPL CYCLE ----- KY141AJ6- 30-
 - CLOCK 3C TO 50 ----- KY141AK6- 32-
 - FIRST E CYCLE ----- KY141AL5- 34-2
 + CLOCK 5 THRU 0 ----- KY141AM2- 36-
 - CLOCK 5 THRU 0 ----- KY141AM6- 38-
 + I/O NO CE MODE ----- KY141AN2- 40-
 - I/O NO CE MODE ----- KY141AN6- 42-
 + I/R SKIP TRUE ----- KY141AP6- 44-0
 + ODD CD CLOCK ----- KY141AR2- 46-
 + E-B BINARY ADD OR SUB ----- KY141AS2- 48-
 - E-B CLOCK 5-6 ----- KY141AT6- 50-
 - E-B CLOCK 3C TO 5C ----- KY141AV6- 52-3
 + B REG 20 ----- RA101AV2- 54-
 - A REG BIT 2 ----- RA121AV2- 56-
 - SR SIGN MINUS ----- RA151AU6- 58-
 - OP BIT 7 ----- RN101AD6- 60-2
 - OP BIT 6 ----- RN101AE6- 62-
 - Q NUM BLANK ----- RN101AZ6- 64-
 - 1 ADDRESS FORMAT ----- RN111AF2- 66-
 - SET OR TEST OFF ----- RN121AS6- 68-
 - FC INSTR ----- RN121AX6- 70-
 - EDIT INSTR ----- RN121AY6- 72-
 - BIN ADD GROUP ----- RN131AL6- 74-
 + CHAN STORE DATA ----- UB1030A4- 76-
 + CHAN BINARY SUBTRACT ----- UB1050L4- 78-2



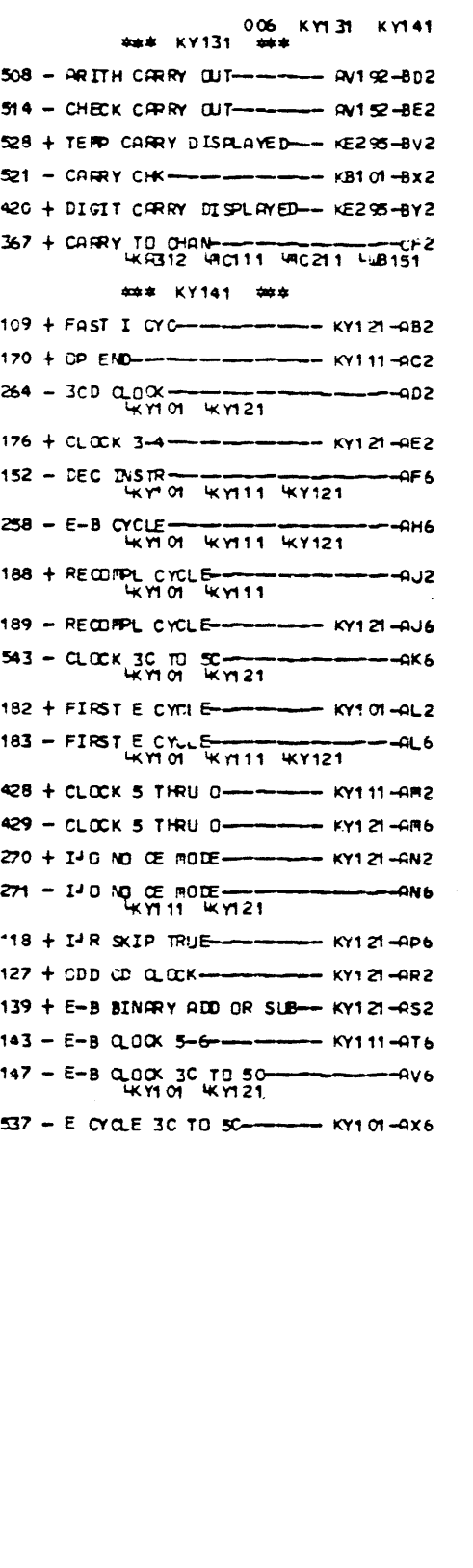
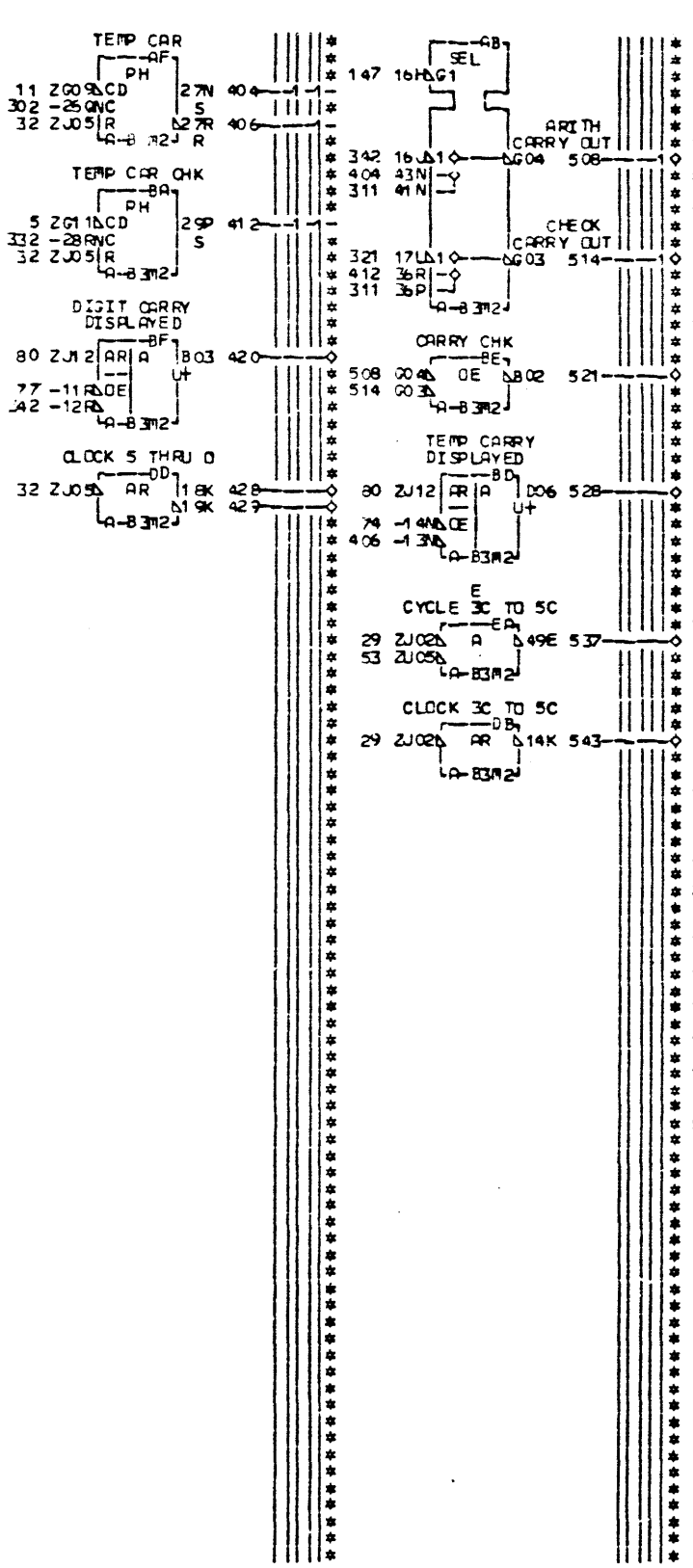
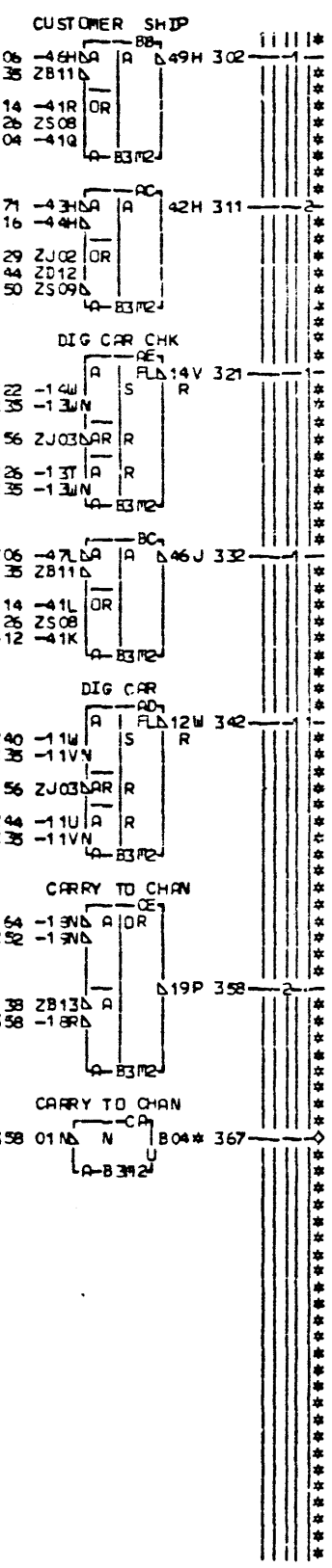
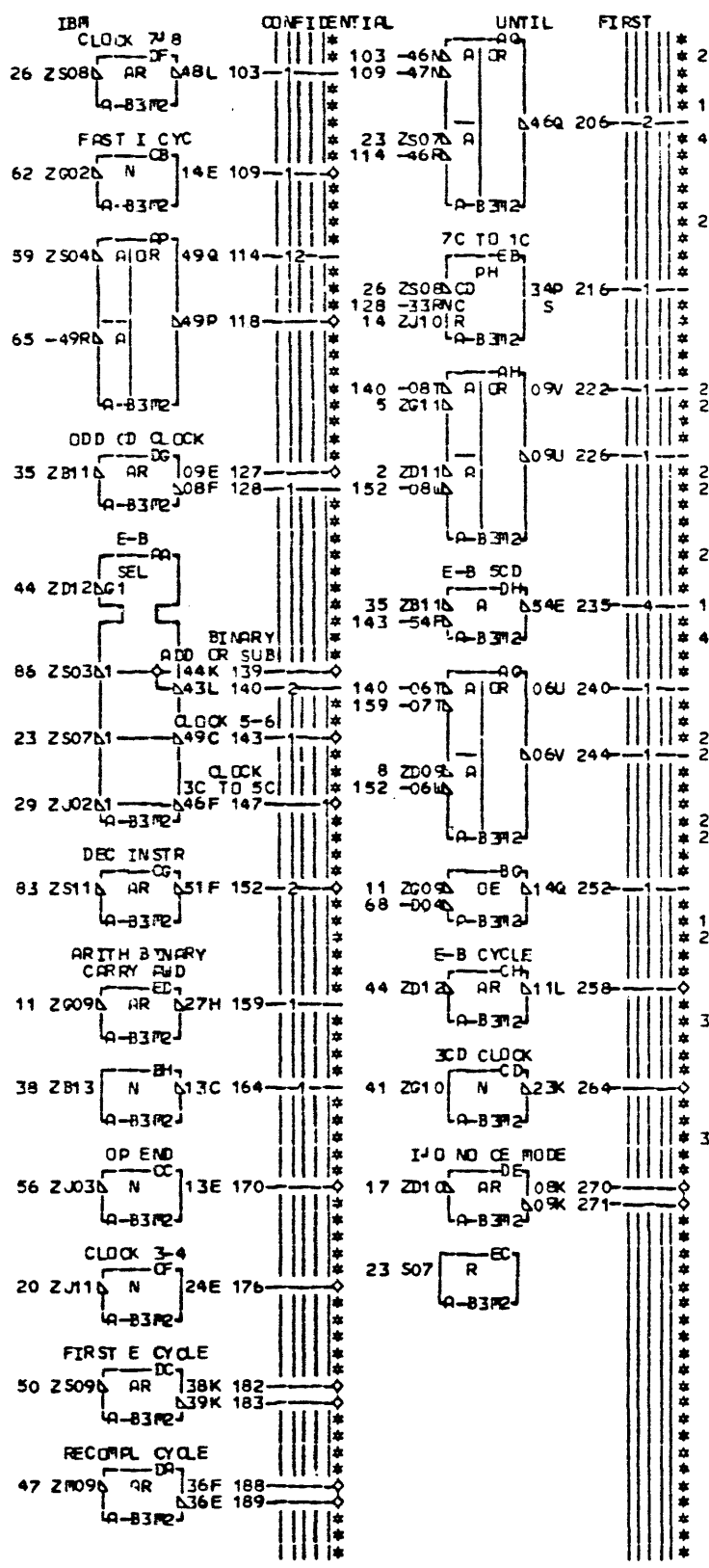
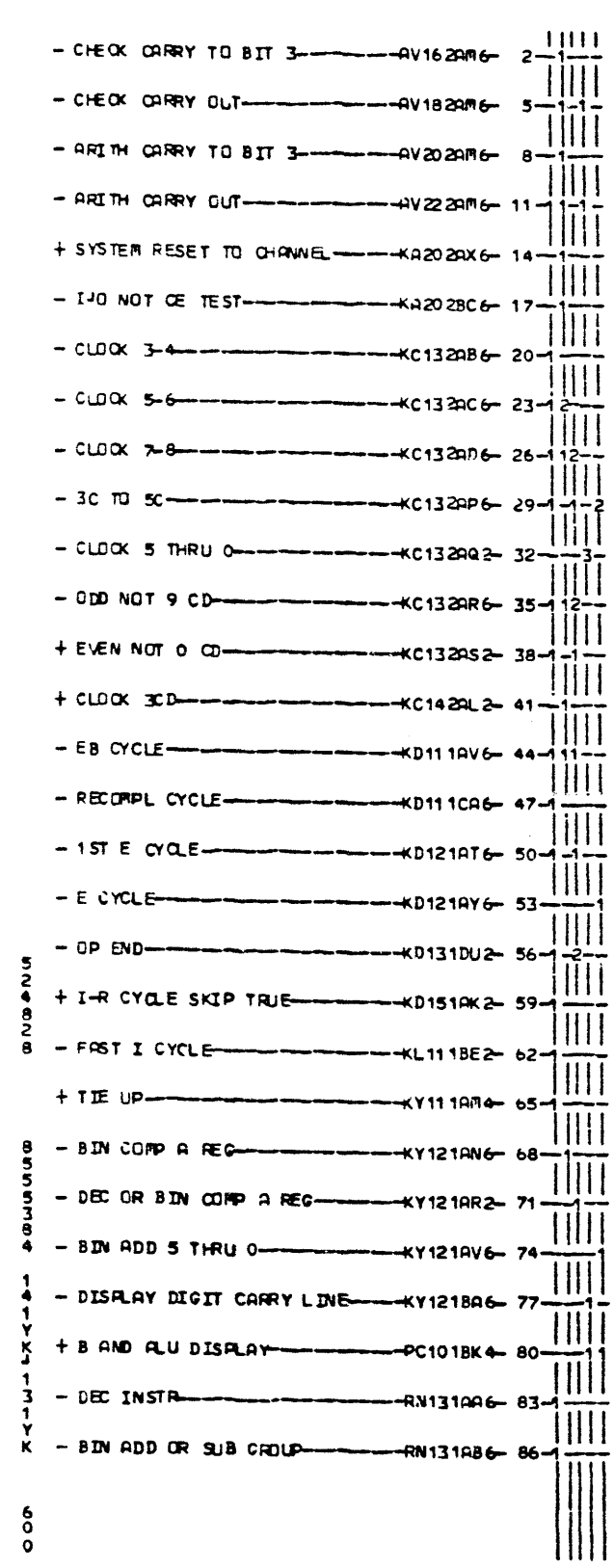
*** KY111 ***
 276 + E-A ELIMINATE ----- AH2
 480 + TIE UP ----- AA4
 126 - ZERO AND ADD INSTR ----- KY101-BA6
 353 - NEW DATA TO STORAGE ----- KC132-BW4
 *** KY121 ***
 174 - BIN SUB GATE ----- AV122-AL2
 228 - BIN COMP A REG ----- AN6
 408 - DECIMAL COMP B REG ----- AP6
 121 - DEC SUB GATE ----- AQ6
 504 - DEC OR BIN COMP A REG ----- KY131-AR2
 360 - BIN ADD 5 THRU 0 ----- KY131-AV6
 411 - DEC COMP A REG ----- AQ26
 441 - DISPLAY DIGIT CARRY LINE ----- BA6

A-SIA TO PA EC 830225
 B-SIA TO PA EC 830225
 F KY111
 S KY121
 U 006

LOC. TYPE
 A-B3M2 Y642

PAGE VER EC LEV
 KY111 006 828425
 KY121 006 828425

ALU CONTROLS			
E-C-HISTORY	E-MACH-CPU15FST		
	FRAP	01	KY111
	IBM CORP #CSD		KY121
DATE	LAST EC	P.N.	006
05-09-77	828425	483557	



A-SIR TO PW EC 830225

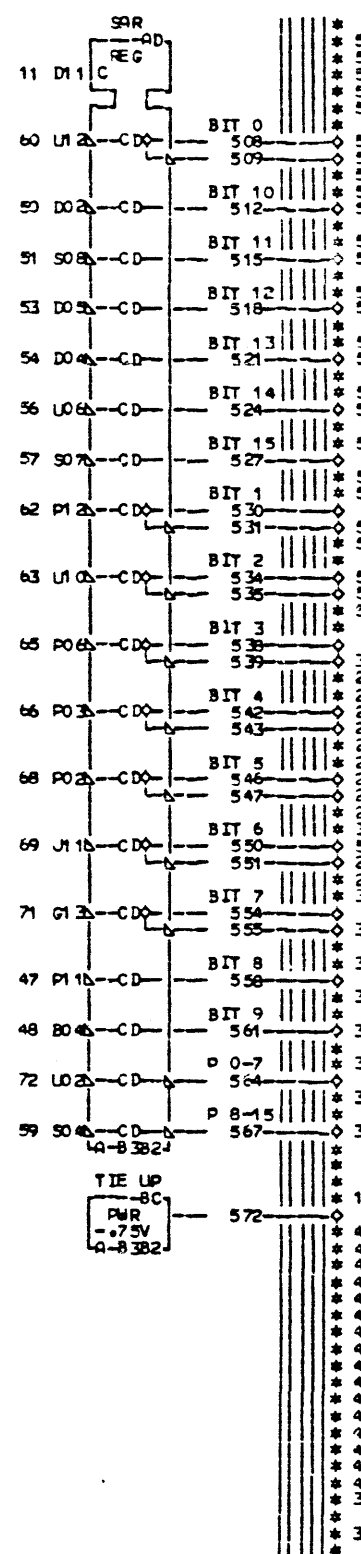
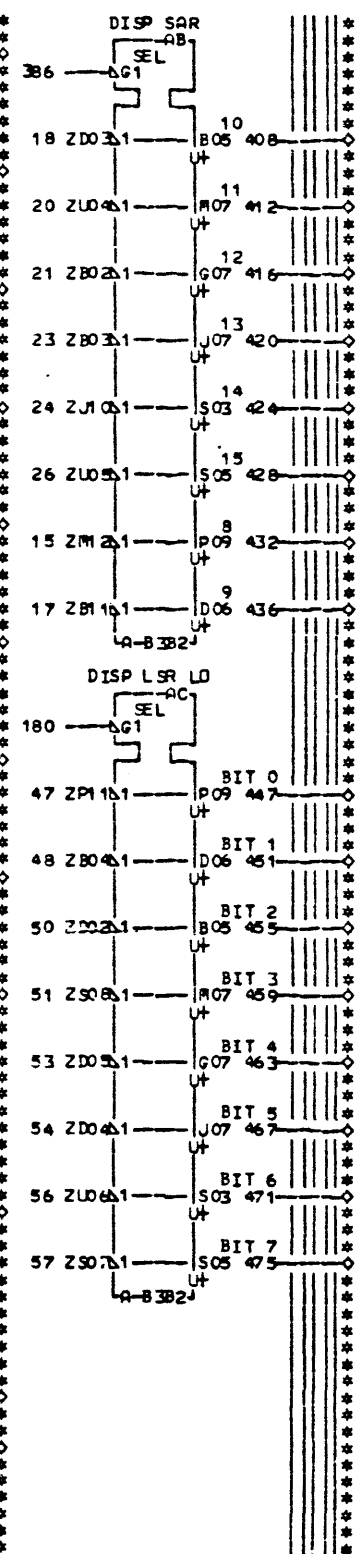
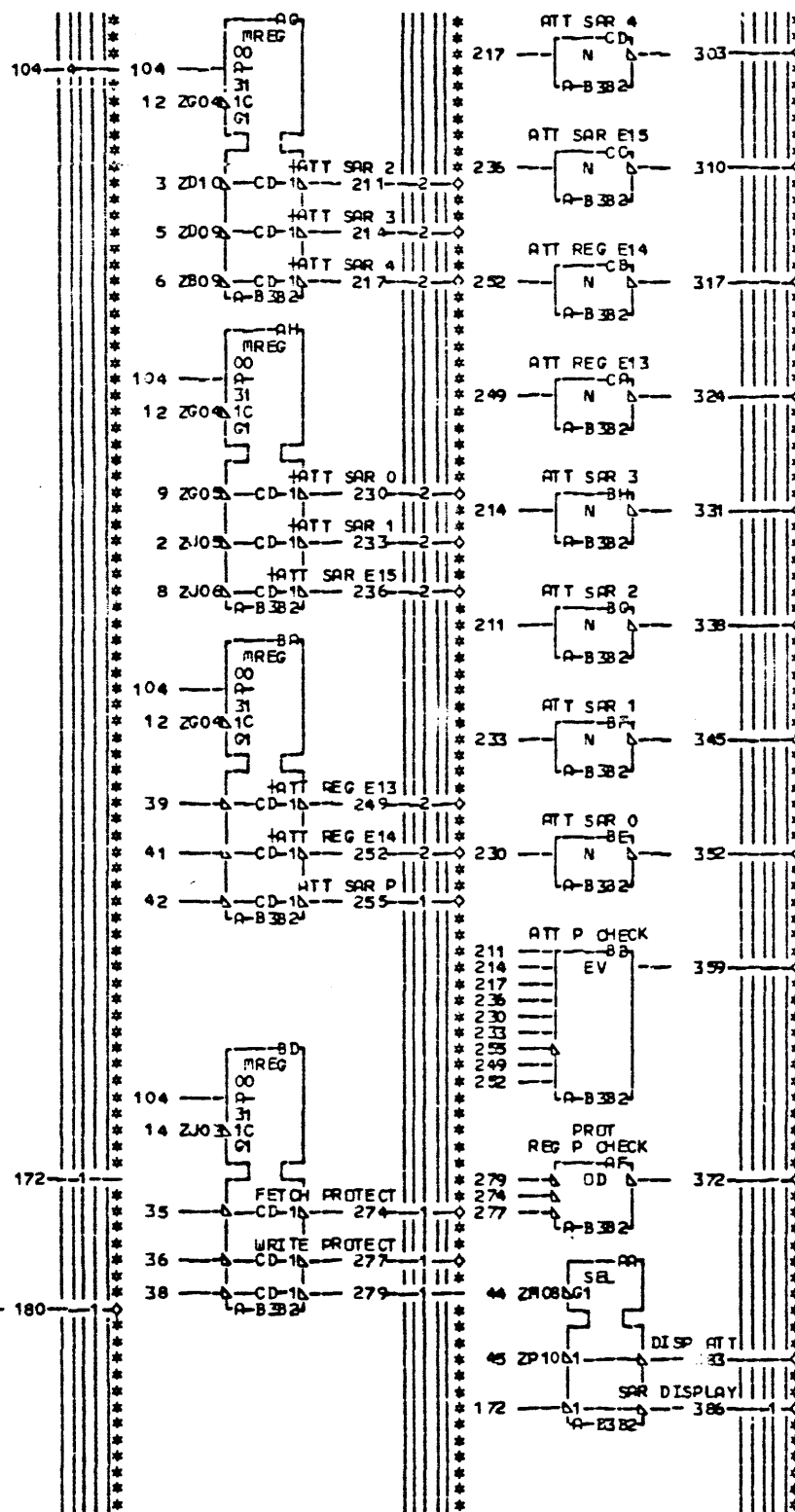
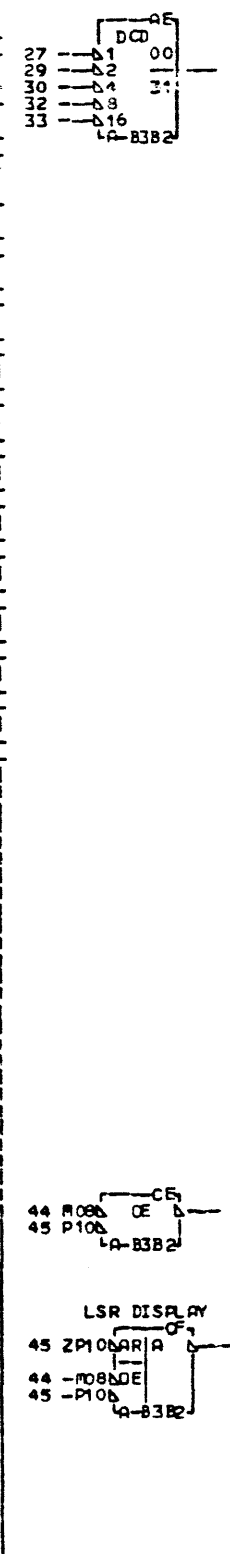
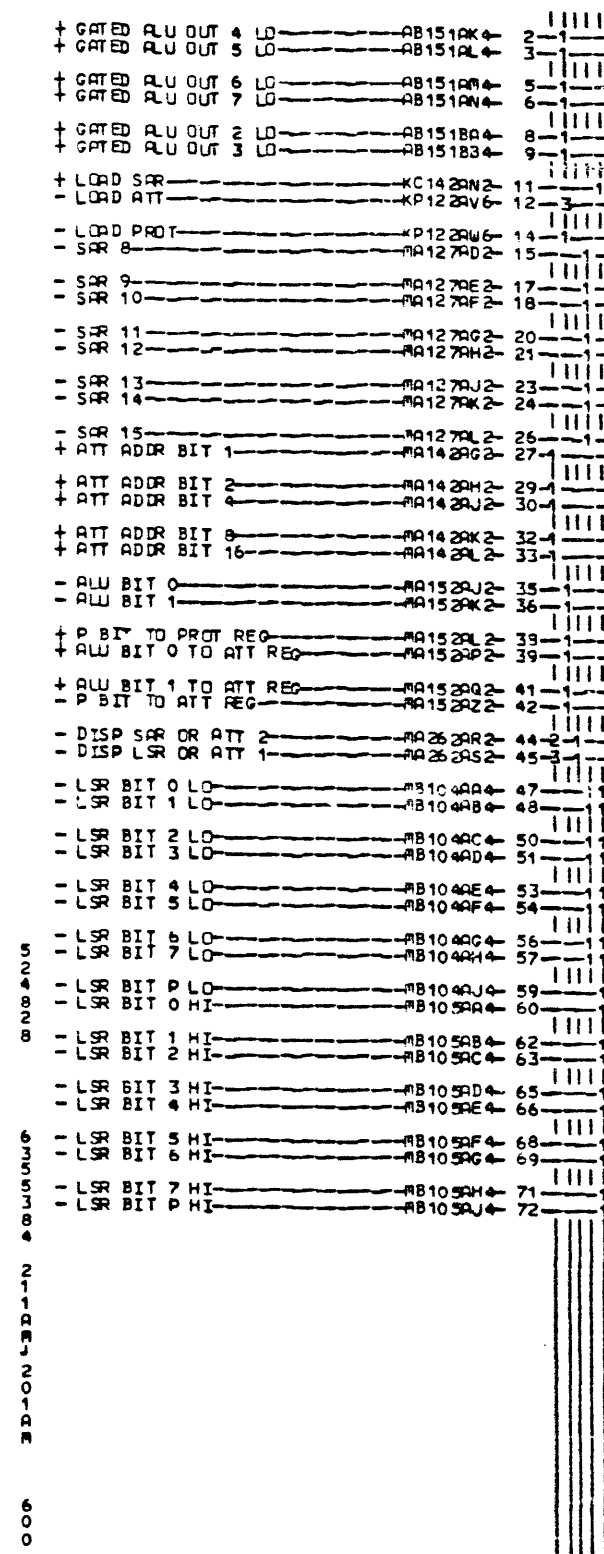
EDGE CONN
 367 -B31B13
 01A-B201E13
 01A-B206B04
 01A-B106E04
 01A-B1A3B02
 01A-A1P1E13
 01A-A1P6E04
 01A-A1P1E13
 01A-A1P6E04

LCC TYPE A-B32 1642

PAGE VER EC LEV
 KY131 006 828425
 KY141 000 830225

ALL CONTROLS			
Ea Co-HISTORY	830225	Es ARCH CPU15FST	01 KY131
DATE	05-09-77 828425	IBN CORP-GSD	KY141
LAST EC		PoN	4835558 006

F KY131
 J KY141
 PC 006



Signal	Component	Pin	Signal	Component	Pin
SAR BIT 11	74174	11	ATT SAR 4	7400	217
SAR BIT 10	74174	10	ATT SAR E15	7400	218
SAR BIT 9	74174	9	ATT SAR 3	7400	219
SAR BIT 8	74174	8	ATT SAR 2	7400	220
SAR BIT 7	74174	7	ATT SAR 1	7400	221
SAR BIT 6	74174	6	ATT SAR 0	7400	222
SAR BIT 5	74174	5	ATT REG E14	7400	223
SAR BIT 4	74174	4	ATT REG E13	7400	224
SAR BIT 3	74174	3	ATT SAR 3	7400	225
SAR BIT 2	74174	2	ATT SAR 2	7400	226
SAR BIT 1	74174	1	ATT SAR 1	7400	227
SAR BIT 0	74174	0	ATT SAR 0	7400	228
...

A. SIM TO 2N EC 830225
 B. SIM TO 2N EC 830225
 C. SIM TO 2N EC 830225

LOC. TYPE
 A-B3B2 BE06

RA102 06 828425
 RA107 06 828425
 RA112 06 828425

SAR CARD	
E-Ca-HI STORY	E-MACH CPU15FST
DATE 05-09-77	LAST EC 328425
FRAME 01	RA102
IBA CORP RC	RA112
P.N. 483536	006

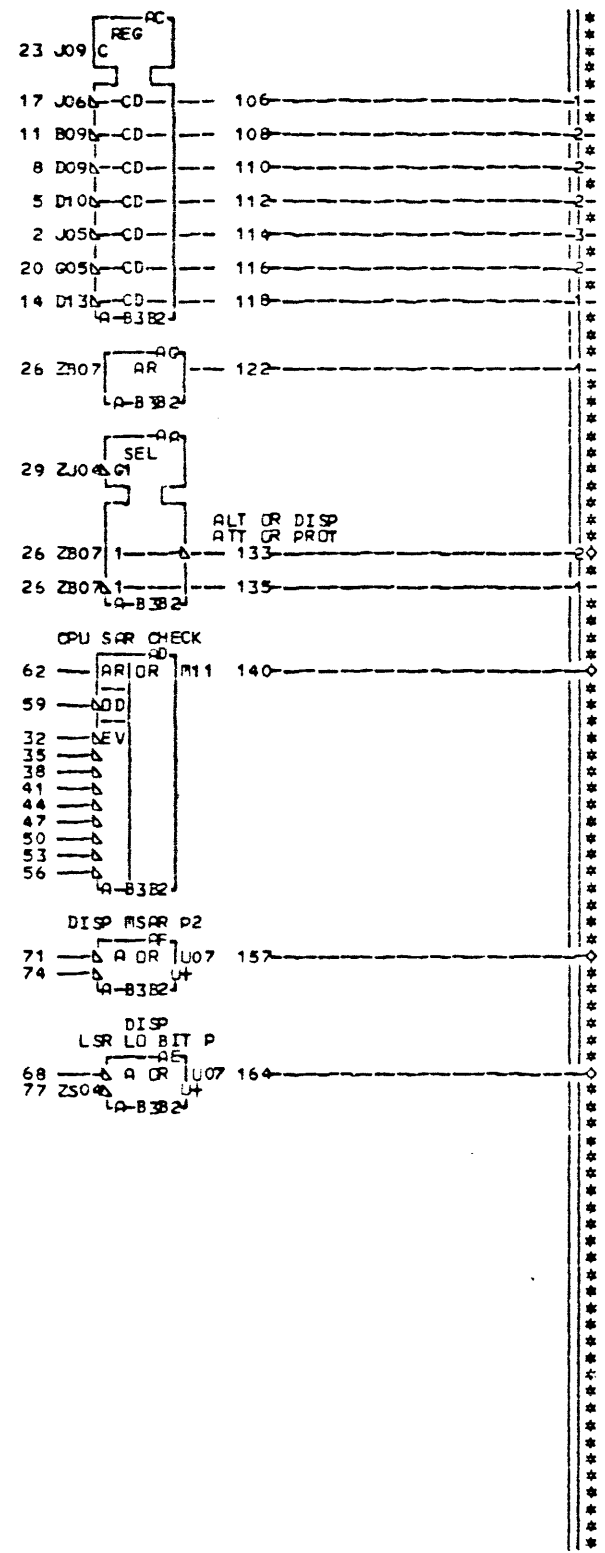
PC-102
 RA102
 RA112
 006

+ GATED ALU OUT 4 LD --- AB151AK4 --- 2
 + GATED ALU OUT 5 LD --- AB151AL4 --- 5
 + GATED ALU OUT 6 LD --- AB151AM4 --- 8
 + GATED ALU OUT 7 LD --- AB151AN4 --- 11
 + GATED ALU OUT 1 LU --- AB151AZ4 --- 14
 + GATED ALU OUT 2 LD --- AB151BA4 --- 17
 + GATED ALU OUT 3 LD --- AB151BB4 --- 20
 + LOAD Q REG --- KD141BC6 --- 23
 - LOAD STOP ATT PROT EB --- KP152AE6 --- 26-32
 - ALTER DISP ATT OR GATE EVEN --- KP152AG2 --- 29
 - SAR P 0-7 --- RA102AE6 --- 32
 - SAR BIT 0 --- RA102AJ6 --- 35
 - SAR BIT 1 --- RA102AK6 --- 38
 - SAR BIT 2 --- RA102AL6 --- 41
 - SAR BIT 3 --- RA102AM6 --- 44
 - SAR BIT 4 --- RA102AN6 --- 47
 - SAR BIT 5 --- RA102AP6 --- 50
 - SAR BIT 6 --- RA102AQ6 --- 53
 - SAR BIT 7 --- RA102AR6 --- 56
 - PROT REG P CHECK --- RA102AE2 --- 59
 + ATT P CHECK --- RA102AL2 --- 62
 + TIE UP --- RA102AM4 --- 65
 - LSR DISPLAY --- RA112AD6 --- 68
 - SAR DISPLAY --- RA112BJ6 --- 71
 - SAR P2 --- RA122AM6 --- 74
 - LSR BIT P LD --- AB104AJ4 --- 77

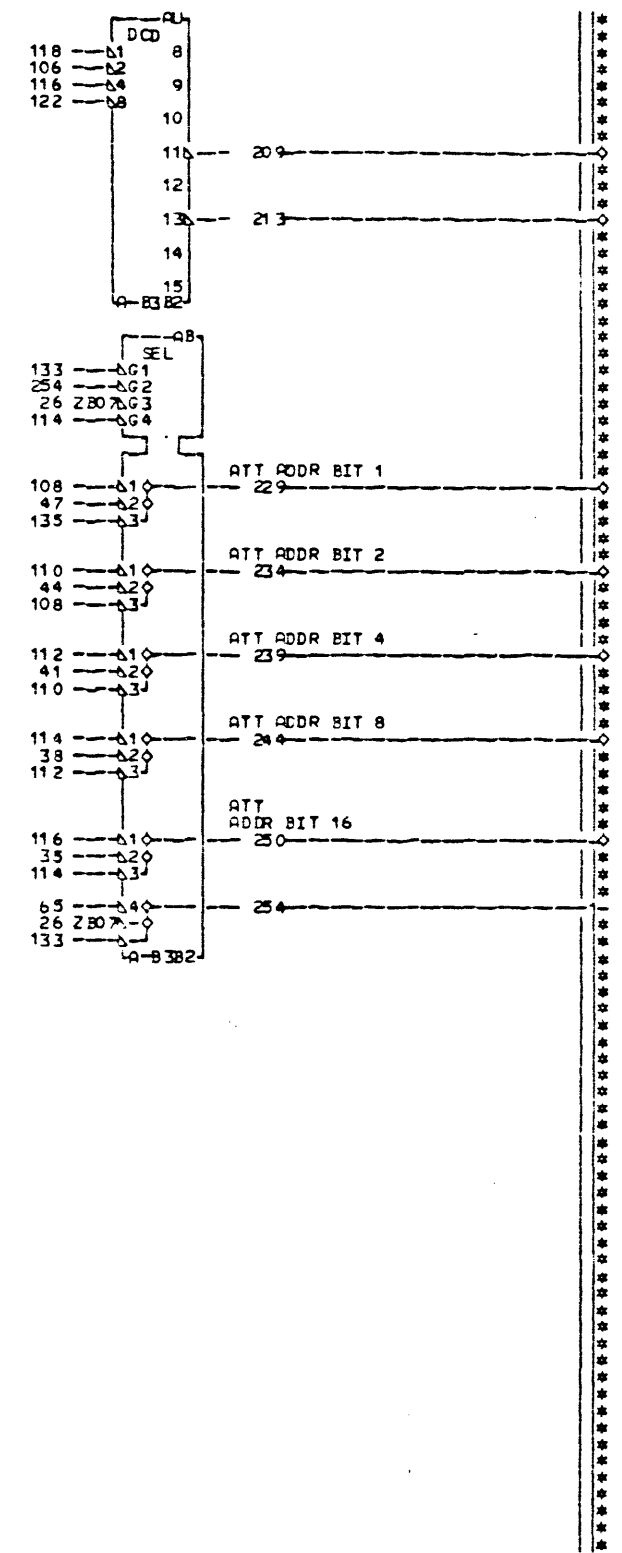
UNDESIGNATED

A. SIM TO PN EC 830225
 B. SIM TO PN EC 830225

F 101
 S 102
 D 006



LOC. TYPE
 A-B 3B2 BE06

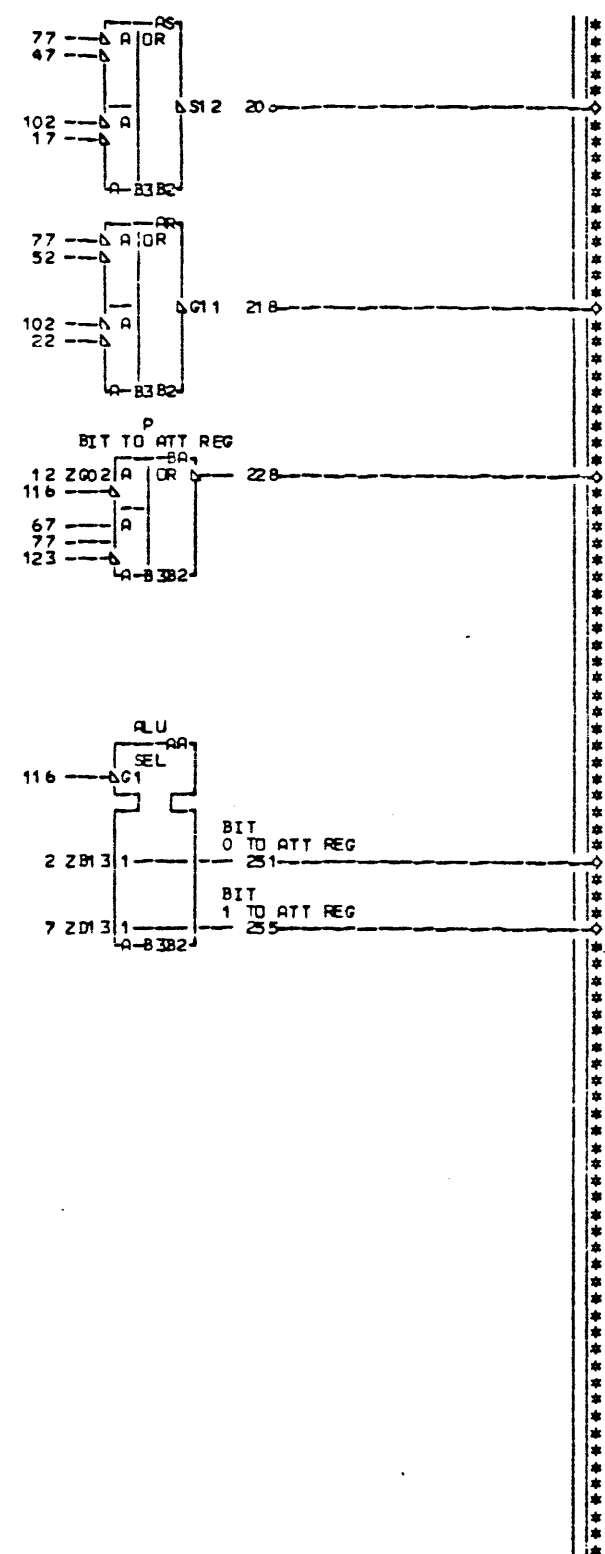
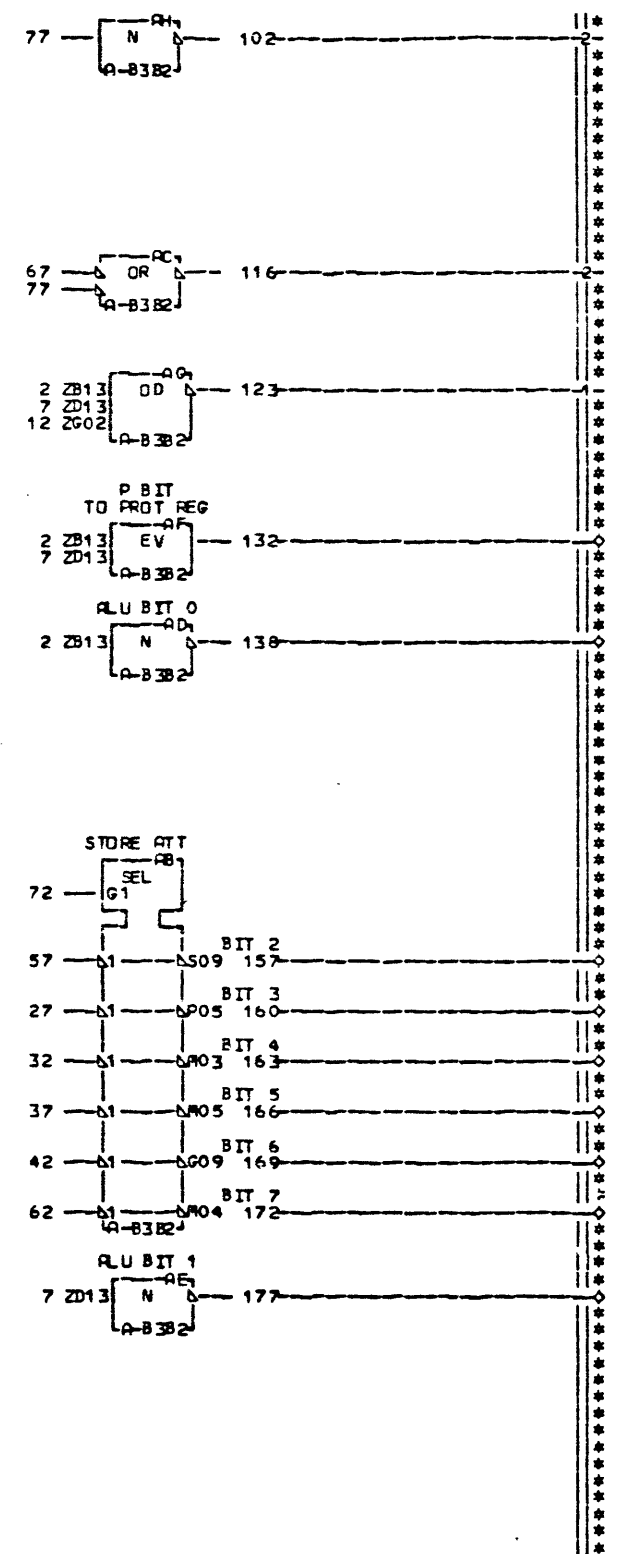


PAGE VER EC LEV
 RA132 006 828425
 RA142 006 828425

*** RA132 006 RA132 RA142 ***
 140 + CPU SAR CHECK --- KB101-AH4
 164 + DISP LSR LO BIT P --- KE295-AL2
 157 + DISP MSAR P2 --- KE295-AM2
 *** RA142 ***
 229 + ATT ADDR BIT 1 --- RA107-AG2
 234 + ATT ADDR BIT 2 --- RA107-AH2
 239 + ATT ADDR BIT 4 --- RA107-AJ2
 244 + ATT ADDR BIT 8 --- RA107-AK2
 250 + ATT ADDR BIT 16 --- RA107-AL2
 133 - ALT OR DISP ATT OR PROT RA152-AP6
 209 - LD-STR PROT 6X EB --- RA152-AU6
 213 - LD-STR ATT 5X EB --- RA152-AUB

SAR CARD		E. ARCH. CPU15FST	
- E. Co-HISTORY		FRAME 01	RA132
DATE		IBB CORP. RD	RA142
05-09-77	LAST EC 828425	P.N. 483553B	006

+ GATED ALU OUT 0 LD	AB151AY	2-3
+ GATED ALU OUT 1 LD	AB151AZ	7-3
+ GATED ALU OUT P LD	AB151BC	12-1
- FETCH PROTECT	AA107BA	17
- WRITE PROTECT	AA107BA	22
- ATT SAR 0	AA107BD	27
- ATT SAR 1	AA107BE	32
- ATT SAR 2	AA107BF	37
- ATT SAR 3	AA107BH	42
- ATT REG E13	AA107BJ	47
- ATT REG E14	AA107BK	52
- ATT SAR E15	AA107BL	57
- ATT SAR 4	AA107BM	62
- ALT OR DISP ATT OR PROT	AA142AP	67
- LD-STR PROT 6X EB	AA142AU	72
- LD-STR ATT 5X EB	AA142AU	77-23



006 AA152 AA152

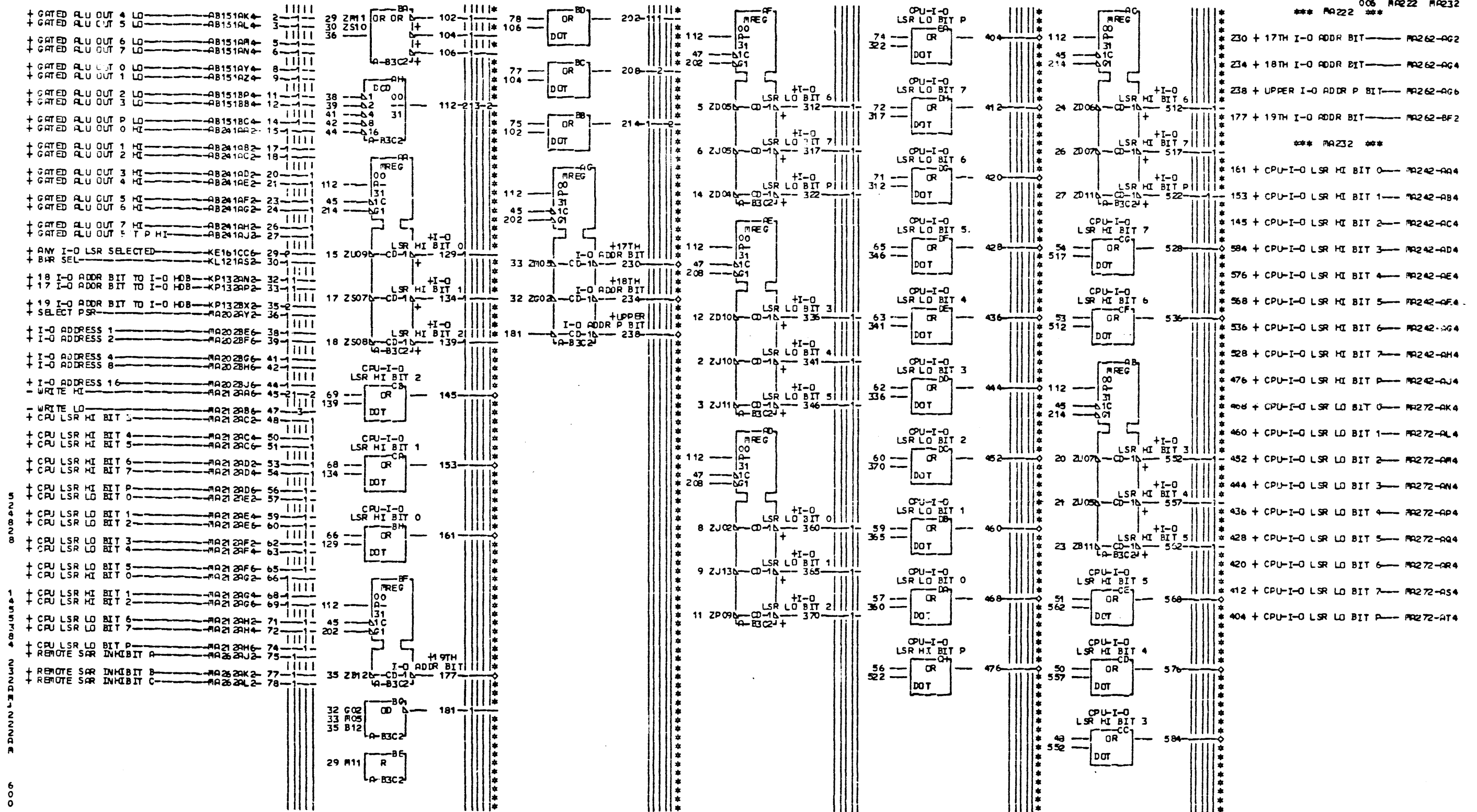
160 - STORE ATT BIT 3	KR242-AA6
157 - STORE ATT BIT 2	KR242-AB6
163 - STORE ATT BIT 4	KR252-AC6
172 - STORE ATT BIT 7	KR252-AD6
169 - STORE ATT BIT 6	KR252-AE6
166 - STORE ATT BIT 5	KR252-AF6
138 - ALU BIT 0	AA107-AJ2
177 - ALU BIT 1	AA107-AK2
132 + P BIT TO PROT REG	AA107-AL2
251 + ALU BIT 0 TO ATT REG	AA107-AP2
255 + ALU BIT 1 TO ATT REG	AA107-AQ2
218 - WRITE PROTECT OR STR BIT 1	AA6 KRM 01 KR242
206 - FETCH PROTECT OR STR BIT 0	AS6 KRM 01 KR242
228 - P BIT TO ATT REG	AA107-AZ2

006
006 SIM TO PW EC 830225

LOC. TYPE
A-B382 BE06

PAGE VER EC LEV
AA152 006 828425

SAR CARD	
—E-C-HISTORY—	—E-C-HISTORY—
DATE LAST EC 05-09-77 828425	FRAME 01 AA152 IBM CORP RD AA152 P.N. 4835539 006



9000
 1 2 3 4 5 6 7 8 9 10 11 12 13 14 15 16 17 18 19 20 21 22 23 24 25 26 27 28 29 30 31 32 33 34 35 36 37 38 39 40 41 42 43 44 45 46 47 48 49 50 51 52 53 54 55 56 57 58 59 60 61 62 63 64 65 66 67 68 69 70 71 72 73 74 75 76 77 78 79 80 81 82 83 84 85 86 87 88 89 90 91 92 93 94 95 96 97 98 99 100

A. SIM TO PN EC 830225
 B. SIM TO PN EC 830225

LOC. TYPE
 A-B3C2 BE01

PAGE VER EC LEV
 RA222 006 828425
 RA232 006 828425

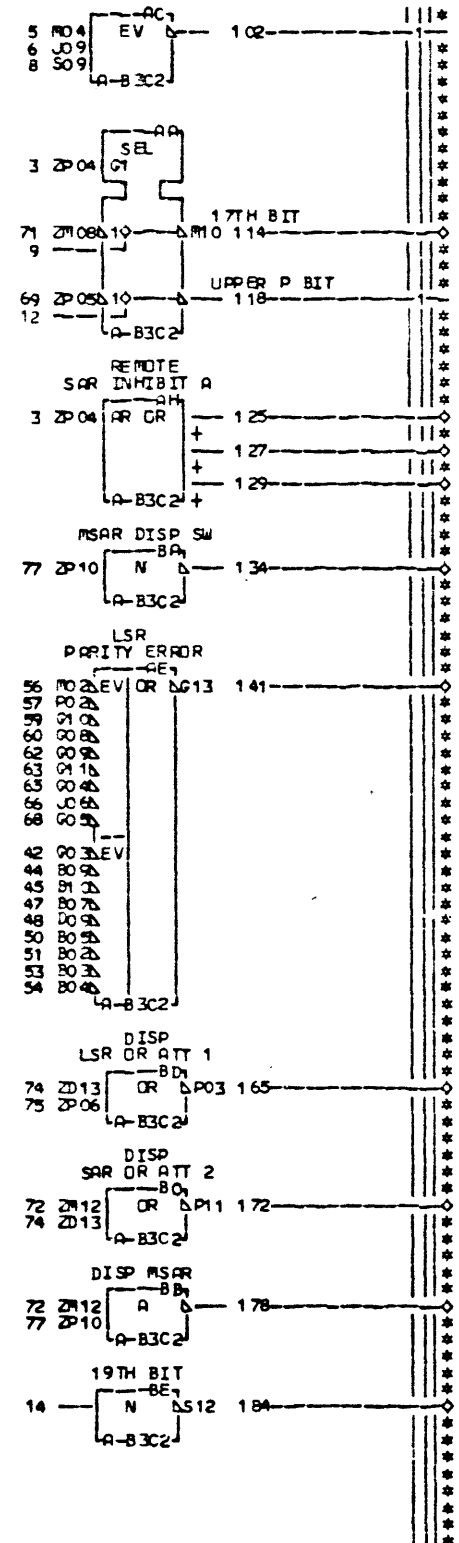
LSR CARD	
—E ₀ —HISTORY—E ₁	PACK CPU15F5T
FRAME 01	RA222
DATE LAST EC	IBM CORP RD RA232
05-09-77 828425	P.N. 4835541 006

PU 1 RA222
 RA232
 006

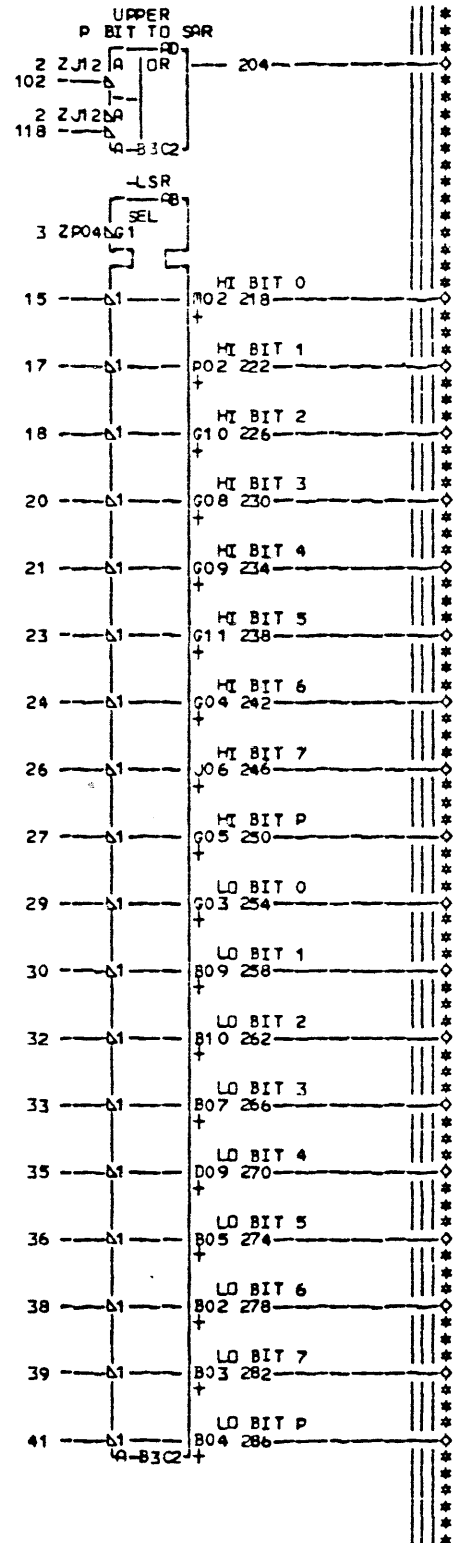
- I/O NOT OF TEST ----- KA202BC6 2-2
 + MLTA SELECTED ----- KE401BU2 3-2
 + 17TH BIT TO SAR ----- KP132BK2 5-1
 + 18TH BIT TO SAR ----- KP132BK2 6-1
 + 19TH BIT TO SAR ----- KP132BY2 8-1
 + 17TH I-O ADDR BIT ----- MA223AG2 9-1
 + 18TH I-O ADDR BIT ----- MA223AG2 11-1
 + UPPER I-O ADDR P BIT ----- MA223AG2 12-1
 + 19TH I-O ADDR BIT ----- MA223BF2 14-1
 + CPU-I-O LSR HI BIT 0 ----- MA233AA4 15-1
 + CPU-I-O LSR HI BIT 1 ----- MA233AB4 17-1
 + CPU-I-O LSR HI BIT 2 ----- MA233AC4 18-1
 + CPU-I-O LSR HI BIT 3 ----- MA233AD4 20-1
 + CPU-I-O LSR HI BIT 4 ----- MA233AE4 21-1
 + CPU-I-O LSR HI BIT 5 ----- MA233AF4 23-1
 + CPU-I-O LSR HI BIT 6 ----- MA233AG4 24-1
 + CPU-I-O LSR HI BIT 7 ----- MA233AH4 26-1
 + CPU-I-O LSR HI BIT P ----- MA233AJ4 27-1
 + CPU-I-O LSR LO BIT 0 ----- MA233AK4 29-1
 + CPU-I-O LSR LO BIT 1 ----- MA233AL4 30-1
 + CPU-I-O LSR LO BIT 2 ----- MA233AM4 32-1
 + CPU-I-O LSR LO BIT 3 ----- MA233AN4 33-1
 + CPU-I-O LSR LO BIT 4 ----- MA233AP4 35-1
 + CPU-I-O LSR LO BIT 5 ----- MA233AQ4 36-1
 + CPU-I-O LSR LO BIT 6 ----- MA233AR4 38-1
 + CPU-I-O LSR LO BIT 7 ----- MA233AS4 39-1
 + CPU-I-O LSR LO BIT P ----- MA233AT4 41-1
 - LSR BIT 0 LO ----- MB104BA4 42-1
 - LSR BIT 1 LO ----- MB104BB4 44-1
 - LSR BIT 2 LO ----- MB104BC4 45-1
 - LSR BIT 3 LO ----- MB104BD4 47-1
 - LSR BIT 4 LO ----- MB104BE4 48-1
 - LSR BIT 5 LO ----- MB104BF4 50-1
 - LSR BIT 6 LO ----- MB104BG4 51-1
 - LSR BIT 7 LO ----- MB104BH4 53-1
 - LSR BIT P LO ----- MB104BI4 54-1
 - LSR BIT 0 HI ----- MB104BJ4 56-1
 - LSR BIT 1 HI ----- MB104BK4 57-1
 - LSR BIT 2 HI ----- MB104BL4 59-1
 - LSR BIT 3 HI ----- MB104BM4 60-1
 - LSR BIT 4 HI ----- MB104BN4 62-1
 - LSR BIT 5 HI ----- MB104BP4 63-1
 - LSR BIT 6 HI ----- MB104BQ4 65-1
 - LSR BIT 7 HI ----- MB104BR4 66-1
 - LSR BIT P HI ----- MB104BS4 68-1
 - EXTERNAL ADDR BIT 17 P ----- MD201AP6 69-1
 + SAR DISPLAY ----- PC101AV4 72-2
 + COND REG DISPLAY ----- PC101AV4 74-2
 + LSR DISPLAY ----- PC101BL4 75-1
 + MSAR DISPLAY SW ----- PC1215B4 77-2

A. SIM TO PN EC 830225
 B. SIM TO PN EC 830225
 C. SIM TO PN EC 830225
 D. SIM TO PN EC 830225

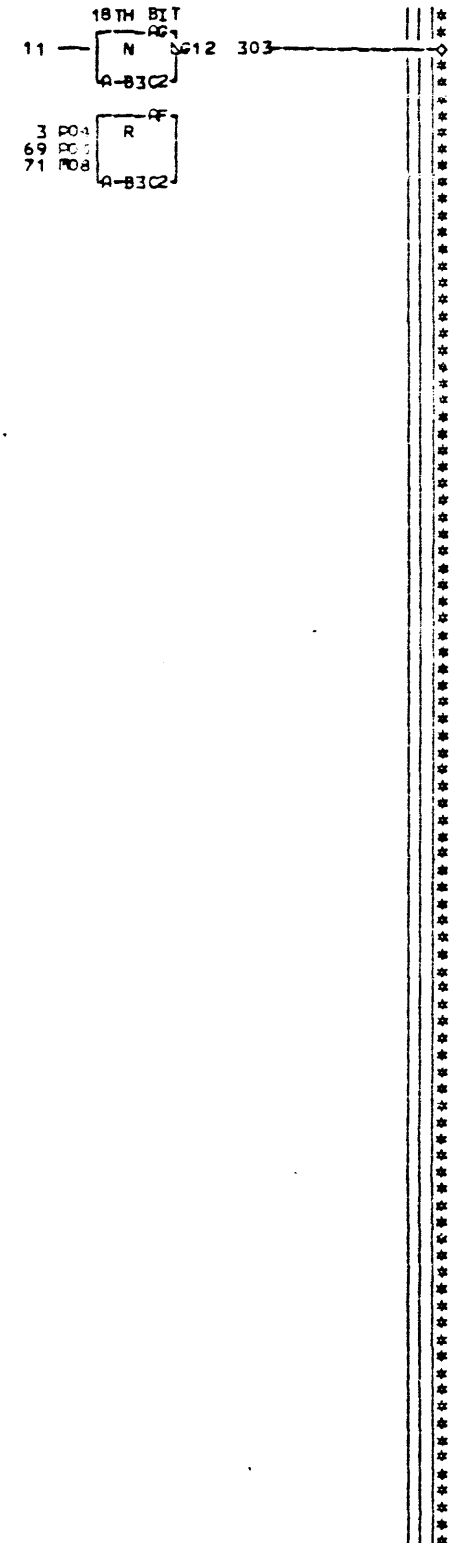
F 5 1 1 006
 P 006



LC TYPE
 A-B3C2 BE01



BB 06 VER EC LEV
 BB 242 006 82 8425
 BB 272 006 82 8425
 BB 272 006 82 8425

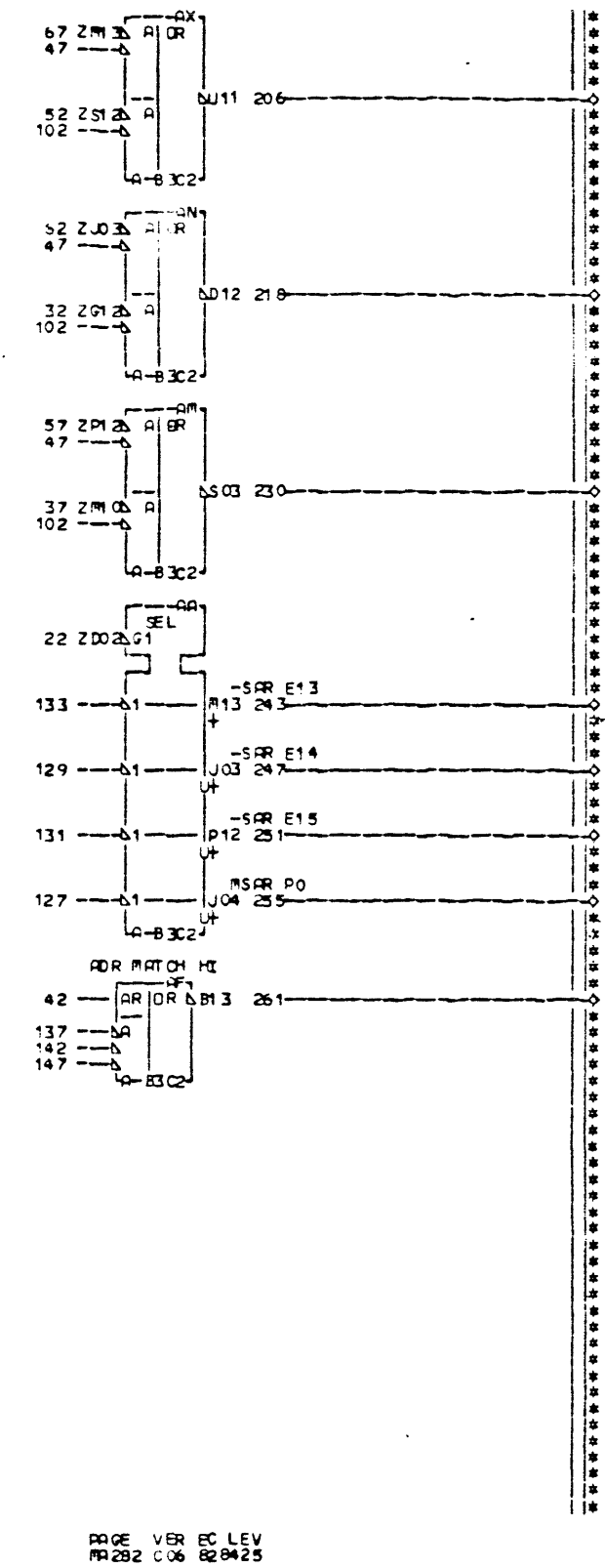
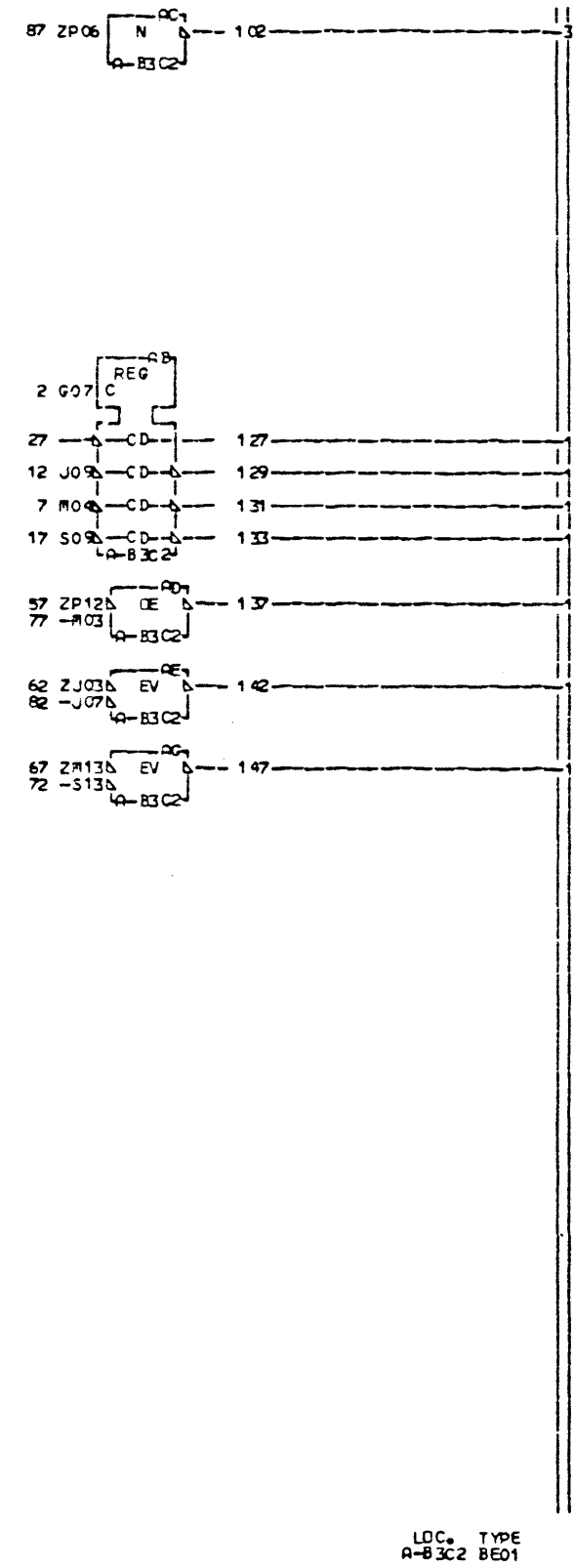


006 MA242 MA272
 *** MA242 ***
 218 - LSR HI BIT 0 ----- MB105-AA2
 222 - LSR HI BIT 1 ----- MB105-AB2
 226 - LSR HI BIT 2 ----- MB105-AC2
 230 - LSR HI BIT 3 ----- MB105-AD2
 234 - LSR HI BIT 4 ----- MB105-AE2
 238 - LSR HI BIT 5 ----- MB105-AF2
 242 - LSR HI BIT 6 ----- MB105-AG2
 246 - LSR HI BIT 7 ----- MB105-AH2
 250 - LSR HI BIT P ----- MB105-AJ2
 204 + UPPER P BIT TO SAR ----- MA282-AP6
 *** MA252 ***
 141 - LSR PARITY ERROR ----- KB101-AA2
 *** MA262 ***
 303 - 18TH BIT ----- AC2
 KP102 KP132 MA282
 114 - 17TH BIT ----- AH2
 KP102 KP132 MA282
 125 + REMOTE SAR INHIBIT A ----- MA22-AJ2
 127 + REMOTE SAR INHIBIT B ----- MA22-AK2
 129 + REMOTE SAR INHIBIT C ----- MA22-AL2
 134 - MSAR DISP SW ----- MA282-AR2
 178 - DISP MSAR ----- MA282-AP6
 172 - DISP SAR OR ATT 2 ----- MA112-AR2
 165 - DISP LSR OR ATT 1 ----- MA112-AS2
 184 - 19TH BIT ----- AW2
 KP102 KP132 MA282
 *** MA272 ***
 251 - LSR LO BIT 0 ----- MB104-AK2
 258 - LSR LO BIT 1 ----- MB104-AL2
 262 - LSR LO BIT 2 ----- MB104-AM2
 266 - LSR LO BIT 3 ----- MB104-AN2
 270 - LSR LO BIT 4 ----- MB104-AQ2
 274 - LSR LO BIT 5 ----- MB104-AR2
 278 - LSR LO BIT 6 ----- MB104-AS2
 282 - LSR LO BIT 7 ----- MB104-AT2
 286 - LSR LO BIT P ----- MB104-AU2

LSR CARD			
EC Co-HISTORY	MA242	CPU15F5T	
FRAME	01	MA242	
IBN CORP.RO		MA272	
DATE	LAST EC	P.N.	
05-09-77	828425	4833542	006

+ LOAD SAR	KC142AN2	2
+ 17TH BIT TO SAR	KP132BJ2	7
+ 18TH BIT TO SAR	KP132BK2	12
+ 19TH BIT TO SAR	KP132BY2	17
+ XLATE GATE	KP152AH2	22
+ UPPER P BIT TO SAR	MA242AP6	27
- 18TH BIT	MA262AG2	32
- 17TH BIT	MA262AH2	37
- MSAR DISP SW	MA262AM2	42
- DISP MSAR	MA262AP6	47
- 19TH BIT	MA262AW2	52
- MSAR E15	MB105AK	57
- MSAR E14	MB105AL	62
- MSAR E13	MB105AN	67
- 25K SW	PA101AU	72
+ 64K ADDR SW	PA101BM	77
- 128K SW	PA101BQ	82
+ LSR DISPLAY	PC101BL	87

PC-UNIT
 MA252
 MA262
 006 SIM TO PN EC 830225



006 MA282 MA282

251 - SAR E15	MB105-AE2
247 - SAR E14	MB105-AF2
255 + MSAR P0	MB105-AG2
230 - DISP 17TH BIT	PC121-AM6
218 - DISP 18TH BIT	PC121-AN6
261 - ADR MATCH HI	KM171-AU2
206 - DISP 19TH BIT	PC121-AX6
243 - SAR E13	MB105-BA2

LSR CARD	
— E ₀ C ₀ - HISTORY	— E ₁ MACH CPU15FST
DATE LAST EC	FRAME 01 MA282
05-09-77 828425	IBM CORP. PC MA282
	PoN: 4835543 006

IBM

CONFIDENTIAL

UNTIL FIRST

CUSTOMER SHIP

*** MB101 000 MB101 MB102 ***

+ MLTA SELECTED TO RSAR CARD KE401B26- 2-2

- EXT ADR BIT P LO MB103AH1- 6-

- EXT ADR BIT 0 LO MB103AH2- 10-

- EXT ADR BIT 1 LO MB103AH3- 14-

- EXT ADR BIT 2 LO MB103AH4- 18-

- EXT ADR BIT 3 LO MB103AH5- 22-

- EXT ADR BIT 4 LO MB103AH6- 26-

- EXT ADR BIT 5 LO MB103AH7- 30-

- EXT ADR BIT 6 LO MB103AH8- 34-

- EXT ADR BIT 7 LO MB103AH9- 38-

- EXT ADR BIT P HI MB103AJ1- 42-

- EXT ADR BIT 0 HI MB103AJ2- 46-

- EXT ADR BIT 1 HI MB103AJ3- 50-

- EXT ADR BIT 2 HI MB103AJ4- 54-

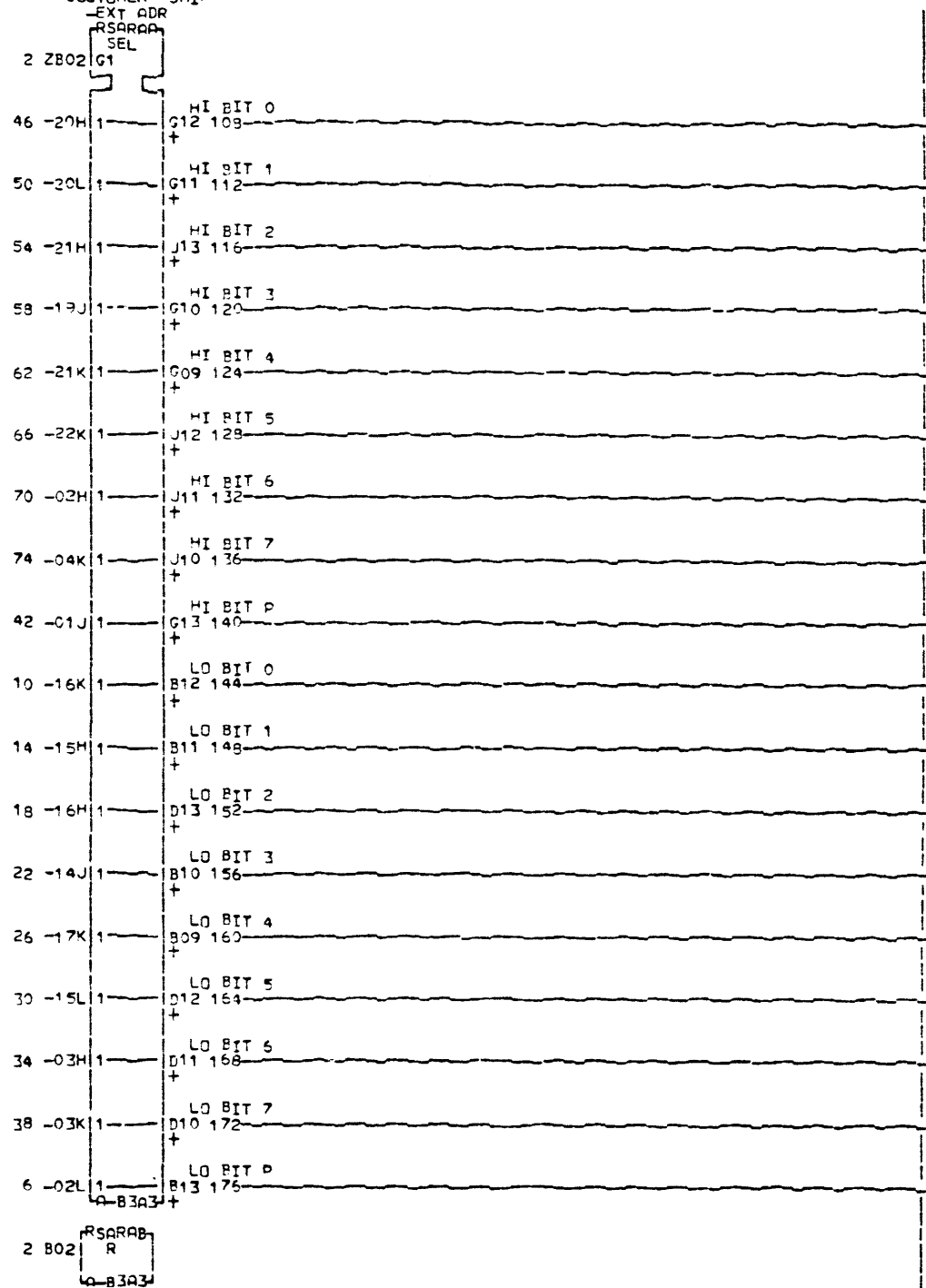
- EXT ADR BIT 3 HI MB103AJ5- 58-

- EXT ADR BIT 4 HI MB103AJ6- 62-

- EXT ADR BIT 5 HI MB103AJ7- 66-

- EXT ADR BIT 6 HI MB103AJ8- 70-

- EXT ADR BIT 7 HI MB103AJ9- 74-



108 - EXT ADR HI BIT 0 MB105-BA2

112 - EXT ADR HI BIT 1 MB105-BB2

115 - EXT ADR HI BIT 2 MB105-BC2

120 - EXT ADR HI BIT 3 MB105-BD2

124 - EXT ADR HI BIT 4 MB105-BE2

128 - EXT ADR HI BIT 5 MB105-BF2

132 - EXT ADR HI BIT 6 MB105-BG2

136 - EXT ADR HI BIT 7 MB105-BH2

140 - EXT ADR HI BIT P MB105-BJ2

*** MB102 ***

144 - EXT ADR LO BIT 0 MB104-BA2

148 - EXT ADR LO BIT 1 MB104-BB2

152 - EXT ADR LO BIT 2 MB104-BC2

156 - EXT ADR LO BIT 3 MB104-BD2

160 - EXT ADR LO BIT 4 MB104-BE2

164 - EXT ADR LO BIT 5 MB104-BF2

168 - EXT ADR LO BIT 6 MB104-BG2

172 - EXT ADR LO BIT 7 MB104-BH2

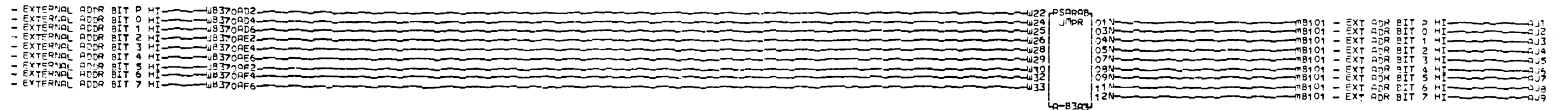
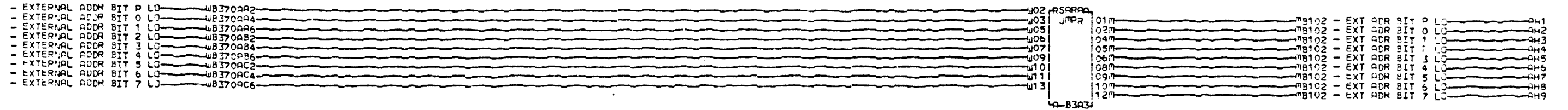
176 - EXT ADR LO BIT P MB104-BJ2

LOC. TYPE
A-B3A3 Y664

PAGE VER EC LEV
MB101 000 830225
MB102 000 830225

MB101
MB102
000

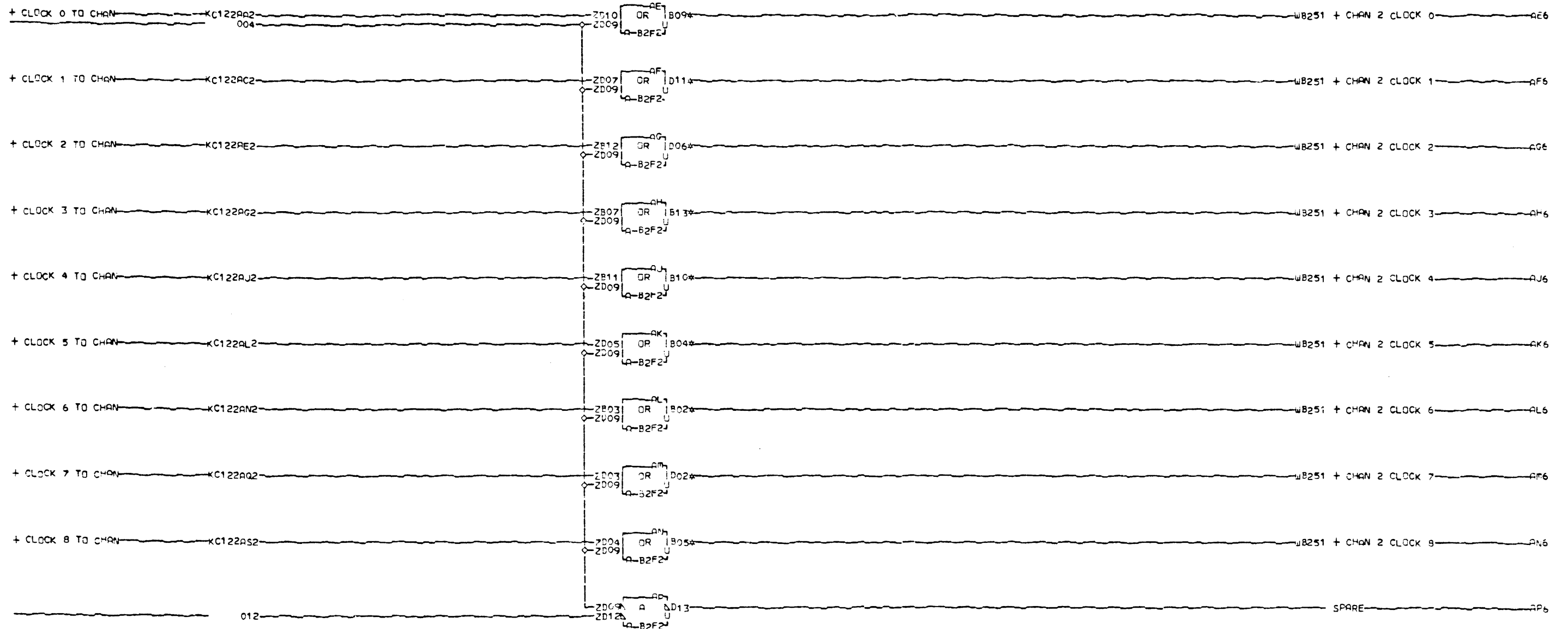
REMOTE SAR			
E.C. HISTORY	C. MACH. CPU15FST	FRAME 01	MB101
DATE	LAST FC	IBM CORP. 059	MB102
04-15-76	830225	IP. N. 4238863	000



000

LOC. TYPE
A-8303 Y664

REMOTE SAR		
ENTER EXT PAGE		
E.C. HISTORY	C. MACH. CPU15FST	
FRAME	01	03
DATE	LAST EC	IBM CORR. GSD
104-15-76 830225	P.N. 4238664	000

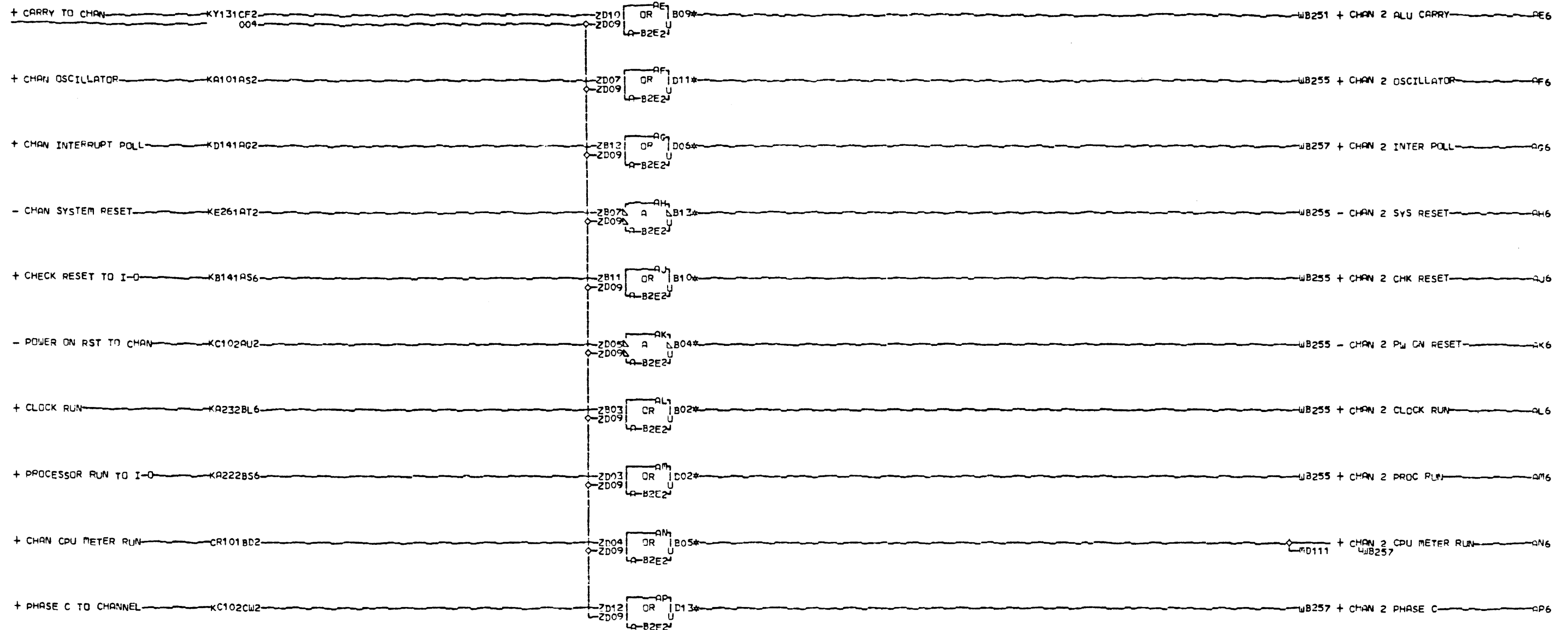


MC101
000

- AE2 A-B2B2D02
- AF2 A-B2B2D03
- AG2 A-B2B2D05
- AH2 A-B2B2D06
- AJ2 A-B2B2D07
- AK2 A-B2B2D09
- AL2 A-B2B2D10
- AM2 A-B2B2D11
- AN2 A-B2B2D13

LOC. TYPE
A-B2F2 2661

DBO BANK 2		MC101
E.C. HISTORY C.MACH. CPU15FST		
FRAME 01		000
IBM CORP. GSD		
DATE	LAST EC	
04-15-75	830225	
P.N. 4238867		

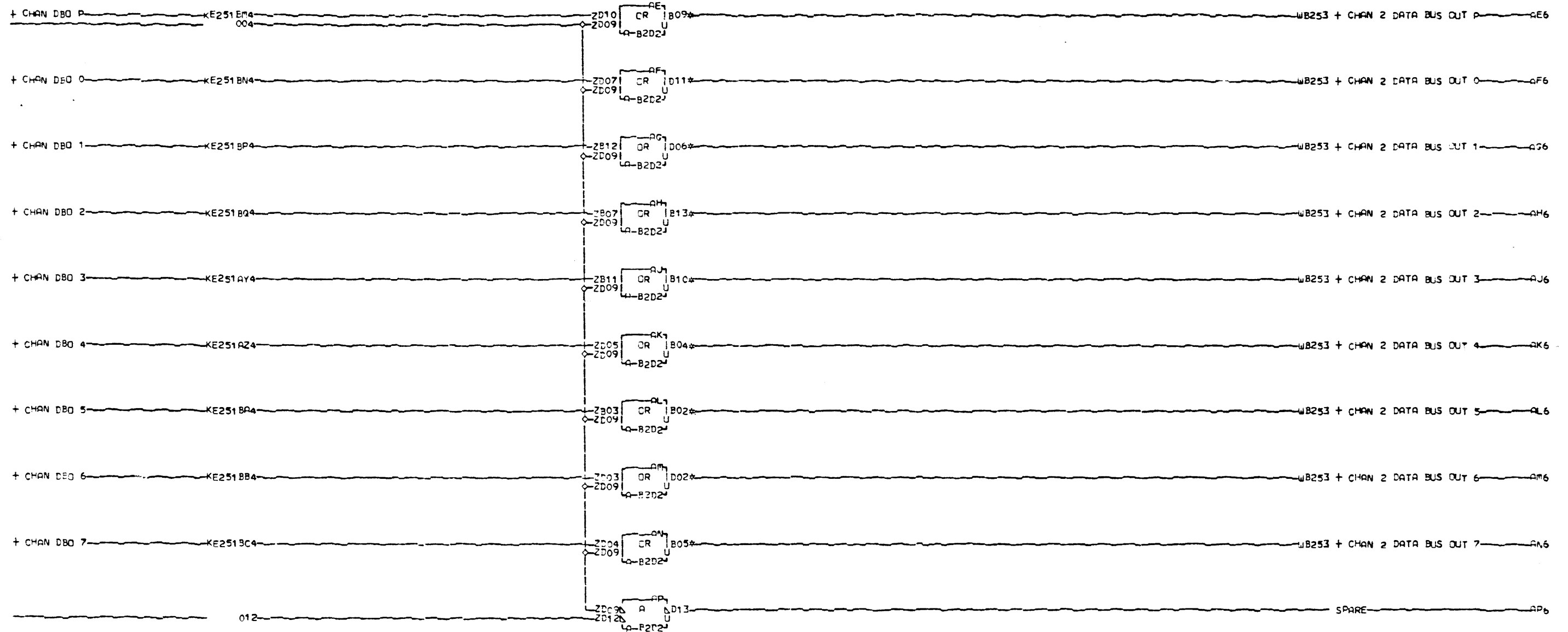


EC 111
000

- AE2 A-B2B2B02 AD2 A-B2B2B13
- AF2 A-B2B2B04
- AG2 A-B2B2B05
- AH2 A-B2B2B06
- AJ2 A-B2B2B08
- AK2 A-B2B2B09
- AL2 A-B2B2B10
- AM2 A-B2B2B12
- AN2 A-B2C4B13

LDC. TYPE
A-B2E2 2661

DBO BANK 2	
E.C. HISTORY	C1 MACH. CPU15FST
FRAME	01
DATE	LAST FC
104-15-76 830225	IBM CORP. GSD
	P.N. 4238868



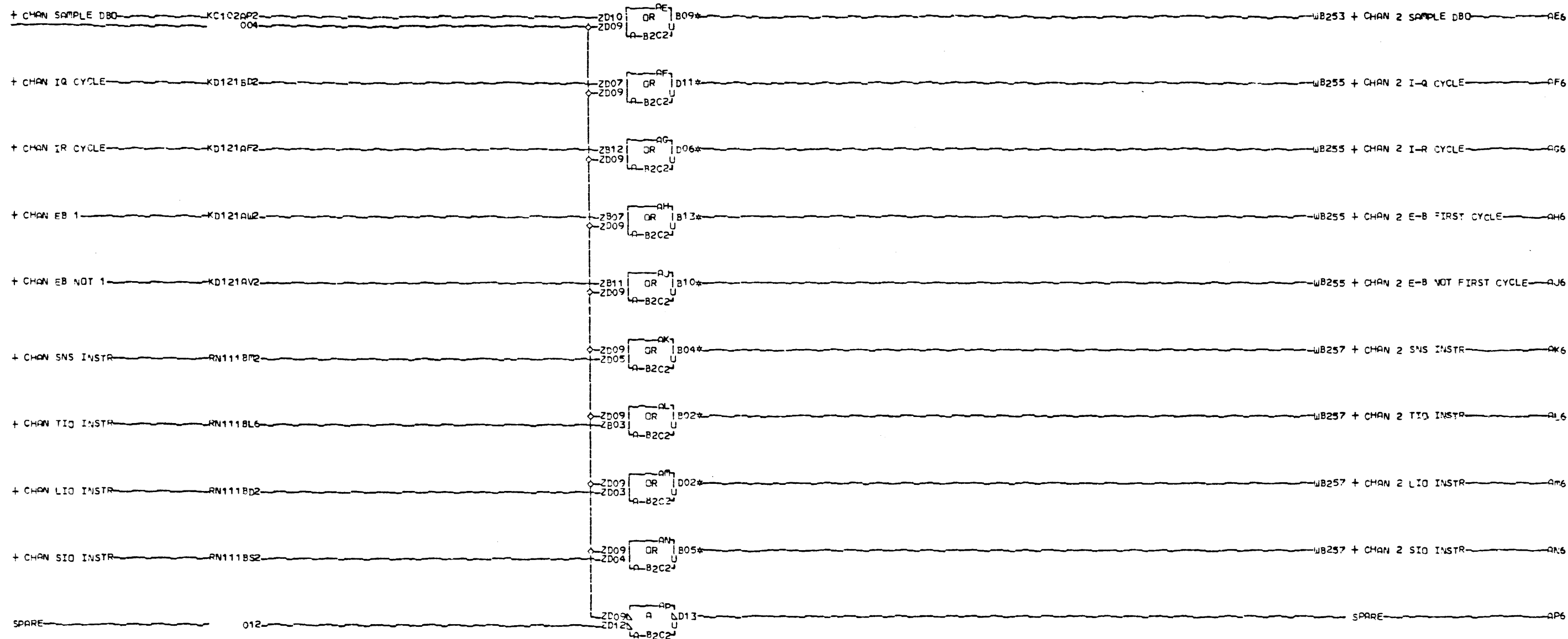
MC121

000

- AE2 A-B2A2D02
- AF2 A-B2A2D03
- AG2 A-B2A2D05
- AH2 A-B2A2D06
- AJ2 A-B2A2D07
- AK2 A-B2A2D09
- AL2 A-B2A2D10
- AM2 A-B2A2D11
- AN2 A-B2A2D13

LOC. TYPE
A-B2D2 2661

DBO BRK 2		P C 1 2 1
E.C. HISTORY - C, MACH. CPU 15FST		
FRAME 01		000
IBM CORP. GSD		
DATE	LAST EC	
104-15-76	830225	P.N. 4238869



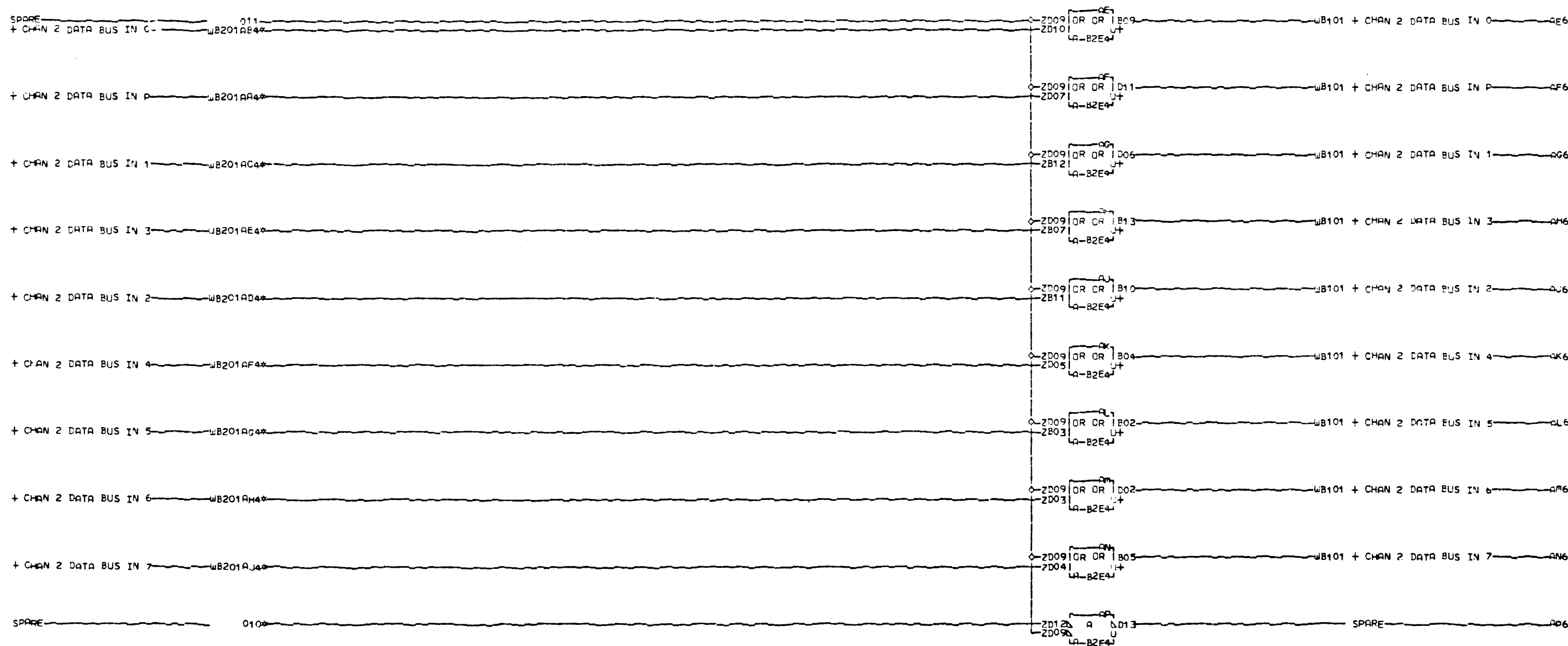
M
C
1
3
1

000

AE2 A-B2A2B02
AF2 A-B2A2B04
AG2 A-B2A2B05
AH2 A-B2A2B06
AJ2 A-B2A2B08
AK2 A-B2A2B09
AL2 A-B2A2B10
AM2 A-B2A2B12
AN2 A-B2A2B13

LOC. TYPE
A-B2C2 2661

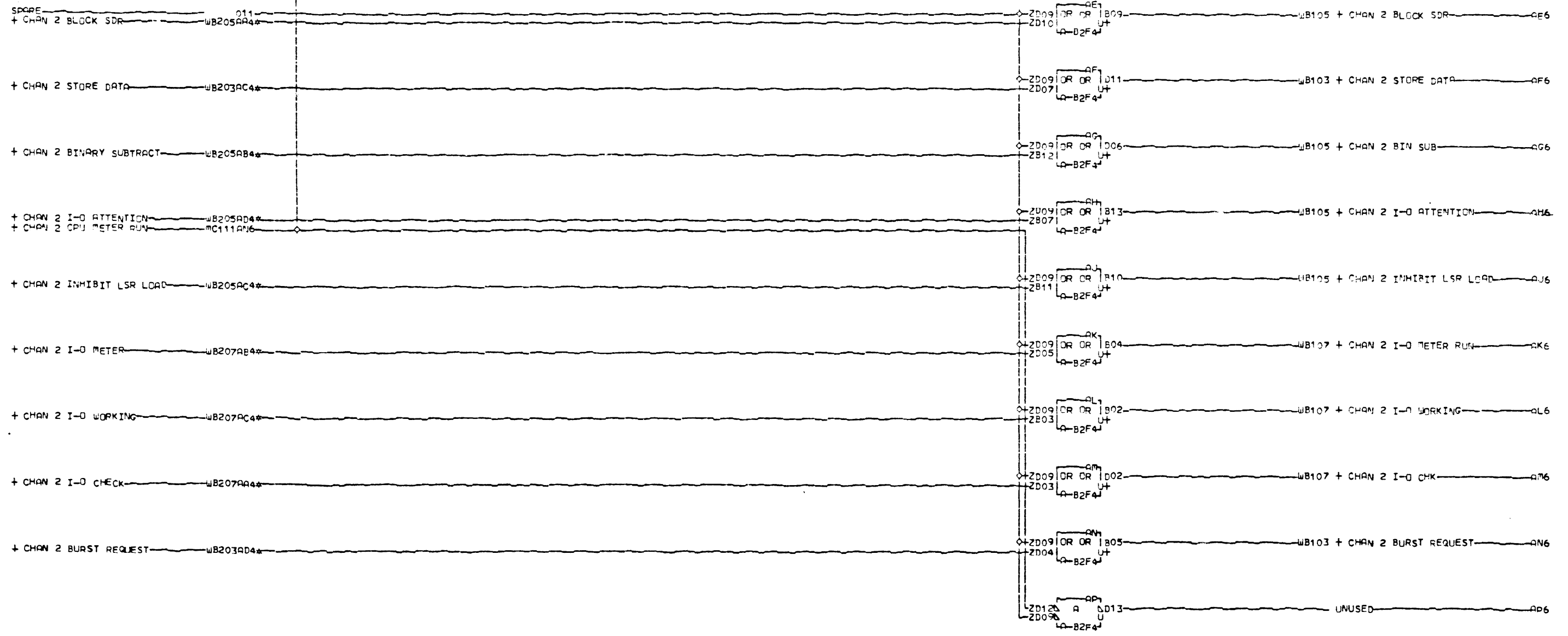
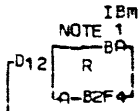
DBD BANK 2		M
E.C. HISTORY	C. RACH. CPU15FST	C
FRAME	01	3
IBM CORP. GSD		1
PAT= 104-15-76 830225	IP#N. 4238870	000



M	010	WB201AC4	WB201AF4	WB201AJ4
D	RESISTOR	RESISTOR	RESISTOR	RESISTOR
1	A-B2E4D12	A-B2E4B12	A-B2E4D05	A-B2E4D04
0	WB201AA4	WB201AD4	WB201AG4	
1	RESISTOR	RESISTOR	RESISTOR	
000	A-B2E4D07	A-B2E4B11	A-B2E4B03	
	WB201AB4	WB201AE4	WB201AH4	
	RESISTOR	RESISTOR	RESISTOR	
	A-B2E4D10	A-B2E4B07	A-B2E4D03	

LCC TYPE
A-B2E4 2582

IN PHASE TERMINATED B 2		M
TLDS		D
E.C. HISTORY	C. MACHINE 15FST	1
FRAME	01	0
IBM CORP. GSD		1
DATE LAST FC		000
104-15-76 830225	P.N. 4238875	

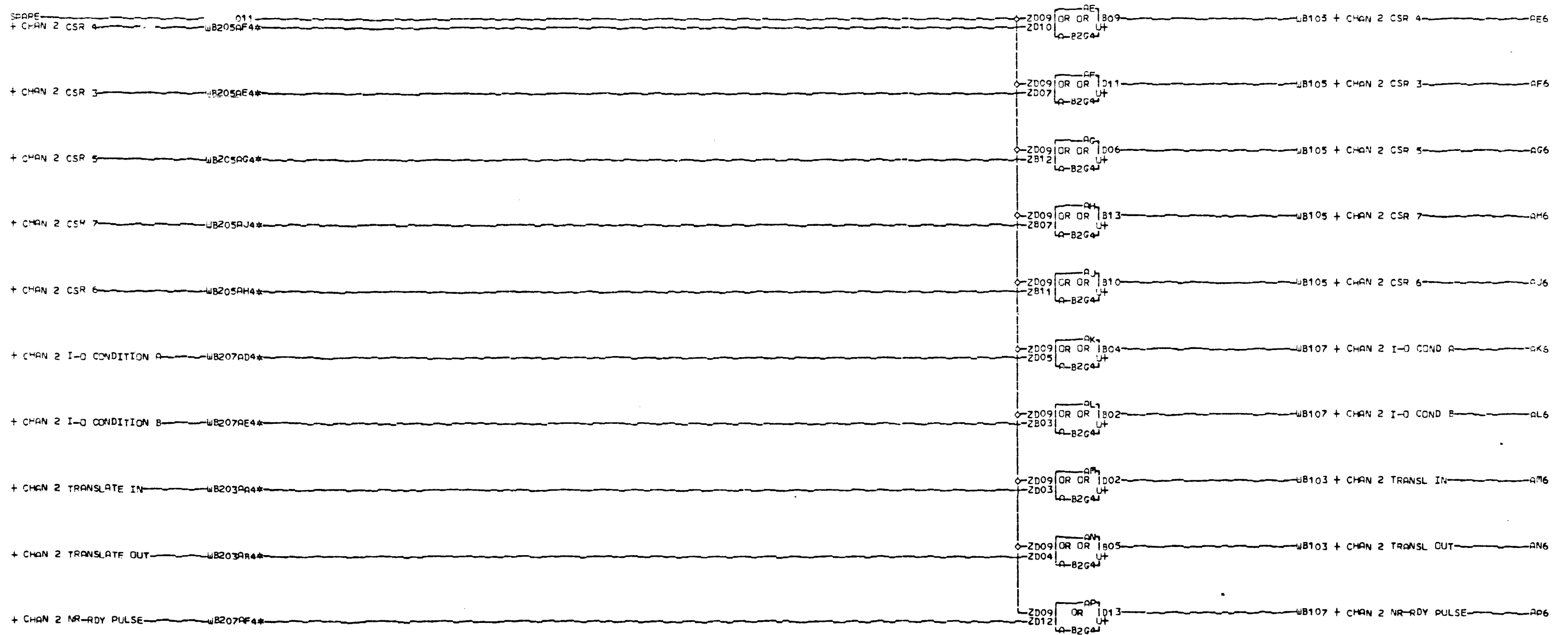


NOTE 1
THIS TERMINATOR IS USED TO
TERMINATE THE CHAN 2 CPU METER
D RUN LINE.

WB203AC4	WB205AB4	WB207AC4
RESISTOR	RESISTOR	RESISTOR
A-B2F4D07	A-B2F4B12	A-B2F4D03
WB203AD4	WB205AC4	WB207AB4
RESISTOR	RESISTOR	RESISTOR
A-B2F4D04	A-B2F4B11	A-B2F4D05
WB205AA4	WB205AD4	WB207AC4
RESISTOR	RESISTOR	RESISTOR
A-B2F4D10	A-B2F4B07	A-B2F4B03

LOC. TYPE
A-B2F4 2582

IN PHASE TERMINATED B 2		
E.C.-HISTORY		TLDS
FRAME	01	1
DATE	LAST FC	1000
104-15-76	830225	
IP.N.	4238876	

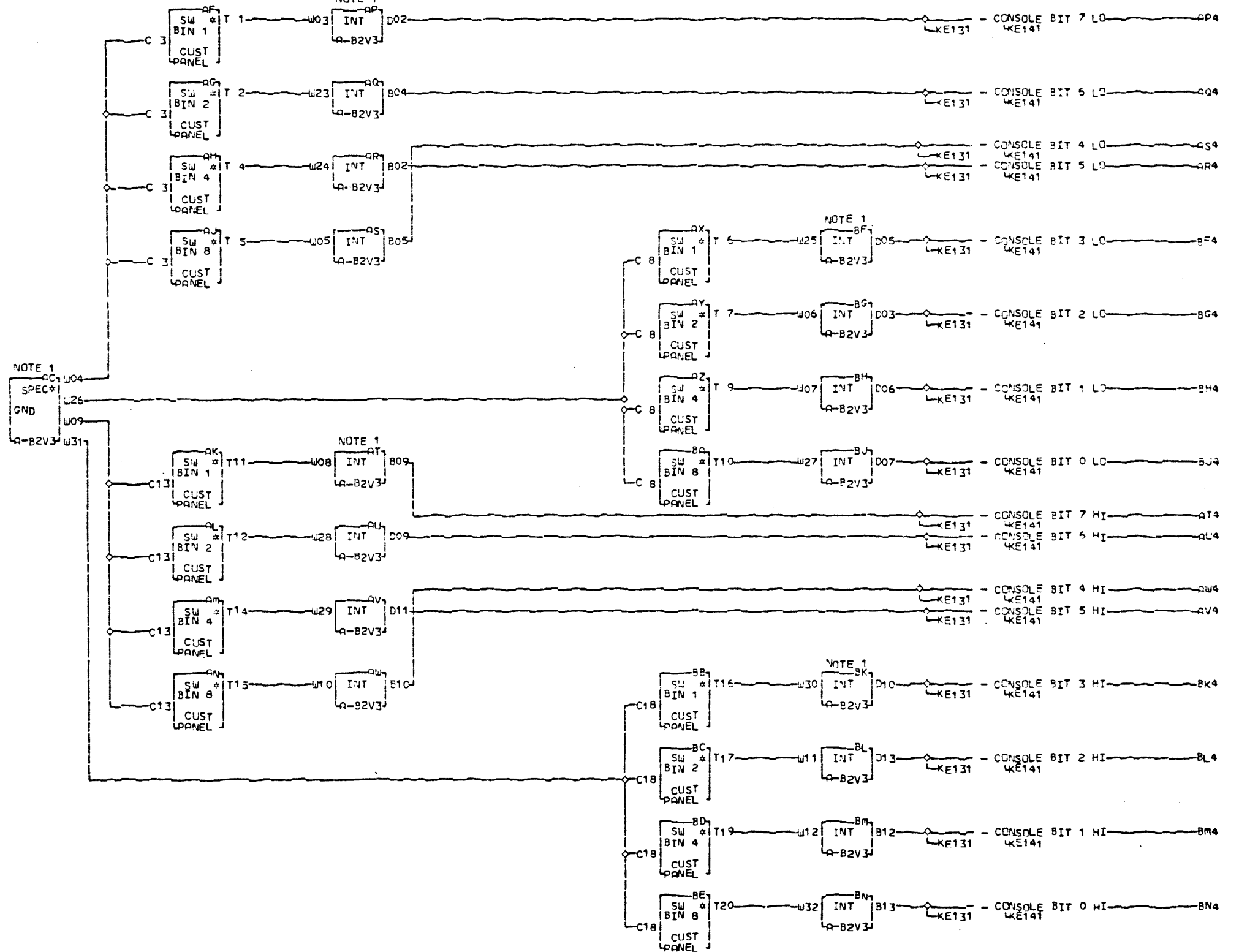


000

WB203AA4	WB205AF4	WB205AJ4	WB207AF4
RESISTOR	RESISTOR	RESISTOR	RESISTOR
A-B2G4D03	A-B2G4D10	A-B2G4B07	A-B2G4D12
WB203AR4	WB205AG4	WB207AD4	
RESISTOR	RESISTOR	RESISTOR	
A-B2G4D04	A-B2G4B12	A-B2G4D05	
WB205AE4	WB205AH4	WB207AE4	
RESISTOR	RESISTOR	RESISTOR	
A-B2G4D07	A-B2G4B11	A-B2G4B03	

LOC. TYPE
A-B2G4 2582

IN PHASE TERMINATED B 2		M D 1 2 1
E.C.HISTORY	TLDS MACH.CPU15FST	
DATE LAST FC	FRAME 01	000
104-15-76 830225	IBM CORP. GSD	
	IP.N. 4238877	



NOTE 1
 AC W04
 SPEC# L26
 GND W09
 A-B2V3 W31

NOTE 1
 AT W08
 A-B2V3

NOTE 1
 BF W25
 A-B2V3

NOTE 1
 BK W30
 A-B2V3

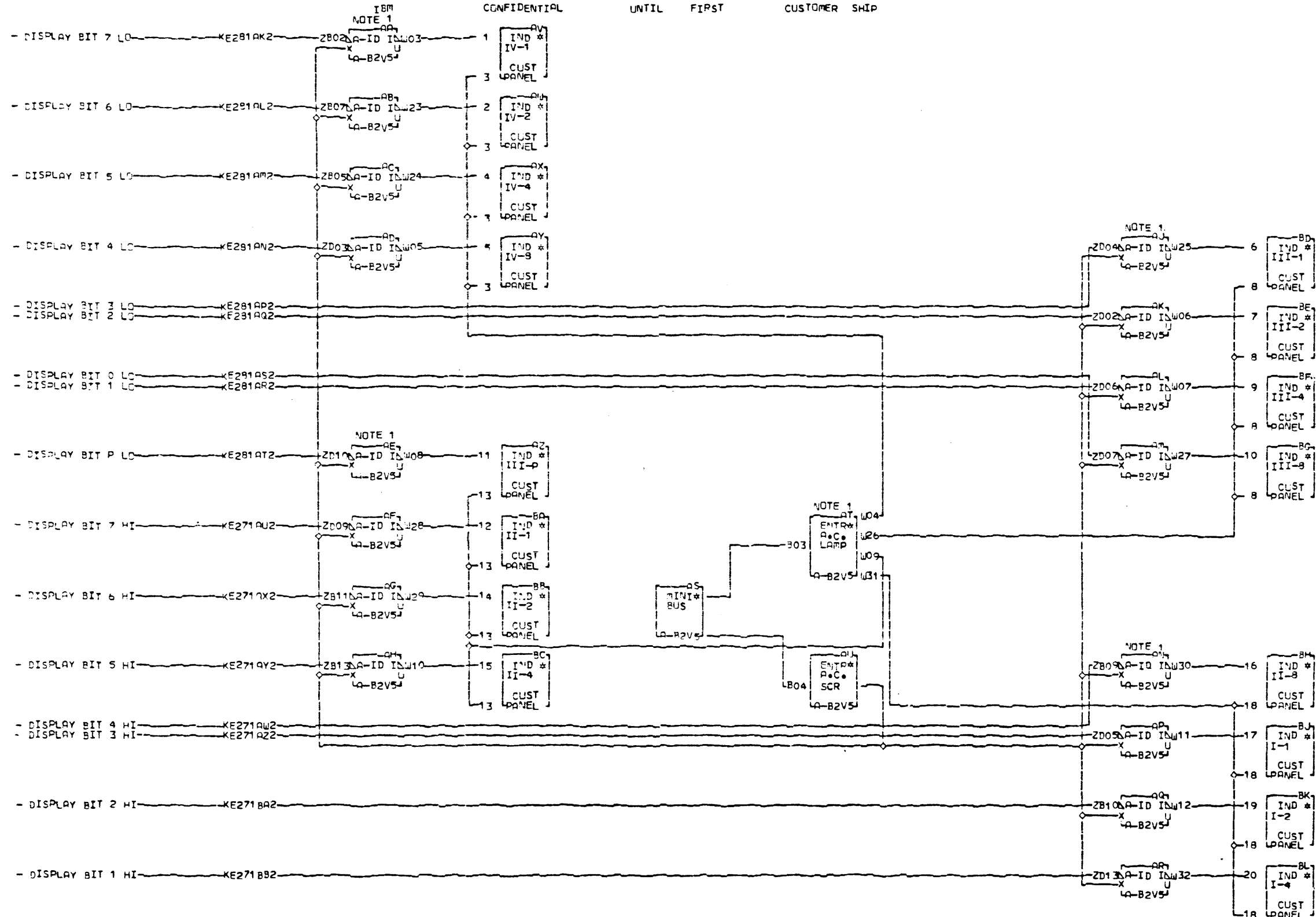
LOC. TYPE
 A-B2V3 2589

ROTARY BIT SWITCHES			
E.C. HISTORY	C1	MACH. CPU 15 FST	P
		FRAME	A
		IBM CORP. GSD	1
DATE	LAST EC		1
104-15-76	830225	IP.N. 4238882	000

NOTE 1 SEE PAGE ZB110 FOR
 LXX CABLE WIRE DESIGNATION.

P A T DENOTES NORMALLY OPEN
 1 N DENOTES NORMALLY CLOSED

CONFIDENTIAL UNTIL FIRST CUSTOMER SHIP

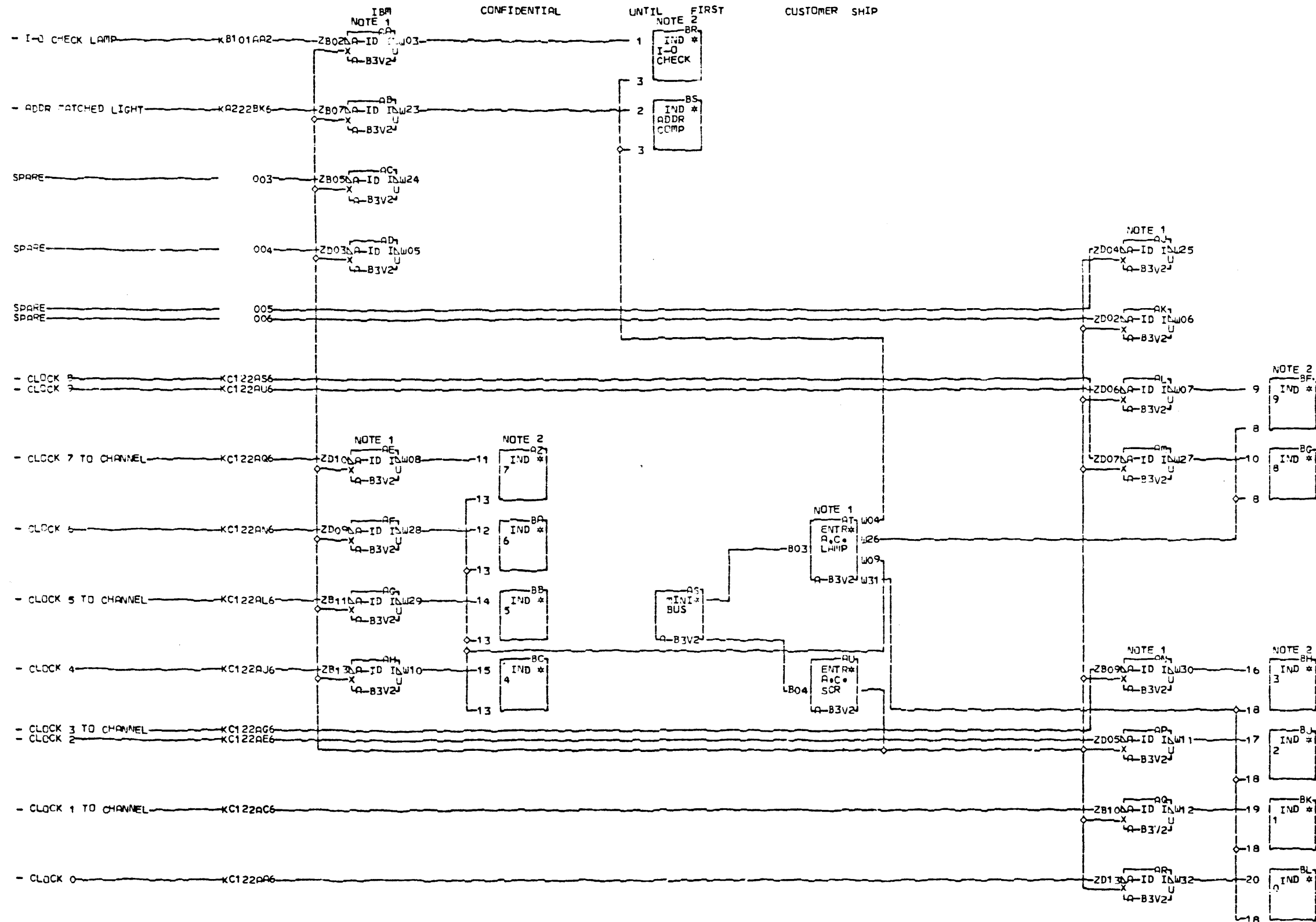


NOTE 1 SEE PAGE 28110 FOR WXX CABLE WIRE DESIGNATION.

LOC. TYPE A-B2V5 2588

DRUM INDICATORS	
E.C. HISTORY	MACH. CPY 15FST
	FRAME 01
	IBM CORP. G50
DATE LAST FC	P.N. 423883
104-15-76 830225	

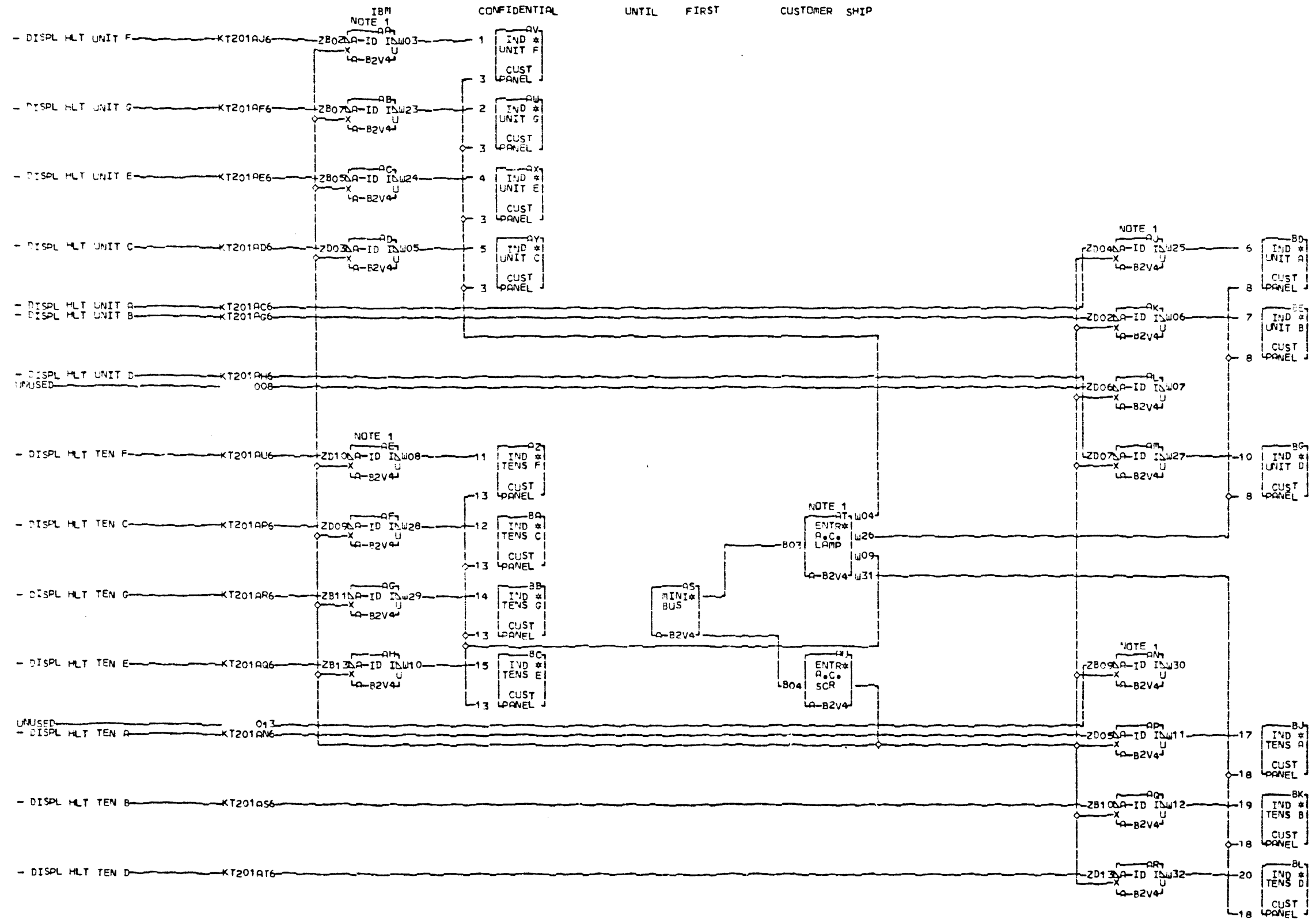
000



NOTE 1 SEE PAGE ZB110 FOR
WXX CABLE WIRE DESIGNATIONS
NOTE 2 INDICATORS ARE ON
CUSTOMER PANEL.

CLOCK INDICATORS	
E.C.-HISTORY	C1MACH-CPU15FST
FRAME	01
IBM CORP. GSD	
DATE LAST EC	104-15-76 830225
P.N.	4238885

CONFIDENTIAL UNTIL FIRST CUSTOMER SHIP

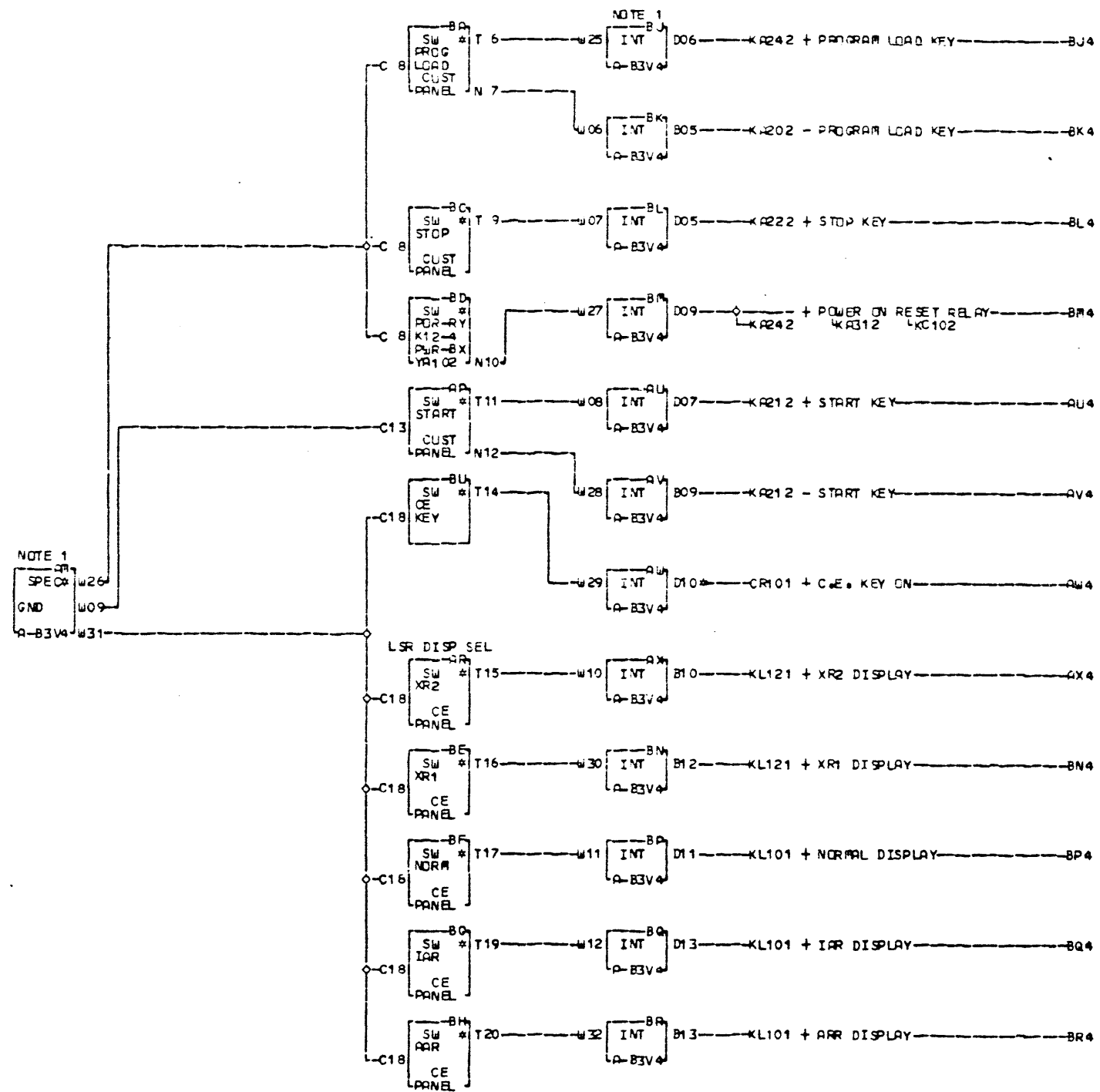
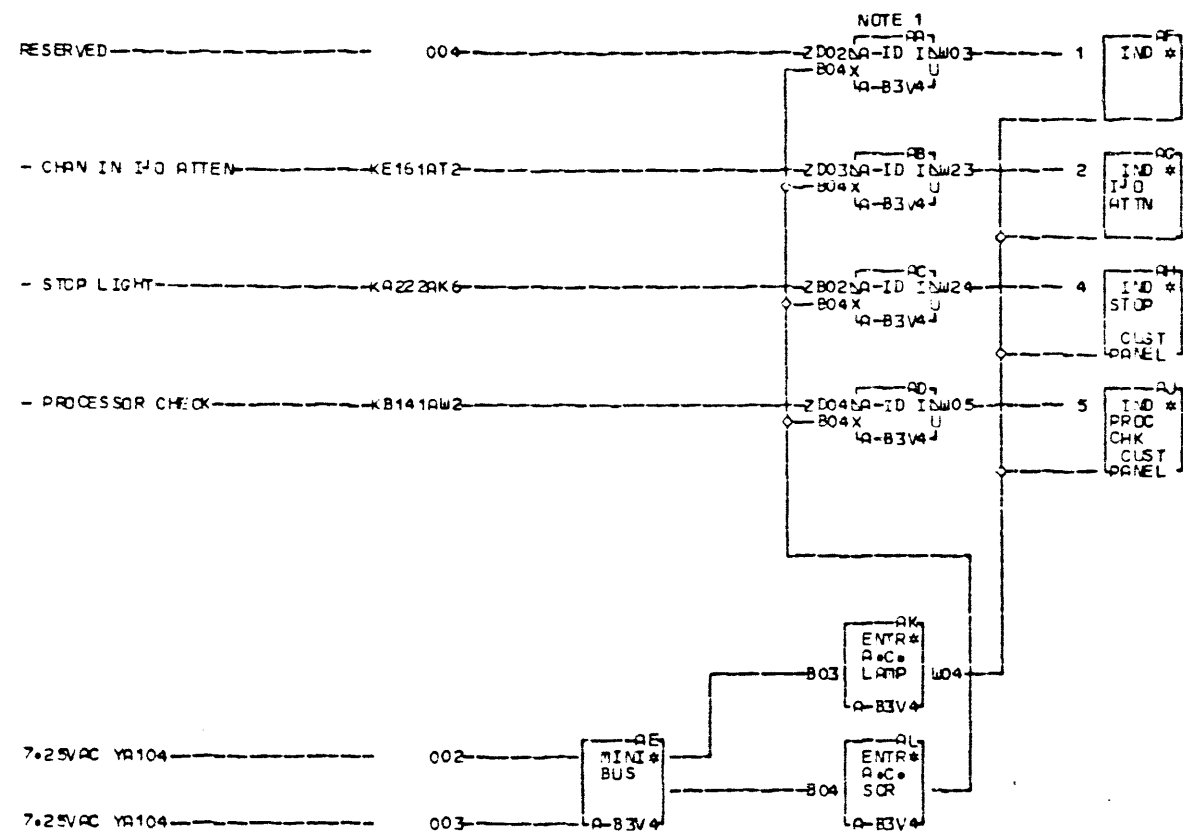


NOTE 1 SEE PAGE ZB110 FOR WXX CABLE WIRE DESIGNATIONS.
 P
 B
 1
 3
 1
 000

LOC. TYPE
 A-B2VA 2588

INDICATOR HALT IDENTIFIER	
E.C.-HISTORY	C-MACH-CPU15FST
	FRAME 01
	IBM CORP, GSD
DATE LAST EC	IP.No. 4238886
104-15-76 830225	

P
B
1
3
1
000

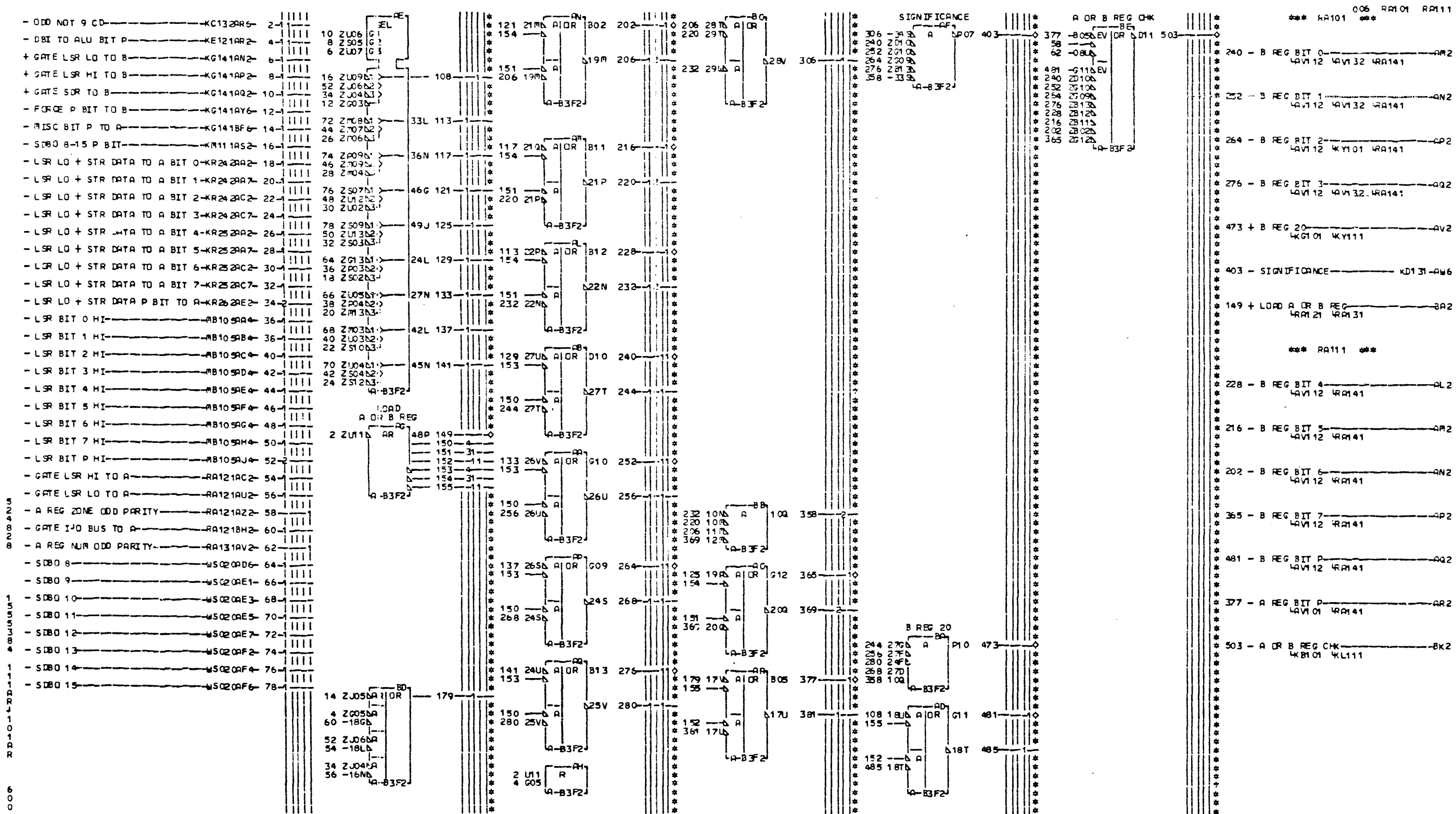


00000000
 00000000
 00000000
 006
 006
 006
 006

NOTE 1 SEE PAGE ZB110 FOR
 JXX CABLE WIRE DESIGNATIONS. A#2 A-B3U1B13
 P N DENOTES NORMALLY CLOSED 01A-B2U6B04
 C T DENOTES NORMALLY OPEN
 006 SIM TO PN EC 830225

LOC. TYPE
 A-B3V4 2590

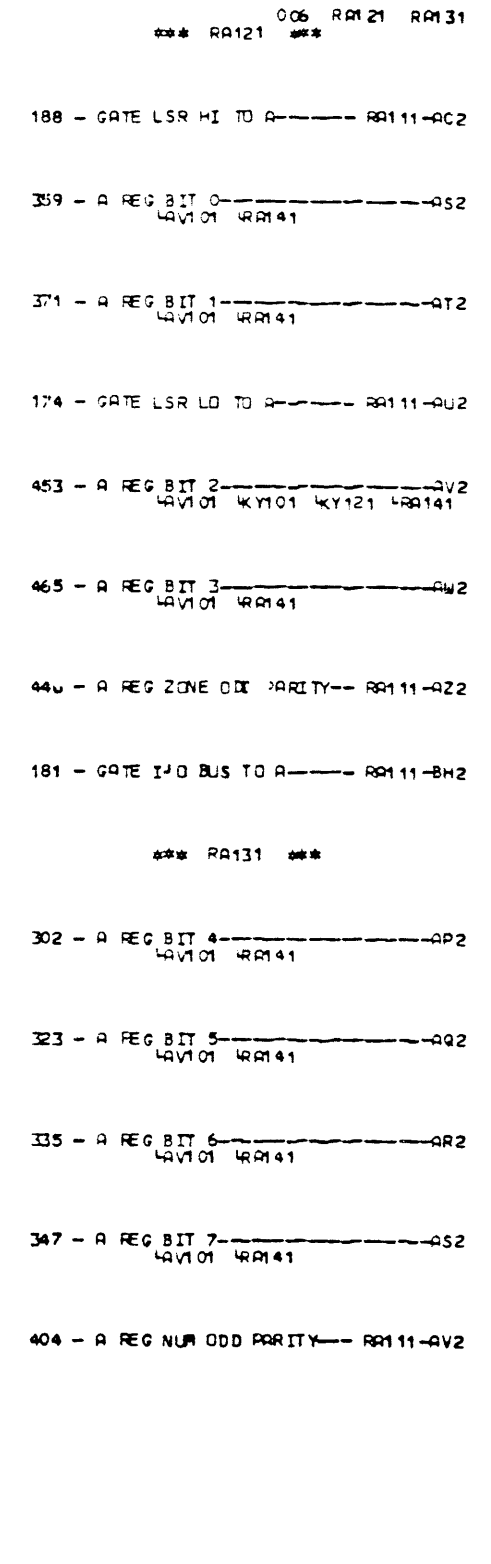
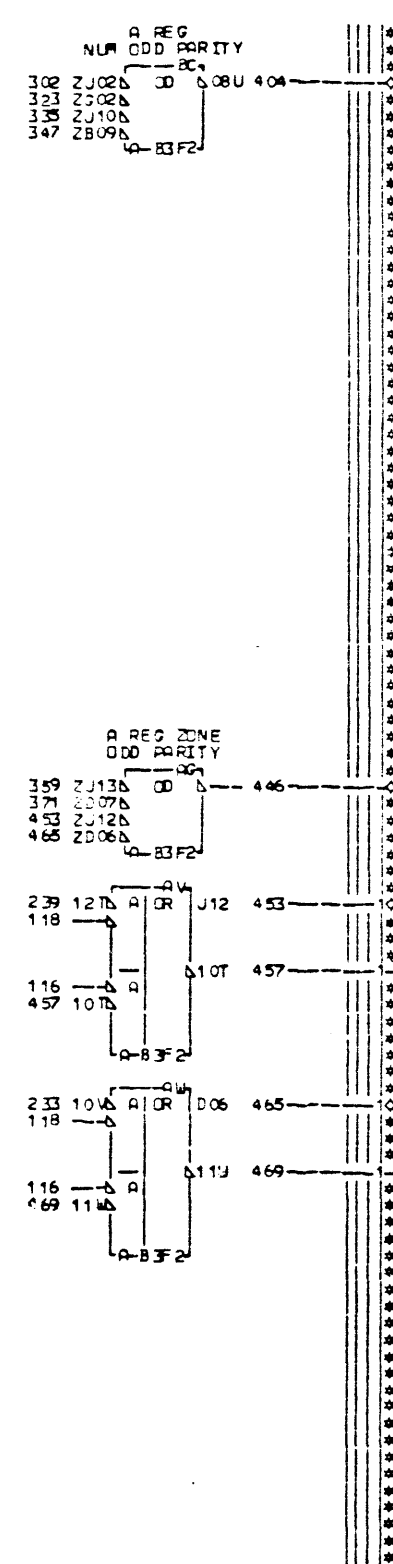
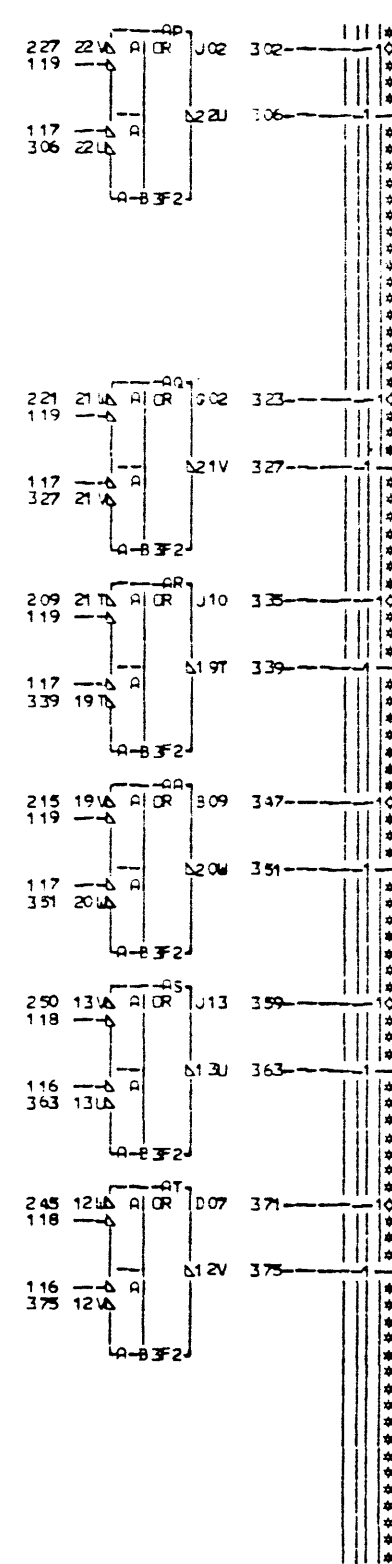
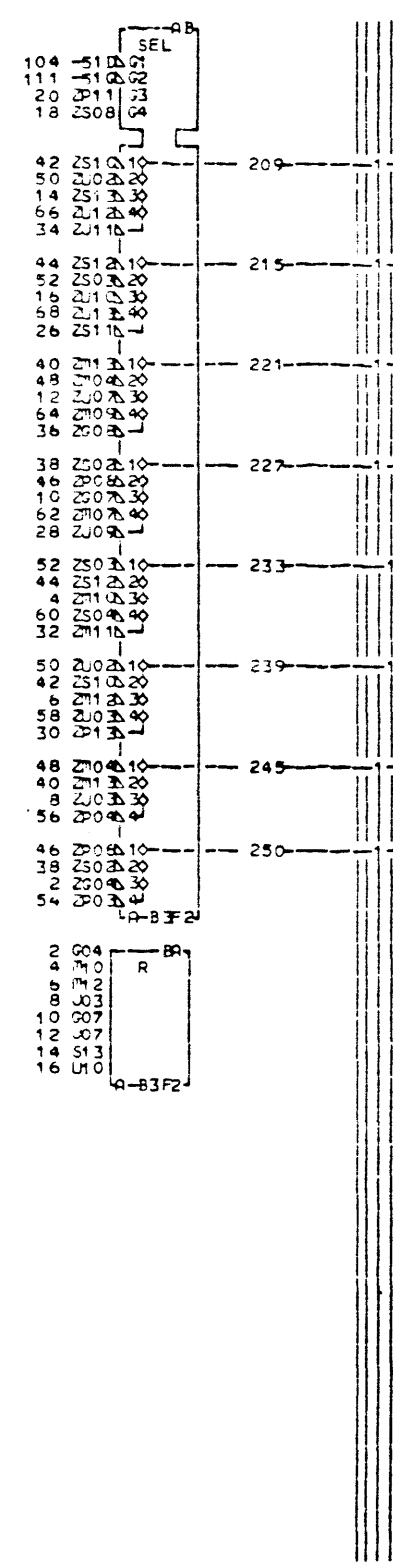
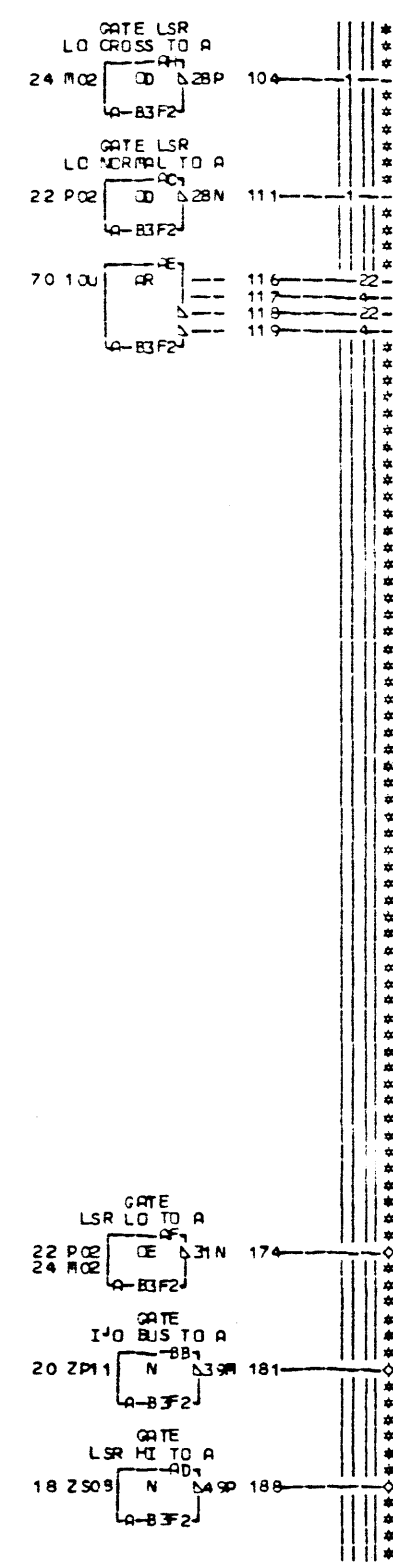
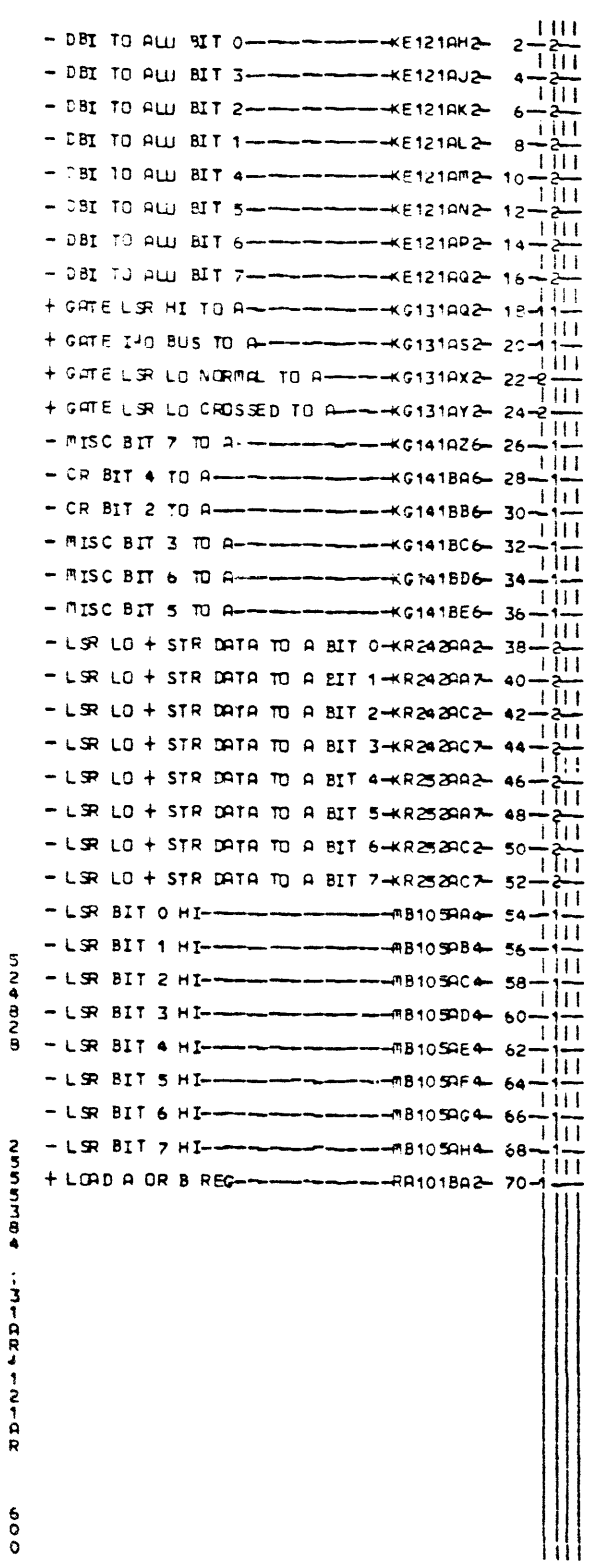
LSR SELECT AND OPERATOR		P C 1 1 1
—E.C.—HISTORY—	E.MACH.CPU15F5T	
	FRAME 01	006
	IBM CORP. GSD	
DATE LAST EC	05-09-77 828425	
	Part. 4835549	



A. SIA TO PN
 B. SIA TO PN
 EC 830225
 EC 830225
 RA101
 RA111
 006

LOC. TYPE
 A-B3F2 2573
 B REG VER
 RA101 006 828425
 RA111 006 828425

A AND B REGISTERS
 E. C. HISTORY E. MACH. CPU15FST
 FRAME 01 RA101
 IBM CORP GSD RA111
 DATE LAST EC
 05-09-77 828425 P. N. 4835551 006



A: SIM TO PN
B: SIM TO PN
EC 830225
EC 830225

LOC. TYPE
A-B 3F2 2573

PAGE VER EC LEV
RA121 006 828425
RA131 006 828425

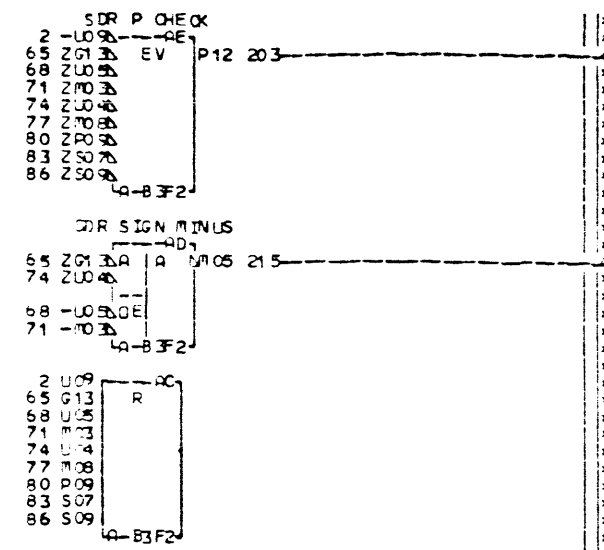
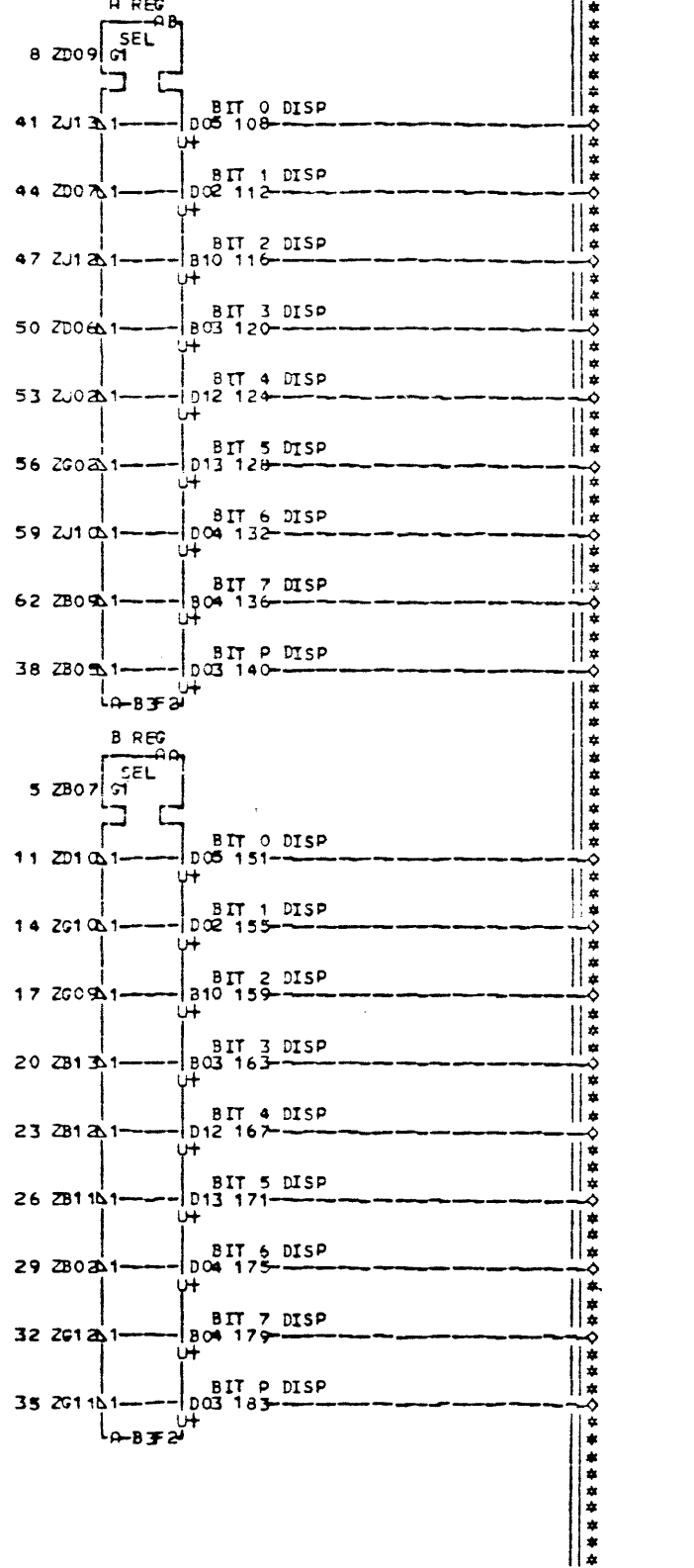
A AND B REGISTERS			
E-C-HISTORY	ARCH-CPU15FST		
	FRAME 01	RA121	
	IBM CORP QSD	RA131	
DATE	LAST EC		
05-09-77	828425		
	P.N. 4835532		006

UNIVERSITY MICROFILMS
SERIALS ACQUISITION
300 N ZEEB RD
ANN ARBOR MI 48106

IBM

CONFIDENTIAL UNTIL FIRST CUSTOMER SHIP

- SDBO 8-15 P BIT	KM111AS2	2-2
+ B AND ALU DISPLAY	PC101BK4	5-1
+ A AND ALU OUTPUT DISPLAY	PC101BM4	8-1
- B REG BIT 0	RA101AM2	11-1
- B REG BIT 1	RA101AN2	14-1
- B REG BIT 2	RA101AP2	17-1
- B REG BIT 3	RA101AQ2	20-1
- B REG BIT 4	RA111AL2	23-1
- B REG BIT 5	RA111AM2	26-1
- B REG BIT 6	RA111AN2	29-1
- B REG BIT 7	RA111AP2	32-1
- B REG BIT P	RA111AQ2	35-1
- A REG BIT P	RA111AR2	38-1
- A REG BIT 0	RA121AS2	41-1
- A REG BIT 1	RA121AT2	44-1
- A REG BIT 2	RA121AV2	47-1
- A REG BIT 3	RA121AW2	50-1
- A REG BIT 4	RA131AP2	53-1
- A REG BIT 5	RA131AQ2	56-1
- A REG BIT 6	RA131AR2	59-1
- A REG BIT 7	RA131AS2	62-1
- SDBO 8	WS02OAD6	65-3
- SDBO 9	WS02OAE1	68-3
- SDBO 10	WS02OAE3	71-3
- SDBO 11	WS02OAE5	74-3
- SDBO 12	WS02OAE7	77-2
- SDBO 13	WS02OAF2	80-2
- SDBO 14	WS02OAF4	83-2
- SDBO 15	WS02OAF6	86-2



108 + A REG BIT 0 DISP	KE293-AC2
151 + B REG BIT 0 DISP	KE293-AD2
116 + A REG BIT 2 DISP	KE293-AF2
159 + B REG BIT 2 DISP	KE293-AG2
124 + A REG BIT 4 DISP	KE293-AJ2
167 + B REG BIT 4 DISP	KE293-AK2
132 + A REG BIT 6 DISP	KE293-AM2
175 + B REG BIT 6 DISP	KE293-AN2
140 + A REG BIT P DISP	KE293-AQ2
183 + B REG BIT P DISP	KE293-AS2
112 + A REG BIT 1 DISP	KE293-AT2
155 + B REG BIT 1 DISP	KE293-AU2
120 + A REG BIT 3 DISP	KE293-AX2
163 + B REG BIT 3 DISP	KE293-AY2
128 + A REG BIT 5 DISP	KE293-AZ2
171 + B REG BIT 5 DISP	KE293-BB2
136 + A REG BIT 7 DISP	KE293-BC2
179 + B REG BIT 7 DISP	KE293-BE2
215 - SDR SIGN MINUS	AU6
203 + SDR P CHECK	AB131-AX2

B-SIM TO PN EC 830225

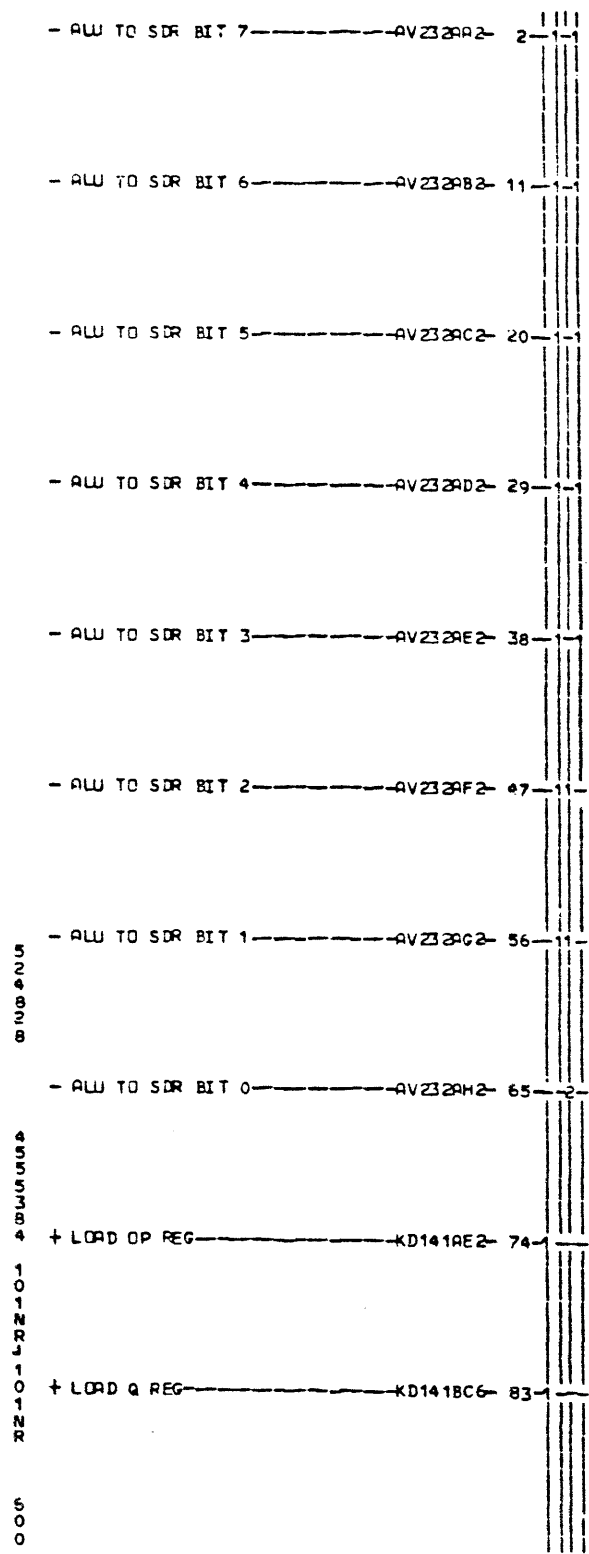
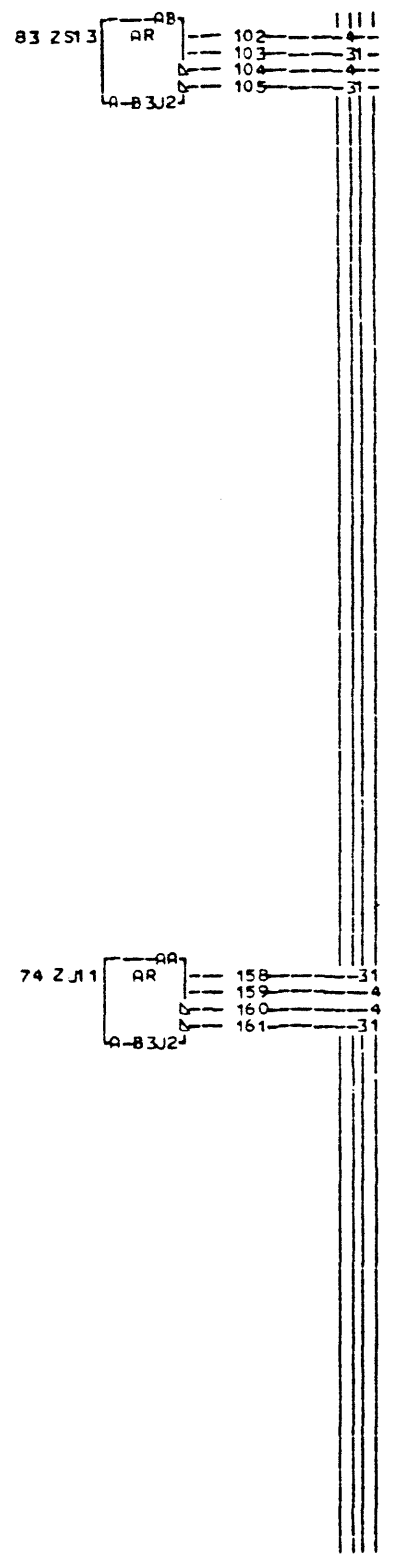
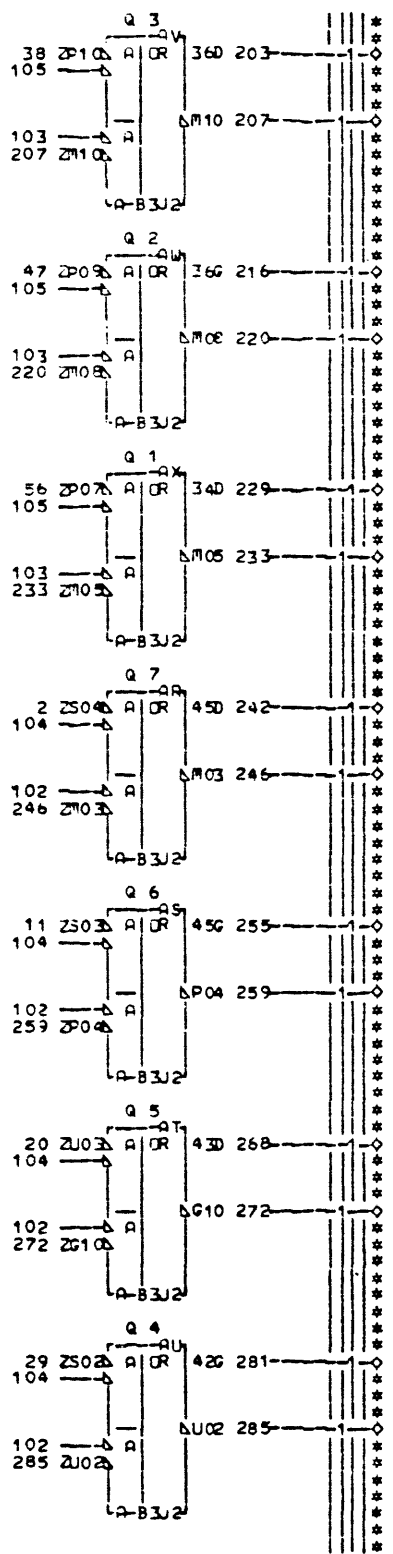
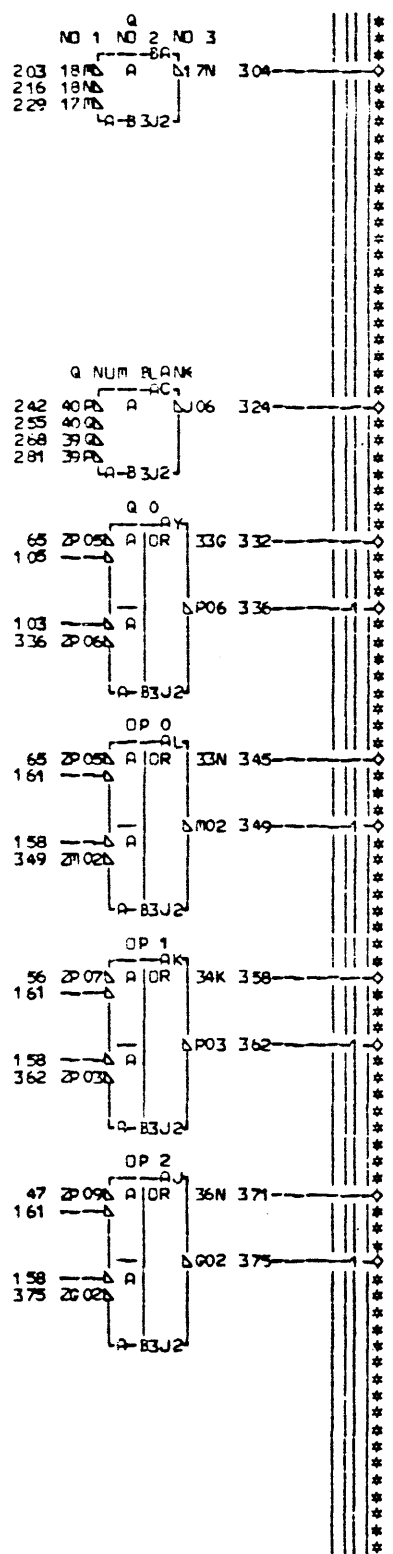
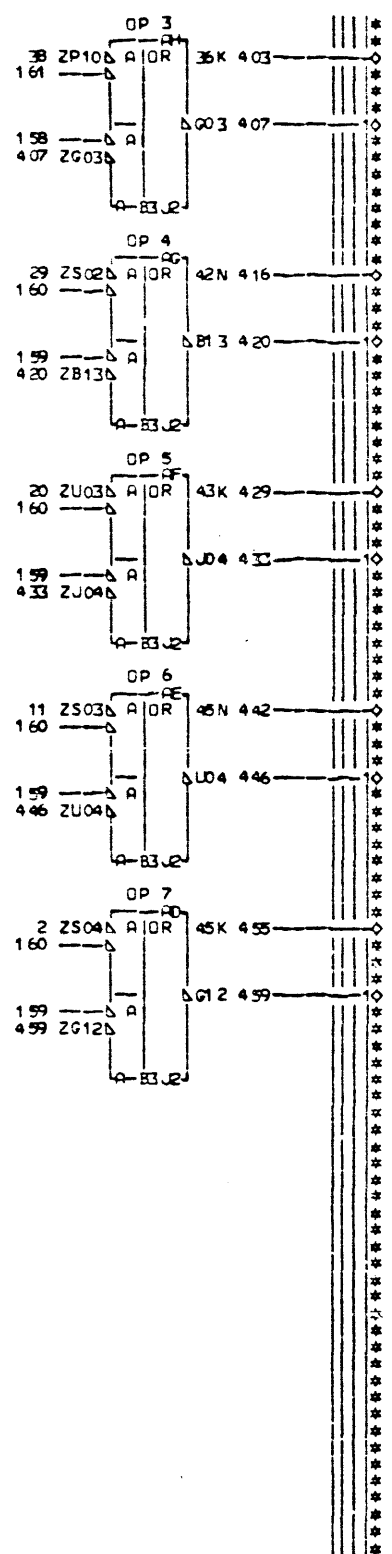
LOC. TYPE A-B3F2 2573

PAGE VER EC LEV RA141 000 830225 RA151 006 828425

F RA141
S RA151
U
P 006

A AND B REGISTERS	
-E-C-HISTORY- 830225	-E-MACH-CPU15FST
DATE 05-09-77	LAST EC 828425
FRAME 01	IBM CORP GSD
P.N. 4835553	006

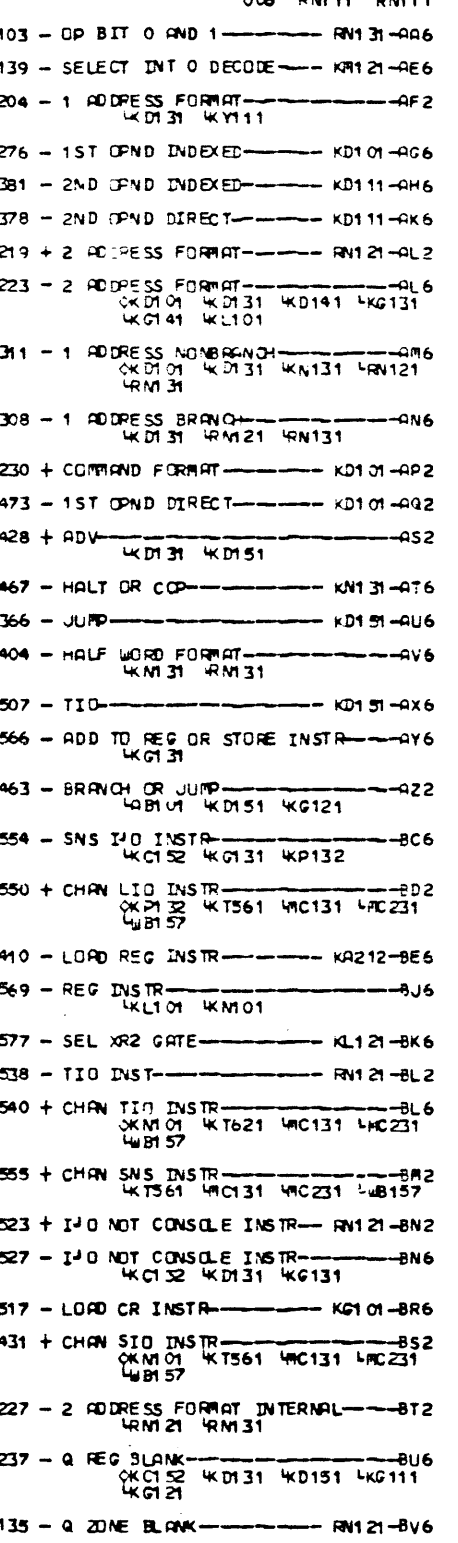
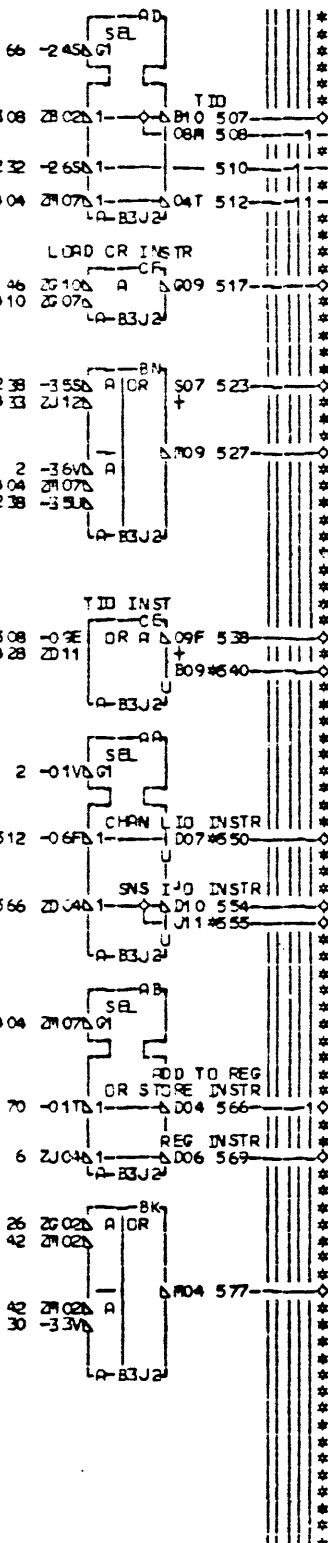
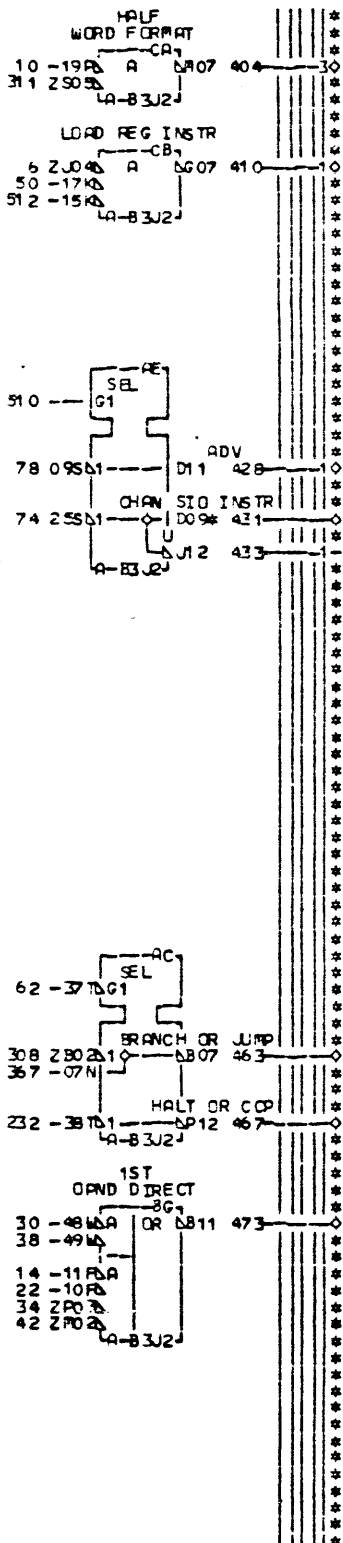
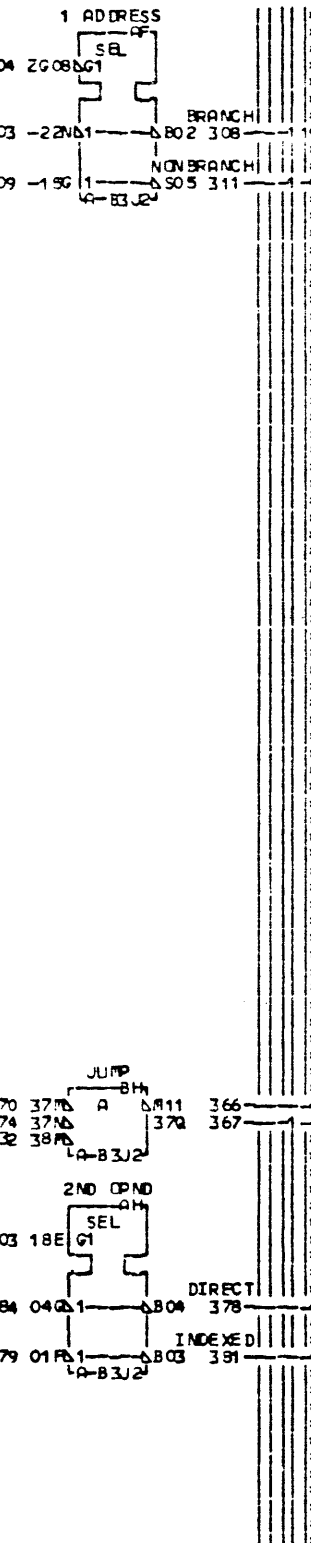
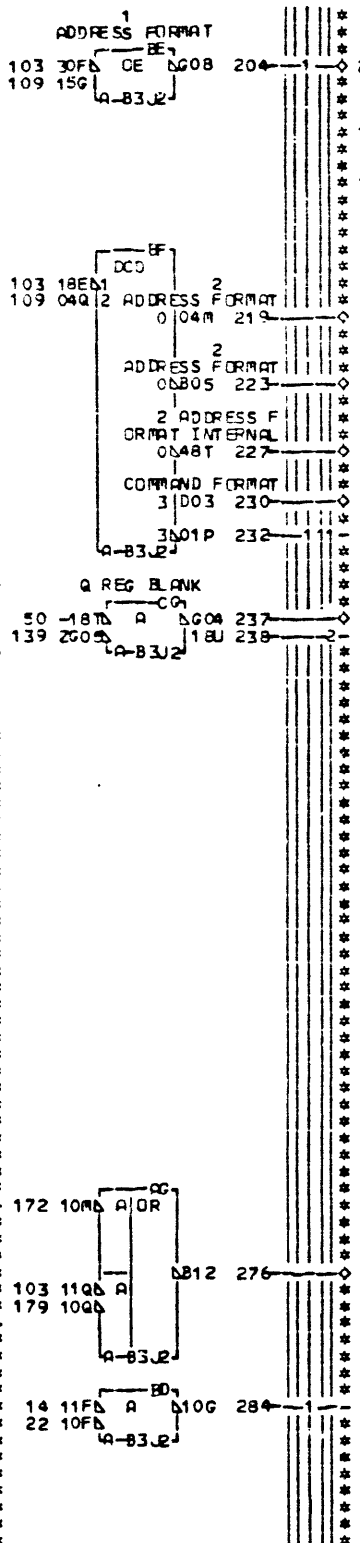
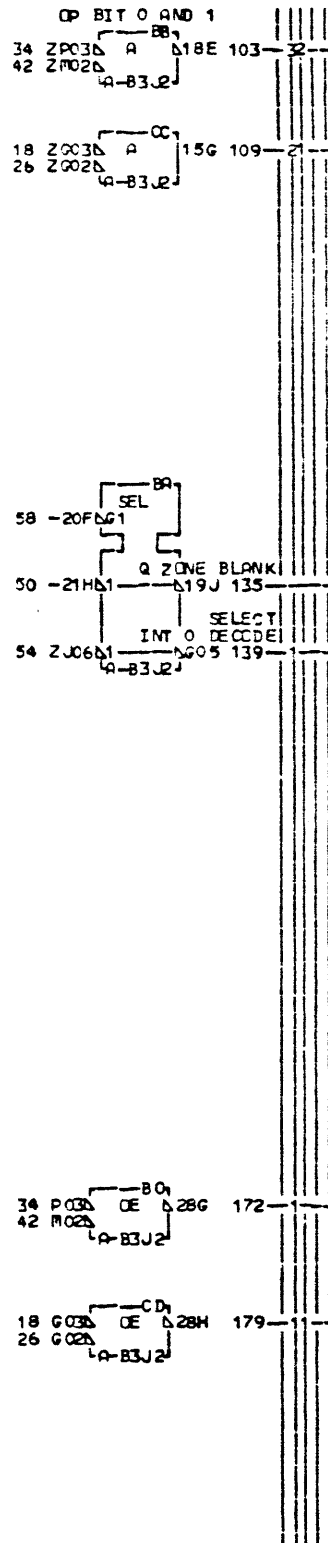
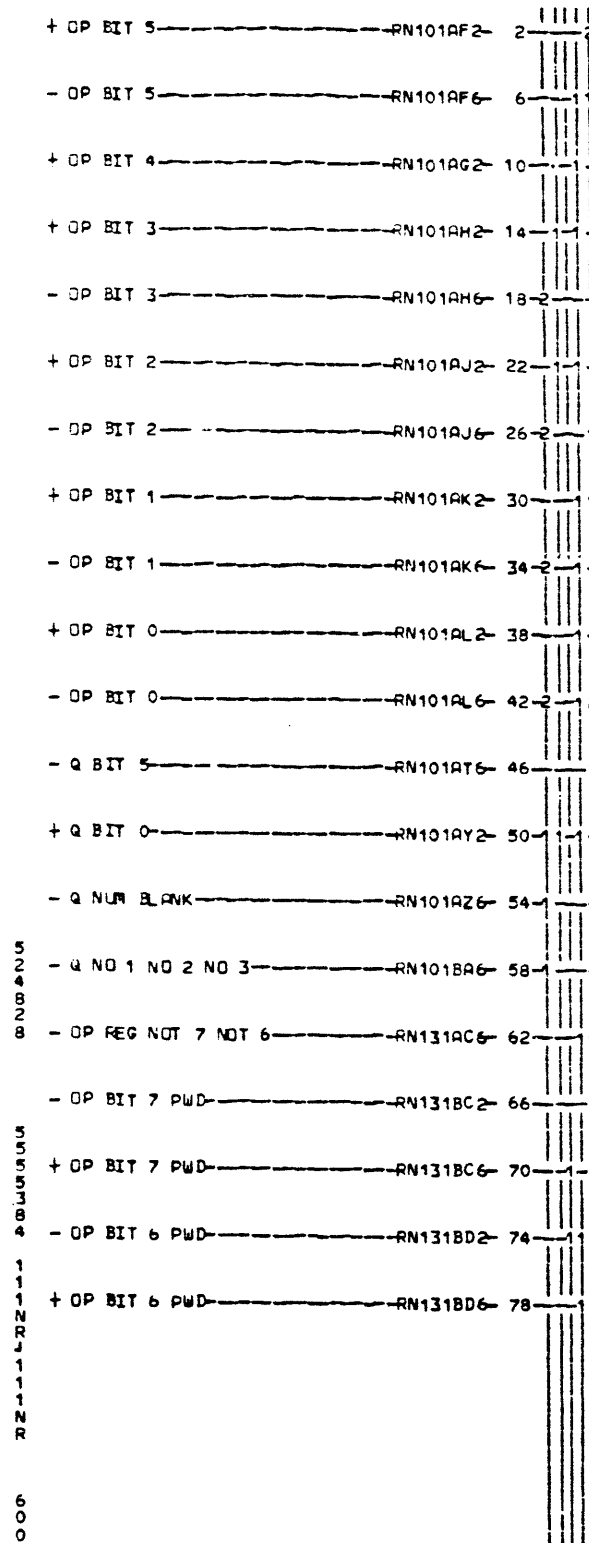
- 455 + OP BIT 7 RM131-AD2
- 459 - OP BIT 7 KM111 KM131 KY111 LN121 AD6
- 442 + OP BIT 6 RM111 RM141 RE2
- 446 - OP BIT 6 KM111 KM131 KY111 RE6
- 429 + OP BIT 5 RM111 RM121 RM131 LN141 RF2
- 433 - OP BIT 5 KM111 KM131 RN111 LN131 RF6
- 416 + OP BIT 4 RM111 RM131 RN141 RG2
- 420 - OP BIT 4 KM111 KM131 KN131 LN121 RG6
- 403 + OP BIT 3 RM111 RM141 RH2
- 407 - OP BIT 3 KM111 KL121 RN111 RH6
- 371 + OP BIT 2 RM111 RM141 RJ2
- 375 - OP BIT 2 KM111 KL121 RN111 RJ6
- 358 + OP BIT 1 RM111 RM141 RK2
- 362 - OP BIT 1 KM111 RM111 RK6
- 345 + OP BIT 0 RM111 RM141 AL2
- 349 - OP BIT 0 KM111 RM111 AL6
- 242 + Q BIT 7 RM141-AR2
- 246 - Q BIT 7 KL121 KM151 KN131 LN121 AR6
- 235 + Q BIT 6 RM121 RM141 AS2
- 239 - Q BIT 6 KL121 M51 KN131 LN121 AS6
- 268 + Q BIT 5 RM141-AT2
- 272 - Q BIT 5 KL101 KM141 KN131 LN111 AT6
- 281 + Q BIT 4 RM121 RM141 AU2
- 285 - Q BIT 4 KL101 KM141 KN131 AU6
- 203 + Q BIT 3 KL101 KM131 KN121 LK122 AV2
- 207 - Q BIT 3 RM141-AV6
- 216 + Q BIT 2 KL101 KM131 KN121 LK122 AW2
- 220 - Q BIT 2 KM141 KY111 RN111 AW6
- 229 + Q BIT 1 KM122 KL131 KM131 KN121 AX2
- 233 - Q BIT 1 RM141-AX6
- 332 + Q BIT 0 RM111 RM141 AY2
- 336 - Q BIT 0 KL101 KM171 KN101 LN121 AY6
- 324 - Q NUM BLANK KM141 KY111 RN111 AZ2
- 304 - Q NO 1 NO 2 NO 3 RM111-BA6



LDC TYPE
A-B3J2 2574

PAGE VER EC LEV
RM101 006 828425

OP AND Q REG		E-CO-HISTORY		E-PACK-CPU15FST	
DATE	LAST EC	FRAME	01	RM101	
05-09-77	828425	IBM CORP	4050	RM101	
		P.O.N.	483554	006	



EDGE CONN

431	A-B3B1C11	540	P-B3A1E11	550	P-A-331D13	558	P-B3B1A13
01A	B2B6C02	01P	B2A6E02	01Q	B2B6D02	01R	B2B6B02
01A	B2C1E13	01P	B2C1813	01Q	B2C1D13	01R	B2C1A13
01A	B1C6E04	01P	B1C6B04	01Q	B1C6D04	01R	B1C6A04
01A	B1A2E13	01P	B1A2B10	01Q	B1A2D12	01R	B1A2B09
01A	A1V1E13	01P	A1U6D04	01Q	A1V1A13	01R	A1U6C13
01A	A1V6B04	01P	A1U1D13	01Q	A1V6B04	01R	A1U6C04
01A	A2V1E13	01P	A2U6D04	01Q	A2V1A13	01R	A2U6C13
01A	A2V6B04	01P	A2U1D13	01Q	A2V6B04	01R	A2U6C04

OP AND Q REG

103	OP BIT 0 AND 1	RM131	AA6
139	SELECT INT 0 DECODE	RM121	AE6
204	1 ADDRESS FORMAT	AF2	
276	1ST OPND INDEXED	KD101	AG6
381	2ND OPND INDEXED	KD111	AH6
378	2ND OPND DIRECT	KD111	AK6
219 + 2	ADDRESS FORMAT	RM121	AL2
223 - 2	ADDRESS FORMAT	KD101, KD131, KD141, KG131	AL6
311 - 1	ADDRESS NONBRANCH	KD101, KD131, KN131, LN121, RM131	AM6
308 - 1	ADDRESS BRANCH	KD131, RM121, LN131	AN6
230 +	COMMAND FORMAT	KD101	AP2
473	1ST OPND DIRECT	KD101	AQ2
428 +	ADV	KD131, KD151	AS2
467	HALT OR COP	KN131	AT6
366	JUMP	KD131	AU6
404	HALF WORD FORMAT	KN131, RM131	AV6
507	TIO	KD131	AX6
566	ADD TO REG OR STORE INSTR	KG131	AY6
463	BRANCH OR JUMP	KB101, KD151, KG121	AZ2
554	SNS I/O INSTR	KG132, KG131, KP132	BC6
550 +	CHAN LIO INSTR	KD132, KT561, KC131, KC231, LB157	BD2
410	LOAD REG INSTR	KA212	BE6
569	REG INSTR	KL101, KM101	BJ6
577	SEL XR2 GATE	KL121	BK6
538	TIO INSTR	RM121	BL2
540 +	CHAN TIO INSTR	KM101, KT621, KC131, KC231, LB157	BL6
555 +	CHAN SNS INSTR	KT561, KC131, KC231, LB157	BM2
523 +	I/O NOT CONSOLE INSTR	RM121	BN2
527	I/O NOT CONSOLE INSTR	KC132, KD131, KG131	BN6
517	LOAD CR INSTR	KG101	BR6
431 +	CHAN SID INSTR	KM101, KT561, KC131, KC231, LB157	BS2
227 - 2	ADDRESS FORMAT INTERNAL	RM121, RM131	BT2
237	Q REG BLANK	KC132, KD131, KD151, KG111, KG121	BU6
135	Q ZONE BLANK	RM121	BV6

OP AND Q REG

103	OP BIT 0 AND 1	RM131	AA6
139	SELECT INT 0 DECODE	RM121	AE6
204	1 ADDRESS FORMAT	AF2	
276	1ST OPND INDEXED	KD101	AG6
381	2ND OPND INDEXED	KD111	AH6
378	2ND OPND DIRECT	KD111	AK6
219 + 2	ADDRESS FORMAT	RM121	AL2
223 - 2	ADDRESS FORMAT	KD101, KD131, KD141, KG131	AL6
311 - 1	ADDRESS NONBRANCH	KD101, KD131, KN131, LN121, RM131	AM6
308 - 1	ADDRESS BRANCH	KD131, RM121, LN131	AN6
230 +	COMMAND FORMAT	KD101	AP2
473	1ST OPND DIRECT	KD101	AQ2
428 +	ADV	KD131, KD151	AS2
467	HALT OR COP	KN131	AT6
366	JUMP	KD131	AU6
404	HALF WORD FORMAT	KN131, RM131	AV6
507	TIO	KD131	AX6
566	ADD TO REG OR STORE INSTR	KG131	AY6
463	BRANCH OR JUMP	KB101, KD151, KG121	AZ2
554	SNS I/O INSTR	KG132, KG131, KP132	BC6
550 +	CHAN LIO INSTR	KD132, KT561, KC131, KC231, LB157	BD2
410	LOAD REG INSTR	KA212	BE6
569	REG INSTR	KL101, KM101	BJ6
577	SEL XR2 GATE	KL121	BK6
538	TIO INSTR	RM121	BL2
540 +	CHAN TIO INSTR	KM101, KT621, KC131, KC231, LB157	BL6
555 +	CHAN SNS INSTR	KT561, KC131, KC231, LB157	BM2
523 +	I/O NOT CONSOLE INSTR	RM121	BN2
527	I/O NOT CONSOLE INSTR	KC132, KD131, KG131	BN6
517	LOAD CR INSTR	KG101	BR6
431 +	CHAN SID INSTR	KM101, KT561, KC131, KC231, LB157	BS2
227 - 2	ADDRESS FORMAT INTERNAL	RM121, RM131	BT2
237	Q REG BLANK	KC132, KD131, KD151, KG111, KG121	BU6
135	Q ZONE BLANK	RM121	BV6

OP AND Q REG

103	OP BIT 0 AND 1	RM131	AA6
139	SELECT INT 0 DECODE	RM121	AE6
204	1 ADDRESS FORMAT	AF2	
276	1ST OPND INDEXED	KD101	AG6
381	2ND OPND INDEXED	KD111	AH6
378	2ND OPND DIRECT	KD111	AK6
219 + 2	ADDRESS FORMAT	RM121	AL2
223 - 2	ADDRESS FORMAT	KD101, KD131, KD141, KG131	AL6
311 - 1	ADDRESS NONBRANCH	KD101, KD131, KN131, LN121, RM131	AM6
308 - 1	ADDRESS BRANCH	KD131, RM121, LN131	AN6
230 +	COMMAND FORMAT	KD101	AP2
473	1ST OPND DIRECT	KD101	AQ2
428 +	ADV	KD131, KD151	AS2
467	HALT OR COP	KN131	AT6
366	JUMP	KD131	AU6
404	HALF WORD FORMAT	KN131, RM131	AV6
507	TIO	KD131	AX6
566	ADD TO REG OR STORE INSTR	KG131	AY6
463	BRANCH OR JUMP	KB101, KD151, KG121	AZ2
554	SNS I/O INSTR	KG132, KG131, KP132	BC6
550 +	CHAN LIO INSTR	KD132, KT561, KC131, KC231, LB157	BD2
410	LOAD REG INSTR	KA212	BE6
569	REG INSTR	KL101, KM101	BJ6
577	SEL XR2 GATE	KL121	BK6
538	TIO INSTR	RM121	BL2
540 +	CHAN TIO INSTR	KM101, KT621, KC131, KC231, LB157	BL6
555 +	CHAN SNS INSTR	KT561, KC131, KC231, LB157	BM2
523 +	I/O NOT CONSOLE INSTR	RM121	BN2
527	I/O NOT CONSOLE INSTR	KC132, KD131, KG131	BN6
517	LOAD CR INSTR	KG101	BR6
431 +	CHAN SID INSTR	KM101, KT561, KC131, KC231, LB157	BS2
227 - 2	ADDRESS FORMAT INTERNAL	RM121, RM131	BT2
237	Q REG BLANK	KC132, KD131, KD151, KG111, KG121	BU6
135	Q ZONE BLANK	RM121	BV6

OP AND Q REG

103	OP BIT 0 AND 1	RM131	AA6
139	SELECT INT 0 DECODE	RM121	AE6
204	1 ADDRESS FORMAT	AF2	
276	1ST OPND INDEXED	KD101	AG6
381	2ND OPND INDEXED	KD111	AH6
378	2ND OPND DIRECT	KD111	AK6
219 + 2	ADDRESS FORMAT	RM121	AL2
223 - 2	ADDRESS FORMAT	KD101, KD131, KD141, KG131	AL6
311 - 1	ADDRESS NONBRANCH	KD101, KD131, KN131, LN121, RM131	AM6
308 - 1	ADDRESS BRANCH	KD131, RM121, LN131	AN6
230 +	COMMAND FORMAT	KD101	AP2
473	1ST OPND DIRECT	KD101	AQ2
428 +	ADV	KD131, KD151	AS2
467	HALT OR COP	KN131	AT6
366	JUMP	KD131	AU6
404	HALF WORD FORMAT	KN131, RM131	AV6
507	TIO	KD131	AX6
566	ADD TO REG OR STORE INSTR	KG131	AY6
463	BRANCH OR JUMP	KB101, KD151, KG121	AZ2
554	SNS I/O INSTR	KG132, KG131, KP132	BC6
550 +	CHAN LIO INSTR	KD132, KT561, KC131, KC231, LB157	BD2
410	LOAD REG INSTR	KA212	BE6
569	REG INSTR	KL101, KM101	BJ6
577	SEL XR2 GATE	KL121	BK6
538	TIO INSTR	RM121	BL2
540 +	CHAN TIO INSTR	KM101, KT621, KC131, KC231, LB157	BL6
555 +	CHAN SNS INSTR	KT561, KC131, KC231, LB157	BM2
523 +	I/O NOT CONSOLE INSTR	RM121	BN2
527	I/O NOT CONSOLE INSTR	KC132, KD131, KG131	BN6
517	LOAD CR INSTR	KG101	BR6
431 +	CHAN SID INSTR	KM101, KT561, KC131, KC231, LB157	BS2
227 - 2	ADDRESS FORMAT INTERNAL	RM121, RM131	BT2
237	Q REG BLANK	KC132, KD131, KD151, KG111, KG121	BU6
135	Q ZONE BLANK	RM121	BV6

OP AND Q REG

103	OP BIT 0 AND 1	RM131	AA6
139	SELECT INT 0 DECODE	RM121	AE6
204	1 ADDRESS FORMAT	AF2	
276	1ST OPND INDEXED	KD101	AG6
381	2ND OPND INDEXED	KD111	AH6
378	2ND OPND DIRECT	KD111	AK6
219 + 2	ADDRESS FORMAT	RM121	AL2
223 - 2	ADDRESS FORMAT	KD101, KD131, KD141, KG131	AL6
311 - 1	ADDRESS NONBRANCH	KD101, KD131, KN131, LN121, RM131	AM6
308 - 1	ADDRESS BRANCH	KD131, RM121, LN131	AN6
230 +	COMMAND FORMAT	KD101	AP2
473	1ST OPND DIRECT	KD101	AQ2
428 +	ADV	KD131, KD151	AS2
467	HALT OR COP	KN131	AT6
366	JUMP	KD131	AU6
404	HALF WORD FORMAT	KN131, RM131	AV6
507	TIO	KD131	AX6
566	ADD TO REG OR STORE INSTR	KG131	AY6
463	BRANCH OR JUMP	KB101, KD151, KG121	AZ2
554	SNS I/O INSTR	KG132, KG131, KP132	BC6
550 +	CHAN LIO INSTR	KD132, KT561, KC131, KC231, LB157	BD2
410	LOAD REG INSTR	KA212	BE6
569	REG INSTR	KL101, KM101	BJ6
577	SEL XR2 GATE	KL121	BK6
538	TIO INSTR	RM121	BL2
540 +	CHAN TIO INSTR	KM101, KT621, KC131, KC231, LB157	BL6
555 +	CHAN SNS INSTR	KT561, KC131, KC231, LB157	BM2
523 +	I/O NOT CONSOLE INSTR	RM121	BN2
527	I/O NOT CONSOLE INSTR	KC132, KD131, KG131	BN6
517	LOAD CR INSTR	KG101	BR6
431 +	CHAN SID INSTR	KM101, KT561, KC131, KC231, LB157	BS2
227 - 2	ADDRESS FORMAT INTERNAL	RM121, RM131	BT2
237	Q REG BLANK	KC132, KD131, KD151, KG111, KG121	BU6
135	Q ZONE BLANK	RM121	BV6

OP AND Q REG

103	OP BIT 0 AND 1	RM131	AA6
139	SELECT INT 0 DECODE	RM121	AE6
204	1 ADDRESS FORMAT	AF2	
276	1ST OPND INDEXED	KD101	AG6
381	2ND OPND INDEXED	KD111	AH6
378	2ND OPND DIRECT	KD111	AK6
219 + 2	ADDRESS FORMAT	RM121	AL2
223 - 2	ADDRESS FORMAT	KD101, KD131, KD141, KG131	AL6
311 - 1	ADDRESS NONBRANCH	KD101, KD131, KN131, LN121, RM131	AM6
308 - 1	ADDRESS BRANCH	KD131, RM121, LN131	AN6
230 +	COMMAND FORMAT	KD101	AP2
473	1ST OPND DIRECT	KD101	AQ2
428 +	ADV	KD131, KD151	AS2
467	HALT OR COP	KN131	AT6
366	JUMP	KD131	AU6
404	HALF WORD FORMAT	KN131, RM131	AV6
507	TIO	KD131	AX6
566	ADD TO REG OR STORE INSTR	KG131	AY6
463	BRANCH OR JUMP	KB101, KD151, KG121	AZ2
554	SNS I/O INSTR	KG132, KG131, KP132	BC6
550 +	CHAN LIO INSTR	KD132, KT561, KC131, KC231, LB157	BD2
410	LOAD REG INSTR	KA212	BE6
569	REG INSTR	KL101, KM101	BJ6
577	SEL XR2 GATE	KL121	BK6
538	TIO INSTR	RM121	BL2
540 +	CHAN TIO INSTR	KM101, KT621, KC131, KC231, LB157	BL6
555 +	CHAN SNS INSTR	KT561, KC131, KC231, LB157	BM2
523 +	I/O NOT CONSOLE INSTR	RM121	BN2
527	I/O NOT CONSOLE INSTR	KC132, KD131, KG131	BN6
517	LOAD CR INSTR	KG101	BR6
431 +	CHAN SID INSTR	KM101, KT561, KC131, KC231, LB157	BS2
227 - 2	ADDRESS FORMAT INTERNAL	RM121, RM131	BT2
237	Q REG BLANK	KC132, KD131, KD151, KG111, KG121	BU6
135	Q ZONE BLANK	RM121	BV6

F RM111
 P RM111
 006 SIM TO PN EC 830225

page 006 828425

DATE	LAST EC	IBM CORP #	SD	RM111
07-09-77	828425	PaN	4835555	006

