

ADD-DELETE REWORK PAGE 1  
 MACHINE CARDLESS PRESENT PN 5554842 EC 825077 VERSION 000 RUN 3279  
 BOARD 502-W8 PREVIOUS PN 5554842 EC 825057 VERSION 000 09-15-75  
 PROBE SIDE SHALLOW DELETE TOOL

DELETE					ADD					
CHECK DEL	DELETE COL	PINS IN NET	NET IMAGE	RELOCATED SUB-NETS	ADD COL	WIRE TYPE	WIRE LGTH	FROM PIN	TO PIN	NET ID

DEFINITION OF PRINT CHARACTERS USED ON THIS PACKAGE  
 X IN CHECK COLUMN INDICATES A PIN LOGICALLY DELETED FROM A NET  
 OX IN PROBE DELETE COL. DENOTES DISCRETE WIRE CONN. MAY EXIST ON PROBE SIDE  
 \* FOLLOWING THE PIN LOCATION INDICATES AN I/O PIN  
 THE DISCRETE WIRE PNEUMONICS USED IN THE TYPE COLUMN ARE AS FOLLOWS  
 WIRE TYPE PNEUMONIC  
 YEL

END OF DEFINITIONS FOR THIS PACKAGE

CHECK	PROBE	CARD	PINS	NET IMAGE	NET ID	ADD	TYPE	LGTH	FROM	TO	ID
				FW109DA2		XXX	YEL	5.0	V5B09# USB09#	USB09#	001
				FW109DA4		XXX	YEL	5.0	V5B10# USB10#	USB10#	002
				FW109DA6		XXX	YEL	4.5	V5B12# V5B12#	V5B12#	003
TOTALS	0	0				3					

END OF REWORK FOR BOARD 502-W8

END OF REWORK FOR BOARD 502-W8

BOARD ADD-DELETE LIST RUN 3279 09-15-75 PAGE 1  
 MACHINE CARDLESS PRESENT PN 5554842 EC 825077 VERS 000 XFER 825077 AA  
 BOARD 502-W8 PREVIOUS PN 5554842 EC 825057 VERS 000 XFER 825057 AB

DELETE					ADD				
SOCKET	TYPE	PART NO.	SIZE	ACC	SOCKET	TYPE	PART NO.	SIZE	ACC
NO DELETES					NO ADDS				

END OF LIST

DATE 04-22-74

MST-1

BOARD DISCRETE WIRE EQUIVALENT LIST SEQUENCED BY NET NUMBER

PAGE 1

PART NO. 5554826 E.C. NO. 824774 VERSION 001 SIZE SINGLE MACHINE 32XXSM15 LOCATION 01B-B2

PIN ID: #-I/O PIN PLANES: 1-CARD SIDE SHALLOW 3-PROBE SIDE SHALLOW WIRE TYPES: YEL-YELLOW, 30, AG NTR-90 CHM TRI-LEAD
\*-I/O & LOGIC 2-PROBE SIDE SHALLOW 4-PROBE SIDE SHALLOW TWL-TWIN LEAD WRAP FTW-50 CHM TWIN LEAD
T-TERMINATING RES. W-DISCRETE OVERFLOW TW-TWIST PR CCNECT NTW-90 CHM TWIN HEAD
V-VOLTAGE/GROUND FTR-50 OHM TRI-LEAD CX-CCAX CCNECTCR

NOTES: WIRE LENGTH IS IN TENTHS OF AN INCH. YELLOW WIRE LENGTH INCLUDES WIRE FOR WRAP.

Table with columns: NET NO., FROM PIN, P, TO PIN, P, WIRE TYP, WIRE LNPTH, FROM PIN, P, TO PIN, P, WIRE TYP, WIRE LNPTH, FROM PIN, P, TO PIN, P, WIRE TYP, WIRE LNPTH. It lists wire connections for various components like HR110BH4, HR210AS2, HR220AR2, etc.

DATE 04-22-74

MST-1 BOARD DISCRETE WIRE EQUIVALENT LIST SEQUENCED BY NET NUMBER

PAGE 2

PART NO. 5554826

E.C. NO. 824774

VERSION 001

SIZE SINGLE

MACHINE 32XXSM15

LOCATION 018-B2

PIN ID: #-I/O PIN PLANES: 1-CARD SIDE SHALLOW 3-PROBE SIDE SHALLOW WIRE TYPES: YEL-YELLOW, 30, AG NTR-90 CHM TRI-LEAD  
 \*-I/O & LOGIC 2-PROBE SIDE SHALLOW 4-PROBE SIDE SHALLOW TWL-TWIN LEAD WRAP FTW-50 CHM TWIN LEAD  
 T-TERMINATING RES. W-DISCRETE OVERFLOW TW-TWIST PR CONNECT NTW-90 CHM TWIN HEAD  
 V-VOLTAGE/GROUND FTR-50 OHM TRI-LEAD CX-COAX CONNECTOR

NOTES: WIRE LENGTH IS IN TENTHS OF AN INCH. YELLOW WIRE LENGTH INCLUDES WIRE FOR WRAP.

NET NO.	FROM PIN	P L	TO PIN	P L	WIRE TYP	WIRE LNPTH	FROM PIN	P L	TO PIN	P L	WIRE TYP	WIRE LNPTH	FROM PIN	P L	TO PIN	P L	WIRE TYP	WIRE LNPTH				
HR640FA2	L3D03	1	J5D11	1	YEL	10.0	HR730DC6	M2D09	2	L2B05	2	YEL	5.0	HR820CF2	K5B13	W	N4D02	W	YEL	8.0		
	Q2D11	2	L3D03	2	YEL	7.0	HR730DC8	M2D06	1	L2B02	1	YEL	5.0		D5B13	W	K5B13	W	YEL	8.0		
	S5D13	2	R5D13	2	YEL	4.5	HR730DE6	L2D04	W	M4D10	W	YEL	8.0	HR820CH2	D3B13	W	N4B07	W	YEL	10.0		
HR640FE2	J5D11	1	R5D13	2	YEL	10.0	HR730EL6	N5D04	2	M4B09	2	YEL	5.0	HR820DE2	N2B10	W	L5D12	W	YEL	10.0		
	R5B07	2	S5B07	2	YEL	4.5	HR740CF2	M4D13	2	K5D12	2	YEL	6.0	HR820CFK6	M5D04	1	N4D05	2	YEL	5.5		
	L2D10	2	Q2B04	2	YEL	6.0	HR740FD6	M4B08	W	M5D06	W	YEL	5.5	HR830AL2	N4B02	2	M4B03	2	YEL	4.5		
	L2D10	2	J5B13	2	YEL	11.0	HR740FM6	M5B10	2	P3B02	2	YEL	9.0	HR830DG6	N5D07	2	M5B12	2	YEL	5.0		
HR640FH2	R5B07	2	J5B13	2	YEL	8.0		S2B02	V	2	R2B02	2	YEL	4.5	HR830FD6	C4B11	W	M3B08	W	YEL	10.0	
	L2D05	2	Q2B12	2	YEL	6.0		T3B02	V	2	S3B02	V	2	YEL	4.5		M3B08	W	N3D03	2	YEL	5.0
	Q2B12	2	S5D03	2	YEL	8.0		S3B02	V	1	R3B02	V	1	YEL	4.5	HR830FF6	C3B05	W	N3B03	W	YEL	10.0
	R5D03	2	J5D06	2	YEL	11.0		R3B02	V	2	P3B02	V	2	YEL	5.0	HR830FJ2	N4B12	2	M5B07	2	YEL	5.5
HR640FM6	R5D03	W	S5D03	W	YEL	4.5		T2B02	V	2	S2B02	V	2	YEL	4.5	HR830GE2	C4B07	W	N2D03	W	YEL	12.0
	J4B04	2	L2B04	1	YEL	10.0		T3B02	V	1	T2B02	V	1	YEL	6.0	HR840FL2	N5D13	1	Q5B11	2	YEL	5.5
	J4B04	2	Q3D12	2	YEL	8.0		R2B02	1	P2B02	1	YEL	5.0		Q5B11	2	K4B12	2	YEL	9.0		
	S4B09	2	R4B09	2	YEL	4.5	HR740GD2	K5D11	1	M4B13	2	YEL	5.5	HR910CC4	S4D07	2	S5D07	1	YEL	5.5		
	Q3D12	2	R4B09	1	YEL	5.0	HR740GJ7	M2D11	W	M5D03	W	YEL	8.0		S4D07	1	P2B11	1	YEL	10.0		
HR640GC2	J5B11	W	R5B09	W	YEL	8.0	HR750CAC4	M2D13	2	P2D12	2	YEL	5.0	HR910FD2	P2D05	2	P2B07	2	YEL	4.0		
	R5B09	2	S5B09	2	YEL	4.5		P3D12	2	R3D12	2	YEL	5.0	HR920DD4	S2D03	V	R2D03	V	YEL	4.5		
	L2D13	2	J5B11	2	YEL	10.0		S2D12	V	2	R2D12	2	YEL	4.5		T2D03	V	S2D03	V	YEL	4.5	
	L2D13	1	Q2B03	1	YEL	8.0		M2D13	2	R2D12	2	YEL	7.0		T2D03	V	P2D03	V	YEL	6.0		
HR650BA2	L5D05	2	K5D13	2	YEL	5.0		T2D12	V	2	S2D12	V	2	YEL	4.5	HR920EJ6	P2D13	1	P2D02	1	YEL	5.0
HR650BA5	L5D09	W	R4D02	W	YEL	8.0		T3D12	V	2	S3D12	V	2	YEL	4.5	HR920FC4	U2D09	#	P2D09	2	YEL	7.0
	R4D02	1	S4D02	1	YEL	4.5		S3D12	V	2	R3D12	V	2	YEL	4.5	HR930CC4	R4D07	2	R5D07	2	YEL	7.0
HR650BA8	L5B09	W	R5D09	W	YEL	7.0		T3D12	V	1	T2D12	V	1	YEL	6.0		P3B11	1	R4D07	2	YEL	7.0
	S5D09	2	R5D09	2	YEL	4.5	HR750CG6	N2D09	W	M5B03	W	YEL	9.0	HR930FD2	P3D05	2	P3B07	2	YEL	4.0		
HR650BD5	L5B10	W	R4B10	W	YEL	8.0	HR750DF6	M3D13	W	N4B05	W	YEL	4.5	HR940DD4	S3D03	V	T3D03	V	YEL	4.5		
	S4B10	2	R4B10	2	YEL	4.5	HR750FD5	M3B09	2	N2B09	2	YEL	7.0		R3D03	2	S3D03	V	YEL	4.5		
HR650BD8	L5D10	W	R4B12	W	YEL	7.0	HR750FD7	M5C13	1	M5D05	1	YEL	4.5		P3D03	2	R3D03	2	YEL	5.0		
	R4B12	2	S4B12	2	YEL	4.5	HR750GM4	M3B04	2	N4B04	2	YEL	6.0	HR940EJ6	P3D13	1	P3D02	1	YEL	5.0		
HR650BG2	R5B03	1	S5B03	1	YEL	4.5		N4B04	1	N4B10	1	YEL	4.5	HR940FC4	P3D09	2	U2D02	#	YEL	9.0		
	L5D11	2	R5B03	2	YEL	8.0	HR810BK4	N5D02	2	Q5B04	2	YEL	5.5	HR951FD2	R2B07	2	R2D05	2	YEL	4.0		
HR650BG5	R5B05	2	S5B05	2	YEL	4.5		M5B05	1	L4D07	2	YEL	5.5	HR952EJ6	R2D13	1	R2D02	1	YEL	5.0		
	L5D13	2	R5B05	2	YEL	8.0		Q5B04	2	M5B05	2	YEL	5.5	HR955FD2	R3B07	2	R3D05	2	YEL	4.0		
HR650BG8	L5B13	W	R5B10	W	YEL	7.0	HR810CM2	L4D05	W	N3B07	W	YEL	5.0	HR956EJ6	R3D13	1	R3D02	1	YEL	5.0		
	S5B10	2	R5B10	2	YEL	4.5	HR810DB2	C2D05	W	N3D05	W	YEL	10.0	HR961CH4	S2B11	V	T2B11	V	YEL	4.5		
HR650BK2	R4D05	2	S4D05	2	YEL	4.5	HR810DE4	K2D12	W	N3B10	W	YEL	6.0		R2B11	2	S2B11	V	YEL	4.5		
	L4D11	2	R4D05	2	YEL	7.0		Q4D12	2	N3B10	2	YEL	8.0	HR961FD2	S2B07	V	S2D05	V	YEL	4.0		
HR650BK5	L5B11	W	R4D10	W	YEL	8.0	HR810DK4	N4B11	1	Q5D11	2	YEL	6.0	HR962EJ6	S2D13	1	S2D02	1	YEL	5.0		
	S4D10	2	R4D10	2	YEL	4.5		L4D03	2	M3D04	1	YEL	5.5	HR965CH4	S3B11	V	T3B11	V	YEL	4.5		
HR650BK8	L5B03	W	R5D05	W	YEL	7.0		M3D04	1	Q5D11	2	YEL	11.0		R3B11	1	S3B11	V	YEL	7.0		
	S5D05	2	R5D05	2	YEL	4.5	HR810DL4	N5D09	W	Q4B13	W	YEL	5.5	HR965FD2	S3B07	V	S3D05	V	YEL	4.0		
HR650CB2	K2D09	W	L5D04	W	YEL	9.0		M3B02	W	N5D09	W	YEL	8.0	HR966EJ6	S3D13	1	S3D02	1	YEL	5.0		
HR650CE2	K2B07	W	L5B04	W	YEL	9.0		L4B04	W	M3B02	W	YEL	6.0	HR971FD2	T2B07	2	T2D05	V	YEL	4.0		
HR650GJ2	K2D02	1	L5B12	1	YEL	11.0	HR810EC6	M2D12	W	N5D10	W	YEL	9.0	HR972EJ6	T2D13	2	T2D02	V	YEL	5.0		
HR660DK6	C2B05	W	L3B03	W	YEL	9.0	HR810EG6	L4B02	W	N2D05	W	YEL	7.0	HR975FD2	T3B07	2	T3D05	V	YEL	4.0		
HR660FK4	K5D02	W	L4B11	W	YEL	4.5	HR810EH6	N2D04	2	M2D10	2	YEL	4.5	HR976EJ6	T3D13	2	T3D02	V	YEL	5.0		
	M2B07	W	K5D02	W	YEL	9.0	HR810EM4	N5C03	W	Q5B12	W	YEL	5.5	HS010AP2	K3D07	W	J4D12	W	YEL	6.0		
HR710DB6	M3D12	W	N5B02	W	YEL	6.0		M3B03	W	L4B05	W	YEL	6.0	HS010BA2	J4B12	W	K3B03	1	YEL	7.0		
HR710DE2	N5B04	1	M3D10	1	YEL	7.0		Q5B12	2	M3B03	2	YEL	10.0	HS020AP6	J4D02	2	K3D02	1	YEL	5.5		
HR710DG6	N4D09	2	M3D06	2	YEL	6.0	HR810FA4	N2D06	W	Q5D03	W	YEL	9.0	HS030AQ6	M3B13	2	J4B03	2	YEL	5.5		
HR710DJ6	M4D02	1	N5B03	2	YEL	5.5	HR810FD2	N2C07	W	L4D04	W	YEL	7.0		N5B11	2	M3B13	2	YEL	7.0		
HR710DL6	N4D13	2	M3D03	2	YEL	7.0	HR820RB6	P2D07	2	N2B02	2	YEL	5.0	HS030AR6	N3B13	2	M3B11	1	YEL	4.5		
HR720DA6	K4D09	2	M4B04	2	YEL	5.0		P2D07	2	R2D07	2	YEL	5.0		J4D05	2	M3B11	2	YEL	5.5		
HR720EN6	M3B12	2	K4D11	2	YEL	5.5		S3D07	V	2	R3D07	V	2	YEL	4.5	HS040AC5	K5D04	2	J2B02	2	YEL	10.0
HR730DA0	M2D03	2	L2B10	2	YEL	5.0		S2D07	V	2	R2D07	V	2	YEL	4.5	HS040AC8	J2D03	W	K4B11	W	YEL	9.0
HR730DA4	M2D05	1	L3D02	1	YEL	5.5		T3D07	V	2	S3C07	V	2	YEL	4.5	HS04CAD2	L5B05	W	C4B07	W	YEL	7.0
HR730DA6	M2D04	2	L2D12	2	YEL	5.0		T2D07	V	2	S2D07	V	2	YEL	4.5		J3B07	W	L5B05	W	YEL	7.0
HR730DA8	M2D02	2	L2D11	2	YEL	5.0		T3D07	V	1	T2D07	V	1	YEL	6.0	HS040AD7	L5B07	W	Q4B05	W	YEL	7.0
HR730DC0	M2B09	2	L2D02	2	YEL	4.5		R3D07	2	P3D07	2	YEL	5.0		J3D09	2	L5B07	1	YEL	7.0		
HR730DC4	L2D07	2	M2B10	1	YEL	4.5	HR820BM2	M2D07	W	N4D06	W	YEL	7.0	HS040AH8	J2D05	W	K4B09	W	YEL	8.0		

PART NO. 5554826 E.C. NO. 824774 VERSION 001 SIZE SINGLE MACHINE 32XXSM15 LOCATION 01B-82

PIN ID: #-I/O PIN PLANES: 1-CARD SIDE SHALLOW 3-PROBE SIDE SHALLOW WIRE TYPES: YEL-YELLOW, 30, AG NTR-90 CHM TRI-LEAD
\*#140 & LOGIC 2-PROBE SIDE SHALLOW 4-PROBE SIDE SHALLOW TWL-TWIN LEAD WRAP FTW-50 CHM TWIN LEAD
T-TERMINATING RES. W-DISCRETE OVERFLOW TW-TWIST PR CONNECT NTW-90 CHM TWIN HEAD
V-VOLTAGE/GROUND NOTES: WIRE LENGTH IS IN TENTHS OF AN INCH. YELLOW WIRE LENGTH INCLUDES WIRE FOR WRAP. FTR-50 OHM TRI-LEAD CX-COAX CONNECTOR

Table with columns: NET NO., FROM PIN, P, TO PIN, P, WIRE TYP, WIRE LENGH, FROM PIN, P, TO PIN, P, WIRE TYP, WIRE LENGH, FROM PIN, P, TO PIN, P, WIRE TYP, WIRE LENGH. Contains multiple rows of wire connection data.

DATE 04-22-74

MST-1 BOARD DISCRETE WIRE EQUIVALENT LIST SEQUENCED BY NET NUMBER

PAGE 4

PART NO. 5554826 E.C. NO. 824774 VERSION 001 SIZE SINGLE MACHINE 32XXSM15 LOCATION 01B-B2

PIN ID: #-I/O PIN PLANES: 1-CARD SIDE SHALLOW 3-PROBE SIDE SHALLOW WIRE TYPES: YEL-YELLOW, 30, AG NTR-90 CHM TRI-LEAD
-I/O & LOGIC 2-PROBE SIDE SHALLOW 4-PROBE SIDE SHALLOW TWL-TWIN LEAD WRAP FTW-50 CHM TWIN LEAD
T-TERMINATING RES. W-DISCRETE OVERFLOW TW-TWIST PR CONNECT NTW-90 CHM TWIN HEAD
V-VOLTAGE/GROUND FTR-50 OHM TRI-LEAD CX-COAX CONNECTOR

NOTES: WIRE LENGTH IS IN TENTHS OF AN INCH. YELLOW WIRE LENGTH INCLUDES WIRE FOR WRAP.

Table with columns: NET NO., FROM PIN, P L, TO PIN, P L, WIRE TYP, WIRE LGTH, and multiple columns for component connections (e.g., WT001BA4, WT001EC4, WT001BE4, WT0C1BG4, WT001BJ4, WT001BL4, WT001DA4, WT001DC4, WT001DE4, WT001DG4, WT001DL4, WT001FA4, WT001FC4, WT001FE4, WT001FG4, WT001FJ4, WT001FL4, WT001FM4, WT030CB2, WT030CB3, WT030CB4, WT030CB5, WT030CB6, WT030CG2, WT030CG5, WT030CG7, WT040AB2, WT040AB3, WT040AB5, WT040AB6, WT040AB7, WT040AD2, WT040CAD3, WT040AD5, WT040CAD6, WT040CAD7, WT040CFA1, WT040FA2, WT040FA3, WT040FA4, WT040FA5, WT040FD1, WT040FD2, WT040FD3, WT040FD4, WT040FG1, WT040FG2, WT040FG3, WT040FG4, WT040FG5, WT040FK1, WT040FK2, WT040FK3, WT040FK4, WT050AH4, WT050CB1, WT050CB2, WT050CB3, WT050CB4, WT050CD1, WT050CD2, WT050CD3, WT050CD4, WT050CF1, WT050CF2, WT050CF3, WT050CF4, WT050CF5, WT050CH1, WT050CH2, WT050CH3, WT050CH4).

PART NO. 5554826 E.C. NO. 824774 VERSION 001 SIZE SINGLE MACHINE 32XXSM15 LOCATION 01B-B2

PIN ID: #-I/O PIN PLANES: 1-CARD SIDE SHALLOW 3-PRCBE SIDE SHALLOW WIRE TYPES: YEL-YELLOW,30, AG NTR-90 CHM TRI-LEAD
\*-I/O & LOGIC 2-PROBE SIDE SHALLOW 4-PROBE SIDE SHALLOW TWL-TWIN LEAD WRAP FTW-50 CHM TWIN LEAD
T-TERMINATING RES. W-DISCRETE OVERFLOW TW-TWIST PR CONNECT NTW-90 CHM TWIN HEAD
V-VOLTAGE/GROUND FTR-50 OHM TRI-LEAD CX -COAX CONNECTOR
NOTES: WIRE LENGTH IS IN TENTHS OF AN INCH. YELLOW WIRE LENGTH INCLUDES WIRE FOR WRAP.

Table with columns: NET NO., FROM PIN, P L, TO PIN, P L, WIRE TYP, WIRE LNPTH. It lists wire connections for various components like WT2108D1 through WT2108K2, including pin numbers and wire lengths.

DATE 04-22-74

PART NO. 5554826 E.C. NO. 824774 VERSION 001 SIZE SINGLE MACHINE 32XXSM15 LOCATION 01B-B2

PIN ID: #-I/O PIN
\*-I/O & LOGIC
V-VOLTAGE/GROUND

NOTE: 'T' FOLLOWING PIN LOCATION INDICATES TERMINATING RESISTOR

Table with 14 columns: PIN, NET NO., PIN, NET NO., PIN, NET NO., PIN, NET NO., PIN, NET NO., PIN, NET NO., PIN, NET NO. It lists various component identifiers and their corresponding net numbers across multiple rows.

DATE 04-22-74

MST-1

BOARD DISCRETE WIRE EQUIVALENT LIST SEQUENCED BY PIN NUMBER

PAGE 2

PART NO. 5554826

E.C. NO. 824774

VERSION 001

SIZE SINGLE

MACHINE 32XXSM15

LOCATION 01B-B2

PIN ID: #-I/O PIN  
\*-I/O & LOGIC  
V-VOLTAGE/GROUND

NOTE \*T FOLLOWING PIN LOCATION INDICATES TERMINATING RESISTOR

PIN	NET NO.	PIN	NET NO.	PIN	NET NO.	PIN	NET NO.	PIN	NET NO.	PIN	NET NO.	PIN	NET NO.
E5B10	WT001FM4	F4B04	HT410BF6	G2D13	WTC40FA3	G5D09	HT14CBL2	H5B03	HT400CF6	J3D13	HR530AG8	K2D06	HR310AM6
E5B11	WT001BJ4	F4B05	HT130HA2	G3B02	HT140FJ2	G5D10	HT140CM2	H5B04	HT40CAF6	J4B02	HR530AG0	K2D07	HR350AN2
E5B12	HT250CC6	F4B07	HT120FE6	G3B03	HT340FK6	G5D11	HT110GA6	H5B05	HT130CG2	J4B03	HS030AC6	K2D09	HR650CB2
E5B13	HT310GE2	F4B08	HT120CD6	G3B05	HT130GF2	G5D12	HT130CK4	H5B07	HT400CG4	J4B04	HR640FM6	K2D12	FR810CE4
E5D02	HT330BF6	F4B09	HT300AB2	G3B07	HT130HA2	G5D13	HT240GH4	H5B08	HT250AB2	J4B05	HR240BE6	K2D13	HR510AM6
E5D03	HT100BK2	F4B10	HT300AA2	G3B08	WTC40FK4	H2B02	HT200AB2	H5B09	HT340FK6	J4B07	WT001FE4	K3B02	FR520PH2
E5D04	HT330BH6	F4B11	HT120FB6	G3B09	HT110EK6	H2B03	HT400BX4	H5B10	HT400AX6	J4B08	HS040AN4	K3B03	FS010BA2
E5D05	HT300AC2	F4B12	HT130CG2	G3B10	HT110AK2	H2B04	HT410AV2	H5B12	HT40CAG6	J4B09	WT001DA4	K3B04	FR510AX6
E5D06	HT240FD6	F4B13	HT240FD6	G3B11	HT100BK2	H2B05	HT260FE6	H5B13	HT210BK3	J4B10	WT001FA4	K3B05	FR510BC4
E5D07	HT330FB6	F4D02	HT2C0GE2	G3B12	HT420AQ6	H2B07	HT001BC4	H5D02	HT420AS6	J4B11	WT001FC4	K3B07	FR510AL6
E5D09	HT410BF6	F4D03	HT230FM2	G3B13	HT330CM6	H2B09	HT140AJ2	H5D03	HT120CF6	J4B12	HS010BA2	K3B08	FR220AU6
E5D10	HT360CA6	F4D04	WT001FG4	G3D02	WTC40FA4	H2B10	WT210BK4	H5D04	WT040FG2	J4B13	HR630GC6	K3B09	FS040AN2
E5D11	HT200GD6	F4D05	WT040FK1	G3D03	WT040FA5	H2B11	WT050AH4	H5D05	HT400CB2	J4D02	HS020AP6	K3B10	FR210AT2
E5D12	HT310GB2	F4D06	WT001FL4	G3D04	HT420FD1	H2B12	HT240CB2	H5D06	HT470AM6	J4D03	HS030AS6	K3B11	FR510AJ6
E5D13	HT350FC2	F4D07	HT320DB6	G3D05	WT040FD2	H2B13	WT001DA4	H5D07	HT110GA6	J4D04	HS030AT6	K3B12	FR520AF6
F2B02	HT230GB6	F4D09	WT210BG4	G3D06	WT040FD3	H2D03	HT240FD6	H5D09	HT420AR6	J4D05	HS030AR6	K3B13	HR210AU2
F2B03	HT200GD6	F4D10	HT220AB6	G3D07	WT040FD4	H2D05	HT140CCR6	H5D10	HT400AH6	J4D06	HR350AN2	K3D02	HS020AP6
F2B04	WT210BG8	F4D11	HT320DJ6	G3D09	WT040FA1	H2D06	HT140EG2	H5D12	HT410BF6	J4D07	HR630FA6	K3D03	HR250GB6
F2B05	HT240BE6	F4D12	HT310AA2	G3D10	HT260CB2	H2D07	WT001FC4	H5D13	HT400AE6	J4D09	HR630EE6	K3D04	FR220AR2
F2B07	HT400AG6	F4D13	WT040FK2	G3D11	HT360CH6	H2D09	HT140BC2	H6C04#	WT120FM5	J4D10	WT001BA4	K3D05	FR210AV2
F2B09	HT400AE6	F5B02	HT330BF6	G3D12	HT200GB6	H2D10	WT001BA4	H6D02#	HT120FM1	J4D11	HR260AM6	K3D06	HR260AB2
F2B10	HT400AH6	F5B03	HT420AM6	G3D13	HT330BF6	H2D11	HT140AA2	H6D04#	WT120FM3	J4D12	HS010AP2	K3D07	HS010AP2
F2B11	WT050AH4	F5B04	HT330DB6	G4B02	HT200AB2	H2D12	WT040FG3	H6E02#	WT120FK5	J4D13	WT001BC4	K3D09	HS040AN6
F2B12	HT250CC6	F5B05	HT340FK6	G4B03	HT330DB6	H2D13	HT330FC6	J2B02	HS040AC5	J5B02	HR230AM4	K3D10	FR510BH6
F2B13	HT260CB2	F5B07	HT360CA6	G4B04	HT230FF2	H3B02	WT001FA4	J2B03	HS040AN2	J5B03	WT001DE4	K3D11	FR250CN2
F2D02	HT110EK6	F5B09	HT260FE6	G4B05	HT360BC2	H3B03	HT140CM2	J2B04	HSC40AC4	J5B04	HR640DH2	K3D12	FR550AV4
F2D03	WT210BG6	F5B10	HT200AC2	G4B07	HT420AR6	H3B04	HT440AH2	J2B05	HS040BA2	J5B05	HR640DM2	K3D13	FR520AZ2
F2D04	WT210BD1	F5B11	HT120CA6	G4B08	HT350DF6	H3B05	WT001DC4	J2B07	HR310AV9	J5B07	HR630EC6	K4B02	FR220AT2
F2D05	WT210BK9	F5B12	HT340CE6	G4B10	HT200GE2	H3B09	HT260EB6	J2B09	FR310AV3	J5B08	HR230AT6	K4B03	HR350AN8
F2D06	HT200GB6	F5B13	HT410AV2	G4B11	HT420AW6	H3B11	WT001DE4	J2B10	HS060BB2	J5B09	HR630GE6	K4B04	FR530AV6
F2D07	HT220GB6	F5D02	HT240GH4	G4B12	HT420AS6	H3B12	WT001BE4	J2B11	HSC6CAZ2	J5B10	HR640DA2	K4B05	FR530AT6
F2C09	HT400AF6	F5D03	HT400CB2	G4B13	HT420AT6	H3B13	HT220AC6	J2B12	HS060BA2	J5B11	HR640GC2	K4B07	FR540FF2
F2D10	HT360CF6	F5D04	HT360CH6	G4D02	HT200AC2	H3D02	HT140FJ2	J2B13	HS060BC2	J5B12	HR640DE2	K4B08	HR530AW6
F2D11	HT260BX4	F5D05	HT200AA2	G4D03	HT310GB2	H3D03	HT140BL2	J2D02	HS040AN6	J5B13	HR640FE2	K4B09	FS040AH8
F2D12	HT320FL6	F5D07	HT250AB2	G4D04	HT330CK6	H3D04	HT430AP2	J2D03	HS040AC8	J5D02	HR230AS6	K4B10	FR520BE2
F2D13	HT130DK4	F5D09	HT310GE2	G4D05	HT120CA6	H3D05	HT140AE2	J2D04	HR310AV7	J5D03	HR630FE6	K4B11	HS040AC8
F3B02	HT120FL6	F5D10	WT040FG4	G4D06	HT120FB6	H3D06	HT300AA2	J2D05	HS040AH8	J5D04	WT0C1DC4	K4B12	FR840FL2
F3B03	HT400CF6	F5D11	WT210BG2	G4D07	HT120CD6	H3D07	WT001FE4	J2D06	HR350BB2	J5D05	HR630GA6	K4B13	FR630EE6
F3B04	HT230FF2	F5D12	HT240BH2	G4D09	HT120FE6	H3D09	HT220HR2	J2D07	HR310AV5	J5D06	HR640FH2	K4D02	FR250GJ6
F3B05	WT001BG4	F5D13	HT220HB2	G4D10	HT120CF6	H3D10	HT330FB6	J2D09	HR310AW5	J5D07	HR230AN4	K4D03	FR350BC4
F3B07	WT210BD3	G2B02	HT100GG2	G4D11	HT120CH6	H3D11	HT220GC6	J2D10	HR520BE2	J5D09	HR630FC6	K4D04	FR530AU6
F3B08	HT200AD2	G2B03	HT100GD2	G4D12	HT120FJ6	H3D12	HT310AA2	J2D11	HR350AG6	J5D10	HR260AE6	K4D05	FR540001
F3B09	HT330FA6	G2B04	HT100GC2	G4D13	HT120FL6	H3D13	HT220AB6	J2D13	HS060AY2	J5D11	HR640FA2	K4D06	FR540EE2
F3B10	WT210BD5	G2B05	HT100GA2	G5B02	HT410BF6	H4B02	HT220GB6	J3B02	HS060BD2	J5D12	HR630EA6	K4D07	FR210AX2
F3B11	WT210BD2	G2B07	HT100GM2	G5B03	HT420AV6	H4B03	HT120CA6	J3B03	HS060BE2	J5D13	HR240DB2	K4D09	FR720DA6
F3B12	HT220GC6	G2B09	HT100GK2	G5B04	HT260FE6	H4B04	HT240BE6	J3B04	HR520BH2	J6C02#	WT120FK7	K4D10	HR630GA6
F3B13	HT220AC6	G2B10	HT100GJ2	G5B05	HT420AU6	H4B09	HT200FA6	J3B05	HR210AZ2	J6C04#	WT120FH3	K4D11	HR720EN6
F3D02	HT250DB2	G2B11	WT050AH4	G5B07	HT240FD6	H4B10	HT200AD2	J3B07	HS040AD2	J6D02#	WT120FM7	K4D12	HR210AQ2
F3D03	HT320DG6	G2B12	HT100GF2	G5B08	WT210BG3	H4B12	HT200AA2	J3B08	HR520AY6	K2B02	HS040AN4	K4D13	HR330AE3
F3D04	WT001FJ4	G2B13	HT100GN2	G5B09	HT130CG2	H4B13	HT320DR6	J3B09	WT001BE4	K2B03	HR520AY6	K5B02	FR530AG8
F3D05	WT040FG5	G2D02	HT300GE2	G5B10	HT130FC6	H4D02	HT240GH4	J3B10	HR230AP6	K2B04	HR630EC6	K5B03	FR630FE6
F3D06	HT440AH2	G2D03	HT300GD2	G5B11	HT110EE6	H4D03	HT420AW6	J3B11	HR520AU6	K2B05	FR210AW2	K5B04	FR530AG0
F3L07	HT310AC6	G2D04	HT300GC2	G5B12	HT330FB6	H4D04	HT420AT6	J3B13	HR520AZ2	K2B07	HR650CE2	K5B05	FR630FC6
F3D09	HT200AB2	G2D05	HT300GB2	G5B13	WT001BL4	H4D05	HT420AV6	J3D02	FS060BH6	K2B09	HS040BA2	K5B07	HR220AS6
F3D10	WT210BD4	G2D06	HT300AD2	G5D02	HT140CB2	H4D06	HT420AU6	J3D03	HR310AW9	K2B10	HR250FN6	K5B08	HR630GC6
F3D11	HT200FA6	G2D07	HT300AC2	G5D03	HT140AA2	H4D09	HT300GP2	J3D04	HR310AW7	K2B13	HR250GF6	K5B09	FR540CA6
F3D12	HT120CH6	G2D09	HT300AB2	G5D04	HT140BC2	H4D10	HT300AD2	J3D05	FR250DF6	K2D02	HR650GJ2	K5B10	FR520AU6
F3D13	HT350BD2	G2D10	HT300AA2	G5D05	HT140AE2	H4D12	HT200AC2	J3D06	HR310AW3	K2D03	HR250DF6	K5B11	FR550001
F4B02	HT120CF6	G2D11	HT310GD2	G5D06	HT140BG2	H4D13	WT210BG1	J3D07	HS060BF2	K2D04	HR350AG2	K5B12	FR540CC6
F4B03	HT260EB6	G2D12	WT040FA2	G5D07	HT140AJ2	H5B02	HT360CA6	J3D09	HS040AD7	K2D05	HR210AY2	K5B13	FR820CF2



DATE 04-22-74

MST-1

BOARD DISCRETE WIRE EQUIVALENT LIST SEQUENCED BY PIN NUMBER

PAGE 3

PART NO. 5554826 E.C. NO. 824774 VERSION 001 SIZE SINGLE MACHINE 32XXSM15 LOCATION 01B-B2

PIN ID: #-I/O PIN
\*-I/O & LOGIC
V-VOLTAGE/GROUND

NOTE: \*T\* FOLLOWING PIN LOCATION INDICATES TERMINATING RESISTOR

Table with 14 columns: PIN, NET NO., PIN, NET NO., PIN, NET NO., PIN, NET NO., PIN, NET NO., PIN, NET NO., PIN, NET NO. It lists various electronic components and their connections across multiple rows.

DATE 04-22-74

MST-1

BOARD DISCRETE WIRE EQUIVALENT LIST SEQUENCED BY PIN NUMBER

PAGE 4

PART NO. 5554826

E.C. NO. 824774

VERSION 001

SIZE SINGLE

MACHINE 32XXSM15

LOCATION 01B-B2

PIN ID: #-I/O PIN  
\*-I/O & LOGIC  
V-VOLTAGE/GROUND

NOTE: 'T' FOLLOWING PIN LOCATION INDICATES TERMINATING RESISTOR

PIN	NET NO.	PIN	NET NO.	PIN	NET NO.	PIN	NET NO.	PIN	NET NO.	PIN	NET NO.	PIN	NET NO.
R5B07	HR640FE2	S4D03	HS100FH4	T3D13 V	HR976EJ6	V4B05	WTC30CG2						
R5B08	HS070BD4	S4D05	HR650BK2	T4B06 V	HR110CCA	V4B06#	HT310FJ2						
R5B09	HR640GC2	S4D06	HR540CA6	T4C06 V	HR110CCA	V4B08#	HT130GF2						
R5B10	HR650BG8	S4D07	HR910CC4	T5B06 V	HR110CFA	V4B09	WT030CG5						
R5B11	HS070BC4	S4D10	HR650BK5	T5C06 V	HR110CFA	V4B10#	HT250DR2						
R5B12	HS070BA4	S4D12	HR640DH2	T6A02	WT050AH4	V4B12#	HT400CG4						
R5B13	HR540EE2	S4D13	HS070BM4	T6A04#	HS920GE4	V4B13	WT030CG7						
R5D02	HS070BG4	S5B02	HS070BJ4	T6E02#	HS920GG4	V4D02	WT030CG2						
R5D03	HR640FH2	S5B03	HR650BG2	T6E04#	HS930GL6	V4D04	WT030CG2						
R5D04	HR240BG6	S5B04	HR640DE2	U2D02#	HR940FC4	V4D05#	HT310FL2						
R5D05	HR650BK8	S5B05	HR650BG5	U2D09#	HR920FC4	V4D06	WT030CG2						
R5D06	HS070BF4	S5B07	HR640FE2	U4B06 V	HR110CEA	V4D08	WT030CG5						
R5D07	HR930CC4	S5B08	HS070BD4	U4C06 V	HR110CEA	V4D09#	HT360FA2						
R5D09	HR650BA8	S5B09	HR640GC2	U5B06 V	HR110CGA	V4D10	WTC30CG5						
R5D10	HR250DN2	S5B10	HR650BG8	U5C06 V	HR110CGA	V4D11#	HT330CN2						
R5D11	HR640DA2	S5B11	HS070BC4	U6C02#	HS930FL6	V4D12	WT030CG7						
R5D12	HS100FH4	S5B12	HS070BA4	U6C04#	HS930EL6	V4D13#	HT310FM2						
R5D13	HR640FA2	S5B13	HR540FF2	U6D02#	HS930FJ6	V5B03	WTC40AD3						
R6B02#	HS940FG6	S5D02	HS070BG4	U6D04#	HS930GJ6	V5B04#	WT040FG2						
R6B04#	HS940FF6	S5D03	HR640FH2	V2B03	WT030CB3	V5B05	WT040AD3						
R6C02#	HS940FD6	S5D04	HR240BG6	V2B04#	HT100GG2	V5B06#	WT040FG4						
R6C04#	HS940FC6	S5D05	HR650BK8	V2B05	WT030CB3	V5B07	WT040AD5						
S2B02 V	HR740FM6	S5D06	HS070BF4	V2B06#	HT100GC2	V5B08#	WT040FG5						
S2B03 V	HR962DG6	S5D07	HR910CC4	V2B07	WT030CB4	V5B09	WT040AD5						
S2B06 V	HR110BH4	S5D09	HR650BA8	V2B08#	HT100GA2	V5B10#	WT040FK2						
S2B07 V	HR961FD2	S5D10	HR250DN2	V2B09	WT030CB4	V5B11	WT040AD7						
S2B11 V	HR961CH4	S5D11	HR640DA2	V2B10#	HT100GK2	V5B12#	WT040FK4						
S2B13 V	HR962001	S5D12	HS100FH4	V2B11	WTC30CB6	V5B13	WT040AD7						
S2D02 V	HR962EJ6	S5D13	HR640FA2	V2B12#	HT100GF2	V5D02	WT040AD2						
S2D03 V	HR920DD4	S6A02#	HS940FB6	V2B13	WTC30CB6	V5D03#	WT040CFG1						
S2D05 V	HR961FD2	S6A04#	HS940FM6	V2D02	WT030CB2	V5D04	WT040AD2						
S2D06 V	HS060BC2	T2B02 V	HR740FM6	V2D03#	HT100GN2	V5D05#	WT040FG3						
S2D07 V	HR820BB6	T2B03 V	HR972DG6	V2D04	WT030CB2	V5D06	WTC40AD2						
S2C09 V	HR962FC4	T2B06 V	HR110BH4	V2D05#	HT100GD2	V5D08	WT040AD6						
S2D10 V	HR961FD6	T2B07 V	HR971FD2	V2D06	WTC30CB2	V5D09#	WT040FK1						
S2D12 V	HR750AC4	T2B11 V	HR961CH4	V2D09#	HT100GM2	V5D10	WT040AD6						
S2D13 V	HR962EJ6	T2B13 V	HR972001	V2D10	WT030CB5	V5D11#	WT040FK3						
S3B02 V	HR740FM6	T2D02 V	HR972EJ6	V2D11#	HT100GJ2	V6B02#	HS920GB6						
S3B03 V	HR966DG6	T2D03 V	HR920DD4	V2D12	WT030CB5	V6B04#	HS930GG6						
S3B06 V	HR110BJ4	T2D05 V	HR971FD2	V3B03	WT040AB3								
S3B07 V	HR965FD2	T2D06 V	HS060BE2	V3B04#	WT040FA2								
S3B11 V	HR965CH4	T2D07 V	HR820BB6	V3B05	WT040AB3								
S3B13 V	HR966001	T2D09 V	HR972FC4	V3B06#	WT040FA4								
S3D02 V	HR966EJ6	T2D10 V	HR971FD6	V3B07	WT040AB6								
S3D03 V	HR940DD4	T2D12 V	HR750AC4	V3B08#	WT040FA5								
S3D05 V	HR965FD2	T2D13 V	HR972EJ6	V3B09	WT040AB6								
S3D06 V	HS060BD2	T3B02 V	HR740FM6	V3B10#	WT040FD2								
S3D07 V	HR820BB6	T3B03 V	HR976DG6	V3B11	WTC40AB7								
S3D09 V	HR966FC4	T3B06 V	HR110BJ4	V3B12#	WT040FD4								
S3D10 V	HR965FD6	T3B07 V	HR975FD2	V3B13	WT040AB7								
S3D12 V	HR750AC4	T3B11 V	HR965CH4	V3D02	WTC40AB2								
S3D13 V	HR966EJ6	T3B13 V	HR976001	V3D03#	WT040FA1								
S4B07	HR540CC6	T3D02 V	HR976EJ6	V3D04	WT040AB2								
S4B08	HS070BN4	T3D03 V	HR940DD4	V3D05#	WT040FA3								
S4B09	HR640FM6	T3D05 V	HR975FD2	V3D06	WTC40AB2								
S4B10	HR650BD5	T3D06 V	HS060BF2	V3D08	WTC40AB5								
S4B11	HR640DM2	T3D07 V	HR820BB6	V3D09#	WT040FD1								
S4B12	HR650BD8	T3D09 V	HR976FC4	V3D10	WTC40AB5								
S4B13	HS070BL4	T3D10 V	HR975FD6	V3D11#	WT040FD3								
S4D02	HR650BA5	T3D12 V	HR750AC4	V4B04#	HT310FK2								



PART NO. 5554826 E.C. NO. 824774 VERSION 001 SIZE SINGLE MACHINE 32XXSM15 LOCATION 01B-82

				VOLTAGE PINS					
Q6E04	GND	R1A11	GND	R1D13	GND	R1E11	GND	R2D08	GND
R3D08	GND	R4D08	GND	R5D08	GND	R6A02	GND	R6D04	GND
R6E02	GND	S1C10	GND	S1D13	GND	S2D08	GND	S3D08	GND
S4D08	GND	S5D08	GND	S6C02	GND	S6D05	GND	T1B13	GND
T1C11	GND	T2C03	GND	T2C04	GND	T2C07	GND	T2C11	GND
T2C12	GND	T2D08	GND	T3C03	GND	T3C04	GND	T3C07	GND
T3C11	GND	T3C12	GND	T3D08	GND	T4C03	GND	T4C04	GND
T4C07	GND	T4C11	GND	T4C12	GND	T4D08	GND	T5C03	GND
T5C04	GND	T5C07	GND	T5C11	GND	T5C12	GND	T5D08	GND
T6B04	GND	T6C02	GND	U1A13	GND	U1B11	GND	U1E13	GND
U2C03	GND	U2C04	GND	U2C07	GND	U2C11	GND	U2C12	GND
U2D08	GND	U2E14	GND	U3A01	GND	U3C03	GND	U3C04	GND
U3C07	GND	U3C11	GND	U3C12	GND	U3D08	GND	U3E14	GND
U4A01	GND	U4C03	GND	U4C04	GND	U4C07	GND	U4C11	GND
U4C12	GND	U4D08	GND	U4E14	GND	U5A01	GND	U5C03	GND
U5C04	GND	U5C07	GND	U5C11	GND	U5C12	GND	U5D08	GND
U6A04	GND	U6B02	GND	U6E04	GND	V1A11	GND	V2B03	GND
V2B07	GND	V2B11	GND	V2D04	GND	V2D08	GND	V2D12	GND
V3B03	GND	V3B07	GND	V3B11	GND	V3D04	GND	V3D08	GND
V3D12	GND	V4B03	GND	V4B07	GND	V4B11	GND	V4D04	GND
V4D08	GND	V4D12	GND	V5B03	GND	V5B07	GND	V5B11	GND
V5D04	GND	V5D08	GND	V5D12	GND	V6A02	GND		

FOR ANY VOLTAGE PIN NOT INDICATED IN THE VOLTAGE PIN LIST, USE THE NET NUMBER TO LOCATE THE AID PAGE FOR DETERMINING THE VOLTAGE INFORMATION

END OF LIST





MST CARD LOCATION LIST

5554842  
PAGE 1

PRESENT BOARD P/N 5554842  
 RUN DATE 10/23/75  
 PRIME BOARD LOCATION 502-W8  
 CARD PRESENT EC 825077  
 PREVIOUS EC 0000825057  
 VERSION 000

SOCKET	CARD PT NO	TYPE	ACC	-----ALD REFERENCES-----
C4	8239479	Y658		FW108 FW191 FW192
D4	8239479	Y658		FW188 FW189
E4	8239480	Y659		FW109 FW184 FW185 FW186
F4	8239480	Y659		FW109 FW180 FW181 FW182
L2	5858517	2592		FW170 FW171 FW172 FW173 FW174 FW175
M2	8239481	Y660		FW109 FW160 FW161 FW162 FW163 FW164 FW165 FW166
N4	8234543	Y656		FW150 FW151 FW152
R2	8239482	Y661		FW140 FW141 FW142 FW143 FW144 FW145
S2	8239483	Y662		FW109 FW200 FW201
S4	8210780	2666		FW130 FW131
T2	8250465	Y657		FW108 FW120 FW121 FW122

\*\*\*\*END OF LIST\*\*\*\*

3277 ATTACHMENT TIE UP/TIE DOWN LIST

THE FOLLOWING BLACK WIRES (PN 811695) ARE ADDED TO BOARD 01B-B2 AS SPECIFIED BELOW:

<u>CONDITION</u>	<u>BOARD (01B-B2)</u>	<u>JUMPER</u>	
		<u>FROM</u>	<u>TO</u>
WITH 3277 BOARD LOC 01B-B2 AND WITHOUT ANY OF THE FOLLOWING FEATURE BOARDS: 01B-A2, 01B-A1 OR 01B-B1		01B-B2D2B06	01B-B2B2B07
		01B-B2D3B06	01B-B2B3B07
WITH 3277 BOARD LOC 01B-B2 AND WITH ONE OR MORE OF THE FOLLOWING FEATURE BOARDS: 01B-A2, 01B-A1 OR 01B-B1		01B-B2D2D08	01B-B2B2B07
		01B-B2D3D08	01B-B2B3B07

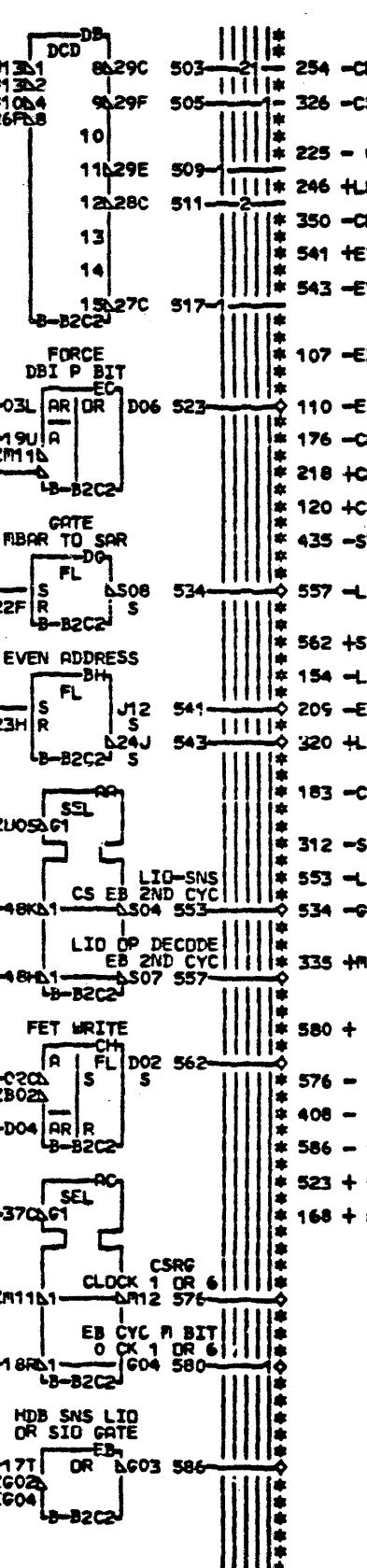
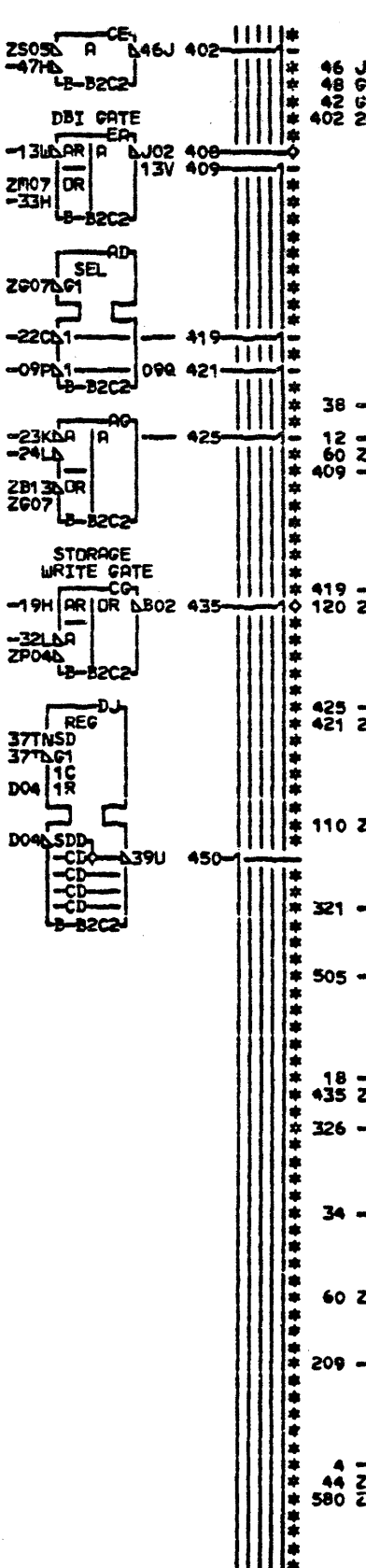
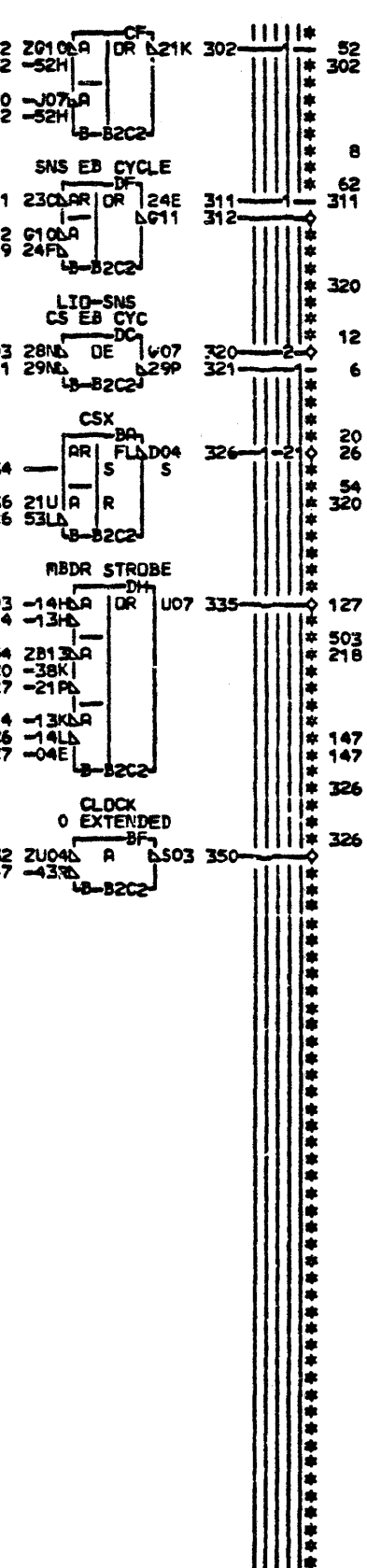
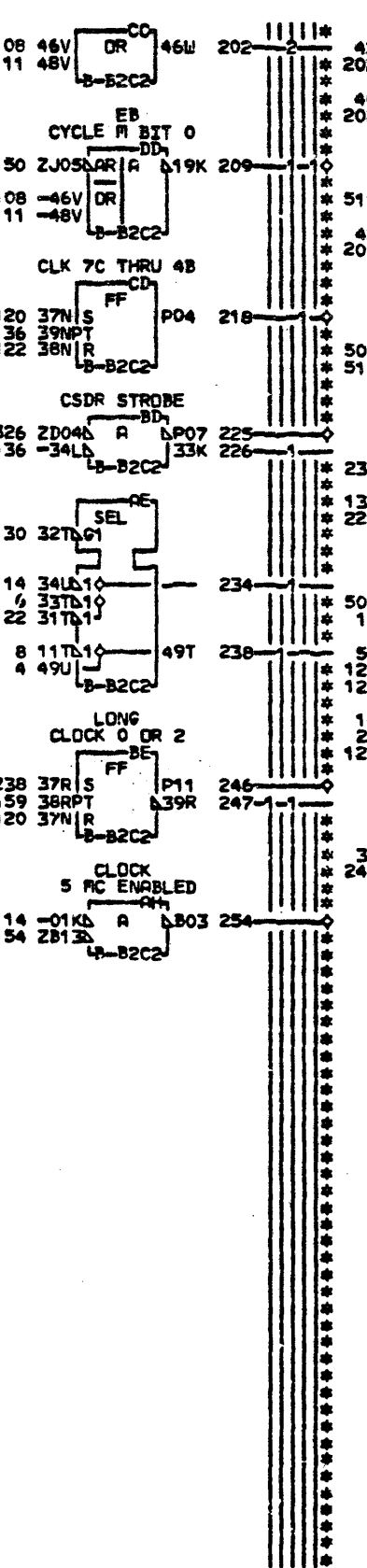
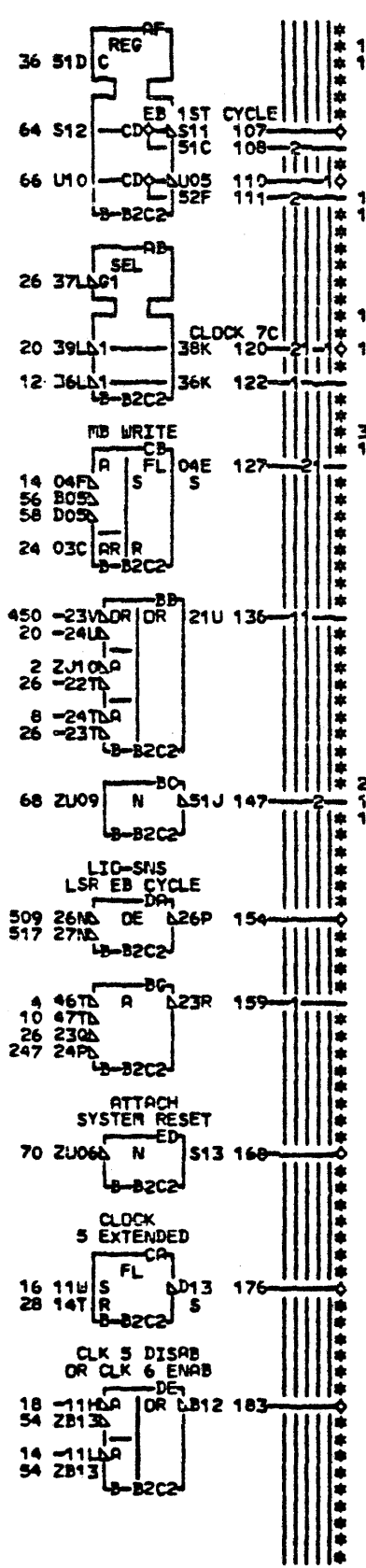
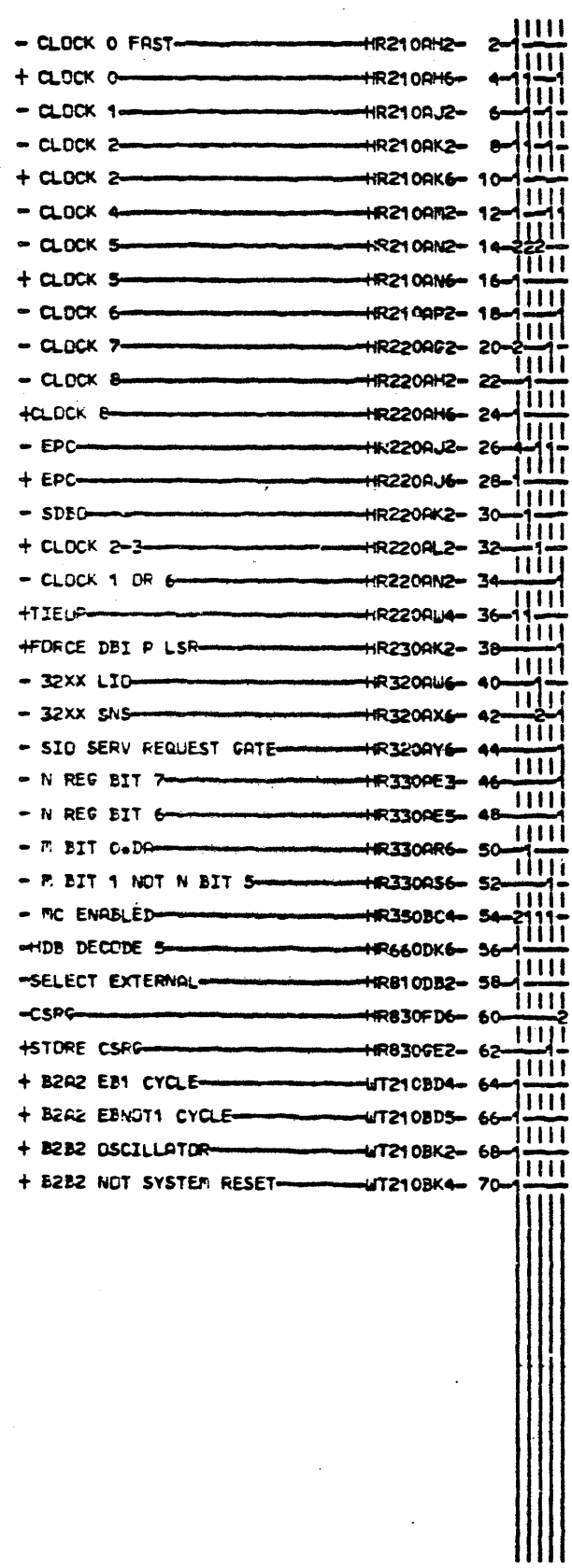
DATE	EC NO	DATE	EC NO	DATE	EC NO	DATE	EC NO	DATE	EC NO
22JUN73	821461	16DEC74	824829						

5556178







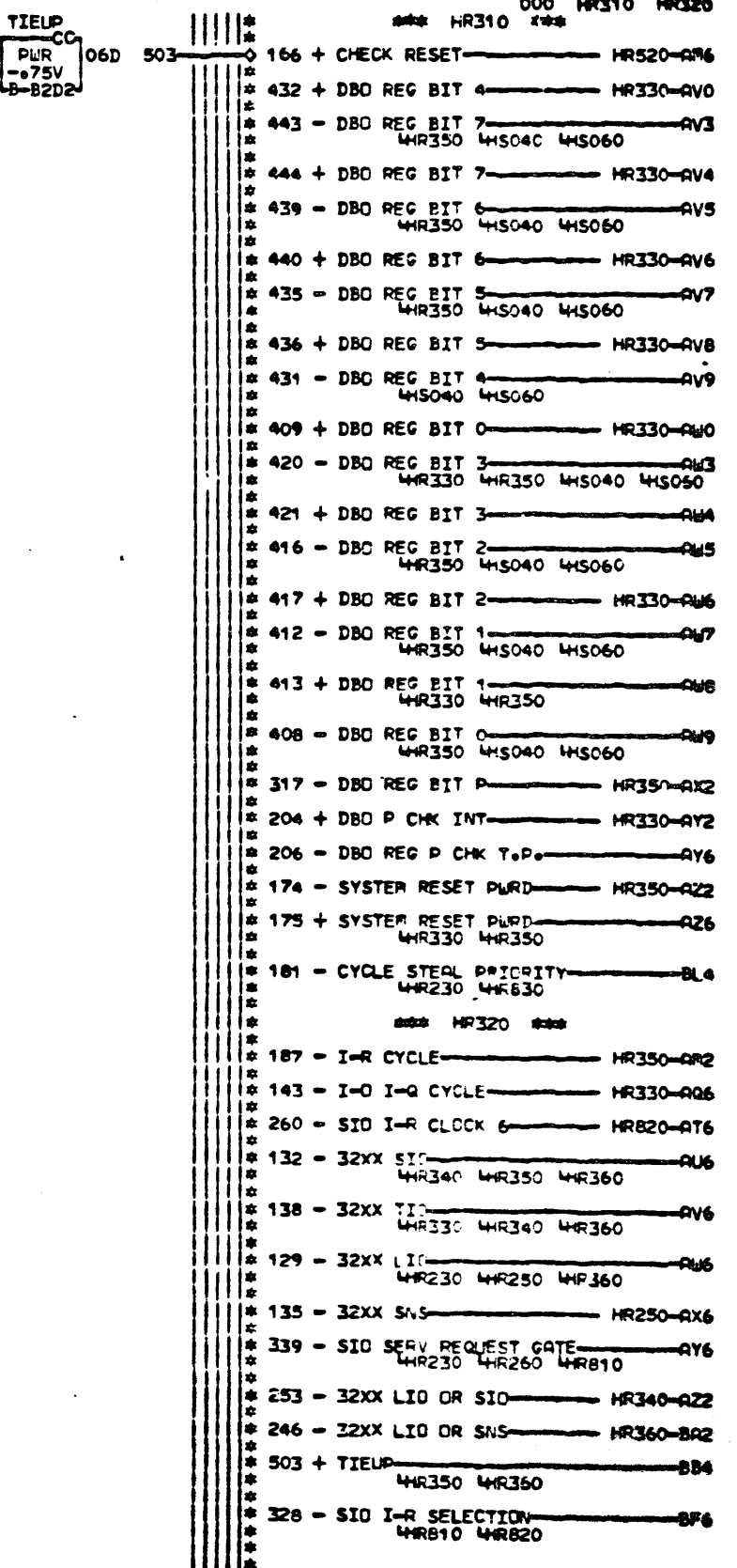
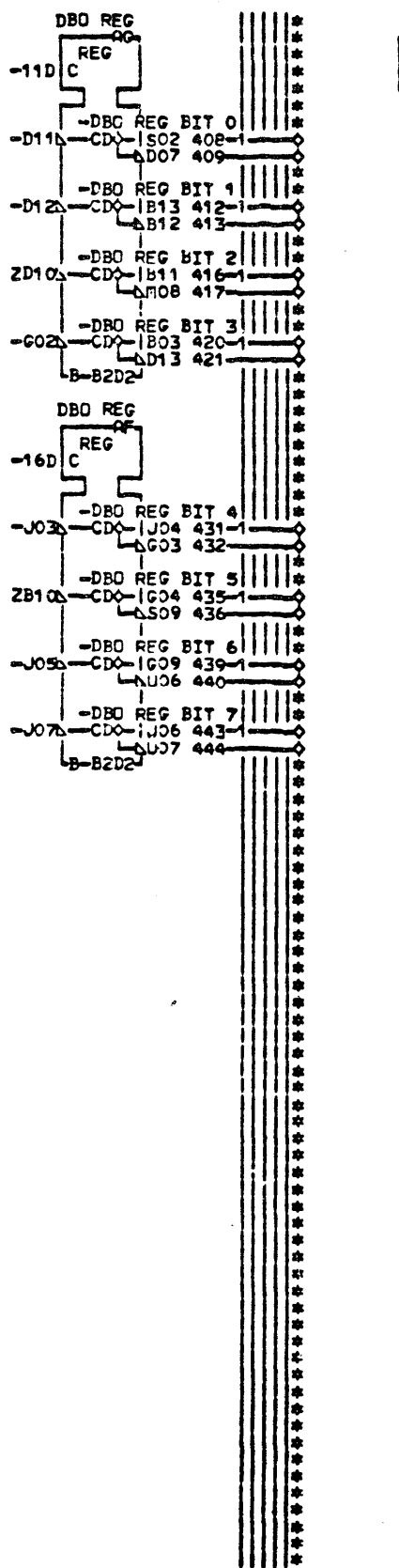
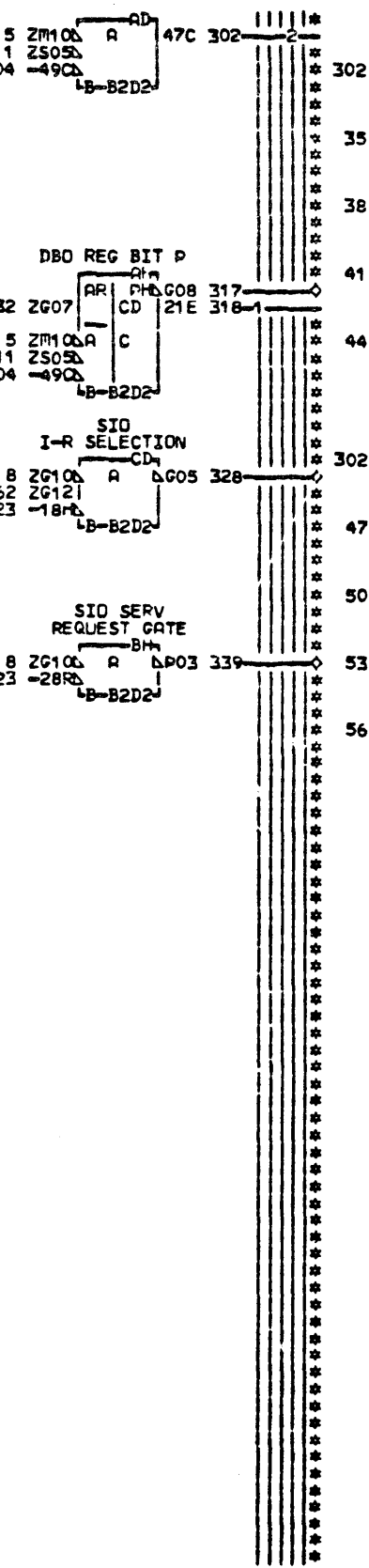
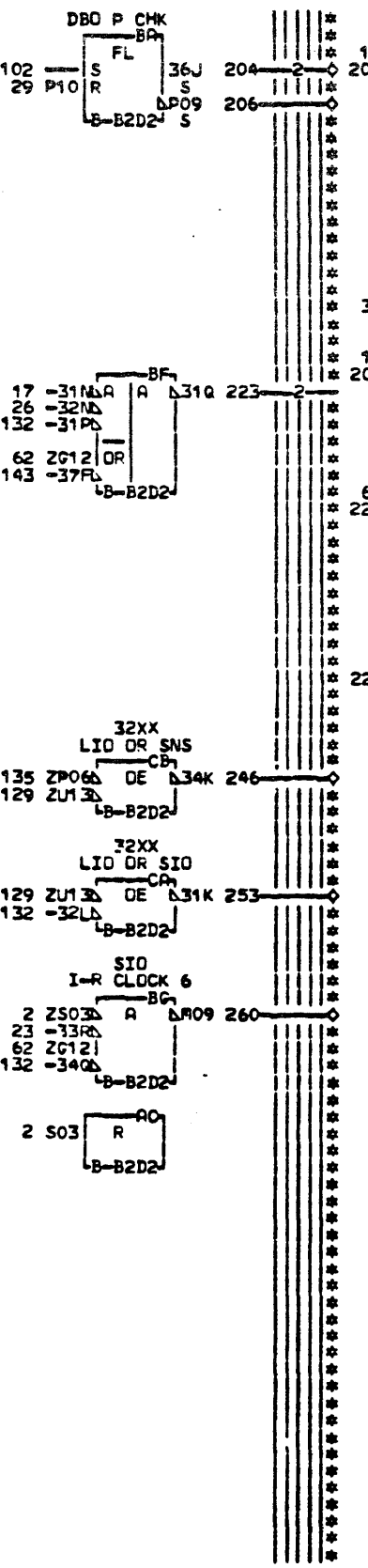
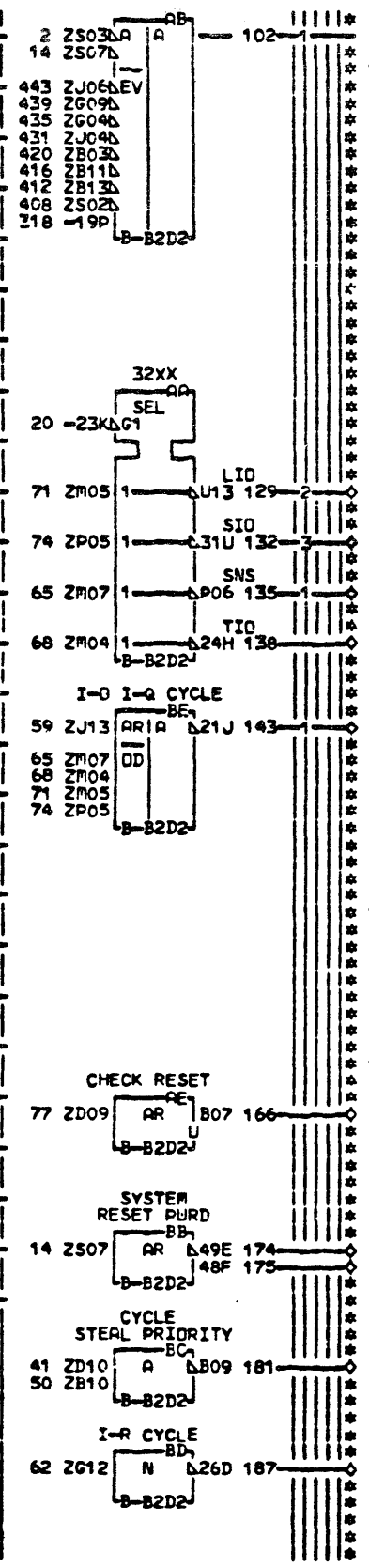
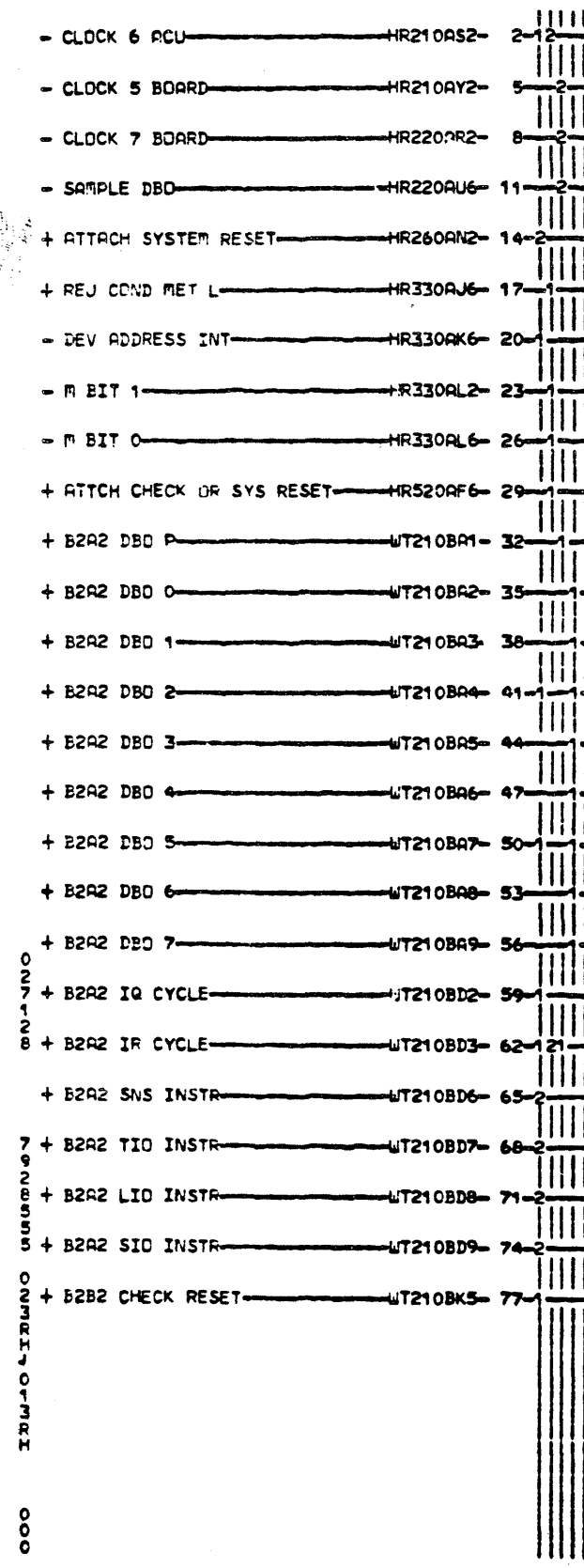


LDC TYPE  
B-B2C2 Y668

PAGE VER EC LEV  
HR240 000 824774  
HR250 000 821758  
HR260 000 821720

CHANNEL POWERING			
E.C. HISTORY	C. MACH.	32X0SM15	
821720			
821758	FRAME	01	HR240
DATE	LAST EC	IBR CORP.	HR260
02-25-74	824774	P.O. No. 5558296	000

HR240  
HR260  
000



000  
 2  
 000

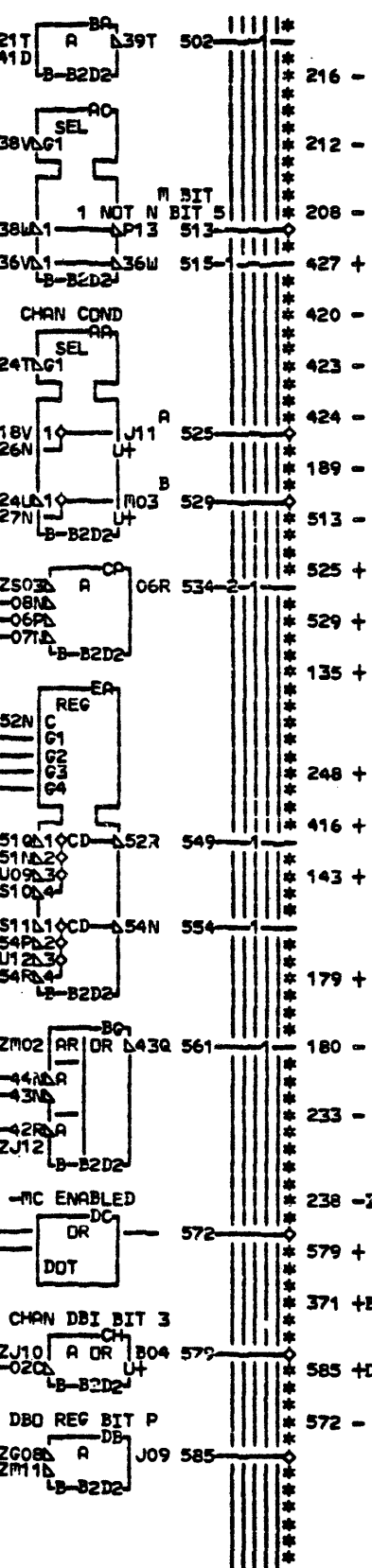
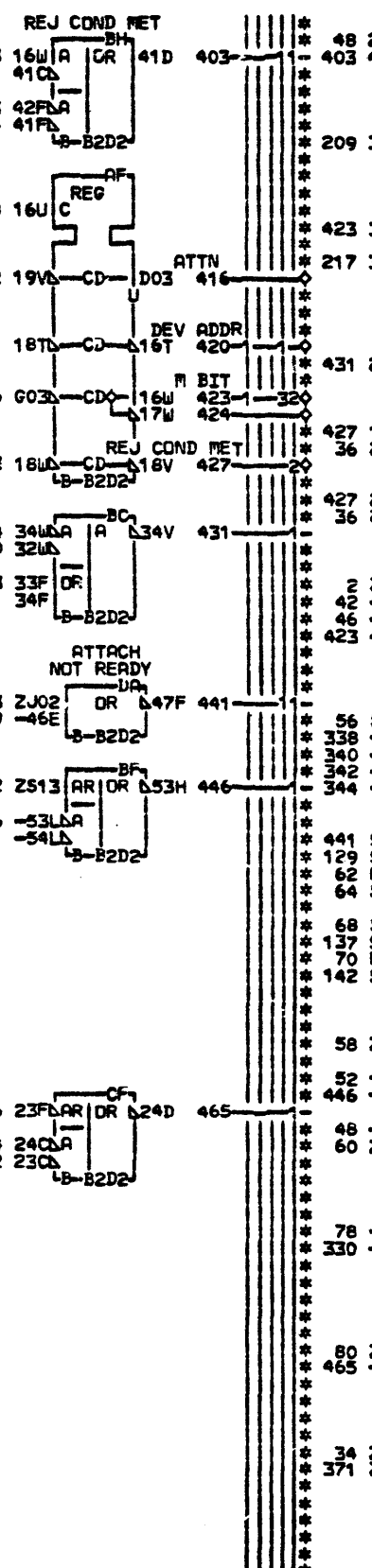
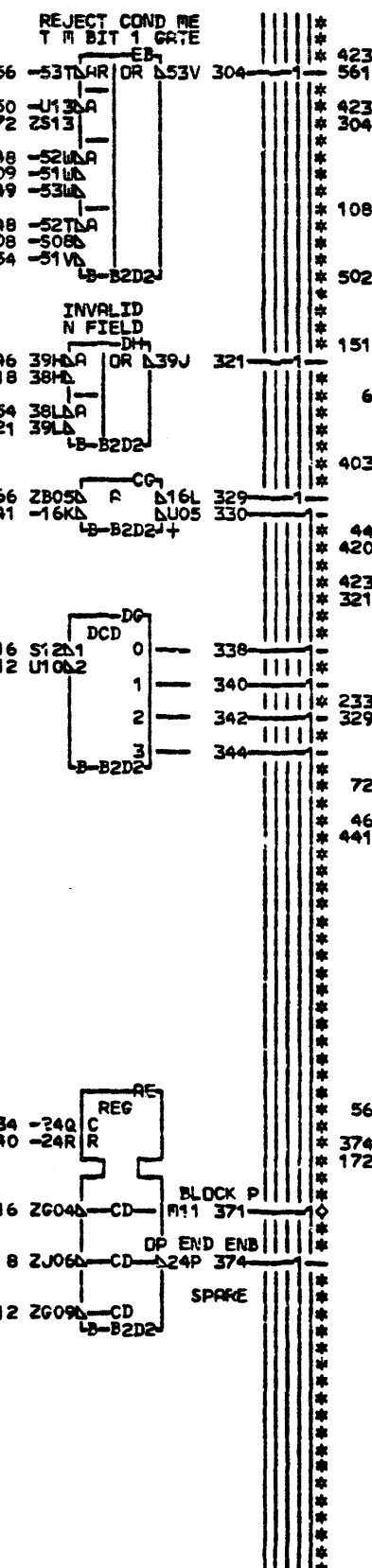
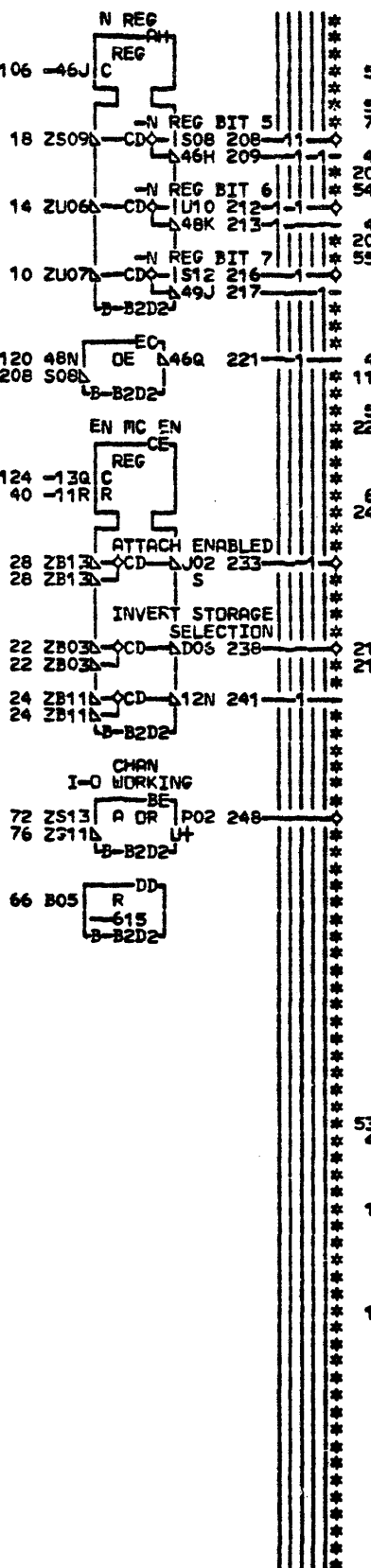
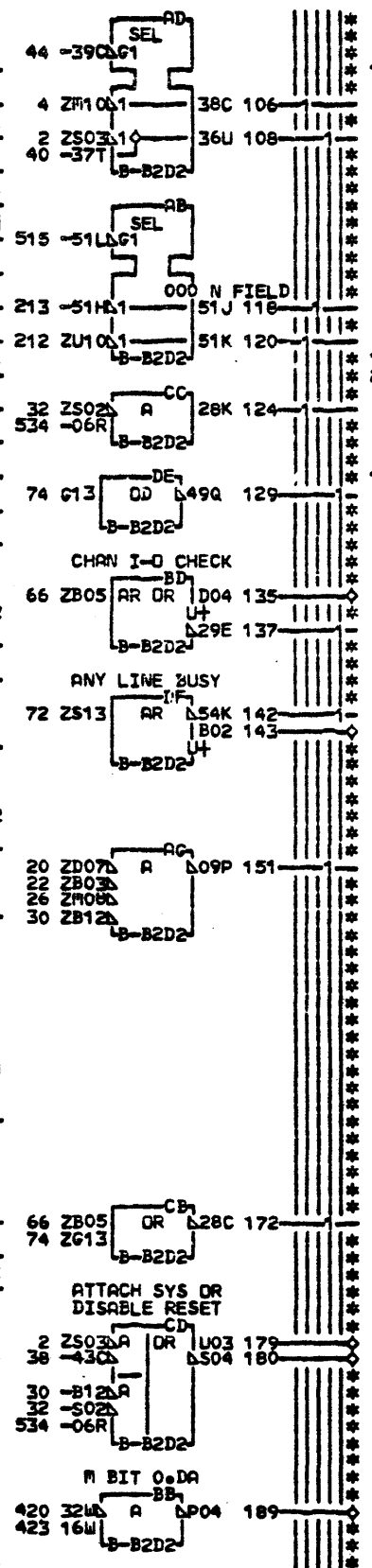
HR310  
 HR320  
 000

LOC. TYPE  
 B-B2D2 Y604

PAGE VER EC LEV  
 HR310 000 821720  
 HR320 000 821720

DBO REGISTER AND I-O INSTRUCT			
E.C.	HISTORY	C	MACH. 32XXS15
		FRAME	01 HR310
DATE	LAST EC	IBR	CORP. RD HR320
12-06-73	821720	P.O. No.	5558297 000

- CLOCK 6 ACU HR210RS2 2-2  
 - CLOCK 5 BOARD HR210AY2 4  
 + DBD REG BIT 4 HR310AV0 6  
 - DBD REG BIT 7 HR310AV3 8  
 + DBD REG BIT 7 HR310AV4 10  
 - DBD REG BIT 6 HR310AV5 12  
 + DBD REG BIT 6 HR310AV6 14  
 - DBD REG BIT 5 HR310AV7 16  
 + DBD REG BIT 5 HR310AV8 18  
 + DBD REG BIT 0 HR310AW0 20  
 - DBD REG BIT 3 HR310AW3 22  
 - DBD REG BIT 2 HR310AW5 24  
 + DBD REG BIT 2 HR310AW6 26  
 - DBD REG BIT 1 HR310AW7 28  
 + DBD REG BIT 1 HR310AW8 30  
 - DBD REG BIT 0 HR310AW9 32  
 - DBD REG BIT P HR310AX2 34  
 + DBD P CHK INT HR310AY2 36  
 - SYSTEM RESET PURD HR310AZ2 38  
 + SYSTEM RESET PURD HR310AZ6 40  
 - I-R CYCLE HR320AM2 42  
 - I-Q I-R CYCLE HR320AQ6 44  
 - 32XX SID HR320AL6 46  
 - 32XX TID HR320AV6 48  
 - 32XX LID HR320AW6 50  
 - 32XX LID OR SID HR320AZ2 52  
 - 32XX LID OR SNS HR320BA2 54  
 + TIEUP HR320BB4 56  
 + SPARE 1 HR340001 58  
 + SPARE 2 HR340002 60  
 + DB EXT P CHECK HR510AL6 62  
 - CTRL STORE P CHK HR510AX6 64  
 + ATTACH CHECK DOT HR510BC4 66  
 - STORAGE ADR P CHK HR510BH6 68  
 - STORAGE WRITE DATA P CHK HR510BJ6 70  
 + SID SVC REQ ADAPT BUSY HR820CF2 72  
 + INT REQUEST HR820CH2 74  
 + CE STOP LATCH HS930EE2 76  
 + DOT OFF MC ENABLED HS930FE2 78  
 + B2B2 INTERRUPT POLL HR210BK3 80



\*\*\* HR330 \*\*\*  
 000 HR330 HR360  
 216 - N REG BIT 7 HR250 HR530  
 212 - N REG BIT 6 HR250 HR530  
 208 - N REG BIT 5 HR530 HR530  
 427 + REJ COND MET L HR320 HR530  
 420 - DEV ADDRESS INT HR320 HR530  
 423 - M BIT 1 HR320 HR530  
 424 - M BIT 0 HR320 HR530  
 189 - M BIT 0 DA HR250 HR530  
 513 - M BIT 1 NOT N BIT 5 HR250 HR530  
 525 + CHAN COND A W7001 HR530  
 529 + CHAN COND B W7001 HR530  
 135 + CHAN I-O CHECK W7001 HR530  
 \*\*\* HR340 \*\*\*  
 248 + CHAN I-O WORKING W7001 HR530  
 416 + CHAN I-O ATTN NOT USED AP2  
 143 + CHAN I-O PETER RUN W7001 HR530  
 \*\*\* HR350 \*\*\*  
 179 + ATTACH SYS OR DISABLE RESET HR520 HR530  
 180 - ATTACH SYS OR DISABLE RESET HR520 HR530  
 233 - ATTACH ENABLED HR510 HR320 HR510 HR5040  
 238 - INVERT STORAGE SELECTION HR540 HR530  
 579 + CHAN DBI BIT 3 W7001 HR530  
 371 + BLOCK P BIT HR610 HR620  
 585 + DBD REG BIT P HS040 HR530  
 572 - MC ENABLED HR240 HR250 HR510 HR520 HR5920 HR5930

LOC. TYPE  
B-82D2 Y604

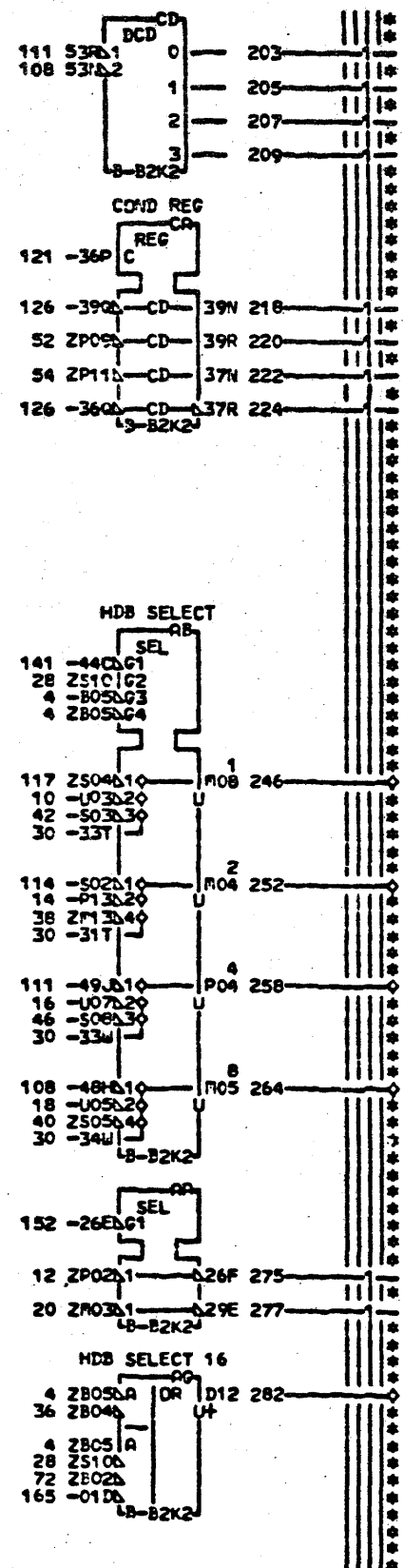
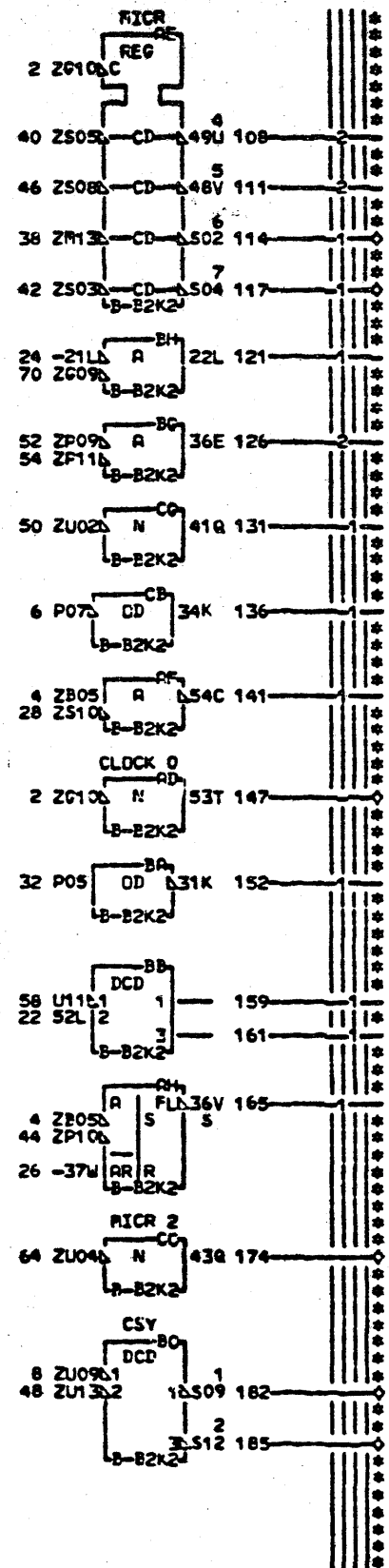
PAGE VER EC LEV  
 HR330 000 821758  
 HR340 000 824774  
 HR350 000 821758  
 HR360 000 821758

Q BYTE INSTRUCTION DECODE			
E=C	HISTORY	C	MACH 32XSM15
821720		FRAME	01 HR330
821758		IBM CORP	HR360
DATE	LAST EC	P.No.	5558298 000
02-25-74	824774		

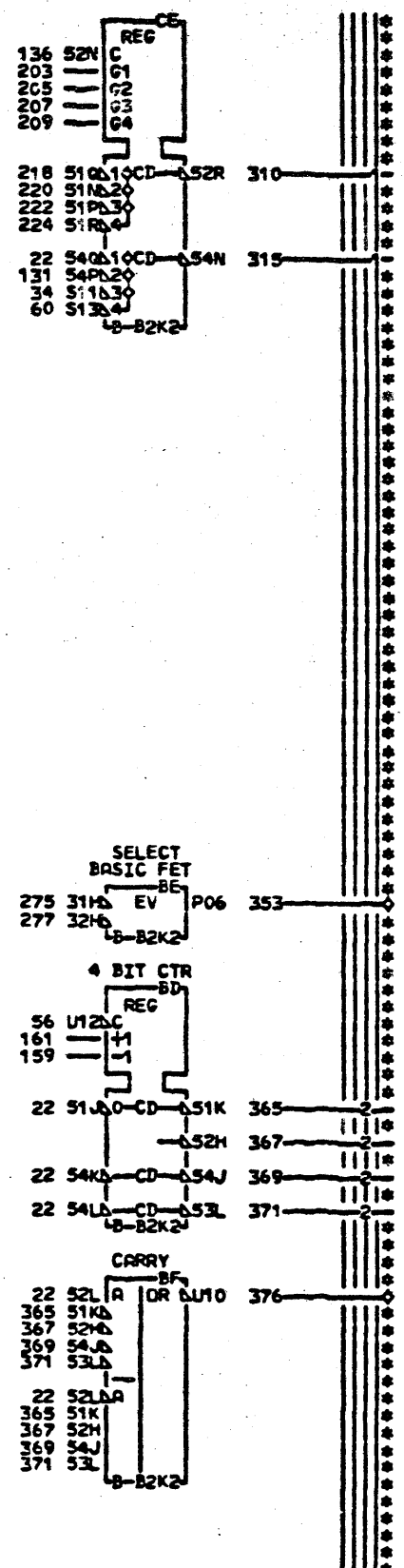
HR330  
HR360  
000



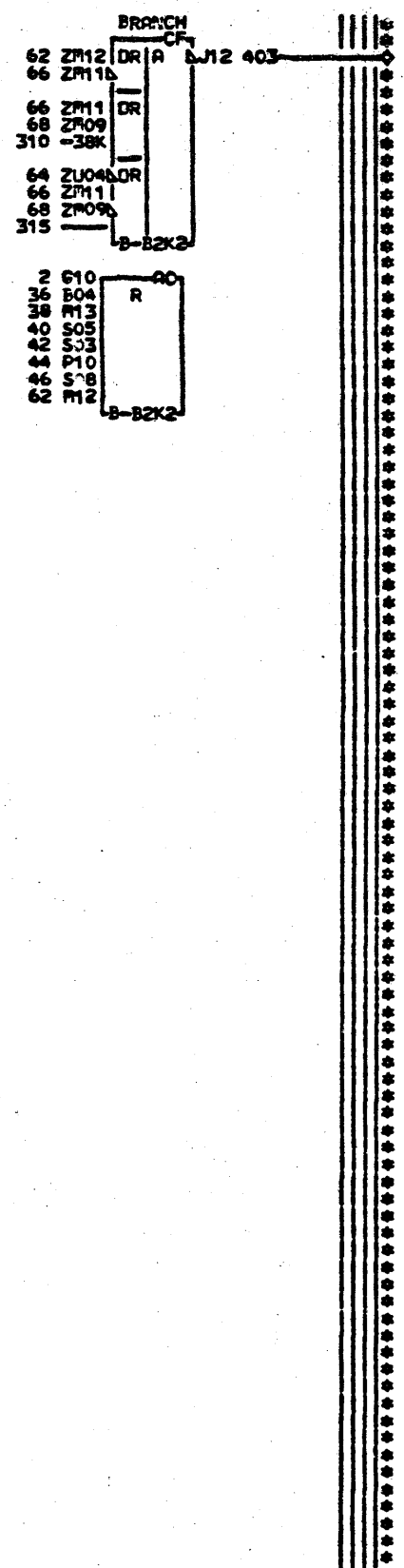
- CLOCK 0 BOARD HR210AT2 2
- CLOCK 3 BOARD HR210AU2 4
- CLOCK 4 BOARD HR210AX2 6
- CSX HR240BC6 8
- EB 1ST CYCLE HR250AB2 10
- GATE MBAR TO SAR HR250CJ6 12
- N REG BIT 7 HR330AE3 14
- N REG BIT 6 HR330AE5 16
- N REG BIT 5 HR330AE7 18
- INVERT STORAGE SELECTION HR350AH8 20
- + TIEUP HR510BE4 22
- CLOCK 5 AND EPC HR520AL6 24
- + CLOCK 5 MC DISAB OR 6 ENAB HR520AQ2 26
- MC RUN CKZ THRU 5 HR520AL6 28
- + FORCE F HR520BD2 30
- + EXPANSION FET INSTALLED HR540001 32
- + SPARE B05 HR550001 34
- CSDR 3 HR630EC6 36
- CSDR 6 HR630EE6 38
- CSDR 4 HR630FC6 40
- CSDR 7 HR630FE6 42
- CSDR 2 HR630GF6 44
- CSDR 5 HR630GC6 46
- SAR HI 5 HR650BR2 48
- COMPARE HR660FK4 50
- ALU HIGH ZERO HR720DA6 52
- ALU LD ZERO HR720EN6 54
- + XMIT LCH HR740CF2 56
- STEP COUNTER HR740GD2 58
- + SID SVC REG ADAPT BUSY HR820CF2 60
- + TSN COND FET HR840FL2 62
- RICR 2 HS040AC5 64
- RICR 3 HS040AC8 66
- RICR 0 HS040AH8 68
- LATCH CONDITIONS HS040AR2 70
- HDB TO A REG AT CK 3 HS040RV4 72



LUC TYPE  
B-82K2 Y670

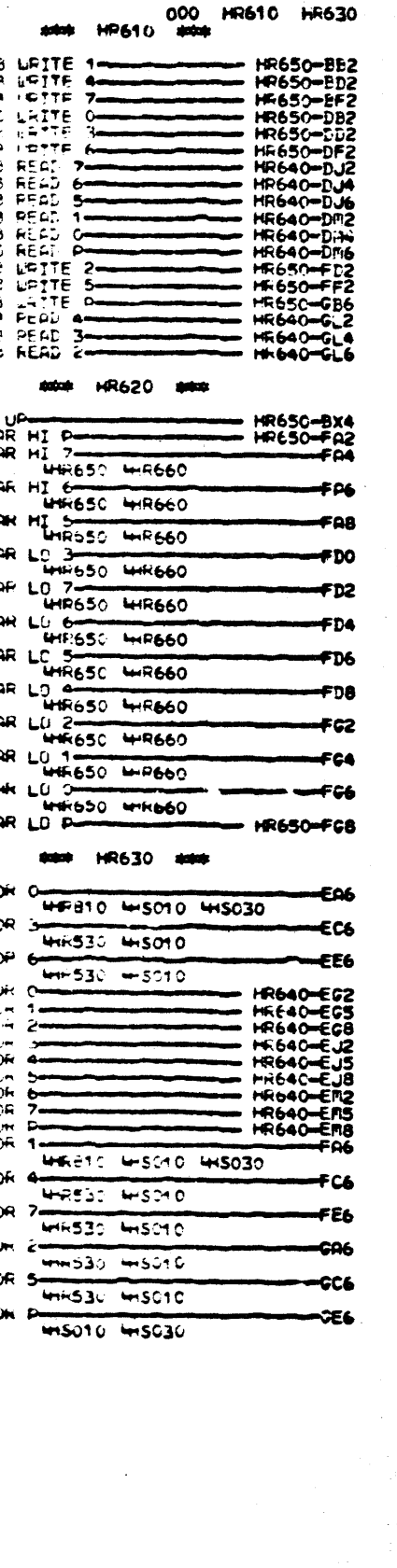
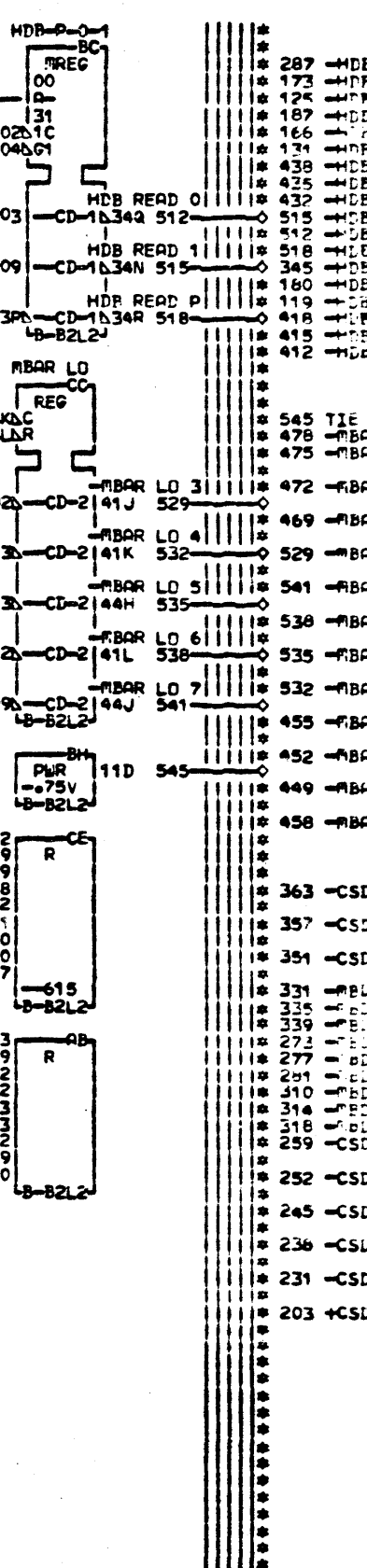
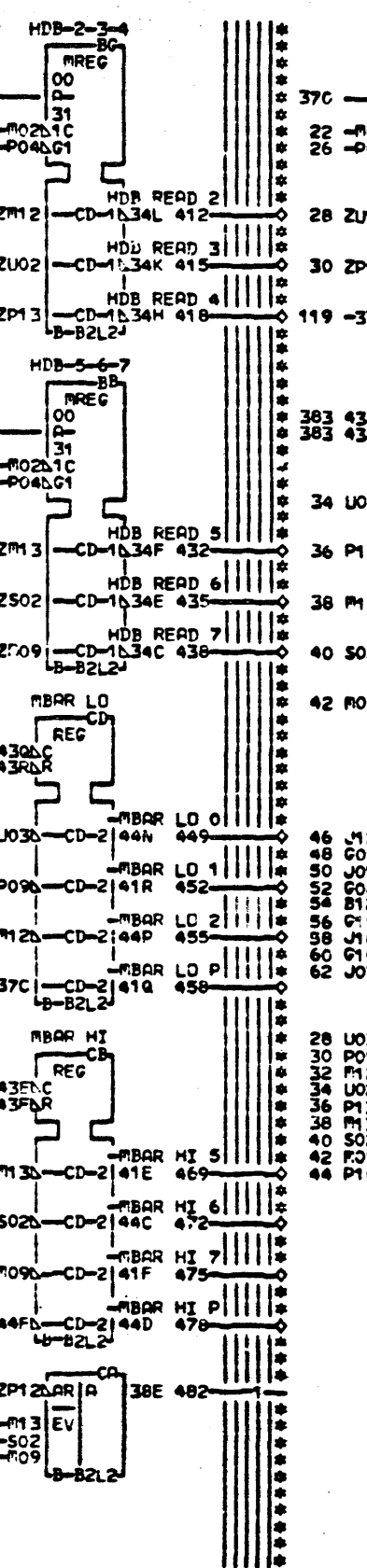
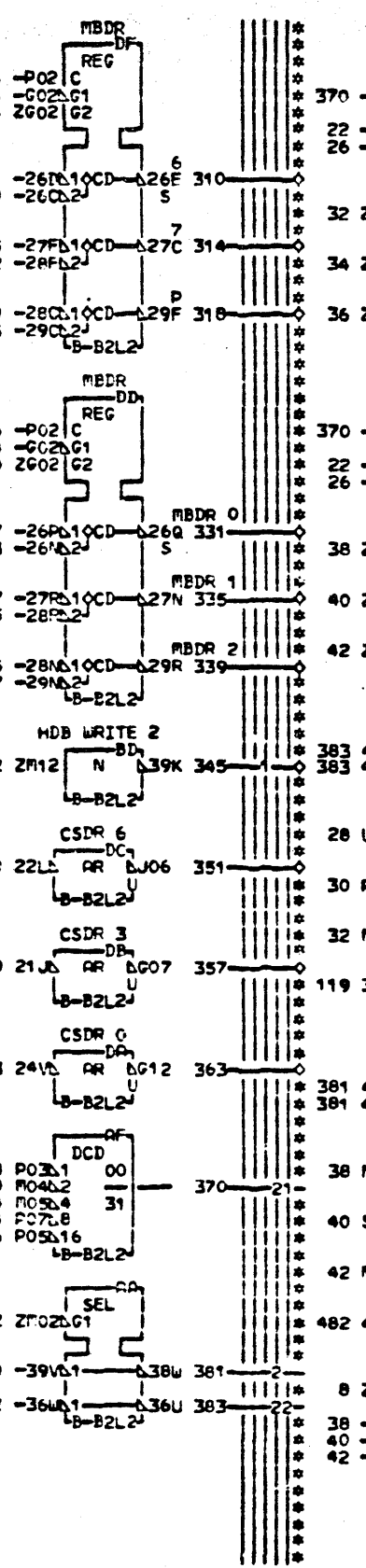
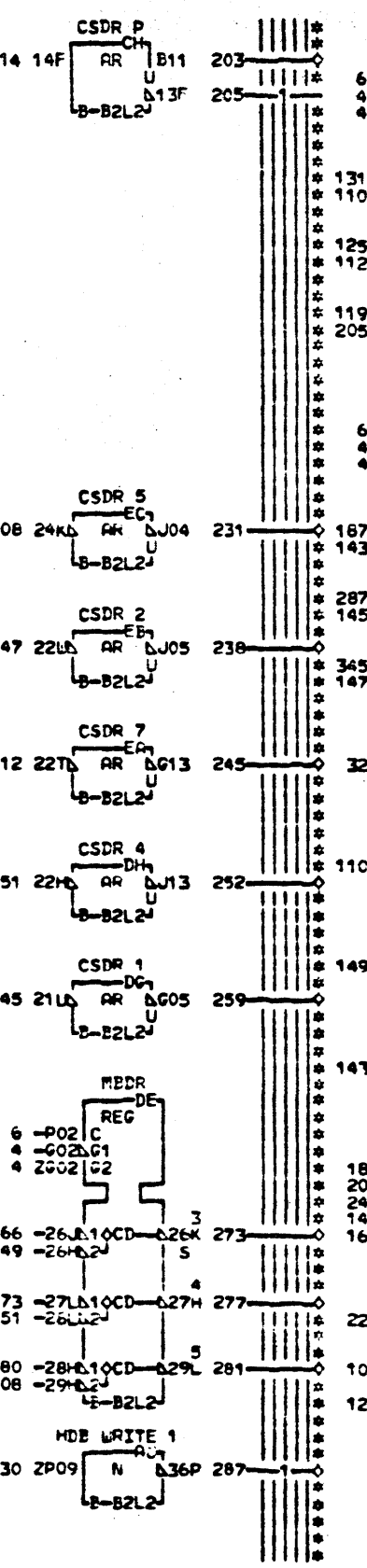
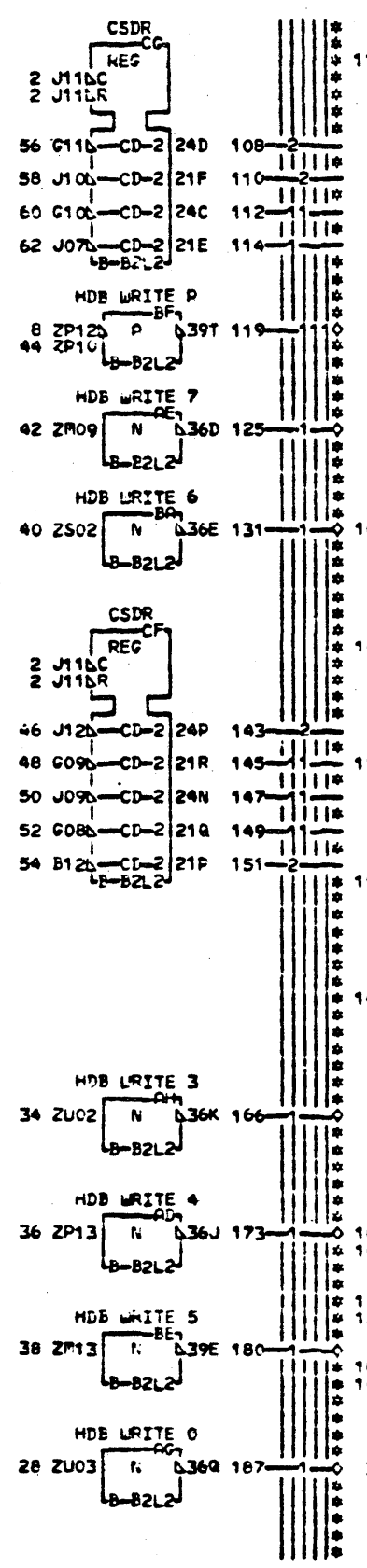
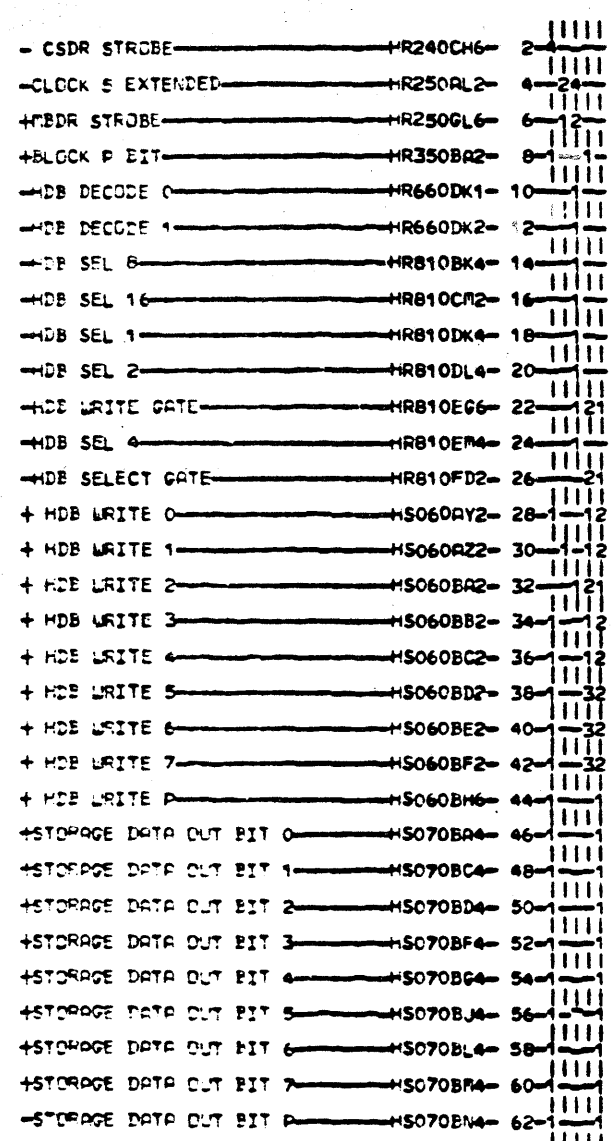


PAGE VER EC LEV  
HR530 000 821720  
HR540 000 821758  
HR550 000 821758



- 147 + CLOCK 0 HR520-DF2
- 117 - RICR 7 HS040-AG0
- 114 - RICR 6 HS040-AG8
- 264 + HDB SELECT 8 HR810-CT6
- 258 + HDB SELECT 4 HR810-CL6
- 252 + HDB SELECT 2 HR810-CL6
- 246 + HDB SELECT 1 HR810-CL6
- 282 + HDB SELECT 16 HR810-CY6
- \*\*\* HR540 \*\*\*
- 182 - CSY 1 HS100-CP6
- 185 - CSY 2 HS100-CC6
- 353 + SELECT BASIC FET HS100-EE2
- 376 - COUNT 13 HR740-FY6
- \*\*\* HR550 \*\*\*
- 174 + RICR 2 HR510-AL6
- 403 - BRANCH HR520-AL4

HDB SELECT AND BRANCH LOGIC		DATE LAST EC	
TYPE OUT COUNTER		01-06-74 821758	
E.C. - IRTONYAN, DANAHAY, BERNIS, M.S.		ReNo 5558300	
821720	FR00E 01	HR530	
	IRN CORR RD	HR550	
		000	



HR610  
HR630  
000

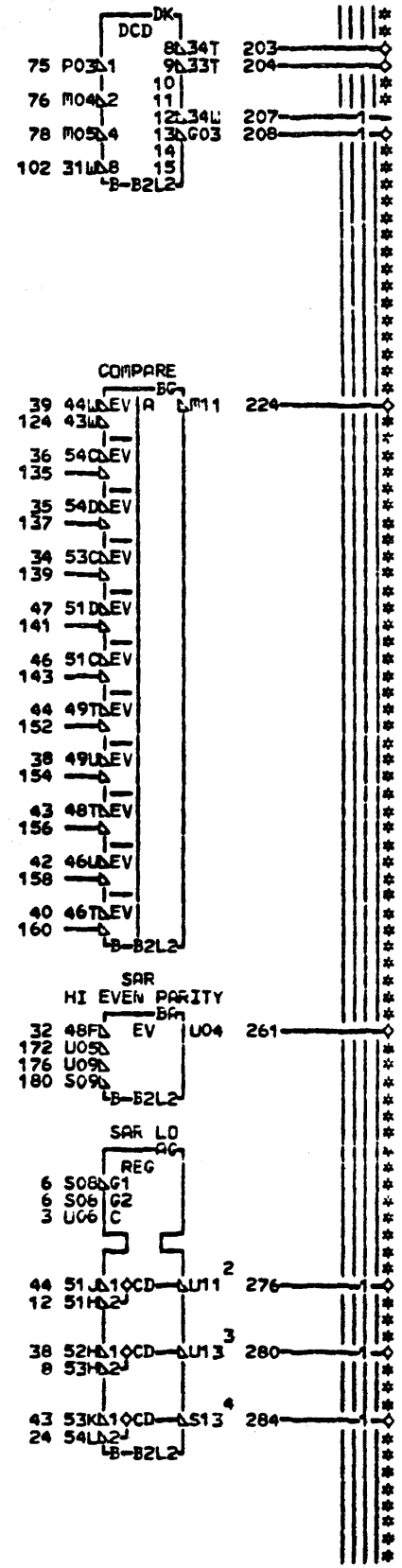
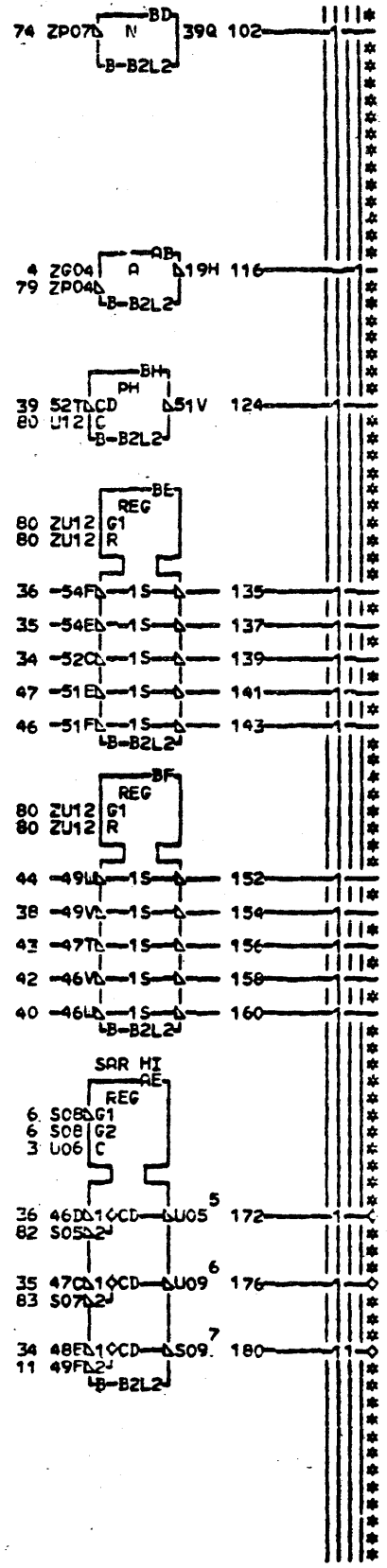
LLC TYPE  
B-B2L2 Y669

PAGE VER EC LEV  
HR610 000 B21758  
HR620 000 B21758  
HR630 000 B21758

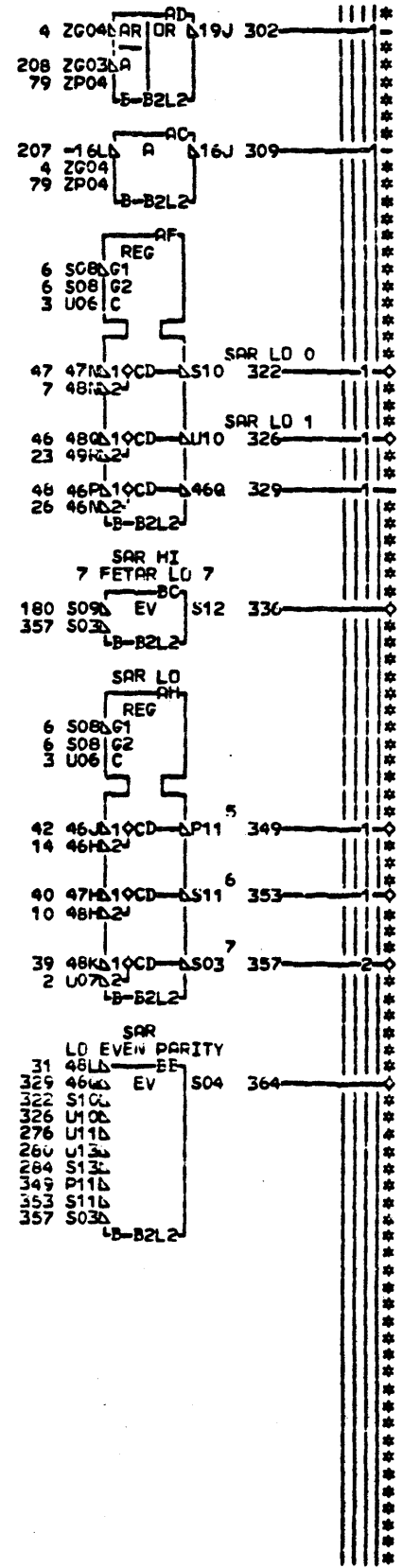
MDB-MBAR-FETAR-CSDR-MDR	HR610
MDB REG	HR630
-E-C-HISTORY-C-MACH-32XSM15	000
B21720	000
DATE LAST EC	01-16-74 B21758
IBN CORP-CSD	HR630
FRAME 01	000
PaNo 5558301	000



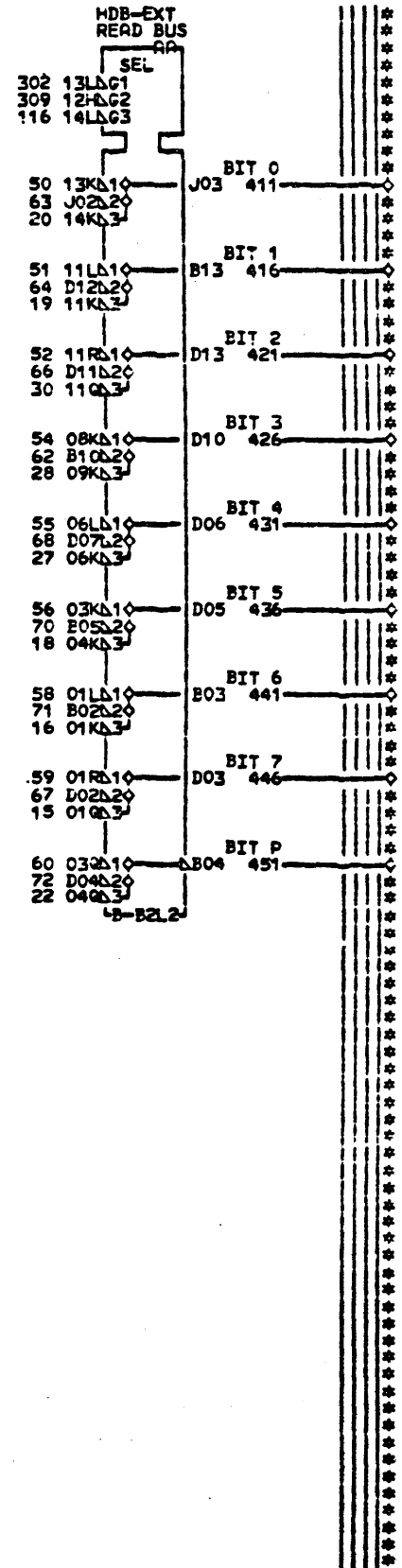
←EVEN ADDRESS	HR240GG2	2	
←CLK 7C THRU 4E	HR250BJ6	3-112	
←STORAGE WRITE GATE	HR250CN2	4-1-2	
←GATE MBR TO SAR	HR250GJ6	6-224	
←HDB WRITE 1	HR610BB2	7-1	
←HDB WRITE 4	HR610BD2	8-1	
←HDB WRITE 7	HR610BF2	10-1	
←HDB WRITE 0	HR610DB2	11-1	
←HDB WRITE 3	HR610DD2	12-1	
←HDB WRITE 6	HR610DF2	14-1	
←HDB READ 7	HR610DJ2	15-1	
←HDB READ 6	HR610DJ4	16-1	
←HDB READ 5	HR610DJ6	18-1	
←HDB READ 1	HR610DM2	19-1	
←HDB READ 0	HR610DM4	20-1	
←HDB READ 2	HR610DM6	22-1	
←HDB WRITE 2	HR610FD2	23-1	
←HDB WRITE 5	HR610FF2	24-1	
←HDB WRITE 0	HR610GB6	26-1	
←HDB READ 4	HR610GL2	27-1	
←HDB READ 3	HR610GL4	28-1	
←HDB READ 2	HR610GL6	30-1	
←TIE UP	HR620BX4	31-1	
←MBAR HI P	HR620FA2	32-1	
←MBAR HI 7	HR620FA4	34-21	
←MBAR HI 6	HR620FA6	35-21	
←MBAR HI 5	HR620FA8	36-21	
←MBAR LO 3	HR620FD0	38-12	
←MBAR LO 7	HR620FD2	39-11	
←MBAR LO 6	HR620FD4	40-11	
←MBAR LO 5	HR620FD6	42-11	
←MBAR LO 4	HR620FD8	43-12	
←MBAR LO 2	HR620FG2	44-12	
←MBAR LO 1	HR620FG4	46-11	
←MBAR LO 0	HR620FG6	47-11	
←MBAR LO 7	HR620FG8	48-11	
←MBDR 0	HR630EG2	50-1	
←MBDR 1	HR630EG4	51-1	
←MBDR 2	HR630EG6	52-1	
←MBDR 3	HR630EJ2	54-1	
←MBDR 4	HR630EJ4	55-1	
←MBDR 5	HR630EJ6	56-1	
←MBDR 6	HR630EF2	58-1	
←MBDR 7	HR630EF4	59-1	
←MBDR 7	HR630EF6	60-1	
←I-C REG 7	HR730DA0	62-1	
←I-C REG 4	HR730DA4	63-1	
←I-C REG 5	HR730DA6	64-1	
←I-D REG 6	HR730DAB	66-1	
←I-D REG 11	HR730DC0	67-1	
←I-D REG 8	HR730DC4	68-1	
←I-C REG 9	HR730DC6	70-1	
←I-C REG 10	HR730DC8	71-1	
←I-D REG F	HR730DE6	72-1	
←HDB SEL 6	HR810BK4	74-1	
←HDB SEL 1	HR810DK4	75-1	
←HDB SEL 2	HR810DL4	76-1	
←HDB SEL 4	HR810EM4	78-1	
←HDB SELECT GATE	HR810FD2	79-1-2	
←MBAR TO CURAP STROBE	HR820DE2	80-5	
←CS HI 1K PAGE SELECT	HR840AD2	82-1	
←CS EVEN PAGE SELECT	HR840AD7	83-1	



LOC. TYPE  
B-B2L2 Y669



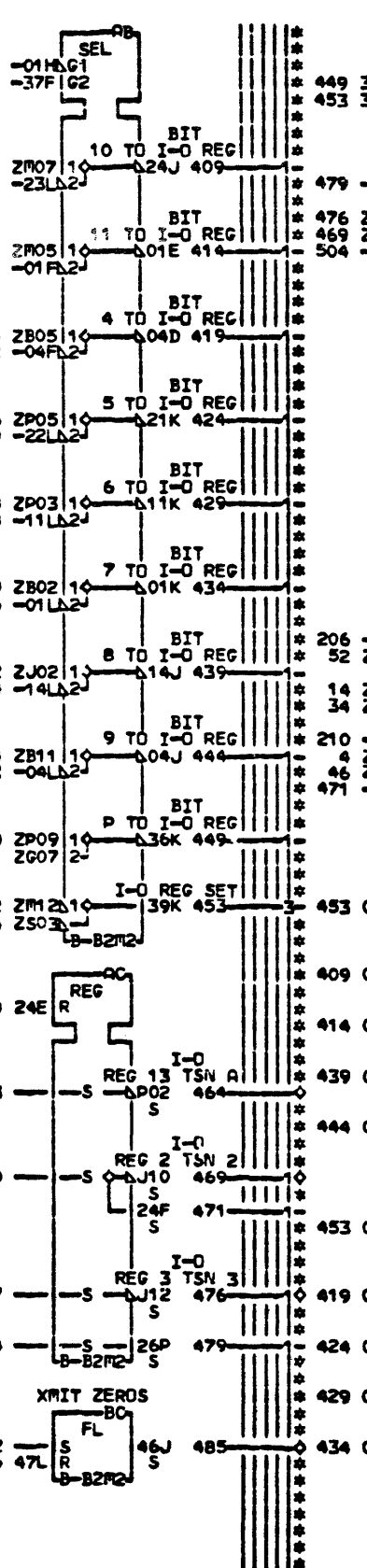
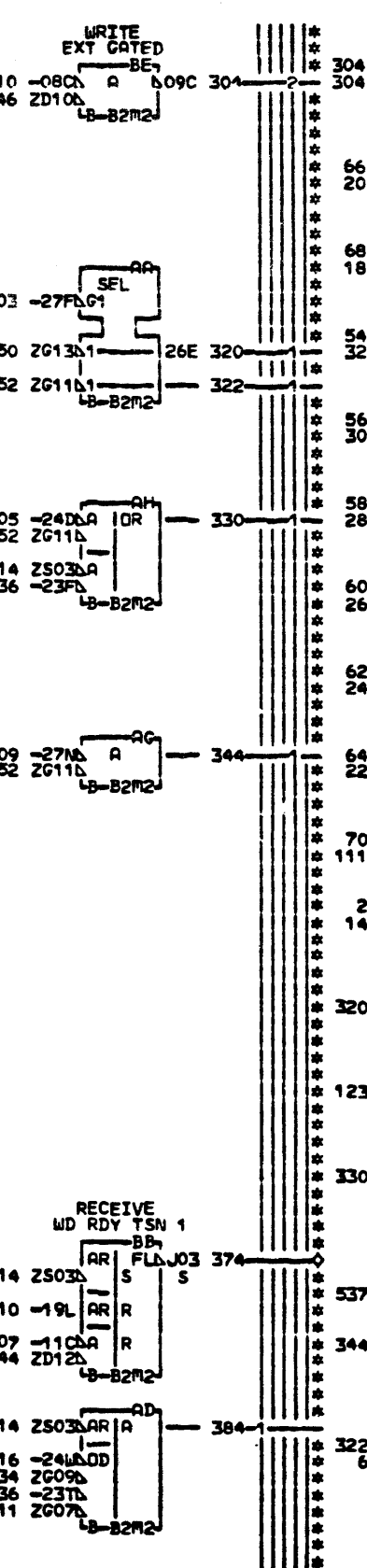
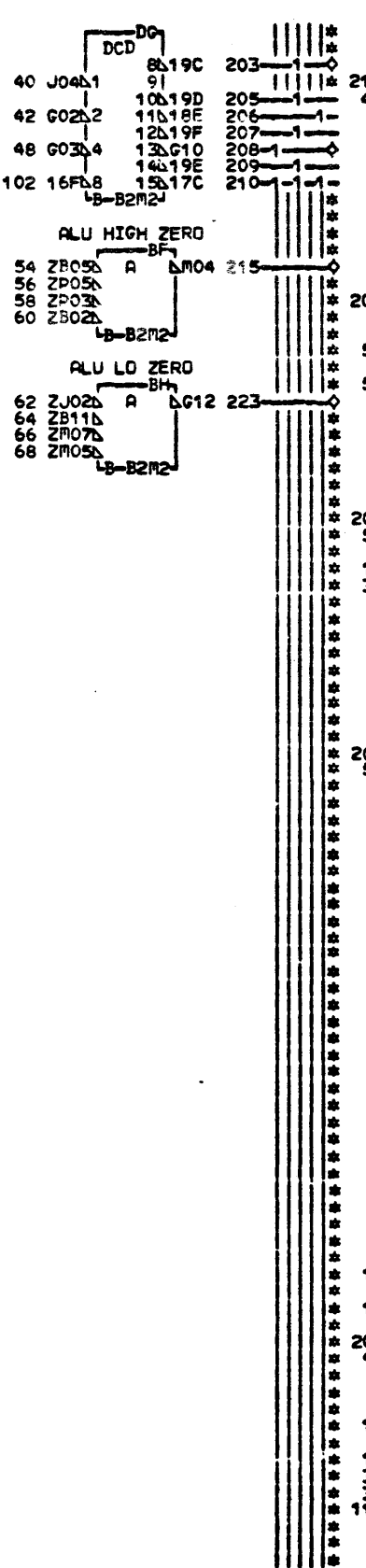
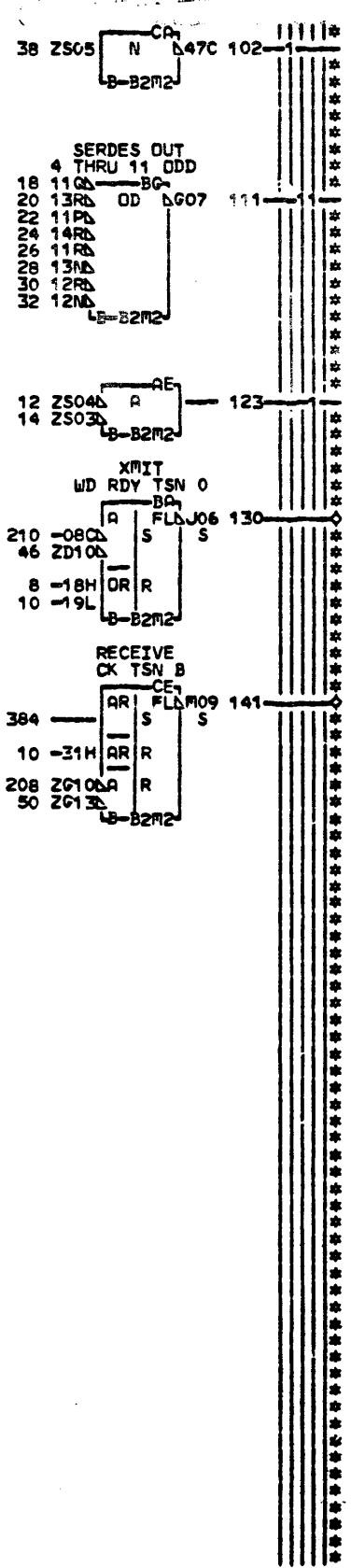
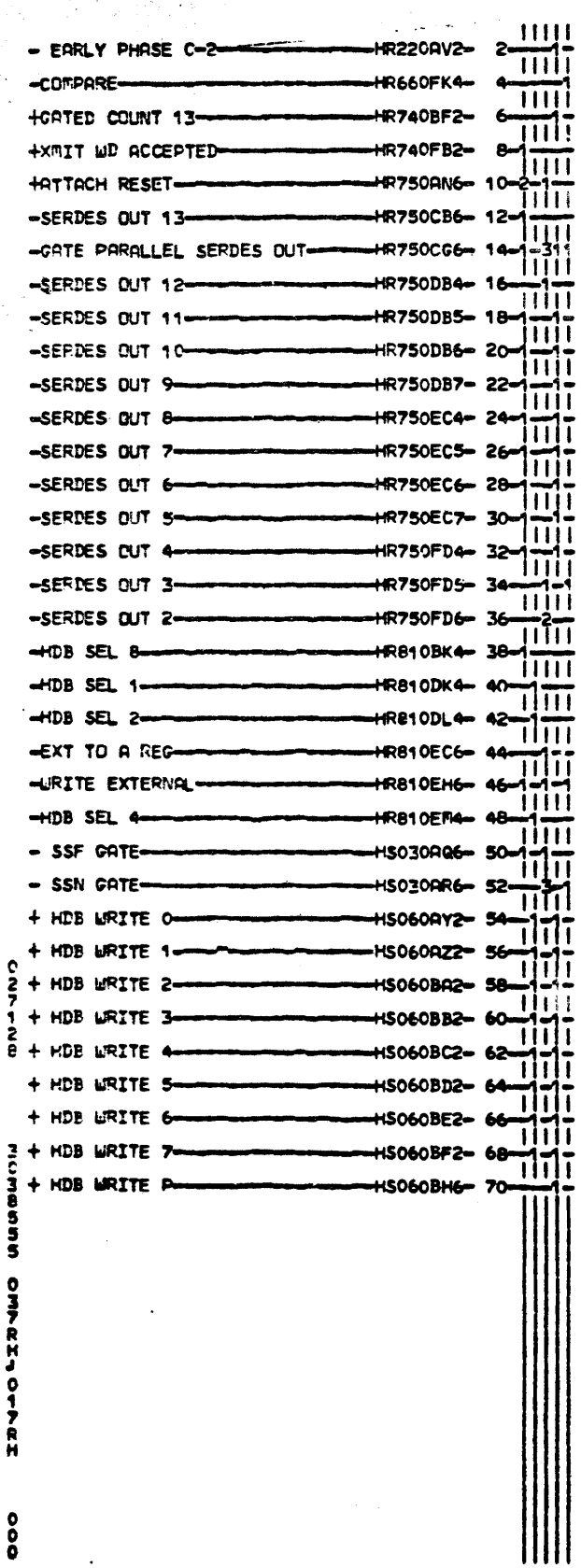
PAGE VER EC LEV  
HR640 000 821758  
HR650 000 821758  
HR660 000 821720



*** HR640 ***	000	HR640	HR660
416	←MDB-EXT READ BUS BIT 1	DA2	
	MS010 MS100 MS940		
431	←MDB-EXT READ BUS BIT 4	DE2	
	MS010 MS100 MS940		
441	←MDB-EXT READ BUS BIT 6	DM2	
	MS010 MS100 MS940		
446	←MDB-EXT READ BUS BIT 7	DM2	
	MS010 MS100 MS940		
411	←MDB-EXT READ BUS BIT 0	FA2	
	MS010 MS100 MS940		
426	←MDB-EXT READ BUS BIT 3	FEC	
	MS010 MS100 MS940		
436	←MDB-EXT READ BUS BIT 5	FM2	
	MS010 MS100 MS940		
451	←MDB-EXT READ BUS BIT P	FM6	
	MS010 MS100 MS940		
421	←MDB-EXT READ BUS BIT 2	GC2	
	MS010 MS100 MS940		
*** HR650 ***			
172	←SAR HI 5	HR540-BA2	
176	←SAR HI 6	HS100-BA5	
180	←SAR HI 7	HS100-BA8	
322	←SAR LO 0	HS100-BD5	
326	←SAR LO 1	HS100-BD8	
276	←SAR LO 2	HS100-BG2	
280	←SAR LO 3	HS100-BG5	
284	←SAR LO 4	HS100-BG8	
349	←SAR LO 5	HS100-BK2	
353	←SAR LO 6	HS100-BK5	
357	←SAR LO 7	HS100-BK8	
261	←SAR HI EVEN PARITY	HR510-CB2	
364	←SAR LO EVEN PARITY	HR510-CE2	
336	←SAR HI 7 FETAR LO 7	HR510-GJ2	
*** HR660 ***			
203	←MDB DECODE 0	HR620-DK1	
204	←MDB DECODE 1	HR620-DK2	
208	←MDB DECODE 5	HR250-DK6	
224	←COMPARE	HR550 HR710	FK4

MDB-←MBAR-FETAR-←MBDR	
MDB READ BUS	
←E-C-←HISTORY-←C-MACH-32XSR15	
821720	
FRAME 01	HR640
IBF CORP. NO	HR660
DATE LAST EC	01-08-74 821758
Page	5558302 000

HR640  
HR660  
000

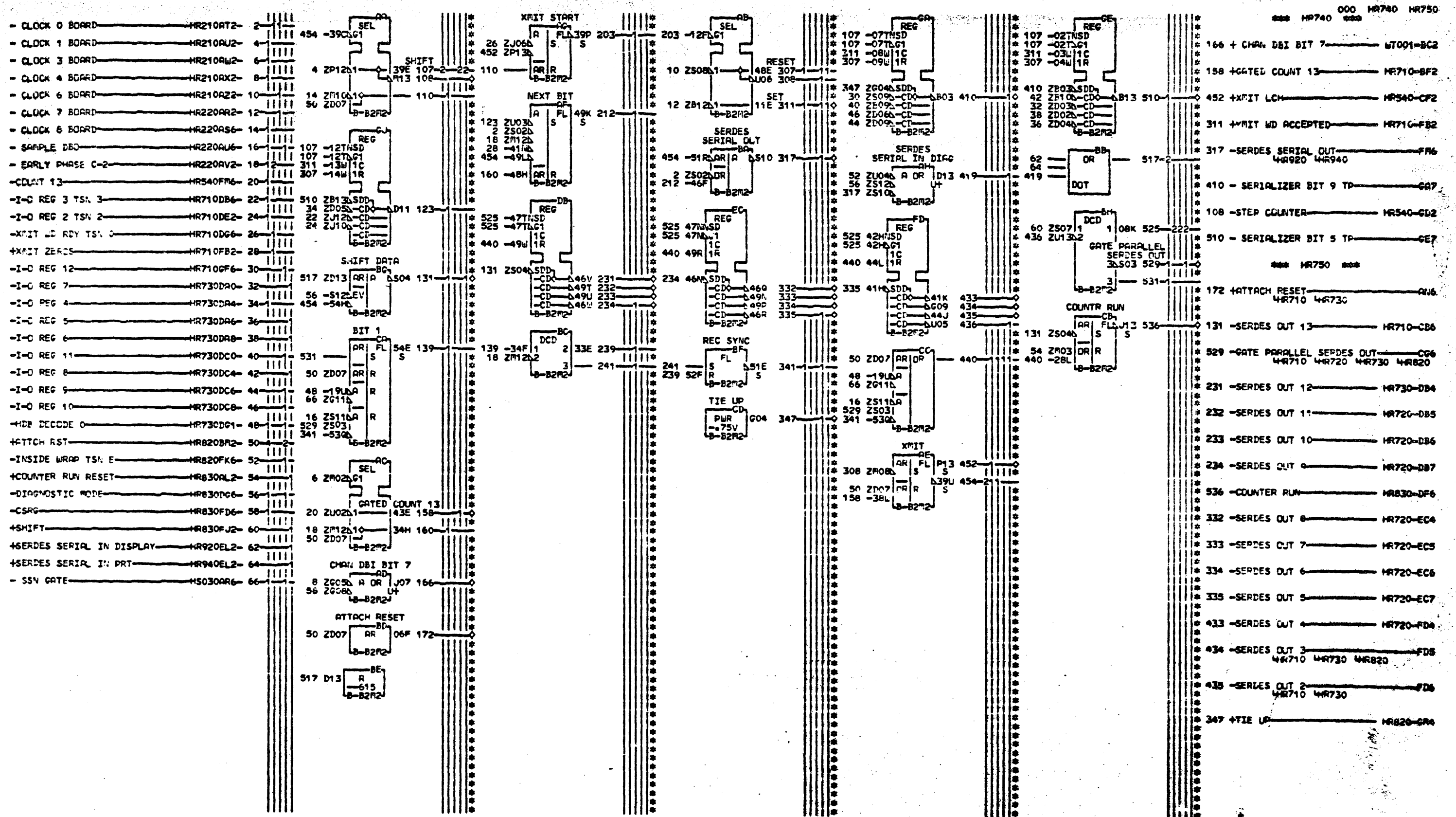


000  
 HR710  
 HR730  
 003

LOC. TYPE  
 B-B2M2 Y611

PAGE VER EC LEV  
 HR710 000 821720  
 HR720 000 821720  
 HR730 000 821720

I-O REGISTER REGISTER GATING		E-C-HISTORY C-PACH=32XKSP15	
FRAME	01	HR710	
DATE	LAST EC	IBA CORP.GSD	HR730
12-06-73	821720	PaNo	5558303 000



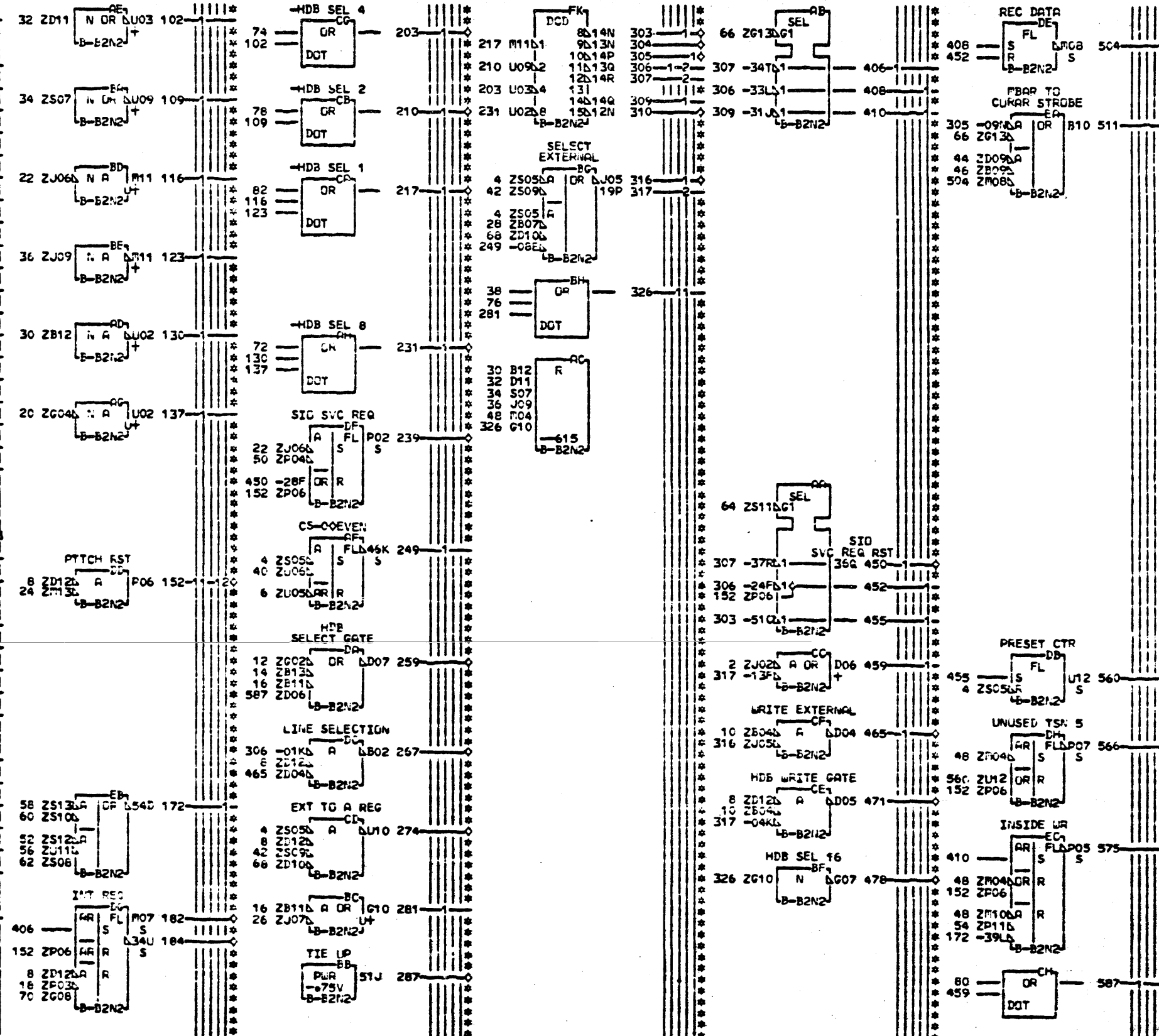
LUC. TYPE  
B-B2M2 Y611

PAGE VER EC LEV  
HR740 000 821758  
HR750 000 821720

HR740  
HR750  
000

I-O REGISTER		XMIT AND RECEIVE SERDES	
EC	C	FR	CH
821720		01	HR740
DATE LAST EC		IB# CORP. GSD	
01-07-74 821758		P.N. 5558304 000	

- CLOCK 2 THRU 5 - HR210AQ2- 2
- CLOCK 3 BOARD - HR210AL2- 4
- CLOCK 6 BOARD - HR210AZ2- 6
- EARLY PHASE C-2 - HR220AV2- 8
- MDB WRITE GATE - HR230AY2- 10
- CLOCK 0 EXTENDED - HR240EB6- 12
- CSAG CLOCK 1 OR 6 - HR260AD6- 14
- MDB SYS LIO OR SIG GATE - HR260AL2- 16
- SID I-R CLOCK 6 - HR320AT6- 18
- SID SERV REQUEST GATE - HR320AY6- 20
- SID I-R SELECTION - HR320BF6- 22
- ATTACH SYS OR DISABLE RESET - HR350AG6- 24
- ATTACH ENABLED - HR350AN2- 26
- PC RUN CA2 THRU 5 - HR520AJ6- 28
- + MDB SELECT 6 - HR530AT6- 30
- + MDB SELECT 4 - HR530AU6- 32
- + MDB SELECT 2 - HR530AV6- 34
- + MDB SELECT 1 - HR530AW6- 36
- + MDB SELECT 16 - HR530AY6- 38
- CSDR 0 - HR630EA6- 40
- CSDR 1 - HR630FA6- 42
- GATE PARALLEL SERDES OUT - HR750CG6- 44
- SERDES OUT 3 - HR750FD5- 46
- + TIE UP - HR750G4- 48
- SPARE - HR820001- 50
- SPARE - HR820002- 52
- SPARE - HR820004- 54
- SPARE - HR820005- 56
- SPARE - HR820006- 58
- SPARE - HR820007- 60
- SPARE - HR820008- 62
- SSF GATE - HR5030AG6- 64
- SSN GATE - HR5030AR6- 66
- MDB TO A REG AT CA 3 - HR5040AN4- 68
- + MDB WRITE 6 - HR5060BE2- 70
- +MDB SEL 6 DOT - HR5930FA2- 72
- +MDB SEL 4 DOT - HR5930EC2- 74
- +MDB SEL 16 DOT - HR5930FA2- 76
- +MDB SEL 2 DOT - HR5930FC2- 78
- +MDB SELECTION DOT - HR5930GF2- 80
- +MDB SEL 1 DOT - HR5930GC2- 82



- 000 HR810 HR820
- \*\*\* HR810 \*\*\*
- 231 -MDB SEL 6 - BK4
- HR610 HR660 HR730 HR840
- 287 +TIE UP - HR840-BX4
- 478 -MDB SEL 16 - CF2
- HR610 HR840
- 316 -SELECT EXTERNAL - HR250-DB2
- 217 -MDB SEL 1 - DY4
- HR610 HR660 HR730 HR840
- 210 -MDB SEL 2 - FL4
- HR610 HR660 HR730 HR840
- 274 -EXT TO A REG - HR710-EC6
- 471 -MDB WRITE GATE - EG6
- HR610 HR620 HR840
- 465 -WRITE EXTERNAL - HR720-EM6
- 203 -MDB SEL 4 - EM4
- HR610 HR660 HR730 HR840
- 259 -MDB SELECT GATE - FD2
- HR610 HR640
- 303 -MDB DECODE 6 - HR830-FK1
- 304 -MDB DECODE 9 - HR830-FK2
- 305 -MDB DECODE 6 - HR840-FK3
- 310 -MDB DECODE F - HR830-FK8
- \*\*\* HR820 \*\*\*
- 267 -LINE SELECTION - BB6
- HR920 HR940
- 450 +SID SVC REQ RST - HR840-BG2
- 152 +ATTACH RST - BR2
- HR750 HR830
- 504 -REC DATA T.O.P - CC6
- 239 +SID SVC REQ ADAPT BUSY - CF2
- HR340 HR360 HR350
- 182 +INT REQUEST - CH2
- HR350 HR360
- 184 -INT REQ TSN D - HR840-CH6
- 566 -UNUSED TSN 5 - HR840-CF6
- 511 +FBAR TO CURAR STROBE - HR660-DE2
- 575 -INSIDE WRAP TSN E - FK5
- HR740 HR840

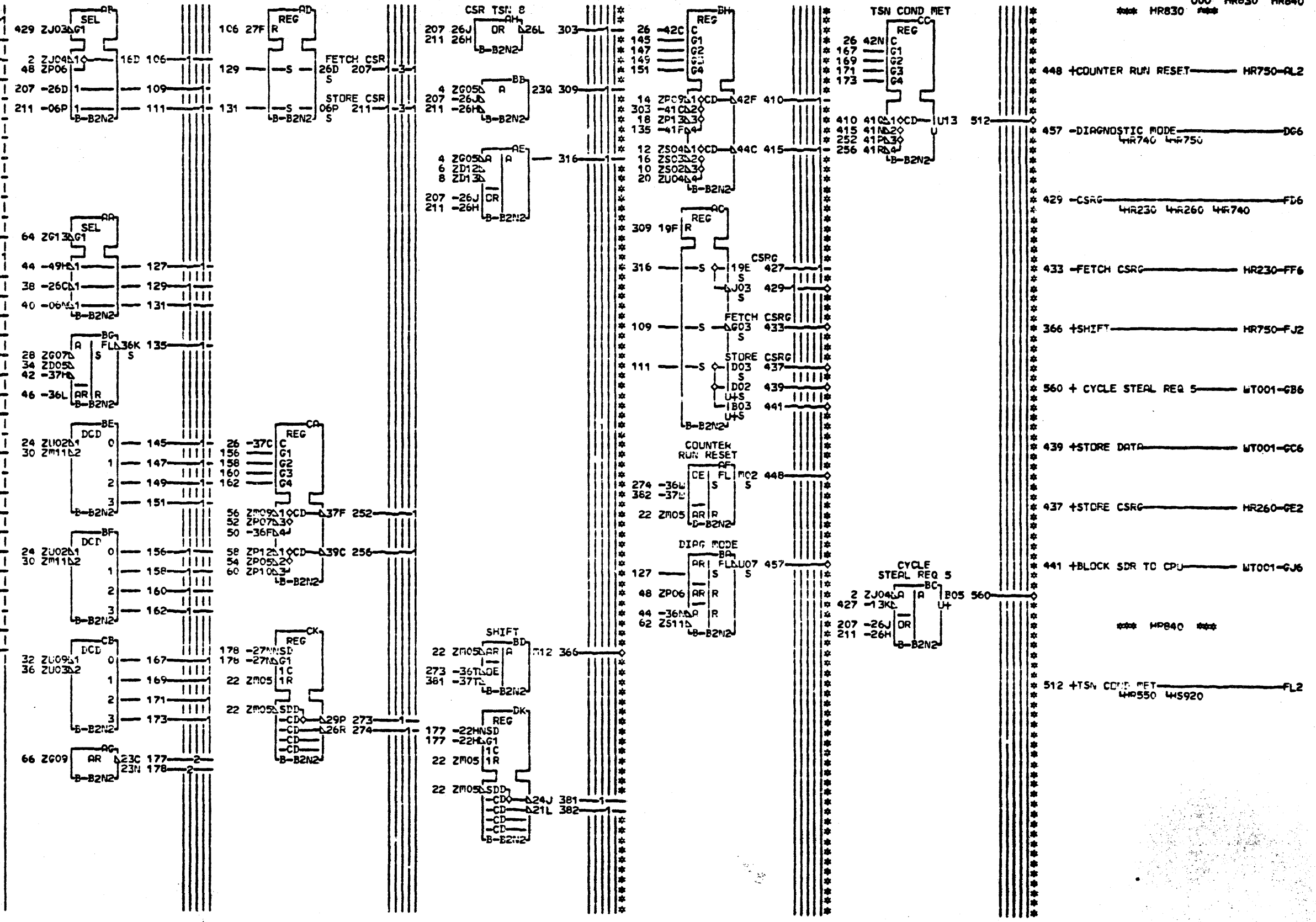
LOC. TYPE  
B-B2N2 Y612

PAGE VER EC LEV  
HR810 000 821720  
HR820 000 821758

GENERAL CONTROLS		FRAME 01	HR810
MDB DECODE AND GATING		IBN CORP.CSD	HR820
E.C. HISTORY - CACH. 32XXSR15		DATE	01-07-74
821720		LAST EC	821758
		P.No.	5558305
			000

HR810  
HR820  
000

- CLOCK 0 BOARD HR210AT2- 2-1
- CLOCK 8 BOARD HR220AS6- 4-2
- EARLY PHASE C-2 HR220AV2- 6-1
- CYCLE STEAL PRIORITY HR310BL4- 8-1
- I-O REG 3 TSN 3 HR710DB6- 10-1
- I-O REG 2 TSN 2 HR710DE2- 12-1
- XMIT WD RDY TSN 0 HR710DG6- 14-1
- I-O REG 13 TSN A HR710DJ6- 16-1
- RECEIVE WD RDY TSN 1 HR710DL6- 18-1
- RECEIVE CK TSN F HR730EL6- 20-1
- COUNTER RUN HR750DF6- 22-231
- + HDB SEL 8 HR810BK4- 24-2
- + TIE UP HR810BK4- 26-1
- + HDB SEL 16 HR810CM2- 28-1
- + HDB SEL 1 HR810DK4- 30-2
- + HDB SEL 2 HR810DL4- 32-1
- + HDB WRITE GATE HR810EG6- 34-1
- + HDB SEL 4 HR810EM4- 36-1
- + HDB DECODE 6 HR810FK1- 36-1
- + HDB DECODE 5 HR810FK2- 40-1
- + HDB DECODE A HR810FK3- 42-1
- + HDB DECODE F HR810FK6- 44-1
- + SID SVC REQ FST HR820BG2- 46-1
- + ATTCH RST HR820BM2- 48-1
- INT REQ TSN D HR820CH6- 50-1
- UNUSED TSN 5 HR820CF6- 52-1
- INSIDE WRAP TSN E HR820FK6- 54-1
- + TIE UP TO SUPR RTRY TSN 4 HR840009- 56-1
- TSN 6 T.P. HR840011- 58-1
- TSN 7 T.P. HR840012- 60-1
- SSF GATE HS030AR6- 62-1
- SSN GATE HS030AR6- 64-1
- + B2B2 OSCILLATOR WT210BK2- 66-1



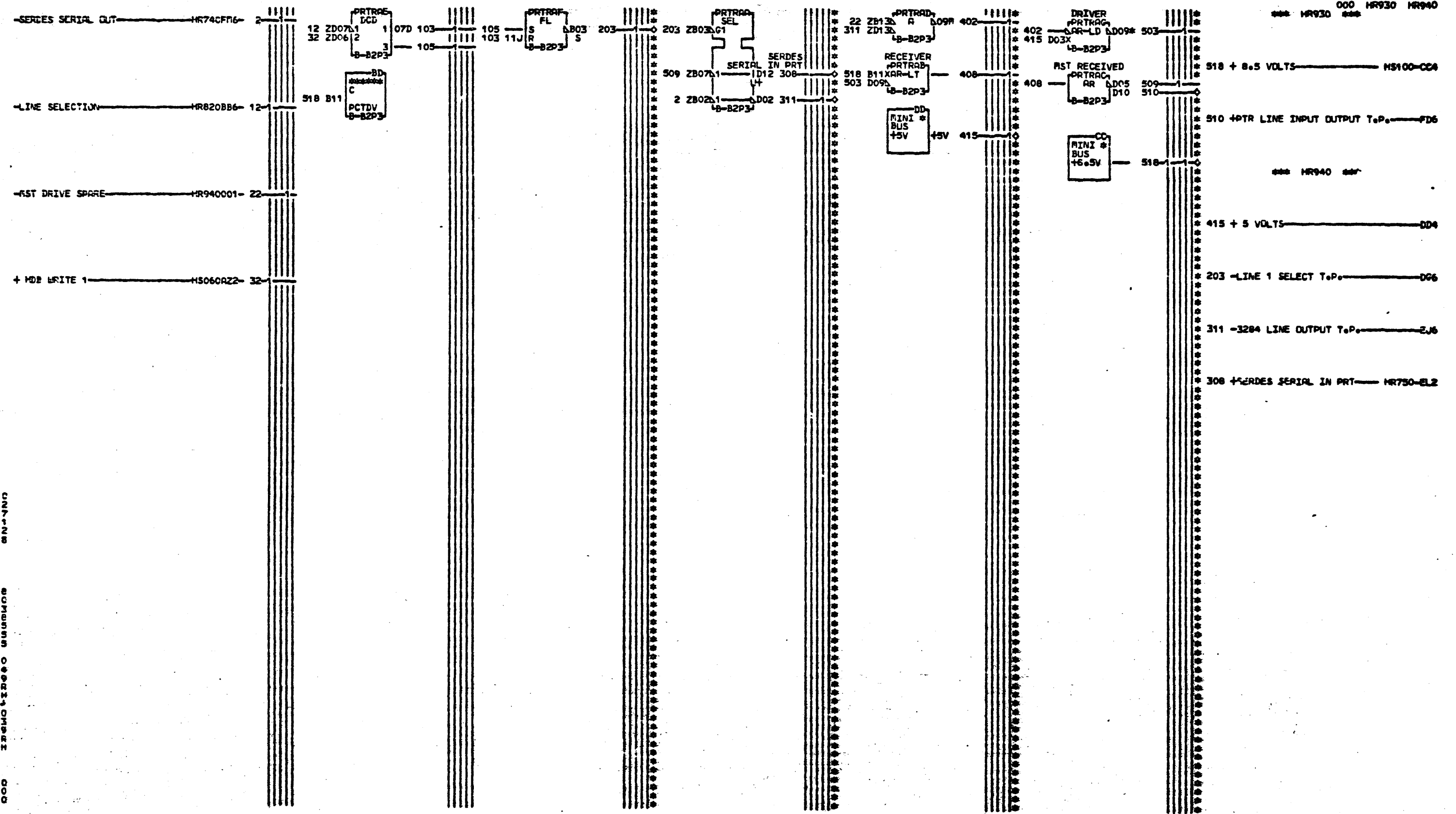
LOC. TYPE  
 B-B2N2 Y612

PAGE VER EC LEV  
 HR830 000 821720  
 HR840 000 821758

HR830  
 HR840  
 000

GENERAL CONTROLS		CYCLE STEAL AND TSN CONTROLS	
E-C-HISTORY	C-MACH-32XXSM15	FRAME	01
821720		IBM CORP-CSD	HR840
DATE	LAST EC	PoN	5558306
01-07-74	821758		000





EDGE CONN.  
503 B-82U2D02

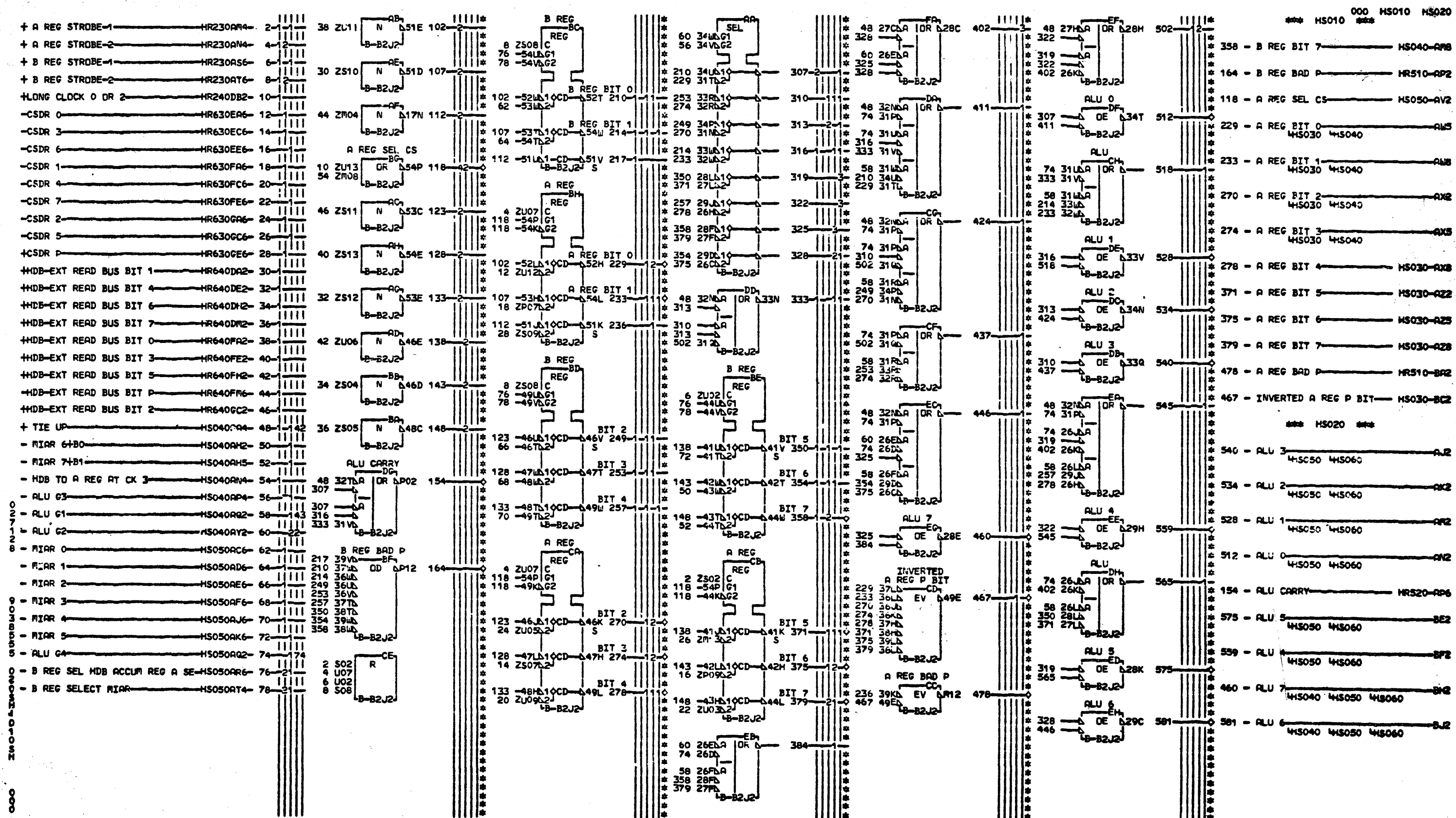
LOC. TYPE  
B-82P3 V619

PAGE VER EC LEV  
HR930 000 821720  
HR940 000 821720

PRINTER-DRIVER AND RECEIVER			
ECO-HISTORY	PRCH-3210SR1S		
PROBE	01	HR930	
IBR CORP. 8SD		HR940	
DATE	LAST EC		
12-06-73	821720	PoNo	5558308 000

UNP-NN  
 000  
 000  
 000

HR930  
 HR940  
 000



- + A REG STROBE-1 HR230AM4 2
- + A REG STROBE-2 HR230AN4 4
- + B REG STROBE-1 HR230AS6 6
- + B REG STROBE-2 HR230AT6 8
- LONG CLOCK OR 2 HR240DB2 10
- CSDR 0 HR630EA6 12
- CSDR 3 HR630EC6 14
- CSDR 6 HR630EE6 16
- CSDR 1 HR630FA6 18
- CSDR 4 HR630FC6 20
- CSDR 7 HR630FE6 22
- CSDR 2 HR630GA6 24
- CSDR 5 HR630GC6 26
- +CSDR P HR630GE6 28
- +HDB-EXT READ BUS BIT 1 HR640DA2 30
- +HDB-EXT READ BUS BIT 4 HR640DE2 32
- +HDB-EXT READ BUS BIT 6 HR640DH2 34
- +HDB-EXT READ BUS BIT 7 HR640DM2 36
- +HDB-EXT READ BUS BIT 0 HR640FA2 38
- +HDB-EXT READ BUS BIT 3 HR640FE2 40
- +HDB-EXT READ BUS BIT 5 HR640FH2 42
- +HDB-EXT READ BUS BIT P HR640FM6 44
- +HDB-EXT READ BUS BIT 2 HR640GC2 46
- + TIE UP HS040AA 48
- MIAR 6+B0 HS040AH2 50
- MIAR 7+B1 HS040AH5 52
- HDB TO A REG AT CK 3 HS040AN4 54
- ALU G3 HS040AP4 56
- ALU G1 HS040AQ2 58
- ALU G2 HS040AY2 60
- MIAR 0 HS050AC6 62
- MIAR 1 HS050AD6 64
- MIAR 2 HS050AE6 66
- MIAR 3 HS050AF6 68
- MIAR 4 HS050AJ6 70
- MIAR 5 HS050AK6 72
- ALU G4 HS050AQ2 74
- B REG SEL HDB ACCUM REG A SE HS050AR6 76
- B REG SELECT MIAR HS050AT4 78

- 000 HS010 HS020
- \*\*\* HS010 \*\*\*
- 358 - B REG BIT 7 HS040-AP8
- 164 - B REG BAD P HS10-AP2
- 118 - A REG SEL CS HS050-AV2
- 229 - A REG BIT 0 HS030 HS040
- 233 - A REG BIT 1 HS030 HS040
- 270 - A REG BIT 2 HS030 HS040
- 274 - A REG BIT 3 HS030 HS040
- 278 - A REG BIT 4 HS030-AX8
- 371 - A REG BIT 5 HS030-AZ2
- 375 - A REG BIT 6 HS030-AZ5
- 379 - A REG BIT 7 HS030-AZ8
- 478 - A REG BAD P HS10-BA2
- 467 - INVERTED A REG P BIT HS030-BC2
- \*\*\* HS020 \*\*\*
- 540 - ALU 3 HS050 HS060
- 534 - ALU 2 HS050 HS060
- 528 - ALU 1 HS050 HS060
- 512 - ALU 0 HS050 HS060
- 154 - ALU CARRY HS20-AP6
- 575 - ALU 5 HS050 HS060
- 559 - ALU 4 HS050 HS060
- 460 - ALU 7 HS040 HS050 HS060
- 581 - ALU 6 HS040 HS050 HS060

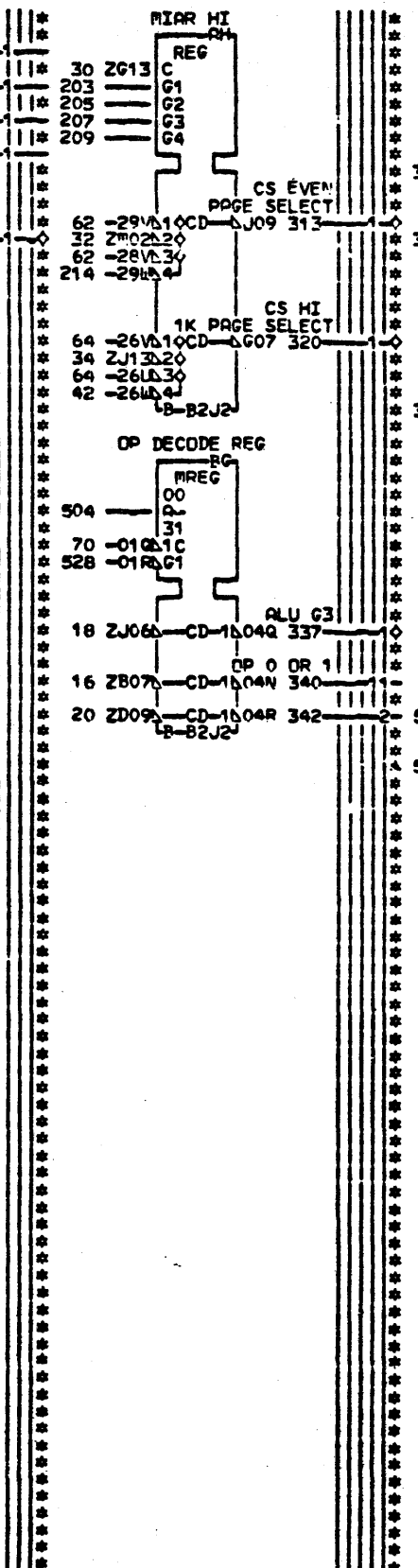
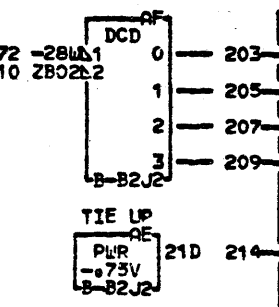
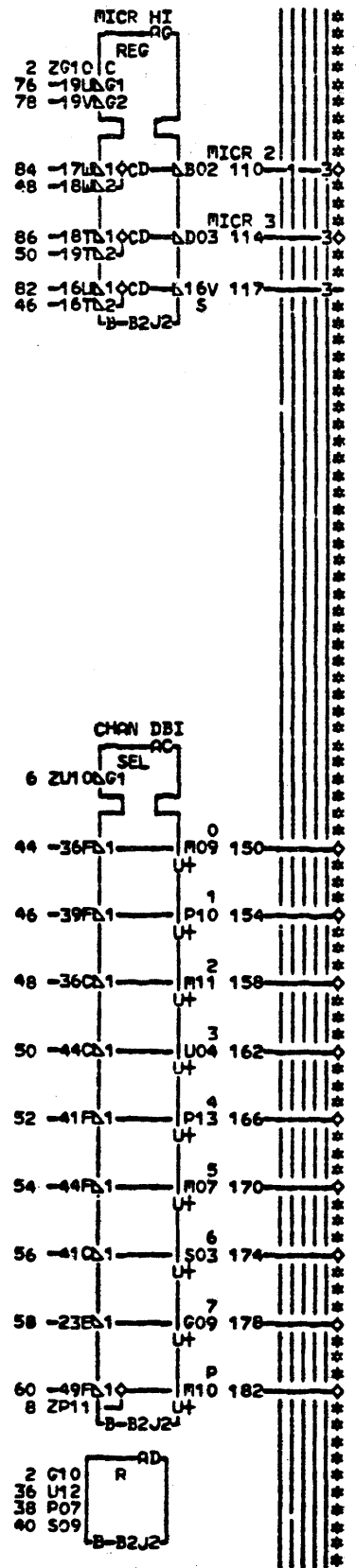
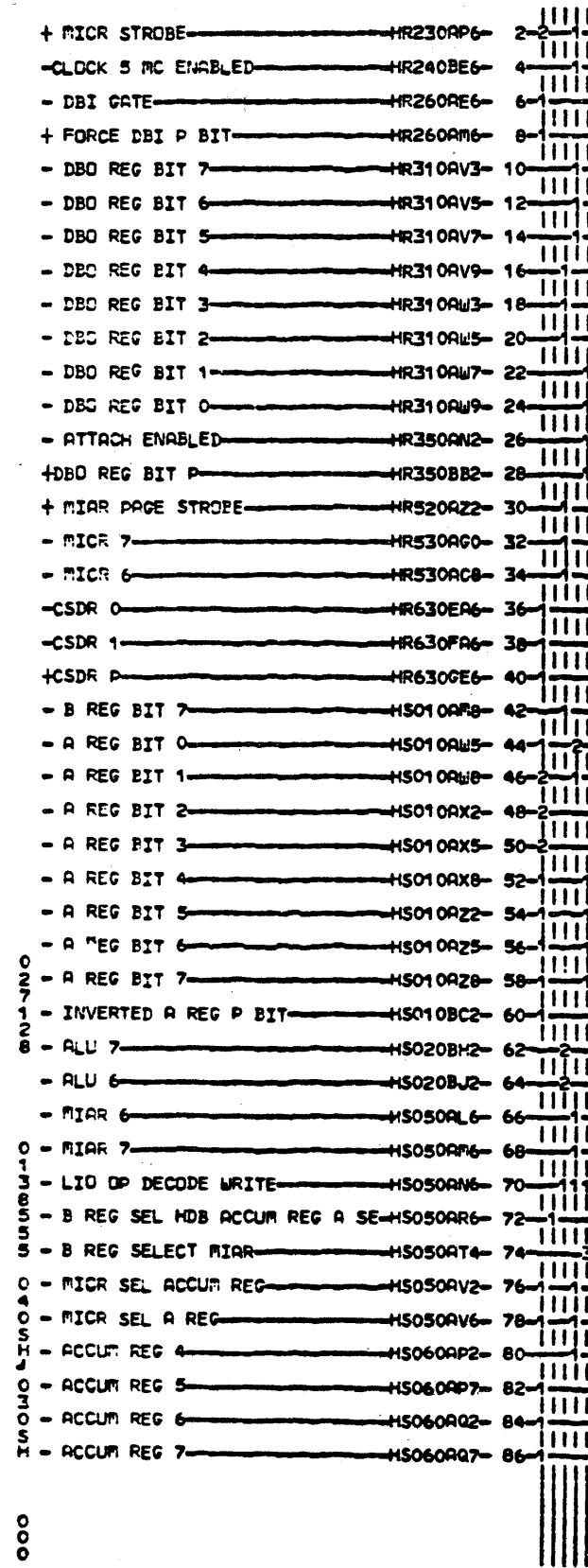
MS010  
MS020  
000

LOC# TYPE  
B-82J2 9257

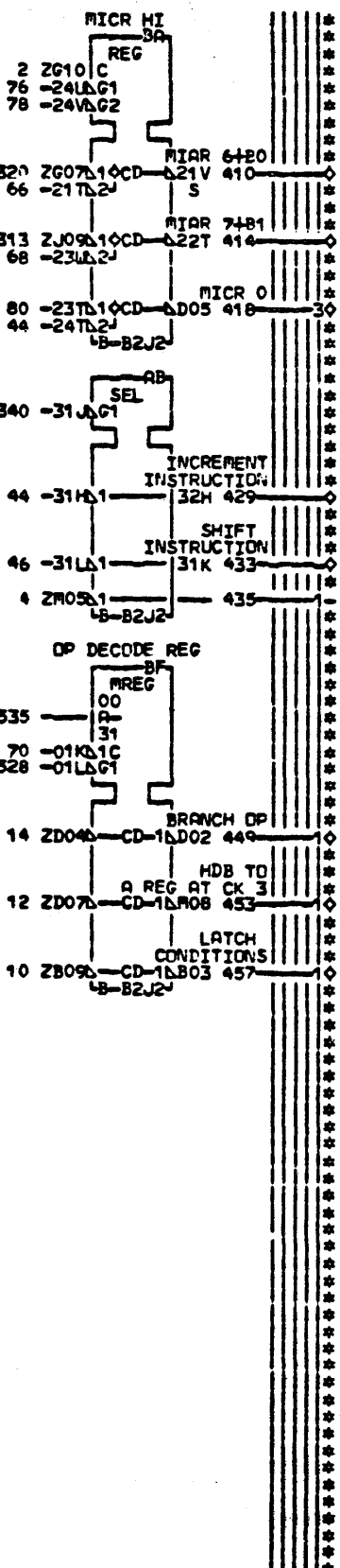
PAGE VER EC LEV  
HS010 000 821720  
HS020 000 821720

MICROCONTROLLER A AND B REGISTER		
-E-C-HISTORY-	-C-	PACH-32X8M5
DATE	LAST EC	FRFPE 01 MS010
12-06-73	821720	IBM CORP-68D MS020
		P.N. 5558309 000

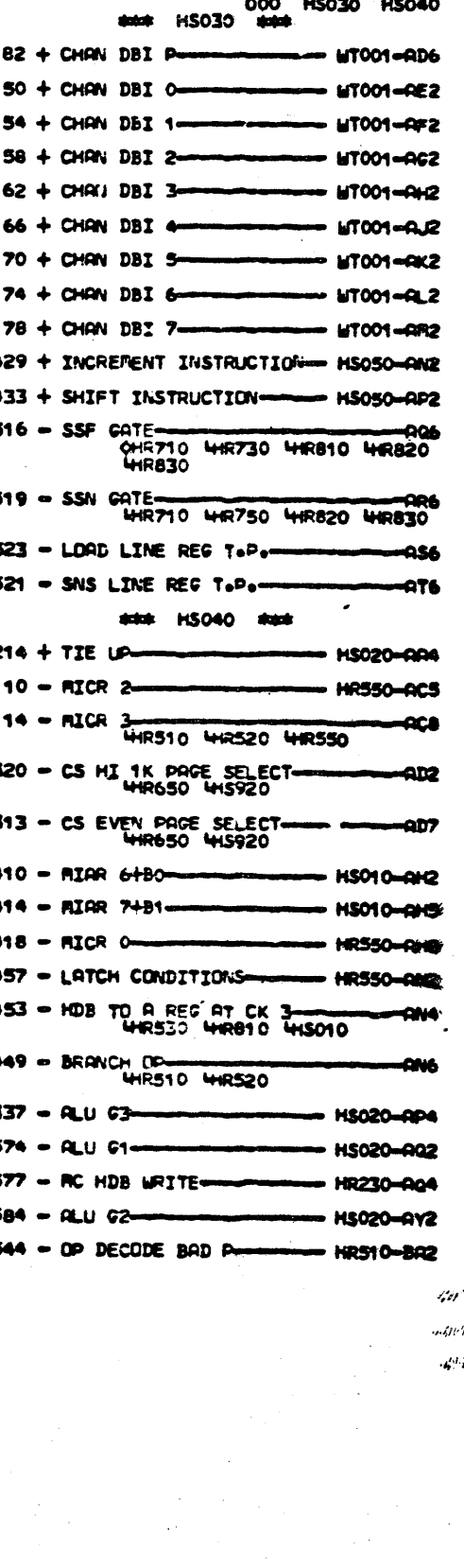
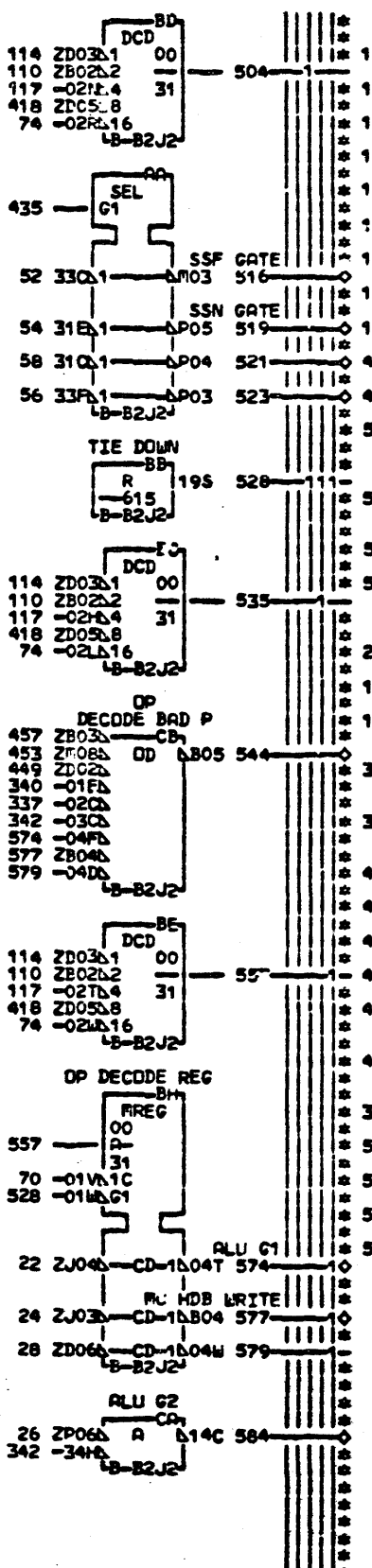




LOC. TYPE  
B-82J2 9257



PAGE VER EC LEV  
NS030 000 821720  
NS040 000 821720



MICROCONTROLLER

E-C-HISTORY O-RACH-32XSR15

FRAP 01 NS030

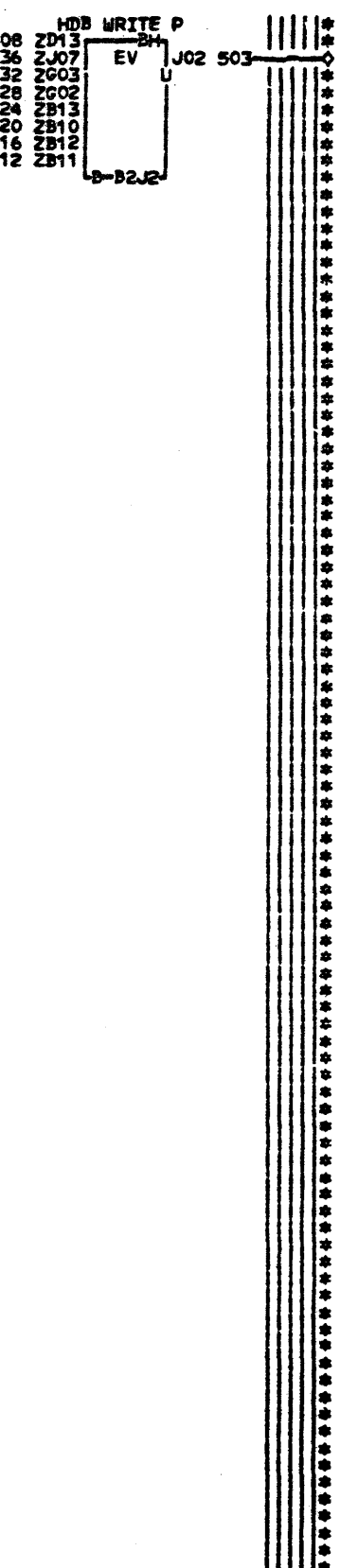
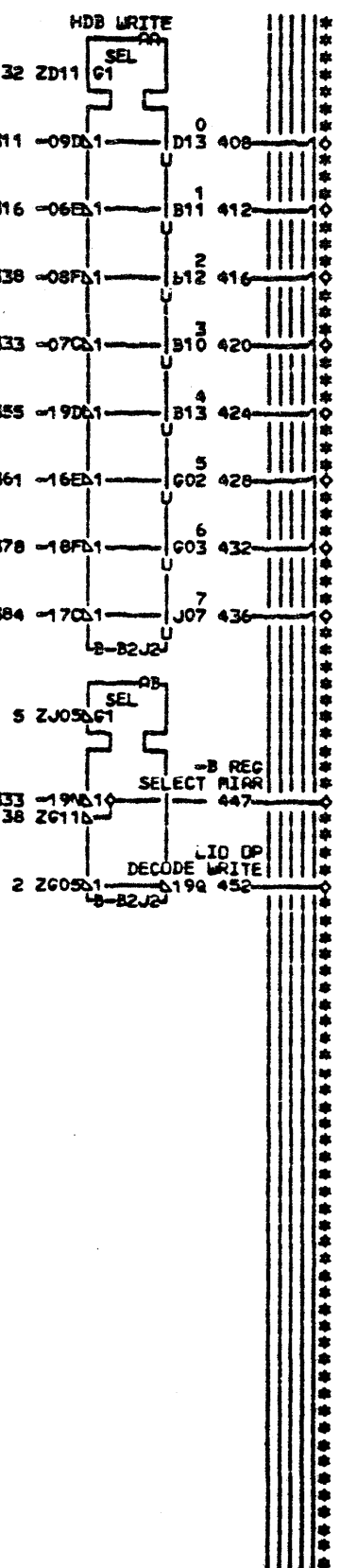
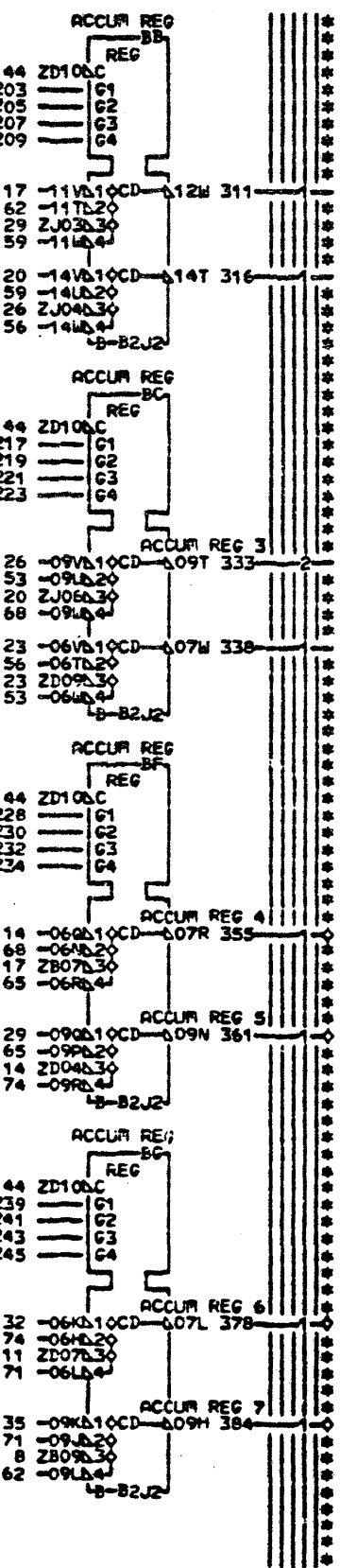
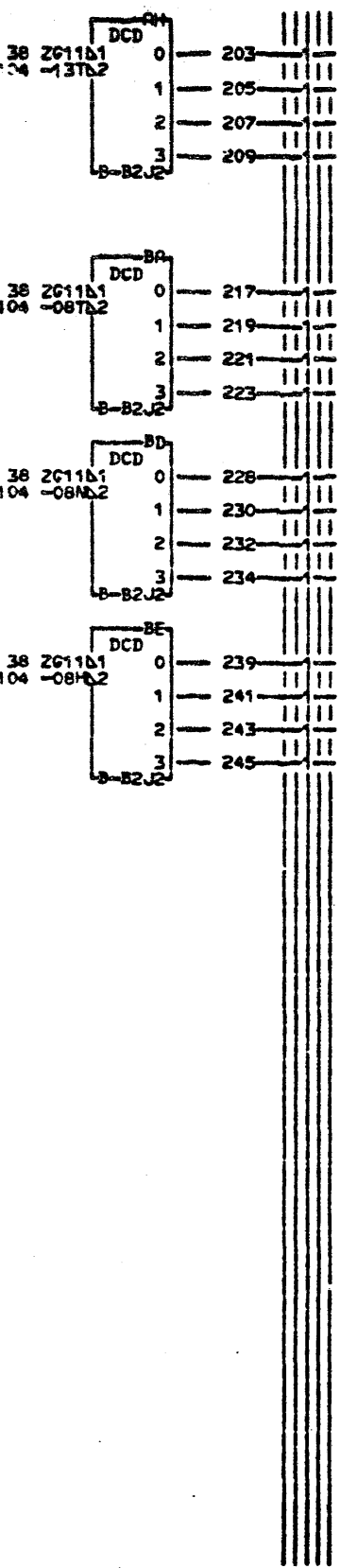
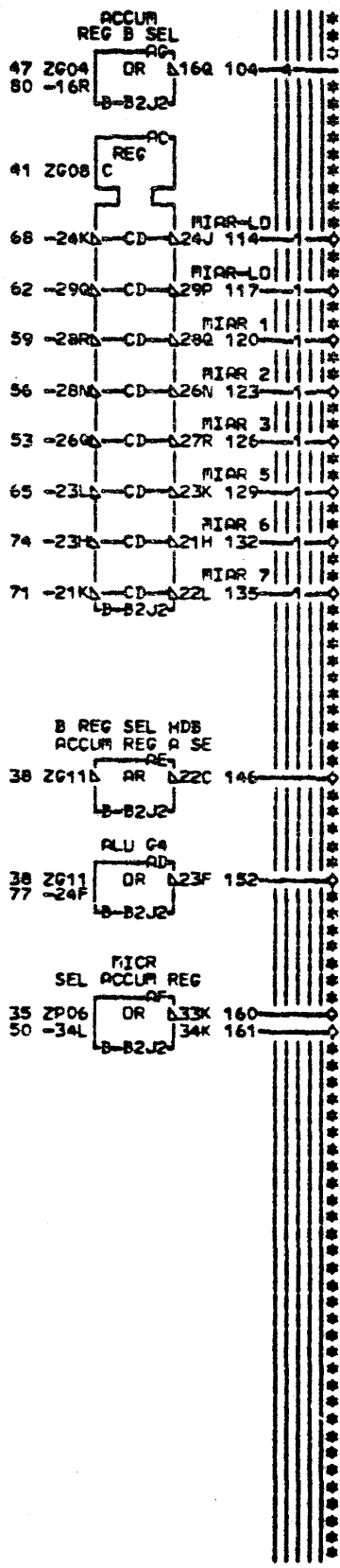
IBM CORP. 6SD NS040

DATE LAST EC 12-06-73 821720

PaN: 5558310 000

NS030  
NS040  
000

- CLOCK 6 BOARD HR210R22- 2  
 - LID OP DECODE EB 2ND CYC HR250BF6- 5  
 - DB0 REG BIT 7 HR310AV3- 8  
 - DB0 REG BIT 6 HR310AV5- 11  
 - DB0 REG BIT 5 HR310AV7- 14  
 - DB0 REG BIT 4 HR310AV9- 17  
 - DB0 REG BIT 3 HR310AV3- 20  
 - DB0 REG BIT 2 HR310AV5- 23  
 - DB0 REG BIT 1 HR310AV7- 26  
 - DB0 REG BIT 0 HR310AV9- 29  
 - ATTACH SYS DR DISABLE RESET HR350AR6- 32  
 - ATTACH ENABLED HR350AR2- 35  
 - FC RUN CK2 THRU 5 HR520AV6- 38-41  
 + FIAR LD STROBE HR520AV6- 41  
 - ACCUMULATE REG STROBE HR520BE2- 4  
 + GATE DPC TO ACCUM HR520BE2- 47  
 - A REG SEL C5 HS010AV2- 50  
 - ALU 3 HS020AV2- 53  
 - ALU 2 HS020AK2- 56  
 - ALU 1 HS020AF2- 59  
 - ALU 0 HS020AA2- 62  
 - ALU 5 HS020BE2- 65  
 - ALU 4 HS020BF2- 68  
 - ALU 7 HS020BK2- 71  
 - ALU 6 HS020BJ2- 74  
 + INCREMENT INSTRUCTION HS030AA2- 77  
 + SHIFT INSTRUCTION HS030AP2- 80

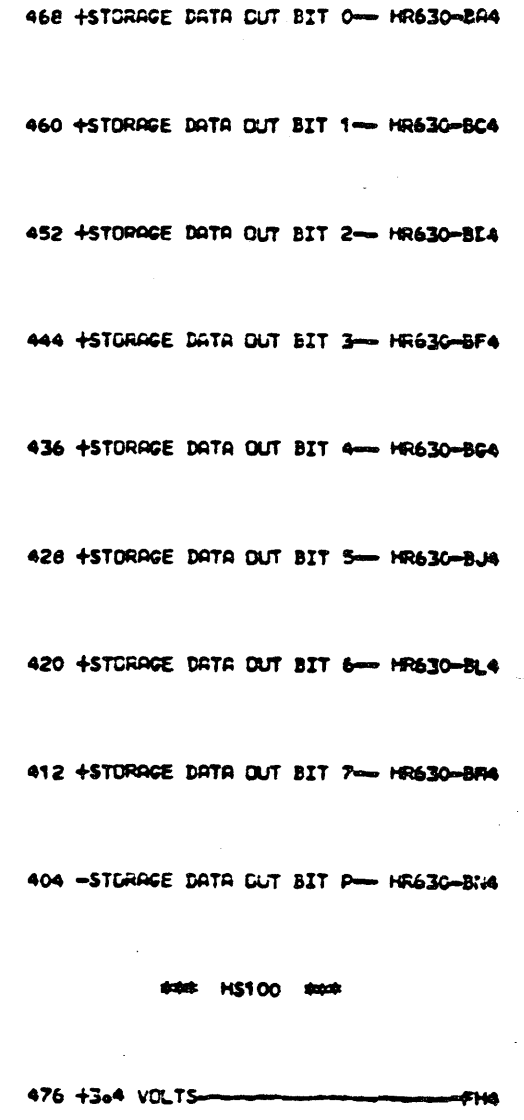
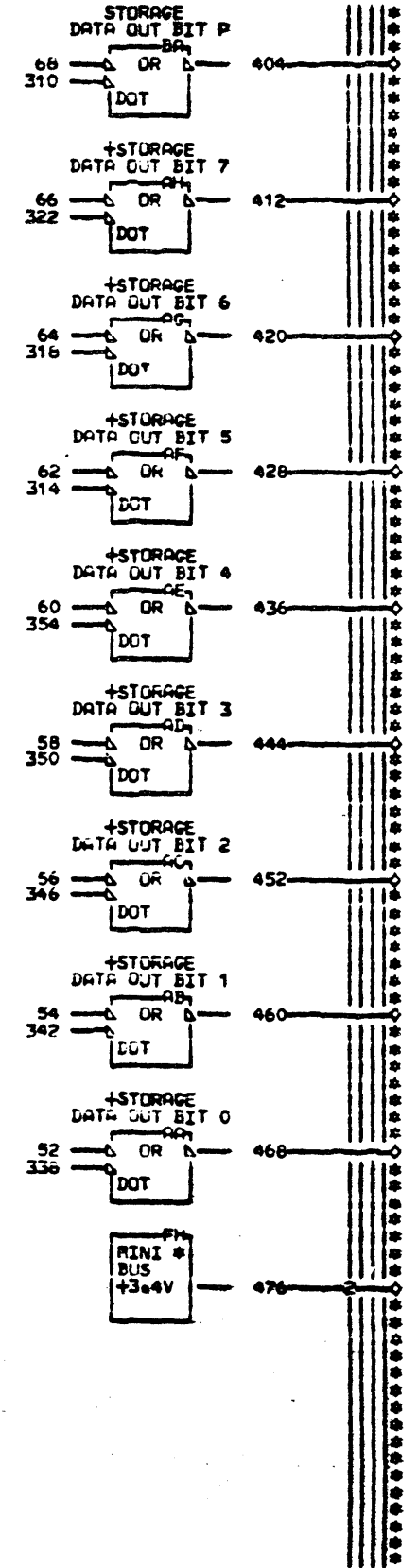
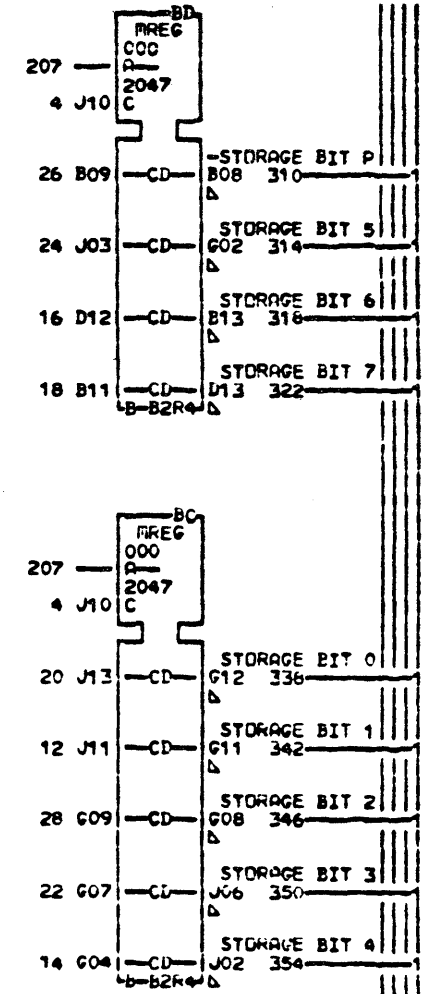
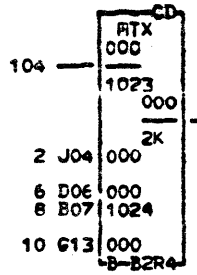
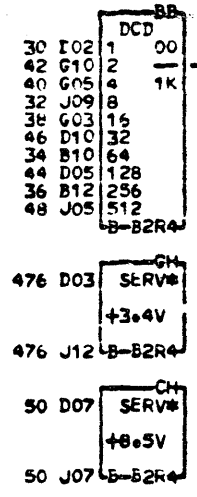
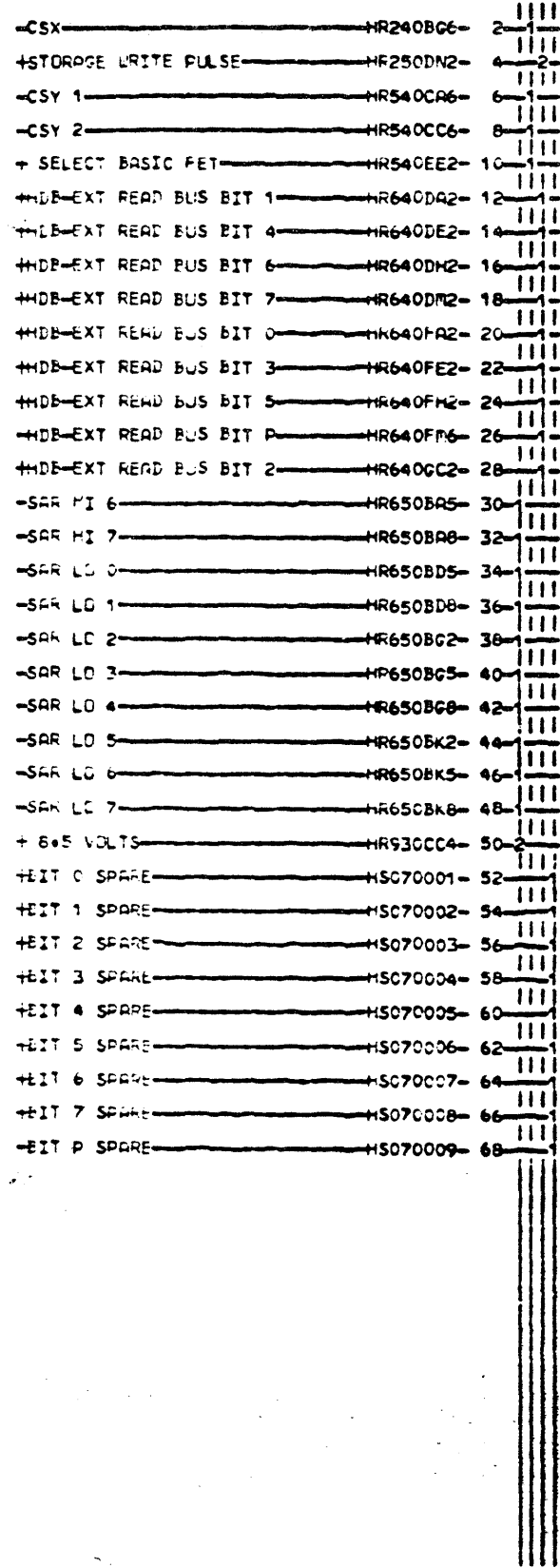


LOC. TYPE  
B-82J2 9257

PAGE VER EC LEV  
HS050 000 821720  
HS060 000 821758

HS050  
HS060  
000

MICROCONTROLLER		
E-C-HISTORY 821720	C-NUMBER 32XXSP15	
DATE 01-07-74	LAST EC 821758	IBN CORP. GSD P.No. 5558311
	FRAME 01	HS050
		HS060
		000



000 MS070 MS100  
\*\*\* MS070 \*\*\*

\*\*\* MS100 \*\*\*

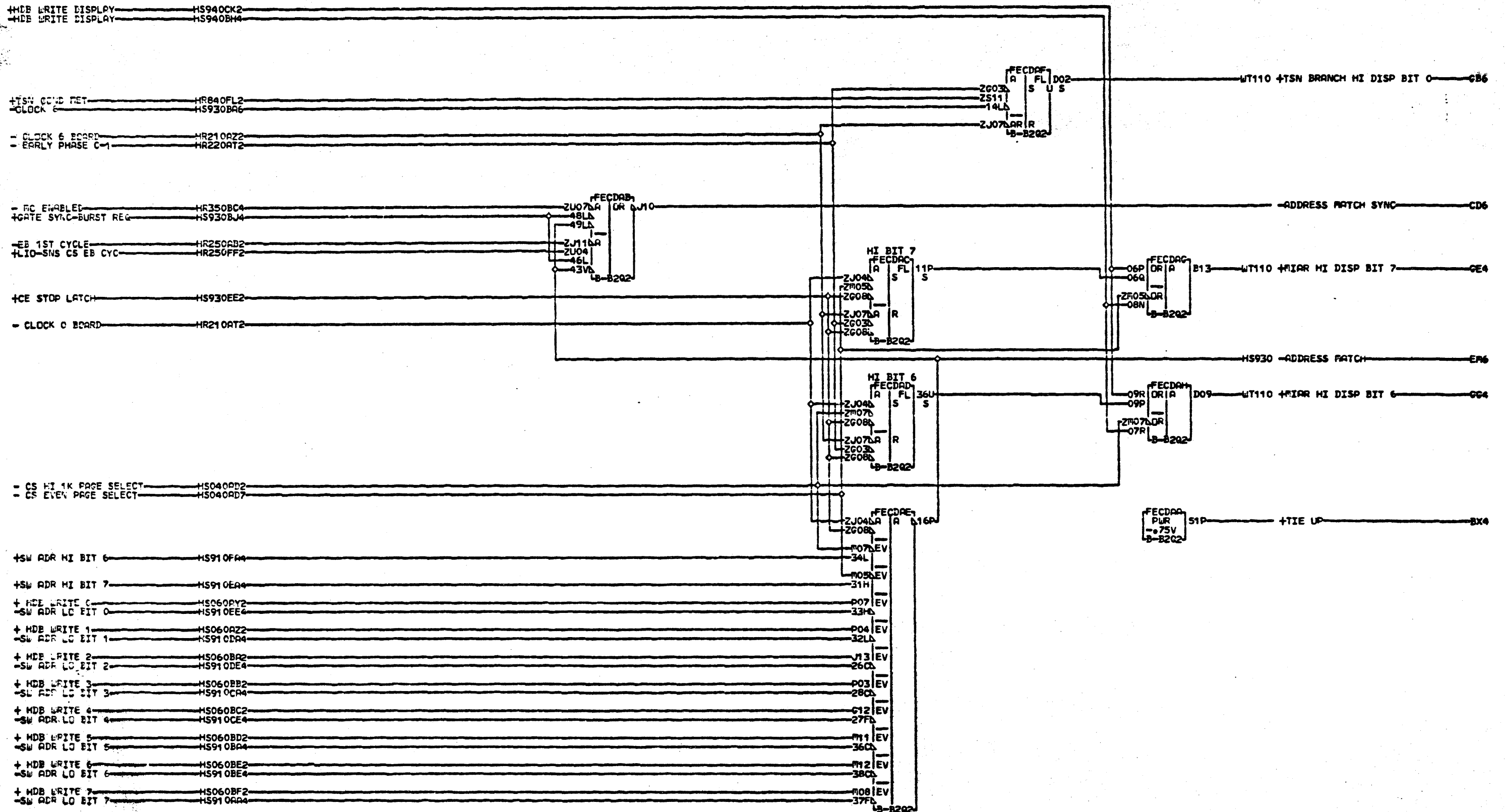
LOC. TYPE  
B-B2R4 Y823

PAGE VER EC LEV  
MS070 000 821738  
MS100 000 821738

MS070  
MS100  
000

FET 2K X 9 BASIC ARRAY CARD			
-E-C-HISTORY- C-MACH-32XXSR13		821720	
FRAP	01	MS070	
DATE	LAST EC	IBM CORP-65D	MS100
02-13-74	821738	P-N: 5538312	000





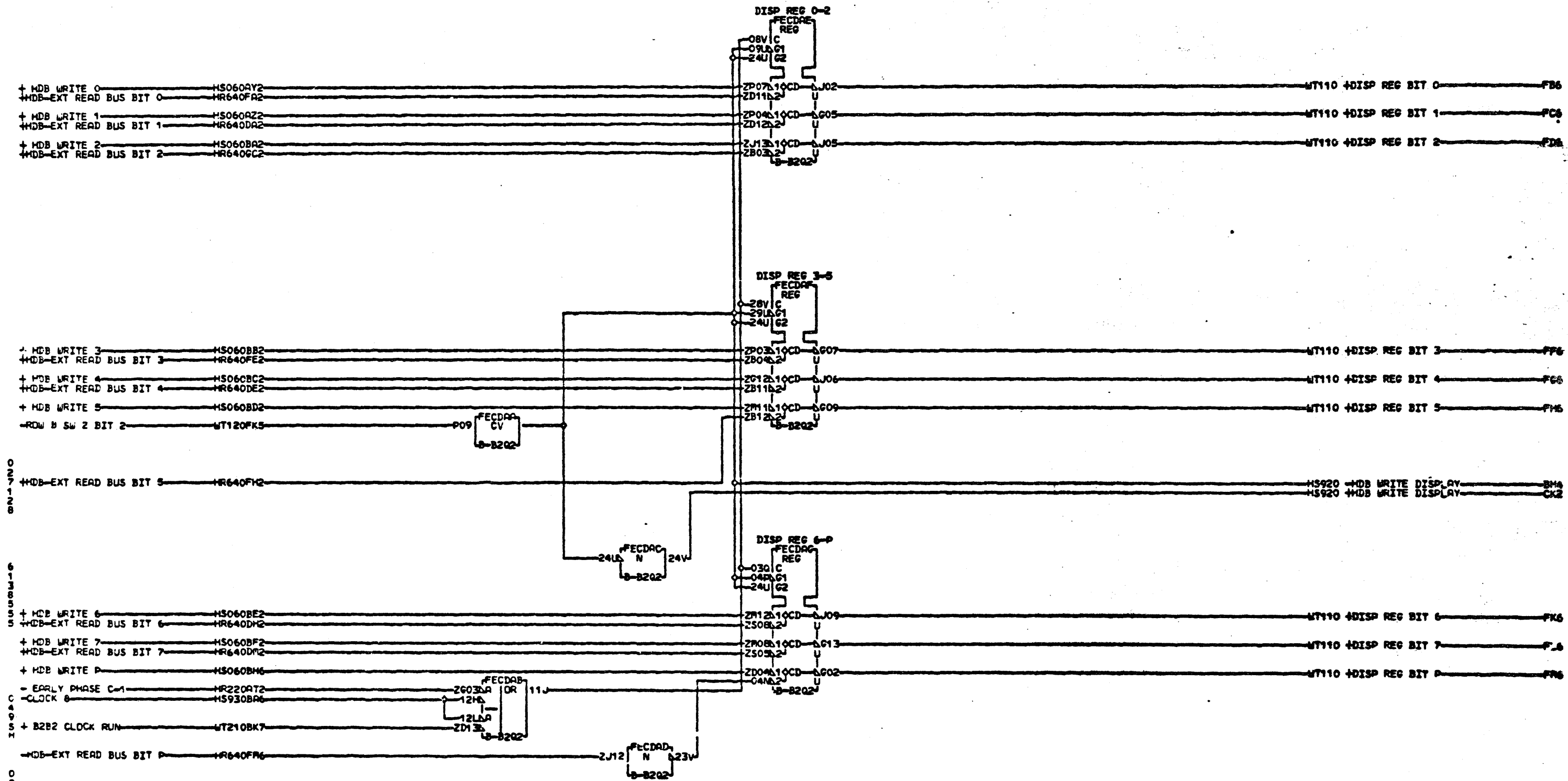
LOC. TYPE  
B-8202 Y654

CE CARD		COMPARE AND SYNC	
E.C. HISTORY	821720	C. MACH. 32XXSR15	FRAME 01
DATE	01-07-74	LAST EC	821758
IBM CORP. GSD		P.No. 5558314	

HS920  
000

HS920  
000



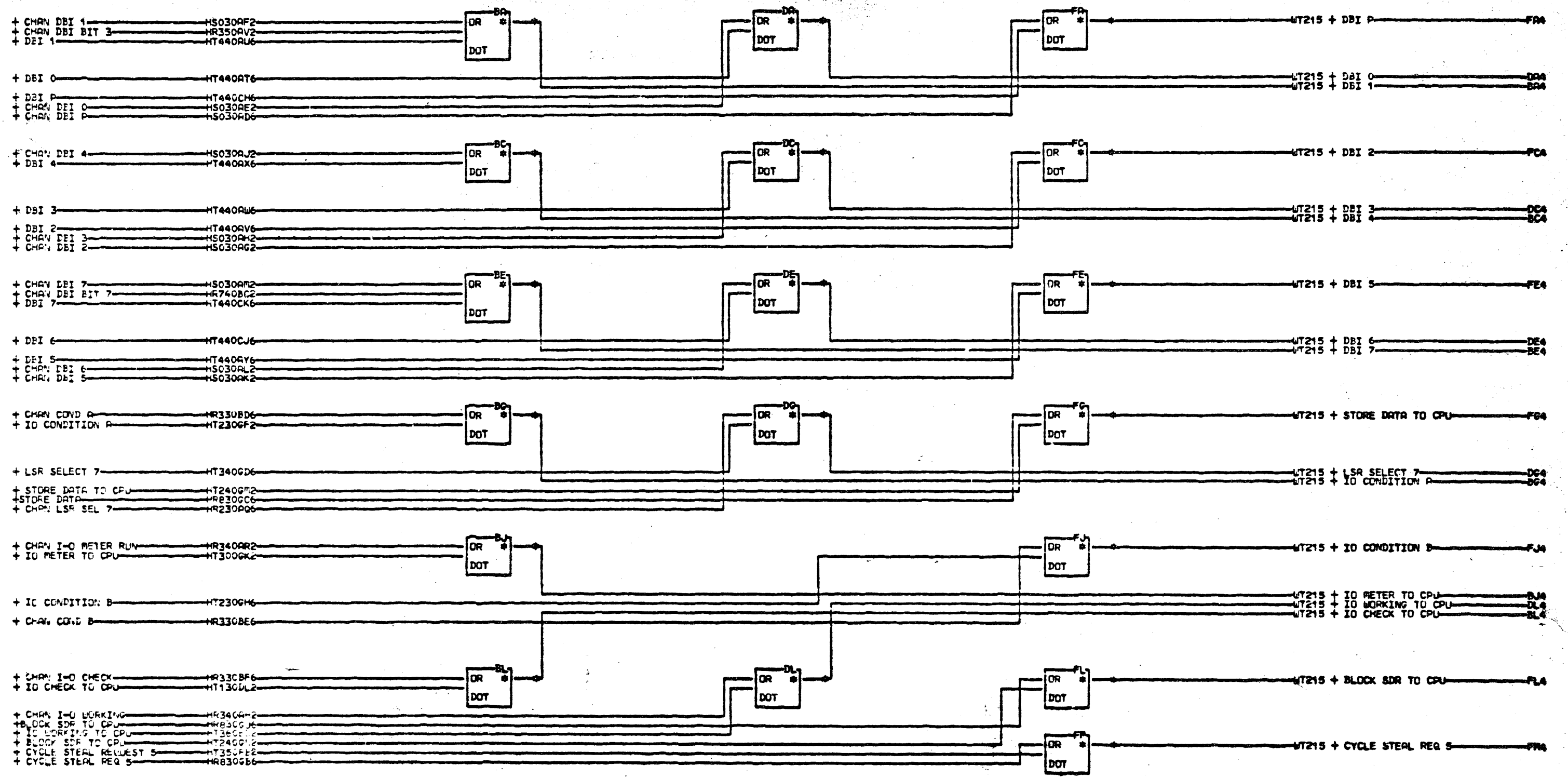


0  
7  
1  
2  
8  
  
6  
5  
4  
3  
2  
1  
0  
0

000  
000  
000

LOC. TYPE  
B-8202 V654

CE CARD		MACH. 320X515	M 5940
MDB LO DISPLAY			
E.C. HISTORY		FRAME 01	000
		IBR CORP. GSD	
DATE	LAST EC	P.No. 5558316	
12-06-73	821720		



BA2 B-82A4D05	01B-82E5B04	DG2 B-82A4B13	01B-82B4D10
01B-82B4D05	BL2 B-82F5B06	01B-82B4B13	FG2 B-82A4B02
BC2 B-82F4D09	01B-82B5B06	DL2 B-82A5B05	01B-82B4B02
01B-82B4D09	DA2 B-82A4D03	01B-82B5B05	FJ2 B-82A5D10
BE2 B-82F4D13	01B-82B4D03	FA2 B-82A4D02	01B-82B5D10
01B-82E4L13	DC2 B-82A4D07	01B-82B4D02	FL2 B-82A4B04
BG2 B-82A5D09	01B-82B4D07	FC2 B-82A4D06	01B-82B4B04
01B-82B5D09	DE2 B-82A4D11	01B-82B4D06	FF2 B-82A5D05
BJ2 B-82A5B04	01B-82B4D11	FE2 B-82A4D10	01B-82B5D05

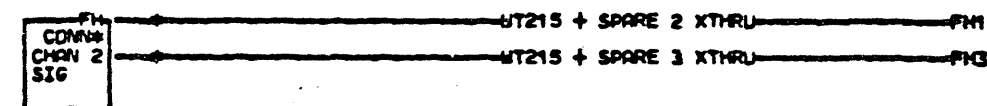
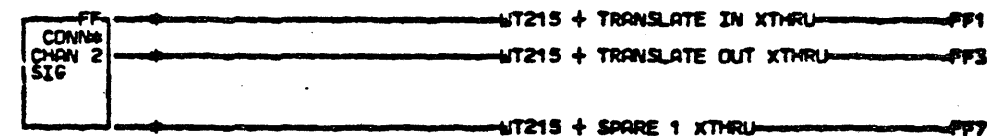
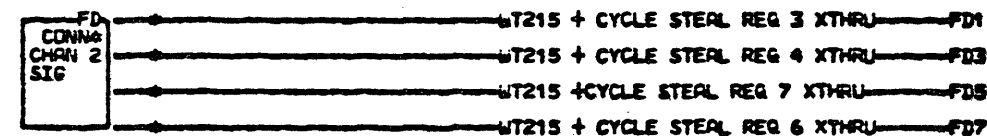
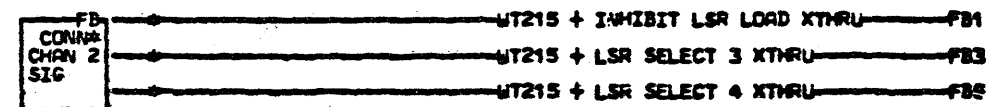
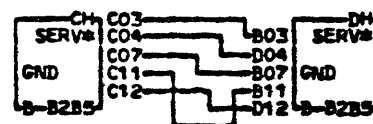
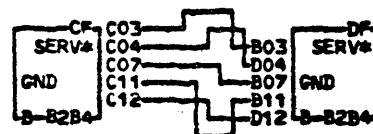
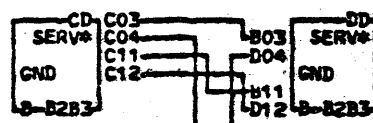
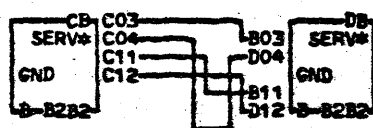
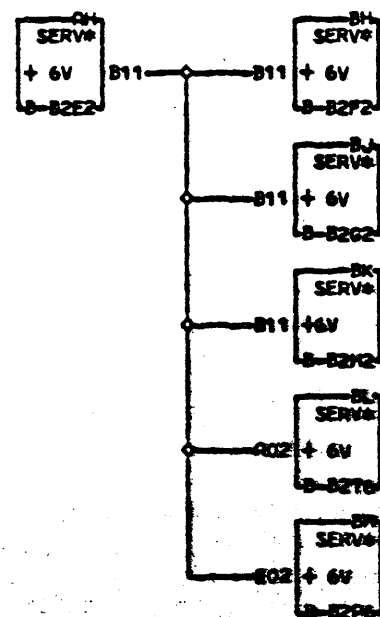
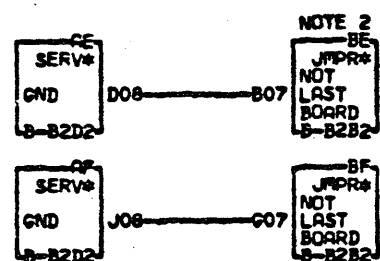
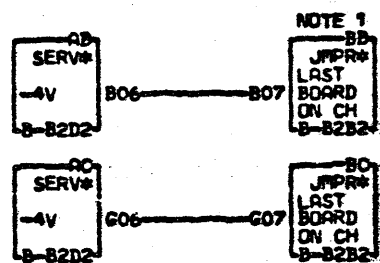
LOC. TYPE

CHANNEL IN DOTS	
E-C-HISTORY	CY-PACH-32XSR15
821720	
FRARE	01
IBM CORP. GSD	
DATE LAST EC	PoN 5558325
02-25-74 824774	

WT001

WT001





000  
 2  
 X  
 S  
 S  
 5  
 3  
 0  
 7  
 1  
 6  
 5  
 000

NOTE 1 IF THIS IS LAST BOARD ON CHANNEL WIRE B2B06 TO B2B07 AND B2C06 TO B2C07

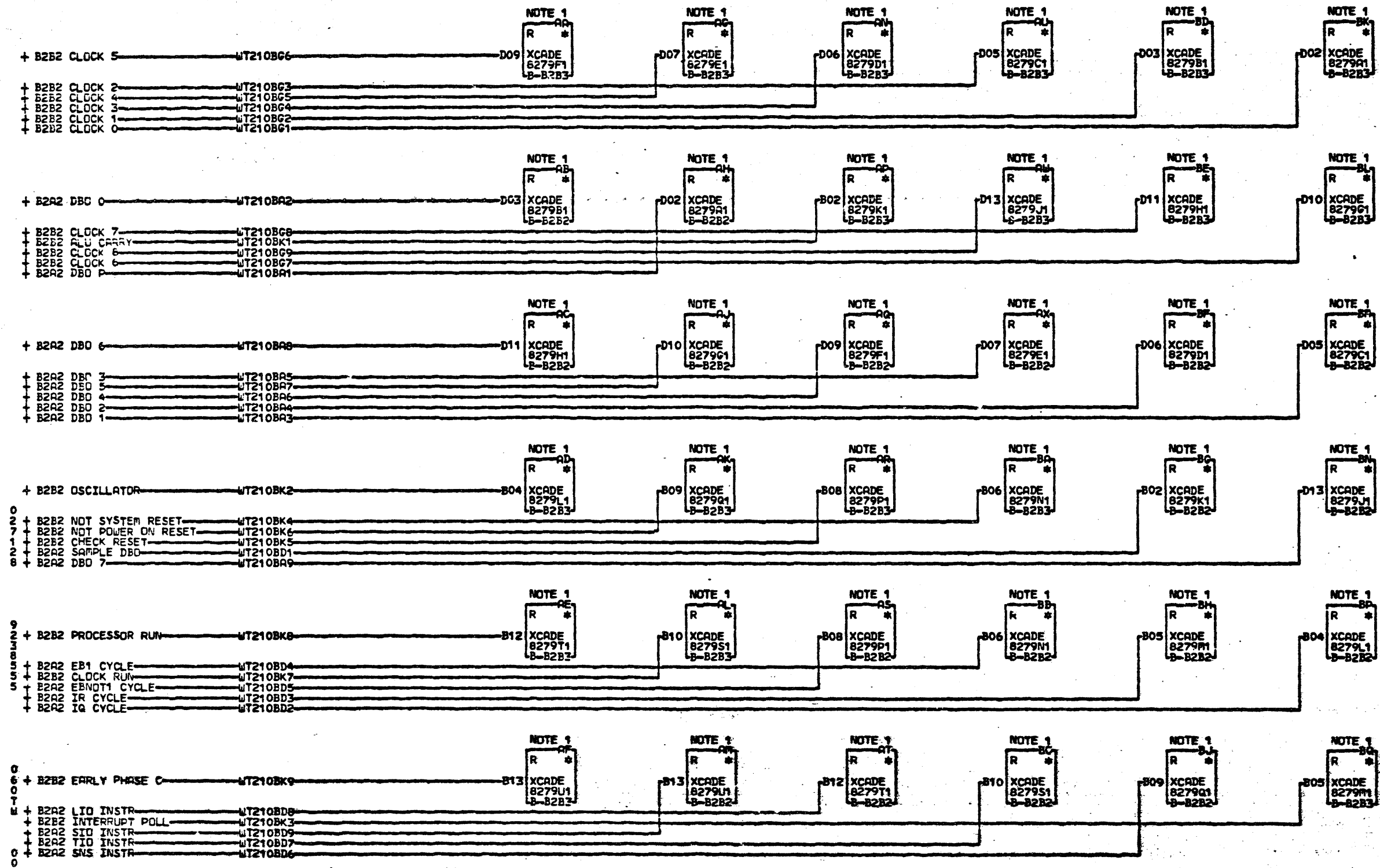
NOTE 2 IF THIS IS NOT LAST BOARD ON CHANNEL WIRE B2D08 TO B2D07 AND B2J08 TO B2J07

FB1 B-82A806	FD5 B-82A5D07	FF7 B-82A5B09
FB3 B-82A808	FD7 B-82A5D06	FM1 B-82A5B10
FB5 B-82A809	FD1 B-82A5D02	FM3 B-82A5B12
FD1 B-82A5D02	FD3 B-82A5D13	
FD3 B-82A5D03		

LOC. TYPE

CHANNEL BANK 2	
BOARD SERVICE CONNECTIONS	
E-C-HISTORY	C-RACH-32XKSA19
DATE	LAST EC
12-06-73	821720
FRAME	01
IBR CORP. GSD	
Part No	5558326

000  
 2  
 X  
 S  
 S  
 5  
 3  
 0  
 7  
 1  
 6  
 5  
 000



NOTE 1 CARD 5808279 WILL BE IN SOCKETS B2 AND B3 WHEN BOARD 01B-B2 IS THE ONLY OR LAST FEATURE ON CHANNEL 2 WHEN BOARD 01B-B2 IS NOT ONLY OR LAST CABLES WILL BE IN SOCKETS B2-B3-B4-B5

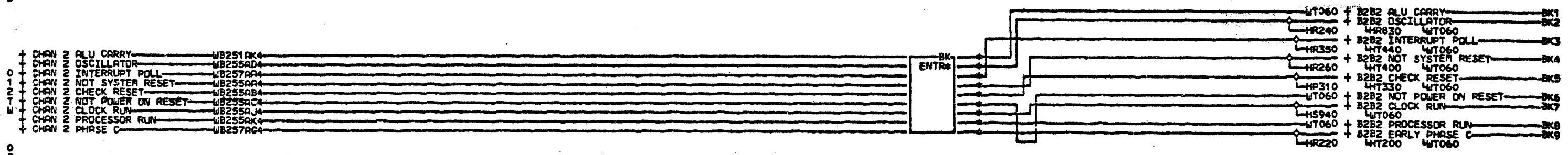
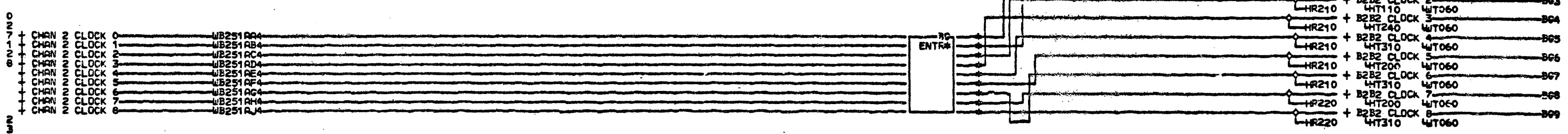
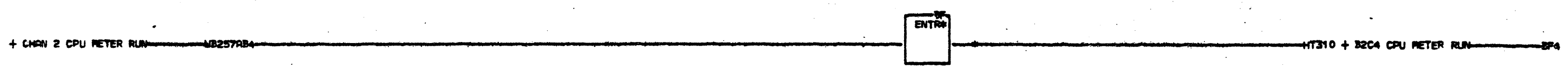
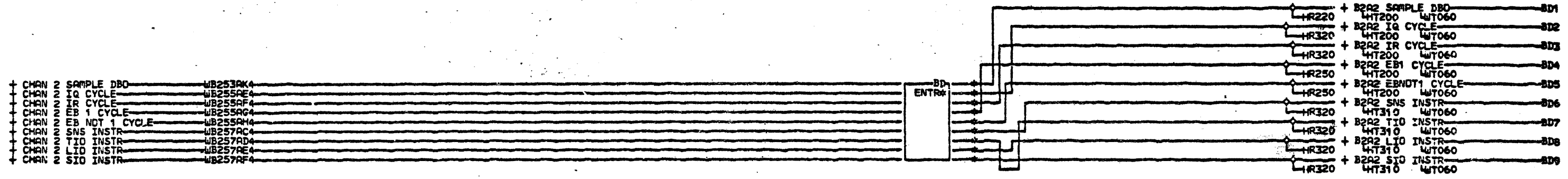
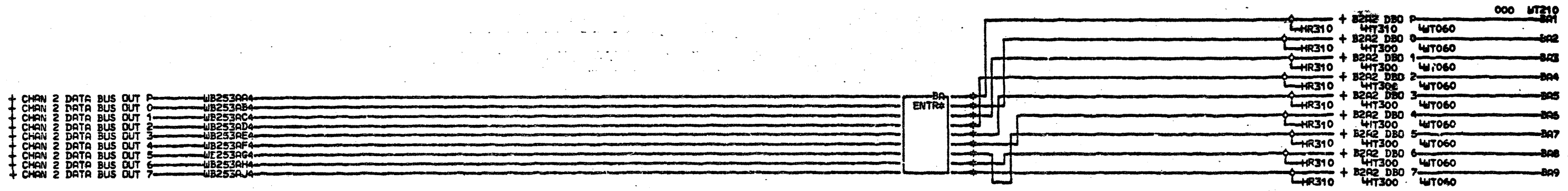
LOC. TYPE

CHANNEL BANK 2 TERMINATORS	
EoC-HISTORY	C1 FACH 32XSP15
DATE LAST EC	FRAME 01
12-06-73 821720	IBA CORP. GSD
	P.No. 5558329

WT060







BA1 B-B2A2D02	01B-B2B2D07	BD1 B-B2A2B02	01B-B2B2B08	BF4 B-B2A5B13	01B-B2B3D06	BG9 B-B2A3D13	01B-B2B3B06	BK9 B-B2A3B13
01B-B2B2D02	BA6 B-B2A2D09	01B-B2B2B02	BD6 B-B2A2B09	01B-B2B5B13	BG5 B-B2A3D07	01B-B2B3D13	BK5 B-B2A3B08	01B-B2B3B13
BA2 B-B2A2D03	01B-B2A2D09	BD2 B-B2A2B04	01B-B2B2B09	BG1 B-B2A3D02	01B-B2B3D07	BK1 B-B2A3B02	01B-B2B3B08	
01B-B2B2D03	BA7 B-B2A2D10	01B-B2B2B04	BD7 B-B2A2B10	01B-B2B3D02	BG6 B-B2A3D09	01B-B2B3B02	BK6 B-B2A3B09	
BA3 B-B2A2D05	01B-B2A2D10	BD3 B-B2A2B05	01B-B2B2B10	BG2 B-B2A3D03	01B-B2B3D09	BK2 B-B2A3B04	01B-B2B3B09	
01B-B2B2D05	BA8 B-B2A2D11	01B-B2B2B05	BD8 B-B2A2B11	01B-B2B3D03	BG7 B-B2A3D10	01B-B2B3B04	BK7 B-B2A3B10	
BA4 B-B2A2D06	01B-B2A2D11	BD4 B-B2A2B06	01B-B2B2B12	BG3 B-B2A3D05	01B-B2B3D10	BK3 B-B2A3B05	01B-B2B3B10	
01B-B2B2D06	BA9 B-B2A2D13	01B-B2B2B06	BD9 B-B2A2B13	01B-B2B3D05	BG8 B-B2A3D11	01B-B2B3B05	BK8 B-B2A3B12	
BA5 B-B2A2D07	01B-B2B2D13	BD5 B-B2A2B08	01B-B2B2B13	BG4 B-B2A3D06	01B-B2B3D11	BK4 B-B2A3B06	01B-B2B3B12	

LOC. TYPE

CHANNEL ENTRY

—E—C—H—I—S—T—R—Y—C—P—A—C—H—32XKSP15

W T 2 1 0

FRAME 01

IBR CORP. 650

DATE: 12-06-73 LAST EC: 821720

P.No. 5558332

000  
 31-1-0  
 81-EX-111  
 000

DBI P	WT001FA4	BA	WB201	BDB2 CHAN 2 DATA BUS IN 0	BA1
DBI 0	WT001DA4	#EXIT#	WB201	BDB2 CHAN 2 DATA BUS IN 0	BA2
DBI 1	WT001BA4		WB201	BDB2 CHAN 2 DATA BUS IN 1	BA3
DBI 2	WT001FC4		WB201	BDB2 CHAN 2 DATA BUS IN 2	BA4
DBI 3	WT001DC4		WB201	BDB2 CHAN 2 DATA BUS IN 3	BA5
DBI 4	WT001BC4		WB201	BDB2 CHAN 2 DATA BUS IN 4	BA6
DBI 5	WT001FE4		WB201	BDB2 CHAN 2 DATA BUS IN 5	BA7
DBI 6	WT001DE4		WB201	BDB2 CHAN 2 DATA BUS IN 6	BA8
DBI 7	WT001BE4		WB201	BDB2 CHAN 2 DATA BUS IN 7	BA9

STORE DATA TO CPU	WT001FG4	BD	WB203	BDB2 CHAN 2 STORE DATA	BD1
BLOCK SDR TO CPU	WT001FL4	#EXIT#	WB205	BDB2 CHAN 2 BLOCK SDR	BD2
BINARY SUBTRACT	WT350FC2		WB205	BDB2 CHAN 2 BINARY SUBTRACT	BD3
INHIBIT LSR LOAD XTHRU	WT050FB1		WB205	BDB2 CHAN 2 INHIBIT LSR LOAD	BD4
LSR SELECT 3 XTHRU	WT050FB3		WB203	BDB2 CHAN 2 LSR SELECT 3	BD5
LSR SELECT 4 XTHRU	WT050FB5		WB203	BDB2 CHAN 2 LSR SELECT 4	BD6
LSR SELECT 5	WT340GC6		WB203	BDB2 CHAN 2 LSR SELECT 5	BD7
CHAN LSR SEL 6	WT230AR6		WB203	BDB2 CHAN 2 LSR SELECT 6	BD8
LSR SELECT 7	WT001DG4		WB203	BDB2 CHAN 2 LSR SELECT 7	BD9

CYCLE STEAL REQ 3 XTHRU	WT050FD1	BG	WB205	BDB2 CHAN 2 CSR 3	BG1
CYCLE STEAL REQ 4 XTHRU	WT050FD3	#EXIT#	WB205	BDB2 CHAN 2 CSR 4	BG2
CYCLE STEAL REQ 5	WT001FM4		WB205	BDB2 CHAN 2 CSR 5	BG3
CYCLE STEAL REQ 6 XTHRU	WT050FD7		WB205	BDB2 CHAN 2 CSR 6	BG4
CYCLE STEAL REQ 7 XTHRU	WT050FD5		WB205	BDB2 CHAN 2 CSR 7	BG5
I/O CONDITION A	WT001BG4		WB207	BDB2 CHAN 2 I-O CONDITION A	BG6
I/O CONDITION B	WT001FJ4		WB207	BDB2 CHAN 2 I-O CONDITION B	BG7
TRANSLATE IN XTHRU	WT050FF1		WB203	BDB2 CHAN 2 TRANSLATE IN	BG8
TRANSLATE OUT XTHRU	WT050FF3		WB203	BDB2 CHAN 2 TRANSLATE OUT	BG9

I/O ATTENTION TO CPU	WT230FM2	BK	WB205	BDB2 CHAN 2 I-O ATTENTION	BK1
I/O METER TO CPU	WT001BJ4	#EXIT#	WB207	BDB2 CHAN 2 I-O METER RUN	BK2
I/O WORKING TO CPU	WT001DL4		WB207	BDB2 CHAN 2 I-O WORKING	BK3
I/O CHECK TO CPU	WT001EL4		WB207	BDB2 CHAN 2 I-O CHECK	BK4
BURST REQUEST TO CPU	WT5930FC2		WB203	BDB2 CHAN 2 BURST REQUEST	BK5
SPARE 1 XTHRU	WT050FF7			SPARE 1	BK6
SPARE 2 XTHRU	WT050FH1			SPARE 2	BK7
SPARE 3 XTHRU	WT050FH3			SPARE 3	BK8

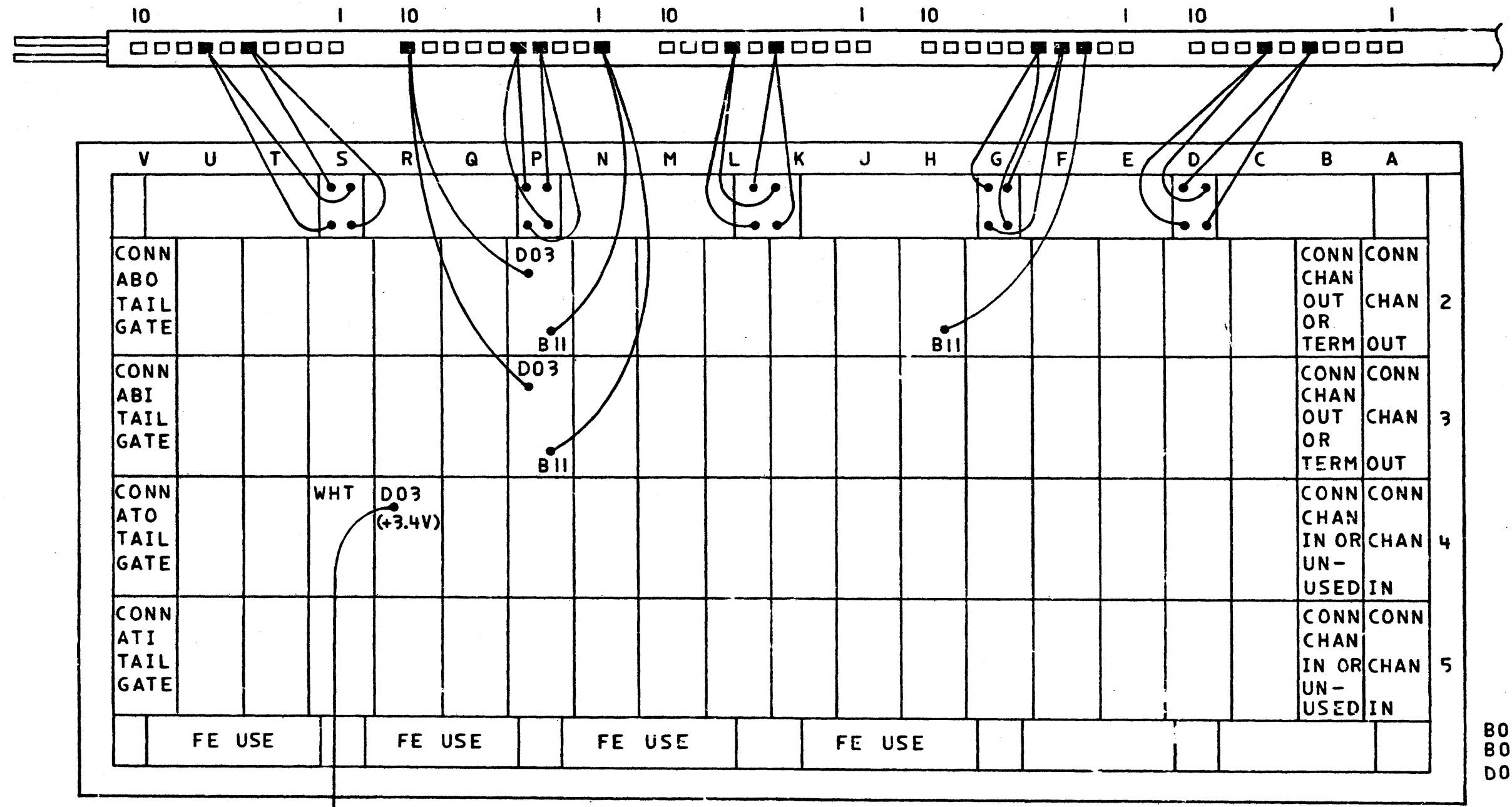
LOC. TYPE

CHANNEL EXIT PAGE	
E.C. HISTORY	C MACH. 32XXSM15
821720	FRAME 01
DATE LAST EC	IBM CORP. GSD
02-25-74 824774	Page 5550333

5566180

ZA222

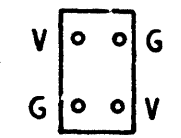
PIN SIDE VIEW



B06 -4 VOLTS  
B08 REF  
D08 GND

10 +5V  
1 GND  
1 -12V  
1 GND  
1 -4V  
1 -4V  
1 GND  
1 +6V  
1 GND  
1 +9.5V  
REF-VOLTAGE BUS

MINI BUS VOLTAGE (-4V)



5558425 JUMPER

EC HISTORY		DRAWING TITLE	
22JUN73	821461	CONN. CHART BOARD 01B - B2	
21NOV73	821678	MACH 32XX SMIS ATTACHMENT	
21DEC73	821746	PART NO 5556180	
26FEB74	821720	CLASSIFICATION	<b>IBM</b> CORP

RED C

ZA222

ZA222

PART NO. 5554844 E.C. NO. 825032 VERSION 000 SIZE SINGLE MACHINE 10A-SM15 LOCATION 018-A3

PIN ID: #-I/O PIN PLANES: 1-CARD SIDE SHALLOW 3-PROBE SIDE SHALLOW WIRE TYPES: YEL-YELLOW, 30, AG NTR-90 OHM TRI-LEAD
#-I/O & LOGIC 2-PROBE SIDE SHALLOW 4-PROBE SIDE SHALLOW TWL-TWIN LEAD WRAP FTW-50 OHM TWIN LEAD
T-TERMINATING RES. W-DISCRETE OVERFLOW TW-TWIST PR CONNECT NTH-50 OHM TWIN LEAD
V-VOLTAGE/GROUND FTR-50 OHM TRI-LEAC CX-COAX CONNECTOR

NOTES: WIRE LENGTH IS IN TENTHS OF AN INCH. YELLOW WIRE LENGTH INCLUDES WIRE FOR WRAP.

Table with columns: NET NO., FROM PIN, P L, TO PIN, P L, WIRE TYP, WIRE LNGTH. It lists wire connections for various components like JR210AQ2, JR210AS2, JR210AT2, etc., including their pin numbers and wire types/lengths.



PART NO. 5554844 E.C. NO. 825032 VERSION 000 SIZE SINGLE MACHINE IDA-SM15 LOCATION 01B-A3

PIN ID: #-I/O PIN \*-I/O & LOGIC T-TERMINATING RES. V-VOLTAGE/GROUND PLANES: 1-CARD SIDE SHALLOW 3-PROBE SIDE SHALLOW WIRE TYPES: YEL-YELLOW, 30, AG TWL-TWIN LEAD WRAP TW-TWIST PR CONNECT FTR-50 OHM TRI-LEAC NTR-90 OHM TRI-LEAD FTW-50 OHM TWIN LEAD NTW-90 OHM TWIN HEAD CX-CCAX CONNECTOR

NOTES: WIRE LENGTH IS IN TENTHS OF AN INCH. YELLOW WIRE LENGTH INCLUDES WIRE FOR WRAP.

Table with columns: NET NO., FROM PIN, P, TO PIN, P, WIRE TYP, WIRE LGTH. It lists wire connections for various components like JR550BC6, JR620FK2, JR630EA6, etc., with their respective pin numbers and wire lengths.

DATE 11-20-75

MST-1

BOARD DISCRETE WIRE EQUIVALENT LIST SEQUENCED BY NET NUMBER

PAGE 3

PART NO. 5554844

E.C. NO. 825032

VERSION 000

SIZE SINGLE

MACHINE ICA-SM15

LOCATION 018-A3

PIN ID: #-I/O PIN

PLANES: 1-CARD SIDE SHALLOW 3-PROBE SIDE SHALLOW

WIRE TYPES: YEL-YELLOW, 30, AG

NTR-90 OHM TRI-LEAD

\*-I/O & LOGIC

2-PROBE SIDE SHALLOW 4-PROBE SIDE SHALLOW

TWL-TWIN LEAD WRAP

FTW-50 OHM TWIN LEAD

T-TERMINATING RES.

W-DISCRETE OVERFLOW

TW-TWIST PR CONNECT

NTW-90 OHM TWIN LEAD

V-VOLTAGE/GROUND

FTR-50 OHM TRI-LEAD

CX-COAX CONNECTOR

NOTES: WIRE LENGTH IS IN TENTHS OF AN INCH. YELLOW WIRE LENGTH INCLUDES WIRE FOR WRAP.

NET NO.	FROM PIN	P L	TO PIN	P L	WIRE TYP	WIRE LNPTH	FROM PIN	P L	TO PIN	P L	WIRE TYP	WIRE LNPTH	FROM PIN	P L	TO PIN	P L	WIRE TYP	WIRE LNPTH		
JR750AG4	E3B02	2	M2B04	2	YEL	10.0	JR830GC6	L5B09	2	U4B02#	2	YEL	11.0	JS030AF2	R2D13	2	U4C05#	2	YEL	8.0
	D3B02	2	E3B02	2	YEL	4.5		L5B09	1	V4B02#	1	YEL	12.0		V4D05#	2	R2C13	2	YEL	8.0
	J3B02	1	H3B02	1	YEL	4.5	JR830GE2	L5D10	W	T3D02	1	YEL	10.0	JS030AH2	R3B11	2	L4C07#	2	YEL	7.0
	J3B02	1	M2B03	2	YEL	7.0	JR830GJ6	L5D09	2	U4B04#	2	YEL	11.0		V4C07#	2	R3B11	2	YEL	8.0
	G5B02	2	F5B02	2	YEL	4.5		V4B04#	1	L5D09	1	YEL	12.0	JS030AJ2	R3B09	2	U4D09#	2	YEL	8.0
	F5B02	2	F3B02	1	YEL	7.0	JR840FB6	F4B03	2	L4D07	2	YEL	8.0		V4D09#	2	R3B09	2	YEL	8.0
	G3B02	2	H3B02	2	YEL	4.5		G2B03	2	F2B03	2	YEL	4.5	JS030AK2	R3D09	2	U4C10#	2	YEL	7.0
JR750DF6	G5B02	2	G3B02	1	YEL	7.0		F4B03	2	G2B03	2	YEL	8.0		V4D10#	2	R3D09	2	YEL	8.0
JR750FD7	L2D11	W	M3D13	W	YEL	6.0	JR840FE6	G4B03	2	L4B08	2	YEL	7.0	JS030AL2	R3C10	2	U4D11#	2	YEL	7.0
JR750GM4	M3D05	W	M4D04	W	YEL	5.5		J2B03	2	H2B03	2	YEL	4.5		V4D11#	2	R3C10	2	YEL	8.0
JR810BK4	M2D05	W	N3D10	W	YEL	6.0	JR840FL2	J2B03	1	G4B03	1	YEL	8.0	JS030AQ6	K3D09	2	M4B05	2	YEL	5.5
	N2B09	W	P5B04	W	YEL	9.0		P5B11	2	Q4B03	2	YEL	7.0		K3C09	2	L2C12	2	YEL	7.0
	M3B08	2	P5B04	2	YEL	8.0	JR952BF4	L4B13	2	P5B11	2	YEL	7.0	JS030AR6	R2C11	2	L2C12	2	YEL	7.0
JR810CM2	L2D05	1	M3B08	1	YEL	6.0	JR953BF4	A2B02#	2	D2D02	2	YEL	6.0		K3B03	2	L4B05	2	YEL	6.0
JR810DE4	N2D13	2	L3D13	2	YEL	6.0	JR954BF4	A2D07#	2	D3D10	2	YEL	8.0		M2B11	2	R2C05	2	YEL	7.0
	P4D12	W	Q5B05	W	YEL	4.5	JR956AH4	A2D13#	1	D2D05	1	YEL	7.0	JS030BN2	K3B03	2	M2B11	2	YEL	5.0
JR810DK4	L2D09	W	P4D12	W	YEL	8.0		E3D03	2	F3D03	2	YEL	4.5		T3D05	W	Q4D12	W	YEL	7.0
	M3D04	W	Q5D13	W	YEL	9.0		D3D03	2	E3D03	2	YEL	4.5	JS040AC5	R3D05	W	T3D05	W	YEL	5.0
	N2D12	2	P5D11	2	YEL	10.0		D3D03	1	D5D03	1	YEL	7.0	JS040AC8	R5B07	2	C5B07	2	YEL	4.5
	L2D04	2	K2B07	2	YEL	4.5		D5D03	2	F5D03	2	YEL	4.5	JS040AC2	Q3D12	W	R4B04	W	YEL	4.5
JR810DL4	P5D11	2	Q5D13	2	YEL	4.5	JR956BF4	F5D03	2	E5D03	2	YEL	4.5		N4B13	W	P4B07	W	YEL	4.5
	K2B07	1	M3D04	1	YEL	7.0	JR957BF4	A3B02#	2	D4D02	2	YEL	8.0	JS040AD7	N4B13	2	R5B08	2	YEL	6.0
	M3B03	2	N2B12	2	YEL	4.5	JR958BF4	A3D07#	2	D5D10	2	YEL	9.0		N5B02	W	R5C02	W	YEL	6.0
	L5B07	2	P4B13	2	YEL	6.0	JR962BF4	A3D13#	2	D4D05	2	YEL	6.0	JS040AH8	P4B05	W	N5B02	W	YEL	5.5
JR810EC6	M3B03	2	K2B05	1	YEL	5.5	JR963BF4	A4B02#	2	E2D02	2	YEL	10.0	JS040AN2	Q2D05	W	R4B05	W	YEL	8.0
JR810EH6	K2B05	2	L5B07	2	YEL	10.0	JR964BF4	A4D07#	2	F3D10	2	YEL	8.0	JS040AN4	R3D12	W	Q4D09	W	YEL	5.5
JR810EK6	L3D02	W	M2D02	2	YEL	5.5	JR966BF4	A4D13#	2	E2D05	2	YEL	11.0	JS040AN6	R3D06	W	C5B04	W	YEL	7.0
	M2B10	W	L4D09	W	YEL	7.0	JR967BF4	A5B02#	2	F4D02	2	YEL	8.0	JS040AP2	Q4D07	W	R4B09	W	YEL	4.5
JR810EM4	N2D05	2	T2D10	2	YEL	7.0	JR968BF4	A5D07#	2	F5D10	2	YEL	7.0	JS040BA2	Q5B08	2	R5D05	2	YEL	4.5
	L5D03	2	N2D05	2	YEL	10.0	JR972BF4	A5D13#	2	F4D05	2	YEL	9.0	JS040BN2	Q3D05	W	R4D02	W	YEL	5.5
	M3D03	2	P5B12	2	YEL	9.0	JR973BF4	B2B02#	1	F2D02	1	YEL	7.0		Q3D05	W	P3B04	W	YEL	7.0
	K2D06	2	N2B13	2	YEL	5.5	JR974BF4	B2D13#	2	F3D10	2	YEL	8.0	JS040BN7	K3B05	2	P3B04	2	YEL	6.0
	K2D06	2	M3D03	2	YEL	7.0	JR976BF4	B3B02#	2	F2D05	2	YEL	7.0		P3B04	1	R2C02	1	YEL	6.0
JR810FA4	L5D07	1	P5B12	2	YEL	7.0	JR977BF4	B3D07#	2	F5D10	2	YEL	10.0	JS060AF2	R2D04	1	P4D11	1	YEL	10.0
JR810GD4	L5B10	1	P5D03	W	YEL	6.0	JR978BF4	B3D13#	2	F4D05	2	YEL	7.0	JS060AF7	M5B02	1	R4B12	1	YEL	7.0
JR810GF6	N3D03	W	L5D05	W	YEL	8.0	JR978BF4	B3D13#	2	F4D05	2	YEL	7.0	JS060AG2	M5D06	2	R5B10	2	YEL	6.0
JR810GG6	L3B13	2	N3D13	2	YEL	5.0	JR982BF4	B4B02#	2	G2D02	2	YEL	11.0	JS060AG7	M4B07	W	R5C10	W	YEL	7.0
JR820BB6	L4B03	2	N4B03	2	YEL	5.0	JR983BF4	B4D07#	2	G3D10	2	YEL	8.0	JS060AP2	M4B12	W	R5C09	W	YEL	7.0
	E3B05	2	E5B05	2	YEL	7.0	JR984BF4	B4D13#	2	G2D05	2	YEL	11.0	JS060AP7	M4B11	W	R5D11	W	YEL	7.0
JR820BM2	L4D13	2	E5B05	1	YEL	8.0	JR986BF4	B5B02#	2	G4D02	2	YEL	9.0	JS060AQ2	M5C03	W	R4D10	W	YEL	7.0
JR820CC6	M2D06	2	L5B05	2	YEL	9.0	JR987BF4	B5D07#	2	G5D10	2	YEL	7.0	JS060AQ7	M5B07	2	R5D13	2	YEL	7.0
JR820CH2	M2D04	2	L3B12	2	YEL	7.0	JR988AH4	H3D03	2	J3D03	2	YEL	4.5	JS070BA4	M5B04	W	R4B10	W	YEL	7.0
JR820FA6	L3D06	W	S2B13	W	YEL	8.0		G3D03	2	H3D03	2	YEL	4.5		N5B07	W	K5B12	W	YEL	9.0
	F5B05	1	F3B05	1	YEL	7.0		G3D03	1	G5D03	1	YEL	7.0		H5B12	2	J5B12	2	YEL	4.5
JR820FC2	F5B05	1	L4D03	W	YEL	8.0		G5D03	2	P6E02	2	YEL	10.0	JS070BC4	K5B12	1	J5B12	1	YEL	4.5
	D3B05	1	D5B05	1	YEL	7.0	JR988BF4	T6A02	2	P6E02	2	YEL	5.5		N5D12	1	K5B11	1	YEL	8.0
JR820FF6	D3B05	2	L2B04	2	YEL	10.0	JR992BF4	B5D13#	2	G4D05	2	YEL	10.0	JS070BD4	N3D12	1	K5B11	1	YEL	4.5
	L3D12	2	G5B05	2	YEL	9.0	JR993BF4	C2B02#	1	H2D02	1	YEL	7.0		H5B11	2	J5B11	2	YEL	4.5
	G3B05	2	G5B05	2	YEL	7.0	JR994BF4	C2D07#	2	H3D10	2	YEL	9.0		J5B11	1	K5B08	1	YEL	4.5
JR820FK6	L2D07	2	M2B13	2	YEL	4.5	JR996BF4	C3B02#	2	H2D05	2	YEL	8.0	JS070BF4	K5B08	W	J5B08	W	YEL	4.5
JR820FM6	J3B05	2	H3B05	2	YEL	4.5	JR997BF4	C3D07#	2	J2D02	2	YEL	9.0		N2B11	1	K5B08	1	YEL	9.0
	L3D03	2	M4D03	2	YEL	5.5	JR998BF4	C3D13#	2	J3D10	2	YEL	8.0		N2B10	W	K5C06	W	YEL	9.0
JR830AL2	L3D03	2	M4D03	2	YEL	5.5	JS010AP2	C3D13#	2	J2D05	2	YEL	10.0	JS070BG4	H5D06	2	J5C06	2	YEL	4.5
JR830DG6	M3B02	W	L4D06	W	YEL	6.0	JS020AP6	Q4D03	2	R3D07	2	YEL	5.0		J5D06	2	K5C06	2	YEL	4.5
JR830FD6	M2D10	W	T5B12	W	YEL	11.0	JS030AE2	Q4D03	2	R3D11	2	YEL	4.5		N2D11	W	K5C02	W	YEL	9.0
	L4D04	2	M2D10	2	YEL	7.0		Q2D10	2	R4D12	2	YEL	8.0	JS070BJ4	H5D02	2	J5C02	2	YEL	4.5
JR830FF6	L4B04	W	T3B05	W	YEL	9.0		R4D03	2	U4D02#	2	YEL	5.5		J5D02	1	K5C02	1	YEL	4.5
JR830FJ2	L2D13	2	M3B10	2	YEL	5.0		V4D02#	2	R4D03	2	YEL	7.0		K5B02	W	N3B05	W	YEL	8.0
JR830GB6	L5D12	2	U5D07#	2	YEL															

PART NO. 5554844

E.C. NO. 825032

VERSION 000

SIZE SINGLE

MACHINE 1DA-SM15

LOCATION 01B-A3

PIN ID: #-I/O PIN

\*-I/O & LOGIC

T-TERMINATING RES.

V-VOLTAGE/GROUND

PLANES: 1-CARD SIDE SHALLOW 3-PROBE SIDE SHALLOW WIRE TYPES: YEL-YELLOW, 30, AG  
2-PROBE SIDE SHALLOW 4-PROBE SIDE SHALLOW  
W-DISCRETE OVERFLOW

TWL-TWIN LEAD WRAP  
TW-TWIST PR CONNECT  
FTR-50 OHM TRI-LEAC

NTR-90 CHM TRI-LEAD  
FTW-50 CHM TWIN LEAC  
NTW-50 CHM TWIN LEAD  
CX-COAX CONNECTOR

NOTES: WIRE LENGTH IS IN TENTHS OF AN INCH. YELLOW WIRE LENGTH INCLUDES WIRE FOR WRAP.

NET NO.	FROM PIN	P L	TO PIN	P L	WIRE TYP	WIRE LNPTH	FROM PIN	P L	TO PIN	P L	WIRE TYP	WIRE LNPTH	FROM PIN	P L	TC PIN	P L	WIRE TYP	WIRE LNPTH		
JS070BL4	H3B02	W	K4B13	W	YEL	8.0	U3D08	1	U3D04	1	YEL	4.0	WD210BA3	S3B05	2	L2C05#	2	YEL	7.0	
	H4B13	1	J4B13	1	YEL	4.5	U3D08	W	U3D12	W	YEL	4.0		V2C05#	2	S3B05	2	YEL	8.0	
JS070BM4	J4B13	1	K4B13	2	YEL	4.5	U3B03	W	U3D04	W	YEL	4.0	WD210BA4	V2C06#	W	S5C03	W	YEL	8.0	
	K4D13	W	N3D02	W	YEL	8.0	U4B07	2	U4D08	2	YEL	4.5		S5D03	2	U2C06#	2	YEL	10.0	
	J4D13	2	K4D13	2	YEL	4.5	U4B03	2	U4D04	2	YEL	4.0	WD210BA5	U2D07#	2	S3C06	2	YEL	7.0	
JS070BN4	K4D13	1	H4D13	2	YEL	4.5	U4B11	2	U4D12	2	YEL	4.0		V2C07#	1	S3C06	2	YEL	8.0	
	H4B08	W	N3D07	W	YEL	7.0	U4D08	W	U4D12	W	YEL	4.0	WD210BA6	S5B10	2	V2DC9#	1	YEL	13.0	
	H4B08	2	J4B08	2	YEL	4.5	U4B03	W	U4B07	W	YEL	4.0		U2D09#	1	S5B10	1	YEL	11.0	
	J4B08	2	K4B08	2	YEL	4.5	U5B07	1	U5D08	2	YEL	4.0	WD210BA7	S5B03	2	U2C10#	2	YEL	10.0	
JS100BH4	D4B11	2	E4B11	2	YEL	4.5	U5D12	1	U5D08	1	YEL	4.0		S5B03	1	V2C10#	1	YEL	10.0	
	E4B11	2	F4B11	2	YEL	4.5	U5B03	2	U5D04	2	YEL	4.0	WD210BA8	V2D11#	W	S5C11	1	YEL	10.0	
	F4B11	2	G4B11	2	YEL	4.5	U5B11	2	U5D12	2	YEL	4.0		S5D11	2	U2C11#	2	YEL	10.0	
	G4B11	2	H5D07	2	YEL	5.5	U5B03	W	U5B07	W	YEL	4.0	WD210BA9	S5B13	1	U2D13#	1	YEL	10.0	
JS100FH4	H5D07	1	H4D07	1	YEL	5.5	S2B06	W	T2B06	W	YEL	4.5		V2C13#	2	S5B13	2	YEL	11.0	
	J4D03	2	K4D03	2	YEL	4.5	S3B06	V	T3B06	V	YEL	4.5	WC210BD1	T3B13	1	U2B02#	1	YEL	8.0	
	H4D03	2	J4D03	2	YEL	4.5	S4B06	W	T4B06	W	YEL	4.5		V2B02#	2	T3B13	1	YEL	8.0	
	H4D03	1	H5D12	1	YEL	7.0	T5B06	V	S5B06	V	YEL	5.0	WD210BD2	S5D07	2	U2B04#	2	YEL	10.0	
	H5D12	2	J5D12	2	YEL	4.5	U4B06#	1	U4B06#	1	YEL	6.0		K2B04	2	S5C07	2	YEL	13.0	
JS200BH4	K5D12	2	J5D12	2	YEL	4.5	U4B05#	2	V4B05#	2	YEL	4.4	WD210BD3	V2B04#	2	K2B04	2	YEL	10.0	
	D2B11	2	E2B11	2	YEL	4.5	U4B09#	2	V4B09#	2	YEL	4.4		S2B12	2	U2B05#	2	YEL	6.0	
	E2B11	2	F2B11	2	YEL	4.5	U4B10#	2	V4B10#	2	YEL	4.4	WD210BD4	S2B12	2	V2B05#	2	YEL	6.0	
	F2B11	2	J4D07	2	YEL	9.0	U5D02#	2	V5D02#	2	YEL	4.4		T4B05	1	U2B06#	1	YEL	8.0	
	J5D07	1	J4D07	1	YEL	5.5	U5D03#	2	V5D03#	2	YEL	4.4	WC210BD5	T4B05	1	V2B06#	1	YEL	8.0	
JS300BH4	G2B11	2	H2B11	2	YEL	4.5	U5D05#	2	V5D05#	2	YEL	4.4		T4D04	2	U2B08#	2	YEL	7.0	
	H2B11	2	J2B11	2	YEL	4.5	U5D06#	2	V5D06#	2	YEL	4.4	WD210BD6	T4D04	2	V2B08#	2	YEL	9.0	
	J2B11	2	K4D07	2	YEL	8.0	U5D11#	2	V5D11#	2	YEL	4.4		V2B09#	2	S3B11	2	YEL	7.0	
	K5D07	1	K4D07	1	YEL	5.5	U5D13#	2	V5D13#	2	YEL	4.4	WD210BD7	V2B09#	2	S3B11	2	YEL	8.0	
JS920GB6	V6B02#	W	P2D02	W	YEL	12.0	U5B02#	1	U5B02#	1	YEL	5.5		K2C07	2	U2B10#	2	YEL	9.0	
JS920GE4	P2B13	2	T6A04#	2	YEL	12.0	U5B09#	2	V5B09#	2	YEL	4.4	WD210BD8	V2B10#	2	S3B08	2	YEL	7.0	
JS920GG4	P2D09	1	T6E02#	1	YEL	13.0	U5B10#	2	V5B10#	2	YEL	4.4		K2C07	2	S3B08	2	YEL	10.0	
JS930EE2	P3B08	W	T3B02	W	YEL	7.0	U5B12#	2	V5B12#	2	YEL	4.4	WD210BD9	S3B09	2	U2B12#	2	YEL	7.0	
	T3B02	2	S2D04	1	YEL	7.0	U4B13#	2	V4B13#	2	YEL	5.5		V2B12#	2	S3B09	2	YEL	6.0	
JS930EL6	P2B07	2	U6C04#	2	YEL	13.0	WD120FA1	N6B04#	P2D10	1	YEL	11.0	WD210BD9	S3C09	1	U2B13#	1	YEL	5.5	
JS930FG2	P4D13	2	U5B08#	2	YEL	8.0	WD120FA3	N6A04#	P2D03	1	YEL	12.0		S3C09	1	V2B13#	1	YEL	7.0	
	V5B08#	2	P4D13	2	YEL	9.0	WD120FA5	N6D04#	P5B03	2	YEL	5.5	WC210BF4	U5B13#	2	V5B13#	2	YEL	4.5	
JS930FJ6	P2D05	2	U6D02#	2	YEL	13.0	WD120FA7	N6E04#	P5B02	1	YEL	6.0	WD210BG1	V3C02#	W	T5C09	W	YEL	9.0	
JS930FL6	P2D06	1	U6C02#	1	YEL	13.0	WD120FC1	M6E04#	P5B07	1	YEL	5.5		T5D09	1	U3C02#	1	YEL	9.0	
JS930GG6	P2B02	1	V6B04#	1	YEL	13.0	WD120FC3	N6E02#	P5D02	2	YEL	5.5	WD210BG2	T5D09	1	U3C03#	1	YEL	8.0	
JS930GJ6	P2B05	2	U6D04#	2	YEL	13.0	WD120FC5	M6C02#	P5D09	2	YEL	5.5		T5B03	2	U3C03#	2	YEL	8.0	
JS930GL6	P2B09	2	T6E04#	2	YEL	13.0	WD120FC7	N6A02#	P5D06	1	YEL	5.5	WD210BG3	T5B03	2	U3C05#	2	YEL	9.0	
JS940FB6	P3C02	1	S6A02#	1	YEL	11.0	WD120FE1	M6B02#	P5D10	2	YEL	5.5		T5C07	1	U3C05#	1	YEL	8.0	
JS940FC6	P3B05	1	R6C04#	1	YEL	10.0	WD120FE3	M6B04#	P5B10	1	YEL	5.5	WD210BG4	T5C07	1	U3C06#	1	YEL	9.0	
JS940FD6	P3D05	1	R6C02#	1	YEL	10.0	WD120FE5	M6A04#	P5B09	2	YEL	6.0		T4C07	2	U3C06#	2	YEL	6.0	
JS940FF6	P3B07	1	R6B04#	1	YEL	10.0	WD120FE7	N6B02#	P5D05	1	YEL	5.5	WD210BG5	V3C06#	2	T4C07	2	YEL	7.0	
JS940FG6	P3D06	1	R6B02#	1	YEL	10.0	WD120FF2	L6D02#	P5D13	2	YEL	5.5		T5B08	2	U3C07#	2	YEL	8.0	
JS940FH6	P3B09	2	Q6D04#	2	YEL	9.0	WD120FF4	L6D04#	P5B13	2	YEL	6.0	WD210BG6	T5B08	2	V3C07#	2	YEL	9.0	
JS940FK6	P3D09	2	Q6D02#	2	YEL	9.0	WD120FH3	J6C04#	P4B04	2	YEL	10.0		V3C09#	W	T5C02	W	YEL	7.0	
JS940FL6	P3B13	2	P6E04#	2	YEL	8.0	WD120FH5	K6A04#	P4B03	2	YEL	10.0	WD210BG7	T5C02	2	U3C09#	2	YEL	7.0	
JS940FM6	P3B02	2	S6A04#	2	YEL	11.0	WD120FH7	K6B04#	P4B02	1	YEL	10.0		T5B02	2	U3C10#	2	YEL	8.0	
WD001BE4	M2D09	2	U4D13#	2	YEL	12.0	WD120FK3	K6B02#	P4D02	2	YEL	10.0	WD210BG8	V3C10#	2	T5B02	2	YEL	8.0	
	V4D13#	2	R5B04	2	YEL	7.0	WD120FK5	H6E02#	P4D09	1	YEL	10.0		T5C04	2	U3C11#	2	YEL	7.0	
WD001FC4	M2D09	2	R5B04	2	YEL	11.0	WD120FK7	J6C02#	P4D06	1	YEL	10.0	WD210BG9	V3C11#	2	T5C04	2	YEL	8.0	
	K3D06	2	U4D06#	2	YEL	11.0	WD120FM1	H6D02#	P4D10	2	YEL	10.0		T4C06	2	U3C13#	2	YEL	5.5	
	R4D09	2	V4D06#	2	YEL	7.0	WD120FM3	H6D04#	P4B10	2	YEL	10.0	WD210BK1	T4C06	2	V3C13#	2	YEL	5.5	
WD050CB4	K3D06	2	R4D09	2	YEL	10.0	WD120FM5	H6C04#	P4B09	2	YEL	10.0	WD210BK2	U3B02#	2	U3B02#	2	YEL	4.5	
	U2D08	1	U2D12	2	YEL	4.5	WD120FM7	J6D02#	P4D05	1	YEL	10.0		L2B09	2	U3B04#	2	YEL	10.0	
	U2D08	1	U2B11	1	YEL	5.5	WD210BA1	U2D02#	S4B08	W	YEL	9.0		T3D12	2	V3B04#	2	YEL	11.0	
	U2B03	2	U2D04	2	YEL	4.0		S4B08	2	V2D02#	2	YEL	10.0	WD210BK3	K3C05	2	S4C04	2	YEL	10.0
WD050CD4	U3B11	2	U3D12	2	YEL	5.5		S3D03	2	U2D03#	2	YEL	7.0		S4D04	2	V3B05#	2	YEL	7.0
								V2D03#	2	YEL	8.0		U3B05#	2	K3C05	2	YEL	9.0		

DATE 11-20-75

MST-1

BOARD DISCRETE WIRE EQUIVALENT LIST SEQUENCED BY NET NUMBER

PAGE 5

PART NO. 5554844 E.C. NO. 825032 VERSION 000 SIZE SINGLE MACHINE IDA-SM15 LOCATION 01B-A3

PIN ID: #-I/O PIN PLANES: 1-CARD SIDE SHALLOW 3-PROBE SIDE SHALLOW WIRE TYPES: YEL-YELLOW, 30, AG NTR-90 OHM TRI-LEAD  
\*-I/O & LOGIC 2-PROBE SIDE SHALLOW 4-PROBE SIDE SHALLOW TWL-TWIN LEAD WRAP FTW-50 OHM TWIN LEAD  
T-TERMINATING RES. W-DISCRETE OVERFLOW TW-TWIST PR CONNECT NTW-50 OHM TWIN LEAD  
V-VOLTAGE/GROUND FTR-50 OHM TRI-LEAD CX-COAX CONNECTOR

NOTES: WIRE LENGTH IS IN TENTHS OF AN INCH. YELLOW WIRE LENGTH INCLUDES WIRE FOR WRAP.

NET NO.	FROM PIN	P L	TO PIN	P L	WIRE TYP	LNTH	FROM PIN	P L	TO PIN	P L	WIRE TYP	LNTH	FROM PIN	P L	TO PIN	P L	WIRE TYP	LNTH
WD210BK4	U3B06#	W	S2D10	W	YEL	5.5												
	V3B06#	2	S2D10	2	YEL	7.0												
WD210BK5	Q3D02	2	U3B08#	2	YEL	7.0												
	V3B08#	2	Q3D02	2	YEL	7.0												
WD210BK6	U3B09#	2	V3B09#	2	YEL	4.5												
WD210BK7	P2D13	2	U3B10#	2	YEL	8.0												
	V3B10#	2	P2D13	2	YEL	9.0												
WD210BK8	U3B12#	2	V3B12#	2	YEL	4.5												
WD210BK9	T4B13	2	U3B13#	2	YEL	6.0												
	V3B13#	2	T4B13	2	YEL	7.0												

END OF LIST

DATE 11-20-75

MST-1

BOARD DISCRETE WIRE EQUIVALENT LIST SEQUENCED BY PIN NUMBER

PAGE 1

PART NO. 5554844

E.C. NO. 825032

VERSION 000

SIZE SINGLE

MACHINE IDA-SM15

LOCATICN 01B-A3

PIN ID: #-I/O PIN  
\*-I/O & LOGIC  
V-VOLTAGE/GROUND

NOTE: \*T\* FOLLOWING PIN LOCATION INDICATES TERMINATING RESISTOR

PIN	NET NO.	PIN	NET NO.	PIN	NET NO.	PIN	NET NO.	PIN	NET NO.	PIN	NET NO.	PIN	NET NO.
A2B02#	JR952BF4	D4D02	JR956BF4	E5D06	JR965BG2	G2D02	JR982BF4	H3D06	JR991BG2	J3B05	JR820FM6	K2CC5	JR530AT6
A2D07#	JR953BF4	D4D05	JR958BF4	E5D07	JR965DF6	G2D05	JR984BF4	H3C07	JR991CF6	J3C02	JR720BE2	K2C06	JR810EM4
A2D13#	JR954BF4	D4D09	JR957GD2	E5D09	JR965BE2	G2D09	JR983GC2	H3C09	JR991BE2	J3C03	JR988AH4	K2D07	WC210CB7
A3B02#	JR956BF4	D4D11	JR955DE6	E5D10	JR967BF4	G2D11	JR981DE6	H3C10	JR993BF4	J3D04	JR996EF4	K2C09	JR420BA6
A3D07#	JR957BF4	D4D12	JR956GD2	E5D11	JR968EF4	G2D12	JR982GD2	H3C11	JR994EF4	J3C05	JR995CC6	K2C10	JR310AA9
A3D13#	JR958BF4	D4D13	JR958BF4	E5D13	JR967EF4	G2D13	JR720BC2	H3C13	JR993EF4	J3C06	JR995BG2	K2C11	JR420CE2
A4B02#	JR962BF4	D5B02	JR750AC4	F2B03	JR840FB6	G3B02	JR750AG4	H4B07	JR540CC6	J3C07	JR995DF6	K2C12	JR220AR2
A4D07#	JR963BF4	D5B05	JR820FC2	F2B09	JR971EJ4	G3B05	JR820FF6	H4B08	JS070BN4	J3C09	JR995BE2	K2C13	JR420CC2
A4D13#	JR964BF4	D5D02	JR720BE2	F2B10	JR974GC2	G3D02	JR720AC2	H4B09	JR640FM6	J3D10	JR997BF4	K3B02	JR310AV7
A5B02#	JR966BF4	D5D03	JR956AH4	F2B11	JS200BH4	G3D03	JR983AH4	H4B10	JR650BC5	J3D11	JR998EF4	K3B03	JS030AR6
A5D07#	JR967BF4	D5D04	JR956EF4	F2B12	JR971BC2	G3D04	JR982EF4	H4B11	JR640CM2	J3D13	JR997EF4	K3B04	JR420CH2
A5D13#	JR968BF4	D5D05	JR955DD6	F2B13	JR720BE2	G3D05	JR981DD6	H4B12	JR650BC8	J4B07	JR540CC6	K3B05	JS040BN2
B2B02#	JR972BF4	D5D06	JR955BG2	F2D02	JR972BF4	G3D06	JR981BG2	H4B13	JS070BL4	J4B08	JS070BN4	K3B07	JR620FK4
B2D07#	JR973BF4	D5D07	JR955DF6	F2D05	JR974BF4	G3D07	JR981CF6	H4C02	JR650BA5	J4BC9	JR640FM6	K3B08	JSC40BN7
B2D13#	JR974BF4	D5D09	JR955BE2	F2D09	JR973GD2	G3D09	JR981BE2	H4C03	JS100FH4	J4B10	JR650BC5	K3B09	JR310AA7
B3B02#	JR976BF4	D5D10	JR957BF4	F2D11	JR971DE6	G3D10	JR983BF4	H4C05	JR650BK2	J4B11	JR640CM2	K3B10	JR250GJ6
B3D07#	JR977BF4	D5D11	JR958BF4	F2D12	JR972GD2	G3D11	JR984EF4	H4C06	JR540CA6	J4B12	JR650BC8	K3B11	JR510BC4
B3D13#	JR978BF4	D5D13	JR957EF4	F2D13	JR720AC2	G3D13	JR983EF4	H4D07	JS100BH4	J4B13	JS070BL4	K3B12	JR310AV3
B4B02#	JR982BF4	E2B03	JR740GM6	F3B02	JR750AG4	G4B03	JR840FE6	H4D10	JR650BK5	J4CC2	JR650BA5	K3C02	JR410GJ2
B4D07#	JR983BF4	E2B09	JR961EJ4	F3B05	JR820FA6	G4B09	JR985EJ4	H4D12	JR640CH2	J4DC3	JS100FH4	K3D03	JR420CG2
B4D13#	JR984BF4	E2B10	JR964GD2	F3D02	JR720BN2	G4B10	JR988GD2	H4D13	JS070BM4	J4CC5	JR650BK2	K3C04	JR350AG2
B5B02#	JR986BF4	E2B11	JS200BH4	F3D03	JR956AH4	G4B11	JS100BH4	H5B02	JS070BJ4	J4CC6	JR650BG2	K3C05	WC210BK3
B5D07#	JR987BF4	E2B12	JR961BC2	F3D04	JR972EF4	G4B12	JR985BC2	H5B03	JR650BG2	J4CC7	JR650BK5	K3C06	WC001FC4
B5D13#	JR988BF4	E2B13	JR720BK2	F3D05	JR971DD6	G4B13	JR720BN2	H5B04	JR640CE2	J4CC8	JR650BK5	K3C07	JR620FK2
C2B02#	JR992BF4	E2D02	JR962BF4	F3D06	JR971BG2	G4D02	JR986BF4	H5B05	JR650BG5	J4C12	JR640CH2	K3D09	JS030AQ6
C2D07#	JR993BF4	E2D05	JR964BF4	F3D07	JR971DF6	G4D05	JR988BF4	H5B07	JR640FE2	J4D13	JS070BN4	K3D10	JR420FK6
C2D13#	JR994BF4	E2D09	JR963GD2	F3D09	JR971BE2	G4D09	JR987GD2	H5B08	JS070BC4	J5B02	JSC70BJ4	K3D11	JR420CC2
C3B02#	JR996BF4	E2D11	JR961DE6	F3D10	JR973BF4	G4D11	JR985DE6	H5B09	JR640GC2	J5B03	JR650BG2	K3C12	JR310AV5
C3D07#	JR997BF4	E2D12	JR962GD2	F3D11	JR974EF4	G4D12	JR986GD2	H5B10	JR650EG8	J5B04	JR640CE2	K3C13	JR410CM4
C3D13#	JR998BF4	E2D13	JR720BN2	F3D13	JR973EF4	G4D13	JR720BE2	H5B11	JS070BC4	J5B05	JR650BG5	K4B07	JR540CC6
D2B03	JR740FM6	E3B02	JR750AC4	F4B03	JR840FB6	G5B02	JR750AG4	H5B12	JS070BA4	J5B07	JR640FE2	K4B08	JS070BN4
D2B09	JR951EJ4	E3B05	JR820BB6	F4B09	JR975EJ4	G5B05	JR820FF6	H5B13	JR420CE2	J5B08	JS070BC4	K4B09	JR640FM6
D2B10	JR954GD2	E3D02	JR720AA2	F4B10	JR978GC2	G5D02	JR720BK2	H5C02	JS070EG4	J5B09	JR640GC2	K4B10	JR650BC5
D2B11	JS200BH4	E3D03	JR956AH4	F4B11	JS100BH4	G5D03	JR988AH4	H5D03	JR640FH2	J5B10	JR650BG8	K4B11	JR640CM2
D2B12	JR951BC2	E3D04	JR962EF4	F4B12	JR975BC2	G5D04	JR986EF4	H5C04	JR240EG6	J5B11	JS070BC4	K4B12	JR650BC8
D2B13	JR720BA2	E3D05	JR961DD6	F4B13	JR720AA2	G5D05	JR985DD6	H5C05	JR650BK8	J5B12	JSC70BA4	K4B13	JSC70BL4
D2D02	JR952BF4	E3D06	JR961BG2	F4D02	JR976BF4	G5C06	JR985BG2	H5C06	JS070BF4	J5B13	JR420CG2	K4C02	JR650BA5
D2D05	JR954BF4	E3D07	JR961DF6	F4D05	JR978BF4	G5D07	JR985DF6	H5C07	JS100BH4	J5C02	JS070RG4	K4C03	JS100FH4
D2D09	JR953GD2	E3D09	JR961BE2	F4D09	JR977GD2	G5D09	JR985BE2	H5C09	JR650BA8	J5C03	JR640FH2	K4C05	JR650BK2
D2D11	JR951DE6	E3D10	JR963BF4	F4D11	JR975DE6	G5D10	JR987BF4	H5D10	JR250CN2	J5C04	JR240BG6	K4CC6	JR540CA6
D2D12	JR952GD2	E3D11	JR964EF4	F4D12	JR976GD2	G5D11	JR988EF4	H5D11	JR640DA2	J5C05	JR650BK8	K4D07	JS300BH4
D2D13	JR720AA2	E3D13	JR963EF4	F4D13	JR720BK2	G5D13	JR987EF4	H5D12	JS100FH4	J5C06	JS070BF4	K4D10	JR650BK5
D3B02	JR750AC4	E4B03	JR740GM6	F5B02	JR750AG4	H2B03	JR840FE6	H5D13	JR640FA2	J5C07	JS200BH4	K4C12	JR640CH2
D3B05	JR820FC2	E4B09	JR965EJ4	F5B05	JR820FA6	H2B09	JR991EJ4	H6C04#	WC120FM5	J5C09	JR650BA8	K4C13	JSC70BM4
D3D02	JR720BC2	E4B10	JR968GD2	F5D02	JR720BA2	H2B10	JR994GD2	H6D02#	WC120FM1	J5D10	JR250CA2	K5B02	JS070BJ4
D3D03	JR956AH4	E4B11	JS100BH4	F5D03	JR956AH4	H2B11	JS300BH4	H6C04#	WC120FM3	J5C11	JR640CA2	K5B03	JR650BG2
D3D04	JR952EF4	E4B12	JR965BC2	F5D04	JR976EF4	H2B12	JR991BC2	H6E02#	WC120FK5	J5D12	JS1CCFH4	K5B04	JR640CE2
D3D05	JR951DD6	E4B13	JR720BC2	F5D05	JR975DD6	H2B13	JR720BA2	J2B03	JR840FE6	J5D13	JR640FA2	K5B05	JR650BG5
D3D06	JR951BG2	E4D02	JR966BF4	F5D06	JR975BG2	H2B02	JR992BF4	J2B09	JR995EJ4	J6C02#	WC120FK7	K5B07	JR640FE2
D3D07	JR951DF6	E4D05	JR968BF4	F5D07	JR975DF6	H2D05	JR994BF4	J2B10	JR998GC2	J6C04#	WD120FH3	K5B08	JS070BD4
D3D09	JR951BE2	E4D09	JR967GD2	F5D09	JR975BE2	H2D09	JR993GD2	J2B11	JS300BH4	J6D02#	WC120FM7	K5B09	JR640GC2
D3D10	JR953BF4	E4D11	JR965DE6	F5D10	JR977BF4	H2D11	JR991DE6	J2B12	JR995BC2	K2B04	WD210BC2	K5B10	JR650BG8
D3D11	JR954EF4	E4D12	JR966GD2	F5D11	JR978EF4	H2D12	JR992GD2	J2B13	JR720AC2	K2B05	JR810CL4	K5B11	JS070BC4
D3D13	JR953EF4	E4D13	JR720BA2	F5D13	JR977EF4	H2D13	JR720AA2	J2C02	JR996BF4	K2B07	JR410EJ6	K5B12	JSC70BA4
D4B03	JR740FM6	E5B02	JR750AC4	G2B03	JR840FB6	H3B02	JR750AG4	J2C05	JR998BF4	K2B11	JR410EJ6	K5D02	JS070BG4
D4B09	JR955EJ4	E5B05	JR820BB6	G2B09	JR981EJ4	H3B05	JR820FM6	J2C09	JR997GD2	K2B12	JR320AT6	K5D03	JR640FH2
D4B10	JR958GD2	E5D02	JR720AE2	G2B10	JR984GD2	H3D02	JR820FC2	J2D01	JR995DE6	K2B13	JR320AT6	K5D03	JS070BG4
D4B11	JS100BH4	E5D03	JR956AH4	G2B11	JS300BH4	H3D03	JR988AH4	J2D11	JR996GC2	K2C02	JR330BJ4	K5D04	JR240BG6
D4B12	JR955BC2	E5D04	JR966EF4	G2B12	JR981BC2	H3D04	JR992EF4	J2D12	JR720AE2	K2C03	JR420CL2	K5D05	JR650BK8
D4B13	JR720AC2	E5D05	JR965DD6	G2B13	JR720AE2	H3D05	JR991DD6	J3B02	JR750AG4	K2C04	JR320BF6	K5D06	JSC70BF4

PART NO. 5554844 E.C. NO. 825032 VERSION 000 SIZE SINGLE MACHINE 1DA-SM15 LOCATION 018-A3

PIN ID: #-I/O PIN
\*-I/O & LOGIC
V-VOLTAGE/GROUND

NOTE: 'T' FOLLOWING PIN LOCATION INDICATES TERMINATING RESISTOR

Table with 13 columns: PIN, NET NO., PIN, NET NO., PIN, NET NO., PIN, NET NO., PIN, NET NO., PIN, NET NO., PIN, NET NO. It lists various component part numbers and their corresponding net numbers in a grid format.

MST-1 BOARD DISCRETE WIRE EQUIVALENT LIST SEQUENCED BY PIN NUMBER

DATE 11-20-75

PAGE 3

PART NO. 5554844 E.C. NO. 825032 VERSION 000 SIZE SINGLE MACHINE 1DA-SM15 LOCATION 018-A3

PIN ID: #-I/O PIN  
 \*-I/O & LOGIC  
 V-VOLTAGE/GROUND

NOTE: \*T\* FOLLOWING PIN LOCATION INDICATES TERMINATING RESISTOR

PIN	NET NO.	PIN	NET NO.	PIN	NET NO.	PIN	NET NO.	PIN	NET NO.	PIN	NET NO.	PIN	NET NO.
Q5B04	JS040AN4	R3D09	JS030AK2	S2B13	JR820CH2	S5D02	JR350AV2	T4B08	JR230AN4	U2C07#	WD210BA5	U5B08#	JS930FG2
Q5B05	JR810DE4	R3D10	JS030AL2	S2D02	JR330BD6	S5D03	WD210BA4	T4B09	JR210AY2	U2C08	WD050CB4	U5B09#	WCC50FF7
Q5B07	JS040AC5	R3D11	JS010BL2	S2D04	JS930EE2	S5D04	JR410GJ2	T4B10	JR210AZ2	U2D09#	WC210BA6	U5B10#	WCC50FF1
Q5B08	JS040AP2	R3D12	JS040AN2	S2D05	JR350BC4	S5D05	JR310AY6	T4B11	JR220AT2	U2D10#	WD210BA7	U5B11	WCC50CH4
Q5B09	JR530AV6	R3D13	JR640FA2	S2D06	JR340AH2	S5D06	JR310AW7	T4B12	JR230AM4	U2C11#	WD210BA8	U5B12#	WCC50FH3
Q5B10	JR530AU6	R4B02	JR640DE2	S2D07	JR350AN2	S5D07	WD210BD2	T4B13	WC210BK9	U2D12	WC50CB4	U5B13#	WC210BF4
Q5B11	JR520AU6	R4B03	JR640FE2	S2D08	WD050AE4	S5D09	JR310AV5	T4D02	JR330AE9	U2D13#	WC210BA9	U5D02#	WCC50FC1
Q5B12	JR510AX6	R4B04	JS040AC8	S2D09	JR330AE9	S5D10	JR510BC4	T4D03	JR330BJ7	U3B02#	WC210BK1	U5D03#	WCC50FC3
Q5B13	JR510AM6	R4B05	JS040AH8	S2D10	WD210BK4	S5D11	WD210BA8	T4D04	WC210BD5	U3B03	WD050CC4	U5D04	WCC50CH4
Q5D02	JR330AE5	R4B07	JR310AV3	S2D11	JR320AT6	S5D13	JR360AQ7	T4D05	JR250AE2	U3B04#	WD210BK2	U5CC5#	WCC50FC5
Q5D03	JR630GC6	R4B08	JR630EA6	S2D12	JR320AY6	S6A02#	JS940FB6	T4D06	WC210BG9	U3B05#	WD210BK3	U5CC6#	WCC50FC7
Q5D04	JR530BX6	R4B09	JS040AN6	S3B05	WD210BA3	S6A04#	JS940FM6	T4D07	WD210BG4	U3B06#	WD210BK4	U5D07#	JR830GB6
Q5D05	JR530AT6	R4B10	JS060AQ7	S3B06	WD050CK4	T2B02	JR330AE5	T4D09	JR240BE6	U3B08#	WC210BK5	U5D08	WCC50CH4
Q5D06	JR660FK4	R4B11	JR310AV7	S3B07	JR350AG2	T2B03	JR250GJ6	T4D10	JR240CB2	U3B09#	WD210BK6	U5DC9#	JR330BC6
Q5D07	JR510BC4	R4B12	JS060AF2	S3B08	WD210BD7	T2B04	JR250GF6	T4D11	JR210AX2	U3B10#	WC210BK7	U5D10#	JR330BE6
Q5D09	JR330AE3	R4B13	JR630GA6	S3B09	WD210BD8	T2B05	JR250GE6	T4D12	JR260AM6	U3B11	WD050CC4	U5D11#	WCC50FF1
Q5D10	JR510BR6	R4D02	JR040BA2	S3B10	JR310AV9	T2B06	WD050CJ4	T4D13	JR220AR2	U3B12#	WD210BK8	U5D12	WCC50CF4
Q5D11	JR250AB2	R4D03	JS030AD6	S3B11	WD210BD6	T2B07	JR250CN2	T5B02	WC210BG7	U3B13#	WC210BK9	U5D13#	WCC50FF3
Q5D12	JR530AG8	R4D04	JR630FA6	S3B12	JR310BL4	T2B09	JR660DK6	T5B03	WC210BG2	U3DC2#	WD210BG1	U6CC2#	JS930FL6
Q5D13	JR810DK4	R4D05	JR310AW5	S3B13	JR420BA6	T2B10	JR330AR6	T5B04	JR210AU2	U3C03#	WD210BG2	U6C04#	JS930EL6
Q6D02#	JS940FK6	R4D06	JR310AW3	S3D03	WD210BA2	T2B12	JR250FN6	T5B05	JR220AU6	U3C04	WC050CC4	U6D02#	JS930CFJ6
Q6D04#	JS940FH6	R4D07	JR310AV9	S3D06	WD210BA5	T2B13	JR350BC4	T5B06	WD050CM4	U3D05#	WD210BG3	U6D04#	JS930GJ6
R2B02	JR640DH2	R4D09	WD001FC4	S3D07	JR350AG6	T2D02	JR330AS6	T5B07	JR220AS6	U3CC6#	WD210BG4	V2B02#	WC210BC1
R2B03	JR640DM2	R4D10	JS060AP7	S3D08	WC050AF4	T2D03	JR330AE3	T5B08	WC210BG5	U3D07#	WD210BG5	V2B04#	WC210BC2
R2B04	JR230AP6	R4D11	JR230AT6	S3D09	WD210BD9	T2D04	JR250DF6	T5B09	JR230AT6	U3D08	WDG50CC4	V2B05#	WC210BC3
R2B05	JR230AS6	R4D12	JS020AP6	S3D12	JR360AQ2	T2D05	JR250GL6	T5B10	JR230AQ6	U3C09#	WD210BG6	V2B06#	WC210BC4
R2B06	WD050AB4	R4D13	JR310AV5	S3D13	JR330AR6	T2D06	JR310BL4	T5B11	JR210AQ2	U3D10#	WD210BG7	V2B08#	WC210BC5
R2B07	JR630GC6	R5B02	JR230AN4	S4B02	JR340CB4	T2D07	JR250DN2	T5B12	JR830FC6	U3C11#	WD210BG8	V2B09#	WC210BC6
R2B09	JR230AM4	R5B03	JR630FC6	S4B03	JR420CL2	T2D09	JR230AY2	T5B13	JR240EB6	U3D12	WC050CC4	V2B10#	WC210BC7
R2B10	JR630FE6	R5B04	WD001BE4	S4B04	JR320AW6	T2D10	JR810EK6	T5D02	WC210BG6	U3D13#	WC210BG9	V2B12#	WC210BC8
R2B11	JR520AY6	R5B05	JR530AG4	S4B05	JR330BJ7	T2D11	JR250FF2	T5D03	JR230AP6	U4B02#	JR830GC6	V2B13#	WC210BC9
R2B12	JR530AG8	R5B07	JS040AC5	S4B06	WD050CL4	T2D12	JR250BJ6	T5D04	WC210BG8	U4B03	WC050CF4	V2D02#	WC210CBA1
R2B13	JS030AE2	R5B08	JS040AD2	S4B07	JR330BJ4	T2D13	JR240BG6	T5D05	JR230AS6	U4B04#	JR830GJ6	V2D03#	WC210BA2
R2D02	JS040BN2	R5B09	JR640FM6	S4B08	WD210BA1	T3B02	JS930EE2	T5D06	JR210AV2	U4B05#	WC050FB3	V2D05#	WC210BA3
R2D03	JR640FH2	R5B10	JS060AF7	S4B09	JR510AL6	T3B03	JR320AY6	T5D07	WC210BG3	U4B06#	WD050FB1	V2D06#	WC210BA4
R2D04	JS040BN7	R5B11	JR520BH2	S4B10	JR330AE7	T3B04	JR260BH6	T5D09	WD210BG1	U4B07	WD050CF4	V2D07#	WC210BA5
R2D05	JS030AR6	R5B12	JR250DF6	S4B11	JR330AE5	T3B05	JR830FF6	T5D10	JR210AW2	U4B08#	JR230BC6	V2D09#	WC210BA6
R2D06	JS030AT6	R5B13	JR520AU6	S4B12	JR330AE3	T3B06	WD050CK4	T5D11	JR230AR6	U4B09#	WD050FB5	V2D10#	WC210BA7
R2D07	JR240BE6	R5D02	JS040AD7	S4B13	JR340AR2	T3B07	JR260AB2	T5D12	JR260AD6	U4B10#	WD050FB7	V2D11#	WC210BA8
R2D09	JR630EE6	R5D03	JR630EC6	S4D02	JR320AX6	T3B08	JR420CC2	T5D13	JR220AL2	U4B11	WC050CF4	V2D13#	WC210BA9
R2D10	JS030AS6	R5D04	JR350BB2	S4D03	JR330AS6	T3B09	JR210AH2	T6A02	JR988AH4	U4B12#	JR230AC6	V3B02#	WC210BK1
R2D11	JS030AC5	R5D05	JS040AP2	S4D04	WD210BK3	T3B10	JR230BC6	T6A04#	JS920GE4	U4B13#	WD050FH5	V3B04#	WC210BK2
R2D12	JR630GE6	R5D06	JR350AN2	S4D05	JR420FK6	T3B11	JR240GG2	T6E02#	JS920GG4	U4D02#	JS030AC6	V3B05#	WC210BK3
R2D13	JS030AF2	R5D07	JR530AG6	S4D06	JR350BB2	T3B12	JR210AS2	T6E04#	JS930GL6	U4D03#	JS030AE2	V3B06#	WC210BK4
R3B02	JR520AZ2	R5D09	JS060AG7	S4D07	JR350BA2	T3B13	WD210BC1	U2B02#	WD210BD1	U4D04	WC050CF4	V3B08#	WC210BK5
R3B03	JR520BN2	R5D10	JS060AG2	S4D09	JR510AX6	T3D02	JR830GE2	U2B03	WC050CB4	U4D05#	JS030AF2	V3B09#	WC210BK6
R3B04	JR260AM6	R5D11	JS060AP2	S4D10	JR310AV7	T3D03	JR240CH6	U2B04#	WD210BC2	U4D06#	WD001FC4	V3B1C#	WC210BK7
R3B05	JR260AE6	R5D12	JR210AZ2	S4D11	JR510BJ6	T3D04	JR260AL2	U2B05#	WD210BD3	U4D07#	JS030AH2	V3B12#	WC210BK8
R3B06	WD050AC4	R5D13	JS060AQ2	S4D12	JR310AV3	T3D05	JS030BN2	U2B06#	WC210BD4	U4D08	WD050CF4	V3B13#	WC210BK9
R3B07	JR240DB2	R6B02#	JS940FG6	S4D13	JR510BH6	T3D06	JR320AW6	U2B08#	WD210BD5	U4D09#	JS030AJ2	V3D02#	WC210BG1
R3B08	JR310AV9	R6B04#	JS940FF6	S5B02	JR330BF6	T3D07	JR350AG2	U2B09#	WC210BD6	U4D10#	JS030AK2	V3DC3#	WC210BG2
R3B09	JS030AJ2	R6C02#	JS940FD6	S5B03	WD210BA7	T3D11	JR320AX6	U2B10#	WC210BD7	U4D11#	JS030AL2	V3DC5#	WC210BG3
R3B10	JR310AW7	R6C04#	JS940FC6	S5B04	JR210AW3	T3D12	WD210BK2	U2B11#	WD050CB4	U4D12	WCC50CF4	V3DC6#	WC210BG4
R3B11	JS030AH2	S2B02	JR210AS2	S5B05	JR310AW5	T3D13	JR240GJ2	U2B12#	WC210BC8	U4D13#	WD001BE4	V3D07#	WC210BG5
R3B12	JR640DA2	S2B04	JR330BE6	S5B06	WD050CM4	T4B02	JR250AL2	U2B13#	WD210BC9	U5B02#	WD050FF5	V3CC9#	WC210BG6
R3B13	JR640GC2	S2B05	JR320BF6	S5B07	JR520AF6	T4B03	JR260AE6	U2D02#	WC210BA1	U5B03	WC050CF4	V3D1C#	WC210BG7
R3D02	JR530AG0	S2B06	WD050CJ4	S5B08	JR310AW9	T4B04	JR220AV2	U2D03#	WC210BA2	U5B04#	JR340AR2	V3D11#	WC210BG8
R3D05	JS030BN2	S2B09	JR210AY2	S5B09	JR350AA6	T4B05	JR220AV2	U2D04	WC050CB4	U5B05#	JR340AH2	V3D13#	WC210BG9
R3D06	JS040AN4	S2B10	JR220AU6	S5B10	WD210BA6	T4B06	WD210BD4	U2D05#	WC210BA3	U5B06#	JR330BF6	V4B02#	JR830GC6
R3D07	JS010AP2	S2B12	WD210BD3	S5B13	WD210BA9	T4B07	JR210AT2	U2D06#	WD210BA4	U5B07	WD050CH4	V4B04#	JR830GJ6





PART NO. 5554844 E.C. NO. 825032 VERSION 000 SIZE SINGLE MACHINE IDA-SM15 LOCATION 018-A3

						VOLTAGE PINS			
B2A14	-4.0	B2C06	-4.0	B3A14	-4.0	B3C06	-4.0	B3E01	-4.0
B4A14	-4.0	B4C06	-4.0	B4E01	-4.0	B5C06	-4.0	B5E01	-4.0
C2C06	-4.0	C3C06	-4.0	C4C06	-4.0	C5C06	-4.0	D1B13	-4.0
D1C10	-4.0	D2B06	-4.0	D3B06	-4.0	D4B06	-4.0	D5B06	-4.0
D6B05	-4.0	D6C02	-4.0	E2B06	-4.0	E3B06	-4.0	E4B06	-4.0
F5B06	-4.0	F2B06	-4.0	F3B06	-4.0	F4B06	-4.0	F5B06	-4.0
G1C13	-4.0	G1D10	-4.0	G2B06	-4.0	G3B06	-4.0	G4B06	-4.0
G5B06	-4.0	G6C05	-4.0	G6D02	-4.0	H2B06	-4.0	H3B06	-4.0
H4B06	-4.0	H5B06	-4.0	J2B06	-4.0	J3B06	-4.0	J4B06	-4.0
J5B06	-4.0	K1E13	-4.0	K2B06	-4.0	K3B06	-4.0	K4B06	-4.0
K5B06	-4.0	K6E05	-4.0	L1A10	-4.0	L2B06	-4.0	L3B06	-4.0
L4B06	-4.0	L5B06	-4.0	L6A02	-4.0	M2B06	-4.0	M3B06	-4.0
M4B06	-4.0	M5B06	-4.0	M2B06	-4.0	N3B06	-4.0	N4B06	-4.0
N5B06	-4.0	P1B13	-4.0	P1C10	-4.0	P2B06	-4.0	P3B06	-4.0
P4B06	-4.0	P5B06	-4.0	P6B05	-4.0	P6C02	-4.0	Q2B06	-4.0
Q3B06	-4.0	Q4B06	-4.0	Q5B06	-4.0	R2B06	-4.0	R3B06	-4.0
R4B06	-4.0	R5B06	-4.0	S1C13	-4.0	S1D10	-4.0	S2B06	-4.0
S3B06	-4.0	S4B06	-4.0	S5B06	-4.0	S6C05	-4.0	S6C02	-4.0
T2C06	-4.0	T3C06	-4.0	T4C06	-4.0	T5C06	-4.0	U2A14	-4.0
U2C06	-4.0	U3A14	-4.0	U3C06	-4.0	U3E01	-4.0	U4A14	-4.0
U4C06	-4.0	U4E01	-4.0	U5C06	-4.0	U5E01	-4.0		
A1E13	GND	A2B03	GND	A2B07	GND	A2B11	GND	A2C04	GND
A2D08	GND	A2D12	GND	A3B03	GND	A3B07	GND	A3B11	GND
A3D04	GND	A3D08	GND	A3D12	GND	A4B03	GND	A4B07	GND
A4B11	GND	A4D04	GND	A4D08	GND	A4D12	GND	A5B03	GND
A5B07	GND	A5B11	GND	A5D04	GND	A5D08	GND	A5D12	GND
A6E04	GND	B1A11	GND	B1D13	GND	B1E11	GND	B2C03	GND
B2C04	GND	B2C07	GND	B2C11	GND	B2C12	GND	B2C08	GND
B2E14	GND	B3A01	GND	B3C03	GND	B3C04	GND	B3C07	GND
B3C11	GND	B3C12	GND	B3D08	GND	B3E14	GND	B4A01	GND
B4C03	GND	B4C04	GND	B4C07	GND	B4C11	GND	B4C12	GND
B4D08	GND	B4E14	GND	B5A01	GND	B5C03	GND	B5C04	GND
B5C07	GND	B5C11	GND	B5C12	GND	B5D08	GND	B6A02	GND
B6D04	GND	B6E02	GND	C1C13	GND	C1D11	GND	C2C03	GND
C2C04	GND	C2C07	GND	C2C11	GND	C2C12	GND	C2C08	GND
C3C03	GND	C3C04	GND	C3C07	GND	C3C11	GND	C3C12	GND
C3D08	GND	C4C03	GND	C4C04	GND	C4C07	GND	C4C11	GND
C4C12	GND	C4D08	GND	C5C03	GND	C5C04	GND	C5C07	GND
C5C11	GND	C5C12	GND	C5D08	GND	C6C04	GND	C6C02	GND
D1B10	GND	D1C13	GND	D2D08	GND	D3D08	GND	D4D08	GND
D5D08	GND	D6B02	GND	D6C05	GND	E1A13	GND	E1B11	GND
E1E13	GND	E2D08	GND	E3D08	GND	E4D08	GND	E5D08	GND
E6A04	GND	E6B02	GND	E6E04	GND	F1A11	GND	F1C13	GND
F1E11	GND	F2D08	GND	F3D08	GND	F4D08	GND	F5C08	GND
F6A02	GND	F6D04	GND	F6E02	GND	G1C10	GND	G1D13	GND
G2D08	GND	G3D08	GND	G4D08	GND	G5D08	GND	G6C02	GND
G6D05	GND	H1B13	GND	H1C11	GND	H2D08	GND	H3C08	GND
H4D08	GND	H5D08	GND	H6B04	GND	H6C02	GND	J1A13	GND
J1B11	GND	J1E13	GND	J2C08	GND	J3D08	GND	J4C08	GND
J5D08	GND	J6A04	GND	J6B02	GND	J6E04	GND	K1A11	GND
K1E10	GND	K2D08	GND	K3D08	GND	K4D08	GND	K5C08	GND
K6A02	GND	K6E02	GND	L1A13	GND	L1E13	GND	L2C08	GND
L3D08	GND	L4D08	GND	L5D08	GND	L6A05	GND	L6E04	GND
M1A11	GND	M1D13	GND	M1E11	GND	M2D08	GND	M3D08	GND
M4D08	GND	M5D08	GND	M6A02	GND	M6D04	GND	M6E02	GND
N1C13	GND	N1D11	GND	N2D08	GND	N3D08	GND	N4D08	GND
N5D08	GND	N6C04	GND	N6D02	GND	P1B10	GND	P1C13	GND
P2D08	GND	P3D08	GND	P4D08	GND	P5D08	GND	P6B02	GND
P6C05	GND	Q1A13	GND	Q1B11	GND	Q1E13	GND	Q2C08	GND
Q3D08	GND	Q4D08	GND	Q5D08	GND	Q6A04	GND	Q6B02	GND

PART NO.	5554844	E.C. NO.	825032	VERSION 000	SIZE SINGLE	MACHINE IDA-SM15	LOCATION 01B-A3		
Q6E04	GND	R1A11	GND	R1013	VOLTAGE PINS	R1E11	GND	R2C08	GND
R3D08	GND	R4D08	GND	R5D08	GND	R6A02	GND	R6D04	GND
R6E02	GND	S1C10	GND	S1D13	GND	S2D08	GND	S3C08	GND
S4D08	GND	S5D08	GND	S6C02	GND	S6D05	GND	T1B13	GND
T1C11	GND	T2C03	GND	T2C04	GND	T2C07	GND	T2C11	GND
T2C12	GND	T2D08	GND	T3C03	GND	T3C04	GND	T3C07	GND
T3C11	GND	T3C12	GND	T3D08	GND	T4C03	GND	T4C04	GND
T4C07	GND	T4C11	GND	T4C12	GND	T4D08	GND	T5C03	GND
T5C04	GND	T5C07	GND	T5C11	GND	T5C12	GND	T5C08	GND
T6B04	GND	T6C02	GND	U1A13	GND	U1B11	GND	U1E13	GND
U2C03	GND	U2C04	GND	U2C07	GND	U2C11	GND	U2C12	GND
U2D08	GND	U2E14	GND	U3A01	GND	U3C03	GND	U3C04	GND
U3C07	GND	U3C11	GND	U3C12	GND	U3D08	GND	U3E14	GND
U4A01	GND	U4C03	GND	U4C04	GND	U4C07	GND	U4C11	GND
U4C12	GND	U4D08	GND	U4E14	GND	U5A01	GND	U5C03	GND
U5C04	GND	U5C07	GND	U5C11	GND	U5C12	GND	U5C08	GND
U6A04	GND	U6B02	GND	U6E04	GND	V1A11	GND	V2B03	GND
V2B07	GND	V2B11	GND	V2D04	GND	V2D08	GND	V2D12	GND
V3B03	GND	V3B07	GND	V3B11	GND	V3D04	GND	V3D08	GND
V3D12	GND	V4B03	GND	V4B07	GND	V4B11	GND	V4C04	GND
V4D08	GND	V4D12	GND	V5B03	GND	V5B07	GND	V5B11	GND
V5D04	GND	V5D08	GND	V5D12	GND	V6A02	GND		

FOR ANY VOLTAGE PIN NOT INDICATED IN THE VOLTAGE PIN LIST, USE THE NET NUMBER TO LOCATE THE ALD PAGE FOR DETERMINING THE VOLTAGE INFORMATION

ENC OF LIST

4234396

5415 DISPLAY ADAPTER FEATURE  
WIRE LIST

THE FOLLOWING BLACK WIRES P/N 811695 ARE ADDED TO BOARD  
P/N 5554844 AT POSITION 01B-A3 UNDER THE SPECIFIED CONDITIONS:

LAST BOARD ON CHANNEL

R2B06 TO U2B07  
R3B06 TO U3B07

NOT LAST BOARD ON CHANNEL

S2D08 TO U2B07  
S3D08 TO U3B07

KATAKANA FEATURE

Q5B03 TO M2D09

EC HISTORY		DRAWING TITLE	
14 NOV 75	825032	DISPLAY ADAPTER FEATURE	
		MACH 5415 WIRE LIST	
		PART NO 4234396	
<b>B</b>		CLASSIFICATION	
		AKB	11-13-75
		<b>IBM</b> CORP	

A  
6  
0  
0  
6

DATE 11-20-75

MST-1

BOARD DISCRETE WIRE EQUIVALENT LIST SEQUENCED BY NET NUMBER

PAGE 1

PART NO. 5554844 E.C. NO. 825032 VERSION 000 SIZE SINGLE MACHINE 1DA-SM15 LOCATION 01B-A3

PIN ID: #-I/O PIN PLANES: 1-CARD SIDE SHALLOW 3-PROBE SIDE SHALLOW WIRE TYPES: YEL-YELLOW, 30, AG  
 \*-I/O & LOGIC 2-PROBE SIDE SHALLOW 4-PROBE SIDE SHALLOW TWL-TWIN LEAD WRAP NTR-90 OHM TRI-LEAD  
 T-TERMINATING RES. W-DISCRETE OVERFLOW TW-TWIST PR CONNECT FTW-50 OHM TWIN LEAD  
 V-VOLTAGE/GROUND FTR-50 OHM TRI-LEAD CX-COAX CONNECTOR

NOTES: WIRE LENGTH IS IN TENTHS OF AN INCH. YELLOW WIRE LENGTH INCLUDES WIRE FOR WRAP.

NET NO.	FROM PIN	P L	TO PIN	P L	WIRE TYP	LNKTH	FROM PIN	P L	TO PIN	P L	WIRE TYP	LNKTH	FROM PIN	P L	TO PIN	P L	WIRE TYP	LNKTH		
JR210AQ2	Q4D02	W	T5B11	W	YEL	7.0	JR250BJ6	N5D02	W	T2D12	W	YEL	9.0	JR340AH2	S2D06	W	V5B05#	W	YEL	9.0
JR210AS2	L5D04	W	Q4D02	W	YEL	7.0	JR250CN2	N2B03	W	Q3B10	W	YEL	7.0	JR340AR2	U5B05#	W	S2D06	W	YEL	9.0
JR210AT2	S2B02	W	T3B12	W	YEL	7.0		N2B03	1	T2B07	2	YEL	7.0		S4B13	2	U5B04#	2	YEL	5.0
	L4D05	W	T4B07	W	YEL	8.0	JR250DF6	T2D04	1	R5B12	2	YEL	10.0		V5B04#	2	S4B13	2	YEL	16.0
	M3B13	2	P3D04	2	YEL	6.0	JR250DN2	H5D10	2	J5D10	2	YEL	4.5	JR350AA6	L2D10	W	S5B09	W	YEL	10.0
	P3D04	2	Q3B09	2	YEL	4.5		J5D10	2	K5D10	2	YEL	4.5	JR350AG2	K3D04	2	P3B10	2	YEL	16.0
	L4D05	2	M3B13	2	YEL	4.5		K5D10	2	T2D07	2	YEL	14.0		Q2D13	1	P3B10	2	YEL	5.5
JR210AU2	M4B02	1	Q2D02	1	YEL	10.0	JR250FF2	P5C04	2	T2D11	W	YEL	9.0		S3B07	2	Q2C13	2	YEL	5.5
	T5B04	2	M4B02	1	YEL	11.0	JR250FN6	T2B12	2	Q2B05	1	YEL	6.0	JR350AG6	S3B07	W	T3D07	W	YEL	4.5
JR210AV2	L4B12	2	T5D06	W	YEL	9.0	JR250GE6	T3D13	2	T2B05	W	YEL	7.0	JR350AN2	L3B02	2	R5D06	2	YEL	8.0
	L4B12	2	Q4B08	W	YEL	7.0	JR250GF6	Q2B09	2	T2B04	2	YEL	5.5		S2D07	2	Q3D06	2	YEL	7.5
JR210AW2	L3B03	2	Q2D03	2	YEL	9.0	JR250GJ6	K3B10	1	N5D04	2	YEL	7.0		L5B04	2	R5D06	2	YEL	5.5
	M4D07	1	T5D10	1	YEL	10.0		K3B10	2	T2B03	2	YEL	12.0		S2D07	2	Q3D06	2	YEL	5.5
	L3B03	1	M4D07	2	YEL	7.0	JR250GL6	N3D05	2	T2D05	W	YEL	8.0	JR350BA2	Q3D04	2	R5D06	2	YEL	8.0
JR210AX2	Q3B05	2	L3B09	2	YEL	8.0	JR260AB2	Q3D11	W	T3B07	W	YEL	5.5	JR350BB2	N5B08	W	S4D07	W	YEL	7.5
	M2B09	W	T4D11	W	YEL	9.0	JR260AD6	L5D11	2	T5D12	2	YEL	8.0	JR350BC4	R5D04	2	T2B13	W	YEL	5.5
	M2B09	2	Q3B05	2	YEL	7.0	JR260AE6	R3B05	2	T4B03	2	YEL	6.0		P5D07	2	Q3C07	2	YEL	9.0
JR210AY2	T4B09	2	S2B09	2	YEL	10.0	JR260AL2	L4D12	2	T3C04	W	YEL	9.0		T2B13	2	S2D05	2	YEL	5.5
	S2B09	1	Q3D09	2	YEL	7.0	JR260AM6	R3B04	W	T4D12	W	YEL	7.0	JR410CM4	K3D13	2	L2B05	2	YEL	7.5
JR210AZ2	P3D07	1	R5D12	W	YEL	8.0	JR260BH6	Q2D12	W	T3B04	W	YEL	5.5	JR410EJ6	K2B11	2	L2D03	2	YEL	5.5
	L3D04	2	M3D10	2	YEL	4.5	JR310AV3	K3B12	2	R4B07	2	YEL	8.0	JR410GJ2	K3C02	W	S5C04	W	YEL	10.0
	T4B10	2	R5D12	1	YEL	7.0		R4B07	2	S4D12	2	YEL	5.0	JR420BA6	K2D09	W	S3B13	W	YEL	9.0
	M3D10	2	P3D07	2	YEL	5.0	JR310AV5	K3D12	2	R4D13	2	YEL	8.0	JR420CC2	L2D06	W	T3B08	W	YEL	9.0
JR220AR2	K2D12	2	T4D13	2	YEL	10.0		R4D13	2	S5D09	2	YEL	5.0		K3C11	2	L2D06	2	YEL	6.0
	M2B02	2	Q3D06	2	YEL	8.0	JR310AV7	R4B11	2	S4D10	2	YEL	4.5	JR420CD2	K2D13	W	K5B13	W	YEL	9.0
	M2B02	2	K2D12	2	YEL	5.5		R4B11	2	K3B02	2	YEL	9.0	JR420CE2	H5B13	2	K2C11	2	YEL	11.0
JR220AS6	M3B12	W	L4B07	W	YEL	5.5	JR310AV9	S3B10	W	R4D07	W	YEL	5.0	JR420CG2	J5B13	2	K3D03	2	YEL	10.0
	P3B11	2	Q4D06	2	YEL	5.5	JR310AW3	R4D06	W	S5B04	W	YEL	5.5	JR420CL2	Q2D03	W	S4B03	W	YEL	9.0
	T5B07	2	L4B07	2	YEL	10.0	JR310AW5	S5B05	2	R4D05	2	YEL	5.5		K5B02	2	S4B03	2	YEL	6.0
	M3B12	2	P3B11	2	YEL	8.0	JR310AW7	K3B09	2	R3B10	2	YEL	8.0	JR420FK6	K3D10	W	S4D05	W	YEL	9.0
JR220AT2	P3B03	W	T4B11	W	YEL	5.5		R3B10	2	S5D06	1	YEL	7.0	JR510AL6	S4B09	2	C4B04	2	YEL	5.0
	P3B03	2	Q2B04	2	YEL	5.5	JR310AW9	R3B08	W	S5B08	W	YEL	8.0	JR510AX6	S4D09	2	C5B12	2	YEL	7.0
JR220AU6	S2B10	W	T5B05	W	YEL	9.0		K2D10	2	R3B08	2	YEL	9.0	JR510BC4	P2B10	W	S5D10	W	YEL	10.0
	M3B11	2	Q3B07	2	YEL	5.5	JR310BL4	L4B02	W	T2D06	W	YEL	10.0		K3B11	2	R2B10	2	YEL	18.0
	Q3B07	2	S2B10	1	YEL	7.0		S3B12	W	L4B02	W	YEL	8.0	JR510BH6	Q3B04	W	S4C13	W	YEL	10.0
JR220AV2	M3B09	W	T4B04	W	YEL	8.0	JR320AT6	K2B12	W	S2D11	W	YEL	9.0	JR510BJ6	Q3B11	W	S4C11	W	YEL	7.0
	L4B10	2	M3B09	2	YEL	5.5	JR320AW6	S4B04	W	T3D06	W	YEL	5.5	JR510BR6	L2B03	W	C5C10	W	YEL	11.0
JR230AM4	R2B09	2	T4B12	2	YEL	8.0	JR320AX6	S4D02	W	T3D11	W	YEL	4.5	JR520AF5	Q4B02	W	S5B07	W	YEL	7.0
JR230AN4	R5B02	2	T4B08	2	YEL	6.0	JR320AY6	L5B11	W	T3B03	W	YEL	10.0	JR520AU6	L5B12	W	R5B13	W	YEL	7.0
JR230AP6	R2B04	W	T5D03	W	YEL	9.0		S2D12	2	T3B03	1	YEL	5.0		Q5B11	2	R5B13	2	YEL	4.5
JR230AQ6	T5B10	2	U4B12#	2	YEL	5.5	JR320BF6	K2D04	2	L5D13	2	YEL	11.0	JR520AY6	Q5B11	2	R2B11	2	YEL	4.5
	V4B12#	2	T5B10	2	YEL	7.5		Q2B05	2	K2D04	2	YEL	8.0	JR520AZ2	Q3B02	W	R3B02	W	YEL	4.5
JR230AS6	R2B05	W	T5D05	W	YEL	9.0	JR330AE3	S2D09	W	S4B12	W	YEL	5.5	JR520BH2	C3B08	W	R5B11	W	YEL	8.0
JR230AT6	R4D11	1	T5B09	2	YEL	6.0		T2D03	W	Q5D09	W	YEL	10.0	JR520BN2	R3B03	W	Q4C04	W	YEL	5.5
JR230AY2	L5B02	W	T2D09	W	YEL	10.0	JR330AE5	T2B02	W	Q5D02	W	YEL	9.0	JR530AGC	Q4B05	W	R3C02	W	YEL	6.0
JR230BC6	T3B10	2	U4B08#	2	YEL	5.5		Q5D02	2	S4B11	2	YEL	5.0	JR530AG4	Q2B03	W	R5B05	W	YEL	10.0
	V4B08#	2	T3B10	2	YEL	6.0	JR330AE7	Q4D13	2	S4B10	2	YEL	5.0	JR530AG6	Q4B07	W	R5C07	W	YEL	5.5
JR240BE6	R2D07	W	T4D09	W	YEL	8.0	JR330AE9	L2B02	W	T4D02	W	YEL	10.0	JR530AG8	R2B12	W	C5C12	W	YEL	9.0
JR240BG6	H5D04	2	J5D04	2	YEL	4.5		K2D02	2	L2B02	2	YEL	4.0	JR530AT6	Q2D05	W	L5B03	W	YEL	7.0
	J5D04	2	K5D04	2	YEL	4.5	JR330AR6	S2D09	2	T4D02	2	YEL	7.0		K2D05	W	C5C05	W	YEL	10.0
	T2D13	2	Q2B07	2	YEL	6.0		T2B10	W	S3D13	W	YEL	6.0	JR530AU6	L3D05	W	C5B10	W	YEL	9.0
	K5D04	1	Q2B07	1	YEL	11.0	JR330AS6	T2D02	W	S4D03	W	YEL	8.0	JR530AV6	L3B04	W	C5B09	W	YEL	9.0
JR240CH6	N2D09	W	T3D03	W	YEL	7.0	JR330BD6	S2D02	W	V5D09#	W	YEL	10.0	JR530AW6	L5D06	W	C4D05	W	YEL	7.0
JR240DB2	R3B07	W	T4D10	W	YEL	7.0		U5D09#	W	S2D02	W	YEL	10.0	JR530BR2	L4B11	W	C4B10	W	YEL	7.0
JR240EB6	L5D02	W	T5B13	W	YEL	8.0	JR330BE6	S2B04	2	U5D10#	2	YEL	11.0	JR530BX6	L5B13	W	C5C04	W	YEL	7.0
JR240GG2	N5B04	W	T3B11	W	YEL	8.0		V5D10#	2	S2B04	2	YEL	12.0	JR540CA6	K4D06	W	C2D07	W	YEL	9.0
JR240GJ2	N2D02	W	T3D13	W	YEL	8.0	JR330BF6	S5B02	1	U5B06#	1	YEL	5.5		H4D06	W	J4C06	W	YEL	4.5
JR250AB2	P3D11	W	T4D05	W	YEL	7.0		V5B06#	2	S5B02	2	YEL	6.0		J4C06	2	R4C06	2	YEL	4.5
	Q5D11	W	P3D11	W	YEL	8.0	JR330BJ4	K2B13	W	S4B07	W	YEL	9.0		J4C06	2	Q2B11	W	YEL	8.0
JR250AL2	N3D06	W	T4B02	W	YEL	7.0	JR330BJ7	S4B05	2	T4D03	2	YEL	4.5		K4B07	W	Q2B11	W	YEL	8.0

PART NO. 5554844 E.C. NO. 825032 VERSION 000 SIZE SINGLE MACHINE IDA-SM15 LOCATION 01B-A3

PIN ID: #-I/O PIN \*-I/O & LOGIC T-TERMINATING RES. V-VOLTAGE/GROUND PLANES: 1-CARD SIDE SHALLOW 2-PROBE SIDE SHALLOW W-DISCRETE OVERFLOW 3-PROBE SIDE SHALLOW 4-PROBE SIDE SHALLOW WIRE TYPES: YEL-YELLOW, 30, AG TWL-TWIN LEAD WRAP TW-TWIST PR CONNECT FTR-50 OHM TRI-LEAD NTR-50 OHM TRI-LEAD FTW-50 OHM TWIN LEAD NTW-50 OHM TWIN HEAD CX-CCAX CONNECTOR

NOTES: WIRE LENGTH IS IN TENTHS OF AN INCH. YELLOW WIRE LENGTH INCLUDES WIRE FOR WRAP.

Table with columns: NET NO., FROM PIN, P, TO PIN, P, WIRE TYP, WIRE LENGH. It lists wire connections for various components like JR550BC6, JR620FK2, etc., with their respective pin numbers and wire types.

PART NO. 5554844 E.C. NO. 825032 VERSION 000 SIZE SINGLE MACHINE ICA-SM15 LOCATION 01B-A3

PIN ID: #-I/O PIN \*-I/O & LOGIC T-TERMINATING RES. V-VOLTAGE/GROUND PLANES: 1-CARD SIDE SHALLOW 2-PROBE SIDE SHALLOW 3-PROBE SIDE SHALLOW 4-PROBE SIDE SHALLOW W-DISCRETE OVERFLOW WIRE TYPES: YEL-YELLOW, 30, AG TWL-TWIN LEAD WRAP TH-TWIST PR CONNECT FTR-50 OHM TRI-LEAD NTR-90 OHM TRI-LEAD FTW-50 OHM TWIN LEAD NTH-90 OHM TWIN HEAD CX-COAX CONNECTOR

NOTES: WIRE LENGTH IS IN TENTHS OF AN INCH. YELLOW WIRE LENGTH INCLUDES WIRE FOR WRAP.

Table with columns: NET NO., FROM PIN, P, TO PIN, P, WIRE TYP, WIRE LNPTH. It lists wire connections for various components like JR750AG4, JR750DF6, JR810DL4, etc., with their respective pin numbers and wire lengths.

PART NO. 5554844

E.C. NO. 825032

VERSION 000

SIZE SINGLE

MACHINE IDA-SM15

LOCATION 01B-A3

PIN ID: #-I/O PIN

\*-I/O & LOGIC

T-TERMINATING RES.

V-VOLTAGE/GROUND

PLANES: 1-CARD SIDE SHALLOW 3-PROBE SIDE SHALLOW  
2-PROBE SIDE SHALLOW 4-PROBE SIDE SHALLOW  
W-DISCRETE OVERFLOW

WIRE TYPES: YEL-YELLOW, 30 GA  
TWL-TWIN LEAD WRAP  
TW-TWIST PR CONNECT  
FTR-50 OHM TRI-LEAD

NTR-90 CHM TRI-LEAD  
FTW-50 CHM TWIN LEAD  
NTW-50 CHM TWIN LEAD  
CX-COAX CONNECTOR

NOTES: WIRE LENGTH IS IN TENTHS OF AN INCH. YELLOW WIRE LENGTH INCLUDES WIRE FOR WRAP.

NET NO.	FROM PIN	P L	TO PIN	P L	WIRE TYP	WIRE LNPTH	FROM PIN	P L	TO PIN	P L	WIRE TYP	WIRE LNPTH	FROM PIN	P L	TO PIN	P L	WIRE TYP	WIRE LNPTH		
JS070BL4	H3B02	W	K4B13	W	YEL	8.0	U3D08	1	U3D04	1	YEL	4.0	WD210BA3	S3B05	2	U2C05#	2	YEL	7.0	
	H4B13	1	J4B13	1	YEL	4.5	U3D08	W	U3D12	W	YEL	4.0		V2C05#	2	S3B05	2	YEL	8.0	
JS070BM4	J4B13	1	K4B13	2	YEL	4.5	U3B03	W	U3D04	W	YEL	4.0	WD210BA4	V2C06#	W	S5C03	W	YEL	9.0	
	K4D13	W	N3D02	W	YEL	8.0	U4B07	2	U4D08	2	YEL	4.5		S5D03	2	U2C06#	2	YEL	10.0	
	J4D13	2	K4D13	2	YEL	4.5	U4B03	2	U4D04	2	YEL	4.0	WD210BA5	U2D07#	2	S3C06	2	YEL	7.0	
JS070BN4	K4B08	W	H4D13	2	YEL	4.5	U4B11	2	U4D12	2	YEL	4.0		V2C07#	1	S3CC6	2	YEL	8.0	
	H4B08	2	N3D07	W	YEL	7.0	U4D08	W	U4D12	W	YEL	4.0	WD210BA6	S5B10	2	V2DC9#	1	YEL	13.0	
	H4B08	2	J4B08	2	YEL	4.5	U4B03	W	U4B07	W	YEL	4.0		U2D09#	1	S5B10	1	YEL	11.0	
JS100BH4	J4B08	2	K4B08	2	YEL	4.5	U5B07	1	U5D08	2	YEL	4.0	WD210BA7	S5B03	2	U2C10#	2	YEL	10.0	
	D4B11	2	F4B11	2	YEL	4.5	U5D12	1	U5D08	1	YEL	4.0		S5B03	1	V2C10#	1	YEL	10.0	
	F4B11	2	G4B11	2	YEL	4.5	U5B03	2	U5D04	2	YEL	4.0	WD210BA8	V2D11#	W	S5D11	W	YEL	10.0	
	G4B11	2	H5D07	2	YEL	4.5	U5B11	2	U5D12	2	YEL	4.0		S5D11	2	U2C11#	2	YEL	10.0	
JS100FH4	H5D07	1	H4D07	2	YEL	5.5	U5B03	W	U5B07	W	YEL	4.0	WD210BA9	S5B13	1	U2C13#	1	YEL	10.0	
	J4D03	2	K4D03	2	YEL	4.5	S2B06	W	T2B06	W	YEL	4.5		V2C13#	2	S5B13	2	YEL	11.0	
	H4D03	2	J4D03	2	YEL	4.5	U4B06	W	T4B06	W	YEL	4.5	WC210BD1	T3B13	1	U2B02#	1	YEL	8.0	
	H4D03	1	H5D12	2	YEL	7.0	U5B06	W	S5B06	W	YEL	4.5		V2B02#	2	T3B13	2	YEL	8.0	
	H5D12	2	J5D12	2	YEL	4.5	V4B06#	1	U4B06#	1	YEL	6.0	WD210BD2	S5D07	2	U2B04#	2	YEL	10.0	
JS200BH4	K5D12	2	J5D12	2	YEL	4.5	U4B05#	2	V4B05#	2	YEL	4.5		K2B04	2	S5C07	2	YEL	13.0	
	D2B11	2	F2B11	2	YEL	4.5	U4B09#	2	V4B09#	2	YEL	4.5	WD210BD3	V2B04#	2	K2B04	2	YEL	10.0	
	E2B11	2	F2B11	2	YEL	4.5	U4B10#	2	V4B10#	2	YEL	4.5		S2B12	2	U2B05#	2	YEL	6.0	
	F2B11	2	J4D07	2	YEL	9.0	U5D02#	2	V5D02#	2	YEL	4.5	WD210BD4	S2B12	2	V2B05#	2	YEL	6.0	
JS300BH4	J5D07	1	J4D07	1	YEL	5.5	WD05OFD1	U4B10#	U5D02#	U5D03#	YEL	4.5		T4B05	1	U2B06#	1	YEL	8.0	
	G2B11	2	H2B11	2	YEL	4.5	WD05OFC3	U5D03#	V5D03#	U5D05#	YEL	4.5	WC210BD5	T4B05	1	V2B06#	1	YEL	8.0	
	H2B11	2	J2B11	2	YEL	4.5	WD05OFD5	V5D05#	U5D05#	U5D06#	YEL	4.5		T4C04	2	V2B08#	2	YEL	9.0	
	J2B11	2	K4D07	2	YEL	8.0	WD05OFF1	U5D11#	V5D11#	U5D13#	YEL	4.5	WD210BD6	T4C04	2	U2B08#	2	YEL	9.0	
JS920GB6	K5D07	1	K4D07	1	YEL	5.5	WD05OFF3	U5D13#	V5D13#	U5B02#	YEL	4.5		S3B11	2	U2B09#	2	YEL	7.0	
JS920GE4	V6B02#	W	P2D02	W	YEL	12.0	WD05OFF5	V5B02#	U5B02#	U5B09#	YEL	4.5	WD210BD7	V2B09#	2	S3B11	2	YEL	8.0	
JS920GG4	P2B13	2	T6A04#	2	YEL	12.0	WD05OFF7	U5B09#	V5B09#	V5B10#	YEL	4.5		K2C07	2	U2B10#	2	YEL	9.0	
JS930EE2	P2D09	1	T6E02#	1	YEL	13.0	WD05OFH1	U5B10#	V5B10#	V5B12#	YEL	4.5		V2B10#	2	S3B08	2	YEL	7.0	
	P3B08	W	T3B02	W	YEL	7.0	WD05OFH3	U5B12#	V5B12#	V4B13#	YEL	4.5	WD210BD8	K2C07	2	S3B08	2	YEL	10.0	
	T3B02	2	S2D04	1	YEL	7.0	WD05OFH5	U4B13#	V4B13#	V2D10	YEL	5.5		S3B09	2	U2B12#	2	YEL	6.0	
JS930EL6	P2B07	2	U6C04#	1	YEL	13.0	WD120FA1	N6B04#	P2D10	P5B03	YEL	11.0	WD210BD9	S3B09	2	S3B09	2	YEL	7.0	
JS930FG2	P4D13	2	U5B08#	2	YEL	8.0	WD120FA3	N6A04#	P2D03	P5B02	YEL	12.0		V3C09	1	U2B13#	1	YEL	5.0	
	V5B08#	2	P4D13	2	YEL	9.0	WD120FA5	N6D04#	P5B03	P5B07	YEL	5.5	WD210BF4	S3C09	1	V2B13#	1	YEL	7.0	
JS930FJ6	P2D05	2	U6D02#	1	YEL	13.0	WD120FA7	N6E04#	P5B02	P5D02	YEL	6.0		U5B13#	2	V5B13#	2	YEL	4.5	
JS930FL6	P2D06	1	U6C02#	1	YEL	13.0	WD120FC1	N6E04#	P5B07	P5D02	YEL	5.5	WD210BG1	U5B13#	2	V5B13#	2	YEL	4.5	
JS930GG6	P2B02	1	V6B04#	1	YEL	13.0	WD120FC3	N6E02#	P5D02	P5D09	YEL	5.5		V3C02#	W	T5C09	W	YEL	9.0	
JS930GJ6	P2B05	2	U6D04#	1	YEL	13.0	WD120FC5	N6C02#	P5D09	P5D06	YEL	5.5	WD210BG2	T5C09	1	U3C02#	1	YEL	9.0	
JS930GL6	P2B09	2	T6E04#	1	YEL	13.0	WD120FC7	M6C02#	P5D06	P5D10	YEL	5.5		T5B03	2	U3C03#	2	YEL	8.0	
JS940FB6	P3B02	1	S6A02#	1	YEL	11.0	WD120FE1	M6B02#	P5D10	P5B10	YEL	5.5	WD210BG3	T5B03	2	U3C05#	2	YEL	9.0	
JS940FC6	P3B05	1	R6C04#	1	YEL	10.0	WD120FE3	M6B04#	P5B10	P5B09	YEL	5.5		T5C07	1	V3C05#	1	YEL	8.0	
JS940FD6	P3D05	1	R6C02#	1	YEL	10.0	WD120FE5	M6A04#	P5B09	P5D05	YEL	5.5	WD210BG4	T5C07	2	U3C06#	2	YEL	9.0	
JS940FF6	P3B07	1	R6B04#	1	YEL	10.0	WD120FE7	N6B02#	P5D05	P5D13	YEL	6.0		T4C07	2	T4C07	2	YEL	6.0	
JS940FG6	P3D06	1	R6B02#	1	YEL	10.0	WD120FF2	L6D02#	P5D13	P5B13	YEL	5.5	WD210BG5	V3C06#	2	T4C07	2	YEL	7.0	
JS940FH6	P3B09	2	Q6D04#	2	YEL	9.0	WD120FF4	L6D04#	P5B13	P4B04	YEL	6.0		T5B08	1	U3D07#	1	YEL	8.0	
JS940FK6	P3D09	2	Q6D02#	1	YEL	9.0	WD120FH3	J6C04#	P4B04	P4B02	YEL	10.0	WD210BG6	T5B08	1	V3DC7#	1	YEL	9.0	
JS940FL6	P3B13	2	P6E04#	1	YEL	8.0	WD120FH5	K6A04#	P4B03	P4B02	YEL	10.0		V3C09#	W	T5D02	W	YEL	7.0	
JS940FM6	P3B02	2	S6A04#	2	YEL	11.0	WD120FH7	K6B04#	P4B02	P4D02	YEL	10.0	WD210BG7	V3C09#	2	U3C10#	2	YEL	7.0	
WD001BE4	M2D09	2	U4D13#	2	YEL	12.0	WD120FK3	K6B02#	P4D02	P4D09	YEL	10.0		T5C10#	2	T5B02	2	YEL	8.0	
	V4D13#	2	R5B04	1	YEL	7.0	WD120FK5	H6E02#	P4D09	P4D06	YEL	10.0	WD210BG8	T5C10#	2	U3C11#	2	YEL	8.0	
	M2D09	2	R5B04	1	YEL	11.0	WD120FK7	J6C02#	P4D06	P4D10	YEL	10.0		V3C11#	2	T5CC9#	2	YEL	7.0	
WD001FC4	K3D06	2	U4D06#	2	YEL	11.0	WD120FM1	H6D02#	P4D10	P4B10	YEL	10.0	WD210BG9	V3C11#	2	U3C13#	2	YEL	5.0	
	R4D09	2	V4D06#	2	YEL	7.0	WD120FM3	H6D04#	P4B10	P4B09	YEL	10.0		T4C06	1	V3C13#	1	YEL	5.5	
	K3D06	2	R4D09	2	YEL	10.0	WD120FM5	H6C04#	P4B09	P4D05	YEL	10.0	WD210BK1	T4C06	1	V3B02#	1	YEL	4.0	
WD050CB4	U2D08	1	U2D12	1	YEL	4.5	WD120FM7	J6D02#	P4D05	S4B08	YEL	10.0	WD210BK2	U3B02#	2	U3B04#	2	YEL	10.0	
	U2D12	1	U2B11	1	YEL	5.5	WD210BA1	U2D02#	W	S4B08	YEL	9.0		L2B09	2	T3D12	2	YEL	11.0	
	U2D08	1	U2D04	1	YEL	4.0		S4B08	2	V2D02#	2	YEL	10.0		T3D12	2	V3B04#	2	YEL	5.0
	U2B03	2	U2D04	2	YEL	4.0		S3D03	2	U2D03#	2	YEL	7.0	WD210BK3	K3C05	2	S4C04	2	YEL	10.0
WD050CD4	U3B11	2	U3D12	2	YEL	5.5		V2C03#	2	S3D03	2	YEL	8.0		S4D04	2	V3BC5#	2	YEL	7.0
																	K3D05	2	YEL	9.0

DATE 11-20-75

MST-1

BOARD DISCRETE WIRE EQUIVALENT LIST SEQUENCED BY NET NUMBER

PAGE 5

PART NO. 5554844 E.C. NO. 825032 VERSION 000 SIZE SINGLE MACHINE IDA-SM15 LOCATION 01B-A3

PIN ID: #-I/O PIN PLANES: 1-CARD SIDE SHALLOW 3-PROBE SIDE SHALLOW WIRE TYPES: YEL-YELLOW, 30, AG NTR-90 OHM TRI-LEAD  
\*-I/O & LOGIC 2-PROBE SIDE SHALLOW 4-PROBE SIDE SHALLOW TWL-TWIN LEAD WRAP FTW-50 OHM TWIN LEAD  
T-TERMINATING RES. W-DISCRETE OVERFLOW TW-TWIST PR CONNECT NTW-90 OHM TWIN HEAD  
V-VOLTAGE/GROUND FTR-50 OHM TRI-LEAD CX-COAX CONNECTOR

NOTES: WIRE LENGTH IS IN TENTHS OF AN INCH. YELLOW WIRE LENGTH INCLUDES WIRE FOR WRAP.

NET NO.	FROM PIN	P L	TO PIN	P L	WIRE TYP	WIRE LGTH	FROM PIN	P L	TO PIN	P L	WIRE TYP	WIRE LGTH	FROM PIN	P L	TO PIN	P L	WIRE TYP	WIRE LGTH
WD210BK4	U3B06#	W	S2D10	W	YEL	5.5												
	V3B06#	2	S2D10	2	YEL	7.0												
WD210BK5	Q3D02	2	U3B08#	2	YEL	7.0												
	V3B08#	2	Q3D02	2	YEL	7.0												
WD210BK6	U3B09#	2	V3B09#	2	YEL	4.5												
WD210BK7	P2D13	2	U3B10#	2	YEL	8.0												
	V3B10#	2	P2D13	2	YEL	9.0												
WD210BK8	U3B12#	2	V3B12#	2	YEL	4.5												
WD210BK9	T4B13	2	U3B13#	2	YEL	6.0												
	V3B13#	2	T4B13	2	YEL	7.0												

ENC OF LIST



DATE 11-20-75

MST-1

BOARD DISCRETE WIRE EQUIVALENT LIST SEQUENCED BY PIN NUMBER

PAGE 1

PART NO. 5554844

E.C. NO. 825032

VERSION 000

SIZE SINGLE

MACHINE IDA-SM15

LOCATICN 01B-A3

PIN ID: #-I/O PIN  
\*-I/O & LOGIC  
V-VOLTAGE/GROUND

NOTE: \*T\* FOLLOWING PIN LOCATION INDICATES TERMINATING RESISTOR

PIN	NET NO.	PIN	NET NO.	PIN	NET NO.	PIN	NET NO.	PIN	NET NO.	PIN	NET NO.	PIN	NET NO.
A2B02#	JR952BF4	D4D02	JR956BF4	E5D06	JR965BG2	G2D02	JR982BF4	H3D06	JR991BG2	J3B05	JR820FM6	K2CC5	JR530AT6
A2D07#	JR953BF4	D4D05	JR958BF4	E5D07	JR965DF6	G2D05	JR984BF4	H3C07	JR991CF6	J3C02	JR720BE2	K2C06	JR810EM4
A2D13#	JR954BF4	D4D09	JR957GD2	E5D09	JR965BE2	G2D09	JR983GC2	H3CC9	JR991BE2	J3CC3	JR988AH4	K2D07	WC210BC7
A3B02#	JR956BF4	D4D11	JR955DE6	E5D10	JR967BF4	G2D11	JR981DE6	H3C10	JR993BF4	J3C04	JR996EF4	K2C09	JR420BA6
A3D07#	JR957BF4	D4D12	JR956GD2	E5D11	JR968EF4	G2D12	JR982GD2	H3C11	JR994EF4	J3CC5	JR995CC6	K2C10	JR310AW9
A3D13#	JR958BF4	D4D13	JR720AE2	E5D13	JR967EF4	G2D13	JR720BC2	H3C13	JR993EF4	J3C06	JR995BG2	K2C11	JR420CE2
A4B02#	JR962BF4	D5B02	JR750AC4	F2B03	JR840FB6	G3B02	JR750AG4	H4B07	JR540CC6	J3C07	JR995DF6	K2C12	JR220AR2
A4D07#	JR963BF4	D5B05	JR820FC2	F2B09	JR971EJ4	G3B05	JR820FF6	H4BC8	JS070BN4	J3CC9	JR995BE2	K2C13	JR420CC2
A4D13#	JR964BF4	D5D02	JR720BE2	F2B10	JR974GC2	G3D02	JR720AC2	H4BC9	JR640FM6	J3D10	JR997BF4	K3B02	JR310AV7
A5B02#	JR966BF4	D5D03	JR956AH4	F2B11	JS200BH4	G3D03	JR983AH4	H4B10	JR640CM2	J3D11	JR998EF4	K3B03	JS030AR6
A5D07#	JR967BF4	D5D04	JR956EF4	F2B12	JR971BC2	G3D04	JR982EF4	H4B11	JR650BC5	J3D13	JR997EF4	K3B04	JR420CH2
A5D13#	JR968BF4	D5D05	JR955DD6	F2B13	JR720BE2	G3D05	JR981DD6	H4B12	JR650BC8	J4B07	JR540CC6	K3B05	JS040BN2
B2B02#	JR972BF4	D5D06	JR955BG2	F2D02	JR972BF4	G3D06	JR981BG2	H4B13	JS070BL4	J4BC8	JS070BN4	K3B07	JR620FK4
B2D07#	JR973BF4	D5D07	JR955DF6	F2D05	JR974BF4	G3D07	JR981CF6	H4C02	JR650BA5	J4BC9	JR640FM6	K3B08	JSC40BN7
B2D13#	JR974BF4	D5D09	JR955BE2	F2D09	JR973GD2	G3D09	JR981BE2	H4C03	JS100FH4	J4B10	JR650BC5	K3B09	JSC40BN7
B3B02#	JR976BF4	D5D10	JR957BF4	F2D11	JR971DE6	G3D10	JR983BF4	H4D05	JR650BK2	J4B11	JR640CM2	K3B10	JR250GJ6
B3D07#	JR977BF4	D5D11	JR958EF4	F2D12	JR972GD2	G3D11	JR984EF4	H4C06	JR650CA6	J4B12	JR650BC8	K3B11	JR510BC4
B3D13#	JR978BF4	D5D13	JR957EF4	F2D13	JR720AC2	G3D13	JR983EF4	H4D07	JS100BH4	J4B13	JS070BL4	K3B12	JR310AV3
B4B02#	JR982BF4	E2B03	JR740GM6	F3B02	JR750AG4	G4B03	JR840FE6	H4D10	JR650BK5	J4CC2	JS070BM4	K3D02	JR410GJ2
B4D07#	JR983BF4	E2B09	JR961EJ4	F3B05	JR820FA6	G4B09	JR985EJ4	H4D12	JR640CH2	J4D03	JS100FH4	K3D03	JR420CC2
B4D13#	JR984BF4	E2B10	JR964GD2	F3D02	JR720BN2	G4B10	JR988GD2	H4D13	JS070BM4	J4D06	JR650BK2	K3D05	JR350AG2
B5B02#	JR986BF4	E2B11	JS200BH4	F3D03	JR956AH4	G4B11	JS100BH4	H5BC2	JS070BJ4	J4D08	JR540CA6	K3D05	WC210BK3
B5D07#	JR987BF4	E2B12	JR961BC2	F3D04	JR972EF4	G4B12	JR985BC2	H5B03	JR650BG2	J4D07	JS200BH4	K3D06	WC001FC4
B5D13#	JR988BF4	E2B13	JR720BK2	F3D05	JR971DD6	G4B13	JR720BN2	H5B04	JR640CE2	J4D10	JR650BK5	K3D07	JR620FK2
C2B02#	JR992BF4	E2D02	JR962BF4	F3D06	JR971BG2	G4D02	JR986BF4	H5B05	JR650BG5	J4D12	JR640CH2	K3D09	JS030AQ6
C2D07#	JR993BF4	E2D05	JR964BF4	F3D07	JR971DF6	G4D05	JR988BF4	H5B07	JR640FE2	J4D13	JS070BM4	K3D10	JR420FK6
C2D13#	JR994BF4	E2D09	JR963GD2	F3D09	JR971BE2	G4D09	JR987GD2	H5B08	JS070BC4	J5B02	JSC70BJ4	K3D11	JR420CC2
C3B02#	JR996BF4	E2D11	JR961DE6	F3D10	JR973BF4	G4D11	JR985DE6	H5B09	JR640GC2	J5B03	JR650BG2	K3C12	JR310AV5
C3D07#	JR997BF4	E2D12	JR962GD2	F3D11	JR974EF4	G4D12	JR986GD2	H5B10	JR650BG8	J5B04	JR640CE2	K3C13	JR410CM4
C3D13#	JR998BF4	E2D13	JR720BN2	F3D13	JR973EF4	G4D13	JR720BE2	H5B11	JS070BC4	J5B05	JR650BG5	K4B07	JR540CC6
D2B03	JR740FM6	E3B02	JR750AC4	F4B03	JR840FB6	G5B02	JR750AG4	H5B12	JS070BA4	J5B07	JR640FE2	K4B08	JS070BN4
D2B09	JR951EJ4	E3B05	JR820BB6	F4B09	JR975EJ4	G5B05	JR820FF6	H5B13	JR420CE2	J5B08	JSC70BC4	K4B09	JR640FM6
D2B10	JR954GD2	E3D02	JR720AA2	F4B10	JR978GD2	G5D02	JR720BK2	H5D02	JS070BG4	J5B09	JR640GC2	K4B1C	JR650BC5
D2B11	JS200BH4	E3D03	JR956AH4	F4B11	JS100BH4	G5D03	JR988AH4	H5D03	JR640FH2	J5B10	JR650BG8	K4B11	JR640CM2
D2B12	JR951BC2	E3D04	JR962EF4	F4B12	JR975BC2	G5D04	JR986EF4	H5D04	JR240BG6	J5B11	JS070BC4	K4B12	JR650BC8
D2B13	JR720BA2	E3D05	JR961DD6	F4B13	JR720AA2	G5D05	JR985DD6	H5D05	JR650BK8	J5B12	JSC70BA4	K4B13	JSC7CBL4
D2D02	JR952BF4	E3D06	JR961BG2	F4D02	JR976BF4	G5D06	JR985BG2	H5D06	JS070BF4	J5B13	JR420CG2	K4C02	JR650BA5
D2D05	JR954BF4	E3D07	JR961DF6	F4D05	JR978BF4	G5D07	JR985DF6	H5D07	JS100BH4	J5D02	JS070BG4	K4C03	JS100FH4
D2D09	JR953GD2	E3D09	JR961BE2	F4D09	JR977GD2	G5D09	JR985BE2	H5D09	JR650BA8	J5D03	JR640FH2	K4D05	JR650BK2
D2D11	JR951DE6	E3D10	JR963BF4	F4D11	JR975DE6	G5D10	JR987BF4	H5D10	JR250CN2	J5CC4	JR240BG6	K4CC6	JR540CA6
D2D12	JR952GD2	E3D11	JR964EF4	F4D12	JR976GD2	G5D11	JR988EF4	H5D11	JR640DA2	J5D05	JR650BK8	K4D07	JS300BH4
D2D13	JR720AA2	E3D13	JR963EF4	F4D13	JR720BK2	G5D13	JR987EF4	H5D12	JS100FH4	J5D06	JS070BF4	K4D1C	JR650BK5
D3B02	JR750AC4	E4B03	JR740GM6	F5B02	JR750AG4	H2B03	JR840FE6	H5D13	JR640FA2	J5D07	JS200BH4	K4C12	JR640CH2
D3B05	JR820FC2	E4B09	JR965EJ4	F5B05	JR820FA6	H2B09	JR991EJ4	H6C04#	WC120FM5	J5D09	JR650BA8	K4C13	JSC70BM4
D3D02	JR720BC2	E4B10	JR968GD2	F5D02	JR720BA2	H2B10	JR994GD2	H6D02#	WC120FM1	J5D1C	JR250CN2	K5B02	JS070BJ4
D3D03	JR956AH4	E4B11	JS100BH4	F5D03	JR956AH4	H2B11	JS300BH4	H6D04#	WD120FM3	J5D11	JR640CA2	K5B03	JR650BG2
D3D04	JR952EF4	E4B12	JR965BC2	F5D04	JR976EF4	H2B12	JR991BC2	H6E02#	WD120FM5	J5D12	JS1CCFH4	K5B04	JR640CE2
D3D05	JR951DD6	E4B13	JR720BC2	F5D05	JR975DD6	H2B13	JR720BA2	J2B03	JR840FE6	J5D13	JR640FA2	K5B05	JR650BG5
D3D06	JR951BG2	E4D02	JR966BF4	F5D06	JR975BG2	H2D02	JR992BF4	J2BC9	JR995EJ4	J6C02#	WC120FK7	K5B07	JR640FE2
D3D07	JR951DF6	E4D05	JR968BF4	F5D07	JR975DF6	H2D05	JR994BF4	J2B10	JR998GC2	J6C04#	WD120FH3	K5B08	JS070BD4
D3D09	JR951BE2	E4D09	JR967GD2	F5D09	JR975BE2	H2D09	JR993GD2	J2B11	JS300BH4	J6D02#	WC120FM7	K5B09	JR640GC2
D3D10	JR953BF4	E4D11	JR965DE6	F5D10	JR977BF4	H2D11	JR991DE6	J2B12	JR995BC2	K2B04	WD210BC2	K5B1C	JR650BG8
D3D11	JR954EF4	E4D12	JR966GD2	F5D11	JR978EF4	H2D12	JR992GD2	J2B13	JR720AC2	K2B05	JR810CL4	K5B11	JSC70BC4
D3D13	JR953EF4	E4D13	JR720BA2	F5D13	JR977EF4	H2D13	JR720AA2	J2C02	JR996BF4	K2B07	JR810CK4	K5B12	JSC70BA4
D4B03	JR740FM6	E5B02	JR750AC4	G2B03	JR840FB6	H3B02	JR750AG4	J2C05	JR998BF4	K2B11	JR410EJ6	K5B13	JR420CC2
D4B09	JR955EJ4	E5B05	JR820BB6	G2B09	JR981EJ4	H3B05	JR820FF6	J2C09	JR997GD2	K2B12	JR320AT6	K5D02	JS070BG4
D4B10	JR958GD2	E5D02	JR720AE2	G2B10	JR984GC2	H3D02	JR820FM6	J2D11	JR995DE6	K2B13	JR330BJ4	K5D03	JR640FH2
D4B11	JS100BH4	E5D03	JR956AH4	G2B11	JS300BH4	H3D03	JR988AH4	J2D12	JR996GC2	K2CC2	JR330AE9	K5C04	JR240BG6
D4B12	JR955BC2	E5D04	JR966EF4	G2B12	JR981BC2	H3D04	JR992EF4	J2C13	JR720AE2	K2DC3	JR420CL2	K5D05	JR650BK8
D4B13	JR720AC2	E5D05	JR965DD6	G2B13	JR720AE2	H3D05	JR991DD6	J3B02	JR750AG4	K2D04	JR320BF6	K5C06	JSC70BF4

PART NO. 5554844 E.C. NO. 825032 VERSION 000 SIZE SINGLE MACHINE IDA-SM15 LOCATION 018-A3

PIN ID: #-I/O PIN
\*-I/O & LOGIC
V-VOLTAGE/GROUND

NOTE: 'T' FOLLOWING PIN LOCATION INDICATES TERMINATING RESISTOR

Table with 14 columns: PIN, NET NO., PIN, NET NO., PIN, NET NO., PIN, NET NO., PIN, NET NO., PIN, NET NO., PIN, NET NO. It lists various component part numbers and their corresponding pin locations.

DATE 11-20-75

MST-1

BOARD DISCRETE WIRE EQUIVALENT LIST SEQUENCED BY PIN NUMBER

PAGE 3

PART NO. 5554844

E.C. NO. 825032

VERSION 000

SIZE SINGLE

MACHINE IDA-SM15

LCCATICN 018-A3

PIN ID: #-I/O PIN

\*-I/O & LOGIC

V-VOLTAGE/GROUND

NOTE: 'T' FOLLOWING PIN LOCATION INDICATES TERMINATING RESISTOR

PIN	NET NO.	PIN	NET NO.	PIN	NET NO.	PIN	NET NO.	PIN	NET NO.	PIN	NET NO.	PIN	NET NO.
Q5B04	JS040AN4	R3D09	JS030AK2	S2B13	JR820CH2	S5D02	JR350AV2	T4B08	JR230AN4	U2C07#	WD210BA5	U5B08#	JS930FG2
Q5B05	JR810DE4	R3D10	JS030AL2	S2D02	JR330BD6	S5D03	WD210BA4	T4B09	JR210AY2	U2C08	WD050CB4	U5B09#	WC050FF7
Q5B07	JS040AC5	R3D11	JS010B72	S2D04	JS930EE2	S5D04	JR410GJ2	T4B10	JR210AZ2	U2C09#	WC210BA6	U5B10#	WC050FF1
Q5B08	JS040AP2	R3D12	JS040AN2	S2D05	JR350BC4	S5D05	JR310AY6	T4B11	JR220AT2	U2D10#	WD210BA7	U5B11#	WC050CH4
Q5B09	JR530AV6	R3D13	JR640FA2	S2D06	JR340AH2	S5D06	JR310AW7	T4B12	JR230AM4	U2C11#	WD210BA8	U5B12#	WC050FH3
Q5B10	JR530AU6	R4B02	JR640DE2	S2D07	JR350AN2	S5D07	WD210BD2	T4B13	WD210BK9	U2D12	WD050CB4	U5B13#	WC210BF4
Q5B11	JR520AU6	R4B03	JR640FE2	S2D08	WD050AE4	S5D09	JR310AV5	T4D02	JR330AE9	U2D13#	WC210BA9	U5D02#	WC050FC1
Q5B12	JR510AX6	R4B04	JS040AC8	S2D09	JR330AE9	S5D10	JR510BC4	T4D03	JR330BJ7	U3B02#	WD210BK1	U5D03#	WC050FC3
Q5B13	JR510AM6	R4B05	JS040AH8	S2D10	WD210BK4	S5D11	WD210BA8	T4D04	WC210BD5	U3B03#	WD050CC4	U5D04#	WC050CCH4
Q5D02	JR330AE5	R4B07	JR310AV3	S2D11	JR320AT6	S5D13	JR360AQ7	T4D05	JR250AB2	U3B04#	WD210BK2	U5CC5#	WC050FC5
Q5D03	JR630GC6	R4B08	JR630EA6	S2D12	JR320AY6	S6A02#	JS940FB6	T4D06	WD210BG9	U3B05#	WD210BK3	U5CC6#	WC050FC7
Q5D04	JR530BX6	R4B09	JS040AN6	S3B05	WD210BA3	S6A04#	JS940FM6	T4D07	WD210BG4	U3B06#	WD210BK4	U5D07#	JR830GB6
Q5D05	JR530AT6	R4B10	JS060AQ7	S3B06	WD050CK4	T2B02	JR330AE5	T4D09	JR240BE6	U3B08#	WD210BK5	U5D08#	WC050CH4
Q5D06	JR660FK4	R4B11	JR310AV7	S3B07	JR350AG2	T2B03	JR250GJ6	T4D10	JR240CB2	U3B09#	WD210BK6	U5D09#	JR330BC6
Q5D07	JR510BC4	R4B12	JS060AF2	S3B08	WD210BD7	T2B04	JR250GF6	T4D11	JR210AX2	U3B10#	WC210BK7	U5D10#	JR330BE6
Q5D09	JR330AE3	R4B13	JR630GA6	S3B09	WD210BD8	T2B05	JR250GE6	T4D12	JR260AM6	U3B11#	WD050CC4	U5D11#	WC050FF1
Q5D10	JR510BR6	R4D02	JS040BA2	S3B10	JR310AV9	T2B06	WD050CJ4	T4D13	JR220AR2	U3B12#	WD210BK8	U5D12#	WC050FF4
Q5D11	JR250AB2	R4D03	JS030AD6	S3B11	WD210BD6	T2B07	JR250CN2	T5B02	WC210BG7	U3B13#	WD210BK9	U5D13#	WC050FF3
Q5D12	JR530AG8	R4D04	JR630FA6	S3B12	JR310BL4	T2B09	JR660DK6	T5B03	WC210BG2	U3CC2#	WD210BG1	U6CC2#	JS930FL6
Q5D13	JR810DK4	R4D05	JR310AW5	S3B13	JR420BA6	T2B10	JR330AR6	T5B04	JR210AU2	U3C03#	WD210BG2	U6C04#	JS930EL6
Q6D02#	JS940FK6	R4D06	JR310AW3	S3D03	WD210BA2	T2B12	JR250FN6	T5B05	JR220AU6	U3C04	WD050CC4	U6D02#	JS930CFJ6
Q6D04#	JS940FH6	R4D07	JR310AV9	S3D06	WD210BA5	T2B13	JR350BC4	T5B06	WD050CM4	U3D05#	WD210BG3	U6D04#	JS930GJ6
R2B02	JR640DH2	R4D09	WD001FC4	S3D07	JR350AG6	T2D02	JR330AS6	T5B07	JR220AS6	U3CC6#	WD210BG4	V2B02#	WC210BC1
R2B03	JR640DM2	R4D10	JS060AP7	S3D08	WD050AF4	T2D03	JR330AE3	T5B08	WC210BG5	U3D07#	WD210BG5	V2B04#	WC210BC2
R2B04	JR230AP6	R4D11	JR230AT6	S3D09	WD210BD9	T2D04	JR250DF6	T5B09	JR230AT6	U3D08	WD050CC4	V2B05#	WC210BC3
R2B05	JR230AS6	R4D12	JS020AP6	S3D12	JR360AQ2	T2D05	JR250GL6	T5B10	JR230AQ6	U3C09#	WD210BG6	V2B06#	WC210BC4
R2B06	WD050AB4	R4D13	JR310AV5	S3D13	JR330AR6	T2D06	JR310BL4	T5B11	JR210AQ2	U3D10#	WD210BG7	V2B08#	WC210BC5
R2B07	JR630GC6	R5B02	JR230AN4	S4B02	JR340CB4	T2D07	JR250DN2	T5B12	JR830FC6	U3D11#	WD210BG8	V2B09#	WC210BC6
R2B09	JR230AM4	R5B03	JR630FC6	S4B03	JR420CL2	T2D09	JR230AY2	T5B13	JR240EB6	U3D12	WC050CC4	V2B10#	WC210BC7
R2B10	JR630FE6	R5B04	WD001BE4	S4B04	JR320AW6	T2D10	JR810EK6	T5D02	WC210BG6	U3D13#	WC210BG9	V2B12#	WC210BC8
R2B11	JR520AY6	R5B05	JR530AG4	S4B05	JR330BJ7	T2D11	JR250FF2	T5D03	JR230AP6	U4B02#	JR830GC6	V2B13#	WC210BC9
R2B12	JR530AG8	R5B07	JS040AC5	S4B06	WD050CL4	T2D12	JR250BJ6	T5D04	WC210BG8	U4B03#	WC050CF4	V2D02#	WC210CA1
R2B13	JS030AE2	R5B08	JS040AD2	S4B07	JR330BJ4	T2D13	JR240BG6	T5D05	JR230AS6	U4B04#	JR830GJ6	V2E03#	WC210CA2
R2D02	JS040BN2	R5B09	JR640FM6	S4B08	WD210BA1	T3B02	JS930EE2	T5D06	JR210AV2	U4B05#	WC050FB3	V2D05#	WC210CA3
R2D03	JR640FH2	R5B10	JS060AF7	S4B09	JR510AL6	T3B03	JR320AY6	T5D07	WD210BG3	U4B06#	WC050FB1	V2D06#	WC210CA4
R2D04	JS040BN7	R5B11	JR520BH2	S4B10	JR330AE7	T3B04	JR260BH6	T5D09	WD210BG1	U4B07#	WD050CF4	V2D07#	WC210CA5
R2D05	JS030AR6	R5B12	JR250DF6	S4B11	JR330AE5	T3B05	JP830FF6	T5D10	JR210AW2	U4B08#	JR230BC6	V2D09#	WC210CA6
R2D06	JS030AT6	R5B13	JR520AU6	S4B12	JR330AE3	T3B06	WD050CK4	T5D11	JR230AR6	U4B09#	WD050FB5	V2D10#	WC210CA7
R2D07	JR240BE6	R5D02	JS040AD7	S4B13	JR340AR2	T3B07	JR260AB2	T5D12	JP260AD6	U4B10#	WD050FB7	V2D11#	WC210CA8
R2D09	JR630EE6	R5D03	JR630EC6	S4D02	JR320AX6	T3B08	JR420CC2	T5D13	JR220AL2	U4B11#	WC050CF4	V2D13#	WC210CA9
R2D10	JS030AS6	R5D04	JR350BB2	S4D03	JR330AS6	T3B09	JR210AH2	T6A02	JR988AH4	U4B12#	JR230AC6	V3B02#	WC210BK1
R2D11	JS030AC6	R5D05	JS040AP2	S4D04	WD210BK3	T3B10	JR230BC6	T6A04#	JS920GE4	U4B13#	WD050FH5	V3B04#	WC210BK2
R2D12	JR630GE6	R5D06	JR350AN2	S4D05	JR420FK6	T3B11	JR240GG2	T6E02#	JS920GG4	U4C02#	JS030AC6	V3B05#	WC210BK3
R2D13	JS030AF2	R5D07	JR530AG6	S4D06	JR350BB2	T3B12	JR210AS2	T6E04#	JS930GL6	U4C03#	JS030AE2	V3B06#	WC210BK4
R3B02	JR520AZ2	R5D09	JS060AG7	S4D07	JR350BA2	T3B13	WD210BC1	U2B02#	WD210BC1	U4D04#	WD050CF4	V3B08#	WC210BK5
R3B03	JR520BN2	R5D10	JS060AG2	S4D09	JR510AX6	T3D02	JR330GE2	U2B03#	WD050CB4	U4D05#	JS030AF2	V3B09#	WC210BK6
R3B04	JR260AM6	R5D11	JS060AP2	S4D10	JR310AV7	T3D03	JR240CH6	U2B04#	WD210BC2	U4D06#	WD001FC4	V3B1C#	WC210BK7
R3B05	JR260AE6	R5D12	JR210AZ2	S4D11	JR510BJ6	T3D04	JR260AL2	U2B05#	WD210BD3	U4D07#	JS030AH2	V3B12#	WC210BK8
R3B06	WD050AC4	R5D13	JS060AQ2	S4D12	JR310AV3	T3D05	JS030BN2	U2B06#	WD210BD4	U4D08	WD050CF4	V3B13#	WC210BK9
R3B07	JR240DB2	R6B02#	JS940FG6	S4D13	JR510BH6	T3D06	JR320AW6	U2B08#	WD210BD5	U4D09#	JS030AJ2	V3D02#	WC210BG1
R3B08	JR310AW9	R6B04#	JS940FF6	S5B02	JR330BF6	T3D07	JR350AG2	U2B09#	WD210BD6	U4D10#	JS030AK2	V3DC3#	WC210BG2
R3B09	JR300AJ2	R6C02#	JS940FD6	S5B03	WD210BA7	T3D11	JR320AX6	U2B10#	WC210BD7	U4D11#	JS030AL2	V3DC5#	WC210BG3
R3B10	JR310AW7	R6C04#	JS940FC6	S5B04	JR210AW3	T3D12	WD210BK2	U2B11#	WD050CB4	U4D12#	WC050CF4	V3DC6#	WC210BG4
R3B11	JS030AH2	S2B02	JR210AS2	S5B05	JR310AW5	T3D13	JR240GJ2	U2B12#	WD210BC8	U4D13#	WC001BE4	V3D07#	WC210BG5
R3B12	JR640DA2	S2B04	JR330BE6	S5B06	WD050CM4	T4B02	JR250AL2	U2B13#	WD210BC9	U5B02#	WD050FF5	V3DC9#	WC210BG6
R3B13	JR640GC2	S2B05	JR320BF6	S5B07	JR520AF6	T4B03	JR260AE6	U2D02#	WC210BA1	U5B03#	WC050CH4	V3D1C#	WC210BG7
R3D02	JR530AG0	S2B06	WD050CJ4	S5B08	JR310AW9	T4B04	JR220AV2	U2D03#	WD210BA2	U5B04#	JR340AR2	V3D11#	WC210BG8
R3D05	JS030BN2	S2B09	JR210AY2	S5B09	JR350AA6	T4B05	JR220AV2	U2D04#	WD050CB4	U5B05#	JR340AH2	V3D13#	WC210BG9
R3D06	JS040AN4	S2B10	JR220AU6	S5B10	WD210BA6	T4B06	WD210BD4	U2D05#	WD210BA3	U5B06#	JR330BF6	V4B02#	JR830GC6
R3D07	JS010AP2	S2B12	WD210BD3	S5B13	WD210BA9	T4B07	JR210AT2	U2D06#	WD210BA4	U5B07	WD050CH4	V4B04#	JR830GJ6



PART NO.	5554844	E.C. NO.	825032	VERSION 000	SIZE SINGLE	MACHINE IDA-SM15	LOCATION 01B-A3
B2A14	-4.0	B2C06	-4.0	B3A14	-4.0	B3C06	-4.0
B4A14	-4.0	B4C06	-4.0	B4E01	-4.0	B5C06	-4.0
C2C06	-4.0	C3C06	-4.0	C4C06	-4.0	C5C06	-4.0
D1C10	-4.0	D2B06	-4.0	D3B06	-4.0	D4B06	-4.0
D6B05	-4.0	D6C02	-4.0	E2B06	-4.0	F3B06	-4.0
E5B06	-4.0	F2B06	-4.0	F3B06	-4.0	F4B06	-4.0
G1C13	-4.0	G1D10	-4.0	G2B06	-4.0	G3B06	-4.0
G5B06	-4.0	G6C05	-4.0	G6D02	-4.0	H2B06	-4.0
H4B06	-4.0	H5B06	-4.0	J2B06	-4.0	J3B06	-4.0
J5B06	-4.0	K1E13	-4.0	K2B06	-4.0	K3B06	-4.0
K5B06	-4.0	K6E05	-4.0	L1A10	-4.0	L2B06	-4.0
L4B06	-4.0	L5B06	-4.0	L6A02	-4.0	M2B06	-4.0
M4B06	-4.0	M5B06	-4.0	N2B06	-4.0	N3B06	-4.0
N5B06	-4.0	P1B13	-4.0	P1C10	-4.0	P2B06	-4.0
P4B06	-4.0	P5B06	-4.0	P6B05	-4.0	P6C02	-4.0
Q3B06	-4.0	Q4B06	-4.0	Q5B06	-4.0	R2B06	-4.0
R4B06	-4.0	R5B06	-4.0	S1C13	-4.0	S1D10	-4.0
S3B06	-4.0	S4B06	-4.0	S5B06	-4.0	S6C05	-4.0
T2C06	-4.0	T3C06	-4.0	T4C06	-4.0	T5C06	-4.0
U2C06	-4.0	U3A14	-4.0	U3C06	-4.0	U3E01	-4.0
U4C06	-4.0	U4E01	-4.0	U5C06	-4.0	U5E01	-4.0
A1E13	GND	A2B03	GND	A2B07	GND	A2B11	GND
A2D08	GND	A2D12	GND	A3B03	GND	A3B07	GND
A3D04	GND	A3D08	GND	A3D12	GND	A4B03	GND
A4B11	GND	A4D04	GND	A4D08	GND	A4D12	GND
A5B07	GND	A5B11	GND	A5D04	GND	A5D08	GND
A6E04	GND	B1A11	GND	B1D13	GND	B1E11	GND
B2C04	GND	B2C07	GND	B2C11	GND	B2C12	GND
B2E14	GND	B3A01	GND	B3C03	GND	B3C04	GND
B3C11	GND	B3C12	GND	B3D08	GND	B3E14	GND
B4C03	GND	B4C04	GND	B4C07	GND	B4C11	GND
B4D08	GND	B4E14	GND	B5A01	GND	B5C03	GND
B5C07	GND	B5C11	GND	B5C12	GND	B5D08	GND
B6D04	GND	B6E02	GND	C1C13	GND	C1D11	GND
C2C04	GND	C2C07	GND	C2C11	GND	C2C12	GND
C3C03	GND	C3C04	GND	C3C07	GND	C3C11	GND
C3D08	GND	C4C03	GND	C4C04	GND	C4C07	GND
C4C12	GND	C4D08	GND	C5C03	GND	C5C04	GND
C5C11	GND	C5C12	GND	C5D08	GND	C6C04	GND
D1B10	GND	D1C13	GND	D2D08	GND	D3D08	GND
D5D08	GND	D6B02	GND	D6C05	GND	E1A13	GND
E1E13	GND	E2D08	GND	E3D08	GND	E4D08	GND
E6A04	GND	E6B02	GND	E6E04	GND	F1A11	GND
F1E11	GND	F2D08	GND	F3D08	GND	F4D08	GND
F6A02	GND	F6D04	GND	F6E02	GND	G1C10	GND
G2D08	GND	G3D08	GND	G4D08	GND	G5D08	GND
G6D05	GND	H1B13	GND	H1C11	GND	H2D08	GND
H4D08	GND	H5D08	GND	H6B04	GND	H6C02	GND
J1B11	GND	J1E13	GND	J2C08	GND	J3D08	GND
J5D08	GND	J6A04	GND	J6B02	GND	J6E04	GND
K1E10	GND	K2D08	GND	K3D08	GND	K4D08	GND
K6A02	GND	K6E02	GND	L1A13	GND	L1E13	GND
L3D08	GND	L4D08	GND	L5D08	GND	L6A05	GND
M1A11	GND	M1D13	GND	M1E11	GND	M2D08	GND
M4D08	GND	M5D08	GND	M6A02	GND	M6D04	GND
N1C13	GND	N1D11	GND	N2D08	GND	N3D08	GND
N5D08	GND	N6C04	GND	N6D02	GND	P1B10	GND
P2D08	GND	P3D08	GND	P4D08	GND	P5D08	GND
P6C05	GND	Q1A13	GND	Q1B11	GND	Q1E13	GND
Q3D08	GND	Q4D08	GND	Q5D08	GND	Q6A04	GND
B3E01	-4.0	B5E01	-4.0	D1B13	-4.0	D5B06	-4.0
B5E01	-4.0	D1B13	-4.0	D5B06	-4.0	F4B06	-4.0
D1B13	-4.0	F4B06	-4.0	F5B06	-4.0	G4B06	-4.0
D5B06	-4.0	G4B06	-4.0	H3B06	-4.0	H3B06	-4.0
F4B06	-4.0	H3B06	-4.0	J4B06	-4.0	J4B06	-4.0
F5B06	-4.0	J4B06	-4.0	K4B06	-4.0	K4B06	-4.0
G4B06	-4.0	K4B06	-4.0	L3B06	-4.0	L3B06	-4.0
H3B06	-4.0	L3B06	-4.0	M3B06	-4.0	M3B06	-4.0
J4B06	-4.0	M3B06	-4.0	N4B06	-4.0	N4B06	-4.0
K4B06	-4.0	N4B06	-4.0	P3B06	-4.0	P3B06	-4.0
L3B06	-4.0	P3B06	-4.0	Q2B06	-4.0	Q2B06	-4.0
M3B06	-4.0	Q2B06	-4.0	R3B06	-4.0	R3B06	-4.0
N4B06	-4.0	R3B06	-4.0	S2B06	-4.0	S2B06	-4.0
P3B06	-4.0	S2B06	-4.0	S6C02	-4.0	S6C02	-4.0
Q2B06	-4.0	S6C02	-4.0	U2A14	-4.0	U2A14	-4.0
R3B06	-4.0	U2A14	-4.0	U4A14	-4.0	U4A14	-4.0
S2B06	-4.0	U4A14	-4.0	A2C04	GND	A2C04	GND
S6C02	-4.0	A2C04	GND	A3B11	GND	A3B11	GND
U2A14	-4.0	A3B11	GND	A4B07	GND	A4B07	GND
U4A14	-4.0	A4B07	GND	A5B03	GND	A5B03	GND
A2C04	GND	A5B03	GND	A5C12	GND	A5C12	GND
A3B11	GND	A5C12	GND	B2C03	GND	B2C03	GND
A4B07	GND	B2C03	GND	B2C08	GND	B2C08	GND
A5B03	GND	B2C08	GND	B3C07	GND	B3C07	GND
A5C12	GND	B3C07	GND	B4A01	GND	B4A01	GND
B2C03	GND	B4A01	GND	B4C12	GND	B4C12	GND
B2C08	GND	B4C12	GND	B5C04	GND	B5C04	GND
B3C07	GND	B5C04	GND	B6A02	GND	B6A02	GND
B4A01	GND	B6A02	GND	C2C03	GND	C2C03	GND
B4C12	GND	C2C03	GND	C2C08	GND	C2C08	GND
B5C04	GND	C2C08	GND	C3C12	GND	C3C12	GND
B6A02	GND	C3C12	GND	C4C11	GND	C4C11	GND
C2C03	GND	C4C11	GND	C5C07	GND	C5C07	GND
C2C08	GND	C5C07	GND	C6C02	GND	C6C02	GND
C3C12	GND	C6C02	GND	D4D08	GND	D4D08	GND
C4C11	GND	D4D08	GND	E1B11	GND	E1B11	GND
C5C07	GND	E1B11	GND	F5D08	GND	F5D08	GND
C6C02	GND	F5D08	GND	F1D13	GND	F1D13	GND
D4D08	GND	F1D13	GND	F5C08	GND	F5C08	GND
E1B11	GND	F5C08	GND	G1D13	GND	G1D13	GND
F5D08	GND	G1D13	GND	G6C02	GND	G6C02	GND
F1D13	GND	G6C02	GND	H3C08	GND	H3C08	GND
F5C08	GND	H3C08	GND	J1A13	GND	J1A13	GND
G1D13	GND	J1A13	GND	J4C08	GND	J4C08	GND
G6C02	GND	J4C08	GND	K1A11	GND	K1A11	GND
H3C08	GND	K1A11	GND	K5C08	GND	K5C08	GND
J1A13	GND	K5C08	GND	L2C08	GND	L2C08	GND
J4C08	GND	L2C08	GND	L6E04	GND	L6E04	GND
K1A11	GND	L6E04	GND	M3D08	GND	M3D08	GND
K5C08	GND	M3D08	GND	M6E02	GND	M6E02	GND
L2C08	GND	M6E02	GND	N4C08	GND	N4C08	GND
L6E04	GND	N4C08	GND	P1C13	GND	P1C13	GND
M3D08	GND	P1C13	GND	P6B02	GND	P6B02	GND
M6E02	GND	P6B02	GND	Q2C08	GND	Q2C08	GND
N4C08	GND	Q2C08	GND	Q6B02	GND	Q6B02	GND
P1C13	GND	Q6B02	GND				

PART NO.	5554844	E.C. NO.	825032	VERSION 000	SIZE SINGLE	MACHINE IDA-SM15	LOCATION C18-A3
Q6E04	GND	R1A11	GND	R1D13	VOLTAGE PINS	R1E11	GND
R3D08	GND	R4D08	GND	R5D08	GND	R6A02	GND
R6E02	GND	S1C10	GND	S1D13	GND	S2D08	GND
S4D08	GND	S5D08	GND	S6C02	GND	S6D05	GND
T1C11	GND	T2C03	GND	T2C04	GND	T2C07	GND
T2C12	GND	T2D08	GND	T3C03	GND	T3C04	GND
T3C11	GND	T3C12	GND	T3D08	GND	T4C03	GND
T4C07	GND	T4C11	GND	T4C12	GND	T4D08	GND
T5C04	GND	T5C07	GND	T5C11	GND	T5C12	GND
T6B04	GND	T6C02	GND	U1A13	GND	U1B11	GND
U2C03	GND	U2C04	GND	U2C07	GND	U2C11	GND
U2D08	GND	U2E14	GND	U3A01	GND	U3C03	GND
U3C07	GND	U3C11	GND	U3C12	GND	U3D08	GND
U4A01	GND	U4C03	GND	U4C04	GND	U4C07	GND
U4C12	GND	U4D08	GND	U4E14	GND	U5A01	GND
U5C04	GND	U5C07	GND	U5C11	GND	U5C12	GND
U6A04	GND	U6B02	GND	U6E04	GND	V1A11	GND
V2B07	GND	V2B11	GND	V2D04	GND	V2D08	GND
V3B03	GND	V3B07	GND	V3B11	GND	V3D04	GND
V3D12	GND	V4B03	GND	V4B07	GND	V4B11	GND
V4D08	GND	V4D12	GND	V5B03	GND	V5B07	GND
V5D04	GND	V5D08	GND	V5D12	GND	V6A02	GND
						R2C08	GND
						R6D04	GND
						S3D08	GND
						T1B13	GND
						T2C11	GND
						T3C07	GND
						T4C04	GND
						T5C03	GND
						T5C08	GND
						U1E13	GND
						U2C12	GND
						U3C04	GND
						U3E14	GND
						U4C11	GND
						U5C03	GND
						U5C08	GND
						V2B03	GND
						V2D12	GND
						V3D08	GND
						V4C04	GND
						V5B11	GND

FOR ANY VOLTAGE PIN NOT INDICATED IN THE VOLTAGE PIN LIST, USE THE NET NUMBER TO LOCATE THE ALD PAGE FOR DETERMINING THE VOLTAGE INFORMATION

ENC OF LIST

Table with columns for connector type (e.g., CONNECTOR, DOUBLE CARD, QUAD CARD), part number (e.g., JR976, JR977, JR978), and pin numbers (e.g., 02 10 11 12).

Table with columns for connector type (e.g., DOUBLE CARD, QUAD CARD), part number (e.g., JR981, JR982, JR983), and pin numbers (e.g., 00 01 02 03 04 05).

Table with columns for connector type (e.g., CONNECTOR, QUAD CARD), part number (e.g., JR820, JR840, JR830), and pin numbers (e.g., 0E, 0F, 0G, 0H).

Table with columns for connector type (e.g., CONNECTOR, QUAD CARD), part number (e.g., JR740, JR750, JR760), and pin numbers (e.g., 2R, 2S, 2T, 2U).

Table with columns for connector type (e.g., CONNECTOR, QUAD CARD), part number (e.g., JS930, JS920, JS910), and pin numbers (e.g., 1H, 1J, 1K, 1L).

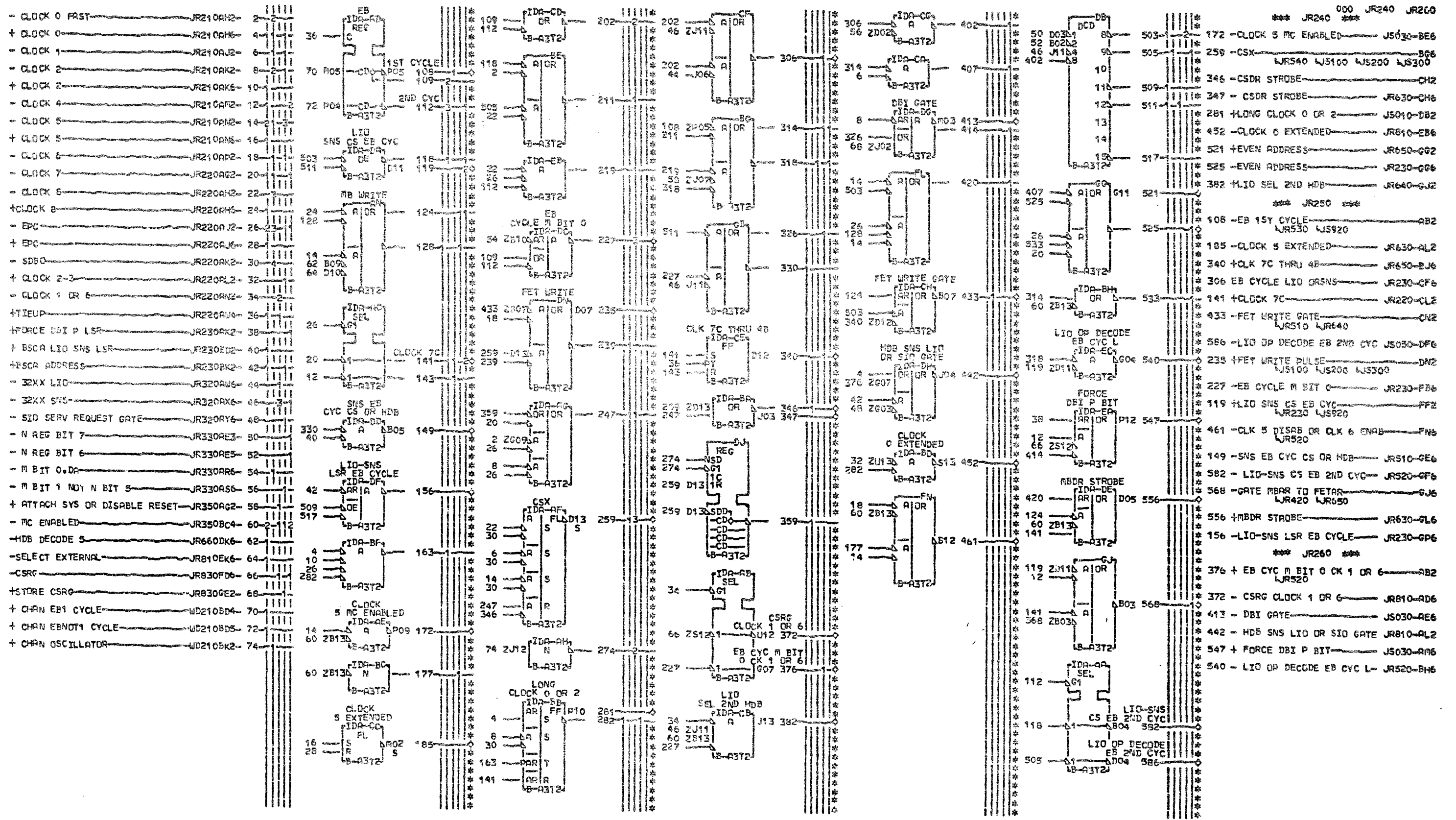
Table with columns for connector type (e.g., QUAD CARD, CONNECTOR), part number (e.g., JS040, JS060, JS040), and pin numbers (e.g., 00 01, 02 03).

Table with columns for connector type (e.g., CONNECTOR, QUAD CARD), part number (e.g., JR320, JR330, JR340), and pin numbers (e.g., 12 13 14 15, 16 17).

SOCKET LISTING
DATE 10-24-75
LOG 4048 BOARD 018-43
PREV. ENGR. 09-04-75 825031
PRES. ENGR. 10-22-75 825032
P.N. 4234336
IBM CRP. SDD BLK.







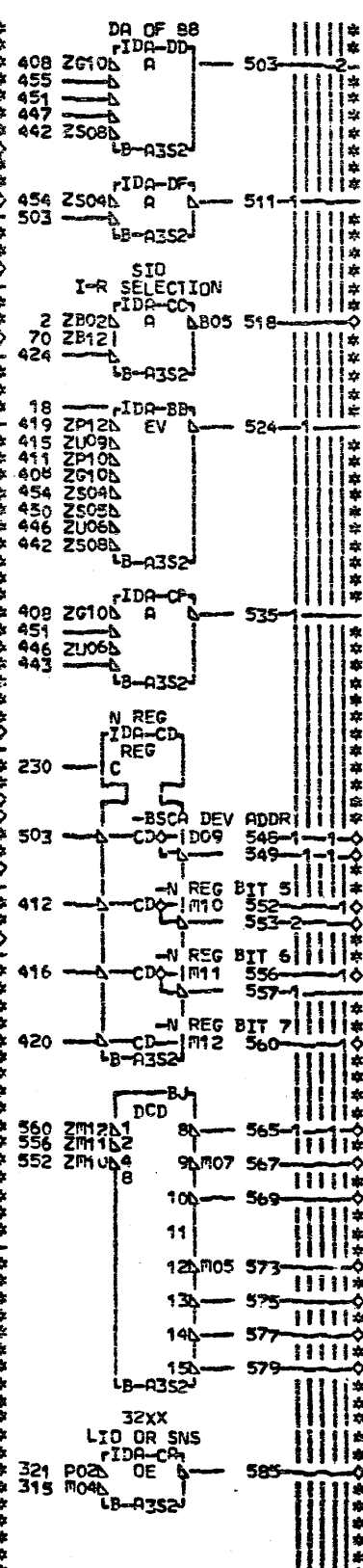
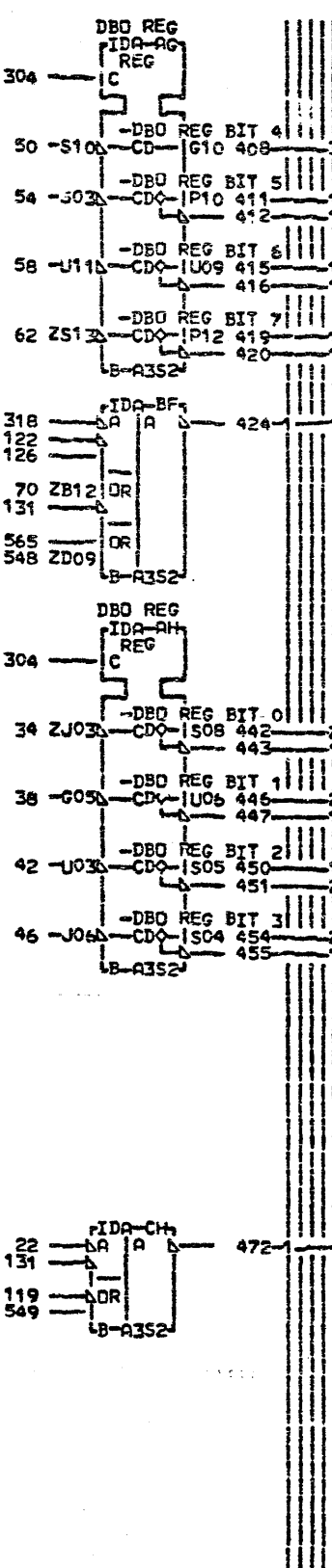
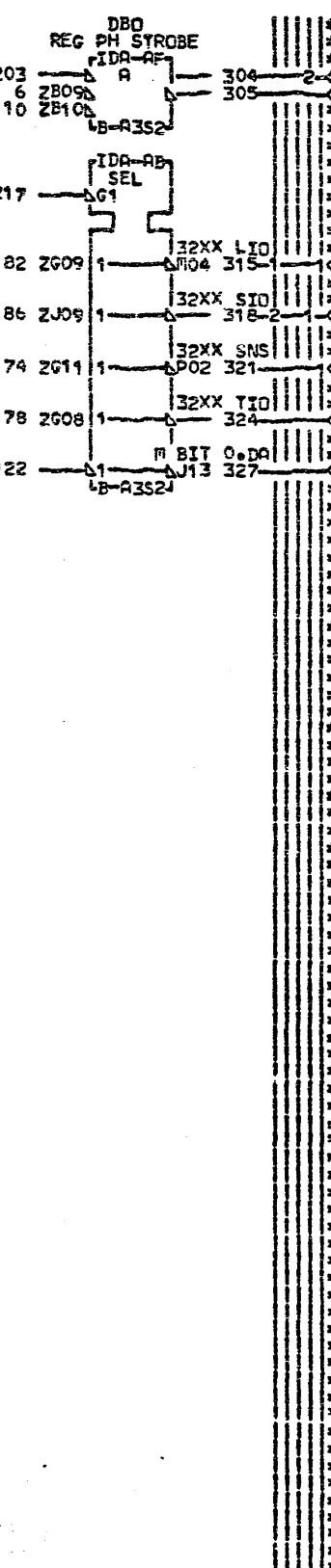
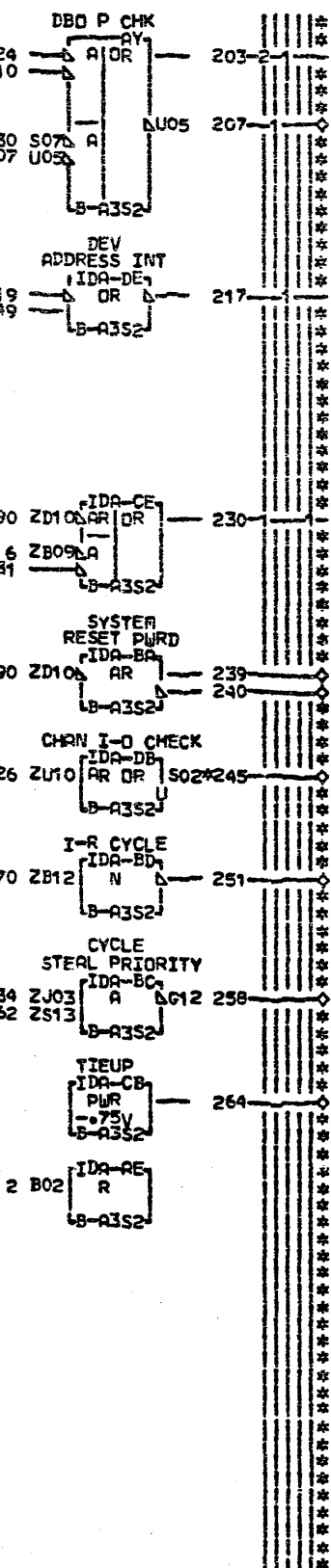
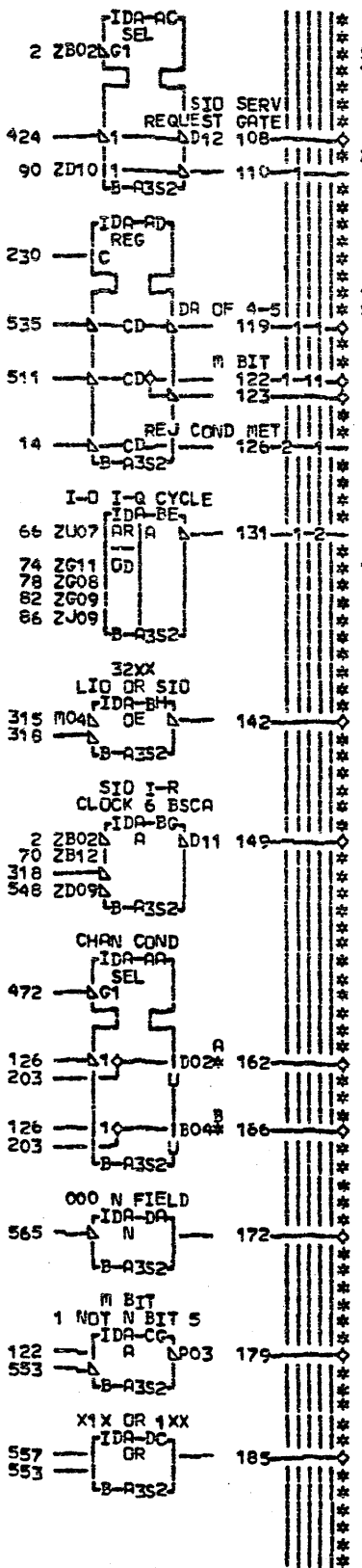
JR240  
JR260  
000

LOC. TYPE  
B-A3T2 AF83

PAGE VER EC LEV  
JR240 000 825022  
JR250 000 825031  
JR260 000 825022

CHANNEL POWERING			
E.C. HISTORY	01	RACH-IDA-SP15	
825022			
DATE	LAST FC	FRAME	01 JR240
09-04-75	825031	IBR CORP.	JR260
		PO No	4234345 000

- CLOCK 6 FCU JR210AS2 2-2  
 - CLOCK 5 BOARD JR210AY2 6-1  
 - SAMPLE DBD JR220AU6 10-1  
 + REJ COND MET JR340AT2 14-1  
 + DBD REG BIT P JR350AM6 18-1  
 + INVALID N FIELD JR360BF4 22-1  
 + ADAPTER CHECK DOT JR510BC4 26-1  
 + ATTCH CHECK OR SYS RESET JR520AF6 30-1  
 + CHAN DBD 0 WD210BA2 34-1  
 + CHAN DBD 1 WD210BA3 38-1  
 + CHAN DBD 2 WD210BA4 42-1  
 + CHAN DBD 3 WD210BA5 46-1  
 + CHAN DBD 4 WD210BA6 50-1  
 + CHAN DBD 5 WD210BA7 54-1  
 + CHAN DBD 6 WD210BA8 58-1  
 + CHAN DBD 7 WD210BA9 62-1  
 + CHAN IQ CYCLE WD210BD2 66-1  
 + CHAN IR CYCLE WD210BD3 70-1  
 + CHAN SNS INSTR WD210BD6 74-1  
 + CHAN TIO INSTR WD210BD7 78-1  
 + CHAN LIO INSTR WD210BD8 82-1  
 + CHAN SID INSTR WD210BD9 86-1  
 + CHAN NOT SYSTEM RESET WD210BK4 90-1



\*\*\* JR310 \*\*\*  
 304 + DBD REG PH STROBE JR350-AL2  
 305 - DBD REG PH STROBE JR350-AR2  
 419 - DBD REG BIT 7 JR350-AV3  
 415 - DBD REG BIT 6 JR410 WS040 WS060 AV5  
 411 - DBD REG BIT 5 JR350 WS040 WS060 AV7  
 408 - DBD REG BIT 4 JR410 WS040 WS060 AV9  
 454 - DBD REG BIT 3 JR350 WS040 WS060 AW3  
 450 - DBD REG BIT 2 JR350 WS040 WS060 AW5  
 446 - DBD REG BIT 1 JR350 WS040 WS060 AW7  
 447 + DBD REG BIT 0 JR410 WS040 WS060 AW8  
 442 - DBD REG BIT 0 JR350 WS040 WS060 AW9  
 207 - DBD REG P CHK AW6  
 239 + SYSTEM RESET PWRD JR350-AZ2  
 240 - SYSTEM RESET PWRD JR350-AZ6  
 258 - CYCLE STEAL PRIORITY BL4  
 \*\*\* JR320 \*\*\*  
 251 - I-R CYCLE JR350-AM2  
 149 - SID I-R CLOCK 6 BSCA JR410-AT6  
 318 - 32XX SID JR340 JR350 JR360 AU6  
 324 - 32XX TIO JR340 JR360 AV6  
 315 - 32XX LIO AU6  
 321 - 32XX SNS JR230 JR250 JR340 JR360 AX6  
 108 - SID SERV REQUEST GATE AY6  
 142 - 32XX LIO OR SID JR340-AZ2  
 585 - 32XX LIO OR SNS JR360-BB2  
 264 + TIEUP JR360-BB4  
 518 - SID I-R SELECTION BF6  
 JR410 JR420 JR810 JR820  
 \*\*\* JR330 \*\*\*  
 549 + BSCA DEV ADDR JR340-AE0  
 560 - N REG BIT 7 JR250 JR360 JR330 AE3  
 556 - N REG BIT 6 JR250 JR360 JR330 AE5  
 552 - N REG BIT 5 JR360 JR330 AE7  
 553 + N REG BIT 5 JR360-AE8  
 548 - BSCA DEV ADDR JR230 JR340 JR360 JR410  
 JR420 JR820  
 119 - DA 4 OR 5 JR360-AH6  
 122 - M BIT 0 JR340 JR360 AL2  
 123 - M BIT 1 JR340 JR350 JR360 AL6  
 327 - M BIT 0, DA JR250-AR6  
 179 - M BIT 1 NOT N BIT 5 JR250-AS6  
 172 + 000 N FIELD JR340-AX2  
 162 + CHAN COND A WD215-BD6  
 166 + CHAN COND B WD215-BE6  
 245 + CHAN I-D CHECK WD215-BF6  
 185 + X1X OR 1XX JR360-BG6  
 579 - 111 N FIELD JR360-BJ0  
 565 - 000 N FIELD JR360-BJ3  
 567 - 001 N FIELD JR360-BJ4  
 559 - 010 N FIELD JR340 JR360 JR410  
 573 - 100 N FIELD JR360-BJ5  
 573 - 100 N FIELD JR230 JR340 BJ7  
 575 - 101 N FIELD JR360-BJ8  
 577 - 110 N FIELD JR360-BJ9

EDGE CONN#  
 162 B-A3V5D09  
 01B-A3V5D09  
 166 B-A3V5D10  
 01B-A3V5D10  
 245 B-A3V5B06  
 01B-A3V5B06

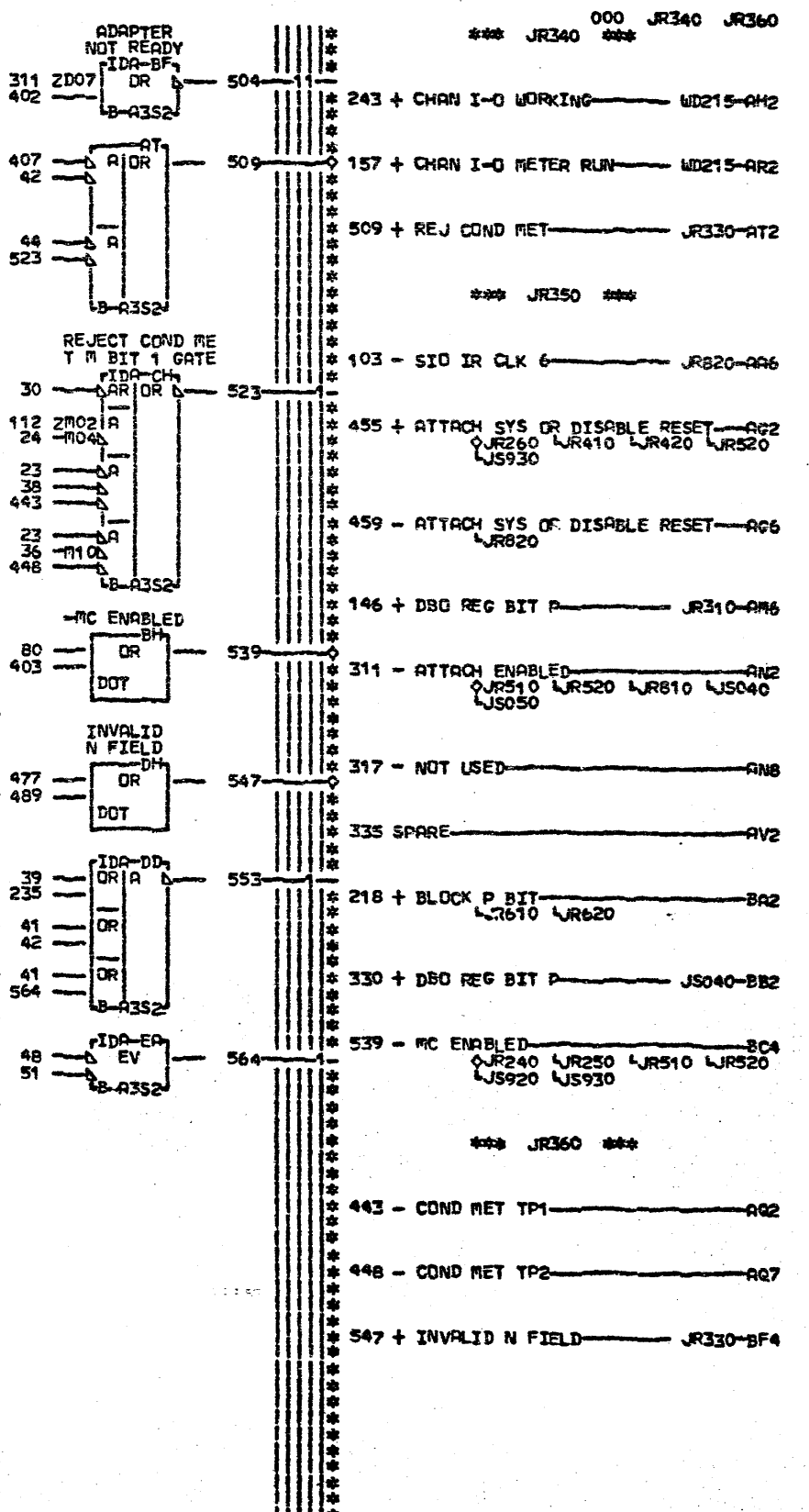
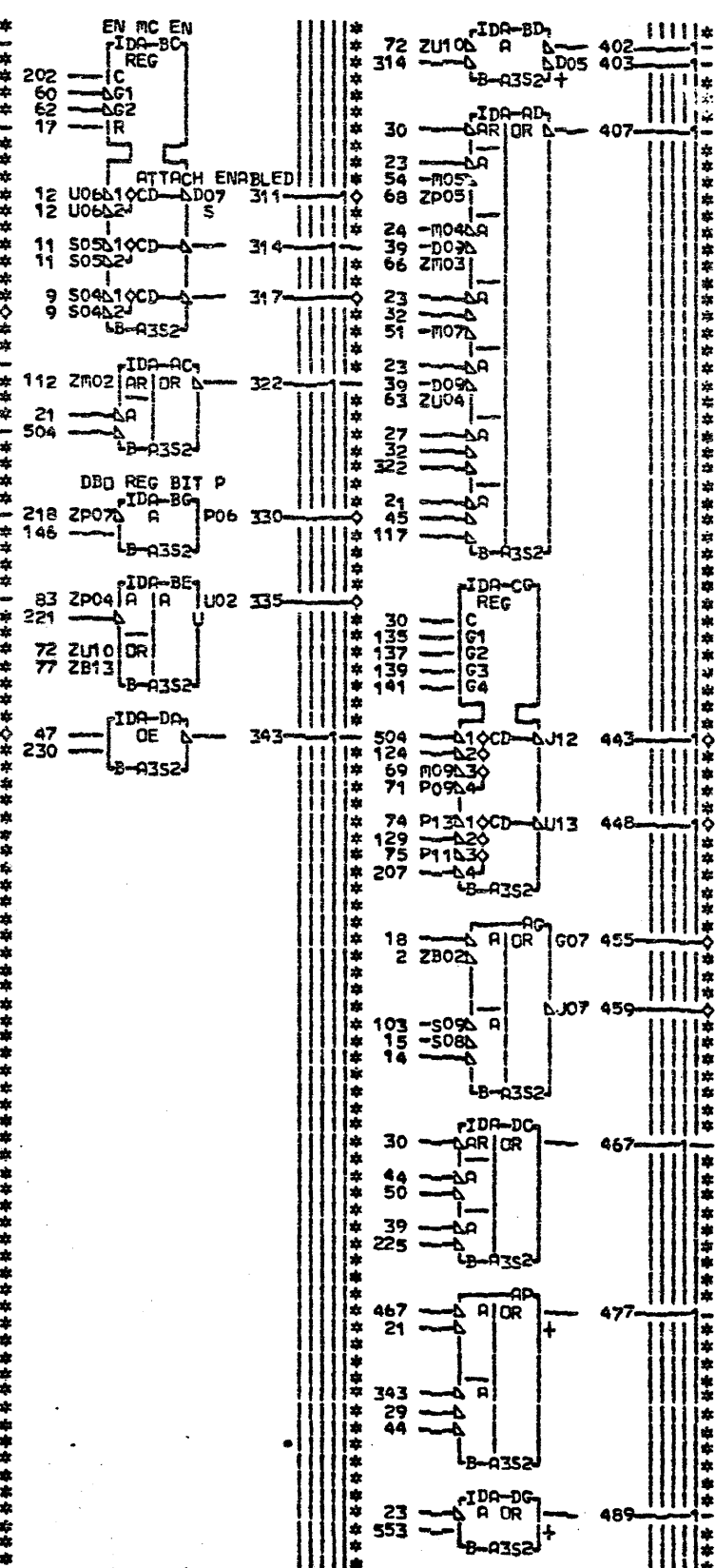
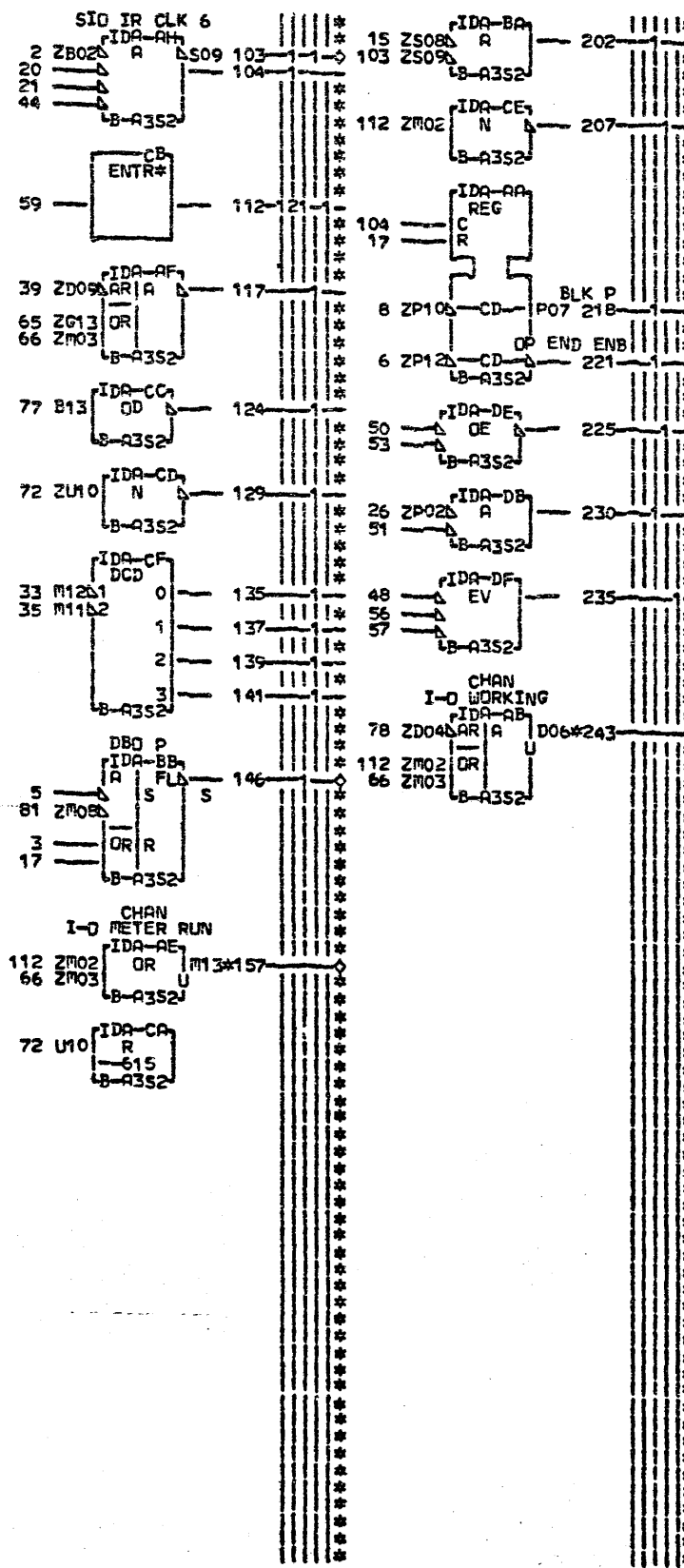
LOC. TYPE  
 B-A352 AF79

PAGE VER EC LEV  
 JR310 000 825032  
 JR320 000 825031  
 JR330 000 825032

DBD REG AND I-O INSTRUCTION	
E.C.#-HISTORY	C-MACH-IDA-SM15
825022	FRAME 01 JR310
825031	IBM CORP. RD JR330
DATE LAST FC	P.No. 4234346 000
09-29-75 825032	

JR310  
 JR330  
 000

- CLOCK 6 ACU JR210AS2  
 + DBD REG PH STROBE JR310AL2  
 - DBD REG PH STROBE JR310AR2  
 - DBD REG BIT 7 JR310AV3  
 - DBD REG BIT 5 JR310AV7  
 - DBD REG BIT 3 JR310AV3  
 - DBD REG BIT 2 JR310AV5  
 - DBD REG BIT 1 JR310AV7  
 + DBD REG BIT 1 JR310AV8  
 - DBD REG BIT 0 JR310AV9  
 + SYSTEM RESET PURD JR310AZ2  
 - SYSTEM RESET PURD JR310AZ6  
 - I-R CYCLE JR320AM2  
 - 32XX SID JR320AV6  
 - 32XX TID JR320AV6  
 - 32XX LID JR320AV6  
 - 32XX SNS JR320AX6  
 - 32XX LID OR SID JR320AZ2  
 - 32XX LID OR SNS JR320BA2  
 + TIEUP JR320BB4  
 + BSCA DEV ADDR JR330AE0  
 - N REG BIT 7 JR330AE3  
 - N REG BIT 6 JR330AE5  
 - N REG BIT 5 JR330AE7  
 + N REG BIT 5 JR330AE8  
 - BSCA DEV ADDR JR330AE9  
 - DA 4 OR 5 JR330AH6  
 - M BIT 0 JR330AL2  
 - M BIT 1 JR330AL6  
 + 000 N FIELD JR330AX2  
 + X1X OR 1XX JR330BG6  
 - 111 N FIELD JR330BJ0  
 - 000 N FIELD JR330BJ3  
 - 001 N FIELD JR330BJ4  
 - 010 N FIELD JR330BJ5  
 - 100 N FIELD JR330BJ7  
 - 101 N FIELD JR330BJ8  
 - 110 N FIELD JR330BJ9  
 SPARE JR340001  
 - SEL NOT USED 1 JR350001  
 - SEL NOT USED 2 JR350002  
 + COND REY IF BSCA T10 JR410GJ2  
 - BSCA ENAB AND NO PTCH OK JR420BA6  
 + BSCA SVC REQ BUSY JR420CL2  
 - ALT DEV ADDR OR FEAT MISSING JR420FK6  
 - HDB EXT P CHECK JR510AL6  
 - CNTRL STORE P CHK JR510AX6  
 + ADAPTER CHECK DOT JR510BC4  
 - FET ADR P CHK JR510BH6  
 - FET WRITE DATA P CHK JR510BJ6  
 + INT REQUEST JR820CH2  
 + ICE STOP LATCH JS930EE2  
 + DOT OFF MC ENABLED JS930FE2  
 + CHAN DBD P WD210BA1  
 + CHAN INTERRUPT POLL WD210BK3



EDGE CONN.  
 157 B-A3VSB04  
 01A-A3VSB04  
 243 B-A3VSB05  
 01B-A3VSB05

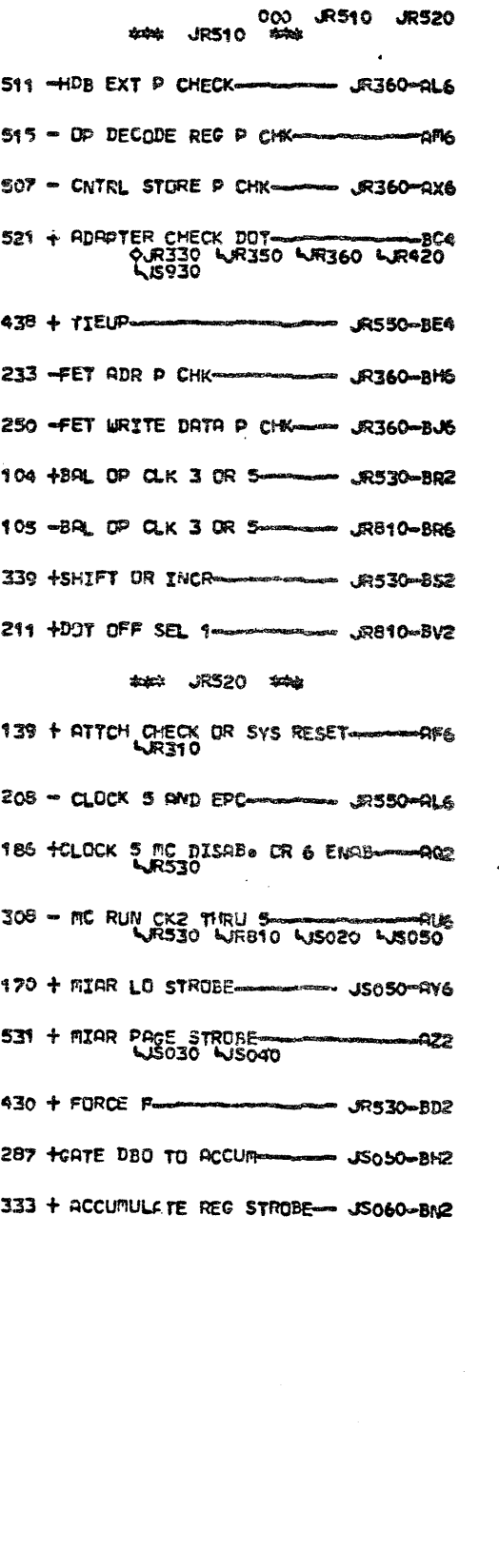
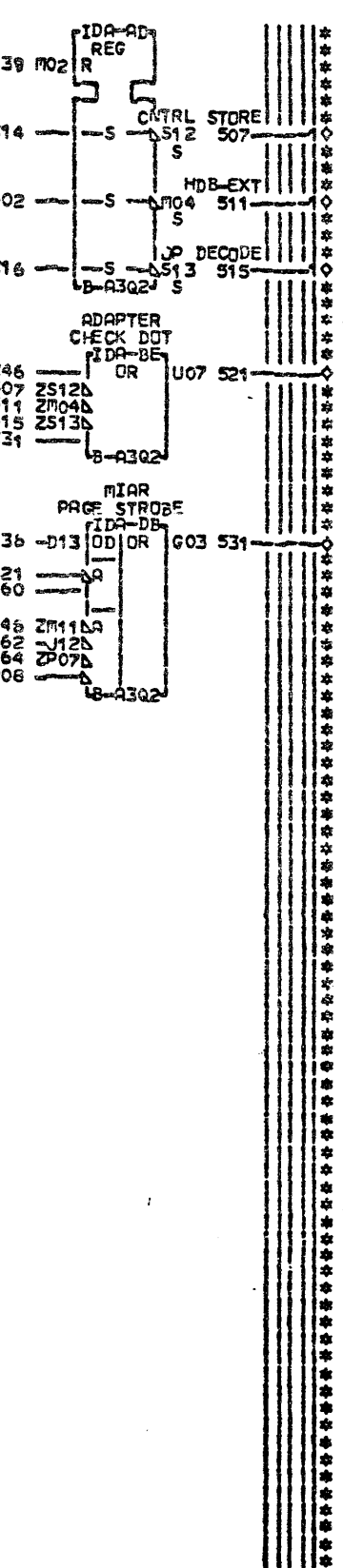
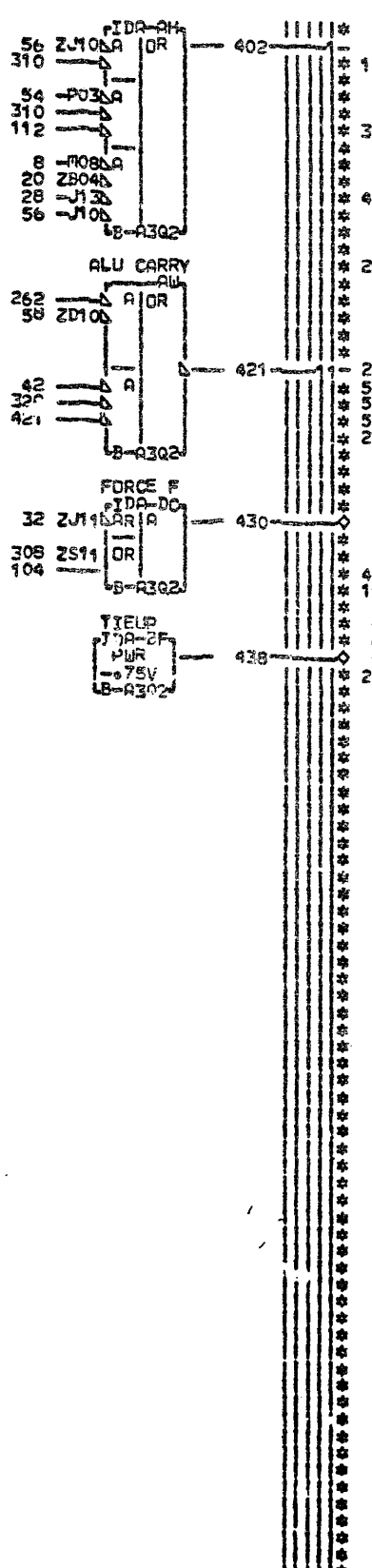
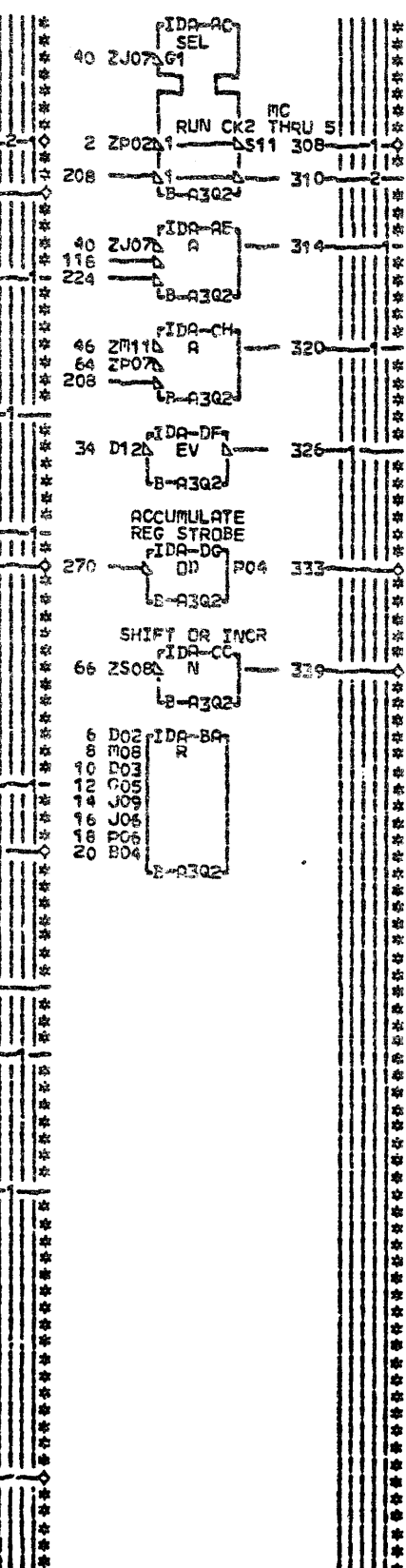
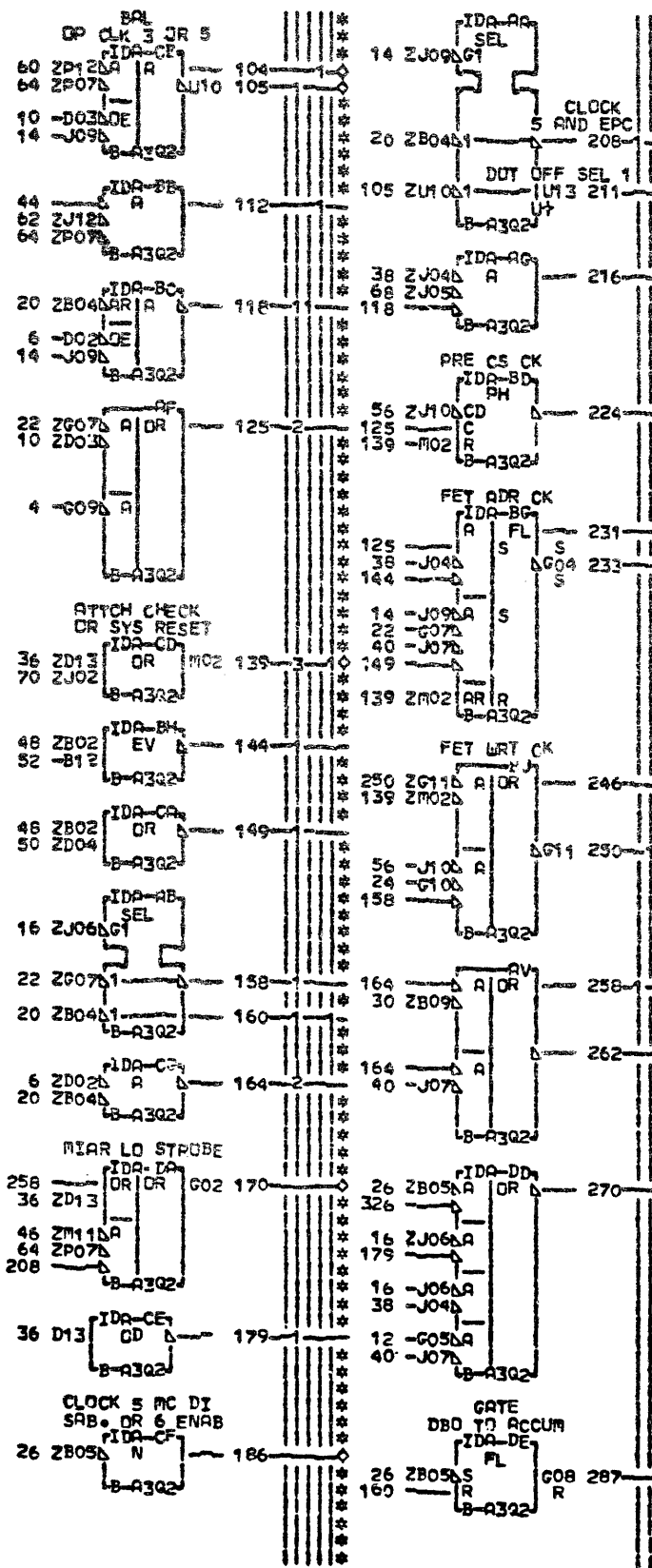
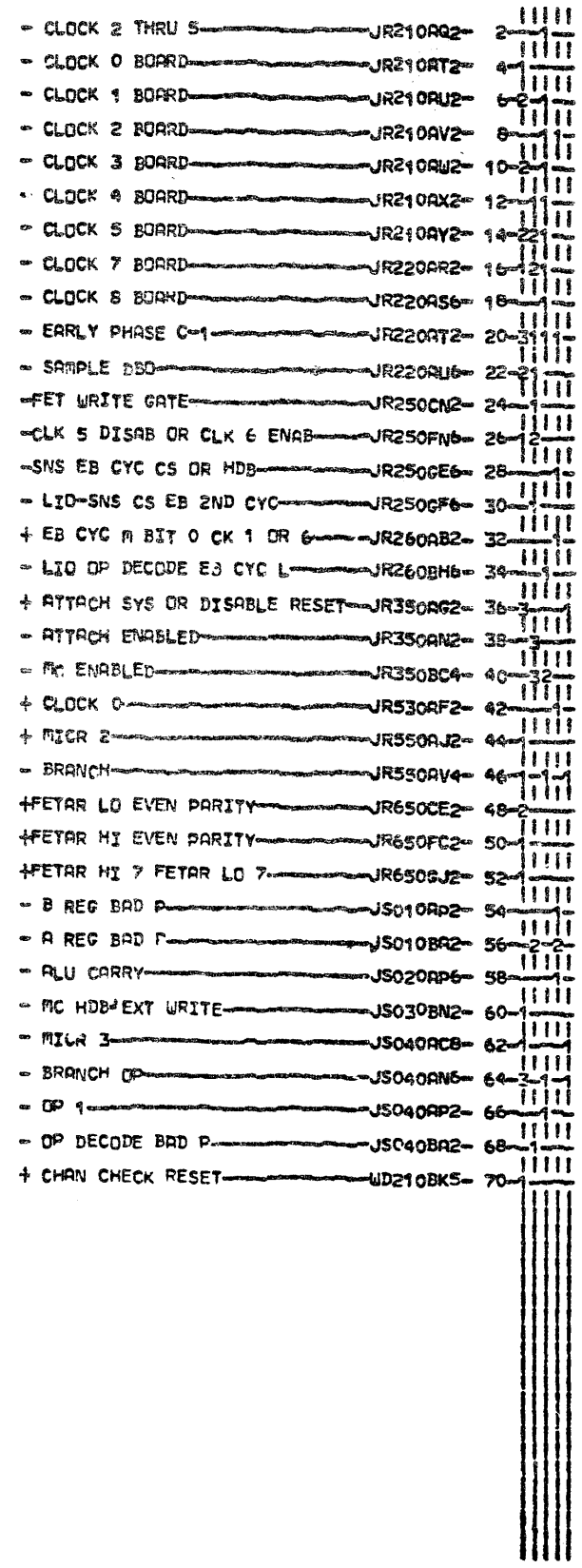
LOC. TYPE  
 B-A352 AF79

PAGE VER EC LEV  
 JR340 000 825032  
 JR350 000 825032  
 JR360 000 825032

Q BYTE INSTRUCTION DECODE			
E.C.	HISTORY	C. MACH.	IDA-SR15
825022		FRAME	01 JR340
825031		IBM CORP.	RD JR360
DATE	LAST EC	P.No.	4234347 000
09-29-75	825032		

JR340  
 JR360  
 000



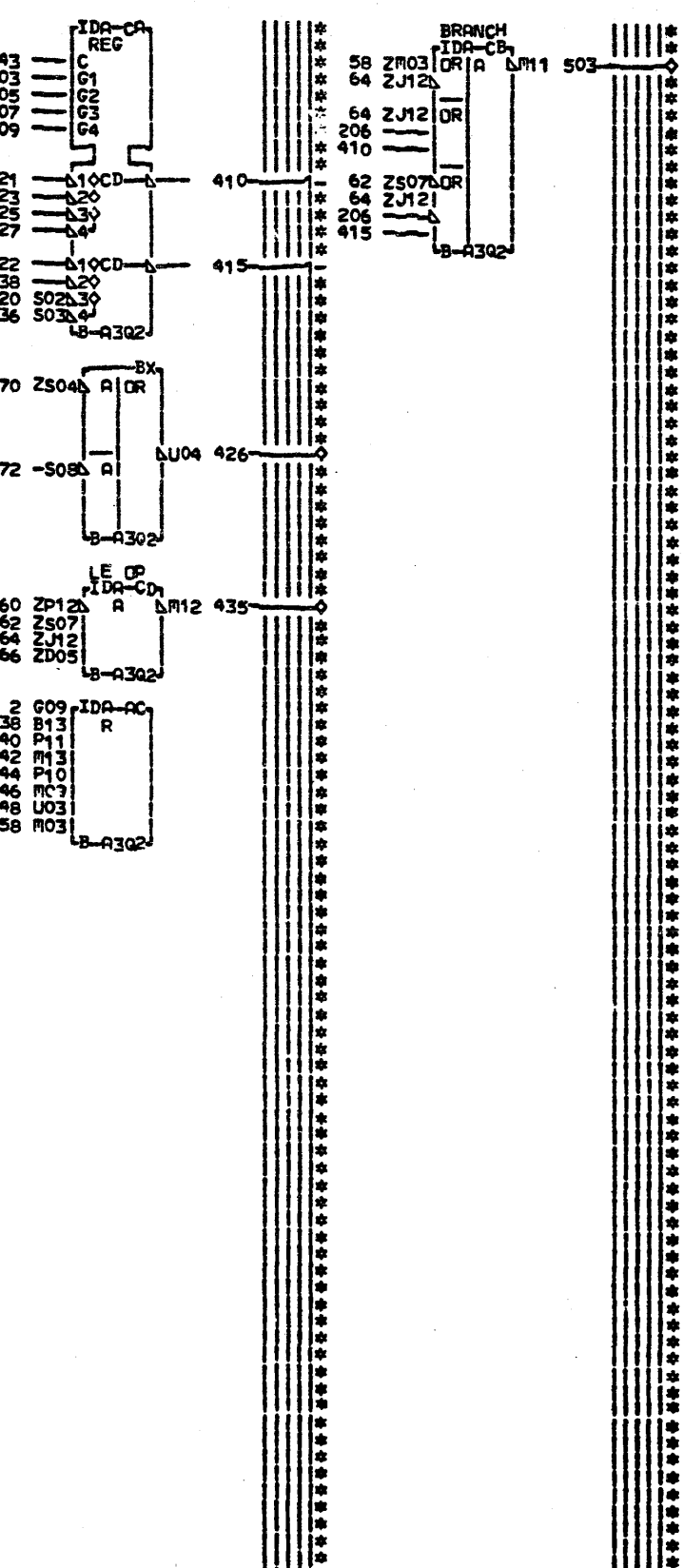
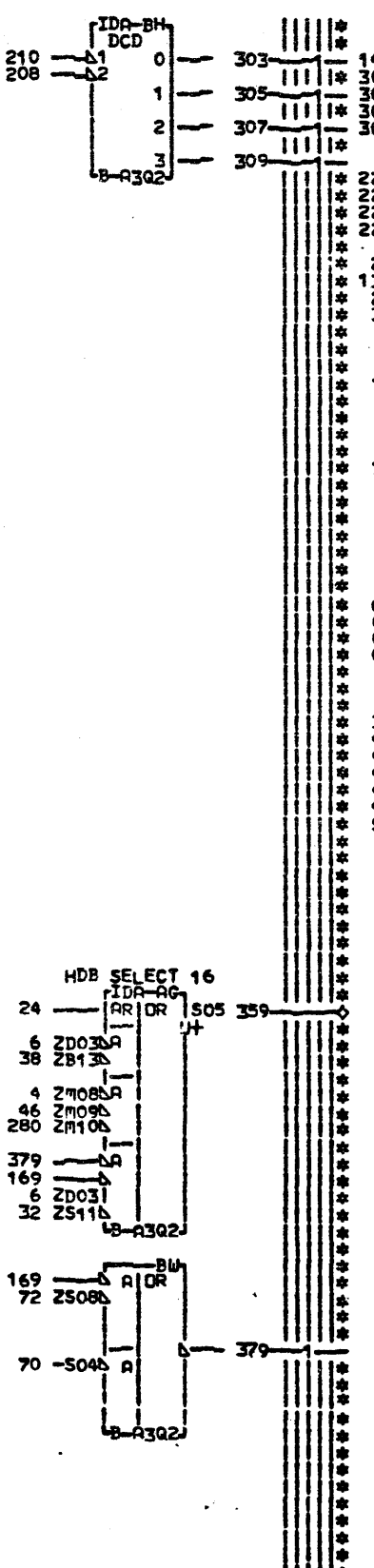
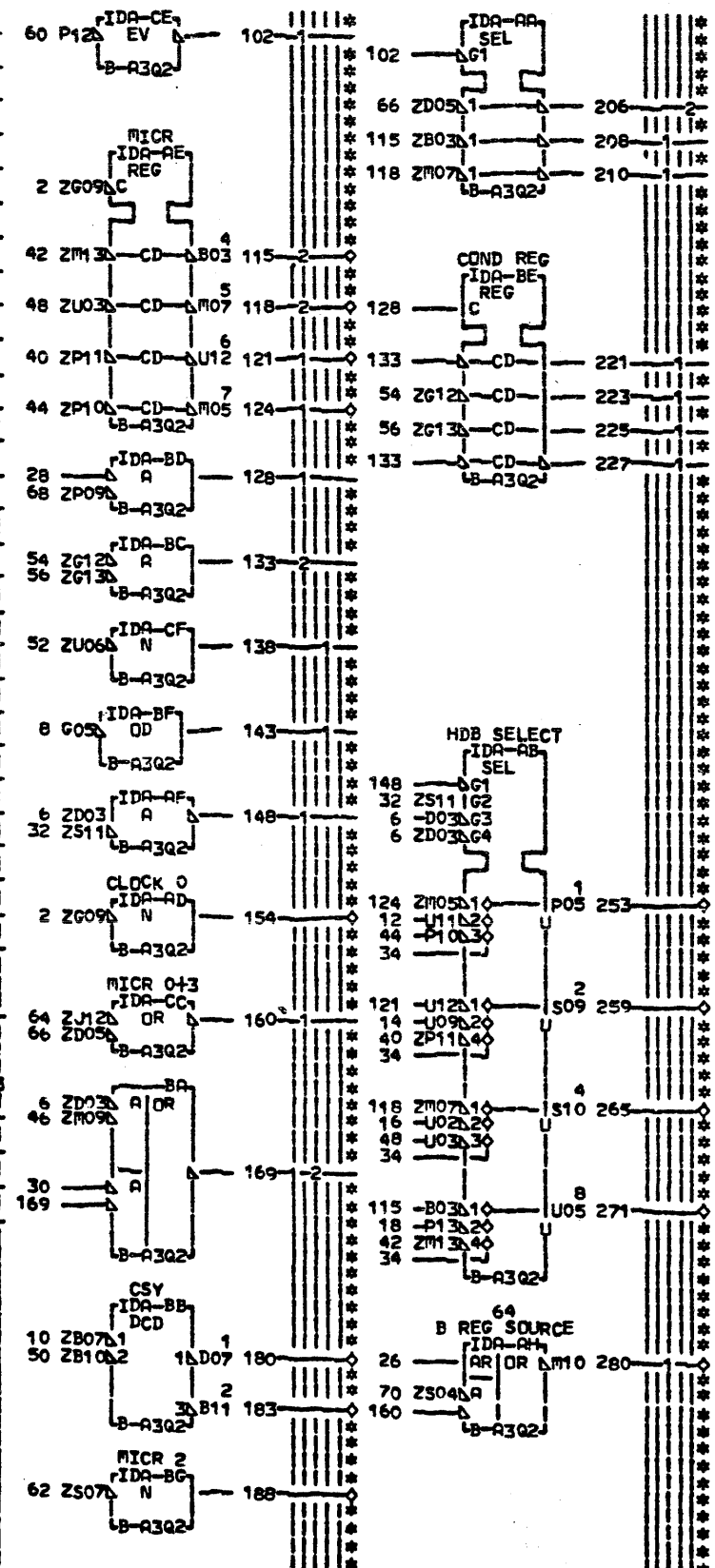
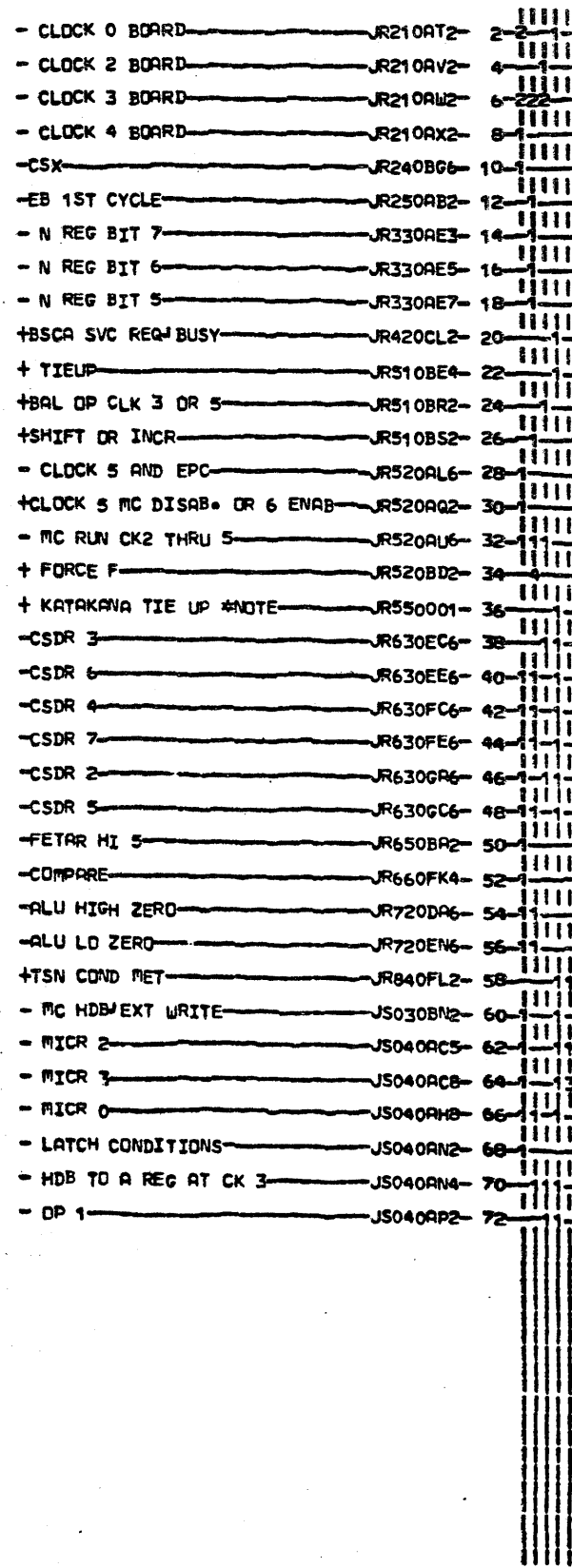


LOC. TYPE  
B-A3Q2 AF85

PAGE VER EC LEV  
JR510 000 82503  
JR520 000 825022

JR510  
JR520  
000

MC CONTROL		
E-C-HISTORY 825022	C-MACH-IDA-SM15	
DATE LAST EC 09-04-75 825031	FRAME 01	JR510
	IBM CORP. RD	JR520
	P.No 4234349	000



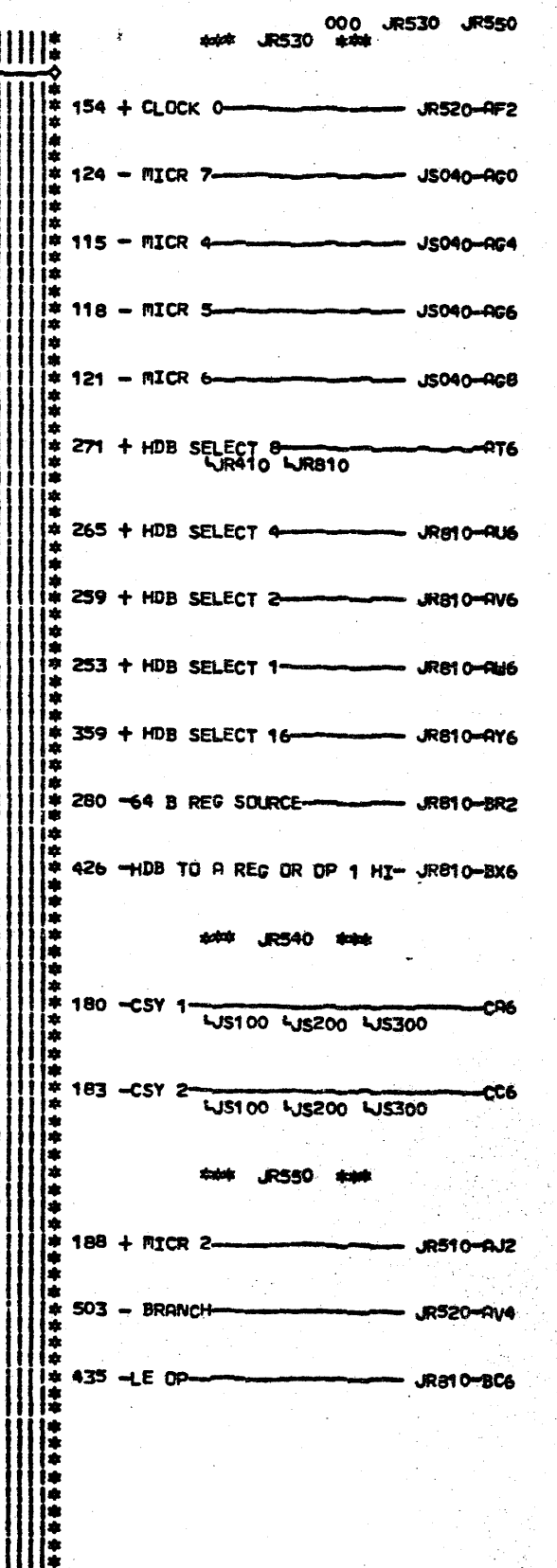
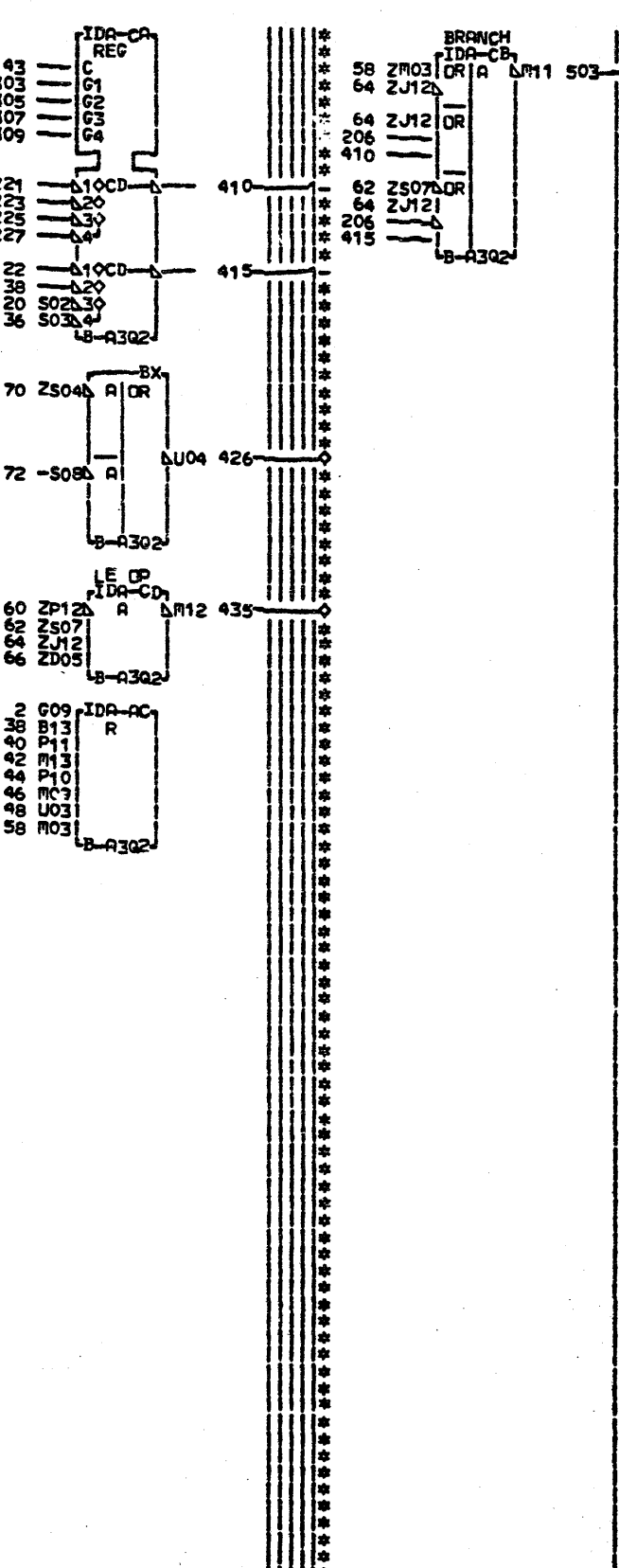
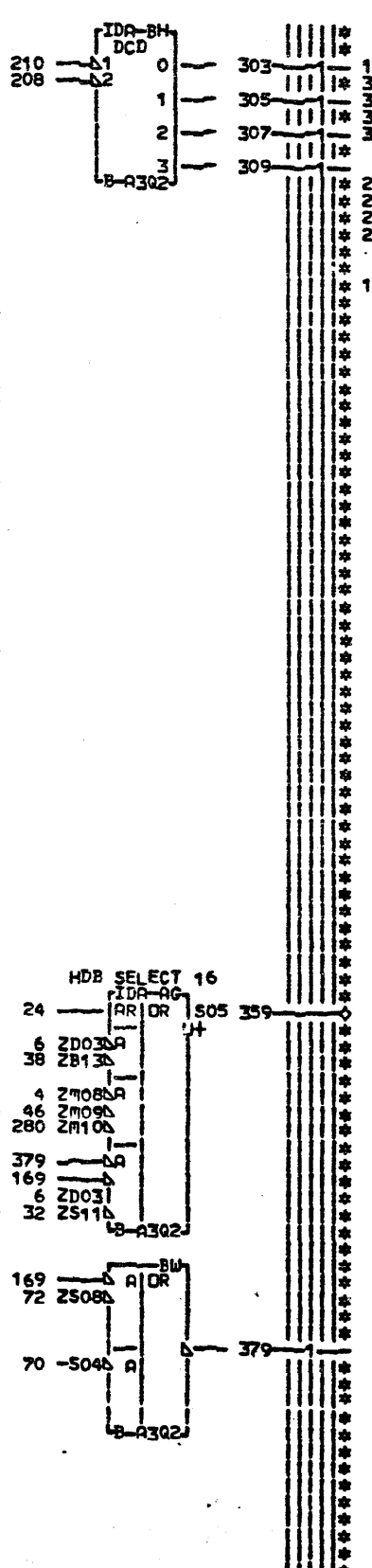
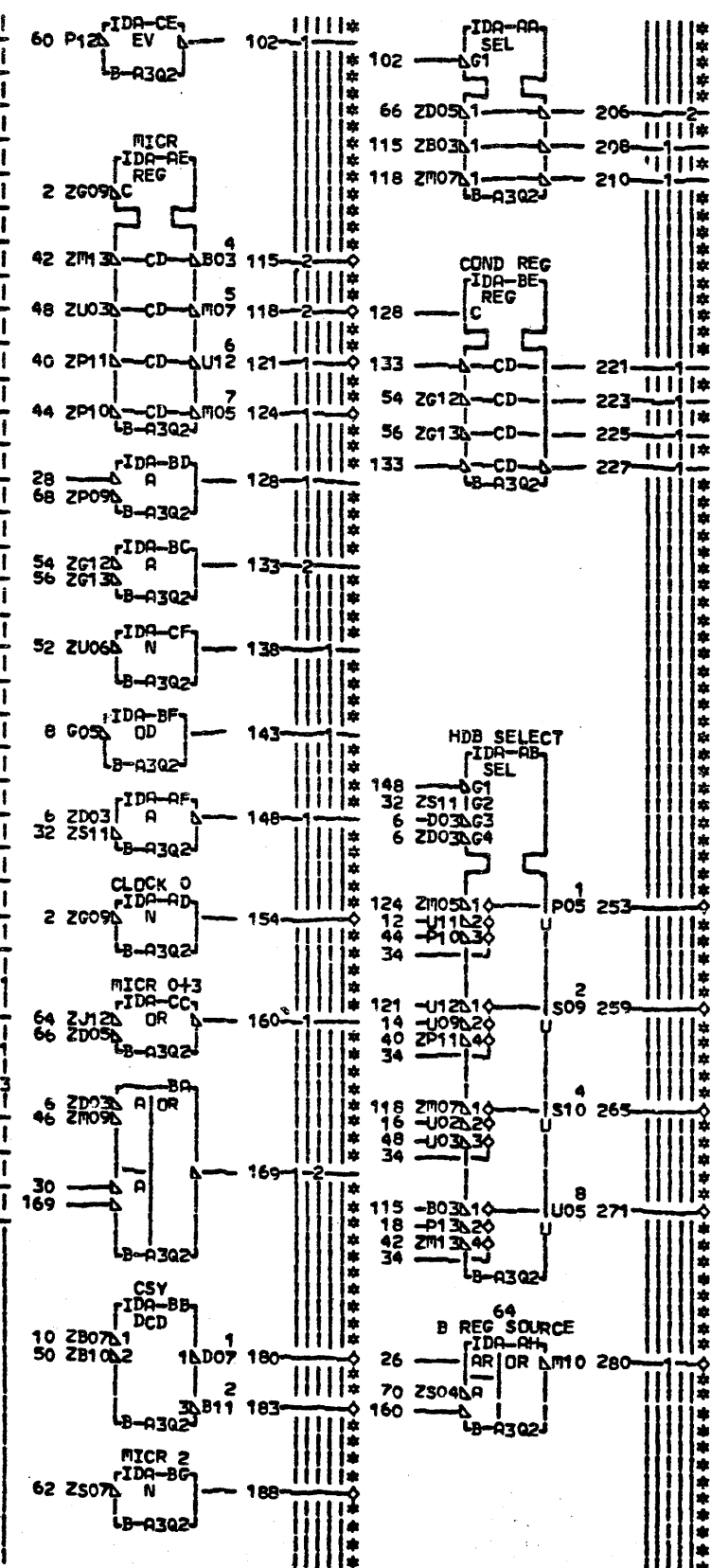
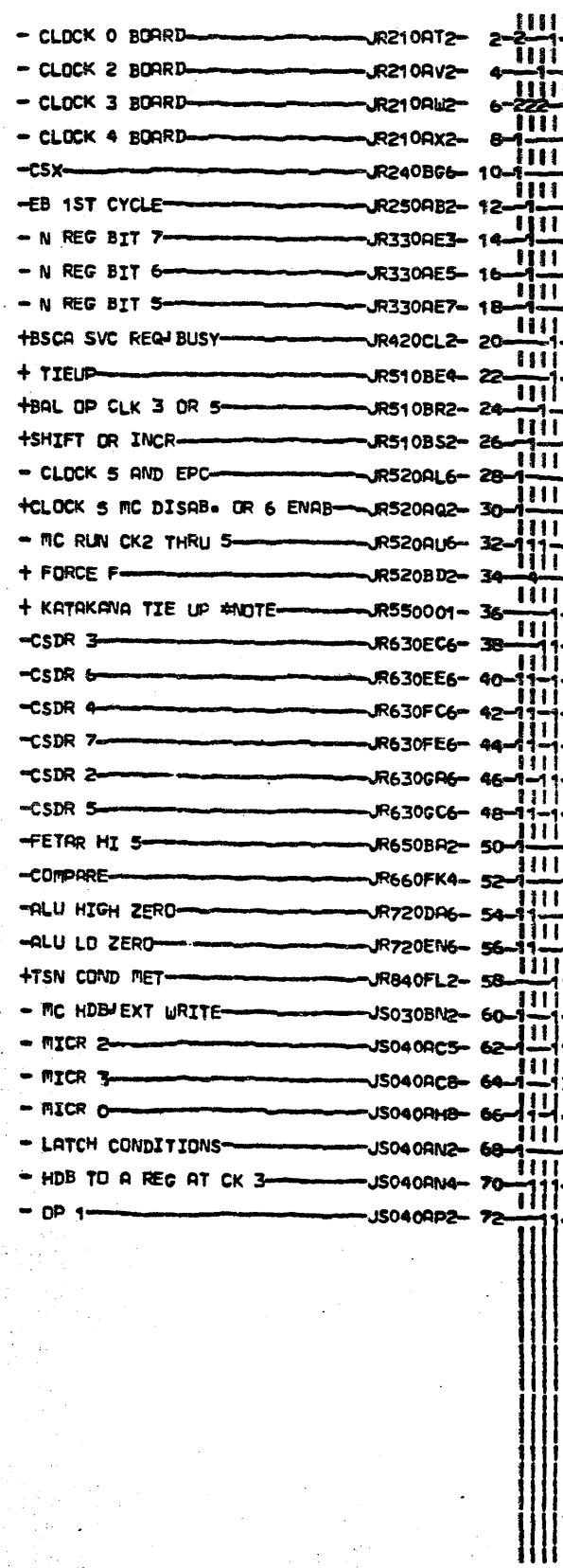
NOTE-IF KATAKANA FEATURE  
 INSTALLED, WIRE Q2503 TO M2D05  
 USING BLACK WIRE P/N 811695  
 REF.NET JR750G14

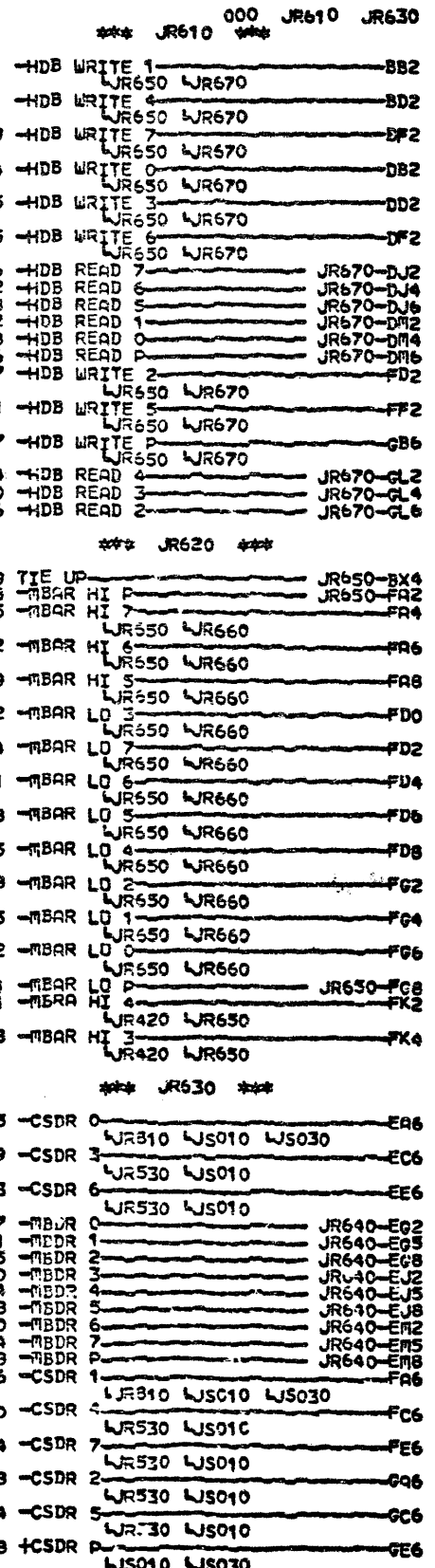
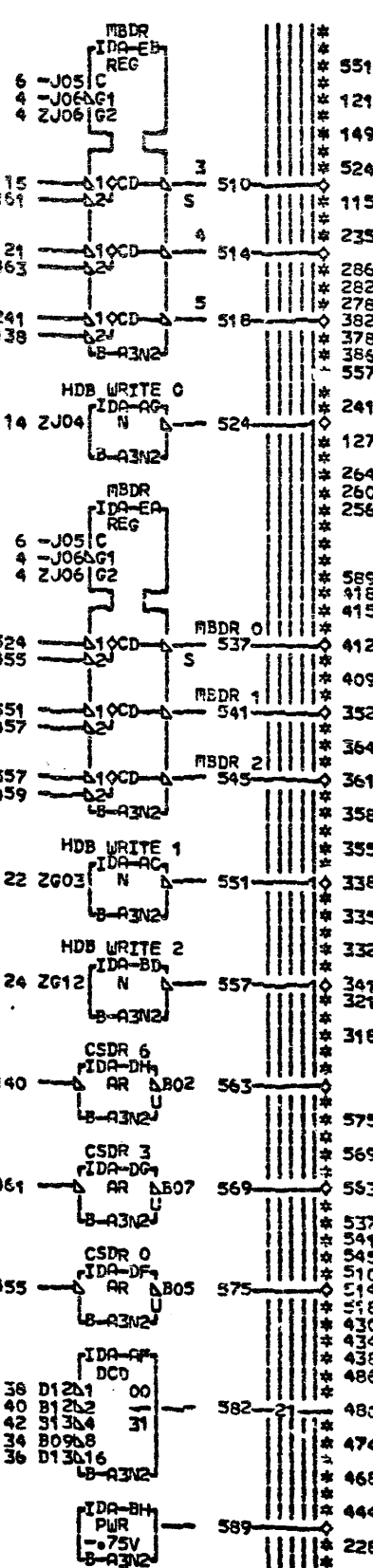
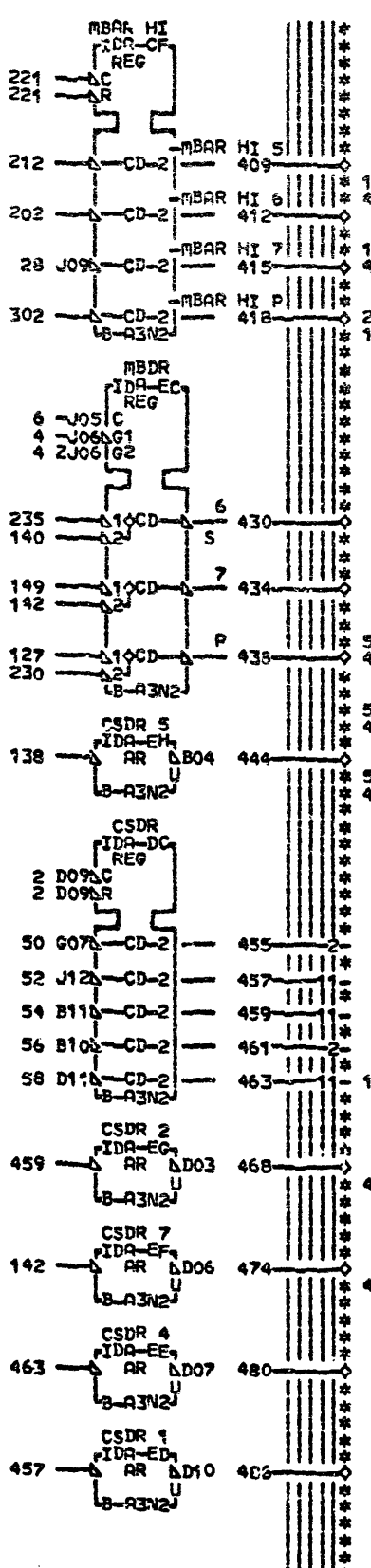
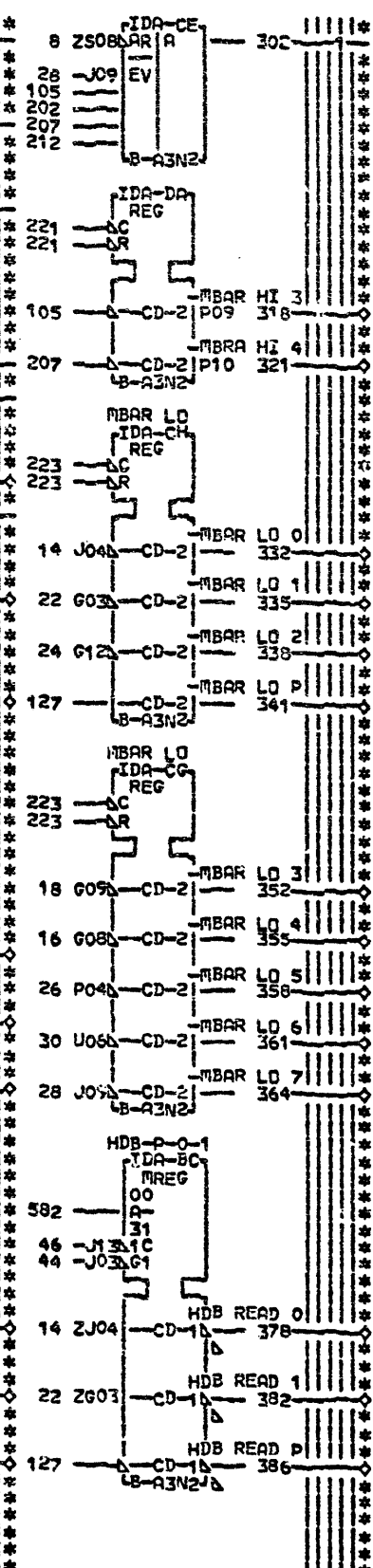
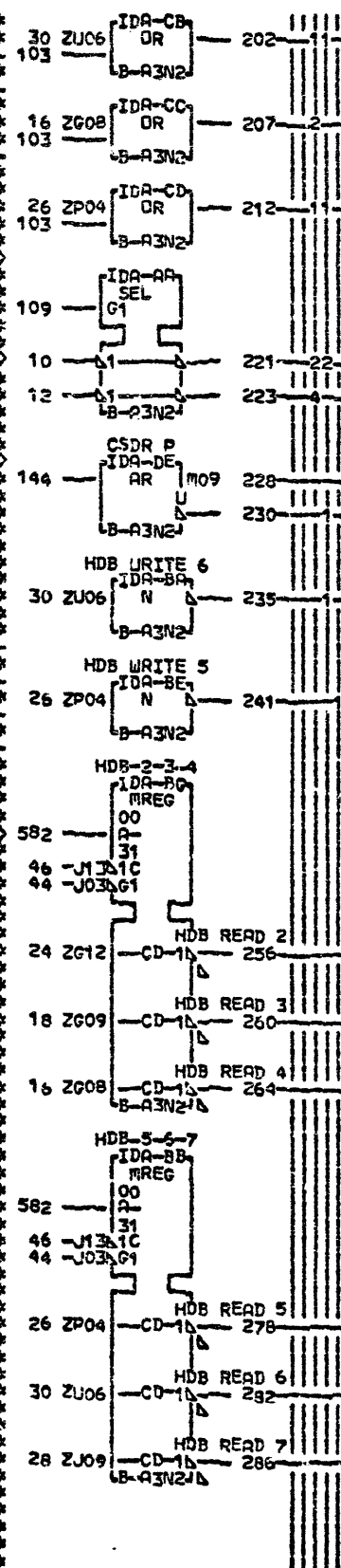
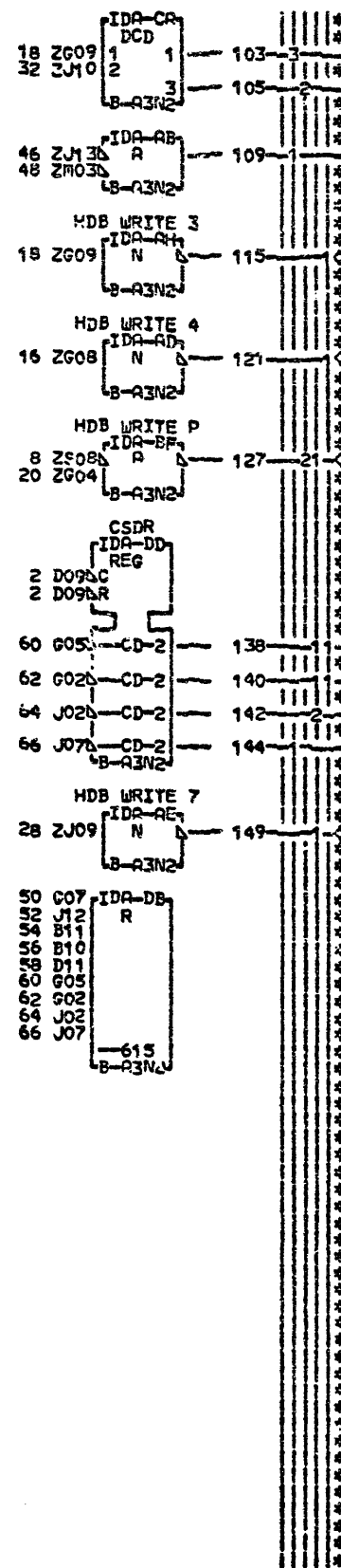
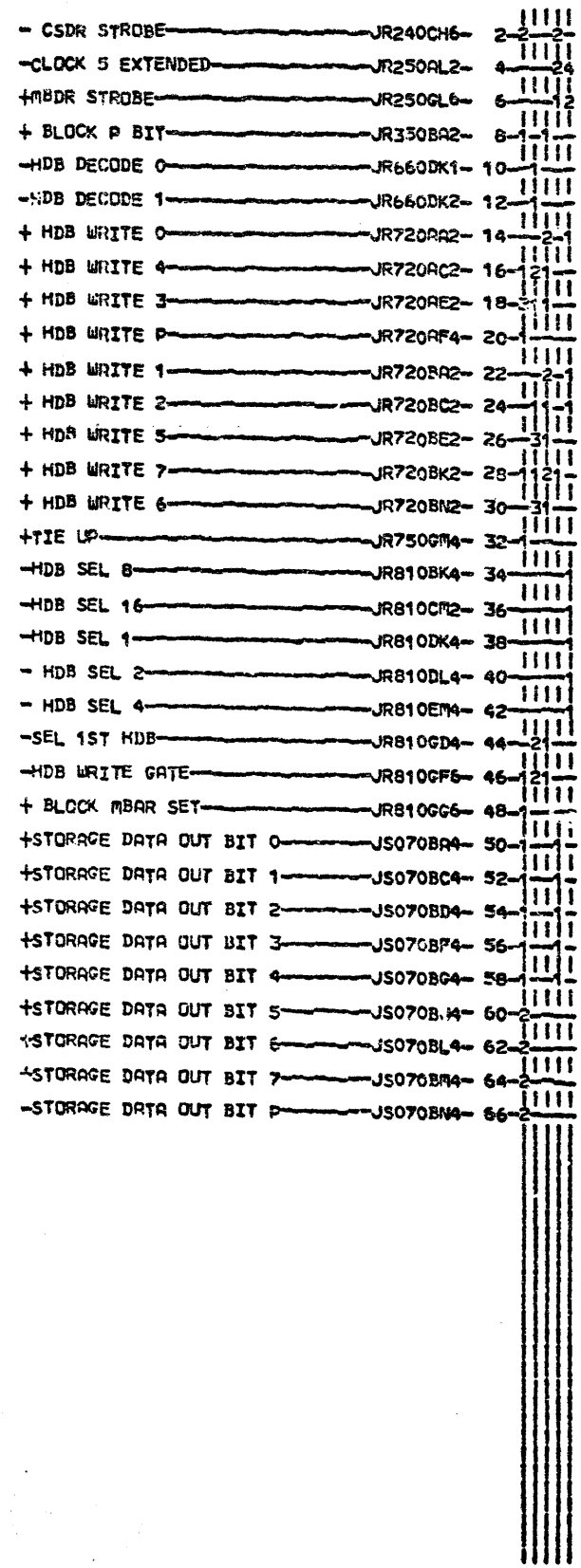
JR530  
 JR550  
 000

LOC. TYPE  
 B-A3Q2 AF85

PAGE VER EC LEV  
 JR530 000 825022  
 JR540 000 825022  
 JR550 000 825032

HDB SELECT AND BRANCH LOGIC			
E.C.	HISTORY	BRANCH	IDA-SM15
825022		01	JR530
		IBM CORP	JR550
DATE	LAST EC	P.No.	4234350 000
09-29-75	825032		





LOC. TYPE  
B-A3N2 AF84

PAGE VER EC LEV  
 JR610 000 825022  
 JR620 000 825028  
 JR630 000 825022

HDB-MBAR-FETAR-CSDR-MBDR  
 HDB REG  
 -E.C.-HISTORY-C MACH-IDA-SM15  
 825022  
 FRAME 01 JR610  
 IBM CORP.GSD JR630  
 DATE LAST EC  
 07-17-75 825028 PaN. 4234351 000

00000000

00000000

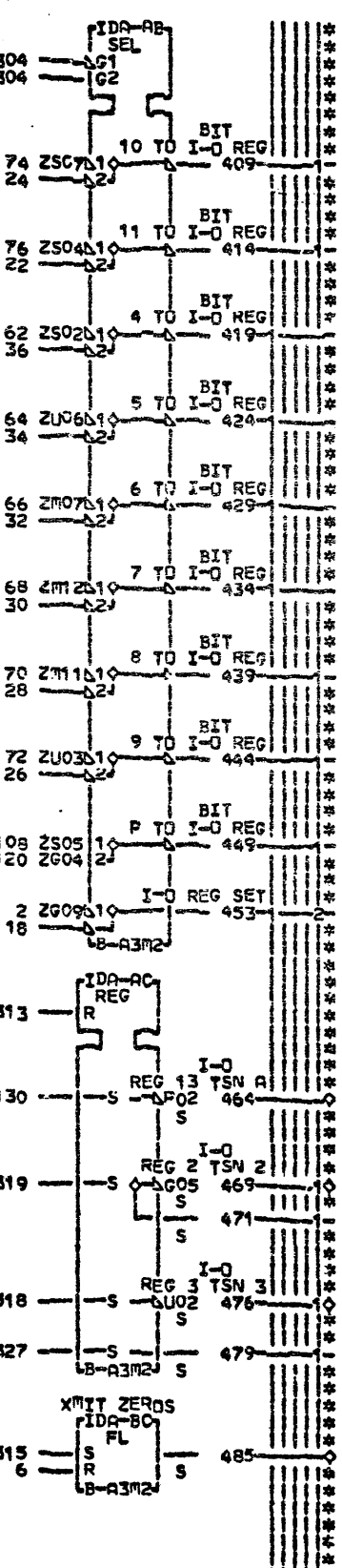
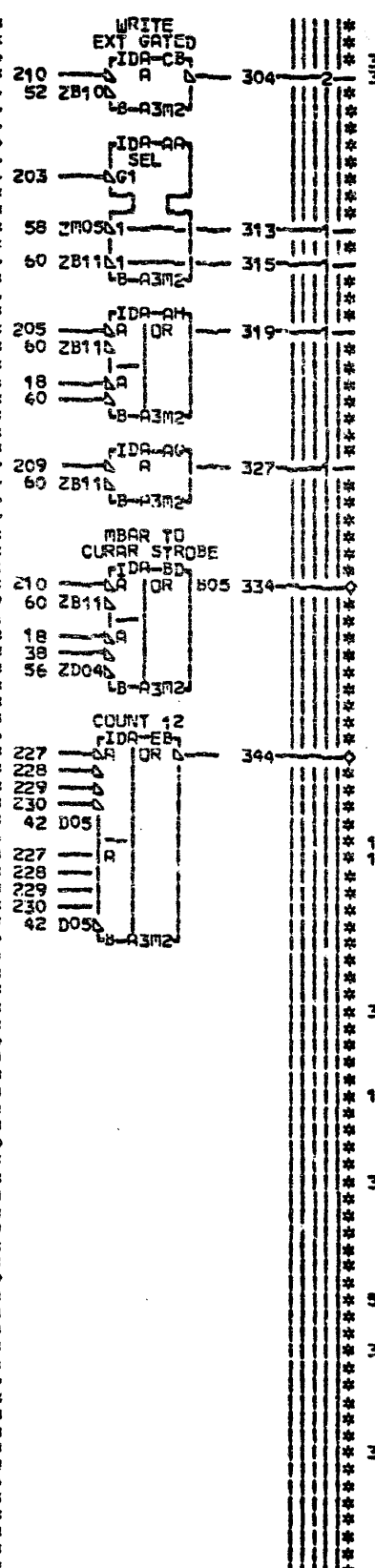
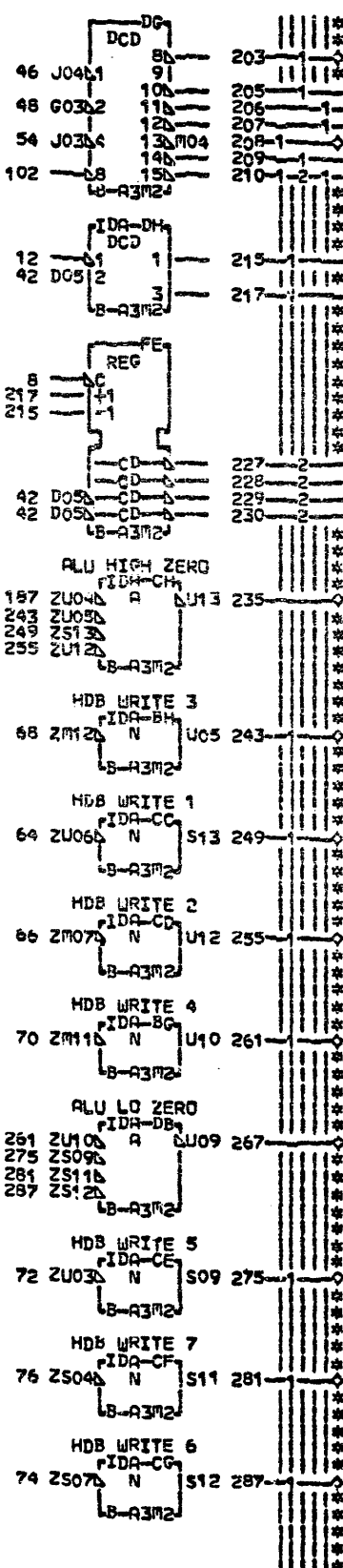
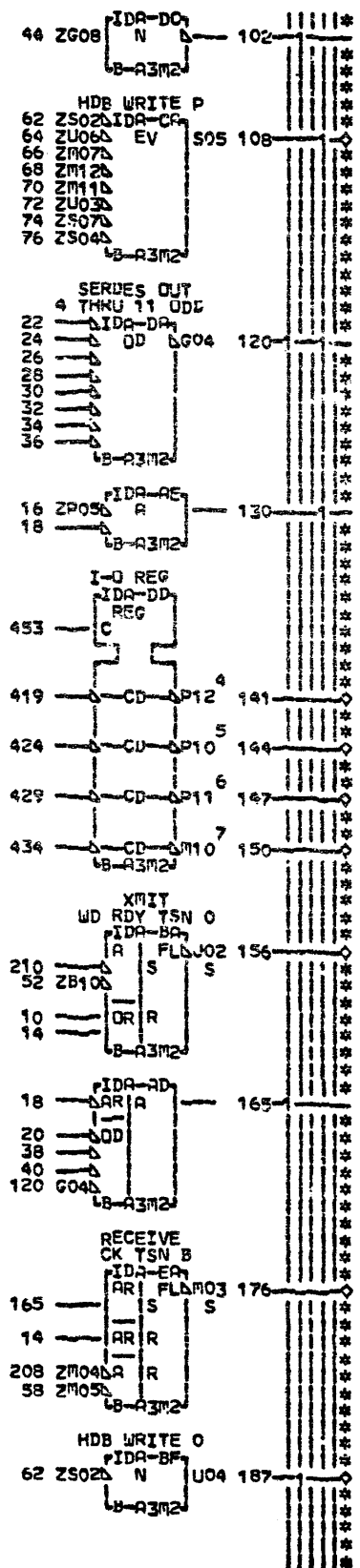
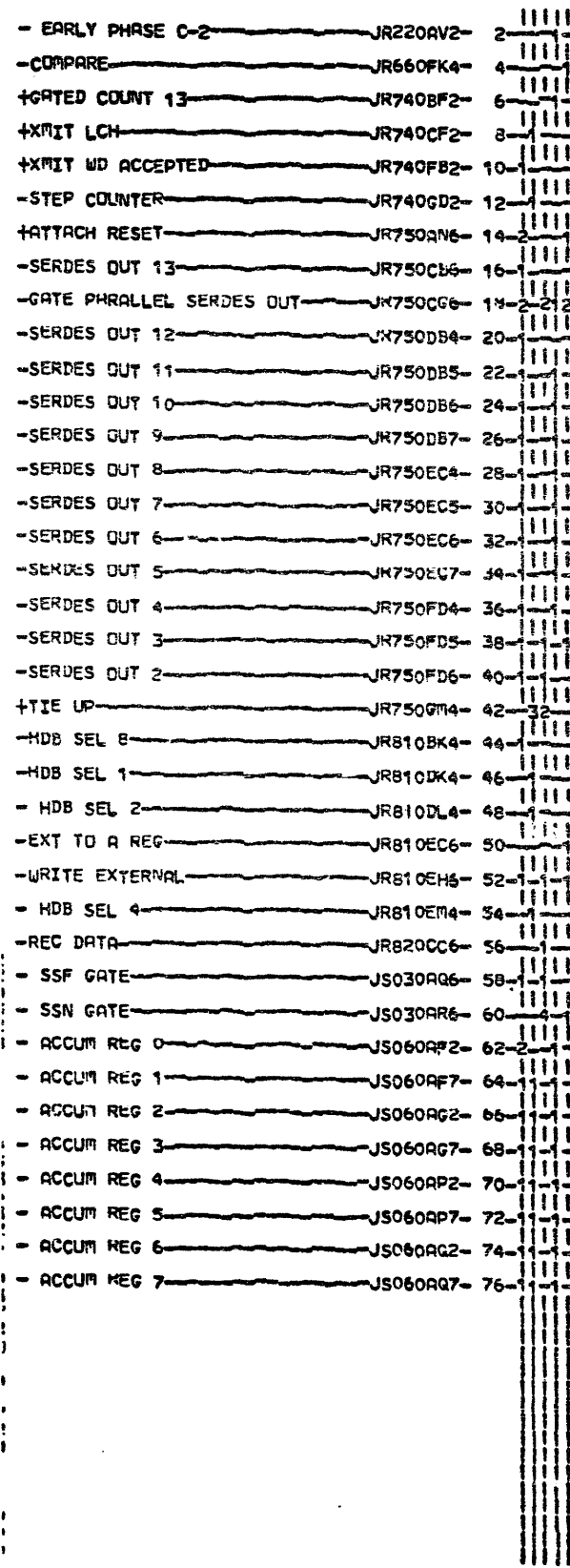
0000

JR610  
 JR630  
 000









LOC. TYPE  
B-A3M2 AF80

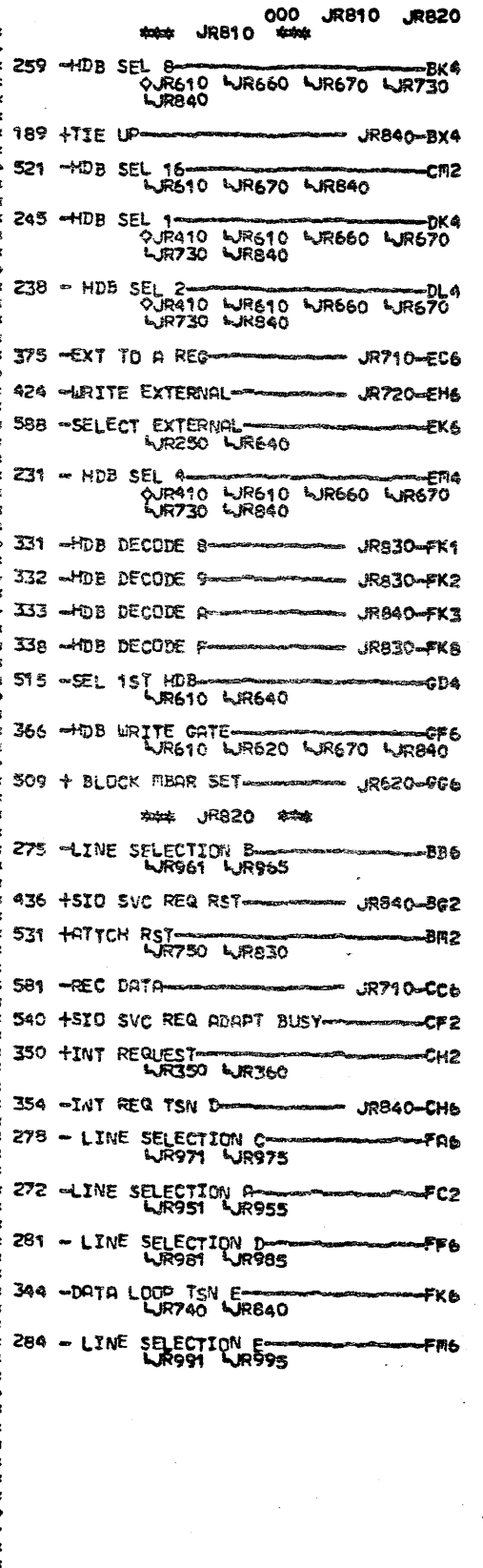
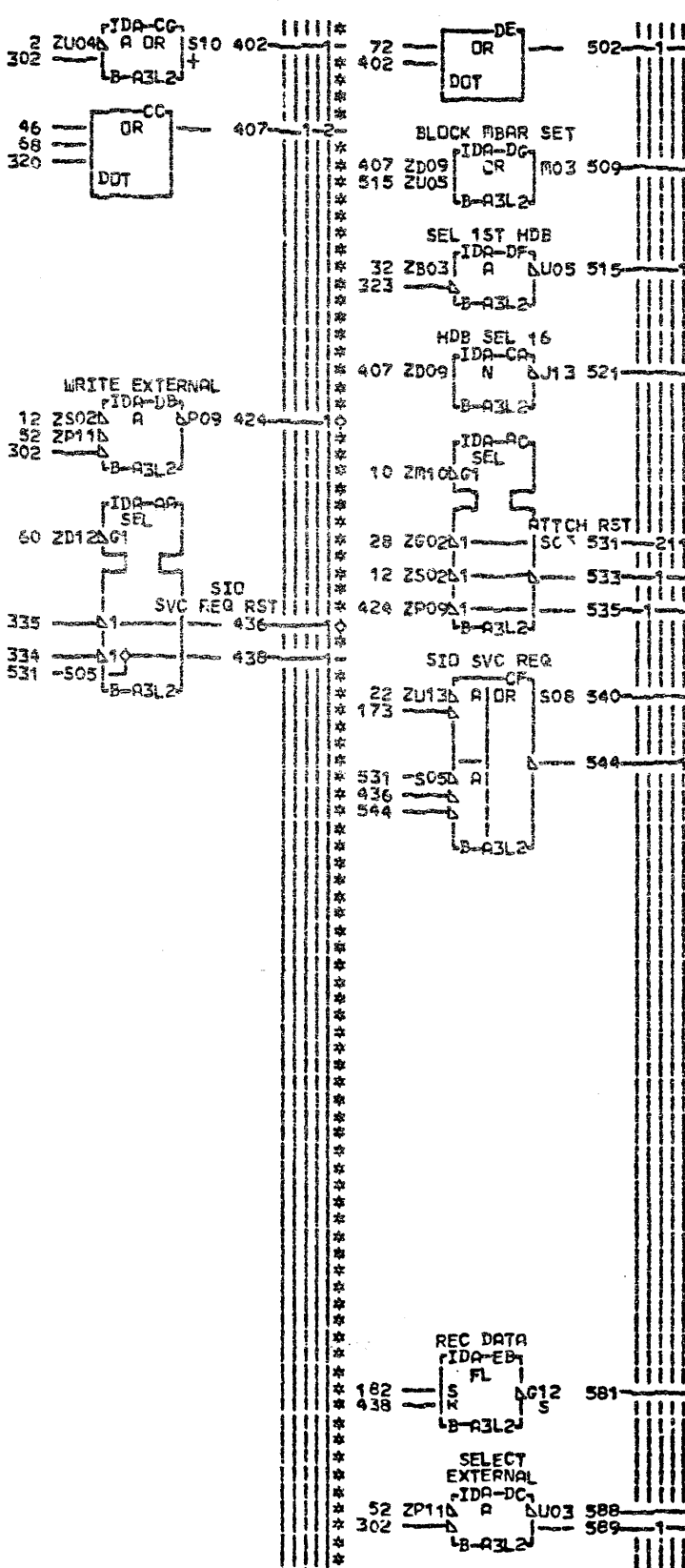
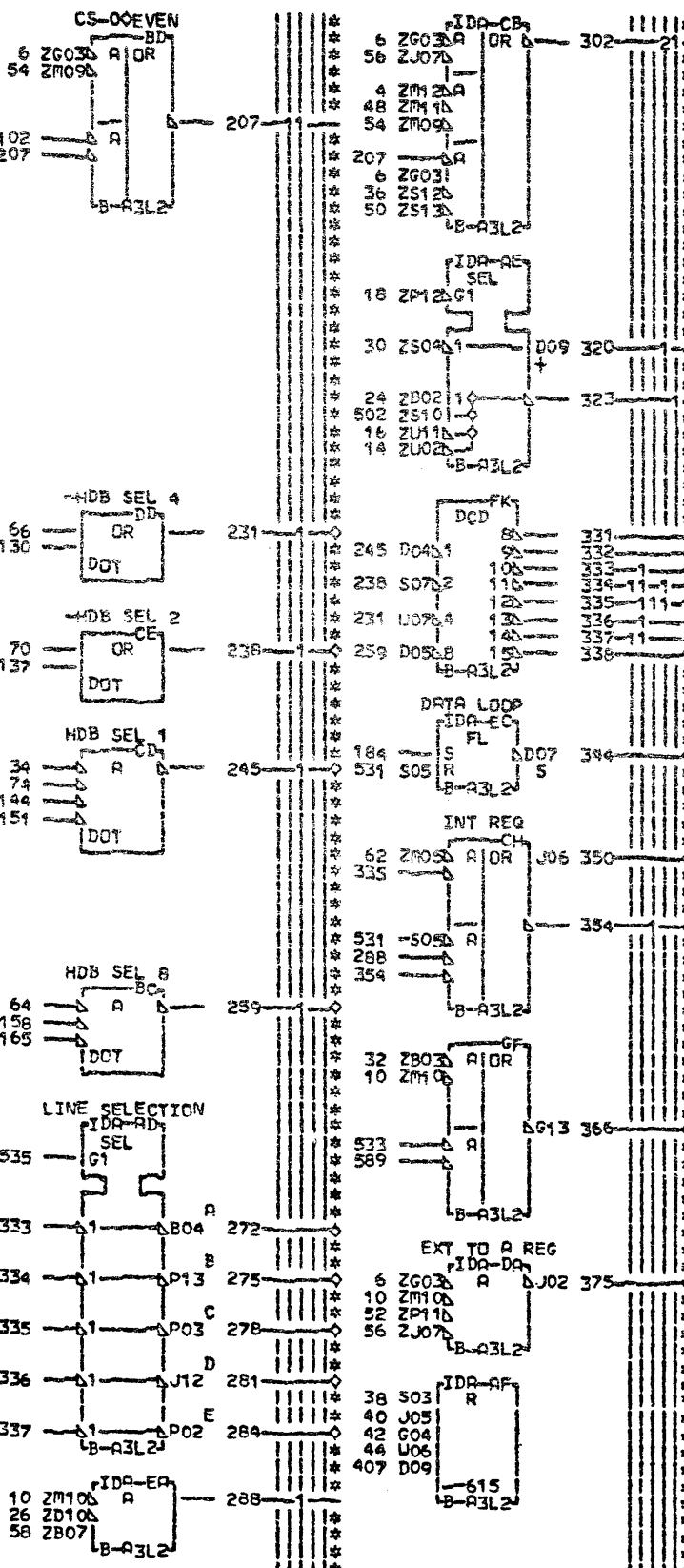
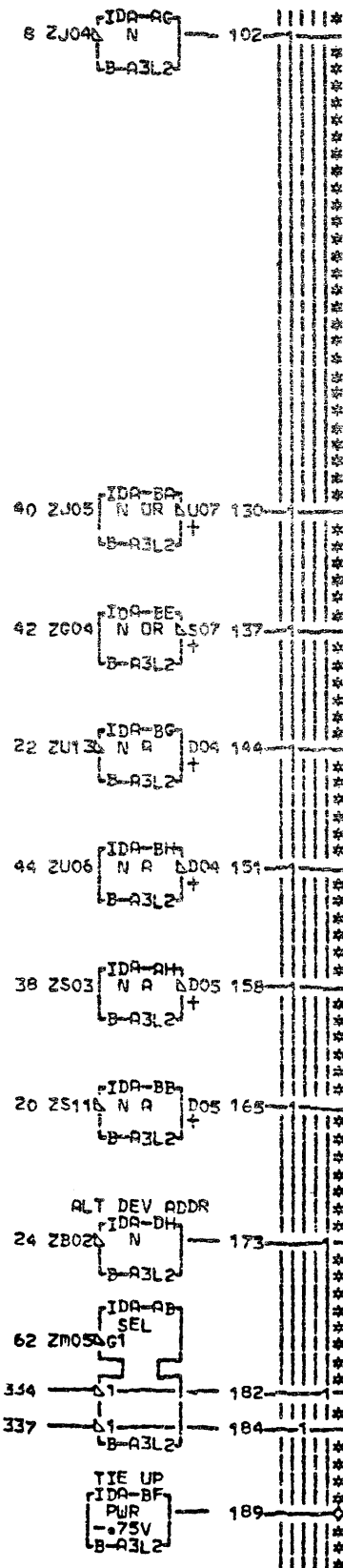
PAGE VER EC LEV  
JR710 000 825022  
JR720 000 825022  
JR730 000 825022

I-O REGISTER		FRAME 01	JR710
REGISTER GATING		IBM CORP GSD	JR730
E.C.-HISTORY		DATE LAST EC	06-19-75 825022
		PaNo	4234354 000

JR710  
JR730  
000



- CLOCK 2 THRU 5 JR210AG2 2
- CLOCK 2 BOARD JR210AV2 4
- CLOCK 3 BOARD JR210AW2 6
- CLOCK 6 BOARD JR210AZ2 8
- EARLY PHASE C-2 JR220AV2 10
- HDB WRITE GATE JR230AV2 12
- CLOCK 0 EXTENDED JR240EB6 14
- CSRG CLOCK 1 OR 6 JR260AD6 16
- HDB SNS LID OR SID GATE JR260AL2 18
- SID SERV REQUEST GATE JR320AY6 20
- SID I-R SELECTION JR320BF6 22
- BSCR DEV ADDR JR330AE9 24
- SID IR CLK 6 JR350AA6 26
- ATTACH SYS OR DISABLE RESET JR350AG6 28
- ATTACH ENABLED JR350AN2 30
- BAL DP CLK 3 OR 5 JR510ER6 32
- + DUT OFF SEL 1 JR510BV2 34
- MC RUN CK2 THRU 5 JR520AU6 36
- + HDB SELECT 8 JR530AT6 38
- + HDB SELECT 4 JR530AU5 40
- + HDB SELECT 2 JR530AV6 42
- + HDB SELECT 1 JR530AW6 44
- + HDB SELECT 16 JR530AY6 46
- 64 B REG SOURCE JR530BR2 48
- HDB TO A REG OR DP 1 HI JR530BX6 50
- LE DP JR550BC6 52
- CSDR 0 JR630EA6 54
- CSDR 1 JR630FA6 56
- + HDB WRITE 6 JR720BN2 58
- SSF GATE JS030AQ6 60
- SSN GATE JS030AR6 62
- + HDB SEL 8 DOT JS930EA2 64
- + HDB SEL 4 DOT JS930EC2 66
- + HDB SEL 16 DOT JS930FA2 68
- + HDB SEL 2 DOT JS930FC2 70
- + HDB SELECTION DOT JS930GA2 72
- + HDB SEL 1 DOT JS930GC2 74



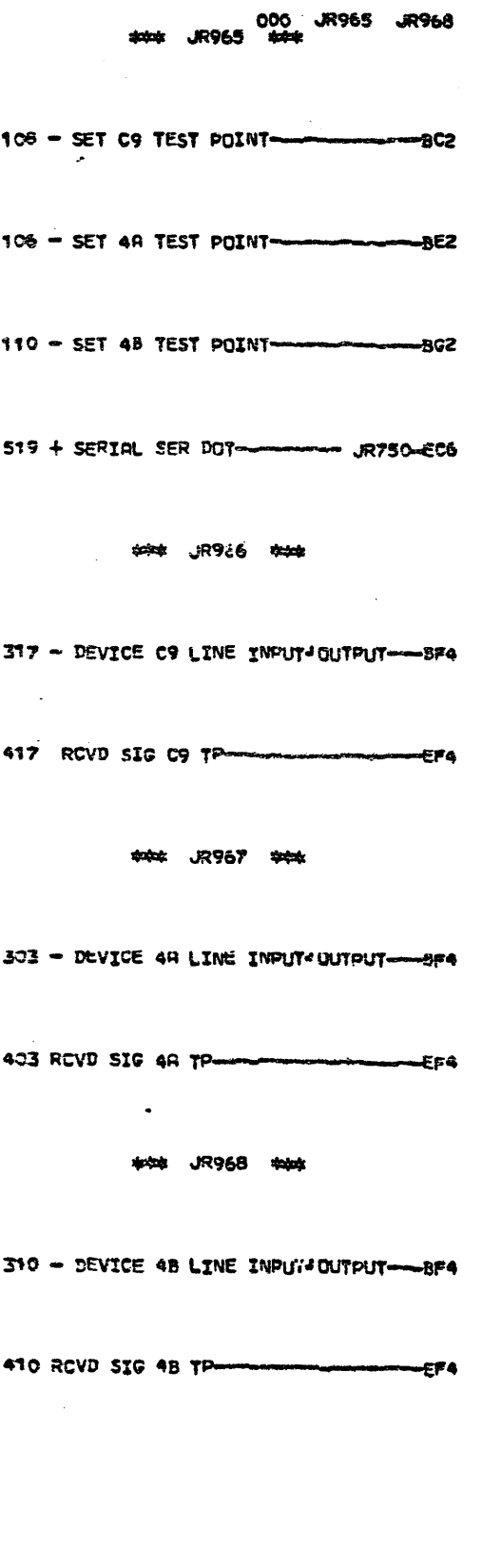
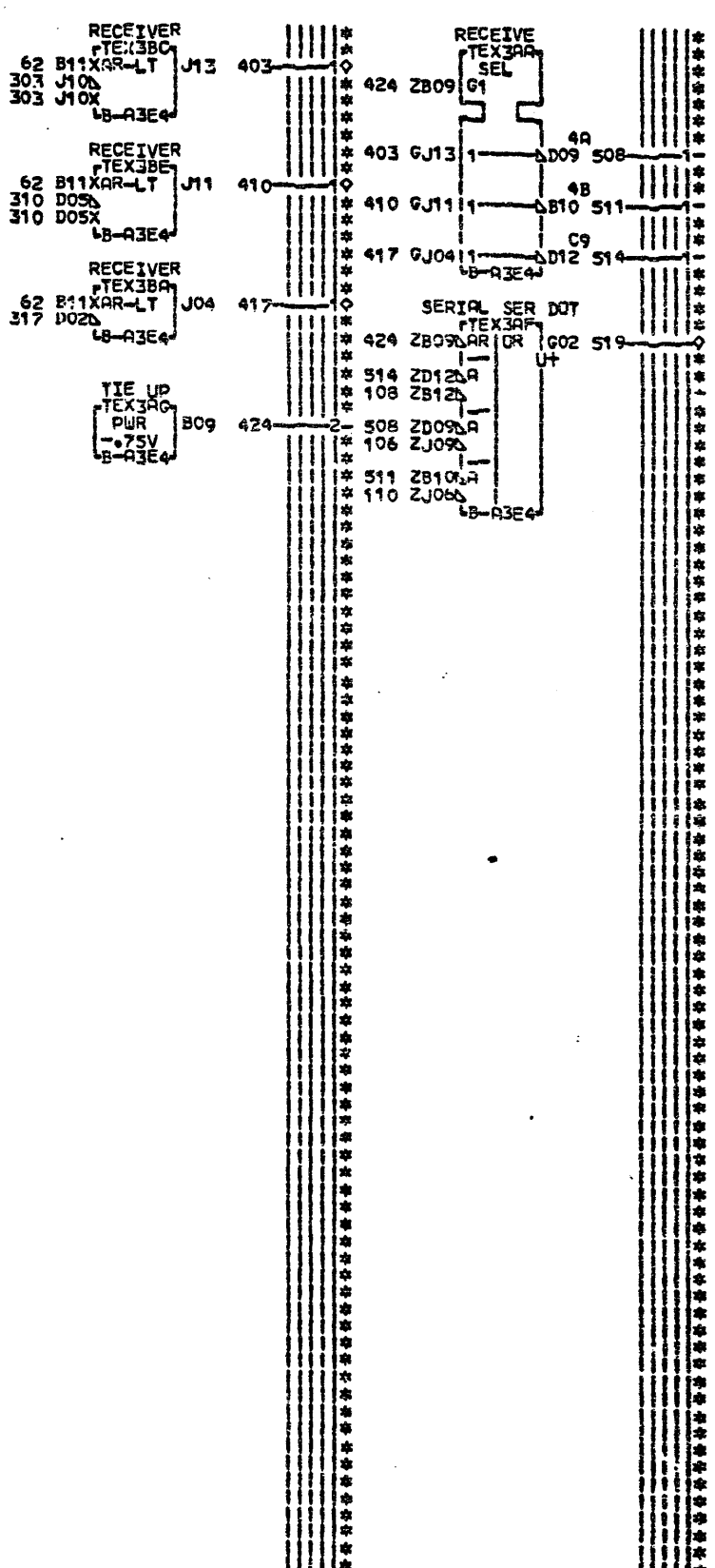
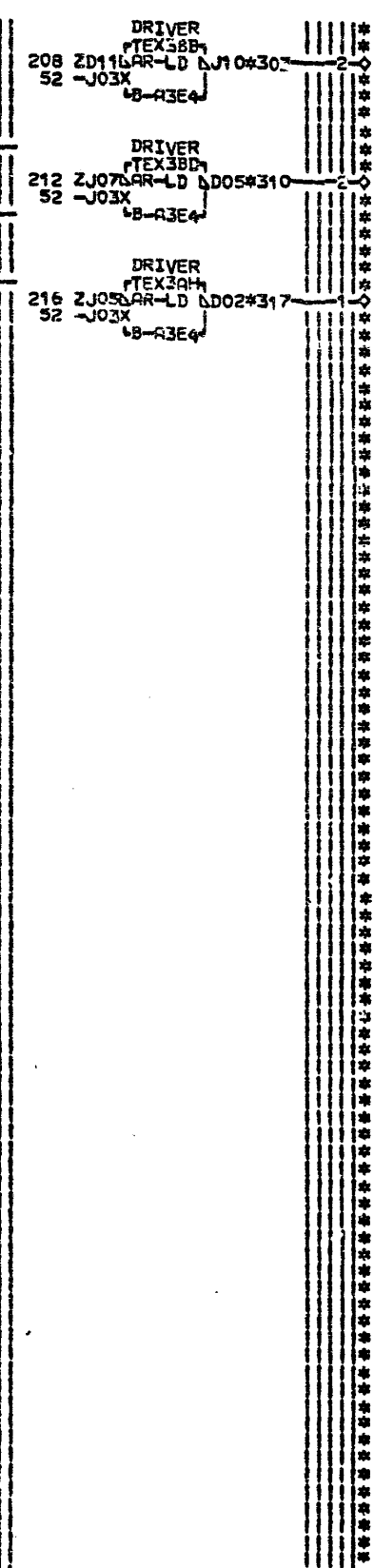
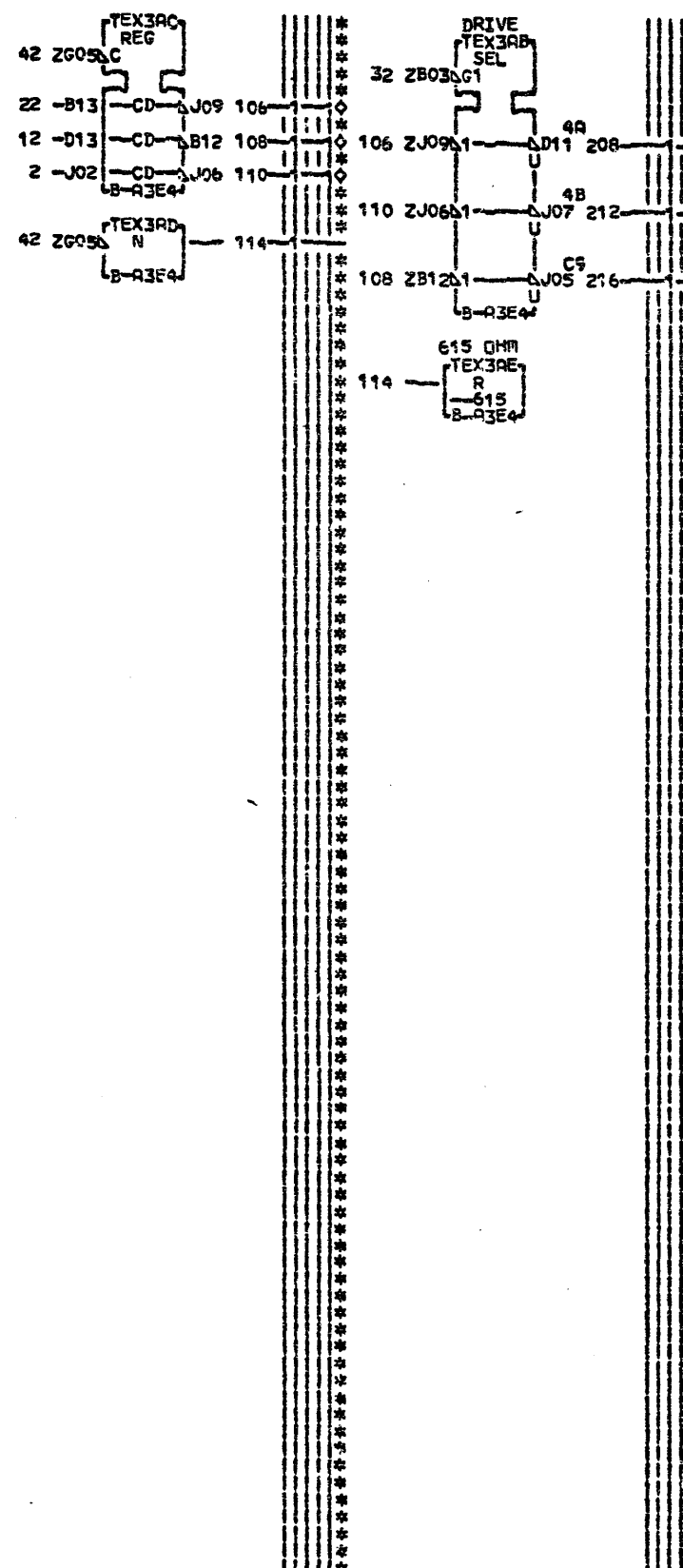
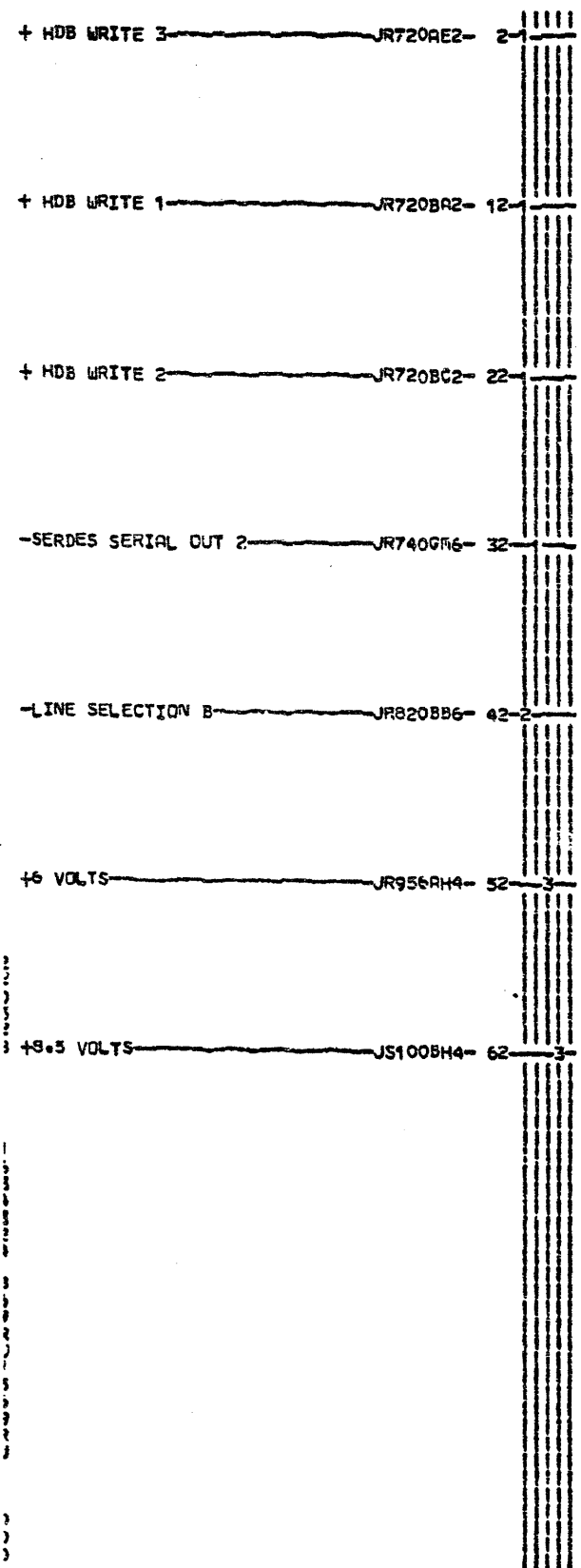












EDGE CONN.  
 303 B-A3ASD07  
 310 B-A3ASD13  
 317 B-A3ASB02

LOC. TYPE  
 B-A3E4 AF78

PAGE VER EC LEV  
 JR965 000 825022  
 JR966 000 825022  
 JR967 000 825022  
 JR968 000 825022

TRIPLE LINE DRIVER/RECEIVER			
-E-C-HISTORY-	C-MACH-IDA-SM15	FRAME	01 JR965
		IBR CORP.	JR968
DATE	LAST EC	IP#	4234361 000
06-19-75	825022		

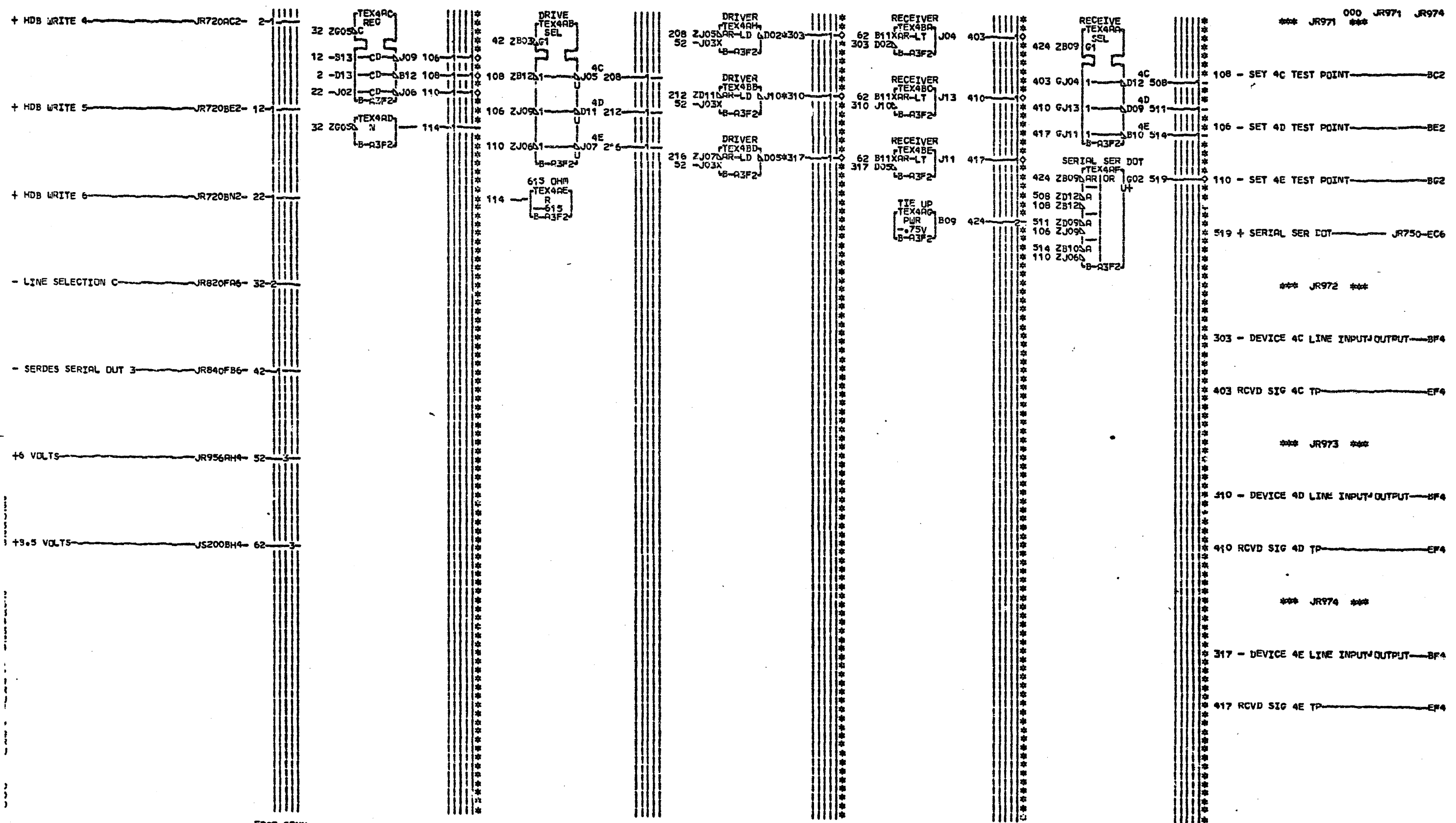
1 JR965  
 1 JR968  
 1 000

000 JR965 JR968

\*\*\* JR966 \*\*\*

\*\*\* JR967 \*\*\*

\*\*\* JR968 \*\*\*



000 JR971 JR974  
 \*\*\* JR971 \*\*\*

\*\*\* JR972 \*\*\*

\*\*\* JR973 \*\*\*

\*\*\* JR974 \*\*\*

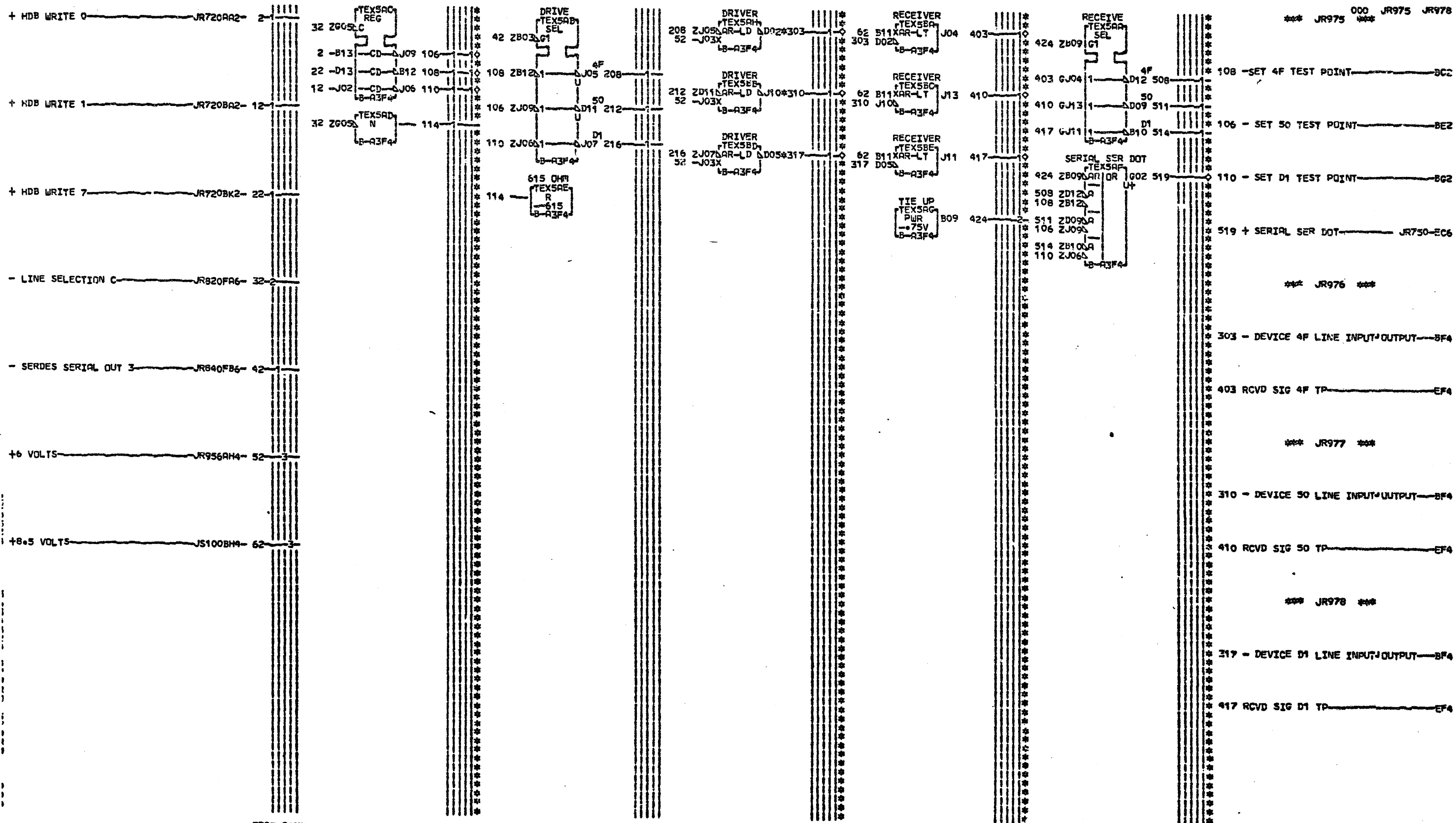
EDGE CONN.  
 303 B-A3B2B02  
 310 B-A3B2D07  
 317 B-A3B2D13

LOC. TYPE  
 B-A3F2 AF78

PAGE VER EC LEV  
 JR971 000 825022  
 JR972 000 825022  
 JR973 000 825022  
 JR974 000 825022

TRIPLE LINE DRIVER/RECEIVER			
E-C-HISTORY	C-MACH-IDR-SM15	FRAME	01 JR971
DATE	LAST EC	IBA CORP.	JR974
06-19-75	825022	P.No	4234362 000

JR971  
 J. 974  
 000



000 JR975 JR978  
 \*\*\* JR975 \*\*\*

\*\*\* JR976 \*\*\*

\*\*\* JR977 \*\*\*

\*\*\* JR978 \*\*\*

EDGE CONN.  
 303 B-A3B3802  
 310 B-A3B3807  
 317 B-A3B3813

LOC. TYPE  
 B-A3F4 AF78

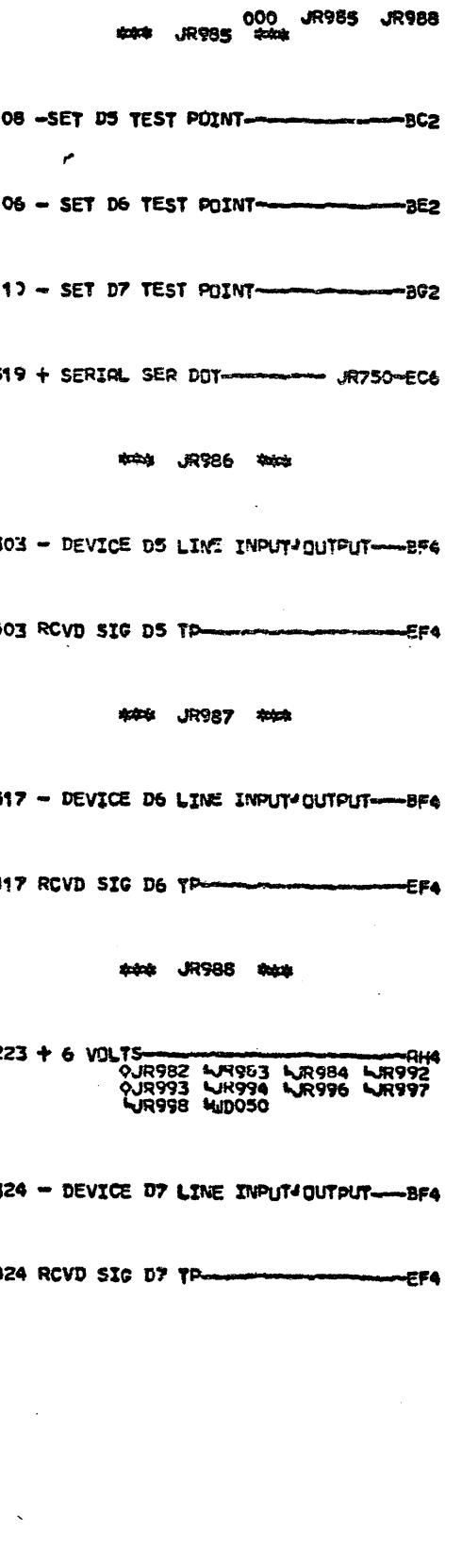
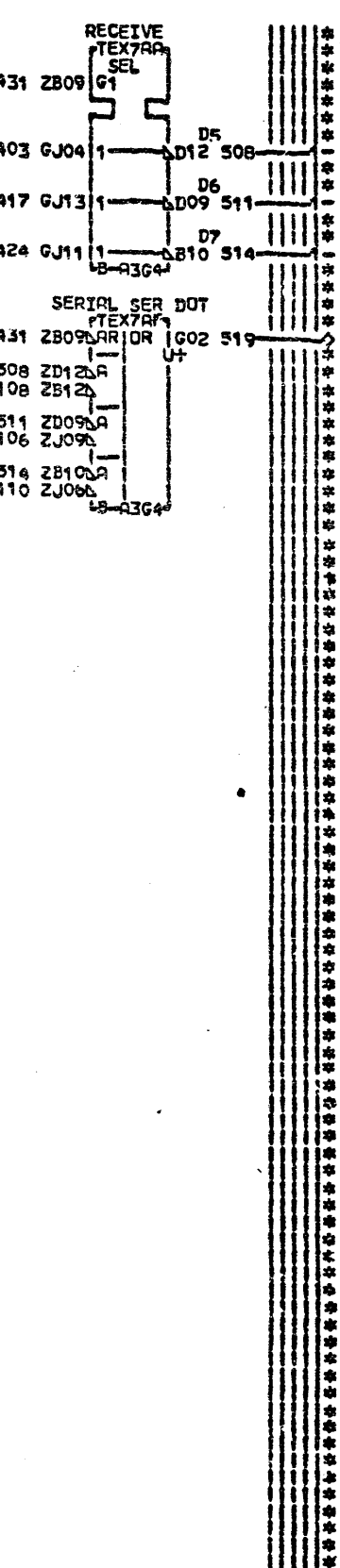
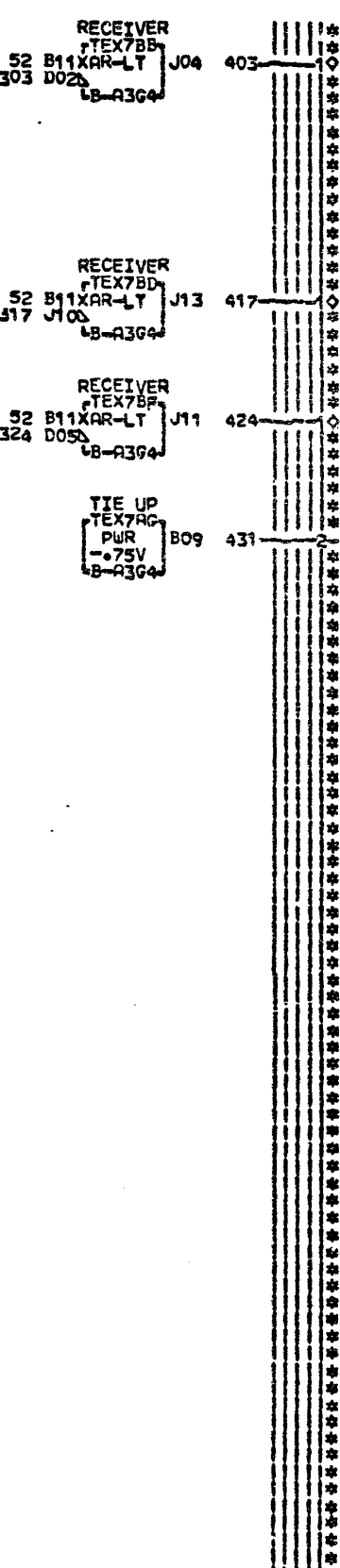
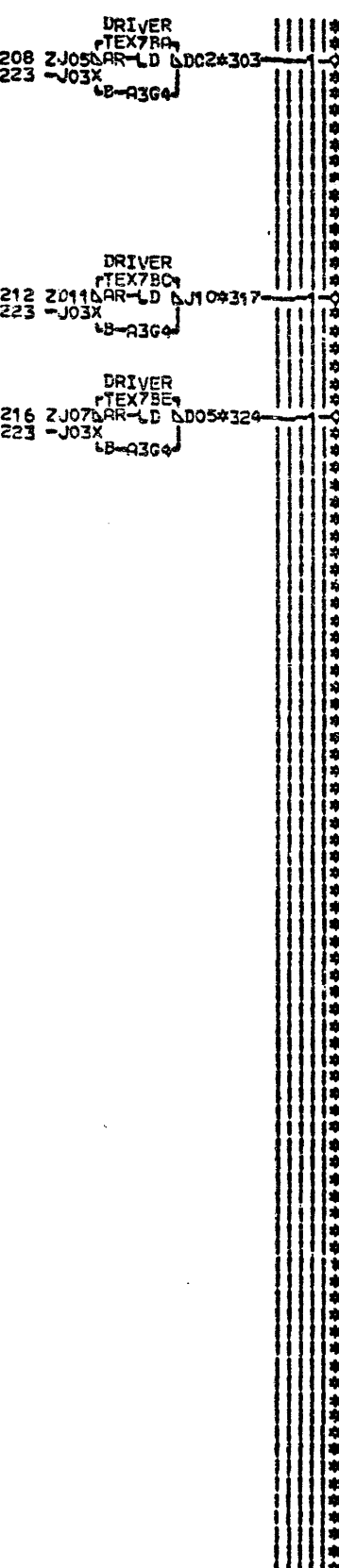
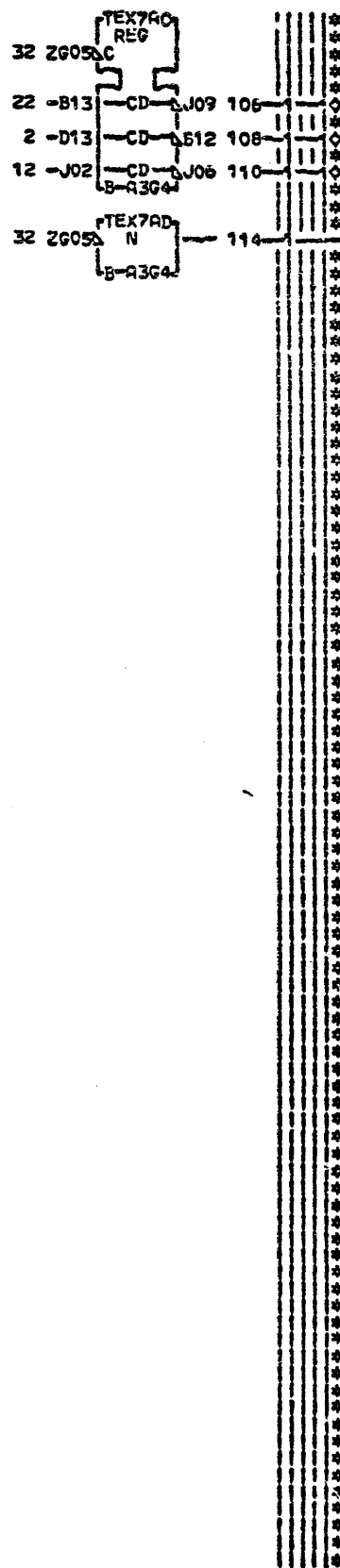
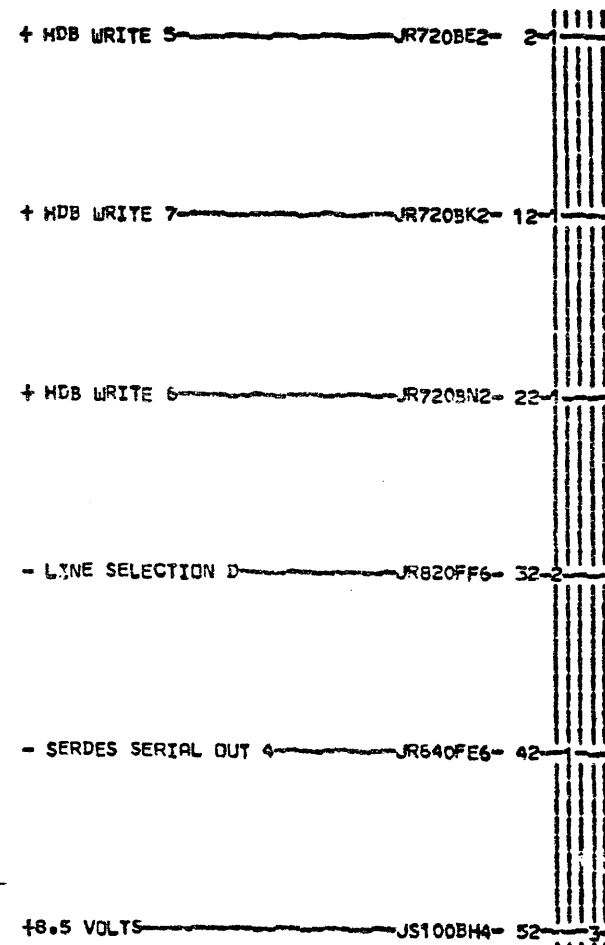
PAGE VER EC LEV  
 JR975 000 825022  
 JR976 000 825022  
 JR977 000 825022  
 JR978 000 825022

TRIPLE LINE DRIVER/RECEIVER			
E-C-HISTORY	C-RACH-IDA-SM15	FRWME	01 JR975
DATE	LAST EC	IBM CORP.	JR978
06-19-75	825022	P.N. 4234363	000

JR975  
 JR978  
 000

ORIGINAL DRAWING  
 DRAWN BY: W. M. A. B. 11/1/74  
 CHECKED BY: W. M. A. B. 11/1/74  
 APPROVED BY: W. M. A. B. 11/1/74





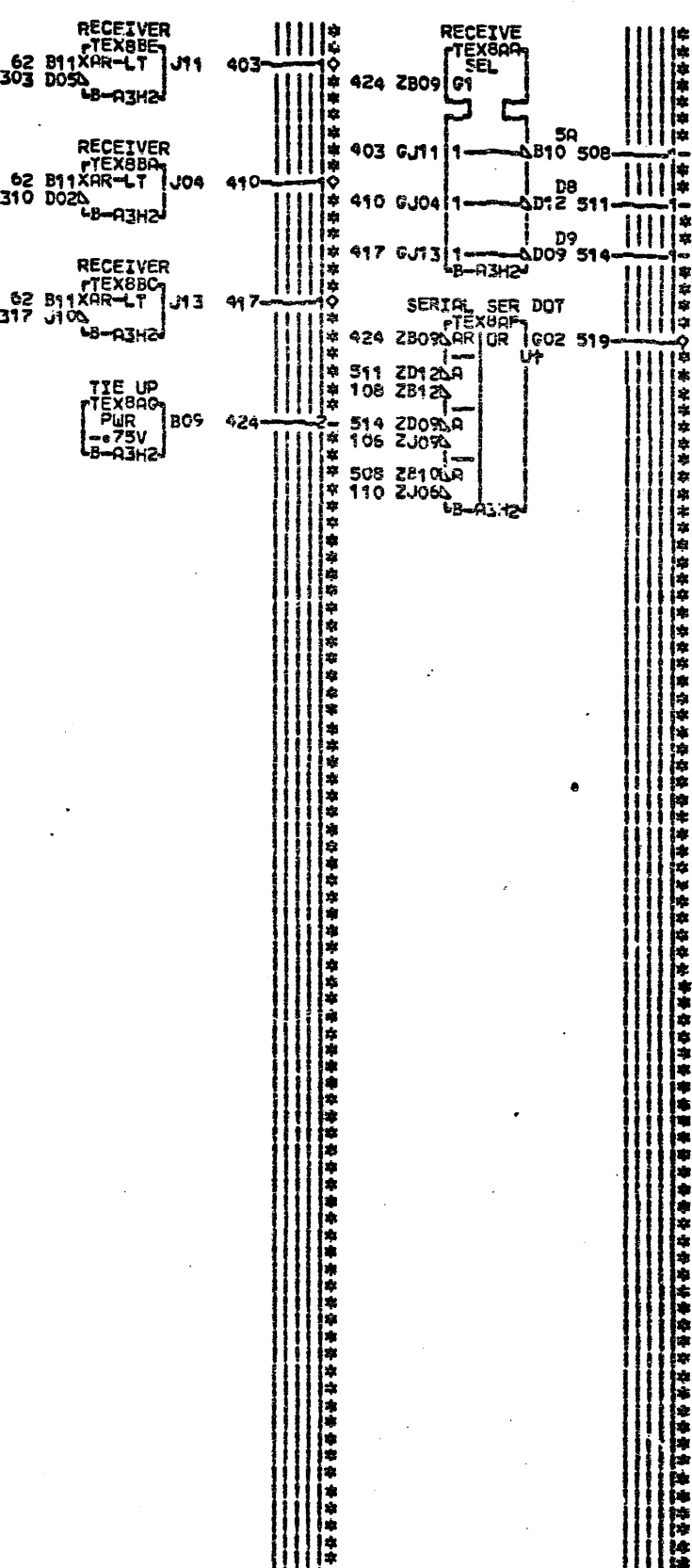
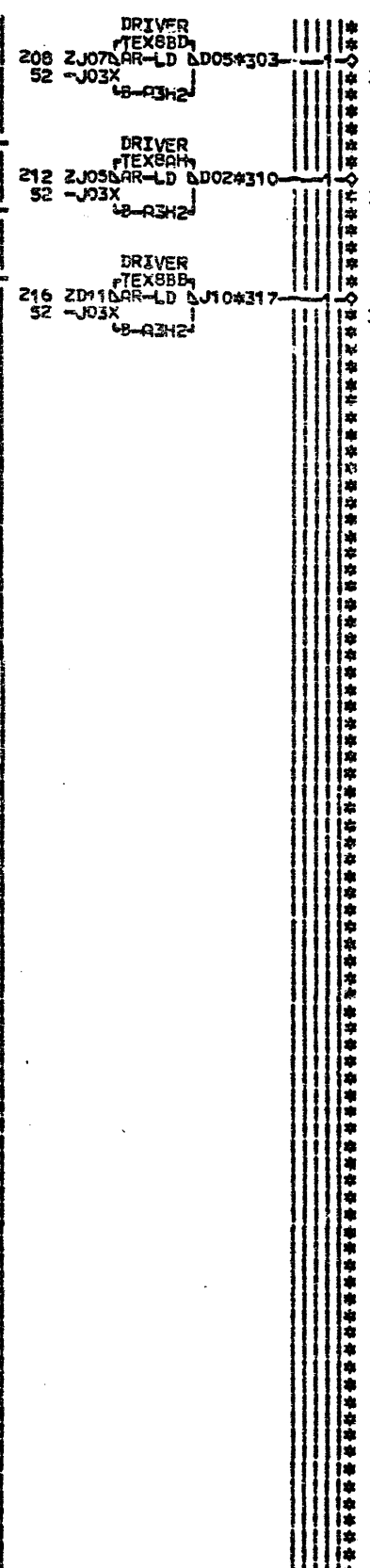
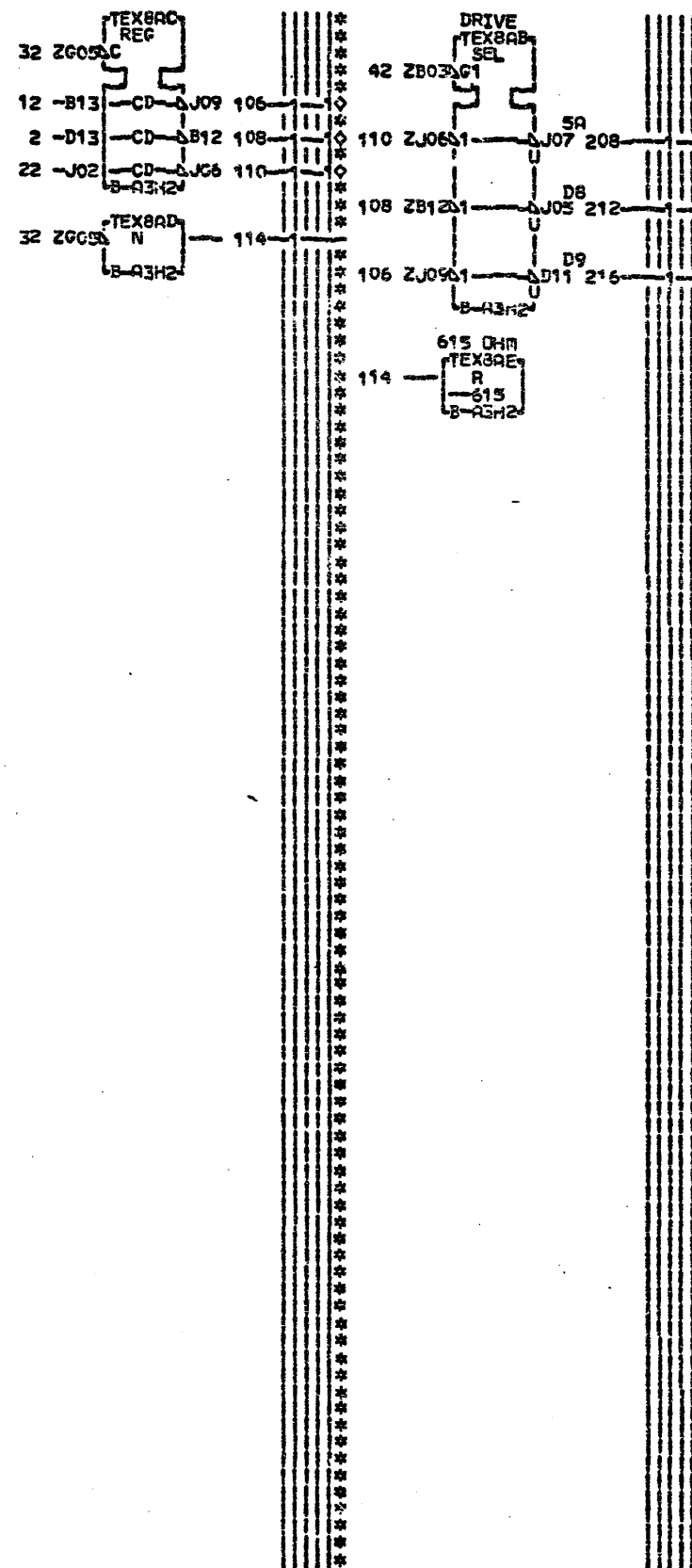
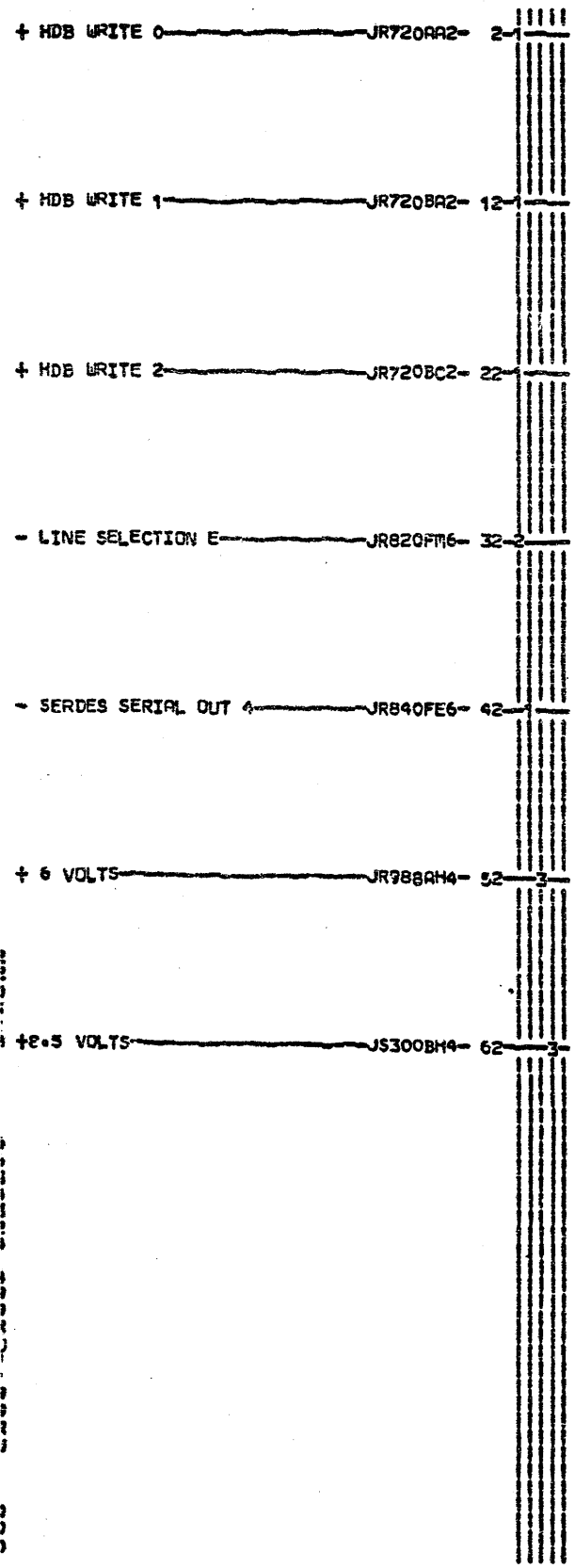
EDGE CONN.  
 303 B-A3B5B02  
 317 B-A3B5D07  
 324 B-A3B5D13

LOC. TYPE  
 B-A3G4 NF78

PAGE VER EC LEV  
 JR985 000 825022  
 JR986 000 825022  
 JR987 000 825022  
 JR988 000 825022

TRIPLE LINE DRIVER/RECEIVER  
 -E-C-HISTORY- C-MACH-IDA-SM15  
 FRAME 01 JR988  
 IBA CORP. JR988  
 DATE LAST EC  
 06-19-75 825022 IP.No 4234365 000

JR985  
 JR988  
 000



000 JR991 JR994  
 \*\*\* JR991 \*\*\*

108 - SET DB TEST POINT - BC2

106 - SET D9 TEST POINT - BE2

110 - SET SA TEST POINT - BG2

519 + SERIAL SER DOT - JR750-EC6

\*\*\* JR992 \*\*\*

310 - DEVICE DB LINE INPUT/OUTPUT - BF4

410 RCVD SIG DB TP - EF4

\*\*\* JR993 \*\*\*

317 - DEVICE D9 LINE INPUT/OUTPUT - BF4

417 RCVD SIG D9 TP - EF4

\*\*\* JR994 \*\*\*

303 - DEVICE SA LINE INPUT/OUTPUT - BF4

403 RCVD SIG SA TP - EF4

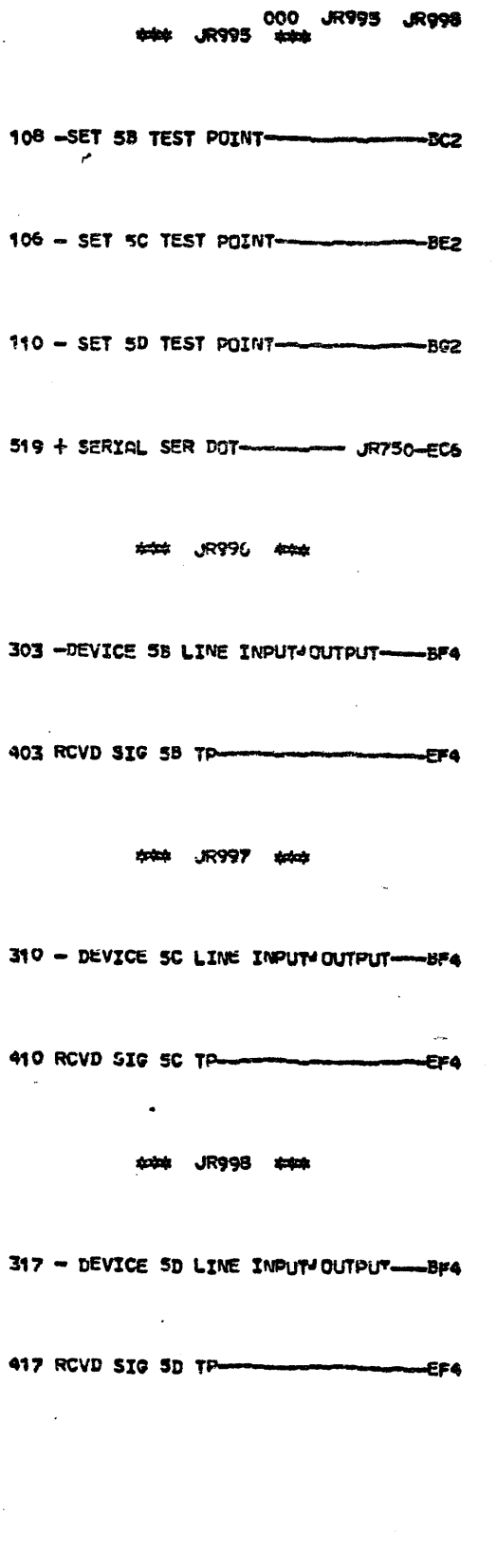
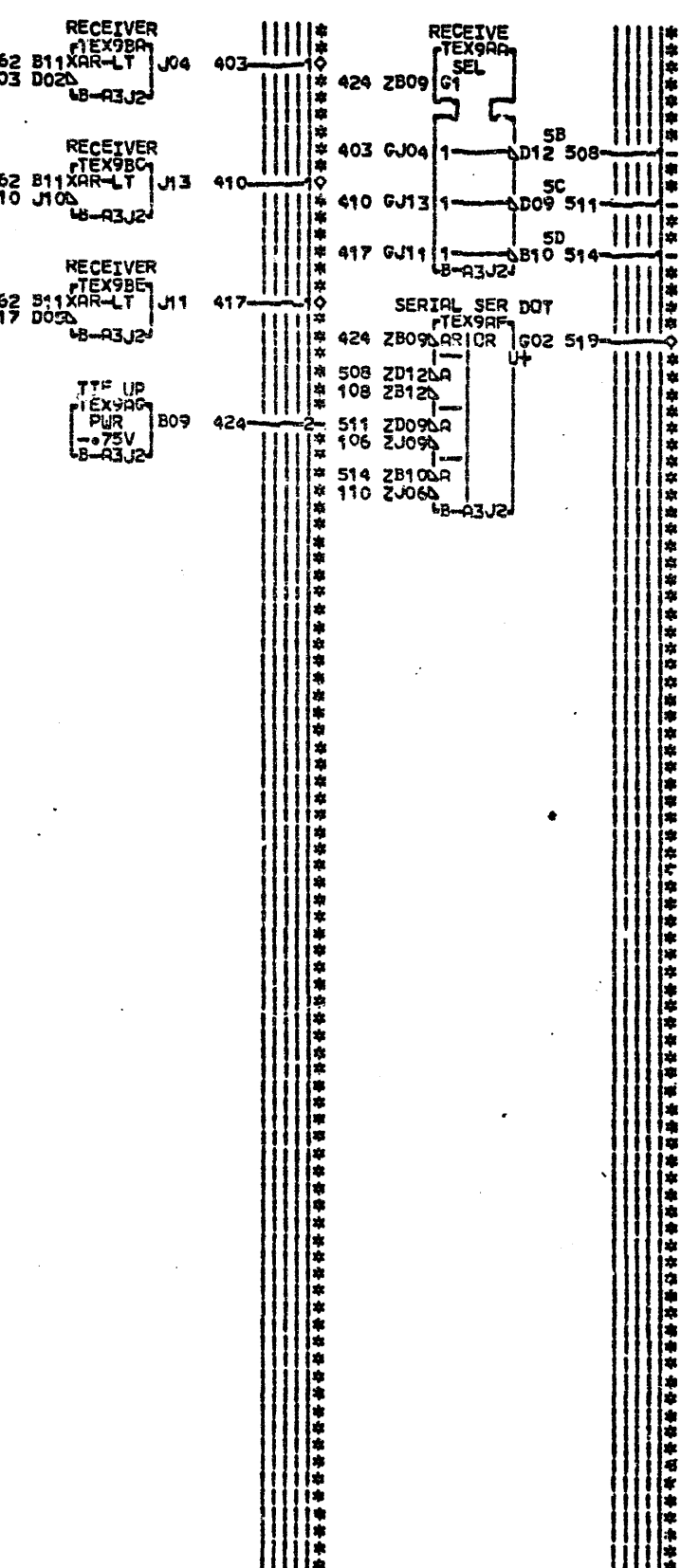
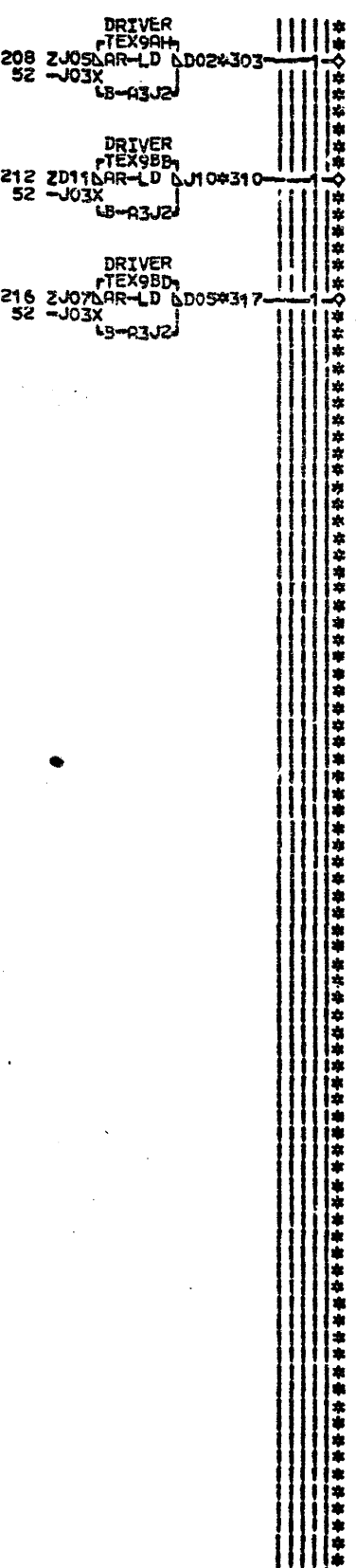
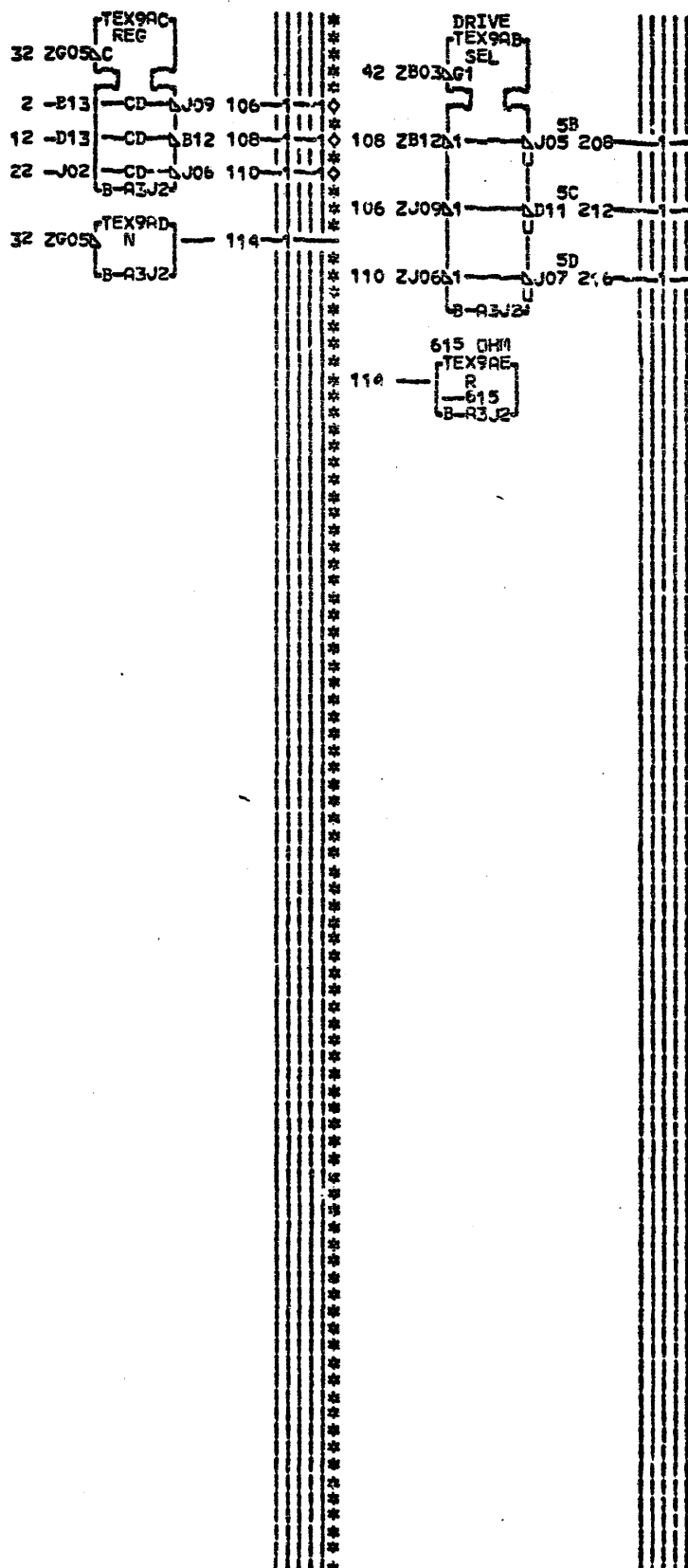
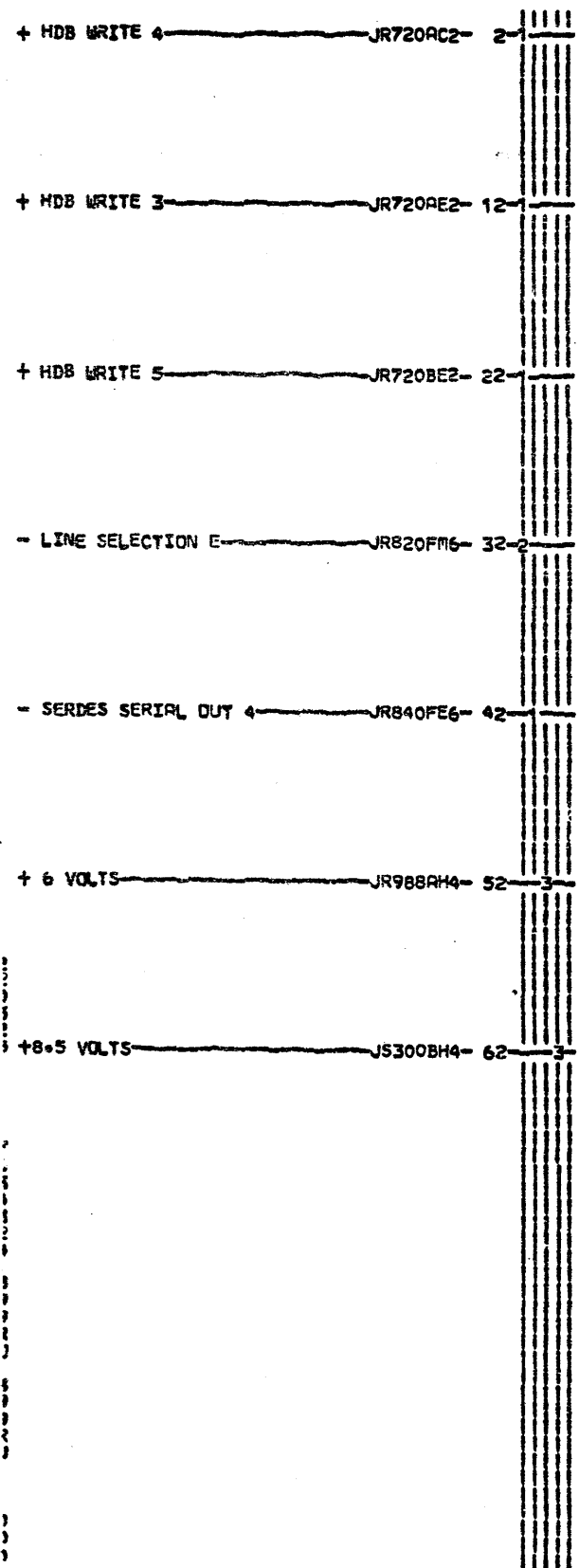
EDGE CONN.  
 303 B-A3C2D13  
 310 B-A3C2B02  
 317 B-A3C2D07

LOC. TYPE  
 B-A3H2 AF78

PAGE VER EC LEV  
 JR991 000 825022  
 JR992 000 825022  
 JR993 000 825022  
 JR994 000 825022

1 JR991  
 1 JR. 94  
 1 000

TRIPLE LINE DRIVER/RECEIVER			
E.C.	HISTORY	MACH.	IDA-SM15
DATE	LAST EC	IBN CORP.	JR991
06-19-75	325022	P.N. 4234366	JR994
			000



000 JR995 JR998  
 \*\*\* JR995 \*\*\*

\*\*\* JR996 \*\*\*

\*\*\* JR997 \*\*\*

\*\*\* JR998 \*\*\*

EDGE CONN.  
 303 B-A3C3B02  
 310 B-A3C3D07  
 317 B-A3C3D13

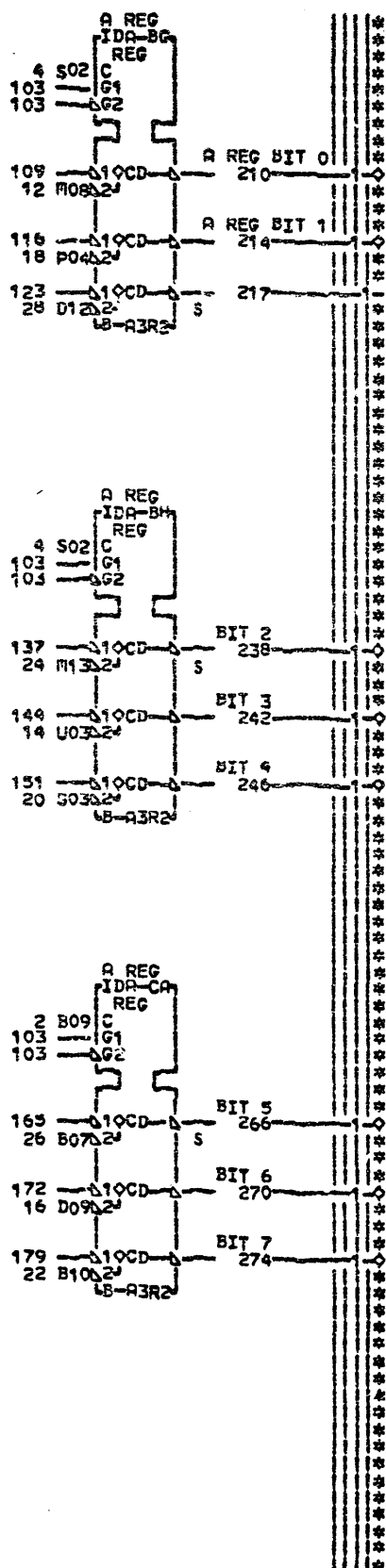
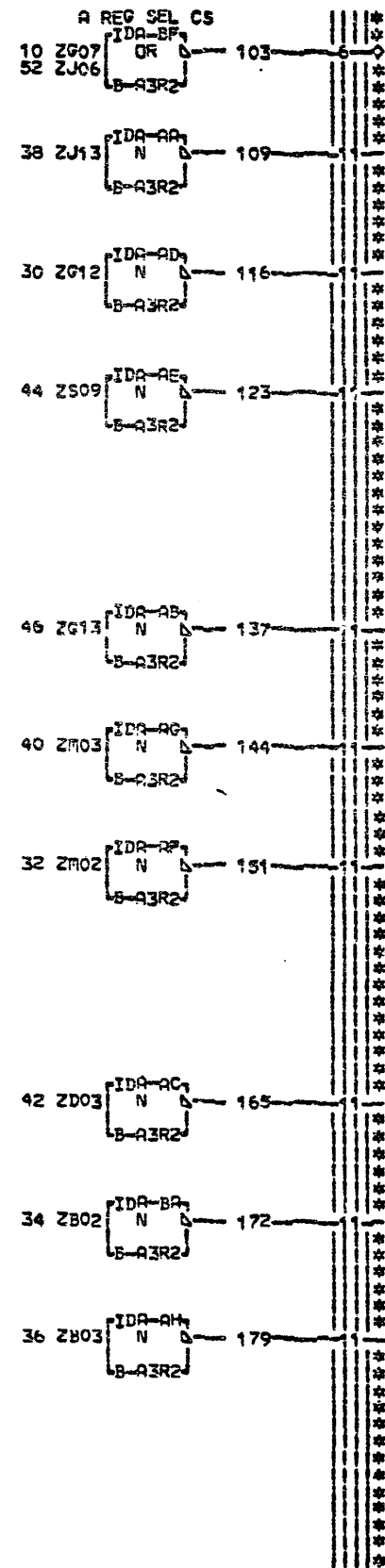
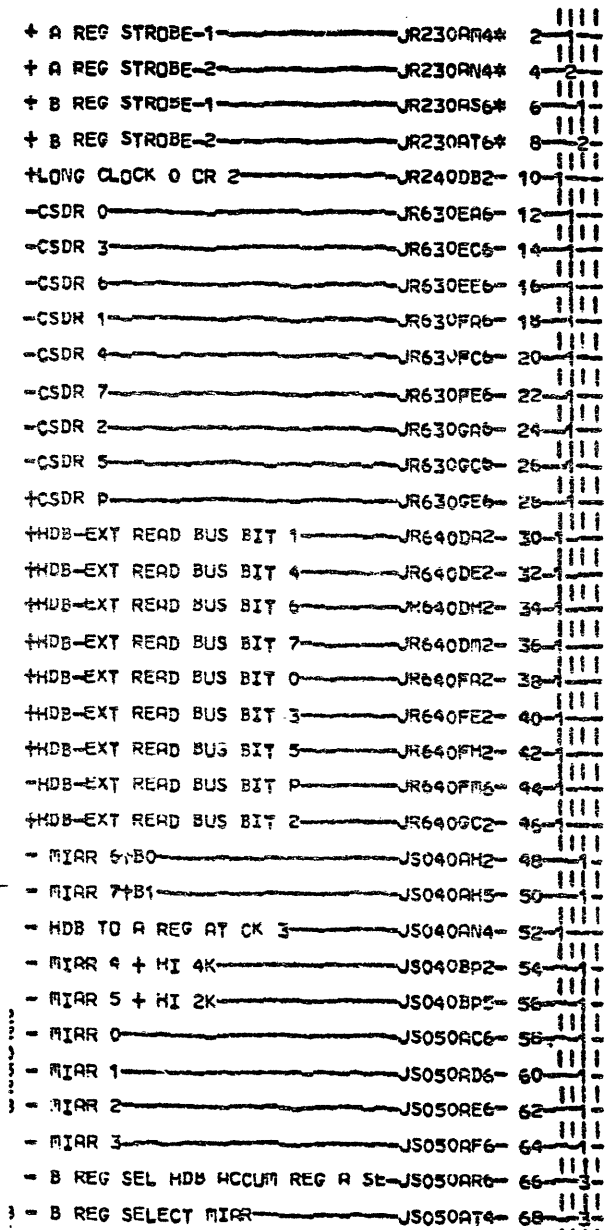
LOC. TYPE  
 B-A3J2 AF78

PAGE VER EC LEV  
 JR995 000 825022  
 JR996 000 825022  
 JR997 000 825022  
 JR998 000 825022

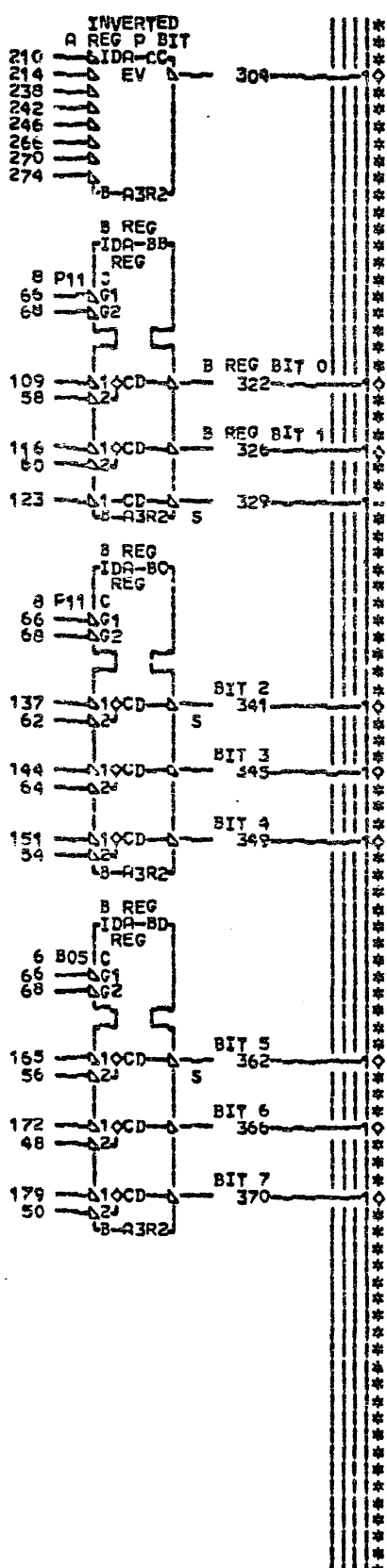
1 JR995  
 2 JR998  
 3 000

TRIPLE LINE DRIVER/RECEIVER			
-E.C.-HISTORY-		C-MACH-IDA-SM15	
DATE	L3ST EC	FRAME	01 JR995
06-19-75	225022	IBM CORP.	JR998
		P.No.	4234367 000

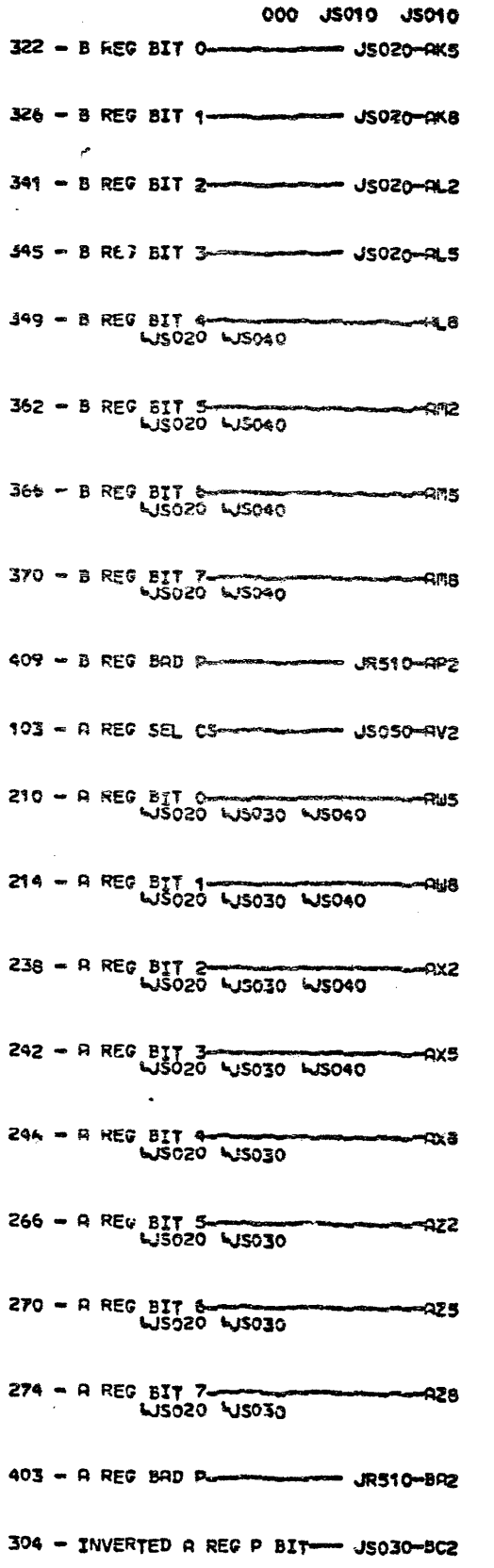
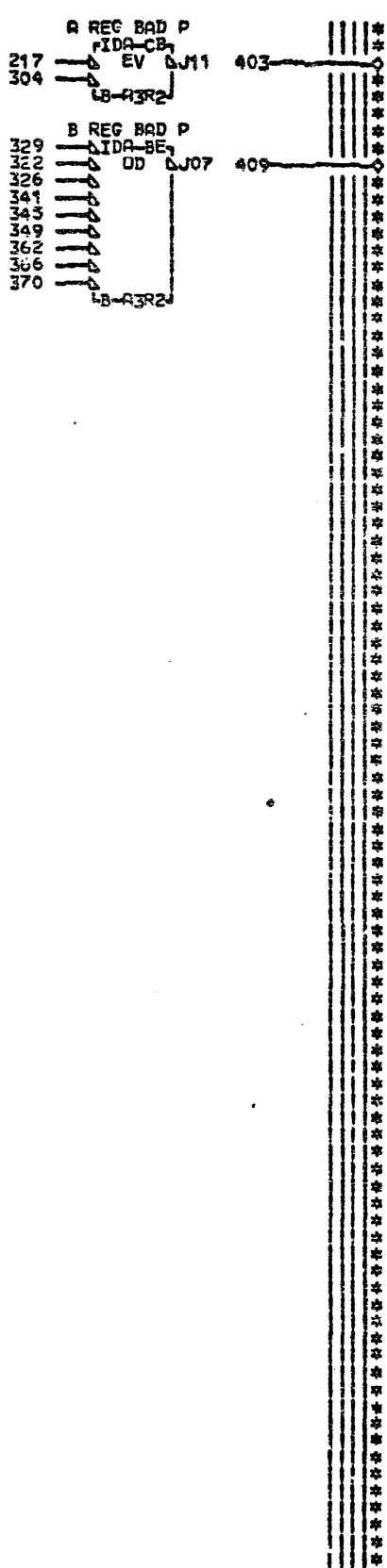




LOC. TYPE  
B-A3R2 RFR6



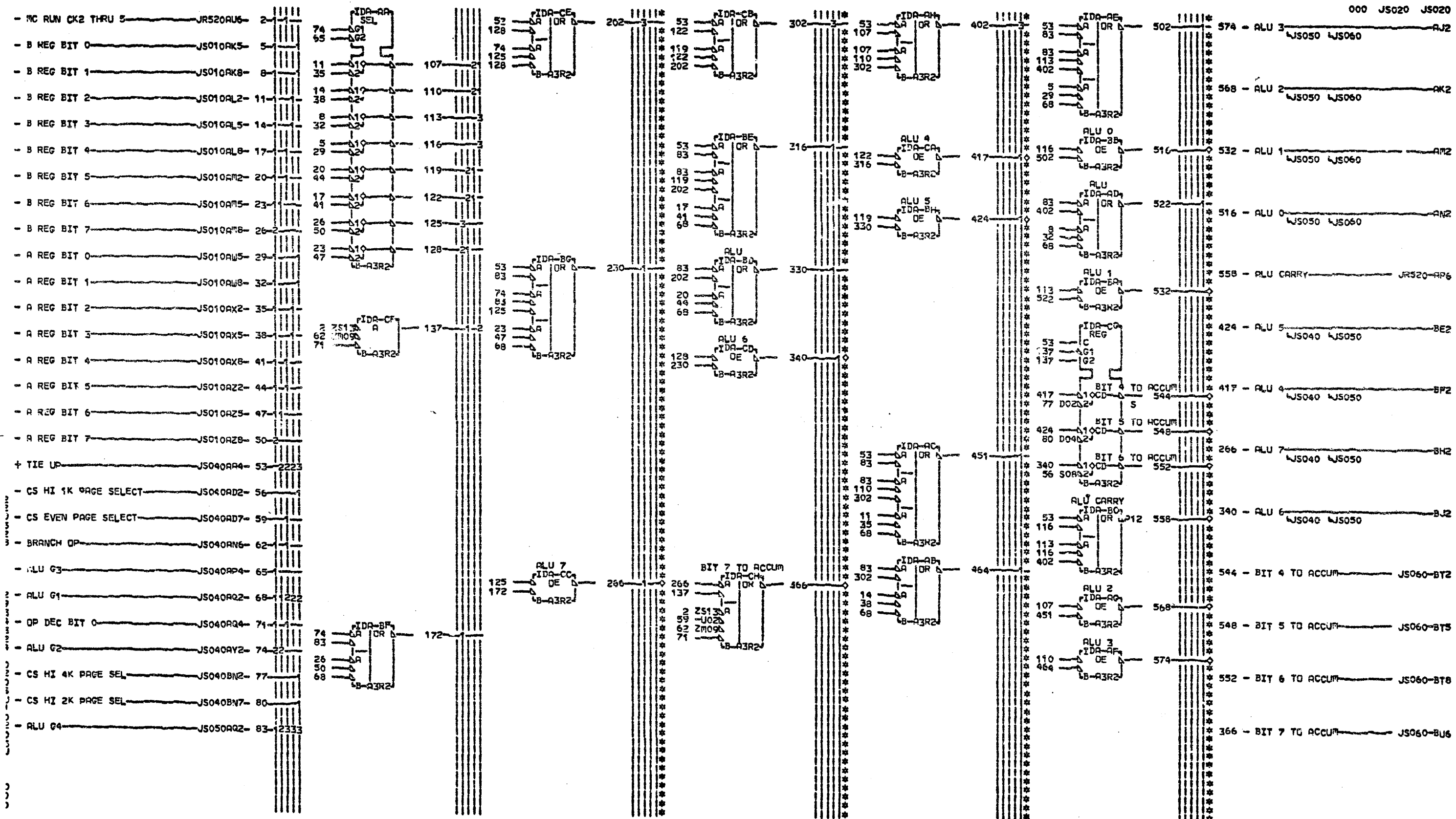
PAGE VER EC LEV  
JS010 000 825022



EDGE CONN.  
2 RESISTOR  
B-A3R2B09  
4 RESISTOR  
B-A3R2S02  
6 RESISTOR  
B-A3R2B05  
8 RESISTOR  
B-A3R2P11

JS010  
JS010  
000

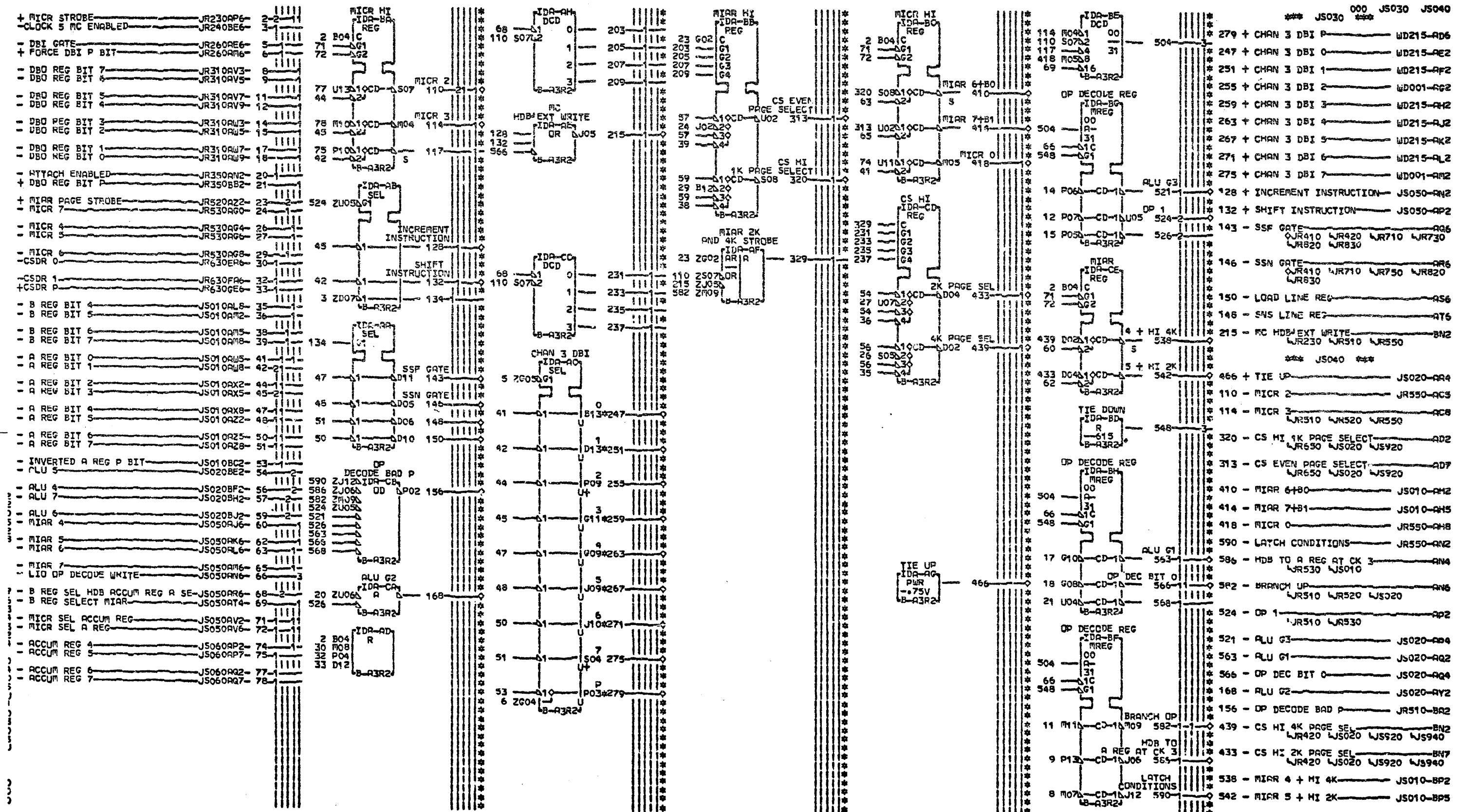
MICROCONTROLLER		
A AND B REGISTER		
E.C.-HISTORY C1 MACH. IDA-SM15		
FRAME	01	JS010
DATE	LAST EC	IBM CORP. RD JS010
06-19-75	325022	P.O.N. 4234368 000



000 JS020 JS020

JS020  
JS020  
000

MICROCONTROLLER		
ALU	C-MACH-IDA-SM15	
E-C-HISTORY	FRAME 01	JS020
DATE: LAST EC	IBM CORP RD	JS020
06-11-75 825022	IP-N. 4234392	000

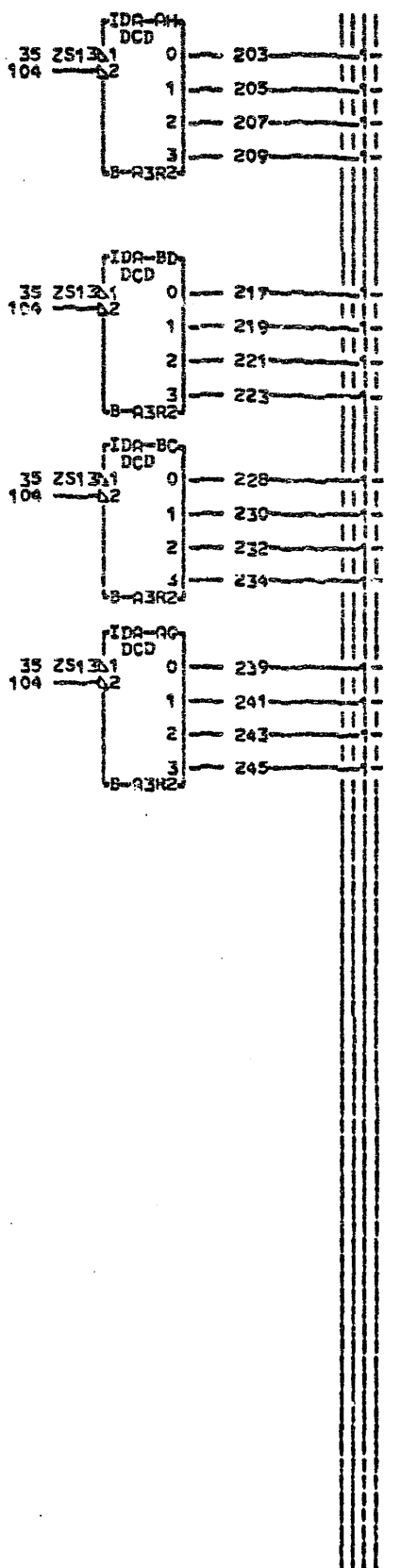
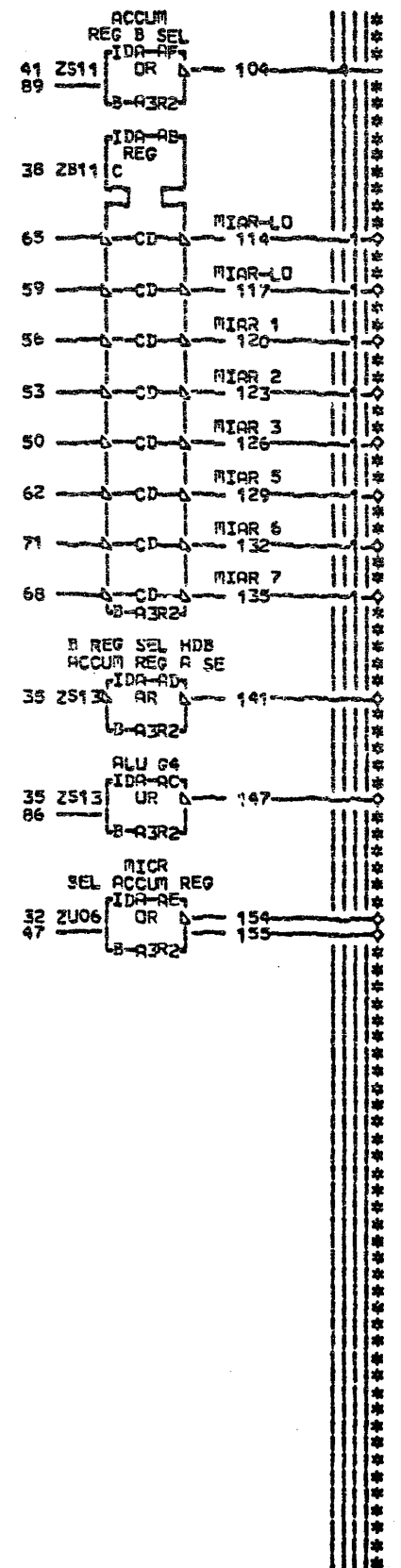
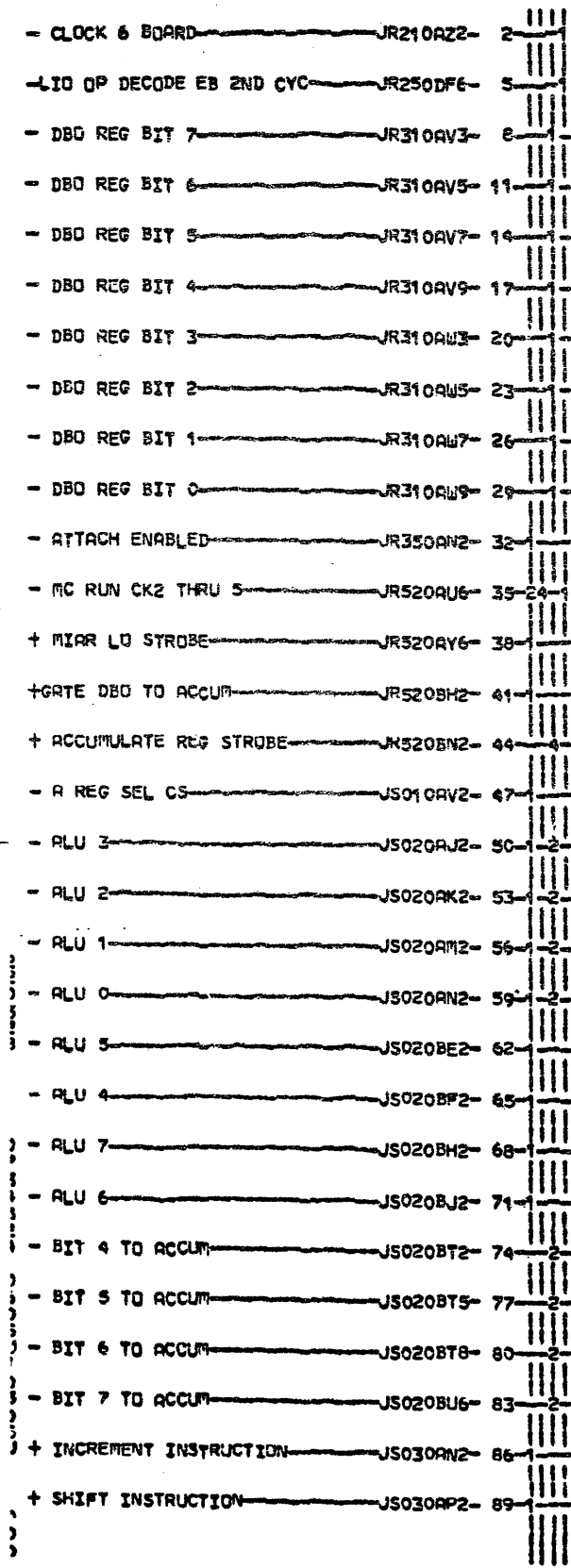


EDGE CONN.	LOC. TYPE	PAGE VER EC LEV
247 B-A3V4D03	3-A3R2 AF86	JS030 000 825022
01 B-A3U4D03		JS040 000 825022
251 B-A3V4D05		
01 B-A3U4D05		
259 B-A3V4D07		
01 B-A3U4D07		
263 B-A3V4D09		
01 B-A3U4D09		
267 B-A3V4D10		
01 B-A3U4D10		

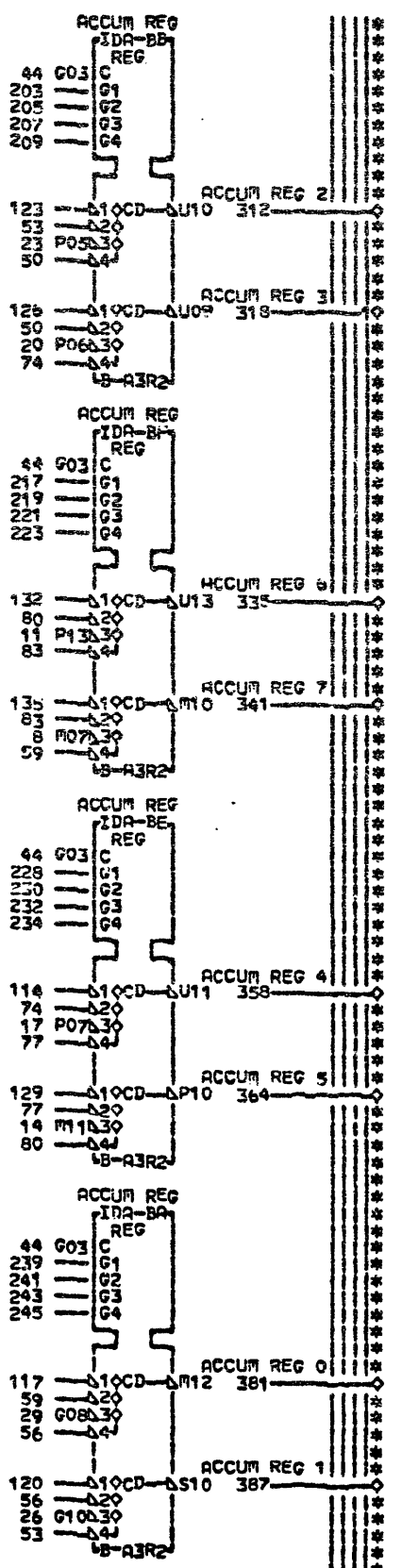
MICROCONTROLLER  
INSTRUCTION GATE + CHAN 3 DBI  
-E.C.+ISTORY-C-MACH-IDA-SM15

FRAME 01 JS030  
IBM CORP. RD JS040  
P.No. 4234369 000

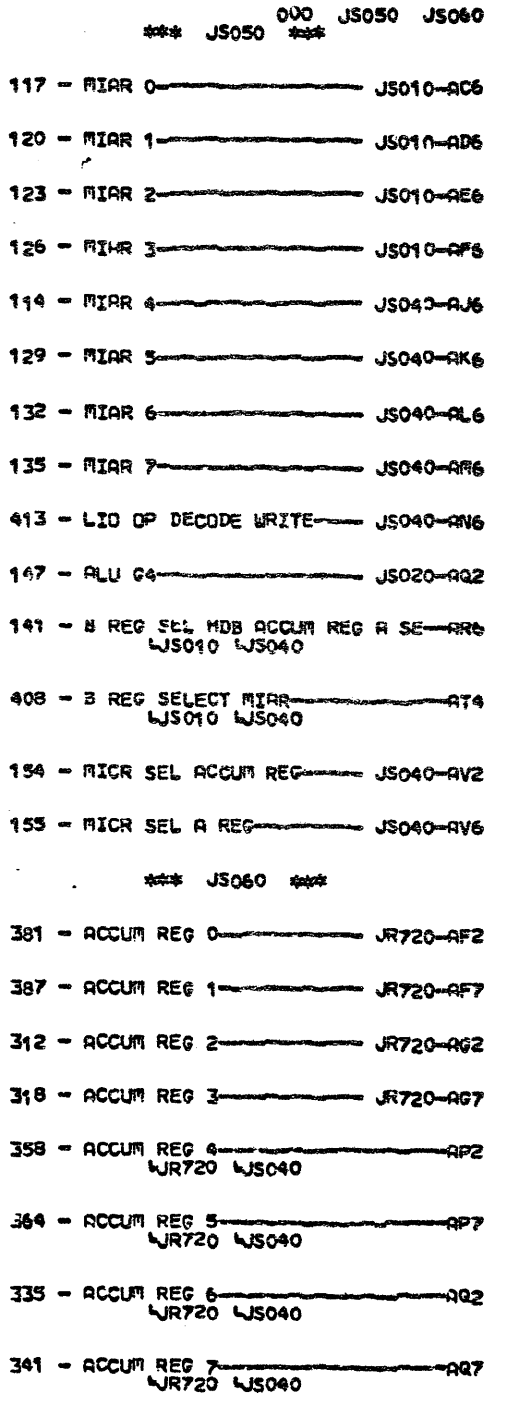
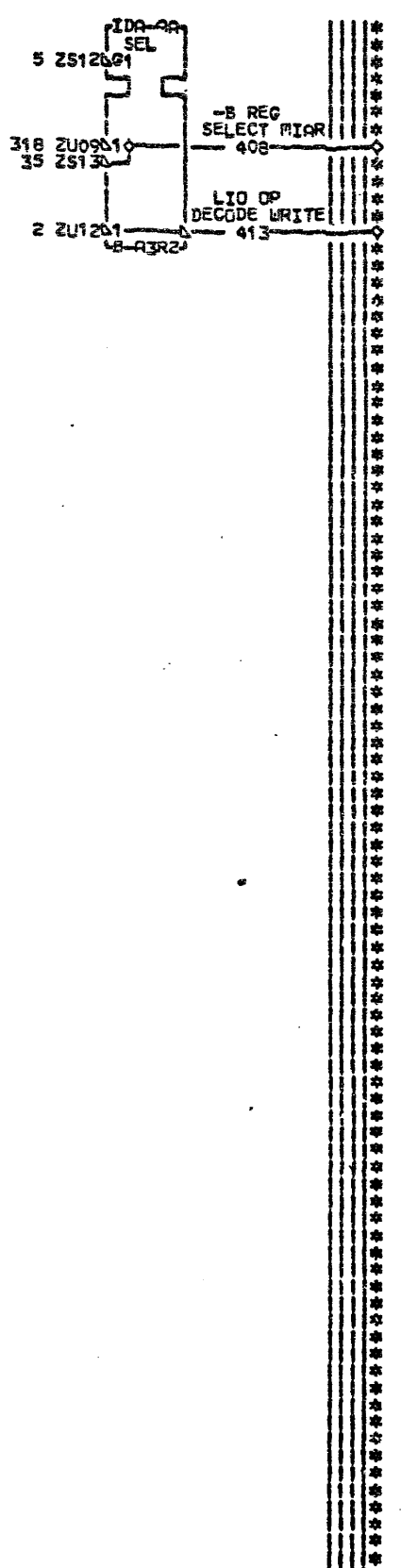
DATE LAST EC  
06-19-75 825022



LOC. TYPE  
B-A3R2 AF86

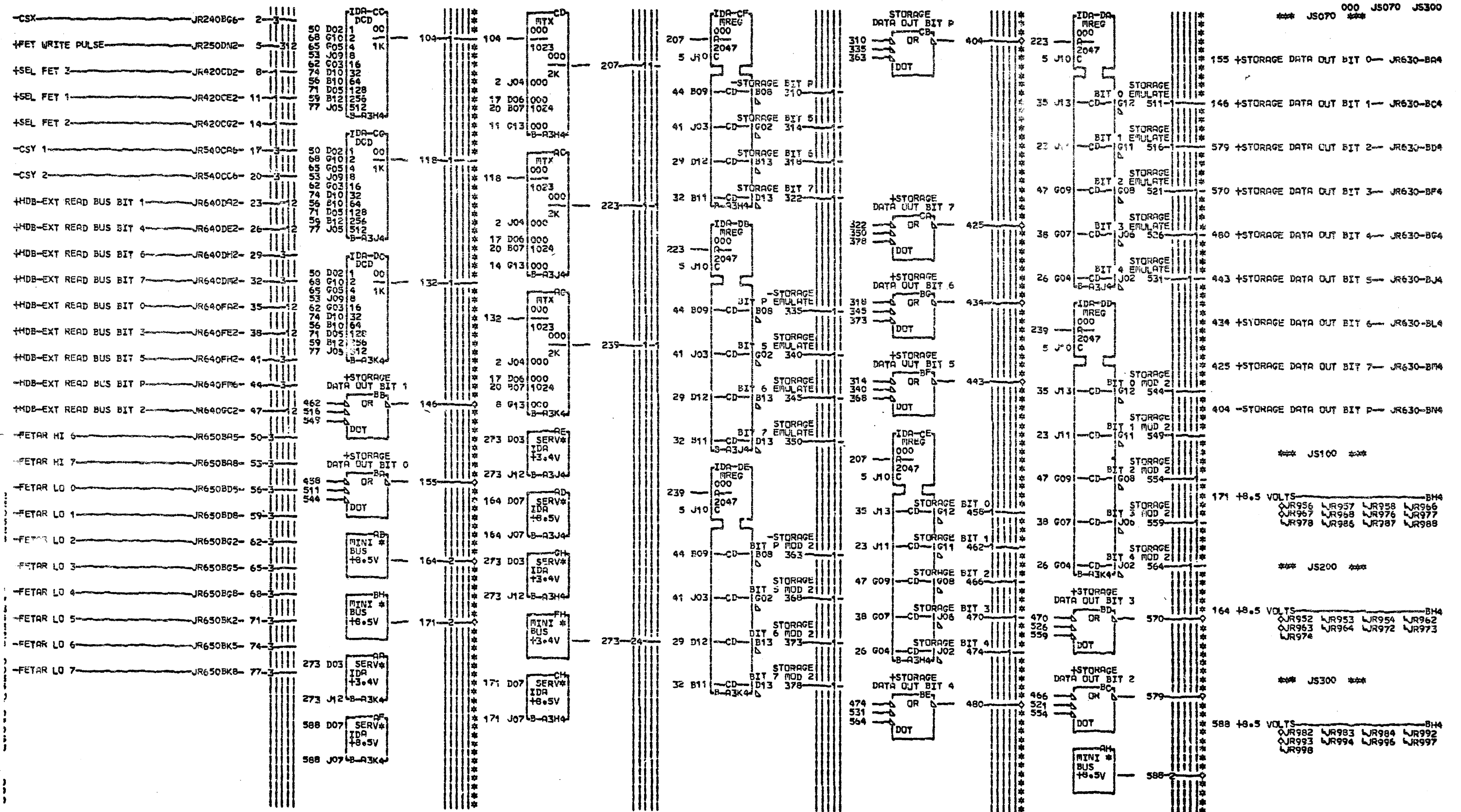


PAGE VER EC LEV  
JS050 000 825022  
JS060 000 825022



1 JS050  
3 JS060  
3 000

MICROCONTROLLER		
MIAR-LD + SELECT GATING		
E-C-HISTORY C-MACH-IDA-SM5		
FRAME	01	JS050
DATE	LAST EC	IBM CORP. RD JS060
06-19-71	825022	Pa.No. 4234370 000



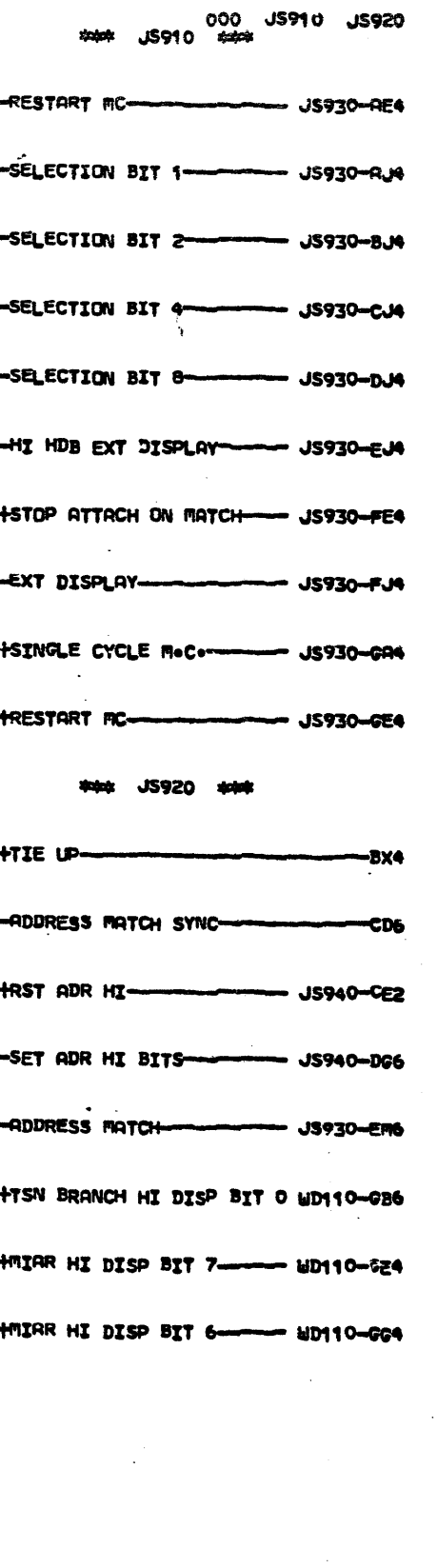
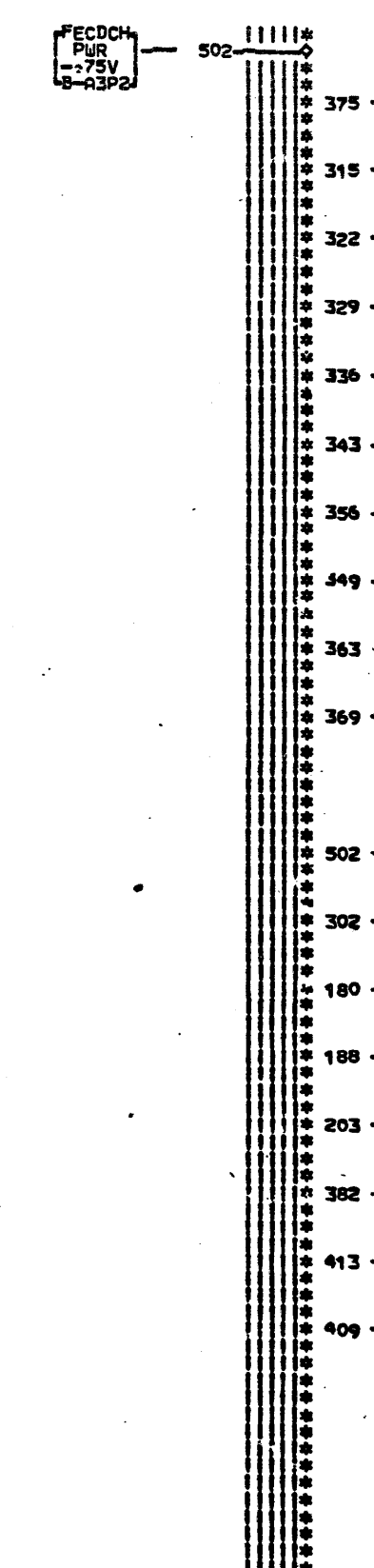
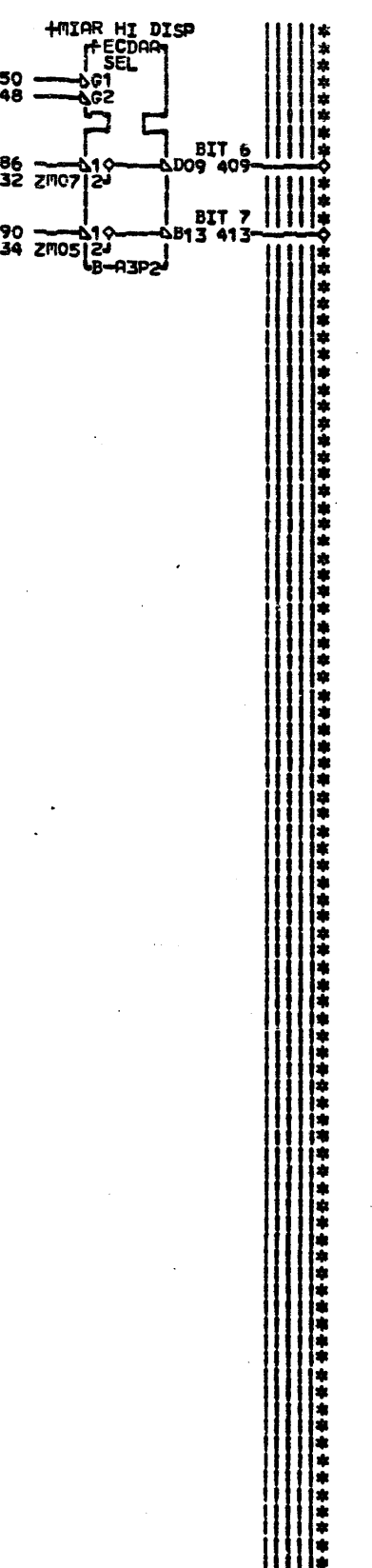
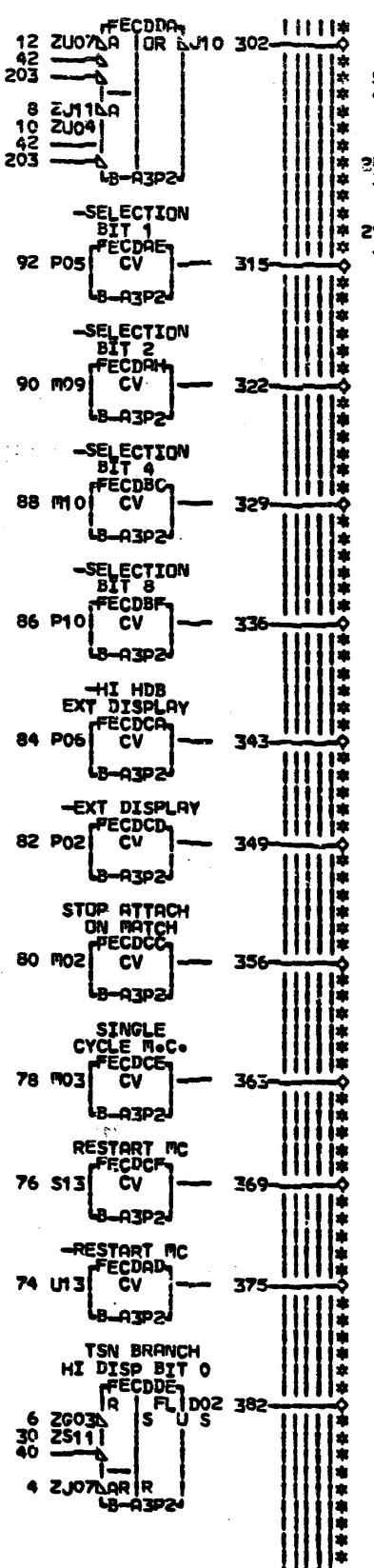
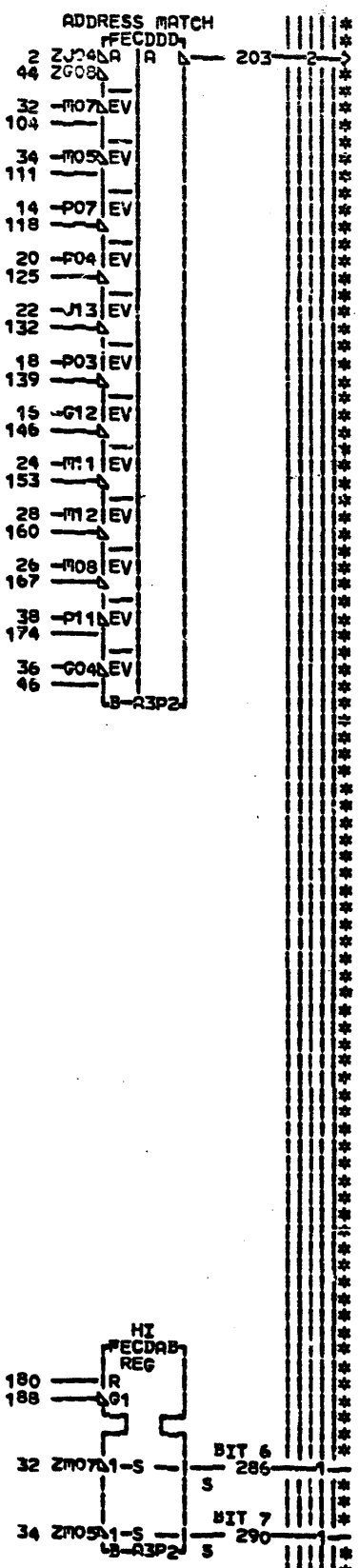
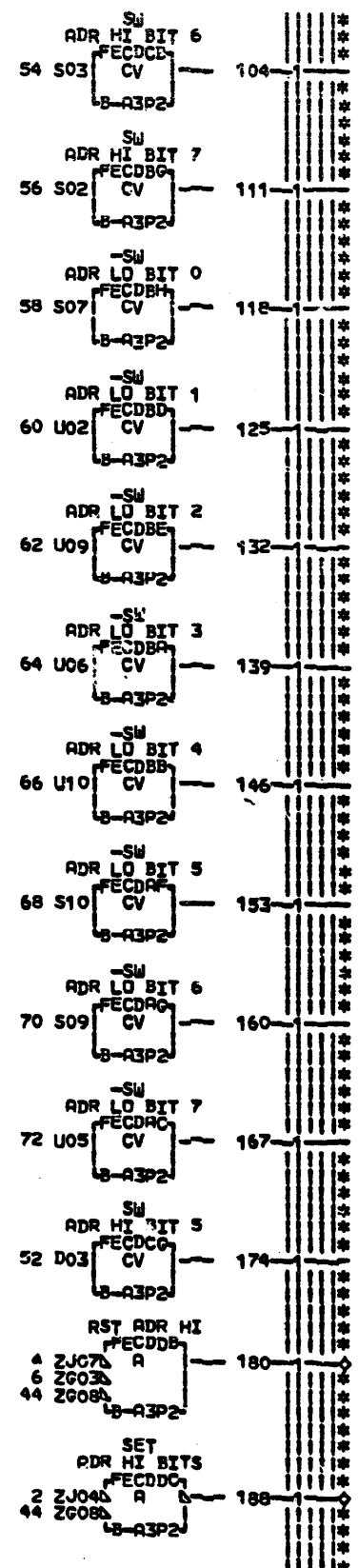
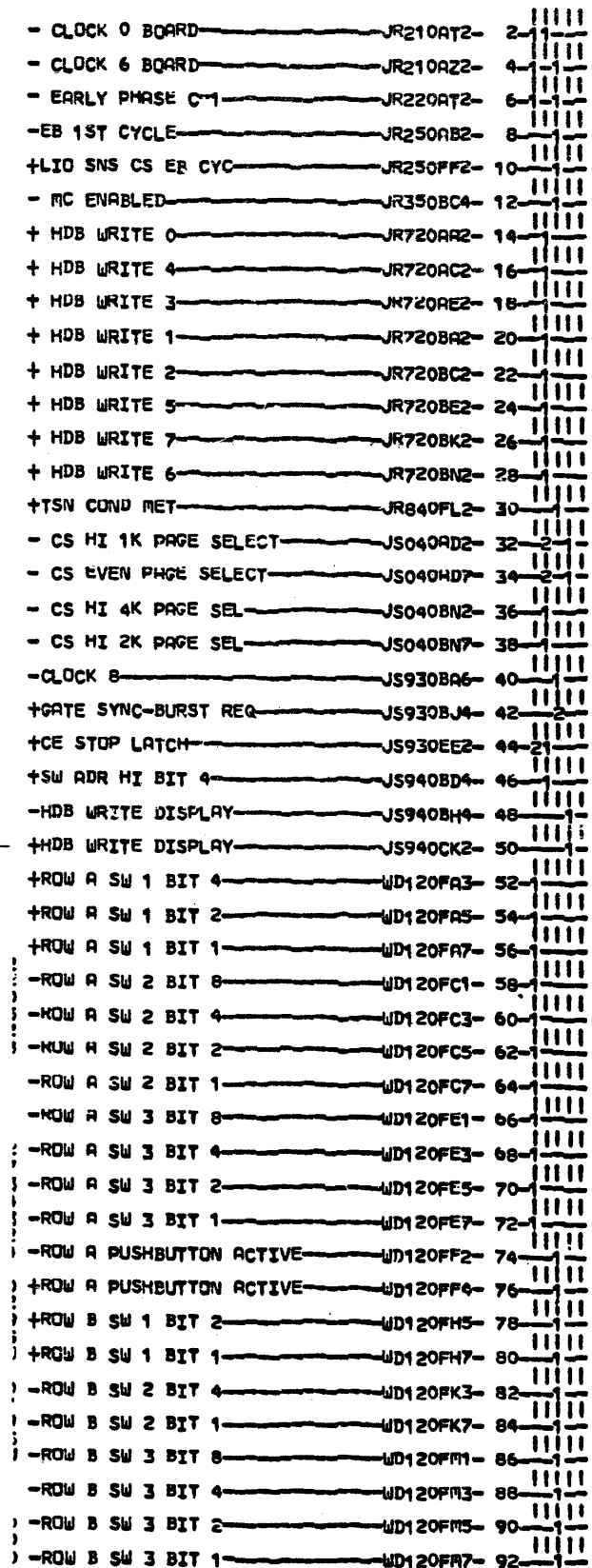
LOC. TYPE  
B-A3H4 Y823  
B-A3J4 Y823  
B-A3K4 Y823

PAGE VER EC LEV  
JS070 000 825022  
JS100 000 825022  
JS200 000 825022  
JS300 000 825022

FET DATA DOTTING			
E.C. HISTORY C1 MACH. IDA-SM15			
DATE	LAST EC	FRAME	01 JS070
06-19-75	825022	IBM CORP. GSD	JS300
P.N. 4234371		000	

JS070  
JS300  
000

1  
2  
3  
4  
5  
6  
7  
8  
9  
10  
11  
12  
13  
14  
15  
16  
17  
18  
19  
20  
21  
22  
23  
24  
25  
26  
27  
28  
29  
30  
31  
32  
33  
34  
35  
36  
37  
38  
39  
40  
41  
42  
43  
44  
45  
46  
47  
48  
49  
50  
51  
52  
53  
54  
55  
56  
57  
58  
59  
60  
61  
62  
63  
64  
65  
66  
67  
68  
69  
70  
71  
72  
73  
74  
75  
76  
77  
78  
79  
80  
81  
82  
83  
84  
85  
86  
87  
88  
89  
90  
91  
92  
93  
94  
95  
96  
97  
98  
99  
100



LOC. TYPE  
B-A3P2 #82

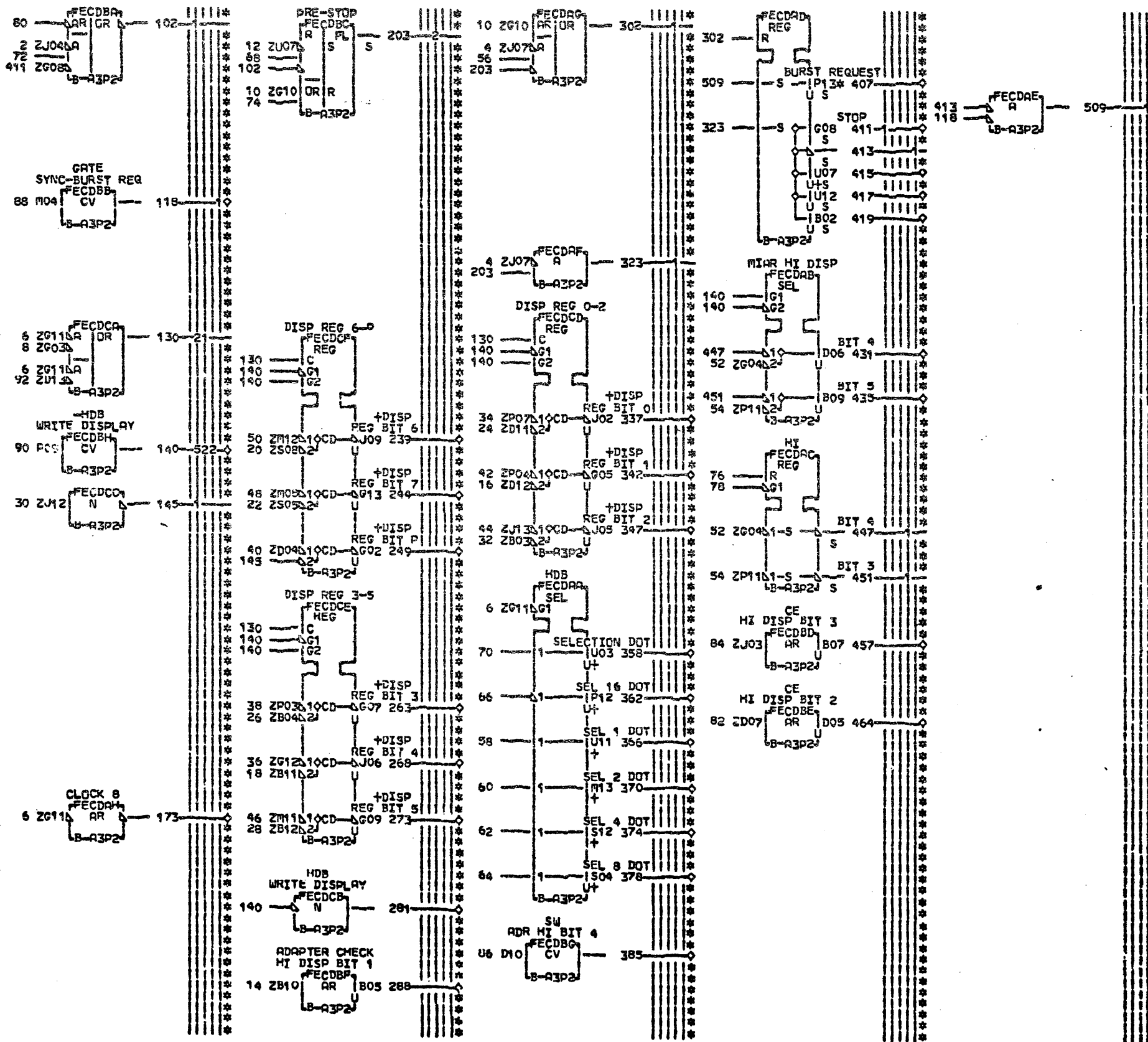
PAGE VER EC LEV  
JS910 000 825022  
JS920 000 825022

CE CARD			
E.C. HISTORY	C. NACH. IDA-SM15	FRAME 01	JS910
DATE LAST EC	IBR CORP. GSD		JS920
06-19-78 825022	P.N. 4234372		000

1 JS910  
JS920  
000

- CLOCK 0 BOARD JR210AT2- 2  
 - CLOCK 6 BOARD JR210AZ2- 4  
 - CLOCK 8 BOARD JR220AS5- 6  
 - EARLY PHASE C-1 JR220AT2- 8  
 + ATTACH SYS OR DISABLE RESET JR350AG2- 10  
 - MC ENABLED JR350BC4- 12  
 + ADAPTER CHECK DOT JR510BC4- 14  
 +HDB-EXT READ BUS BIT 1 JR640DP2- 16  
 +HDB-EXT READ BUS BIT 4 JR640DE2- 18  
 +HDB-EXT READ BUS BIT 6 JR640DH2- 20  
 +HDB-EXT READ BUS BIT 7 JR640DM2- 22  
 +HDB-EXT READ BUS BIT 0 JR640FA2- 24  
 +HDB-EXT READ BUS BIT 3 JR640FE2- 26  
 +HDB-EXT READ BUS BIT 5 JR640FH2- 28  
 -HDB-EXT READ BUS BIT P JR640FM6- 30  
 +HDB-EXT READ BUS BIT 2 JR640GC2- 32  
 + HDB WRITE 0 JR720AA2- 34  
 + HDB WRITE 4 JR720AC2- 36  
 + HDB WRITE 3 JR720AE2- 38  
 + HDB WRITE P JR720AF4- 40  
 + HDB WRITE 1 JR720BA2- 42  
 + HDB WRITE 2 JR720BC2- 44  
 + HDB WRITE 5 JR720BE2- 46  
 + HDB WRITE 7 JR720BK2- 48  
 + HDB WRITE 6 JR720BN2- 50  
 - CS HI 4K PAGE SEL JS040BN2- 52  
 - CS HI 2K PAGE SEL JS040BN7- 54  
 -RESTART MC JS910AE4- 56  
 -SELECTION BIT 1 JS910AJ4- 58  
 -SELECTION BIT 2 JS910BJ4- 60  
 -SELECTION BIT 4 JS910CJ4- 62  
 -SELECTION BIT 8 JS910DJ4- 64  
 -HI HDB EXT DISPLAY JS910EJ4- 66  
 +STOP ATTACH ON MATCH JS910FE4- 68  
 -EXT DISPLAY JS910FJ4- 70  
 +SINGLE CYCLE M.C. JS910GA4- 72  
 +RESTART MC JS910GE4- 74  
 +RST ADR HI JS920CE2- 76  
 -SET ADR HI BITS JS920DG6- 78  
 -ADDRESS MATCH JS920EM6- 80  
 +CE DISP INPUT BIT 2 JS930001- 82  
 +CE DISP INPUT BIT 3 JS930002- 84  
 +ROW A SW 1 BIT 8 WD120FA1- 86  
 +ROW B SW 1 BIT 4 WD120FA3- 88  
 -ROW B SW 2 BIT 2 WD120FK5- 90  
 + CHAN CLOCK RUN WD210BK7- 92

EDGE CONN.  
407 B-A3V3B08  
01B-A3J5B08



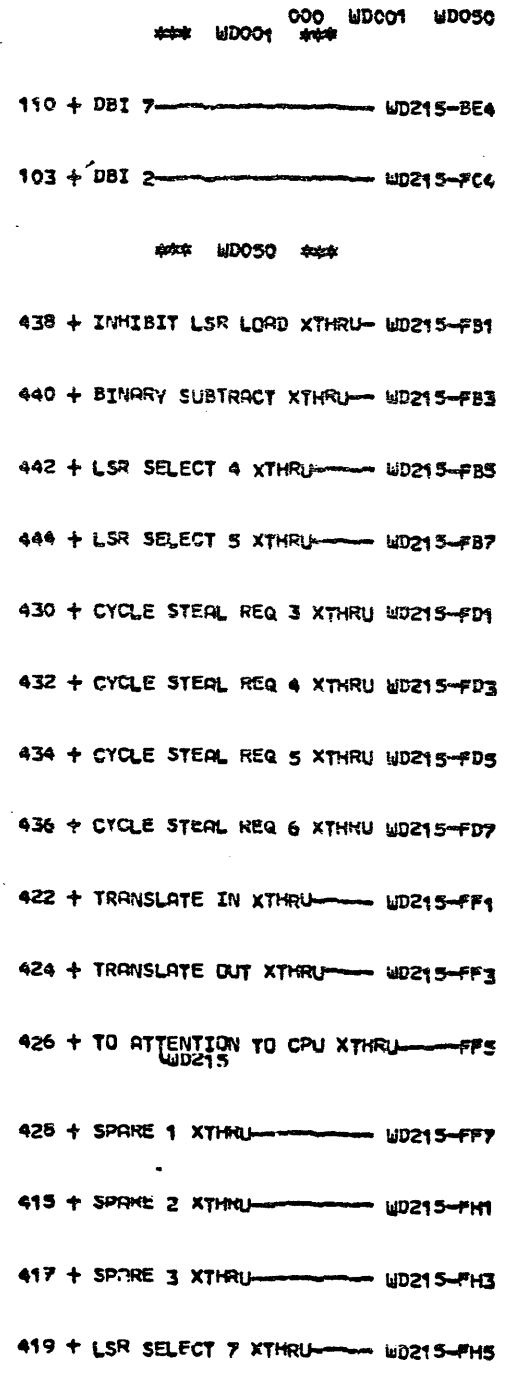
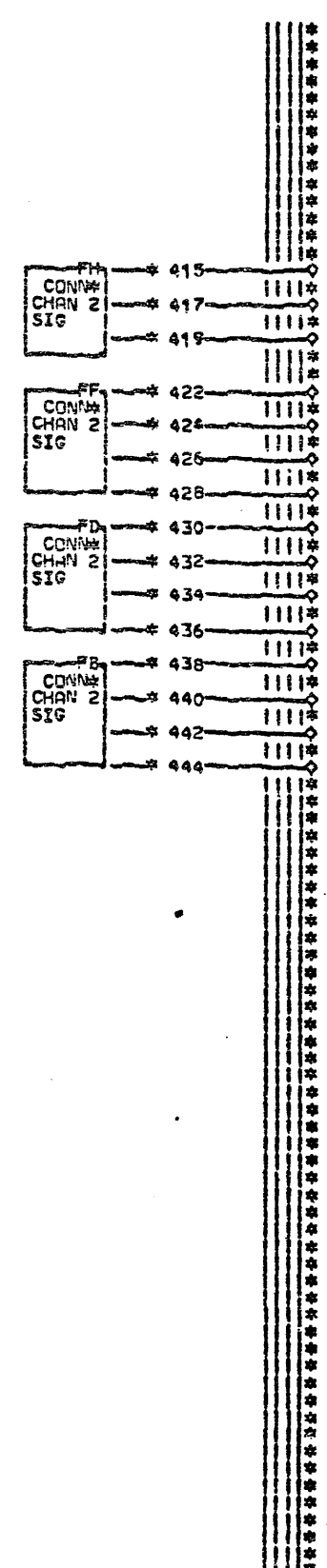
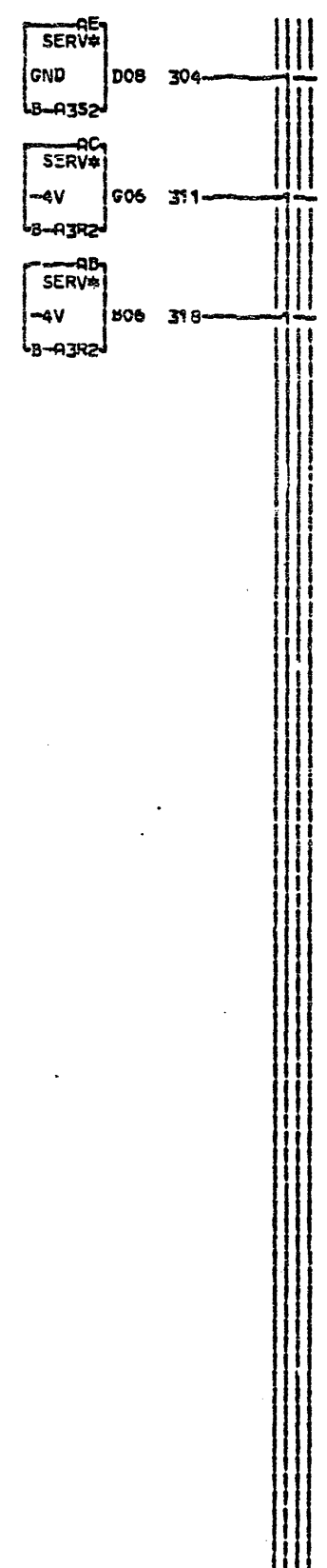
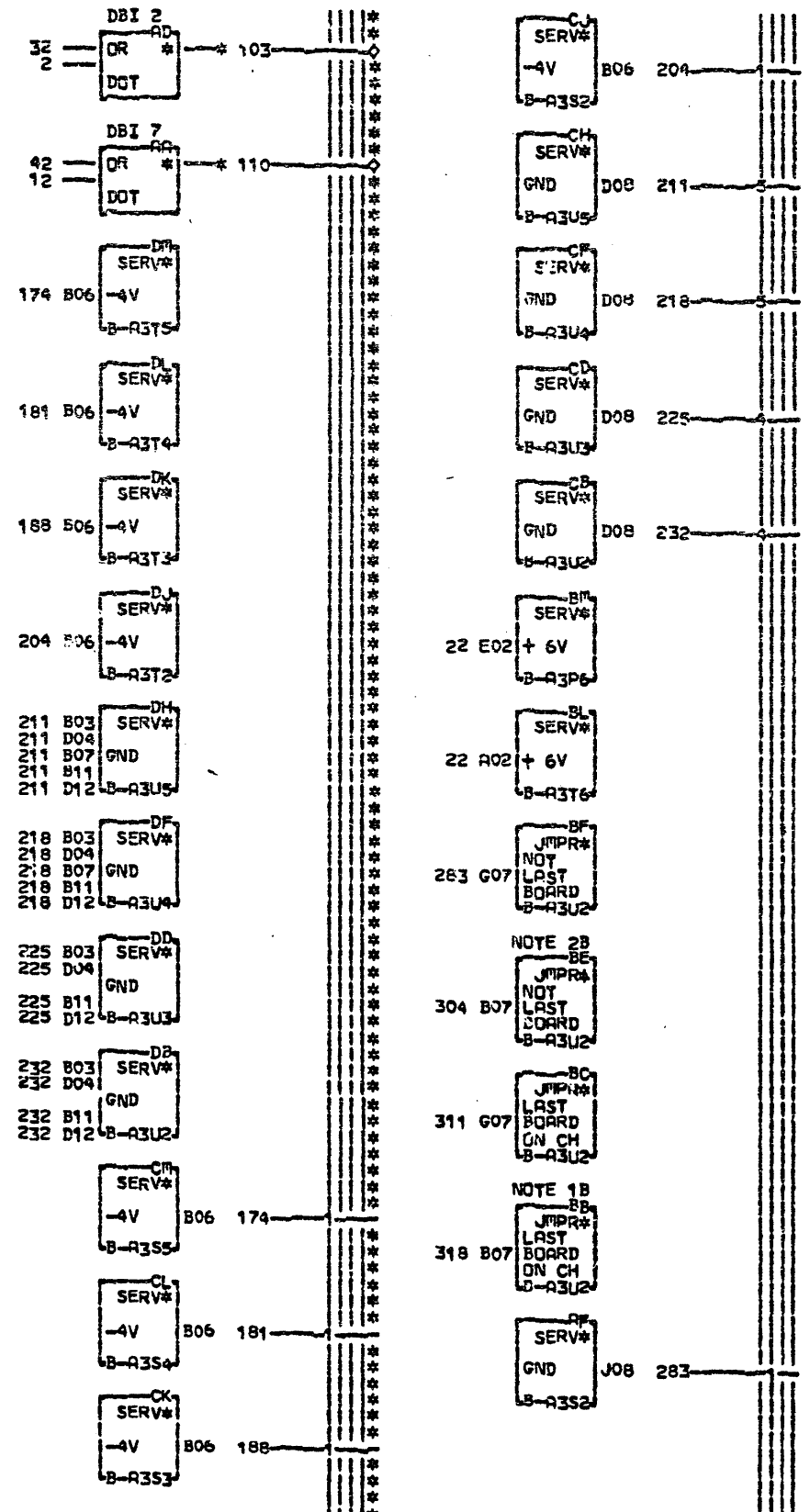
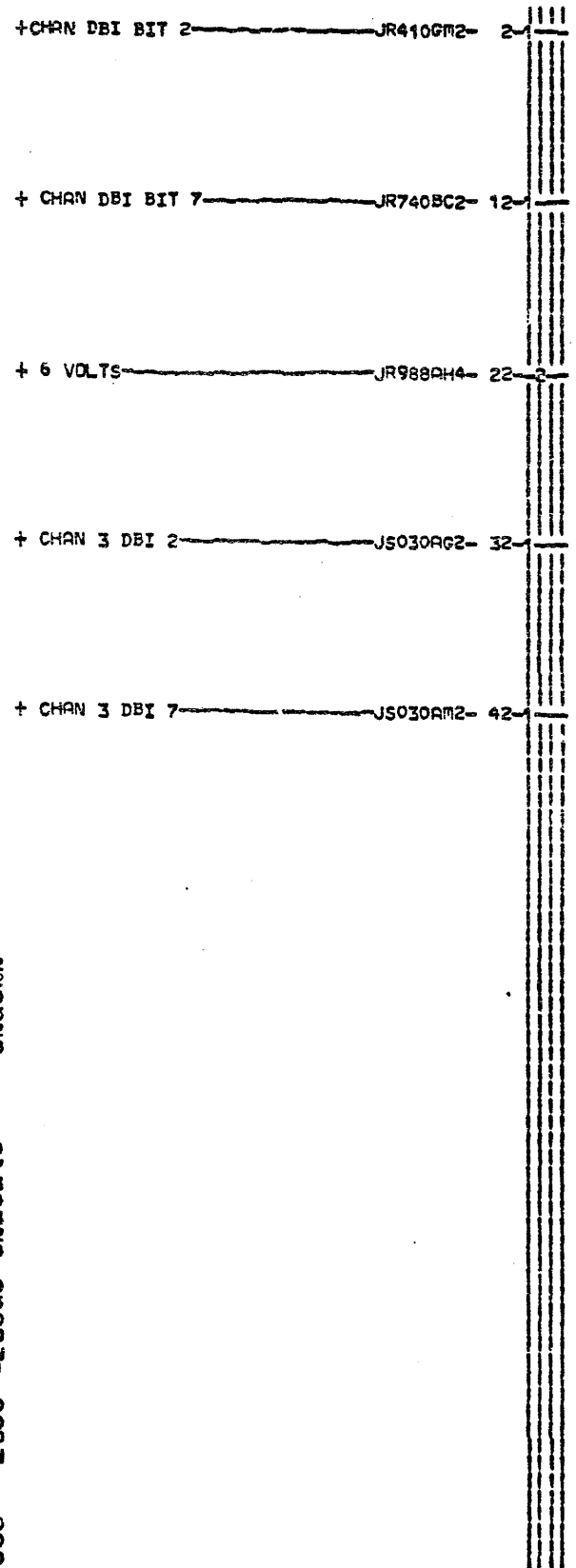
LOC. TYPE  
B-A3P2 A#82

PAGE VER EC LEV  
JS930 000 825022  
JS940 000 825022

\*\*\* JS930 \*\*\*  
 173 -CLOCK 8 JS920-BA6  
 118 +GATE SYNC-BURST REQ JS920-BJ4  
 378 +HDB SEL 8 DOT JR810-EA2  
 374 +HDB SEL 4 DOT JR810-EC2  
 411 +CE STOP LATCH JR230 JR340 JS920  
 457 +CE HI DISP BIT 3 WD110-EL6  
 362 +HDB SEL 16 DOT JR810-FA2  
 370 +HDB SEL 2 DOT JR810-FC2  
 415 +DOT OFF MC ENABLED JR350-FE2  
 407 +BURST REQUEST TO CPU WD215-FG2  
 464 +CE HI DISP BIT 2 WD110-FJ6  
 431 +MIAR HI DISP BIT 4 WD110-FL6  
 358 +HDB SELECTION DOT JR810-GA2  
 366 +HDB SEL 1 DOT JR810-GC2  
 417 +DOT DISABLE TIMEOUT GE2  
 419 +ADR STOP MI DISP BIT P WD110-GG6  
 288 +ADAPTER CHECK HI DISP BIT 1 WD110  
 435 +MIAR HI DISP BIT 5 WD110-GL6  
 \*\*\* JS940 \*\*\*  
 385 +SW ADR HI BIT 4 JS920-BD4  
 140 +HDB WRITE DISPLAY JS920-BH4  
 281 +HDB WRITE DISPLAY JS920-CK2  
 337 +DISP REG BIT 0 WD110-FB6  
 342 +DISP REG BIT 1 WD110-FC6  
 347 +DISP REG BIT 2 WD110-FD6  
 263 +DISP REG BIT 3 WD110-FE6  
 268 +DISP REG BIT 4 WD110-FG6  
 273 +DISP REG BIT 5 WD110-FH6  
 239 +DISP REG BIT 6 WD110-FK6  
 244 +DISP REG BIT 7 WD110-FL6  
 249 +DISP REG BIT P WD110-FM6

CE CARD			
-E-C-MISYORY-	C	MACH-IDA-SM15	
	FRAME	01	JS930
DATE	LAST EC	IBM CORP-GSD	JS940
06-15-75	825022	P.No.	4234373 000

1 JS930  
1 JS940  
1 000



NOTE 1 IF THIS IS LAST BOARD ON CHANNEL WIRE R2B06 TO U2B07 AND R2G06 TO U2G07  
 NOTE 2 IF THIS IS NOT LAST BOARD ON CHANNEL WIRE S2D08 TO U2B07 AND S2J08 TO U2G07

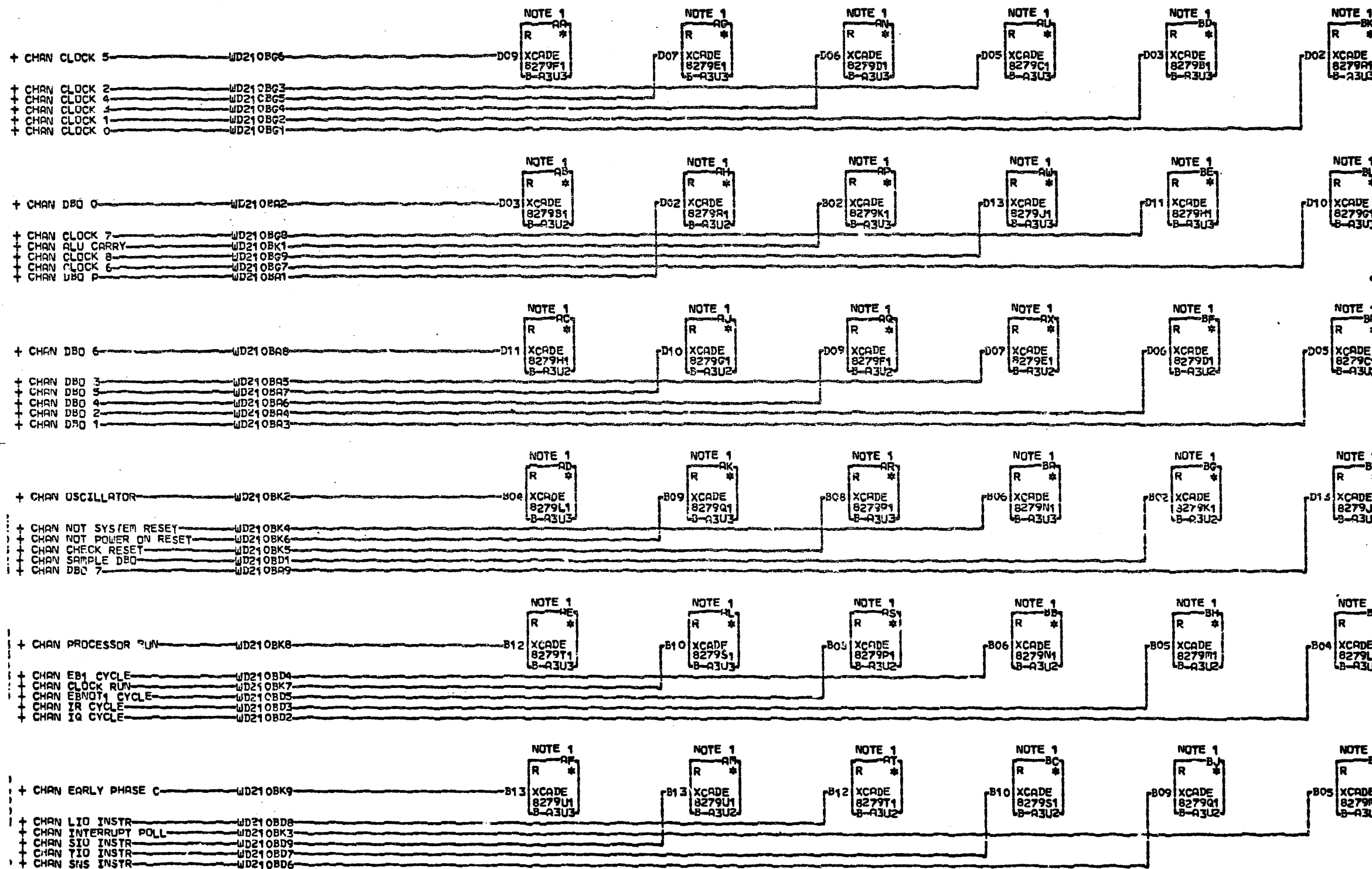
EDGE CONN.	01B-A3U4B13	01B-A3U5D02	01B-A3U4B05
103 B-A3V4D06	422 B-A3V5D11	432 B-A3V5D03	442 B-A3V4B09
01B-A3U4D06	01B-A3U5D11	01B-A3U5D03	01B-A3U4B09
110 B-A3V4D13	424 B-A3V5D13	434 B-A3V5D05	444 B-A3V4B10
01B-A3U4D13	01B-A3U5D13	01B-A3U5D05	01B-A3U4B10
415 B-A3V5B10	426 B-A3V5B02	436 B-A3V5D06	
01B-A3U5B10	01B-A3U5B02	01B-A3U5D06	
417 B-A3V5B12	428 B-A3V5B09	438 B-A3V4B06	
01B-A3U5B12	01B-A3U5B09	01B-A3U4B06	
419 B-A3V4B13	430 B-A3V5D02	440 B-A3V4B05	

LOC. TYPE

PAGE VER EC LEV  
 WD001 000 825022  
 WD050 000 825022

CHANNEL BANK BOARD SERVICE CONNECTIONS			
E.C. HISTORY		C.MACH. I.D.A. S.M.15	
DATE	LAST EC	FRAME	01 WD001
06-27-71	825022	IBM CORP. GSD	WD050
		P.N. 4234374	000



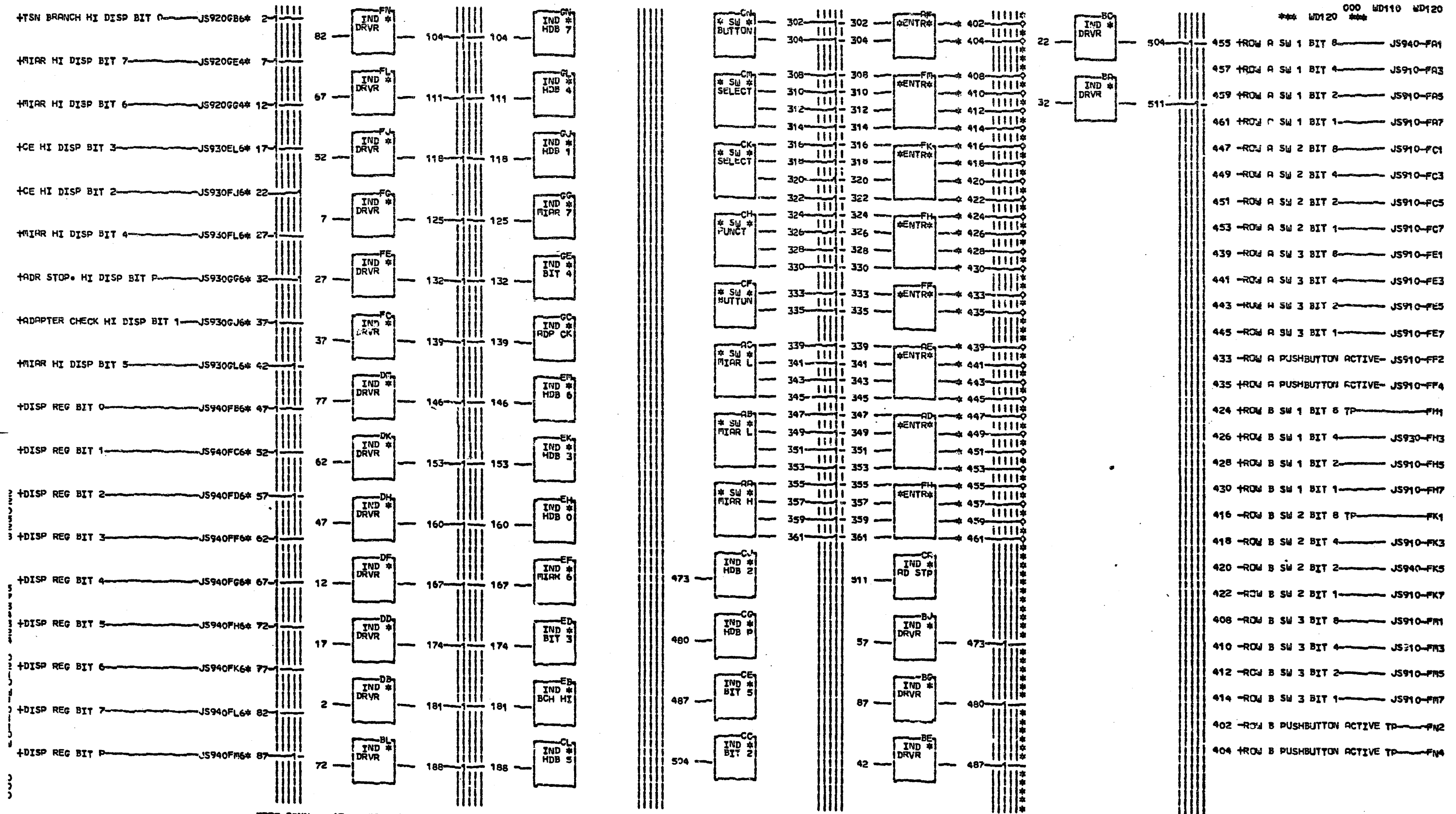


NOTE 1 CARD 5808279 WILL BE IN SOCKETS U2 AND U3 WHEN THIS BOARD IS THE ONLY OR LAST D FEATURE ON CHANNEL 2 0 OTHERWISE 6 CABLES WILL BE IN SOCKETS 0 U2-U3-U4-U5

LOC. TYPE

CHANNEL BANK TERMINATORS	
E.C.-HISTORY	0 MACH. IDA-SR15
	#FRAME 01
	IBM CORP. GSD
DATE LAST EC	P.N. 4234338
06-19-75 823022	

000000

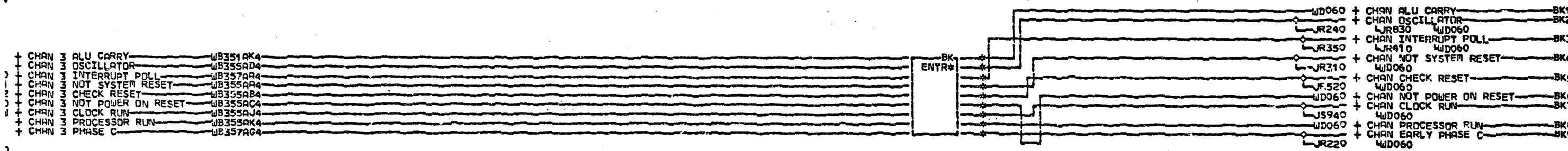
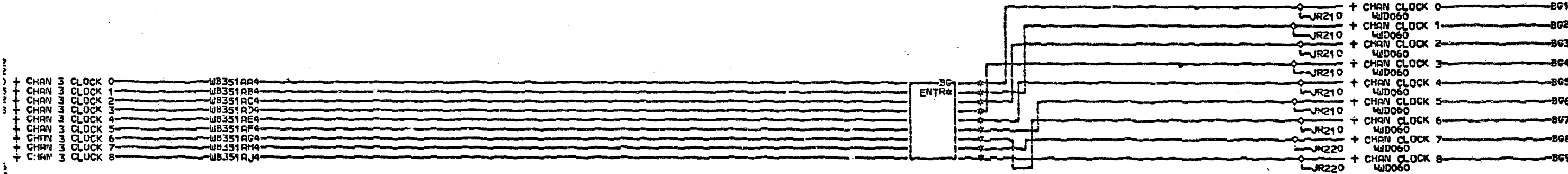
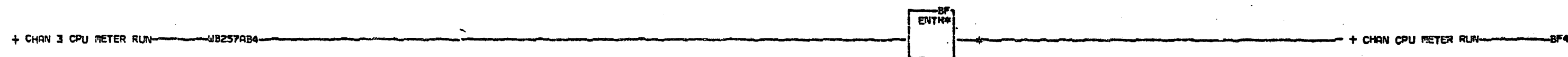
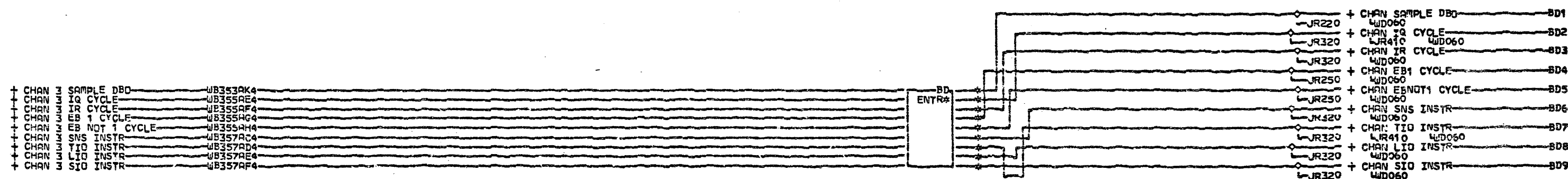
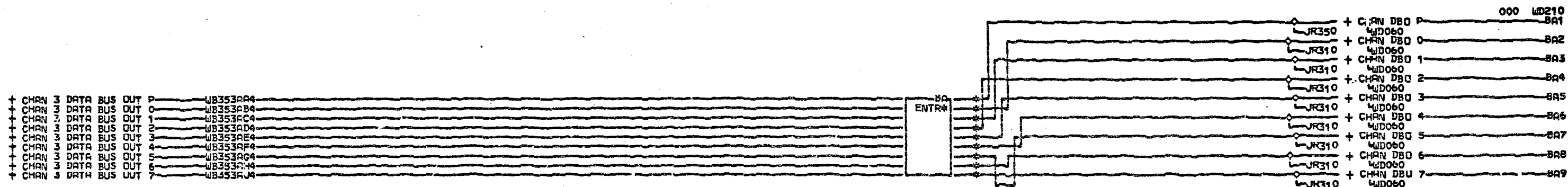


EDGE CONN.	47 B-A3S6A02	404 B-A3H6A04	426 B-A3J6C04	449 B-A3N6E02
2 B-A3V6B02	52 B-A3R6C04	408 B-A3H6D02	428 B-A3K6A04	451 B-A3M6C02
7 B-A3T6A04	57 B-A3R6C02	410 B-A3H6D04	430 B-A3K6B04	453 B-A3N6A04
17 B-A3T6E02	62 B-A3R6B04	412 B-A3H6C04	433 B-A3L6D02	455 B-A3N6B04
17 B-A3U6C04	67 B-A3R6B02	414 B-A3J6D02	435 B-A3L6D04	457 B-A3N6D04
22 B-A3U6D02	72 B-A3Q6V04	416 B-A3J6B04	439 B-A3M6B02	459 B-A3N6D04
27 B-A3U6C02	77 B-A3Q6V02	418 B-A3K6B02	441 B-A3M6B04	461 B-A3N6E04
32 B-A3V6B04	82 B-A3P6E04	420 B-A3H6E02	443 B-A3M6A04	
37 B-A3U6D04	87 B-A3S6A04	422 B-A3J6C02	445 B-A3N6B02	
42 B-A3T6E04	402 B-A3H6A02	424 B-A3J6D04	447 B-A3N6E04	

LOC. TYPE PAGE VER EC LEV  
 WD110 000 825022  
 WD120 000 825022

CE CONTROLS AND INDICATORS			
E-C-HISTORY	C-MACH-IDR-SM15	FRAME	01 WD110
DATE	L-IST EC	IBM CORP.GSD	WD120
06-18-75	J25022	P.No	4234375 000

WD110  
 WD120  
 000



BA1 B-A3V2D02	01B-A3U2D07	BD1 B-A3V2B02	01B-A3U2B08	BF4 B-A3V5B13	01B-A3U3D06	BG9 B-A3V3D13	01B-A3U3B06	BK9 B-A3V3B13
01B-A3U2D02	BA6 B-A3V2D09	01B-A3U2B02	BD6 B-A3V2B09	01B-A3U5B13	BG5 B-A3V3D07	01B-A3U3D13	BK5 B-A3V3B08	01B-A3U3B13
BA2 B-A3V2D03	01B-A3U2D09	BD2 B-A3V2B04	01B-A3U2B09	BG1 B-A3V3D02	01B-A3U3D07	BK1 B-A3V3B02	01B-A3U3B08	
01B-A3U2D03	BA7 B-A3V2D10	01B-A3U2B04	BD7 B-A3V2B10	01B-A3U3D02	BG6 B-A3V3D09	01B-A3U3B02	BK6 B-A3V3B09	
BA3 B-A3V2D05	01B-A3U2D10	BD3 B-A3V2B05	01B-A3U2B10	BG2 B-A3V3D03	01B-A3U3D09	BK2 B-A3V3B04	01B-A3U3B09	
01B-A3U2D05	BA8 B-A3V2D11	01B-A3U2B05	BD8 B-A3V2B12	01B-A3U3D03	BG7 B-A3V3D10	01B-A3U3B04	BK7 B-A3V3B10	
BA4 B-A3V2D06	01B-A3U2D11	BD4 B-A3V2B06	01B-A3U2B12	BG3 B-A3V3D05	01B-A3U3D10	BK3 B-A3V3B05	01B-A3U3B10	
01B-A3U2D06	BA9 B-A3V2D13	01B-A3U2B06	BD9 B-A3V2B13	01B-A3U3D05	BG8 B-A3V3D11	01B-A3U3B05	BK8 B-A3V3B12	
BA5 B-A3V2D07	01B-A3U2D13	BD5 B-A3V2B08	01B-A3U2B13	BG4 B-A3V3D06	01B-A3U3D11	BK4 B-A3V3B06	01B-A3U3B12	

LOC. TYPE

CHANNEL ENTRY	
E.C.-HISTORY	C-MACH. I.D.A-SM15
DATE	LAST EC
06-19-75	825022
IP No.	4234376

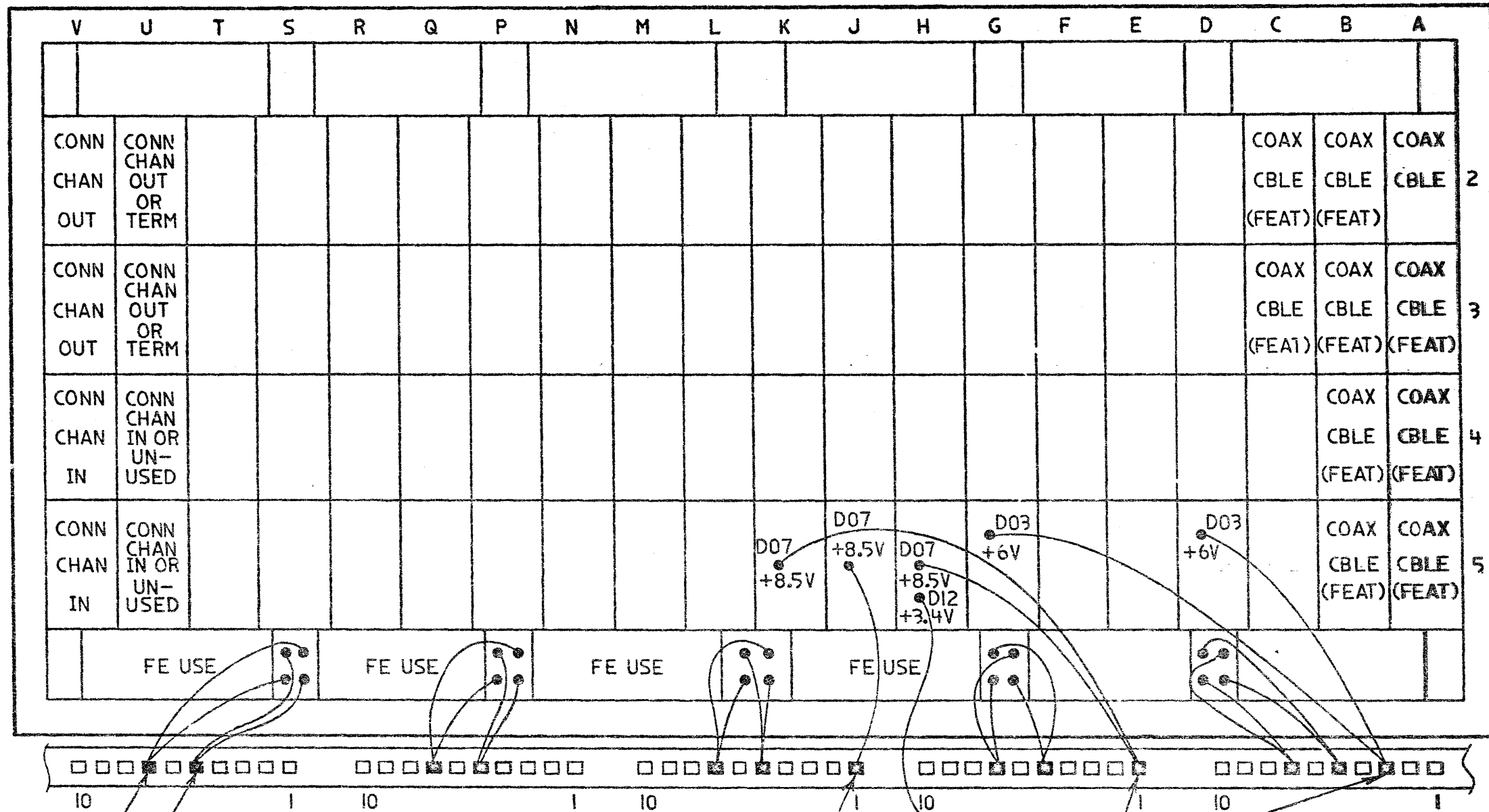
5  
1  
0  
000



4234269

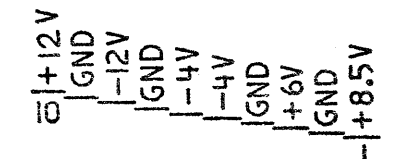
Z A 2 1 3

PIN SIDE VIEW



B06 -4V  
B08 REF  
D08 GND

817421(5) JUMPER ASM-GND  
817420(5) JUMPER ASM-4V



REF-VOLTAGE BUS

REF BUS VOLTAGE (-4V)

EC HISTORY		DRAWING TITLE	
23MAY75	825000	CONN.CHART BOARD 01B -A3	
02OCT75	825031	MACH DA-SM15 ATTACHMENT	
12FEB76	825034	PART NO 4234269	
C	CLASSIFICATION		IBM CORP

Z  
A  
2  
1  
3

Z  
A  
2  
1  
3