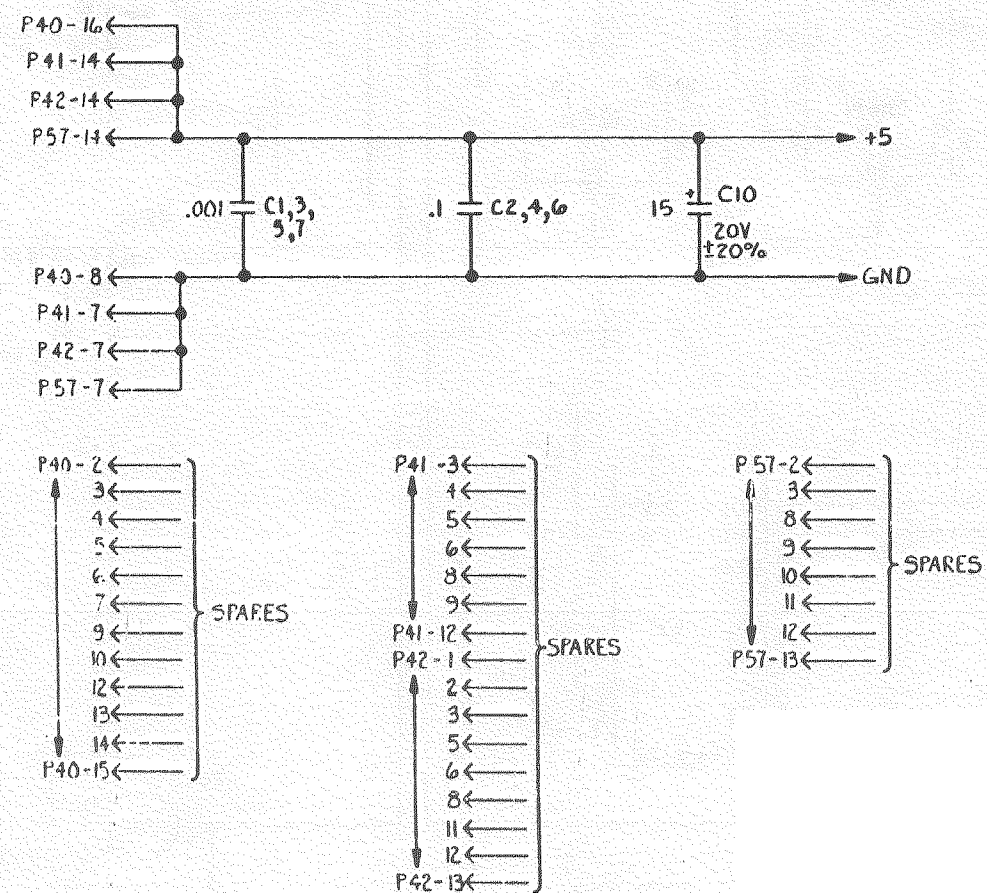


THIS DRAWING CONTAINS INFORMATION WHICH IS THE PROPRIETARY PROPERTY OF INTEL CORPORATION. THIS DRAWING IS RECEIVED IN CONFIDENCE AND ITS CONTENTS MAY NOT BE DISCLOSED OUTSIDE THE FIELD OR TO ANY OTHER COMPANY OF INTEL CORPORATION.

DEVICE TABLE

REFERENCE DESIGNATOR	DEVICE TYPE	POWER PINS		UNUSED LOGIC ELEMENT OUTPUT PINS
		GND	-5V	
U7	74132	7	14	U7-6
U2	74157	8	16	
U3,11	74574	7	14	U8-8,9
U4,10	745112	8	16	
U12	745124	9	16	
U5	741501	7	14	
U6	741502	7	14	
U9	7432	7	14	U9-8,11
U3	7415393	7	14	
U1	5/02	8	16	
RP1	2.2K			RP1-5,6,8

REVISIONS					
REV	DESCRIPTION	DFT	DATE	CHK	DATE
A	ECO 14-1188	D	5-26-66	J. J. H.	6/2/66

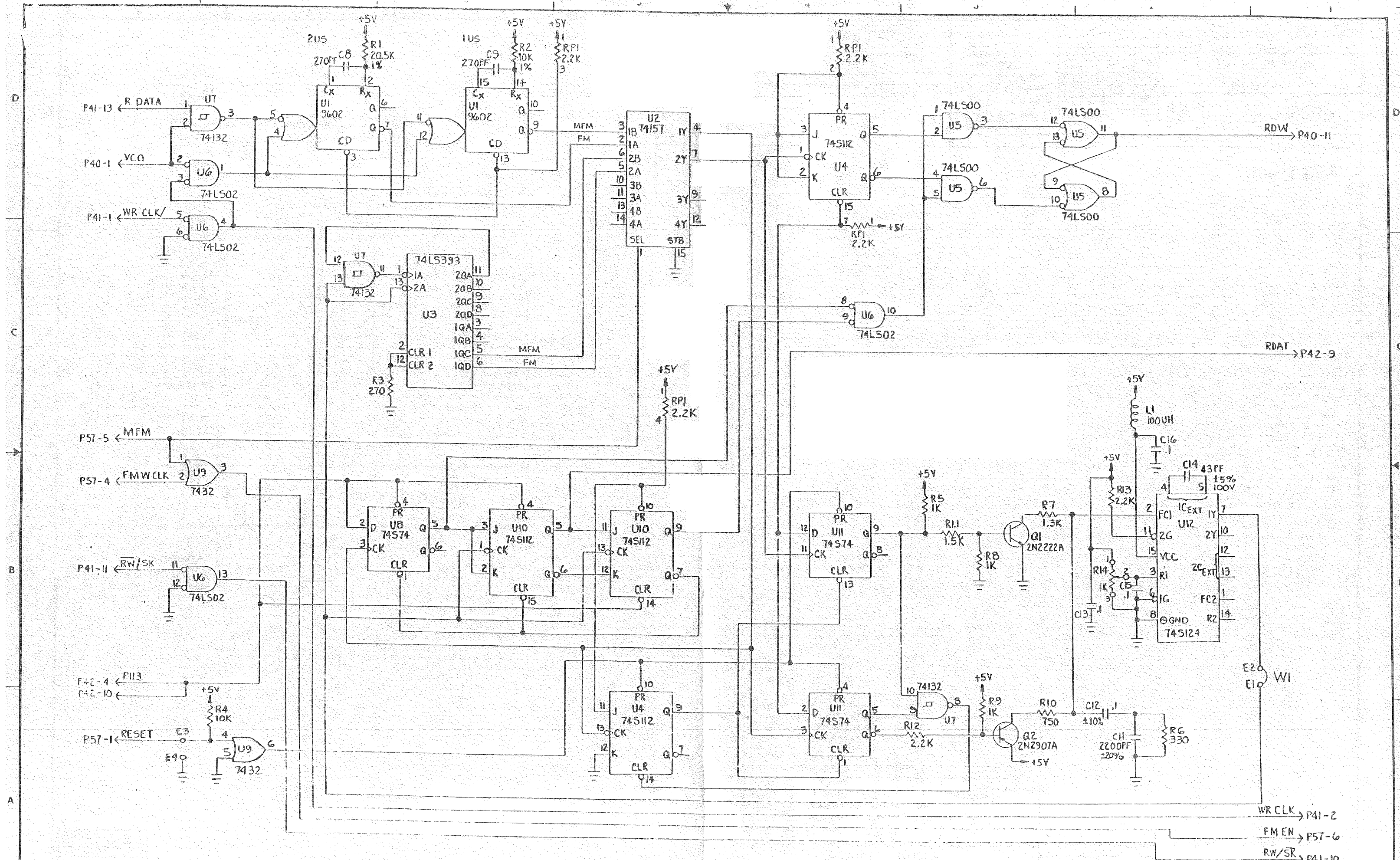


- NOTES: UNLESS OTHERWISE SPECIFIED
1. ALL CAPACITOR VALUES ARE IN MICROFARADS, +80%, -20%, 50V.
 2. ALL RESISTOR VALUES ARE IN OHMS, 1/4W, 5%.

P57	P1-P39
W2	P43-P56
RP1	
E4	
L1	
Q2	
C16	
R14	
U12	
LAST USED	NOT USED
REF DESIGNATOR	

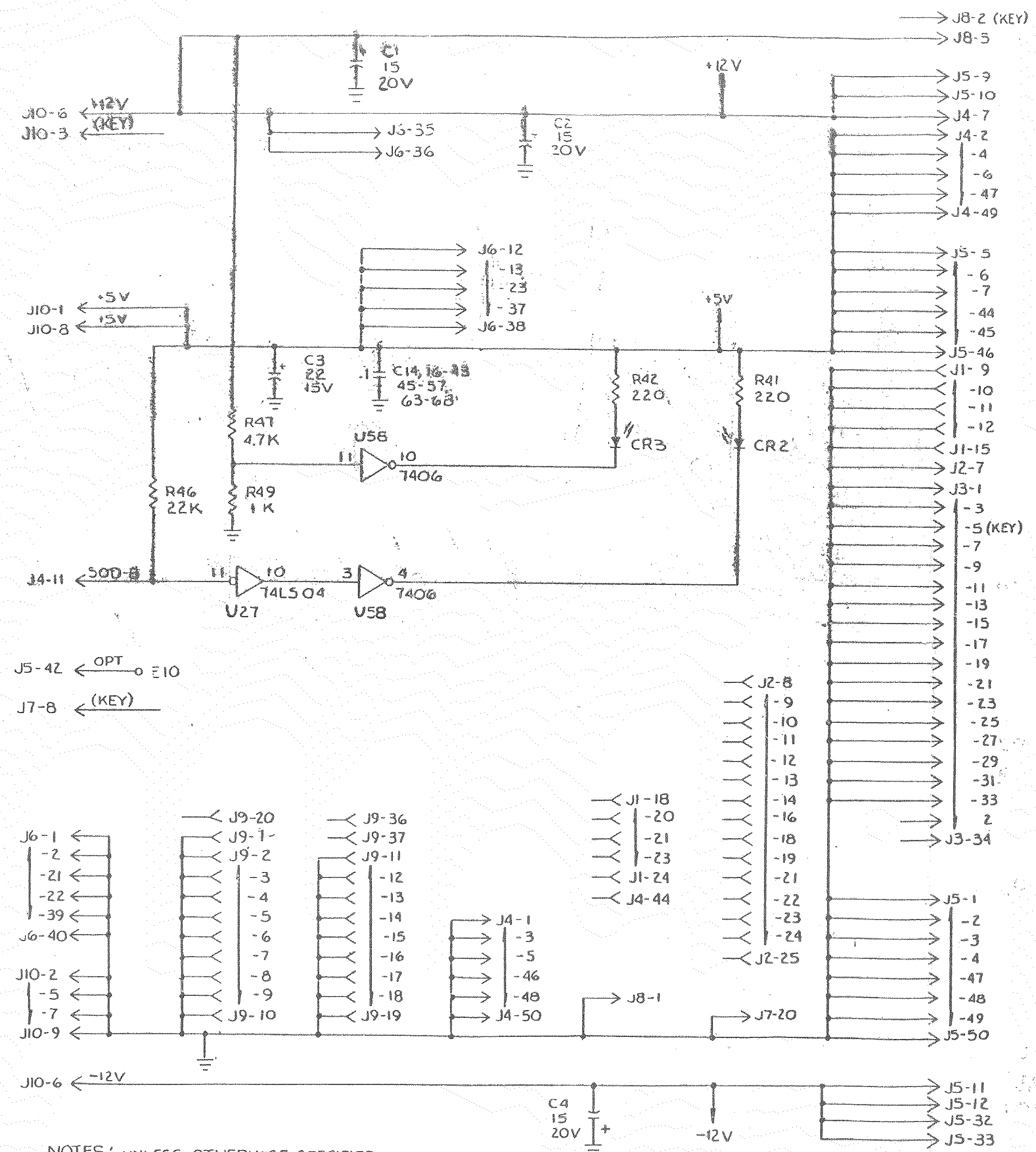
1631060-001
ASSEMBLIES USING
THIS SCHEMATIC

QUANTITY PER DASH NO.		ITEM NO.		DESCRIPTION	
UNLESS OTHERWISE SPECIFIED:		SIGNATURE		DATE	
1. DIMENSIONS ARE IN INCHES.		DRN BY R. J. [Signature]		5-26-66	
2. BREAK ALL SHARP EDGES.		CHK BY K. J. [Signature]		6-21-66	
3. DO NOT SCALE DRAWING.		ENGR APVD D. C. [Signature]		6-21-66	
4. TOLERANCES:		APVD		APVD	
ANGLES ±		APVD		APVD	
XX ±					
XXX ±					
				MASTER 3065 BOWERS AVE SANTA CLARA CALIF. 95051	
SCHEMATIC, DATA SEPARATOR				TITLE	
SIZE	DCLC	CL CODE	PLSE LVL	DOCUMENT NUMBER	REV
D	14	0100		16310602	A
SCALE					SHEET 1 OF 2



MASTER

ALL INFORMATION CONTAINED HEREIN IS RECEIVED IN CONFIDENCE AND ITS DISCLOSURE IS UNLAWFUL WITHOUT THE WRITTEN CONSENT OF INTEL CORPORATION



NOTES: UNLESS OTHERWISE SPECIFIED
 1. ALL RESISTOR VALUES ARE IN OHMS, 1/4W, 5%.
 2. ALL CAPACITOR VALUES ARE IN MICROFARADS, 50V, +80% -20%
 3. ONLY ONE OF THESE THREE INSTALLED AT U24 2764 PINS IN ()

REFERENCE DESIGNATOR	DEVICE TYPE	QTY	POWER PINS		
U53	7406	7	14		
U60, 61, 79, 70	7438	7	14		
U51	7486	7	14		
U4	74196	7	14		
U5, 54, 62	74504	7	14		
U31, 39, 59	74LS00	7	14		
U68	74LS02	7	14		
U27, 48, 53, 59	74LS04	7	14		
U30, 52	74LS08	7	14		
U66	74LS11	7	14		
U45	74LS14	7	14		
U22, 36, 47, 67	74LS32	7	14		
U28, 65	74LS74	7	14		
U64	74LS112	8	16		
U6, 46	74LS125	7	14		
U29	74LS132	7	14		
U26	74LS138	8	16		
U19	74LS139	8	16		
U34	74LS153	8	16		
U21	74LS257	8	16		
U1, 63	74LS161	8	16		
U33	74LS166	8	16		
U35	74LS175	8	16		
U18	74LS193	8	16		
U44	74LS244	10	20		
U11, 37	74LS245	10	20		
U50	74LS273	10	20		
U9, 38, 55, 81	74LS373	10	20		
U2, 49	74LS393	7	14		
U17	75188	7	14	14	1
U15, 16	75189A	7	14		
U7, 80	2168	10	20		
U71-78	2164A	16	8		
U8, 32	2716-1	12	24		
U24	SEE NOTE 3	2716/2732/2764	12	24	
			14	28	
U3, 23	8085A-2	20	40		
J56	8202A	20	40		
U14	8251A	4	26		
U25	8253-5	12	24		
U12, 13, 43	8255A-5	7	26		
U10	8272	20	40		
U20	8275	20	40		
J41, 42, 57	SOCKET	7	14		
U40	SOCKET	3	16		

REV	DESCRIPTION	DFT	DATE	CHK	DATE	APVD	DATE
A	ECO 1A-2046	MBATES	7-7-83		7/8/83	JLL	7/11/83

REF DESIGNATOR	TYPE	REF DES	QTY
B1			
W9			
J15			
E37		E 32, 33, 34, 35	
CR6		CR1	
Y2			
C68		C12, 13, 15, 44, 5, 59	
RP3			
R71		R6, 11, 54, 64	
U81			
LAST USED NOT USED			

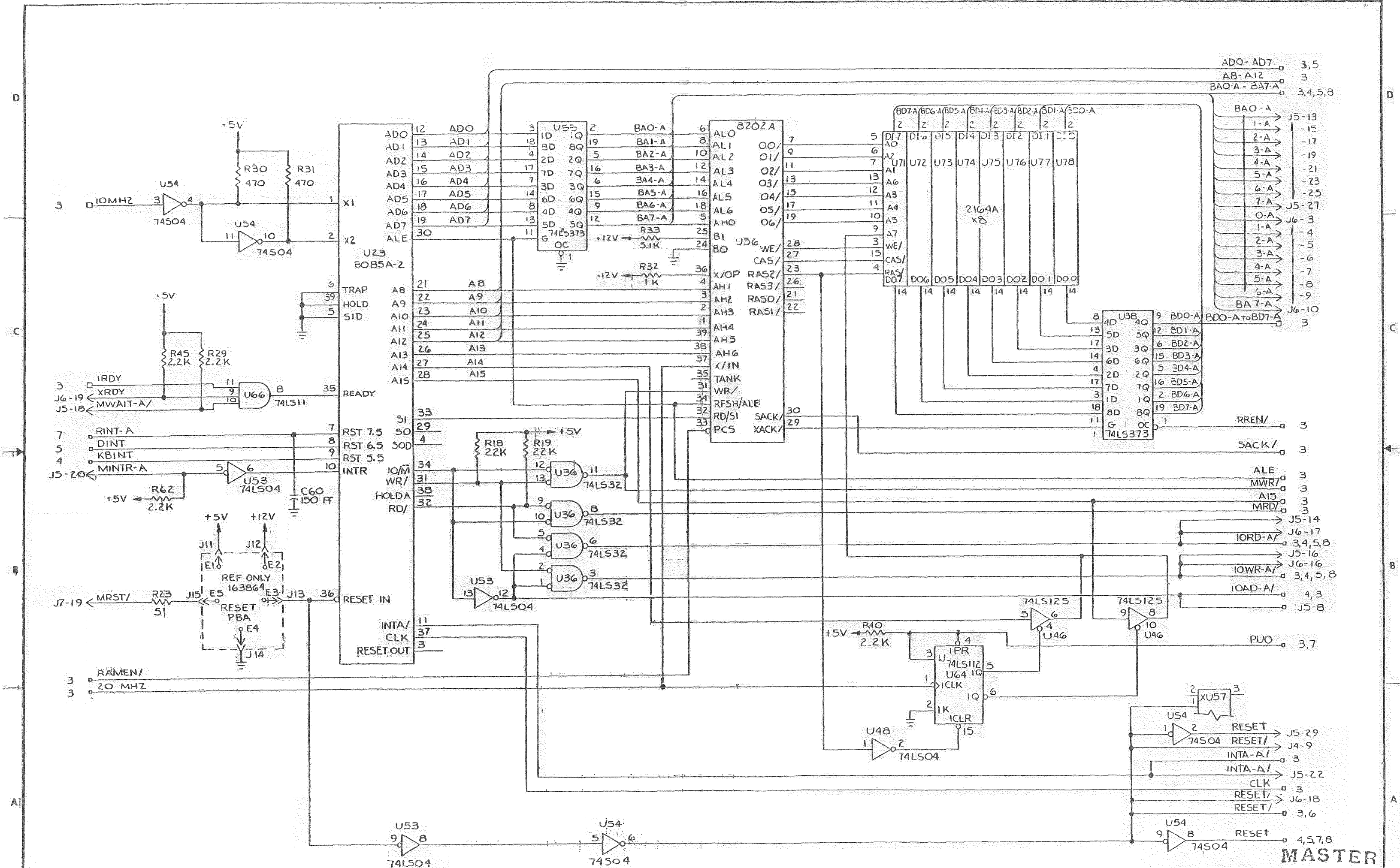
REF DESIGNATOR	TYPE	REF DES	QTY
75188		U17	1
74LS393		U49	1
74LS08		U30	1
75189A		U16	3
74LS153		U34	1
74LS125		U6, 46	7, 1
74LS04		U53	1
74LS00		U6, 9	1
74504		U62	1
74LS02		U68	1
7406		U58	1

163197-005
 ASSEMBLIES USING THIS SCHEMATIC

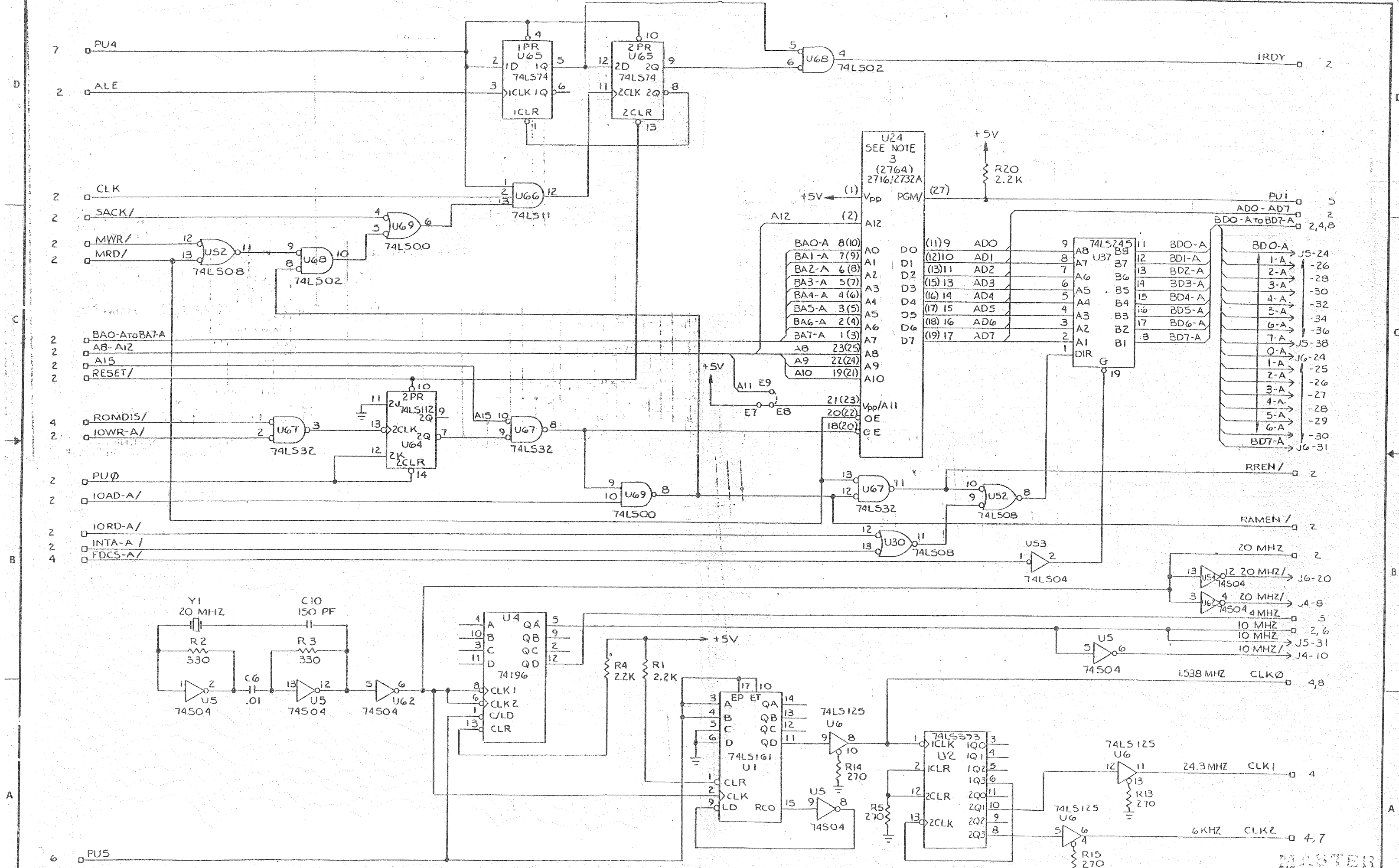
ITEM NO.	DESCRIPTION
	UNLESS OTHERWISE SPECIFIED:
	1. DIMENSIONS ARE IN INCHES.
	2. BREAK ALL SHARP EDGES.
	3. DO NOT SCALE DRAWING.
	4. TOLERANCES:
	ANGLES ±
	XXX ±
	XXX ±

SIGNATURE	DATE		3065 BOWERS AVE SANTA CLARA CALIF. 95051
DRN BY MBATES	7-7-83		
CHK BY	DATE	TITLE	
ENGR	7/8/83	SCHEMATIC, BASE PROCESSOR	
APVD	DATE	SIZE	DCL C
APVD		D 14	0100
		CL CODE	RLSE LVL
		DOCUMENT NUMBER	REV
		164572	A
		SCALE	SHEET 1 OF 8

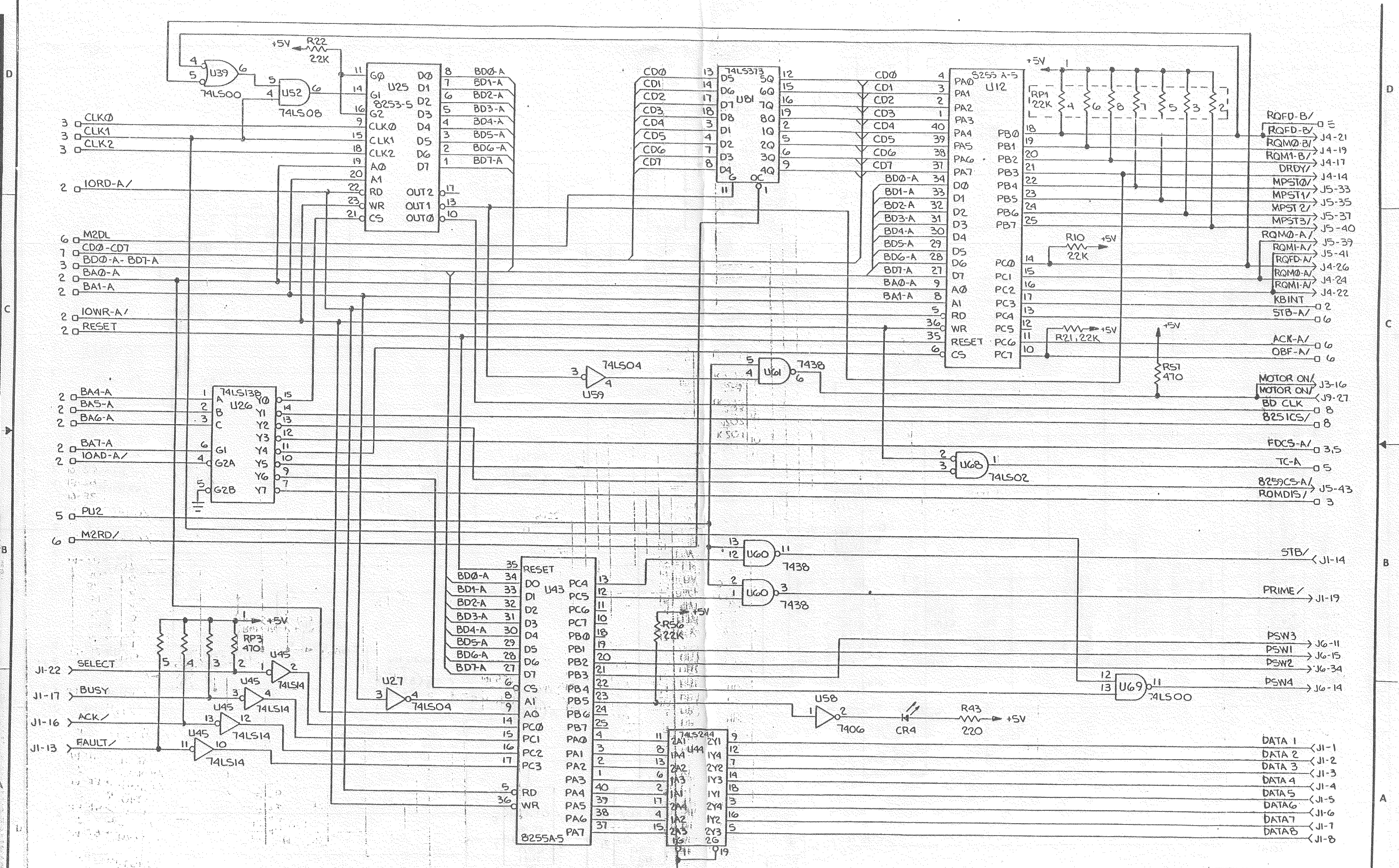
MASTER

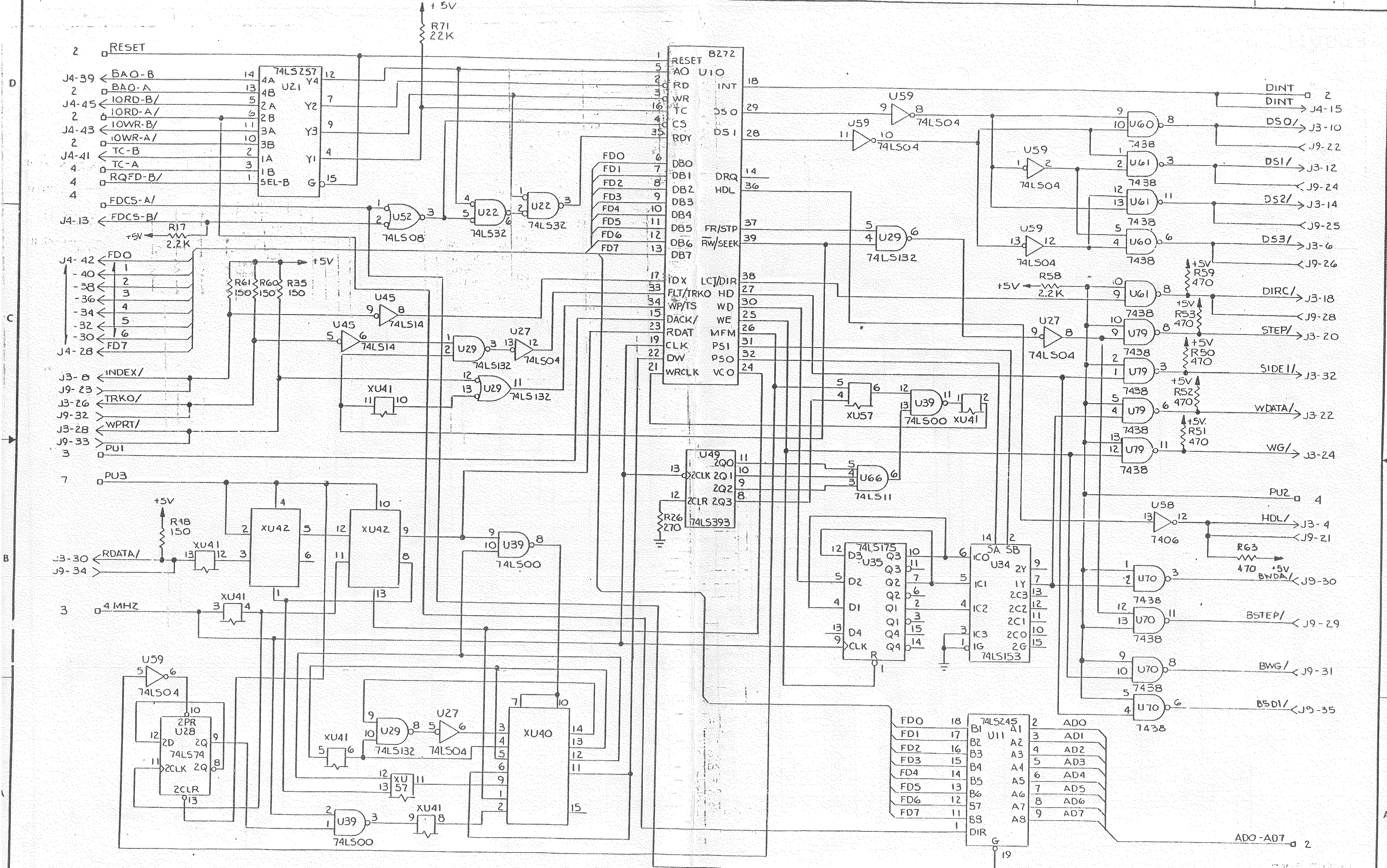


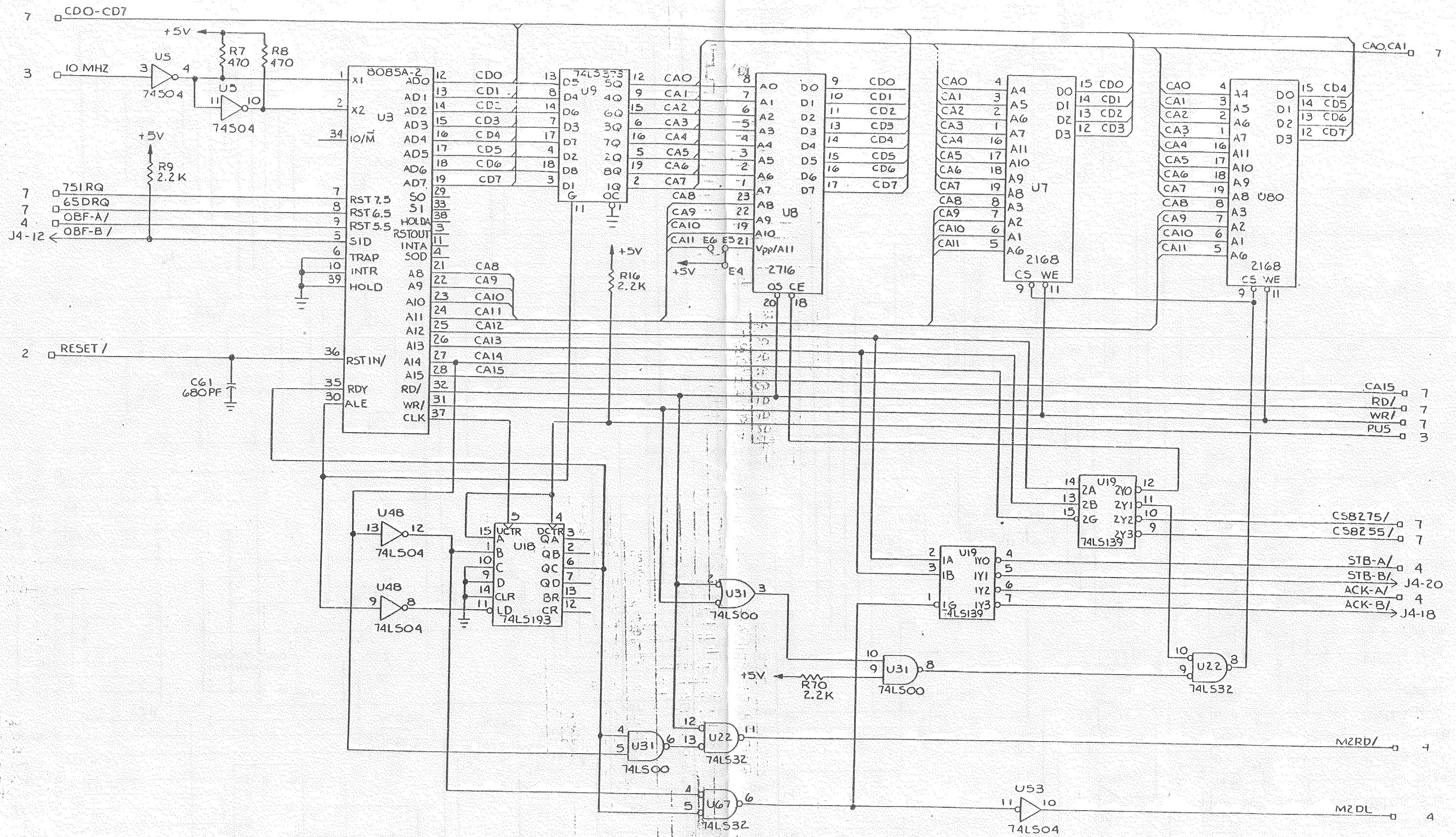
MASTER



MASTER

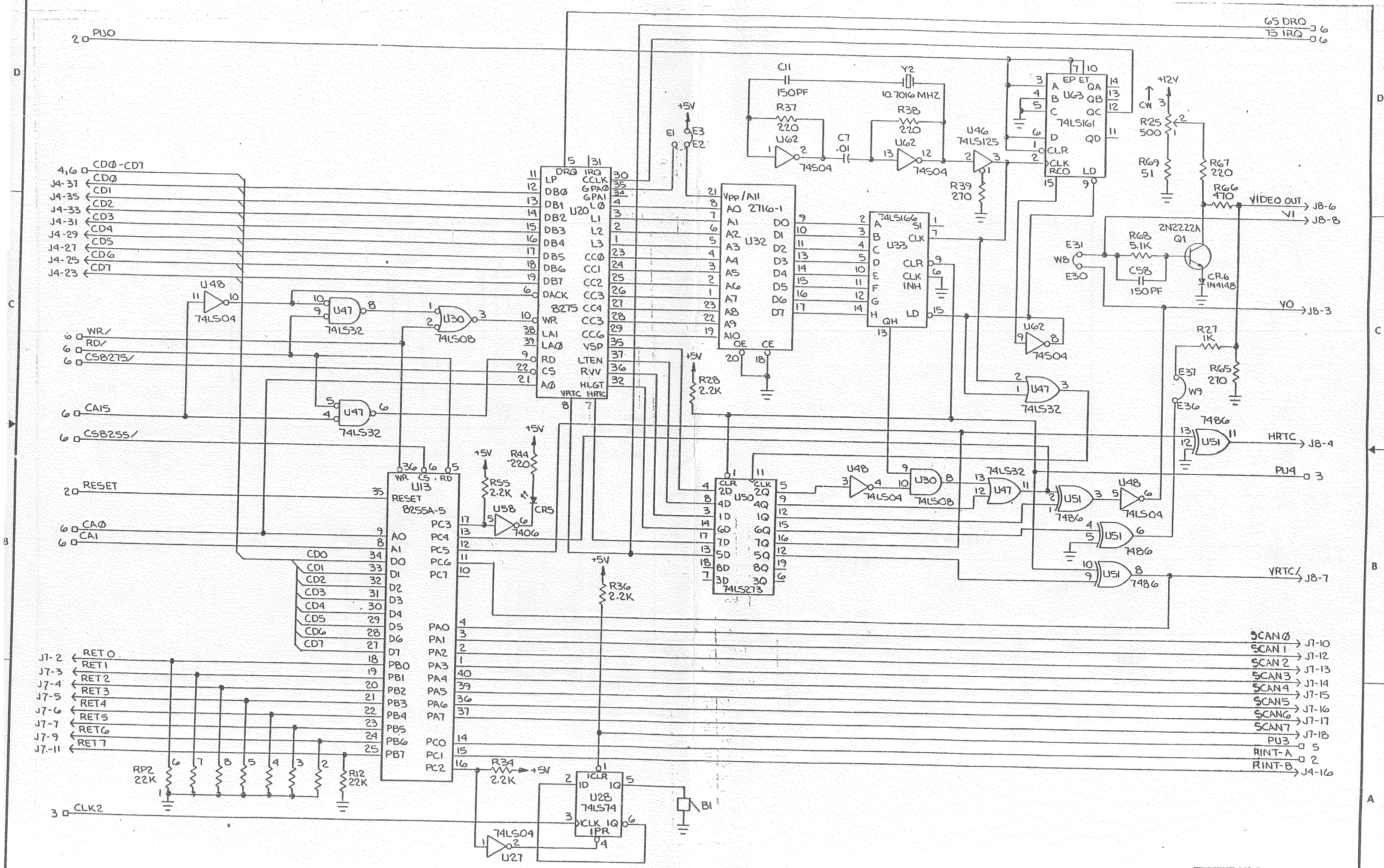


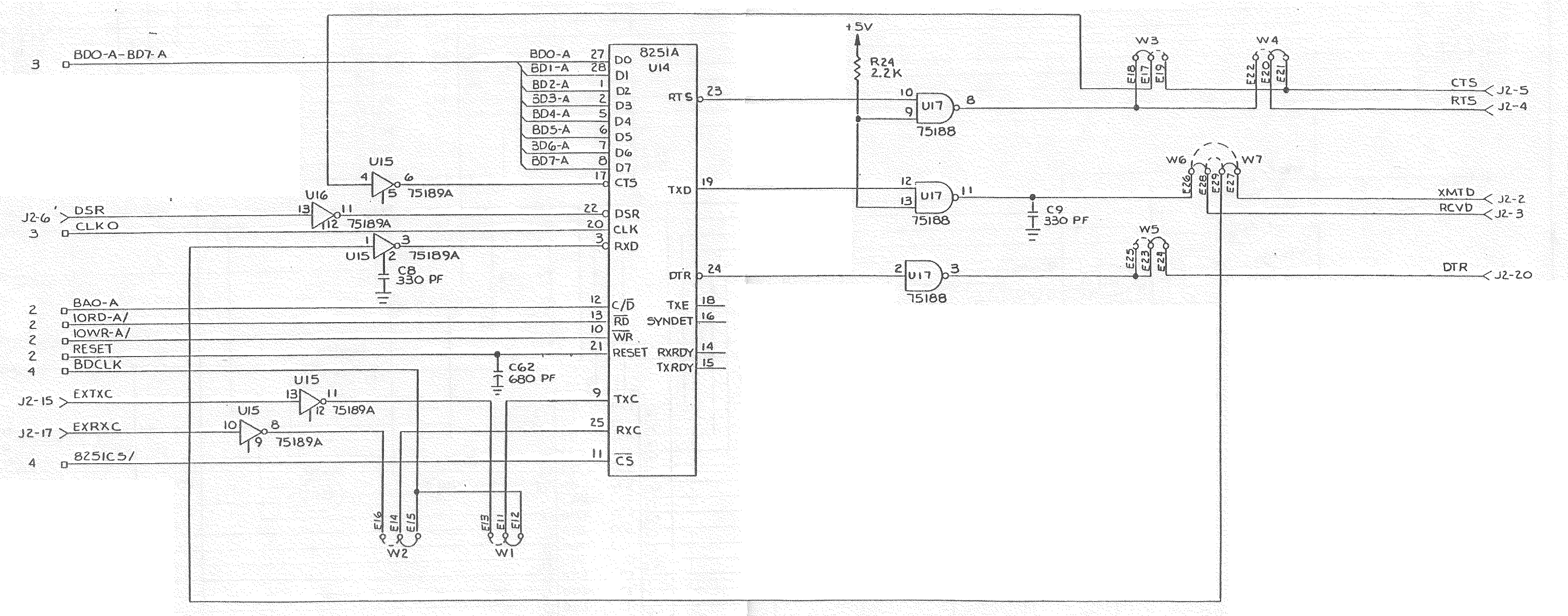




MASTER

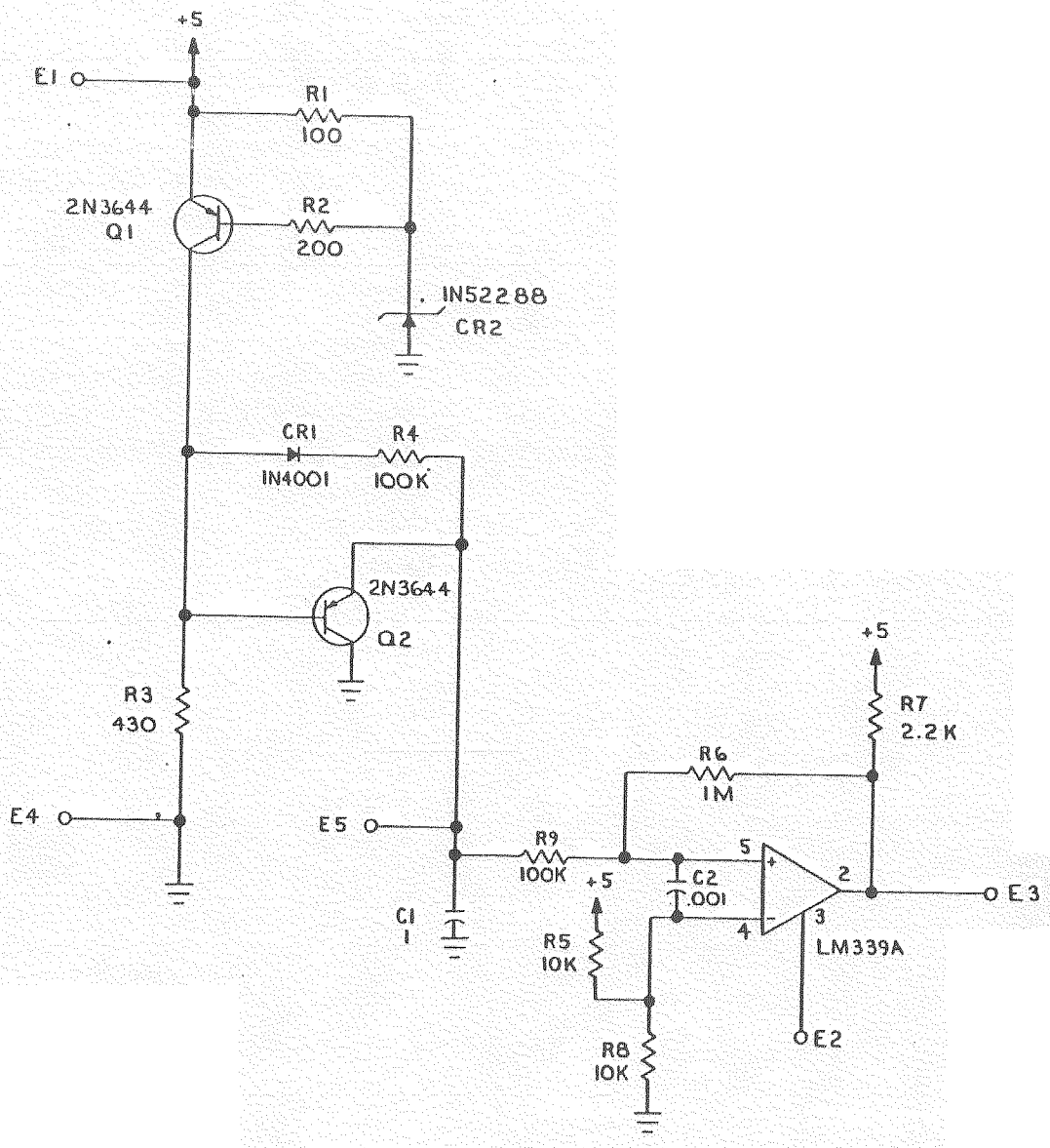
SIZE	DOCUMENT NUMBER	SHEET REV
D	164572	6 A





THIS DRAWING CONTAINS INFORMATION WHICH IS THE PROPRIETARY PROPERTY OF INTEL CORPORATION. THIS DRAWING IS RELEASED IN CONFIDENCE AND ITS CONTENTS MAY NOT BE DISCLOSED WITH OUT THE PRIOR WRITTEN CONSENT OF INTEL CORPORATION.

DEVICE TABLE				REVISIONS									
REF. DESIGNATOR	DEVICE TYPE	POWER PINS			UNUSED LOGIC ELEMENT OUTPUT PINS	REV	DESCRIPTION	DFY	DATE	CHK	DATE	APVD	DATE
		GND	+5V	+12V		A	ECO 14-2084	7/29/83	7/29/83	7/29/83	7/29/83	7/29/83	7/29/83
UI	LM 339A	12			UI-1, 13, 14								



NOTES: UNLESS OTHERWISE SPECIFIED
 1. ALL CAPACITOR VALUES ARE IN MICROFARADS, +80%, -20%, 50 V
 2. ALL RESISTOR VALUES ARE IN OHMS, 1/4w, 5%

QUANTITY PER DASH NO.		ITEM NO	DESCRIPTION
Q2			
E5			
CR2			
C2			
R9			
UI			

UNLESS OTHERWISE SPECIFIED:		SIGNATURE	DATE	PARTS LIST	
1.	DIMENSIONS ARE IN INCHES.	DRN BY <i>D. Mc...</i>	7/29/83	intel® 3065 BOWERS AVE SANTA CLARA CALIF 95051	
2.	BREAK ALL SHARP EDGES.	CHK BY <i>...</i>	7/29/83	TITLE	
3.	DO NOT SCALE DRAWING.	ENGR		SCHEMATIC	
4.	TOLERANCES:	APVD		RESET MODULE	
	ANGLES ±	APVD		SIZE DCLC CL CODE RLSE LVL DOCUMENT NUMBER REV	
	XX ±			D 14 0100 164673 A	
	XXX ±			SCALE SHEET 1 OF 1	

MASTER