

**iSBC™ 208 FLEXIBLE DISK DRIVE
CONTROLLER
HARDWARE
REFERENCE MANUAL**

Order Number: 143078-001

Additional copies of this manual or other Intel literature may be obtained from:

Literature Department
Intel Corporation
3065 Bowers Avenue
Santa Clara, CA 95051

The information in this document is subject to change without notice.

Intel Corporation makes no warranty of any kind with regard to this material, including, but not limited to, the implied warranties of merchantability and fitness for a particular purpose. Intel Corporation assumes no responsibility for any errors that may appear in this document. Intel Corporation makes no commitment to update nor to keep current the information contained in this document.

Intel Corporation assumes no responsibility for the use of any circuitry other than circuitry embodied in an Intel product. No other circuit patent licenses are implied.

Intel software products are copyrighted by and shall remain the property of Intel Corporation. Use, duplication or disclosure is subject to restrictions stated in Intel's software license, or as defined in ASPR 7-104.9(a)(9).

No part of this document may be copied or reproduced in any form or by any means without the prior written consent of Intel Corporation.

The following are trademarks of Intel Corporation and its affiliates and may be used only to identify Intel products:

BXP
CREDIT
i
ICE
iCS
im
Insite

Intel
int_l
Intelelevision
Inteltec
iRMX
iSBC
iSBX

Library Manager
MCS
Megachassis
Micromainframe
Micromap
Multibus
Multimodule

Plug-A-Bubble
PROMPT
RMX/80
System 2000
UPI

REV.	REVISION HISTORY	DATE
-001	Original issue.	10/81



This manual is the hardware reference for the iSBC 208 Flexible Disk Controller. The manual is divided into five chapters that describe general information, preparation for use, programming information, principles of operation, and service information. Three appendices, describing sample I/O drivers, the iSBX Multimodule interface, and drive interfaces are also included. Supplemental information can be found in the following Intel publications:

- *Intel Multibus Specification*, order number 9800683
- *iSBX Bus Specification*, order number 142686
- *iSBC Applications Manual*, order number 142687
- *Intel Component Data Catalog*
- *MCS-80/85 Family User's Manual*, order number 121506
- *The 8086 Family User's Manual*, order number 9800722
- *8080/8085 Assembly Language Programming Manual*, order number 9800940
- *MCS-86 Macro Assembly Language Reference Manual*, order number 9800640



CONTENTS

CHAPTER 1	PAGE
GENERAL INFORMATION	
Introduction	1-1
Specifications	1-2
 CHAPTER 2	
PREPARATION FOR USE	
Introduction	2-1
Unpacking and Inspection	2-1
Installation Considerations	2-1
Power Requirements	2-1
Cooling Requirements	2-1
Bus Interface	2-1
Multibus Interface AC Characteristics	2-1
Multibus Interface DC Characteristics	2-1
Auxiliary Connector	2-7
Board Location Considerations	2-7
Controller Board Configuration	2-8
Host Processor Configuration	2-8
Drive Configuration	2-9
Auxiliary Port Configuration	2-11
Drive Interfacing	2-11
Controller Interface Signals	2-11
Drive Interface AC Characteristics	2-11
Drive Interface DC Characteristics	2-11
Drive Cabling	2-17
Drive Modifications	2-18
Ready Logic	2-18
Motor-On Control	2-18
Radial Head Load	2-18
Drive Termination	2-18
Drive Numbering	2-18
Multiple Drive Pin Assignments	2-18
Stepper Motor Power	2-18
 CHAPTER 3	
PROGRAMMING INFORMATION	
Introduction	3-1
I/O Port Commands	3-1
Read/Write DMAC Address Registers	3-1
Read/Write DMAC Word Count Registers	3-3
Write DMAC Command Register	3-3
Read DMAC Status Register Command	3-3
Write DMAC Request Register	3-4
Set/Reset DMAC Mask Register	3-4
Write DMAC Mode Register	3-4
Clear DMAC First/Last Flip-Flop	3-5
DMAC Master Clear	3-5
Write DMAC Mask Register	3-5
Read FDC Status Register	3-6
Read/Write FDC Data Register	3-6
Write Controller Auxiliary Port	3-6
Poll Interrupt Status	3-7

	PAGE
Controller Reset	3-7
Write Controller Low- And High-Byte Segment Address Registers	3-8
Diskette Organization	3-8
FDC Commands	3-12
Specify Command	3-16
Seek Command	3-17
Read Data	3-17
Read Deleted Data	3-19
Read ID	3-20
Read Track	3-20
Write Data	3-21
Write Deleted Data	3-21
Format Track	3-21
Recalibrate	3-23
Sense Drive Status	3-24
Sense Interrupt Status	3-24
Invalid Commands	3-24
Software	3-24
Initialization	3-25
Programming the DMAC	3-25
Programming the FDC	3-25
Interrupt Processing	3-28

CHAPTER 4	
PRINCIPLES OF OPERATION	
Introduction	4-1
Schematic Interpretation	4-1
Functional Description	4-1
Clock and Timing Circuitry	4-1
Multibus Interface	4-2
DMA Controller (DMAC)	4-3
DMA Addressing	4-3
Floppy Disk Controller	4-4
FDD Interface	4-5
Drive and Head Selection	4-5
Write Precompensation	4-5
Data Separator	4-5

CHAPTER 5	
SERVICE INFORMATION	
Introduction	5-1
Service and Repair Assistance	5-1
Replaceable Parts	5-1
Adjustments	5-1
Service Diagrams	5-1

APPENDIX A	
SAMPLE DRIVERS	
Introduction	A-1
PL/M 86 Driver	A-1
Assembly Language Driver	A-15



CONTENTS (Cont'd.)

APPENDIX B	PAGE		PAGE
iSBX MULTIMODULE BOARD			
INTERFACE		Port Assignments	B-2
Introduction	B-1	Programming the DMAC	B-2
Installation	B-1		
Configuration	B-1	APPENDIX C	
DMA Channels	B-1	DRIVE INTERFACES	
Interrupts	B-2	Introduction	C-1
Programming Information	B-2	Using the Tables	C-1



TABLES

TABLE	TITLE	PAGE	TABLE	TITLE	PAGE
1-1	Specifications	1-2	3-3	Recording Capacities	3-12
2-1	Multibus Interface Pin Assignments	2-2	3-4	FDC Commands	3-12
2-2	Multibus Interface Signal Definitions	2-3	3-5	Result Phase Status Registers	3-13
2-3	iSBC 208 Board DC Characteristics	2-6	3-6	Command Mnemonics	3-15
2-4	P2 Bus Connector	2-7	3-7	HUT Values	3-16
2-5	I/O Base Address Selection	2-9	3-8	SRT Values	3-17
2-6	Drive Configuration Jumper Links	2-9	3-9	HLT Values	3-17
2-7	Auxiliary Port Jumper Matrix	2-11	3-10	Command Byte Values	3-18
2-8	J2 Interface Connector Pin Assignments ..	2-13	3-11	Result Phase ID Information	3-19
2-9	J1 Interface Connector Pin Assignments ..	2-13	3-12	Formatting Table	3-23
2-10	Interface Connector Signal Functions	2-14	4-1	IC U71 Output	4-2
2-11	Drive Interface AC Timing Characteristics ..	2-16	4-2	Write Clock Frequency	4-2
2-12	Drive Interface DC Characteristics	2-16	4-3	Chip Select Coding	4-2
2-13	Mating Connectors	2-17	4-4	On Time Clock Versus Data Rate	4-6
3-1	I/O Port Controller Commands	3-2	5-1	Replaceable Parts	5-2
3-2	Track Format	3-10	5-2	Manufacturer's Codes	5-4



ILLUSTRATIONS

FIGURE	TITLE	PAGE	FIGURE	TITLE	PAGE
1-1	iSBC 208 Flexible Disk Drive Controller ..	1-1	3-5	I/O Parameter Block	3-25
2-1	Bus Acquisition and Memory Transfer Timing	2-4	3-6	Initialization Flow Chart	3-26
2-2	I/O Transfer Timing	2-5	3-7	FDC Command Phase Flow Chart	3-26
2-3	Serial Priority Resolution	2-8	3-8	Serial/Parallel Command Phase Flow Chart	3-27
2-4	Typical Four-Drive System (Standard-Sized Drives)	2-12	3-9	Result Phase Flow Chart	3-28
2-5	Seek Timing	2-15	3-10	Interrupt Processing Flow Chart	3-29
2-6	Head Load Timing	2-15	4-1	Logic Conventions	4-1
2-7	Write Data Timing	2-15	4-2	DMA Transfer Timing	4-4
2-8	Flat-Ribbon I/O Interface Cable	2-17	4-3	Data Recovery Timing	4-6
3-1	Main Status Register Timing	3-7	4-4	Block Diagram of Controller	4-7
3-2	20-Bit Addressing	3-8	5-1	iSBC 208 Parts Location Diagram	5-5
3-3	Track Format	3-9	5-2	iSBC 208 Board Schematic Drawing (7 sheets)	5-7
3-4	Sector Interleaving	3-22			

1-1. INTRODUCTION

The iSBC 208 Flexible Disk Controller is one product within a complete line of Intel iSBC single board computer expansion modules. The iSBC 208 controller is designed to interface up to four single- or double-sided, standard 8-inch floppy disk drives or four single- or double-sided 5¼-inch mini-floppy drives. The controller permits both single- and double-sided drives of the same size to be interfaced, and both single-density (FM) and double-density (MFM) recording formats to be used concurrently. The controller supports a soft-sector format with sector sizes ranging from 128 bytes to 4096 bytes in the IBM 3740-compatible single-density format and ranging from 256 bytes to 8192 bytes in the IBM system 34-compatible double-density format.

The iSBC 208 controller is designed expressly for Intel Multibus interface compatibility and can be inserted directly into a standard iSBC 604/614 card-cage as found in the iSBC System 80 series main-frame or into any of the Intel microcomputer development systems. All circuitry is contained on a single printed circuit board and operates from a single +5 volt source. A majority of the controller's logic is LSI (large scale integration) and includes both an Intel 8237 DMA Controller (DMAC) and an Intel 8272 Floppy Disk Controller (FDC). Additionally, data separation logic is included on the board to

eliminate the necessity of this logic within the drive or off-board. The controller interfaces directly with any multibus-compatible single board computer. This computer, referred to in the remainder of this manual as the "host processor," provides all information required to perform a disk operation. Once all of the information is received, further host processor involvement is unnecessary, and the controller takes control of the bus for the duration of the data transfer. When the transfer is complete, the controller interrupts the host processor. When interrupted, the host processor examines the controller's status register to determine the outcome of the operation.

In addition to programmable sector sizes and recording density, the head load time, head unload time and track-to-track access time (step rate) operating characteristics also can be program specified. Additionally, a number of jumper-selectable options are provided to support various drive features and drive interface pin assignments. As shown in figure 1-1, the controller has two drive-interface connectors, a 50-pin connector for interfacing standard 8-inch drives and a 34-pin connector for interfacing 5¼-inch mini drives. A 36-pin connector is incorporated on the controller board for the installation of either a single- or double-wide iSBX Multimodule board. The controller extends Multibus capability to the Multimodule board and also provides up to two

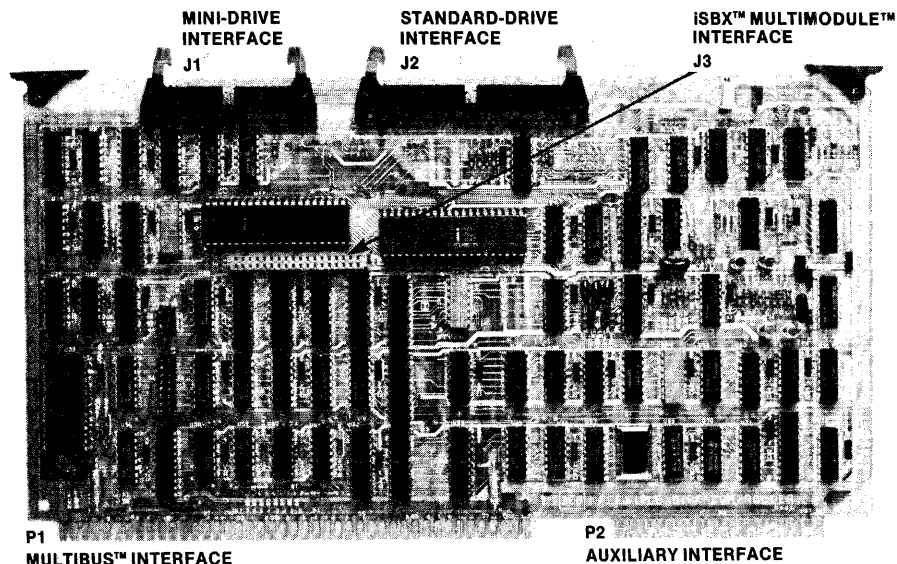


Figure 1-1. iSBC™ 208 Flexible Disk Drive Controller

143078-1

DMA channels for use by the iSBX board. The P2 auxiliary edge connector includes four address lines that extend the controller's memory addressing capability to 16 megabytes (24-bit address bus).

1-2. SPECIFICATIONS

Table 1-1 lists the physical and performance characteristics of the iSBC 208 controller.

Table 1-1. Specifications

Compatibility	
Host Processor	Any Intel mainframe, microcomputer development system or Multibus-compatible CPU. The controller supports either 16-, 20- or 24-bit addresses and an 8-bit data bus width.
Diskette Drive	Single- or double-sided, standard 8-inch or 5¼-inch mini drives. Up to four drives of one size can be interfaced; single- and double-density, and single- and double-sided drives can be mixed.
Drive Interface	Compatible with Shugart SA850 (standard 8-inch) and Shugart SA450 (5¼-inch mini) or any other drive with a similar interface.
Typical Drive Characteristics	
<p>Transfer Rate Standard 8-inch Drive 250 kilobits per second, single density (FM) 500 kilobits per second, double density (MFM)</p> <p>5¼-inch Mini Drive 125 kilobits per second, single density (FM) 250 kilobits per second, double density (MFM)</p> <p>Disk Speed 360 rpm (standard 8-inch) 300 rpm (5¼-inch mini)</p> <p>Track-to Track Access Time (Step Rate) Programmable from 1 to 16 ms in 1 ms steps (standard) or from 2 to 32 ms in 2 ms steps (mini).</p> <p>Head Load Time Programmable from 2 to 254 ms in 2 ms increments (standard) or from 4 to 508 ms in 4 ms increments (mini).</p> <p>Head Unload Time Programmable from 16 to 240 ms in 16 ms increments (standard) or from 32 to 480 ms in 32 ms increments (mini); jumper selectable for 1 second.</p>	
Physical	
<p>Dimensions Length: 30.48 cm (12.0 inches) Width: 17.15 cm (6.75 inches) Height: 1.27 cm (0.5 inches)</p> <p>Shipping Weight 0.82 kg (1.8 pounds)</p> <p>Power Requirements 5.0 volts (±5%), 3 amperes (maximum)</p> <p>Environmental Temperature: 0°C to +55°C, operating (+32°F to +131°F) -55°C to +85°C, non-operating (-67°F to +185°F)</p> <p>Humidity: Up to 90% relative humidity without condensation.</p>	

Table 1-1. Specifications (Cont'd.)

Data Organization and Capacity (Standard 8-inch drives*)						
Single Density	IBM Format			Non-IBM Format		
Bytes per Sector	128	256	512	1024	2048	4096
Sectors per Track	26	15	8	4	2	1
Tracks per Side	77	77	77	256 Addressable		
Bytes per Side	256,256 (128-byte sector)			315,392 (77 tracks)		
	295,680 (256-byte sector)					
	315,392 (512-byte sector)					
Double Density	IBM Format			Non-IBM Format		
Bytes per Sector	256	512	1024	2048	4096	8192
Sectors per Track	26	15	8	4	2	1
Tracks per Side	77	77	77	256 Addressable		
Bytes per Side	512,512 (256-byte sector)			630,784 (77 tracks)		
	591,360 (512-byte sector)					
	630,784 (1024-byte sector)					

*Consult manufacturer's data for mini-floppy drive organization and capacity.

2-1. INTRODUCTION

This chapter presents information on the preparation and installation of the iSBC 208 Controller. Included within this chapter are instructions describing the unpacking and inspection, installation, board configuration, host processor bus interface and drive cabling for the controller.

2-2. UNPACKING AND INSPECTION

On receipt of the controller from the carrier, immediately inspect the shipping carton for evidence of mishandling in transit. If the shipping carton is damaged or waterstained, request that the carrier's agent be present when the carton is opened. If the carrier's agent is not present when the carton is opened and if the contents of the carton are damaged, keep the carton and packing materials intact for the agent's inspection.

For repairs or replacement of an Intel product damaged in shipment, contact the Intel Technical Support Center (see Chapter 5) to obtain a Return Authorization Number and further instructions. A copy of the purchase order should be submitted to the carrier with the claim.

Carefully unpack the shipping carton and verify that the following items are included. Compare the packaging slip with your purchase order to verify that the order is complete. The carton and packing materials should be saved in case it becomes necessary to reship the controller at a later date.

Item 1: iSBC 208 Interface Printed Circuit Assembly.

Item 2: Schematic Diagram.

2-3. INSTALLATION CONSIDERATIONS

The controller is designed expressly for installation into the Intel iSBC 604/614 modular backplane and card cage as found in the Series 80 single board computer mainframes. The controller can also be installed into any odd-numbered slot in an Intel Model 800 or in any slot in an Intel microcomputer development system. The controller additionally can be

installed into a user's Multibus-compatible backplane assembly that meets the controller's mating connector dimensional requirements.

2-4. POWER REQUIREMENTS

The controller operates from a single +5 volt ($\pm 5\%$) source and requires a maximum of 3.0 amperes. When installing the interface in an iSBC 80 Series, microcomputer development, or custom system, ensure that the system's power supply can meet the additional current requirements of the controller.

2-5. COOLING REQUIREMENTS

The iSBC 80 Series and Intel microcomputer development systems use forced-air cooling that generally is adequate to maintain an internal operating temperature below 55°C. When installing the controller in a high-temperature environment or in any other system enclosure, ensure that the internal operating temperature is not permitted to exceed the 55°C maximum.

2-6. BUS INTERFACE

The controller communicates with the host processor (and memory) via the Multibus interface. Tables 2-1 and 2-2 define the Multibus interface pin assignments and corresponding signal definitions. The controller connects to the Multibus interface through connector P1, an 86-pin, double-sided printed circuit edge connector with 3.96mm (0.156 inch) contact centers.

2-7. MULTIBUS INTERFACE AC CHARACTERISTICS

Figures 2-1 and 2-2 show the Multibus interface ac timing characteristics when the controller is operating as a "bus master" (Bus Acquisition and Memory Transfer Timing) and as a "bus slave" (I/O Transfer Timing).

2.8 MULTIBUS INTERFACE DC CHARACTERISTICS

The controller's dc signal characteristics for the Multibus interface are given in table 2-3.

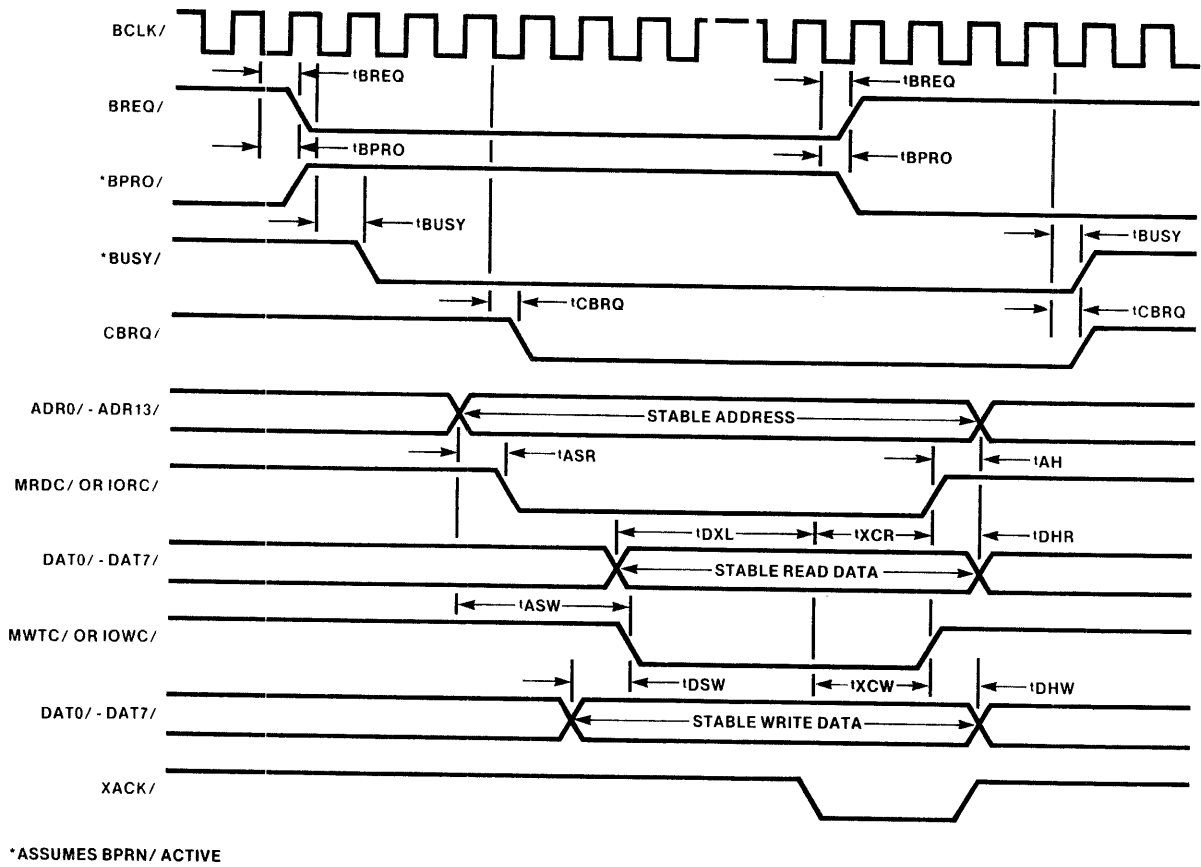
Table 2-1. Multibus Interface Pin Assignments

Pin*	Signal	Function	Pin*	Signal	Function
1	GND	Ground	44	ADRF/	Address Bus
2	GND		45	ADRC/	
3	+5VDC	Power Inputs	46	ADRD/	
4	+5VDC		47	ADRA/	
5	+5VDC		48	ADRB	
6	+5VDC		49	ADR8/	
7	+12VDC		50	ADR9/	
8	+12VDC		51	ADR6/	
9		52	ADR7/		
10		53	ADR4/		
11	GND	Ground	54	ADR5/	
12	GND		55	ADR2/	
13	BCLK/	Bus Clock	56	ADR3/	
14	INIT/	Initialization	57	ADR0/	
15	BPRN/	Bus Priority In	58	ADR1/	
16	BPRO/	Bus Priority Out	59		
17	BUSY/	Bus Busy	60		
18	BREQ/	Bus Request	61		
19	MRDC/	Memory Read Command	62		
20	MWTC/	Memory Write Command	63		
21	IORC/	I/O Read Command	64		
22	IOWC/	I/O Write Command	65		
23	XACK/	Transfer Acknowledge	66		
24			67	DAT6/	Data Bus
25			68	DAT7/	
26			69	DAT4/	
27			70	DAT5/	
28	ADR10/	Address Bus	71	DAT2/	
29	CBRQ/	Common Bus Request	72	DAT3/	
30	ADR11/	Address Bus	73	DAT0/	
31	CCLK/	Constant Clock	74	DAT1/	
32	ADR12/	Address Bus	75	GND	Ground
33			76	GND	
34	ADR13/	Address Bus	77		
35	INT6/	Interrupt Request 6	78		
36	INT7/	Interrupt Request 7	79	-12VDC	Power Inputs
37	INT4/	Interrupt Request 4	80	-12VDC	
38	INT5/	Interrupt Request 5	81	+5VDC	
39	INT2/	Interrupt Request 2	82	+5VDC	
40	INT3/	Interrupt Request 3	83	+5VDC	
41	INT0/	Interrupt Request 0	84	+5VDC	
42	INT1/	Interrupt Request 1	85	GND	Ground
43	ADRE/	Address Bus	86	GND	

*Unassigned Pins are reserved.

Table 2-2. Multibus Interface Signal Definitions

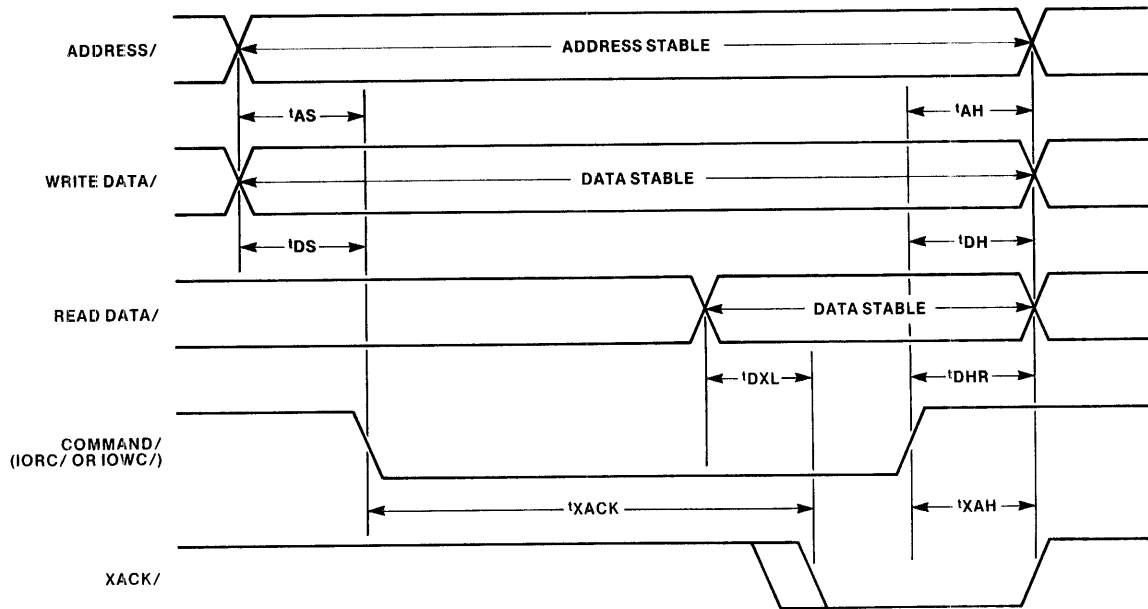
Signal	Function
ADR0/-ADRF/	Address. These 16 bidirectional lines specify the address of the memory location or I/O port to be accessed. ADRF/ is the most significant bit.
ADR10/-ADR13/	Extended Address. These four output lines extend the controller's memory addressing to 1 megabyte. ADR13/ is the most significant bit.
BCLK/	Bus Clock. This input signal is used to synchronize the controller's bus control logic.
BPRN/	Bus Priority In. This input signal level indicates that no higher-priority master board has requested control of the bus.
BPRO/	Bus Priority Out. This output signal level is used with serial priority resolution schemes and indicates to the next lower-priority master board that either the controller or another higher-priority master board has requested control of the bus.
BREQ/	Bus Request. This output signal is used with parallel priority resolution schemes and indicates that the controller is requesting control of the bus.
BUSY/	Bus Busy. This bidirectional signal indicates that either the controller or another master board is currently in control of the bus and consequently prevents any other master board from gaining access to the bus.
CBRQ/	Common Bus Request. This output signal indicates that the controller requires access to the bus while the bus is in the use by another bus master.
CCLK/	Constant Clock. A clock signal routed through the controller to the iSBX multimodule.
DAT0/-DAT7/	Data. These eight bidirectional lines transfer data either to or from the memory location or I/O port addressed. DAT7/ is the most significant bit.
INIT/	Initialization. This input signal generally originates from a power-up reset circuit or a contact closure to ground (i.e., a front panel reset switch) and resets all devices on the bus to an initialized state.
INT0/-INT7/	Interrupt. A set of eight, multi-level interrupt request lines for use with parallel interrupt resolution logic. The selected (jumper determined) output interrupt signal is used to indicate a controller-initiated interrupt request.
IORC/	I/O Read Command. This input signal instructs the controller to place the data associated with the addressed input port onto the data lines.
IOWC/	I/O Write Command. This input signal instructs the controller to accept the data associated with the addressed output port that is present on the data lines.
MRDC/	Memory Read Command. This output signal indicates that the address of a memory location is on the address lines and that the contents of that location are to be placed on the data lines for acceptance by the controller.
MWTC/	Memory Write Command. This output signal indicates that the address of a memory location is on the address lines and that the data presented by the controller on the data lines is to be written into that location.
XACK/	Transfer Acknowledge. This signal originates from the controller during I/O port transfers and indicates that the controller has accepted or is presenting the associated data on the data lines. During memory transfers, this signal originates from the random access memory board and indicates that the data on the data lines either has been written into the addressed memory location or that the data is present and is to be accepted by the controller.



Parameter	Minimum	Maximum	Description
t _{CBRQ}	67 ns		BCLK/ to CBRQ/ Delay
t _{BCY}	100 ns		Bus Clock Period
t _{BW}	35 ns		Bus Clock Pulse Width
t _{BREQ}		35 ns	BCLK/ to BREQ/ Delay
t _{BPRNS}	22 ns		BPRN/ to BCLK/ Setup Time
t _{BPRO}		40 ns	BCLK/ to BPRO/ Delay
t _{BPRNO}		30 ns	BPRN/ to BPRO/ Delay
t _{BUSY}		55 ns	BCLK/ to BUSY/ Low Delay
t _{ASR}	286 ns		Address Setup Time (Read)
t _{AH}	147 ns		Address Hold Time
t _{DXL}	-250 ns		Data Setup to Acknowledge Time (Read)
t _{XCR}	567 ns	1327 ns	Acknowledge to Command High (Read)
t _{DHR}	-80 ns		Data Hold Time (Read)
t _{ASW}	786 ns		Address Setup Time (Write)
t _{DS}	80 ns		Data Setup to Command Time (Write)
t _{XCW}	567 ns	1257 ns	Acknowledge to Command High (Write)
t _{DHW}	65 ns		Data Hold Time (Write)
t _{INIT}	4 ns		Reset Pulse Width

Figure 2-1. Bus Acquisition and Memory Transfer Timing

121746-2



Parameter	Minimum	Maximum	Description
tAS	-384 ns		Address Setup Time
tAH	50 ns		Address Hold Time
tXACK	906 ns	1100 ns	Command to Acknowledge
*tXACK	4400 ns	5100 ns	
tDXL	2 ns		Read Data Setup Time
tDHR	20 ns		Read Data Hold Time
tXAH	61 ns		Acknowledge Hold Time
tDS	-189 ns		Write Data Setup Time
tDH	35 ns		Write Data Hold Time

*Software RESET command only.

Figure 2-2. I/O Transfer Timing

143078-2

Table 2-3. iSBC 208 Board DC Characteristics

Signals	Symbol	Parameter Description	Test Conditions	Min	Max	Units				
XACK/	V_{OL}	Output Low Voltage	$I_{OL}=32\text{ mA}$ $I_{OH}=-5.2\text{ mA}$	2.0	.04	V				
	V_{OH}	Output High Voltage								
	V_{IL}	Input Low Voltage	2.0	-1.2	mA					
	V_{IH}	Input High Voltage								
	I_{IL}	Input Current at Low V	$V_{IN}=0.4\text{V}$ $V_{IN}=2.4\text{V}$	40	15	μA				
	I_{IH}	Input Current at High V								
$*C_L$	Capacitive Load					pF				
ADR0/- ADRF/	V_{OL}	Output Low Voltage	$I_{OL}=32\text{ mA}$ $I_{OH}=-5\text{ mA}$	2.4	0.45	V				
	V_{OH}	Output High Voltage								
	V_{IL}	Input Low Voltage	2.0	-0.2	mA					
	V_{IH}	Input High Voltage								
	I_{IL}	Input Current at Low V	$V_{IN}=-0.45\text{ V}$ $V_{IN}=5.25\text{V}$	50	18	μA				
	I_{IH}	Input Current at High V								
$*C_L$	Capacitive Load					pF				
BCLK/ BPRN/	V_{IL}	Input Low Voltage	$V_{IN}=0.45\text{V}$ $V_{in}=5.25\text{V}$	2.0	0.8	V				
	V_{IH}	Input High Voltage								
	I_{IL}	Input Current at Low V								
	I_{IH}	Input Current at High V								
$*C_L$	Capacitive Load					pF				
ADR10/- ADR13/	V_{OL}	Output Low Voltage	$I_{OL}=24\text{ mA}$ $I_{OH}=-15\text{ mA}$	2.4	0.4	V				
	V_{OH}	Output High Voltage								
	V_{LL}	Output Leakage Low	20	20	μA					
	I_{LH}	Output Leakage High								
ADR14/- ADR17/ (on P2)	$*C_L$	Capacitive Load			15	pF				
BPRO/	V_{OL}	Output Low Voltage	$I_{OL}=3.2\text{ mA}$ $I_{OH}=-0.4\text{ mA}$	2.4	0.45	V				
	V_{OH}	Output High Voltage								
	$*C_L$	Capacitive Load			15	pF				
BREQ/	V_{OL}	Output Low Voltage	$I_{OL}=20\text{ mA}$ $I_{OH}=-0.4\text{ mA}$	2.4	0.45	V				
	V_{OH}	Output High Voltage								
	$*C_L$	Capacitive Load			10	pF				
BUSY/ (Open Collector)	V_{OL}	Output Low Voltage	$I_{OL}=20\text{ mA}$	2.0	0.45	V				
	V_{IL}	Input Low Voltage								
	V_{IH}	Input High Voltage	2.0	-0.5	mA					
	V_{IL}	Input Low Voltage								
	I_{IL}	Input Current at Low V	$V_{IN}=0.45\text{V}$ $V_{IN}=5.25\text{V}$	100	20	μA				
	I_{IH}	Input Current at High V								
$*C_L$	Capacitive Load					pF				
DAT0/- DAT7/	V_{OL}	Output Low Voltage	$I_{OL}=32\text{ mA}$ $I_{OH}=-5\text{ mA}$	2.4	0.45	V				
	V_{OH}	Output High Voltage								
	V_{IL}	Input Low Voltage	2.0	0.80	V					
	V_{IH}	Input High Voltage								
	I_{IL}	Input Current at Low V	$V_{IN}=0.45\text{V}$ $V_O=5.25\text{V}$	-0.20	100	mA				
	I_{IH}	Output Leakage High								
$*C_L$	Capacitive Load					pF				
CBRQ/ (Open Collector)	V_{OL}	Output Low Voltage	$I_{OL}=60\text{ mA}$		0.8	V				
	$*C_L$	Capacitive Load							15	pF
IORC/ IOWC/ INIT/ CCLK/	V_{IL}	Input Low Voltage	$V_{IN}=0.4\text{V}$ $V_{IN}=2.4\text{V}$	2.0	0.8	V				
	V_{IH}	Input High Voltage								
	I_{IL}	Input Current at Low V								
	I_{IH}	Input Current at High V								
	$*C_L$	Capacitive Load								

Table 2-3. iSBC™ 208 Board DC Characteristics (Cont'd.)

Signals	Symbol	Parameter Description	Test Conditions	Min	Max	Units
INT0/- INT7/	V_{OL} V_{OH} I_{LH} I_{LL} $*C_L$	Output Load Voltage Output High Voltage Output Leakage High Output Leakage Low Capacitive Load	$I_{OL}=60\text{ mA}$ Open Collector $V_O=5.25\text{V}$ $V_O=0.45\text{V}$		0.45 250 -500 15	V μA μA pF
MRDC/ MWTC/	V_{OL} V_{OH} V_{IL} V_{IH} I_O $*C_L$	Output Low Voltage Output High Voltage Input Low Voltage Input High Voltage Output Leakage Current Capacitive Load	$I_{OL}=32\text{ mA}$ $I_{OH}=-2\text{ mA}$ $V_{IN}=0.45\text{V}$ $V_{IN}=5.25$	2.4 2.0	0.45 0.8 -100 100 25	V V V V μA μA pF

*Capacitive load values are approximations.

2-9. AUXILIARY CONNECTOR

The auxiliary connector (P2) provides the four 1-megabyte paging bits to effectively allow the controller to address up to 16 megabytes. The bits are set in the controller's auxiliary port and are routed to the P2 connector as noted in table 2-4.

2-10. BOARD LOCATION CONSIDERATIONS

Since the controller functions as a bus master during DMA transfers, when installing the controller in a serial priority environment (e.g., within any of the Intel Series 80 mainframes), the controller should occupy the highest priority slot (top physical slot) in the 604/614 backplane and card cage assembly, with any other bus masters and the host processor board located below. The backplane provides bus priority in and out signal continuity among adjacent bus masters. The BPRN/ (Bus Priority In) input to the top slot (J2) of either the single (604) or expansion (614) backplane must be connected to logic ground. Both backplanes provide the BPRN/ input on a wire-wrap terminal post. As shown in the following

illustration (figure 2-3), a wire-wrap jumper must be installed from terminal post B (BPRN/) to logic ground at terminal post N (604) or terminal post L (614).



Always remove system power prior to installing or removing a board in the backplane. Failure to observe this precaution can result in circuit damage.

Note that if a bus slave (e.g., a memory board) is installed between two bus masters (or if a vacant slot exists between two bus masters), the serial priority input-output chain must be physically jumpered on the backplane to maintain signal continuity. Figure 2-3 shows the installation of a jumper between terminal posts C and E that would provide the required BPRO/-BPRN/ continuity around a "slave" installed in the second slot (J3).

When installing the controller in a parallel priority resolution environment, the controller should be given the highest bus priority. In an Intel Model

Table 2-4. P2 Bus Connector

Pin	Signal	Function	DC Characteristics (each signal)			
			Current Drive		Current Load	
			Low (I_{OL})	High (I_{OH})	Low (I_{IL})	High (I_{IH})
56	ADR17/	High-Order Page Address Bit				
55	ADR16/					
58	ADR15/					
57	ADR14/	Low-Order Page Address Bit	24mA	-15mA	0	0

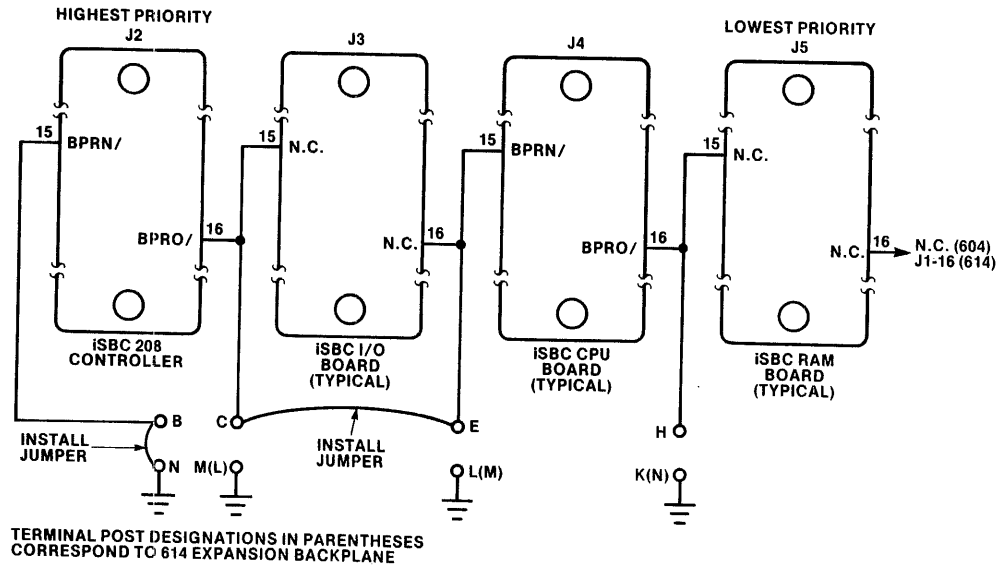


Figure 2-3. Serial Priority Resolution

143078-3

800 development system, the controller must be installed in an odd-numbered (bus master) slot and ideally should be installed in slot 17 (highest bus priority). In an Intellec Series II or Series III development system, the controller should be installed in the bottom (highest bus priority) slot.

2-11. CONTROLLER BOARD CONFIGURATION

The controller board includes alterable jumpers that are used to configure the controller to its intended system environment. The jumpers can be divided into three major groups: host processor configuration, drive configuration, and auxiliary port configuration. The locations of the jumpers are shown in figure 5-1. Note that the controller jumpers associated with the ISBX Multimodule interface are described in Appendix B.

2-12. HOST PROCESSOR CONFIGURATION

The jumpers associated with the host processor interface are used to specify the I/O address bit length, the I/O base address of the controller, parallel or serial bus priority resolution, and Multibus interface interrupt level selection.

The I/O address bit length (8 or 16 bits) is determined by the jumper link at E41-E45-E49. When shipped from the factory, a push-on shorting plug is installed between E45 and E49 to select 8-bit I/O address decoding. To implement 16-bit I/O address decoding, remove the shorting plug connecting E45 and E49 and install the plug between E41 and E45.

The controller's I/O base address is specified by a set of jumpers that provides either a high ("1") or low ("0") input to the I/O address decode comparators.

Depending on the I/O address bit length selected (8 or 16 bits), either three (8-bit addressing) or all eleven (16-bit addressing) jumpers must be configured. When shipped from the factory, all of the I/O base address shorting plugs are in the "0" position (corresponding to a 16-bit I/O base address of 0000H). To relocate the I/O base address, reposition the shorting plugs according to table 2-5. As an example, to select an I/O base address of F800H, address bits F, E, D, C, and B would be jumpered to the "1" position, and the remaining address bits would be jumpered to the "0" position. 8-bit addressing allows base addresses from 00H to E00H, while 16-bit addressing gives addresses from 0000H to FFE0H.

Table 2-5. I/O Base Address Selection

Address Bit	Shorting - Plug Position	
	"1"	"0"
5	E42-E46	E46-E50
6	E43-E47	E47-E51
7	E44-E48	E48-E52
8*	E53-E61	E61-E69
9*	E54-E62	E62-E70
A*	E55-E63	E63-E71
B*	E56-E64	E64-E72
C*	E57-E65	E65-E73
D*	E58-E66	E66-E74
E*	E59-E67	E67-E75
F*	E60-E68	E68-E76

*Only required for 16-bit I/O addressing.

Parallel/serial bus priority resolution is determined by jumper E77-E78. The controller is configured at the factory for serial bus priority resolution (jumper installed between E77 and E78) as found in the Intel System 80 mainframes. To select parallel bus priority

resolution (e.g., when installing the controller in an Intel microcomputer development system), remove the jumper between E77 and E78.

The controller's Multibus interface interrupt level is selected by installing a jumper from E79 to one of the eight Multibus interface lines on E82 through E89. The following list defines the interrupt/jumper correspondence.

Jumpers	Interrupt Level
E79-E89	INT0/
E79-E88	INT1/
E79-E87	INT2/
E79-E86	INT3/
E79-E85	INT4/
E79-E84	INT5/
E79-E83	INT6/
E79-E82	INT7/

Note that an interrupt level jumper is not installed at the factory and that the interrupt level selected must *not* have been previously assigned to another bus master.

2-13. DRIVE CONFIGURATION

The jumpers associated with drive configuration are used to define both the controller pin assignments on the drive interface connectors and the type of drive being interfaced (mini or standard) as well as to support optional features within the drive. Table 2-6 defines the usual functions of the drive configuration jumper links; any unused jumper associated with the interface connectors can be used to implement other functions within the drive or to reassign pin assignments for radial signals when interfacing multiple drives.

Table 2-6. Drive Configuration Jumper Links

Function	Jumper Posts	Factory Configuration	Description
FAULT RESET/	E27,E28	Removed	When this jumper link is installed, the controller provides a FAULT RESET/ output on J2-50 during read/write operations. This output is used to reset optional fault detection circuitry within a drive.
LOW CURRENT/	E25,E26	Installed	With this jumper link installed, the controller provides a LOW CURRENT/ output on J2-2 during read/write operations whenever the track address is 43 or greater (to reduce write current on the inner tracks). If the drive interfaced does not support low write current compensation, remove the jumper link between E25 and E26.

Table 2-6. Drive Configuration Jumper Links (Cont'd.)

Function	Jumper Posts	Factory Configuration	Description
READY/	E17,E18,E19	E18-E19	A jumper link is installed between E18 and E19 (factory configuration) when the drive interfaced provides a READY/ signal to the controller on J2-22 or J1-6. When a drive does not provide a READY/ signal (most mini-sized drives do not provide this signal), remove the jumper link between E18 and E19 and install a jumper link between E17 and E19.
TWO SIDED/	E21,E22	Installed	With this jumper installed, the TWO SIDED/ status signal from a drive is available to the controller on J2-10 or J1-34. When all of the drives interfaced are single-sided, this jumper link <i>can</i> be omitted.
FAULT/	E23,E24	Removed	When this jumper link is installed, the optional FAULT/ status signal from a drive is available to the controller on J2-48.
Mini/Standard	E4,E5	Removed	This jumper link identifies the type of drive (mini or standard) interfaced to the controller. With the jumper link removed, the controller is configured for standard 8-inch drives. When interfacing mini-sized drives, install the jumper link between E4 and E5.
HEAD LOAD/	E29 thru E40	E31-E32, E38-E39	<p>In the factory configuration (jumper links E31-E32 and E38-E39 installed), a common HEAD LOAD/ signal is output (on J2-18) to all drives interfaced. The head load and head unload time intervals associated with the HEAD LOAD/ signal are user programmable.</p> <p>Individual (radial) HEAD LOAD/ signals for each drive can be made available at the J2 connector by removing the jumper link between E38 and E39 and installing the following jumper links:</p> <p style="text-align: center;">E37 to E38 E39 to E40 E29 to E30 E35 to E36 E33 to E34</p> <p>In this configuration, the programmed head load interval remains unchanged, but the programmed head unload interval is increased by 1 second (fixed) to decrease wear on the head load mechanism during heavy usage.</p> <p>The HEAD LOAD/ jumper link matrix also allows a common HEAD LOAD/ signal (on J2-18) with the additional 1 second head unload delay. This configuration is implemented by installing the following jumper links:</p> <p style="text-align: center;">E37 to E38 E39 to E40 E34 to E36 E36 to E30 E30 to E32 E32 to E31</p>

Table 2-6. Drive Configuration Jumper Links (Cont'd.)

Function	Jumper Posts	Factory Configuration	Description
Mini Drive Select	E20	Removed	<p>When shipped from the factory, the controller does not provide a DRIVE SELECT 3/ signal on mini-drive interface connector J1. To interface four mini drives, the DRIVE SELECT 3/ signal on jumper post E20 must be connected to one of the jumper posts corresponding to an unused pin on the J1 connector. Depending on the functions supported by the mini drive, the following jumper posts may be available:</p> <ul style="list-style-type: none"> E18 (READY/ input from drive on J1-6) E21 (TWO SIDED/ input from drive on J1-34) <p>Also, any unassigned J1 connector pin in the auxiliary port matrix can be used (see Section 2-14).</p>

2-14. AUXILIARY PORT CONFIGURATION

The auxiliary port jumper links form a matrix that includes four jumper posts on the low-order four bits of the controller's auxiliary I/O port and three jumper posts on specific pins of drive interface connectors J2 and J1. By interconnecting auxiliary port and connector pin jumper posts, special drive functions and signals can be defined through the auxiliary port. The primary function of the port is to provide MOTOR ON/ signals to mini-sized drives. Table 2-7 defines the jumper posts in the auxiliary port matrix.

Table 2-7. Auxiliary Port Jumper Matrix

Jumper Post	Auxiliary Port Assignment	Jumper Post	Interface Connector Pin Assignment
E11	Bit 0	E10	J1-2, J2-8
E9	Bit 1	E8	J1-4, J2-12
E7	Bit 2	E6	J1-16*, J2-16
E2	Bit 3		

*J1-16 is defined as the MOTOR ON/ signal pin on the Shugart drive interface.

2-15. DRIVE INTERFACING

The iSBC 208 controller can interface up to four single- or double-sided, standard 8-inch or 5¼-inch mini-sized drives. The controller includes two drive

interface connectors, a 50-pin connector (J2) for interfacing standard-sized drives and a 34-pin connector (J1) for interfacing mini-sized drives. Figure 2-4 depicts a typical four-drive system.

2-16. CONTROLLER INTERFACE SIGNALS

The individual pin assignments for the J2 and J1 drive interface connectors are given in tables 2-8 and 2-9, respectively. Table 2-10 describes the individual signal functions.

2-17. DRIVE INTERFACE AC CHARACTERISTICS

The drive interface ac timing characteristics are shown in the following timing diagrams (figures 2-5 through 2-7); the individual timing values are given in table 2-11.

2-18. DRIVE INTERFACE DC CHARACTERISTICS

The drive interface dc signal characteristics are given in table 2-12. Note that all controller output signals are open collector and that all input signals are terminated on the controller with 220/330 ohm resistor networks.

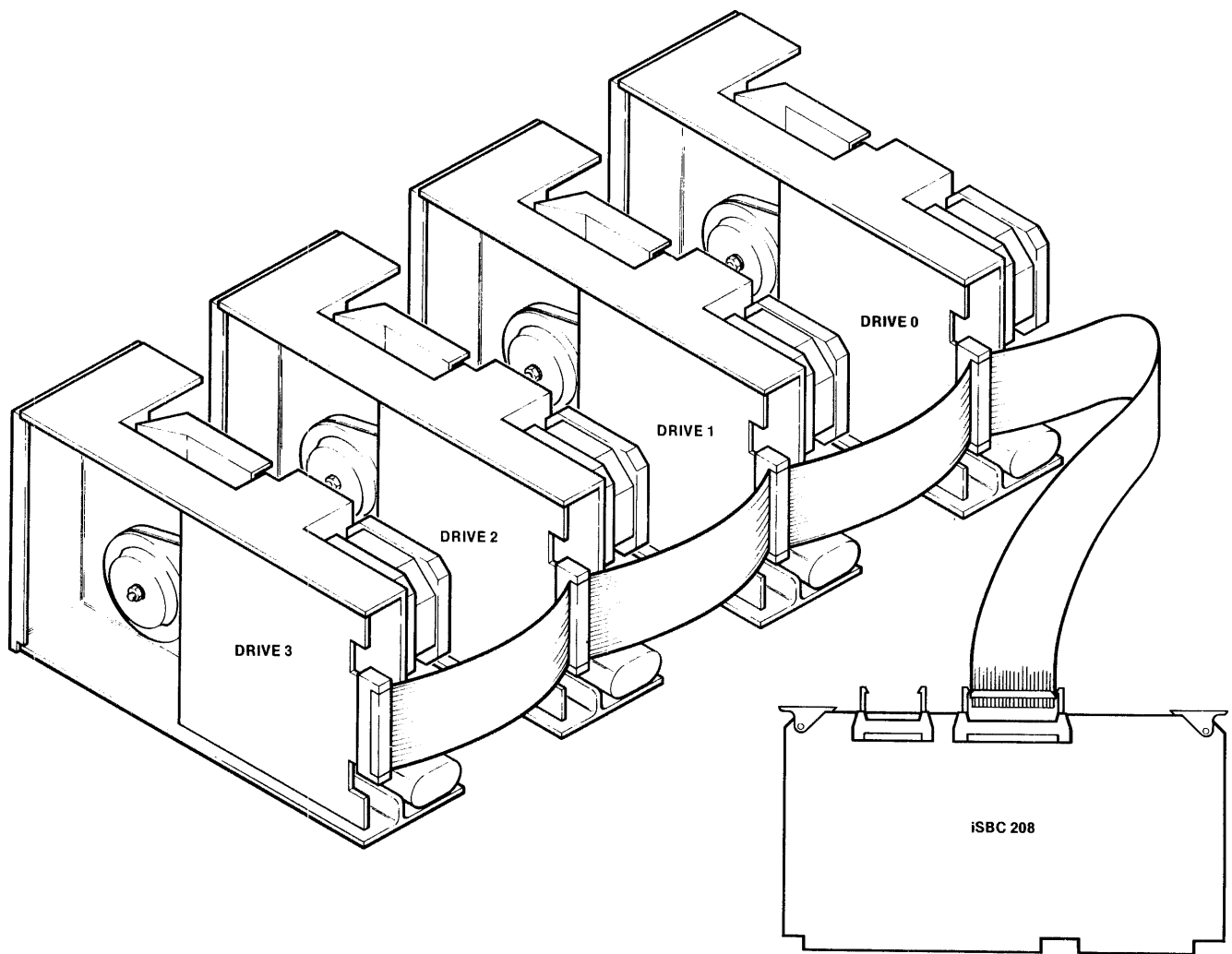


Figure 2-4. Typical Four-Drive System (Standard-Sized Drives)

143078-4

Table 2-8. J2 Interface Connector Pin Assignments

Pin Assignment	Signal	Pin Assignment	Signal
2	LOW CURRENT/	28	DRIVE SELECT 1/
4	HEAD LOAD 2/	30	DRIVE SELECT 2/
6	HEAD LOAD 3/	32	DRIVE SELECT 3/
8	Spare	34	DIRECTION/
10	TWO SIDED/	36	STEP/
12	Spare	38	WRITE DATA/
14	SIDE SELECT/	40	WRITE GATE/
16	Spare	42	TRACK 0/
18	HEAD LOAD 0/	44	WRITE PROTECT/
20	INDEX/	46	READ DATA/
22	READY/	48	FAULT/
24	HEAD LOAD 1/	50	FAULT RESET/
26	DRIVE SELECT 0/		

Note that all odd-numbered pins are connected to logic ground.

Table 2-9. J1 Interface Connector Pin Assignments

Pin Assignment	Signal	Pin Assignment	Signal
2	Spare	20	STEP/
4	Spare	22	WRITE DATA/
6	READY/	24	WRITE GATE/
8	INDEX/	26	TRACK 0/
10	DRIVE SELECT 0/	28	WRITE PROTECT/
12	DRIVE SELECT 1/	30	READ DATA/
14	DRIVE SELECT 2/	32	SIDE SELECT/
16	Spare	34	TWO SIDED/
18	DIRECTION/		

Note that all odd-numbered pins are connected to logic ground.

Table 2-10. Interface Connector Signal Functions

Signal	Function
LOW CURRENT/	A low-state active output signal used to select low write current compensation circuitry available in some drives. This signal is enabled during read/write operations and is active (low) when the track address is 43 or greater. Note that a factory-installed jumper link is used to route this signal to pin 2 of connector J2.
HEAD LOAD 2/	An optional (jumper selectable) low-state active output signal used to load the read/write head in drive 2. When the head is initially loaded, the controller provides a programmed delay (head load time) prior to initiating any read/write operation. Following a read/write operation, the controller delays inactivating the HEAD LOAD 2/ signal until the programmed head unload time and the one-second fixed delay intervals time out. Note that a jumper link must be installed to route the HEAD LOAD 2/ signal to the J2 interface connector.
HEAD LOAD 3/	An optional low-state active output signal that is functionally identical to HEAD LOAD 2/ except routed to drive 3.
TWO SIDED/	A low-state active status input signal that indicates the installation of a double-sided diskette within the drive. Note that a factory-installed jumper link is used to route this signal into the controller from drive interface connectors J2 and J1, and that this signal is only examined during the Sense Drive Status command.
SIDE SELECT/	An output control signal that selects one side of a double-sided drive. When SIDE SELECT is low, read/write operations are performed on side 1 of the drive.
HEAD LOAD 0/	A low-state active output signal used to load the read/write head in drive 0. When configured at the factory, this signal is the only HEAD LOAD/ signal available on interface connector J2 (common HEAD LOAD/ signal for all drives interfaced), and the additional one-second head unload delay is not used.
INDEX/	A low-state active input pulse that is coincident with the detection of the index hole in the diskette (indicates the logical beginning of a track).
READY/	A low-state active input signal indicating that the drive is ready to perform an operation. The qualifications for READY/ are drive dependent and usually include diskette in place, door closed and diskette rpm at specified speed. The controller uses a common READY/ input and requires that the drives interfaced provide a gated READY/ output when individually selected.
HEAD LOAD 1/	An optional low-state active output signal that is functionally identical to HEAD LOAD 2/ except routed to drive 1.
DRIVE SELECT 0/ DRIVE SELECT 1/ DRIVE SELECT 2/ DRIVE SELECT 3/	Individual low-state active output signals for selecting the individual drives interfaced. Note that a DRIVE SELECT 3/ signal is not included on the J1 interface connector and that when interfacing four mini drives, this signal must be connected to one of the jumper posts associated with an unassigned pin of connector J1.
DIRECTION/	An output control signal that specifies the direction in which the drive's read/write head is stepped. This signal is only enabled during seek operations and when at a logic low level, causes the head to be stepped toward the spindle (step in).
STEP/	A low-state active output pulse that causes the drive to move (step) the read/write head one track position. The direction that the head is stepped is determined by the state of the DIRECTION/ output signal. Like the DIRECTION/ signal, STEP/ is only enabled during seek operations.
WRITE DATA/	The serial data/clock composite write signal to the drive. The high-to-low-going transition of this signal indicates a bit to be written on the diskette.
WRITE GATE/	A low-state active control signal that is used to enable the drive's write electronics (allowing data to be written on the diskette). When this signal is in its inactive state, the write electronics are disabled, and the drive reads data from the diskette.
TRACK 0/	A low-state active input status signal that indicates the drive's read/write head currently is positioned over track 0. Note that this signal is only examined during a seek or recalibrate operation.
WRITE PROTECT/	A low-state active input status signal that indicates the installation of a write-protected diskette in the drive. Note that this signal is only examined during a write or format operation.
READ DATA/	The composite (unseparated) data and clock input signal generated by the drive during a diskette read operation. A high-to-low-going transition indicates a clock or data "one" bit.
FAULT/	An optional low-state active input signal that indicates a write fault condition within the drive. This signal is only examined during read/write operations and requires the installation of a jumper link to route the signal into the controller from the J2 interface connector.
FAULT RESET/	A low-state active output control signal that is used to reset fault detection logic optional in some drives. This signal is automatically generated at the beginning of every read/write operation and requires the installation of a jumper link to route the signal to the J2 interface connector.

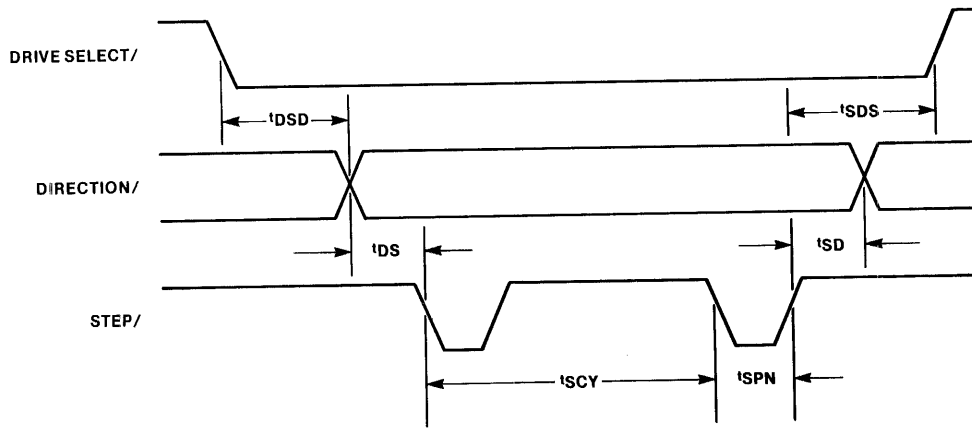


Figure 2-5. Seek Timing

143078-5

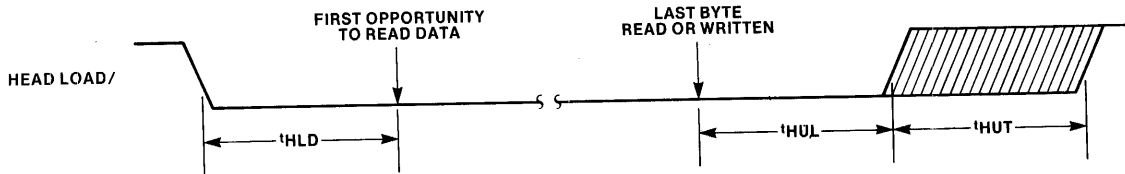


Figure 2-6. Head Load Timing

143078-6

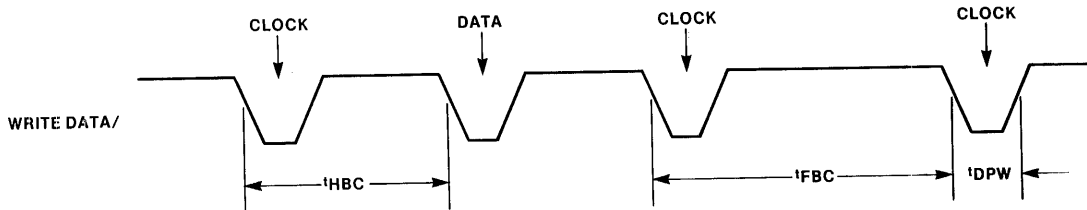


Figure 2-7. Write Data Timing

143078-7

Table 2-11. Drive Interface AC Timing Characteristics

Symbol	Parameter	Standard 8-inch Drive			5¼-inch Mini Drive			Units
		Minimum	Typical	Maximum	Minimum	Typical	Maximum	
Seek Timing								
t_{DSD}	DRIVE SELECT/ to DIRECTION/ Setup Time	19			38			μ s
t_{SDS}	DRIVE SELECT/ Hold Time from STEP/	5			10			μ s
t_{DS}	DIRECTION/ to STEP/ Setup Time	1			2			μ s
t_{SD}	DIRECTION/ Hold Time from STEP/	24			48			μ s
t_{SCY}	STEP/ Cycle Time	1		16	2		32	ms
t_{SPW}	STEP/ Pulse Width	5			10			μ s
Head Load Timing								
t_{HLD}	Head Load Time	2		254	4		508	ms
t_{HUL}	Head Unload Time	16		240	32		480	ms
t_{HUT}	Head Unload Time-Out (Optional)		1			1		s
Write Data Timing								
t_{HBC}	Half Bit Cell		1 or 2*			2 or 4*		μ s
t_{FBC}	Full Bit Cell		2 or 4*			4 or 8*		μ s
t_{DPW}	Data Pulse Width	200	250		200	250		ns

*FM Mode Values.

Table 2-12. Drive Interface DC Characteristics

Signal	Current Drive		Current Load	
	I_{OL}	I_{OH}	I_{IL}	I_{IH}
All Output Signals*	48mA	-250 μ A	—	—
READY/, INDEX/, READ DATA/	—	—	-0.8mA	40 μ A
WRITE PROTECT/, TWO SIDED/, FAULT/, TRACK 0/	—	—	-0.2mA	20 μ A

*Auxiliary port output signals have an additional 10k ohm pullup resistor to V_{CC} .

2-19. DRIVE CABLING

The controller uses two drive interface connectors, a 34-pin connector for interfacing mini-sized drives (J1) and a 50-pin connector for interfacing standard-sized drives (J2). Each interface connector can interface up to four drives using a daisy-chain technique. Since most drives compatible with the controller follow the Shugart flexible disk drive interface requirements, flat ribbon cable and mass-termination type connectors are recommended for cable fabrication. (A number of the individual drive interface signal pin assignments can be altered or defined by jumpers on the controller board.) To fabricate the

I/O interface cable, the cable ends are fitted with the appropriate mating connectors, and when interfacing multiple drives, additional drive mating connectors are inserted directly into the cable to form a daisy-chain cable. The recommended maximum cable length between the controller and the (last) drive is 10 feet (3 meters); consult the drive manufacturer's specifications for additional limitations. Figure 2-8 illustrates a typical daisy-chain flat ribbon cable designed to interface two standard-sized drives.

Table 2-13 lists compatible controller mating connectors and cable. Refer to the drive manufacturer's documentation for the required drive mating connectors.

Table 2-13. Mating Connectors

Controller Connector	Mating Connector	Cable
J1	3M 3414-7034 or T&B/Ansley 609-3401M	3M 3365/34 T&B/Ansley 171-34 Spectra-Strip (twisted pair) 455-248-34
J2	3M 3425-7050 or T&B/Ansley 609-5001M	3M 3365/50 T&B/Ansley 171-50 Spectra-Strip (twisted pair) 455-248-50

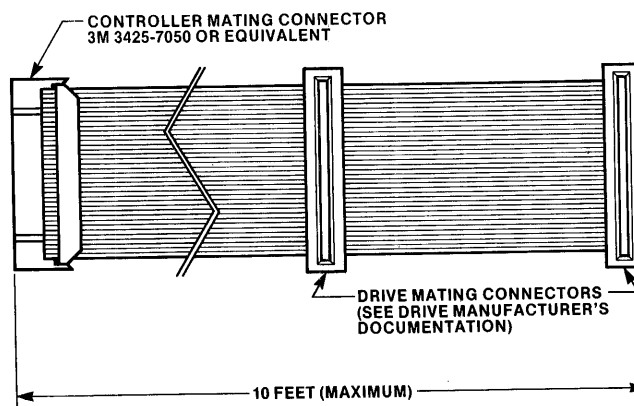


Figure 2-8. Flat-Ribbon I/O Interface Cable

143078-8

2-20. DRIVE MODIFICATIONS

The following subsections define the general drive modifications that may be necessary to ensure proper interface with the controller. Detailed information is included in the drive manufacturer's documentation.

2-21. READY LOGIC

Most standard-sized drives compatible with the controller provide a ready indication to the controller only when the drive is selected. If the drive provides an ungated READY/ output (generally referred to as radial ready), the drive must be modified to condition the drive's READY/ output with DRIVE SELECT/. Most mini-sized drives do not provide a ready indication. Accordingly, when interfacing drives that do not provide a READY/ output, make sure that the controller's READY/ input is permanently enabled with the installation of a jumper link between jumper posts E17 and E19 as described in table 2-6.

2-22. MOTOR-ON CONTROL

The MOTOR ON/ control output for mini-sized drives must be enabled prior to drive selection to allow time for the drive to reach operating speed before an operation is initiated. Accordingly, the MOTOR ON/ input to the drive must not be gated with DRIVE SELECT/. Note that this restriction applies when using either a common MOTOR ON/ signal or a radial MOTOR ON/ signal in multiple-drive configurations.

2-23. RADIAL HEAD LOAD

As an option, the controller can be configured to provide individual (radial) HEAD LOAD/ outputs. When this option is used, the individual HEAD LOAD/ signals must not be gated with their associated DRIVE SELECT/ signal within the drive.

2-24. DRIVE TERMINATION

When two or more drives are interfaced (daisy-chained) to the controller, the termination resistors/networks on the following common drive input signal lines must be removed from all but the last physical drive on the cable:

DIRECTION/
STEP/
WRITE DATA/
WRITE GATE/

HEAD LOAD/ (common only)
LOW CURRENT/ (if used)
FAULT RESET/ (if used)
MOTOR ON/ (if used; common only)

2-25. DRIVE NUMBERING

When interfacing multiple drives, each drive must be assigned a unique drive unit number. Depending on the manufacturer, internal drive unit assignment may be determined by wire jumper, shorting plug, or individual switch contacts. Generally, drives are shipped by their manufacturer configured for single-drive systems (i.e., the drive is assigned unit 0 with drives numbered 0 through 3 or unit 1 with drives numbered 1 through 4).

2-26. MULTIPLE DRIVE PIN ASSIGNMENTS

When interfacing more than one drive, unique pin assignments for the individual DRIVE SELECT/, MOTOR ON/ (when used in radial configuration), and radial HEAD LOAD/ (optional) signal lines associated with each drive must be provided. The actual pin assigned will depend on pin availability based on drive features supported and interface signal requirements. Note that it may be necessary to cut traces within the drive in order to reroute the input signal within the drive. It also may be necessary to cut traces to omit non-critical drive status signals (e.g., TWO-SIDED/ or IN USE) in order to provide additional pin assignments on the interface. Appendix C lists the pin assignments for a number of the standard- and mini-sized drives compatible with the controller.

2-27. STEPPER MOTOR POWER

Many drives compatible with the controller support a power-down feature that allows power to the stepper motor to be enabled only when the drive is selected. Since the controller automatically polls all four possible drives for a change in drive-ready status by cycling through the DRIVE SELECT/ lines, the power down feature cannot be supported directly (i.e., power to the stepper motor must not be dependent on drive selection). Note that in addition to the above restriction, the interval between drive selection and the generation of the first STEP/ pulse is too short to allow the stepper motor to be enabled by the DRIVE SELECT/ lines. When the stepper motor power-down feature is to be used, the host processor must enable and disable the stepper motor through the controller's auxiliary port.

3-1. INTRODUCTION

This chapter describes the I/O port commands that are executed by the host processor to convey information to and from the controller's programmable flexible disk controller (FDC) and DMA controller (DMAC) circuits and the individual FDC commands that control all disk operations and the transfer of data to and from the drive. Additionally, this chapter contains a description of the diskette formats supported and individual flow charts depicting the various diskette operations.

All disk operations are defined and initiated by the host processor through the execution of a series of I/O port commands while the controller is functioning as a bus slave. Once all information required to define the operation has been received, the controller functions as a bus master; the controller accesses and maintains control of the system bus and completes the specified operation without further intervention from the host processor. When the operation is complete, the controller reverts to a bus slave; the host processor must interrogate the controller to determine the outcome of the operation.

To initiate a disk operation, a series of I/O port commands is executed by the host processor. This series of commands defines the FDC operation to be performed, provides all supplemental information (parameters) required to perform the operation, and, if a data transfer to or from the diskette is indicated, defines the direction of the data transfer, the starting memory address of the first data byte to be transferred and the number of bytes to be transferred.

3-2. I/O PORT COMMANDS

Host processor communication with the controller is accomplished through an I/O port address block as defined by the least-significant bits of the I/O address. The location of this block (the I/O base address) in host processor memory must be on a 32-bit boundary (64-bit boundary with iSBX Multimodule board installed) and is defined by the user through a set of jumpers on the controller. These jumpers correspond to the three most-significant bits of an 8-bit I/O address or the eleven most-significant bits of a 16-bit I/O address (8- or 16-bit I/O addressing is user-selectable by an additional jumper on the controller).

The host processor executes an I/O port read or write instruction at one of the locations within the I/O port address block to transfer information either to (I/O write) or from (I/O read) the controller. Table 3-1 defines the controller's I/O port command set. Note that a number of the ports can be both read and written while other ports are either read-only or write-only. Each port command transfers one byte of data; a number of the I/O port commands require two data bytes (i.e., the port command must be issued twice to transfer all data associated with the I/O port command).

3-3. READ/WRITE DMAC ADDRESS REGISTERS

The controller's DMAC circuit has four DMA channels of which three channels are available. Each channel has an identical pair of 16-bit address registers, a "current-address" register, and a "base-address" register (each channel also has an identical pair of 16-bit word-count registers). Channel 0 is used by the controller for all diskette data transfers, Channel 1 is not used, and Channels 2 and 3 are available for use by an iSBX Multimodule board installed on the controller.

The Write DMAC Address Register command is used to simultaneously load a channel's current-address register and base-address register with the memory address of the first byte to be transferred. (The Channel 0 current/base address register must be loaded prior to initiating a diskette read or write operation.) Since each channel's address registers are 16 bits in length (64K address range), two "write address register" commands must be executed in order to load the complete current/base address registers for any channel. The register byte loaded (high- or low-order) is determined by the state of the DMAC's first/last flip-flop. (When the flip-flop is reset, the associated data byte is written into the low-order eight bits of the register; the flip-flop is toggled with each command so that a second address register command accesses the "other" byte.) The current-address register is incremented with each byte transferred; the base-address register maintains its initial value until it is reloaded by a subsequent Write Address Register command (or until the DMAC or controller is reset).

The Read DMAC Address Register command reads the low- or high-order byte of a channel's current-address register (a channel's base-address register

Table 3-1. I/O Port Controller Commands

Port Address	Mode	Command Function
0	Write Read	Load DMAC Channel 0 Base and Current Address Registers Read DMAC Channel 0 Current Address Register
1	Write Read	Load DMAC Channel 0 Base and Current Word Count Registers Read DMAC Channel 0 Current Word Count Register
2,3	—	Reserved
4	Write Read	Load DMAC Channel 2 Base and Current Address Registers Read DMAC Channel 2 Current Address Register
5	Write Read	Load DMAC Channel 2 Base and Current Word Count Registers Read DMAC Channel 2 Current Word Count Register
6	Write Read	Load DMAC Channel 3 Base and Current Address Registers Read DMAC Channel 3 Current Address Register
7	Write Read	Load DMAC Channel 3 Base and Current Word Count Registers Read DMAC Channel 3 Current Word Count Register
8	Write Read	Load DMAC Command Register Read DMAC Status Register
9	Write	Load DMAC Request Register
0A	Write	Set/Reset DMAC Mask Register
0B	Write	Load DMAC Mode Register
0C	Write	Clear DMAC First/Last Flip-Flop
0D	Write	DMAC Master Clear
0E	—	Reserved
0F	Write	Load DMAC Mask Register
10	Read	Read FDC Status Register
11	Write Read	Load FDC Data Register Read FDC Data Register
12	Write Read	Load Controller Auxiliary Port Poll Interrupt Status
13	Write	Controller Reset
14	Write	Load Controller Low-Byte Segment Address Register
15	Write	Load Controller High-Byte Segment Address Register
16-1F	—	Not Used
20-2F	—	Reserved for iSBX Multimodule Board (see Appendix B)

cannot be read). The current-address register byte accessed is determined by the state of the DMAC's first/last flip-flop as previously described.

3-4. READ/WRITE DMAC WORD COUNT REGISTERS

Like the DMAC address registers, each DMA channel also has an identical pair of 16-bit word-count registers, a "current word-count register" and a "base word-count register." The channel 0 word-count registers are used to specify the number of bytes to be transferred during a diskette read or write operation. The channel 1 word-count registers are not used, and the word-count registers for channels 2 and 3 are dedicated to DMA functions associated with a Multimodule board.

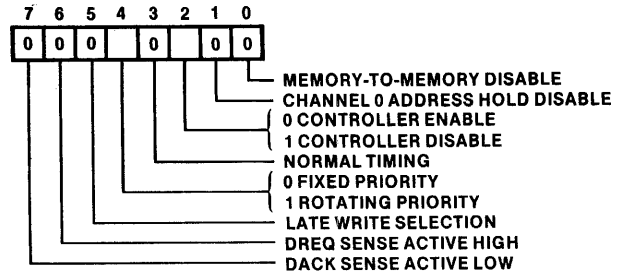
The Write DMAC Word Count Register command is used to simultaneously load a channel's current and base word-count registers with the number of bytes to be transferred during a subsequent DMA operation. Since the word-count registers are 16-bits in length, two commands must be executed to load both halves of the registers. As described in section 3-3, the register half loaded (low- or high-order) is determined by the state of the DMAC's first/last flip-flop. The actual count loaded is a binary value that is one less than the number of bytes to be transferred (i.e., the register value 01FFH transfers 512 bytes). During the subsequent DMA transfer, the current word-count register is decremented with each byte transferred; the base word-count register maintains its initially-loaded value until it is reloaded by a subsequent Write Word Count Register command or until either the DMAC or controller is reset. When the word count decrements to zero, the DMA transfer is stopped and the corresponding TC (terminal count) bit in the DMAC status register is set.

The Read DMAC Word Count Register command reads the low- or high-order byte of a channel's current word-count register (a channel's base word-count register cannot be read). The current word-count register byte accessed is determined by the state of the DMAC's first/last flip-flop.

3-5. WRITE DMAC COMMAND REGISTER

The Write DMAC Command Register command loads an 8-bit byte into the DMAC's command register to define the operating characteristics of the DMAC. The functions of the individual bits in the command register are defined in the following diagram. Note that only two bits within the register

are applicable to the controller; the remaining bits select functions that are not supported and, accordingly, must always be set to zero.



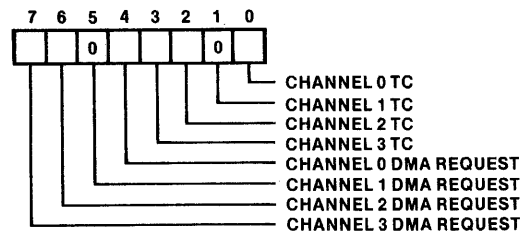
Bit 2: Controller Enable/Disable. This bit, when set to one, prevents all DMA channels from responding to data transfer requests. Normally, this bit is always set to zero to enable the DMAC. When multiple DMA channels are used and a non-essential DMA request from the iSBX Multimodule board could interrupt the programming of channel 0, the DMAC could be disabled while it is being programmed and then enabled by a subsequent Write DMAC Command Register command after it has been programmed.

Bit 4: Fixed/Rotating Priority. This bit, when set to zero, selects fixed priority (channel 0 has the highest priority, channel 3 has the lowest priority) and when set to one, selects rotating priority (each channel is granted highest priority on a rotational scheme).

Note that when programming the command register, an all-zero byte enables the DMAC and gives the disk controller (channel 0) the highest priority. The command register is cleared by a DMAC master clear or controller reset.

3-6. READ DMAC STATUS REGISTER COMMAND

The Read DMAC Status Register command accesses an 8-bit status byte that identifies the DMA channels that have reached terminal count or that have a pending DMA request.



Bits 0 through 3 are set when their corresponding channel has reached terminal count (i.e., when the channel's current word count register decrements to zero). Since DMA channel 1 is not used, bit 1 always is zero. Bits 2 and 3 are associated with an iSBX Multimodule board and indicate a terminal count condition on channels 2 and 3. Note that if external EOP (End of Process) logic is implemented on the iSBX Multimodule board, the generation of an external EOP signal sets the active channel's TC bit irrespective of the current word count.

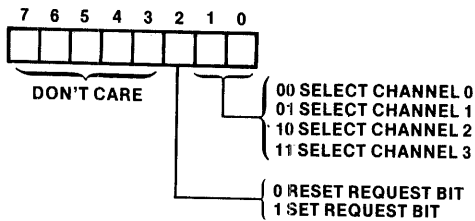
Bits 4 through 7 are set when their corresponding channel requests DMA service (DMAC's DREQ input activated or corresponding bit in the request register set). Again, since DMA channel 1 is not used, bit 5 always is zero, and bits 6 and 7 indicate DMA requests originating from an iSBX Multimodule board.

The TC bits in the status register are cleared whenever the register is read by a DMAC master clear or by a controller reset.

3-7. WRITE DMAC REQUEST REGISTER

The Write DMAC Request Register command is used with DMAC channels 2 and 3 (the iSBX Multimodule board channels) to allow DMA requests to be initiated by the host processor. The command only can be used when the selected channel is operated in the "block transfer mode" (see section 3-9); the controller's DMA channel (channel 0) operates in either the "single transfer mode" or the "demand transfer mode" and does not use the Write DMAC Request Register command.

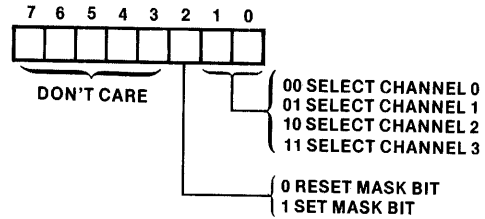
The data byte associated with the Write DMAC Request Register command sets or resets a channel's associated request bit within the DMAC's internal 4-bit request register.



The individual channel request bits are non-maskable and are subject to channel prioritization (fixed or rotating). Each request bit is individually set or reset according to the state of bit 2 and, when once set within the register, is cleared when the corresponding channel reaches terminal count or when an external EOP signal is applied. The entire request register is cleared by a DMAC master clear or controller reset.

3-8. SET/RESET DMAC MASK REGISTER

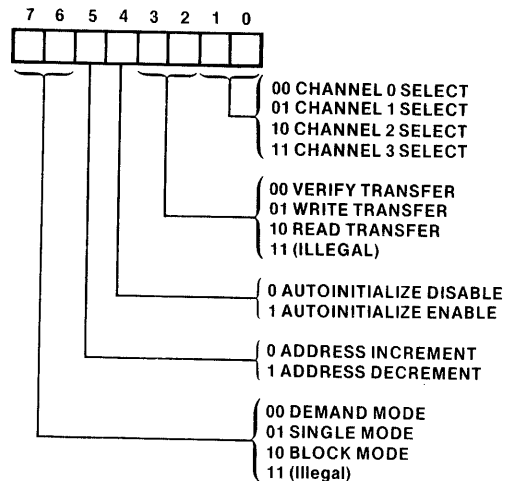
The Set/Reset DMAC Mask Register command is used to reset (or set) individual bits within the DMAC's internal 4-bit mask register. Each DMAC channel has an associated mask bit within the register that, when reset, enables the channel's DREQ (DMA Request) input and, when set, disables (masks) the DREQ input.



Prior to a DREQ-initiated DMA transfer, the channel's mask bit must be reset to enable recognition of the DREQ input. When the transfer is complete (terminal count reached or external EOP applied) and the channel is not programmed to autoinitialize, the channel's mask bit is automatically set (disabling DREQ) and must be reset prior to a subsequent DMA transfer. All four bits of the mask register are set (disabling the DREQ inputs) by a DMAC master clear or controller reset. Additionally, all four bits can be set/reset by a single Write DMAC Mask Register command (see section 3-12).

3-9. WRITE DMAC MODE REGISTER

The Write DMAC Mode Register command is used to define the operating mode characteristics for each DMA channel. Each channel has an internal 6-bit mode register; the high-order six bits of the associated data byte are written into the mode register addressed by the two low-order bits.



Verify Transfer. The verify transfer mode is not used by the controller; this mode may be used by an iSBX Multimodule board.

Write Transfer. The write transfer mode programs the selected DMA channel to transfer data from the I/O device to host memory. This mode must be selected to read data from the diskette (i.e., the data read from the diskette is written into host memory).

Read Transfer. The read transfer mode programs the selected DMA channel to transfer data from host memory to the I/O device. This mode must be selected to write data on the diskette (i.e., the data read from host memory is written onto the diskette).

Autoinitialize. The autoinitialize enable/disable bit is used to control a channel's autoinitialization function. When this bit is set (1), the autoinitialize mode is enabled, and the current word-count and current address register values are automatically restored from the corresponding base registers when the DMA transfer is complete (terminal count or EOP). The mask bit is not set when the autoinitialize mode is enabled, and the channel is prepared to perform a subsequent DMA transfer without reprogramming the DMAC. Note that for most controller applications, the autoinitialize mode is not used.

Address Increment/Decrement. The address increment/decrement bit determines the sequence in which memory addresses are generated. When this bit is reset (0), the memory address in the current address register is incremented with each byte transferred. Conversely, when the address increment/decrement bit is set (1), the memory address in the current address register is decremented with each byte transferred. Note that for most controller applications, the address increment mode is used.

Demand Mode. In the demand transfer mode the channel data transfer is initiated by DREQ. The channel continues to transfer data until DREQ goes inactive or until either a terminal count condition is reached or an external EOP is received. If DREQ is held active throughout the entire transfer, the channel maintains bus access until the transfer is complete. The controller (DMAC channel 0) can use the demand transfer mode; however, since the DREQ input from the FDC goes inactive following each byte transferred, the channel releases the bus after each byte transferred.

Single Transfer Mode. In single transfer mode, the channel performs a sequence of single byte transfers (the channel releases the bus after each byte transferred) until the transfer is complete (terminal count reached or external EOP applied). DREQ must be held active by the I/O device until DACK is received.

Unlike the demand mode, if DREQ is held active throughout the entire transfer, the bus is released with each byte transferred. The controller normally uses the single transfer mode for all DMA data transfers.

NOTE

Since both the demand and single transfer modes used by the controller release the bus with each byte transferred, the controller should be given "high bus priority" to prevent interruptions in the DMA transfer.

Block Mode. In block transfer mode the channel data transfer again is initiated by DREQ. The transfers continue, irrespective of the state of DREQ, until terminal count is reached or an external EOP is applied. (DREQ must be held active until DACK is received.) The controller does not support operation in the block transfer mode; this mode may be used by an iSBX Multimodule board.

3-10. CLEAR DMAC FIRST/LAST FLIP-FLOP

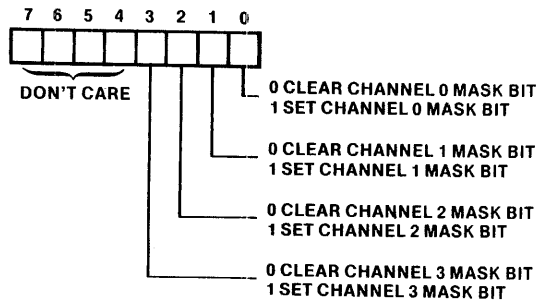
The Clear DMAC First/Last Flip-Flop command initializes the DMAC's internal first/last flip-flop so that the next byte written to or read from the 16-bit address or word-count registers is the low-order byte. The flip-flop is toggled with each register access so that a second register read or write command accesses the high-order byte. The first/last flip-flop also is initialized (to access the low-order register byte) by a DMAC master clear or controller reset. Note that the Clear DMAC First/Last Flip-Flop command does not require a specific bit pattern in the associated command data byte.

3-11. DMAC MASTER CLEAR

The DMAC Master Clear command clears the DMAC's command, status, request, and temporary registers to zero, initializes the first/last flip-flop, and sets the four channel mask bits in the mask register to disable all DMA requests (i.e., the DMAC is placed in an idle state). Note that the DMAC Master Clear command does not require a specific bit pattern in the associated command data byte.

3-12. WRITE DMAC MASK REGISTER

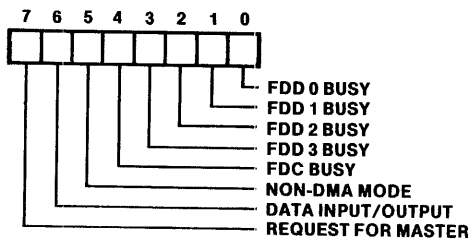
The Write DMAC Mask Register command allows all four bits of the DMAC's mask register to be written with a single command.



Like the Set/Reset DMAC Mask Register command, clearing a channel's mask bit enables recognition of the associated DREQ input, and setting a channel's mask bit disables (masks) the associated DREQ input. Again, a DMAC master clear or controller reset sets all four mask register bits (disabling the DREQ inputs).

3-13. READ FDC STATUS REGISTER

The Read FDC Status Register command accesses the FDC's main status register. The individual status register bits are as follows:



FDD 0 BUSY. This bit, when set (1), indicates that drive 0 is in the process of performing a seek operation.

FDD 1 BUSY. This bit, when set, indicates that drive 1 is in the process of performing a seek operation.

FDD 2 BUSY. This bit, when set, indicates that drive 2 is in the process of performing a seek operation.

FDD 3 BUSY. This bit, when set, indicates that drive 3 is in the process of performing a seek operation.

FDC BUSY. This bit, when set, indicates that the FDC is in the command execution phase (i.e., the FDC is in the process of performing a diskette read or write operation).

NON-DMA MODE. This bit only is applicable in systems that do not support DMA transfers and is irrelevant to the controller.

DATA INPUT/OUTPUT. The data input/output (DIO) bit indicates the direction of the transfer between the FDC's data register and the host processor. When this bit is set, the direction of the transfer is from the FDC to the host processor, and when this bit is reset, the direction of the transfer is from the host processor to the FDC.

REQUEST FOR MASTER. The request for master (RQM) bit, when set, indicates that the FDC's data register is ready to present a byte to or accept a byte from the host processor.

The host processor can read the main status register at any time and should use the DIO and RQM status bits to perform a "handshaking" function with the FDC when transferring data to or from the FDC's data register. Figure 3-1 shows the status register timing.

Note that like any microprocessor, the FDC requires a finite amount of time to update its RQM status bit between byte transfers to or from the data register. The sample PL/M and assembly language drivers in Appendix A illustrate typical wait subroutines that must be inserted between successive byte transfers to or from the FDC's data register.

3-14. READ/WRITE FDC DATA REGISTER

The Read and Write FDC Data Register commands are used to write command and parameter bytes to the FDC in order to specify the operation to be performed (referred to as the "command phase") and to read status bytes from the FDC following the operation (referred to as the "result phase"). During the command and result phases, the 8-bit data register is actually a series of 8-bit registers in a stack. Each register is accessed in sequence; the number of registers accessed and the individual register contents are defined by the specific disk command (refer to the FDC command descriptions in sections 3-20 through 3-32).

3-15. WRITE CONTROLLER AUXILIARY PORT

The Write Controller Auxiliary Port command is used to set or clear individual bits within the controller's auxiliary port. The four low-order port bits are dedicated to auxiliary drive control functions

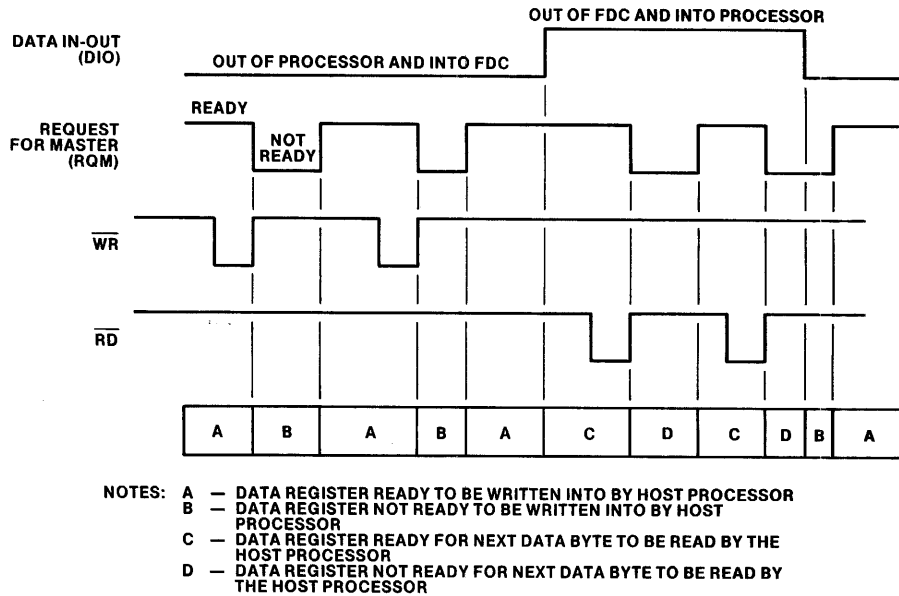
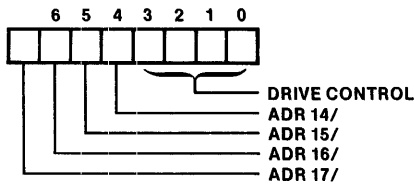


Figure 3-1. Main Status Register Timing

143078-9

(jumper links are required to connect the desired port bit to an available pin on the drive interface connectors; see section 2-14). The most common application for these bits is the “Motor-On” control function for mini-sized drives.

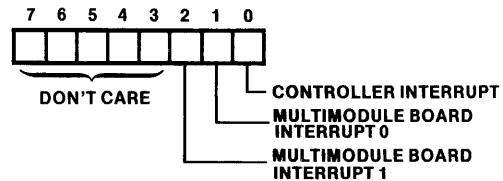
The four high-order bits of the auxiliary port are the ADR14 through ADR17 address bits that are used to extend the DMA addressing capability of the controller to 16 megabytes (24-bit addressing). These bits are set prior to initiating a diskette read or write operation to define the specific 1-megabyte page of memory to be accessed.



3-16. POLL INTERRUPT STATUS

The Poll Interrupt Status command presents the interrupt status of the controller and the two interrupt status lines dedicated to the iSBX Multimodule board. This command is used by the host processor

when interrupts are disabled to poll the controller (and iSBX Multimodule board) in order to determine when an operation has been completed. A bit set in the status byte returned indicates a pending interrupt.

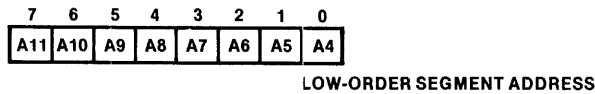


3-17. CONTROLLER RESET

The Controller Reset command is the software reset for the controller. This command clears the controller’s auxiliary port and segment address register, provides a reset signal to the iSBX Multimodule board and initializes the bus controller (releases the bus), the DMAC (clears the internal registers and masks the DREQ inputs), and the FDC (places the FDC in an idle state and disables the output control lines to the diskette drive). Following reset, the controller is in an idle state. Note that the Controller Reset command does not require a specific bit pattern in the associated command data byte.

3-18. WRITE CONTROLLER LOW- AND HIGH-BYTE SEGMENT ADDRESS REGISTERS

The Write Controller Low- and High-Byte Address Registers commands are required when the controller uses 20-bit addressing (memory address range from 0 to 0FFFFFFH). These commands are issued prior to initiating a diskette read or write operation to specify the 16-bit segment address. The data byte loaded into the low-order half of the register is the A4 through A11 address bits, and the data byte loaded into the high-order half of the register is the A12 through A19 address bits.



During the subsequent DMA transfer, the segment address is combined with the DMAC's current address to form a 20-bit "effective" address. As shown in figure 3-2, the segment address value is offset by four bit positions and added to the current address value.

The segment address register is reset (to zero) by the Reset Controller command.

3-19. DISKETTE ORGANIZATION

The controller is compatible with two physical sizes of diskettes: a single- or double-sided, standard 8-inch diskette that typically consists of 77 tracks and a single- or double-sided 5¼-inch mini diskette that typically consists of 35 tracks. Note that the term "cylinder" is used with double-sided drives to indicate the set of two tracks at a given head position.

The tracks are numbered sequentially (beginning at the outermost track) from 0 to 76 (standard size) or from 0 to 34 (mini size). Each track, in turn, is divided into sections or "sectors." The number of sectors on each track and the number of bytes per sector are program-determined ("soft sectoring") and are established when the track is formatted. The controller is programmed to operate in either the single-density (FM) format or the double-density (MFM) format. Figure 3-3 and table 3-2 describe the track and sector formats for both single- and double-density recording, and table 3-3 defines the recording capacities for both the standard 8-inch and 5¼-inch mini drives.

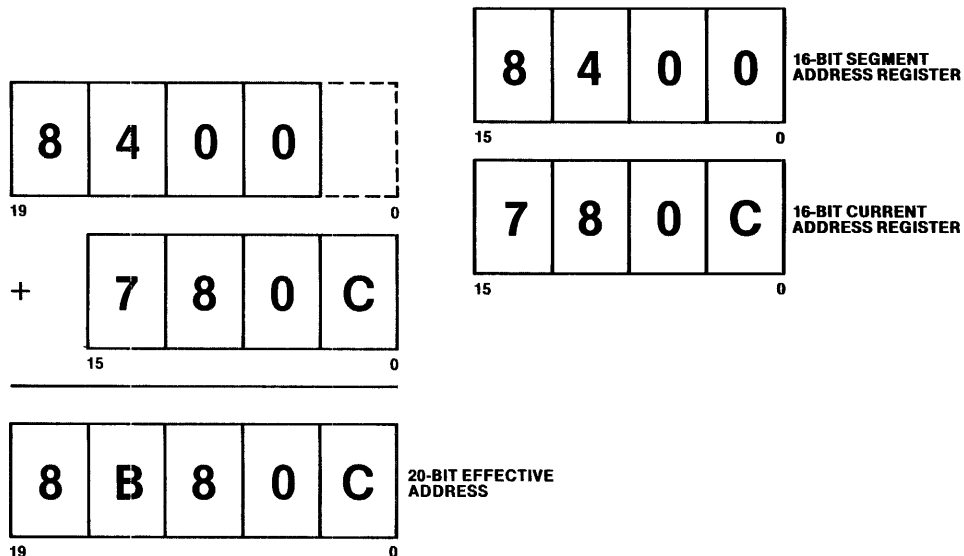


Figure 3-2. 20-Bit Addressing

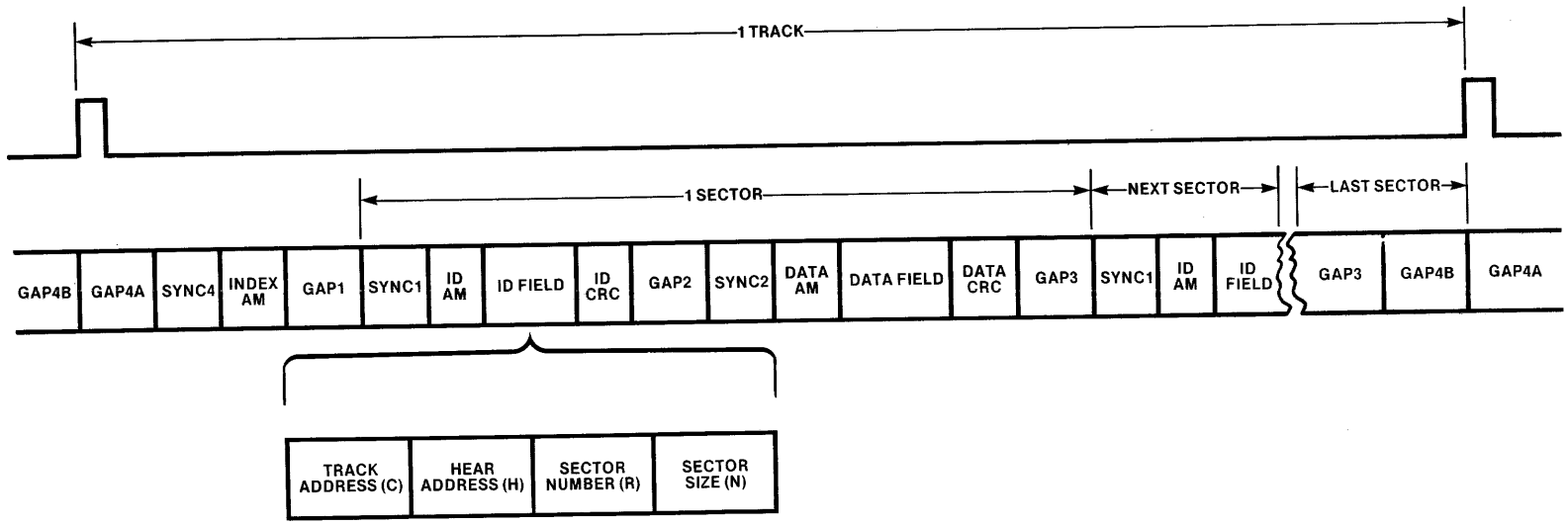


Figure 3-3. Track Format

143078-11

Table 3-2. Track Format

Designation	Description	FM Format		MFM Format	
		Number of Bytes	Pattern (Hexadecimal)	Number of Bytes	Pattern (Hexadecimal)
GAP 4A	Preamble gap; written by the FDC when the track is formatted.	40	FF	80	4E
SYNC 4	A sequence of all-zero bytes used to synchronize the controller's data separation logic prior to reading the index address mark; written by the FDC when the track is formatted.	6	00	12	00
INDEX AM	Index address mark. Unique data pattern that identifies the logical beginning of a track; written by the FDC when the track is formatted.	1	Data=FC Clock=D7	4	3 Bytes C2, 1 Byte FC
GAP 1	Post index gap; written by the FDC when the track is formatted.	26	FF	50	4E
SYNC 1	A sequence of all-zero bytes used to synchronize the controller's data separation logic prior to reading an ID field address mark; written by the FDC when the track is formatted.	6	00	12	00
ID AM	ID field address mark. Unique data pattern that identifies the beginning of a sector ID field; written by the FDC when the track is formatted.	1	Data=FE Clock=C7	4	3 Bytes A1, 1 Byte FE
ID FIELD	Four bytes used to uniquely identify each sector on a diskette by track address, side, sector number and sector size; these bytes are supplied to the FDC by the program (format table) and written in the ID field when the track is formatted.	4		4	
ID CRC	A 16-bit cyclic redundancy check character derived by the FCD from the ID address mark and the four ID field bytes and written immediately following the ID field when the track is formatted.	2		2	
GAP 2	Post ID field gap; written by the FDC when the track is formatted. During sector write operations, the controller switches the drive electronics from read to write during the post ID field gap interval.	11	FF	22	4E

Table 3-2. Track Format (Cont'd.)

Designation	Description	FM Format		MFM Format	
		Number of Bytes	Pattern (Hexadecimal)	Number of Bytes	Pattern (Hexadecimal)
SYNC 2	A sequence of all-zero bytes used to synchronize the controller's data separation logic prior to reading a data field address mark. These sync bytes are rewritten by the FDC during every sector write operation.	6	00	12	00
DATA AM	Data field address mark. Unique data pattern that identifies the beginning of a sector's data field; the data field address mark is written by the FDC each time the sector is written. Note that data pattern F8 (deleted data mark) is used in place of FB to identify a deleted sector.	1	FB	4	3 Bytes A1, 1 Byte FB
DATA FIELD	The sector's data field. The length of the data field (number of bytes) is programmable: 128 (single-density only), 256, 512, 1024, 2048, 4096, and 8192 (double-density only).				
DATA CRC	A 16-bit cyclic redundancy check character derived by the FDC from the data field address mark and the data field bytes and written immediately following the data field during sector write operations. During subsequent sector read operations, a second CRC character is calculated from the data read and compared with the CRC character previously written to verify data integrity.	2		2	
GAP 3	Post data field gap. A program-selectable gap length that separates the previous sector's data field from the next sector's ID field. The gap length specified is dependent on the recording format and sector length (see table 3-10). Note that the gap length specified differs for a format command and read/write commands.		FF		4E
GAP 4B	Postamble gap. A variable-length gap that follows the last sector on a track. This gap is written by the FDC when the track is formatted and extends from the end of gap 3 to the index pulse.		FF		4E

Table 3-3. Recording Capacities

Drive Size	Sectors Per Track	Bytes Per Sector		Bytes Per Track (Formatted)	
		Single Density (FM)	Double Density (MFM)	Single Density (FM)	Double Density (MFM)
Standard 8-inch	26	128	256	3328	6656
	15	256	512	3840	7680
	8	512	1024	4096	8192
	4	1024	2048	4096	8192
	2	2048	4096	4096	8192
	1	4096	8192	4096	8192
5¼-inch mini	18	128	256	2304	4608
	16	128	256	2048	4096
	8	256	512	2048	4096
	4	512	1024	2048	4096
	2	1024	2048	2048	4096
	1	2048	4096	2048	4096

3-20. FDC COMMANDS

The FDC is capable of executing 12 unique commands. Of these 12 commands, all but one (the Sense Interrupt Status command) require a multibyte transfer from the host processor to initiate command execution. Following the execution of most commands, the host processor must initiate a multibyte transfer from the FDC to determine the outcome of the operation and to terminate the command. Table 3-4 lists the FDC commands and the number of bytes required to initiate and to terminate the command.

Table 3-4. FDC Commands

Command	Command Bytes	Result Bytes
Specify	3	0
Seek	3	0
Read Data	9	7
Read Deleted Data	9	7
Read ID	2	7
Read Track	9	7
Write Data	9	7
Write Deleted Data	9	7
Format Track	6	7
Recalibrate	2	0
Sense Drive Status	2	1
Sense Interrupt Status	1	2

FDC command processing consists of three phases that are entered in the following sequence:

1. Command Phase. The host processor initiates command processing by writing one or more bytes to the FDC's data register. Depending on the command to be executed, up to nine bytes may be required before the execution phase can be entered.
2. Execution Phase. The operation specified during the command phase is performed. The execution

phase is entered automatically when the last command byte is received. Since the controller uses DMA for all data transfers to and from the diskette, no host processor intervention is required during the execution phase.

3. Result Phase. Following command execution, the FDC enters the result phase. With most commands, the FDC generates an interrupt to inform the host processor of the completion of the execution phase. To complete the result phase the host processor must read a series of bytes from the FDC's data register.

During the command and result phases, the main status register must be read by the host processor to determine when the FDC is ready to provide or accept the next command or result byte to be written or read from the data register as described in section 3-13. Note that during multibyte transfers to or from the FDC's data register, a delay interval must be inserted between each byte read or written to allow time for the FDC to update the main status register (see "wait" routines in the sample drivers in Appendix A).

During the execution phase of commands that transfer data to or from the diskette, the FDC generates a DMA request for each byte transferred. The DMAC responds to the DMA request with a DMA acknowledge to reset the DMA request. When the transfer is complete (terminal count received from the DMAC), the FDC generates an interrupt to indicate the beginning of the result phase. When the host processor reads the first byte from the FDC's data register (status byte ST0), the FDC automatically clears the interrupt. The host processor must read all of the result bytes to complete the command; the FDC will not accept a new command until the current command is completed.

The FDC contains five status registers. The main status register, as previously mentioned, is read by the host processor during the command and result phases. The other four status registers (ST0, ST1, ST2 and ST3) are read directly from the FDC's data register during the result phase. The status registers presented are determined by the FDC command executed. Table 3-5 defines the contents of the four result status registers.

The writing and reading of the command and result bytes to and from the FDC's data register must be performed in the order shown by the command format tables given in the individual FDC command descriptions. After the last command byte is written

to the FDC, the execution phase starts automatically. During the execution phase of commands that write data to or read data from the diskette, the number of bytes transferred is determined by the word-count value loaded into the DMAC. The DMAC signals the FDC when the programmed number of bytes have been transferred; the FDC then stops the transfer, interrupts the host processor, and enters the result phase. When the host processor reads the last result byte from the FDC's data register, the command is completed and the FDC is prepared to accept a new command.

Table 3-6 defines the mnemonics used in the command format tables for the individual commands.

Table 3-5. Result Phase Status Registers

Status Register 0 (ST0)			
Bit(s)	Name	Symbol	Description
D7,D6	Interrupt Code	IC	<p>D7=0 and D6=0 Normal Termination of Command. Command execution was completed successfully.</p> <p>D7=0 and D6=1 Abnormal Termination of Command. Command execution was initiated, but was not completed successfully.</p> <p>D7=1 and D6=0 Invalid Command Issued. Command execution was not initiated.</p> <p>D7=1 and D6=1 Ready Change. During command execution the drive went Not Ready.</p>
D5	Seek End	SE	Set (D5=1) when the FDC completes execution of a Seek command. Note that there is no result byte associated with a Seek command; the host processor must issue a Sense Interrupt Status command to access the ST0 status byte. When parallel (overlapped) seeks are performed on multiple drives, this bit is set by the first drive to complete its seek (the drive completing its seek is identified by unit select bits D0 and D1). When performing overlapped seeks, the main status register must be examined to determine when the other drives have completed their seeks.
D4	Equipment Check	EC	Set when the addressed drive activates its FAULT/ signal to the controller or when during execution of a Recalibrate command, a TRACK 0/ signal is not received from the addressed drive after 77 STEP/ pulses have been issued. Note that if a FAULT/ signal is received during command execution, the operation is terminated immediately.
D3	Not Ready	NR	Set when a command that accesses the drive is issued and the drive is in a not-ready state or when a diskette read or write command, which specifies side 1 of a single-sided drive, is issued. The command issued is not executed.
D2	Head Address	HD	Indicates the state of the head (side selected) when the interrupt was generated (0 = side 0, 1 = side 1).
D1,D0	Unit Select	US	<p>Indicates the drive unit number of the drive addressed when the interrupt was generated.</p> <p>D1=0, D0=0 = DRIVE UNIT 0 D1=0, D0=1 = DRIVE UNIT 1 D1=1, D0=0 = DRIVE UNIT 2 D1=1, D0=1 = DRIVE UNIT 3</p>

Table 3-5. Result Phase Status Registers (Cont'd.)

Status Register 1 (ST1)			
Bit(s)	Name	Symbol	Description
D7	End of Cylinder	EN	Set (D7=1) during a multisector transfer when the starting sector number and the number of bytes to be transferred exceeds the last logical sector on the track or cylinder (multitrack transfers). The data transfer is terminated by the FDC when the data from the last logical sector on the track or cylinder is transferred.
D6	Not Used		This bit is always 0 (reset).
D5	Data Error	DE	Set when the FDC detects a CRC error in either the ID field or data field.
D4	Overrun	OR	Set when the DMAC did not respond to a data request within the allotted time interval to prevent loss of data. When an overrun condition occurs, the operation is terminated immediately.
D3	Not Used		This bit is always 0 (reset).
D2	No Data	ND	Set during execution of diskette read/write commands when the currently-addressed sector cannot be located within one full revolution of the diskette (i.e., two index pulses encountered). This bit usually indicates an improperly formatted diskette or, when the WC bit in status register 2 also is set, indicates that the head is positioned over the wrong track. During execution of a Read Track command, the ND bit is set when the FDC cannot locate the ID field of the first sector following the index mark.
D1	Not Writable	NW	Set during execution of a Write Data, Write Deleted Data or Format Track command if the WRITE PROTECT signal from the drive is active. The Write operation is immediately aborted, and no data is written on the diskette.
D0	Missing Address Mark	MA	Set during execution of diskette read/write operations if an ID address mark cannot be found within one revolution of the diskette (usually indicates that an unformatted diskette has been installed in the drive). This bit also is set during diskette read operations if the addressed sector's data address mark (or deleted data address mark) is not encountered (the MD bit in status register 2 also will be set).
Status Register 2 (ST2)			
D7	Not Used		This bit is always 0 (reset).
D6	Control Mark	CM	Set during execution of a Read Data command when a deleted data address mark is encountered or set during execution of a Read Deleted Data command when a (normal) data address mark is encountered.
D5	Data Error in Data Field	DD	Set during diskette read operations when a CRC error is detected in the data field. Note that since this bit is only set after the sector is read, the data transferred must be considered invalid.
D4	Wrong Cylinder	WC	Set when the cylinder (track) address specified does not match the cylinder address byte read from a sector's ID field. Note that the ND bit in status register 1 also will be set.
D3,D2	Reserved		These bits are 0 (reset).
D1	Bad Cylinder	BC	Set when a diskette read/write operation is attempted on a defective "bad" track (bad tracks are designated by writing a byte of FFH in the cylinder address byte of each ID field on the defective track using the format track command). Note that the WC bit and the ND bit in status register 1 also will be set.
D0	Missing Address Mark in Data Field	MD	Set during diskette read operations when the addressed sector's data address mark (or deleted data address mark) is not encountered before the next sector's ID address mark is read. Note that the MA bit in status register 1 also will be set.

Table 3-5. Result Phase Status Registers (Cont'd.)

Status Register 3 (ST3)			
Bit(s)	Name	Symbol	Description
D7	Fault	FT	Set when the FAULT/ signal from the addressed drive is active.
D6	Write Protected	WP	Set when the WRITE PROTECT/ signal from the addressed drive is active.
D5	Ready	RDY	Set when the READY/ signal from the addressed drive is active.
D4	Track 0	T0	Set when the TRACK0/ signal from the addressed drive is active.
D3	Two Sided	TS	Set when the TWO SIDED/ signal from the addressed drive is active.
D2	Head Address	HD	Indicates the state of the SIDE SELECT/ signal to the drive (0 = side 0, 1 = side 1).
D1,D0	Unit Select	US	Indicates the drive unit number of the drive addressed by the Sense Drive Status command: D1=0, D0=0 = DRIVE UNIT 0 D1=0, D0=1 = DRIVE UNIT 1 D1=1, D0=0 = DRIVE UNIT 2 D1=1, D0=1 = DRIVE UNIT 3

Table 3-6. Command Mnemonics

Symbol	Name	Description
C	Cylinder Number	The cylinder (track) number. In the result phase, C defines the current location (track address) of the drive's read/write head(s).
D	Data	The data pattern (filler byte) to be written into each sector's data field when the track is formatted.
D7-D0	Data Bus	The 8-bit data bus to/from the FDC's data register. Bit D0 is the least-significant bit.
DS0,DS1	Drive Select	The drive unit addressed by the command: DS1=0, DS0=0 = DRIVE UNIT 0 DS1=0, DS0=1 = DRIVE UNIT 1 DS1=1, DS0=0 = DRIVE UNIT 2 DS1=1, DS0=1 = DRIVE UNIT 3
DTL	Data Length	Specifies non-standard data transfer length for diagnostic use only. For normal diskette transfer operations, the DTL value specified must be FFH.
EOT	End of Track	The sector number of the last logical sector on a track.
GPL	Gap Length	The number of bytes to be written into Gap 3 (see table 3-10).
H	Head Address	The head (side) selected (0 = side 0, 1 = side 1). In the command phase, H and HDS are the same value; in the result phase, H reflects the state of the side select signal on interrupt.
HDS	Head Select	The read/write head addressed by the command (0 = head 0, 1 = head 1).
HLT	Head Load Time	The head load time interval in the Specify command. The HLT value specified corresponds to the drive's head load time specification (see table 3-9).
HUT	Head Unload Time	The head unload time interval in the Specify command. The HUT value specifies the time interval that the head remains loaded following a read or write operation (see table 3-7).
MFM	Mode Select	The recording mode selected (0 = FM mode, 1 = MFM mode).
MT	Multitrack	When set (MT=1), permits multisector read/write operations on the two tracks at the same cylinder address (i.e., an operation that begins on a track on side 0 can be continued on the same track on side 1).

Table 3-6. Command Mnemonics (Cont'd.)

Symbol	Name	Description
N	Number	A number (N) that represents the length of a sector; the sector length (number of data bytes) is equal to 128×2^N .
NCN	New Cylinder Number	The cylinder address value specified during the command phase of a Seek command.
PCN	Present Cylinder Number	The current position (cylinder address) of the read/write head(s).
R	Record	The record (sector) number. During the command phase, R specifies the (first) sector to be accessed; during the result phase, R indicates the number of the next logical sector number to be accessed.
R/W	Read/Write	The direction of the I/O transfer between the host processor and the FDC's data register.
SC	Sector Count	The number of sectors to be formatted on a track.
SK	Skip	When set (SK=1) during a Read Data command, causes the FDC to "skip over" any sectors with a deleted data address mark (when SK=0, the deleted sector is transferred and the command is terminated). When set during a Read Deleted Data command, causes the FDC to "skip over" any sectors with a (normal) data address mark (when SK=0, the "non-deleted" sector is transferred and the command is terminated).
SRT	Step Rate Time	The step rate time interval in the Specify command. The SRT value specified corresponds to the drive's step rate specification (see table 3-8).
ST0 ST1 ST2 ST3	Status Register 0 Status Register 1 Status Register 2 Status Register 3	One of the four status registers that are read by the host processor during the result phase to determine the outcome of command execution. The status registers can only be read after a command has been executed (i.e., after an interrupt) and contain information relevant only to the command executed.

3-21. SPECIFY COMMAND

The specify command requires three bytes to load the command and command data. Since this command only loads information into the FDC for future commands, there is no execution or result phase.

PHASE	R/W	DATA BUS								Remarks
		D ₇	D ₆	D ₅	D ₄	D ₃	D ₂	D ₁	D ₀	
Command	W	0	0	0	0	0	0	1	1	Command Codes
	W	← SRT →				← HUT →				
	W	← HLT →				→ 0				

The specify command sets the initial values for the three internal timers that define the drive's head load time and step rate characteristics to the FDC and the FDC's head unload time interval. Accordingly, a Specify command must be executed prior to executing any command that accesses the drive. The Head Unload Time (HUT) value defines the time from the end of the execution phase of a read/write command to the head unload state. This timer is programmable from 16 to 240 ms in 16 ms increments as shown in table 3-7. The Step Rate Time (SRT) value defines the time interval between step pulses sent to

the drive from the FDC. This timer is programmable from 1 to 16 ms in 1 ms increments as shown in table 3-8. The SRT value must be set to 1 ms greater than the minimum desired step rate interval. The Head Load Time (HLT) value defines the time between activation of the HEAD LOAD signal and the initiation of a read or write operation. This timer is programmable from 2 to 254 ms in increments of 2 ms as shown in table 3-9.

Table 3-7. HUT Values

D ₃	D ₂	D ₁	D ₀	HEX	HUT TIME
0	0	0	1	1	16 ms
0	0	1	0	2	32 ms
0	0	1	1	3	48 ms
0	1	0	0	4	64 ms
0	1	0	1	5	80 ms
0	1	1	0	6	96 ms
0	1	1	1	7	112 ms
1	0	0	0	8	128 ms
1	0	0	1	9	144 ms
1	0	1	0	A	160 ms
1	0	1	1	B	176 ms
1	1	0	0	C	192 ms
1	1	0	1	D	208 ms
1	1	1	0	E	224 ms
1	1	1	1	F	240 ms

The time intervals mentioned in the previous paragraph are a direct function of the clock frequency. The times indicated are for an 8 MHz clock; if the clock frequency is reduced to 4 MHz (mini-floppy applications), all time intervals are increased by a factor of two.

Table 3-8. SRT Values

D ₇	D ₆	D ₅	D ₄	HEX	*SRT TIME
1	1	1	1	F	1 ms
1	1	1	0	E	2 ms
1	1	0	1	D	3 ms
1	1	0	0	C	4 ms
1	0	1	1	B	5 ms
1	0	1	0	A	6 ms
1	0	0	1	9	7 ms
1	0	0	0	8	8 ms
0	1	1	1	7	9 ms
0	1	1	0	6	10 ms
0	1	0	1	5	11 ms
0	1	0	0	4	12 ms
0	0	1	1	3	13 ms
0	0	1	0	2	14 ms
0	0	0	1	1	15 ms
0	0	0	0	0	16 ms

*The SRT must be set to 1 ms greater than the minimum desired step interval time.

Table 3-9. HLT Values

D ₇	D ₆	D ₅	D ₄	D ₃	D ₂	D ₁	D ₀	HEX	HLT TIME
0	0	0	0	0	0	1	0	02	2 ms
0	0	0	0	0	1	0	0	04	4 ms
0	0	0	0	0	1	1	0	06	6 ms
0	0	0	0	1	0	0	0	08	8 ms
1	1	1	0	1	0	0	0	E8	232 ms
1	1	1	0	1	0	1	0	EA	234 ms
1	1	1	0	1	1	0	0	EC	236 ms
1	1	1	0	1	1	1	0	EE	238 ms
1	1	1	1	0	0	0	0	F0	240 ms
1	1	1	1	0	0	1	0	F2	242 ms
1	1	1	1	0	1	0	0	F4	244 ms
1	1	1	1	0	1	1	0	F6	246 ms
1	1	1	1	1	0	0	0	F8	248 ms
1	1	1	1	1	0	1	0	FA	250 ms
1	1	1	1	1	1	0	0	FC	252 ms
1	1	1	1	1	1	1	0	FE	254 ms

3-22. SEEK COMMAND

The Seek command requires three bytes to load the command and command data.

A Seek command must be executed prior to the execution of any command that accesses data on a track other than the track currently positioned under the read/write head(s).

PHASE	R/W	DATA BUS								Remarks
		D ₇	D ₆	D ₅	D ₄	D ₃	D ₂	D ₁	D ₀	
Command	W	0	0	0	0	1	1	1	1	Command Codes
	W	0	0	0	0	0	HDS	DS1	DS0	
	W	NCN								
Execution										Head is positioned over proper Cylinder on Diskette

During execution of a Seek drive (DS1, DS0) are moved (stepped) from cylinder to cylinder by the FDC. The FDC compares the Present Cylinder Number (PCN), which is the current head position, with the New Cylinder Number (NCN) specified in the command and performs the following operation when there is a difference:

- When NCN is less than PCN, the FDC sets the DIRECTION signal to a "1" (step out toward track 0) and issues STEP pulses to the drive.
- When NCN is greater than PCN, the FDC sets the DIRECTION signal to a "0" (step in toward spindle) and issues STEP pulses to the drive.

The step rate is determined by the SRT value in the Specify command. After each STEP pulse is issued, NCN is compared with PCN. When NCN equals PCN, the SE flag is set in status register 0 and the command is terminated. At the termination of the Seek command, the interrupt line to the host processor is activated; the host processor must perform a Sense Interrupt Status command to determine if the seek was successful.

During the command phase, the FDC is in the busy state, but during the execution phase, the FDC is in its non-busy state. When the FDC is not busy, a Seek command may be issued to another drive. In this manner, parallel (overlapped) seek operations may be performed on up to four drives.

If the drive's READY signal is not active at the beginning of the command execution phase or if it goes inactive during the seek operation, the NR bit in Status Register 0 is set and the command is terminated.

3-23. READ DATA

The Read Data command requires nine bytes to load the command and command data. Following command execution, the host processor must read seven bytes from the FDC to complete the result phase.

PHASE	R/W	DATA BUS								Remarks
		D ₇	D ₆	D ₅	D ₄	D ₃	D ₂	D ₁	D ₀	
Command	W	MT	MFM	SK	0	0	1	1	0	Command Codes
	W	0	0	0	0	0	HDS	DS1	DS0	Sector ID information prior to Command execution
W	C									
W	H									
W	R									
W	N									
W	EOT									
Execution	W	GPL								Data transfer from diskette to host memory
	W	DTL								
Result	R	ST 0								Status information after Command execution
	R	ST 1								
	R	ST 2								
	R	C								Sector ID information after Command execution
	R	H								
	R	R								
R	N									

After the last command byte is received, the FDC loads the read/write heads (if they are not loaded) at the current cylinder location, waits the specified head-settling time and then begins reading sector ID fields to locate the addressed sector (the sector number specified in byte 5 of the command). When the addressed sector is located, the FDC remains in the read mode to locate the data address mark at the beginning of the data field. After reading the data address mark, the FDC assembles the serial data from the data field into 8-bit bytes that are transferred, under direction of the DMAC, from the FDC's data register to host memory.

The number of bytes transferred is dependent on the word count value loaded into the DMAC. If the word count specified is less than a full sector, only the number of bytes specified are transferred;

the FDC always reads a complete sector (to access the data field CRC bytes) in order to verify the data transfer. Conversely, if the word count value specified is greater than a sector, the FDC internally increments the sector number (R+1) and begins reading from the next logical sector on the track. The FDC will continue to read sectors until the word count is satisfied (terminal count reached) or until the last logical sector on the track is reached. If the MT (Multitrack) bit is set in the command byte, a transfer beginning on side 0 of a double-sided drive can extend to the last sector on side 1 (of the same cylinder). Table 3-10 outlines the EOT and GPL command byte values for the various sector sizes in both the FM and MFM recording modes.

When the transfer is complete (or if the transfer cannot be completed), the FDC interrupts the host processor, initiates the head-unload timeout, and enters the result phase. The host processor must then read the seven result bytes from the FDC's data register. The first three bytes read are the ST0, ST1, and ST2 status register bytes that indicate the outcome of the operation. The last four bytes reflect the updated values for C, H, R, and N (result phase ID information) when the FDC completes command execution. Table 3-11 specifies the ID information for normal (no error detected) command termination.

During normal read operations (SK bit in command byte not set), if a deleted data address mark is encountered at the beginning of a sector's data field, the data from the deleted sector is transferred to host memory and the read operation is terminated (irrespective of the word count specified). The CM

Table 3-10. Command Byte Values

Mode	Bytes Per Sector (decimal)	Sector Size (N)	Standard 8-inch Drives				5¼-inch Mini Drives			
			Sectors Per Track (decimal)	Last Sector (EOT)	Gap3 Length (GPL)		Sectors Per Track (decimal)	Last Sector (EOT)	Gap3 Length (GPL)	
					R/W	Format			R/W	Format
Single Density (MFM=0)	128	00	26	1A	07	1B	18	12	07	09
	128	00	—	—	—	—	16	10	10	19
	256	01	15	0F	0E	2A	8	08	18	30
	512	02	8	08	1B	3A	4	04	46	87
	1024	03	4	04	47	8A	2	02	C8	FF
	2048	04	2	02	C8	FF	1	01	C8	FF
Double Density (MFM=1)	4096	05	1	01	C8	FF	—	—	—	—
	256	01	26	1A	0E	36	18	12	0A	0C
	256	01	—	—	—	—	16	10	20	32
	512	02	15	0F	1B	54	8	08	2A	50
	1024	03	8	08	35	74	4	04	80	F0
	2048	04	4	04	99	FF	2	02	C8	FF
4096	05	2	02	C8	FF	1	01	C8	FF	
8192	06	1	01	C8	FF	—	—	—	—	

Unless otherwise specified, all values are in hexadecimal.

(Control Mark) bit in Status Register 2 will be set, and the R (sector number) result byte will contain the number of the deleted sector. During read operations with the SK bit set (SK=1), if a deleted data address mark is encountered, the FDC skips over the deleted sector and reads the next logical (non-deleted) sector. When the operation is complete (i.e., when terminal count is reached), the CM bit will be set to indicate that a deleted sector was encountered during the transfer, and the R result byte will be incremented to the next sequential sector number.

When a Read Data command cannot be completed due to an error condition, the FDC sets the Interrupt Code (IC) bits in Status Register 0 to indicate abnormal termination of the command (D7 = 0, D6 = 1) and sets specific bits in Status Registers 1 and 2 to indicate the nature of the error.

During DMA transfers between the controller and host memory, the FDC must be serviced within 27 us in the FM mode or within 13 us in the MFM mode to prevent data from being overwritten. If the FDC is not serviced within the above time limits (usually

caused by a bus contention problem), the FDC terminates the transfer (abnormal termination) and sets the OR (Overrun) bit in Status Register 1.

3-24. READ DELETED DATA

The Read Deleted Data command, like the Read Data command, requires nine bytes to load the command and command data. Following command execution, the host processor must read seven bytes from the FDC to complete the result phase.

Execution of a Read Deleted Data command is identical to the Read Data command description in the previous section except for the handling of data field address marks. During a read deleted data operation in the non-skip mode (SK bit = 0 in the command byte), if a (normal) data address mark is encountered at the beginning of the sector's data field, the data from the sector is transferred and the read operation is terminated (irrespective of the word count specified). The CM bit in Status Register 2 will be set, and the R result byte will contain the number of the

Table 3-11. Result Phase ID Information

MT	EOT	Last Sector Transferred	Result Phase ID Information			
			C	H	R	N
0	1A 0F 08 04 02	Sector 1 thru 25 (Side 0 or 1) Sector 1 thru 14 (Side 0 or 1) Sector 1 thru 7 (Side 0 or 1) Sector 1 thru 3 (Side 0 or 1) Sector 1 (Side 0 or 1)	NC*	NC	R+1	NC
	1A 0F 08 04 02 01	Sector 26 (Side 0 or 1) Sector 15 (Side 0 or 1) Sector 8 (Side 0 or 1) Sector 4 (Side 0 or 1) Sector 2 (Side 0 or 1) Sector 1 (Side 0 or 1)	C+1	NC	R=01	NC
1	1A 0F 08 04 02	Sector 1 thru 25 (Side 0 or 1) Sector 1 thru 14 (Side 0 or 1) Sector 1 thru 7 (Side 0 or 1) Sector 1 thru 3 (Side 0 or 1) Sector 1 (Side 0 or 1)	NC	NC	R+1	NC
	1A 0F 08 04 02 01	Sector 26 on Side 0 Sector 15 on Side 0 Sector 8 on Side 0 Sector 4 on Side 0 Sector 2 on Side 0 Sector 1 on Side 0	NC	H=01	R=01	NC
	1A 0F 08 04 02 01	Sector 26 on Side 1 Sector 15 on Side 1 Sector 8 on Side 1 Sector 4 on Side 1 Sector 2 on Side 1 Sector 1 on Side 1	C+1	H=00	R=01	NC

*NC = no change

PHASE	R/W	DATA BUS								Remarks
		D ₇	D ₆	D ₅	D ₄	D ₃	D ₂	D ₁	D ₀	
Command	W	MT	MFM	SK	0	1	1	0	0	Command Codes
	W	0	0	0	0	0	HDS	DS1	DS0	
	W	_____ C _____								Sector ID information prior to Command execution
	W	_____ H _____								
	W	_____ R _____								
	W	_____ N _____								
	W	_____ EOT _____								
W	_____ GPL _____									
W	_____ DTL _____									
Execution										Data transfer from diskette to host memory
Result	R	_____ ST 0 _____								Status Information after Command execution
	R	_____ ST 1 _____								
	R	_____ ST 2 _____								
	R	_____ C _____								Sector ID information after Command execution
	R	_____ H _____								
	R	_____ R _____								
	R	_____ N _____								

non-deleted sector. During execution of a Read Deleted Data command with the SK bit set in the command byte, if a (normal) data address mark is encountered, the FDC skips over the "non-deleted" sector and reads the next logical deleted sector. When the operation is complete (i.e., when terminal count is reached), the CM bit will be set to indicate that a non-deleted sector was encountered during the transfer and the R result byte will be incremented to the next sequential sector number.

3-25. READ ID

The READ ID command requires two bytes to load the command and command data. Following command execution, the host processor must read seven bytes from the FDC to complete the result phase.

PHASE	R/W	DATA BUS								Remarks
		D ₇	D ₆	D ₅	D ₄	D ₃	D ₂	D ₁	D ₀	
Command	W	0	MFM	0	0	1	0	1	0	Command Codes
	W	0	0	0	0	0	HDS	DS1	DS0	
Execution										The first correct ID information on the track is stored in Data Register
Result	R	_____ ST 0 _____								Status information after Command execution
	R	_____ ST 1 _____								
	R	_____ ST 2 _____								
	R	_____ C _____								Sector ID information during Execution Phase
	R	_____ H _____								
	R	_____ R _____								
	R	_____ N _____								

The Read ID command allows the host processor to verify the current position of the drive's read/write heads without initiating a data transfer. During command execution, the FDC loads the heads and waits the specified head-settling time (if the heads are unloaded) and begins searching for a sector ID field.

When the first valid ID field is read, the FDC interrupts the host processor, initiates the head-unload timeout, and enters the result phase. The host processor must read the seven result bytes to complete the command; the C, H, R, and N result bytes contain the corresponding ID field byte values read from the ID field (i.e., the value returned in the C result byte indicates the current track address).

During the command execution phase, if an ID field address mark cannot be found within one full revolution of the diskette (e.g., if the track is not formatted), the FDC sets the MA (missing address mark) bit in Status Register 1 and sets the interrupt code bits in Status Register 0 to indicate abnormal termination.

3-26. READ TRACK

The Read Track command requires nine bytes to load the command and command data. Following command execution, the host processor must read seven bytes from the FDC to complete the result phase.

PHASE	R/W	DATA BUS								Remarks
		D ₇	D ₆	D ₅	D ₄	D ₃	D ₂	D ₁	D ₀	
Command	W	0	MFM	0	0	0	0	1	0	Command Codes
	W	0	0	0	0	0	HDS	DS1	DS0	
	W	_____ C _____								Sector ID information prior to Command execution
	W	_____ H _____								
	W	_____ R _____								
	W	_____ N _____								
	W	_____ EOT _____								
W	_____ GPL _____									
W	_____ DTL _____									
Execution										Data transfer from diskette to host memory. FDC transfers all sectors on track beginning with first sector following index
Result	R	_____ ST 0 _____								Status information after Command execution
	R	_____ ST 1 _____								
	R	_____ ST 2 _____								
	R	_____ C _____								Sector ID information after Execution Phase for this command.
	R	_____ H _____								
	R	_____ R _____								
	R	_____ N _____								

The Read Track command operates similar to the Read Data command except that all sector data fields on the addressed track are read, beginning with the first sector following index, in their order of physical appearance on the track. During the transfer the FDC ignores ID and data field CRC errors and deleted data address marks (i.e., sectors with errors and deleted sectors are transferred). Note that multitrack and skip operations are not permitted with the Read Track command.

3-27. WRITE DATA

The Write Data command requires nine bytes to load the command and command data. Following command execution, the host processor must read seven bytes from the FDC to complete the result phase.

PHASE	R/W	DATA BUS								Remarks	
		D ₇	D ₆	D ₅	D ₄	D ₃	D ₂	D ₁	D ₀		
Command	W	MT	MFM	0	0	0	1	0	1	Command Codes	
	W	0	0	0	0	0	HDS	DS1	DS0		
	W	_____ C _____									Sector ID information prior to Command execution
	W	_____ H _____									
	W	_____ R _____									
	W	_____ N _____									
	W	_____ GPL _____									
W	_____ EOT _____										
W	_____ DTL _____										
Execution										Data transfer from host memory to diskette	
Result	R	_____ ST 0 _____								Status information after Command execution	
	R	_____ ST 1 _____									
	R	_____ ST 2 _____									
	R	_____ C _____								Sector ID information after Command execution	
	R	_____ H _____									
	R	_____ R _____									
	R	_____ N _____									

The command data bytes for the Write Data command are identical to the command data bytes for the Read Data command (see section 3-23). After the last command byte is received, the FDC loads the read/write heads, waits the specified head-settling time, and then begins reading sector ID fields to locate the addressed sector (the sector number specified in byte 5). After the addressed sector is located, the FDC switches the drive to the write mode during the post ID field gap and updates (writes) the sector's sync field and data field address mark. Immediately after writing the address mark, the FDC begins writing the data bytes received at its data register onto the diskette as a serial bit stream.

The number of bytes written is dependent on the word count value loaded into the DMAC. If the word count specified is less than a full sector, only the number of bytes specified are transferred to the FDC; the FDC fills the remainder of the data field with zeros. After the last data field bit is written, the FDC writes the 16-bit data field CRC character. If the word count specified is greater than a sector, the FDC internally increments the sector number and, after locating (reading) the next sector's ID field, begins writing the sector data field. The FDC will continue to write sectors until the word count is satisfied (terminal count reached) or until the last logical sector on the track is written. If the Multitrack bit is set in the command byte, a write operation beginning on side 0 of a double-side drive can extend to the last sector on side 1 (of the same cylinder).

When the transfer is complete (or if the transfer cannot be completed), the FDC interrupts the host processor, initiates the head-unload timeout, and enters the result phase. The host processor must then read the seven result bytes from the FDC's data register. As described under the Read Data command, the first three bytes indicate the outcome of the operation, and the last four bytes reflect the updated values for C, H, R, and N.

During DMA transfers between the controller and host memory, the FDC must receive the data byte to be written within 31 us in the FM mode or within 15 us in the MFM mode to prevent data from being overwritten. If the FDC is not serviced within the above time limits (usually caused by a bus contention problem), the FDC terminates the operation (abnormal termination) and sets the OR (Overrun) bit in Status Register 1.

3-28. WRITE DELETED DATA

The Write Deleted Data command is identical to the Write Data command previously described except that a deleted data address mark is written at the beginning of the sector's data field in place of a data address mark.

PHASE	R/W	DATA BUS								Remarks	
		D ₇	D ₆	D ₅	D ₄	D ₃	D ₂	D ₁	D ₀		
Command	W	MT	MFM	0	0	1	0	0	1	Command Codes	
	W	0	0	0	0	0	HDS	DS1	DS0		
	W	_____ C _____									Sector ID information prior to Command execution
	W	_____ H _____									
	W	_____ R _____									
	W	_____ N _____									
	W	_____ GPL _____									
W	_____ EOT _____										
W	_____ DTL _____										
Execution										Data transfer from host memory to diskette	
Result	R	_____ ST 0 _____								Status information after Command execution	
	R	_____ ST 1 _____									
	R	_____ ST 2 _____									
	R	_____ C _____								Sector ID information after Command execution	
	R	_____ H _____									
	R	_____ R _____									
	R	_____ N _____									

3-29. FORMAT TRACK

The Format Track command requires six bytes to load the command and command data. Following command execution, the host processor must read seven bytes from the FDC to complete the result phase.

PHASE	R/W	DATA BUS								Remarks
		D ₇	D ₆	D ₅	D ₄	D ₃	D ₂	D ₁	D ₀	
Command	W	0	MFM	0	0	1	1	0	1	Command Codes
	W	0	0	0	0	0	HDS	DS1	DS0	
	W	_____		N	_____		Bytes/Sector			
	W	_____		SC	_____		Sectors/Track			
Execution	W	_____		GPL	_____		Gap 3			
	W	_____		D	_____		Filler Byte			
Result	R	_____		ST 0	_____		Status information			
	R	_____		ST 1	_____		after Command			
	R	_____		ST 2	_____		execution			
	R	_____		C	_____		In this case, the			
	R	_____		H	_____		ID information has			
	R	_____		R	_____		no meaning			

The Format Track command formats or "initializes" a track by writing the ID field, gaps, sync bytes, and address marks for each sector. The track to be formatted is determined by the position of the read/write heads on the diskette. Prior to command execution, a table in memory containing the ID field values (track address, head address, sector number and sector size) for each sector on the track must be prepared. (During command execution, the FDC uses the values from the table to write the individual ID fields.) Referring to the track format illustration (figure 3-3), address marks are written automatically by the FDC. The track (C) and head (H) addresses, sector number (R) and sector size (N) byte values to be written into the ID field are taken, in order, from the table. The ID field CRC character is derived from the ID address mark and ID field data, and is written immediately following the ID field. Gaps and sync fields are written automatically by the FDC; the length of the post data field gap (gap 3) is determined by the GPL command data byte value. The number of data bytes per sector and the number of sectors per track are determined by the N and SC command data byte values; the data pattern written into each byte of each sector's data field is determined by the D command data byte value. The data field CRC character is derived from the data address mark and the data written in the sector's data field.

The order of sector number assignment on the track is taken directly from the formatting table in memory. Four entries are required for each sector: a track address, a head address, the sector number and a sector size. Note that the order of sector number entries in the table is the sequence in which sector numbers appear on the track when it is formatted. The number of 4-byte entries in the table must equal the number of sectors on the track. Caution must be exercised when creating the formatting table since entries are not verified by the FDC and it is possible to format a track with an illegal, redundant, or missing sector number.

Since the sector number is taken directly from the formatting table, tracks can be formatted either sequentially (the first sector following the index mark is assigned sector number 1, the next adjacent sector is assigned sector number 2, and so on) or sector numbers can be "interleaved" on a track.

The sequential sector format optimizes sector access times during multisector transfers by permitting a number of sectors (up to an entire track) to be transferred within a single revolution of the diskette. Sector interleaving is used when a number of logically-consecutive sectors are to be transferred individually and the processing time between adjacent sectors is greater than the time required to access the next sector.

As an example of sector interleaving, assume that a number of consecutive sectors are to be transferred individually on both a sequentially formatted track and on a track that utilizes sector interleaving. On a sequentially formatted track, assuming that the amount of processing time required between sectors is greater than the time required to access the next sector, the diskette must rotate nearly a full revolution to access the next sector to be transferred. Since one diskette revolution requires approximately 167 milliseconds, to transfer an entire track of 15 sectors, 15 revolutions, or 2.5 seconds, are required. Conversely, if sector numbers are assigned with an interleaving factor of three (see figure 3-4), the processing time between logically-adjacent sectors is increased substantially and, if sufficient, allows the complete track to be transferred in three revolutions of the diskette (500 milliseconds).

The following table (table 3-12) describes the organization of the formatting table that would be used to format the diskette shown in figure 3-4.

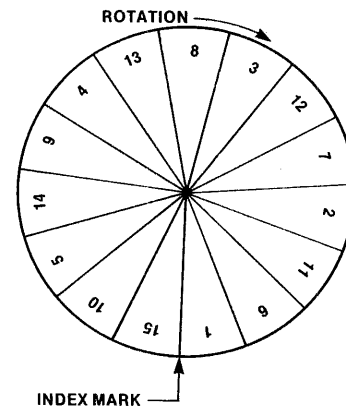


Figure 3-4. Sector Interleaving

143078-12

Table 3-12. Formatting Table

Byte	Function	Data Contents (Hexadecimal)
1	Track Address (C)	XX
2	Head Address (H)	0X
3	Sector Number 1 (R)	01
4	Sector Size (N)	0X
5	Track Address	XX
6	Head Address	0X
7	Sector Number 6	06
8	Sector Size	0X
9	Track Address	XX
10	Head Address	0X
11	Sector Number 11	0B
12	Sector Size	0X
.		
.		
53	Track Address	XX
54	Head Address	0X
55	Sector Number 10	0A
56	Sector Size	0X
57	Track Address	XX
58	Head Address	0X
59	Sector Number 15	0F
60	Sector Size	0X

Following the command phase, the FDC loads the read/write heads at the current cylinder location, waits the specified head-settling time and monitors the INDEX signal from the drive. When the INDEX signal goes active (index hole detected), the FDC begins formatting the track according to figure 3-3. After writing the ID address mark for the first sector, the FDC writes the first four bytes from the format table into the ID field (the FDC initiates a DMA transfer and receives the requested bytes at its data register). The FDC writes the remainder of the sector based on the command data received during the command phase. After writing the first sector's post-data field gap, the FDC writes the sync field and ID address mark for the next sector and writes the next four bytes from the format table into the second sector's ID field. This formatting operation continues until the FDC writes the number of sectors specified by the SC command data byte. When the index mark is encountered, the FDC interrupts the host processor, initiates the head-unload timeout, and enters the result phase. The host processor must read the seven result bytes to complete the command. Note that the C, H, R, and N result bytes are irrelevant with the Format Track command.

Prior to formatting a track, the DMAC's base and current address registers (and, if required, the controller's segment address registers) must point to the first byte of the format table in memory. The DMAC word count specified must be equal to (or greater than) the number of byte entries in the format table (i.e., to format a track with 26 sectors, 104 bytes must be transferred).

3-30. RECALIBRATE

The Recalibrate command requires two bytes to load the command and command data.

PHASE	R/W	DATA BUS								Remarks
		D ₇	D ₆	D ₅	D ₄	D ₃	D ₂	D ₁	D ₀	
Command	W	0	0	0	0	0	1	1	1	Command Codes
Execution	W	0	0	0	0	0	0	DS1	DS0	Head retracted to Track 0

The Recalibrate command positions the drive's read/write heads at a known track position and is used following power-up or a seek error (e.g., WC bit set in Status Register 2). During command execution, the FDC sets the PCN (present cylinder number) counter to zero and monitors the TRACK0/ signal from the drive. As long as the TRACK0/ signal remains inactive, the FDC holds the DIRECTION/ signal high (1) and issues up to 77 STEP/ signals to the drive (to step the read/write heads toward track 0). When the TRACK0/ signal goes active, the FDC interrupts the host processor and sets the SE (seek end) bit in status register 0. Since the Recalibrate command does not have a result phase, the host processor must issue a Seek Interrupt Status command to properly terminate the Recalibrate command and to clear the interrupt.

During the command phase, the FDC is in a busy state, but during the execution phase, the FDC is in a non-busy state. When the FDC is not busy, a recalibrate (or seek) command can be issued to another drive. In this manner, parallel (overlapped) recalibrate operations can be performed on up to four drives concurrently.

During the execution phase, if the TRACK0/ signal does not go active following 77 STEP/ pulses, the FDC sets both the EC (equipment check) and the SE bits in Status Register 0 and interrupts the host processor.

NOTE

When executing a Recalibrate command on a drive with more than 77 tracks, if the drive's read/write head is positioned on track 77 or greater when the command is executed, an abnormal termination will result (EC bit set in status register 0). A second Recalibrate command must be issued to complete the recalibrate operation and to position the read/write head over track 0.

3-31. SENSE DRIVE STATUS

The Sense Drive Status command requires two bytes to load the command and command data. Note that there is no execution phase associated with the command, and no interrupt is generated. After the command is loaded, the host processor must read one result byte to complete the result phase.

PHASE	R/W	DATA BUS								Remarks
		D ₇	D ₆	D ₅	D ₄	D ₃	D ₂	D ₁	D ₀	
Command	W	0	0	0	0	0	1	0	0	Command Codes
	W	0	0	0	0	0	HDS	DS1	DS0	
Result	R	————— ST 3 —————								Status information regarding selected drive

The Sense Drive Status command is used to interrogate the FDC regarding the status of the drive selected during the command phase. The result byte read (Status Register 3) contains the drive status information (see section 3-5).

3-32. SENSE INTERRUPT STATUS

The Sense Interrupt Status command requires one byte to load the command. Note that there is no execution phase associated with the command. After the command is loaded, the host processor must read two result bytes to complete the result phase.

PHASE	R/W	DATA BUS								Remarks
		D ₇	D ₆	D ₅	D ₄	D ₃	D ₂	D ₁	D ₀	
Command	W	0	0	0	0	1	0	0	0	Command Codes
Result	R	————— ST 0 —————								Status information following a seek or recalibrate operation
	R	————— PCN —————								

The host processor issues a Sense Interrupt Status command to effectively terminate a Seek or Recalibrate command (the PCN result byte defines the current position of the read/write head) or whenever an unexpected interrupt is received from the FDC (the Sense Interrupt Status command clears the interrupt signal). The host processor, by reading bits 5, 6, and 7 of Status Register 0, can readily identify the cause of the interrupt as follows:

Interrupt Code		Seek End Bit 5	Cause
Bit 7	Bit 6		
1	1	0	READY/ signal from drive changed state.
0	0	1	Normal Termination of Seek or Recalibrate command.
0	1	1	Abnormal Termination of Seek or Recalibrate command.

3-33. INVALID COMMANDS

If the host processor issues either a Sense Interrupt Status command when no interrupts are pending or a command code not recognized by the FDC, the FDC immediately terminates the command phase and enters the result phase without generating an interrupt (i.e., the FDC enters a stand-by state or simply “goes to sleep”). To wake the FDC and to complete the result phase, the host processor must read a result byte from the FDC’s data register; the ST0 result byte read will indicate that an invalid command was issued (bit 7=1, bit 6=0).

The ability of the FDC to recognize a Sense Interrupt Status command as an invalid command when no interrupt is pending allows the host processor to locate or “flush out” possible “hidden interrupts.” (A hidden interrupt occurs during overlapped seek or recalibrate operations when a second drive completes its seek or recalibrate and the interrupt from the first drive is still pending or when more than one drive ready status change occurs before the first interrupt is cleared.) By continuing to issue Sense Interrupt Status commands until invalid command status is received, the host processor can be assured that all interrupts have been acknowledged.

Note that while in the stand-by state, the FDC cannot generate an interrupt. This fact provides a mechanism by which the host processor essentially can shut out the controller when a critical task is being performed and an interrupt from the controller cannot be tolerated.

3-34. SOFTWARE

The host software requirements for the controller consist of a set of Input/Output driver routines to perform the following tasks:

- Initialize the controller, including the FDC and DMAC, following power-up.
- Issue commands to the FDC and pass command data to the FDC and DMAC.
- Respond to completion interrupts and interpret results from the FDC.
- Handle errors.

Appendix A provides two example drivers for the iSBC 208 board. A PL/M-86 driver is given for 16-bit systems and an assembly language driver is given for 8080/8085 (8-bit) systems.

In the example I/O drivers in Appendix A, subroutines are written to perform disk I/O transfers. These subroutines:

- Are user-callable
- Pass command data via an I/O parameter block
- Wait if the FDC is busy

As described previously in this chapter, all FDC commands that transfer data to or from the diskette require multiple bytes of information from the host processor before the command can be executed. In addition to the information passed to the FDC, the DMAC requires information as to the number of bytes to be transferred, the starting location in memory for the transfer, and the direction of the transfer. Also, if memory addresses greater than 64K are required, the controller's segment address register must be programmed. The I/O driver routines communicate all of this information to the controller through a user-programmed I/O parameter block (IOPB). Figure 3-5 shows the IOPB used by the PL/M-86 sample driver in Appendix A.

Some bytes of the IOPB are dynamic (e.g., the track and sector numbers) and must be written into the IOPB by the calling program prior to the call. Other bytes remain fixed during program operation (e.g., bytes per sector, sectors per track) and can be declared when the driver is compiled. Some commands do not use all the parameter bytes. The IOPB may be located anywhere in host memory convenient to the user program.

The IOPB used by the Assembly Language sample driver is structured the same way as shown under each of the FDC command descriptions with the addition of a NSEC parameter used by some commands to specify the number of sectors to be transferred. An example using the assembly language driver is shown in Appendix A.

3-35. INITIALIZATION

Figure 3-6 depicts a typical initialization sequence. Initialization requires applying power to the controller and drives, resetting the controller (resets the FDC and DMAC), programming the operating mode of the DMAC, specifying the drive parameters to the FDC, and, once the drive parameters are specified, positioning the drive's read/write heads to a known position.

3-36. PROGRAMMING THE DMAC

Once the DMAC has been initialized, programming the DMAC for a subsequent diskette data transfer includes loading the starting (offset) memory address (DMAC Address Register), the number of bytes to be transferred (DMAC Word-Count Register), the direction of the transfer (DMAC Mode Register), and clearing the channel 0 mask bit. Also, if memory addresses greater than 64K are to be used, the controller's segment address registers must be loaded. Note that since FDC command execution begins automatically after the last command data byte is received, the DMAC must be completely programmed before the last command byte is output to the FDC.

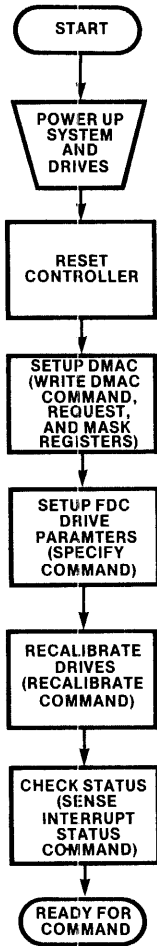
3-37. PROGRAMMING THE FDC

Figure 3-7 shows a generalized program flow chart for the FDC's command phase. The twelve commands are broken down into Specify, Sense Drive Status, Seek, Recalibrate, and the six data transfer commands. The remaining command, Sense Interrupt Status, only is issued in response to an interrupt.

15	8 7		0
TRACK ADDRESS	INSTRUCTION NUMBER		WORD 1
SECTOR NUMBER	HEAD AND DRIVE ADDRESSES		WORD 2
MT/MFM/SK BYTE	SECTORS PER TRACK		WORD 3
BYTES PER SECTOR	GAP3 LENGTH		WORD 4
NUMBER OF BYTES TO BE TRANSFERRED			WORD 5
SEGMENT ADDRESS			WORD 6
OFFSET ADDRESS			WORD 7

Figure 3-5. I/O Parameter Block

143078-13



143078-14

Figure 3-6. Initialization Flow Chart

Figure 3-8 shows the detailed steps of the command phase. The “serial” commands (e.g., Read Data) require the exclusive use of the FDC and must wait for the FDC to be idle. A “parallel” command (e.g., Seek) may start while another “parallel” command is being executed, but must wait for the FDC to become idle. The two entry points “Command FDC Serial” and “Command FDC Parallel” are used in the flowchart in figure 3-8.

The Specify command establishes the timing intervals for the FDC’s three internal timers and typically is issued only during initialization. The Specify command has neither an execution phase nor a result phase and does not generate a completion interrupt.

The Sense Drive Status command is issued between other commands to obtain the status of any particular drive. The status of a drive is available immediately; the Sense Drive Status command does not have an execution phase and does not generate a completion interrupt.

The Seek command is used to position the addressed drive’s read/write heads over the desired track location prior to issuing a subsequent data transfer command; the Recalibrate command is used to position a drive’s read/write heads over a known track position (track 0) and is issued following system initialization or a seek error. During the execution phase of these commands, the FDC enters a non-busy state, and concurrent seek or recalibrate operations can be initiated on the other drives. Following command execution, the FDC generates a completion interrupt; a Sense Interrupt Status command must be issued in response to the interrupt to complete a Seek or Recalibrate command.

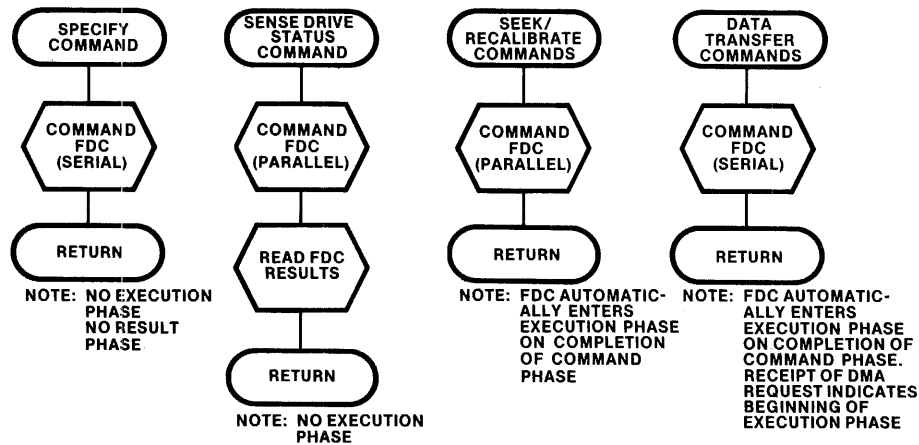


Figure 3-7. FDC Command Phase Flow Chart

143078-15

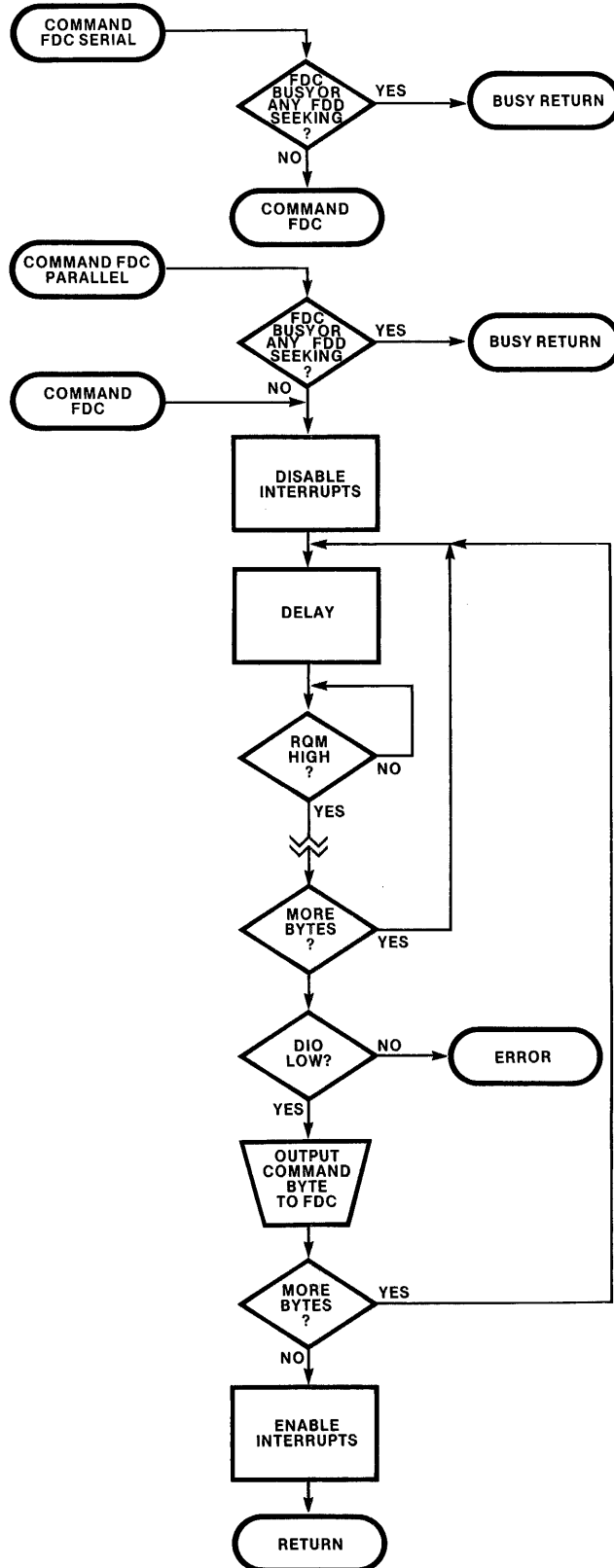


Figure 3-8. Serial/Parallel Command Phase Flow Chart

143078-16

The seven data transfer commands (Read Data, Read Deleted Data, Write Data, Write Deleted Data, Read Track, Read ID, and Format Track) all have an execution phase and a result phase, and all generate a completion interrupt.

Figure 3-9 shows the detailed steps necessary to complete a command's result phase. When a data transfer command terminates, the FDC generates an interrupt and begins the result phase. The host processor must read a series of result bytes from the FDC's data register to complete the result phase; the interrupt is cleared automatically when the last result byte is read. As shown in figure 3-9, the host processor does not need to count the number of result bytes read; the host processor can determine when the result phase is complete by checking the FDC

Busy bit in the main status register. (When the Busy bit goes inactive, all result bytes have been read and the FDC is ready for a new command.)

3-38. INTERRUPT PROCESSING

When a data transfer command is completed, the FDC interrupts the host processor and enters the result phase. The host processor must then read a series of result bytes from the FDC's data register to complete the command; the interrupt is cleared automatically by the FDC when the last result byte is read.

When an interrupt results from the completion of a Seek or Recalibrate command, the host processor must issue a Sense Interrupt Status command to

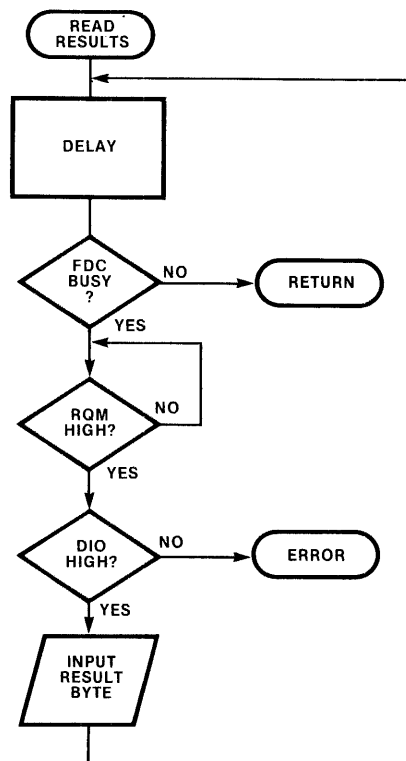


Figure 3-9. Result Phase Flow Chart

properly terminate the command (Seek and Recalibrate commands do not have a result phase and rely on the result phase of the Sense Interrupt Status command to complete the operation).

Unexpected interrupts (i.e., interrupts that result from a change in a drive's ready status) also are cleared by a Sense Interrupt Status command. Note that if a Sense Interrupt Status command is issued when no interrupts are pending, Status Register 0 will indicate that an invalid command was issued. Ac-

cordingly, when servicing an unexpected interrupt or an interrupt resulting from the execution of a Seek or Recalibrate command, the host processor should continue to issue Sense Interrupt Status commands until an Invalid Command status is received to ensure that all "hidden" interrupts are serviced. (Hidden interrupts occur when a second interrupt is received before the first interrupt is cleared.)

Figure 3-10 illustrates the processing of FDC interrupts.

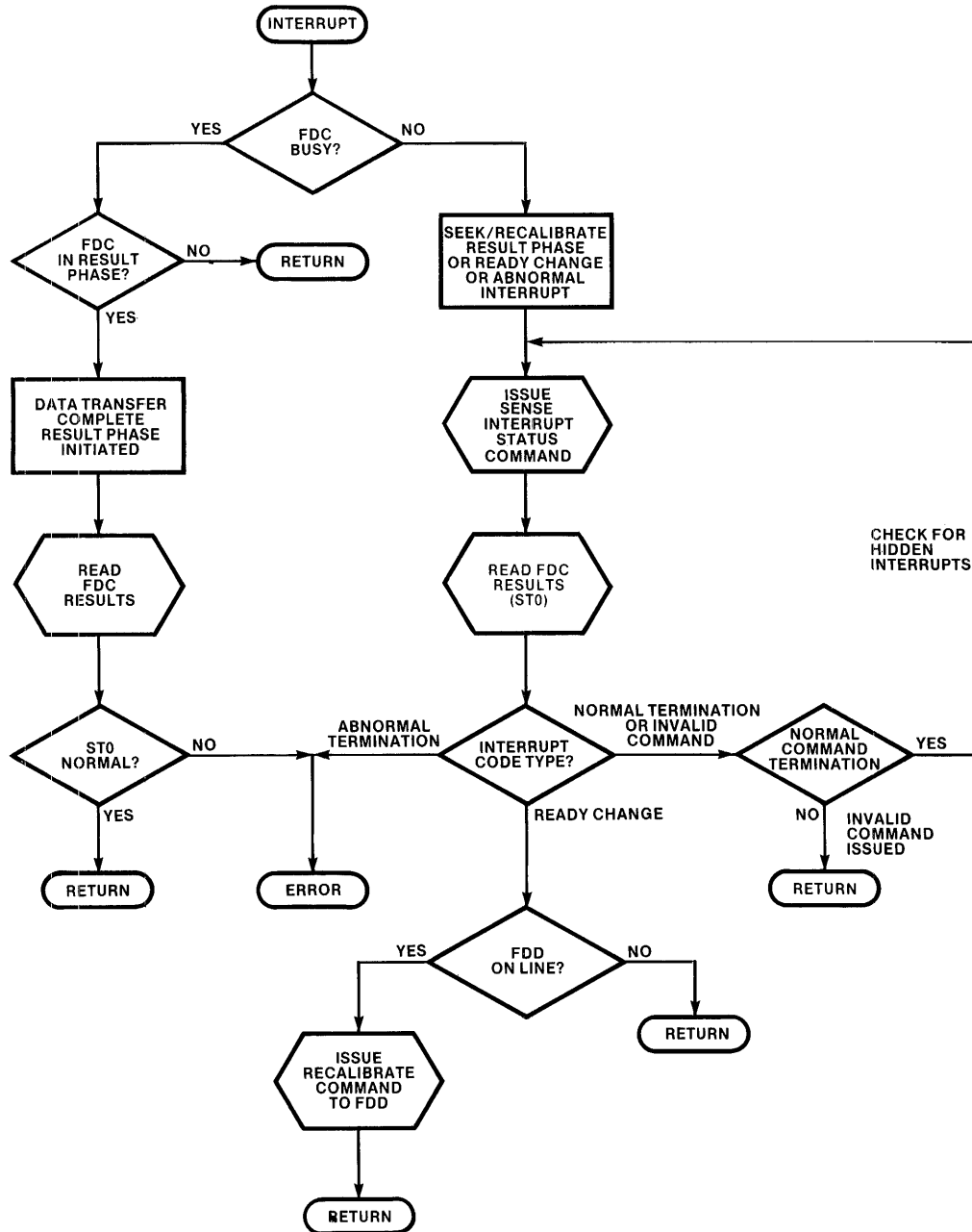


Figure 3-10. Interrupt Processing Flow Chart

143078-18

4-1. INTRODUCTION

This chapter explains the circuit operation of the iSBC 208 controller board. The level of the following discussion assumes that the reader has a working knowledge of digital electronics and has access to the individual component descriptions of all integrated circuits employed on the board. As a prerequisite, the reader should be familiar with the programming conventions outlined in Chapter 3 of this manual and the functional operation of both the host processor and the Multibus interface. Familiarity with the diskette drive interface specifications and operation also will prove beneficial in the comprehension of controller operation.

4-2. SCHEMATIC INTERPRETATION

The controller PC board schematic consists of seven individual sheets that are labeled Sheet 1 of 7, Sheet 2 of 7, etc. These drawings (figure 5-2) and the PC board assembly drawing (figure 5-1) are located in Chapter 5.

Schematic logic symbols follow active-state conventions in the positioning of the inversion symbol. A gate with an inversion symbol at its output is active in its low state, and a gate without an inversion symbol is active in its high state. Logic gating symbols are drawn according to their circuit function rather than by manufacturer's definition. For example, the gate shown in figure 4-1, depending on its application, would be drawn in either of the two configurations shown.

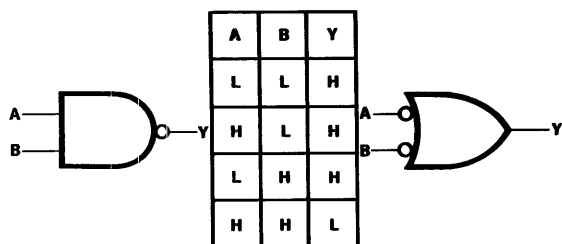


Figure 4-1. Logic Conventions 143078-19

The gate configuration on the left (positive NAND), in figure 4-1, indicates that the required low-level output results from a logic high level at both inputs (AND function), and the gate configuration on the right (negative OR) indicates that the required high-level output results from a logic low level at either (or both) input (OR function).

In addition to the inversion symbol convention, signal nomenclature also follows an active state convention. When a signal (or level) is active in its logic low state, the signal mnemonic is followed by a slash (e.g., RST/). Conversely, when a signal is active in its high state, the slash is omitted from the signal mnemonic (e.g., RST).

4-3. FUNCTIONAL DESCRIPTION

The following subsections describe the operation of the individual circuit modules or blocks that compose the iSBC 208 controller. Figure 4-4, located at the conclusion of this chapter, is the functional block diagram of the controller and shows the inter-relationship of the various blocks.

4-4. CLOCK AND TIMING CIRCUITRY

All timing and clock signals generated by the controller originate from 8-MHz crystal oscillator G1 (6ZD7). The buffered output of G1 drives timing generator U50 (3ZD6), provides a comparator frequency to the VCO frequency indicator on sheet 2, supplies the 8-MHz clock for the FDC, and drives flip-flop U67 (6ZD7). Flip-flop U67 is used as a frequency divider to provide the 4-MHz clock signal. This signal also drives write shift register U3 (7ZB5) and binary counter U69 (6ZD6). U69 produces frequencies of 2 MHz (U69-11), 1 MHz (U69-10), 0.5 MHz (U69-9), and 0.25 MHz (U69-8). Three of these frequencies (1, 0.5, and 0.25 MHz) are input to data selectors U70 (6ZD4) and U71 (6ZD3). The data selectors provide the correct clocks to the various circuits as determined by the MFM signal from the FDC and the MINI/ signal from the jumper matrix. (The MINI/ signal is low for 5¼-inch drives and is high for 8-inch drives; the MFM signal is low for single-density operation and is high for double-density operation.) Table 4-1 shows the resultant output from U71 for the different states of the MINI/ and MFM signals.

Table 4-1. IC U71 Output

MINI/Low MFM Low	MINI/High MFM High	MINI/Low MFM High	MINI/High MFM Low
1Y = 2200 ns pulse 2Y = 0.25 MHz 4Y = 0.25 MHz	1Y = 550 ns pulse 2Y = 1 MHz 4Y = 1 MHz	1Y = 1100 ns pulse 2Y = 0.5 MHz 4Y = 0.5 MHz	1Y = 1100 ns pulse 2Y = 0.5 MHz 4Y = 0.5 MHz

The output from U71-12 clocks flip-flop U54 at the selected frequency. The flip-flop is cleared by the 2-MHz input at U54-1 to create a 250 ns write clock pulse at the selected frequency. Table 4-2 lists the various write clock frequencies. The outputs from U71-4 and U71-7 are used in the data separator circuits (see paragraph 4-12).

Table 4-2. Write Clock Frequency

Mode	Drive Size	
	8inch	5¼-inch
Single density	0.5 MHz	0.25 MHz
Double density	1.0 MHz	0.5 MHz

4-5. MULTIBUS INTERFACE

The bidirectional Multibus interface data lines are buffered by U64 (1ZC6). This circuit is enabled for both I/O and DMA type operations by U14 (1ZB6). The BDSEL/ signal enables the data driver for I/O transfers, and the DMAC/ signal enables the drivers for DMA transfers. The IOR/ signal controls the direction of the data buffer. When the IOR/ signal is active (low), U64 is in the output mode (I/O READ or DMA WRITE operations) and when the IOR/ signal is inactive (high), U64 is in the input mode (I/O WRITE or DMA READ operations).

Bidirectional address buffering for ADR0/ - ADRF/ is provided by U62 and U63 (5ZC2). These buffers are always enabled. Normally, the ADEN (5ZA7) signal is low to allow the address to enter the board (I/O transfers). When ADEN is high, the address buffers place the address on the Multibus interface (DMA operations only). Address lines ADR10/ - ADR13/ are buffered by U57 (5ZB2) and are used only for DMA operations.

The iSBC 208 controller I/O address decode circuitry decodes either 8- or 16-bit I/O addresses and occupies either 22 or 38 ports. This complex I/O mapping is performed by the Intel 3625 PROM at U16 (2ZC4). The PROM provides a board enable signal (SEL/) and an encoded number (0-7) for I/O circuit selection. The encoded number is decoded

into eight individual chip select signals by U27 (2ZC2). Table 4-3 lists the base addresses and shows the resulting chip select signal.

A comparison between the I/O address and the base address jumpers is performed by comparators U28, U41, and U40 (2ZC6, 2ZB6). Since the A = B output from U28 is true for both 8- and 16-bit I/O addresses, this output is used to enable the PROM's CS2 input (the CS1 input is permanently enabled by a resistor to ground). For 8- or 16-bit address decode selection, the PROM ignores the A = B output (U40-6) when the PROM's A9 input is high (16-bit mode). When the PROM's A9 input is low (8-bit mode), a high output from comparator U40-6 is required in order to generate the SEL/ signal. When the MPST/ signal is high (no Multimodule installed), the PROM only generates a SEL/ signal when inputs A5 and A6 match and produces the 22 ports that reside on 32-port boundaries. With an iSBX multimodule installed, MPST/ is held low to cause the PROM to ignore its A6 input and to produce the 38 ports on 64-port boundaries.

Bus control signals IORC/ and IOWC/ are inverted by U58 (3ZC7) and then ORed together by U26 (3ZD6) to generate a common command signal. This signal removes the clear input to shift registers U49 (3ZD5) and U50 (3ZD6). After 16 clock pulses (eight at 8 MHz and eight at 2 MHz), both registers are filled with "ones." The resistor outputs provide three delays that are used during I/O accesses. The first delay of 500 µs at U50-10(3ZD6) delays the I/O commands to allow time for the I/O address signals to propagate through the decode circuitry and additional time to meet the DMA controller's recovery

Table 4-3. Chip Select Coding

I/O Base Address (Hex)	U27 Output	Circuit Enabled
00 thru 0F	CS0/	DMAC
10, 11	CS1/	FDC
12	CS2/	Auxiliary Port
13	CS3/	Software Reset
14	CS4/	Low byte of Seg. Reg.
15	CS5/	High byte of Seg. Reg.
20 thru 27 28 thru 2F	MCS0/ MCS1/	iSBX (when installed)

time between active read/write pulses. This delayed signal, together with the common command and SEL/ signals, enables four three-state gates (U56) that in turn, pass IOR/ or IOW/ to the selected circuitry. Dual buffering is used on IOW/ and IOR/ for loading purposes. The second delay (U50-13) provides the acknowledge timing for all I/O accesses except the software reset. A third delay of approximately 4 μ s is provided to meet the reset timing requirements of the 8272 FDC. The proper XACK/ timing is determined by the level of CS3/ through gates U47 and U65 (3ZD4).

4-6. DMA CONTROLLER (DMAC)

DMA controller U18 (4ZC6) mediates the flow of data between both the disk drive (through the FDD interface and the FDC) or the iSBX module (if installed) and the Multibus interface memory.

The following DMA controller modes of operation are not supported and cannot be used on the iSBC 208 controller:

- Cascade Mode
- Memory to Memory transfers
- Compressed Timing

A one-byte transfer from memory to the FDC will be used to describe a DMA operation. Since the timing for all DMA operations is basically the same, only differences from the one byte transfer will be described where appropriate.

Assuming the host processor has set up the DMAC and the FDC, the DMA process starts when the DMAC receives a request (DREQ0) from the FDC. The DMAC resolves priority among simultaneous requests and activates its HRQ output pin (U18-10) to inform the 8218 bus controller (U39) to acquire the system bus. The bus controller then activates BREQ/ and deactivates BPRO/ and then waits for BUSY/ to go inactive. When BUSY/ goes inactive, and if BPRN/ is active, the bus controller takes control of the system bus by activating BUSY/. The bus controller then notifies the DMAC to continue the transfer by activating the ADEN/ signal which, through inverter U15 (4ZA5), activates the HLDA input at U18-7.

The ADEN/ signal also inhibits the I/O address decoder via U28-3 (2ZC6) to prevent the generation of false chip-select signals caused by a match between a memory address and the I/O base address jumpers. The ADEN signal conditions the bidirectional system bus drivers (U62, U63) on sheet 5 to place the address on the Multibus interface.

After receiving HLDA, the DMAC proceeds with the actual data transfer by activating the following signals in the order listed:

1. DAEN (U18-9) is ANDed with ADEN at U66 (5ZB5) to enable three-state address buffers U46 (5ZC3), U57 (5ZB2), and U61 (5ZB3).
2. The high-order memory address byte is output on the on-board data bus as D0-D7 (U18), buffered by U33 (1ZB5) and latched into register U31 (5ZC6) by the address strobe (ASTB) signal. At the same time, the low-order memory address byte is output as A0-A3 and DA4-DA7 (U18).
3. DACK0/ (U18-25) is sent to enable the FDC (4ZD6).
4. MEMR (U18-3) is sent to the bus controller (U39) which, in turn, activates MRDC (U39-12) to produce a memory read command on the system bus. System memory now responds with a byte of data that passes through data buffer U64 (1ZC6) that has been enabled by the DMAC/ signal from the bus controller.
5. The IOWC/ signal from the Multibus interface is now sent to the FDC (U17-3 on sheet 7) to enable the FDC to accept the data byte.

Acknowledgment from the system memory (XACK/) is synchronized with DCLK at latch U22 (3ZD2). The REDY signal from U22 is passed to the DMAC (U18-6) to allow the DMAC to complete the transfer cycle. Completion of the transfer cycle takes place in the reverse order (see figure 4-2 for DMA transfer timing).

An end of process (EOP) signal is generated by the DMAC (U18-36) when its word count register reaches zero. The EOP signal is ANDed with DACK0 and sent as a terminal count (TC) signal (EOP0/) to inform the FDC that the last transfer has occurred.

4-7. DMA ADDRESSING

When the iSBC 208 controller is operating as a bus master and performing DMA transfers, it has the capability of addressing up to 16 megabytes (24 address bits) of system memory. The controller can address the full 1-megabyte address space as specified by the Multibus interface by using the 20 address lines provided on Multibus connector P1 and, in addition, can generate four additional address lines to select between sixteen unique 1-megabyte pages. The four additional address lines, ADR14 through ADR17, are routed onto the P2 connector. Since the DMA chip only generates a 16-bit address, circuits on the board are used to latch additional address bits and then to add these bits to the DMA address when a DMA transfer occurs. The 16-bit address from the

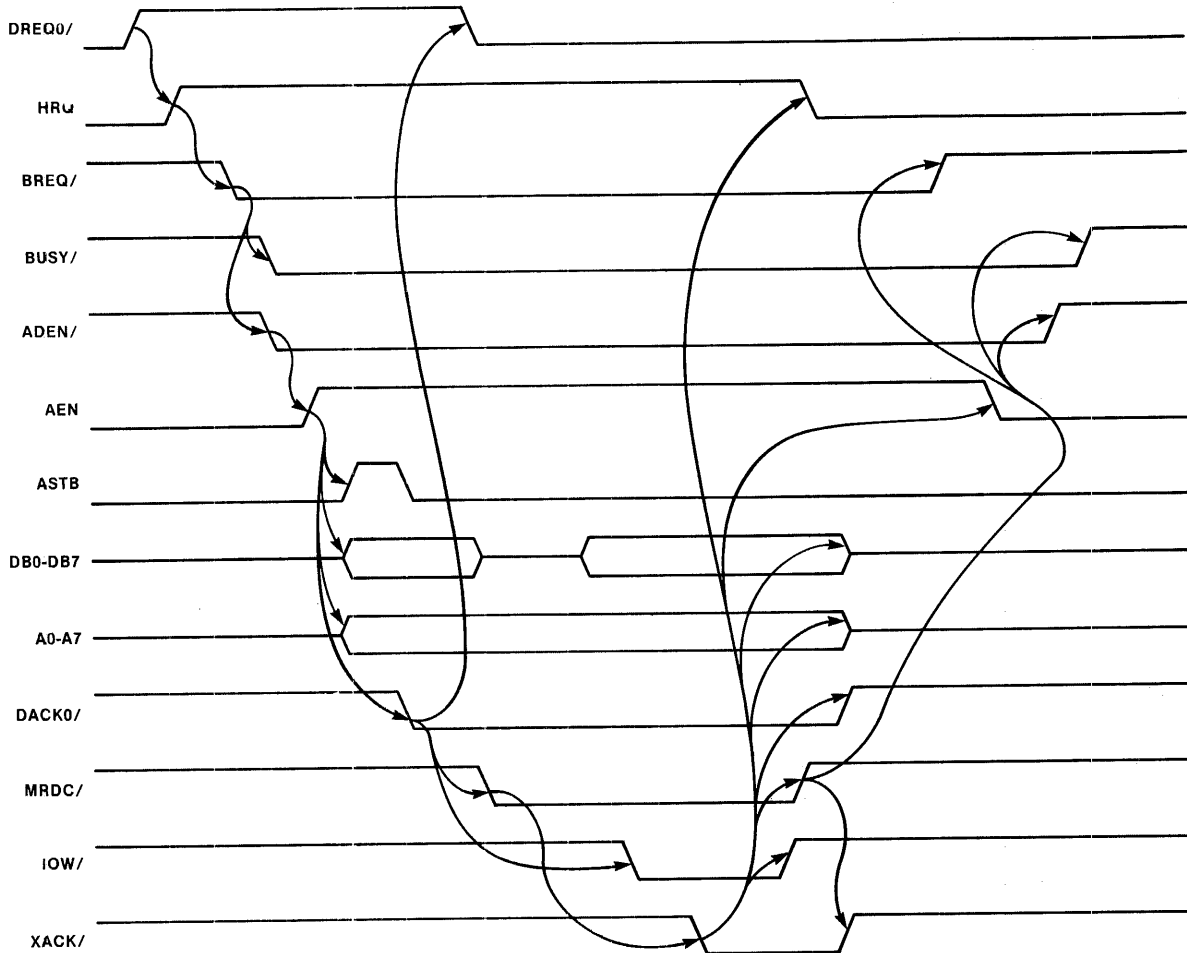


Figure 4-2. DMA Transfer Timing

143078-20

DMA chip (offset address) is added to a 16-bit segment address from the Multibus to form a 20-bit memory address. The 20-bit memory address is appended to the four high-order paging bits.

Prior to the start of a DMA transfer, segment registers U30 (5ZB6) and U32 (5ZC6) must be loaded, the starting (offset) address and word count must be loaded into the DMA chip, and then the four high-order paging bits of the memory address must be loaded into the AUX port. The low-order byte of the segment register is loaded into U32 and latched when the CS4/ (5ZC8) and IOWB/ (5ZC8) signals are active. The high-order byte of the segment register is loaded into U30 and latched when the CS5/ (5ZB8) and IOWB/ (5ZC8) signals are active. The DMA chip, in turn, loads the upper half of the offset address in offset register U31 (5ZC6) when

ASTB (5ZB8) is active. The high-order paging bits (ADR 14 - ADR 17) are loaded into the AUX port (3ZB5) when CS2/ (3ZB8) and IOWB/ (3ZB6) are active. The outputs from the segment registers, the offset register, and bits DA4 through DA7 of the offset address from the DMAC are input to a set of four adders, U42 through U45 (5ZD-B4). The sum of these inputs plus offset address bits A0-A3 from the DMAC and the four high-order bits from the AUX port form the 24-bit memory address.

4-8. FLOPPY DISK CONTROLLER

Central to all disk operations is the floppy disk controller (FDC), an Intel 8272. The FDC interprets all read, write, and seek instructions and, via the floppy disk drive interface, commands the selected FDD to

perform the requested operation. The FDC operates in either single-density (FM) or double-density (MFM) mode and supports an IBM sector format in both modes. Additionally, the FDC is compatible with both single-sided and double-sided media; the controller includes the circuitry for interfacing up to four drives and is capable of performing concurrent seek or recalibrate operations on four drives.

The FDC performs parallel-to-serial and serial-to-parallel data conversions; the FDC passes reassembled parallel data to the DMA controller during diskette read operations and provides serial data from the DMA controller to the selected drive during write operations. The FDC also generates an interrupt to signal the host processor that a requested operation has been completed; the FDC's status registers provide the host processor with both normal- and failure-mode status information.

4-9. FDD INTERFACE

The FDD interface consists principally of buffers, head-load and drive-select decoders, head load timers, special-function latches, and data-clock and data separation circuitry.

4-10. DRIVE AND HEAD SELECTION. Drive select decoding is performed by half of U24 (7ZB5); the other half of U24 provides radial head-load signals by decoding the drive select signal from the FDC (7ZC6). The radial head-load signals drive timers U13 (7ZC3) and U23 (7ZC3) which, in turn, provide extended HEAD LOAD signals to the drives. The timers are wired as one shots with retriggerable operation provided by transistors Q1 through Q4. Each timer produces a head-load signal for approximately one second after the FDC inactivates its HDL signal.

Half of U21 (7ZD5) provides demultiplexing for the FAULT RESET/, STEP/, LOW CURRENT/, and DIRECTION/ signals, and the other half of U21 (7ZB7) multiplexes the signals WRITE PROTECT/, TWO SIDED/, FAULT/, and TRACK 0/ signals, all under control of the RW/Seek signal from the FDC.

4-11. WRITE PRECOMPENSATION. U3 (7ZB5) is connected as a shift register and is clocked with a 4-MHz signal. This signal timing causes write data from the FDC to arrive at the shift register outputs in increments of 250 ns. Compared to the data at U3-10, the data at U3-7 is 250 ns early and the data at U3-15 is 250 ns late. The normal, early, or late data is

selected by U4 (7ZB3) to provide write precompensation under control of the FDC. AND gates U14-3 and U14-6 gate the pre-shift control signals (PS0,PS1) to allow precompensation only on the inner tracks (tracks 43-77) as determined by the low current signal from U8-2 (7ZD4).

4-12. DATA SEPARATOR. The purpose of the data separator circuit is to generate a data window signal (RDWN) that enables the FDC to separate the data bits from the clock bits in the serial data stream received from the drive. The actual determination of a data "1" bit is performed by the FDC.

The data and clock pulses must be kept in their respective windows in the presence of data clock pulse jitter and frequency variations. Pulse jitter is overcome by a window-extender feature, while frequency variation is minimized by the use of a phase-lock-loop circuit. Figure 4-3 is a timing diagram of the data separator circuit. While this circuit is designed to run at three data rates, only one rate, double density on an 8-inch drive, is used in the following description (a comparison between the three data rates is shown in table 4-4).

At the double-density, 8-inch data rate, clock and data pulses can be 2, 3, or 4 microseconds apart. This timing separation requires a 1-microsecond, on-time clock for the comparison. The on-time clock signal originates from the VCO and is generated by divider U69-5 (6ZC4) and selected by data selector U71-7 (6ZD3). Flip-flop U67-5 stays set since its K input is held low and allows the undivided on-time clock to be fed directly into U69-1. An on-time clock of 1 MHz is selected by U71.

The data from the drive (READ DATA/) is delayed and shaped by one-shot U35-7 (6ZC7) into a series of 550 ns-wide pulses and fed to the 4B input of U70 (6ZD4). Since the MINI/ signal is inactive, the 550 ns pulses are multiplexed to U71; the resultant output at U71-4 is input to the clock inputs of U53-9 (6ZA5), U54-9 (6ZB5), and U37-5 (6ZB5). The digital phase comparator consisting of U37 (6ZA5) is prevented from making false comparisons by flip-flop U53-9. The leading edge of each delayed data pulse from U71-4 clocks U53-9 to enable U37 to make a comparison between the trailing edge of the delayed data pulse at U37-3 and the rising edge of the on-time clock at U37-11.

The phase comparator controls transistors Q5 and Q6 (6ZA3) that form a current pumping circuit to increase or decrease the charge across C46. The resultant voltage on C46 controls the operating frequency of VCO U38 (6ZA2); an increase in voltage causes a corresponding increase in VCO output frequency.

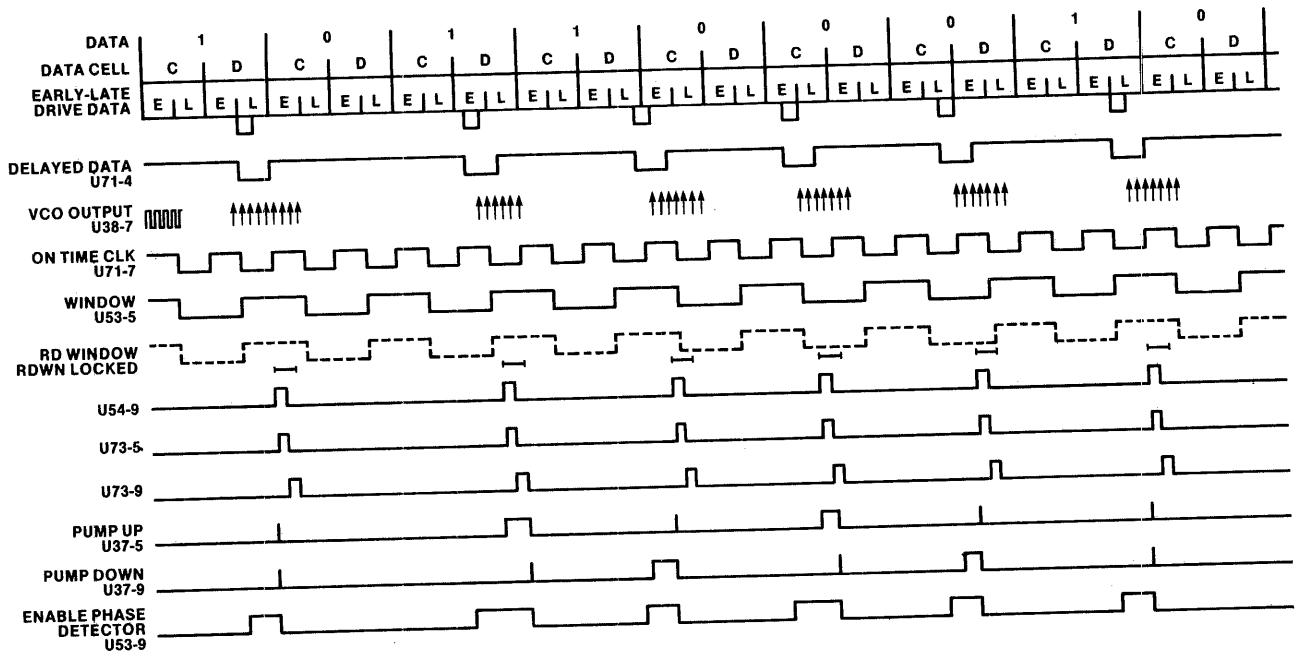


Figure 4-3. Data Recovery Timing

143078-21

When flip-flop U37-3 (6ZB5) is clocked set by the delayed data pulse before flip-flop U37-9 is clocked set by the on-time clock, Q5 conducts (increasing the charge on C46 and increasing the VCO output frequency) until U37-9 is set. When U37-9 sets, both flip-flops are cleared immediately through U52-3 and U53-9. This action creates a pump up (or pump down) time proportional to the phase difference between the delayed data pulse and the on-time clock. (A pump-down condition occurs when the on-time clock signal arrives ahead of the delayed data pulse.)

The phase comparator is enabled by the VCO signal from the FDC when reading data from the diskette. When the VCO signal is inactive, both comparator flip-flops are held set, and both pumping transistors (Q5 and Q6) conduct to cause the control voltage to return to its nominal value of 3 volts. When the control voltage is at its nominal value, the VCO (U38)

output frequency is adjusted for 8 MHz by potentiometer R1 until VCO frequency indicator DS1 is at its brightest level.

Flip-flops U54-9 (6ZB5), and U73-5 (6ZB5), and U73-9 (6ZB4) form a shift register that synchronizes the delayed data to the VCO clock and that provides a 125 ns read data (RDAT) pulse for each delayed data pulse and a read window extension signal. The basic read window signal (RDWN) is generated by flip-flop U53-5 (6ZC3) on the falling edge of every other on-time clock pulse. The outputs from U53 drive slave flip-flop U55-3 and U55-11 (6ZC2). This flip-flop follows U53 unless it is inhibited by one of the shift register outputs at OR-gate U52-8 (6ZB3). The output from U52-8 is active whenever there is a pulse in the first cell (U74-9) of the shift register or whenever a data pulse occurs near the end of the normal window (i.e., whenever U73-7 is active).

Table 4-4. On Time Clock Versus Data Rate

Data Rate (k Bits/s)	Drive Size	Encoding Mode	Bit-to-Bit Spacing (μs)	On-Time Clock (MHz)
500	8-inch	MFM	2,3,4	1.0
250	8-inch	FM	2,4	0.5
250	5¼-inch	MFM	4,6,8	0.5
125	5¼-inch	FM	4,8	0.25

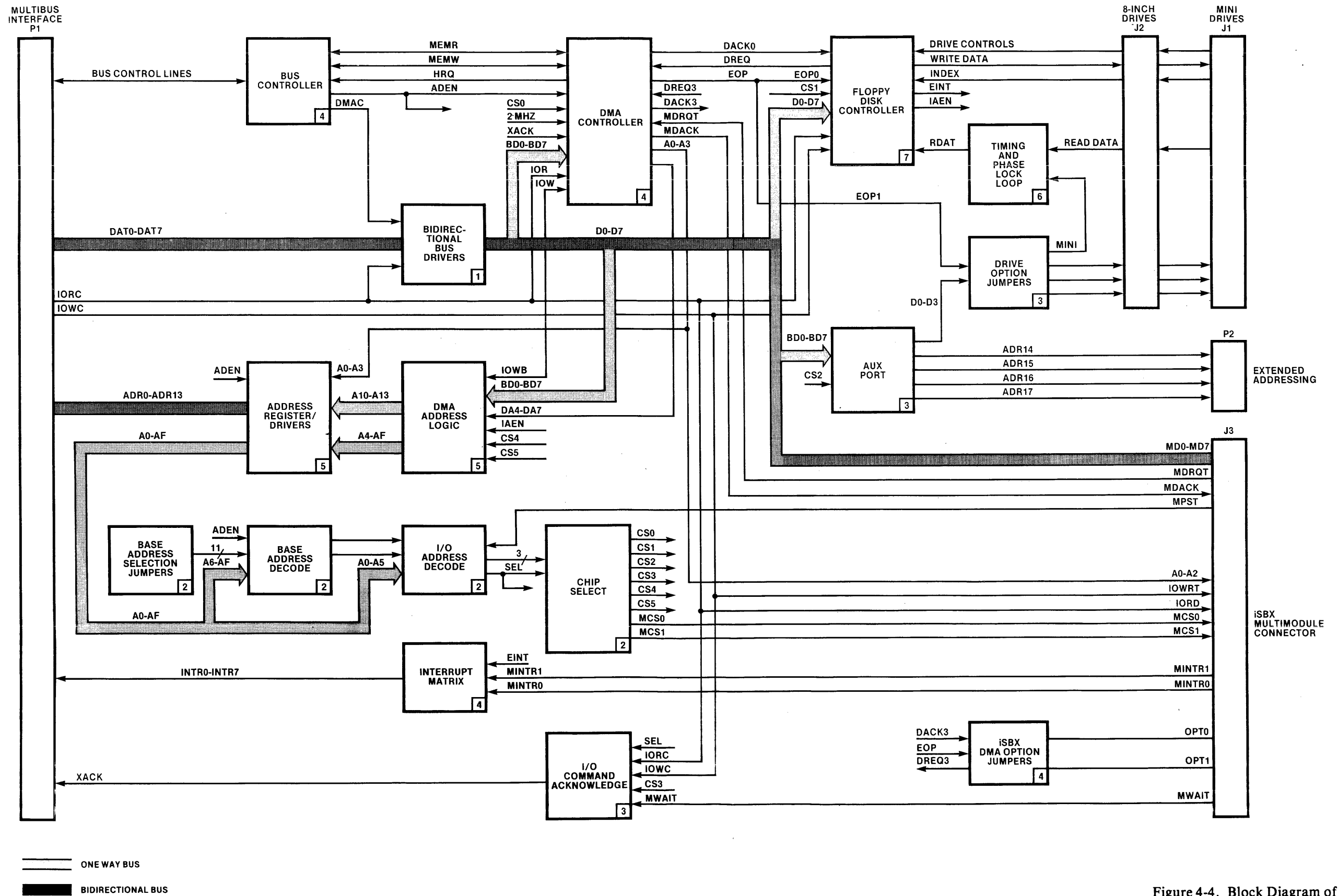


Figure 4-4. Block Diagram of Controller

143078-22



CHAPTER 5 SERVICE INFORMATION

5-1. INTRODUCTION

This chapter provides the service information required for the iSBC 208 Floppy Disk Controller Board and includes a list of replaceable parts, the service diagrams, and service and repair assistance instructions.

5-2. SERVICE AND REPAIR ASSISTANCE

United States customers can obtain service and repair assistance by contacting the Intel Product Service Hotline in Phoenix, Arizona. Customers outside the United States should contact their sales source (Intel Sales Office or authorized distributor) for service information and repair assistance.

Before calling the Product Service Hotline, you should have the following information available:

- a. Date you received the product.
- b. Complete part number of the product (including dash number). On boards, this number is usually silk-screened onto the board. On other MCSD products, it is usually stamped on a label.
- c. Serial number of product. On boards, this number is usually stamped on the board. On other MCSD products, the serial number is usually stamped on a label.
- d. Shipping and billing addresses.
- e. Purchase order number for billing purposes if your Intel product warranty has expired.
- f. Extended warranty agreement information, if applicable.

Use the following numbers for contacting the Intel Product Service Hotline:

Telephone:

From Alaska, Arizona, or Hawaii call—
(602) 869-4600

From all other U.S. locations call toll free—
(800) 528-0595

TWX: 910-951-1330

Always contact the Product Service Hotline before returning a product to Intel for repair. You will be given a repair authorization number, shipping instructions, and other important information that

will help Intel provide you with fast, efficient service. If you are returning the product because of damage sustained during shipment or if the product is out of warranty, a purchase order is required before Intel can initiate the repair.

In preparing the product for shipment to the repair center, use the original factory packing material, if possible. If this material is not available, wrap the product in a cushioning material such as Air Cap TH-240, manufactured by the Sealed Air Corporation, Hawthorne, N.J. Then enclose the product in a reinforced corrugated shipping carton and label "FRAGILE" to ensure careful handling. Ship only to the address specified by Product Service Hotline personnel.

5-3. REPLACEABLE PARTS

Table 5-1 provides a list of replaceable parts for the iSBC 208 controller. Table 5-2 identifies the manufacturers specified in the MFR CODE column in table 5-1. Intel parts that are available on the open market are listed in the MFR CODE column as "COML"; every effort should be made to procure these parts from a local (commercial) distributor.

5-4. ADJUSTMENTS

The controller includes only one adjustable component, a potentiometer that sets the center frequency of the voltage-controlled oscillator (VCO). The adjustment is performed at the factory and normally is valid for the life of the controller. However, if a component is replaced within the phase-lock-loop circuit, it may be necessary to readjust the center frequency of the VCO. To perform this adjustment, insert the controller into the system, apply power, and allow the controller to "idle." While observing LED indicator DS1 (located on the front edge of the pc board towards the left), adjust potentiometer R1 (adjacent to DS1) until the LED is at its maximum brightness.

5-5. SERVICE DIAGRAMS

The parts location diagram and schematic diagram for the iSBC 208 controller are provided in figures 5-1 and 5-2, respectively. The parts location diagram is useful in locating the parts listed in table 5-1.

Service Information

The schematic diagram (figure 5-2) consists of seven sheets of logic drawings that were current when the manual was printed. Minor revisions and changes may have occurred since the manual was printed. If a discrepancy exists between the schematic in the manual and the schematic shipped with the controller, the schematic shipped with the controller always supersedes the schematic in the manual.

A signal on the schematic diagram that traverses from one sheet of the drawing to another is labeled

with the same boxed letter reference (e.g., A) on each sheet to simplify signal tracing. The signal mnemonic and the source/destination sheet number are shown adjacent to the boxed letter reference. Generally, signal mnemonics listed on the left side of a sheet are entering the diagram, and signal mnemonics listed on the right side of a sheet are leaving the diagram. On the schematic diagram, a signal mnemonic that ends with a slash (e.g., ALE/) is active low. Conversely, a signal mnemonic without a slash (e.g., ALE) is active high.

Table 5-1. Replaceable Parts

Reference	Description	Mfr. Part No.	Mfr. Code	Qty.
U1	IC, Quad 2-input positive-NOR gate	7402	TI	1
U2,U19, U51,U61	IC, Quad bus buffer gates	74125	TI	4
U3	IC, Quad D-type flip-flops	74175	TI	1
U4	IC, Dual 4-to-1 data selector/mux	74153	TI	1
U5,U6,U9, U10,U12	IC, Quad 2-input positive-NAND buffer	7438	TI	5
U7,U34, U8,U11,U58 U13,U23	Not Used			
U14	IC, Hex Schmidt trigger inverters	7414	TI	3
U15,U48	IC, Dual timer	NE556	SIG	2
U16	IC, Quad 2-input positive-AND gate	7408	TI	1
U17	IC, Hex inverters	7404	TI	2
U18	IC, PROM, 1024x4	3625	Intel	1
U20	IC, Floppy disk controller	8272	Intel	1
U21,U57,U72	IC, Programmable DMA controller	8237A	Intel	1
U22,U37,U54	IC, Quad 2-input positive-NOR gate	74S02	TI	1
U24	IC, Octal 3-state buffers	74LS240	TI	3
U25	IC, Dual D-type flip-flop	74S74	TI	3
U26	IC, Dual 2-to-4 decoder/multiplexer	74LS139	TI	1
U27	IC, Quad 2-input positive-OR gate	7432	TI	1
U28,U40,U41	IC, Quad 2-input positive-OR gate	74S32	TI	1
U29,U30,U32	IC, 3-to-8 line decoder/mux	3205	Intel	1
U31	IC, 4-bit magnitude comparator	74LS85	TI	3
U33,U46	IC, Octal D-type flip-flops	74LS273	TI	3
U35,U36	IC, Octal D-type latches	74LS373	TI	1
U38	IC, Octal buffer/line driver/receiver	74LS244	TI	2
U39	IC, Dual retriggerable multivibrator	9602	SIG	2
U42,U43	IC, Dual voltage controller oscillator	74124	TI	1
U44,U45	IC, Bus controller	8218	Intel	1
U47	IC, 4-bit binary full adder	74LS283	TI	4
U49,U50	IC, Triple 3-input positive-NAND gates	74S10	TI	1
U52,U55	IC, Serial shift register	74LS164	TI	2
U53,U67,U73	IC, Quad 2-input positive-NAND gate	7400	TI	4
U56	IC, Dual J/K flip-flops	74S112	TI	3
U59	IC, Hex bus drivers	74368	TI	1
U60	IC, Quad bus buffer gates	74LS125	TI	1
U62,U63,U64	IC, Quad 2-input positive-NAND gate	74S38	TI	1
U65,U66	IC, Octal bus transceiver	8287	Intel	3
U69	IC, Dual 4-bit binary counter	74LS393	TI	1
U70,U71	IC, Quad 2-to-1 data selector/mux	74157	TI	2

Table 5-1. Replaceable Parts (Cont'd.)

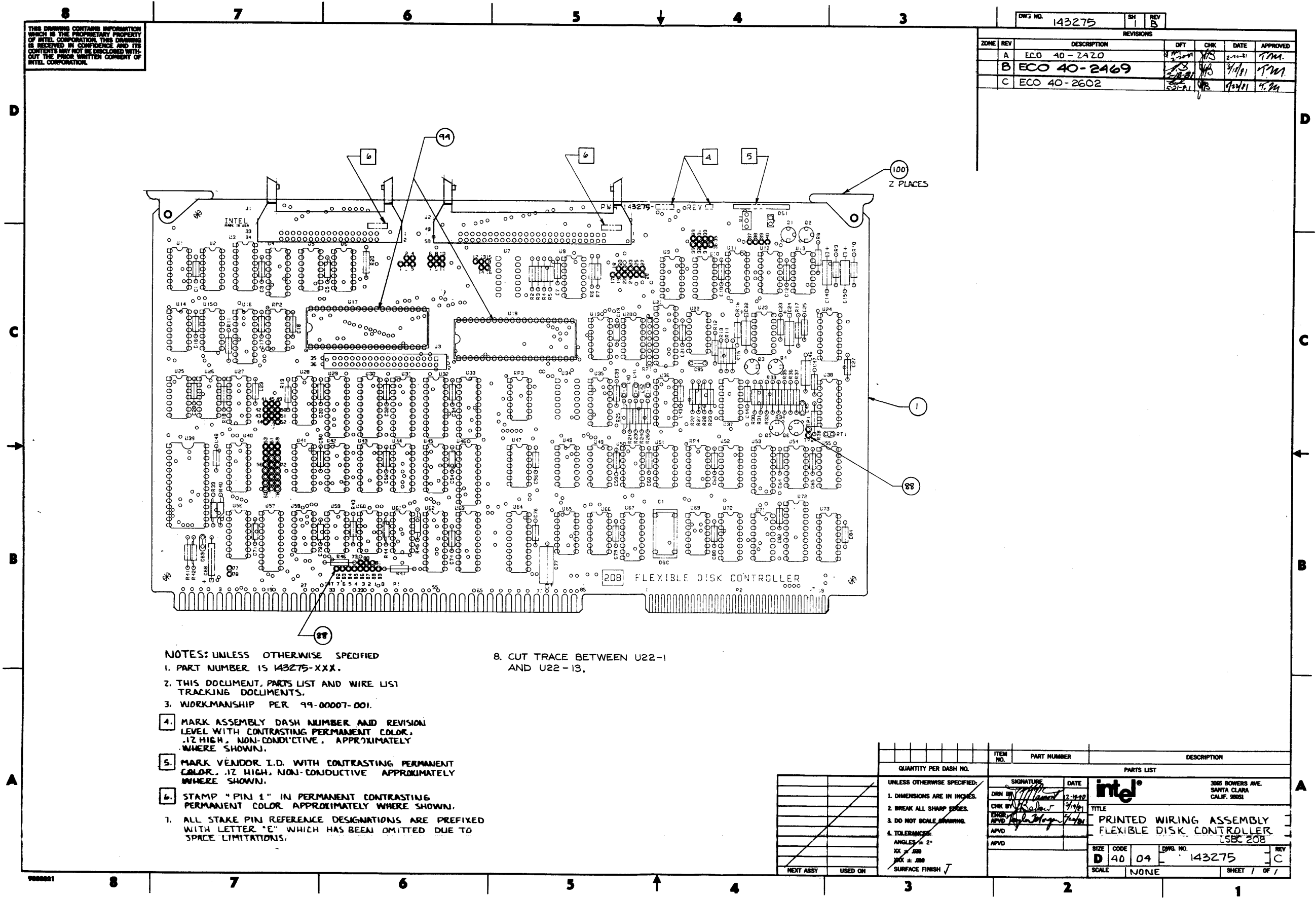
Reference	Description	Mfr. Part No.	Mfr. Code	Qty.
R2,R3,R6,R7, R12,R15,R18, R20,R29,R30, R39,R40	Resistor, 4.7k ohm, 1/4W, 5*	OBD	COML	12
R4,R38	Resistor, 330 ohm, 1/4W, 5%	OBD	COML	2
R5	Resistor, 220 ohm, 1/4W, 5%	OBD	COML	1
R8	Resistor, 150 ohm, 1/4W, 5%	OBD	COML	1
R9,R10,R16,R17	Resistor, 1M ohm, 1/4W, 5%	OBD	COML	3
R11,R25,R26, R27,R28	Resistor, 270 ohm, 1/4W, 5%	OBD	COML	5
R13,R14	Resistor, 33k ohm, 1/4W, 5%	OBD	COML	2
R19,R34,R41	Resistor, 1.5k ohm, 1/4W, 5%	OBD	COML	3
R21	Resistor, 4.99k ohm, 1/8W, 1%	OBD	COML	1
R22	Resistor, carbon, 8.2k, 1/4W, 5%	OBD	COML	1
R23	Resistor, 10k ohm, 1/8W, 1%	OBD	COML	1
R24	Resistor, 20k ohm, 1/8W, 1%	OBD	COML	1
R31	Resistor, 2.2k ohm, 1/4W, 5%	OBD	COML	3
R32,R35,R36	Resistor, 1k ohm, 1/4W, 5%	OBD	COML	3
R33	Resistor, 750 ohm, 1/4W, 5%	OBD	COML	1
R37	Resistor, 1.3k ohm, 1/4W, 5%	OBD	COML	1
R42	Resistor, 470 ohm, 1/4W, 5%	OBD	COML	1
R43,R44,R45, R46,R47	Resistor, 10k ohm, 1/4W, 5%	OBD	COML	5
RP1	Resistor pack, 220/330 ohm, SIP	4308R-103- 331/221	BOUR	1
RP2,RP3	Resistor pack, 10k ohm, DIP	4114R-002-103	BOUR	2
RP4	Resistor pack, 5.6k ohm, DIP	4114R-002-562S	BOUR	1
R1	Resistor, variable, 1k, 0.5W	68XR1K	BECK	1
C66	Thermistor, 8k, 10%	IM8001-5	WEST	1
C1,C3,C5,C7,C10, C12,C16,C17,C18, C19,C21,C23,C25, C27,C28,C29,C30, C32,C34,C39,C43, C44,C47,C48,C50, C52,C54,C56,C59, C60,C62,C64,C65, C71,C73,C74,C76, C79,C80,C82,C84	Capacitor, 0.1 μ F, 50V, +80-20%	OBD	COML	41
C2,C4,C6,C8, C9,C11,C13,C20, C26,C31,C33,C35, C36,C37,C38,C47, C49,C51,C53,C55, C57,C58,C61,C63, C67,C70,C72,C75, C78,C81,C83	Not Used			
C14,C15,C22,C24	Capacitor, 1 μ F, 20V, 10%	OBD	COML	4
C34	Capacitor, 1000pF, 15V, 5%	OBD	COML	1
C40,C41,C42	Capacitor, 270pF, 100V, 5%	OBD	COML	1
C45	Capacitor, 50pF, 100V, 5%	OBD	COML	1
C46	Capacitor, 0.01 μ F, 50V, 20%	OBD	COML	1
C68,C77	Capacitor, 22 μ F, 15V, 10%	OBD	COML	1
C69	Capacitor, 390pF, 100V, 5%	OBD	COML	1
L1	Inductor, 100 μ H, 10%	9230-8	JWM	1
Q1,Q2,Q3,Q4,Q5	Transistor, PNP, 2N2907A	2N2907A	FAIR	5
Q6	Transistor, NPN, 2N2222A	2N2222A	FAIR	1

Table 5-1. Replaceable Parts (Cont'd.)

Reference	Description	Mfr. Part No.	Mfr. Code	Qty.
XU17,XU18 G1 DS1	Socket, IC, 40-pin	540-AG11D	AUG	2
	Crystal, clock oscillator, 8MHz	208-CB	WAK	1
	Light emitting diode, red	HLMP-0301	HEW	1
E1 through E89, TP1, TP2	Wirewrap posts, interconnect	87623-1	AMP	91
J1	Connector, header, 34-pin	3433-1302	MMM	1
J2	Connector, header, 50-pin	3431-1302	MMM	1
J3	Connector, Multimodule, 18/36-pin	000291-001	VIK	1
	Connector, HSG, receptacle, 2-pin	530153-2	AMP	12

Table 5-2. Manufacturer's Codes

Mfr. Code	Manufacturer	Address
AMP	AMP, Inc.	Harrisburg, PA
AUG	Augat, Inc.	Attelboro, MA
BECK	Beckman Instruments, Inc.	Cedar Grove, NJ
BOUR	Bourns, Inc.	Riverside, CA
FAIR	Fairchild Semiconductor	Santa Clara, CA
HEW	Hewlett Packard	Cupertino, CA
Intel	Intel	Santa Clara, CA
JWM	J. W. Miller Division Bell	Compton, CA
MMM	Minnesota Mining Manufacturing	Minneapolis, MN
SIG	Signetics Semiconductor	Santa Clara, CA
TI	Texas Instruments	Dallas, TX
VIK	Viking Connector, Inc.	San Diego, CA
WAK	Wakefield Engineering, Inc.	Wakefield, MA
WEST	Western Thermistor Corp.	Oceanside, CA
COML	Any commercial source; Order By Description (OBD)	



THIS DRAWING CONTAINS INFORMATION WHICH IS THE PROPRIETARY PROPERTY OF INTEL CORPORATION. THIS DRAWING IS ISSUED IN CONFIDENCE AND ITS CONTENTS MAY NOT BE DISCLOSED WITHOUT THE PRIOR WRITTEN CONSENT OF INTEL CORPORATION.

DWG NO. 143275		SH 1	REV B
REVISIONS			
ZONE	REV	DESCRIPTION	DATE
A	ECO 40-2420		2-11-81
B	ECO 40-2469		3/1/81
C	ECO 40-2602		4/24/81

- NOTES: UNLESS OTHERWISE SPECIFIED
- PART NUMBER IS 143275-XXX.
 - THIS DOCUMENT, PARTS LIST AND WIRE LIST TRACKING DOCUMENTS.
 - WORKMANSHIP PER 99-00007-001.
 - MARK ASSEMBLY DASH NUMBER AND REVISION LEVEL WITH CONTRASTING PERMANENT COLOR, .12 HIGH, NON-CONDUCTIVE, APPROXIMATELY WHERE SHOWN.
 - MARK VENDOR I.D. WITH CONTRASTING PERMANENT COLOR, .12 HIGH, NON-CONDUCTIVE APPROXIMATELY WHERE SHOWN.
 - STAMP "PIN 1" IN PERMANENT CONTRASTING PERMANENT COLOR APPROXIMATELY WHERE SHOWN.
 - ALL STAKE PIN REFERENCE DESIGNATIONS ARE PREFIXED WITH LETTER "E" WHICH HAS BEEN OMITTED DUE TO SPACE LIMITATIONS.

8. CUT TRACE BETWEEN U22-1 AND U22-13.

QUANTITY PER DASH NO.	ITEM NO.	PART NUMBER	DESCRIPTION
UNLESS OTHERWISE SPECIFIED:			
1. DIMENSIONS ARE IN INCHES.			
2. BREAK ALL SHARP EDGES.			
3. DO NOT SCALE DRAWING.			
4. TOLERANCES:			
ANGLES ± 2°			
XX ± .000			
XXX ± .000			
SURFACE FINISH J			
SIGNATURE		DATE	 3085 BOWERS AVE. SANTA CLARA CALIF. 95051 TITLE PRINTED WIRING ASSEMBLY FLEXIBLE DISK CONTROLLER LSEC 208
DRN BY		2-11-81	
CHK BY		3/1/81	
ENGR BY		4/24/81	
APVD			SIZE CODE
APVD			DWG NO. 143275
SCALE NONE			REV C
SHEET / OF /			

Figure 5-1. iSBC™ 208 Parts Location Diagram

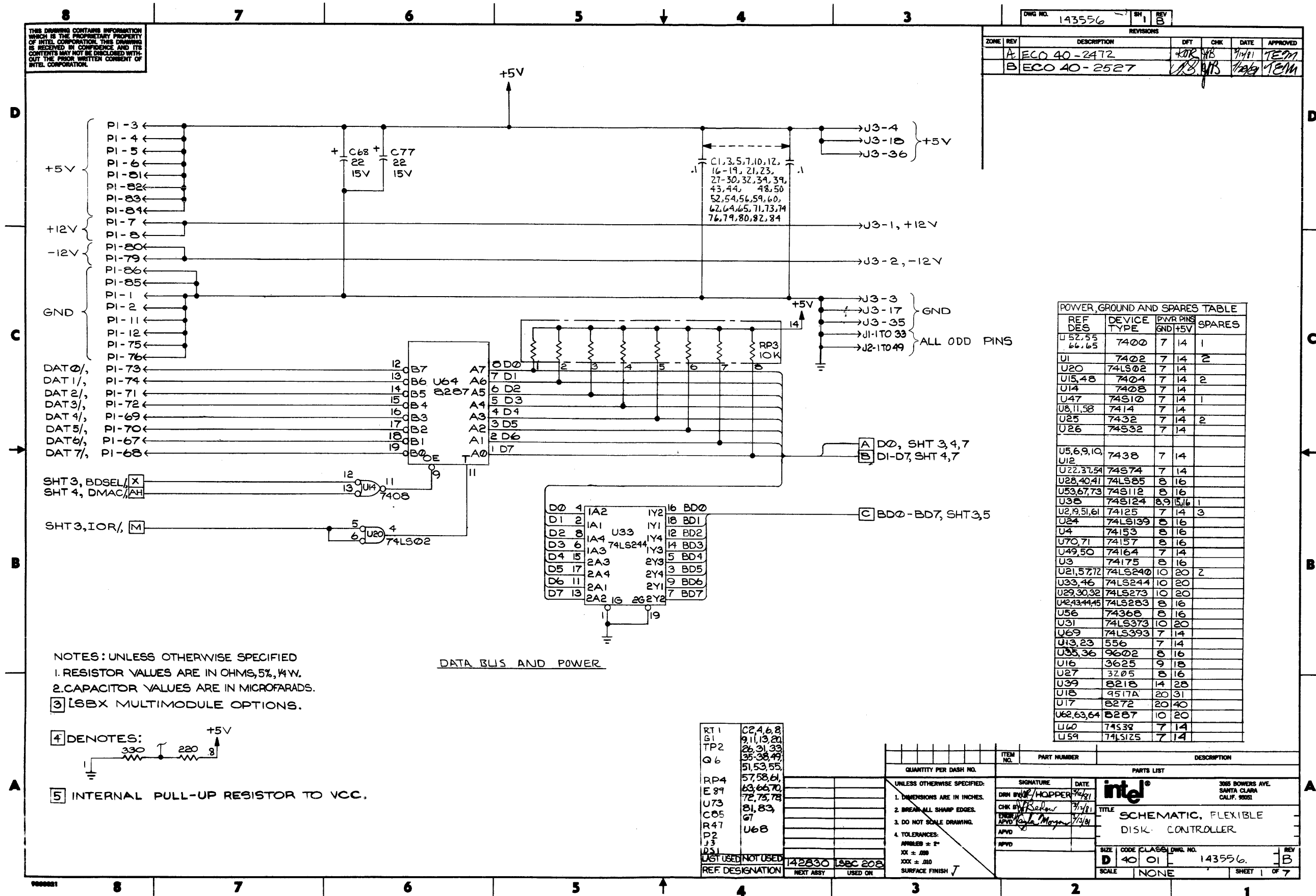


Figure 5-2. iSBC™ 208 Board Schematic Drawing (Sheet 1 of 7)

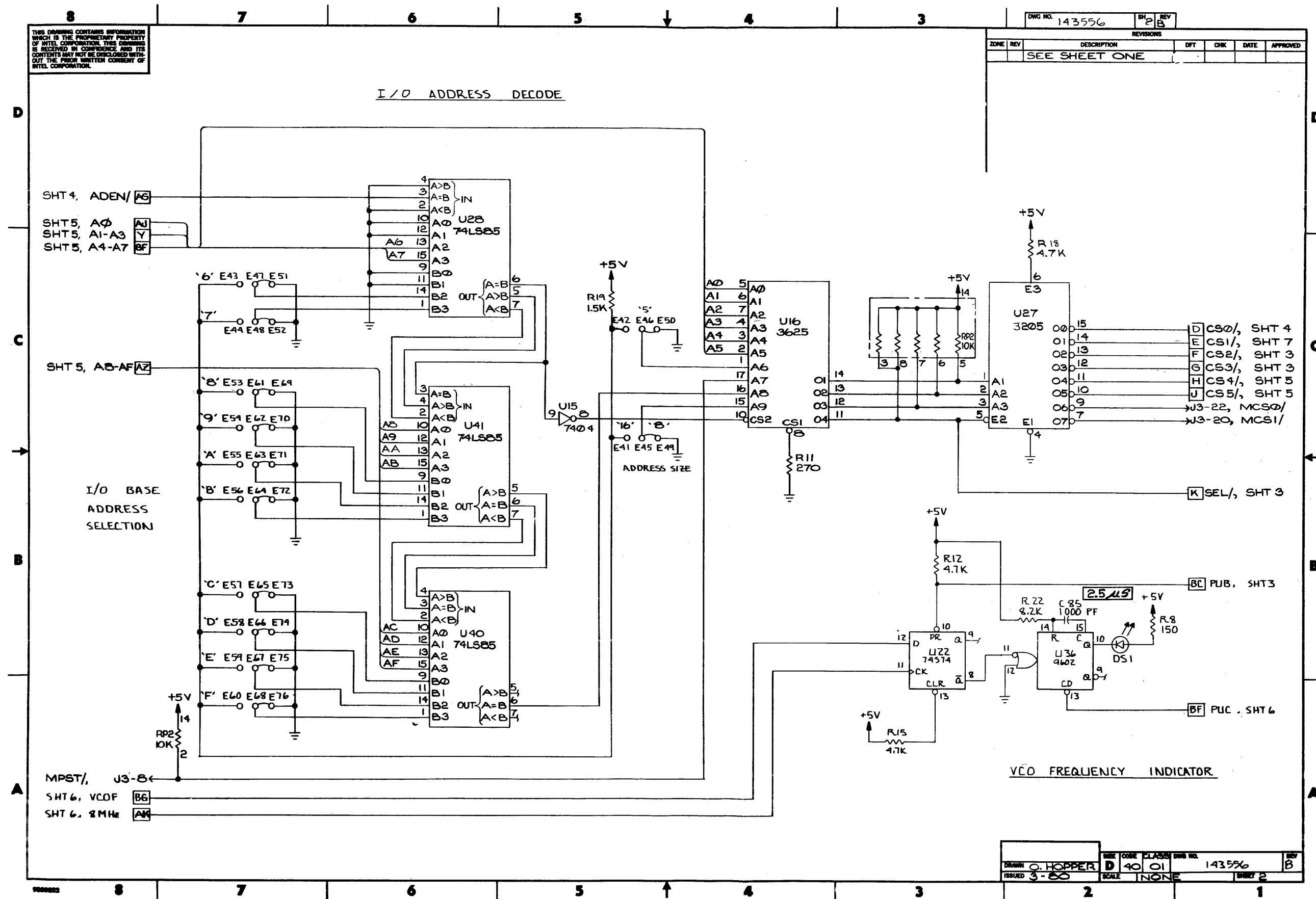


Figure 5-2. iSBC™ 208 Board Schematic Drawing (Sheet 2 of 7)

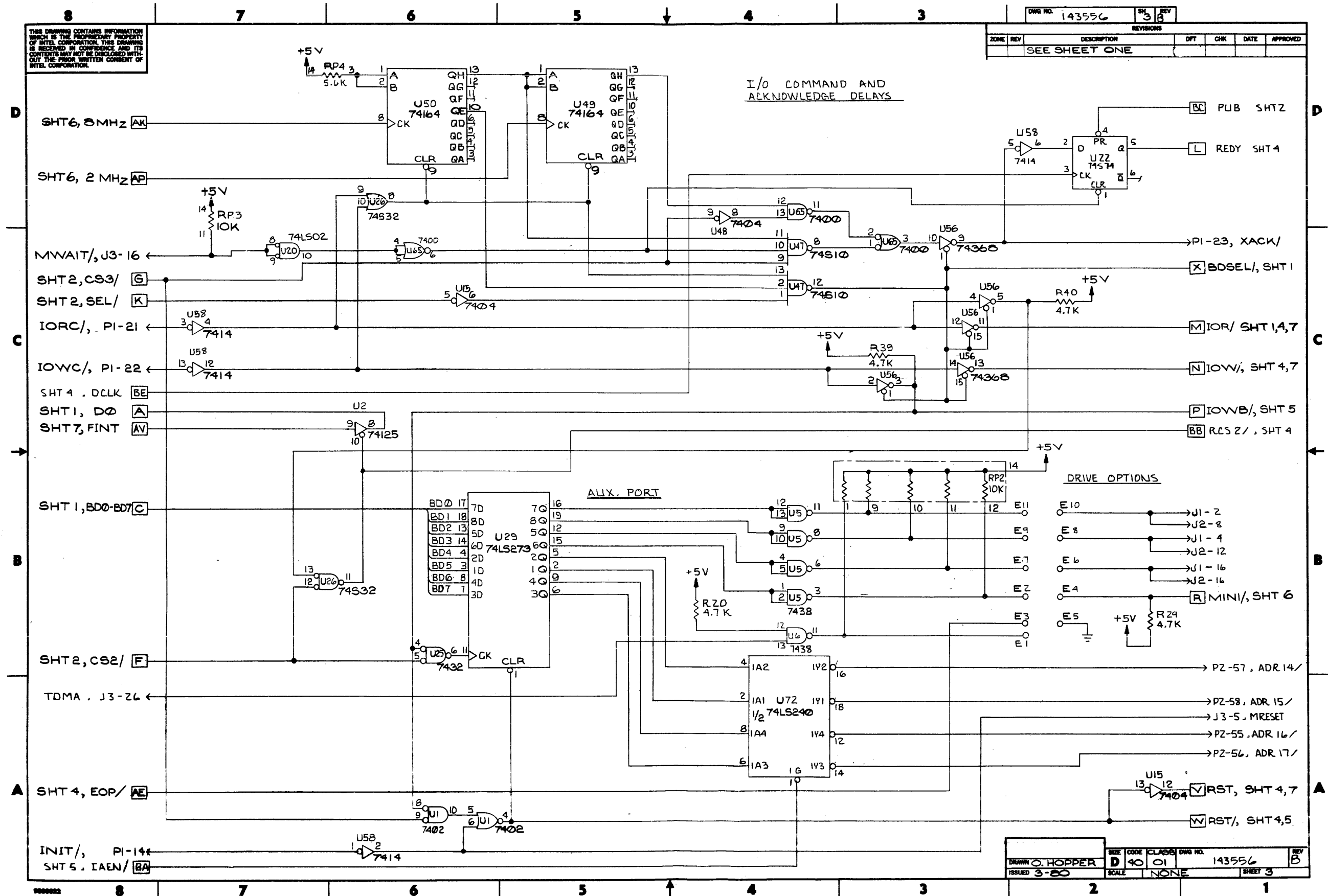


Figure 5-2. iSBC™ 208 Board Schematic Drawing (Sheet 3 of 7)

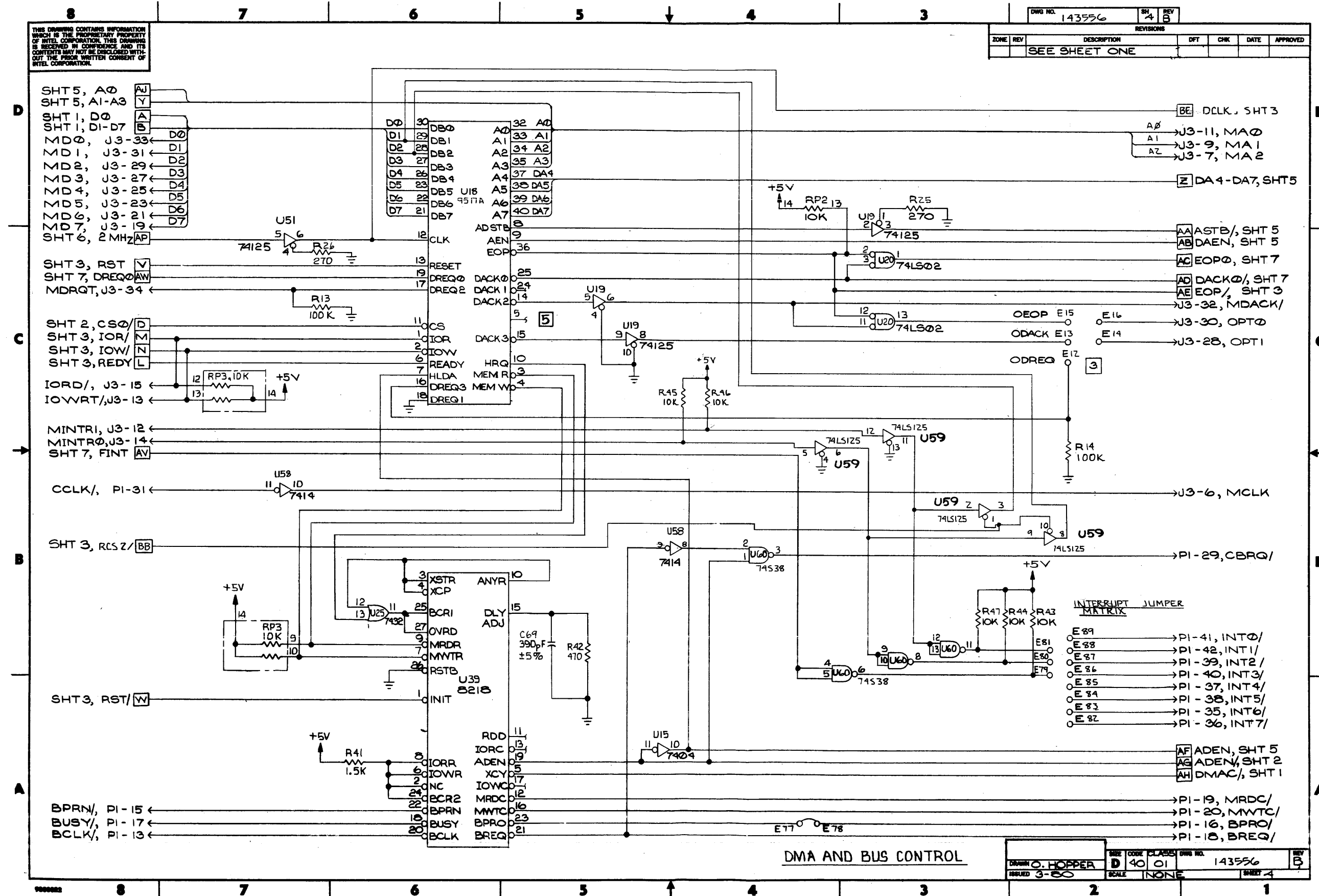


Figure 5-2. iSBC™ 208 Board Schematic Drawing (Sheet 4 of 7)

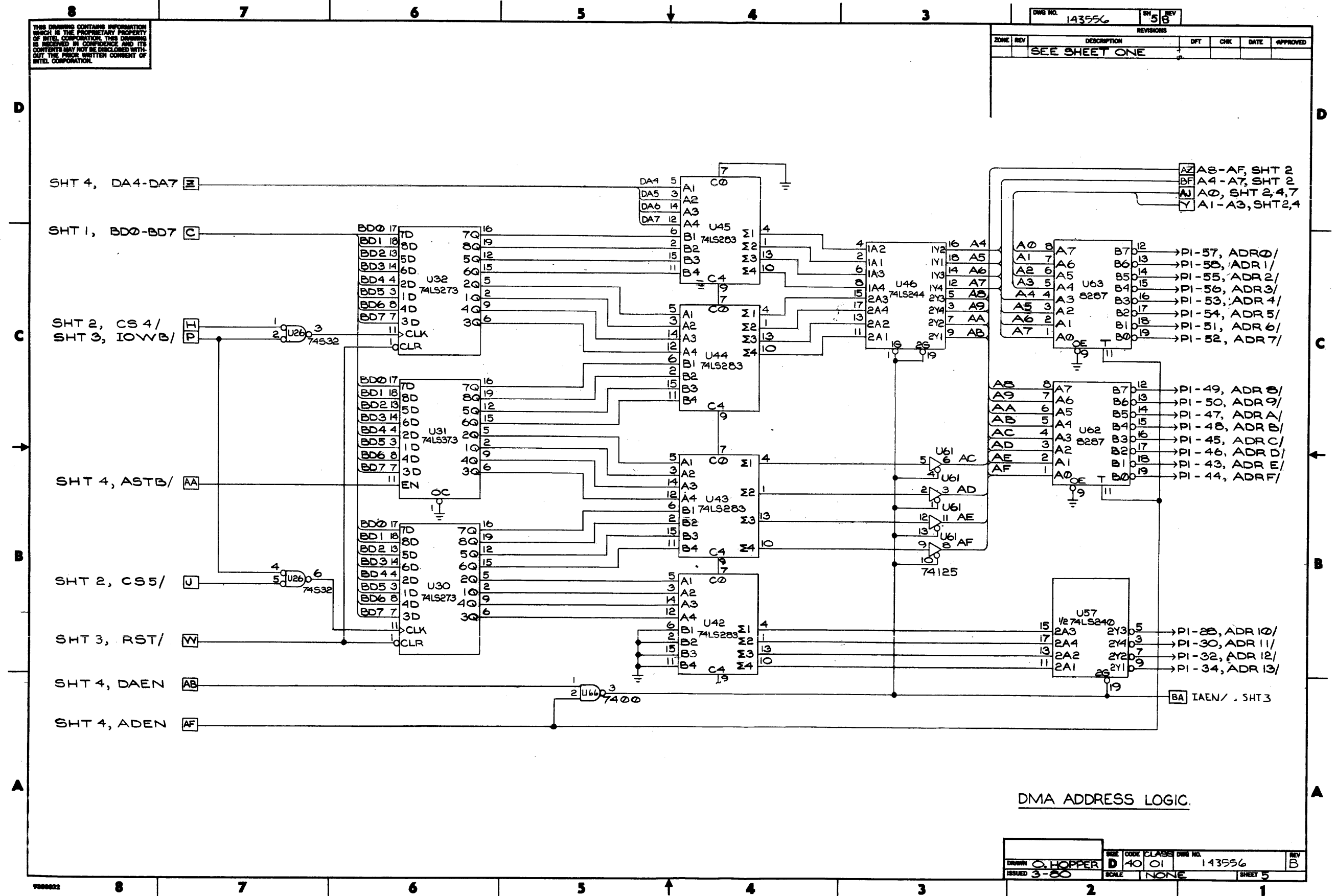


Figure 5-2. iSBC™ 208 Board Schematic Drawing (Sheet 5 of 7)

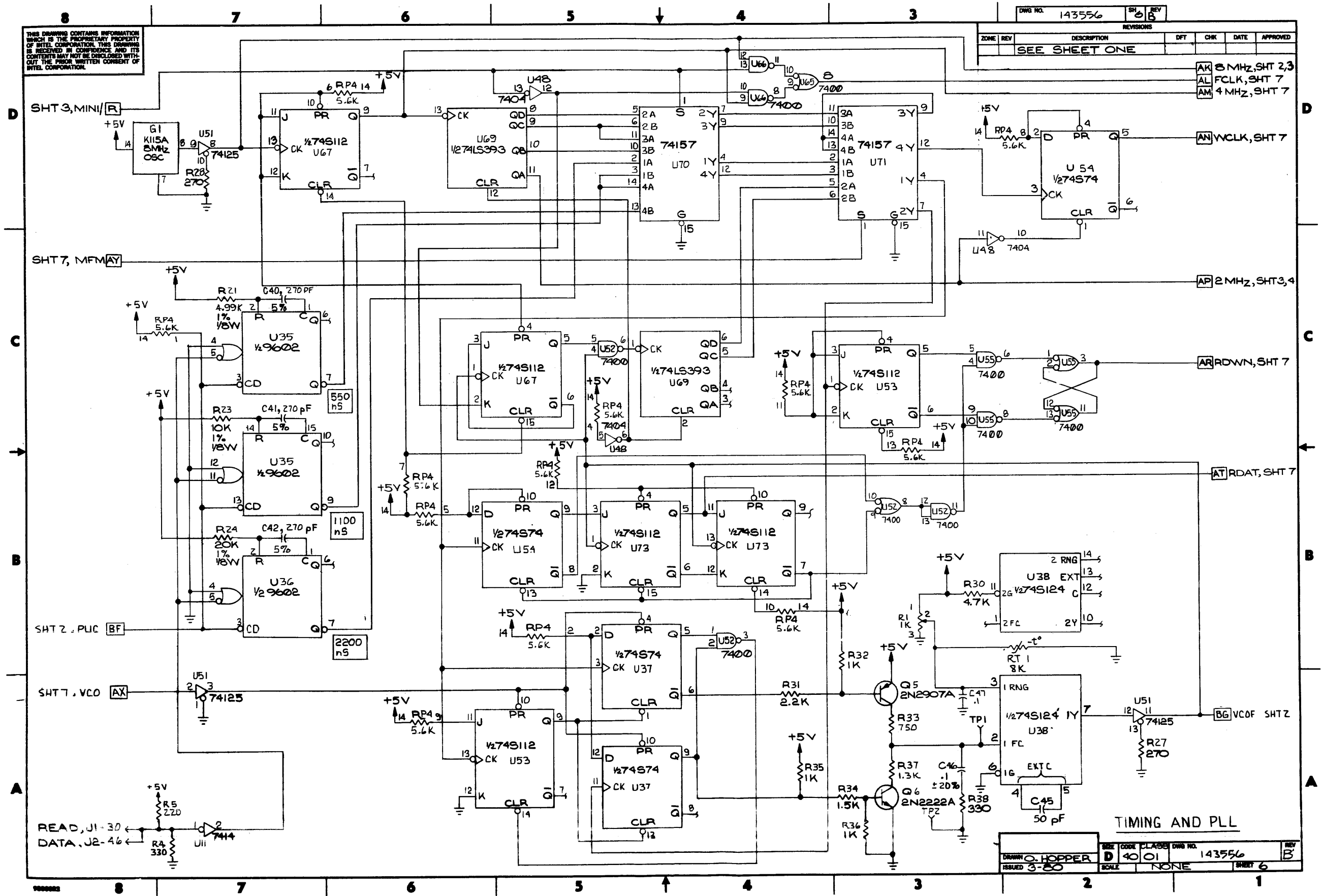
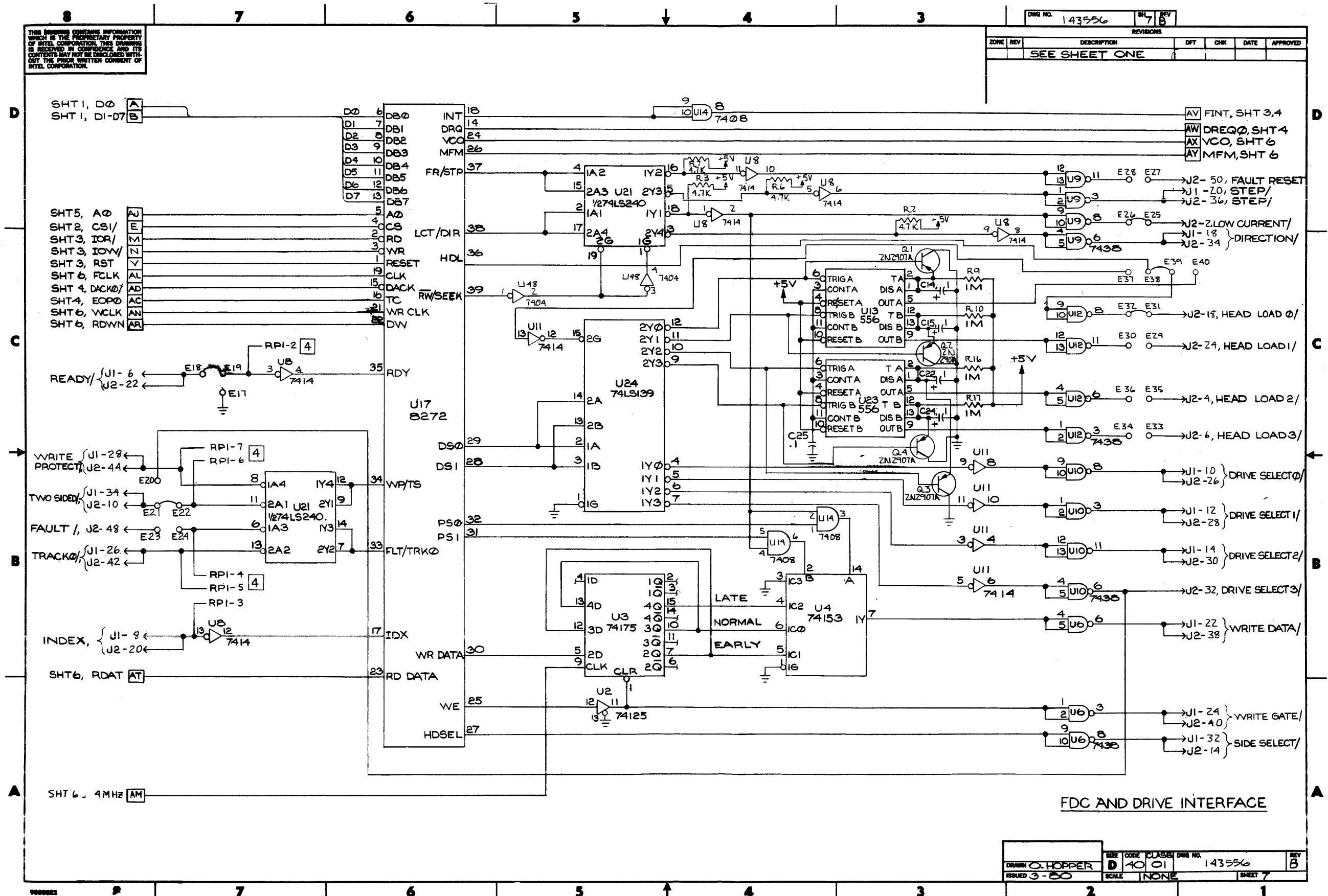


Figure 5-2. iSBC™ 208 Board Schematic Drawing (Sheet 6 of 7)



THIS DRAWING CONTAINS INFORMATION WHICH IS THE PROPRIETARY PROPERTY OF INTEL CORPORATION. THIS DRAWING IS REVEALED IN CONFIDENCE AND ITS CONTENTS MAY NOT BE DISCLOSED WITHOUT THE PRIOR WRITTEN CONSENT OF INTEL CORPORATION.

DWG NO. 143556		REV 7	
ZONE	REV	DESCRIPTION	DATE
SEE SHEET ONE			

FDC AND DRIVE INTERFACE

ISSUED	SCALE	CLASS	DWG NO.	REV
3-80	NONE	40 01	143556	7

Figure 5-2. iSBC™ 208 Board Schematic Drawing (Sheet 7 of 7)



A-1. INTRODUCTION

This appendix provides two sample drivers for the iSBC 208 Controller. Section A-2 describes a PL/M-86 driver for 16-bit systems. Section A-3 provides an assembly language listing for 8-bit systems.

A-2. PL/M-86 DRIVER

This is an instruction decode and driver for the iSBC 208 Disk Controller. The procedure is called from the main routine with no parameters. All of the instructions and necessary parameters are passed in an IOPB as defined below in the structure declarations. There are 12 possible instructions for the controller.

Some of the instructions require programming of the DMA controller chip on the board. The driver determines this need and either programs the chip or skips the section altogether.

The IOPB is filled with the required information for a particular instruction by the calling program. Only those locations needed for the instruction are filled, the other locations are don't cares. The IOPB is structured as follows:

15	8 7	0	
track number		instruction #	Word 1
sector number		head and drive	Word 2
mt-mf-sk byte		sectors/track	Word 3
bytes/sector		gap-3 length	Word 4
number of bytes to be transferred			Word 5
segment - memory location			Word 6
offset - memory location			Word 7

Since the IOPB is a public data structure, the address need not be passed by the calling routine.

The driver makes some assumptions and performs no error checking on the data in the IOPB. Care must be taken by the calling routine to ensure correct data for the instruction being requested.

The instructions available and their instruction numbers are as follows:

INSTRUCTION #	INSTRUCTION
1	Read Data
2	Write Data
3	Write Deleted Data
4	Read Deleted Data
5	Read a Track
6	**NOT USED**
7	**NOT USED**
8	**NOT USED**
9	Format a Track
10	Read ID
11	Recalibrate
12	Sense Interrupt Status
13	Specify
14	Sense Drive Status
15	Seek

For any instruction, the calling program is responsible for placing the correct values necessary for the instruction in the IOPB.

Status is returned to the calling procedure via a STATUS structure that also is declared public. The status is pulled directly from the FDC on completion of the instruction and is only reported; no action is taken on the status values. The PASS_FAIL byte is set to pass if status is received properly.

The STATUS structure is as follows:

15	8 7	0	
status byte 0	status byte 1		Word 1
status byte 2	track number		Word 2
head address	sector number		Word 3
pass-fail byte	N byte		Word 4

```

execute$module:
DO;

/* This structure is used as an IOPB device to pass information through-
out the software regarding the current instruction to be executed.
The structure is filled with information by the calling program and
is taken apart by the 8272 drivers. It is declared public. */

DECLARE iopb STRUCTURE(instruction BYTE,
                        track$no   BYTE,
                        head$drive  BYTE,
                        sector$no   BYTE,
                        mt$mf$sk    BYTE,
                        sectors$per BYTE,
                        n            BYTE,
                        gap$3       BYTE,
                        byte$cnt    WORD,
                        buffer      POINTER) PUBLIC;

/* This structure is used to return status information from the 8272
drivers to the calling program. It also is declared public. */

DECLARE status STRUCTURE(zero      BYTE,
                        one        BYTE,
                        two        BYTE,
                        track$no   BYTE,
                        head$addr  BYTE,
                        sector$no  BYTE,
                        pass$fail  BYTE,
                        n           BYTE) PUBLIC;

/* The following are variables and literals used by the program */

DECLARE base$addr WORD PUBLIC; /* Base address of iSBC 208 */
DECLCARE (temp1,temp2,temp3) BYTE ; /* Temporary byte variables */
DECLCARE (segval,offsetval) WORD PUBLIC; /* Used to split pointers */
DECLCARE port LITERALLY 'base$addr + 11'; /* data I/O port on the iSBC 208*/

/* literal declarations */
DECLCARE fail LITERALLY 'Offh';
DECLCARE pass LITERALLY '0';
DECLCARE failure LITERALLY 'status.pass$fail=fail; return ';

/* external and public procedure declarations */
DECLCARE (retry,retry$number) BYTE; /* used for soft error retrys */

/* SPLIT is used to get around a limitation of PLM/86. The routine is
called with a pointer parameter and returns two words in the variables
SEGVAL and OFFSETVAL which are the segment and offset derived from the
pointer. The routine can be found right after this listing. */

split:
  PROCEDURE (buff$ptr) EXTERNAL;
  DECLARE buff$ptr POINTER;
END split;

```

```
/* The following two routines are used to delay the programming of the
   FDC between bytes to prevent overrunning the part. This delay is
   required by the 8272. Wait$8272 is used for writing out to the FDC
   and WAIT1$8272 is used to read status from the FDC, as they use
   different bit sequences. */

wait$8272:
  PROCEDURE PUBLIC;
  DECLARE (pp,i) BYTE;

  /* initialize counters */
  i = 0; pp = 0;

  /* no delay. The FDC insists on this delay before reading busy bits */
  DO WHILE pp<20; pp = pp+1; END;

  /* we have delayed enough, now loop on the busy status bits */
  DO WHILE ((INPUT(base$addr+10) AND 0c0h <> 80h);

  /* we do not want to hang up, so only attempt this 100 times */
  i = i+1; IF i = 100 THEN RETURN;
  END;
  RETURN;
END wait$8272;

wait1$8272:
  PROCEDURE PUBLIC;
  DECLARE (pp,i) BYTE;

  /* initialize counters */
  i = 0; pp = 0;

  /* set up a delay */
  DO WHILE pp<20; pp = pp+1; END;

  /* now set up a loop to read the busy status */
  DO WHILE ((INPUT(base$addr+10) AND 0c0h) <> 0c0h);
  i = i+1; IF i = 100 THEN RETURN;
  END;
  RETURN;
END wait1$8272;
```

```

/ *****

read$data:
    This module contains the code to program the 8272 for a read data
    instruction. It accepts one parameter which determines if the
    instuction is for read data or read deleted data.

*****/

read$data:
PROCEDURE(del) PUBLIC;
DECLARE del BYTE;

/* determine the type of read and set up the parameters */
IF del=0 THEN temp2=06h; ELSE IF del=1 THEN temp2=0ch; ELSE temp2=02h;

/* byte 1 */
OUTPUT(port)=shl(iopb.mt$mf$sk,5) OR temp2;
CALL wait$8272;

/* byte 2 */
temp1=(shr((iopb.head$drive AND 10h),2) + (iopb.head$drive AND 03h));
CALL wait$8272;
OUTPUT(port)=temp1;

/* byte 3 */
CALL wait$8272;
OUTPUT(port)=iopb.track$no;

/* byte 4 */
CALL wait$8272;
OUTPUT(port)=shr((iopb.head$drive AND 10h),4);

/* byte 5 */
CALL wait$8272;
OUTPUT(port)=iopb.sector$no;

/* byte 6 */
CALL wait$8272;
OUTPUT(port)=iopb.n;

/* byte 7 */
CALL wait$8272;
OUTPUT(port)=iopb.sectors$per;

/* byte 8 */
CALL wait$8272;
OUTPUT(port)=iopb.gap$3;

/* byte 9 */
CALL wait$8272;
OUTPUT(port)=0ffh;

RETURN;
END read$data;

```

```

/ *****

WRITE$DATA:
  This module contains the code to program the 8272 for a write data
  instruction. It accepts one parameter which determines if the
  instruction is for write data or write deleted data.

*****/

write$data:
PROCEDURE(del) PUBLIC;
  DECLARE del BYTE;

/* determine if write data or deleted data */
IF del=0 THEN temp2=05h; ELSE temp2=09h;

/*byte 1 */
CALL wait$8272;
OUTPUT(port)=shl(iopb.mt$mf$sk,5) OR temp2;
CALL wait$8272;

/*byte 2 */
temp1=(shr((iopb.head$drive AND 10h),2) + (iopb.head$drive AND 03h));
CALL wait$8272;
OUTPUT(port)=temp1;

/*byte 3 */
CALL wait$8272;
OUTPUT(port)=iopb.track$no;

/*byte 4 */
CALL wait$8272;
OUTPUT(port)=shr((iopb.head$drive AND 10h),4);

/*byte 5 */
CALL wait$8272;
OUTPUT(port)=iopb.sector$no;

/*byte 6 */
CALL wait$8272;
OUTPUT(port)=iopb.n;

/*byte 7 */
CALL wait$8272;
OUTPUT(port)=iopb.sectors$per;

/*byte 8 */
CALL wait$8272;
OUTPUT(port)=iopb.gap$3;

/*byte 9 */
CALL wait$8272;
OUTPUT(port)=0ffh;

RETURN;
END write$data;

```

```
/******  
FORMAT$COMMAND:  
    This module contains the code to program the 8272 for a format track  
    instruction.  
*****/  
format$command:  
    PROCEDURE PUBLIC;  
  
    temp1=iopb.mt$mf$sk AND 02h;  
  
    /*byte 1 */  
    CALL wait$8272;  
    OUTPUT(port)=(shl(temp1,5) OR 0dh);  
    CALL wait$8272;  
  
    /*byte 2 */  
    temp2=(shr((iopb.head$drive AND 10h),2) + (iopb.head$drive AND 03h));  
    OUTPUT(port)=temp2;  
  
    /*byte 3 */  
    CALL wait$8272;  
    OUTPUT(port)=iopb.n;  
  
    /*byte 4 */  
    CALL wait$8272;  
    OUTPUT(port)=iopb.sectors$per;  
  
    /*byte 5 */  
    CALL wait$8272;  
    OUTPUT(port)=iopb.gap$3;  
  
    /*byte 6 */  
    CALL wait$8272;  
    OUTPUT(port)=4eh;  
  
    RETURN;  
END format$command;
```



```
/******  
READ$ID:  
  This module contains the code to program the 8272 for a read id  
  instruction.  
*****/  
  
read$id:  
  PROCEDURE PUBLIC;  
  
  /*byte 1 */  
  temp1=shl(iopb.mt$mf$sk AND 02h,5);  
  temp2=temp1 OR 0ah;  
  CALL wait$8272;  
  OUTPUT(port)=temp2;  
  
  /*byte 2 */  
  temp1=(shr((iopb.head$drive AND 10h),2) + (iopb.head$drive AND 03h));  
  CALL wait$8272;  
  OUTPUT(port)=temp1;  
  
  RETURN;  
  END read$id;
```

```
/ *****
```

```
SPECIFY:
```

```
This module contains the code to set up the iSBC 208 to the desired
disk controller parameters. The parameters to be INPUT to the FDC
are: Head Unload Time, the time to wait before removing the
read/write head from the disk; Step Rate, the time to wait between
step pulses on seeks; and Head Load Time, the time to wait before
loading the read/write head onto the disk. The module will program
the 8272 with the correct values. This module features full error
checking for INPUT boundaries.
```

```
*****/
```

```
specify:
```

```
PROCEDURE PUBLIC;
```

```
DECLARE (byte$2,byte$3) BYTE;
```

```
DECLARE (step$rate,hd$unld$tm,stp$rate,hd$ld$tm) BYTE;
```

```
/* reset the iSBC 208 before beginning the SPECIFY command */
OUTPUT(base$addr + 13h)=0ffh; /* board reset */
```

```
/* set the head unload time to 10 */
hd$unld$tm=10;
```

```
/* set the step rate to 3 */
step$rate=3;
```

```
/* set the head load time to 70 */
hd$ld$tm=70;
```

```
/* this section puts the info in the form that the FDC wants */
byte$2=hd$unld$tm + shl(((step$rate - 1) XOR 0ffh),4);
stp$rate=(step$rate - 1) XOR 0ffh;
```

```
/* set up the byte for the FDC */
byte$3=shl(hd$ld$tm,1) AND 0feh;
```

```
/* now start spitting the bytes to the FDC as needed */
CALL wait$8272;
OUTPUT(port)=03h; /* specify command */
CALL wait$8272;
OUTPUT(port)=byte$2; /* head unload time and step rate */
CALL wait$8272;
OUTPUT(port)=byte$3; /* Head load time */
```

```
/* ok we are done, now return */
RETURN;
END specify;
```

```

/   this is the main driver routine */

execute$instruction:
  PROCEDURE PUBLIC;

/* first set the retry counter to 0 */
  retry$number=0;

/* now enter the section to take the IOPB apart */

skip:
  retry=0; /* reset retries */

  IF iopb.instruction<= 9/* for all instructions less than 9, DMA is needed */
  THEN DO:
    /* DMA is required */
    CALL split (iopb.buffer); /* split pointer into 2 words */
    OUTPUT(base$addr + 14h)=LOW(seg$val); /* low byte of segment register */
    OUTPUT(base$addr + 15h)=HIGH(seg$val); /* programming segment reg on 208 */
    OUTPUT(base$addr + 0ch)=0; /* clear first/last flip-flip */
    OUTPUT(base$addr + 0dh)=0; /* master clear the DMA chip */
    OUTPUT(base$addr + 0bh)=00h; /* mode reg for channel 0 */
    OUTPUT(base$addr + 0bh)=01h; /* mode reg for channel 1 */
    OUTPUT(base$addr + 0bh)=02h; /* mode reg for channel 2 */
    OUTPUT(base$addr + 0bh)=03h; /* mode reg for channel 3 */
    OUTPUT(base$addr + 0ch)=0; /* first/last flop */
    iopb.byte$cnt=iopb.byte$cnt-1;
  /* PROGRAM CHANNEL 0 OF 8237 */
    OUTPUT(base$addr)=LOW(offset$val); /* base address of memory buffer */
    OUTPUT(base$addr)=HIGH(offset$val);
    OUTPUT(base$addr + 0ch)=0; /* clear first/last flip-flop */

  /* CHANNEL 0 */
    OUTPUT(base$addr + 01h)=LOW(iopb.byte$cnt); /* number of bytes to move */
    OUTPUT(base$addr + 01h)=HIGH(iopb.byte$cnt);
    OUTPUT(base$addr + 08h)=0; /* DMA chip command */

  /* determine if read or write memory - DMA direction - */
  IF (iopb.instruction=1) or (iopb.instruction=4)
  OR (iopb.instruction=5)
    THEN temp3=44h; /* disk to memory transfer */
    ELSE temp3=48h; /* memory to disk transfer */

  OUTPUT(base$addr + 0bh)=temp3; /* DMA mode register */
  OUTPUT(base$addr + 0fh)=0fah; /* DMA mask register */

END; /* end of DMA section */$

```

```

/* now we program the 8272 chip for the operation selected. To do this, we
   use a case statement to either call the correct procedure or execute the
   proper statements. */

DO CASE iopb.instruction - 1; /* between 0 and 14 */

/* case 0 */ CALL read$data(0);
/* case 1 */ CALL write$data(0);
/* case 2 */ CALL write$data(1);
/* case 3 */ CALL read$data(1);
/* case 4 */ CALL read$data(2);
/* case 5 */ RETURN; /* not used */
/* case 6 */ RETURN; /* not used */
/* case 7 */ RETURN; /* not used */
/* case 8 */ CALL format$command;
/* case 9 */ CALL read$id;

/* case 10 */ DO; CALL wait$8272;
                OUTPUT(port)=07h;
                CALL wait$8272;
                OUTPUT(port)=iopb.head$drive AND 03h;
                END;

/* case 11 */ DO; CALL wait$8272;
                OUTPUT(port)=08h;
                END;

/* case 12 */ CALL specify;

/* case 13 */ DO; CALL wait$8272;
                OUTPUT(port)=04h;
                temp1=(shr((iopb.head$drive AND 10h),2)
                    + (iopb.head$drive AND 03h));
                CALL wait$8272;
                OUTPUT(port)=temp1;
                END;

/* case 14 */ DO; CALL wait$8272;
                OUTPUT(port)=0fh;
                temp1=(shr((iopb.head$drive AND 10h),2)
                    + (iopb.head$drive AND 03h));
                CALL wait$8272;
                OUTPUT(port)=temp1;
                CALL wait$8272;
                OUTPUT(port)=iopb.track$no;
                END;

END; /* end of do case block */

```

```
IF iopb.instruction=15 THEN RETURN; /* return now if seek */
IF (iopb.instruction=13) OR (iopb.instruction=11) THEN RETURN;
IF (iopb.instruction=14) THEN GOTO over;

/* loop on FINT bit from 8272 to detect DONE interrupt */

temp1=0feh;
DO WHILE (INPUT(base$addr + 12h) OR temp1) = temp1;
END;

/* Now get the status from the 8272 and fill the STATUS block. The number of
   status bytes to be read is determined by the instruction. Most
   instructions require 9 bytes be read, but some only need 1 or 2. */

over:
status.pass$fail=pass; /* we made it to here ok */
IF iopb.instruction<=10
  THEN DO;
    CALL wait1$8272;
    status.zero=INPUT(port);
    CALL wait1$8272;
    status.one=INPUT(port);
    CALL wait1$8272;
    status.two=INPUT(port);
    CALL wait1$8272;
    status.n=INPUT(port);
    CALL wait1$8272;
    status.head$addr=INPUT(port);
    CALL wait1$8272;
    status.sector$no=INPUT(port);
    CALL wait1$8272;
    status.n=INPUT(port);
```

```
                                / see if a retry is needed */  
  
IF (status.zero AND 0c0h)=0 THEN retry=0;  
ELSE DO;  
    retry$number=retry$number+1;  
    IF retry$number>3 THEN retry=0;  
    ELSE retry=1;  
    END;  
IF retry=1 THEN GOTO skip;  
  
RETURN;  
END;  
  
IF (iopb.instruction=14)  
THEN DO; CALL wait1$8272;  
    status.zero=INPUT(port);  
    RETURN ;  
    END;  
  
IF iopb.instruction=12  
THEN DO; CALL wait1$8272;  
    status.zero=INPUT(port);  
    CALL wait1$8272;  
    status.track$no=INPUT(port);  
    RETURN;  
    END;  
  
IF iopb.instruction>=16 THEN RETURN;  
  
status.pass$fail=fail;  
RETURN;  
END execute$instruction;  
END execute$mode; /*jbe*/
```

```

; *****
;
; SPLIT:
;
; ACCEPTS: ONE POINTER IN THE STACK POINTED TO BY THE BP REG
;
; DESTROYS: SI,DI
;
; USES: TWO MEMORY LOCATIONS TO PLACE THE SEGMENT AND OFFSET INTO
;       WHICH ARE DECLARED PUBLIC IN STRUCT.
;
; FUNCTION: TO SPLIT THE POINTER INTO TWO WORDS, A SEGMENT AND AN OFFSET,
;           SO THAT PLM/86 CAN PROGRAM THEM INTO THE 208 BOARD. THE TWO
;           WORDS ARE RETURNED IN THE LOCATIONS SEG_VAL AND OFFSET_VAL.
; *****
NAME      POINTER_SPLITTER

PUBLIC SPLIT

DGROUP   GROUP   DATA
CGROUP   GROUP   CODE
ASSUME   CS:CODE,DS:DATA

DATA     SEGMENT WORD      PUBLIC 'DATA'

        EXTRN SEGVAL:WORD,OFFSETVAL:WORD

DATA     ENDS

CODE     SEGMENT WORD      PUBLIC 'CODE'

SPLIT    PROC   FAR        ;FAR CALL TO AID IN THE LINK

        PUSH   BP
        MOV    BP,SP
        MOV    DI,[BP+8] ;GET THE SEGMENT OUT OF THE STACK
        MOV    SI,[BP+6] ;GET THE OFFSET OUT OF THE STACK
        MOV    SEGVAL,DI ;PUT THE SEGMENT INTO MEMORY
        MOV    OFFSETVAL,SI ;PUT THE OFFSET INTO MEMORY
        POP    BP
        RET    4           ;RETURN TO CALLER

SPLIT    ENDP
CODE     ENDS

```

A-3. ASSEMBLY LANGUAGE DRIVER

ASMS0 DR208.S0R

ISIS-II 8080/8085 MACRO ASSEMBLER, V3.0 MODULE PAGE 1

```

LOC  OBJ          LINE          SOURCE STATEMENT
                                1 ;*****
                                2 ;*****
                                3 ; SBC 208 FLEXIBLE DISK CONTROLLER I/O SUBROUTINES
                                4 ; MAY 1981
                                5 ;*****
0010 0010          6 ;*****
                                7 VER      EQU      10H      ;VERSION 1.0
                                8 ;*****
                                9 ; THERE ARE TWO LEVELS OF SUBROUTINES PROVIDED.
                               10 ;
                               11 ; LEVEL 1 SUBROUTINES ARE THE PRIMITIVE SUBROUTINES.
                               12 ; WHEN USING THESE SUBROUTINES, IT IS POSSIBLE TO WRITE
                               13 ; SPECIAL USER ORIENTED SUBROUTINES TO PERFORM DISKETTE
                               14 ; I/O OPERATIONS
                               15 ;
                               16 ; THE LEVEL 1 SUBROUTINES:
                               17 ;     - ARE USER CALLABLE THRU THE JUMP TABLE
                               18 ;     - USE ALL 8085 REGISTERS
                               19 ;     - RETURN IMMEDIATELY IF FDC IS BUSY
                               20 ;     - FOLLOW PL/M CONVENTIONS FOR PARAMETER PASSING
                               21 ;
                               22 ;
                               23 ; LEVEL 2 SUBROUTINES PERFORM DISKETTE I/O BY CALLING
                               24 ; THE PROPER SUBROUTINE.
                               25 ;
                               26 ; THE LEVEL 2 SUBROUTINES:
                               27 ;     - ARE USER CALLABLE THRU THE JUMP TABLE
                               28 ;     - PASS PARAMETERS VIA IOPB (INPUT/OUTPUT
                               29 ;       PARAMETER BLOCK)
                               30 ;     - SAVE AND RESTORE ALL REGISTERS EXCEPT CARRY
                               31 ;       CARRY=0 FOR NORMAL RETURN
                               32 ;       CARRY=1 INDICATES THAT A COMMAND HAND
                               33 ;       SHAKING ERROR HAS OCCURED (BITS
                               34 ;       6 AND/OR 7 OF THE MAIN STATUS
                               35 ;       REGISTER ARE IN THE WRONG STATE)
                               36 ;     - WAIT IF FDC IS BUSY
                               37 ;     - FOLLOW PL/M CONVENTIONS FOR PARAMETER PASSING
                               38 ;     - AUTOMATICALLY SEEK TO CYLINDER NO. IN IOPB.
                               39 ;     - USE NSEC (NUMBER OF SECTORS) FOR MULTIPLE
                               40 ;       SECTOR I/O
                               41 ;     - WHEN RETURNING FROM THE INTERRUPT SERVICE
                               42 ;       ROUTINE, THE "D" REGISTER INDICATES THE TYPE
                               43 ;       OF TERMINATION THAT WAS COMPLETED.
                               44 ;       D = 0 NORMAL
                               45 ;       D = 1 ABNORMAL, EXAMINE THE RESULT BYTES
                               46 ;       TO DETERMINE WHY THE OPERATION WAS
                               47 ;       NOT COMPLETED SUCCESSFULLY.
                               48 ;     - THE FORMAT OF EACH IOPB IS SHOWN AT THE
                               49 ;       BEGINNING OF EACH ROUTINE. NOTE THAT COMMAND
                               50 ;       BITS ARE NOT REQUIRED IN THE FIRST PARAMETER
                               51 ;       AS THEY ARE INSERTED BY THE SPECIFIC ROUTINE
                               52 ;       CALLED.
                               53 ;     - EXTENSIVE ERROR MESSAGES ARE PROVIDED TO HELP
                               54 ;       DURING PROGRAM DEBUGGING. THE ROUTINES AND

```


ISIS-II 8080/8085 MACRO ASSEMBLER, V3.0 MODULE PAGE 2

```

LOC  OBJ          LINE      SOURCE STATEMENT
                                55 ;          SOURCE LINES  USED TO  PROVIDE  THESE  MESSAGES
                                56 ;          ARE  MARKED  AT  THE  END  OF  THE  LINE  WITH  A  "#"
                                57 ;          SIGN.  THEY  CAN  BE  DELETED  TO  SAVE  MEMORY  SPACE
                                58 ;          WHEN  DEBUGGING  IS  COMPLETE.
                                59 ;*****
                                60 ; 8259 EQUATES
00DA  ICCP      EQU      0DAH      ;INTERRUPT CONTROLLER CMND PORT
0020  EOIC      EQU      020H      ;END OF INTERRUPT COMMAND WORD
                                63 ;*****
0040  DMAMD     EQU      40H       ;DMA (8237) MODE
                                65 ;          CH0, VERIFY,AUTO-DISABLED,
                                66 ;          ADDRESS INC, SINGLE
0080  RD        EQU      80H       ;8237 READ BIT
0040  WR        EQU      40H       ;8237 WRITE BIT
                                69 ; I/O PORT EQUATES
70 PUBLIC BASE,DMAR0,DMWCO,DMAR1,DMWC1,DMAR2,DMWC2,DMAR3
71 PUBLIC DMWC3,DMSR,DMRQ,DMKSR,DMODE,DCLFL,DMCLR,DMTR
72 PUBLIC DMASK,FDCST,FDCDT,AUXP,SFTRS,SEGLO,SEGHI,READ
73 PUBLIC RDDD,WRITE,WRDD,RDTRK,RDID,FRMTK,AUXRST,AUXSET
74 PUBLIC AUXADR,SCNEQ,SCNLE,SCNHE,RECAL,SEEK,SPCFY,SNSDS
75 PUBLIC SNSIS,INIT,INT20,PRSLT
0000  BASE      EQU      0H        ;BASE PORT ADDRESS FOR FDC BOARD
0000  DMAR0     EQU      BASE+0    ;DMAC CH.0 ADDRESS REG
0001  DMWCO     EQU      BASE+1    ;DMAC CH.0 WORD COUNT REG
0002  DMAR1     EQU      BASE+2    ;DMAC CH.1 ADDRESS REG
0003  DMWC1     EQU      BASE+3    ;DMAC CH.1 WORD COUNT REG
0004  DMAR2     EQU      BASE+4    ;DMAC CH.2 ADDRESS REG
0005  DMWC2     EQU      BASE+5    ;DMAC CH.2 WORD COUNT REG
0006  DMAR3     EQU      BASE+6    ;DMAC CH.3 ADDRESS REG
0007  DMWC3     EQU      BASE+7    ;DMAC CH.3 WORD COUNT REG
0008  DMSR      EQU      BASE+8    ;DMAC STATUS REGISTER
0009  DMRQ      EQU      BASE+9    ;DMAC REQUEST REGISTER
000A  DMKSR     EQU      BASE+0AH   ;DMAC MASK SET/RESET REG
000B  DMODE     EQU      BASE+0BH   ;DMAC MODE REG.
000C  DCLFL     EQU      BASE+0CH   ;DMAC CLEAR 1ST/LAST F/F
000D  DMCLR     EQU      BASE+0DH   ;DMAC MASTER CLEAR
000E  DMTR      EQU      BASE+0EH   ;DMAC READ TEMP. REG.
000F  DMASK     EQU      BASE+0FH   ;DMAC WRITE MASK REG.
0010  FDCST     EQU      BASE+10H   ;FDC MAIN STATUS REG.
0011  FDCDT     EQU      BASE+11H   ;FDC DATA REGISTER
0012  AUXP      EQU      BASE+12H   ;AUXILIARY PORT
0013  SFTRS     EQU      BASE+13H   ;SOFTWARE RESET
0014  SEGLO     EQU      BASE+14H   ;LOWER BYTE SEGMENT REG.
0015  SEGHI     EQU      BASE+15H   ;UPPER BYTE SEGMENT REG.
99 ;
100 ; ENTRY POINT JUMP TABLE
0800  ORG      800H
0800 C35508    102      JMP      INT10   ;SINGLE LEVEL INTERRUPT (NO 8259)
0803 C3D108    103      JMP      INT20   ;INTERRUPT WITH 8259 SERVICE
0806 C31809    104      JMP      INIT     ;INITIALIZE DMA CONTROLLER
105 ;*****
106 ; LEVEL 1 ROUTINES
0809 C3030B    107      JMP      CMNDS   ;COMMAND SERIAL OPERATION
080C C30B0B    108      JMP      CMNDP   ;COMMAND PARALLEL OPERATION
080F C3300B    109      JMP      RESULT  ;RESULT PHASE

```

```

LOC  OBJ          LINE      SOURCE STATEMENT
0812  C3DF0A      110          JMP      DMARD    ;DMA READ, I/O WRITE
0815  C3E40A      111          JMP      DMAWR    ;DMA WRITE, I/O READ
112 ;*****
113 ; LEVEL 2 ROUTINES
0818  C32A09      114          JMP      READ     ;READ
081B  C33309      115          JMP      RDDD     ;READ DELETED DATE
081E  C33C09      116          JMP      WRITE    ;WRITE
0821  C34509      117          JMP      WRDDD    ;WRITE DELETED DATA
0824  C34E09      118          JMP      RDTRK    ;READ TRACK
0827  C36509      119          JMP      RDID     ;READ ID
082A  C36E09      120          JMP      FRMTK    ;FORMAT TRACK
082D  C38809      121          JMP      SCNEQ    ;SCAN EQUAL
0830  C39109      122          JMP      SCNLE    ;SCAN LOW OR EQUAL
0833  C39A09      123          JMP      SCNHE    ;SCAN HIGH OR EQUAL
0836  C3A309      124          JMP      RECAL    ;RECALIBRATE
0839  C3BA09      125          JMP      SEEK     ;SEEK
083C  C3D309      126          JMP      SPCFY    ;SPECIFY
083F  C3EA09      127          JMP      SNSDS    ;SENSE DRIVE STATUS
0842  C3040A      128          JMP      SNSIS    ;SENSE INTERRUPT STATUS
129 ;*****
130 ; AUXILIARY PORT ROUTINES
0845  C3AC0A      131          JMP      AUXRST   ;RESET-A-BIT (DRIVE CONTROL
132 ; FUNCTIONS)
0848  C3B90A      133          JMP      AUXSET   ;SET-A-BIT (DRIVE CONTROL
134 ; FUNCTIONS)
084B  C3D10A      135          JMP      AUXADR   ;1 MEGABYTE PAGE ADDRESS BITS
136 ;*****
7F80  137 USTACK EQU 7F80H ;STACK POINTER
7F30  138 REGF EQU USTACK-50H ;RESERVE 80 LOCATIONS
139 ; FOR THE STACK
084E  297F      140 ARSBF: DW REGF-7 ;RESERVE 7 LOCATIONS FOR RESULT
141 ; BYTES
0850  C34300      142 CONO: JMP 43H ;CONSOLE OUTPUT #
143 ; PASS DATA BYTE IN C
144 ; ASSUMES B, DE, HL PRESERVED
0853  20      145 DELAY: DB 20H ;DELAY FOR FDC STATUS (>100US)
0854  10      146 VERSION:DB VER ;VERSION NUMBER
147 ;*****
148 ; INTERRUPT SERVICE ROUTINE (NON-8259 SYSTEM)
149 ;
150 ; CALLING SEQUENCE
151 ; CALL INT10
152 ;
153 ;
154 ; REGS: AF, BC, D, HL
155 ; STK PRS: 4+CONO
0855  1600      156 INT10: MVI D,0 ;CLEAR ABNORMAL TERMINATION FLAG
0857  DB10      157 IN FDCST ;A = FDC STATUS
0859  47      158 MOV B,A ;SAVE STATUS
085A  E610      159 ANI 10H ;FDC BUSY?
085C  C2B108      160 JNZ ITO10 ;YES, IS A READ, RDDD, WRITE,
161 ; WRDDD, RDTRK, RDID, FRMTK,
162 ; SCNEQ, SCNLE, OR SCNHE INT.
163 ; SEEK/RECALIBRATE RESULT PHASE
164 ; OR ATTENTION, ABNORMAL, INTERRUPT

```

LOC	OBJ	LINE	SOURCE STATEMENT
085F	21C30B	165	LXI H,MSG30 ;"FDC SEEK/ATTN INT" #
0862	CD720B	166	CALL MESSG ;PRINT MESSAGE #
0865	CD5B0B	167	ITO02: CALL RDYC ;FDC READY FOR COMMAND?
0868	D8	168	RC ;NO"FDC ERR DIO HI IN CMD PHASE"
0869	3E08	169	MVI A,08H ;YES
086B	D311	170	OUT FDCDT ;SENSE INTERRUPT STATUS
		171	; (CLEARS INTERRUPT FROM 8272)
086D	CD300B	172	CALL RESULT ;READ FDC STATUS
0870	D8	173	RC ;ERROR"DIO ERR LO IN RSLT PHASE"
0871	CDE108	174	CALL PRSLT ;PRINT RESULT BYTES #
0874	2A4E08	175	LHLD ARSBF
0877	7E	176	MOV A,M ;A = STATUS REGISTER 0
0878	47	177	MOV B,A ;SAVE STATUS
0879	E6C0	178	ANI 0C0H ;EXAMINE UPPER TWO BITS
087B	FE80	179	CPI 80H ;INVALID COMMAND? (10)
087D	C8	180	RZ ;YES, RETURN
087E	B7	181	ORA A ;NORMAL TERMINATION? (00)
087F	CA6508	182	JZ ITO02 ;YES,CHECK FOR HIDDEN INTERRUPTS
0882	FEC0	183	CPI 0C0H ;NO, ATTENTION INTERRUPT? (11)
0884	CA9508	184	JZ ITO08 ;YES
0887	1601	185	MVI D,1 ;SET ABNORMAL TERMINATION FLAG
0889	21E50B	186	LXI H,MSG50 ;NO, ABNORMAL TERMINATION (01) #
088C	CD720B	187	CALL MESSG ;"FDC SEEK ERR" #
088F	CDE108	188	CALL PRSLT ;PRINT RESULT BYTES #
0892	C36508	189	JMP ITO02 ;CHECK FOR HIDDEN INTERRUPTS
		190	; ATTENTION INTERRUPT
0895	3E08	191	ITO08: MVI A,08H ;A=FDD READY MASK FOR STO
0897	A0	192	ANA B ;IS THE FDD READY?
0898	C26508	193	JNZ ITO02 ;NO, CHECK FOR HIDDEN INTERRUPTS
		194	;RECALIBRATE FOR NEWLY MOUNTED DISK
089B	3E03	195	MVI A,3H ;A=UNIT SELECT MASK
089D	A0	196	ANA B ;A = US?
089E	47	197	MOV B,A ;SAVE UNIT SELECT
089F	CD5B0B	198	CALL RDYC
08A2	D8	199	RC ;ERROR "DIO ERR"
08A3	3E07	200	MVI A,07H
08A5	D311	201	OUT FDCDT ;RECALIBRATE
08A7	CD5B0B	202	CALL RDYC
08AA	D8	203	RC ;ERROR "DIO ERR"
08AB	78	204	MOV A,B
08AC	D311	205	OUT FDCDT ;OUTPUT UNIT SELECT
08AE	C36508	206	JMP ITO02 ;CHECK FOR HIDDEN INTERRUPTS
		207	; I/O INTERRUPT
08B1	21D70B	208	ITO10: LXI H,MSG40 ;"FDC I/O INT" #
08B4	CD720B	209	CALL MESSG ;PRINT MESSAGE #
08B7	CD300B	210	CALL RESULT ;GET RESULT BYTES
		211	; AND RESET 8272 INTERRUPT
08BA	D8	212	RC ;ERROR "DIO ERR"
08BB	CDE108	213	CALL PRSLT ;PRINT RESULT BYTES #
08BE	2A4E08	214	LHLD ARSBF
08C1	7E	215	MOV A,M ;A=STATUS REGISTER 0
08C2	E6C0	216	ANI 0C0H ;NORMAL TERMINATION?
08C4	C8	217	RZ ;YES, "INTERRUPT CODE IS ZERO"
08C5	21F40B	218	LXI H,MSG60 ;NO, ERROR #
08C8	CD720B	219	CALL MESSG ;"FDC I/O ERR" #

ISIS-II 8080/8085 MACRO ASSEMBLER, V3.0

MODULE PAGE 5

LOC	OBJ	LINE	SOURCE STATEMENT
08CB	CDE108	220	CALL PRSLT ;PRINT RESULT BYTES #
08CE	1601	221	MVI D,1 ;SET ABNORMAL TERMINATION FLAG
08D0	C9	222	RET
		223	*****
		224	; INTERRUPT SERVICE ROUTINE (SYSTEMS WITH 8259)
		225	; SAVES ALL REGISTERS, PROCESSES INT FROM 8272
		226	; RESTORES ALL REGISTER, AND RETURNS
		227	;
		228	; REGS: NONE
		229	; STK PRS: 9+CONO (NOTE: INTERRUPT USES 1 PAIR)
08D1	CD190A	230	INT20: CALL SAVER ;SAVE REGISTERS
08D4	3E20	231	MVI A,E0IC ;A=END OF INTERRUPT COMMAND
08D6	D3DA	232	OUT ICCP ;RESET INTERRUPT CONTROLLER
		233	; NOTE: 8259 MUST USE EDGE TRIGGER MODE
08D8	CD5508	234	CALL INT10 ;PROCESS INTERRUPT
08DB	F1	235	POP PSW ;RESTORE
08DC	C1	236	POP B ; ALL
08DD	D1	237	POP D ; REGISTERS
08DE	E1	238	POP H ; AND
08DF	FB	239	EI ; ENABLE INTERRUPTS
08E0	C9	240	RET ; RETURN
		241	*****
		242	; PRINT RESULT BYTES (THIS ROUTINE CAN BE ELIMINATED
		243	; WHEN ERROR MESSAGES ARE NO LONGER
		244	; REQUIRED)
		245	;
		246	; C= # OF BYTES
		247	; CALL PRSLT
		248	;
		249	; REGS: AF, HL
		250	; STK PRS: 2+CONO
08E1	C5	251	PRSLT: PUSH B ;SAVE BC
08E2	41	252	MOV B,C ;B=BYTE COUNT
08E3	2A4E08	253	LHLD ARSBF ;ADR OF RESULT BUFFER
08E6	0E20	254	PRO05: MVI C, / / ;PRINT
08E8	CD5008	255	CALL CONO ; SPACE
08EB	7E	256	MOV A,M ;PRINT
08EC	CD0409	257	CALL PRO10 ; MSN
08EF	7E	258	MOV A,M ;PRINT
08F0	CD0809	259	CALL PRO20 ;LSN
08F3	23	260	INX H ;BUMP POINTER
08F4	05	261	DCR B ;DONE?
08F5	C2E608	262	JNZ PRO05 ;NO
08F8	0E0D	263	MVI C,0DH ;YES, PRINT
08FA	CD5008	264	CALL CONO ;CR
08FD	0E0A	265	MVI C,0AH ;PRINT
08FF	CD5008	266	CALL CONO ; LF
0902	C1	267	POP B ;RESTORE BC
0903	C9	268	RET
		269	; PRINT MOST SIGNIFICANT NIBBLE
0904	0F	270	PRO10: RRC ;MOVE
0905	0F	271	RRC ; LEFT
0906	0F	272	RRC ; NIBBLE
0907	0F	273	RRC ; TO RIGHT
		274	; PRINT LEAST SIGNIFICANT NIBBLE

ISIS-II 8080/8085 MACRO ASSEMBLER, V3.0

MODULE PAGE 6

```

LOC  OBJ          LINE      SOURCE STATEMENT
0908  E60F         275  PRO20: ANI    OFH      ; 0 TO 15
090A  D60A         276          SUI    0AH      ; -10 TO 5
090C  0E3A         277          MVI    C,3AH    ;ASCII DISPLACEMENT FOR 0 TO 9
090E  DA1309       278          JC     PRO30
0911  0E41         279          MVI    C,41H    ;ASCII DISPLACEMENT FOR A TO F
0913  81           280  PRO30: ADD    C      ;CONVERT BINARY TO ASCII
0914  4F           281          MOV    C,A     ;PASS CHAR IN C
0915  C35008       282          JMP    CONO    ;PRINT CHAR
283 ;*****
284 ; INITIALIZE 8237 DMA CONTROLLER
285 ;
286 ; REGS: F (CARRY = 0)
287 ; STK PRS: 4
0918  F3           288  INIT:  DI          ;DISABLE INTERRUPTS WHILE
289          ;INITIALIZING BOARD
0919  CD190A       290          CALL   SAVER
091C  3E40         291          MVI    A,DMAMD ;SELECT DMA MODE
091E  D30B         292  INIO:  OUT    DMODE ;SET 8237 MODE
0920  3C           293          INR    A      ;SELECT NEXT CHANNEL
0921  FE44         294          CPI    DMAMD+4 ;LAST CHANNEL
0923  C21E09       295          JNZ    INIO    ;NO, SET ALL CHANNELS
0926  FB           296          EI      ;RE-ENABLE INTERRUPTS
0927  C31E0A       297          JMP    RSTOR   ;RETURN TO USER, CARRY=0
298 ;*****
299 ; LEVEL 2 ROUTINES
300 ; USER CALLABLE
301 ; SAVE ALL REGISTERS EXCEPT CARRY
302 ;*****
303 ; READ
304 ;
305 ; CALLING SEQUENCE
306 ; BC=ADR(IOPB)
307 ; IOPB: MT,MF,SK,X ;X=SPACE FOR COMMAND
308 ; HD,US ;HEAD, UNIT
309 ; C ;CYLINDER
310 ; H ;HEAD
311 ; R ;RECORD
312 ; N ;SECTOR SIZE
313 ; EOT ;END OF TRACK
314 ; GPL ;GAP LENGTH
315 ; DTL ;DATA LENGTH
316 ; NSEC ;NUMBER OF SECTORS
317 ; DE=ADR(DATA)
318 ; CALL READ
319 ; NORMAL RETURN, CARRY=0 (NC)
320 ; ERROR RETURN, CARRY=1 (C)
321 ;
322 ; REGS: CARRY
323 ; STK PRS: 13+CONO
092A  CD190A       324  READ:  CALL   SAVER ;SAVE REGISTERS
092D  21E649       325          LXI    H,(WR+9) SHL 8 + OEH + 06H ;DMA WRITE,
326          ; 9 BYTES, MTMFSK MASK, COMMAND
0930  C32D0A       327          JMP    DTRN1  ;DATA TRANSFER COMMAND
328 ;*****
329 ; READ DELETED DATA

```

LOC	OBJ	LINE	SOURCE STATEMENT
		330 ;	
		331 ;	CALLING SEQUENCE
		332 ;	BC=ADR(IOPB)
		333 ;	IOPB: MT,MF,SK,X;X=SPACE FOR COMMAND
		334 ;	HD,US ;HEAD, UNIT SELECT
		335 ;	C ;CYLINDER
		336 ;	H ;HEAD
		337 ;	R ;RECORD
		338 ;	N ;SECTOR SIZE
		339 ;	EOT ;END OF TRACK
		340 ;	GPL ;GAP LENGTH
		341 ;	DTL ;DATA LENGTH
		342 ;	NSEC ;NUMBER OF SECTORS
		343 ;	DE=ADR(DATA)
		344 ;	CALL RDDD
		345 ;	NORMAL RETURN, CARRY=0 (NC)
		346 ;	ERROR RETURN, CARRY=1 (C)
		347 ;	
		348 ;	REGS: CARRY
		349 ;	STK PRS: 13+CONO
0933	CD190A	350	RDDD: CALL SAVER ;SAVE REGISTERS
0936	21EC49	351	LXI H,(WR+9) SHL 8 + 0E0H + 0CH ;DMA WRITE,
		352	;9 BYTES, MTMFSK MASK, COMMAND
0939	C32D0A	353	JMP DTRN1
		354	*****
		355	; WRITE DATA
		356	;
		357	CALLING SEQUENCE
		358	BC=ADR(IOPB)
		359	IOPB: MT,MF,X ;X=SPACE FOR COMMAND
		360	HD,US ;HEAD, UNIT SELECT
		361	C ;CYLINDER
		362	H ;HEAD
		363	R ;RECORD
		364	N ;SECTOR SIZE
		365	EOT ;END OF TRACK
		366	GPL ;GAP LENGTH
		367	DTL ;DATA LENGTH
		368	NSEC ;NUMBER OF SECTORS
		369	DF=ADR(DATA)
		370	CALL WRITE
		371	NORMAL RETURN, CARRY=0 (NC)
		372	ERROR RETURN, CARRY=1 (C)
		373	;
		374	REGS: CARRY
		375	STK PRS: 13+CONO
093C	CD190A	376	WRITE: CALL SAVER ;SAVE REGISTERS
093F	21C589	377	LXI H,(RD+9) SHL 8 + 0C0H + 05H ;DMA READ,
		378	;9 BYTES, MTMFSK MASK, COMMAND
0942	C32D0A	379	JMP DTRN1
		380	*****
		381	; WRITE DELETED DATA
		382	;
		383	CALLING SEQUENCE
		384	BC=ADR(IOPB)

ISIS-II 8080/8085 MACRO ASSEMBLER, V3.0

MODULE PAGE 8

LOC	OBJ	LINE	SOURCE STATEMENT
		385 ;	IOPB: MT,MF,X ;X=SPACE FOR COMMAND
		386 ;	HD,US ;HEAD, UNIT SELECT
		387 ;	C ;CYLINDER
		388 ;	H ;HEAD
		389 ;	R ;RECORD
		390 ;	N ;SECTOR SIZE
		391 ;	EOT ;END OF TRACK
		392 ;	GPL ;GAP LENGTH
		393 ;	DTL ;DATA LENGTH
		394 ;	NSEC ;NUMBER OF SECTORS
		395 ;	DE=ADR(DATA)
		396 ;	CALL WRTDD
		397 ;	NORMAL RETURN, CARRY=0 (NC)
		398 ;	ERROR RETURN, CARRY=1 (C)
		399 ;	
		400 ;	REGS: CARRY
		401 ;	STK PRS: 13+CONO
0945	CD190A	402	WRTDD: CALL SAVER ;SAVE REGISTERS
0948	21C989	403	LXI H,(RD+9) SHL 8 +0COH +09H ;DMA READ
		404	;9 BYTES, MTMFSK MASK, COMMAND
094B	C32D0A	405	JMP DTRN1
		406	*****
		407	; READ A TRACK
		408	
		409	CALLING SEQUENCE
		410	BC=ADR(IOPB)
		411 ;	IOPB: MF,SK,X ;X=SPACE FOR COMMAND
		412 ;	HD,US ;HEAD, UNIT SELECT
		413 ;	C ;CYLINDER
		414 ;	H ;HEAD
		415 ;	R ;RECORD
		416 ;	N ;SECTOR SIZE
		417 ;	EOT ;END OF TRACK
		418 ;	GPL ;GAP LENGTH
		419 ;	DTL ;DATA LENGTH
		420 ;	NSEC ;# OF SECTORS (NOT USED)
		421 ;	DE=ADR(DATA)
		422 ;	CALL RDTRK
		423 ;	NORMAL RETURN, CARRY=0 (NC)
		424 ;	ERROR RETURN, CARRY=1 (C)
		425 ;	
		426 ;	REGS: CARRY
		427 ;	STK PRS: 14+CONO
094E	CD190A	428	RDTRK: CALL SAVER ;SAVE USER REGISTERS
0951	216249	429	LXI H,(WR+9) SHL 8 + 60H + 02H ;DMA WRITE,
		430	;9 BYTES, MTMFSK MASK, COMMAND
0954	0A	431	LDAX B ;SAVE
0955	F5	432	PUSH PSW ; MT,MF,SK
0956	C5	433	PUSH B ;SAVE ADDR(10PB)
0957	E5	434	PUSH H ;SAVE ADR (DATA)
0958	D5	435	PUSH D ;SAVE PARAMETERS
		436 ;	SEEK
0959	CDC609	437	CALL SK010
095C	DA380A	438	JC DTC005 ;JUMP IF ERROR
		439 ;	FORCE DTRN ROUTINE TO USE EOT INSTEAD OF NSEC TO

ISIS-II 8080/8085 MACRO ASSEMBLER, V3.0 MODULE PAGE 9

LOC	OBJ	LINE	SOURCE STATEMENT
		440	; CALCULATE BYTE COUNT
095F	210300	441	LXI H,3 ;DISPLACEMENT FOR EOT
0962	C3440A	442	JMP DTR15 ;PICK UP IN MIDDLE OF DTRN
		443	; ROUTINE
		444	*****
		445	; READ ID
		446	; NOTE: MUST BE PRECEDED BY A SEEK
		447	; CALLING SEQUENCE
		448	; BC=ADR(IOPB)J
		449	; IOPB: MF,X ;X=SPACE FOR COMMAND
		450	; HD,US ;HEAD, UNIT SELECT
		451	; CALL RDID
		452	; NORMAL RETURN, CARRY=0 (NC)
		453	; ERROR RETURN, CARRY=1 (C)
		454	;
		455	; REGS: CARRY
		456	; STK PRS: 11+CONO
0965	CD190A	457	RDID: CALL SAVER ;SAVE REGISTERS
0968	214A02	458	LXI H,2 SHL 8 + 040H + 0AH ;NO. OF BYTES,
		459	;MTMFSK MASK, COMMAND
096B	C3910A	460	JMP DTRN2
		461	*****
		462	; FORMAT A TRACK
		463	; NOTE: MUST BE PRECEDED BY A SEEK
		464	; CALLING SEQUENCE
		465	; BC=ADR(IOPB)
		466	; IOPB: MF,X ;X=SPACE FOR COMMAND
		467	; HD,US ;HEAD, UNIT SELECT
		468	; N ;SECTOR SIZE
		469	; SC ;SECTORS/TRACK
		470	; GPL3 ;GAP LENGTH
		471	; D ;DATA
		472	; DE=ADR(DATA)
		473	; CALL FRMTK
		474	; NORMAL RETURN, CARRY=0 (NC)
		475	; ERROR RETURN, CARRY=1 (C)
		476	;
		477	; REGS: CARRY
		478	; STK PRS: 11+CONO
096E	CD190A	479	FRMTK: CALL SAVER ;SAVE REGISTERS
0971	210300	480	LXI H,3
0974	09	481	DAD B ;HL POINTS TO SC PARAMETER
0975	6E	482	MOV L,M
0976	2600	483	MVI H,0 ;HL=SC
0978	29	484	DAD H ;DOUBLE COUNT
0979	29	485	DAD H ;QUADRUPLE COUNT
097A	2B	486	DCX H ;DECREMENT FOR 8237
097B	C5	487	PUSH B ;SAVE ADR(IOPB)
097C	4D	488	MOV C,L
097D	44	489	MOV B,H ;BC=COUNT
097E	CDDFOA	490	CALL DMARD ;SET UP 8237
0981	C1	491	POP B ;RESTORE ADR(IOPB)
0982	214D06	492	LXI H,6 SHL 8 + 040H + 0DH ;NO. OF BYTES,
		493	;MTMFSK MASK, COMMAND
0985	C3910A	494	JMP DTRN2

ISIS-II 8080/8085 MACRO ASSEMBLER, V3.0

MODULE PAGE 10

LOC	OBJ	LINE	SOURCE STATEMENT
		495	*****
		496	SCAN EQUAL
		497	;
		498	CALLING SEQUENCE
		499	BC=ADR(IOPB)
		500	IOPB: MR,MF,SK,X;X=SPACE FOR COMMAND
		501	UD,US ;HEAD, UNIT SELECT
		502	C ;CYLINDER
		503	H ;HEAD
		504	R ;RECORD
		505	N ;SECTOR SIZE
		506	EQT ;END OF TRACK
		507	GPL ;GAP LENGTH
		508	STP ;STEP (1 OR 2)
		509	NSEC ;NUMBER OF SECTORS
		510	DE=ADR(DATA)
		511	CALL SCNEQ
		512	NORMAL RETURN, CARRY=0 (NC)
		513	ERROR RETURN, CARRY=1 (C)
		514	;
		515	REGS: CARRY
		516	STK PRS: 13+CONO
0988	CD190A	517	SCNEQ: CALL SAVER ;REGISTERS
098B	21F189	518	LXI H,(RD+9) SHL 8 + 0E0H + 11H ;DMA READ,
		519	;9 BYTES, MTMFSK MASK, COMMAND
098E	C32D0A	520	JMP DTRN1
		521	*****
		522	SCAN LOW OR EQUAL
		523	;
		524	CALLING SEQUENCE
		525	BC=ADR(IOPB)
		526	IOPB: MT,MF,SK,X ;X=SPACE FOR COMMAND
		527	HD,US ;HEAD, UNIT SELECT
		528	C ;CYLINDER
		529	H ;READ
		530	R ;RECORD
		531	N ;SECTOR SIZE
		532	EQT ;END OF TRACK
		533	GPL ;GAP LENGTH
		534	STP ;STEP (1 OR 2)
		535	NSEC ;NUMBER OF SECTORS
		536	DE=ADR(DATA)
		537	CALL SCNLE
		538	NORMAL RETURN, CARRY=0 (NC)
		539	ERROR RETURN, CARRY=1 (C)
		540	;
		541	REGS: CARRY
		542	STK PRS: 13+CONO
0991	CD190A	543	SCNLE: CALL SAVER ;SAVE REGISTERS
0994	21F989	544	LXI H,(RD+9) SHL 8 + 0E0H + 19H ;DMA READ,
		545	;9 BYTES, MTMFSK MASK, COMMAND
0997	C32D0A	546	JMP DTRN1
		547	*****
		548	SCAN HIGH OR EQUAL
		549	;

ISIS-II 8080/8085 MACRO ASSEMBLER, V3.0

MODULE PAGE 11

```

LOC  OBJ          LINE      SOURCE STATEMENT
      550 ;          CALLING SEQUENCE
      551 ;          BC=ADR(IOPB)
      552 ;          IOPB:  MT,MF,SK,X ;X=SPACE FOR COMMAND
      553 ;          HD,US  ;HEAD, UNIT SELECT
      554 ;          C      ;CYLINDER
      555 ;          H      ;HEAD
      556 ;          R      ;RECORD
      557 ;          N      ;SECTOR SIZE
      558 ;          EOT    ;END OF TRACK
      559 ;          GPL    ;GAP LENGTH
      560 ;          STP    ;STEP (1 OR 2)
      561 ;          NSEC   ;NUMBER OF SECTORS
      562 ;          DE=ADR(DATA)
      563 ;          CALL   SCNHE
      564 ;          NORMAL RETURN, CARRY=0 (NC)
      565 ;          ERROR RETURN, CARRY=1 (C)
      566 ;
      567 ; REGS: CARRY
      568 ; STK PRS: 13+CONQ
099A  CD190A      569 SCNHE: CALL   SAVER   ;SAVE REGISTERS
099D  21FD89      570 LXI    H,(RD+9) SHL 8 + OEOH + 1DH ;DMA READ,
      571                      ;9 BYTES, MTMFSK MASK, COMMAND
09A0  C32D0A      572 JMP    DTRN1
      573 ;*****
      574 ; RECALIBRATE
      575 ;
      576 ;          CALLING SEQUENCE
      577 ;          BC=ADR(IOPB)
      578 ;          IOPB:  X      ;X=SPACE FOR COMMAND
      579 ;          O,US   ;UNIT SELECT
      580 ;          CALL   RECAL
      581 ;          NORMAL RETURN, CARRY=0 (NC)
      582 ;          ERROR RETURN, CARRY=1 (C)
      583 ;
      584 ; REGS: CARRY
      585 ; STK PRS: 11+CONQ
09A3  CD190A      586 RECAL: CALL   SAVER   ;SAVE REGISTERS
09A6  0A          587 LDAX   B      ;MT,MF,SK
09A7  F5          588 PUSH  PSW    ;SAVE MT,MF,SK
09A8  C5          589 PUSH  B      ;SAVE ADR(MR,MF,SK)
09A9  3E07        590 MVI   A,07H  ;A=CAMMAND
09AB  02          591 STAX  B      ;STORE COMMAND IN IOPB
09AC  1E02        592 MVI   E,2    ;B=NO. OF BYTES IN COMMAND
09AE  CD0B0B      593 RE010: CALL  CMNDP  ;RECALIBRATE
09B1  DAA50A      594 JC    DT060  ;QUIT IF ERROR
09B4  C2AE09      595 JNZ   RE010  ;WAIT IF FDC BUSY
09B7  C3A50A      596 JMP   DT060  ;NORMAL RETURN
      597 ;*****
      598 ; SEEK
      599 ;
      600 ;          CALLING SEQUENCE
      601 ;          BC=ADR(IOPB)
      602 ;          IOPB:  X      ;S=SPACE FOR COMMAND
      603 ;          HD,US  ;HEAD, UNIT SELECT
      604 ;          C      ;CYLINDER

```

LOC	OBJ	LINE	SOURCE STATEMENT
		605 ;	CALL SEEK
		606 ;	NORMAL RETURN, CARRY=0 (NC)
		607 ;	ERROR RETURN, CARRY=1 (C)
		608 ;	
		609 ;	REGS: CARRY
		610 ;	STK PRS: 12+COND
09BA	CD190A	611	SEEK: CALL SAVER ;SAVE REGISTERS
09BD	0A	612	LDAX B ;MT,MF,SK
09BE	F5	613	PUSH PSW ;SAVE MT,MF,SK
09BF	C5	614	PUSH B ;SAVE ADR(MR,MF,SK)
09C0	CDC609	615	CALL SK010 ;ISSUE SEEK
09C3	C3A50A	616	JMP DT060
		617 ;	
		618 ;	REGS: ALL
		619 ;	STK PRS: 5+COND
09C6	3E0F	620	SK010: MVI A,0FH
09C8	02	621	STAX B ;SET SEEK COMMAND IN IOPB
09C9	1E03	622	MVI E,3 ;NO. OF BYTES IN COMMAND
09CB	C0B0B	623	SK020: CALL CMNDP ;ISSUE SEEK COMMAND
09CE	D8	624	RC ;RETURN IF ERROR
09CF	C2CB09	625	JNZ SK020 ;WAIT FOR FDC READY
09D2	C9	626	RET
		627 ;	*****
		628 ;	SPECIFY
		629 ;	
		630 ;	CALLING SEQUENCE
		631 ;	BC=ADR(IOPB)
		632 ;	IOPB: X ;X=SPACE FOR COMMAND
		633 ;	SRT,HUT ;STEP RATE, AND HEAD
		634 ;	; UNLOAD TIME
		635 ;	HLT,ND ;HEAD LOAD TIME, AND
		636 ;	; NON-DMA MODE
		637 ;	CALL SPCFY
		638 ;	NORMAL RETURN, CARRY=0 (NC)
		639 ;	ERROR RETURN, CARRY=1 (C)
		640 ;	
		641 ;	REGS: CARRY
		642 ;	STK PRS: 11+COND
09D3	CD190A	643	SPCFY: CALL SAVER ;SAVE REGISTERS
09D6	0A	644	LDAX B ;MT,MF,SK
09D7	F5	645	PUSH PSW ;SAVE MT,MF,SK
09D8	C5	646	PUSH B ;SAVE ADR(MT,MF,SK)
09D9	1E03	647	MVI E,3 ;NO. OF BYTES IN COMMAND
09DB	3E03	648	MVI A,03H ;SET COMMAND WORD
09DD	02	649	STAX B ;IN IOPB
09DE	CD030B	650	SPC10: CALL CMNDS ;ISSUE COMMAND
09E1	DAA50A	651	JC DT060 ;QUIT IF ERROR
09E4	C2DE09	652	JNZ SPC10 ;WAIT FOR FDC READY
09E7	C3A50A	653	JMP DT060 ;NORMAL RETURN
		654 ;	*****
		655 ;	SENSE DRIVE STATUS
		656 ;	
		657 ;	CALLING SEQUENCE
		658 ;	BC=ADR(IOPB)
		659 ;	IOPB: X ;X=SPACE FOR COMMAND

```

LOC  OBJ          LINE      SOURCE STATEMENT
                                660 ;
                                661 ;          CALL      SNSDS          HD,US   ;HEAD, UNIT SELECT
                                662 ;          NORMAL RETURN, CARRY=0 (NC),ST3 IN RESULT BUFFER
                                663 ;          ERROR RETURN, CARRY=1 (C)
                                664 ;
                                665 ; REGS: CARRY
                                666 ; STK PRS: 11+CONQ
09EA  CD190A      667 SNSDS: CALL      SAVER          ;SAVE REGISTERS
09ED  0A          668          LDAX      B              ;MT,MF,SK
09EE  F5          669          PUSH     PSW            ;SAVE MT,MF,SK
09EF  C5          670          PUSH     B              ;SAVE ADR(MT,MF,SK)
09F0  3E04        671          MVI      A,04H         ;A=COMMAND
09F2  02          672          STAX     B              ;STORE COMMAND IN IOPB
09F3  1E02        673          MVI      E,2           ;NO. OF BYTES IN COMMAND
09F5  CD0B0B      674 SD010: CALL     CMNDP         ;ISSUE COMMAND
09F8  DAA50A      675          JC       DT060         ;QUIT IF ERROR
09FB  C2F509      676          JNZ     SD010         ;WAIT FOR FDC READY
09FE  CD300B      677          CALL    RESULT        ;GET ST3
0A01  C3A50A      678          JMP      DT060         ;RETURN TO CALLER
679 ;*****
680 ; SENSE INTERRUPT STATUS
681 ;
682 ; CALLING SEQUENCE
683 ;          CALL      SNSIS
684 ;          NORMAL RETURN,CARRY=0 (NC), STO & PCN IN RESULT
685 ;          BUFFER
686 ;          ERROR RETURN, CARRY=1 (C)
687 ;
688 ; REGS: CARRY
689 ; STK PRS: 9+CONQ
0A04  CD190A      690 SNSIS: CALL     SAVER          ;SAVE REGISTERS
0A07  01180A      691          LXI      B,SNSIC     ;ADR(10PB)
0A0A  1E01        692          MVI      E,1           ;NO. OF BYTES
0A0C  CD210B      693          CALL    CMND          ;ISSUE COMMAND
0A0F  DA1E0A      694          JC       RSTOR        ;QUIT IF ERROR
0A12  CD300B      695          CALL    RESULT        ;GET RESULTS
0A15  C31E0A      696          JMP      RSTOR        ;RETURN
0A18  08          697 SNSIC: DB       08H
698 ;*****
699 ; SAVE REGISTERS ON STACK
700 ;
701 ; REGS: HL
702 ; STK PRS: 3
0A19  E3          703 SAVER: XTHL          ;SAVE HL ON STACK
704          ;HL=ADR(CALLER)
0A1A  D5          705          PUSH     D              ;SAVE DE
0A1B  C5          706          PUSH     B              ;SAVE BC
0A1C  F5          707          PUSH     PSW            ;SAVE AF
0A1D  E9          708          PCHL          ;RETURN TO CALLER
709 ;*****
710 ; RESTORE REGISTERS FROM STACK
711 ;
712 ;          NORMAL RETURN, CARRY=0
713 ;          ERROR RETURN, CARRY=1
714 ;

```

ISIS-II 8080/8085 MACRO ASSEMBLER, V3.0

MODULE PAGE 14

LOC	OBJ	LINE	SOURCE STATEMENT
		715	; REGS: CARRY
		716	; STK PRS: -4
0A1E	DA270A	717	RSTOR: JC RSTC ;RESTORE WITH CARRY=1
0A21	F1	718	POP PSW ;RESTORE WITH CARRY=0
0A22	37	719	STC
0A23	3F	720	CMC
0A24	C3290A	721	JMP RSBDH ;RESTORE B,D,H
0A27	F1	722	RSTC: POP PSW
0A28	37	723	STC
0A29	C1	724	RSBDH: POP B ;RESTORE BC
0A2A	D1	725	POP D ;RESTORE DE
0A2B	E1	726	POP H ;RESTORE HL
0A2C	C9	727	RET ;RETURN TO USER
		728	;*****
		729	; DATA TRANSFER COMMAND ROUTINE
		730	;
		731	; CALLING SEQUENCE
		732	; CALL SAVER
		733	; BC=ADR(IOPB)
		734	; DE=ADR(DATA)
		735	; L=MMMCCCCC WHERE MMM=MTMFSK MASK
		736	; CCCCC=FDC COMMAND
		737	; H=RWNNNNNN WHERE R=8237 RD BIT
		738	; W=8237 WR BIT
		739	; NNNNNN=NO. OF BYTES IN COMMAND
		740	; JMP DTRN1
		741	; OR
		742	; BC=ADR(IOPB)
		743	; L=MMMCCCCC WHERE MMM=MTMFSK MASK
		744	; CCCCC=NO. OF BYTES IN COMMAND
		745	; H=XXNNNNNN WHERE XX=DON'T CARE
		746	; NNNNNN= NO. OF BYTES IN COMMAND
		747	; JMP DTRN2
		748	;
		749	; NORMAL RETURN, CARRY=0 (NC)
		750	; ERROR RETURN, CARRY=1 (C)
		751	;
		752	; REGS: ALL
		753	; STK PRS: 9+CONO
0A2D	0A	754	DTRN1: LDAX B ;MT,MF,SK
0A2E	F5	755	PUSH PSW ;SAVE MT,MF,SK
0A2F	C5	756	PUSH B ;SAVE ADR(IOPB)
0A30	E5	757	PUSH H ;SAVE PARAMETERS
0A31	D5	758	PUSH D ;SAVE ADR(DATA)
		759	; SEEK
0A32	CDC609	760	CALL SK010 ;SEEK
0A35	D2410A	761	JNC DT010 ;JUMP IF OK
0A38	E1	762	DT005: POP H ;ERROR
0A39	D1	763	POP D ;IN
0A3A	C1	764	POP B ; SEEK
0A3B	F1	765	POP PSW ;RESTORE
0A3C	02	766	STAX B ;MT,MF,SK
0A3D	37	767	STC
0A3E	C31E0A	768	JMP RSTOR ;RETURN WITH CARRY=1
		769	; CALCULATE SECTOR SIZE

LOC	OBJ	LINE	SOURCE STATEMENT
0A41	210600	770	DT010: LXI H,6
0A44	09	771	DT015: DAD B ;ADR(NSEC)
0A45	5E	772	MOV E,M ;SAVE NSEC
0A46	210200	773	LXI H,2
0A49	09	774	DAD B ;HL=ADR(N)
0A4A	7E	775	MOV A,M ;A=N=(0 TO 3)
0A4B	B7	776	ORA A ;N=0?
0A4C	C2550A	777	JNZ DT020 ;NO
0A4F	218000	778	LXI H,80H ;YES, SET SECTOR SIZE=128
0A52	C3600A	779	JMP DT040
0A55	210001	780	DT020: LXI H,256 ;HL=BASE SECTOR SIZE
0A58	3D	781	DT030: DCR A ;DONE?
0A59	CA600A	782	JZ DT040 ;YES, HL=SECTOR SIZE
0A5C	29	783	DAD H ;NO, DOUBLE THE VALUE
0A5D	C3580A	784	JMP DT030
0A60	7B	785	DT040: MOV A,E ;RECALL NSEC
0A61	54	786	MOV D,H ;SAVE
0A62	5D	787	MOV E,L ;SECTOR SIZE
		788	; MULTIPLY SECTOR SIZE BY NSEC
0A63	3D	789	DT042: DCR A ;DONE?
0A64	CA6B0A	790	JZ DT045 ;YES
0A67	19	791	DAD D ;NO, ADD ANOTHER SECTOR SIZE
0A68	C3630A	792	JMP DT042 ;CHECK AGAIN
0A6B	2B	793	DT045: DCX H ;HL=(SECTOR SIZE) * NSEC-1
		794	; SET UP DMA CONTROLLER:
0A6C	EB	795	XCHG ;DE=8237 WORD COUNT
0A6D	F3	796	DI ;DISABLE INTERRUPTS WHILE
		797	;PROGRAMMING 8237
0A6E	D30C	798	OUT DCLFL ;CLEAR F/L F/F
0A70	7B	799	MOV A,E
0A71	D301	800	OUT DMWCO ;PROGRAM LSB OF COUNT
0A73	7A	801	MOV A,D
0A74	D301	802	OUT DMWCO ;PROGRAM MSB OF COUNT
0A76	D1	803	POP D ;RESTORE ADR (DATA)
0A77	7B	804	MOV A,E
0A78	D300	805	OUT DMARO ;PROGRAM LSB OF ADDRESS
0A7A	7A	806	MOV A,D
0A7B	D300	807	OUT DMARO ;PROGRAM MSB OF ADDRESS
0A7D	E1	808	POP H ;HL=PARAMETERS
0A7E	3ECO	809	MVI A,0COH ;MASK FOR RD, WR BITS
0A80	A4	810	ANA H ;A=RD,WR BIT
0A81	1F	811	RAR ;POSITION
0A82	1F	812	RAR ; RD
0A83	1F	813	RAR ; WR
0A84	1F	814	RAR ; BIT
0A85	1640	815	MVI D,DMAMD ;DMA MODE WORD
0A87	B2	816	ORA D ;OR RD/WR BIT WITH MODE WORD
0A88	D30B	817	OUT DMODE ;SET MODE
0A8A	AF	818	XRA A ;DMAC MASK VALUE
0A8B	D30A	819	OUT DMKSR ;ENABLE DMA TRANSFER ON CH.0
0A8D	FB	820	EI ;RE-ENABLE INTERRUPTS
0A8E	C1	821	POP B ;RESTORE ADR(IOPB)
0A8F	F1	822	POP PSW ;RESTORE
0A90	02	823	STAX B ;MT,MF,SK
		824	; COMMAND FDC

LOC	OBJ	LINE	SOURCE STATEMENT
		825	; REGS: ALL
		826	; STK PRS: 7 + CONO
0A91	0A	827	DTRN2: LDAX B ;A=MT,MF,SK
0A92	F5	828	PUSH PSW ;SAVE MT,MF,SK
0A93	C5	829	PUSH B ;SAVE ADR(MT,MF,SK)
0A94	F61F	830	ORI 1FH ;INCLUDE MASK FOR COMMAND
0A96	A5	831	ANA L ;MASKMT,MF,SK,COMMAND
0A97	02	832	STAX B ;STORE COMMAND IN IOPB
0A98	3E3F	833	MVI A,3FH ;MASK FOR NO. OF BYTES
0A9A	A4	834	ANA H ;MASK OUT RD/WR BITS
0A9B	5F	835	MOV E,A ;NO. OF BYTES
0A9C	CD030B	836	DT050: CALL CMNDS ;COMMAND SERIAL OPERATION
0A9F	DAA50A	837	JC DT060 ;QUIT IF ERROR
0AA2	C29C0A	838	JNZ DT050 ;WAIT IF FDC BUSY
0AA5	C1	839	DT060: POP B ;RESTORE ADR(MT,MF,SK)
0AA6	D1	840	POP D ;RESTORE MT,MF,SK
0AA7	7A	841	MOV A,D ;WHILE PRESERVING
0AA8	02	842	STAX B ;CARRY FLAG
0AA9	C31E0A	843	JMP RSTOR ;NORMAL RETURN
		844	*****
		845	;AUXILIARY PORT RESET-A-BIT SUBROUTINE
		846	;
		847	CALL AUXRST
		848	BC=ADR (CONTROL BYTE)
		849	E=CONTROL BIT (0 TO 3),REMAINING BITS (4 TO 7)
		850	MUST =0
		851	;
		852	RETURN W/CARRY=0
		853	;
		854	; REGS: F
		855	; STK PRS: 4
0AAC	CD190A	856	AUXRST: CALL SAVER ;SAVE REGISTERS
0AAF	CDC80A	857	CALL SLECT ;SELECT CONTROL LINE
0AB2	2F	858	CMA
0AB3	5F	859	MOV E,A ;RESETS
0AB4	0A	860	LDAX B ;SELECTED
0AB5	A3	861	ANA E ;BIT
0AB6	C3C20A	862	JMP EXRTN ;RETURN
		863	*****
		864	;AUXILIARY PORT SET-A-BIT SUBROUTINE
		865	;
		866	CALL AUXSET
		867	BC=ADR (CONTROL BYTE)
		868	E=CONTROL BIT (0 TO 3),REMAINING BITS (4 TO 7)
		869	MUST=0
		870	;
		871	RETURN W/CARRY=0
		872	;
		873	; REGS: F
		874	; STK PRS: 4
0AB9	CD190A	875	AUXSET: CALL SAVER ;SAVE REGISTERS
0ABC	CDC80A	876	CALL SLECT ;SELECT CONTROL LINE
0ABF	5F	877	MOV E,A ;SAVE MASK
0AC0	0A	878	LDAX B ;GET CONTROL BYTE
0AC1	B3	879	ORA E ;SET SELECTED BIT

ISIS-II 8080/8085 MACRO ASSEMBLER, V3.0

MODULE PAGE 17

LOC	OBJ	LINE	SOURCE STATEMENT
OAC2	02	880	EXRTN: STAX B ;UPDATE CONTROL BYTE
OAC3	D312	881	OUT AUXP ;SEND COMMAND
OAC5	C31E0A	882	JMP RSTOR ;RESTORE REGISTERS
		883	;
OAC8	1C	884	SLECT: INR E ;1 TO 4
OAC9	3E80	885	MVI A,80H
OACB	07	886	SLO10: RLC
OACC	1D	887	DCR E ;CORRECT UNIT?
OACD	C2CB0A	888	JNZ SLO10 ;NO
OADO	C9	889	RET
		890	*****
		891	;AUXILIARY PORT ADDRESS BITS (14H TO 17H)
		892	;
		893	; BC=ADR (CONTROL BYTE)
		894	; E=PAGE NO. IN HI NIBBLE (BITS 4 TO 7),
		895	; LO NIBBLE (BITS 0 TO 3) DON'T CARE
		896	;
		897	; RETURN W/CARRY=0
		898	;
		899	;REGS: F
		900	;STK PRS: 4
OAD1	CD190A	901	AUXADR: CALL SAVER ;SAVE REGISTERS
OAD4	7B	902	MOV A,E ;CLEAR
OAD5	E6F0	903	ANI OFOH ; LO
OAD7	5F	904	MOV E,A ; NIBBLE
OAD8	0A	905	LDAX B ;GET CONTROL BYTE
OAD9	E60F	906	ANI OFH ;MASK PAGE BITS
OADB	B3	907	ORA E ;PUT PAGE INTO CONTROL BYTE
OADC	C3C20A	908	JMP EXRTN ;RETURN
		909	*****
		910	; LEVEL 1 ROUTINES
		911	; USER CALLABLE THRU JUMP TABLE
		912	; USE ALL REGISTERS
		913	;
		914	;
		915	; DMA SET ROUTINE
		916	; BC=COUNT
		917	; DE=ADDRESS
		918	; CALL DMARD OR DMAWR
		919	;
		920	; REGS: AF,B
		921	; STK PRS: 0
OADF	3E80	922	DMARD: MVI A,RD ;TURN ON 8237 RD BIT
OAE1	C3E60A	923	JMP DMAST
OAE4	3E40	924	DMAWR: MVI A,WR ;TURN ON 8237 WR BIT
OAE6	F3	925	DMAST: DI ;DISABLE INTERRUPTS WHILE
		926	;PROGRAMMING THE 8237
OAE7	D5	927	PUSH D ;SAVE ADDRESS
OAE8	1F	928	RAR ;POSITION
OAE9	1F	929	RAR ; RD
OAEA	1F	930	RAR ; WR
OAEB	1F	931	RAR ; BIT
OAEC	1640	932	MVI D,DMAMD ;DMA MODE WORD
OAEE	B2	933	ORA D ;OR RD/WR BIT WITH MODE WORD
OAEF	D30B	934	OUT DMODE ;SET MODE

LOC	OBJ	LINE	SOURCE STATEMENT
0AF1	D1	935	POP D ;RESTORE ADDRESS
0AF2	79	936	MOV A,C
0AF3	D301	937	OUT DMWCO ;PROGRAM LSB OF COUNT
0AF5	78	938	MOV A,B
0AF6	D301	939	OUT DMWCO ;PROGRAM MSB OF COUNT
0AF8	7B	940	MOV A,E
0AF9	D300	941	OUT DMAR0 ;PROGRAM LSB OF ADDRESS
0AFB	7A	942	MOV A,D
0AFC	D300	943	OUT DMAR0 ;PROGRAM MSB OF ADDRESS
0AFE	AF	944	XRA A ;DMAC MASK VALUE
0AFF	D30A	945	OUT DMKSR ;ENABLE DMA TRANSFER
OB01	FB	946	EI ;RE-ENABLE INTERRUPTS
OB02	C9	947	RET
		948	*****
		949	; COMMAND PHASE ROUTINE
		950	;
		951	; CALLING SEQUENCE
		952	; BC=ADR(IOPB)
		953	; E=# OF BYTES IN COMMAND
		954	;
		955	; CALL CMNDS ;COMMAND SERIAL OPERATION
		956	; OR
		957	; CALL CMNDF ;COMMAND PARALLEL OPERATION
		958	; OR
		959	; CALL CMND ;UNCHECKED COMMAND OUTPUT
		960	;
		961	; ERROR RETURN, CARRY=1 (C)
		962	; BUSY RETURN, ZERO FLAG=0 (NZ), CARRY=0 (NC)
		963	; REGS BC, E PRESERVED FOR WAIT LOOPING
		964	; NORMAL RETURN, ZERO FLAG=1 (Z), CARRY=0 (NC)
		965	;
		966	; NOTE: THE 8272 FDC IS EITHER IN THE READ/WRITE MODE OR
		967	; THE SEEK MODE, AND THESE TWO MODES ARE MUTUALLY
		968	; EXCLUSIVE.
		969	;
		970	; REGS: ALL
		971	; STK PRS: 4+CONO
		972	;
		973	; COMMAND SERIAL OPERATIONS
		974	; I.E. COMMANDS THAT OPERATE IN THE READ/WRITE
		975	; MODE OF THE 8272 AND/OR COMMANDS THAT
		976	; MUST CHECK FOR FDC BUSY AND FOR ANY FDD
		977	; SEEKING
		978	; E.G. READ DATA, READ DELETED DATA, WRITE
		979	; DATA, WRITE DELETED DATA, READ A TRACK,
		980	; SCAN EQUAL, SCAN LOW OR EQUAL, SCAN HIGH
		981	; OR EQUAL, READ ID, FORMAT A TRACK, AND
		982	; SPECIFY
		983	;
OB03	DB10	984	CMNDS: IN FDCST ;GET MAIN FDC STATUS
OB05	E61F	985	ANI 1FH ;FDC BUSY OR FDC IN SEEK MODE?
OB07	C0	986	RNZ ;YES, RETURN W/ZERO FLAG=0, AND
		987	; CARRY=0
OB08	C3210B	988	JMP CMND ;NO, START COMMAND OUTPUT
		989	;

```

LOC  OBJ          LINE          SOURCE STATEMENT
          990 ; COMMAND PARALLEL OPERATIONS
          991 ;           I.E.    COMMANDS THAT OPERATE IN THE SEEK MODE
          992 ;           OF THE 8272 AND/OR COMMANDS THAT MUST
          993 ;           CHECK FOR FDC BUSY AND FOR SPECIFIED
          994 ;           FDD SEEKING
          995 ;           E.G.    SEEK, RECALIBRATE, SENSE DRIVE STATUS
          996 ;
OB0B DB10        997 CMNDP:  IN    FDCST  ;GET MAIN FDC STATUS
OB0D 6F          998      MOV    L,A    ;SAVE FDC STATUS
OB0E E610        999      ANI    10H    ;FDC BUSY? (I.E. IS FDC IN
          1000                ; READ/WRITE MODE?)
OB10 C0          1001      RNZ                ;YES, RETURN W/ZERO FLAG=0, AND
          1002                ; CARRY=0
OB11 03          1003      INX    B      ;ADR (UNIT SELECT BYTE)
OB12 0A          1004      LDAX   B      ;A=HD,US BYTE
OB13 0B          1005      DCX    B      ;RESTORE POINTER
OB14 E603        1006      ANI    03H    ;A = US=0 TO 3
OB16 57          1007      MOV    D,A    ;D=US
OB17 14          1008      INR    D      ;D=1 TO 4
OB18 3E80        1009      MVI    A,80H
OB1A 07          1010 CMO10: RLC                ;SHIFT MASK TO NEXT HIGHER UNIT
OB1B 15          1011      DCR    D      ;DONE?
OB1C C21A0B      1012      JNZ    CMO10 ;NO, CONTINUE
OB1F A5          1013      ANA    L      ;YES, IS FDD SEEKING?
OB20 C0          1014      RNZ                ;YES, RETURN W/ZERO FLAG=0, AND
          1015                ; CARRY=0
          1016                ;NO, START COMMAND OUTPUT
          1017 ;
          1018 ; COMMANDS THAT DO NOT CHECK FOR FDC BUSY OR ANY
          1019 ; FDD SEEKING
          1020 ;           E.G.    SENSE INTERRUPT STATUS
          1021 ;
OB21 F3          1022 CMND:  DI                ;DISABLE INTERRUPTS WHILE
          1023                ; PROGRAMMING THE 8272
OB22 CD5B0B      1024 CMO20: CALL   RDYC    ;IS FDC READY FOR COMMAND
OB25 D8          1025      RC                ;NO, ERROR, CARRY=1
OB26 0A          1026      LDAX   B      ;YES, A=BYTE FROM IOPB
OB27 D311        1027      OUT    FDCDT ;SEND BYTE TO FDC DATA PORT
OB29 03          1028      INX    B      ;BUMP POINTER
OB2A 1D          1029      DCR    E      ;DONE?
OB2B C2220B      1030      JNZ    CMO20 ;NO, CONTINUE
OB2E FB          1031      EI                ;YES, RE-ENABLE INTERRUPTS
OB2F C9          1032      RET                ;NORMAL RETURN, CARRY=0, AND
          1033                ; ZERO FLAG=1
          1034 ; *****
          1035 ; RESULT PHASE ROUTINE
          1036 ;
          1037 ; CALLING SEQUENCE
          1038 ;           CALL   RESULT
          1039 ;
          1040 ;           NORMAL RETURN, CARRY=0
          1041 ;           C=NO. OF BYTES FOUND
          1042 ;           RESULT BYTES STORED IN BUFFER
          1043 ;           ERROR RETURN, CARRY=1
          1044 ;

```

ISIS-II 8080/8085 MACRO ASSEMBLER, V3.0

MODULE PAGE 21

LOC	OBJ	LINE	SOURCE STATEMENT
		1100	; REGS: AF,HL
		1101	; STK PRS: 2+CONO
OB72	C5	1102	MESSG: PUSH B ;SAVE BC
OB73	7E	1103	MSQ10: MOV A,M
OB74	B7	1104	ORA A ;END OF MESSAGE?
OB75	CA800B	1105	JZ MSQ20 ;YES
OB78	4F	1106	MOV C,A ;NO, OUTPUT NEXT CHAR
OB79	CD5008	1107	CALL CONO ;CONSOLE OUTPUT
OB7C	23	1108	INX H
OB7D	C3730B	1109	JMP MSQ10 ;CONTINUE
OB80	C1	1110	MSQ20: POP B ;RESTORE BC
OB81	C9	1111	RET
		1112	;
		1113	;
OB82	46444320	1114	MSG10: DB 'FDC ERR, DIO HI IN CMND PHASE',ODH,0AH,0
OB86	4552522C		
OB8A	2044494F		
OB8E	20484920		
OB92	494E2043		
OB96	4D4E4420		
OB9A	50484153		
OB9E	45		
OB9F	0D		
OBA0	0A		
OBA1	00		
OBA2	46444320	1115	MSG20: DB 'FDC ERR, DIO LO IN RESULT PHASE',ODH,0AH,0
OBA6	4552522C		
OBAA	2044494F		
OBAE	204C4F20		
OBB2	494E2052		
OBB6	53554C54		
OBBA	20504841		
OBBE	5345		
OBC0	0D		
OBC1	0A		
OBC2	00		
OBC3	46444320	1116	MSG30: DB 'FDC SEEK/ATTN INT',0,0AH,0
OBC7	5345454B		
OBCB	2F415454		
OBCF	4E20494E		
OBD3	54		
OBD4	00		
OBD5	0A		
OBD6	00		
OBD7	46444320	1117	MSG40: DB 'FDC I/O INT',0,0AH,0
OBDB	492F4F20		
OBDF	494E54		
OBE2	00		
OBE3	0A		
OBE4	00		
OBE5	46444320	1118	MSG50: DB 'FDC SEEK ERR',0,0AH,0
OBE9	5345454B		
OBED	20455252		
OBF1	00		
OBF2	0A		

```

LOC  OBJ          LINE      SOURCE STATEMENT
                                1045 ; REGS: AF,BC,HL
                                1046 ; STK PRS: 3+CONQ
OB30 2A4E08      1047 RESULT:  LHL D  ARSBF   ;HL=ADR (RESULT BUFFER)
OB33 0E00        1048          MVI   C,0     ;INITIALIZE BYTE COUNT
OB35 3A5308      1049 RS010:  LDA   DELAY   ;ALLOW 8272 TIME
OB38 3D          1050 RS015:  DCR   A       ; TO CHANGE
OB39 C2380B      1051          JNZ   RS015   ; FDC STATUS
OB3C DB10        1052 RS017:  IN    FDCST   ;A=FDC STATUS
OB3E 47          1053          MOV   B,A     ;SAVE FDC STATUS
OB3F E610        1054          ANI   10H    ;MORE RESULT BYTES? STILL BUSY?
OB41 C8          1055          RZ                ;NO, NORMAL RETURN
                                1056          ;NOTE: CARRY=0 FROM "ANI"
OB42 78          1057          MOV   A,B     ;YES, RESTORE STATUS
OB43 07          1058          RLC                ;RQM (READY) HIGH?
OB44 D23C0B      1059          JNC   RS017   ;NO, KEEP WAITING
OB47 07          1060          RLC                ;YES, DIO=OUTPUT?
OB48 DA530B      1061          JC    RS020   ;YES
OB4B 21A20B      1062          LXI   H,MSG20 ;PRINT OUT "DIO LO IN RESULT #
OB4E CD720B      1063          CALL  MESSG   ; PHASE" ERROR MESSAGE #
OB51 37          1064          STC                ;SET CARRY TO
OB52 C9          1065          RET                ; INDICATE ERROR
OB53 DB11        1066 RS020:  IN    FDCDT   ;GET RESULT BYTE FROM FLOPPY
OB55 77          1067          MOV   M,A     ;STORE BYTE IN MEMORY
OB56 23          1068          INX   H       ;BUMP POINTER
OB57 0C          1069          INR   C       ;BUMP COUNT
OB58 C3350B      1070          JMP   RS010   ;GO BACK & CHECK FOR MORE BYTES
1071 ;*****
1072 ; READY FOR COMMAND SUBROUTINE
1073 ;
1074 ; CALLING SEQUENCE
1075 ;     CALL  RDYC
1076 ;
1077 ;     NORMAL RETURN, CARRY=0
1078 ;     ERROR RETURN, CARRY=1
1079 ;
1080 ; REGS: AF,HL
1081 ; STK PRS: 3+CONQ
OB5B 3A5308      1082 RDYC:   LDA   DELAY   ;ALLOW 8272 TIME
OB5E 3D          1083 RY010:  DCR   A       ; TO CHANGE
OB5F C25E0B      1084          JNZ   RY010   ; FDC STATUS
OB62 DB10        1085 RY020:  IN    FDCST   ;GET FDC STATUS
OB64 07          1086          RLC                ;IS RQM (READY) HIGH?
OB65 D2620B      1087          JNC   RY020   ;NO, WAIT UNTIL IT IS
OB68 07          1088          RLC                ;YES, DIO=INPUT?
OB69 D0          1089          RNC                ;YES, FDC READY FOR COMMAND
OB6A 21820B      1090          LXI   H,MSG10 ;NO, ERROR #
OB6D CD720B      1091          CALL  MESSG   ;"DIO HIGH" #
OB70 37          1092          STC                ;SET CARRY TO
OB71 C9          1093          RET                ; INDICATE ERROR
1094 ;
1095 ; MESSAGE SUBROUTINE
1096 ;     (FROM THIS POINT TO THE END OF THE PROGRAM CAN
1097 ;     BE ELIMINATED WHEN ERROR MESSAGES ARE NO LONGER
1098 ;     REQUIRED)
1099 ;     HL=ADR (MESSAGE),NOTE: LAST BYTE MUST EQUAL ZERO

```

ISIS-II 8080/8085 MACRO ASSEMBLER, V3.0 MODULE PAGE 22

```

LOC  OBJ          LINE          SOURCE STATEMENT
OBF3 00
OBF4 46444320     1119 MSG60:  DB 'FDC I/O ERR',0,0AH,0
OBF8 492F4F20
OBF9 455252
OBFF 00
OC00 0A
OC01 00
1120 END
    
```

PUBLIC SYMBOLS

AUXADR A 0AD1	AUXP A 0012	AUXRST A 0AAC	AUXSET A 0AB9	BASE A 0000	DCLFL A 000C	DMAR0 A 0000
DMAR1 A 0002	DMAR2 A 0004	DMAR3 A 0006	DMASK A 000F	DMCLR A 000D	DMKSR A 000A	DMODE A 000B
DMRQ A 0009	DMSR A 0008	DMTR A 000E	DMWCO A 0001	DMWC1 A 0003	DMWC2 A 0005	DMWC3 A 0007
FDCDT A 0011	FDCST A 0010	FRMTK A 096E	INIT A 0918	INT20 A 08D1	PRSLT A 08E1	RDDD A 0933
RDID A 0965	RDTRK A 094E	READ A 092A	RECAL A 09A3	SCNEQ A 0988	SCNHE A 099A	SCNLE A 0991
SEEK A 09BA	SEghi A 0015	SEGLO A 0014	SFTRS A 0013	SNSDS A 09EA	SNSIS A 0A04	SPCFY A 09D3
WRITE A 093C	WRTDD A 0945					

EXTERNAL SYMBOLS

USER SYMBOLS

ARSBF A 084E	AUXADR A 0AD1	AUXP A 0012	AUXRST A 0AAC	AUXSET A 0AB9	BASE A 0000	CMND A 0B21
CMNDP A 0B0B	CMNDS A 0B03	CM010 A 0B1A	CM020 A 0B22	CON0 A 0B50	DCLFL A 000C	DELAY A 0B53
DMAMD A 0040	DMAR0 A 0000	DMAR1 A 0002	DMAR2 A 0004	DMAR3 A 0006	DMARD A 0ADF	DMASK A 000F
DMAST A 0AE6	DMAWR A 0AE4	DMCLR A 000D	DMKSR A 000A	DMODE A 000B	DMRQ A 0009	DMSR A 0008
DMTR A 000E	DMWCO A 0001	DMWC1 A 0003	DMWC2 A 0005	DMWC3 A 0007	DT005 A 0A38	DT010 A 0A41
DT015 A 0A44	DT020 A 0A55	DT030 A 0A58	DT040 A 0A60	DT042 A 0A63	DT045 A 0A6B	DT050 A 0A9C
DT060 A 0AA5	DTRN1 A 0A2D	DTRN2 A 0A91	E01C A 0020	EXRTN A 0AC2	FDCDT A 0011	FDCST A 0010
FRMTK A 096E	ICCP A 00DA	INIO A 091E	INIT A 0918	INT10 A 0855	INT20 A 08D1	IT002 A 0865
IT008 A 0895	IT010 A 08B1	MESSG A 0B72	MSG10 A 0B82	MSG20 A 0BA2	MSG30 A 0BC3	MSG40 A 0BD7
MSG50 A 0BE5	MSG60 A 0BF4	MS010 A 0B73	MS020 A 0B80	PRO05 A 08E6	PRO10 A 0904	PRO20 A 0908
PRO30 A 0913	PRSLT A 08E1	RD A 0080	RDDD A 0933	RDID A 0965	RDTRK A 094E	RDYC A 0B5B
READ A 092A	RECAL A 09A3	REGF A 7F30	RED10 A 09AE	RSBDH A 0A29	RS010 A 0B35	RS015 A 0B38
RS017 A 0B3C	RS020 A 0B53	RSTC A 0A27	RSTOR A 0A1E	RSULT A 0B30	RY010 A 0B5E	RY020 A 0B62
SAVER A 0A19	SCNEQ A 0988	SCNHE A 099A	SCNLE A 0991	SD010 A 09F5	SEEK A 09BA	SEGHI A 0015
SEGLO A 0014	SFTRS A 0013	SK010 A 09C6	SK020 A 09CB	SLECT A 0AC8	SL010 A 0ACB	SNSDS A 09EA
SNSIC A 0A18	SNSIS A 0A04	SPC10 A 09DE	SPCFY A 09D3	USTACK A 7F80	VER A 0010	VERSIO A 0854
WR A 0040	WRITE A 093C	WRTDD A 0945				

ASSEMBLY COMPLETE, NO ERRORS



APPENDIX B

iSBX™ MULTIMODULE™ BOARD INTERFACE

B-1. INTRODUCTION

The iSBC 208 Controller is designed to accept a single- or double-wide iSBX Multimodule board. The iSBX Multimodule board installed on the controller is accessed by the host processor directly through the Multibus interface; the controller dedicates two of its DMA channels (DMAC channels 2 and 3) to the iSBX board to provide direct memory access between the iSBX board and system memory. The physical interface between the parent iSBC 208 Controller and the installed iSBX Multimodule board is provided through a 36-pin connector. For specific information on an individual iSBX board, refer to the corresponding iSBX Multimodule board hardware reference manual.

B-2. INSTALLATION

Physical installation of the selected iSBX Multimodule board on the controller is described in the corresponding iSBX Multimodule board hardware reference manual. Table B-1 defines the iSBX Multimodule board signals on the controller's J3 connector.

B-3. CONFIGURATION

As noted in table B-1, the iSBC 208 Controller includes a number of jumpers that must be installed to enable the corresponding signals on the controller's J3 connector. Note that none of the jumpers are installed at the factory. The following subsections define the jumper functions for the Multimodule board DMA channels and system interrupts.

B-4. DMA Channels

Channel 2 of the DMAC is reserved exclusively for the iSBX Multimodule board; the channel 2 DREQ (DMA Request) and DACK (DMA Acknowledge) signals are permanently routed to the J3 connector, and no jumpers are required. If an end-of-process (EOP) signal is required by the iSBX Multimodule board to indicate when the channel 2 DMA transfer is complete (i.e., DMAC channel 2 word count register decrements to zero), a jumper must be installed between jumper post E15 (OEOP) and either jumper post E16 (OPT0 signal line on J3-30) or jumper post E14 (OPT1 signal line on J3-28).

Channel 3 of the DMAC is available to the iSBX Multimodule board; the channel 3 DACK and DREQ signals must be jumpered on the controller to route

Table B-1. J3 Connector Pin Assignments

Pin	Signal	Function	Pin	Signal	Function
1	+12V	+12 volts	19	MD7	Multimodule Data Bit 7
2	-12V	-12 volts	20	MCS1/	Multimodule Chip Select 1
3	Gnd	Logic Ground	21	MD6	Multimodule Data Bit 6
4	+5V	+5 volts	22	MCS0/	Multimodule Chip Select 0
5	MRESET	Multimodule Reset	23	MD5	Multimodule Data Bit 5
6	MCLK	Multimodule Clock	24	Reserved	
7	MA2	Multimodule Address Bit 2	25	MD4	Multimodule Data Bit 4
8	MPST/	Multimodule Present	26	TDMA*	Terminate DMA
9	MA1	Multimodule Address Bit 1	27	MD3	Multimodule Data Bit 3
10	Reserved		28	OPT1*	Optional Signal 1
11	MA0	Multimodule Address Bit 0	29	MD2	Multimodule Data Bit 2
12	MINTR1*	Multimodule Interrupt 1	30	OPT0*	Optional Signal 0
13	IOWRT/	I/O Write	31	MD1	Multimodule Data Bit 1
14	MINTR0*	Multimodule Interrupt 0	32	MDACK/	Multimodule DMA Ack.
15	IORD/	I/O Read	33	MD0	Multimodule Data Bit 0
16	MWAIT/	Multimodule Wait	34	MDRQT	Multimodule DMA Request
17	Gnd	Logic Ground	35	Gnd	Logic Ground
18	+5V	+5 volts	36	+5V	+5 volts

*Signal requires jumper connection on controller board.

the signals to the J3 connector. The DACK3 signal (ODACK) appears on jumper post E13, and the DREQ3 signal (ODREQ) appears on jumper post E12. These two signals must be connected to jumper posts E16 (OPT0 signal line on J3-30) and E14 (OPT1 signal line on J3-28).

NOTE

Since DMAC channel 3 requires the use of both the OPT0 and OPT1 optional signal lines, the EOP signal from the DMAC to the iSBX Multimodule board cannot be supported.

If the iSBX Multimodule board includes logic to externally terminate a DMA transfer, a jumper must be installed between jumper post E1 (TDMA signal on J3-26) to jumper post E3 (external EOP input to the DMAC).

B-5. INTERRUPTS

There are two interrupt signals available on iSBX Multimodule board interface connector J3, MINTR0 on J3-14 and MINTR1 on J3-12. These signals are routed to the controller's interrupt jumper matrix (jumper posts E80 and E81, respectively) and must be connected to the desired Multibus interface interrupt level according to the following table.

Interrupt Signal	Jumper Post	Jumper Post	Interrupt Level
MINTR0	E80	E89	INT0/
		E88	INT1/
		E87	INT2/
		E86	INT3/
MINTR1	E81	E85	INT4/
		E84	INT5/
		E83	INT6/
		E82	INT7/

Note that the interrupt level selected must *not* have been previously assigned to another bus master.

B-6. PROGRAMMING INFORMATION

When an iSBX Multimodule board is installed on the controller, host processor communication is accomplished through a set of 16 I/O ports. These 16

I/O ports reference the same I/O base address as the controller and are numbered port addresses 20 through 2F (hexadecimal). To address the additional I/O ports, a 6-bit I/O port address is required (the controller only requires a 5-bit port address); the I/O base address must be located on a 64-port boundary, and I/O base address bit 5 is irrelevant.

B-7. PORT ASSIGNMENTS

The 16 I/O ports assigned to the iSBX Multimodule board are divided into two groups of eight ports by the two Multimodule chip select signals (MCS0/ and MCS1/). The individual port addressed within the group is determined by Multimodule address bits 0 through 2 (MA0-MA2). Table B-2 defines the iSBX Multimodule port assignments; refer to the corresponding iSBX Multimodule board hardware reference manual for the specific I/O port functions.

Table B-2. I/O Port Assignments

I/O Port Address (Hexadecimal)	iSBX Board Signal Levels				
	MCS1/	MCS0/	MA2	MA1	MA0
20	1	0	0	0	0
21			0	0	1
22			0	1	0
23			0	1	1
24			1	0	0
25			1	0	1
26			1	1	0
27			1	1	1
28	0	1	0	0	0
29			0	0	1
2A			0	1	0
2B			0	1	1
2C			1	0	0
2D			1	0	1
2E			1	1	0
2F			1	1	1

B-8. PROGRAMMING THE DMAC

Programming the DMAC is described in sections 3-3 through 3-12 of this manual.



C1. INTRODUCTION

The following tables (tables C-1 and C-2) define specific drive interfaces for a number of standard- and mini-sized drives that are compatible with the iSBC 208 controller. In the tables, a drive interface pin number appearing in an individual drive column indicates that the signal function and pin assignment on the controller interface connector are the same on the drive interface connector.

C-2. USING THE TABLES

As an example of how the tables are used, assume that four Micropolis 1015 mini drives are to be interfaced to the controller. Referring to the Micropolis 1015 column in table C-2, note that a (common) HEAD LOAD signal is required on pin 2, a MOTOR ON signal is required on pin 16, the drive select signal

for the fourth drive is required on pin 34, and that all of the remaining interface signals are directly pin-to-pin compatible.

Referring to the controller schematic in Chapter 5, to configure the controller to provide a HEAD LOAD signal on pin 2 of connector J1, the jumper between posts E31 and E32 (see sheet 7 of the schematic) is removed, and a jumper is installed between posts E32 (the source of the HEAD LOAD signal) and E10 (pin 2 of connector J1); see sheet 3 of the schematic. Again referring to sheet 3 of the schematic, to provide a MOTOR ON signal on pin 16, a jumper is installed between the selected auxiliary port bit (see section 2-14) on jumper post E11, E9, E7, or E2, and jumper post E6 (pin 16 of connector J1). To provide a fourth drive select signal, the factory-installed jumper between posts E21 and E22 (TWO SIDED/) is removed, and a jumper is installed between post E20 (the controller's DRIVE SELECT 3/ signal on sheet 7) and post E21 (pin 34 of connector J1).

Table C-1. Standard 8-inch Drive Interface Pin Assignments

Controller Interface Connector J2		Shugart SA800/850	Calcomp 143M	CDC 9406-3	Memorex 550/552	MFE Series 500/700	Persci 70	Persci 288	Pertec 650	Pertec 5x4	Qume Data Trak 8	Remex 2000/4000	Siemens FDD 200-8 FDD 100-8
Signal Name	Pin												
**LOW CURRENT/	2	2 ¹	HEAD LOAD 2	Unassigned	Unassigned	2	MOTOR ON	Unassigned	2	2	Unassigned	2	2
*HEAD LOAD 2/	4	Unassigned	HEAD LOAD 3	Unassigned	Unassigned	Unassigned	Unassigned	Unassigned	Unassigned	Unassigned	Unassigned	Unassigned	Unassigned
*HEAD LOAD 3/	6	Unassigned	HEAD LOAD 4	Unassigned	Unassigned	POWER SAVE	Unassigned	Unassigned	Unassigned	Unassigned	Unassigned	Unassigned	Unassigned
*User Defined	8	Unassigned	TRK 43	Unassigned	Unassigned	Unassigned	Unassigned	Unassigned	WRITE BUSY	Unassigned	Unassigned	Unassigned	Unassigned
**TWO SIDED/	10	10 ¹	10	10	10 ²	10 ³	SEEK COMPLETE	10	10	Unassigned	10	10 ⁴	ILLEGAL ⁵ PACK
*User Defined	12	DISK CHANGE	DISK CHANGE	DISK CHANGE	DISK CHANGE	DISK CHANGE	RESTORE	DISK CHANGE	DISK CHANGE	Unassigned	DISK CHANGE	DISK CHANGE	Unassigned
SIDE SELECT/	14	14 ¹	HEAD LOAD1	14	14 ²	14 ³	REMOTE EJECT	14	14	Unassigned	14	14 ⁴	14 ⁵
*User Defined	16	IN USE	IN USE	IN USE	IN USE	IN USE	POSITION PULSES	IN USE	BUSY CONTROL	Unassigned	IN USE	IN USE	IN USE
**HEAD LOAD 0/ INDEX/	18 20	18 20	18 20	18 20	18 20	18 20	18 20	18 20	18 20	18 20	18 20	18 20	18 20
**READY/	22	22	22	22	22	22	22	22	22	22	22	22	22
*HEAD LOAD 1/ DRIVE SELECT 0/ DRIVE SELECT/ DRIVE SELECT 2/ DRIVE SELECT 3/ DIRECTION/ STEP/ WRITE DATA/ WRITE GATE/ TRACK 0/ WRITE PROTECT/ READ DATA/ 46	24 26 28 30 32 34 36 38 40 42 44 46	SECTOR 26 28 30 32 34 36 38 40 42 44 46	SECTOR 26 28 30 32 34 36 38 40 42 44 46	SECTOR 26 28 30 32 34 36 38 40 42 44 46	SECTOR 26 28 30 32 34 36 38 40 42 44 46	SECTOR 26 28 30 32 34 36 38 40 42 44 46	SECTOR 26 28 30 32 34 36 38 40 42 44 46	SECTOR 26 28 30 32 34 36 38 40 42 44 46	SECTOR 26 28 30 32 34 36 38 40 42 44 46	SECTOR 26 28 30 32 34 36 38 40 42 44 46	Unassigned 26 28 30 32 34 36 38 40 42 44 46	SECTOR 26 28 30 32 34 36 38 40 42 44 46	SECTOR 26 28 30 32 34 36 38 40 42 44 46
*FAULT/	48	SEPARATED DATA	SEPARATED DATA	SEPARATED DATA	SEPARATED DATA	SEPARATED DATA	SEPARATED DATA	SEPARATED DATA	SEPARATED DATA	SEPARATED DATA	Unassigned	SEPARATED DATA	SEPARATED DATA
*FAULT RESET/	50	SEPARATED CLOCK	SEPARATED CLOCK	SEPARATED CLOCK	SEPARATED CLOCK	SEPARATED CLOCK	SEPARATED CLOCK	SEPARATED CLOCK	SEPARATED CLOCK	SEPARATED CLOCK	Unassigned	SEPARATED CLOCK	SEPARATED CLOCK

*Requires jumper on controller
**Jumper is installed on controller

¹850 Only

²552 Only

³700 Only

⁴4000 Only

⁵200-8 Only

Table C-2. Mini Drive Interface Pin Assignments

Controller Interface Connector J1		Shugart SA400/450	Shugart SA410/460	BASF 6106/6108	CDC 9409	Micropolis 1015	MPI 51/52	Pertec FD200	Pertec FD250	Siemens FDD 200-5N FDD 100-5B	Tandon TM100
Signal Name	Pin										
*User Defined	2	Unassigned	Unassigned	HEAD LOAD	Unassigned	HEAD LOAD	Unassigned	Unassigned	Unassigned	Unassigned	Unassigned
*User Defined	4	IN USE ¹	IN USE	Unassigned	Unassigned	Unassigned	IN USE	Unassigned	BUSY CONTROL	IN USE ⁴	Unassigned
**READY/ INDEX/ DRIVE SELECT 0/ DRIVE SELECT 1/ DRIVE SELECT 2/	6 8 10 12 14	Unassigned 8 10 12 14	DRIVE SELECT 4 8 10 12 14	6 8 10 12 14	DRIVE SELECT 4 8 10 12 14	6 8 10 12 14	DRIVE SELECT 4 8 10 12 14	DRIVE SELECT 3 8 10 12 14	DRIVE SELECT 3 8 10 12 14	DRIVE SELECT 3 8 10 12 14	DRIVE SELECT 3 8 10 12 14
*User Defined DIRECTION/ STEP/ WRITE DATA/ WRITE ENABLE/ TRACK 0 WRITE PROTECT/ READ DATA/ SIDE SELECT/ **TWO SIDED/	16 18 20 22 24 26 28 30 32 34	MOTOR ON 18 20 22 24 26 28 30 32 ¹ Unassigned	MOTOR ON 18 20 22 24 26 28 30 32 ² DOOR OPEN	MOTOR ON 18 20 22 24 26 28 30 32 ³ IN USE	MOTOR ON 18 20 22 24 26 28 30 32 Unassigned	MOTOR ON 18 20 22 24 26 28 30 32 DRIVE SELECT 4	MOTOR ON 18 20 22 24 26 28 30 32 Unassigned	MOTOR ON 18 20 22 24 26 28 30 32 Unassigned	MOTOR ON 18 20 22 24 26 28 30 32 Unassigned	MOTOR ON 18 20 22 24 26 28 30 32 ⁴ Unassigned	MOTOR ON 18 20 22 24 26 28 30 32 Unassigned

*Requires jumper on controller
**Jumper is installed on controller

¹450 Only

²460 Only

³6108 Only

⁴200-5N Only



REQUEST FOR READER'S COMMENTS

Intel's Technical Publications Departments attempt to provide publications that meet the needs of all Intel product users. This form lets you participate directly in the publication process. Your comments will help us correct and improve our publications. Please take a few minutes to respond.

Please restrict your comments to the usability, accuracy, readability, organization, and completeness of this publication. If you have any comments on the product that this publication describes, please contact your Intel representative. If you wish to order publications, contact the Intel Literature Department (see page ii of this manual).

1. Please describe any errors you found in this publication (include page number).

2. Does the publication cover the information you expected or required? Please make suggestions for improvement.

3. Is this the right type of publication for your needs? Is it at the right level? What other types of publications are needed?

4. Did you have any difficulty understanding descriptions or wording? Where?

5. Please rate this publication on a scale of 1 to 5 (5 being the best rating). _____

NAME _____ DATE _____

TITLE _____

COMPANY NAME/DEPARTMENT _____

ADDRESS _____

CITY _____ STATE _____ ZIP CODE _____
(COUNTRY)

Please check here if you require a written reply.

WE'D LIKE YOUR COMMENTS ...

This document is one of a series describing Intel products. Your comments on the back of this form will help us produce better manuals. Each reply will be carefully reviewed by the responsible person. All comments and suggestions become the property of Intel Corporation.

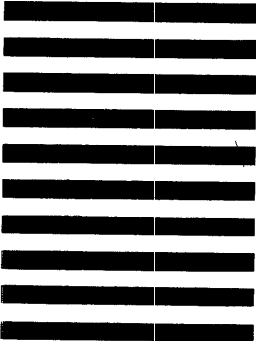


**NO POSTAGE
NECESSARY
IF MAILED
IN U.S.A.**

BUSINESS REPLY MAIL
FIRST CLASS PERMIT NO. 79 BEAVERTON, OR

POSTAGE WILL BE PAID BY ADDRESSEE

Intel Corporation
5200 N.E. Elam Young Pkwy.
Hillsboro, Oregon 97123



O.M.S. Technical Publications



INTEL CORPORATION, 3065 Bowers Avenue, Santa Clara, California 95051 (408) 987-8080

Printed in U.S.A.