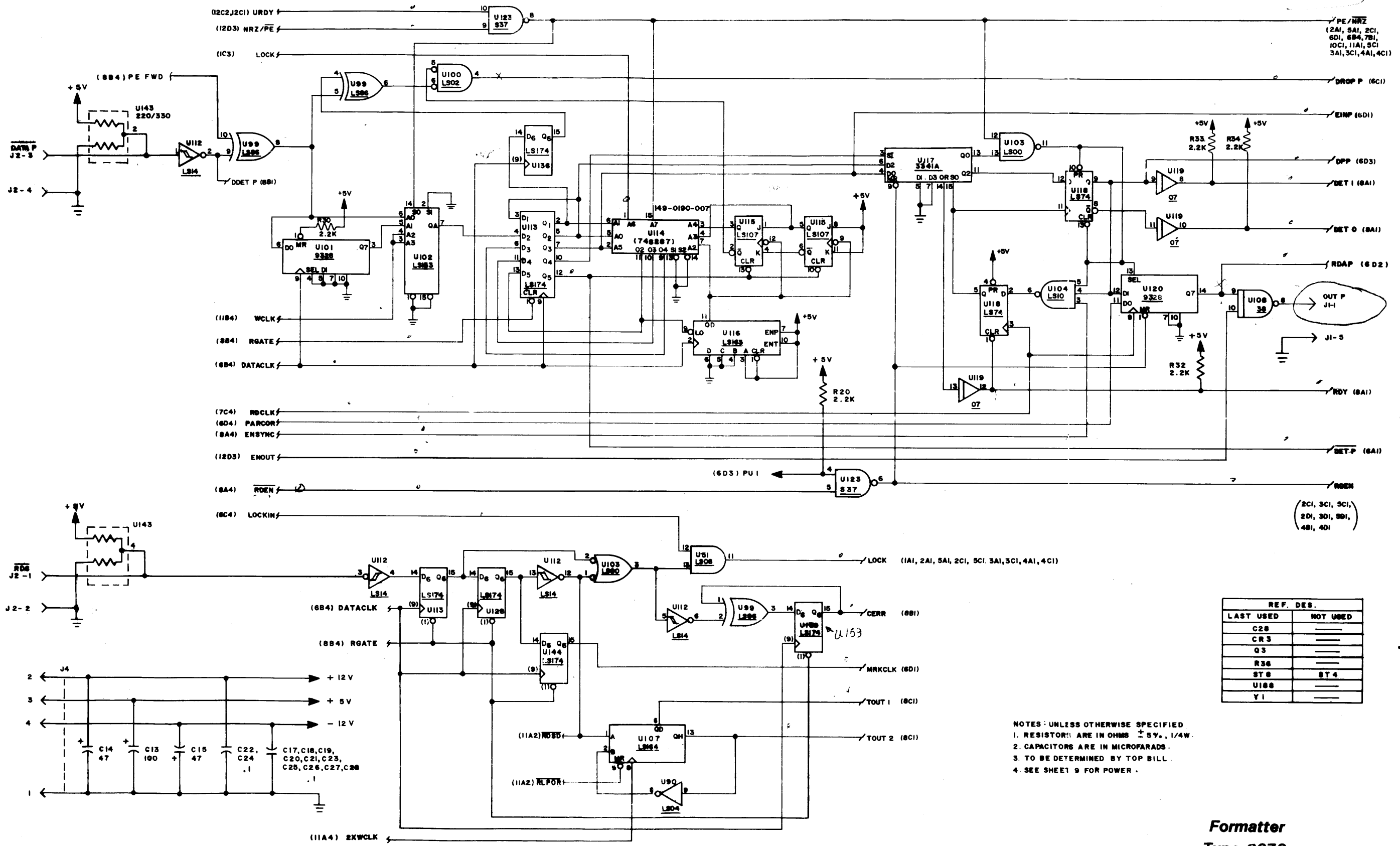


FORMATTER

401-6679-001
SHT. 1 OF 12



REF. DES.	
LAST USED	NOT USED
C28	---
CR3	---
Q3	---
R36	---
ST8	ST4
U188	---
Y1	---

NOTES: UNLESS OTHERWISE SPECIFIED
 1. RESISTORS ARE IN OHMS $\pm 5\%$, 1/4W
 2. CAPACITORS ARE IN MICROFARADS.
 3. TO BE DETERMINED BY TOP BILL.
 4. SEE SHEET 9 FOR POWER.

Formatter
Type 6679
Schematic Diagram

A

B

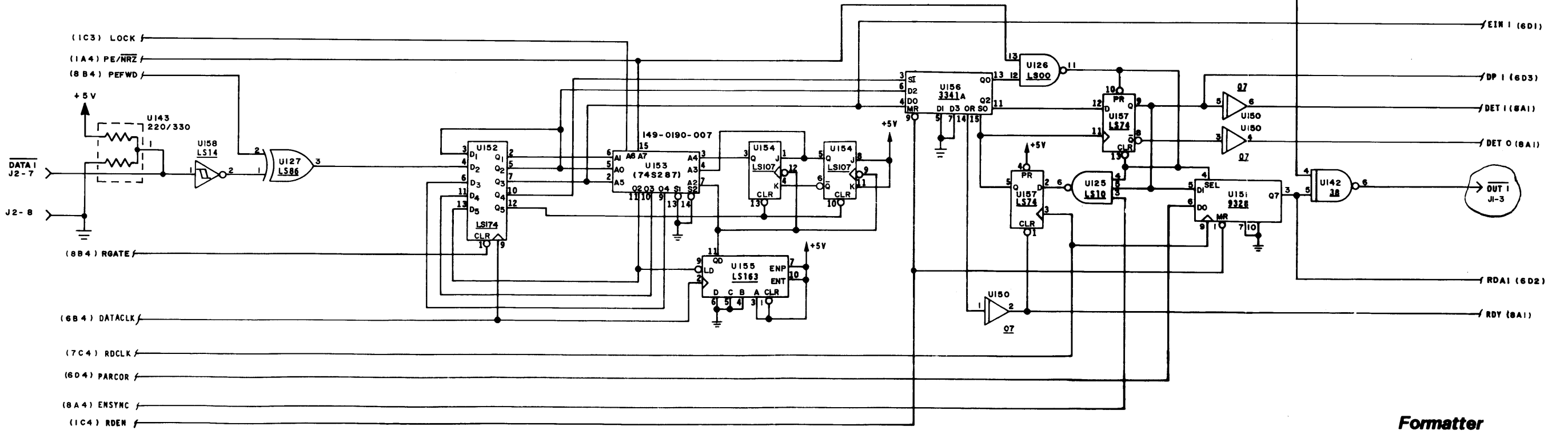
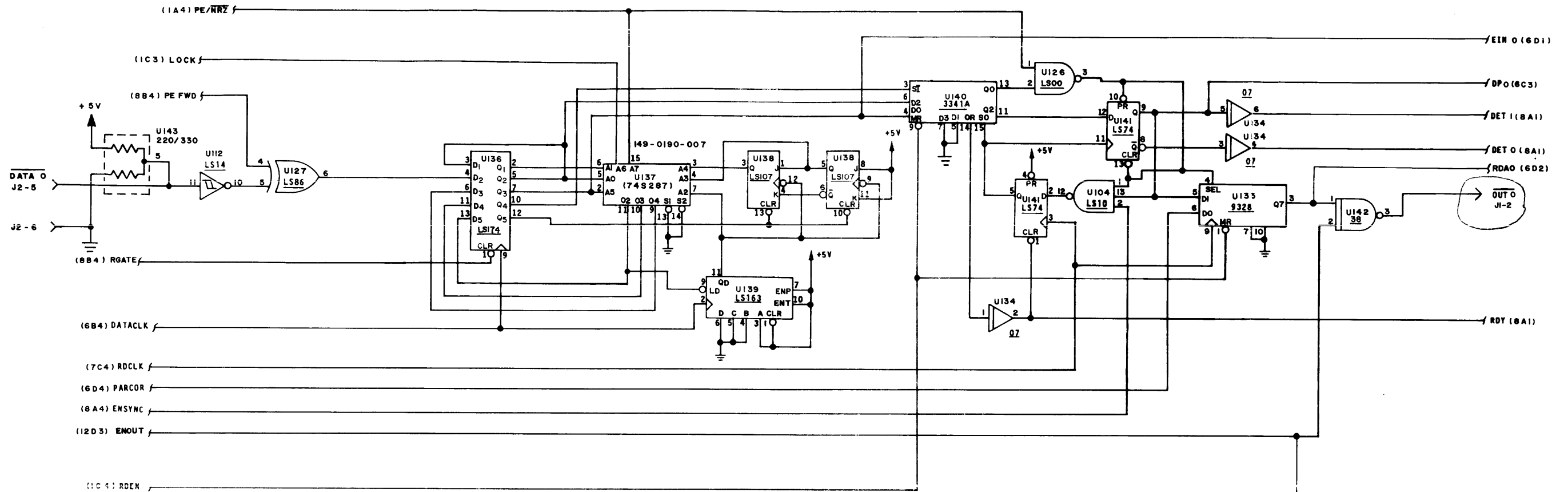
C

D

2

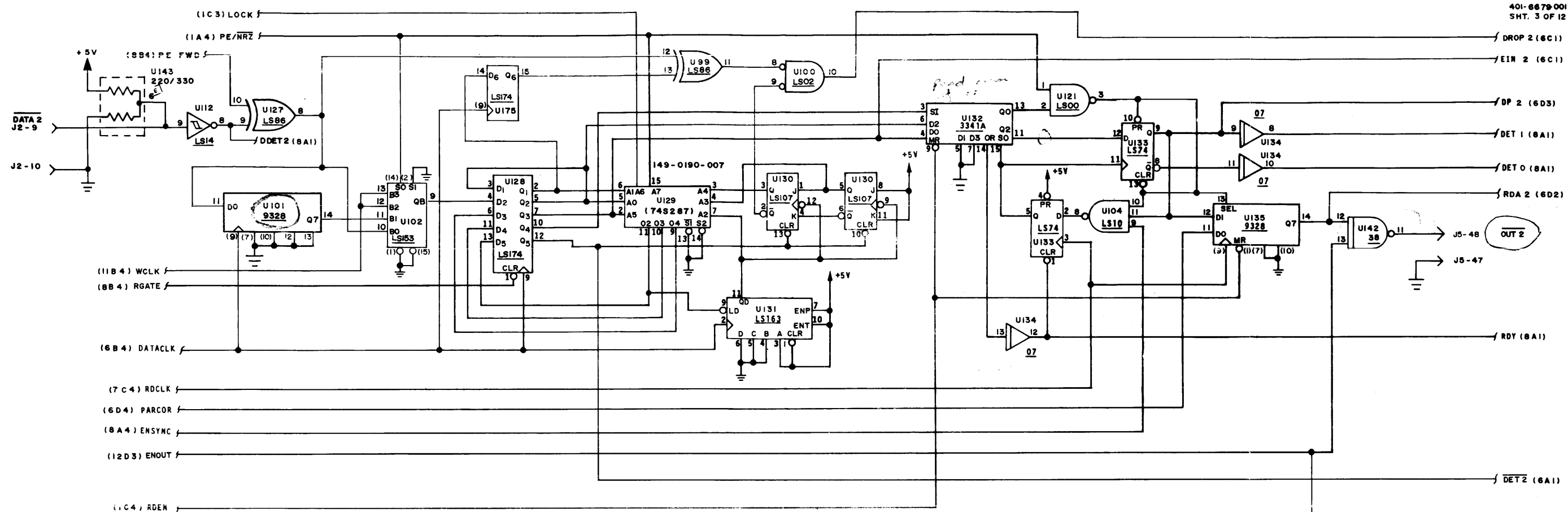
3

4



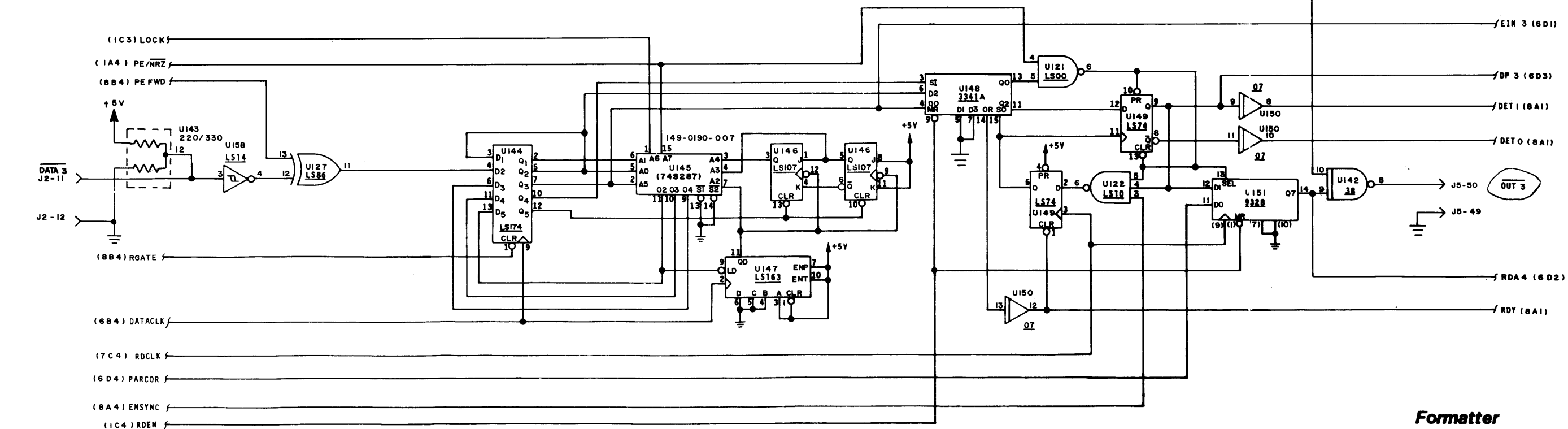
**Formatter
Type 6679
Schematic Diagram**

A
B
C
D



A

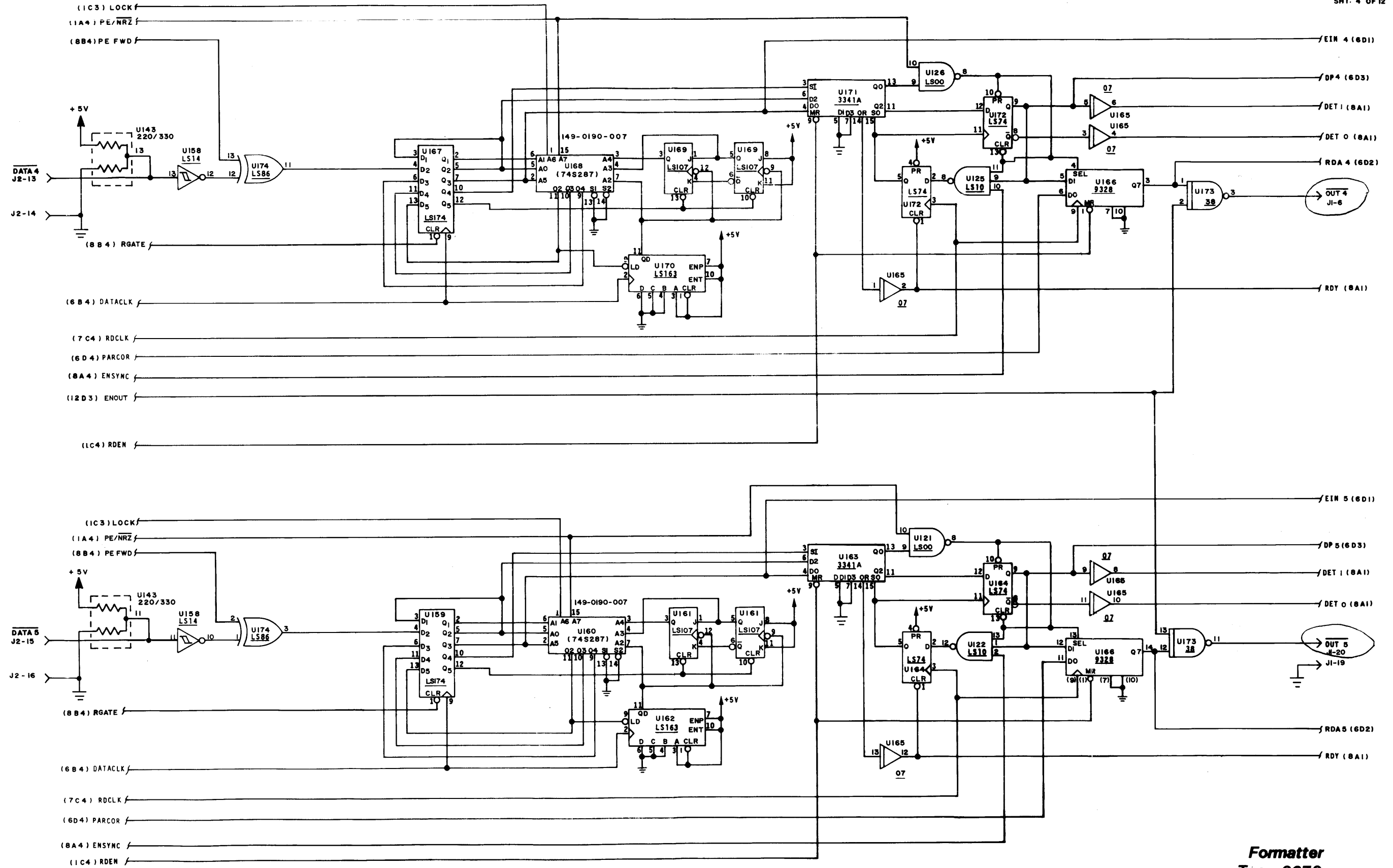
B



C

D

Formatter
Type 6679
Schematic Diagram



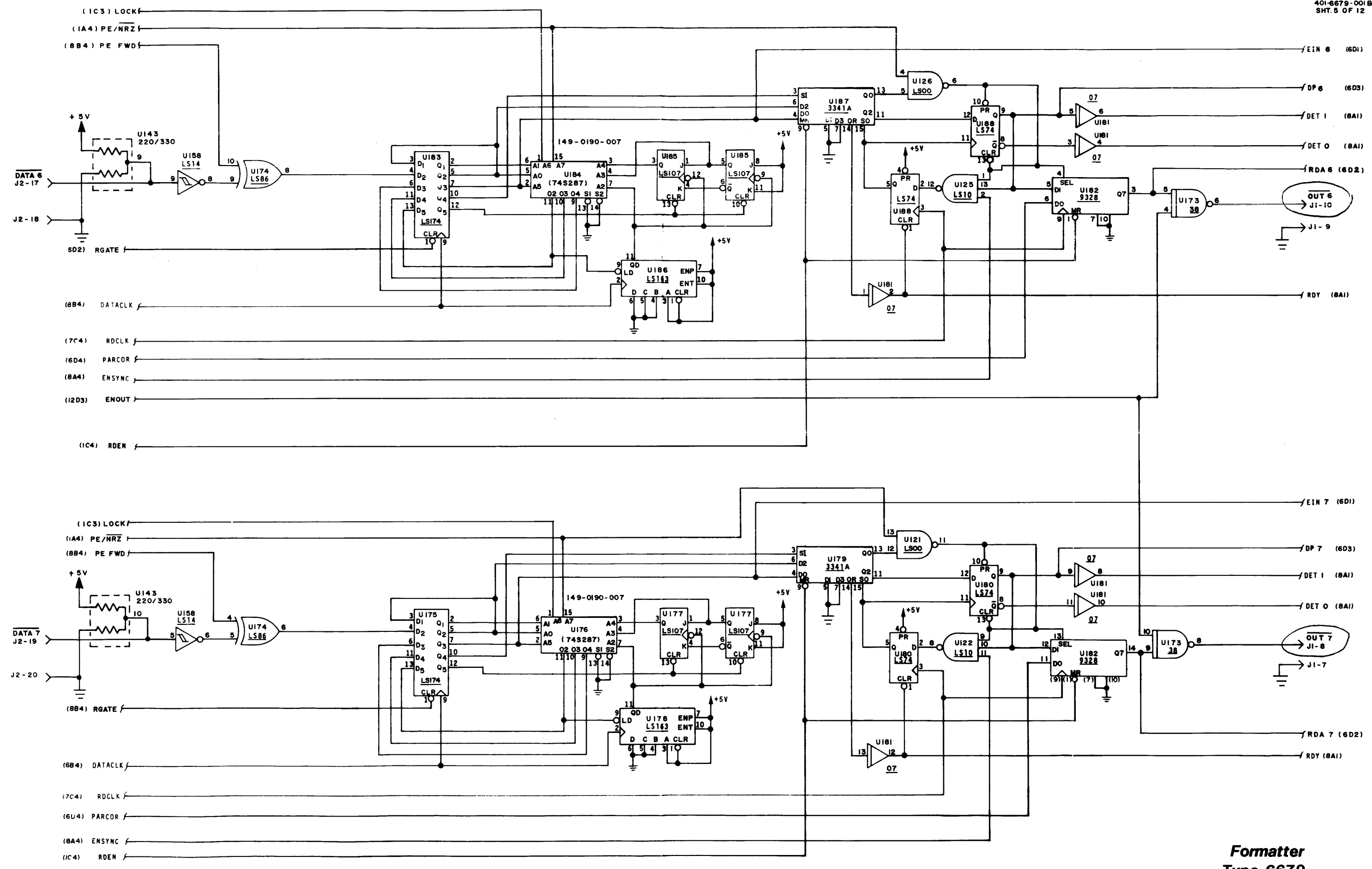
A

B

C

D

Formatter
Type 6679
Schematic Diagram



A
B
C
D

Formatter
Type 6679
Schematic Diagram

Speed circuitry

12 3 4

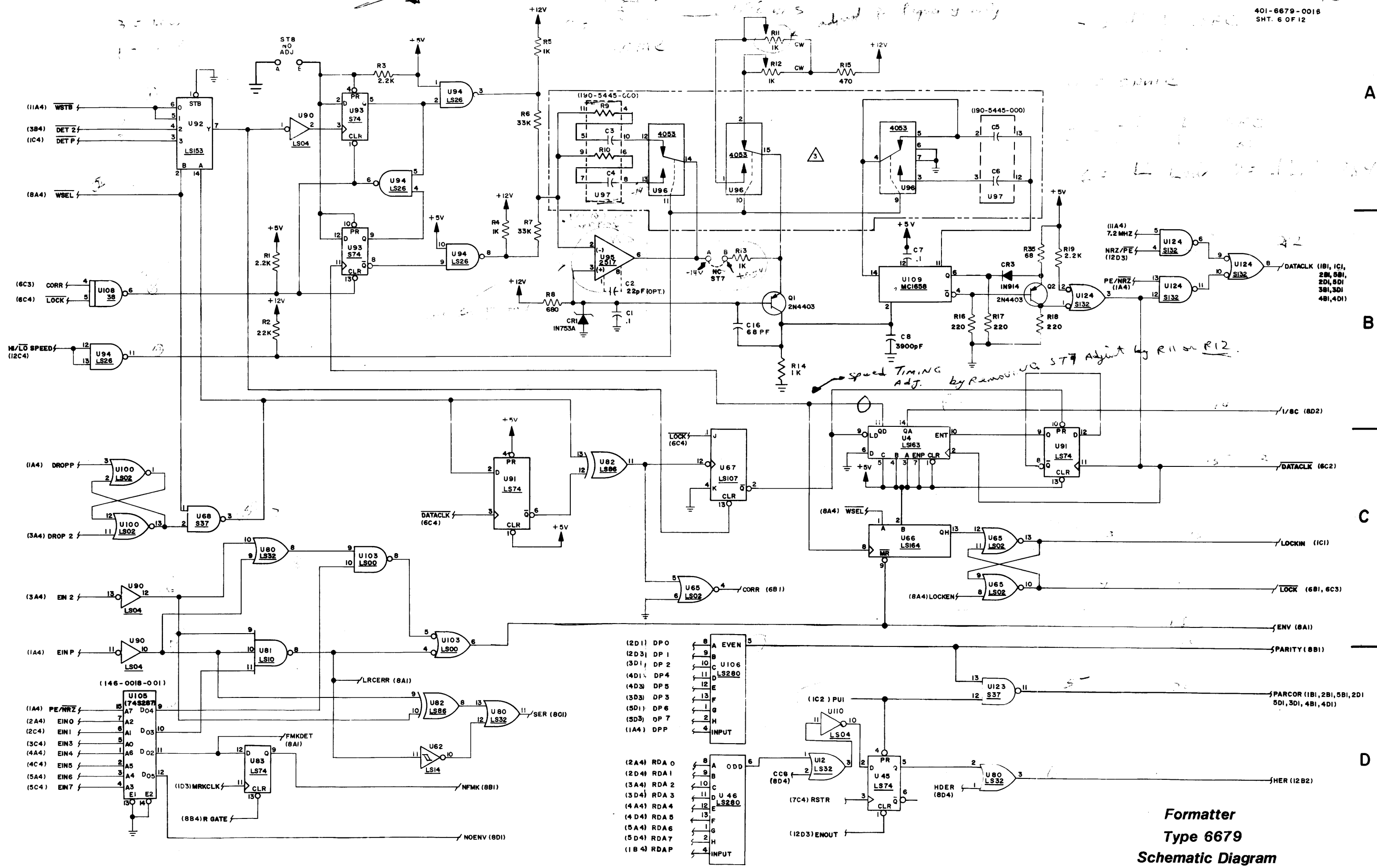
401-6679-0018 SHT. 6 OF 12

12 3 4

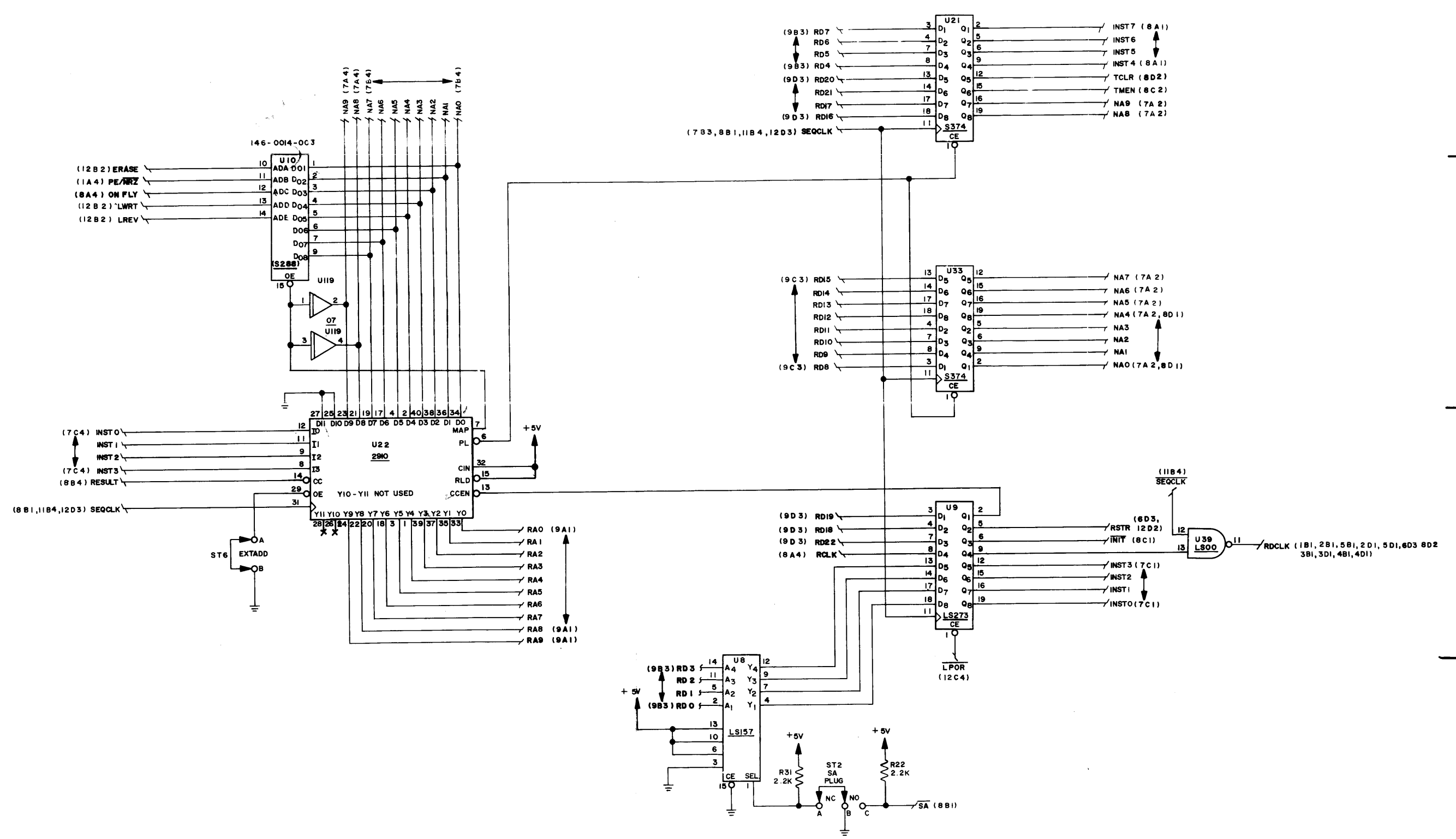
12 3 4

12 3 4

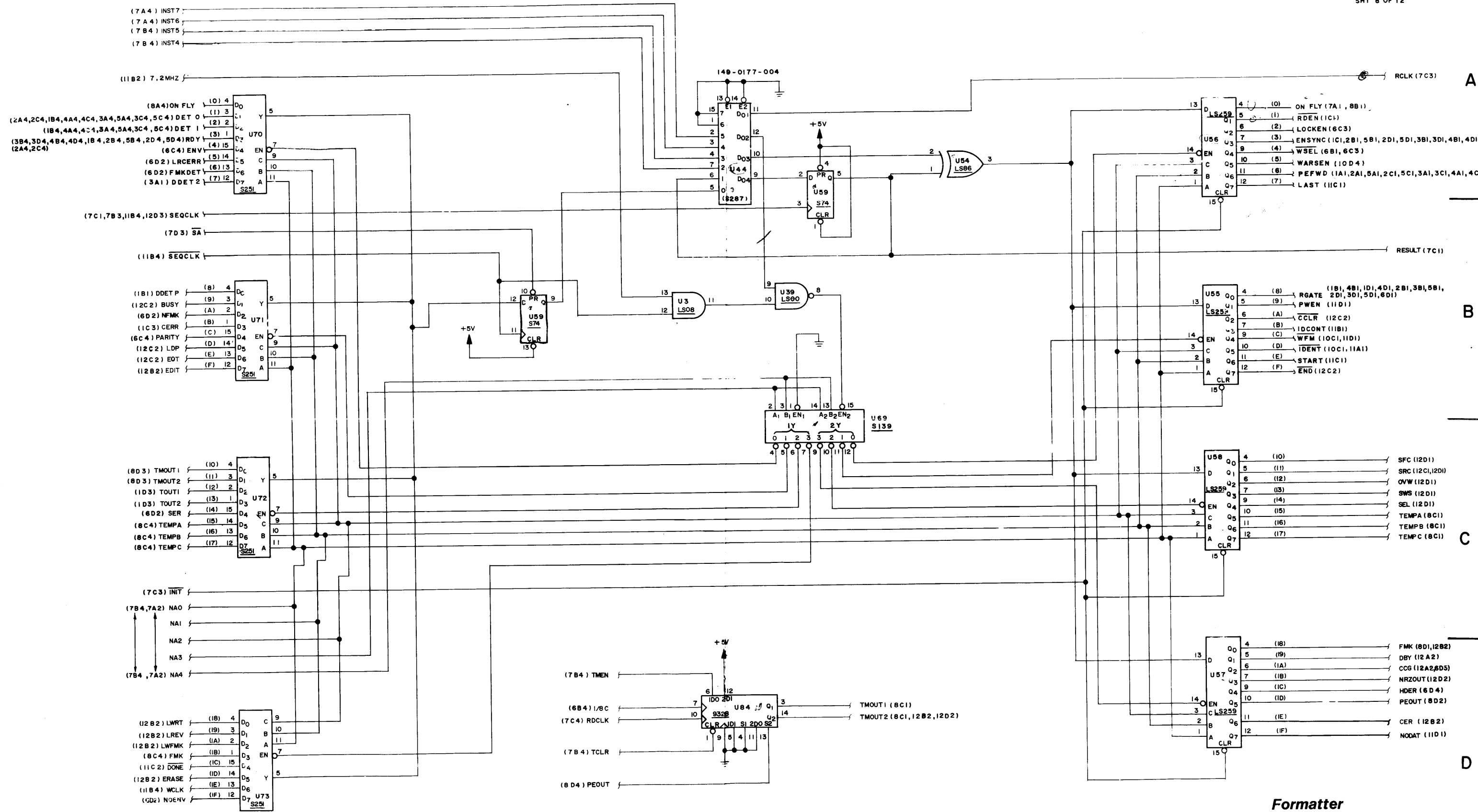
12 3 4



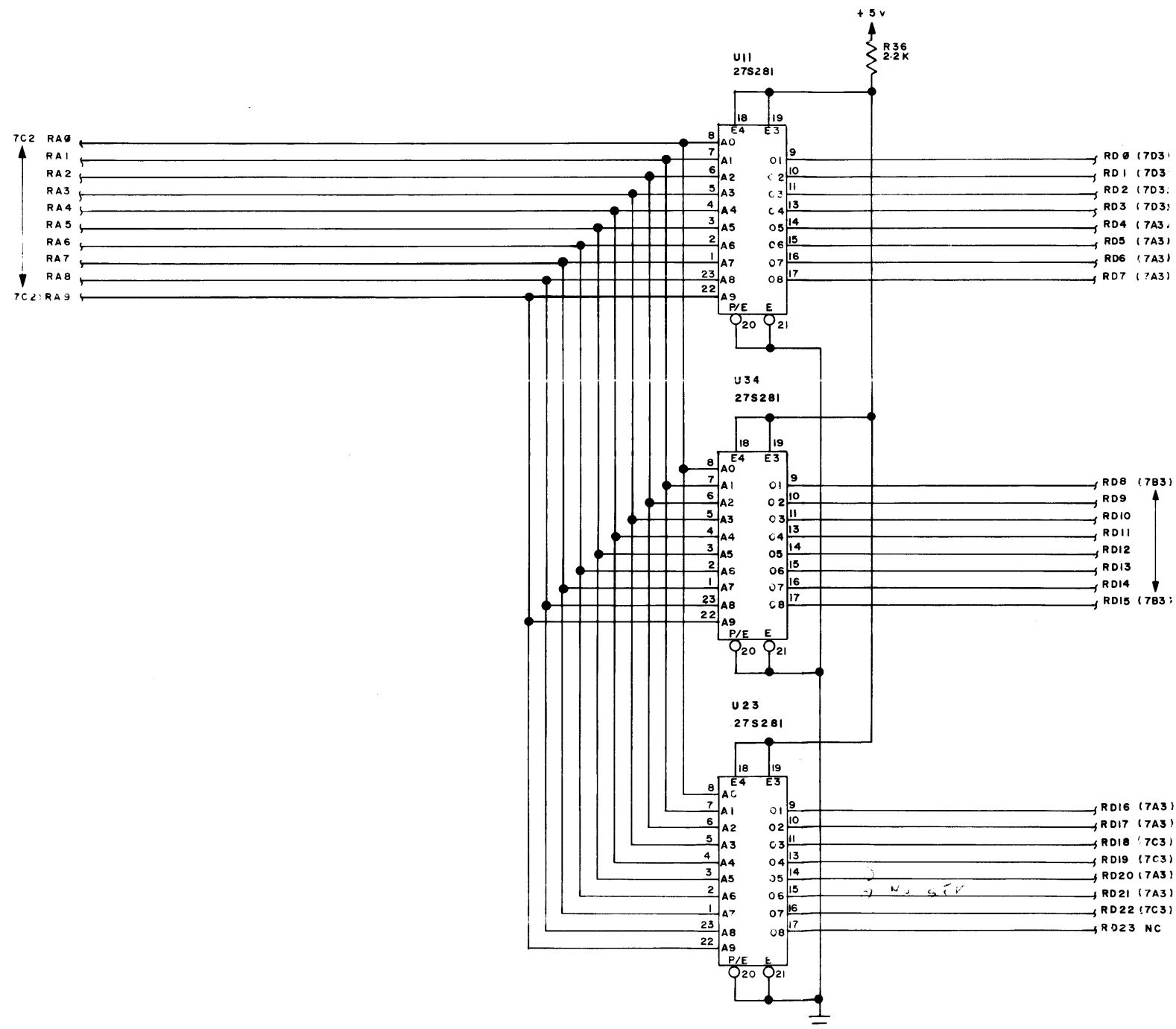
**Formatter
Type 6679
Schematic Diagram**



Formatter
Type 6679
Schematic Diagram



**Formatter
Type 6679
Schematic Diagram**

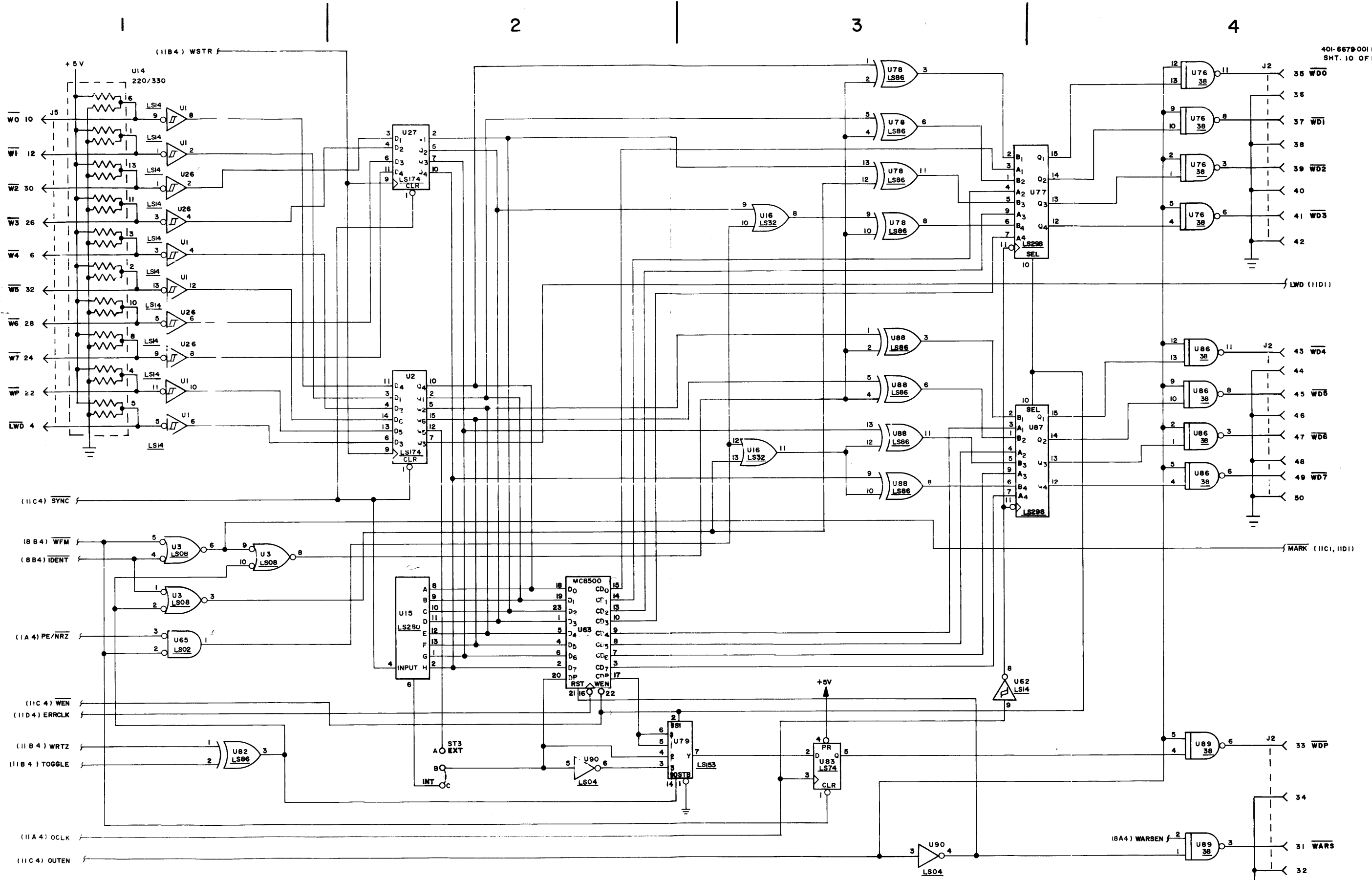


IC POWER AND GROUND BUS

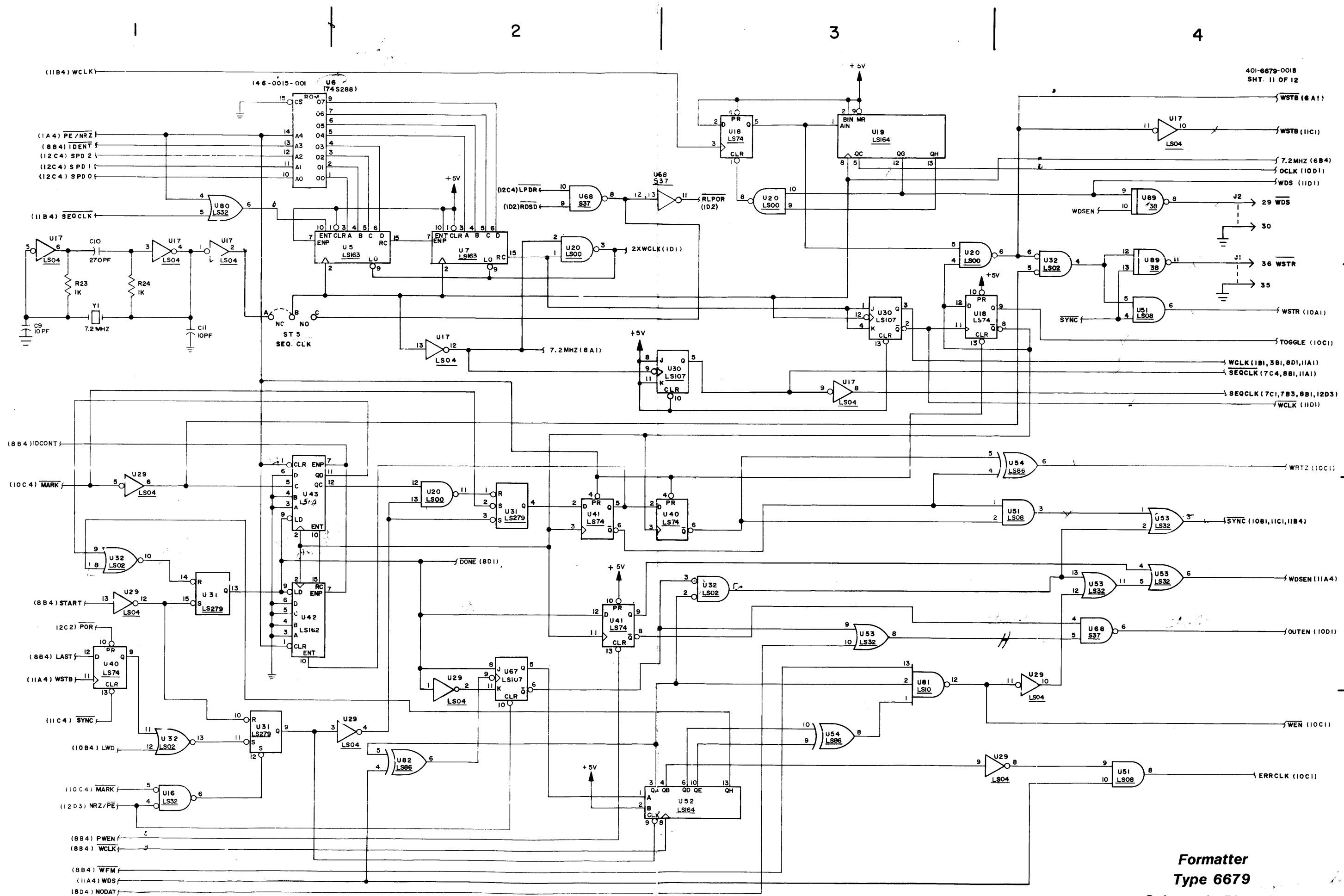
REF. DES.	TYPE	+5V	+12V	-12V	GND.
U1,26,37,62,85,110,112,158	74LS14	14			7
U2,27,113,128,136,144,152,159,167,175,183	74LS174	16			8
U3,51	74LS08	14			7
U4,5,7,116,131,139,147,155,162,170,178,186	74LS163	16			8
U6,10	74LS288	16			8
U8	74LS157	16			8
U9	74LS273	20			10
U11,23,34	27S281	24			12
U12,16,53,80	74LS32	14			7
U13,25,36,48,50,75,76,86,89,98,108,111,142,173	7438	14			7
U14,61,49,143	220/330	14			7
U15,46,106	74LS280	14			7
U17,24,29,90	74LS04				
U18,28,40,41,45,83,91,118,133,141,149,157,164,172,180,188	74LS74	14			7
U19,52,66,107	74LS164	14			7
U20,39,103,121,126	74LS00	14			7
U21,33	74S374	20			10
U22	2910	10			30
U30,67,115,130,138,146,154,161,169,177,185	74LS107	14			7
U31	74LS279	16			8
U32,65,100	74LS02	14			7
U38	74LS373	20			10
U42	74LS162	16			8
U43	74LS161	16			8
U44,105,114,129,137,145,153,160,168,176,184	74S287	16			8
U47,60	74LS240	20			10
U54,78,82,88,99,127,174	74LS86	14			7
U55,56,57,58	74LS259	16			8
U59,93	74S74	14			7
U63	MC8500	24			12
U64	74LS139	16			8
U68,U123	74S37	14			7
U69	74S139	16			8
U70,71,72,73	74S251	16			8
U77,87	74LS298	16			8
U79,102,92	74LS153	16			8
U81,104,122,125	74LS10	14			7

CONT

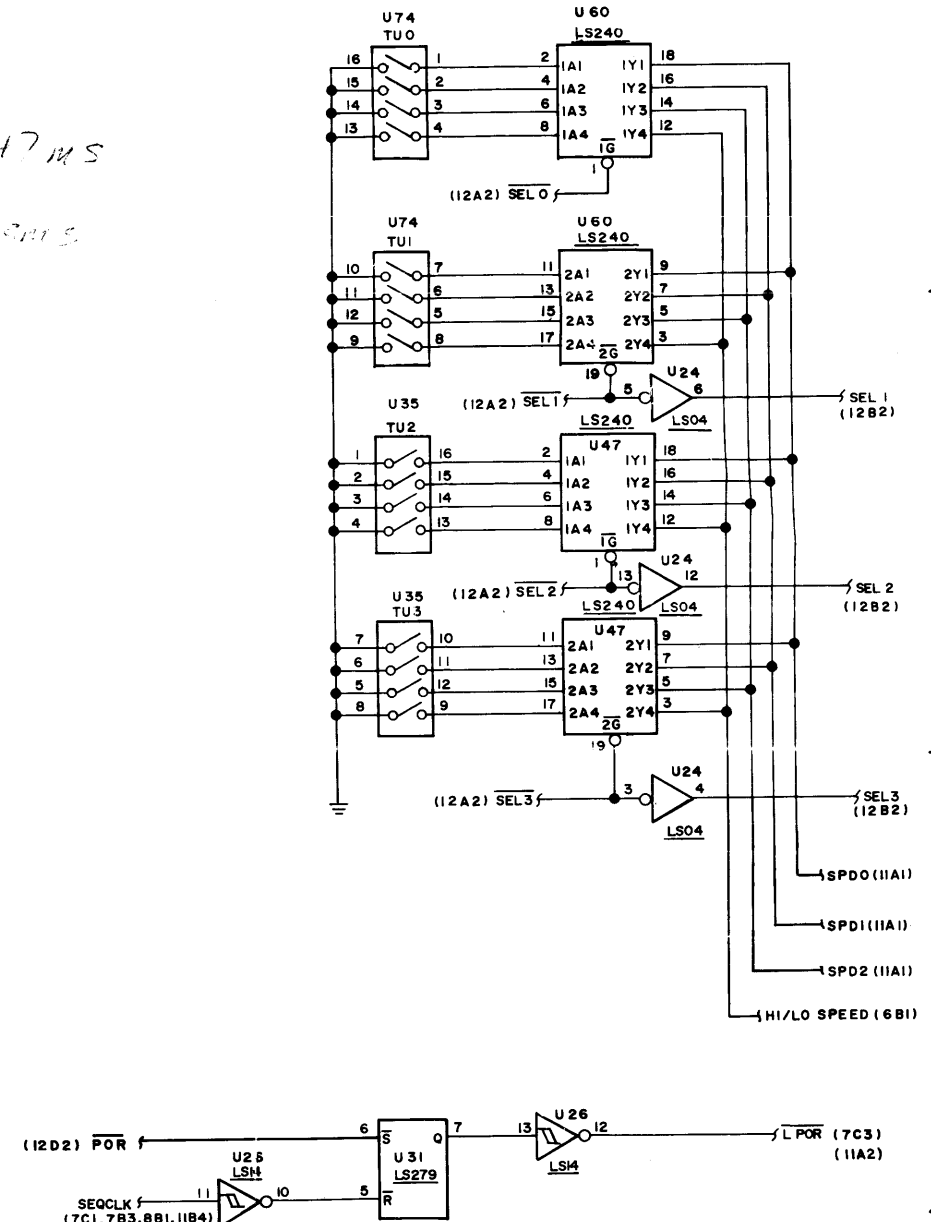
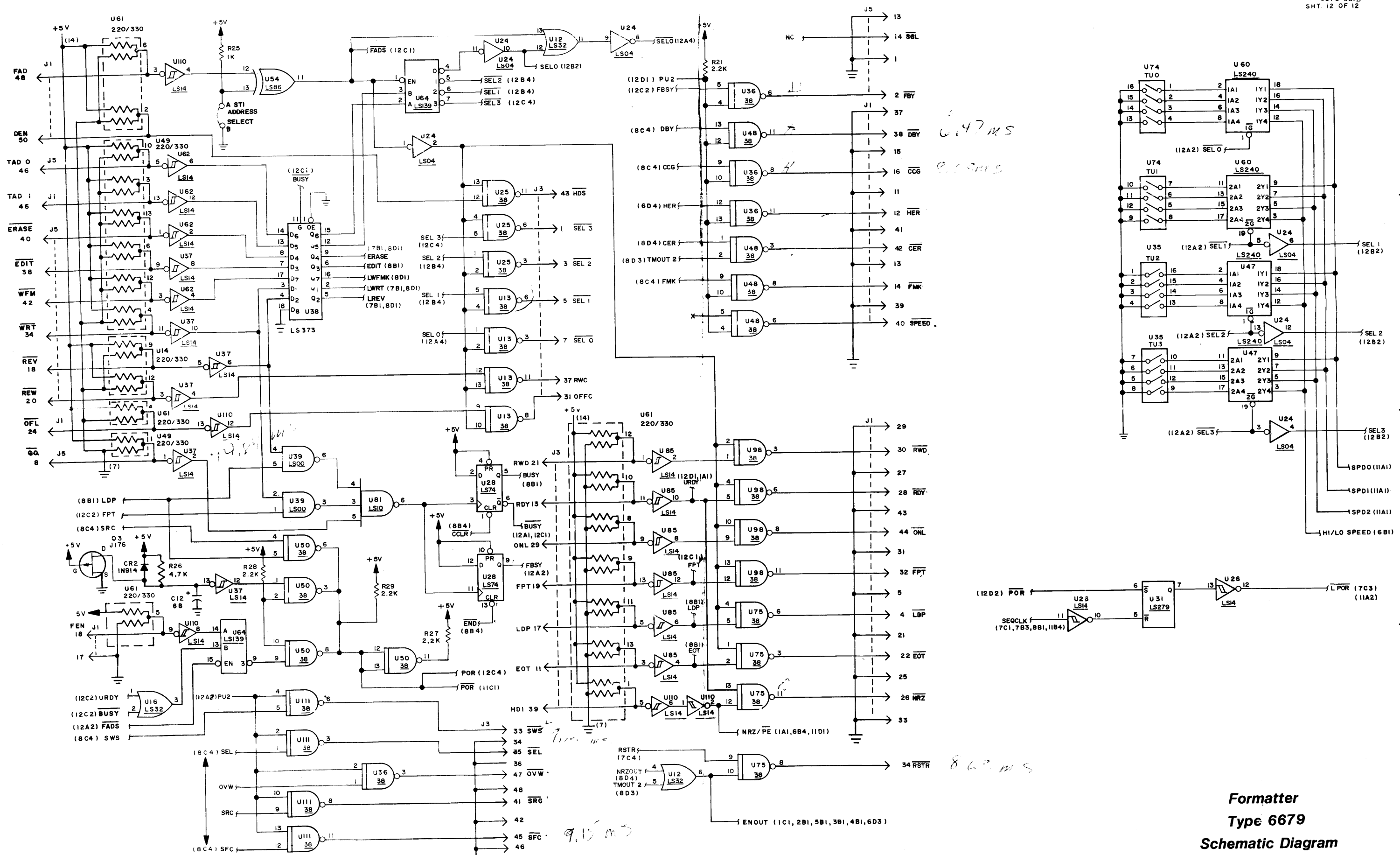
REF. DES.	TYPE	+5V	+12V	-12V	GND.
U84,101,120,135,151,166,182	9328	16			8
U94	74LS26	14			7
U95	2517		7	4	
U96	4053		16		8
U109	MC1658	1,5			8
U117,132,140,148,156,163,171,179,187	3341A	16			8
U119,134,150,165,181	7407	14			7
U124	74S132	14			7



Formatter
Type 6679
Schematic Diagram



Formatter
Type 6679
Schematic Diagram



Formatter
Type 6679
Schematic Diagram