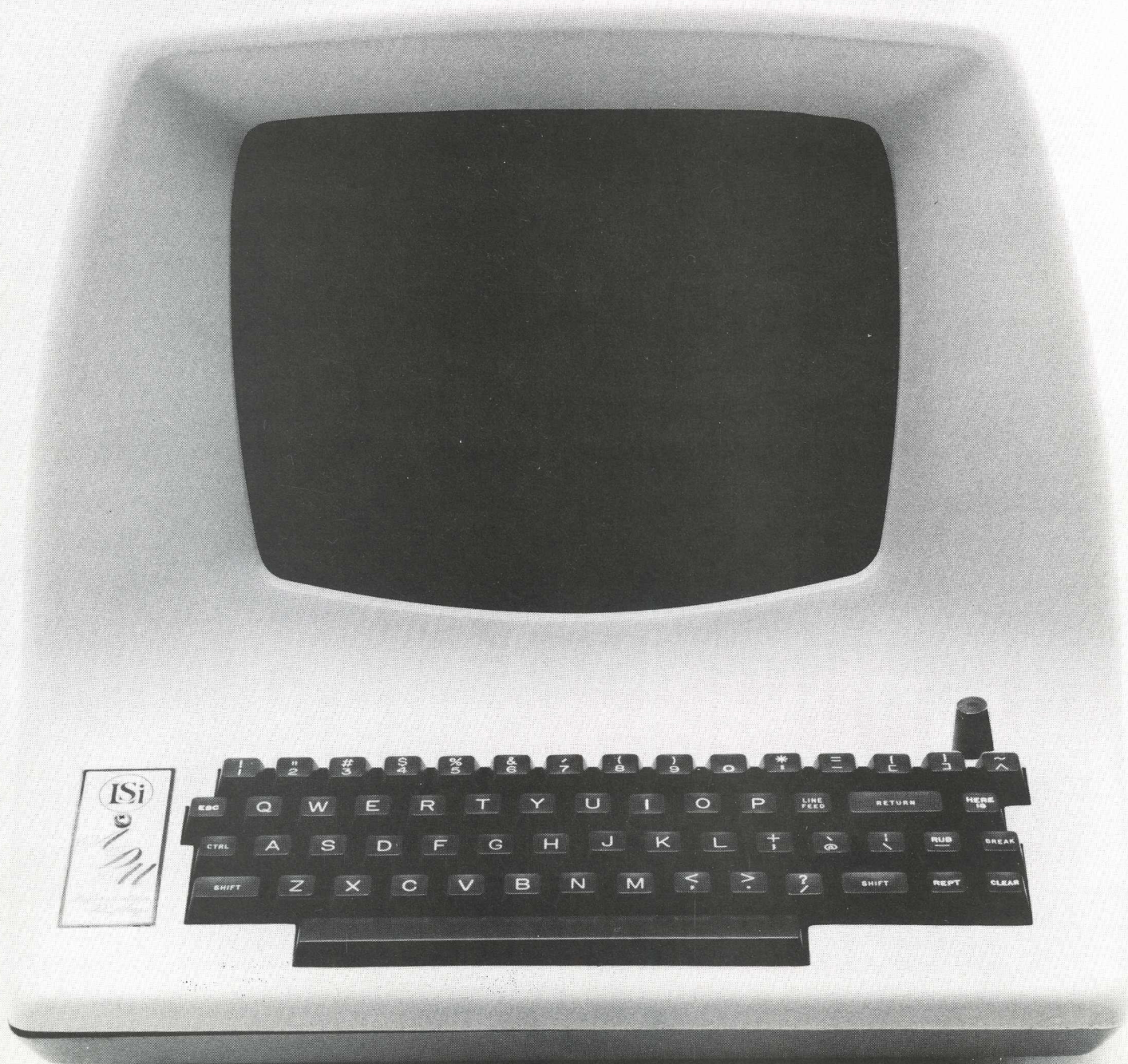


DUMB TERMINAL. SMART BUY.

ADM-3A addressable cursor



THE DUMB TERMINAL. THE MORE YOU USE

Our ADM-3A video terminal now includes direct cursor addressing from the computer. It's still not very intelligent, but data can be entered at any position on the screen. And it offers systems manufacturers and users all kinds of new possibilities.

IT FITS INTO YOUR SYSTEM'S PICTURE.

Just think of it as a glass-window teleprinter with a lot more user benefits. For one, a video terminal is faster. You can call up and view a full page instantly. It's quiet — there is no clicking and clacking to distract operator or customers. And most importantly, you don't have the mechanical maintenance problems that go with teleprinters.

Now picture the DUMB TERMINAL taking up position in your data communications system. Any system designed for simple data entry and quick call-up

from the computer. Systems for police departments. Hospitals. Banks. Schools. Factories. Businesses. You name it.

The DUMB TERMINAL can turn out to be one of the smartest investments you can make.

IT HAS ALL THE RIGHT WORDS AND NUMBERS.

On the outside, you'll get a full 12" diagonal CRT in a compact set. The standard ADM-3A displays 960 crisp, easy-to-read characters in 12 rows of 80 characters per line. But you can also purchase an optional 24-line display with a total of 1920 characters.

In addition to the 59 keys on the keyboard, we offer you an optional 10-key numeric pad so that your operator can enter numeric data with one hand. The standard ADM-3A displays only upper case characters. The upper/lower case

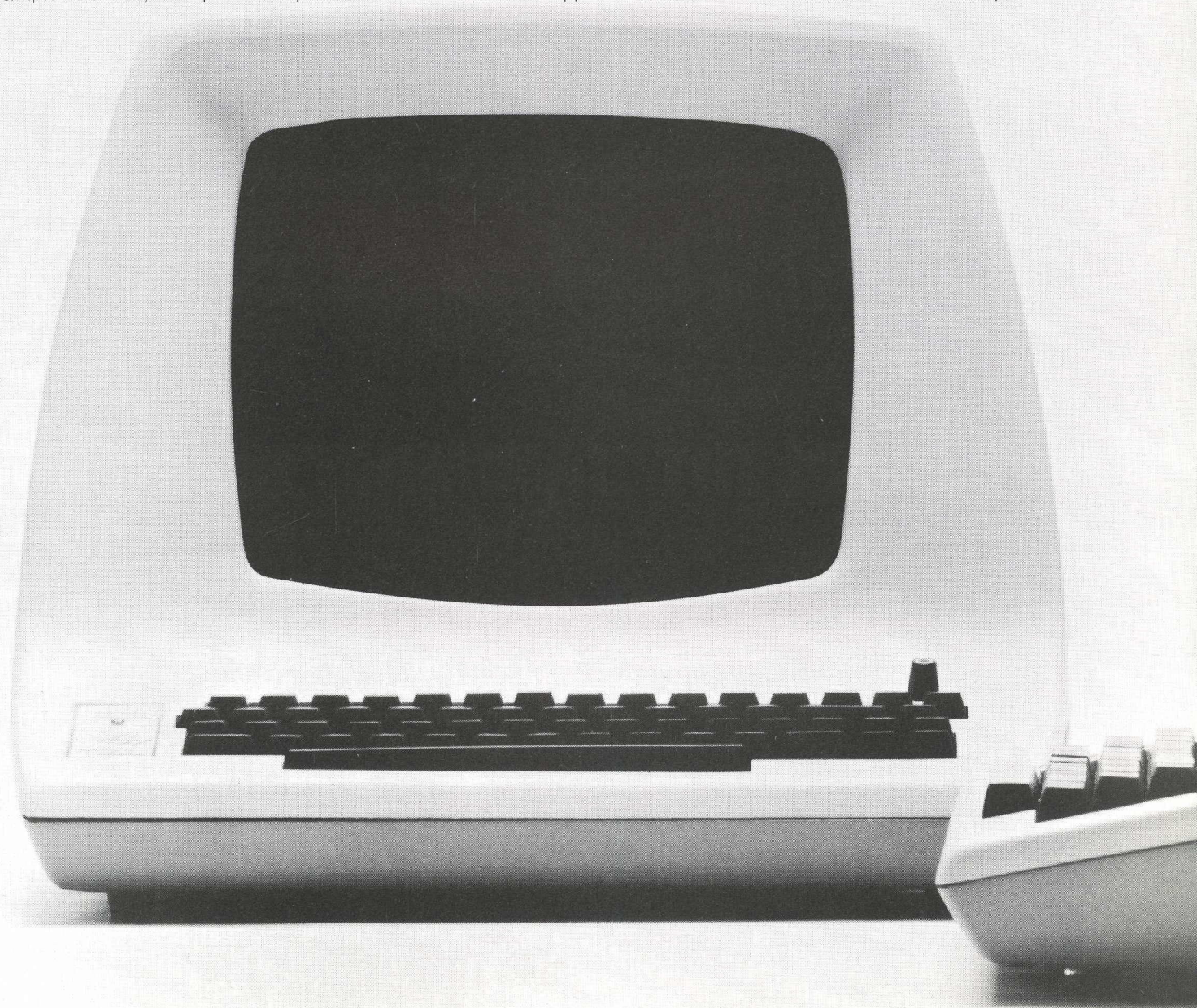
display option gives you the display of the complete set of 90 ASCII characters.

IT'S SURPRISINGLY QUICK ON THE UPTAKE.

Below the screen, you have a full-size keyboard. A good typist can become a fast ADM-3A operator in practically no time. And because of this conventional key layout with touch and stroke, data entry and throughput are quick and easy.

Complete cursor control means you can enter data anywhere on the screen from the keyboard. Or from the computer by direct cursor addressing.

When the DUMB TERMINAL interfaces with your computer, you can choose either full or half duplex operating modes at the switch panel which is located next to the keyboard. You



E IT, THE SMARTER IT GETS.

select the word format that's most suitable to your particular system — standard 9, 10 or 11 bit words, odd, even or no parity, and one or two stop bits.

You also have a wide choice of transmit and receive speeds, all the way from 75 to 19,200 baud.

You may call it the DUMB TERMINAL, but it isn't slow.

IT GETS EVEN SMARTER WHEN YOU USE ITS CONNECTIONS.

The DUMB TERMINAL becomes down-right smart when it's linked up with the more intelligent members of your system. It's software and hardware compatible with all popular computers, offering 20mA current-loop and the EIA standard RS232C interface. So you'll get direct or data line connection to all standard computer ports.

The RS232C extension connector lets you plug in asynchronous serial ASCII printers, giving you a permanent record of all information.

You can also daisychain multiple, more intelligent terminals or hook up to a magnetic tape recorder. This way, you can keep longer text on tape and have it ready for display and transmission, at a later time.

THE DUMB TERMINAL PLAYS WITH ONE CARD.

We made the ADM-3A as simple as we could. Not just to lower our manufacturing and your operating costs, but especially to build in more reliability. That's why we put all electronics on one single printed circuit card. It contains keyboard and I/O Connector and the power supply of the terminal.

And after our DUMB TERMINALS roll off the assembly line, each and

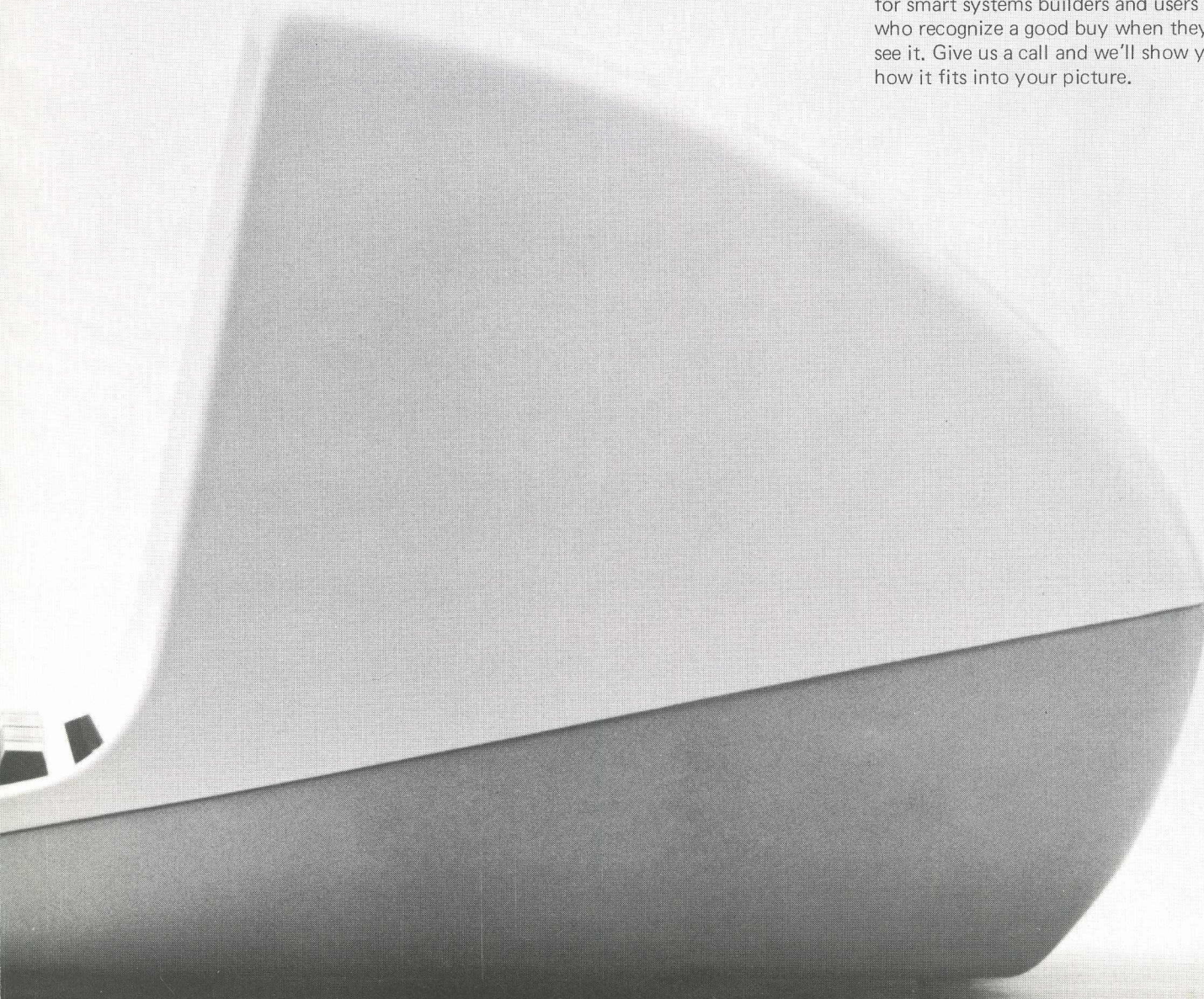
every one goes through testing — 48 hours of board burn-in, 120 hours of unit burn-in, extensive hot and cold testing — altogether 7 separate cycles to pass inspection. If it doesn't perform to specs, it goes back to our nitpicking troubleshooters.

IT'S READY TO GO TO WORK FOR YOU.

You can look wide and far, but you won't find another video terminal that gives you so many standard functions and compatible options at such a low price. It fills a definite price and performance gap, fitting perfectly into a wide range of systems applications.

The DUMB TERMINAL lets you break the mechanical chain in your system and allows you to step up to the increased speeds and throughput volume offered by electronic video communication processing systems.

The DUMB TERMINAL. Designed for smart systems builders and users who recognize a good buy when they see it. Give us a call and we'll show you how it fits into your picture.



SPECIFICATIONS

DISPLAY

12" (diagonally measured) rectangular CRT screen with P4 phosphor and bonded etched non-glare surface.

DISPLAY FORMAT

Standard: 960 characters, displayed in 12 lines of 80 characters per line.

CHARACTER SET

Standard: 64 ADCII characters, displayed as upper case, plus punctuation and control.

CHARACTER GENERATION

5 x 7 dot matrix.

REFRESH RATE

60 Hz standard.

NUMBER OF KEYS

59 (plus TTY control keys).

DIMENSIONS

13.5" high x 15.6" wide x 20.2" deep.

WEIGHT

32 pounds. 14.5 kilograms.

POWER CONSUMPTION

70 watts at 115V ± 10%

ALTERNATE CONFIGURATIONS

(switch selectable - no cost)

CURSOR

Reverse block image of character over which it is positioned; homes to upper left of screen (switch = PAGE). Underline; homes to lower left of screen (switch = BL).

DATA ENTRY

Data entry on progressive lines, from top to bottom (switch = PAGE); entry on bottom line (switch = BL). Upward scrolling of entire display with top-of-page overflow. Automatic new line also switch-selectable. End-of-line audible tone.

COMPUTER INTERFACES

EIA standard RS232C and 20mA current-loop.

AUXILIARY INTERFACES

Extension RS232C port for interfacing serial asynchronous ASCII hard copy printer, magnetic tape recorder, or additional data terminals.

COMMUNICATION RATES

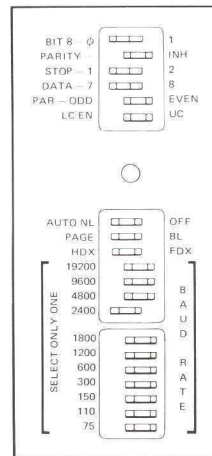
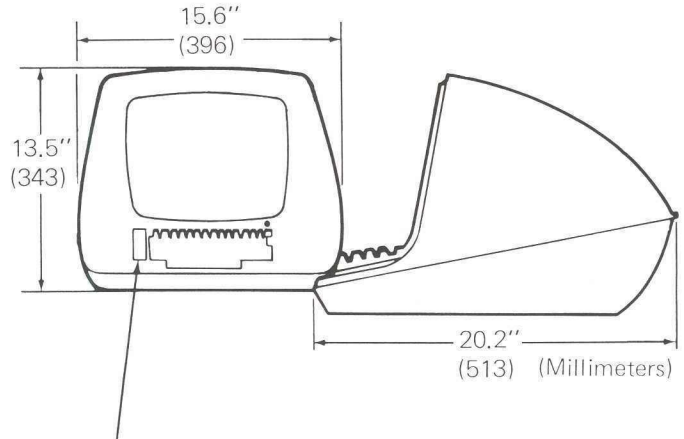
75, 110, 150, 300, 600, 1200, 1800, 2400, 4800, 9600, 19,200 baud.

TRANSMIT/RECEIVE MODES

Full and half-duplex.

WORD STRUCTURE

Total word length: 9, 10, or 11 bits. Data: 7 bits. Start: 1 bit. Stop: 1 or 2 bits. Parity: 1 bit (odd, even, high, low or none).



FRONT PANEL SWITCHES (SHOWN).

Twenty switches for selecting the primary terminal operating characteristics are accessible from the ADM-3A front panel without opening the case or removing power to the unit: BIT 8=0=1. PARITY-INH. STOP-1-2. DATA-7-8. PARITY-ODD-EVEN. LOWER CASE/UPPER CASE. AUTO. NEW LINE-OFF. PAGE-BL. HALF/FULL DUPLEX.

COMMUNICATION RATE SWITCHES: 19200. 9600. 4800. 2400. 1800. 1200. 600. 300. 150. 110. 75.

NOT SHOWN: In addition to the front panel switches, the PC board inside the ADM-3A case contains 12 switches which allow selection of various terminal operating characteristics, such as: UC DISP-U/L DISP (OPTIONAL). DISABLE-KB LOCK. DISABLE-CLEAR SCREEN. -SEC CHAN. END OF TEXT. END OF TRANSMISSION RS232-CL.

OPTIONS (at additional cost)

Display Format: 1920 characters, 24 lines of 80 characters per line.

Character Set: Upper and lower case, full set of 90 ASCII characters (switch selectable) upper case only; 10-key numeric pad.

Refresh Rate: 50Hz with input power option, switch selectable.

Transmit/Receive Modes: "Answer Back" capability with independently selectable transmit and receive rates.

Power: 50/60 Hz 230 Vac ± 10%.



LEAR SIEGLER, INC.
EID/DATA PRODUCTS

714 N. Brookhurst St. Anaheim, CA 92803
Telephone (714) 774-1010 TWX 910-591-1157