

LISP Machine Disk Controller CADRDC:DC UML 10-DEC-80 1753
 ***** DIP MAP *****

26S10 DCXBUS x	74S260 DCECC xx	74LS273 DCECC x	74LS374 DCECC x	74S163 DCPOSC x	74S240 DCSTS x
F30	E30	D30	C30	B30	A30
26S10 DCXBUS x	26S10 DCXBUS x	74LS273 DCECC x	74LS374 DCECC x	74S163 DCPOSC x	74S133 DCPOSC x
F29	E29	D29	C29	B29	A29
26S10 DCXBUS x	26S10 DCXBUS x	74LS273 DCECC x	74S260 DCECC xx	74S163 DCPOSC x	74LS00 DCCMD xxxx
F28	E28	D28	C28	B28	A28
26S10 DCXBUS x	74LS86 DCECC xxxx	74LS273 DCECC x	74S133 DCECC x	74S163 DCPOSC x	74LS153 DCHDCM x
F27	E27	D27	C27	B27	A27
26S10 DCXBUS x	74LS374 DCCCW x	74LS374 DCCLP x	74S260 DCPOSC xx	74S133 DCPOSC x	74LS153 DCHDCM x
F26	E26	D26	C26	B26	A26
26S10 DCXBUS x	74LS374 DCCCW x	74LS569 DCCLP x	74LS374 DCCLP x	74LS244 DCPOSC x	74LS153 DCHDCM x
F25	E25	D25	C25	B25	A25
26S10 DCXBSA x	26S10 DCXBSA x	74LS273 DCSTS x	74LS374 DCCLP x	74LS244 DCPOSC x	74LS153 DCHDCM x
F24	E24	D24	C24	B24	A24
26S10 DCXBSA x	26S10 DCXBSA x	74LS569 DCCLP x	74LS04 DCCLP xxxxxx	74LS374 DCCLP x	26LS2636 DCHDCM x
F23	E23	D23	C23	B23	A23
26S10 DCXBSA x	74LS569 DCCCW x	74LS569 DCCLP x	25LS2521 DCHDCM x	74LS193 DCDA x	----- -----
F22	E22	D22	C22	B22	A22
26S10 DCXBSA x	74LS569 DCCCW x	74LS569 DCCLP x	74LS175 DCCMD x	74LS193 DCDA x	74LS193 DCDA x
F21	E21	D21	C21	B21	A21
26S10 DCPAR x	74LS74 DCCCW xx	9S42 DCUC xx	TD250 DCCHAN x	74LS244 DCDA x	74LS193 DCDA x
F20	E20	D20	C20	B20	A20

LISP Machine Disk Controller ***** CADRDC:DC UML
DIP MAP *****

10-DEC-80 1754

26S10 DCCHAN x	T0100 DCCHAN x	74S04 DCXBSA xxxxxx	74LS10 DCCMD xxx	74LS244 DCDA x	74LS193 DCDA x
F19	E19	D19	C19	B19	A19
26S10 DCCHAN x	74S11 DCCHAN xxx	74LS00 DCUC xxxx	74S51 DCCLK xx	74LS244 DCDA x	74LS193 DCDA x
F18	E18	D18	C18	B18	A18
9S42 DCCHAN xx	74S74 DCCHAN xx	74S08 DCUC xxxx	74S37 DCCLK xxxx	74LS244 DCDA x	74LS193 DCDA x
F17	E17	D17	C17	B17	A17
74LS74 DCCLK xx	74S02 DCREG xxxx	74LS08 DCUC xxxx	74LS32 DCCMD xxxx	74LS02 DCCLP xxxx	74LS86 DCSH xxxx
F16	E16	D16	C16	B16	A16
93S48 DCPAR x	74S133 DCREG x	74LS74 DCCLK xx	74LS08 DCRBUF xxxx	74LS21 DCBUSY xo	74LS244 DCSTS x
F15	E15	D15	C15	B15	A15
93S48 DCPAR x	26LS2521 DCREG x	74LS08 DCSH xxxx	74LS74 DCCLK xx	74S74 DCBUSY xx	74LS244 DCSTS x
F14	E14	D14	C14	B14	A14
93S48 DCPAR x	T0250 DCREG x	74LS138 DCUC x	74S74 DCCLK xx	74S260 DCBUSY xx	74LS244 DCSTS x
F13	E13	D13	C13	B13	A13
93S48 DCPAR x	74S138 DCREG x	74LS153 DCUC x	74LS273 DCSTS x	74LS279 DCSTS x	74LS244 DCSTS x
F12	E12	D12	C12	B12	A12
93S48 DCPAR x	74LS02 DCREG xxxx	74LS86 DCPAR xxxx	26LS2521 DCHDCM x	74LS32 DCSH xxxx	74S151 DCUC x
F11	E11	D11	C11	B11	A11
74LS374 DCRBUF x	67401 DCRBUF x	74S299 DCSH x	74LS273 DCCMD x	74S74 DCSH xx	76107 DCTRID xx
F10	E10	D10	C10	B10	A10
74LS374 DCRBUF x	67401 DCRBUF x	74LS11 DCCCW xxx	74LS244 DCDBUS x	26S02 DCTMOT xx	DUMMY DCTRID x
F09	E09	D09	C09	B09	A09

LISP Machine Disk Controller CADRDC:DC UML 10-DEC-80 1758
 ***** DIP MAP *****

74LS374 DCRBUF x	74LS175 DCRBUF x	74LS273 DCUI x	74LS244 DCDBUS x	74LS569 DCTRID x	75110 DCTRID x
F08	E08	D08	C08	B08	A08
74LS374 DCRBUF x	74LS175 DCRBUF x	74LS273 DCUI x	74LS244 DCDBUS x	74LS569 DCTRID x	74LS14 DCTRID xxxxxo
F07	E07	D07	C07	B07	A07
74LS374 DCWBUF x	74LS21 DCRBUF xx	74LS273 DCUI x	74LS157 DCDBUS x	74LS74 DCRUSY xo	SIP330-1 DCTRSG x
F06	E06	D06	C06	B06	A06
74LS374 DCWBUF x	74LS08 DCSH xxxx	74S472 DCUI x	74LS04 DCDBUS xxxxxxx	75452 DCTRSG xx	DUMMY DCTRSG x
F05	E05	D05	C05	B05	A05
74LS374 DCWBUF x	74LS00 DCSH xxox	74S472 DCUI x	DUMMY DCTMOT x	74LS124 DCTMOT xx	74LS14 DCTRSG xxxxxxx
F04	E04	D04	C04	B04	A04
74LS374 DCWBUF x	74LS175 DCWBUF x	74S472 DCUI x	74 393 DCTMOT xx	75452 DCTRSG xx	DUMMY DCTRSG x
F03	E03	D03	C03	B03	A03
67401 DCWBUF x	74LS74 DCRBUF xx	----- ----- -----	74LS569 DCUC x	SIP100-8 DCTRSG x	75452 DCTRSG xx
F02	E02	D02	C02	B02	A02
67401 DCWBUF x	74LS175 DCWBUF x	74S299 DCSH x	74LS569 DCUC x	75452 DCTRSG xx	SIP100-8 DCTRSG x
F01	E01	D01	C01	B01	A01

LISP Machine Disk Controller CADRDC:DC UML 10-DEC-80 1759
 ***** EDGE CONNECTIONS Flags: (# Output, @ Terminator, ----- Dedicated ground, ++++ Dedicated power) *****

-E-

-F-

-J01-

-J02-

A1	A1	01	TRIDENT.CYL.TAG/	#	01
A2 +5.0V+++++	A2 +5.0V+++++	02	TRIDENT.CONTROL.TAG/	#	02
B1	B1	03	TRIDENT.TER.IN/		03
B2 -5.0V	B2 -5.0V	04	GND	@	04
C1	C1	05	GND	@	05
C2 GND-----	C2 GND-----	06	GND	@	06
D1	D1	07	GND	@	07
D2 BLOCK.CTR2	D2	08	GND	@	08
E1	E1	09	GND	@	09
E2 BLOCK.CTR3	E2	10	GND	@	10
F1 GND	F1 GND	11	GND	@	11
F2 BLOCK.CTR4	F2	12	GND	@	12
H1	H1	13	GND	@	13
H2 BLOCK.CTR5	H2	14	GND	@	14
J1	J1	15	GND	@	15
J2 BLOCK.CTR6	J2	16	GND	@	16
K1	K1	17	+5.0V		17
K2 BLOCK.CTR7	K2	18	+5.0V		18
L1	L1	19	TRIDENT.ADDR.MK.DET/		19
L2 XBI28	L2	20	TRIDENT.SECTOR/		20
M1	M1	21			21
M2 XBI29	M2	22			22
N1 GND	N1 GND	23			23
N2 XBI30	N2	24			24
P1	P1	25			25
P2 UNIT0	P2	26	TRIDENT.HEAD.TAG/-----	#	26
R1	R1	27	TRIDENT.BUS0/-----	#	27
R2 UNIT1	R2	28	TRIDENT.BUS1/-----	#	28
S1	S1	29	TRIDENT.BUS2/-----	#	29
S2 UNIT2	S2	30	TRIDENT.BUS3/-----	#	30
T1 GND-----	T1 GND-----	31	TRIDENT.BUS4/-----	#	31
T2 -CYLINDER TAG H	T2	32	TRIDENT.BUS5/-----	#	32
U1	U1	33	TRIDENT.BUS6/-----	#	33
U2 -HEAD TAG H	U2	34	TRIDENT.BUS7/-----	#	34
V1	V1	35	TRIDENT.BUS8/-----	#	35
V2	V2	36	TRIDENT.BUS9/-----	#	36
		37	TRIDENT.SPARE/-----		37
		38	TRIDENT.SEEK.INC/-----	@	38
		39	TRIDENT.ON.LINE/-----	@	39
		40	TRIDENT.DEVICE.CHECK/--	@	40
		41	TRIDENT.READ.ONLY/-----	@	41
		42	TRIDENT.READY/-----	@	42
		43	TRIDENT.INDEX/-----		43
		44	TRIDENT.OFFSET/-----		44
		45	TRIDENT.END.OF.CYL/-----		45
		46			46
		47			47
		48			48
		49			49
		50			50

LISP Machine Disk Controller CADRDC:DC UML 10-DEC-80 1759
***** EDGE CONNECTIONS Flags: (# Output, @ Terminator, @ Dedicated ground, +++ Dedicated power) *****

-J03-

-J04-

-J05-

-J06-

01 GND	@ 01	01 HI1	@ 01
02 GND	@ 02	02 AD14	02
03 GND	@ 03	03 HI1	@ 03
04 GND	@ 04	04 AD13	04
05 GND	@ 05	05 HI1	@ 05
06 GND	@ 06	06 AD6	06
07 GND	@ 07	07 HI1	@ 07
08 GND	@ 08	08 AD5	08
09 GND	@ 09	09 HI1	@ 09
10 +5.0V	10	10 AD4	10
11	11	11 HI1	@ 11
12	12	12 AD3	12
13	13	13 HI1	@ 13
14	14	14 AD2	14
15	15	15 HI1	@ 15
16	16	16 -TIMEOUT ENB H	16
17	17	17	17
18	18	18	18
19	19	19	19
20	20	20	20
21 TRIDENT.O.CLOCK.M-----	21 -----	21	21
22 TRIDENT.O.CLOCK.P-----	22 -----	22	22
23 TRIDENT.O.DATA.M----- #	23 -----	23	23
24 TRIDENT.O.DATA.P----- #	24 -----	24	24
25 TRIDENT.O.SELECT/----- #	25 -----	25	25
26 TRIDENT.O.SEQUENCE/----- #	26 -----	26	26
27 TRIDENT.O.SELECTED/----- @	27 -----	27 GND-----	@ 27 -----
28 TRIDENT.O.ATTENTION/----- @	28 -----	28	28
29 TRIDENT.O.COMPSECIDX/-- @	29 -----	29 GND-----	@ 29 -----
30 +5.0V-----	30 -----	30	30
31 -----	31 -----	31 GND-----	@ 31 -----
32 -----	32 -----	32	32
33 -----	33 -----	33 GND-----	@ 33 -----
34 -----	34 -----	34	34
35 -----	35 -----	35 GND-----	@ 35 -----
36 -----	36 -----	36	36
37 -----	37 -----	37 GND-----	@ 37 -----
38 -----	38 -----	38	38
39 -----	39 -----	39 GND-----	@ 39 -----
40 -----	40 -----	40	40
		41 GND-----	@ 41 -----
		42 -----	42 -----
		43 -----	43 -----
		44 -----	44 -----
		45 -----	45 -----
		46 -----	46 -----
		47 -----	47 -----
		48 -----	48 -----
		49 -----	49 -----
		50 -----	50 -----

LISP Machine Disk Controller CADRDC:DC UML 10-DEC-80 1800
***** EDGE CONNECTIONS Flags: (# Output, @ Terminator, ---- Dedicated ground, ++++ Dedicated power) *****

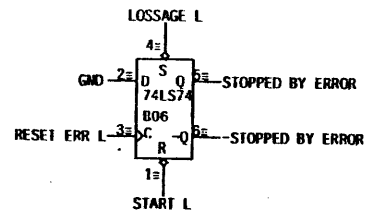
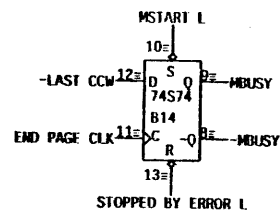
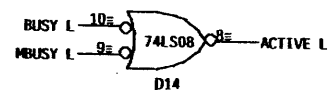
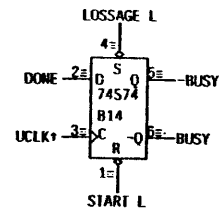
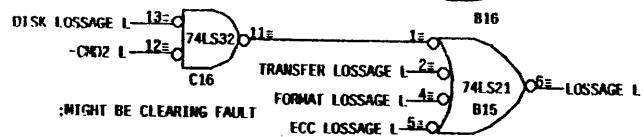
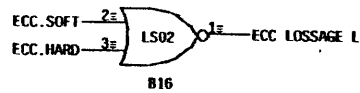
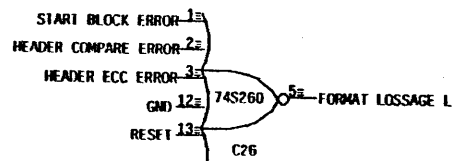
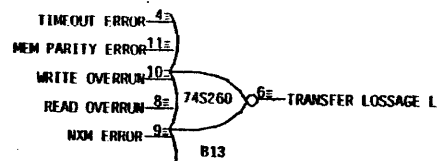
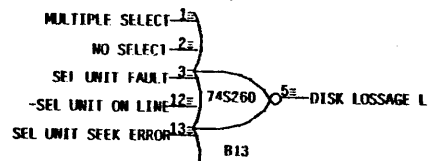
-J07-

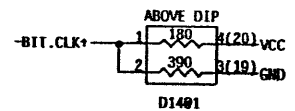
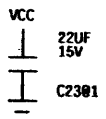
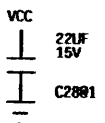
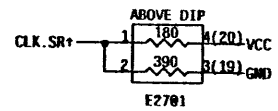
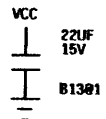
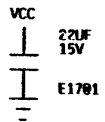
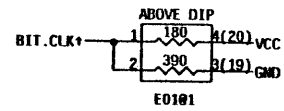
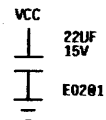
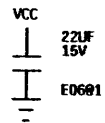
-J08-

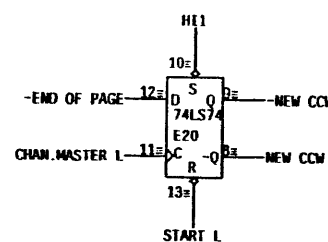
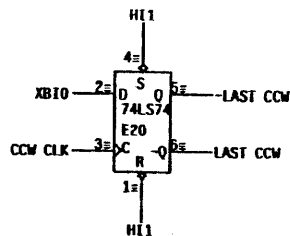
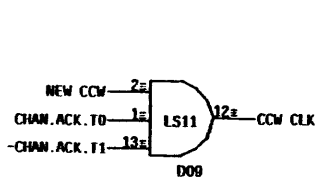
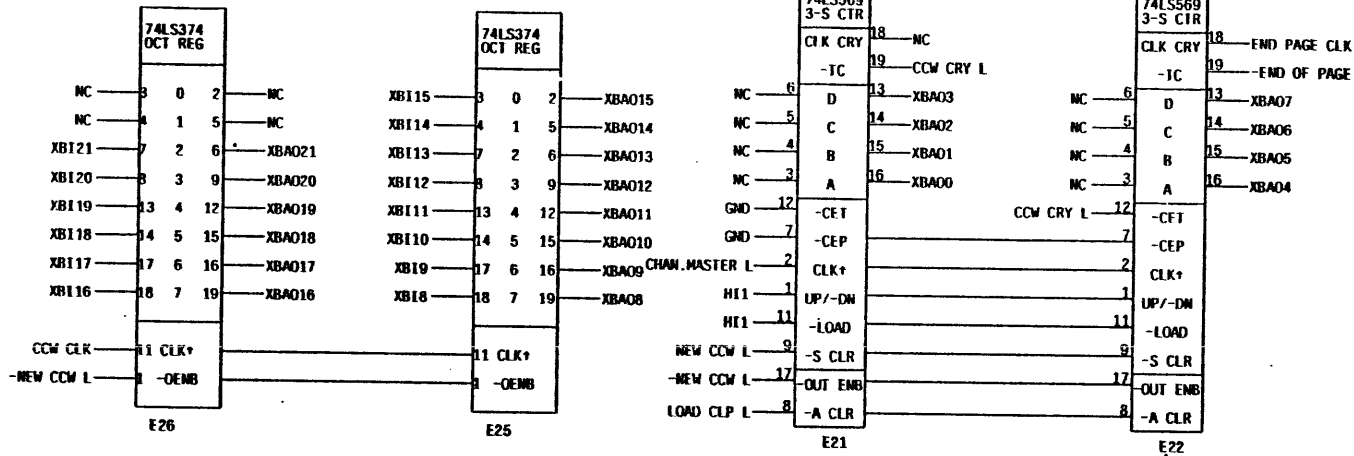
-J09-

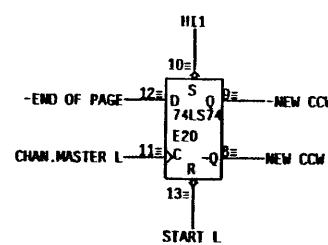
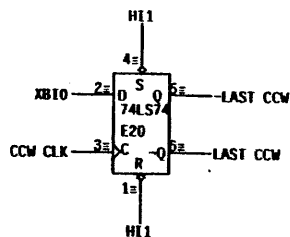
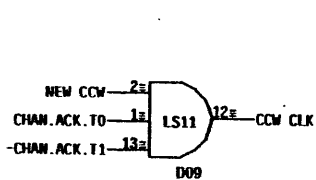
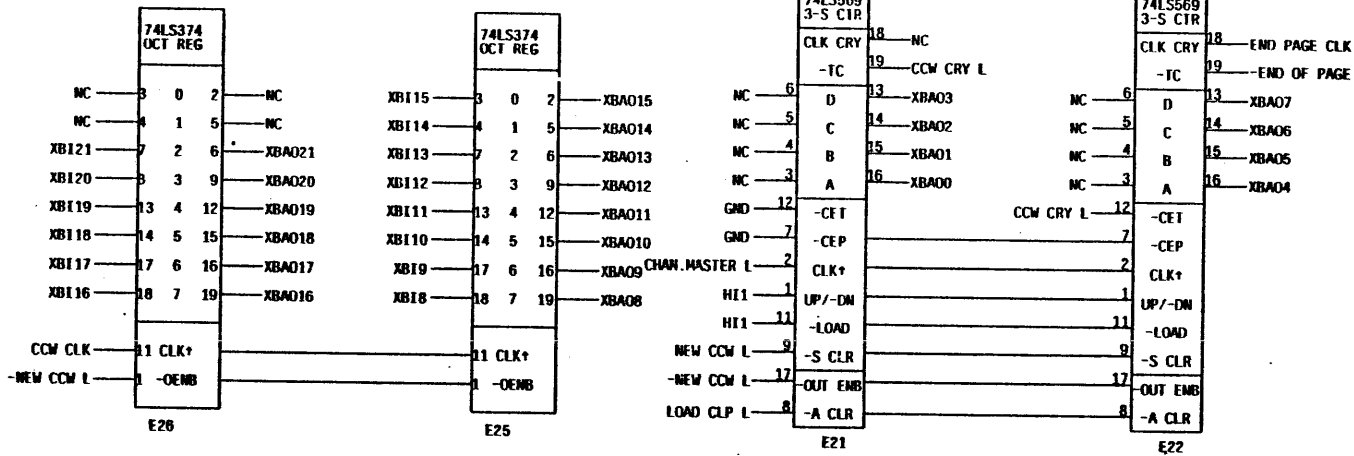
-J10-

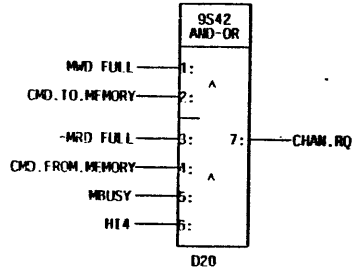
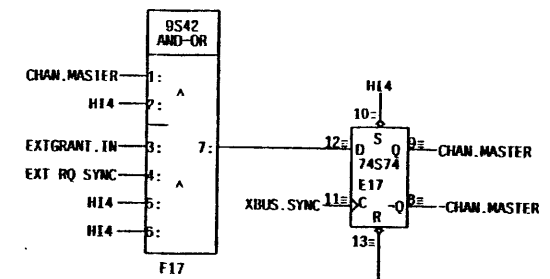
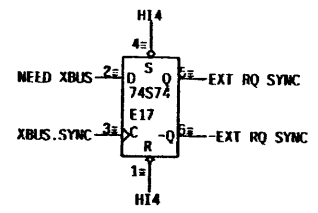
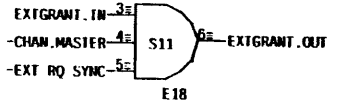
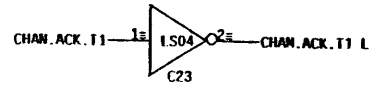
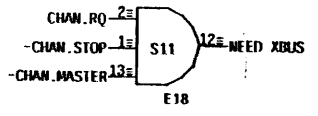
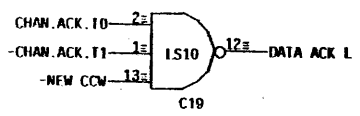
01	01	01	01
02	02	02	02
03	03	03	03
04	04	04	04
05	05	05	05
06	06	06	06
07	07	07	07
08	08	08	08
09	09	09	09
10	10	10	10
11	11	11	11
12	12	12	12
13	13	13	13
14	14	14	14
15	15	15	15
16	16	16	16
17	17	17	17
18	18	18	18
19	19	19	19
20	20	20	20
21	21	21	21
22	22	22	22
23	23	23	23
24	24	24	24
25	25	25	25
26	26	26	26
27	27	27	27
28	28	28	28
29	29	29	29
30	30	30	30
31	31	31	31
32	32	32	32
33	33	33	33
34	34	34	34
35	35	35	35
36	36	36	36
37	37	37	37
38	38	38	38
39	39	39	39
40	40	40	40
		41	41
		42	42
		43	43
		44	44
		45	45
		46	46
		47	47
		48	48
		49	49
		50	50



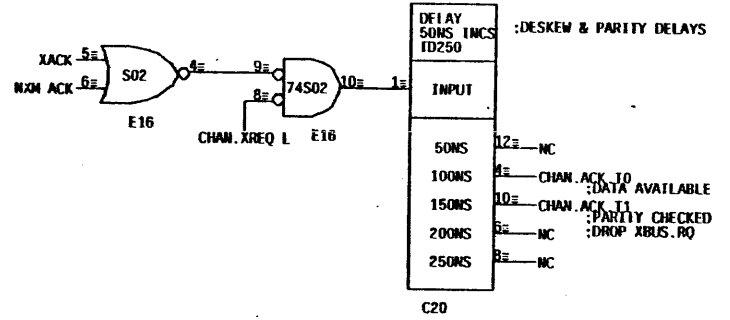
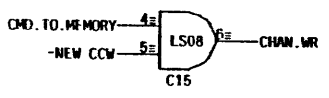
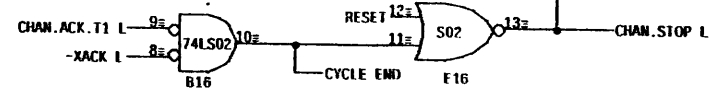
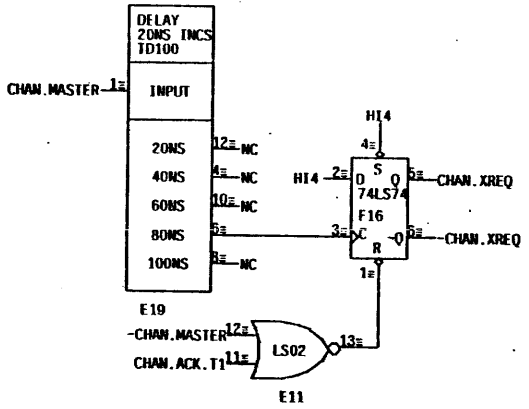




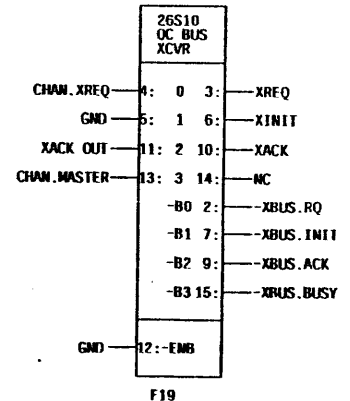
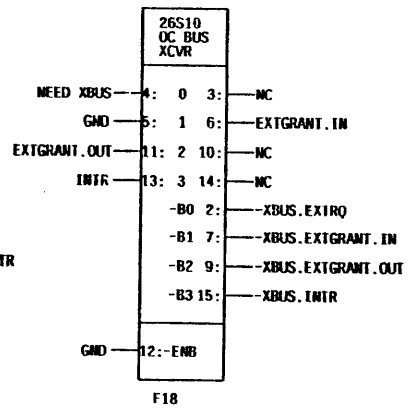
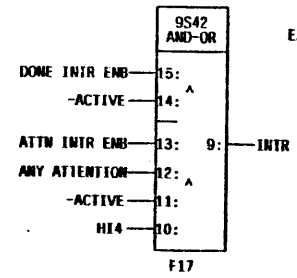
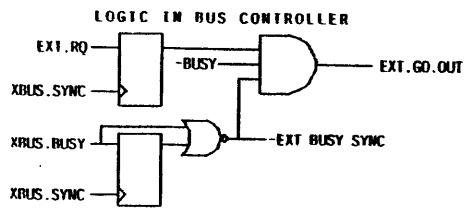
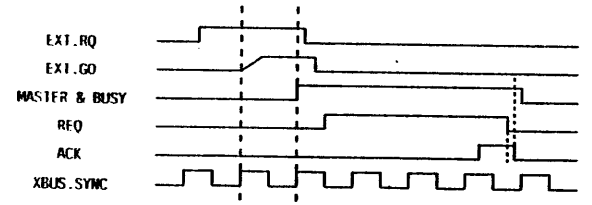




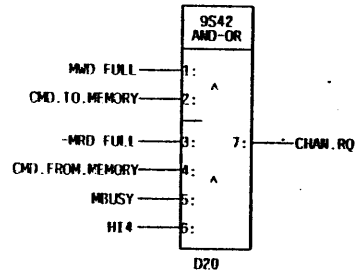
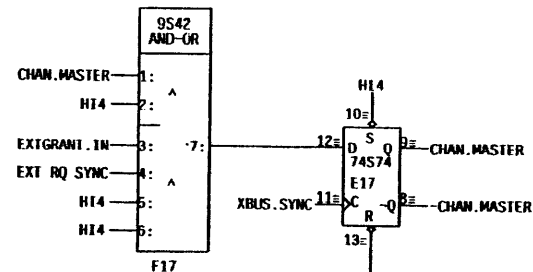
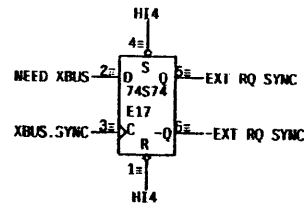
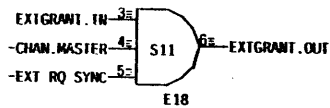
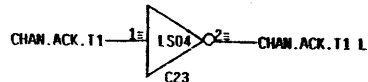
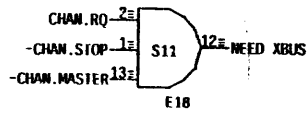
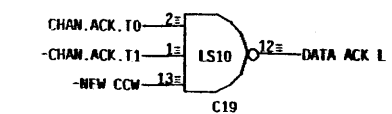
:DELAY FOR OUTPUT PARITY COMPUTATION
AND FOR ADDRESS TO SETTLE



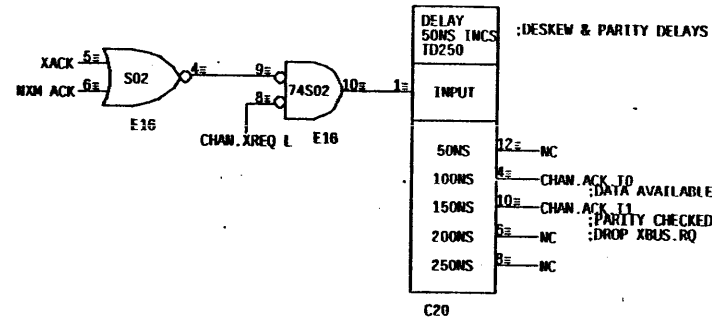
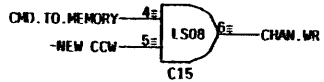
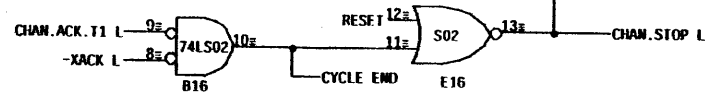
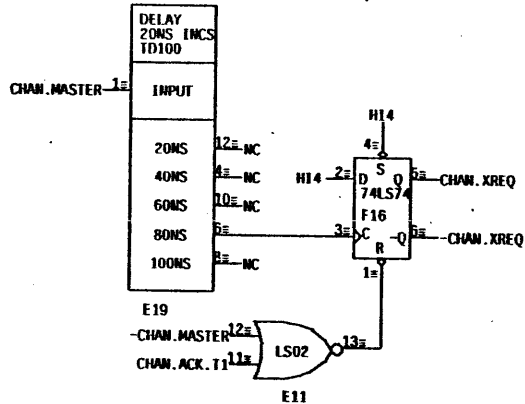
TIMING



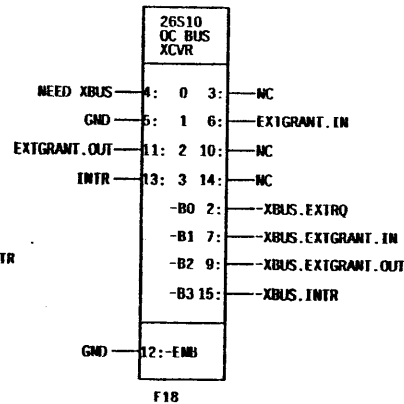
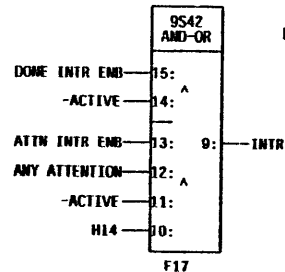
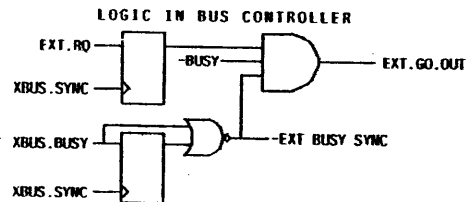
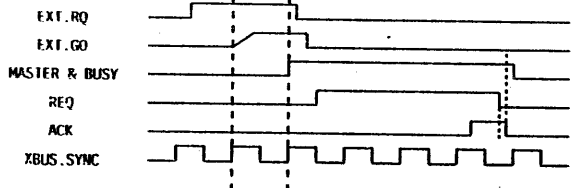
:XBUS.EXTGRANT.IN terminated on DC10T or MKPANEL



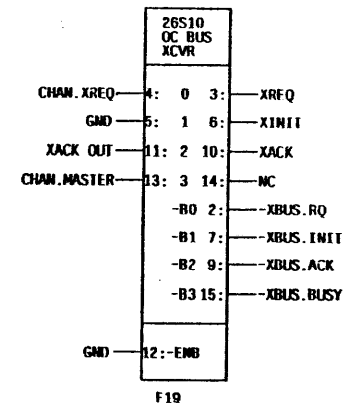
:DELAY FOR OUTPUT PARITY COMPUTATION
:AND FOR ADDRESS TO SETTLE

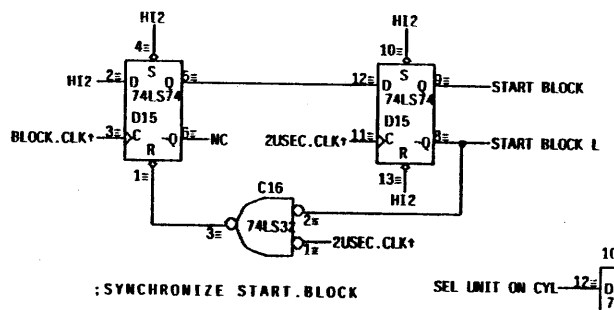
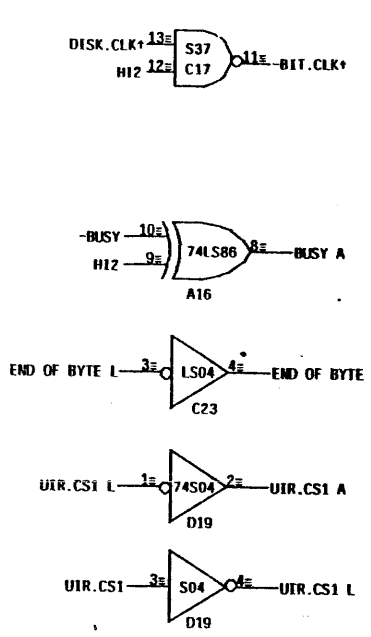


TIMING

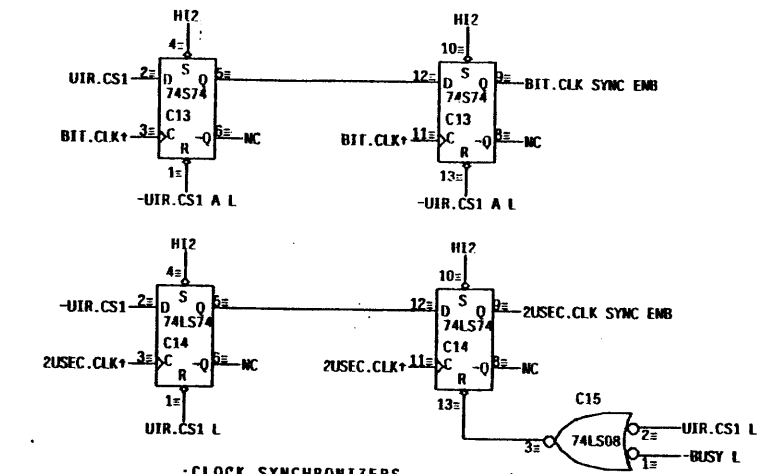


: -XBUS.EXTGRANT.IN terminated
: on DCTMUI or MRPANEL

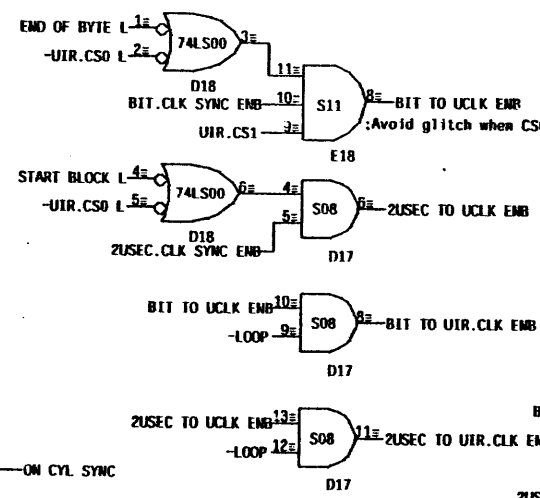




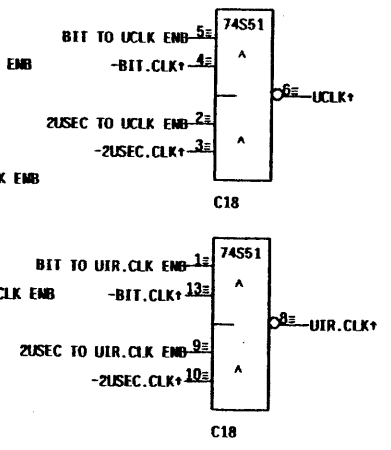
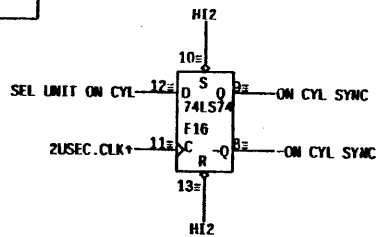
: SYNCHRONIZE START.BLOCK



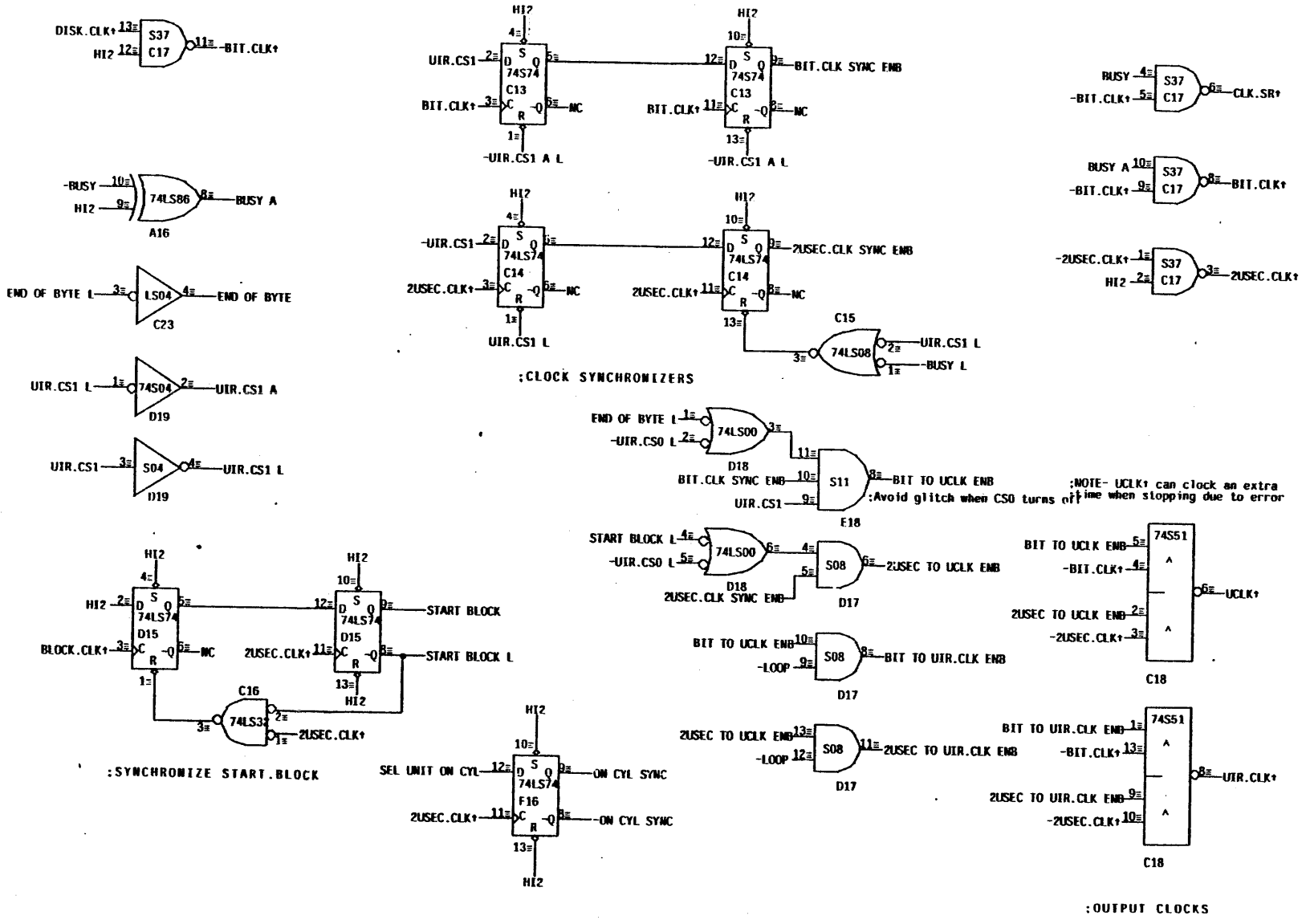
: CLOCK SYNCHRONIZERS

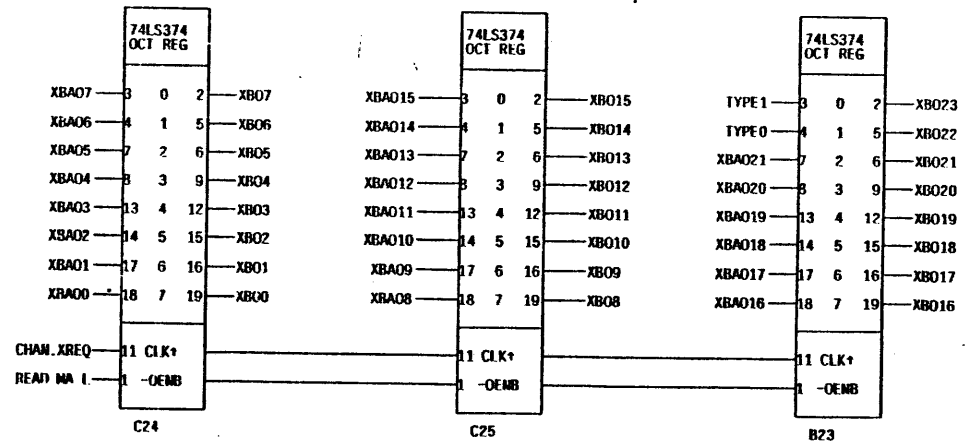
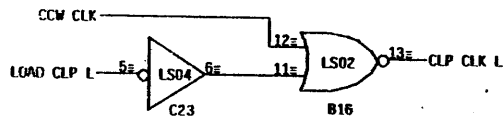
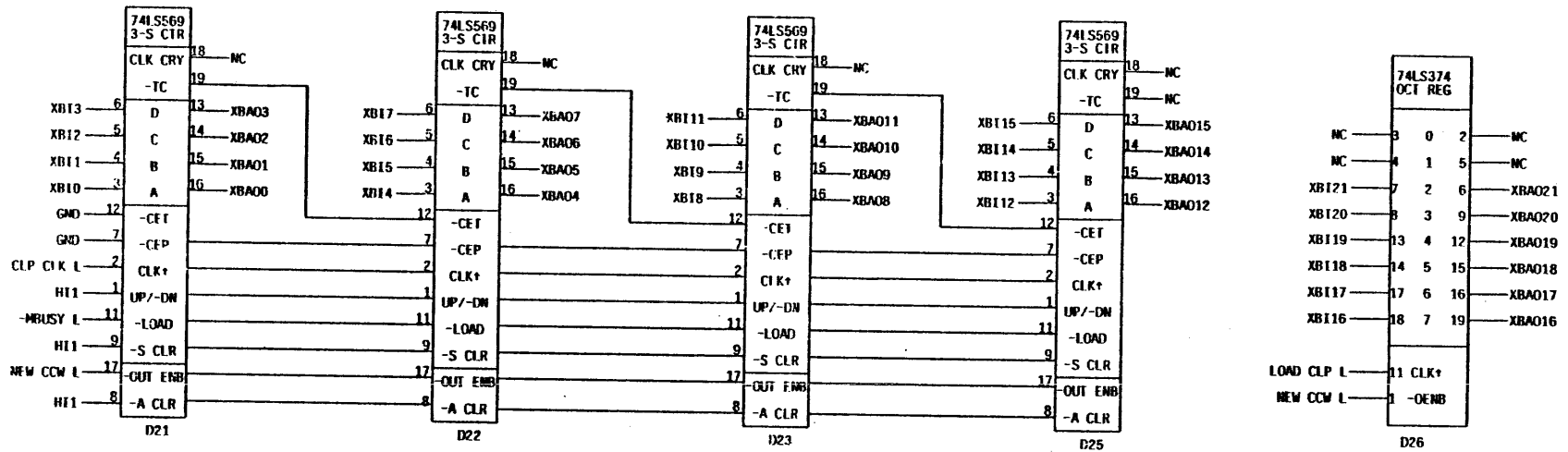


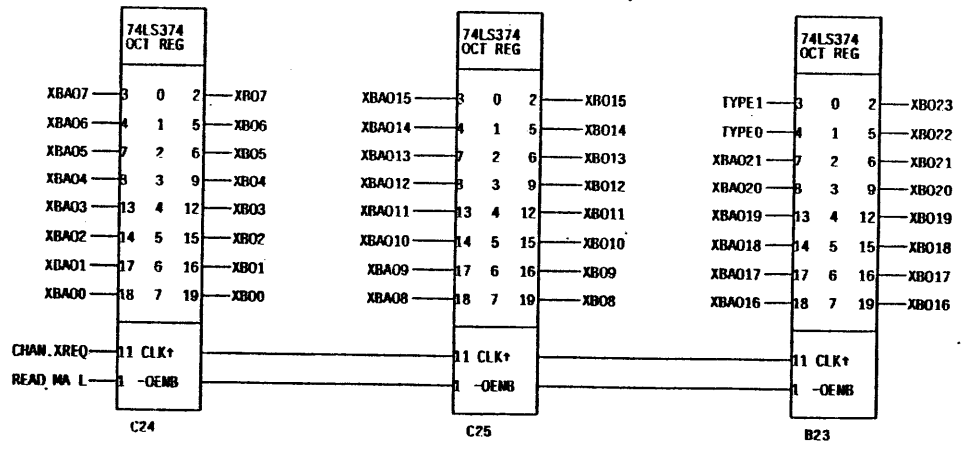
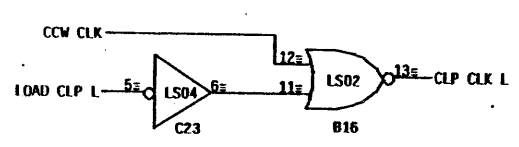
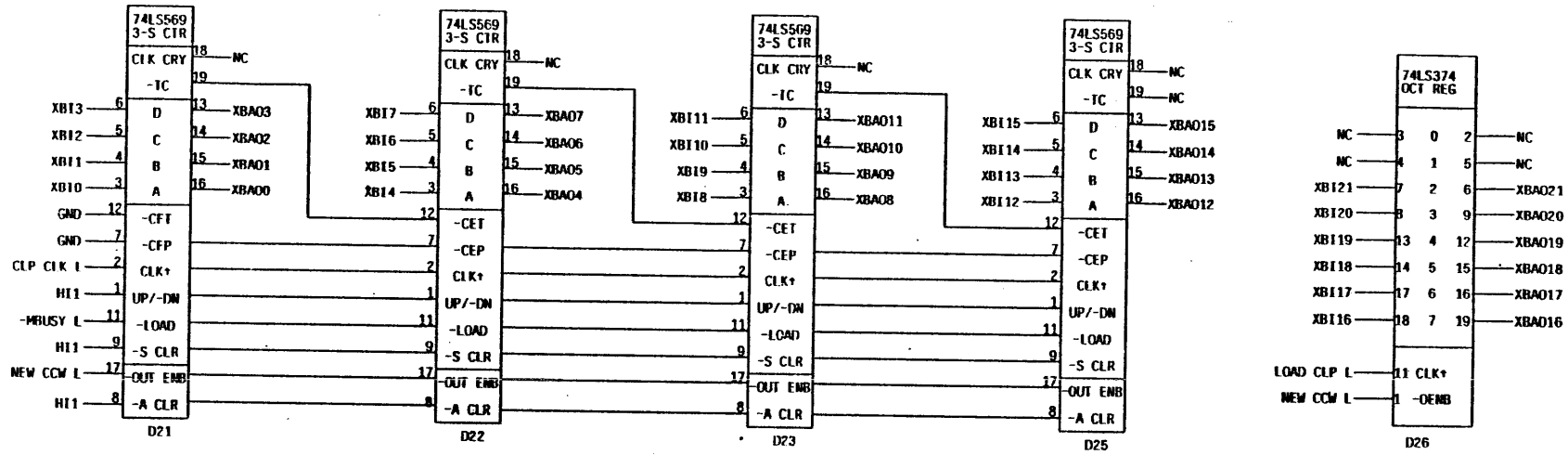
:NOTE- UCLK+ can clock an extra time when stopping due to error



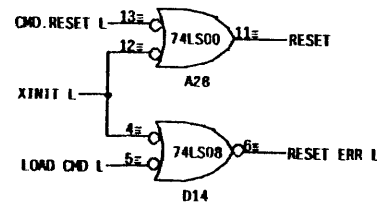
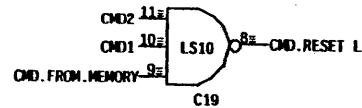
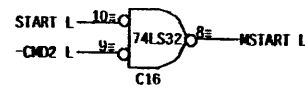
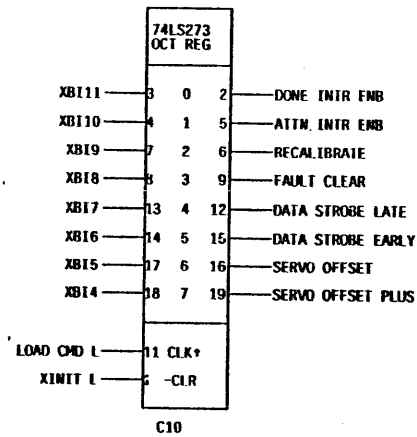
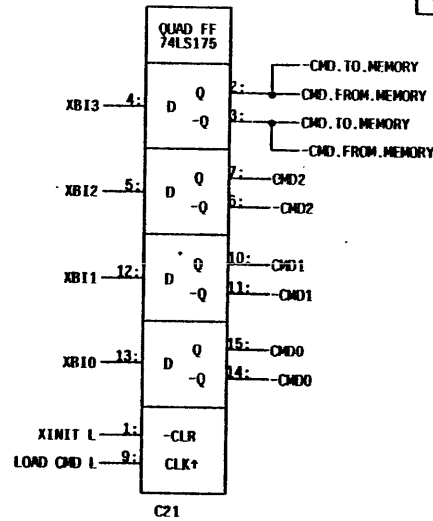
: OUTPUT CLOCKS

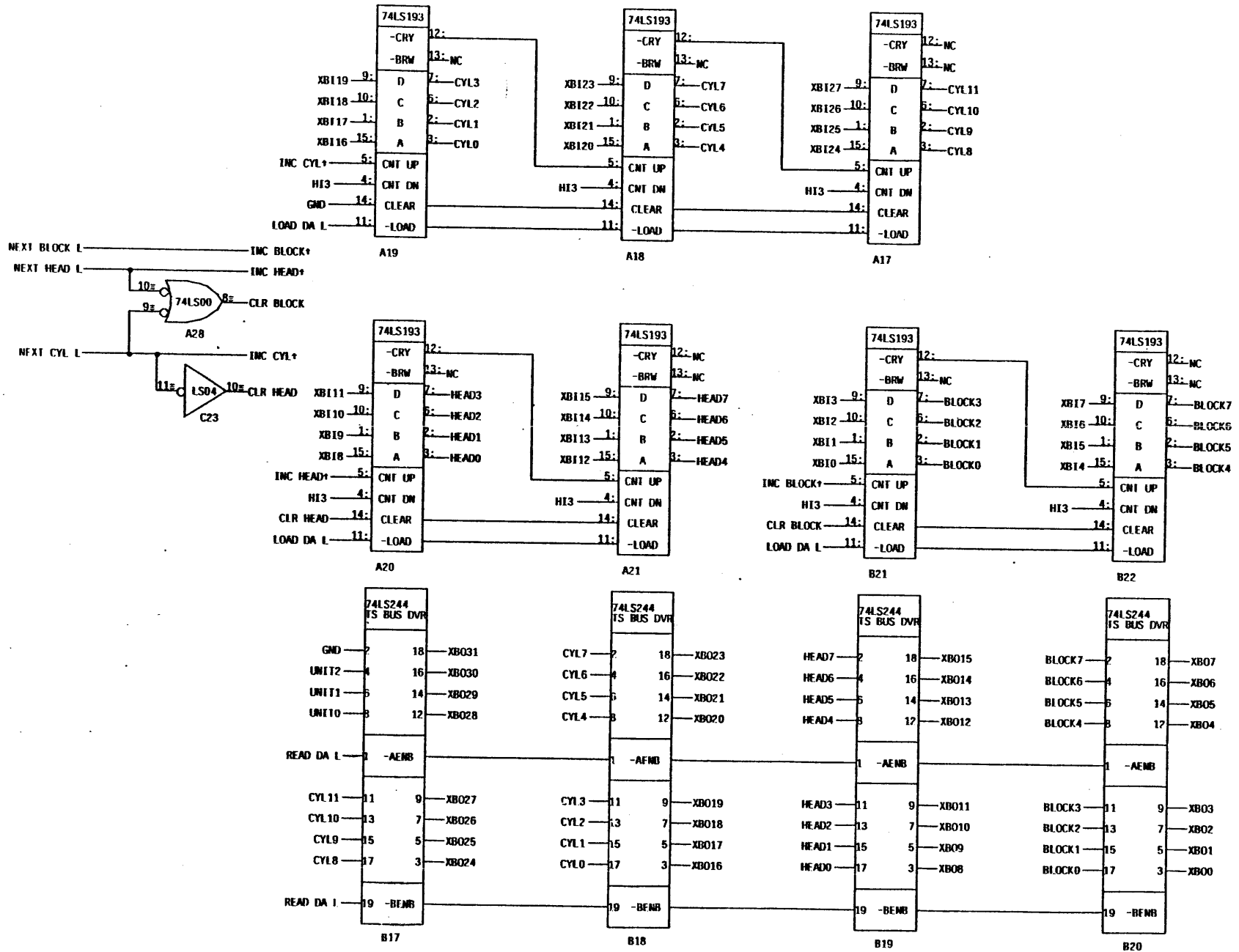


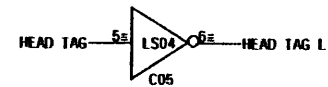
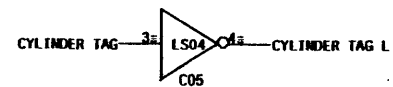
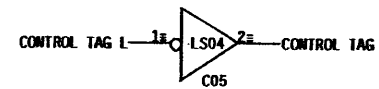
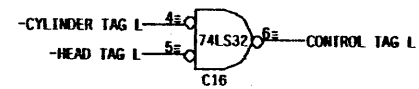
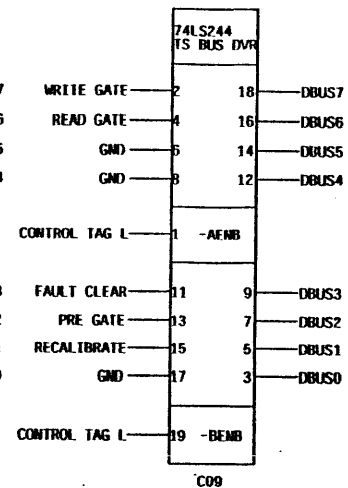
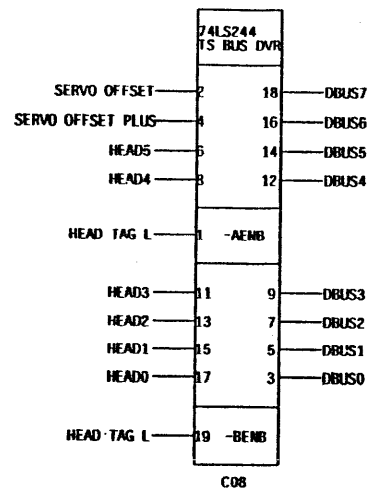
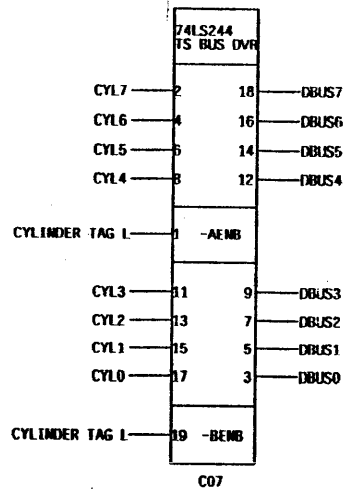
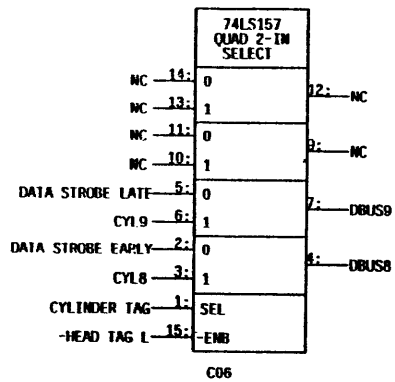


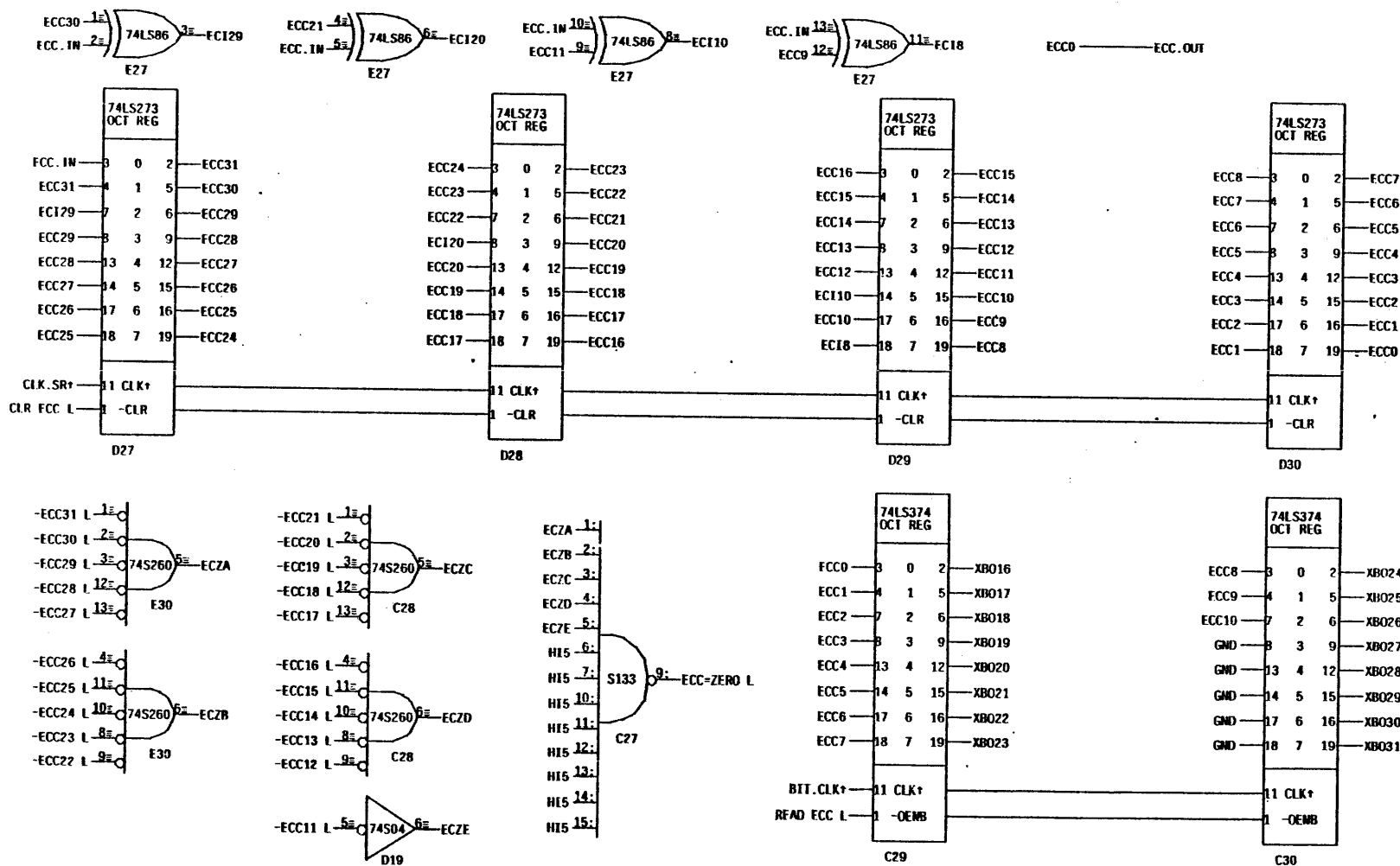


CMD	OPERATION
00	READ
10	READ COMPARE
11	WRITE
02	READ ALL
13	WRITE ALL
04	SEEK
05	AT EASE
1005	RECALIBRATE
405	FAULT CLEAR
06	OFFSET CLEAR
16	STOP, RESET

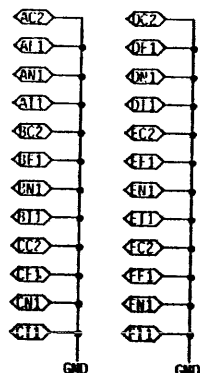








GROUNDS



JUMPERS FOR 1-BOARD VERSION:

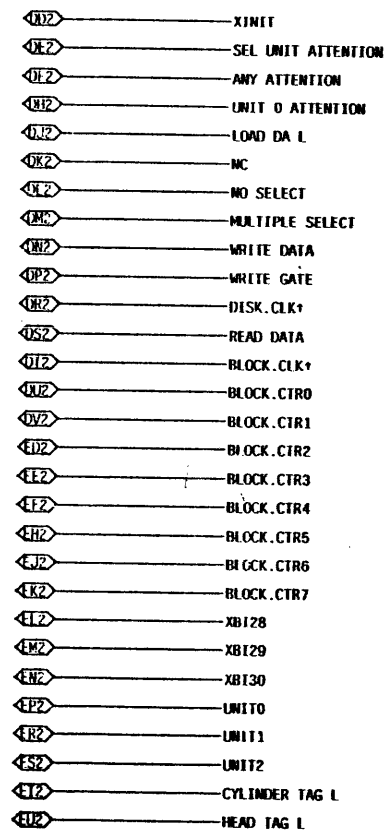
DE2 - DF2 - DH2
 DN1 - DM2
 ET1 - EP2 - ER2 - ES2

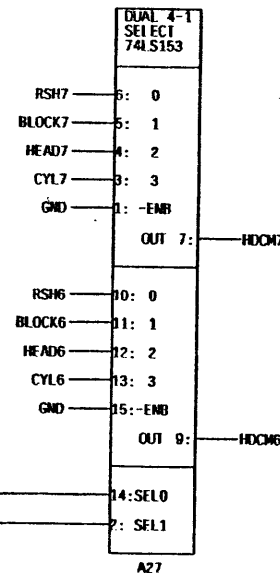
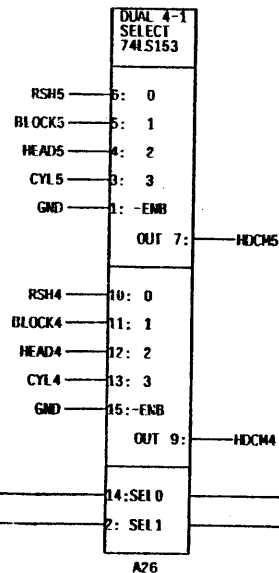
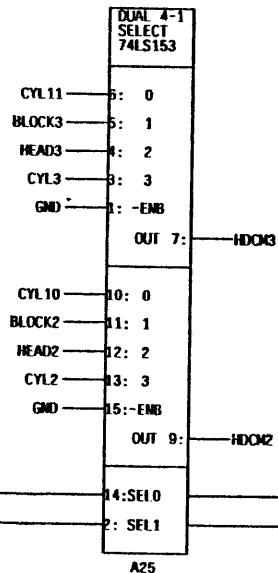
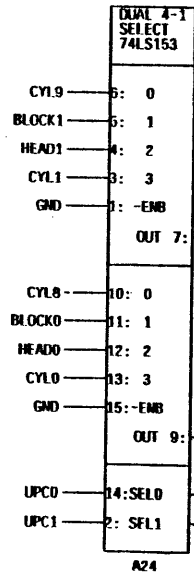
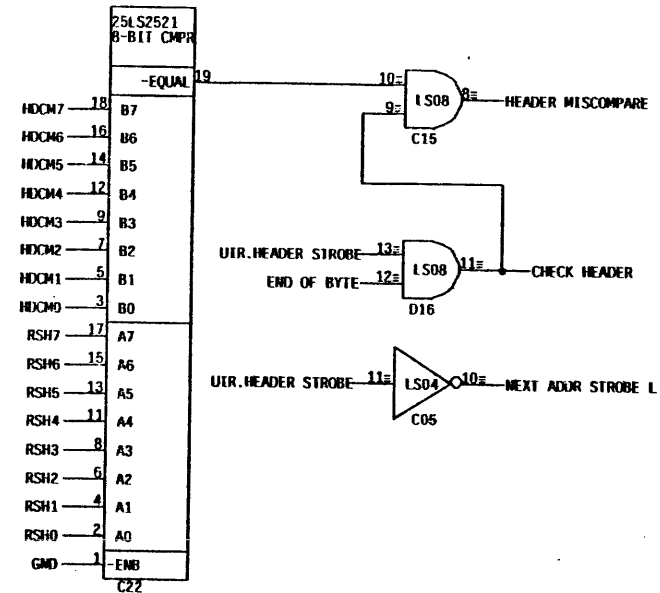
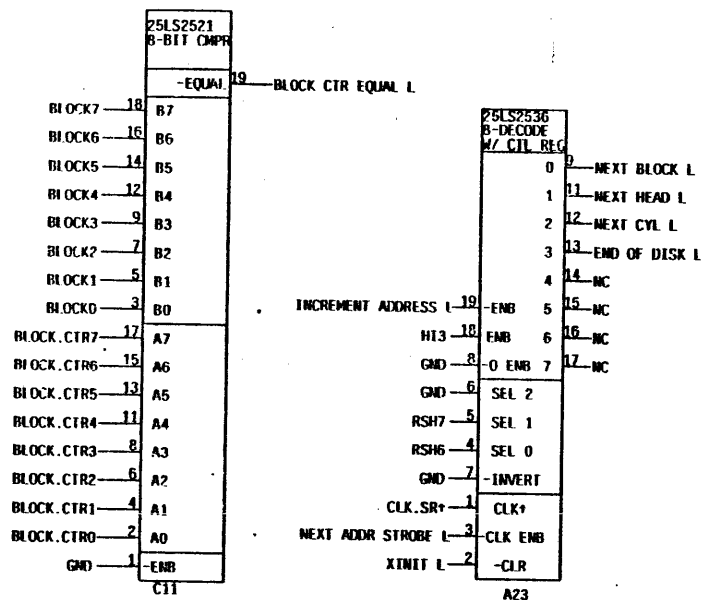
OMITTED DIPS IN 2-BOARD VERSION:

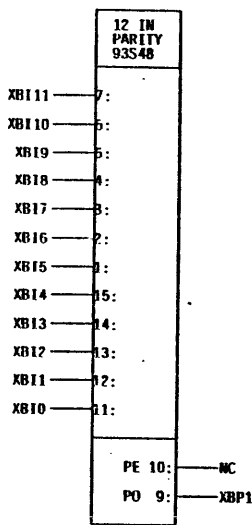
A7 A8 A9
 A10 B7 B8

BE CERTAIN TO EDIT THE
 RAY FILE FOR UNDEDICATED
 GROUND PINS ON J1, J3

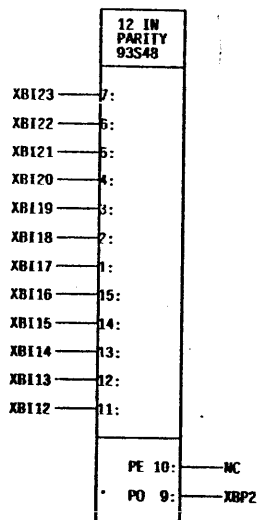
TO DISK MUX BOARD



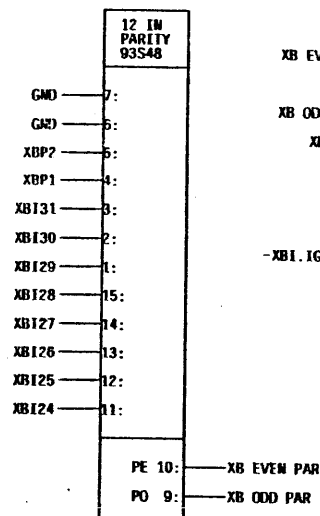




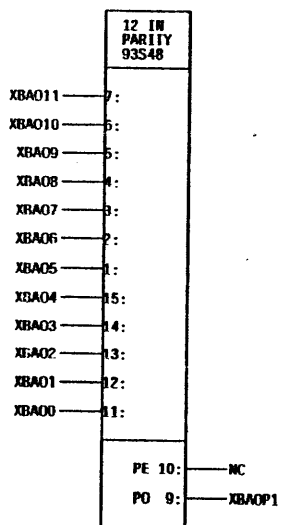
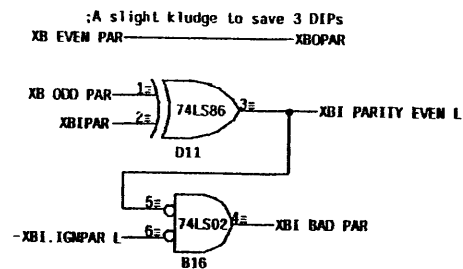
F11



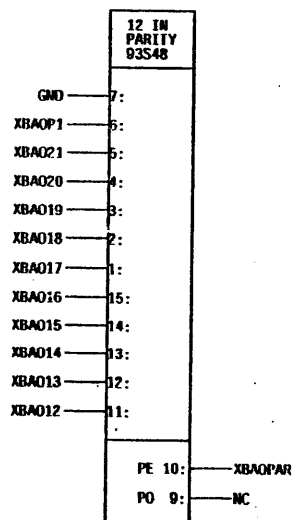
F12



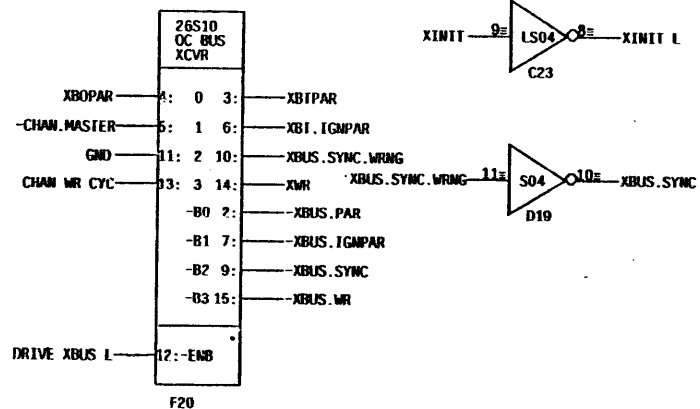
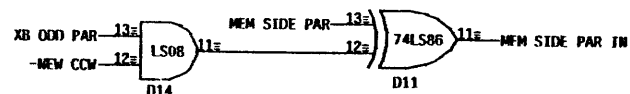
F13



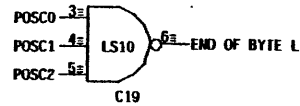
F15



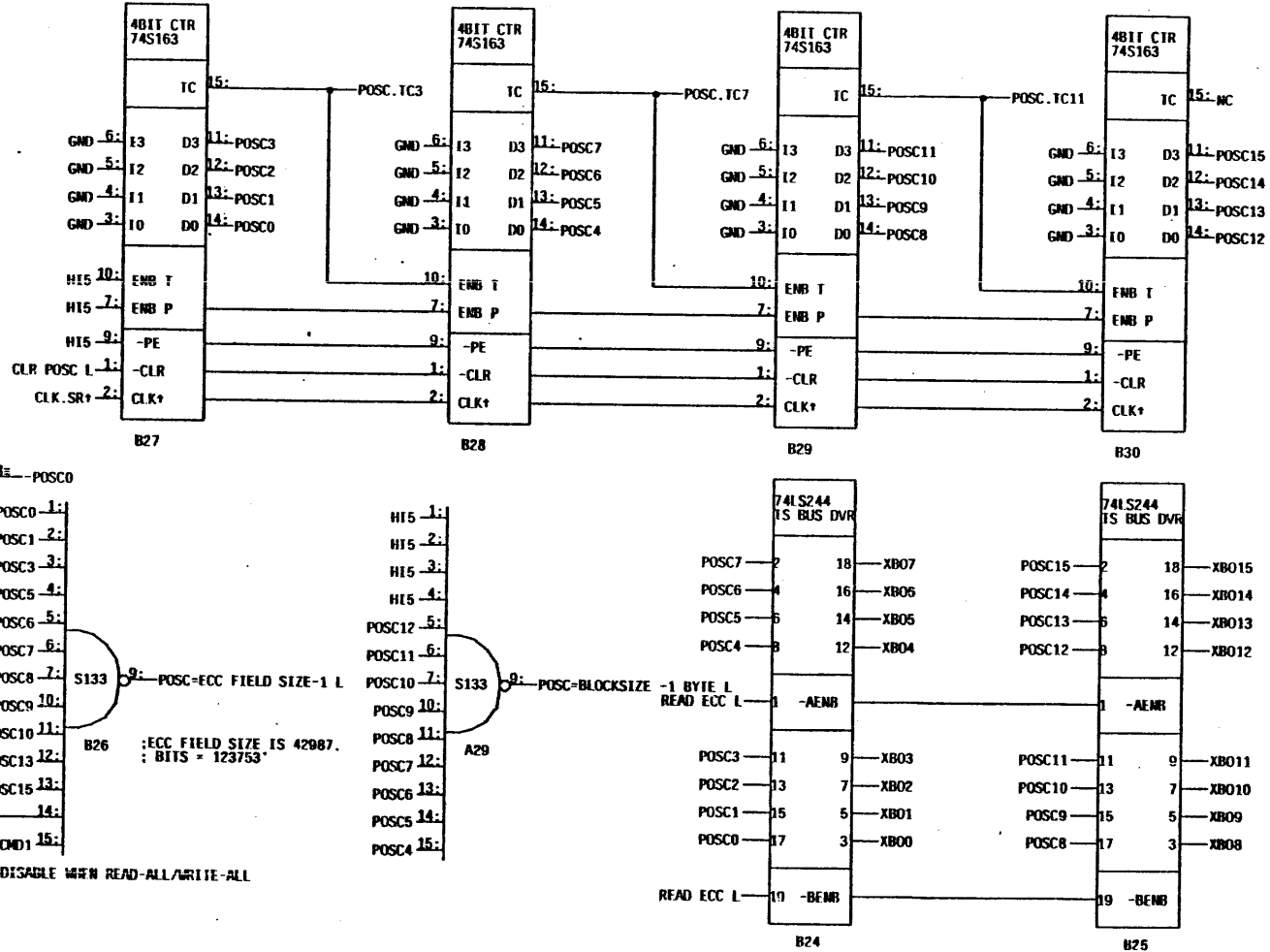
F14

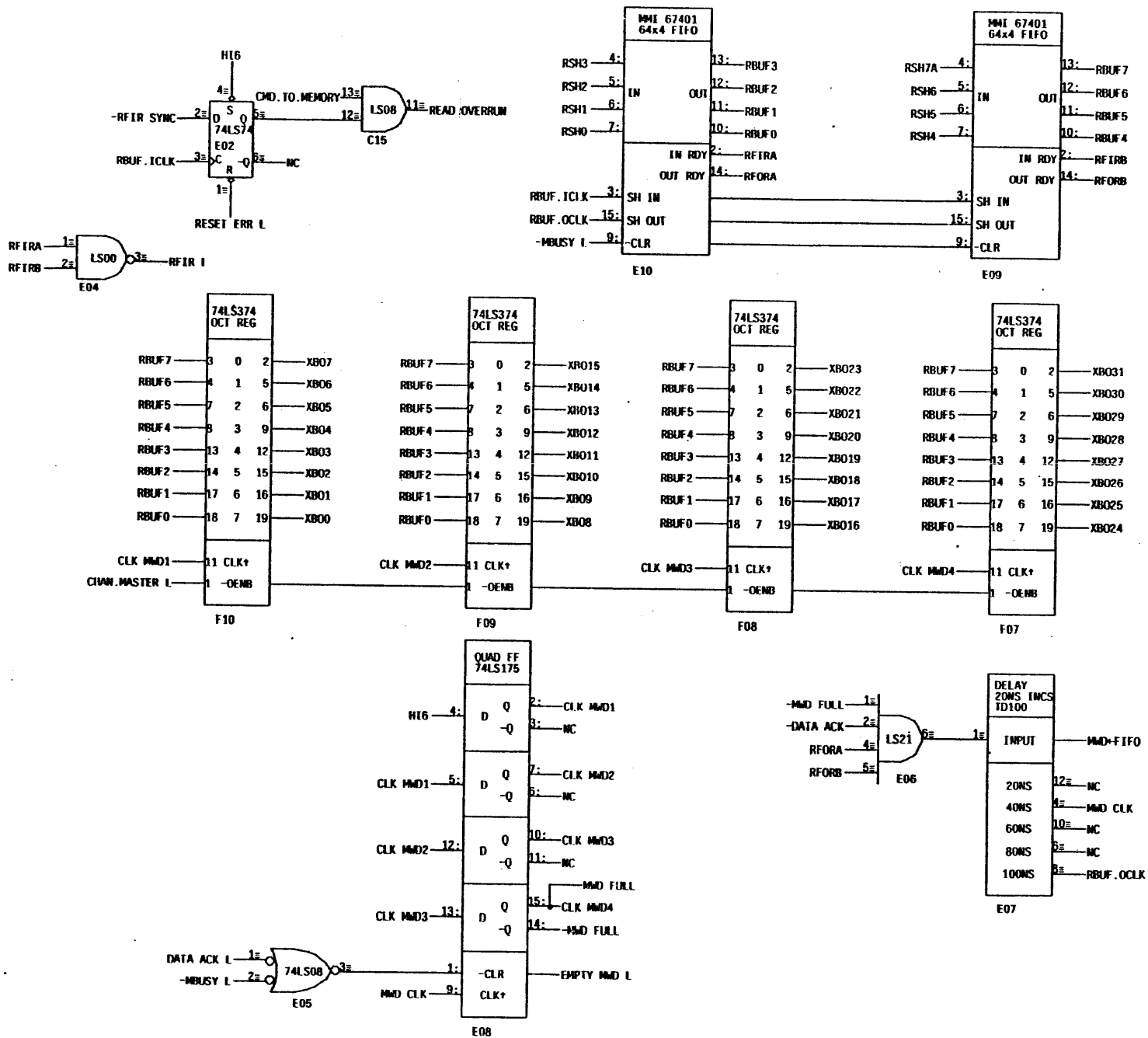


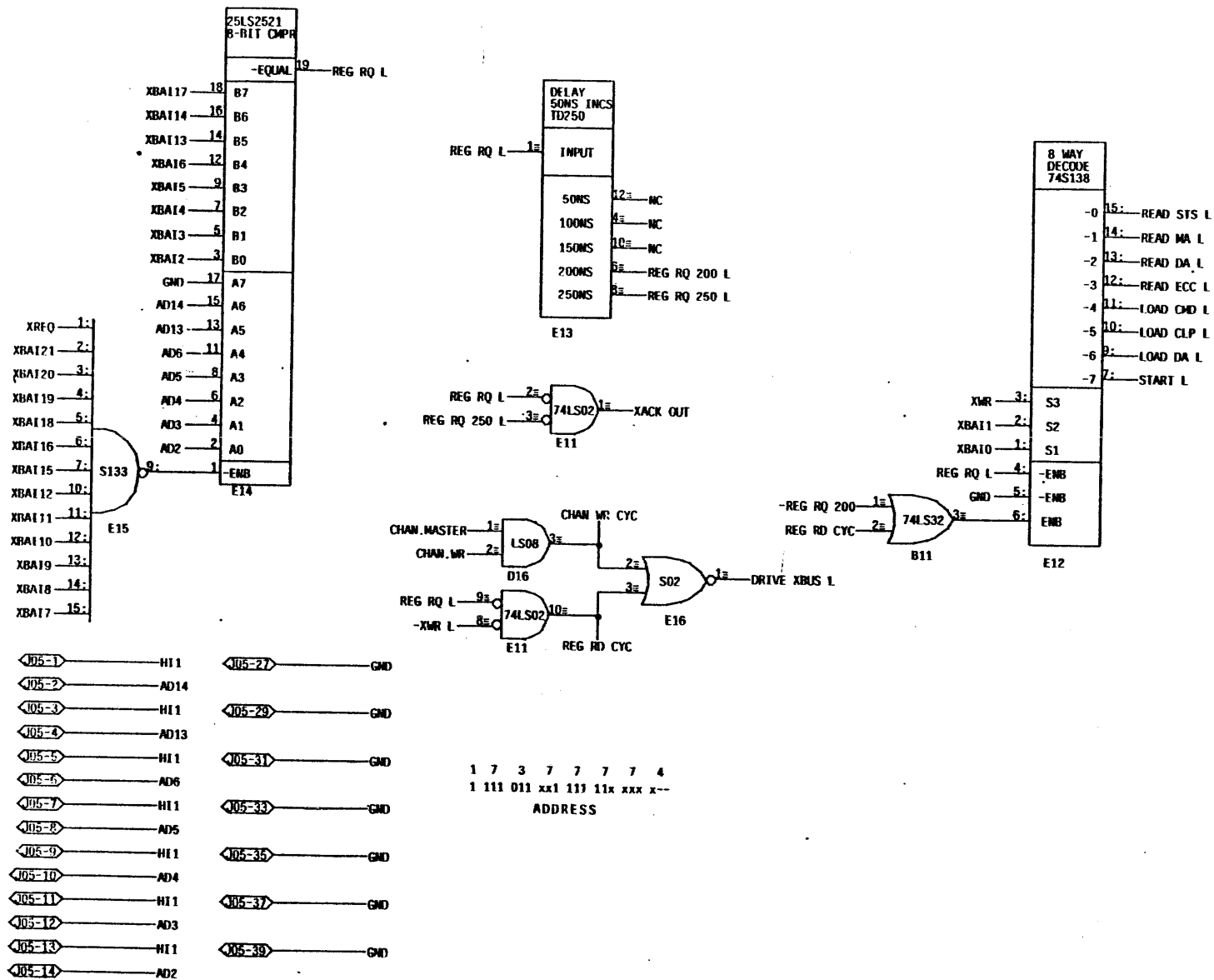
WHEN READING, HAS ONE LESS THAN THE NUMBER OF
 VALID BITS ALREADY CLOCKED IN.
 WHEN WRITING, HAS THE NUMBER OF
 BITS ALREADY CLOCKED OUT.

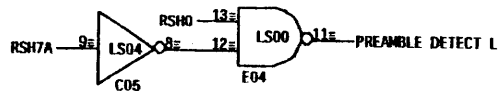
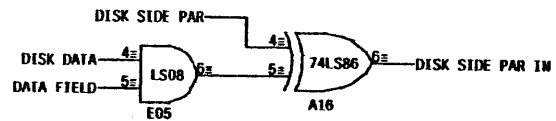
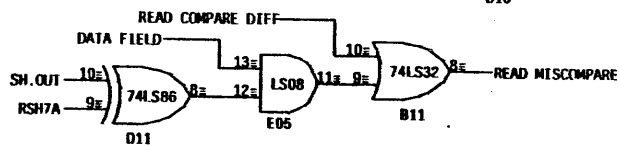
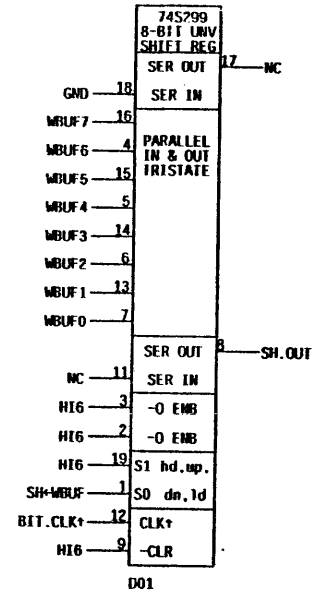
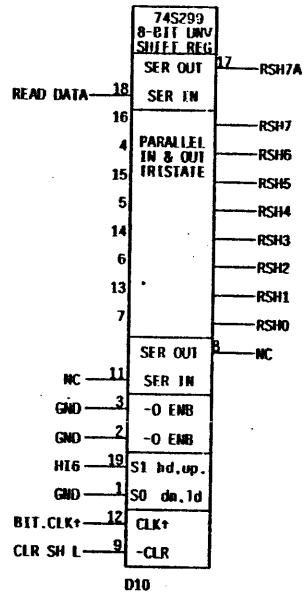
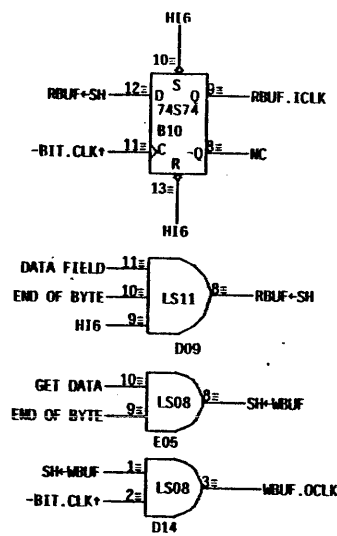


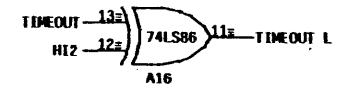
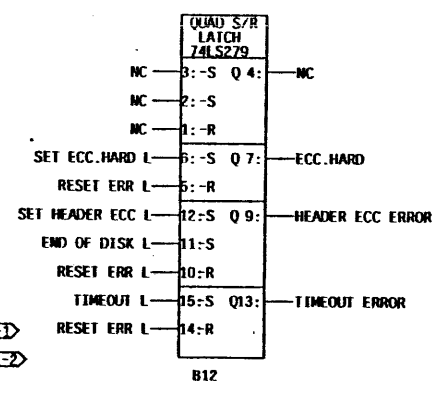
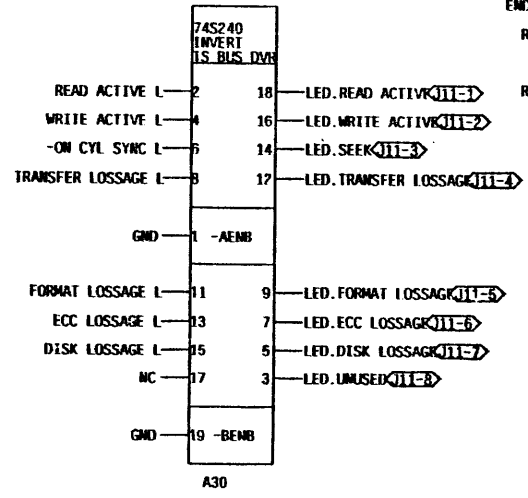
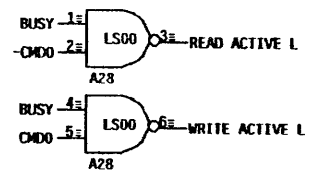
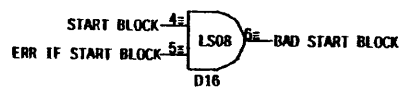
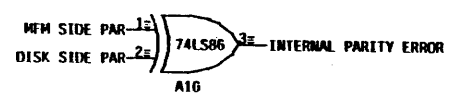
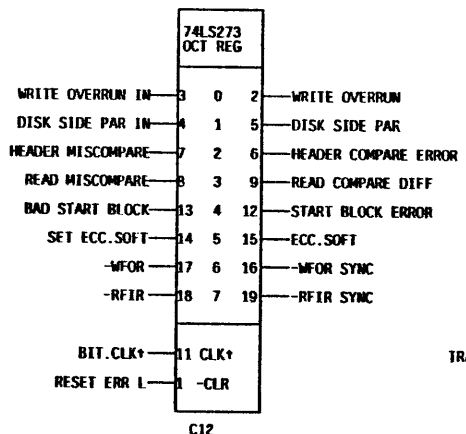
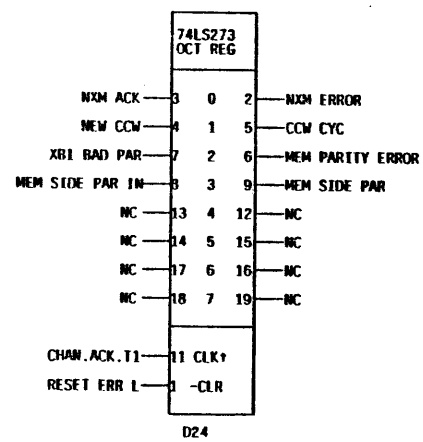
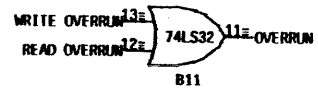
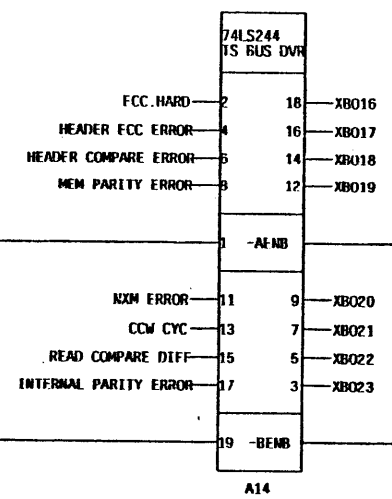
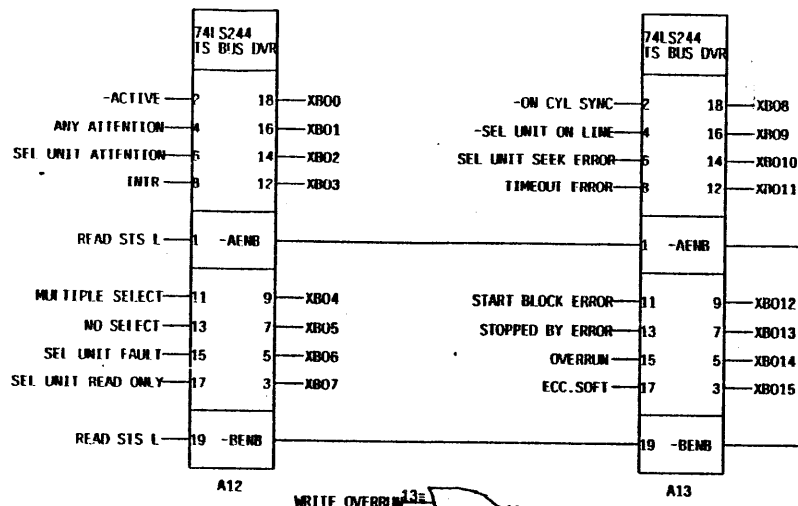
:NOTE SYNCHRONOUS CLEAR









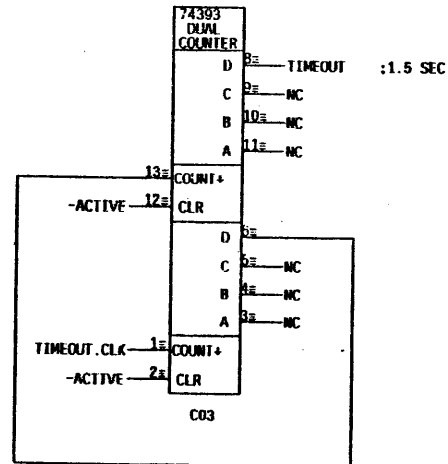
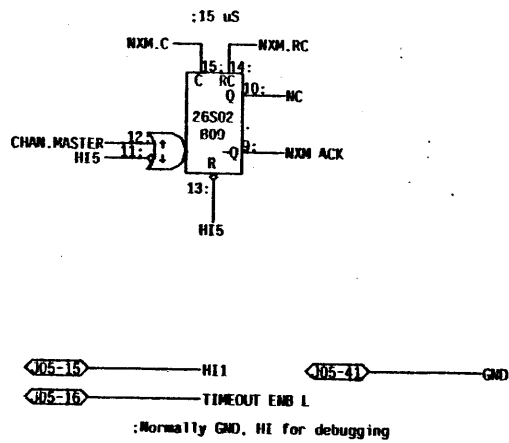
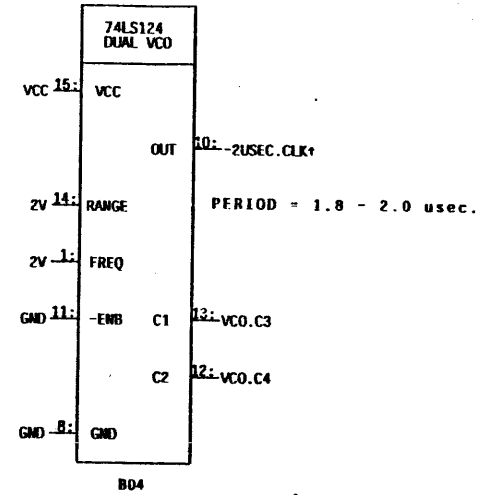
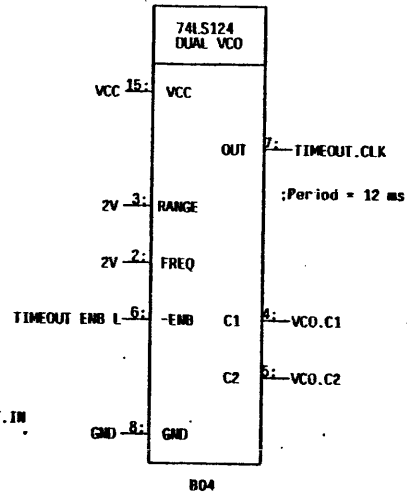
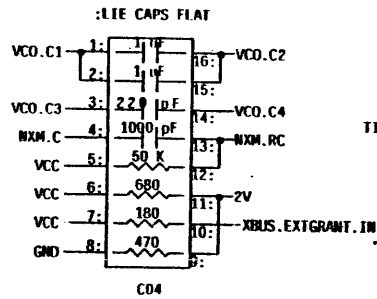


DISK CONTROL

STATUS

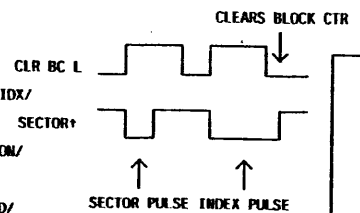
5-FEB-1980 01:50

AI: CADRDC; DCSTS

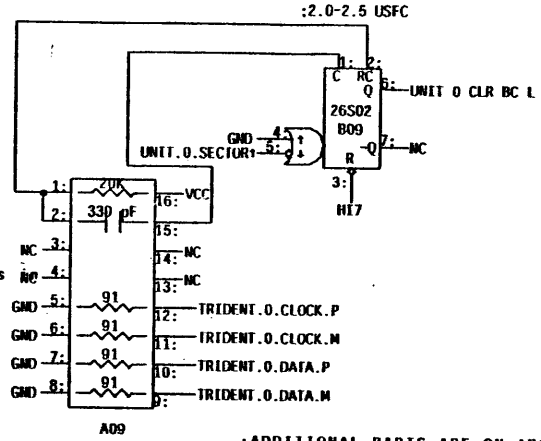


- U3-10 VCC
- U3-9 VCC
- U3-3 GND
- U3-20 TRIDENT.O.COMPSECIDX/
- U3-8 GND
- U3-28 TRIDENT.O.ATTENTION/
- U3-7 GND
- U3-27 TRIDENT.O.SELECTED/
- U3-6 GND
- U3-26 TRIDENT.O.SEQUENCE/
- U3-5 GND
- U3-25 TRIDENT.O.SELECT/
- U3-4 GND
- U3-14 TRIDENT.O.DATA.P
- U3-13 GND
- U3-23 TRIDENT.O.DATA.M
- U3-2 GND
- U3-22 TRIDENT.O.CLOCK.P
- U3-1 GND
- U3-21 TRIDENT.O.CLOCK.M

:J3. remove dedicated grounds 21-30
:Delete pins 11 and 31

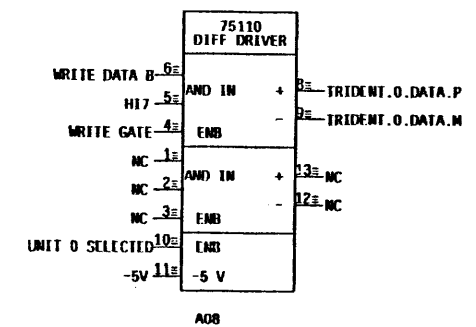
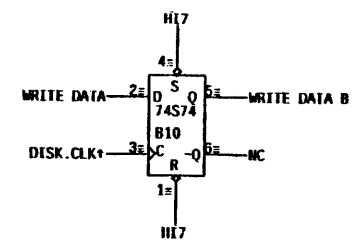
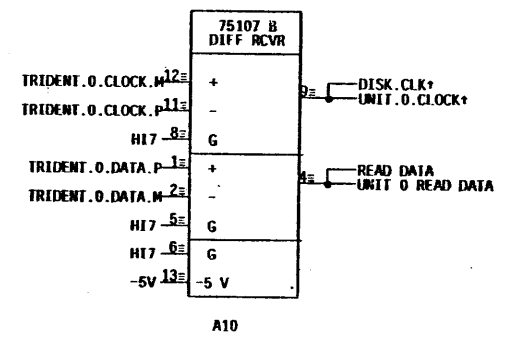
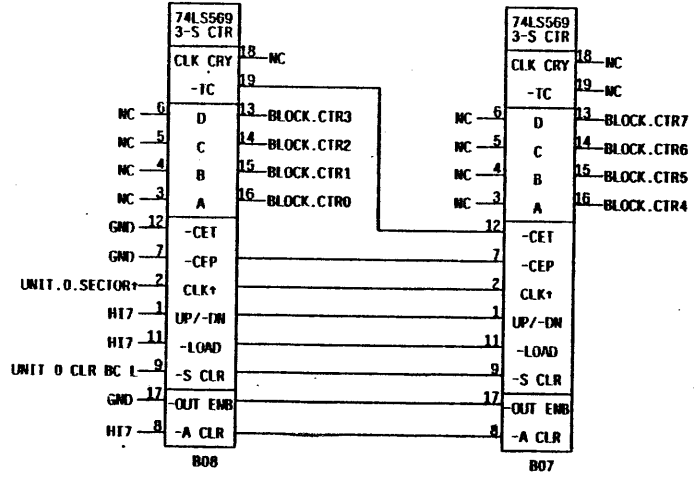
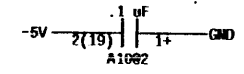
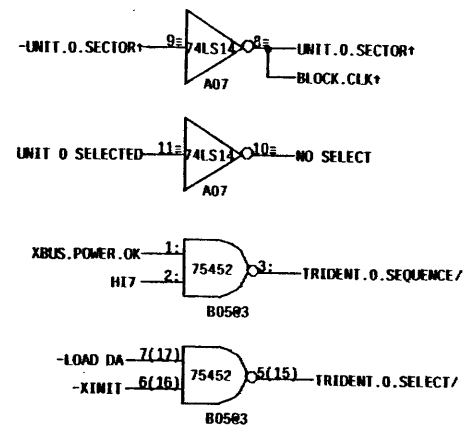


:Set sector length jumpers
:drive to 1410 (octal)
:which is 1164. bytes.

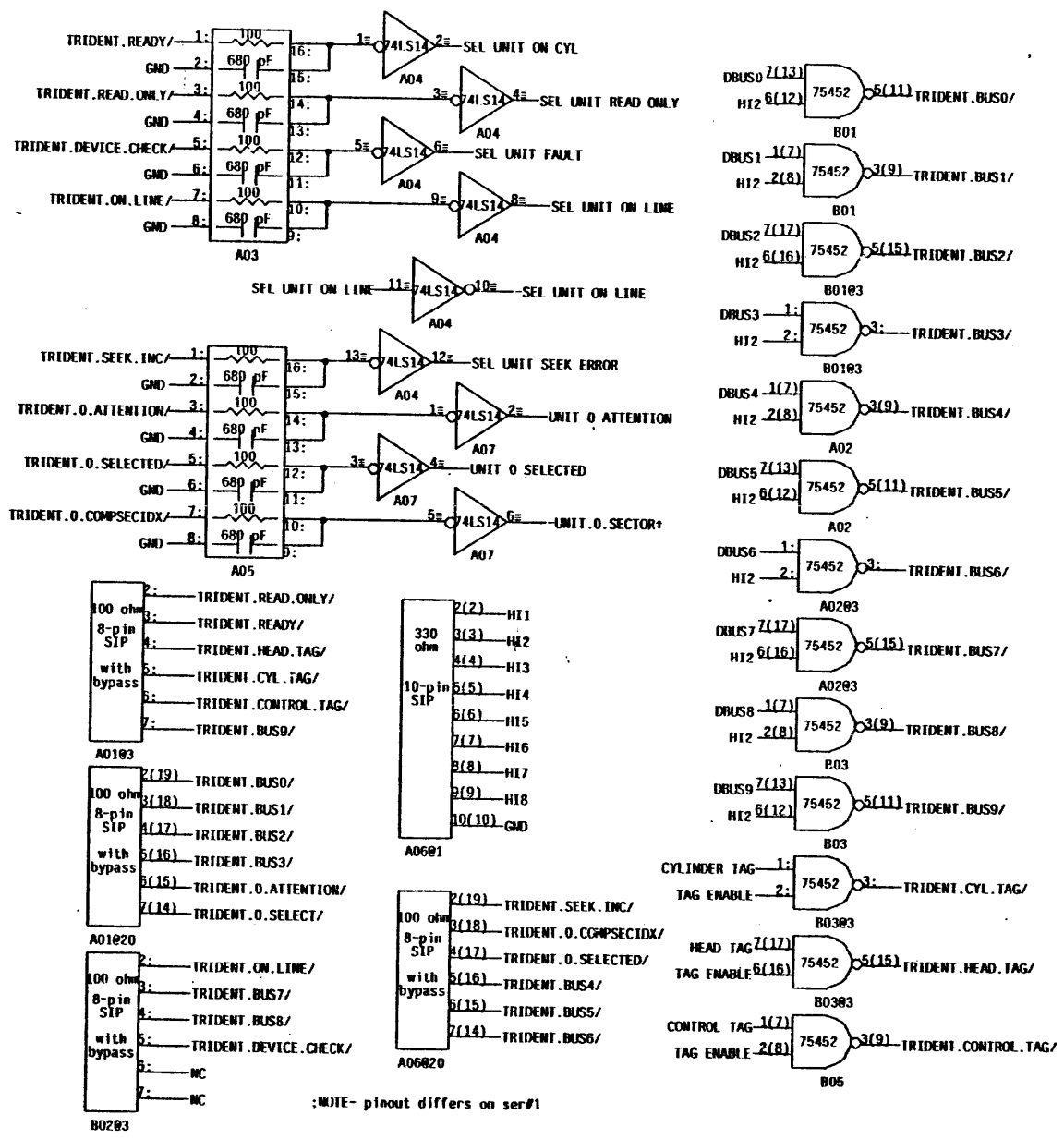


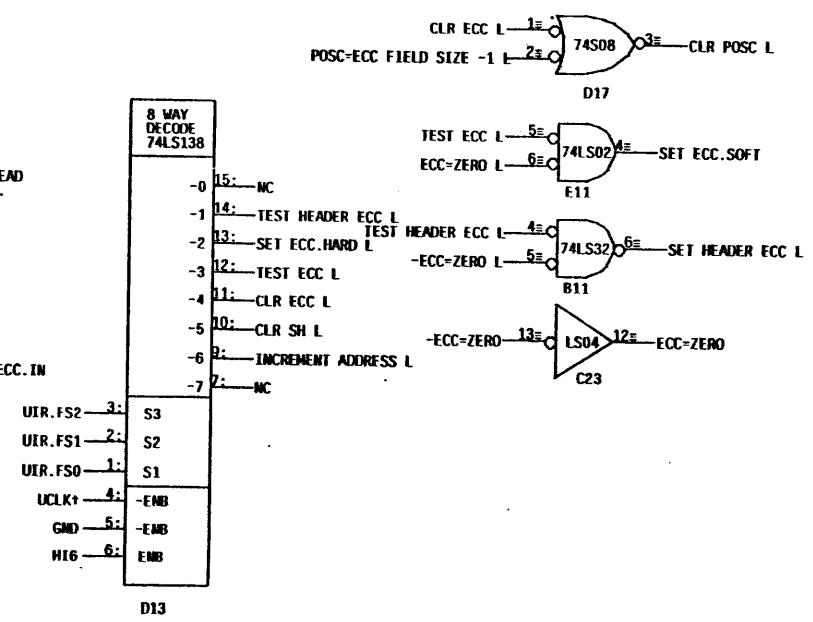
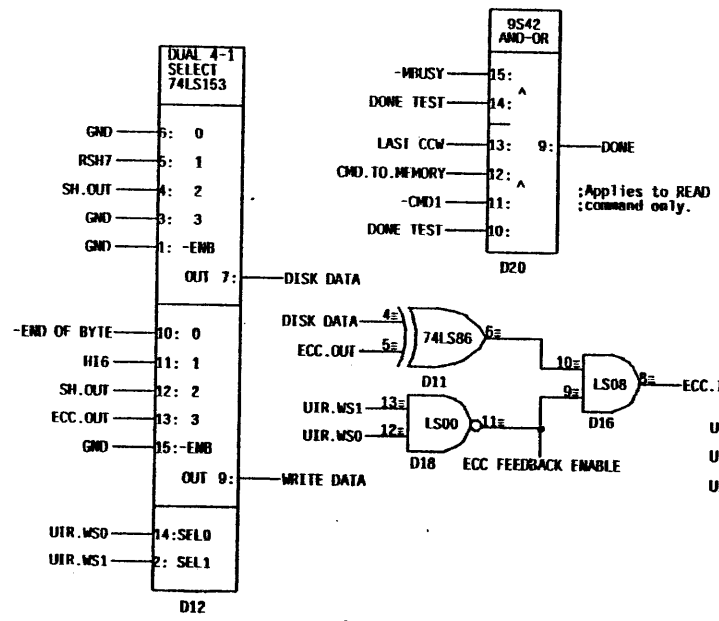
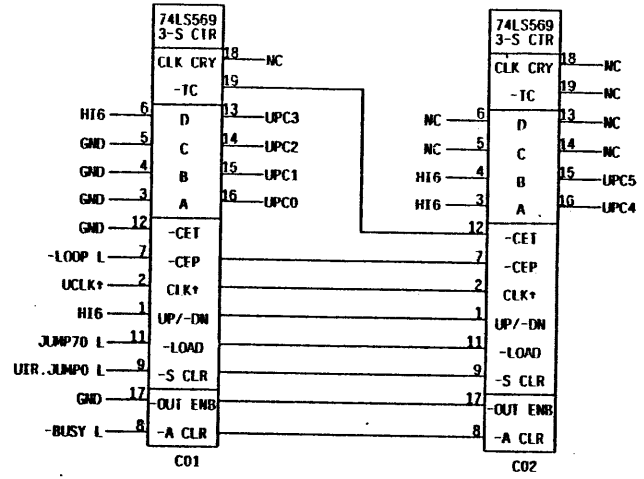
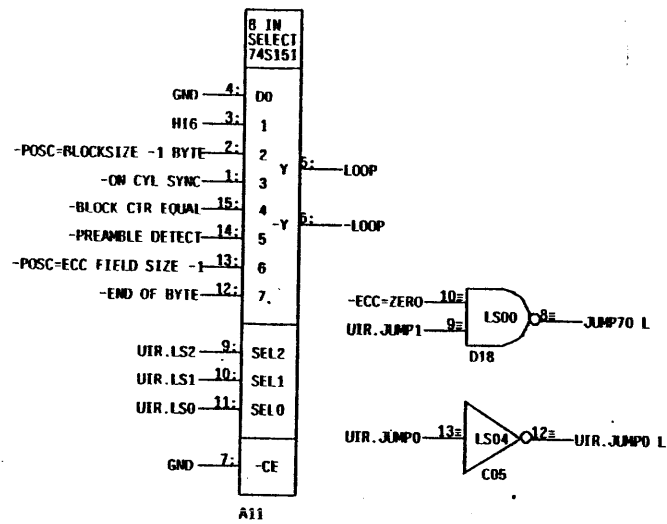
:ADDITIONAL PARTS ARE ON 'DCTRSG'

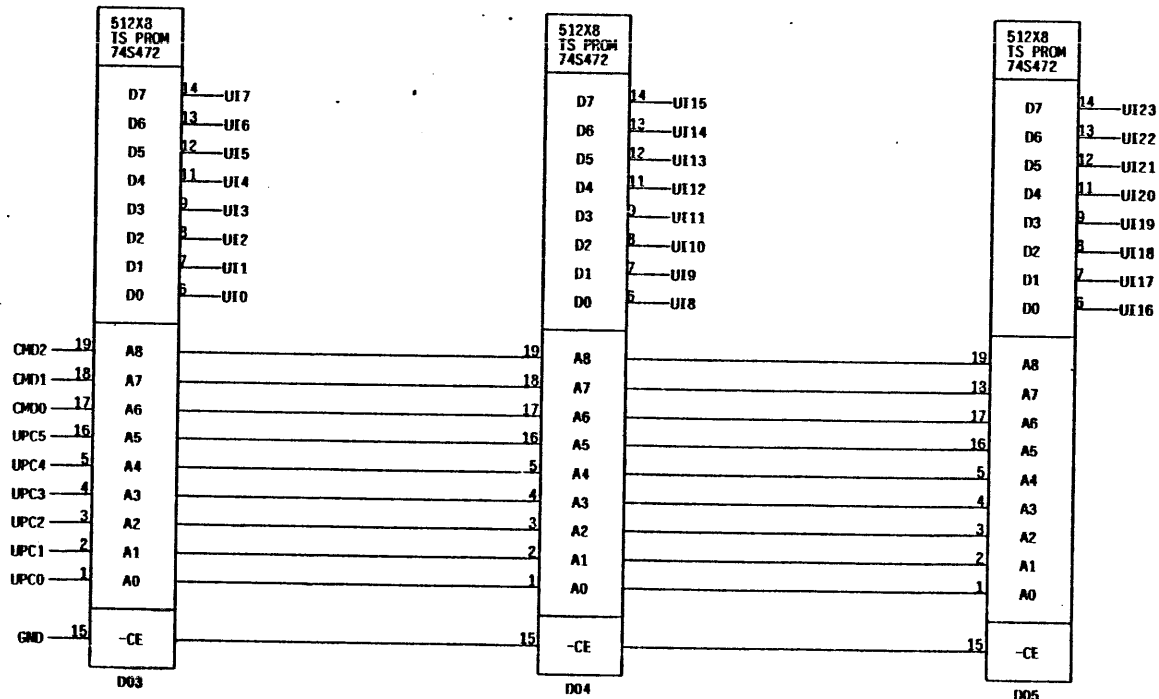
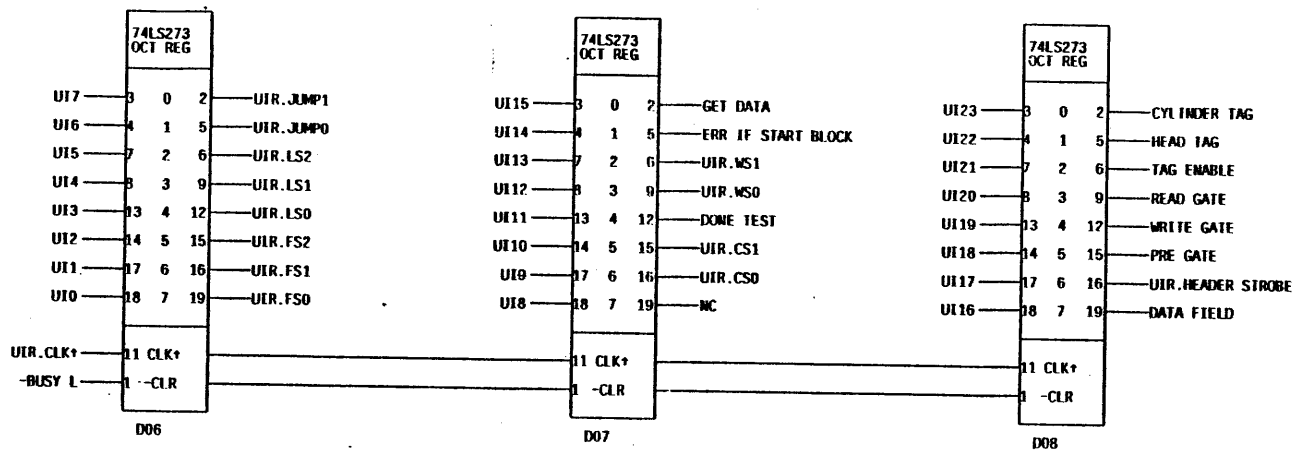
GND TYPE1
GND TYPE0
:Trident is type 0

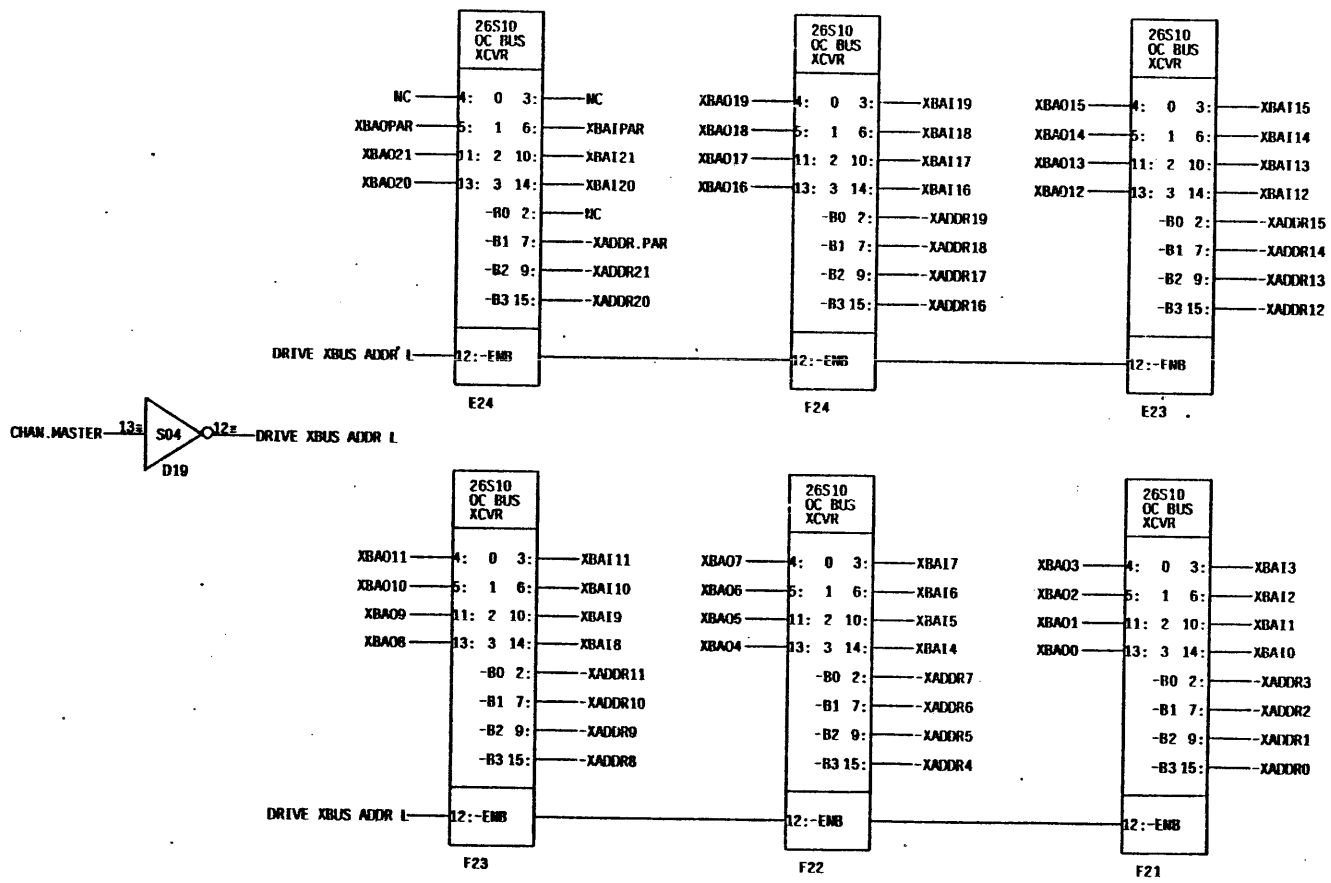


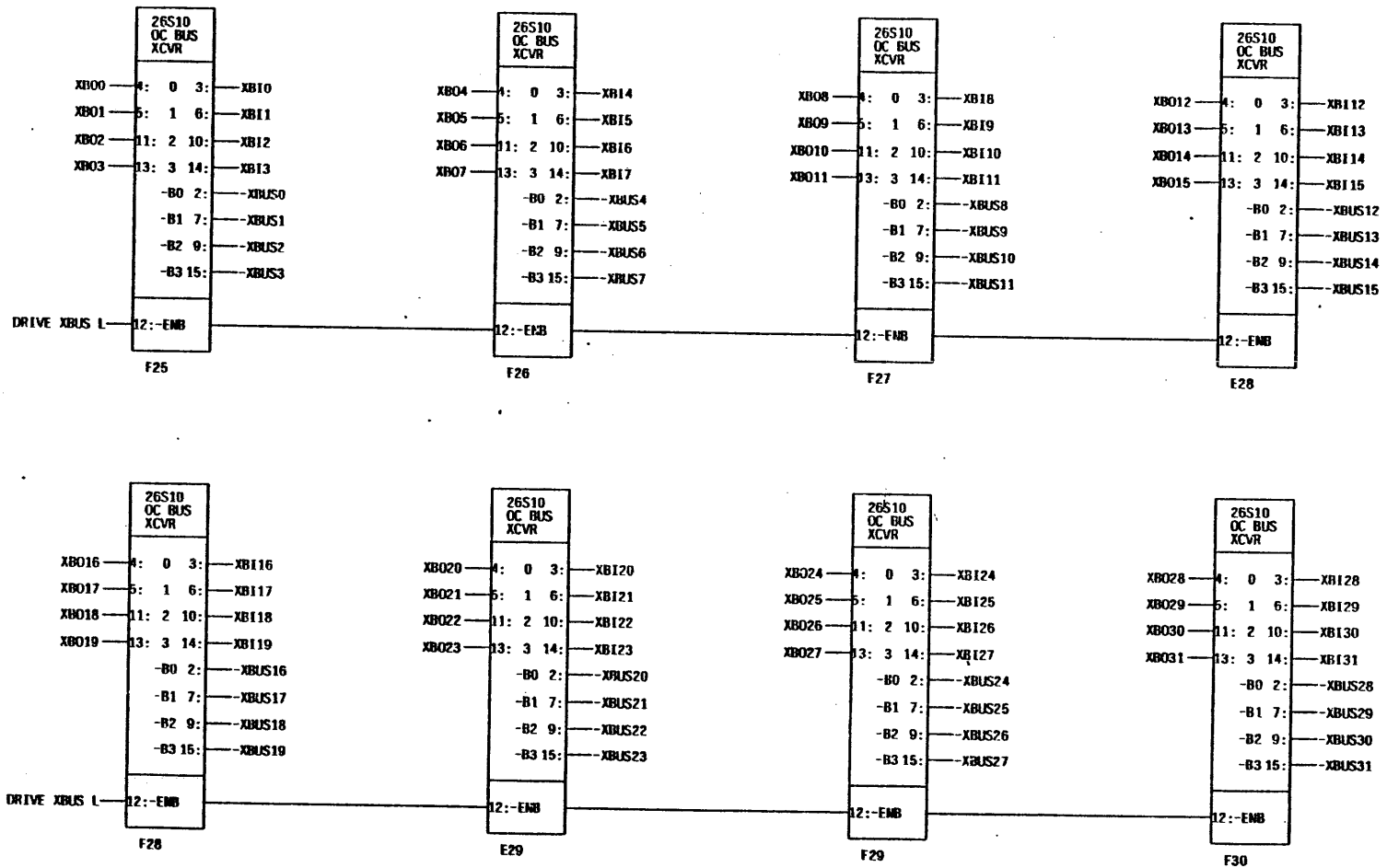
- ◁J01-20 TRIDENT.SECTOR/
- ◁J01-45 TRIDENT.END.OF.CYL/
- ◁J01-10 TRIDENT.ADR.MK.DET/
- ◁J01-44 TRIDENT.OFFSET/
- ◁J01-18 VCC
- ◁J01-43 TRIDENT.INDEX/
- ◁J01-17 VCC
- ◁J01-42 TRIDENT.READY/
- ◁J01-16 GND
- ◁J01-41 TRIDENT.READ.ONLY/
- ◁J01-15 GND
- ◁J01-40 TRIDENT.DEVICE.CHECK/
- ◁J01-14 GND
- ◁J01-39 TRIDENT.ON.LINE/
- ◁J01-13 GND
- ◁J01-38 TRIDENT.SEEK.INC/
- ◁J01-12 GND
- ◁J01-37 TRIDENT.SPARE/
- ◁J01-11 GND
- ◁J01-36 TRIDENT.BUS9/
- ◁J01-10 GND
- ◁J01-35 TRIDENT.BUS8/
- ◁J01-9 GND
- ◁J01-34 TRIDENT.BUS7/
- ◁J01-8 GND
- ◁J01-33 TRIDENT.BUS6/
- ◁J01-7 GND
- ◁J01-32 TRIDENT.BUS5/
- ◁J01-6 GND
- ◁J01-31 TRIDENT.BUS4/
- ◁J01-5 GND
- ◁J01-30 TRIDENT.BUS3/
- ◁J01-4 GND
- ◁J01-29 TRIDENT.BUS2/
- ◁J01-3 TRIDENT.TER.IM/
- ◁J01-28 TRIDENT.BUS1/
- ◁J01-27 TRIDENT.CONTROL.TAG/
- ◁J01-26 TRIDENT.BUS0/
- ◁J01-25 TRIDENT.CYL.TAG/
- ◁J01-24 TRIDENT.HEAD.TAG/
- :J1, remove dedicated gnds 26-45
- :Delete pins 21 and 46



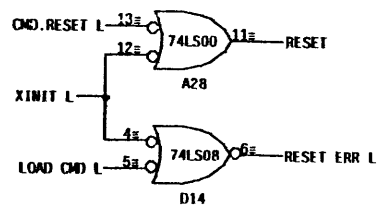
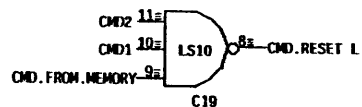
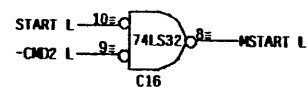
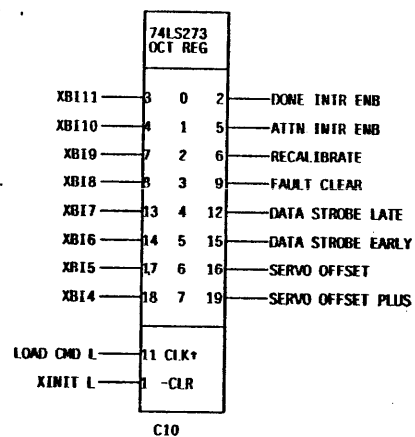
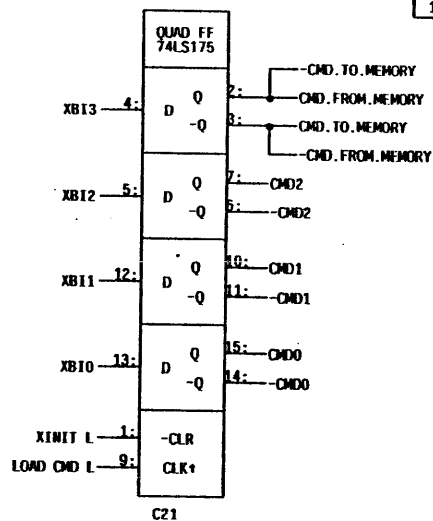


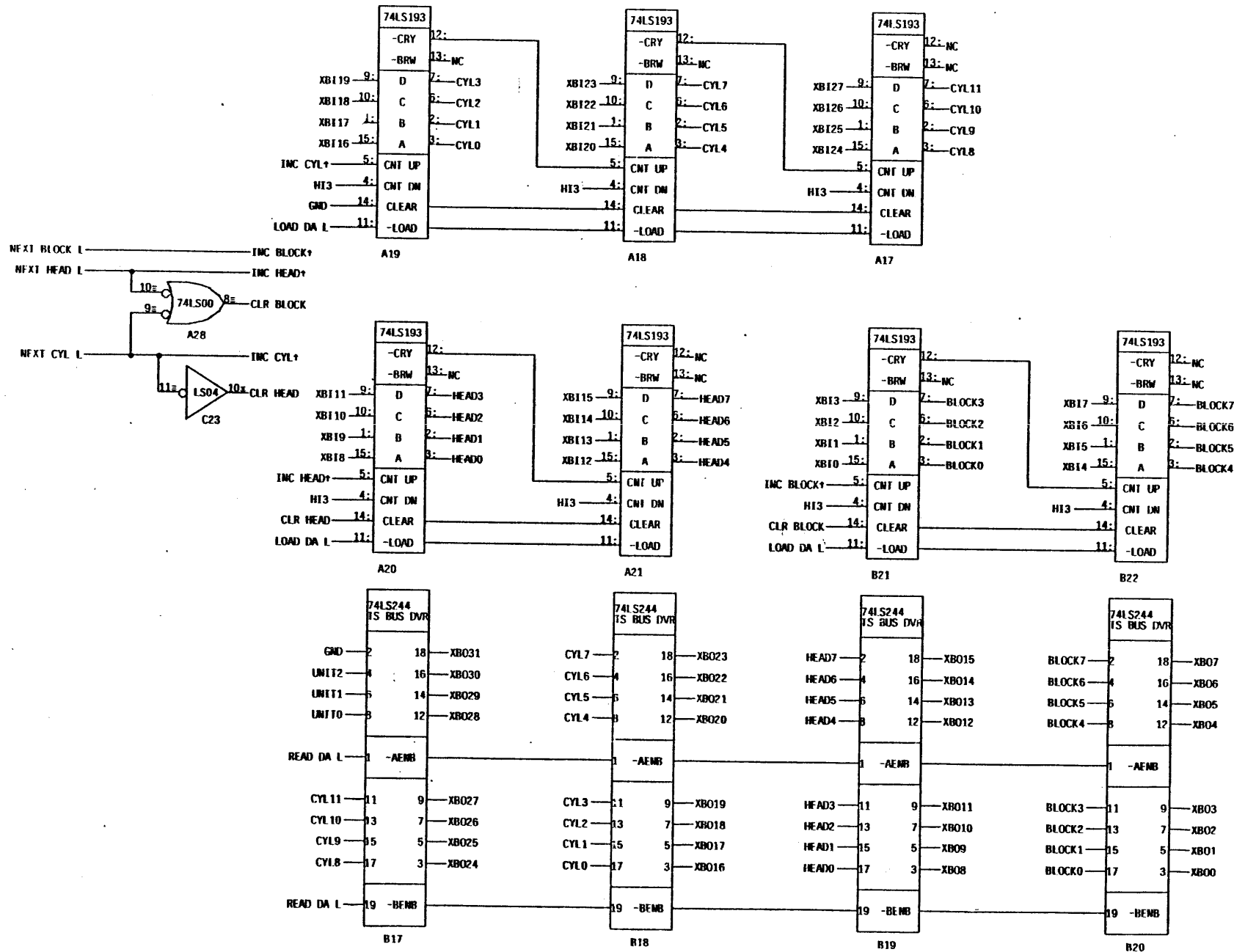


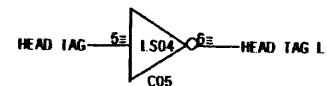
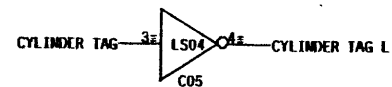
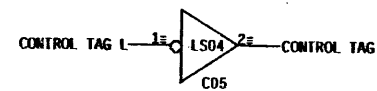
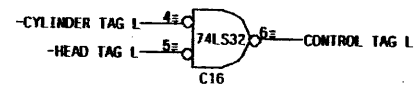
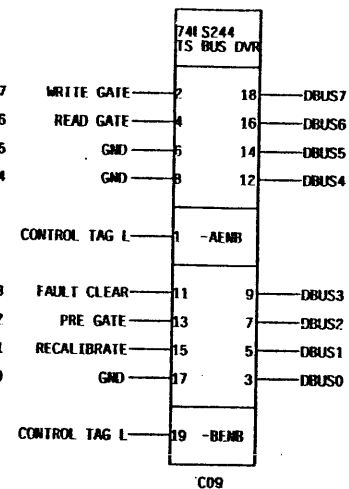
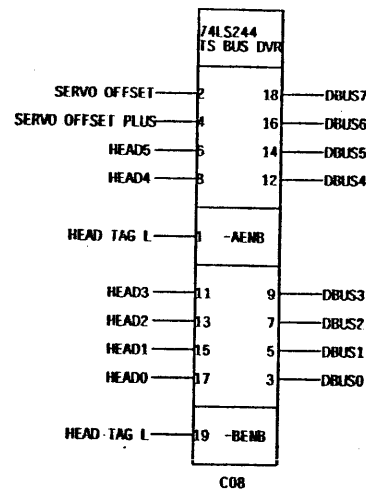
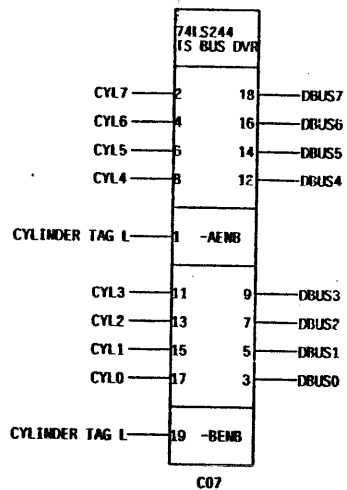
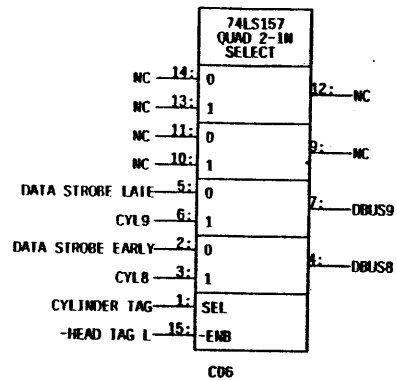


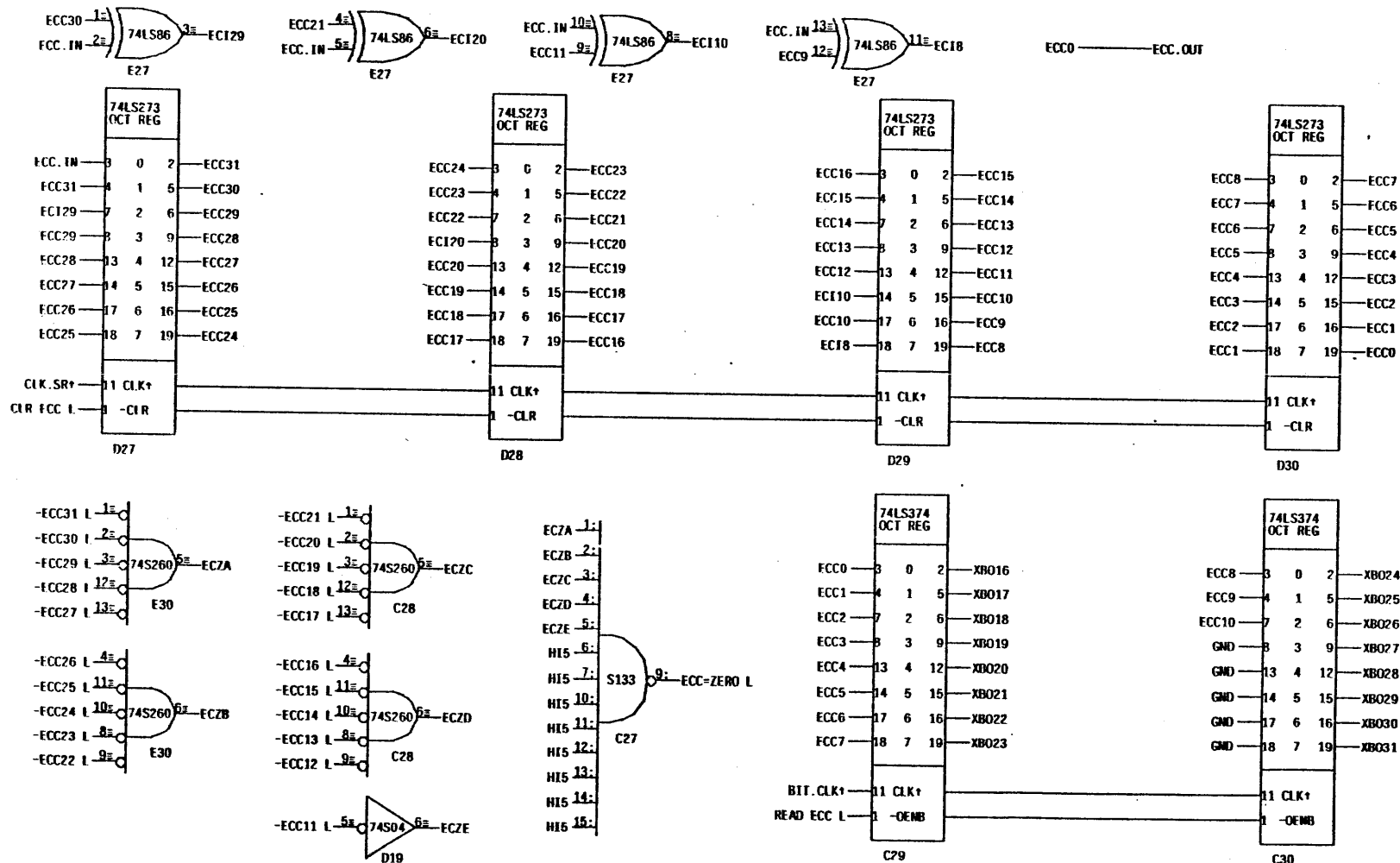


CMD	OPERATION
00	READ
10	READ COMPARE
11	WRITE
02	READ ALL
13	WRITE ALL
04	SEEK
05	AT EASE
1005	RECALIBRATE
405	FAULT CLEAR
08	OFFSET CLEAR
16	STOP, RESET

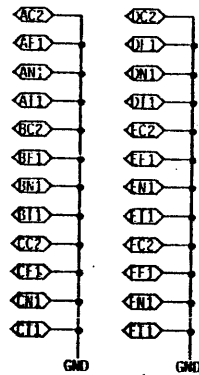








GROUNDS



JUMPERS FOR 1-BOARD VERSION:

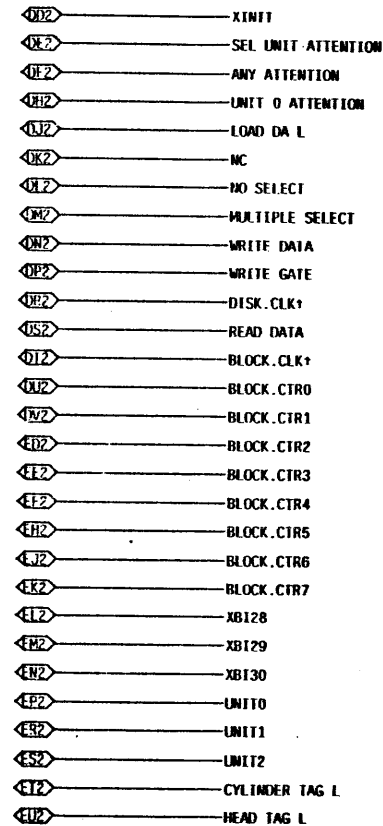
DE2 - DF2 - DH2
 DM1 - DM2
 ET1 - EP2 - ER2 - ES2

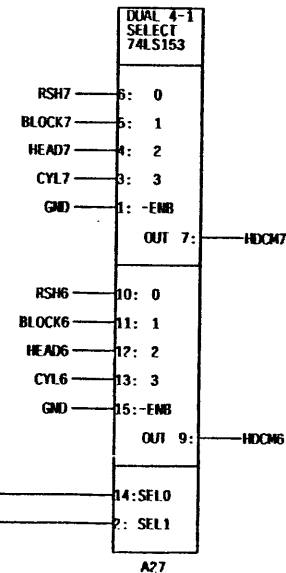
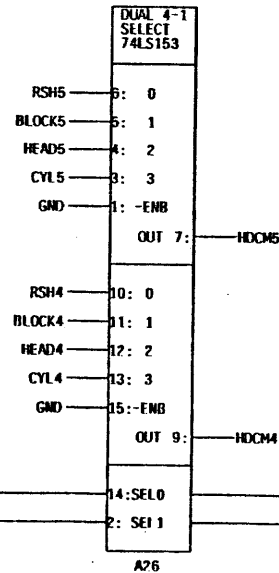
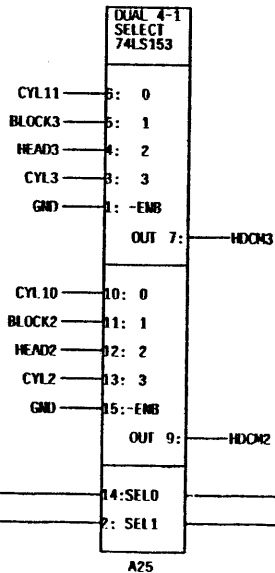
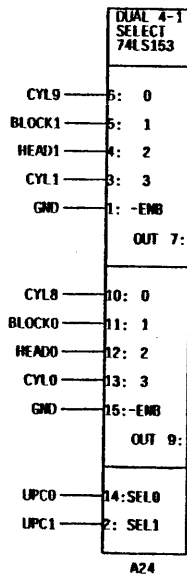
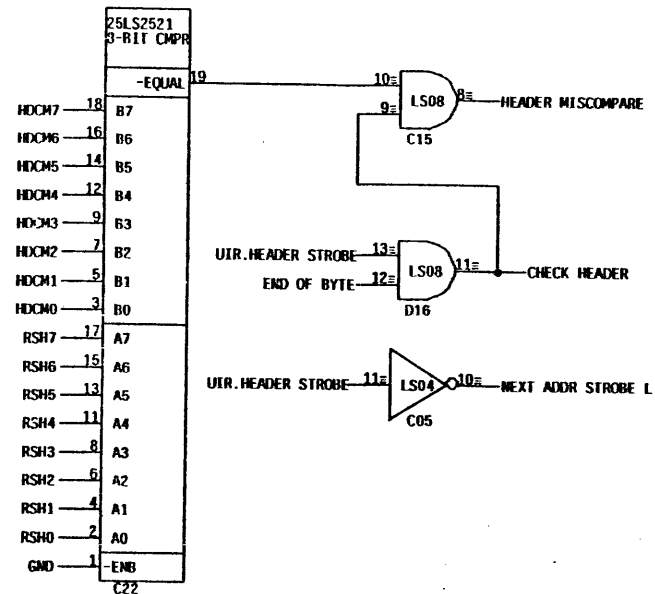
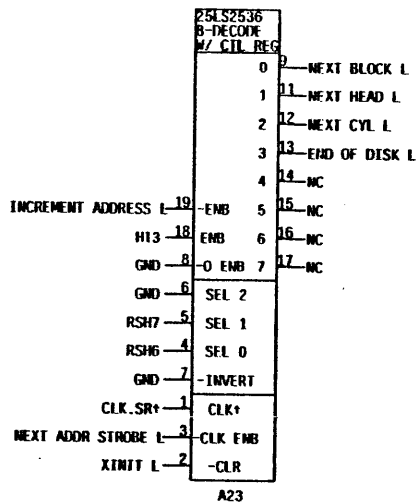
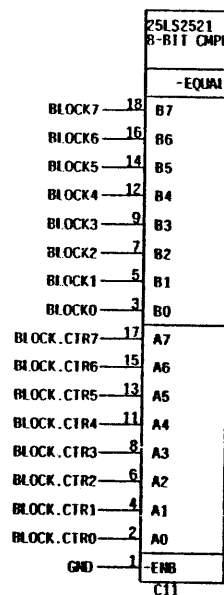
OMITTED DIPS IN 2-BOARD VERSION:

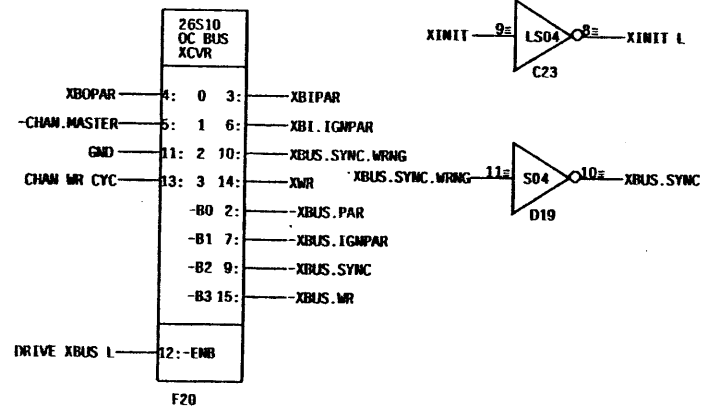
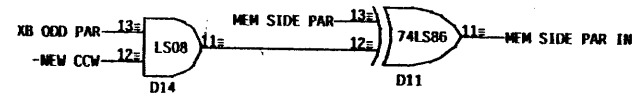
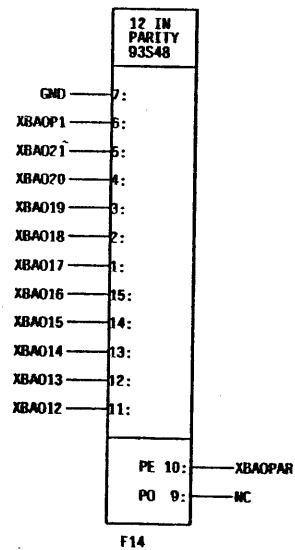
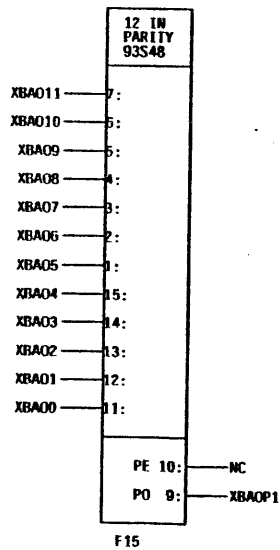
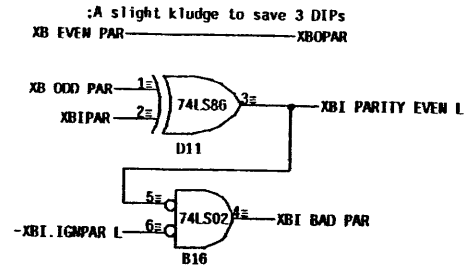
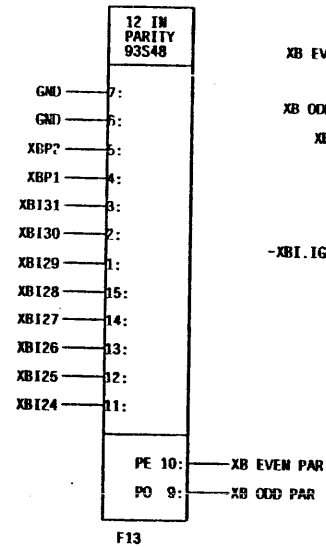
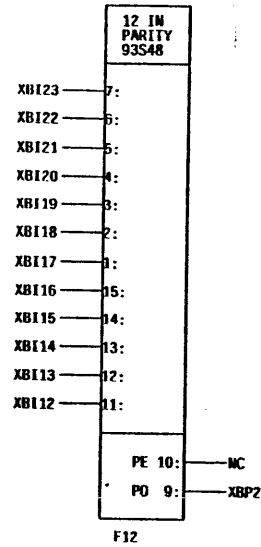
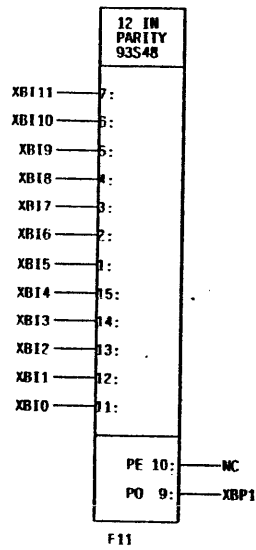
A7 A8 A9
 A10 B7 B8

BE CERTAIN TO EDIT THE
 RAY FILE FOR UNDEDICATED
 GROUND PINS ON J1, J3

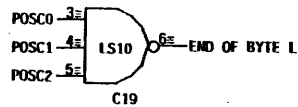
TO DISK MUX BOARD



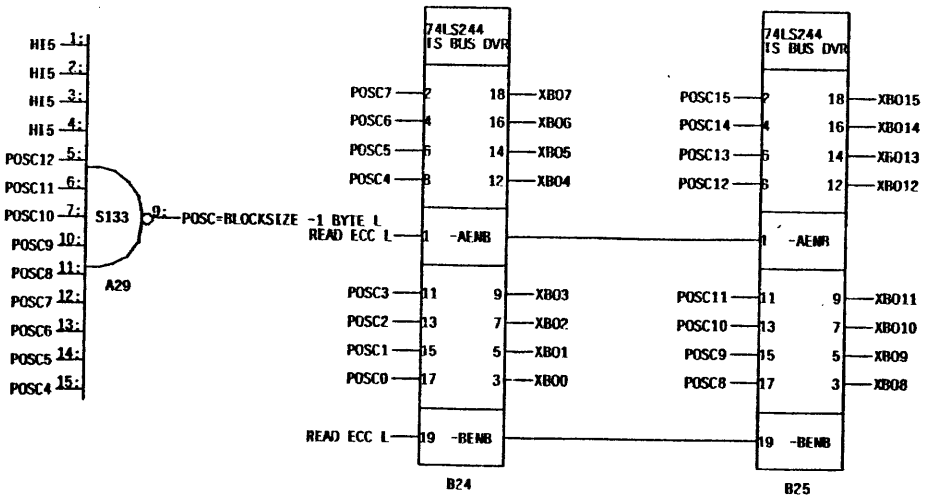
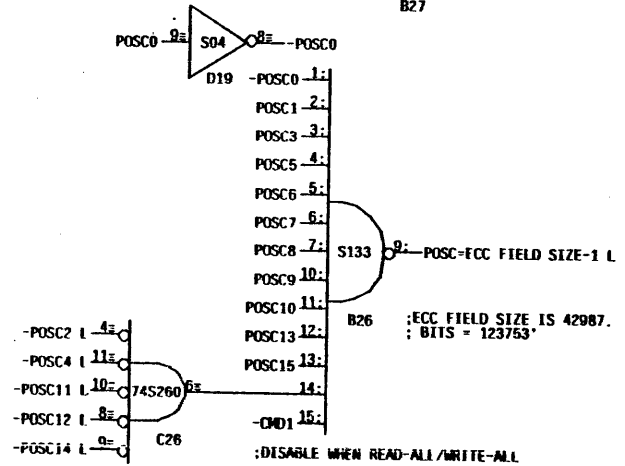
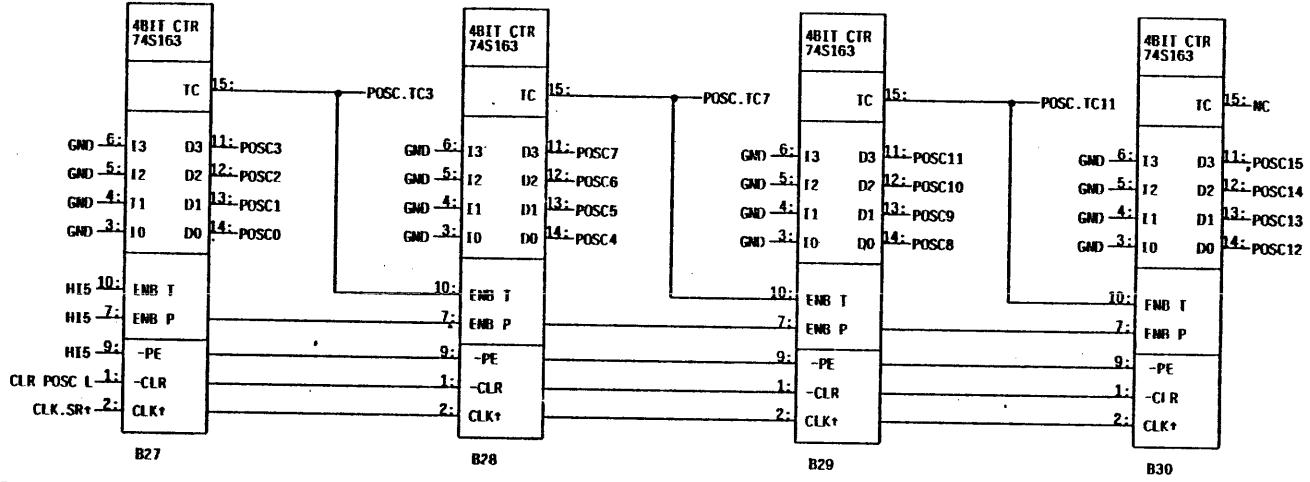


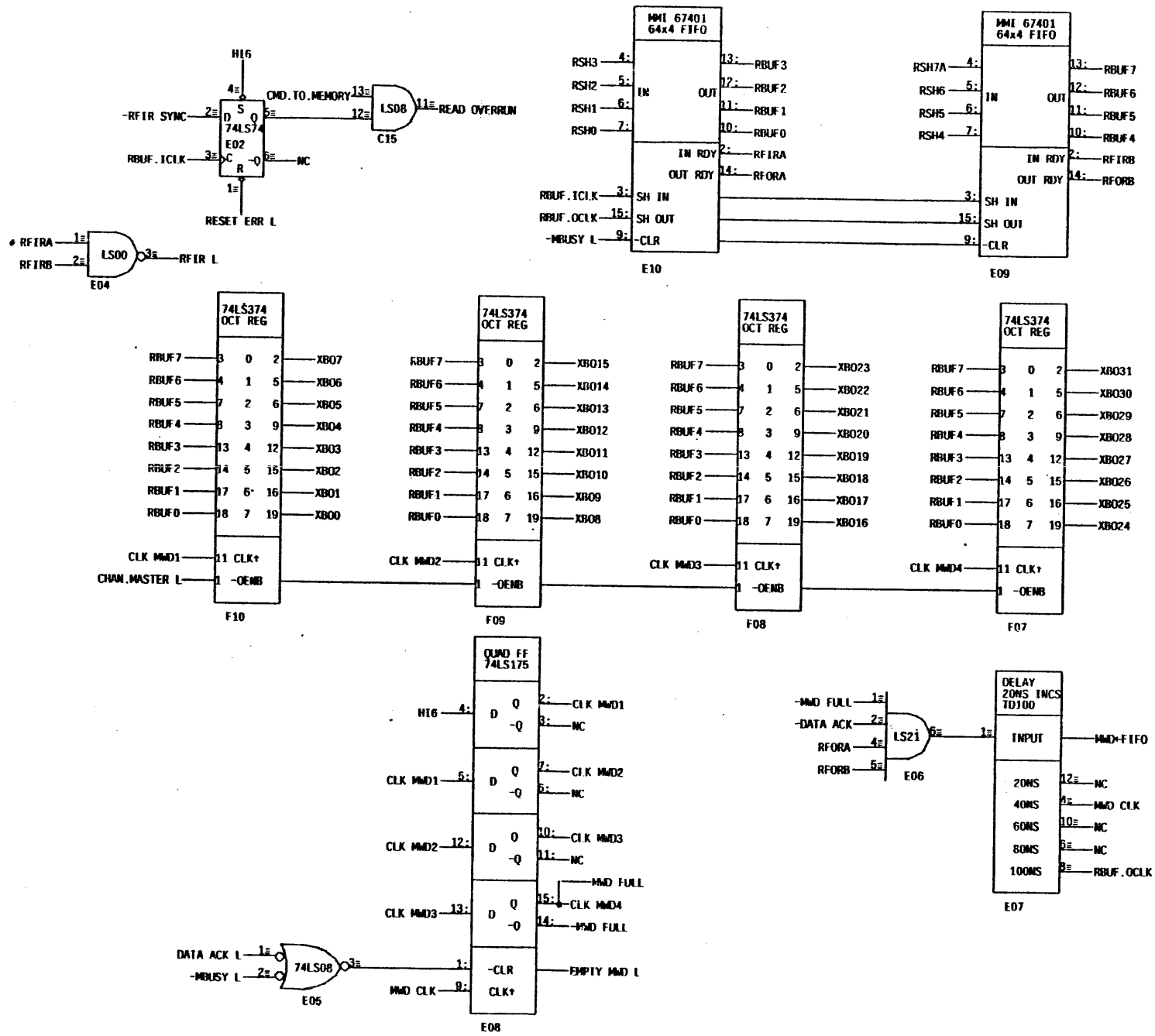


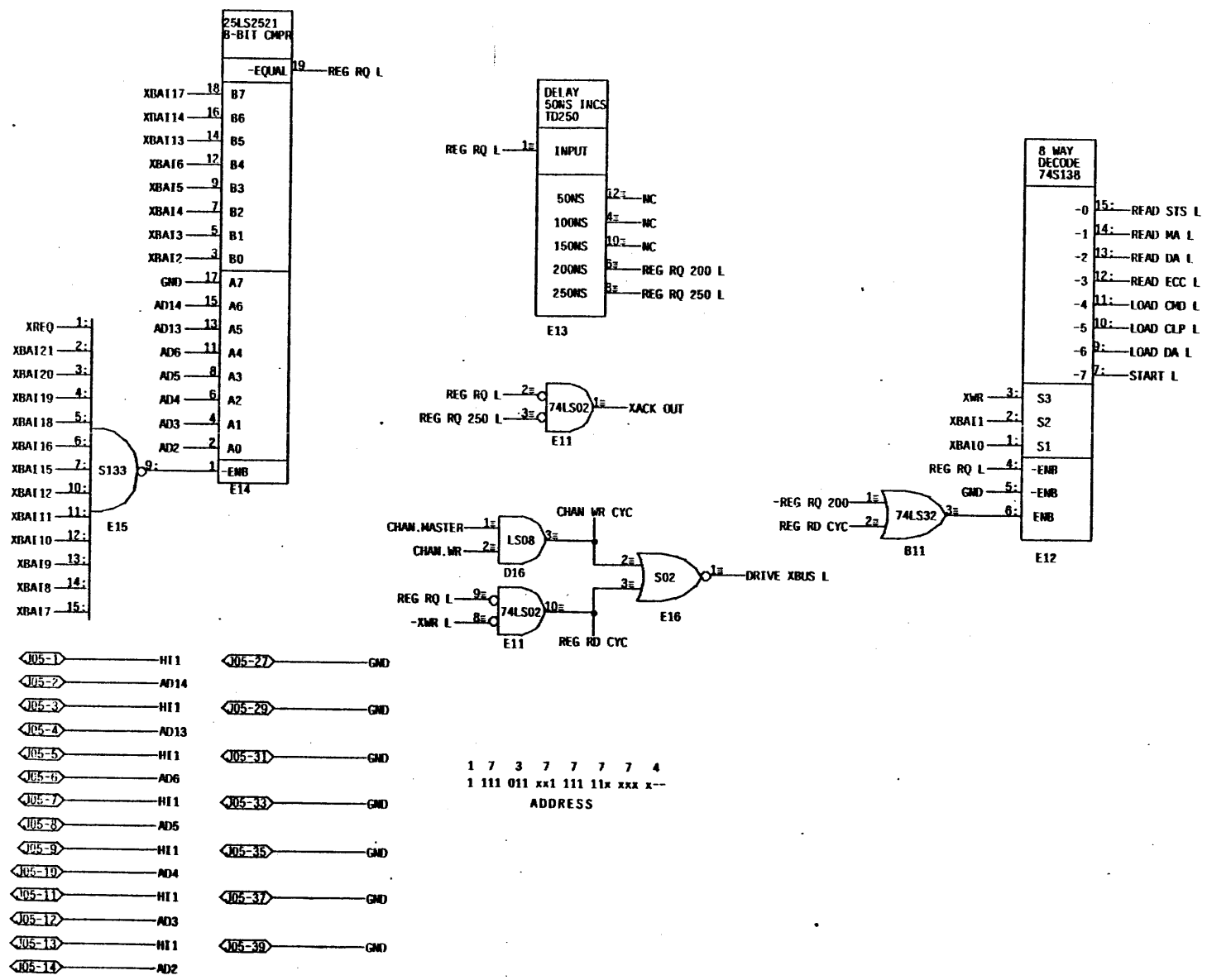
:WHEN READING, HAS ONE LESS THAN THE NUMBER OF
 : VALID BITS ALREADY CLOCKED IN.
 :WHEN WRITING, HAS THE NUMBER OF
 : BITS ALREADY CLOCKED OUT.

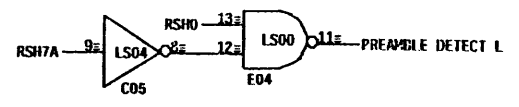
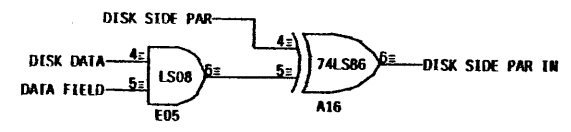
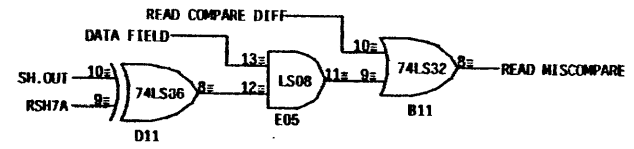
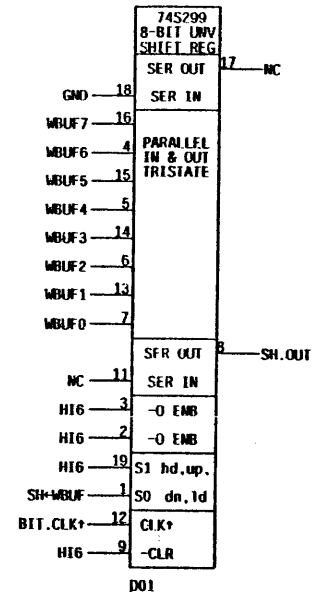
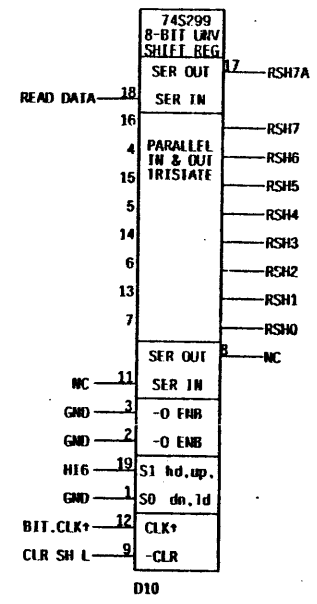
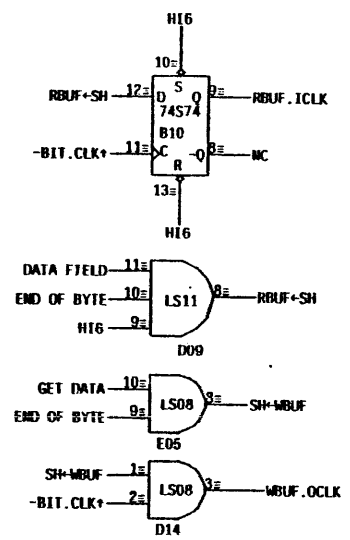


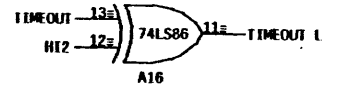
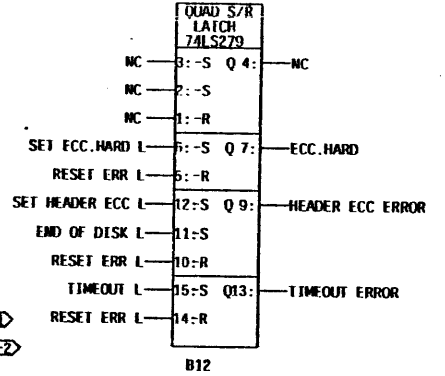
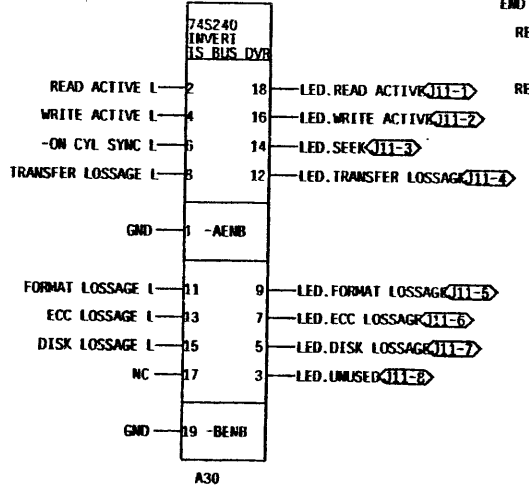
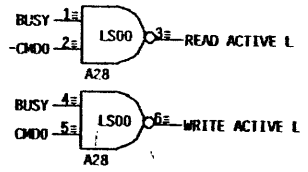
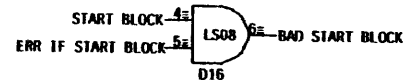
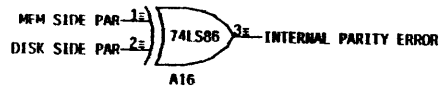
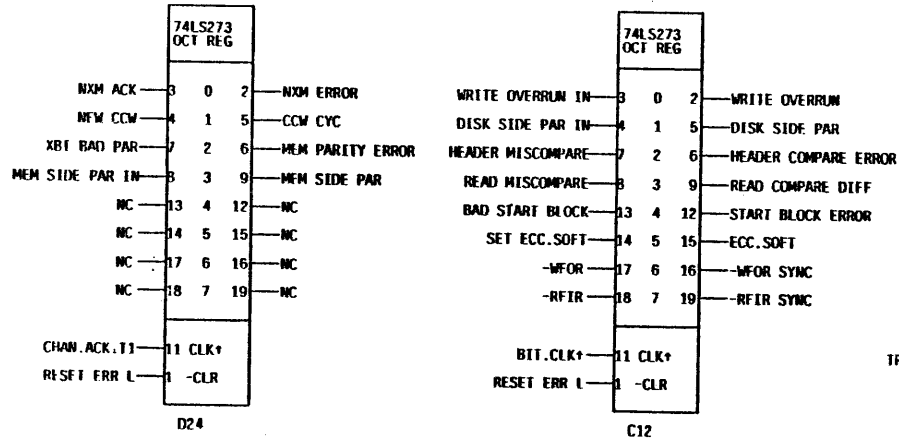
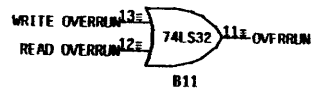
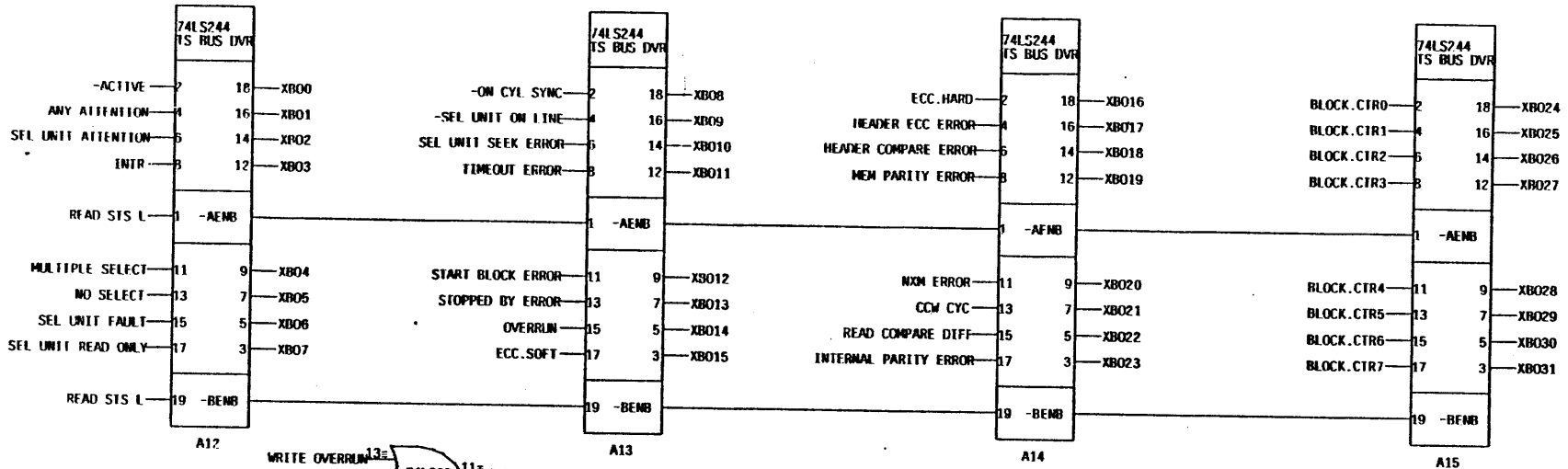
:NOTE SYNCHRONOUS CLEAR

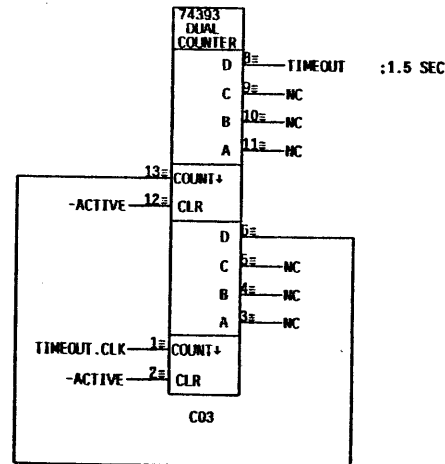
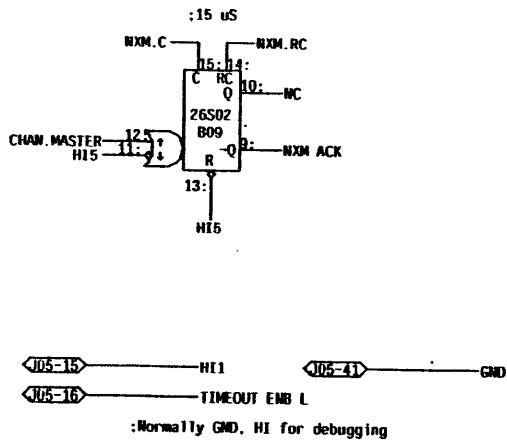
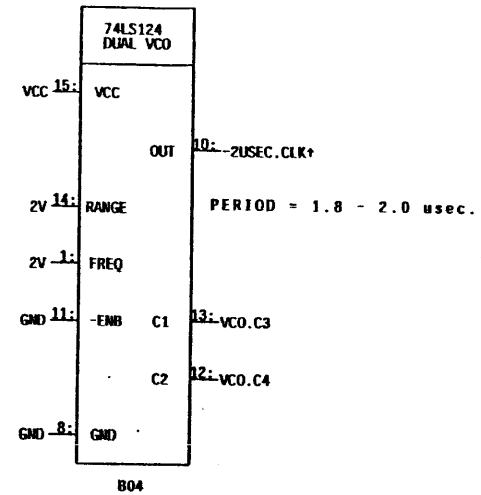
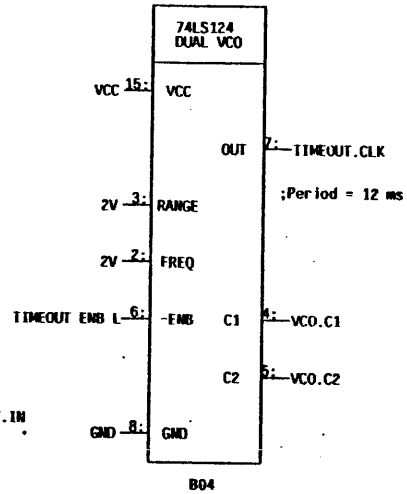
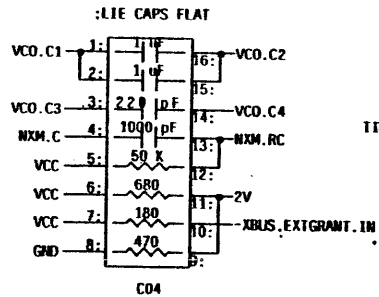


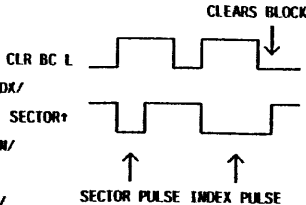
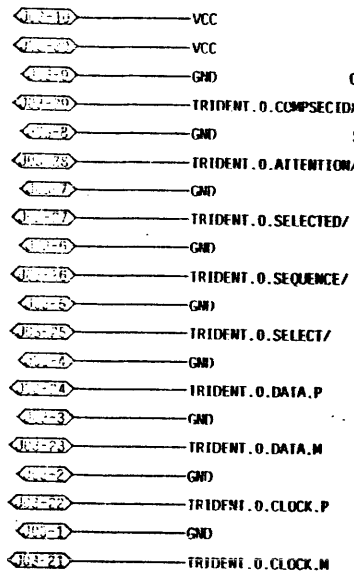




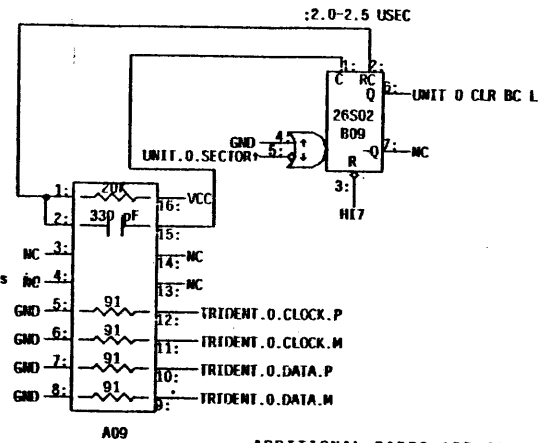








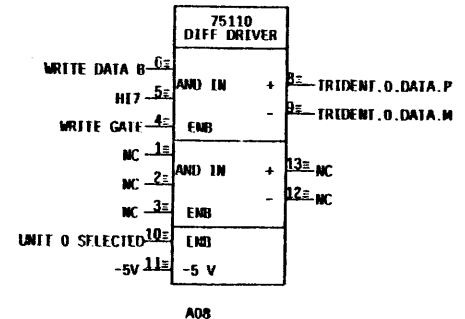
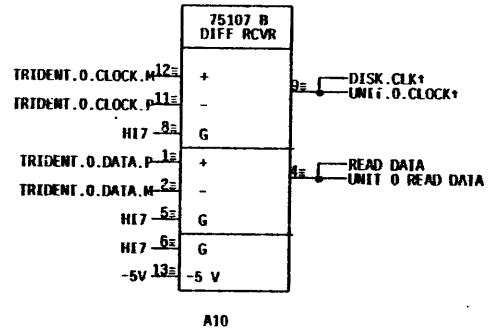
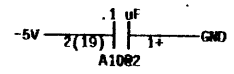
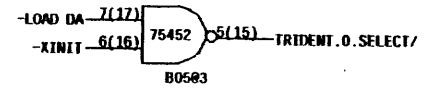
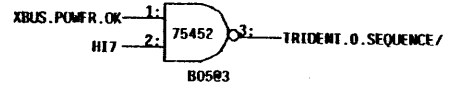
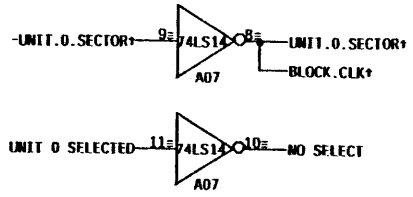
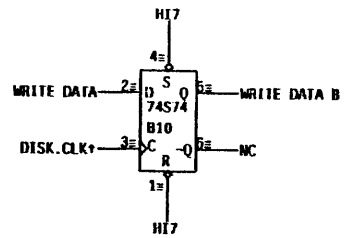
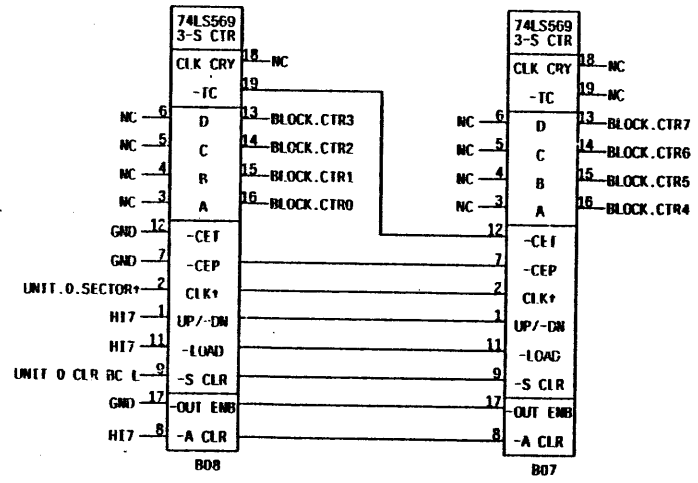
:Set sector length jumpers
:drive to 1410 (octal)
:which is 1164. bytes.

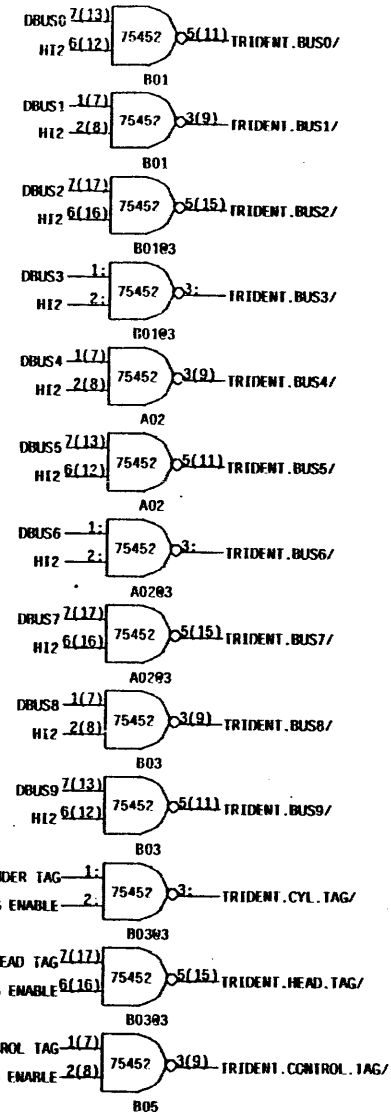
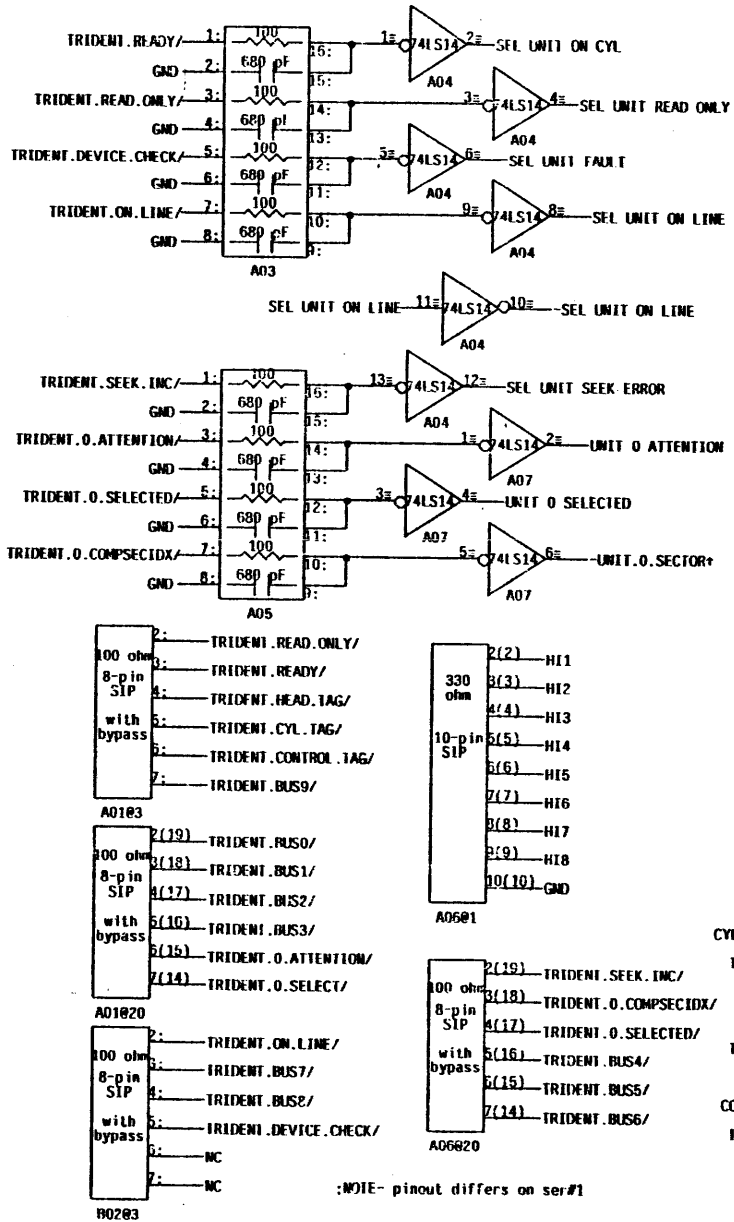
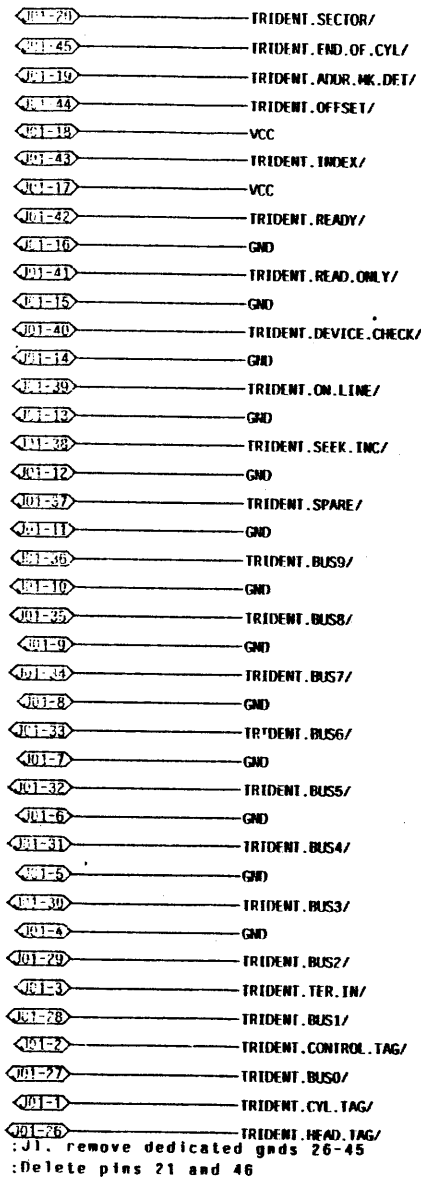


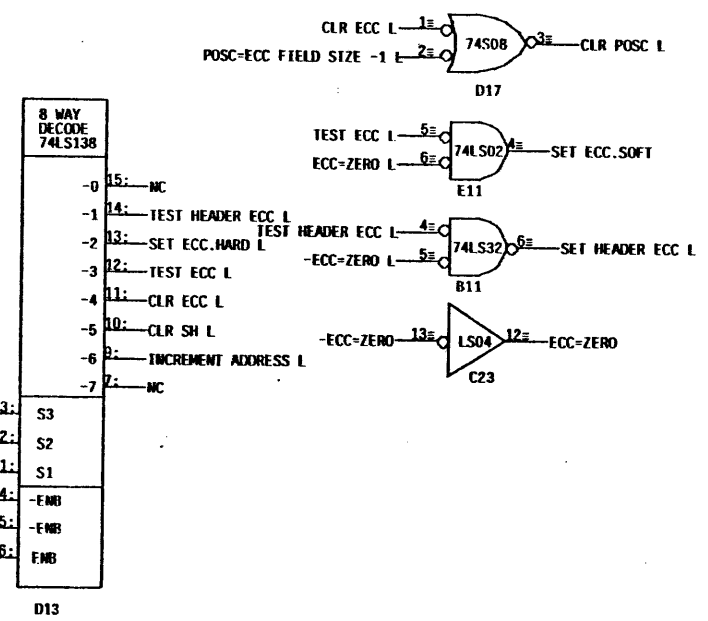
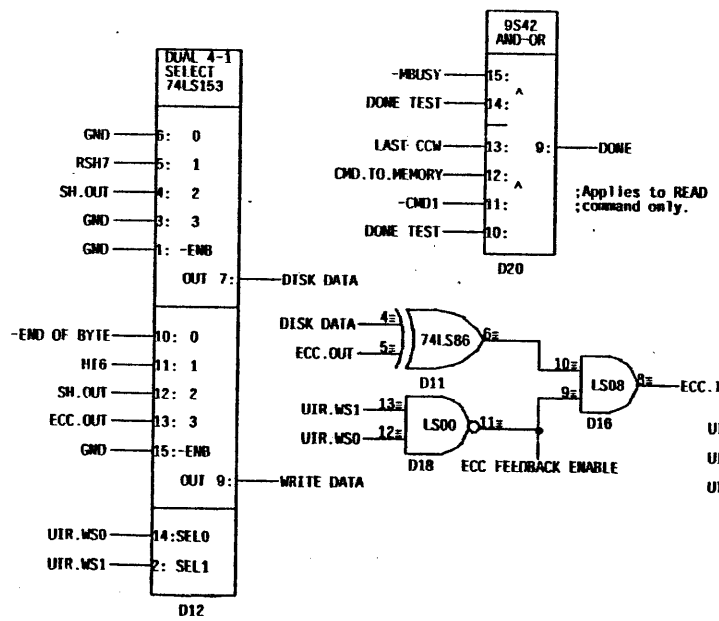
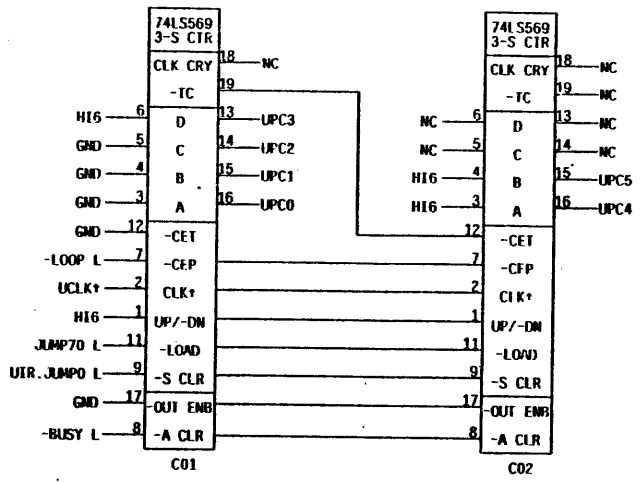
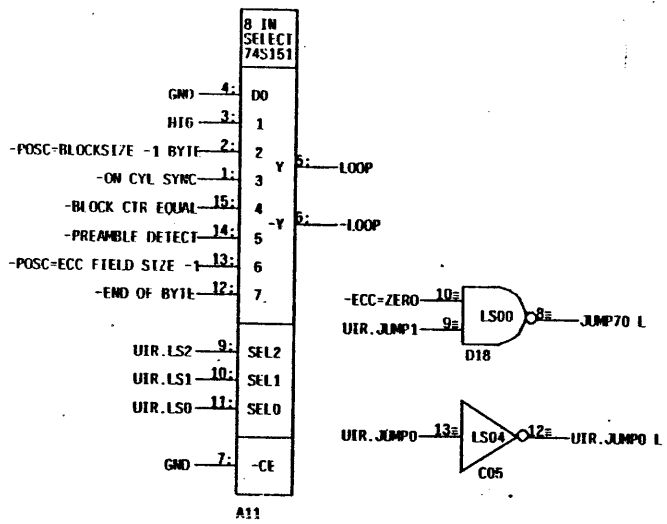
:ADDITIONAL PARTS ARE ON 'DCTR56'

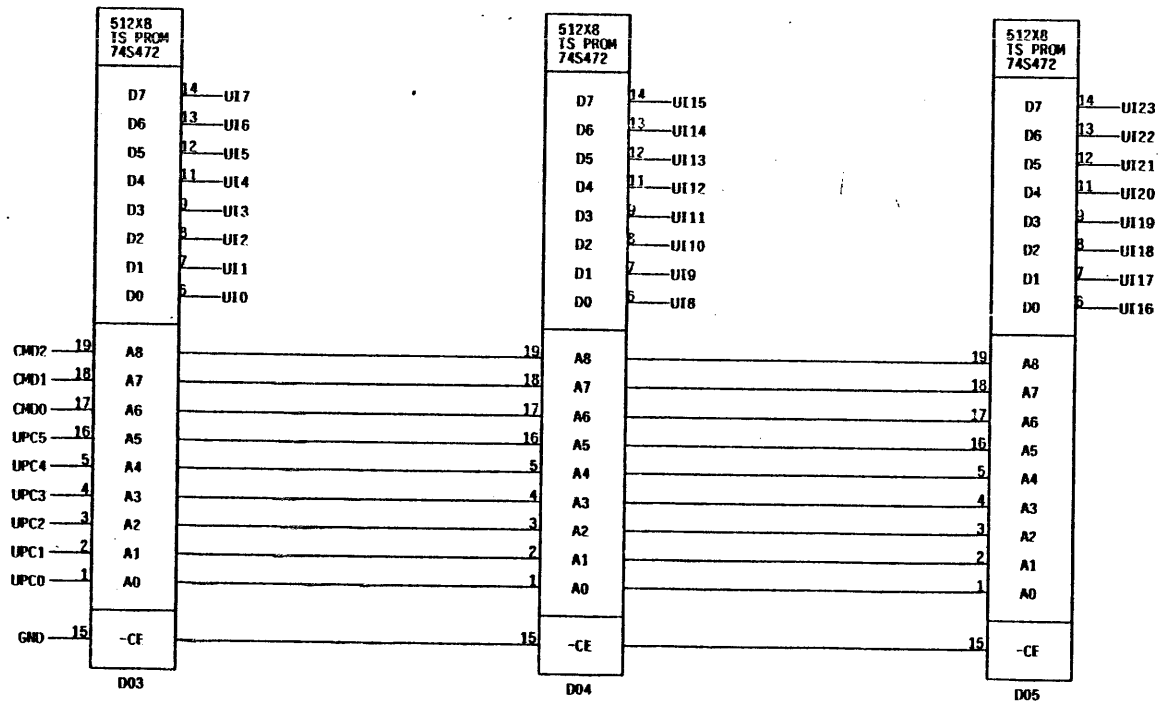
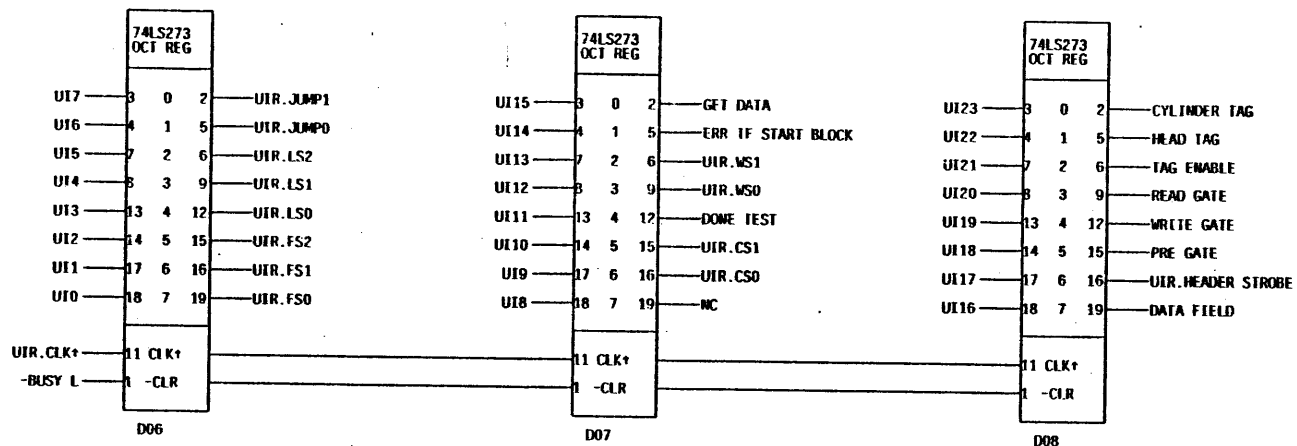
GND — TYPE1
GND — TYPE0
:Trident is type 0

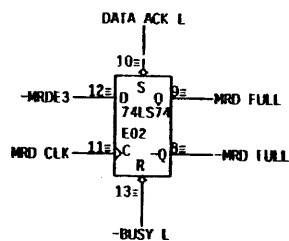
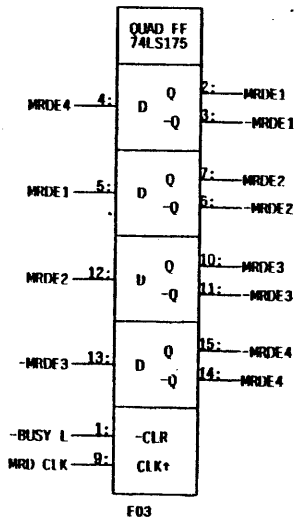
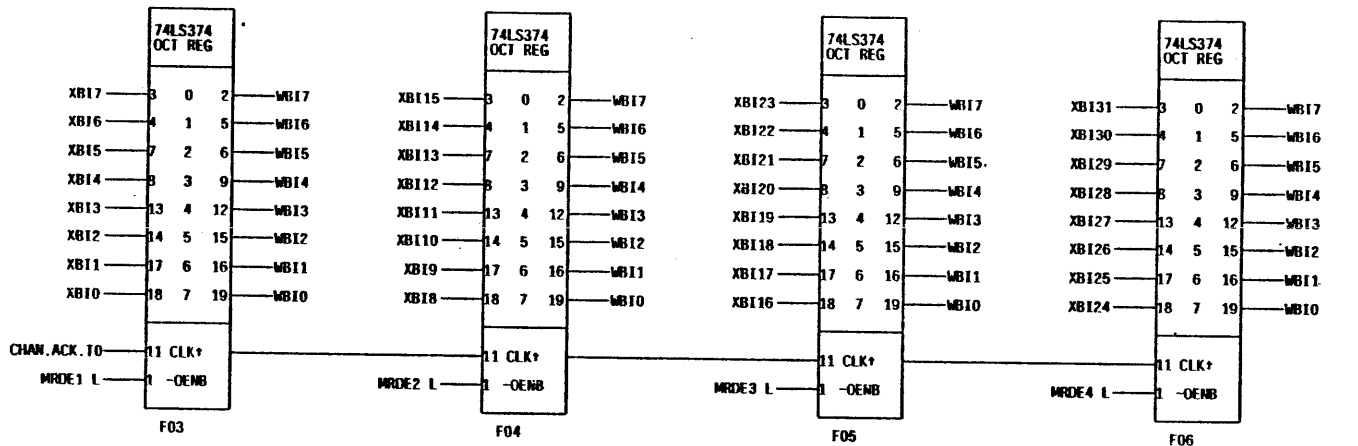
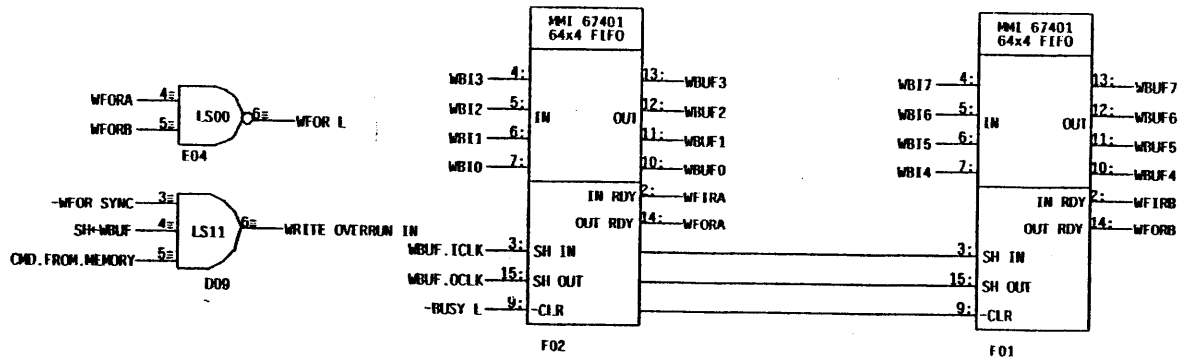
:J3. remove dedicated grounds 21-30
:Delete pins 11 and 31



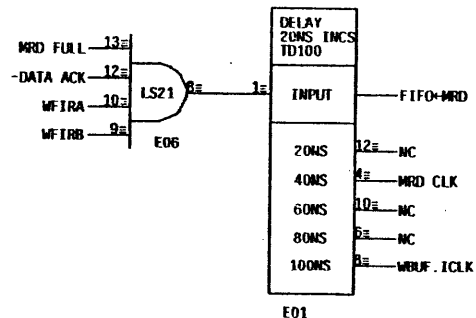


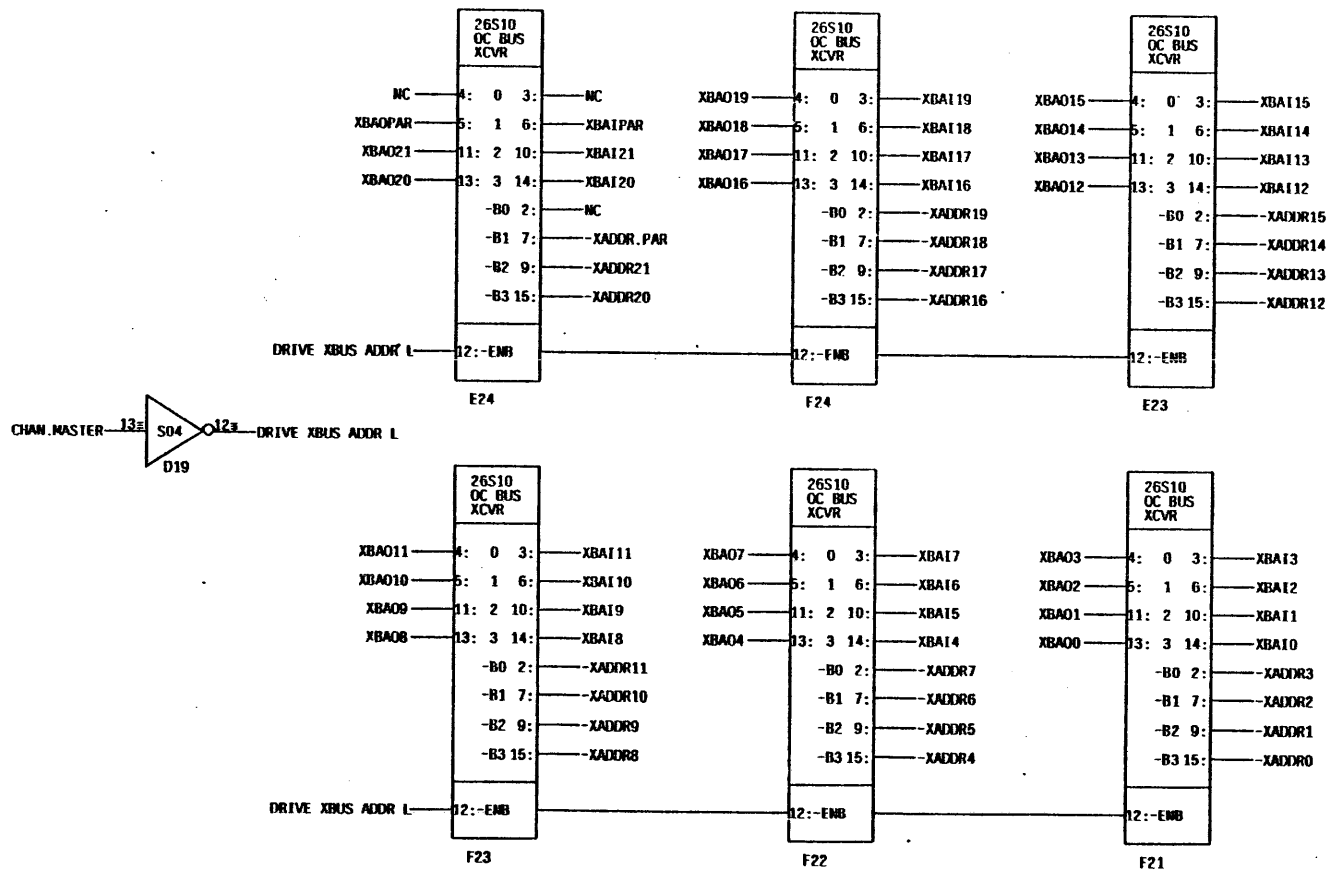


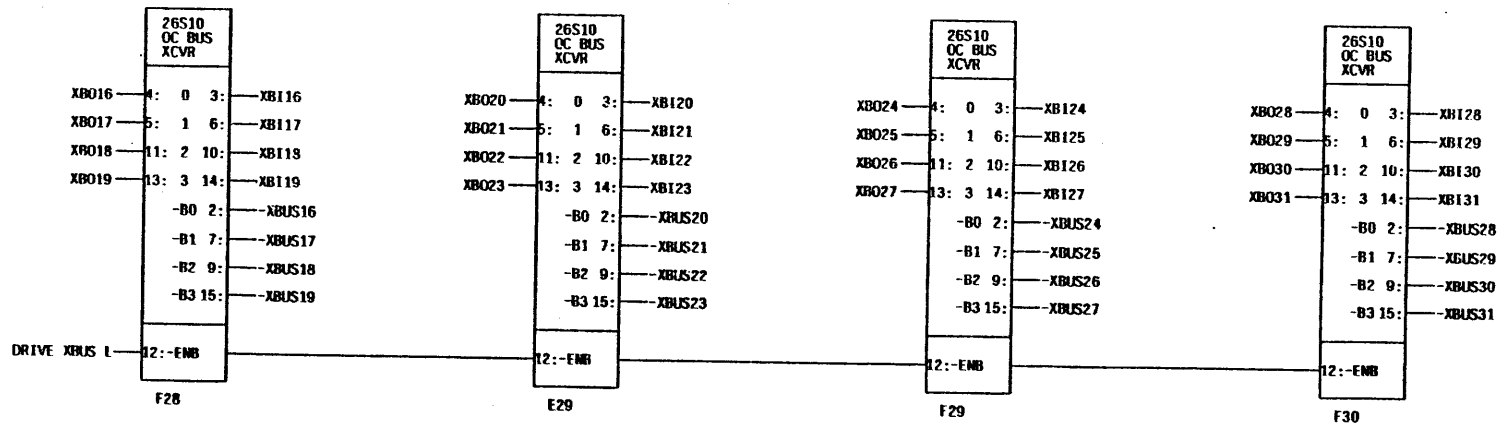
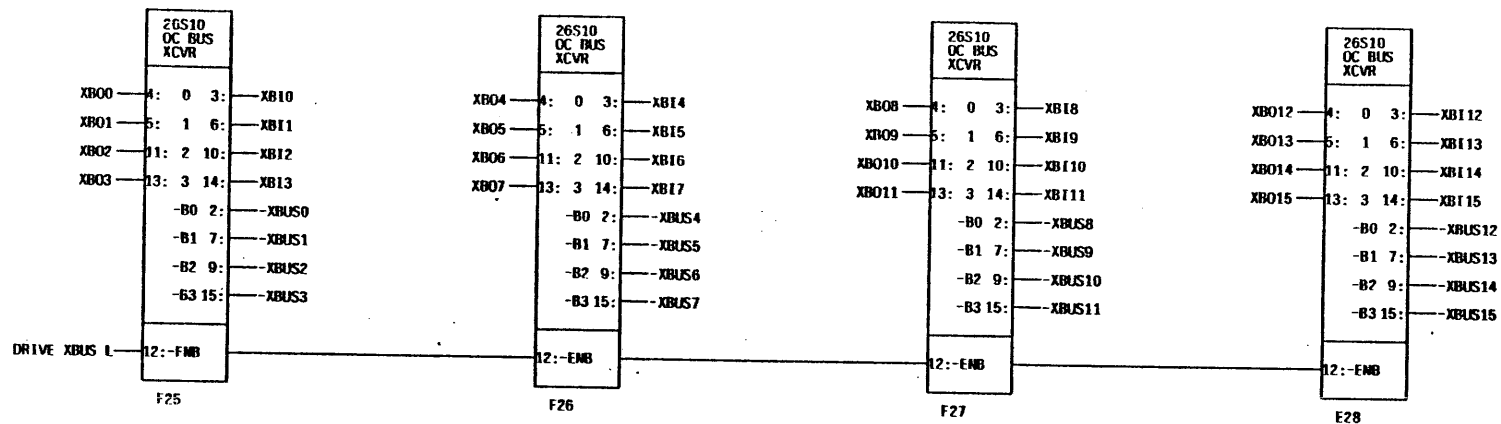




:Idle state has MRDE4 asserted.
 :MRD FULL clears on same clock
 :that sets MRDE4. Fifo will
 :always gobble byte within 105 ns
 :before channel can clobber it.





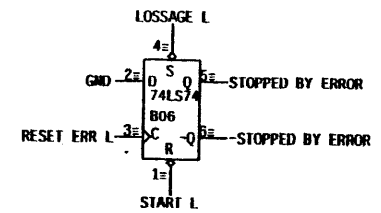
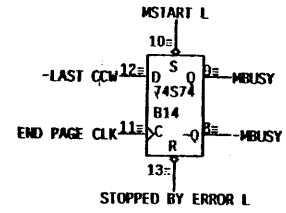
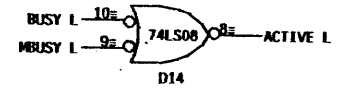
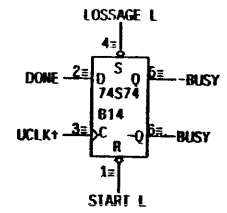
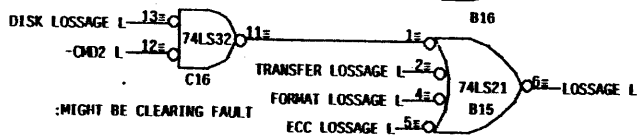
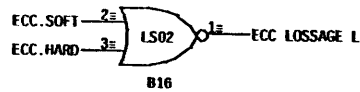
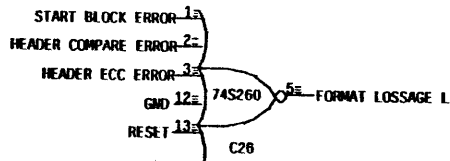
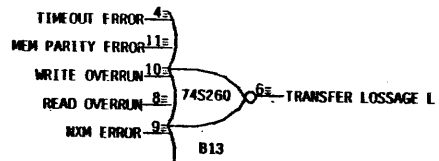
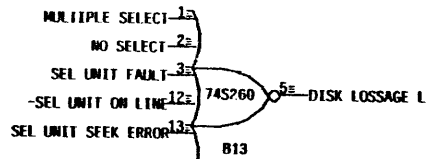


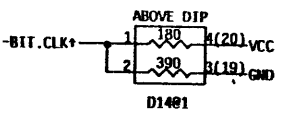
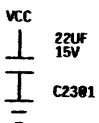
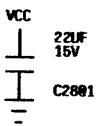
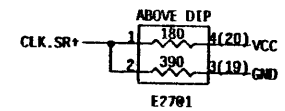
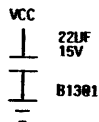
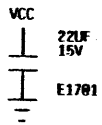
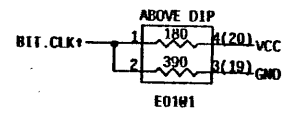
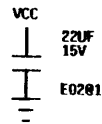
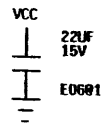
AC2 --- GND
 AF1 --- GND
 AH1 --- GND
 AI1 --- GND
 AC2 --- GND
 AF1 --- GND
 AH1 --- GND
 AI1 --- GND
 AC2 --- GND
 AF1 --- GND
 AH1 --- GND
 AI1 --- GND
 AF1 --- +12V
 AH1 --- +12V
 AS1 --- +12V
 AF2 --- -5V
 AH2 --- -5V
 AJ2 --- -5V
 AK2 --- -5V
 AL2 --- -5V
 AM2 --- -5V
 AN2 --- -5V
 AA2 --- +5V
 AB2 --- +5V
 AC2 --- +5V
 AD2 --- +5V
 AE2 --- +5V
 AF2 --- +5V
 AG2 --- +5V

BE2 --- XBUS.PAR
 BI1 --- XBUS0
 BJ2 --- XBUS1
 BK1 --- XBUS2
 BL1 --- XBUS3
 BM1 --- XBUS4
 BN1 --- XBUS5
 AV2 --- XBUS6
 AW1 --- XBUS7
 AX2 --- XBUS8
 AY1 --- XBUS9
 AZ2 --- XBUS10
 AS2 --- XBUS11
 AT1 --- XBUS12
 AR2 --- XBUS13
 AR1 --- XBUS14
 AP2 --- XBUS15
 AP1 --- XBUS16
 AN2 --- XBUS17
 AR2 --- XBUS18
 AH1 --- XBUS19
 AL2 --- XBUS20
 AL1 --- XBUS21
 AK2 --- XBUS22
 AK1 --- XBUS23
 AJ2 --- XBUS24
 AJ1 --- XBUS25
 AH2 --- XBUS26
 AH1 --- XBUS27
 AL2 --- XBUS28
 AL2 --- XBUS29
 AE1 --- XBUS30
 AH2 --- XBUS31
 AD1 --- XBUS32
 AC1 --- XBUS33
 BE1 --- XBUS34
 AA1 --- XBUS35

BE2 --- XADDR.PAR
 BV2 --- XADDR0
 BV1 --- XADDR1
 BU2 --- XADDR2
 BU1 --- XADDR3
 BU2 --- XADDR4
 BS2 --- XADDR5
 BS1 --- XADDR6
 BR2 --- XADDR7
 BR1 --- XADDR8
 BP2 --- XADDR9
 BP1 --- XADDR10
 BW2 --- XADDR11
 BW2 --- XADDR12
 BM1 --- XADDR13
 BL2 --- XADDR14
 BL1 --- XADDR15
 BK2 --- XADDR16
 BK1 --- XADDR17
 BR2 --- XADDR18
 BJ1 --- XADDR19
 BH2 --- XADDR20
 BH1 --- XADDR21
 BH1 --- XBUS36
 CL1 --- XBUS37
 CE1 --- XBUS38
 CH1 --- XBUS39
 CC1 --- XBUS40
 CB1 --- XBUS41

CU2 --- XBUS.RQ
 CE2 --- XBUS.ACK
 CF2 --- XBUS.MR
 CH2 --- XBUS.TGMPAR
 CJ2 --- XBUS.INIT
 CK2 --- XBUS.EXTRQ
 CL2 --- XBUS.BUSY
 CM2 --- XBUS.SYNC
 CP2 --- XBUS.INTR
 CH1 --- XBUS.EXTEGRANT.IN
 CJ1 --- XBUS.EXTEGRANT.OUT
 CK1 --- XBUS.POWER.OK





AC2 --- GND
 AF1 --- GND
 AH1 --- GND
 AI1 --- GND
 BC2 --- GND
 BF1 --- GND
 BH1 --- GND
 BI1 --- GND
 CC2 --- GND
 CF1 --- GND
 CH1 --- GND
 CI1 --- GND
 DP1 --- +12V
 DR1 --- +12V
 DS1 --- +12V
 EH2 --- -5V
 EH2 --- -5V
 EB2 --- -5V
 EB2 --- -5V
 EB2 --- -5V
 EB2 --- -5V
 GA2 --- +5V
 GA2 --- +5V
 GA2 --- +5V
 GA2 --- +5V
 GA2 --- +5V
 GA2 --- +5V

AE2 --- XBUS.PAR
 BE1 --- XBUS0
 BD2 --- XBUS1
 BU1 --- XBUS2
 BU1 --- XBUS3
 BU1 --- XBUS4
 BE1 --- XBUS5
 BV2 --- XBUS6
 BV1 --- XBUS7
 BV2 --- XBUS8
 BU1 --- XBUS9
 AV2 --- XBUS10
 AS2 --- XBUS11
 AS1 --- XBUS12
 AR2 --- XBUS13
 AR1 --- XBUS14
 AF2 --- XBUS15
 AF1 --- XBUS16
 AV2 --- XBUS17
 AM2 --- XBUS18
 AP1 --- XBUS19
 AL2 --- XBUS20
 AL1 --- XBUS21
 AK2 --- XBUS22
 AK1 --- XBUS23
 AJ2 --- XBUS24
 AJ1 --- XBUS25
 AH2 --- XBUS26
 AH1 --- XBUS27
 AF2 --- XBUS28
 AF2 --- XBUS29
 BE1 --- XBUS30
 BD2 --- XBUS31
 BU1 --- XBUS32
 BU1 --- XBUS33
 BU1 --- XBUS34
 BA1 --- XBUS35

BE2 --- XADDR.PAR
 BV2 --- XADDR0
 BV1 --- XADDR1
 BV2 --- XADDR2
 BU1 --- XADDR3
 BV2 --- XADDR4
 BS2 --- XADDR5
 BS1 --- XADDR6
 BE2 --- XADDR7
 BU1 --- XADDR8
 BV2 --- XADDR9
 BE1 --- XADDR10
 BV2 --- XADDR11
 BV2 --- XADDR12
 BU1 --- XADDR13
 BU1 --- XADDR14
 BU1 --- XADDR15
 BU2 --- XADDR16
 BU1 --- XADDR17
 BV2 --- XADDR18
 BU1 --- XADDR19
 BU2 --- XADDR20
 BU1 --- XADDR21
 BU1 --- XBUS36
 BU1 --- XBUS37
 CE1 --- XBUS38
 BU1 --- XBUS39
 CE1 --- XBUS40
 BU1 --- XBUS41

BU2 --- XBUS.R0
 BU2 --- XBUS.ACK
 BU2 --- XBUS.WR
 BU2 --- XBUS.ICM.PAR
 BU2 --- XBUS.INIT
 BU2 --- XBUS.EXTHQ
 BU2 --- XBUS.BUSY
 BU2 --- XBUS.SYNC
 BU2 --- XBUS.INTR
 BU1 --- XBUS.EXTGRANT.IN
 BU1 --- XBUS.EXTGRANT.OUT
 BU1 --- XBUS.POWER.OK