

SERVICE MANUAL

14" , 20" AUTO—TRACKING
COLOR DISPLAY MONITOR

MODEL FA34 SERIES
HA39 SERIES

MITUBISHI ELECTRIC CORPORATION


JULY 1988 Rev. A

X - RADIATION WARNING

The surface of picture tube may generate X - Radiation. Precaution during servicing, and if possible use of a lead apron or metal for shielding is recommended. To avoid possible exposure to X - radiation and electrical shock hazard, the high voltage compartment and the picture tube shield must be kept in place whenever the chassis is in operation. When replacing picture tube use only designated replacement part since it is a critical component with regard to X - Radiation as noted above.

The high - voltage specification is described on page 2.

CRITICAL COMPONENT REPLACEMENT WARNING

The components marked "  " are critical components for X - ray radiation.

When replacing these parts, use exactly the same one indicated in parts list.

Please do not remove the seal of sealed potentiometer.

If broken the critical component, please contact with qualified personnel of Mitsubishi Electric Corp. or the company which indicated on name plate.

注 意

本品は外国為替及び外国貿易管理法に定める戦略物資（又は役務）に該当するため、輸出する場合、同法に基づく輸出（又は役務取引）許可が必要です。

CAUTION

These products or technologies are subject to Japanese and/or COCOM strategic restrictions, and diversion contrary thereto is prohibited.

1. SPECIFICATION

1.1 FEATURES

- 1) FULL COMPATIBLE TO THE IBM P.C. :
The size and position of the picture to operate the IBM system (8514A personal system/2 of 3 line mode and EGA /CGA each boards) is automatically adjusted at the click center of knobs on the front panel of the unit.
In addition, manual adjustment to the other computer such as APPLE II GS and MAC II can be available with the knobs.
- 2) VIDEO SIGNAL CAN BE INPUT ON A D-SUB AND BNC CONNECTOR :
RGB TTL separate (8 colors), RGBI TTL separate (16 colors pastel/saturation), RGB R'G'B' TTL separate (64 colors) and RGB analog signals can be input to D-SUB connector for FA34 and HA39 series. Also, RGB analog signal can input to BNC connector for FA3425 and HA3905 series. In addition, TTL text mode can be used by switched to text position.
- 3) AUTO-TRACKING FUNCTION :
Automatically tracking and synchronization over a wide range of horizontal (15.7-35.5KHz) and vertical (50-87Hz) scanning frequencies can be displayed correctly in the screen of monitor by the auto-tracking function, without any adjustment.
- 4) NORMAL AND WIDE SCAN :
The normal scan and wide scan selection for convenient picture size and position adjustment can be select the "SCAN MODE" switch. The selection function is available in a horizontal scanning range of 15-25KHz.

1.2 ELECTRICAL SPECIFICATIONS FOR FA34 SERIES

- 1) CRT DESCRIPTION
 - (1) Size : 14 inch diagonal (13"V)
 - (2) Deflection angle : 90 degree diagonal
 - (3) Electron gun : In-line type
 - (4) Focusing method : Electrostatic
 - (5) Convergence method : Magnetic
 - (6) Mask type : Black matrix
 - (7) Trio spacing : 0.28mm
 - (8) Array : Dot trios
 - (9) Phosphor type : B22/BL9
 - (10) Phosphor persistence : Medium-short/Long
 - (11) Face plate : Tinted glass (STD)
 - (12) Surface treatment : Non-glare (STD)
 - (13) Implosion protection : Banded with mounting lugs
- 2) POWER SUPPLY
※ 100-120VAC (90~132VAC) / 220-240VAC (198~264VAC)
 - (1) Voltage : AC120V (90~132V) / AC220-240V ± 10 %
 - (2) Frequency : 50/60Hz (± 1Hz)
 - (3) Power consumption : 90Watts (Max.)
 - (4) Inrush current : less than 50A (0-peak)
 - (5) AC leakage current : less than 750 μ A (measured by IEC-380)

※ FA3435 (TAP SELECTABLE)

3) SIGNAL INPUT

(1) Analog video input (R.G.B channels)

- Input voltage : 0.7Vp - p (0.5~2.0Vp - p available)
- Input impedance : 75ohm to GND
- Signal polarity : Positive white

(2) TTL video input (R.G.B.I or R. R'.G.G'.B.B')

- Input voltage : 0.0 to 0.4V Low level
: 2.7 to 5.0V High level
- Input impedance : 330ohm to GND
- Signal polarity : Positive white

(3) Separate/Composite sync.

- Input voltage : 0.0 to 0.4V Low level
(TTL) : 2.7 to 5.0V High level
- Input impedance : 1kohm to GND
- Signal polarity : Positive/Negative

(4) Composite sync. on Green of Analog video signal

- Input voltage : 0.3Vp - p (sync.) 0.7Vp - p (Video)
- Input impedance : 75ohm to GND
- Signal polarity : Negative

(5) Others

The MODE signal (TTL) of PGA is allowed to input when the PGA mode is detected in "PRESET" mode.

4) DEFLECTION

(1) Horizontal

Automatic synchronization : 15.7KHz - 35.5KHz

(2) Vertical

Automatic synchronization : 50Hz - 87Hz

5) HIGH VOLTAGE

High voltage at CRT anode : 23.0KV \pm 1.0KV
(At Beam current 400 μ A)

6) DEGAUSSING

Automatic degaussing : Activated at power on.

1.3 ELECTRICAL SPECIFICATIONS FOR HA39 SERIES

1) CRT DESCRIPTION

- (1) Size : 20 inch diagonal (19"V)
- (2) Deflection angle : 90 degree diagonal
- (3) Electron gun : In - line type
- (4) Focusing method : Electrostatic
- (5) Convergence method : Magnetic
- (6) Mask type : Black matrix
- (7) Trio spacing : 0.31mm
- (8) Array : Dot trios
- (9) Phosphor type : BL9 (or B22)
- (10) Phosphor persistence : Long (or short)
- (11) Face plate : Gray (73 %)
- (12) Surface treatment : Non - glare (DM coating)
- (13) Implosion protection : Banded with mounting lugs

2) POWER SUPPLY

- (1) Voltage : AC100 - 120V (AC90~132V)
AC220 - 240V (AC198~264V) Switchable
- (2) Frequency : 50/60Hz (± 1 Hz)
- (3) Power consumption : 105Watts (Max.)
- (4) Inrush current : less than 50A (0 - peak)
- (5) AC leakage current : less than 3.5mA (measured by IEC - 380)

3) SIGNAL INPUT

- (1) Analog video input (R.G.B channels)
 - Input voltage : 0.7Vp - p (0.5~2.0Vp - p available)
 - Input impedance : 75ohm to GND/High switchable
 - Signal polarity : Positive white
- (2) TTL video input (R.G.B.I or R. R'.G.G'.B.B')
- Input voltage : 0.0 to 0.4V Low level
: 2.7 to 5.0V High level
- Input impedance : 330ohm to GND
- Signal polarity : Positive white
- (3) Separate/Composite sync.
 - Input voltage : 0.0 to 0.4V Low level
(TTL) : 2.7 to 5.0V High level
 - Input impedance : 1kohm to GND
 - Signal polarity : Positive/Negative
- (4) Composite sync. on Green of Analog video signal
 - Input voltage : 0.3Vp - p (sync.) 0.7Vp - p (Video)
 - Input impedance : 75ohm to GND
 - Signal polarity : Negative

(5) H - SYNC SIGNAL

- Line time : 28.2~64 μ s
- BLK. time : 5:1 μ s min
- Sync pulse width : 1~7 μ s

(6) • FRAME TIME

- : 11.5~20ms
- Back Porch : 0.62ms min
- Sync Pulse Width : 50~300 μ s (COMP.SYNC.)

4) DEFLECTION

(1) Horizontal

Automatic synchronization : 15.7KHz - 35.5KHz

(2) Vertical

Automatic synchronization : 50Hz - 87Hz

5) HIGH VOLTAGE

High voltage at CRT anode : 25.5KV \pm 1.0KV 450 μ A

6) DEGAUSSING

Manual degaussing : Activated at degauss SW on.

2. CIRCUIT DESCRIPTION

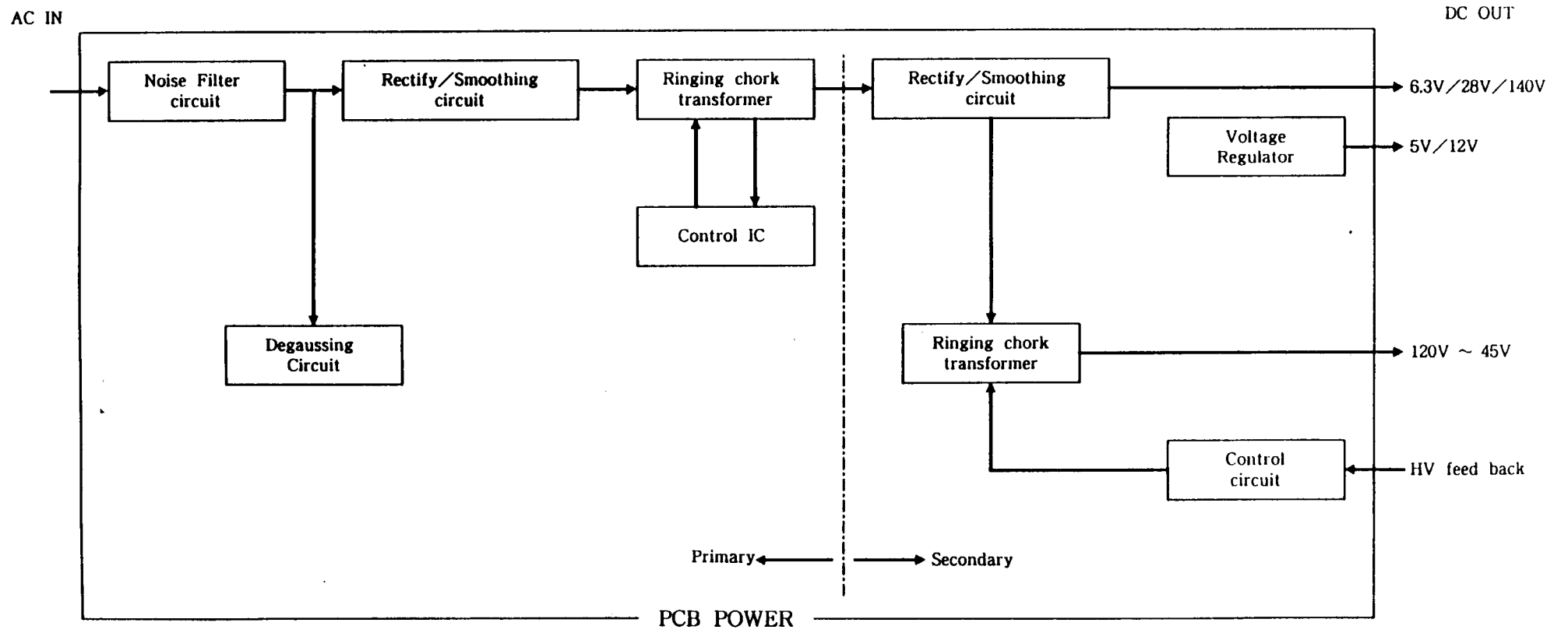
2.1 POWER SUPPLY

1) GENERAL

- (1) 100 - 120VAC (220 - 240VAC) $\pm 10\%$ 50/60Hz
- (2) The primary circuit of power supply is operated by RCC (Ringing Chork Converter) method.
- (3) The secondary circuits produce to the following voltage which applied to each load.
- (4) The power supply line 120~45V for anode voltage and horizontal deflection are produced by PWM (Pulse Width Modulation) method which switched from 140V line.

VOLTAGE LINE	ACTUAL OUTPUT VOLTAGE	MAIN LOAD
140V	140V	Horizontal output transistor drive
	120V ~ 45V	Anode/Horizontal Deflection power supply
28V	28V	Vertical deflection and horizontal tracking
15V	12V	Video amp. Vertical tracking
	5V	Control circuit with MPU/Gate array
6.3V	6.3V	CRT heater

BLOCK DIAGRAM OF POWER SUPPLY CIRCUIT



2) NOISE FILTER/RECTIFY/SMOOTHING CIRCUIT

- (1) The noise filter circuit is operate to reduce the noise from both side of the internal or external of monitor.
- (2) The AC input voltage is rectified by the diodes D901 - D904.
The rectified voltage is smoothed by capacitor C906.
- (3) The thermistor TH901 and TH902 suppress the inrush current when turning ON.

3) DEGAUSSING CIRCUIT

This monitor has the degaussing circuit which composed by degaussing coil and posistor RP901.

When the turning ON, posistor of RP901 has small resistance which increase after go through the degaussing current so that it prevent the magnetizing from environmental magnetic field. The re - degauss operation needs a cooling time of RP901 which about 5min.

4) RCC & CONTROL CIRCUIT

- (1) When the AC input voltage applied to power supply circuit, starting current go through R905 and R909 which produce to the ② pin of IC991.
So the collector current of IC991 between ③ pin and ④ pin inflow from the primary side of ⑧, ⑥ pin on the transformer of T931.
- (2) Above collector current induce to the energy on ① pin of T931 which produce the current go through the C908, R904, D906 and R903 to ② pin of IC991.
As the result, IC991 is operated to ON so that collector current of ③ pin increase.
- (3) When the above collector current reached to $I_c = I_b \times h_{fe}$, V_{ce} of power transistor in IC991 increase quickly. The applied voltage between ⑧ and ⑥ pin of T931 increase to same value as V_{ce} of ③ and ④ on IC991, then ② pin of IC991 is reverse biased.
As result, IC991 operate to completely off.
- (4) After above operation, IC991 is re - started by leakage current of T931 so that switching operation is keeping on.
- (5) If over current inflow to R908 from the primary winding of T931, Q901 turn to ON then switching operation is stopping.

5) CHOPPER & CONTROL CIRCUIT FOR SECONDARY

5) - 1 CHOPPER CIRCUIT

- (1) When the secondary line of 140V is applied from ④ pin of T931, the starting current produce to base of Q951 through R954, then collector current begin to increase.
- (2) Above current induce the voltage on ⑤ pin of T951.
The induced voltage produce to the base drive current of Q951 through C970, R956, C969 and R955.
- (3) When the collector current of Q951 reached to $I_b \times h_{fe}$, V_{ce} of Q951 increase quickly and reverse biased so that Q951 is completely turning OFF.
- (4) When Q951 is turning ON, the load current is supplied from ① and ④ pin of T951 through Q951 and then this current induce the energy to ⑤ and ⑧ of T951, but it blocked by D955.
When the Q951 is turning OFF, above charged energy is discharged from ⑤ pin of T951 which produce to the load current.
At this time, C969 is charged through D958 by discharged energy from ⑤ pin of T951 which produce to the base current of Q951 during the turning ON time of Q951.
- (5) The voltage of ② and ③ pin on T931 is use for reference voltage which value is - 41V.
This voltage is controled by IC991, so the power supply line of secondary circuit is adapt

to the load condition.

- (6) The power supply circuit have the over current protection circuit.
If over current inflow to the ③, ④ pin of IC991, the voltage of R908 increase to more than 0.7V which increase the collector current of Q901.
The result of this operation reduce to base current of ② pin on IC991 so that transistor between ③ and ④ pin in IC991 is turn to off.
- (7) After discharged magnetical energy, this switching operation is keeping on by leakage current of T951.
- (8) Output voltage of Q951 is controled by PWM method which controled to base current of Q951 by Q952.

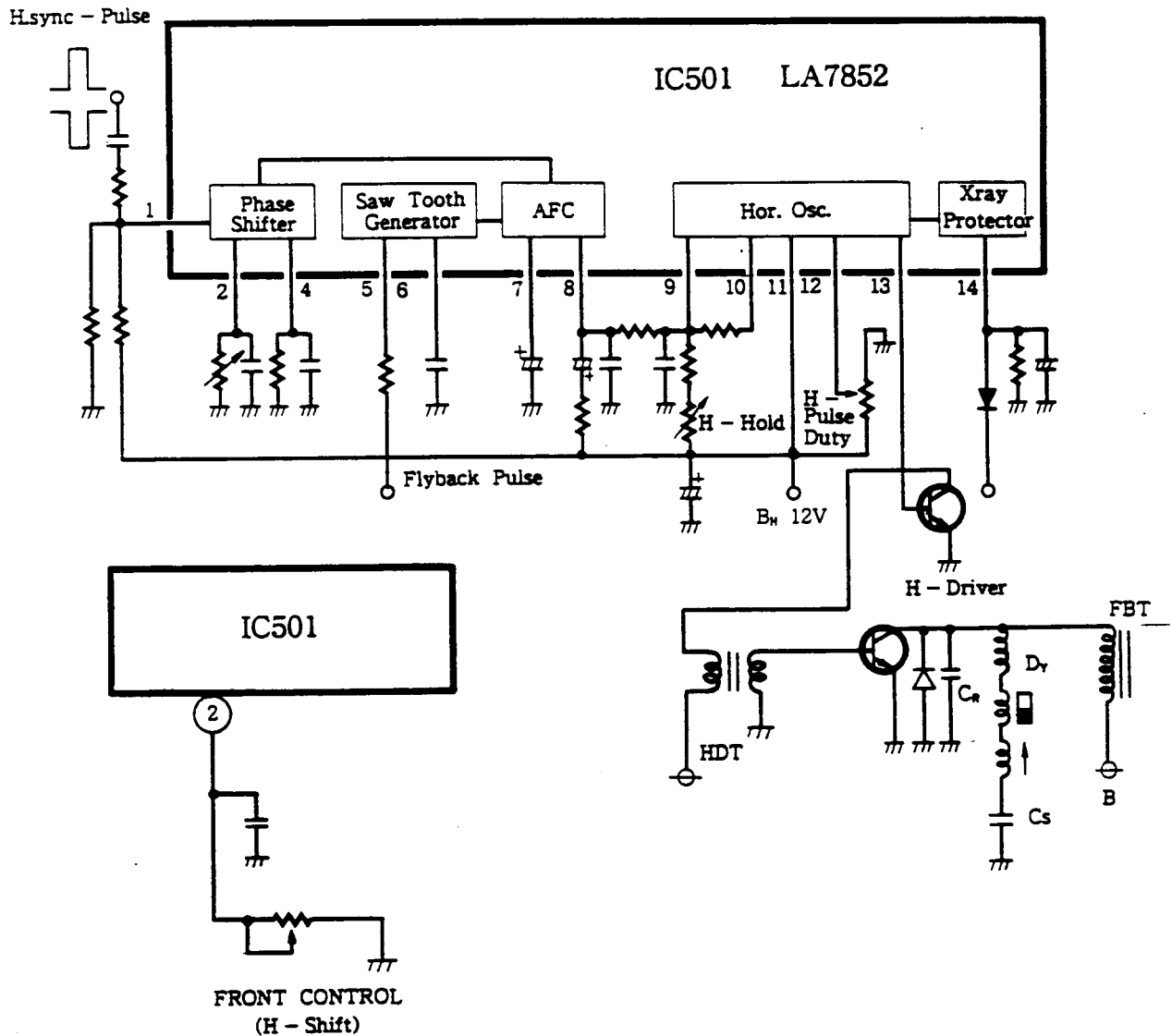
5) - 2 CONTROL CIRCUIT

The reference voltage of control circuit is made by zenner voltage of D956 which compared with feed backed voltage from flyback transformer by error amplifier of Q954, Q953, Q952.

This voltage control to base current of Q951 which is stabilized to anode voltage by PWM method.

2) HORIZONTAL DEFLECTION CONTROL

The horizontal deflection circuit is controlled by IC501 which has phase shifter inside of IC. The phase shift control is controlled by mono-multi and H-SHIFT control which made the more delayed pulse than sync. signal so that it can be control the raster position. The inner block of IC501 is shown as below.



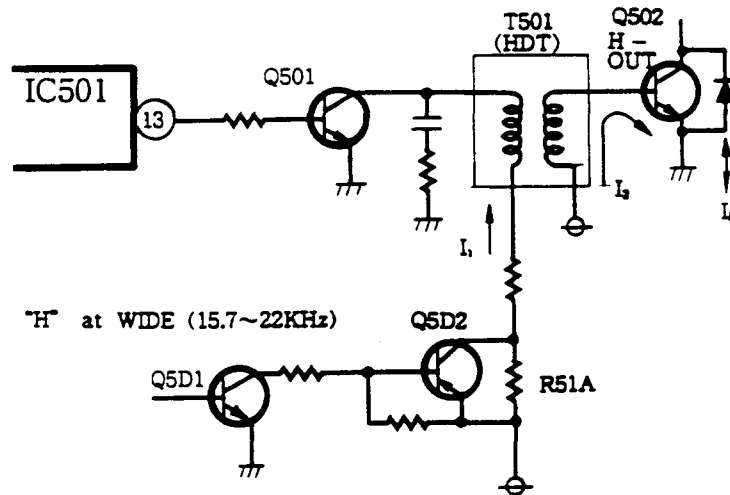
3) H - OUT DRIVE

In generally, H-out drive is controled to constantly condition but this monitor have two scan mode (Wide or Normal) which is selectable by scan switch on rear panel.

The each condition is made by changing of the horizontal deflection current.

The mode switch is available in a horizontal scanning range of 15 to 25KHz.

If it select to "Wide" position, R51A is shorted by Q5D2 so that primary current (I_1) of T501 increase which increase to the secondary current (I_2).



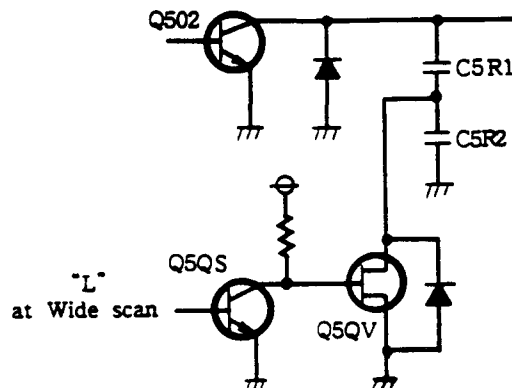
As the result, above operation supply to the enough deflection current for wide scan.

4) WIDE SCAN (C_R SELECTION)

When select to the "Wide - scan" mode, CR (Resonance Capacitor) in deflection circuit increase to C5R1 which increase to the retrace time, then it reduce to operate the high voltage of anode.

However, feedback circuit from high voltage supply line is control to the B4 voltage which get the stabilized high voltage.

The result of these operation, they increase the deflection current so that raster size can be expand.



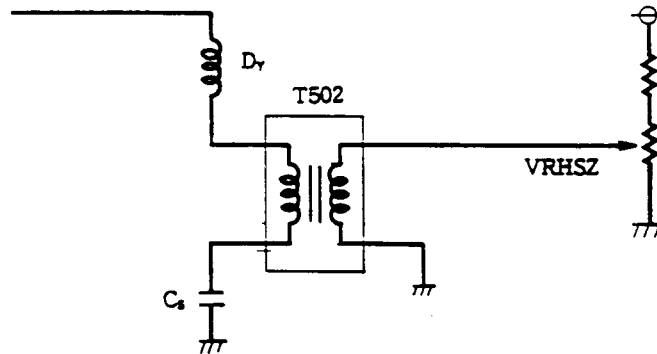
Retrace $T_R = \pi \sqrt{L_y \cdot C_R}$
 H. Voltage $E_A \propto B_4 \cdot (T/T_R - 1)$
 DY. Current $I_y = B_4 \cdot T_R / L_y$

5) LINEARITY COMPENSATION (Cs)

The Cs of linearity compensation capacitor is changed to 4 elements which compensate to the raster condition for wide frequency range.

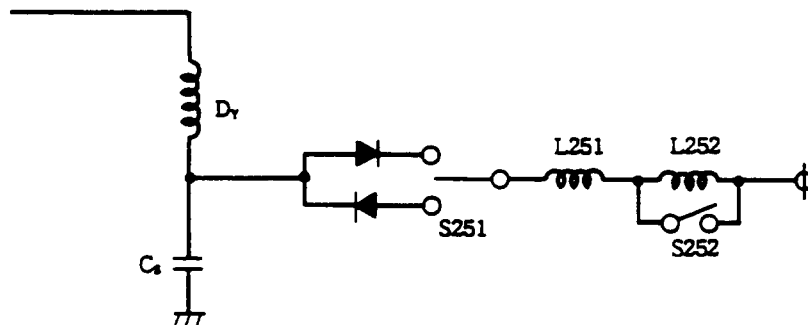
6) HORIZONTAL WIDTH CONTROL

The horizontal raster size is controlled by VRHSZ (H - Size) on the front panel which change to the primary impedance of T502 so that it control to the deflection current.



7) HORIZONTAL POSITION CONTROL

The horizontal raster position can be control by DC bias current of deflection yoke.



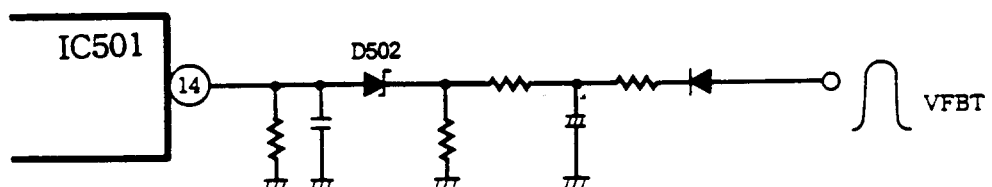
The switch of S251 is use for change to the polarity of DC bias current.

The switch of S252 is use for change to the value of DC bias current.

8) HOLD DOWN

The diode of D502 in horizontal deflection circuit is connect to between ⑭ pin of IC501 and 3rd winding of ⑩ pin on T504.

When the flyback pulse from ⑩ pin of T504 increased (equivalent value as more than 28KV of anode voltage), D502 is turn to ON so that thyristor in IC501 is stopped to horizontal oscillation which protect the X - ray radiation.



9) V - HOLD

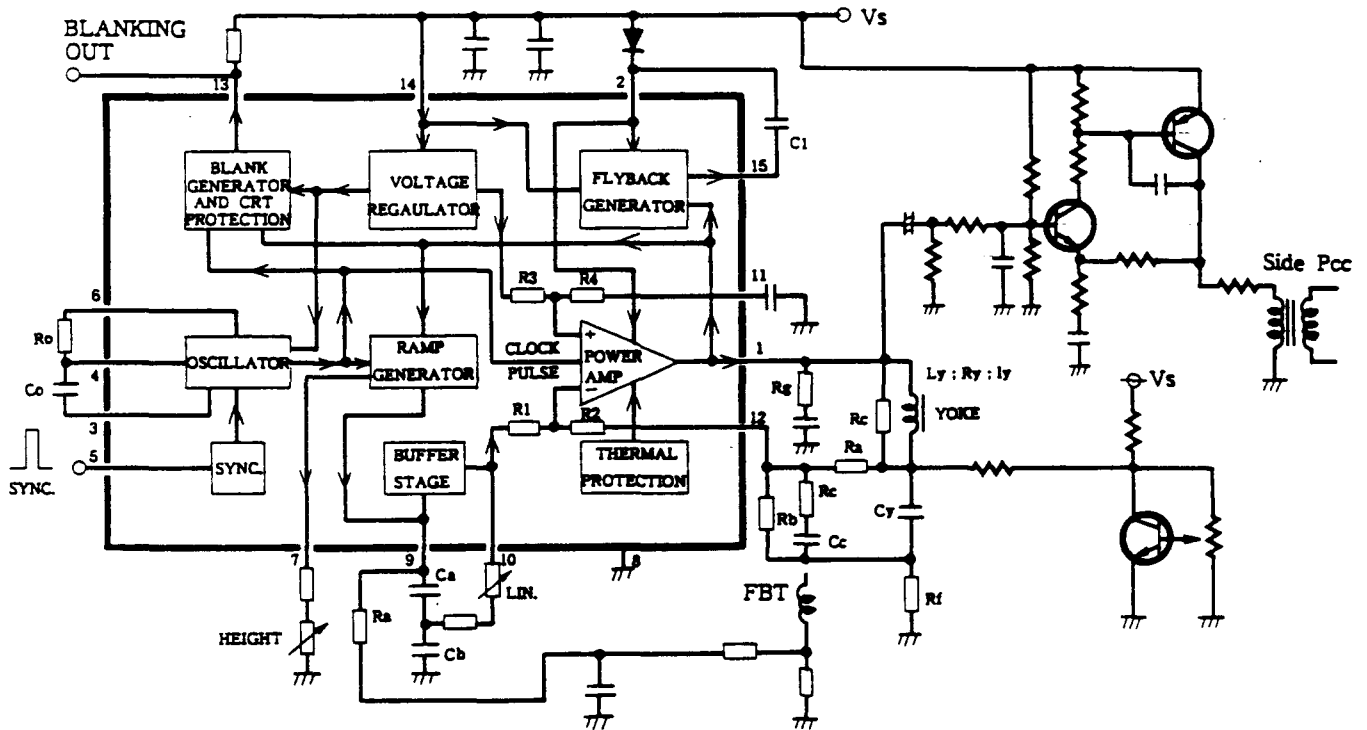
The operation of V - HOLD circuit is basically same operation as H - HOLD circuit.

The free running frequency of vertical deflection is controlled by charge or discharge period of C404.

10) V - DEFLECTION

The vertical deflection circuit is directly driven by IC401.

The block diagram of vertical deflection circuit is as follows :



2.3 HIGH VOLTAGE

The pulse voltage of V_{cp} on horizontal deflection circuit is step upped by T504 of flyback transformer which supply to the high voltage circuit, of anode, focus and screen.

And 3rd winding of T504 produce to 80V, 180V power supply voltage.

1) THE RASTER REGULATION CONTROL

The flyback pulse for high voltage is supplied from horizontal deflection circuit and then the power supply line of video circuit is supplied from 3rd winding of T504.

When the beam current increase, the anode voltage is go down so that raster size change to more bigger than normal condition.

Therefore, the beam current is fed back to the B4 voltage control circuit which correct to the horizontal raster condition.

Also the beam current is fed back to the vertical height control circuit in vertical controler of IC401 which correct to the vertical raster condition.

So, these feed back circuit improve to the raster regulation.

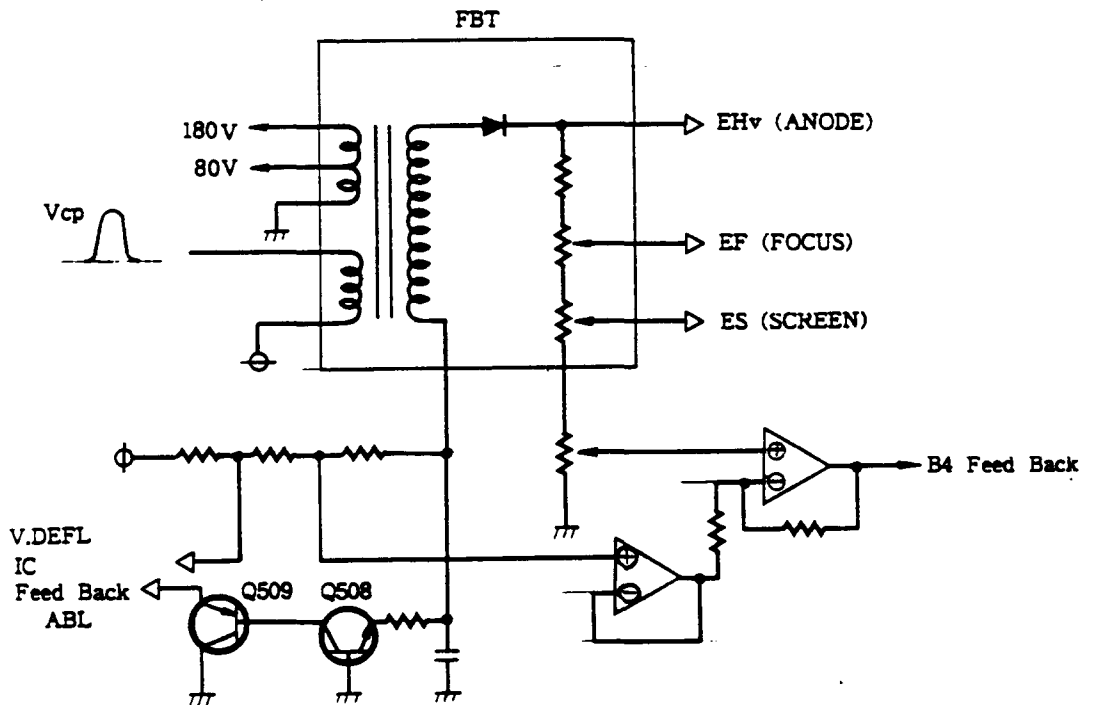
2) THE HIGH VOLTAGE STABILIZED CIRCUIT

The devided anode voltage by breeder resistor in T504 is fed back to the B4 voltage line which is stabilized to the anode voltage.

3) ABL CIRCUIT

The detection circuit of beam current is composed by Q508 and Q509.

Q509 is use for current detector and Q509 is use for driver of ABL cuicuit which control to the gain of video signal then it automatically limit the beam current.



2.4 VIDEO

1) GENERAL

(1) The monitor can be input the following signals.

- (1) - 1 Separated analog video + Separated TTL sync.
- (1) - 2 Separated analog video + Composite TTL sync.
- (1) - 3 Sync. on green
- (1) - 4 Separated TTL video + Separated TTL sync.
- (1) - 5 Separated TTL video + Composite TTL sync.

The TTL sync. signal is available to both polarity (Negative or Positive).

(2) Selection of Input signal

The selection of Analog or TTL signal is selectable by S203 which change to the operation of USER - CONT - VR (CONT, BRT).

(3) TTL INPUT

The TTL input signal is converted to digital to analog signal by IC201 which output is selectable to ^{8 or} pastel 16 or saturated 16 or 64 colors by color mode select switch.

This monitor has Text display which display White Green or Amber monochrome color.
(Only at TTL input)

(4) ANALOG INPUT

The analog input signal or digital to analog converted TTL signal input to IC202 which control to the DC clamping level, bias and gain.

The DC clamping level is determined by clamp pulse of ⑤ pin and clamp level voltage of 16 pin on IC202.

The Gain is determined by DC voltage of ④ on IC202.

IC212 is operate to the detail gain adjustment which is controled to constantly brightness by IC209 connect at compatible P/C.

(5) BRIGHT, GAIN, USER - VR

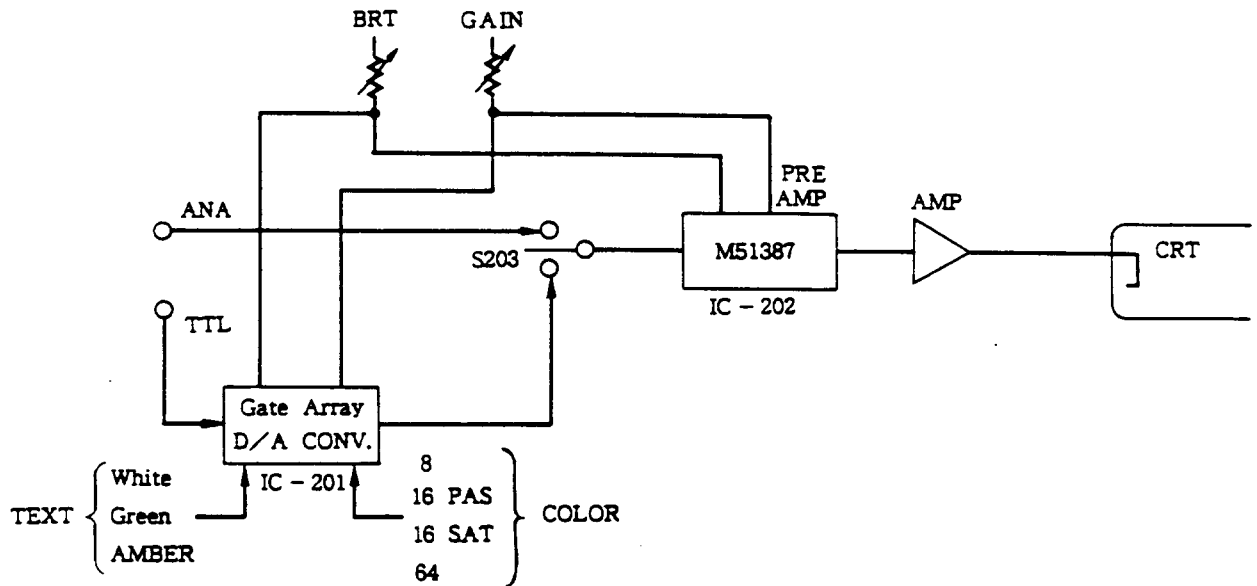
The Brightness control with click center can be control to bias level at analog input and low intensity brightness at TTL input.

2) VIDEO CIRCUIT

The video input signal can be input from shrinked D - SUB ⑤ pin connector which available to both of Analog or TTL signal level. (BNC is used only analog signal)

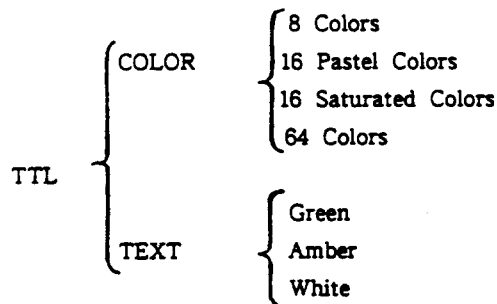
The Analog or TTL signal is selectable by S203 which input to pre - amplifier of IC202.

(1) Block Diagram of Video Circuit



(2) Pre Amplifier

(2) - 1 The TTL input signal is applied to the gate array of IC201, it is selectable to following mode by mode select switch on the rear panel.



The decoded TTL signal is supplied from gate array of IC201 by open collector which connect to the brightness and contrast controls then it convert to digital to analog voltage of 0 to 1.0V level so that it is separated from the brightness and contrast circuit.

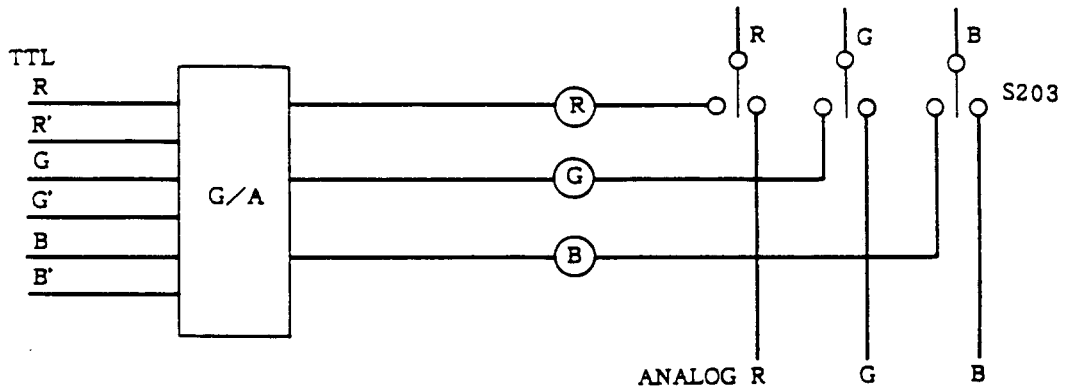
(2) - 2 The analog signal is directly applied to the pre-amplifier of IC202 via S203 which signal is controlled to bias and gain by brightness and contrast controls then it amplified by IC202.

And amplified signal controlled by correct current for each frequency range which get the constant brightness.

(3) Main Amplifier

The output of pre-amplifier is applied to the cascade amplifier of Q6 1.6 2 which amplified by SEPP buffer of Q6 3.6 4 and they produce to cathode of CRT with 40Vp - p level.

〈SIGNAL SELECTOR BLOCK〉



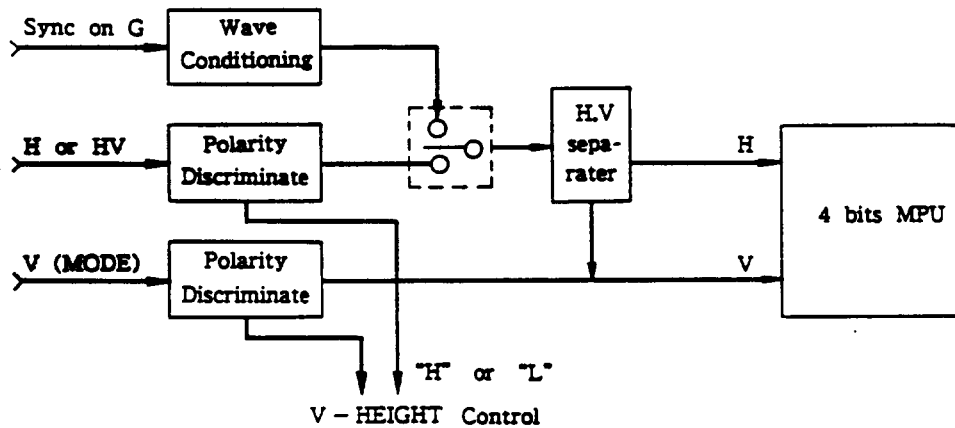
3) SYNC. SIGNAL

(1) Available Sync. Signal

- a. Separate TTL with Positive or Negative Polarity.
- b. Composite TTL with Positive or Negative Polarity.
- c. Sync. on Green with 0.3V Analog Level.

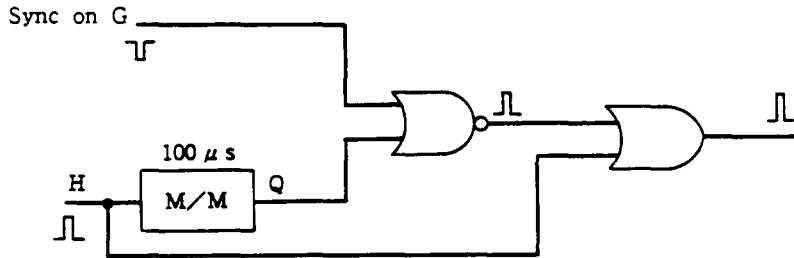
(2) Sync. Polarity Discriminate Circuit

Above sync. signals are converted to the DC level signal which input to the MPU (Micro Processor Unit) and they use for the control signal of V - Height at preset mode.



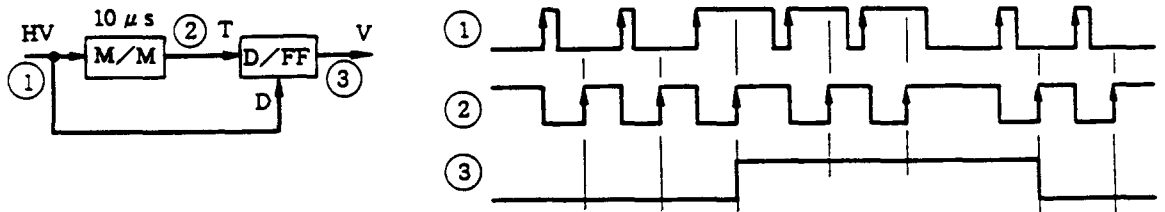
4) SYNC. ON GREEN DETECT CIRCUIT

Normally, in case of horizontal separate sync. with TTL level which sync. pulse protect to the sync. on green signal by exclusive or gate after mono stable multi vibrator show as below. However, in case of sync. on green signal which pulse through the above exclusive or gate, so it output to the sync. on green signal.





5) SYNC. SEPARATE CIRCUIT

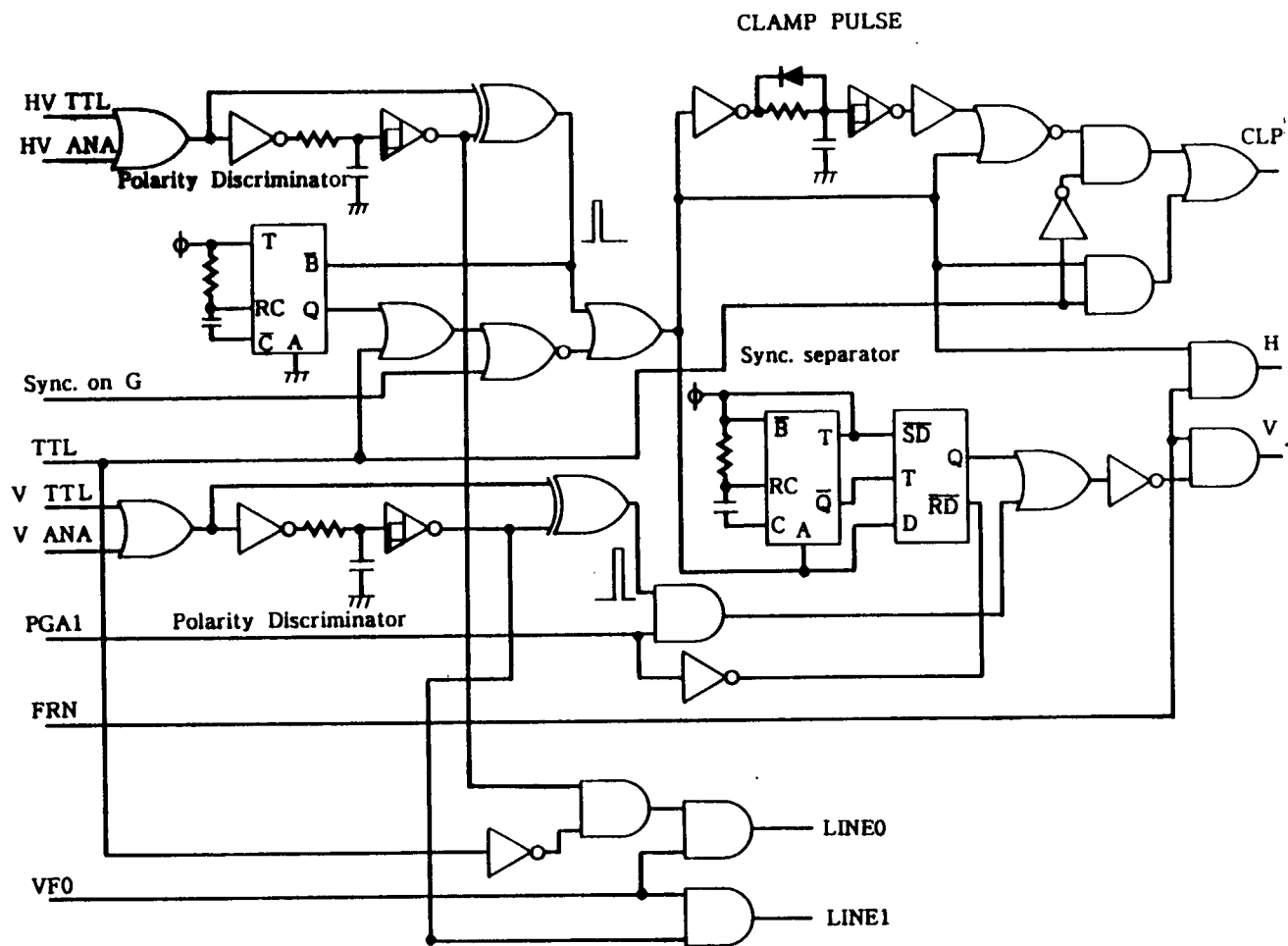
The sync. separate from composite sync. signal is separated by digital circuit of shown as below which get the high resolution and stabilized operation.



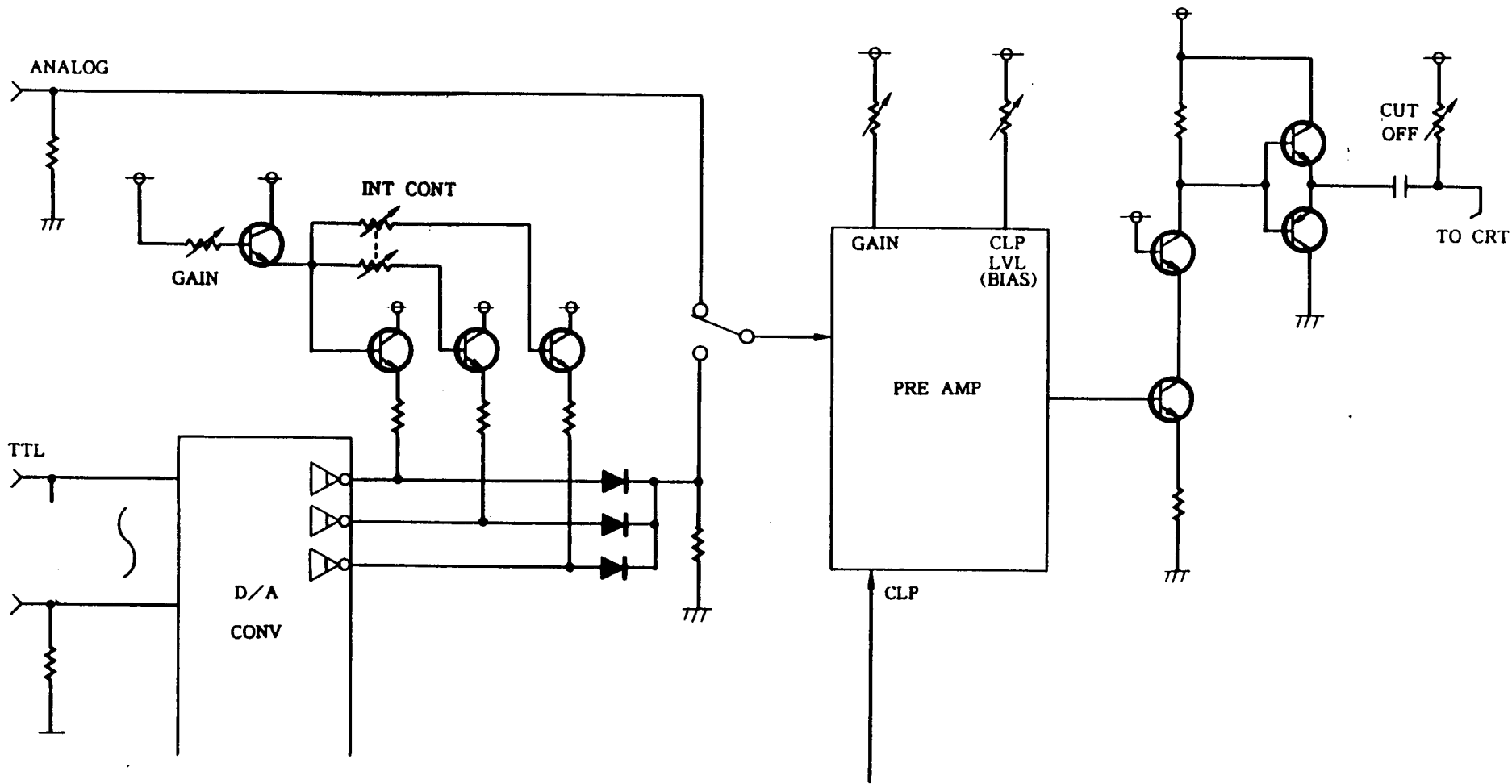
6) BRIGHTNESS CONTROL

The BRIGHT and CONTRAST (GAIN) controls are operate to as follows :

		ANALOG	TTL
CONTRAST (GAIN)		GAIN CONTROL	TOTAL GAIN
BRIGHT		BIAS CONTROL	LOW INT. GAIN



〈SIGNAL CONDITIONING CIRCUIT - 1〉

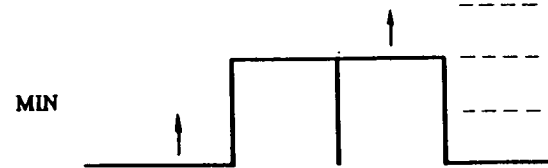
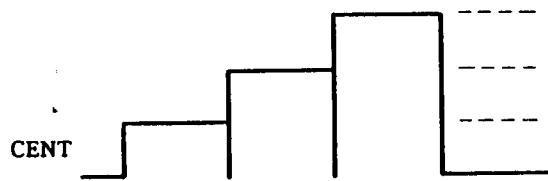
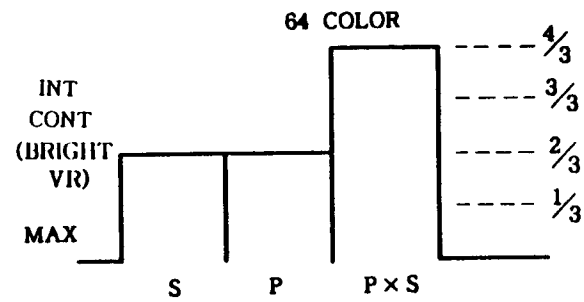


<SIGNAL CONDITIONING CIRCUIT - 2>

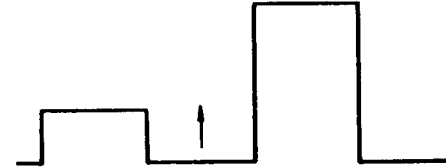
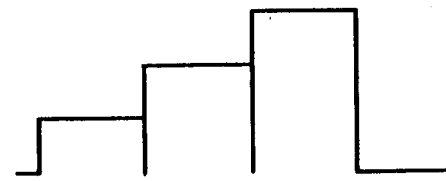
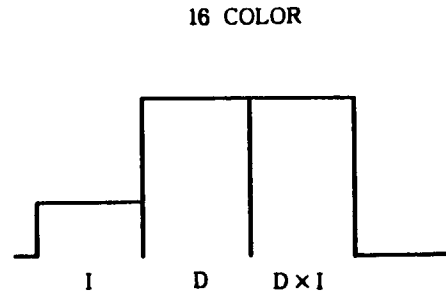
<TTL COLOR WAVE FORM>

COLOR : 64 COLOR, 16 SAT. COLOR, 16 PAS, COLOR, 8 COLOR
(MONO GREEN)

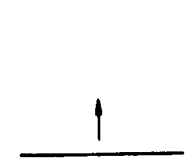
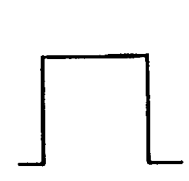
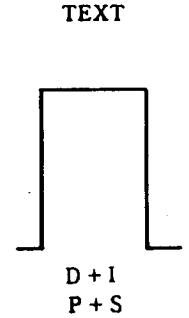
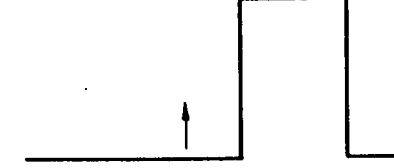
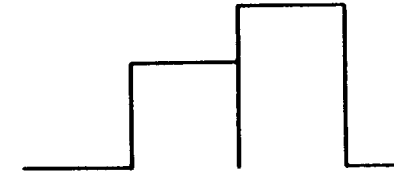
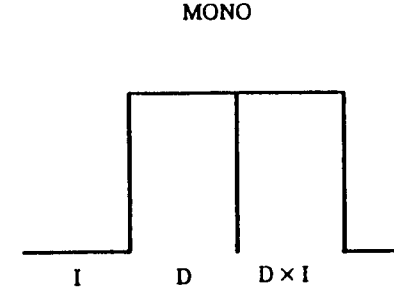
TEXT : AMBER, WHITE, GREEN

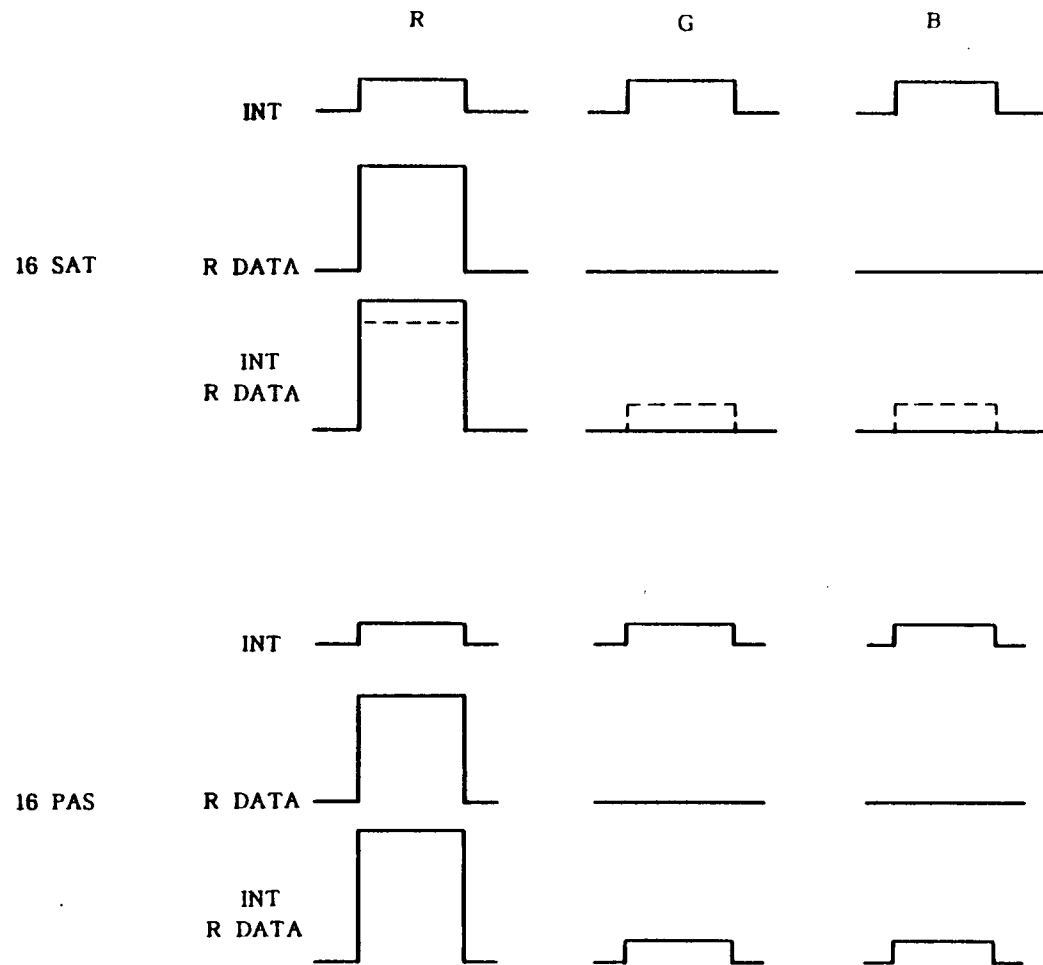


S : Secondary
P : Primary



I : Intensity
D : Data (R, G, B)





2.5 MPU

1) MODE SELECT CIRCUIT

The signal mode is determined by conditions of frequency, signal polarity, signal type and position of mode selection switch.

The mode selection is controlled by 4bits MPU of IC209 which get the optimum raster condition in the wide frequency range.

When the mode select switch set up the "Preset" position, the monitor is fully compatible to IBM P/C.

The block diagram of MPU is shown as Fig. 2 - 1.

Each condition of CGA, MDA, PGC or VGA is discriminated by polarity and type of sync. signal which condition is controlled by IC209 and it automatically control to the raster size, position and brightness at "Preset" position.

In case of select to "Preset" mode with input to the IBM P/C signal, it get the optimum raster condition without any adjustments.

The horizontal frequency is encoded to 2bits signal which use for the selection signal of linearity capacitor (Cs).

2) FREQUENCY DISCRIMINATE CIRCUIT

The construction of hard ware is shown as Fig. 2 - 2.

The vertical sync. signal is interrupt "1" after divided to 1/4 of horizontal frequency.

The internal clock generator of MPU generate to the timer interrupt of 0.5ms sync.

The vertical sync. frequency (FV) is counted by formula of 4 - 1 which count to the number (Vc) of timer interrupt during 1 period in vertical interrupt.

$$Fv = 1 / (0.5 \times 10^{-3} \times Vc) = 2000 / Vc \text{ [Hz]} \quad \dots\dots 4 - 1$$

Vc in formula is counted by two words soft ware of RAM.

The horizontal frequency (FH) is counted by formula of 4 - 2 which count to the number of horizontal interrupt (Hc) during the delayed 5ms after finished vertical interrupt to next 5ms.

$$FH = 4Hc / (5 \times 10^{-3}) = 4Hc / 5 \text{ [KHz]} \quad \dots\dots\dots 4 - 2$$

The counted frequency is divided to the 4 ranges shown as table 2.

The divided horizontal frequency gave the enough interrupt processing time.

The min. period of interrupt is same as horizontal interrupt which becomes min. at 35.5KHz of horizontal frequency.

The delay time of 5msec after finishing the vertical interrupt is prevent to miss - operation for a kind of equivalent pulse in composite sync. signal. (Fig. 2 - 3)

3) SYNC. TYPE DISCRIMINATE CIRCUIT

The MPU has sync. type discriminate function which shown as Fig. 2 - 4.

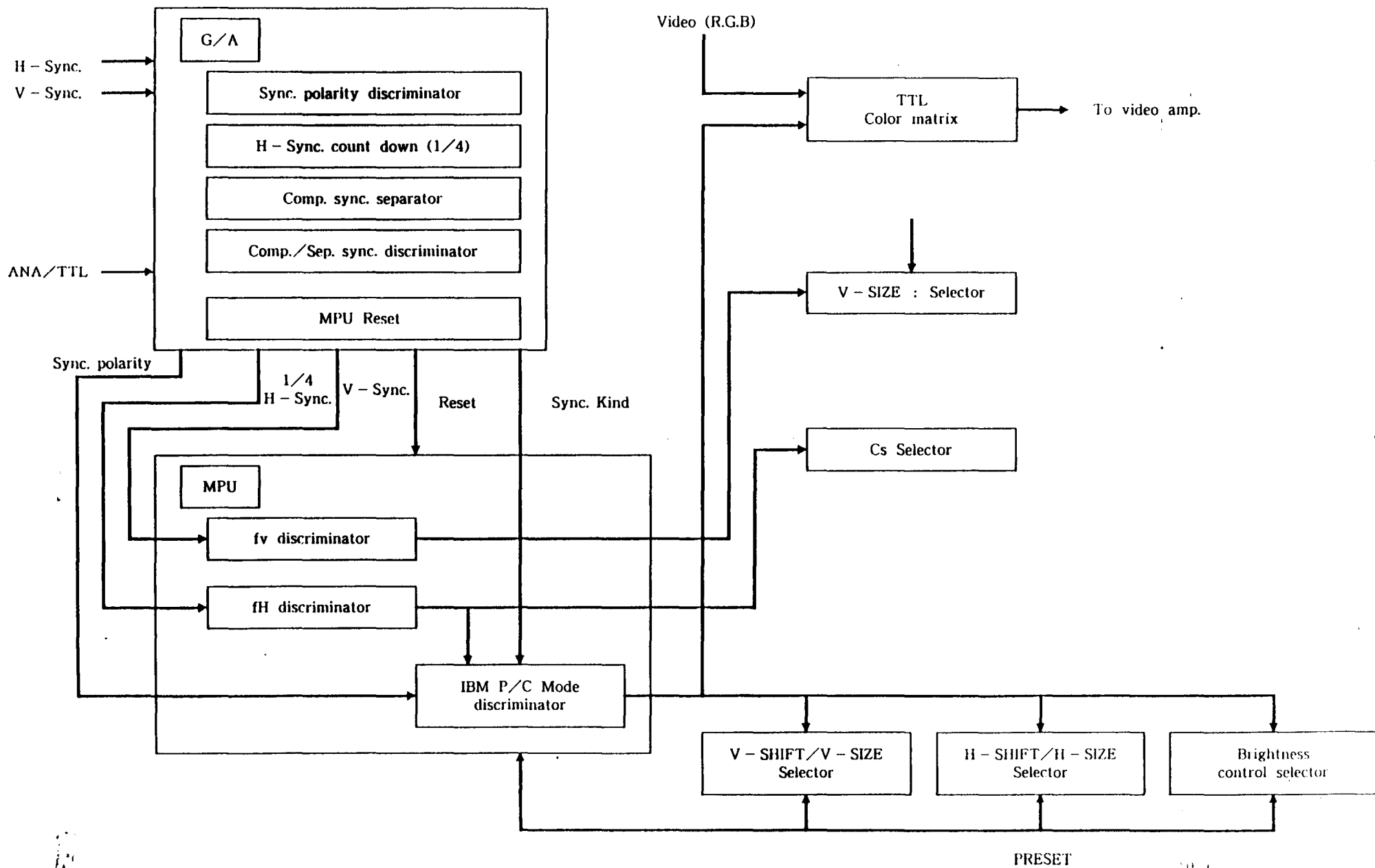
4) THE FREQUENCY DETECTING CIRCUIT

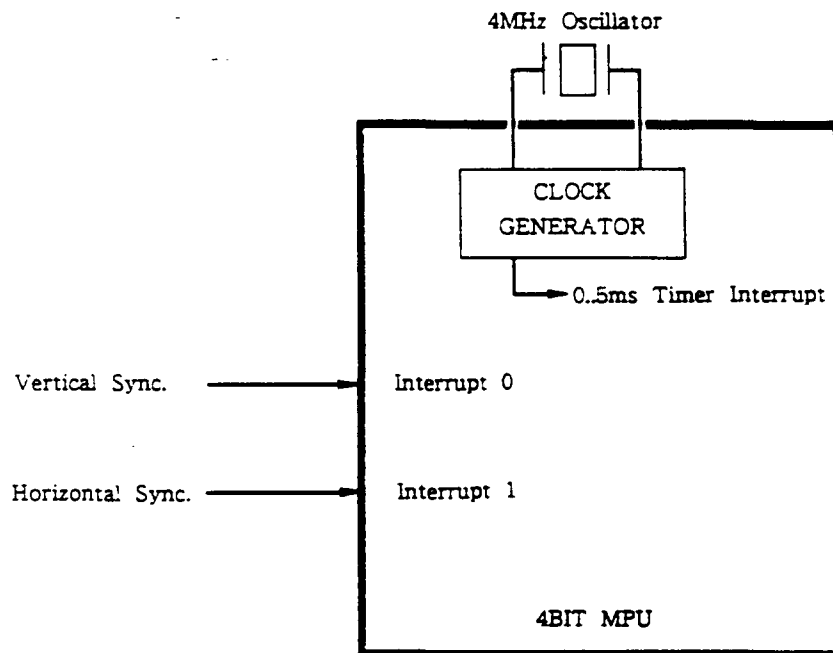
The sync. frequency is detected by MPU which detect to more than 2KHz of horizontal frequency and more than 4Hz of vertical frequency.

When the signal board generate to the unstable signal, the MPU output to the blanking pulse which prevent to the abnormal raster.

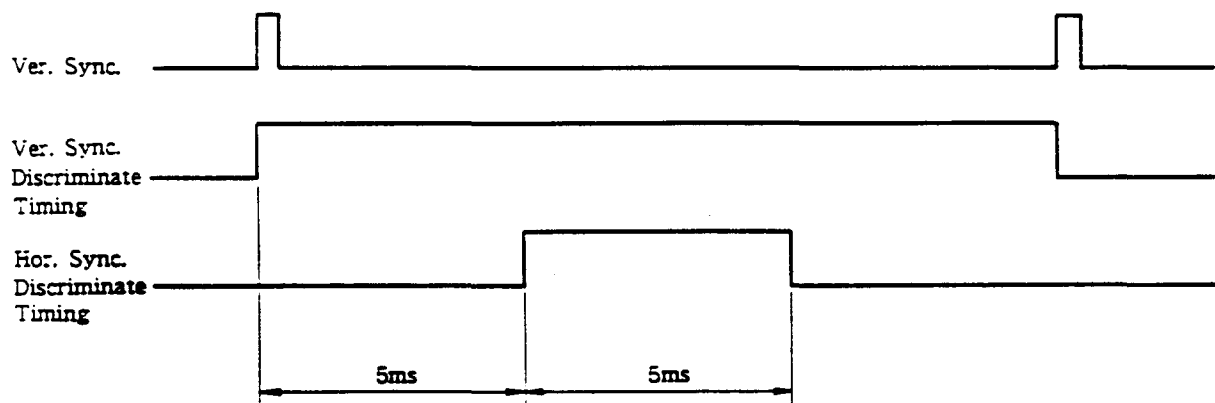
The flow chart is shown as Fig. 2 - 5.

〈Fig. 2 - 1 BLOCK DIAGRAM OF SIGNAL PROCESSOR〉





< Fig. 2 - 2 Frequency Discriminate Circuit >



< Fig. 2 - 3 Timing Chart of Frequency Discriminate >

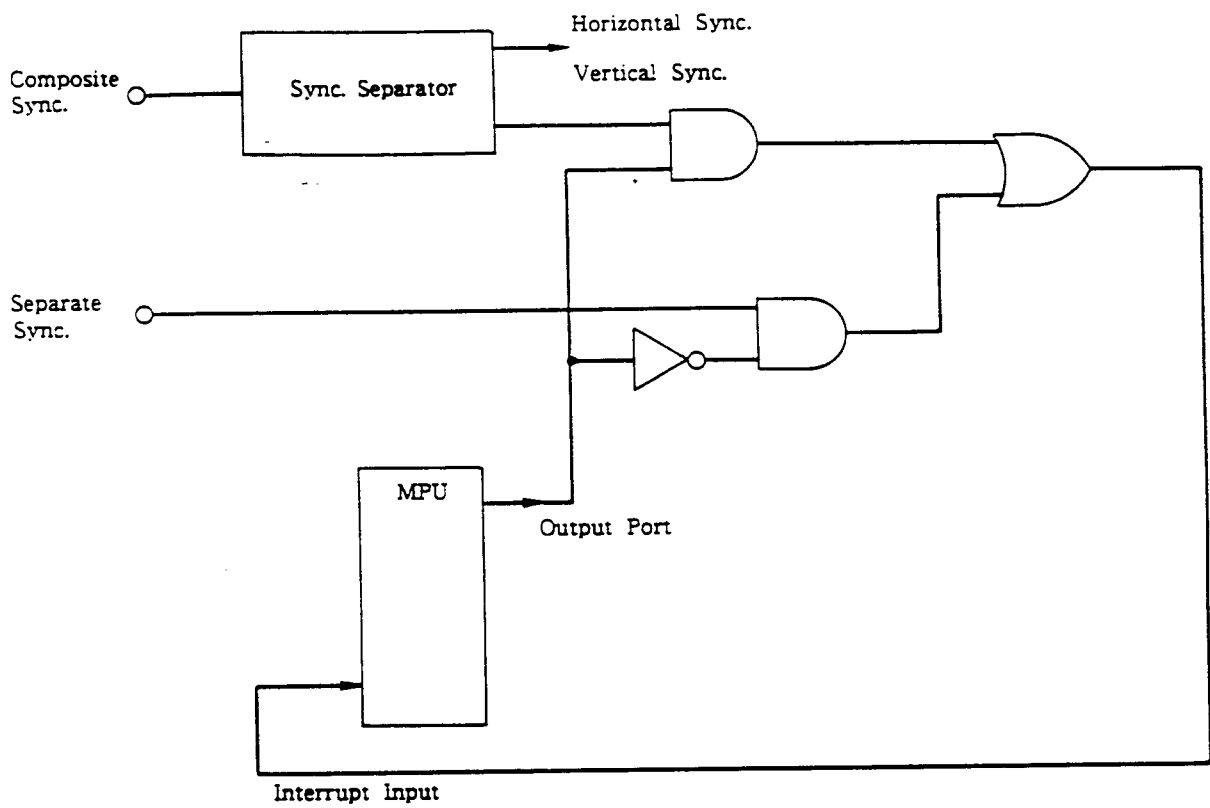
Range	Span	Resolution
V50	50 ~ 55Hz	1.2Hz at 50Hz
V60	55 ~ 65Hz	1.8Hz at 60Hz
V70	65 ~ 80Hz	2.5Hz at 70Hz
V80	80 ~ 87Hz	4.0Hz at 85Hz

- Sorting Table of Vertical Sync.-

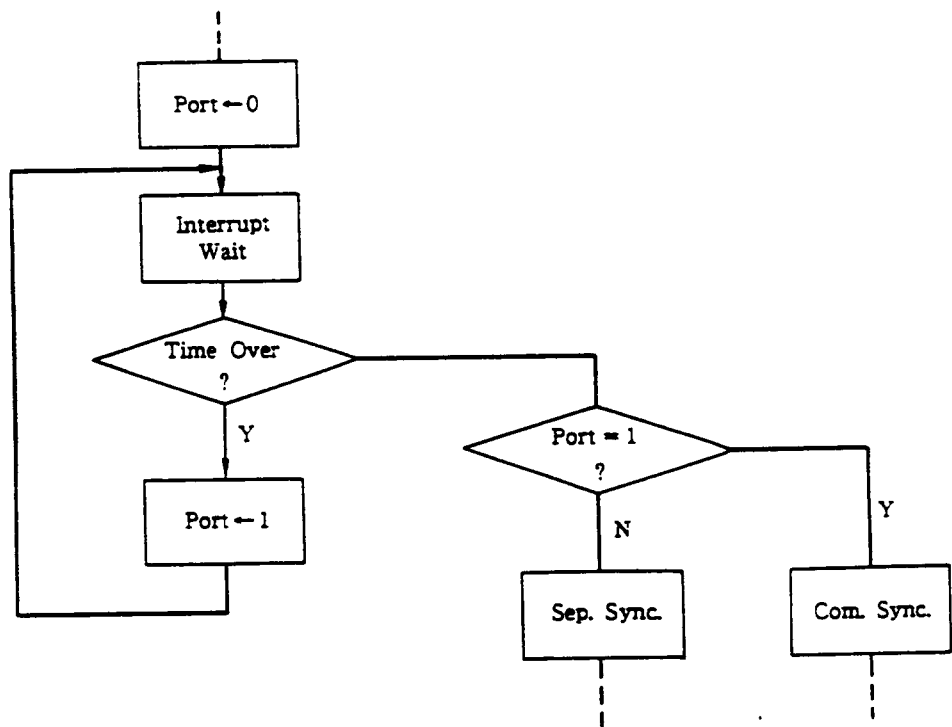
Range	Span
H15	15.7 ~ 19KHz
H22	19 ~ 23KHz
H25	23 ~ 28KHz
H30	28 ~ 35.5KHz

- Sorting Table of Horizontal Sync.-

< Table 2 Sorting Table of Frequency >

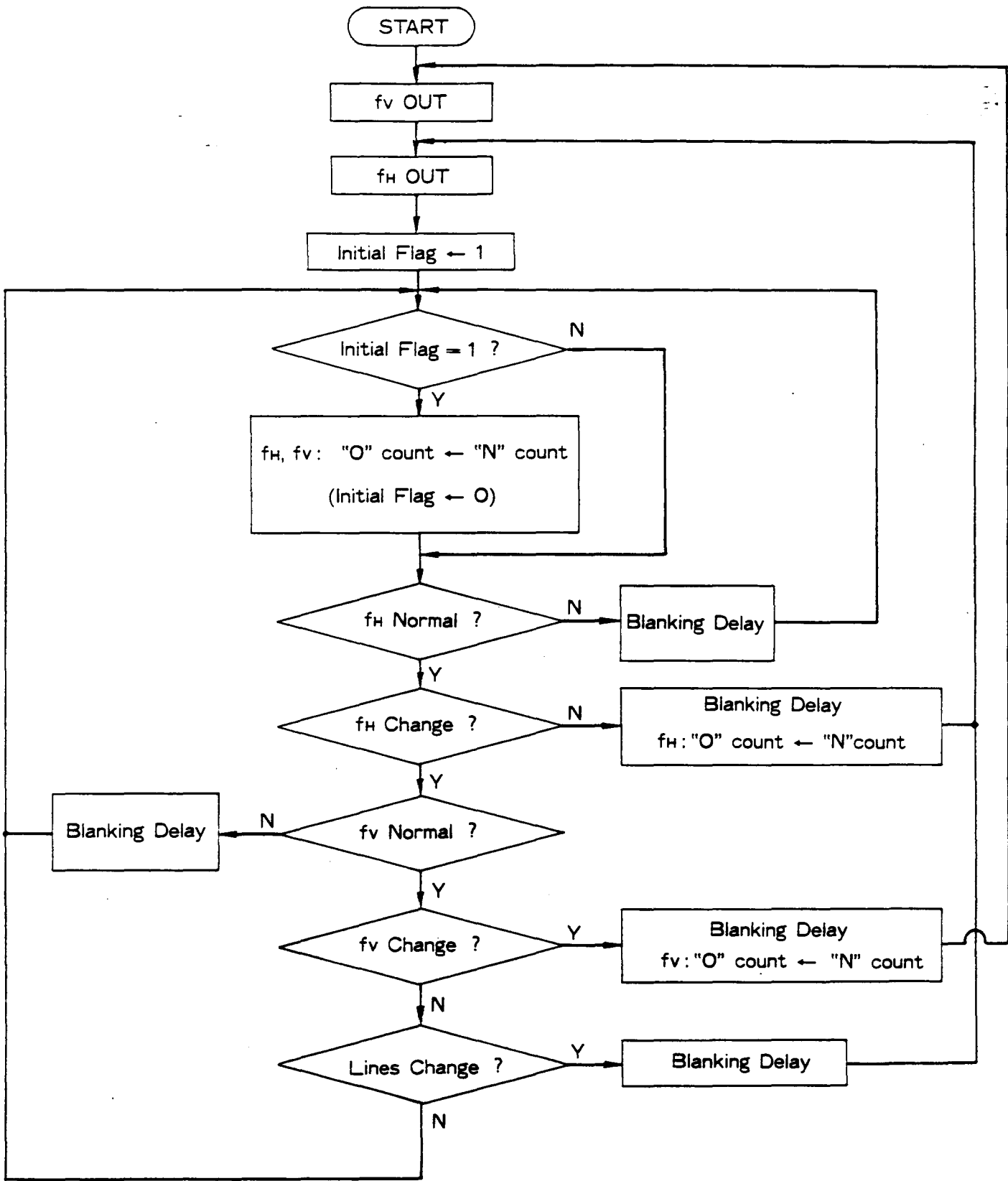


< Fig. 2 - 4 Synchronous Type Discriminate Circuit >

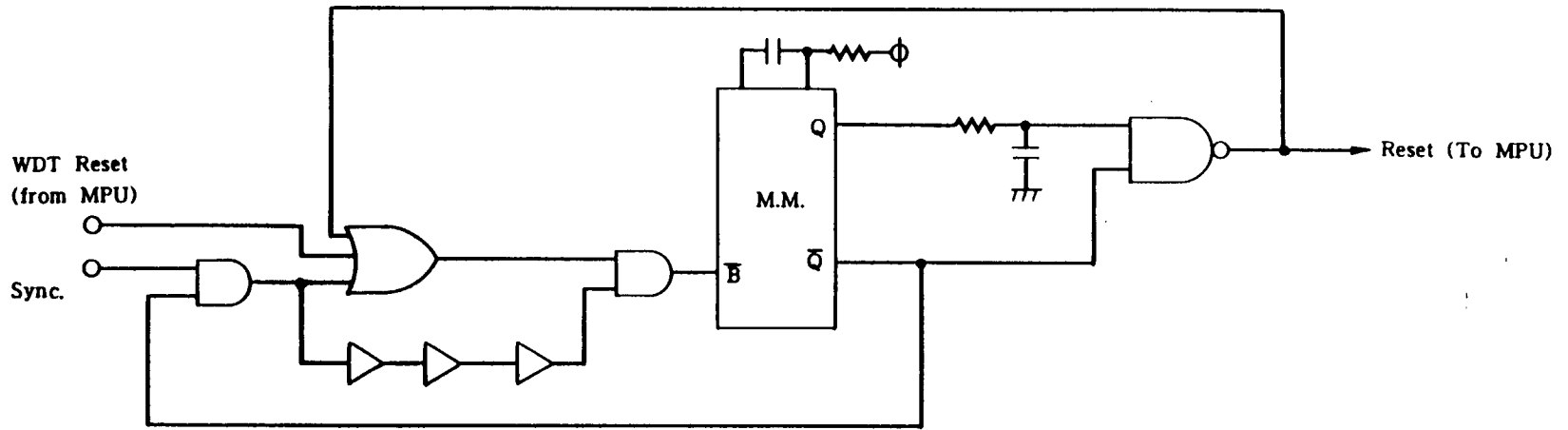


< Flow Chart of Sync. Type Discriminate >

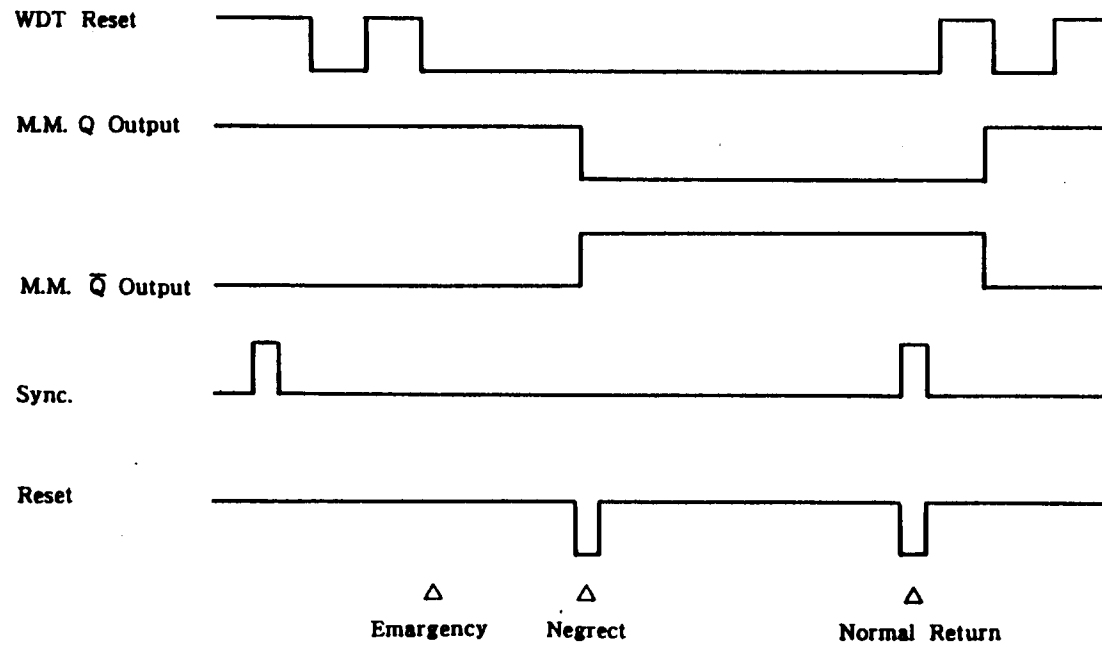
< Fig. 2-5 AUTO TRACKING FLOW >



Detective range of lines ; $\overline{\text{AUTO}} * \overline{\text{H30}}$
 Detective range of fh ; $|\text{"O" count} - \text{"N" count}| > 2\text{KHz}$
 Detective range of fv ; $|\text{"O" count} - \text{"N" count}| > 4\text{Hz}$



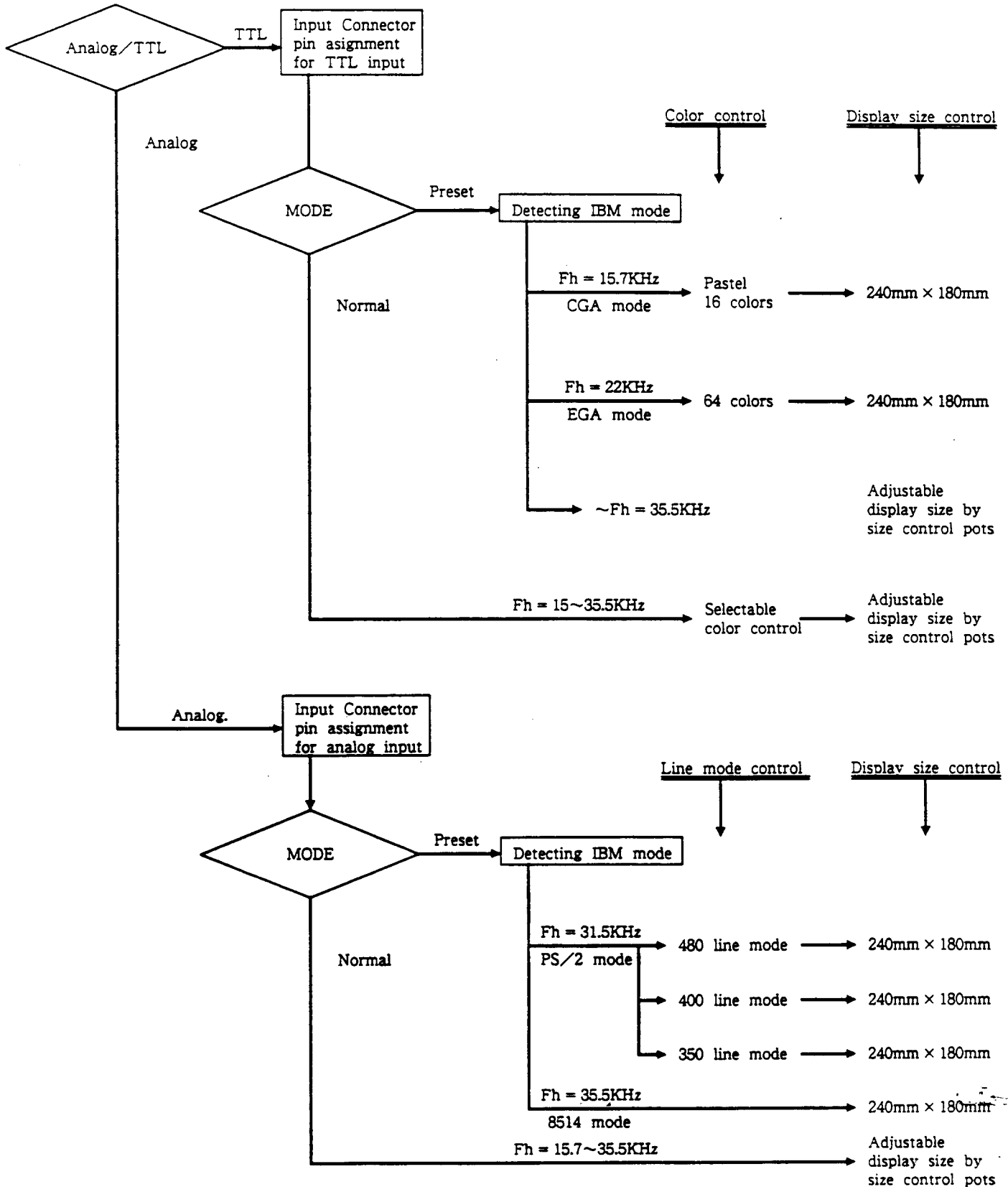
<Watch Dog Timer Circuit>

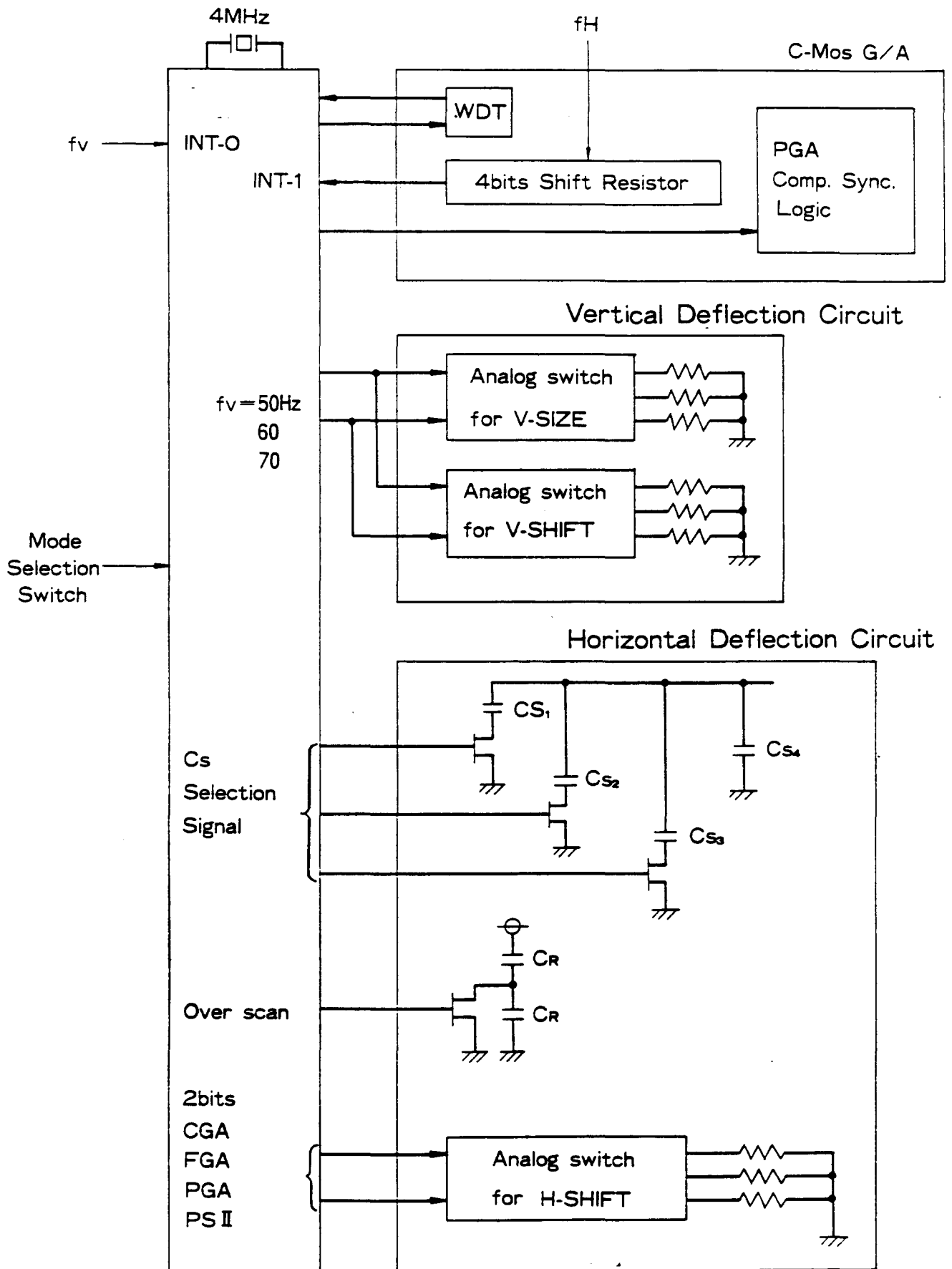


<Time Chart of Reset Circuit>

5) MODE CONTROL

The monitor has a input mode control function which is to select a video signal - either TTL or ANALOG, and at preset mode control position which is to be fully compatible with the IBM graphics adapter.





PRECAUTION FOR INSTALLATION :

1. Color CRT is sensitive to the environmental magnetic field in nature.
Careful degaussing by hand degausser over the whole CRT may be required in case the color monitor module installed in or near the metal rack/panel.
2. Avoid to install the near of electromagnetic machine (motor, transformer etc.) or high tension cable.

3. ADJUSTMENT PROCEDURE

3.1 PRESETTING FOR FA34 SERIES

CONTROL	DESCRIPTION	PRESETTING	
VR201	SUB - CONT	VR	CENTER
VR202	SUB - BRIGHT	VR	CENTER
VR - PCC	S - PCC	VR	CENTER
VR2R1	R - DRIVE	VR	CENTER
VR2B1	B - DRIVE	VR	CENTER
VR272	BRIGHT	VR	CLICK POSITION
VR271	GAIN	VR	MAX.
S201	SERVICE	SW	CENTER
S203	TTL/ANALOG	SW	ANALOG
S204	MODE	SW	PRESET
S205	TEXT	SW	COLOR
S206	SCAN	SW	NORMAL
S207	COLOR	SW	UPPER (OPEN)
VR601	G1 - ADJ	VR	FULLY COUNTER CLOCK WISE
VR6R1	R - CUT - OFF	VR	FULLY COUNTER CLOCK WISE
VR6G1	G - CUT - OFF	VR	FULLY COUNTER CLOCK WISE
VR6B1	B - CUT - OFF	VR	FULLY COUNTER CLOCK WISE
VR582	H - HOLD	VR	CENTER
VR5HV	B4 - ADJ	VR	CENTER
VR5WC	H - SIZE - C	VR	CENTER
VR5WE	' - E	VR	CENTER
VR5WP	' - P	VR	CENTER
VR5WN	' - N	VR	CENTER
VR5PC	H - SHIFT - C	VR	CENTER
VR5PE	' - E	VR	CENTER
VR5PP	' - P	VR	CENTER
VR5PN	' - N	VR	CENTER
VRHSZ	H - SIZE	VR	CLICK POSITION
VRHPA	H - SHIFT	VR	CLICK POSITION
S251	H - POSI - 1	SW	CENTER
S252	H - POSI - 2	SW	CENTER
VR401	V - HOLD	VR	CENTER
VR4S7	V - SIZE - 1	VR	CENTER
VR404	V - LIN	VR	CENTER
VR4P1	V - SHIFT - 1	VR	CENTER
VRVSZ	V - SIZE	VR	CLICK POSITION
VRVPS	V - SHIFT	VR	CLICK POSITION
FBT SCREEN DIP SW			MIN. 8 COLORS/WHITE

COLOR MODE SELECT			■ : SWITCH POSITION			
GREEN	AMBER	WHITE	8	16SAT.	16PAS.	64

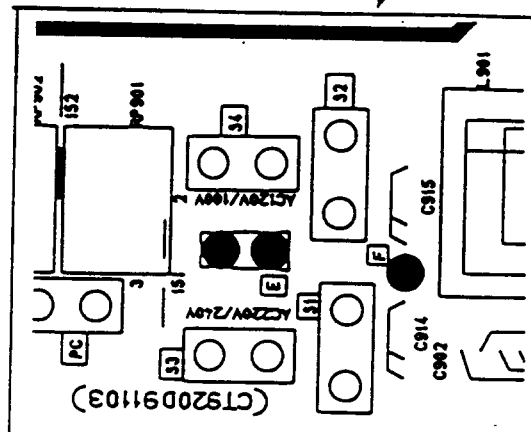
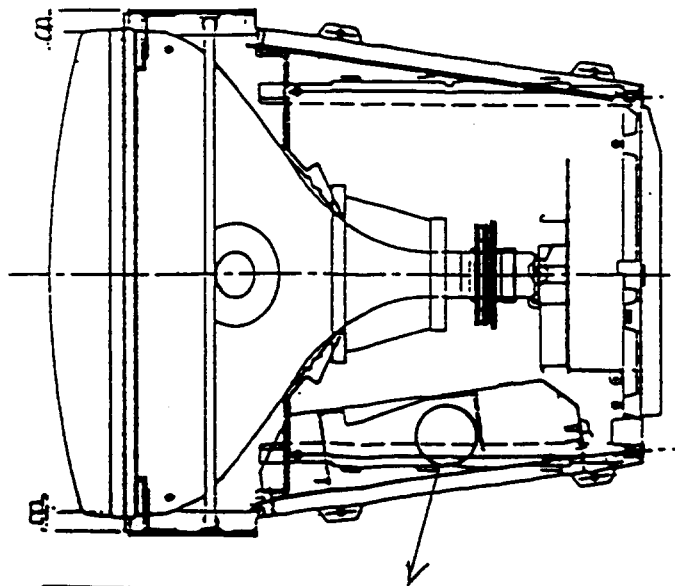
ITEM	SIGNAL & NO.	CONTROL	ADJUSTMENT
6. WHITE BALANCE (FOR B22) (PHOSPHOR)	WHITE ⑧	VR2R1 VR2B1	ADJUST WHITE BALANCE BY VR2R1 AND VR2B1 TO FOLLOWING VALUES WHICH MEASURED BY COLOR ANALYZER. X = 0.283 ± 0.005 Y = 0.297 ± 0.005 AT <u>115nits</u> X = 0.283 ± 0.010 Y = 0.297 ± 0.010 AT <u>20nits</u>
7. CUT - OFF AND WHITE BALANCE (FOR BL9) (PHOSPHOR)	WHITE ⑧ WINDOW ⑧ WHITE ⑧	S201 H - SIZE V - SIZE VR6R1 VR6G1 VR6B1 VR601	1) ADJUST HORIZONTAL WIDTH TO ABOUT 240mm BY H - SIZE CONTROL.(FRONT) 2) ADJUST VERTICAL HEIGHT TO ABOUT 180mm BY V - SIZE CONTROL.(FRONT) 3) TURN VR6R1, 6G1 AND 6B1 TO MIN. POSITION. 4) ADJUST WHITE BALANCE TO FOLLOWING VALUES BY VR6R1, 6G1, 6B1 AND VR201 AT ABOUT 20nits OF LUMINANCE WHICH MEASURED BY COLOR ANALYZER. X = 0.283 ± 0.010 Y = 0.297 ± 0.010 5) ADJUST VR201 TO ABOUT 85nits OF LUMINANCE. 6) ADJUST VR2R1 AND 2B1 TO GET FOLLOWING WHITE COORDINATION AT ABOUT 85nits OF LUMINANCE WHICH MEASURED BY COLOR ANALYZER. X = 0.283 ± 0.005 Y = 0.297 ± 0.005 7) ADJUST VR601 AS BELOW CONDITIONS. BRIGHT : CENTER } DISAPPEAR GAIN : MAX. } BACK RASTER BRIGHT : MAX. } DIMLY GAIN : MAX. } BACK RASSTER
8. BRIGHTNESS	WINDOW ⑧	GAIN BRIGHT H - SIZE H - PHASE V - SIZE V - POSI VR201	1) TURN GAIN CONTROL TO MAX. POSITION. 2) TURN BRIGHT, H - SIZE, H - PHASE, V - SIZE AND V - POSI CONTROL TO CENTER POSITION. 3) ADJUST VR201 (SUB - CONT) TO ABOUT 115nits (BL9 = 80nits) OF LUMINANCE WHICH MEASURED BY LUMINANCE METER.

ITEM	SIGNAL & NO.	CONTROL	ADJUSTMENT
9. FOCUS	CHARACTOR ⑧	FOCUS	ADJUST FOCUS CONTROL ON FBT TO GET OPTIMUM FOCUS.
10. SIDE P.C.C.	WHITE ⑧	VRPCC	ADJUST VRPCC TO GET STRAIGHTLY RASTER.
11. HORIZONTAL WIDTH	WHITE ⑧	VR5WN	1) SET UP BRIGHT CONTROL TO MAX. POSITION. 2) ADJUST HORIZONTAL WIDTH TO ABOUT 240mm BY VR5WN.
12. H - PHASE H - POSITION	WHITE ⑨	GAIN VR5PN S251.252	1) ADJUST BRIGHT AND GAIN CONTROLS TO GET DIMLY BACK RASTER. 2) ADJUST VIDEO PHASE TO SETTLED ON CENTER OF BACK RASTER BY VR5PN. 3) ADJUST HORIZONTAL POSITION TO SETTLED ON CENTER OF BEZEL BY S251 AND S252.
13. HORIZONTAL WIDTH AND POSITION	WHITE ⑩	VR5WP VR5PP	1) ADJUST HORIZONTAL WIDTH TO ABOUT 240mm BY VR5WP. 2) ADJUST HORIZONTAL POSITION TO SETTLED ON CENTER OF BEZEL BY VR5PP.
14. HORIZONTAL WIDTH AND POSITION	WHITE ⑪	VR5WC VR5PC	1) ADJUST HORIZONTAL WIDTH TO ABOUT 240mm BY VR5WC. 2) ADJUST HORIZONTAL POSITION TO SETTLED ON CENTER OF BEZEL BY VR5PC.
15. HORIZONTAL WIDTH AND POSITION	WHITE ⑫	VR5WE VR5PE	1) SET UP INPUT SIGNAL SWITCH TO TTL POSITION. 2) ADJUST HORIZONTAL WIDTH TO ABOUT 240mm BY VR5WE. 3) ADJUST HORIZONTAL POSITION TO SETTLED ON CENTER OF BEZEL BY VR5PE.
16. VERTICAL LINEARITY	CROSS HATCH ⑬	VR404	ADJUST VR404 TO GET EQUAL SPACING BETWEEN TOP AND BOTTOM OF CROSS HATCH.
17. VERTICAL HEIGHT AND POSITION	WHITE ⑭	VR4S7 VR4P1	1) ADJUST VERTICAL HEIGHT TO ABOUT 180mm BY VR4S7. 2) ADJUST VERTICAL POSITION TO SETTLED ON CENTER OF BEZEL BY VR4P1.

ITEM	SIGNAL & NO.	CONTROL	ADJUSTMENT
18. BRIGHTNESS	WINDOW ⑥	VR201	1) SET UP INPUT SIGNAL SWITCH TO ANALOG POSITION. 2) ADJUST LUMINANCE TO $115 (BL9 = 85) \pm 3$ nits BY VR201 WHICH MEASURED BY LUMINANCE METER. 3) SET UP INPUT SIGNAL SWITCH TO TTL POSITION.
	WINDOW ④	VR202	4) ADJUST LUMINANCE TO $125 (BL9 = 80) \pm 3$ nits BY VR202.
19. X - RAY PROTECTOR	WHITE ④		1) APPLY TO DC 50 ± 1 V BETWEEN TPX AND CHASSIS GND. THEN CHECK TO OPERATE THE X - RAY PROTECTION CIRCUIT. 2) TURN OFF THE NONITOR. 3) RECHECK THE NORMAL RASTER. AFTER 5sec. FROM TURN OFF.

AC VOLTAGE SELECTION PROCEDURE ON FA3435

- (1) This monitor is available to select the both voltage of 120 volts AC and 220 / 240 volts AC by tap selection.
- (2) There are two tap position on the POWER PCB which is selectable by connector of marked **E**.
- (3) The tap position of marked **S4** is available to input 100 / 120 volts AC power supply voltage.
- (4) The tap position of marked **S3** is available to input 220 / 240 volts AC power supply voltage.




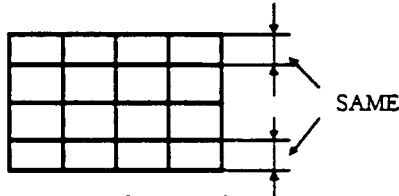
3. 3 PRESETTING FOR HA39 SERIES

CONTROL	DESCRIPTION	PRESETTING	
VR201	SUB - CONT	VR	CENTER
VR202	SUB - BRIGHT	VR	CENTER
VR - PCC	S - PCC	VR	CENTER
VR2R1	R - DRIVE	VR	CENTER
VR2B1	B - DRIVE	VR	CENTER
VR272	BRIGHT	VR	CLICK POSITION
VR271	GAIN	VR	MAX.
S201	SERVICE	SW	CENTER
S203	TTL/ANALOG	SW	ANALOG
S306	TEXT	SW	COLOR
S307	MODE	SW	NORMAL
S308	COLOR	SW	UPPER (OPEN)
VR601	G1 - ADJ	VR	FULLY COUNTER CLOCK WISE
VR6R1	R - CUT - OFF	VR	FULLY COUNTER CLOCK WISE
VR6G1	G - CUT - OFF	VR	FULLY COUNTER CLOCK WISE
VR6B1	B - CUT - OFF	VR	FULLY COUNTER CLOCK WISE
VR582	H - HOLD	VR	CENTER
VR5HV	B4 - ADJ	VR	CENTER
VR5WC	H - SIZE - C	VR	CENTER
VR5WE	' - E	VR	CENTER
VR5WP	' - P	VR	CENTER
VR5WN	' - N	VR	CENTER
VR5PC	H - SHIFT - C	VR	CENTER
VR5PE	' - E	VR	CENTER
VR5PP	' - P	VR	CENTER
VR5PN	' - N	VR	CENTER
VRHSZ	H - SIZE	VR	CLICK POSITION
VRHPA	H - SHIFT	VR	CLICK POSITION
S251	H - POSI - 1	SW	CENTER
S252	H - POSI - 2	SW	CENTER
VR401	V - HOLD	VR	CENTER
VR4S7	V - SIZE - 1	VR	CENTER
VR404	V - LIN	VR	CENTER
VR4P1	V - SHIFT - 1	VR	CENTER
VRVSZ	V - SIZE	VR	CLICK POSITION
VRVPS	V - SHIFT	VR	CLICK POSITION
FBT SCREEN DIP SW			MIN. 8 COLORS/WHITE

COLOR MODE SELECT			■ : SWITCH POSITION			
GREEN	AMBER	WHITE	8	16SAT.	16PAS.	64
1 2	1 2	1 2	3 4	3 4	3 4	3 4

3.4 ADJUSTMENT PROCEDURE FOR HA39 SERIES

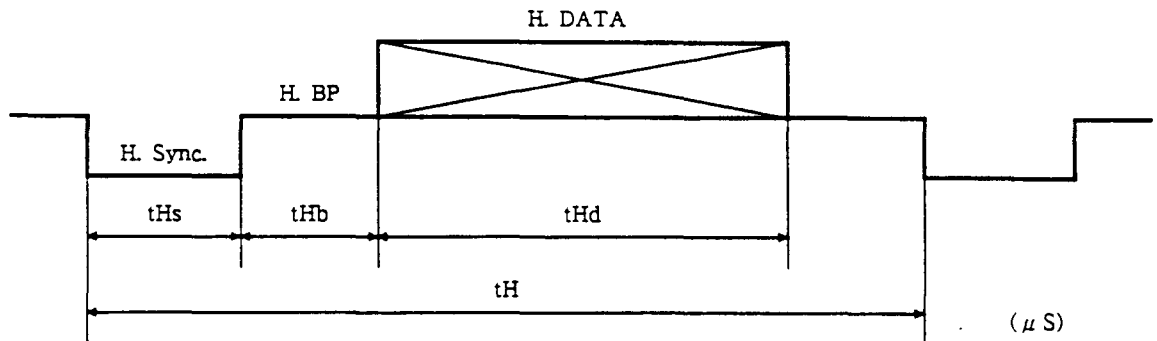
ITEM	SIGNAL & NO.	CONTROL	ADJUSTMENT
1. HORIZONTAL & VERTICAL SYNC. 1) HORIZONTAL 2) VERTICAL	WHITE ①	VR582 VR401	1) SET UP S201 TO MAKE THE FREE RUNNING CONDITION. 2) ADJUST THE HORIZONTAL FREQUENCY TO $25.1 \pm 0.2\text{KHz}$ BY VR582. 3) ADJUST THE VERTICAL FREQUENCY TO $53.0 \pm 1.0\text{Hz}$ BY VR401. 4) BACK TO THE NORMAL (CENTER) POSITION OF S201 AFTER ABOVE ADJUSTMENT. * MEASURED BY FREQ. COUNTER
2. B4 VOLTAGE	NO VIDEO ⑬	VR5HV	1) H - SIZE OF VR  TURN TO MAX. POSITION. 2) CONNECT THE DC VOLTMETER BETWEEN TPB4 AND GND. 3) ADJUST VR5HV TO $100 \pm 1.0\text{V}$ READING ON METER.
3. CUT - OFF	NO VIDEO ⑧	SCREEN VR601 VR6R1 VR6G1 VR6B1	1) ADJUST THE SCREEN VOLTAGE FOR A $660 \pm 5\text{V}$ BETWEEN TPSC AND CHASSIS GND BY SCREEN CONTROL. 2) SET UP S201 TO MAKE THE HORIZONTAL LINE. 3) ADJUST VR601 TO GET THE DIMLY LINE. 4) ADJUST VR6R1, 6G1, 6B1 TO GET THE WHITE HORIZONTAL LINE. 5) BACK TO THE NORMAL POSITION OF S201 AFTER ABOVE ADJUSTMENT.
4. FOCUS	CHARACTOR ⑥	FOCUS	ADJUST FOCUS CONTROL ON FBT TO GET THE OPTIMUM FOCUS CONDITION.
5. P.C.C.	CROSS-HATCH ⑦	VRPCC	ADJUST VRPCC TO GET THE STRAIGHTLY RASTER.
6. WHITE BALANCE AND BRIGHTNESS	WINDOW ⑧	VR201 VR2R1 VR2B1 VR202	1) ADJUST VR2R1, 2B1 TO GET THE WHITE RASTER FOR A $X = 0.283 \pm 0.015$ $Y = 0.297 \pm 0.015$ READING ON THE COLOR ANALYZER ON THE CENTER OF SCREEN AT ABOUT 110nits.(BL9 = ABOUT 75nits) 2) TURN BRIGHTNESS CONTROL TO MAX. POSITION. 3) SET UP S203 TO TTL POSITION. 4) SET UP "MODE SW" TO NORMAL POSITION. 5) ADJUST VR202 TO ABOUT 110nits (BL9 = 75nits) READING ON LUMINANCE METER.

ITEM	SIGNAL & NO.	CONTROL	ADJUSTMENT
7. RASTER SIZE AND POSITION	WHITE VGA 400lines ③		1) SET UP "MODE SW" TO PRESET POSITION.
1) HORIZONTAL WIDTH		VR5WN	2) TURN BRIGHTNESS CONTROL TO CLICK STOP POSITION.
2) HORIZONTAL POSITION	VGA 480lines ⑦		3) SET UP S203 TO ANALOG POSITION.
3) VERTICAL LINEARITY	CROSS - HATCH ⑦	VR404	4) ADJUST HORIZONTAL WIDTH TO ABOUT 350mm BY VR5WN.
4) VERTICAL HEIGHT		VR4S7	5) IF TURN UP THE RASTER, ADJUST VR5PN.
5) VIDEO PHASE	WHITE ① VGA 400lines ③	BRIGHT VR5PN	6) ADJUST HORIZONTAL RASTER POSITION TO CENTER POSITION OF BEZEL BY VR4PN.
6) RASTER POSITION	WHITE VGA 400lines ③	S251 S252	7) ADJUST VERTICAL LINEARITY TO GET THE SAME SPACING BETWEEN TOP AND BOTTOM OF CROSS HATCH BY VR404.
			
	WHITE ①	VR5WP	8) ADJUST VERTICAL HEIGHT TO ABOUT 265mm BY VR4S7.
	WHITE ②	VR5PP	9) ADJUST BRIGHTNESS CONTROL TO GET THE DIMLY BACK RASTER.
	WHITE ②	S203	10) ADJUST RASTER CENTERING TO SETTLED ON THE CENTER OF BACK RASTER BY VR5PN.
		GAIN	11) ADJUST RASTER CENTERING TO SETTLED ON THE CENTER OF BEZEL BY S251 AND 252.
		VR5WC	12) ADJUST HORIZONTAL WIDTH TO ABOUT 350mm BY VR5WP.
		VR5PC	13) ADJUST RASTER CENTERING TO SETTLED ON THE CENTER OF BEZEL BY VR5PP.
	WHITE ②	VR5WE	14) SET UP S203 TO TTL POSITION.
			15) ADJUST GAIN CONTROL TO CLICK POSITION.
			16) TURN VR5WC TO FULLY COUNTER CLOCKWISE.
			17) ADJUST RASTER CENTERING TO SETTLED ON THE CENTER OF BEZEL BY VR5PC.
			18) TURN VR5WE TO FULLY COUNTER CLOCKWISE.

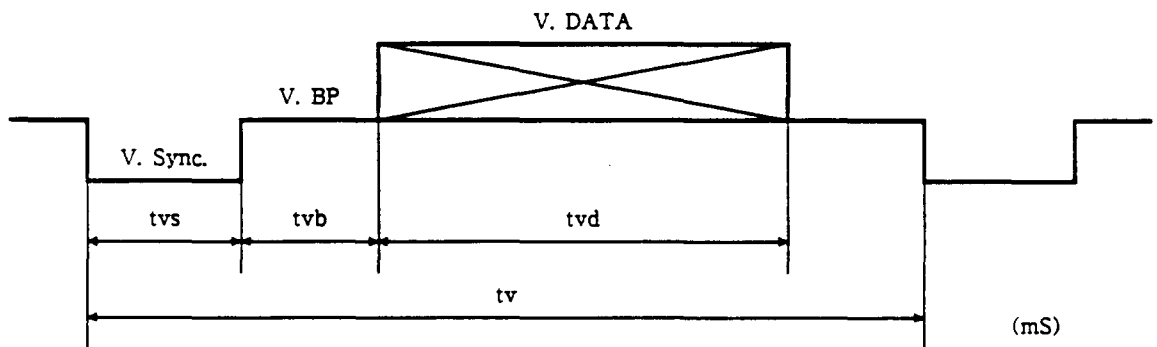
ITEM	SIGNAL & NO.	CONTROL	ADJUSTMENT
		VR5PE	19) ADJUST RASTER CENTERING TO SETTLED ON THE CENTER OF BEZEL BY VR5PE.
8. BRIGHTNESS	WINDOW ⓑ	BRIGHT GAIN VR201 VR202	1) TURN BRIGHTNESS CONTROL TO CLICK POSITION. 2) TURN GAIN CONTROL TO MAX. POSITION. 3) ADJUST VR201 TO GET ABOUT 110nits (BL9 = 75nits) BRIGHTNESS BY LUMINANCE METER ON THE CENTER OF SCREEN. 4) SET UP S203 TO TTL POSITION. 5) SET UP MODE SWITCH TO NORMAL POSITION. 6) TURN GAIN AND BRIGHTNESS CONTROL TO MAX. POSITION. 7) ADJUST VR202 TO GET ABOUT 110nits (BL9 = 75nits) BRIGHTNESS BY LUMINANCE METER ON THE CENTER OF SCREEN.
9. X - RAY PROTECTOR	WHITE ⓑ VGA 400lines		1) APPLY TO DC VOLTAGE OF 41V BETWEEN TEST POINT TP = X AND CHASSIS GND. 2) TURN OFF THE MONITOR AFTER STOPPING THE OPERATION. 3) RECHECK THE NORMAL RASTER. AFTER 5sec. FROM TURN OFF.

3.5 TIMING CHART

(1) HORIZONTAL (1H)



(2) VERTICAL (1V)



(3) SINGAL TYPE

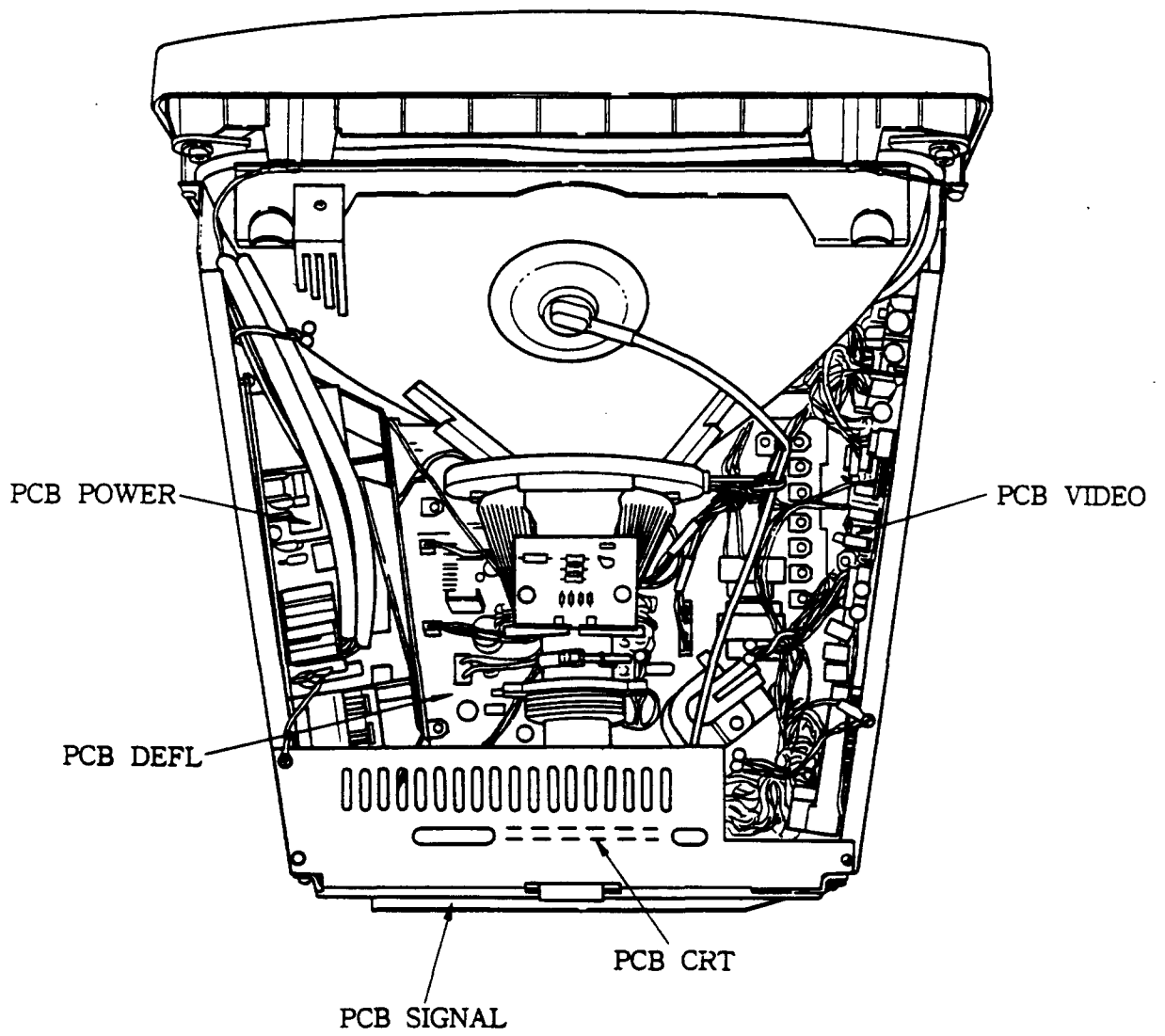
SIGNAL			
VIDEO	A : ANALOG	T : TTL - 64, - 16, - 8	AG : ANALOG with sync.
HD	P : Positive S : Composite sync. with relation	N : Negative	C : Composite sync. without relation
VD	P : Positive	N : Negative	

(4) DATA TABLE OF TIMING CHART

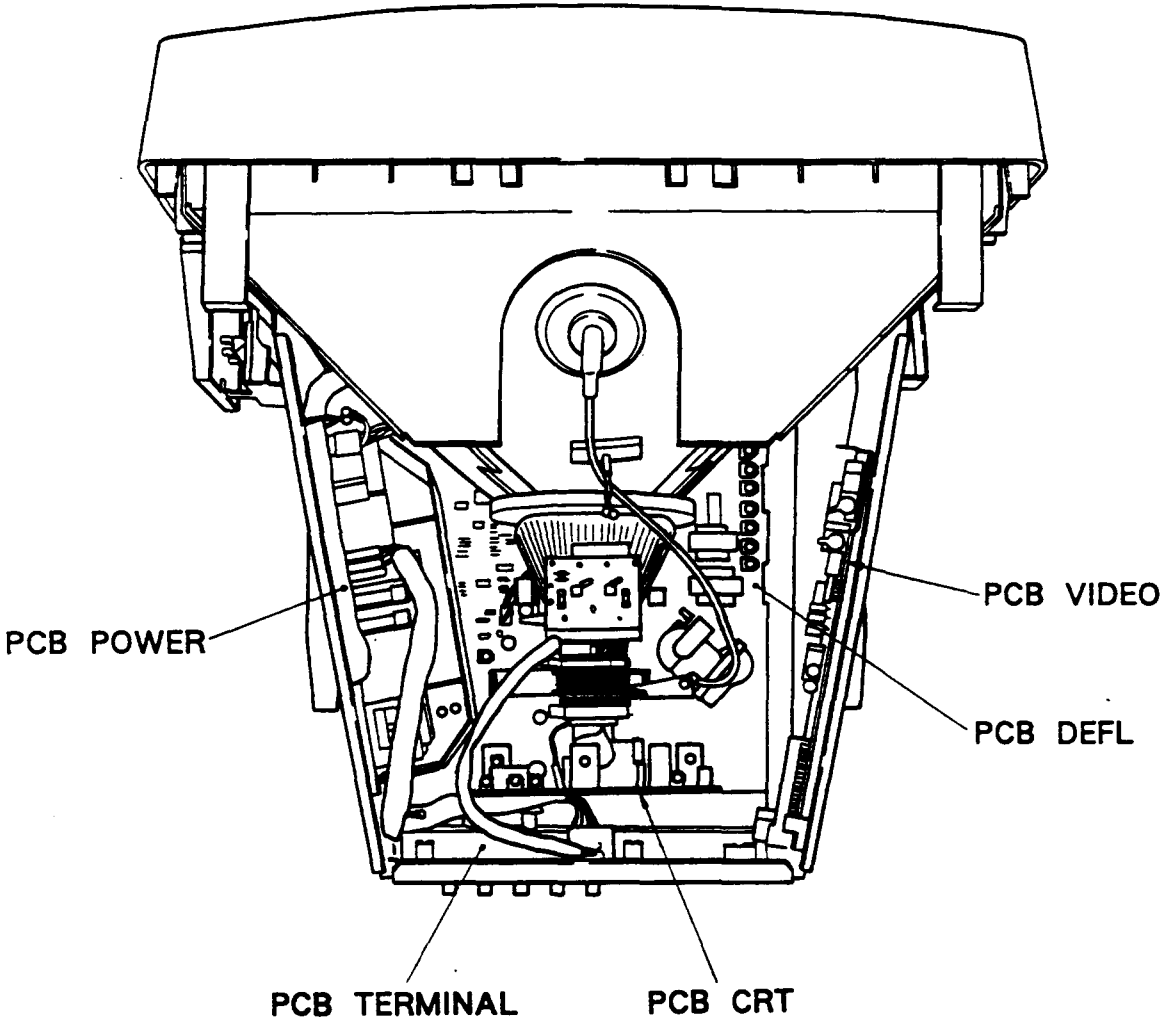
NO.	Dot in t_{114}	t_{11}	t_{115}	t_{116}	t_{114}	t_v	t_{vs}	t_{vb}	t_{vd}	I/NI	H.sync	V.sync	MODE	REMARK
①	790	40.00	5.200	3.200	31.60	16.67	0.080	0.760	15.72	NI	P	P	-	TEST
②	640	63.50	4.500	8.950	44.50	16.64	0.190	2.159	12.70	NI	P	P	-	CGA
③	640	63.50	4.500	4.500	52.30	16.64	0.190	0.762	15.62	NI	P	P	-	CGA
④	640	45.76	4.950	1.640	39.50	17.00	0.600	0.103	16.30	NI	P	N	-	EGA (CH)
⑤	640	32.80	4.480	2.720	25.60	16.66	0.066	0.787	15.74	NI	C	-	H	PGA 480
⑥	640	32.80	4.480	2.720	25.60	16.66	0.066	2.099	13.12	NI	C	-	L	PGA 400
⑦	640	31.778	3.813	1.907	25.422	16.683	0.064	1.048	15.253	NI	N	N	-	PS2 480
⑧	720	31.778	3.813	1.907	25.422	14.268	0.064	1.111	12.711	NI	N	P	-	PS2 400
⑨	738	31.778	3.813	1.589	26.058	14.268	0.064	0.889	13.156	NI	N	P	-	PS2 400
⑩	720	31.778	3.813	1.907	25.422	14.268	0.064	1.907	11.122	NI	P	N	-	PS2 350
⑪	1024	28.153	3.920	1.250	22.80	11.500	0.113	0.577	10.810	I	P	P	-	PS2 35K
⑫	720	54.25	8.30	1.11	44.29	20.07	0.868	0.217	18.99	NI	P	N	-	MDA
⑬	640	28.571	2.116	3.175	21.164	15.00	0.086	1.114	13.714	NI	S	-	-	AppleMAC
⑭	640	31.778	3.813	1.907	25.422	20.000	0.077	1.258	18.304	NI	N	N	-	TEST50
⑮	640	31.778	3.813	1.907	25.422	14.286	0.055	0.898	13.074	NI	N	N	-	TEST70
⑯	640	31.778	3.813	1.907	25.422	14.286	0.064	1.111	12.711	NI	-	-	-	TESTAG
⑰	640	40.28	3.04	4.04	30.40	18.04	0.32	1.28	16.12	NI	N	N	-	PC9801
⑱	640	40.28	3.04	4.04	30.40	18.04	0.32	1.28	16.12	NI	N	N	-	PC9801
⑲	1120	30.45	1.77	2.93	23.41	12.50	0.15	0.41	11.87	I	N	N	-	PC98XA
⑳	640	46.40	4.95	2.40	39.50	17.00	0.60	0.103	16.30	NI	P	N	-	EGA (GRA)
㉑	746	63.50	4.60	4.70	52.642	16.666	0.1905	0.666	15.619	NI	N	N	-	TEST
㉒	792	41.67	3.75	5.59	31.15	16.67	0.125	0.775	15.70	NI	P	P	-	TEST
㉓	738	31.746	2.50	3.20	25.046	16.666	0.0952	0.6032	15.873	NI	N	N	-	TEST

I: Interlace NI: Non Interlace

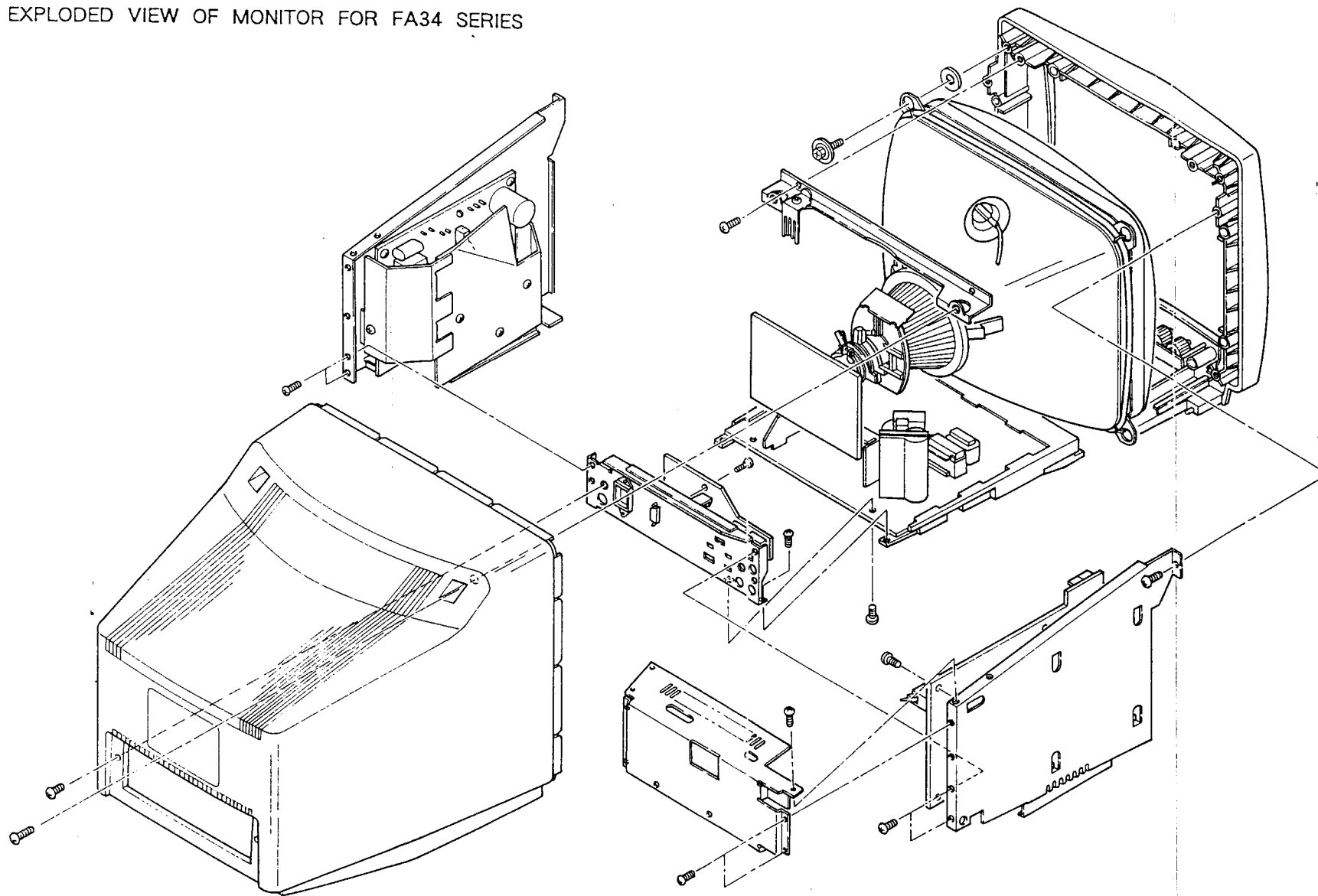
PCB LOCATION FOR FA34 SERIES



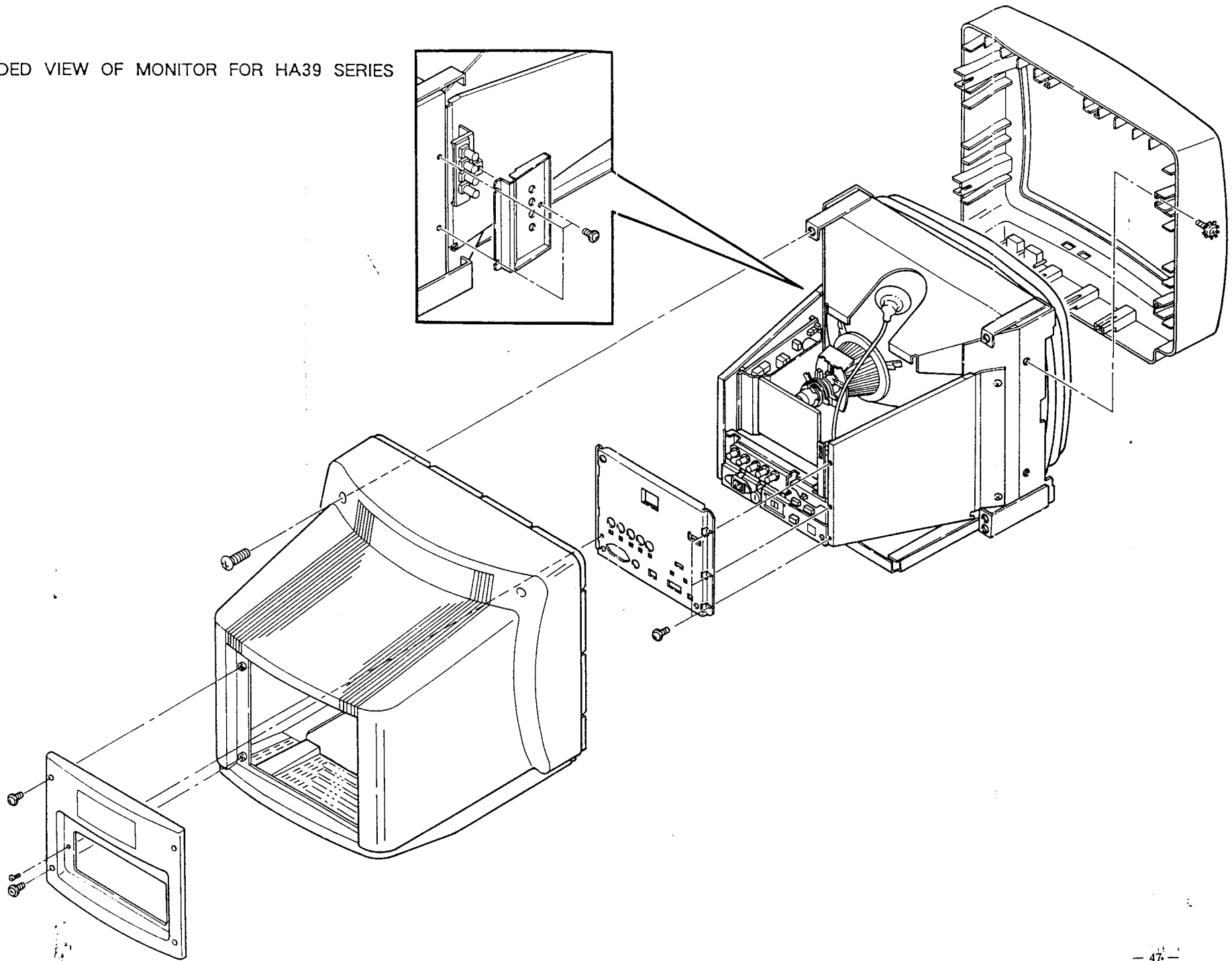
PCB LOCATION FOR HA39 SERIES



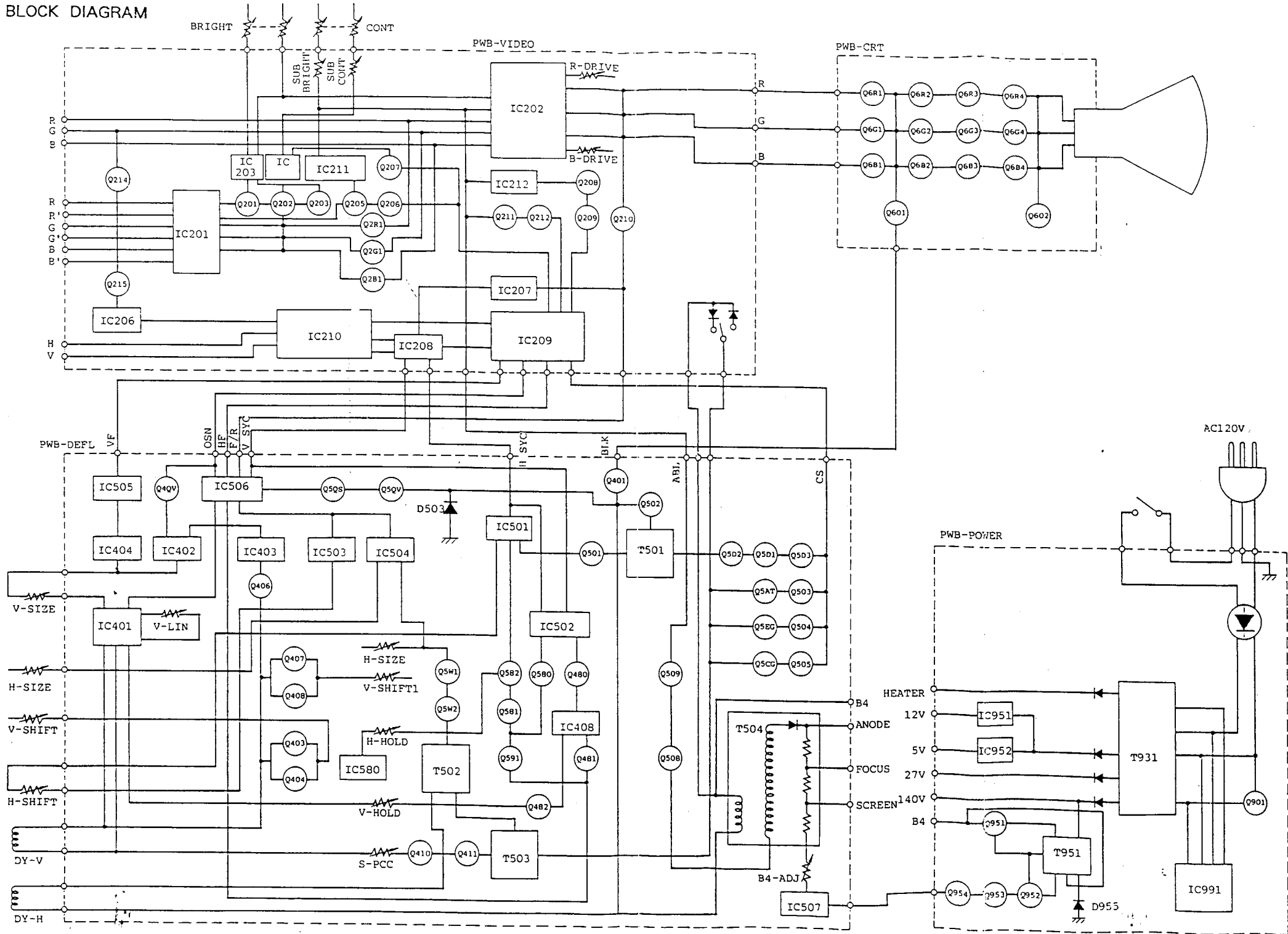
EXPLODED VIEW OF MONITOR FOR FA34 SERIES

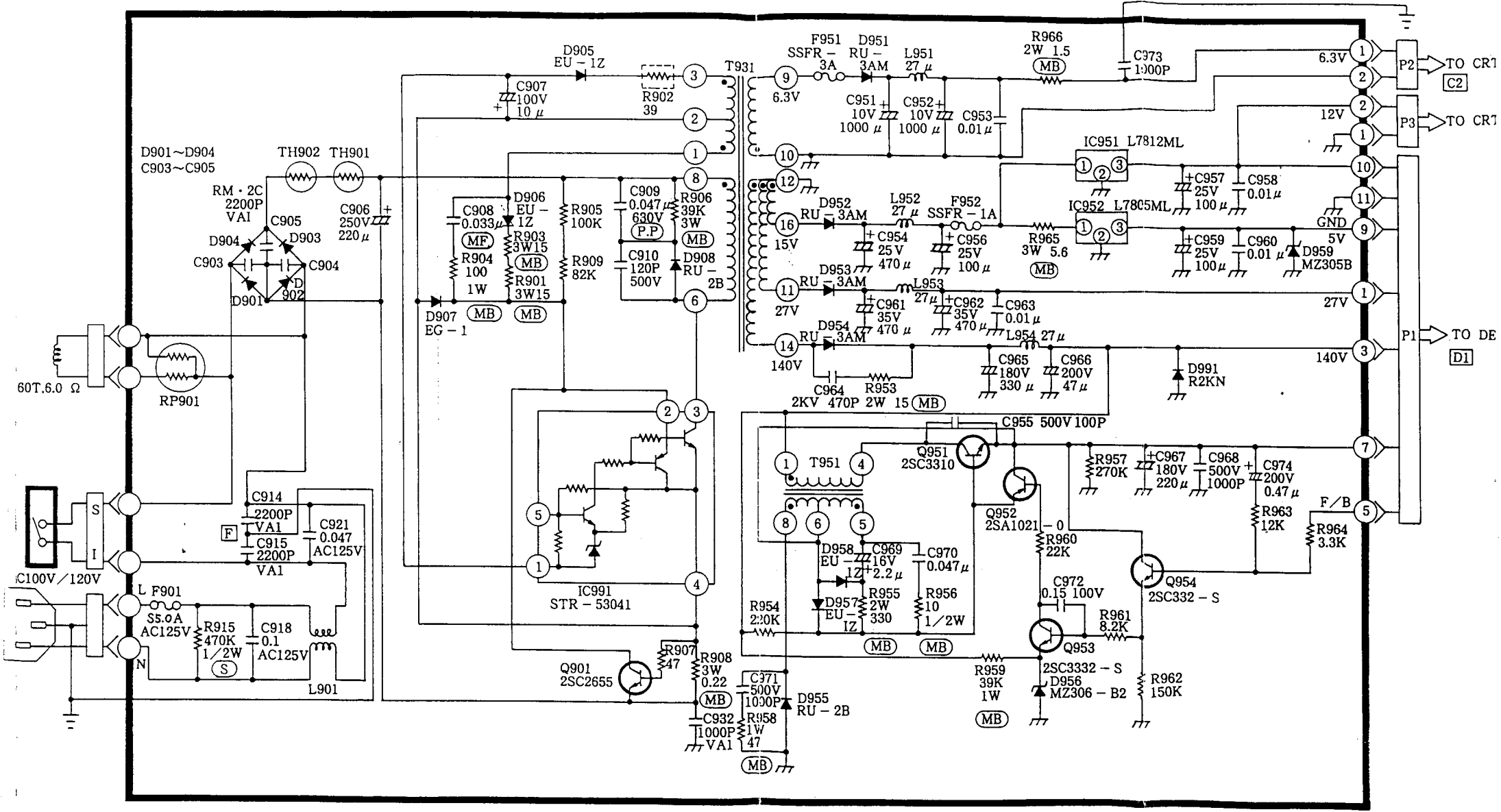


EXPLODED VIEW OF MONITOR FOR HA39 SERIES



BLOCK DIAGRAM

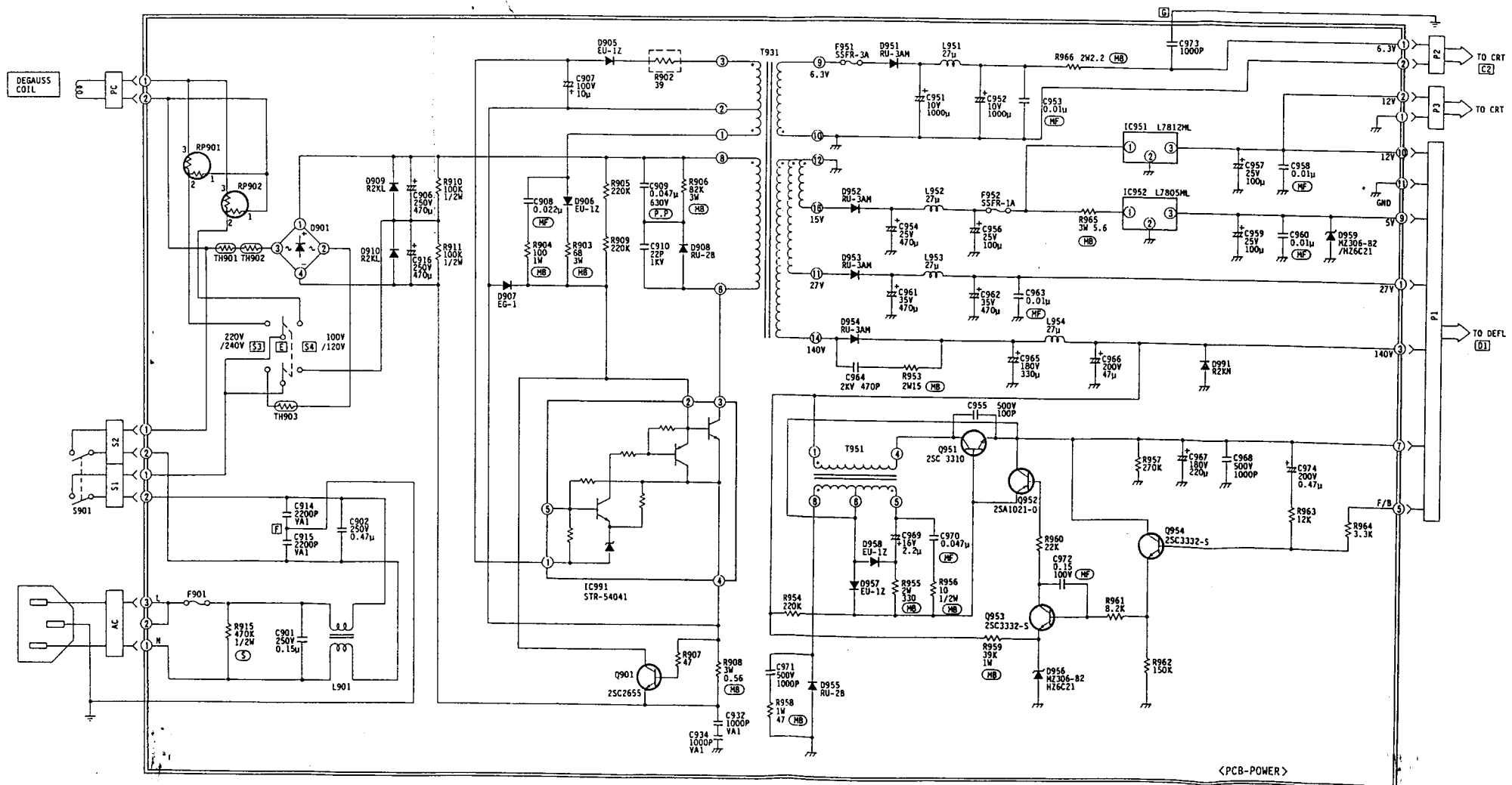


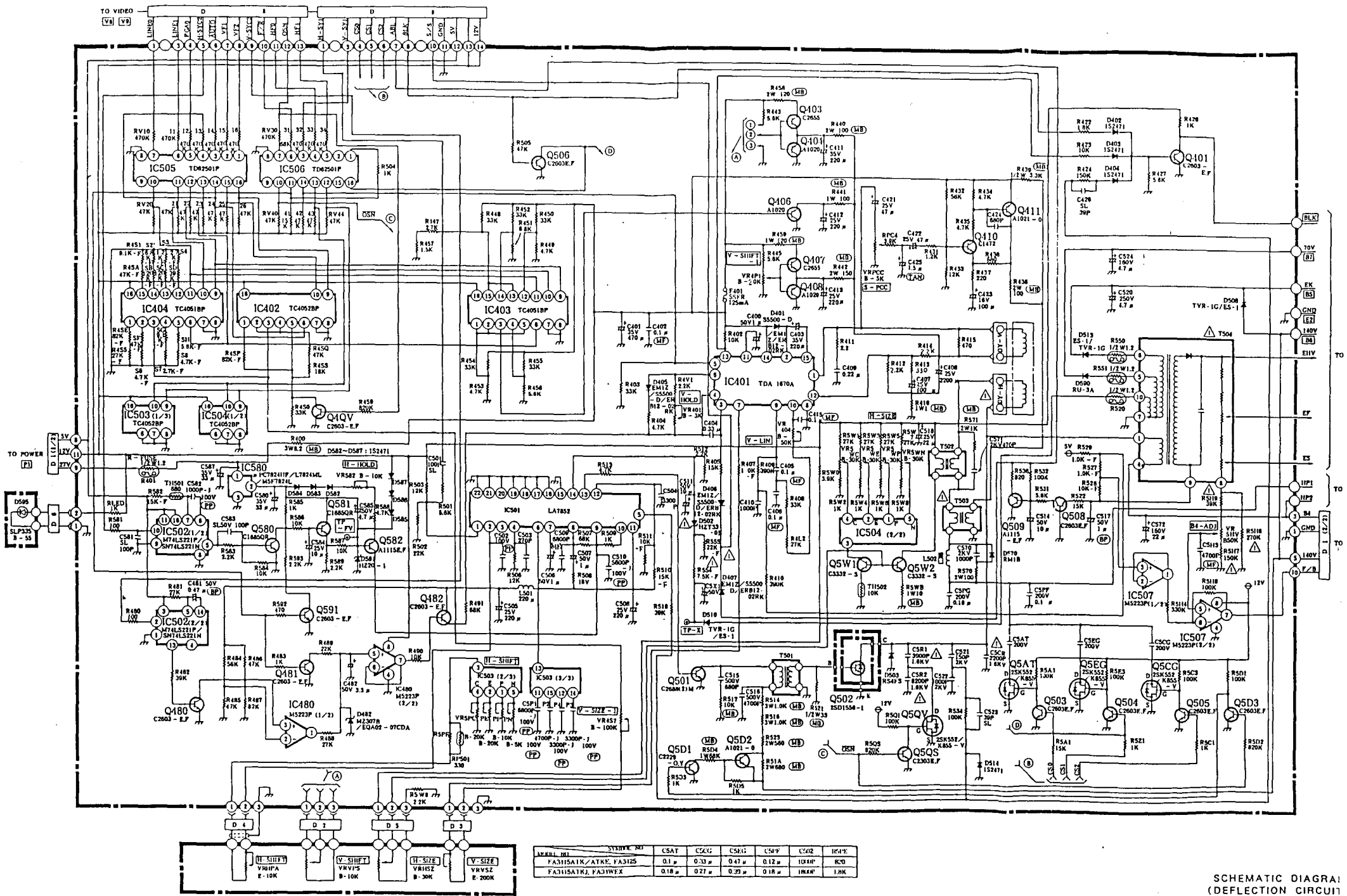


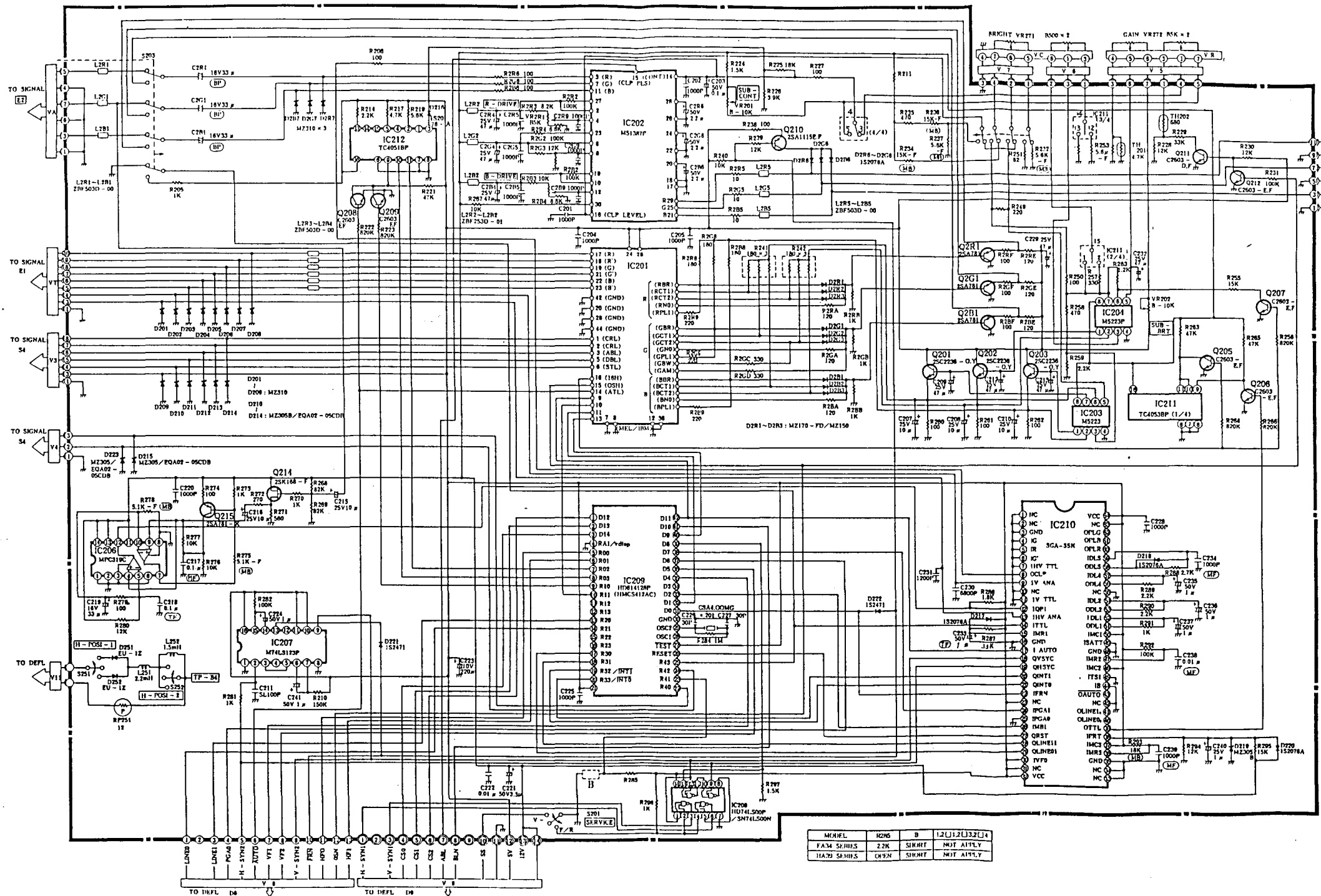
L901 : ELF - 18D656KM
 TH901, TH902 : NTH18D8R0LB
 RP901 : PTH451C42BF5R0M140

SCHMATIC DIAGRAM (POWER CIRCUIT)

SCHEMATIC DIAGRAM (POWER CIRCUIT) FOR FA3435

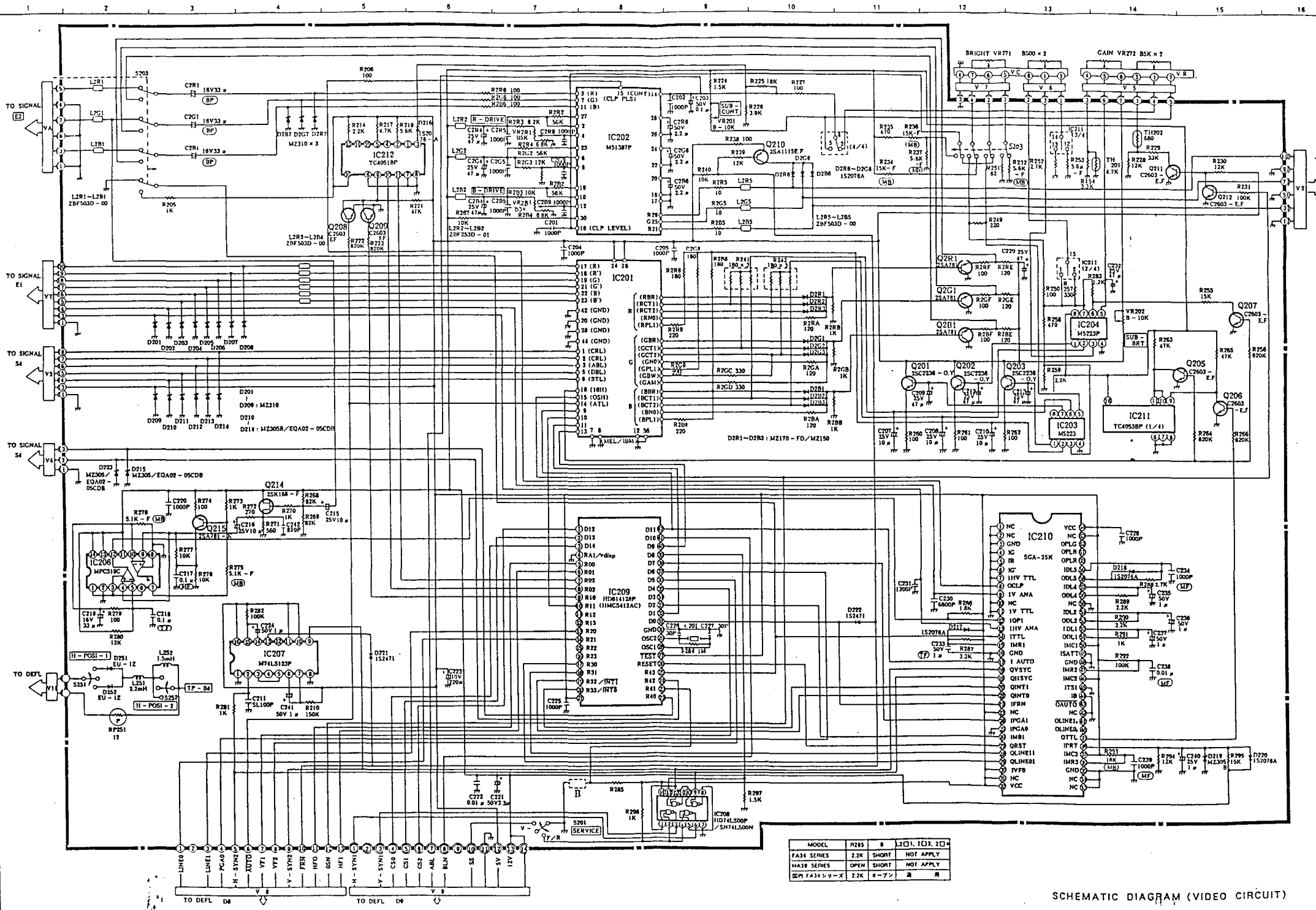






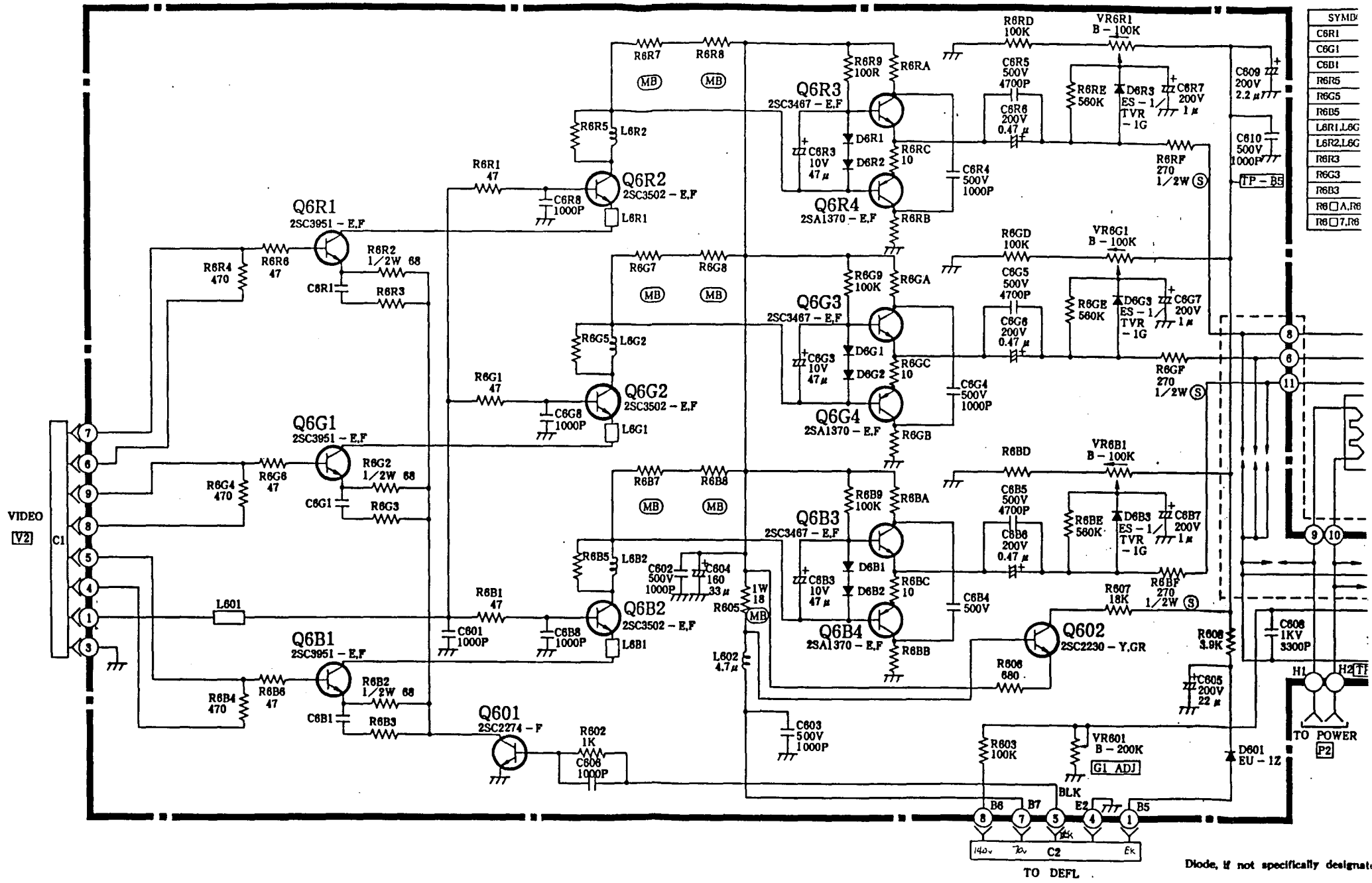
MODEL	WGS	B	12(1)2(1)3(1)4
FAM SERIES	2.2K	SIRHT	NOT APPL
TRAD SERIES	OPEN	SIRHT	NOT APPL

SCHEMATIC DIAGRAM (VIDEO CIRCUIT)



MODEL	R285	B	L301, 203, 204
FA31 SERIES	2.2K	SHORT	NOT APPLY
MA38 SERIES	OPEN	SHORT	NOT APPLY
DA FA34-SER-V	2.2K	4-7P	B

SCHEMATIC DIAGRAM (VIDEO CIRCUIT)

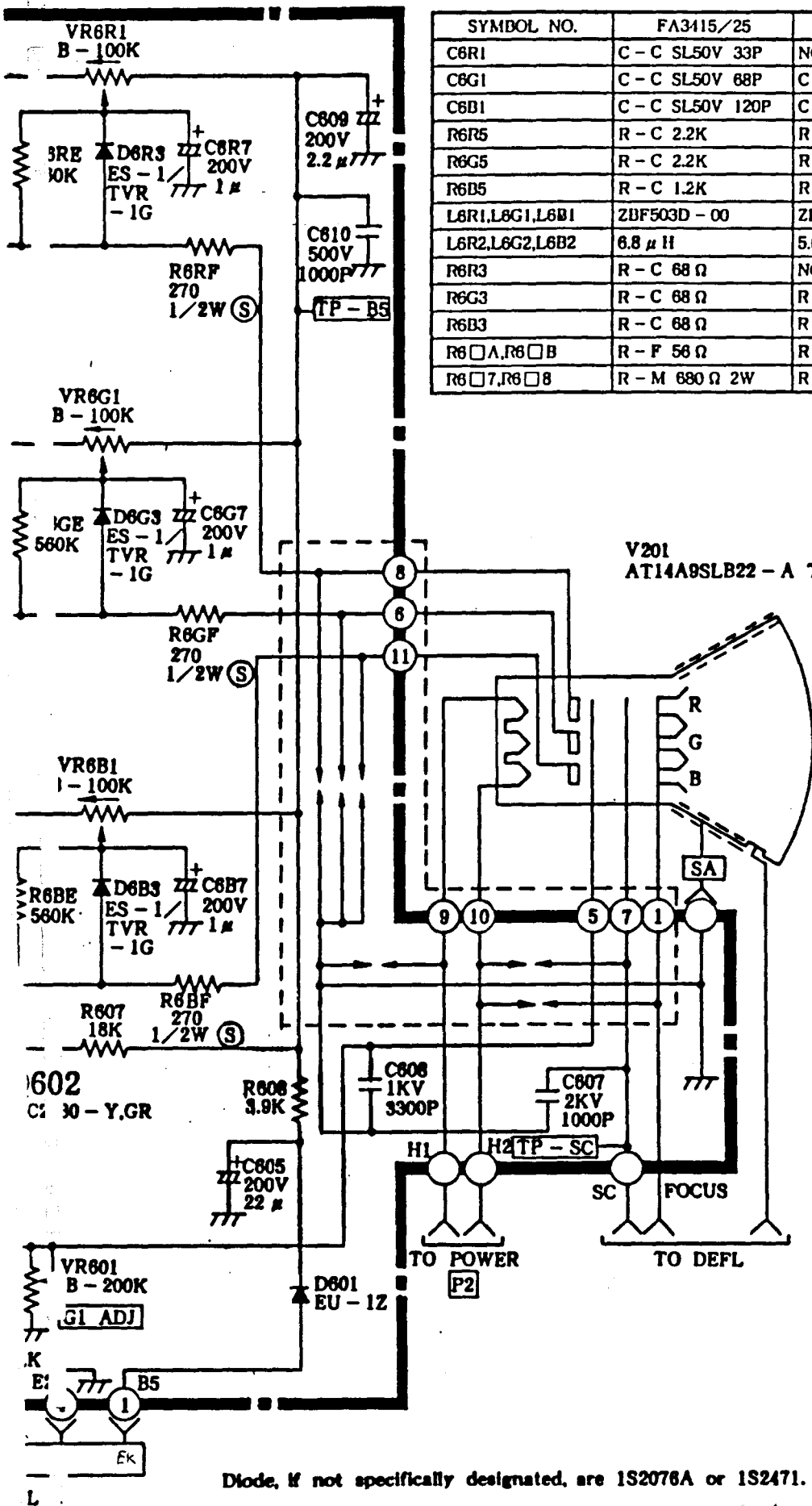


SYMB	
C6R1	
C6G1	
C6D1	
R6R5	
R6G5	
R6B5	
L6R1,L6G	
L6R2,L6G	
R6R3	
R6G3	
R6B3	
R6A,R6	
R6B7,R6	

TO DEFL

Diode, if not specifically designat.

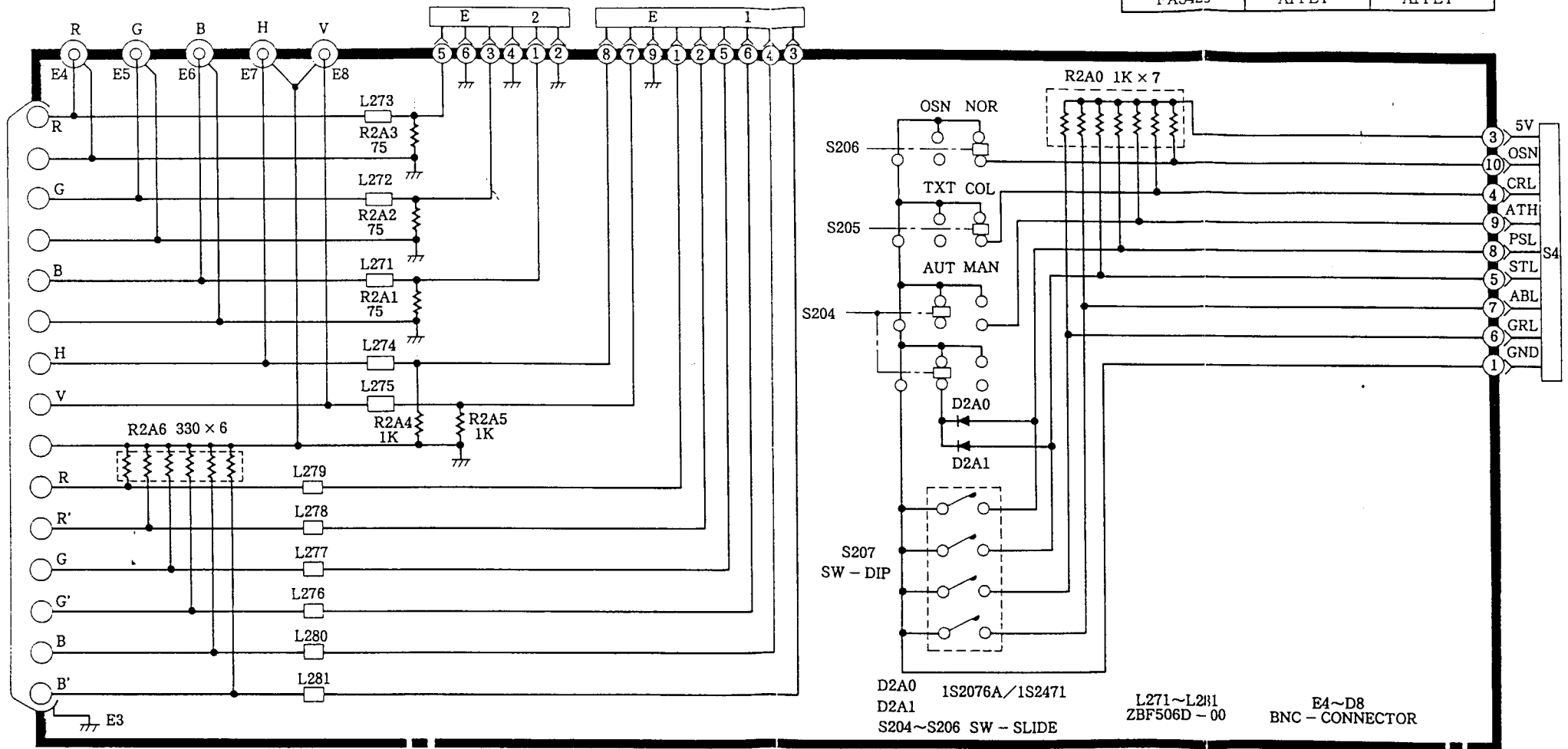
SYMBOL NO.	FA3415/25	11A3905	FA3405
C8R1	C - C SL50V 33P	NOT APPLY	C - C SL50V 33P
C8G1	C - C SL50V 68P	C - C SL50V 82P	C - C SL50V 47P
C8D1	C - C SL50V 120P	C - C SL50V 100P	C - C SL50V 100P
R6R5	R - C 2.2K	R - C 820 Ω	R - C 4.7K
R6G5	R - C 2.2K	R - C 820 Ω	R - C 4.7K
R6D5	R - C 1.2K	R - C 820 Ω	R - C 4.7K
L6R1,L6G1,L6B1	ZBF503D - 00	ZBF504D - 00	ZBF503D - 00
L6R2,L6G2,L6B2	6.8 μ H	5.6 μ H	6.8 μ M
R6R3	R - C 68 Ω	NOT APPLY	R - C 68 Ω
R6G3	R - C 68 Ω	R - C 120 Ω	R - C 68 Ω
R6B3	R - C 68 Ω	R - C 120 Ω	R - C 68 Ω
R6 □ A, R6 □ B	R - F 56 Ω	R - F 56 Ω	R - C - 25 150 Ω
R6 □ 7, R6 □ 8	R - M 680 Ω 2W	R - M 680 Ω 3W	R - M 680 Ω 2W



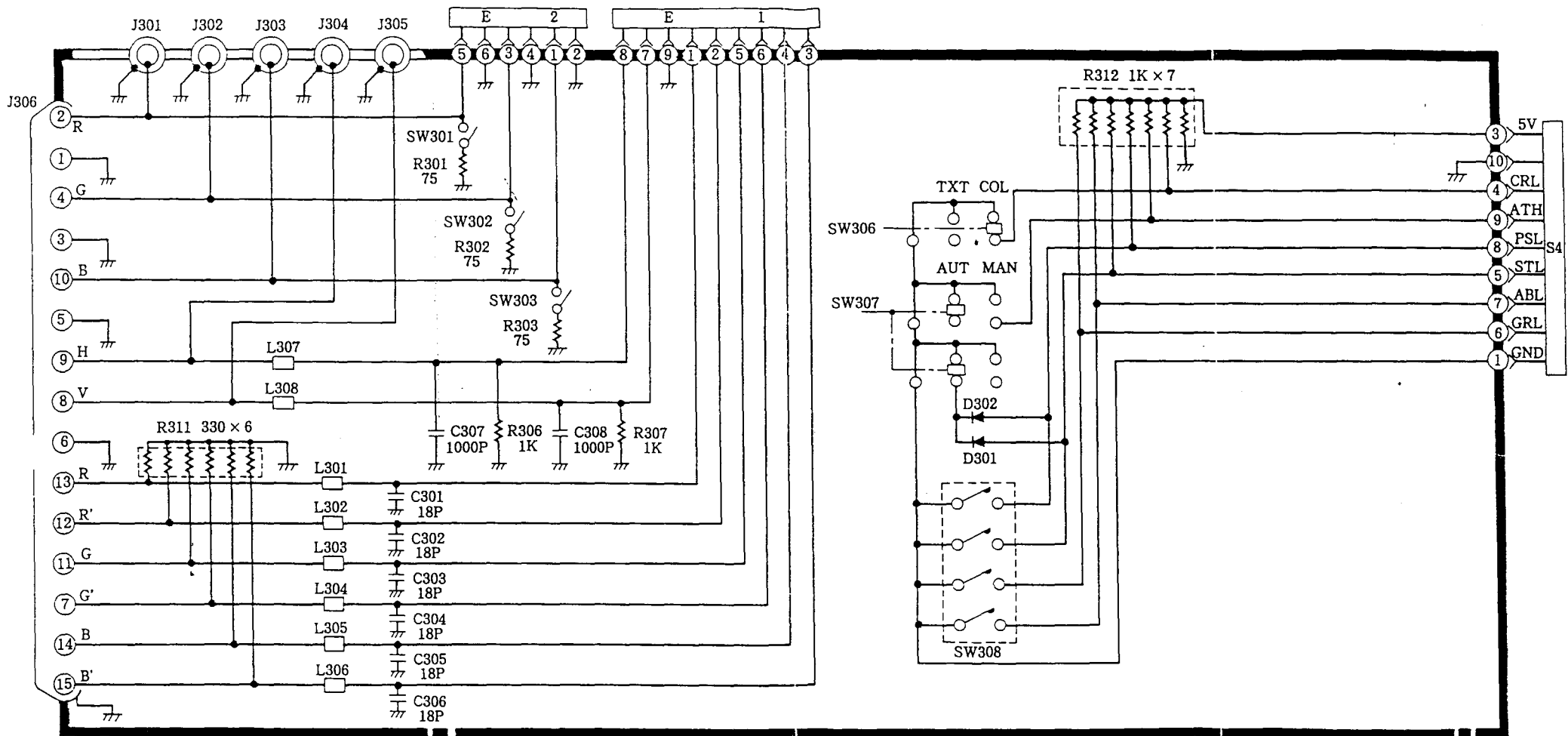
Diode, if not specifically designated, are 1S2076A or 1S2471.

SCHEMATIC DIAGRAM (CRT CIRCUIT)

MODEL	L274, 275	E4 ~ E8
FA3415	APPLY	NOT APPLY
FA3425	APPLY	APPLY

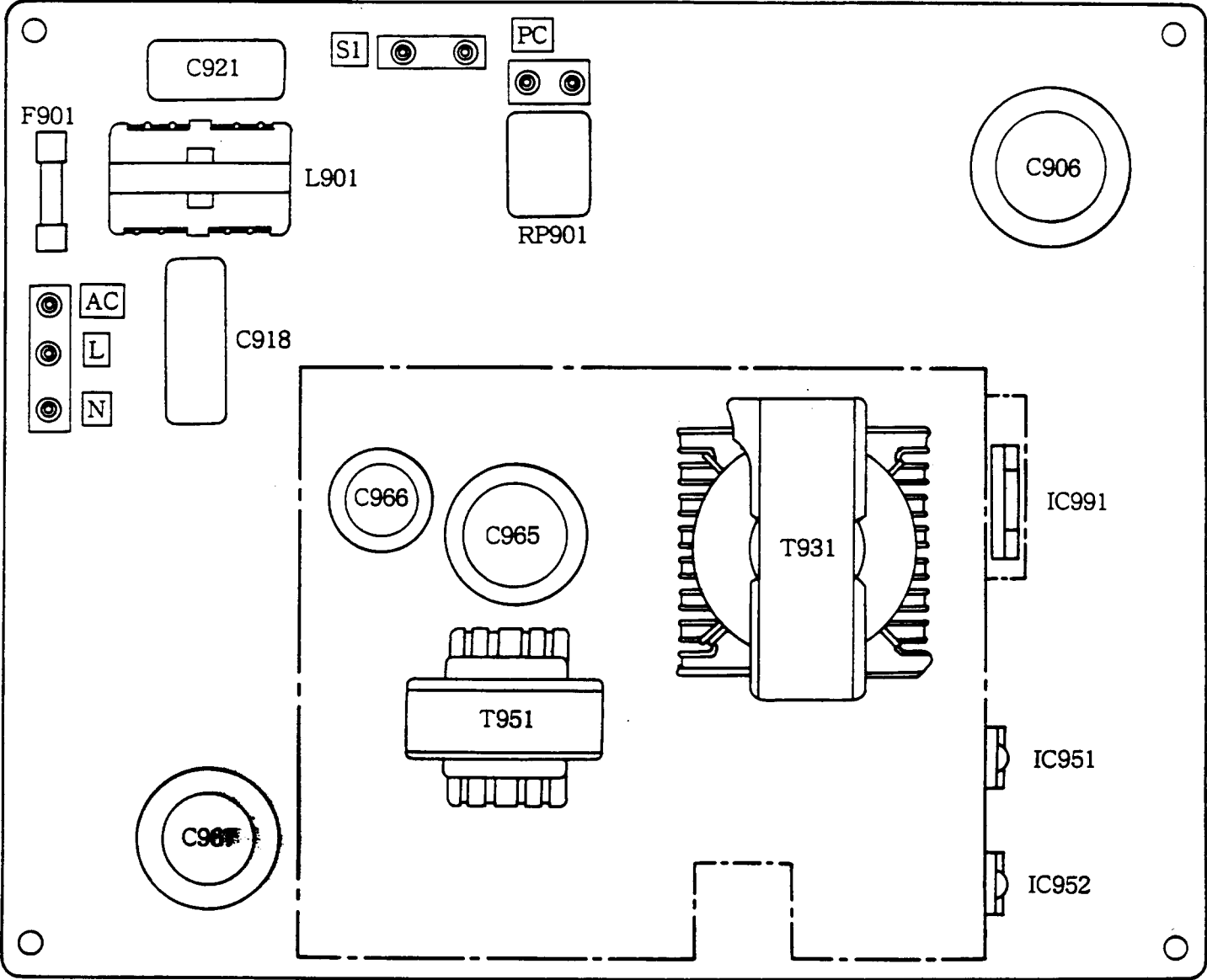


SCHEMATIC DIAGRAM
(PWB-TERMINAL CIRCUIT)
FOR FA34 SERIES

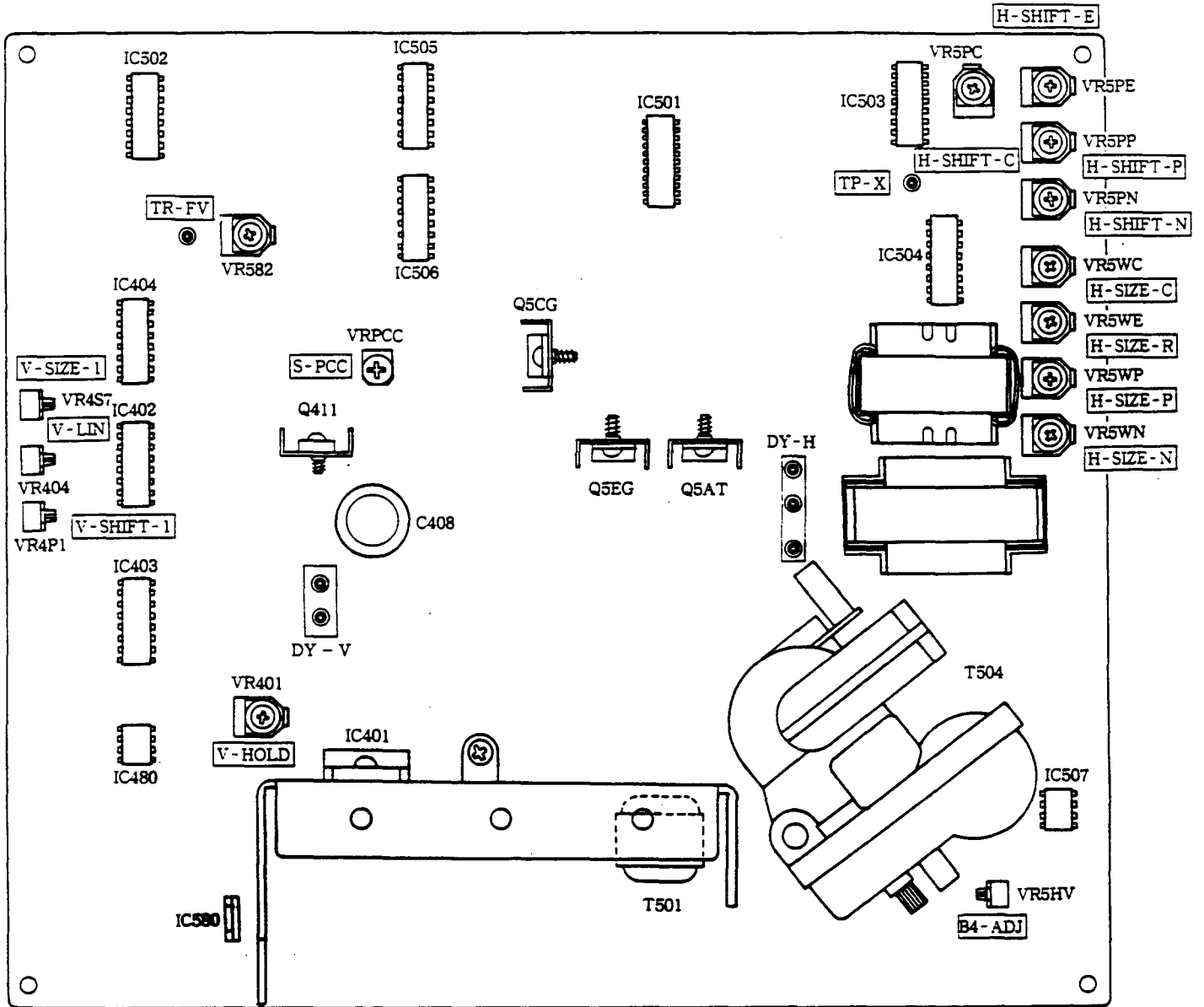


SCHEMATIC DIAGRAM
(PWB-TERMINAL CIRCUIT)
FOR HA39 SERIES

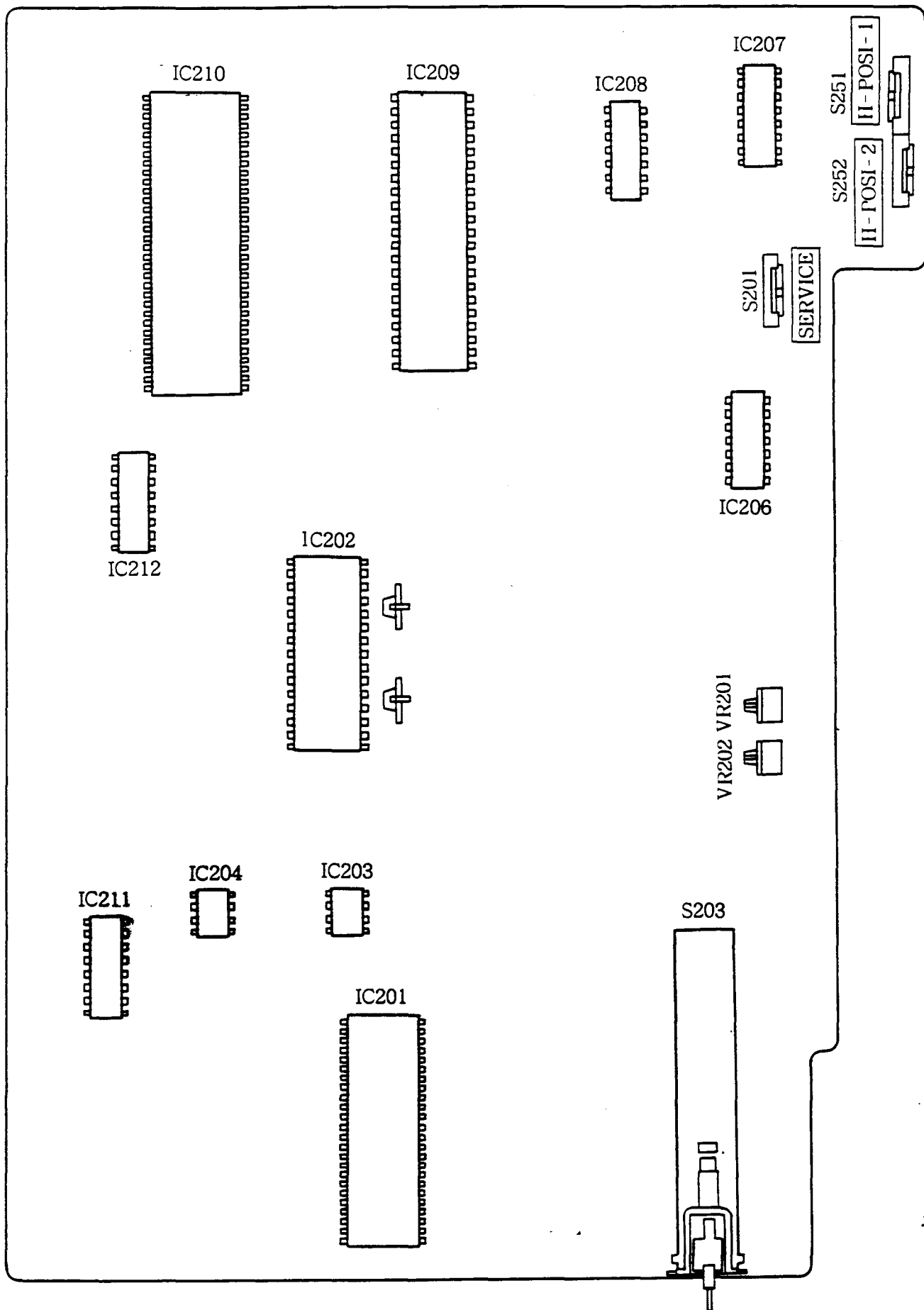
CONTROL LOCATION ON PCB POWER



CONTROL LOCATION ON PCB DEFL



CONTROL LOCATION ON PCB VIDEO



CONTROL LOCATION ON PCB CRT

