



ITEM RECD DWG NO NAME SIZE

ITEM RECD DWG NO NAME SIZE

ITEM RECD DWG NO NAME SIZE

ITEM RECD DWG NO NAME SIZE

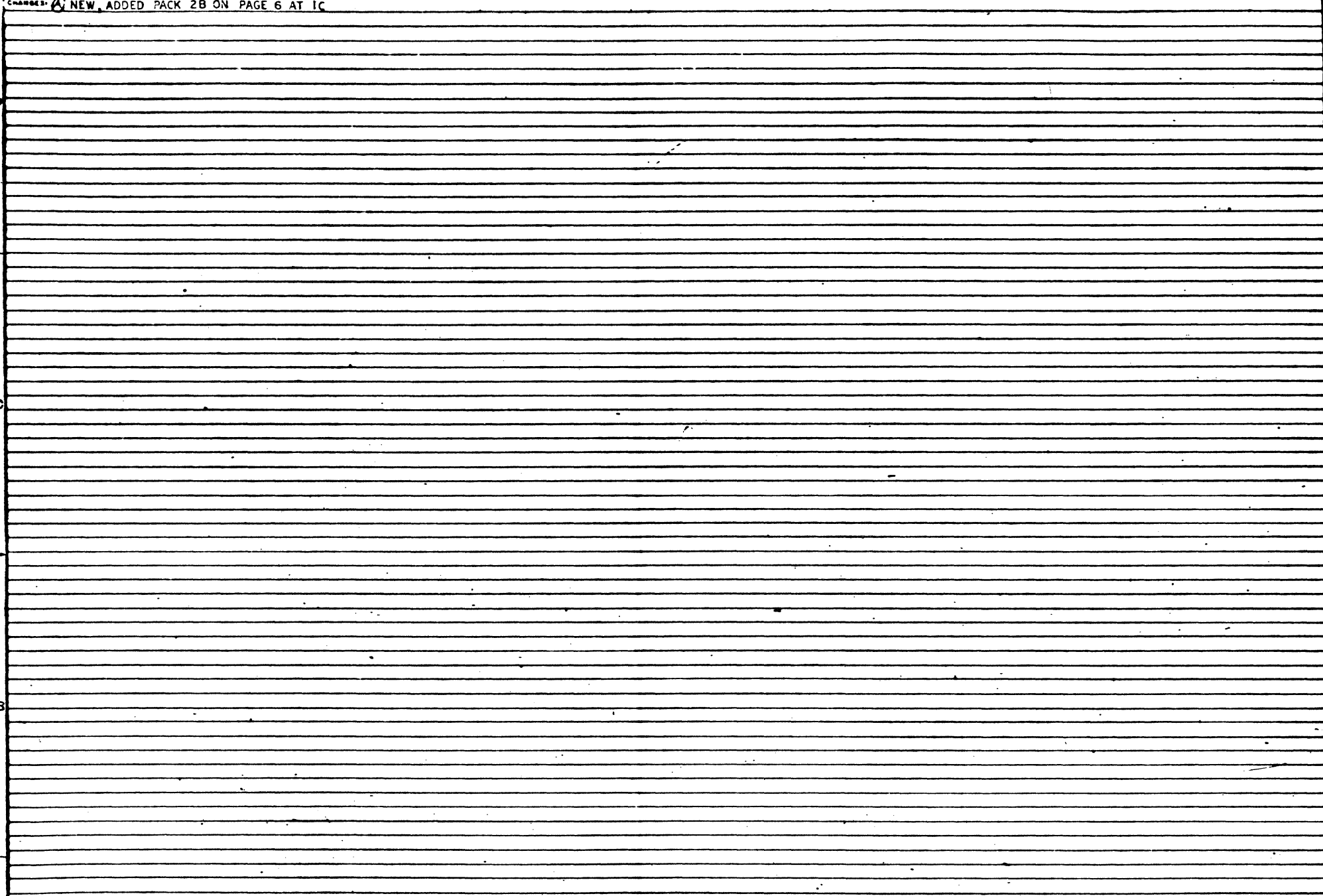
ITEM RECD DWG NO NAME SIZE

ITEM RECD DWG NO NAME SIZE

HIGHEST REFERENCE DESIGNATOR			
C22	R39	CR2	SW4
REFERENCE DESIGNATORS NOT USED			

REQD	SIZE	NEXT ASSEMBLY
1	B	095-0011275

CHANGES: A NEW, ADDED PACK 2B ON PAGE 6 AT IC



CLASS	MODEL	EFFECTIVITY
095-0011274		

- 4. PINS 101, 102, 301 & 302 ARE GRD
- 3. PINS 1, 2, 201 & 202 ARE +5V
- 2. ALL RESISTORS ARE 25W-15%
- 1. REFERENCE BOARD-PLUG IN 095-0011275


REVISION ON SHEET NUMBER

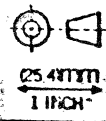
	3	4	5	6	7
A	A	A	A	A	A

MATERIAL	
FINISH	
DRIFT	
HEAT TREAT	
HARDNESS	

**NCR** THE NATIONAL CASH REGISTER CO  
 M23-2-399  
 4-74 4-1-74  
 MW **SCHEMATIC-LOGIC**  
 J. LOHMEYER  
 095-0011274  
 2-9550

FIELD PRINT

ENG FILE



FUNCTION	INPUT PIN	OUTPUT PIN	PAGE / ZONE	REMARKS
CKK15.H/	85		6-B2	CASSETTE TRANSPORT
CLDLT.H	78		6-B4	CASSETTE DATA
CLDLT.H/	255	255		CASSETTE DATA INDICATOR
COM/		54	5-D1	CASSETTE DATA PROCESSOR
COR-R/		253	5-D1	PROCESSOR
EHS/		88	7-B4	PROCESSOR
FFULL.H/	294	294		BASIC FORMS HANDLER INDICATOR
FINLEG.H/	295	295		AUTO LINE FIND INDICATOR
HS/		76	5-A3	PROCESSOR
KAGO.H/		42	6-C1	KEYBOARD
KAPHLT.H/		258	4-D1	INDICATOR
KBAPH.H/	30		6-C4	KEYBOARD
KBBRC.H/	27		6-B4	
KBCTL.H/	32		6-B4	
KBHALT.H/	34		5-B4	
KBNUM.H/	31		6-C4	
KBRETN.H/	11		7-B3	
KBRST.H/	45		5-D2	
KBSHLK.H/	44		7-C4	
KBTENB.H/	28		5-C3	
KBTI.H/	24		4-C4	
KBT2.H/	25		4-B4	
KBT3.H/	20		4-B4	
KBT4.H/	18		4-B4	
KBT5.H/	22		4-B4	
KBT6.H/	17		4-B4	
KBT7.H/	21		4-B4	KEYBOARD
KBUSY.F		57	6-D1	TEST POINT
KCALLT.H/		289	7-D1	INDICATOR
KCASI.H/		273	7-D2	INDICATOR
KCASE.H/		277	7-D2	INDICATOR
KCINTR.G/		49	6-C2	TEST POINT
KCLK15.H		38	6-B1	KEYBOARD

FUNCTION	INPUT PIN	OUTPUT PIN	PAGE / ZONE	REMARKS
KCMRL.H/	37	37	5-B1	KEYBOARD BASIC FORMS HANDLER
KCMRR.H/	40	40	5-B1	KEYBOARD BASIC FORMS HANDLER
KCOMP.H/	39		5-D2	KEYBOARD
KCRLT.H/		291	7-D1	INDICATOR
KCSLT.H/		288	7-D1	INDICATOR
KDATLT.H/		265	7-D3	INDICATOR
KDZR.H/	35		5-B3	KEYBOARD
KEJL.H/	13	13	5-B1	KEYBOARD BASIC FORMS HANDLER
KEJR.H/	14	14	5-B1	KEYBOARD BASIC FORMS HANDLER
KENALT.H/		292	5-D2	INDICATOR
KENAST.G/		68	5-D3	TEST POINT
KENCP.G/		254	4-D3	TEST POINT
KERRC.GA/		9	4-C1	TEST POINT
KEYSPI.Z		252		CASSETTE TRANSPORT
KEYSP2.Z		242		CASSETTE TRANSPORT
KEYSP3.Z		60		CASSETTE TRANSPORT
KEYSP4.Z		5		CARRIER
KEYSP5.Z		6		BASIC FORMS HANDLER
KEYSP6.Z		8		BASIC FORMS HANDLER
KFKINT.H/		29	6-D2	KEYBOARD
KHLTLT.H/		278	5-B3	INDICATOR
KINTLT.H/		266	7-D3	INDICATOR
KKEY.GA/		7	6-B2	TEST POINT
KLOAD.H/	41		5-D2	KEYBOARD
KLTI.H/		267	7-D3	INDICATOR
KLT2.H/		270	7-D3	
KLT3.H/		269	7-C3	
KLT4.H/		276	7-C3	
KLT5.H/		275	7-C3	INDICATOR
KMANLT.H/		281	6-A2	INDICATOR
KMEDLT.H/		264	7-D3	INDICATOR
KMEM1.H/		100	7-D1	SEE NOTE 6

FUNCTION	INPUT PIN	OUTPUT PIN	PAGE / ZONE	REMARKS
KMEM2.H/		96	7-D1	SEE NOTE 6
KMEM3.H/		92	7-D1	SEE NOTE 6
KMLDG.H/		274	7-D2	INDICATOR
KMPFLT.H/		262	7-C3	INDICATOR
KMR.H/		43	6-C3	KEYBOARD
KNUMLT.H/		257	4-D1	INDICATOR
KNXMLT.H/		263	7-C2	INDICATOR
KPFL.H/	23	23	5-C1	KEYBOARD BASIC FORMS HANDLER
KPFR.H/	33	33	5-C1	KEYBOARD BASIC FORMS HANDLER
KPGLTI.H/		261	6-B2	INDICATOR
KPGLT2.H/		260	6-B2	
KPLTI.H/		286	7-B1	
KPLT2.H/		285	7-B1	
KPLT4.H/		287	7-B1	
KPLT8.H/		284	7-B1	
KPLT16.H/		268	7-A1	
KPRTLT.H/		272	7-D2	
KPWRF.L.H/		256	7-B2	INDICATOR
KSPKCM.S/		66	6-1A	TEST POINT
KPSTB6.G		53	6-1A	TEST POINT
KRST.H/		232	5-D1	C-605 POWER SUPPLY
KRTN.H/		86	7-B2	CARRIER
KSHLT.H/		259	7-C3	INDICATOR
KSPKPL.S		59	6-C2	TEST POINT
KTBRCL.G		3	5-B2	TEST POINT
KTBRLT.H/		271	5-B2	INDICATOR
KTERM.LA/		58	6-D2	TEST POINT
KTRLTI.H/		280	7-D2	INDICATOR
KTRLT2.H/		279	7-C2	
KTRLT4.H/		283	7-C2	
KTRLT8.H/		282	7-C2	INDICATOR
KWTLT.H/		293	6-D2	INDICATOR

REV	DATE	BY	ASSEMBLY

CLASS	MODEL	EFFECTIVITY

095-0011274

NOTES: 6. SEE DRAWING 095-0300873  
 5. SIMILAR PARTS  
 CHANGES: (A) NEW

2

(A) 46004128 MW 4-74  
 REV. RELEASE NO. DATE

UNLESS OTHERWISE SPECIFIED DIMENSIONS ARE IN INCHES  
 UNLESS OTHERWISE SPECIFIED DIMENSIONS ARE IN MILLIMETERS

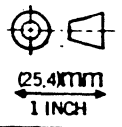
STD QUALITY SEE SPEC 15  
 CLASS M23-2-399

THE NATIONAL CASH REGISTER CO.

UNIT: KEYBOARD INTERFACE  
 NAME: SCHEMATIC - LOGIC  
 IN CHARGE: J. LOHMEYER  
 SHEET 2 OF 7  
 SCALE: 1:1  
 095-0011274  
 COC 24650

FIELD PRINT

ENG FILE



4					3					2				
ITEM REQD	DWG NO	NAME	SIZE	REMARKS	ITEM REQD	DWG NO	NAME	SIZE	REMARKS	ITEM REQD	DWG NO	NAME	SIZE	REMARKS
FUNCTION	INPUT PIN	OUTPUT PIN	PAGE/ZONE	REMARKS	FUNCTION	INPUT PIN	OUTPUT PIN	PAGE/ZONE	REMARKS	FUNCTION	INPUT PIN	OUTPUT PIN	PAGE/ZONE	REMARKS
LCK3	99	99	7-C1	MEMORY IF	RPINT04 *		249	6-D2	BUSSED	TSD01		79	7-B3	TEST PANEL
LCK4	98	98	7-C1		RPOS01 *		213			TSD02		80	7-B3	
LCK5	95	95	7-C1		RPOS02 *		216			TSD03		81	7-B3	
LCK6	94	94	7-C1		RPOS03 *		220		BUSSED	TSD04		82	7-B3	
LCK7	91	91	7-C1							TSD05		83	7-B3	
LCK8	90	90	7-C1	MEMORY IF	SD01 *	203		7-D4	BUSSED	TSD06		84	7-A3	TEST PANEL
LOAD/		56	5-D1	CASSETTE DATA PROCESSOR	SD02 *	205		7-D4		XSN00/	77		7-C4	PROCESSOR
MPF	55		7-C4	PROCESSOR	SD03 *	207		7-D4						
MR *	46		6-C3	BUSSED	SD04 *	209		7-D4						
NXM	50		7-C3	PROCESSOR	SD05 *	211		7-D4						
PLLSE4.H/	15	15		CARRIER	SD06 *	215		7-C4						
					SD07 *	219		7-C4						
					SD08 *	223		7-C4						
					SD09 *	225		7-D3						
					SD10 *	223		7-D3						
					SD11 *	230		7-D3						
					SD12 *	233		7-D3						
					SD13 *	235		7-D3						
					SD14 *	238		7-C3						
					SD15 *	240		7-C3		GROUND		12		KEYBOARD
					SD16 *	243		7-C3	BUSSED			19		
												26		
					SMB7 *	247		4-D4	BUSSED			36		KEYBOARD
					SMB8 *	246		4-D4	BUSSED			89		SEE NOTE 6
					SMB9 *	245		5-D3	BUSSED			93		SEE NOTE 6
												97		SEE NOTE 6
					SP051 *	212		4-D4	BUSSED			101		
					SP052 *	217		6-D4	BUSSED			102		
					SP053 *	222		6-D4	BUSSED			301		
					SPT04 *	227		6-D4	PROCESSOR	GROUND		302		
					SSEL04 *	251		5-B4	PROCESSOR	+5V		1		
					SCTE *	248		6-D4	BUSSED			2		
												201		
					STERM *	48		5-C4	BUSSED	+5V		202		
					TPGND/	72		7-B4	CASSETTE DATA TEST PANEL	+12V		51		
										-12V		52		

REQD	SIZE	NEXT ASSEMBLY

CLASS	MODEL	EFFECTIVITY

095-0011274

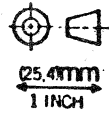
5. SEE DRAWING 095-0300573

(A) NEW

3  
46804128 MW 4-74

M232-359  
4-74 4-1-74  
MW  
LC-MEYER  
095-0011274

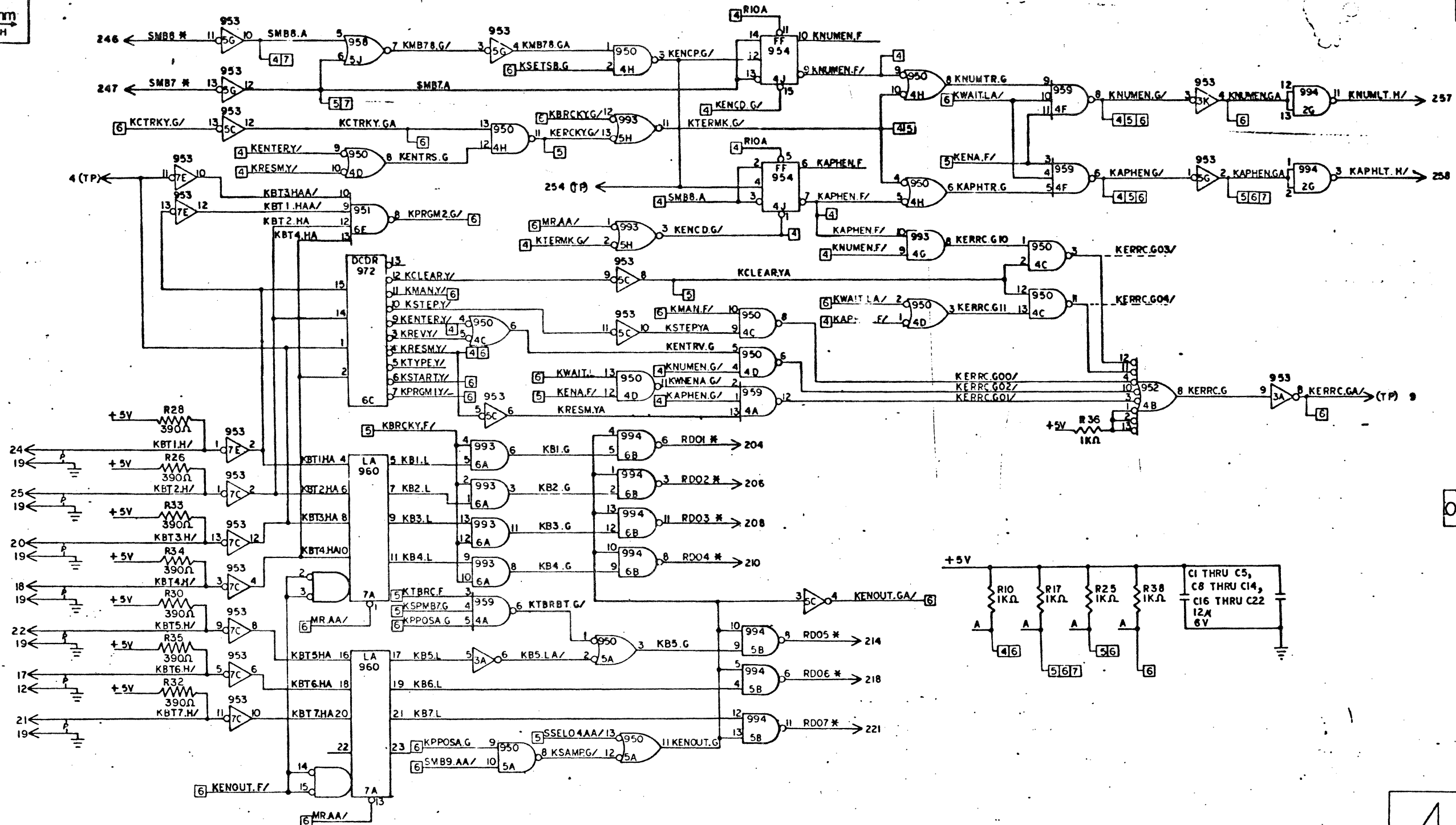
FIELD PRINT



ITEM	RECD	DWG NO	NAME	SIZE	ITEM	RECD	DWG NO	NAME	SIZE	ITEM	RECD	DWG NO	NAME	SIZE	ITEM	RECD	DWG NO	NAME	SIZE	

REV	DATE	BY	CHKD

CLASS MODEL EFFECTIVITY  
095-0011274



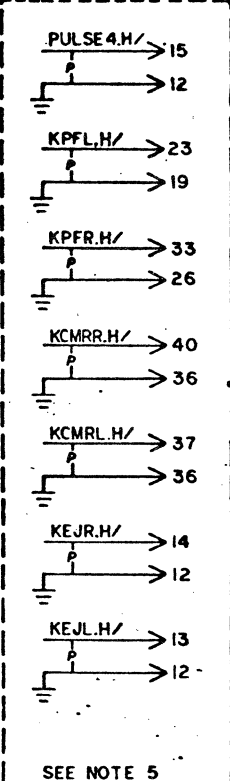
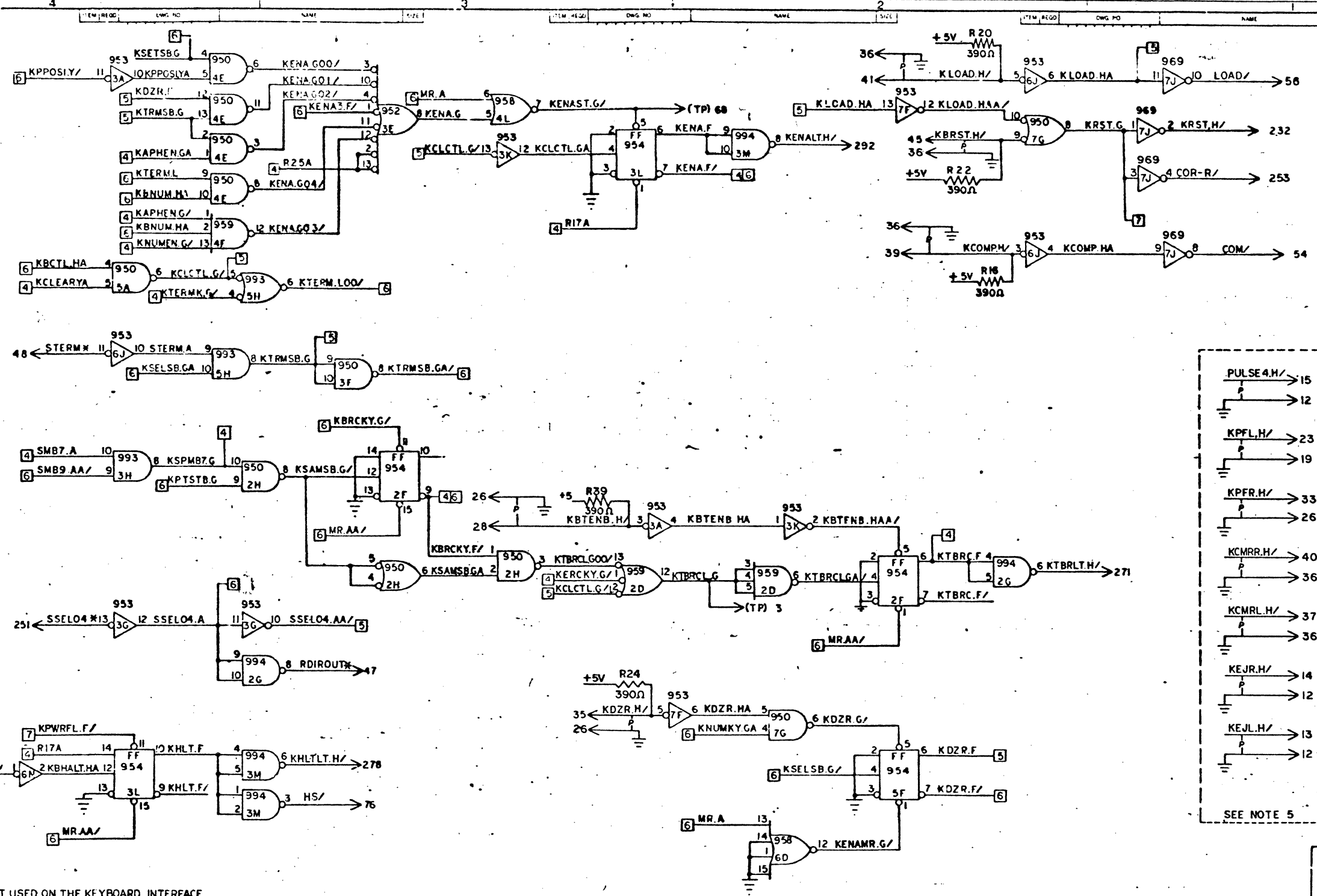
NOTES  
SIMILAR PARTS  
CHANGE (A) NEW

R 4  
46ER04128 MW 4-74

M 23-2-399		NCR THE NATIONAL CASH REGISTER CO	
4-74	4-1-74	KEYBOARD INTERFACE SCHEMATIC-LOGIC	
MW	JLOHMEYER	4-7	
095-0011072		2-9550	
095-0011274			

FIELD PRINT

25.4MM  
1 INCH



095-0011274

5. THESE TERMS ARE NOT USED ON THE KEYBOARD INTERFACE

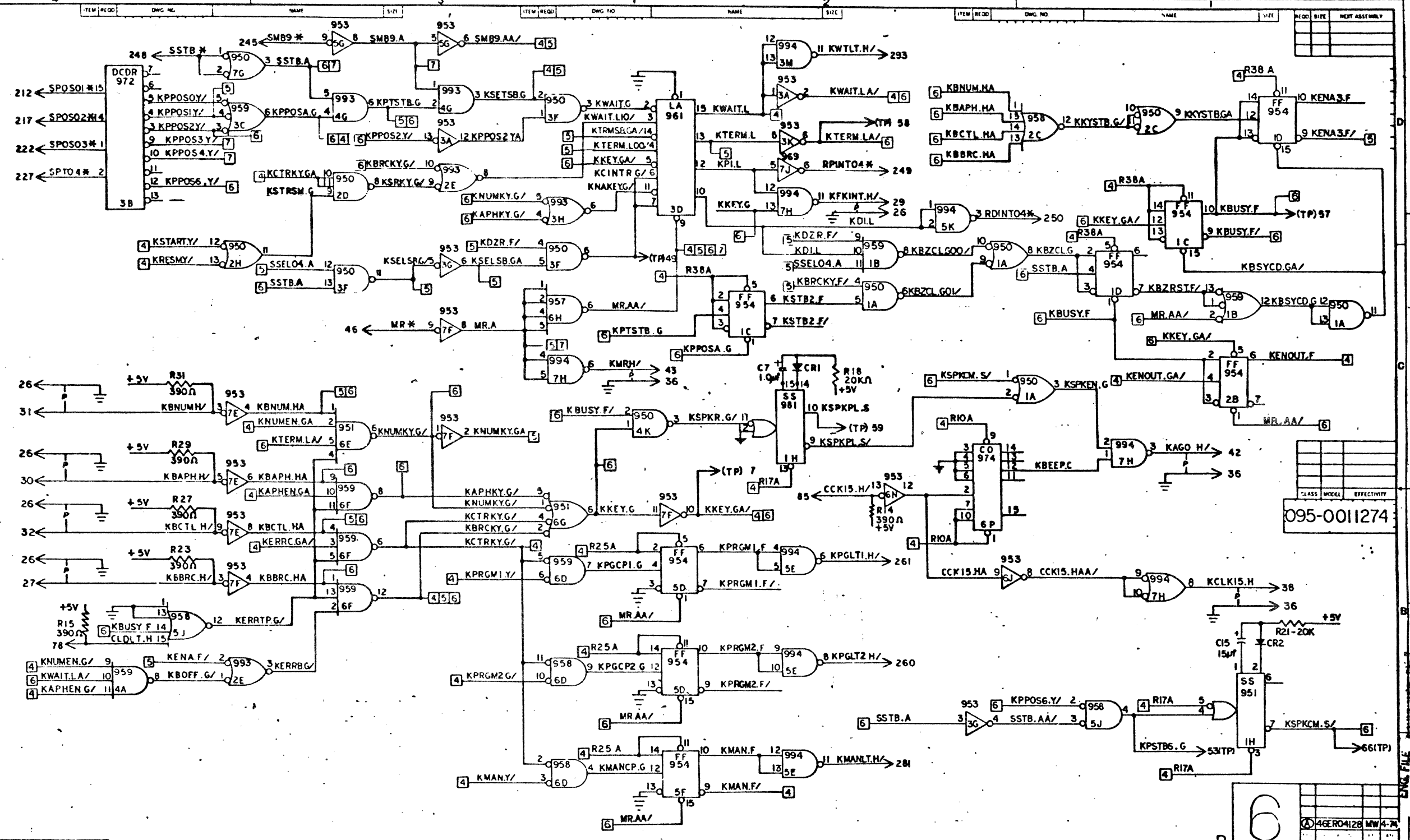
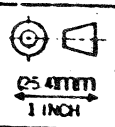
NEW PARTS

REV. NO.		DATE		BY	
M23-2-399		4-74		4-74	
MATERIAL		PART NO.		PART NAME	
MW		J. LOHMEYER		KEYBOARD INTERFACE SCHEMATIC-LOGIC	
DATE		5-7		095-0011274	
REVISION		2-9550		095-0011072	

5  
NCR THE NATIONAL CASH REGISTER CO  
46804128 MW 4-74

FORM 7-64 (D SIZE)

FIELD PRINT

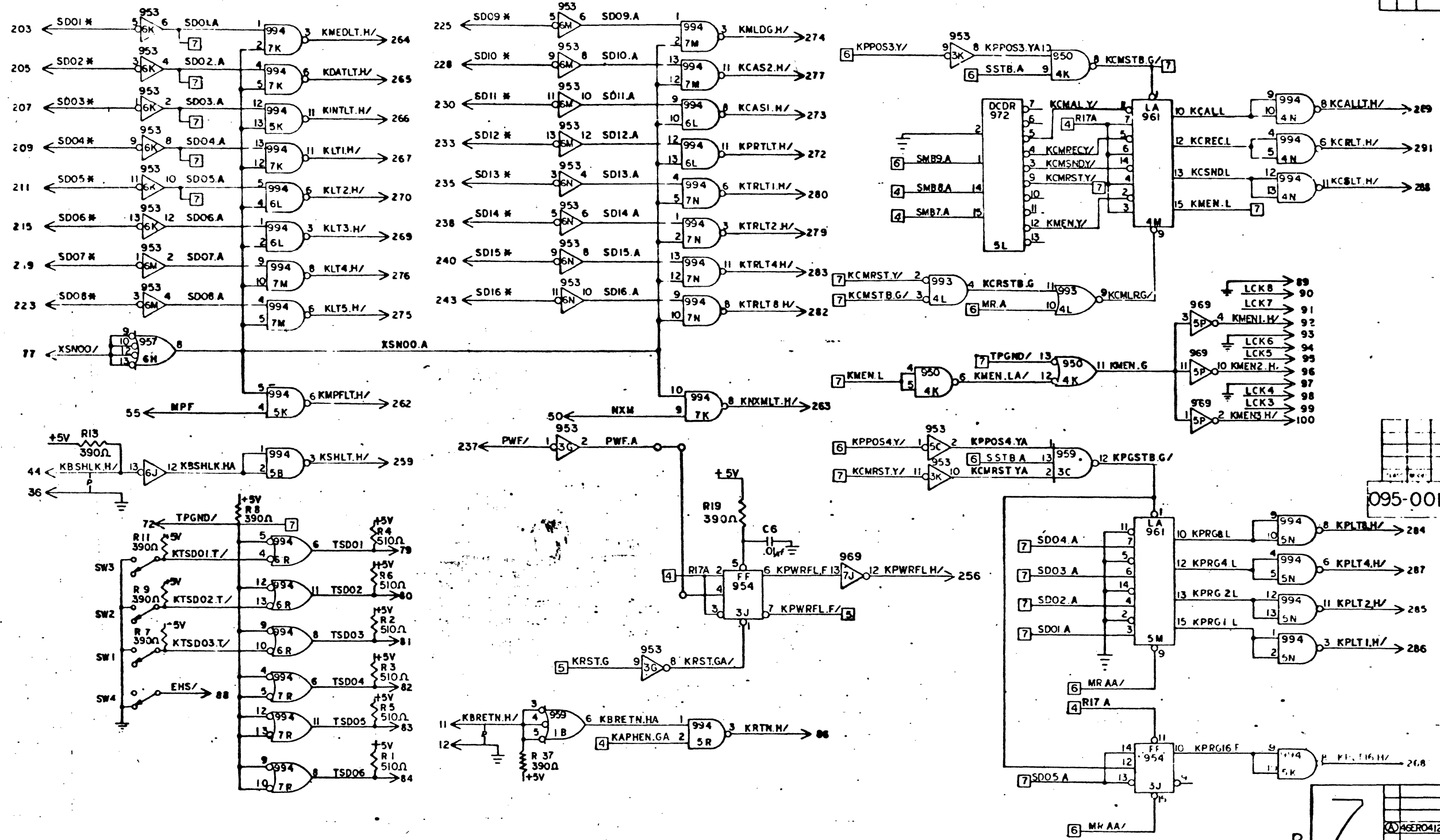
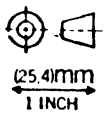


CLASS MODEL EFFECTIVITY  
095-0011274

6

NEW		M23-2-399		NCR THE NATIONAL CALCULATOR CO.	
		4-74	4-1-74	KEYBOARD INTERFACE	
		MW		SCHEMATIC-LOGIC	
		J LOHMEYER			
		095-0011272		095-0011274	
		2 9550			

FIELD PRINT



095-0011274

R 7  
AGERO4128 MW4-74

NEW	M 23-2-399	NCR
	4-74 4-1-74	KEYBOARD INTERFACE
	MW	SCHEMATIC-LOGIC
	J LOHMEYER	
	095-0011072	095-0011274

FIELD PRINT