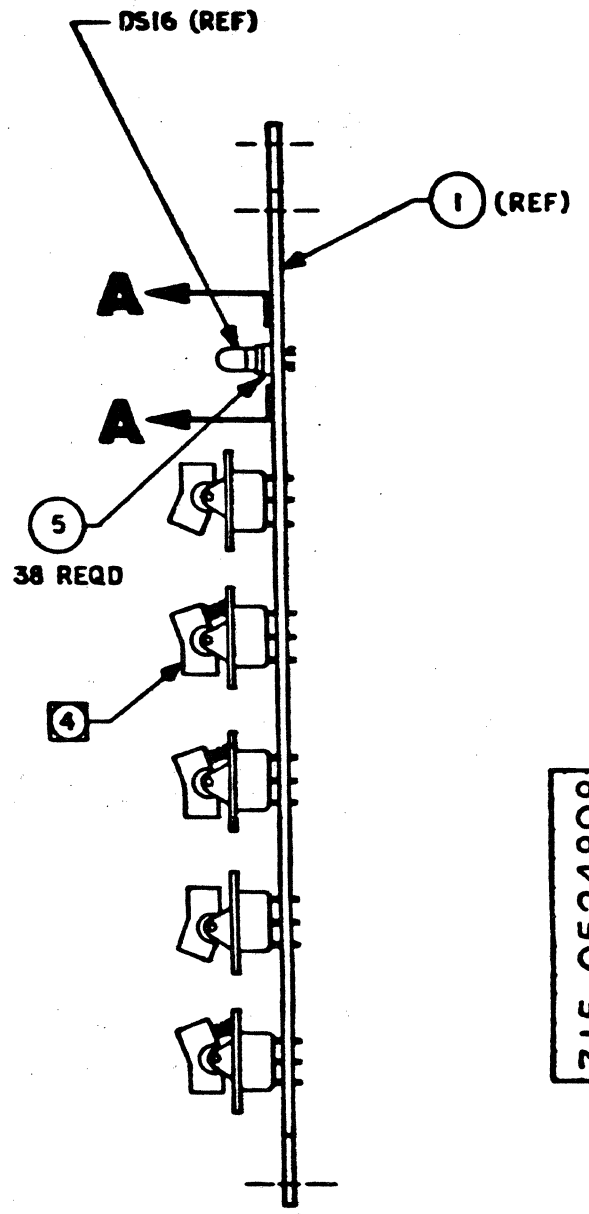
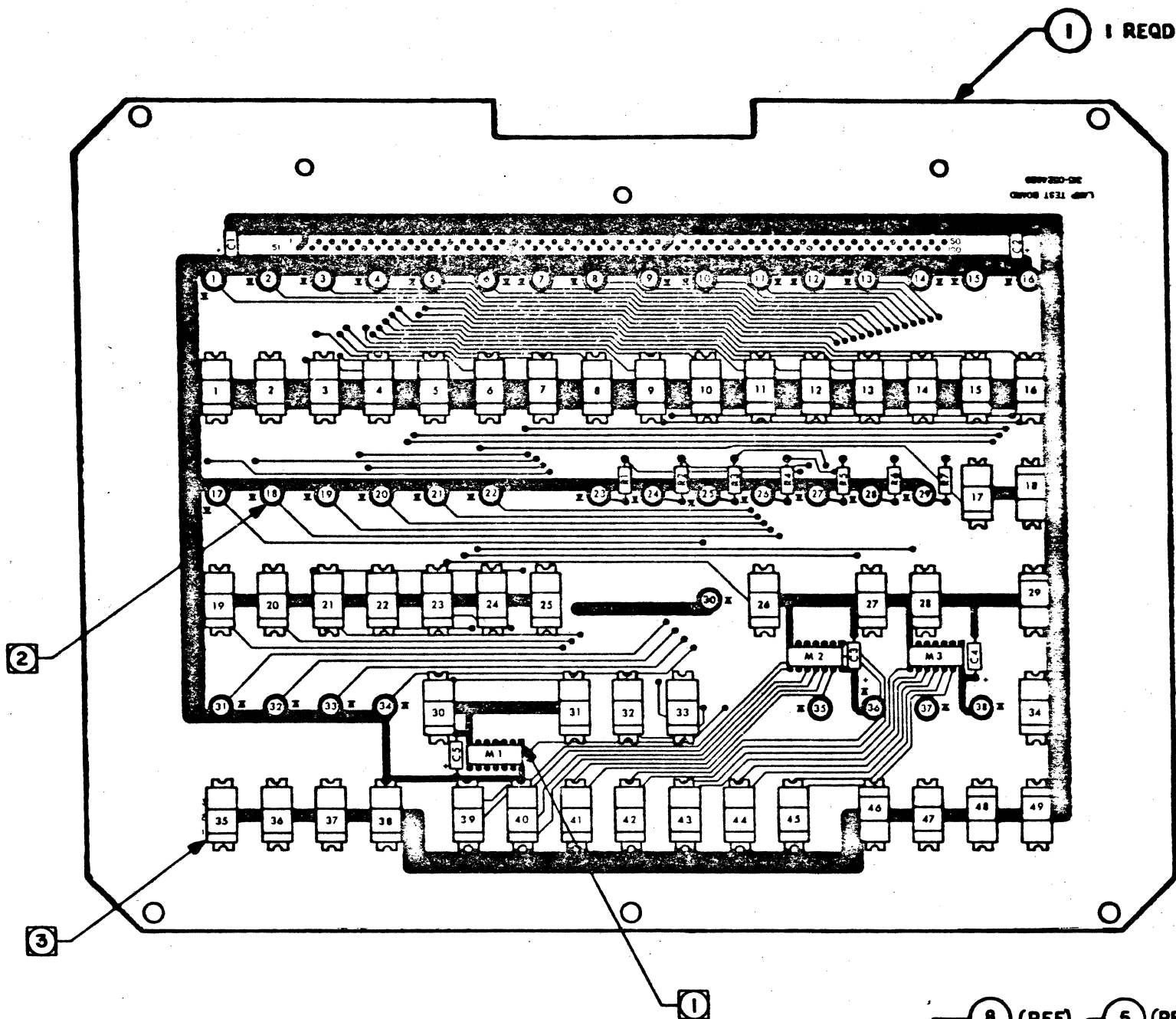


| REV | CHANGE | ER NO. | DFTS | CHECK | APPD | DATE |
|---|-------------------------|-----------|------------------|--|--------------|---------------------------------|
| (A) | RELEASED TO PRODUCTION. | 35-02258 | | | | |
| | | | | 1 | 315-0524942 | |
| MO | RFC NO. | PLANT LOC | DESCRIPTION | INTERPLANT USAGE (CODE) | REQD | NEXT ASSEMBLY |
| MANUFACTURING OPTION FOR USE ONLY AT PLANT SHOWN | | | | REPLACES DWG | | |
| THIS DRAWING AND INFORMATION THEREON IS THE PROPERTY OF THE NATIONAL CASH REGISTER COMPANY AND ALL UNAUTHORIZED USE AND REPRODUCTION IS PROHIBITED. | | | | NCR DATA PROCESSING DIVISION RANCHO BERNARDO, CALIFORNIA | | |
| CLASS | MODEL | PLANT | CLASS | MODEL | PLANT | CLASS: 605 |
| 605 | 01 | 35 | 605 | 01 | 21 | UNIT: GPMC |
| 605 | 02 | 35 | 605 | 02 | 21 | NAME: BOARD ASSEMBLY- LAMP TEST |
| DRAWING OF THE ASSEMBLY | | | CHKR: J.D. | | | REV |
| SHEET NO. 3 | | | DESIGNER: A.KWOK | | | A |
| REV | A | | APPD: / | APPD: / | CODE: 2-9044 | COVER SHEET SHEET 1 OF 3 |

| ITEM | REQD | SIZE | PART NO. | DESCRIPTION | PARTS LIST CHG. ER NO. | REMARKS |
|---|------|------|-------------|--|------------------------|--------------|
| 1 | 1 | D | 315-0524899 | BOARD-PRINTED | | |
| 2 | REF | D | 315-0524897 | SCHEMATIC-LOGIC | | |
| 3 | REF | A | 007-9999154 | PERFORMANCE SPECIFICATION | | |
| 4 | REF | A | 007-9506300 | ASSEMBLY SPECIFICATION | | |
| 5 | 38 | A | 007-7605480 | SPACER-BUSHING, NYLON | | |
| 6 | 5 | A | 007-1158901 | CAPACITOR-12UF, -20%, +100%, 6V C1, 2, 3, 4, 5 | | |
| 7 | 7 | A | 006-6020401 | RESISTOR, 300 Ω, ¼W, ±5% R1, 2, 3, 4, 5, 6, 7 | | |
| 8 | 38 | A | 007-2521001 | DIODE, LIGHT EMITTING DS1, 2, 3, 4, 5, 6, 7, 8, 9, 10, 11, 12, 13, 14, 15, 16, 17, 18, 19, 20, 21, 22, 23, 24, 25, 26, 27, 28, 29, 30, 31, 32, 33, 34, 35, 36, 37, 38 | | |
| 9 | 44 | A | 007-7936030 | SWITCH, SUB MINIATURE S1, 2, 3, 4, 5, 6, 7, 8, 9, 10, 11, 12, 13, 14, 15, 16, 17, 19, 20, 21, 22, 23, 24, 25, 26, 27, 28, 30, 31, 32, 33, 34, 35, 36, 37, 38, 39, 40, 41, 42, 43, 44, 45, 47 | | |
| 10 | 5 | A | 007-7936031 | SWITCH, SUB MINIATURE (MOM) S18, 29, 46, 48, 49 | | |
| 11 | 1 | A | 007-1695201 | CIRCUIT, TTL, 8 INPUT NAND M1 | | |
| 12 | 2 | A | 007-1695301 | CIRCUIT, TTL, HEX INVERTER M2, M3 | | |
| THIS DRAWING AND INFORMATION THEREON IS THE PROPERTY OF THE NATIONAL CASH REGISTER COMPANY AND ALL UNAUTHORIZED USE AND REPRODUCTION IS PROHIBITED. | | | | NCR DATA PROCESSING DIVISION RANCHO BERNARDO, CALIFORNIA | | REV |
| | | | | UNIT: GPMC | | 315-0524898 |
| | | | | NAME: BOARD ASSEMBLY-LAMP TEST | | A |
| | | | | PARTS LIST | | SHEET 2 OF 3 |

(25,4)mm
1 INCH

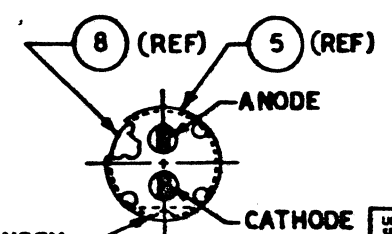


315-0524898

- 4 INSTALL S18, S29, S46, S48 AND S49 AS SHOWN.
- 3 "S" PREFIX OMITTED, 49 PL.
- 2 "DS" PREFIX OMITTED, 38 PL.
- 1 ■ INDICATES PIN NUMBER 1, 3 PL.

NOTES (UNLESS OTHERWISE SPECIFIED)

NCB-DPD FORM NO. E-1271



CATHODE INDEX
NOTCH OR FLAT
SECTION **A-A**
SCALE 4:1
38 PL

UNLESS OTHERWISE SPECIFIED, DIMENSIONAL LIMITS ARE:
RICH NOMINAL
.XX ± —
.XXX ± —

| | | |
|---|--------------------------|---------------------------|
| REV | A | SEE SHEET ONE FOR CHANGES |
| THIS DRAWING AND INFORMATION THEREON IS THE PROPERTY OF THE NATIONAL CASH REGISTER COMPANY AND ALL UNAUTHORIZED USE AND REPRODUCTION IS PROHIBITED. | | |
| NCR DATA PROCESSING DIVISION SANCHO BERRARDO, CALIFORNIA | | |
| UNIT: | G P M C | |
| NAME: | BOARD ASSEMBLY-LAMP TEST | |
| SHEET | 3 OF 3 | ENC. PRICE |
| SCALE: | 1:1 | C |
| 315-0524898 | | |

| FUNCTION | INPUT PIN | OUTPUT PIN | PAGE/ZONE | REMARKS |
|----------|-----------|------------|-----------|----------------|
| AMA01* | E35 | | 2-B6 | TEST PANEL E35 |
| AMA02* | E85 | | 2-B6 | TEST PANEL E85 |
| AMA03* | E34 | | 2-B6 | TEST PANEL E34 |
| AMA04* | E84 | | 2-C6 | TEST PANEL E84 |
| B* | E37 | | 2-C11 | TEST PANEL E37 |
| C* | E88 | | 2-C11 | TEST PANEL E88 |
| COM* | | E9 | 2-C3 | TEST PANEL E9 |
| COM* | | E59 | 2-C3 | TEST PANEL E59 |
| DSD01 | | E10 | 2-B9 | TEST PANEL E10 |
| DSD02 | | E60 | 2-B9 | TEST PANEL E60 |
| DSD03 | | E8 | 2-C9 | TEST PANEL E8 |
| DSD04 | | E58 | 2-C9 | TEST PANEL E58 |
| DSD05 | | E7 | 2-C9 | TEST PANEL E7 |
| DSD06 | | E57 | 2-D9 | TEST PANEL E57 |
| DSD07 | | E6 | 2-D9 | TEST PANEL E6 |
| DSD08 | | E56 | 2-D9 | TEST PANEL E56 |
| DSD09 | | E4 | 2-E9 | TEST PANEL E4 |
| DSD10 | | E54 | 2-E9 | TEST PANEL E54 |
| DSD11 | | E53 | 2-E9 | TEST PANEL E53 |
| DSD12 | | E3 | 2-F9 | TEST PANEL E3 |
| DSD13 | | E52 | 2-F9 | TEST PANEL E52 |
| DSD14 | | E2 | 2-F9 | TEST PANEL E2 |
| DSD15 | | E55 | 2-G9 | TEST PANEL E55 |
| DSD16 | | E5 | 2-G9 | TEST PANEL E5 |
| DSEL | | E11 | 2-D7 | TEST PANEL E11 |
| E* | E36 | | 2-B11 | TEST PANEL E36 |
| E05 | | E61 | 2-E7 | TEST PANEL E61 |
| ERR* | E83 | | 2-D6 | TEST PANEL E83 |
| ESEL | | E25 | 2-C7 | TEST PANEL E25 |
| EXEC* | | E80 | 2-D7 | TEST PANEL E80 |

| FUNCTION | INPUT PIN | OUTPUT PIN | PAGE/ZONE | REMARKS |
|----------|-----------|------------|-----------|----------------|
| EXEC* | | E30 | 2-D7 | TEST PANEL E30 |
| G* | E87 | | 2-B11 | TEST PANEL E87 |
| HS | | E76 | 2-D3 | TEST PANEL E76 |
| IP* | E33 | | 2-C11 | TEST PANEL E33 |
| J01* | E49 | | 2-C11 | TEST PANEL E49 |
| J02* | E99 | | 2-D11 | TEST PANEL E99 |
| J03* | E48 | | 2-D11 | TEST PANEL E48 |
| J04* | E98 | | 2-D11 | TEST PANEL E98 |
| J05* | E47 | | 2-D11 | TEST PANEL E47 |
| J06* | E97 | | 2-E11 | TEST PANEL E97 |
| J07* | E46 | | 2-E11 | TEST PANEL E46 |
| J08* | E96 | | 2-E11 | TEST PANEL E96 |
| J09* | E45 | | 2-E11 | TEST PANEL E45 |
| J10* | E95 | | 2-F11 | TEST PANEL E95 |
| J11* | E44 | | 2-F11 | TEST PANEL E44 |
| J12* | E94 | | 2-F11 | TEST PANEL E94 |
| J13* | E43 | | 2-F11 | TEST PANEL E43 |
| J14* | E93 | | 2-G11 | TEST PANEL E93 |
| J15* | E42 | | 2-G11 | TEST PANEL E42 |
| J16* | E92 | | 2-G11 | TEST PANEL E92 |
| L* | E86 | | 2-B11 | TEST PANEL E86 |
| LOAD* | | E75 | 2-C3 | TEST PANEL E75 |
| MDG | | E74 | 2-C7 | TEST PANEL E74 |
| MDG | | E24 | 2-C7 | TEST PANEL E24 |
| MR | | E26 | 2-D3 | TEST PANEL E26 |
| N1* | E41 | | 2-D6 | TEST PANEL E41 |
| N2* | E91 | | 2-D6 | TEST PANEL E91 |
| N3* | E40 | | 2-E6 | TEST PANEL E40 |
| N4* | E90 | | 2-E6 | TEST PANEL E90 |
| N5* | E39 | | 2-F6 | TEST PANEL E39 |

| FUNCTION | INPUT PIN | OUTPUT PIN | PAGE/ZONE | REMARKS |
|----------|-----------|------------|-----------|-----------------|
| N6* | E89 | | 2-F6 | TEST PANEL E89 |
| N7* | E38 | | 2-G6 | TEST PANEL E38 |
| SSE | | E14 | 2-B9 | TEST PANEL E14 |
| SSS* | | E100 | 2-B9 | TEST PANEL E100 |
| SSS* | | E50 | 2-B9 | TEST PANEL E50 |
| SYNC | | E77 | 2-E1 | TEST PANEL E77 |
| T1* | E32 | | 2-C6 | TEST PANEL E32 |
| T2* | E82 | | 2-C6 | TEST PANEL E82 |
| T3* | E31 | | 2-C6 | TEST PANEL E31 |
| T4* | E81 | | 2-D6 | TEST PANEL E81 |
| XA23* | | E69 | 2-C7 | TEST PANEL E69 |
| XAUX17* | | E72 | 2-F7 | TEST PANEL E72 |
| XCCR18* | | E63 | 2-G7 | TEST PANEL E63 |
| XCOR15* | | E23 | 2-G7 | TEST PANEL E23 |
| XF01* | | E19 | 2-B7 | TEST PANEL E19 |
| XF02* | | E20 | 2-B7 | TEST PANEL E20 |
| XF03* | | E21 | 2-B7 | TEST PANEL E21 |
| XF04* | | E70 | 2-A7 | TEST PANEL E70 |
| XG08* | | E71 | 2-A7 | TEST PANEL E71 |
| XMA14* | | E22 | 2-A9 | TEST PANEL E22 |
| XMCR20* | | E12 | 2-E7 | TEST PANEL E12 |
| XMD16* | | E73 | 2-G7 | TEST PANEL E73 |
| XMW22* | | E13 | 2-E7 | TEST PANEL E13 |
| XSR19* | | E65 | 2-F7 | TEST PANEL E65 |
| XSR21* | | E64 | 2-F7 | TEST PANEL E64 |
| XT24* | | E62 | 2-D7 | TEST PANEL E62 |

315-0524897

- 3. FOR EXTERNAL CONNECTIONS TO LOGIC TEST PANEL SEE 315-0524755.
- 2. +5 VOLT PINS E17 AND E67.
- 1. GROUND PINS E1, E29, E51 AND E79.

CHANGES: (A) RELEASED TO PRODUCTION.

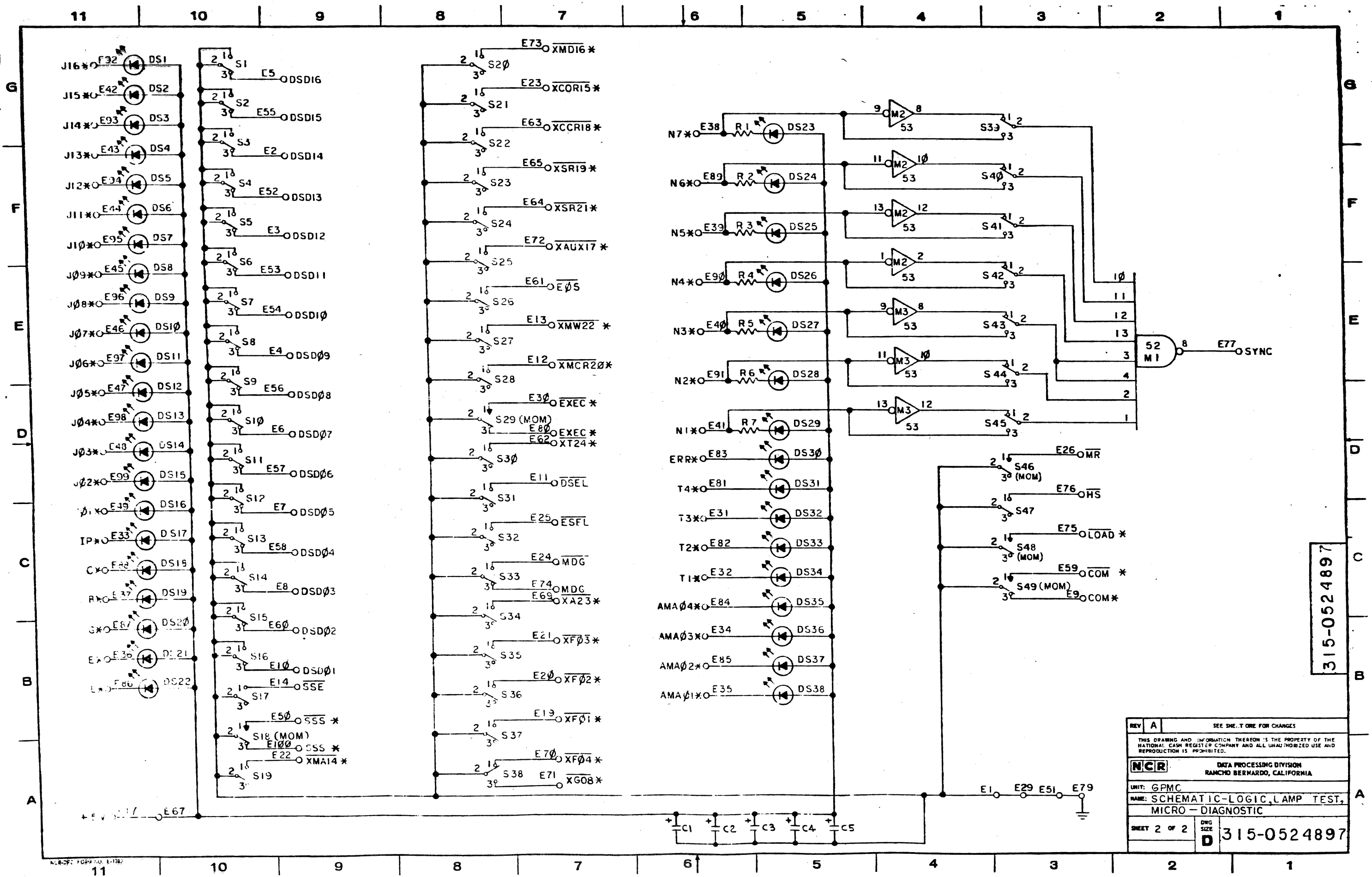
THIS DRAWING AND INFORMATION THEREON IS THE PROPERTY OF THE NATIONAL CASH REGISTER COMPANY AND ALL UNAUTHORIZED USE AND REPRODUCTION IS PROHIBITED.

NCR DATA PROCESSING DIVISION
RANCHO BERNARDO, CALIFORNIA

CLASS: 605 UNIT: GPMC
 START: 12-13-71 FINISH: 12-13-71 NAME: SCHEMATIC-LOGIC, LAMP TEST
 DFTS: N. GORDON MICRO-DIAGNOSTIC
 CHNR: *Ronald A. Gordon* 1-17-72
 DESIGNER: D.F. RAMEY SHEET 1 OF 2
 APPD: *DRH* APPD: *DRH* CODE: -

REPLACES DWG: _____

DWG SIZE: **D** 315-0524897



315-0524897

| | | |
|---|----------|---|
| REV | A | SEE SHEET ONE FOR CHANGES |
| THIS DRAWING AND INFORMATION THEREON IS THE PROPERTY OF THE NATIONAL CASH REGISTER COMPANY AND ALL UNAUTHORIZED USE AND REPRODUCTION IS PROHIBITED. | | |
| NCR | | DATA PROCESSING DIVISION RANCHO BERNARDO, CALIFORNIA |
| UNIT: GPMC | | |
| NAME: SCHEMATIC-LOGIC, LAMP TEST, MICRO-DIAGNOSTIC | | |
| SHEET 2 OF 2 | DWG SIZE | 315-0524897 |