

REV	CHANGE	ER NO.	DFTS	CHECK	APPD	DATE
(A)	RELEASED TO PRODUCTION.	46ER03098	ASHEL	Reombs 8-7-74		
(B)	R91 WAS ITEM 16 ITEMS 41 AND 42 ADDED	46PER03118	BWD			10-17-74

M05-01-399
M05-01-754
M05-01-734
M05-01-726
M05-01-721
M05-01-STD
MODULE

MO	RFC NO.	PLANT LOC	DESCRIPTION	INTERPLANT USAGE (CODE)	REQD	NEXT ASSEMBLY
					1	315-0524791
					1	315-0528393
MANUFACTURING OPTION FOR USE ONLY AT PLANT SHOWN				REPLACES DWG	315-0531994	

THIS DRAWING AND ANY ATTACHMENTS THERETO AND INFORMATION THEREON ARE THE PROPERTY OF THE NATIONAL CASH REGISTER COMPANY AND ALL UNAUTHORIZED USE AND REPRODUCTION IS PROHIBITED.

**NCR** DATA PROCESSING DIVISION  
RANCHO BERNARDO, CALIFORNIA

CLASS	MODEL	PLANT	CLASS	MODEL	PLANT	CLASS: M05	UNIT: GPMC
M05	01	35	M05	01	21	START: 7/20/74	FINISH: 7/20/74
M05	01	08				DFTS: 7/20/74	

DRAWING OF THE ASSEMBLY		CHKR: 7-20-74	395-0065094	REV
SHEET NO. 5 & 6	SIZE: D	DESIGNER: D. NORDEN		B
REV A 18		APPD:	APPD:	CODE: 2-9045

COVER SHEET SHEET 1 OF 6

ITEM	REQD	SIZE	PART NO.	DESCRIPTION	PARTS LIST CHG. ER NO.	REMARKS
1	1	D	315-0524343	BOARD-PRINTED		
2	REF	D	395-0065095	SCHEMATIC-LOGIC		
3	REF	A	007-9999356	PERFORMANCE SPEC		
4	REF	A	007-9506300	ASSEMBLY SPEC		
5	REF	A	007-9502000	GENERAL MARKING SPEC		
6	1	E	315-0529099	FRAME-CARD		
7	1	C	315-0529095	INSULATOR, UPPER		
8	1	C	315-0529096	INSULATOR, LOWER		
9	10	A	007-6951204	RIVET-HOLLOW BRASS		
10	1	D	315-0523123	LABEL-CARD IDENTIFICATION		
11	81	A	006-6020486	RESISTOR, 510Ω, 1/4W, ±5% R1,2,3,4,5,6,7,8,9,10, 11,12,13,14,15,16,17, 18,19,20,21,22,23,24, 25,26,27,28,29,30,31, 32,33,34,35,37,38,39, 40,41,42,43,44,45,46, 47,48,49,50,51,52,53, 54,55,56,57,58,59,60, 61,62,63,65,66,67,68, 69,70,71,72,73,74,75, 76,77,78,79,80,82,84, 85		
12	1	A	006-6020452	RESISTOR, 240Ω, 1/4W, ±5% R86		
13	2	A	006-6020402	RESISTOR, 1K, 1/4W, ±5% R88,89		
14	1	A	006-6020493	RESISTOR, 360Ω, 1/4W, ±5% R87		
15	1	A	006-6020428	RESISTOR, 680Ω, 1/4W, ±5% R64		
16	2	A	006-6020404	RESISTOR, 1.5K, 1/4W, ±5% R90,		
17	15	A	007-1158901	CAPACITOR, 12UF, 6V, +100%, -20% C7,8,9,10,11,12,13,14, 15,16,17,18,19,20,21		

<b>NCR</b>	UNIT: GPMC	395-0065094	REV
	NAME: BOARD-PLUGIN, MEM INTERFACE		B
NCR PROPRIETARY		PARTS LIST	SHEET 2 OF 6

ITEM	REQD	SIZE	PART NO.	DESCRIPTION	PARTS LIST CHG. ER NO.	REMARKS
18	1	A	007-1169121	CAPACITOR, 100PF, 500V, ±1% C6		
19	1	A	007-1860123	COIL-RF, 22µH, ±10% L1		
20	1	A	007-7487001	CIRCUIT-TTL, QUAD TRANS F1		
21	10	A	007-1695001	CIRCUIT-TTL, NAND GATE (2-INPUT) A3, B1, B3, B4, F4, F5, G2, G3, H2, H3		
22	5	A	007-1675101	CIRCUIT-TTL, DUAL NAND A2, B2, C1, C3, C4		
23	2	A	007-1695201	CIRCUIT-TTL, 8-INPUT NAND D5, E3		
24	3	A	007-1695301	CIRCUIT-TTL, HEX INVERTER A5, H5, E1		
25	1	A	007-1695901	CIRCUIT-TTL, TRIPLE 3-INPUT F3		
26	1	A	007-1696001	CIRCUIT-TTL, DUAL 4-BIT LATCH E5		
27	1	A	007-1696201	CIRCUIT-TTL, QUAD NOR GATE D1		
28	1	A	007-1697201	CIRCUIT-TTL, MSI, 1 OF 10 DECODER D4		
29	2	A	007-1697301	CIRCUIT-TTL, MULTIPLEXER, 8-INPUT C2, C5		
30	1	A	007-1697501	CIRCUIT-TTL, (MSI) 8-INPUT PRIORITY ENCODER E4		
31	4	A	007-1697701	CIRCUIT-TTL, (MSI) 8-BIT PARITY GEN A4, B5, G5, H4		
32	1	A	007-1699301	CIRCUIT-TTL, AND GATE QUAD 2-INPUT E2		

ITEM	REQD	SIZE	PART NO.	DESCRIPTION	PARTS LIST CHG. ER NO.	REMARKS
33	3	A	007-1699401	CIRCUIT-TTL, QUAD NAND OPEN COLLECTOR D2, F2, G4		
34	1	A	007-1669401	CIRCUIT-INPUT AMP (QUAD 2-INPUT) H1		
35	A/R	A	007-9000001	WIRE-ELECTRICAL, INSULATED W1, 2, 3, 4, 5, 6, 7, 8, 9, 10, 11, 12, 13, 14, 15, 16, 17, 18, 19, 20, 21, 22, 23, 24		
36	A/R	A	007-8900810	SLEEVING*		
37	3		006-6400907	DIODE CR1, 2, 3		
38	2		006-1080384	TERMINAL-STUD		
39	2		007-4585005	NUT-HEX, #2-56		
40	2		007-8734301	WASHER-LOCK SPLIT		
41	1	A	006-6020498	RESISTOR, 910 , 1/4W, 5% R91		
42	1	A	006-6020412	RESISTOR, 3.9K, 1/4W, 5% R92		

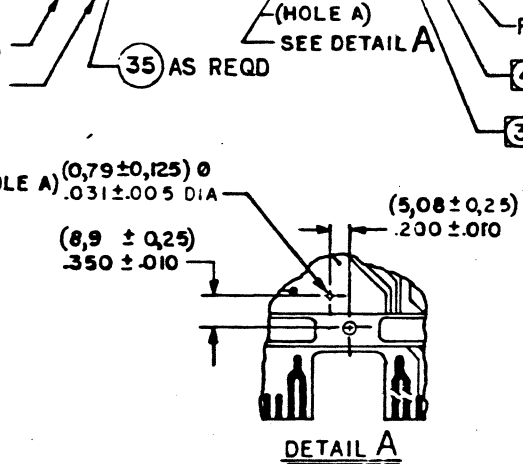
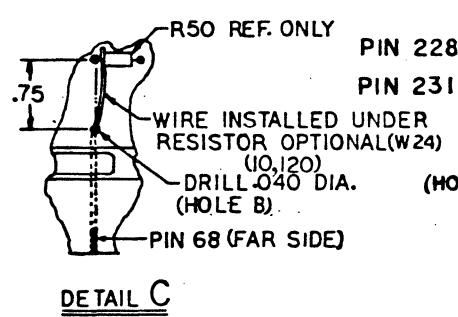
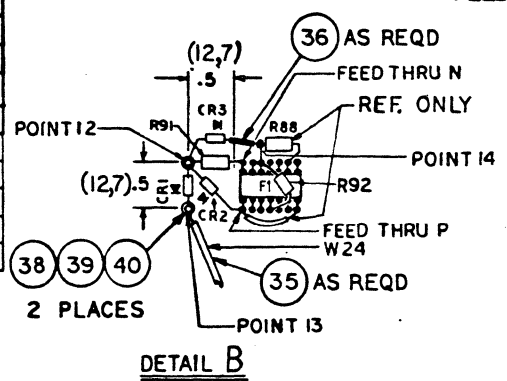
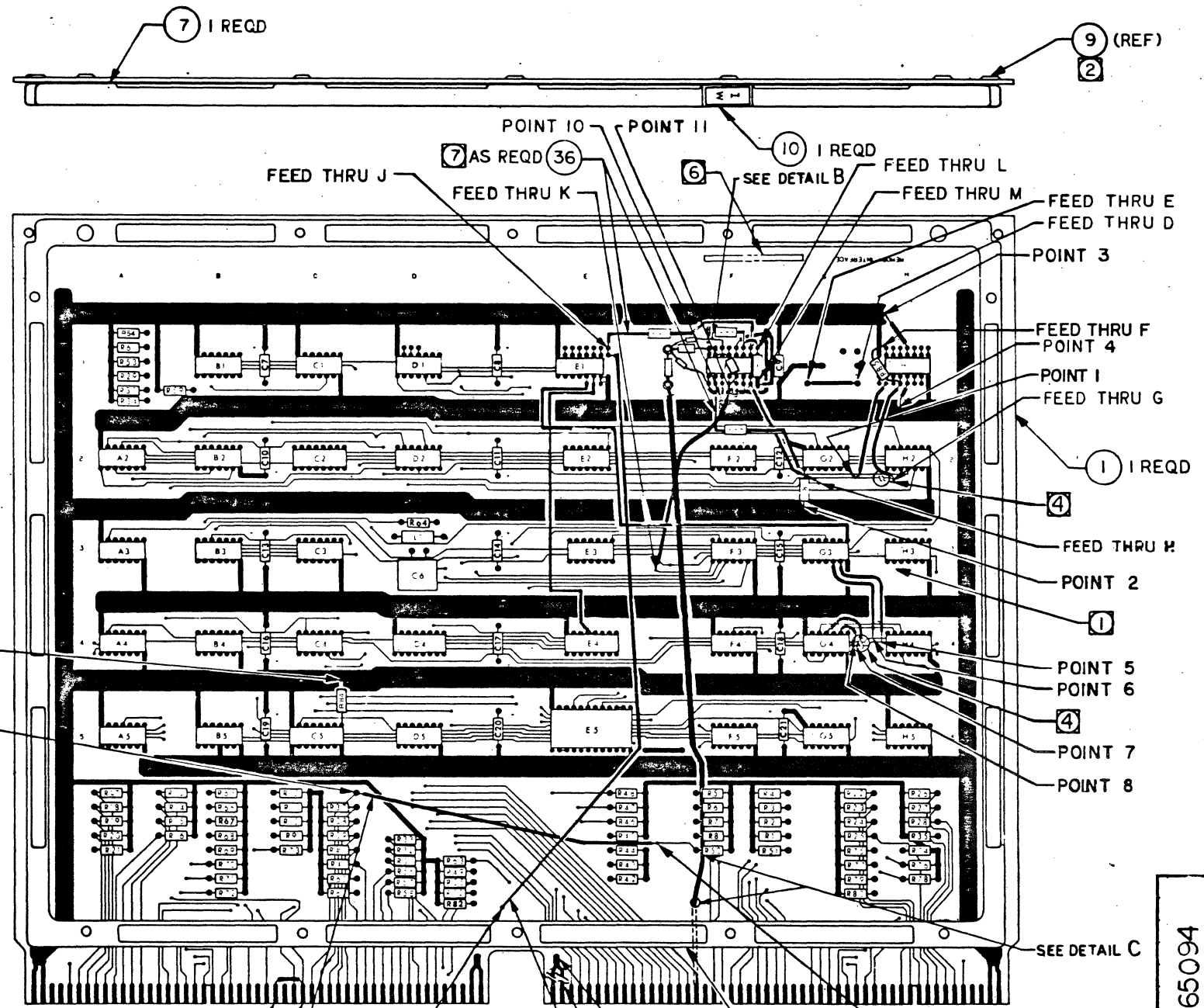
<b>NCR</b>	UNIT: GPMC	395-0065094	REV
	NAME: BOARD-PLUGIN, MEM INTERFACE		B
NCR PROPRIETARY		PARTS LIST	SHEET 3 OF 6

<b>NCR</b>	UNIT: GPMC	395-0065094	REV
	NAME: BOARD-PLUGIN, MEM INTERFACE		B
NCR PROPRIETARY		PARTS LIST	SHEET 4 OF 6

(25.4)MM  
1 INCH

⑤ WIRE LIST					
REF DES	START TERM	END TERM	P/L ITEM	COMP SIDE	SLD SIDE
③ W1	FEED THRU A	FEED THRU J	35	X	X
W2	FEED THRU B	FEED THRU C		X	
W3	C5-9	PIN 35			X
W4	H1-1	POINT 1		X	
W5	H1-11	POINT 3			
W6	H1-3	FEED THRU G			
W7	H1-4	POINT 4			
W8	FEED THRU E	FEED THRU D			
W9	G3-6	POINT 5			
W10	G3-5	POINT 6			
W11	G4-4	POINT 7			
W12	G4-2	POINT 8	35		
R85	H1-3	FEED THRU F	11		
R84	C5-9	POINT 9	11		
⑦ R90	F1-8	FEED THRU J	16		
R89	FEED THRU L	FEED THRU M	13		
R88	F1-9	F1-12	13		
⑦ R86	F1-2	G2-8	12		
R87	G2-6	POINT 2	14		
W13	F1-1	F1-7	35		
W14	F1-7	FEED THRU H			
W15	F1-6	F1-8			
W16	F1-9	FEED THRU L			
W17	F1-10	FEED THRU M			
W18	F1-13	FEED THRU K			
W19	F1-3	POINT 10			
W20	F1-5	POINT 11			
W21	PIN 228	PIN 231			
W22	G3-8	E1-5	35		
W23	E1-6	E4-5	35		
R91	FEED THRU N	POINT 12	16		
CR1	POINT 13		37		
CR2	FEED THRU P				
CR3	POINT 14	POINT 12	37		
⑧ W24	POINT 13	PIN 68	35	X	X

④ CONDUCTOR CUT LIST			
CUT NO.	CUT BETWEEN		COMP SIDE
1	POINT 6	POINT 8	X
2	POINT 5	POINT 7	X
3	G4-2	G3-5	X
4	G4-4	G3-6	X
5	FEED THRU G	POINT 1	X
6	C5-7	C5-9	X
7	F1-3	F1-7	X
8	F1-5	F1-6	X
9	F1-13	F1-14	X
10	FEED THRU A	PIN 53	X
11	FEED THRU A	PIN 252	X
12	FEED THRU A	PIN 253	X
13	E4-5	E3-10	X



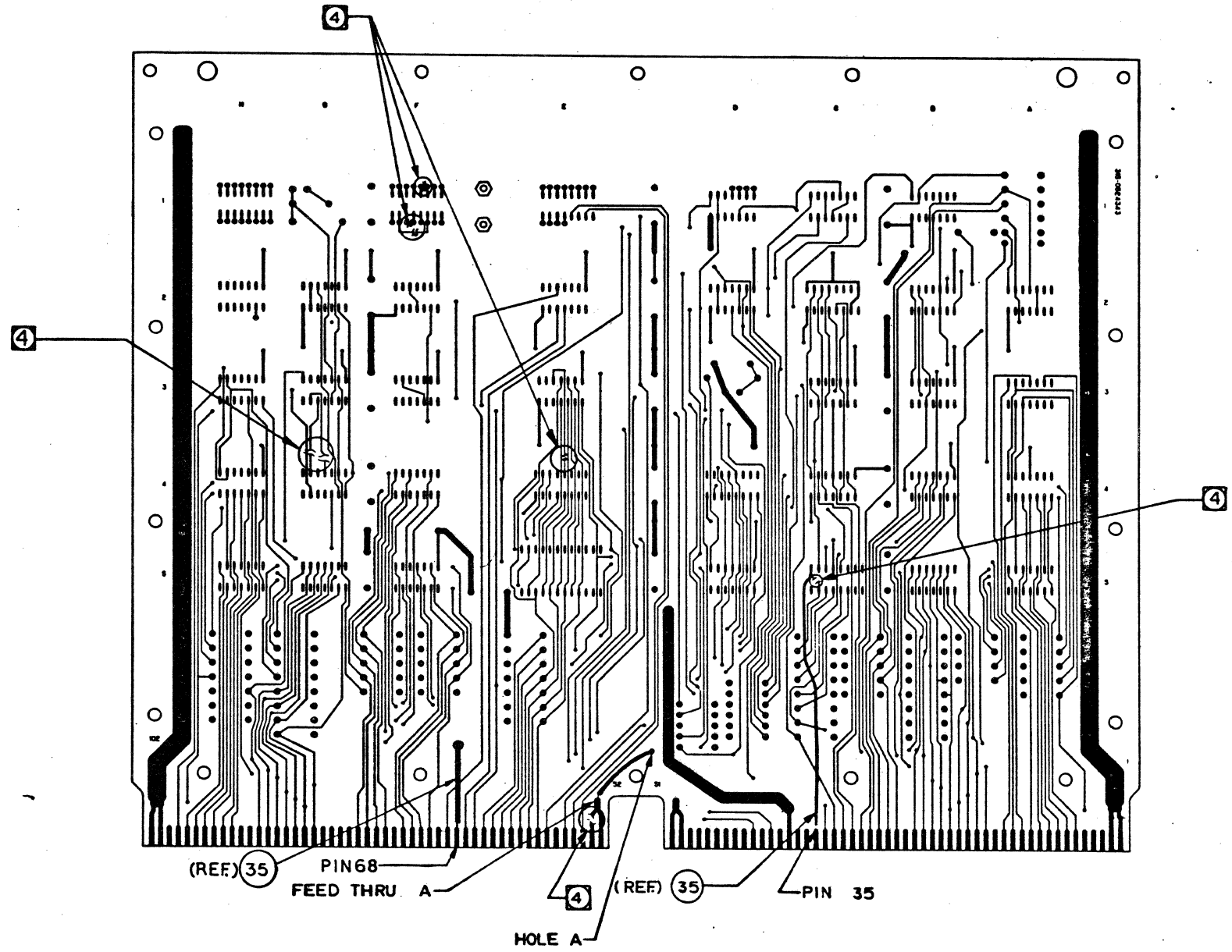
- ⑧ ROUTE JUMPER W24 FROM POINT 13, TO PIN 68, VIA HOLE B, AS SHOWN.
- ⑦ INSTALL ITEM 36 ON BOTH ENDS OF R86 & R90 AS REQD.
- ⑥ REIDENTIFY 315-0531994 PER ITEM 5, .06 (1,5) HIGH.
- ⑤ ROUTE JUMPERS (WIRE)/COMPONENTS APPROXIMATELY AS SHOWN PER ITEM 4.
- ④ CUT CONDUCTOR APPROXIMATELY AS SHOWN PER ITEM 4.
- ③ ROUTE JUMPER W1 FROM FEED THRU J, TO FEED THRU A, VIA HOLE A, AS SHOWN.
- ② INSTALL FROM THIS SIDE.
- ① DOT INDICATES PIN NUMBER 1.

UNLESS OTHERWISE SPECIFIED, DIMENSIONAL LIMITS ARE:  
INCH NOMINAL  
.XX ±  
.XXX ±

REV B	SEE SHEET ONE FOR CHANGES
THIS DRAWING AND INFORMATION THEREON IS THE PROPERTY OF THE NATIONAL CASH REGISTER COMPANY AND ALL UNAUTHORIZED USE AND REPRODUCTION IS PROHIBITED.	
NGR DATA PROCESSING DIVISION RANCHO BERNARDO, CALIFORNIA	
UNIT: GPMC	NAME: BOARD-PLUGIN MEM INTERFACE
SHEET 5 OF 6	DWG SIZE 395-0065094
SCALE: 1:1	D

395-0065094

(25.4)mm  
1 INCH



395-0065094

NOTES (UNLESS OTHERWISE SPECIFIED)  
MCR-OPD FORM NO. E-1279

UNLESS OTHERWISE SPECIFIED, DIMENSIONAL LIMITS ARE:  
INCH NOMINAL  
.XX ±  
.XXX ±

REV B	SEE SHEET ONE FOR CHANGES
THIS DRAWING AND INFORMATION THEREON IS THE PROPERTY OF THE NATIONAL CASH REGISTER COMPANY AND ALL UNAUTHORIZED USE AND REPRODUCTION IS PROHIBITED.	
<b>NGR</b> DATA PROCESSING DIVISION RANCHO BERNARDO, CALIFORNIA	
UNIT: GPMC	NAME: BOARD-PLUGIN, MEM INTERFACE
SHEET 6 OF 6	DWG SIZE
SCALE: 1:1	D 395-0065094

ENG. FILE



(25,4)mm  
1 INCH

9609900-962

FUNCTION	INPUT PIN	OUTPUT PIN	PAGE/ZONE	REMARKS
A1		275	6/D-3	
A2		276	6/D-3	
A3		277	6/D-3	
A4		278	6/C-3	
A5		270	6/C-3	
A6		271	6/C-3	
A7		272	6/C-3	
A8		273	6/C-3	
A9		225	6/B-3	
A10		227	6/B-3	
A11		259	6/B-3	
A12		257	6/B-3	
A13		258	9/A-6	
A14		233	10/A-7	
BD2	245		9/B-3	
BD3	244		7/C-8, 9/C-3	

FUNCTION	INPUT PIN	OUTPUT PIN	PAGE/ZONE	REMARKS
BD4	243		7/C-8 9/C-3	
DATA SAVE		231	7/C-1	
DATA SAVE		228	7/C-1	
DFM01		6	5/D-4	
DFM02		7	5/D-4	
DFM03		8	5/D-4	
DFM04		9	5/D-4	
DFM05		10	5/C-4	
DFM06		11	5/C-4	
DFM07		12	5/C-4	
DFM08		13	5/C-4	
DFM09		14	5/B-3	
DFM10		99	5/B-3	
DFM11		98	5/B-3	
DFM12		97	5/B-3	

FUNCTION	INPUT PIN	OUTPUT PIN	PAGE/ZONE	REMARKS
DFM13		96	5/A-3	
DFM14		95	5/A-3	
DFM15		94	5/A-3	
DFM16		93	5/A-3	
DI1		223	8/D-3	
DI2		222	8/D-6	
DI3		221	8/D-6	
DI4		220	8/D-6	
DI5		219	8/D-6	
DI6		218	8/C-6	
DI7		217	8/C-6	
DI8		216	8/C-6	
DI9		215	8/C-6	
DI10		281	8/C-3	
DI11		282	8/C-3	
DI12		283	8/C-3	

3. REFERENCE DESIGNATIONS NOT USED:  
R36, R81, R83
2. +5 VOLT PINS: 1, 2, 201, 202.
1. GROUND PINS: 101, 102, 301, 302.

NOTES (UNLESS OTHERWISE SPECIFIED)

M05	01	21							
M05	01	08	B	46ER03118	BLD	10/17/74			
M05	01	35	A	46ER03098	ASNEC	8/3/74	Recomb	9-7-74	
CLASS	MODEL	PLANT	REV	RELEASE NO.	DFTS	DATE	CHECK	APPD	

CHANGES: (A) RELEASED TO PRODUCTION.		REPLACES DWG 315-0531995		THIS DRAWING AND INFORMATION THEREON IS THE PROPERTY OF THE NATIONAL CASH REGISTER COMPANY AND ALL UNAUTHORIZED USE AND REPRODUCTION IS PROHIBITED.						
(B) ADDED R92 ON SHEET 8 FROM THE BASE OF F1 TO PIN 66 (MR).		INTERPLANT USAGE (CODE)	REQD	NEXT ASSEMBLY	UNLESS OTHERWISE SPECIFIED, DIMENSIONAL LIMITS ARE: INCH NOMINAL .XX ±. .XXX ±.		CLASS: M05	UNIT: GPMC	DATA PROCESSING DIVISION RANCHO BERNARDO, CALIFORNIA	
							START: 6/25/74	FINISH: 6/25/74	NAME: SCHEMATIC-LOGIC, MEMORY INTERFACE	
							DFTS: Art Starobolok			
							CHKR: Rogers 7-22-74	SHEET 1 OF 10	DWG SIZE	395-0065095
							DESIGNER: C. GRENIER	SCALE: -	B	
							APPD: CA	APPD:	CODE: N - E	



(25,4)mm  
1 INCH

395-0065095

FUNCTION	INPUT PIN	OUTPUT PIN	PAGE/ZONE	REMARKS
$\overline{DI13}$		284	8/C-3	
$\overline{DI14}$		285	8/D-3	
$\overline{DI15}$		286	8/D-3	
$\overline{DI16}$		287	8/D-3	
$\overline{DI17}$		288	8/C-1	
$\overline{DMAMAE}$		42	7/B-1	
$\overline{DMAMPE}$		58	5/C-1	
$\overline{DMA1MCA}$		268	10/D-1	
$\overline{DMA2MCA}$		267	10/D-1	
$\overline{DMA3MCA}$		266	10/D-1	
$\overline{DMA4MCA}$		265	10/C-1	
$\overline{DMA5MCA}$		264	10/C-1	
$\overline{DMA6MCA}$		263	10/C-1	

FUNCTION	INPUT PIN	OUTPUT PIN	PAGE/ZONE	REMARKS
$\overline{PWF}$	68		8/A-8	
$\overline{DMA1MCR}$	65		10/D-8	
$\overline{DMA2MCR}$	64		10/D-8	
$\overline{DMA3MCR}$	63		10/D-8	
$\overline{DMA4MCR}$	62		10/C-8	
$\overline{DMA5MCR}$	61		10/C-8	
$\overline{DMA6MCR}$	60		10/C-8	
$\overline{DO1}$	213		5/D-7	
$\overline{DO2}$	212		5/D-7	
$\overline{DO3}$	211		5/D-7	
$\overline{DO4}$	210		5/D-7	
$\overline{DO5}$	209		5/C-7	
$\overline{DO6}$	208		5/C-7	
$\overline{DO7}$	207		5/C-7	

FUNCTION	INPUT PIN	OUTPUT PIN	PAGE/ZONE	REMARKS
$\overline{DO8}$	206		5/C-7	
$\overline{DO9}$	205		5/B-7	
$\overline{DO10}$	291		5/B-7	
$\overline{DO11}$	292		5/B-7	
$\overline{DO12}$	293		5/A-7	
$\overline{DO13}$	294		5/A-7	
$\overline{DO14}$	295		5/A-7	
$\overline{DO15}$	296		5/A-7	
$\overline{DO16}$	297		5/A-7	
$\overline{DO17}$	298		5/C-3	
$\overline{DS}$	255		5/D-3	
			8/A-4	
$\overline{DTM01}$	16		8/D-5	
$\overline{DTM02}$	17		8/D-8	
$\overline{DTM03}$	18		8/D-8	
$\overline{DTM04}$	19		8/D-8	
$\overline{DTM05}$	20		8/D-8	

NOTES (UNLESS OTHERWISE SPECIFIED)

UNLESS OTHERWISE SPECIFIED, DIMENSIONAL LIMITS ARE:  
INCH NOMINAL  
.XX ±.  
.XXX ±.

REV	B	SEE SHEET ONE FOR CHANGES
THIS DRAWING AND INFORMATION THEREON IS THE PROPERTY OF THE NATIONAL CASH REGISTER COMPANY AND ALL UNAUTHORIZED USE AND REPRODUCTION IS PROHIBITED.		
<b>NCR</b>		DATA PROCESSING DIVISION RANCHO BERNARDO, CALIFORNIA
UNIT:	GPMC	
NAME:	SCHEMATIC-LOGIC, MEMORY INTERFACE	
SHEET	2 OF 10	DWG SIZE
SCALE:	-	<b>B</b>
395-0065095		



(25,4)mm  
1 INCH

395-0065095

FUNCTION	INPUT PIN	OUTPUT PIN	PAGE/ZONE	REMARKS
DTM06	21		8/D-8	
DTM07	22		8/C-8	
DTM08	23		8/C-8	
DTM09	24		8/C-8	
DTM10	90		8/C-5	
DTM11	89		8/C-5	
DTM12	88		8/C-5	
DTM13	87		8/D-5	
DTM14	86		8/D-5	
DTM15	85		8/D-5	
DTM16	84		8/D-5	
JMC0		261	8/A-5	
JMC1		260	8/A-5	
JMR1		242	9/A-1	

FUNCTION	INPUT PIN	OUTPUT PIN	PAGE/ZONE	REMARKS
JMR2		241	9/C-1	
JMR3		240	9/C-1	
JMR4		239	9/D-1	
JMRE		232	7/D-5	
LCK3	238		7/C-6	
LCK4	237		7/C-6	
LCK5	236		7/C-6	
LCK6	235		7/C-6	
LCK7	234		7/C-6	
LCK8	35		7/C-6	
LCK10	246		7/C-8	
MA	256		7/D-6	

FUNCTION	INPUT PIN	OUTPUT PIN	PAGE/ZONE	REMARKS
MAB01	79		6/D-6	
MAB02	78		6/D-6	
MAB03	77		6/C-6	
MAB04	76		6/C-6	
MAB05	74		6/C-6	
MAB06	73		6/C-6	
MAB07	72		6/C-6	
MAB08	71		6/B-6	
MAB09	26		6/B-6	
MAB10	27		6/B-6	
MAB11	28		6/B-6	
MAB12	29		6/B-6	
MAB13	30		9/C-8	
MAB14	31		7/B-8	
			9/C6	

NOTES (UNLESS OTHERWISE SPECIFIED)

UNLESS OTHERWISE SPECIFIED, DIMENSIONAL LIMITS ARE:  
INCH NOMINAL  
.XX ±.  
.XXX ±.

REV	B	SEE SHEET ONE FOR CHANGES
THIS DRAWING AND INFORMATION THEREON IS THE PROPERTY OF THE NATIONAL CASH REGISTER COMPANY AND ALL UNAUTHORIZED USE AND REPRODUCTION IS PROHIBITED.		
<b>NCR</b>		DATA PROCESSING DIVISION RANCHO BERNARDO, CALIFORNIA
UNIT:	GPMC	
NAME:	SCHEMATIC, LOGIC, MEMORY INTERFACE	
SHEET	3 OF 10	DWG SIZE
SCALE:	-	<b>B</b>
		395-0065095



(25,4)mm  
1 INCH

395-0065095

FUNCTION	INPUT PIN	OUTPUT PIN	PAGE/ ZONE	REMARKS
MAB15	32		7/B-8	
			9/B6	
MAB16	33		7/D-81	
MAE		54	10/B-1	
MCA		262	10/C-1	
MCR	59		10/C-8	
MCT		69	8/A-3	
MCTM	254		8/A-4, 7/D-4, 9/D-8	
MDS		67	8/A-3	

FUNCTION	INPUT PIN	OUTPUT PIN	PAGE/ ZONE	REMARKS
MPE		55	10/B-1	
MR	66		10/A-8, 8/A-8	
MW	40		8/B-7	
PF	34		10/A-8	
TAM	56		10/A-8	
4KLO	230		9/C-8,	

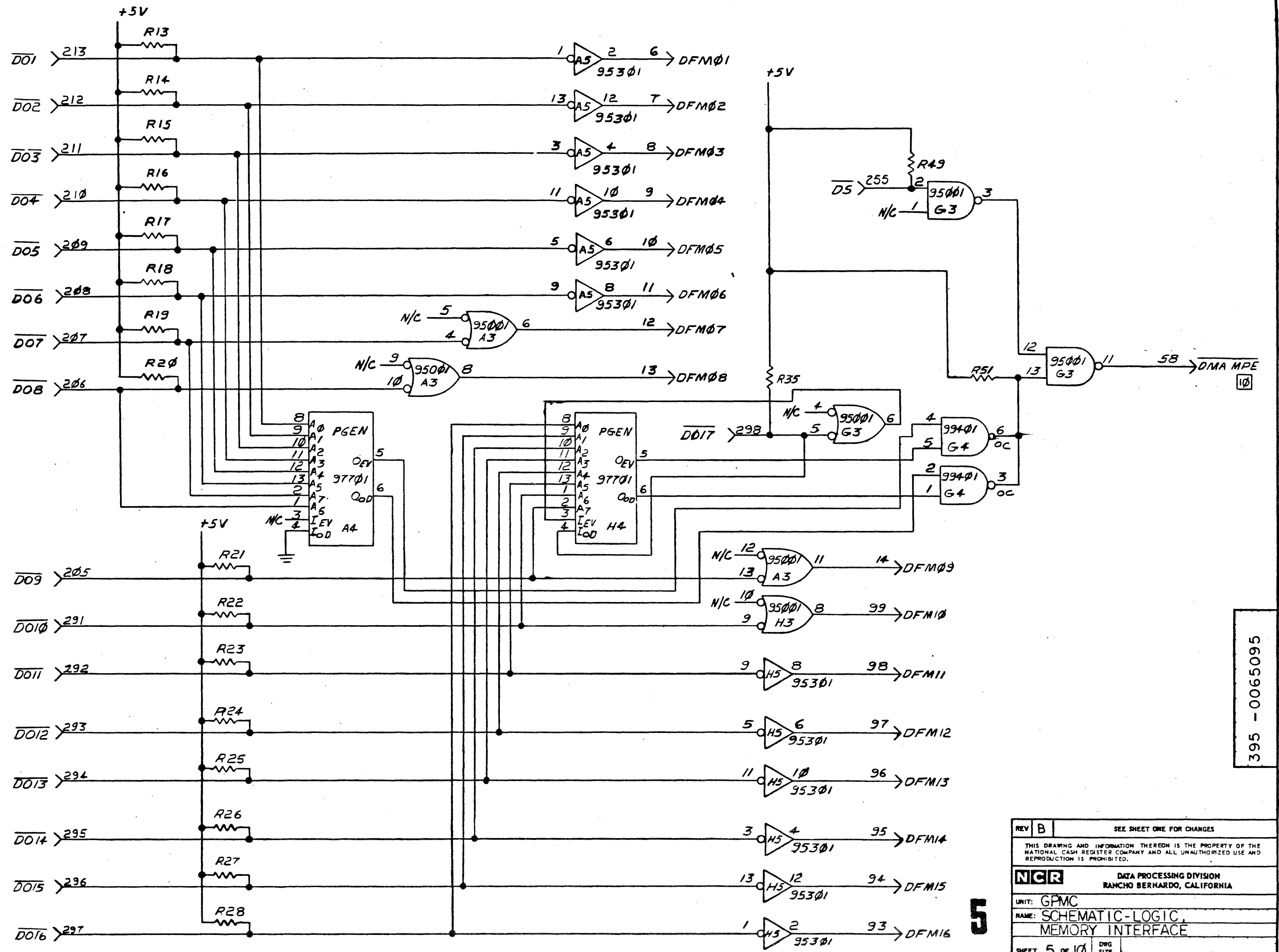
FUNCTION	INPUT PIN	OUTPUT PIN	PAGE/ ZONE	REMARKS

REV	B	SEE SHEET ONE FOR CHANGES
THIS DRAWING AND INFORMATION THEREON IS THE PROPERTY OF THE NATIONAL CASH REGISTER COMPANY AND ALL UNAUTHORIZED USE AND REPRODUCTION IS PROHIBITED.		
<b>NCR</b> DATA PROCESSING DIVISION RANCHO BERNARDO, CALIFORNIA		
UNIT:	GPMC	
NAME:	SCHEMATIC-LOGIC, MEMORY INTERFACE	
SHEET	4 OF 10	DWG SIZE
SCALE:	-	<b>B</b>
395-0065095		

UNLESS OTHERWISE SPECIFIED, DIMENSIONAL LIMITS ARE:  
INCH NOMINAL  
.XX ±  
.XXX ±

NOTES (UNLESS OTHERWISE SPECIFIED)

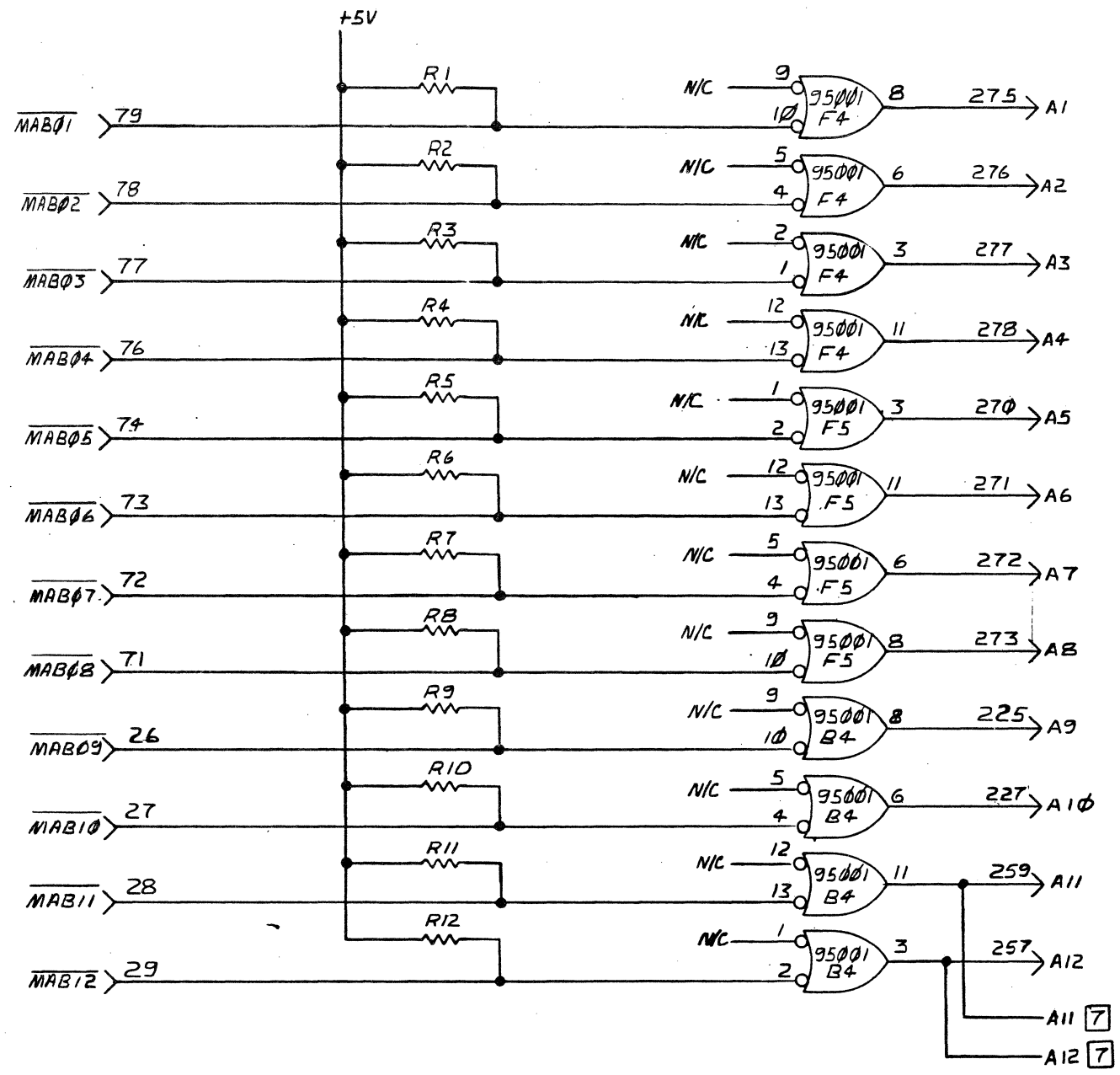




395 - 0065095

REV B	SEE SHEET ONE FOR CHANGES
THIS DRAWING AND INFORMATION THEREON IS THE PROPERTY OF THE NATIONAL CASH REGISTER COMPANY AND ALL UNAUTHORIZED USE AND REPRODUCTION IS PROHIBITED.	
<b>NGR</b>	DATA PROCESSING DIVISION RANCHO BERNARDO, CALIFORNIA
UNIT: GPMC	
NAME: SCHEMATIC-LOGIC, MEMORY INTERFACE	
SHEET 5 of 10	DWG SIZE 395 - 0065095

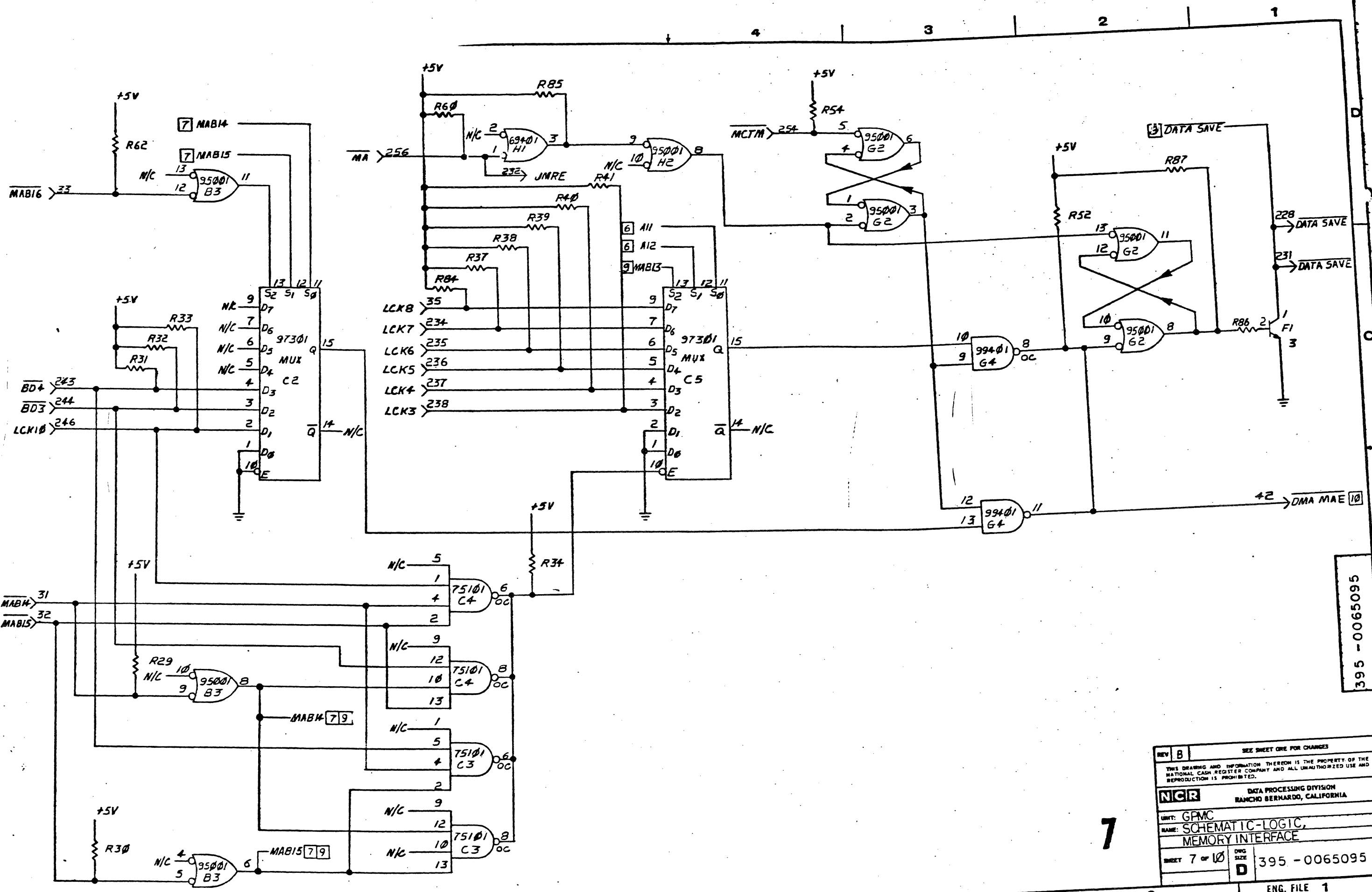
5



395 - 0065095

6

REV B	SEE SHEET ONE FOR CHANGES
THIS DRAWING AND INFORMATION THEREON IS THE PROPERTY OF THE NATIONAL CASH REGISTER COMPANY AND ALL UNAUTHORIZED USE AND REPRODUCTION IS PROHIBITED.	
<b>NCR</b> DATA PROCESSING DIVISION RANCHO BERNARDO, CALIFORNIA	
UNIT: GPMC	
NAME: SCHEMATIC-LOGIC, MEMORY INTERFACE	
SHEET 6 OF 10	DWG SIZE D 395 - 0065095

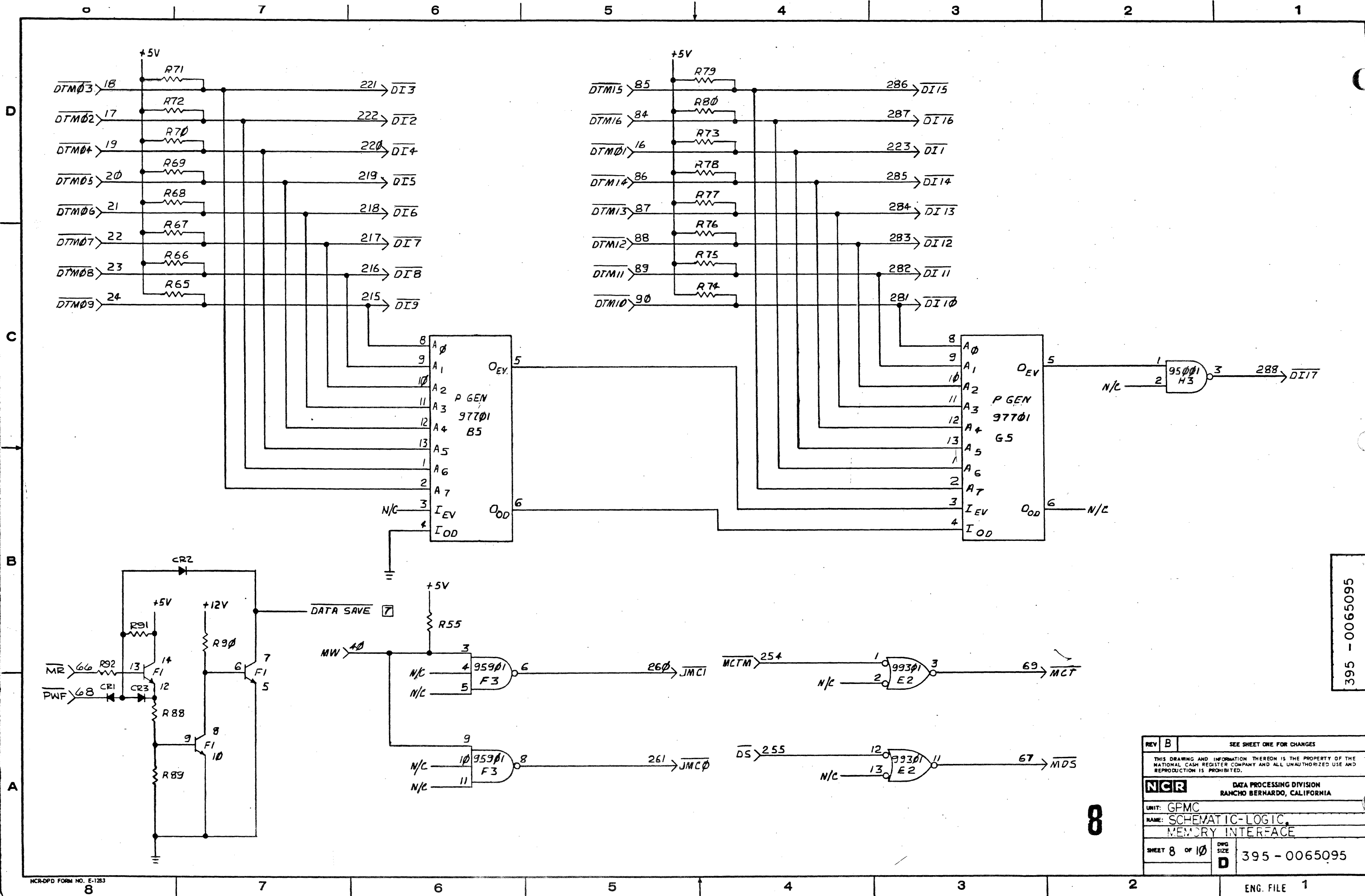


395 - 0065095

REV B	SEE SHEET ONE FOR CHANGES
THIS DRAWING AND INFORMATION THEREON IS THE PROPERTY OF THE NATIONAL CASH REGISTER COMPANY AND ALL UNAUTHORIZED USE AND REPRODUCTION IS PROHIBITED.	
NCR DATA PROCESSING DIVISION RANCHO BERNARDO, CALIFORNIA	
UNIT: GPAC	
NAME: SCHEMATIC-LOGIC, MEMORY INTERFACE	
SHEET 7 OF 10	DWG SIZE D
	395 - 0065095

7

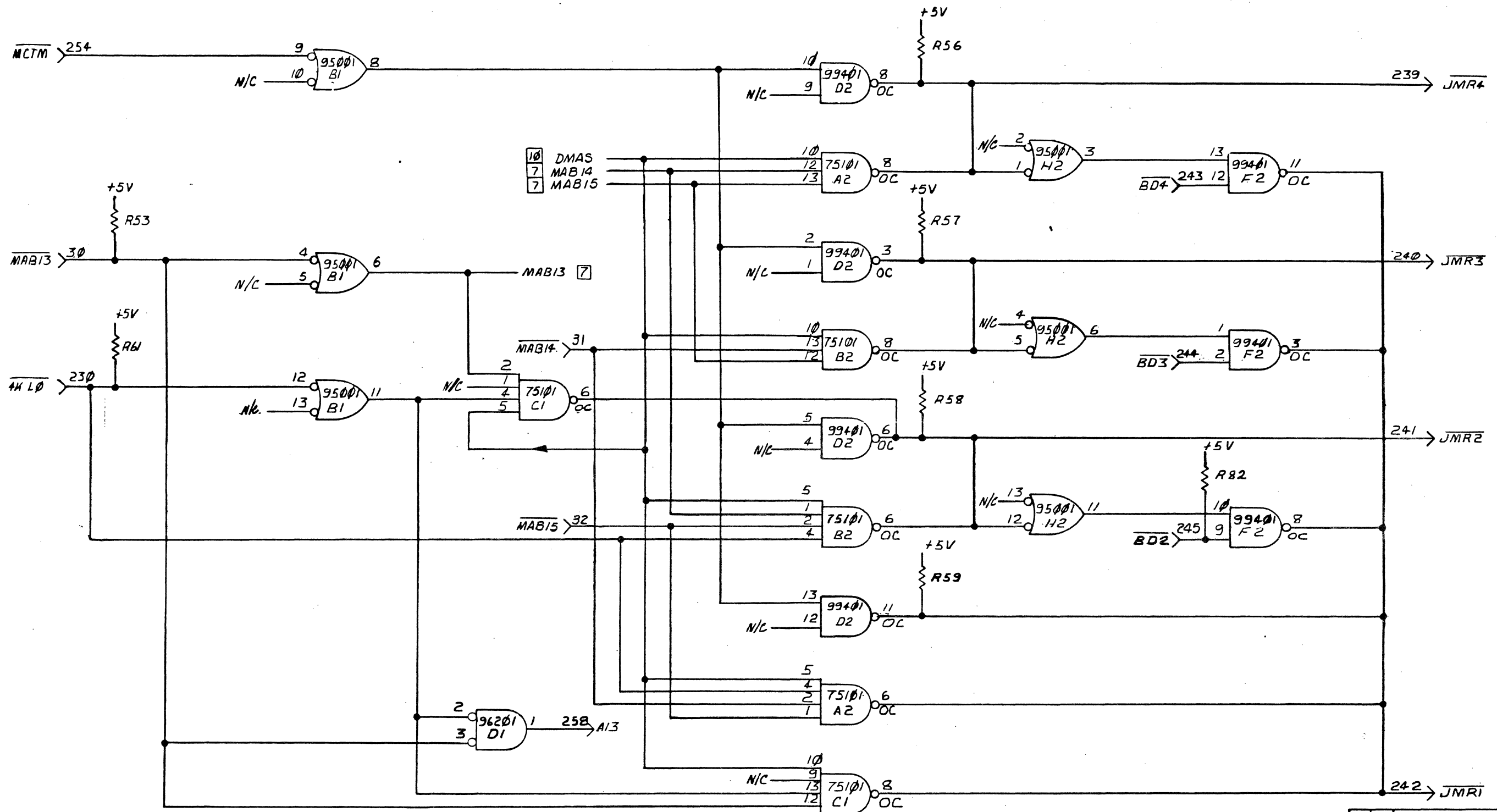
ENG. FILE 1



395 - 0065095

8

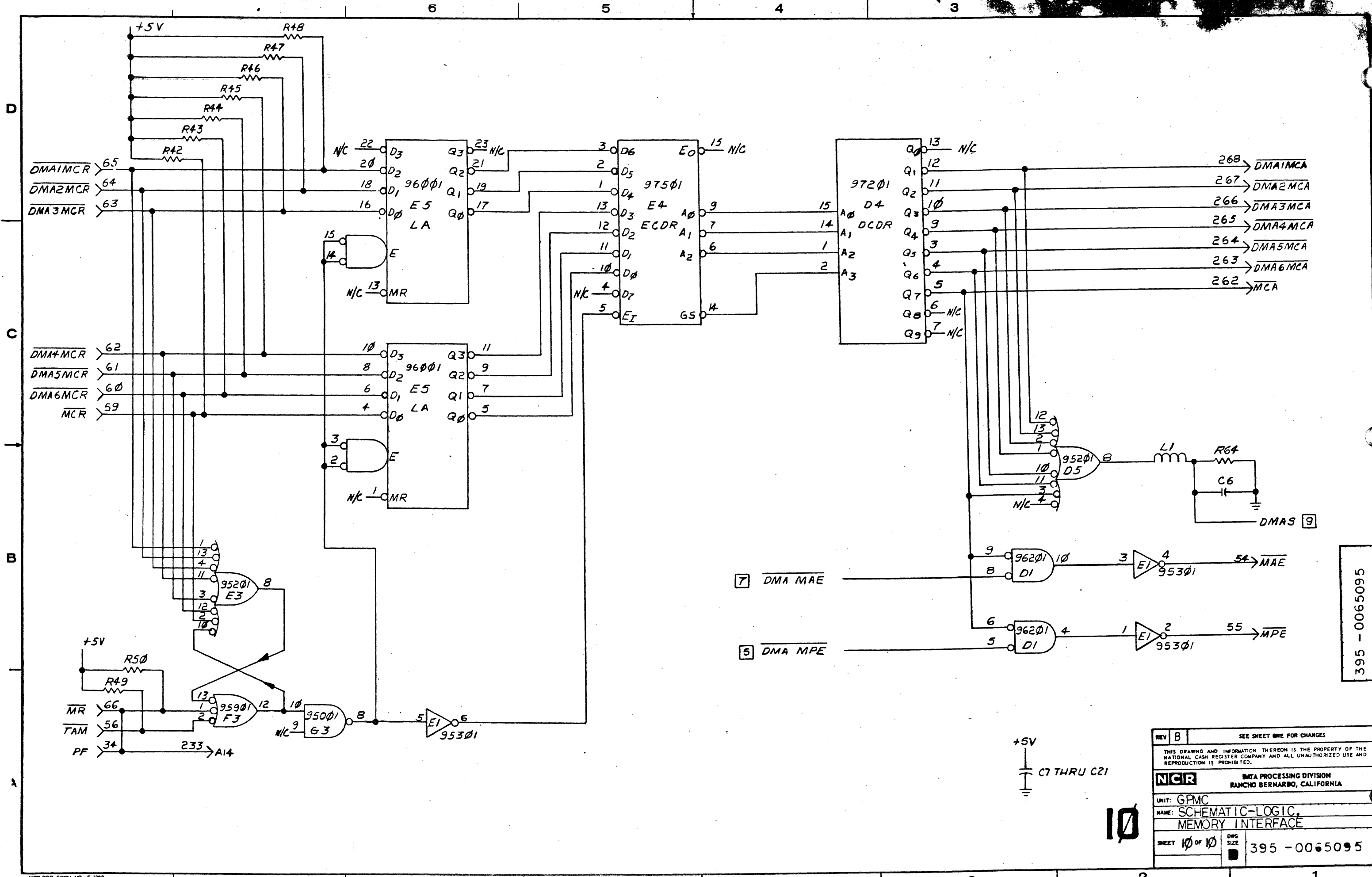
REV B	SEE SHEET ONE FOR CHANGES
THIS DRAWING AND INFORMATION THEREON IS THE PROPERTY OF THE NATIONAL CASH REGISTER COMPANY AND ALL UNAUTHORIZED USE AND REPRODUCTION IS PROHIBITED.	
<b>NCR</b> DATA PROCESSING DIVISION RANCHO BERNARDO, CALIFORNIA	
UNIT: GPMC	
NAME: SCHEMATIC-LOGIC, MEMORY INTERFACE	
SHEET 8 OF 10	DWG SIZE D
395 - 0065095	



395 - 0065095

REV B	SEE SHEET ONE FOR CHANGES
THIS DRAWING AND INFORMATION THEREON IS THE PROPERTY OF THE NATIONAL CASH REGISTER COMPANY AND ALL UNAUTHORIZED USE AND REPRODUCTION IS PROHIBITED.	
<b>NCR</b>	DATA PROCESSING DIVISION RANCHO BERNARDO, CALIFORNIA
UNIT:	GPMC
NAME:	SCHEMATIC-LOGIC, MEMORY INTERFACE
SHEET 9 of 10	DWG SIZE D
395 - 0065095	

9



REV B	SEE SHEET ONE FOR CHANGES
THIS DRAWING AND INFORMATION THEREON IS THE PROPERTY OF THE NATIONAL CASH REGISTER COMPANY AND ALL UNAUTHORIZED USE AND REPRODUCTION IS PROHIBITED.	
<b>NCR</b>	
DATA PROCESSING DIVISION RANCHO BERNARDO, CALIFORNIA	
UNIT: GPMC	
NAME: SCHEMATIC-LOGIC, MEMORY INTERFACE	
SHEET 10 OF 10	DWG SIZE 395 - 0065095

10

+5V  
C7 THRU C21

395 - 0065095