

REV	CHANGE	ER NO.	DFTS	CHECK	APPD	DATE
A	RELEASED TO PRODUCTION.	35-04255				
B	ADDED ITEM 34. ITEM 2 WAS 315-0522331. ITEM 32, 007-8953102. ITEM 33 WAS 007-9502000.	35-07671	PR 4-19-74	WWS 5-9-74	RFS	5-13-74

M05-01-754
M05-01-734
M05-01-399
M05-01-STD
MODULE

MO	RFC NO.	PLANT LOC	DESCRIPTION	INTERPLANT USAGE (CODE)	REQD	NEXT ASSEMBLY
					1	315-0524791
MANUFACTURING OPTION FOR USE ONLY AT PLANT SHOWN				REPLACES DWG	315-0524805	
THIS DRAWING AND ANY ATTACHMENTS THERETO AND INFORMATION THEREON ARE THE PROPERTY OF THE NATIONAL CASH REGISTER COMPANY AND ALL UNAUTHORIZED USE AND REPRODUCTION IS PROHIBITED.				NCR DATA PROCESSING DIVISION RANCHO BERNARDO, CALIFORNIA		
CLASS	MODEL	PLANT	CLASS	MODEL	PLANT	CLASS: M05
M0	01	35				UNIT: GPMC
START: 12-21-72			FINISH: 01-04-73			NAME: BOARD-PLUGIN, PROCESSOR 2
DFTS: C. FERNANDES			CHKR: <i>L. Hardy</i> 1-16-73			REV
DRAWING OF THE ASSEMBLY			DESIGNER: J. AARON			B
SHEET NO. 4		SIZE: D		315-0524796		
REV	A	B	APPD: <i>[Signature]</i>	APPD:	CODE: 2-9045	COVER SHEET SHEET 1 OF 4

ITEM	REQD	SIZE	PART NO.	DESCRIPTION	PARTS LIST CHG. ER NO.	REMARKS
1	1	D	315-0524532	BOARD-PRINTED	35-07671	
2	1	D	315-0529100	STIFFENER		
3	1	B	315-0523289	TAB-IDENTIFICATION		
4	1	C	315-0523125	LABEL		
5	11	D	315-0522588	BUS BAR		
6	2	D	315-0520639	BUS BAR		
7	REF	D	315-0524798	SCHEMATIC-LOGIC		
8	REF	A	007-9999146	PERFORMANCE SPECIFICATION		
9	REF	A	007-9506300	ASSEMBLY SPECIFICATION		
10	5	A	007-6951204	RIVET-HOLLOW BRASS		
11	17	A	006-6020486	RESISTOR-510Ω, 1/4W, ±5% R2,3,4,5,6,7,8,9,10, 11,12,13,14,15,16,17, 46		
12	21	A	006-6020401	RESISTOR-300Ω, 1/4W, ±5% R18,19,20,21,22,23,24, 25,26,27,28,29,30,31, 32,33,38,39,40,48,52		
13	4	A	006-6020497	RESISTOR-200Ω, 1/4W, ±5% R54,55,56,57		
14	4	A	006-6020448	RESISTOR-100Ω, 1/4W, ±5% R50,58,59,60		
15	14	A	006-6020402	RESISTOR-1K, 1/4W, ±5% R1,34,35,36,37,41,42, 43,44,45,47,49,51,53		
16	30	A	007-1158901	CIRCUIT-12UF, 6V, +100%, -20% C11,12,13,14,15,16,17, 18,19,20,21,22,23,24, 25,26,27,28,29,30,31, 32,33,34,35,36,37,38, 39,40		
17	4	A	007-1131520	CAPACITOR-220PF, 100V, ±10% C41,42,43,44		
18	10	A	007-1695301	CIRCUIT-TTL, HEX INVERTER A4, A8, A9, A10, C4, E2, E4, F4, H2, H4		
19	5	A	007-1695001	CIRCUIT-TTL, NAND GATE (QUAD 2-INPUT) A6, A7, C2, F2, G1		

THIS DRAWING AND INFORMATION THEREON IS THE PROPERTY OF THE NATIONAL CASH REGISTER COMPANY AND ALL UNAUTHORIZED USE AND REPRODUCTION IS PROHIBITED.	NCR DATA PROCESSING DIVISION RANCHO BERNARDO, CALIFORNIA		315-0524796	REV
	UNIT: GPMC			B
	NAME: BOARD-PLUGIN, PROCESSOR 2			PARTS LIST SHEET 2 OF 4

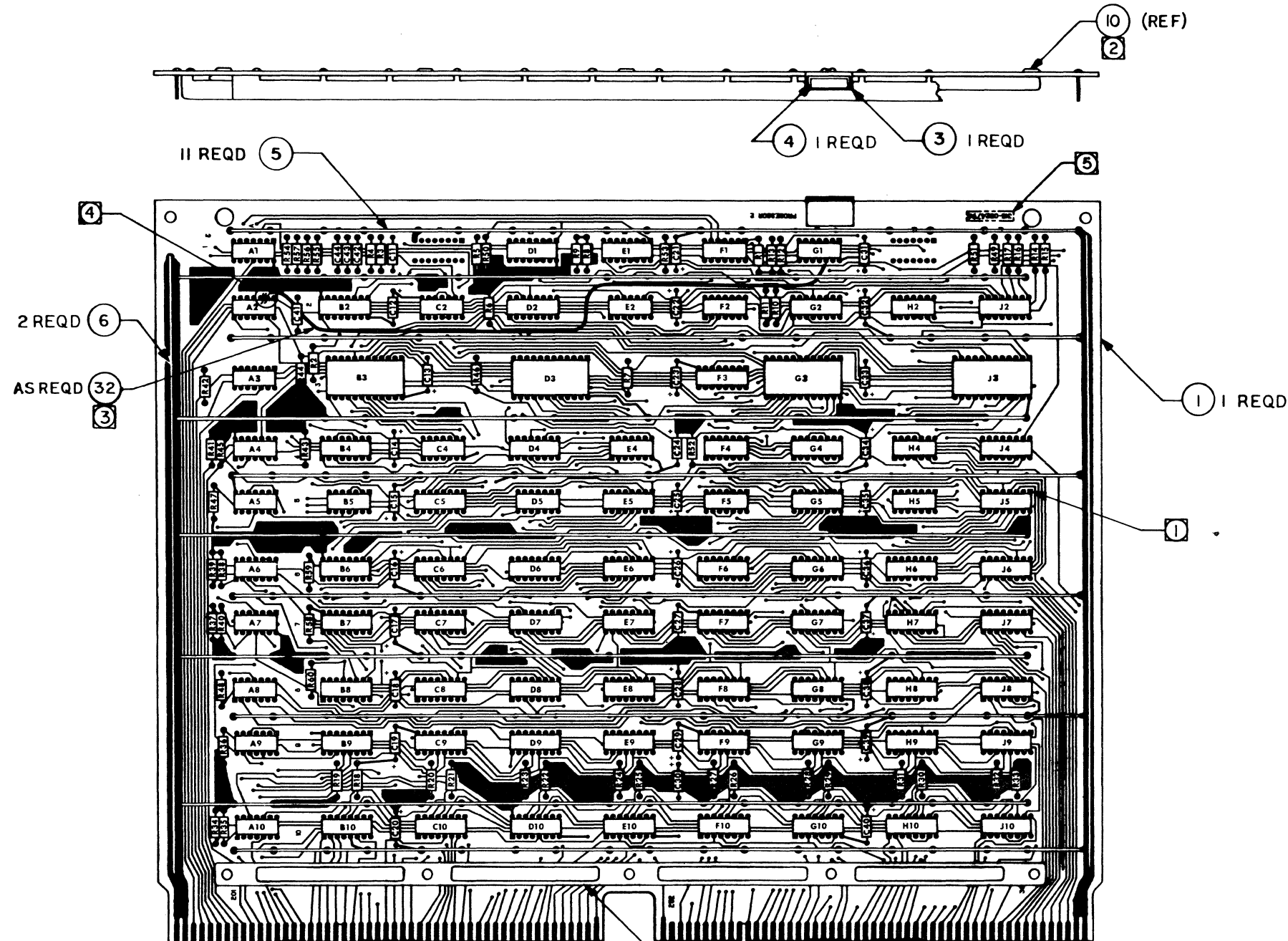
ITEM	REQD	SIZE	PART NO.	DESCRIPTION	PARTS LIST CHG. ER NO.	REMARKS
20	1	A	007-1695901	CIRCUIT-TTL, NAND GATE (TRIPLE 3-INPUT) A2		
21	2	A	007-1695101	CIRCUIT-TTL, NAND GATE (DUAL 4-INPUT) A3, F1		
22	4	A	007-1696101	CIRCUIT-TTL, 4-BIT LATCH B4, D4, G4, J4		
23	2	A	007-1695401	CIRCUIT-TTL, FLIP-FLOP (DUAL) D1, E1		
24	32	A	007-1697301	CIRCUIT-TTL, MULTIPLEXER (8-INPUT) B7, B8, B9, B10, C7, C8, C9, C10, D7, D8, D9, D10, E7, E8, E9, E10, F7, F8, F9, F10, G7, G8, G9, G10, H7, H8, H9, H10, J7, J8, J9, J10		
25	8	A	007-1697401	CIRCUIT-TTL, BINARY CO C5, C6, E5, E6, G5, G6, J5, J6		
26	4	A	007-1698001	CIRCUIT-TTL, MULTIPLEXER (QUAD 2-INPUT) B6, D6, F6, H6		
27	4	A	007-1697601	CIRCUIT-TTL, 64 BIT RAM B2, D2, G2, J2		
28	4	A	007-1697801	CIRCUIT-TTL, LOGIC UNIT (4-BIT ARITHMETIC) B3, D3, G3, J3		
29	5	A	007-1699401	CIRCUIT-TTL, NAND GATE (QUAD 2-INPUT OC) A5, B5, D5, F5, H5		
30	1	A	007-1696201	CIRCUIT-TTL, NOR GATE (QUAD 2-INPUT) A1		
31	1	A	007-1697901	CIRCUIT-TTL, (LOOK-AHEAD CARRY) F3		
32	A/R	A	007-9000001	WIRE-ELECTRICAL, INSULATED W1	35-07671	
33	REF	A	007-9502002	MARKING, GENERAL	35-07671	
34	1	C	315-0529089	INSULATOR-CARD STIFFENER	35-07671	

THIS DRAWING AND INFORMATION THEREON IS THE PROPERTY OF THE NATIONAL CASH REGISTER COMPANY AND ALL UNAUTHORIZED USE AND REPRODUCTION IS PROHIBITED.	NCR		DATA PROCESSING DIVISION RANCHO BERNARDO, CALIFORNIA		REV
	UNIT: GPMC		315-0524796		B
	NAME: BOARD-PLUGIN, PROCESSOR 2				
			PARTS LIST	SHEET 3 OF 4	

(25,4) 1 INCH

WIRE LIST ③					
REF DES	START TERM	END TERM	P/L ITEMS	COMP SIDE	SLD SIDE
W1	G1-12	A2-9	32	X	

CONDUCTOR CUT LIST ④				
CUT NO.	CUT BETWEEN		COMP SIDE	SLD SIDE
1	A2-9	A2-10	X	



- ⑤ RE-IDENTIFY PER ITEM 33.
- ④ CUT CONDUCTOR APPROXIMATELY AS SHOWN, PER ITEM 9.
- ③ ROUTE W1 APPROXIMATELY AS SHOWN, PER ITEM 9.
- ② INSTALL FROM THIS SIDE.
- ① ■ INDICATES PIN NUMBER 1.

NOTES (UNLESS OTHERWISE SPECIFIED)

- ② I REQD
- ⑩ 5 REQD
- ③④ I REQD

315-0524796

REV B	SEE SHEET ONE FOR CHANGES		
THIS DRAWING AND INFORMATION THEREON IS THE PROPERTY OF THE NATIONAL CASH REGISTER COMPANY AND ALL UNAUTHORIZED USE AND REPRODUCTION IS PROHIBITED.			
NCR		DATA PROCESSING DIVISION RANCHO BERNARDO, CALIFORNIA	
UNIT: GPMC			
NAME: BOARD-PLUGIN, PROCESSOR 2			
SHEET 4 OF 4	DWG SIZE	315-0524796	
SCALE: 1:1	D		

UNLESS OTHERWISE SPECIFIED, DIMENSIONAL LIMITS ARE:
 .XX ±
 .XXX ±

FUNCTION	INPUT PIN	OUTPUT PIN	PAGE/ZONE	REMARKS
AMA01	92		4-D3,4-D5, 4-D7 4-D9	
AMA02	95		4-E3,4-E5, 4-E7,4-E9	
AMA03	94		4-E3,4-E5, 4-E7,4 E9	
AMA04	93		4-E3,4-E5, 4-E7,4-E9	
B	62		8-C3	
CA16		97	6-A10	
CCR01-A	220		6-G8,7-E2	
CCR02-A	217		7-E3	
CCR03-A	39		7-E4	
CCR04	230		6-G7,7-E7	
CCR05	241		7-E7	
CCR09	211		4-F11,7-G11	
CCR09-A	15		6-G5,6-G6	
CJ16		271	4-A8	
CL2-B	285		4-B9,4-F10, 4-G9,5-F6	
CORCL	225		5-F11	
COR-R	282		5-G11	
E	49		8-F10	
ET	73		4-F10, 5-G6	
ETT	293		8-C10	
F16		86	7-A11	
G	266		8-C2	
G16		294	8-B10	
GA01	99		8-G11	
GA02	289		8-G11	

FUNCTION	INPUT PIN	OUTPUT PIN	PAGE/ZONE	REMARKS
GA03	100		8-G10	
GE	227		8-G11	
GPC		55	6-B6	
IP	67		8-C6	
J01		236	6-B1	
J02		36	6-B2	
J03		37	6-B2	
J04		38	6-B3	
J05		44	6-B3	
J06		45	6-B4	
J07		46	6-B4	
J08		47	6-B4	
J09		265	6-B7	
J10		264	6-B7	
J11		263	6-B8	

FUNCTION	INPUT PIN	OUTPUT PIN	PAGE/ZONE	REMARKS
J12		66	6-B8	
J13		297	6-B9	
J14		298	6-B9	
J15		299	6-B10	
J16		300	6-B10	
KA	204		4-G11	
KAE	82		5-B10	
KCCR01	50		7-E8	
KCCR02	245		7-B3,7-B4, 7-B6,7-B7,7-B8, 7-B9,7-B10,7-D1, 7-E9,7-E10	
KCCR08	207		6-G7	
KCCR14	14		4-F11	
KCCR17	10		6-G7	
KFFL	283		5-G11	
KJ01-16		284	6-A11	
L	53		8-F9	
MAB01		19	5-A3	
MAB02		25	5-A3	
MAB03		17	5-A4	

315-0524798

UI

M05	01	08							
M05	01	35	A	35ER04255					
CLASS	MODEL	PLANT	REV	RELEASE NO.	DFTS	DATE	CHECK	APPD	

- ③ FILTER CAPACITORS C11 THRU C40.
2. +5 VOLT PINS 1, 2, 201, 202.
1. GROUND PINS 101, 102, 301, 302.

CHANGES: (A) RELEASED TO PRODUCTION

THIS DRAWING AND INFORMATION THEREON IS THE PROPERTY OF THE NATIONAL CASH REGISTER COMPANY AND ALL UNAUTHORIZED USE AND REPRODUCTION IS PROHIBITED.

NCR DATA PROCESSING DIVISION RANCHO BERNARDO, CALIFORNIA

CLASS: M05 UNIT: GPMC

START: 11-3-72 FINISH: 11-14-72 NAME: SCHEMATIC-LOGIC, PROCESSOR 2

INTERPLANT USAGE (CODE) DFTS: J.C.PETTY

CHKR: *Handwritten* 2-16-73

DESIGNER: J. BOONE SHEET 1 OF 8 DWG SIZE

REPLACES DWG APPD: *Handwritten* APPD: *Handwritten* CODE: -

D 315-0524798

FUNCTION	INPUT PIN	OUTPUT PIN	PAGE/ZONE	REMARKS
MAB04		18	5-A4	
MAB05		237	5-A5	
MAB06		29	5-A5	
MAB07		27	5-A6	
MAB08		26	5-A6	
MAB09		60	5-A7	
MAB10		57	5-A7	
MAB11		59	5-A8	
MAB12		58	5-A8	
MAB13		75	5-A8	
MAB14		80	5-A9	
MAB15		74	5-A9	
MAB16		81	5-A10	
MAC	212		5-G2	
MC	85		4-C6, 5-G6	
MCA	98		5-B9, 5-D6	
MDR01	218		7-E2, 8-F2	
MDR02	223		7-E3, 8-F3	
MDR03	33		7-E4, 8-F4	
MDR04	228		7-E5, 8-F5	
MDR05	239		7-E7, 8-F7	
MDR06	243		7-E8, 8-F8	
MDR07	52		7-E9, 8-F9	
MDR08	246		7-E10, 8-F10	
MDR09	254		7-D1, 8-C2	
MDR10	63		7-B3, 8-C3	
MDR11	270		7-B4, 8-C4	
MDR12	267		7-B5, 8-C5	
MDR13	275		7-B7, 8-C7	
MDR14	78		7-B8, 8-C8	
MDR15	90		7-B9, 8-C9	
MDR16	286		7-B10, 8-C10	

FUNCTION	INPUT PIN	OUTPUT PIN	PAGE/ZONE	REMARKS
MPF	91		8-C7	
MR	56		4-C8	
MW		4	5-B1	
NXM	79		8-C8	
PFF	292		8-C9	
PTAIN01	21		7-E4, 8-F2	
PTAIN02	30		7-E5, 8-F3	
PTAIN03	234		7-E6, 8-F4	
RD01	222		7-E2, 8-B9	
RD02	23		7-B3, 8-B10	
RD03	231		7-E5, 8-B10	
RD04	233		7-E6, 8-B10	
RD05	242		7-E7	
RD06	40		7-E8	
RD07	248		7-E9	
RD08	251		7-E11	

FUNCTION	INPUT PIN	OUTPUT PIN	PAGE/ZONE	REMARKS
RD09	260		7-D1	
RD10	259		7-B4	
RD11	269		7-B5	
RD12	70		7-B6	
RD13	279		7-B7	
RD14	278		7-B8	
RD15	88		7-B9	
RD16	290		7-B11	
RPOS01	8		8-B5	
RPOS02	7		8-B5	
RPOS03	216		8-B6	

315-0524798

U 2

REV	A	SEE SHEET ONE FOR CHANGES
THIS DRAWING AND INFORMATION THEREON IS THE PROPERTY OF THE NATIONAL CASH REGISTER COMPANY AND ALL UNAUTHORIZED USE AND REPRODUCTION IS PROHIBITED.		
NCR DATA PROCESSING DIVISION RANCHO BERNARDO, CALIFORNIA		
UNIT: GPMC		
NAME: SCHEMATIC-LOGIC, PROCESSOR 2		
SHEET 2 OF 8	DWG SIZE D	315-0524798

FUNCTION	INPUT PIN	OUTPUT PIN	PAGE/ZONE	REMARKS
SC	6		4-D11	
SRF01	219		7-E2	
SRF02	221		7-E3	
SRF03	232		7-E4	
SRF04	229		7-E6	
SRF05	240		7-E7	
SRF06	42		7-E8	
SRF07	250		7-E9	
SRF08	247		7-E10	
SRF09	257		7-D1	
SRF10	61		7-B3	
SRF11	272		7-B4	
SRF12	268		7-B6	
SRF13	277		7-B7	
SRF14	280		7-B8	
SRF15	89		7-B9	
SRF16	288		7-B10	
SRG01	20		8-F2	
SRG02	22		8-F3	
SRG03	32		8-F4	
SRG04	35		8-F5	
SRG05	43		8-F6	
SRG06	41		8-F7	
SRG07	249		8-F9	
SRG08	54		8-F10	
SRG09	64		8-C2	
SRG10	258		8-C3	
SRG11	69		8-C4	
SRG12	71		8-C5	
SRG13	296		8-C6	
SRG14	276		8-C7	

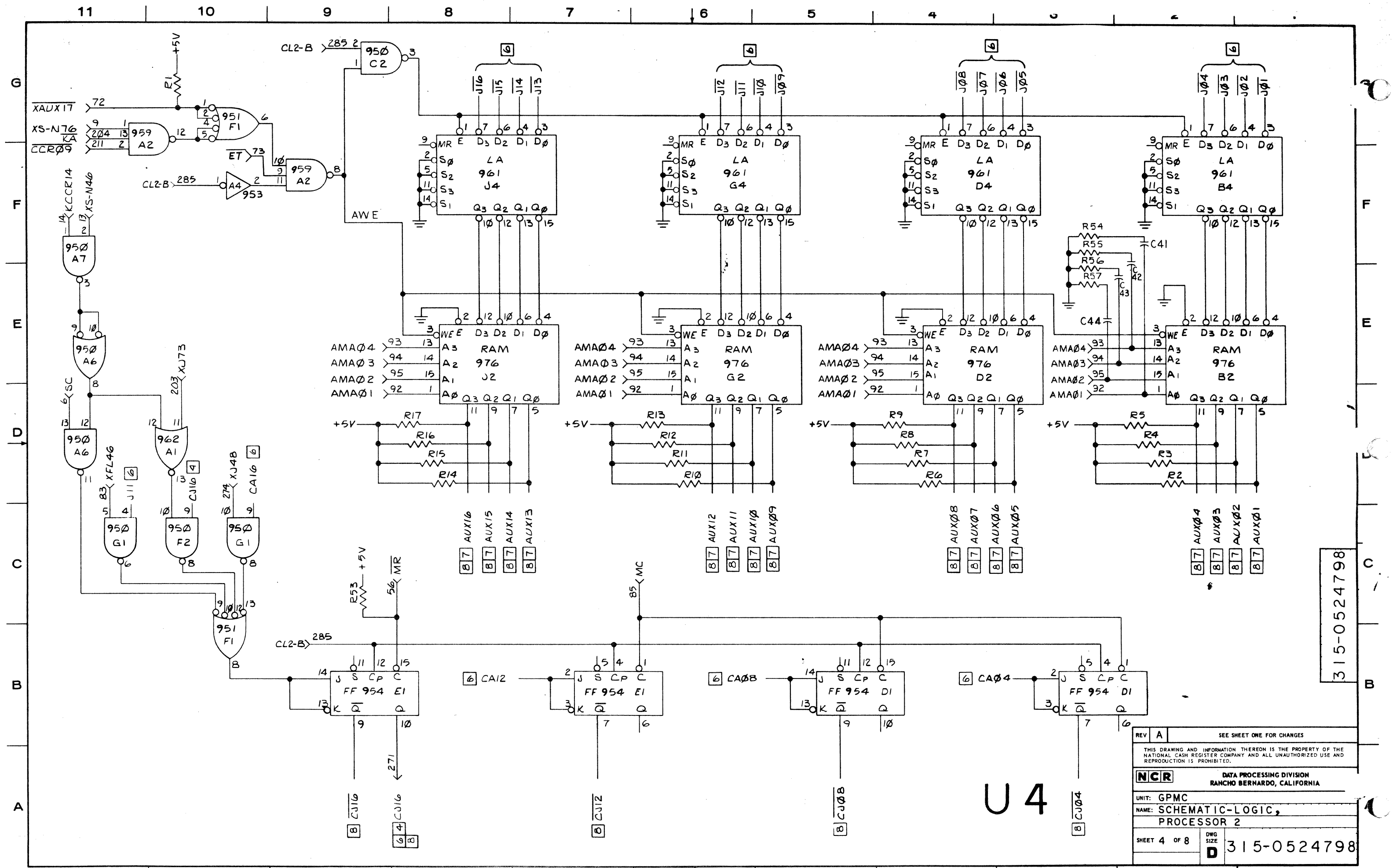
FUNCTION	INPUT PIN	OUTPUT PIN	PAGE/ZONE	REMARKS
SRG15	291		8-C9	
SRG16	295		8-C10	
TSD01	224		7-E3,8-F2	
TSD02	24		7-E4,8-F3	
TSD03	31		7-E5,8-F4	
TSD04	235		7-E6,8-F6	
TSD05	244		7-E7,8-F7	
TSD06	238		7-E8,8-F8	
TSD07	51		7-E10	
TSD08	252		7-E11	
TSD09	262		7-D2	
TSD10	256		7-B4	
TSD11	68		7-B5	
TSD12	273		7-B6	
TSD13	281		7-B7	
TSD14	77		7-B8	
TSD15	87		7-B10	
TSD16	287		7-B11	
XAUX17	72		4-G11	
XCOR15	84		5-G10	
XF01	215		7-G7	
XF02	214		7-G8	
XF03	12		7-G9	
XF04	11		7-G11	
XFL-46	83		4-D11	
XJ09	209		6-G4,6-G10	
XJ10	5		6-G5,6-G10	
XJ11	16		6-G5,6-G11	
XJ12	210		6-G6,6-G11	
XJ13	205		6-F3,6-G9	
XJ42	208		6-G7	

FUNCTION	INPUT PIN	OUTPUT PIN	PAGE/ZONE	REMARKS
XJ48	274		4-D10	
XJ54	206		6-F7	
XJ56		255	6-C6	
XJ73	203		4-E10	
XMA14	96		5-G5	
XMA55	76		5-D4,5-D6, 5-D8,5-D10	
XMW22	3		5-C2	
XS-N02	28		5-F6	
XS-N04	226		7-B6,7-B7,7-B10 7-D1,7-E6 7-E7,7-E10	
XS-N41	213		7-E2,8-B8	
XS-N46	13		4-F11	
XS-N76	9		4-G11,6-G5,6-G6 7-G11	

315-0524798

REV	A	SEE SHEET ONE FOR CHANGES
THIS DRAWING AND INFORMATION THEREON IS THE PROPERTY OF THE NATIONAL CASH REGISTER COMPANY AND ALL UNAUTHORIZED USE AND REPRODUCTION IS PROHIBITED.		
NCR		DATA PROCESSING DIVISION RANCHO BERNARDO, CALIFORNIA
UNIT:	GPMC	
NAME:	SCHEMATIC-LOGIC, PROCESSOR 2	
SHEET 3 OF 8	DWG SIZE	D 315-0524798

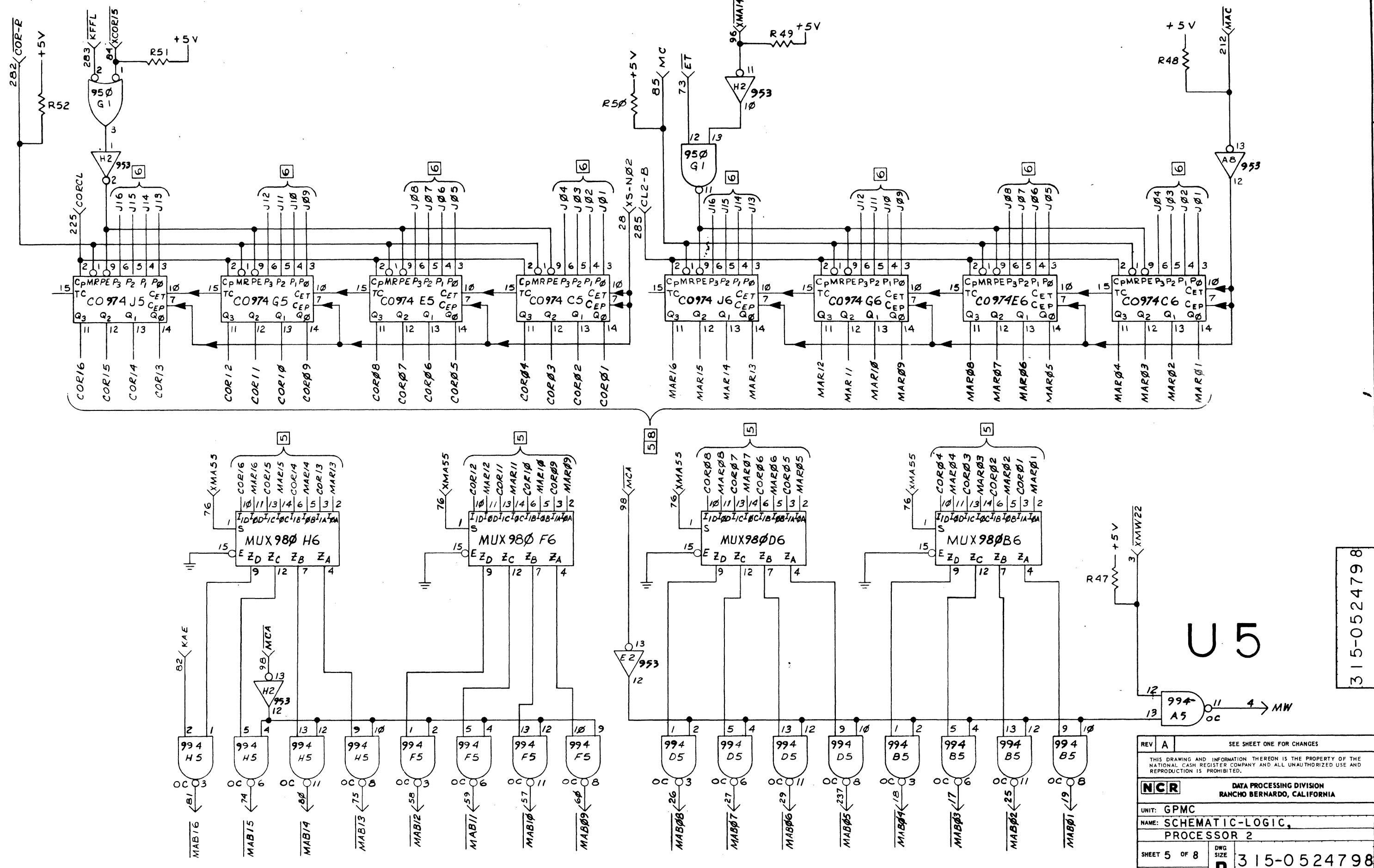
U 3



315-0524798

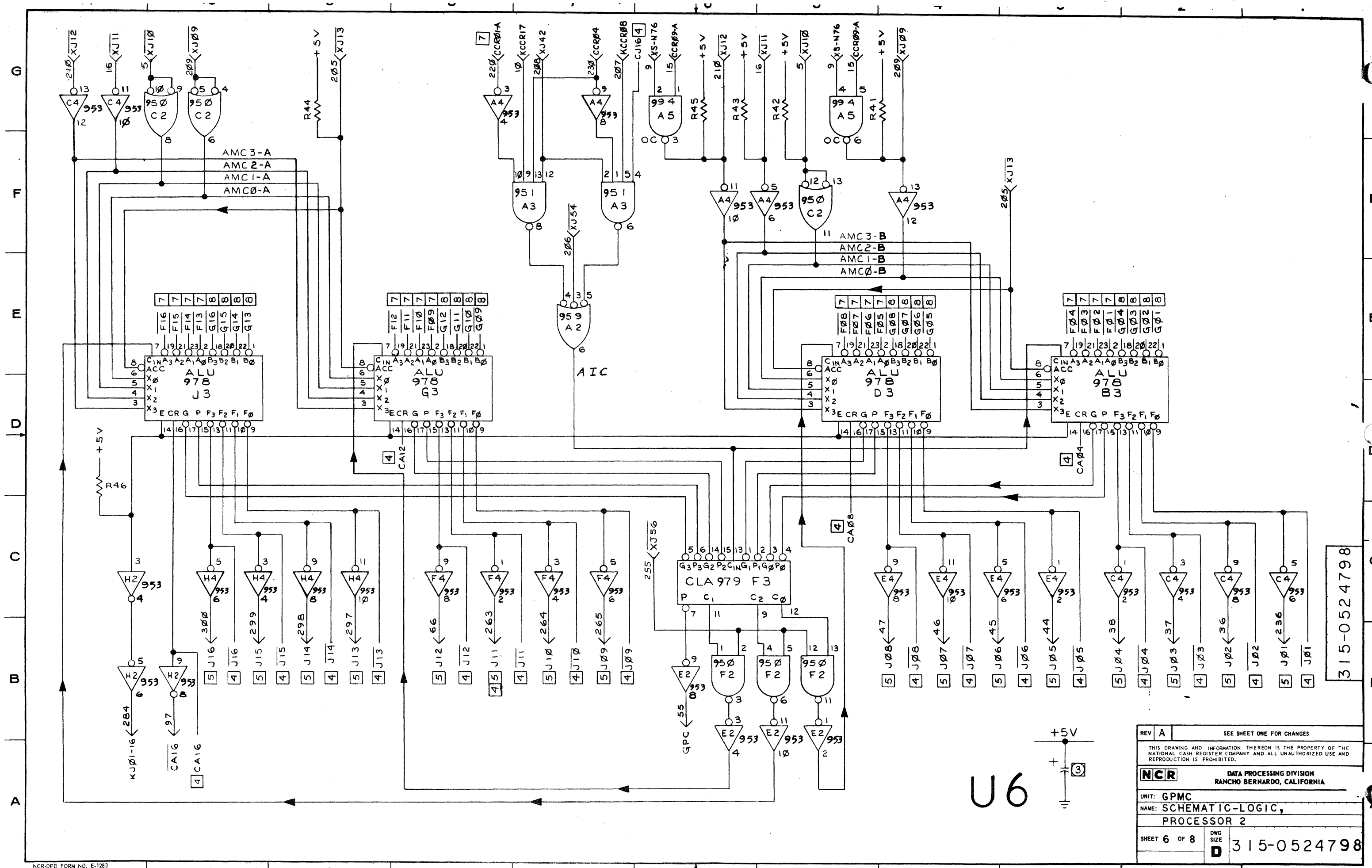
U 4

REV	A	SEE SHEET ONE FOR CHANGES
THIS DRAWING AND INFORMATION THEREON IS THE PROPERTY OF THE NATIONAL CASH REGISTER COMPANY AND ALL UNAUTHORIZED USE AND REPRODUCTION IS PROHIBITED.		
NCR DATA PROCESSING DIVISION RANCHO BERNARDO, CALIFORNIA		
UNIT:	GPMC	
NAME:	SCHEMATIC-LOGIC, PROCESSOR 2	
SHEET 4 OF 8	DWG SIZE	315-0524798



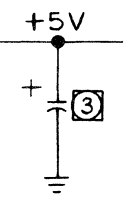
315-0524798

REV A	SEE SHEET ONE FOR CHANGES
THIS DRAWING AND INFORMATION THEREON IS THE PROPERTY OF THE NATIONAL CASH REGISTER COMPANY AND ALL UNAUTHORIZED USE AND REPRODUCTION IS PROHIBITED.	
NCR	
DATA PROCESSING DIVISION RANCHO BERNARDO, CALIFORNIA	
UNIT: GPMC	
NAME: SCHEMATIC-LOGIC, PROCESSOR 2	
SHEET 5 OF 8	DWG SIZE D 315-0524798

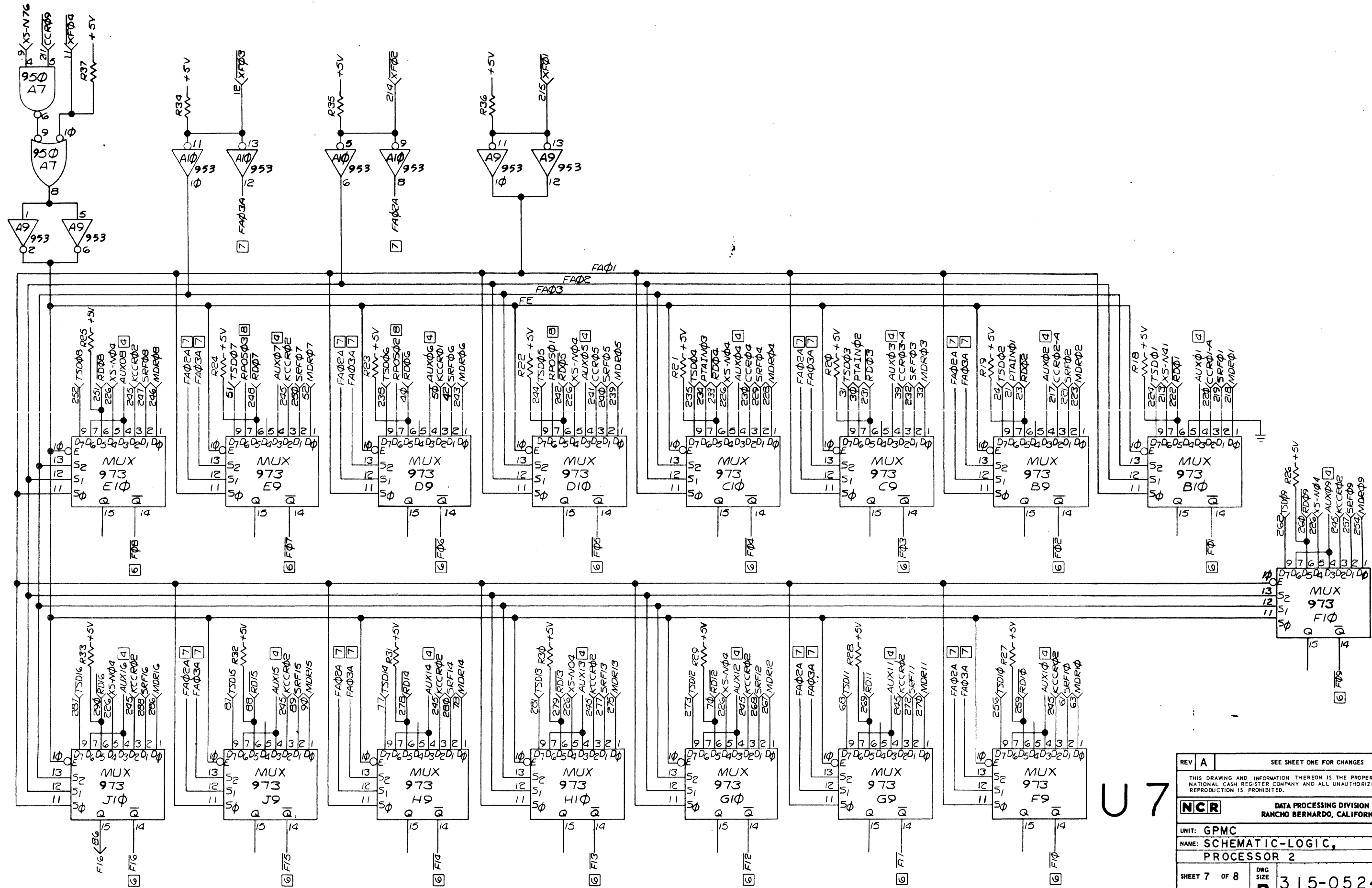


315-0524798

U6



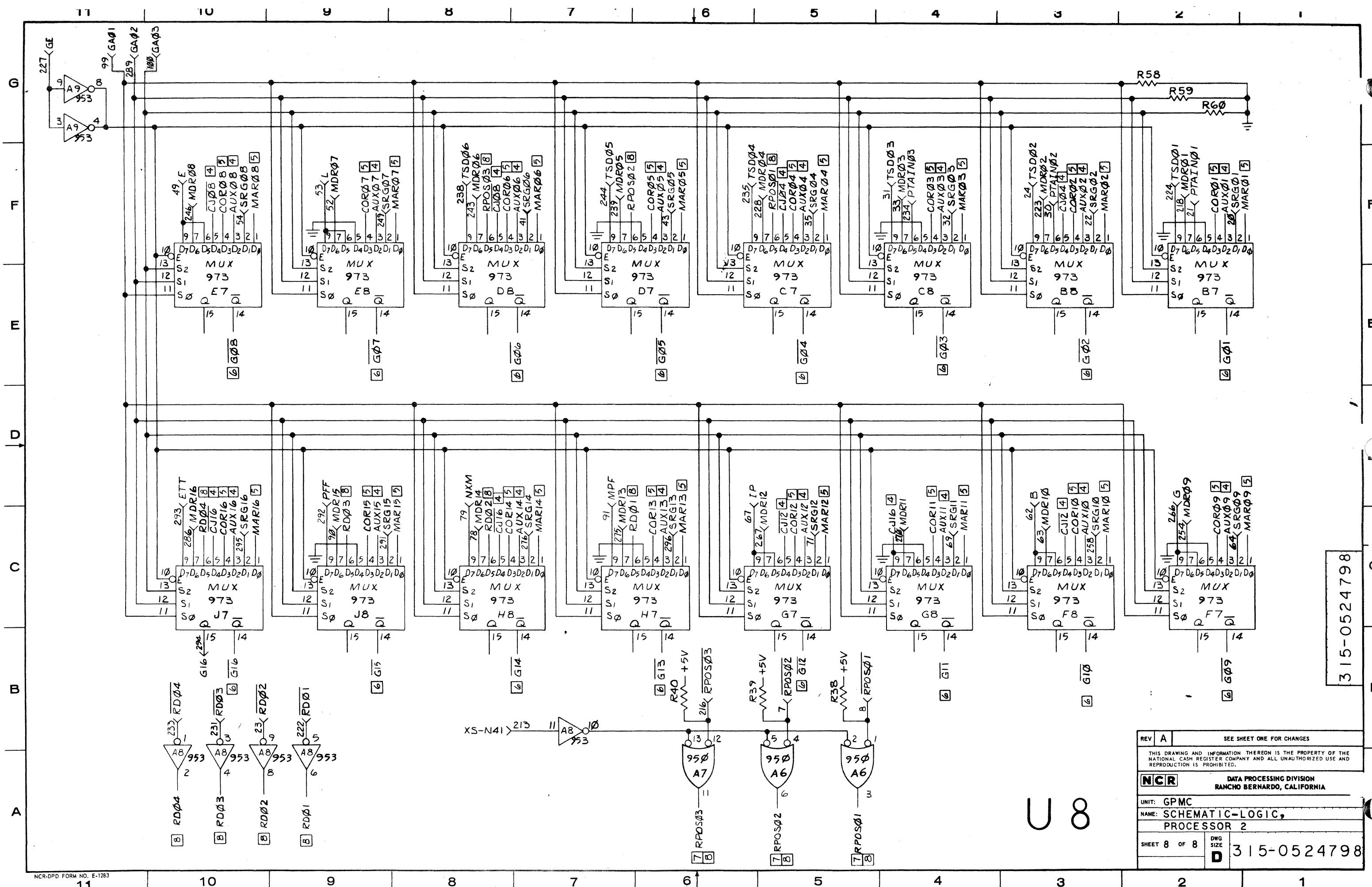
REV	A	SEE SHEET ONE FOR CHANGES
THIS DRAWING AND INFORMATION THEREON IS THE PROPERTY OF THE NATIONAL CASH REGISTER COMPANY AND ALL UNAUTHORIZED USE AND REPRODUCTION IS PROHIBITED.		
NCR DATA PROCESSING DIVISION RANCHO BERNARDO, CALIFORNIA		
UNIT: GPMC		
NAME: SCHEMATIC-LOGIC, PROCESSOR 2		
SHEET 6 OF 8	DWG SIZE	D 315-0524798



3 1 5 - 0 5 2 4 7 9 8

U 7

REV A	SEE SHEET ONE FOR CHANGES
THIS DRAWING AND INFORMATION THEREON IS THE PROPERTY OF THE NATIONAL CASH REGISTER COMPANY AND ALL UNAUTHORIZED USE AND REPRODUCTION IS PROHIBITED.	
NCR	DATA PROCESSING DIVISION RANCHO BERNARDO, CALIFORNIA
UNIT: GPMC	
NAME: SCHEMATIC-LOGIC, PROCESSOR 2	
SHEET 7 OF 8	DWG SIZE 3 1 5 - 0 5 2 4 7 9 8



315-0524798

REV	A	SEE SHEET ONE FOR CHANGES
THIS DRAWING AND INFORMATION THEREON IS THE PROPERTY OF THE NATIONAL CASH REGISTER COMPANY AND ALL UNAUTHORIZED USE AND REPRODUCTION IS PROHIBITED.		
NCR DATA PROCESSING DIVISION RANCHO BERNARDO, CALIFORNIA		
UNIT:	GPMC	
NAME:	SCHEMATIC-LOGIC, PROCESSOR 2	
SHEET 8 OF 8	DWG SIZE	315-0524798

U 8