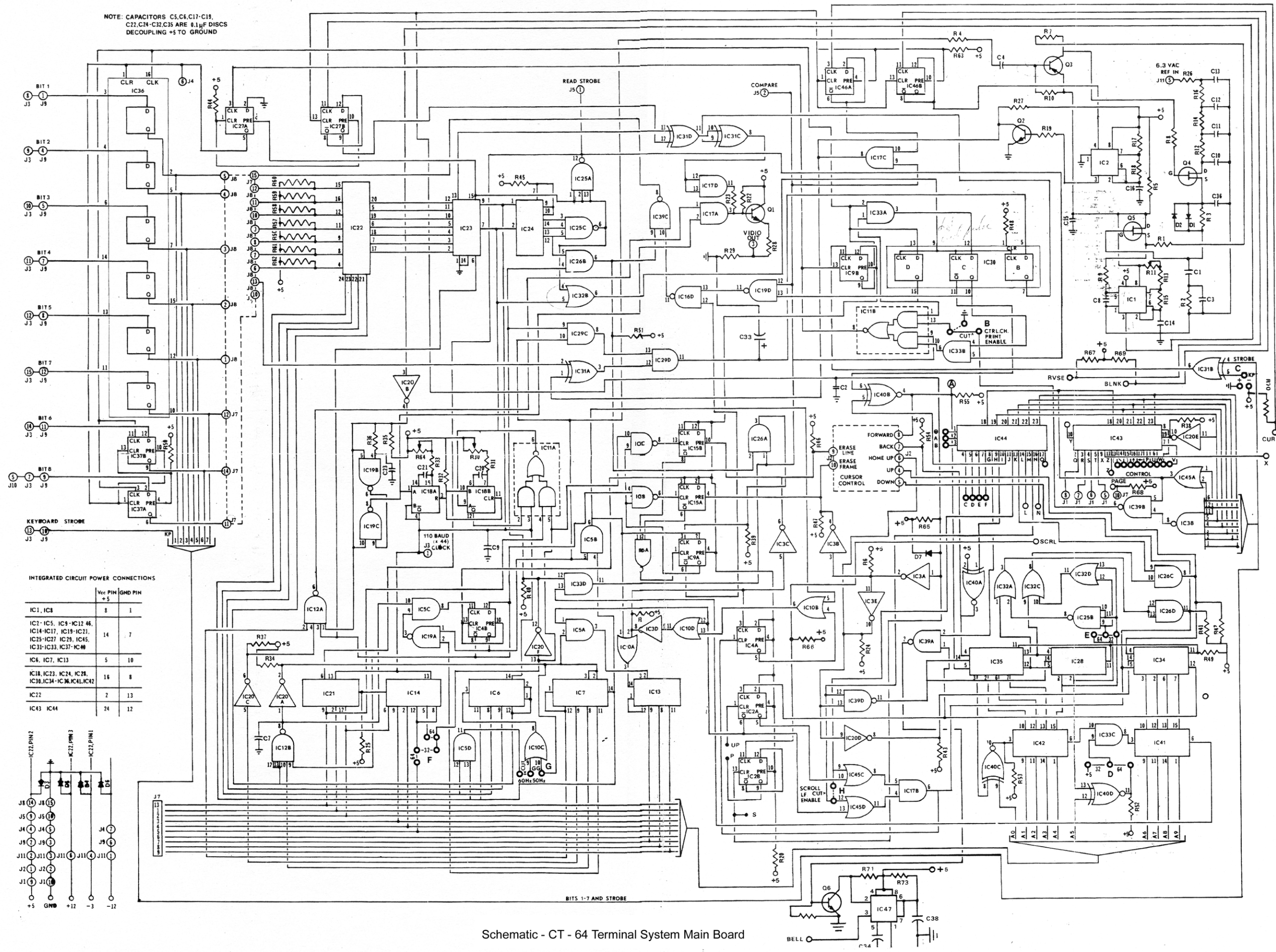
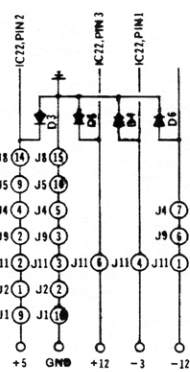


NOTE: CAPACITORS C5, C6, C17-C19, C22, C24-C32, C35 ARE 0.1μF DISCS  
DECOUPLING +5 TO GROUND



INTEGRATED CIRCUIT POWER CONNECTIONS

IC	Vcc PIN	GND PIN
IC1, IC8	8	1
IC2-IC5, IC9-IC12, 46, IC14-IC17, IC19-IC21, IC25-IC27, IC29, IC45, IC31-IC33, IC37-IC40	14	7
IC6, IC7, IC13	5	10
IC18, IC23, IC24, IC28, IC30, IC34-IC36, IC41, IC42	16	8
IC22	2	13
IC43, IC44	24	12



Schematic - CT - 64 Terminal System Main Board