

1935 TAPE FORMATTER

PN COMPATIBILITY LISTING

PN 9588

LIST OF EFFECTIVE PAGES

PUBLICATION NO.: 9588 - 1935 TAPE FCU
 ORIGINAL ISSUE DATE: NOVEMBER 5, 1979
 CURRENT ISSUE DATE: 12-01-83

TOTAL NUMBER OF PAGES IN THIS VOLUME IS 43, CONSISTING OF THE FOLLOWING PAGES:

TITLE	PAGE NO.	PAGE LEVEL	EC DATE
COVER.....			
LIST OF EFFECTIVE PAGES.....	II		12/83
III		12/83
INTRODUCTION.....	1-1		
1-2		
1-3		
1-4		
PN CROSS REFERENCE INDEX.....	2-1	BLANK	
KA TJU16 CUSTOM INTERFACE	3-1	44041	
KB TJU16 CUSTOM INTERFACE	3-2	44718	04/82
KC TJU16 CUSTOM INTERFACE	3-3	44043	
KD STD INTERFACE	3-4	44492	10/81
KE MEMORY	3-5	44240	08/80
KE MEMORY CARD TRI-DENSITY	3-5.1	44511	10/81
KE MEMORY CARD TRI-DENSITY (CONT.)	3-5.1A	44813	10/82
KE MEMORY CARD DUAL-DENSITY	3-5.2	44511	10/81
KE MEMORY CARD DUAL-DENSITY (CONT.)	3-5.2A	44813	10/82
KE RPQ 227 MANUAL DENSITY	3-5.3	44655A	08/82
KF MOTION CONTROLS	3-6	44522	07/81
KG CLOCK	3-7	44231	08/81
KG CLOCK (CONT.)	3-7A	44457	08/81
KG CLOCK (CONT.)	3-7B	44457	08/81
KH READ CONTROL (TRK 0-7)	3-8	44641	02/82
KK READ CONTROL (TRK P)	3-9	44482	06/81
KL OPTIONAL NRZI FEATURE CARD	3-9.1	44668	06/82
KM READ CONTROL	3-10	44044	
KN READ CONTROL	3-11	44051	
KP WRITE CONTROL	3-12	44532A	09/82
KQ WRITE CONTROL	3-13	44533	08/81
KR WRITE CONTROL	3-14	44163A	08/81
KR WRITE CONTROL (CONT.)	3-14A	44374	08/81
KR WRITE CONTROL CARD	3-14.1	44534	08/81
KT READ CLOCK AND DETECTION	3-15	44243	07/82
KT (CONT.)	3-15A	44988	02/83
KT (CONT.)	3-15B	49407	12/83
KV READ FILTER AND A TO D	3-16	44443A	05/81
KV READ FILTER AND A TO D	3-16A	44700	08/83

LIST OF EFFECTIVE PAGES (CONT.) - 1935 TAPE FORMATTER
 PG EC LEVEL - 44700 DATE 08/83

TITLE	DESCRIPTION	PAGE NO.	PAGE LEVEL	EC DATE
KY	4-TRK READ FILTER AND ANALOG TO DIGITAL CONVERSION CARD	3-16.1	44700	08/83
KW	SINGLE TRACK READ CLOCK AND DETECTION CARD	3-16.2	49407	12/83
MBD	BACKPANEL (CUSTOM INTERFACE MACHINES)	3-17	44244	02/82
MBD	BACKPANEL (CUSTOM INTERFACE MACHINES)	3-17A	44647	02/82
MBD	BACKPANEL (STANDARD INTERFACE MACHINES)	3-17.1	44647	02/82
UNIBUS ADAPTER	CONNECTOR C3	3-18	44394	02/81
POWER SUPPLY	DC POWER SUPPLY ASSEMBLY	3-19	42751N	02/83

INTRODUCTION

THIS MANUAL CONTAINS THREE PARTS:

1. INTRODUCTION - WHICH DEFINES THE CONTENT OF THE MANUAL AND EXPLAINS HOW TO USE IT.
2. RESERVED FOR FUTURE USE.
3. TU COMPATIBILITY - WHICH CONTAIN THE PART NUMBER COMPATIBILITY PAGES FOR THE TAPE UNIT (TU).

DOWNWARD COMPATIBLE: A NEW ASSEMBLY (USUALLY A HIGHER PN) IS A DIRECT REPLACEMENT (DOWNWARD COMPATIBLE) FOR AN OLD ASSEMBLY (USUALLY A LOWER PN) WHEN IT DOES NOT DEGRADE MACHINE PERFORMANCE. DOWNWARD COMPATIBILITY IS INDICATED WHEN BOTH ASSEMBLIES HAVE THE SAME COMPATIBILITY NUMBER.

UPWARD COMPATIBLE: AN OLD ASSEMBLY (USUALLY A LOWER PN) IS EQUIVALENT TO (UPWARD COMPATIBLE) AND MAY DIRECTLY REPLACE A NEW ASSEMBLY (USUALLY A HIGHER PN) IF ITS USE DOES NOT AFFECT MACHINE PERFORMANCE. UPWARD COMPATIBILITY IS INDICATED WHEN ASSEMBLIES HAVING THE SAME COMPATIBILITY NUMBER ARE ALSO INDICATED AS "EQUIVALENT" IN THE "DESCRIPTION OF EC" FIELD.

EACH PAGE IN THE COMPATIBILITY SECTION CONTAINS THE COMPATIBILITY INFORMATION FOR A SINGLE CARD TYPE. IT SHOWS THE HISTORY OF ENGINEERING CHANGES (EC'S) THAT RESULTED IN PART NUMBER CHANGES FOR THAT CARD. IT ALSO SHOWS WHICH PART NUMBERS ARE OBSOLETE AND WHAT PART NUMBERS CAN BE USED TO REPLACE THEM.

FOR SOME CARDS, THE FUNCTIONAL CHANGES THAT RESULTED IN NEW PART NUMBERS WILL NOT FUNCTION WITHOUT CORRESPONDING MACHINE REWORK. THIS USUALLY RESULTS IN A COMPATIBILITY NUMBER

CHANGE FOR THE NEW ASSEMBLY. THE "DESCRIPTION OF EC" FIELD WILL SUMMARIZE THE CHANGES. THE FIELD APL DEFINING THE REQUIRED REWORK WILL BE LISTED IN A SEPARATE COLUMN NEXT TO THE EC NUMBER.

IF THE COMPATIBILITY NUMBER DOES NOT CHANGE, THE NEW CARD WILL PERFORM AT LEAST THE SAME FUNCTIONS AS THE OLDER CARD.

COMPATIBILITY AND OBSOLESCENCE

ANY PART NUMBER THAT IS PREFIXED WITH AN ASTERISK (*) IS AN OBSOLETE PART NUMBER. OBSOLETE MEANS THAT THE PART WILL NO LONGER BE SUPPLIED. IF AN OBSOLETE PART IS ORDERED, THE FIELD PARTS CRIB WILL SUBSTITUTE A PART THAT IS DOWNWARD COMPATIBLE OR EQUIVALENT TO THE PART NUMBER ORDERED.

FOR SOME CIRCUIT CARDS, ALL PART NUMBERS OF THE CARD AT A PARTICULAR COMPATIBILITY NUMBER HAVE BEEN OBSOLETE, LEAVING NO AVAILABLE REPLACEMENTS AT THAT COMPATIBILITY NUMBER. THIS SITUATION OCCURS WHEN A CARD IS OBSOLETE BY A MANDATORY EC. IF A REPLACEMENT IS ORDERED FOR AN OBSOLETE CARD FOR WHICH THERE IS NO REPLACEMENT AT THE COMPATIBILITY NUMBER, IT IS POSSIBLE THAT ONE OR MORE MANDATORY EC'S ARE MISSING FROM THE MACHINE. CHECK THE EC HISTORY LOG FOR THAT MACHINE, AND THE COMPATIBILITY PAGE FOR THAT CARD FOR "DESCRIPTION OF EC" AND THE APPLICABLE APL NUMBERS. UPDATE THE MACHINE SUCH THAT A REPLACEMENT CARD OF A HIGHER COMPATIBILITY NUMBER CAN BE USED. (IT MAY BE NECESSARY TO ORDER THE INDICATED APL WHICH WILL PRODUCE THE CORRECT CARD NEEDED).

DOWNWARD COMPATIBILITY IS DESIGNATED BY THE COMPATIBILITY NUMBER TO THE RIGHT OF THE PART NUMBER. A CARD OF A GIVEN PART NUMBER IS DOWNWARD COMPATIBLE WITH ALL THOSE LOWER PART NUMBER CARDS THAT HAVE THE SAME COMPATIBILITY NUMBER. THIS MEANS IT CAN BE USED TO REPLACE ANY OF THE LOWER PART NUMBER CARDS HAVING THE SAME COMPATIBILITY NUMBER WITHOUT REQUIRING REWORK TO THE CARD OR MACHINE.

FOR EXAMPLE:

CARD PN	COMP. NO.	DESCRIPTION OF EC	EC NO.	FIELD APL
*42150101	1	IR - W/W BOARD	40020	NONE
*42150102	1	ADD REWORK	40030	NONE
42150202	1	IMBED REWORK - EQUIV TO 102	40040	8612
*42150203	2	ADD REWORK. REQUIRED MBD AT LEVEL ____.	40050	8619
42150204	2	ADD REWORK	40060	NONE

IN THE ABOVE EXAMPLE:

P/N 42150 101 CAN REPLACE ONLY ITSELF.
P/N 42150 102 CAN REPLACE ITSELF OR P/N 42150101 (OR -202 BECAUSE IT IS EQUIVALENT).
P/N 42150 202 CAN REPLACE ITSELF, P/N 42150101 OR P/N 42150102.
P/N 42150 203 CAN REPLACE ONLY ITSELF. (CAN NOT REPLACE LOWER LEVEL CARDS UNLESS MBD CHANGE OR OTHER PREREQUISITE IS INSTALLED).
P/N 42150 204 CAN REPLACE ITSELF AND -203. (CAN NOT REPLACE LOWER LEVEL CARDS UNLESS MBD CHANGE OR OTHER PREREQUISITE IS INSTALLED).

* THE ASTERISK TO THE LEFT OF A PART NUMBER INDICATES THAT THE PART IS OBSOLETE AND IS NO LONGER SUPPORTED BY MANUFACTURING. THE HIGHEST LEVEL PART FOR EACH COMPATIBILITY LEVEL SHOULD NOT CARRY AN ASTERISK BECAUSE MANUFACTURING MUST SUPPORT FIELD SPARES UNTIL ALL MACHINES HAVE BEEN BROUGHT TO THE NEXT COMPATIBILITY LEVEL.

CAUTION

UPWARD COMPATIBILITY EXISTS ONLY IF TWO CARDS WITH THE SAME COMPATIBILITY NUMBER ARE DESCRIBED AS "EQUIVALENT" IN THE "DESCRIPTION OF EC" FIELD. ANY OTHER SUBSTITUTION OF A LOWER PART NUMBER CARD FOR A HIGHER PART NUMBER CARD REQUIRES A GREAT DEAL OF CAUTION. SUCH PRACTICE MAY RESULT IN NOISE PROBLEMS, TIMING PROBLEMS, DIAGNOSTIC ERRORS, ETC. ANY ATTEMPT TO UTILIZE SUCH A LOWER PART NUMBER CARD REQUIRES ENSURING THAT FUNCTIONAL CHANGES OR IMPROVEMENTS MISSING FROM THE LOWER PART NUMBER CARD WILL NOT RESULT IN CUSTOMER SYSTEM OPERATION DEGRADATION. REFERENCE THE DESCRIPTION OF EACH CHANGE MISSING FROM THE CARD AND ENSURE THAT NO MACHINE WIRING CHANGES OR COMPANION CHANGES TO OTHER CARDS WERE REQUIRED AT THE TIME THE HIGHER PART NUMBER WAS INSTALLED ORIGINALLY. USAGE IN THIS MANNER IS NOT RECOMMENDED AND SHOULD BE AVOIDED IF POSSIBLE.

UPDATING THE MANUAL

TO UPDATE THE MANUAL, INSERT THE NEW PAGES ACCORDING TO THE NEW LIST OF EFFECTIVE PAGES. REMOVE AND DISCARD ANY PAGES THAT ARE REPLACED BY A LATER EC LEVEL, OR ARE SHOWN AS DELETED FROM THE LIST OF EFFECTIVE PAGES.

COMMENTS CONCERNING THE CONTENT OF THIS MANUAL SHOULD BE DIRECTED TO TAPE PUBLICATIONS SERVICES AT THE ADDRESS BELOW. IN CASE OF ERRORS, PLEASE GIVE SPECIFIC PAGE AND LINE REFERENCES, WHERE APPROPRIATE. FOR A REPLY INCLUDE NAME AND ADDRESS.

REQUESTS FOR ADDITIONAL COPIES OF THIS MANUAL SHOULD BE DIRECTED TO THE FIELD CRIB VIA FIELD INVENTORY SYSTEM (FIS) TERMINALS.

THIS PUBLICATION WAS PREPARED BY STORAGE TECHNOLOGY CORPORATION, TAPE PUBLICATIONS SERVICES, MD AD, P.O. BOX 98, LOUISVILLE, COLORADO 80028.

PN CROSS REFERENCE INDEX - 1935 TAPE FCU
PG EC LEVEL - 9012 DATE 06/80

THIS PAGE INTENTIONALLY LEFT BLANK.

CD TYPE: KA CARD
CD LOC : A2
MACHINE: 1935 FCU
DESCRIPTION - TJU16 CUSTOM INTERFACE CARD
PG EC LEVEL - 44041

CARD PN	COMP. NO.	DESCRIPTION OF EC	EC NO.	FIELD APL.
43301201	1	INITIAL SHIP LEVEL	D3047	NONE
43301201	1	INITIAL RELEASE EQUIVALENT TO D3047	44041	NONE

CD TYPE: KB
 CD LOC: B2
 MACHINE: 1935 FCU
 DESCRIPTION - TJU16 CUSTOM INTERFACE CARD
 PG EC LEVEL - 44718 DATE 04/82

CARD PN	COMP. NO.	DESCRIPTION OF EC	EC NO.	FIELD APL.
*43302202	1	INITIAL SHIP LEVEL	D3063	NONE
*43302203	1	ALLOW BOOT FROM TAPE ON PDP11 CPU'S, CONNECTED TO 1935 FCU'S. PREVENTS INCREMENT OF BUS ADDRESS WHEN FSB COMMANDS ARE ACCEPTED.	D3069	*66599
*43302203	1	INITIAL RELEASE. EQUIVALENT TO D3069. COMPATIBLE WITH D3063. THIS IS ONLY A PAPERWORK CHANGE.	44042	NONE
*43302204	1	CORRECTS FOLLOWING ERRORS: CRC, NON-EXISTENT MEMORY, AND CPU TRAP.	44176	66851
*43302205	1	ADDS A CUT TO THE CIRCUIT SIDE REWORK INSTRUCTIONS THAT WAS OMITTED IN URGENT EC 44176. MODIFIES F/B 66851 TO SHIP "...205" CARD SINCE NO F/B'S HAD BEEN ISSUED AT THE TIME OF THIS EC.	44193	NONE
*43302305	1	INITIAL RELEASE OF IMBEDDED REWORK. EQUIVALENT TO 43302205.	44305	NONE
43302206	1	PREVENTS FALSE INCREMENTS OF FRAME COUNT REGISTER.	44555	*69776
43302306	1	EQUIVALENT TO P/N 43302206 FIELD EXCEPTIONAL F/B.	44555	*69776
43302206	1	E.C. 44718 REPLACES F/B 69776 WITH F/B 74107.	44718	74107
43302306	1	E.C. 44718 REPLACES F/B 69776 WITH F/B 74107.	44718	74107

CD TYPE: KC CARD
CD LOG: C2
MACHINE: 1935 FCU
DESCRIPTION - TJU16 CUSTOM INTERFACE CARD
PG EC LEVEL - 44043

CARD PN	COMP. NO.	DESCRIPTION OF EC	EC NO.	FIELD APL.
43303202	1	INITIAL SHIP LEVEL	D3048	NONE
43303202	1	INITIAL E.C. RELEASE THIS LEVEL IS COMPLETELY COMPATIBLE WITH THIS SAME PART NUMBER AT THE PILOT FILE CHANGE (PFC) LEVEL D3048. IT IS ONLY A PAPER CHANGE.	44043	NONE

CD TYPE: KD CARD
 CD LOC: D2
 MACHINE: 1935 FCU
 DESCRIPTION - STD INTERFACE CARD
 PG EC LEVEL - 44492 DATE 10/81

CARD PN	COMP. NO.	DESCRIPTION OF EC	EC NO.	FIELD APL.
*43304202	1	INITIAL SHIP LEVEL	D3056	NONE
*43304203	2	CHANGE PHASE ERROR THRESHOLD FOR 1920 TU. FROM 35% TO 40% - EF 1130 MBD REWORK IS REQUIRED.	D3064	66562
*43304203	2	APL CORRECTION. CORRECTS PN FOR PART TYPE 74S74.	D3070	NONE
*43304203	2	EC RELEASE. NO CHANGE EQUIVALENT TO PFC D3070.	44054	NONE
*43304303	2	PC IMBED OF PREVIOUS REWORK. EQUIVALENT TO 43304203.	44054	NONE
*43304204	2	ALLOWS MICRO-CODE SELECTION OF PHASE ERROR THRESHOLDS. SETS 40% FOR ALL FUNCTIONAL OPERATIONS. REQUIRES MICRO-CODE LEVEL "RN", EC 44251, FOR FULL DIAGNOSTIC CAPABILITY. DOWN LEVEL MICRO-CODE WILL RUN WITH SLIGHTLY REDUCED FAULT ISOLATION.	44345	67376
*43304304	2	EQUIVALENT TO 43304204. SAME DESCRIPTION AS ABOVE.	44345	67376
43304205	2	ALLOWS FASTER TREQ-TREQ CYCLE TIME AND PROVIDES INTERLOCK FOR TREQ AND TRAK EQUIVALENT TO 433304305/405.	44492	69735
43304305	2	EQUIVALENT TO 43304205/405 SAME DESCRIPTION AS ABOVE.	44492	69735
43304405	2	PC IMBED OF PREVIOUS RWK EQUIVALENT TO 205/305.	44492	69735

CD TYPE: KE
 CD LOC: E2
 MACHINE: 1935 FCU
 DESCRIPTION - MEMORY CARD
 PG EC LEVEL - 44240 DATE 08/80

CARD PN	COMP. NO.	DESCRIPTION OF EC	EC NO.	FIELD APL.
*43305201	1	INITIAL SHIP LEVEL	D3063	NONE
*43305202	1	M-PGM UPDATE FOR SHIP LEVEL 1 MACHINE.	D3060	NONE
*43305203	1	THIS CHANGE TRANSFERS THE KE CARD FROM PILOT FILE CHANGE TO E.C. RELEASE STATUS. IN ADDITION, IT IMPLEMENTS A MICRO CODE CHANGE WHICH RESOLVES FRAME COUNT ERRORS IN DIAGNOSTIC ROUTINES AND ALSO PREVENTS "GLITCHING" THE DRIVE SENSE BYTE SIGNALS.	44107	*66695
*43305204	2	IMPROVEMENT OF MICRO-CODE TO RUN 50, 75, 125 IPS AND TRI DENSITY. THE NRZI FUNCTION IS INCORPORATED IN THIS LEVEL AND DIAGNOSTIC READ COMMANDS HAVE BEEN REMOVED. THIS MICRO CODE REQUIRES THE DIAGNOSTICS (PDP-11 OR D3) TO BE AT A LEVEL 3 OR HIGHER, OTHERWISE FALSE ERROR INDICATIONS WILL RESULT.	44005	NONE
*43305404	2	INITIAL RELEASE OF 3RD LAYOUT. IMBEDDED SIGNALS BROUGHT TO SOCKET FOR CARD TEST. EQUIVALENT TO 43305204. MICRO CODE LEVEL "PF". "300" LEVEL NEVER TO BE RELEASED.	44240	NONE

CD TYPE: KE
 CD LOC : E2
 MACHINE: 1935 FCU
 DESCRIPTION - MEMORY CARD TRI-DENSITY
 PG EC LEVEL - 44511 DATE 10/81

CARD PN	COMP. NO.	DESCRIPTION OF EC	EC NO.	FIELD APL.
43305205	1	UPGRADE OF M-PGM TO LEVEL "RN". THIS CARD CONTAINS ALL 16 M-PGM PROMS AND RUNS TRI-DENSITY FORMATTERS. "RELEASE 3" DIAGNOSTICS (LEVEL 4) ARE DESIGNED TO RUN ON THIS LEVEL M-PGM.	44251	67287
*43305405	1	EQUIVALENT TO 43305205. SAME DESCRIPTION AS ABOVE.	44251	67287
43305206	1	UP GRADE OF M-PGM TO LEVEL "RP". THIS ASSEMBLY IS FIELD USE ONLY TO CORRECT POSSIBLE GCR MISPOSITIONING PROBLEMS. PROM REPLACED AT FACTORY SHIPMENTS WILL BE AT ...207/407 OR HIGHER. LOCATION KA37 THIS CARD CONTAINS ALL 16 MPGM PROMS AND RUNS TRI-DENSITY FORMATTERS, RELEASE 3 AND 4 DIAGNOSTICS WILL RUN WITH THIS MPGM.*	44556	69770
43305406	1	EQUIVALENT TO 43305206. SAME DESCRIPTION AS ABOVE.*	44556	69770
*43305207	1	UPGRADE OF MPGM TO LEVEL 'SX' THIS CARD CONTAINS ALL 16-MPGM PROMS AND RUNS TRI-DENSITY FORMATTERS *SEE NOTE. EQUIV. TO 43305407.	44511	67616
*43305407	1	SAME DESCRIPTION AS ABOVE. EQUIVALENT TO 43305207.	44511	67616

*SEE THE M-PGM DESCRIPTION IN THE 1935 'FEMM' FOR A COMPLETE DESCRIPTION OF THE M-PGM AND THE CHANGES ASSOCIATED WITH EACH LEVEL OF CODE.

CD TYPE: KE (CONT).
CD LOC : E2
MACHINE: 1935 TAPE FCU
DESCRIPTION - MEMORY CARD TRI-DENSITY
PG EC LEVEL - 44813 DATE 10/82

CARD PN	COMP. NO.	DESCRIPTION OF EC	EC NO.	FIELD APL.
43305210	1	NRZI SHORT GAP OFF OF BOT. TWO POSITIONING ERRORS IN PE/GCR. CORRECTS PROBLEMS FOUND IN FIELD AND FACTORY.	44813	76117
43305410	1	NRZI SHORT GAP OFF OF BOT. TWO POSITIONING ERRORS IN PE/GCR. CORRECTS PROBLEMS FOUND IN FIELD AND FACTORY.	44813	76117

CD TYPE: KE
 CD LOC : E2
 MACHINE: 1935 FCU
 DESCRIPTION - MEMORY CARD DUAL-DENSITY
 PG EC LEVEL - 44511 DATE 10/81

CARD PN	COMP. NO.	DESCRIPTION OF EC	EC NO.	FIELD APL.
*401298201	1	DEPOPULATED VERSION OF 43305205 FOR DUAL DENSITY, (PE GCR) M-PGM LEVEL "RN". ONLY 12 OF THE 16 M-PGM PROMS ARE PRESENT. THIS CARD IS INCAPABLE OF RUNNING NRZI.	44251	67234
*401298401	1	EQUIVALENT TO 401298201. SAME DESCRIPTION AS ABOVE.	44251	67284
401298202	1	DEPOPULATED VERSION OF 43305206 FOR DUAL DENSITY, (PE/GCR) M-PGM LEVEL "RP." PROM REPLACED AT LOCATION KA37 THIS ASSEMBLY IS FIELD USE ONLY TO CORRECT POSSIBLE GCR MISPOSITIONING. FACTORY SHIPMENTS WILL BE AT ...203/403 OR HIGHER. *ONLY 12 OF THE 16 M-PGM PROMS ARE PRESENT. THIS CARD IS INCAPABLE OF RUNNING NRZI.	44556	69770
401298402	1	EQUIVALENT TO 401298202. SAME DESCRIPTION AS ABOVE.*	44556	69770
401298203	1	DEPOPULATED VERSION OF 43305207 FOR DUAL-DENSITY (PE/GCR) MPGM LEVEL "SX". ONLY 12 OF 16 MPGM PROS ARE PRESENT. EQUIVALENT TO 401298403.	44511	67615
*401298403	1	DEPOPULATED VERSION OF 43305407 FOR DUAL DENSITY (PE/GCR) EQUIVALENT TO 401298203. SAME DESCRIPTION AS ABOVE.	44511	67615

*(SAME NOTE AS PREVIOUS PAGE).

CD TYPE: KE (CONT).
CD LOC : E2
MACHINE: 1935 TAPE FCU
DESCRIPTION - MEMORY CARD DUAL-DENSITY
PG EC LEVEL - 44813 DATE 10/82

CARD PN	COMP. NO.	DESCRIPTION OF EC	EC NO.	FIELD APL.
401298204	1	NRZI SHORT GAP OFF OF BOT. TWO POSITIONING ERRORS IN PE/GCR. CORRECTS PROBLEMS FOUND IN FIELD AND FACTORY.	44813	76117
401298404	1	NRZI SHORT GAP OFF OF BOT. TWO POSITIONING ERRORS IN PE/GCR. CORRECTS PROBLEMS FOUND IN FIELD AND FACTORY.	44813	76117

CD TYPE: KE
CD LOC : E2
MACHINE: 1935 FCU
DESCRIPTION - RPQ 227 MANUAL DENSITY
PG EC LEVEL - 44655A DATE 08/82

CARD PN	COMP. NO.	DESCRIPTION OF EC	EC NO.	FIELD APL.
401696201	1	MANUAL DENSITY OPTION RPQ 227 TO 1935 FCU. THIS WILL ALLOW OPERATOR TO SELECT READ DENSITY FROM OP PANEL ON TAPE UNIT.	44655 44655A	74184 74184

CD TYPE: KF
 CD LOC: F2
 MACHINE: 1935 FCU
 DESCRIPTION - MOTION CONTROLS CARD
 PG EC LEVEL - 44522 DATE 07/81

CARD PN	COMP. NO.	DESCRIPTION OF EC	EC NO.	FIELD APL.
*43306203	1	INITIAL SHIP LEVEL	D3062	NONE
*43306204	1	CORRECTS STANDARD INTERFACE HI DENS STATUS LINE SO THAT IT IS ONLY ACTIVATED BY GCR MODE.	D3065	*66563
*43306205	1	ADD NRZI VELOCITY CHECK CIRCUITRY.	D3043	NONE
*43306205	1	CHANGE FROM PILOT FILE CHANGE TO E.C. RELEASE STATUS. PAPER CHANGE ONLY	44105	NONE
*43306305	1	INITIAL RELEASE OF 2ND LAYOUT WHICH IMBEDDED REWORK. EQUIVALENT TO 43306205.	44162	NONE
43306206	1	HARDWARE CHANGE REQUIRED FOR SETTING 'SSC' FOR REWIND AT LOAD POINT. REQUIRES 'RN' LEVEL MICROCODE OR HIGHER.	44522	67876
43306306	1	HARDWARE CHANGE REQUIRED FOR SETTING 'SSC' FOR REWIND AT LOAD POINT. REQUIRES 'RN' LEVEL MICROCODE OR HIGHER. EQUIVALENT TO 43306206.	44522	67876

CD TYPE: KG
 CD LOC : G2
 MACHINE: 1935 FCU
 DESCRIPTION - CLOCK CARD
 PG EC LEVEL - 44231 DATE 08/81

CARD PN	COMP. NO.	DESCRIPTION OF EC	EC NO.	FIELD APL.
*43307202	1	INITIAL SHIP LEVEL	D3042	NONE
*43307203	1	PREPARATION OF SHIP LEVEL O MACHINE FOR INSTALLATION OF 1950 DRIVES, 50, 75 IPS MODELS FOR DTO.	D3068	66597
*43307204	1	THIS CHANGE: 1. MODIFIES THE BOB COUNTER TO ALLOW THE READING OF MARGINAL RECORDS, AND IT ALSO IMPROVES READ/WRITE PERFORMANCE IN GCR. 2. ALLOWS THE RESET OF THE TAPE MARK STATUS LATCH WITH "POWER ON RESET". 3. CHANGES AN IC IN THE CLOCK GENERATION CIRCUITRY TO A FASTER TYPE TO PREVENT FAILURES DUE TO FAULTY CLOCKS. 4. CHANGES DRIVE STATUS LINE TERMINATION RESISTORS TO IMPROVE NOISE MARGINS.	44053	66695
*43307304	1	NEW PC IMBED OF PREVIOUS REWORK. EQUIVALENT TO 43307204.	44053	66695
*43307204	1	DOCUMENTATION CORRECTION. PAPER CHANGE ONLY.	44196	NONE
*43307304	1	DOCUMENTATION CORRECTION. PAPER CHANGE ONLY.	44196	NONE
*43307404	1	NEW PC IMBED OF PREVIOUS REWORK. EQUIVALENT TO 43307204/304.	44231	NONE

CD TYPE: KG (CONT.)
 CD LOC : G2
 MACHINE: 1935 FCU
 DESCRIPTION - CLOCK CARD
 PG EC LEVEL - 44457 DATE 08/81

CARD PN	COMP. NO.	DESCRIPTION OF EC	EC NO.	FIELD APL.
*43307205	1	ADDS MORE TIME FOR PHASE-TEST TO REDUCE THE NUMBER AT PE R/W ERRORS. EQUIVALENT TO 43307305/406.	44380	67382
*43307305	1	EQUIVALENT TO 43307205/406. SAME DESCRIPTION AS ABOVE.	44380	67382
*43307405	1	EQUIVALENT TO 43307205/305. SAME DESCRIPTION AS ABOVE.	44380	67382
*43307406	1	KA62 CHANGED FROM 74LS153 TO 74S153 TO ALLOW FOR MORE RELIABLE GCR 75IPS OPERATION. ERROR ON APL CAUSED WRONG PART TO BE INSERTED ON 400 LEVEL BOARDS. EQUIVALENT TO 43307205/305. 43307405 IS NOW NOT EQUIVALENT TO 43307205/305.	44470	67696
43307207	1	CHANGE AMP SENSOR PROM AT DA32 TO DETECT MINIMUM CONDITION TAPE MARKS (PE) ALLOWS RESETTING OF BOB TEST LTH. IMPROVES WRITE TRIGGER DRIVING.	44457	67917
43307307	1	EQUIVALENT TO 43307207/307/407/507. SAME DESCRIPTION AS ABOVE.	44457	67917
43307407	1	EQUIVALENT TO 43307207/307/507. SAME DESCRIPTION AS ABOVE.	44457	67917

CD TYPE: KG (CONT.)
CD LOC : G2
MACHINE: 1935 FCU-
DESCRIPTION - CLOCK CARD
PG EC LEVEL - 44457 DATE 08/81

CARD PN	COMP. NO.	DESCRIPTION OF EC	EC NO.	FIELD APL.
43307507	1	NEW PC IMBED OF PREVIOUS REWORK. COMPLETELY COMPATIBLE TO 43307207/307/407. IN ADDITION, THIS CARD CONTAINS IMBED CIRCUITS FOR FUTURE LSI (KH OR KJ) IMPLEMENTATION.	44457	67917

CD TYPE: KH
 CD LOC : H2, J2
 MACHINE: 1935 FCU
 DESCRIPTION - READ CONTROL CARDS (TRK 0-7)
 PG EC LEVEL - 44641 DATE 02/82

CARD PN	COMP. NO.	DESCRIPTION OF EC	EC NO.	FIELD APL.
*43308201	1	INITIAL SHIP LEVEL	D3028	NONE
*43308202	1	CARD TESTABILITY CHANGES, ONLY REQUIRED FOR CARD TEST FUNCTIONS.	D3044	NONE
*43308202	1	CONVERSION OF CARD STATUS FROM PILOT FILE CHANGE TO E.C. RELEASE. PAPER CHANGE ONLY.	44103	NONE
*43308302	1	INITIAL RELEASE OF EMBEDDED REWORK. EQUIVALENT TO 43308202.	44147	NONE
*43308302	1	THIS CHANGE CORRECTED MANUFACTURING DOCUMENTATION ASSOCIATION WITH THIS ASSEMBLY. NO FUNCTIONAL CHANGE WAS MADE. THIS IS ONLY A "PAPER CHANGE".	44147Z	NONE
*401591203	1	THIS CHANGE AVOIDS LOADING THE RDC CNTR TO 5., CORRECTS PROBLEM EXPERIENCED ON SOME FCU'S WITH GCR DATA TRANSFER OPERATIONS.	44501 44501P	67186 67186
*401591303	1	SAME DESCRIPTION AS ABOVE. EQUIVALENT TO 401591203.	44501 44501P	67186 67186
43308204	1	THIS CARD ALLOWS THE DEAD-TRACK REGISTER TO BE SET IN PE VIA A PHASE ERROR IN THE PREAMBLE. EQUIVALENT TO 43308304/404.	44641	NONE
43308304	1	SAME DESCRIPTION AS ABOVE. EQUIVALENT TO 43308204/404.	44641	NONE
43308404	1	IMBED OF REWORK. EQUIVALENT TO 43308204/304.	44641	NONE

CD TYPE: KK
 CD LOC : K2
 MACHINE: 1935 FCU
 DESCRIPTION - READ CONTROL CARD (TRK P)
 PG EC LEVEL - 44482 DATE 06/81

CARD PN	COMP. NO.	DESCRIPTION OF EC	EC NO.	FIELD APL.
*43309202	1	INITIAL SHIP LEVEL	D3019	NONE
*43309202	1	CONVERSION FROM PILOT FILE CHANGE TO E.C. RELEASE STATUS. PAPER CHANGE ONLY.	44108	NONE
*43309203	1	INCORPORATES CARD TESTABILITY CHANGES: ADDS TIE-UPS TO FLOATING LINES; ELIMINATES INTERMITTENT DATA CHECK ON FIRST COMMAND AFTER POWER ON; AND INCORPORATES SKEW TIMER CHANGES. EQUIVALENT TO 43309303.	44175	NONE
*43309303	1	INCORPORATES CARD TESTABILITY CHANGES: ADDS TIE-UPS TO FLOATING LINES; ELIMINATES INTERMITTENT DATA CHECK ON FIRST COMMAND AFTER POWER ON; AND INCORPORATES SKEW TIMER CHANGES. THIS ASSEMBLY IMBEDS THE REWORK PRESENT ON THE 43309203 LEVEL. EQUIVALENT TO 43309203.	44175	NONE
43309204	1	THIS CHANGE AVOIDS LOADING THE RDC CNTR TO 5. CORRECTS PROBLEM EXPERIENCED ON SOME FCU'S WITH GCR DATA TRANSFER OPERATIONS.	44501	67186
43309304	1	SAME DESCRIPTION AS ABOVE. EQUIVALENT TO 43309204.	44501	67186
43309404	1	PC IMBED OF PREVIOUS REWORK. IN ADDITION THIS CARD CONTAINS CIRCUITS FOR FUTURE LSI IMPLEMENTATION. EQUIVALENT TO 43309204/304.	44482	NONE

CD TYPE: KL
 CD LOC : L2
 MACHINE: 1935 FCU
 DESCRIPTION - OPTIONAL NRZI FEATURE CARD
 PG EC LEVEL - 44668 DATE 06/82

CARD PN	COMP. NO.	DESCRIPTION OF EC	EC NO.	FIELD APL.
*43318101	1	NO ASSEMBLIES HAVE BEEN BUILT AT THIS LEVEL BECAUSE THIS PART NUMBER WAS GENERATED ALONG WITH A BILL OF MATERIAL AND ASSEMBLY DOCUMENTATION FOR PROTOTYPE ASSESSMENT. THIS LEVEL ONLY EXISTS "ON PAPER".	D3053	NONE
*43318102	1	INITIAL RELEASE FOR NRZI OPTION INITIALLY INSTALLED AT SHIP LEVEL 5.	44150	NONE
*43318103	1	DOCUMENTATION CORRECTION TO AM841 AND WIRELIST. LOCATION KA58 HAD GND & +5V REVERSED. NO "102" CARDS WERE SHIPPED WITHOUT CORRECT DOCUMENTATION.	44300	NONE
43318104	1	PREVIOUS LEVELS COULD SHIP THE CRC CHARACTERS ACROSS THE INTERFACE AS DATA DURING CORRECTION OF ZERO CRC CHARACTERS. THIS LEVEL ELIMINATES THIS POSSIBILITY. DIAGNOSTIC 127200 (NRZI FWD-BKWD CORRECTION) CHECKS FOR THIS CHANGE. EQUIVALENT TO 43318204/304.	44325	67126
43318204	1	INITIAL RELEASE OF KL PC LAYOUT. EQUIVALENT TO 43318104/304.	44325	67126
NOTE:				
E.C. 44723 IS A CLEAN-UP E.C. TO BETTER CLARIFY COMPATIBILITY PAGES.				
43318304	1	IMBED OF REWORK. INCORPORATES EIR 10212. CARD TESTABILITY ENHANCEMENT. EQUIVALENT TO 43318104/204.	44668	NONE

CD TYPE: KM CARD
CD LOC : M2
MACHINE: 1935 FCU
DESCRIPTION - READ CONTROL CARD
PG EC LEVEL - 44044

CARD PN	COMP. NO.	DESCRIPTION OF EC	EC NO.	FIELD APL.
43310201	1	INITIAL SHIP LEVEL. FUNCTIONALLY EQUIVALENT TO 1930 FM CARD 42112200.	D3039	NONE
43310201	1	INITIAL RELEASE. FUNCTIONALLY EQUIVALENT TO 1930 FM CARD P/N 42112200 AND D3039. THIS CHANGE IS ONLY A PAPERWORK CHANGE.	44044	NONE

CD TYPE: KN CARD
CD LOC : N2
MACHINE: 1935 FCU
DESCRIPTION - READ CONTROL CARD
PG EC LEVEL - 44051

CARD PN	COMP. NO.	DESCRIPTION OF EC	EC NO.	FIELD APL.
43311101	1	INITIAL SHIP LEVEL W/W CARD.	D3036	NONE
43311102	1	INSTALLS BUS BAR AT KA47-77 TO GND TO CORRECT NOISE PROBLEM FOR 74LS37.	D3066	66564
43311202	1	INITIAL RELEASE OF PC CARD. EQUIVALENT TO 43311102.	44051	NONE

CD TYPE: KP CARD
 CD LOC : P2
 MACHINE: 1935 FCU
 DESCRIPTION - WRITE CONTROL CARD
 PG EC LEVEL - 44532A DATE 09/82

CARD PN	COMP. NO.	DESCRIPTION OF EC	EC NO.	FIELD APL.
*43312101	1	INITIAL SHIP LEVEL W/W CARD.	D3037	NONE
*43312102	1	DESIGN REFINEMENT TO INSURE GOOD PARITY SHIPPED TO CHANNEL, IN NRZI MODE.	D3051	NONE
*43312103	2	THIS CARD ADDS SOME CHANGES REQUIRED FOR NRZI AND ALSO BUFFERS THE BUS PARITY ERROR LATCH TO PREVENT FALSE SIGNALS. MOTHERBOARD MUST BE AT EC LEVEL 44032 AND P/N 43323004 OR HIGHER.	44052	*66695
*43312203	2	INITIAL RELEASE OF P.C. CARD FUNCTIONALLY EQUIVALENT TO W/W CARD P/N 43312103. ALSO REQUIRES MBD TO BE AT EC LEVEL 44032 AND P/N 43323004 OR HIGHER.	44052	*66695
43312104	2	PREVENTS GCR DATA FROM CHANGING TOO SOON FOR 75 & 50 IPS AFTER FLIPPING WRT TRIGGERS. EQUIVALENT TO 43312204/304.	44459 44459A	67755 67755
43312204	2	FUNCTIONALLY EQUIVALENT TO P/N 43312104/304. NOTE: F/B 67755 IS FOR FCU'S WITH SHIP LEVEL 7 INSTALLED. F/B 67862 IS FOR FCU'S WITHOUT SHIP LEVEL 7 INSTALLED.	44459 44459A 44532 44532A	67755 67755 *67862 76057
43312304	2	IMBED OF REWORK. EQUIVALENT TO 43312104/204.	44741	NONE

NOTE:
 E.C. 44723 IS A CLEAN-UP E.C. TO
 BETTER CLARIFY COMPATIBILITY PAGES.

CD TYPE: KQ CARD
 CD LOC : Q2
 MACHINE: 1935 FCU
 DESCRIPTION - WRITE CONTROL CARD
 PG EC LEVEL - 44533 DATE 08/81

CARD PN	COMP. NO.	DESCRIPTION OF EC	EC NO.	FIELD APL.
*43313201	1	INITIAL SHIP LEVEL	D3052	NONE
43313201	1	CONVERSION OF CARD STATUS FROM PILOT FILE CHANGE TO E.C. RELEASE PAPER CHANGE ONLY. THIS ASSEMBLY IS FIELD USE ONLY AND HAS BEEN REPLACED BY P/N 401208301 IN EC 44154.	44104	NONE
401208301	2	CHANGED WRITE DRIVERS TO CONTROL DTO TOLERANCE. REQUIRES THE FOLLOWING COMPANION CHANGES TO BE INSTALLED IN ORDER TO FUNCTION: KR CARD P/N 401209402 OR HIGHER AND M/BD P/N 43323006 OR HIGHER. THE ABOVE PARTS MUST BE INSTALLED TO INSURE PROPER GCR OPERATION OF A 1950 DRIVE AT 125, 75, AND 50 IPS. THIS FIELD BILL IS FIELD EXCEPTIONAL AND CONCURRENT WITH F/B'S 67083-KR, AND 67043-MBD.	44154	67081
401599201	3	CHANGED CONTROL LINES FOR WRITE TRIGGER GATING FOR EACH PORT. REQUIRES THE FOLLOWING COMPANION CHANGES TO BE INSTALLED IN ORDER TO FUNCTION. KR CARD P/N 401529201 OR HIGHER AND MBD P/N 43323008 P/N 401510902. THIS F/B IS FIELD EXCEPTIONAL AND CONCURRENT WITH F/B'S 67759 KR, 67767 MBD, AND KP 67755.	44489	67759
		NOTE: F/B 67759 IS FOR FCU'S WITH SHIP LEVELS 7 AND 13 INSTALLED. F/B 67856 IS FOR FCU'S WITHOUT SHIP LEVELS 7 AND 13 INSTALLED.	44533	67856

CD TYPE: KR
 CD LOC : R2
 MACHINE: 1935 FCU
 DESCRIPTION - WRITE CONTROL CARD
 PG EC LEVEL - 44163A DATE 08/81

CARD PN	COMP. NO.	DESCRIPTION OF EC	EC NO.	FIELD APL.
*43314202	1	INITIAL SHIP LEVEL	D3057	NONE
*43314202	1	CONVERSION FROM PILOT CHANGE TO E.C. RELEASE STATUS. PAPER CHANGE ONLY.	44106	NONE
*43314203	1	CHANGES TIMING PARAMETERS IN ORDER TO BE COMPATIBLE WITH "HD" CARD IN THE 1950 DRIVE. WITHOUT THIS CHANGE GCR WRITE AND/OR READ ERRORS MAY OCCUR.	44201	NONE
43314204	1	WIDTH OF DTO ON PN 43314203 WIAS NOT WIDE ENOUGH FOR TYPE OF WRITE DRIVERS ON THIS CARD. PN 43314202 AND PN 43314204 ARE IDENTICAL. THIS ASSEMBLY IS FIELD USE ONLY. IT HAS BEEN REPLACED BY P/N 401209401 IN EC 44163.	44252	NONE
*401209401	2	CHANGED WRITE DRIVERS TO DTO CIRCUITS TO CONTROL TOLERANCE ON DTO. ADDED 50, 75, AND 125, 1920 NEW DTO WIDTHS. MUST BE INSTALLED CONCURRENTLY WITH KQ CARD P/N 401208301 OR HIGHER AND MBD AT PN 43323006 OR HIGHER IN ORDER TO ASSURE PROPER OPERATION. THE ABOVE PARTS MUST BE INSTALLED TO INSURE PROPER GCR OPERATION OF A 1950 DRIVE AT 125, 75, AND 50 IPS. THIS FIELD BILL IS FIELD EXCEPTIONAL, AND CONCURRENT WITH F/B'S 67081-KQ AND 67043 - MBD.	44163 44163A	*67083 *67083

CD TYPE: KR (CONT.)
CD LOC : R2
MACHINE: 1935 FCU
DESCRIPTION - WRITE CONTROL CARD
PG EC LEVEL - 44374 DATE 08/81

CARD PN	COMP. NO.	DESCRIPTION OF EC	EC NO.	FIELD APL.
401209402	2	CHANGED DTO FOR 125 IPS BY USING SINGLE-SHOTS AND SELECTING TIMING RESISTORS. DTO NOW STARTS 85NS BEFORE BIT TIME AND IS 270 WIDE. THE "...401" VERSION OF THIS CARD MAY CAUSE INTERMITTENT PHASE ERRORS. THIS WILL BE FUO.	44374	*67304

CD TYPE: KR
 CD LOC : R2
 MACHINE: 1935 FCU
 DESCRIPTION - WRITE CONTROL CARD
 PG EC LEVEL - 44534 DATE 08/81

CARD PN	COMP. NO.	DESCRIPTION OF EC	EC NO.	FIELD APL.
401529201	3	ADDED CIRCUITS FOR WRT GATING FOR EACH PORT AND CHANGED DTO FOR 50 & 75 IPS DTO NOW STARTS ABOUT 70 NS BEFORE BIT TIME AND IS 440 WIDE ON 50 IPS AND 368 WIDE ON 75 IPS. THIS FIELD BILL IS FIELD EXCEPTIONAL AND CONCURRENT WITH F/B 67759 KQ AND F/B 67767 M-BOARD KP 67755.	44490	67757
401529301	3	INITIAL RELEASE AT 300 WHICH IS FUNCTIONALLY EQUIVALENT TO 401529201 DTO IS NOW SET BY SINGLE SHOTS FOR EACH SPEED.	44490	67757
		NOTE: F/B 67757 IS FOR FCU'S WITH SHIP LEVELS 7 AND 13 INSTALLED. F/B 67858 IS FOR FCU'S WITHOUT SHIP LEVELS 7 AND 13 INSTALLED.	44534	67858

CD TYPE: KT
 CD LOC : S2, T2, U2, V2, W2
 MACHINE: 1935 FCU
 DESCRIPTION - READ CLOCK & DETECTION CARDS
 PG EC LEVEL - 44243 DATE 07/82

CARD PN	COMP. NO.	DESCRIPTION OF EC	EC NO.	FIELD APL.
*43315202	1	INITIAL SHIP LEVEL, SECOND PC LAYOUT CARD.	D3046	NONE
*43315302	1	IMBEDDED REWORK ON PN 43315202. THIS CARD IS FUNCTIONALLY EQUIVALENT TO 43315202.	D3046	NONE
*43315203	1	CHANGE 2 RESISTOR VALUES WHICH CHANGE PHASE POINTER THRESHOLD OF 33% TO AN AVERAGE THRESHOLD OF 35%. EQUIVALENT TO 43315303.	D3072	NONE
*43315303	1	CHANGE 2 RESISTOR VALUES WHICH CHANGE PHASE POINTER THRESHOLD OF 33% TO AN AVERAGE THRESHOLD OF 35%. EQUIVALENT TO 43315203.	D3072	NONE
*43315304	1	ADDS ONE WIRE TO ELIMINATE FLOATING "RESET" LINE FOR "+ PHASE ERROR" ALSO CHANGES STATUS FROM PILOT FILE CHANGE TO E.C. RELEASE. NOTE: THIS CARD IS EQUIVALENT TO 43315203 SINCE THE LAYOUT ERROR ONLY OCCURRED ON THE ".303" LEVEL.	44120	*66695
*43315204	1	ADDS 2 (TWO) WIRES TO ALLOW +PE CLOCK OUTPUT. RELEASE OF CARD SPEC & SCHEMATICS. EQUIVALENT TO 43315305.	44243	NONE
*43315305	1	ADDS TWO (2) WIRES TO ALLOW +PE CLOCK OUTPUT. REMOVES TWO RESISTORS THAT ARE FLOATING. THIS CARD IS EQUIVALENT TO 43315204 SINCE THE LAYOUT ERROR ONLY OCCURRED ON THE "303" LEVEL. RELEASE OF CARD SPEC & SCHEMATICS.	44243	NONE

CD TYPE: KT (CONT.)
 CD LOC : S2 T2 U2 V2 W2
 MACHINE: 1935 FCU
 DESCRIPTION - READ CLOCK AND DETECTION CARDS
 PG EC LEVEL - 44988 DATE 02/83

CARD PN	COMP. NO.	DESCRIPTION OF EC	EC NO.	FIELD APL.
*43315206	1	CHANGE 2 RESISTOR VALUES THAT LENGTHEN THE DELAY OF SQFI AND SQSI TO PREVENT OSCILLATIONS. PN-205 WAS SKIPPED TO MAINTAIN PN EQUIVALENCY. EQUIVALENT TO 43315306.	44365	NONE
43315207	1	STOPS RADIATED OSCILLATIONS. FOR FUO.	44755	NONE
*43315306	1	EQUIVALENT TO 43315206 SAME DESCRIPTION AS ABOVE.	44365	NONE
43315307	1	STOPS RADIATED OSCILLATIONS.	44755	NONE
*43315507	2	INITIAL RELEASE OF NEW LAYOUT. ADDS 50 IPS CAPABILITY. REQUIRES SHIP LEVEL 6 AND 9 TO BE INSTALLED.	44408	66809
*43315508	2	STOPS RADIATED OSCILLATIONS EQUIVALENT TO 43315609.	44755	NONE
*43315608	2	IMPROVES KT CARD ABILITY TO READ DATA WITH BASELINE RECOVERY TRANSITION. EQUIVALENT TO 43315507.	44506	NONE
*43315609	2	STOPS RADIATED OSCILLATIONS EQUIVALENT TO 43315508.	44755	NONE
*402604201	2	CHANGED THE BASE CURRENT FOR IMPROPER BIAS ON TRANSISTOR. CHANGED P/N TO AVOID CONFUSION BETWEEN PRODUCT LINES USING THIS ASSEMBLY. ALSO CORRECTS FLOAT CONDITION BY TYING UP PIN 13 TO +5V.	44836	NONE
402604202	2	IMPROVES KT CARD ABILITY TO READ TAPES WRITTEN WITH VELOCITY OFFSET.	44988	NONE

CD TYPE: KT (CONT.)
CD LOC : S2 T2 U2 V2 W2
MACHINE: 1935 FCU
DESCRIPTION - READ CLOCK AND DETECTION CARDS
PG EC LEVEL - 49407 DATE 12-83

CARD PN	COMP. NO.	DESCRIPTION OF EC	EC NO.	FIELD APL.
402604203	2	IMPROVES MOUNTING OF DIODES. ALLOWS MIXED MODE OPERATION.	49407	NONE

CD TYPE: KV
 CD LOC : X2, Y2
 MACHINE: 1935 FCU
 DESCRIPTION - READ FILTER AND ANALOG TO DIGITAL CONVERSION CARDS
 PG EC LEVEL - 44700 DATE 08/83

CARD PN	COMP. NO.	DESCRIPTION OF EC	EC NO.	FIELD APL.
*43316301	1	INITIAL SHIP LEVEL	D3045	NONE
*43316302	1	ALLOWS KV CARD TO OPERATE IN NRZI MODE.	44119	*66794
*43316303	1	CHANGE AMP SENSE THRESHOLD IN ORDER TO PREVENT FALSE "DATA DETECTED ON ERASE" DIAGNOSTIC FAILURES. INSTALLED AT SHIP LEVEL 4.	44204	NONE
*43316304	1	REDUCES BANDWIDTH FOR NRZI. INCREASES PULSE WIDTH OF DATA PULSE OUTPUT FOR PE/GCR OPERATION. REQUIRED FOR 75 & 50 IPS NRZI OPERATION.	44258	NONE
*453316304	1	EQUIVALENT TO 43316405. PAPER CHANGE ONLY.	44378	NONE
*43316405	1	IMBED OF REWORK, ELIMINATION OF POSSIBLE OSCILLATIONS IN DIFFERENTIAL ANALOG OUTPUTS, REMOVAL OF +/-6V TEST POINTS. FUNCTIONALLY EQUIVALENT TO 43316304.	44378	NONE
43316306	1	CUT +/- DIF ANALOG TEST POINTS TO ELIMINATE OSCILLATIONS; CHANGE PE WRITE AND SENSE THRESHOLD FROM 21% TO 28% BY CHANGING RIO TO 118 OHMS. NO "305" LEVEL CARDS BUILT. FUNCTIONALLY EQUIVALENT TO 43316406/606.	44443 44700	NONE
43316406	1	CHANGES PE AMP SENSE THRESHOLD FROM 21% TO 28% BY CHANGING RIO FROM 84.5 OHMS TO 118 OHMS. CHANGE WIRING CONE TRACK TO ELIMINATE NOISE COUPLING. FUNCTIONALLY EQUIVALENT TO 43316306/606	44443 44443A 44700	NONE 67701

CD TYPE: KY
 CD LOC : Y2
 MACHINE: 1935 FCU
 DESCRIPTION - 4-TRACK READ FILTER AND ANALOG TO DIGITAL
 CONVERSION CARD.
 PG EC LEVEL - 44700 DATE 08/83

CARD PN	COMP. NO.	DESCRIPTION OF EC	EC NO.	FIELD APL.
401531201	1	INITIAL RELEASE OF 4-TRACK "KY" CARD WHICH IS A DEPOPULATED VERSION OF ITS CORRESPONDING 5-TRACK "KV" CARD P/N 43316406. KV P/N 43316406 MAY BE USED TO REPLACE THIS ASSEMBLY. EQUIVALENT TO 401531301	44420 44700	NONE NONE
401531301	1	INITIAL RELEASE OF IMBED EQUIVALENT TO 401531201.	44700	NONE

CD TYPE: KW
 CD LOC : W2
 MACHINE: 1935 FCU
 DESCRIPTION - SINGLE TRACK READ CLOCK AND DETECTION CARD
 PG EC LEVEL - 49407 DATE 12/83

CARD PN	COMP. NO.	DESCRIPTION OF EC	EC NO.	FIELD APL.
*401530201	1	INITIAL RELEASE OF SINGLE TRACK "KW" CARD WHICH IS A 'DEPOPULATED' VERSION OF ITS CORRESPONDING TWO TRACK KT P/N 43315608. KT P/N 43315608 MUST BE USED TO REPLACE THIS ASEMBLY.	44419	NONE
NOTE: EC 44723 IS A CLEAN-UP EC TO BETTER CLARIFY COMPATIBILITY PAGES.				
*401530202	1	STOPS RADIATED OSCILLATIONS.	44755	NONE
*401530203	1	CHANGED THE BASE CURRENT FOR IMPROPER BIAS ON TRANSISTOR USED FOR FILTER SELECTION. CORRECTS FLOAT CONDITION BY TYING UP PIN 13 TO +5V.	44836	NONE
*401530204	1	IMPROVES KW CARD ABILITY TO READ TAPES WRITTEN WITH VELOCITY OFFSET.	44988	NONE
401530205	1	IMPROVES MOUNTING OF DIODES. ALLOWS MIXED MODE OPERATION.	49407	NONE

CD TYPE: KV
CD LOC : X2, Y2
MACHINE: 1935 FCU
DESCRIPTION - READ FILTER AND ANALOG TO DIGITAL CONVERSION CARDS
PG EC LEVEL - 44700 DATE 08-08-83

CARD PN	COMP. NO.	DESCRIPTION OF EC	EC NO.	FIELD APL.
43316606	1	INITIAL RELEASE OF IMBED EQUIVALENT TO 43316306 AND 43316406.	44700	NONE

CD TYPE: MBD
 CD LOC : MOTHERBOARD (CUSTOM INTERFACE MACHINES)
 MACHINE: 1935 FCU
 DESCRIPTION - BACK PANEL
 PG EC LEVEL - 44244 DATE 02/82

CARD PN	COMP. NO.	DESCRIPTION OF EC	EC NO.	FIELD APL.
*43324001	1	INITIAL SHIP LEVEL	D3057	NONE
*43324002	1	INSTALLS MBD CHANGE FOR PHASE ERROR THRESHOLD FOR 1920 TU FROM 35% TO 40% EF 1130. THIS CHANGE REQUIRED FOR KD 43304203.	D3064	*66562
*43324002	1	RELEASE OF MBD W/L AND SYS LOGIC EQUIVALENT TO PFC D3064. (SHIP LEVEL 0)	44018	NONE
*43323004	1	ADDS CHANGE TO WIRELIST TO INSTALL KP CARD AT P/N 43312103 OR ...203. THIS CARD IS REQUIRED FOR NRZI OPERATION. THIS MBD IS FOR SHIP LEVEL 2. FROM THIS CHANGE ON THIS COMPATIBILITY PAGE WILL SHOW THE WIRED ASSEMBLY NUMBER (P/N 43323XXX) RATHER THAN THE WIRELIST NUMBER (P/N 43324XXX).	44032	*66695
*43323005	1	ADDS HOLE TO MBD ASSY IN ORDER TO MOUNT A BRACKET TO PREVENT MBD BOWING PROBLEMS AND THE RESULTANT CARD SEATING PROBLEMS. NO WIRING CHANGES IN THIS EC.	44268	NONE
*43323006	2	ADDS MBD WIRES TO FCU RELEASING PN 43323006. THIS CHANGE INTERCONNECTS THE KR & KQ CARDS PN 401209402 & 401208301 RESPECTIVELY AND MUST BE INSTALLED CONCURRENTLY WITH THESE CARDS. THIS TOTAL CHANGE (MBD, KR & KQ) ASSURES PROPER DTO PULSE FOR GCR OPERATION AT 125, 75 & 50 IPS.	44244	67043

CD TYPE: MBD (CONT.)
 CD LOC : MOTHERBOARD (CUSTOM INTERFACE MACHINES)
 MACHINE: 1935 FCU
 DESCRIPTION - BACK PANEL
 PG EC LEVEL - 44647 DATE 02/82

CARD PN	COMP. NO.	DESCRIPTION OF EC	EC NO.	FIELD APL.
*43323006	2	DOCUMENTATION CHANGE ONLY TO REFLECT NEW PC LAYOUT OF MBD, WHICH INCLUDES NEW MOUNTING HOLE.	44276	NONE
43323007	2	REMOVES UNUSED CONNECTORS CONNECTORS REMOVED ARE AT LOCATIONS C3, A6, B6. ALSO ADDS WIRES FOR COMPATIBLE LSI CHANGE.	44391	NONE
43323008	2	ADDS ONE WIRE FROM THE KQ TO KR CARD FOR THE WRT TRIGGER GATE FOR EACH TU ADR. THIS CHANGE MUST BE ON WHEN USING KQ AT P/N 401599201 OR HIGHER AND KR AT P/N 401529201 OR HIGHER. NOTE: F/B 67767 IS FOR FCU'S WITH SHIP LEVEL 7 INSTALLED. F/B 67860 IS FOR FCU'S WITHOUT SHIP LEVEL 7 INSTALLED.	44493 44535	67767 67860
43323009	2	ADD C3 CONNECTOR TO MOTHERBOARD TO ACCOMMODATE USER DESIGNED CUSTOM INTERFACE.	44679	NONE
43323010	2	ADDING TWISTED PAIRS TO MOTHERBOARD TO SUPPRESS POSSIBLE NOISE ON 'STANDARD INTF' DATA LINES.	44647	74065

CD TYPE: MBD
 CD LOC : MOTHERBOARD (STANDARD INTERFACE MACHINES)
 MACHINE: 1935 FCU
 DESCRIPTION - BACK PANEL
 PG EC LEVEL - 44647 DATE 02/82

CARD PN	COMP. NO.	DESCRIPTION OF EC	EC NO.	FIELD APL.
401510901	1	CREATES A SEPARATE MOTHERBOARD ASSEMBLY FOR THOSE MACHINES REQUIRING THE "STANDARD INTERFACE" ONLY. THIS REMOVES THE "C3/D3/A6/B6/A2/B2/C2" CONNECTORS AND WIRING TO THE "A2/B2/C2/D3" SLOTS. ALSO ADDS WIRING FOR "COMPATIBLE LSI" CHANGE.	44391	NONE
401510902	1	ADDS ONE WIRE FROM THE KQ TO KR CARD FOR THE WRT TRIGGER GATE FOR TU ADR. THIS CHANGE MUST BE ON WHEN USING KQ AT P/N 401599201 OR HIGHER AND KR AT P/N 401529201 OR HIGHER.	44493	67767
		SAME AS ABOVE	44535	67860
401510903	1	ADDING TWISTED PAIRS TO MOTHERBOARD TO SUPPRESS POSSIBLE NOISE ON 'STANDARD INTF' DATA LINES.	44647	74065

CD TYPE: UNIBUS ADAPTER
CD LOC : RESIDENT CUSTOM INTERFACE
MACHINE: S1935 FCU
DESCRIPTION - CONNECTOR - C3
PG EC LEVEL - 44394 DATE 02/81

CARD PN	COMP. NO.	DESCRIPTION OF EC	EC NO.	FIELD APL.
43322202	1	INITIAL RELEASE OF THE UNIBUS ADAPTER BOARD.	44047	NONE
43322202	1	DRAFTING CORRECTIONS. EQUIVALENT TO 43322202.	44394	NONE
43322302	1	INITIAL RELEASE RELAYOUT TO PROVIDE NEEDED CLEARANCE UNDER THE UNIBUS ADAPTER CARD FOR STANDARD INTERFACE CABLING.	44394	NONE

CD TYPE: POWER SUPPLY
 CD LOC : FCU CHASSIS
 MACHINE: 1935 FCU
 DESCRIPTION - DC POWER SUPPLY ASSEMBLY
 PG EC LEVEL - 42751N DATE 02/83

CARD PN	COMP. NO.	DESCRIPTION OF EC	EC NO.	FIELD APL.
*43011600	1	INITIAL RELEASE	44014	NONE
*43011600	1	CHASSIS DIMENSION CLEAN-UP.	44210	NONE
*43011600	1	ADD NOTE ON POWER UP REQUIREMENT FOR -15V LOAD.	44237	NONE
*43011600	1	BRING FAN TERMINALS OUT OF XFMR WITH PIGTAILS.	42735	NONE
NOTE: MAY ALSO BE REPLACED BY P/N 43011601/602. THESE ARE BASIC LEVEL POWER SUPPLIES AND DO NOT HAVE A LINE VOLTAGE CONFIGURATION ESTABLISHED. JUMPERS ON TRANSFORMER MUST BE ADDED.				
*43011601	1	THIS IS A BASIC POWER SUPPLY NOT WIRED FOR ANY PARTICULAR VOLTAGE CONFIGURATION	42751N	NONE
43011602	1	BASIC POWER SUPPLY NOT WIRED FOR ANY PARTICULAR VOLTAGE CONFIGURATION EQUIVALENT TO 401656701	44764	NONE
401656701	1	RELEASES A COMMON POWER SUPPLY FOR ALL FORMATTERS NOT WIRED FOR ANY PARTICULAR CONFIGURATION EQUIVALENT TO 43011602	42751N	NONE

MASTER MACHINE LEVEL LISTING
1935 F.C.U.

12/08/83
PAGE: 1

S.T.C. MLL

MACH LEVEL	EC NO.	EIP NO.	F/B NO.	S T	MOD FEAT	INCRP DATE	SNBI	ECN	
AK0000	44836			1	1935	3/ 9/83	002472	0000	
	44013			1	1935	10/29/79	000011		
							000012		
							000013		
							000015		
							000016		
							000016		
							000016		
							000016		
							THRU		
							000019		
		44016			1	1935	12/ 3/79		000011
							000012		
							000013		
						000015			
						000016			
						THRU			
						000019			
	44018			1	1935	12/ 3/79	000011		
						000012			
						000013			
						000015			
						THRU			
						000019			
AK0001	44014			1	1935	12/10/79	000020		
							000021		
							000022		
							000024		
							THRU		
							000027		
							000029		
							THRU		
							000039		
							000042		
							000043		
		44092			1	1935	1/ 7/80	000020	
							000021		
							000022		
						000024			
						THRU			
						000027			
						000029			
						THRU			
						000039			
						000042			
						000043			
	44051			1	1935	11/12/79	000024		
						THRU			
						000027			
						000029			
						THRU			
						000039			
						000042			
						000043			

MACH LEVEL	EC NO.	FIR NO.	F/B NO.	S T	MOD FEAT	INCRP DATE	SNBI	ECN
	44053			1	1935	2/11/80	000078 000041 000044 THRU 000051 000053 000057 000059 THRU 000063 000065 000070 THRU	
	44107			1	1935	2/11/80	000078 000041 000044 THRU 000051 000053 000057 000059 THRU 000063 000065 000070 THRU	
	44120			1	1935	2/11/80	000078 000041 000044 THRU 000051 000053 000057 000059 THRU 000063 000065 000070 THRU	
	44047			1	1935	3/ 3/80	000078 N/A	
	44176		66851	5	1935	3/ 3/80	000041 000044 THRU 000051 000053 000057 000059 THRU 000063 000065 000070 THRU 000078	

MASTER MACHINE LEVEL LISTING
1935 F.C.U.

12/08/83
PAGE: 4

S.T.C. MLL

MACH LEVEL	EC NO.	EIP NO.	F/B NO.	S T	MOD FEAT	INCRP DATE	SNBI	ECN
	44176A			5	1935	7/21/80	000041 000044 THRU 000051 000053 000057 000059 THRU 000063 000065 000070 THRU 000078	
	44164			1	1935	3/ 3/80	N/A	
	44193			1	1935	3/10/80	000041 000044 THRU 000051 000053 000057 000059 THRU 000063 000065 000070 THRU 000078	
	44210			1	1935	3/24/80	N/A	
	44196			1	1935	3/24/80	N/A	
AK0003	44201			5	1935	3/17/80	000080	
	44147			1	1935	5/27/80	N/A	
	44147Z			1	1935	7/30/80	N/A	
	44119			1	1935	6/ 9/80	N/A	
	44118			1	1935	6/16/80	N/A	
AK0004	44252			5	1935	4/21/80	000056 000058 000064 000066 THRU 000069 000079 000081 THRU 000091 000093 THRU 000136	
	44204	95212		1	1935	5/19/80	000056 000058 000064 000066 THRU 000069 000079	

MACH LEVEL	EC NO.	EIR NO.	F/B NO.	S T	MOD FEAT	INCRP DATE	SNBI	ECN
							000081 THRU	
							000091 000093 THRU	
	44162			1	1935	5/26/80	000136 000056 000058 000064 000066 THRU	
							000069 000079 000081 THRU	
							000091 000093 THRU	
							000136 N/A	
AK0005	44237	95198		1	1935	5/19/80	N/A	
	44231			1	1935	5/19/80	000200	
	44258			5	1935	5/30/80	000216	
	44005			1	1935	5/30/80	000216	
	44300			1	1935	5/30/80	000216	
	44150			1	1935	5/30/80	000227	
	44175			1	1935	6/25/80	000284	
	44170			1	1935	6/27/80	N/A	
	44268			5	1935	7/15/80	000286	
	44240			1	1935	6/25/80	000319	
AK0006	44154		67081	4	1935	8/11/80	000272 000317	
	44163		67083	4	1935	8/11/80	000317	
	44314			1	1935	8/11/80	N/A	
	44244		67043	4	1935	8/11/80	000317	
	44244A			4	1935	4/13/81	000317	9209A
	44243			1	1935	8/26/80	000319 THRU	
							000322 000326	
	44314			1	1935	8/11/80	N/A	
AK0007	44374		67304	5	1935	10/ 4/80	000272 000285 000308 000309 000315 000317 000319 000321 000332	
	44365			1	1935	10/ 7/80	000393	
	44325		67126	1	1935	10/ 3/80	000355 000356 000366 000367	

MASTER MACHINE LEVEL LISTING
1935 F.C.U.

12/08/83
PAGE: 6

S.T.C. MLL

MACH LEVEL	EC NO.	EIR NO.	F/B NO.	S T	MOD FEAT	INCRP DATE	SNBI	ECN
							000369	
							000382	
							THRU	
							000387	
							000392	
							000393	
							000395	
							000397	
	44367				1935	10/28/80	N/A	
	44355				1935	11/20/80	N/A	
	44412		67550	1	1935	1/20/81	000067	9247
							000075	
							000210	
							000211	
							000212	
							000214	
							000215	
							000259	
							000273	
							000277	
							000278	
							000301	
							000302	
							000303	
							000313	
							000317	
							000318	
							000319	
							000340	
							000341	
							000342	
							000349	
							000355	
							000356	
							000358	
							000360	
							000367	
							000371	
							000372	
							000385	
							000386	
							000387	
							000389	
							000401	
							000402	
							000403	
							000404	
							000409	
							000410	
							000413	
							000416	
							000419	
							000420	
							000422	

MASTER MACHINE LEVEL LISTING
1935 F.C.U.

12/08/83
PAGE: 7

S.T.C. MLL

MACH LEVEL	EC NO.	EIR NO.	F/B NO.	S T	MOD FEAT	INCO RP DATE	SNBI	ECN
							000426	
							000427	
							000428	
							000429	
							000430	
							000431	
							000433	
							000434	
							000435	
							000436	
							000437	
							000438	
							000443	
							000445	
							000446	
							000447	
							000449	
							000450	
							000451	
							000452	
							000454	
							000464	
							000467	
							000470	
							000475	
							000477	
AK0008	44380		67382	5	1935	2/ 3/81	000054	
							000272	
							000406	
							000408	
							000424	
							000439	
							000440	
							000441	
							000442	
							000455	
							000456	
							000458	
							000459	
							000460	
							000466	
							000468	
							000469	
							000482	
							000483	
							000484	
							000485	
							000487	
							000488	
							000491	
							THRU	
							000497	
							000499	
							000500	

MASTER MACHINE LEVEL LISTING
1935 F.C.U.

12/08/83
PAGE: 8

S.T.C. MLL

MACH LEVEL	EC NO.	EIR NO.	F/B NO.	S T	MOD FEAT	INCRP DATE	SNBI	ECN
							000503	
							000505	
							000507	
							THRU	
							000532	
							000535	
AK0009	44251		67284	5	1935	2/11/81	000272	9244
			67287				000406	
							000408	
							000427	
							000439	
							THRU	
							000442	
							000466	
							000480	
							000512	
							000518	
							000519	
							000524	
							000527	
							000532	
							000535	
							THRU	
							000537	
							000540	
							000542	
							000547	
							000549	
							000553	
							000554	
							000563	
							THRU	
							000569	
							000571	
	44251A		67284	5	1935	4/ 3/81	000571	9244A
			67287					
	44251B			5	1935	8/ 9/81	N/A	
	44345		67376	5	1935	3/27/81	000387	9245
							000389	
							000391	
							000709	
							THRU	
							000728	
							000730	
AK0010	44345A		67376	5	1935	4/ 7/81	000730	9245A
	44443		67701	5	1935	2/11/81	000075	9276
							000210	
							THRU	
							000215	
							000259	
							000269	
							000272	
							000341	
							000342	

MASTER MACHINE LEVEL LISTING
1935 F.C.U.

MACH LEVEL	EC NO.	EIP NO.	F/B NO.	S T	MOD FEAT	INCRP DATE	SNBI	ECN
---------------	-----------	------------	------------	--------	-------------	---------------	------	-----

000355
000356
000358
000366
000367
000371
000372
000385
000386
000400
000405
000406
000408
000410
000418
000419
000420
000423
000424
000436
THRU
000442
000444
000448
000455
THRU
000461
000466
000472
THRU
000475
000480
000483
000485
000487
THRU
000490
000492
000493
000497
000499
THRU
000506
000511
THRU
000514
000516
000518
000519
000522
THRU
000528
000530
THRU

MACH LEVEL	EC NO.	EIR NO.	F/B NO.	S T	MOD FEAT	INCRP DATE	SNBI	ECN
							000536	
							000540	
							000543	
							THRU	
							000569	
							000571	
	44443A		67701	5	1935	4/29/81	000571	
	44378			1	1935	2/11/81	000075	
							000210	
							THRU	
							000215	
							000259	
							000269	
							000272	
							000341	
							000342	
							000355	
							000356	
							000358	
							000366	
							000367	
							000371	
							000372	
							000385	
							000386	
							000400	
							000405	
							000406	
							000408	
							000410	
							000418	
							000419	
							000420	
							000423	
							000424	
							000436	
							THRU	
							000442	
							000444	
							000448	
							000455	
							000456	
							THRU	
							000461	
							000466	
							000472	
							THRU	
							000475	
							000580	
							000583	
							000485	
							000487	
							THRU	
							000490	

MASTER MACHINE LEVEL LISTING
1935 F.C.U.

12/08/83
PAGE: 11

S.T.C. MLL

MACH LEVEL	EC NO.	EIR NO.	F/B NO.	S T	MOD FEAT	INCRP DATE	SNBI	ECN
							000492	
							000493	
							000497	
							000499	
							THRU	
							000506	
							000511	
							THRU	
							000514	
							000516	
							000518	
							000519	
							000522	
							THRU	
							000528	
							000530	
							THRU	
							000536	
							000540	
							000543	
							THRU	
							000569	
							000571	
	44470			1	1935	3/12/81	000427	
							000442	
							000466	
							000536	
							000538	
							000539	
							000541	
							000542	
							000582	
							000590	
							000592	
							000594	
							000595	
							000597	
							000600	
							000608	
							000610	
							THRU	
							000622	
							000625	
							THRU	
							000636	
							000638	
							THRU	
							000640	
							000642	
							000643	
							000646	
							THRU	
							000654	
							000659	

MASTER MACHINE LEVEL LISTING
1935 F.C.U.

12/08/83
PAGE: 12

S.T.C. MMLL

MACH LEVEL	EC NO.	EIP NO.	F/B NO.	S T	MOD FEAT	INCRP DATE	SNBI	ECN
							THRU	
							000661	
							000666	
							THRU	
							000668	
							000670	
AK0012	44349			1	1935	3/31/81	000745	
	44391		66184	4	1935	4/ 9/81	000743	
			66185				000744	
							000747	
							THRU	
							000751	
							000756	
AK0013	44459		00000	4	1935	4/ 9/81	000743	
							000744	
							000747	
							THRU	
							000751	
							000756	
	44459A			1	1935	8/30/82	000756	
	44493		67766	4	1935	4/ 9/81	000743	
							000744	
							000747	
							THRU	
							000751	
							000756	
AK0014	44490			4	1935	4/ 9/81	000743	
							000744	
							000747	
							THRU	
							000751	
							000756	
	44489			4	1935	4/ 9/81	000743	
							000744	
							000747	
							THRU	
							000751	
							000756	
	44532			3	1935	8/21/81	000744	
							000747	
							THRU	
							000751	
							000756	
AK0015	44533			3	1935	8/26/81	N/A	
	44501		67186	4	1935	7/15/81	000754	
	44351			1	1935	4/15/81	N/A	
	44485			1	1935	4/29/81	N/A	
AK0017	44556		6977C	3	1935	5/13/81	N/A	
AK0016	44522		67876	4	1935	8/26/81	000746	
AK0011	44408		66808	4	1935	7/ 1/81	000988	
	44434			2	1935	7/15/81	N/A	
	44484			1	1935	7/15/81	N/A	
	44506			1	1935	7/29/81	000816	
							000861	

MASTER MACHINE LEVEL LISTING
1935 F.C.U.

12/08/83
PAGE: 13

S.T.C. MMLL

MACH LEVEL	EC NO.	EIR NO.	F/B NO.	S T	MOD FEAT	INCCORP DATE	SNBI	ECN
	44506N			1	1935	12/23/81	N/A	
	44506P			1	1935	7/29/81	000816	
							000861	
	44305			1	1935	5/20/81	000841	
							000855	
							000856	
							000906	
	44415			1	1935	6/ 3/81	000867	
							000869	
							000870	
							000874	
	44394			1	1935	5/27/81	000892	
							000894	
							000905	
							000980	
							THRU	
							000910	
	44500			1	1935	7/29/81	000906	
	44539			1	1935	8/26/81	N/A	
	44534			1	1935	8/26/81	N/A	
	44449			1	1935	5/26/81	000930	
							000950	
	44497			1	1935	8/ 5/81	000953	
AK0019	44457		67917	5	1935	8/19/81	000983	
							THRU	
							000986	
							000988	
	44419			1	1935	8/26/81	001050	
	44597			1	1935	8/27/81	N/A	
	44444			1	1935	9/16/81	001122	
	44449			1	1935	9/ 2/81	N/A	
	44576			1	1935	9/30/81	N/A	
AK0018	44511		67890	5	1935	11/10/81	001396	
			67891				001199	
			67615					
			67616					
	44617			1	1935	10/10/81	N/A	
AK0020	44492		69735	4	1935	11/24/81	001235	
	44492N			4	1935	12/14/81	N/A	
	44576			1	1935	12/24/81	001246	
AK0021	44555		66851	5	1935	12/ 1/81	001292	
			66184					
			69776					
			66185					
	44558		69987	2	1935	12/17/81	001327	
			69991					
			69889					
			69785					
	44558N			2	1935	12/18/81	001327	
	44654N			1	1935	12/22/81	N/A	
	44630			1	1935	1/13/82	N/A	
AK0022	44647		74065	4	1935	1/26/82	001426	9551
							001427	
							001435	

MACH LEVEL	FC NO.	EIR NO.	F/B NO.	S T	MOD FEAT	INCRP DATE	SNBI	ECN
							THRU 001446 001450 001596 001515 THRU 001518	
	44668			1	1935	1/26/82		
	44420			1	1935	2/12/82	N/A	
	44718		74107	3	1935	2/16/82	N/A	
	44720			1	1935	2/22/82	N/A	
	44723			1	1935	2/27/82	N/A	
	44739			1	1935	3/20/82	N/A	
	44641			1	1935	4/12/82	001656 001659 001661	9510A
	44641N			1	1935	4/19/82	N/A	
	44740			1	1935	4/15/82	001693	9691
	44733			1	1935	4/15/82	N/A	
	44736			1	1935	4/19/82	N/A	
	44752			1	1935	4/19/82	N/A	
	58135			1	1935	5/14/82	N/A	
	44766			1	1935	5/14/82	N/A	9728
	44776			1	1935	5/26/82	N/A	
	44612			1	1935	6/ 7/82	001795	9622
	44713			1	1935	6/11/82	N/A	9623
	44764			1	1935	6/ 8/82	N/A	9761
	44792			1	1935	6/14/82	001873	9788
	44651			1	1935	6/28/82	001873	9529
	44658			1	1935	6/28/82	N/A	
	44665			1	1935	6/28/82	N/A	9545
	43282			1	1935	6/23/82	N/A	
	44482			1	1935	8/ 3/82	001960 002025	9646
	44755			1	1935	8/13/82	002025 002027 002033	9737
	44791			1	1935	8/30/82	N/A	9835
	44655			1	1935	8/30/82	N/A	0000
	44825			1	1935	9/10/82	N/A	0000
	42751			1	1935	9/27/82	002079	9624
	42751N			1	1935	9/27/82	002079	
	44741			1	1935	9/10/82	002096 002099 002100 002102	9682
	3471			1	1935	9/10/82	N/A	0000
	44852			1	1935	9/30/82	N/A	0000
	46131			1	1935	9/27/82	N/A	0000
	3680			1	1935	10/11/82	N/A	0000
	3680N			1	1935	10/11/82	N/A	0000
	58166			1	1935	10/11/82	N/A	0000
	44853			1	1935	10/14/82	N/A	0000
	58185			1	1935	11/16/82	N/A	0000
	44872			1	1935	11/16/82	N/A	0000

MASTER MACHINE LEVEL LISTING
1935 F.C.U.

12/08/83
PAGE: 15

S.T.C. MLL

MACH LEVEL	EC NO.	EIR NO.	F/B NO.	S T	MOD FEAT	INCRP DATE	SNBI	ECN
	44850			1	1935	12/ 9/82	N/A	0000
	44864			1	1935	11/16/82	N/A	
	44879			1	1935	12/ 9/82	N/A	0000
	58203			1	1935	12/ 9/82	N/A	0000
	44865			1	1935	12/ 9/82	N/A	0000
	44892			1	1935	12/ 9/82	N/A	0000
	44844			1	1935	12/ 9/82	002250	9892
	58212			1	1935	12/22/82	N/A	0000
AK0023	44813		76117	4	1935	1/10/83	002325	9923
	44813P		76117	4	1935	1/10/83	002325	9923
	44940			1	1935	1/24/83	N/A	0000
	3854M			1	1935	2/ 4/83	N/A	0000
	44840			1	1935	2/ 4/83	N/A	0000
	44840P			1	1935	2/ 4/83	N/A	
	44961			1	1935	2/ 4/83	N/A	0000
	49019			1	1935	2/14/83	N/A	0000
	3857			1	1935	2/14/83	N/A	0000
	44945			1	1935	3/10/83	N/A	
	42857			1	1935	3/10/83	N/A	4181
	3864			1	1935	4/ 8/83	N/A	1836
	49080			1	1935	4/ 7/83	N/A	0000
	44668			1	1935	4/11/83	002512	9703
							002523	
							002525	
							002537	
							002538	
	42867			1	1935	4/22/83	N/A	0000
	42865			1	1935	4/22/83	N/A	0000
	44988			1	1935	4/22/83	002580	
							002607	
	44988N			1	1935	7/ 7/83	N/A	
	3686			1	1935	5/ 6/83	N/A	1765
	42876			1	1935	5/10/83	N/A	
	54830			1	1935	5/13/83	N/A	
	54928			1	1935	6/24/83	N/A	
	42857			1	1935	7/ 1/83	N/A	
	49271			1	1935	7/ 5/83	N/A	
	49249			1	1935	8/ 5/83	002689	4299
	42866			1	1935	9/30/83	002807	4315
	43340			1	1935	10/13/83	N/A	
	49242			1	1935	10/15/83	003031	4313
	58274			1	1935	10/18/83	003031	4380
	42910			1	1935	11/10/83	N/A	

ASSEMBLY PARTS LIST

BOILED ARC 126

PRINT DATE	PAGE	E.C. NO.
12-09-83	1	49407

DIV.		ASSEMBLY NUMBER		CD	REV.	DWG.	DESCRIPTION			MC	STATUS	STATUS DATE		FILE DATE				
0500		401201001		5	BE	N	1935 TLA SYSTEM LOGIC			V	REL	12-05-83	1935	12-07-83				
T	FIND NO	LI	PART NUMBER	CD	M	QUANTITY	U/M	PART DESCRIPTION			MC	YLD	E.C. NO. IN	E.C. NO. OUT	S/N	WK IN	WK OUT	
	001	01	43400011	3		1	PC	SYS LGC GP,KA,43301201 ,PC			N							
	002	01	43400012	1		1	PC	SYS LGC GP,KB,43302202 ,PC			N			44032	44032		8007	8007
	002	02	43400032	9		1	PC	SYS LGC GP,KB,43302203,PC			N		44032	44176		8007	8010	
	002	03	43400042	8		1	PC	SYS LGC GP,KB,43302204,PC			N		44176	44193		8010	8011	
	002	04	43400044	4		1	PC	SYS LGC GP,KB,43302205/305,PC			N		44193	44555		8011	8141	
	002	05	401624901	5		1	PC	SYS LGC GP,KB,43302206,PC			N		44555			8141		
	003	01	43400013	9		1	PC	SYS LGC GP,KC,43303202 ,PC			N							
	004	01	43400014	7		1	PC	SYS LGC GP,KD,43304203/303,PC			N			44345	44345		8108	8108
	004	02	43400056	8		1	PC	SYS LGC GP,KD,43304204/304,PC			N		44345	44492		8108	8141	
	004	03	401625101	1		1	PC	SLG,KD,MULTI P/N'S,PC			N		44492			8141		
	005	01	43400015	4		1	PC	SYS LGC GP,KE,43305201/202,PC			N			44032	44032		8007	8007
	005	02	43400034	5		1	PC	SYS LGC GP,KE,43305203,PC			N		44032	44005		8007	8024	
	005	03	43400049	3		1	PC	SYS LGC GP,KE,43305204,PC			N		44005	44251		8024	8108	
	005	04	43400055	0		1	PC	SLG,KE,43305205/401298201,PC			N		44251	44511		8108	8139	
	005	05	401611202	3		1	PC	SLG,KE,MULTI P/N'S,PC			N		44511	44813		8139	8250	
	005	06	401611203	1		1	PC	SLG KE MULTI P/N'S PC			N		44813			8250		
	006	01	43400016	2		1	PC	SYS LGC GP,KF,43306204,PC			N			44162	44162		8022	8022
	006	02	43400045	1		1	PC	SYS LGC GP,KF,43306205/305,PC			N		44162	44522		8022	8126	
	006	06	401611301	3		1	PC	SLG,KF,43306206/306,PC			N		44522			8126		
	007	01	43400017	0		1	PC	SYS LGC GP,KG,43307202 ,PC			N			44032	44032		8007	8007
	007	02	43400035	2		1	PC	SYS LGC GP,KG,MULTI P/N'S,PC			N		44032	44380		8007	8106	
	007	03	43400058	4		1	PC	SYS LGC GP,KG,MULTI P/N'S,PC			N		44380	44470		8106	8117	
	007	04	401593201	7		1	PC	SYS LGC GP,KG,MULTI P/N'S,PC			N		44470	44457		8117	8132	
	007	05	401593202	5		1	PC	SLG,KG,MULTI P/N'S PC			N		44457			8132		
	008	01	43400018	8		1	PC	SYS LGC GP,KH,43308201 ,PC			N			44032	44032		8007	8007
	008	02	43400036	0		1	PC	SYS LGC GP,KH,43308202/302,PC			N		44032	44501		8007	8126	
	008	03	401593301	5		1	PC	SYS LGC GRP,KH,401591203/303,			N		44501	44641		8126	8213	
	008	04	401593302	3		1	PC	SYS LGC GP,KH,MULTI P/N'S			N		44641			8213		
	009	01	43400019	6		1	PC	SYS LGC GP,KK,43309202,PC			N			44175	44175		8026	8026
	009	02	43400033	7		1	PC	SYS LCCGP,KK,43309203/303,PC			N		44175	44501		8026	8126	
	009	03	401593401	3		1	PC	SYS LGC GRP,KK,43309204/304PC			N		44501			8126		
	010	01	43400021	2		1	PC	SYS LGC GP,KM,43310201 ,PC			N							

ASSEMBLY PARTS LIST

BUILD ARC 120

PRINT DATE	PAGE	E.C. NO.
12-09-83	2	40407

DIV.	ASSEMBLY NUMBER	CD	REV.	DWG.	DESCRIPTION	MC	STATUS	STATUS DATE	FILE DATE						
0500	401201001	5	BE	N	1935 TLA SYSTEM LOGIC	V	REL	12-05-83	1935	12-07-83					
T	FIND NO	LI	PART NUMBER	CD	M	QUANTITY	U/M	PART DESCRIPTION	MC	YLD	E.C. NO. IN	E.C. NO. OUT	S/N	WK IN	WK OUT
	011	01	43400022	0		1	PC	SYS LGC GP,KN,43311102 ,WH	N						
	012	01	43400023	8		1	PC	SYS LGC GP,KP,43312101/102,WH	N			44032			8007
	012	02	43400038	6		1	PC	SYS LGC GP,KP,43312103/203,WP	N		44032	44459		8007	8114
	012	03	401561101	7		1	PC	SYS LOG GRP,KP,43312104/204WD	N		44459			8114	
	013	01	43400024	6		1	PC	SYS LGC GP,KQ,43313201 ,PC	N			44154			8028
	013	02	401261501	1		1	PC	SYS LGC GP,KQ,401208301,PC	N		44154	44489		8028	8114
	013	03	401598501	5		1	PC	SYS LOG GRP,KQ 401599201,PC	N		44489			8114	
	014	01	43400025	3		1	PC	SYS LGC GP,KR,43314202 ,PC	N			44201			8012
	014	02	43400043	6		1	PC	SYS LGC GP,KR,43314203,PC	N		44201	44252		8012	8017
	014	03	43400048	5		1	PC	SYS LGC GP,KR,43314204,PC	N		44252	44163		8017	8028
	014	04	401262701	6		1	PC	SYS LGC GP,KR,401209401,PC	N		44163	44374		8028	8039
	014	05	401262702	4		1	PC	SYS LGC GP,KR,401209402,PC	N		44374	44490		8039	8114
	014	06	401598601	3		1	PC	SYS LOG GRP,KR,401529201,PC	N		44490			8114	
	015	01	43400026	1		1	PC	SYS LGC GP,KT,43315203/303,PC	N			44032			8007
	015	02	43400039	4		1	PC	SYS LGC GP,KT,43315203/304,PC	N		44032	44243		8007	8033
	015	03	43400051	9		1	PC	SYS LGC GP KT 43315204/305,PC	N		44243	44365		8033	8038
	015	04	43400057	6		1	PC	SLG,KT,KW MULTI PN PC MACRO	N		44365	44988		8038	8316
	015	05	403037401	3		1	PC	SLG KT KW PC MACRO	N		44988	49407		8316	8348
	015	06	403037402	1		1	PC	SYS LGC,GP,KT/KW,PC MACRO	N		49407			8348	
	016	01	43400027	9		1	PC	SYS LGC GP,KV,43316301,PC	N			44032			8007
	016	02	43400040	2		1	PC	SYS LGC GP,KV,43316302,PC	N		44032	44204		8007	8023
	016	03	43400047	7		1	PC	SYS LGC GP,KV,43316303,PC	N		44204	44258		8023	8023
	016	04	43400050	1		1	PC	SYS LGC GP 43316306/406,PC	N		44258	44420		8023	8113
	016	05	401567401	5		1	PC	SYS LGC GP, MULTI P/N, KV/KY	N		44420			8113	
	017	01	43400031	1		1	PC	SYS LGC GP,KZ PAGES	N			44493			8114
	017	02	401609901	4		1	PC	SYS LOG GRP,KZ PAGES	N		44493			8114	
	018	01	43050700	4		1	PC	SCHEMATIC,POWER SUPPLY,ACME	D		44014	42751		7950	8228
	018	02	401691001	2		1	PC	ACME P/S SCHEMATIC	D		42751	44764		8228	8228
	019	01	43050800	2		1	PC	SCHEMATIC,PWR SPLY;LESTRONICS	D		44014	42751		7950	8228
	019	02	402216701	1		1	PC	LESTRONIC P/S SCHEMATIC	D		42751	44764		8228	8228
	019	03	402327301	6		1	PC	SLG,PS,401656701/43011602	N		44764			8228	
	020	01	401212401	4		1	PC	SCHEMATIC,POWER SUPPLY AC DC	D		44014			7950	

ASSEMBLY PARTS LIST

BOULEVARD 128

PRINT DATE	PAGE	E.C. NO.
12-09-83	3	49407

DIV.	ASSEMBLY NUMBER	CD	REV.	DWG.	DESCRIPTION	MC	STATUS	STATUS DATE	FILE DATE					
0500	401201001	5	BE	N	1935 TLA SYSTEM LOGIC	V	REL	12-05-83	1935	12-07-83				
T FIND NO	LI	PART NUMBER	CD	M	QUANTITY	U/M	PART DESCRIPTION	MC	YLD	E.C. NO. IN	E.C. NO. OUT	S/N	WK IN	WK OUT
021	01	43400037	8		1	PC	SYS LGC GP,KN,43311202,PC	N		44032			8007	
022	01	43400020	4		1	PC	SYS LGC GP,KL,43318102,WW	N		44150	44300		8023	8026
022	02	43400052	7		1	PC	SYS LGC GP,KL,43318103,WW	N		44300	44325		8026	8039
022	03	43400053	5		1	PC	SYS LGC GP,KL,43318104/204 W/P	N		44325			8039	
023	01	43400046	9		1	PC	SYS LGC GP,KE,43305404,PC	N		44240	44251		8026	8108
023	02	43400054	3		1	PC	SLG,KE,43305405/401298401,PC	N		44251	44511		8108	8139
024	01	401585601	8		1	PC	SYS LGC GP, KR.401529301, PC	N						
025	01	401625001	3		1	PC	SYS LGC GP,KB,43302306,PC	N		44555			8141	
026	01	401680501	4		1	PC	WIRING DIAGRAM,AC DIST.-IEC	D		42751			8228	
027	01	402229001	1		1	PC	SYS LGC GRP, KK,43309404	N		44482			8230	
028	01	402204901	1		1	PC	SYS LGC GP, KP 43312304	N		44741			8236	
029	01	402208401	8		1	PC	SYS LGC GP KL,43318304,PC	N		44668			8310	
030	01	402260401	3		1	PC	SLG,KE,401696201,PC,RPQ227	N		44865			8249	
031	01	401620801	1		1	PC	SLG,KG,43307507,PC	N		44457			8132	
						0078 TOTAL LINES								

ASSEMBLY PARTS LIST

BOULEVARD

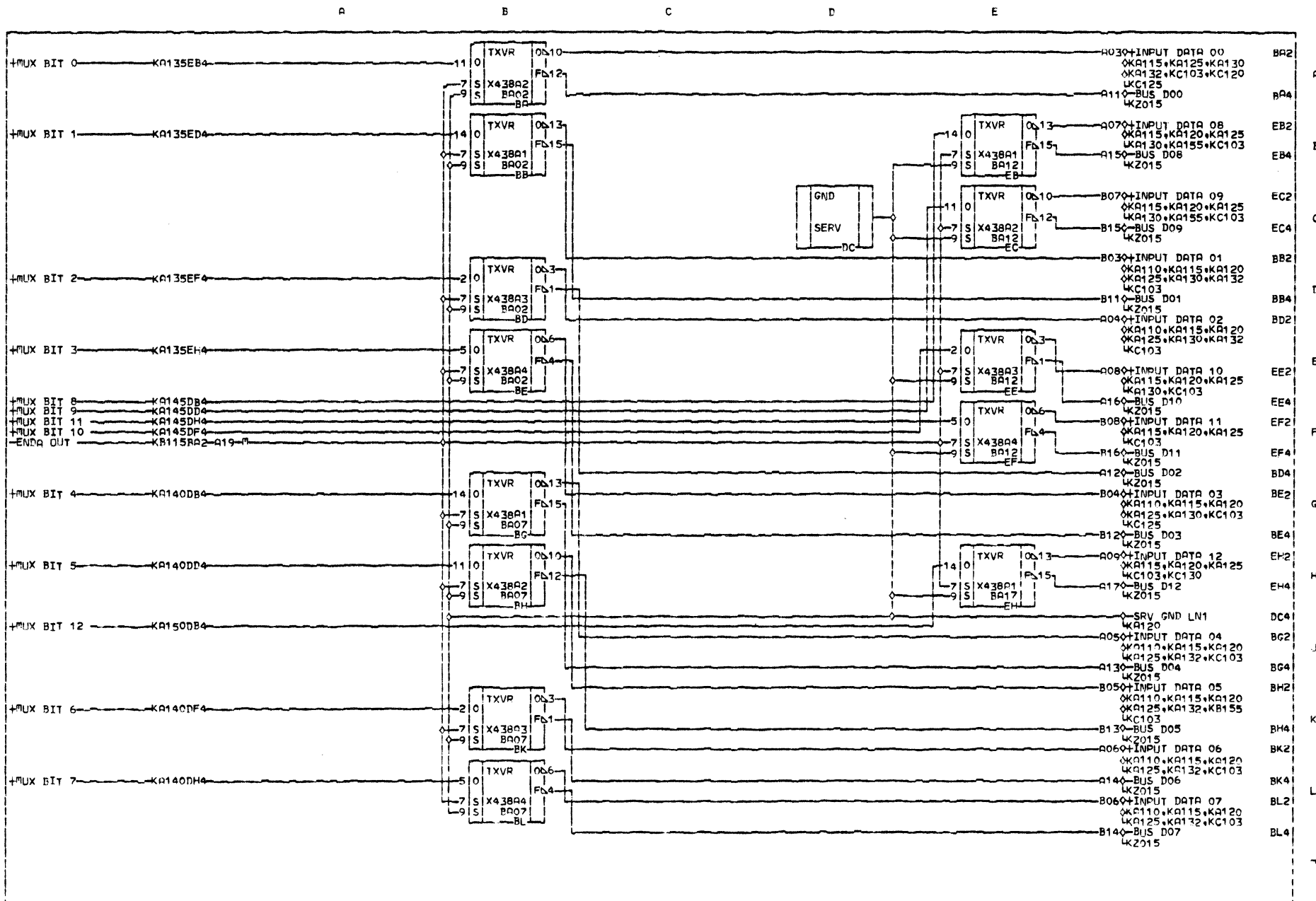
PRINT DATE	PAGE	E.C. NO.
10-20-82	1	44170

DIV.	ASSEMBLY NUMBER	CD	REV.	DWG.	DESCRIPTION	MC	STATUS	STATUS DATE	FILE DATE					
0500	43400011	3	C	N	SYS LGC GP,KA,43301201 ,PC	N	REL	12-06-79	1985	07-03-80				
T FIND NO	LI	PART NUMBER	CD	M	QUANTITY	U/M	PART DESCRIPTION	MC	YLD	E.C. NO IN	E.C. NO. OUT	S.N	WK IN	WK OUT
001	01	43431001	7		REF		PC CD LGC,AM152,KA,PC	D						
002	01	43401000	5		REF		PC SYS LGC,KA105,PC	D						
003	01	43401001	3		REF		PC SYS LGC,KA110,PC	D						
004	01	43401002	1		REF		PC SYS LGC,KA115,PC	D						
005	01	43401003	9		REF		PC SYS LGC,KA120,PC	D						
006	01	43401004	7		REF		PC SYS LGC,KA125,PC	D						
007	01	43401005	4		REF		PC SYS LGC,KA130,PC	D			44170			8026
007	02	43401012	0		REF		PC SYS LGC KA130 PC	D		44170			8026	
008	01	43401006	2		REF		PC SYS LGC,KA132,PC	D			44170			8026
008	02	43401013	8		REF		PC SYS LGC KA132 PC	D		44170			8026	
009	01	43401007	0		REF		PC SYS LGC,KA135,PC	D						
010	01	43401008	8		REF		PC SYS LGC,KA140,PC	D						
011	01	43401009	6		REF		PC SYS LGC,KA145,PC	D						
012	01	43401010	4		REF		PC SYS LGC,KA150,PC	D						
013	01	43401011	2		REF		PC SYS LGC,KA155,PC	D						
500	01	43301201	0		REF		PC CKT CD,KA,PC ASSY	S		44032			8007	
0016 TOTAL LINES														

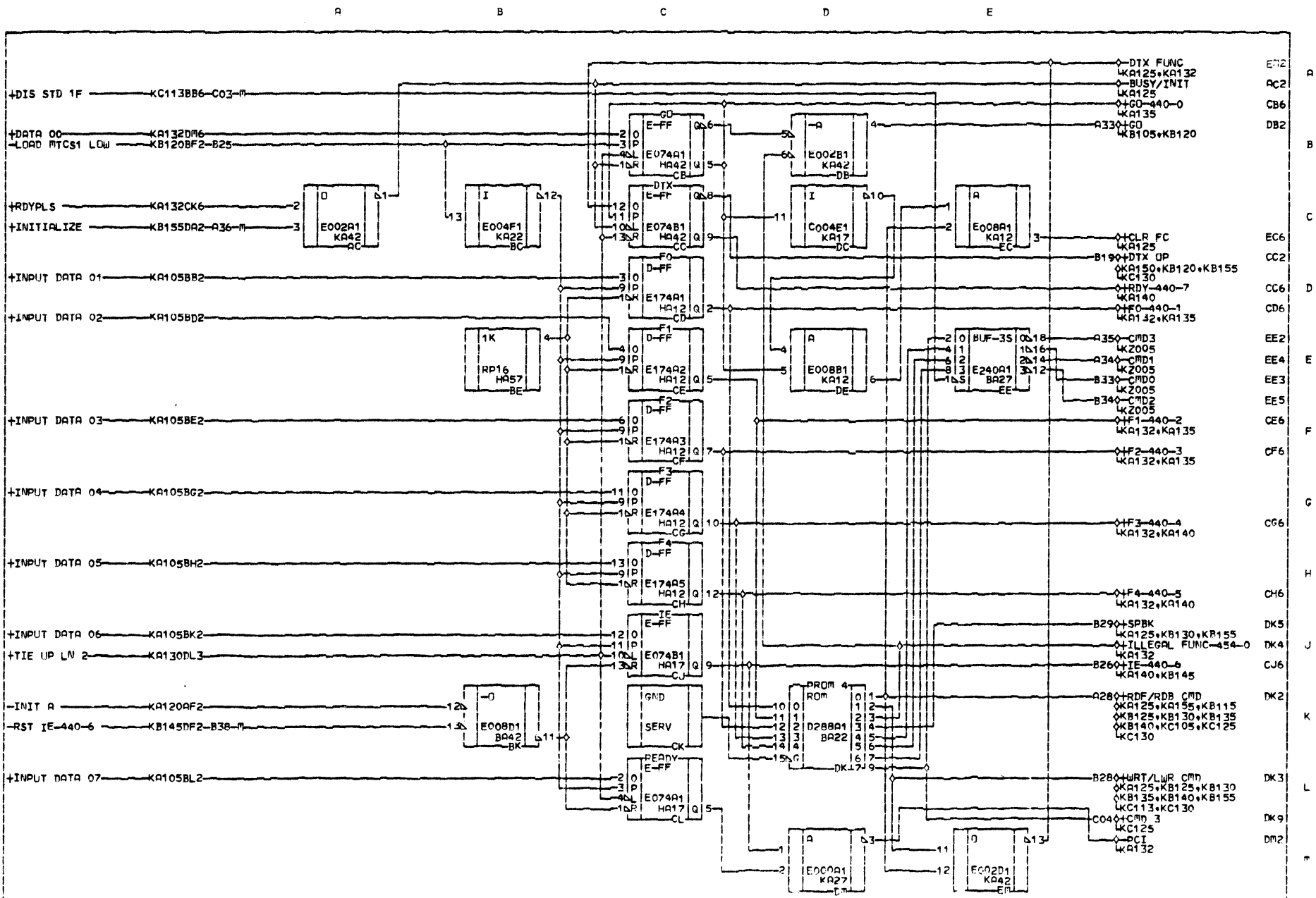
LLOC KA67	LLOC KA62	LLOC KA57	LLOC KA52	LLOC KA47	LLOC KA42	LLOC KA37	LLOC KA32	LLOC KA27	LLOC KA22	LLOC KA17	LLOC KA12	LLOC KA07	LLOC KA02
PN IC:	PN IC:	PN IC:	PN IC:	PN IC:E09A	PN IC:E092	PN IC:E093	PN IC:E074	PN IC:E090	PN IC:E094	PN IC:C004	PN IC:E008	PN IC:E175	PN IC:
3 KA132CK6	1 KA110OC2	3	3	3 KA132CK6	1 KA110OC2	3	5	3 KA110DP2	2 KA132BH2	2 KA132AJ2	3 KA110EC6	2 KA130BK6	
5 KA132EL6	4 KA110DB2	6	6	5 KA132EL6	4 KA110DB2	6	8 KA125FA2	6 KA132FA2	6 KA132BK2	6 KA132AK2	6 KA132DF6	6	
9 KA125J6	10 KA132E2	11	11	9 KA125J6	10 KA132E2	11	11 KA125FA2	8 KA132CF2	8 KA132BK2	8 KA132AK2	8 KA132DF6	7 KA130BK6	
11 KA132EL6	13 KA110BH2	11	11	11 KA132EL6	13 KA110BH2	11	10 KA120H2	10 KA110U2	10 KA110U2	10 KA110U2	10 KA110U2	10 KA130BK6	
12 KA110R2	12	11	11	12 KA110R2	12	11	12 KA110R2	12	12	12	12	12	
15 KA130BE6		14	14	15 KA130BE6		14							
PE2	ME2	ME2	LE2	7 KE2	7 JE2	7 ME2	7 EE2	7 FE2	7 EE2	7 DE2	7 CE2	8 FE2	HE2
GNDKJ6	GNDK63	GNDK58	GNDK53	GNDK48	GNDK43	GNDK38	GNDK33	GNDK28	GNDK23	GNDK18	GNDK13	GNDK08	GNDK03
PE6	ME6	ME6	LE6	KE6	JE6	ME6	EE6	FE6	EE6	DE6	CE6	FE6	HE6
+SVKA6A	+SVKA63	+SVKA58	+SVKA53	+SVKA48	+SVKA43	+SVKA38	+SVKA33	+SVKA28	+SVKA23	+SVKA18	+SVKA13	+SVKA08	+SVKA03
LLOC HA67	LLOC HA62	LLOC HA57	LLOC HA52	LLOC HA47	LLOC HA42	LLOC HA37	LLOC HA32	LLOC HA27	LLOC HA22	LLOC HA17	LLOC HA12	LLOC HA07	LLOC HA02
PN IC:	PN IC:K16	PN IC:RP16	PN IC:RP16	PN IC:E074	PN IC:E074	PN IC:	PN IC:E251	PN IC:E251	PN IC:E175	PN IC:E074	PN IC:E174	PN IC:E174	PN IC:E085
	* MUNE #	03+05+06	01+05+06	5	5 KA110CC6		5 KA140CP2	5 KA140CF2	2 KA130BK6	5 KA110CL6	2 KA110CD6	2 KA132BA2	5
	07+08	07+08	07+10+11	8	8 KA125EJ6		6	6	6	6	6	6 KA132BA4	7 KA1325D3
	** ONLY **	** ONLY **	** ONLY **	9	9 KA110CC6								
	** UNUSED **	** UNUSED **	** UNUSED **										
	** PINS **	** PINS **	** PINS **										
PN2	PN2	PN2	LD2	7 KN2	7 JD2	PN2	8 PN2	8 FN2	8 EN2	7 DN2	8 CN2	8 BN2	8 DN2
GNDK68	GNDK63	GNDK58	GNDK53	GNDK48	GNDK43	GNDK38	GNDK33	GNDK28	GNDK23	GNDK18	GNDK13	GNDK08	GNDK03
PN6	ME6	ME6	LE6	KE6	JE6	ME6	EE6	FE6	EE6	DE6	CE6	FE6	HE6
+SVHA68	+SVHA63	+SVHA58	+SVHA53	+SVHA48	+SVHA43	+SVHA38	+SVHA33	+SVHA28	+SVHA23	+SVHA18	+SVHA13	+SVHA08	+SVHA03
LLOC FA67	LLOC FA62	LLOC FA57	LLOC FA52	LLOC FA47	LLOC FA42	LLOC FA37	LLOC FA32	LLOC FA27	LLOC FA22	LLOC FA17	LLOC FA12	LLOC FA07	LLOC FA02
PN IC:E251	PN IC:E251	PN IC:E251	PN IC:E251	PN IC:E251	PN IC:E251	PN IC:E251	PN IC:E251	PN IC:E251	PN IC:E251	PN IC:E251	PN IC:E251	PN IC:E251	PN IC:E251
5 KA150CH2	5 KA150CF2	5 KA150CD2	5 KA150CB2	5 KA145CH2	5 KA145CF2	5 KA145CP2	5 KA145CP2	5 KA140CF2	5 KA140CE2	5 KA135CA2	5 KA135CU2	5 KA135CE2	5 KA135CO2
8 PC2	8 NC2	8 MC2	8 LC2	8 KC2	8 JC2	8 HC2	8 GC2	8 FC2	8 EC2	8 DC2	8 CC2	8 BC2	8 AC2
GNDFH66	GNDFH61	GNDFH56	GNDFH51	GNDFH46	GNDFH41	GNDFH36	GNDFH31	GNDFH26	GNDFH21	GNDFH16	GNDFH11	GNDFH06	GNDFH01
16 PC6	16 NC6	16 MC6	16 LC6	16 KC6	16 JC6	16 HC6	16 GC6	16 FC6	16 EC6	16 DC6	16 CC6	16 BC6	16 AC6
+SVFA70	+SVFA65	+SVFA60	+SVFA55	+SVFA50	+SVFA45	+SVFA40	+SVFA35	+SVFA30	+SVFA25	+SVFA20	+SVFA15	+SVFA10	+SVFA05
LLOC DA67	LLOC DA62	LLOC DA57	LLOC DA52	LLOC DA47	LLOC DA42	LLOC DA37	LLOC DA32	LLOC DA27	LLOC DA22	LLOC DA17	LLOC DA12	LLOC DA07	LLOC DA02
PN IC:F16	PN IC:E193	PN IC:E193	PN IC:E193	PN IC:E193	PN IC:E193	PN IC:E193	PN IC:E193	PN IC:E193	PN IC:E193	PN IC:F193	PN IC:E193	PN IC:E193	PN IC:E193
12+13+14	2 KA125DK6	2 KA115DK5	2 KA120CK6	2 KA155AB6	2 KA120CG6	2 KA125DG6	2 KA125DG6	3 KA115DG5	3 KA125DD5	3 KA120CD5	3 KA115DD5	3 KA120CA6	3 KA125DA5
15	3 KA125DK5	3 KA115DK4	3 KA120CK5	3 KA155AB5	3 KA120CG5	3 KA125DG5	3 KA125DG5	4 KA115DG4	4 KA125DD4	4 KA120CD4	4 KA115DD4	4 KA120CA5	4 KA125DA4
** UNLY **	6 KA125DK7	6 KA115DK7	6 KA120CK7	6 KA155AB7	6 KA120CG7	6 KA125DG7	6 KA125DG7	6 KA115DG6	6 KA125DD6	6 KA120CD6	6 KA115DD6	6 KA120CA7	6 KA125DA7
** UNUSED **	7 KA125DK8	7 KA115DK8	7 KA120CK8	7 KA155AB8	7 KA120CG8	7 KA125DG8	7 KA125DG8	7 KA115DG7	7 KA125DD7	7 KA120CD7	7 KA115DD7	7 KA120CA8	7 KA125DA8
** PINS **	12 KA125DK3	12 KA115DK3	12 KA120CK3	12 KA155AB3	12 KA120CG3	12 KA125DG3	12 KA125DG3	12 KA115DG8	12 KA125DD8	12 KA120CD8	12 KA115DD8	12 KA120CA9	12 KA125DA9
	13	13	13	13	13	13	13	13	13	13	13	13	13
8 PB2	8 NB2	8 MB2	8 LB2	8 KB2	8 JB2	8 HB2	8 GB2	8 FB2	8 EB2	8 DB2	8 CB2	8 BB2	8 AB2
GNDH66	GNDH61	GNDH56	GNDH51	GNDH46	GNDH41	GNDH36	GNDH31	GNDH26	GNDH21	GNDH16	GNDH11	GNDH06	GNDH01
16 PB6	16 NB6	16 MB6	16 LB6	16 KB6	16 JB6	16 HB6	16 GB6	16 FB6	16 EB6	16 DB6	16 CB6	16 BB6	16 AB6
+SVDA70	+SVDA65	+SVDA60	+SVDA55	+SVDA50	+SVDA45	+SVDA40	+SVDA35	+SVDA30	+SVDA25	+SVDA20	+SVDA15	+SVDA10	+SVDA05
LLOC BA67	LLOC BA62	LLOC BA57	LLOC BA52	LLOC BA47	LLOC BA42	LLOC BA37	LLOC BA32	LLOC BA27	LLOC BA22	LLOC BA17	LLOC BA12	LLOC BA07	LLOC BA02
PN IC:E240	PN IC:E240	PN IC:E240	PN IC:E240	PN IC:	PN IC:E008	PN IC:E240	PN IC:E051	PN IC:E240	PN IC:1288	PN IC:X438	PN IC:X438	PN IC:X438	PN IC:X438
3 KA155DF5	3 KA155DE5	3 KA155DU5	3 KA155DK5		3 KA132E6	3 KA132E6	3 KA125BE2	3 KA132E5	1 KA110DK2	1 KA120BL4	1 KA105EE4	1 KA105BK4	1 KA105BD4
5 KA155DF4	5 KA155DE4	5 KA155DU4	5 KA155DK4		6 KA115E6	6 KA115E6	6	5 KA132E4	2 KA110DK3	2 KA120BL3	2 KA105EE3	2 KA105BK3	2 KA105BD3
7 KA155DF3	7 KA155DE3	7 KA155DU3	7 KA155DK3		8	7 KA132E3	8	7	3 KA110DK4	3 KA120BL4	3 KA105EE4	3 KA105BK4	3 KA105BD4
9 KA155DF2	9 KA155DE2	9 KA155DU2	9 KA155DK2		11 KA110DK6	9		7	4 KA110DK5	4 KA120BL5	4 KA105EE5	4 KA105BK5	4 KA105BD5
12 KA155DD5	12 KA155DC5	12 KA155DG5	12 KA155DH5		12 KA130EC4	12 KA130EC4		12 KA110EE5	5 KA110DK6	5 KA120BL6	5 KA105EE6	5 KA105BK6	5 KA105BD6
14 KA155DD4	14 KA155DC4	14 KA155DG4	14 KA155DH4		14 KA130EC3	14 KA130EC3		14 KA110EE3	6 KA110DK7	6 KA120BL7	6 KA105EE7	6 KA105BK7	6 KA105BD7
16 KA155DD3	16 KA155DC3	16 KA155DG3	16 KA155DH3		16 KA130EC2	16 KA130EC2		16 KA110EE2	7 KA110DK8	7 KA120BL8	7 KA105EE8	7 KA105BK8	7 KA105BD8
18 KA155DD2	18 KA155DC2	18 KA155DG2	18 KA155DH2		18	18		18 KA110EE2	8 KA110DK9	8 KA120BL9	8 KA105EE9	8 KA105BK9	8 KA105BD9
10 PA2	10 NA2	10 MA2	10 LA2	KA2	7 QA2	10 HA2	7 GA2	10 FA2	8 EA2	8 DA2	8 CA2	8 BA2	8 AA2
GNDH66	GNDH61	GNDH56	GNDH51	GNDH46	GNDH41	GNDH36	GNDH31	GNDH26	GNDH21	GNDH16	GNDH11	GNDH06	GNDH01
20 PA6	20 NA6	20 MA6	20 LA6	KA6	14 QA6	20 HA6	14 GA6	20 FA6	16 EA6	16 DA6	16 CA6	16 BA6	16 AA6
+SVBA70	+SVBA65	+SVBA60	+SVBA55	+SVBA50	+SVBA45	+SVBA40	+SVBA35	+SVBA30	+SVBA25	+SVBA20	+SVBA15	+SVBA10	+SVBA05

INDEX: 12 PAGE(S)			
PAGE	CRD	PG	P/N EC LEVEL
KA105	43431002-3	44041	KA130 43431007-4 44041
KA110	43431003-3	44041	KA132 43431008-2 44041
KA115	43431004-1	44041	KA135 43431009-3 44041
KA120	43431005-8	44041	KA140 43431010-8 44041
KA125	43431006-6	44041	KA145 43431011-6 44041

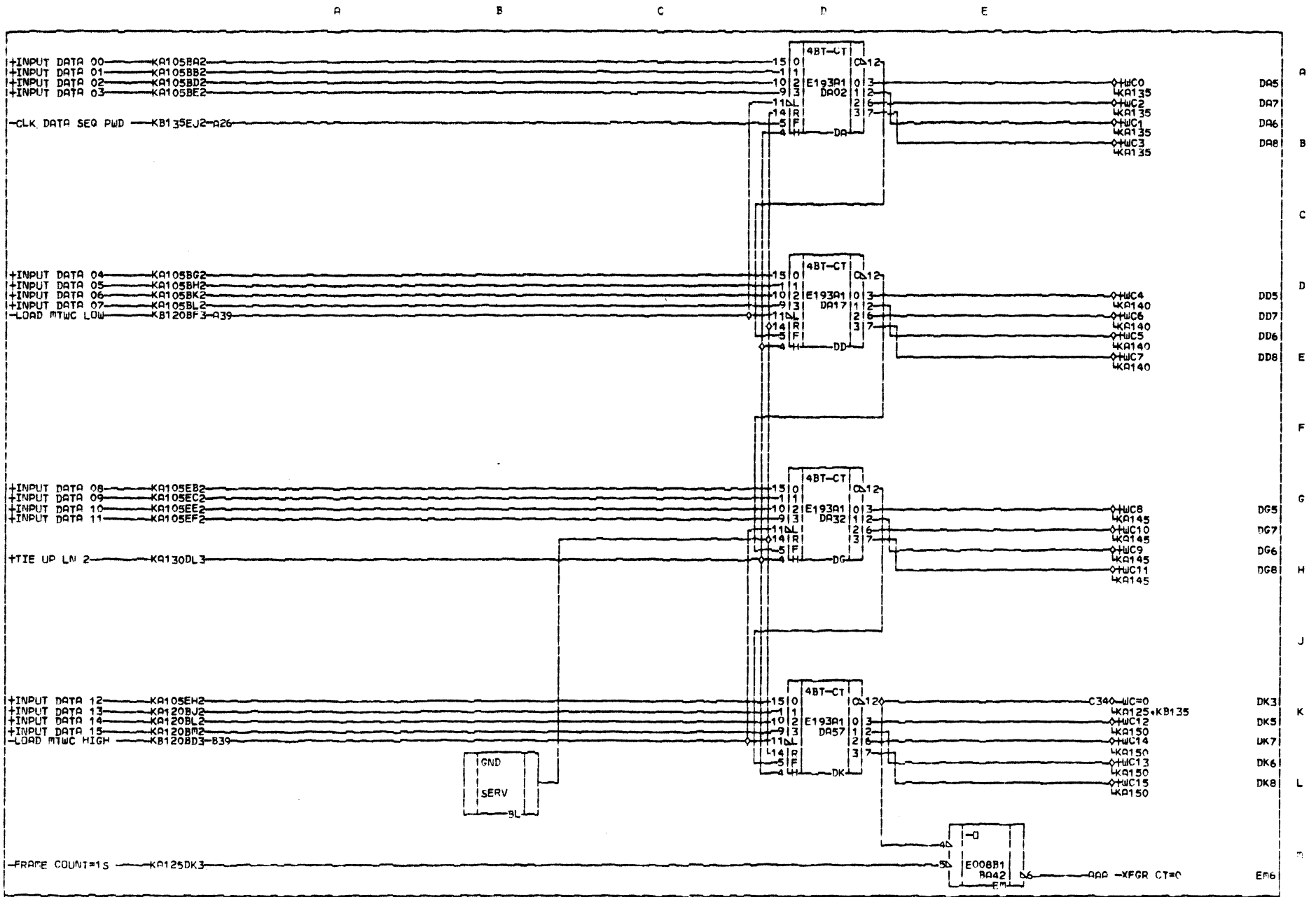
IC LOCATION CHART KA-PC CARD 1935 (TUJ16)			
PRESENT EC	44041	DATE	12/11/79
CD PN	43301201-0		
PREV EC	D3047	PAGE PN	43431001-7 CD TYPE KA
FLEVEL		PROTYP	



K A 1 0 5	STC				UNBUS DATA, DRIVERS & RECEIVERS				K A 1 0 5						
	AP	PAGE	REFS	—	SYSTEM	PAGE	—	IPRES.		F.C.	EC44032	MACHINE:	S1935		
		PAGE	43431002-5		FLYER	EC	PROTOTYPE			PREV.	F.C.	EC44018	CD:	LCC: A2	
			E.C.	44041			QUIRING	METHOD:		PC	DATE	1/17/80	PG.	P.N.:	43401000-S



K A 1 1 0		MTC51 REGISTER BITS 0-6				K A 1 0
	- AM PAGE REFS - PAGE 43431003-3 E.C. 44041	- SYSTEM PAGE - FLYER EC PROTOTYP WIRING METHOD: PC	- PRES. E.C. EC44032 - PREV. E.C. ECA4018 DATE 1/17/80	MACHINE: S1935 ICD. LOC. A2 PG. P.No. 43401001-3		

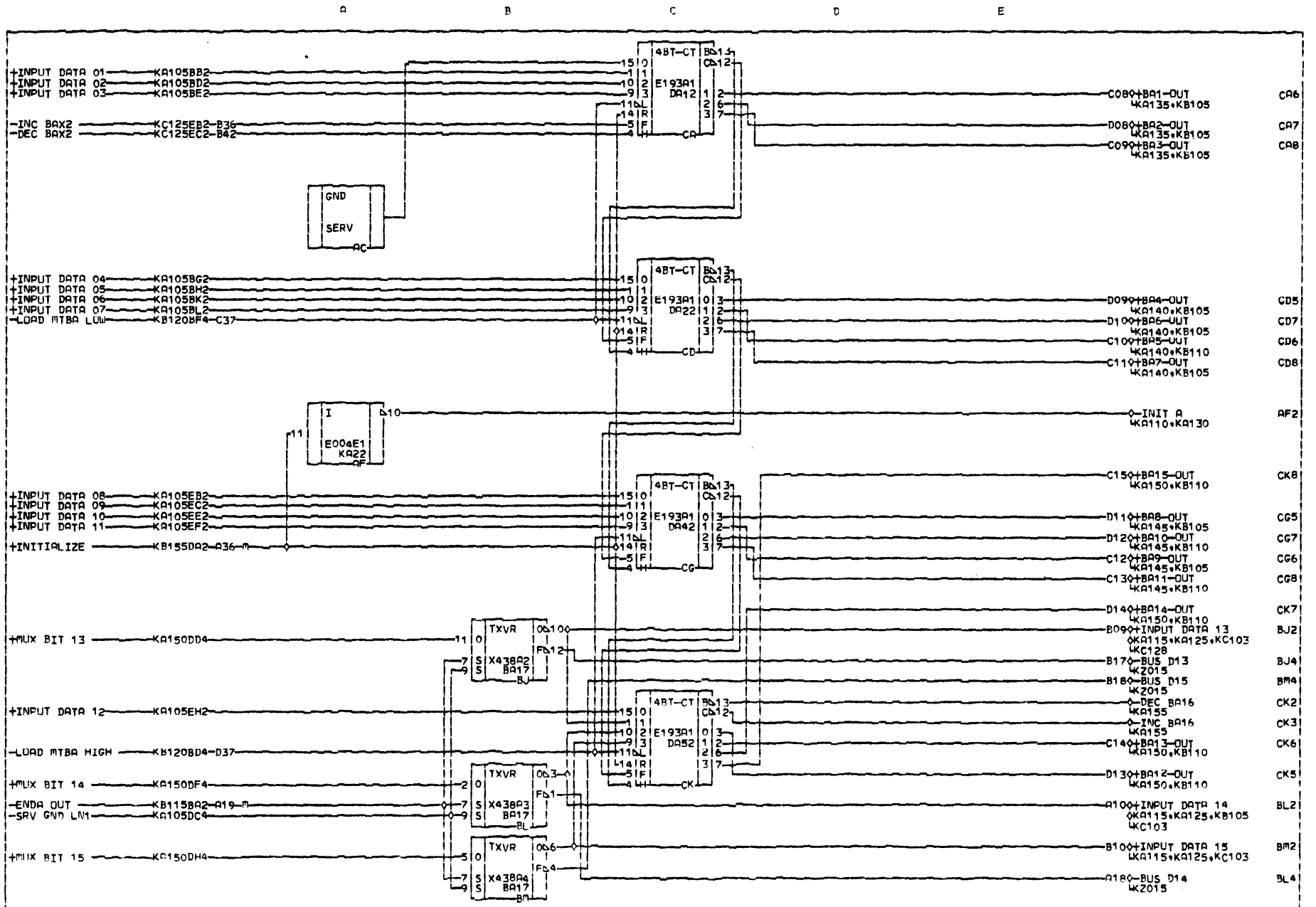


K
A
1
1
5

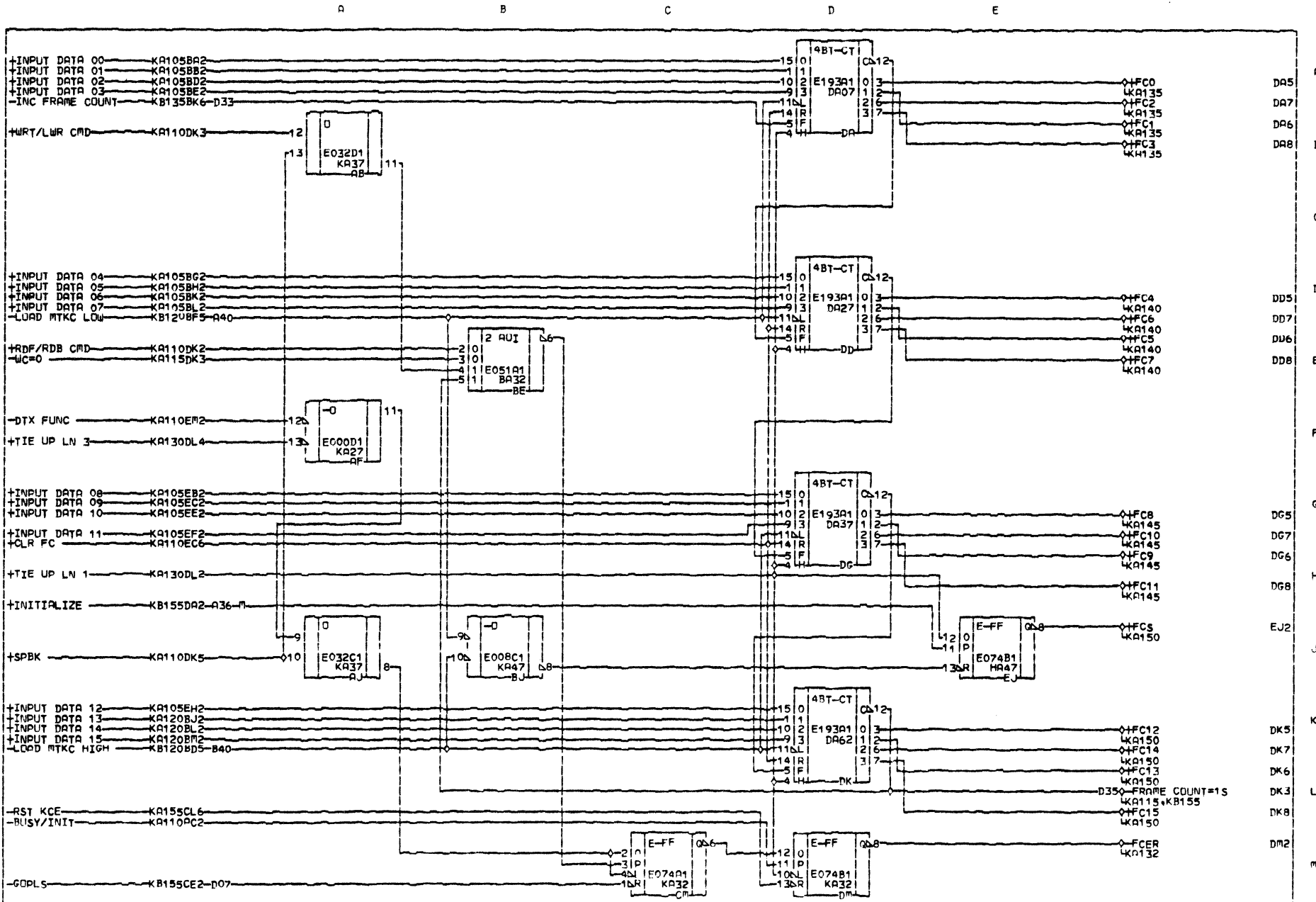


AM	PAGE	REFS	SYSTEM PAGE	PREP.	E.C.	EC44032	DATE	MACHINE:	S1935
	43431004-1		FLYER EC PROTOTYP	PREV.	E.C.	FL44018		ICD	LDC R2
	E.C. 44041		WIRING METHOD:	FC	DATE	1/17/80		PG	PoN. 43401002-1

K
A
1
1
5



K A 1 2 0	ETC			UNIBUS ADDRESS REGISTER			K A 1 2 0
	AR PAGE REFS	SYSTEM PAGE	PREV. E.C.	EC44072	MACHINE:	S1935	
	PAGE 43431005-8	FLYER EC PROTOTYP	PREV. E.C.	EC44018	CD:	L0C: A2	
	E.C.: 44041	WIRING METHOD: PC	DATE	1/17/80	PG. P.n.:	43401003-9	



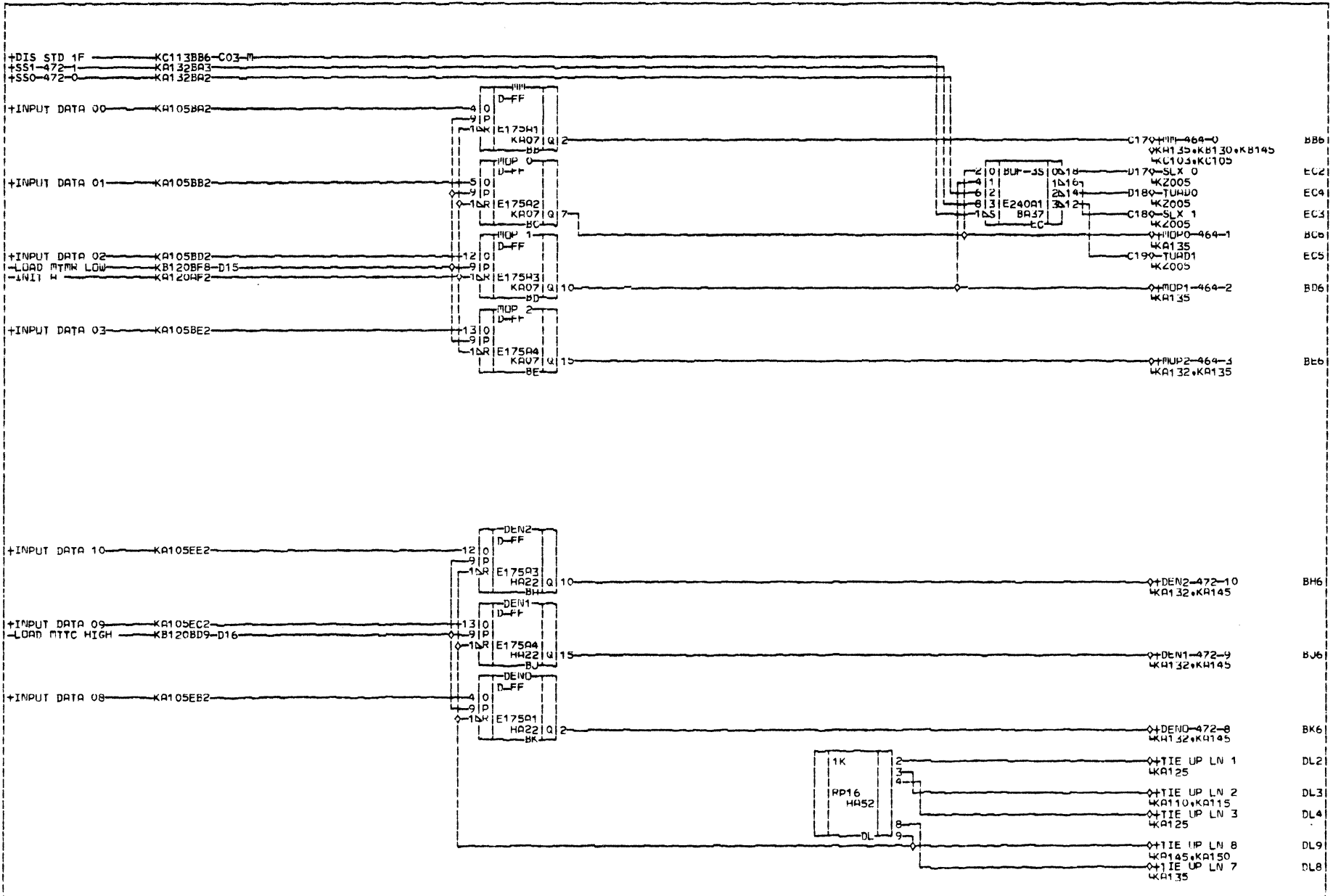
K
A
1
2
5



FRAME COUNT REGISTER

AM	PAGE	REFS	SYSTEM PAGE	PRES	E.C.	EC44032	MACHINE:	S1935	K
PAGE	43431006-6		FLYER EC PROTOTYP	PREV	E.C.	EC44018	CD	LOC	A2
E.C.	44041		WIRING METHOD:	PC	DATE	1/17/80	PG	P.n.	43401004-7

K
A
1
2
5



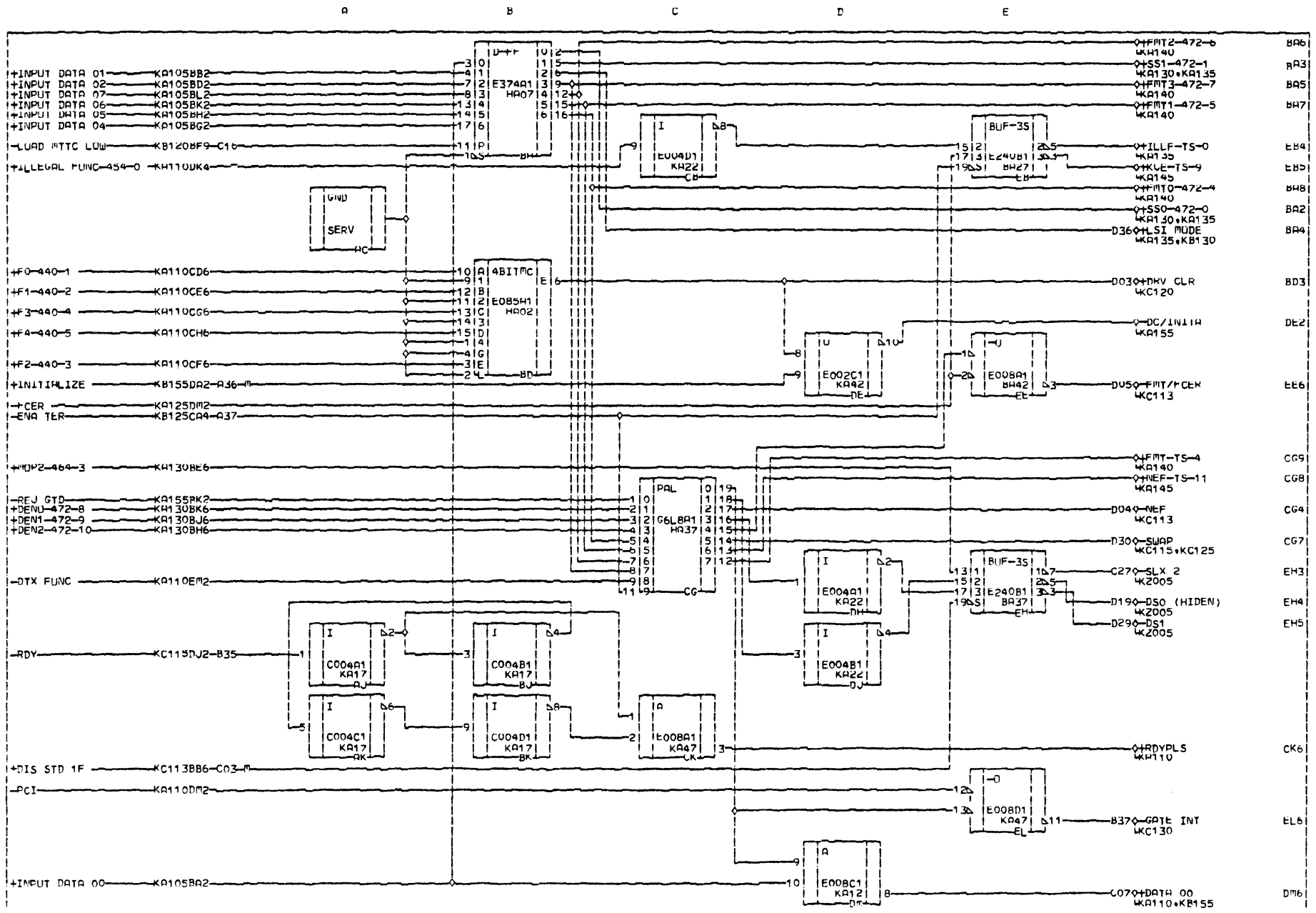
H
B
C
D
E
F
G
H
J
K
L
M

K
A
1
3
0

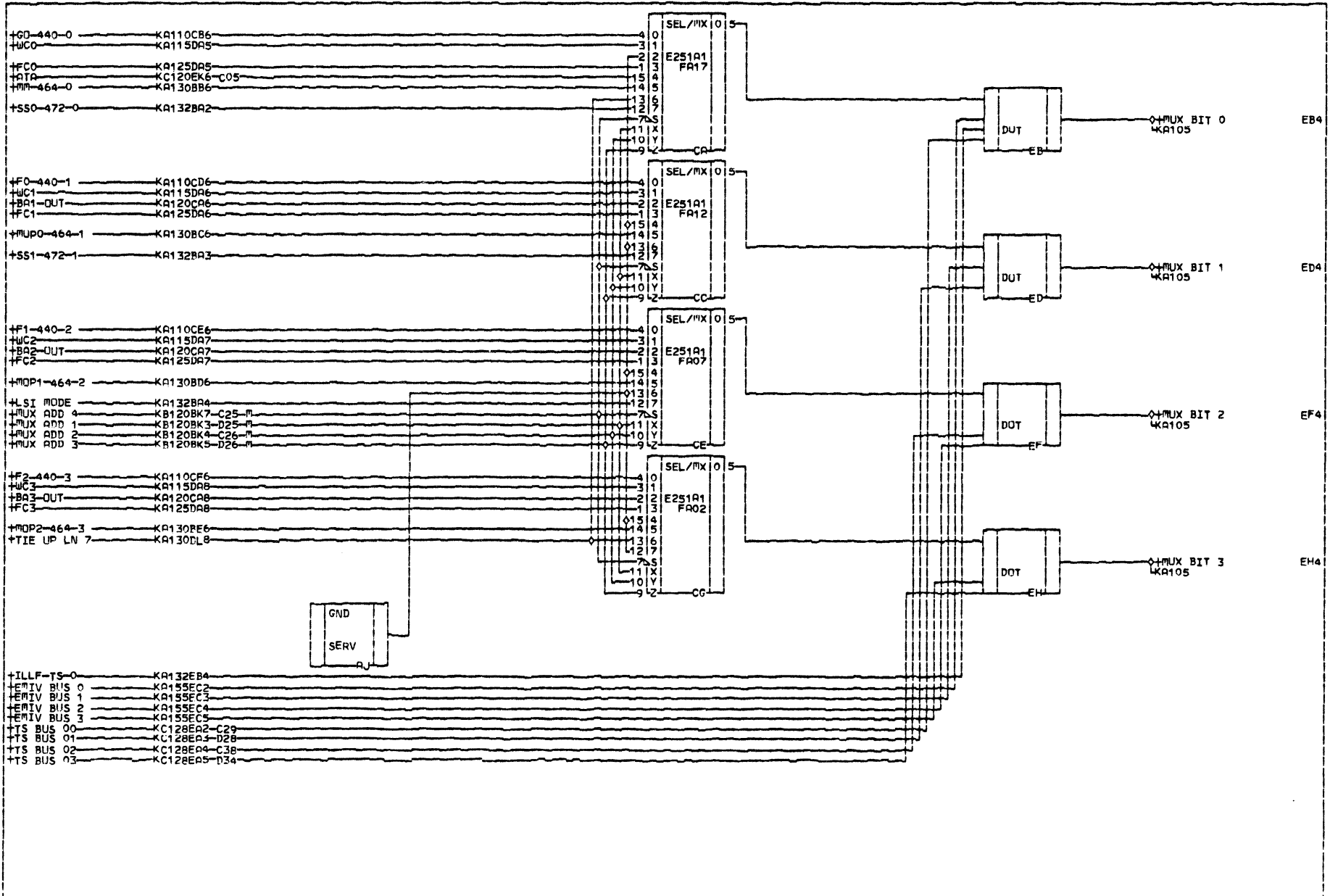


WRITEABLE REGISTERS - MTC2 - MTR - MTC

AM PAGE REFS	SYSTEM PAGE	PREV. E+C: 44170	MACHINE: 51935	K
PAGE 43431007-4	FLYER EC PRUTUTYP	PREV. E+C: 44032	CD: LUX: P2	A
E.C.: 44041	WIRING METHOD: PC	DATE 3/26/80	PG: P+N: 43401012-0	1
				3
				0

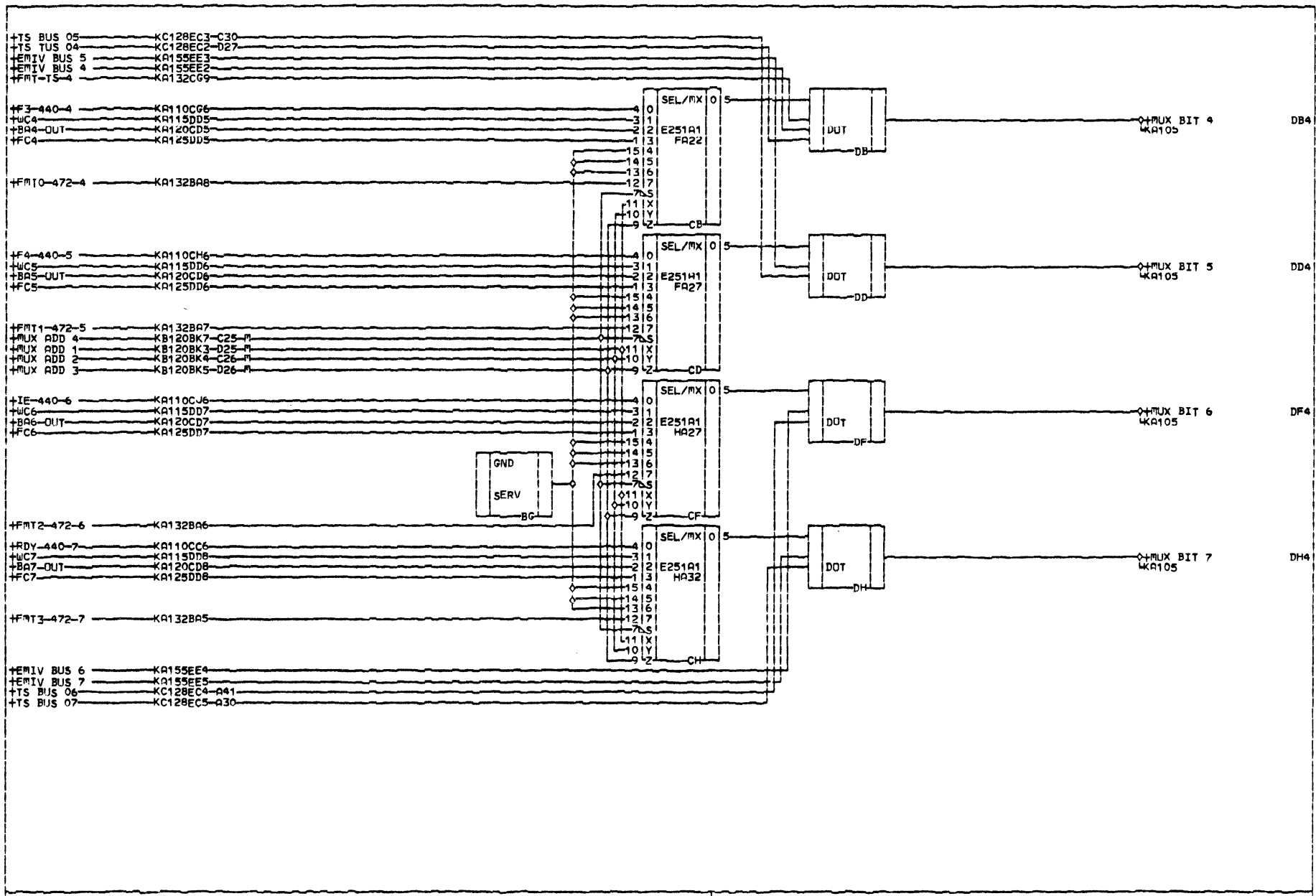


K A 1 J N		TTC REGISTER - FORMAT/DENSITY CONTROL				K A 1 J N	
AN	PAGE	REFS	SYSTEM PAGE	PRES. E.C.	44170	MACHINE:	S1935
	PAGE	43431008-2	FLYER FC PROTOTYP	PREV. E.C.	44032	CD. LOC.	A2
		E.C. 44041	WIRING METHOD:	PC DATE	3/26/80	Pg. P/N.	43401013-8



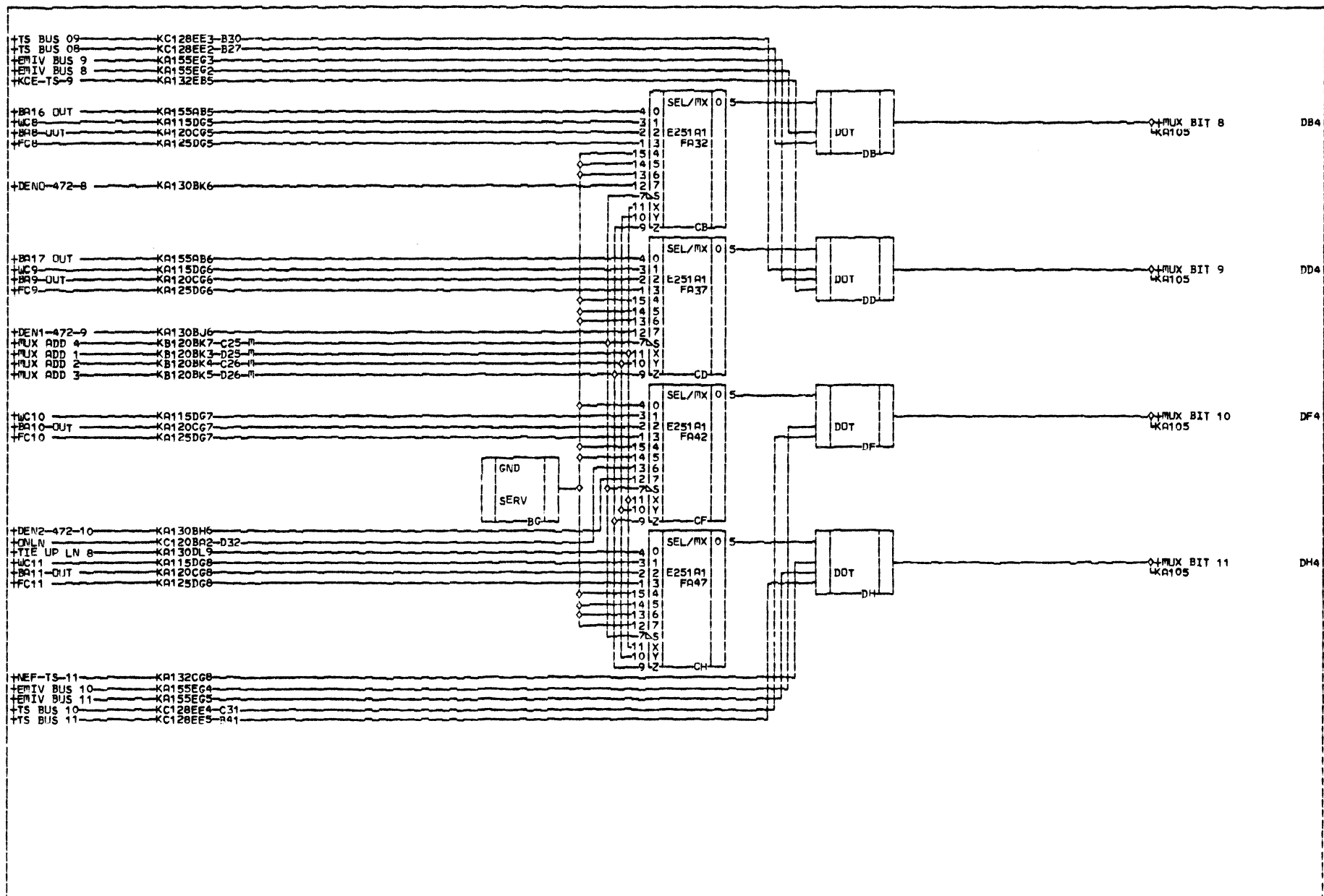
K A 1 3 5		DATA MUX AND TRI-STATE BUS BIT 0-3 Am PAGE REFS - SYSTEM PAGE - PRES. E.C. EC44032 MACHINE: S1935 PAGE 43431009-0 FLYER EC PROTCYR PREV. E.C. EC44018 ICD. LOC. A2 E.C. 44041 WIRING METHOD: PC DATE 1/17/80 PG. P.No. 43401007-0	K A 1 3 5
-----------------------	--	--	-----------------------

A B C D E

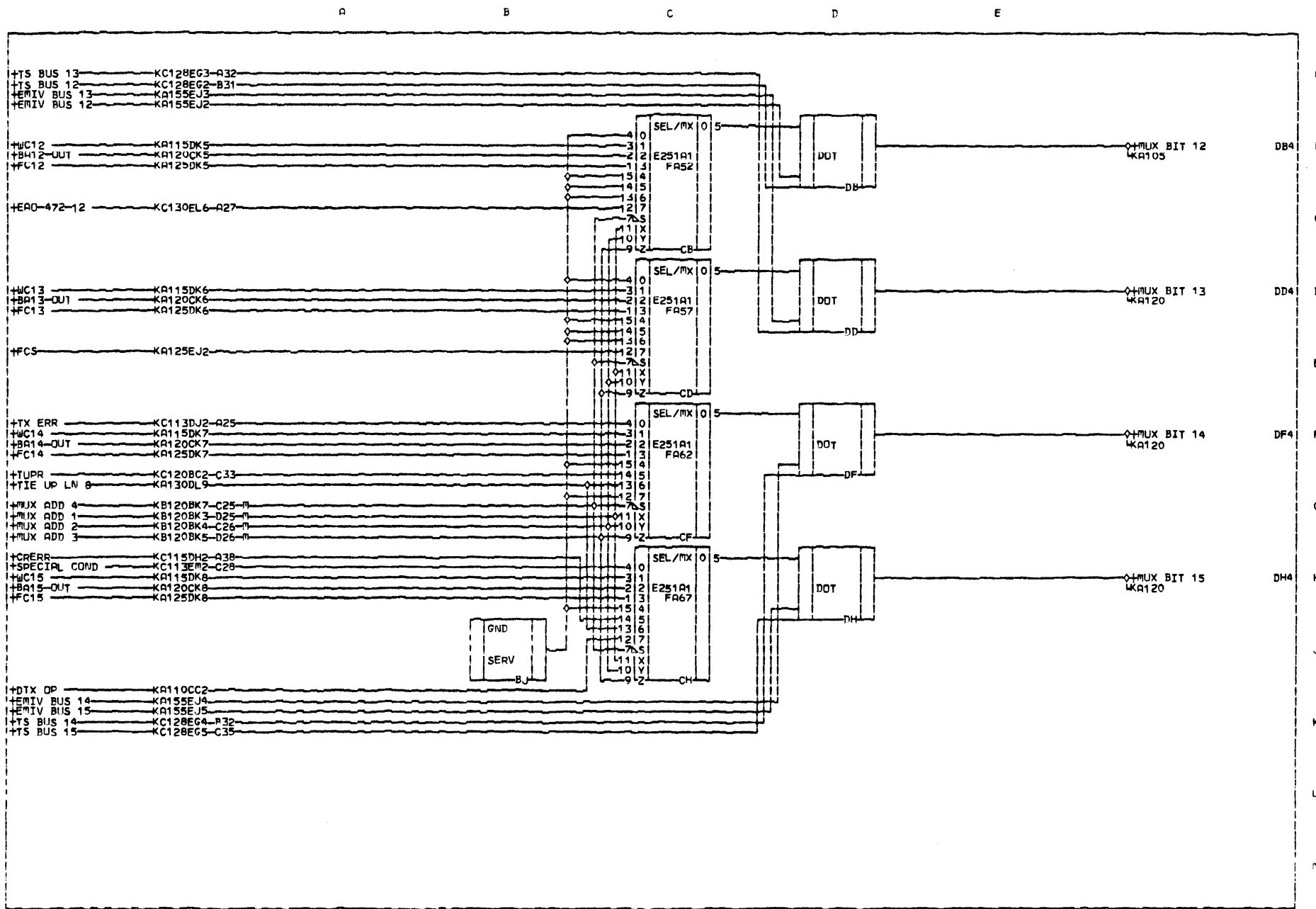


A
B
C
D
E
F
G
H
J
K
L
M

K A 1 4 0	STC	DATA MUX AND TRI STATE BUS BITS 4-7			K A 1 4 0
	AP PAGE REFS	SYSTEM PAGE	PRES. E.C. EC44032	MACHINE: 51935	
	PAGE 43431010-8	FLYER EC PROTOTYP	PREV. E.C. EC44018	CD. LCC. A2	
	E.C. 44041	WIRING METHOD: PC	DATE 1/17/80	PG. P.No. 43401008-8	



K A 1 4 5	STE				DATA MUX AND TRI-STATE BUS BITS 8-11				K A 1 4 5				
	DR	DRF	REFS	---	SYSTEM	PAGE	---	PREV.		E.C.	EC44032	MACHINE:	61935
	PAGE	43431011-6	FLYER	EC	PROTOTYP	PREV.	E.C.	EC44018		CD.	LCC.	A2	ICD.
	E.C.	44041	WIRING	METHOD:	PC	DATE	1/17/80	PG.		P.N.	43401009-6		



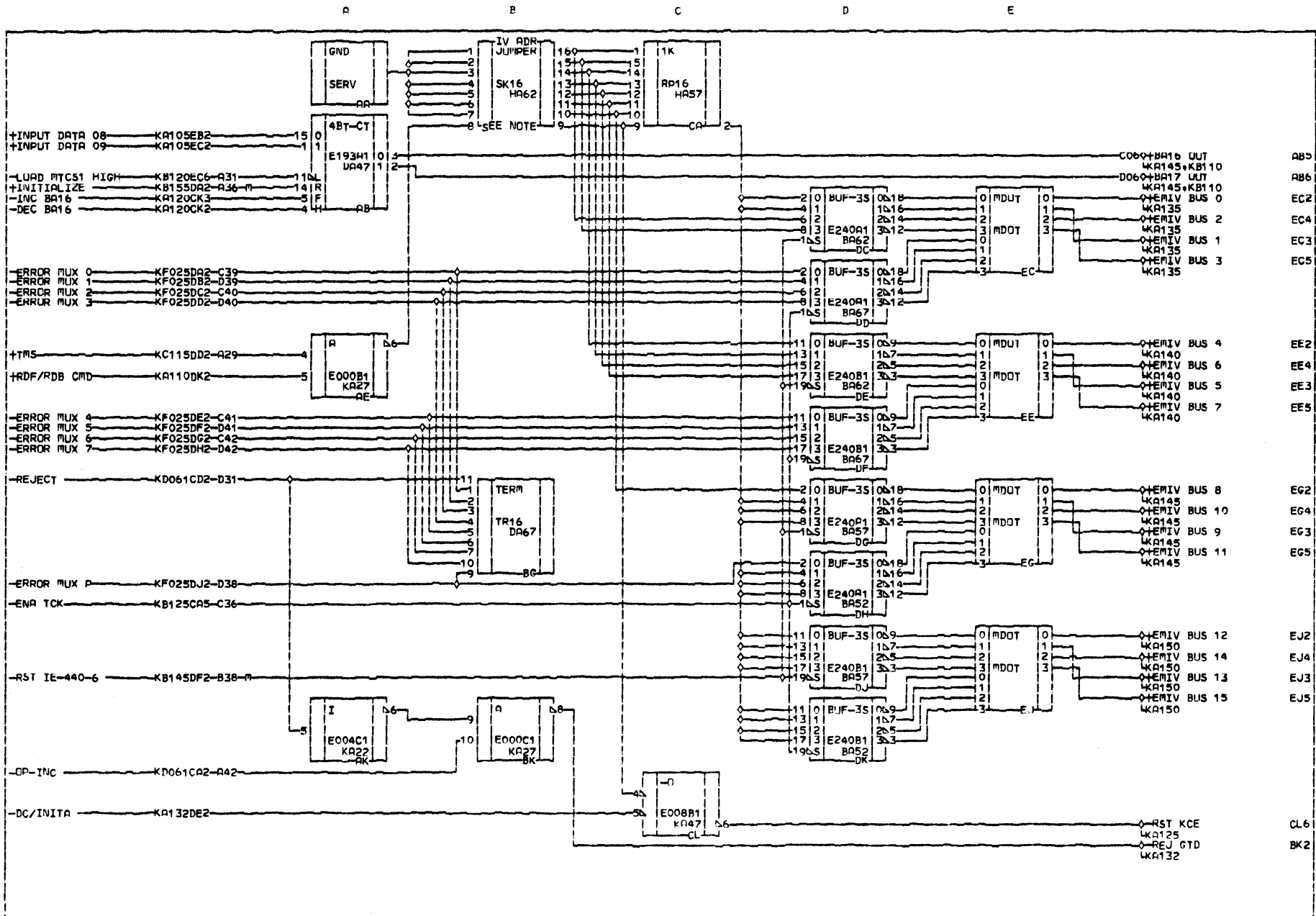
K
A
1
5
0



DATA MUX AND TRI-STATE BUS BIT 12-15

Am	PAGE REFS	SYSTEM PAGE	PRES. E.C. EC44032	MACHINE: S1935
	43431012-4	FLYER EC PROTOTYP	PREV. E.C. EC44018	CD. LOC. A2
E.C. 44041		WIRING METHOD: PC	DATE 1/17/80	PG. P.No. 43401110-4

K
A
1
5
0



A
B
C
D
E
F
G
H
J
K
L
M

NOTE: INSTALL JUMPER FOR A "ONE"

K A 1 5 5	STC		INTRPT VECTOR, ERROR MUX, TRA EXT				K A 1 5 5			
	AM	PAGE	REFS	SYSTEM PAGE	REFS	F.C.		EC44032	MACHINE:	S1935
		PAGE	43431013-2	FLYER EC PROTOTYPE	PREV.	E.C.		EC44018	ICD:	LDC: A2
		E.C. 44041	WIRING METHOD:	PC	DATE	1/17/80	PG.	Do#	43401011-2	

ASSEMBLY PARTS LIST

BOULEVARD

PRINT DATE	PAGE	E.C. NO.
10-20-82	1	44555

DIV.	ASSEMBLY NUMBER	CD	REV.	DWG.	DESCRIPTION	MC	STATUS	STATUS DATE	FILE DATE					
0500	401624901	5	A	N	SYS LGC GP,KB,43302206,PC	N	REL	09-10-81	1985	09-14-81				
T FIND NO	LI	PART NUMBER	CD	M	QUANTITY	U/M	PART DESCRIPTION	MC	YLD	E.C. NO. IN	E.C. NO. OUT	S/N	WK IN	WK OUT
000	01	401623301	9		REF		PC CD LGC,AM162,KB,PC	D						
001	01	43402000	4		REF		PC SYS LGC,KB105,PC	D						
002	01	43402001	2		REF		PC SYS LGC,KB110,PC	D						
003	01	43402002	0		REF		PC SYS LGC,KB115,PC	D						
004	01	401623801	8		REF		PC SYS LGC,KB120,PC	D						
005	01	43402015	2		REF		PC SYS LGC,KB125,PC	D						
006	01	401623901	6		REF		PC SYS LGC,KB130,PC	D						
007	01	401624001	4		REF		PC SYS LGC,KB135,PC	D						
008	01	401624101	2		REF		PC SYS LGC,KB140,PC	D						
009	01	43402008	7		REF		PC SYS LGC,KB145,PC	D						
010	01	43402009	5		REF		PC SYS LGC,KB155,PC	D						
500	01	43302206	8		REF		PC CKT CD,KB,PC,ASSY	S						
0012 TOTAL LINES														

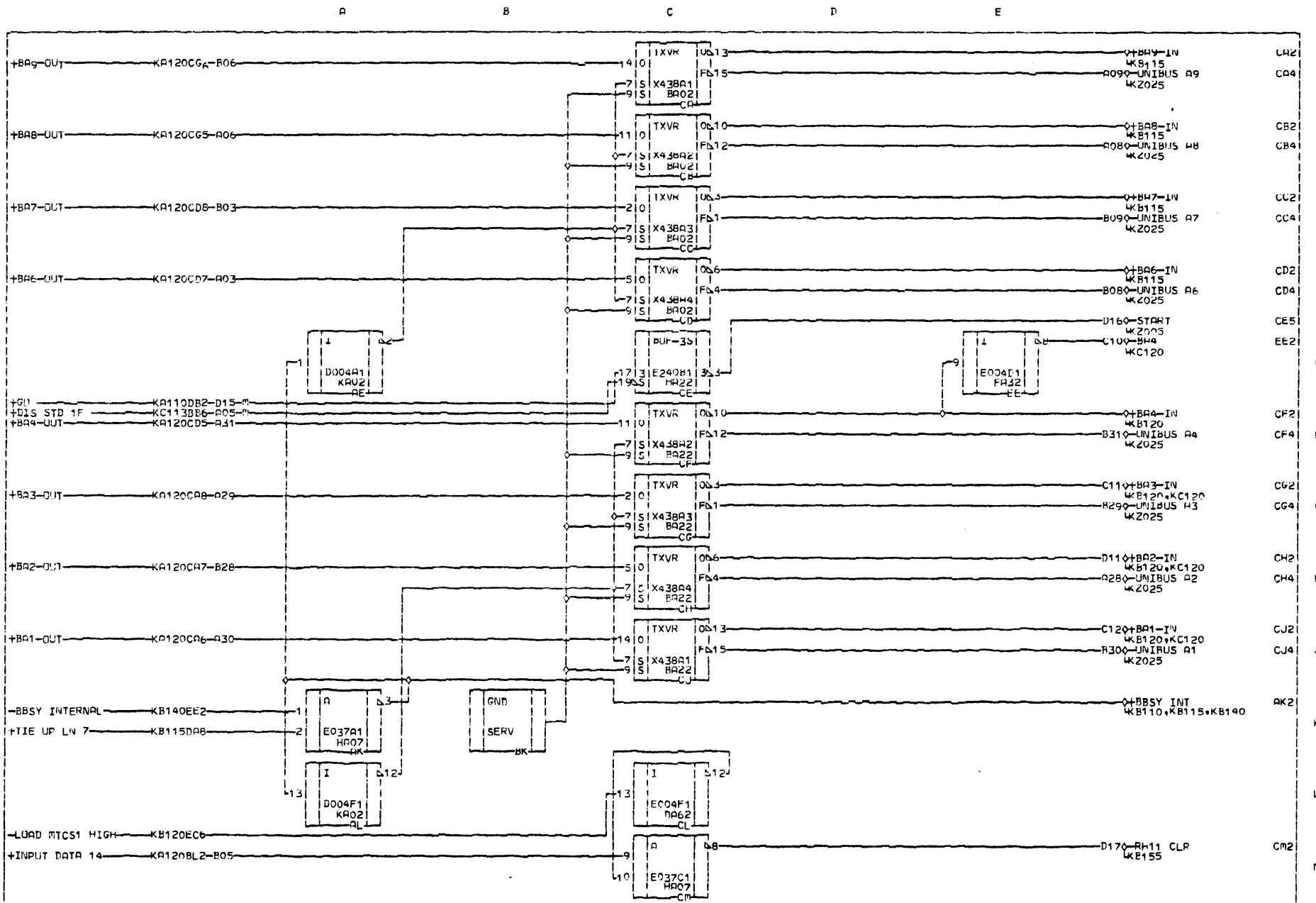
LUC KA67	LUC KA62	LUC KA57	LUC KA52	LUC KA47	LUC KA42	LUC KA37	LUC KA32	LUC KA27	LUC KA22	LUC KA17	LUC KA12	LUC KA07	LUC KA02
PN IC:EO74	PN IC:EO21	PN IC:EO32	PN IC:EO04	PN IC:EO74	PN IC:EO51	PN IC:EO74	PN IC:EO08	PN IC:EO10	PN IC:EO08	PN IC:EO00	PN IC:EO10	PN IC:EO12	PN IC:EO04
5 KB120E06	6 KB120DA6	3 KB125R6	4 KB135B2	5 KB140DA6	3 KB140DA6	3 KB140DA6	3 KB140DA6	3 KB140DA6	3 KB140DA6	3 KB140DA6	3 KB140DA6	3 KB140DA6	3 KB140DA6
6 KB120E22	8 KB135A6	6 KB125R6	4 KB135B2	5 KB140DA6	3 KB140DA6	3 KB140DA6	3 KB140DA6	3 KB140DA6	3 KB140DA6	3 KB140DA6	3 KB140DA6	3 KB140DA6	3 KB140DA6
8 KB140E22		8 KB135E6	6 KB135DL2	8 KB140C6	8 KB130CF2	6 KB135DA2	6 KB140DL6	6 KB135DA2	6 KB135DA2	6 KB135DA2	6 KB135DA2	6 KB135DA2	6 KB135DA2
9 KB140E6		11 KB135E6	8 KB135DM2	9 KB140C6		9 KB135DA2	11 KB145BM6						
			12										
7 PE2	7 NE2	7 ME2	7 LE2	7 KE2	7 JE2	7 HE2	7 GE2	7 FE2	7 EE2	7 DE2	7 CE2	8 BE2	7 AE2
14 GNDKJ68	14 GNDKK63	14 GNDKK58	14 GNDKK53	14 GNDKK48	14 GNDKK43	14 GNDKK38	14 GNDKK33	14 GNDKK28	14 GNDKK23	14 GNDKK18	14 GNDKK13	14 GNDKK08	14 GNDKK03
+SVKA68	+SVKA63	+SVKA58	+SVKA53	+SVKA48	+SVKA43	+SVKA38	+SVKA33	+SVKA28	+SVKA23	+SVKA18	+SVKA13	+SVKA08	+SVKA03
LUC MA67	LUC MA62	LUC MA57	LUC MA52	LUC MA47	LUC MA42	LUC MA37	LUC MA32	LUC MA27	LUC MA22	LUC MA17	LUC MA12	LUC MA07	LUC MA02
PN IC:EO74	PN IC:EO21	PN IC:EO32	PN IC:EO04	PN IC:EO74	PN IC:EO51	PN IC:EO74	PN IC:EO08	PN IC:EO10	PN IC:EO08	PN IC:EO00	PN IC:EO10	PN IC:EO12	PN IC:EO04
8 KB115B2	4 KB130EJ2	6 KB155AF2	5 KB130DK6	3 KB155BF6	2 KB125E6	5 KB120CL2	4	1 KB130BB2	3 KB105CE5	3	1 KB120BK3	3 KB105AK2	* NONE *
	4 KB125EK6	4	6 KB140EC6	4 KB135F2	6 KB140EC6	4 KB135F2	5	4 KB130AA2	4 KB140EE4	6 KB140CH2	6 KB120BK4	6 KB155AJ2	* UNLY *
	12	6 KB145CH2	8 KB130DA2	8 KB125DC6	6 KB155DA2	8 KB130DE2	6	8 KB155B2	7 KB130EE3	7 KB120CH2	8 KB120BK5	8 KB105C2	* UNLY *
	13	8 KB140CA2	9 KB130DA6	11 KB145EC6	8 KB130AK2	9 KB130DE6	7 KB125CB2	10 KB155A2	9	11 KB120CE2	4 KB120BK6	11 KB155B2	* UNLY *
		8 KB140RA2	10 KB135A2	10 KB135A2	10 KB135A2	10 KB135A2	10 KB125CA3	11	11	5 KB120BK	5	5	* UNLY *
		12 KB125UJ2	12	12 KB120BR2			11 KB125CA4	14	14	6	6	6	* UNLY *
							12 KB125CA5	16	16	7	7	7	* UNLY *
								18	18	9	9	9	* UNLY *
7 PD2	8 ND2	7 MD2	7 LD2	7 KD2	7 JD2	7 HD2	8 GD2	7 FD2	10 ED2	7 DD2	8 CD2	7 BD2	AD2
14 GNDHK68	14 GNDHK63	14 GNDHK58	14 GNDHK53	14 GNDHK48	14 GNDHK43	14 GNDHK38	14 GNDHK33	14 GNDHK28	14 GNDHK23	14 GNDHK18	14 GNDHK13	14 GNDHK08	14 GNDHK03
+SVHH68	+SVHH63	+SVHH58	+SVHH53	+SVHH48	+SVHH43	+SVHH38	+SVHH33	+SVHH28	+SVHH23	+SVHH18	+SVHH13	+SVHH08	+SVHH03
LUC FA67	LUC FA62	LUC FA57	LUC FA52	LUC FA47	LUC FA42	LUC FA37	LUC FA32	LUC FA27	LUC FA22	LUC FA17	LUC FA12	LUC FA07	LUC FA02
PN IC:EO74	PN IC:EO21	PN IC:EO32	PN IC:EO04	PN IC:EO74	PN IC:EO51	PN IC:EO74	PN IC:EO08	PN IC:EO10	PN IC:EO08	PN IC:EO00	PN IC:EO10	PN IC:EO12	PN IC:EO04
5 KB140EF2	2 KB125AG2	6 KB135CA2	3 KB135DE2	5 KB130CD6	3 KB130AH6	3 KB120E6	6 KB155DF6	4 KB155DM2	8 KB130BK2	2 KB120BF3	6 KB135CL2	6 KB135DC6	6 KB115DD6
8 KB130EG2	4 KB120AJ2	8 KB140RB2	6 KB130CA2	6 KB130CD2	6 KB130AH6	6 KB130AH6	6 KB135E6	8 KB135E6	8 KB130BK2	2 KB120BF3	6 KB135CL2	6 KB135DC6	6 KB115DD6
9	8 KB145EA2	11 KB145BE2	9	11 KB140LB6	11 KB125AF6	10 KB140D2	12 KB130ED2			5 KB120BF6	6 KB120BF7	7 KB120BF8	9 KB120BF9
										6 KB120BF6	7 KB120BF7	8 KB120BF8	9 KB120BF9
7 PC2	7 NC2	7 MC2	7 LC2	7 KC2	7 JC2	7 IC2	7 GC2	7 FC2	8 EC2	7 DC2	7 CC2	7 BC2	AC2
14 GNDFH66	14 GNDFH61	14 GNDFH56	14 GNDFH51	14 GNDFH46	14 GNDFH41	14 GNDFH36	14 GNDFH31	14 GNDFH26	14 GNDFH21	14 GNDFH16	14 GNDFH11	14 GNDFH06	14 GNDFH01
+SVFA70	+SVFA65	+SVFA60	+SVFA55	+SVFA50	+SVFA45	+SVFA40	+SVFA35	+SVFA30	+SVFA25	+SVFA20	+SVFA15	+SVFA10	+SVFA05
LUC DA67	LUC DA62	LUC DA57	LUC DA52	LUC DA47	LUC DA42	LUC DA37	LUC DA32	LUC DA27	LUC DA22	LUC DA17	LUC DA12	LUC DA07	LUC DA02
PN IC:EO74	PN IC:EO21	PN IC:EO32	PN IC:EO04	PN IC:EO74	PN IC:EO51	PN IC:EO74	PN IC:EO08	PN IC:EO10	PN IC:EO08	PN IC:EO00	PN IC:EO10	PN IC:EO12	PN IC:EO04
5 KB145ED2	2 KB140EH2	3 KB140BL2	5 KB145BA6	6 KB130CB2	6 KB145BF2	3 KB145CC6	1 KB155CF2	2 KB140BG2	1 KB120BD2	1 KB110CG4	9 KB120AA2	1 KB110CJ4	3 KB115DJ6
8 KB145DF2	6 KB145BG2	6 KB140BK2	6 KB145CB2	8 KB135BA2	8 KB130CK2	8 KB145CC6	1 KB155CH2	4 KB140CG2	2 KB120BD3	3 KB110CG2	3 KB110CJ2	3 KB110CK2	6 KB115DH6
9 KB145DF6	6 KB135EF2	8 KB125RD2	8 KB145DC6	12 KB140CE2	8 KB145CE6	10 KB130J2	10 KB130J2	8 KB140DH2	4 KB120BD5	6 KB110DL2	6 KB110CL2	6 KB110CL2	6 KB115DG6
7 PB2	7 NB2	7 MB2	7 LB2	7 KB2	7 JB2	7 IB2	7 GB2	7 FB2	8 EB2	8 DB2	8 CB2	7 AB2	7 AB2
14 GNDH66	14 GNDH61	14 GNDH56	14 GNDH51	14 GNDH46	14 GNDH41	14 GNDH36	14 GNDH31	14 GNDH26	14 GNDH21	14 GNDH16	14 GNDH11	14 GNDH06	14 GNDH01
+SVDA70	+SVDA65	+SVDA60	+SVDA55	+SVDA50	+SVDA45	+SVDA40	+SVDA35	+SVDA30	+SVDA25	+SVDA20	+SVDA15	+SVDA10	+SVDA05
LUC BA67	LUC BA62	LUC BA57	LUC BA52	LUC BA47	LUC BA42	LUC BA37	LUC BA32	LUC BA27	LUC BA22	LUC BA17	LUC BA12	LUC BA07	LUC BA02
PN IC:EO32	PN IC:EO21	PN IC:EO32	PN IC:EO04	PN IC:EO74	PN IC:EO51	PN IC:EO74	PN IC:EO08	PN IC:EO10	PN IC:EO08	PN IC:EO00	PN IC:EO10	PN IC:EO12	PN IC:EO04
3 KB125AF6	2 KB145AG2	1	1 KB110CA6	1 KB155CB2	2 KB155BB2	01.04.05	10	1 KB105CC4	4 KB125EE2	1 KB110CE4	1	1 KB105CC4	1 KB105CC4
6	4 KB155DL2	3	3 KB110CA2	4 KB155CD2	4 KB155BD2	07.08.09	10	3 KB105CC2	5	3 KB110CE2	3	3 KB105CC2	3 KB105CC2
8	4 KB140CL4	4	4 KB140CL4	10 KB135EJ2	6 KB135CH6	10.11.12	10	4 KB105CC4	12	4 KB110CF4	4	4 KB110CF4	4 KB110CF4
11 KB140RC6	10	10	10 KB140EL2	13 KB110AL2	11 KB145AP6	13.14.15	10	6 KB105CH2	11	6 KB110CF2	6	6 KB105CD2	6 KB105CD2
7 PA2	8 NA2	8 MA2	8 LA2	7 KA2	7 JA2	7 IA2	8 GA2	7 FA2	8 EA2	8 DA2	8 CA2	7 BA2	7 BA2
14 GNDH66	14 GNDH61	14 GNDH56	14 GNDH51	14 GNDH46	14 GNDH41	14 GNDH36	14 GNDH31	14 GNDH26	14 GNDH21	14 GNDH16	14 GNDH11	14 GNDH06	14 GNDH01
+SVBA70	+SVBA65	+SVBA60	+SVBA55	+SVBA50	+SVBA45	+SVBA40	+SVBA35	+SVBA30	+SVBA25	+SVBA20	+SVBA15	+SVBA10	+SVBA05

INDEX: 10 PAGE(S)
PAGE: 43432002-A 44042
KB105 43432002-A 44042
KB110 43432002-A 44042
KB115 43432002-A 44042
KB120 4016234017 44555
KB125 43432014-9 44176

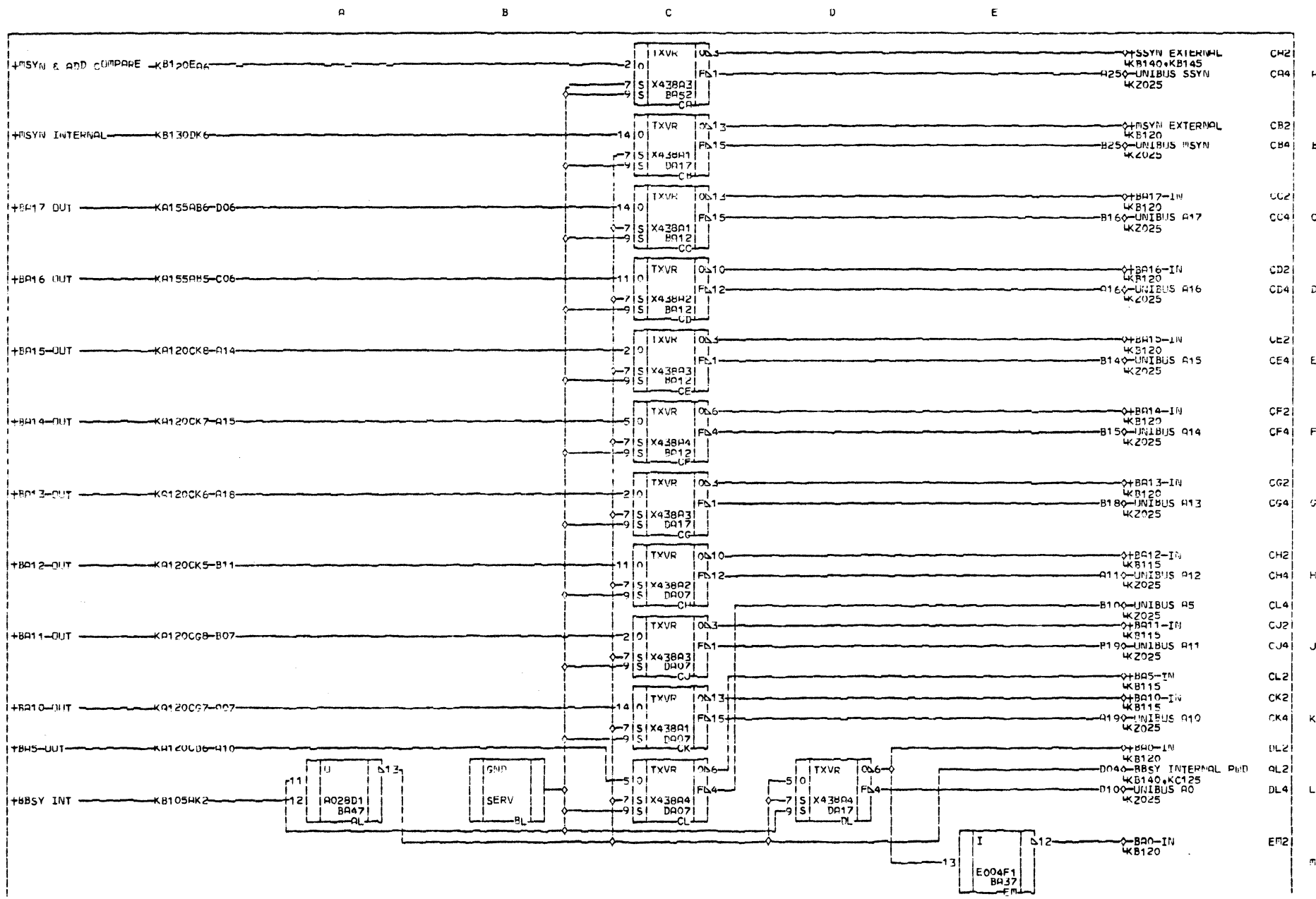
PAGE: 4016235014 44555
KB130 4016236012 44555
KB135 4016237010 44555
KB140 4016238010 44555
KB145 43432010-7 44042
KB155 43432011-5 44042

IC LOCATED CHART KB PC CARD 1935 (TJU16)			
PRESENT EC 44555	DATE 6/03/81	CD PN 43302206-8	
PREV EC 44305	PAGE PN 4016233019	CD TYPE KB	FLEVEL 34595

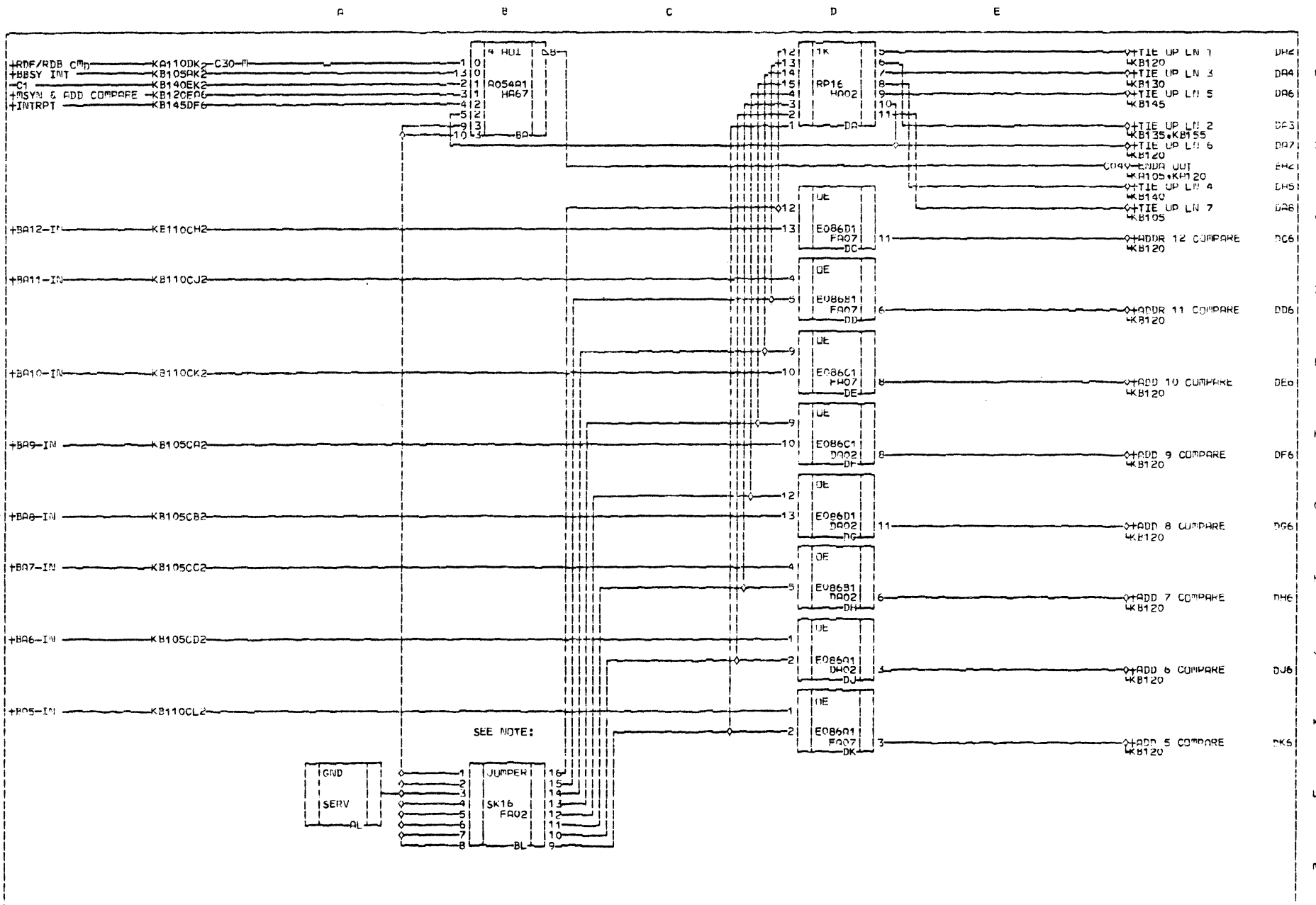
1
1
1
6
2



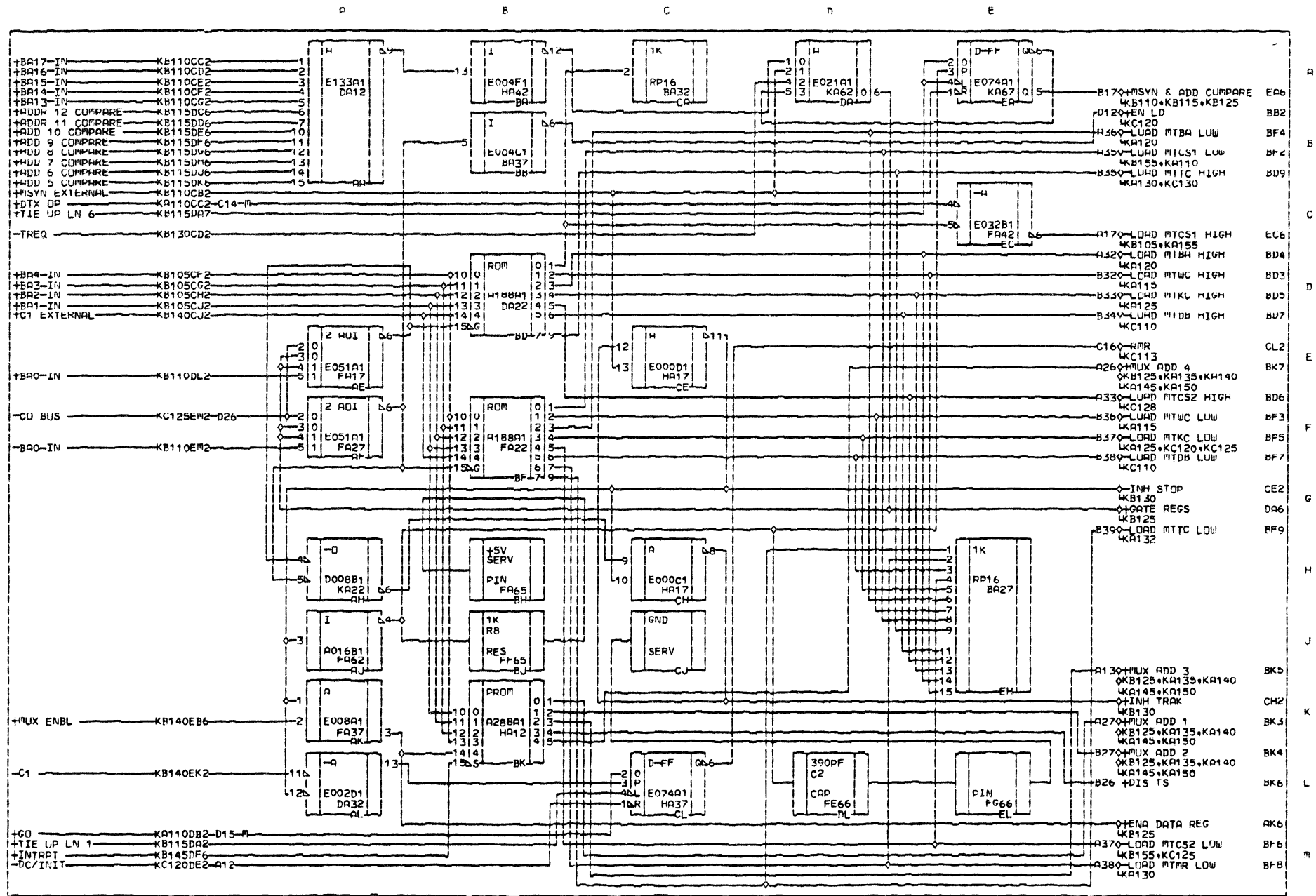
K 1 0 5	STC				UNIBUS ADDRESS 0-9 RECEIVERS				K B 1 0 5
- AM PAGE REFS		- SYSTEM PAGE		- PRES. E.C. EC44032		MACHINE: S1935			
PAGE 43432002-4		FLYER EC PROTOTYP		PREV. E.C. EC44018		CD. LCL. B2			
E.C. 44042		WIRING METHOD: PC		DATE 1/17/80		Pg. P.N. 43402000-4			



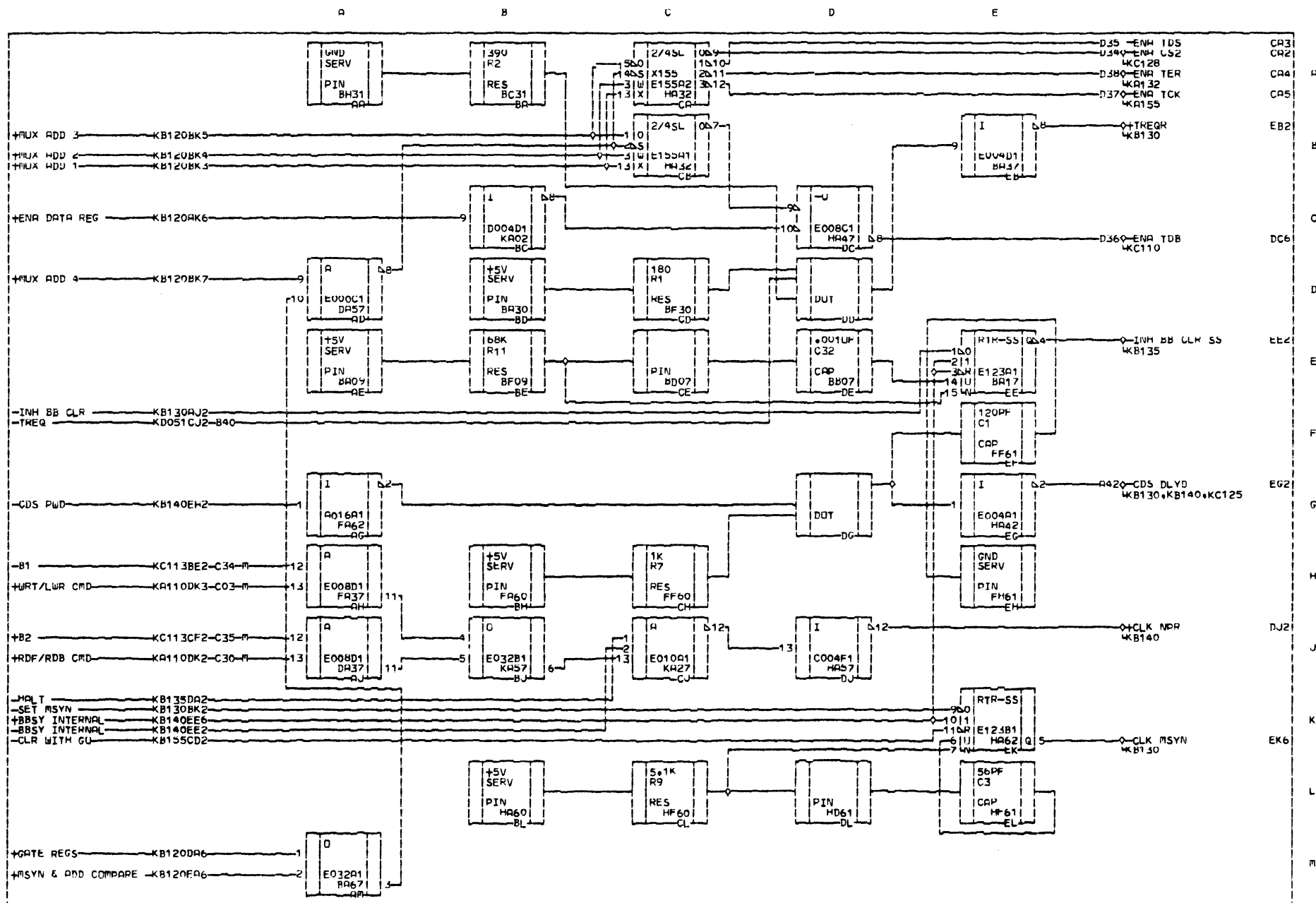
K B 1 1 0	SIC				UNIBUS ADDRESS 10-17, MSYN, SSSYN RECEIVERS				K B 1 1 0	
	A7	PAGE	REFS	-	SYSTEM PAGE	PREP.	E.C.	EC44032		MACHINE: S1935
		PAGE	43432003-2		FLYER EC PROTOTYP	PREV.	E.C.	EC44018		CD: LUC, R2
			F.C. 44042		HIRING METHOD: PC	DATE		1/17/80		ISS: P.N. 43402001-2



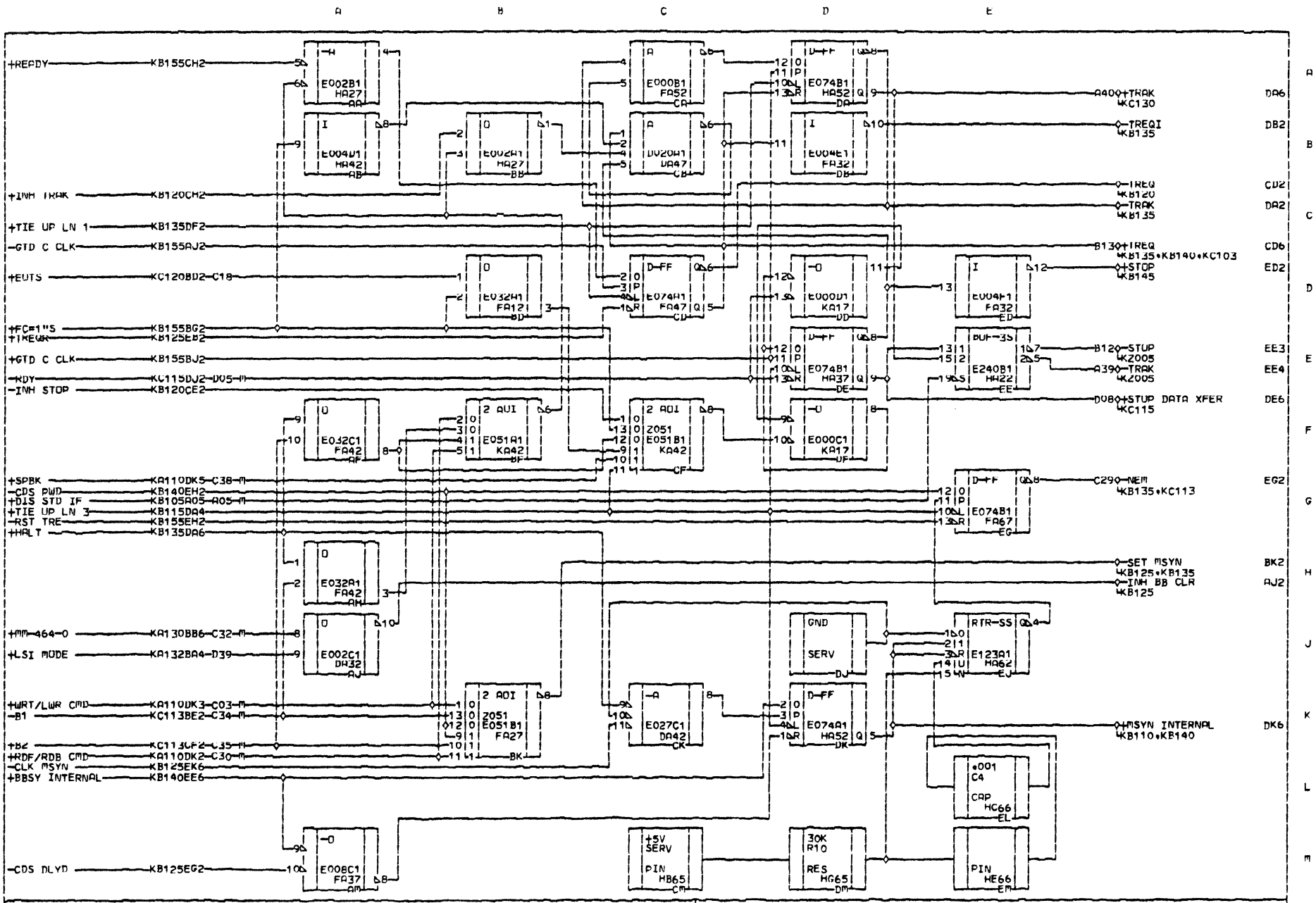
K B 1 1 5	NOTE: INSTALL JUMPER FOR A ONE	STC	BUS ADDRESS BITS 5-12 COMPARE		K B 1 1 5		
			Am PAGE REFS PAGE 43432004-0 E.C. 44042	SYSTEM PAGE FLYER EC PROTOTYP WIRING METHOD: PC		PRES. E.C. EC44032 PREV. E.C. EC44018 DATE 1/17/80	MACHINE: S1935 CD. LUC. B2 PG. P.N. 43402002-01



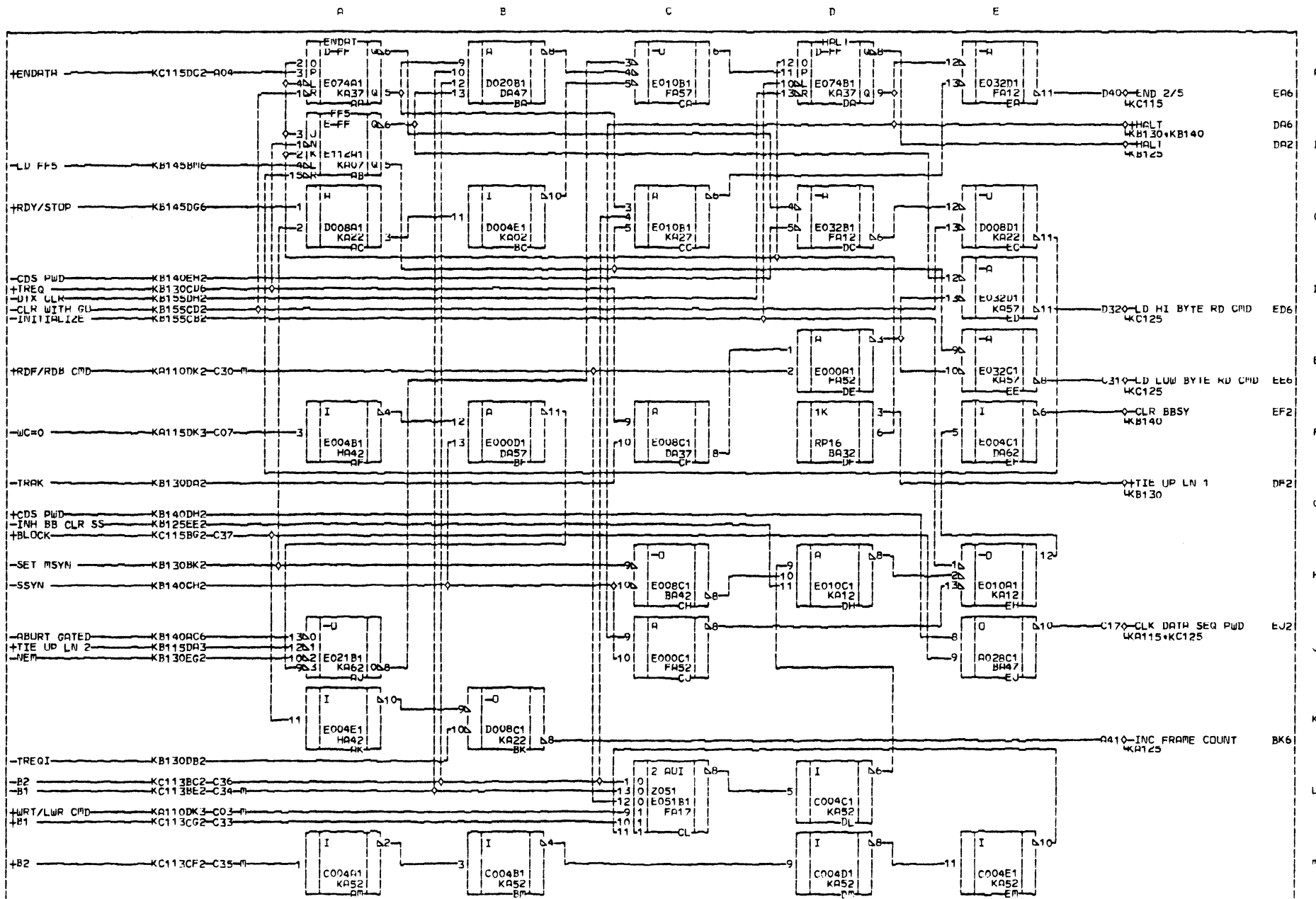
K	B	1	2	0	LOAD REGISTER LINES AND MUX ADDRESS BITS	K	B	1	2	0
					AM PAGE KEFS - SYSTEM PAGE - PRES. E.C. 4455 MACHIN: S1935					
					PAGE 401623A017 FLYER EC 34595 PREV. E.C. 44176 CD. LOC. H2***					
					E.C. 4455 WIRING METHOD: PC DATE 6/10/81 PG. P.N. 4016238018					



K 1 2 5	STC				TRI STATE BUS CONTROL				K 1 2 5			
	AM	PAGE	REFS	---	SYSTEM	PAGE	---	DRES		E.C. 44176	MACHINE:	S1935
		PAGE	4382014	---	FLYER	EC	PROTOTYP	PREV.		E.C. 44032	CD.	LOC. B2
		E.C.	44176		WIRING	METHOD:	PC	DATE		3/4/80	PG.	P.No. 43402015-2



K B 1 3 0	STC	DATA CONTROL			K B 1 3 0
	— OP PAGE REFS — PAGE 4016235014 E.C. 44555	— SYSTEM PAGE — FLYER EC 34595 WIRING METHOD: PC	— PRES. E.C. 44555 — PREV. E.C. 44176 — DATE 6/10/81	MACHINE: S1935 CD. LUC. M2000 PG. P.No. 4016239016	



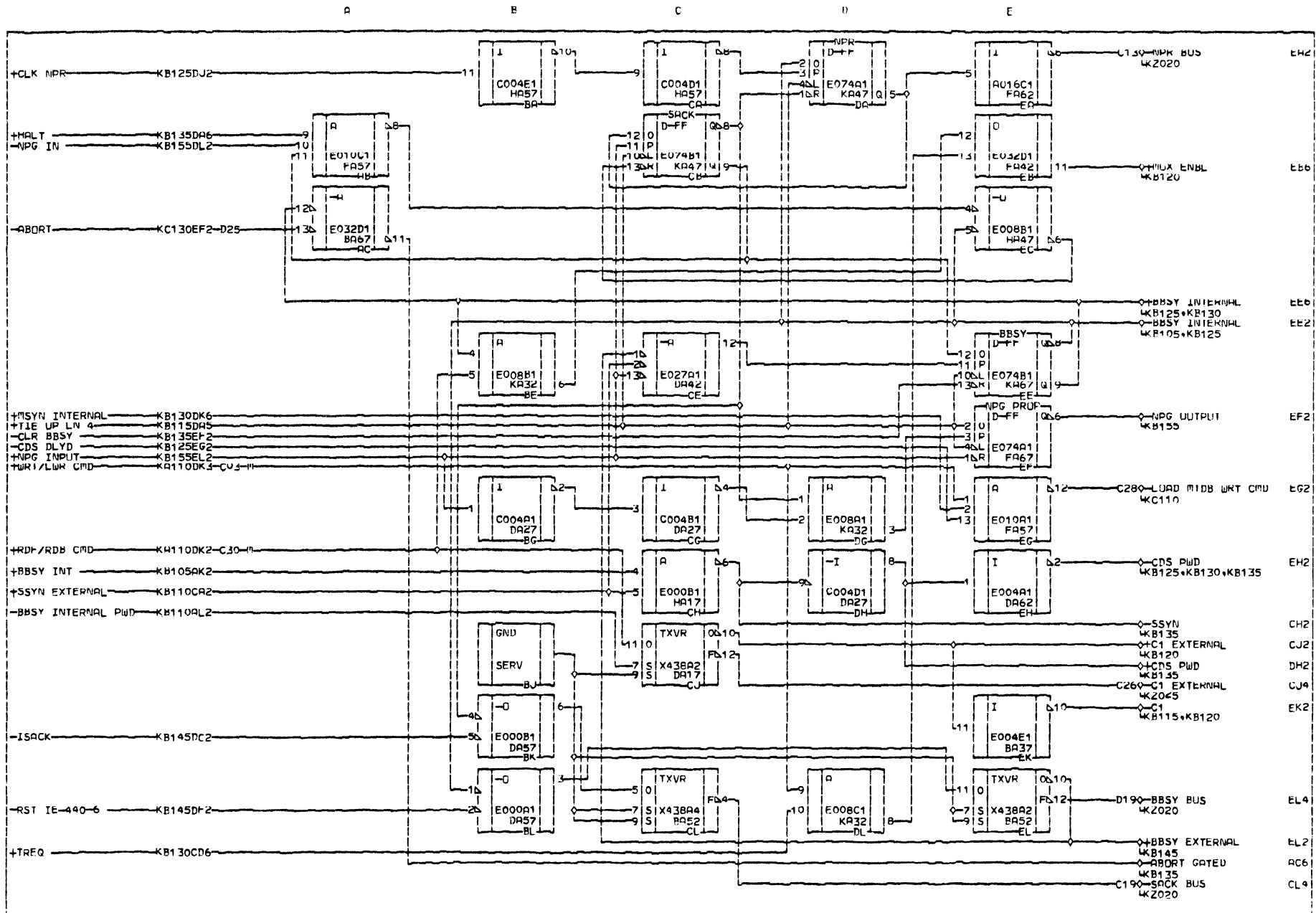
K
B
1
3
5

STC

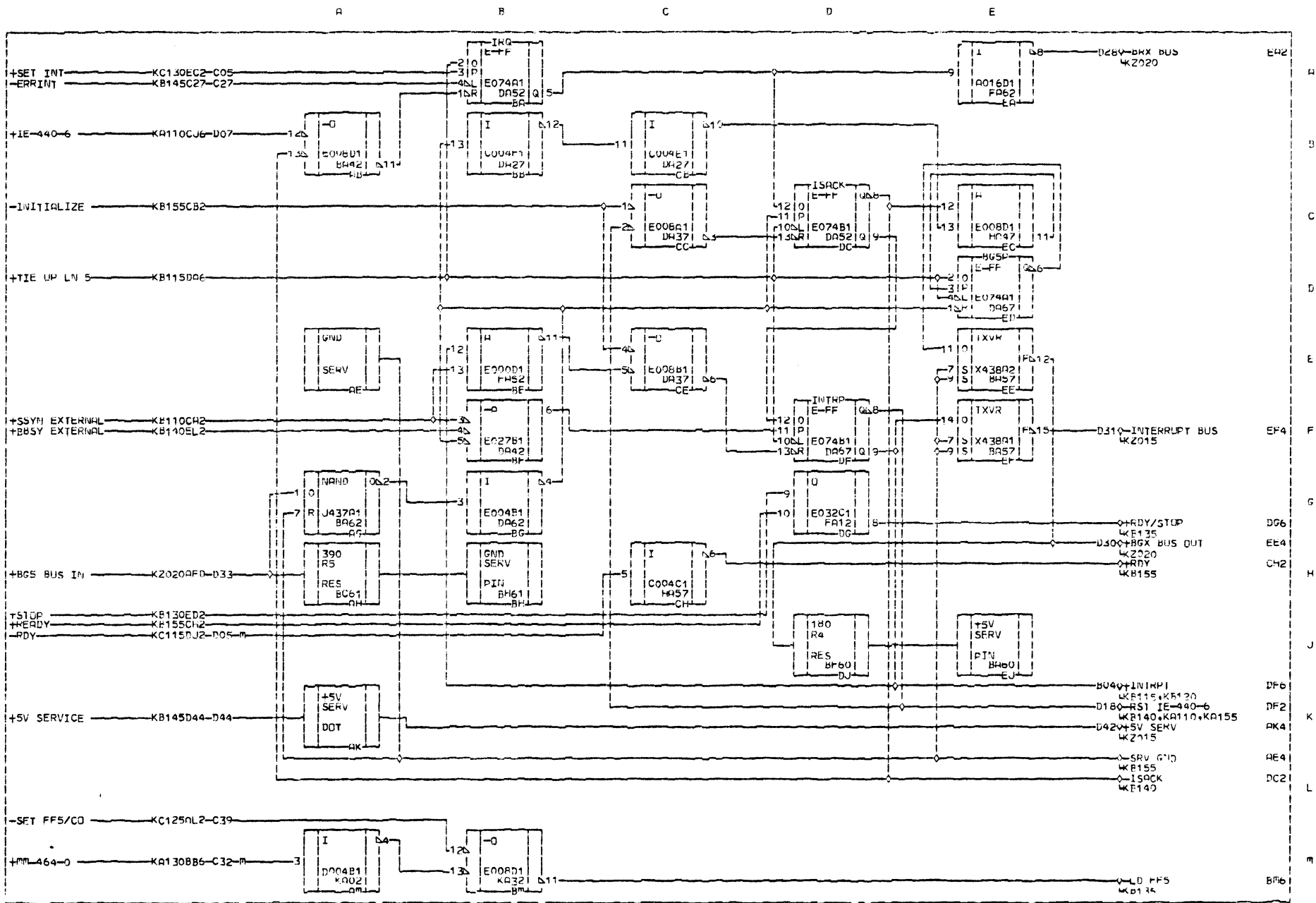
ENDING CONTROL DATA STEERING BBSY CONTROL

AM	PAGE	REFS	SYSTEM	PAGE	PRES.	E.C.	44555	MACHINE:	S1935
	PAGE	4016236012	FLYER	EC	PREV.	E.C.	44176	CD.	LUC R299#
	E.C.	44555	WIRING	METHOD:	PC	DATE	6/10/81	Pg.	P.No. 4016240014

k
B
1
3
5

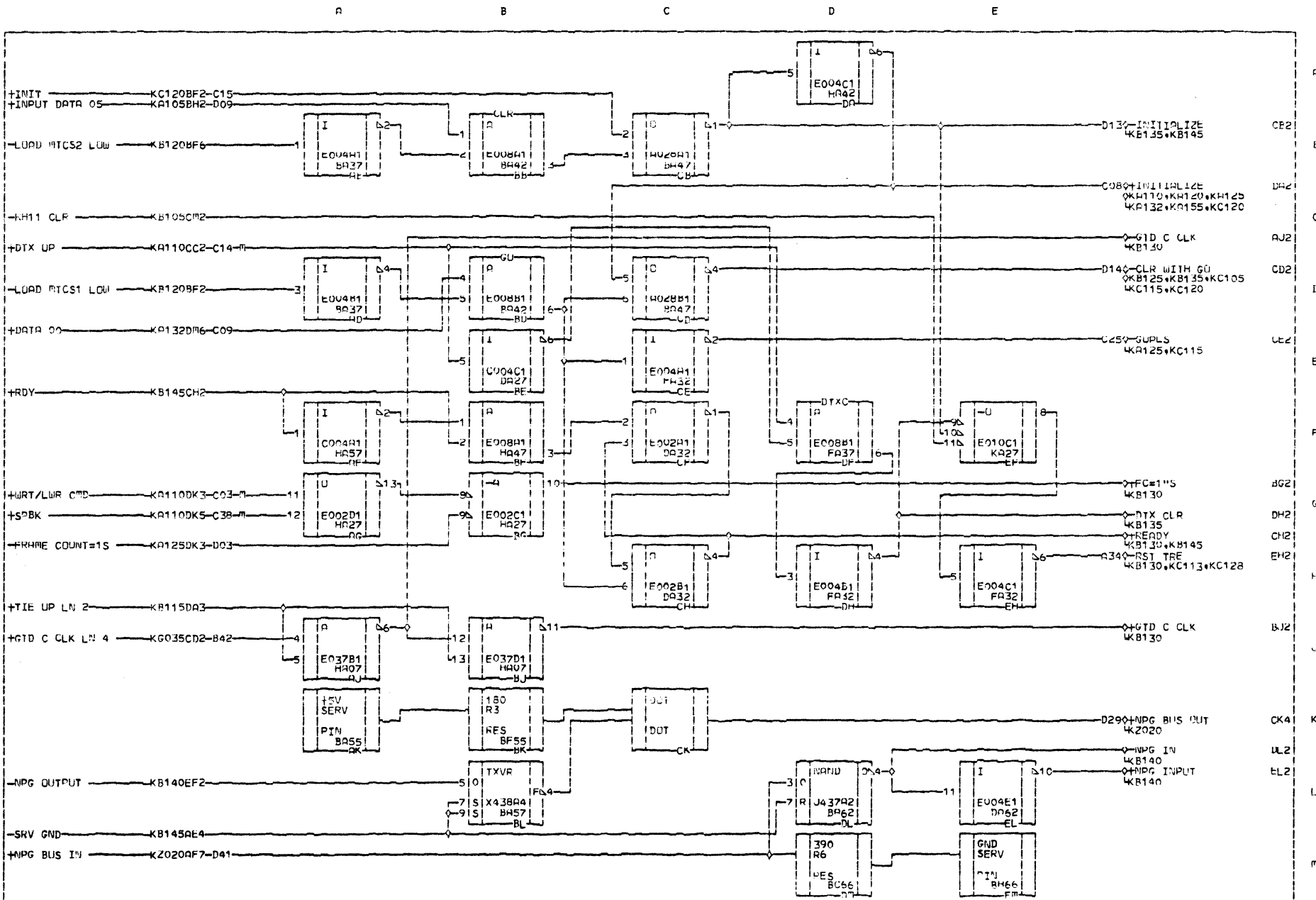


K 1 4 0		UNIBUS MASTERSHIP CONTROL + UNIBUS CONTROL			K 1 4 0		
		- DR PAGE: 4016237A10	- SYSTEM PAGE: FLYER EC 34595	- PAGES: E.C. 44555		- PREV. F.C. 44176	MACHINE: S1935
		E.C. 44555	WIRING METHOD: PC	DATE: 6/10/81		PC: P/N. 4016241012	CD: LUG. B244R



K									
B									
1									
4									
5									

STC		INTERRUPT CONTROL	
AM	DOCF	REFS	SYSTEM PAGE
PAGE 43432010-7	FLYER	EC PRUT110P	DRWF, P.C. EC44018
E.C. 44042			DURING METHOD: PC DATE 1/17/80
			IPROCHINF: 51935
			ICD: LDC R2
			LOG: P.N. 43402008-71



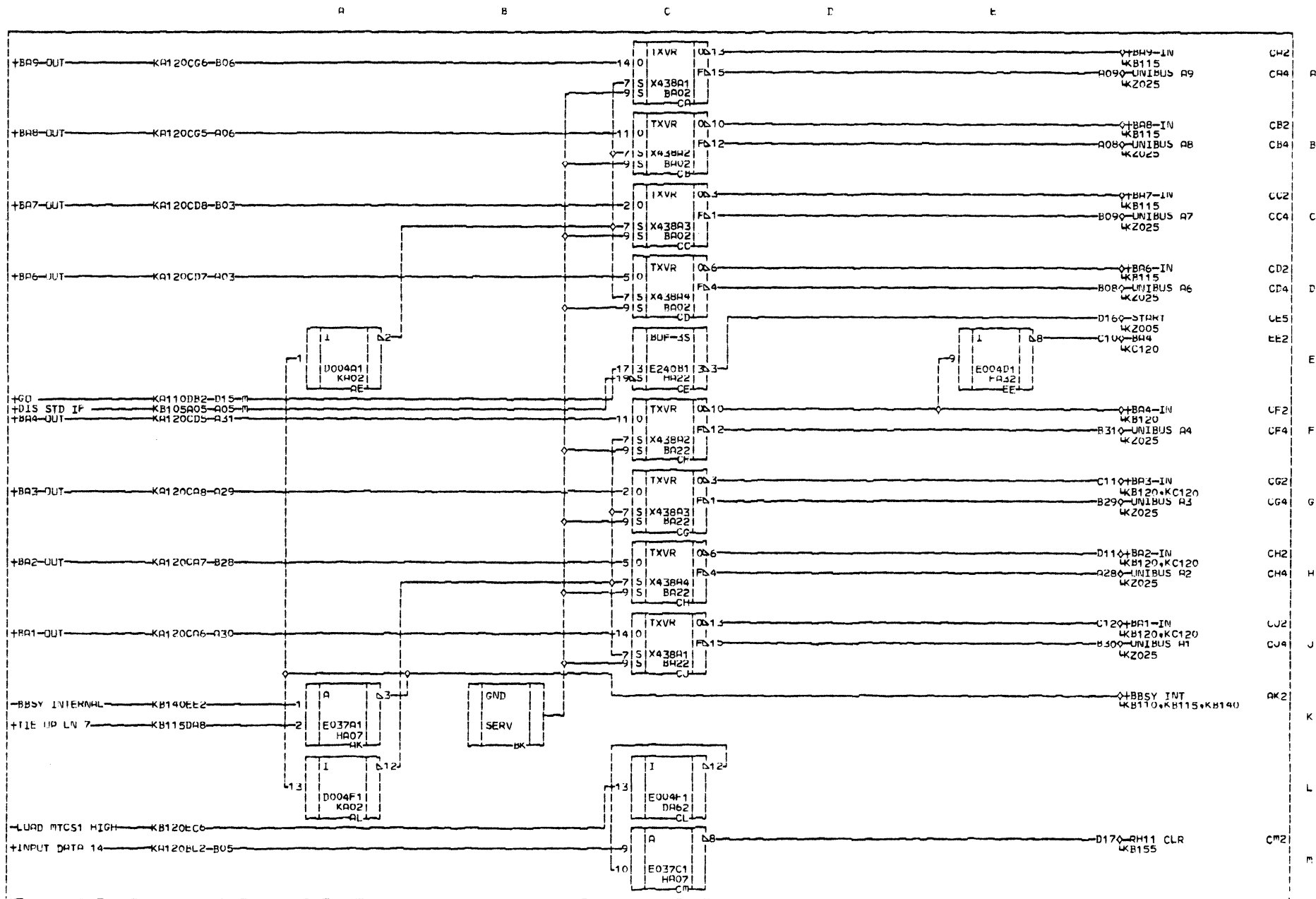
K	B	1	5	5		RESETS • CLOCK GENERATION • & MPG POWERING				K
1	5	5	5	QM PAGE REFS PAGE 43432011-5 E.C. 44042		SYSTEM PAGE FLYER EC 040211P WIRING METHOD: PC	PRES. E.C. EC44032 PLEV. E.C. EC44018 DATE 1/17/80	MACHINE: 51935 CD. LUC. 02 PG. P/N. 43402009-5	K B 1 5 5	

ASSEMBLY PARTS LIST

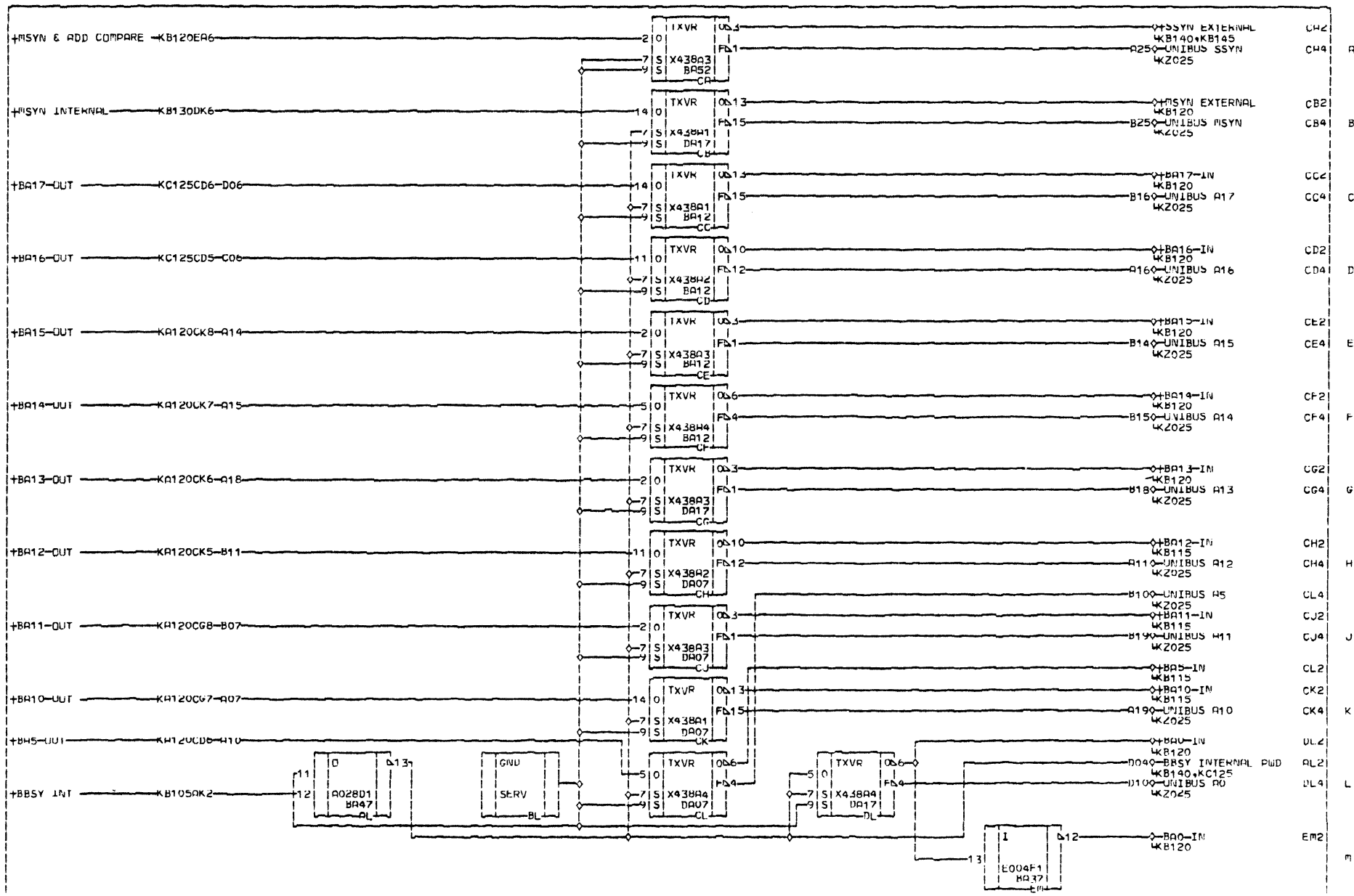
DUPLICATE ORIGINAL

PRINT DATE	PAGE	E.C. NO.
10-20-82	1	44555

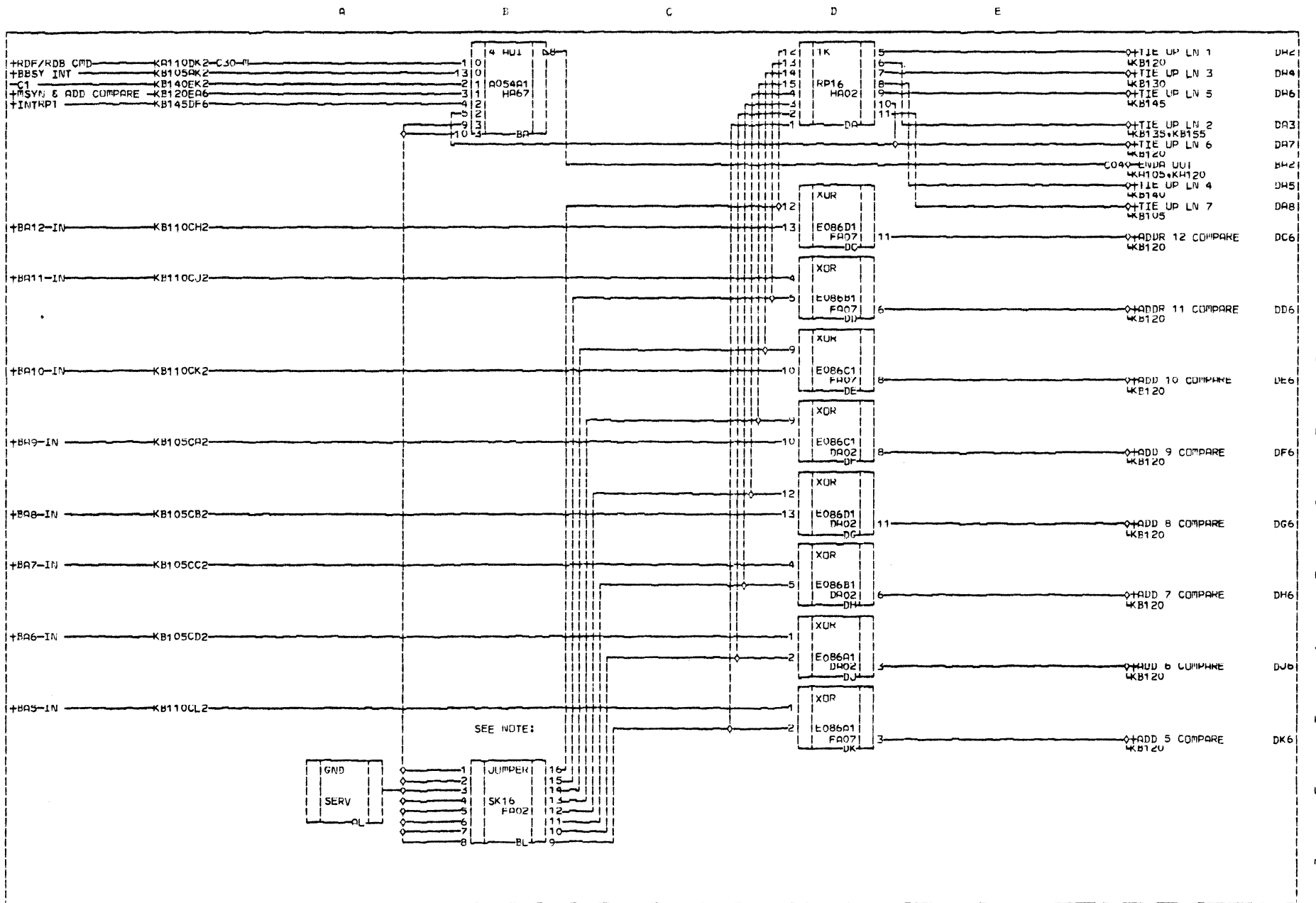
DIV.	ASSEMBLY NUMBER	CD	REV.	DWG.	DESCRIPTION	MC	STATUS	STATUS DATE	FILE DATE				
0500	401625001	3	A	N	SYS LGC GP,KB,43302306,PC	N	REL	09-10-81	1985	09-14-81			
T FIND NO	LI	PART NUMBER	CD	QTY	U/M	PART DESCRIPTION	MC	YLD	E.C. NO. IN	E.C. NO. OUT	S-N	WK IN	WK OUT
000	03	401624201	0	REF	PC	CD LGC,AM162,KB,PC	0						
001	01	43402000	4	REF	PC	SYS LGC,KB105,PC	0						
002	01	43402001	2	REF	PC	SYS LGC,KB110,PC	0						
003	01	43402002	0	REF	PC	SYS LGC,KB115,PC	0						
004	01	43402014	5	REF	PC	SYS LGC,KB120,PC	0						
005	01	43402015	2	REF	PC	SYS LGC,KB125,PC	0						
006	02	401624501	3	REF	PC	SYS LGC,KB130,PC	0						
007	02	401624601	1	REF	PC	SYS LGC,KB135,PC	0						
008	01	43402018	6	REF	PC	SYS LGC,KB140,PC	0						
009	01	43402008	7	REF	PC	SYS LGC,KB145,PC	0						
010	01	43402009	5	REF	PC	SYS LGC,KB155,PC	0						
501	02	43302306	6	REF	PC	CKT,CD,KB,PC ASSY	5						
						0012 TOTAL LINES							



K 1 U S	STC				UNIBUS ADDRESS 0-9 RECEIVERS				K 1 U S		
	— AM	PAGE	REFS	—	— SYSTEM PAGE	— PRES.	E.C. 44032	MACHINE:		51935	
		PAGE	43432002-4		FLYER	EC 34595	PREV.	E.C. 44018		LD.	LUC R237*
			E.C. 44042		WIRING METHOD:	PC	DATE	6/29/81		PG.	P.N. 43402000-4
											5



K	B	1	1	0	STC	UNIBUS ADDRESS 10-17, MSYN+SSYN RECEIVERS	K	B						
1	1	1	1	0	AM PAGE REFS	SYSTEM PAGE	DRFS	E+C	44012	DATE	6/25/81	1	1	1
1	1	1	1	0	PAGE 4442003-2	FLYER EC 34595	DRFS	E+C	44018	DATE	6/25/81	1	1	1
1	1	1	1	0	F.C. 44042	WIRING METHOD:	DATE	6/25/81	1	1	1	1	1	1
1	1	1	1	0										

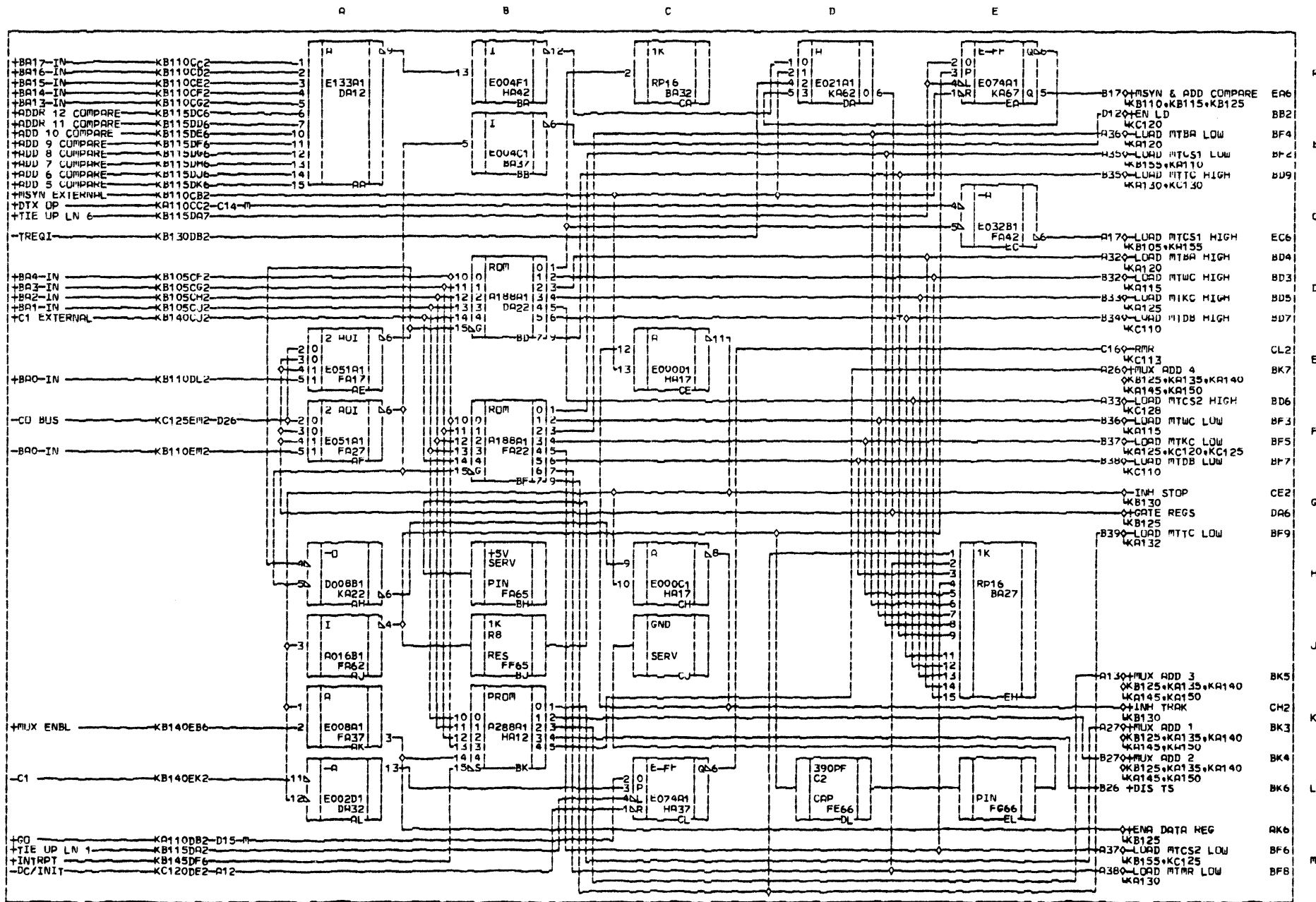


NOTE: INSTALL JUMPER FOR A ONE

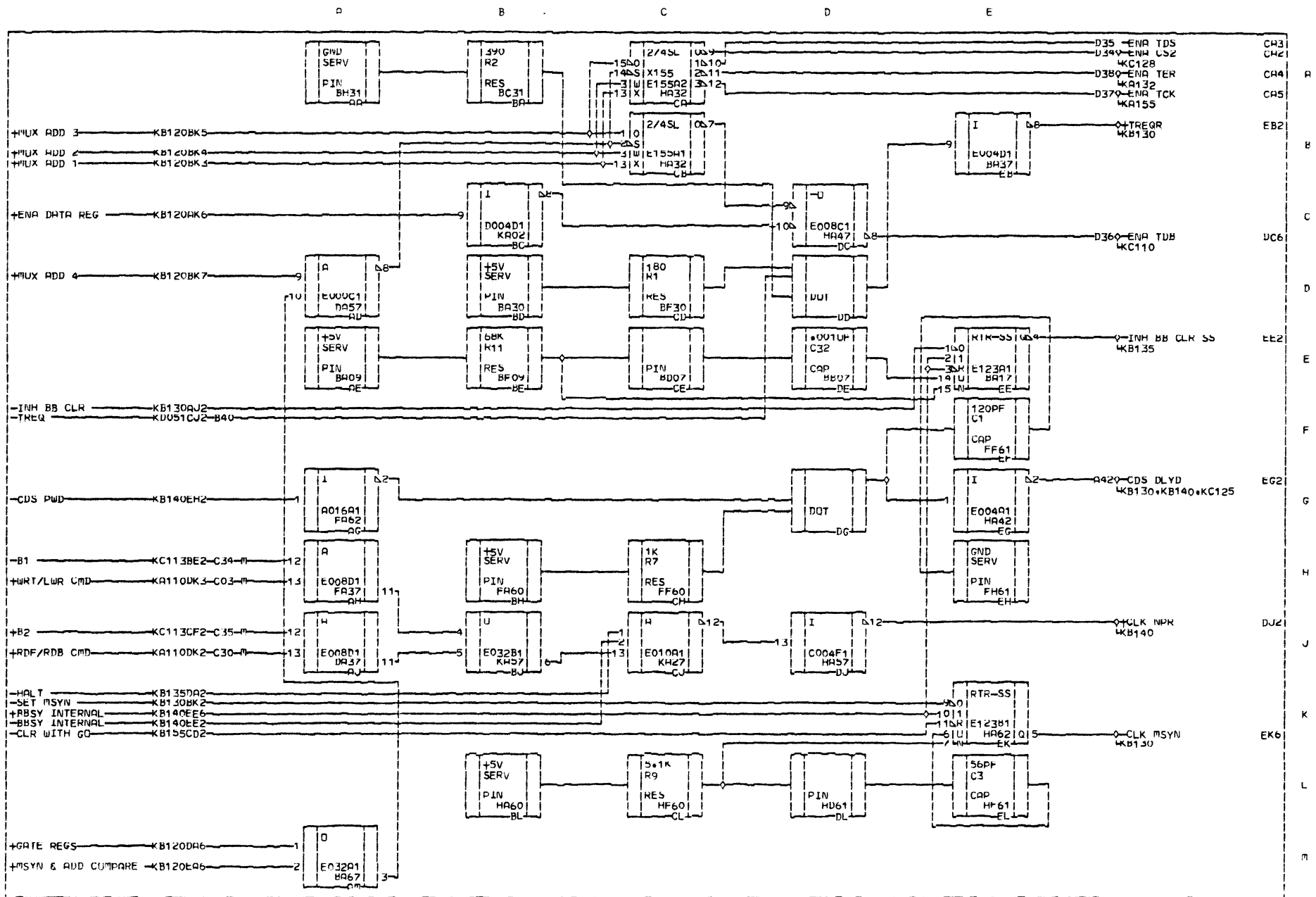
K	1	1	1	1	1	1
B	1	1	1	1	1	1
L	1	1	1	1	1	1

1	2	3	4	5	6	7	8	9	10	11	12	13	14	15	16
SEE NOTE:															
GND															
SERV															
JUMPER															
SK16															
FA02															
BL															

BUS ADDRESS BITS 5-12 COMPARE				
— am	— PAGE REFS	— SYSTEM PAGE	— PRES. E.C. 44032	MACHINE: 51935
— PAGE	43432004-0	FLYER EC 34595	PREV. P.C. 44018	ID. LUC. 828888
P.C. 44042		WIRING METHOD: PC	DATE 5/29/81	PG. P.N. 43402002-0



K B 1 2 0	<p style="text-align: center;">STC</p> <p>— AM PAGE REFS — PAGE 4302013-1 E.C. 44176</p>	<p style="text-align: center;">LOAD REGISTER LINES AND MUX ADDRESS BITS</p> <p>— SYSTEM PAGE — FLYER EC PHOTOTYP WIRING METHOD: PC</p>	<p>PRE5. E.C. 44176 PREV. E.C. 44032 DATE 3/4/80</p>	<p>MACHINE: S1935 CD. LUC. B2 PG. P.No. 43402014-3</p>	K B 1 2 0
-----------------------	---	--	--	--	-----------------------



K
E
1
2
5

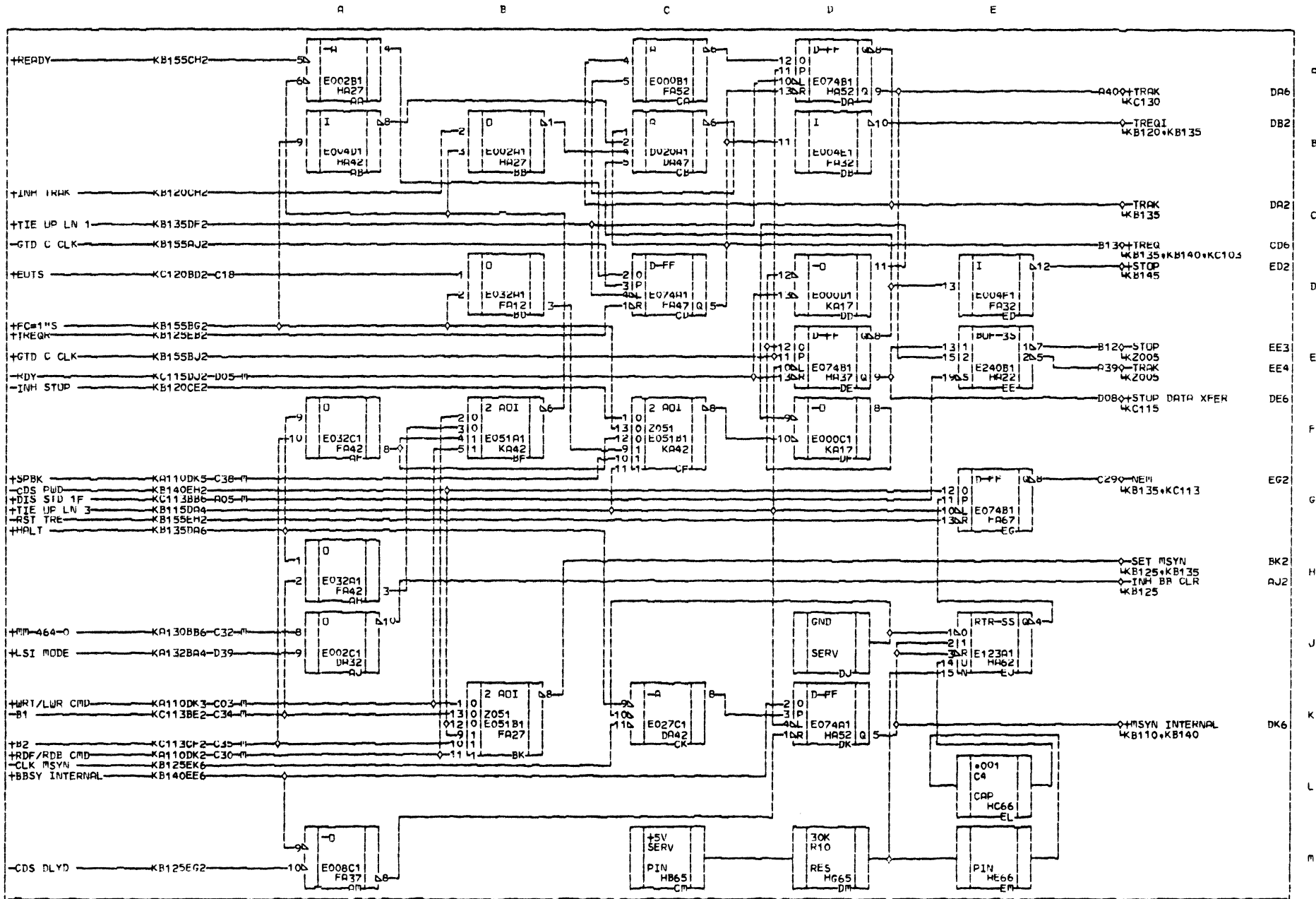


TRI STATE BUS CONTROL

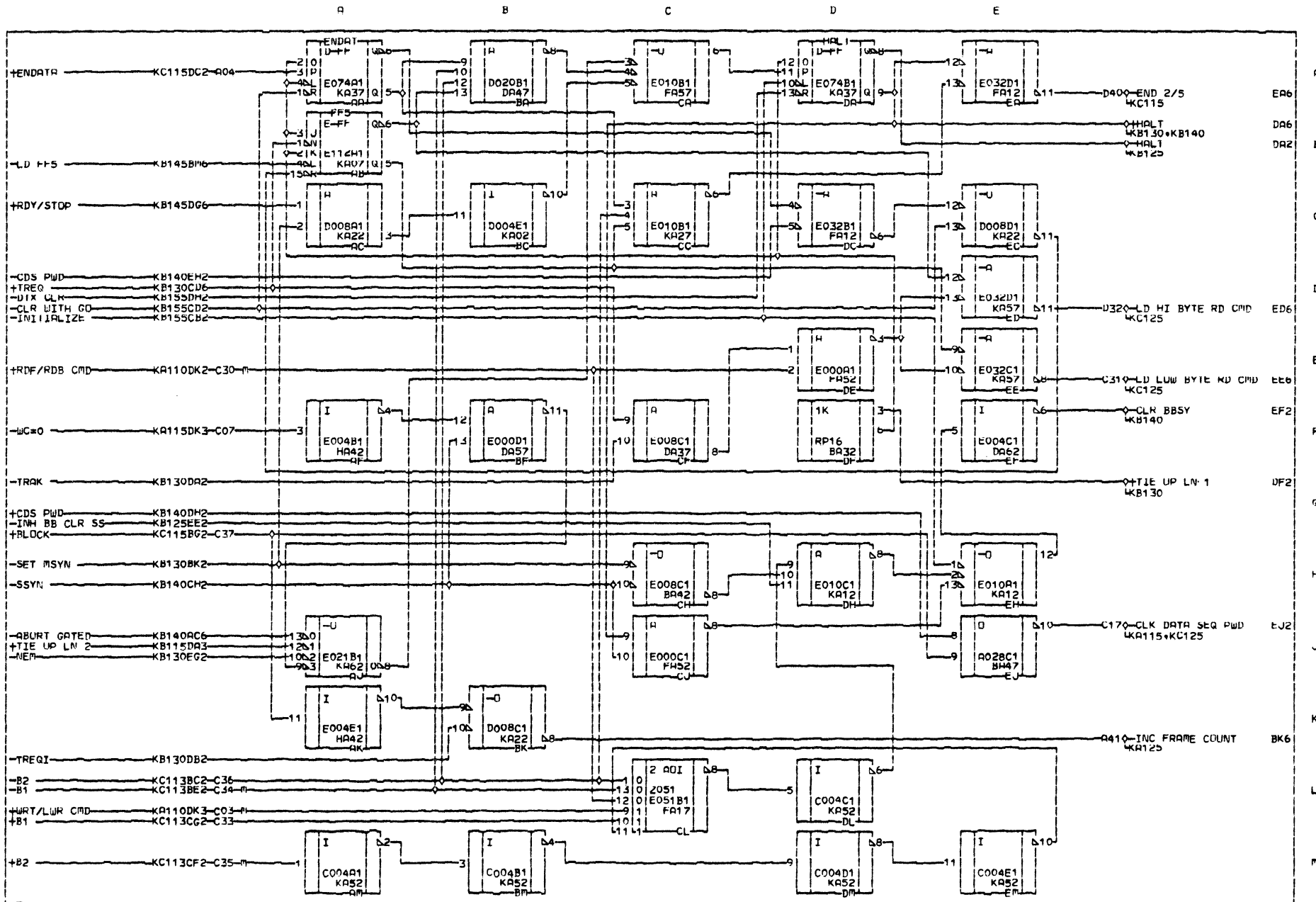
- AM PAGE REFS - SYSTEM PAGE - PRES. E.C. 44072
 PAGE 43432014-9 FLYER EC 34595 PREV. E.C. 44018
 E.C. 44176 WIRING METHOD: PC DATE 6/29/81

MACHINE: S1935
 CD. LUC. B244*
 PG. P.N. 43402015-2

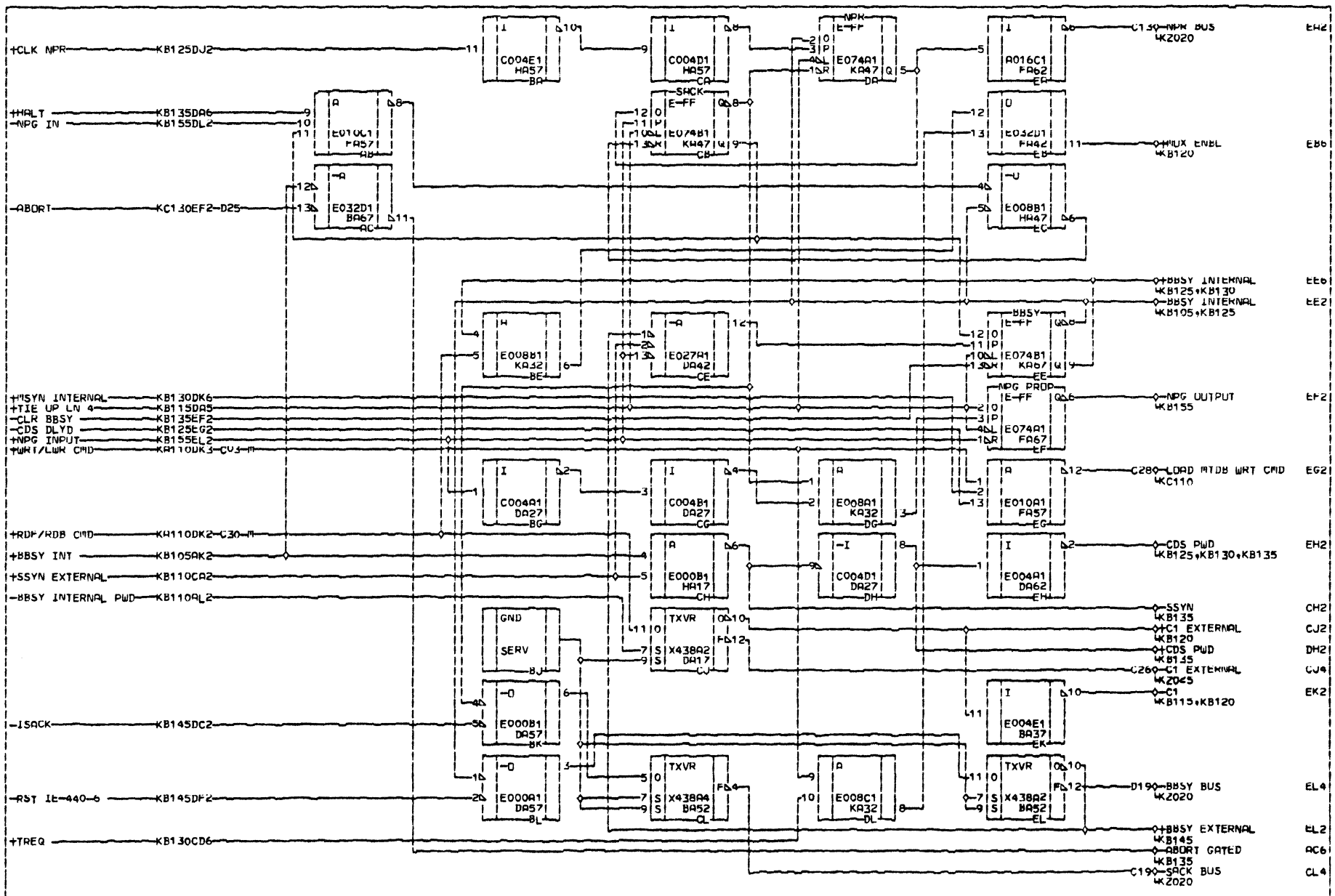
K
E
1
2
5



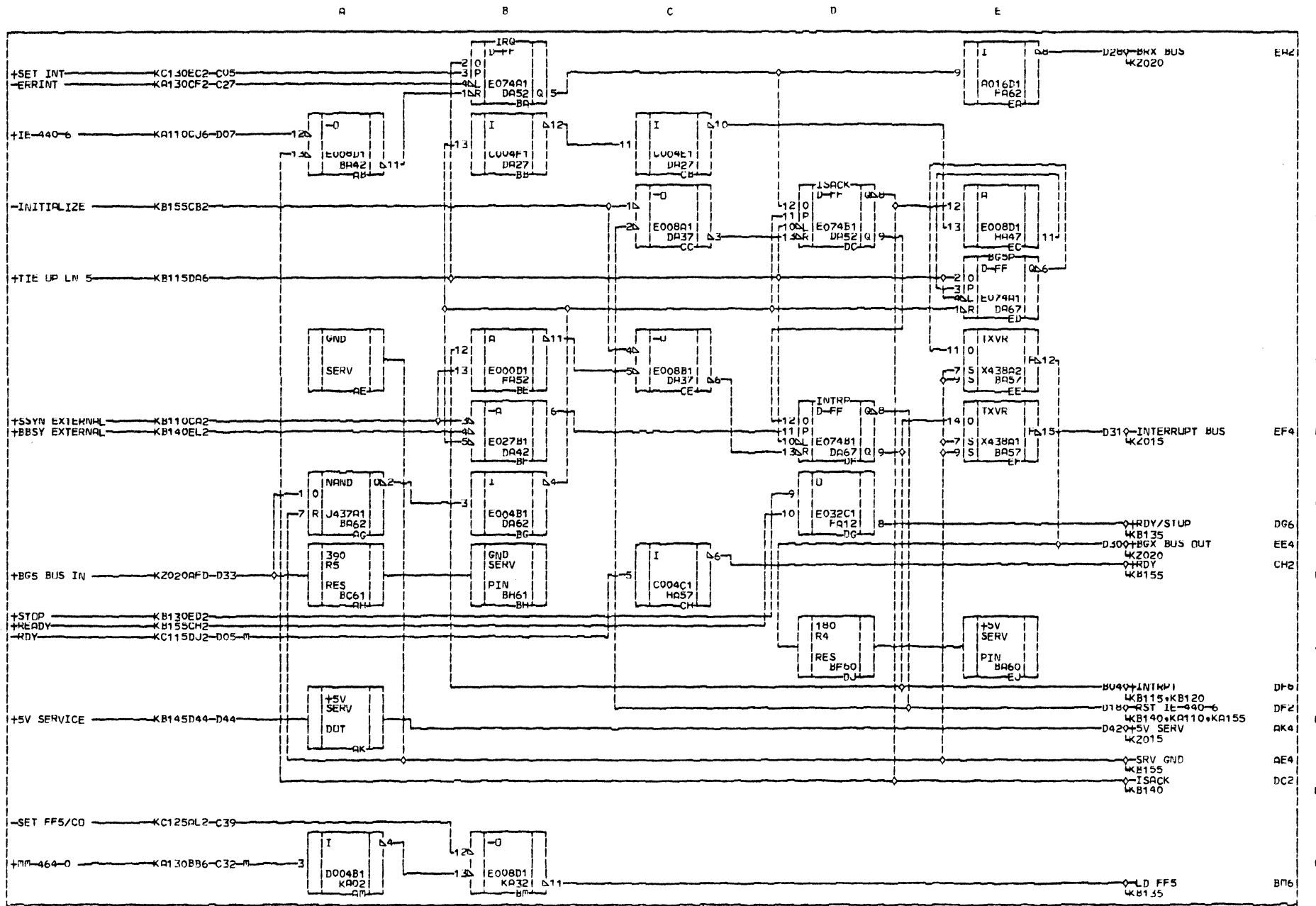
K 1 J 0	STC	DATA CONTROL			K B 1 J 0	
		- AM PAGE REFS -	- SYSTEM PAGE -	- IPRES. E.C. 44555		MACHINE: S1935
		PAGE 401624301B	FLYER EC 34595	IPREV. E.C. 44176		CD. LUC. B2
		E.C. 44555	WIRING METHOD: PC	DATE 6/10/81		PG. P.No. 401624501J



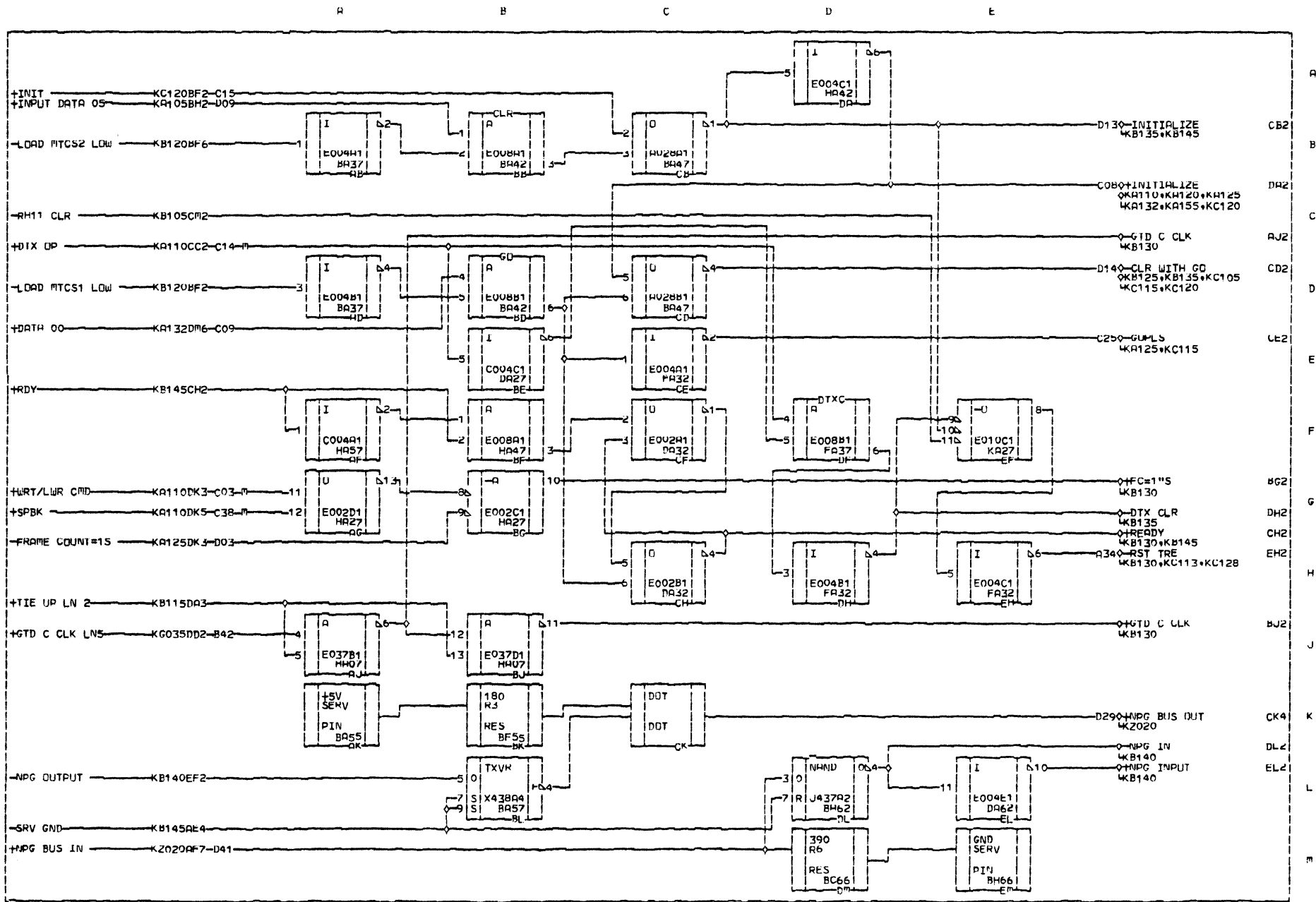
K B 1 3 5	STC				ENDING CONTROL DATA STEERING BBSY CONTROL				K B 1 3 5
	- AM PAGE REFS -		- SYSTEM PAGE -		- PWS - E.C. 44555		MACHINE: S1935		
	PAGE 4016244016		FLYER EC 34595		PREV. E.C. 44176		CD LUG: B2		
	E.C. 44555		WIRING METHOD: PC		DATE 6/10/81		PG. P.No. 4016246011		



K B 1 4 0	STC		UNIBUS MASTERSHIP CONTROL • UNIBUS CONTROL		K B 1 4 0
	- AM PAGE REFS -	- SYSTEM PAGE -	PRES. E.C. 44176	MACHINE: S1935	
	PAGE 43432017-2	FLYER EC PHOTUTYP	PREV. E.C. 44032	CD. LOC. B2	
	E.C. 44176	WIRING METHOD: PC	DATE 3/4/80	Pg. P.No. 43402018-6	



K	INTERRUPT CONTROL				K						
B					B						
1	AM	PAGE	REFS	SYSTEM	PRES. E.C.	44032	MACHINE:	S1935	1		
4	PAGE	4343	P010-7	FLYER	E.C.	44018	ICD:	LOC. B2*	4		
5	E.C.	44042		WIRING	METHOD:	PC	DATE	6/29/81	PG. P.n.	43402008-7	5



K B 1 S S	ETC				RESETS, CLOCK GENERATION, & NPG POWERING				K B 1 S S
	OM PAGE REFS	SYSTEM PAGE	DRES. E.C. 44032	MACHINE: 51935					
	PAGE 4342011-5	FLYBY EC 34535	PREV. E.C. 44018	ICU. LUC. 82888					
	E.C. 44042	WIRING METHOD:	PC DATE 6/29/81	PG. P.n. 43402009-5					

ASSEMBLY PARTS LIST

BOULEVARD

PRINT DATE	PAGE	E.C. NO.
10-20-82	1	44032

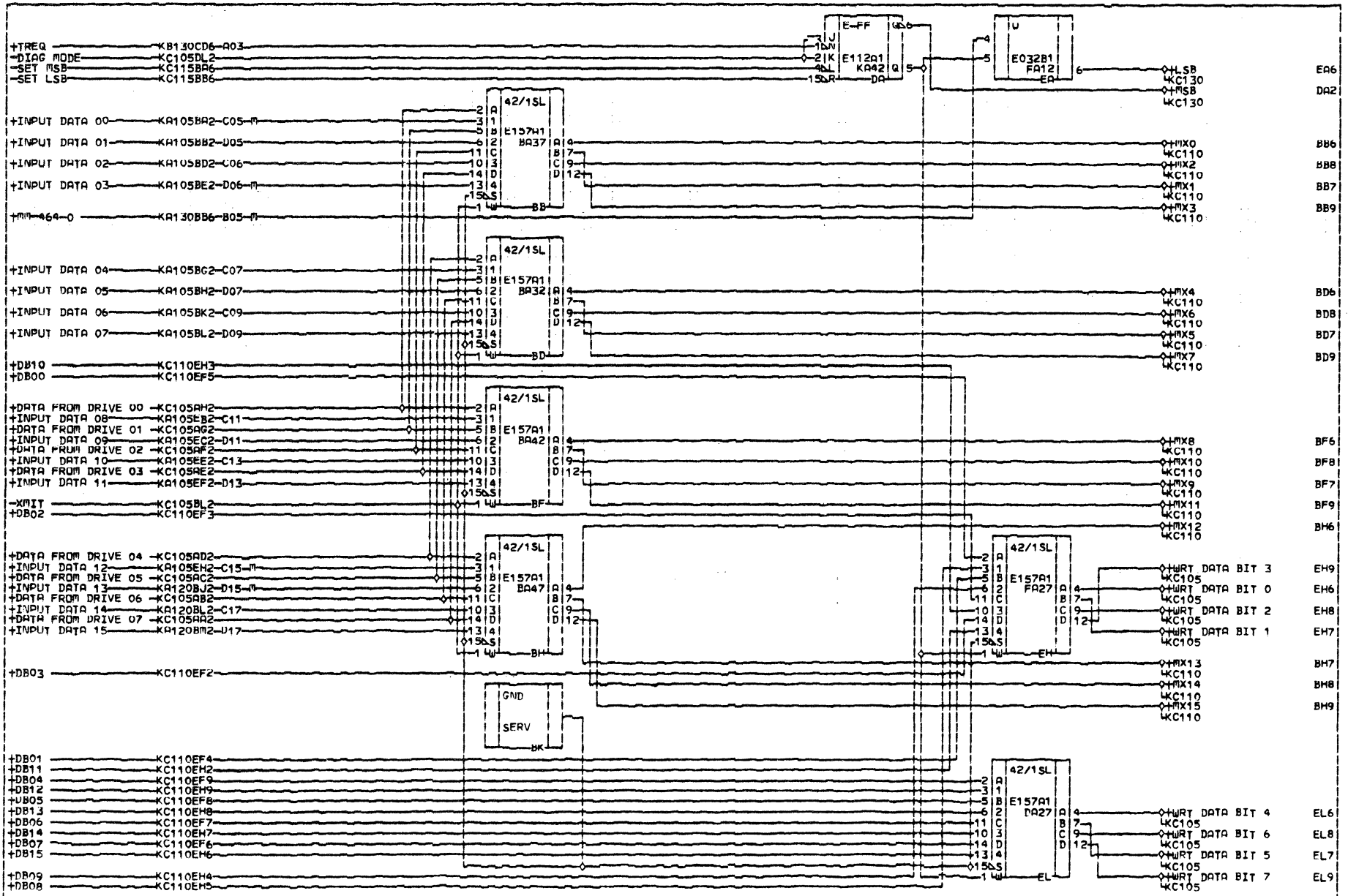
DIV	ASSEMBLY NUMBER	CD	REV.	DWG.	DESCRIPTION	MC	STATUS	STATUS DATE	FILE DATE					
0500	43400013	9	B	N	SYS LGC GP, KC, 43303202 , PC	N	REL	12-06-79	1935	02-21-80				
T FIND NO	LI	PART NUMBER	CD	M	QUANTITY	U/M	PART DESCRIPTION	MC	YLD	E.C. NO IN	E.C. NO. OUT	S-N	WK IN	WK OUT
001	01	43433001	5		REF	PC	CD LGC, AM051, KC, PC	D						
002	01	43403000	3		REF	PC	SYS LGC, KCI03, PC	D						
003	01	43403001	1		REF	PC	SYS LGC, KCI05, PC	D						
004	01	43403002	9		REF	PC	SYS LGC, KCI10, PC	D						
005	01	43403003	7		REF	PC	SYS LGC, KCI13, PC	D						
006	01	43403004	5		REF	PC	SYS LGC, KCI15, PC	D						
007	01	43403005	2		REF	PC	SYS LGC, KCI20, PC	D						
008	01	43403006	0		REF	PC	SYS LGC, KCI25, PC	D						
009	01	43403007	8		REF	PC	SYS LGC, KCI27, PC	D						
010	01	43403008	6		REF	PC	SYS LGC, KCI28, PC	D						
011	01	43403009	4		REF	PC	SYS LGC, KCI30, PC	D						
500	01	43303202	6		REF	PC	CKT CD, KC, PC ASSEMBLY	S		44032			8007	
0012 TOTAL LINES														

LDC KA67	14	LDC KA62	14	LDC KA57	14	LDC KA52	16	LDC KA47	14	LDC KA42	16	LDC KA37	14	LDC KA32	14	LDC KA27	14	LDC KA22	14	LDC KA17	14	LDC KA12	14	LDC KA07	14	LDC KA02	14
PN	IC:E032	PN	IC:E008	PN	IC:E010	PN	IC:K438	PN	IC:E004	PN	IC:E112	PN	IC:E008	PN	IC:E074	PN	IC:E000	PN	IC:E008	PN	IC:E010	PN	IC:E074	PN	IC:E000	PN	IC:E008
3		3	KC125DH6	6	KC110AK2	1	KC125EK4	2	KC105CL2	5	KC103DA6	3	KC110PA6	5	KC110BA6	3	KC110BK2	3	KC110ED6	6	KC110CP2	5	KC130EL6	3	KC130BG2	3	KC115AF6
6	KC115BB6	6	KC125OC6	8	KC110AQ2	3	KC125EK2	4	KC120ER2	7	KC103DA2	6	KC110EA2	6	KC110EA2	6	KC110EA2	6	KC110EA2	6	KC110EA2	6	KC130EL6	3	KC130BG2	3	KC115AF6
8	KC115BA6	8	KC113CB6	12	KC113DU2	4		8	KC120DM2	9	KC105EJ6	11	KC105B6	9	KC110BB6	11	KC110BC2	11	KC110AB6	12	KC130DG2	8		8	KC130AD2	8	
11		11	KC125CD6	10		6		10	KC105DL2	12												9	KC128BL6	11	KC130DC2	11	
7	PE2	7	NE2	7	PE2	7	LE2	7	KE2	8	JE2	7	ME2	7	OE2	7	FE2	7	EE2	7	DE2	7	CE2	7	BE2	7	AE2
14	NDKJ68	14	NE6	14	NDK58	14	LE6	14	KE6	16	JE6	14	ME6	14	OE6	14	FE6	14	EE6	14	DE6	14	CE6	14	BE6	14	AE6
	+SVKA68		+SVKA63		+SVKA58		+SVKA53		+SVKA48		+SVKA43		+SVKA38		+SVKA33		+SVKA28		+SVKA23		+SVKA18		+SVKA13		+SVKA08		+SVKA03
LDC HA67	14	LDC HA62	14	LDC HA57	14	LDC HA52	14	LDC HA47	14	LDC HA42	14	LDC HA37	16	LDC HA32	16	LDC HA27	14	LDC HA22	14	LDC HA17	14	LDC HA12	14	LDC HA07	14	LDC HA02	14
PN	IC:E086	PN	IC:E011	PN	IC:E074	PN	IC:E004	PN	IC:K438	PN	IC:K004	PN	IC:K438	PN	IC:K004	PN	IC:E074	PN	IC:E004	PN	IC:E004	PN	IC:E004	PN	IC:E004	PN	IC:E010
3	KC125DC6	6	KC125AK6	5	KC125DK6	5	KC125CK6	2	KC120DG2	2	KC115DM2	1					01+02+04	5	KC110BM6	2	KC110CC2	1	KC115CM2	2	KC115AE2	2	KC130AL2
6		8	KC120ER6	6		6		2	KC120DH2	4	KC125CA2	3					06+07+08	8	KC110BL6	6	KC110DC2	10	KC130DL2	6	KC130EH2	6	KC130CL2
8		12	KC113AB6	9	KC120EK6	9	KC125AC2	6	KC125EM2	8	KC125DA2	6					09+13+14	15	9	KC110RL6	8	KC110DK2	13	KC120DE2	8	8	KC130AJ2
11				10		10		10	KC113EL2	10	KC113EM2	10								10	KC110DM2	10		10	KC130BC2	10	KC130CC2
7	PD2	7	ND2	7	PD2	7	LD2	7	KD2	7	JD2	8	HD2	7	GD2	7	FD2	7	ED2	7	BD2	7	CD2	7	AD2	7	PD2
14	GNDHK68	14	GNDHK63	14	GNDHK58	14	LD6	14	KD6	14	JD6	16	HD6	16	GD6	14	FD6	14	ED6	14	BD6	14	CD6	14	AD6	14	GNDHK03
	+SVHA68		+SVHA63		+SVHA58		+SVHA53		+SVHA48		+SVHA43		+SVHA38		+SVHA33		+SVHA28		+SVHA23		+SVHA18		+SVHA13		+SVHA08		+SVHA03
LDC FA67	14	LDC FA62	14	LDC FA57	14	LDC FA52	14	LDC FA47	14	LDC FA42	16	LDC FA37	20	LDC FA32	20	LDC FA27	16	LDC FA22	20	LDC FA17	20	LDC FA12	14	LDC FA07	14	LDC FA02	14
PN	IC:E074	PN	IC:E010	PN	IC:E051	PN	IC:E008	PN	IC:E280	PN	IC:X438	PN	IC:E374	PN	IC:E374	PN	IC:E157	PN	IC:E244	PN	IC:E244	PN	IC:E032	PN	IC:E008	PN	IC:E027
5	KC113BB6	6	KC125EC2	6	KC105EL2	3	KC125DM6	5	KC105CG2	1	KC105AG4	2	KC110CH2	2	KC110EH2	4	KC103EH6	3	KC127AG6	3	KC127AC6	3	KC120DB6	3	KC130BE6	6	KC130AE2
6	KC113BB2	8	KC125EJ2	8	KC125AL2	6	KC125CC6	6	KC125CA2	6	KC105AH4	6	KC110CH4	6	KC110EH4	7	KC103EH8	7	KC127AG8	7	KC127AC8	8	KC103EB6	6	KC130AH6	8	KC130DH2
9	KC113BJ6	12	KC125AL2	11	KC125E66	11	KC105AD2	6	KC105AH2	9	KC110CH5	9	KC110EH5	12	KC103EH9	9	KC127AG9	9	KC127AC9	11	KC113AG6	11	KC130CH6	11	KC130BE6	12	KC113EK2
7	PC2	7	NC2	7	RC2	7	LC2	7	KC2	8	JC2	10	HC2	10	GC2	8	FC2	10	EC2	10	DC2	7	CC2	7	BC2	7	AC2
14	GNDFH66	14	GNDFH61	14	GNDFH56	14	GNDFH51	14	GNDFH46	16	JG6	20	HG6	20	FG6	16	EG6	20	DG6	20	CG6	14	BC6	14	AC6	14	GNDFH01
	+SVFA70		+SVFA65		+SVFA60		+SVFA55		+SVFA50		+SVFA45		+SVFA40		+SVFA35		+SVFA30		+SVFA25		+SVFA20		+SVFA15		+SVFA10		+SVFA05
LDC DA67	14	LDC DA62	14	LDC DA57	14	LDC DA52	14	LDC DA47	16	LDC DA42	16	LDC DA37	20	LDC DA32	20	LDC DA27	16	LDC DA22	20	LDC DA17	20	LDC DA12	16	LDC DA07	16	LDC DA02	14
PN	IC:A016	PN	IC:E074	PN	IC:E051	PN	IC:E000	PN	IC:X438	PN	IC:TR16	PN	IC:E374	PN	IC:E374	PN	IC:E157	PN	IC:E244	PN	IC:E244	PN	IC:TR16	PN	IC:TR16	PN	IC:E030
2	KC120DK2	3	KC113AH6	6	KC125EF2	3	KC125BH2	1	KC105AC4	01+02+03	2	KC110CF2	2	KC110EF2	4	KC103EL6	3	KC127AE5	3	KC127AA5	3	09+12	09+10+11	8	KC113DL2		
6	KC126CL2	6	KC113AH2	8	KC125ED2	6	KC130EF2	3	KC105AC2	04+05	3	KC110CF3	5	KC110EF3	7	KC103EL7	5	KC127AE7	5	KC127AA7	5						
8		8	KC113DH2	8	KC113CL2	4	KC105AD4	4	KC105AD4		6	KC110CF4	6	KC110EF4	9	KC103EL8	7	KC127AE3	7	KC127AA3	7						
10	KC128BK2	10	KC113DD6	11	KC125CH2	6	KC105AD2	6	KC105AD2		9	KC110CF5	9	KC110EF5	12	KC103EL9	9	KC127AE9	9	KC127AA9	9						
12	KC113ED2	12		12	KC105AR2	12		12	KC105AR2		12	KC110CF6	12	KC110EF6	14	KC127AE14	14	KC127AA14	14	KC127AB14	14						
7	PD2	7	NB2	7	PD2	7	LB2	8	KB2	8	JB2	10	HB2	10	GB2	8	FB2	10	EB2	10	DB2	8	CB2	8	AB2	7	PD2
14	GNDH66	14	GNDH61	14	GNDH56	14	GNDH51	16	KB6	16	JB6	20	HB6	20	GB6	16	FB6	20	EB6	20	DB6	16	CB6	16	AB6	14	GNDH01
	+SVDA70		+SVDA65		+SVDA60		+SVDA55		+SVDA50		+SVDA45		+SVDA40		+SVDA35		+SVDA30		+SVDA25		+SVDA20		+SVDA15		+SVDA10		+SVDA05
LDC BA67	14	LDC BA62	14	LDC BA57	14	LDC BA52	14	LDC BA47	16	LDC BA42	16	LDC BA37	16	LDC BA32	16	LDC BA27	20	LDC BA22	20	LDC BA17	16	LDC BA12	16	LDC BA07	16	LDC BA02	16
PN	IC:E051	PN	IC:E004	PN	IC:E004	PN	IC:E030	PN	IC:E157	PN	IC:E157	PN	IC:E157	PN	IC:E157	PN	IC:E244	PN	IC:E244	PN	IC:J437	PN	IC:J437	PN	IC:J437	PN	IC:J437
6	KC113BC2	2	KC113BF2	2	KC125RC2	8	KC120AG2	4	KC103BF6	4	KC103BF6	4	KC103BF6	4	KC103BF6	4	KC128BA5	2	KC120BA2	2	KC115DD2	2	KC120BB2	2	KC115DB2	2	KC115DC2
8	KC113BE2	4	KC113CF2	4	KC125AP2	7	KC103BF7	7	KC103BF7	7	KC103BF7	7	KC103BF7	7	KC103BF7	7	KC128BA7	2	KC120BA7	2	KC115DD7	2	KC120BB7	2	KC115DB7	2	KC115DC7
10		8	KC113CG2	6	KC120BF8	9	KC103BF8	9	KC103BF8	9	KC103BF8	9	KC103BF8	9	KC103BF8	9	KC128BA9	2	KC120BA9	2	KC115DD9	2	KC120BB9	2	KC115DB9	2	KC115DC9
12		10	KC113CL2	8	KC125DD2	12	KC103BF9	12	KC103BF9	12	KC103BF9	12	KC103BF9	12	KC103BF9	12	KC128BA12	2	KC120BA12	2	KC115DD12	2	KC120BB12	2	KC115DB12	2	KC115DC12
7	PA2	7	NA2	7	PA2	7	LA2	8	KA2	8	JA2	10	HA2	10	GA2	8	FA2	10	EA2	10	DA2	8	CA2	8	BA2	7	PA2
14	GNDH66	14	GNDH61	14	GNDH56	14	GNDH51	16	KA6	16	JA6	20	HA6	20	GA6	16	FA6	20	EA6	20	DA6	16	CA6	16	BA6	14	GNDH01
	+SVBA70		+SVBA65		+SVBA60		+SVBA55		+SVBA50		+SVBA45		+SVBA40		+SVBA35		+SVBA30		+SVBA25		+SVBA20		+SVBA15		+SVBA10		+SVBA05

IC LDC CHART PC 1935 CARD

PRESENT	EC	44043	DATE	12/11/79	CD PN	43303202-6	
PREV EC	D3048	PAGE PN	43433001-5	CD TYPE	KC	FLEVEL	34521

INDEX: 10 PAGE(S)	PAGE	CRD	PG	P/N	EC	LEVEL
KC103	43433002-3	44043	KC120	43433007-2	44043	
KC105	43433003-1	44043	KC125	43433008-0	44043	
KC110	43433004-9	44043	KC127	43433009-8	44043	
KC113	43433005-6	44043	KC128	43433010-6	44043	
KC115	43433006-4	44043	KC130	43433011-4	44043	



A
B
C
D
E
F
G
H
J
K
L

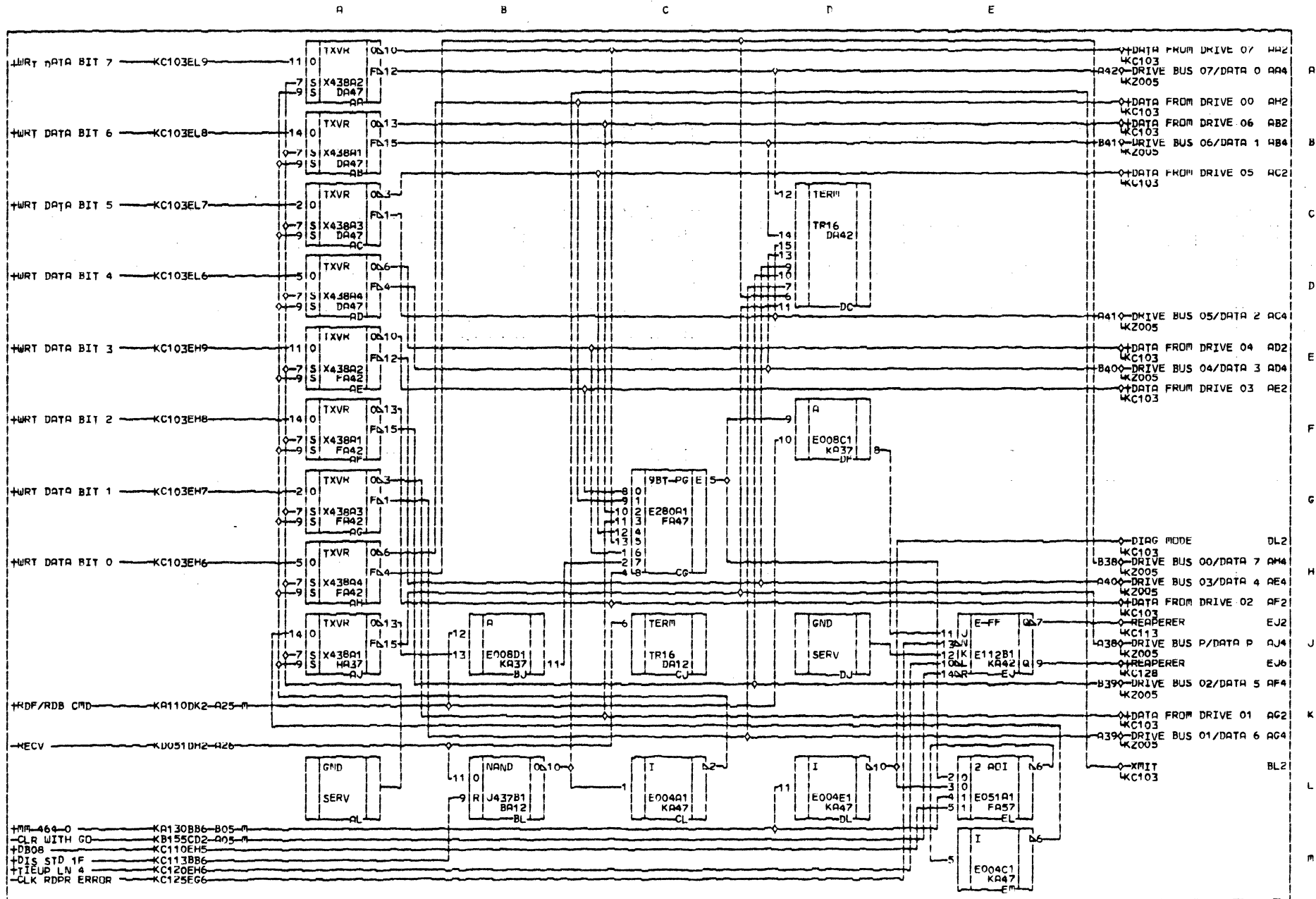
K
C
1
0
3



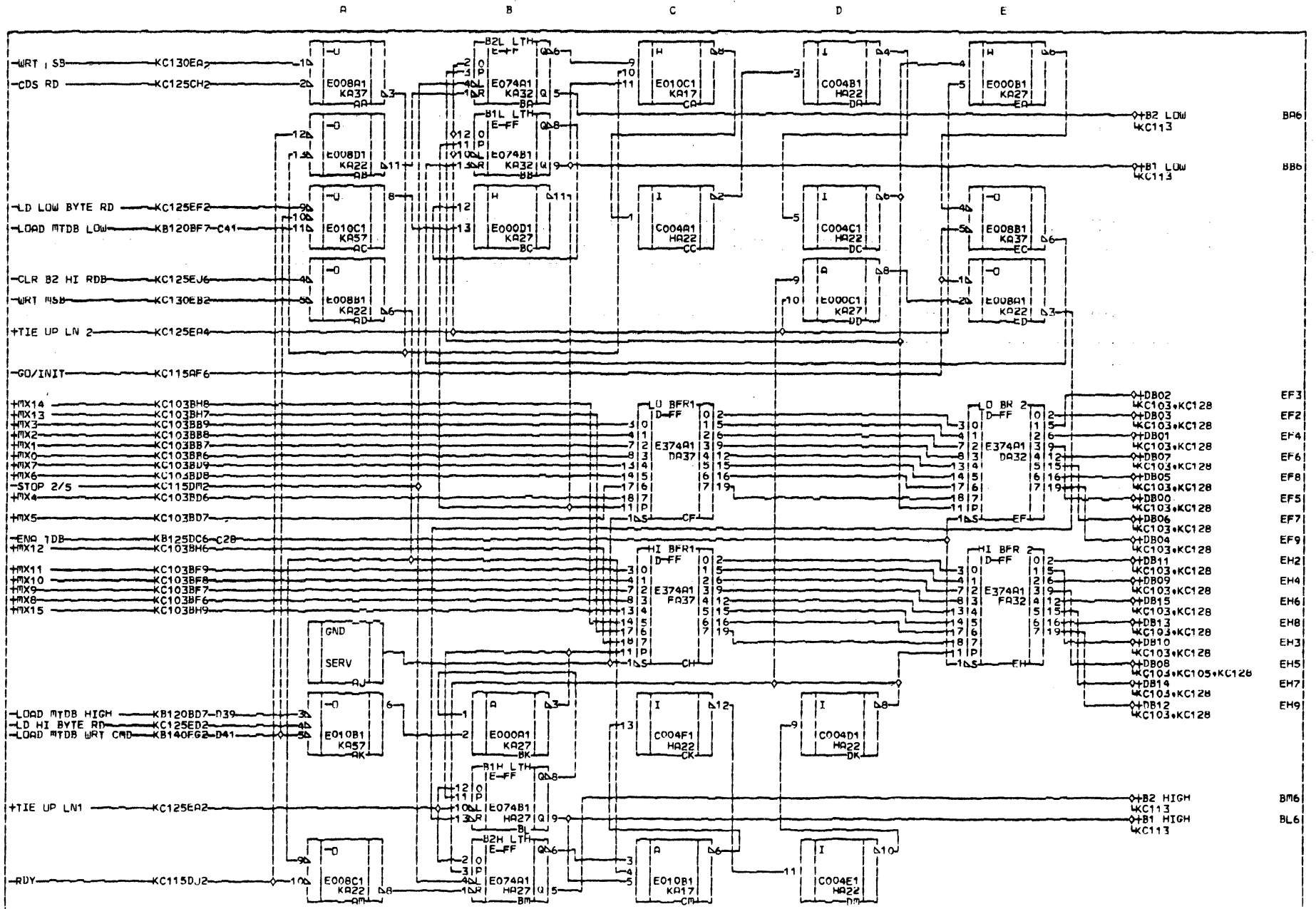
DATA DISTRIBUTION

Am	PAGE REFS	SYSTEM PAGE	PRES. E.C.	EC44032	MACHINE:	S1935
	PAGE 4343302-3	FLYER EC 34521	PREV. E.C.	EC44018	CD. LOC.	C2
	E.C. 44043	WIRING METHOD: PC	DATE	1/17/80	PG. P.No.	4340300-3

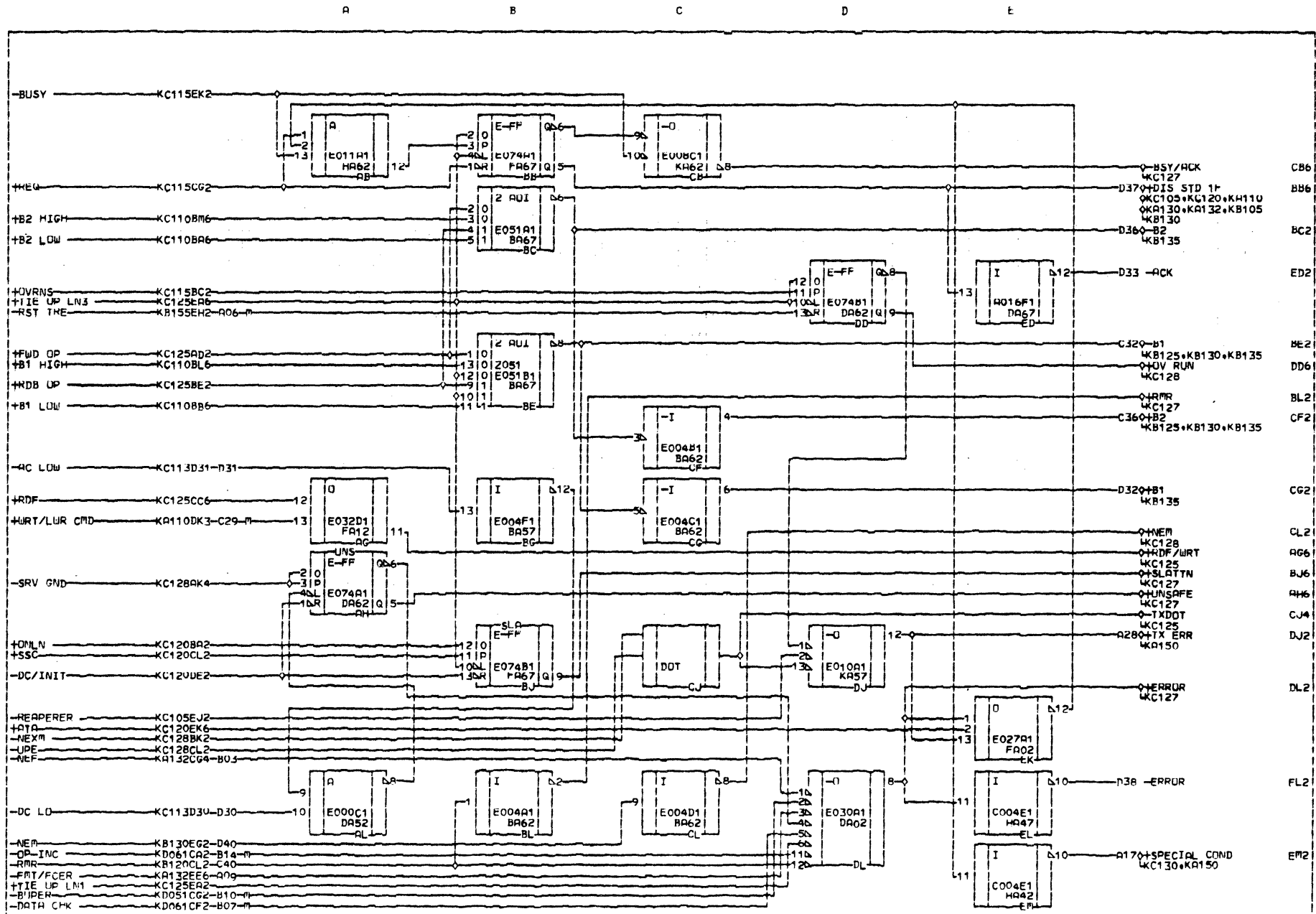
K
C
1
0
3



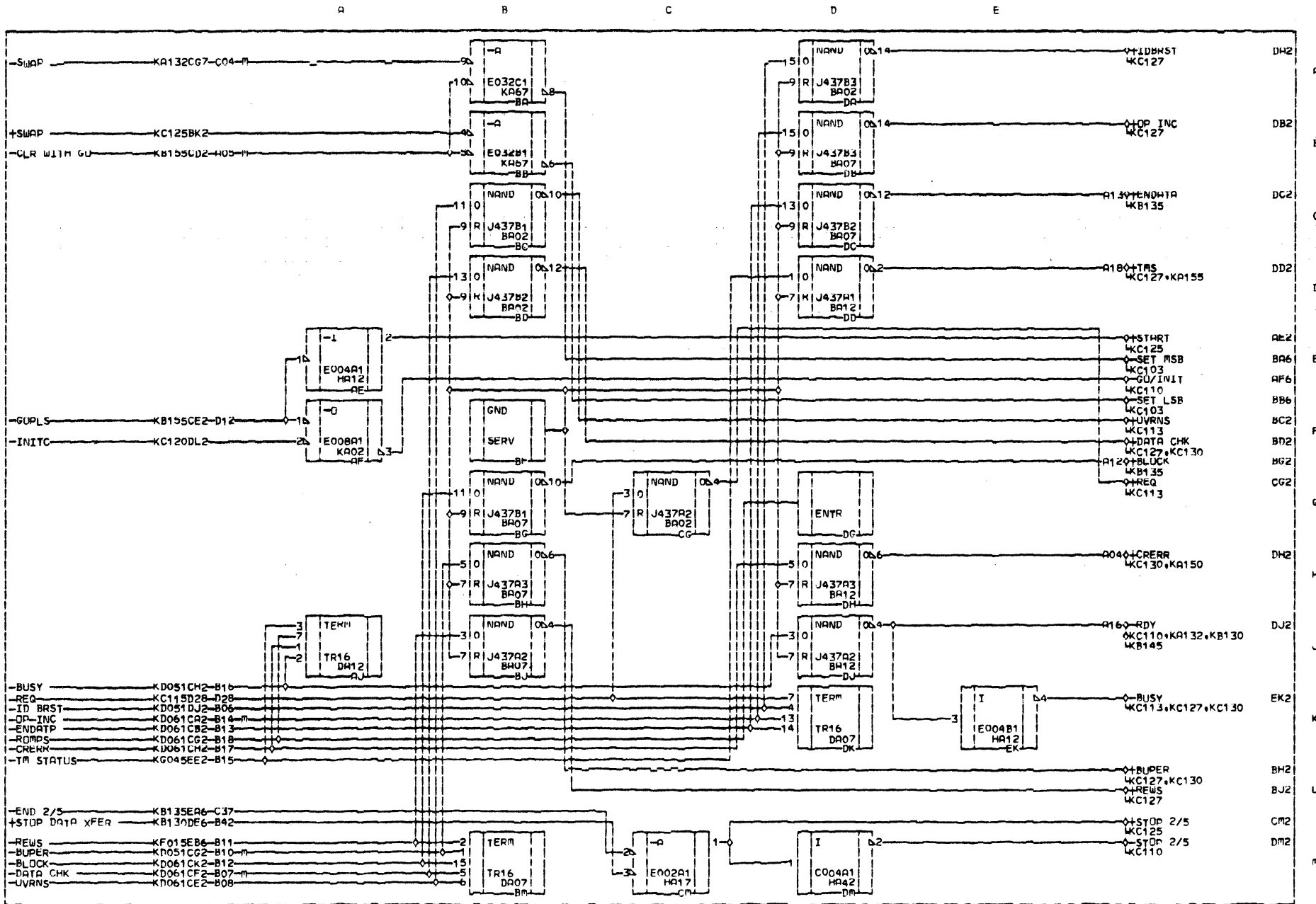
K C 1 0 5	STC		PARITY GEN/CHECK		K C 1 0 5	
	AM PAGE REFS	SYSTEM PAGE	PREs E.C.	FC44032		MACHINE: S1935
	PAGE 43433003-1	FLYER EC 34521	PREV. E.C.	FC44018		CD. LUC. C2
	E.C. 44043	WIRING METHOD:	PC DATE	1/17/80		Pg. P.No. 43403001-1



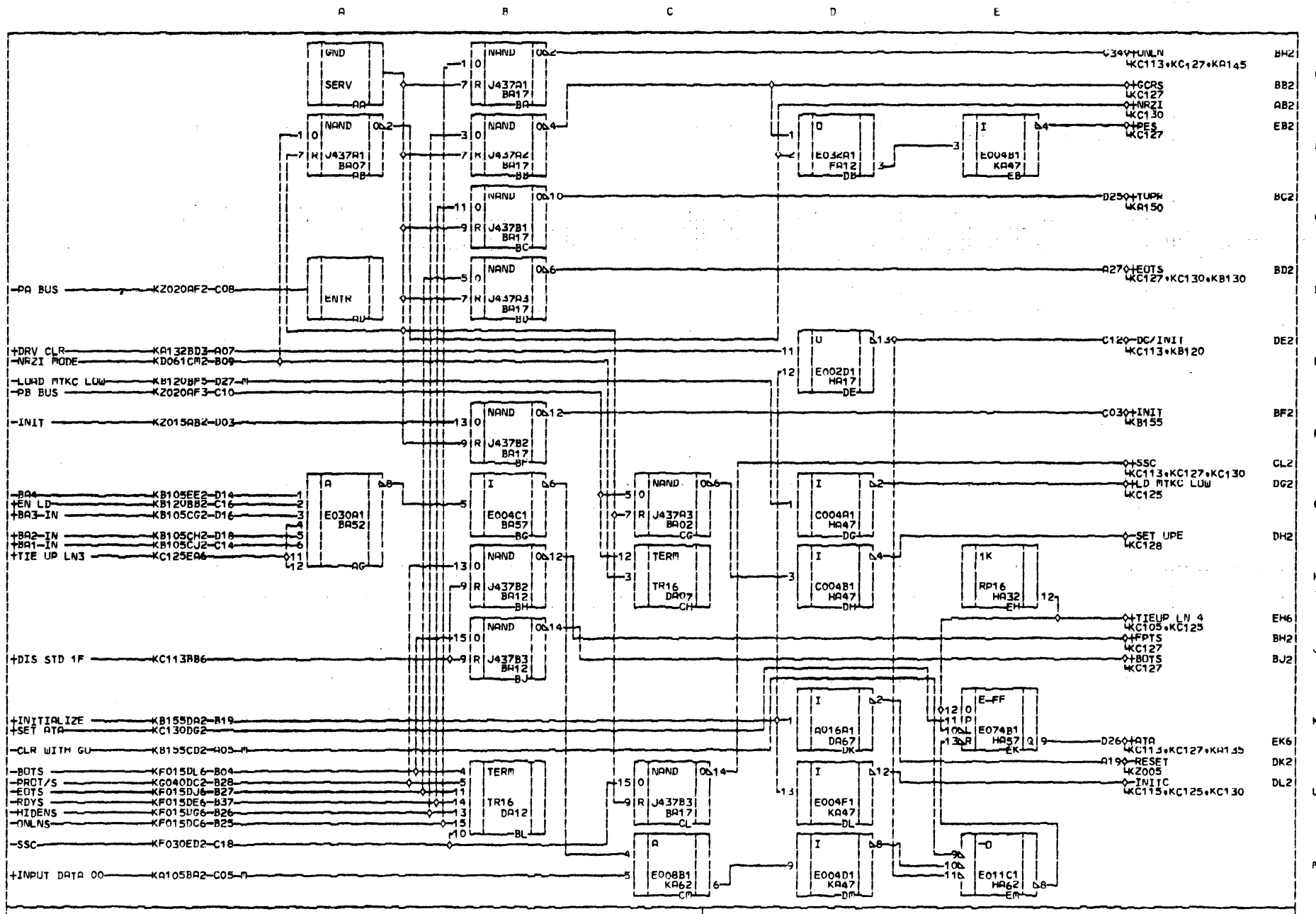
K	STC				DATA TRICKLE BUFFER & CONTROLS				K	
C	REV	DATE	REFS	SYSTEM PAGE	PREP	E.C.	EC44032	MACHINE:	51935	C
1	43433004-9	4/17/80	1	FLYER EC 34521	PREV	E.C.	FC44018	ICD:	LDC C2	1
1	E.C. 44043			WIRING METHOD:	PC	DATE	1/17/80	PG:	P/W	43403002-9
0										0



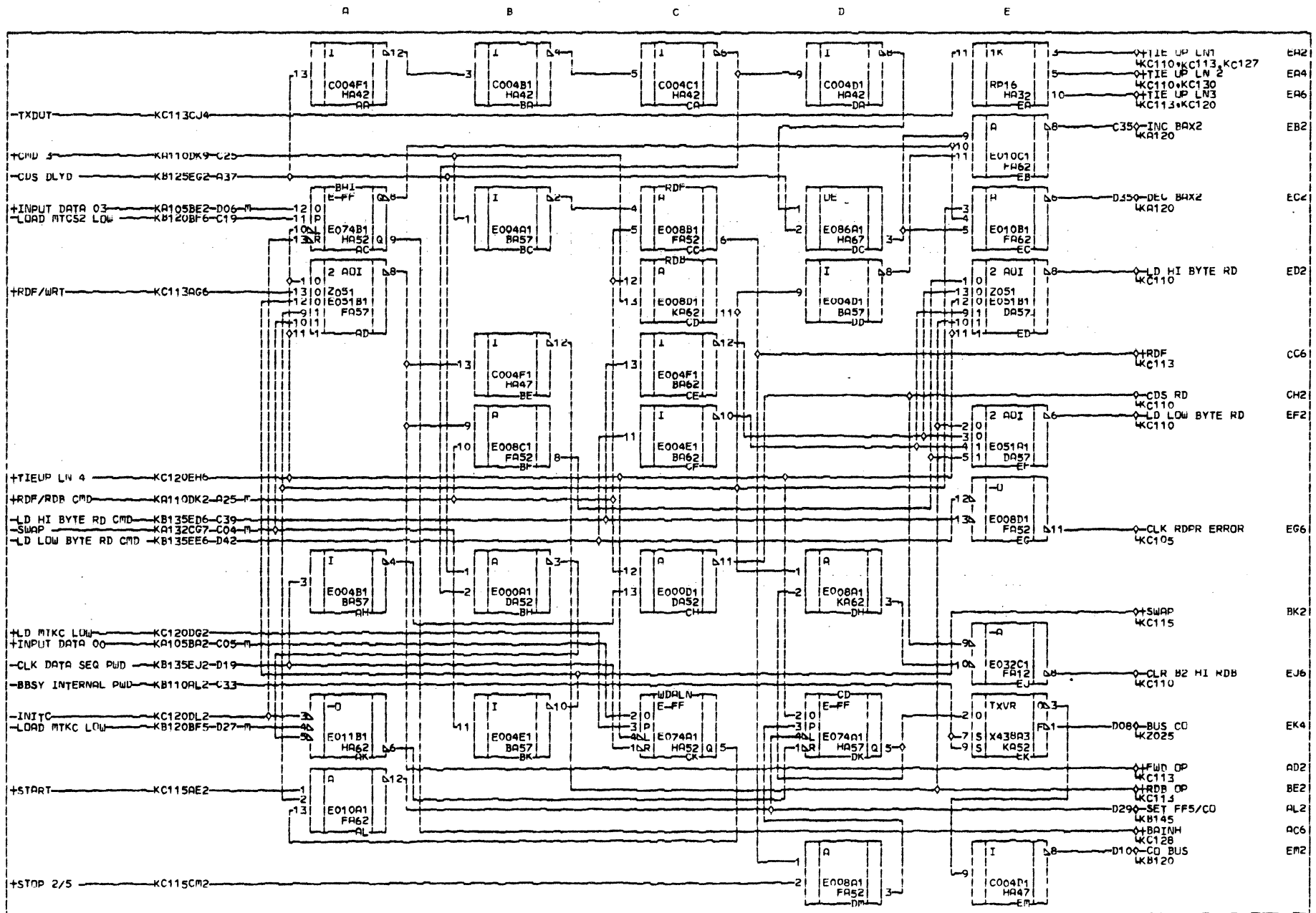
K C 1 1 3	STC	BUFFER CONTROL GATEING			K C 1 1 3
- AM PAGE REFS -		- SYSTEM PAGE -		- PRES. E.C. EC44032	
PAGE 4343005-6		FLYER EC 34521		MACHINE: 51935	
E.C. 44043		WIRING METHOD: PC		CD. LOC. C2	
		DATE		1/17/80	
				PG. P.N. 43403003-7	



K					MISCELLANEOUS FCU STATUS				K	
C									C	
1	- D#	PAGE	REFS	- SYSTEM	PAGE	- PRES.	F.C.	EC44032	MACHINE:	51935
1	-	43433006-4		- FLYER	EC 34521	- PREV.	F.C.	EC44018	CD.	LOC. C2
5		E.C. 44043		WIRING	METHOD: PC	DATE	1/17/80		PG.	P#N: 43403004-5



K C 1 2 0	STC				TU STATUS & ADDRESS & DENSITY & RESET (HECV TXVR)				K C 1 2 0	
	AM	PAGE	REFS	SYSTEM PAGE	PRES.	F.C.	EC44032	MACHINE:		S1935
	PAGE	43433007-2	2	FLYER EC 34521	PREV.	E.C.	EC44018	CD:		LDC C2
		E.C. 44043		WIRING METHOD:	PC	DATE	1/17/80	PG:	P#s 43403005-2	



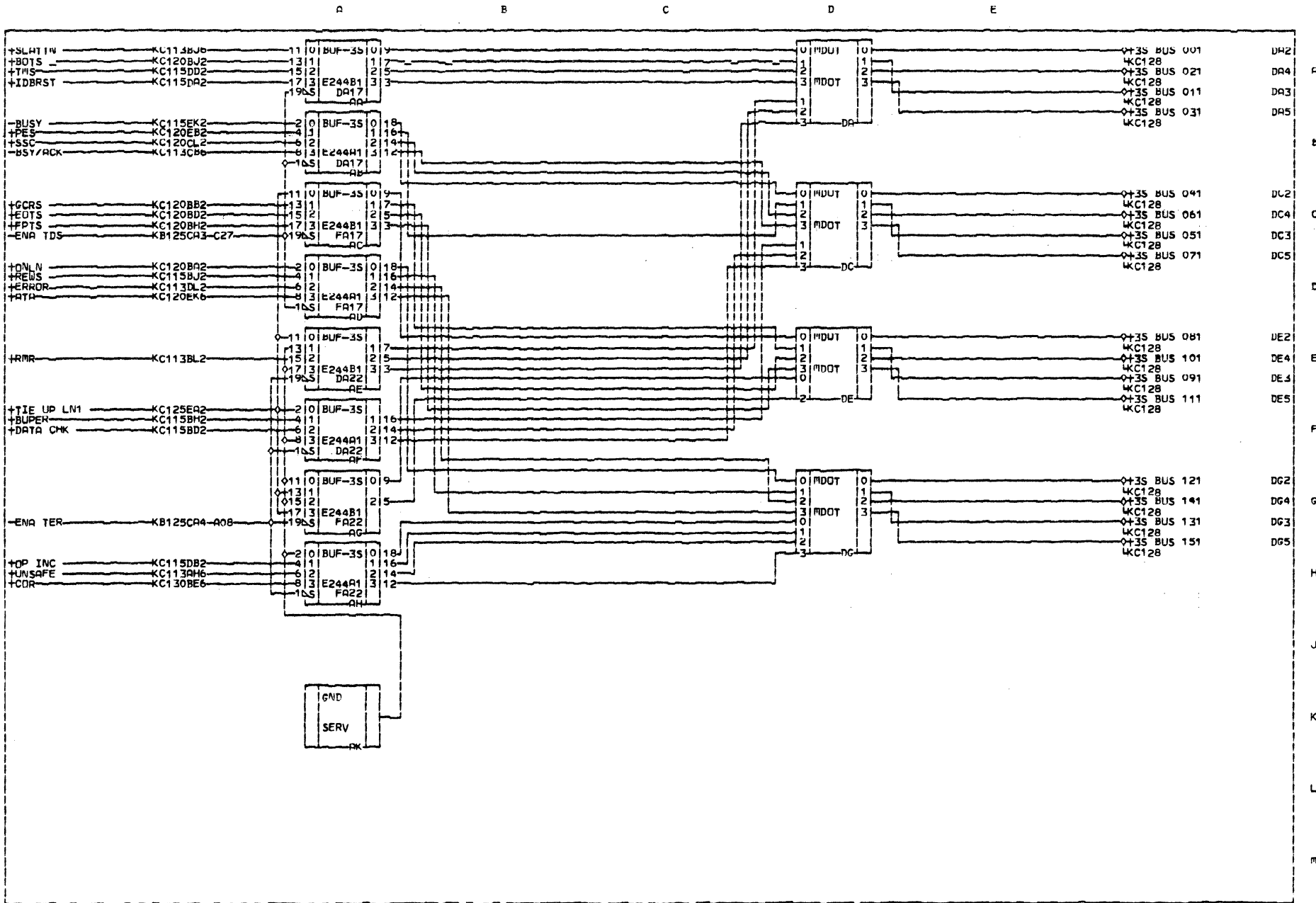
K
C
1
2
5



RDF/RDB CONTROLS

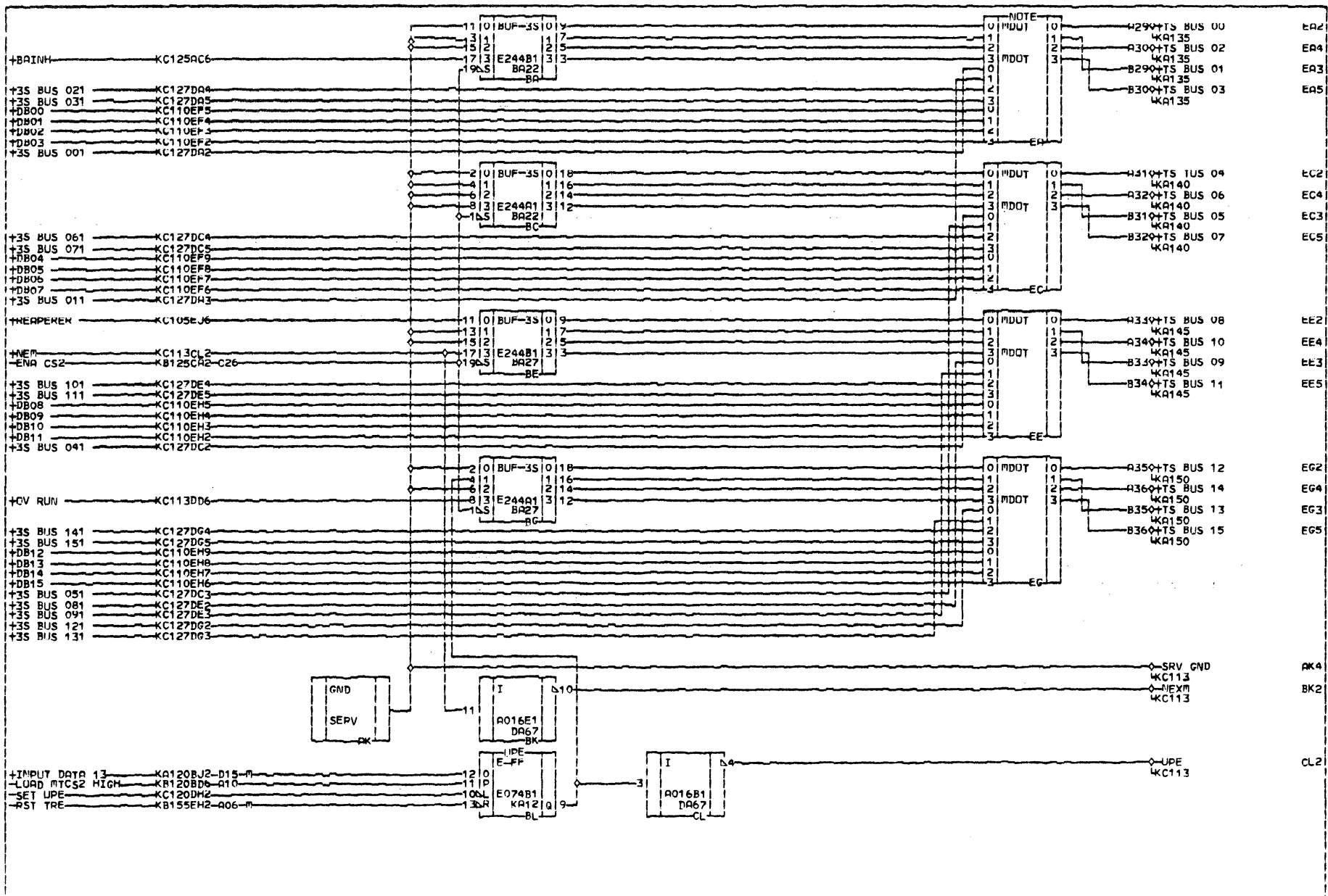
DR PAGE REF5	SYSTEM PAGE	DRFS: E.C. EC44012	MACHINE: S1935
PAGE 43433008-0	FLYER EC 34521	PREV: E.C. EC44018	CD: LUC C2
E.C. 44043	WIRING METHOD: PC	DATE: 1/17/80	PG. P.No. 43403006-0

K
C
1
2
5



K C 1 2 7	STC				TERR AND TDS MUX BUS				K C 1 2 7
	— QM PAGE REFS —	— SYSTEM PAGE —	— PRES. E.C. —	— EC44032 —	— MACHINE: 51935 —		— CD# LUC. C2 —		
	PAGE 43433009-B	FLYER EC 34521	PREV. E.C. —	— EC44018 —	— DATE 1/17/80 —		PG. P#N# 43403007-B		

A B C D E



NOTE: ALL INPUTS WITH CORRESPONDING NUMBERS ARE TIED TOGETHER AND EQUAL OUTPUT WITH THAT NUMBER

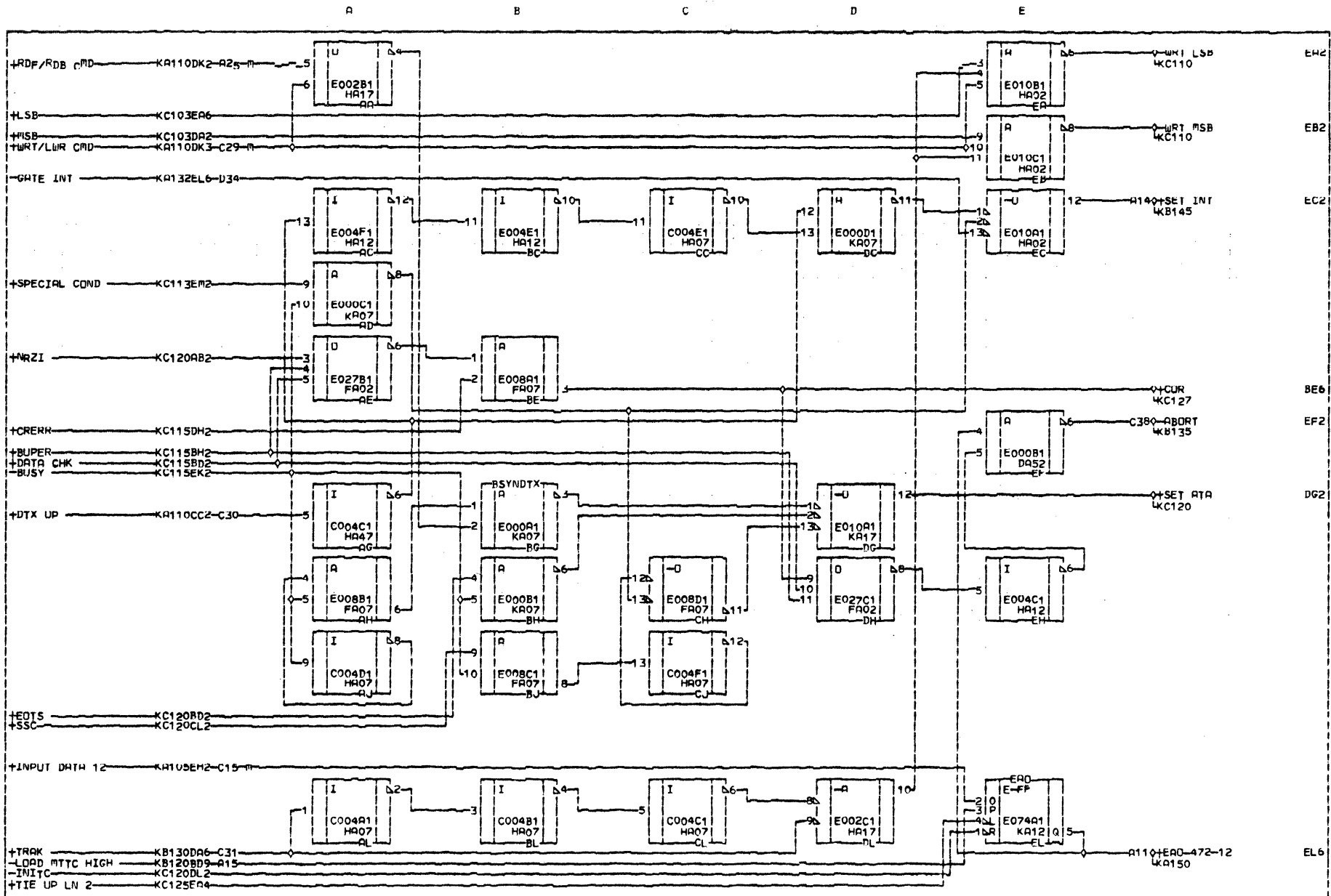


CS2 AND IRI-STATE BUS

AM	PAGE	REF5	FLYER	SYSTEM	DATE	PREV.	F.C.	EC	FC	MACHINE:
E.C.	44043	4343010-6	34521	PC	1/17/80	E.C.	EC44018	EC44018	EC44018	51935
										CD. LJC. C2
										PG. P.N. 43403008-6

K
C
1
2
8

A
B
C
D
E
F
G
H
J
K
L
M



K
C
1
3
0



INTERRUPT CONTROL

AM	PAGE	REFS	SYSTEM	PAGE	PRES.	E.C.	EC44032	MACHINE:	S1935
	PAGE	43433011-4	FLYER	EC 34521	PREV.	E.C.	EC44018	CD.	LUC. C2
	E.C.	44043	WIRING	METHOD:	PC	DATE	1/17/80	PG.	P.No. 43403009-4

K
C
1
3
0

ASSEMBLY PARTS LIST

BUILT ARC DDC

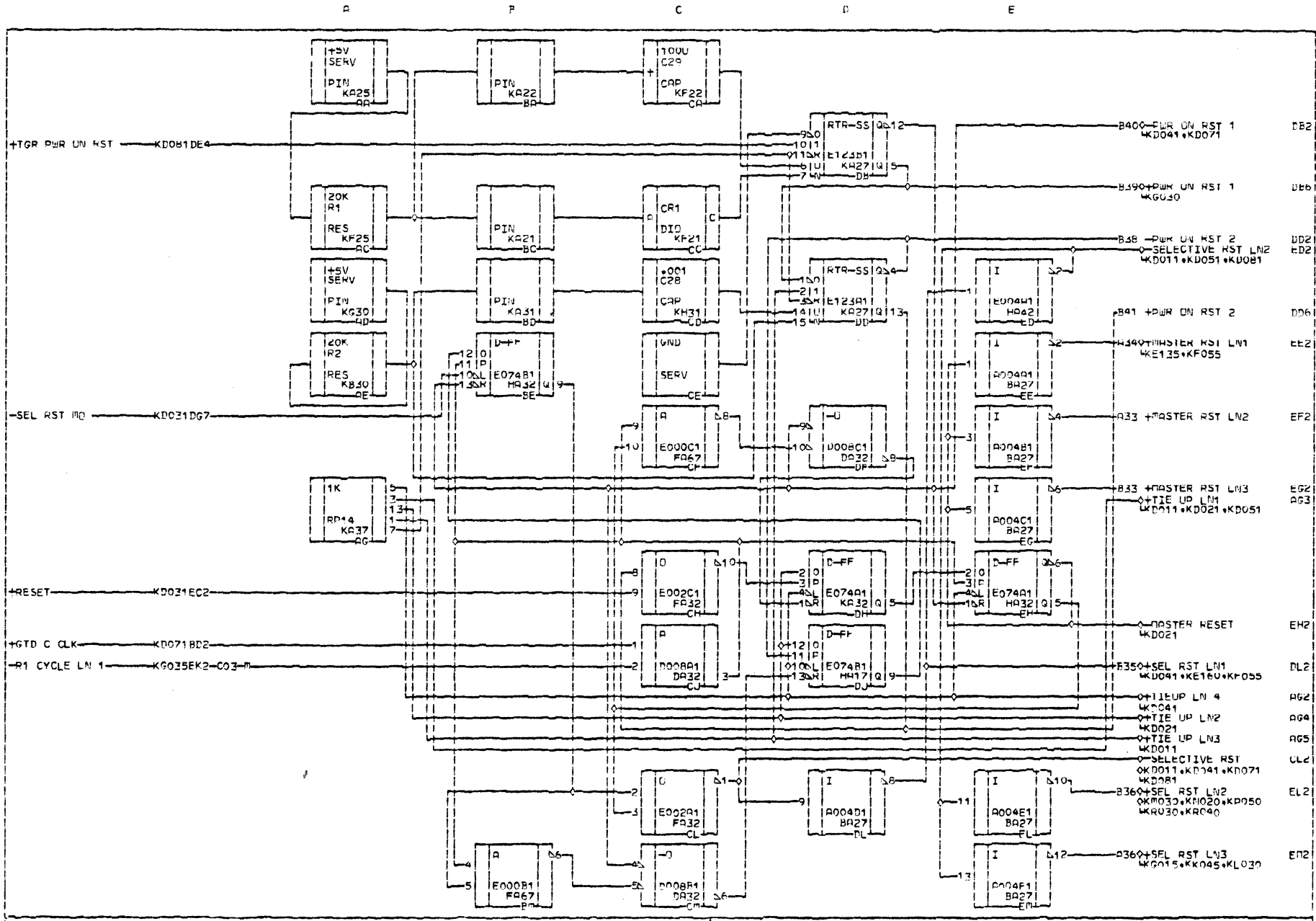
PRINT DATE	PAGE	E.C. NO.
10-20-82	1	44492

DIV.	ASSEMBLY NUMBER	CD	REV.	DWG.	DESCRIPTION	MC	STATUS	STATUS DATE	FILE DATE					
0500	401625101	1	A	N	SLG,KD,MULTIP/N'S,PC	N	REL	08-26-81	1985	08-26-81				
T FIND NO.	LI	PART NUMBER	CD	M	QUANTITY	U/M	PART DESCRIPTION	MC	YLD	E.C. NO. IN	E.C. NO. OUT	S/N	WK IN	WK OUT
000	01	401621201	3		REF	PC	CDLGC,AM095,KD,PC	D						
001	01	401622301	0		REF	PC	SYS LGC,KD001,PC	D						
011	01	401622401	8		REF	PC	SYSLGC,KD011,PC	D						
021	01	401622501	5		REF	PC	SYS LGC,KD021,PC	D						
031	01	401622601	3		REF	PC	SYS LGC,KD031,PC	D						
041	01	401622701	1		REF	PC	SYS LGC,KD041,PC	D						
051	01	401622801	9		REF	PC	SYS LGC,KD051,PC	D						
061	01	401622901	7		REF	PC	SYS LGC,KD061,PC	D						
071	01	401623001	5		REF	PC	SYS LGC,KD071,PC	D						
081	01	401623101	3		REF	PC	SYS LGC,KD081,PC	D						
091	01	401623201	1		REF	PC	SYS LGC,KD091,PC	D						
500	01	43304205	8		REF	PC	CKT CD,KD,PC ASSY.	S						
501	01	43304305	6		REF	PC	CKT CD,KD,PC ASSEMBLY	S						
502	01	43304405	4		REF	PC	CKT CD,KD,PC ASSY	S						
							0014 TOTAL LINES							

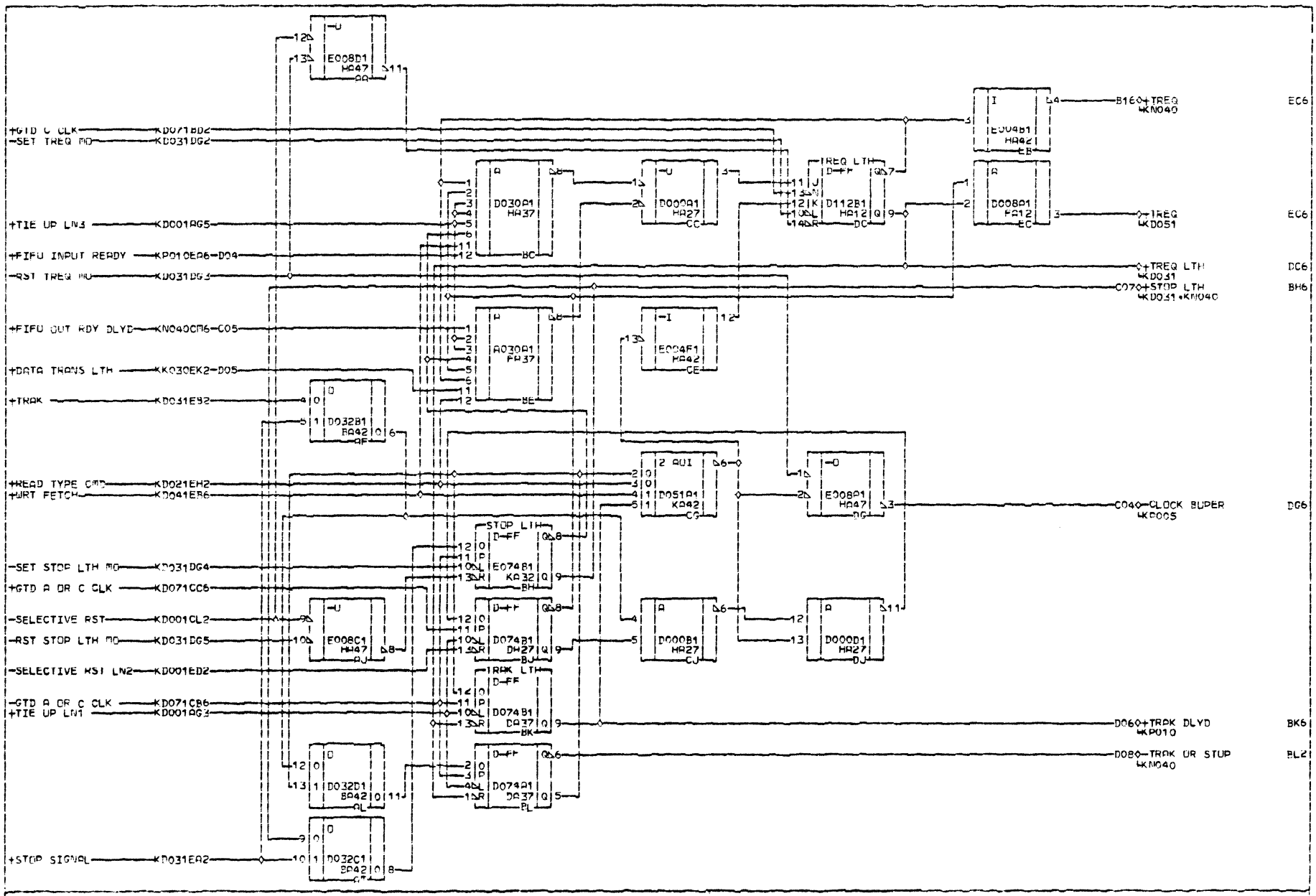
LUC KA67	LUC KA62	LUC KA57	LUC KA52	LUC KA47	LUC KA42	LUC KA37	LUC KA32	LUC KA27	LUC KA22	LUC KA17	LUC KA12	LUC KA07	LUC KA02
PN IC:	PN IC:	PN IC:	PN IC:	PN IC:	PN IC:051	PN IC:1P14	PN IC:1E74	PN IC:1E23	PN IC:	PN IC:	PN IC:	PN IC:	PN IC:
					6 KU01CG2	* NONE *	5 KU001DH6	4 KU001DD2					
					8 KU01CG3	** ONLY **	6 KU011BH2	5 KU001DB6					
						UNUSED	9 KU011BH1	8 KU001DB3					
						** PINS **							
PE2	NE2	ME2	LE2	KE2	JE2	HE2	GE2	FE2	EE2	DE2	CE2	BE2	AE2
GNDKH66	GNDKH61	GNDKH56	GNDKH51	GNDKH46	GNDKH41	GNDKH36	GNDKH31	GNDKH26	GNDKH21	GNDKH16	GNDKH11	GNDKH06	GNDKH01
+SVKA70	+SVKA65	+SVKA60	+SVKA55	+SVKA50	+SVKA45	+SVKA40	+SVKA35	+SVKA30	+SVKA25	+SVKA20	+SVKA15	+SVKA10	+SVKA05
LUC HA57	LUC HA52	LUC HA47	LUC HA42	LUC HA37	LUC HA32	LUC HA27	LUC HA22	LUC HA17	LUC HA12	LUC HA07	LUC HA02	LUC HA01	LUC HA00
PN IC:	PN IC:1E139	PN IC:	PN IC:1E239	PN IC:1E008	PN IC:1E009	PN IC:1E030	PN IC:1E074	PN IC:1E000	PN IC:1E020	PN IC:1E074	PN IC:1E112	PN IC:1E259	PN IC:1E251
	4		4 KD071CF2	3 KD011DG6	2 KD001ED2	8 KD011BC2	5 KD001EH6	3 KD011CC2	6 KD051AM2	5 KD041EB6	5 KD081DP6	4 KD071AK2	5 KD071CK3
	5		5 KD071CF3	4 KD021BK6	3 KD011BZ2	7 KD011BC1	6 KD001EH5	4 KD011CJ2	7 KD011BL2	6 KD001EH7	4 KD011DC2	6 KD071AK4	5 KD071AK5
	6		6 KD071CF4	5 KD031AR6	4 KD001EA2	6 KD001EA1	5 KD001EB6	4 KD001BL2	8 KD001DJ6	7 KD001DJ5	6 KD001DC6	7 KD071AK3	6 KD071AK7
	7		7 KD051AB5	6 KD001CF3	5 KD001DA2	4 KD001DA1	3 KD001CF3	2 KD001CF2	9 KD001CF1	8 KD001CF0	7 KD001CF0	8 KD071AK6	7 KD071AK8
	8		8 KD051AB4	7 KD001CF2	6 KD001CF1	5 KD001CF0	4 KD001CF0	3 KD001CF0	10 KD001CF0	9 KD001CF0	8 KD001CF0	9 KD071AK5	8 KD071AK9
	9		9 KD051AB3	8 KD001CF1	7 KD001CF0	6 KD001CF0	5 KD001CF0	4 KD001CF0	11 KD001CF0	10 KD001CF0	9 KD001CF0	10 KD071AK4	9 KD071AK7
	10		10 KD051AB2	9 KD001CF0	8 KD001CF0	7 KD001CF0	6 KD001CF0	5 KD001CF0	12 KD001CF0	11 KD001CF0	10 KD001CF0	11 KD071AK6	10 KD071AK8
PD2	8 PD2	7 PD2	6 PD2	5 PD2	4 PD2	3 PD2	2 PD2	1 PD2	9 PD2	8 PD2	7 PD2	6 PD2	5 PD2
GNDHH66	GNDHH61	GNDHH56	GNDHH51	GNDHH46	GNDHH41	GNDHH36	GNDHH31	GNDHH26	GNDHH21	GNDHH16	GNDHH11	GNDHH06	GNDHH01
PD6	16 PD6	15 PD6	14 PD6	13 PD6	12 PD6	11 PD6	10 PD6	9 PD6	8 PD6	7 PD6	6 PD6	5 PD6	4 PD6
+SVHA70	+SVHA65	+SVHA60	+SVHA55	+SVHA50	+SVHA45	+SVHA40	+SVHA35	+SVHA30	+SVHA25	+SVHA20	+SVHA15	+SVHA10	+SVHA05
LUC FA67	LUC FA62	LUC FA57	LUC FA52	LUC FA47	LUC FA42	LUC FA37	LUC FA32	LUC FA27	LUC FA22	LUC FA17	LUC FA12	LUC FA07	LUC FA02
PN IC:1E000	PN IC:1E139	PN IC:1E039	PN IC:1E138	PN IC:1E008	PN IC:1E009	PN IC:1E030	PN IC:1E074	PN IC:1E000	PN IC:1E020	PN IC:1E074	PN IC:1E112	PN IC:1E259	PN IC:1E251
3 KD021EC2	2 KD051DF6	7 KD031DK9	3 KD091AA2	7 KD031DG9	2 KD031BJ2	8 KD011BE2	1 KD001CL2	4 KD041CE2	4 KD041CH2	4 KD071BJ2	3 KD011EC6		
6 KD001EP2	4	9 KD031DK8	8 KD091AA1	9 KD031DG8	4 KD031BJ1	9 KD011BE1	2 KD001CL1	5 KD041CE1	5 KD041CH1	5 KD071BJ1	4 KD041AL4		
8 KD001CF	8	10 KD031DK7	9 KD091AA0	10 KD031DG7	6 KD001BH2	10 KD001CH2	6 KD041CE4	6 KD041CH4	6 KD071BJ4	9			
11 KD021EH2	6	11 KD031DK6	11 KD091DA2	11 KD031DG6	8 KD031CH2	11 KD001CH1	7 KD041CE5	7 KD041CH5	7 KD071BJ5	11			
		12 KD021DK5	12 KD031DK4	12 KD031DG5	10 KD031BL2		9 KD041CE6	9 KD041CH6	9 KD071BJ6				
		13 KD021DC6	13 KD031DK3	13 KD031DG4	9 KD031BL1		10 KD041CE7	10 KD041CH7	10 KD071BJ7				
		14 KD031DK2	14 KD031DK1	14 KD031DG3			11 KD041CE8	11 KD041CH8	11 KD071BJ8				
		15 KD031DK1	15 KD031DK0	15 KD031DG2			12 KD041CE9	12 KD041CH9	12 KD071BJ9				
7 PC2	7 NC2	8 PC2	7 LC2	8 KC2	7 JC2	7 HC2	7 GC2	8 FC2	8 EC2	8 UC2	7 CC2	8 BC2	8 AC2
GNDFH66	GNDFH61	GNDFH56	GNDFH51	GNDFH46	GNDFH41	GNDFH36	GNDFH31	GNDFH26	GNDFH21	GNDFH16	GNDFH11	GNDFH06	GNDFH01
14 PC6	14 NC6	16 PC6	14 LC6	16 KC6	14 JC6	14 HC6	14 GC6	16 FC6	16 EC6	16 UC6	14 CC6	16 BC6	16 AC6
+SVFA70	+SVFA65	+SVFA60	+SVFA55	+SVFA50	+SVFA45	+SVFA40	+SVFA35	+SVFA30	+SVFA25	+SVFA20	+SVFA15	+SVFA10	+SVFA05
LUC DA67	LUC DA62	LUC DA57	LUC DA52	LUC DA47	LUC DA42	LUC DA37	LUC DA32	LUC DA27	LUC DA22	LUC DA17	LUC DA12	LUC DA07	LUC DA02
PN IC:1E251	PN IC:1E251	PN IC:1E004	PN IC:1E074	PN IC:1J437	PN IC:1E075	PN IC:1D074	PN IC:1D008	PN IC:1D074	PN IC:1E251	PN IC:1E251	PN IC:1E251	PN IC:1A030	PN IC:
5 KU041BA2	5 KU041BD2	2 KU051CA2	3 KU021CL2	2 KU021BA2	11 KU021BJ2	9 KU021CF6	8 KU011BL2	6 KU001CF6	6 KU051CF2	6 KU041EK3	6 KU031AG3	6 KU031AK3	8 KU031AD2
6		4 KU071EL2	6 KU001AF2	4 KU021BL2	10 KU021CL1	10 KU021CJ6	9 KU001CF5	8 KU001CF4	7 KU001CF3	7 KU001CF2	7 KU001CF1	7 KU001CF0	7 KU001CF0
		8 KU041AM2	9 KU021CL6	10 KU021BL1	10 KU021CL0	10 KU021CJ5	9 KU001CF4	8 KU001CF3	9 KU001CF2	9 KU001CF1	9 KU001CF0	9 KU001CF0	9 KU001CF0
		10 KU041AF2	12 KU031EA2	11	12 KU031EA1	11	10 KU001CF3	9 KU001CF2	10 KU001CF1	10 KU001CF0	10 KU001CF0	10 KU001CF0	10 KU001CF0
		12 KU071AG2	14 KU031EC2	14	15 KU021CB6	16 KU021CA6							
8 PB2	8 NB2	7 PB2	7 LB2	8 KB2	12 JB2	7 HB2	7 GB2	7 FB2	8 EB2	8 UB2	8 CB2	7 BB2	8 AB2
GNDH66	GNDH61	GNDH56	GNDH51	GNDH46	GNDH41	GNDH36	GNDH31	GNDH26	GNDH21	GNDH16	GNDH11	GNDH06	GNDH01
16 PB6	16 NB6	14 PB6	14 LB6	16 KB6	5 JB6	14 HB6	14 GB6	14 FB6	16 EB6	16 UB6	16 CB6	14 BB6	16 AB6
+SVDA70	+SVDA65	+SVDA60	+SVDA55	+SVDA50	+SVDA45	+SVDA40	+SVDA35	+SVDA30	+SVDA25	+SVDA20	+SVDA15	+SVDA10	+SVDA05
LUC BA67	LUC BA62	LUC BA57	LUC BA52	LUC BA47	LUC BA42	LUC BA37	LUC BA32	LUC BA27	LUC BA22	LUC BA17	LUC BA12	LUC BA07	LUC BA02
PN IC:1E138	PN IC:1E138	PN IC:1E174	PN IC:1J437	PN IC:1TR16	PN IC:1D032	PN IC:1E365	PN IC:1D004	PN IC:1A004	PN IC:1E259	PN IC:1A016	PN IC:1D032	PN IC:1A016	PN IC:1A016
7 KD021DD9	7 KD021DF9	2 KD021CF8	2 KD021BF2	03	2 KD001AF6	3 KD051ED2	2 KD041CB2	2 KD001EF2	4 KU081BJ2	2 KD051CG2	3 KD071CG6	2 KD061CE2	2 KD061CH2
9 KD021DD8	9 KD021DF8	3 KD021CF7	3 KD021BF1		3 KD001AF5	4 KD051ED1	3 KD041CB1	3 KD001EF1	5 KU081BJ1	3 KD051CG1	4 KD071CG5	3 KD061CE1	3 KD061CH1
10 KD021DD7	10 KD021DF7	4 KD021CF6	4 KD021BF0		4 KD001AF4	5 KD051ED0	4 KD041CB0	4 KD001EF0	6 KU081BJ0	4 KD051CG0	5 KD071CG4	4 KD061CE0	4 KD061CH0
11 KD021DD6	11 KD021DF6	5 KD021CF5	5 KD021BF0	** ONLY **	5 KD001AF3	6 KD051ED0	5 KD041CB0	5 KD001EF0	7 KU081BJ0	5 KD051CG0	6 KD071CG3	5 KD061CE0	5 KD061CH0
12 KD021DD5	12 KD021DF5	6 KD021CF4	6 KD021BF0	UNUSED	6 KD001AF2	7 KD051ED0	6 KD041CB0	6 KD001EF0	8 KU081BJ0	6 KD051CG0	7 KD071CG2	6 KD061CE0	6 KD061CH0
13 KD021DD4	13 KD021DF4	7 KD021CF3	7 KD021BF0	** PINS **	7 KD001AF1	8 KD051ED0	7 KD041CB0	7 KD001EF0	9 KU081BJ0	7 KD051CG0	8 KD071CG1	7 KD061CE0	7 KD061CH0
14 KD021DD3	14 KD021DF3	8 KD021CF2	8 KD021BF0		8 KD001AF0	9 KD051ED0	8 KD041CB0	8 KD001EF0	10 KU081BJ0	8 KD051CG0	9 KD071CG0	8 KD061CE0	8 KD061CH0
15 KD021DD2	15 KD021DF2					10 KD051ED0	9 KD041CB0	9 KD001EF0	11 KU081BJ0	9 KD051CG0	10 KD071CG0	9 KD061CE0	9 KD061CH0
8 PA2	8 NA2	8 PA2	8 LA2	8 KA2	7 JA2	8 HA2	7 GA2	7 FA2	8 EA2	7 DA2	7 CA2	7 BA2	7 AA2
GNDH66	GNDH61	GNDH56	GNDH51	GNDH46	GNDH41	GNDH36	GNDH31	GNDH26	GNDH21	GNDH16	GNDH11	GNDH06	GNDH01
16 PA6	16 NA6	16 PA6	16 LA6	16 KA6	14 JA6	16 HA6	14 GA6	14 FA6	16 EA6	14 DA6	14 CA6	14 BA6	14 AA6
+SVBA70	+SVBA65	+SVBA60	+SVBA55	+SVBA50	+SVBA45	+SVBA40	+SVBA35	+SVBA30	+SVBA25	+SVBA20	+SVBA15	+SVBA10	+SVBA05

INDEX	10	PAGE(S)	PAGE	CRD	PG	P/N	EC	LEVEL	PAGE	CRD	PG	P/N	EC	LEVEL
A			KD001	401621	3011	44492			KD051	401621	8010	44492		
R			KD011	401621	4019	44492			KD061	401621	9015	44492		
O			KD021	401621	5016	44492			KD071	401622	0016	44492		
			KD031	401621	6014	44492			KD081	401622	1014	44492		
S			KD041	401621	7012	44492			KD091	401622	2012	44492		

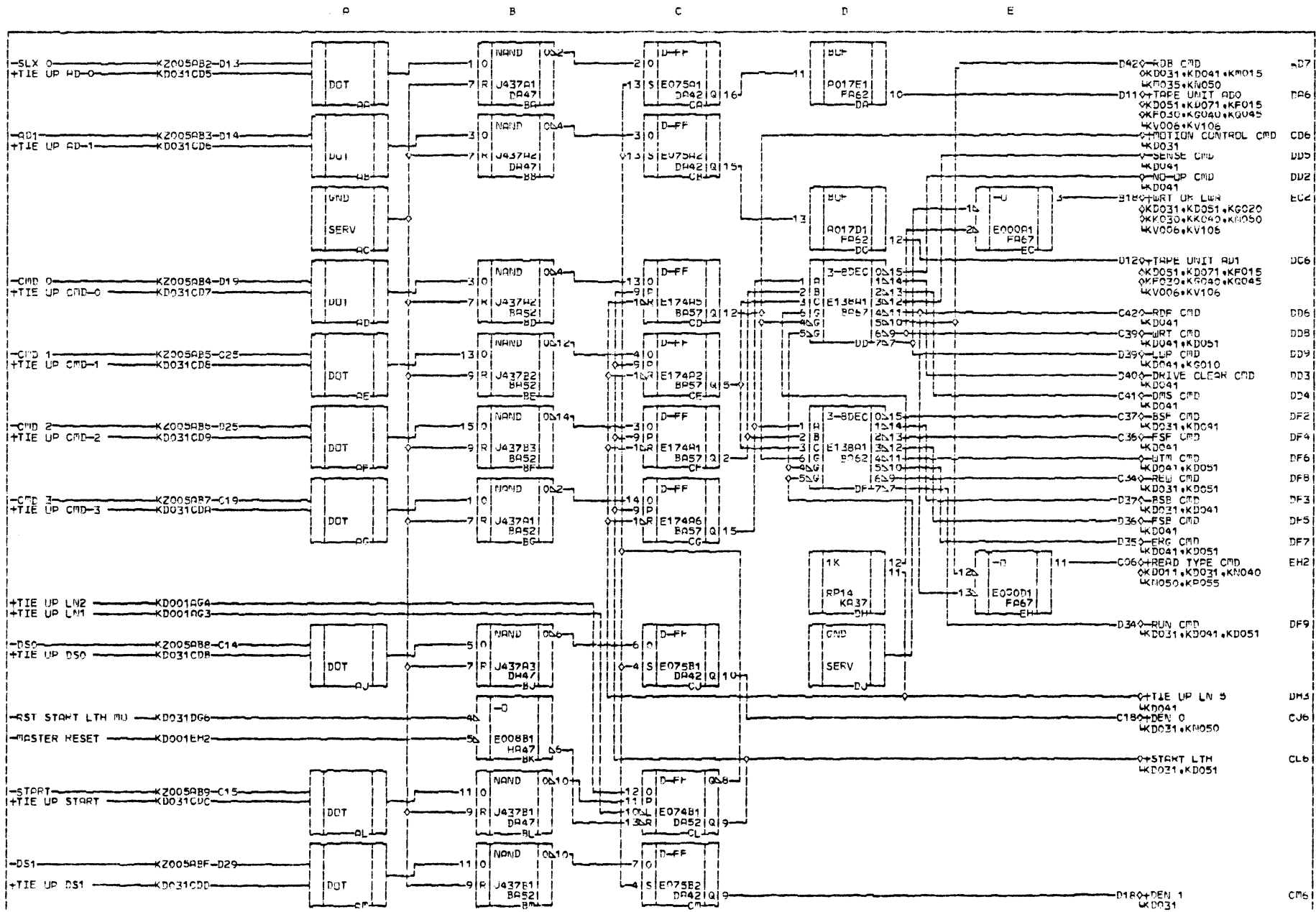
IC LOCATION CHART KD CD 1935 PC			
PRESENT EC	44492	DATE	06/10/81
CD PN	43304405-4		
PREV EC	44345	PAGE PN	4016212013
CD TYPE	KD	FLEVEL	34595



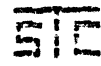
K D O O 1	RESET GENERATION				K D O O 1
	DM PAGE REFS	SYSTEM PAGE	DRES. E.C. 44492	MACHINE: S1935	
	PAGE 4016213011	FLYER EC 34595	PHEV. E.C. 44345	CP. LUC. D2	
	E.C. 44492	WIRING METHOD: PC	DATE 6/09/81	PG. P.No. 4016223010	



K D 0 1 1	STC				TREQ/TRAK SEQUENCER				K D 0 1 1		
	Am	PAGE	REFS	---	SYSTEM PAGE	---	PRES. F.C.	44492		MACHINE: S1935	
		PAGE	4016214019		FLYER EC	34595		PREV. E.C.		44345	CD. LUC. D2
			E.C. 44492		WIRING METHOD:	PC		DATE		6/09/81	PG. P.N. 4016224018



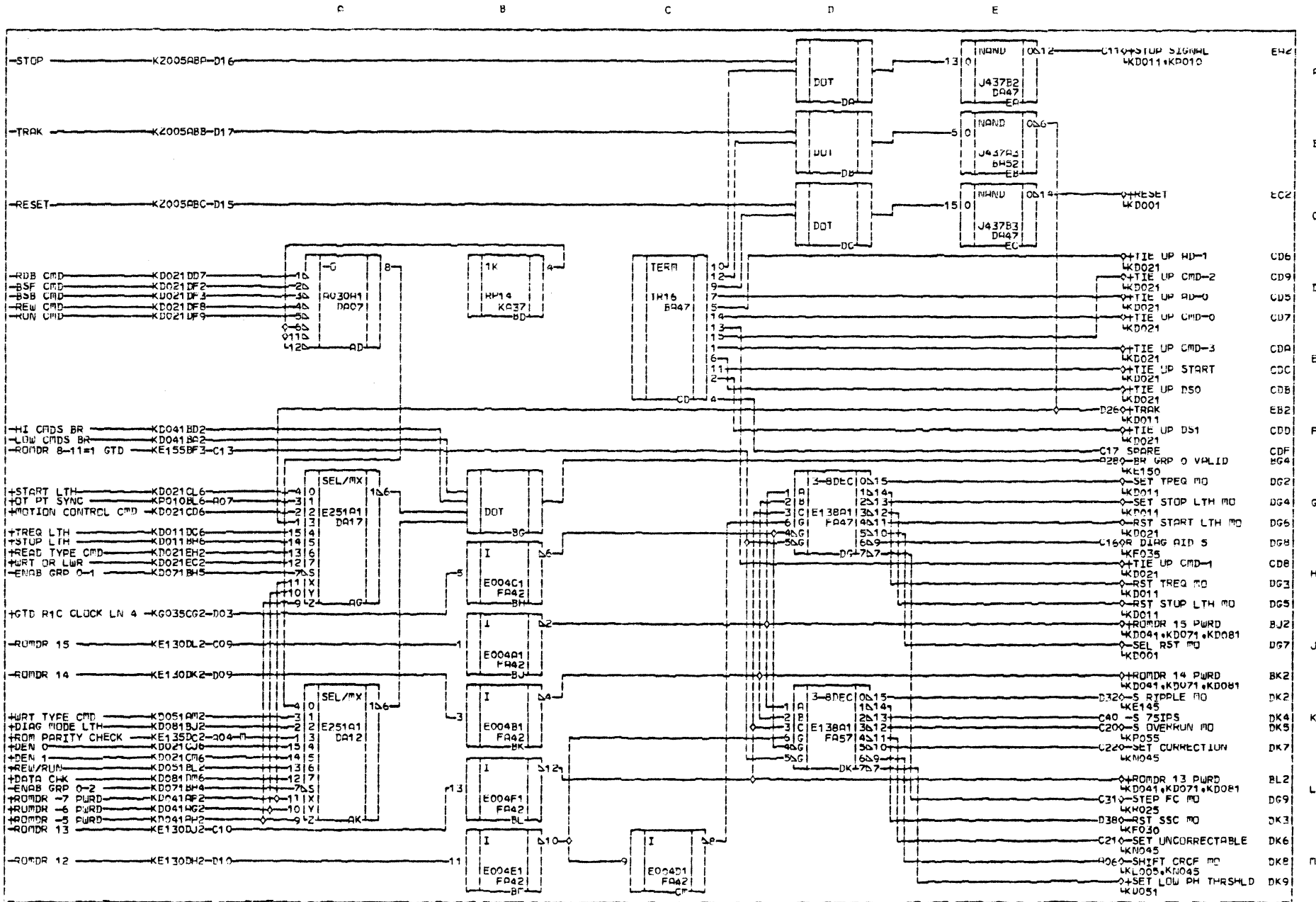
K
D
C
2
1



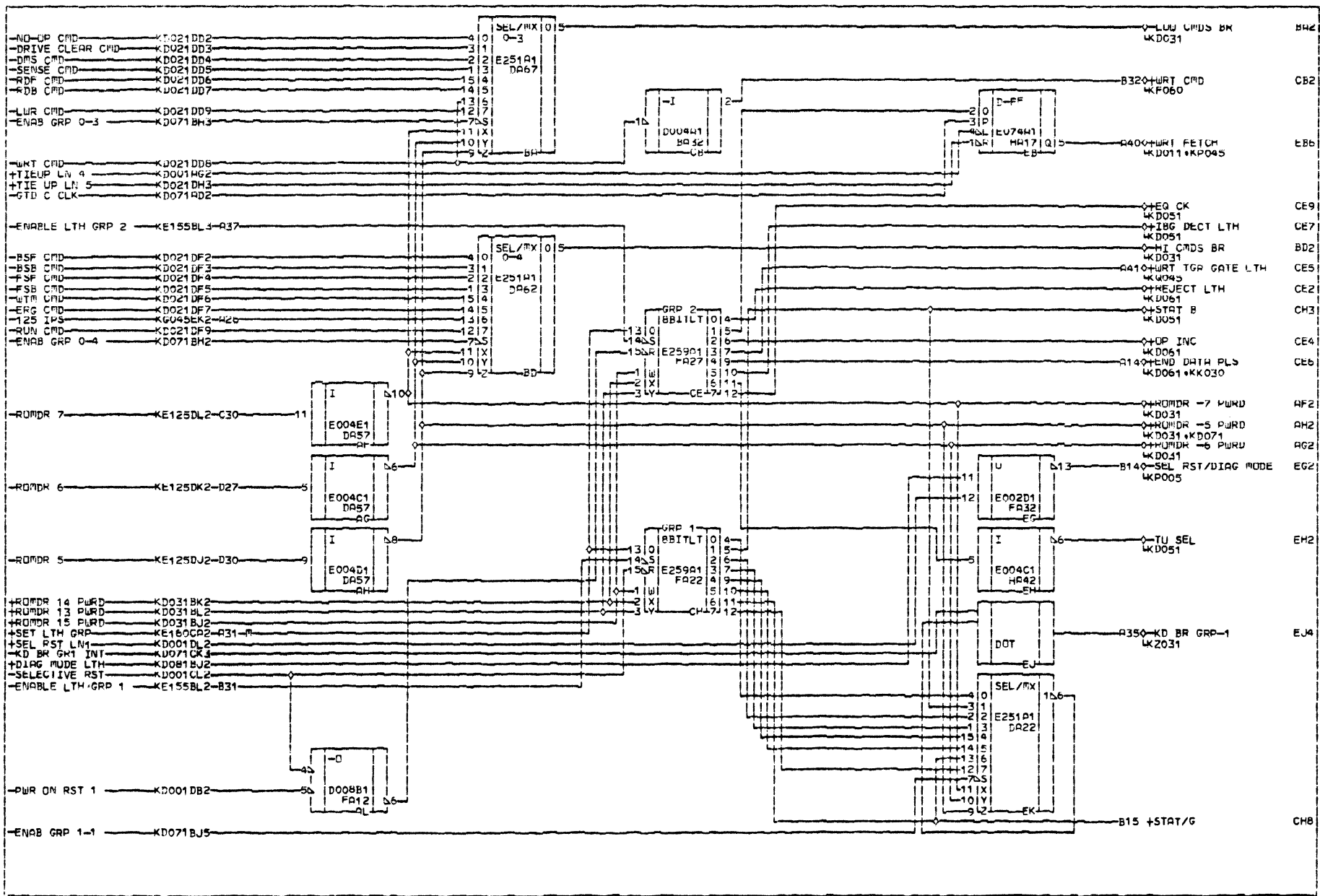
TAPE UNIT, COMMAND, AND DENSITY REGISTER

DR	PAGE	REFS	SYSTEM PAGE	PREP. E.C.	44492	MACHINE:	S1935
	PAGE	4016215016	FLYER EC	34595		CD	LOC. D2
	E.C.	44492	WIRING METHOD:	PC	DATE	6/09/81	PS. P.N.
							4016225015

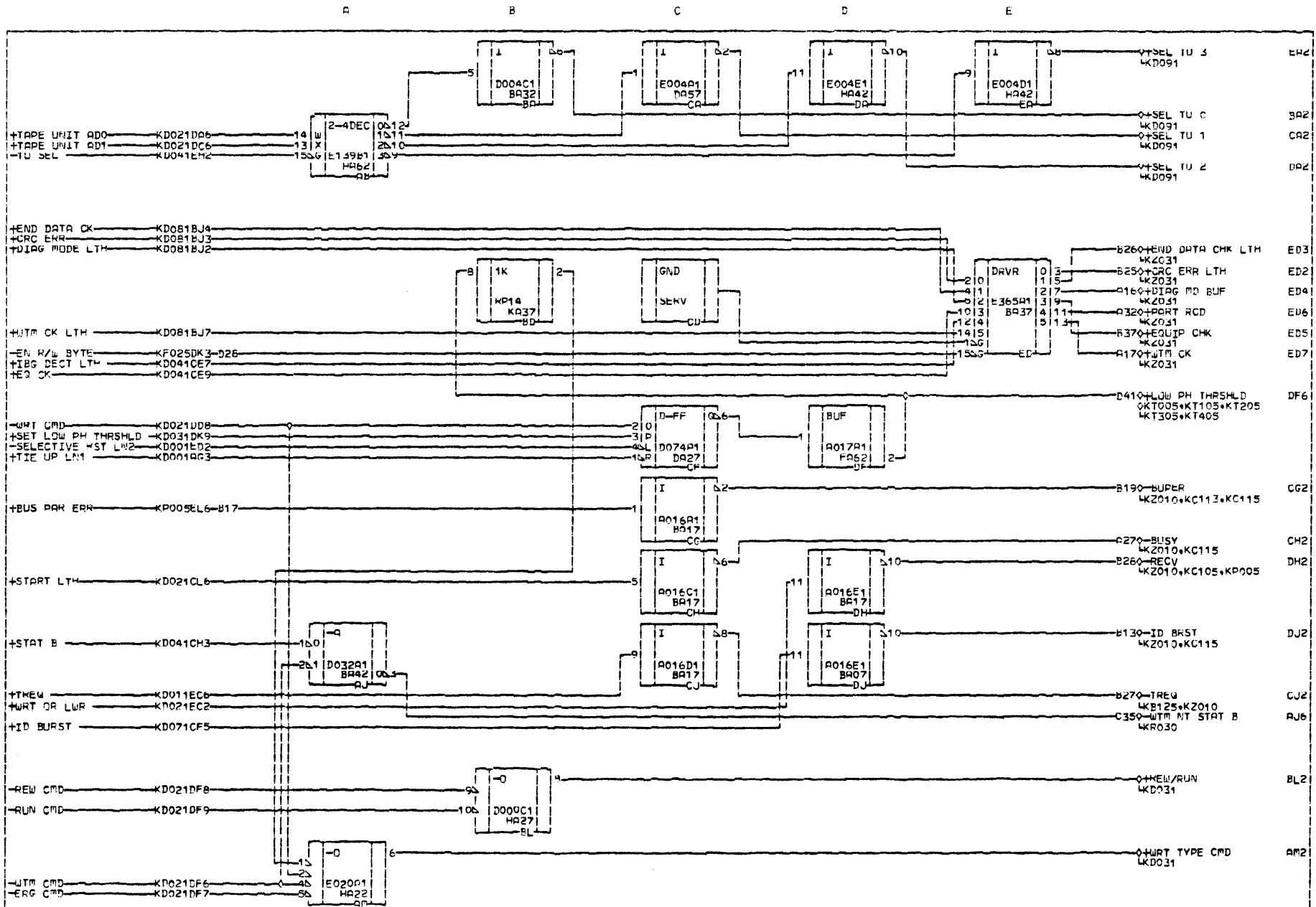
K
D
C
2
1



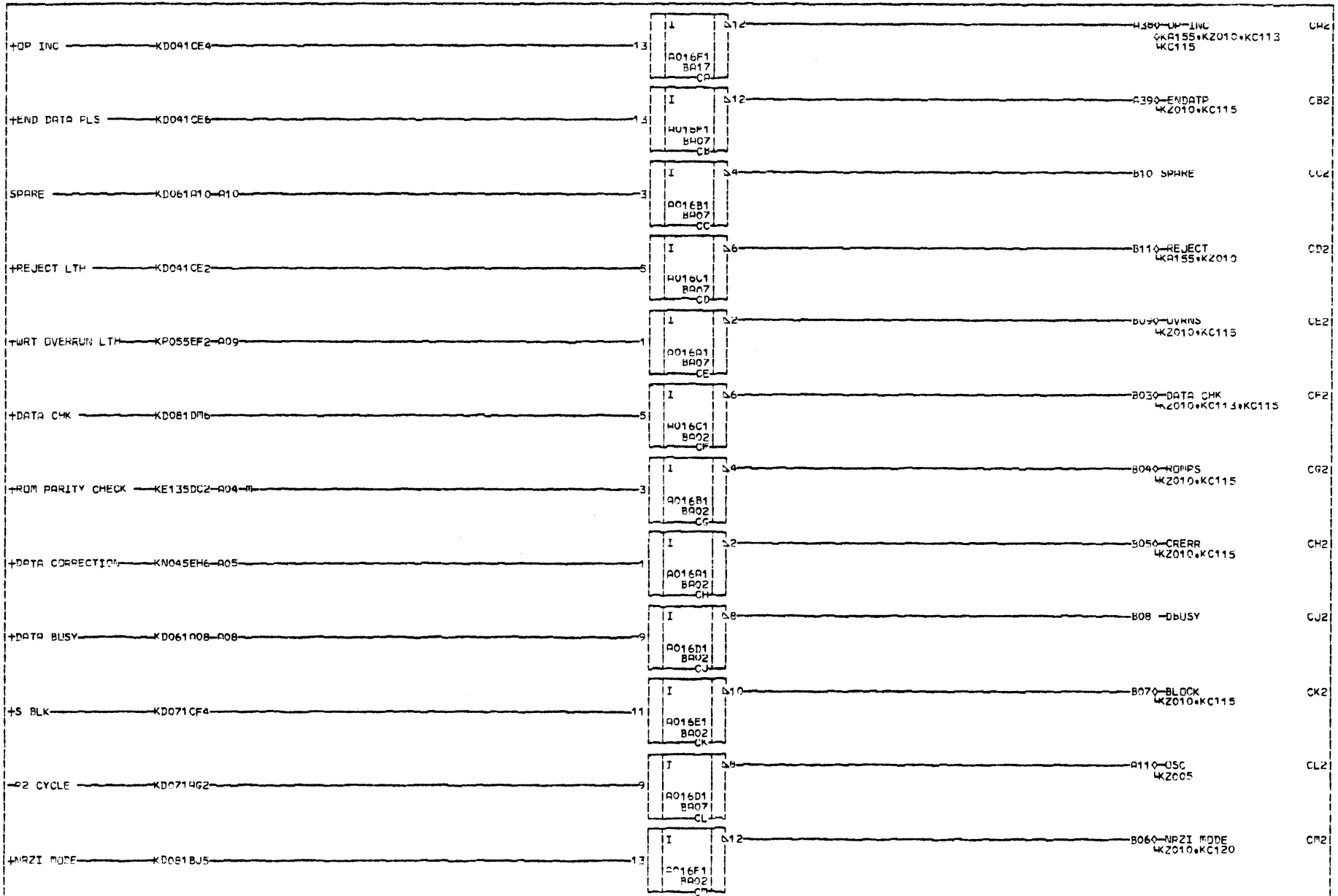
K D C 3 1	BRANCH HUBS & MICRO-ORDER DECODE				K D C 3 1
	AT PAGE FEFS -	SYSTEM PAGE	PREV. E.C. 44492	MACHINE: 51935	
	PAGE 4016216014	PLYER EC 34595	PREV. E.C. 44345	CD: LOC: D2	
	E.C. 44492	WIRING METHOD: PC DATE	6/09/81	PG. P.A.N. 4016226013	



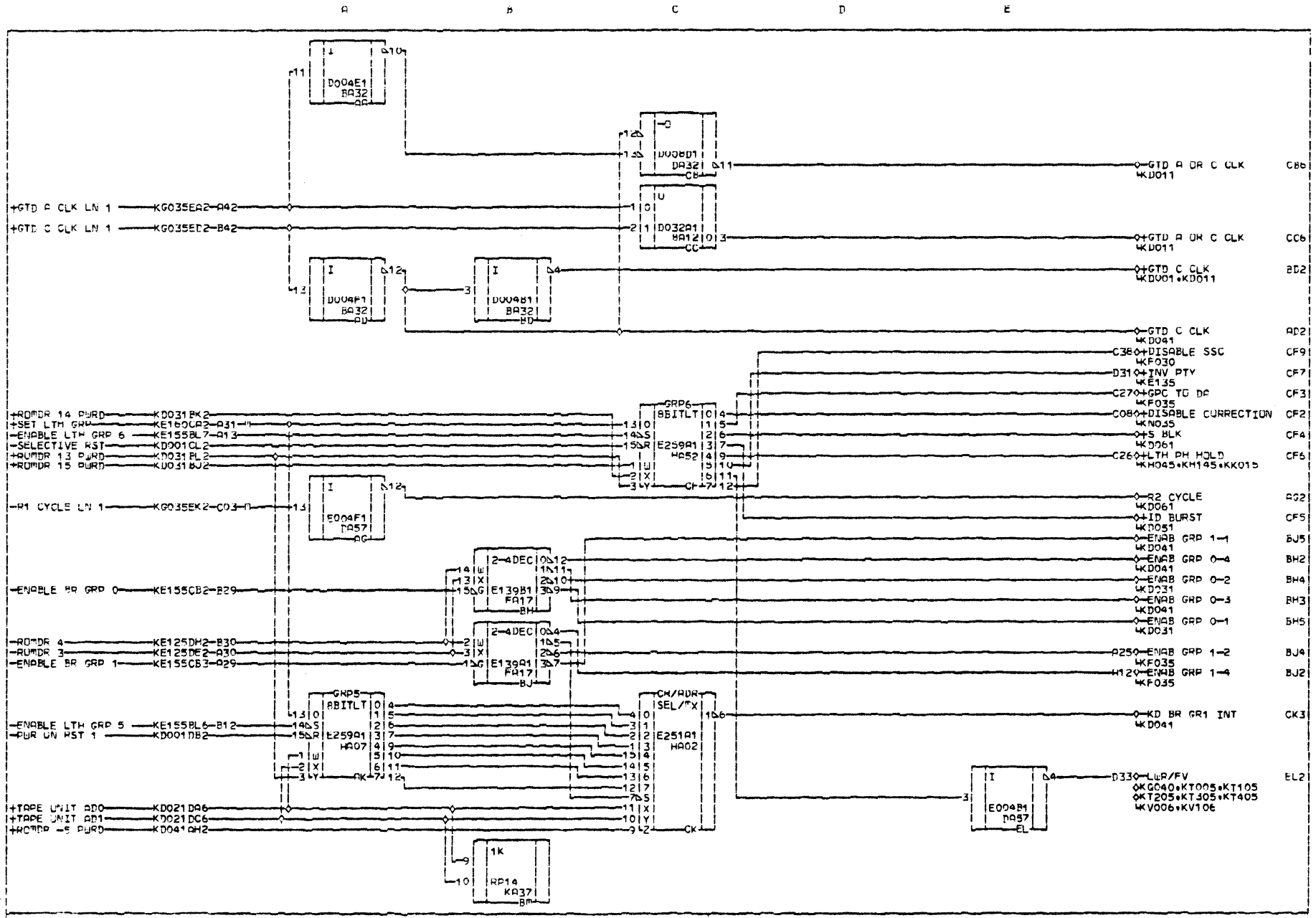
K D O 4 1	STC		BRANCH HUBS				K D O 4 1
	3M	PAGE REFS	SYSTEM PAGE	PREV. E.C. 44492	MACHINE: S1935		
		PAGE 4016217012	FLYER EC 34595	PREV. E.C. 44345	CD. LOC. D2		
		F.C. 44492	WIRING METHOD: PC	DATE 6/09/81	PG. No. 4016227011		



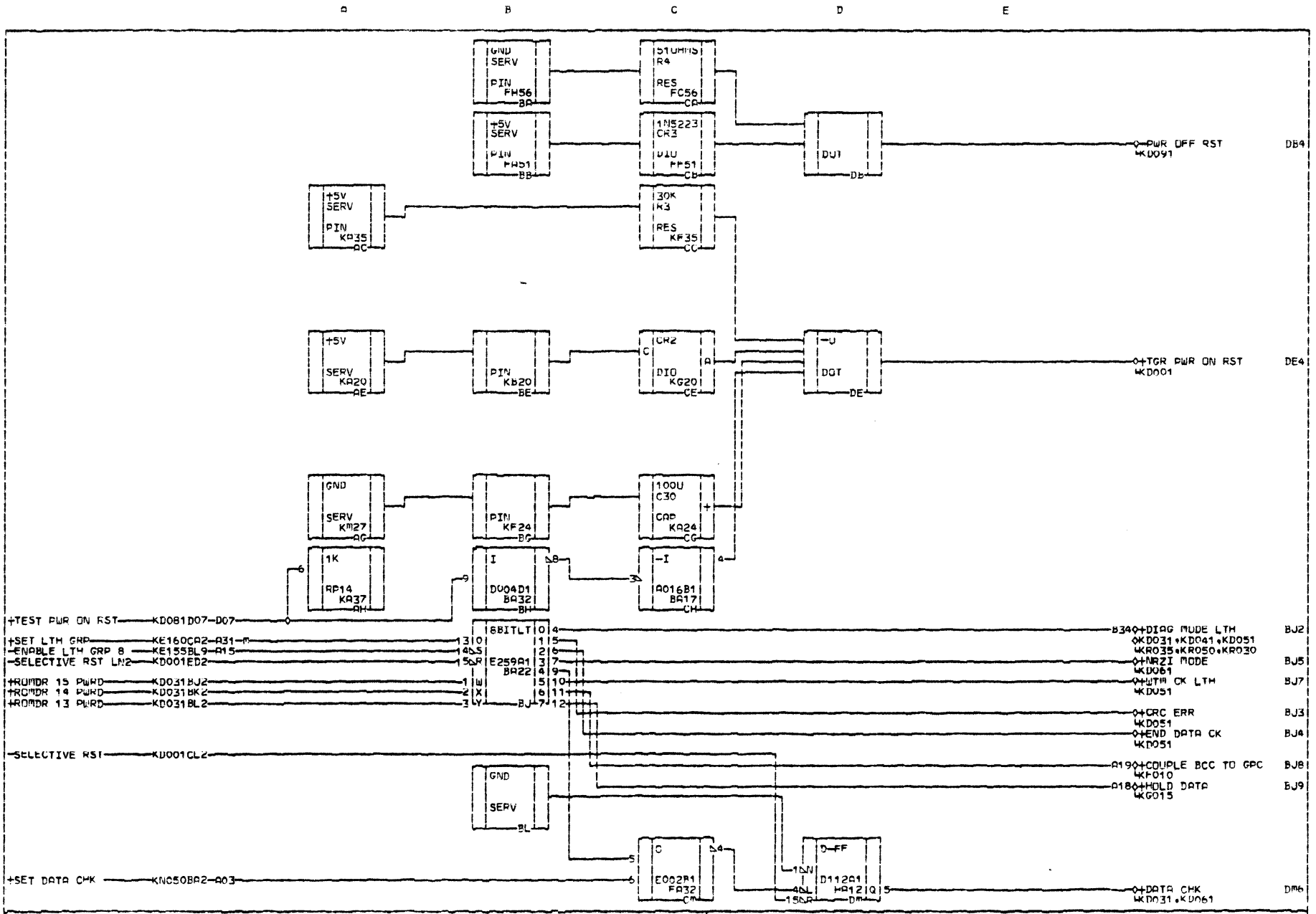
K D S 1	INTERFACE DRIVERS				K D S 1						
	AM	PAGE	REFS	SYSTEM PAGE		PPFS	E.C.	44492	MACHINE:	51935	
		PAGE	4016218010	FLYER		EL	44595	PREV. E.C.	44345	CR. LUG.	D2
		E.C.	44492	WIRING METHOD:		PC	DATE	6/09/81	Pg. F.n.	4016228019	1



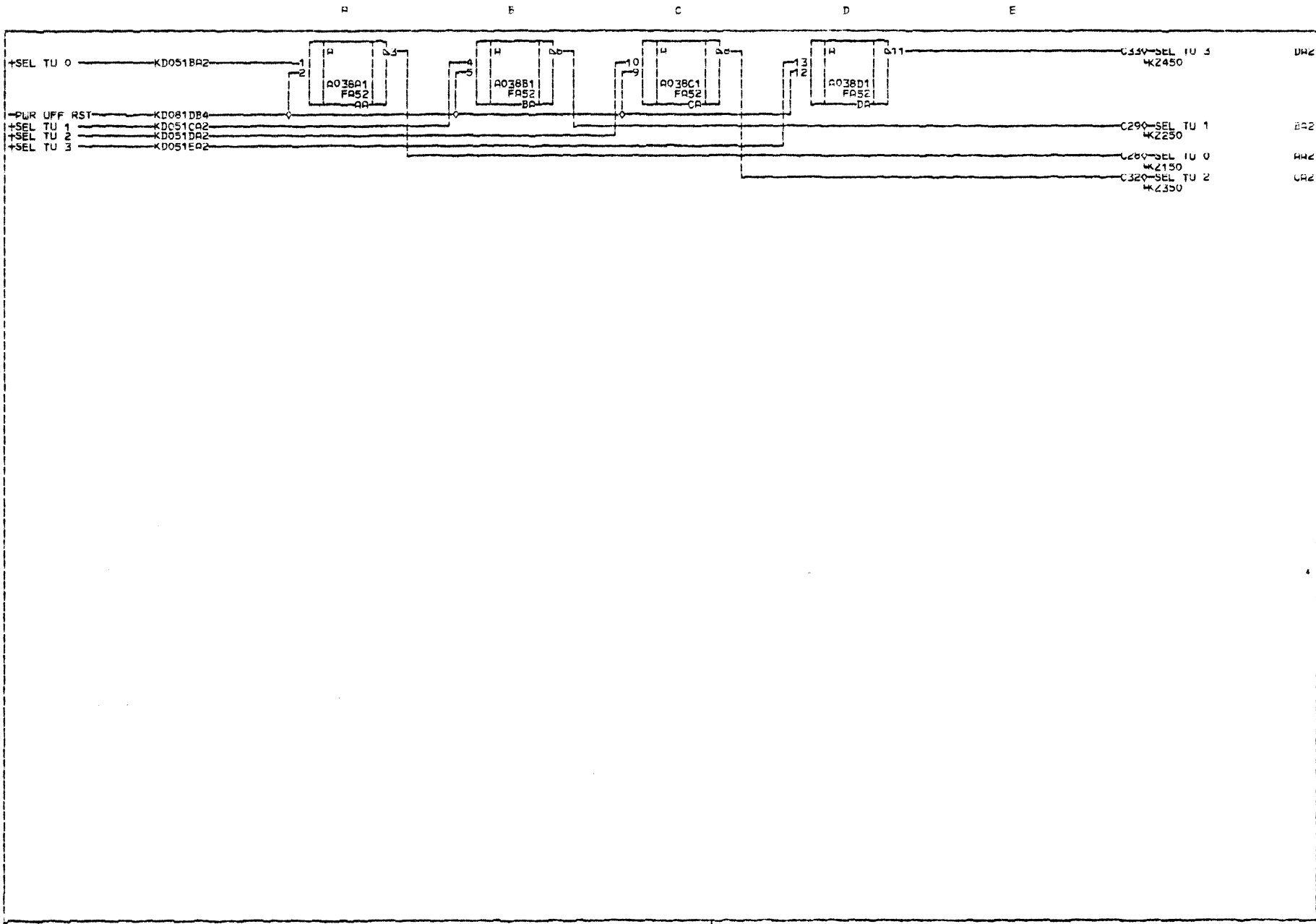
K D O S 1	STC	INTERFACE DRIVERS				K D O S 1
		AM PAGE REFS	SYSTEM PAGE	PREV. E.C. 44492	MACHINE: S1935	
		PAGE 4016219018	FLYER EC 34595	PREV. E.C. 44345	CD. LOC. D2	
		E.C. 44492	WIRING METHOD: DC DATE	6/09/81	PG. PAIR: 4016229017	



K D C Y 1	STC				CLK POWERING				K D 0 7 1		
	- AM	PAGE	REFS	- SYSTEM	PAGE	- PRES.	E.C.	44492		MACHINE:	51935
		PAGE	4016220016		FLYER	EC 34595		PREV.		E.C.	44345
		E.C.	44492		WIRING	METHOD:	PC	DATE	6/09/81	PG. P.N.	4016230015



K D O B 1	STC				POWER ON/OFF SENSE				K D O B 1				
	- AM	PAGE	REFS	- SYSTEM	PAGE	- PRE5.	E.C.	44492		MACHINE:	S1935		
		PAGE	4016221014	FLYER	EC	34595	PREV.	E.C.		44345	CD.	LUC	D2
		E.C.	44492	WIRING	METHOD:	DC	DATE	6/09/81		Pg.	P.n.	4016231013	

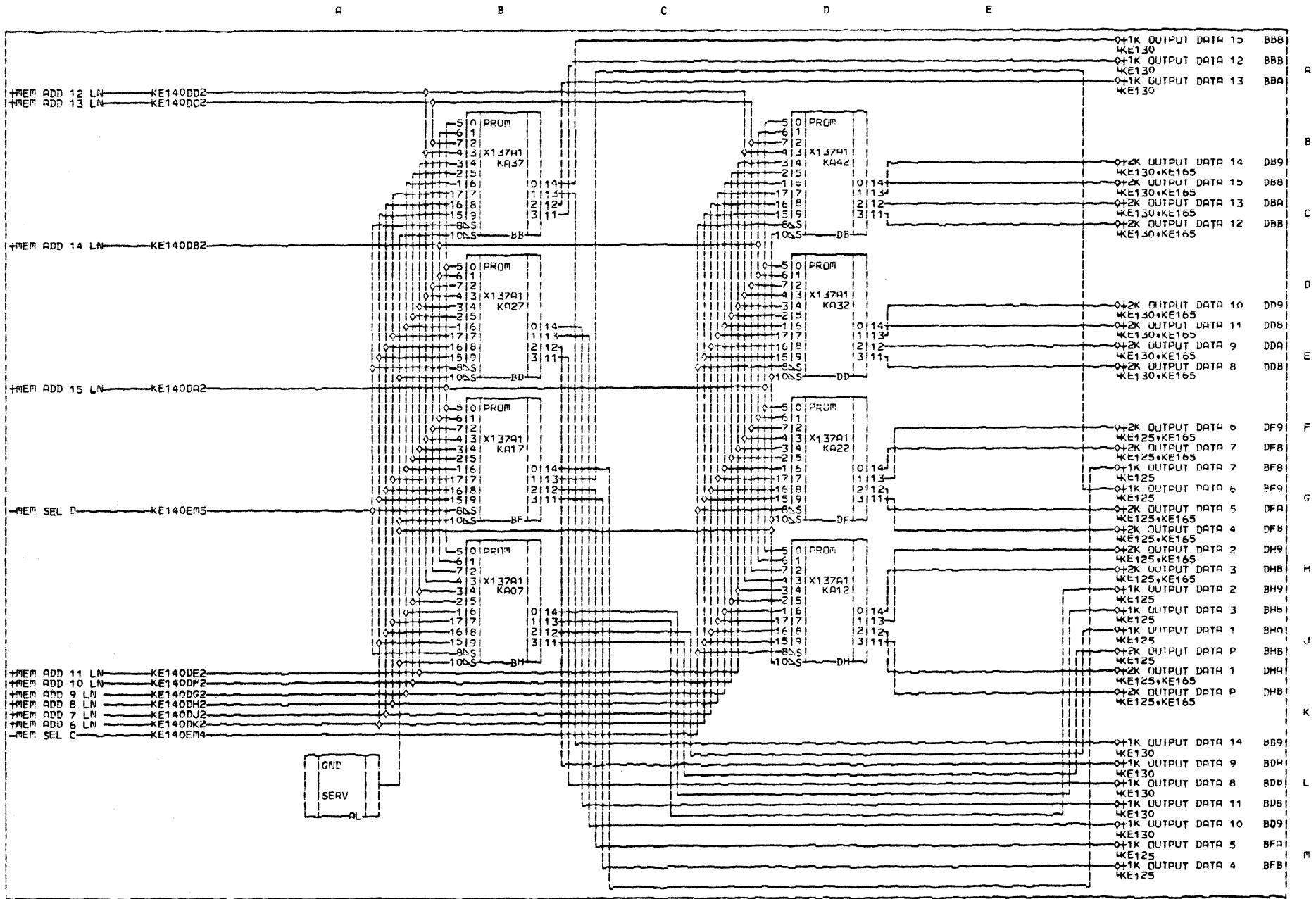


K
D
0
9
1



TU SELECT BUFFERS			
Am. PAGE REFS	SYSTEM PAGE	PRES. E.C. 44492	MACHINE: 51935
PAGE 4016222012	FLYER EC 34595	PREV. E.C. 44345	CD. LUC. D2
E.C. 44492	WIRING METHOD: PC	DATE 6/09/81	Pg. P.N. 4016232011

K
D
0
9
1



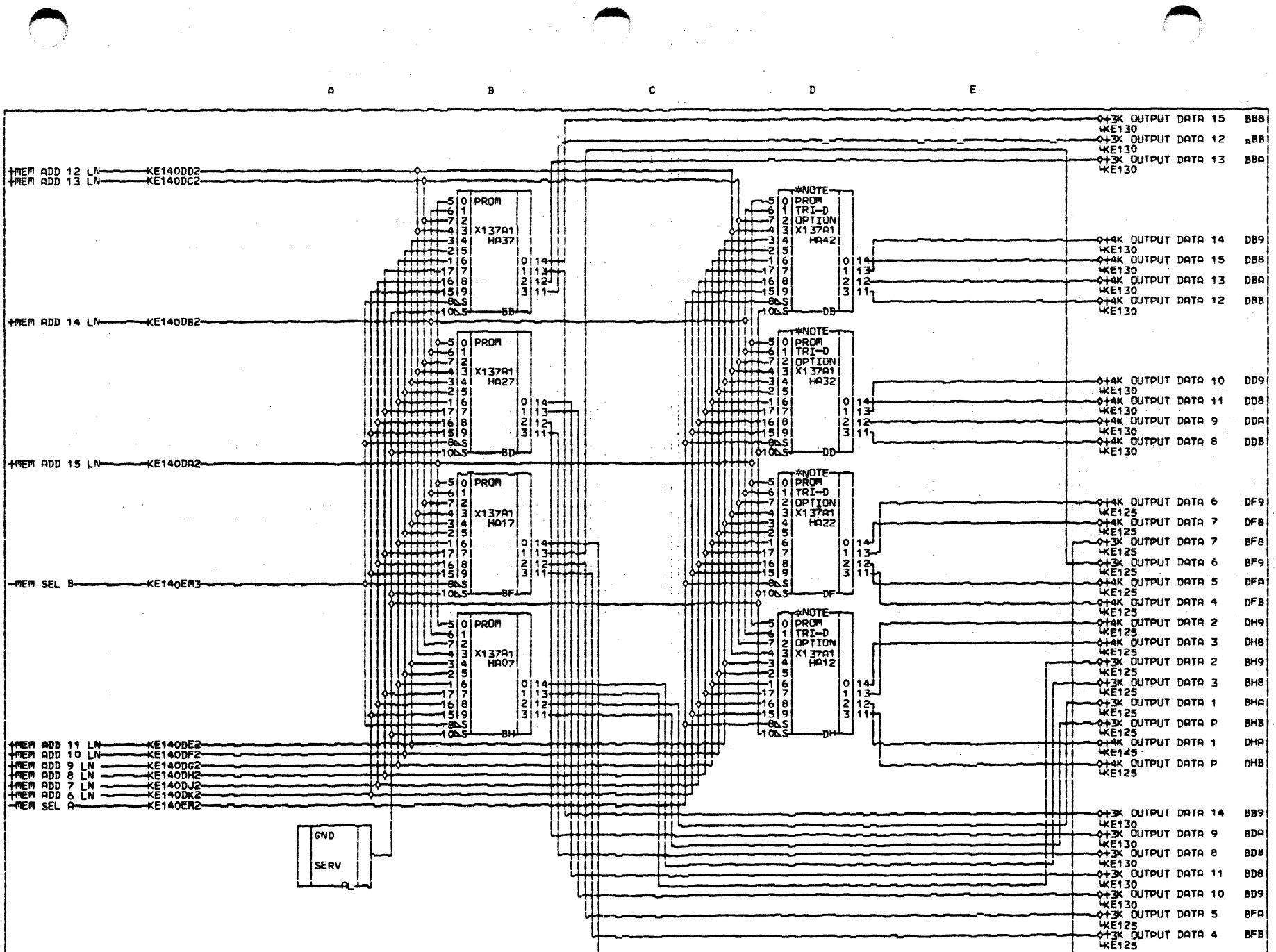
KE105



PROM MEMORY BITS P THRU 15

AM	PAGE	REFS	SYSTEM PAGE	PRES.	E.C.	44032	MACHINE:	S1935
PAGE	43935002-1		FLYER FC PRQ10TYP	PREV.	F.C.	44018	CD:	LUC4 E2
E.C.	44107		WRITING METHOD: PC	DATE		5/15/80	PG. P.#:	43405000-1

KE105

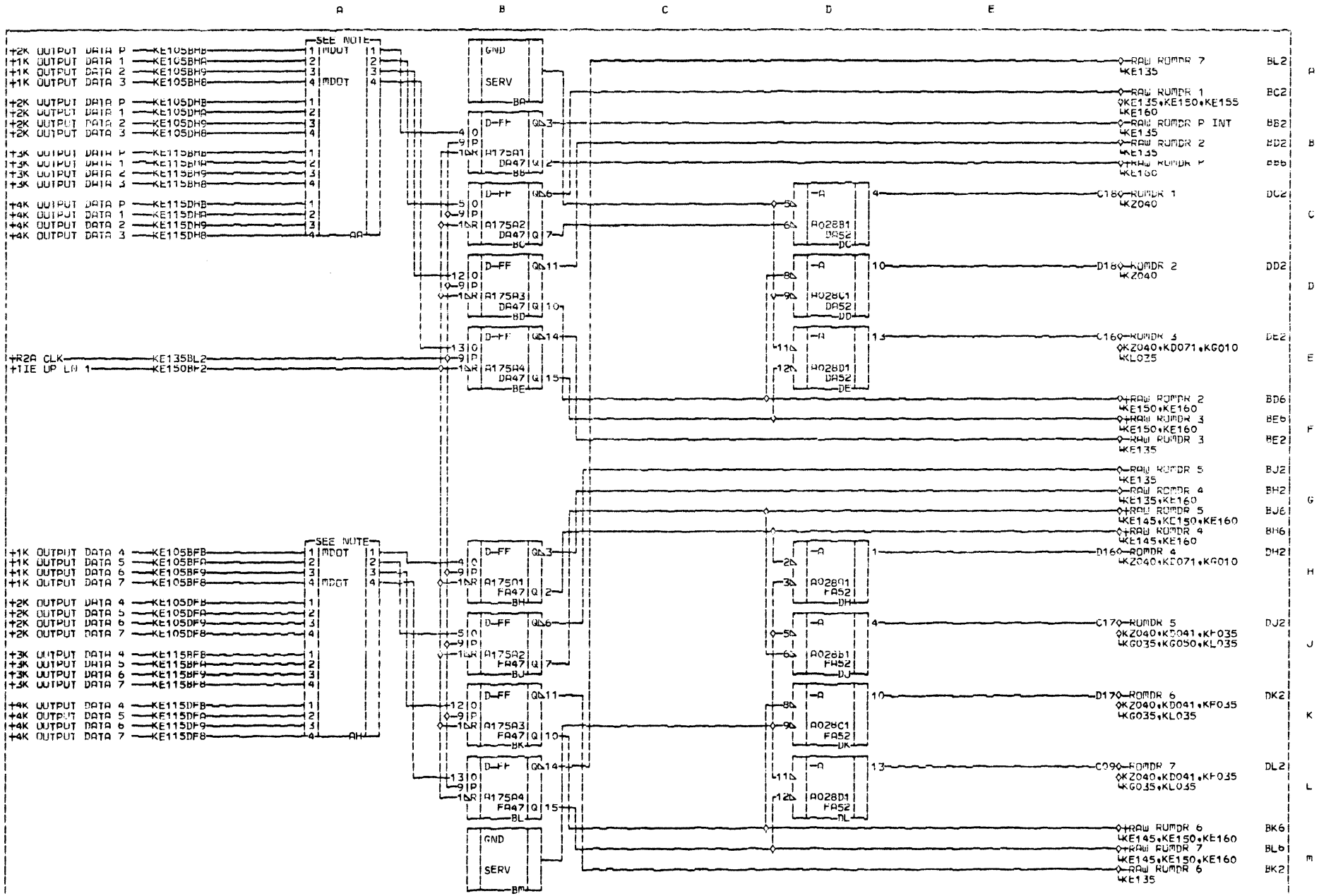


*NOTE: LOCATIONS HA12, HA22, HA32 AND HA42 WILL NOT BE POPULATED FOR OPERATION IN DUAL DENSITY FORMATTERS. P/N 401298205/405. TRI DENSITY=43305205/405.



PROM MEMORY BITS P THRU 15

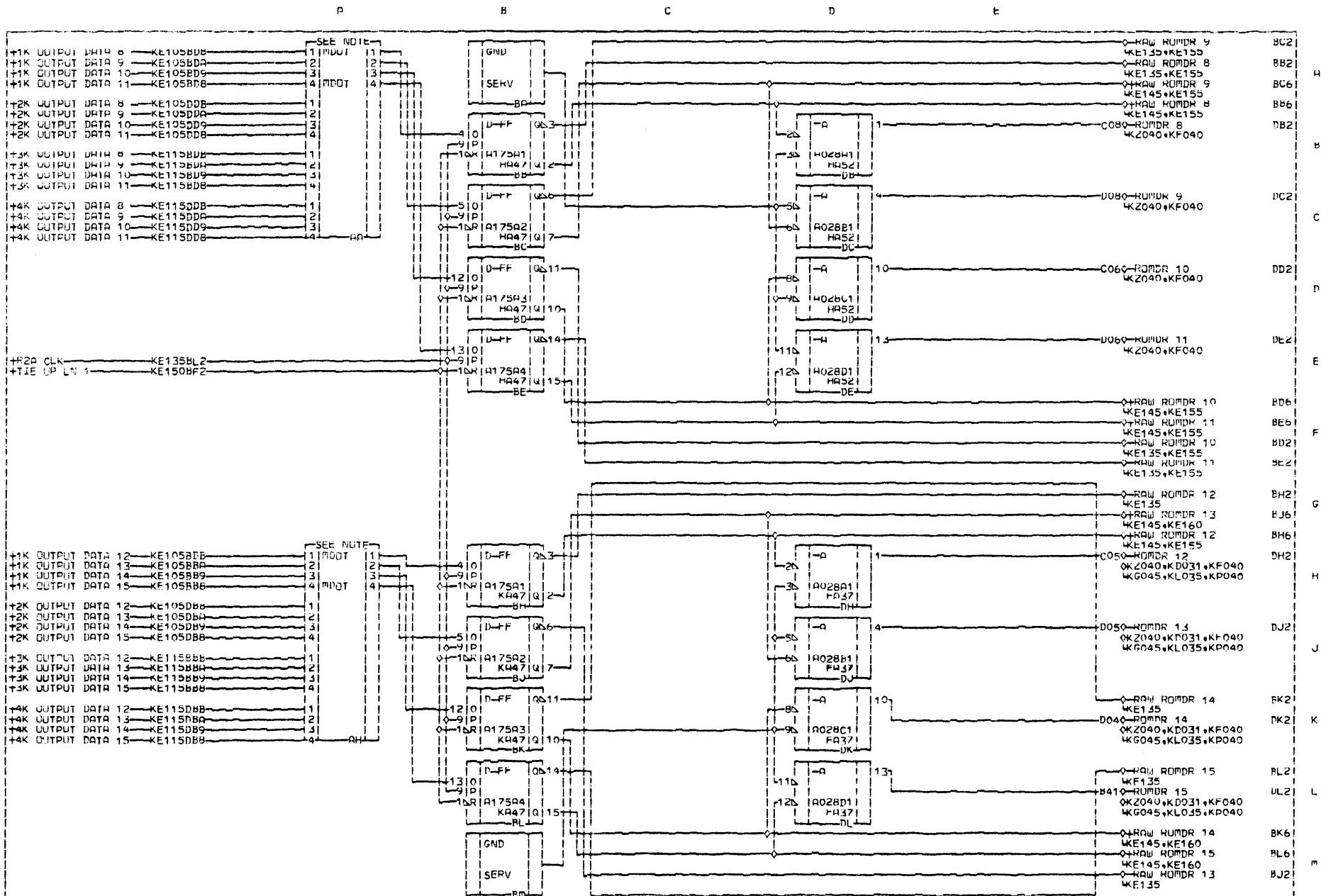
K E 1 1 5	- AM	PAGE REFS	- SYSTEM PAGE	- PRES. E.C. 44251	MACHINE: S1935	K E 1 1 5
		PAGE 43435021-1	FLYER EC PROTOTYP	PREV. E.C. 44032	CD. LOC. E2	
		E.C. 44251	WIRING METHOD: PC	DATE 9/15/80	Pg. P.N. 43405014-2	



NOTE: THE MATCHING NUMBERS IN THE LEFT COLUMN INDICATE THAT THE FOUR INPUTS ARE DOTTED TOGETHER AND THE MATCHING NUMBER IN THE RIGHT COLUMN IS THEIR OUTPUT.



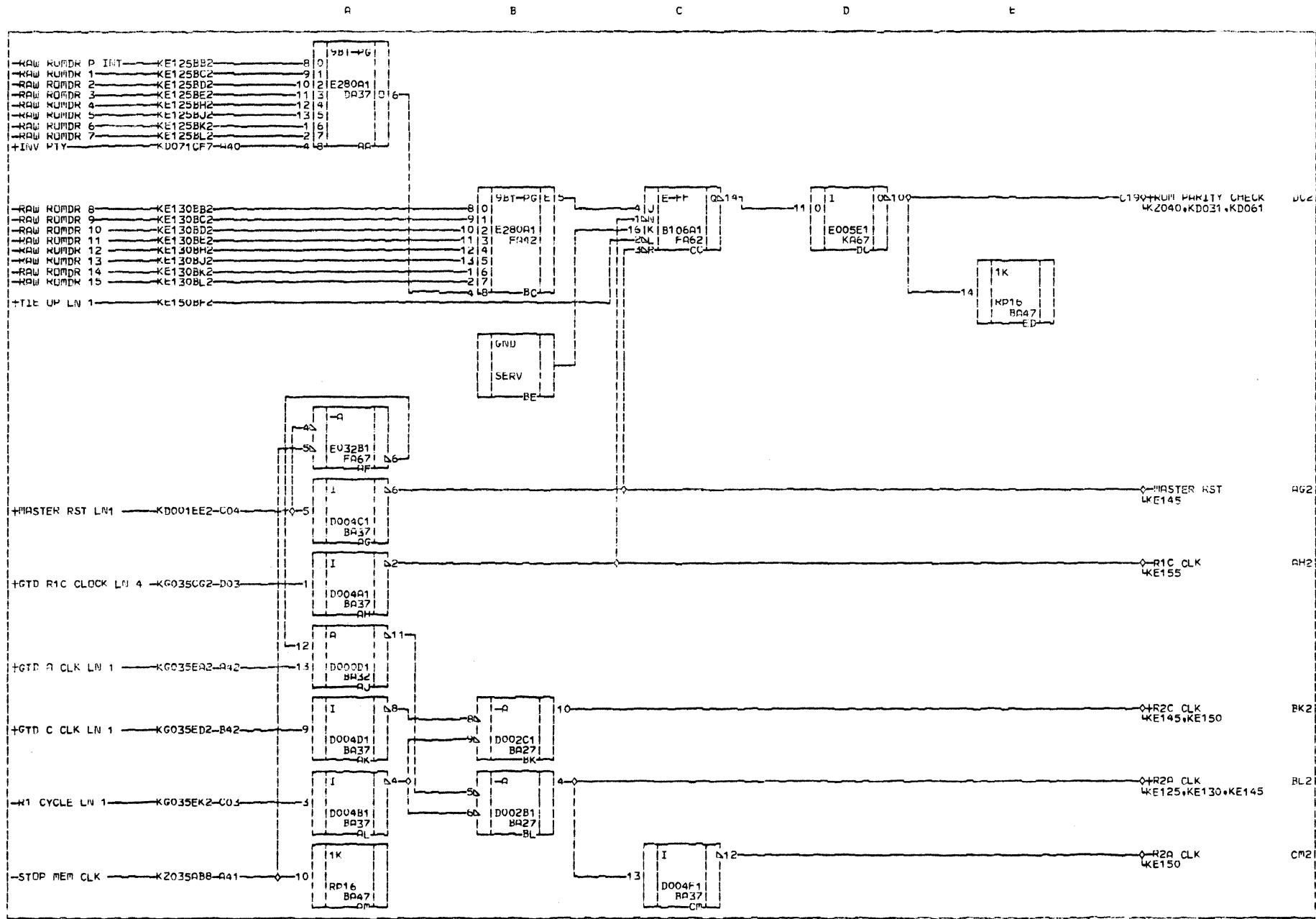
ROM DATA REGISTER BITS P THRU 7								
AM	PAGE	REFS	SYSTEM PAGE	PRES. F.C.	44032	MACHINE:	S1935	K
PAGE	43435004-7		FLYER EC PROTOTYP	PREV. E.C.	44018	ICB. LUC.	E2	E
E.C.	44107		WIRING METHOD	PC DATE	5/15/80	PRG. P.N.	43405002-7	S



*NOTE: THE MATCHING NUMBERS IN THE LEFT COLUMN INDICATE THAT THE FOUR INPUTS ARE DOTTED TOGETHER AND THE MATCHING NUMBER IN THE RIGHT COLUMN IS THEIR OUTPUT.



AM PAGE REFS	SYSTEM PAGE	PREP. F.C. 44032	MACHINE: S1935
PAGE 43435005-4	FLYER EC PHOTOTYP	PREV. E.C. 44018	CD. LUC. E2
F.C. 44107	WIRING METHOD: PC	DATE 5/15/80	LOG. P.N. 32A5007-E

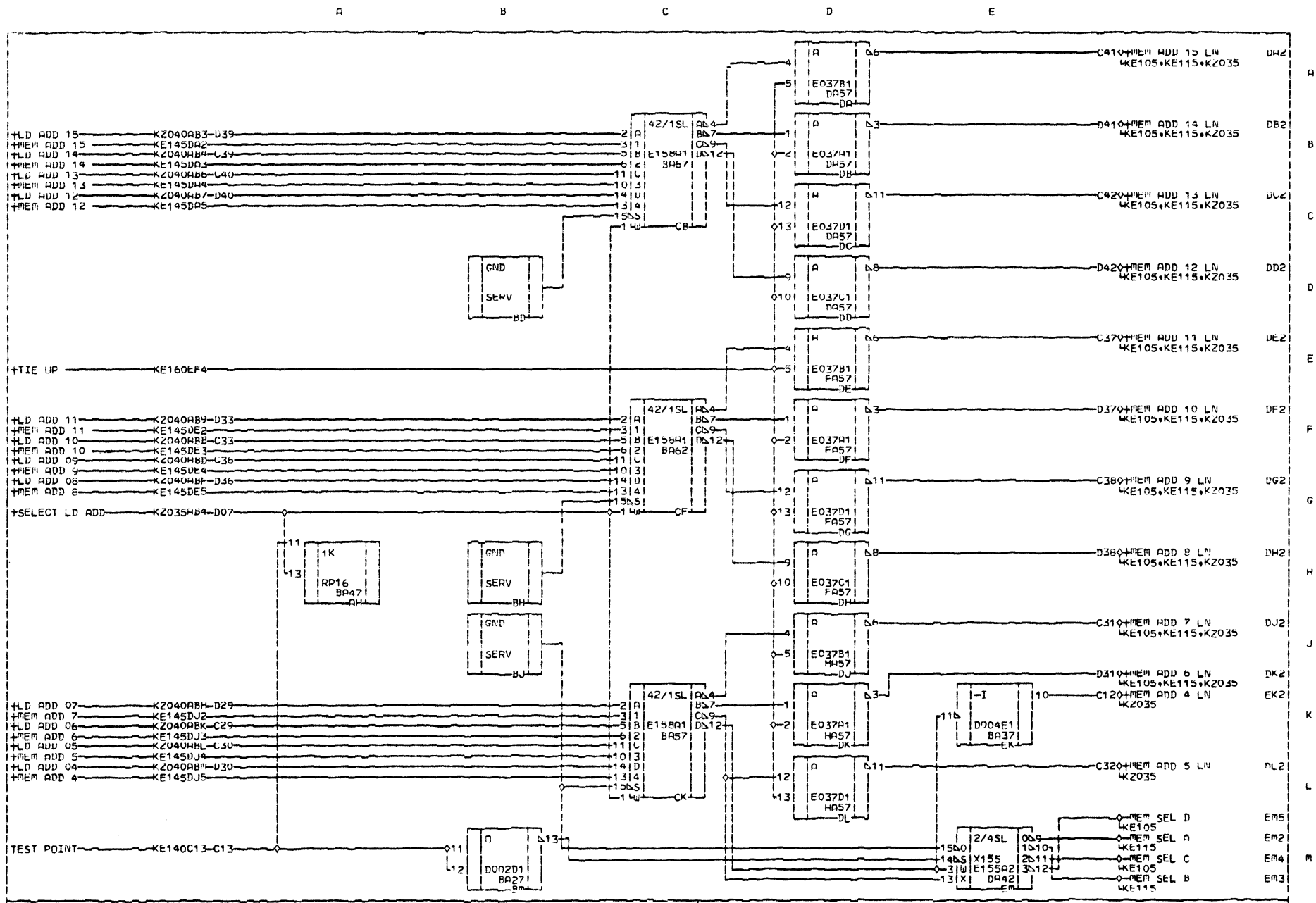


K
E
1
3
5

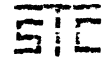


ROM PARITY CHECK AND CLOCK POWERING			
AM PAGE REFS	SYSTEM PAGE	PRES. E.C. 44032	MACHINE: S1935
PAGE 43435006-2	FLYER EC PROTOTYP	PREV. E.C. 44018	ICD. LUG. E2
E.C. 44107	HIRING METHOD:	PC DATE 5/15/80	IPG. P.N. 43405004-3

P
B
C
D
E
F
G
H
J
K
L
M

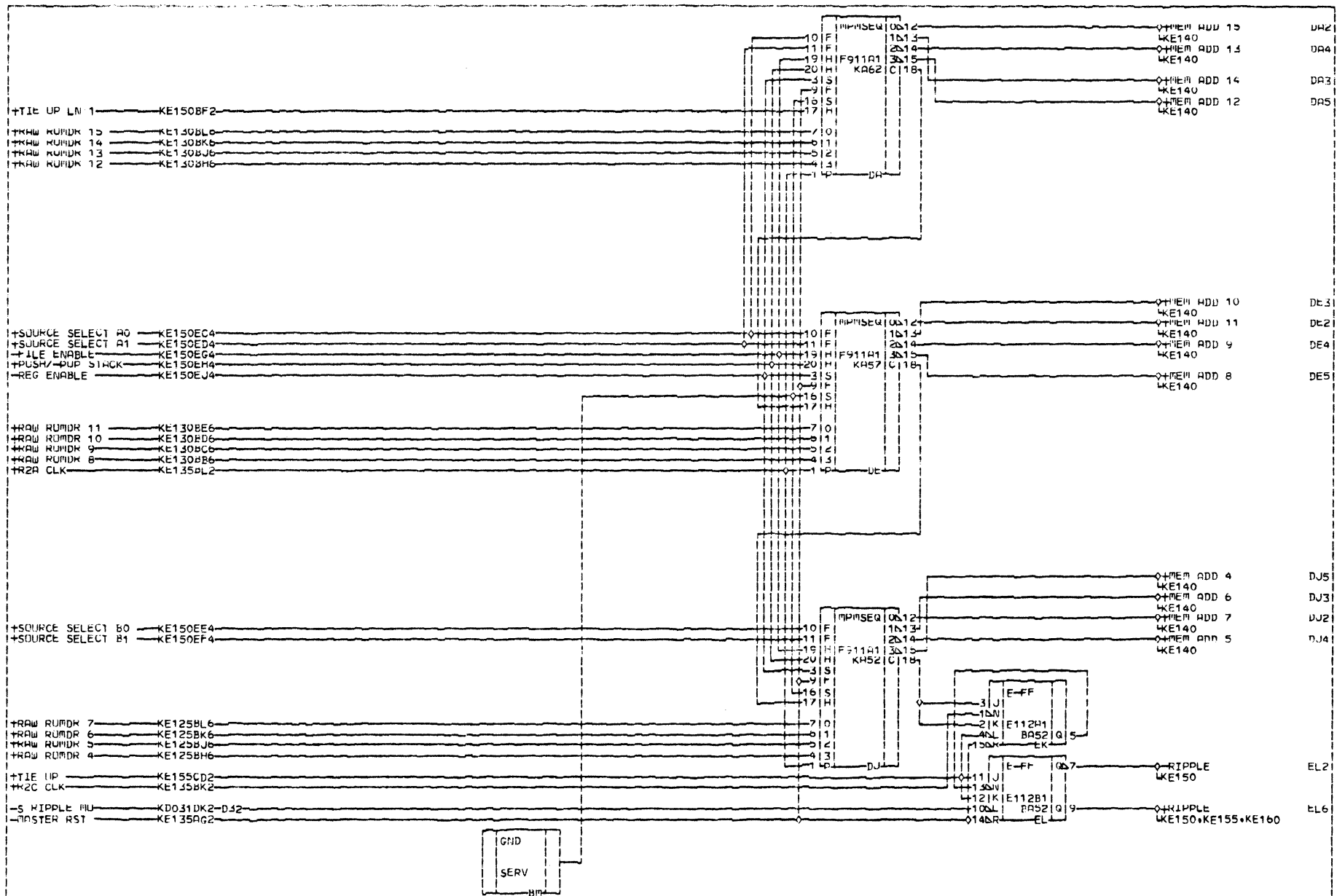


K
E
1
4
C



REPLY ADDRESS POWERING			
AM	PAGE REFS	SYSTEM PAGE	PREV. E.C. 44032
43435007-0	FLYER EC PROTOTYP	DATE	5/15/80
MACHINE: S1935	CD: LUC: E2	PG: P: N: 43405005-0	

A B C D E



K
E
1
4
5

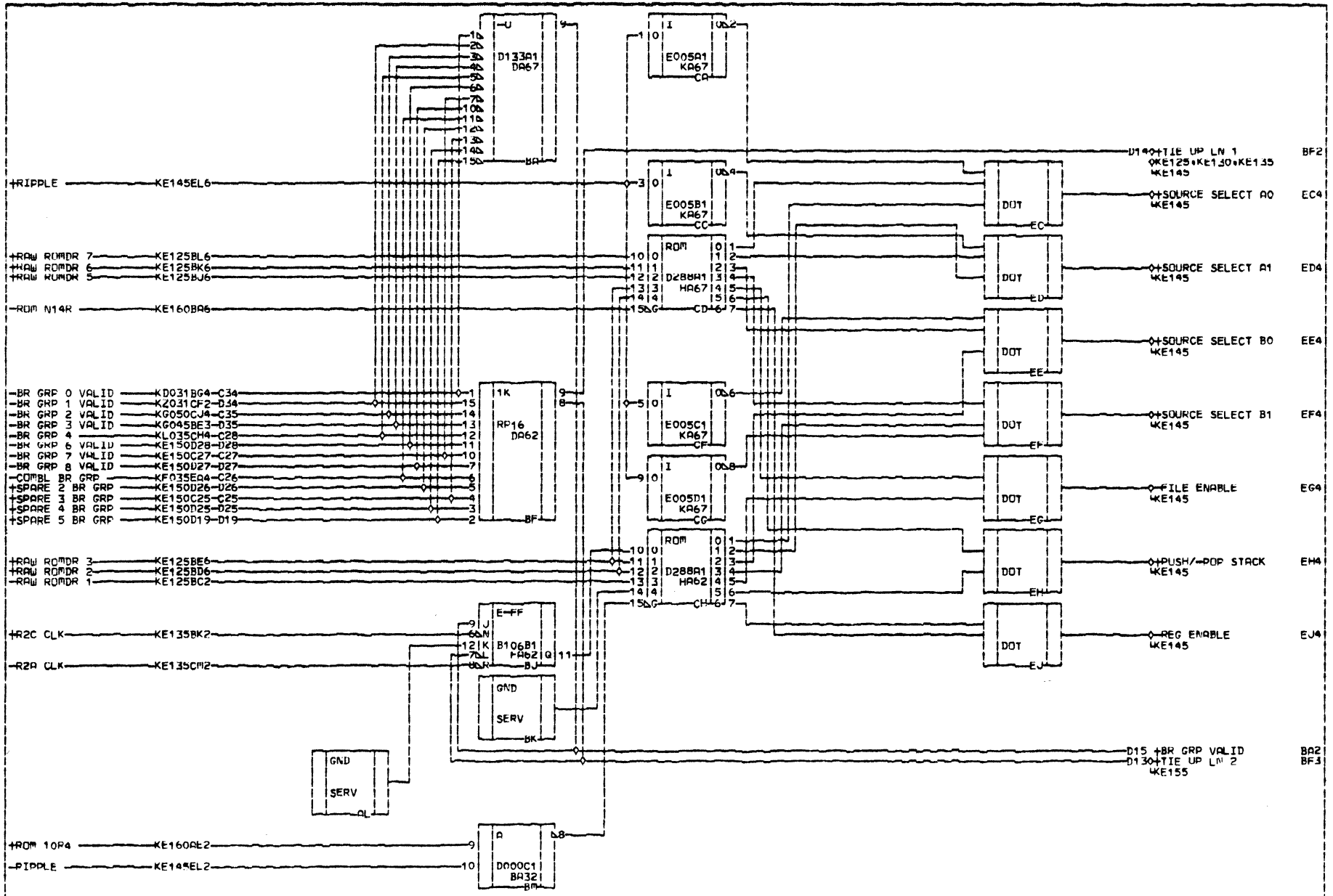


MICROPROGRAM ADDRESS SEQUENCER

- AM PAGE REFS -	- SYSTEM PAGE -	PRES. E.C. 44032	IMACHINE: S1935
PAGE 43435008-B	FLYER EC PHOTOTYP	PREV. E.C. 44018	ICD. LOC. E2
E.C. 44107	IMTRING METHOD: DC	DATE 5/15/80	IPG. P.N. 43405006-8

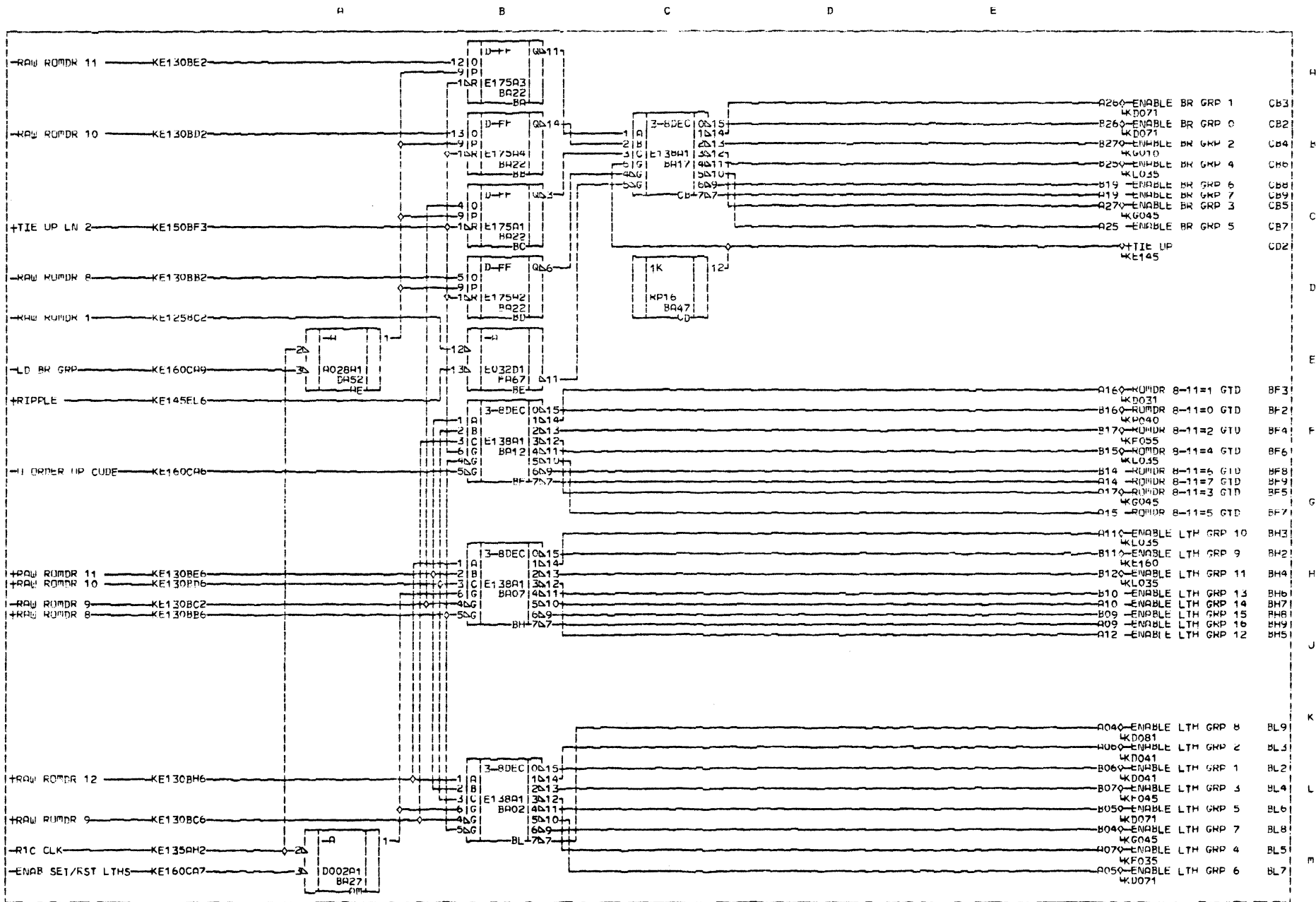
K
E
1
4
5

A B C D E



A
B
C
D
E
F
G
H
J
K
L
M

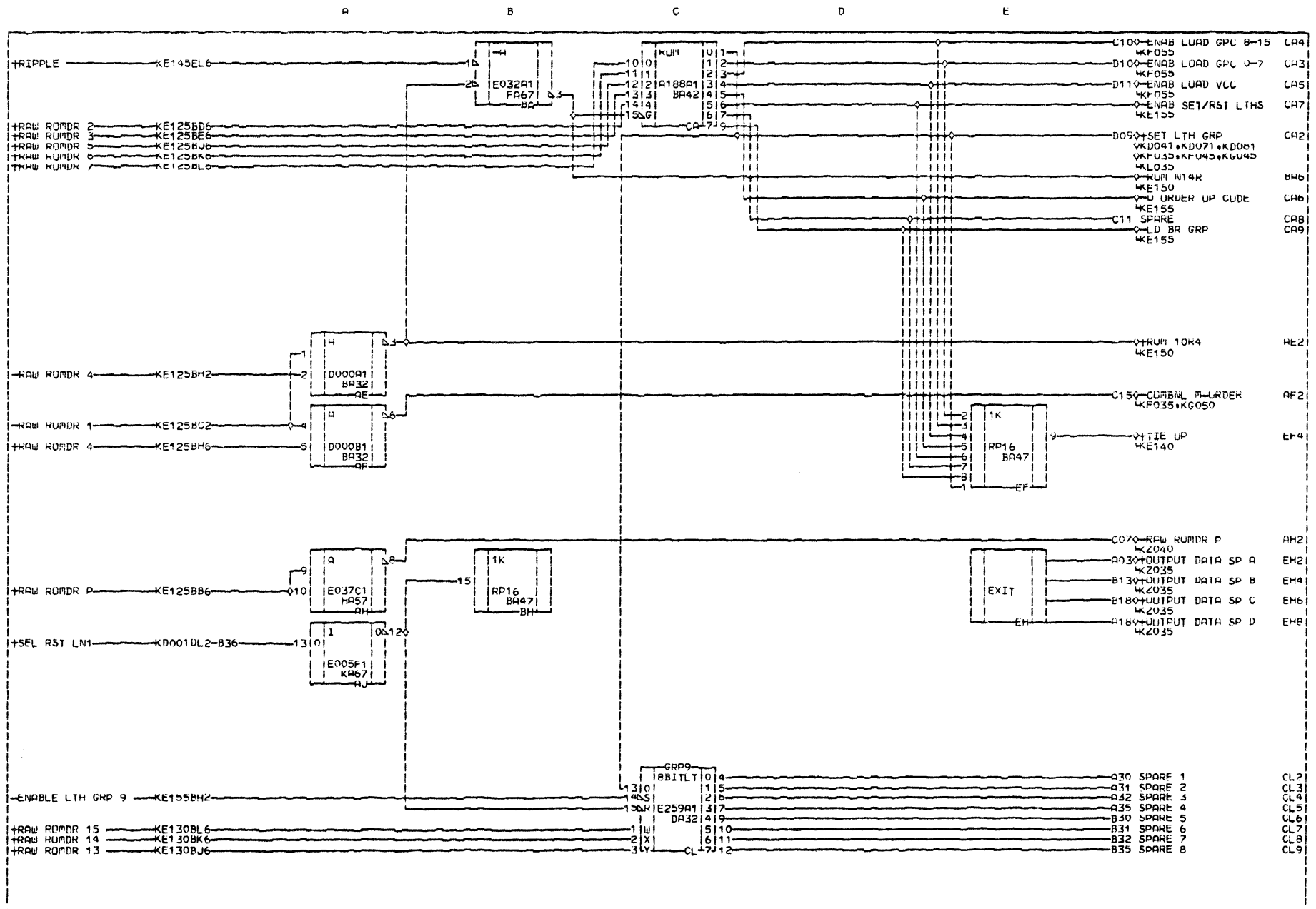
K E 1 5 0	STC				UP-CODE ENCODER AND BRANCH DETECTION				K E 1 5 0			
	AM	PAGE	PFFS	SYSTEM	PAGE	DRFS	E.C.	44240		MACHINE:	51935	
	PAGE	43435017-9		FLYER	EC	PROTOTYP	PREV.	E.C.		44032	CD.	LUG.
			E.C.	44240	WIRING	METHOD:	PC	DATE	5/15/80	PC.	P.N.	43405012-6



REV 1



FRANCH GROUP: MICRO-ORDER AND ADD LATCH DECODE	K
AM PAGE REFS	E
PAGE 43435010-4	1
F.C. 44167	5
SYSTEM PAGE	5
FLYER EC PROTOTYP	1
WIRING METHOD: PC	5
DATE	5/15/80
PREV. E.C. 44032	MACHINE: S1935
PREV. E.C. 44018	CU LOC: E2
	PC P.N. 43435009-4

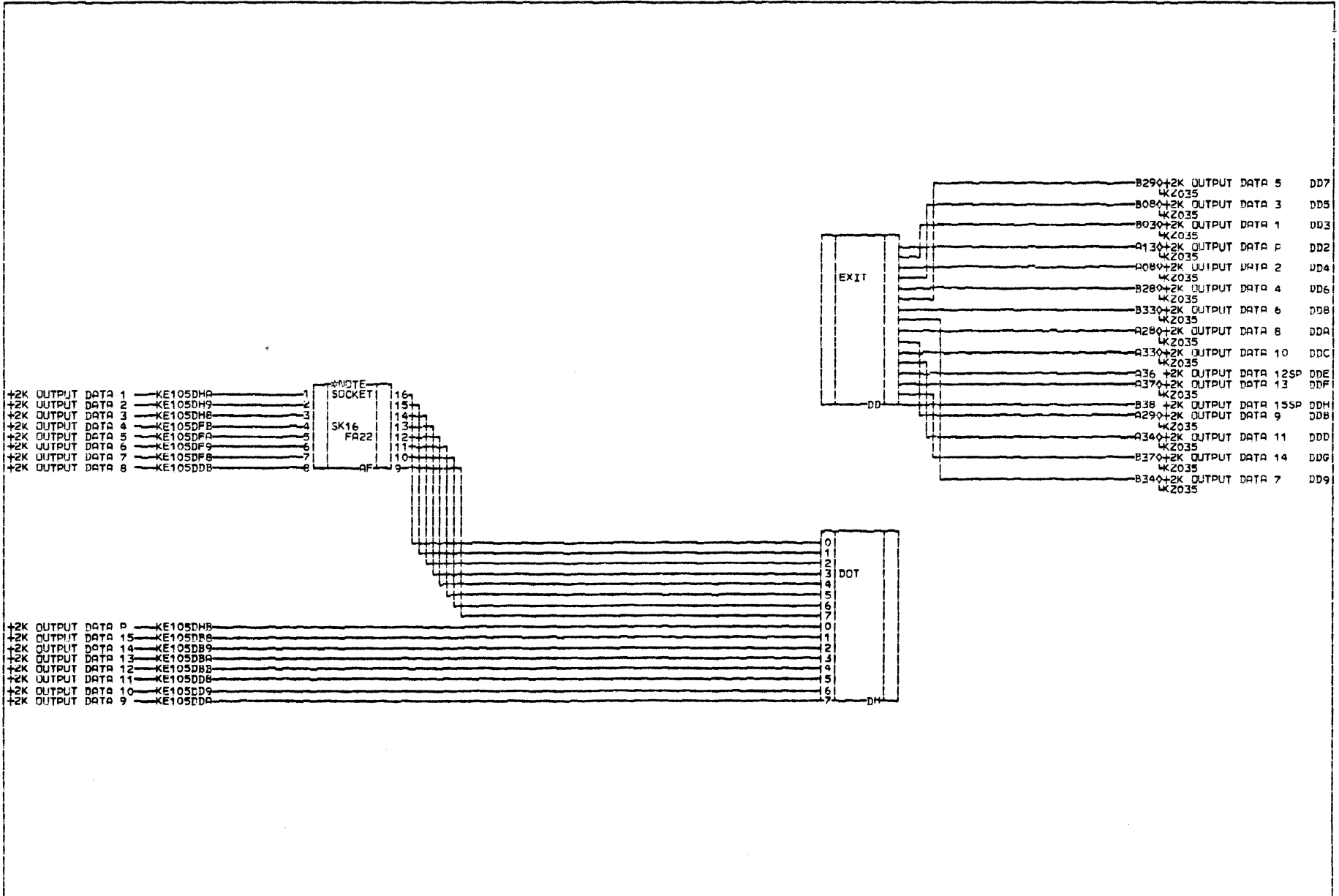


KE
1
6
0



OF CODE DECODE			
AM	PAGE REFS	SYSTEM PAGE	PPES. E.C. 44032
PAGE	43435011-2	FLYER EC PROTUTYP	PREV. E.C. 44018
E.C.	44107	WIRING METHOD:	PC DATE
		DATE	5/15/80
		MACHINE:	S1935
		ICD: LDC:	E2
		PC, P/N:	47405009-2

KE
1
6
0



A
B
C
D
E
F
G
H
J
K
L
M

NOTE: THE OUTPUT TABS SHOWN ON THIS PAGE ARE RESERVED FOR INTERNAL ENGINEERING USE.
NOTE: SOCKET IS USED ON 400 LVL CARD ONLY, FOR CARD TESTABILITY.



RESERVED DATA LINES			
DT	PAGE	REFS	SYSTEM PAGE
PREV. E.C. 44556	4016105019	FLYER EC 34595	PREV. E.C. 44251
E.C. 44556		WIRING METHOD: PC	DATE 6/16/81
MACHINE: S1935		CD. LOC. E2	
PG. Pn. 4016106017			

ASSEMBLY PARTS LIST

ROUTED ARC DOC

PRINT DATE	PAGE	E.C. NO.
12-06-82	1	58184

DIV.		ASSEMBLY NUMBER		CD	REV.	DWG.	DESCRIPTION			MC	STATUS	STATUS DATE		FILE DATE			
0500		402260401		3	B	N	SLG,KE,401696201,PC,RPQ227			N	REL	11-23-82		1935 12-06-82			
T	FIND NO	LI	PART NUMBER	CD	M	QUANTITY	U/M	PART DESCRIPTION			MC	YLD	E.C. NO. IN	E.C. NO. OUT	S/N	WK IN	WK OUT
	000	01	402206001	8		REF	PC	CD LGC,KE,AM172,PC			D						
	105	01	43405000	1		REF	PC	SYS LGC,KE105,PC			D						
	115	01	43405014	2		REF	PC	SYS LGC,KE 115,PC			D						
	125	01	43405002	7		REF	PC	SYS LGC,KE125,PC			D						
	130	01	43405003	5		REF	PC	SYS LGC,KE130,PC			D						
	135	01	43405004	3		REF	PC	SYS LGC,KE135,PC			D						
	140	01	43405005	0		REF	PC	SYS LGC,KE140,PC			D						
	145	01	43405006	8		REF	PC	SYS LGC,KE145,PC			D						
	150	01	43405012	6		REF	PC	SYS LGC,KE150,PC			D						
	155	01	43405008	4		REF	PC	SYS LGC,KE155,PC			D						
	160	01	43405009	2		REF	PC	SYS LGC,KE160,PC			D						
	165	01	401610601	7		REF	PC	SYS LGC,KE165,PC			D						
	500	01	401696201	3		REF	PC	CKT CD,KE PC ASSY,TRI-D*XD*			S						
								0013 TOTAL LINES									

LCC KA67	LCC KA62	LCC KA57	LCC KA52	LCC KA47	LCC KA42	LCC KA37	LCC KA32	LCC KA27	LCC KA22	LCC KA17	LCC KA12	LCC KA07	LCC KA02
PN	IC:F911	PN	IC:F911	PN	IC:F911	PN	IC:F911	PN	IC:F911	PN	IC:F911	PN	IC:F911
02 KE150CA2	12 KE145DA2	12 KE145DE2	12 KE145DJ2	02 KE145J2	02 KE145J2	11 KE105DBA1	11 KE105DBA1	11 KE105DBA1	11 KE105DBA1	11 KE105DBA1	11 KE105DBA1	11 KE105DBA1	11 KE105DBA1
04 KE150CC2	13 KE145DA3	13 KE145DE3	13 KE145DJ3	03 KE145J3	03 KE145J3	12 KE105DBA2	12 KE105DBA2	12 KE105DBA2	12 KE105DBA2	12 KE105DBA2	12 KE105DBA2	12 KE105DBA2	12 KE105DBA2
06 KE150CF2	14 KE145DA4	14 KE145DE4	14 KE145DJ4	04 KE145J4	04 KE145J4	13 KE105DBA3	13 KE105DBA3	13 KE105DBA3	13 KE105DBA3	13 KE105DBA3	13 KE105DBA3	13 KE105DBA3	13 KE105DBA3
08 KE150CG2	15 KE145DA5	15 KE145DE5	15 KE145DJ5	05 KE145J5	05 KE145J5	14 KE105DBA4	14 KE105DBA4	14 KE105DBA4	14 KE105DBA4	14 KE105DBA4	14 KE105DBA4	14 KE105DBA4	14 KE105DBA4
10 KE150CH2	16 KE145DA6	16 KE145DE6	16 KE145DJ6	06 KE145J6	06 KE145J6	15 KE105DBA5	15 KE105DBA5	15 KE105DBA5	15 KE105DBA5	15 KE105DBA5	15 KE105DBA5	15 KE105DBA5	15 KE105DBA5
12 KE160A2													
7 PE2 GNDKH66	6 ME2 GNDKH61	8 ME2 GNDKH56	8 LE2 GNDKH51	8 KE2 GNDKH46	9 JE2 GNDKH41	9 ME2 GNDKH36	9 GE2 GNDKH31	9 FE2 GNDKH26	9 EE2 GNDKH21	9 DE2 GNDKH16	9 CE2 GNDKH11	9 BE2 GNDKH06	9 AE2 GNDKH01
14 PE6 +SVKA70	2 ME6 +SVKA65	2 ME6 +SVKA65	2 LE6 +SVKA60	16 KE6 +SVKA50	18 JE6 +SVKA45	18 ME6 +SVKA40	18 GE6 +SVKA35	18 FE6 +SVKA30	18 EE6 +SVKA25	18 DE6 +SVKA20	18 CE6 +SVKA15	18 BE6 +SVKA10	18 AE6 +SVKA05
LCC HA67	LCC HA62	LCC HA57	LCC HA52	LCC HA47	LCC HA42	LCC HA37	LCC HA32	LCC HA27	LCC HA22	LCC HA17	LCC HA12	LCC HA07	LCC HA02
PN	IC:D288	PN	IC:D288	PN	IC:E037	PN	IC:A028	PN	IC:A175	PN	IC:X137	PN	IC:X137
01 KE150C2	01 KE150CH2	03 KE140D2	01 KE130DB2	02 KE130BB2	11 KE115DB2	11 KE115DB2	11 KE115DB2	11 KE115DB2	11 KE115DB2	11 KE115DB2	11 KE115DB2	11 KE115DB2	11 KE115DB2
02 KE150C3	02 KE150CH3	06 KE140D3	04 KE130DB3	03 KE130BB3	12 KE115DB3	12 KE115DB3	12 KE115DB3	12 KE115DB3	12 KE115DB3	12 KE115DB3	12 KE115DB3	12 KE115DB3	12 KE115DB3
03 KE150C4	03 KE150CH4	08 KE140D4	06 KE130DB4	05 KE130BB4	13 KE115DB4	13 KE115DB4	13 KE115DB4	13 KE115DB4	13 KE115DB4	13 KE115DB4	13 KE115DB4	13 KE115DB4	13 KE115DB4
04 KE150C5	04 KE150CH5	11 KE140D5	07 KE130DB5	07 KE130BB5	14 KE115DB5	14 KE115DB5	14 KE115DB5	14 KE115DB5	14 KE115DB5	14 KE115DB5	14 KE115DB5	14 KE115DB5	14 KE115DB5
05 KE150C6	05 KE150CH6												
06 KE150C7	06 KE150CH7												
07 KE150C8	07 KE150CH8												
09													
8 PD2 GNDHM66	6 AD2 GNDHM61	7 PD2 GNDHM56	7 LD2 GNDHM51	8 KD2 GNDHM46	9 JD2 GNDHM41	9 HD2 GNDHM36	9 GD2 GNDHM31	9 FD2 GNDHM26	9 ED2 GNDHM21	9 DD2 GNDHM16	9 CD2 GNDHM11	9 BD2 GNDHM06	9 AD2 GNDHM01
16 PD6 +SVHA70	16 AD6 +SVHA65	14 PD6 +SVHA60	14 LD6 +SVHA55	16 KD6 +SVHA50	18 JD6 +SVHA45	18 HD6 +SVHA40	18 GD6 +SVHA35	18 FD6 +SVHA30	18 ED6 +SVHA25	18 DD6 +SVHA20	18 CD6 +SVHA15	18 BD6 +SVHA10	18 AD6 +SVHA05
LCC FA67	LCC FA62	LCC FA57	LCC FA52	LCC FA47	LCC FA42	LCC FA37	LCC FA32	LCC FA27	LCC FA22	LCC FA17	LCC FA12	LCC FA07	LCC FA02
PN	IC:E032	PN	IC:B106	PN	IC:E037	PN	IC:A028	PN	IC:A175	PN	IC:X137	PN	IC:X137
03 KE160BA	10 KE150F6	03 KE140D6	01 KE125DH2	02 KE125BH2	05 KE135BC2	01 KE130DH2							
06 KE135FA6	11 KE150F6	06 KE140D6	04 KE125DH2	03 KE125BH2	06 KE135BC2	04 KE130DH2							
08 KE155BE6	14 KE135CC2	08 KE140D6	06 KE125DH2	05 KE125BH2	07 KE135BC2	06 KE130DH2							
11		11 KE140D6	13 KE125DL2	07 KE125BK2	10 KE125BK6	11 KE125BK2							
7 PC2 GNDFH66	13 NC2 GNDFH61	7 PC2 GNDFH56	7 LC2 GNDFH51	8 KC2 GNDFH46	7 JC2 GNDFH41	7 MC2 GNDFH36	GC2 GNDFH31	FC2 GNDFH26	EC2 GNDFH21	DC2 GNDFH16	CC2 GNDFH11	BC2 GNDFH06	AC2 GNDFH01
14 PC6 +SVFA70	13 NC6 +SVFA65	14 PC6 +SVFA60	14 LC6 +SVFA55	16 KC6 +SVFA50	14 JC6 +SVFA45	14 MC6 +SVFA40	GC6 +SVFA35	FC6 +SVFA30	EC6 +SVFA25	DC6 +SVFA20	CC6 +SVFA15	BC6 +SVFA10	AC6 +SVFA05
LCC DA67	LCC DA62	LCC DA57	LCC DA52	LCC DA47	LCC DA42	LCC DA37	LCC DA32	LCC DA27	LCC DA22	LCC DA17	LCC DA12	LCC DA07	LCC DA02
PN	IC:D433	PN	IC:RP16	PN	IC:E037	PN	IC:A028	PN	IC:A175	PN	IC:X137	PN	IC:X137
09 KE150B2		03 KE140D2	01 KE155AE2	02 KE125BH2	05 KE135BC2	04 KE160CL2							
8 PB2 GNDHM66	NB2 GNDHM61	7 PB2 GNDHM56	7 LB2 GNDHM51	8 KB2 GNDHM46	8 JB2 GNDHM41	7 HB2 GNDHM36	8 GB2 GNDHM31	FB2 GNDHM26	EB2 GNDHM21	DB2 GNDHM16	CB2 GNDHM11	BB2 GNDHM06	AB2 GNDHM01
16 PB6 +SVDA70	16 NB6 +SVDA65	14 PB6 +SVDA60	14 LB6 +SVDA55	16 KB6 +SVDA50	16 JB6 +SVDA45	14 HB6 +SVDA40	14 GB6 +SVDA35	14 FB6 +SVDA30	14 EB6 +SVDA25	14 DB6 +SVDA20	14 CB6 +SVDA15	14 BB6 +SVDA10	14 AB6 +SVDA05
LCC BA67	LCC BA62	LCC BA57	LCC BA52	LCC BA47	LCC BA42	LCC BA37	LCC BA32	LCC BA27	LCC BA22	LCC BA17	LCC BA12	LCC BA07	LCC BA02
PN	IC:E158	PN	IC:E158	PN	IC:E158	PN	IC:A028	PN	IC:A175	PN	IC:X137	PN	IC:X137
04 KE140CC2	04 KE140CF2	04 KE140CK2	05 KE145EK6			01 KE160CA2	02 KE135AP2	03 KE160AE2	01 KE155AM2	02 KE155BC2	07 KE155CE9	07 KE155BF9	07 KE155BH9
07 KE140CC3	07 KE140CF3	07 KE140CK3				04 KE160CA3	04 KE135AP3	04 KE160AE3	02 KE155AM3	03 KE155BC3	09 KE155CF9	09 KE155BF9	09 KE155BH9
09 KE140CC4	09 KE140CF4	09 KE140CK4	KE145EL2			05 KE160CA4	05 KE135AP4	05 KE160AE4	03 KE155AM4	04 KE155BC4	11 KE155CF9	11 KE155BF9	11 KE155BH9
12 KE140CC5	12 KE140CF5	12 KE140CK5	KE145EL6			06 KE160CA5	06 KE135AP5	06 KE160AE5	04 KE155AM5	05 KE155BC5	13 KE155CF9	13 KE155BF9	13 KE155BH9
8 PB2 GNDHM66	8 NB2 GNDHM61	8 PB2 GNDHM56	8 LB2 GNDHM51	8 KB2 GNDHM46	8 JB2 GNDHM41	7 HB2 GNDHM36	7 GB2 GNDHM31	7 FB2 GNDHM26	7 EB2 GNDHM21	7 DB2 GNDHM16	7 CB2 GNDHM11	7 BB2 GNDHM06	7 AB2 GNDHM01
16 PB6 +SVBA70	16 NB6 +SVBA65	16 PB6 +SVBA60	16 LB6 +SVBA55	16 KB6 +SVBA50	16 JB6 +SVBA45	14 HB6 +SVBA40	14 GB6 +SVBA35	14 FB6 +SVBA30	14 EB6 +SVBA25	14 DB6 +SVBA20	14 CB6 +SVBA15	14 BB6 +SVBA10	14 AB6 +SVBA05

A
1
2
7

INDEX: 11 PAGE(9)
PAGE CRD PG P/N EC LEVEL
KE105 43435002-1 44107
KE115 43435021-1 44251
KE125 43435004-7 44107
KE130 43435005-4 44107
KE135 43435006-2 44107

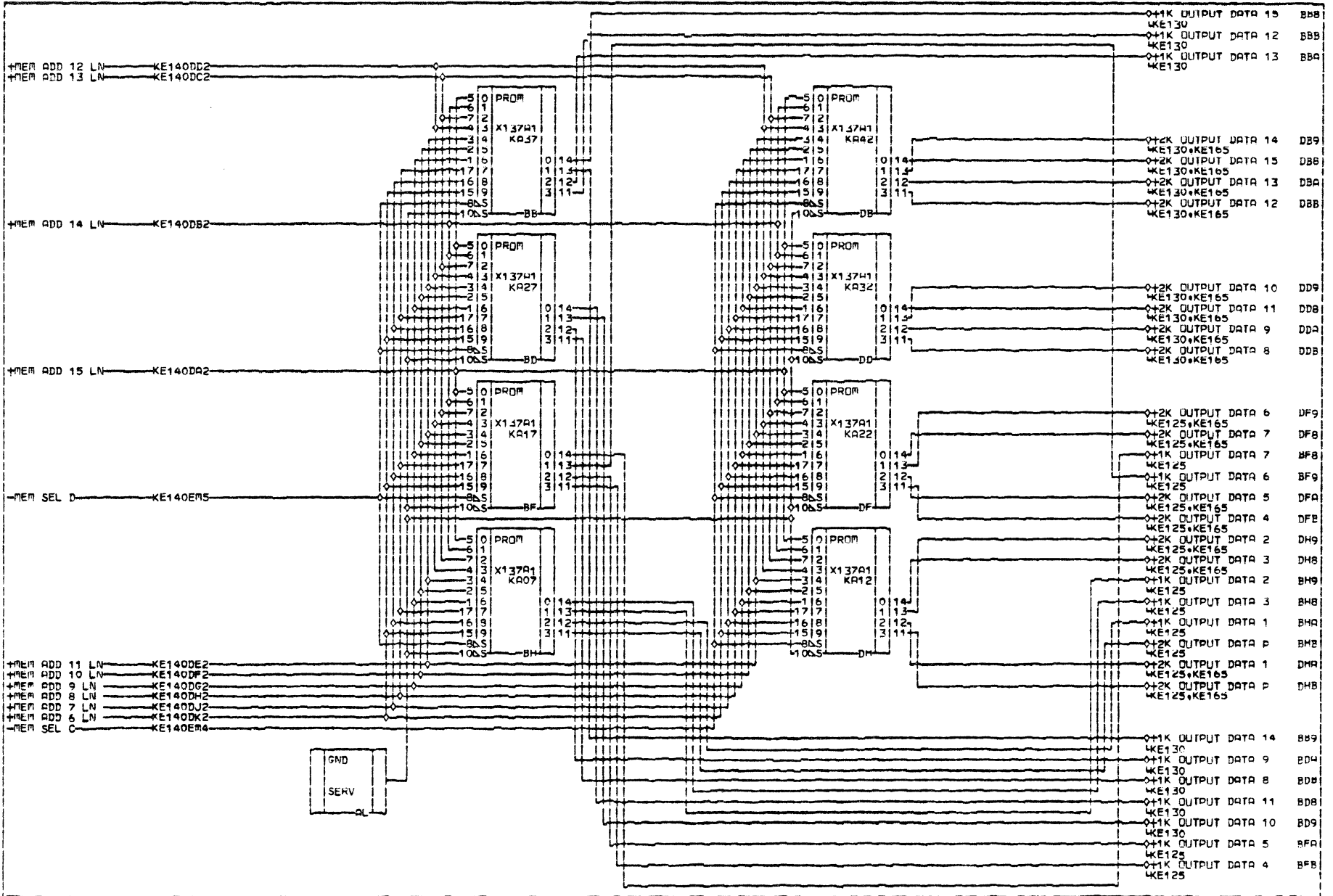
PAGE CRD PG P/N EC LEVEL
KE140 43435007-0 44107
KE145 43435008-8 44107
KE150 43435017-9 44240
KE155 43435018-2 44107
KE160 43435019-2 44107

PAGE CRD PG P/N EC LEVEL
KE165 4016105019 44556

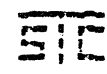
IC LOCATION CHART KE PC CD 1935
PRESENT EC 44655 DATE 12/16/81 CD PN 4016962013
PREV EC PAGE PN 4022600C18 CD TYPE KE FLEVEL PRCTOTYP

A
1
2

P B C D E

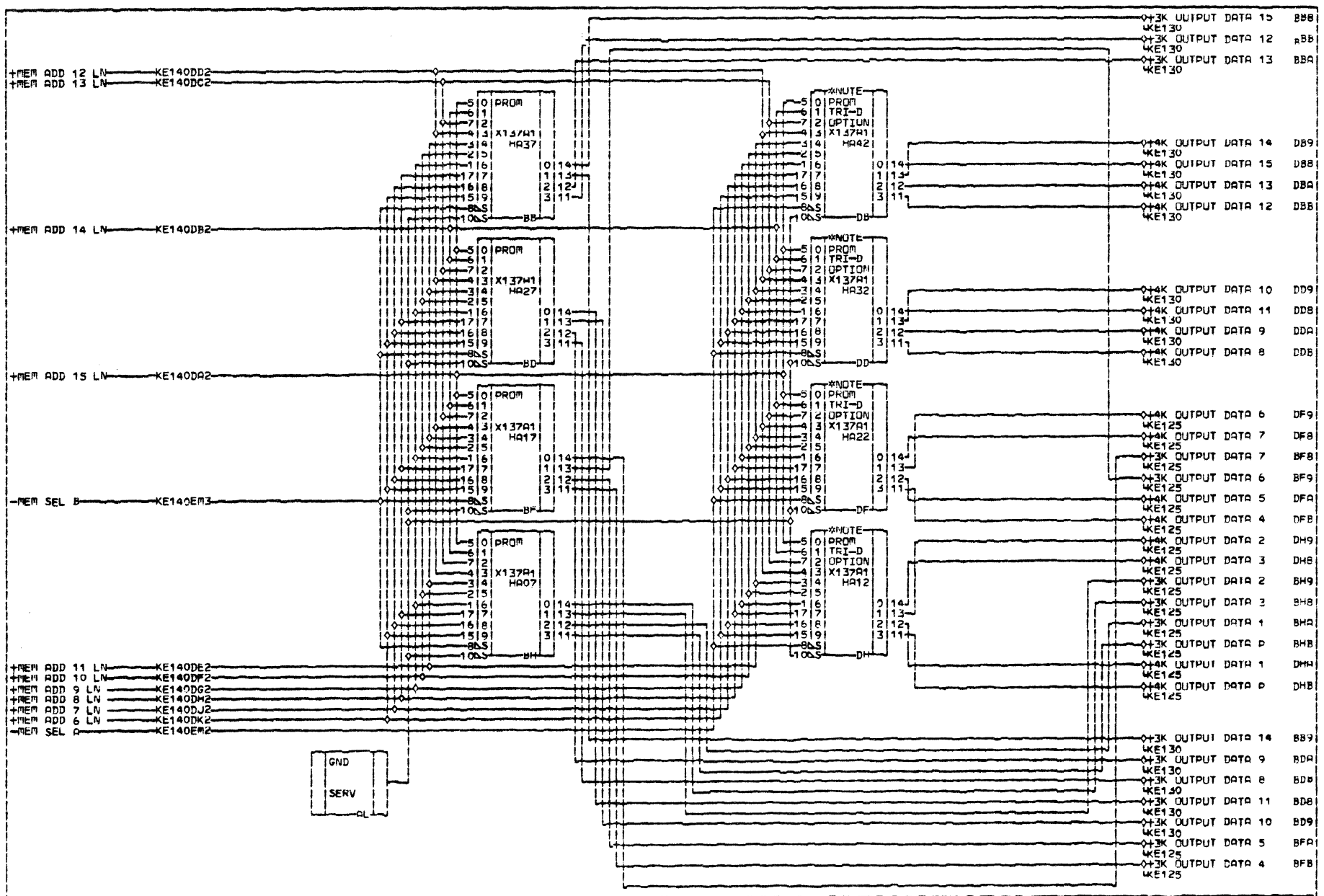


K
L
1
0
5



PROM MEMORY BITS P THRU 15

OR PAGE FEES	SYSTEM PAGE	PREP. E.C. 44822	TACHINE: 51235	K
PAGE 4343002-1	FLYER EG 34521	PREV. E.C. 44018	CD. LOC. E2	1
E.C. 44107	WIRING METHOD: PC	DATE 5/15/80	PG. P.No. 43405000-1	5

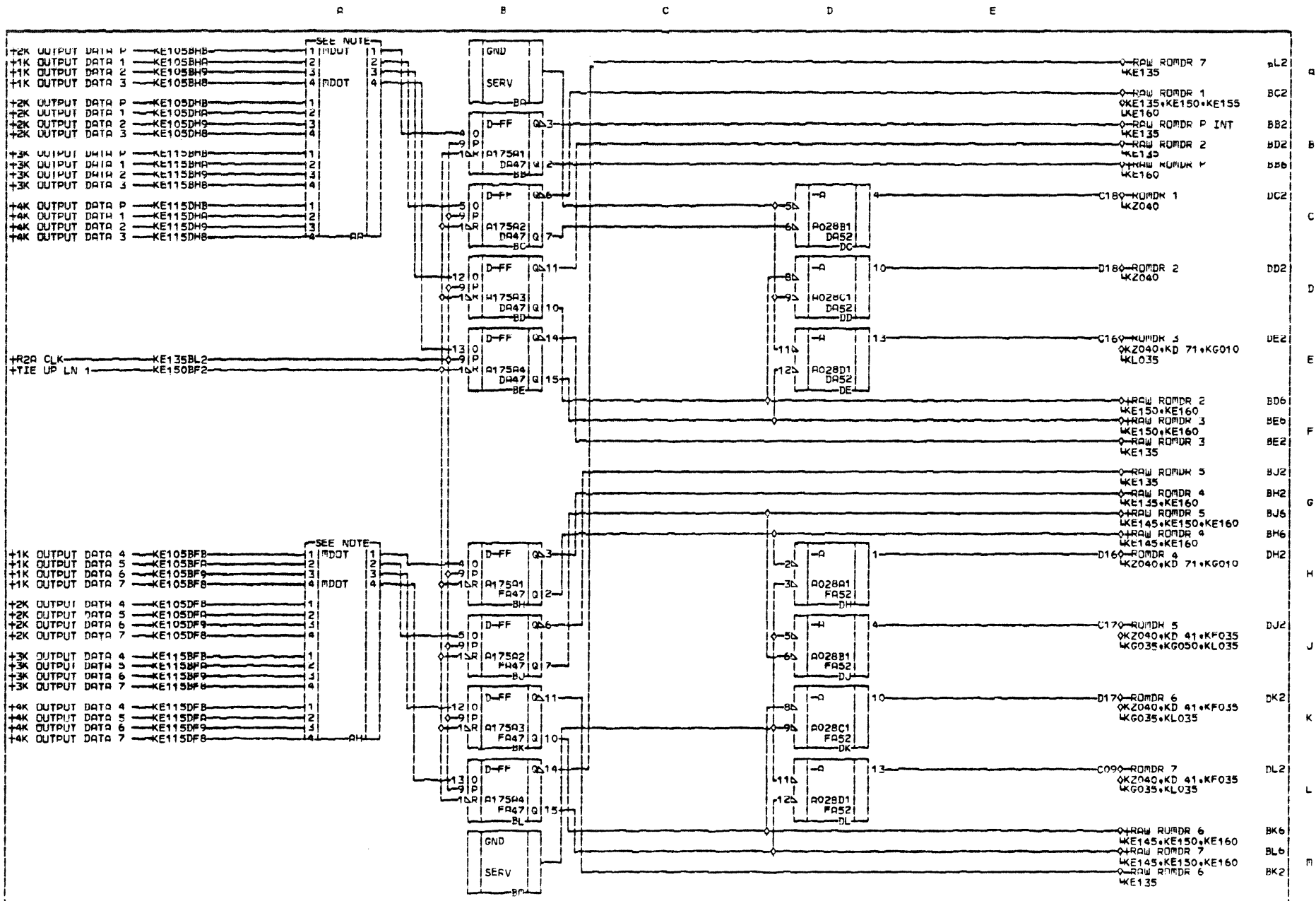


*NOTE: LOCATIONS HA12, HA22, HA32 AND HA42 WILL NOT BE POPULATED FOR OPERATION IN DUAL DENSITY FORMATS, P/N 401298205/405. TRI DENSITY=43305205/405.



PROM MEMORY BITS P THRU 15

K E 1 5	OR PAGE REFS	SYSTEM PAGE	PREV. E.C. 44251	MACHINE: S1935	K E 1 5
	PAGE 4343021-1	FLYER EC 34521	PREV. E.C. 44032	CD: LOC. E2	
	E.C. 44251	WIRING METHOD: PC	DATE 9/15/80	PG. P.No. 43405014-2	

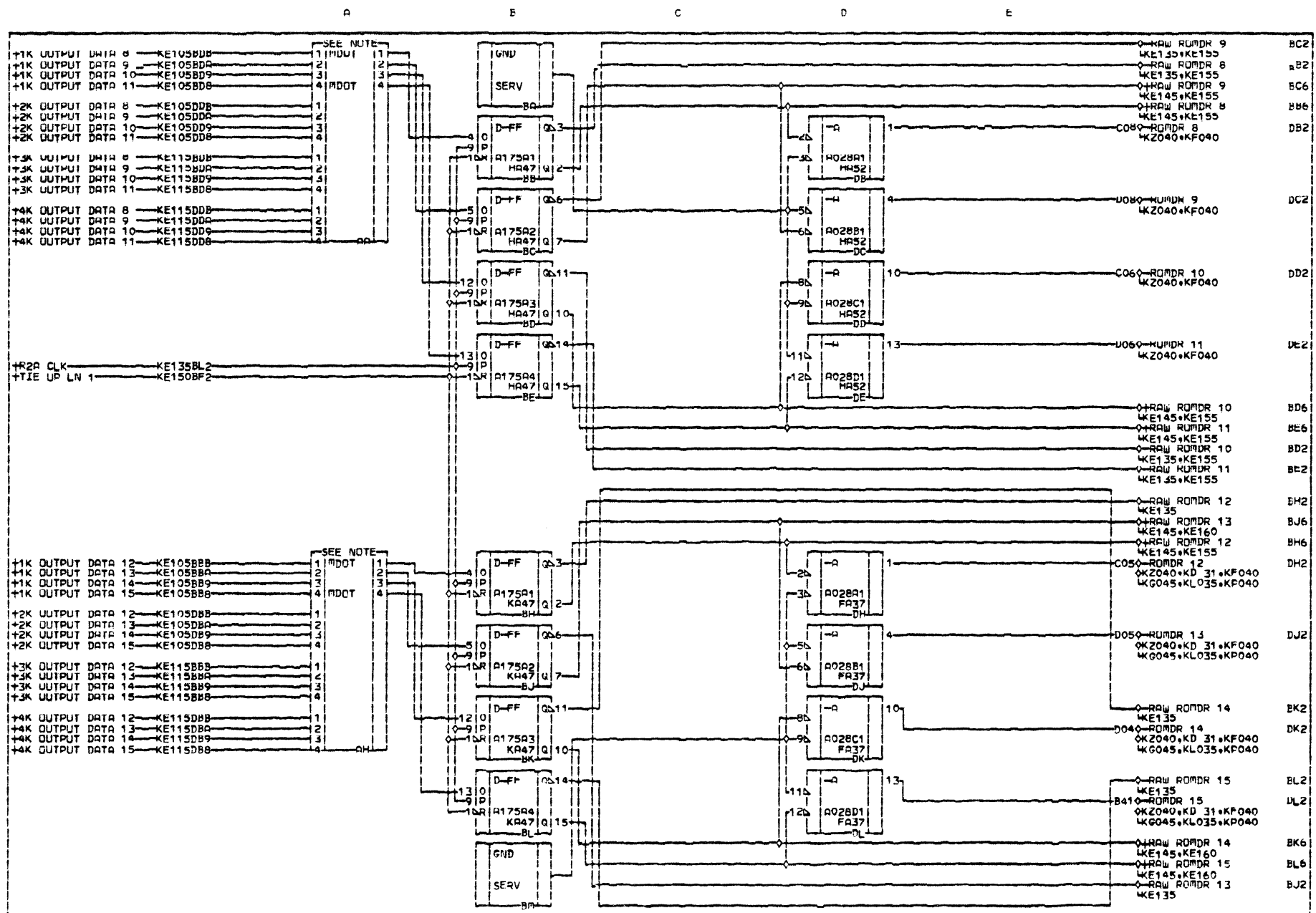


**NOTE: THE MATCHING NUMBERS IN THE LEFT COLUMN INDICATE THAT THE FOUR INPUTS ARE DOTTED TOGETHER AND THE MATCHING NUMBER IN THE RIGHT COLUMN IS THEIR OUTPUT.



ROM DATA REGISTER BITS P THRU 7

AM	PAGE REFS	SYSTEM PAGE	DRES. E.C. 44032	MACHINE: S1935	K
	PAGE 43435004-7	FLYER EC 34521	PREV. E.C. 44018	I.L. LOC. E2	E
	E.C. 44107	WIRING METHOD: PC	DATE 5/15/80	PG. P.N. 4340502-7	S



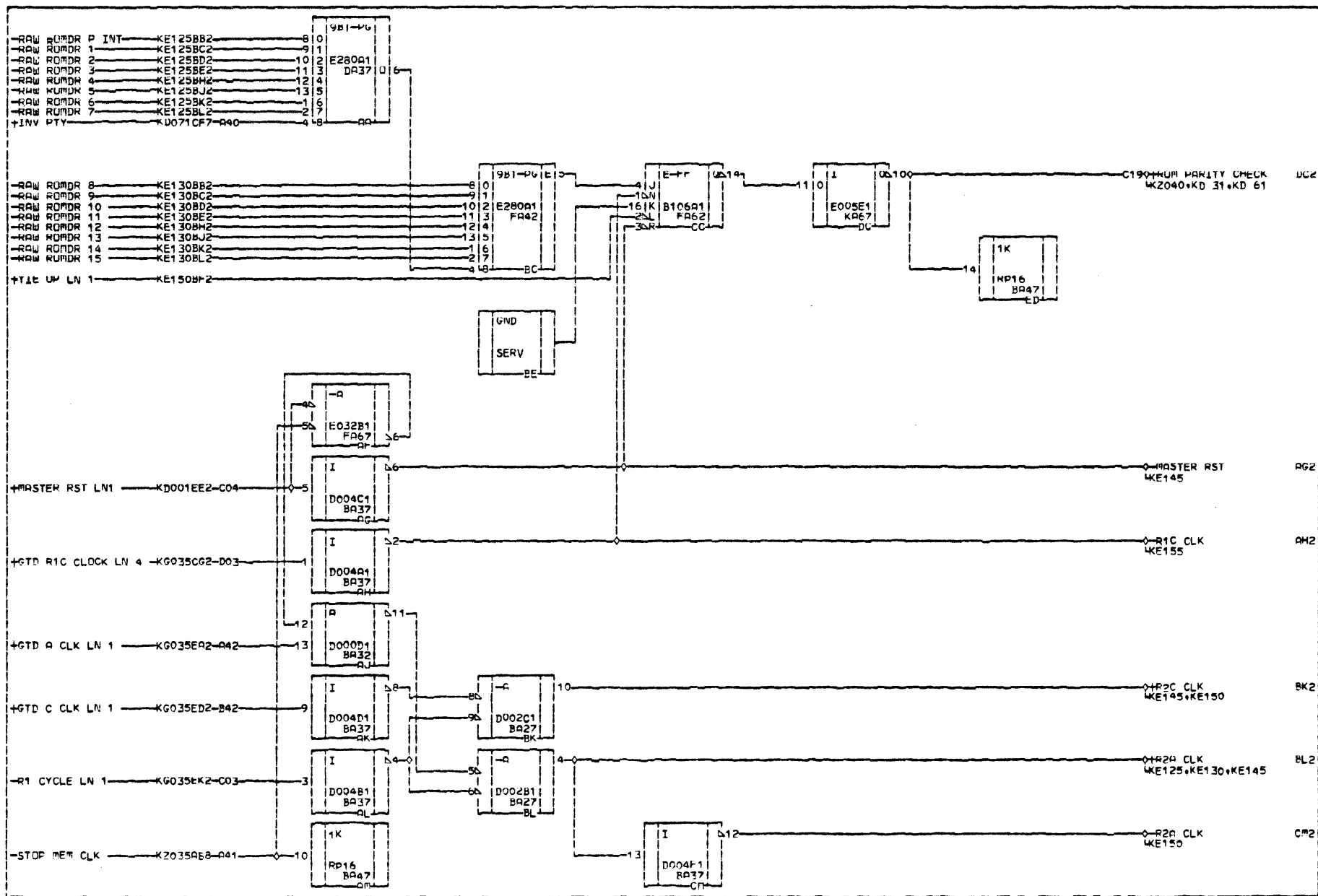
K
 E
 1
 3
 0

**NOTE: THE MATCHING NUMBERS IN THE LEFT COLUMN INDICATE THAT THE FOUR INPUTS ARE DOTTED TOGETHER AND THE MATCHING NUMBER IN THE RIGHT COLUMN IS THEIR OUTPUT.



ROM DATA REGISTER BITS 8 THRU 15			
REV	PAGE	REFS	SYSTEM PAGE
E.C. 44107	43435005-4	4	FLYER EC 34521
			WIRING METHOD: PC DATE
			PRES. E.C. 44032
			PREV. E.C. 44018
			MACHINE: S1935
			CD. LUC. E2
			PG. P.N. 43405003-5

K
 E
 1
 3
 0



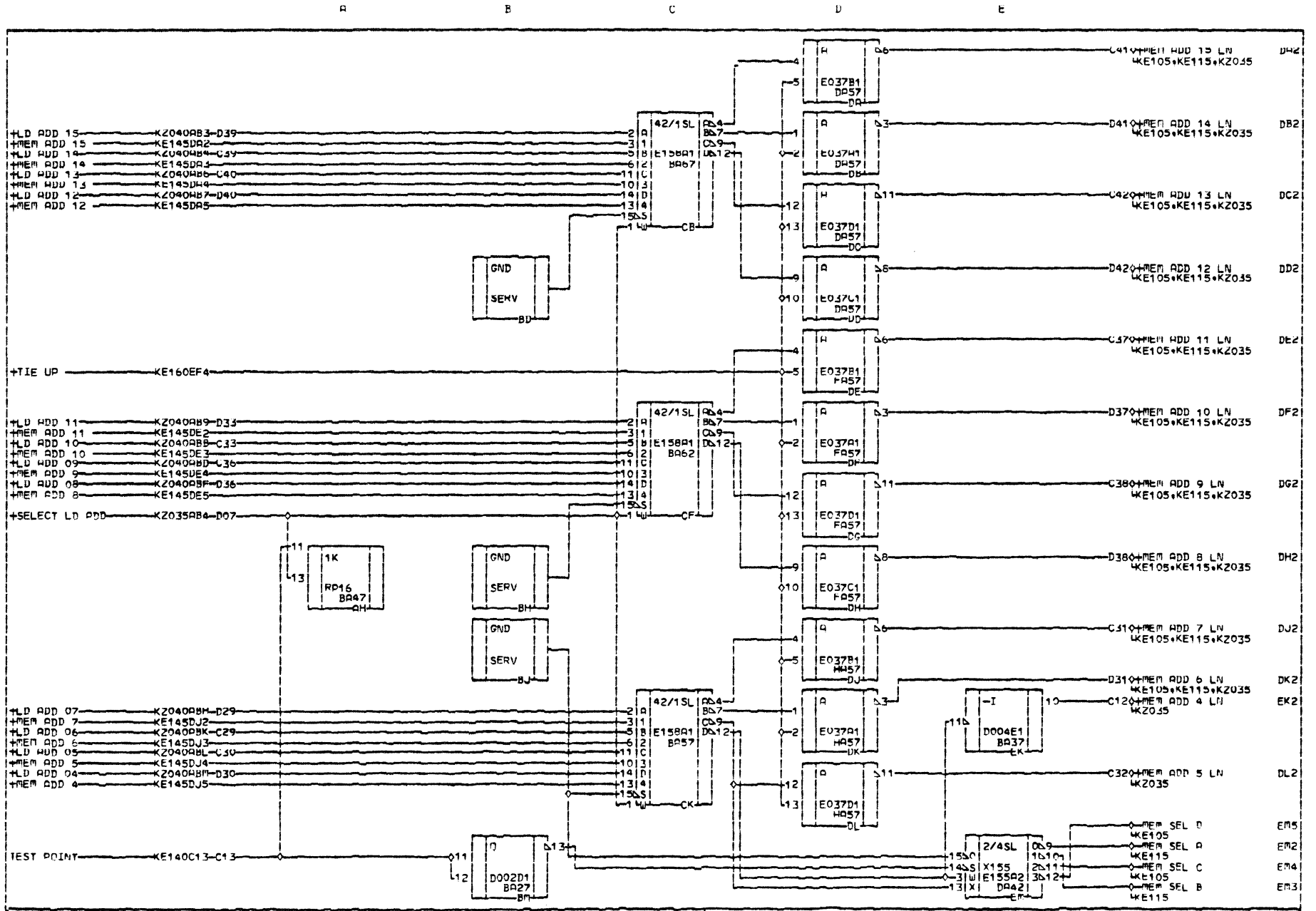
K
E
1
3
5



RUM PARITY CHECK AND CLOCK POWERING

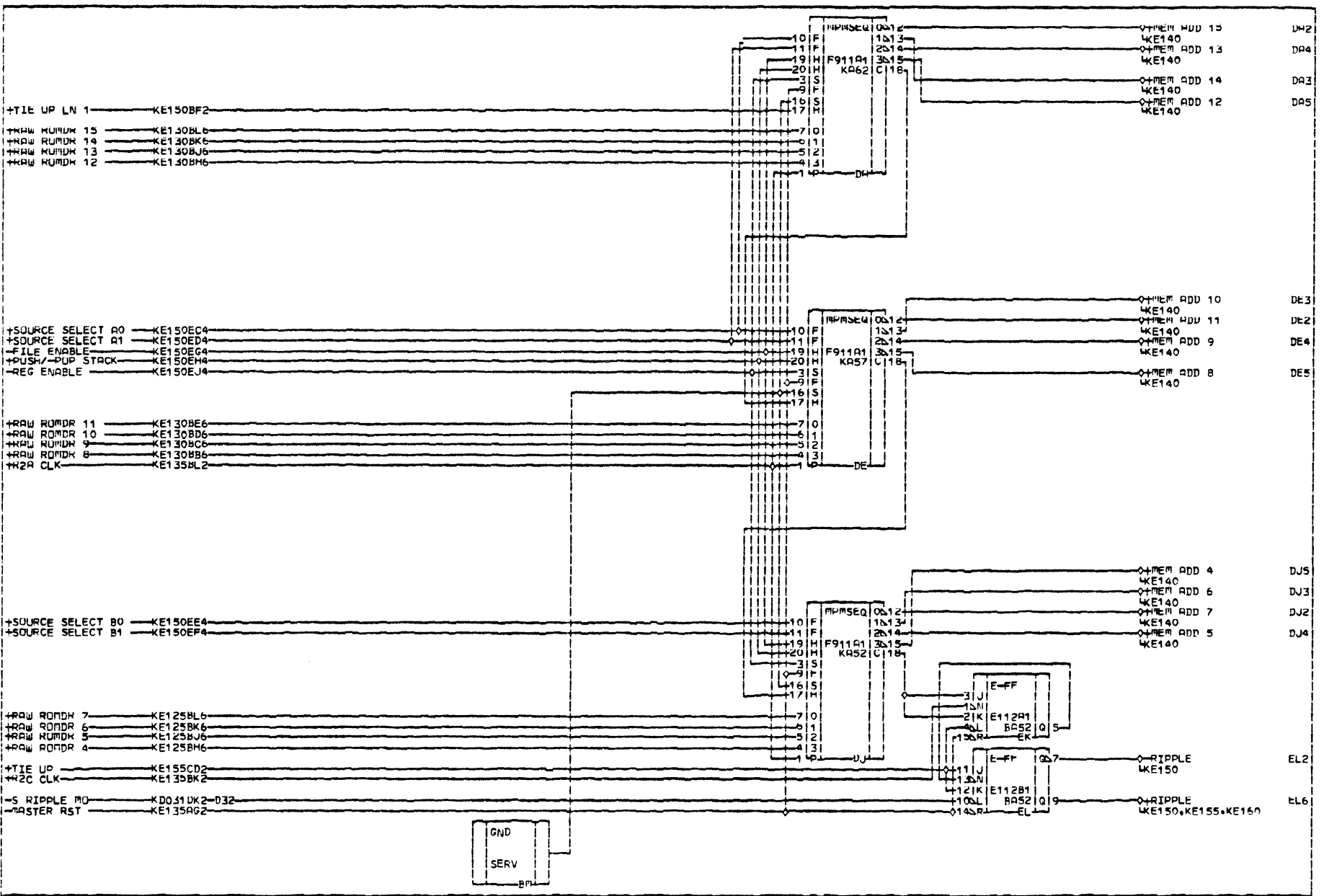
AM PAGE REFS PAGE 43435006-2 E.C. 44107	SYSTEM PAGE FLYEN EC 34521 WIRING METHOD: DC	PRES. E.C. 44032 PREV. E.C. 44018 DATE 5/15/80	MACHINE: S1975 ICD. LUC. E2 PG. P.N. 43405004-3
---	--	--	---

K
E
1
3
5

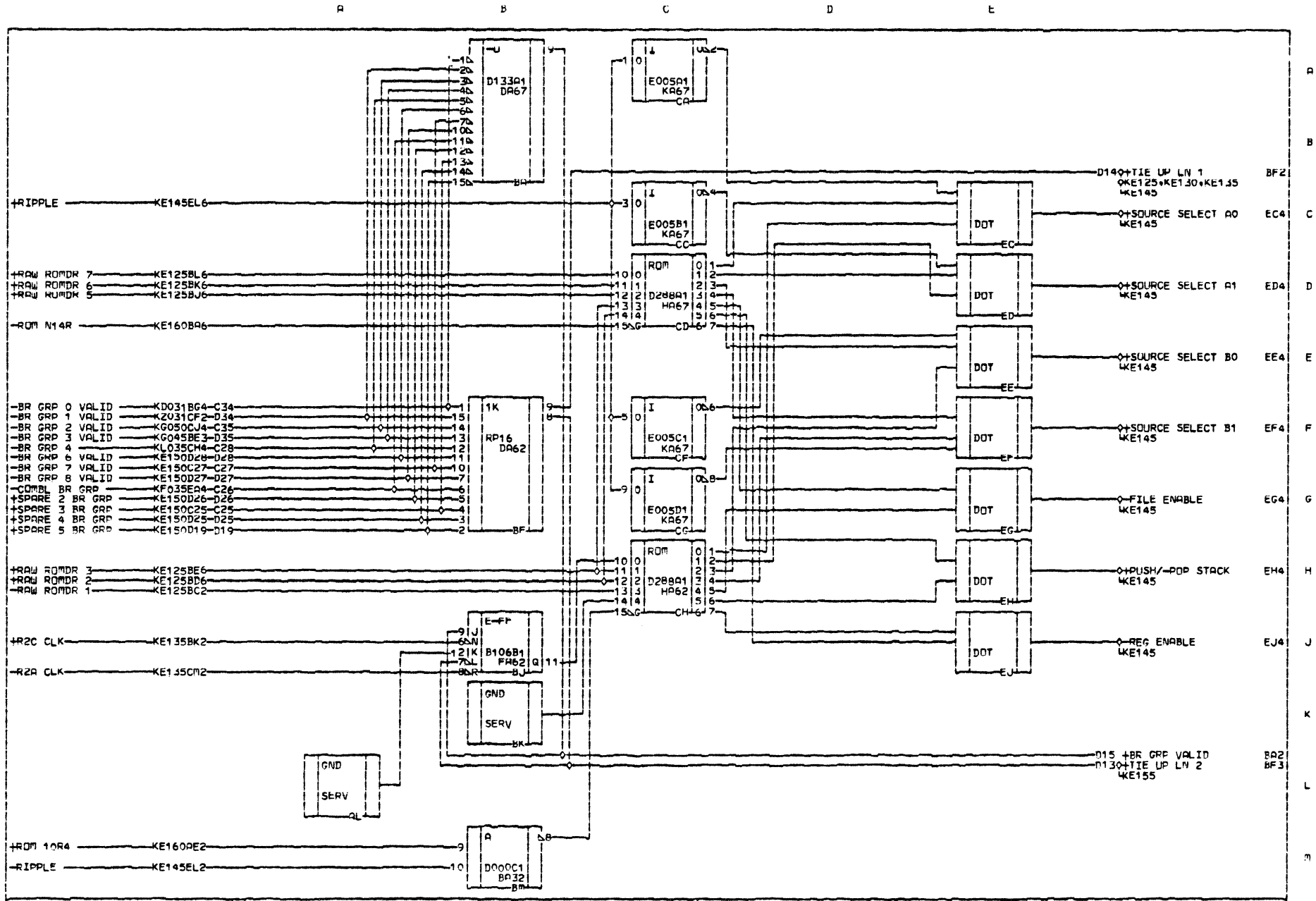


K E 1 4 0	STC	MEMORY ADDRESS DECODING				K E 1 4 0
		AM PAGE REFS	SYSTEM PAGE	REFS: E.C. 44032	MACHINE: S1935	
		PAGE 43435007-0	FLYER EC 34521	PREV: E.C. 44018	CD: LOC. E2	
		E.C. 44107	WIRING METHOD: PC	DATE 5/15/80	PG. P.n. 43405005-0	

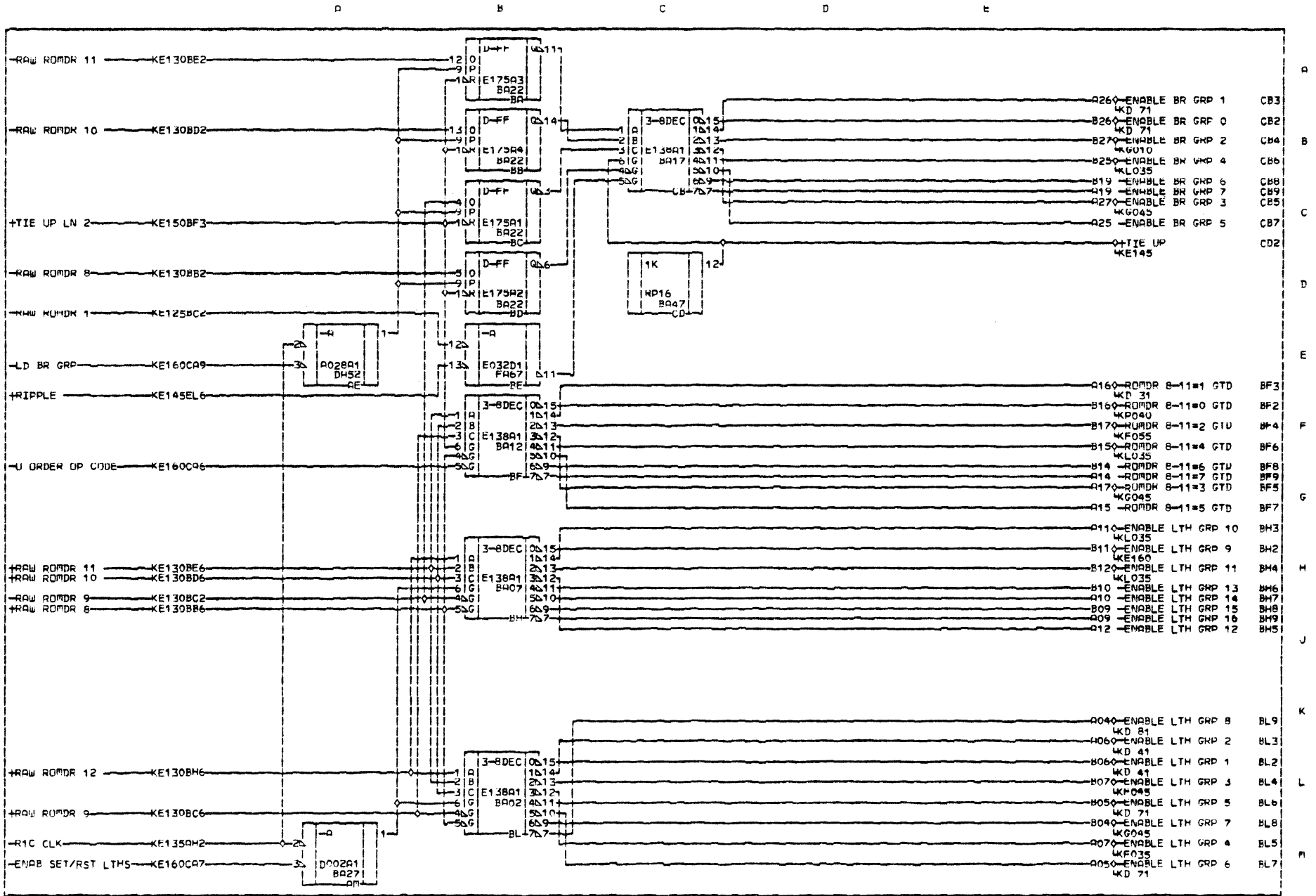
A B C D E



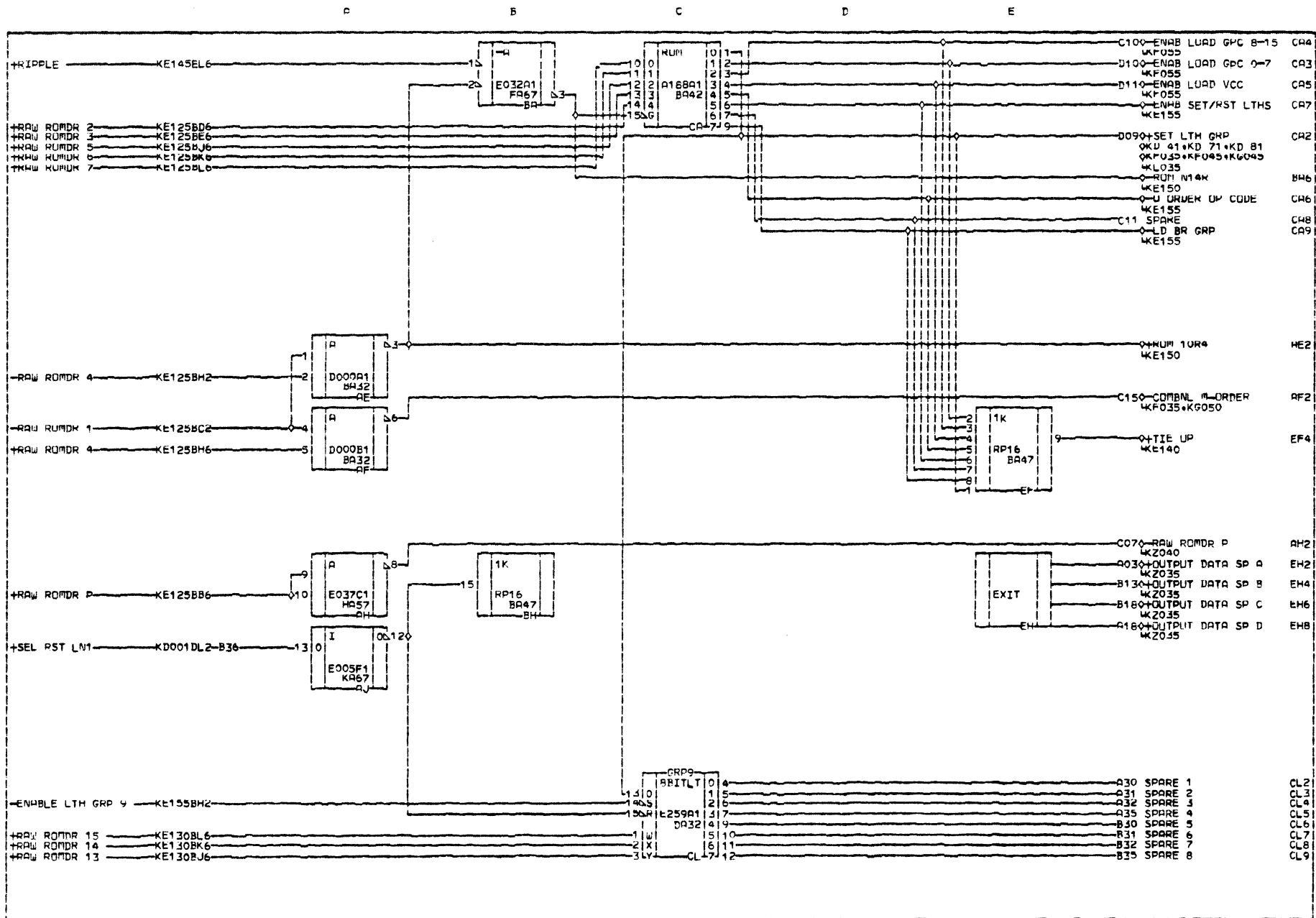
K E 1 4 5	STC				MICROPROGRAM ADDRESS SEQUENCER				K E 1 4 5			
	CM	PAGE	REFS	SYSTEM	PAGE	PREL.	E.C.	44032		MACHINE:	51935	
				PLYER	EC	34521	PREV.	E.C.		44018	CO. LINC	E2
				E.C.	44107	WIRING METHOD:	PC	DATE		5/15/80	Pg. No.	43405006-8



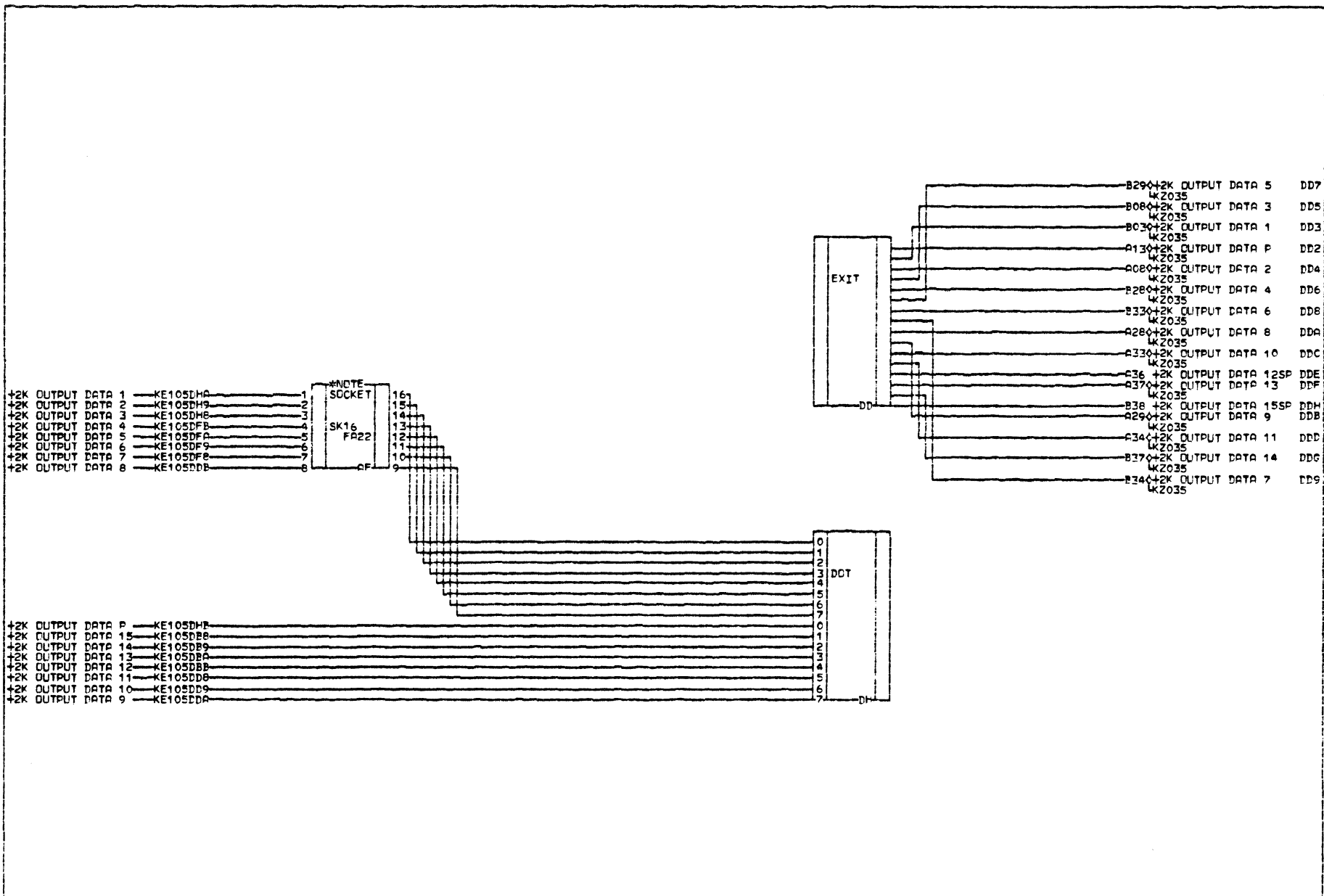
K E 1 5 0	STC				OP-CODE ENCODER AND BRANCH DETECTION				K E 1 5 0	
	- AM PAGE REFS	- SYSTEM PAGE	- DRES. E.C. 44240	- FLYEN EC 34521		- PREV. E.C. 44032		- MACHINE: S1935		
	E.C. 44240	WIRING METHOD: PC	DATE: 5/15/80					CU. LOC. E2 PG. P.No. 43405012-6		



K E 1 5 5	STC				BRANCH GROUP MICRO-ORDER AND ADD LATCH DECODE				K E 1 5 5
	- AM PAGE REFS -		- SYSTEM PAGE -		- PRES. E.C. 44032		- MACHINE: S1935		
	PAGE 4343010-4		FLYER EC 34521		PREV. E.C. 44018		CD. LOC. E2		
	E.C. 44107		WIRING METHOD: PC		DATE 5/15/80		PG. P.n. 43405008-4		



K E L O					OP CODE DECODE				K E L O
	- AM PAGE REFS -		- SYSTEM PAGE -		- DRAFS, E.C. 44032 -		- MACHINE: 51935 -		
	PAGE 43435011-2		FLYER EC 34521		PREV. E.C. 44018		CD. LUC. E2		
	E.C. 44107		WIRING METHOD: PC		DATE 5/15/80		PG. P.N. 43405009-2		



A
B
C
D
E
F
G
H
J
K
L
P

NOTE: THE OUTPUT TABS SHOWN ON THIS PAGE ARE RESERVED FOR INTERNAL ENGINEERING USE
 *NOTE: SOCKET IS USED ON 400 LVL CARD ONLY FOR CARD TESTABILITY.



RESERVED DATA LINES			
AM PAGE REFS -	SYSTEM PAGE	PRES. F.C. 44511	MACHINE: S1935
PAGE 4016105019	FLYER EC 34595	PREV. F.C. 44240	CD. LCC. E2
E.C. 44556	WIRING METHOD: PC	DATE 5/04/81	PG. NO. 4016106-01-7

ASSEMBLY PARTS LIST

BOULEVARD

PRINT DATE	PAGE	E.C. NO.
10-20-82	1	44522

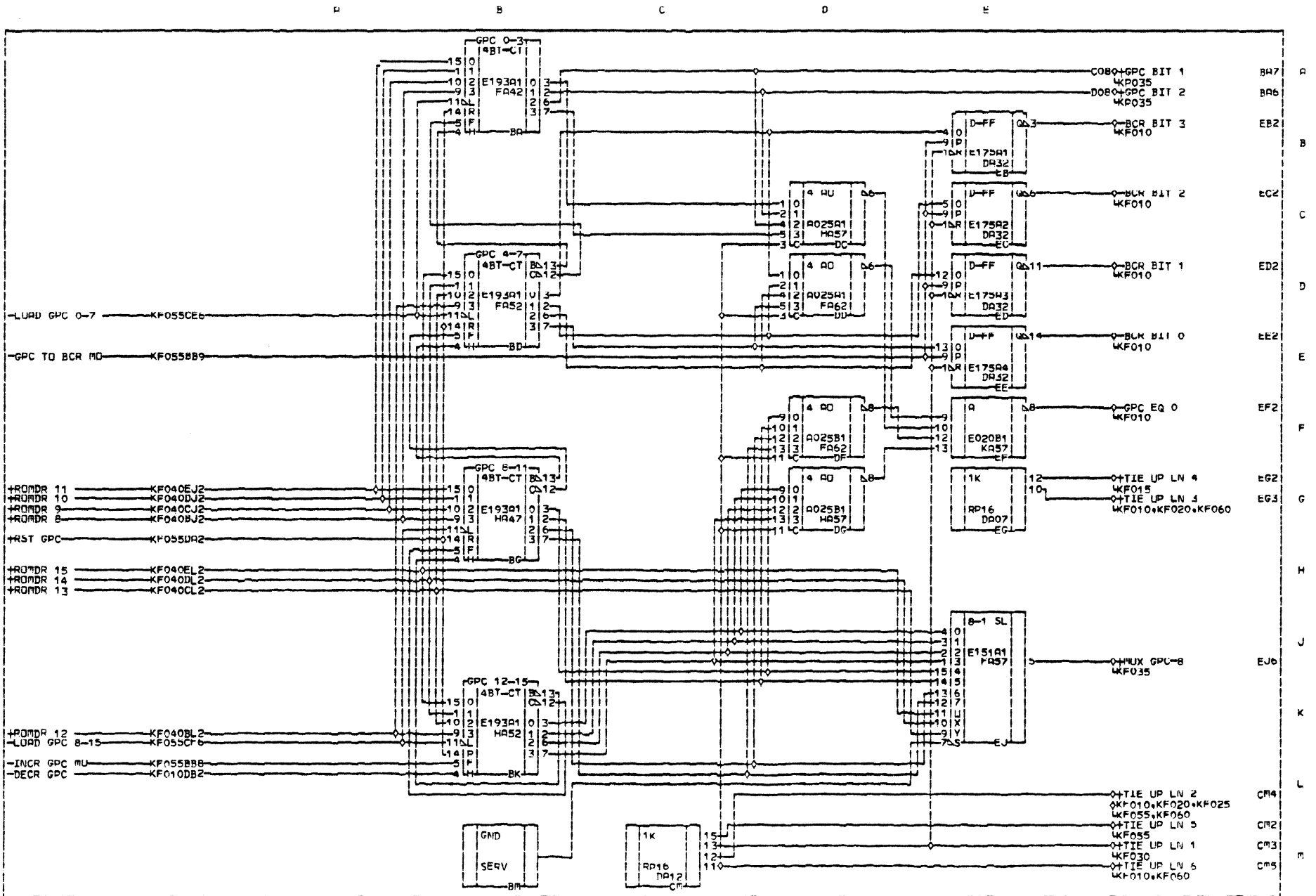
DIV.	ASSEMBLY NUMBER	CD	REV.	DWG.	DESCRIPTION	MC	STATUS	STATUS DATE	FILE DATE					
0500	401611301	3	A	N	SLG,KF,43306206/306,PC	N	REL	06-15-81	1985	06-17-81				
T FIND NO	LI	PART NUMBER	CD	M	QUANTITY	U/M	PART DESCRIPTION	MC	YLD	E.C. NO. IN	E.C. NO. OUT	S N	WK IN	WK OUT
001	01	401608001	4		REF	PC	CD LGC,KF,AM182,PC	D						
002	01	401610701	5		REF	PC	SYS LGC,KF005,PC	D						
003	01	43406001	8		REF	PC	SYS LGC,KF010,PC	D						
004	01	43406002	6		REF	PC	SYS LGC,KF015,PC	D						
005	01	43406012	5		REF	PC	SYS LGC,KF020,PC	D						
006	01	43406018	2		REF	PC	SYS LGC KF025 PC	D						
007	01	401610801	3		REF	PC	SYS LGC,KF030,PC	D						
008	01	43406019	0		REF	PC	SYS LGC KF 035 PC	D						
009	01	43406014	1		REF	PC	SYS LGC,KF040,PC	D						
010	01	43406015	8		REF	PC	SYS LGC,KF045,PC	D						
011	01	43406009	1		REF	PC	SYS LGC,KF050,PC	D						
012	01	401610901	1		REF	PC	SYS LGC, KF055,PC	D						
013	01	43406017	4		REF	PC	SYS LGC,KF 060,PC	D						
500	01	43306206	4		REF	PC	CKT CD,KF,PC ASSY	S						
501	01	43306306	2		REF	PC	CKT CD,KF,PC ASSY	S						
							0015 TOTAL LINES							

LLOC KA67	LLOC KA62	LLOC KA57	LLOC KA52	LLOC KA47	LLOC KA42	LLOC KA37	LLOC KA32	LLOC KA27	LLOC KA22	LLOC KA17	LLOC KA12	LLOC KA07	LLOC KA02
PN:IC:EA7	PN:IC:EA7	PN:IC:E020	PN:IC:E000	PN:IC:E279	PN:IC:E251	PN:IC:E244	PN:IC:E259	PN:IC:E367	PN:IC:E000	PN:IC:E054	PN:IC:E074	PN:IC:E251	PN:IC:
5 KF010APB 6 KF010AD2 7 KF060BC2 9	5 KF030EH2 6 KF010AD2 8 KF010AE2 9	5 KF030EH2 6 KF005EF2 11	3 KF020BE2 4 KF060CE2 8 KF055BE2 9 KF020DA2	4 KF060BE2 7 KF020DF2 11	6 KF035DH2 5 KF035DL4 7 KF035DL3 9 KF035DL2 11 KF035DK4 12 KF035DK1 13 KF035DK2	3 KF035NL5 5 KF035DL4 7 KF035BK1 8 KF035BK4 9 KF035BK5 11 KF035BK11 12 KF035BK4 13 KF035BK9	3 KF035NL5 5 KF035DL4 7 KF035BK1 8 KF035BK4 9 KF035BK5 11 KF035BK11 12 KF035BK4 13 KF035BK9	3 KF035NL5 5 KF035DL4 7 KF035BK1 8 KF035BK4 9 KF035BK5 11 KF035BK11 12 KF035BK4 13 KF035BK9	3 KF010BG2 5 KF010BF2 6 KF045EG2 11 KF020DC2	5 KF020RC2 6 KF035BA3 9	5 KF020RC2 6 KF035BA3 9	5 KF020RC2 6 KF035BA3 9	
8 PE2 16 GNDKJ68 +SVKA68	7 NE2 14 GNDK63 +SVKA63	7 ME2 14 GNDK56 +SVKA58	7 LE2 14 GNDK53 +SVKA53	8 KE2 16 GNDK48 +SVKA48	8 JE2 16 GNDK43 +SVKA43	10 HE2 16 GNDK38 +SVKA38	6 CE2 16 GNDK33 +SVKA33	8 FE2 16 GNDK28 +SVKA28	7 EE2 14 GNDK23 +SVKA23	7 DE2 14 GNDK18 +SVKA18	7 CE2 14 GNDK13 +SVKA13	8 BE2 16 GNDK08 +SVKA08	AE2 16 GNDK03 +SVKA03
LLOC HA67	LLOC HA52	LLOC HA57	LLOC HA52	LLOC HA47	LLOC HA42	LLOC HA37	LLOC HA32	LLOC HA27	LLOC HA22	LLOC HA17	LLOC HA12	LLOC HA07	LLOC HA02
PN:IC:E004	PN:IC:E051	PN:IC:A025	PN:IC:E193	PN:IC:E193	PN:IC:E004	PN:IC:E000	PN:IC:E074	PN:IC:E251	PN:IC:E008	PN:IC:E074	PN:IC:E010	PN:IC:E175	PN:IC:E251
2 KF040BL2 4 KF020CF2 6 KF040CL2 10 KF055DB2 12 KF045DU2	6 KF035BK2 8 KF010DB2	6 KF005DC2 8 KF005DC2	2 KF005BK6 3 KF005BK5 6 KF005BK7 7 KF005BK8 12 KF005BK12 13 KF005BK13	2 KF005BG6 3 KF005BG5 6 KF005BG7 7 KF005BG8 12 KF005BG12 13 KF005BG13	2 KF055AE2 3 KF035AE2 6 KF035AC2 8 KF035AH2 11 KF035AB2	3 KF010CB2 4 KF035AE2 8 KF035AC2 11 KF035AH2	5 KF030CG2 6 KF035BF3 8 KF030DG2	5 KF035BF3 6 KF035BF3 11	3 KF055BL6 6 KF020BF2 8 KF030AL6 9	5 KF020BF2 8 KF020BD2 12 KF020CA2	6 KF015DB2 8 KF020CC2 12 KF020CA2	6 KF015EC6 8 KF020CC2 12 KF015EC6	5 KF055B3 7 KF015EC6 11 14 15
7 ED2 14 GNDK68 +SVHA68	7 ND2 14 GNDK63 +SVHA63	7 PD2 14 GNDK56 +SVHA58	8 LD2 16 GNDK53 +SVHA53	8 KD2 16 GNDK48 +SVHA48	7 JD2 14 GNDK43 +SVHA43	7 MD2 14 GNDK38 +SVHA38	7 GD2 16 GNDK33 +SVHA33	8 FD2 16 GNDK28 +SVHA28	7 ED2 14 GNDK23 +SVHA23	7 DD2 14 GNDK18 +SVHA18	7 CD2 14 GNDK13 +SVHA13	8 BD2 16 GNDK08 +SVHA08	8 AD2 16 GNDK03 +SVHA03
LLOC FA67	LLOC FA62	LLOC FA57	LLOC FA52	LLOC FA47	LLOC FA42	LLOC FA37	LLOC FA32	LLOC FA27	LLOC FA22	LLOC FA17	LLOC FA12	LLOC FA07	LLOC FA02
PN:IC:E138	PN:IC:A025	PN:IC:E151	PN:IC:E193	PN:IC:E008	PN:IC:E193	PN:IC:E367	PN:IC:E042	PN:IC:E139	PN:IC:E074	PN:IC:E074	PN:IC:E365	PN:IC:E075	PN:IC:A017
7 KF055BB9 9 KF055BB8 10 KF055BB7 11 KF055BB6 12 KF055BB5 13 KF055BB4 14 KF055BB3 15 KF055BB2	5 KF005DD2 8 KF005DF2	6 KF005EJ6 12	2 KF005BD6 3 KF005BD5 6 KF005BD7 7 KF005BD8 11 KF005BD11 12 KF005BD12 13 KF005BD13	3 KF005BE6 4 KF005BE5 6 KF005BE7 7 KF005BE8 11 KF005BE11 12 KF005BE12 13 KF005BE13	2 KF055AE2 3 KF005BA5 6 KF005BA7 7 KF005BA8 11 KF040CE2	3 KF040CG2 5 KF040CD3 7 KF040CD4 8 KF010BB5 9 KF055CF8 11	5 KF030BL3 6 KF030BL4 8 KF030BL4 9 KF030CL3 11 KF030CL4 12 KF030CL2	5 KF030BL3 6 KF030BL4 8 KF030BL4 9 KF030CL3 11 KF030CL4 12 KF030CL2	6 KF030AG2 8 KF030BG2 9 KF020BA6	5 KF040CB2 6 KF020AA2 8 KF040CB4 9 KF040CB5 10 KF040CB6 11 KF015CJ2 12 KF040CB6 13 KF015CE2 14 KF015CE6	8 KF015CL2 9 KF045EJ6 10 KF015DL6 11 KF015CE2 12 KF015CE6	8 KF015CE6 10 KF015DL6 11 KF015CE2 12 KF015CE6	1 KF015DC6 2 KF015DE6 5 KF045EJ6 8 KF015DL6 9 KF015DL6 10 KF015DL6 11 KF015DL6 12 KF015DL6 13 KF015DL6 14 KF015DL6 15 KF015DL6
8 PC2 16 GNDFH6 +SVFA70	7 NC2 14 GNDFH6 +SVFA65	8 MC2 16 GNDFH6 +SVFA60	8 LC2 16 GNDFH5 +SVFA55	7 KC2 14 GNDFH4 +SVFA50	8 JC2 16 GNDFH4 +SVFA45	8 HC2 16 GNDFH3 +SVFA40	7 GC2 14 GNDFH3 +SVFA35	8 FC2 16 GNDFH2 +SVFA30	7 EC2 14 GNDFH2 +SVFA25	7 DC2 14 GNDFH1 +SVFA20	8 CC2 16 GNDFH1 +SVFA15	12 BC2 14 GNDFH0 +SVFA10	7 AC2 14 GNDFH0 +SVFA05
LLOC DA67	LLOC DA62	LLOC DA57	LLOC DA52	LLOC DA47	LLOC DA42	LLOC DA37	LLOC DA32	LLOC DA27	LLOC DA22	LLOC DA17	LLOC DA12	LLOC DA07	LLOC DA02
PN:IC:A016	PN:IC:A016	PN:IC:E259	PN:IC:E193	PN:IC:G002	PN:IC:E193	PN:IC:E008	PN:IC:E175	PN:IC:E138	PN:IC:E086	PN:IC:E193	PN:IC:RP16	PN:IC:RP16	PN:IC:E002
2 KF050BL2 4 KF050CL2 6 KF050DL2 8 KF050ED2 10 KF025DC2 12 KF050EL2	2 KF050BJ2 4 KF050CJ2 6 KF050DJ2 8 KF050EJ2	4 KF045CF2 3 KF020CL5 6 KF045CF4 7 KF045CF5 9 KF045CF6 10 KF045CF7 11 KF045CF8 12 KF045CF9	2 KF020CL5 3 KF020CL5 6 KF020CL7 7 KF020CL8 12 KF020CH3 13 KF020CH2	9 KF020EJ5 10 KF020CH6 11 KF020CH7 12 KF020CH3 13 KF020CH2	2 KF020CH6 3 KF030AJ6 6 KF005EB2 7 KF030AJ6 11 KF020CH3 12 KF020CH2	3 KF030AJ6 6 KF005EB2 7 KF030AJ6 11 KF005ED2 12 KF005EE2 15	7 KF030AJ6 8 KF030CB6 10 KF030CE6 11 KF025DK2 12 KF025DK4 13 KF025DK3 14 KF025DK3 15 KF025DK2	7 KF030CA6 8 KF030CB6 10 KF030CE6 11 KF025DK2 12 KF025DK4 13 KF025DK3 14 KF025DK3 15 KF025DK2	* NONE * * NONE * * ONLY * * UNUSED * * PINS *	* NONE * * NONE * * ONLY * * UNUSED * * PINS *	* NONE * * NONE * * ONLY * * UNUSED * * PINS *	* NONE * * NONE * * ONLY * * UNUSED * * PINS *	1 KF030DA2 4 KF030DB2 10 KF030DD2 13 KF030DE2
7 PB2 14 GNDH6 +SVDA70	7 NB2 14 GNDH6 +SVDA65	8 MB2 16 GNDH5 +SVDA60	8 LB2 16 GNDH5 +SVDA55	8 KB2 16 GNDH4 +SVDA50	8 JB2 16 GNDH4 +SVDA45	7 HB2 14 GNDH3 +SVDA40	8 GB2 16 GNDH3 +SVDA35	8 FB2 16 GNDH2 +SVDA30	7 EB2 14 GNDH2 +SVDA25	8 DB2 16 GNDH1 +SVDA20	16 CB2 16 GNDH1 +SVDA15	16 BB2 16 GNDH0 +SVDA10	14 AB2 16 GNDH0 +SVDA05
LLOC BA67	LLOC BA62	LLOC BA57	LLOC BA52	LLOC BA47	LLOC BA42	LLOC BA37	LLOC BA32	LLOC BA27	LLOC BA22	LLOC BA17	LLOC BA12	LLOC BA07	LLOC BA02
PN:IC:A016	PN:IC:A016	PN:IC:A016	PN:IC:A016	PN:IC:E037	PN:IC:E004	PN:IC:A016	PN:IC:C064	PN:IC:J437	PN:IC:C004	PN:IC:D074	PN:IC:E352	PN:IC:E352	PN:IC:E352
2 KF050BG2 4 KF050CG2 6 KF050DG2 8 KF050EG2 10 KF045EC2 12 KF050EG2	2 KF050BE2 4 KF050CE2 6 KF050DE2 8 KF045EA2 10 KF045EB2 12 KF050EE2	2 KF050BE2 4 KF050CE2 6 KF050DE2 8 KF045EA2 10 KF045EB2 12 KF050EE2	2 KF050BE2 4 KF050CE2 6 KF050DE2 8 KF045EA2 10 KF045EB2 12 KF050EE2	4 KF040EL2 6 KF045J2 8 KF055J2 10 KF040EJ2 12 KF040DJ2	4 KF040EL2 6 KF045J2 8 KF055J2 10 KF040EJ2 12 KF040DJ2	4 KF040EL2 6 KF045J2 8 KF055J2 10 KF040EJ2 12 KF040DJ2	4 KF040EL2 6 KF045J2 8 KF055J2 10 KF040EJ2 12 KF040DJ2	4 KF040EL2 6 KF045J2 8 KF055J2 10 KF040EJ2 12 KF040DJ2	4 KF040EL2 6 KF045J2 8 KF055J2 10 KF040EJ2 12 KF040DJ2	4 KF040EL2 6 KF045J2 8 KF055J2 10 KF040EJ2 12 KF040DJ2	4 KF040EL2 6 KF045J2 8 KF055J2 10 KF040EJ2 12 KF040DJ2	4 KF040EL2 6 KF045J2 8 KF055J2 10 KF040EJ2 12 KF040DJ2	4 KF040EL2 6 KF045J2 8 KF055J2 10 KF040EJ2 12 KF040DJ2
7 PA2 14 GNDH6 +SVBA70	7 NA2 14 GNDH6 +SVBA65	7 MA2 14 GNDH5 +SVBA60	7 LA2 14 GNDH5 +SVBA55	7 KA2 14 GNDH4 +SVBA50	7 JA2 14 GNDH4 +SVBA45	7 HA2 14 GNDH3 +SVBA40	7 GA2 14 GNDH3 +SVBA35	7 FA2 14 GNDH2 +SVBA30	7 EA2 14 GNDH2 +SVBA25	7 DA2 14 GNDH1 +SVBA20	8 CA2 16 GNDH1 +SVBA15	8 BA2 16 GNDH0 +SVBA10	8 AA2 16 GNDH0 +SVBA05

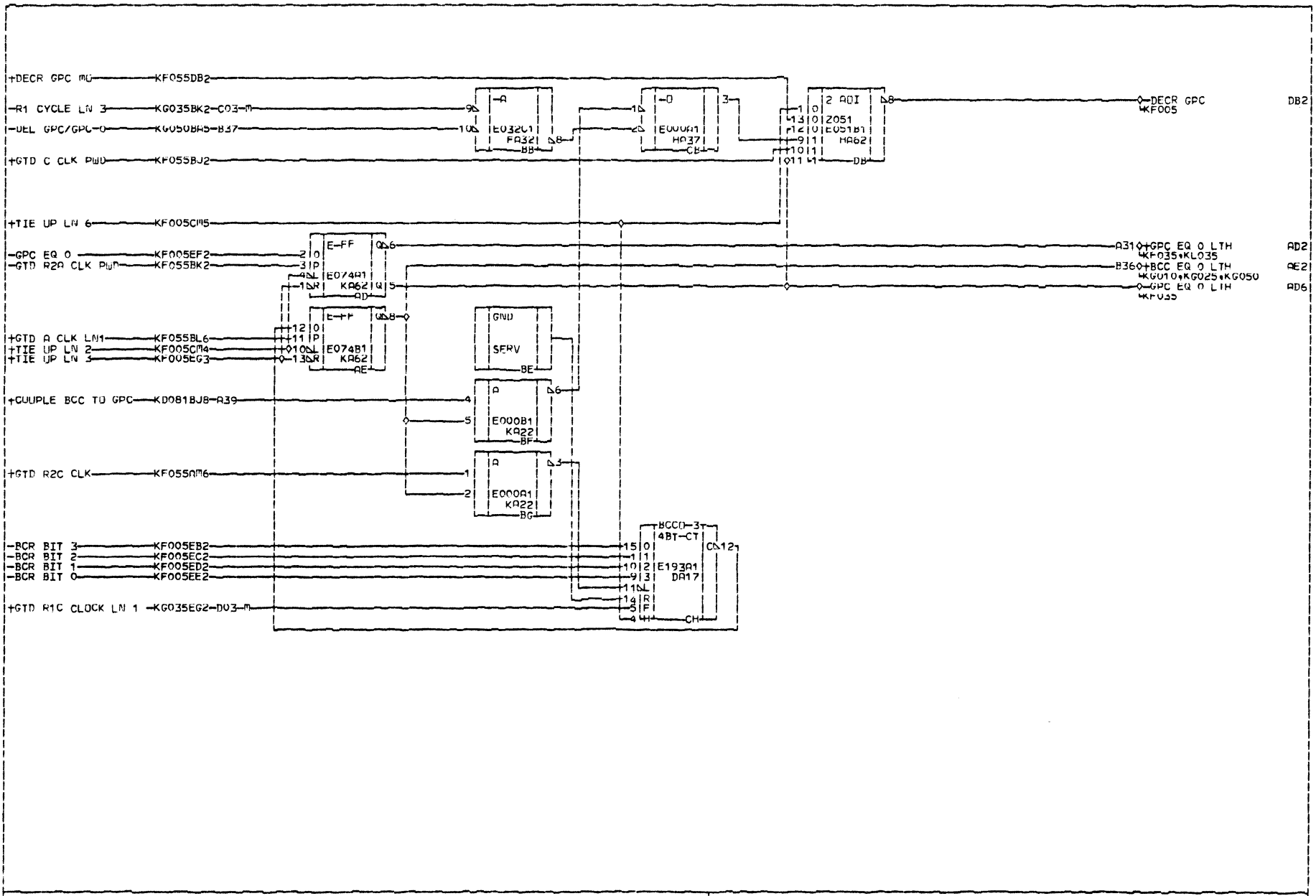
INDEX: 12 PAGE(S)
1 KF005 4016080014 44522
2 KF010 43436003-6 44105
3 KF015 43436004-6 44105
4 KF020 43436005-3 44105
5 KF025 43436006-1 44105

PAGE CRD PG P/N EC LEVEL	PAGE CRD PG P/N EC LEVEL	PAGE CRD PG P/N EC LEVEL
KF030 4016082010 44522	KF035 43436007-7 44105	KF055 4016083018 44522
KF040 43436009-6 44105	KF045 43436010-3 44105	KF060 43436013-7 44105
KF050 43436011-1 44105		

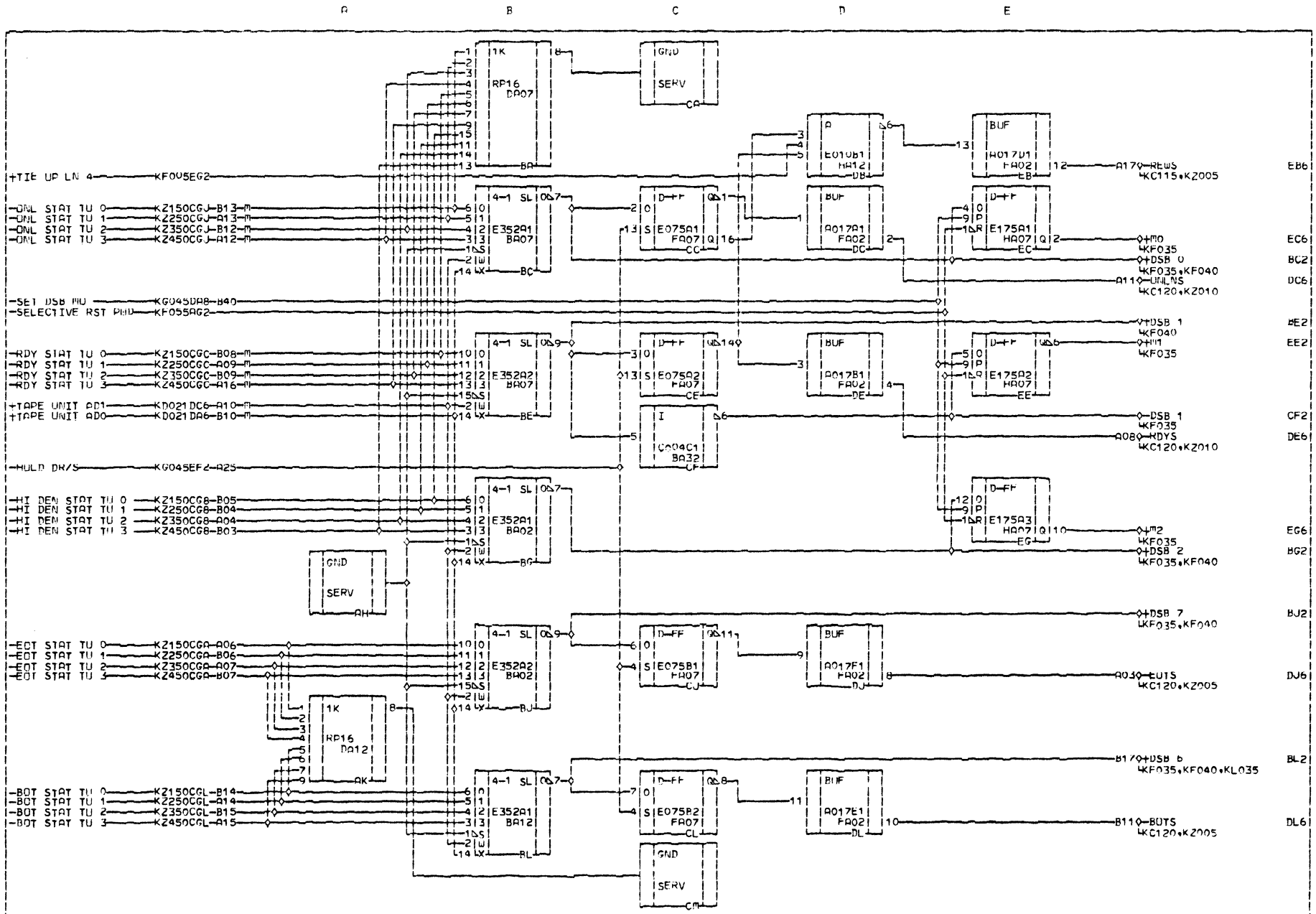
PRESENT EC 44522	DATE 4/29/81	CD PN 43306306-2
PREV EC 44162	PAGE PN 4016080014	CD TYPE KF
	FLEVEL 34595	



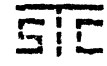
K P O S	STC				GPC 0-15		K P O S
	3M DATA REFS	SYSTEM PAGE	ERRS: E.C. 44522	MACHINEF: 51935			
	PAGE 4015080014	FLYER E.C. 34595	PREV: E.C. 44152	CD: LUC: P2			
	E.C. 44522	WIRING METHOD: PC	DATE 5/04/81	PG. P.N. 4016107015			



K F 0 1 0	STC	GPC CONTROL & THRESHOLDS				K F 0 1 0
		- DR PAGE REFS - PAGE 43436003-8 E.C. D3008	- SYSTEM PAGE - FLYER EC PROTUTYP WIRING METHOD: PC	PRES. E.C. 44018 PREV. E.C. DATE 11/01/79	MACHINE: S1935 CD. LOC. F2 PG. P.N. 43406001-8	

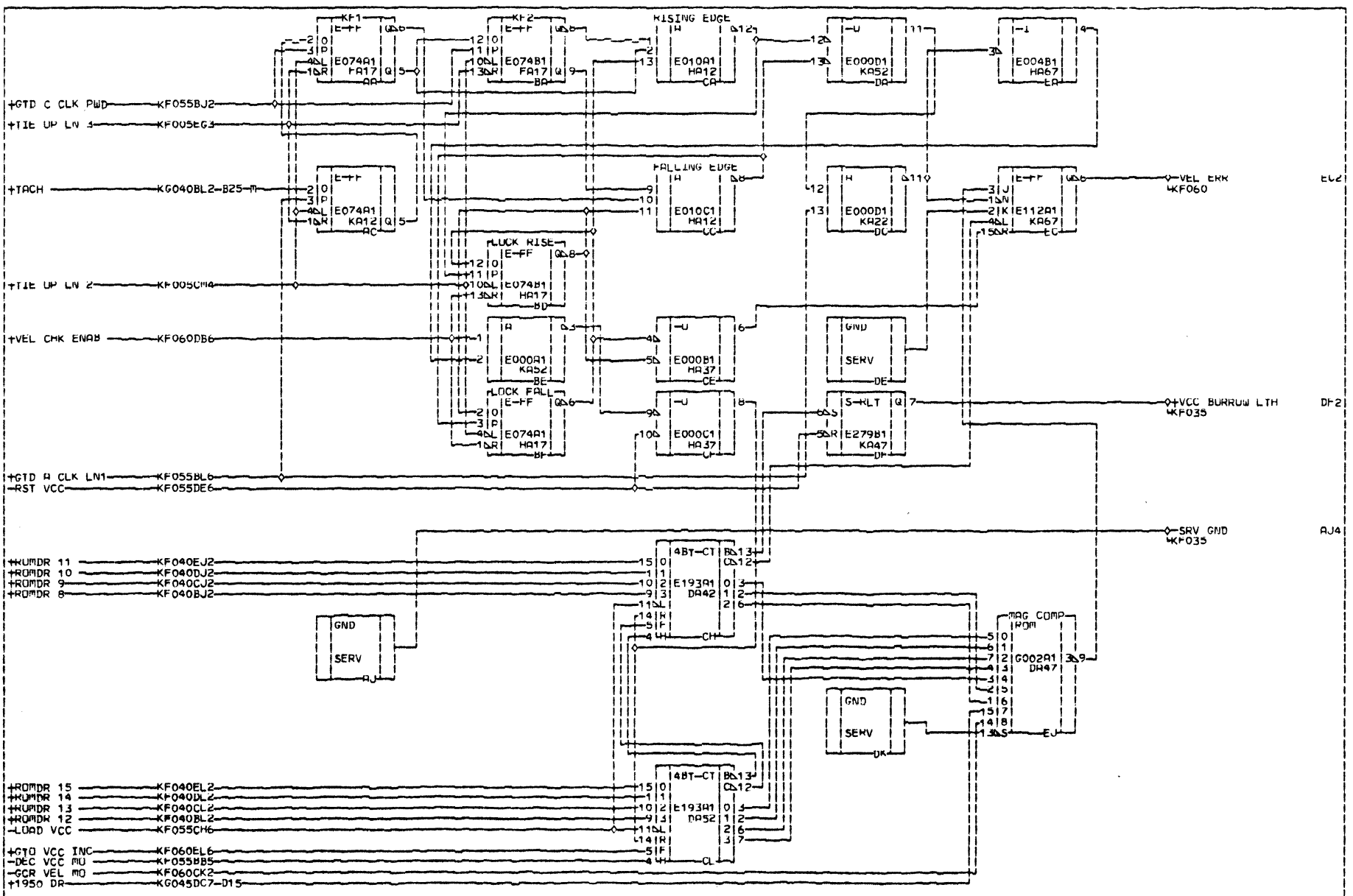


K
F
C
1
5



STATUS FROM DRIVES			
DR	PAGE	REFS	SYSTEM PAGE
PAGE	43436004-6	FLYER EC PROTUTYP	PREV. E.C. 44018
E.C.	D3062	WIRING METHOD: PC	DATE 11/01/79
MACHINE:	S1935	CD:	LDC F2
PG. P.N.	43406002-6		

K
F
C
1
5

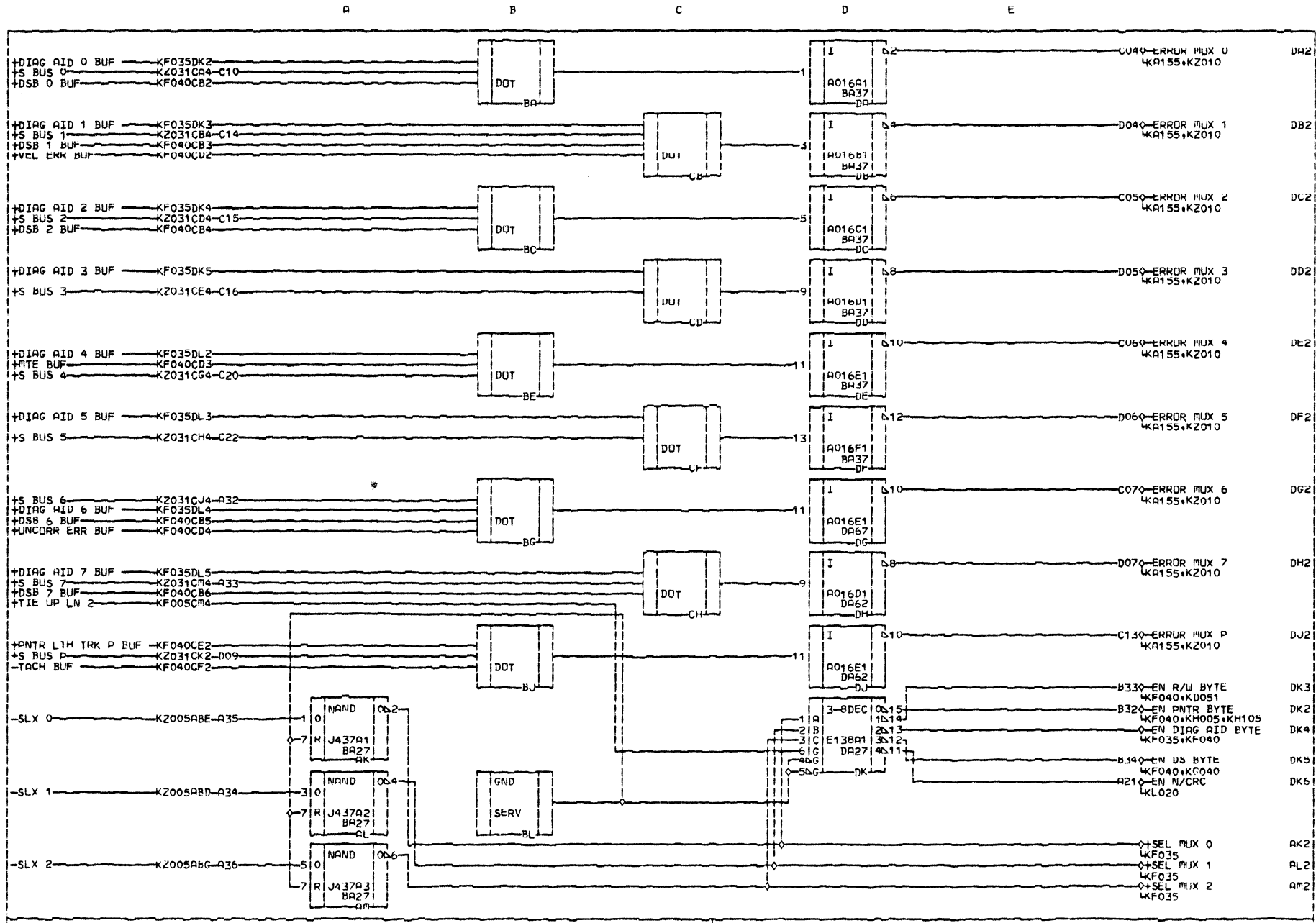


K
F
0
2
0



- AM PAGE REFS PAGE 43436005-3 E.C. 44105	- SYSTEM PAGE FLYER EC 34521 WIRING METHOD:	- PRES. E.C. 44162 PREV. E.C. 44018 DATE 3/5/80	MACHINE: S1935 LD. LUC. F2 PG. P.N. 43406012-5
---	---	---	--

K
F
0
2
0

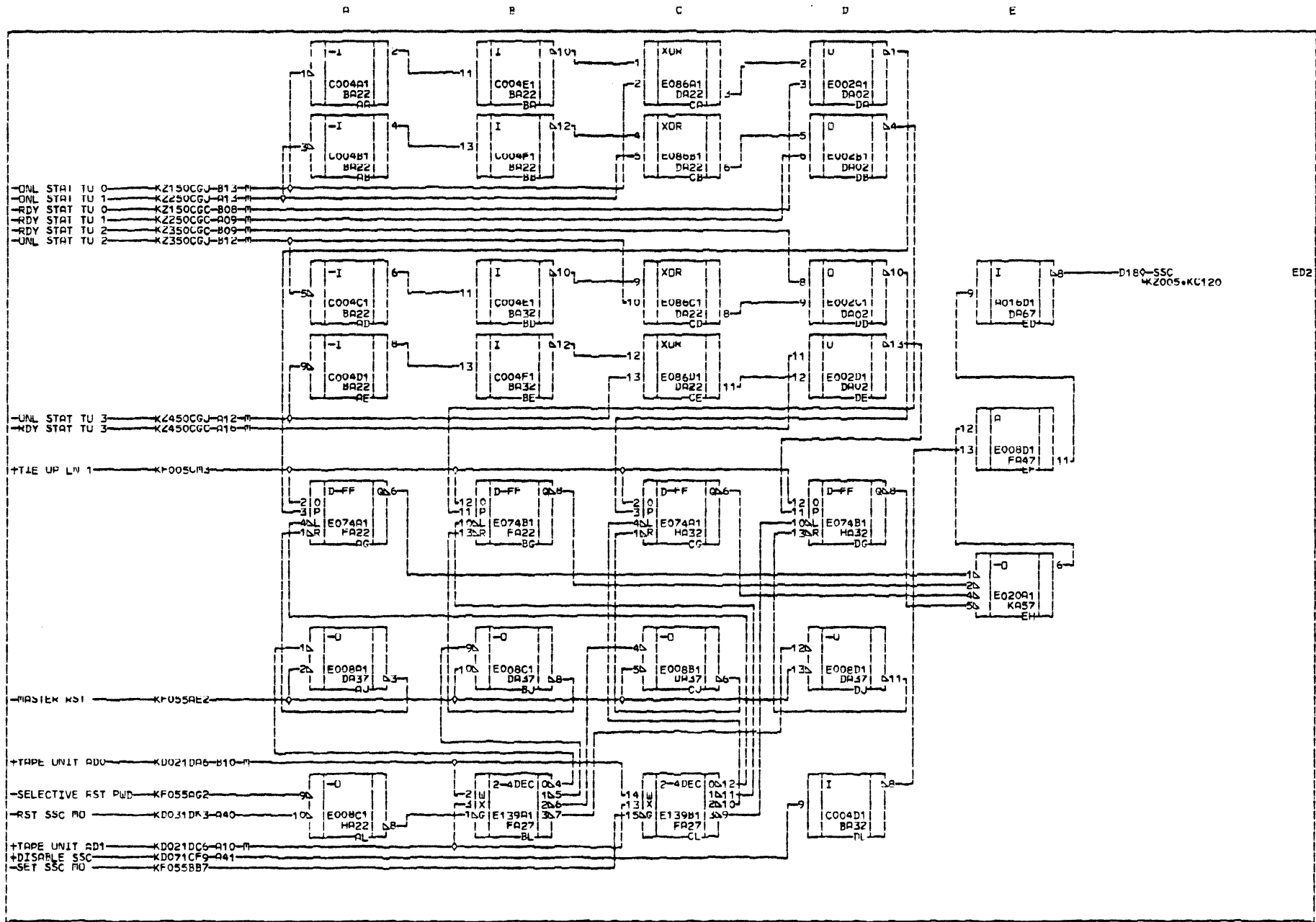


K
F
0
2
5

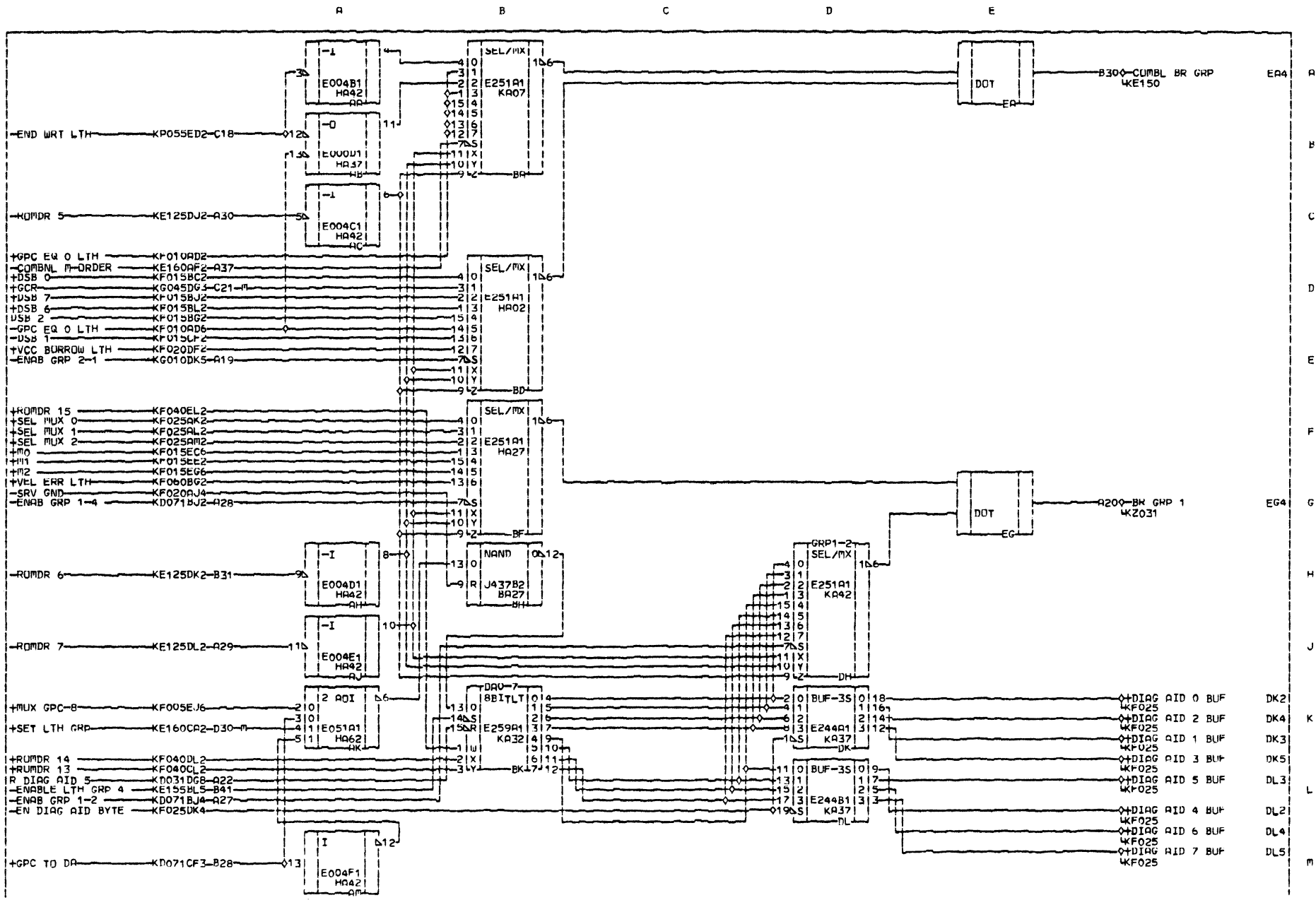


ERROR AID SENSE BUS PD-7

AM	PAGE	REFS	SYSTEM	PAGE	PRES.	E.C.	44018	MACHINE:	S1935	K
PAGE	4346006-1	1	FLYER	EC 34521	PREV.	E.C.	44018	CI.	LOC. F2	F
E.C.	44105		WIPING	METHOD:	DC	DATE	3/12/80	PG.	P.N.	43406018-2
										5



K 3 0		SLAVE STATUS CHANGE			K F J J 0	
		AM PAGE REFS	SYSTEM PAGE	PREV. E.C. 44522		MACHINE: S1935
		PAGE 4016082010	FLYER EC 34595	PREV. E.C. 44018		CD. LUG. F2
		E.C. 44522	WIRING METHOD: FC	DATE 5/04/81	FG. P.N. 4016108013	



K
F
O
3
5

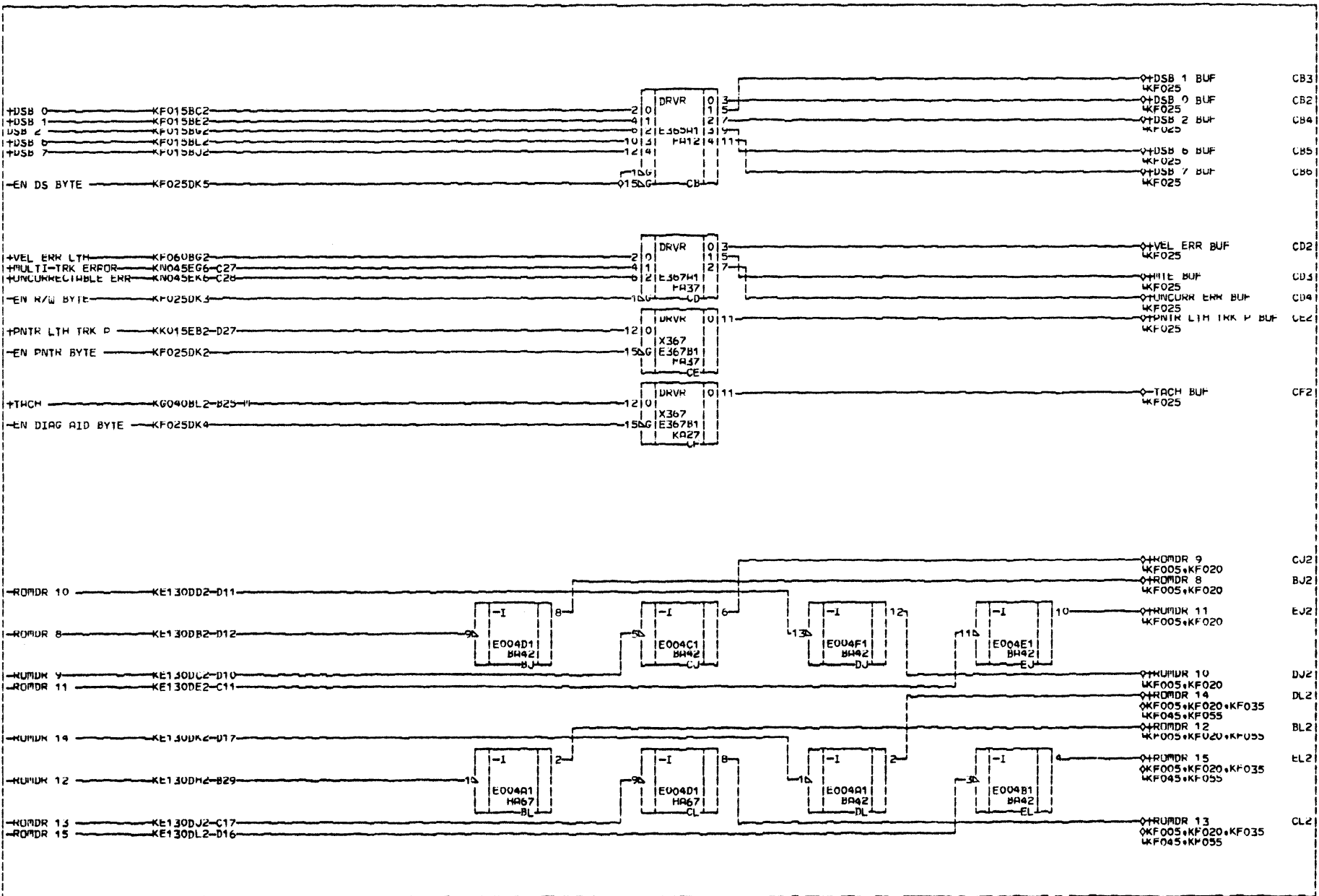
STC

BRANCH GRPS & DIAG AID BITS

- AM PAGE REFS	- SYSTEM PAGE	- PRES. E.C. 44170	- MACHINE: S1935
PAGE 43436008-7	FLYER EC 34521	PREV. E.C. 44162	ICD LOC. P2
E.C. 44105	WIRING METHOD: PC	DATE 3/26/80	PG. No. 43406013-0

K
F
O
3
5

A B C D E



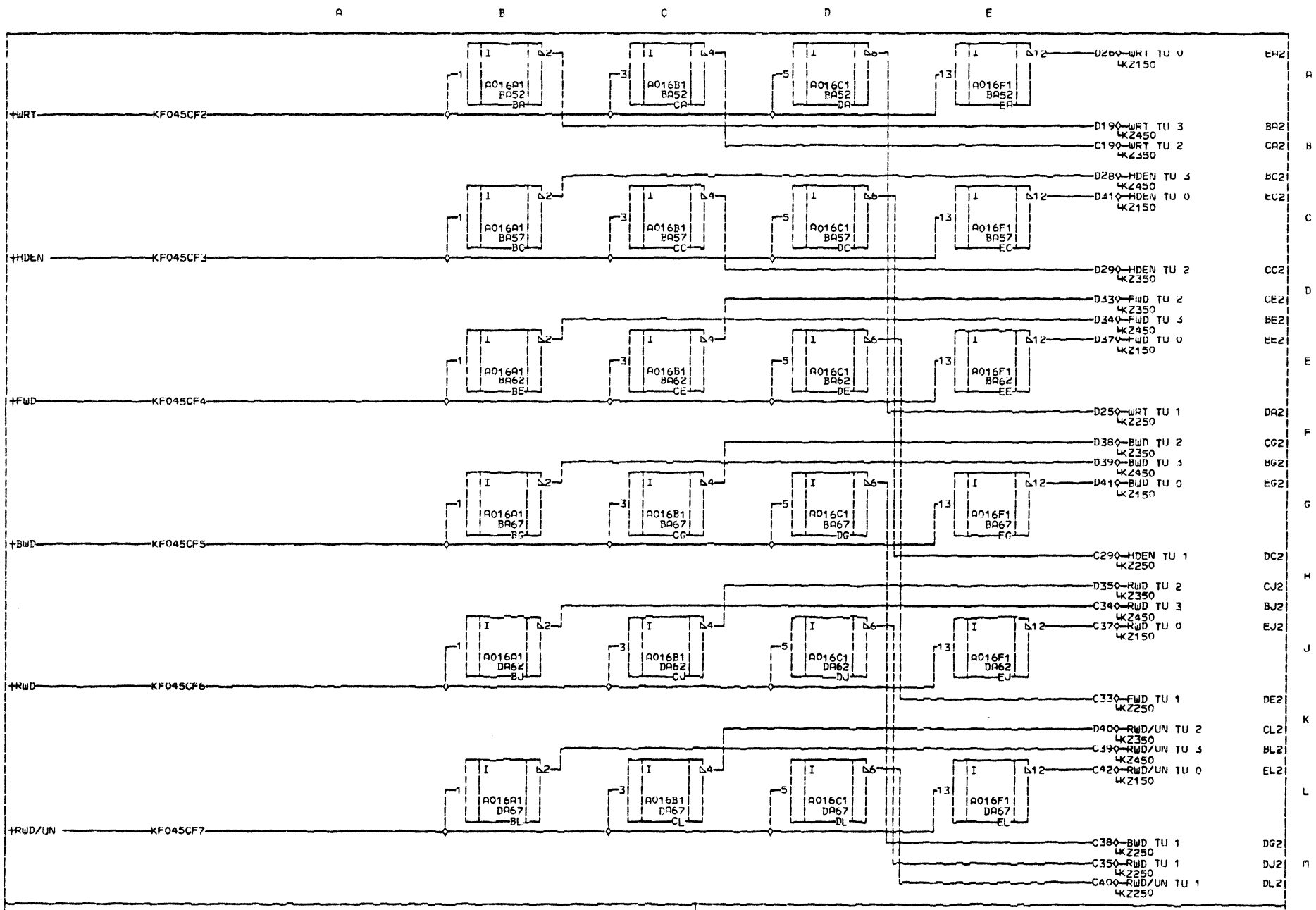
K
F
0
4
0



ROMDR POWERING & S-BUS BUFFERING

AM	PAGE	REFS	SYSTEM	PAGE	PRES. E.C.	44162	MACHINE:	S1935
PAGE	43436009-5		FLYER	EC 34521	PREV. E.C.	44018	CD:	LUC F2
E.C.	44105		WIRING	METHOD:	PC	DATE	3/5/80	PC: P/N:
								43405014-1

K
F
0
4
0

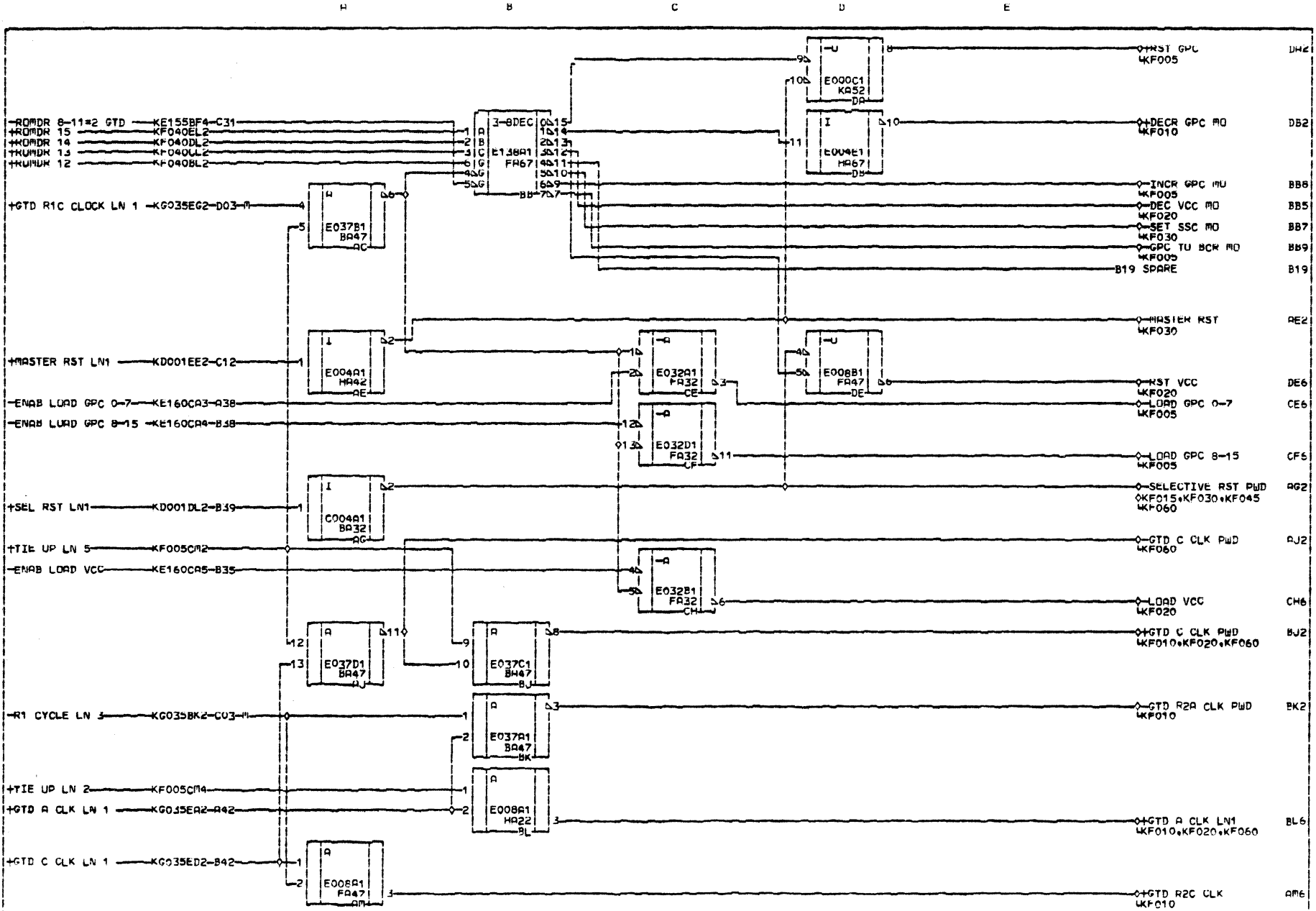


K
F
O
S
O



- AN PAGE REFS -		- SYSTEM PAGE -		PRES. E.C. 44018	MACHINE: S1935
PAGE 43436011-1	E.C. D3008	FLYER EC PROTOTYP	WIRING METHOD: PC	PREV. E.C.	CD. LUC. F2
				DATE 11/01/79	PG. P.N. 43406009-1

K
F
O
S
O

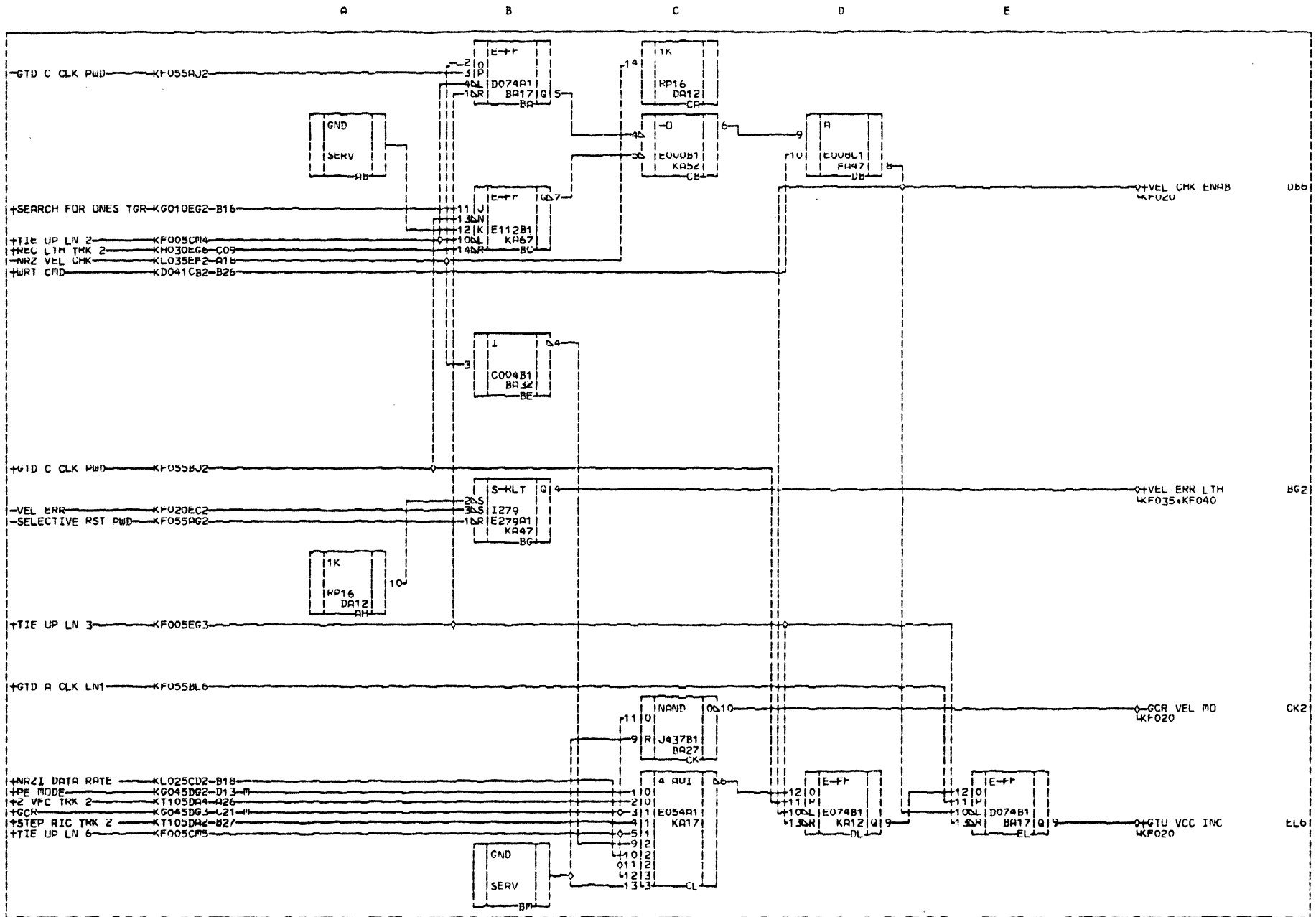


K
F
O
S



GPC, BCC & VCC M-ORDERS			
— A7	PAGE REFS	— SYSTEM PAGE	— PRES. E.C. 44522
	PAGE 4018083018	FLYEN EC 34595	PREV. E.C. 44162
	E.C. 44522	WIRING METHOD: PC	DATE 5/04/81
			MACHINE: S1935
			CD. LOC. #2
			Pg. P# 4016109011

K
F
O
S



K
F
0
6
0



VELOCITY CHECK CONTROLS

AM	PAGE	REFS	SYSTEM	PAGE	PRES.	E.C.	44162	MACHINE:	S1935	K
PAGE	43436013-7		FLYER	EC	34521	PREV.	E.C.	44018	CD. LUG. F2	F
E.C.	44105		WIRING	METHOD:	PC	DATE	3/5/80	PG. P.N.	43406017-4	0

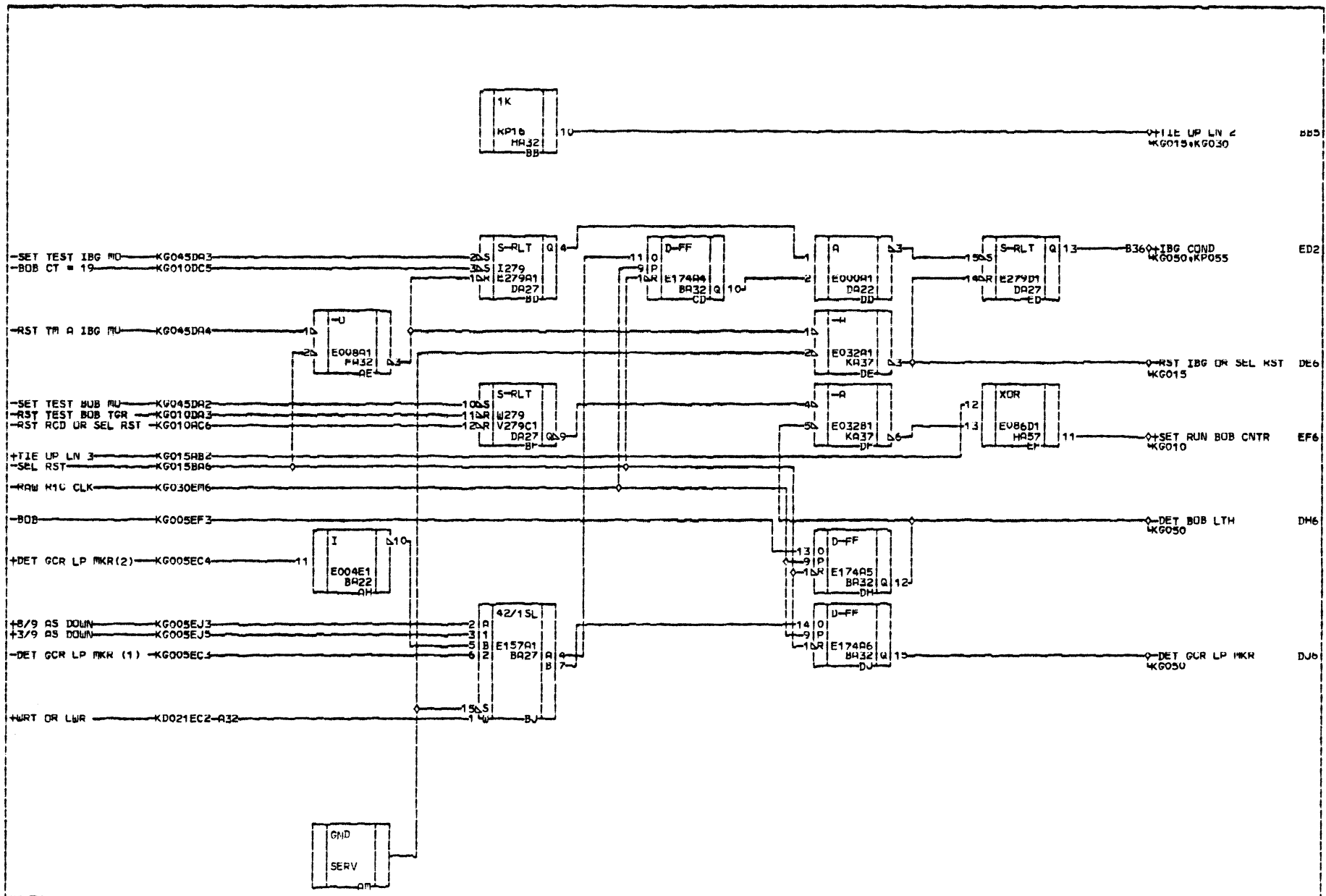
ASSEMBLY PARTS LIST

DATE: ARC DDC

PRINT DATE	PAGE	E.C. NO.
10-20-82	1	44457

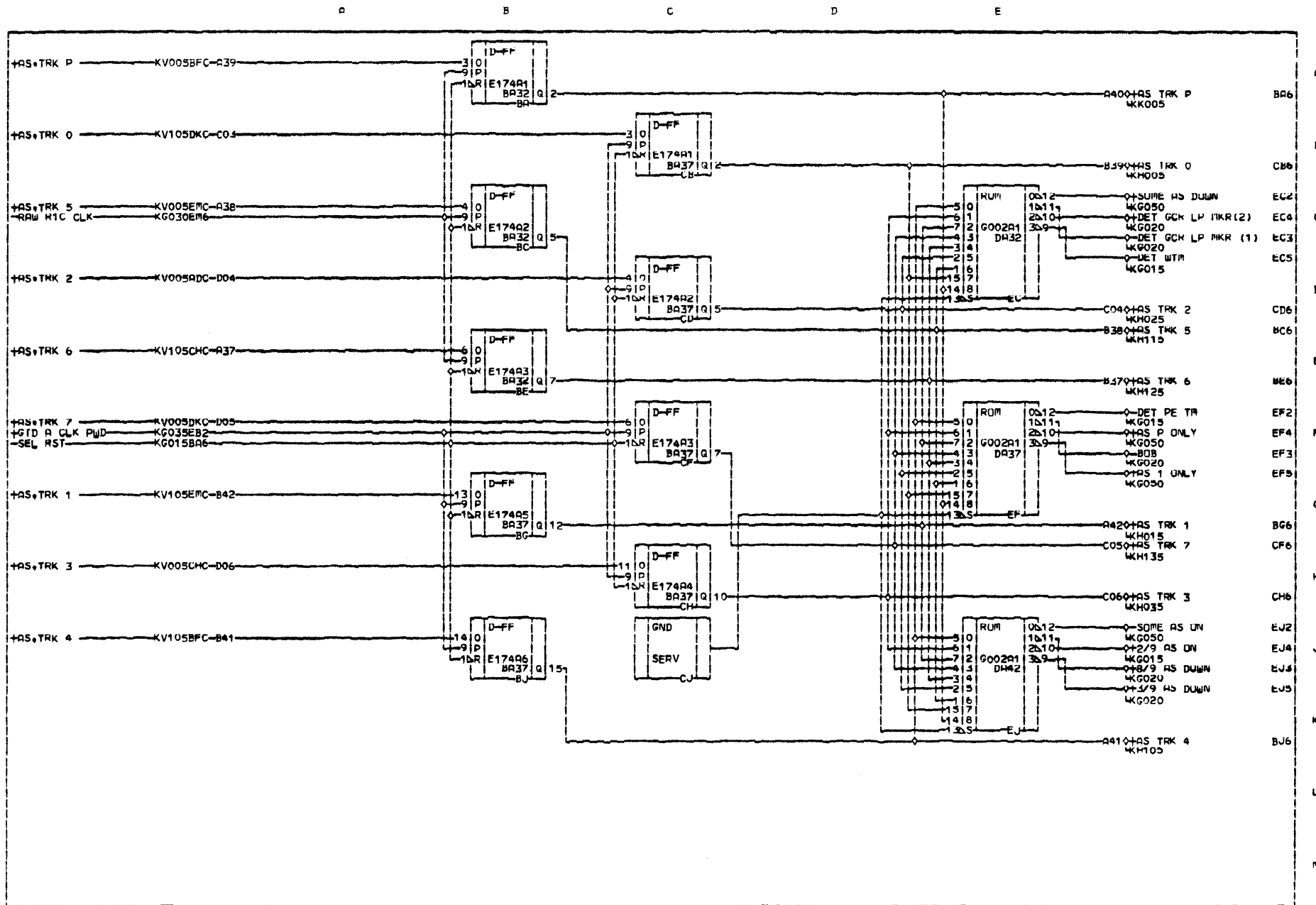
DIV.		ASSEMBLY NUMBER		CD	REV.	DWG.	DESCRIPTION			MC	STATUS	STATUS DATE		FILE DATE		
0500		401593202		5	B	N	SLG,KG,MULTI P/N'S PC			N	REL	07-21-81		1981 07-21-81		
T FIND NO	LI	PART NUMBER	CD	M	QUANTITY	U/M	PART DESCRIPTION			MC	YLD	E.C. NO IN	E.C. NO. OUT	S N	WK IN	WK OUT
000	01	401568802	3		REF	PC	CD LGC,AM192 KG,PC			D						
005	01	43407000	9		REF	PC	SYS LGC,KG005,PC			D						
010	01	401569401	3		REF	PC	SYS LGC,KG010,PC			D						
015	01	43407014	0		REF	PC	SYS LGC,KG015,PC			D						
020	01	401569501	0		REF	PC	SYS LGC,KG020,PC			D						
025	01	43407019	9		REF	PC	SYS LGC,KG025,PC			D						
030	01	401524601	2		REF	PC	SYS LGC,KG030,PC			D						
035	01	43407006	6		REF	PC	SYS LGC,KG035,PC			D						
040	01	43407016	5		REF	PC	SYS LGC,KG040,PC			D						
045	01	43407017	3		REF	PC	SYS LGC,KG045,PC			D						
050	01	401569601	8		REF	PC	SYS LGC,KG050,PC			D						
500	01	43307207	1		REF	PC	CKT CD,KG,PC ASSY			S						
501	01	43307307	9		REF	PC	CKT CD,KG,PC ASSY			S						
502	01	43307407	7		REF	PC	CKT CD,KG,PC ASSY			S						
							0014 TOTAL LINES									

A B C D E



A
B
C
D
E
F
G
H
J
K
L
M

K 0 2 0	IBG, BOB, LP MARKER LATCHES				K 0 2 0
	DN PAGE REFS	SYSTEM PAGE	DRES. E.C. 44457	MACHINE: 51935	
	PAGE 4015690011	FLYER EC PHUTUTYP	PREV. E.C. 44032	CD. LOC. 02	
E.C. 44457	WIRING METHOD: PC	DATE 5/21/81	PG. P.N. 4015696010		



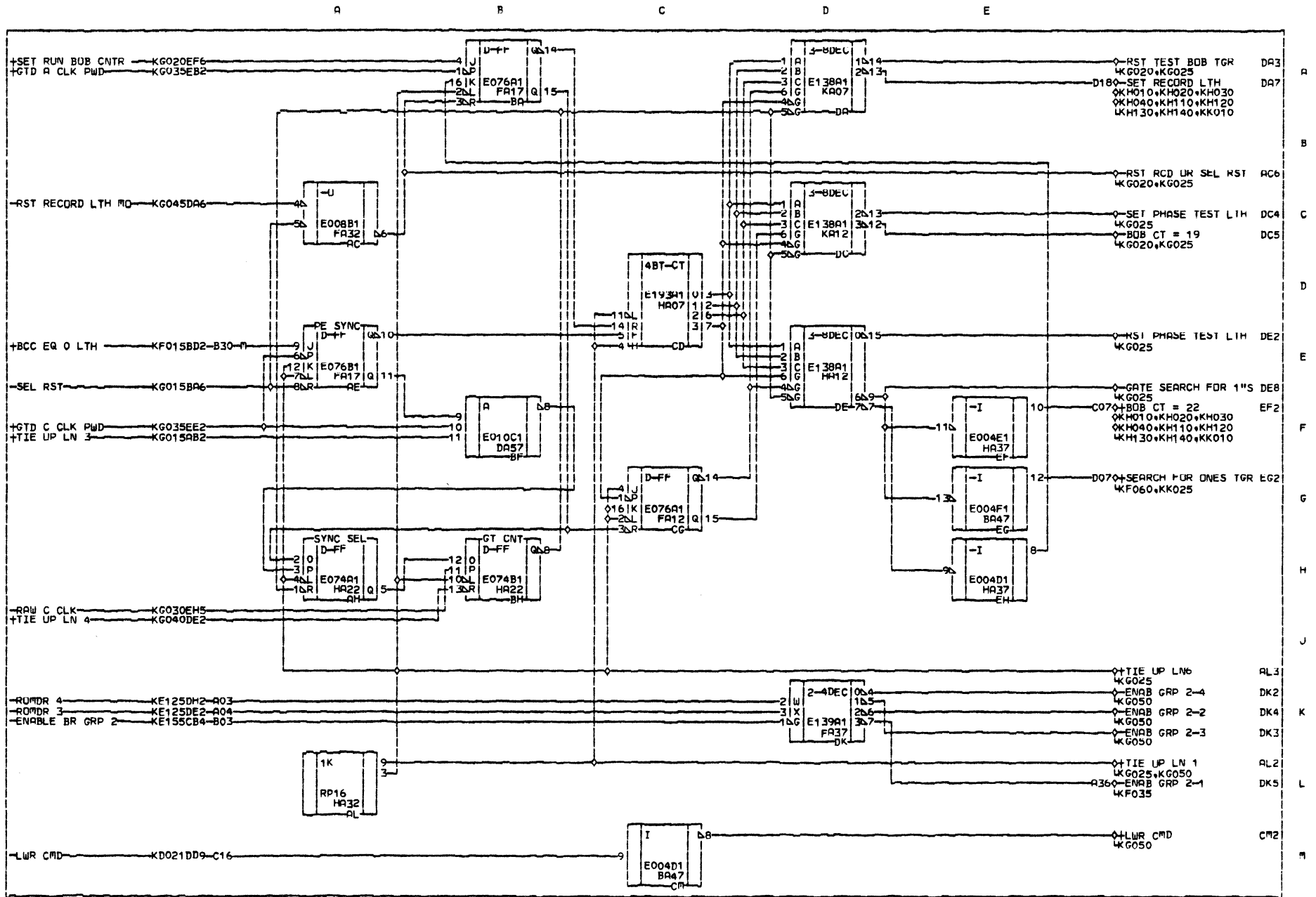
K
0
0
0
5



ARP SENSOR DECODE

AR	PAGE	REFS	SYSTEM	DATE	REV.	E.C.	44018	MOCHIE:	S1935	K
PAGE	43437013	6	FLYER EC PROTOTYP	DATE	REV.	E.C.		CD:	LUC 02788	0
E.C.	44053		WIRING METHOD:	PC	DATE		2/7/80	PG:	PaN 43407000-9	5

K
0
0
0
5



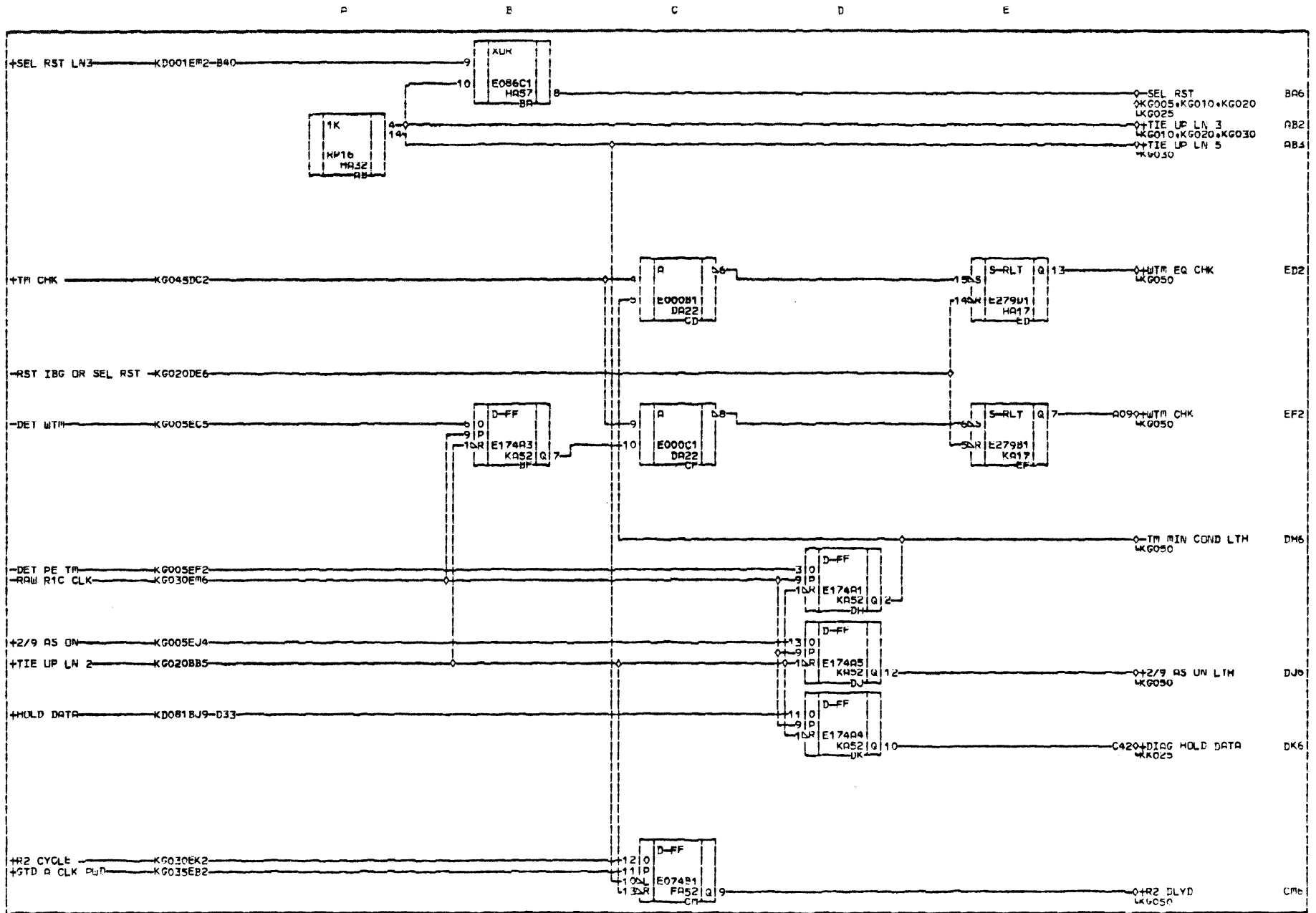
K
G
0
1
0



BOB COUNTER

AM	PAGE	REFS	SYSTEM	PAGE	PRES.	E.C.	44457	MACHINE:	51935
PAGE	401568	9013	FLYER	EC	PREV.	E.C.	44380	CD:	LUC. G2
E.C.	44457		WIRING	METHOD:	DATE		5/21/81	Pg.	F.N.
			PC						4015694013

K
G
0
1
0

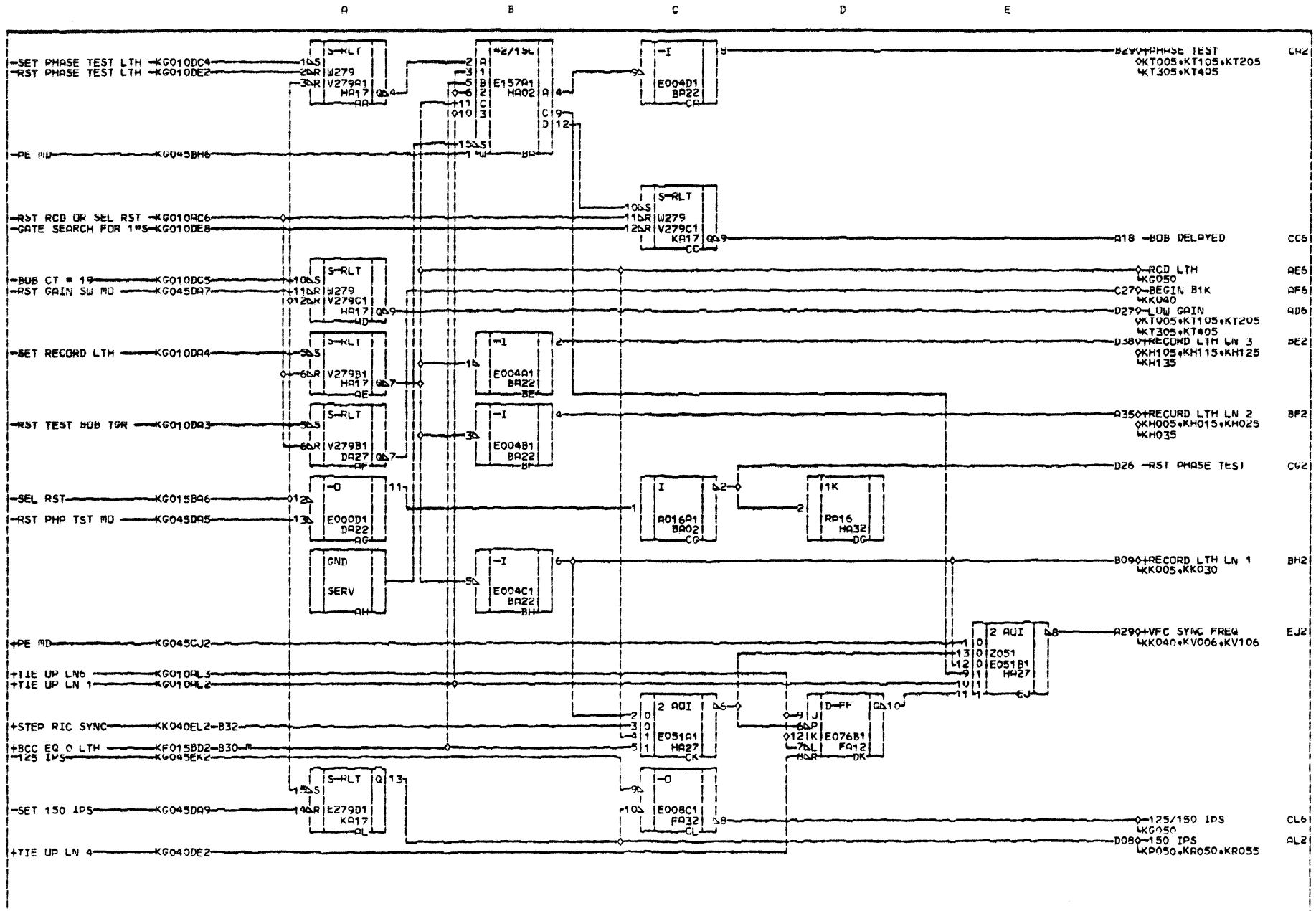


K
G
0
1
5



TAPE MARK DETECTION			
AN	PAGE REFS	SYSTEM PAGE	DRFS. E.C. 44032
	PAGE 43437015-1	FLYER EC PRTOTYP	PREV. E.C. 44018
	E.C. 44053	WIRING METHOD: PC	DATE 2/06/80
			MACHINE: S1935
			CD. LUC. G2000
			Pg. No. 43407014-0

K
G
0
1
5



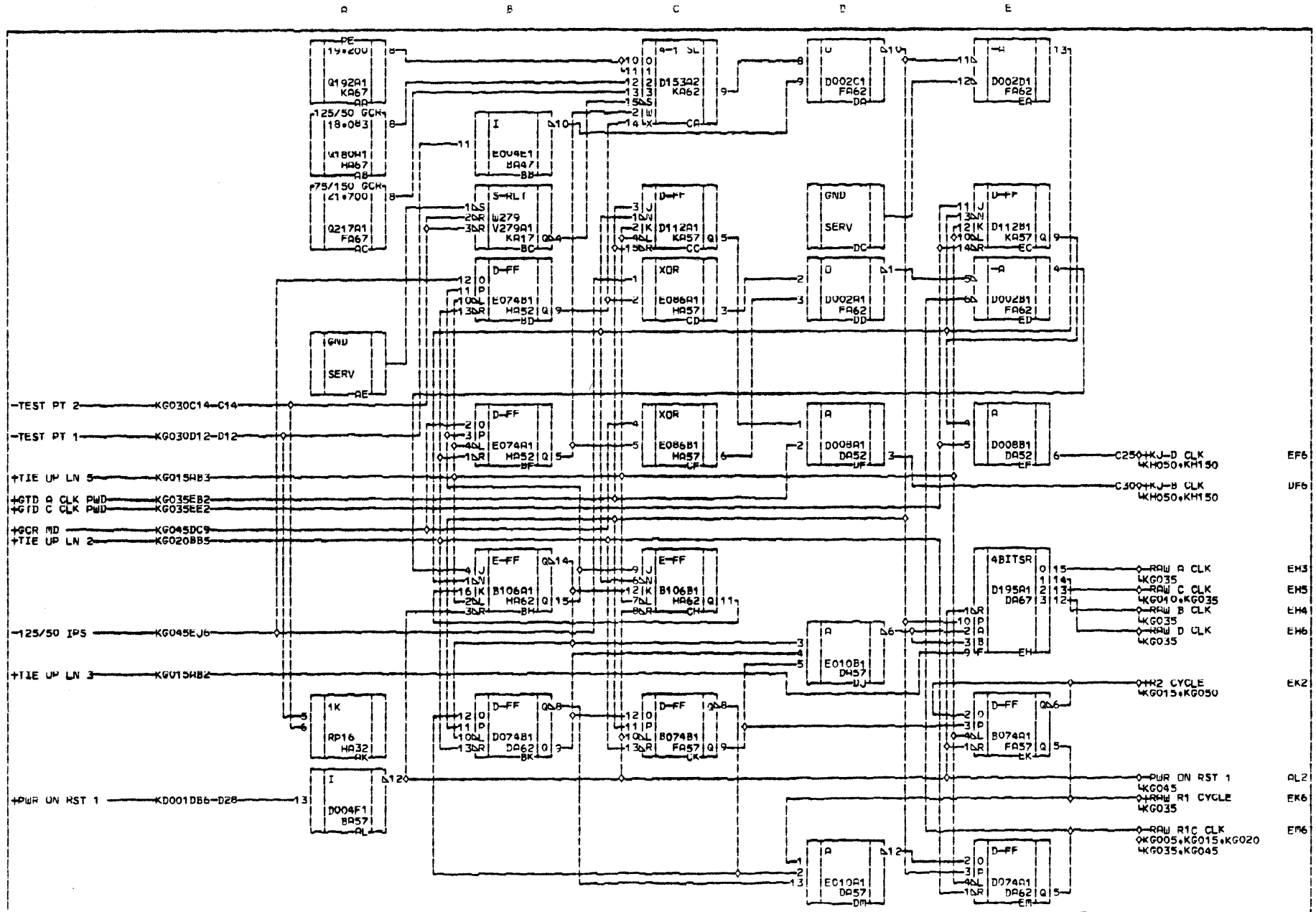
K
G
0
2
5

STC

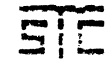
LINES TO READ CIR

Am	PAGE	REFS	SYSTEM	PAGE	APES, F.C.	44780	MACHINE:	S1935		
	PAGE	434370-30-0	FLYER	EC	PRUTOTYP	PREV. F.C.	44032	CD. LUC.	G2444	
		E.C.	44380	WIRING	METHOD:	PC	DATE	10/07/80	PG. P.N.	43407019-9

K
G
0
2
5

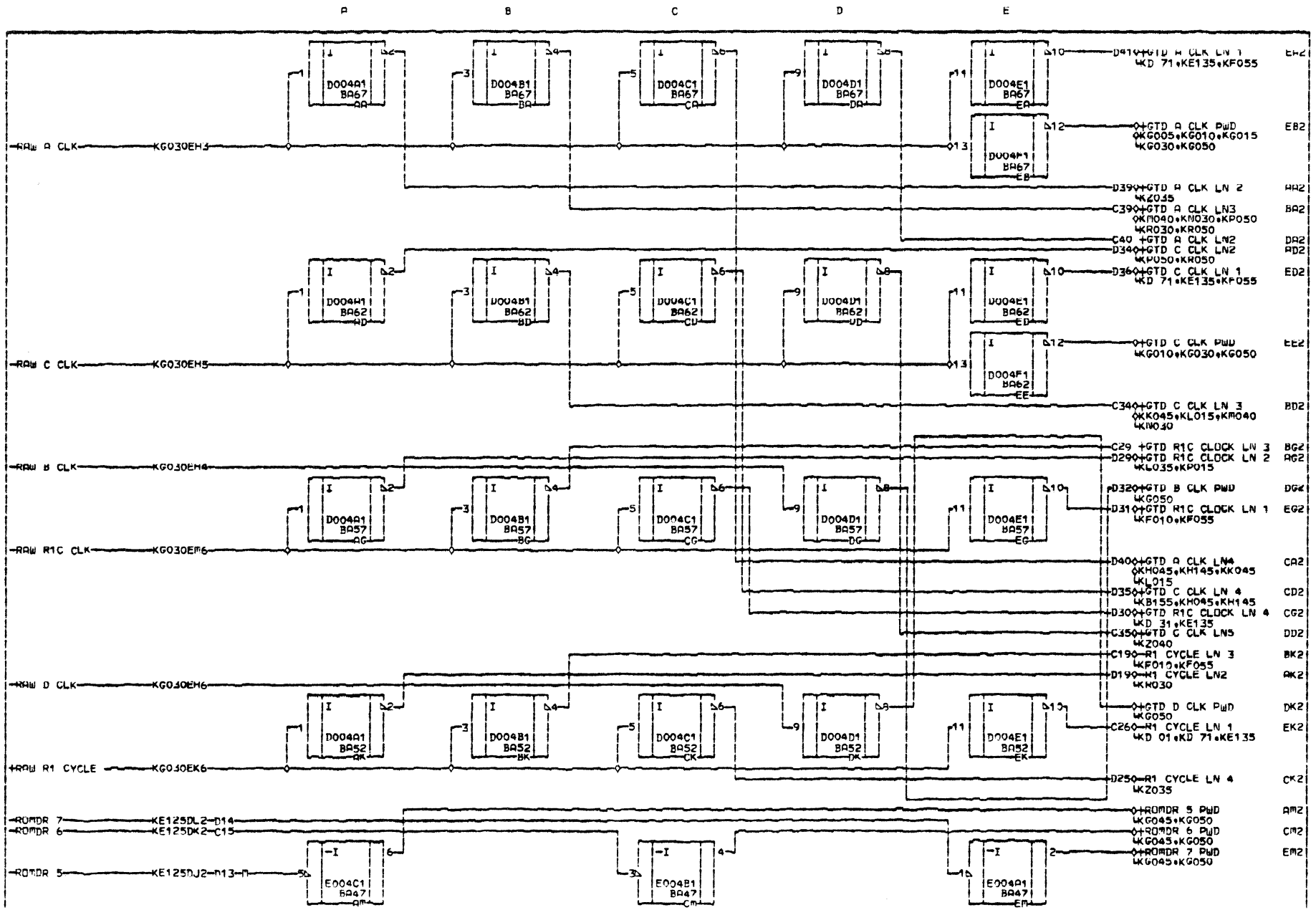


K
G
0
3

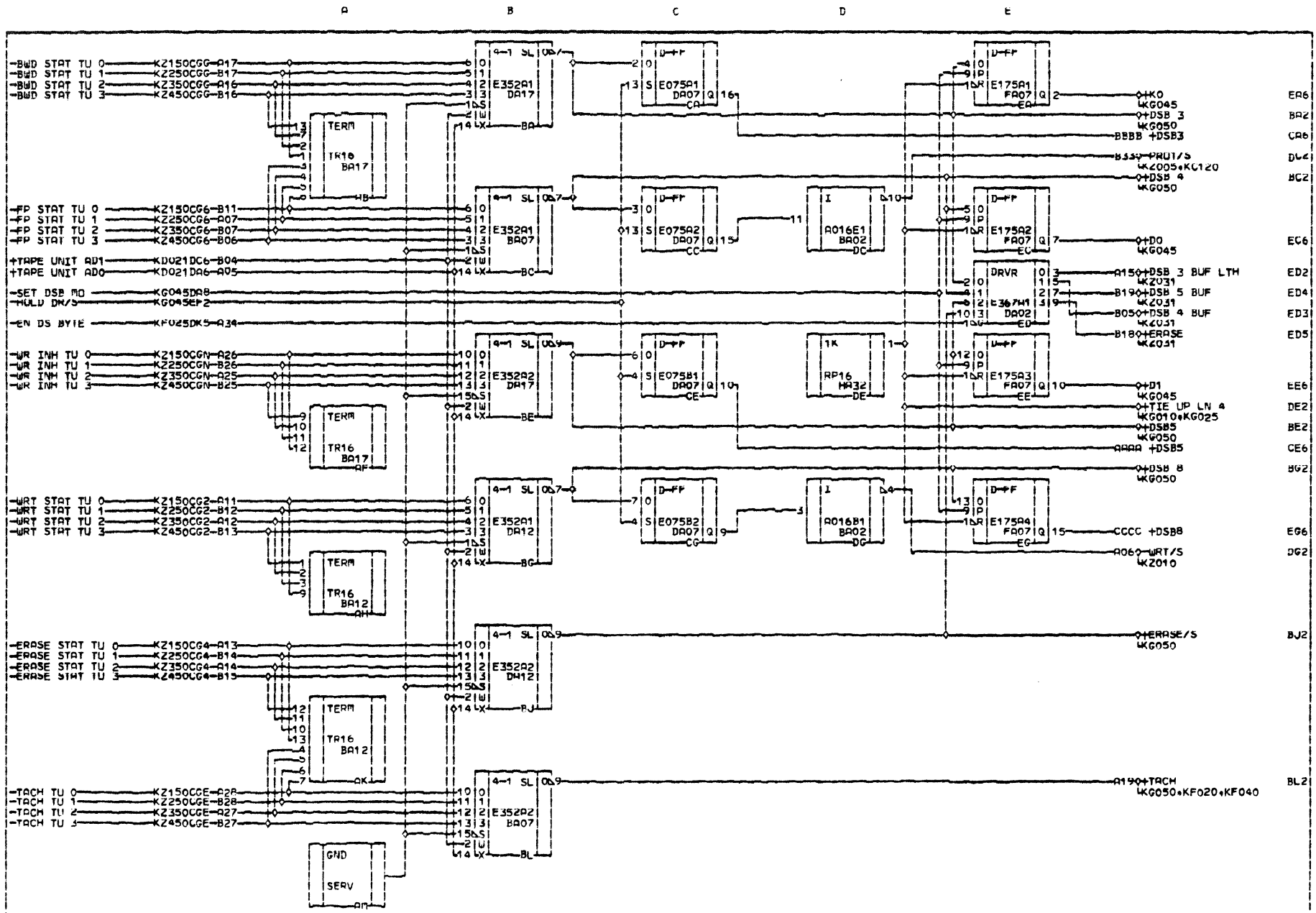


CLOCK GENERATION			
AT PAGE REFS	SYSTEM PAGE	PREV. E.C. 44391	MACHINE: S1935
PAGE 4343701B-5	FLYER EC PROTOTYP	PREV. E.C. 44032	CU. LOC. G2***
E.C. 44053	WIRING METHOD: PC	DATE 11/18/80	PC. P.No. 4015246012

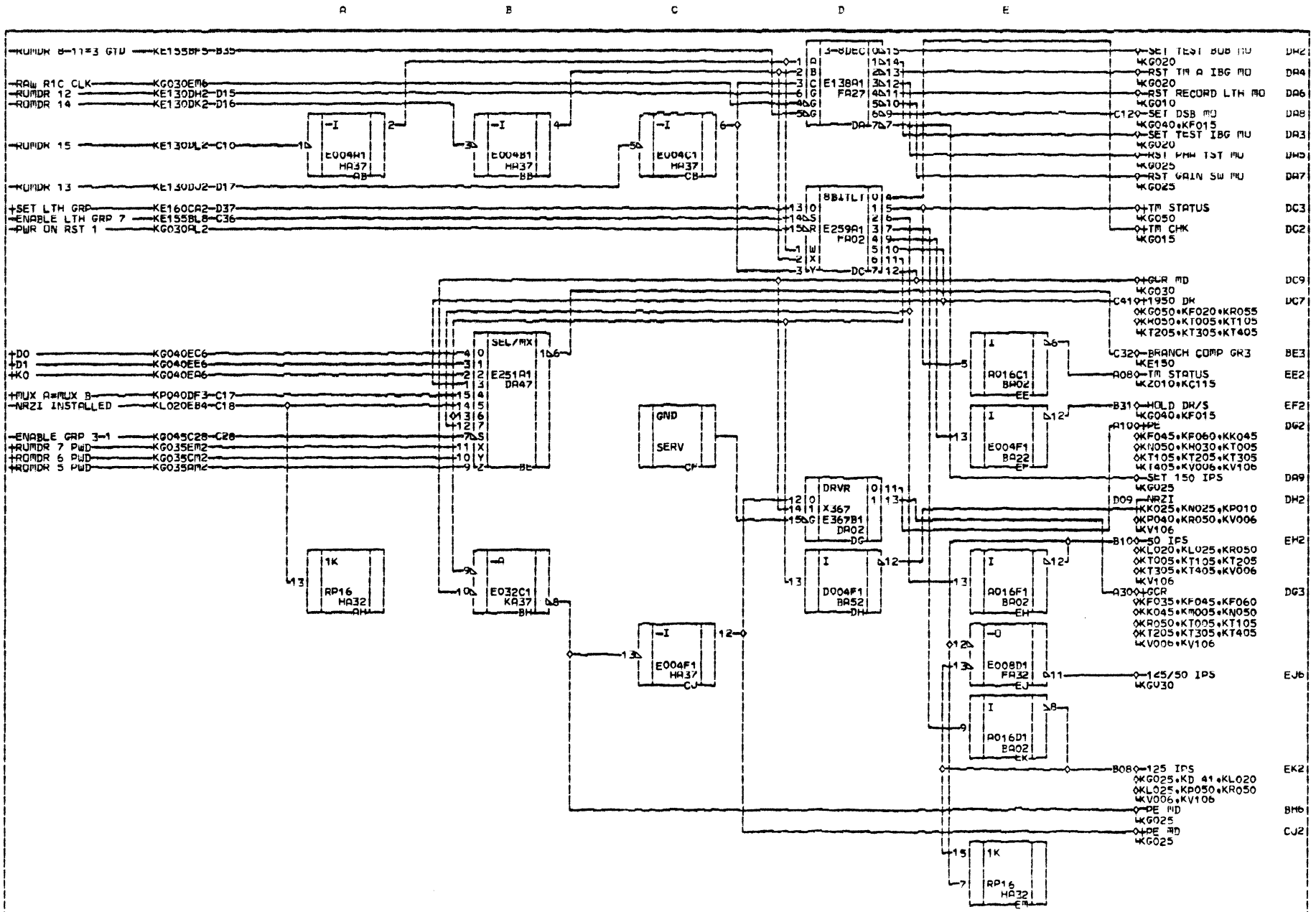
K
G
0
3



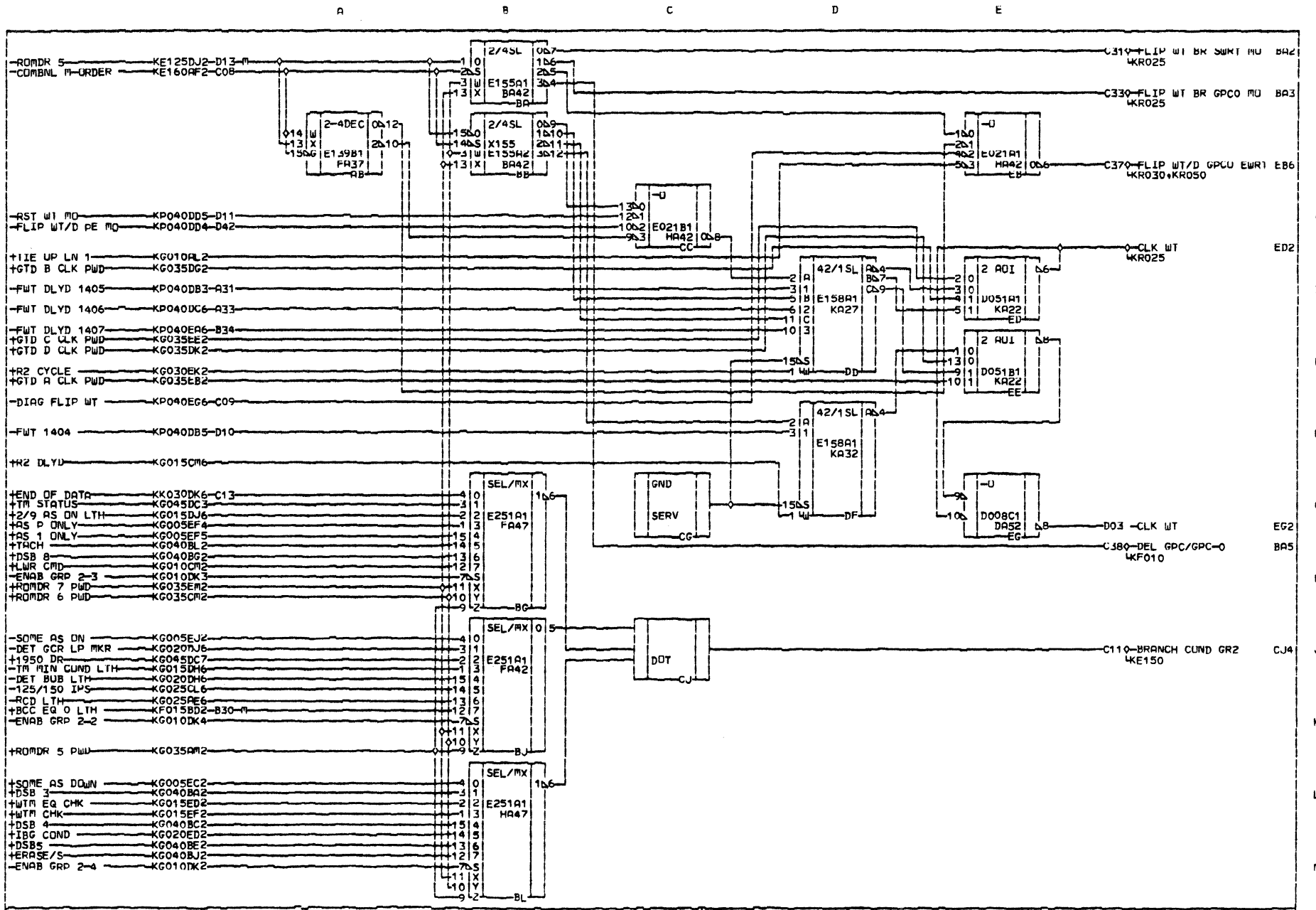
K G 0 3 5	STC				CLOCK POWERING				K G 0 3 5			
	am	page	refs	SYSTEM	page	PREP.	E.C.	44018		MACHINE:	51935	
		43437019-3		FLYER	EC	PHOTOTYP	PREV.	E.C.		CD.	LUC.	G2****
		E.C.	44053	WIRING	METHOD:	PC	DATE	2/7/80		PG.	P/N.	43467006-6



K G O A O	DRIVE STATUS				K G O A O
	ON PAGE REFS	SYSTEM PAGE	PREP. E.C. 44032	MACHINE: 51935	
	PAGE 43437020-1	PLAYER EC PROTUTYP	PREV. E.C. 44018	LD. LOC. 62	
	E.C. 44053	WIRING METHOD: PC	DATE 2/06/80	PG. P.N. 43407016-5	



K G O A S	STC				BRANCHES & MICRO-				K G O A S					
	DN	PAGE	REFS	SYSTEM	PAGE	PRES.	E.C.	44345		TACHIMF:	5193K			
	E.C.	44053	43437C21-9	WIRING METHOD:	PC	DATE	8/13/80	DREV.		E.C.	44032	CD LUC.	G24000	
											IPG.	P.N.	43407017-31	5



K G 5 0	STC	BRANCHES			K G 5 0	
		AM PAGE REFS	SYSTEM PAGE	PRES. E.C. 44457		MACHINE: 51935
		PAGE 4015191010	FLYER EC PROTOTYP	PREV. E.C. 44032		CD. LUC. G2***
		E.C. 44457	WIRING METHOD: PC	DATE 5/21/81		PG. P.N. 401596018

ASSEMBLY PARTS LIST

0010 ARC 000

PRINT DATE	PAGE	E.C. NO.
11-10-82	1	44457P

DIV.	ASSEMBLY NUMBER	CD	REV.	DWG.	DESCRIPTION	MC	STATUS	STATUS DATE	FILE DATE					
0500	401620801	1	B	N	SLG,KG,43307507,PC	N	REL	11-03-82	1935	11-09-82				
T FIND NO	LI	PART NUMBER	CD	M	QUANTITY	U/M	PART DESCRIPTION	MC	YLD	E.C. NO. IN	E.C. NO. OUT	S/N	WK IN	WK OUT
000	01	401613401	9		REF	PC	CD LGC,AM192,KG,PC	D						
005	01	401614501	5		REF	PC	SYS LGC,KG005,PC	D						
010	01	401614601	3		REF	PC	SYS LGC,KG010,PC	D						
015	01	401614701	1		REF	PC	SYS LGC,KG015,PC	D			44457P			8133
015	02	401614702	9		REF	PC	SYS LGC,KG015,PC	D		44457P			8133	
020	01	401614801	9		REF	PC	SYS LGC,KG020,PC	D						
025	01	401614901	7		REF	PC	SYS LGC,KG025,PC	D						
030	01	401615001	5		REF	PC	SYS LGC,KG030,PC	D						
035	01	401615101	3		REF	PC	SYS LGC,KG035,PC	D						
040	01	401615201	1		REF	PC	SYS LGC,KG040,PC	D						
045	01	401615301	9		REF	PC	SYS LGC,KG045,PC	D						
050	01	401615401	7		REF	PC	SYS LGC,KG050,PC	D			44457P			8133
050	02	401615402	5		REF	PC	SYS LGC,KG050,PC	D		44457P			8133	
500	01	43307507	4		REF	PC	CKT CD,KG,PC ASSY	S						
0014 TOTAL LINES														

LOC KA67	LOC KA62	LOC KA57	LOC KA52	LOC KA47	LOC KA42	LOC KA37	LOC KA32	LOC KA27	LOC KA22	LOC KA17	LOC KA12	LOC KA07	LOC KA02												
PN	IC:1002	PN	IC:10153	PN	IC:10217	PN	IC:10192	PN	IC:10180	PN	IC:10132	PN	IC:10158	PN	IC:10051	PN	IC:10279	PN	IC:10138	PN	IC:10138	PN	IC:		
	1 KG030D22 4 KG030E23 10 KG030D22 13 KG030E23	7 KG030CA6	8 KG030RC2	8 KG030RA2	8 KG030AB2	3 KG020DE6 4 KG020DF6 8 KG045B46 11 KG030DB6	4 KG050DF2	4 KG050DD2 7 KG050DD3 9 KG050DD4	6 KG050E22 7 KG050E23	4 KG030BC6 7 KG01SEF2 9 10 11	13 KG025AL211 12 KG010DC5 13 KG010DC4 14 KG010DA7 15	7 9 10 11 12	7 9 10 11 12	7 9 10 11 12											
	PE2 GNDKH66 PE6 +SVKA70	7 NE2 GNDKH61 PE6 +SVKA65	8 ME2 GNDKH56 PE6 +SVKA60	7 LE2 GNDKH51 LE6 +SVKA55	7 KE2 GNDKH46 KE6 +SVKA50	7 JE2 GNDKH41 JE6 +SVKA45	7 HE2 GNDKH36 HE6 +SVKA40	8 EE2 GNDKH31 EE6 +SVKA35	8 FE2 GNDKH26 FE6 +SVKA30	7 DE2 GNDKH21 DE6 +SVKA25	8 CE2 GNDKH16 CE6 +SVKA20	8 BE2 GNDKH11 BE6 +SVKA15	8 AE2 GNDKH06 AE6 +SVKA10	8 7 6 5 4 3 2 1											
LOC HA67	LOC HA62	LOC HA57	LOC HA52	LOC HA47	LOC HA42	LOC HA37	LOC HA32	LOC HA27	LOC HA22	LOC HA17	LOC HA12	LOC HA07	LOC HA02												
PN	IC:1025	PN	IC:10106	PN	IC:10086	PN	IC:10074	PN	IC:10251	PN	IC:10201	PN	IC:10004	PN	IC:10116	PN	IC:10051	PN	IC:10279	PN	IC:10138	PN	IC:10138	PN	IC:10157
	10 11 KG030CH6 14 KG030BH2 10 KG030EA4	3 KG030CP6 6 KG030CF6 8 KG030BH2 11 KG030BH6	5 KG030BF6 6 KG050BL3 8 KG050LC6	5 KG050BE6 6 KG050BE6 8 KG050BE6 10 KG050BE6 12 KG050BE6	02+11+12 8 KG025EJ2 6 KG010AH6 7 KG025HE6 9 KG010BH2 13 KG015ED2111	7 KG010AE2 4 KG025AA6 7 KG010DE8 9 KG025AD610 13 KG015ED2111	2 KG010DE2 4 KG025AA6 7 KG010DE8 9 KG025AD610 13 KG015ED2111	8 KG010DE2 4 KG025AA6 7 KG010DE8 9 KG025AD610 13 KG015ED2111	8 KG010DE2 4 KG025AA6 7 KG010DE8 9 KG025AD610 13 KG015ED2111	8 KG010DE2 4 KG025AA6 7 KG010DE8 9 KG025AD610 13 KG015ED2111	8 KG010DE2 4 KG025AA6 7 KG010DE8 9 KG025AD610 13 KG015ED2111	8 KG010DE2 4 KG025AA6 7 KG010DE8 9 KG025AD610 13 KG015ED2111	8 KG010DE2 4 KG025AA6 7 KG010DE8 9 KG025AD610 13 KG015ED2111												
	7 PD2 GNDHH66 PD6 +SVHA70	13 ND2 GNDHH61 ND6 +SVHA65	7 RD2 GNDHH56 RD6 +SVHA60	7 LD2 GNDHH51 LD6 +SVHA55	8 KD2 GNDHH46 KD6 +SVHA50	7 JD2 GNDHH41 JD6 +SVHA45	7 HD2 GNDHH36 HD6 +SVHA40	8 GD2 GNDHH31 GD6 +SVHA35	7 FD2 GNDHH26 FD6 +SVHA30	7 ED2 GNDHH21 ED6 +SVHA25	8 DD2 GNDHH16 DD6 +SVHA20	8 CD2 GNDHH11 CD6 +SVHA15	8 BD2 GNDHH06 BD6 +SVHA10	8 AD2 GNDHH01 AD6 +SVHA05											
LOC FA67	LOC FA57	LOC FA52	LOC FA47	LOC FA42	LOC FA37	LOC FA32	LOC FA27	LOC FA22	LOC FA17	LOC FA12	LOC FA07	LOC FA02													
PN	IC:10112	PN	IC:10074	PN	IC:10074	PN	IC:10251	PN	IC:10251	PN	IC:10139	PN	IC:10008	PN	IC:10138	PN	IC:10174	PN	IC:10076	PN	IC:10076	PN	IC:10175	PN	IC:10259
	5 KG015BL6 6 7 9 KG015BK6	5 KG030EK6 6 KG030EK2 8 KG030CK2 9 KG030CK6	5 KG015CC6	5 KG050BG3 6	5 KG050BJ2 6	4 KG010DK2 6 KG010DK3 8 KG010DK4 7 KG010DK5 10 KG050AB4 14 KG050AB3 12 KG050AB2	3 KG020AE6 6 KG010AC6 8 KG020SC2 11 KG045EJ6 12	7 KG045DA9 5 KG015DG6 10 KG010AE2 11 KG010AE6 14 KG010BA2 15 KG010CG6 10 KG045DC5 11 KG045DC6 14 KG045DC7 15 KG045DC8 12 KG045DC9	2 KG015DG6 10 KG010AE2 11 KG010AE6 14 KG010BA2 15 KG010CG6 10 KG045DC5 11 KG045DC6 14 KG045DC7 15 KG045DC8 12 KG045DC9	2 KG015DG6 10 KG010AE2 11 KG010AE6 14 KG010BA2 15 KG010CG6 10 KG045DC5 11 KG045DC6 14 KG045DC7 15 KG045DC8 12 KG045DC9	2 KG015DG6 10 KG010AE2 11 KG010AE6 14 KG010BA2 15 KG010CG6 10 KG045DC5 11 KG045DC6 14 KG045DC7 15 KG045DC8 12 KG045DC9	2 KG015DG6 10 KG010AE2 11 KG010AE6 14 KG010BA2 15 KG010CG6 10 KG045DC5 11 KG045DC6 14 KG045DC7 15 KG045DC8 12 KG045DC9	2 KG015DG6 10 KG010AE2 11 KG010AE6 14 KG010BA2 15 KG010CG6 10 KG045DC5 11 KG045DC6 14 KG045DC7 15 KG045DC8 12 KG045DC9												
	PC2 GNDFH66 PC6 +SVFA70	8 NC2 GNDFH61 NC6 +SVFA65	7 RC2 GNDFH56 RC6 +SVFA60	7 LC2 GNDFH51 LC6 +SVFA55	8 KC2 GNDFH46 KC6 +SVFA50	8 JC2 GNDFH41 JC6 +SVFA45	8 HC2 GNDFH36 HC6 +SVFA40	7 GC2 GNDFH31 GC6 +SVFA35	8 FC2 GNDFH26 FC6 +SVFA30	8 EC2 GNDFH21 EC6 +SVFA25	13 DC2 GNDFH16 DC6 +SVFA20	13 CC2 GNDFH11 CC6 +SVFA15	8 BC2 GNDFH06 BC6 +SVFA10	8 AC2 GNDFH01 AC6 +SVFA05											
LOC DA67	LOC DA57	LOC DA52	LOC DA47	LOC DA42	LOC DA37	LOC DA32	LOC DA27	LOC DA22	LOC DA17	LOC DA12	LOC DA07	LOC DA02													
PN	IC:10195	PN	IC:10074	PN	IC:10010	PN	IC:10251	PN	IC:10002	PN	IC:10002	PN	IC:10279	PN	IC:10000	PN	IC:10352	PN	IC:10352	PN	IC:10075	PN	IC:10367		
	11 KG030EM6 12 KG030EM3 14 KG030EM3 15 KG030EM3	6 KG030EM6 8 KG010BF2 12 KG030DM2 9 KG030BK6	3 KG015CK6 6 KG015CL6 8 KG050EG6	5 KG045BE3 10 KG050EF4 11 KG050EJ3 12 KG050EJ2	9 KG005EJ5 10 KG005EF4 11 KG005EJ3 12 KG005EJ2	9 KG005EJ5 10 KG005EF4 11 KG005EJ3 12 KG005EJ2	9 KG005EJ5 10 KG005EF4 11 KG005EJ3 12 KG005EJ2	9 KG005EJ5 10 KG005EF4 11 KG005EJ3 12 KG005EJ2	9 KG005EJ5 10 KG005EF4 11 KG005EJ3 12 KG005EJ2	9 KG005EJ5 10 KG005EF4 11 KG005EJ3 12 KG005EJ2	9 KG005EJ5 10 KG005EF4 11 KG005EJ3 12 KG005EJ2	9 KG005EJ5 10 KG005EF4 11 KG005EJ3 12 KG005EJ2	9 KG005EJ5 10 KG005EF4 11 KG005EJ3 12 KG005EJ2												
	8 PB2 GNDH66 PB6 +SVDA70	7 NB2 GNDH61 NB6 +SVDA65	7 RB2 GNDH56 RB6 +SVDA60	7 LB2 GNDH51 LB6 +SVDA55	8 KB2 GNDH46 KB6 +SVDA50	8 JB2 GNDH41 JB6 +SVDA45	8 HB2 GNDH36 HB6 +SVDA40	8 GB2 GNDH31 GB6 +SVDA35	8 FB2 GNDH26 FB6 +SVDA30	7 EB2 GNDH21 EB6 +SVDA25	8 DB2 GNDH16 DB6 +SVDA20	8 CB2 GNDH11 CB6 +SVDA15	12 BB2 GNDH06 BB6 +SVDA10	8 AB2 GNDH01 AB6 +SVDA05											
LOC BA67	LOC BA57	LOC BA52	LOC BA47	LOC BA42	LOC BA37	LOC BA32	LOC BA27	LOC BA22	LOC BA17	LOC BA12	LOC BA07	LOC BA02													
PN	IC:10004	PN	IC:10004	PN	IC:10004	PN	IC:10004	PN	IC:10004	PN	IC:10155	PN	IC:10174	PN	IC:10174	PN	IC:10157	PN	IC:10004	PN	IC:10174	PN	IC:10174	PN	IC:10157
	2 KG035AR2 4 KG035BR2 6 KG035CA2 8 KG035DA2 10 KG035EA2 12 KG035EB2	2 KG035AR2 4 KG035BR2 6 KG035CA2 8 KG035DA2 10 KG035EA2 12 KG035EB2	2 KG035AR2 4 KG035BR2 6 KG035CA2 8 KG035DA2 10 KG035EA2 12 KG035EB2	2 KG035AR2 4 KG035BR2 6 KG035CA2 8 KG035DA2 10 KG035EA2 12 KG035EB2	2 KG035AR2 4 KG035BR2 6 KG035CA2 8 KG035DA2 10 KG035EA2 12 KG035EB2	2 KG035AR2 4 KG035BR2 6 KG035CA2 8 KG035DA2 10 KG035EA2 12 KG035EB2	2 KG035AR2 4 KG035BR2 6 KG035CA2 8 KG035DA2 10 KG035EA2 12 KG035EB2	2 KG035AR2 4 KG035BR2 6 KG035CA2 8 KG035DA2 10 KG035EA2 12 KG035EB2	2 KG035AR2 4 KG035BR2 6 KG035CA2 8 KG035DA2 10 KG035EA2 12 KG035EB2	2 KG035AR2 4 KG035BR2 6 KG035CA2 8 KG035DA2 10 KG035EA2 12 KG035EB2	2 KG035AR2 4 KG035BR2 6 KG035CA2 8 KG035DA2 10 KG035EA2 12 KG035EB2	2 KG035AR2 4 KG035BR2 6 KG035CA2 8 KG035DA2 10 KG035EA2 12 KG035EB2	2 KG035AR2 4 KG035BR2 6 KG035CA2 8 KG035DA2 10 KG035EA2 12 KG035EB2												
	7 PA2 GNDH66 PA6 +SVBA70	7 NA2 GNDH61 NA6 +SVBA65	7 RA2 GNDH56 RA6 +SVBA60	7 LA2 GNDH51 LA6 +SVBA55	7 KA2 GNDH46 KA6 +SVBA50	8 JA2 GNDH41 JA6 +SVBA45	8 HA2 GNDH36 HA6 +SVBA40	8 GA2 GNDH31 GA6 +SVBA35	8 FA2 GNDH26 FA6 +SVBA30	7 EA2 GNDH21 EA6 +SVBA25	8 DA2 GNDH16 DA6 +SVBA20	8 CA2 GNDH11 CA6 +SVBA15	8 BA2 GNDH06 BA6 +SVBA10	7 AA2 GNDH01 AA6 +SVBA05											

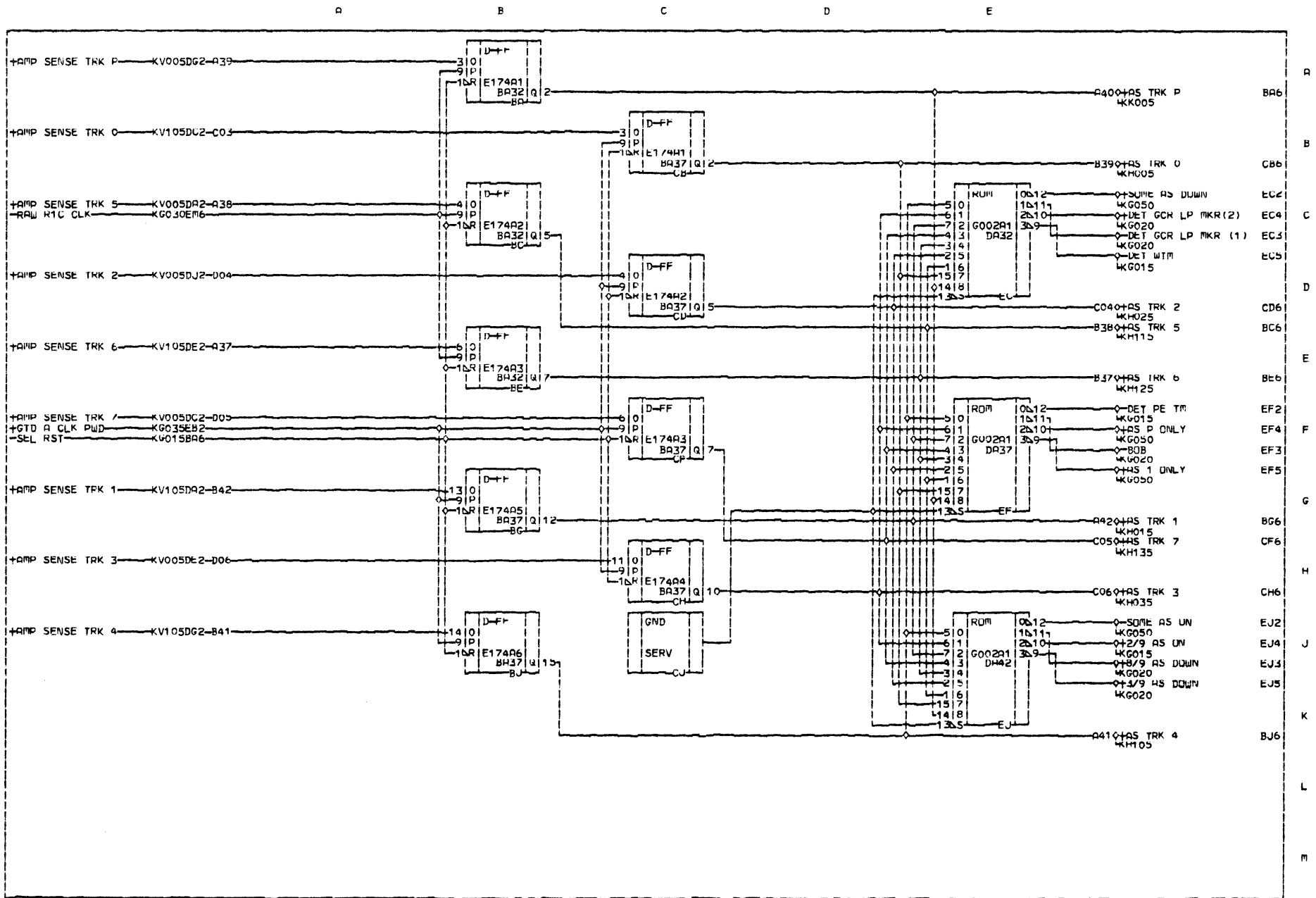
A	INDEX: 10 PAGE(S)
1	KG005 4016135016 44457
1	KG010 4016136014 44457
1	KG015 4016137012 44457
2	KG020 4016138010 44457
2	KG025 4016139018 44457

PAGE	CRD	PG	P/N	EC	LEVEL
KG030	4016140016	44457			
KG035	4016141014	44457			
KG040	4016142012	44457			
KG045	4016143010	44457			
KG050	4016144018	44457			

IC LOCATION CHART KG PC CARD 1935

PRESENT EC	44457	DATE	05/21/81	CD PN	43307507-4
PREV EC		PAGE PN	4016134019	CD TYPE	KG
		FLEVEL		PROTOTYP	

A	INDEX: 10 PAGE(S)
1	KG005 4016135016 44457
1	KG010 4016136014 44457
1	KG015 4016137012 44457
2	KG020 4016138010 44457
2	KG025 4016139018 44457

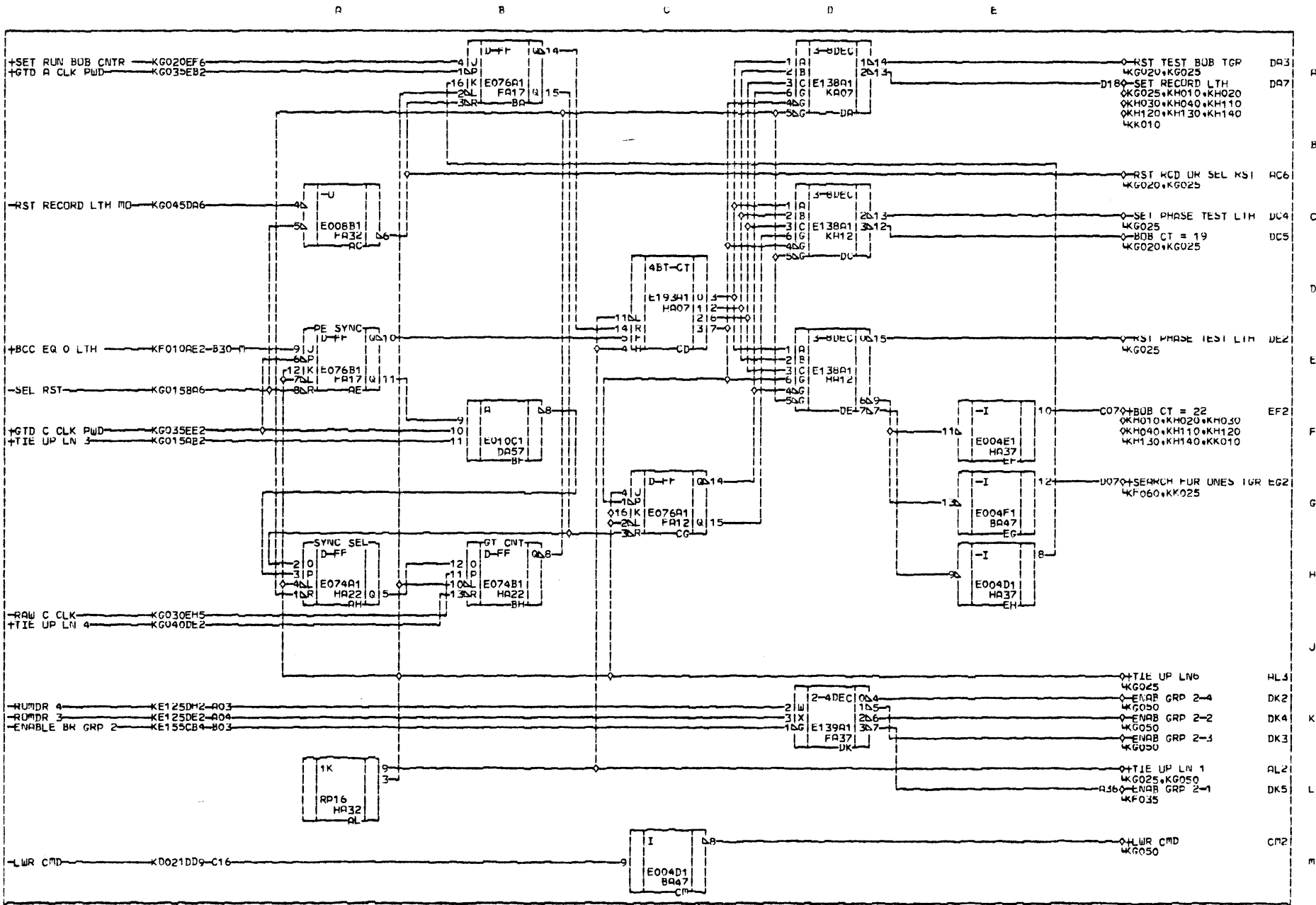


K
G
O
S

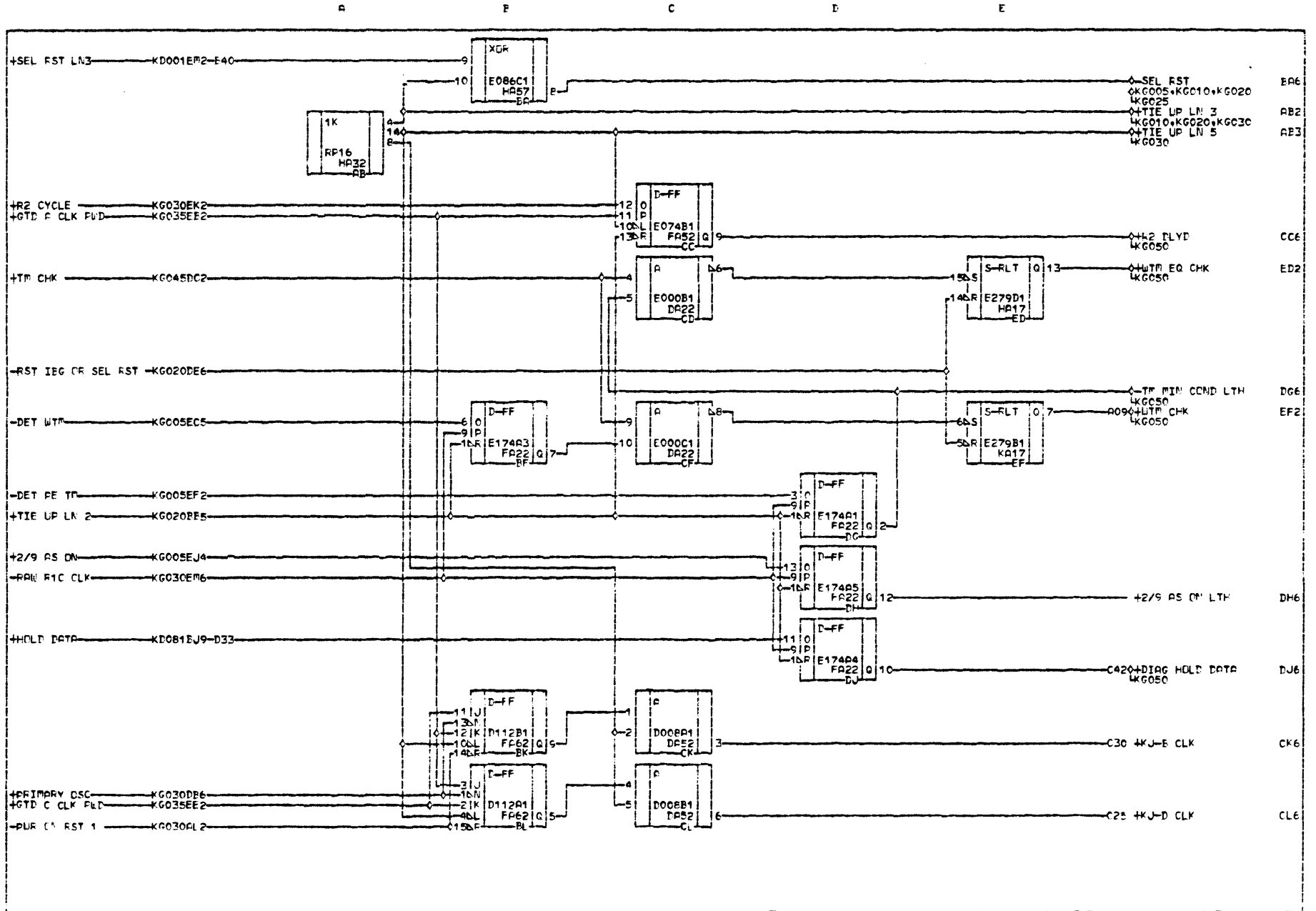


AMP SENSOR DECODE			
AM PAGE REFS	SYSTEM PAGE	PRES. E.C. 44457	MACHINE: S1935
PAGE 4016135016	FLYER EC PHOTOTYP	PREV. E.C.	CD. LUC. G2
E.C. 44457	WIRING METHOD: PC	DATE 5/21/81	PG. P.No. 4016145015

K
G
O
S



K G 0 1 0	STC				BOB COUNTER				K G 0 1 0
	- AM PAGE REFS -		- SYSTEM PAGE -		PRES. E.C. 44457	MACHINE: 51935		1	
	PAGE 4016136014		FLYER EC PROTOTYPE		PREV. E.C.	CD. LUC. G2			
E.C. 44457		WIRING METHOD: PC		DATE	5/21/81		PC. P.No. 4016146013	0	



A
B
C
D
E
F
G
H
J
K
L
F

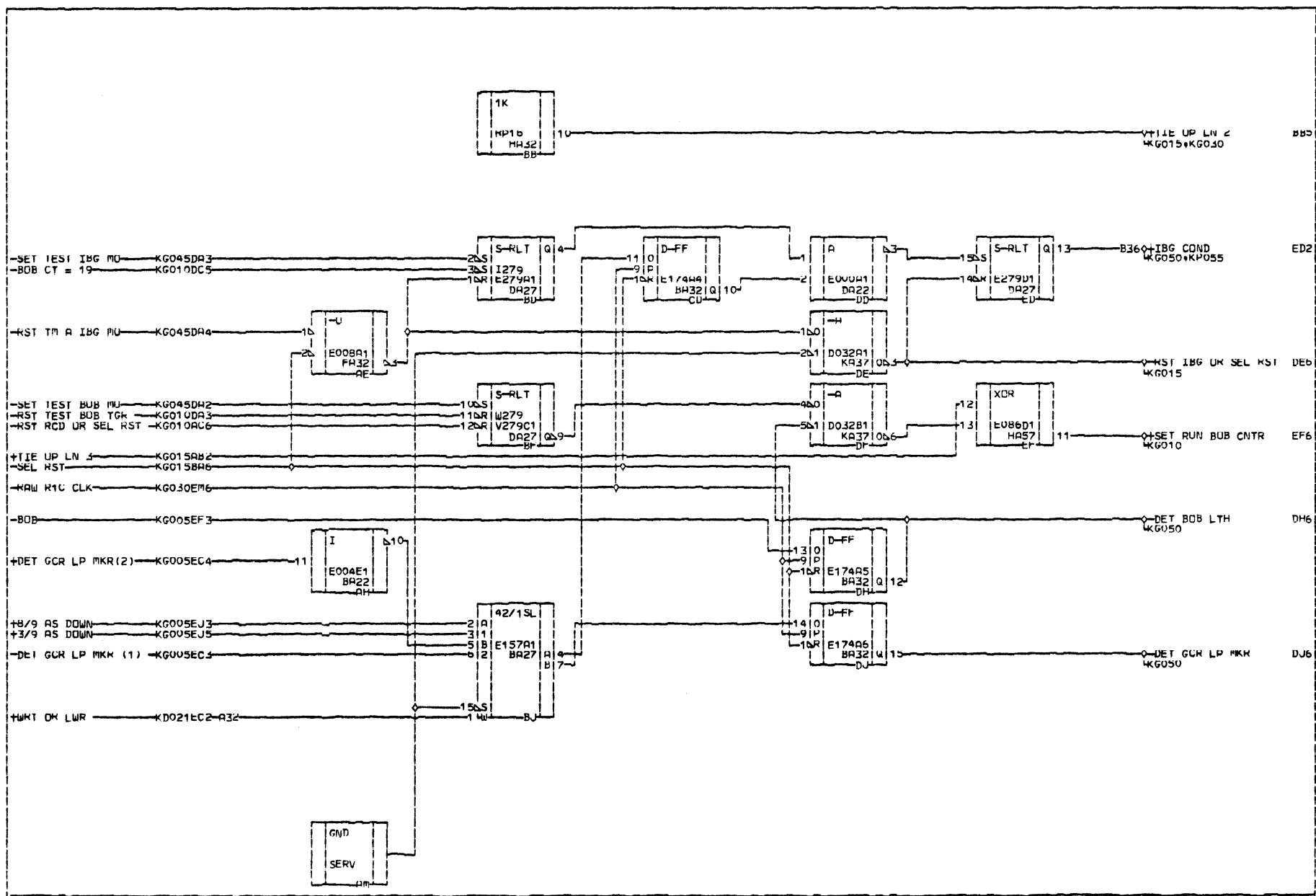
IC FA62 REMOVED IF JUMPER J1(KG030) INSTALLED



TAPE PEEK DETECTION

AP	DCFE	FFFS	SYSTEM PAGE	PREV. E.C. 44457	RECHARGE: S1935
PAGE	4016137020		FLYER EC PRCTGTYF	PREV. E.C.	CT. LOC. 02
E.C. 44457			LIRING METHODS	PC DATE 10/24/82	IC FN# 4016147-02-9

A B C D E



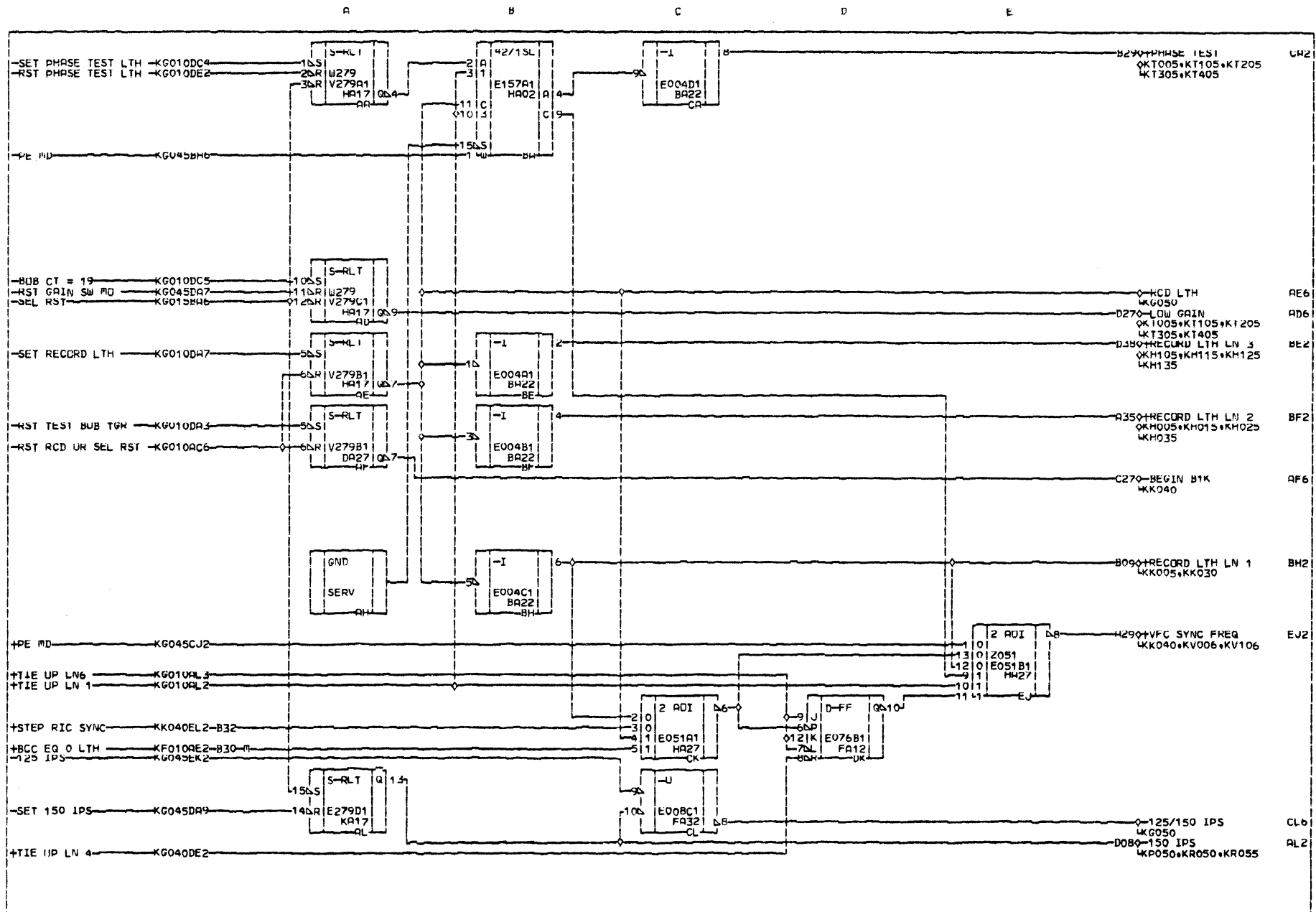
A
B
C
D
E
F
G
H
J
K
L
m

NOV 68



- AM PAGE PEFS -		- SYSTEM PAGE -		PRES. E.C. 44457		MACHINE: S1935	
PAGE 4015138010		FLYER EC PROTOTYP		PREV. E.C.		CD. LUC. G2	
E.C. 44457		WIRING METHOD: PC		DATE 5/21/81		PG. P.No. 4016148019	

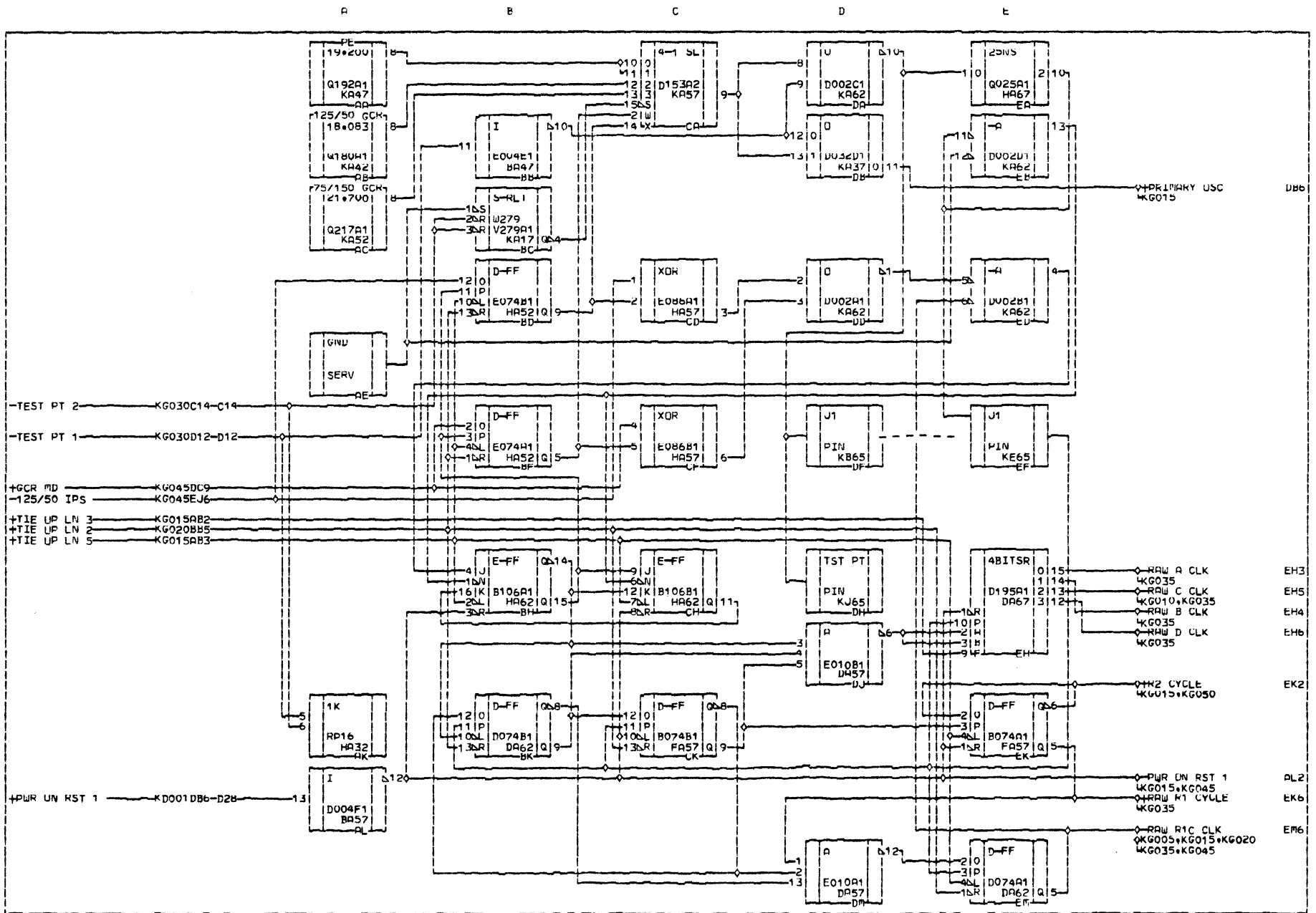
K
G
0
2
0



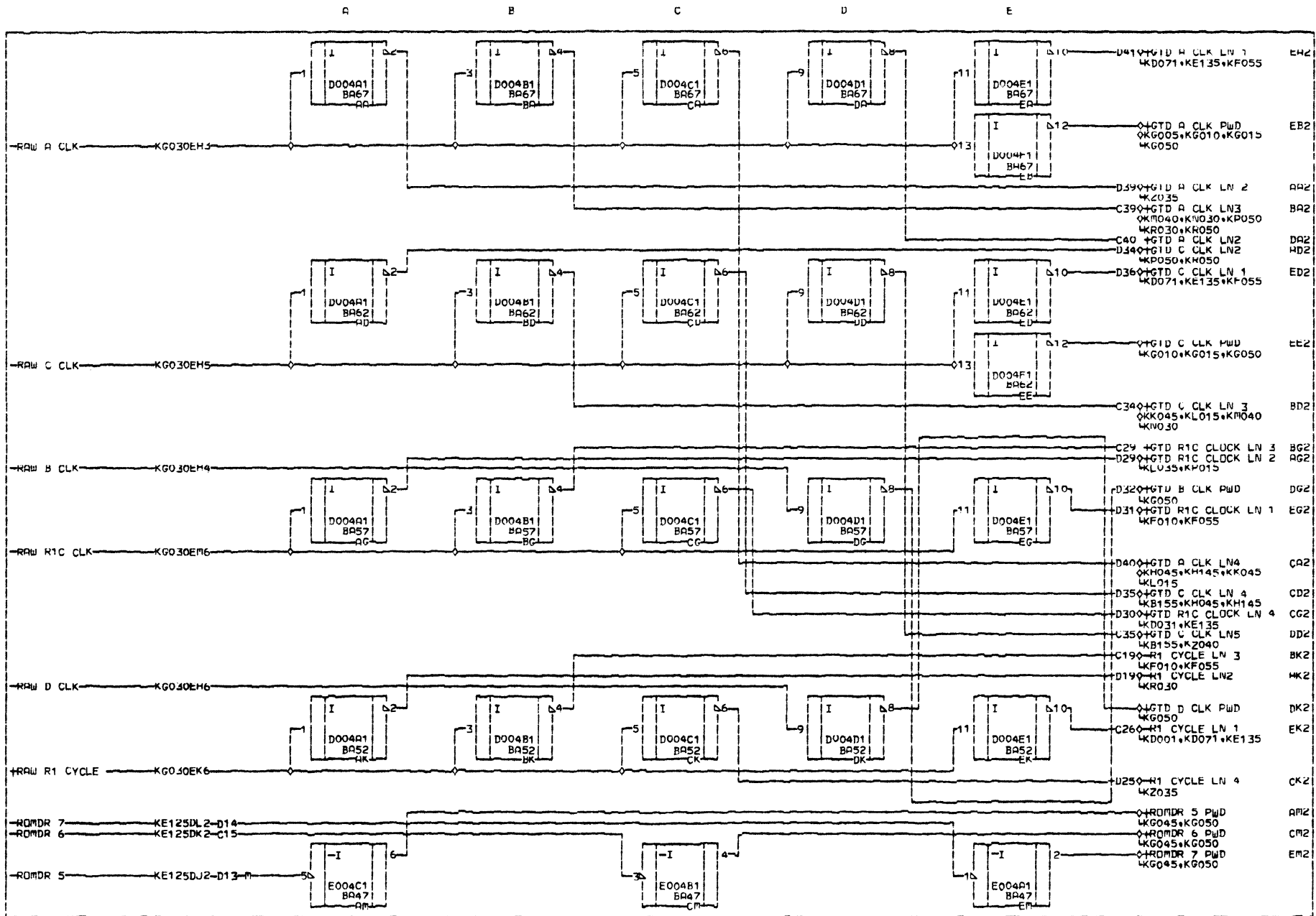
K
G
O
J



AM	PAGE	REFS	SYSTEM PAGE	PRES. E.C.	44457	MACHINE:	51935
	PAGE	4016139018	FLYER EC PHOTOTYP	PREV. E.C.		LD. LUG.	G2
		E.C. 44457	WIRING METHOD:	PC	DATE	5/21/81	PG. P.N.
							4016149017



K 0 3 0		JUMPER J1 IF DELAY LINE HA67 REMOVED	ETC		CLOCK GENERATION		K 6 0 3 0
			AM PAGE REFS	SYSTEM PAGE	PRES. E.C. 44457	MACHINE: 51935	
			PAGE 4016140016	FLYER EC PROTUTYP	PREV. E.C. 44457	CD+ LOC. C2	
			E.C. 44457	WIRING METHOD: PC	DATE 5/21/81	PG. P.N. 4016150015	

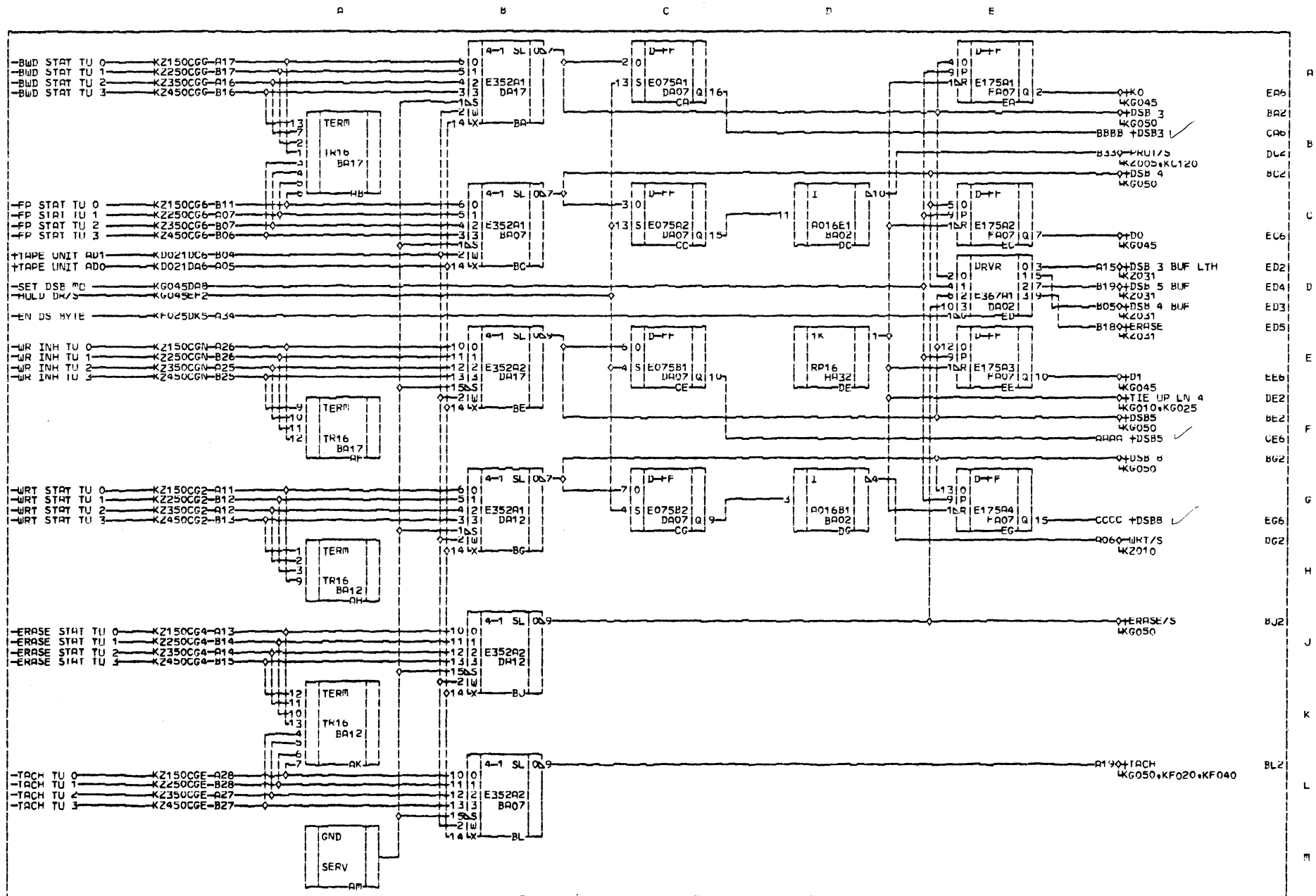


K
G
C
S



CLOCK POWERING			
AM	PAGE REFS	SYSTEM PAGE	PRES. E.C. 44457
PG	4016141014	FLYEN EC DFJ0101P	PREV. E.C.
E.C.	44457	WIRING METHOD: PC	DATE 5/21/81
			MACHINE: 51935
			CU: LUC G2
			PG: P.N. 4016151013

K
G
C
S

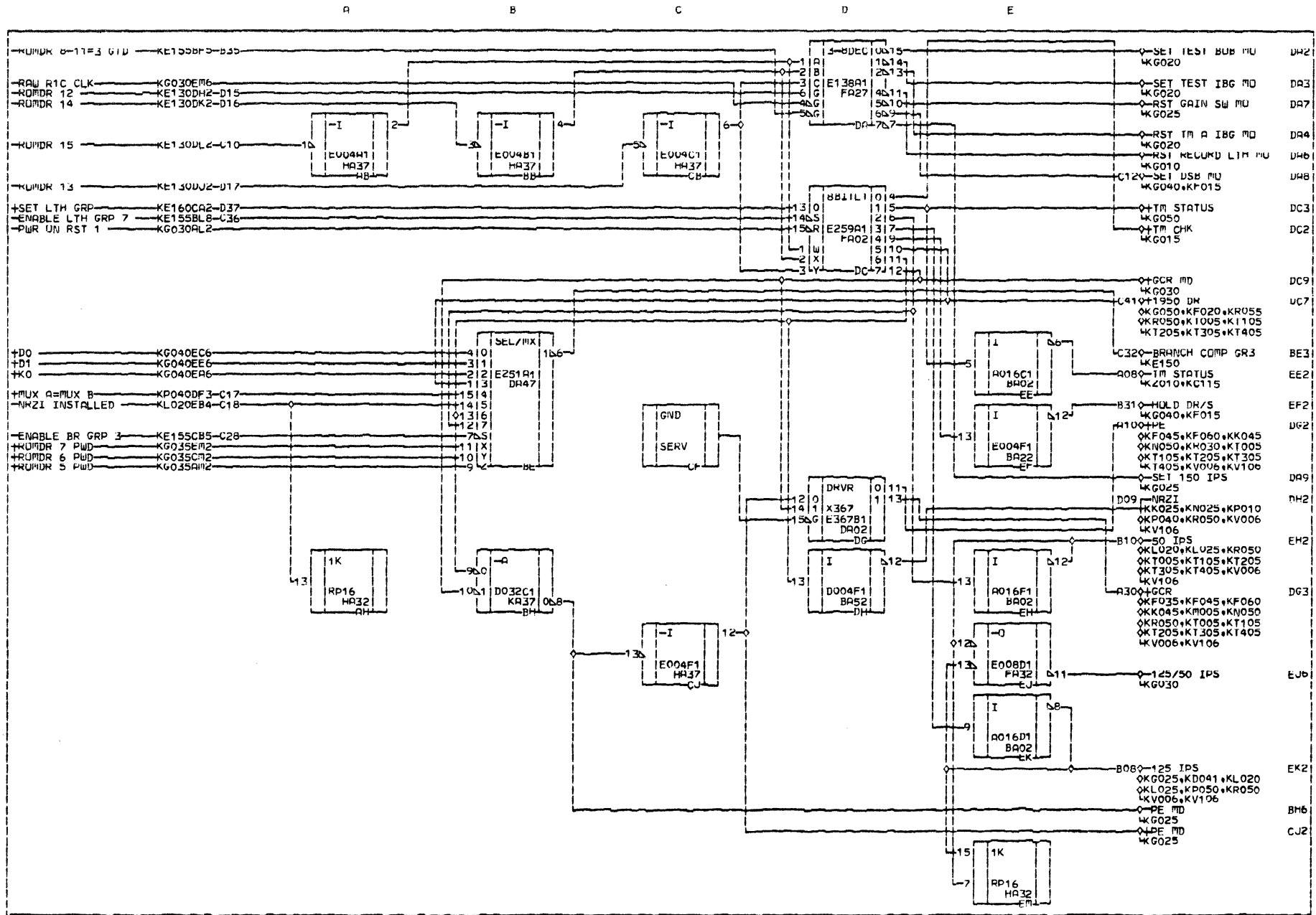


K
G
O
4
O



DRIVE STATUS	
AM PAGE REFS PAGE 4016142012 E.C. 44457	SYSTEM PAGE FLYER EC PROTD1VP WIRING METHOD: PC
PRES. E.C. 44457 PREV. E.C. DATE 5/21/81	MACHINE: S1935 CD. LUC. G2 PG. P.No. 4016152011

K
G
O
4
O

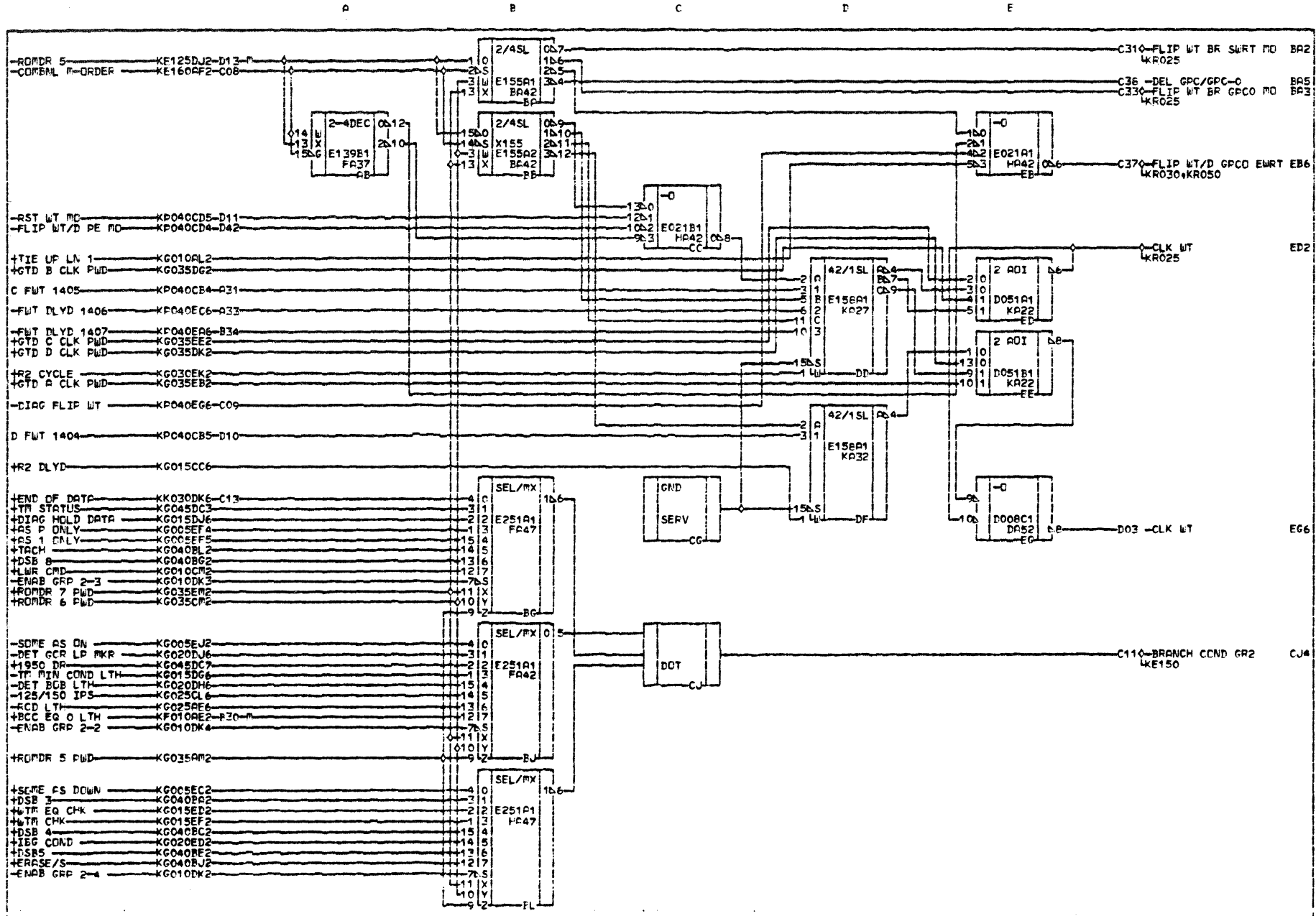


K
G
O
4
5



BRANCHES & MICRO-			
AM PAGE REFS -	SYSTEM PAGE	PRES. F.C. 44457	MACHINE: S1935
PAGE 4016143010	FLYER EC PROTOTYP	PREV. E.C.	CD. LOC. G2
E.C. 44457	WIRING METHOD: PC	DATE 5/21/81	Pg. P.No. 4016153019

K
G
O
4
5



K
G
O
S
O



BRANCHES			
OF PAGE PFFS	SYSTEM PAGE	FRES. E.C. 44457	MACHINE: 51935
PAGE 401E1440PE	FLYER EC PRACTITYP	FREV. E.C.	CD. LOC. 02
E.C. 44457	WIRING METHOD: FC	DATE 10/24/82	PG No. 401E154-02-5

ASSEMBLY PARTS LIST

BUILED ARC DDC

PRINT DATE	PAGE	E.C. NO.
10-20-82	1	44641

DIV.	ASSEMBLY NUMBER	CD	REV.	DWG.	DESCRIPTION	MC	STATUS	STATUS DATE	FILE DATE					
0500	401593302	3	B	N	SYS LGC GP,KH,MULTI PNS	N	REL	11-09-81	1985 12-23-81					
T FIND NO	LI	PART NUMBER	CD	M	QUANTITY	U/M	PART DESCRIPTION	MC	YLD	E.C. NO. IN	E.C. NO. OUT	S/N	WK IN	WK OUT
000	01	401590502	1		REF	PC	CD LGC AM202,KH,PC	D		44641			8209	
005	01	43408018	0		REF	PC	SYS LGC,KH005,PC	D						
010	01	401590702	7		REF	PC	SYS LGC,KH010,PC	D		44641			8209	
015	01	43408020	6		REF	PC	SYS LGC,KH015,PC	D						
020	01	401590902	3		REF	PC	SYS LGC,KH020,PC	D		44641			8209	
025	01	43408022	2		REF	PC	SYS LGC,KH025,PC	D						
030	01	401591102	9		REF	PC	SYS LGC,KH030,PC	D		44641			8209	
035	01	43408024	8		REF	PC	SYS LGC,KH035,PC	D						
040	01	401592102	8		REF	PC	SYS LGC,KH040,PC	D		44641			8209	
045	01	43408026	3		REF	PC	SYS LGC,KH045,PC	D						
050	01	401524401	7		REF	PC	SYS LGC,KH050,PC	D						
105	01	43408058	6		REF	PC	SYS LGC,KH105,PC	D						
110	01	401592302	4		REF	PC	SYS LGC,KH110,PC	D		44641			8209	
115	01	43408060	2		REF	PC	SYS LGC,KH115,PC	D						
120	01	401592502	9		REF	PC	SYS LGC,KH120,PC	D		44641			8209	
125	01	43408062	8		REF	PC	SYS LGC,KH125,PC	D						
130	01	401592702	5		REF	PC	SYS LGC,KH130,PC	D		44641			8209	
135	01	43408064	4		REF	PC	SYS LGC,KH135,PC	D						
140	01	401592902	1		REF	PC	SYS LGC,KH140,PC	D		44641			8209	
145	01	43408066	9		REF	PC	SYS LGC,KH145,PC	D						
150	01	401524501	4		REF	PC	SYS LGC,KH150,PC	D						

ASSEMBLY PARTS LIST

BOULEVARD

PRINT DATE	PAGE	E.C. NO.
10-20-82	2	44641

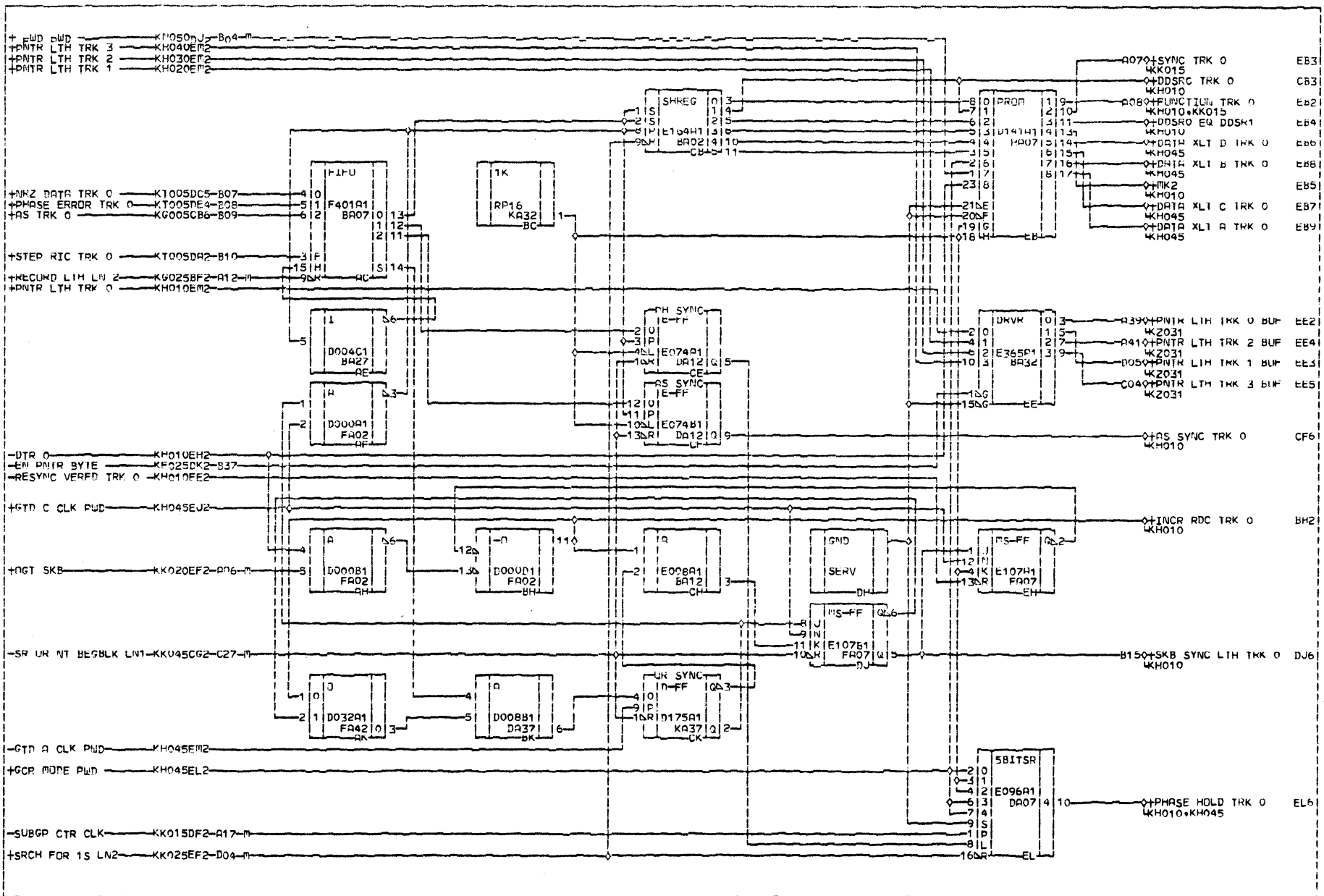
DIV.	ASSEMBLY NUMBER	CD	REV.	DWG.	DESCRIPTION	MC	STATUS	STATUS DATE	FILE DATE					
0500	401593302	3	8	N	SYS LGC GP,KH,MULTI PNS	N	REL	11-09-81	1935 12-23-81					
T FIND NO	LI	PART NUMBER	CD	M	QUANTITY	U/M	PART DESCRIPTION	MC	YLD	E.C. NO. IN	E.C. NO. OUT	S/N	WK IN	WK OUT
500	01	401591203	5		REF	PC	CKT CD KH PC ASSY	S			44641			8209
500	02	43308204	7		REF	PC	CKT CD,KH,PC ASSY	S		44641			8209	
501	01	401591303	3		REF	PC	CKT CD,KH PC ASSY	S			44641			8209
501	02	43308304	5		REF	PC	CKT CD,KH,PC ASSY	S		44641			8209	
502	01	43308404	3		REF	PC	CKT CD,KH,PC ASSY	S		44641			8209	
0026 TOTAL LINES														

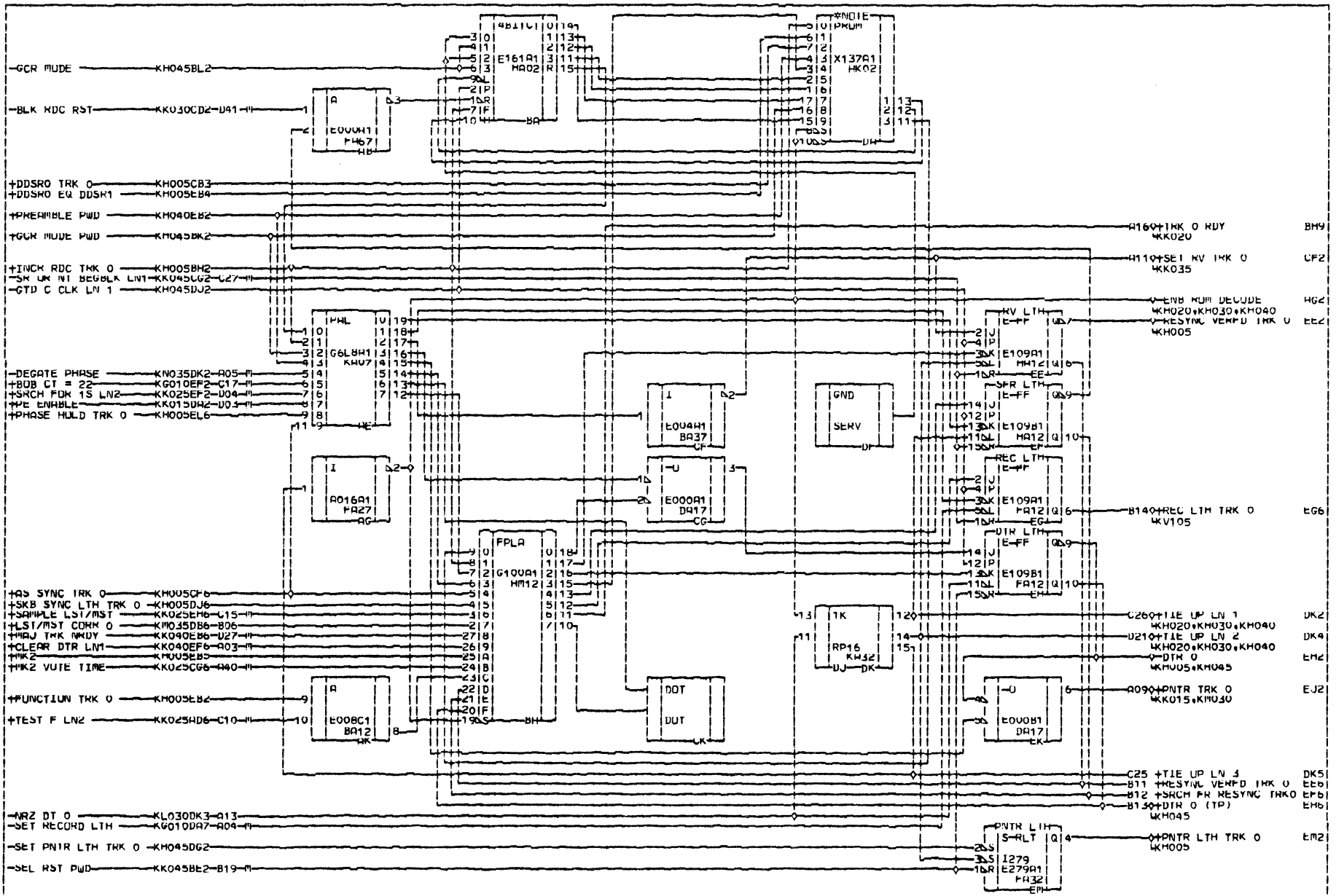
LLOC KA67 16 LLOC KA62 20 LLOC HF57 12 LLOC HF52 12 LLOC KA47 20 LLOC KA42 14 LLOC KA37 16 LLOC KA32 16 LLOC KA27 16 LLOC KA22 20 LLOC HA17 20 LLOC HA12 20 LLOC KA07 20 LLOC FK62 18	FN IC:1X137 FN IC:1G6L8 FN IC:1G100 FN IC:1G100 FN IC:1G6L8 FN IC:1X137 FN IC:1P175 FN IC:1P175 FN IC:1X137 FN IC:1G6L8 FN IC:1G100 FN IC:1G100 FN IC:1G6L8 FN IC:1X137	11 KH040CFB12 KH040CFB11 KH040CFB10 KH040CFB9 KH040CFB8 KH040CFB7 KH040CFB6 KH040CFB5 KH040CFB4 KH040CFB3 KH040CFB2 KH040CFB1	12 KH020CFB12 KH020CFB11 KH020CFB10 KH020CFB9 KH020CFB8 KH020CFB7 KH020CFB6 KH020CFB5 KH020CFB4 KH020CFB3 KH020CFB2 KH020CFB1	13 KH002CFB12 KH002CFB11 KH002CFB10 KH002CFB9 KH002CFB8 KH002CFB7 KH002CFB6 KH002CFB5 KH002CFB4 KH002CFB3 KH002CFB2 KH002CFB1	14 KH040CFB12 KH040CFB11 KH040CFB10 KH040CFB9 KH040CFB8 KH040CFB7 KH040CFB6 KH040CFB5 KH040CFB4 KH040CFB3 KH040CFB2 KH040CFB1	15 KH020CFB12 KH020CFB11 KH020CFB10 KH020CFB9 KH020CFB8 KH020CFB7 KH020CFB6 KH020CFB5 KH020CFB4 KH020CFB3 KH020CFB2 KH020CFB1	16 KH002CFB12 KH002CFB11 KH002CFB10 KH002CFB9 KH002CFB8 KH002CFB7 KH002CFB6 KH002CFB5 KH002CFB4 KH002CFB3 KH002CFB2 KH002CFB1	17 KH040CFB12 KH040CFB11 KH040CFB10 KH040CFB9 KH040CFB8 KH040CFB7 KH040CFB6 KH040CFB5 KH040CFB4 KH040CFB3 KH040CFB2 KH040CFB1	18 KH020CFB12 KH020CFB11 KH020CFB10 KH020CFB9 KH020CFB8 KH020CFB7 KH020CFB6 KH020CFB5 KH020CFB4 KH020CFB3 KH020CFB2 KH020CFB1	19 KH002CFB12 KH002CFB11 KH002CFB10 KH002CFB9 KH002CFB8 KH002CFB7 KH002CFB6 KH002CFB5 KH002CFB4 KH002CFB3 KH002CFB2 KH002CFB1	9 FE2 GNDKF65 +5VH70	10 FE2 GNDKF65 +5VH70	11 FE2 GNDKF65 +5VH70	12 FE2 GNDKF65 +5VH70	13 FE2 GNDKF65 +5VH70	14 FE2 GNDKF65 +5VH70	15 FE2 GNDKF65 +5VH70	16 FE2 GNDKF65 +5VH70	17 FE2 GNDKF65 +5VH70	18 FE2 GNDKF65 +5VH70	19 FE2 GNDKF65 +5VH70	9 FE2 GNDKF65 +5VH70	10 FE2 GNDKF65 +5VH70	11 FE2 GNDKF65 +5VH70	12 FE2 GNDKF65 +5VH70	13 FE2 GNDKF65 +5VH70	14 FE2 GNDKF65 +5VH70	15 FE2 GNDKF65 +5VH70	16 FE2 GNDKF65 +5VH70	17 FE2 GNDKF65 +5VH70	18 FE2 GNDKF65 +5VH70	19 FE2 GNDKF65 +5VH70												
LLOC HA67 16 LLOC HA62 24 LLOC HA57 16 LLOC HA52 16 LLOC HA47 24 LLOC HA42 16 LLOC HA37 24 LLOC HA32 24 LLOC HA27 16 LLOC HA22 24 LLOC HA17 16 LLOC HA12 16 LLOC HA07 24 LLOC HA02 16	FN IC:1E161 FN IC:1D141 FN IC:1E109 FN IC:1E109 FN IC:1D141 FN IC:1E161 FN IC:1A159 FN IC:1A159 FN IC:1E161 FN IC:1D141 FN IC:1E109 FN IC:1E109 FN IC:1D141 FN IC:1E161	11 KH040CFB5 KH040CFB4 KH040CFB3 KH040CFB2 KH040CFB1	12 KH020CFB5 KH020CFB4 KH020CFB3 KH020CFB2 KH020CFB1	13 KH002CFB5 KH002CFB4 KH002CFB3 KH002CFB2 KH002CFB1	14 KH040CFB5 KH040CFB4 KH040CFB3 KH040CFB2 KH040CFB1	15 KH020CFB5 KH020CFB4 KH020CFB3 KH020CFB2 KH020CFB1	16 KH002CFB5 KH002CFB4 KH002CFB3 KH002CFB2 KH002CFB1	17 KH040CFB5 KH040CFB4 KH040CFB3 KH040CFB2 KH040CFB1	18 KH020CFB5 KH020CFB4 KH020CFB3 KH020CFB2 KH020CFB1	19 KH002CFB5 KH002CFB4 KH002CFB3 KH002CFB2 KH002CFB1	9 FD2 GNDHF70 +5VFK70	10 FD2 GNDHF70 +5VFK70	11 FD2 GNDHF70 +5VFK70	12 FD2 GNDHF70 +5VFK70	13 FD2 GNDHF70 +5VFK70	14 FD2 GNDHF70 +5VFK70	15 FD2 GNDHF70 +5VFK70	16 FD2 GNDHF70 +5VFK70	17 FD2 GNDHF70 +5VFK70	18 FD2 GNDHF70 +5VFK70	19 FD2 GNDHF70 +5VFK70	9 FD2 GNDHF70 +5VFK70	10 FD2 GNDHF70 +5VFK70	11 FD2 GNDHF70 +5VFK70	12 FD2 GNDHF70 +5VFK70	13 FD2 GNDHF70 +5VFK70	14 FD2 GNDHF70 +5VFK70	15 FD2 GNDHF70 +5VFK70	16 FD2 GNDHF70 +5VFK70	17 FD2 GNDHF70 +5VFK70	18 FD2 GNDHF70 +5VFK70	19 FD2 GNDHF70 +5VFK70												
LLOC FA67 14 LLOC FA62 14 LLOC FA57 16 LLOC FA52 16 LLOC FA47 14 LLOC FA42 14 LLOC FA37 14 LLOC FA32 16 LLOC FA27 14 LLOC FA22 14 LLOC FA17 16 LLOC FA12 16 LLOC FA07 14 LLOC FA02 14	FN IC:E000 FN IC:E107 FN IC:E109 FN IC:E109 FN IC:E107 FN IC:E032 FN IC:E032 FN IC:E279 FN IC:A016 FN IC:E107 FN IC:E109 FN IC:E109 FN IC:E1000	3 KH010CFB2 KH020CFB2 KH030CFB2 KH040CFB2	4 KH002CFB2 KH002CFB1 KH002CFB0	5 KH040CFB2 KH040CFB1 KH040CFB0	6 KH020CFB2 KH020CFB1 KH020CFB0	7 KH002CFB2 KH002CFB1 KH002CFB0	8 KH040CFB2 KH040CFB1 KH040CFB0	9 KH020CFB2 KH020CFB1 KH020CFB0	10 KH002CFB2 KH002CFB1 KH002CFB0	11 KH040CFB2 KH040CFB1 KH040CFB0	12 KH020CFB2 KH020CFB1 KH020CFB0	13 KH002CFB2 KH002CFB1 KH002CFB0	14 KH040CFB2 KH040CFB1 KH040CFB0	15 KH020CFB2 KH020CFB1 KH020CFB0	16 KH002CFB2 KH002CFB1 KH002CFB0	17 KH040CFB2 KH040CFB1 KH040CFB0	18 KH020CFB2 KH020CFB1 KH020CFB0	19 KH002CFB2 KH002CFB1 KH002CFB0	7 FC2 GNDFK66 +5VFA70	8 FC2 GNDFK66 +5VFA70	9 FC2 GNDFK66 +5VFA70	10 FC2 GNDFK66 +5VFA70	11 FC2 GNDFK66 +5VFA70	12 FC2 GNDFK66 +5VFA70	13 FC2 GNDFK66 +5VFA70	14 FC2 GNDFK66 +5VFA70	15 FC2 GNDFK66 +5VFA70	16 FC2 GNDFK66 +5VFA70	17 FC2 GNDFK66 +5VFA70	18 FC2 GNDFK66 +5VFA70	19 FC2 GNDFK66 +5VFA70	7 FC2 GNDFK66 +5VFA70	8 FC2 GNDFK66 +5VFA70	9 FC2 GNDFK66 +5VFA70	10 FC2 GNDFK66 +5VFA70	11 FC2 GNDFK66 +5VFA70	12 FC2 GNDFK66 +5VFA70	13 FC2 GNDFK66 +5VFA70	14 FC2 GNDFK66 +5VFA70	15 FC2 GNDFK66 +5VFA70	16 FC2 GNDFK66 +5VFA70	17 FC2 GNDFK66 +5VFA70	18 FC2 GNDFK66 +5VFA70	19 FC2 GNDFK66 +5VFA70
LLOC DA67 14 LLOC DA62 16 LLOC DA57 14 LLOC DA52 14 LLOC DA47 16 LLOC DA42 14 LLOC DA37 14 LLOC DA32 16 LLOC DA27 14 LLOC DA22 16 LLOC DA17 14 LLOC DA12 14 LLOC DA07 16 LLOC DA02 14	FN IC:E000 FN IC:E096 FN IC:E008 FN IC:D074 FN IC:E096 FN IC:D074 FN IC:D008 FN IC:E15E FN IC:D074 FN IC:E096 FN IC:E000 FN IC:D074 FN IC:E096 FN IC:D000	3 KH030CFB2 KH040CFB2 KH050CFB2	4 KH002CFB2 KH002CFB1 KH002CFB0	5 KH040CFB2 KH040CFB1 KH040CFB0	6 KH020CFB2 KH020CFB1 KH020CFB0	7 KH002CFB2 KH002CFB1 KH002CFB0	8 KH040CFB2 KH040CFB1 KH040CFB0	9 KH020CFB2 KH020CFB1 KH020CFB0	10 KH002CFB2 KH002CFB1 KH002CFB0	11 KH040CFB2 KH040CFB1 KH040CFB0	12 KH020CFB2 KH020CFB1 KH020CFB0	13 KH002CFB2 KH002CFB1 KH002CFB0	14 KH040CFB2 KH040CFB1 KH040CFB0	15 KH020CFB2 KH020CFB1 KH020CFB0	16 KH002CFB2 KH002CFB1 KH002CFB0	17 KH040CFB2 KH040CFB1 KH040CFB0	18 KH020CFB2 KH020CFB1 KH020CFB0	19 KH002CFB2 KH002CFB1 KH002CFB0	7 FE2 GNDFK66 +5VFA70	8 FE2 GNDFK66 +5VFA70	9 FE2 GNDFK66 +5VFA70	10 FE2 GNDFK66 +5VFA70	11 FE2 GNDFK66 +5VFA70	12 FE2 GNDFK66 +5VFA70	13 FE2 GNDFK66 +5VFA70	14 FE2 GNDFK66 +5VFA70	15 FE2 GNDFK66 +5VFA70	16 FE2 GNDFK66 +5VFA70	17 FE2 GNDFK66 +5VFA70	18 FE2 GNDFK66 +5VFA70	19 FE2 GNDFK66 +5VFA70	7 FE2 GNDFK66 +5VFA70	8 FE2 GNDFK66 +5VFA70	9 FE2 GNDFK66 +5VFA70	10 FE2 GNDFK66 +5VFA70	11 FE2 GNDFK66 +5VFA70	12 FE2 GNDFK66 +5VFA70	13 FE2 GNDFK66 +5VFA70	14 FE2 GNDFK66 +5VFA70	15 FE2 GNDFK66 +5VFA70	16 FE2 GNDFK66 +5VFA70	17 FE2 GNDFK66 +5VFA70	18 FE2 GNDFK66 +5VFA70	19 FE2 GNDFK66 +5VFA70
LLOC BA67 14 LLOC BA62 16 LLOC BA57 14 LLOC BA52 14 LLOC BA47 16 LLOC BA42 14 LLOC BA37 14 LLOC BA32 16 LLOC BA27 14 LLOC BA22 16 LLOC BA17 14 LLOC BA12 14 LLOC BA07 16 LLOC BA02 14	FN IC:D000 FN IC:F401 FN IC:E164 FN IC:E008 FN IC:F401 FN IC:E004 FN IC:E365 FN IC:D004 FN IC:F401 FN IC:E164 FN IC:E006 FN IC:F401 FN IC:E164	3 KH035CFB2 KH035CFB1 KH035CFB0	4 KH002CFB2 KH002CFB1 KH002CFB0	5 KH040CFB2 KH040CFB1 KH040CFB0	6 KH020CFB2 KH020CFB1 KH020CFB0	7 KH002CFB2 KH002CFB1 KH002CFB0	8 KH040CFB2 KH040CFB1 KH040CFB0	9 KH020CFB2 KH020CFB1 KH020CFB0	10 KH002CFB2 KH002CFB1 KH002CFB0	11 KH040CFB2 KH040CFB1 KH040CFB0	12 KH020CFB2 KH020CFB1 KH020CFB0	13 KH002CFB2 KH002CFB1 KH002CFB0	14 KH040CFB2 KH040CFB1 KH040CFB0	15 KH020CFB2 KH020CFB1 KH020CFB0	16 KH002CFB2 KH002CFB1 KH002CFB0	17 KH040CFB2 KH040CFB1 KH040CFB0	18 KH020CFB2 KH020CFB1 KH020CFB0	19 KH002CFB2 KH002CFB1 KH002CFB0	7 FE2 GNDFK66 +5VFA70	8 FE2 GNDFK66 +5VFA70	9 FE2 GNDFK66 +5VFA70	10 FE2 GNDFK66 +5VFA70	11 FE2 GNDFK66 +5VFA70	12 FE2 GNDFK66 +5VFA70	13 FE2 GNDFK66 +5VFA70	14 FE2 GNDFK66 +5VFA70	15 FE2 GNDFK66 +5VFA70	16 FE2 GNDFK66 +5VFA70	17 FE2 GNDFK66 +5VFA70	18 FE2 GNDFK66 +5VFA70	19 FE2 GNDFK66 +5VFA70	7 FE2 GNDFK66 +5VFA70	8 FE2 GNDFK66 +5VFA70	9 FE2 GNDFK66 +5VFA70	10 FE2 GNDFK66 +5VFA70	11 FE2 GNDFK66 +5VFA70	12 FE2 GNDFK66 +5VFA70	13 FE2 GNDFK66 +5VFA70	14 FE2 GNDFK66 +5VFA70	15 FE2 GNDFK66 +5VFA70	16 FE2 GNDFK66 +5VFA70	17 FE2 GNDFK66 +5VFA70	18 FE2 GNDFK66 +5VFA70	19 FE2 GNDFK66 +5VFA70

INDEX: 10 PAGE(S)
PAGE CRD PG P/N EC LEVEL
KH005 43448002-6 44103 KH030 4015910021 44641
KH010 4015906029 44641 KH035 43448008-3 44103
KH015 43448004-2 44103 KH040 4015920020 44641
KH020 4015906025 44641 KH045 43448010-9 44103
KH025 43448006-7 44103 KH050 4015205018 44391

IC LOCATION CHART KH EC CARD

PRESENT EC 44641	DATE 10/01/81	CD PN 43308404-3
PREV EC 44501	PAGE PN 4015905021	CD TYPE KH
	FLEVEL 34595	

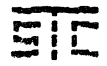




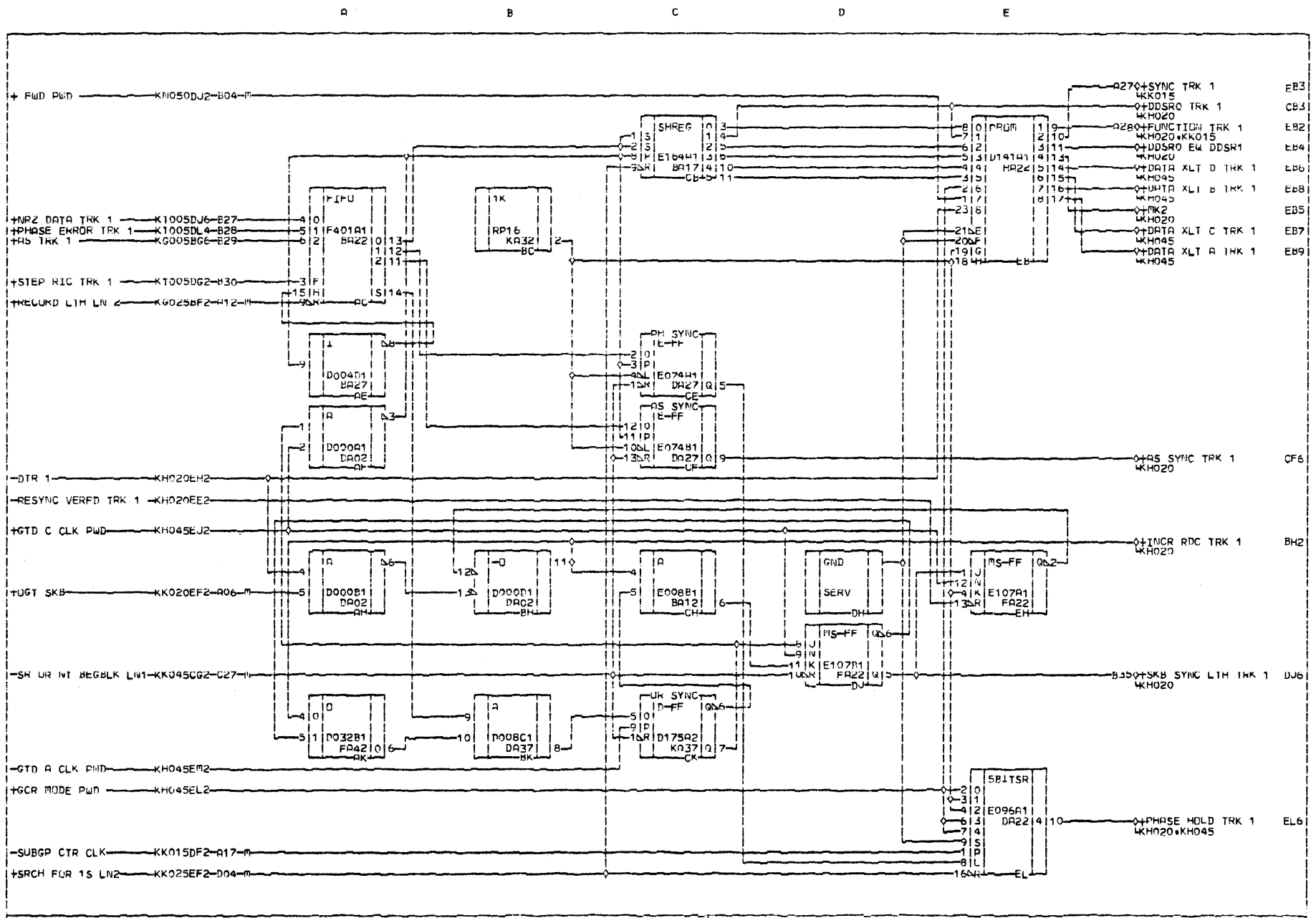
A
B
C
D
E
F
G
H
J
K
L
M

NOTE: THIS IC IS AT LOCATION KA02 ON ***20X/30X LEVEL CARDS.

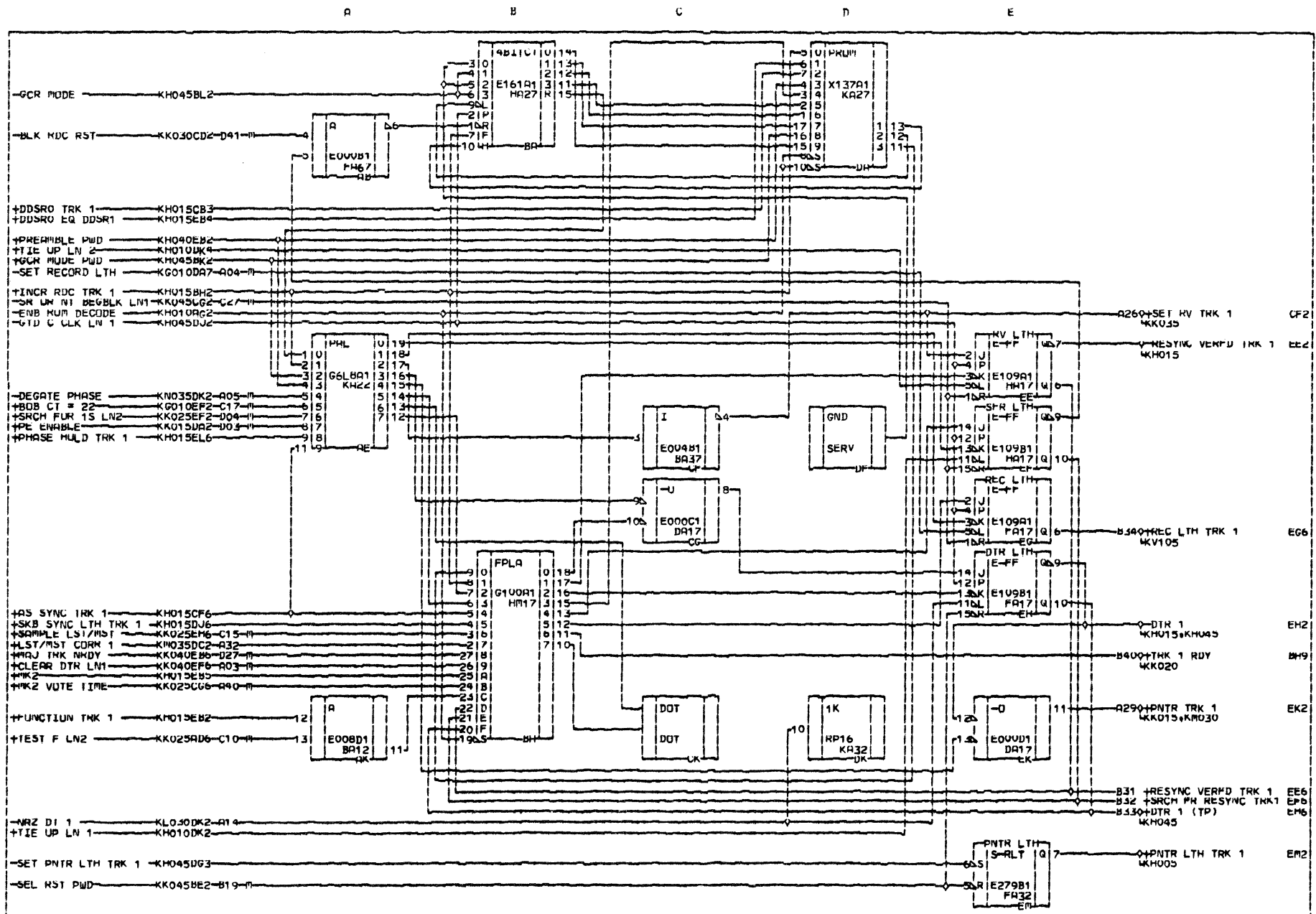
K	
H	
O	
1	
0	



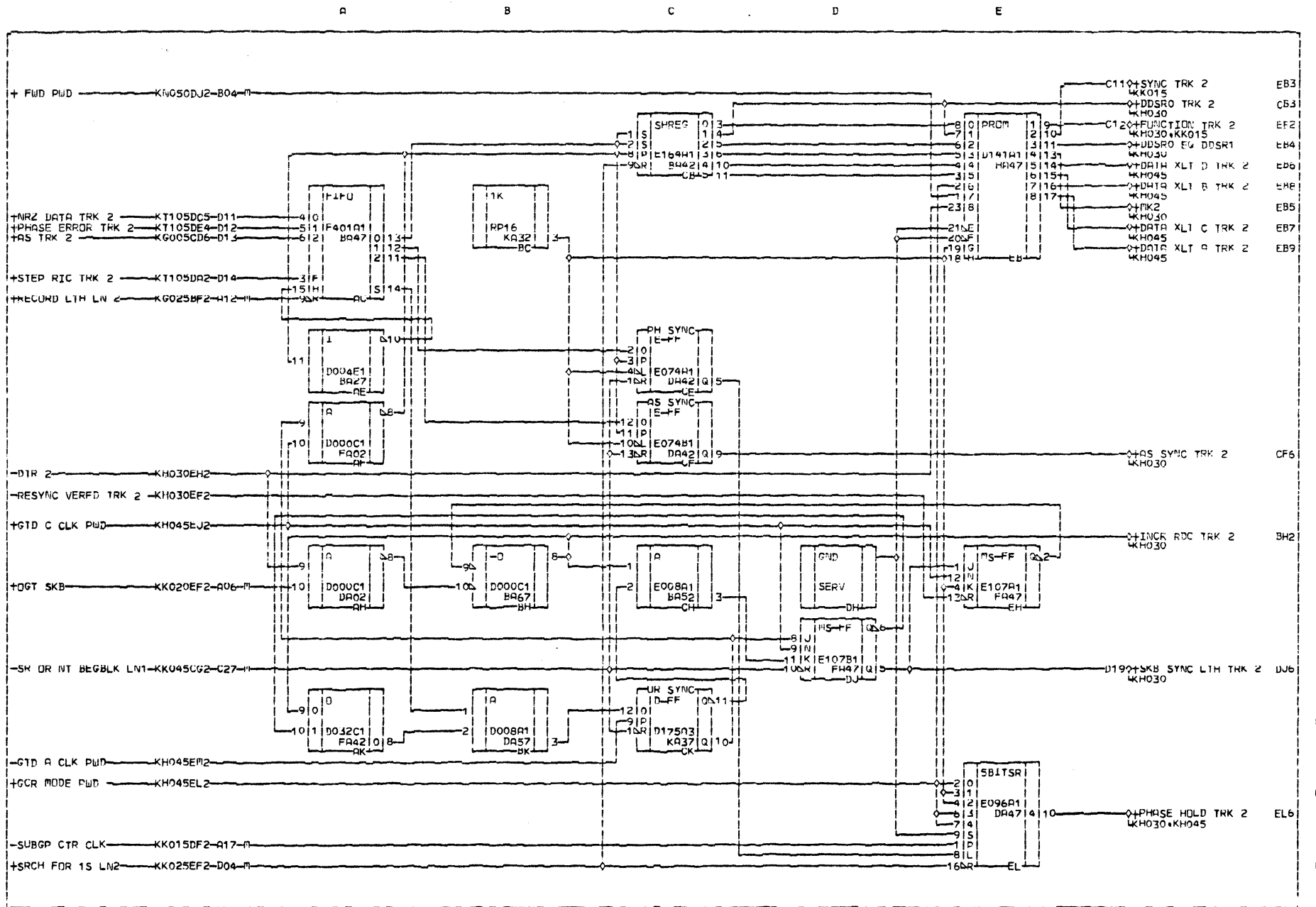
- AM PAGE REFS		- SYSTEM PAGE		- PRES. E+C 44641		- MACHINE: S1935	
PAGE 4015906029		FLYER EC 34595		PREV. E+C 44501		CD. LUL. HZ	
E+C 44641		WIRING METHOD: PC		DATE 10/06/81		PG. P/N 4015907027	



K H O 1 5	312	DESKEL 5/16 XLT PH HOLD AND SUBGP CTR TRK 1				K H O 1 5
1	AM PAGE REFS	SYSTEM PAGE	PRES. E.C. 44032	MACHINE: S1935	0	
5	PAGE 4344R004-2	FLYER EC PRU10TYP	PREV. E.C. 44018	CD. LUC. H2	1	
	E.C. 44107	USING METHOD: PCIDATE	12/05/79	PG. 2. 4340R020-6	5	



K H O Z O	TRACK 1 DATA PROCESSOR				K H O Z O
	AM PAGE REFS	SYSTEM PAGE	PRES. E.C. 44641	MACHINE: S1935	
	PAGE 4015908025	PLYER EC 34595	PREV. E.C. 44501	CU. LUC. M2	
	E.C. 44641	WIRING METHOD:	PC DATE 10/06/81	PG. P.N. 4015909023	

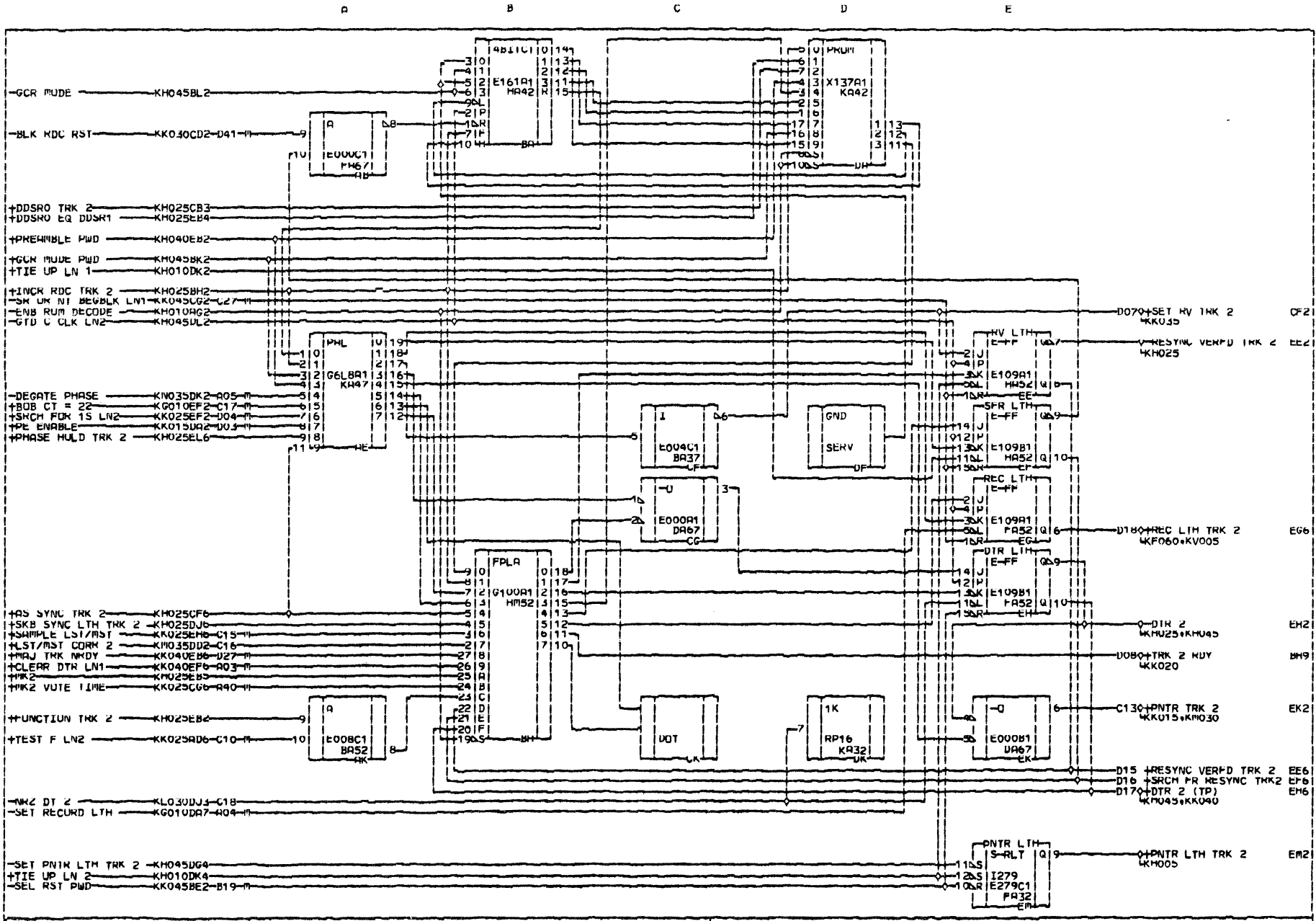


K
H
O
Z
S

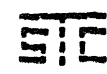


PAGE REFS -		SYSTEM PAGE		PRES. E.C. 44032		MACHINE: S1935	
PAGE 43448006-7		FLYER EC PRUOTYP		PREV. E.C. 44018		CD. LOC. H2	
F.C. 44103		WIRING METHOD: PC DATE		12/25/79		P2. P.C. 43408222-2	

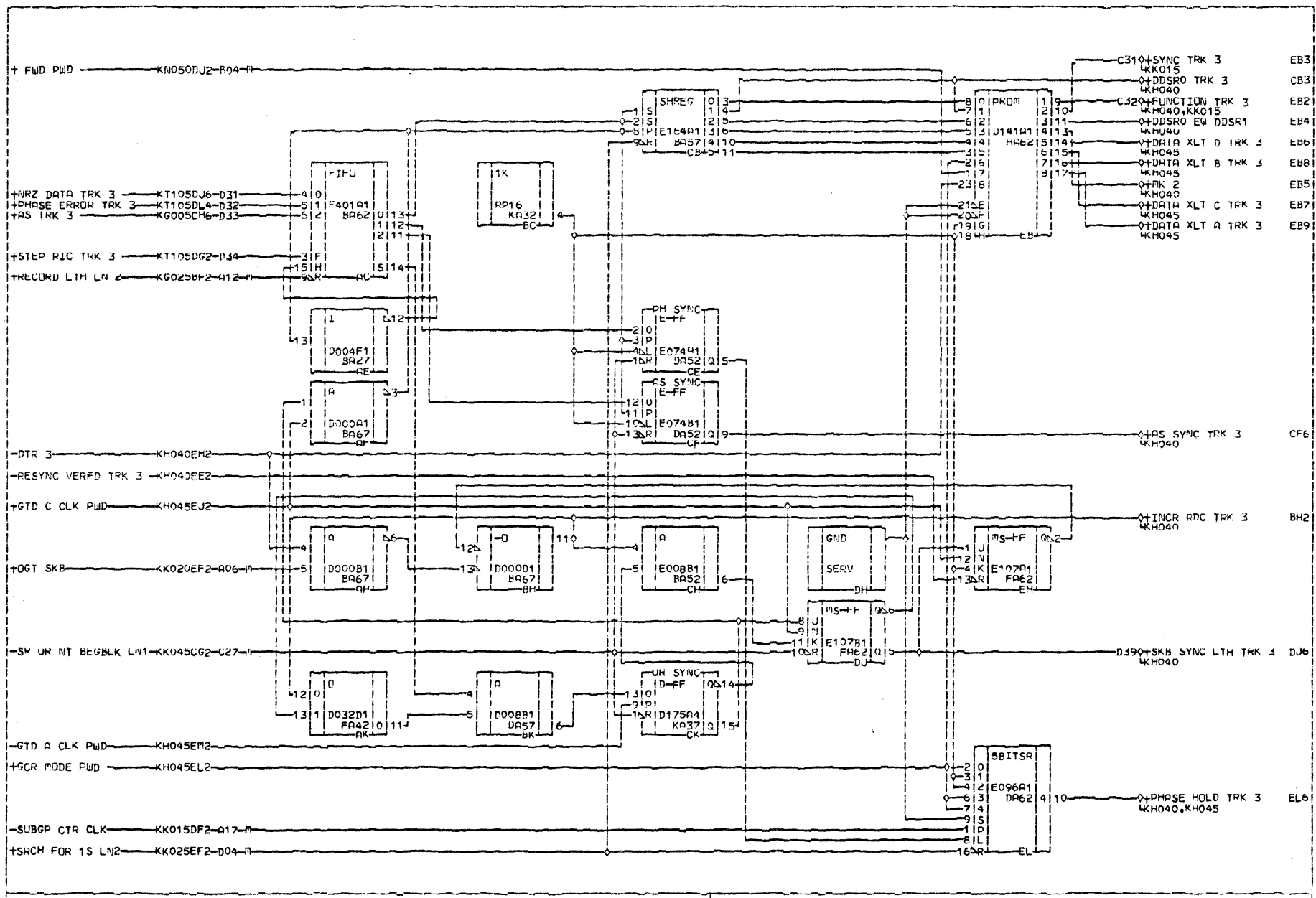
K
H
O
Z
S



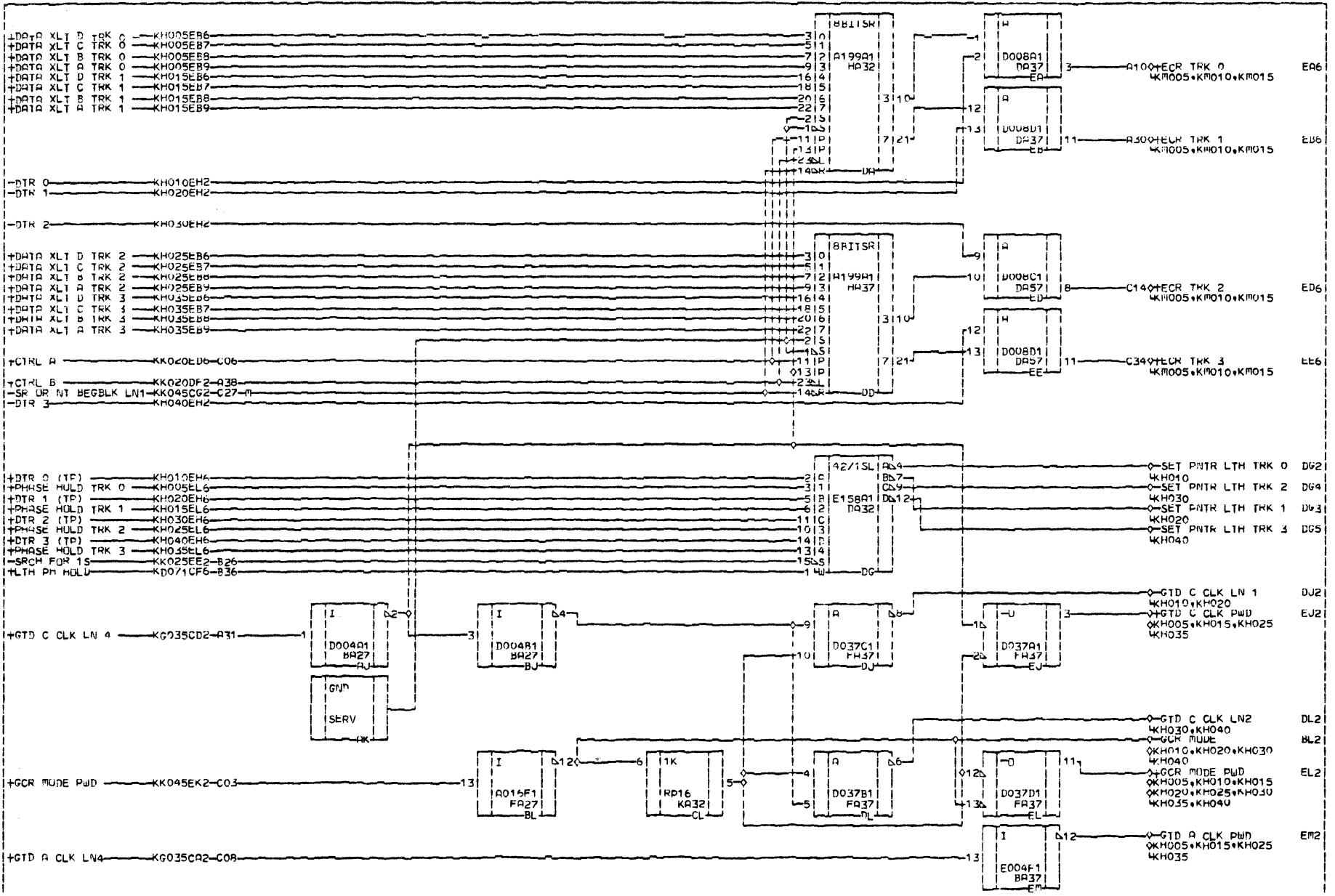
K
H
O
J
O



TRACK 2 DATA PROCESSOR			K
- AM PAGE REFS -	- SYSTEM PAGE	- PRES. E.C. 44641	H
PAGE 4015910021	PLYER EC 34595	PNV. E.C. 44501	O
E.C. 44641	WIRING METHOD: PC	DATE 10/06/81	J
		MACHINE: 51935	O
		CD. LUC. M2	O
		PG. P.No. 4015911029	O



K H O 3 5	STC	DESKEW 5/16 XLT+PH HOLD AND SUBGP CTR+TRK 3		K
	- AM PAGE REFS -	- SYSTEM PAGE -	PRES. E.C. 44032	MACHINE: S1935
	PAGE 43448008-3	FLYER EC PRUTOTYP	PREV. E.C. 44018	CD. LOC. M2
	E.C. 44103	WIRING METHOD: PCIDATE	12/05/79	IPG. P.N. 43408024-8
				3 5



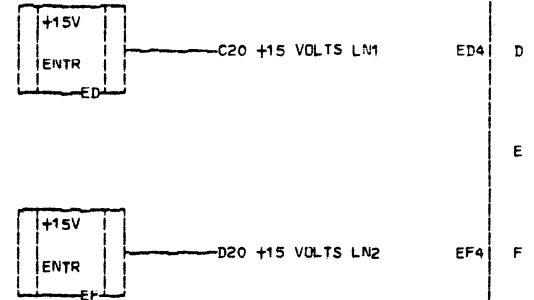
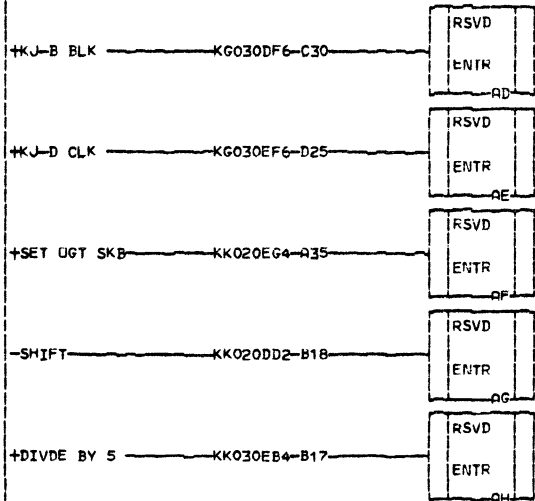
K
H
O
A
S



ECR-POINTER LTHS AND CLOCK POWERING			
AN PAGE REFS	SYSTEM PAGE	PRES. E.C. 44032	MACHINE: S1935
PAGE 4348010-9	FLYER EC PROTOTYP	PREV. E.C. 44018	ICD. LUC. H2
F.F. 44103	WIPING METHOD: PC	DATE 12/05/79	DG. P.N. 4340R026-3

A
B
C
D
E
F
G
H
J
K
L
M

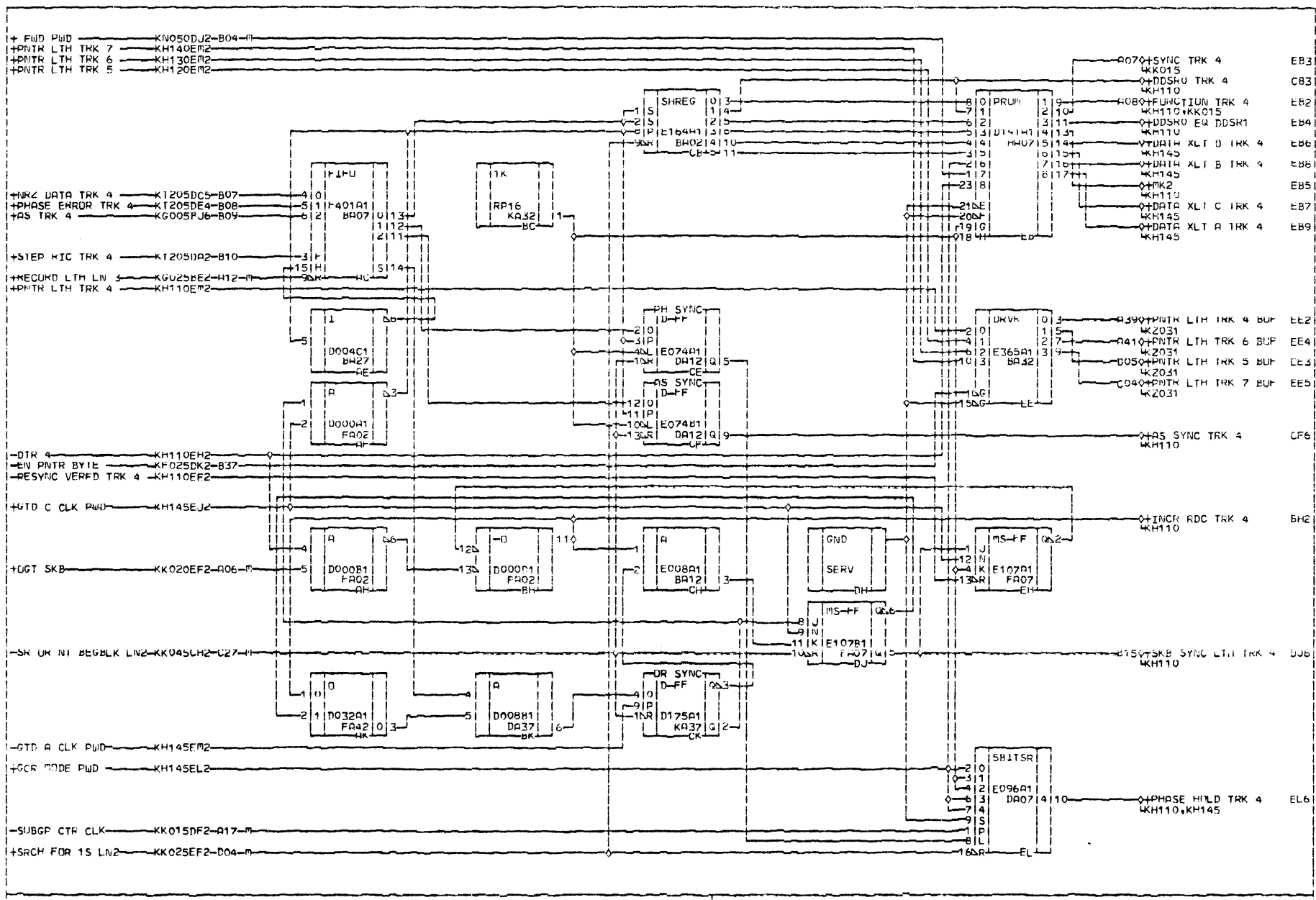
A B C D E



K
H
O
S
O



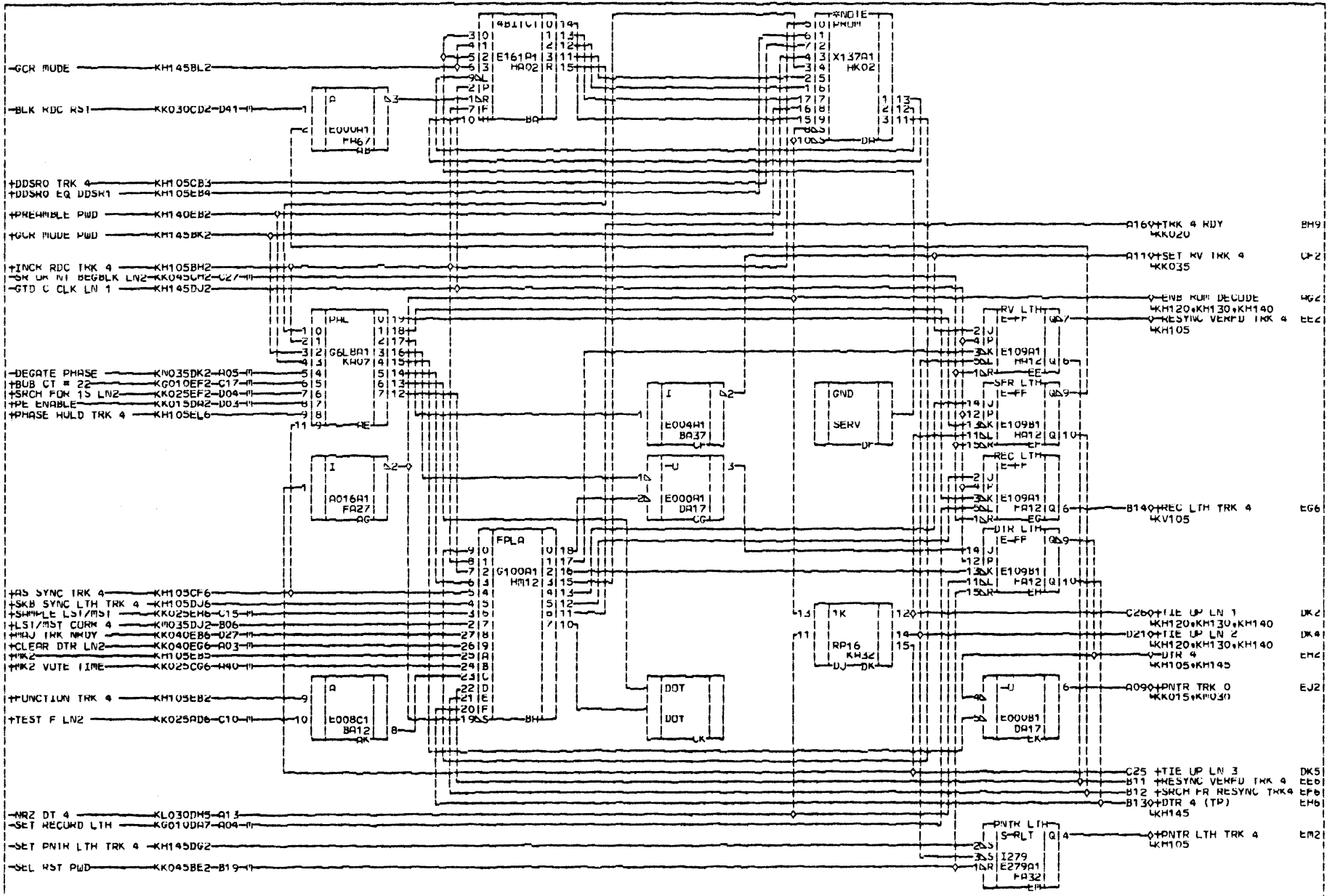
- AM PAGE REFS -		- SYSTEM PAGE -		RESERVED I/O		K H O S O
PAGE 4015205018		FLYER EC PROTOTYP		PREV. E.C. 44391	MACHINE: S1935	
E.C. 44391		WIRING METHOD: PC		DATE 11/18/80	CD. LDG. R2 PG. P.N. 4015244017	



K
F
1
0
5



AM	PAGE REFS	SYSTEM PAGE	PRES. E.C. 44345	MACHINE: 51935
PAGE 43448002-6	FLYER EC PROTOTYP	PREV. E.C. 44032	ID. LCC. J2	1
E.C. 44103	WIPING METHOD: PC	DATE 8/13/80	PG. P.N. 4340805-6	0
				5

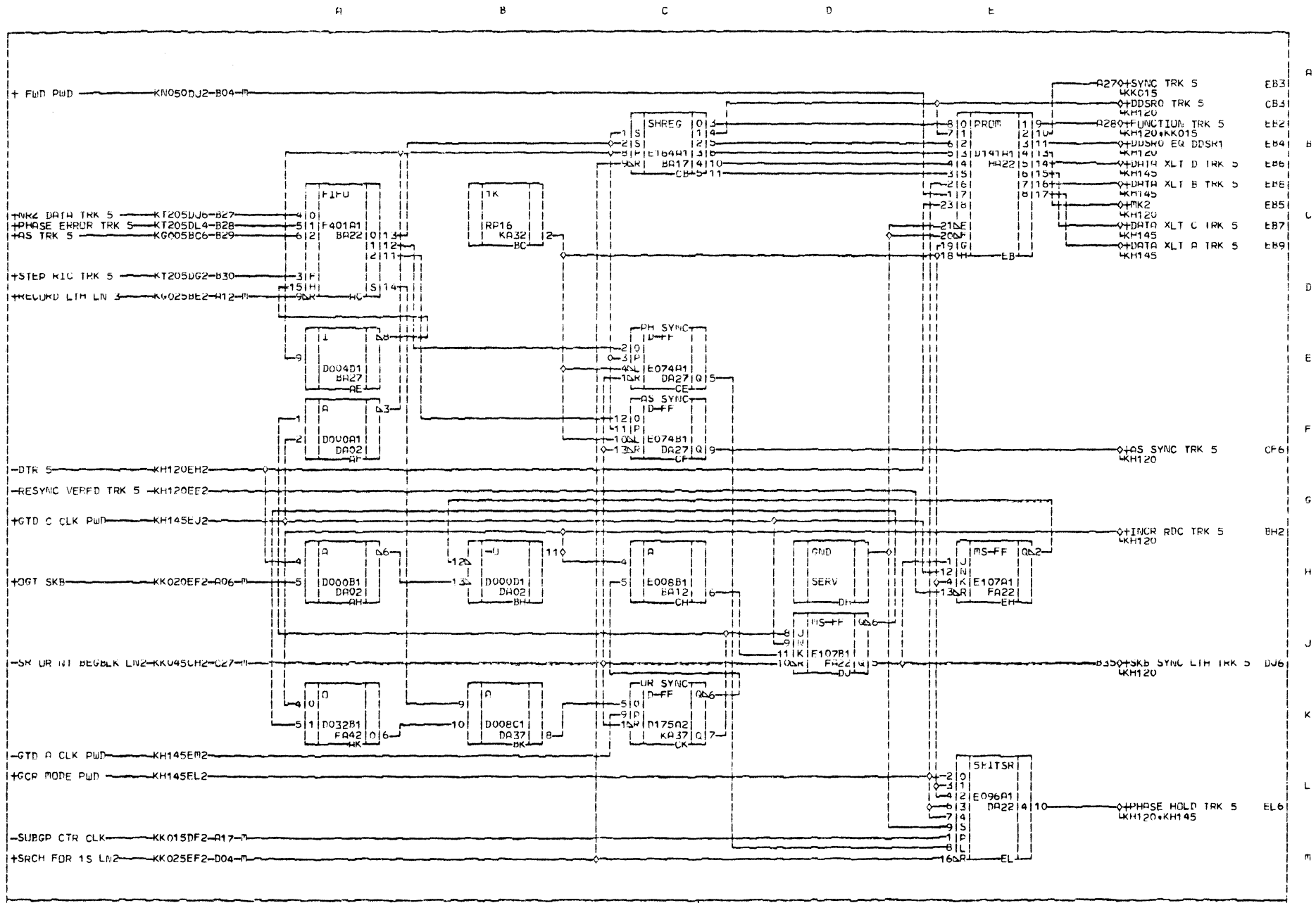


NOTE: THIS IC IS AT LOCATION KH02 ON ***20X/30X LEVEL CARDS.

K	
H	
1	
1	
0	



THMCK O DATA PROCESSOR				K
- AM	PAGE	REFS	- SYSTEM PAGE	-
4015	406	929	FLYER EC 44595	IME E.C. 44641
E.C. 44641			WIRING METHOD: PC	DATE 10/06/81
				MACHINE: S1935
				CD: LUC JC
				PG: P#N 401592, 3024

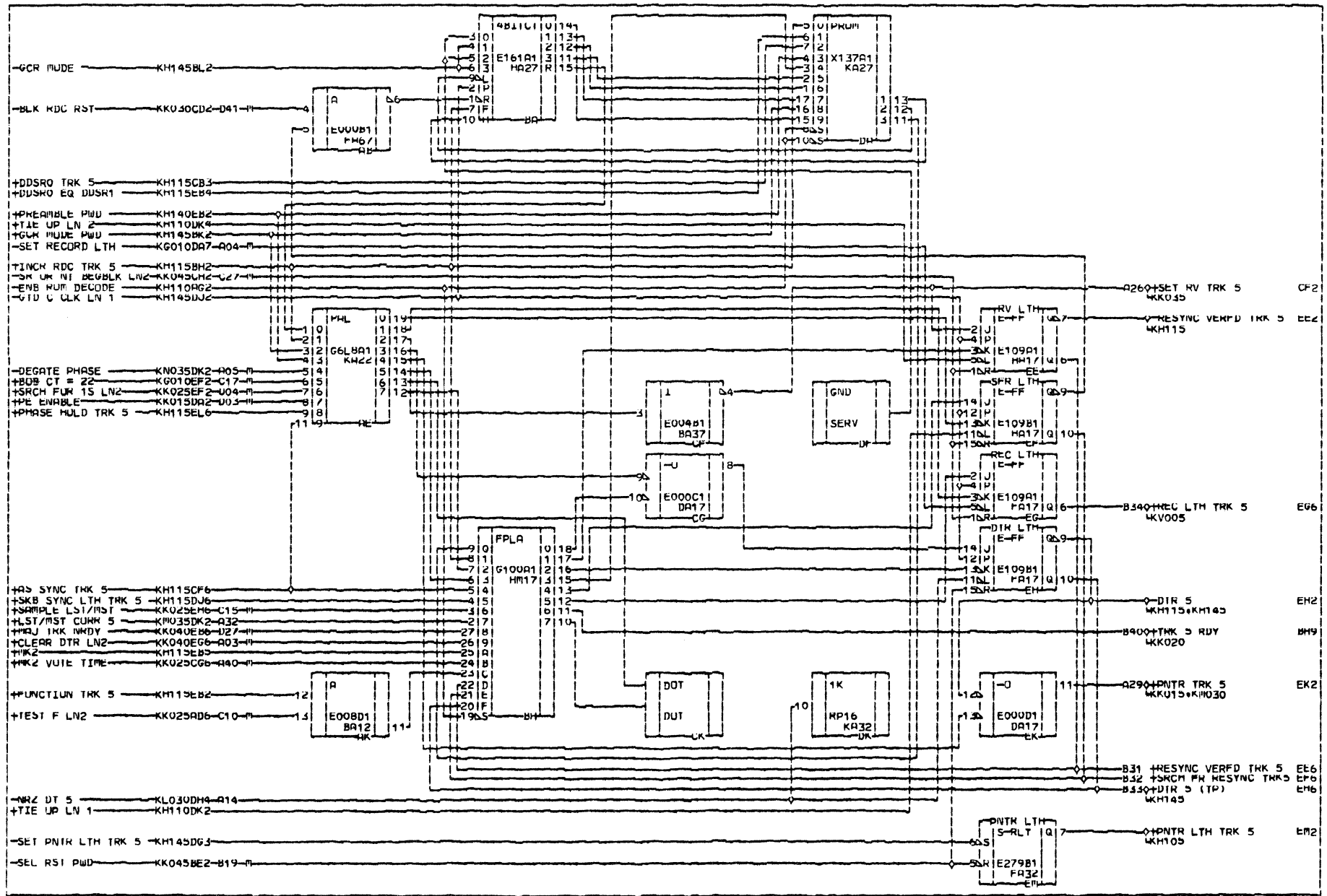


K
H
1
1
5



DESKEW 5/16 XLT+PH HOLD AND SUBGP CTR
 - AM PAGE REFS - SYSTEM PAGE - PRES. E.C. 44345
 PAGE 4344004-2 FLYER EC PRUTUTYP PREV. E.C. 44032
 E.C. 44103 WIRING METHOD: PC DATE 8/13/80
 MACHINE: S1935
 CD: LCC J2
 PG. P.N. 43408060-2

K
H
1
1
5



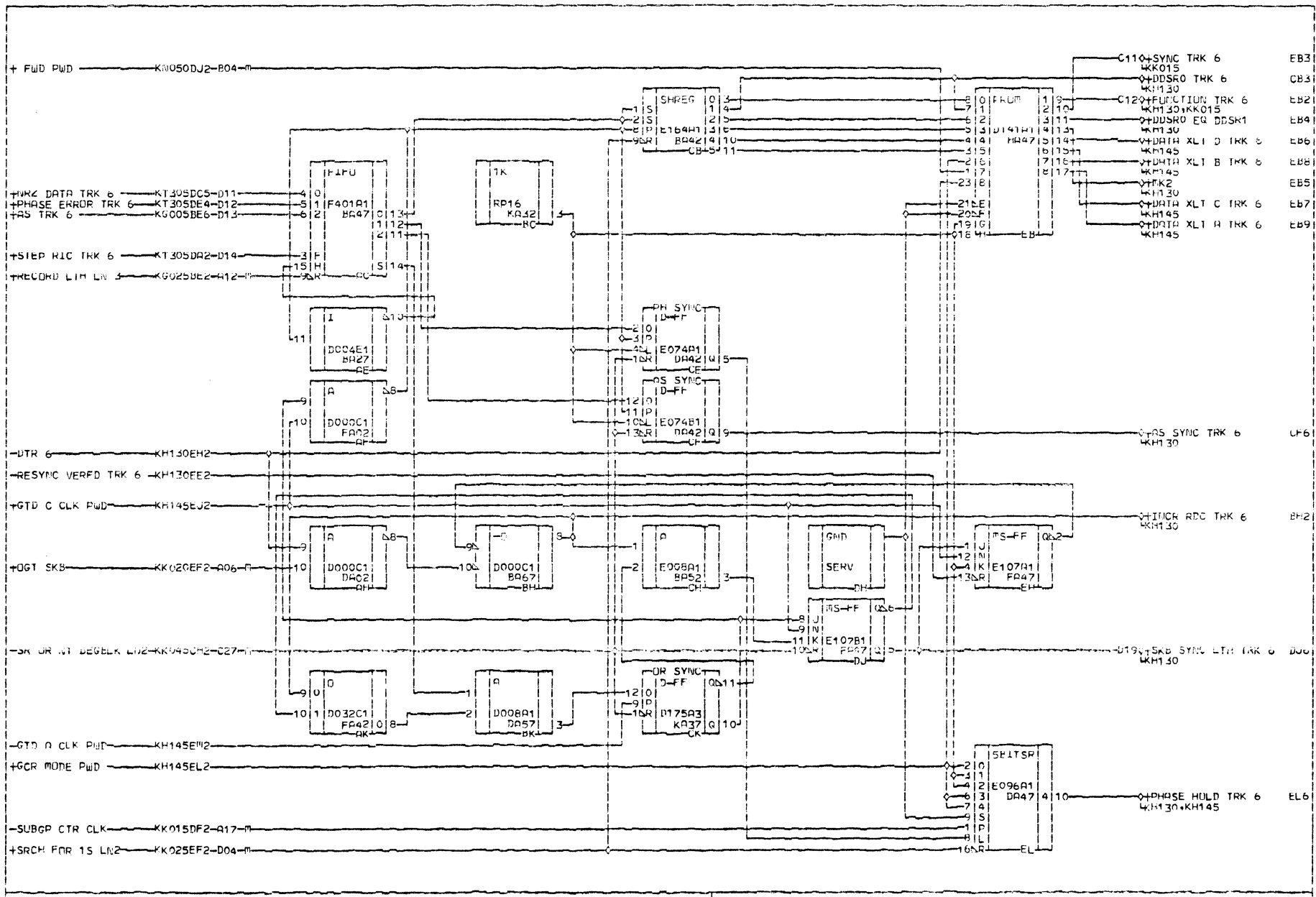
K
H
1
2
0



TRACK 1 DATA PROCESSOR

AM PAGE REFS	SYSTEM PAGE	PRES. E=C. 44641	MACHINE: S1935
PAGE 4015908025	FLYER EC 34595	PREV. E=C. 44501	CU. LUL. J2
E=C. 44641	WIRING METHOD:	PC DATE 10/06/81	PG. P=0. 4015925029

K
H
1
2
0

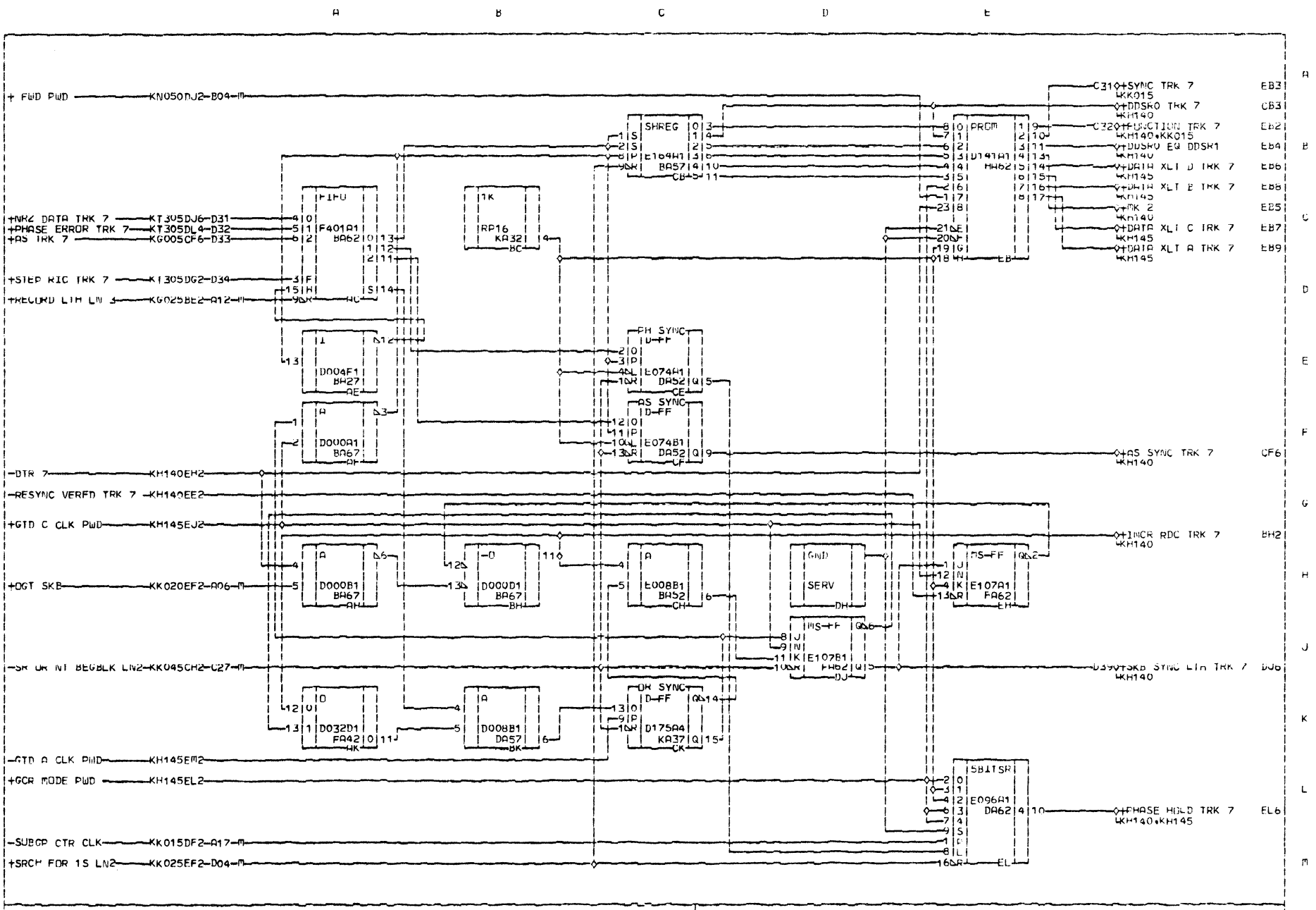


K
H
1
2
5



AM	PAGE	REFS	SYSTEM PAGE	PRES. E.C.	44345	MACHINE:	51935	
PAGE	43448006-7		FLYER EC PROTOTYP	PREV. E.C.	44032	CD. LUC	J2	
E.C.	44103		WIPING METHOD:	PC	DATE	8/13/80	PG. P.N.	43408062-3

K
H
1
2
5

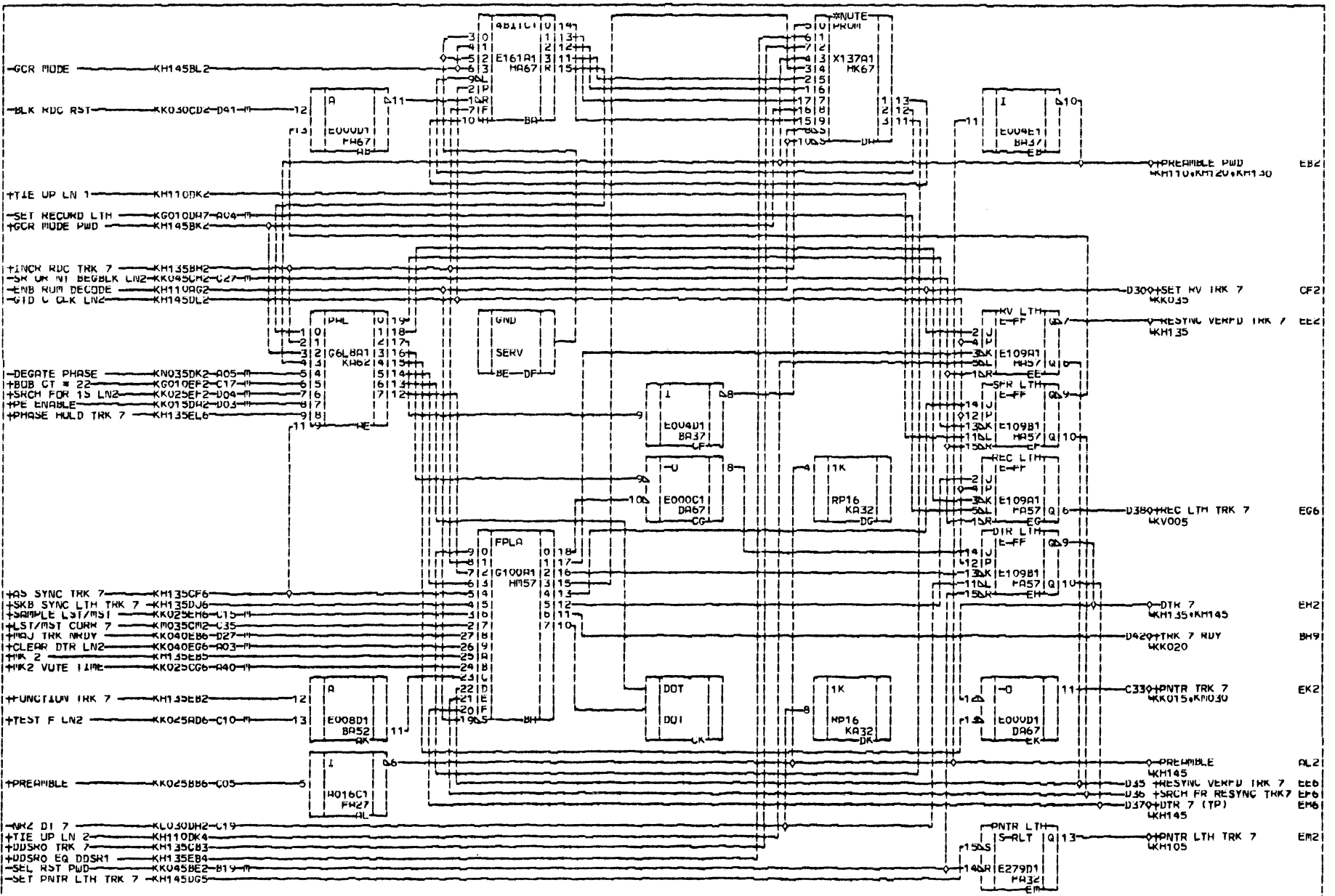


K
H
1
3
5



AM	PAGE	REFS	SYSTEM PAGE	PRES. E.C. 44345	MACHINE: 51935
PAGE	43948008-3		FLYER EC PROTUTYP	PREV. E.C. 44032	CD. LUC. J2
E.C.	44103		WIRING METHOD: PC	DATE	8/13/80
					PG. P.M. 4390064-4

K
H
1
3
5



*NOTE: THIS IC IS AT LOCATION KA67 ON ...20X/30X LEVEL CARDS.

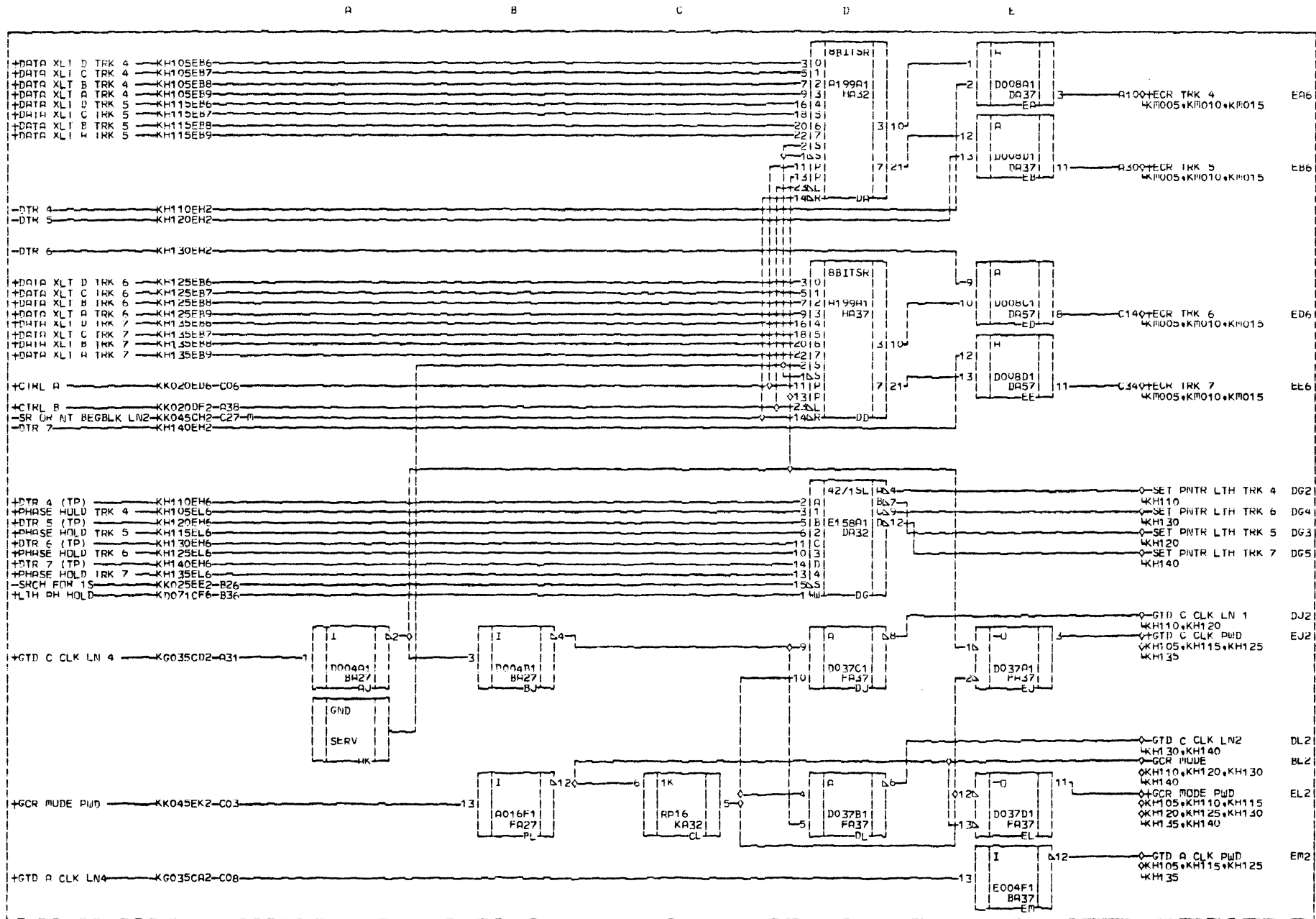
K
H
1
4
0



TRACK 3 DATA PROCESSOR

AM	PAGE REFS	SYSTEM PAGE	PRES. E.C. 44641	MACHINE: 51935
PAGE	4015920020	FLYER EC 34595	PREV. E.C. 44501	CU: LU: J2
E.C. 44641		WIRING METHOD 1	PC/DATE	10/06/81
				PG. P. No. 4015929021

K
H
1
4
0



K	ECR+PINTER LTHS AND CLOCK POWERING				K
H	- AM PAGE REFS - SYSTEM PAGE - PRES. E.C. 44745				H
1	PAGE 4348010-9 FLYER EC DRGTOTYP PREV. E.C. 44032				1
4	E.C. 44103 WIRING METHOD: PC DATE 8/13/80				4
5	MACHINE: S1935 (CD. LOC. J2) PG. P.N. 43408066-9				5

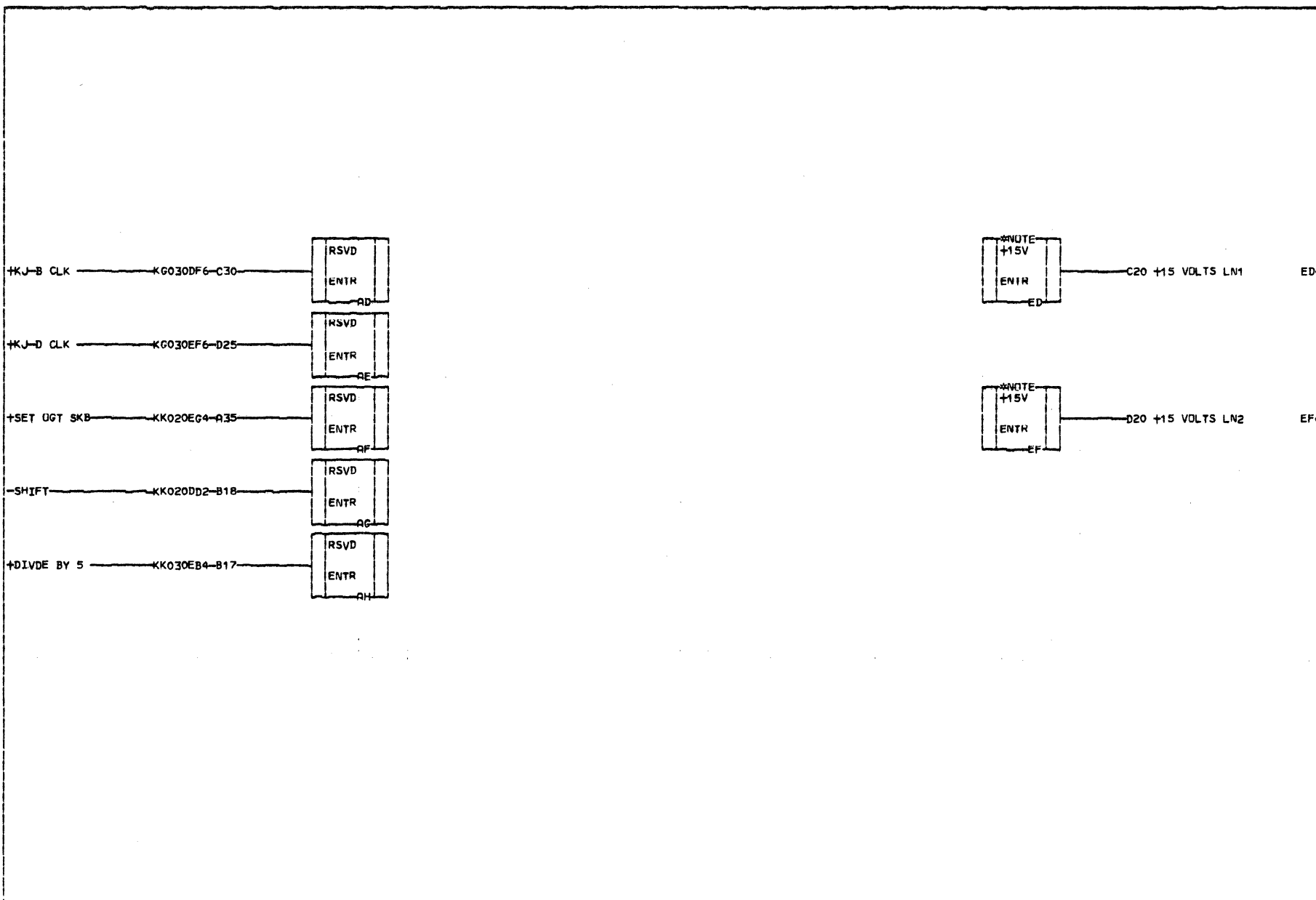
A

B

C

D

E



A
B
C
D
E
F
G
H
J
K
L
M

*NOTE: ED4 NET TIES J2 C20 AND H2 C20 IN M/BD WIRELIST.
 EF4 NET TIES J2 D20 AND H2 D20 IN M/BD WIRELIST.

K
H
1
5
0



RESERVED I/O

AM PAGE REFS PAGE 4015205018 E.C. 44391	SYSTEM PAGE FLYER EC PROTUTYP WIRING METHOD: PC	PRES. E.C. 44391 PREV. E.C. DATE 4/06/81	MACHINE: S1935 CU. LOC. J2 PG. P.N. 4015245014
---	---	--	--

K
H
1
5
0

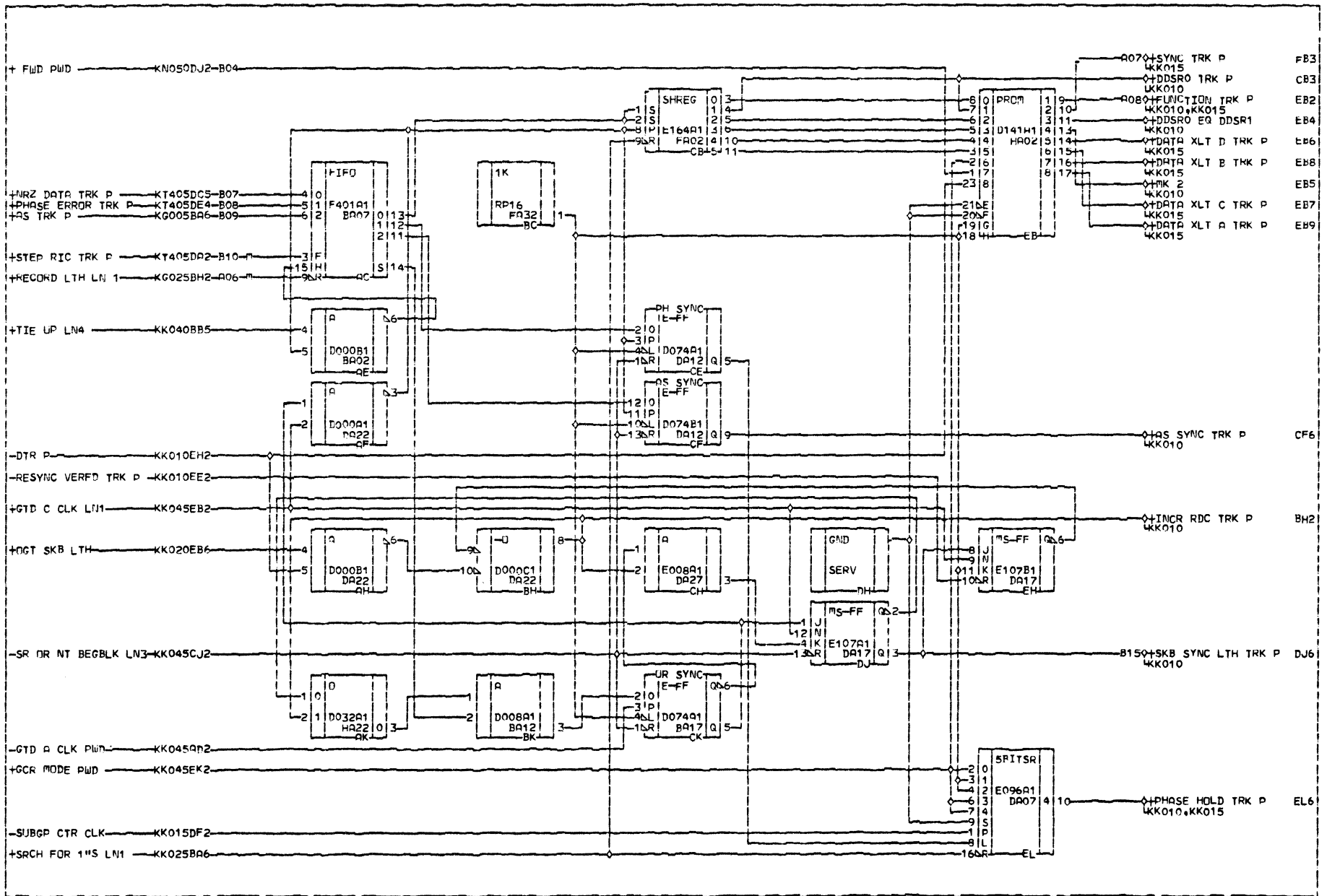
ASSEMBLY PARTS LIST

ROUTED ARC DOC

PRINT DATE	PAGE	E.C. NO.
10-20-82	1	44501

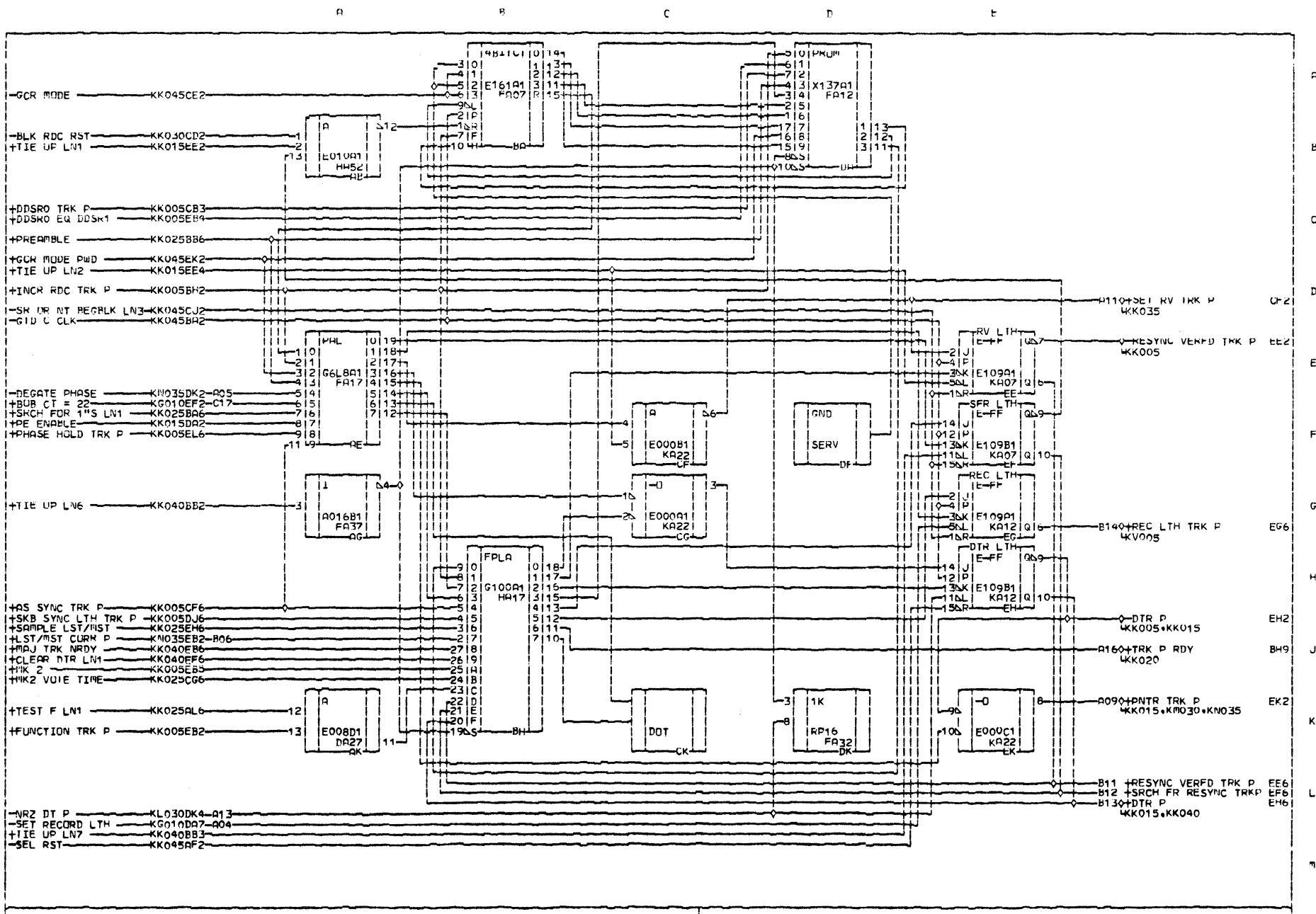
DIV.	ASSEMBLY NUMBER	CD	REV.	DWG.	DESCRIPTION	MC	STATUS	STATUS DATE	FILE DATE					
0500	401593401	3	A	N	SYS LGC GRP, KK, 43309204/304PC	N	REL	06-03-81	1935 06-04-81					
T FIND NO	LI	PART NUMBER	CD	M	QUANTITY	U/M	PART DESCRIPTION	MC	YLD	E.C. NO IN	E.C. NO. OUT	S-N	WK IN	WK OUT
001	01	401586001	0		REF	PC	CD LGC, AM411, KK, PC	D		44501			8123	
005	01	43409014	8		REF	PC	SYS LGC, KK005, PC	D						
010	01	401590401	6		REF	PC	SYS LGC, KK010, PC	D		44501			8123	
015	01	43409011	4		REF	PC	SYS LGC, KK015, PC	D						
020	01	43409003	1		REF	PC	SYS LGC, KK020, PC	D			44391			8120
020	02	401524701	0		REF	PC	SYS LGC, KK020, PC	D		44391			8120	
025	01	43409009	8		REF	PC	SYS LGC, KK025, PC	D						
030	01	43409015	5		REF	PC	SYS LGC, KK030, PC	D			44391			8120
030	02	401524801	8		REF	PC	SYS LGC, KK030, PC	D		44391			8120	
035	01	43409012	2		REF	PC	SYS LGC, KK035, PC	D						
040	01	43409013	0		REF	PC	SYS LGC, KK040, PC	D						
045	01	43409016	3		REF	PC	SYS LGC, KK045, PC	D						
500	01	43309203	8		REF	PC	CKT CD, KK, PC ASSEMBLY	S						
501	01	43309303	6		REF	PC	CKT CD, KK, PC ASSEMBLY	S						
0014 TOTAL LINES														

A B C D E



A
B
C
D
E
F
G
H
J
K
L
M

K K 0 0 5	STC		DESKEW 5/16 XLT PH HOLD AND SUBGP CTR TRK P		K K 0 0 5		
	AM	PAGE	REFS	SYSTEM PAGE		PRES. E.C. 44175	MACHINE: 1935
		PAGE	43439014-2	FLYER EC PROTOTYP		PREV. E.C.	CD. LOC. K2
		E.C. 44175	WIRING METHOD: PC	DATE	5/28/80	PG. P.N. 43409014-8	

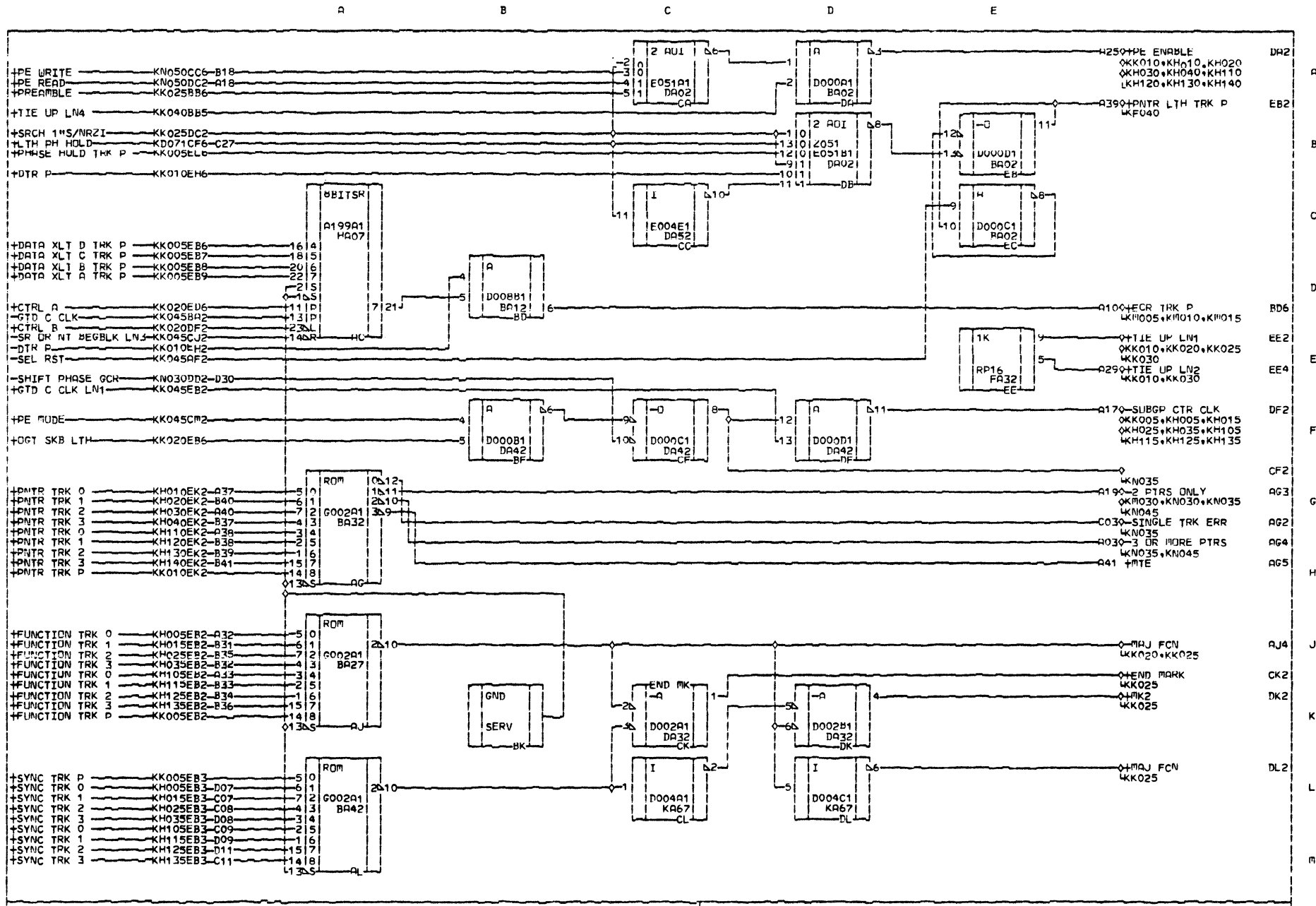


K
K
0
1
0

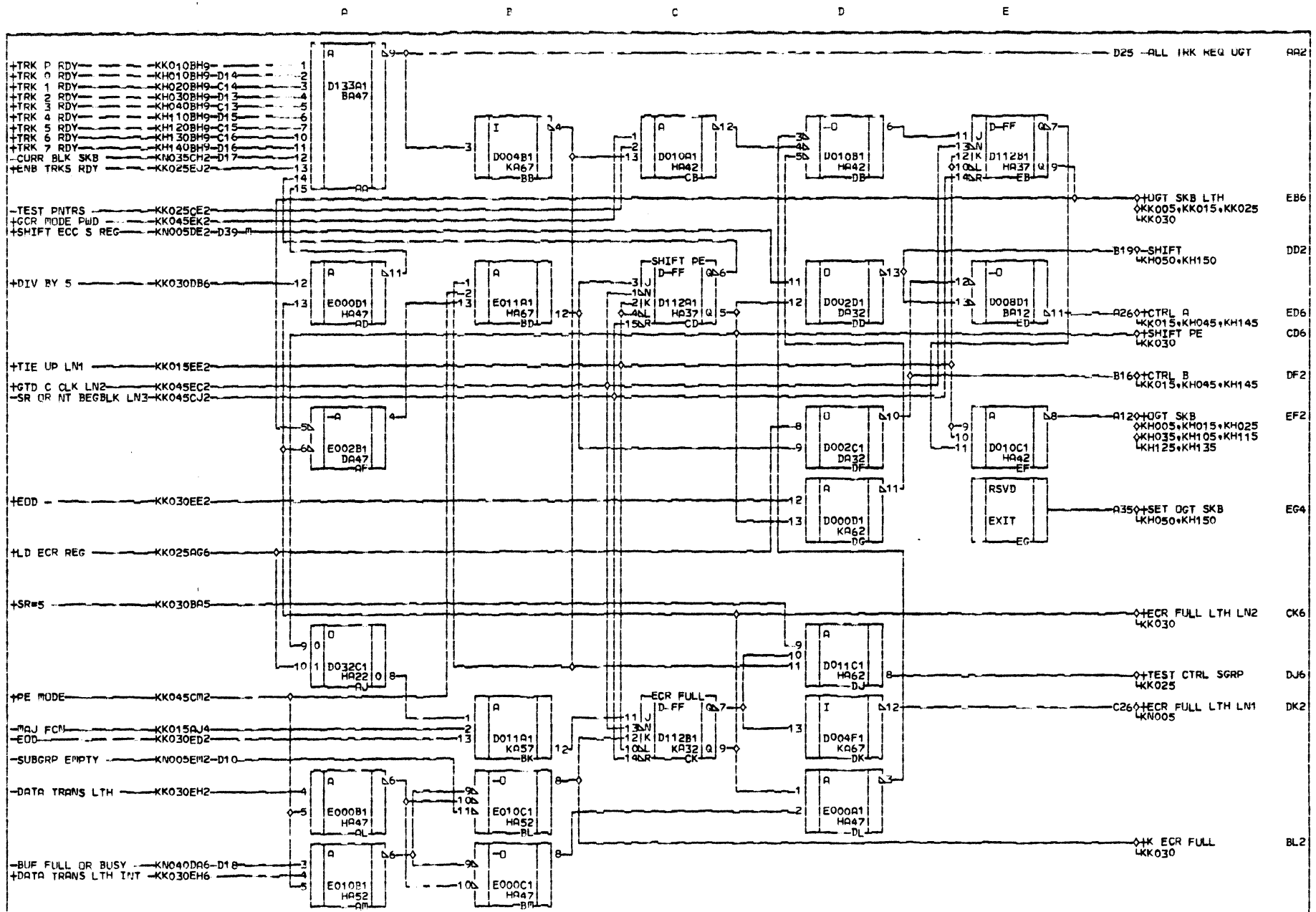


TRACK P DATA PROCESSOR			
AM	PAGE	REFS	SYSTEM PAGE
PAGE	4015861018	FLYER EC PROTOTYP	PREV. E.C. 44501
E.C.	44501	WIRING METHOD: PC	DATE 4/06/81
MACHINE:	51935	CD:	LOC. K2
Pg. P.No.	4015904016		

K
K
0
1
0



K K 0 1 5	STC				ECR. POINTER VOIE. POINTER LTH. MAJ FUNCTION				K K 0 1 5
	- AM PAGE REFS -		- SYSTEM PAGE -		- PRES. E.C. 44175		- MACHINE: 1935		
	PAGE 43439015-9		FLYER EC PROTOTYP		PREV. E.C.		CD. LNC. K2		
E.C. 44175		WIRING METHOD: PC		DATE		5/28/80		PG. P.N. 43409011-4	

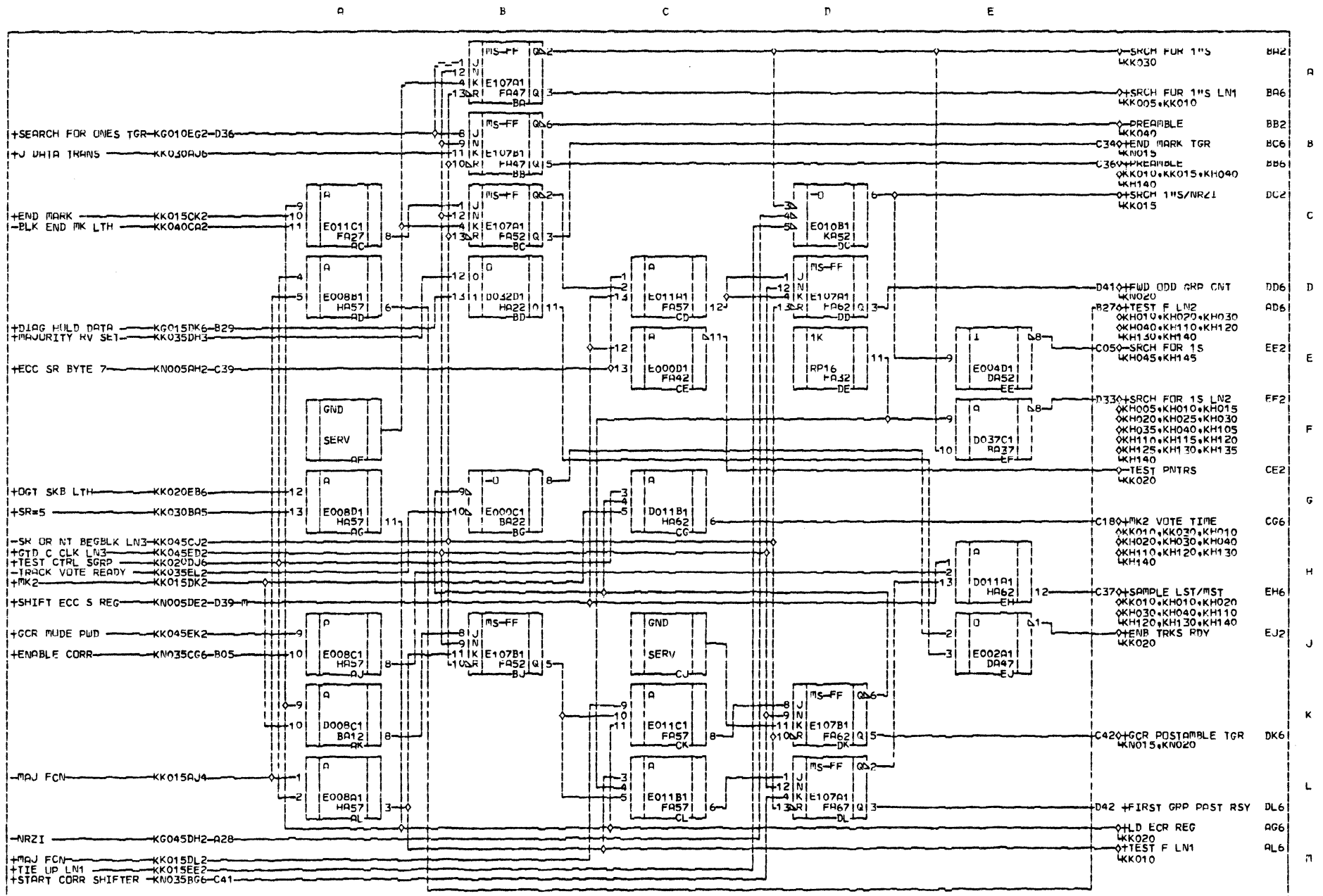


K
K
0
2
0



- AM PAGE REFS PAGE 4015206016 E.C. 44391		- SYSTEM PAGE FLYER EC PROTOTYP WIRING METHOD: PC		- PRES. E.C. 44391 - PREV. E.C. 44032 DATE 11/18/80		MACHINE: S1935 CD. LUC. K2 Pg. P.N. 4015247010	
---	--	---	--	---	--	--	--

K
K
0
2
0



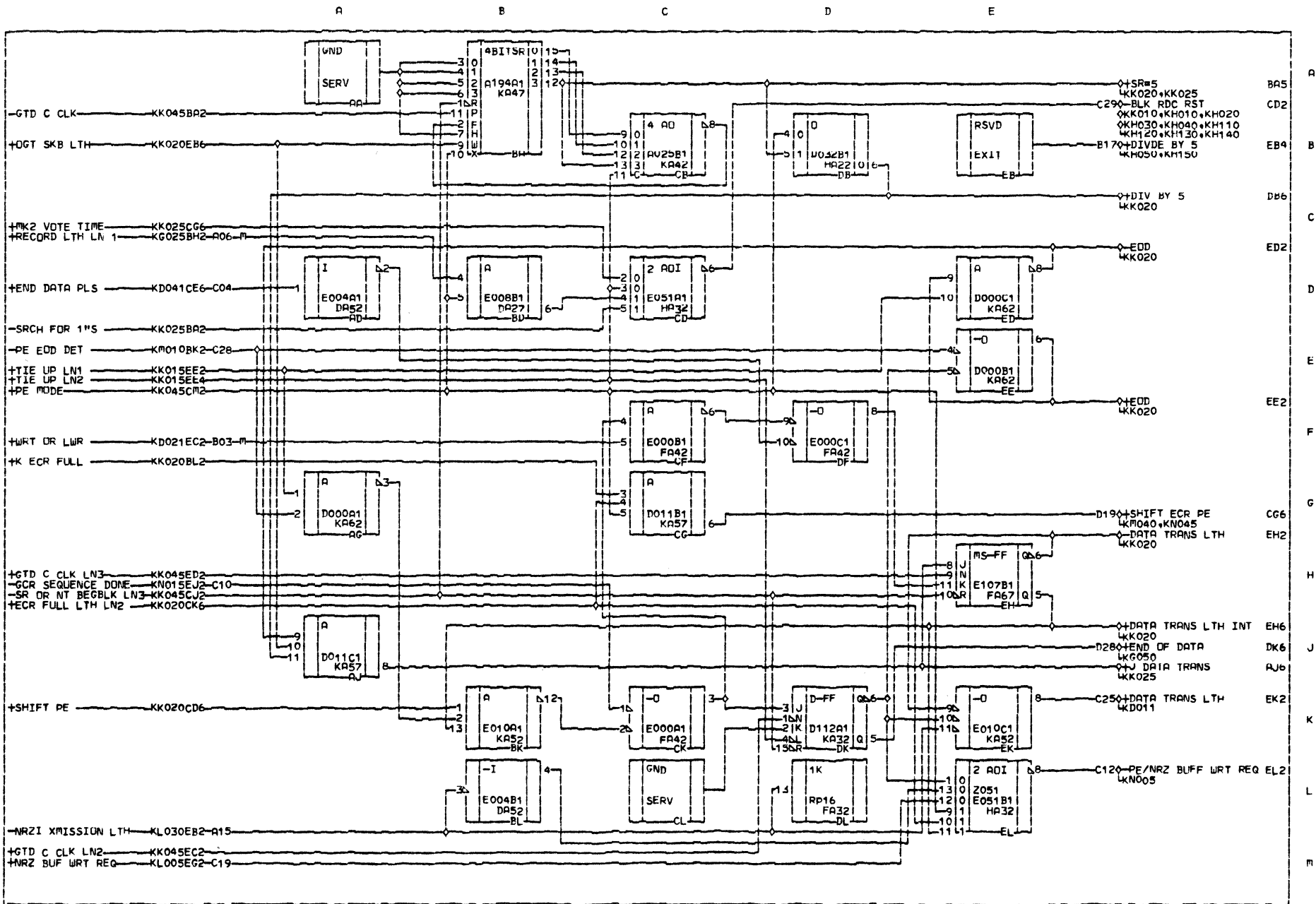
K
K
O
2
5



READ PATH CONTROLS

AM PAGE REFS PAGE 43439011-8 E.C. 44175	SYSTEM PAGE FLYER EC PROTOTYP WIRING METHOD: PC DATE	PRES. E.C. 44175 PREV. E.C.	MACHINE: 1935 CD: LOC. K2 Pg. P.N. 43409009-8
---	--	--------------------------------	---

K
K
O
2
5



K
K
L
O

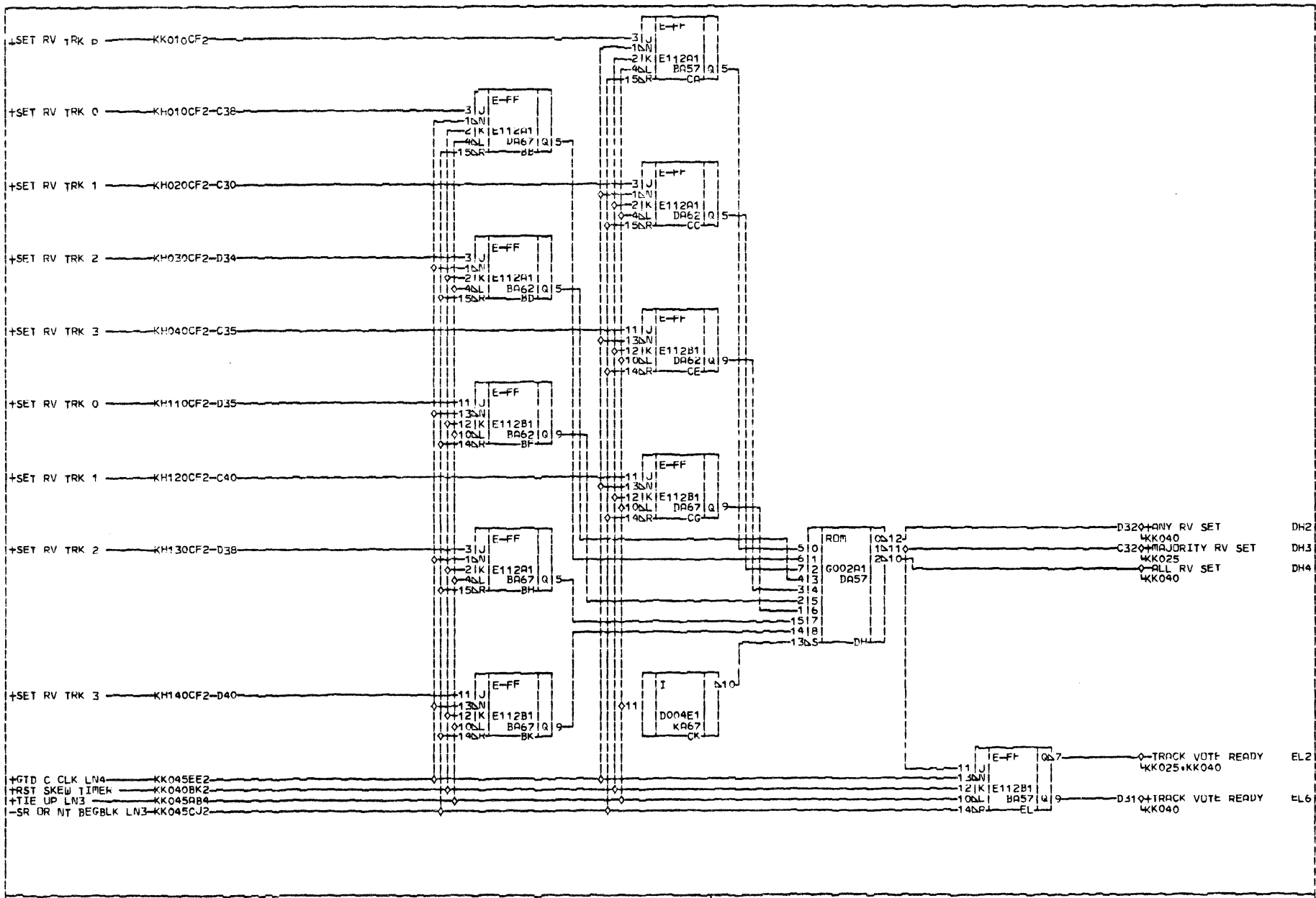


DATA XMISSION, END OF DATA, DIVIDE BY 5

- AM PAGE REFS -	- SYSTEM PAGE -	PREV. E.C. 44391	MACHINE: S1935
PAGE 4015207014	FLYER EC PROTOTYP	PREV. E.C. 44175	CD. LOC. K2
E.C. 44391	WIRING METHOD: PC	DATE 11/18/80	PG. P.n. 4015248018

K
K
O
3
0

A B C D E

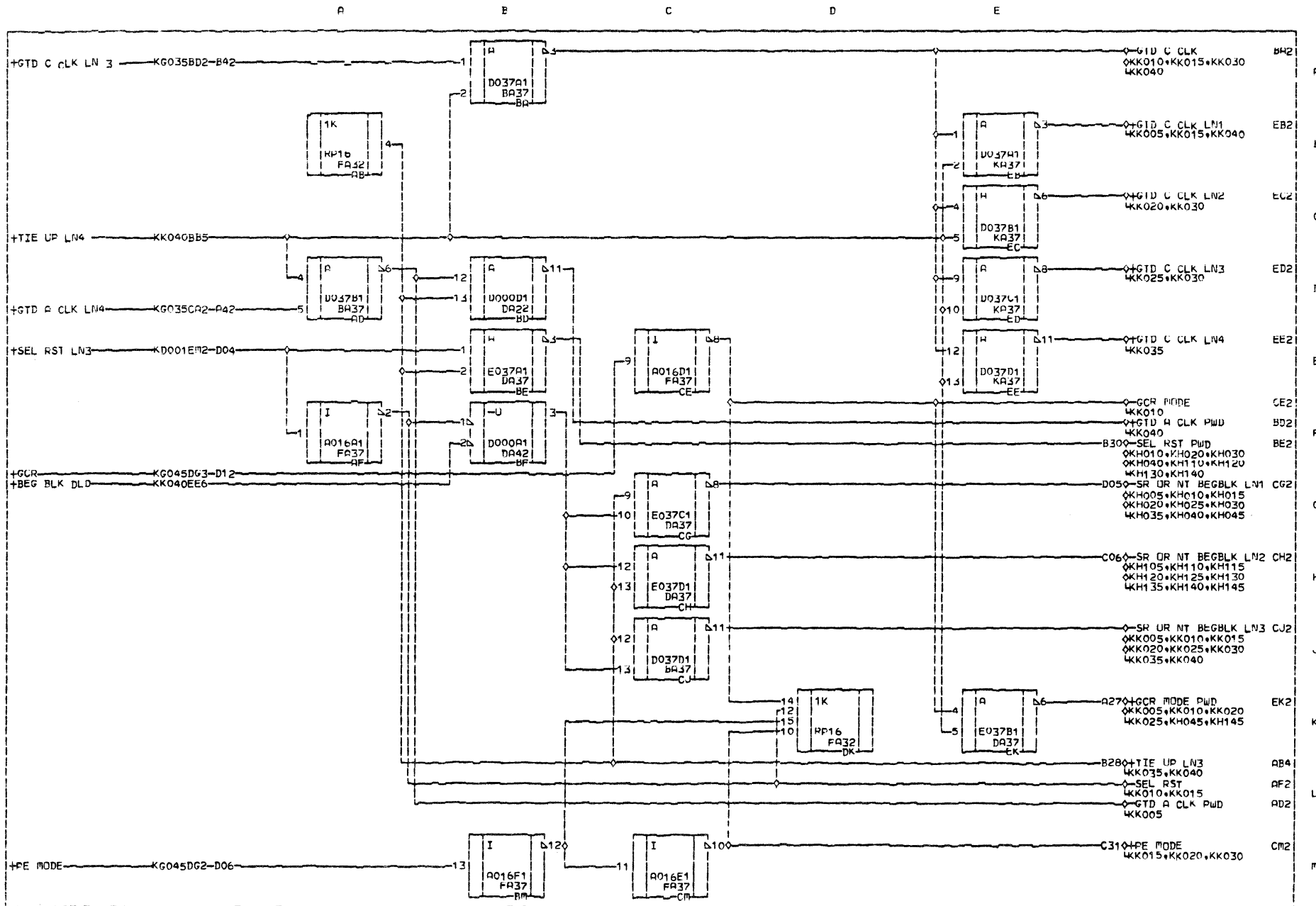


A
B
C
D
E
F
G
H
J
K
L
M

DH2
DH3
DH4

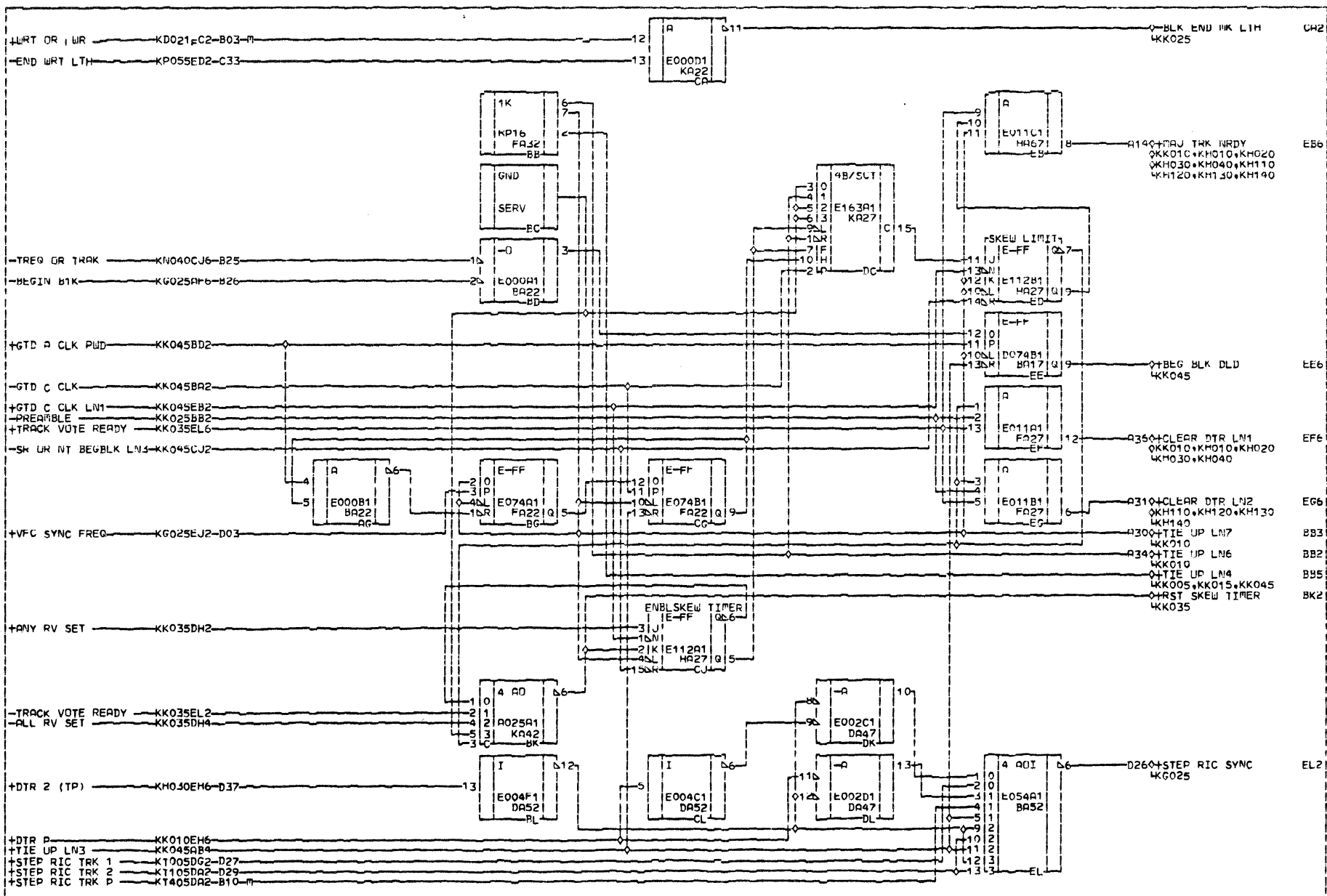
EL2
EL6

K K O S	STC	SKEW TIMER		K
	- AM PAGE REFS -	- SYSTEM PAGE -	- PRES. E.C. 44175 -	K
	PAGE 43439018-3 E.C. 44175	FLYER EC PROTOTYP WIRING METHOD: PC DATE	PREV. E.C. 5/28/80	O 3 5



K K C A S	STC				POWERING				K K 0 4 5
	AM	PAGE	REFS	SYSTEM PAGE	DES. E.C.	44175	MACHINE:	1935	
		PAGE	4343020-9	FLYER EC PROTOTYP	PREV. E.C.		CD: LDC	K2	
		E.C. 44175		WIRING METHOD:	PC	DATE	5/28/80	PG. P.N.	43409016-3

A B C D E



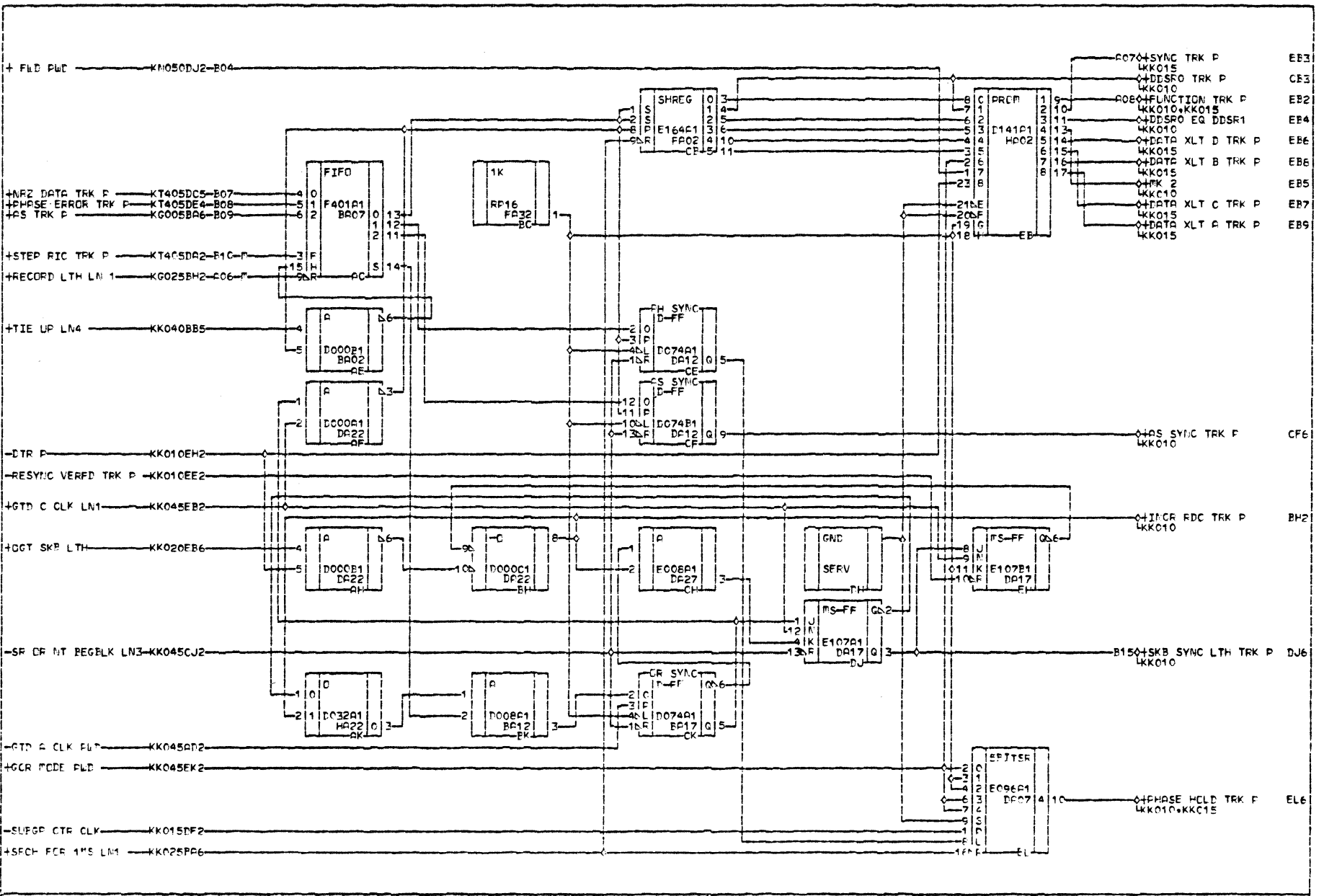
K K 4 0	STC		SKEW TIMER		K K 4 0	
	- AM	PAGE REFS	- SYSTEM PAGE	PRES. E.C. 44175		MACHINE: 1935
	PAGE 43439019-1		FLYER EC PROTOTYP	PREV. E.C.		CD. LUC. K2
	E.C. 44175		WIRING METHOD: PC	DATE 5/28/80	PG. P.N. 43409013-0	

ASSEMBLY PARTS LIST

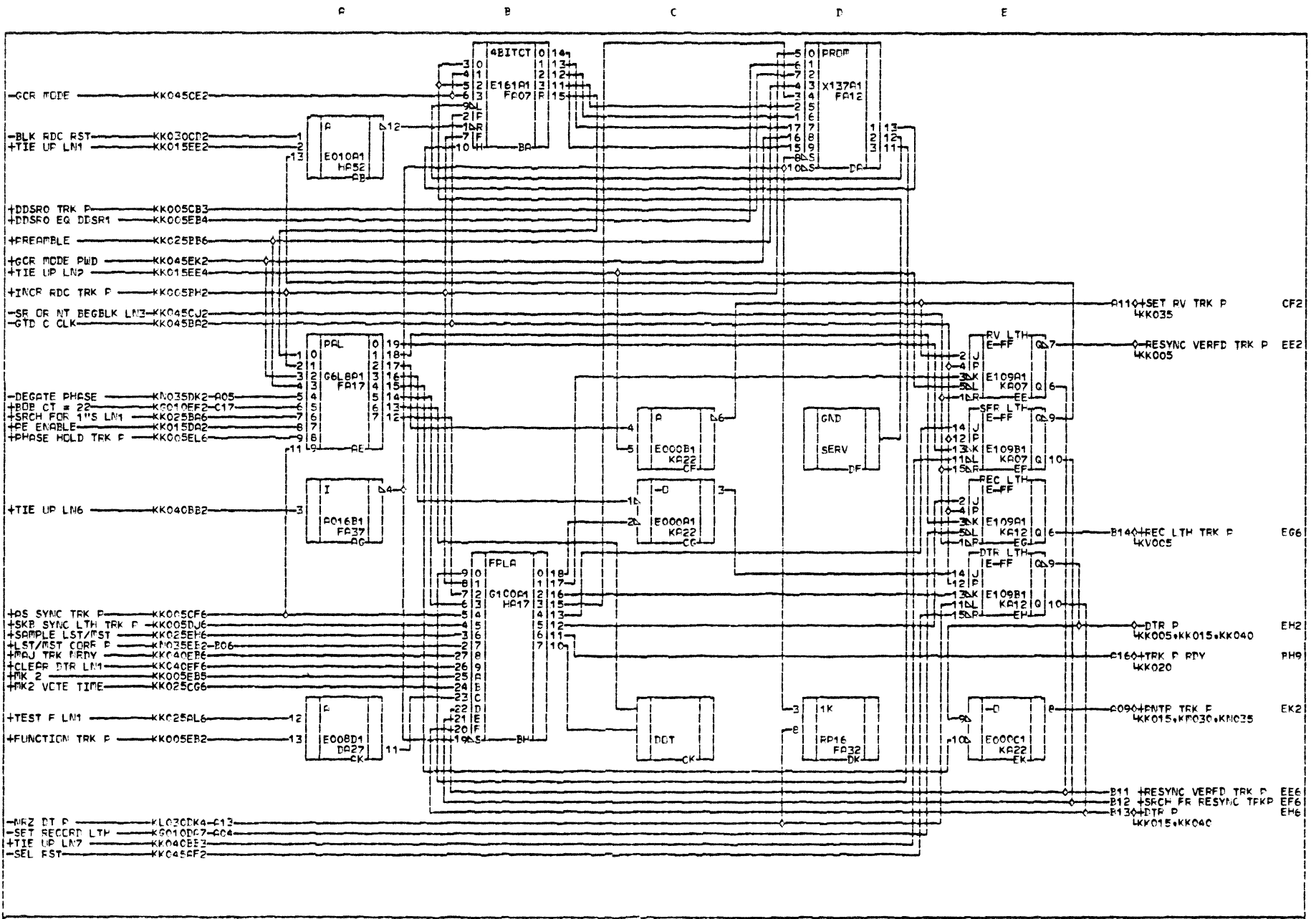
BOULEVARD

PRINT DATE	PAGE	E.C. NO.
10-20-82	1	44482

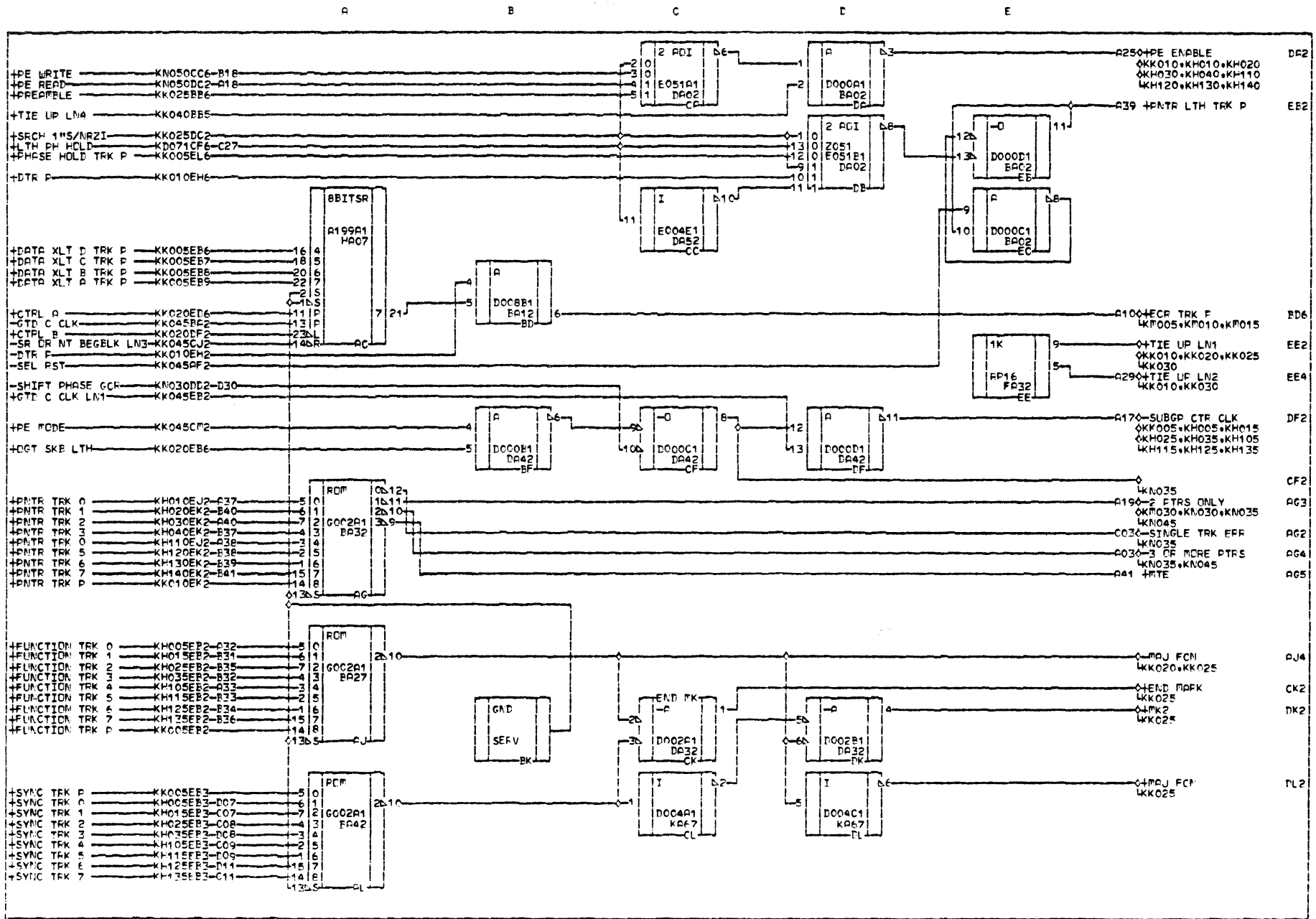
DIV.		ASSEMBLY NUMBER		CD	REV.	DWG.	DESCRIPTION			MC	STATUS	STATUS DATE		FILE DATE			
0500		402229001		1	A	N	SYS LGC GRP, KK, 43309404			N	REL	02-26-82		1985 03-10-82			
T	FIND NO	LI	PART NUMBER	CD	M	QUANTITY	U/M	PART DESCRIPTION			MC	YLD	E.C. NO. IN	E.C. NO. OUT	S/N	WK IN	WK OUT
	000	01	402227801	6		REF		PC	CD LGC AM411			D					
	005	01	402229101	9		REF		PC	SYS LGC, KK005			D					
	010	01	402229201	7		REF		PC	SYS LGC, KK010			D					
	015	01	402229301	5		REF		PC	SYS LGC, KK015			D					
	020	01	402229401	3		REF		PC	SYS LGC, KK020			D					
	025	01	402229501	0		REF		PC	SYS LGC, KK025			D					
	030	01	402229601	8		REF		PC	SYS LGC, KK030			D					
	035	01	402229701	6		REF		PC	SYS LGC, KK035			D					
	040	01	402229801	4		REF		PC	SYS LGC, KK040			D					
	045	01	402229901	2		REF		PC	SYS LGC, KK045			D					
	500	01	43309404	2		REF		PC	CKT CD, KK, PC ASSY			S					
							0011 TOTAL LINES										



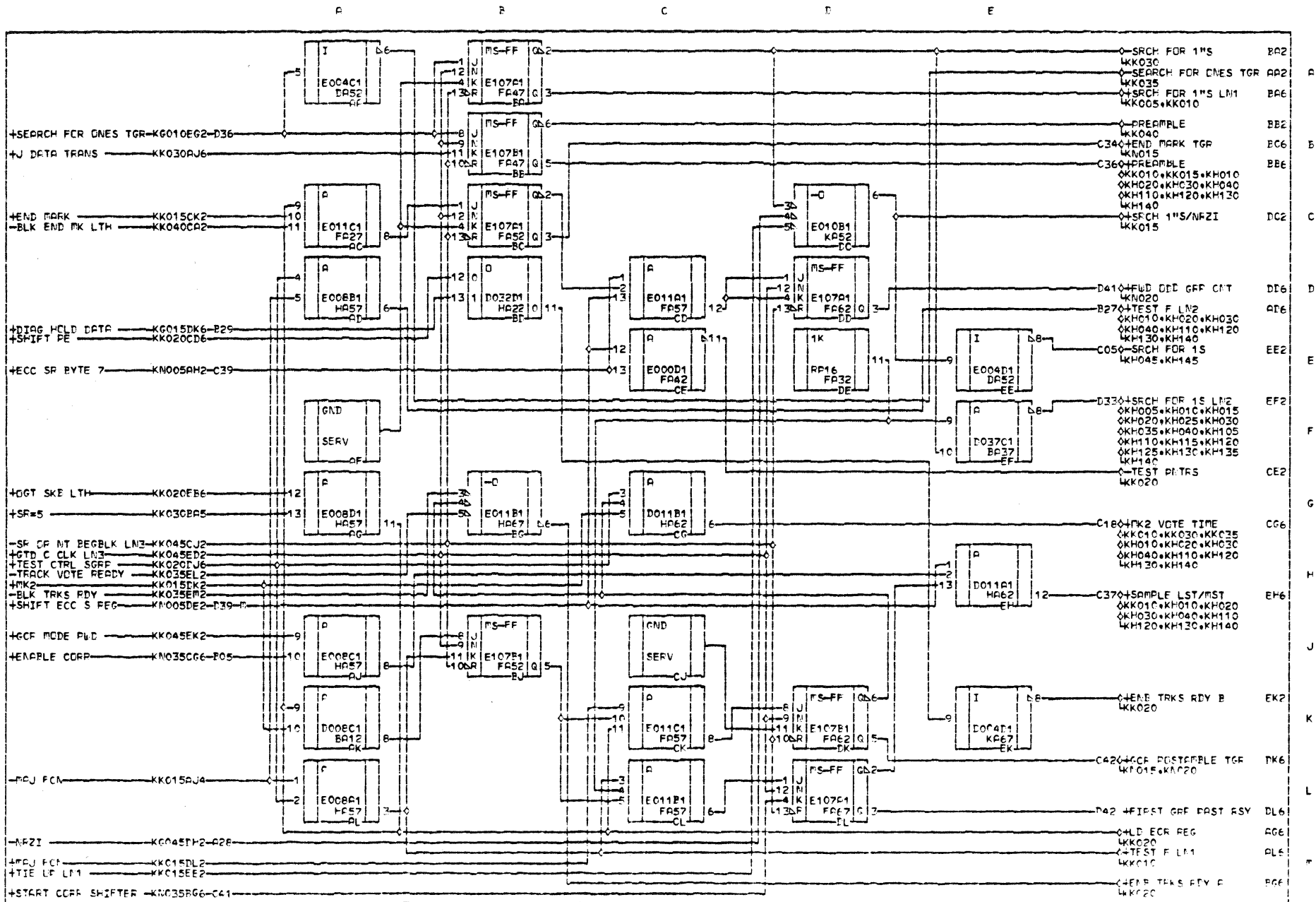
K K O C S	<p>DESIGN: 5/16 XLT+FH HOLD AND SLEGF CTR+ TRK P</p> <p>— CT PAGE REFS — SYSTEM PAGE — REFS. E.C. 44482 — MACHINE: S1935</p> <p>PAGE 4022279C14 — FLYER EC 34595 — REVS. F.C. — CD. LOC. K2</p> <p>E.C. 44482 — WIRING METHOD: FC/LATE — 1/26/82 — PG. NO. 4022291-01-9</p>	K K O C S
-----------------------	---	-----------------------



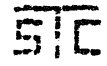
K	TRACK P DATP PROCESSOR				K
K	OF PAGE REFS	SYSTEM PAGE	FILES E.C. 44482	MACHINE: S1935	K
C	PAGE 4022280012	FLYER EC 34595	REV. E.C.	CD. LCC. K2	C
1	E.C. 44482	WIRING METH: PC	DATE 1/28/82	PG. PN. 4022292-01-7	1
C					C



K K C 1 5	STC	ECH • POINTP VOTE • POINTER LTH • RAJ FUNCTION			K K C 1 5
		CP PAGE REFS	SYSTEM PAGE	REFS: E.C. 44482	PC-PHASE: 54925
		PAGE 40222E1C10	FLYER EC 34595	REFS: E.C.	ICD: LCC: K2
		E.C. 44482	WIPING METHOD: FC	DATE	1/28/62
					PG. NO. 4022293-01-5



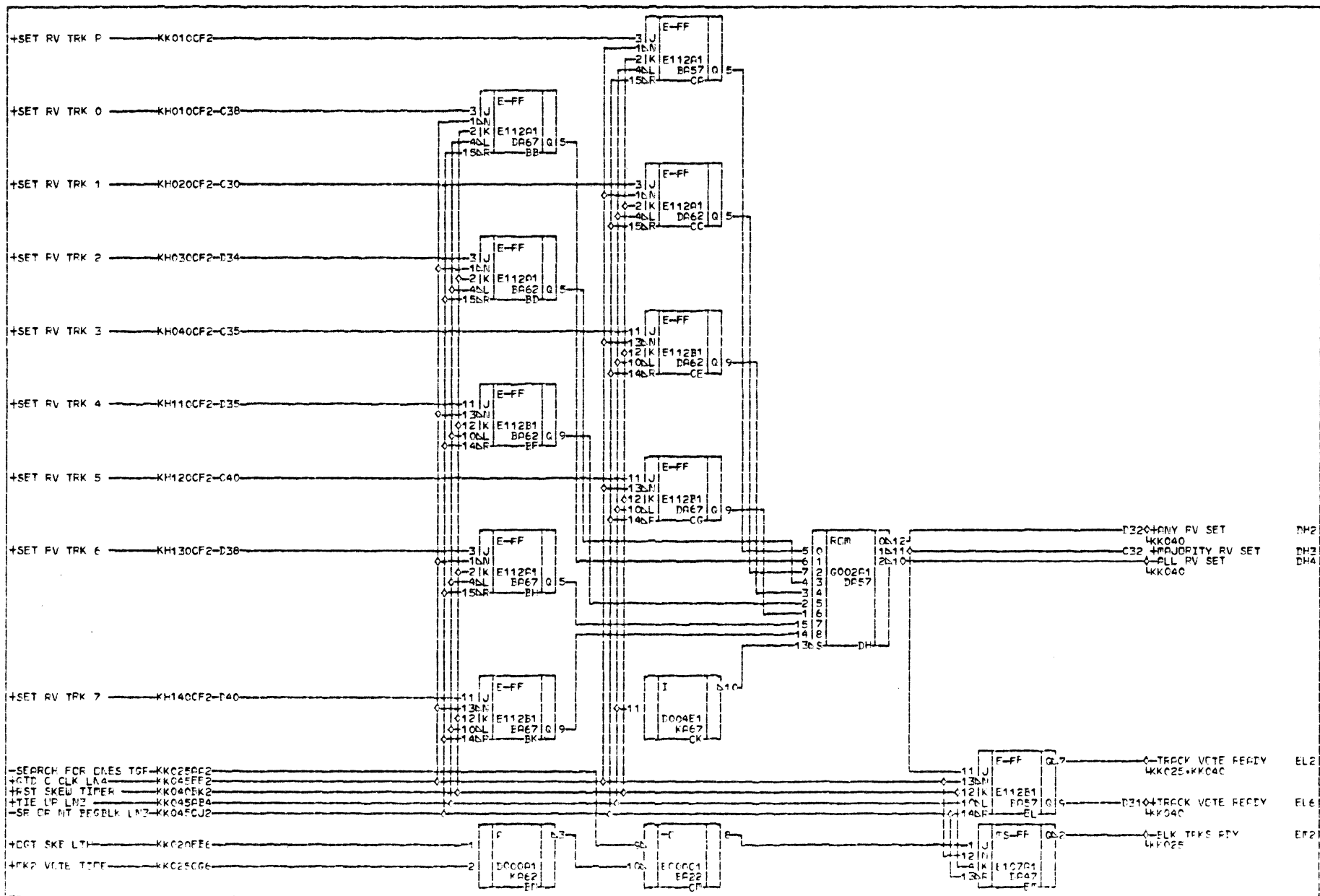
K
K
C
S



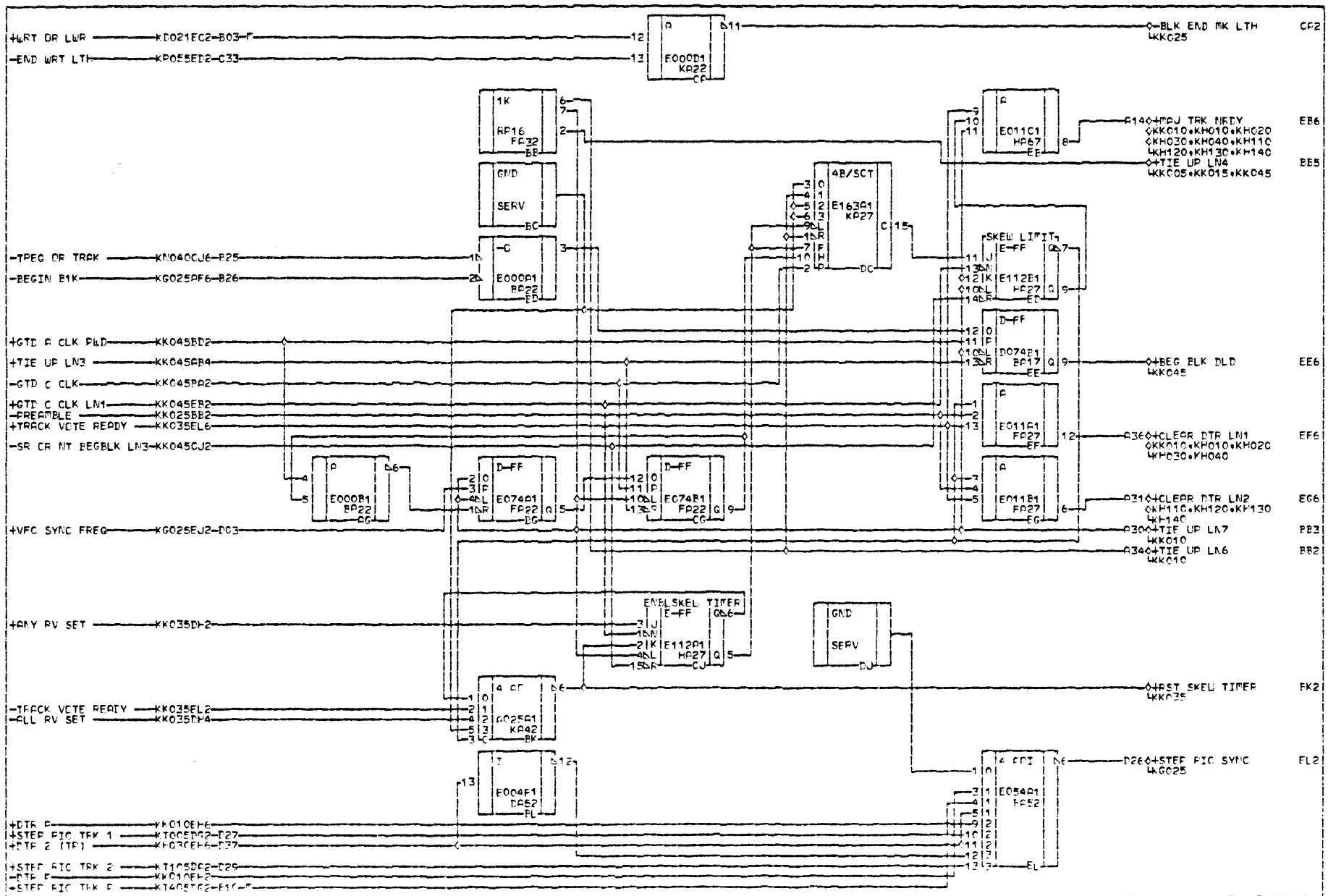
HEAD PATH CONTROLS

DR	DRG	FEES	SYSTEM	DRG	FEES	E.C.	444B2	INCH:INF:	S1635
PAGE	4022283016	FLYER	EC	34595	ICV	LOC	K2	ICV	LOC
E.C.	444B2	WIRING	METHOD:	PC	DATE	1/28/82		PG	PN
									4022295-01-0

K
K
C
S



K K 3 S	SKP				02/04/82				SKEN TIMER				K K 3 S	
	OP	DDP	EEFS	—	SYSTEM	DATE	—	EEFS	E.C.	44982	RCO/JIF:	5193F		
	FACE	4022285A11	FLYER	FC	74595	PREV.	E.C.	CF	LCC	*R2	PG	FN:		4022297-01-E
	E.C.	44452	LIFING	METHOD:	FC	DATE	1/28/82	PG	FN:	4022297-01-E				



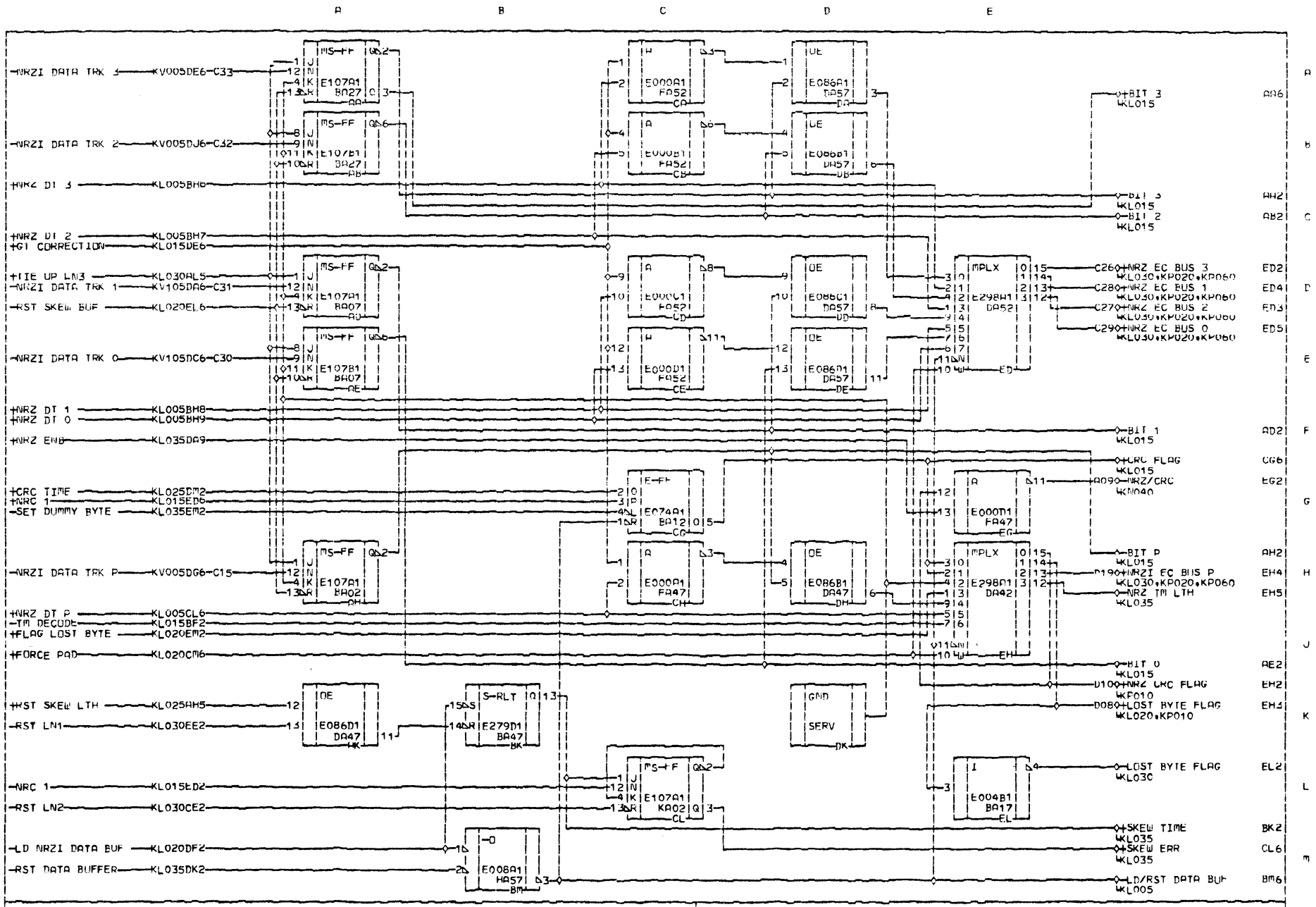
K K A C	STC				SKEL TIFER				K K A A C						
	CP	PAGE	REFS	---	SYSTEM	PAGE	---	FILES		E.C.	44482	RECHFILE:	51975		
		PAGE	4022266019		FLYER	EC	34555			IFREV.	E.C.		CT.	LCC	K2
			E.C.	44482		WIRING	METHOD:			PC	DATE	1/28/82		PG	FN.

ASSEMBLY PARTS LIST

BUILD ARC DOC

PRINT DATE	PAGE	E.C. NO.
10-20-82	1	44325

DIV.	ASSEMBLY NUMBER	CD	REV.	DWG.	DESCRIPTION	MC	STATUS	STATUS DATE	FILE DATE					
0500	4340053	5	A	N	SYSLGC GP, KL, 43318104/204 W/P	N	REL	09-09-80	1935	09-17-80				
T FIND NO	LI	PART NUMBER	CD	M	QUANTITY	U/M	PART DESCRIPTION	MC	YLD	E.C. NO. IN	E.C. NO. OUT	S. N	WK IN	WK OUT
000	01	43440010	7		REF		PC CD LGC, AM841, KL W/P	D						
005	01	43410000	4		REF		PC SYS LGC, KL005, W/P	D						
010	01	43410007	9		REF		PC SYS LGC, KL010, W/P	D						
015	01	43410010	3		REF		PC SYS LGC, KL015, W/P	D						
020	01	43410003	8		REF		PC SYS LGC, KL020, W/P	D						
025	01	43410004	6		REF		PC SYS LGC, KL025, W/P	D						
030	01	43410008	7		REF		PC SYS LGC, KL030, W/P	D						
035	01	43410009	5		REF		PC SYS LGC, KL035, W/P	D						
500	01	43318104	7		REF		PC CKT CD, KL. W/W ASSY	S						
501	01	43318204	5		REF		PC CKT CD KL PC ASSY	S						
					0010 TOTAL LINES									

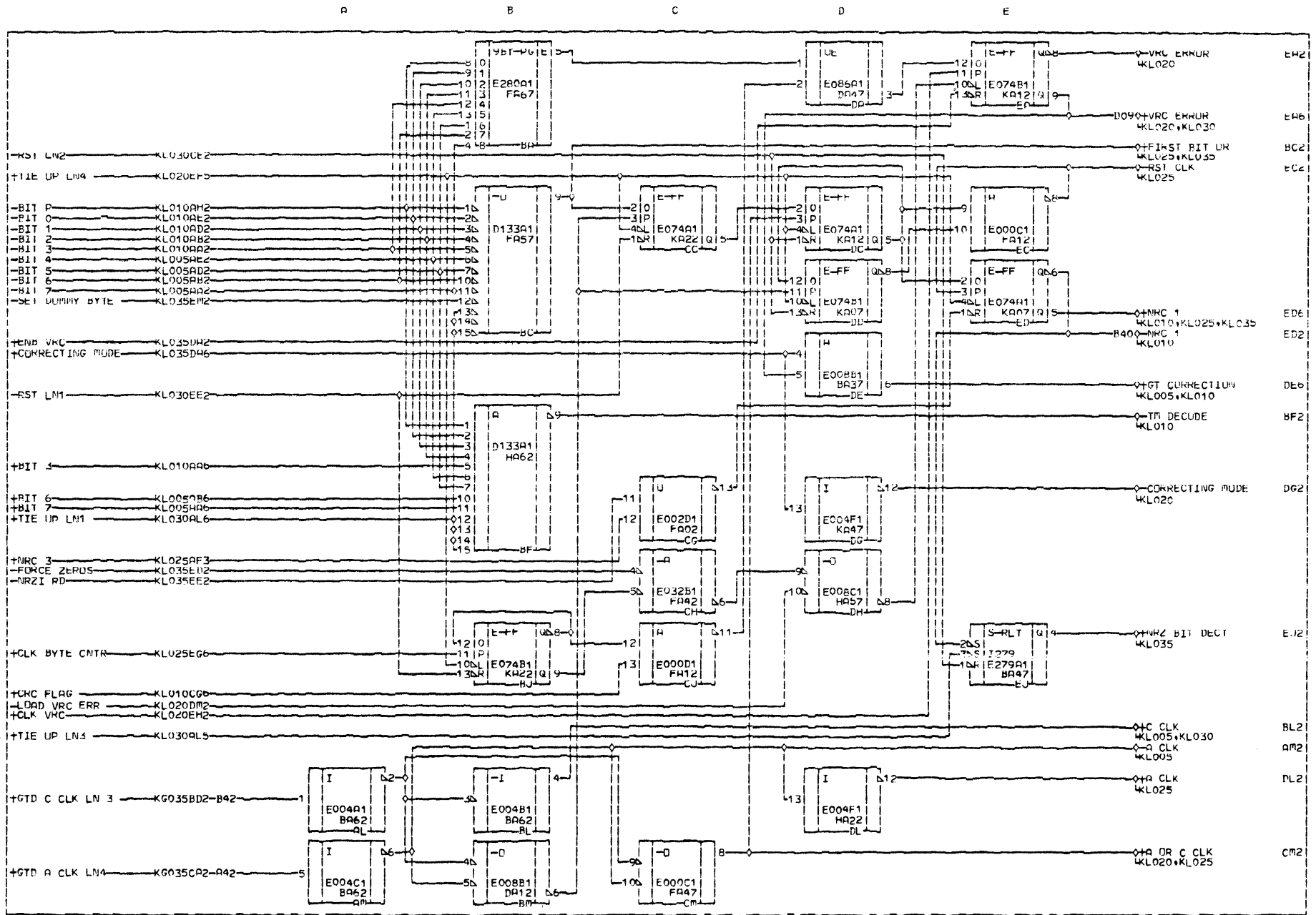


K
L
0
1
0



AM	PAGE	REFS	SYSTEM PAGE	PRES. E.C.	44325	MACHINE:	51935
	434400	11-5	FLYER EC 34536	PHEV. E.C.	44150	CD. LOC. L2	
	E.C.	44325	WIRING METHOD: WF	DATE	7/17/80	PG. P.No.	43410007-9

K
L
0
1
0

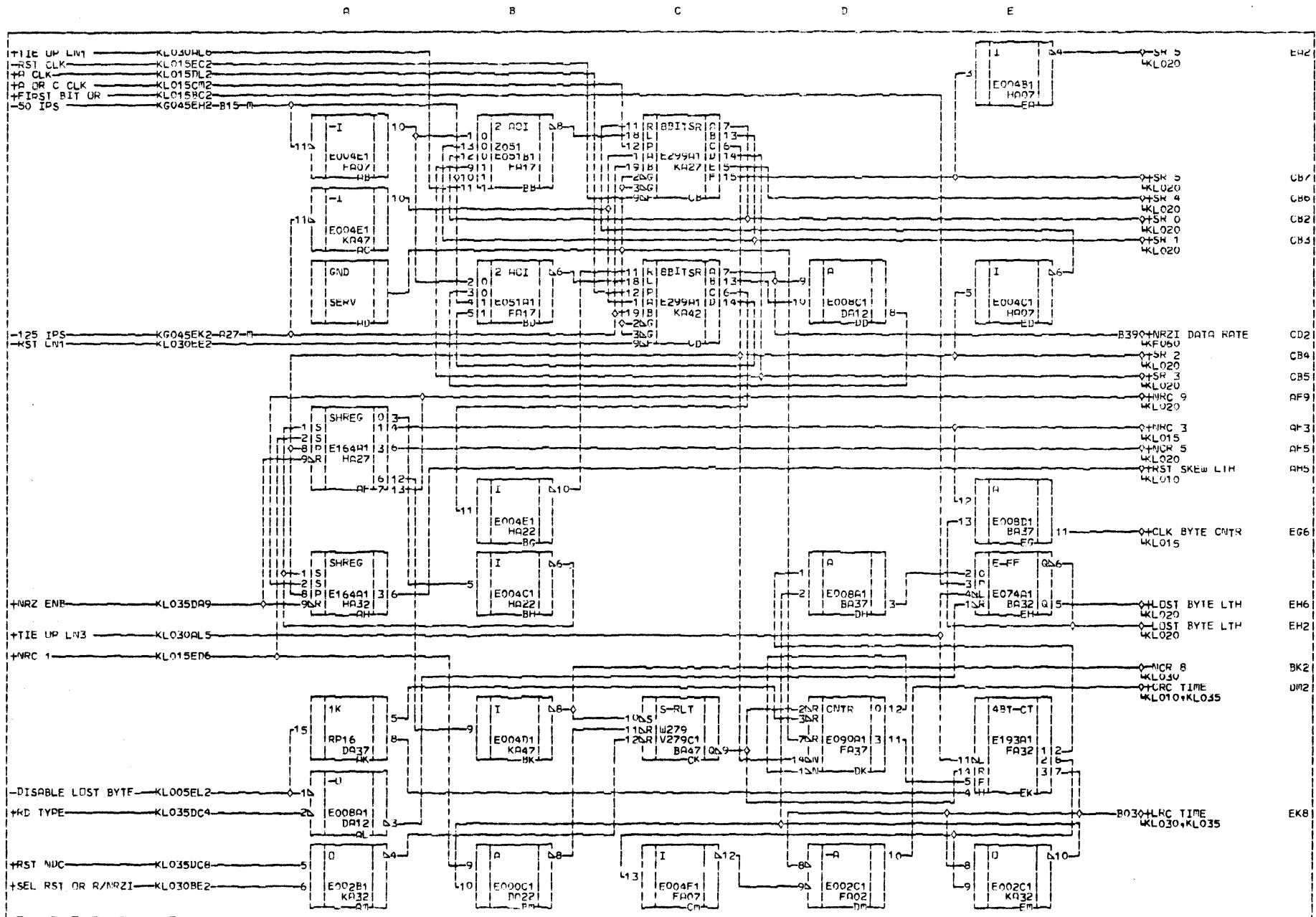


K
L
O
1
5

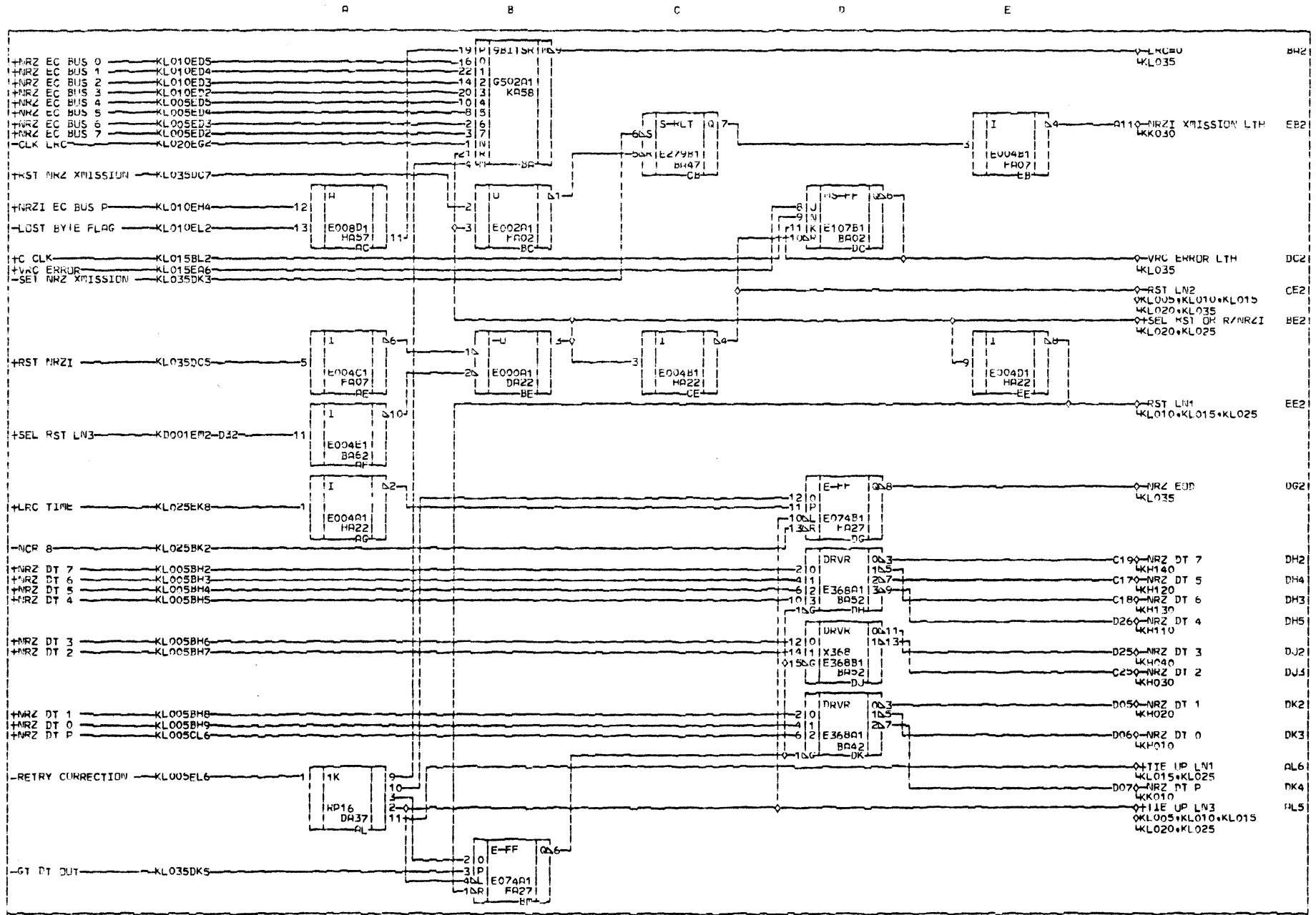


AM	PAGE	REFS	SYSTEM	PAGE	PRES.	E.C.	44325	MACHINE:	51935
	PAGE	43440004-0	FLYER	EC 34536	PREV.	E.C.	44150	CD.	LCC. L2
	E.C.	44325	WIRING	METHOD:	WP	DATE	8/27/80	PG.	P.N. 43410010-3

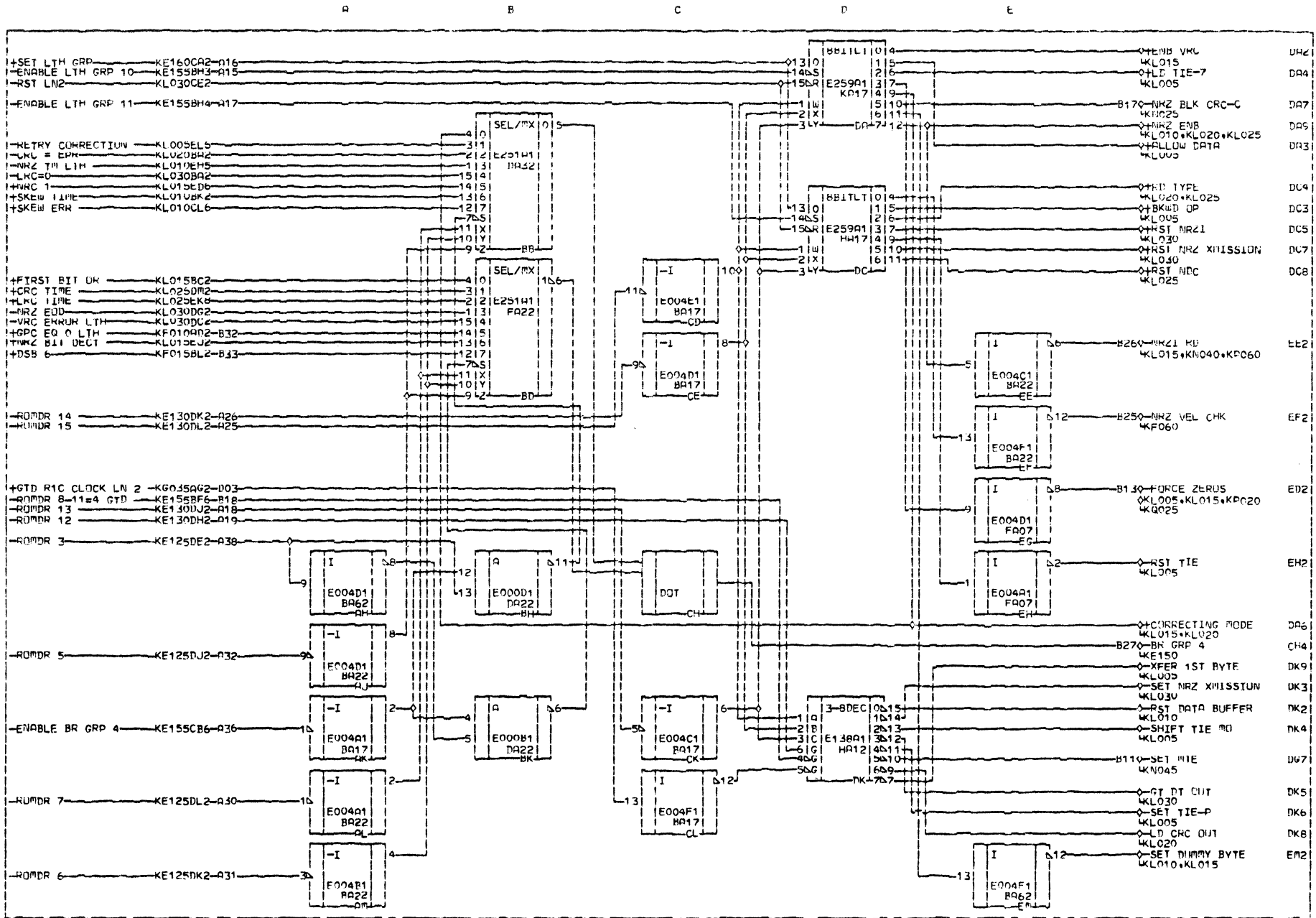
K
L
O
1
5



K L O S	STC				NRZI HEAD CLOCK				K L O S
	DR PAGE	REFS	SYSTEM PAGE	PREV. E.C.	44150	MACHINE:	S1935		
	PAGE	43440006-5	FLYER EC	34536	CD	L0+ L2			
	E.C.	44325	WIRING METHOD:	LD	DATE	4/24/80	PG. P.N.	43410004-6	



K	ETC				LRC CHECK+RESETS				K			
L	AM	DOGE	REFS	SYSTEM	PAGE	PRES.	E.C.	44325	MACHINE:	S1935		
0	PCGE	4344001	2-3	FLYER	EC	345.16	PREV.	E.C.	44150	CD.	LOC.	L2
3	E.C.	44325	WIRING	METHOD:	WP	DATE	7/17/80	PG.	Page	43410098-7	0	
0												



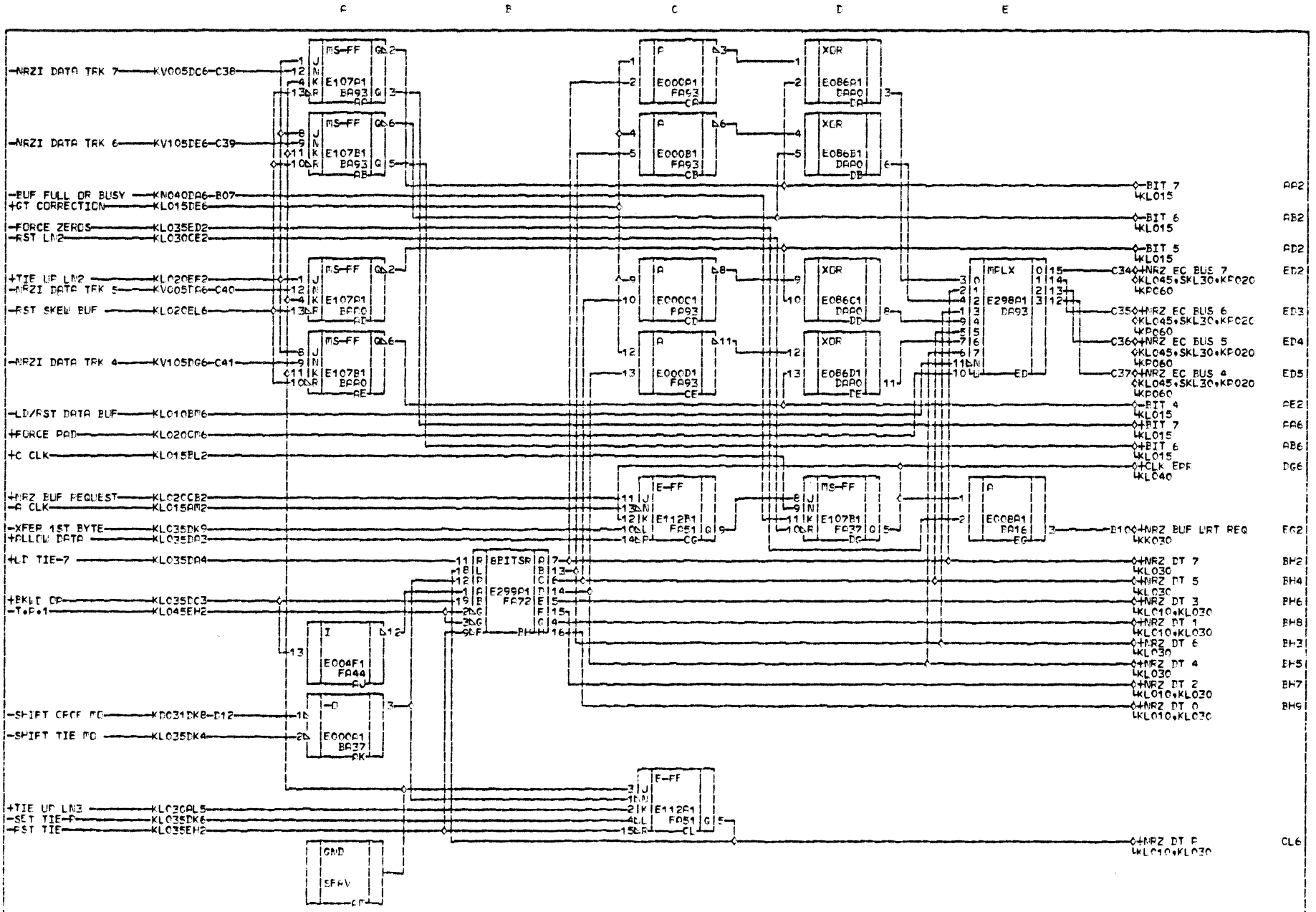
K L O 3 5	MRZI BRANCHES				K L O 3 5
	AM PAGE REFS	SYSTEM PAGE	PREV. E.C. 44325	MACHINE: S1935	
	PAGE 43440013-1	FLYER EC 34536	E.C. 44150	CH: LOC: L2	
	E.C. 44325	WIRING METHOD:	DATE 7/17/80	PG: P.0: 4341009-5	

ASSEMBLY PARTS LIST

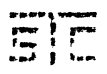
PRINT DATE	PAGE	E.C. NO.
05-13-82	1	44668

DIV.	ASSEMBLY NUMBER	CD	REV.	DWG.	DESCRIPTION	MC	STATUS	STATUS DATE	FILE DATE					
C500	402208401	8	A	N	SYS LGC GP KL.43318304.PC	N	RFL	04-21-82	1935 04-28-82					
T FIND NO	LI	PART NUMBER	CD	M	QUANTITY	U M	PART DESCRIPTION	MC	YLD	E.C. NO. IN	E.C. NO. OUT	S.N	WK IN	WK OUT
000	01	402206401	6		REF	PC	CD LGC,AM841,KL PC	D						
005	01	402207401	9		REF	PC	SYS LGC,KL005,PC	D						
010	01	402207501	6		REF	PC	SYS LGC,KL010,PC	D						
015	01	402207601	4		REF	PC	SYS LGC,KL015,PC	D						
020	01	402207701	2		REF	PC	SYS LGC,KL020 PC	D						
025	01	402207801	6		REF	PC	SYS LGC,KL025,PC	D						
030	01	402207901	8		REF	PC	SYS LGC,KL030,PC	D						
035	01	402208001	6		REF	PC	SYS LGC,KL035,PC	D						
040	01	402208101	4		REF	PC	SYS LGC,KL040,PC	D						
045	01	402208201	2		REF	PC	SYS LGC,KL045,PC	D						
500	01	43318304	3		REF	PC	CKT CD,KL,PC ASSY	S						
6011 TOTAL LINES														

LCC BOE6	LCC HPA01	LCC HF93 14	LCC KA86 16	LCC KA79 14	LCC KA72 14	LCC KA65 20	LCC KA58 14	LCC KA51 14	LCC KAA4 20	LCC KA37 20	LCC KA30 14	LCC KA23 14	LCC KA16 14	LCC HMA09 14	LCC HMA02 16
FN IC:	FN IC:	FN IC:1E107	FN IC:1D133	FN IC:1E107	FN IC:1E086	FN IC:1E273	FN IC:1E074	FN IC:1E000	FN IC:1E299	FN IC:1E299	FN IC:1E051	FN IC:1E164	FN IC:1E164	FN IC:1E090	FN IC:1E192
1	1	2	9	2	2	2	2	2	4	4	6	4	4	6	2
		KL045BK2	KL045BF2	KL045EF2	KL015DA6	KL040BE2	KL015DC6	KL010CH2	KL010CH2	KL025CF2	KL025CF2	KL025BF2	KL025BF2	KL025AF5	KL025AF5
		KL045BL2			KL010DH6	KL040CF2	KL015DE6	KL015DE2	KL015DE2	KL025CF2	KL025CF2			KL025AF5	KL025AF5
					KL040GL6	KL040GL6	KL040GL6	KL040GL6	KL040GL6	KL025CF2	KL025CF2				
					KL040BE5	KL040BE5	KL040BE5	KL040BE5	KL040BE5	KL025CF2	KL025CF2				
					KL040BE7	KL040BE7	KL040BE7	KL040BE7	KL040BE7	KL025CF2	KL025CF2				
					KL040CEE	KL040CEE	KL040CEE	KL040CEE	KL040CEE	KL025CF2	KL025CF2				
					KL040EE9	KL040EE9	KL040EE9	KL040EE9	KL040EE9	KL025CF2	KL025CF2				
FE2 GNDBOE6 PE6 +5VBOE6	GE2 GNDHMAC GE6 +5VHMA0	FE2 GNDHF93 PE6 +5VHF93	FE2 GNDKA86 PE6 +5VKA86	FE2 GNDKA79 PE6 +5VKA79	FE2 GNDKA72 LE6 +5VKA72	KE2 GNDKA65 PE6 +5VKA65	JE2 GNDKA58 JE6 +5VKA58	HE2 GNDKA51 HE6 +5VKA51	GE2 GNDKAA4 GE6 +5VKA44	FE2 GNDKA37 PE6 +5VKA37	FE2 GNDKA30 PE6 +5VKA30	FE2 GNDKA23 PE6 +5VKA23	FE2 GNDKA16 PE6 +5VKA16	BE2 GNDMA09 PE6 +5VMA09	FE2 GNDMA02 PE6 +5VMA02
LCC BOG6	LCC HPA01	LCC HPA93 14	LCC HPA86 14	LCC HPA79 14	LCC HPA72 14	LCC HPA65 14	LCC HPA58 14	LCC HPA51 14	LCC HPA44 14	LCC HPA37 14	LCC HPA30 16	LCC HPA23 14	LCC HPA16 14	LCC HPA09 16	LCC HPA02 14
FN IC:	FN IC:1E260	FN IC:1E107	FN IC:1E107	FN IC:1E107	FN IC:1E074	FN IC:1E086	FN IC:1E074	FN IC:1E008	FN IC:1E004	FN IC:1E008	FN IC:1E352	FN IC:1E008	FN IC:1E027	FN IC:1E279	FN IC:1E002
	5	2	2	2	5	3	3	3	2	3	7	3	6	4	1
	KL015BF2	KL045BE2	KL045BE2	KL010AH2	KL040BL6	KL040CF6	KL015CC6	KL045AF6	KL025AF2	KL020CK6	KL020DF2	KL025DH6	KL020CB2	KL015EJ2	KL030BC2
					KL040FL6	KL040FL6	KL015DE6	KL015DE6	KL025DE6	KL020AJ6	KL020AJ6	KL025AL6	KL020EC2	KL030CF2	KL025AF2
					KL015ER2	KL040CF6	KL015DD2	KL015DF6	KL025DE6	KL010BM6	KL010BM6	KL020BJ6	KL020BJ6	KL025CK6	KL025EF2
					KL040FK6	KL040FK6	KL025DE6	KL025DE6	KL025DE6	KL020CK6	KL020CK6	KL025EG6		KL010BK6	KL025DF2
FE2 GNDBOE5 PE6 +5VBOE5	FE2 GNDHMAC PE6 +5VHMA0	FE2 GNDHMA93 PE6 +5VHMA93	FE2 GNDHMA86 PE6 +5VHMA86	FE2 GNDHMA79 PE6 +5VHMA79	FE2 GNDHMA72 LE6 +5VHMA72	KE2 GNDHMA65 PE6 +5VHMA65	JE2 GNDHMA58 JE6 +5VHMA58	HE2 GNDHMA51 HE6 +5VHMA51	GE2 GNDHMA44 GE6 +5VHMA44	FE2 GNDHMA37 PE6 +5VHMA37	FE2 GNDHMA30 PE6 +5VHMA30	FE2 GNDHMA23 PE6 +5VHMA23	FE2 GNDHMA16 PE6 +5VHMA16	BE2 GNDHMA09 PE6 +5VHMA09	FE2 GNDHMA02 PE6 +5VHMA02
LCC BOG6	LCC HPA01	LCC HPA93 14	LCC HPA86 16	LCC HPA79 14	LCC HPA72 20	LCC HPA65 14	LCC HPA58 14	LCC HPA51 16	LCC HPA44 14	LCC HPA37 14	LCC HPA30 14	LCC HPA23 16	LCC HPA16 14	LCC HPA09 14	LCC HPA02 14
FN IC:	FN IC:1D133	FN IC:1E000	FN IC:1D133	FN IC:1E000	FN IC:1E299	FN IC:1E266	FN IC:1E266	FN IC:1E126	FN IC:1E004	FN IC:1E107	FN IC:1E051	FN IC:1E259	FN IC:1E032	FN IC:1E004	FN IC:1E074
	9	3	9	3	3	3	3	5	2	2	2	2	2	2	5
	KL015BF2	KL005CC2	KL015BC2	KL015CC2	KL005BH3	KL040CF2	KL040CF2	KL005CL6	KL010CL2	KL010CL2	KL020CF2	KL035CF2	KL015CE2	KL020CF2	KL035CF2
		KL005CB2			KL005BH3	KL040CF2	KL040CF2	KL005CG6	KL045EJ2	KL010CL2	KL020CF2	KL035CF2	KL015CE2	KL020CF2	KL035CF2
		KL005CD2			KL005BH3	KL040CF2	KL040CF2		KL045EK2	KL010CL2	KL020CF2	KL035CF2	KL015CE2	KL020CF2	KL035CF2
		KL005CE2			KL005BH3	KL040CF2	KL040CF2		KL045EL2	KL010CL2	KL020CF2	KL035CF2	KL015CE2	KL020CF2	KL035CF2
					KL005BH3	KL040CF2	KL040CF2		KL045EM2	KL010CL2	KL020CF2	KL035CF2	KL015CE2	KL020CF2	KL035CF2
					KL005BH3	KL040CF2	KL040CF2		KL045EN2	KL010CL2	KL020CF2	KL035CF2	KL015CE2	KL020CF2	KL035CF2
					KL005BH3	KL040CF2	KL040CF2		KL045EO2	KL010CL2	KL020CF2	KL035CF2	KL015CE2	KL020CF2	KL035CF2
					KL005BH3	KL040CF2	KL040CF2		KL045EP2	KL010CL2	KL020CF2	KL035CF2	KL015CE2	KL020CF2	KL035CF2
					KL005BH3	KL040CF2	KL040CF2		KL045EQ2	KL010CL2	KL020CF2	KL035CF2	KL015CE2	KL020CF2	KL035CF2
					KL005BH3	KL040CF2	KL040CF2		KL045ER2	KL010CL2	KL020CF2	KL035CF2	KL015CE2	KL020CF2	KL035CF2
					KL005BH3	KL040CF2	KL040CF2		KL045ES2	KL010CL2	KL020CF2	KL035CF2	KL015CE2	KL020CF2	KL035CF2
					KL005BH3	KL040CF2	KL040CF2		KL045ET2	KL010CL2	KL020CF2	KL035CF2	KL015CE2	KL020CF2	KL035CF2
					KL005BH3	KL040CF2	KL040CF2		KL045EU2	KL010CL2	KL020CF2	KL035CF2	KL015CE2	KL020CF2	KL035CF2
					KL005BH3	KL040CF2	KL040CF2		KL045EV2	KL010CL2	KL020CF2	KL035CF2	KL015CE2	KL020CF2	KL035CF2
					KL005BH3	KL040CF2	KL040CF2		KL045EW2	KL010CL2	KL020CF2	KL035CF2	KL015CE2	KL020CF2	KL035CF2
					KL005BH3	KL040CF2	KL040CF2		KL045EX2	KL010CL2	KL020CF2	KL035CF2	KL015CE2	KL020CF2	KL035CF2
					KL005BH3	KL040CF2	KL040CF2		KL045EY2	KL010CL2	KL020CF2	KL035CF2	KL015CE2	KL020CF2	KL035CF2
					KL005BH3	KL040CF2	KL040CF2		KL045EZ2	KL010CL2	KL020CF2	KL035CF2	KL015CE2	KL020CF2	KL035CF2
					KL005BH3	KL040CF2	KL040CF2		KL045EA2	KL010CL2	KL020CF2	KL035CF2	KL015CE2	KL020CF2	KL035CF2
					KL005BH3	KL040CF2	KL040CF2		KL045EB2	KL010CL2	KL020CF2	KL035CF2	KL015CE2	KL020CF2	KL035CF2
					KL005BH3	KL040CF2	KL040CF2		KL045EC2	KL010CL2	KL020CF2	KL035CF2	KL015CE2	KL020CF2	KL035CF2
					KL005BH3	KL040CF2	KL040CF2		KL045ED2	KL010CL2	KL020CF2	KL035CF2	KL015CE2	KL020CF2	KL035CF2
					KL005BH3	KL040CF2	KL040CF2		KL045EE2	KL010CL2	KL020CF2	KL035CF2	KL015CE2	KL020CF2	KL035CF2
					KL005BH3	KL040CF2	KL040CF2		KL045EF2	KL010CL2	KL020CF2	KL035CF2	KL015CE2	KL020CF2	KL035CF2
					KL005BH3	KL040CF2	KL040CF2		KL045EG2	KL010CL2	KL020CF2	KL035CF2	KL015CE2	KL020CF2	KL035CF2
					KL005BH3	KL040CF2	KL040CF2		KL045EH2	KL010CL2	KL020CF2	KL035CF2	KL015CE2	KL020CF2	KL035CF2
					KL005BH3	KL040CF2	KL040CF2		KL045EI2	KL010CL2	KL020CF2	KL035CF2	KL015CE2	KL020CF2	KL035CF2
					KL005BH3	KL040CF2	KL040CF2		KL045EJ2	KL010CL2	KL020CF2	KL035CF2	KL015CE2	KL020CF2	KL035CF2
					KL005BH3	KL040CF2	KL040CF2		KL045EK2	KL010CL2	KL020CF2	KL035CF2	KL015CE2	KL020CF2	KL035CF2
					KL005BH3	KL040CF2	KL040CF2		KL045EL2	KL010CL2	KL020CF2	KL035CF2	KL015CE2	KL020CF2	KL035CF2
					KL005BH3	KL040CF2	KL040CF2		KL045EM2	KL010CL2	KL020CF2	KL035CF2	KL015CE2	KL020CF2	KL035CF2
					KL005BH3	KL040CF2	KL040CF2		KL045EN2	KL010CL2	KL020CF2	KL035CF2	KL015CE2	KL020CF2	KL035CF2
					KL005BH3	KL040CF2	KL040CF2		KL045EO2	KL010CL2	KL020CF2	KL035CF2	KL015CE2	KL020CF2	KL035CF2
					KL005BH3	KL040CF2	KL040CF2		KL045EP2	KL010CL2	KL020CF2	KL035CF2	KL015CE2	KL020CF2	KL035CF2
					KL005BH3	KL040CF2	KL040CF2		KL045EQ2	KL010CL2	KL020CF2	KL035CF2	KL015CE2	KL020CF2	KL035CF2
					KL005BH3	KL040CF2	KL040CF2		KL045ER2	KL010CL2	KL020CF2	KL035CF2	KL015CE2	KL020CF2	KL035CF2
					KL005BH3	KL040CF2	KL040CF2		KL045ES2	KL010CL2	KL020CF2	KL035CF2	KL015CE2	KL020CF2	KL035CF2
					KL005BH3	KL040CF2	KL040CF2		KL045ET2	KL010CL2	KL020CF2	KL035CF2	KL015CE2	KL020CF2	KL035CF2
					KL005BH3	KL040CF2	KL040CF2		KL045EU2	KL010CL2	KL020CF2	KL035CF2	KL015CE2	KL020CF2	KL035CF2
					KL005BH3	KL040CF2	KL040CF2		KL045EV2	KL010CL2	KL020CF2	KL035CF2	KL015CE2	KL020CF2	KL035CF2
					KL005BH3	KL040CF2	KL040CF2		KL045EW2	KL010CL2	KL020CF2	KL035CF2	KL015CE2	KL020CF2	KL035CF2
					KL005BH3	KL040CF2	KL040CF2		KL045EX2	KL010CL2	KL020CF2	KL035CF2	KL015CE2	KL020CF2	KL035CF2
					KL005BH3	KL040CF2	KL040CF2		KL045EY2	KL010CL2	KL020CF2	KL035CF2	KL015CE2	KL020CF2	KL035CF2
					KL005BH3	KL040CF2	KL040CF2		KL045EZ2	KL010CL2	KL020CF2	KL035CF2	KL015CE2	KL020CF2	KL035CF2
					KL005BH3	KL040CF2	KL040CF2		KL045EA2	KL010CL2	KL020CF2	KL035CF2	KL015CE2	KL020CF2	KL035CF2
					KL005BH3	KL040CF2	KL040CF2		KL045EB2	KL010CL2	KL020CF2	KL035CF2	KL015CE2	KL020CF2	KL035CF2
					KL005BH3	KL040CF2	KL040CF2		KL045EC2	KL010CL2	KL020CF2	KL035CF2	KL015CE2	KL020CF2	KL035CF2
					KL005BH3	KL040CF2	KL040CF2		KL045ED2	KL010CL2	KL020CF2	KL035CF2	KL015CE2	KL020CF2	KL035CF2
					KL005BH3	KL040CF2	KL040CF2		KL045EE2	KL010CL2	KL020CF2	KL035CF2	KL015CE2	KL020CF2	KL035CF2
					KL005BH3	KL040CF2	KL040CF2		KL045EF2	KL010CL2	KL020CF2	KL035CF2	KL015CE2	KL020CF2	KL035CF2
					KL005BH3	KL040CF2	KL040CF2		KL045EG2	KL010CL2	KL020CF2	KL035CF2	KL015CE2	KL020CF2	KL035CF2
					KL005BH3	KL040CF2	KL040CF2		KL045EH2	KL010CL2	KL020CF2	KL035CF2	KL015CE2	KL020CF2	KL035CF2
					KL005BH3	KL040CF2	KL040CF2		KL045EI2	KL010CL2	KL020CF2	KL035CF2	KL015CE2	KL020CF2	KL035CF2
					KL005BH3	KL040CF2	KL040CF2		KL045EJ2	KL010CL2	KL020CF2	KL035CF2	KL015CE2	KL020CF2	KL035CF2
					KL005BH3	KL040CF2	KL040CF2		KL045EK2	KL010CL2	KL020CF2	KL035CF2	KL015CE2	KL020CF2	KL035CF2
					KL005BH3	KL040CF2	KL040CF2		KL045EL2	KL010CL2	KL020CF2	KL035CF2	KL015CE2	KL020CF2	KL035CF2
					KL005BH3	KL040CF2	KL040CF2		KL045EM2	KL010CL2	KL020CF2	KL035CF2	KL015CE2	KL020CF2	KL035CF2
					KL005BH3	KL040CF2	KL040CF2		KL045EN2	KL010CL2	KL020CF2	KL035CF2	KL015CE2	KL020CF2	KL035CF2
				</											



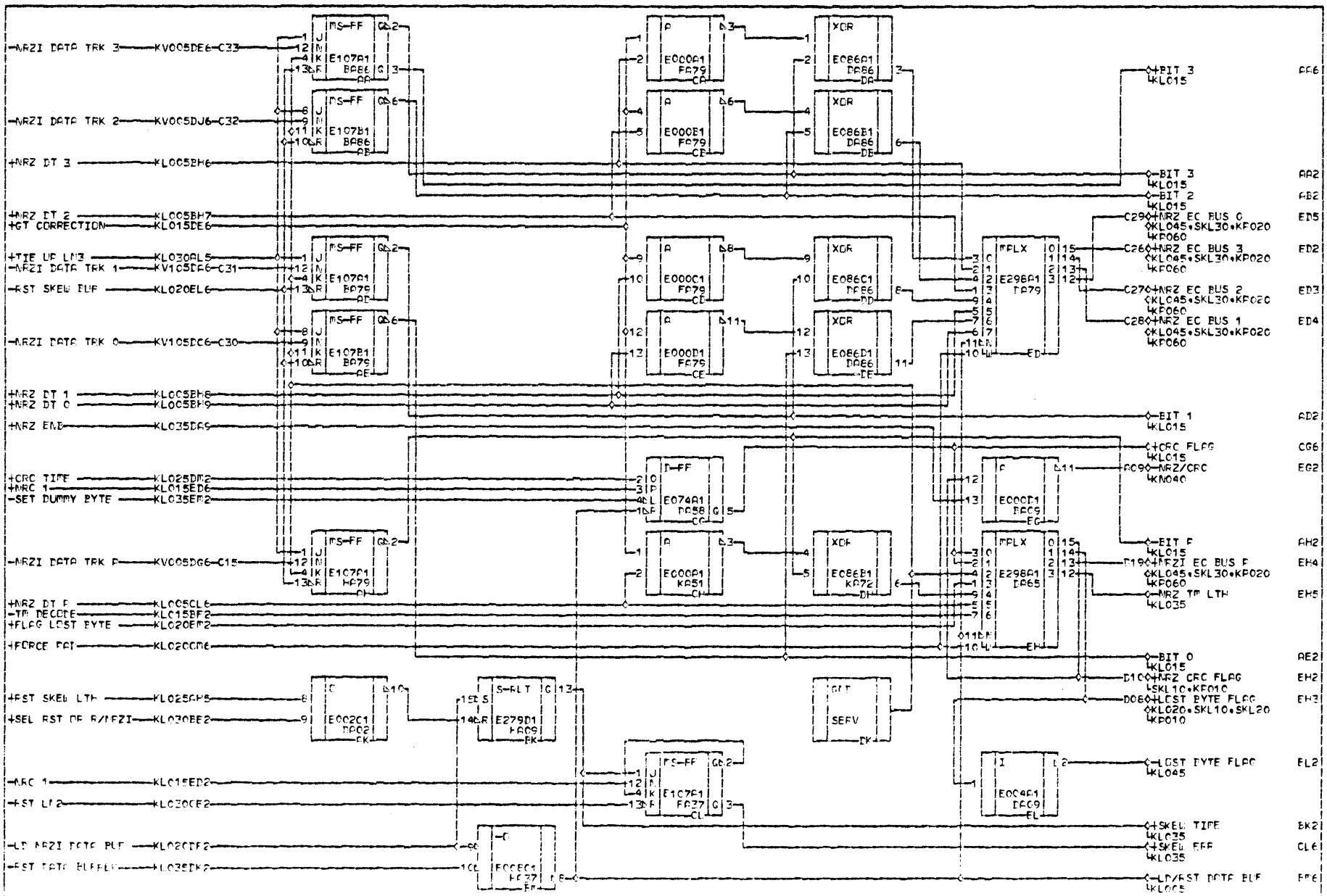
K
L
C
S



NRZI SHEL: FIG 7-4

DR	FA93	FA93	SYSTEM PAGE	DRFS. F.C. 4468	DRCTIME: 51935
PAGE	4022065017	FLYER EC PROTECTIVE	PREV. F.C.	ICI. LCC. L2	DRCTIME: 51935
F.C. 4468		LIJING METHOD: FC	DATE	12/21/81	FIG. NO. 4022074-01-9

K
L
C
S

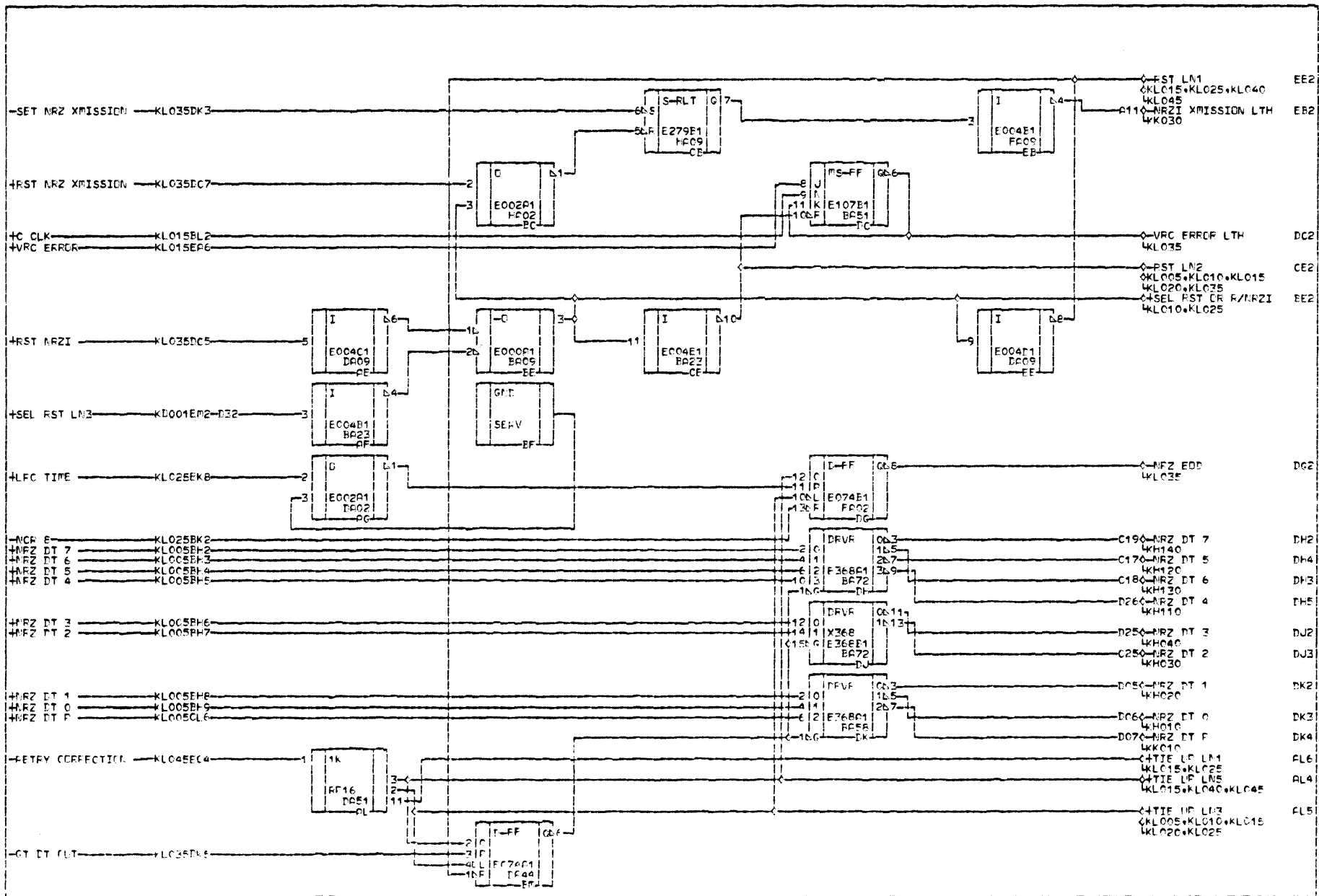


REV	DATE	BY	CHKD	APPD	DESCRIPTION
1	09/14/82				MRZI SKEW REG 3-D

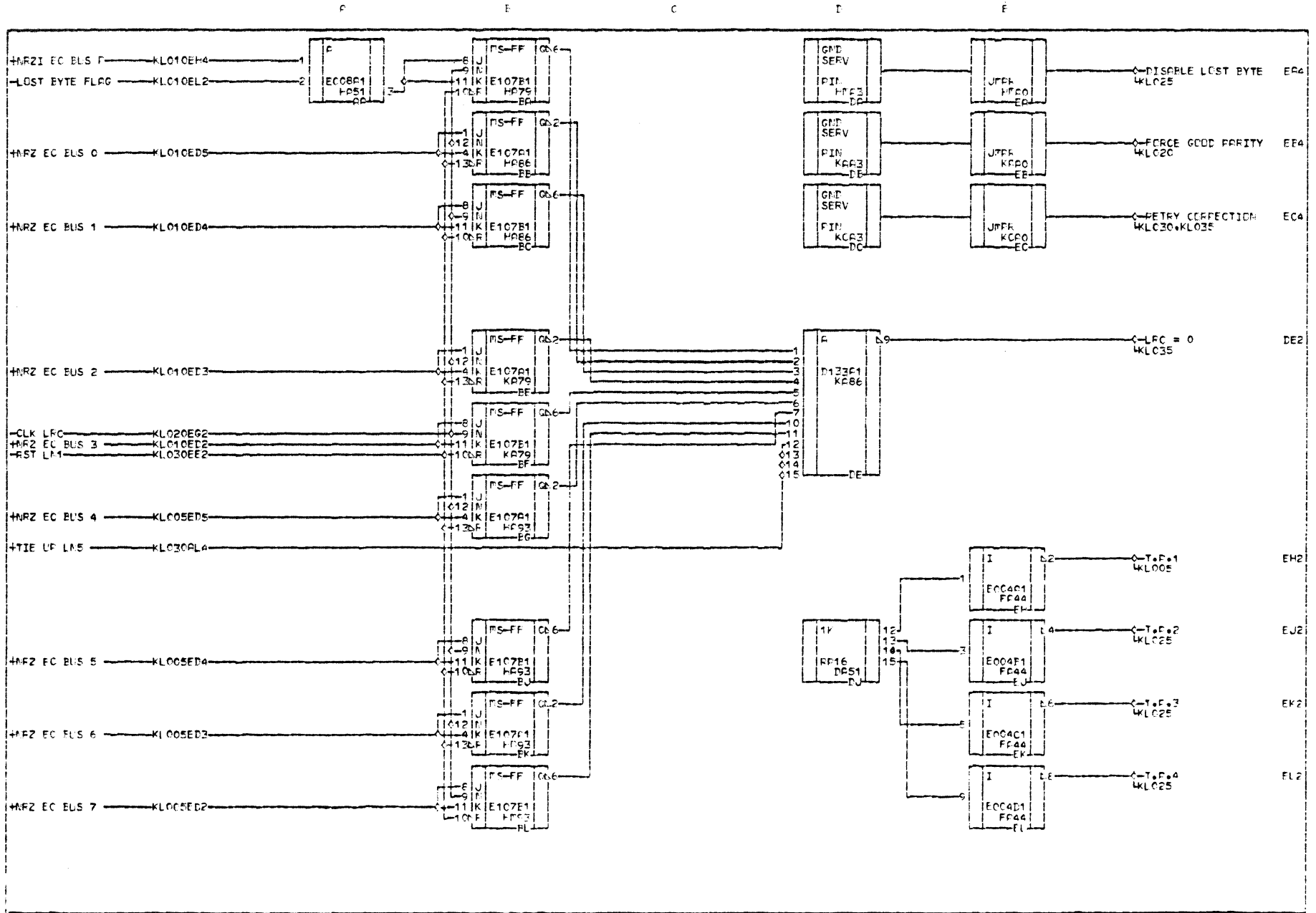
PT	PAGE	PPS	SYSTEM	ENGR	DATE	REV	APPD	DATE
4022075	4022075	4022075	4022075	4022075	4022075	4022075	4022075	4022075

PT	PAGE	PPS	SYSTEM	ENGR	DATE	REV	APPD	DATE
4022075	4022075	4022075	4022075	4022075	4022075	4022075	4022075	4022075

F F C F E



K L C	LFC CHECK+RESETS				K L C
	OP PAGE KEYS -	SYSTEM PAGE	CHFS. F.c. 4466	FFCH:ME: 5107E	
	PCF 4022070C17	FLVEL EC FFC10YF	IFPV. E.c.	CP. LCC. L2	
	E.c. 4466E	WIRING METHCD: FC	DATE 12/21/81	PG. NO. 4022079-01-B	



K L C 4 5	STC	LAC CHECK/OPTIC JUMPERS/TEST FLIT BITS			K L C 4 5	
		OP PAGE PFS	SYSTEM POCI	PFS, E.C. 4466		PCCHINE: 01975
		PAGE 4022073011	FLYER EC RELTYE	PAV, E.C.		ICI, LCC, LP
		E.C. 4466B	WIRING METHOD: FC	DATE 12/21/81		SG FR. 4022062-01-2

ASSEMBLY PARTS LIST

BOULEVARD

PRINT DATE	PAGE	EC. NO.
10-20-82	1	44032

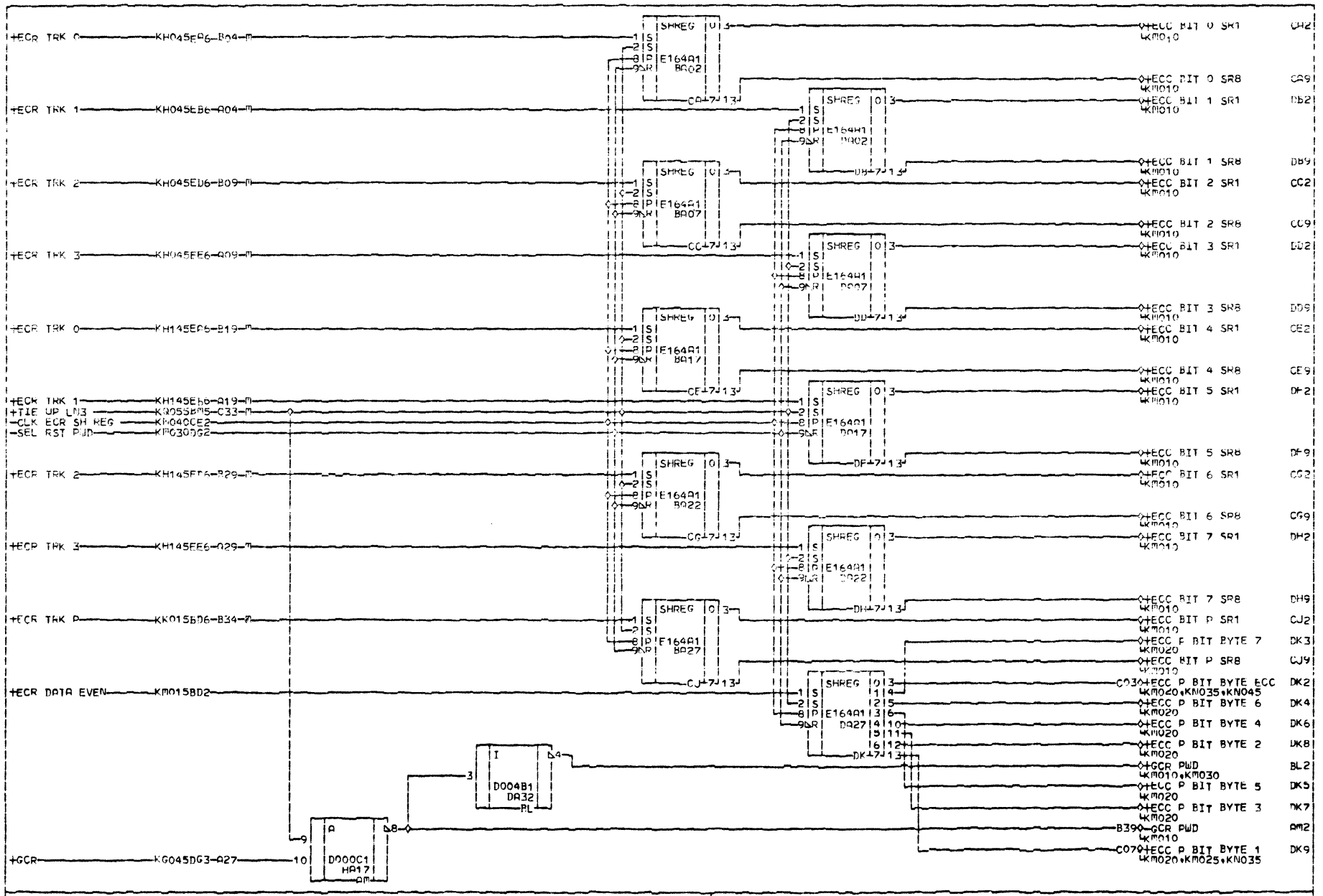
DIV.	ASSEMBLY NUMBER	CD	REV.	DWG.	DESCRIPTION	MC	STATUS	STATUS DATE	FILE DATE					
0500	43400021	2	B	N	SYS LGC GP, KM, 43310201 , PC	N	REL	12-06-79	1935	02-21-80				
T FIND NO	LI	PART NUMBER	CD	M	QUANTITY	U/M	PART DESCRIPTION	MC	YLD	EC. NO IN	EC. NO OUT	S N	WK IN	WK OUT
001	01	43441001	5		REF	PC	CD LGC, AM365, KM, PC	D						
002	01	43411000	3		REF	PC	SYS LGC, KM005, PC	D						
003	01	43411001	1		REF	PC	SYS LGC, KM010, PC	D						
004	01	43411002	9		REF	PC	SYS LGC, KM015, PC	D						
005	01	43411003	7		REF	PC	SYS LGC, KM020, PC	D						
006	01	43411004	5		REF	PC	SYS LGC, KM025, PC	D						
007	01	43411005	2		REF	PC	SYS LGC, KM030, PC	D						
008	01	43411006	0		REF	PC	SYS LGC, KM035, PC	D						
009	01	43411007	8		REF	PC	SYS LGC, KM040, PC	D						
500	01	43310201	9		REF	PC	CKY CD, KM, PC ASSY	S		44032			5007	
							0010 TOTAL LINES							

LUC KA67	LUC KA62	LUC KA57	LUC KA52	LUC KA47	LUC KA42	LUC KA37	LUC KA32	LUC KA27	LUC KA22	LUC KA17	LUC KA12	LUC KA07	LUC KA02
PN	IC	PN	IC	PN	IC	PN	IC	PN	IC	PN	IC	PN	IC
1	KM025AA2	1	KM025AA2	2	KM020EC2	8	KM020CF2	3	KM020CJ6	3	KM020CC6		
2	KM025AA3	2	KM025AA3	3	KM020EC3	9	KM020CF3	4	KM020CJ7	4	KM020CC7		
3	KM025AA4	3	KM025AA4	4	KM020EC4	10	KM020CF4	5	KM020CJ8	5	KM020CC8		
4	KM025AA5	4	KM025AA5	5	KM020EC5	11	KM020CF5	6	KM020CJ9	6	KM020CC9		
5	KM025AA6	5	KM025AA6	6	KM020EC6	12	KM020CF6	7	KM020CJ10	7	KM020CC10		
6	KM025AA7	6	KM025AA7	7	KM020EC7	13	KM020CF7	8	KM020CJ11	8	KM020CC11		
7	KM025AA8	7	KM025AA8	8	KM020EC8	14	KM020CF8	9	KM020CJ12	9	KM020CC12		
8	KM025AA9	8	KM025AA9	9	KM020EC9	15	KM020CF9	10	KM020CJ13	10	KM020CC13		
9	KM025AA9	9	KM025AA9	10	KM020EC9	16	KM020CF10	11	KM020CJ14	11	KM020CC14		
PE2	GNDKH66	NE2	GNDKH61	8	ME2	8	LE2	10	KE2	7	JE2	7	HE2
PE6	+SVKA70	NE6	+SVKA65	16	ME6	16	LE6	20	KE6	14	JE6	14	HE6

LUC HA67	LUC HA62	LUC HA57	LUC HA52	LUC HA47	LUC HA42	LUC HA37	LUC HA32	LUC HA27	LUC HA22	LUC HA17	LUC HA12	LUC HA07	LUC HA02
PN	IC	PN	IC	PN	IC	PN	IC	PN	IC	PN	IC	PN	IC
3	KM025CK6	3	KM025CK6	3	KM020AE6	3	KM020AB6	3	KM035BE6	3	KM035DL2	3	KM035DD2
4	KM040BB6	4	KM025CJ6	4	KM025LE6	4	KM020AB7	4	KM035BE7	4	KM035DL3	4	KM035DD3
5	KM015AL6	5	KM025CJ7	5	KM025LE7	5	KM020AB8	5	KM035BE8	5	KM035DL4	5	KM035DD4
6		6	KM025CJ8	6	KM025LE8	6	KM020AB9	6	KM035BE9	6	KM035DL5	6	KM035DD5
7		7	KM025CJ9	7	KM025LE9	7	KM020AB10	7	KM035BE10	7	KM035DL6	7	KM035DD6
8		8	KM025CJ10	8	KM025LE10	8	KM020AB11	8	KM035BE11	8	KM035DL7	8	KM035DD7
9		9	KM025CJ11	9	KM025LE11	9	KM020AB12	9	KM035BE12	9	KM035DL8	9	KM035DD8
10		10	KM025CJ12	10	KM025LE12	10	KM020AB13	10	KM035BE13	10	KM035DL9	10	KM035DD9
11		11	KM025CJ13	11	KM025LE13	11	KM020AB14	11	KM035BE14	11	KM035DL10	11	KM035DD10
12		12	KM025CJ14	12	KM025LE14	12	KM020AB15	12	KM035BE15	12	KM035DL11	12	KM035DD11
13		13	KM025CJ15	13	KM025LE15	13	KM020AB16	13	KM035BE16	13	KM035DL12	13	KM035DD12
14		14	KM025CJ16	14	KM025LE16	14	KM020AB17	14	KM035BE17	14	KM035DL13	14	KM035DD13
15		15	KM025CJ17	15	KM025LE17	15	KM020AB18	15	KM035BE18	15	KM035DL14	15	KM035DD14
16		16	KM025CJ18	16	KM025LE18	16	KM020AB19	16	KM035BE19	16	KM035DL15	16	KM035DD15
7	PD2	ND2	GNDHH66	7	PD2	7	LD2	8	KD2	8	JD2	8	HD2
14	PD6	ND6	+SVHA70	14	PD6	14	LD6	16	KD6	16	JD6	16	HD6

LUC FA67	LUC FA62	LUC FA57	LUC FA52	LUC FA47	LUC FA42	LUC FA37	LUC FA32	LUC FA27	LUC FA22	LUC FA17	LUC FA12	LUC FA07	LUC FA02
PN	IC	PN	IC	PN	IC	PN	IC	PN	IC	PN	IC	PN	IC
6	KM030DA2	6	KM030DE2	6	KM030EE6	6	KM040CE2	6	KM025DB2	6	KM015EE6	6	KM015EB6
7	KM030DA3	7	KM030DE3	7	KM030EE7	7	KM040CE3	7	KM025DB3	7	KM015EE7	7	KM015EB7
8	KM030DA4	8	KM030DE4	8	KM030EE8	8	KM040CE4	8	KM025DB4	8	KM015EE8	8	KM015EB8
9	KM030DA5	9	KM030DE5	9	KM030EE9	9	KM040CE5	9	KM025DB5	9	KM015EE9	9	KM015EB9
10	KM030DA6	10	KM030DE6	10	KM030EE10	10	KM040CE6	10	KM025DB6	10	KM015EE10	10	KM015EB10
11	KM030DA7	11	KM030DE7	11	KM030EE11	11	KM040CE7	11	KM025DB7	11	KM015EE11	11	KM015EB11
12	KM030DA8	12	KM030DE8	12	KM030EE12	12	KM040CE8	12	KM025DB8	12	KM015EE12	12	KM015EB12
13	KM030DA9	13	KM030DE9	13	KM030EE13	13	KM040CE9	13	KM025DB9	13	KM015EE13	13	KM015EB13
14	KM030DA10	14	KM030DE10	14	KM030EE14	14	KM040CE10	14	KM025DB10	14	KM015EE14	14	KM015EB14
15	KM030DA11	15	KM030DE11	15	KM030EE15	15	KM040CE11	15	KM025DB11	15	KM015EE15	15	KM015EB15
7	PC2	NC2	GNDFH66	7	PC2	7	LC2	7	KC2	8	JC2	8	HC2
14	PC6	NC6	+SVFA70	14	PC6	14	LC6	16	KC6	16	JC6	16	HC6

LUC DA67	LUC DA62	LUC DA57	LUC DA52	LUC DA47	LUC DA42	LUC DA37	LUC DA32	LUC DA27	LUC DA22	LUC DA17	LUC DA12	LUC DA07	LUC DA02
PN	IC	PN	IC	PN	IC	PN	IC	PN	IC	PN	IC	PN	IC
10	KM030CA6	10	KM030CC6	6	KM030DH2	3	KM040CH2	3	KM015DJ6	3	KM015SC6	3	KM005DK2
11	KM030CA7	11	KM030CC7	7	KM030DH3	4	KM040CH3	4	KM015DJ7	4	KM015SC7	4	KM005DK3
12	KM030CA8	12	KM030CC8	8	KM030DH4	5	KM040CH4	5	KM015DJ8	5	KM015SC8	5	KM005DK4
13	KM030CA9	13	KM030CC9	9	KM030DH5	6	KM040CH5	6	KM015DJ9	6	KM015SC9	6	KM005DK5
14	KM030CA10	14	KM030CC10	10	KM030DH6	7	KM040CH6	7	KM015DJ10	7	KM015SC10	7	KM005DK6
15	KM030CA11	15	KM030CC11	11	KM030DH7	8	KM040CH7	8	KM015DJ11	8	KM015SC11	8	KM005DK7
16	KM030CA12	16	KM030CC12	12	KM030DH8	9	KM040CH8	9	KM015DJ12	9	KM015SC12	9	KM005DK8
17	KM030CA13	17	KM030CC13	13	KM030DH9	10	KM040CH9	10	KM015DJ13	10	KM015SC13	10	KM005DK9
18	KM030CA14	18	KM030CC14	14	KM030DH10	11	KM040CH10	11	KM015DJ14	11	KM015SC14	11	KM005DK10
19	KM030CA15	19	KM030CC15	15	KM030DH11	12	KM040CH11	12	KM015DJ15	12	KM015SC15	12	KM005DK11
20	KM030CA16	20	KM030CC16	16	KM030DH12	13	KM040CH12	13	KM015DJ16	13	KM015SC16	13	KM005DK12
21	KM030CA17	21	KM030CC17	17	KM030DH13	14	KM040CH13	14	KM015DJ17	14	KM015SC17	14	KM005DK13
22	KM030CA18	22	KM030CC18	18	KM030DH14	15	KM040CH14	15	KM015DJ18	15	KM015SC18	15	KM005DK14
23	KM030CA19	23	KM030CC19	19	KM030DH15	16	KM040CH15	16	KM015DJ19	16	KM015SC19	16	KM005DK15
24	KM030CA20	24	KM030CC20	20	KM030DH16	17	KM040CH16	17	KM015DJ20	17	KM015SC20	17	KM005DK16
25	KM030CA21	25	KM030CC21	21	KM030DH17	18	KM040CH17	18	KM015DJ21	18	KM015SC21	18	KM005DK17
26	KM030CA22	26	KM030CC22	22	KM030DH18	19	KM040CH18	19	KM015DJ22	19	KM015SC22	19	KM005DK18
27	KM030CA23	27	KM030CC23	23	KM030DH19	20	KM040CH19	20	KM015DJ23	20	KM015SC23	20	KM005DK19
28	KM030CA24	28	KM030CC24	24	KM030DH20	21	KM040CH20	21	KM015DJ24	21	KM015SC24	21	KM005DK20
29	KM030CA25	29	KM030CC25	25	KM030DH21	22	KM040CH21	22	KM015DJ25	22	KM015SC25	22	KM005DK21
30	KM030CA26	30	KM030CC26	26	KM030DH22	23	KM040CH22	23	KM015DJ26	23	KM015SC26	23	KM005DK22
31	KM030CA27	31	KM030CC27	27	KM030DH23	24	KM040CH23	24	KM015DJ27	24	KM015SC27	24	KM005DK23
32	KM030CA28	32	KM030CC28	28	KM030DH24	25	KM040CH24	25	KM015DJ28	25	KM015SC28	25	KM005DK24
33	KM030CA29	33	KM030CC29	29	KM030DH25	26	KM040CH25	26	KM015DJ29	26	KM015SC29	26	KM005DK25
34	KM030CA30	34	KM030CC30	30	KM030DH26	27	KM040CH26	27	KM015DJ30	27	KM015SC30	27	KM005DK26
35	KM030CA31	35	KM030CC31	31	KM030DH27	28	KM040CH27	28	KM015DJ31	28	KM015SC31	28	KM005DK27
36	KM030CA32	36	KM030CC32	32	KM030DH28	29	KM040CH28	29	KM015DJ32	29	KM015SC32	29	KM005DK28
37	KM030CA33	37	KM030CC33	33	KM030DH29	30	KM040CH29	30	KM015DJ33	30	KM015SC33	30	KM005DK29
38	KM030CA34	38	KM030CC34	34	KM030DH30	31	KM040CH30	31	KM015DJ34	31	KM015SC34	31	KM005DK30
39	KM030CA35	39	KM030CC35	35	KM030DH31	32	KM040CH31	32	KM015DJ35	32	KM015SC35	32	KM005DK31
40	KM030CA36	40	KM030CC36	36	KM030DH32	33	KM040CH32	33	KM015DJ36	33	KM015SC36	33	KM005DK32
41	KM030CA37	41	KM030CC37	37	KM030DH33	34	KM040CH33	34	KM015DJ37	34	KM015SC37	34	KM005DK33
42	KM030CA38	42	KM030CC38	38	KM030DH34	35	KM040CH34	35	KM015DJ38	35	KM015SC38	35	KM005DK34
43	KM030CA39	43	KM030CC39	39	KM030DH35	36	KM040CH35	36	KM015DJ39	36	KM015SC39	36	KM005DK35
44	KM030CA40	44	KM030CC40	40	KM030DH36	37	KM040CH36	37	KM015DJ40	37	KM015SC40	37	KM005DK36
45	KM030CA41	45	KM030CC41	41	KM030DH37	38	KM040CH37	38	KM015DJ41	38	KM015SC41	38	KM005DK37
46	KM030CA42	46	KM030CC42	42	KM030DH38	39	KM040CH38	39	KM015DJ42	39	KM015SC42	39	KM005DK38
47	KM030CA43	47	KM030CC43	43	KM030DH39	40	KM040CH39	40	KM015DJ43	40	KM015SC43	40	KM005DK39
48	KM030CA44	48	KM030CC44	44	KM030DH40	41	KM040CH40	41	KM015DJ44	41	KM015SC44	41	KM005DK40
49	KM030CA45	49	KM030CC45	45	KM030DH41	42	KM040CH41	42	KM015DJ45	42	KM015SC45	42	KM005DK41
50	KM030CA46	50	KM030CC46	46	KM030DH42	43	KM040CH42	43	KM015DJ46	43	KM015SC46	43	KM005DK42
51	KM030CA47	51	KM030CC47	47	KM030DH43	44	KM040CH43	44	KM015DJ47	44	KM015SC47	44	KM005DK43
52	KM030CA48	52	KM030CC48	48	KM030DH44	45	KM040CH44	45	KM015DJ48	45	KM015SC48	45	KM005DK44
53	KM030CA49	53	KM030CC49	49	KM030DH45	46	KM040CH45	46	KM015DJ49	46	KM015SC49	46	KM005DK45
54	KM030CA50	54	KM030CC50	50	KM030DH46	47	KM040CH46	47	KM015DJ50	47	KM015SC50	47	KM005DK46
5													

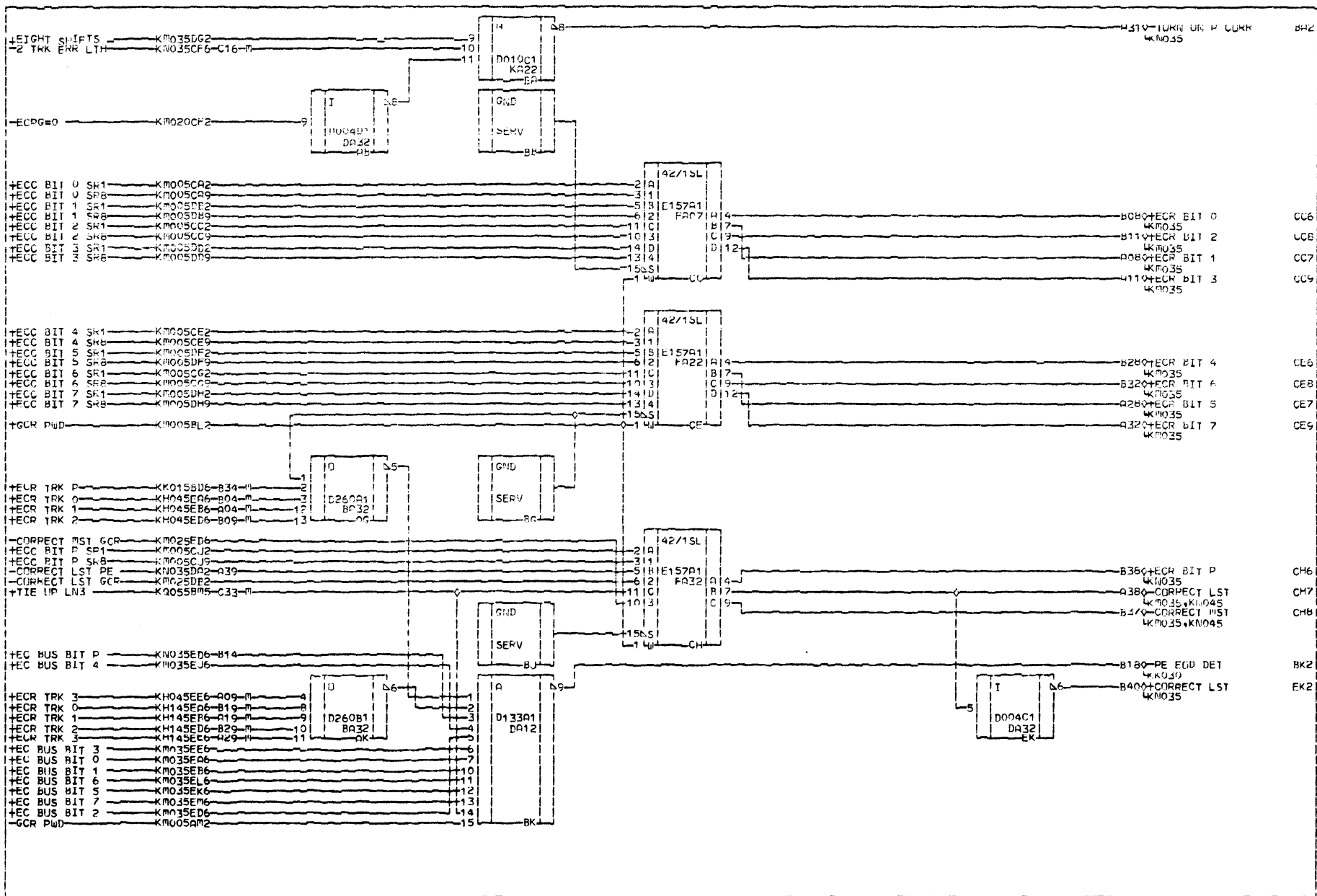


K
M
O
O
S

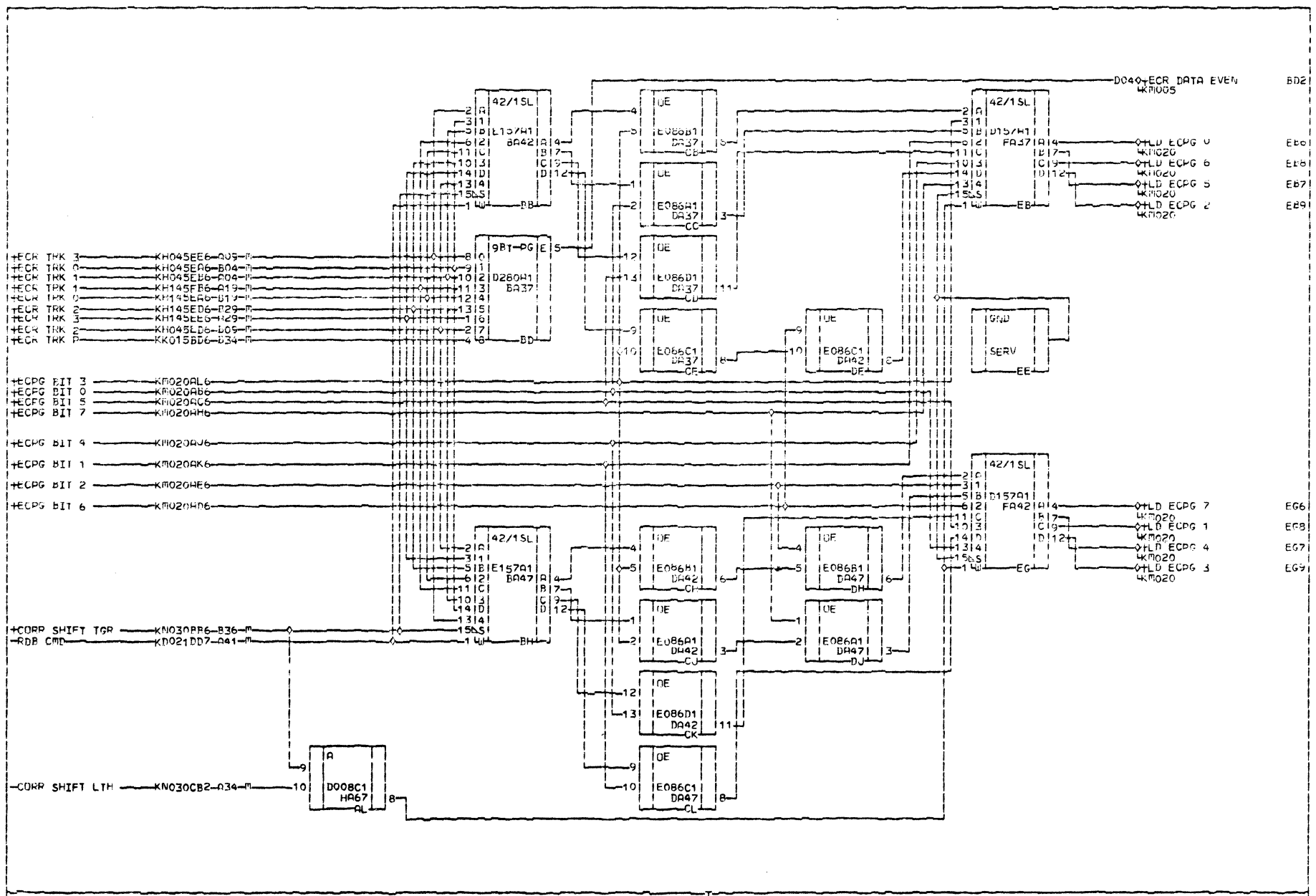


PAGE DEFS				SYSTEM PAGE				ECR SHIFT REGISTER						
AM	PAGE	DEFS	-	FLYER	EC	34521	PC	PREV.	E.C.	EC44018	DATE	1/17/80	IMACHINE:	S1935
E.C.	44044			WIRING	METHOD:			PREV.	E.C.	EC44018			ICD.	LCC. M2
													PG.	P.N.
														43411000-3

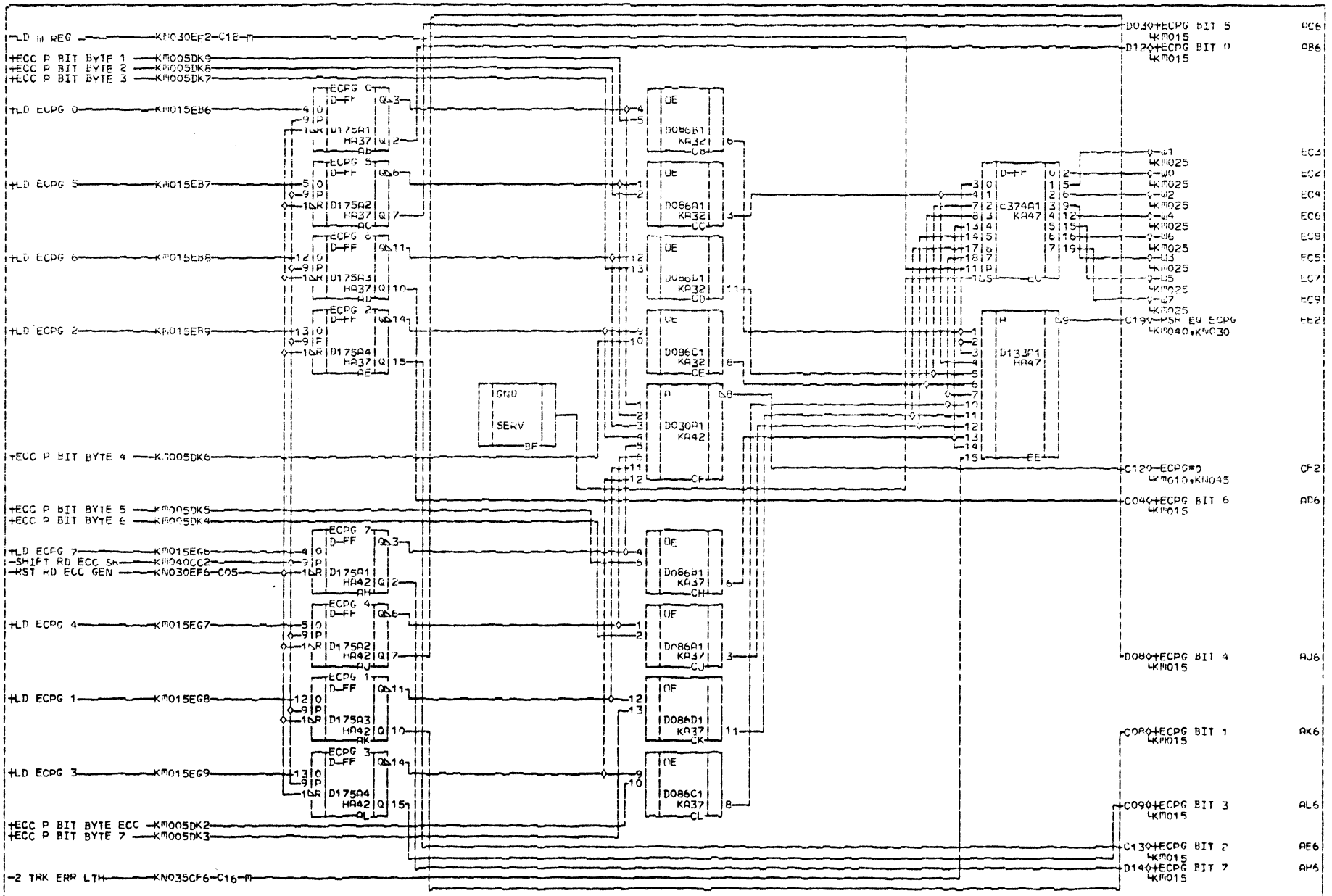
K
M
O
O
S



K M O 1 0	PE/GCR DATA SWITCH						K M O 1 0
	OP	REFS	SYSTEM	REFS	DATE	MACHINE	
	PAGE 43441003-1	44044	FLYER EC 34821	PREV. E.C. EC44018	DATE 1/17/80	CDP LINC M2 PG. P.N. 43411001-1	



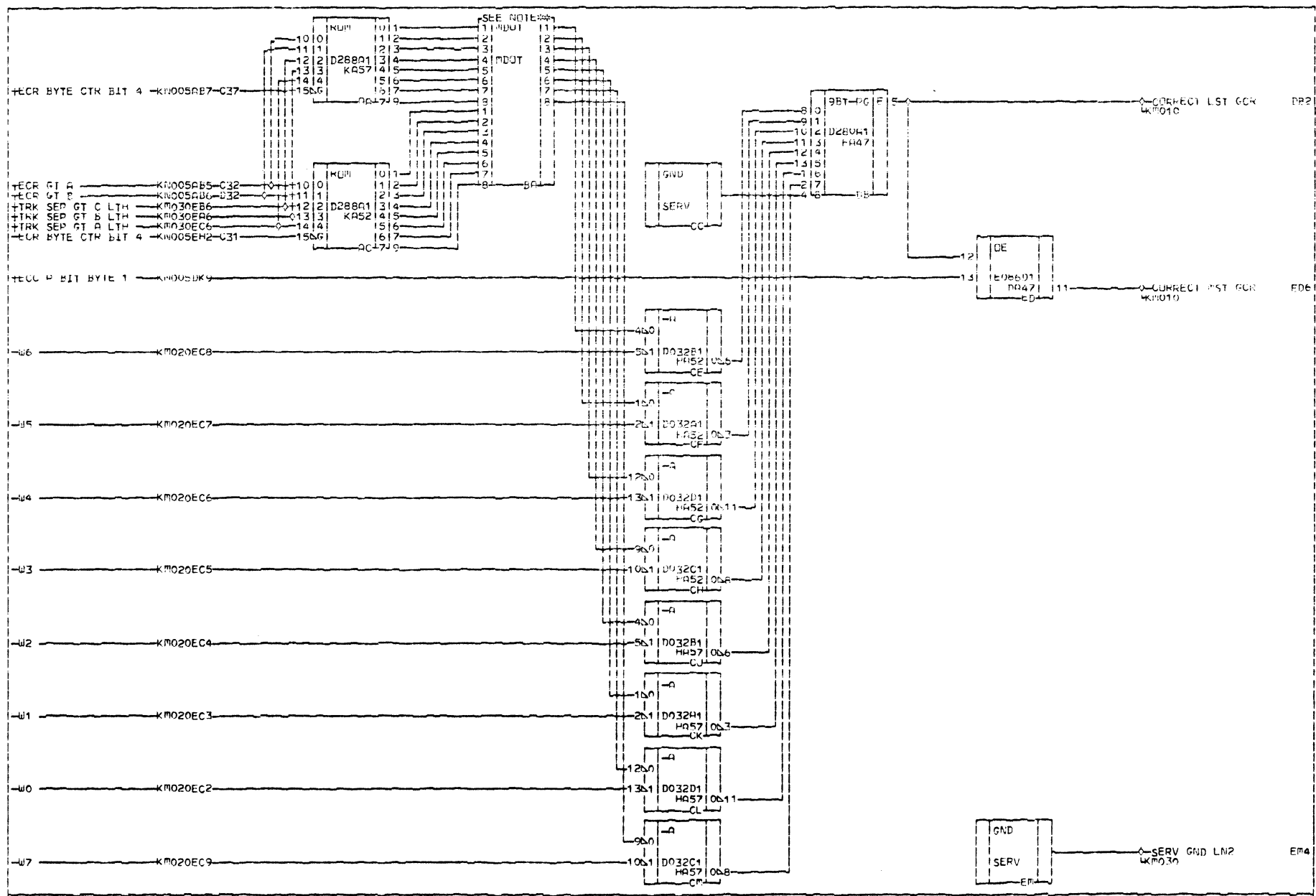
K M 0 1 5	STC				READ ECC/EC PARITY GENERATOR				K M 0 1 5		
	AP	PAGE	REFS	SYSTEM	PAGE	PRES.	E.C.	EC44032		MACHINE:	S1935
		PAGE	43441004-9	FLYER	EC 34521	PREV.	E.C.	EC44018		LOC.	M2
		E.C.	44044	WIRING	METHOD:	PC	DATE	1/17/80		Pg.	P.N. 43411002-9



K
M
O
2
0



DIR PAGE REFS PAGE 4341005-6 E.C. 44044	SYSTEM PAGE FLYER EC 34521 WIRING METHOD:	ECPG REG. AND W RFG. PRES. E.C. EC44032 PREV. E.C. EC44018 FC DATE 1/17/80	MACHIN: S1935 CD. LCC. R2 PG. P.P. 43411003-7	K M O 2 0
---	---	---	---	-----------------------



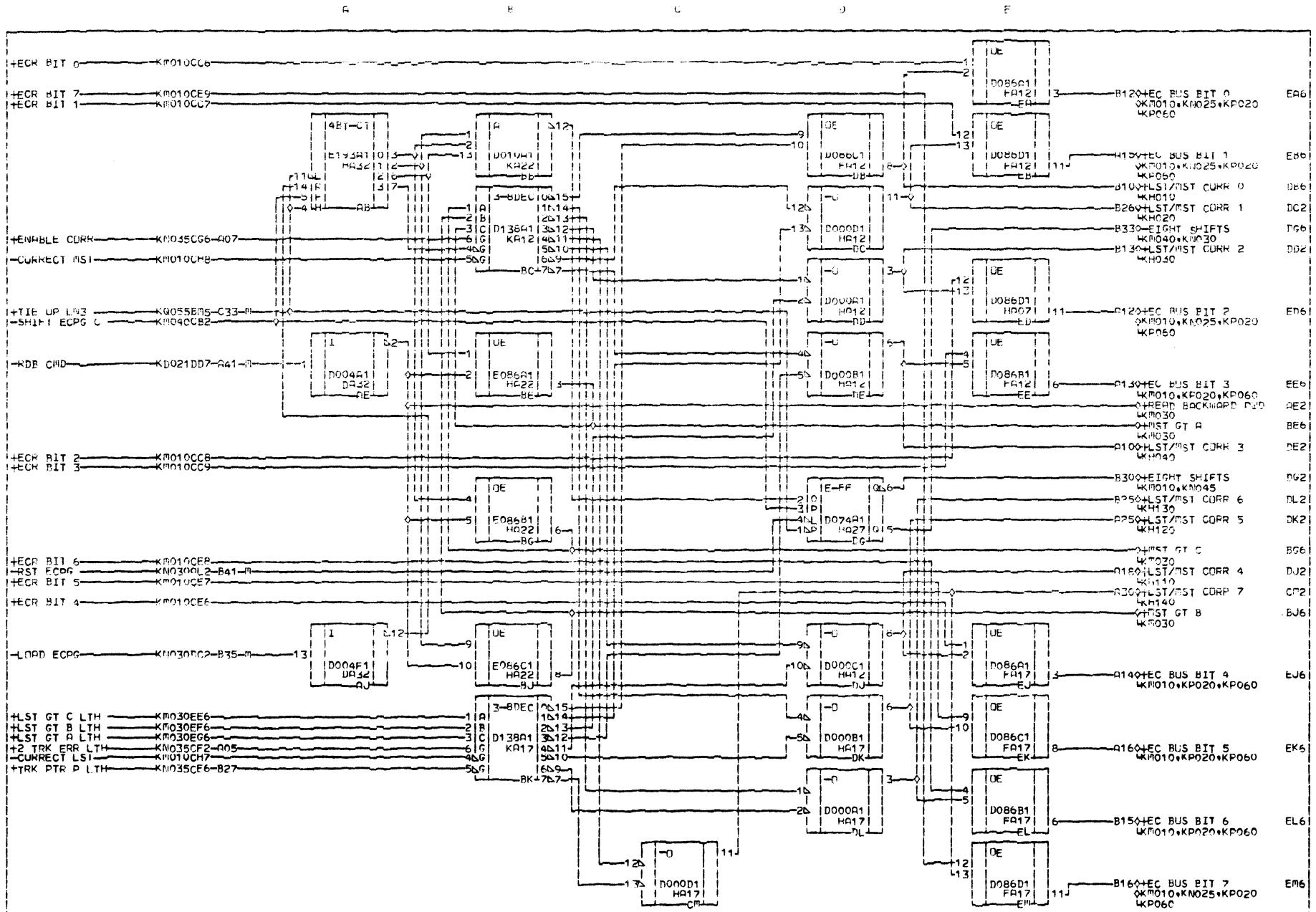
NOTE: THE PAIRS OF MATCHING NUMBERS IN THE LEFT COLUMN INDICATE THAT THE TWO INPUTS ARE DOTTED TOGETHER AND THE MATCHING NUMBER IN THE RIGHT COLUMN IS THEIR OUTPUT.



MSI AND LST CORRECTION

PAGE REFS - PAGE 43441006-4 E.C. 44044	SYSTEM PAGE FLYER EC 34521 WIRING METHOD:	REFS. E.C. EC44072 PREV. E.C. EC44018 DATE: 1/17/80	MACHINE: 51935 CD. LOC. M2 PG. P.N. 43411004-51
--	---	---	---

K
M
C
2
5



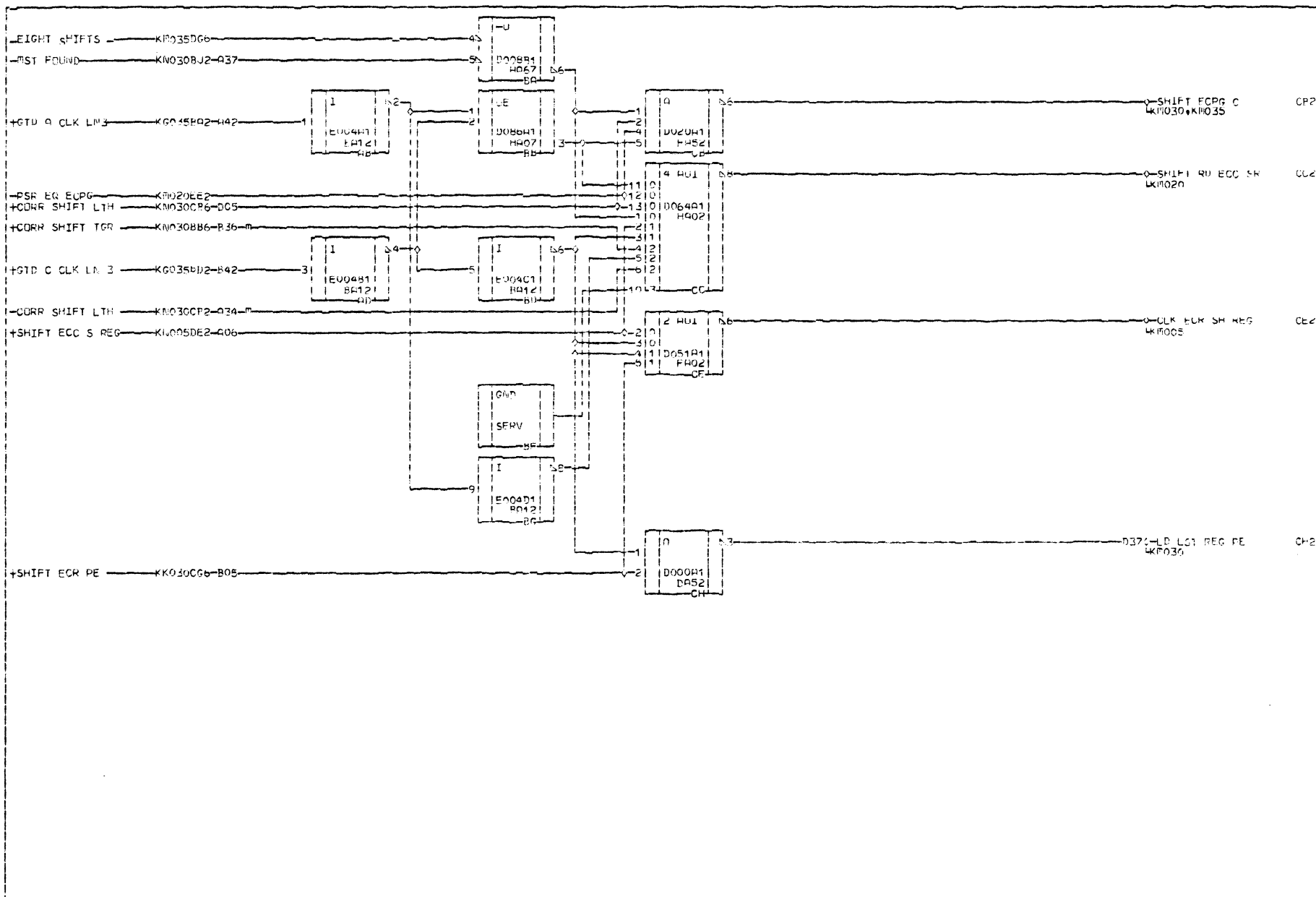
K
M
A
3
5



PE AND GCR CORRECTION BUS

DN	PAGE	REFS	SYSTEM	DATE	DATE	DATE	DATE
43441008-0	34521	44044	FLYER EC	1/17/80	1/17/80	1/17/80	1/17/80
WIRING METHOD: PC				DATE	DATE	DATE	DATE

PREP: E.C. EC44032
 PREP: E.C. EC44018
 MACHINE: S1935
 PREP: L.C. M2
 PG. P. 43411006-0



K
40E
0



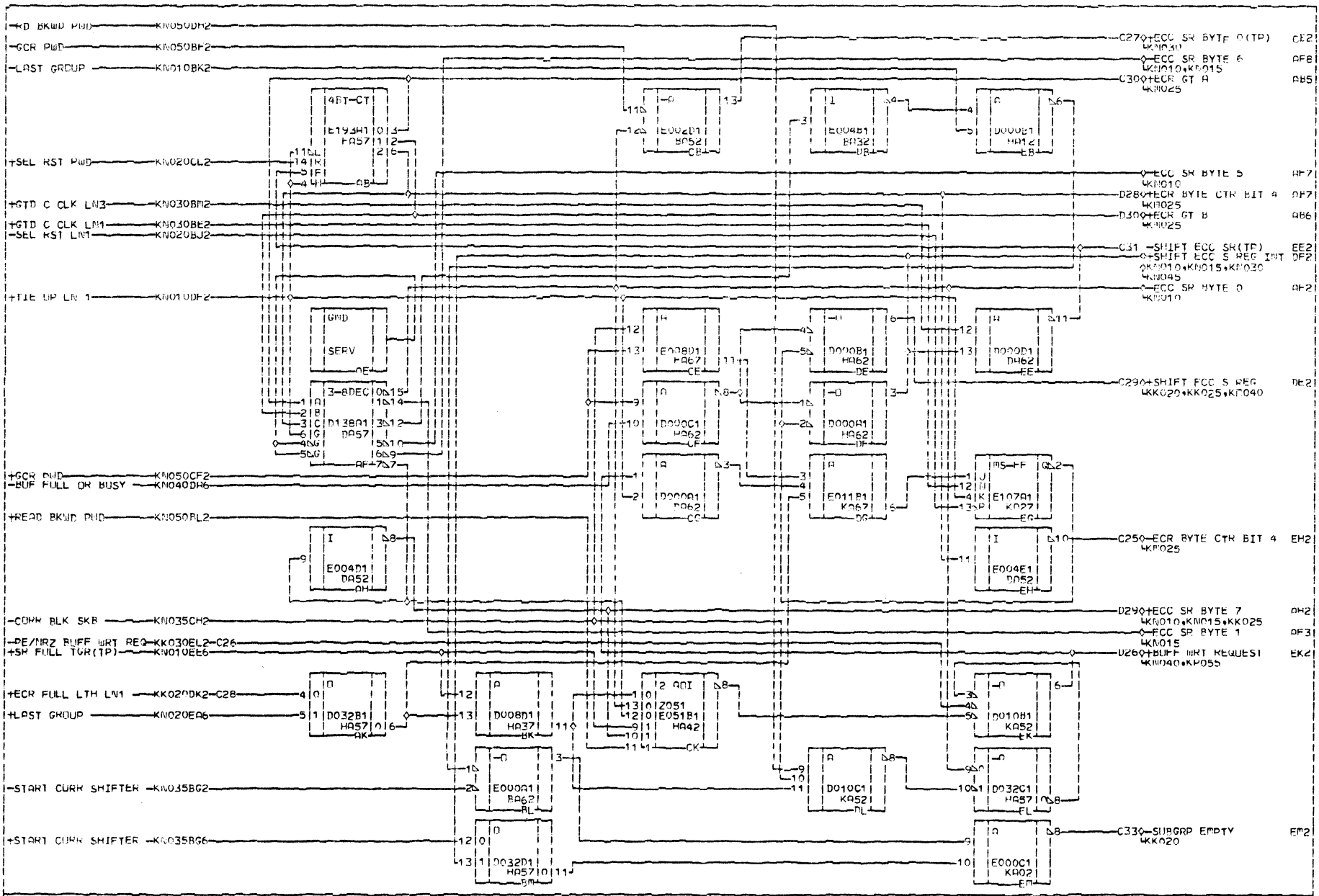
PAGE REFS		SYSTEM PAGE		CLOCK POWERING	
Am	43441009-8	FLYER EC	34521	PRES. E.C.	EC44032
E.C.	44044	WRITING METHOD:	PC	PREV. E.C.	EC44018
			DATE	1/17/80	MACHINE: S1935
					CD. LOC. 02
					PG. P.N. 43411007-8

K
M
0
4
0

ASSEMBLY PARTS LIST

PRINT DATE	PAGE	E.C. NO.
12-20-82	1	44032

DIV	ASSEMBLY NUMBER	CD	REV.	DWG.	DESCRIPTION	MC	STATUS	STATUS DATE	FILE DATE					
0500	4340022	0	B	N	SYS LGC GP,KN,43311102 ,WW	N	REL	12-06-79	1981	02-21-80				
LINE NO	LI	PART NUMBER	CD	M	QUANTITY	U/M	PART DESCRIPTION	MC	YLD	E.C. NO. IN	E.C. NO. OUT	S N	WK IN	WK OUT
001	01	43442001	4		REF	PC	CD LGC,AM871,KN,W/W	0						
002	01	43412000	2		REF	PC	SYS LGC,KN005,WW	0						
003	01	43412001	0		REF	PC	SYS LGC,KN010,WW	0						
004	01	43412002	8		REF	PC	SYS LGC,KN015,WW	0						
005	01	43412003	6		REF	PC	SYS LGC,KN020,WW	0						
006	01	43412004	4		REF	PC	SYS LGC,KN025,WW	0						
007	01	43412005	1		REF	PC	SYS LGC,KN030,WW	0						
008	01	43412006	9		REF	PC	SYS LGC,KN035,WW	0						
009	01	43412007	7		REF	PC	SYS LGC,KN040,WW	0						
010	01	43412008	5		REF	PC	SYS LGC,KN045,WW	0						
011	01	43412009	3		REF	PC	SYS LGC,KN050,WW	0						
500	01	43311102	8		REF	PC	CKT CD,KN,W/R ASSY	5		44032			8007	
0012 TOTAL LINES														

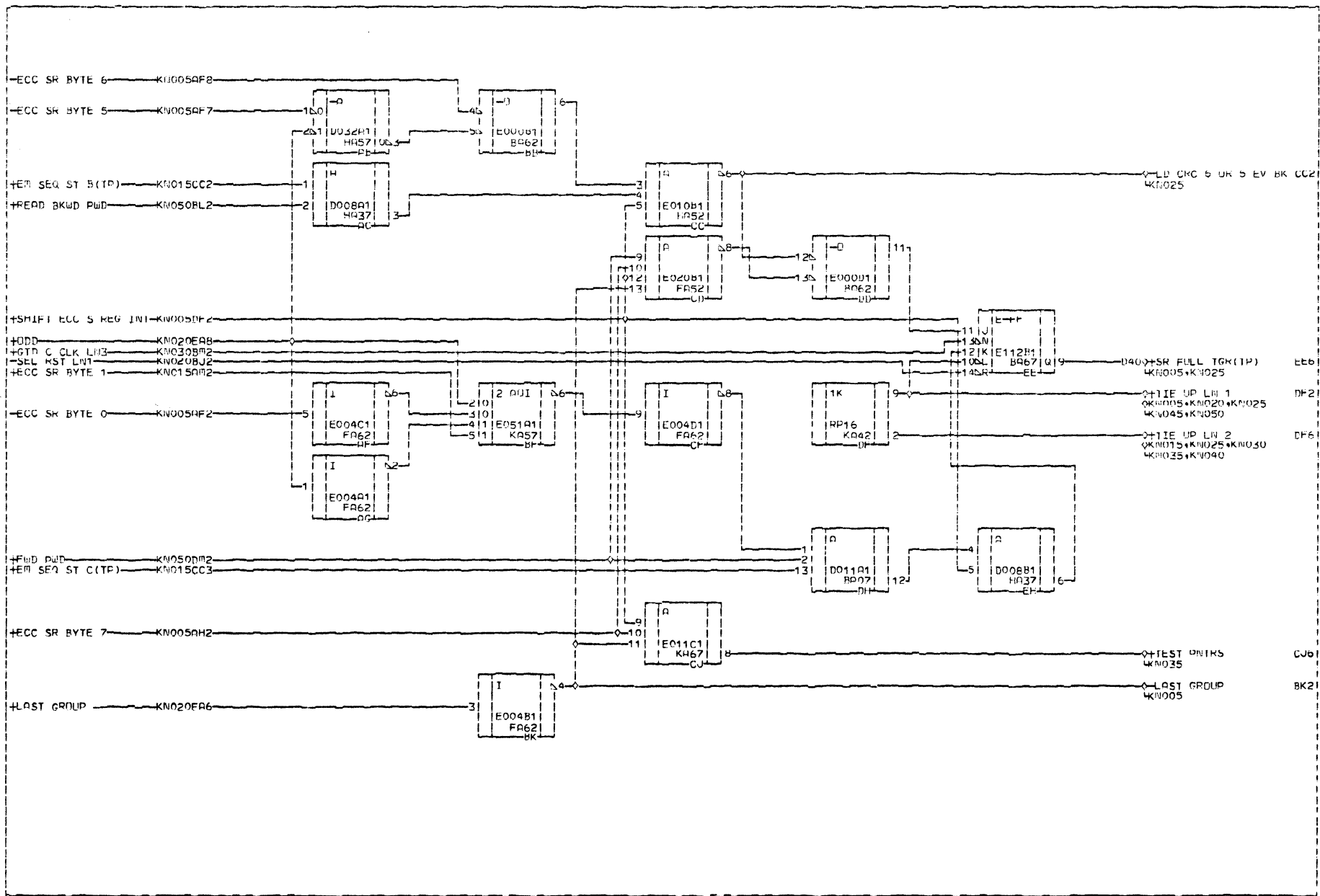


K
N
O
O
5



GCR ECK SEQUENCER

AN	FACE REFS	SYSTEM PAGE	DRES. E.C. 44018	MACHINE: S1935	K
	PAGE 4342002-2	FLYER EC 34521	PREV. E.C.	ICD. LUC. N2	N
	E.C. D3036	WIRING METHOD:	DATE 11/01/79	PG. P.N. 43412000-2	5

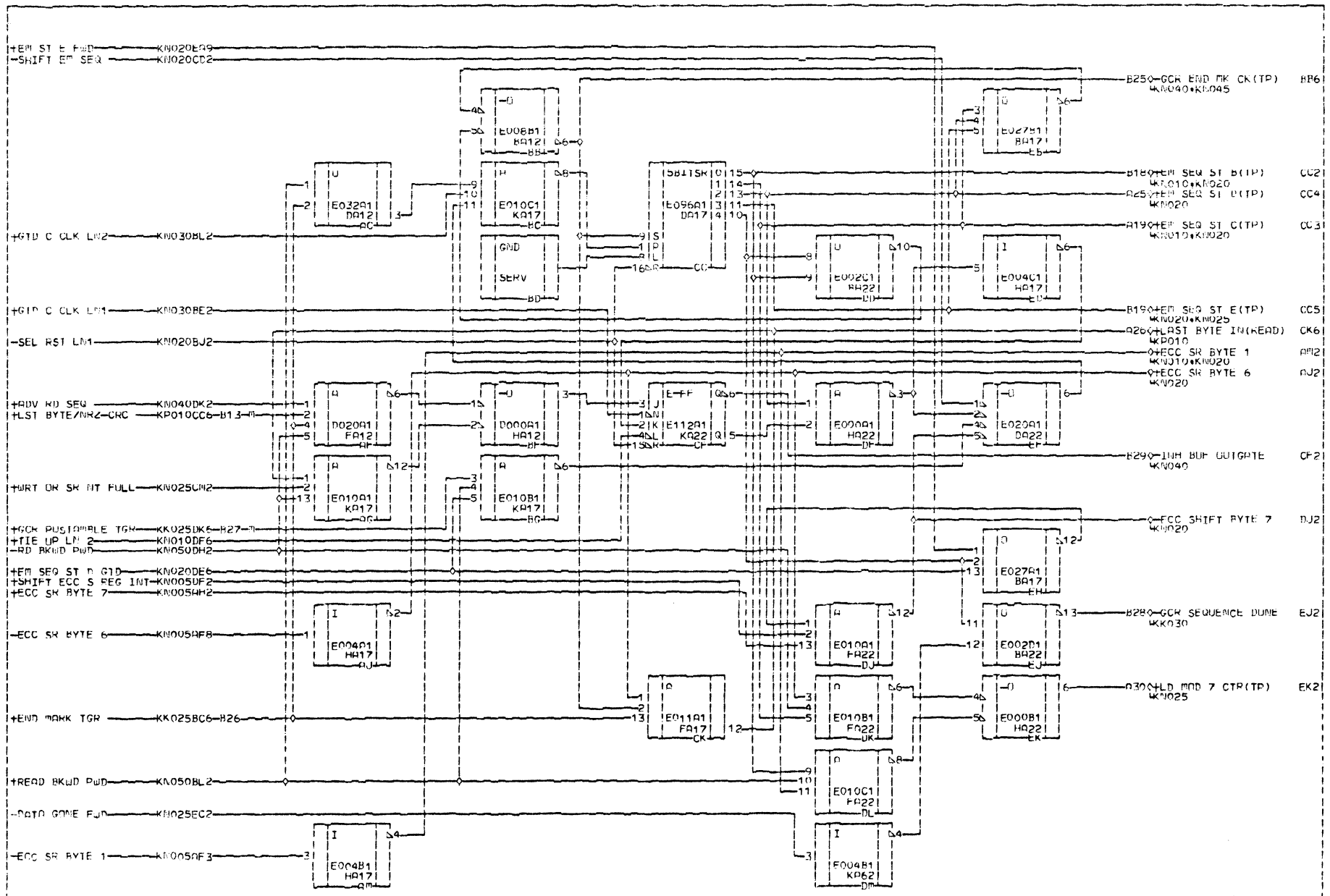


K
N
0
1
0

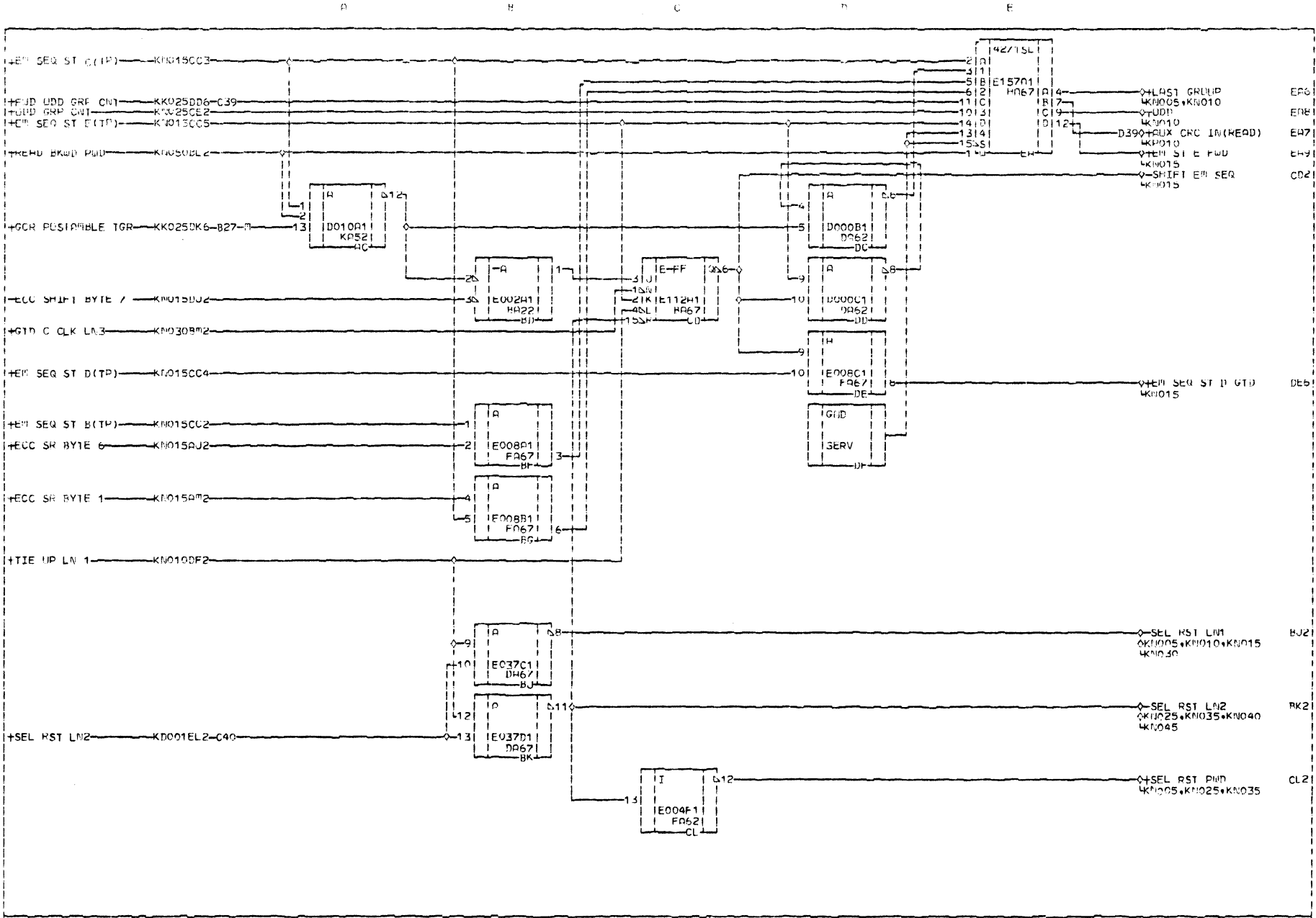


AM	PAGE	REFS	SYSTEM	PAGE	DRES.	E.C.	44018	MACHINE:	S1935
E.C.	D3036		FLYER	EC 34521	PREV.	E.C.		CD.	LUG. N2
			WIRING	METHOD:	LM	DATE	11/01/79	PG.	P.No. 43412001-0

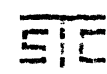
K
N
0
1
0



K N 1 5	END MARK SEQUENCER				K N 1 5
	— OR PAGE REFS	— SYSTEM PAGE	— PRFS: E.C. 44018	— MCHTNE: S1975	
	PAGE 43442004-6	FLYER EC 34521	PREV: E.C.	CD: LUG: RZ	
	E.C. P3036	WIRING METHOD: lw	DATE 11/01/79	PG. P. No. 43412002-8	



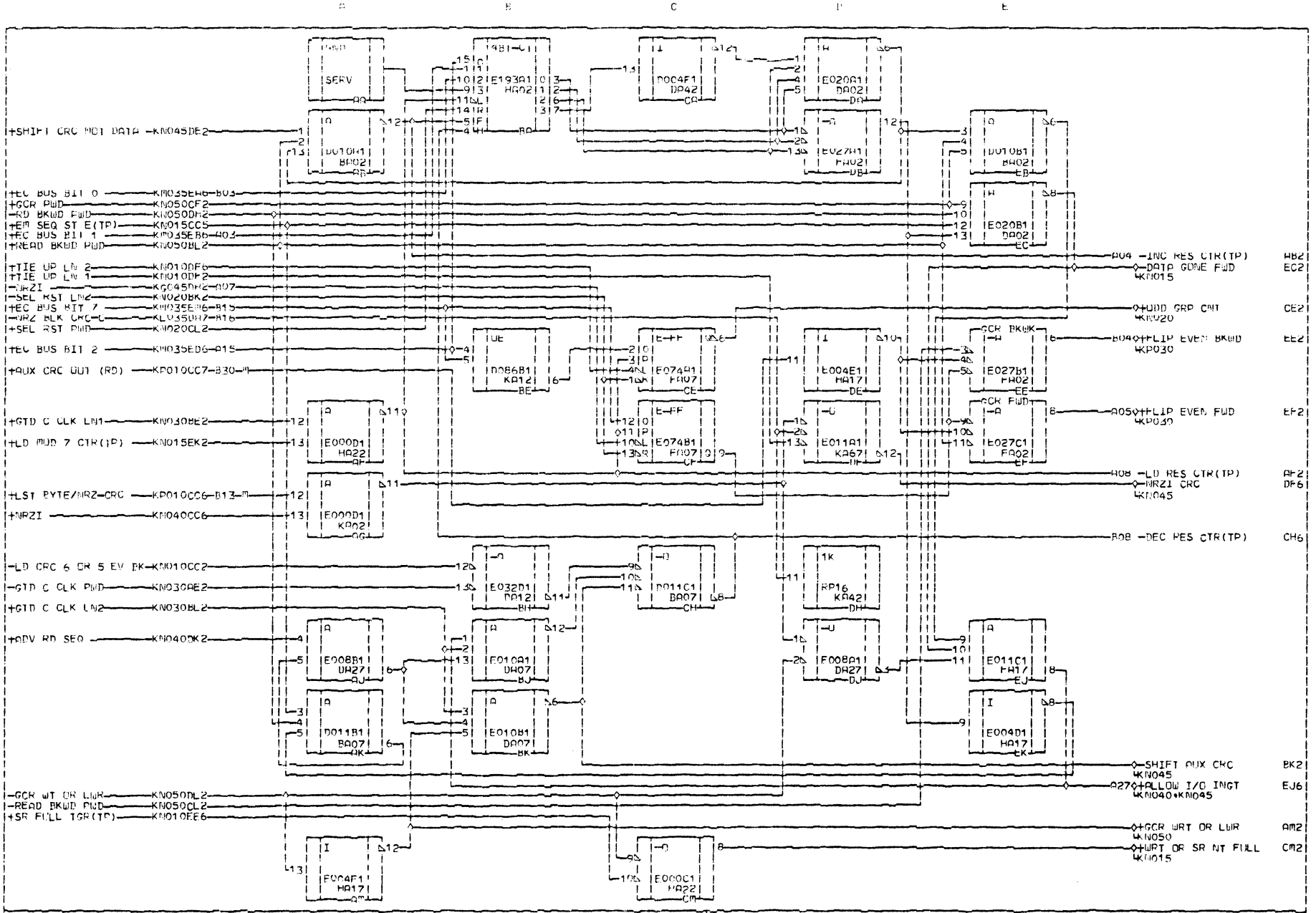
K
N
2
0



READ BKWD BYTE COUNT LESS THAN 7 CONTROLS

DR	DRG	REFS	SYSTEM	DRG	PRES	E.C.	4401A	MACHINE:	51935
PAGE	43442005-5		FLYER	EC 34521	PREV	E.C.		CD	LUC #12
E.C.	D3036		WIRING	METHOD:	DATE		11/01/79	PG	Pa/N
									43412003-6

K
N
2
0



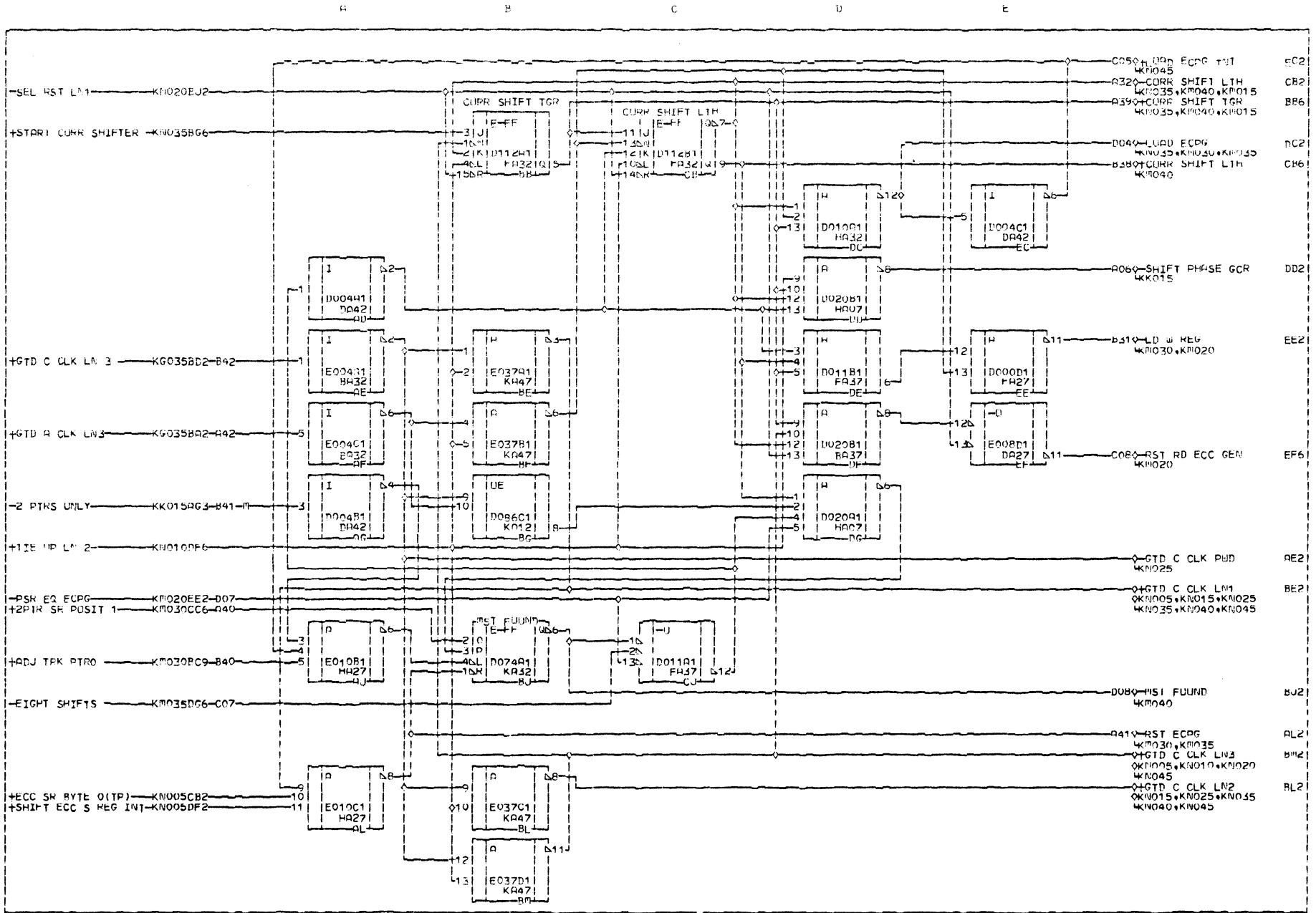
K
N
O
2
S

11
11
11

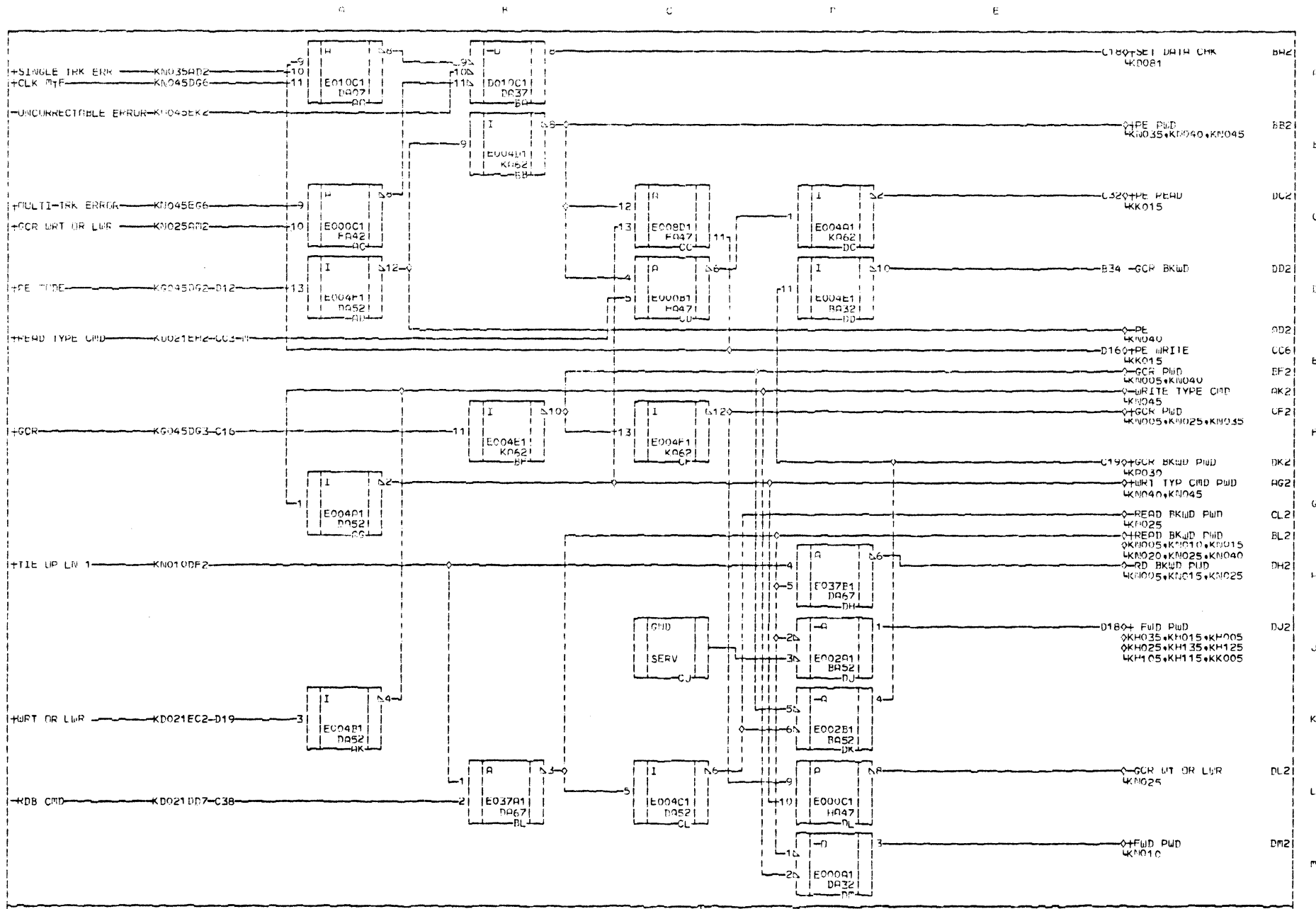
ALLOW I/O INGATE

DR	PAGE	REFS	SYSTEM	PAGE	PRES.	E.C.	44018	MACHINE:	S1935
	PAGE	43442006-3	FLYER	EC 34521	PREV.	E.C.		ICD:	LUC: N2
	E.C.	R3036	WIRING	METHOD:	DATE		11/01/79	PG:	PaN: 43412004-4

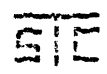
K
N
O
2
S



K N O 3 0	GCM CORRECTION SHIFT SEQUENCE				K N O 3 0
	— GR PAGE REFS —	— SYSTEM PAGE —	— PKFS E.C. 44018 —	— MACHINE: 51935 —	
	PAGE 43442007-1	FLYER EC 34521	PREV. E.C.:	CD: LUC: M2	
	E.C. D3036	WIRING METHOD:	DATE 11/01/79	PG. P.N. 43412005-1	



K
N
0
5
0



PAGE REFS		SYSTEM PAGE		POWERING		MACHINE: S1935	
07	4342011-3	FLYER	EC 34521	PREV. E.C.	44018	CD.	LUC. M2
E.C.	D3036	WIRING METHOD:	UW	DATE	11/01/79	PG.	P.N. 43412009-3

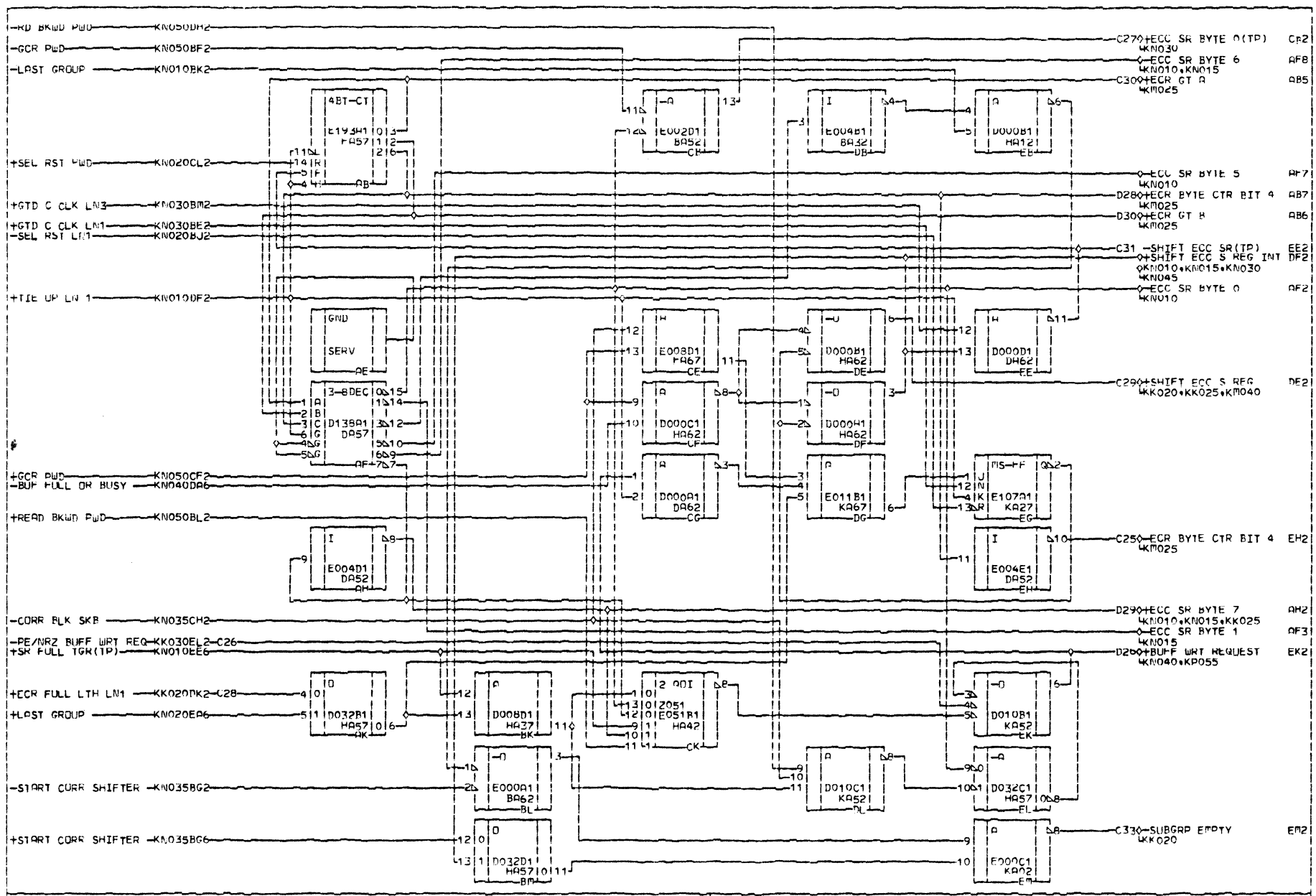
K
N
0
5
0

ASSEMBLY PARTS LIST

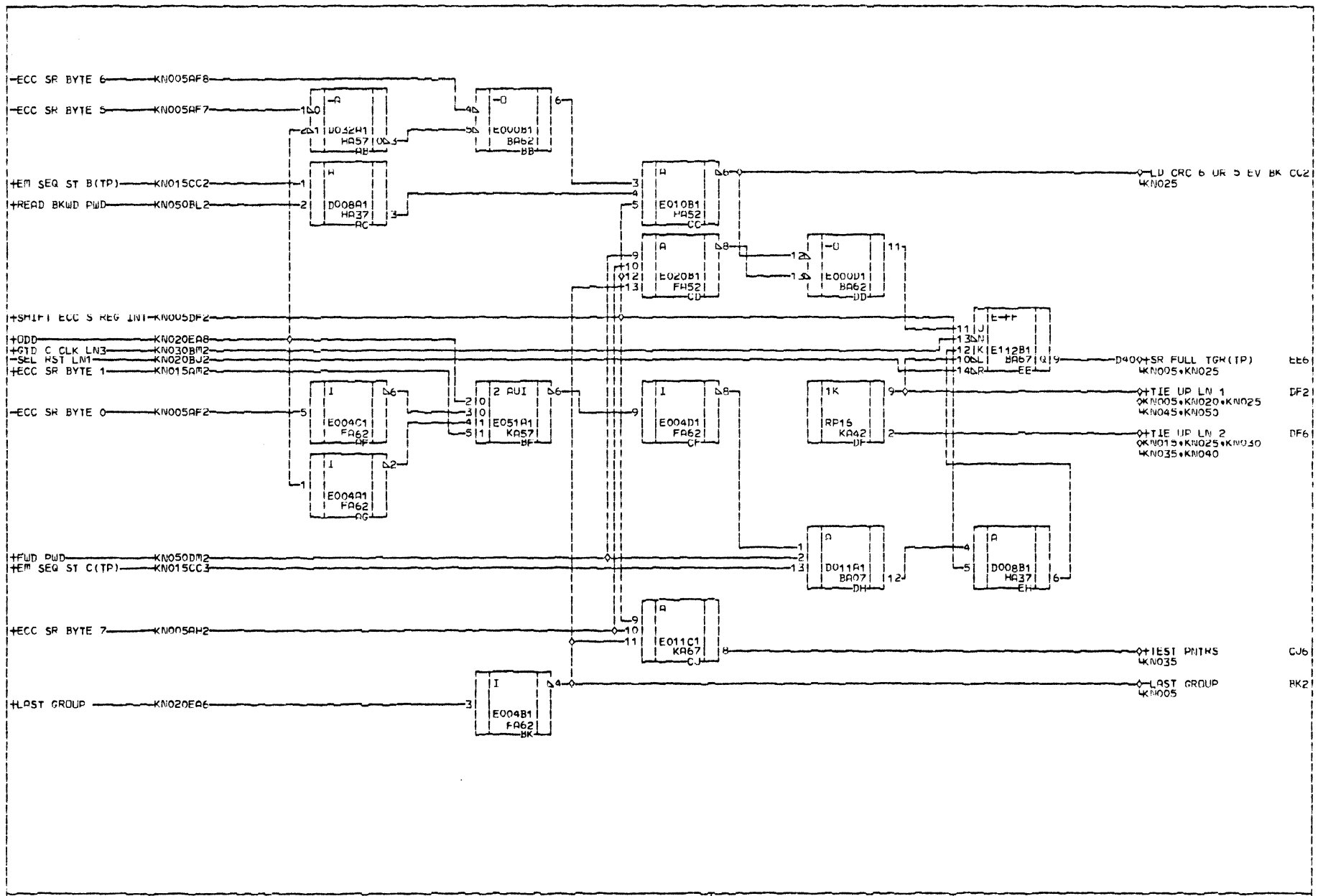
BOULEVARD ARC D-10

PRINT DATE	PAGE	EC. NO.
10-20-82	1	44032

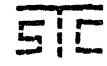
DIV.	ASSEMBLY NUMBER	CD	REV.	DWG.	DESCRIPTION	MC	STATUS	STATUS DATE	FILE DATE					
0500	43400037	8	A	N	SYS LGC GP,KN,43311202,PC	N	REL	02-21-80	1985 02-21-80					
T/FIND NO	LI	PART NUMBER	CD	M	QUANTITY	U/M	PART DESCRIPTION	MC	YLD	EC. NO. IN	EC. NO. OUT	S. N	WK IN	WK OUT
000	01	43442021	2		REF	PC	CD LGC,AM871,KN,PC	D						
001	01	43412010	1		REF	PC	SYS LGC,KN005,PC	D						
002	01	43412011	9		REF	PC	SYS LGC,KN010,PC	D						
003	01	43412012	7		REF	PC	SYS LGC,KN015,PC	D						
004	01	43412013	5		REF	PC	SYS LGC,KN020,PC	D						
005	01	43412014	3		REF	PC	SYS LGC,KN025,PC	D						
006	01	43412015	0		REF	PC	SYS LGC,KN030,PC	D						
007	01	43412016	8		REF	PC	SYS LGC,KN035,PC	D						
008	01	43412017	6		REF	PC	SYS LGC,KN040,PC	D						
009	01	43412018	4		REF	PC	SYS LGC,KN045,PC	D						
010	01	43412019	2		REF	PC	SYS LGC,KN050,PC	D						
500	01	43311202	6		REF	PC	CKT CD,KN,PC,ASSY	S						
0012 TOTAL LINES														



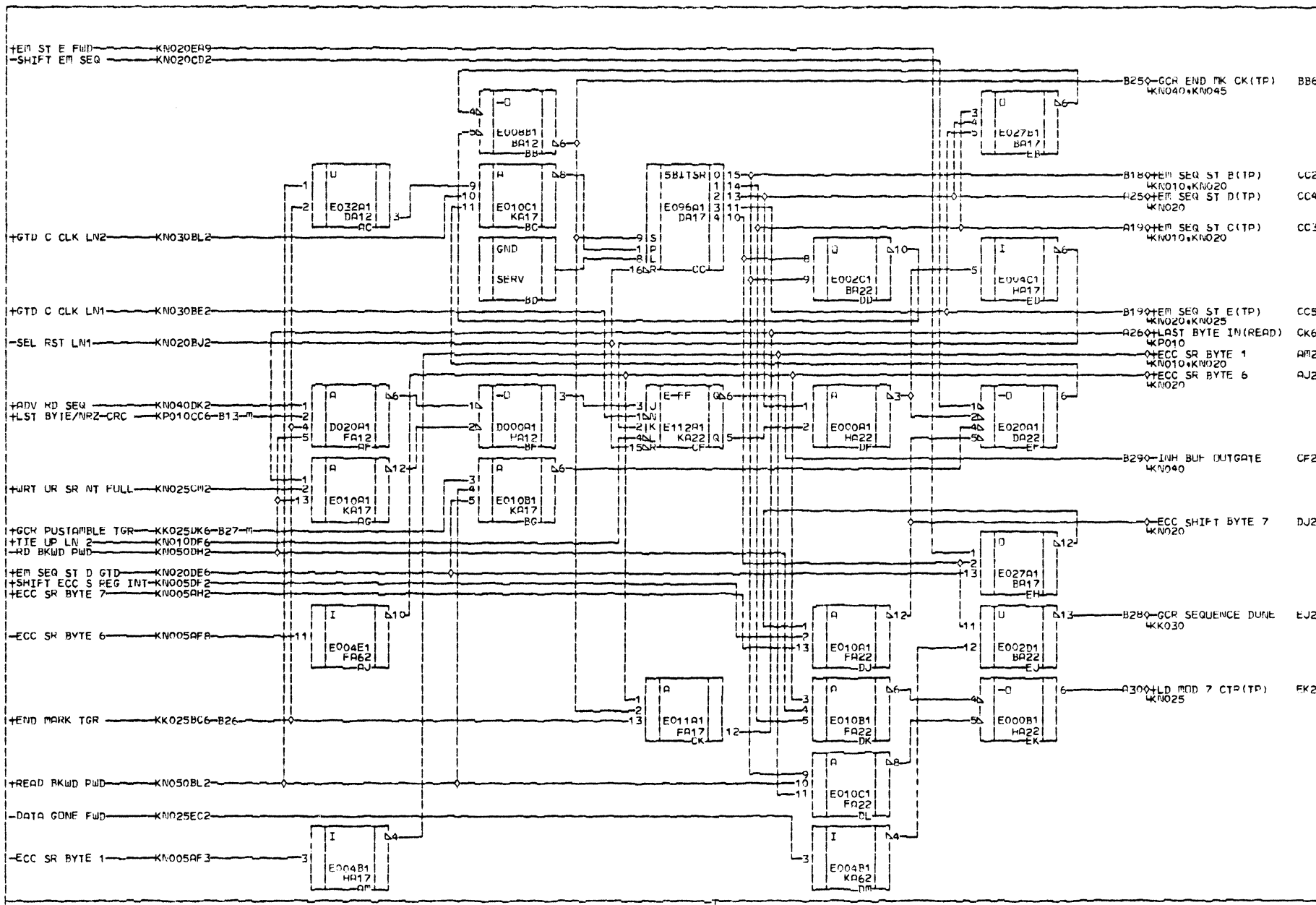
K 0 0 0 5	STC				GCR ECC SEQUENCER				K N 0 0 5	
	— RM	PAGE	REFS	— SYSTEM	PAGE	— PREP.	E.C.	44032		MACHINE: S1935
		PAGE	43442022-0		FLYER	EC	34521			CD. LOC. N2
			E.C. 44051		WIRING	METHOD:	PC	DATE		11/27/79
										PG. P.No. 43412010-1



K
N
C
1
0



- AM PAGE REFS -		- SYSTEM PAGE -		- PRES. E.C. 44032		MACHINE: S1935		K
PAGE 43442023-A		FLYER EC 34521		PREV. E.C.		CP. LUC. N2		N
E.C. 44051		WIRING METHOD: PC		DATE 11/27/79		PG. P.N. 43412011-9		0

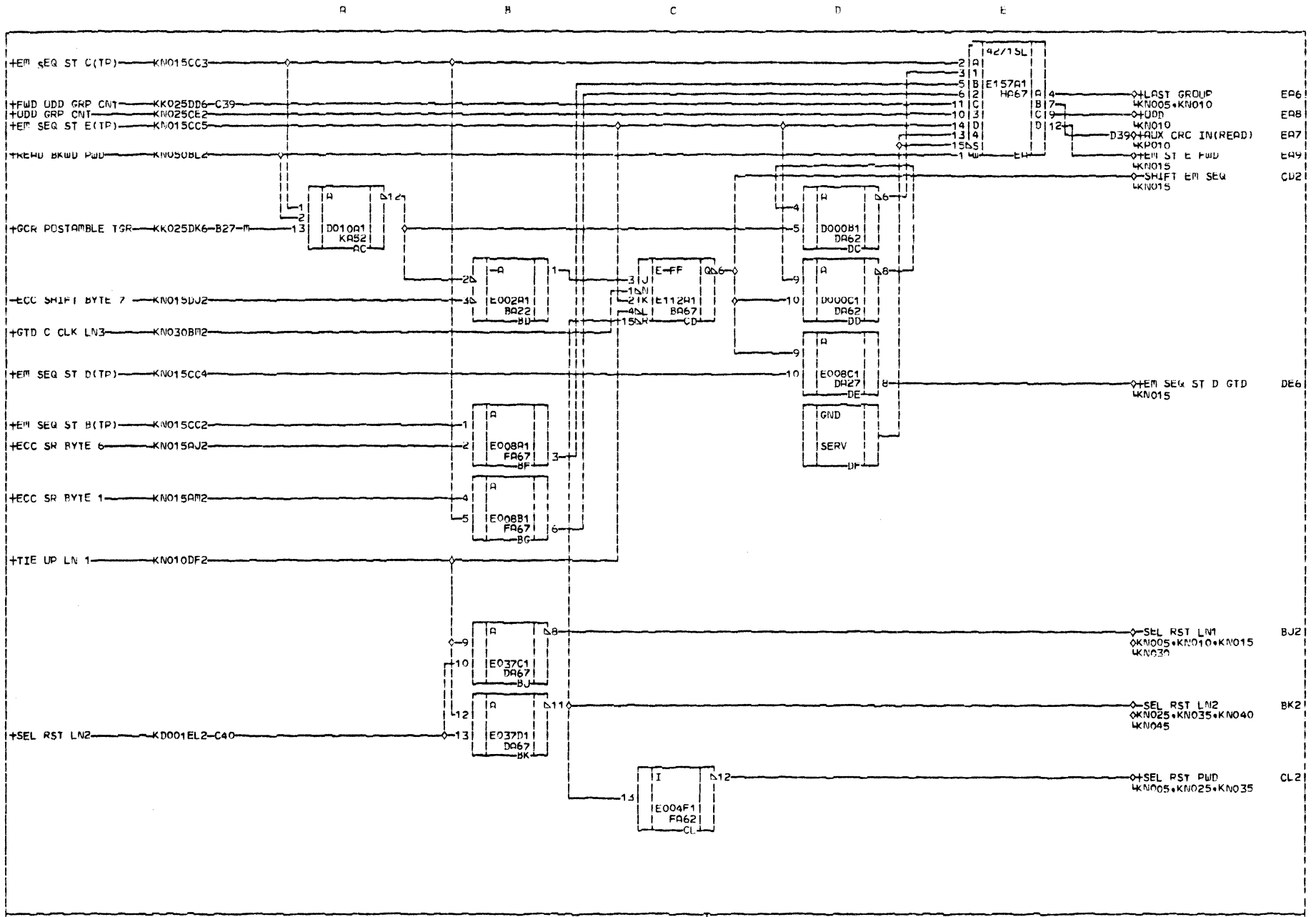


K
N
0
1
5



END MARK SEQUENCER

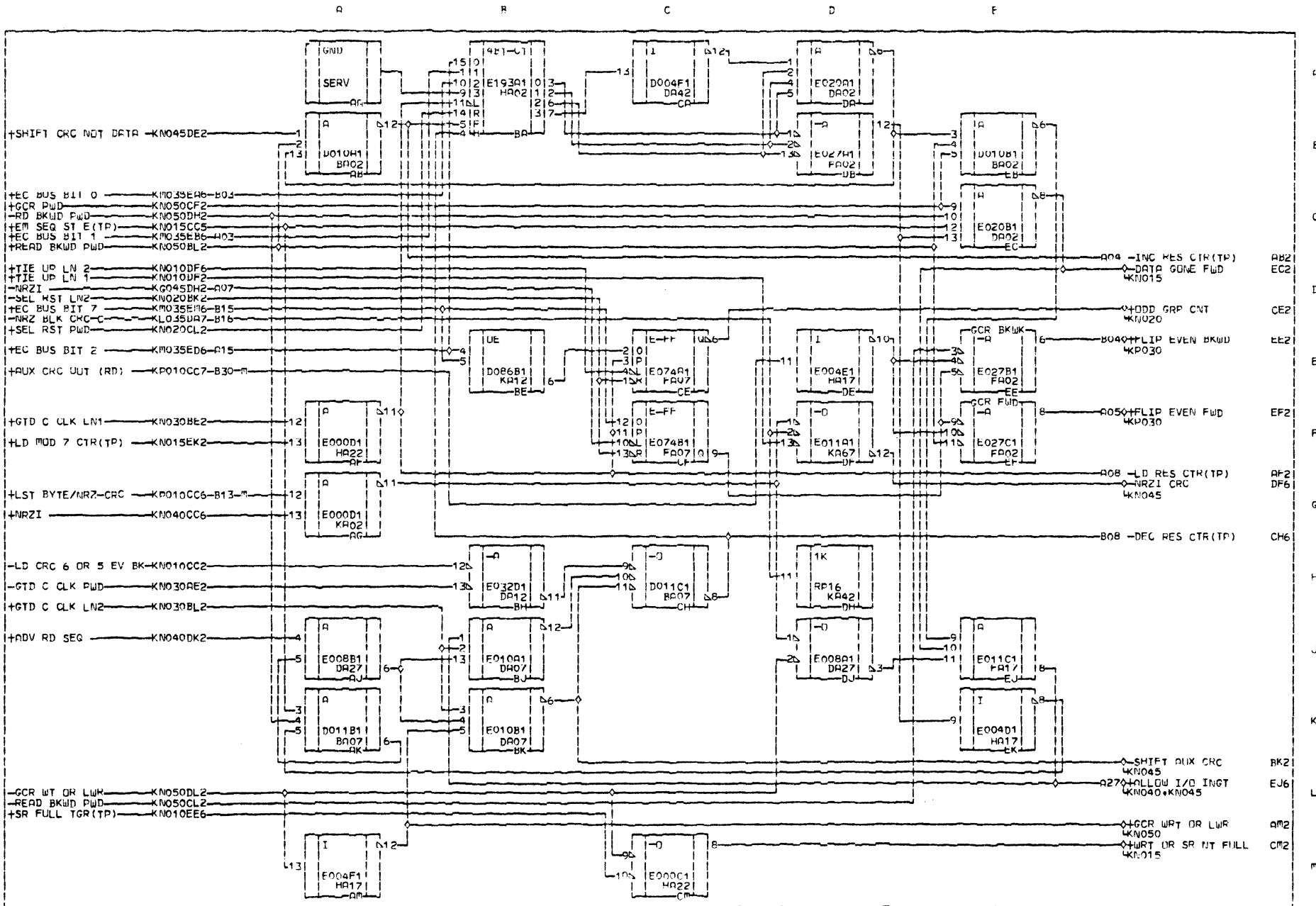
AM	PAGE	FFFS	SYSTEM	PAGE	PRES. F.C.	44032	MACHINE:	S1935	K
	PAGE	43442024-6	FLYER	EC	34521		CD.	LCC. N2	N
	E.C.	44051	WIRING	METHOD:	PC	DATE	11/27/79	PG. P.N.	43412012-7
									5



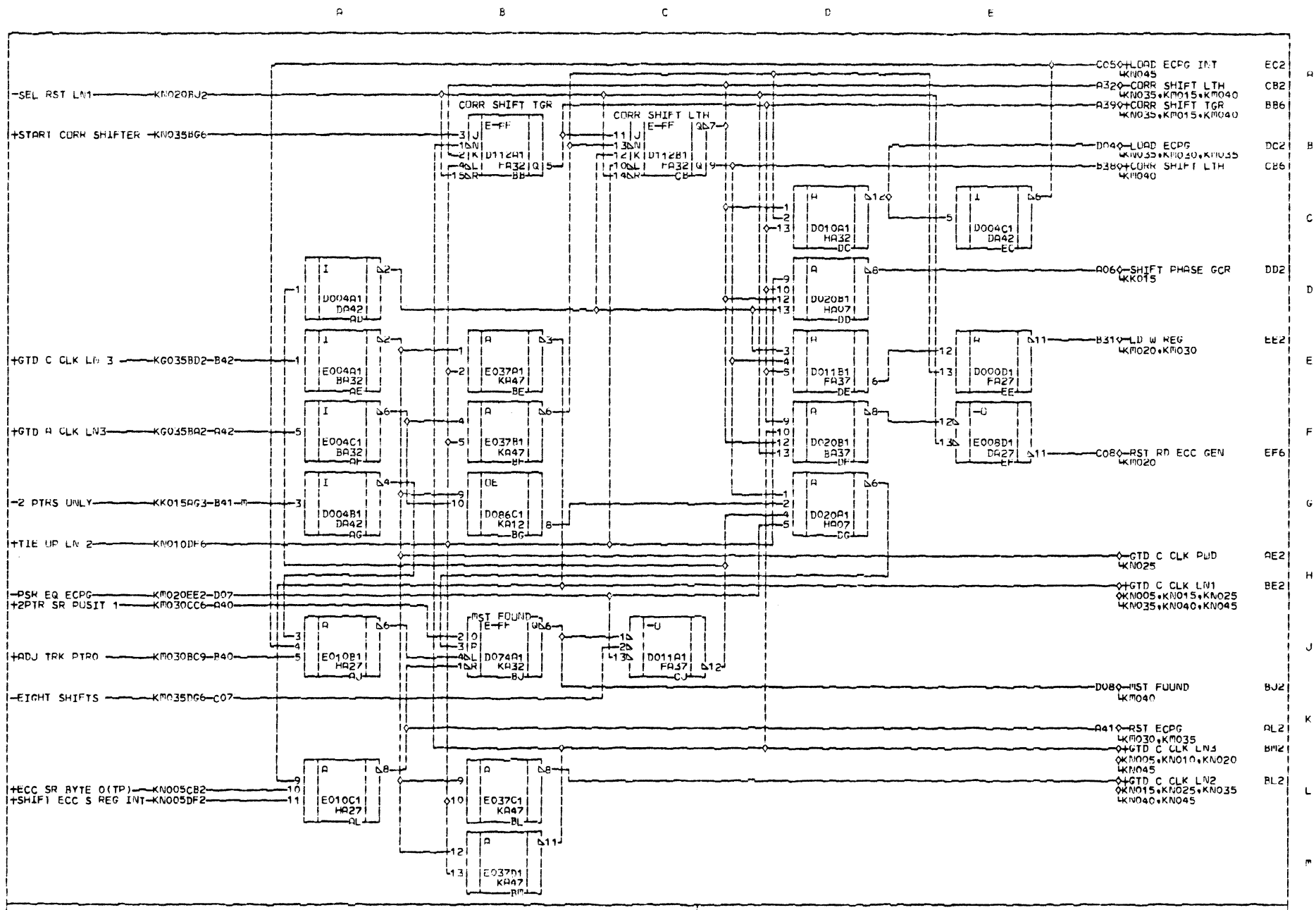
K
N
O
Z
O



READ BKWD BYTE COUNT LESS THAN 7 CONTRLS				K	
AM	PAGE	REFS	SYSTEM PAGE	PREV. E.C. 44032	MACHINE: S1935
	43442025-3		FLYER EC 34521	PREV. E.C.	CD. LUC. N2
E.C. 44051		WIRING METHOD:	PC	DATE	11/27/79
					PG. P.N. 43412013-5
					N O Z O



K N O S	STC				ALLOW I/O INGATE				K N O S		
	AM	PAGE	REFS	SYSTEM	PAGE	PPES.	E.C.	44032		MACHINE:	S1935
	PAGE	43442026-1	FLYER	EC	34521	PREV.	F.C.			ICD.	LUC.
	E.C.	44051	WIRING	METHOD:	PC	DATE	11/27/79	PG.	P.N.	43412014-3	



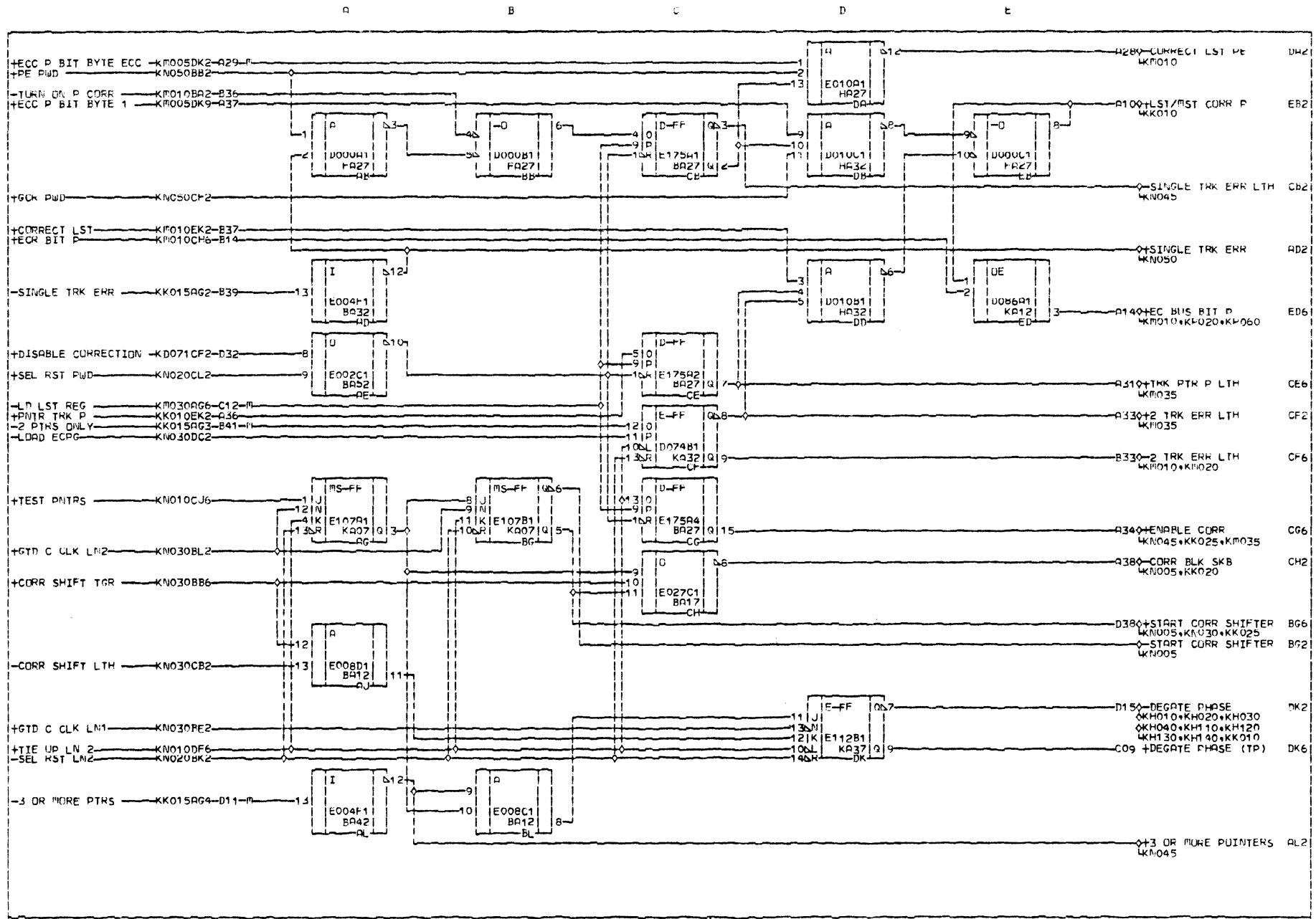
K
N
O



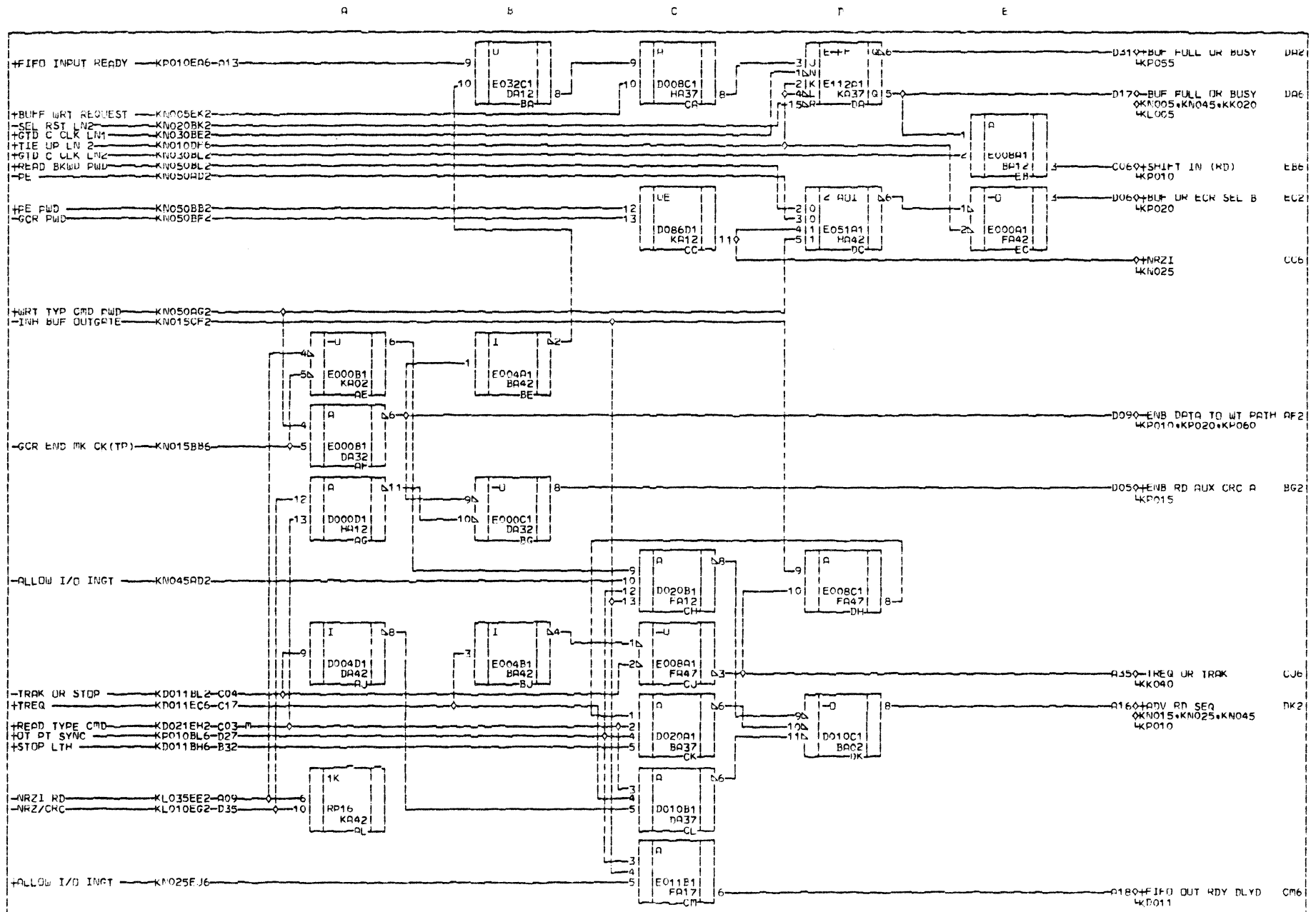
GCR CORRECTION SHIFT SEQUENCER

AM	PAGE	REFS	SYSTEM PAGE	REFS. E.C.	44032	MACHINE:	S1935
	PAGE	43442027-9	FLYER EC 34521	PREV. E.C.		CC-LOC.	02
	E.C.	44051	WIRING METHOD:	PC	DATE	11/27/79	PG. P.N.
							43412015-0

K
N
O



K N O S	STC				EC BUS BIT P				K N O S			
	- AM	PAGE	REFS	-	SYSTEM	PAGE	-	PRES. E.C.		44032	MACHINE:	S1935
	E.C.	44051	WIRING	METHOD:	PC	DATE	11/27/79	PG. P.N.		43412016-B	3	

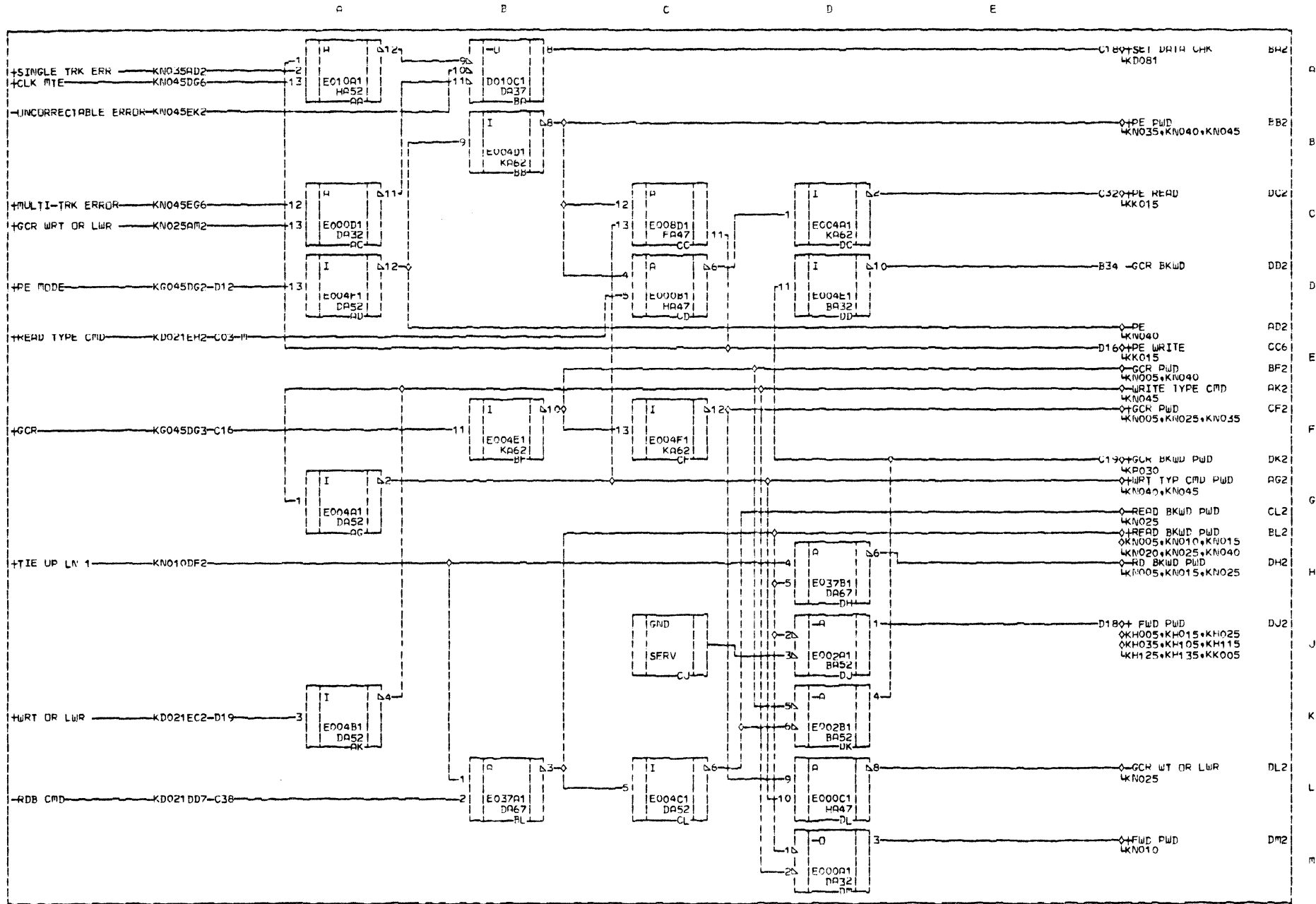


K
N
0
4
0

STC

DATA BUFFER CONTROL

AN	PAGE	REFS	SYSTEM PAGE	DRWS.	E.C.	44032	MACHINE:	S1935	K
43442029-5	FLYER	EC 34521	PREV. E.C.	4			ICD.	LINC. N2	N
E.C. 44051	WIRING METHOD:	PC	DATE	11/27/79	4		PG.	P.N. 43412017-6	0



K N O S O	STC		POWERING		K N O S O	
	— am	PAGE REFS	— SYSTEM PAGE	— PAFS. E.C. 44032		MACHINE: 51935
		PAGE 43442031-1	FLYER EC 34521	PREV. E.C.		CD. LCC. N2
		E.C. 44051	WIRING METHOD: PC	DATE 11/27/79		PG. P.N. 43412019-2

ASSEMBLY PARTS LIST

DATE: ARC DOC

PRINT DATE	PAGE	E.C. NO.
10-20-82	1	44455

DIV	ASSEMBLY NUMBER	CD	REV.	DWG.	DESCRIPTION	MC	STATUS	STATUS DATE	FILE DATE					
0500	401561101	7	A	B	SYS LGC GRP, KP, 43312104/204WD	N	REF	04-14-81	1985	05-13-81				
T FIND NO	LI	PART NUMBER	CD	M	QUANTITY	U M	PART DESCRIPTION	MC	YLD	E.C. NO. IN	E.C. NO. OUT	S N	WK IN	WK OUT
000	01	401571401	9		REF	PC	CD LGC, AM 965, KP, W/P	D						
001	01	43413012	6		REF	PC	SYS LGC, KP005, WP	D						
002	01	43413013	4		REF	PC	SYS LGC, KP010, WP	D						
003	01	43413014	2		REF	PC	SYS LGC, KP015, WP	D						
004	01	43413015	9		REF	PC	SYS LGC, KP020, WP	D						
005	01	43413016	7		REF	PC	SYS LGC, KP025, WP	D						
006	01	43413017	5		REF	PC	SYS LGC, KP030, WP	D						
007	01	43413018	3		REF	PC	SYS LGC, KP035, WP	D						
008	01	43413019	1		REF	PC	SYS LGC, KP040, WP	D						
008	02	43413024	1		REF	PC	SYS LGC KP040, WP	D		44170	44170		8026	8026
009	01	43413020	9		REF	PC	SYS LGC, KP045, WP	D						
010	01	401571301	1		REF	PC	SYS LGC, KP050, W/P	D						
011	01	43413022	5		REF	PC	SYS LGC, KP055, WP	D						
012	01	43413023	3		REF	PC	SYS LGC, KP060, WP	D						
500	01	43312104	3		REF	PC	CKT CD, KP, W/H ASSY	S						
501	01	43312204	1		REF	PC	CKT CD, KP, PC ASSY	S						
0016 TOTAL LINES														

LUC KA67	LUC KA62	LUC KA57	LUC KA52	LUC KA47	LUC KA42	LUC KA37	LUC KA32	LUC KA27	LUC KA22	LUC KA17	LUC KA12	LUC KA07	LUC KA02
PN IC:1D00	PN IC:1D01	PN IC:1E07A	PN IC:1D01A	PN IC:1E010	PN IC:1E153	PN IC:1E153	PN IC:1E153	PN IC:1E153	PN IC:1E153	PN IC:1E085	PN IC:1E085	PN IC:1E17A	PN IC:1E175
5 KP045DE2	6 KP055DE2	5 KP025DL6	6 KP045DC6	6 KP050E2	7 KP055CE1	7 KP055DK6	7 KP055CB6	7 KP055DH6	7 KP055CL6	5 KP040CF2	5 KP040DF3	2 KP015DH1	3 KP015DU6
6 KP040M2	8 KP055CK2	6 KP025DL2	8 KP045E6	8 KP055E2	9 KP055CF6	9 KP055DF6	9 KP055CB6	9 KP055DH6	9 KP055CL6	6 KP040CH3	6 KP040CH4	7 KP015DC6	7 KP015DC6
8 KP040CM2	12 KP045DF2	8 KP040CL2	12 KP025DB6	12 KP050AF2								10 KP015DL1	7 KP015DK6
11 KP055M		9 KP055EL6										12 KP015DF10	10 KP015DE0
												15	11 KP015DE2
												14	15 KP015DC6
7 PE2	7 PE2	7 PE2	7 LE2	7 KE2	8 JE2	8 HE2	8 GE2	8 FE2	8 EE2	8 DE2	8 CE2	8 BE2	8 AE2
14 GNDKH66	14 GNDKH61	14 GNDKH56	14 GNDKH51	14 GNDKH46	14 GNDKH41	14 GNDKH36	14 GNDKH31	14 GNDKH26	14 GNDKH21	14 GNDKH16	14 GNDKH11	14 GNDKH06	14 GNDKH01
+5VKH70	+5VKH65	+5VKH60	+5VKH55	+5VKH50	+5VKH45	+5VKH40	+5VKH35	+5VKH30	+5VKH25	+5VKH20	+5VKH15	+5VKH10	+5VKH05

LUC HA67	LUC HA62	LUC HA57	LUC HA52	LUC HA47	LUC HA42	LUC HA37	LUC HA32	LUC HA27	LUC HA22	LUC HA17	LUC HA12	LUC HA07	LUC HA02
PN IC:1E096	PN IC:1E086	PN IC:1E096	PN IC:1E175	PN IC:1E175	PN IC:1E175	PN IC:1E086	PN IC:1E175	PN IC:1E086	PN IC:1E175	PN IC:1E135	PN IC:1E135	PN IC:1E086	PN IC:1E086
10 KP055BC6	5 KP045CG6	3 KP005AB6	10 KP050DB6	2 KP025DB6	2 KP025DF6	4 KP030DB6	3 KP040DB6	2 KP030EB6	3 KP030CE6	2 KP030EC6	3 KP030DC6	3 KP015CA6	3 KP015CL6
11 KP055BC5	6 KP045CG2	6 KP040AK6	11 3 KP025DB2	3 KP025DF2	7 KP030DB7	6 KP030DB6	6 KP030EB6	6 KP030EB6	6 KP030CE6	6 KP030EC6	6 KP030DC6	6 KP015CA6	6 KP015CL6
14	7 KP045CJ6	11 3 KP025L6	11 7 KP025DB6	7 KP025DF6	12 KP030DB9	11 KP030DB6	11 KP030EB6	11 KP030EB6	11 KP030CE6	11 KP030EC6	11 KP030DC6	11 KP015CA6	11 KP015CL6
15		15	10 KP025DC6	10 KP025DF6	11 KP030DB9	10 KP030DB6	10 KP030EB6	10 KP030EB6	10 KP030CE6	10 KP030EC6	10 KP030DC6	10 KP015CA6	10 KP015CL6
			11 KP025DC2	11 KP025DF2	11 KP030DB9	11 KP030DB6	11 KP030EB6	11 KP030EB6	11 KP030CE6	11 KP030EC6	11 KP030DC6	11 KP015CA6	11 KP015CL6
			14 KP025DK2	14 KP025DF2	14 KP030DB9	14 KP030DB6	14 KP030EB6	14 KP030EB6	14 KP030CE6	14 KP030EC6	14 KP030DC6	14 KP015CA6	14 KP015CL6
			15 KP025DK1	15 KP025DF1	15 KP030DB9	15 KP030DB6	15 KP030EB6	15 KP030EB6	15 KP030CE6	15 KP030EC6	15 KP030DC6	15 KP015CA6	15 KP015CL6
12 PD2	8 ND2	7 MD2	12 LT2	8 KD2	8 JD2	8 HD2	7 GD2	8 FD2	7 ED2	8 DD2	8 CD2	7 BD2	7 AD2
14 GNDH66	14 GNDH61	14 GNDH56	14 GNDH51	14 GNDH46	14 GNDH41	14 GNDH36	14 GNDH31	14 GNDH26	14 GNDH21	14 GNDH16	14 GNDH11	14 GNDH06	14 GNDH01
5 PD6	16 ND6	14 MD6	5 LD6	16 KD6	16 JD6	16 HD6	14 GD6	16 FD6	14 ED6	16 DD6	16 CD6	14 BD6	14 AD6
+5VHH70	+5VHH65	+5VHH60	+5VHH55	+5VHH50	+5VHH45	+5VHH40	+5VHH35	+5VHH30	+5VHH25	+5VHH20	+5VHH15	+5VHH10	+5VHH05

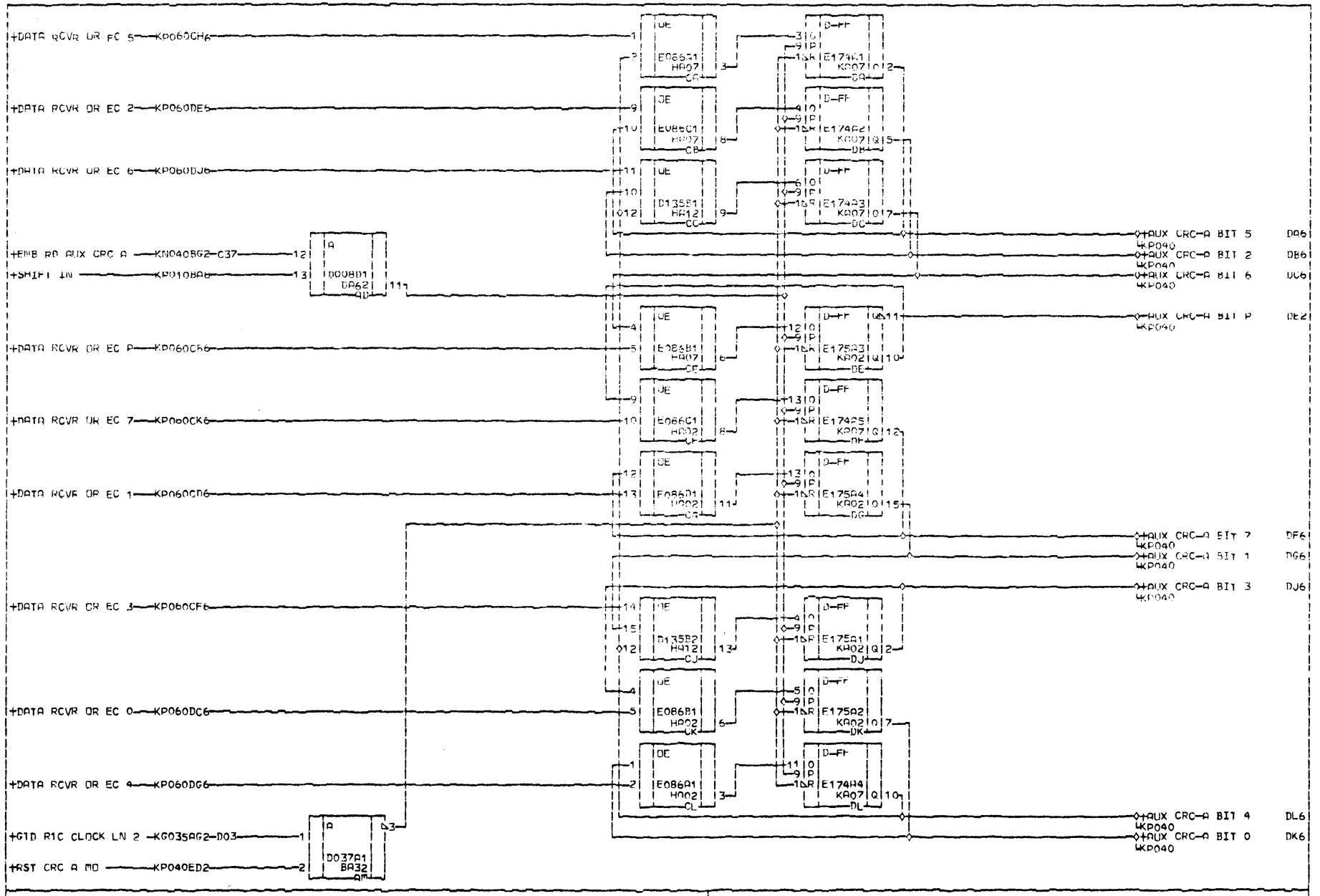
LUC FA67	LUC FA62	LUC FA57	LUC FA52	LUC FA47	LUC FA42	LUC FA37	LUC FA32	LUC FA27	LUC FA22	LUC FA17	LUC FA12	LUC FA07	LUC FA02
PN IC:1E051	PN IC:1D000	PN IC:1E052	PN IC:1E008	PN IC:1E086	PN IC:1D135	PN IC:1E157	PN IC:1E153	PN IC:1E153	PN IC:1E153	PN IC:1F401	PN IC:1F401	PN IC:1F401	PN IC:1E157
6 KP010CL2	3 KP045EE2	3 KP040EL6	3 KP050RH6	3 KP025CK6	3 KP025CE6	4 KP030BK6	7 KP020CL6	7 KP020CH6	7 KP020CF6	2 KP010CJ6	2 KP010CF6	2 KP010CC6	4 KP010AB6
8 KP055CD2	6 KP045RG2	6 KP040OB6	6 KP050CB6	6 KP025CL6	7 KP025CF6	9 KP030BK6	9 KP020DJ6	9 KP020J6	9 KP020GF6	10 KP010CJ16	10 KP010CF16	10 KP010CC16	7 KP010RA7
11	8 KP050BF2	8 KP050RH6	8 KP025CB6	8 KP025CC6	9 KP025CE6	9 KP030BK6	11 KP010CJ8	11 KP010CJ8	11 KP010CJ8	11 KP010CJ11	11 KP010CF11	11 KP010CC11	11 KP010BA6
		11 KP055DA6	11 KP055DH6	11 KP025CB6	13 KP025CE6	12 KP030BK9				12 KP010CJ12	12 KP010CF12	12 KP010CC12	
										13 KP010CJ13	13 KP010CF13	13 KP010CC13	
										14 KP010CJ14	14 KP010CF14	14 KP010CC14	
7 PC2	7 MC2	7 RC2	7 LC2	7 KC2	8 JC2	8 HC2	8 GC2	8 FC2	8 EC2	8 DC2	8 CC2	8 BC2	8 AC2
14 GNDFH66	14 GNDFH61	14 GNDFH56	14 GNDFH51	14 GNDFH46	14 GNDFH41	14 GNDFH36	14 GNDFH31	14 GNDFH26	14 GNDFH21	14 GNDFH16	14 GNDFH11	14 GNDFH06	14 GNDFH01
+5VFA70	+5VFA65	+5VFA60	+5VFA55	+5VFA50	+5VFA45	+5VFA40	+5VFA35	+5VFA30	+5VFA25	+5VFA20	+5VFA15	+5VFA10	+5VFA05

LUC DA67	LUC DA62	LUC DA57	LUC DA52	LUC DA47	LUC DA42	LUC DA37	LUC DA32	LUC DA27	LUC DA22	LUC DA17	LUC DA12	LUC DA07	LUC DA02
PN IC:1E112	PN IC:1E008	PN IC:1E112	PN IC:1D112	PN IC:1E004	PN IC:1E157	PN IC:1E157	PN IC:1E153	PN IC:1E011	PN IC:1E153	PN IC:1E153	PN IC:1E153	PN IC:1E280	PN IC:1E157
5 KP050DE6	3 KP045EG6	2 KP040BC2	5 KP005EL2	5 KP010BL6	2 KP055CE2	4 KP010BE6	2 KP010PL6	6 KP010DL6	7 KP060CF6	7 KP060CB6	7 KP060CB6	5 KP005FL2	14+15
6 KP050DE2	4 KP045EG6	4 KP040BE2	6 KP005EL2	6 KP045CL2	6 KP005FE2	7 KP010BE7	3 KP010BE7	8 KP055EK6	9 KP060CF6	9 KP060CB6	9 KP060CB6	6	
7 KP055ER2	8 KP045CA6	6 KP055EF2	7	7 KP045CL2	6 KP005FE2	9 KP010BE8	6 KP010BE8	12 KP010DA6					
9 KP055ER6	11 KP015DB6	9 KP055BF6	9 KP055BF6	9 KP045CL6	8 KP040BL2	7 KP010BE9	7 KP010BE9						
		10 KP050B2			10 KP020B7	11 KP040EA6	11 KP040EA6						
		12 KP050KH2			12 KP050RD2	11	11						
						14	14						
						15	15						
8 PB2	7 NB2	7 MB2	8 LB2	8 KB2	7 JB2	8 HB2	8 GB2	7 FB2	8 EB2	8 DB2	8 CB2	7 BB2	8 AB2
16 PD6	14 ND6	14 MD6	16 LD6	16 KD6	14 JD6	16 HD6	16 GD6	14 FD6	16 ED6	16 DD6	16 CD6	14 BD6	16 AD6
+5VDA70	+5VDA65	+5VDA60	+5VDA55	+5VDA50	+5VDA45	+5VDA40	+5VDA35	+5VDA30	+5VDA25	+5VDA20	+5VDA15	+5VDA10	+5VDA05

LUC BA67	LUC BA62	LUC BA57	LUC BA52	LUC BA47	LUC BA42	LUC BA37	LUC BA32	LUC BA27	LUC BA22	LUC BA17	LUC BA12	LUC BA07	LUC BA02
PN IC:1E112	PN IC:1E000	PN IC:1D010	PN IC:1E153	PN IC:1E004	PN IC:1E011	PN IC:1E153	PN IC:1D037	PN IC:1E153	PN IC:1E153	PN IC:1E153	PN IC:1X438	PN IC:1X438	PN IC:1X438
5	3 KP050DC2	6 KP045BB2	4 KP040CB5	2 KP055DE2	6 KP055BA6	9 KP020DE6	3 KP015BE2	7 KP060CB6	7 KP060CB6	7 KP060CB6	1 KP005BJ4	1 KP005BE4	1 KP005BE4
6 KP055J2	6 KP005E2	6 KP045E2	5 KP040CB4	6 KP025CB6	6 KP025CB6	9 KP020DE6	6 KP050CB6	9 KP020DE6	9 KP060DJ6	9 KP060DJ6	3 KP005J2	3 KP005E2	3 KP005E2
7 KP055EL2	8 KP050EG2	12 KP045AC2	6 KP040CB3	6 KP035BD2	12 KP005BA6		7 KP050BL2				4 KP005BK4	4 KP005BF4	4 KP005BF4
		11 KP055E2	7 KP040CB2	6 KP035BF2			11 KP060D2				6 KP005BK2	6 KP005BF2	6 KP005BF2
			9 KP040CD2	10 KP050BG2							10 KP005BH2	10 KP005BD2	10 KP005BD2
			10 KP040CB1	12 KP040BB2							12 KP005BH4	12 KP005BD4	12 KP005BD4
			12 KP040CB5								13 KP005B2	13 KP005BC2	13 KP005B2
											15 KP005B4	15 KP005BC4	15 KP005B2
8 PB2	7 NB2	7 MB2	8 LB2	7 KB2	7 JB2	8 HB2	7 GB2	8 FB2	8 EB2	8 DB2	8 CB2	8 BB2	8 AB2
16 PD6	14 ND6	14 MD6	16 LD6	14 KD6	14 JD6	16 HD6	16 GD6	14 FD6	16 ED6	16 DD6	16 CD6	14 BD6	16 AD6
+5VBA70	+5VBA65	+5VBA60	+5VBA55	+5VBA50	+5VBA45	+5VBA40	+5VBA35	+5VBA30	+5VBA25	+5VBA20	+5VBA15	+5VBA10	+5VBA05

INDEX: 12 PAGE(S)
PAGE CRD PG P/N EC LEVEL
14 KP005 43443015-3 44052
19 KP010 43443016-1 44052
16 KP015 43443017-4 44052
15 KP020 43443019-7 44052
15 KP025 43443019-3 44052

IC LOCATION KP CARD #			
PRESENT EC	44459	DATE	2/18/81
PREV EC	44052	PAGE PN	4015714019
		LD TYPE	KP
		FLEVEL	39521



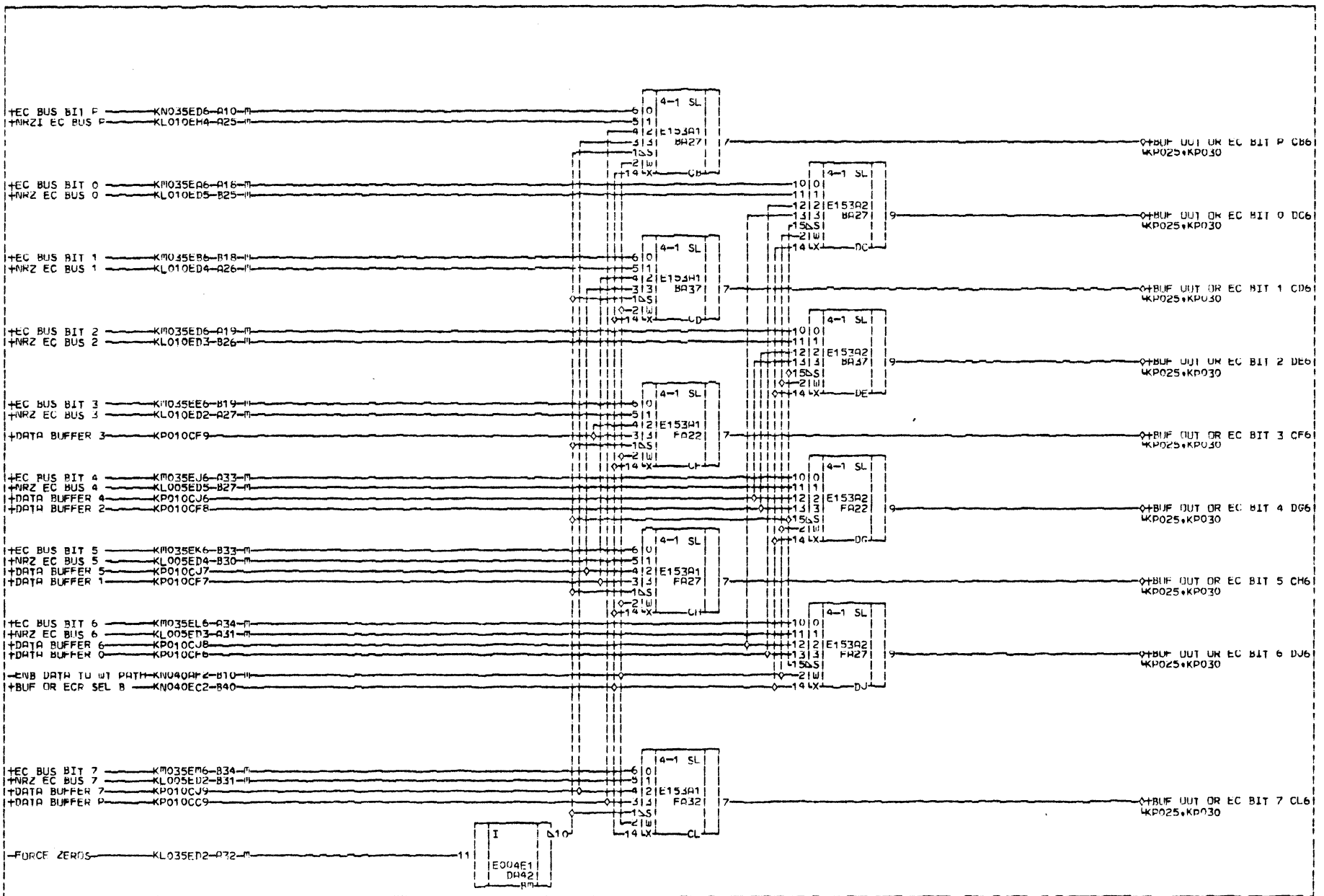
K
P
0
1
5



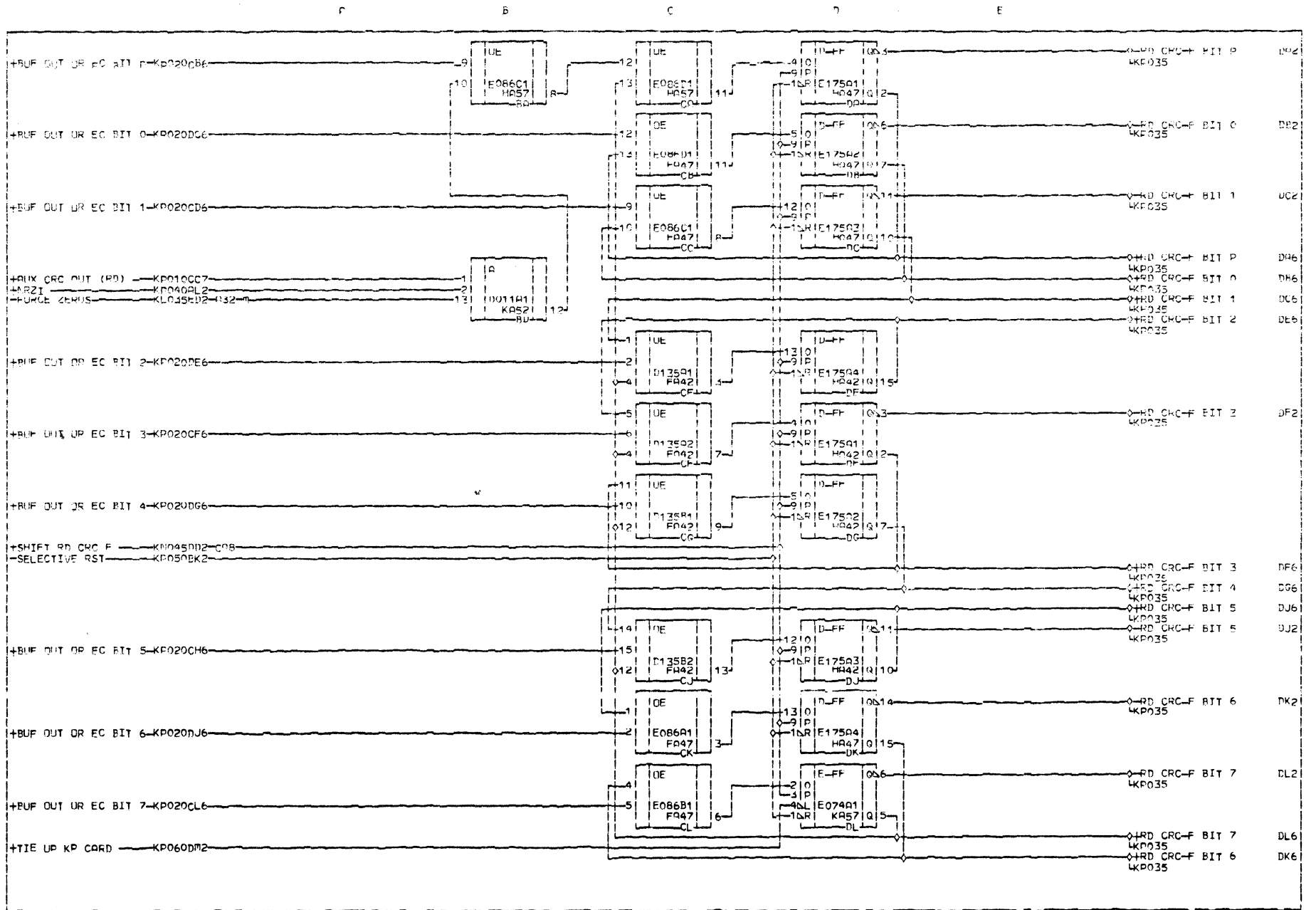
READ AUX CRC A REGISTER

- AM PAGE REF5 -	- SYSTEM PAGE -	- PRES. E.C. 44032 -	MACHINE: S1935
PAGE 43443017-5	FLYER EC 34521	PREV. E.C.	CD. LUC P2
E.C. 44052	WIRING METHOD: WP	DATE 01/16/80	Pg. No. 43413014-2

K
P
0
1
5



K P A 2 0	ETC			DATA BUFFER/EC BUS		K P A 2 0
	AM PAGE REFS PAGE 43443048-9 E.C. 44052	SYSTEM PAGE FLYER EC 34521 WIRING METHOD: WP	DRES. E.C. 44032 PREV. E.C. DATE 01/16/80	MACHINE: S1935 CD. LUC. P2 PG. P.N. 43413015-9		



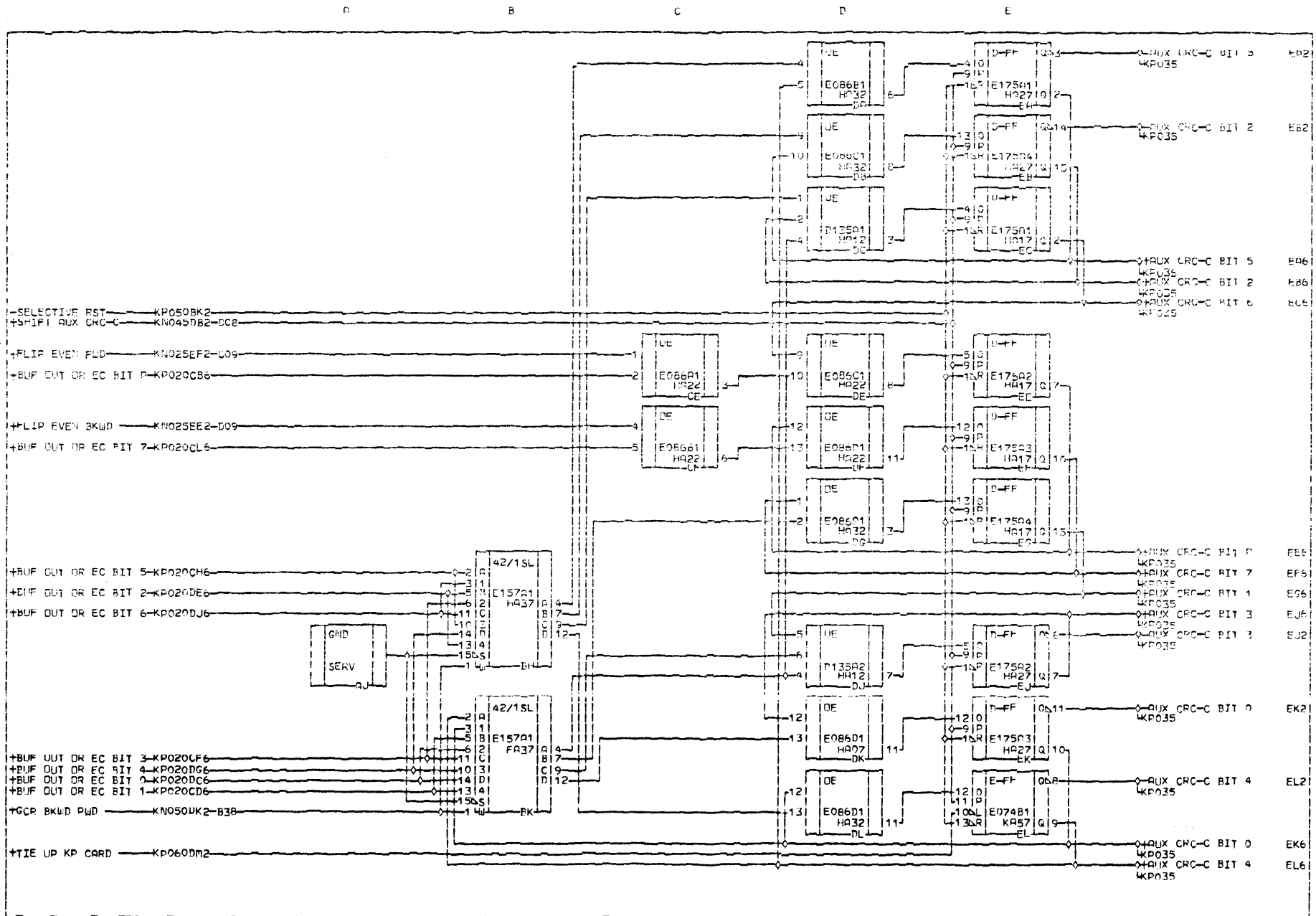
K
P
0
2
5



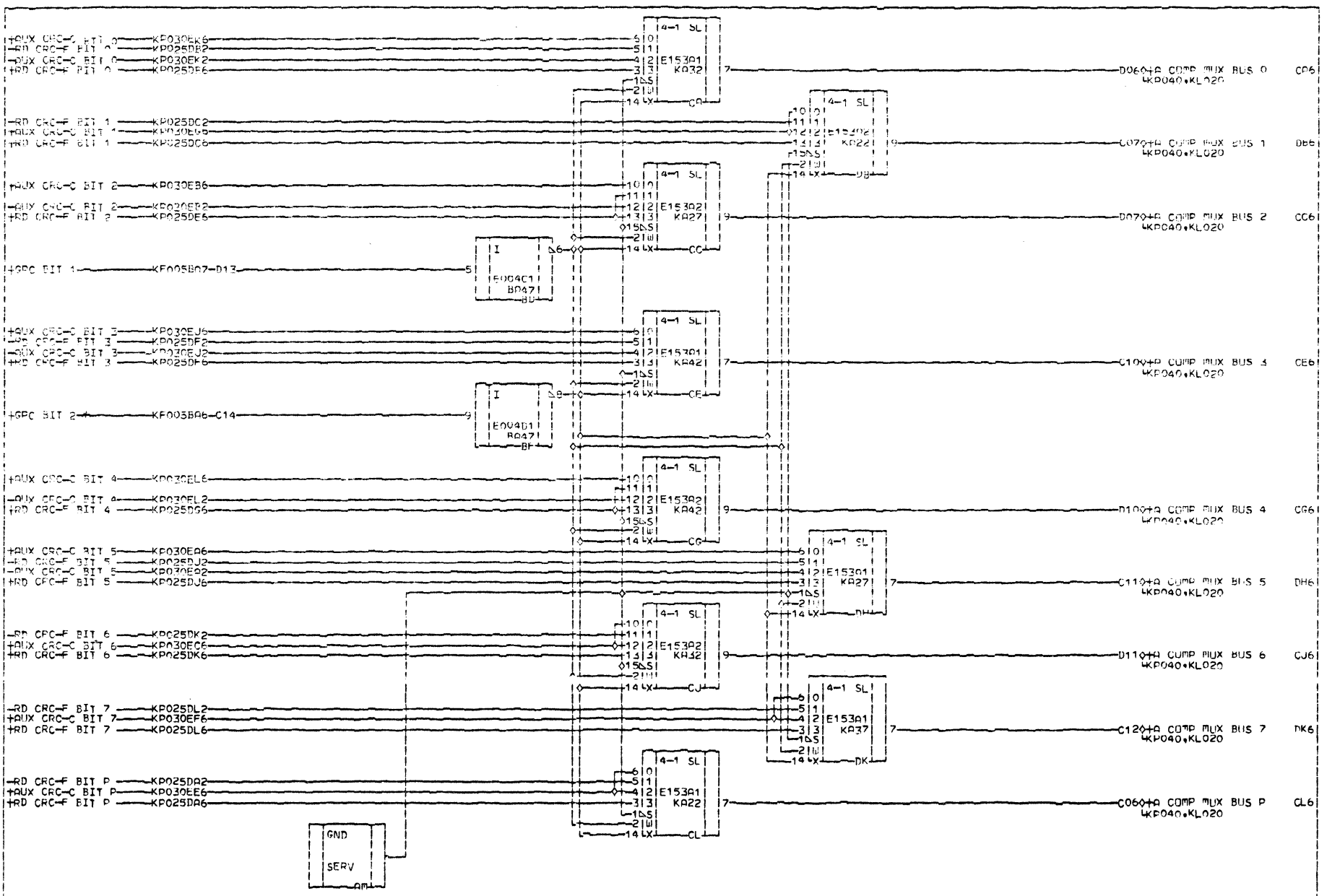
READ CRC F REGISTER

- AM	PAGE	REFS	- SYSTEM PAGE	- PRES. E.C.	44032	MACHINE:	51935
PAGE	43443019-5		FLYER EC 34521	PREV. E.C.		CP. LUC.	P2
E.C.	44052		WIRING METHOD:	WP	DATE	01/16/80	PG. P.n.
							43413016-7

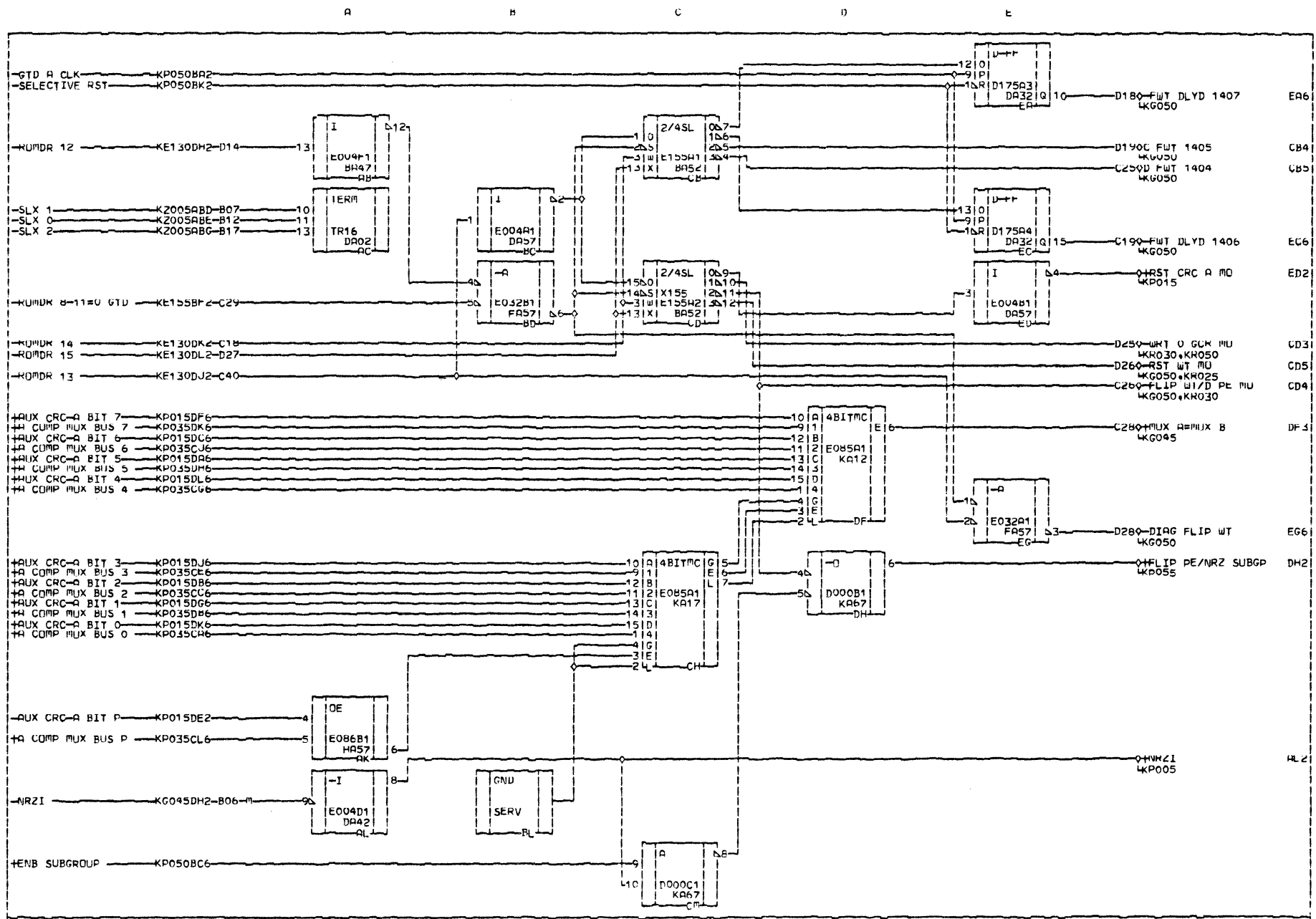
K
P
0
2
5



K P O 3 5	STC				READ AUX CRC C REGISTER				K P O 3 5
	AM	PAGE	REFS	SYSTEM PAGE	PRES. E.C.	44032	MACHINE:	S1935	
		PAGE	43443020-3	FLYER EC 34521	PREV. E.C.		CD. LOC. P2		
		E.C. 44052	WIRING METHOD:	WP	DATE	01/16/80	Pg. P.N.	43413017-5	



K P 0 3 5	STC				A COMPARE MUX BUS				K P 0 3 5
- DR PAGE REFS -		- SYSTEM PAGE -		- PRES. E.C. 44032		MACHINE: 51935			
PAGE 4343021-1		FLYER EC 34521		PREV. E.C.		CD. LIX: P2			
E.C. 44052		WIRING METHOD: WP		DATE 01/16/80		PG. P.No. 43413018-3			



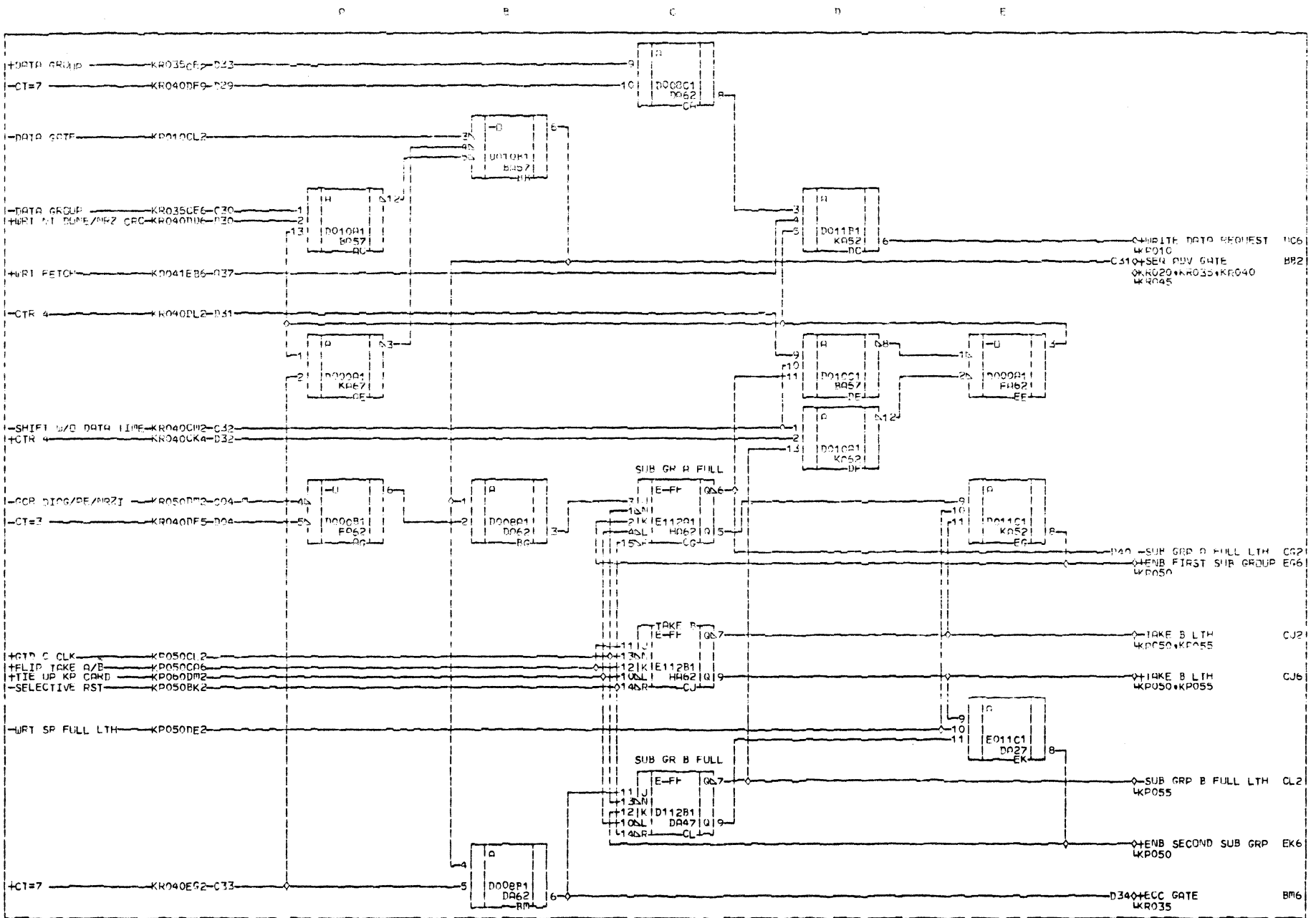
K
P
O
4
0



M-ORDER DECODE AND MUX A= MUX B COMPARE BUS

DP	PAGE	REFS	SYSTEM	PAGE	PRES.	E.C.	44170	MACHINE:	S1935
	43443022-9		FLYER	EC 34521	PREV.	E.C.	44032	CD	LOC. P2
	E.C. 44052		WIRING	METHOD:	WP	DATE	3/11080	PS	P.N. 43413024-1

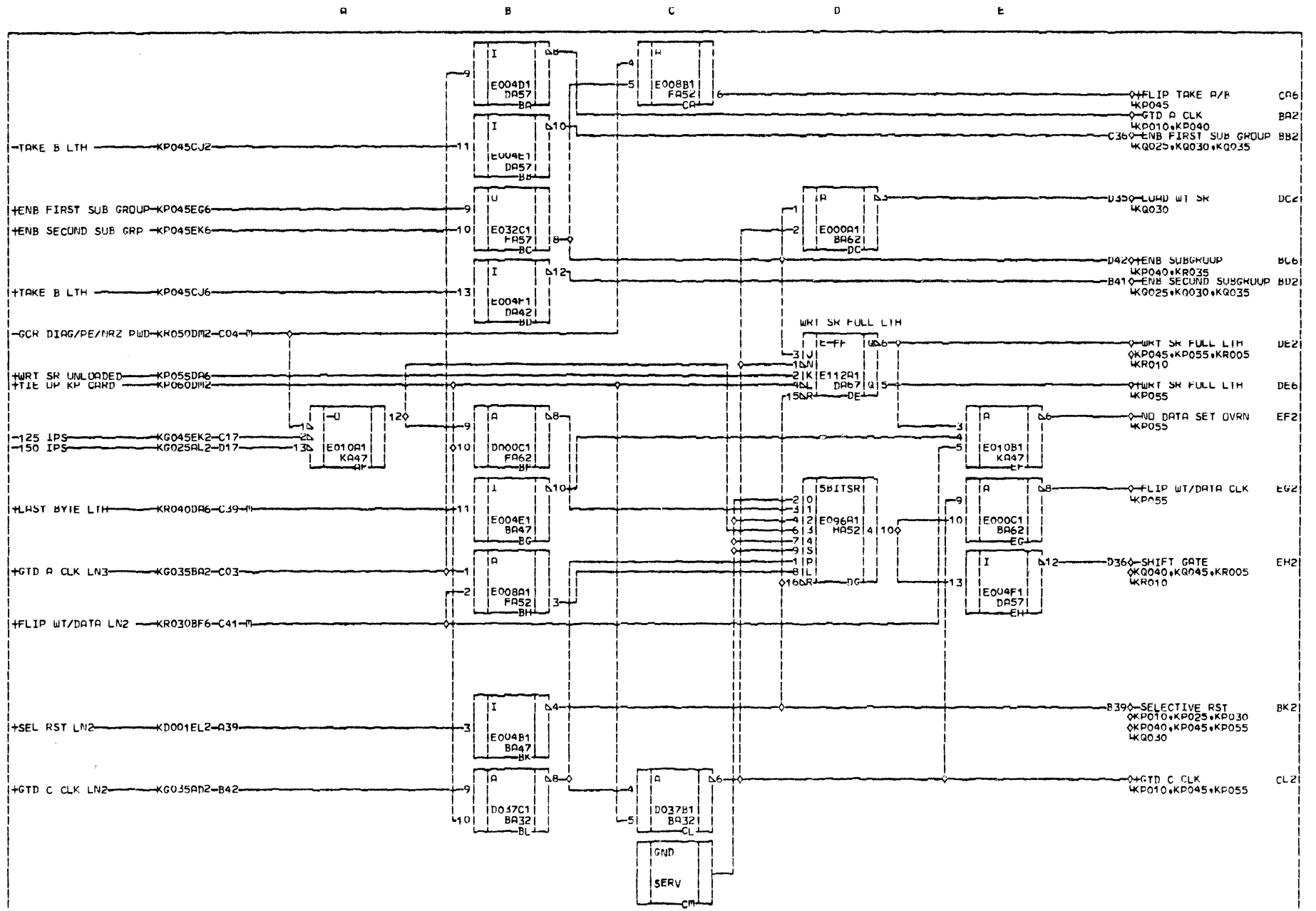
K
P
O
4
0



K
P
0
4
5



SUB GROUP A FULL		SUB GROUP B FULL		TAKE B LATCHES		K
AR. PAGE REFS	SYSTEM PAGE	PREV. E.C.	44032	MACHINE:	S1935	P
PAGE 43443023-7	FLYER EC 34521	PREV. E.C.		CD. LOC. P2		0
E.C. 44052	WIRING METHOD:	WP	DATE	01/16/80	PG. P.N. 43413020-9	4
						5

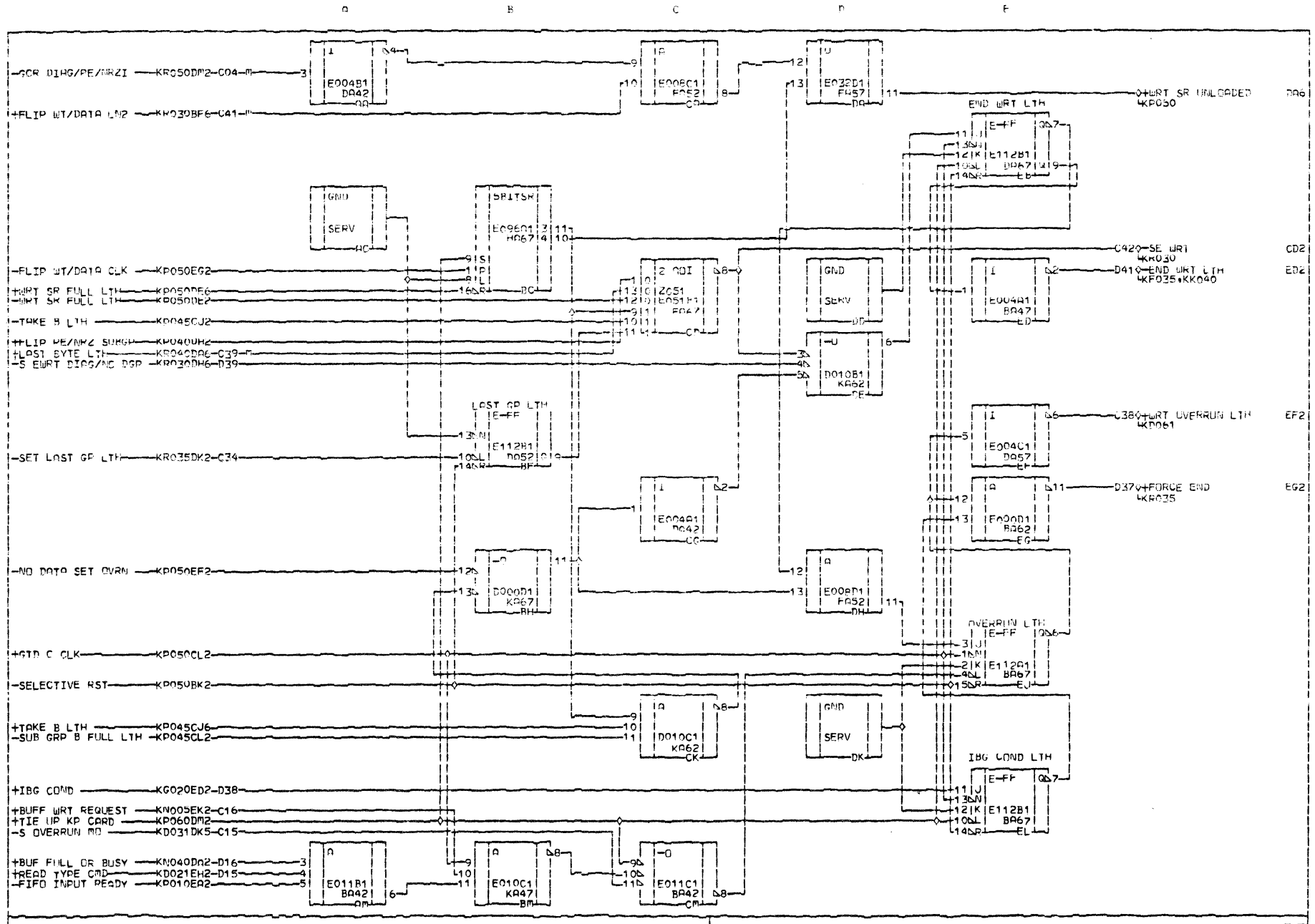


K
P
O
S
O



WRI SHIFT REG FULL LTH AND POWERING			
AM	PAGE REFS	SYSTEM PAGE	PRES. E.C. 44459
	PAGE 4015712013	FLYER EC 34521	PREV. E.C. 44032
	E.C. 44459	WIRING METHOD: WP	DATE 4/06/81
			MACHINE: 1935
			CD. LUC. P2
			PC. P.N. 4015713011

K
P
O
S
O

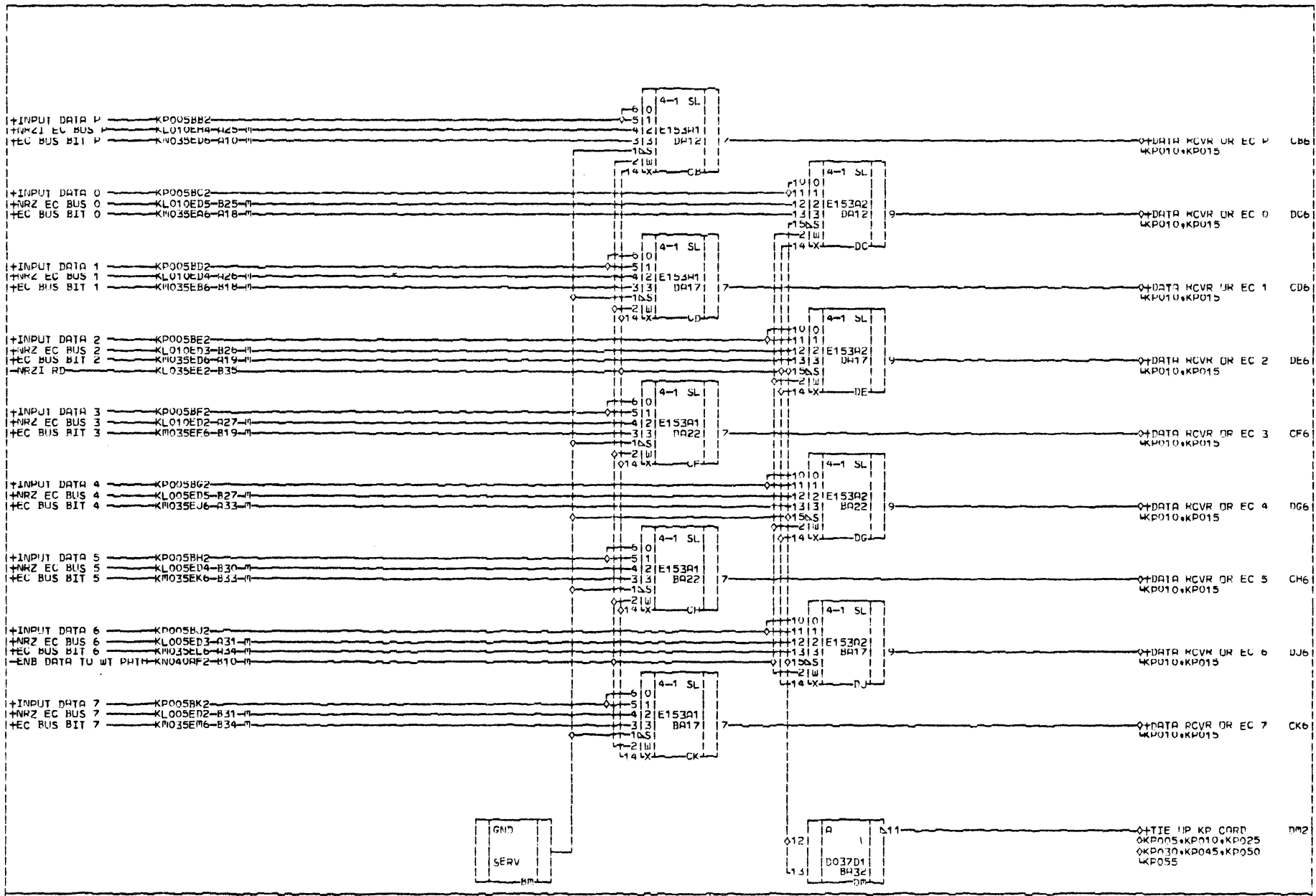


END WRITE AND WRT OVERRUN LTHS

K
P
O
S
S

AM	PAGE	REFS	SYSTEM	PAGE	PRES:	E.C.	44032	MACHINE:	S1935
	PAGE	43443025-2	FLYER	EC	PREV:	E.C.		CD:	LOC: P2
	E.C.	44052	WIRING	METHOD:	LP	DATE	01/16/80	Pg:	P/n: 43413022-5

K
P
O
S
S



K P 6 0	STC				EC BUS/INPUT DATA/NRZI SELECT				K P 6 0
	OP	PAGE	REFS	SYSTEM	PAGE	RES. E.C.	44032	MACHINE:	S1935
	PAGE	43443026-0	FLYER	EC	34521	PREV. E.C.		CD. LUC.	P2
	E.C.	44052	WIRING	METHOD:	WP	DATE	01/16/80	PG. P.N.	43413023-31

ASSEMBLY PARTS LIST

BOULEVARD

PRINT DATE	PAGE	E.C. NO.
10-20-82	1	04741

DIV.	ASSEMBLY NUMBER	CD	REV.	DWG.	DESCRIPTION	MC	STATUS	STATUS DATE	FILE DATE					
0500	402204901	1	A	N	SYS LGC GP, KP 43312304	N	REL	04-01-82	1985 04-19-82					
T FIND NO.	LI	PART NUMBER	CD	M	QUANTITY	U/M	PART DESCRIPTION	MC	YLD	E.C. NO. IN	E.C. NO. OUT	S N	WK IN	WK OUT
000	01	402203701	6		REF	PC	CD LGC AM965, KP, PC	D						
005	01	43413012	6		REF	PC	SYS LGC, KP005, WP	D						
010	01	402204301	4		REF	PC	SYS LGC KP010, PC	D						
015	01	43413014	2		REF	PC	SYS LGC, KP015, WP	D						
020	01	402204401	2		REF	PC	SYS LGC KP020, PC	D						
025	01	402204501	9		REF	PC	SYS LGC KP025, PC	D						
030	01	43413017	5		REF	PC	SYS LGC, KP030, WP	D						
035	01	43413018	3		REF	PC	SYS LGC, KP035, WP	D						
040	01	402204601	7		REF	PC	SYS LGC, KP040, PC	D						
045	01	43413020	9		REF	PC	SYS LGC, KP045, WP	D						
050	01	402204701	5		REF	PC	SYS LGC, KP050, PC	D						
055	01	43413022	5		REF	PC	SYS LGC, KP055, WP	D						
060	01	43413023	3		REF	PC	SYS LGC, KP060, WP	D						
500	01	43312304	9		REF	PC	CKT CD, KP PC ASSY	S						
						0014 TOTAL LINES								

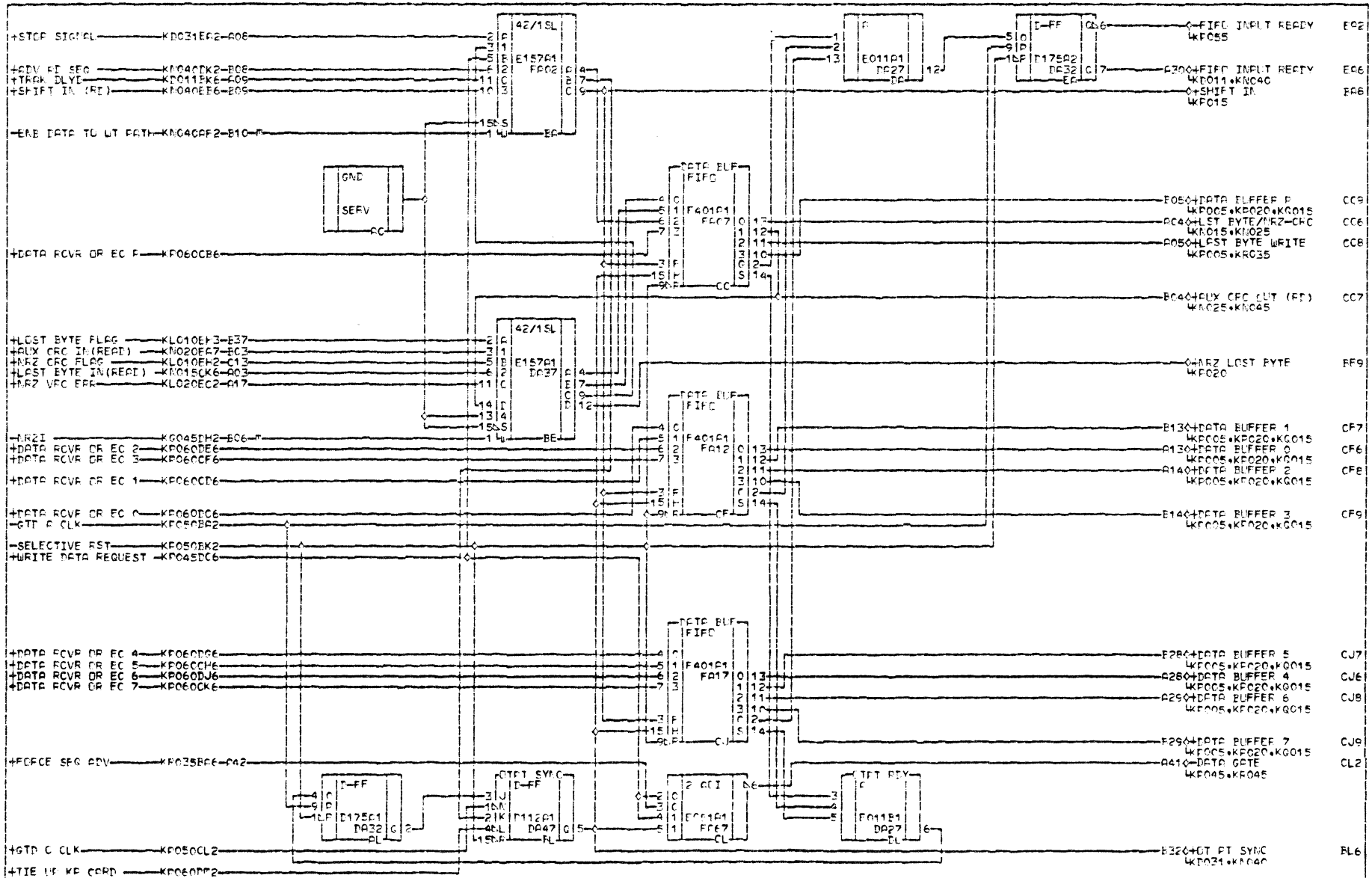
LLOC KA67	LLOC KA62	LLOC KA57	LLOC KA52	LLOC KA47	LLOC KA42	LLOC KA37	LLOC KA32	LLOC KA27	LLOC KA22	LLOC KA17	LLOC KA12	LLOC KA07	LLOC KA02
FN IC:1D00	FN IC:1D10	FN IC:1E74	FN IC:1E04	FN IC:1E14	FN IC:1E13	FN IC:1E13	FN IC:1E13	FN IC:1E13	FN IC:1E17	FN IC:1E08	FN IC:1E05	FN IC:1E12	FN IC:1E17
3 KPO45CE2	6 KPO45CE2	5 KPO25DL6	6 KPO45CE6	6 KPO45CE2	7 KPO35CE6	7 KPO35CE6	7 KPO35CE6	7 KPO35CE6	7 KPO35CE6	7 KPO35CE6	5 KPO40CF7	2 KPO15DF6	2 KPO15DU6
6 KPO40CF7	6 KPO45CE2	8 KPO25DL6	6 KPO45CE6	6 KPO45CE2	7 KPO35CE6	7 KPO35CE6	7 KPO35CE6	7 KPO35CE6	7 KPO35CE6	7 KPO35CE6	5 KPO40CF7	2 KPO15DF6	2 KPO15DU6
6 KPO45CE2	6 KPO45CE2	8 KPO25DL6	6 KPO45CE6	6 KPO45CE2	7 KPO35CE6	7 KPO35CE6	7 KPO35CE6	7 KPO35CE6	7 KPO35CE6	7 KPO35CE6	5 KPO40CF7	2 KPO15DF6	2 KPO15DU6
7 FE2	7 FE2	7 FE2	7 FE2	7 FE2	7 FE2	7 FE2	7 FE2	7 FE2	7 FE2	7 FE2	7 FE2	7 FE2	7 FE2
14 FE6	14 FE6	14 FE6	14 FE6	14 FE6	14 FE6	14 FE6	14 FE6	14 FE6	14 FE6	14 FE6	14 FE6	14 FE6	14 FE6
+5VKA70	+5VKA70	+5VKA65	+5VKA60	+5VKA65	+5VKA60	+5VKA65	+5VKA60	+5VKA65	+5VKA60	+5VKA65	+5VKA60	+5VKA65	+5VKA60
LLOC HA67	LLOC HA62	LLOC HA57	LLOC HA52	LLOC HA47	LLOC HA42	LLOC HA37	LLOC HA32	LLOC HA27	LLOC HA22	LLOC HA17	LLOC HA12	LLOC HA07	LLOC HA02
FN IC:1E06	FN IC:1E12	FN IC:1E06	FN IC:1E06	FN IC:1E17	FN IC:1E17	FN IC:1E17	FN IC:1E06	FN IC:1E17	FN IC:1E06	FN IC:1E17	FN IC:1E17	FN IC:1E06	FN IC:1E06
10 KPO55CE6	5 KPO45CE6	3 KPO05AB6	10 KPO50CE6	2 KPO25DF6	2 KPO25DF6	4 KPO30BH6	3 KPO30CE6	2 KPO30CE6	3 KPO30CE6	2 KPO30CE6	3 KPO30CE6	3 KPO15CE6	2 KPO15CE6
11 KPO55CE6	5 KPO45CE6	3 KPO05AB6	10 KPO50CE6	2 KPO25DF6	2 KPO25DF6	4 KPO30BH6	3 KPO30CE6	2 KPO30CE6	3 KPO30CE6	2 KPO30CE6	3 KPO30CE6	3 KPO15CE6	2 KPO15CE6
12 KPO55CE6	5 KPO45CE6	3 KPO05AB6	10 KPO50CE6	2 KPO25DF6	2 KPO25DF6	4 KPO30BH6	3 KPO30CE6	2 KPO30CE6	3 KPO30CE6	2 KPO30CE6	3 KPO30CE6	3 KPO15CE6	2 KPO15CE6
13 KPO55CE6	5 KPO45CE6	3 KPO05AB6	10 KPO50CE6	2 KPO25DF6	2 KPO25DF6	4 KPO30BH6	3 KPO30CE6	2 KPO30CE6	3 KPO30CE6	2 KPO30CE6	3 KPO30CE6	3 KPO15CE6	2 KPO15CE6
14 KPO55CE6	5 KPO45CE6	3 KPO05AB6	10 KPO50CE6	2 KPO25DF6	2 KPO25DF6	4 KPO30BH6	3 KPO30CE6	2 KPO30CE6	3 KPO30CE6	2 KPO30CE6	3 KPO30CE6	3 KPO15CE6	2 KPO15CE6
15 KPO55CE6	5 KPO45CE6	3 KPO05AB6	10 KPO50CE6	2 KPO25DF6	2 KPO25DF6	4 KPO30BH6	3 KPO30CE6	2 KPO30CE6	3 KPO30CE6	2 KPO30CE6	3 KPO30CE6	3 KPO15CE6	2 KPO15CE6
12 FE2	8 FE2	7 FE2	7 FE2	7 FE2	8 FE2	8 FE2	8 FE2	8 FE2	7 FE2	8 FE2	8 FE2	7 FE2	7 FE2
14 FE6	14 FE6	14 FE6	14 FE6	14 FE6	14 FE6	14 FE6	14 FE6	14 FE6	14 FE6	14 FE6	14 FE6	14 FE6	14 FE6
+5VHA70	+5VHA70	+5VHA65	+5VHA60	+5VHA65	+5VHA60	+5VHA65	+5VHA60	+5VHA65	+5VHA60	+5VHA65	+5VHA60	+5VHA65	+5VHA60
LLOC FA67	LLOC FA62	LLOC FA57	LLOC FA52	LLOC FA47	LLOC FA42	LLOC FA37	LLOC FA32	LLOC FA27	LLOC FA22	LLOC FA17	LLOC FA12	LLOC FA07	LLOC FA02
FN IC:1E04	FN IC:1D00	FN IC:1E02	FN IC:1E06	FN IC:1E06	FN IC:1E17	FN IC:1E17	FN IC:1E17	FN IC:1E02	FN IC:1E17	FN IC:1E17	FN IC:1E17	FN IC:1E04	FN IC:1E17
6 KPO15CE6	3 KPO45CE6	2 KPO40CE6	3 KPO40CE6	2 KPO25CE6	3 KPO25CE6	4 KPO30BH6	7 KPO20CE6	7 KPO20CE6	7 KPO20CE6	7 KPO20CE6	7 KPO20CE6	7 KPO20CE6	7 KPO20CE6
6 KPO15CE6	3 KPO45CE6	2 KPO40CE6	3 KPO40CE6	2 KPO25CE6	3 KPO25CE6	4 KPO30BH6	7 KPO20CE6	7 KPO20CE6	7 KPO20CE6	7 KPO20CE6	7 KPO20CE6	7 KPO20CE6	7 KPO20CE6
6 KPO15CE6	3 KPO45CE6	2 KPO40CE6	3 KPO40CE6	2 KPO25CE6	3 KPO25CE6	4 KPO30BH6	7 KPO20CE6	7 KPO20CE6	7 KPO20CE6	7 KPO20CE6	7 KPO20CE6	7 KPO20CE6	7 KPO20CE6
6 KPO15CE6	3 KPO45CE6	2 KPO40CE6	3 KPO40CE6	2 KPO25CE6	3 KPO25CE6	4 KPO30BH6	7 KPO20CE6	7 KPO20CE6	7 KPO20CE6	7 KPO20CE6	7 KPO20CE6	7 KPO20CE6	7 KPO20CE6
6 KPO15CE6	3 KPO45CE6	2 KPO40CE6	3 KPO40CE6	2 KPO25CE6	3 KPO25CE6	4 KPO30BH6	7 KPO20CE6	7 KPO20CE6	7 KPO20CE6	7 KPO20CE6	7 KPO20CE6	7 KPO20CE6	7 KPO20CE6
7 FC2	7 FC2	7 FC2	7 FC2	7 FC2	8 FC2	8 FC2	8 FC2	8 FC2	8 FC2	8 FC2	8 FC2	8 FC2	8 FC2
14 FC6	14 FC6	14 FC6	14 FC6	14 FC6	14 FC6	14 FC6	14 FC6	14 FC6	14 FC6	14 FC6	14 FC6	14 FC6	14 FC6
+5VFA70	+5VFA70	+5VFA65	+5VFA60	+5VFA65	+5VFA60	+5VFA65	+5VFA60	+5VFA65	+5VFA60	+5VFA65	+5VFA60	+5VFA65	+5VFA60
LLOC EA67	LLOC EA62	LLOC EA57	LLOC EA52	LLOC EA47	LLOC EA42	LLOC EA37	LLOC EA32	LLOC EA27	LLOC EA22	LLOC EA17	LLOC EA12	LLOC EA07	LLOC EA02
FN IC:1E12	FN IC:1D00	FN IC:1E04	FN IC:1E12	FN IC:1E12	FN IC:1E04	FN IC:1E17	FN IC:1D15	FN IC:1E17	FN IC:1E17	FN IC:1E17	FN IC:1E17	FN IC:1E17	FN IC:1E17
5 KPO50DF6	3 KPO45CE6	2 KPO40CE6	5 KPO50DF6	1 KPO10BL6	2 KPO55CE6	4 KPO10BE6	2 KPO10BE6	6 KPO10BE6	7 KPO60CF6	7 KPO60CF6	7 KPO60CF6	5 KPO55DL2	14+15
6 KPO50DF6	3 KPO45CE6	2 KPO40CE6	5 KPO50DF6	1 KPO10BL6	2 KPO55CE6	4 KPO10BE6	2 KPO10BE6	6 KPO10BE6	7 KPO60CF6	7 KPO60CF6	7 KPO60CF6	5 KPO55DL2	14+15
7 KPO55DF6	6 KPO45CE6	6 KPO55DF6	6 KPO55DF6	7 KPO45CE6	6 KPO55DF6	7 KPO45CE6	6 KPO55DF6	6 KPO55DF6	6 KPO55DF6	6 KPO55DF6	6 KPO55DF6	6 KPO55DF6	6 KPO55DF6
9 KPO55DF6	11 KPO15DF6	6 KPO55DF6	9 KPO55DF6	9 KPO45CE6	9 KPO45CE6	10 KPO25DF6	10 KPO25DF6	10 KPO25DF6	10 KPO25DF6	10 KPO25DF6	10 KPO25DF6	10 KPO25DF6	10 KPO25DF6
8 FE2	7 FE2	7 FE2	8 FE2	8 FE2	7 FE2	8 FE2	8 FE2	8 FE2	8 FE2	8 FE2	8 FE2	8 FE2	8 FE2
16 FE6	14 FE6	14 FE6	16 FE6	14 FE6	14 FE6	14 FE6	14 FE6	14 FE6	14 FE6	14 FE6	14 FE6	14 FE6	14 FE6
+5VDA70	+5VDA65	+5VDA60	+5VDA65	+5VDA60	+5VDA65	+5VDA60	+5VDA65	+5VDA60	+5VDA65	+5VDA60	+5VDA65	+5VDA60	+5VDA65
LLOC BA67	LLOC BA62	LLOC BA57	LLOC BA52	LLOC BA47	LLOC BA42	LLOC BA37	LLOC BA32	LLOC BA27	LLOC BA22	LLOC BA17	LLOC BA12	LLOC BA07	LLOC BA02
FN IC:1E12	FN IC:1D00	FN IC:1E04	FN IC:1E15	FN IC:1E04	FN IC:1E11	FN IC:1E13	FN IC:1D07	FN IC:1E17	FN IC:1E17	FN IC:1E17	FN IC:1E17	FN IC:1E17	FN IC:1E17
5 KPO55J2	3 KPO50DF6	6 KPO45CE6	4 KPO40CE6	2 KPO55DF6	6 KPO55DF6	6 KPO55DF6	6 KPO55DF6	6 KPO55DF6	6 KPO55DF6	6 KPO55DF6	6 KPO55DF6	6 KPO55DF6	6 KPO55DF6
6 KPO55J2	3 KPO50DF6	6 KPO45CE6	4 KPO40CE6	2 KPO55DF6	6 KPO55DF6	6 KPO55DF6	6 KPO55DF6	6 KPO55DF6	6 KPO55DF6	6 KPO55DF6	6 KPO55DF6	6 KPO55DF6	6 KPO55DF6
7 KPO55J2	6 KPO50DF6	6 KPO45CE6	4 KPO40CE6	2 KPO55DF6	6 KPO55DF6	6 KPO55DF6	6 KPO55DF6	6 KPO55DF6	6 KPO55DF6	6 KPO55DF6	6 KPO55DF6	6 KPO55DF6	6 KPO55DF6
9 KPO55J2	11 KPO55E2	6 KPO45CE6	4 KPO40CE6	2 KPO55DF6	6 KPO55DF6	6 KPO55DF6	6 KPO55DF6	6 KPO55DF6	6 KPO55DF6	6 KPO55DF6	6 KPO55DF6	6 KPO55DF6	6 KPO55DF6
8 FE2	7 FE2	7 FE2	8 FE2	7 FE2	7 FE2	8 FE2	8 FE2	8 FE2	8 FE2	8 FE2	8 FE2	8 FE2	8 FE2
16 FE6	14 FE6	14 FE6	16 FE6	14 FE6	14 FE6	14 FE6	14 FE6	14 FE6	14 FE6	14 FE6	14 FE6	14 FE6	14 FE6
+5VDA70	+5VDA65	+5VDA60	+5VDA65	+5VDA60	+5VDA65	+5VDA60	+5VDA65	+5VDA60	+5VDA65	+5VDA60	+5VDA65	+5VDA60	+5VDA65

D	TAFFY: 12 PAGE(S)
F	PAGE CND PG P/M EC LEVEL
9	KPO05 43443015-3 44646
10	KPO10 402203614 44646
11	KPO15 43443017-3 44646
12	KPO20 402203912 44646
13	KPO25 402204010 44646

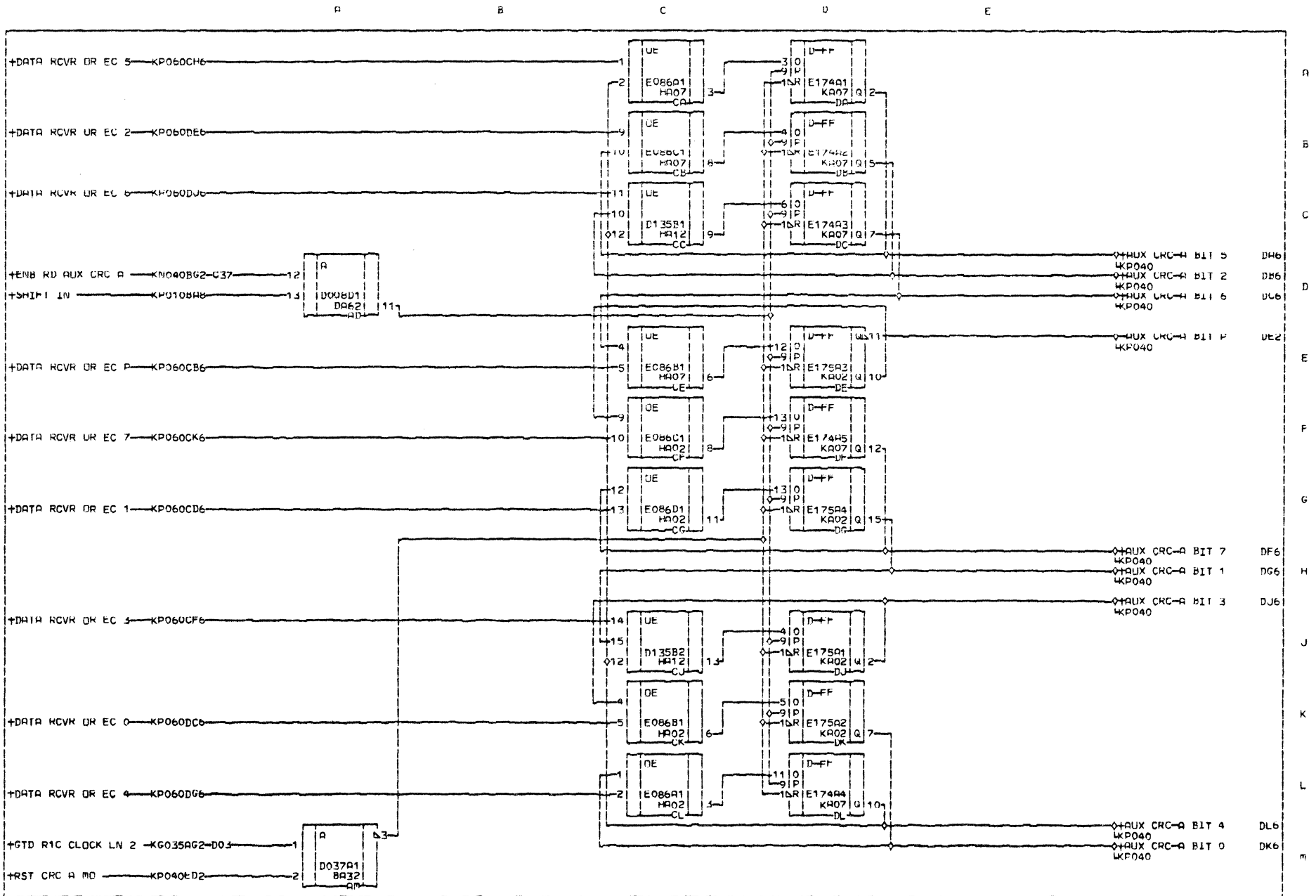
PAGE CND PG P/M EC LEVEL	PAGE CND PG P/M EC LEVEL	PAGE CND PG P/M EC LEVEL
KPO30 43443020-3 44646	KPO35 43443021-1 44646	KPO40 4022041018 44646
KPO45 43443022-7 44646	KPO50 4022042016 44646	

PRESENT EC	44646	DATE	12/16/81	CD PN	43312305-6
PREV EC	44459	PAGE FN	4022037016	CD TYPE	KF
		FLEVEL		PRCTYTF	

C	
F	
9	
10	
11	
12	
13	

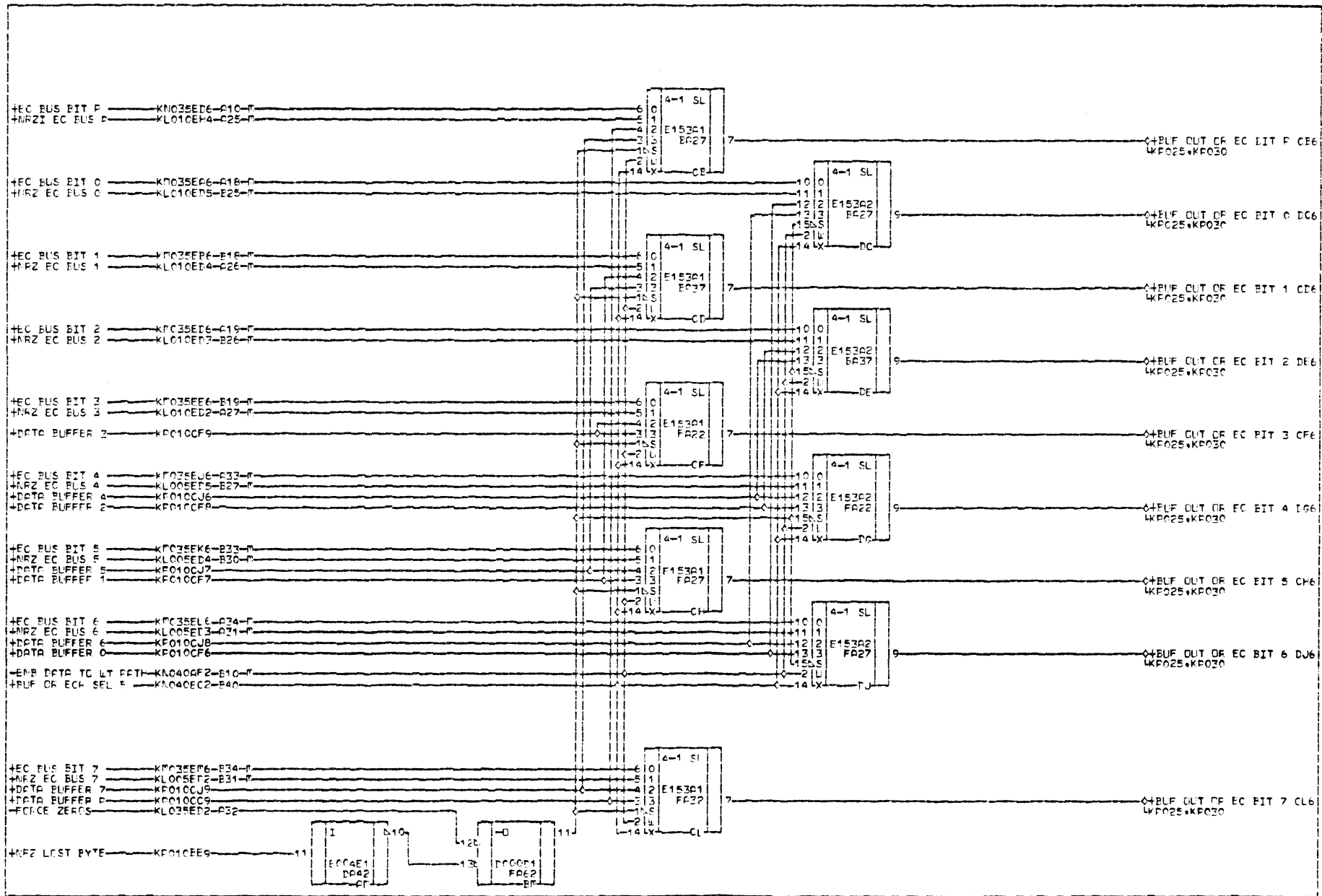


K P C 1 0	STC	DATA BUFFER			K P C 1 0
	- CP. DATE: 4/25/82 - PAGE: 4022026C14 - E.C.: 44741	- SYSTEM PAGE: - PLYER EC: 34595 - WIRING METHOD: PL	- P.P.E.S. E.C.: 44741 - I.P.F.E.V. E.C.: 44485 - DATE: 3/5/82	- P.A.C.H.I.N.F.: S1935 - I.C.F.: LCC P2 - P.G. NO.: 4022043-C1-4	

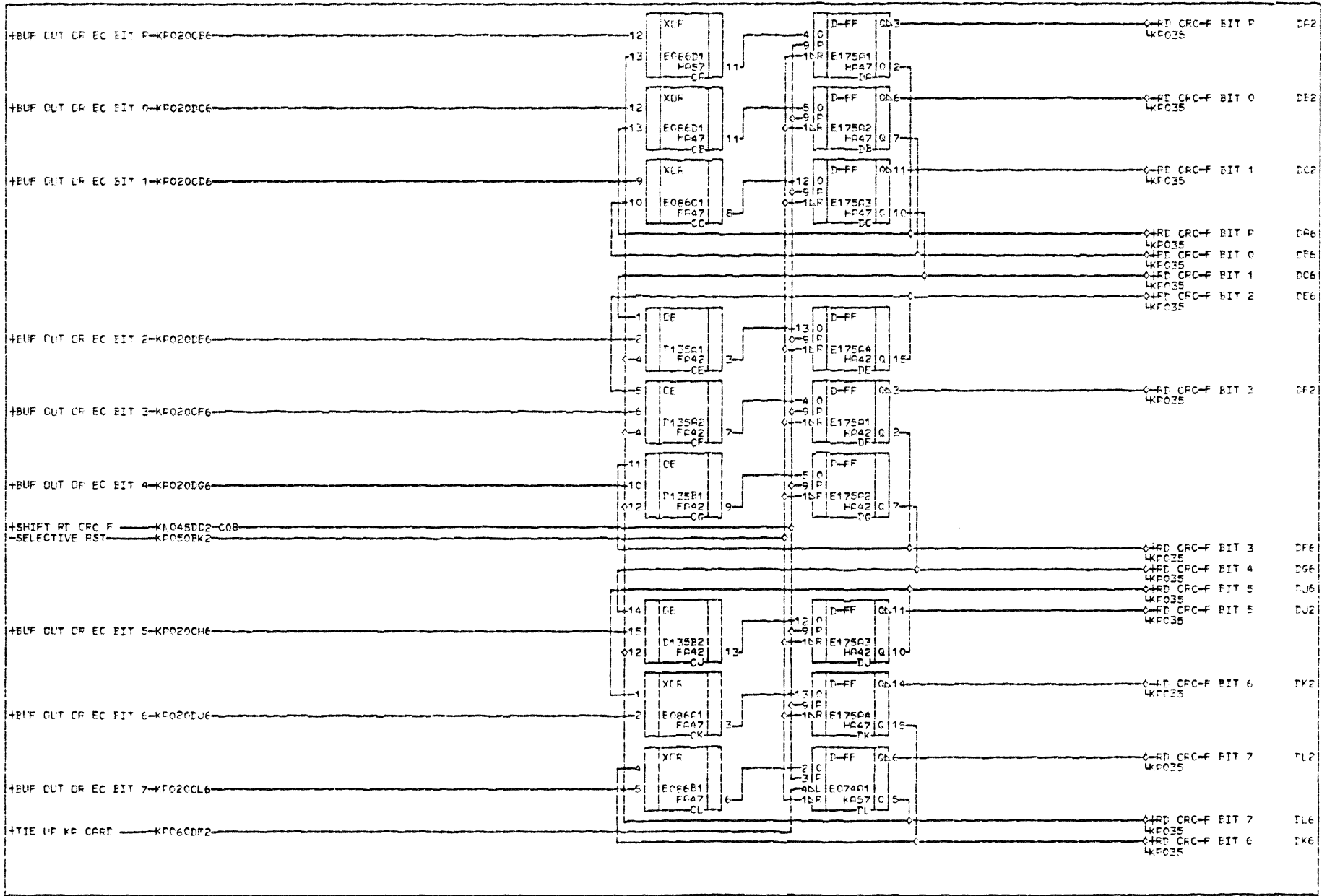


K	STC				READ AUX CRC A REGISTER				K
P									P
0									0
1									1
5									5

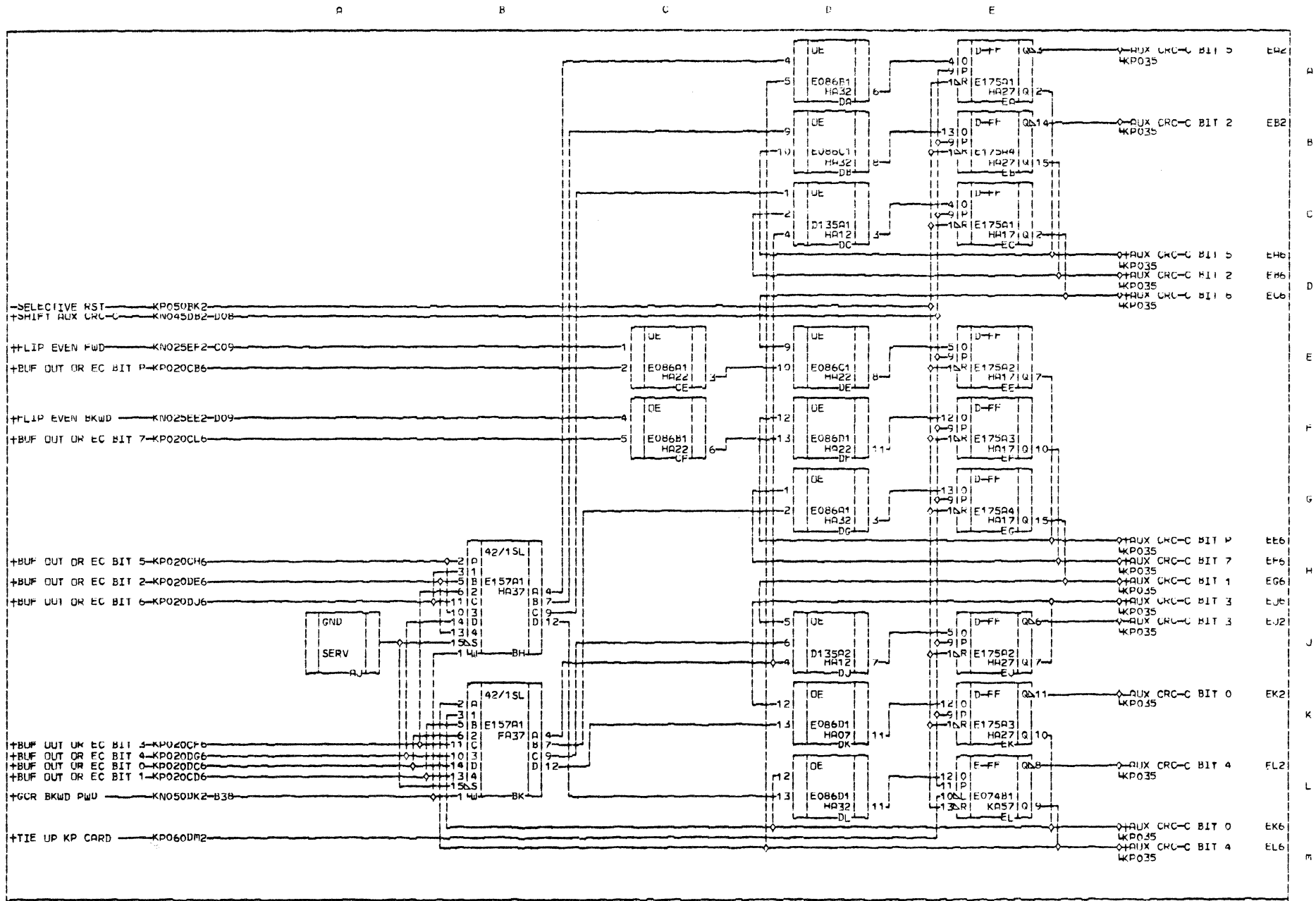
AM	PAGE	REFS	SYSTEM	PAGE	DRFS	E.C.	44032	MACHINE:	S1935
	PAGE	43443017-9	FLYEN	EL	34521	PREV.	E.C.	CD	LUC
	E.C.	44052	WIRING	METHOD:	WP	DATE	01/16/80	PG.	P.n.
								43413014-2	



K P 2 0		DATA BUFFER/EC BUS				K P 2 0	
DR	DCG	LEFS	SYSTEM PAGE	IFRS, E.C.	44741	MACHINE:	S193F
PAGE	A022	I9012	FLYER EC	34595	PREV. E.C.	44459	(D. LOC. F2
E.C.	44741		LINKING METHOD:	PC	DATE	3/5/82	PG. NO. 4022044-01-2

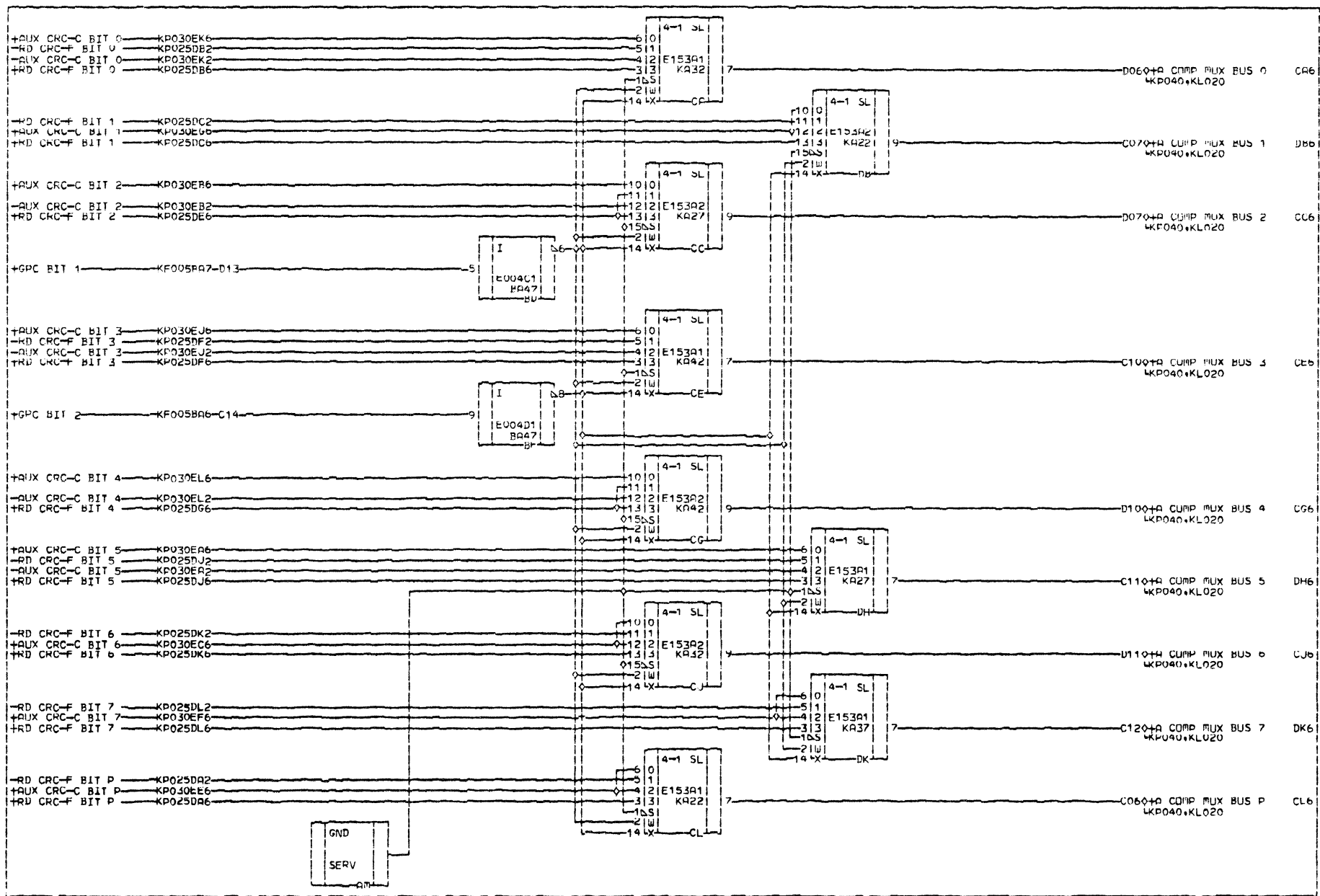


S N O W K	REPT CRC F REGISTER				K P 0 2 5
	— OF PAGE REFS	— SYSTEM PAGE	— IREFS. P.C. 44741	— MACHINE: S1935	
	— PAGE 4022040010	— FLYER EC 34595	— IREFV. E.C. 44459	— ICI. LCC. P2	
	E.C. 44741	— WIRING METHOD: FC/DTE	3/5/82	— PG. NO. 4022045-01-9	



K P 0 3 0	READ AUX CRC C REGISTER				K P 0 3 0
	- AM PAGE REFS	- SYSTEM PAGE	- PRES. E.C. 44032	MACHINE: S1935	
	PAGE 43443020-3	FLYER EC 34521	PREV. E.C.	CD. LOC. P2	
	E.C. 44052	WIRING METHOD:	WP/DATE	01/16/80	
				PG. P.No. 43413017-5	

A B C D E



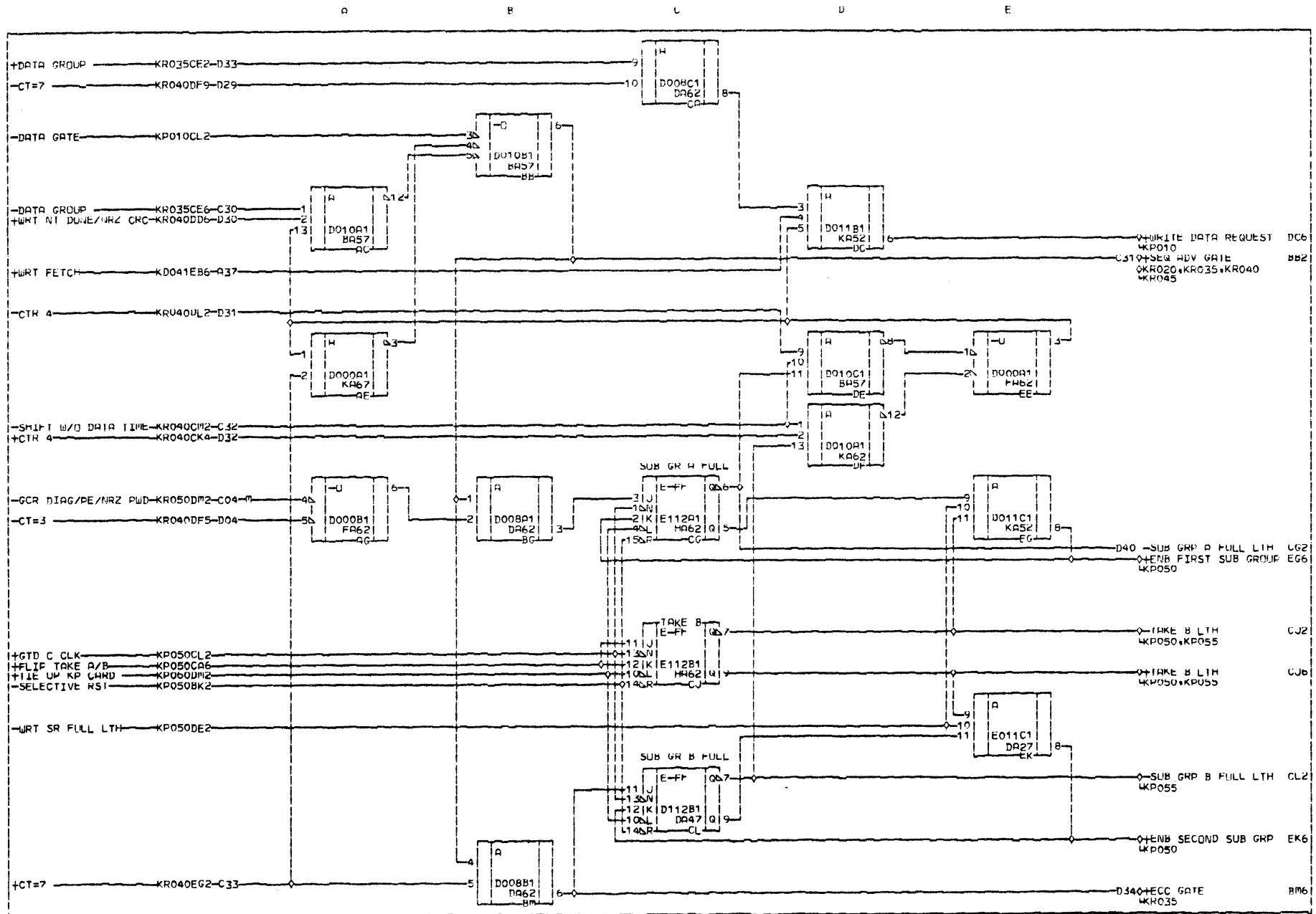
A
B
C
D
E
F
G
H
J
K
L
M

K
D
3
5



A COMPARE MUX BUS

AM PAGE PEFS -	SYSTEM PAGE	PREF. E.C. 44032	MACHINE: 51935	K
PAGE 43443021-1	FLYER EC 34521	PREV. E.C.	CD. LOC. P2	D
E.C. 44052	WIRING METHOD: WP	DATE 01/16/80	PG. P.N. 43413018-3	3
				5

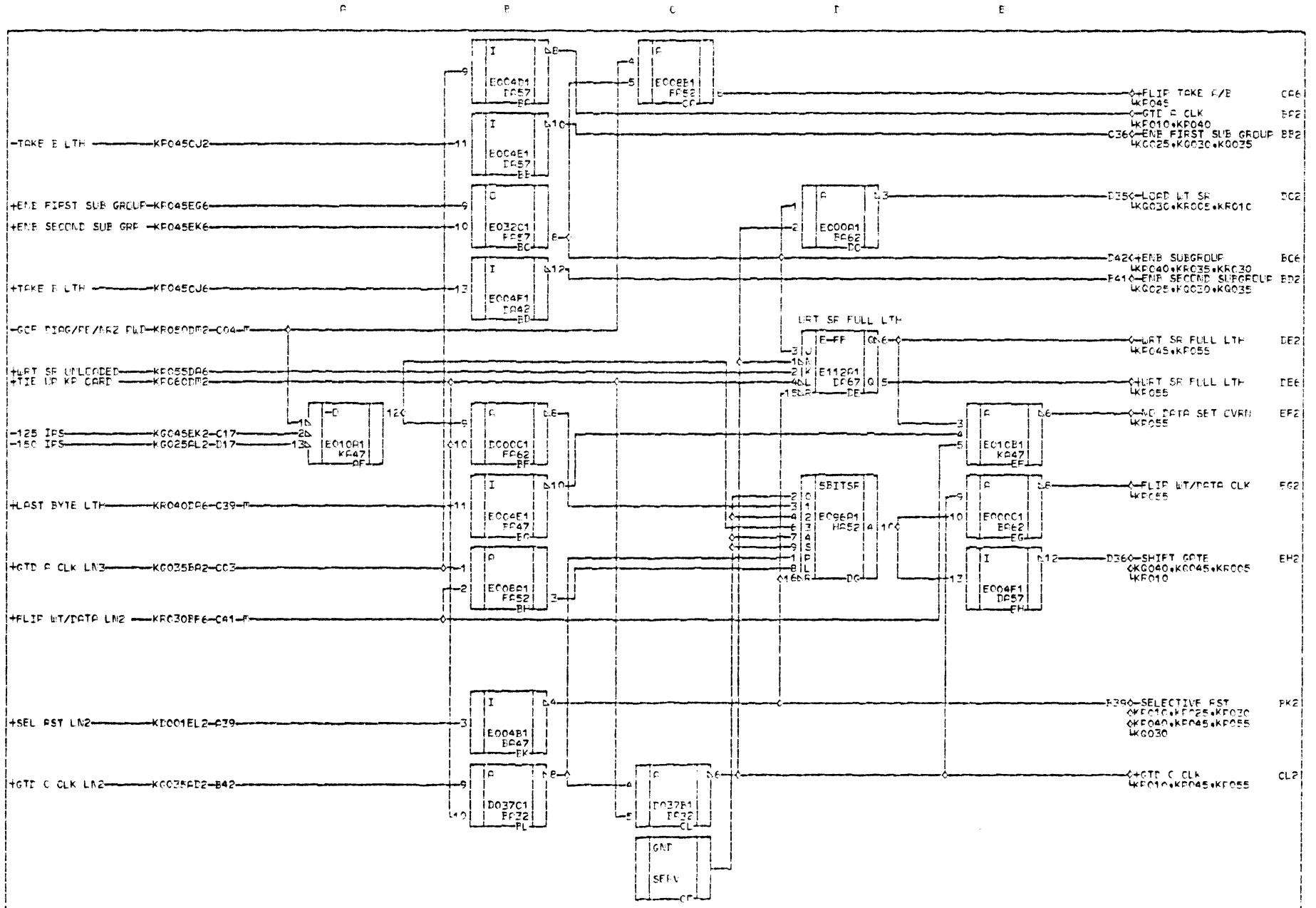


K
P
O
S

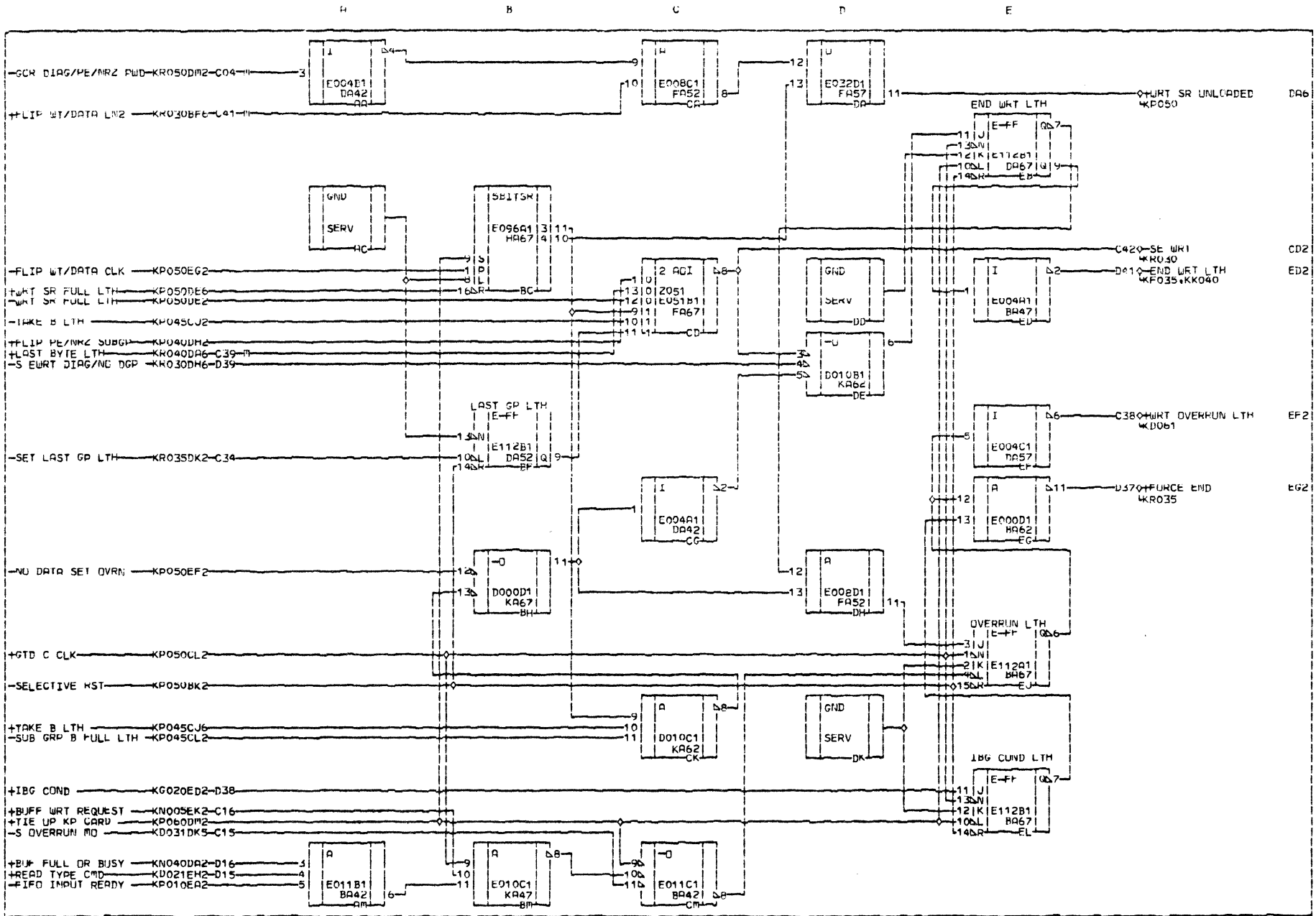


SUB GROUP A FULL, SUB GROUP B FULL, TAKE B LATCHES			
- AM PAGE REFS -	- SYSTEM PAGE -	- PRES. E.C. 44032	MACHINE: S1935
PAGE 43443023-7	FLYER EC 34521	PREV. E.C.	CD. LUC. P2
E.C. 44052	WIRING METHOD: WP	DATE 01/16/80	PG. P.No. 43413020-91

K
P
O
S



K P C E C	LEFT SHIFT REG FULL LTH AND POWERING			
	REV 1	SYSTEM PAGE	FFS, F.C. 44741	POCHINE: 51925
	REV 2	PAGE 402204216	FLYER EC 34595	CD. LOC. F2
		F.C. 44741	WIRING METHOD: FC DATE	3/5/62
				PG. NO. 4022047-01-5

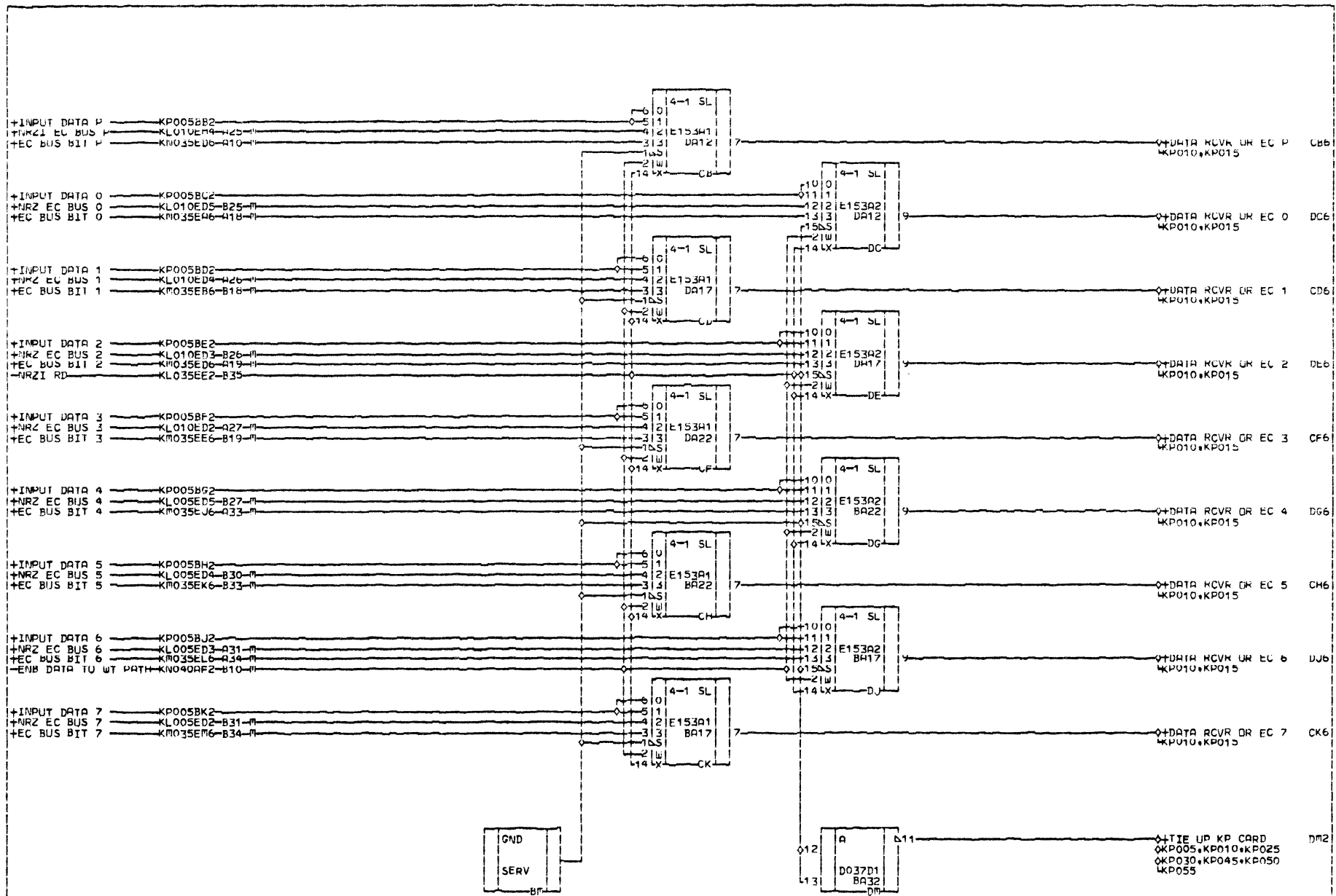


K
P
O
S
S



END WHITE AND WRT OVRN LTHS			
- AM PAGE REFS	- SYSTEM PAGE	- PRES. E.C. 44032	MACHINE: S1935
PAGE 4344J025-2	FLYER EC 34521	PREV. E.C.	CD. LUC. P2
E.C. 44052	WIRING METHOD: WP	DATE	01/16/80
			PG. P.No. 43413022-5

A
B
C
D
E
F
G
H
J
K
L
M



K
P
0
6
0



EC BUS/INPUT DATA/NRZI SELECT

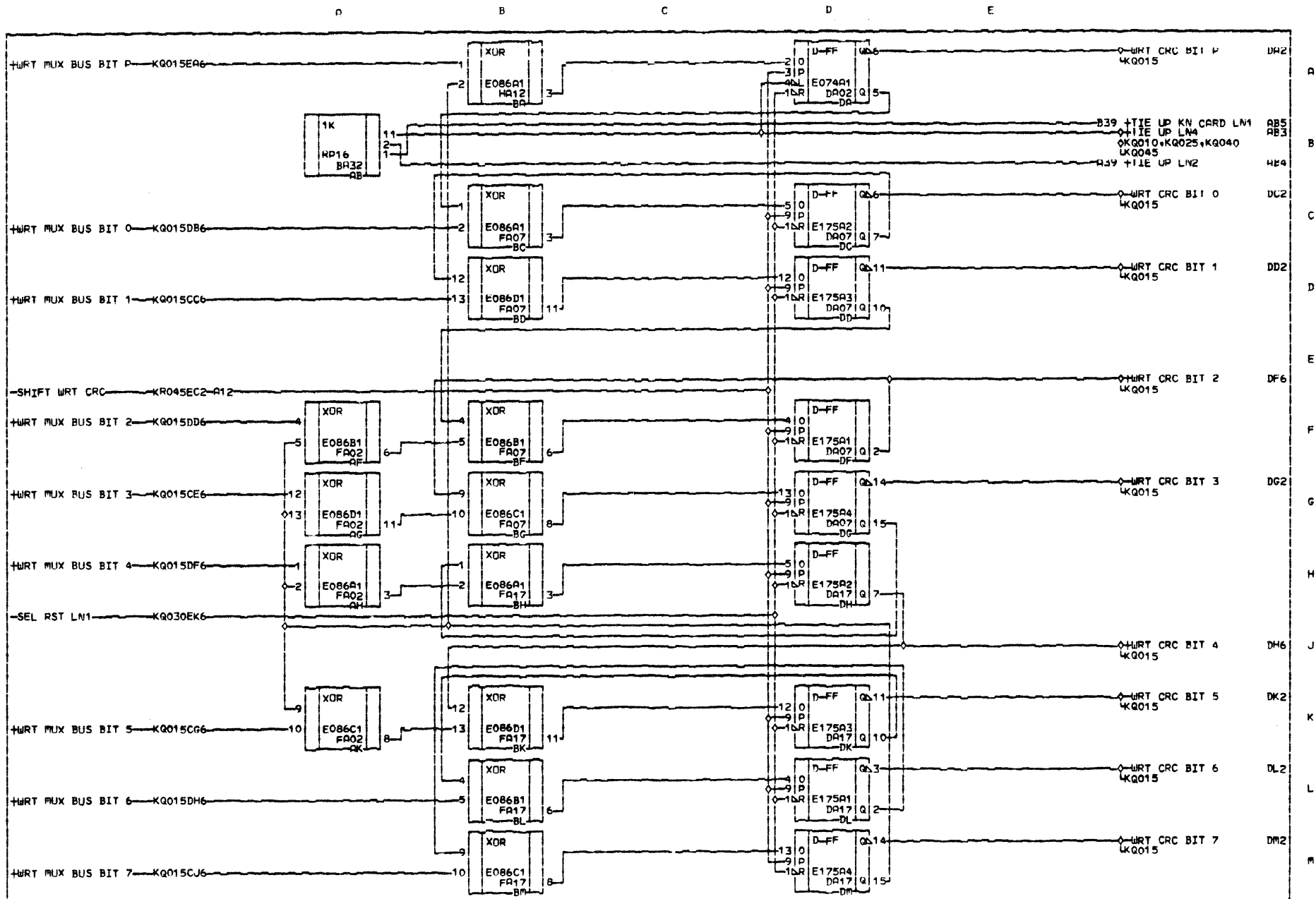
AM	PAGE REFS	SYSTEM PAGE	PRES. E.C. 44032	MACHINE: S1935	K
PAGE 4443026-0	FLYER EC 34521	WIRING METHOD: WP	PREV. E.C.	LD. LUC. P2	P
E.C. 44052		DATE	01/16/80	PG. P. # 43413023-3	0

ASSEMBLY PARTS LIST

REVISED ARC DOC

PRINT DATE	PAGE	E.C. NO.
10-20-82	1	44489

DIV.	ASSEMBLY NUMBER	CD	REV.	DWG.	DESCRIPTION	MC	STATUS	STATUS DATE	FILE DATE					
0500	401598501	5	A	B	SYS LGC GRP, KQ 401599201, PC	N	REL	04-14-81	1985	07-28-81				
T FIND NO	LI	PART NUMBER	CD	M	QUANTITY	U/M	PART DESCRIPTION	MC	YLD	E.C. NO. IN	E.C. NO. OUT	S.N.	WK IN	WK OUT
001	01	401231902	8		REF	PC	CD LGC, KQ, AM975, PC	0		44489			8114	
005	01	401261602	7		REF	PC	SYS LGC KQ005, PC	0		44489			8114	
010	01	401261701	7		REF	PC	SYS LGC, KQ010, PC	0						
015	01	401261801	5		REF	PC	SYS LGC, KQ015, PC	0						
020	01	401261901	3		REF	PC	SYS LGC, KQ020, PC	0						
025	01	401262001	1		REF	PC	SYS LGC, KQ025, PC	0						
030	01	401262101	9		REF	PC	SYS LGC, KQ030, PC	0						
035	01	401262201	7		REF	PC	SYS LGC, KQ035, PC	0						
040	01	401262301	5		REF	PC	SYS LGC, KQ040, PC	0						
045	01	401262402	1		REF	PC	SYS LGC, KQ045, PC	0		44489			8114	
050	01	401262501	0		REF	PC	SYS LGC, KQ050, PC	0						
055	01	401262601	6		REF	PC	SYS LGC, KQ055, PC	0						
500	01	401599201	1		REF	PC	CKT CD, KQ, PC, ASSY	5		44489			8114	
						0013 TOTAL LINES								



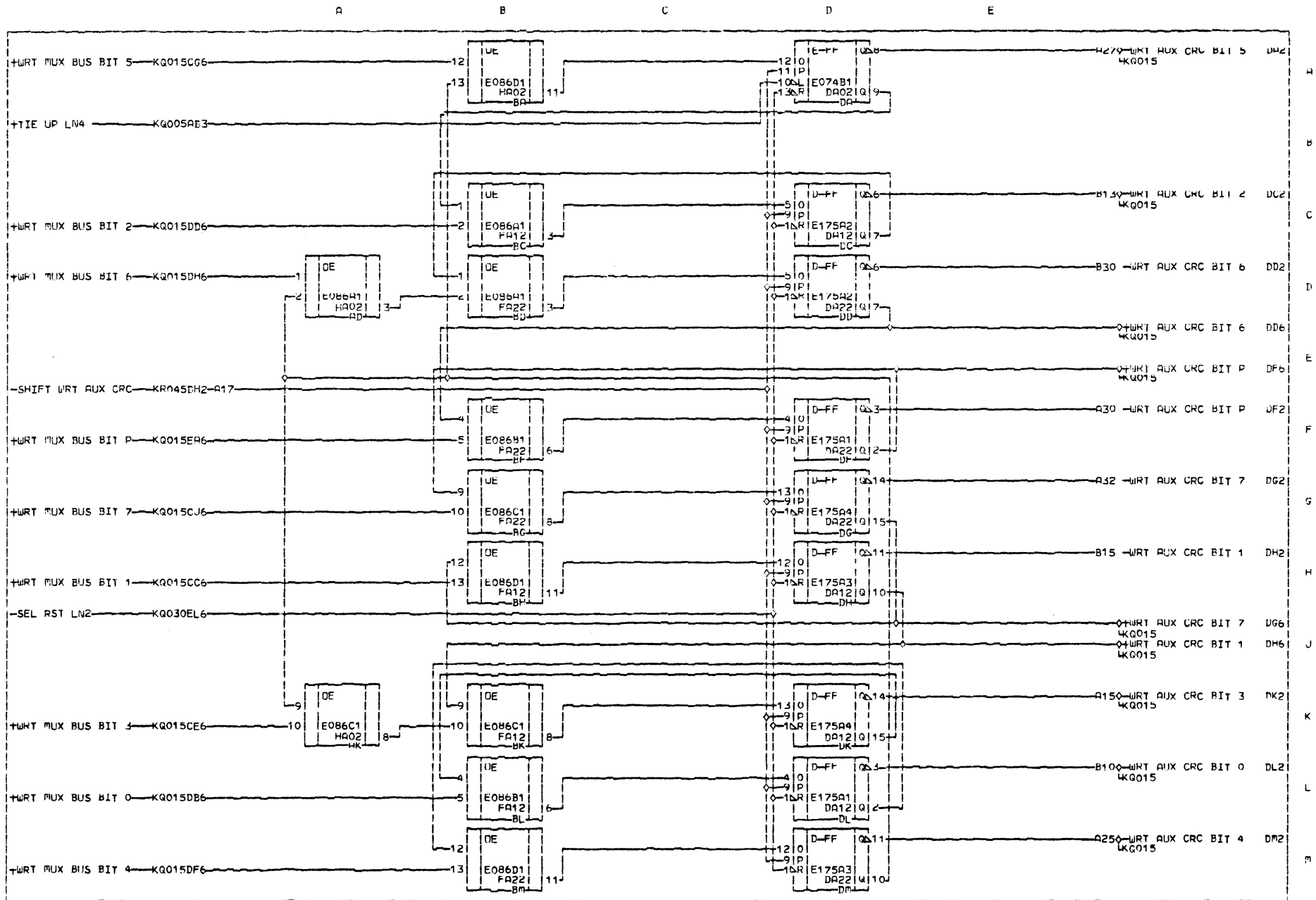
K
Q
0
5

STC

WRITE CRC GENERATION

- AM PAGE REFS -	- SYSTEM PAGE -	PREP. E.C. 44489	MACHINE: S1935
PAGE 4012320026	FLYER EC PROTOTYP	PREV. E.C. 44154	CD. LDC 02
E.C. 44489	WIRING METHOD: PC	DATE 3/17/81	PG. P.N. 4012616027

K
Q
0
5

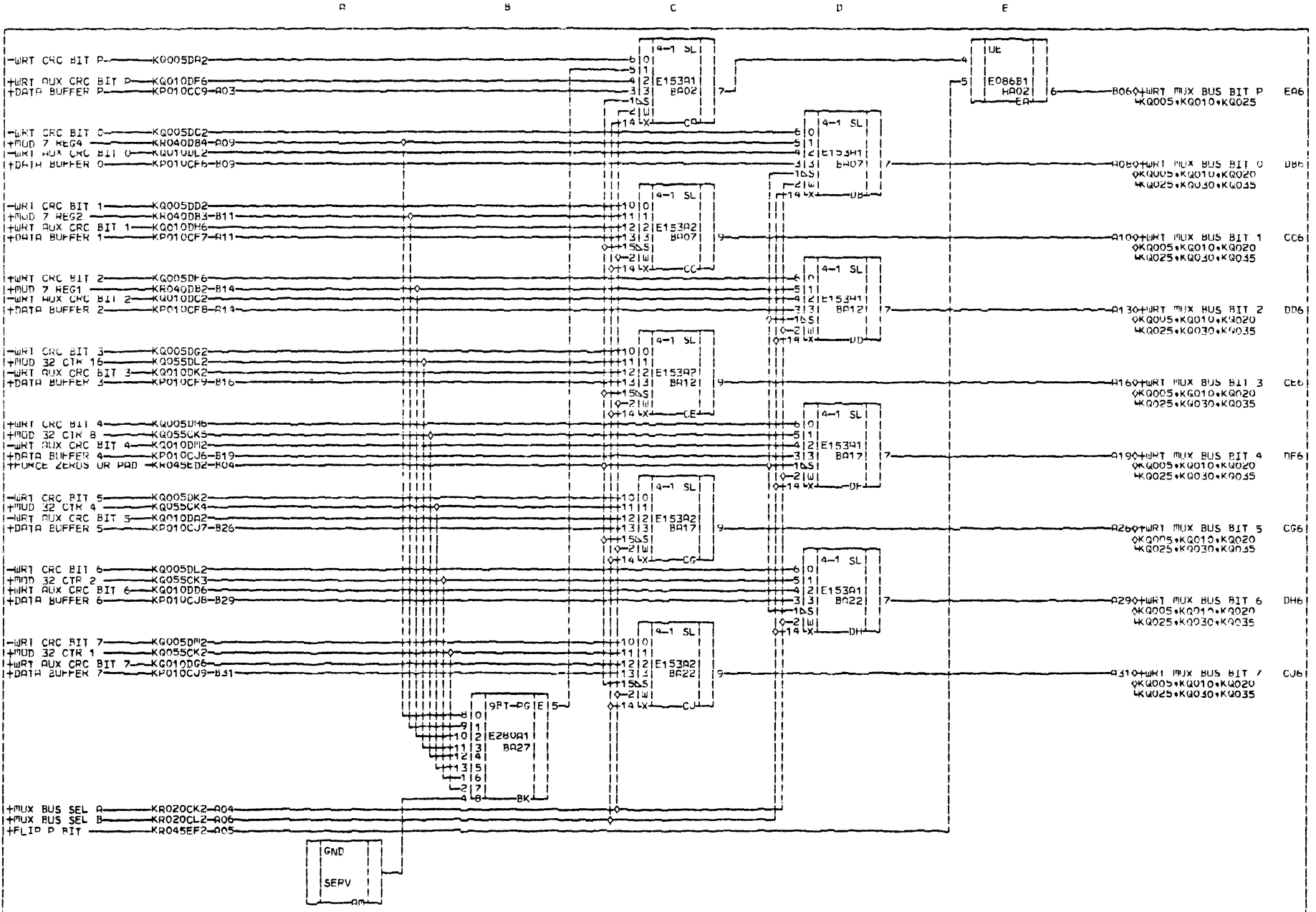


K
Q
0
1
0

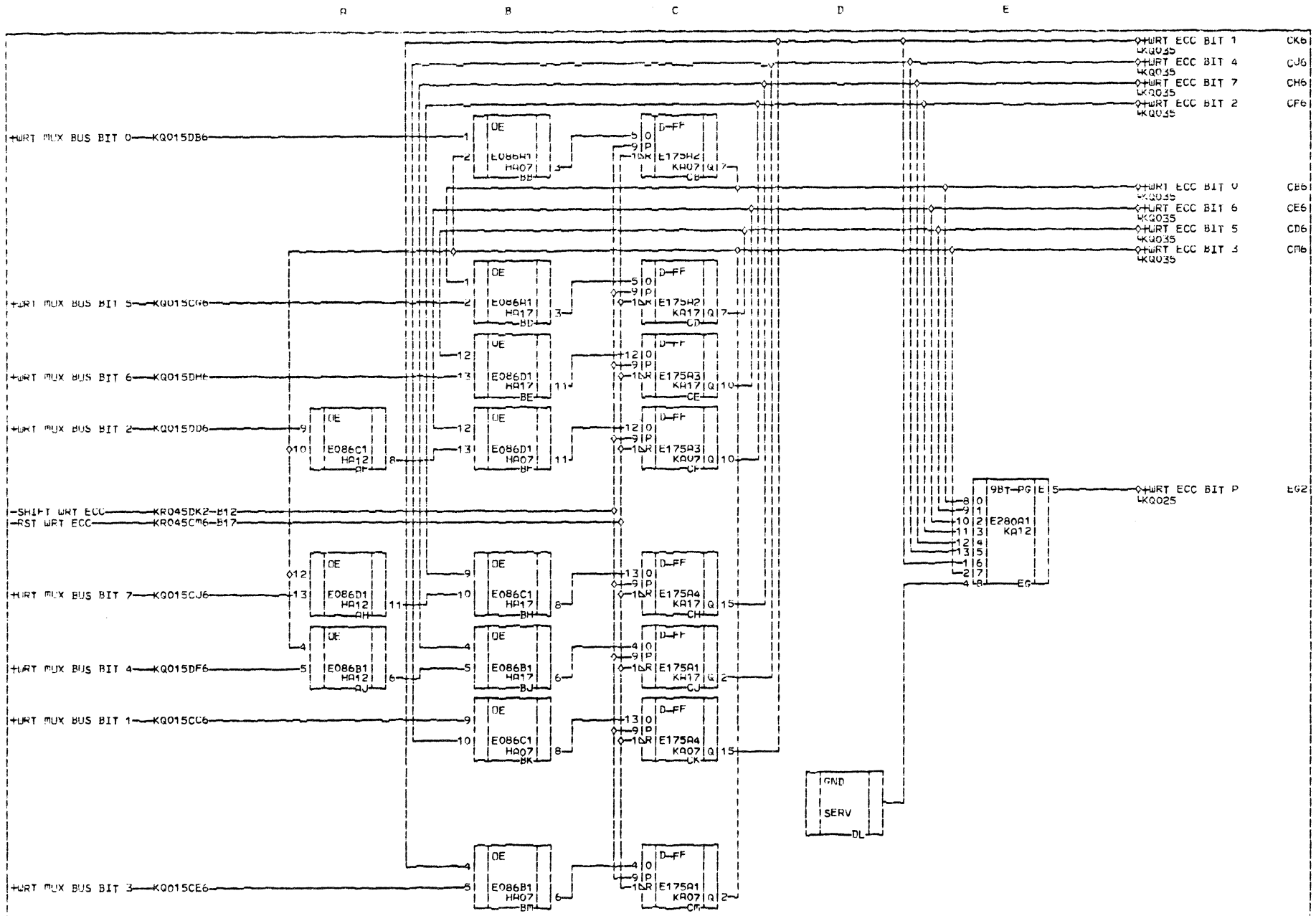


WRITE AUX CRC GENERATION

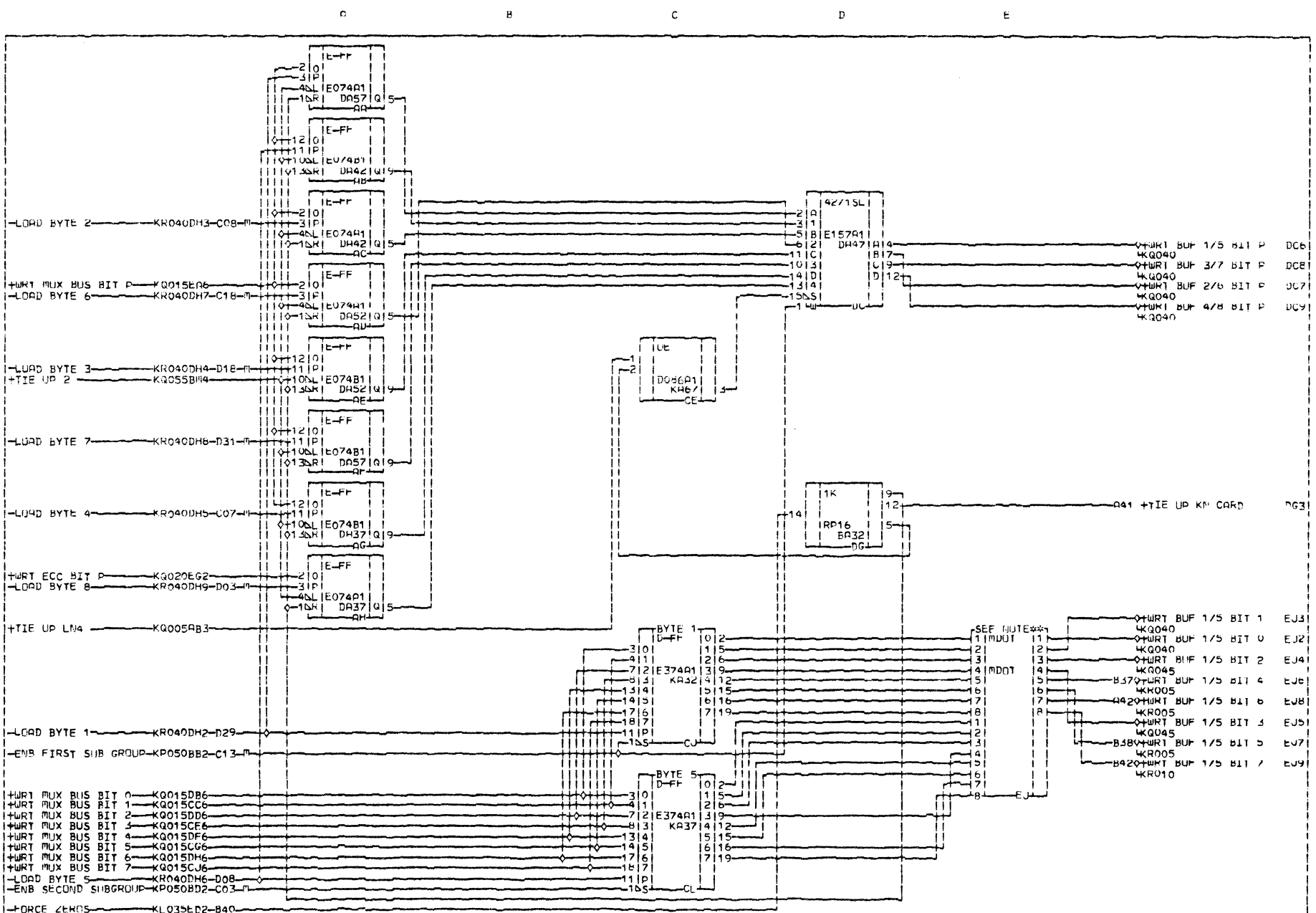
AM	PAGE	HEFS	SYSTEM	PAGE	PRES. E.C.	44154	MACHINE:	1935	K
PAGE	4012321016	FLYER EC	PROTOTYP	PREV. E.C.	44154	CU. LUC	Q2	1	Q
E.C.	44154	WIRING METHOD:	PC	DATE	5/15/80	PG. P.N.	40126170171	0	0



K Q 0 1 5	STC	WRITE MUX BUS		K Q 0 1 5
- AIR PAGE REFS PAGE 4012322014 E.C. 44154		- SYSTEM PAGE FLYER EC PROTOTYP WIRING METHOD: PC DATE		PRES. E.C. 44154 PREV. E.C. MACHINE: 1935 CD. LUC. 02 FG. P.N. 401261B015



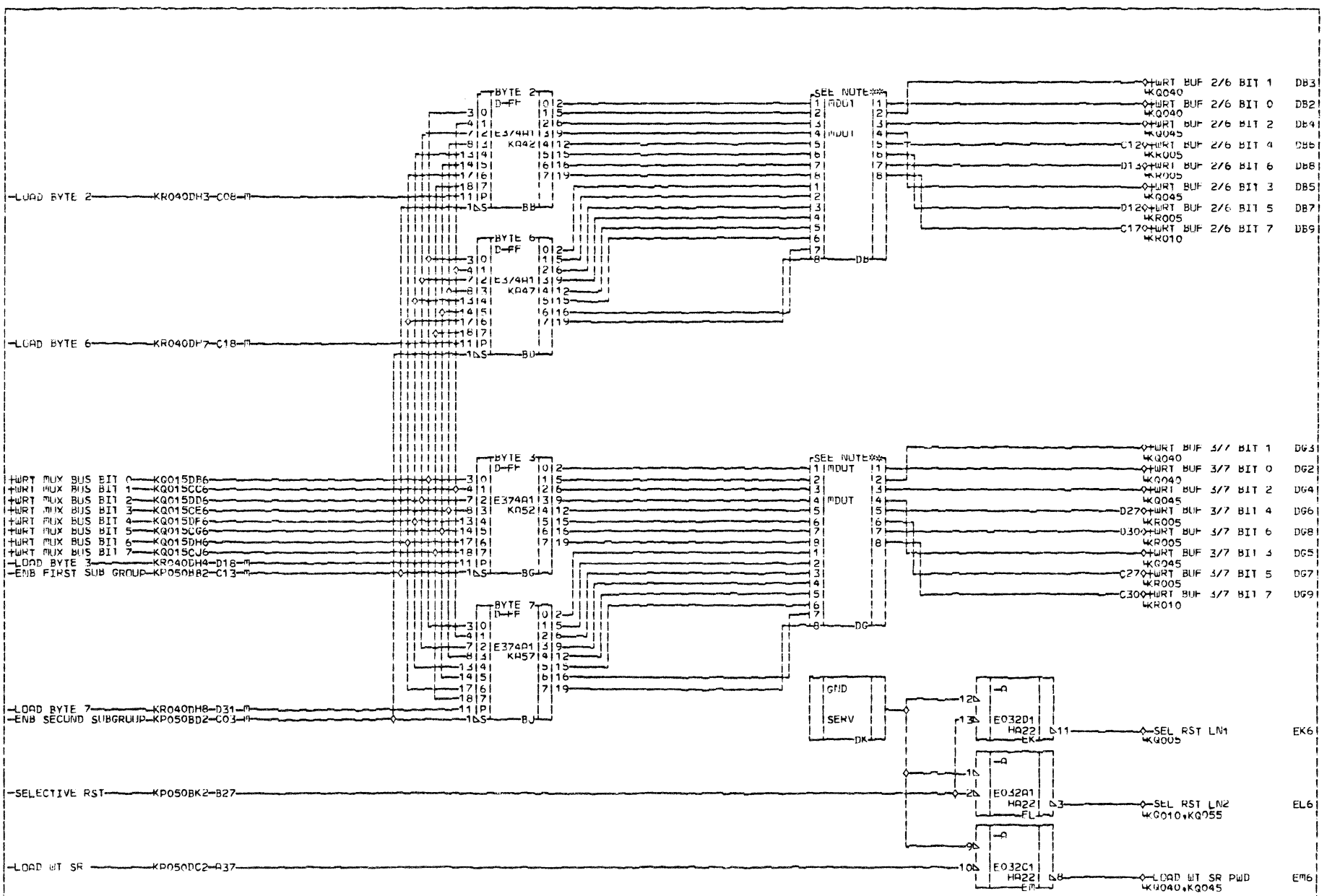
00000	STC				WRITE ECC GENERATION				K
	AN PAGE REFS	SYSTEM PAGE	PRES. E.C.	44154	MACHINE:	1935			0
	4012323012	FLYER EC PROTOTYP	PREV. E.C.		CD. LUC:	Q2			2
E.C. 44154	WIRING METHOD: PC	DATE	5/13/80	PG. P.N.:	4012619013				0



K **NOTE: THE PAIRS OF MATCHING NUMBERS IN THE LEFT COLUMN
 Q INDICATE THAT THE TWO INPUTS ARE DOTTED TOGETHER
 0 AND THE MATCHING NUMBER IN THE RIGHT COLUMN IS
 2 THEIR OUTPUT.
 5



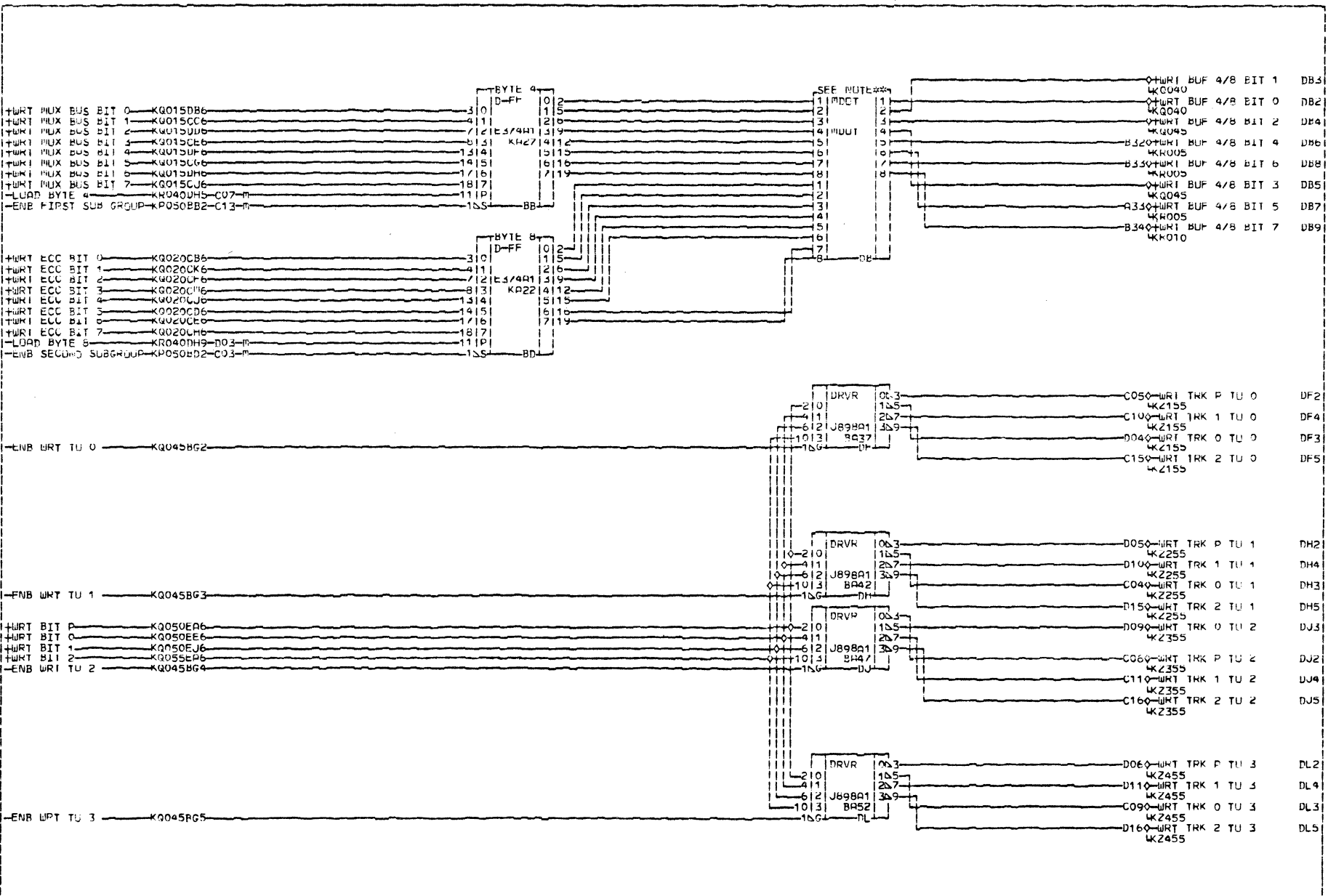
AM	PAGE	REFS	SYSTEM	PAGE	PREV. E.C.	44154	MACHINE:	1935	K
	PAGE	4012324070	FLYER	EC	PROTOTYP	PREV. E.C.	CD:	LOC: Q2	Q
	E.C.	44154	WIRING	METHOD:	PC	DATE	5/20/80	PG. P.No.	4012620011
									5



NOTE: THE PAIRS OF MATCHING NUMBERS IN THE LEFT COLUMN INDICATE THAT THE TWO INPUTS ARE DOTTED TOGETHER AND THE MATCHING NUMBER IN THE RIGHT COLUMN IS THEIR OUTPUT.



Am	PAGE	REFS	SYSTEM PAGE	PREP. E.C.	44154	MACHINE:	1935	K
PAGE	4012325017		FLYER EC PROTOTYPE	PREV. E.C.		CD. LUG.	Q2	Q
E.C.	44154		WIRING METHOD:	PC DATE	5/13/80	PG. No.	4012621019	0

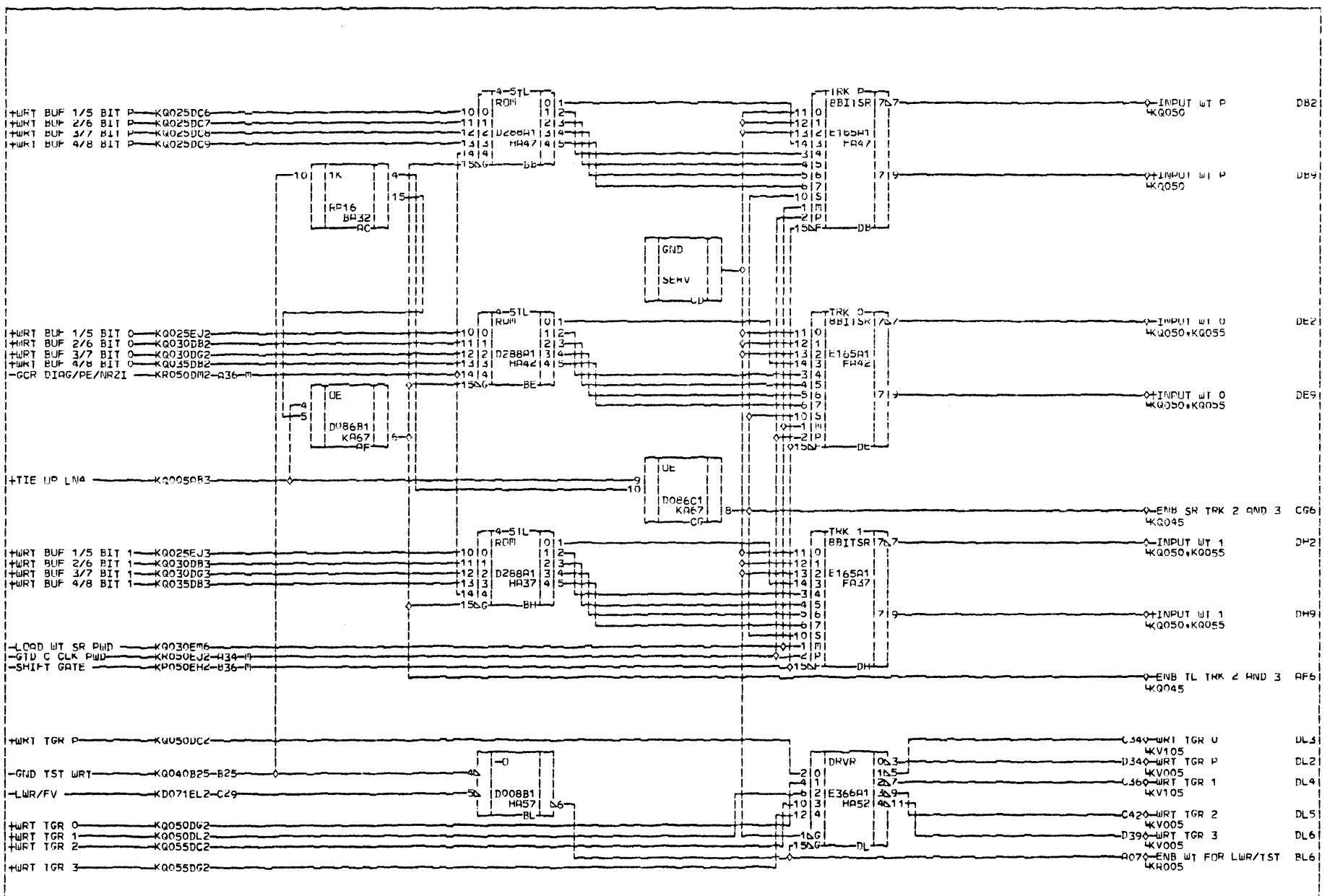


***NOTE: THE PAIRS OF MATCHING NUMBERS IN THE LEFT COLUMN INDICATE THAT THE TWO INPUTS ARE DUTIED TOGETHER AND THE MATCHING NUMBER IN THE RIGHT COLUMN IS THEIR OUTPUT.

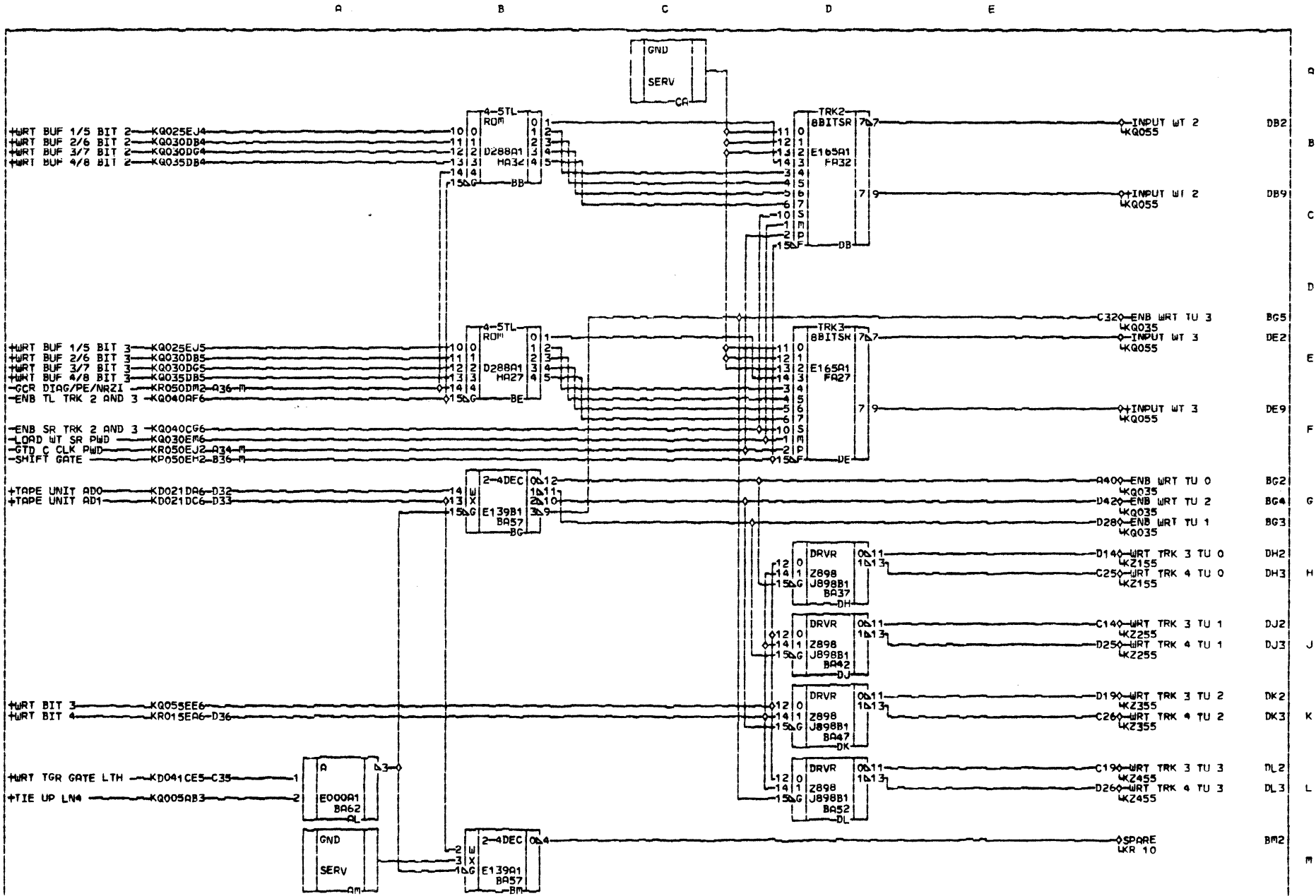


- AM PAGE REFS -		- SYSTEM PAGE -		- PRES. E.C. 44154		MACHINE: 1935	
PAGE 4012326015		FLYER EC PHOTOTYP		IPREV. E.C.		CD. LUC. 02	
E.C. 44154		WIRING METHOD: PC		DATE 5/13/80		PG. P.N. 4012622017	

A B C D E



K Q 4 0	STC				TRANSLATION WRITE DATA TKS P*0.1				K Q 4 0	
	- OM	PAGE	REFS	- SYSTEM PAGE	PREP.	E.C.	44154	MACHINE:		1935
	PAGE	4012327013		FLYER	EL	WRUTUTYP	PREV.	E.C.		44154
	E.C.	44154		WIRING	METHOD:	PC	DATE	5/13/80		IPG

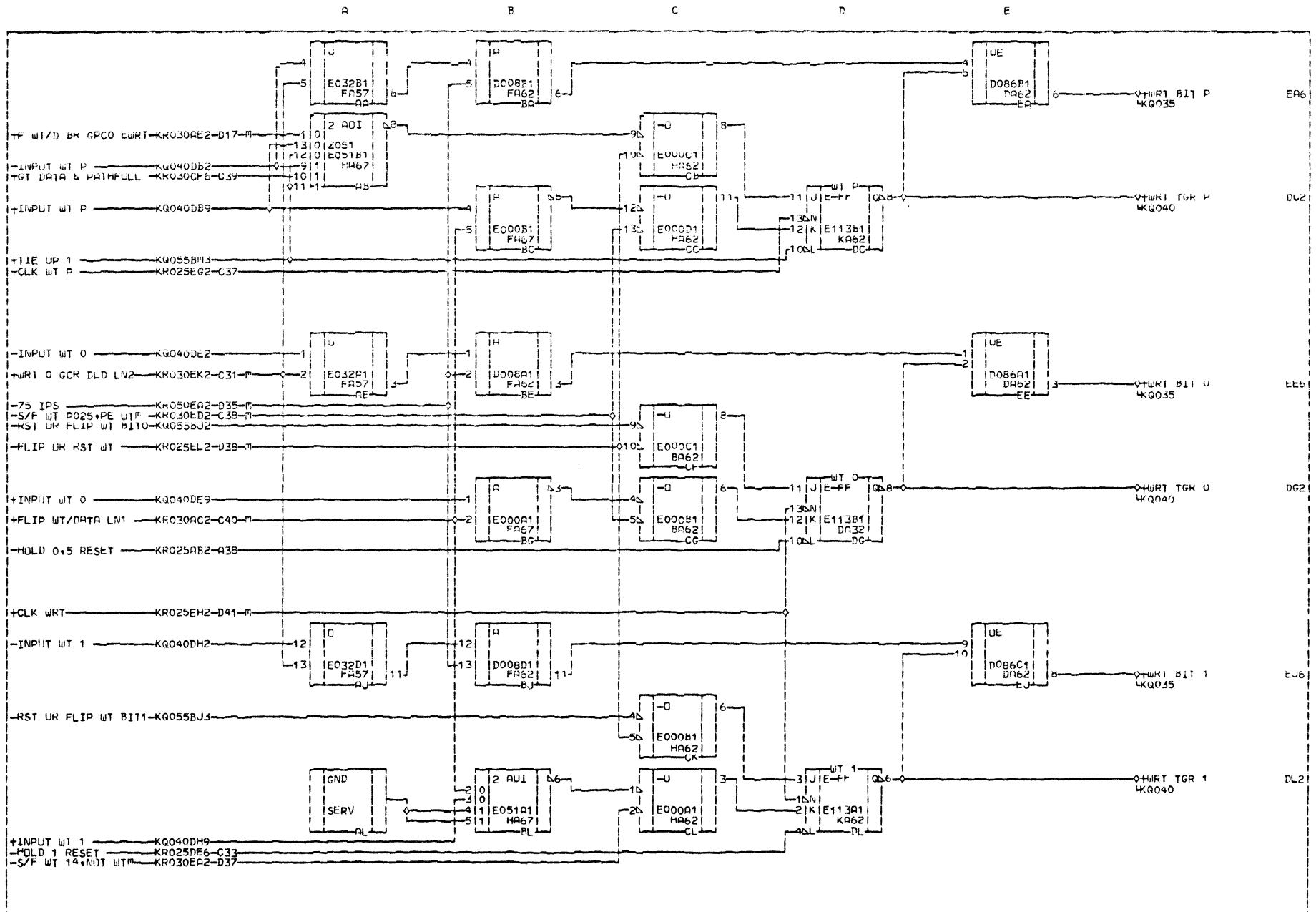


K
Q
4
5



TRANSLATION WRT DATA TKS 2,3/WRT POWERING		MACHINE: S1935	
AM PAGE REFS	SYSTEM PAGE	PRES. E.C. 44489	CD. LOC. Q2
PAGE 4012328029	FLYER EC PROTOTYP	PREV. E.C. 44154	PG. P.N. 4012624021
E.C. 44489	WIRING METHOD: PC	DATE 3/17/81	

K
Q
4
5



K
Q
0
0
0



WRITE TRIGGERS P.0.1			
Am	PAGE	REFS	SYSTEM PAGE
PAGE	4015	329019	FLYER EC PROTOTYP
E.C.	44154		WIRING METHOD: PC DATE
PREV. E.C.	44154		MACHINE: 1935
			IGD: LUC: Q2
			PG: P.N.: 4012625010

K
Q
0
0
0

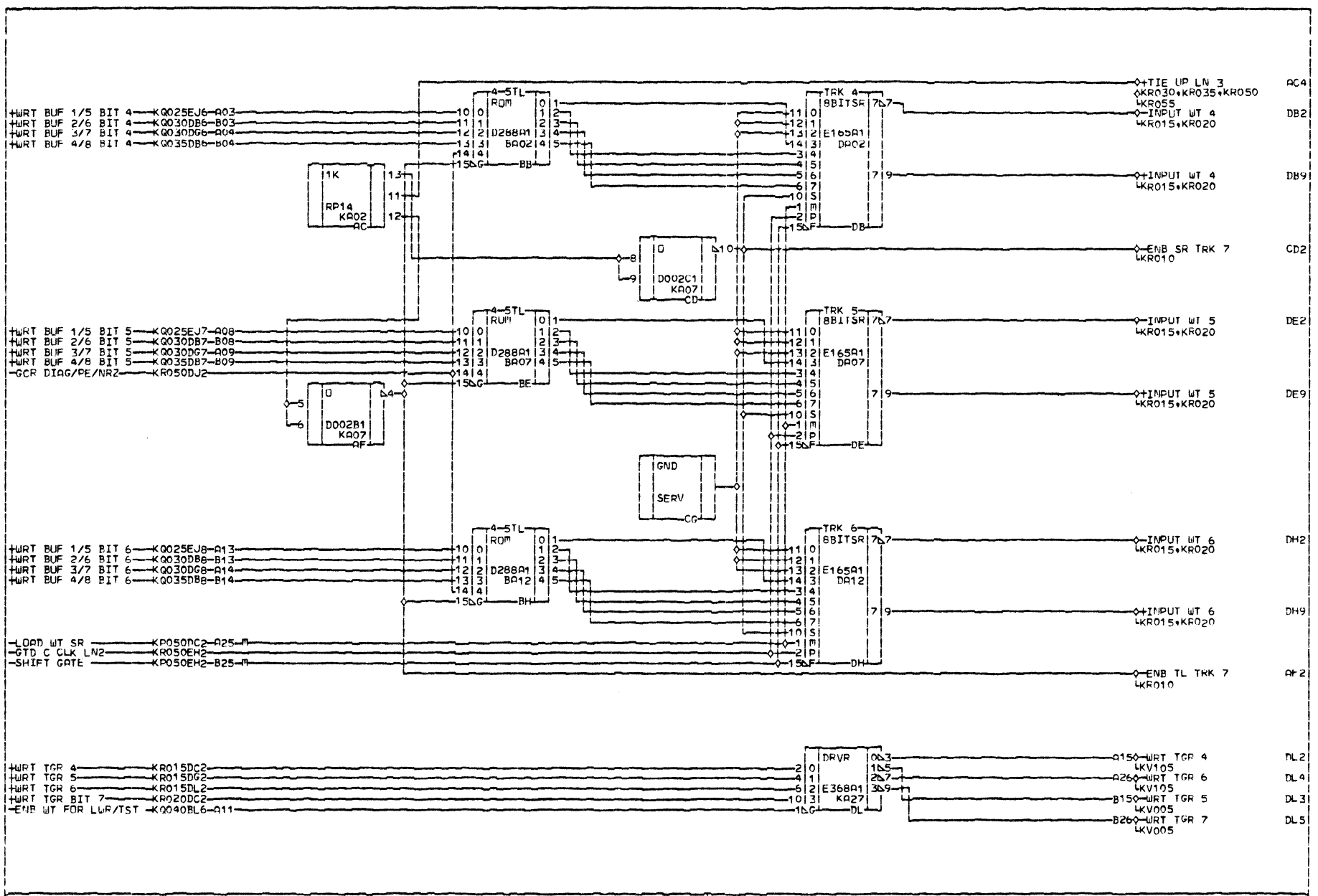
ASSEMBLY PARTS LIST

DATE: APR 1985

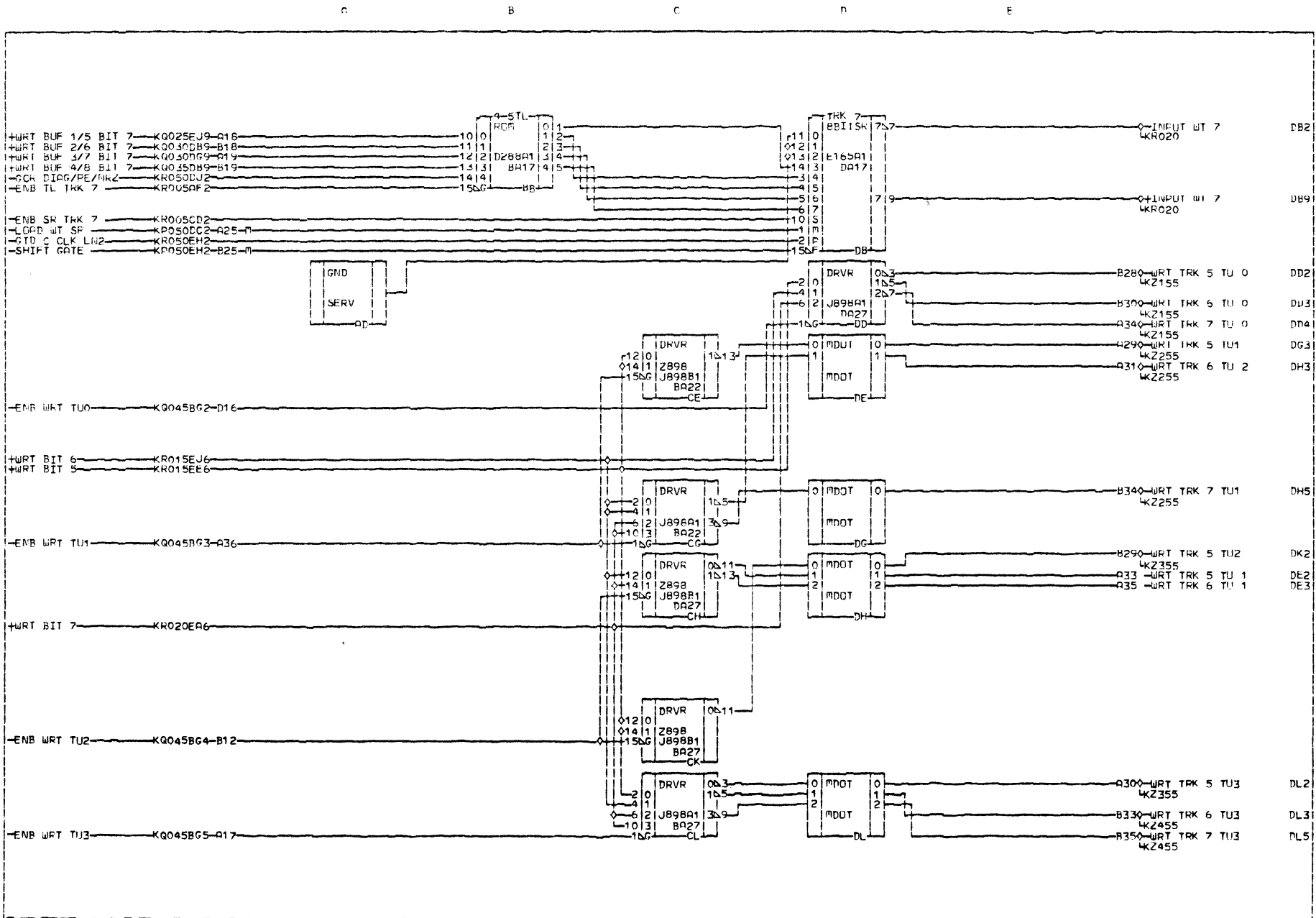
PRINT DATE	PAGE	E.C. NO
10-20-82	1	4448

DIV.	ASSEMBLY NUMBER	CD	REV.	DWG.	DESCRIPTION	MC	STATUS	STATUS DATE	FILE DATE						
0500	401598601	3	A	B	SYS LGC GRP, KR, 401529201, PC	M	REL	04-14-81	1985	05-15-81					
T	FIND NO	LI	PART NUMBER	CD	M	QUANTITY	U/M	PART DESCRIPTION	MC	YLD	EC NO IN	EC NO OUT	S N	WK IN	WK OUT
	001	01	401233603	0		REF	PC	CD LGC, AM 985, KR, PC	D						
	002	01	401262802	2		REF	PC	SYS LGC, KR005, PC	D						
	003	01	401262902	0		REF	PC	SYS LGC, KR010, PC	D						
	004	01	401263001	0		REF	PC	SYS LGC, KR015, PC	D						
	005	01	401263101	8		REF	PC	SYS LGC, KR020, PC	D						
	006	01	401263202	4		REF	PC	SYS LGC, KR025, PC	D						
	007	01	401263401	2		REF	PC	SYS LGC, KR035, PC	D						
	008	01	401263502	7		REF	PC	SYS LGC KR040, PC	D						
	009	01	401263601	7		REF	PC	SYS LGC, KR045, PC	D						
	010	01	401263703	1		REF	PC	SYS LGC, KR050, PC	D						
	011	01	401500201	9		REF	PC	SYS LGC, KR055, PC	D						
	012	01	401529201	6		REF	PC	CKT CD, KR, PC ASSY	S						
	013	01	401263301	4		REF	PC	SYS LGC, KR030, PC	D		PLC 3690			8134	
								0013 TOTAL LINES							

A B C D E



K R O S	E T C	TRANSLATION WRITE DATA TKS 4*5*6			K R O S	
		Am PAGE AFFS	SYSTEM PAGE	DRES. E.C. 44374		MACHINE: S1935
		PAGE 4012337020	FLYER EC PROTUIYP	PREV. E.C. 44193		CD. LOC. R2444
		E.C. 44374	WIRING METHOD: DC DATE	4/02/81	PG. P.No. 4012628022	



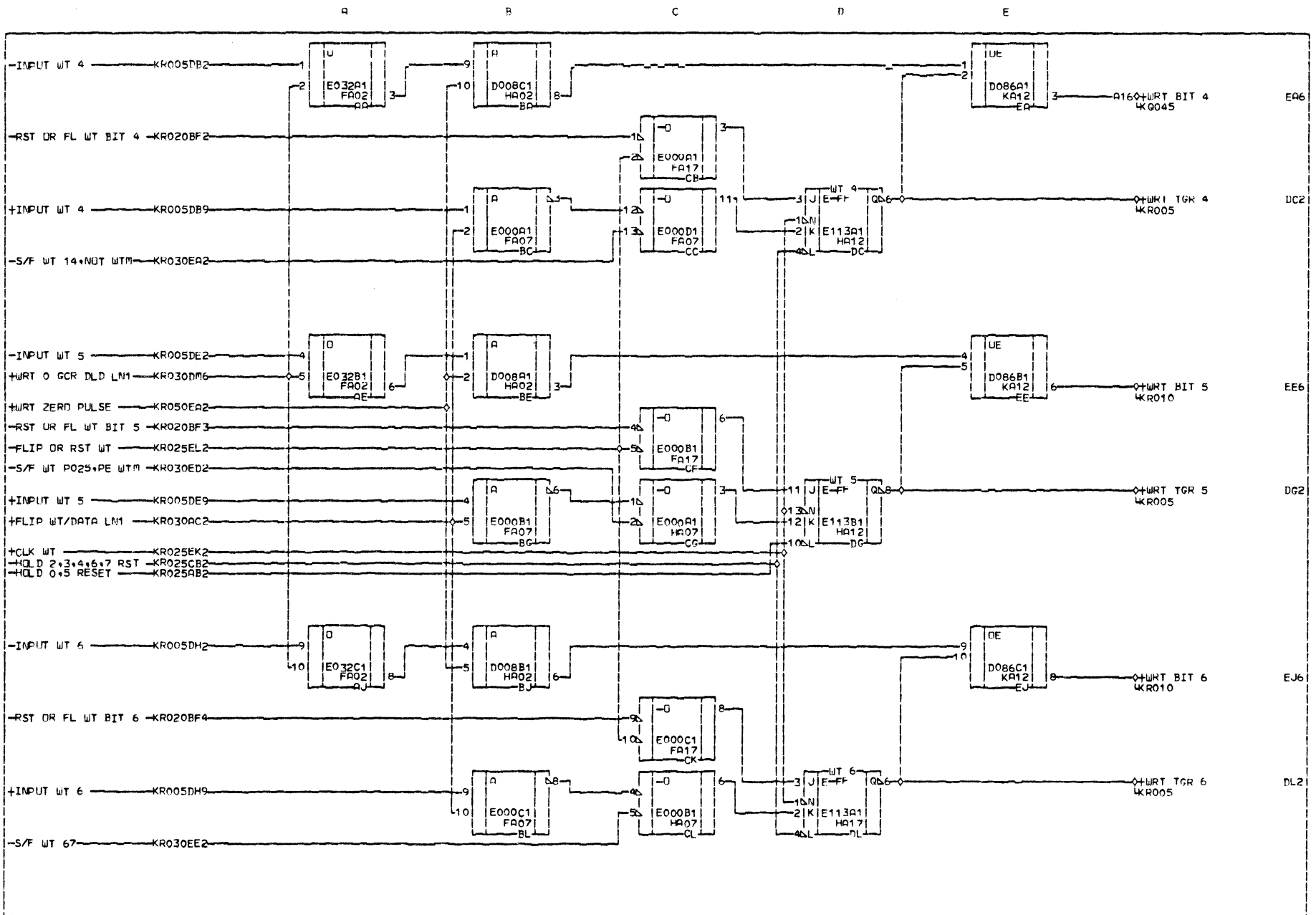
K
R
O
1
0



TRANSLATION WRITE DATA TRK 7/WT POWERING

- AM PAGE REFS -	- SYSTEM PAGE -	PRES. E.C. 44490	MACHINE: S1935
PAGE 4012338028	FLYER EC PROTOTYP	PREV. E.C. 44163	CD. LOC. R2***
E.C. 44490	WIRING METHOD: PC	DATE 4/02/81	PG. P.N. 4012629020

K
R
O
1
0

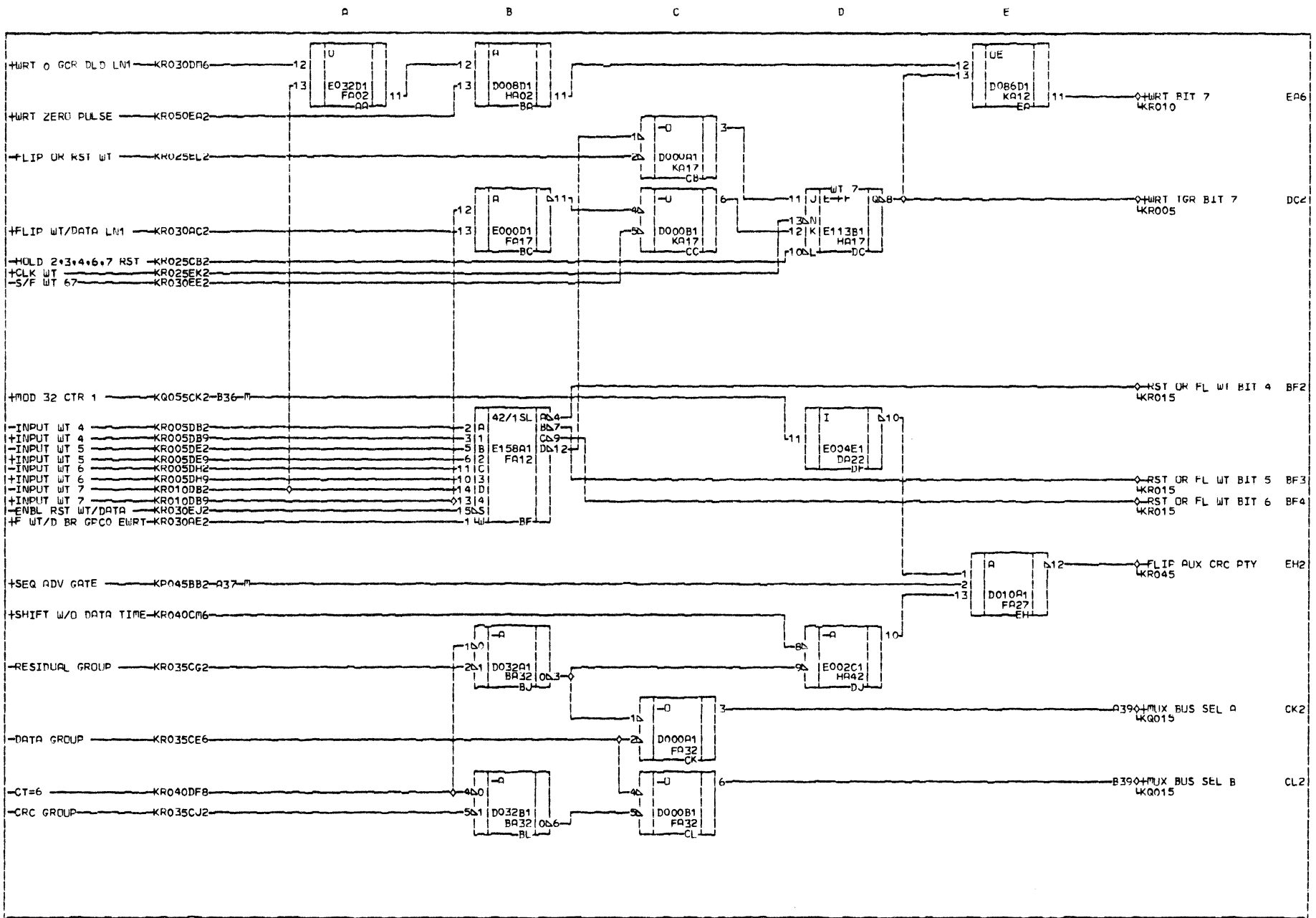


K
R
O
1
S



WRITE TRIGGERS 4*5*6			
— OM PAGE REFS —	— SYSTEM PAGE —	— PRES. E.C. 44163 —	MACHINE: S1935
PAGE 4012339018	FLYER EC PROTOTYP	PREV. E.C. 44032	CD. LOC. R2***
E.C. 44163	WIRING METHOD: PC	DATE 4/02/81	PG. P.N. 4012630010

K
R
O
1
S



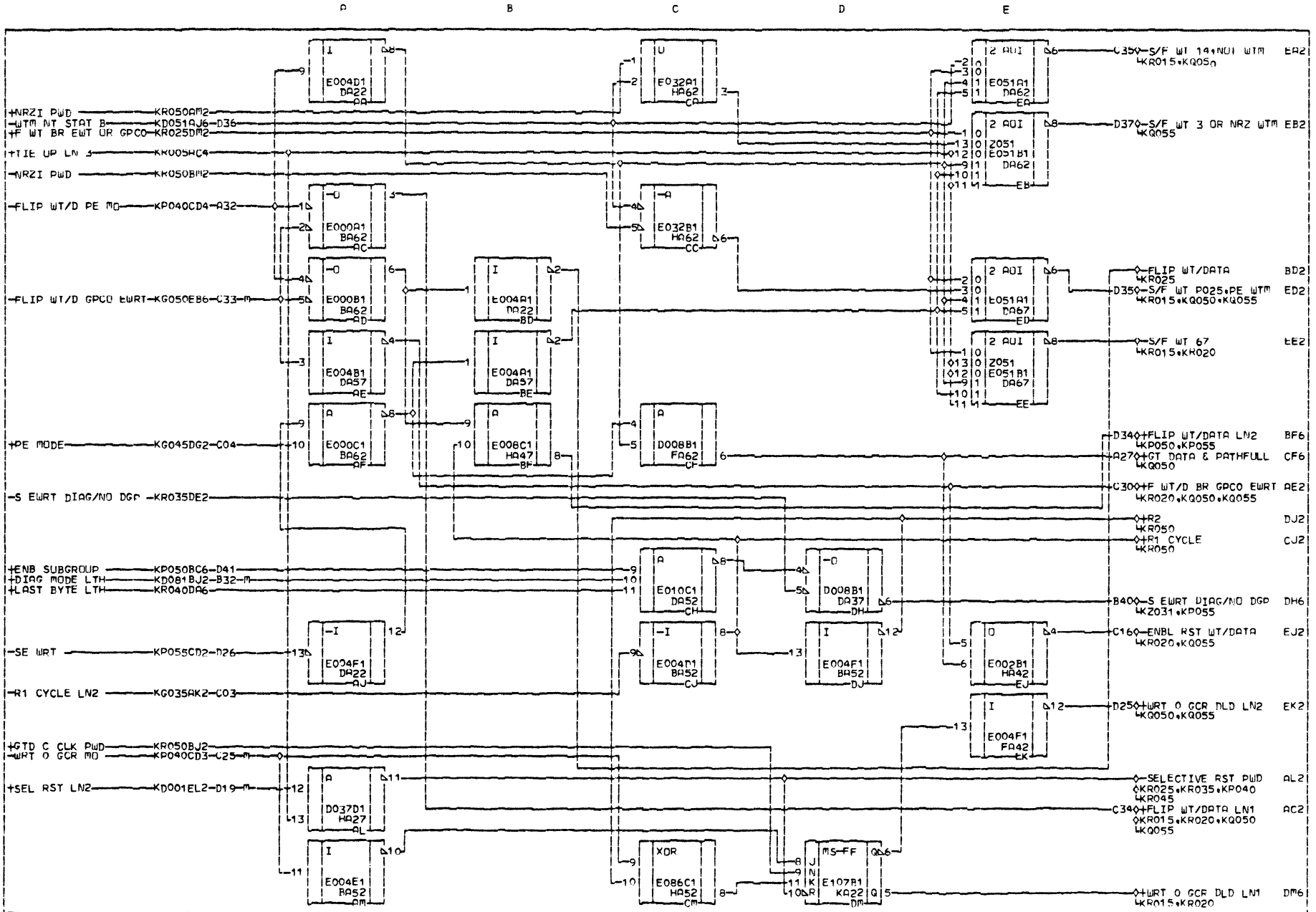
K
R
O
2
0



WRITE TRIGGER 7/MUX BUS SEL A+B

AM	PAGE REFS	SYSTEM PAGE	PRES. E.C. 44163	MACHINE: S1935
PAGE	4012340016	FLYER EC PROTUTYP	PREV. E.C. 44032	CD. LOC. P2****
E.C.	44163	WIRING METHOD: FC	DATE 4/02/81	PG. P.N. 4012631018

K
R
O
2
0

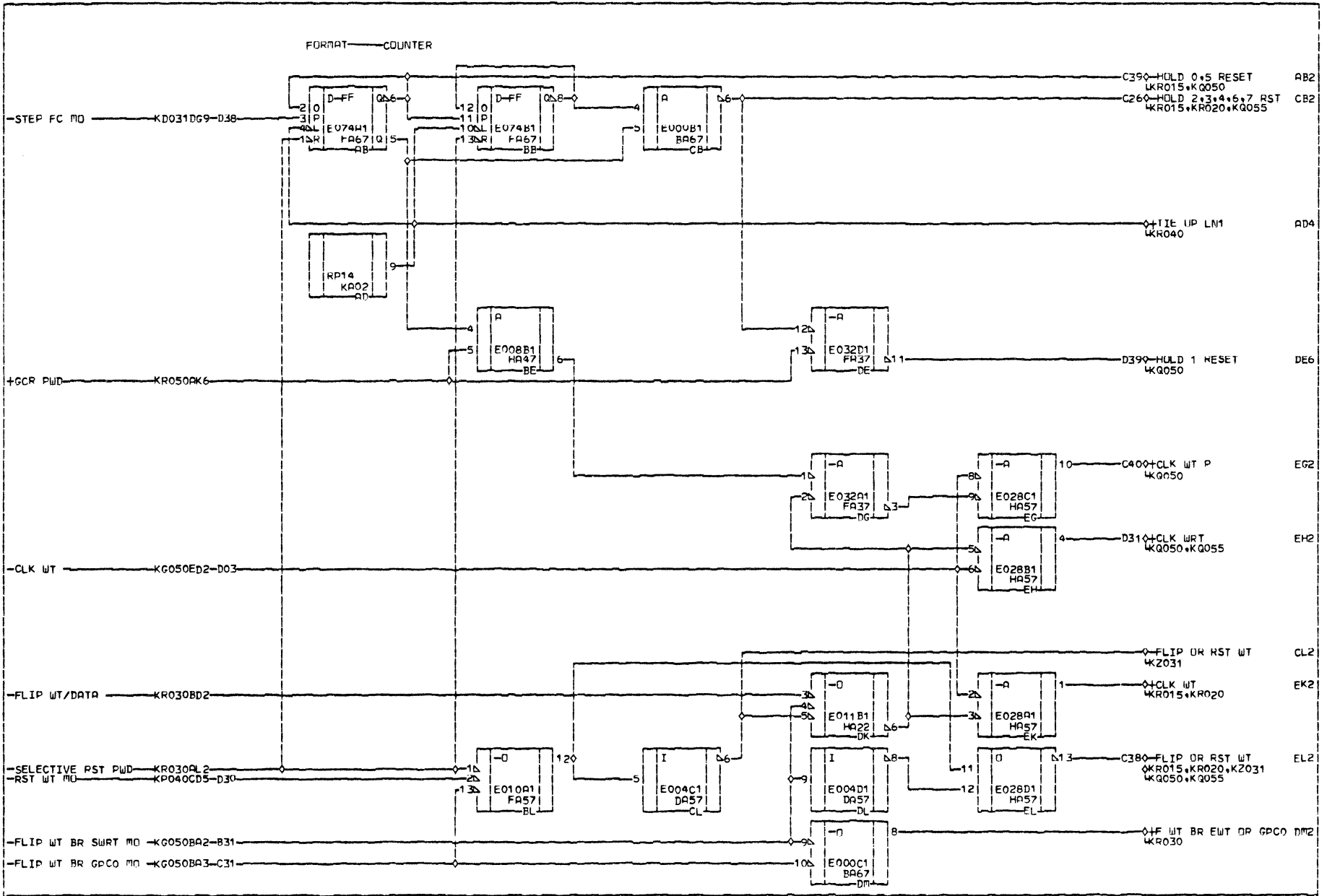


K
R
3
0



WRITE TRIGGER GATING			
Am	PAGE REFS	SYSTEM PAGE	PREP. E.C. 44163
	PAGE 4012342012	FLYER EC PROTITYP	PREP. E.C. 44032
	E.C. 44163	WIRING METHOD: PC	DATE 4/02/81
			MACHINE: S1035
			CD: LOC: R2000
			PG. P.N. 4012633014

K
R
3
0



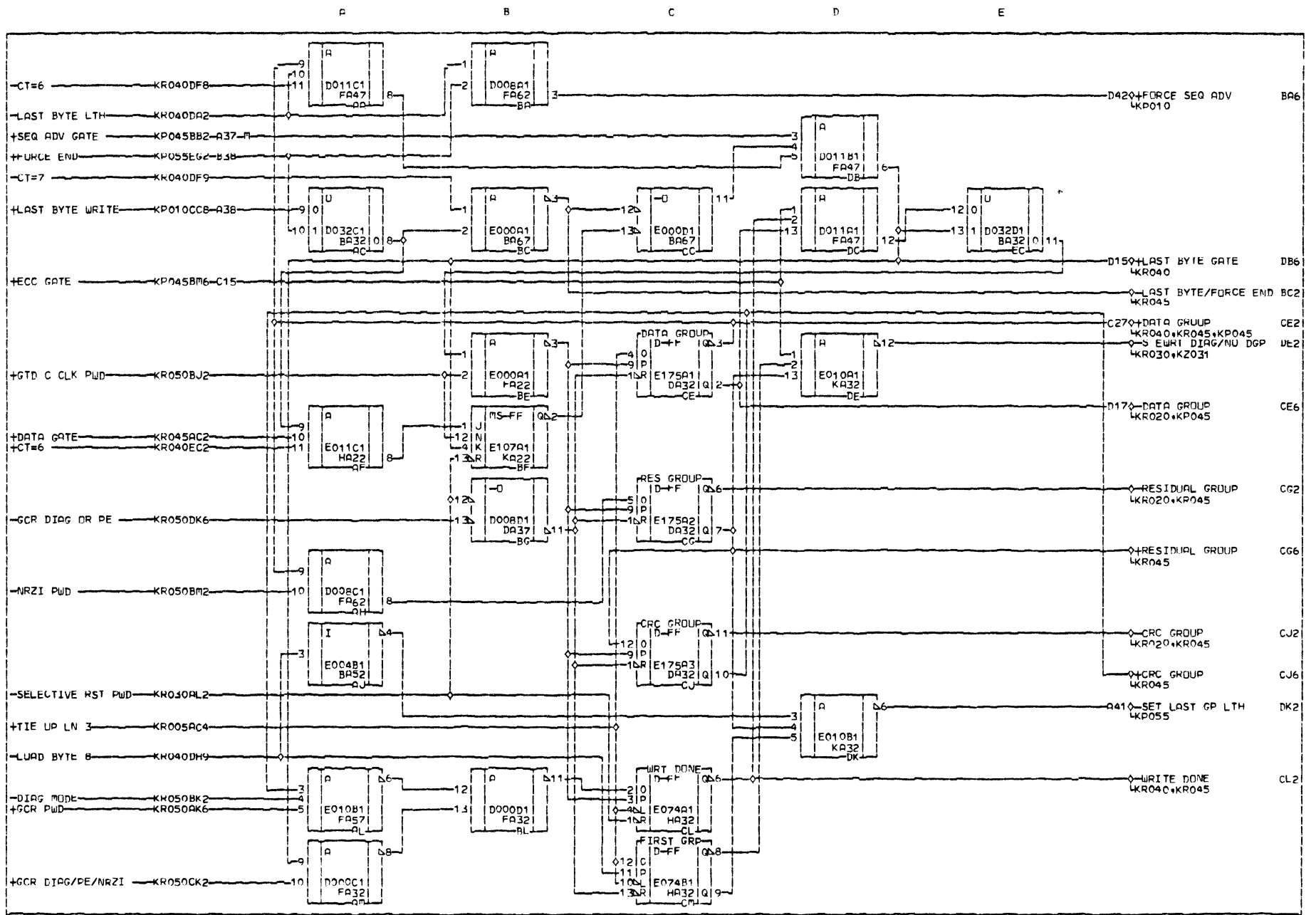
A
B
C
D
E
F
G
H
J
K
L
M

K
R
O
2
5

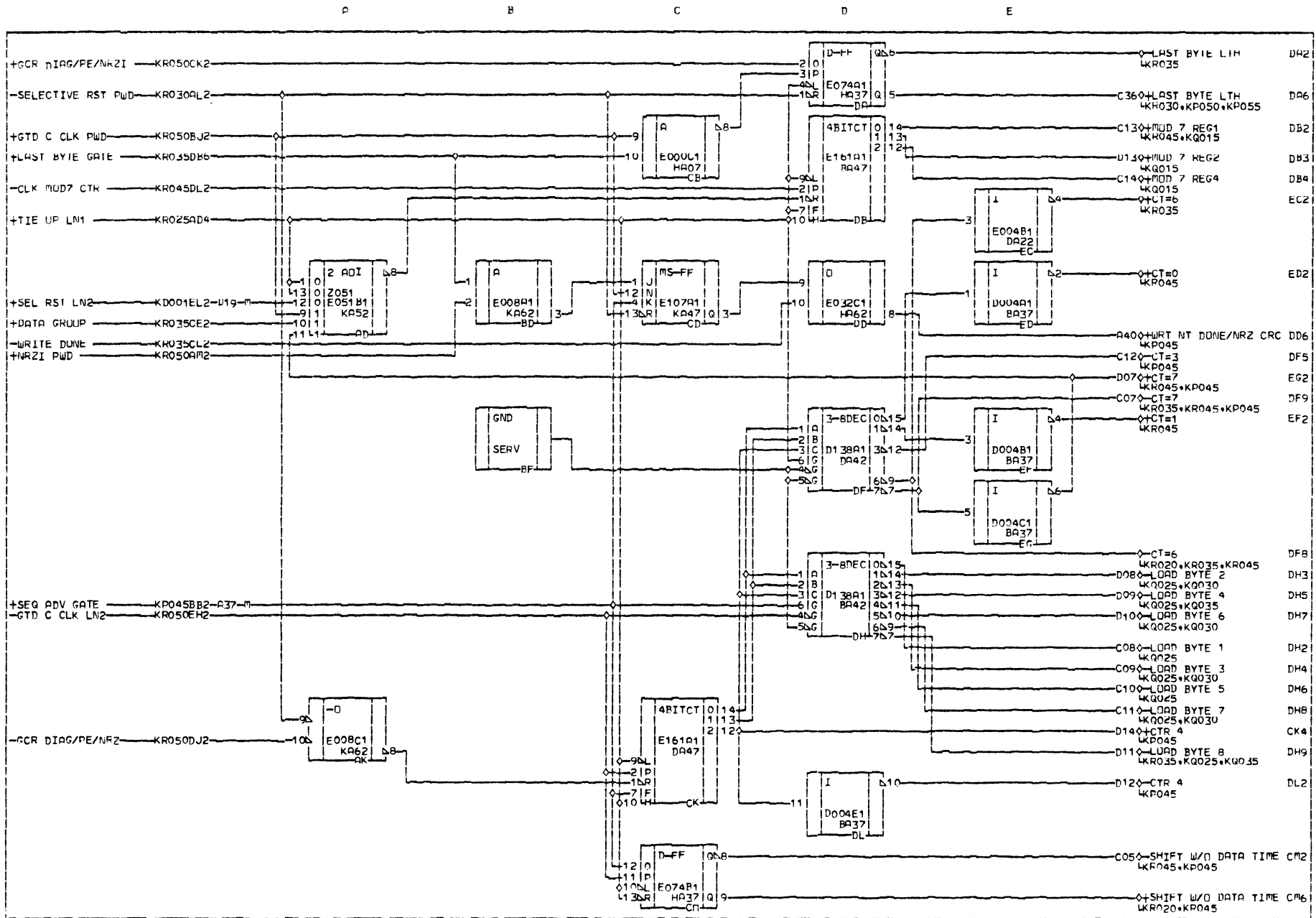


- AM		- SYSTEM PAGE		- PRES. E.C. 44490		- MACHINE: S1935	
PAGE 4012341022		FLYER EC PROTUTYP		PREV. E.C. 44163		CD. LUC. R24**	
E.C. 44490		WIRING METHOD: PC		DATE 4/02/81		Pg. P.N. 401263204	

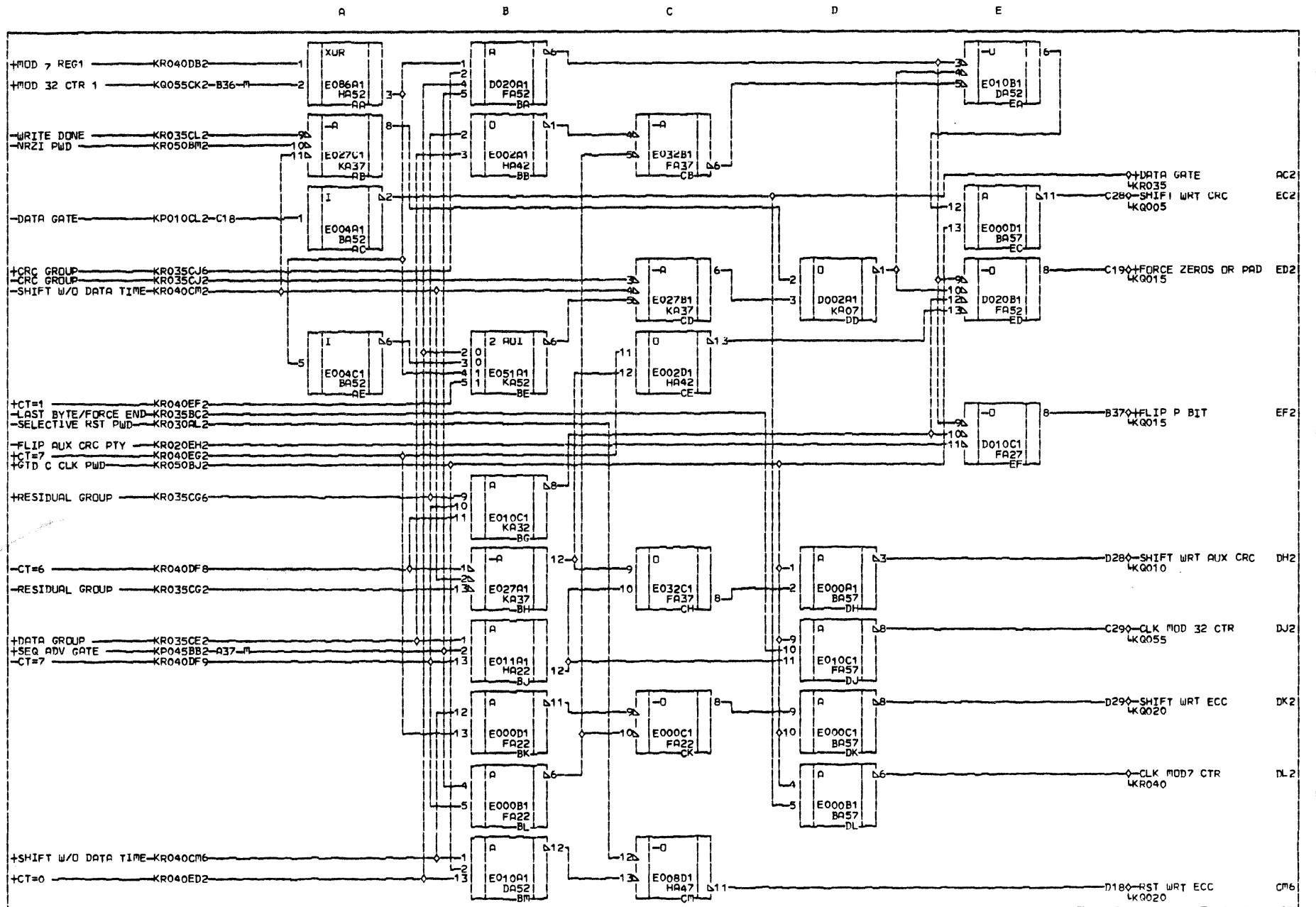
K
R
O
2
5



3 3 5	STC				DATA/RESIDUAL/CRC/WRITE DONE/FIRST GROUP LTHS				K R 0 3 5
	- AM PAGE REFS		- SYSTEM PAGE		- PRFS. E.C. 44163		- MACHINE: S1935		
	PAGE 4012343010		FLYER EC PRODTYP		PREV. E.C. 44032		CD. LDC. R2***		
	E.C. 44163		WIRING METHOD: PC		DATE 4/02/81		PG. P.N. 4012634012		



SKR 0 4 0					MOD 7 CTR/CTR & LOAD BYTE SHIFT REGS				K R 0 4 0
	- AM PAGE REFS -		- SYSTEM PAGE -		- PRES. E.C. 44490		- MACHINE: S1935		
	PAGE 4012344026		FLYER EC PROTOTYP		PREV. E.C. 44163		CD. LOC. R2***		
	E.C. 44490		WIRING METHOD: PC		DATE 4/10/81		PG. P.N. 4012635027		

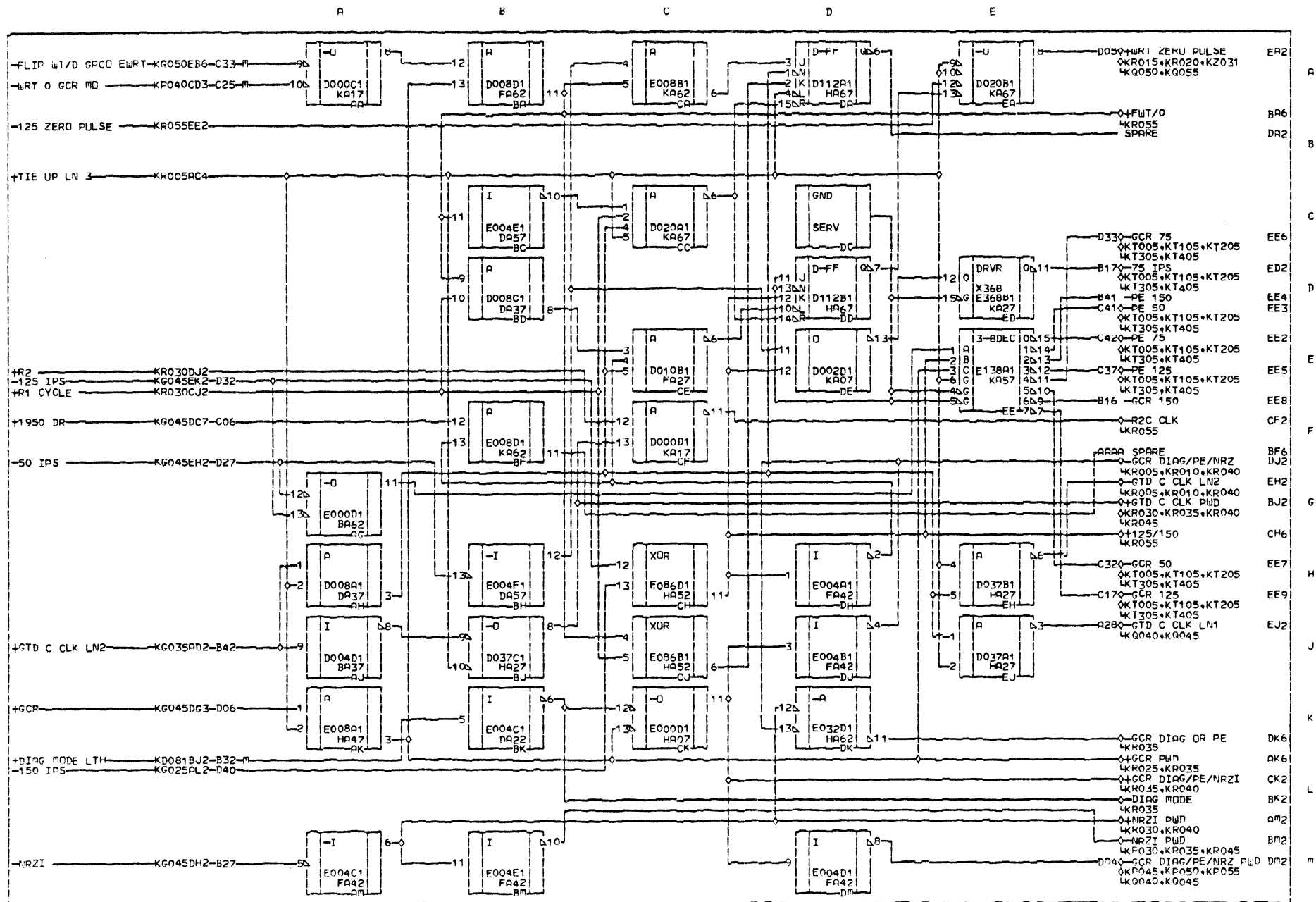


K
R
O
4
5



- AM PAGE REFS				- SYSTEM PAGE		- PRES. E.C. 44163		- MACHINE: S1935	
PAGE 4012345015				FLYER EC PROTOTYP		PREV. E.C. 44032		CD* LOC* R2***	
E.C. 44163				WIRING METHOD: PC		DATE 4/02/81		PG. P.N. 4012636017	

K
R
O
4
5

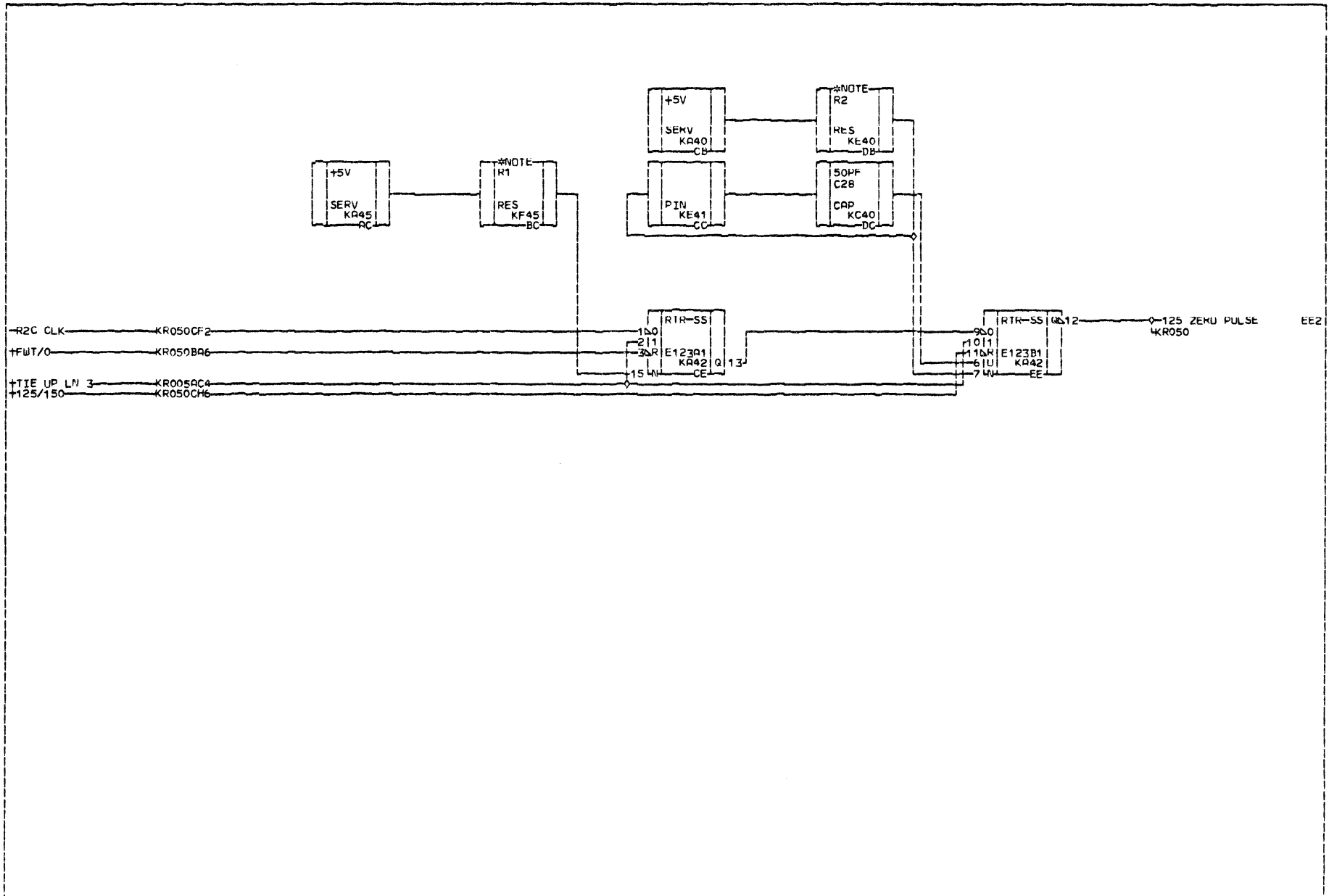


O.M.S.P.K



AM PAGE REFS	SYSTEM PAGE	PRES. E.C. 44490	MACHINE: S1935
PAGE 4012346039	FLYER EC PROTOTYP	PREV. E.C. 44391	CD. LOC. R2***
E.C. 44490	WIPING METHOD: PC	DATE 4/02/81	Pg. P.n. 4012637031

A B C D E



A
B
C
D
E
F
G
H
J
K
L
M

K
R
O
S
S

#NOTE: R1 & R2 RESISTORS TO BE SELECTED BY CARD TEST.



- Am	PAGE REFS	- SYSTEM PAGE	PREV. E.C. 44374	MACHINE: S1935
	PAGE 4012997013	FLYER EC PROTOTYP	PREV. E.C.	CD. LOC. R2**
	E.C. 44374	WIRING METHOD: PC	DATE 4/02/81	FG. P.N. 4015002019

K
R
O
S
S

ASSEMBLY PARTS LIST

BOULEVARD

PRINT DATE	PAGE	E.C. NO.
10-20-82	1	44490

DIV.		ASSEMBLY NUMBER		CD	REV.	DWG.	DESCRIPTION			MC	STATUS	STATUS DATE		FILE DATE		
0500		401585601		8	A	N	SYS LGC GP, KR.401529301, PC			N	REL	05-11-81	1935	08-11-81		
T FIND NO	LI	PART NUMBER	CD	M	QUANTITY	U/M	PART DESCRIPTION			MC	YLD	E.C. NO IN	E.C. NO. OUT	S/N	WK IN	WK OUT
001	01	401582601	1		REF		PC	CD LGC, KR005, PC			D					
005	01	401583901	4		REF		PC	SYS LGC, KR005, PC			D					
010	01	401584001	2		REF		PC	SYS LGC, KR010, PC			D					
015	01	401584101	0		REF		PC	SYS LGC, KR015, PC			D					
020	01	401584201	8		REF		PC	SYS LGC, KR020, PC			D					
025	01	401584301	6		REF		PC	SYS LGC, KR025, PC			D					
030	01	401584401	4		REF		PC	SYS LGC, KR030, PC			D					
035	01	401587001	9		REF		PC	SYS LGC, KR035, PC			D					
040	01	401584501	1		REF		PC	SYS LGC, KR040, PC			D					
045	01	401587101	7		REF		PC	SYS LGC, KR045, PC			D					
050	01	401584601	9		REF		PC	SYS LGC, KR050, PC			D					
055	01	401584701	7		REF		PC	SYS LGC, KR055, PC			D					
060	01	401584801	5		REF		PC	SYS LGC, KR060, PC			D					
500	01	401529301	4		REF		PC	CKT CD, KR, PC ASSY			S					
							0014 TOTAL LINES									

LLOC HM00		LLOC HM93		LLOC KA86		LLOC KA79		LLOC KA72		LLOC KA65		LLOC KA58		LLOC KA51		LLOC KA44		LLOC KA37		LLOC KA30		LLOC KA23		LLOC KA16		LLOC HM09		LLOC HM02									
PN	IC	PN	IC	PN	IC	PN	IC	PN	IC	PN	IC	PN	IC	PN	IC	PN	IC	PN	IC	PN	IC	PN	IC	PN	IC	PN	IC	PN	IC	PN	IC	PN	IC				
2	KR037HE2	2	KR039CE2	5		6	KR045CN2	3	KR040CH6	3	KR045DH6	6	KR045CE2	2	KR045HJ2	3	KR039AC2	2	KR030BE2	1	KR020DJ2	4		4		4		4		4		4					
3	KR030EP6	3	KR03CE2	6	KR035CL2	8	KR045CP2	6	KR045CB2	8	KR045CP2	6	KR045CB2	4	KR030AD2	4	KR030CF2	6	KR030CF2	4	KR030CF2	5	KR055EE2	5	KR055DC6	5	KR055DC6	5	KR055DC6	5	KR055DC6	5	KR055DC6	5	KR055DC6	5	KR055DC6
5	KR030DH2	7	KR035CG2	9	KR045UM6			11	KR050CK6	11	KR050CK6																										
7	QE2	7	PE2	8	ME2	7	ME2	7	LE2	7	KE2	7	JE2	7	ME2	7	GE2	7	FE2	7	EE2	7	DE2	8	CE2	8	BE2	8	AE2	8	CE2	8	BE2	8	AE2	8	CE2
14	GNDH90	14	GNDH93	14	GNDK86	14	GNDK79	14	GNDK72	14	GNDK65	14	GNDK58	14	GNDK51	14	GNDK44	14	GNDK37	14	GNDK30	14	GNDK23	14	GNDK16	14	GNDH09	14	GNDH02	14	GNDH09	14	GNDH02	14	GNDH09	14	GNDH02
14	Q6	14	PE6	14	ME6	14	LE6	14	KE6	14	JE6	14	ME6	14	GE6	14	FE6	14	EE6	14	DE6	14	CE6	14	BE6	14	AE6	14	CE6	14	BE6	14	AE6	14	CE6	14	BE6
14	+SVH90	14	+SVH93	14	+SVK86	14	+SVK79	14	+SVK72	14	+SVK65	14	+SVK58	14	+SVK51	14	+SVK44	14	+SVK37	14	+SVK30	14	+SVK23	14	+SVK16	14	+SVH09	14	+SVH02	14	+SVH09	14	+SVH02	14	+SVH09	14	+SVH02

LLOC HA00		LLOC HA93		LLOC HA86		LLOC HA79		LLOC HA72		LLOC HA65		LLOC HA58		LLOC HA51		LLOC HA44		LLOC HA37		LLOC HA30		LLOC HA23		LLOC HA16		LLOC HA09		LLOC HA02									
PN	IC	PN	IC	PN	IC	PN	IC	PN	IC	PN	IC	PN	IC	PN	IC	PN	IC	PN	IC	PN	IC	PN	IC	PN	IC	PN	IC	PN	IC	PN	IC	PN	IC				
3	KR040AD6	6	KR045BL2	6	KR040BD6	4	KR045BD2	6	KR025BE6	8	KR035DE2	8	KR035DE2	6	KR035DE2	6	KR035DE2	6	KR035DE2	6	KR035DE2	6	KR035DE2	6	KR035DE2	6	KR035DE2	6	KR035DE2	6	KR035DE2	6	KR035DE2				
7	QD2	7	PD2	7	AD2	7	BD2	7	LD2	7	KD2	7	JD2	7	MD2	7	GD2	7	FD2	7	ED2	7	DD2	8	CD2	8	BD2	8	AD2	8	CD2	8	BD2	8	AD2		
14	GNDH90	14	GNDH93	14	GNDH86	14	GNDH79	14	GNDH72	14	GNDH65	14	GNDH58	14	GNDH51	14	GNDH44	14	GNDH37	14	GNDH30	14	GNDH23	14	GNDH16	14	GNDH09	14	GNDH02	14	GNDH09	14	GNDH02	14	GNDH09	14	GNDH02
14	Q6	14	PD6	14	AD6	14	BD6	14	LD6	14	KD6	14	JD6	14	MD6	14	GD6	14	FD6	14	ED6	14	DD6	14	CD6	14	BD6	14	AD6	14	CD6	14	BD6	14	AD6	14	CD6
14	+SVH90	14	+SVH93	14	+SVH86	14	+SVH79	14	+SVH72	14	+SVH65	14	+SVH58	14	+SVH51	14	+SVH44	14	+SVH37	14	+SVH30	14	+SVH23	14	+SVH16	14	+SVH09	14	+SVH02	14	+SVH09	14	+SVH02	14	+SVH09	14	+SVH02

LLOC PA00		LLOC PA93		LLOC PA86		LLOC PA79		LLOC PA72		LLOC PA65		LLOC PA58		LLOC PA51		LLOC PA44		LLOC PA37		LLOC PA30		LLOC PA23		LLOC PA16		LLOC PA09		LLOC PA02									
PN	IC	PN	IC	PN	IC	PN	IC	PN	IC	PN	IC	PN	IC	PN	IC	PN	IC	PN	IC	PN	IC	PN	IC	PN	IC	PN	IC	PN	IC	PN	IC	PN	IC				
6	KR040AD6	6	KR045BF2	3	KR035BE2			6	KR045BA2	5	KR040DA2	2	KR050AK2	3	KR020BJ2	3	KR050EJ2	5		6	KR015DL2	6	KR015DC2	3	KR015CB2	4	KR020BF2	3	KR015EE2	3	KR015AA2	6	KR015AE2				
7	QC2	7	PC2	7	BC2			7	LC2	7	KC2	7	JC2	7	MC2	7	GC2	7	FC2	7	EC2	7	DC2	8	CC2	8	BC2	8	AC2	8	CC2	8	BC2	8	AC2		
14	GNDFA0	14	GNDFA93	14	GNDFA86	14	GNDFA79	14	GNDFA72	14	GNDFA65	14	GNDFA58	14	GNDFA51	14	GNDFA44	14	GNDFA37	14	GNDFA30	14	GNDFA23	14	GNDFA16	14	GNDFA09	14	GNDFA02	14	GNDFA09	14	GNDFA02	14	GNDFA09	14	GNDFA02
14	Q6	14	PC6	14	BC6	14	LC6	14	KC6	14	JC6	14	MC6	14	GC6	14	FC6	14	EC6	14	DC6	14	CC6	14	BC6	14	AC6	14	CC6	14	BC6	14	AC6	14	CC6	14	BC6
14	+SVFA00	14	+SVFA93	14	+SVFA86	14	+SVFA79	14	+SVFA72	14	+SVFA65	14	+SVFA58	14	+SVFA51	14	+SVFA44	14	+SVFA37	14	+SVFA30	14	+SVFA23	14	+SVFA16	14	+SVFA09	14	+SVFA02	14	+SVFA09	14	+SVFA02	14	+SVFA09	14	+SVFA02

LLOC DA00		LLOC DA93		LLOC DA86		LLOC DA79		LLOC DA72		LLOC DA65		LLOC DA58		LLOC DA51		LLOC DA44		LLOC DA37		LLOC DA30		LLOC DA23		LLOC DA16		LLOC DA09		LLOC DA02									
PN	IC	PN	IC	PN	IC	PN	IC	PN	IC	PN	IC	PN	IC	PN	IC	PN	IC	PN	IC	PN	IC	PN	IC	PN	IC	PN	IC	PN	IC	PN	IC	PN	IC				
6	KR030ED2	6	KR030E2	5	KR025AB2	2	KR045AC2			11		7	KR040DF9	3	KR050AH2	3	KR020CK2	3	KR015EA2	7	KR015DB2	7	KR005DH2	7	KR005DE2	7	KR005DB2	7	KR005DB2	7	KR005DB2	7	KR005DB2				
7	QB2	7	PB2	7	AB2	7	CB2	7	LB2	8	KB2	8	JB2	8	MB2	8	GB2	8	FB2	8	EB2	8	DB2	8	CB2	8	BB2	8	AB2	8	CB2	8	BB2	8	AB2		
14	GNDDA0	14	GNDDA93	14	GNDDA86	14	GNDDA79	14	GNDDA72	14	GNDDA65	14	GNDDA58	14	GNDDA51	14	GNDDA44	14	GNDDA37	14	GNDDA30	14	GNDDA23	14	GNDDA16	14	GNDDA09	14	GNDDA02	14	GNDDA09	14	GNDDA02	14	GNDDA09	14	GNDDA02
14	Q6	14	PB6	14	AB6	14	CB6	14	LB6	14	KB6	14	JB6	14	MB6	14	GB6	14	FB6	14	EB6	14	DB6	14	CB6	14	BB6	14	AB6	14	CB6	14	BB6	14	AB6		
14	+SVDA00	14	+SVDA93	14	+SVDA86	14	+SVDA79	14	+SVDA72	14	+SVDA65	14	+SVDA58	14	+SVDA51	14	+SVDA44	14	+SVDA37	14	+SVDA30	14	+SVDA23	14	+SVDA16	14	+SVDA09	14	+SVDA02	14	+SVDA09	14	+SVDA02	14	+SVDA09	14	+SVDA02

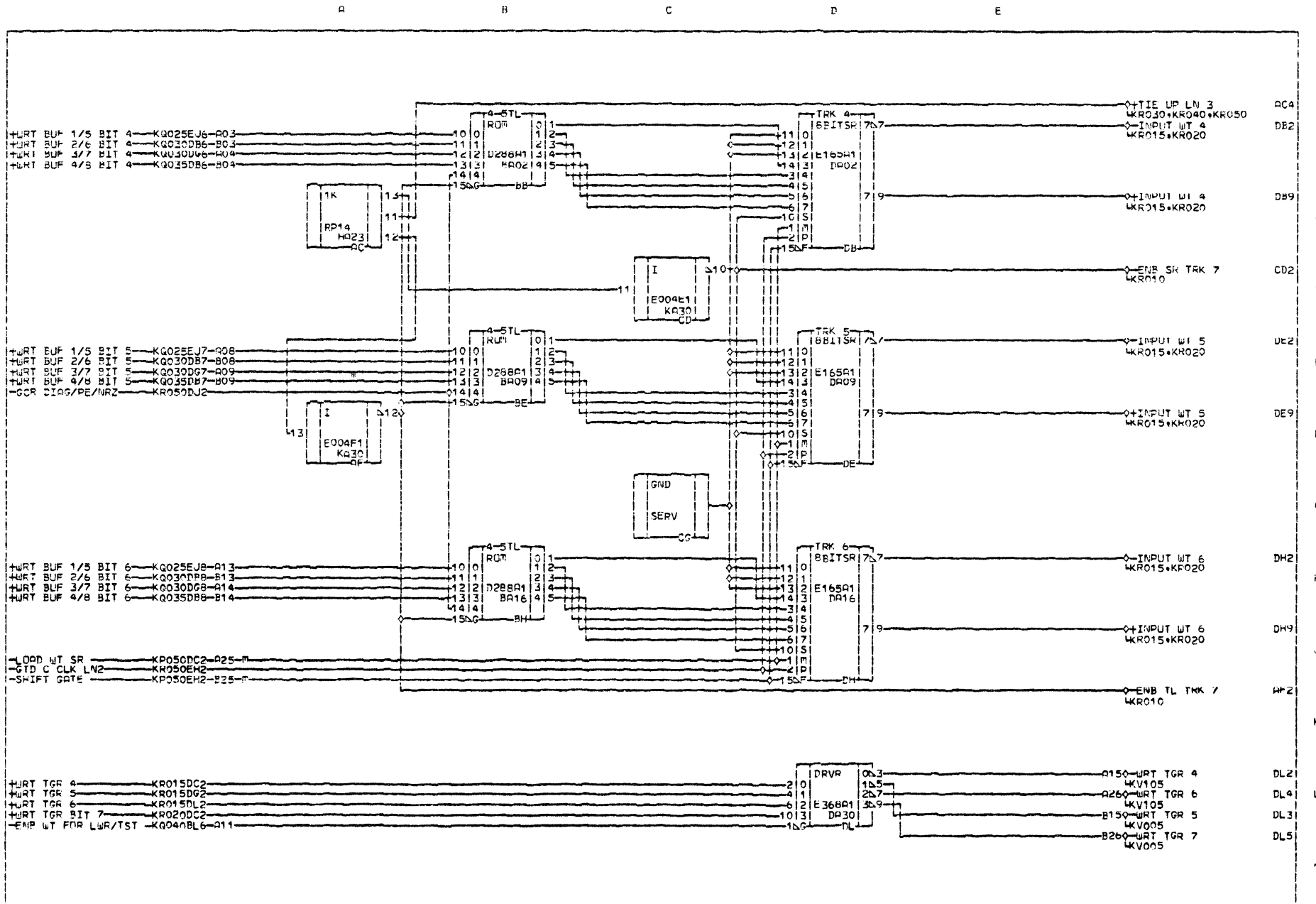
LLOC BA00		LLOC BA93		LLOC BA86		LLOC BA79		LLOC BA72		LLOC BA65		LLOC BA58		LLOC BA51		LLOC BA44		LLOC BA37		LLOC BA30		LLOC BA23		LLOC BA16		LLOC BA09		LLOC BA02									
PN	IC	PN	IC	PN	IC	PN	IC	PN	IC	PN	IC	PN	IC	PN	IC	PN	IC	PN	IC	PN	IC	PN	IC	PN	IC	PN	IC	PN	IC	PN	IC	PN	IC				
1	KR025EK2	3	KR050DE2	3	KR050DE2	3	KR045DH2			11		7	KR040DH8	2	KR040ED2	3	KR010DL2	3	KR010DM2	3	KR010DD2	2	KR010BB2	2	KR005BH2	2	KR005BE2	2	KR005BB2	2	KR005BB2						
7	QA2	7	PA2	8	BA2	7	CA2	7	LA2	8	KA2	8	JA2	8	MA2	8	GA2	8	FA2	8	EA2	8	DA2	8	CA2	8	BA2	8	CA2	8	BA2	8	CA2				
14	GNDBA0	14	GNDBA93	14	GNDBA86	14	GNDBA79	14	GNDBA72	14	GNDBA65	14	GNDBA58	14	GNDBA51	14	GNDBA44	14	GNDBA37	14	GNDBA30	14	GNDBA23	14	GNDBA16	14	GNDBA09	14	GNDBA02	14	GNDBA09	14	GNDBA02	14	GNDBA09	14	GNDBA02
14	Q6	14	PA6	14	BA6	14	CA6	14	LA6	14	KA6	14	JA6	14	MA6	14	GA6	14	FA6	14	EA6	14	DA6	14	CA6	14	BA6	14	CA6	14	BA6	14	CA6	14	BA6		
14	+SVBA00	14	+SVBA93	14	+SVBA86	14	+SVBA79	14	+SVBA72	14	+SVBA65	14	+SVBA58	14	+SVBA51	14	+SVBA44	14	+SVBA37	14	+SVBA30	14	+SVBA23	14	+SVBA16	14	+SVBA09	14	+SVBA02	14	+SVBA09	14	+SVBA02	14	+SVBA09	14	+SVBA02

INDEX:	12	PAGE(S)			
A	CRD	PG	P/N	EC	LEVEL
4	KR005	4015827019	44490	KR030	4015832049
4	KR010	4015828017	44490	KR038	4015833017
6	KR015	4015829015	44490	KR040	4015834015
4	KR020	4015830013	44490	KR045	4015835012
	KR025	4015831011	44490	KR050	4015836010

PAGE	CRD	PG	P/N	EC	LEVEL
4	KR030	4015832049	44490	KR038	4015833017
6	KR040	4015834015	44490	KR045	4015835012
4	KR050	4015836010	44490		

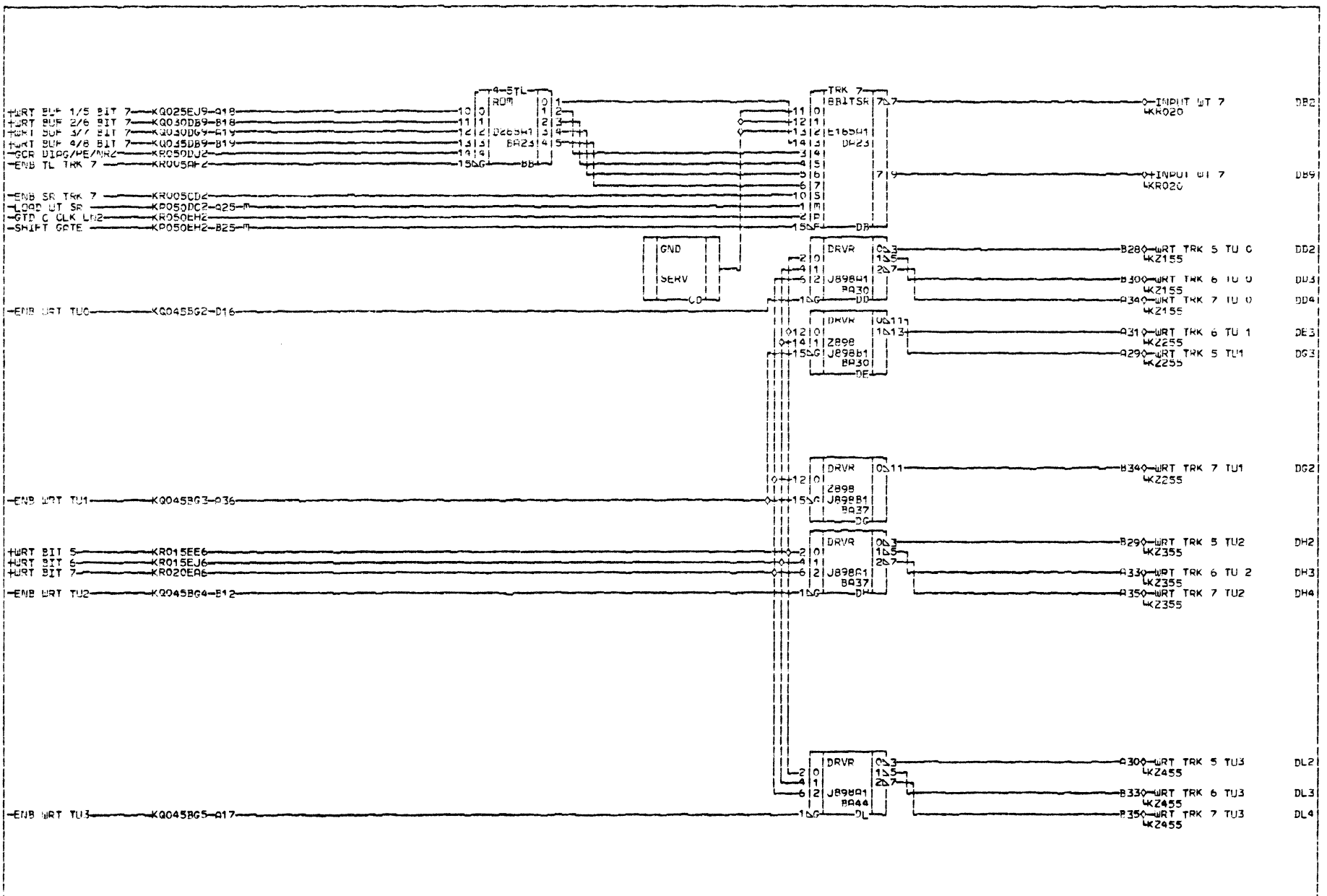
PAGE	CRD	PG	P/N	EC	LEVEL
4	KR055	4015837018	44490	KR060	4015838016

IC LOCATION CHART KR CD 1935 PC							
PRESENT	EC	44490	DATE	04/08/81	CD PN	4015293014	
PNEV	EC		PAGE	PN	4015826011	CD TYPE	KR
			FLEVEL			PROTUTYP	



K R O O S	STC				TRANSLATION WRITE DATA TKS 4+5+6				K R O S		
	Am	PAGE	REFS	SYSTEM	PAGE	PRES.	E.C.	44490		MACHINE:	S1935
	PAGE	4015827019	411	FLYER	EC PROTOTYP	PREV.	F.C.	44163		CD:	L0C R2
		E.C.	44490	WIRING	METHOD:	PC	DATE	4/02/81	PG.	P.N:	4015839014

A B C D E



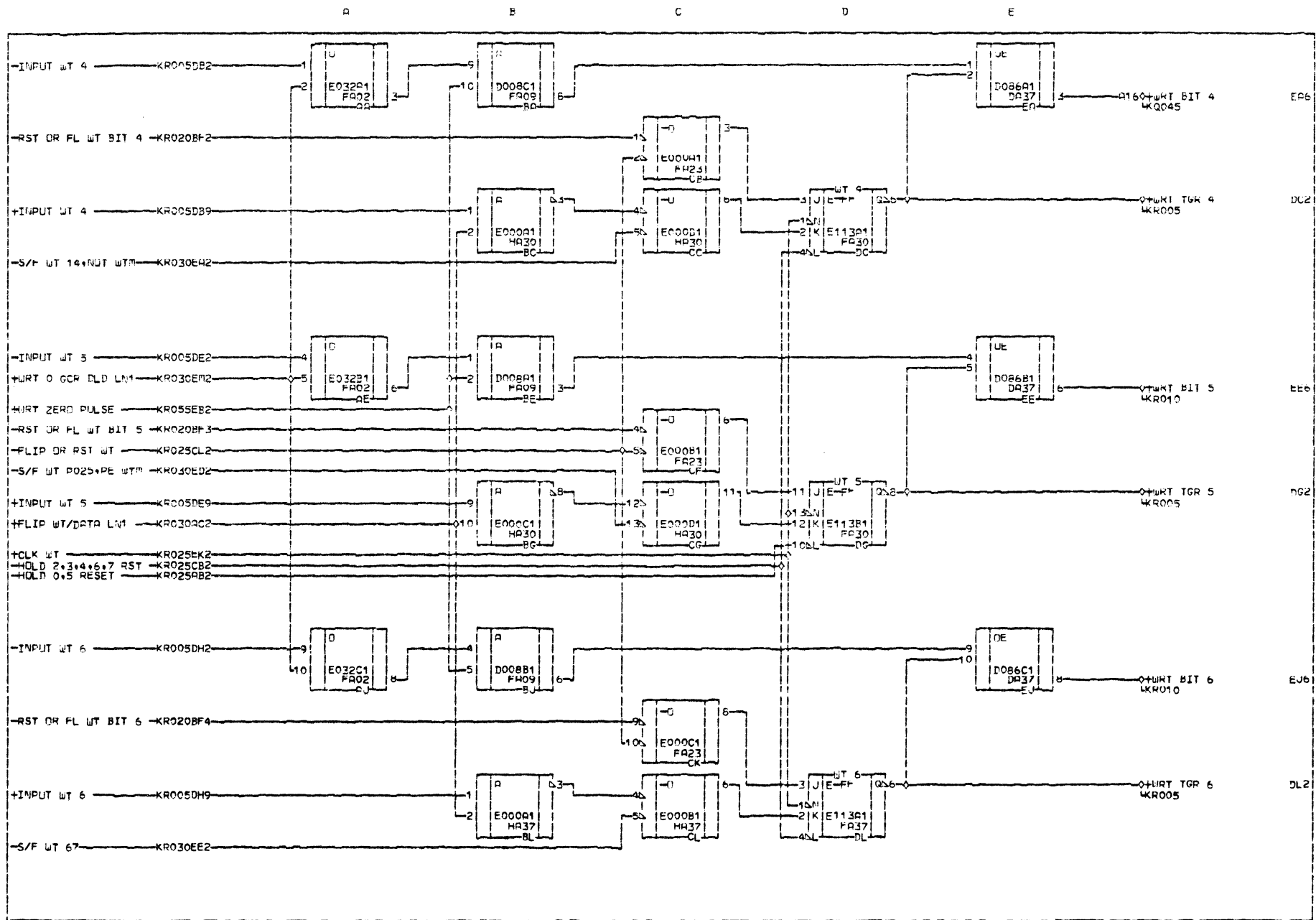
A
B
C
D
E
F
G
H
J
K
L
P

K
R
O
1
0

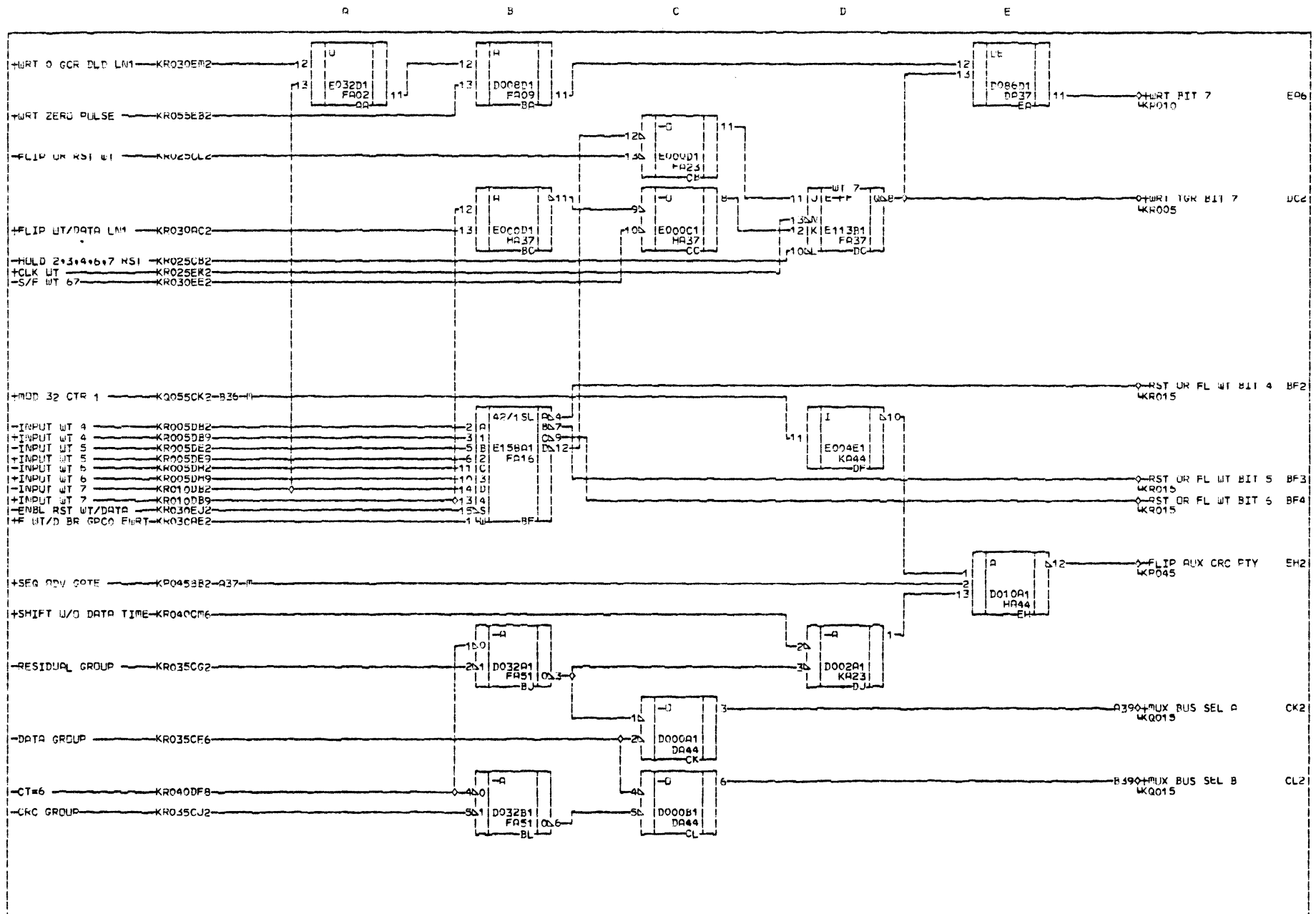


TRANSLATION WRITE DATA TRK 7/WT POWERING

4P	PAGE	REFS	SYSTEM	PAGE	PREV. E.C.	44490	MACHINE:	S1935	K
PAGE	4015828017	FLYER	EC	PRU1D1YP	PREV. E.C.	44163	CD:	LOC. R2	R
E.C.	44490	WIRING	METHOD:	PC	DATE	4/02/81	Pg. P.N.	4015840012	O

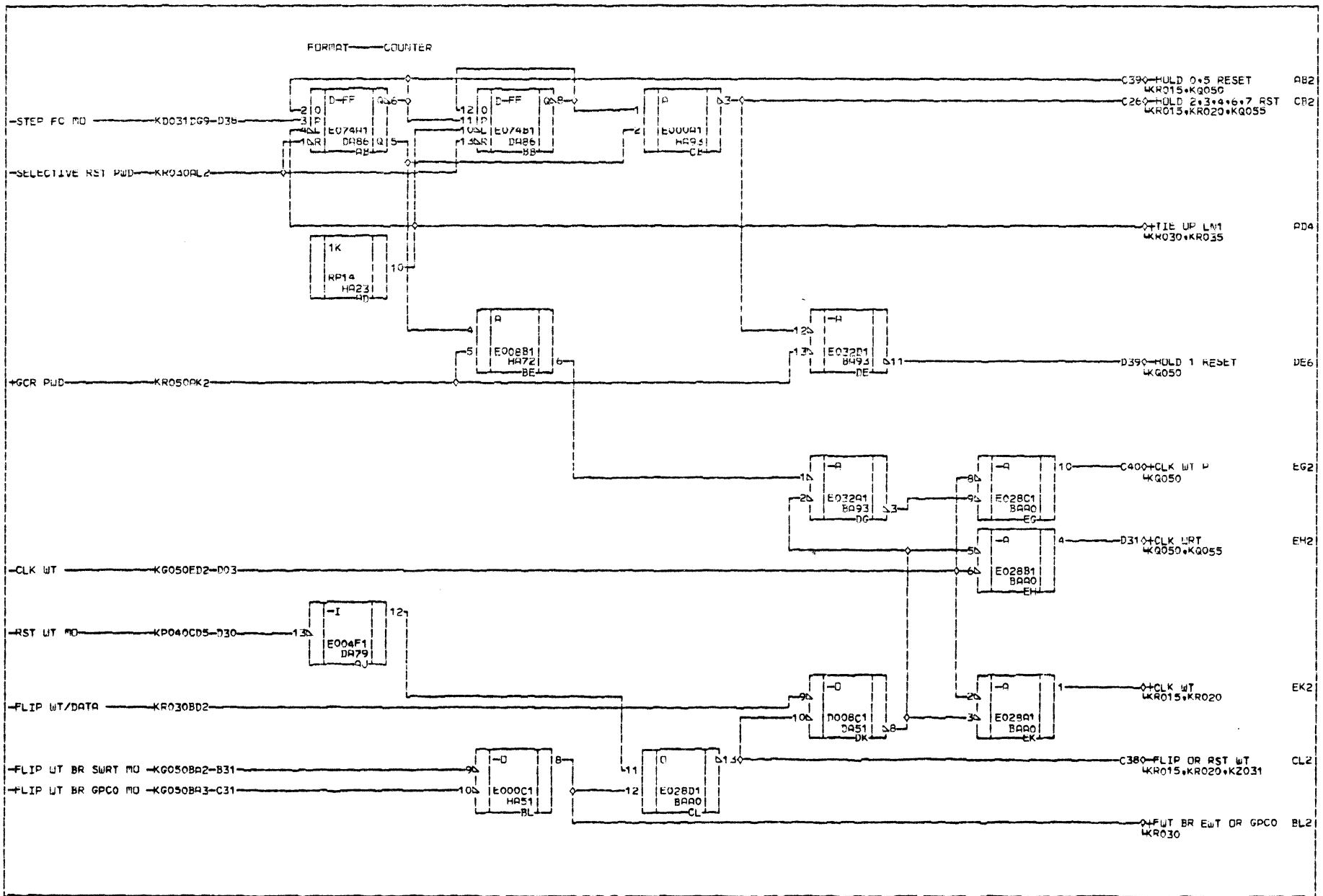


K R 0 1 5	ETC				WRITE TRIGGERS 4*5*6				K R 0 1 5
	AM	DGE	REFS	SYSTEM PAGE	PRES. E.C.	44490	MACHINE:	S1935	
	PAGE	40158	29015	FLYER EC PROTOTYP	PREV. E.C.	44032	CD:	LUC R2	
	E.C.	44490	WIRING METHOD:	PC	DATE	4/22/81	Pg.	P#N# 4015841010	



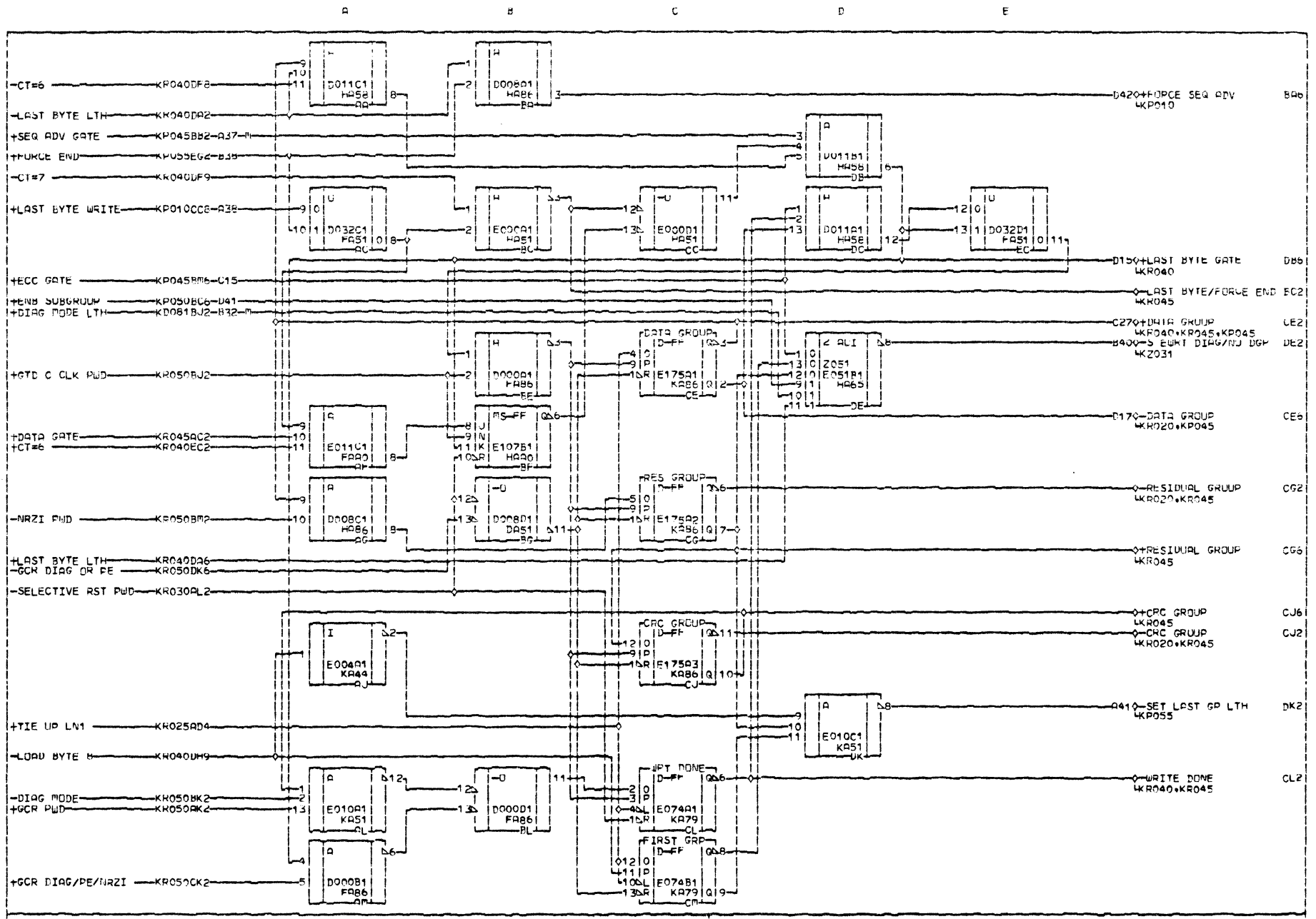
K R 2 0	STC				WRITE TRIGGER 7/MUX BUS SEL A+B				K R 0 2 0		
	am	PAGE	PFFS	SYSTEM	PAGE	PREV. E.C.	44490	MACHINE:		51935	
	PRG	4015830013		FLYER	EC	PROTOTYP	PREV. E.C.	44032		CD. LOC.	R2
	E.C.	44490		WIRING	METHOD:	PC	DATE	4/02/81		PG. P.N.	4015842018

A B C D E



R
B
C
D
E
F
G
H
J
K
L
M

S N O B X	ETC				FORMAT COUNTER				K
	- OR PAGE REFS -	- SYSTEM PAGE -	- PRES. E.C. 44490	- MACHINE: S1935	A				
	PAGE 4015831011	FLYER EC PROTUTYP	PREV. E.C. 44163	CD. LOC. R2	0				
	E.C. 44490	WIRING METHOD: PC	DATE 4/02/81	PG. P.N. 4015843014	2				
					5				



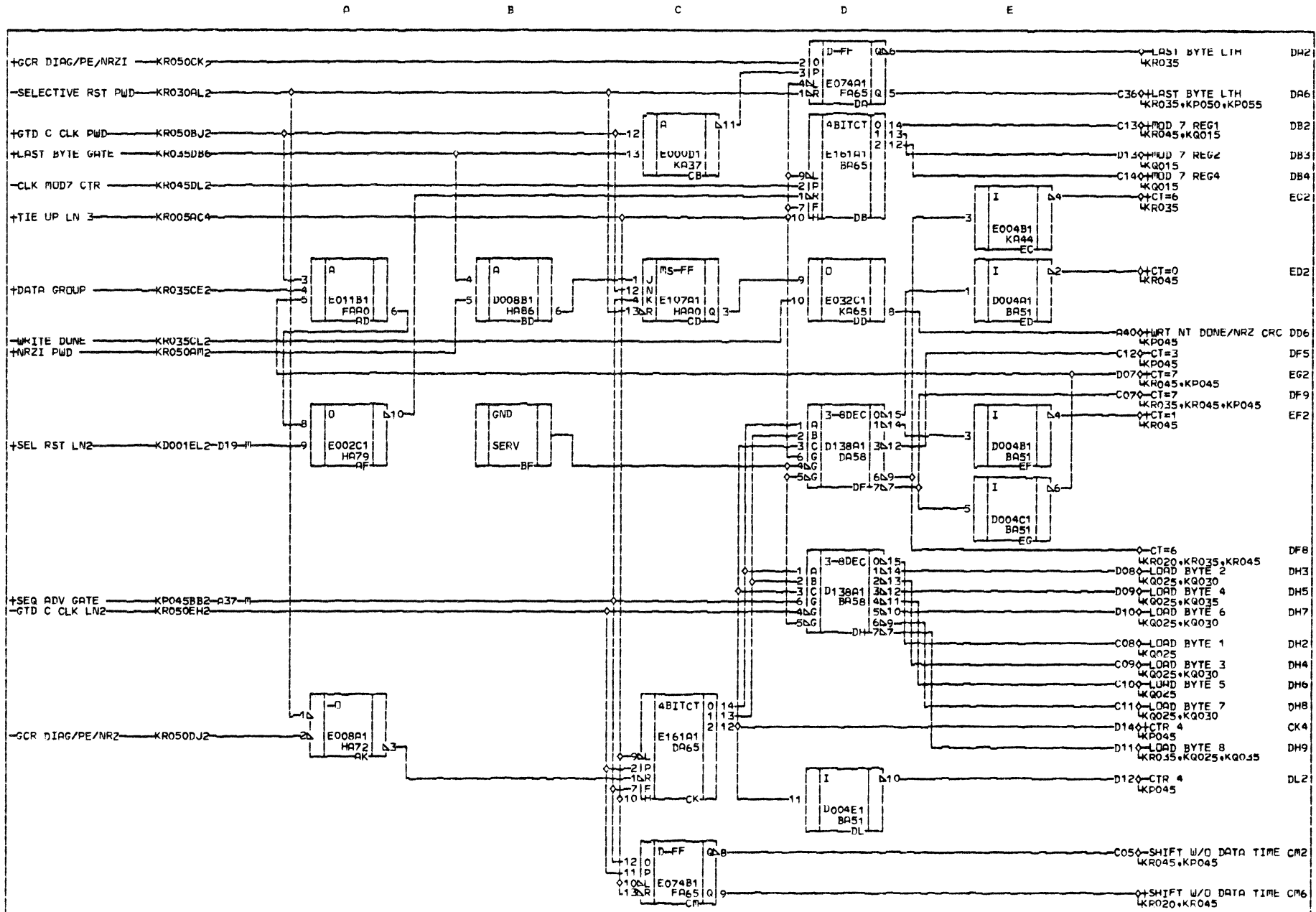
K
R
0
3
5

510

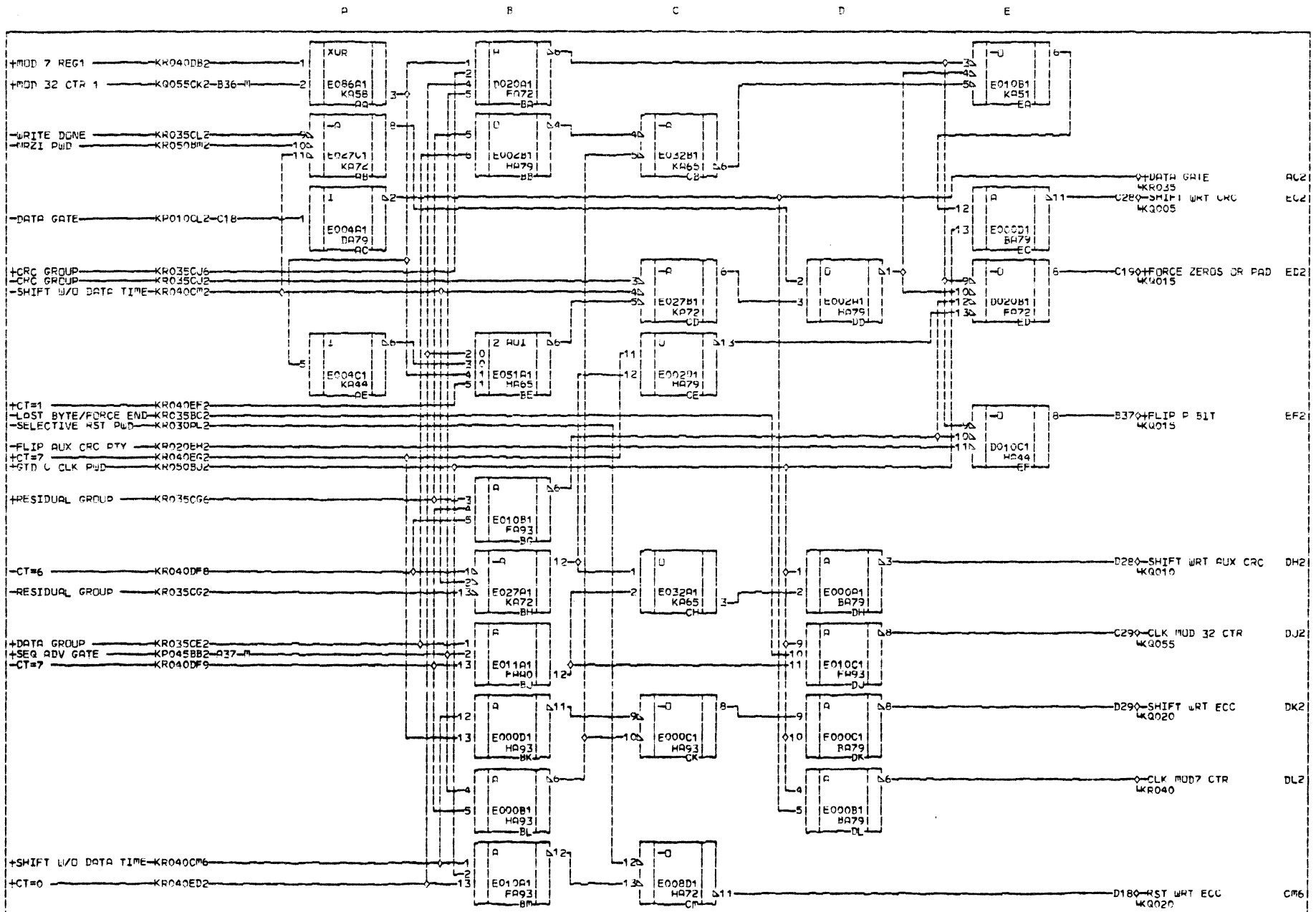
DATA/RESIDUAL/CRC/WRITE DONE/FIRST GROUP LTHS

AM	PAGE	REFS	SYSTEM	PAGE	PREV. E.C.	44490	MACHINE:	51935
PAGE	4015833017		FLYER	EC	PRUTOTYP	44032	CD.	LOC. R2
E.C.	44490		WIRING	METHOD:	PC	DATE	4/02/81	PG. No.
								4015870019

K
R
0
3
5

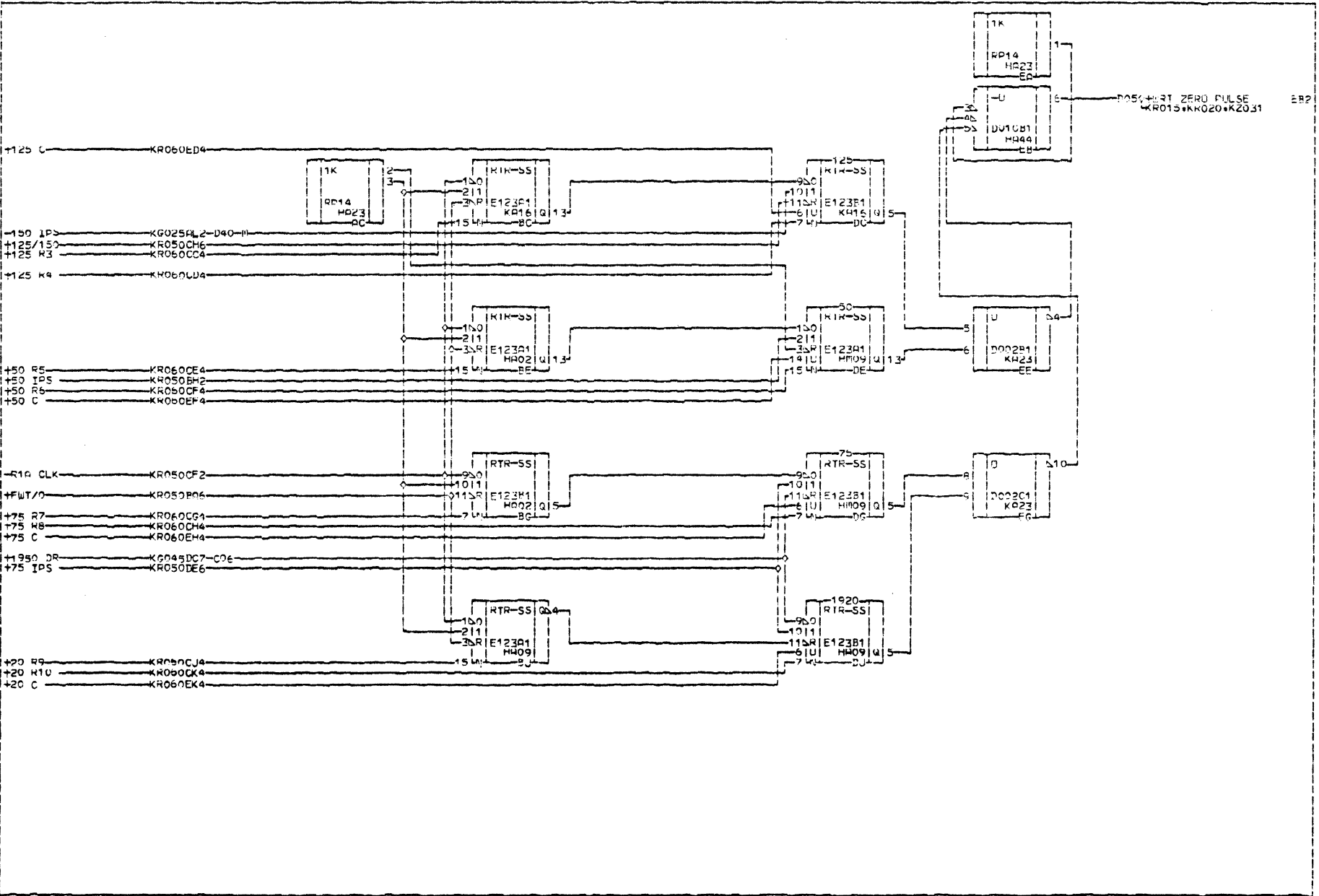


K R C 4 0	STC				MOD 7 CTR/CNT & LOAD BYTE SHIFT REGS				K R 0 4 0	
	CM	PAGE	REFS	SYSTEM	PAGE	PRES. E.C.	44490	MACHINE:		S1935
		PAGE	4015834015	FLYER	EC	PROTOTYP	PREV. E.C.	44163		CD. LOC.
		E.C. 44490	WIRING	METHOD:	PC	DATE	4/08/81	PG. P.N.	4015845011	



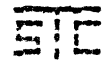
K R O S	STC				WRITE SEQUENCER				K R O S	
	AM	DATE	REFS	SYSTEM PAGE	DRS	E.C.	44490	MACHINE:		51935
	PAGE	4015835012	FLYER	EC PROTOTYP	PREV.	E.C.	44032	CD.		LOC.
	E.C.	44490	WIRING METHOD:	PC	DATE	4/02/81	PG.	Part.	4015871017	

A B C D E



A
B
C
D
E
F
G
H
J
K
L
M

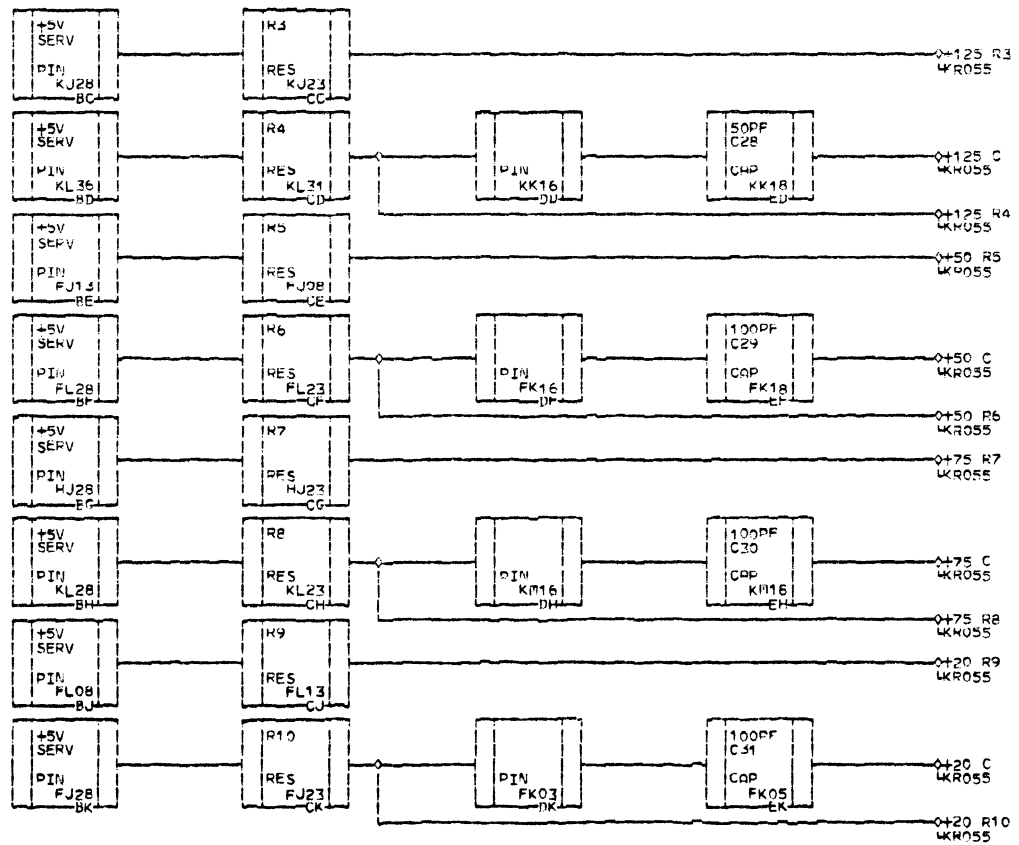
K
R
O
S
S



DTU PULSE GENERATION

OP	PAGE	REFS	SYSTEM PAGE	PREV. E.C.	44490	MACHINE:	S1935
4015847018			FLYER EC PROCTYP	E.C.		CD:	LDC R2
E.C. 44490			WIRING METHOD:	PC	DATE	4/02/81	PG. P.N.:
							4015847017

K
R
O
S
S



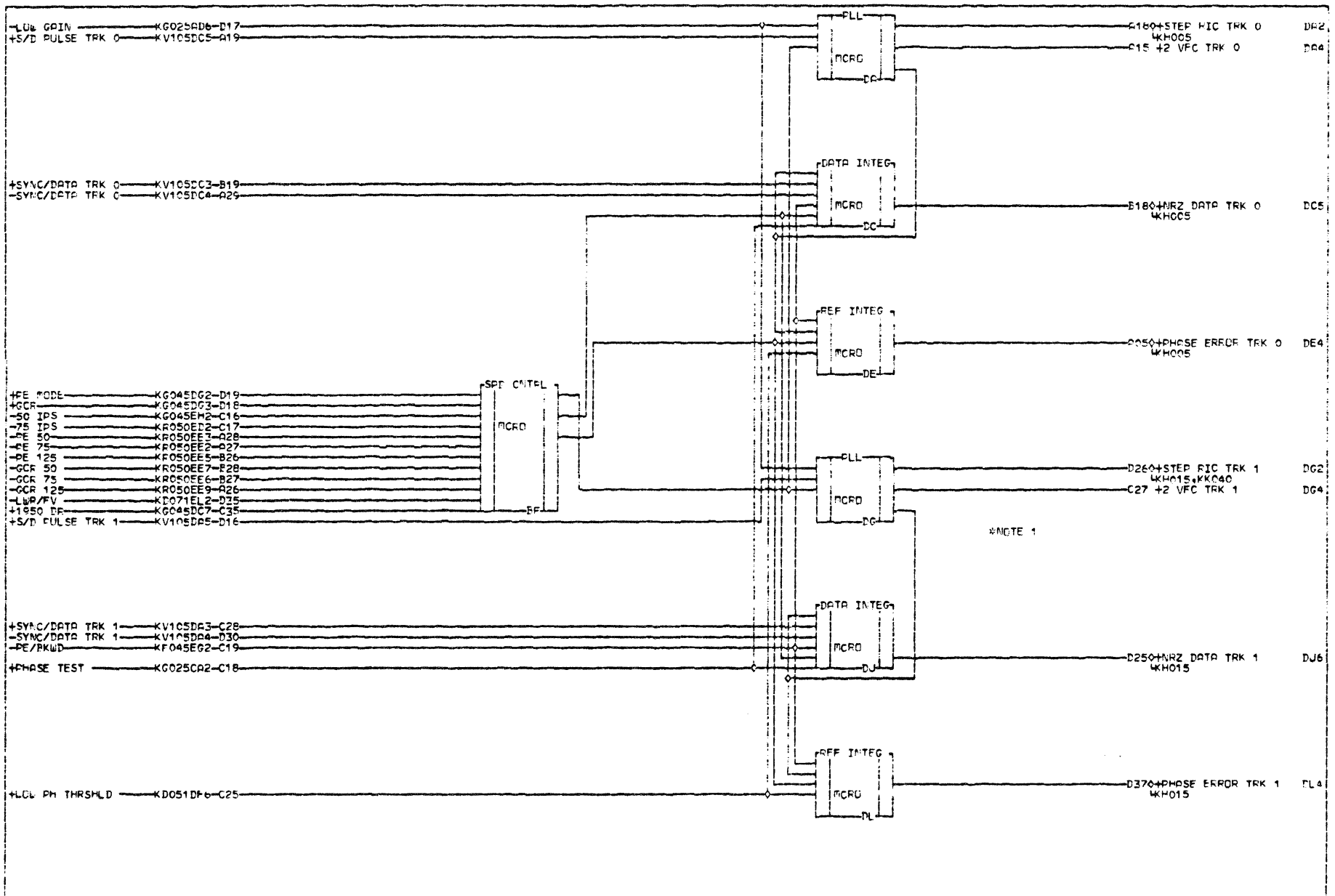
K
R
O
O



TIMING RESISTORS			
— AM	PAGE REFS	— SYSTEM PAGE	— PRES. E.C. 44490
	PAGE 4015838016	FLYER EC PROTOTYP	PREV. E.C.
	E.C. 44490	WIRING METHOD: PC	DATE 4/02/81
			MACHINE: S1935
			CD. LUC. R2
			PG. P.No. 4015848015

K
R
O
O

A F C D E



NOTE 1* KW CARD DOES NOT HAVE CIRCUITRY FOR SPARE TRACK.

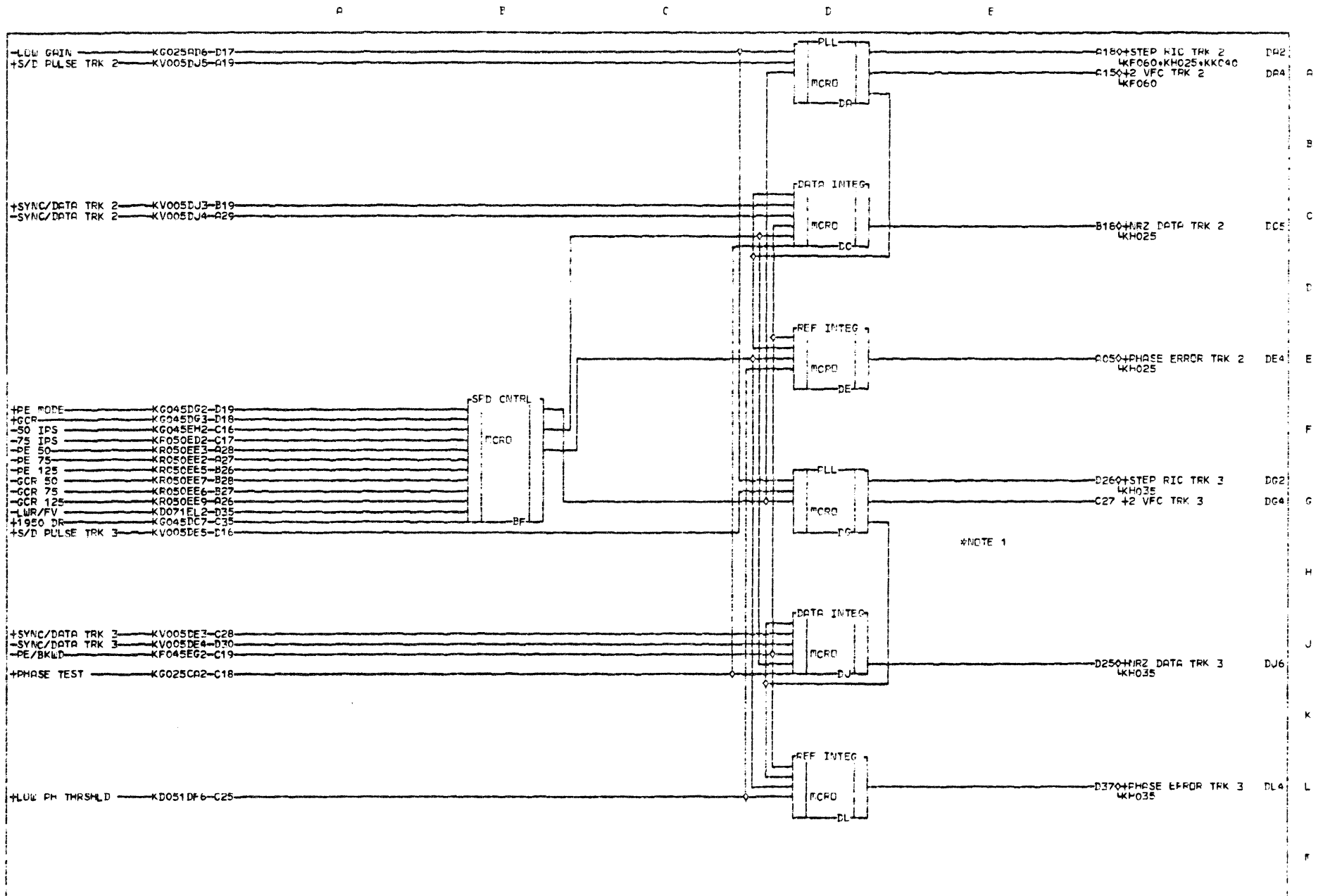
K
Y
O
S



PHASE ENCODED DETECTION

REF PAGE	REFS	SYSTEM PAGE	PREP. E.C. 44344	MACHINE: S1935
471336	2015	FLYER EC 34895	DFV, F.C. 44244	CD. LOC. 52
E.C. 44419		WIRING METHOD:	DATE 8/13/80	EG. P.N. 43416010-7

K
T
O
O
S



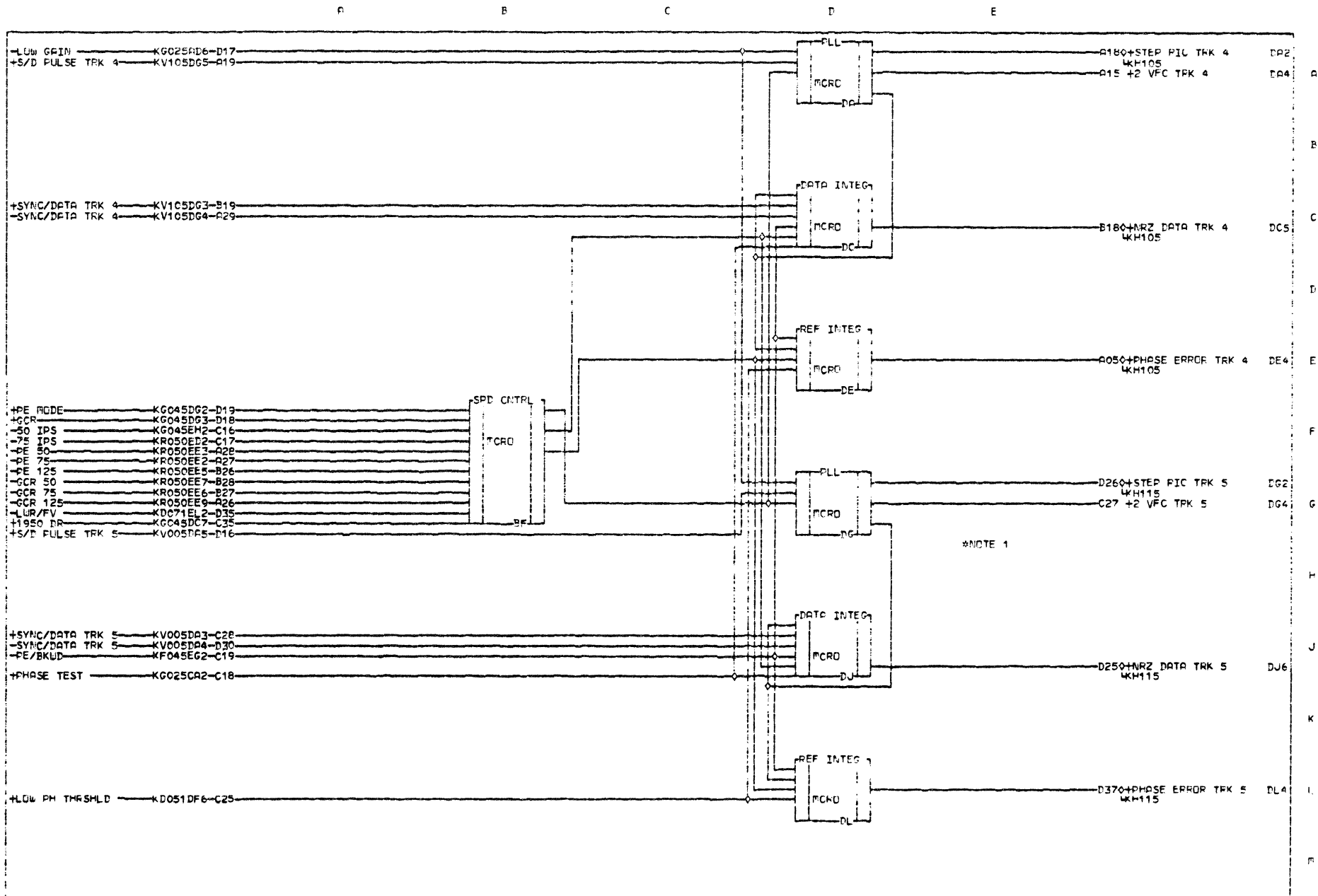
NOTE 1 KW CARD DOES NOT HAVE CIRCUITRY FOR SPARE TRACK.



PHASE ENCODED DETECTION

AP	PAGE	REFS	SYSTEM PAGE	PRES. E.C.	44345	MOCH-IMP:	S1935
PAGE	AC182015	FLYEF EC 34595	PREV. E.C.	44244	CD. LCC.	T2	
E.C.	44419	WIRING METHOD:	DATE	8/13/80	PC. Pch.	43416011-5	

K
T
1
0
5



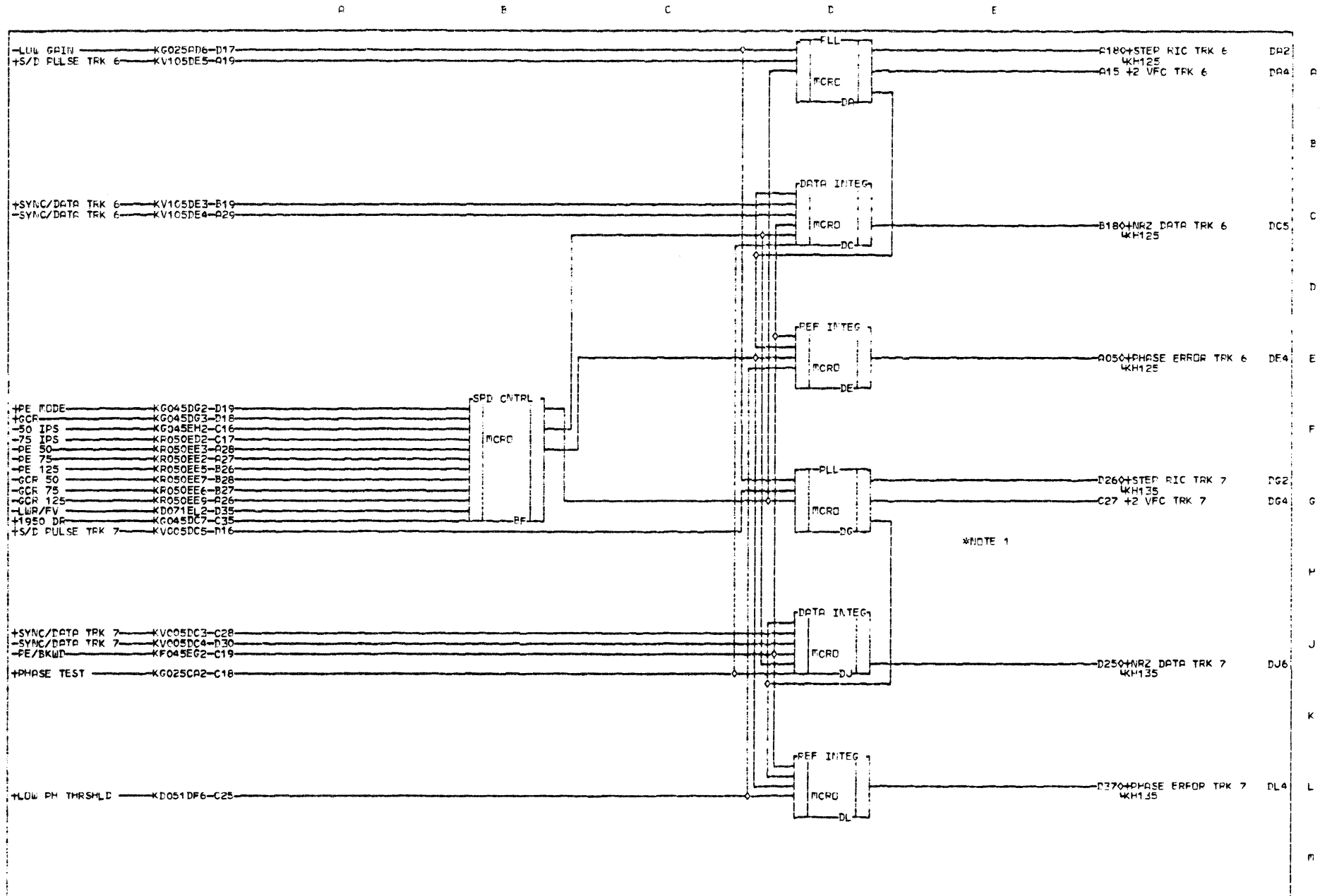
K
T
2
0
5

#NOTE 1* KH CARD DOES NOT HAVE CIRCUITRY FOR SPARE TRACK.

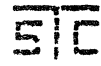


PHASE ENCODED DETECTION			
AM	PAGE	REFS	SYSTEM PAGE
E.C. 44419	PAGE 4015382015	FLYER EC 34595	WIRING METHOD:
PREV. E.C. 44244	DATE 8/13/80	MACHINE: 51935	CD. LCC. U2
		PC. P.N. 43416012-3	

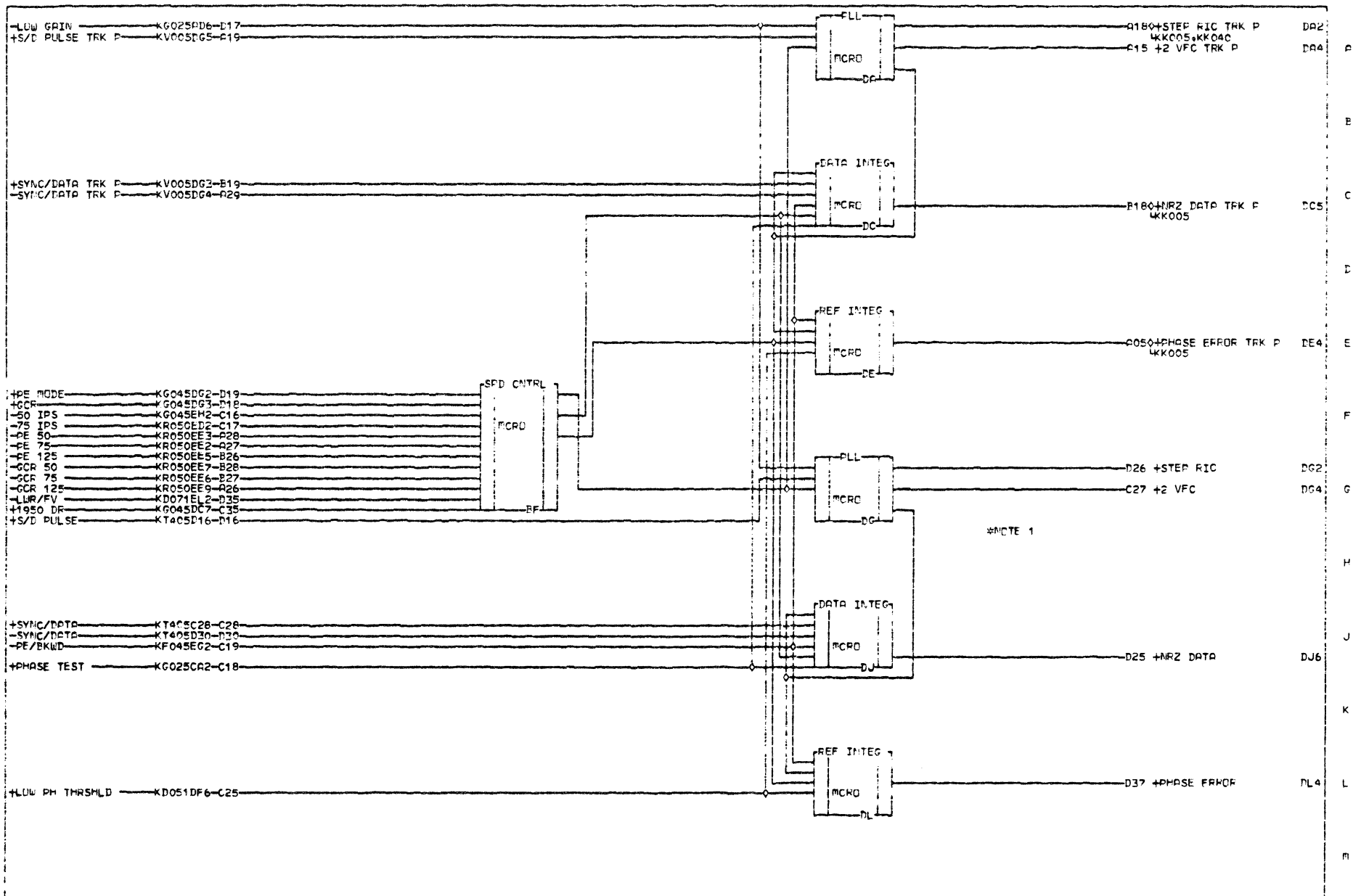
K
T
2
0
5



NOTE 1 KL CARD DOES NOT HAVE CIRCUITRY FOR SPARE TRACK.



PHASE ENCODED DETECTION			
AM	PAGE REFS	SYSTEM PAGE	PRES. F.C. 44345
PAGE 40153B2015	FLYER EC 34595		FREV. E.C. 44244
E.C. 44419	WIRING METHOD:	DATE	8/12/80
		MACHINE: S1935	CD. LOC. V2
		PG. P.N. 43416013-1	



#NOTE 1* KW CARD DOES NOT HAVE CIRCUITRY FOR SPARE TRACK.



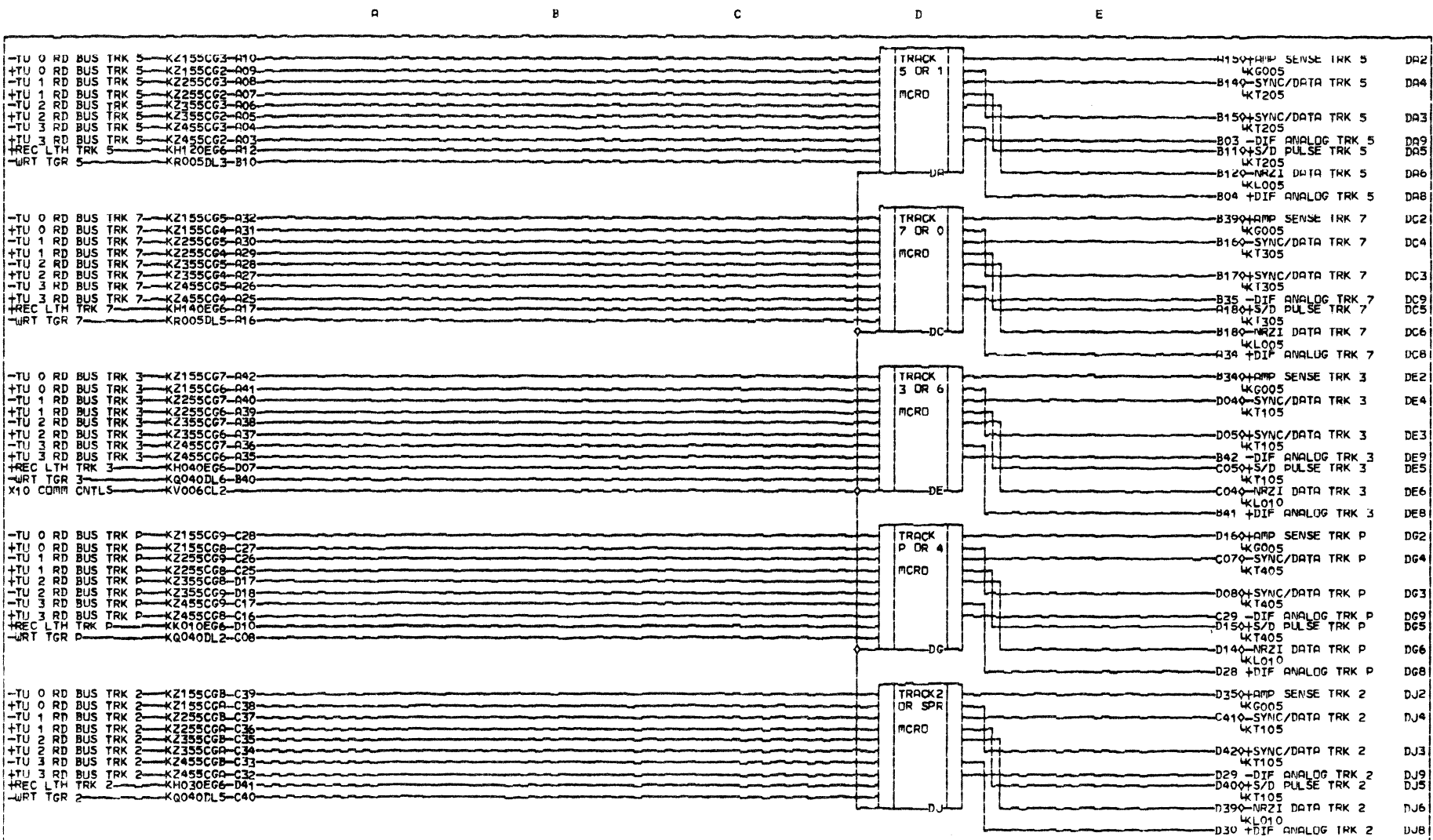
PHASE ENCODED DETECTION			
AP	PAGE REFS	SYSTEM PAGE	PPES, E.C. 44419
PAGE 4015382015	FLYER FC 34595	PREV, E.C. 44345	MACHINE: S1935
E.C. 44419	WIRING METHOD:	DATE 12/18/80	CD, LOC. W2
			PG. NO. 4015383-01-3

ASSEMBLY PARTS LIST

BUILD ARC 00)

PRINT DATE	PAGE	E.C. NO.
08-16-83	1	700

DIV.	ASSEMBLY NUMBER	CD	REV.	DWG.	DESCRIPTION	MC	STATUS	STATUS DATE	FILE DATE					
0510	401567401	5	D	N	SYS LGC GP, MULTI P/N, KV/KY	N	REL	08-03-83	1935	08-10-83				
T FIND NO	LI	PART NUMBER	CD	M	QUANTITY	U/M	PART DESCRIPTION	MC	YLD	E.C. NO. IN	E.C. NO. OUT	S/N	WK IN	WK OUT
005	01	43417005	6		REF	PC	SYS LGC,KV005,PC	D						
006	01	43417001	5		REF	PC	SYS LGC,KV006,PC	D						
105	01	401538101	7		REF	PC	SYS LGC,KV105,PC	D						
106	01	43417003	1		REF	PC	SYS LGC,KV106,PC	D						
500	01	43316306	0		REF	PC	CKT CD,KV,PC ASSY	S						
501	01	43316406	8		REF	PC	CKT CD,KV PC ASSY	S						
502	01	401531201	2		REF	PC	CKT CD,KY,PC ASSEMBLY	S		44420			8113	
503	01	43316606	3		REF	PC	CKT CD,KV,PC ASSY	S		44700			8419	
504	01	401531301	0		REF	PC	CKT CD,KY,PC ASSY	S		44700			8419	
0009 TOTAL LINES														



A

B

C

D

E

A

B

C

D

E

F

G

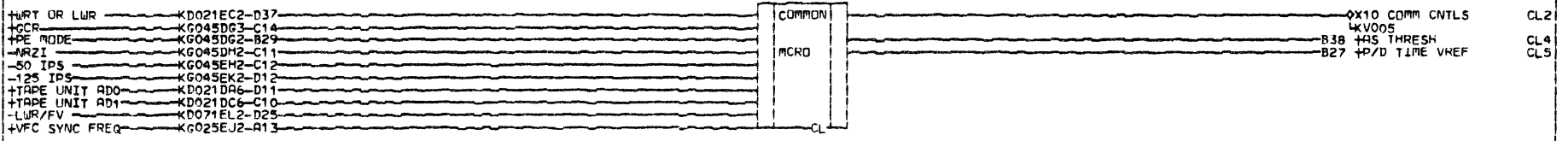
H

J

K

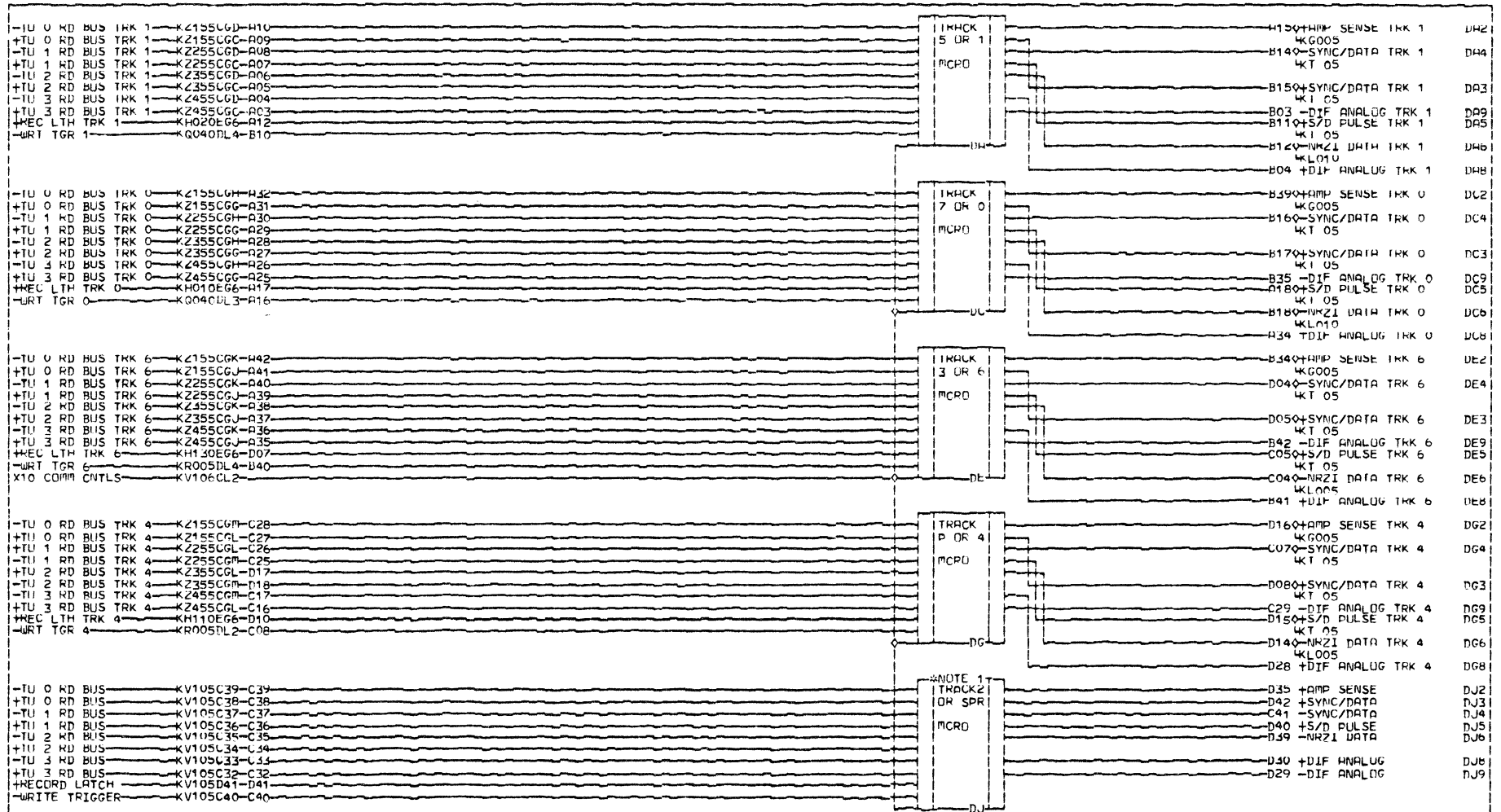
L

M



K V 0 0 6		ANALOG READ SIGNAL PROCESSING AND A/D CONVERSION			K V 0 0 6	
		- AM PAGE REFS -	- SYSTEM PAGE -	PRES. E.C. 44032		MACHINE: S1935
		PAGE 43447002-7	FLYER EC PROTUTYP	PREV. E.C. 44018		CD. LUC X2
		E.C. 44119	WIRING METHOD:	DATE 1/29/80	PG. P.No. 43417001-5	

F B C D E



A
B
C
D
E
F
G
H
J
K
L
M

NOTE 1 KY CARD DOES NOT HAVE CIRCUITRY FOR SPARE TRACK



ANALOG READ SIGNAL PROCESSING AND A/D CONVERSION

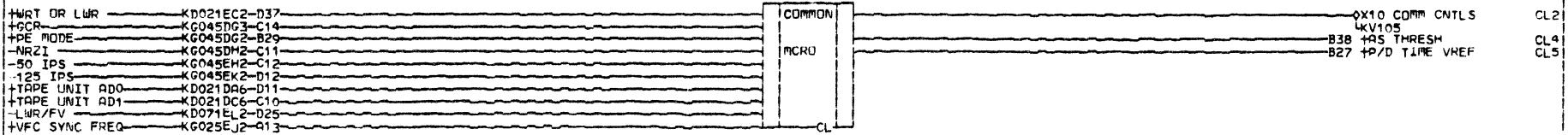
K
V
1
0
5

K
V
1
0
5

- Am	PAGE	REFS	- SYSTEM PAGE	PRES. E.C. 44420	MACHINE: S1935
	PAGE	4015380019	FLYER EC PMU011P	PREV. E.C. 44345	CD. LUC. Y2
	E.C. 44420		WIRING METHOD:	DATE	12/18/80
					PG. P.No. 4015381017

A B C D E

R
B
C
D
E
F
G
H
J
K
L
M



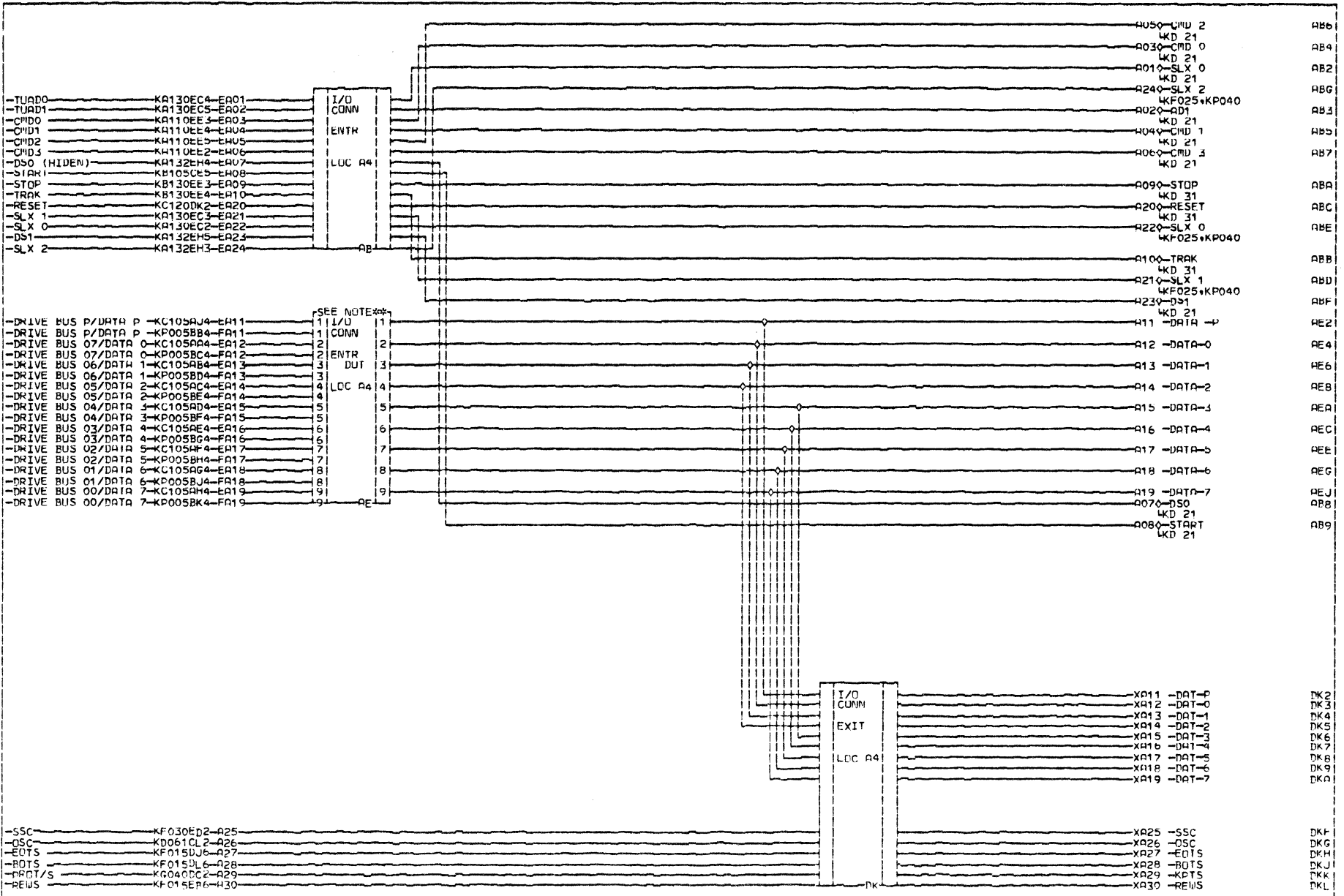
K V 1 0 6	STC	ANALOG READ SIGNAL PROCESSING AND A/D CONVERSION			K V 1 0 6	
		- AM PAGE REFS -	- SYSTEM PAGE -	PRES. E.C. 44032		MACHINE: S1935
		PAGE 43447002-7	FLYER EC PROTOTYP	PREV. E.C. 44018		ICD. LCC. Y2
		E.C. 44119	WIRING METHOD:	DATE 1/29/80		PG. P.n. 43417003-1

ASSEMBLY PARTS LIST

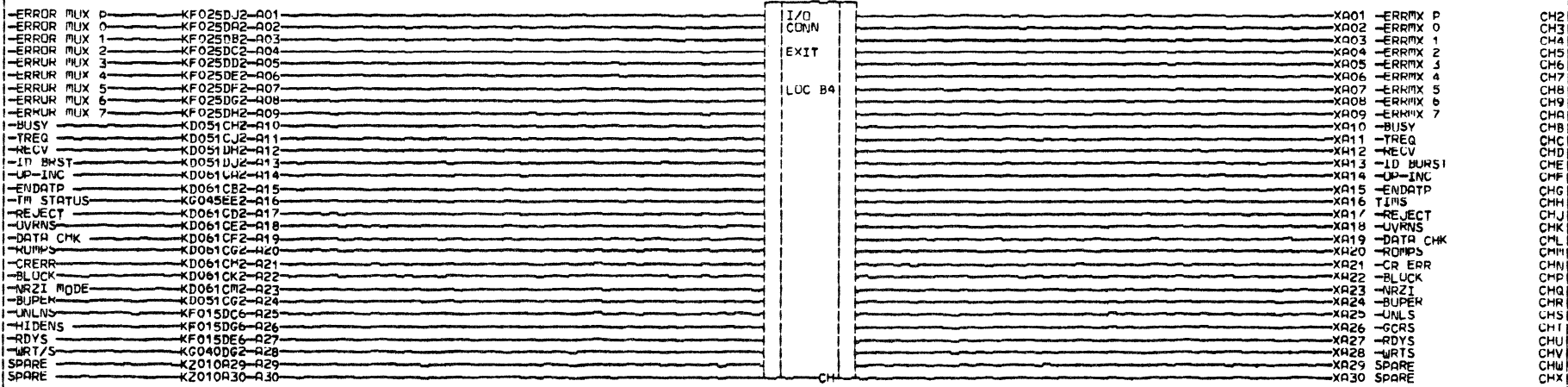
BOULEVARD

PRINT DATE	PAGE	E.C. NO.
10-20-82	1	44493

DIV	ASSEMBLY NUMBER	CD	REV.	DWG.	DESCRIPTION	MC	STATUS	STATUS DATE	FILE DATE					
0500	401609901	4	C	N	SYS LOG GRP,KZ PAGES	N	REL	05-06-81	1985	08-11-81				
T FIND NO	LI	PART NUMBER	CD	M	QUANTITY	U/M	PART DESCRIPTION	MC	YLD	E.C. NO. IN	E.C. NO. OUT	S N	WK IN	WK OUT
001	C1	401588801	1		REF	PC	SYS LGC,KZ005,PC	D						
002	01	401588901	9		REF	PC	SYS LGC, KZ015,PC	D						
003	01	401589001	7		REF	PC	SYS LGC, KZ020,PC	D						
004	01	401589101	5		REF	PC	SYS LGC,KZ025,PC	D						
005	01	401589201	3		REF	PC	SYS LGC,KZ030,PC	D						
006	01	401589301	1		REF	PC	SYS LGC,KZ031,PC	D						
007	01	401589401	9		REF	PC	SYSLGC, KZ035,PC	D						
008	01	401589501	6		REF	PC	SYS LOG,KZ040,PC	D						
009	01	401589601	4		REF	PC	SYS LGC,KZ150,PC	D						
010	01	401589701	2		REF	PC	SYS LGC,KZ155,PC	D						
011	01	401589801	0		REF	PC	SYS LGC,KZ250,PC	D						
012	01	401589901	8		REF	PC	SYS LGC,KZ255,PC	D						
013	01	401590001	4		REF	PC	SYS LGC,KZ350,PC	D						
014	01	401590101	2		REF	PC	SYS LGC,KZ355,PC	D						
015	01	401590201	0		REF	PC	SYS LGC,KZ450,PC	D						
016	01	401590301	8		REF	PC	SYS LGC,KZ455,PC	D						
017	01	401610201	6		REF	PC	SYS LGC,KZ010,PC	D						
							0017 TOTAL LINES							

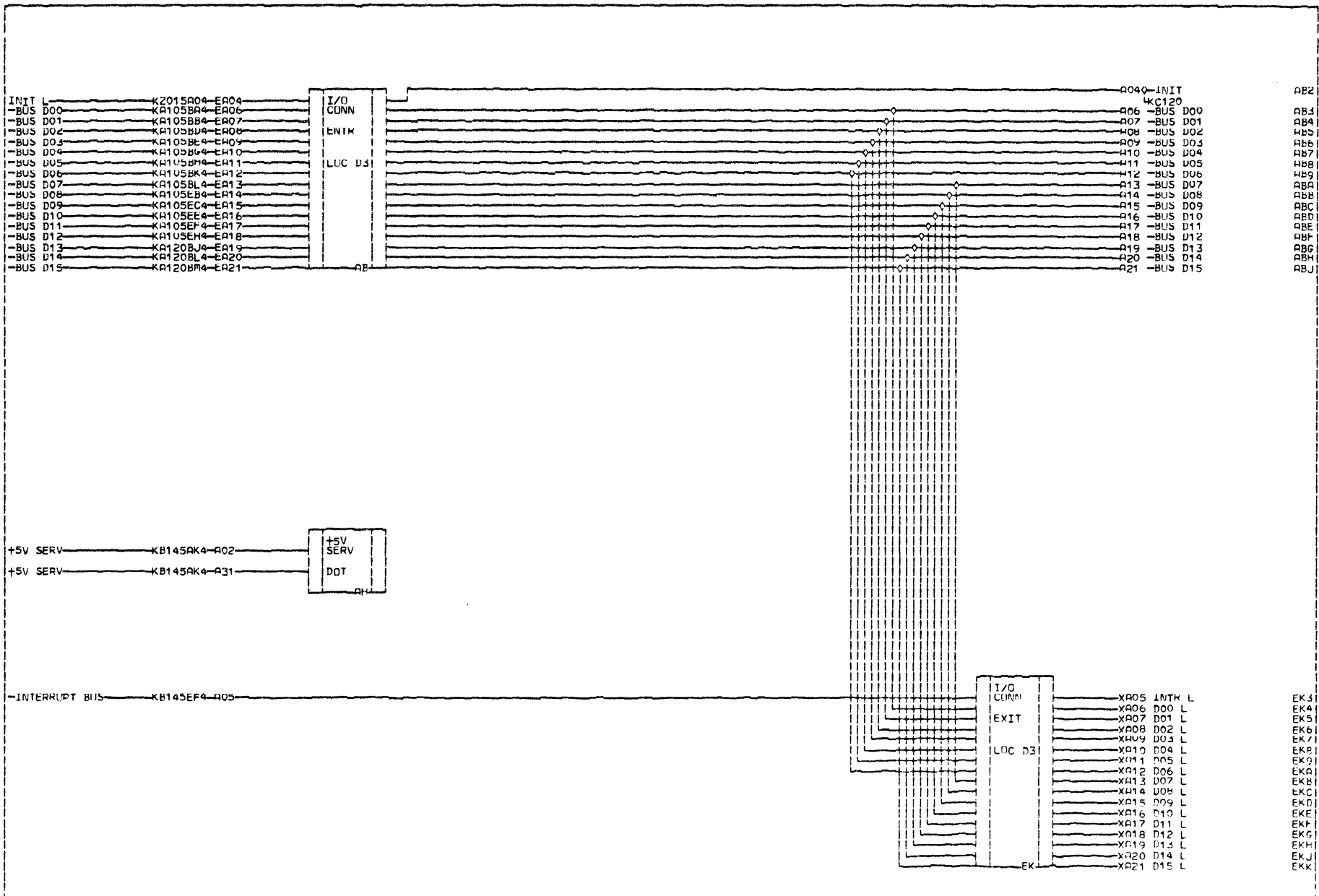


<p>***NOTE: THE PAIRS OF MATCHING #'S IN THE LEFT COL INDICATE THAT THE 2 INPUTS ARE DOTTED TOGETHER & THE MATCHING # IN THE RIGHT COL IS THEIR OUTPUT. THESE ARE TRANSCIEVER SIGNALS WHICH ARE PHYSICALLY CONNECTED TO THE "A3" CONNECTOR PIN INDICATED ON THE RIGHT SIDE OF THIS PAGE</p>		<p>STC STD INTERFACE SIGNAL LINES</p>					
K	2	AM	PAGE REFS	SYSTEM PAGE	RES. E.C. 44493	MACHINE: S1935	K
0	0	PAGL	4015872015	FLYER EC PROTOTYP	PREV. E.C. 44018	CD: LUC A4	0
0	0	E.C.	44493	WIRING METHOD:	DATE	P.C. P.N. 4015888011	5



K Z 0 1 0	STC				STC STANDARD INTERFACE SIGNAL LINES				K Z 0 1 0
	- AM PAGE REFS -		- SYSTEM PAGE -		PRES. E.C. 44493		MACHINE: S1935		
	PAGE 4016101018		FLYER EC PROTOTYP		PREV. E.C. 44018		CD. LUC. B4		
	E.C. 44493		WIRING METHOD:		DATE 4/30/81		PG. P.No. 4016102016		

A B C D E

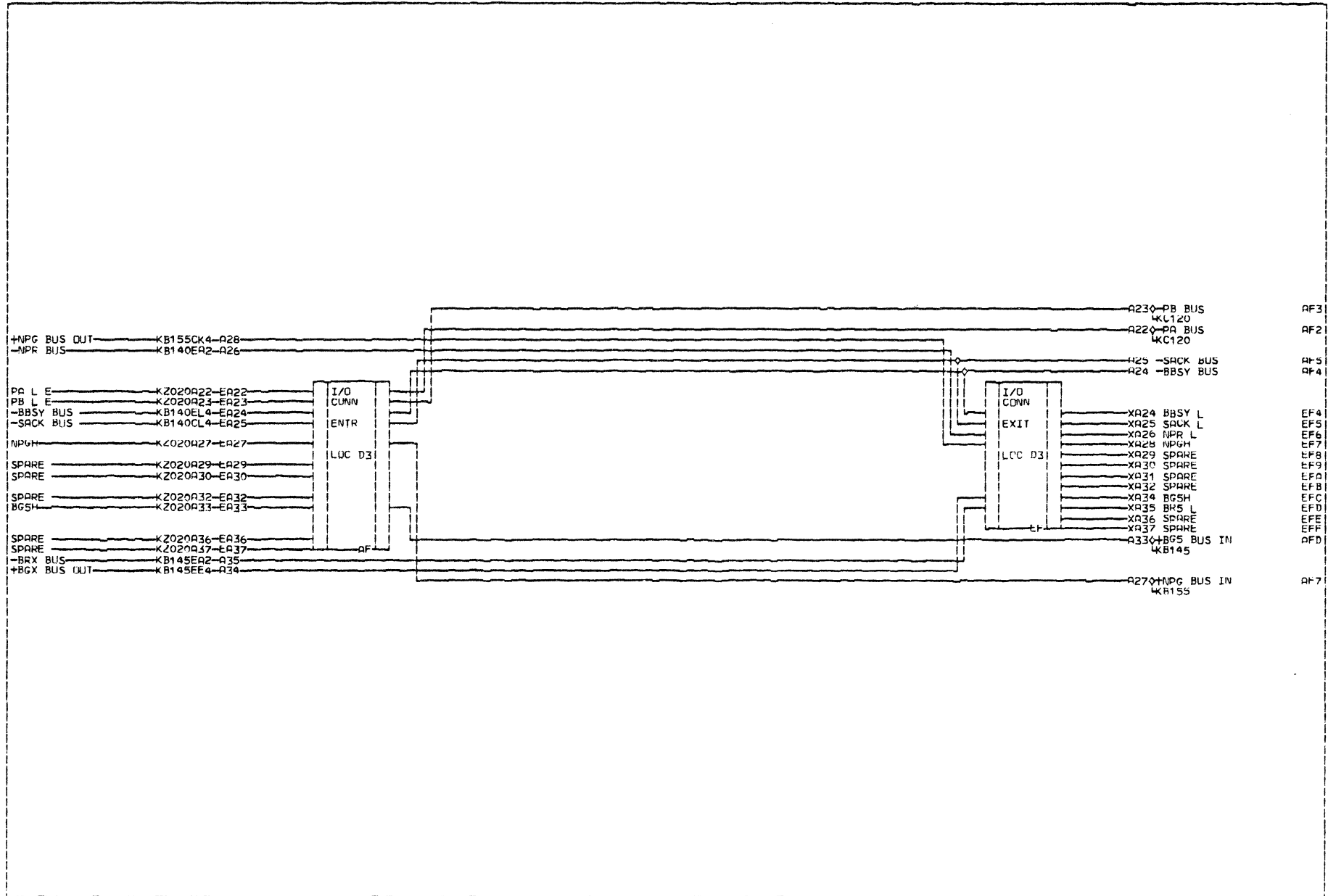


A
B
C
D
E
F
G
H
J
K
L
M

K Z 1 5	STC RESIDENT CUSTOM INTERFACE SIGNAL LINES (UNIBUS)			K Z 0 1 5		
	— Dm	PAGE 4015873013	— SYSTEM PAGE —		DRES. E.C. 44493	MACHINE: 51935
		E.C. 44493	FLYER EC PRUTUTYF		FREV. E.C. 44018	CD. LUC. D3
			WIRING METHOD:		DATE 4/27/81	PG. P.No. 4015889019

A B C D E

A
B
C
D
E
F
G
H
J
K
L
M

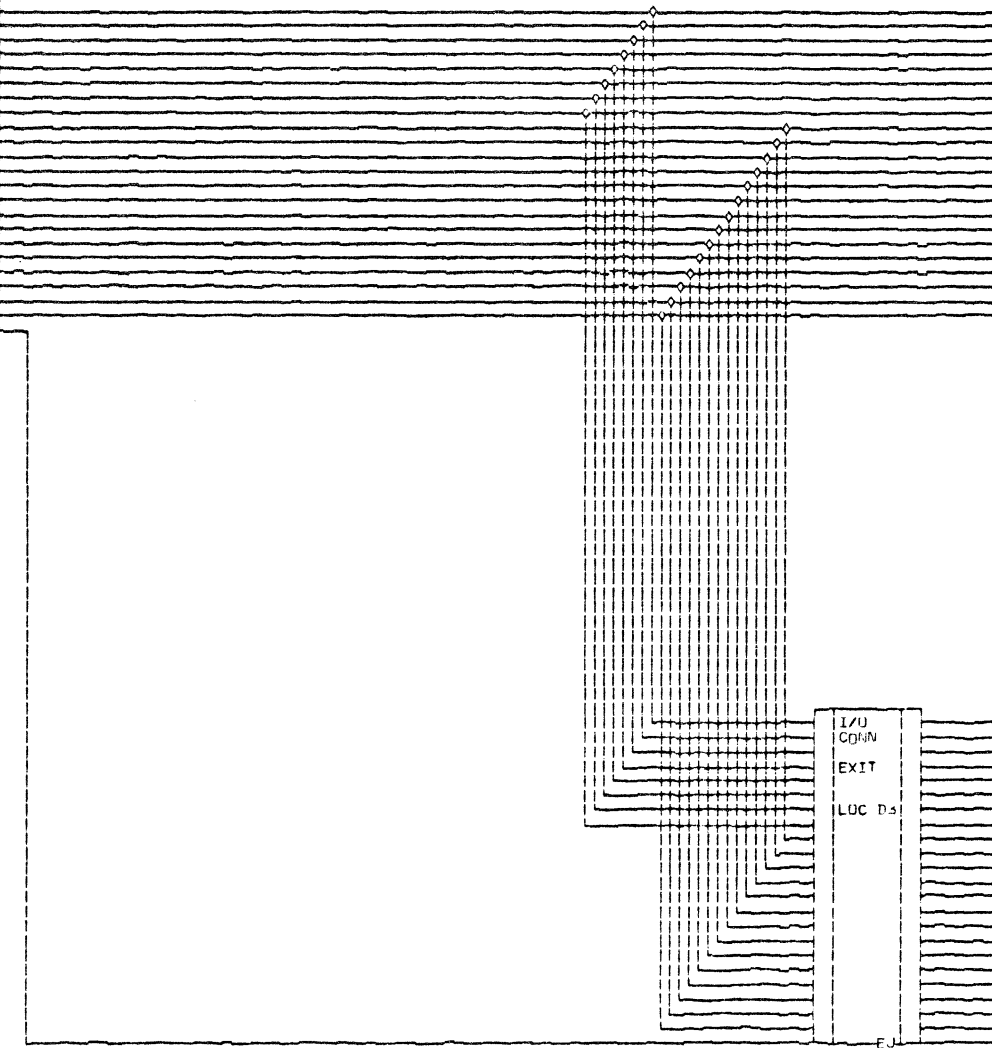


K Z 0 2 0	ETC				STC RESIDENT CUSTOM INTERFACE SIGNAL LINES (UNIBUS)				K Z 0 2 0
	DN: PAGE REFS	SYSTEM PAGE	IRRES. E.C. 44493	MOCHINE: 51935					
	PAGE 4015874011	FLYER FC PROTOTYP	PREV. E.C. 44018	CD: LUC D3					
E.C. 44493		WIPIING METHOD:	DATE 4/27/81	IRG. P.N. 4015890017					

A B C D E

UNIBUS A0 KB110DL4-EP38
 UNIBUS A1 KB105CJ4-EP39
 UNIBUS A2 KB105CH4-EP40
 UNIBUS A3 KB105CG4-EP41
 UNIBUS A4 KB105CF4-EP42
 UNIBUS A5 KB110CL4-EP43
 UNIBUS A6 KB105CD4-EP44
 UNIBUS A7 KB105CC4-EP45
 UNIBUS A8 KB105CB4-EP46
 UNIBUS A9 KB105CQ4-EP47
 UNIBUS A10 KB110CK4-EP48
 UNIBUS A11 KB110CJ4-EP49
 UNIBUS A12 KB110CH4-EP50
 UNIBUS A13 KB110CG4-EP51
 UNIBUS A14 KB110CF4-EP52
 UNIBUS A15 KB110CE4-EP53
 UNIBUS A16 KB110CD4-EP54
 UNIBUS A17 KB110CC4-EP55
 C1 EXTERNAL KB14VCJ4-EP56
 BUS CU KC125EK4-EP57
 UNIBUS SSVN KB110CD4-EP58
 UNIBUS MSYN KB110CB4-EP59
 SPARE KZ025A60-EP60

I/O
CONN
IENTR
LUC D3
AB



A38 UNIBUS A0
 A39 UNIBUS A1
 A40 UNIBUS A2
 A41 UNIBUS A3
 A42 UNIBUS A4
 A43 UNIBUS A5
 A44 UNIBUS A6
 A45 UNIBUS A7
 A46 UNIBUS A8
 A47 UNIBUS A9
 A48 UNIBUS A10
 A49 UNIBUS A11
 A50 UNIBUS A12
 A51 UNIBUS A13
 A52 UNIBUS A14
 A53 UNIBUS A15
 A54 UNIBUS A16
 A55 UNIBUS A17
 A56 BUS C1
 A57 BUS C0
 A58 UNIBUS SSVN
 A59 UNIBUS MSYN

AB2
 AB3
 AB4
 AB5
 AB6
 AB7
 AB8
 AB9
 ABA
 ABB
 ABC
 ABD
 ABE
 ABF
 ABG
 ABH
 ABI
 ABJ
 ABK
 ABL
 ABM
 ABN
 ABP

I/O
CONN
EXIT
LUC D3
EJ

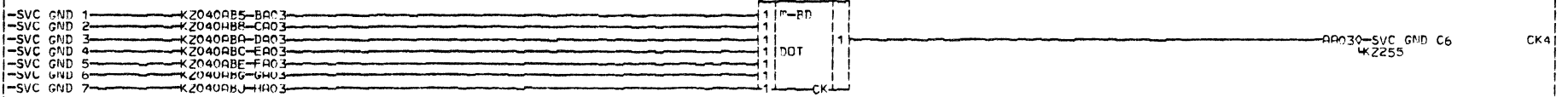
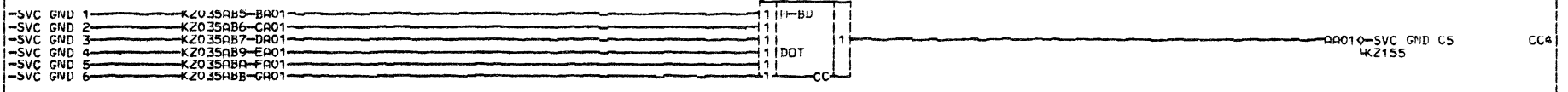
XA38 A00 L
 XA39 A01 L
 XA40 A02 L
 XA41 A03 L
 XA42 A04 L
 XA43 A05 L
 XA44 A06 L
 XA45 A07 L
 XA46 A08 L
 XA47 A09 L
 XA48 A10 L
 XA49 A11 L
 XA50 A12 L
 XA51 A13 L
 XA52 A14 L
 XA53 A15 L
 XA54 A16 L
 XA55 A17 L
 XA56 C1 L
 XA57 C0 L
 XA58 SSVN L
 XA59 MSYN L
 XA60 SPARE

EJ2
 EJ3
 EJ4
 EJ5
 EJ6
 EJ7
 EJ8
 EJ9
 EJ0
 EJ1
 EJ2
 EJ3
 EJ4
 EJ5
 EJ6
 EJ7
 EJ8
 EJ9
 EJ0
 EJ1
 EJ2
 EJ3
 EJ4
 EJ5
 EJ6
 EJ7
 EJ8
 EJ9
 EJ0

K Z 0 2 5	STC				STC RESIDENT CUSTOM INTERFACE SIGNAL LINES (UNIBUS)				K Z 0 2 5	
	Qm	PAGE	REFS	SYSTEM	PAGE	PREV. E.C.	44493	MACHINE:		S1935
		PAGE	4015A7501B	FLYER	EC	PROTOTYP	PREV. E.C.	44018		CD. LUC. D3
		E.C. 44493		WIRING	METHOD:	DATE	4/07/81	PC. P.N.	4015A9101C	

A B C D E

A
B
C
D
E
F
G
H
J
K
L
M

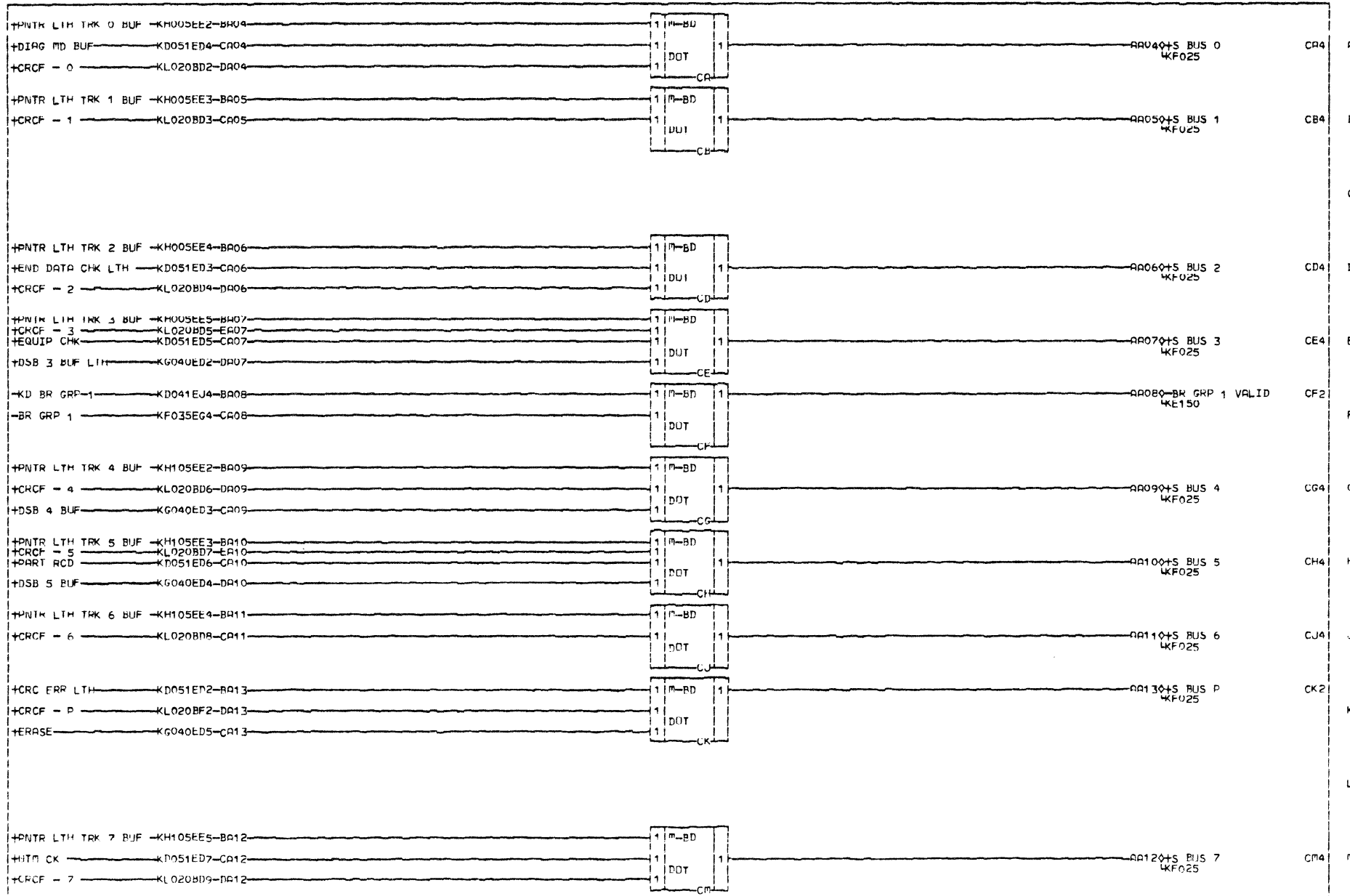


K
Z
0
3
0



MOTHERBOARD DUI				K Z 0 3 0	
DR	DATE	REFS	SYSTEM PAGE	REFS. E.C. 44493	MACHINE: 51935
	PAGE 4015A76016		FLYER FC PROTOTYP	PREV. E.C. 44018	ICD. LOC. DUT**
	E.C. 44493		WIRING METHOD:	DATE 4/07/61	PG. F.N. 4015A92013

A B C D E



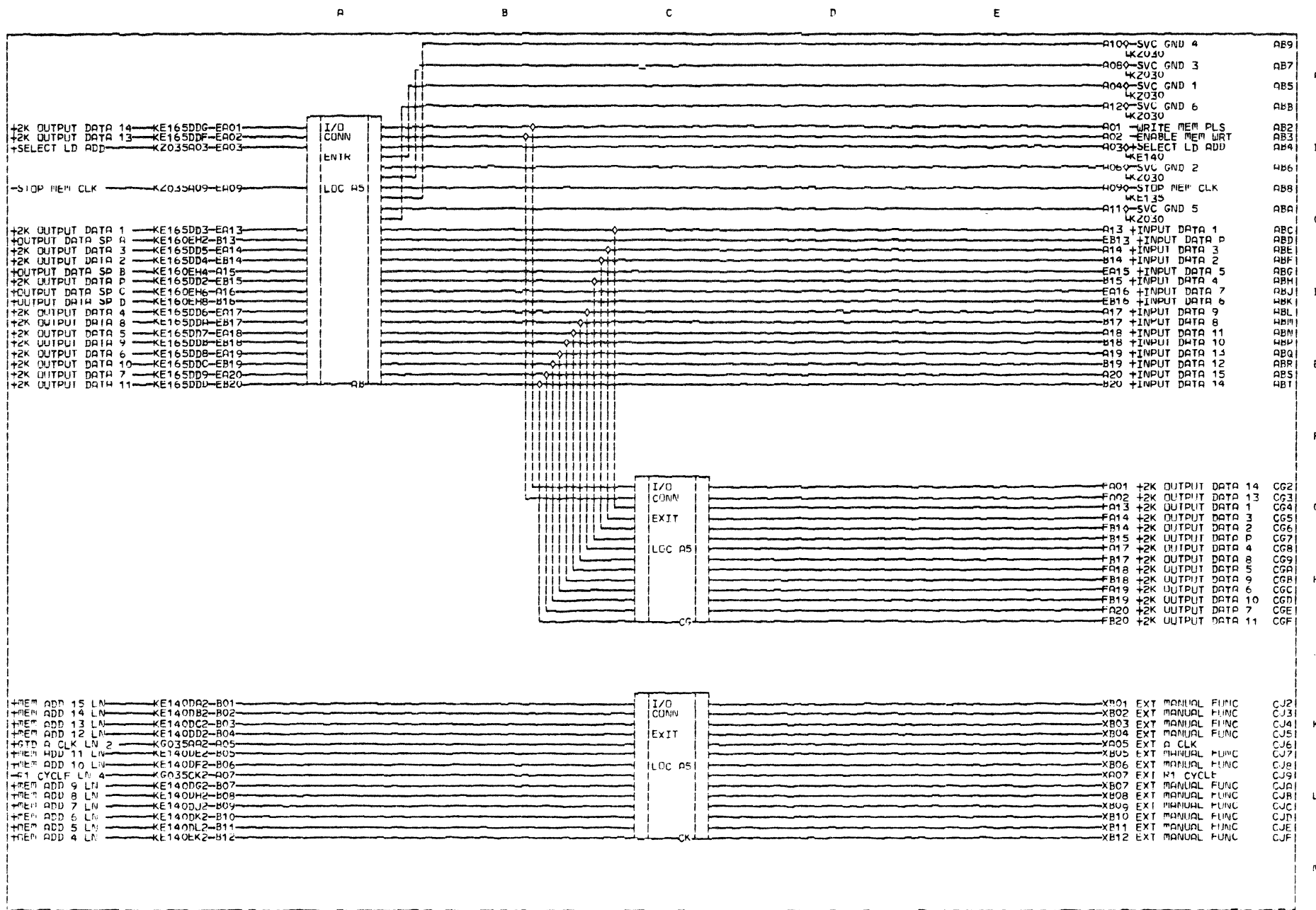
K
Z
0
3
1



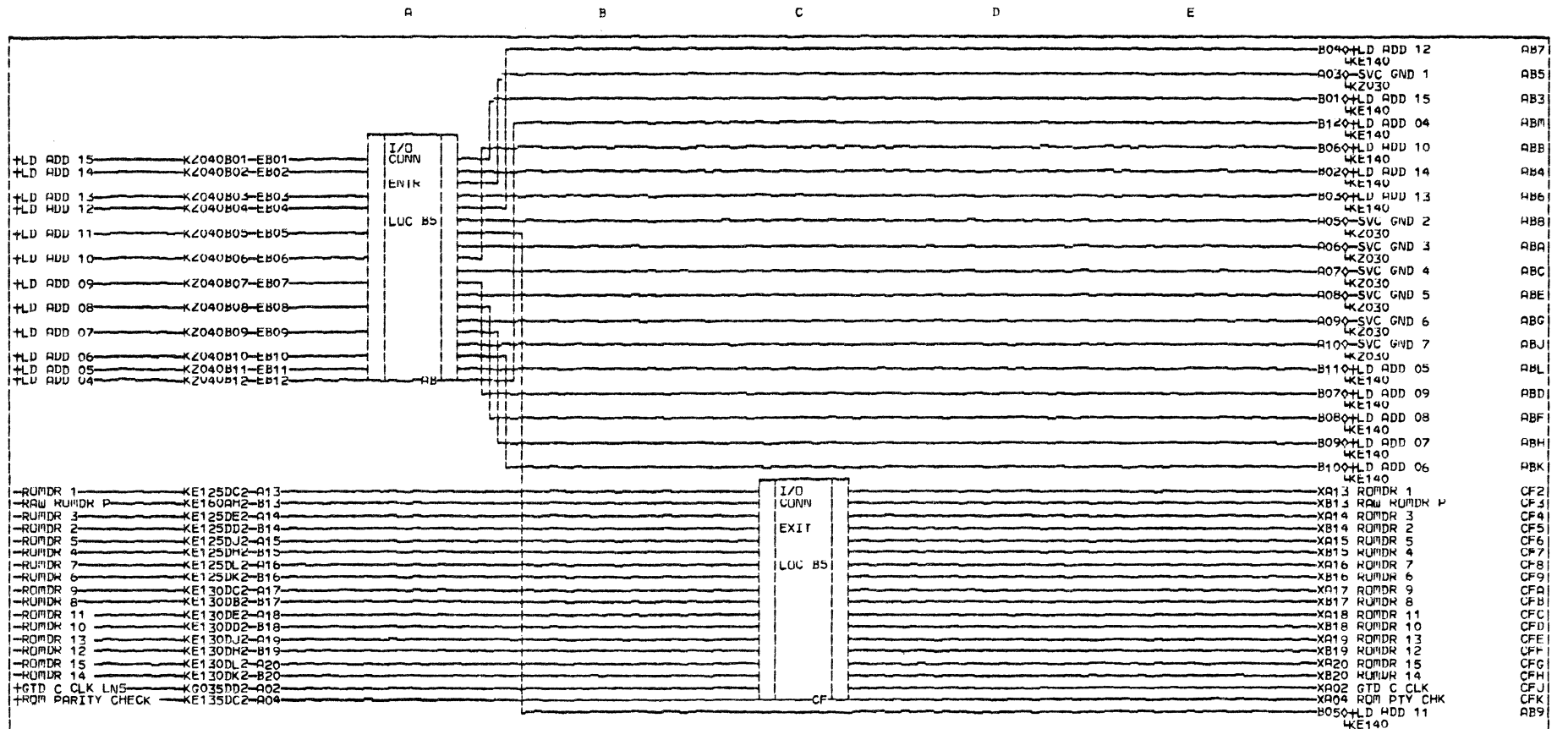
MOTHERBOARD OUT

Am	PAGE	REFS	SYSTEM PAGE	PRE S. E.C. 44493	MACHINE: S1935
	PAGE	4015877014	FLYER EL PROTUTYP	PRE V. E.C. 44018	LD. LUC. DOT
	E.C. 44473		FLYING METHOD:	DATE	4/07/81
					PG. P.M. 4015893011

K
Z
0
3
1

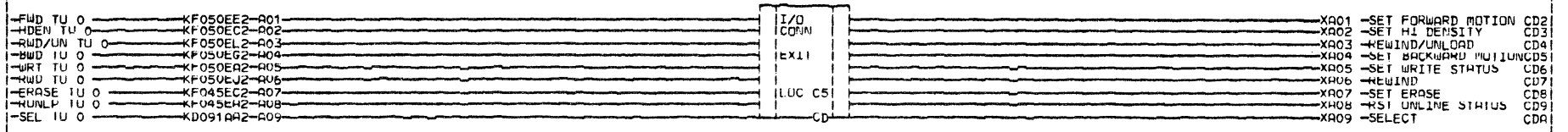


1	K								
2	N								
3	L								
4	S								
		STANDARD STC KE PANEL DIAGNOSTIC CONNECTOR							
		AM PAGE REFS	SYSTEM PAGE	PRES. E.C. 44493	MACHINE: S1935				
		PAGE 4015878012	FLYER EC PHOTO/TP	PREV. E.C. 44018	CD. LUC. AS				
		E.C. 44493	WIPIING METHOD:	DATE 4/07/81	Pg. No. 4015894019				

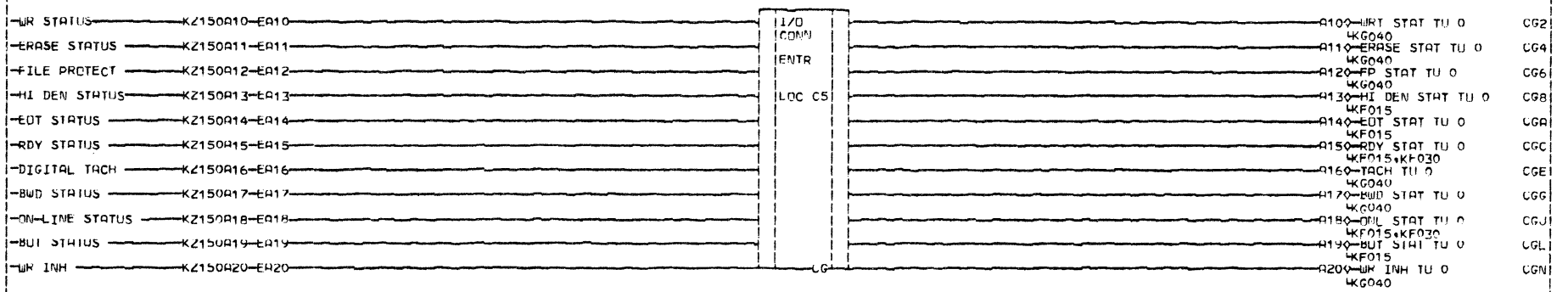


K Z 0 4 0	STANDARD STC DIAGNOSTIC CONNECTOR				K Z 0 4 0	
	AM	PAGE REFS	SYSTEM PAGE	PPES. E.C. 44493		MACHINE: S1935
	PAGE	4015879010	FLYER EC PROTOTYP	PREV. E.C. 44018		CD. LUC. B5
	E.C. 44493		WIRING METHOD:	DATE 4/07/81	PG. P. No. 401589501e	

CONTROL LINES TO TU 0



STATUS LINES FROM TU 0



K
Z
1
5
0

151

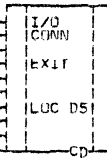
COMMAND AND STATUS INTERFACE TU 0

OP PAGE REFS	SYSTEM PAGE	PREV. E.C. 44493	MACHINE: 51935
PAGE 40158R0018	FLYER EC PROTOTYP	PREV. E.C. 44018	CH. LOC. C5
E.C. 44493	LINKING METHOD:	DATE 4/07/81	Pg. P.N. 4015896014

K
Z
1
5
0

WRITE DATA TU 0

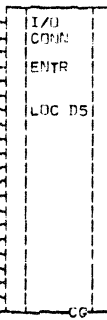
SPARE K2155A11-A11
 -WRT TRK 5 TU 0 KR010D2-A12
 -WRT TRK P TU 0 K0035DF2-A13
 -WRT TRK 2 TU 0 K0045DF3-A14
 -WRT TRK 3 TU 0 K0045DF2-A15
 -WRT TRK 0 TU 0 K0035DF3-A16
 -WRT TRK 4 TU 0 K0045DF3-A17
 -WRT TRK 1 TU 0 K0035DF4-A18
 -WRT TRK 7 TU 0 KR010DD4-A19
 -WRT TRK 6 TU 0 KR010DD3-A20



XA11 SPARE CD2
 XA12 5 WRITE DATA CD3
 XA13 P WRITE DATA CD4
 XA14 2 WRITE DATA CD5
 XA15 3 WRITE DATA CD6
 XA16 0 WRITE DATA CD7
 XA17 4 WRITE DATA CD8
 XA18 1 WRITE DATA CD9
 XA19 7 WRITE DATA CD9
 XA20 6 WRITE DATA CD9

READ DATA KROM TU 0

5 READ DATA A K2155A01-EA01
 5 READ DATA B K2155B01-EB01
 7 READ DATA A K2155A02-EA02
 7 READ DATA B K2155B02-EB02
 3 READ DATA A K2155A03-EA03
 3 READ DATA B K2155B03-EB03
 6 READ DATA A K2155A04-EA04
 6 READ DATA B K2155B04-EB04
 2 READ DATA A K2155A05-EA05
 2 READ DATA B K2155B05-EB05
 1 READ DATA A K2155A06-EA06
 1 READ DATA B K2155B06-EB06
 SPARE K2155A07-EA07
 SPARE K2155B07-EB07
 0 READ DATA A K2155A08-EA08
 0 READ DATA B K2155B08-EB08
 6 READ DATA A K2155A09-EA09
 6 READ DATA B K2155B09-EB09
 4 READ DATA A K2155A10-EA10
 4 READ DATA B K2155B10-EB10
 -SVC GND CS K2030CC4-B20



B040-TU 0 RD BUS TRK 0 CG5
 KVV005
 B040-TU 0 RD BUS TRK 0 CG8
 KVV005
 B030-TU 0 RD BUS TRK 3 CG6
 KVV005
 B020-TU 0 RD BUS TRK 7 CG4
 KVV005
 B010-TU 0 RD BUS TRK 5 CG2
 KVV005
 B050-TU 0 RD BUS TRK 2 CG8
 KVV005
 B010-TU 0 RD BUS TRK 5 CG3
 KVV005
 B020-TU 0 RD BUS TRK 7 CG5
 KVV005
 B030-TU 0 RD BUS TRK 3 CG7
 KVV005
 B050-TU 0 RD BUS TRK 2 CG8
 KVV005
 B060-TU 0 RD BUS TRK 1 CGC
 KVV105
 B07 SPARE CGE
 B07 SPARE CGF
 B080-TU 0 RD BUS TRK 0 CGG
 KVV105
 B090-TU 0 RD BUS TRK 6 CGJ
 KVV105
 B100-TU 0 RD BUS TRK 4 CGL
 KVV105
 B060-TU 0 RD BUS TRK 1 CGD
 KVV105
 B080-TU 0 RD BUS TRK 0 CGH
 KVV105
 B090-TU 0 RD BUS TRK 6 CGK
 KVV105
 B100-TU 0 RD BUS TRK 4 CGM
 KVV105

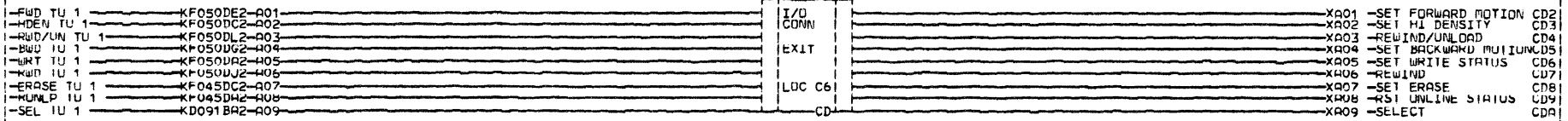
K
2
1
5
5



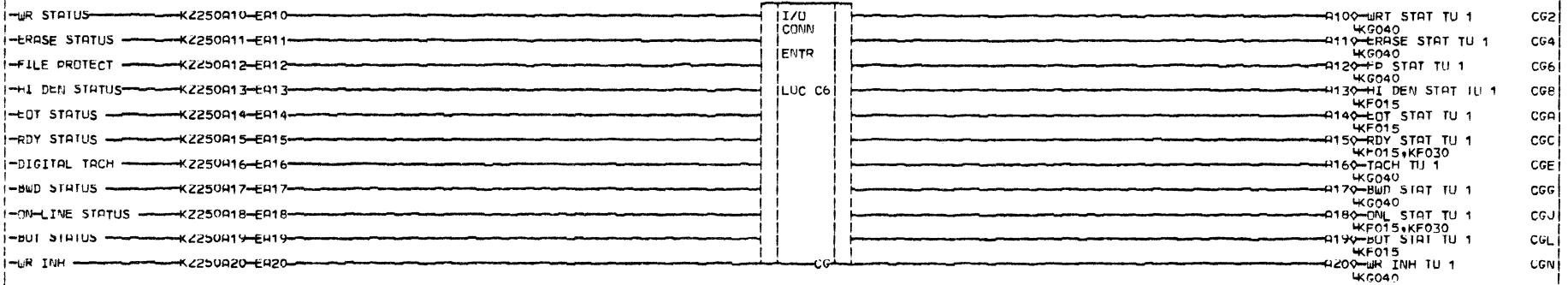
- AM PAGE REFS		- SYSTEM PAGE		PRES. E.C. 44493	MACHINE: S1935
PAGE 4015881016		FLYER EC PROTOTYP		PREV. E.C. 44018	CD. LUC. DS
E.C. 44493		WIRING METHOD:		DATE 4/07/81	PG. P.N. 4015897012

K
2
1
5
5

CONTROL LINES TO TU 1



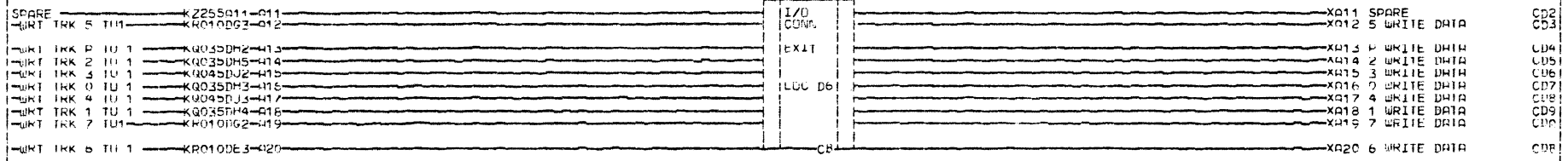
STATUS LINES FROM TU 1



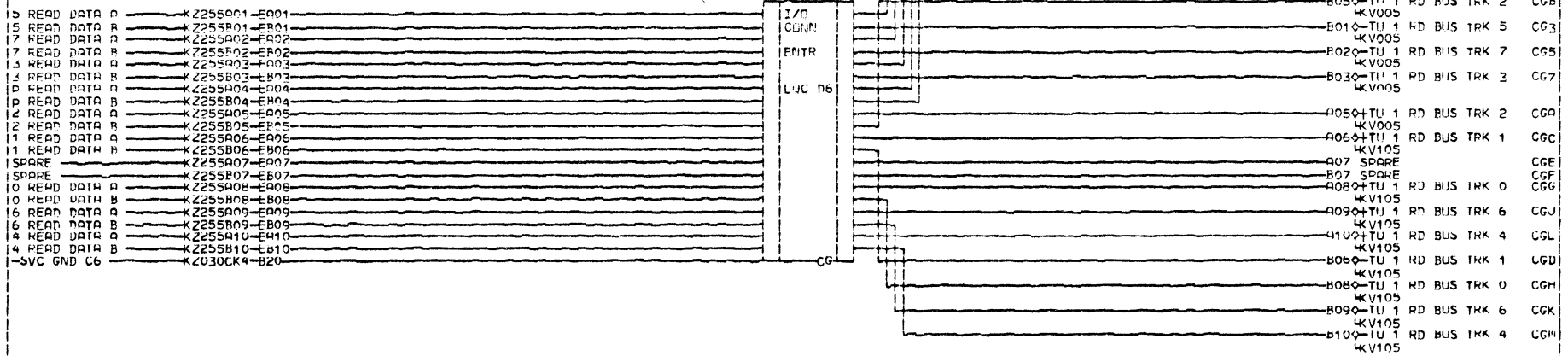
K Z S O	ETC				COMMAND AND STATUS INTERFACE TU 1				K Z S O		
	Am	PAGE	REFS	SYSTEM	PAGE	PRES.	E.C.	44493		MACHINE:	S1935
		PAGE	4015882014	FLYER	EC	PROTOTYP	PREV.	E.C.		44018	CD:
		F.C.	44493		INTRIN	METHOD:	DATE	4/07/81	PG.	P.No.	4015898010

A B C D E

WRITE DATA TO TU 1



READ DATA FROM TU 1

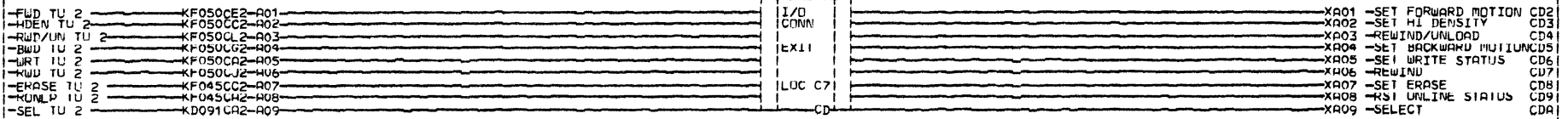


K 2 2 5	57				READ DATA INTERFACE, TU 1				K 2 2 5		
	AM	PAGE	REFS	SYSTEM	PAGE	PRES. E.C.	44493	MACHINE:		S1935	
		PAGE	4015883012	FLYER	EC	PROTUTYP	PREV. E.C.	44018		CD:	LUC. D6
		E.C.	44493	WIRING	METHOD:	DATE	4/07/81	PC:		P.N.	4015899018

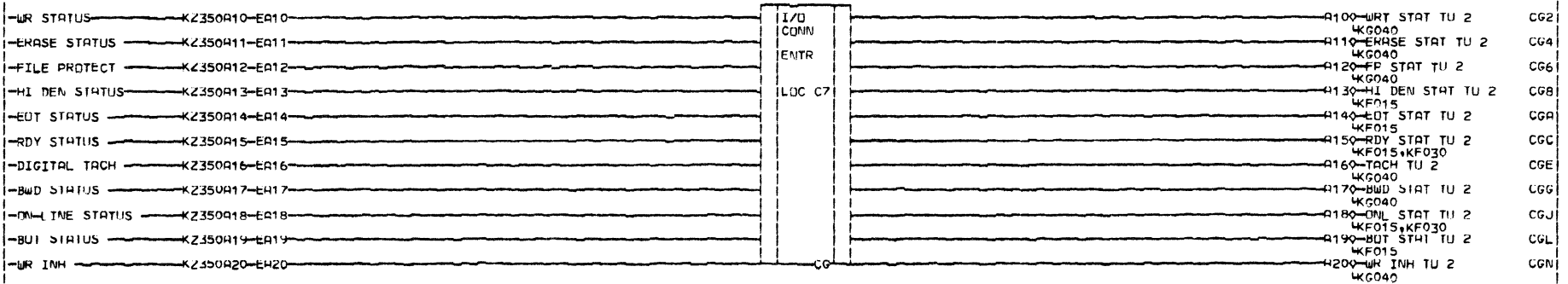
A B C D E

A
B
C
D
E
F
G
H
J
K
L
M

CONTROL LINES TO TU 2

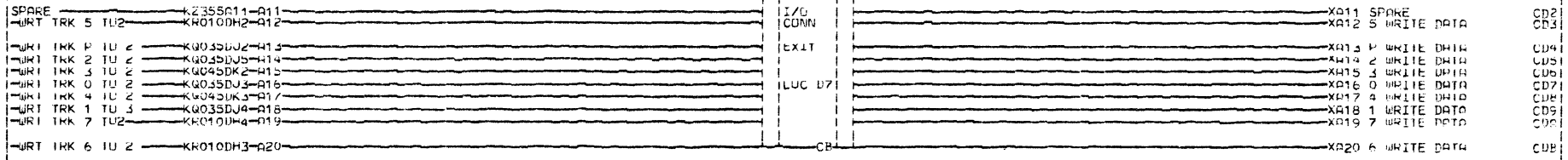


STATUS LINES FROM TU 2

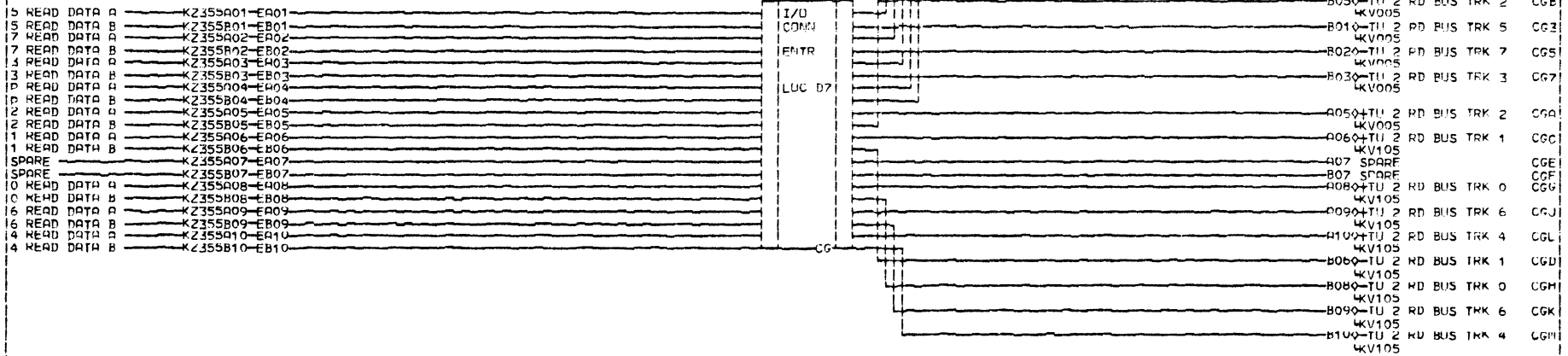


K 5 0	STC	COMMAND AND STATUS INTERFACE-TU 2				K 2 3 5 0
		AM PAGE REFS	SYSTEM PAGE	PRES. E.C. 44493	MACHINE: S1935	
		PAGE 40158A4010	FLYER EC PROTOTYP	PREV. E.C. 44018	CD. LUC. C7	
		E.C. 44493	WIRING METHOD:	DATE 4/07/81	PG. P.N. 4015900014	

WRITE DATA TO TU 2



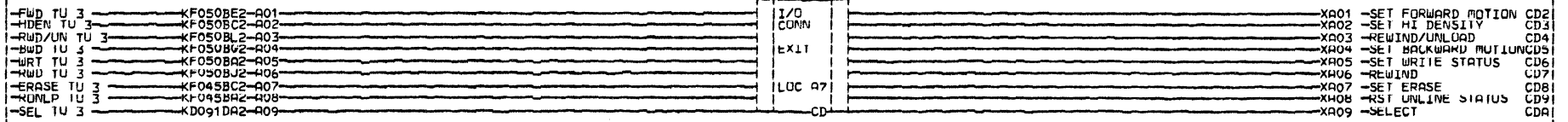
READ DATA FROM TU 2



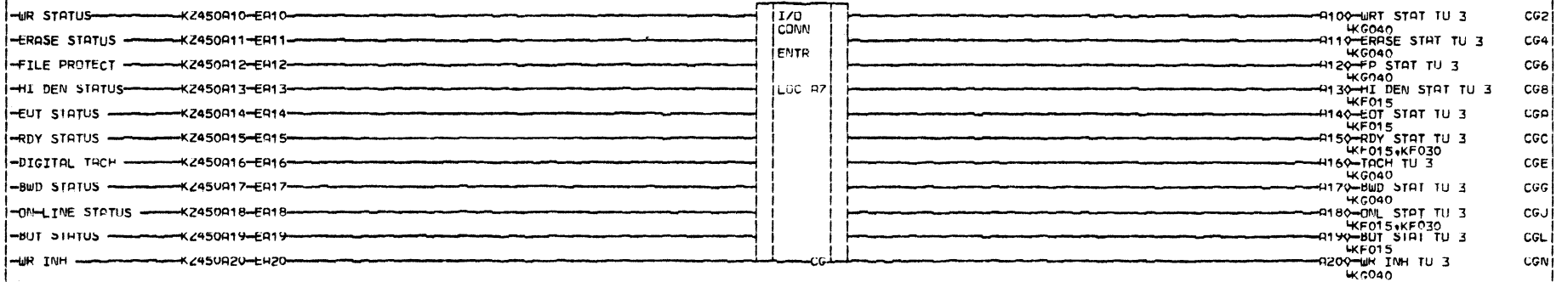
SUPPLINK	STP				READ DATA INTERFACE, TU 2				K Z 3 5				
	AM	PAGE	REFS	SYSTEM	PAGE	PRES.	E.C.	44493		MACHINE:	S1935		
		PAGE	4015885017	FLYER	EC	PROTOTYP	PREV.	E.C.		44018	CD:	LUC, D7	
		E.C.	44493	WIRING	METHOD:	DATE				4/07/81	Pg.	PaNo.	4015901012

A B C D E

CONTROL LINES TO TU 3

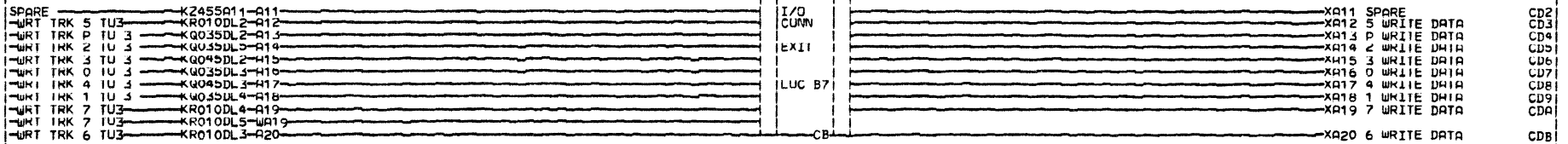


STATUS LINES FROM TU 3

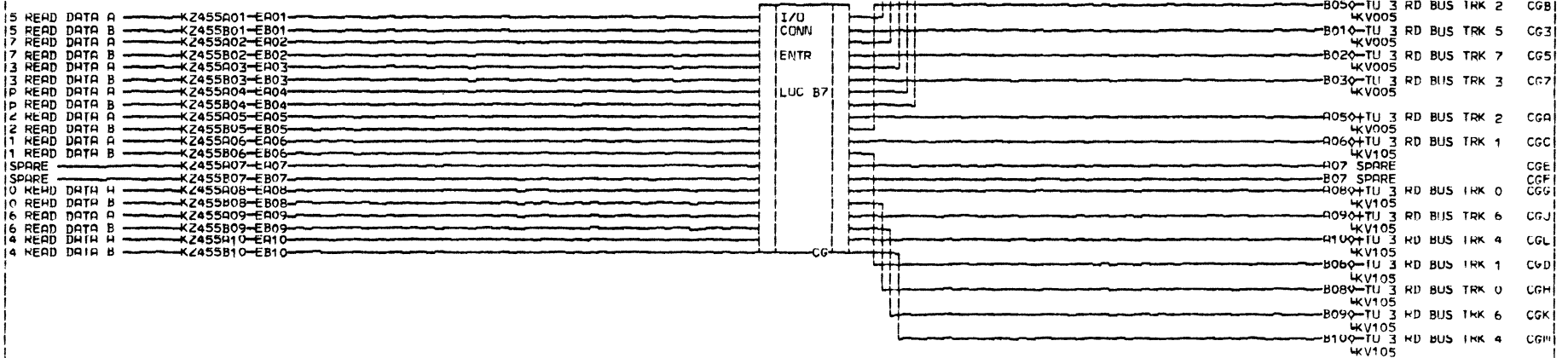


K 2 4 5 0	STC				COMMAND AND STATUS INTERFACE, TU 3				K 2 4 5 0	
	AM	PAGE	REFS	SYSTEM	PAGE	PREV. E.C.	44493	MACHINE:		51935
		PAGE	4015886015	FLYER	EC	PROTOTYP	PREV. E.C.	44018		ICD:
		E.C.	44493	WIRING	METHOD:	DATE	4/07/81	PG.	P.N.	4015902010

WRITE DATA TO TU 3



READ DATA FROM TU 3



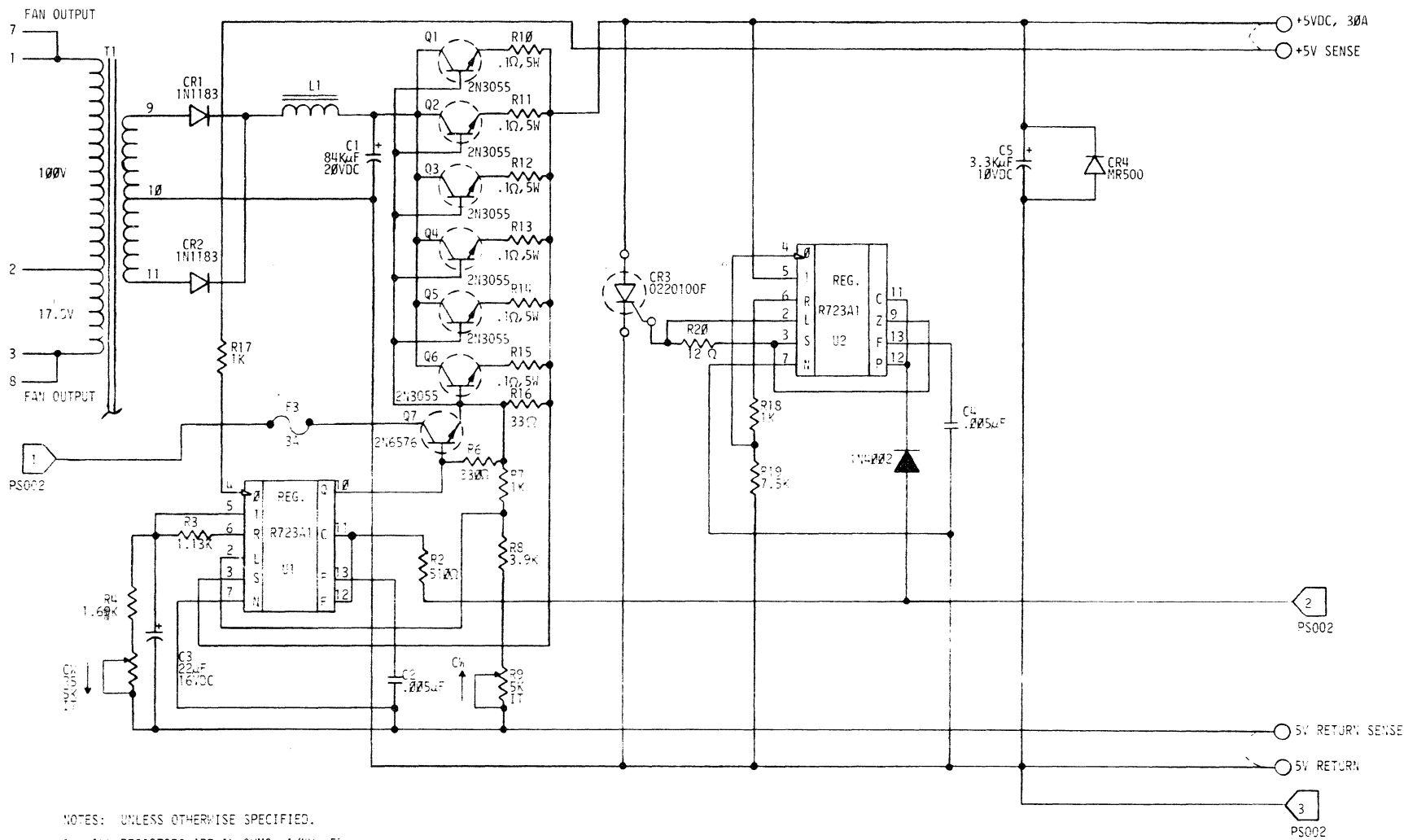
K 2 4 5 5	STC	HEAD DATA INTERFACE • TU 3			K 2 4 5
		- AM PAGE REFS -	- SYSTEM PAGE -	PRES. E.C. 44493	MACHINE: S1935
		PAGE 4015887013	FLYER EC PPT10TYP	PREV. E.C. 44018	CD. LUC. B7
		E.C. 44493	WIRING METHOD:	DATE 4/07/81	PG. P.N. 4015903018

ASSEMBLY PARTS LIST

BUILD ARC DCC

PRINT DATE	PAGE	E.C. NO.
10-21-83	1	49295

DIV.	ASSEMBLY NUMBER	CD	REV.	DWG.	DESCRIPTION	MC	STATUS	STATUS DATE	FILE DATE						
0500	402327301	6	H	N	SLG, PS, 401656701/42011602	N	REL	10-12-83	19305 10-18-83						
T	FIND NO	LI	PART NUMBER	CD	M	QUANTITY	U/M	PART DESCRIPTION	MC	YLD	E.C. NO. IN	E.C. NO. OUT	S/N	WK IN	WK OUT
	001	01	402216702	9		REF	PC	SYS LGC, PS001	D						
	002	01	402327201	8		REF	PC	SYS LGC, PS002	D						
	003	01	403778601	1		REF	PC	SYS LGC, PS003, AC POWER INPUT	D						
	011	01	403778701	9		REF	PC	SYS LGC, PS011, +15V SUPPLY	D						
	021	01	403778801	7		REF	PC	SYS LGC, PS021, 5V SUPPLY	D						
	031	01	403778901	5		REF	PC	SYS LGS, PS031, -15V SUPPLY	D						
								0006 TOTAL LINES							



01/20/82

GAF Polytance 033

LESTRONICS P/S LOGIC

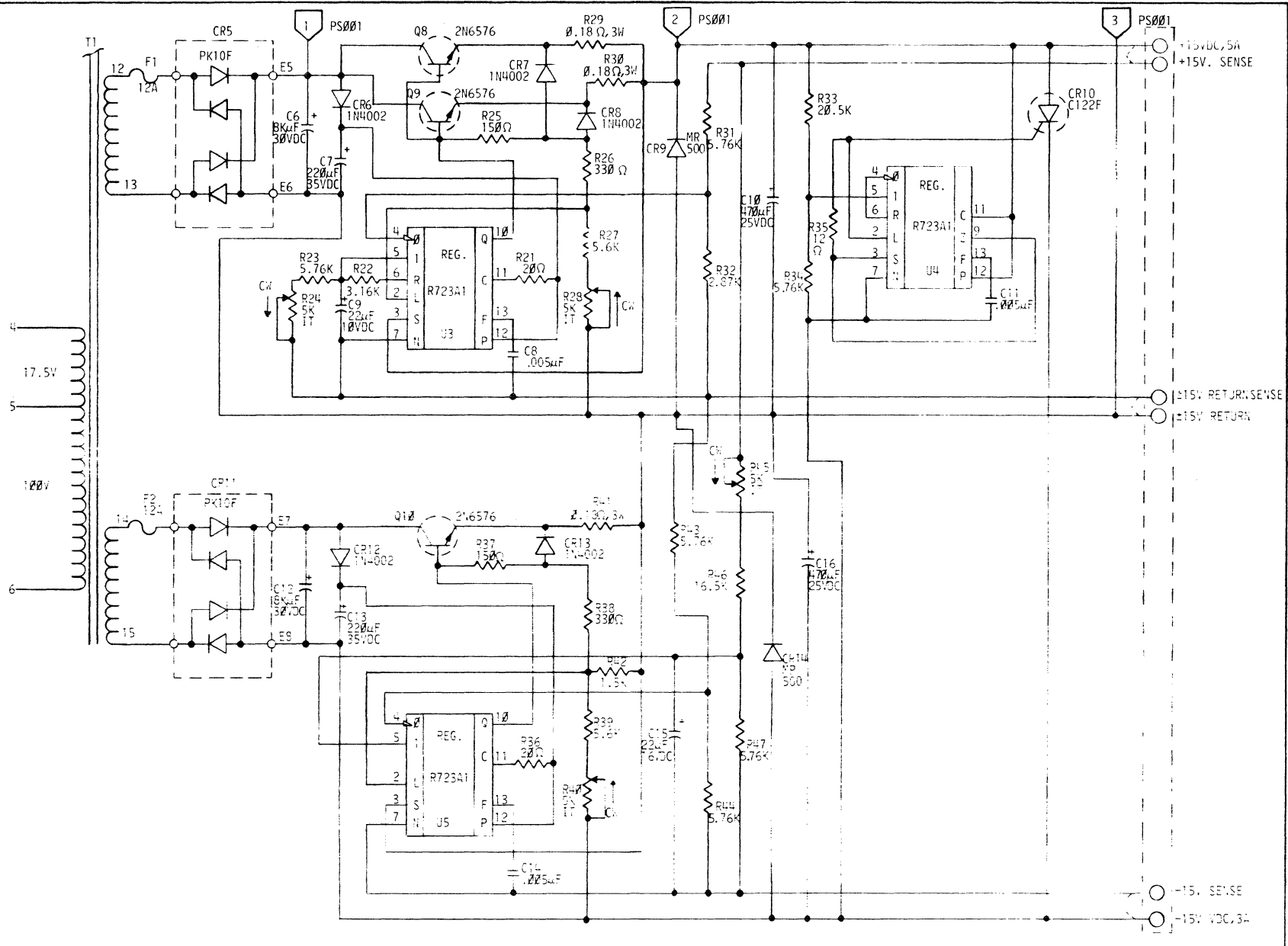
PRES. E.C. 44764
 PREV. E.C. 42751
 DATE 6-3-82

MACH. 1932/35
 VERS. GBL. ROT.

CD. LOC. POWER SUPPLY
 GATE FRAME

CD. P.N. 4016567-01
 CD. TYPE
 PG. P.N. 4022167-02

PS001

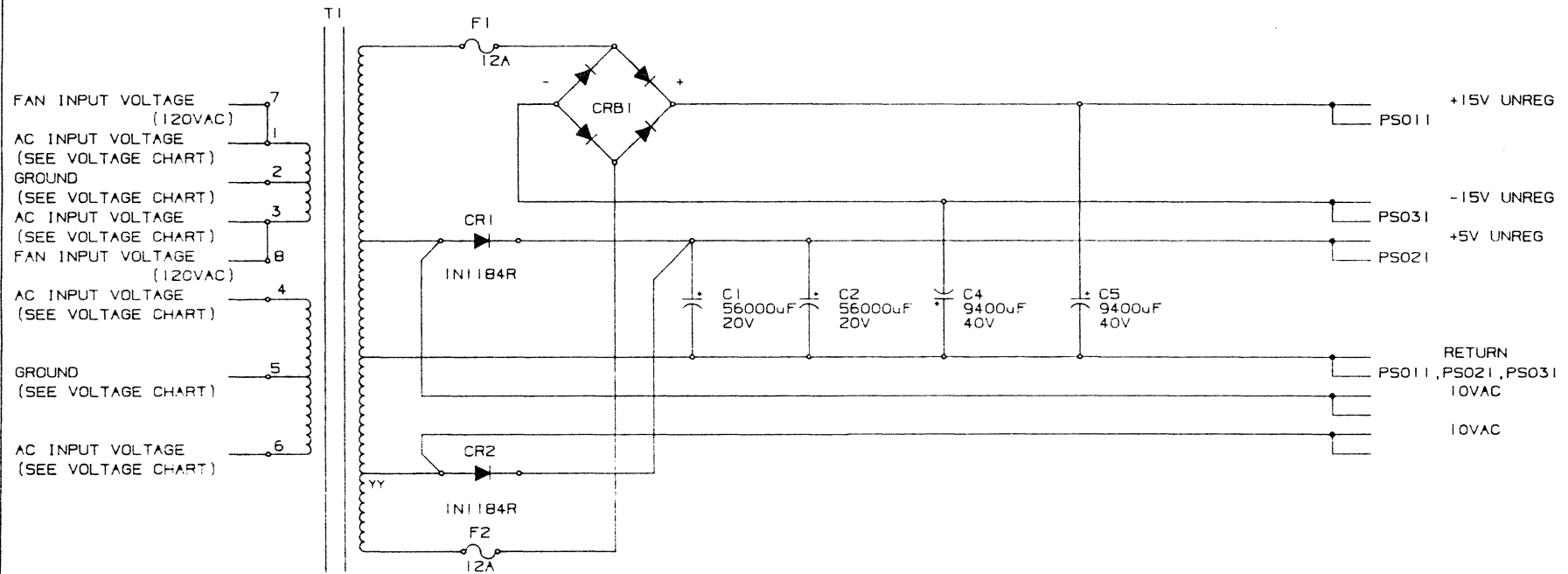


NUMBER 10

GAF Polytrace 033

ELECTRONICS F.S. LOGIC			
PRES. E.C. 44764 PREV. E.C. 42751 DATE 6-8-82	MACH. VERS. 1938/35 GBL. ROT.	CD. LOC. POWER SUPPLY GATE FRAME	CD. P.N. 4016567-01 CD. TYPE PG. P.N. 423272-21

21052



INPUT VOLTAGE (47-63HZ)	STRAP TOGETHER PINS
100VAC	1-5, 2-6
117.5VAC	1-4, 3-6
200VAC	2-5
220-240VAC	3-4

P
S
O
3



AC POWER INPUT

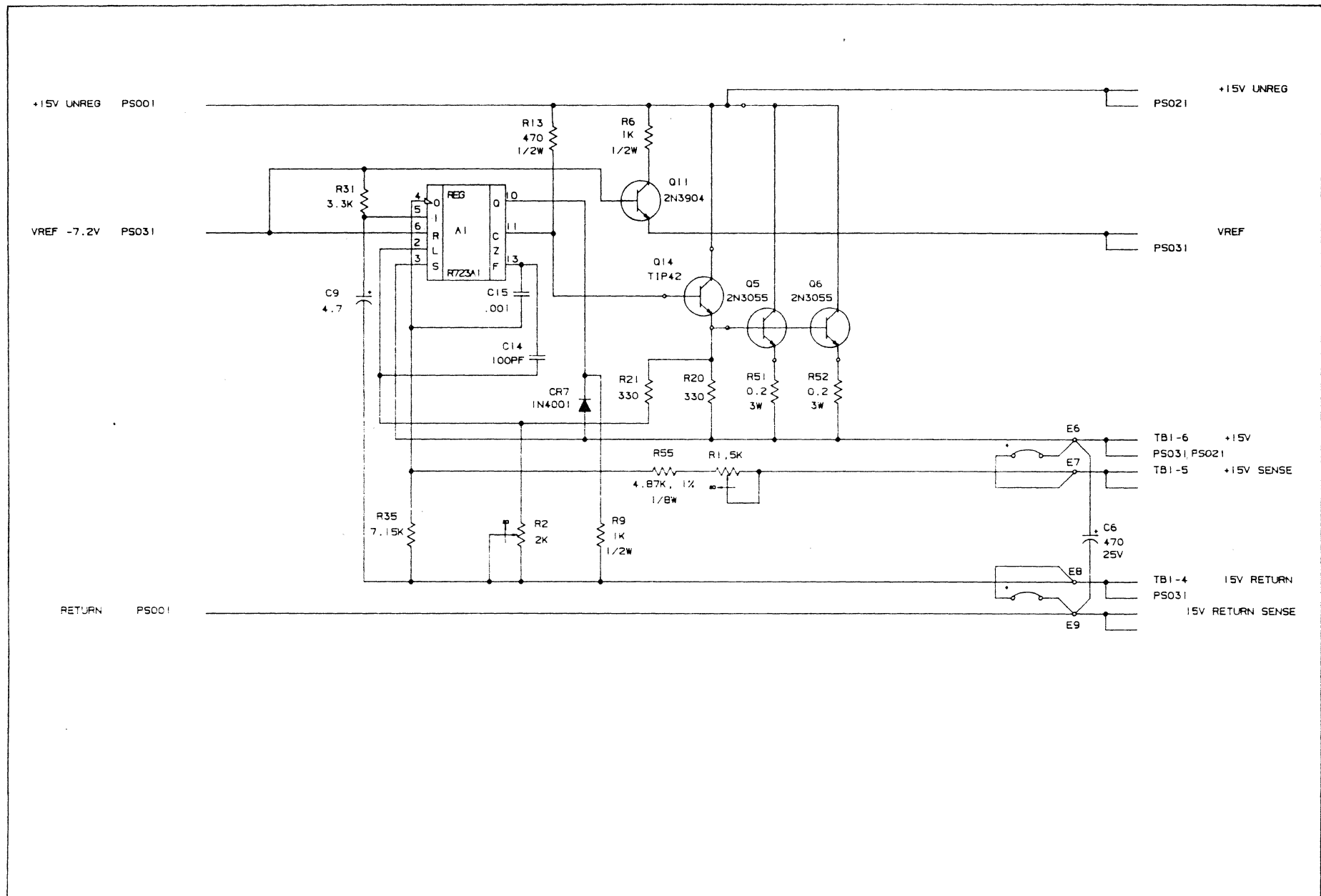
PRES. E.C. 49295
 PREV. E.C. NONE
 DATE 10-19-83

MACH. VERS.
 GBL. ROT.

CD. LOC. GATE FRAME

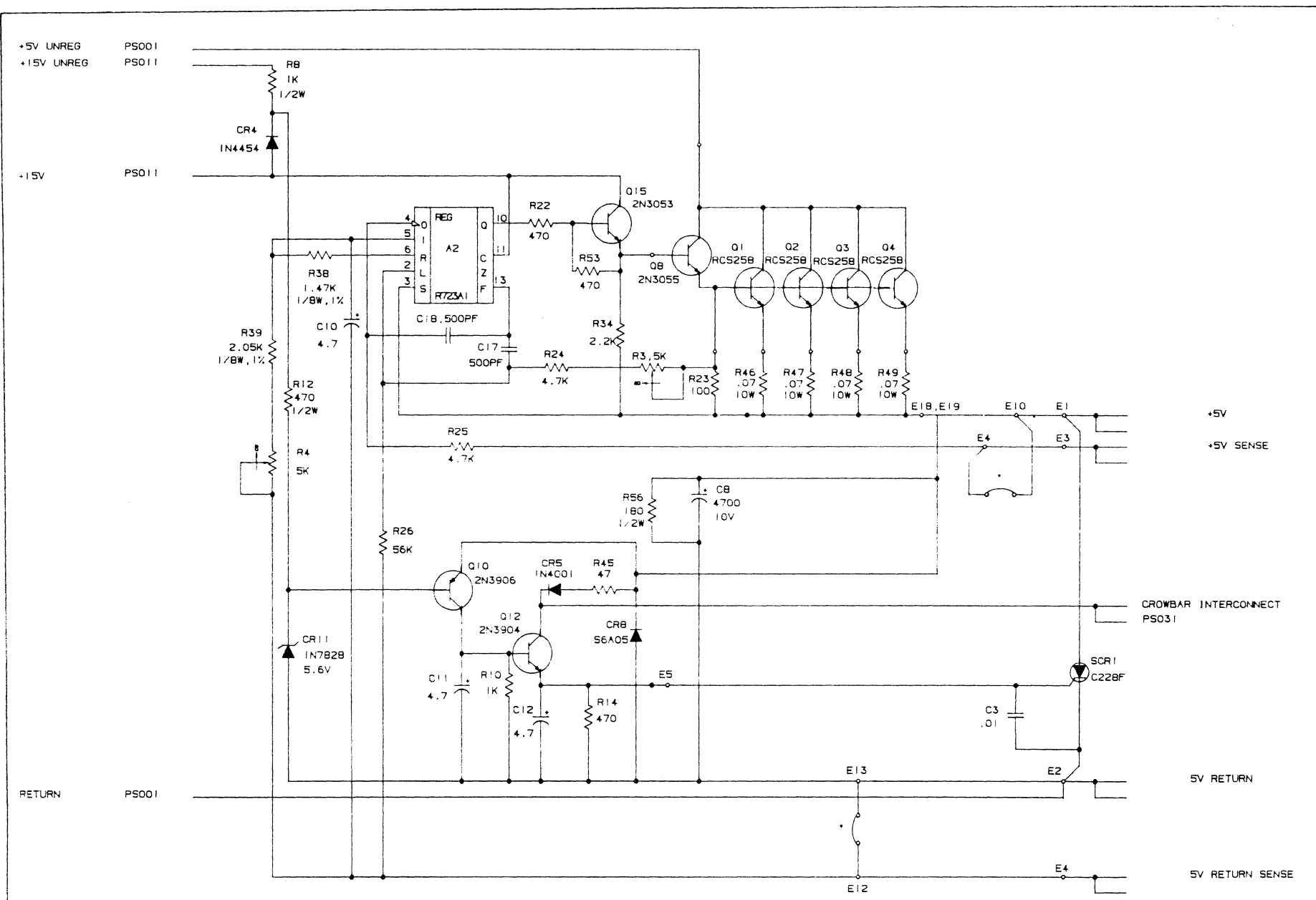
CD. P.N. PS
 CD. TYPE PG. PN. 4037786-Q1

P
S
O
3



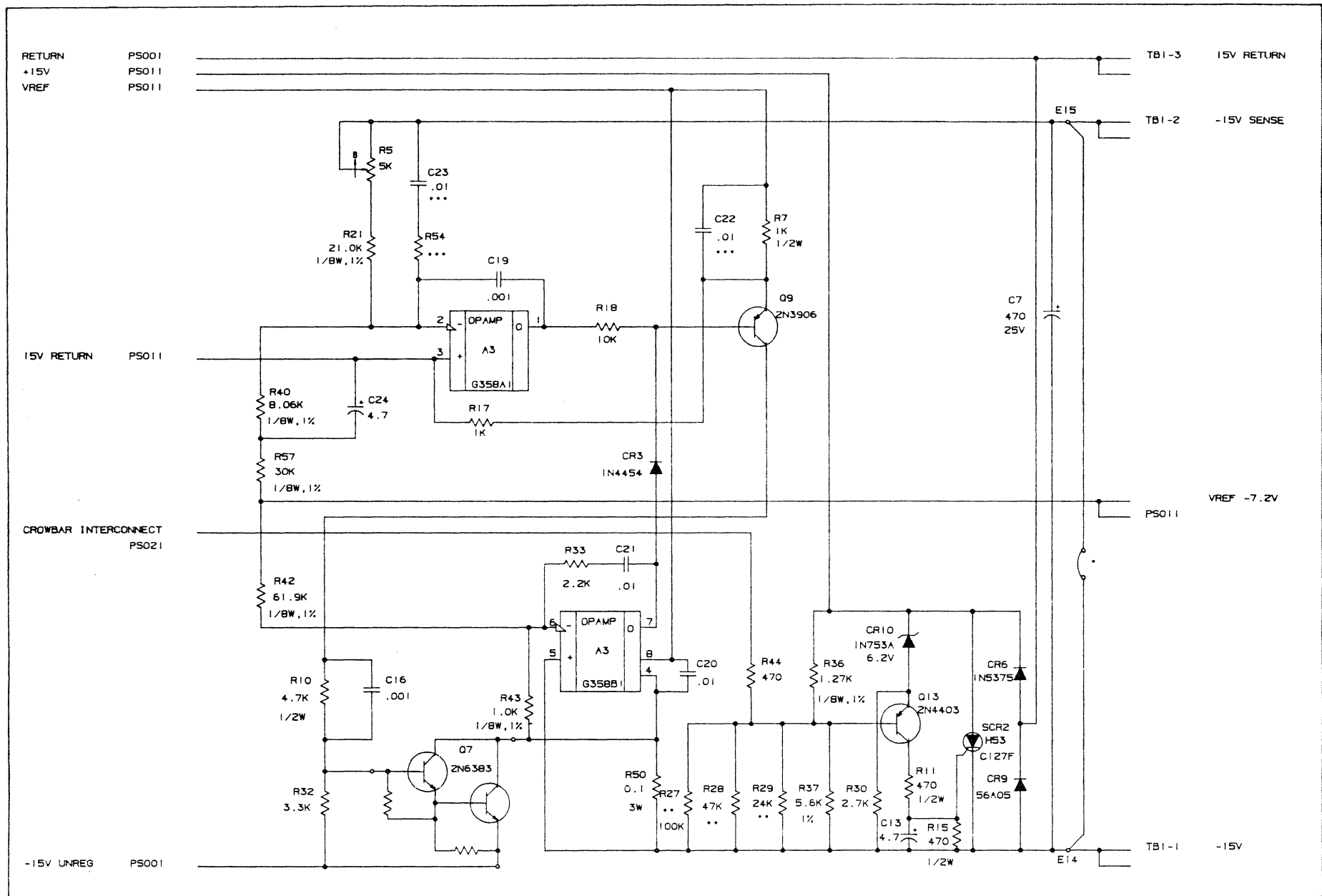
NOTES: UNLESS OTHERWISE SPECIFIED.
 1. RESISTORS ARE 1/4W 5%, AND VALUES ARE IN OHMS.
 2. CAPACITORS ARE IN MICROFARADS (UF).
 3. * PROVIDE METAL JUMPERS TO BE CUT OR REMOVED AT TIME OF CUSTOMER INSTALLATION (MUST BE CUSTOMER ACCESS AND ONE CLOSE TO PWR TERMINALS), +15V AND -15V CAN BE METAL TB JUMPERS.

		+15V SUPPLY		P S O I I
PRES. E.C.	49295	MACH. VERS.	CD. LOC. GATE FRAME	
PREV. E.C.	NONE	GBL. ROT.	CD. P.N. PS	
DATE	11-19-83		CD. TYPE PG. P.N. 40377B7-01	



NOTES: UNLESS OTHERWISE SPECIFIED:
 1. RESISTORS ARE 1/4W 5% AND VALUES ARE IN OHMS.
 2. CAPACITORS ARE IN MICROFARADS (UF).
 3. * PROVIDE METAL JUMPERS TO BE CUT OR REMOVED AT TIME OF CUSTOMER INSTALLATION (MUST BE CUSTOMER ACCESS AND ONE CLOSE TO PWR TERMINALS).
 +15V AND -15V CAN BE METAL TB JUMPERS.

P S O 2 I	5V SUPPLY				P S O 2 I
	PRES. E.C. 49295 PREV. E.C. NONE DATE 10-19-53	MACH. VERS. GBL. ROT.	CD. LOC. GATE FRAME	CD. P.N. CD. TYPE PS PG. P.N. 403798-01	



- NOTES: UNLESS OTHERWISE SPECIFIED,
 1. RESISTORS ARE 1/4W 5%, AND VALUES ARE IN OHMS.
 2. CAPACITORS ARE IN MICROFARADS (UF).
 3. * PROVIDE METAL JUMPERS TO BE CUT OR REMOVED AT TIME OF CUSTOMER INSTALLATION (MUST BE CUSTOMER ACCESS AND ONE CLOSE TO PWR TERMINALS).
 +15V AND -15V CAN BE METAL TB JUMPERS.

4. ** SELECTABLE RESISTORS FOR OVP R27, R28, R29.
 5. ... C22, C23, R54 NOT USED.



-15V SUPPLY

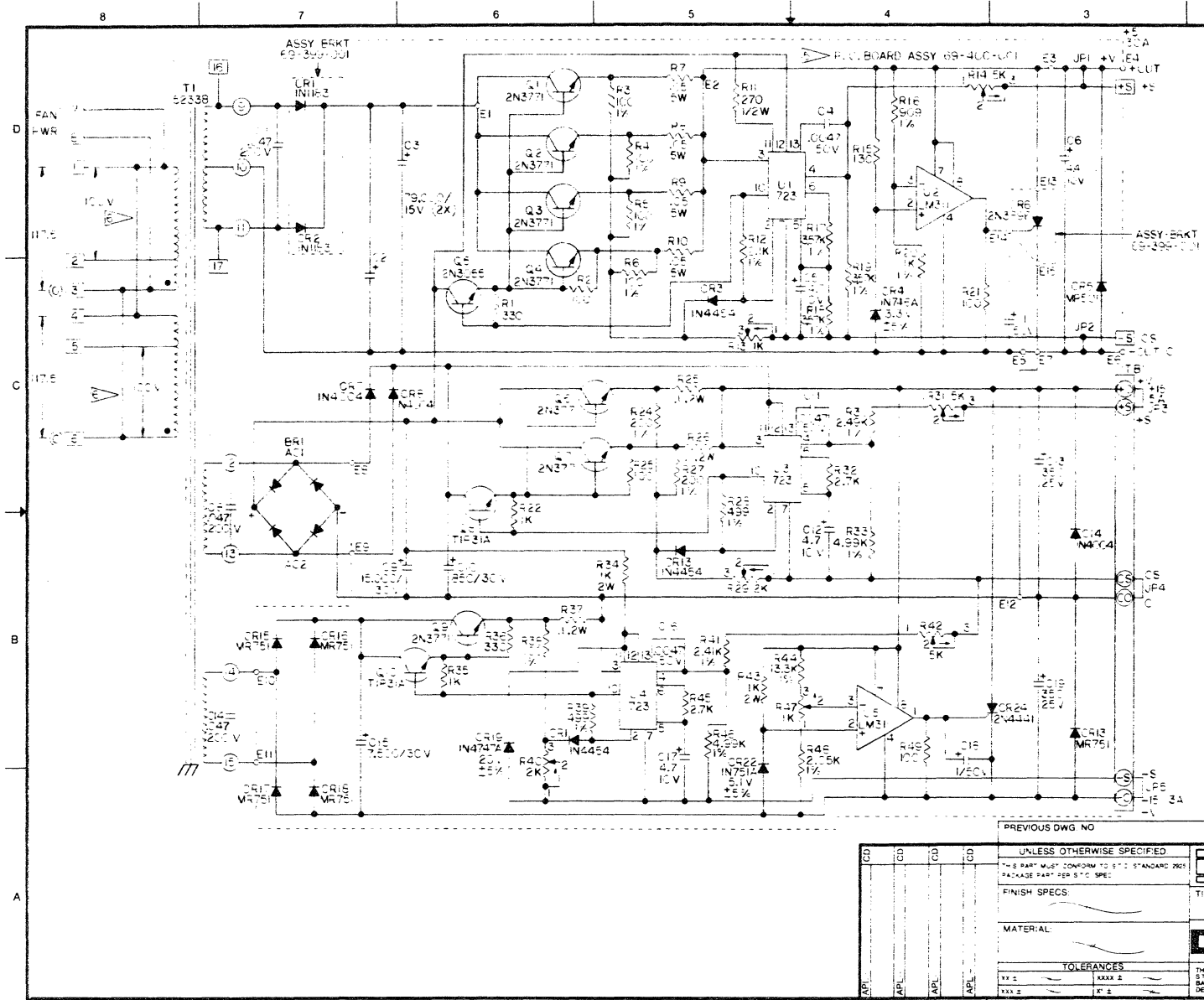
PREV. E.C. 49295
 PREV. E.C. NONE
 DATE 10-19-83

MACH. VERS.
 GBL. ROT.

CD LOC.
 GATE FRAME

CD. P.N.
 CD. TYPE PS
 PG. P.N. 4037789-01

P
 S
 O
 3
 I



REVISIONS				
REV	ZONE	PC NO	DESCRIPTION	APPROVAL DATE
A			4804 INITIAL RELEASE	11/11/73

- NOTES UNLESS OTHERWISE SPECIFIED
1. RESISTORS ARE IN OHMS UNLESS OTHERWISE SPECIFIED.
 2. ALL RESISTORS ARE METAL FILM RND.
 3. CAPACITORS VALUES ARE IN MICRO FARADS.
 4. RESISTOR VALUES ARE IN OHMS.
- COMPONENTS WITHIN PCB DOTTED LINES EXCEPT CR6 ARE MOUNTED ON THE PCB.
- TRANSFORMER JUMPERS SHOWN ARE WIRED FOR HEAVY OPERATION.
- REFER TO POWER SUPPLY DWG 4810610 FOR SPECIFICATION.

PREVIOUS DWG NO				FIND NO	REF DES	FIND NO	REF DES
03	03	03	03				

UNLESS OTHERWISE SPECIFIED

THIS PART MUST CONFORM TO EIA STANDARD 208 PACKAGE PART PER SPC SPEC

FINISH SPECS

MATERIAL

TOLERANCES

XX ± XXX ±
 XXX ± X ±

STORAGE TECHNOLOGY CORP.
 TITLE SCHEMATIC POWER SUPPLY AC DC.

NAME	DFTG	CHECK	EC. ENG	ENG MGT	APP	SCALE
DATE 11/9/73						

THESE DRAWINGS AND SPECIFICATIONS ARE THE PROPERTY OF STORAGE TECHNOLOGY CORP. AND WILL NOT BE COPIED, REPRODUCED OR USED AS THE BASIS FOR THE SALE OR MANUFACTURE OF APPARATUS OR DEVICES WITHOUT PERMISSION.

DWG NO: 102124-01
SHEET: 1 OF 1

4

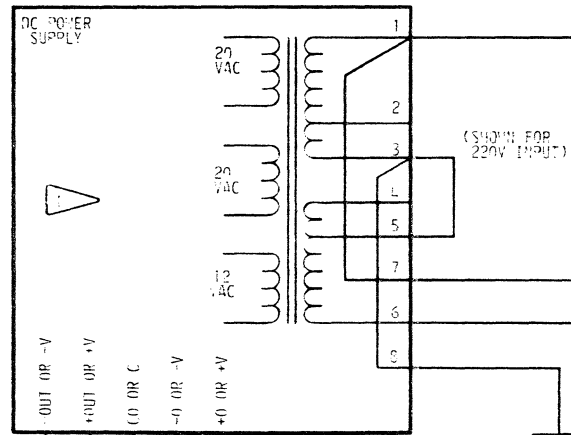
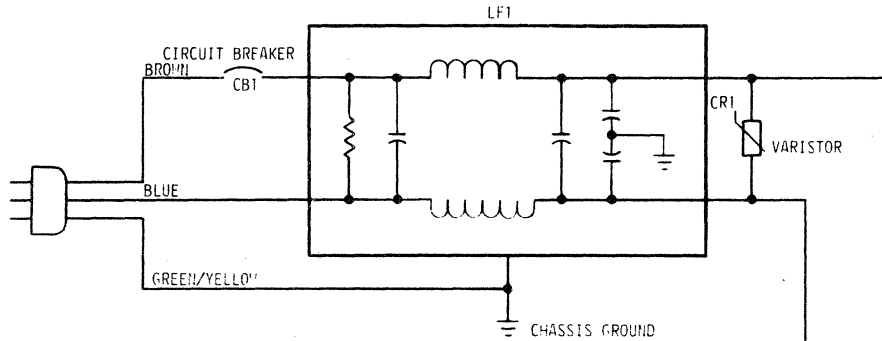
3

2

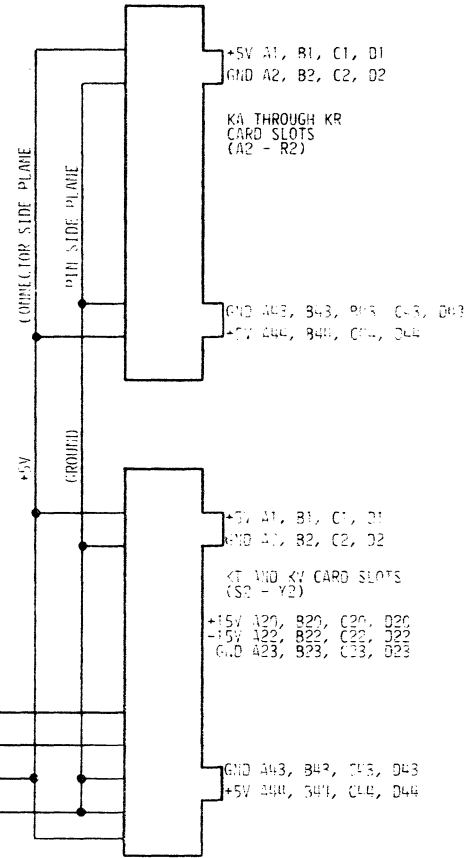
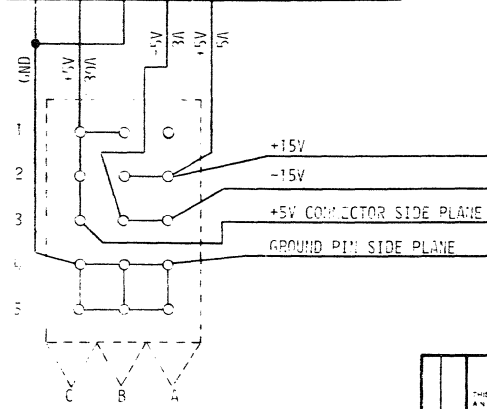
1

REVISIONS					
EC NO.	ZONE	REV	DESCRIPTION	DATE	APPROVAL
42751		A	INITIAL RELEASE	2-12-82	<i>[Signature]</i>

- NOTES: **1** REFERENCE THE FOLLOWING SCHEMATIC FOR THE POWER SUPPLY: 401548801.
2 PART NUMBER TO BE 4016305-01.



2 - 120V COOLING FANS



<p>NOTICE STC CONFIDENTIAL INFORMATION THIS DOCUMENT IS THE PROPERTY OF AND CONTAINS CONFIDENTIAL INFORMATION OF STORAGE TECHNOLOGY CORPORATION. THIS DOCUMENT MAY NOT BE COPIED NOR THE INFORMATION USED OR DISCLOSED EXCEPT AS SPECIFIED BY AUTHORIZATION IN WRITING ACCEPTANCE OF THIS DOCUMENT BY A VENDOR INDICATES VENDOR'S AGREEMENT TO RECEIVE SUCH INFORMATION IN CONFIDENCE TO NOT DISCLOSE IT AND TO USE IT ONLY ON BEHALF OF STC.</p>	<p>UNLESS OTHERWISE SPECIFIED: PART MUST CONFORM TO STC SPEC 9222 DRAWING PREPARED IN ACCORDANCE WITH STC DRAWING STANDARD 940 DIMENSIONS ARE IN INCHES TOLERANCES DECIMALS ANGLES: 1 20 2 PL ±.013 FRACTIONS: 3 PL ±.010</p>	DRAWN: DATE: 31	<p>STORAGE TECHNOLOGY CORP. LOUISVILLE, COLORADO</p>	
		CHECKED: DATE:		TITLE: WIRING DIAGRAM, AC DIST.-IEC
		ENGINEER: DATE:		SIZE: C 55299 DWG NO: 4016305-01-4
		APPROVED: DATE:		SCALE: N/A SHEET: 1 OF 1