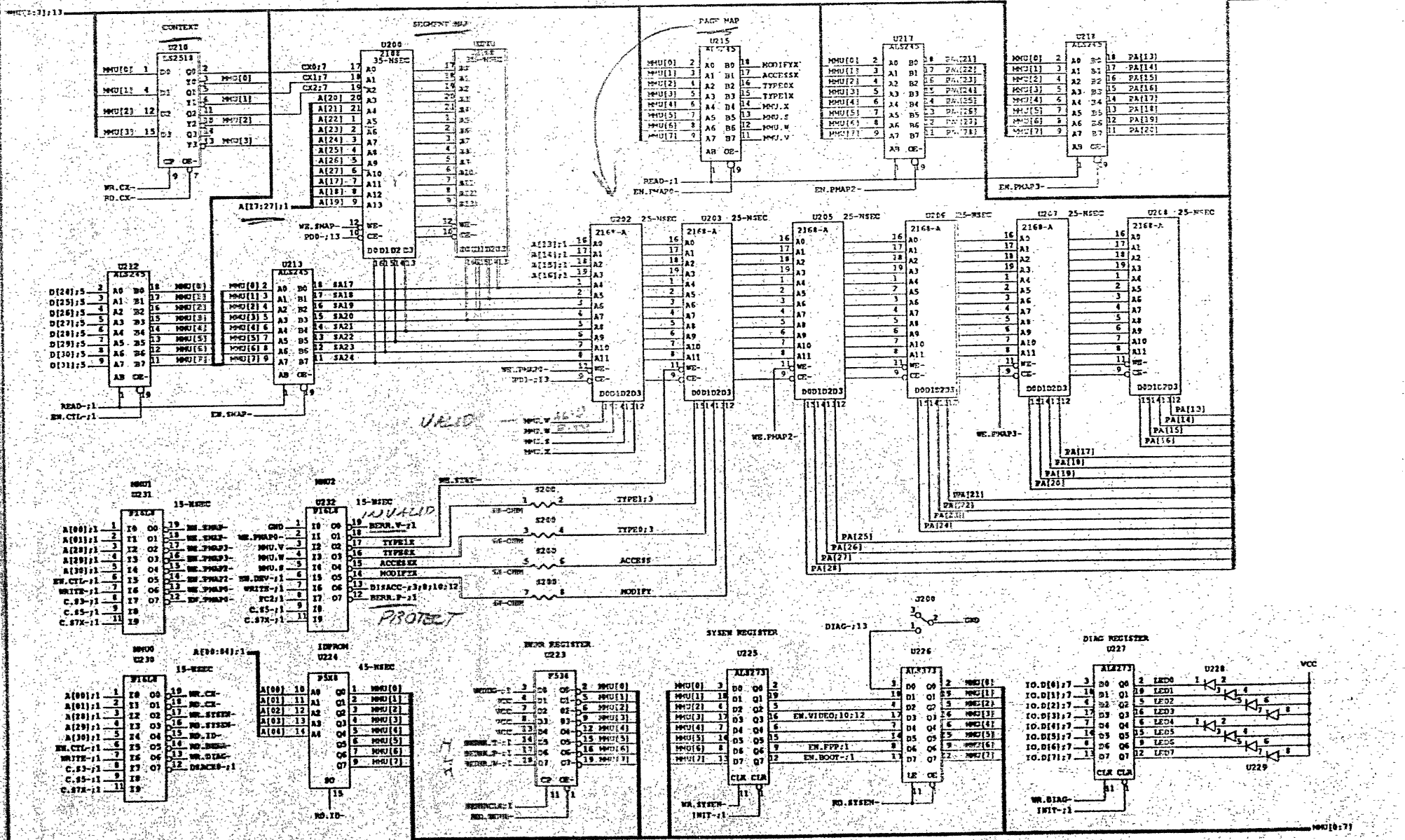


Confidential - Copyright (C) 1986 Sun Microsystems. All rights reserved. This material contains trade secrets. Information of Sun Microsystems Inc. Use, reproduction or disclosure is prohibited except under written license by Sun Microsystems Inc. Use of copyright notice is precautionary only and does not imply publication or insurance.

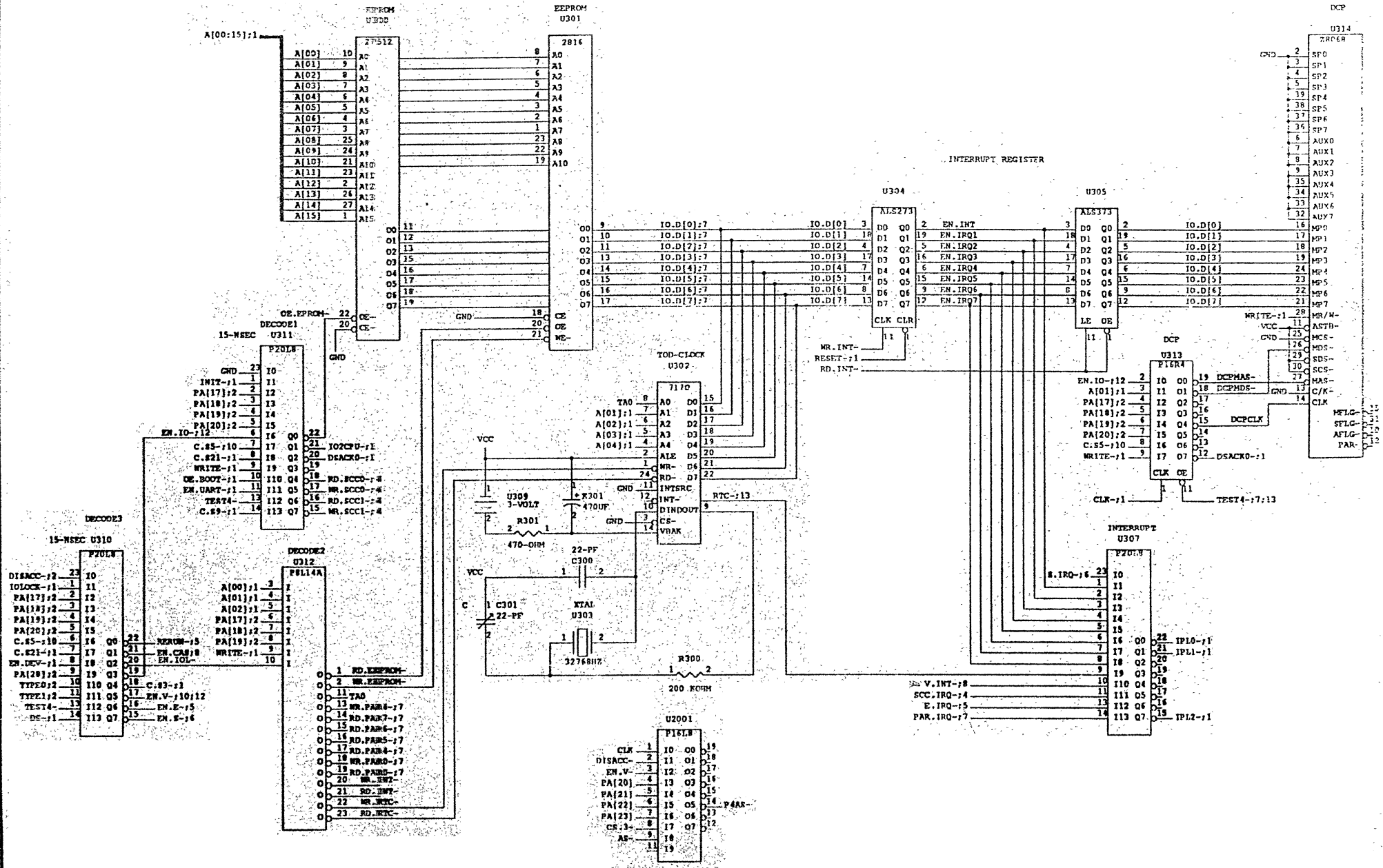
Title: SUN 3/60 CPU
 Sheet: 1 OF 13
 Engineer: XK

Drawing: 501-1205-01
 File: sh1.d
 Date: Tue Jul 7 13:46:25 1987
 Rev: 17

PA[13:24]:3:9:0:0:1:12



ECO	Description	DA	Approvals
-----	-------------	----	-----------

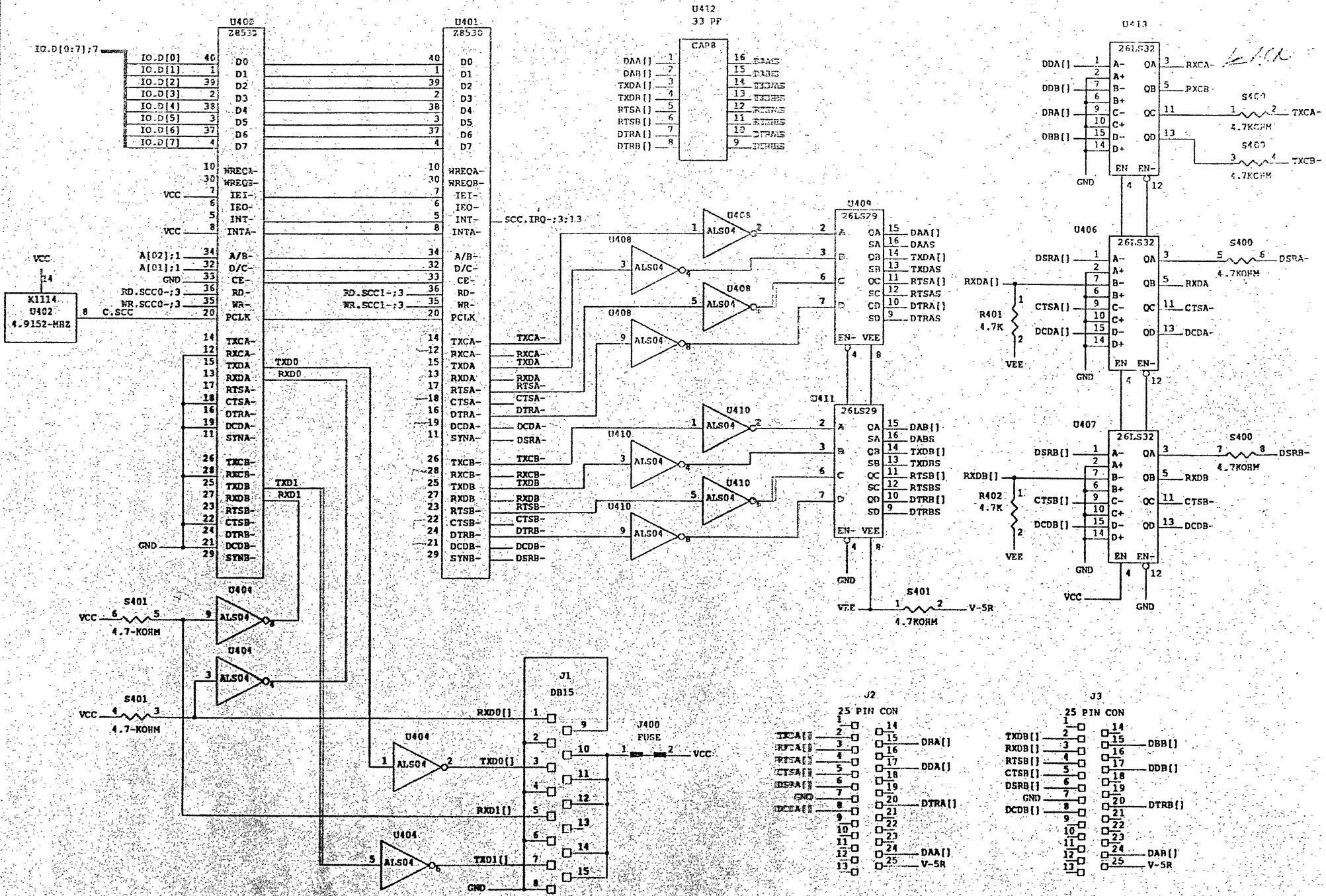


Confidential - Copyright (C) 1986 Sun Microsystems. All rights reserved. This material contains trade secrets information of Sun Microsystems Inc. Use, reproduction or disclosure is prohibited except under written license by Sun Microsystems Inc. Use of copyright notice is precautionary only and does not imply publication or disclosure.

Title: SUN 3/60 CPU
 Sheet: 3 OF 13
 Engineer: XX

Drawing: Rev: 13
 File: sh3.d
 Date: Tue Jul 7 14:02:28 1987

ECN	Description	Date	Approvals
-----	-------------	------	-----------

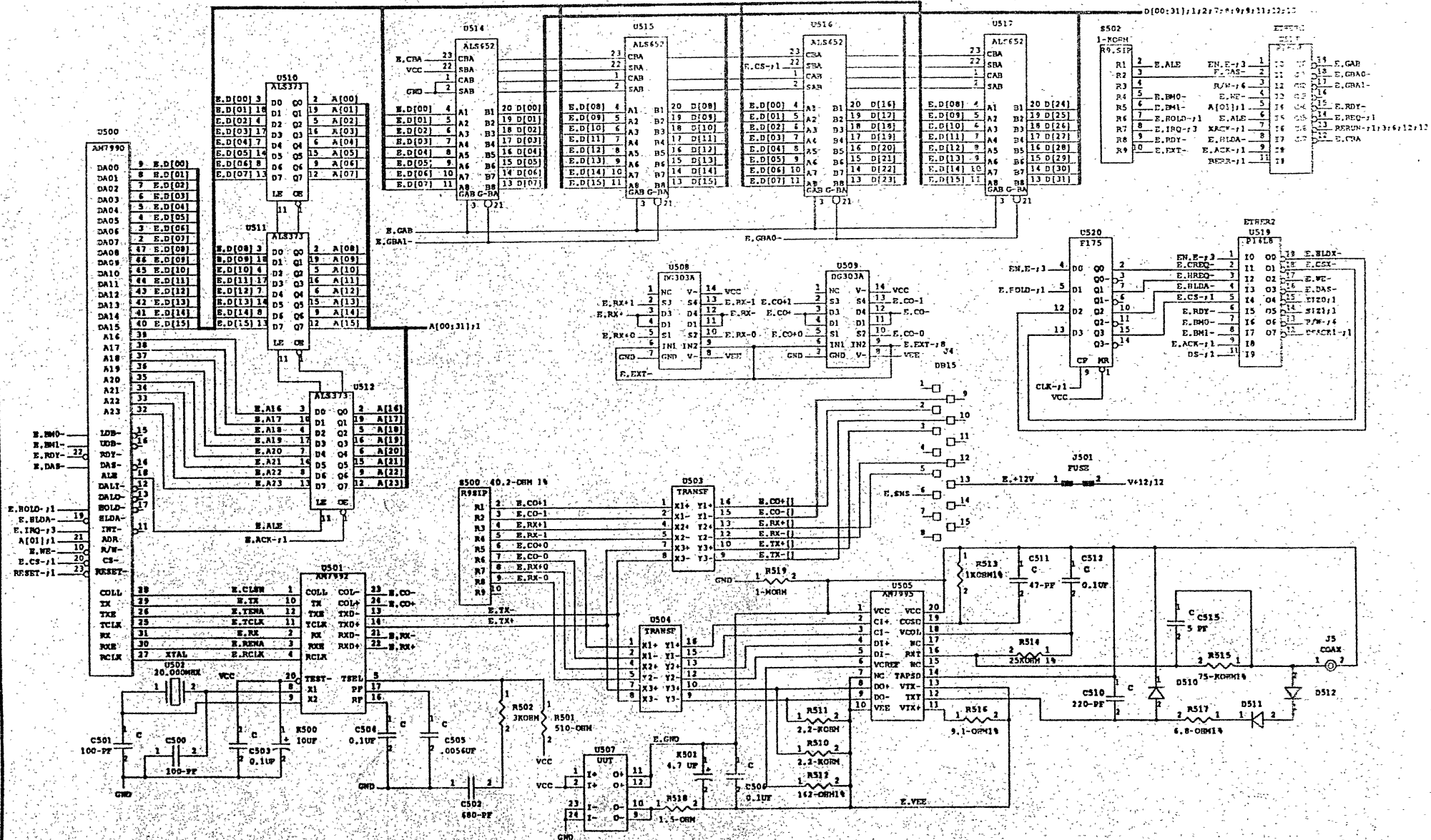


Confidential - Copyright (C) 1986 Sun Microsystems. All rights reserved. This material contains trade secrets information of Sun Microsystems Inc. Use, reproduction or disclosure is prohibited except under written license by Sun Microsystems Inc. Use of copyright notice is precautionary only and does not imply publication or disclosure.

Title: SUN 3/MS CPU
 Sheet: 4 OF 13
 Engineer: XX

Drawing: Rev: 13
 File: sh4.d
 Date: Tue Jul 7 11:22:36

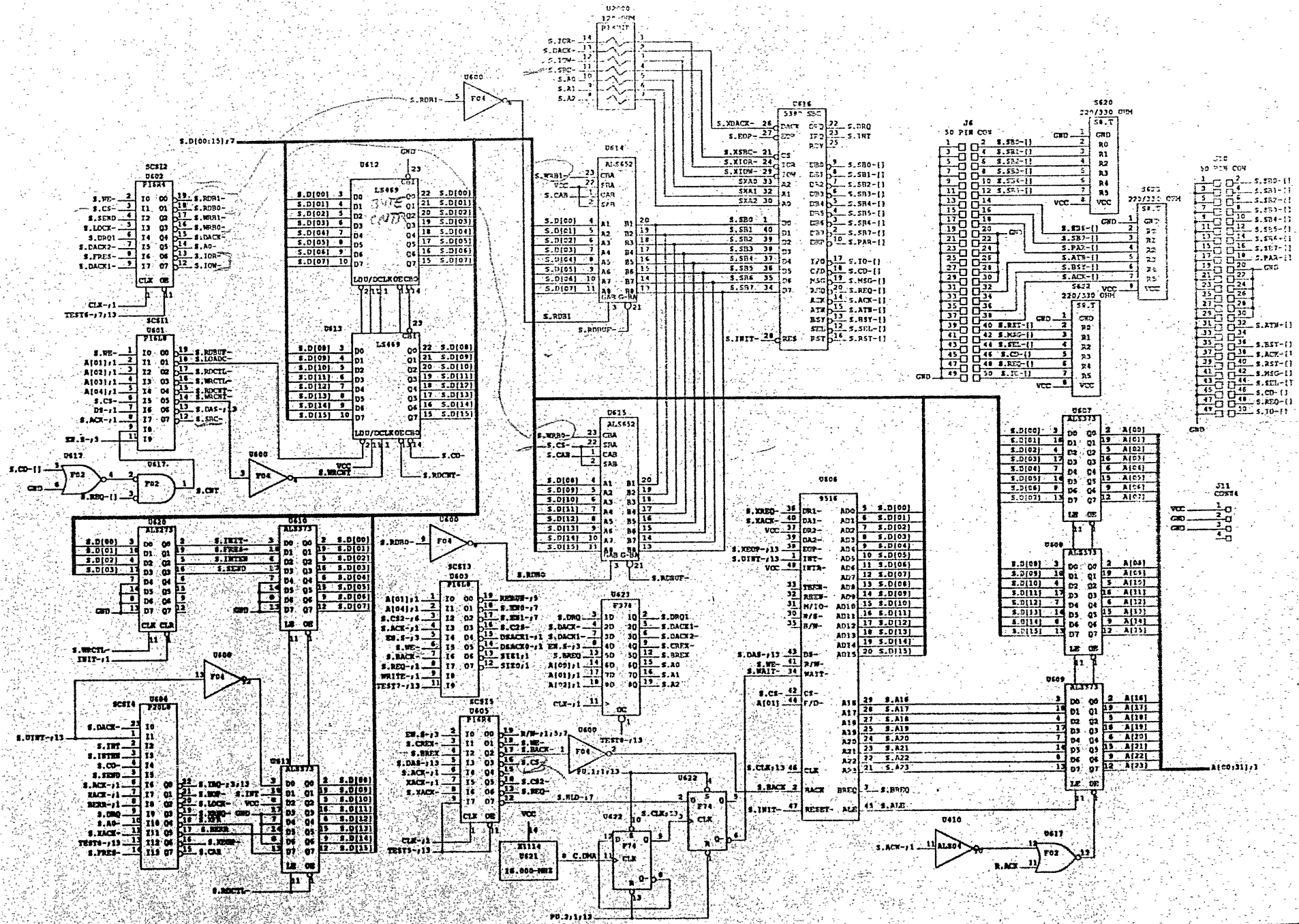




Confidential - Copyright (C) 1986 Sun Microsystems. All rights reserved. This material contains trade secrets information of Sun Microsystems Inc. Use, reproduction or disclosure is prohibited except under written license by Sun Microsystems Inc. Use of copyright notice is precautionary only and does not imply publication or disclosure.

Title: SUN 3/60 CPU
 Sheet: 5 OF 13
 Engineer: XX

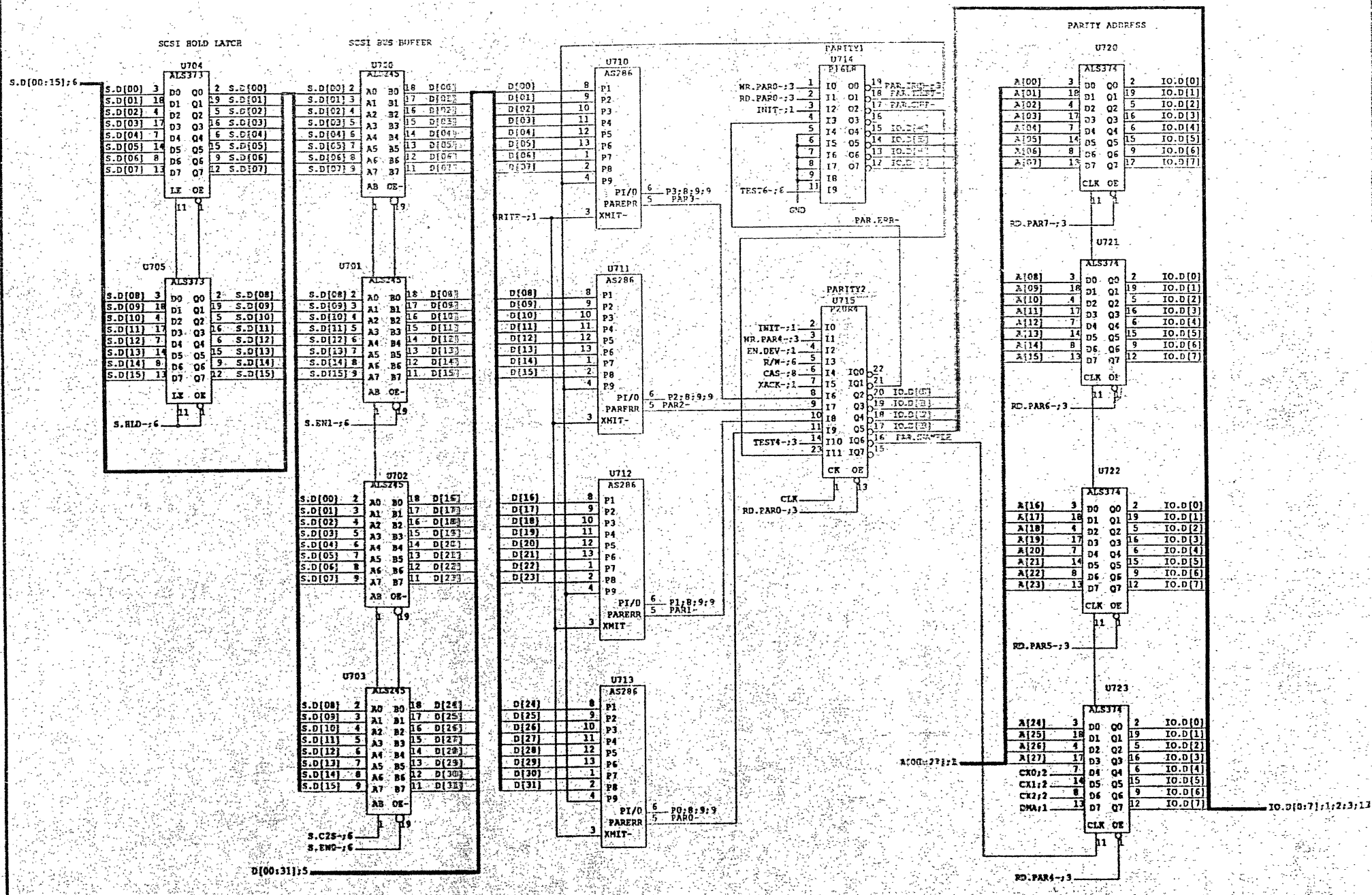
Drawing: Rev: 13
 File: sh5.d
 Date: Tue Jul 7 13:51:51 1987



Confidential - Copyright (C) 1986 Sun Microsystems. All rights reserved. This material contains trade secrets information of Sun Microsystems Inc. Use, reproduction or disclosure is prohibited except under written license by Sun Microsystems Inc. Use of copyright notice is precautionary only and does not imply publication or disclosure.

Title: SUN 3/60 CPU
 Sheet: 6 OF 13
 Engineer: XX

Drawing: sh6.d
 Date: Tue Jul 7 13:54:2
 Rev: 13

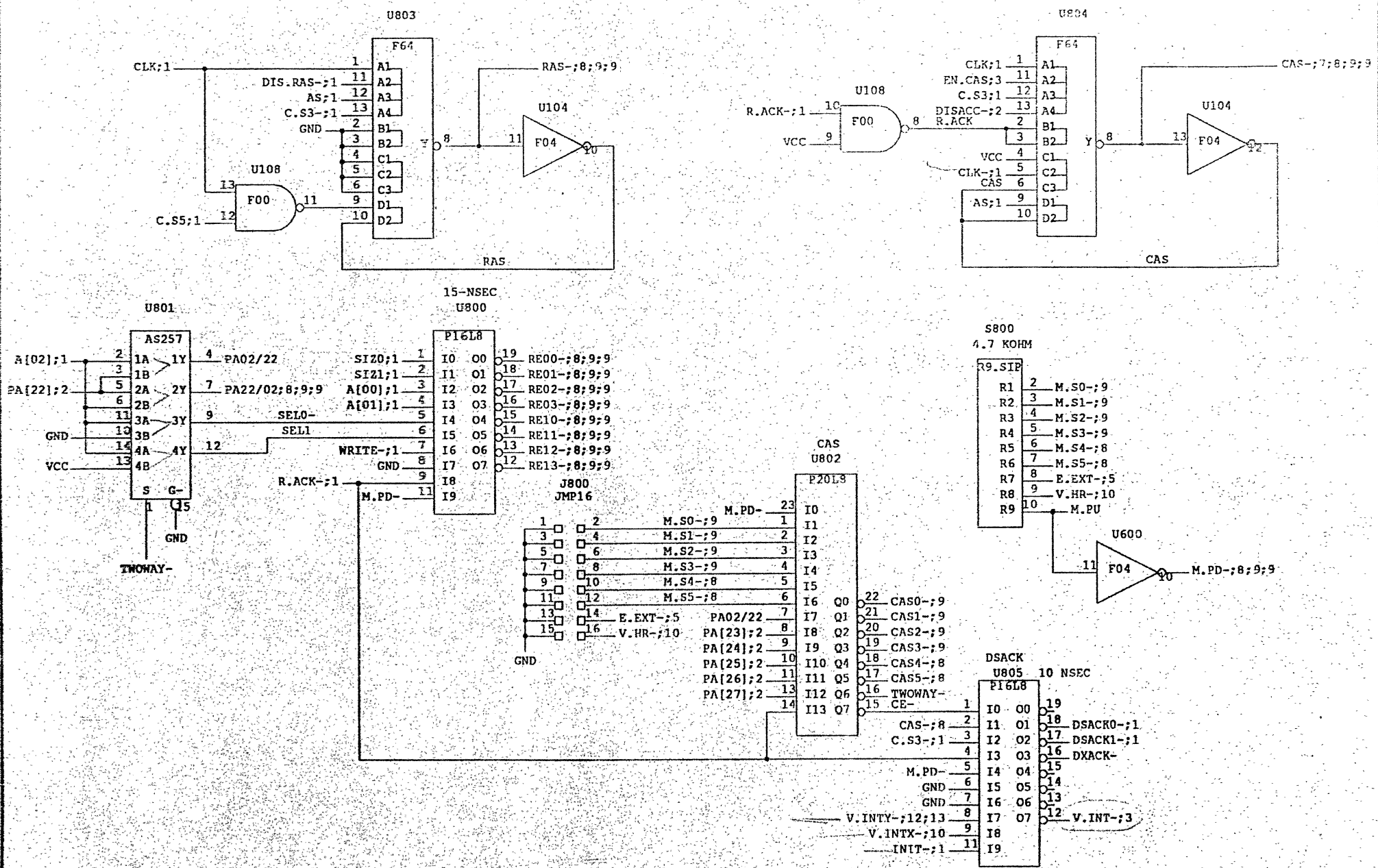


Confidential - Copyright (C) 1986 Sun Microsystems. All rights reserved.
 This material contains trade secrets information of Sun Microsystems Inc.
 Use, reproduction or disclosure is prohibited except under written license
 by Sun Microsystems Inc. Use of copyright notice is precautionary only
 and does not imply publication or disclosure.

Title: SUN 3/60 CPU
 Sheet: 7 OF 13
 Designer: XX

Drawing: Rev: 13
 File: sh7.d
 Date: Tue Jul 7 11:23:17 1987

ECO	Description	Date	Approval

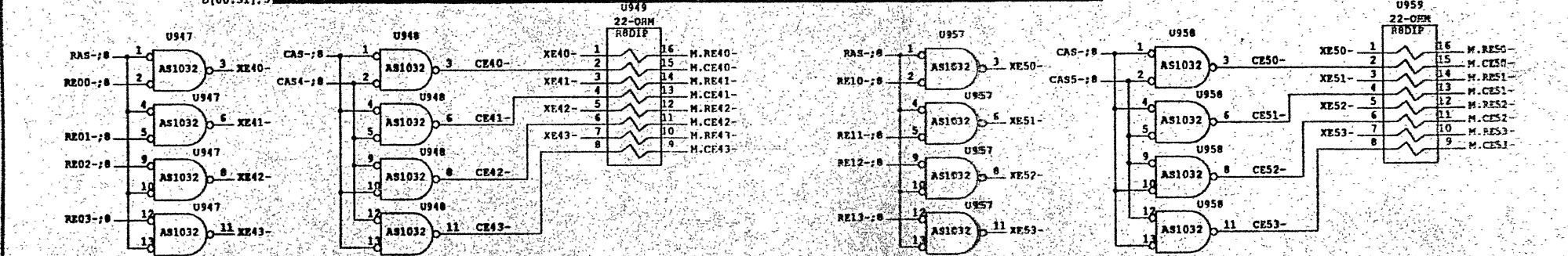
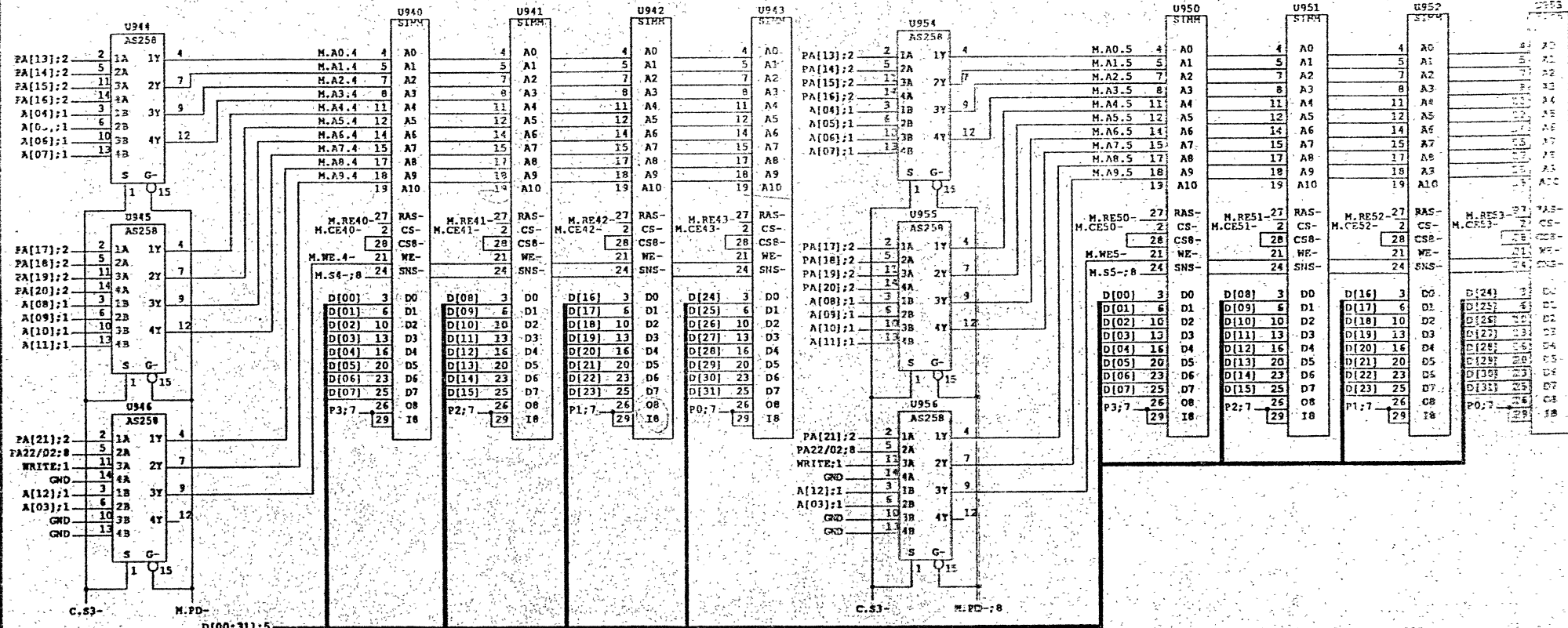


Confidential - Copyright (C) 1986 Sun Microsystems. All rights reserved. This material contains trade secrets information of Sun Microsystems Inc. Use, reproduction or disclosure is prohibited except under written license by Sun Microsystems Inc. Use of copyright notice is precautionary only and does not imply publication or disclosure.

Title: SUN 3/60 CPU
 Sheet: 8A OF 13
 Engineer: XX

Drawing:
 File: sh8a.d
 Date: Tue Jul 7 11:23:27 1986

Rev: 13

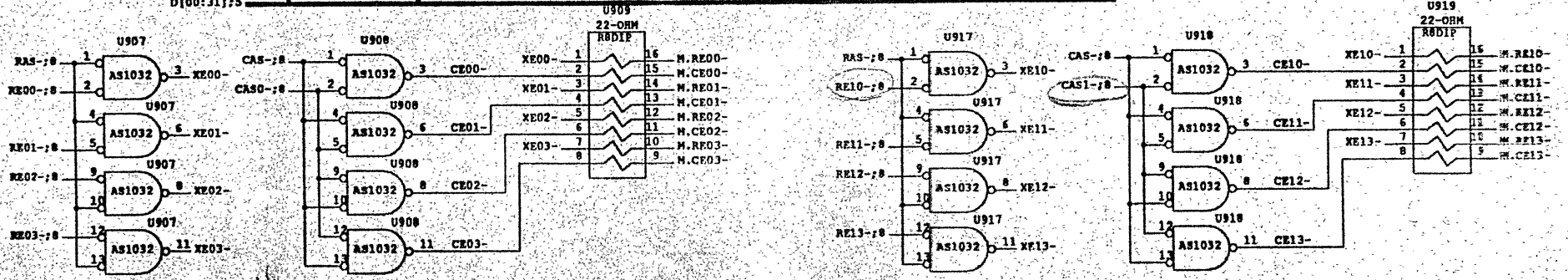
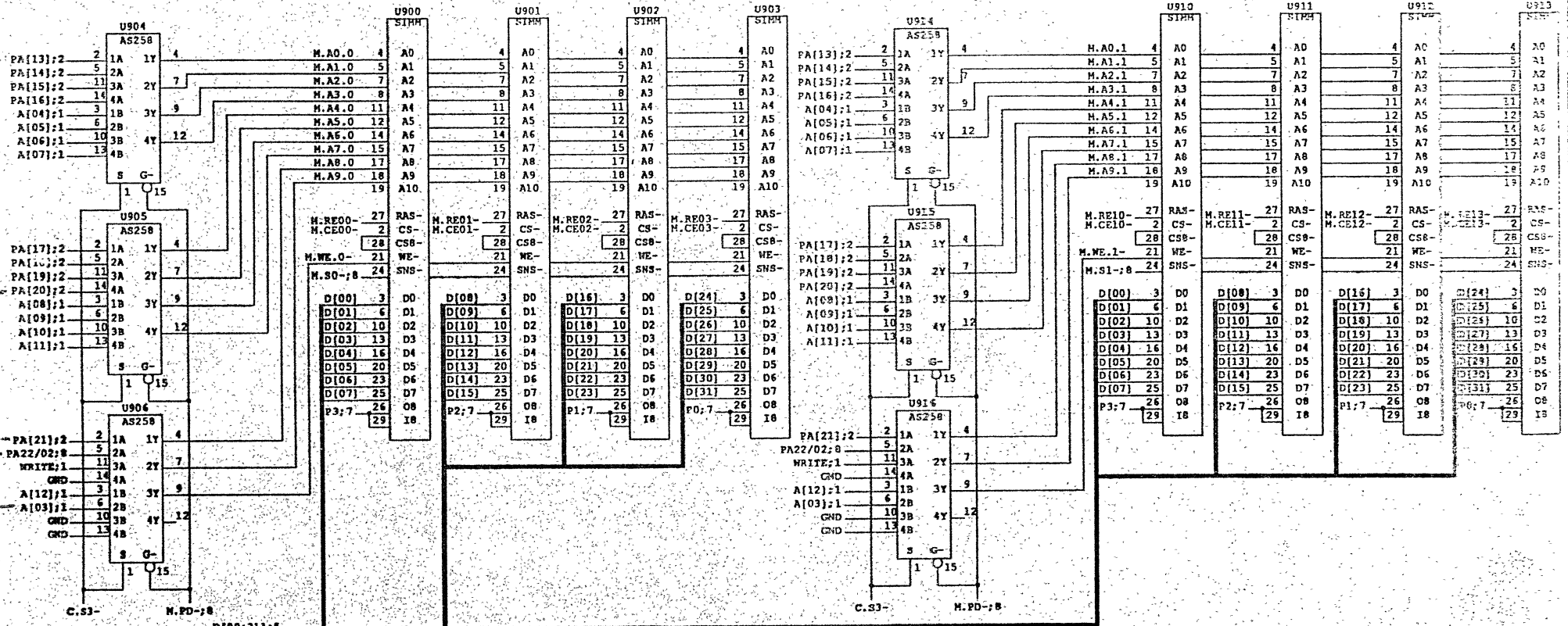


Confidential - Copyright (C) 1986 Sun Microsystems. All rights reserved. This material contains trade secrets information of Sun Microsystems Inc. Use, reproduction or disclosure is prohibited except under written license by Sun Microsystems Inc. Use of copyright notice is precautionary only and does not imply publication or disclosure.

Title: SUN 3/60 CPU
 Sheet: 38 OF 13
 Engineer: XX

Drawing: Rev: 13
 File: sh8b.d
 Date: Tue Jul 7 11:23:44 1987

FIG	Description	Date	Approvals
-----	-------------	------	-----------



510.16
124.13

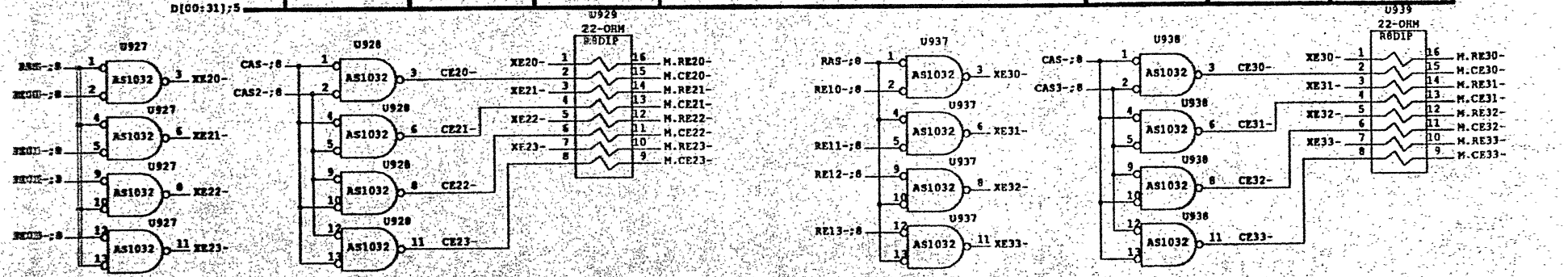
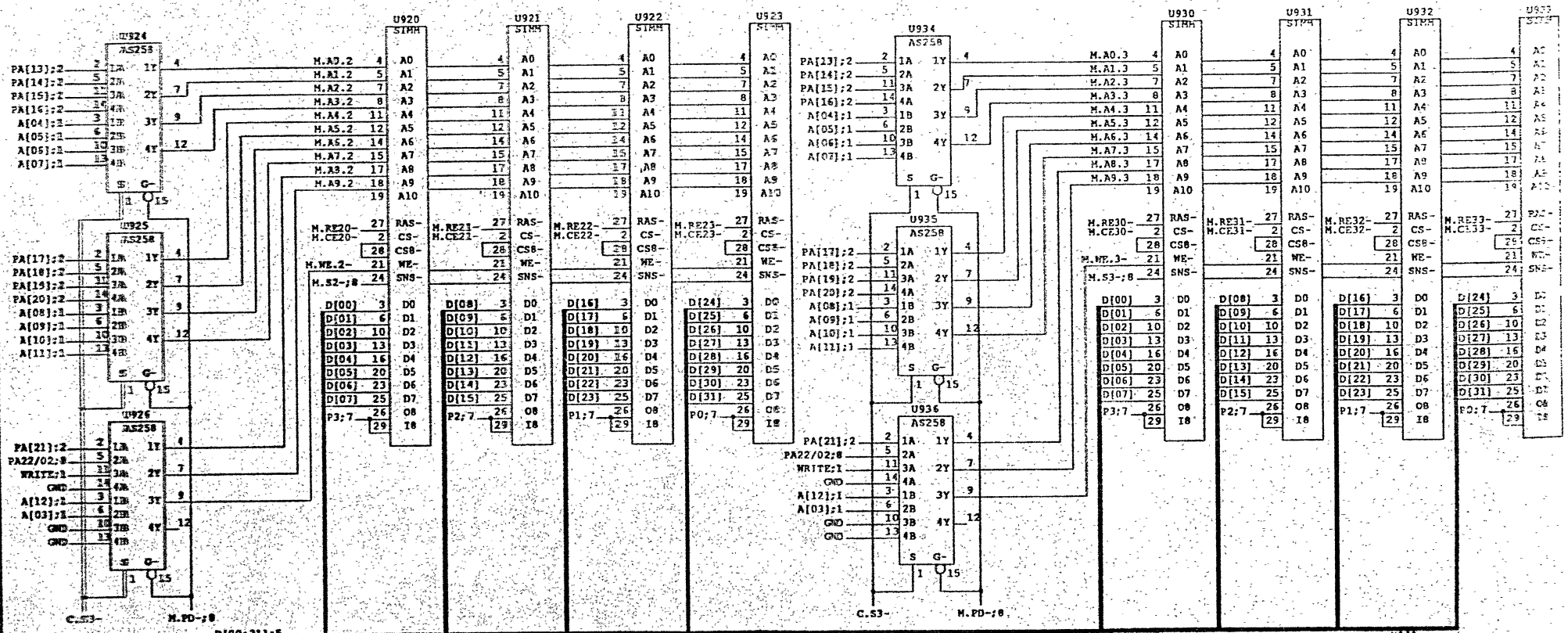


Confidential - Copyright (C) 1986 Sun Microsystems. All rights reserved. This material contains trade secrets information of Sun Microsystems, Inc. Use, reproduction or disclosure is prohibited except under written license by Sun Microsystems Inc. Use of copyright notice is precautionary only and does not imply publication or disclosure.

Title: SUN 3/60 CPU
Sheet: 9A OF 13
Engineer: XX

Drawing:
File: sh9a.d
Date: Tue Jul 7 11:46:47 '87

Rev: 13

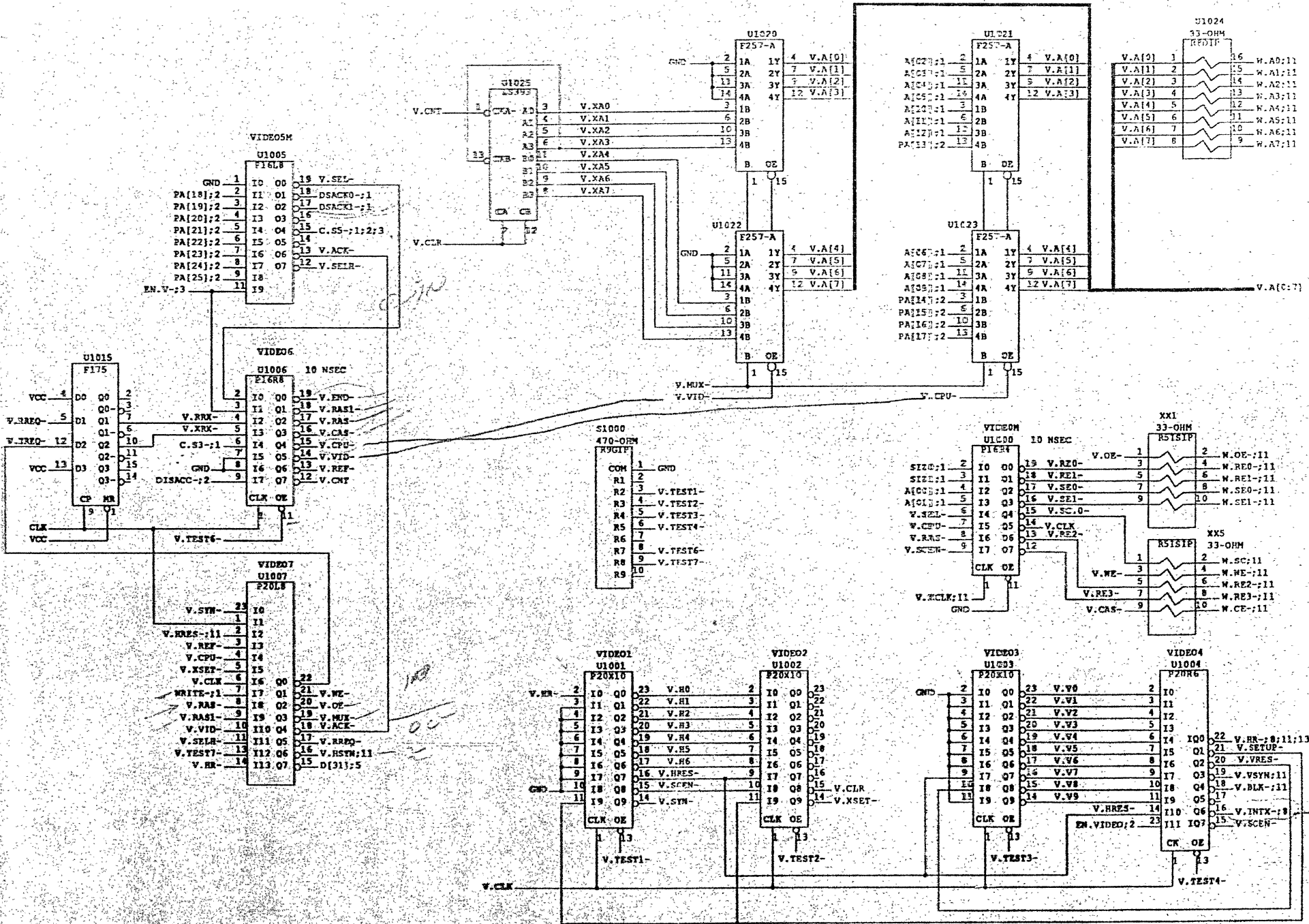


Confidential - Copyright (C) 1986 Sun Microsystems. All rights reserved. This material contains trade secrets information of Sun Microsystems Inc. Use, reproduction or disclosure is prohibited except under written license by Sun Microsystems Inc. Use of copyright notice is precautionary only and does not imply publication or disclosure.

Title: SUN-3/60 CPU
 Sheet: 9B OF 13
 Engineer: XX

Drawing:
 File: sh9b.d
 Date: Tue Jul 7 11:24:19 1987

Rev: 13

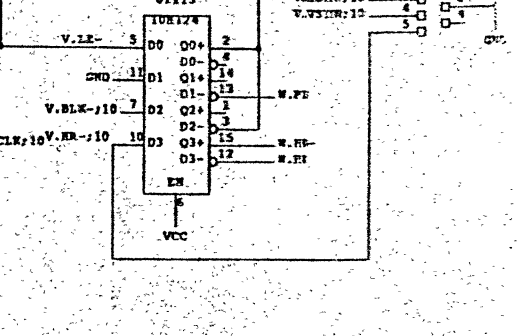
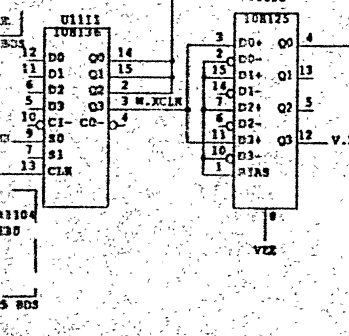
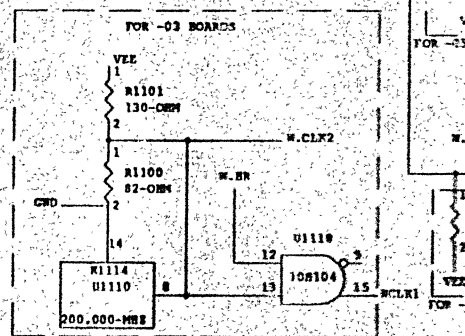
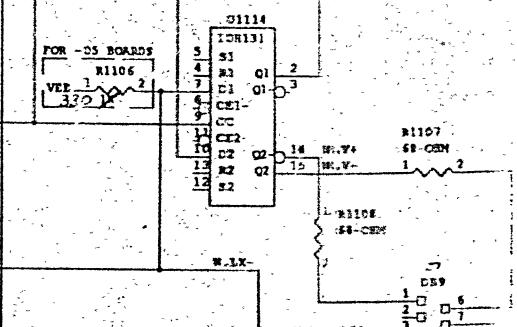
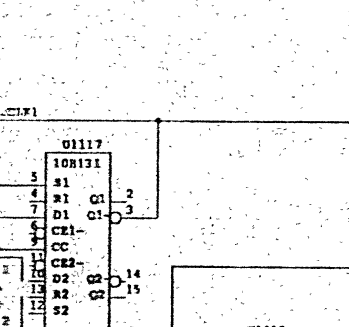
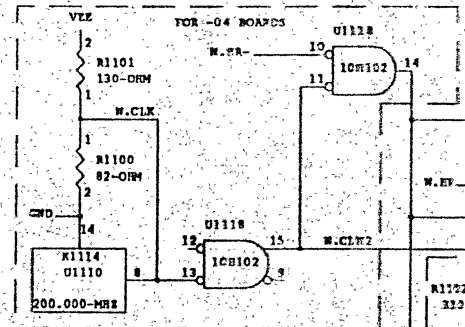
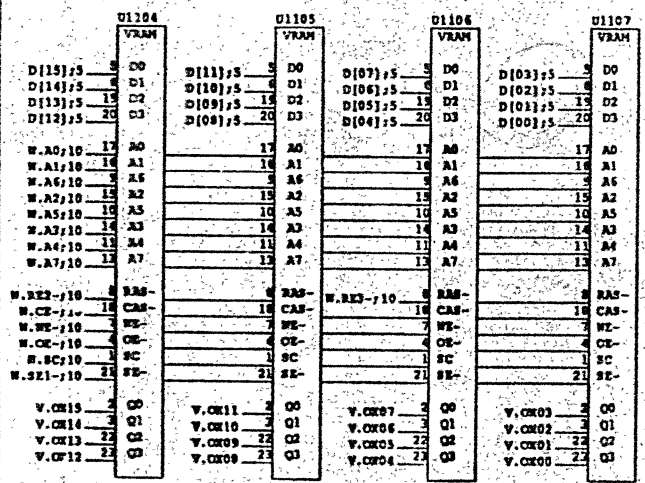
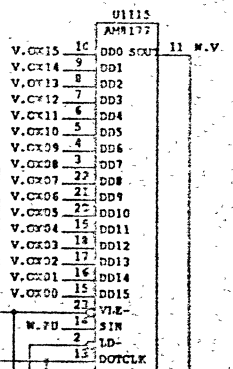
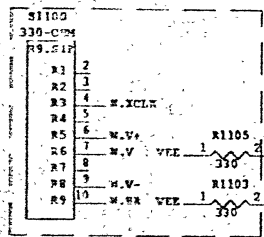
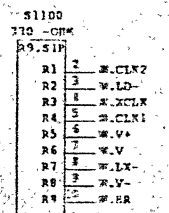
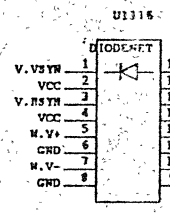
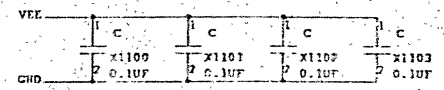
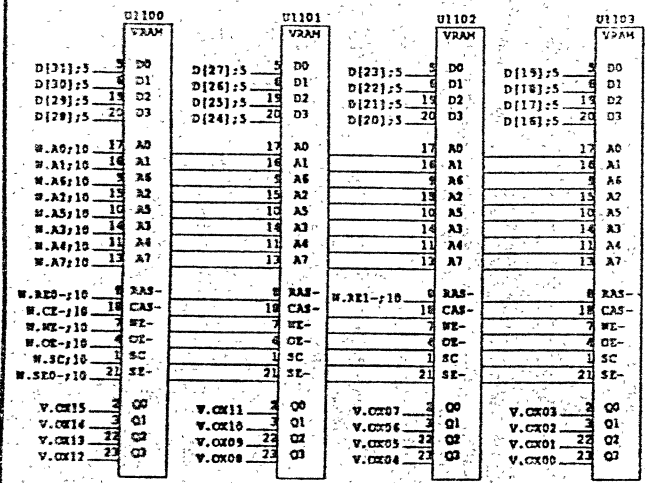


Confidential - Copyright (C) 1986 Sun Microsystems. All rights reserved. This material contains trade secrets information of Sun Microsystems Inc. Use, reproduction or disclosure is prohibited except under written license by Sun Microsystems Inc. Use of copyright notice is precautionary only and does not imply publication or disclosure.

Title: SUN 3/60 CPU
 Sheet: 10 OF 13
 Engineer: XX

Drawing:
 File: sh10.d
 Date: Tue Jul 7 13:57:07

Rev: 13



Confidential - Copyright (C) 1988 Sun Microsystems. All rights reserved. This material contains trade secrets and confidential information of Sun Microsystems, Inc. Use, reproduction or disclosure is prohibited except under written license by Sun Microsystems, Inc. Use of copyright notice is precautionary only and does not imply publication or disclosure.

Title: SUN 3/80 CPU
Sheet: 11 OF 13
Engineer: RE

Drawing: Rev: 11
File: sh11.d
Date: Thu Jul 9 19:45:08 1987

ECO	Description	Date	Approval
-----	-------------	------	----------

P1
DIN CONNECTOR

1	D[00];5	33	GND	65	D[16];5
2	D[01];5	34	CLK	66	D[17];5
3	D[02];5	35	GND	67	D[18];5
4	D[03];5	36	GND	68	D[19];5
5	D[04];5	37	GND	69	D[20];5
6	D[05];5	38	GND	70	D[21];5
7	D[06];5	39	GND	71	D[22];5
8	D[07];5	40	GND	72	D[23];5
9	D[08];5	41	GND	73	D[24];5
10	D[09];5	42	DSACK0-;1	74	D[25];5
11	D[10];5	43	DSACK1-;1	75	D[26];5
12	D[11];5	44	GND	76	D[27];5
13	D[12];5	45	VCC	77	D[28];5
14	D[13];5	46	VCC	78	D[29];5
15	D[14];5	47	VCC	79	D[30];5
16	D[15];5	48	VCC	80	D[31];5
17	GND	49	GND	81	GND
18	A[00]	50	SIZ0;1	82	PA[13];2
19	A[01]	51	SIZ1;1	83	PA[14];2
20	A[02]	52	WRITE-;1	84	PA[15];2
21	A[03]	53	GND	85	PA[16];2
22	A[04]	54	V.INTY-;8	86	PA[17];2
23	A[05]	55	EN.VIDEO;2	87	PA[18];2
24	A[06]	56	GND	88	PA[19];2
25	A[07]	57	P4AS-	89	PA[20];2
26	A[08]	58	GND	90	PA[21];2
27	A[09]	59	GND	91	PA[22];2
28	A[10]	60	DISACC-;2	92	PA[23];2
29	A[11]	61	P4AS-	93	PA[24];2
30	A[12]	62	INIT-;1	94	GND
31	VEE	63	VEE	95	C.S3-
32	VCC	64	VCC	96	VCC

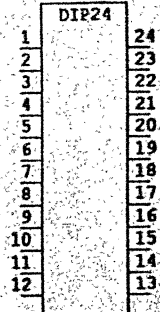
B2
DIN CONNECTOR

1	D[00];5	33	GND	65	D[16];5
2	D[01];5	34	CLK	66	D[17];5
3	D[02];5	35	GND	67	D[18];5
4	D[03];5	36	GND	68	D[19];5
5	D[04];5	37	GND	69	D[20];5
6	D[05];5	38	GND	70	D[21];5
7	D[06];5	39	GND	71	D[22];5
8	D[07];5	40	GND	72	D[23];5
9	D[08];5	41	GND	73	D[24];5
10	D[09];5	42	DSACK0-;1	74	D[25];5
11	D[10];5	43	DSACK1-;1	75	D[26];5
12	D[11];5	44	GND	76	D[27];5
13	D[12];5	45	VCC	77	D[28];5
14	D[13];5	46	VCC	78	D[29];5
15	D[14];5	47	VCC	79	D[30];5
16	D[15];5	48	VCC	80	D[31];5
17	GND	49	GND	81	GND
18	A[00]	50	SIZ0;1	82	PA[13];2
19	A[01]	51	SIZ1;1	83	PA[14];2
20	A[02]	52	WRITE-;1	84	PA[15];2
21	A[03]	53	GND	85	PA[16];2
22	A[04]	54	V.INTY-;8	86	PA[17];2
23	A[05]	55	EN.VIDEO;2	87	PA[18];2
24	A[06]	56	GND	88	PA[19];2
25	A[07]	57	P4AS-	89	PA[20];2
26	A[08]	58	GND	90	PA[21];2
27	A[09]	59	GND	91	PA[22];2
28	A[10]	60	DISACC-;2	92	PA[23];2
29	A[11]	61	P4AS-	93	PA[24];2
30	A[12]	62	INIT-;1	94	GND
31	VEE	63	VEE	95	C.S3-
32	VCC	64	VCC	96	VCC

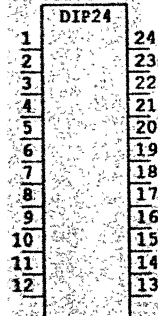
P3
DIN CONNECTOR

1	VCC	33	GND	65	D[16];5
2	VCC	34	GND	66	D[17];5
3	VCC	35	GND	67	D[18];5
4	VCC	36	GND	68	D[19];5
5	VCC	37	GND	69	D[20];5
6	VCC	38	GND	70	D[21];5
7	VCC	39	GND	71	D[22];5
8	VCC	40	GND	72	D[23];5
9	VCC	41	GND	73	D[24];5
10	VCC	42	GND	74	D[25];5
11	VCC	43	GND	75	D[26];5
12	VCC	44	GND	76	D[27];5
13	VCC	45	GND	77	D[28];5
14	VCC	46	GND	78	D[29];5
15	VCC	47	GND	79	D[30];5
16	VCC	48	GND	80	D[31];5
17	VCC	49	GND	81	GND
18	VCC	50	GND	82	PA[13];2
19	VCC	51	GND	83	PA[14];2
20	VCC	52	GND	84	PA[15];2
21	VCC	53	GND	85	PA[16];2
22	VCC	54	GND	86	PA[17];2
23	VCC	55	GND	87	PA[18];2
24	VCC	56	GND	88	PA[19];2
25	VCC	57	GND	89	PA[20];2
26	V+12;5	58	GND	90	PA[21];2
27	V+12;5	59	GND	91	PA[22];2
28		60	GND	92	PA[23];2
29		61	GND	93	PA[24];2
30	VEE	62	GND	94	GND
31	VEE	63	GND	95	C.S3-
32	VEE	64	GND	96	VCC

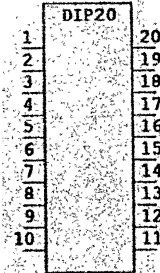
U1201



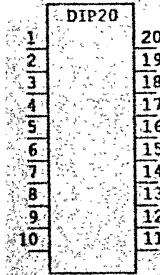
U1200



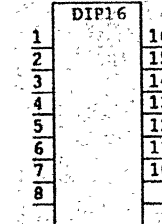
U1202



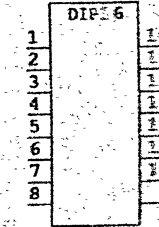
U1203



U1204



U1205



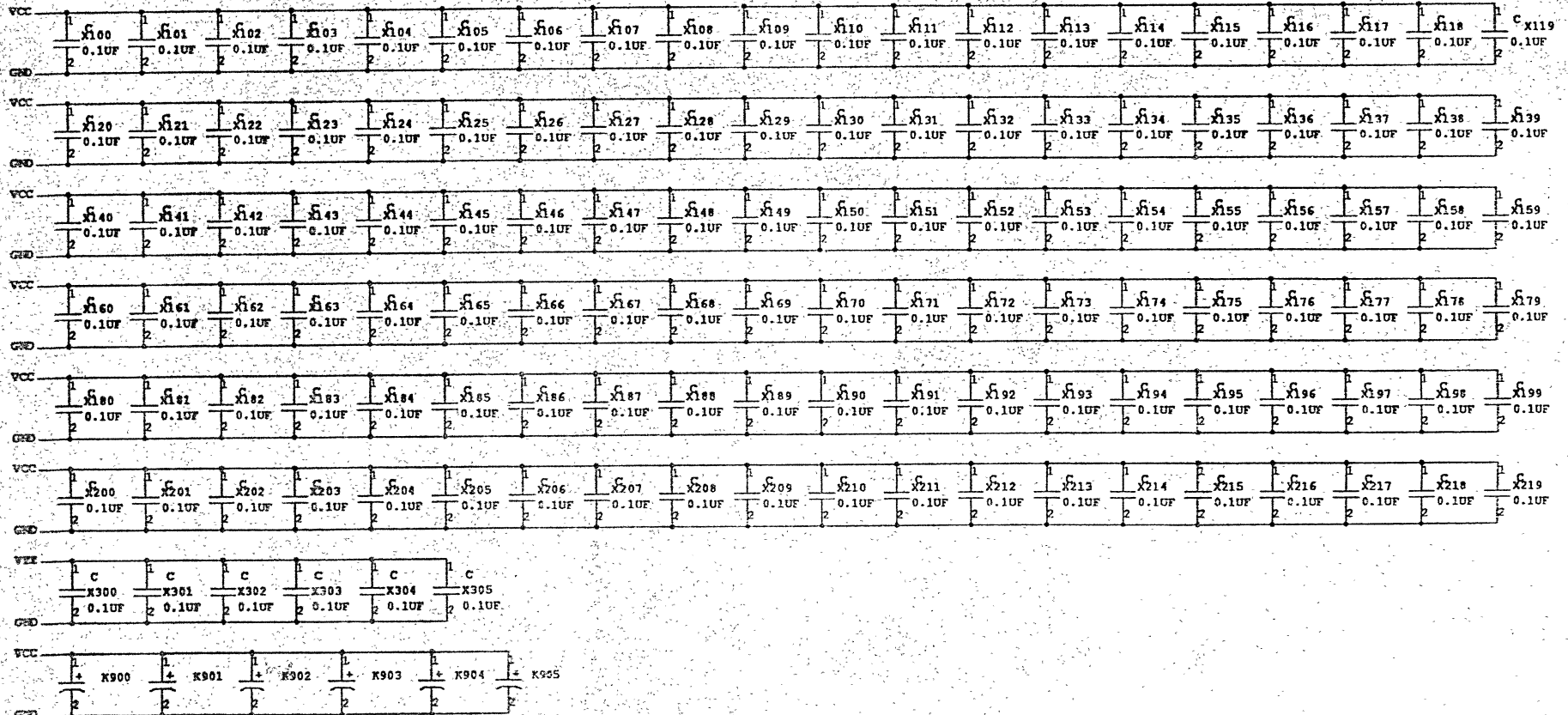
Confidential - Copyright (C) 1986 Sun Microsystems. All rights reserved. This material contains trade secrets information of Sun Microsystems Inc. Use, reproduction or disclosure is prohibited except under written license by Sun Microsystems Inc. Use of copyright notice is precautionary only and does not imply publication or disclosure.

Title: SUN 3/60 CPU
Sheet: 12 OF 13
Engineer: XX

Drawing: Rev: 13
File: sh12.d
Date: Tue Jul 7 13:59:4

S124 4.7KOHM R9G1P COM 1 VCC R1 2 D[00]:5 R2 3 D[01]:5 R3 4 D[02]:5 R4 5 D[03]:5 R5 6 D[04]:5 R6 7 D[05]:5 R7 8 D[06]:5 R8 9 D[07]:5 R9 10	S125 4.7KOHM R9G1P COM 1 VCC R1 2 D[08]:5 R2 3 D[09]:5 R3 4 D[10]:5 R4 5 D[11]:5 R5 6 D[12]:5 R6 7 D[13]:5 R7 8 D[14]:5 R8 9 D[15]:5 R9 10	S126 4.7KOHM R9G1P COM 1 VCC R1 2 D[16]:5 R2 3 D[17]:5 R3 4 D[18]:5 R4 5 D[19]:5 R5 6 D[20]:5 R6 7 D[21]:5 R7 8 D[22]:5 R8 9 D[23]:5 R9 10	S127 4.7KOHM R9G1P COM 1 VCC R1 2 D[24]:5 R2 3 D[25]:5 R3 4 D[26]:5 R4 5 D[27]:5 R5 6 D[28]:5 R6 7 D[29]:5 R7 8 D[30]:5 R8 9 D[31]:5 R9 10	S120 4.7KOHM R9G1P COM 1 VCC R1 2 A[00]:1 R2 3 A[01]:1 R3 4 A[02]:1 R4 5 A[03]:1 R5 6 A[04]:1 R6 7 A[05]:1 R7 8 A[06]:1 R8 9 A[07]:1 R9 10	S121 4.7KOHM R9G1P COM 1 VCC R1 2 A[08]:1 R2 3 A[09]:1 R3 4 A[10]:1 R4 5 A[11]:1 R5 6 A[12]:1 R6 7 A[13]:1 R7 8 A[14]:1 R8 9 A[15]:1 R9 10	S122 4.7KOHM R9G1P COM 1 VCC R1 2 A[16]:1 R2 3 A[17]:1 R3 4 A[18]:1 R4 5 A[19]:1 R5 6 A[20]:1 R6 7 A[21]:1 R7 8 A[22]:1 R8 9 A[23]:1 R9 10	S123 4.7KOHM R9G1P COM 1 VCC R1 2 A[24]:1 R2 3 A[25]:1 R3 4 A[26]:1 R4 5 A[27]:1 R5 6 A[28]:1 R6 7 A[29]:1 R7 8 A[30]:1 R8 9 A[31]:1 R9 10
---	---	---	---	---	---	---	---

S109 4.7KOHM R9G1P COM 1 VCC R1 2 IO.D[0]:7 R2 3 IO.D[1]:7 R3 4 IO.D[2]:7 R4 5 IO.D[3]:7 R5 6 IO.D[4]:7 R6 7 IO.D[5]:7 R7 8 IO.D[6]:7 R8 9 IO.D[7]:7 R9 10 SCC.IRQ:-4	S111 4.7KOHM R9G1P COM 1 VCC R1 2 S.DAS:-6 R2 3 S.UNI:-6 R3 4 S.IRQ:-6 R4 5 CDIS:-3 R5 6 RTC:-3 R6 7 AS:-1 R7 8 DS:-1 R8 9 POR:-1 R9 10 V.HR-	S113 470 OHM R9G1P COM 1 VCC R1 2 RESET:-1 R2 3 HALT:-1 R3 4 DSACK0:-1 R4 5 DSACK1:-1 R5 6 RERUN:-5 R6 7 S.CLK:6 R7 8 DDIS:-1 R8 9 CIW:-1 R9 10 DTAG:-2	S114 1K OHM R9G1P COM 1 GND R1 2 MMU[0]:2 R2 3 MMU[1]:2 R3 4 MMU[2]:2 R4 5 MMU[3]:2 R5 6 MMU[4]:2 R6 7 MMU[5]:2 R7 8 MMU[6]:2 R8 9 MMU[7]:2 R9 10	S115 470-OHM R9G1P COM 1 GND R1 2 PDB:-2 R2 3 PD1:-2 R3 4 R4 5 R5 6 R6 7 R7 8 R8 9 R9 10 PDB:-1	S116 470-OHM R9G1P COM 1 GND R1 2 TEST0:-1 R2 3 TEST1:-1 R3 4 TEST2:-1 R4 5 TEST3:-1 R5 6 TEST4:-3 R6 7 TEST5:-6 R7 8 TEST6:-7 R8 9 TEST7:-6 R9 10 TEST8:-6	S117 4.7-KOHM R9G1P COM 1 VCC R1 2 PU.0:1 R2 3 PU.1:1:6 R3 4 PU.2:1:6 R4 5 PU.3:1 R5 6 V.INTY:-8 R6 7 S.XEOP:-6 R7 8 R8 9 R9 10
--	--	--	--	--	--	--



Confidential - Copyright (C) 1986 Sun Microsystems. All rights reserved. This material contains trade secrets information of Sun Microsystems Inc. Use, reproduction or disclosure is prohibited except under written license by Sun Microsystems Inc. Use of copyright notice is precautionary only and does not imply publication or disclosure.

Title: SUN 3/60 CPU
Sheet: 13 OF 13
Engineer: XX

Drawing:
File: sh13.d
Date: Tue Jul 14 1986

Rev: 13