

TALL TREE SYSTEMS
 1012 ELWELL CT. #124
 PALO ALTO, CA 94303

SCALE: NONE	APPROVED BY:	DRAWN BY: <i>CH</i>
DATE: 3/1/85		REVISED REV B
JDISKETTE SA BOARD CIRCUIT - SHEET 1 OF 6		
DRAWING NUMBER		JDS-100-001

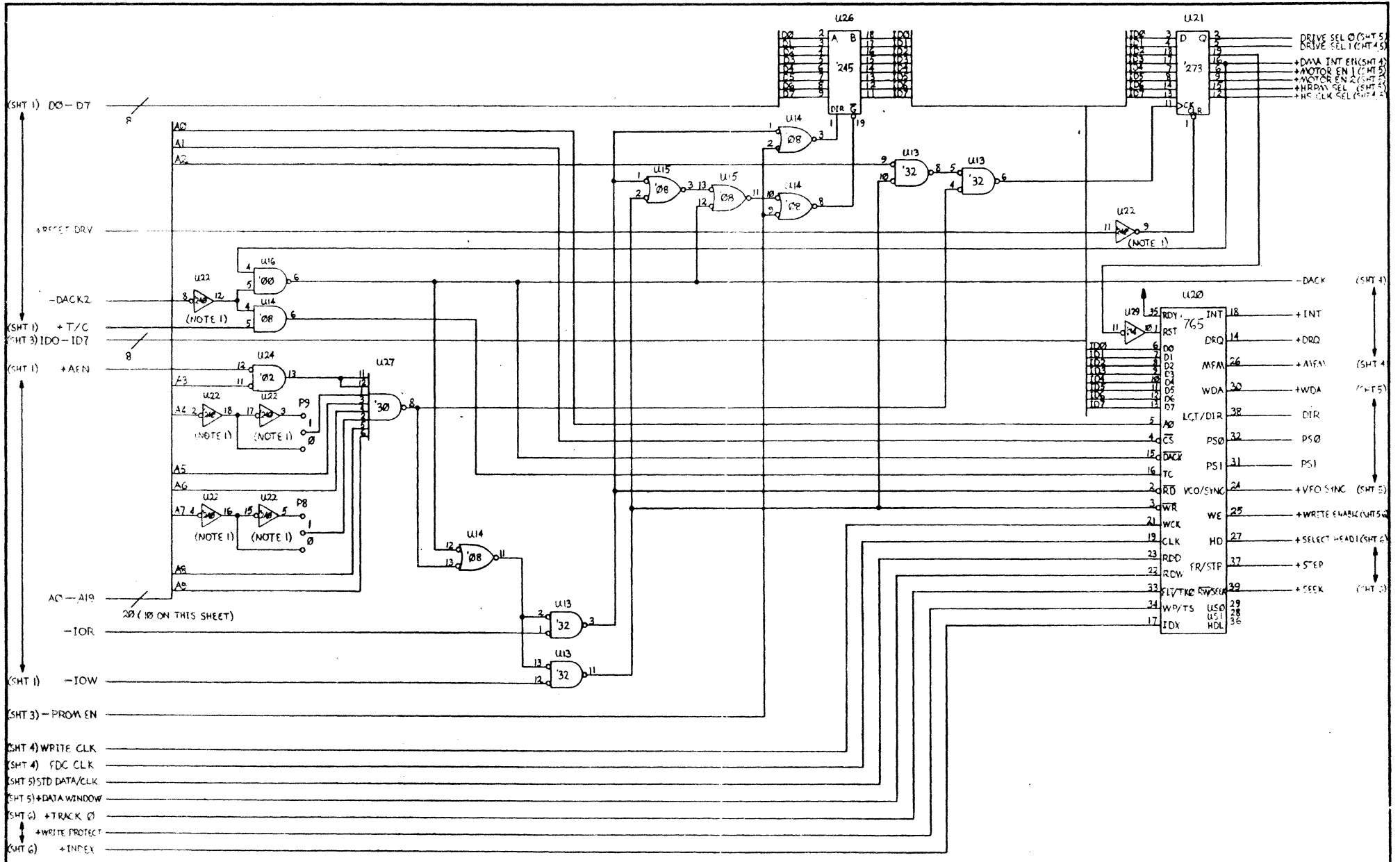


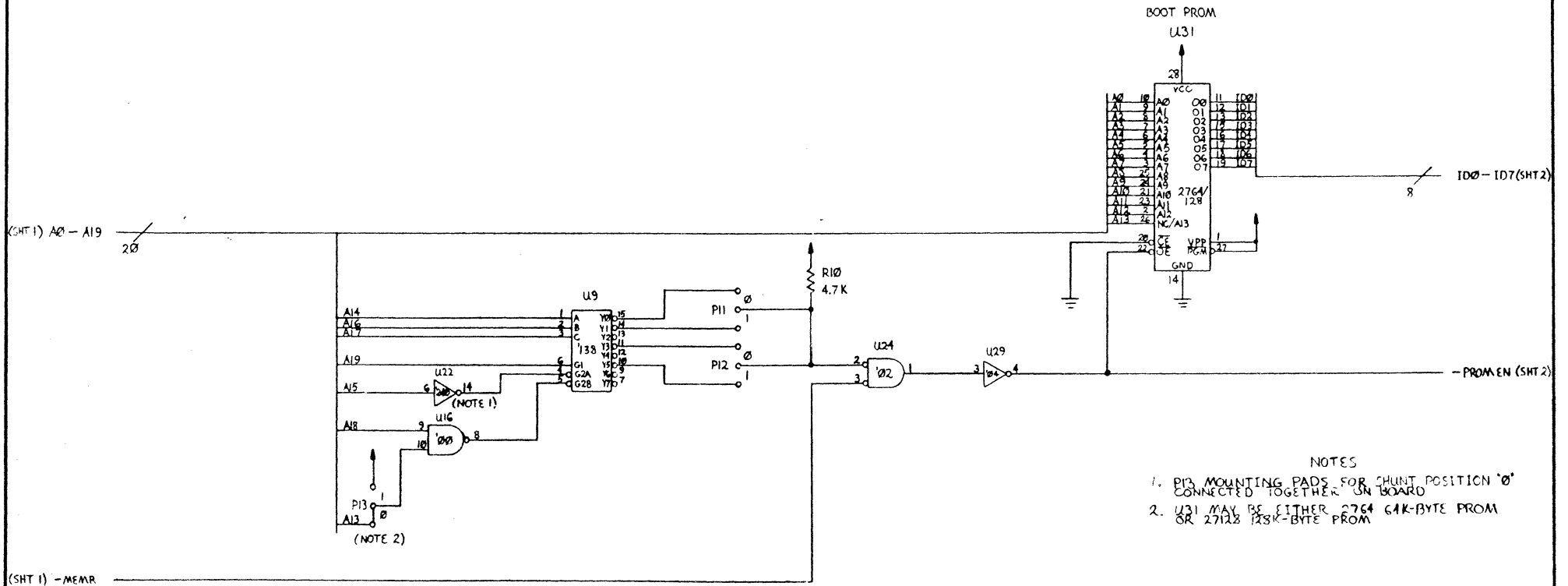
TABLE A
FUNCTIONS SELECTED BY P8 AND P9
SHUNT POSITIONS

		FUNCTION
P8 SHUNT POSITION	P9 SHUNT POSITION	SELECT BOARD I/O ADDRESS RANGE
0	0	360 - 367
0	1	370 - 377
1	0	3E0 - 3EF
1	1	3F0 - 3F7

NOTE 1: 13 AND 23 INPUTS OF '240 (PINS 1 AND 19 OF U22) CONNECTED TO GROUND

TALL TREE SYSTEMS
1032 ELWELL CT. #124
PALO ALTO, CA 94303

SCALE: NONE	APPROVED BY:	DRAWN BY: <i>gib</i>
DATE: 3/4/85		REVISED REF: B
JDSKETTE SA BOARD CIRCUIT - SHEET 2 OF 6		
		DRAWING NUMBER JDS-1000-0012



- NOTES
1. P13 MOUNTING PADS FOR SHUNT POSITION '0' CONNECTED TOGETHER ON BOARD
 2. U31 MAY BE EITHER 2764 64K-BYTE PROM OR 27128 128K-BYTE PROM

TABLE B
FUNCTIONS SELECTED BY PI1, PI2, AND PI3 SHUNT POSITIONS

			FUNCTION.
PI1 SHUNT POSITION	PI2 SHUNT POSITION	PI3 SHUNT POSITION	SELECT BOOT PROM ADDRESS RANGE
0	-	0	CA000 - CBFFF
		1	CB000 - CBFFF
1	-	0	CE000 - CFFFF
		1	CC000 - CFFFF
-	0	0	DE000 - DFFFF
		1	DC000 - DFFFF
-	1	0	EE000 - EFFFF
		1	EC000 - EFFFF
-	-	0	* -
		1	-

TALL TREE SYSTEMS
1032 ELWELL CT #124
PALO ALTO, CA 94303

SCALE: NONE	APPROVED BY:	DRAWN BY: <i>SJK</i>
DATE: 3/4/85		REVISED REV B
JDISKETTE SA CIRCUIT - SHEET 3 OF 6		
DRAWING NUMBER		JDS-100-003

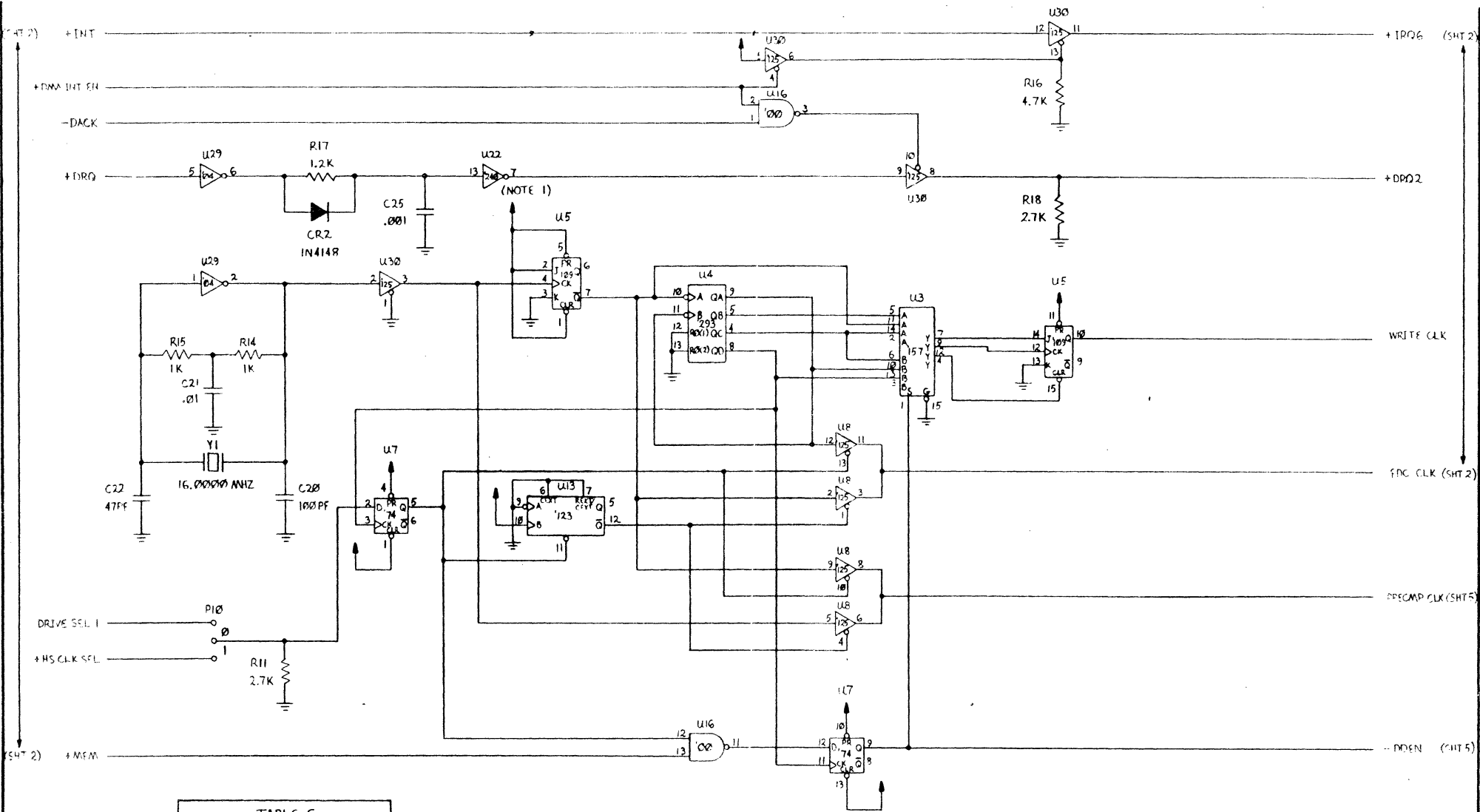
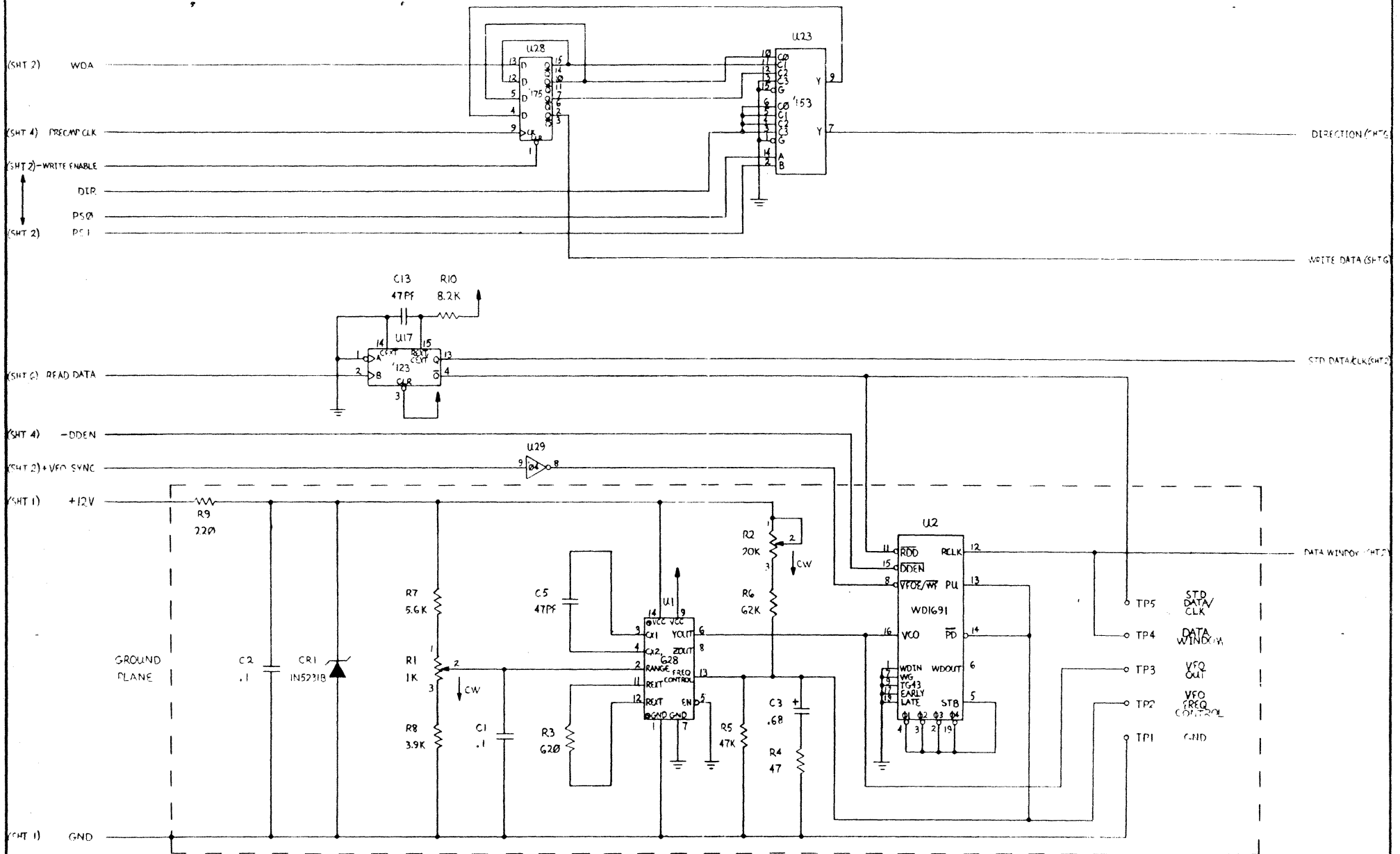


TABLE C
FUNCTIONS SELECTED BY P10
SHUNT POSITIONS

P10 SHUNT POSITION	FUNCTION
0	SELECT FIXED NORMAL MODE ON DRIVES A & B AND FIXED HIGH DENSITY MODE ON DRIVES C & D
1	SELECT PROGRAM-MABLE HIGH DENSITY MODE ON ALL DRIVES
-	SELECT FIXED HIGH DENSITY MODE ON ALL DRIVES

TALL TREE SYSTEMS
1032 ELWELL CT #124
PALO ALTO, CA 94303

SCALE: NONE	APPROVED BY:	DRAWN BY: <i>RLC</i>
DATE: 3/14/85		REVISED: REV B
JDISKETTE SA BOARD CIRCUIT - SHEET 4 OF 6		
DRAWING NUMBER		JDS-100-004



TALL TREE SYSTEMS 1032 ELWELL CT #124 PALO ALTO, CA 94306		
SCALE: NONE	APPROVED BY:	DRAWN BY: <i>JHE</i>
DATE: 3/25/85		REVISED: REV B
DISKETTE BOARD CIRCUIT - SHEET 5 OF 6		
		DRAWING NUMBER JDS-100-005

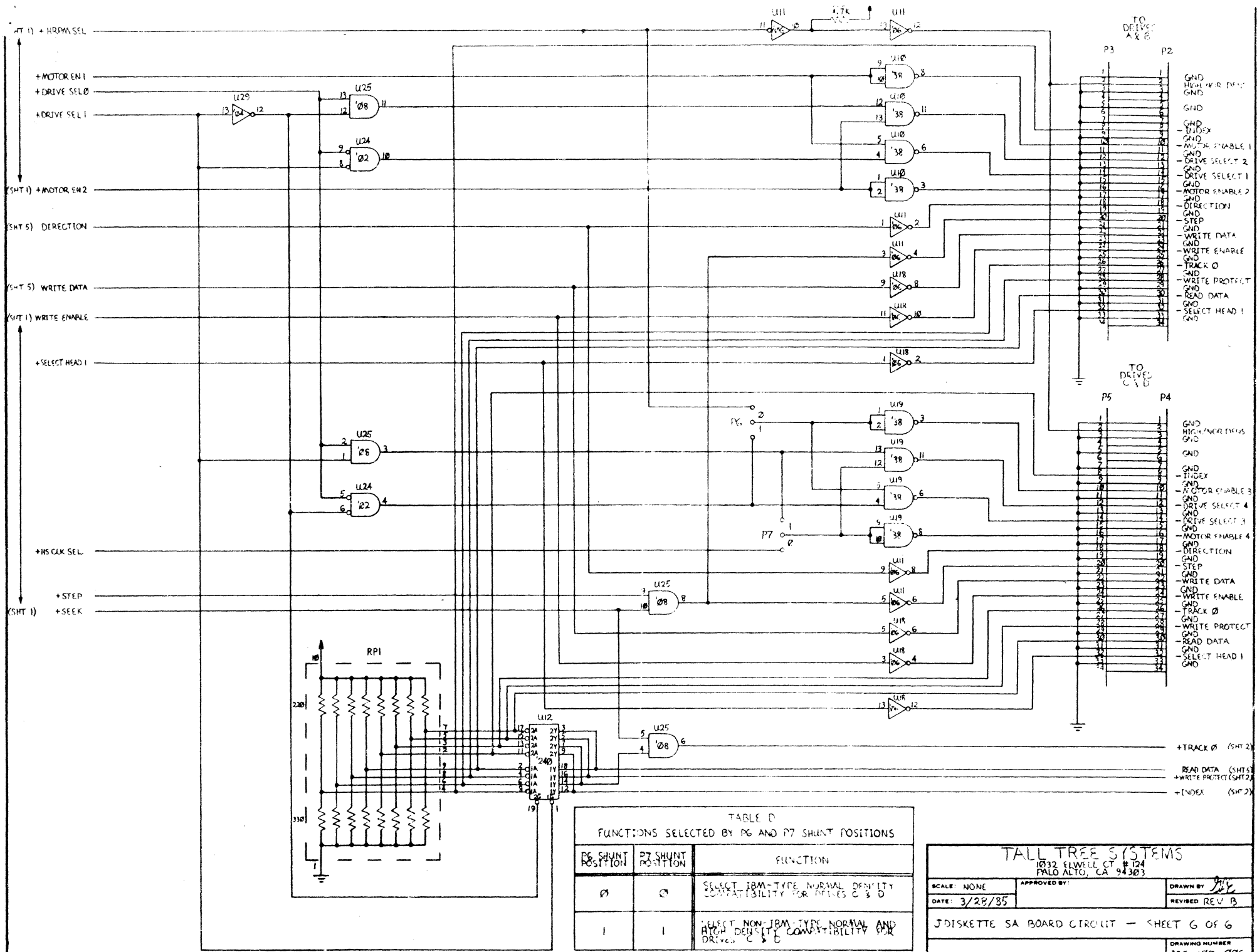


TABLE D
FUNCTIONS SELECTED BY P6 AND P7 SHUNT POSITIONS

P6 SHUNT POSITION	P7 SHUNT POSITION	FUNCTION
0	0	SELECT IBM-TYPE NORMAL DENSITY COMPATIBILITY FOR DRIVES C & D
1	1	SELECT NON-IBM-TYPE NORMAL AND HIGH DENSITY COMPATIBILITY FOR DRIVES C & D

TALL TREE SYSTEMS
1032 SHELLE CT. # 124
PALO ALTO, CA 94303

SCALE: NONE	APPROVED BY:	DRAWN BY: <i>Jim</i>
DATE: 3/28/85		REVISED REV. B

JDISKETTE SA BOARD CIRCUIT - SHEET G OF 6

DRAWING NUMBER JDS-100-0006
