

# DATA-SCREEN™ TERMINALS

## *REFERENCE DRAWINGS*

MODEL: 440

DRAWING SET NUMBER: 965010-001

TEC, INCORPORATED / 9800 NORTH ORACLE ROAD / TUCSON, ARIZONA USA / 85704



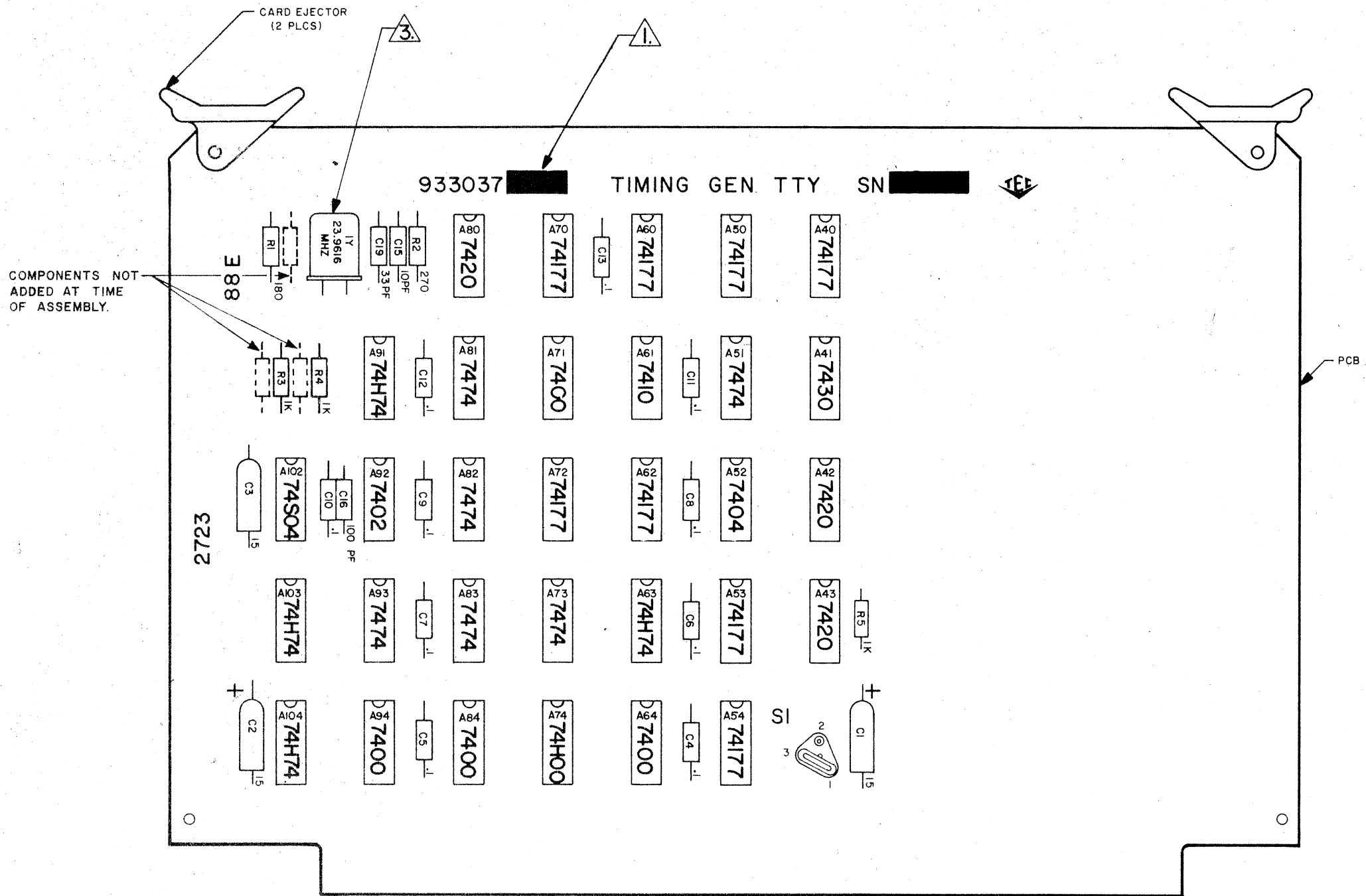
THESE DRAWINGS, THEIR DESIGN, DETAIL AND INVENTION ARE THE PROPERTY OF TEC, INCORPORATED, AND SHALL BE USED ONLY FOR REFERENCE WORK ON CONTRACT OR PROPOSAL SUBMITTED BY THIS COMPANY, AND FOR FIELD REPAIR OF TEC PRODUCTS BY TEC'S CUSTOMER OR END USER, AND SHALL NOT BE COPIED OR DISCLOSED TO ANY OUTSIDE PARTY WITHOUT THE EXPRESSED CONSENT OF TEC, INC.

T-933037

REVISIONS				
REV	DESCRIPTION	DCN	APPR	DATE
H	REV PER DCN	10822		

NOTES:

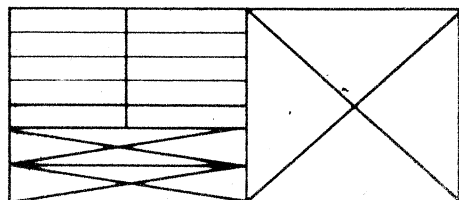
- 1. APPLICABLE REVISION LEVEL TO BE MARKED ON BOARD AT ASSEMBLY.
- 2. UNLESS OTHERWISE SPECIFIED;
  - 1. RESISTORS ARE 1/4W, 5%.
  - 2. RESISTANCE VALUES ARE IN OHMS.
  - 3. CAPACITANCE VALUES ARE IN MICROFARADS.
- 3. CEMENT CRYSTAL TO BOARD.



SWITCH FUNCTION CHART		
SWITCH	POSITION	FUNCTION
SI	1-2	SELECT 50HZ OPERATION
	1-3	SELECT 60HZ OPERATION

SI old power supply 1-2  
 new " " 1-3

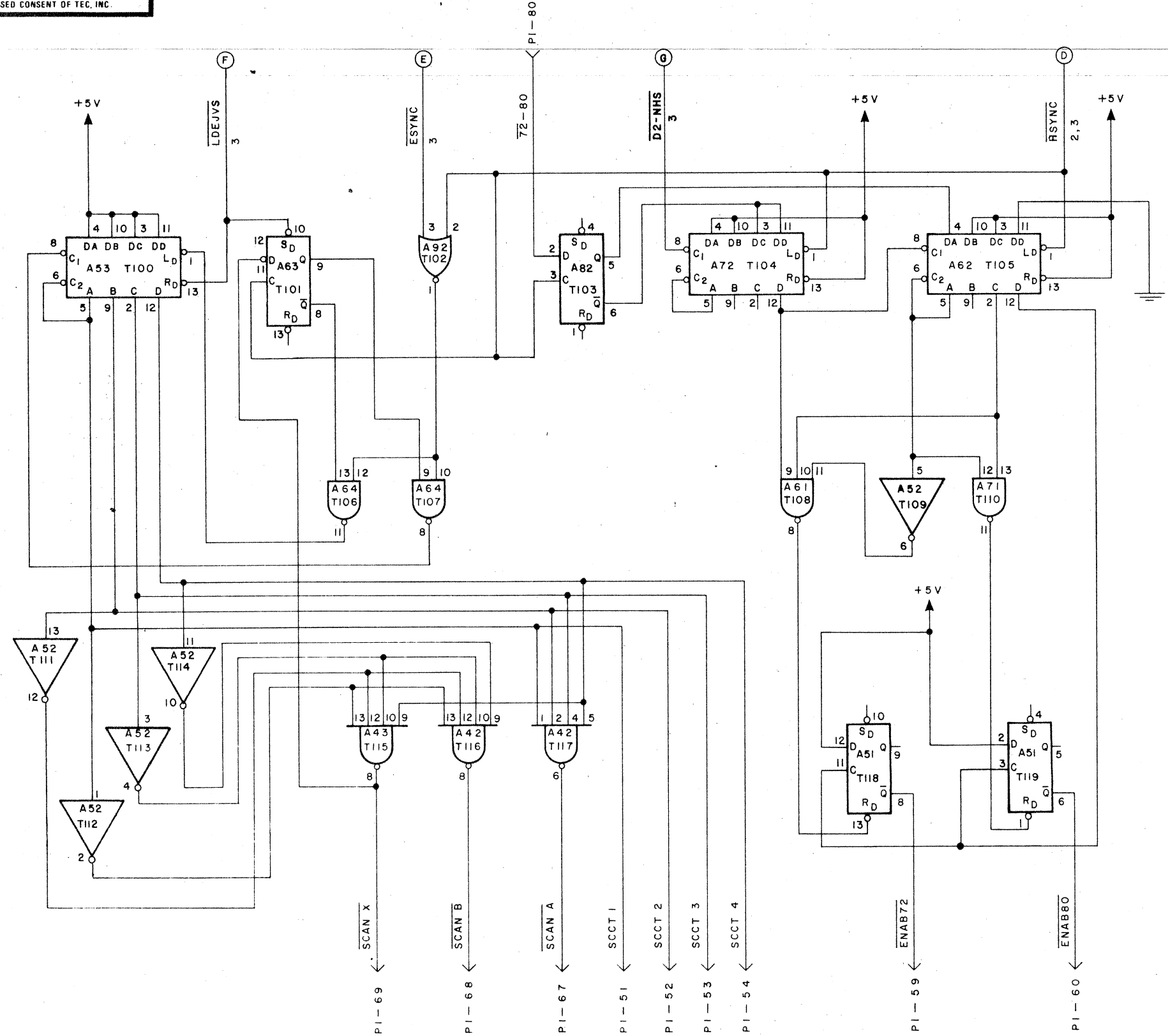
SCHEMATIC	990039
BILL OF MATERIAL	933037
DESCRIPTION	NUMBER
REFERENCE DOCUMENTS	
TITLE	P.C.B. ASSY -
	TIMING
	GENERATOR TTY
DRAWN	J. MARPALLER 2/26/77
CHECKED	
ENGINEER	
APPROVED	
DRAWING NO.	D T-933037
SCALE	2/1



THESE DRAWINGS, THEIR DESIGN, DETAIL AND INVENTION ARE THE PROPERTY OF TEC, INCORPORATED, AND SHALL BE USED ONLY FOR REFERENCE WORK ON CONTRACT OR PROPOSAL SUBMITTED BY THIS COMPANY, AND FOR FIELD REPAIR OF TEC PRODUCTS BY TEC'S CUSTOMER OR END USER, AND SHALL NOT BE COPIED OR DISCLOSED TO ANY OUTSIDE PARTY WITHOUT THE EXPRESSED CONSENT OF TEC, INC.

T-990039

REVISIONS			
REV	DESCRIPTION	DCN	DATE
H	REV PER DCN	10822	



- NOTES**
- UNLESS OTHERWISE SPECIFIED:  
1. RESISTORS ARE 1/4W, 5%.  
2. RESISTANCE VALUES ARE IN OHMS.  
3. CAPACITANCE VALUES ARE IN MICROFARADS.
  - LAST REFERENCE DESIGNATION USED:  
R5, C19, Y1, T119, T232, T318

UNUSED ELEMENTS



1	+5V	1	2	+5V	1
	-5V	3	4	-10V	
	+15V	5	6	-15V	
		7	8		
		9	10		
		11	12		
		13	14		
		15	16		
		17	18		
		19	20		
		21	22		
		23	24		
		25	26		
		27	28		
		29	30		
		31	32		
		33	34		
		35	36		
		37	38	LMLOAD	
3	50 HZ	39	40		
		41	42		
		43	44		
		45	46		
		47	48		
3	RPT 1	49	50	RPT 2	3
1	SCCT 1	51	52	SCCT 2	1
1	SCCT 3	53	54	SCCT 4	1
		55	56		
		57	58	PUCLR	
1	ENAB72	59	60	ENAB80	1
2	DOT A	61	62	DOT B	2
2	DOT C	63	64	DOT D	2
2	DOT E	65	66	DOT F	2
1	SCAN A	67	68	SCAN B	1
1	SCAN X	69	70	ROWEN	1
2	DOT 1	71	72	DOT 2	2
2	DOT 3	73	74	DOT 4	2
2	DOT 5	75	76	DOT 6	2
2	DOT 7	77	78	DCRST	2
3	ESYNC	79	80	72-80	1
3	HYSNC	81	82	VSYNC	3
2	24MHZ	83	84	12MHZ	2
	GND	85	86	GND	
PG	NAME	PIN	NAME	PG	

CHIP TYPE	LOCATIONS	GND	+5V
7400	A64, 71, 84, 94	7	14
7402	A92	7	14
7404	A52	7	14
7410	A61	7	14
7420	A42, 43, 80	7	14
7430	A41	7	14
7474	A51, 73, 81, 82, 83, 93	7	14
74177	A40, 50, 53, 54, 60, 62, 70, 72	7	14
74804	A102	7	14
74H74	A104, 63, 91, 103	7	14
74H00	A74	7	14

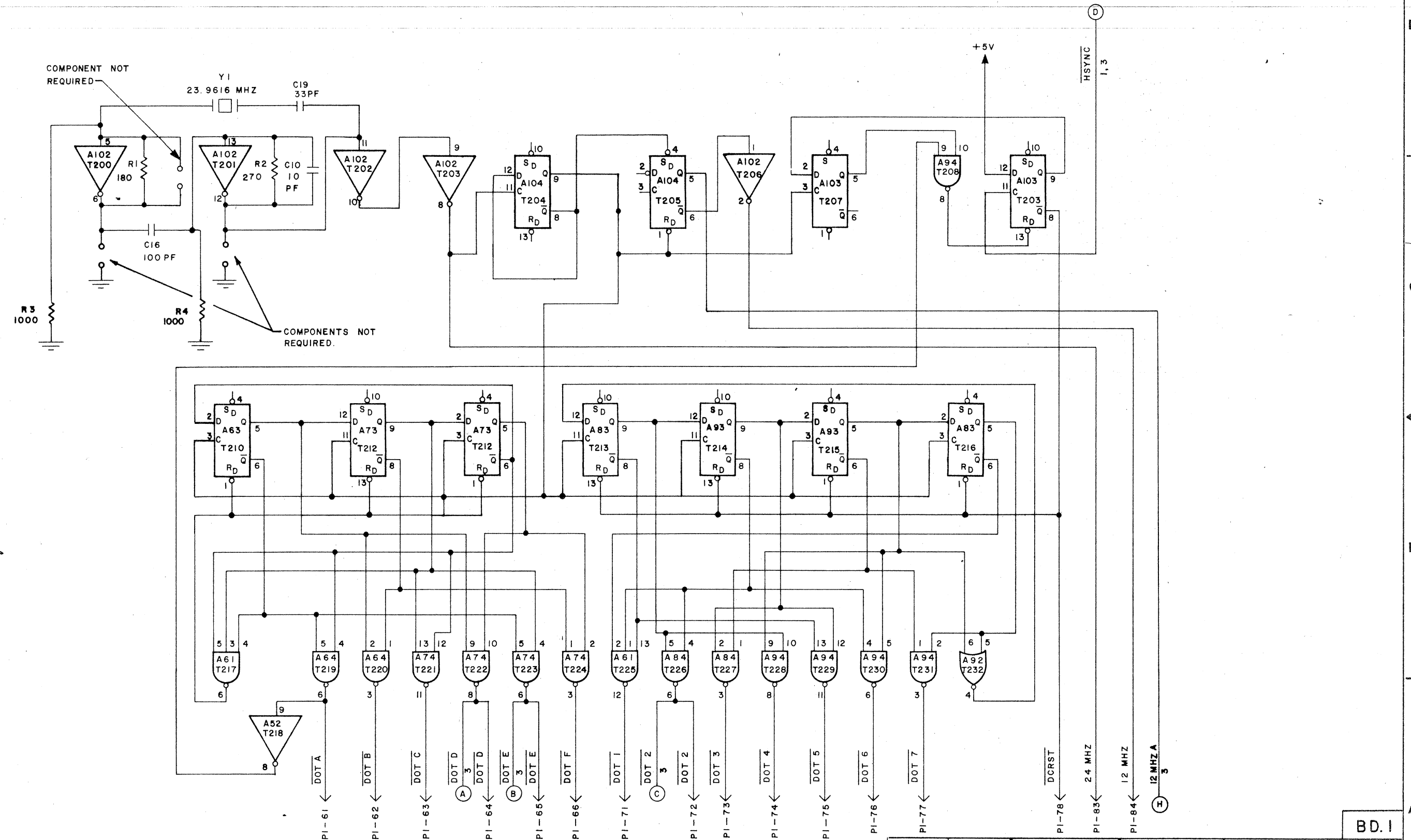
BD. 1

933037	272388E	440	DO NOT SCALE DRAWING	TEC	TITLE SCHEMATIC-TIMING GENERATOR
NEXT ASSY	FIRST USED	FRACTIONS DECIMALS ONE PLACE TWO PLACE THREE PLACE	DRAWN R.E. WOOD		
MATERIAL	FINISH	ANY DIMENSIONS ARE IN INCHES UNLESS OTHERWISE SPECIFIED	CHECKED J.W. WHALEN	ENGINEER	D T-990039 H
					NONE

THESE DRAWINGS, THEIR DESIGN, DETAIL AND INVENTION ARE THE PROPERTY OF TEC, INCORPORATED, AND SHALL BE USED ONLY FOR REFERENCE WORK ON CONTRACT OR PROPOSAL SUBMITTED BY THIS COMPANY, AND FOR FIELD REPAIR OF TEC PRODUCTS BY TEC'S CUSTOMER OR END USER, AND SHALL NOT BE COPIED OR DISCLOSED TO ANY OUTSIDE PARTY WITHOUT THE EXPRESSED CONSENT OF TEC, INC.

T-990039

REVISIONS			
REV	DESCRIPTION	DCN	APPROX DATE
H	REV PER DCN	10822	



BD.1

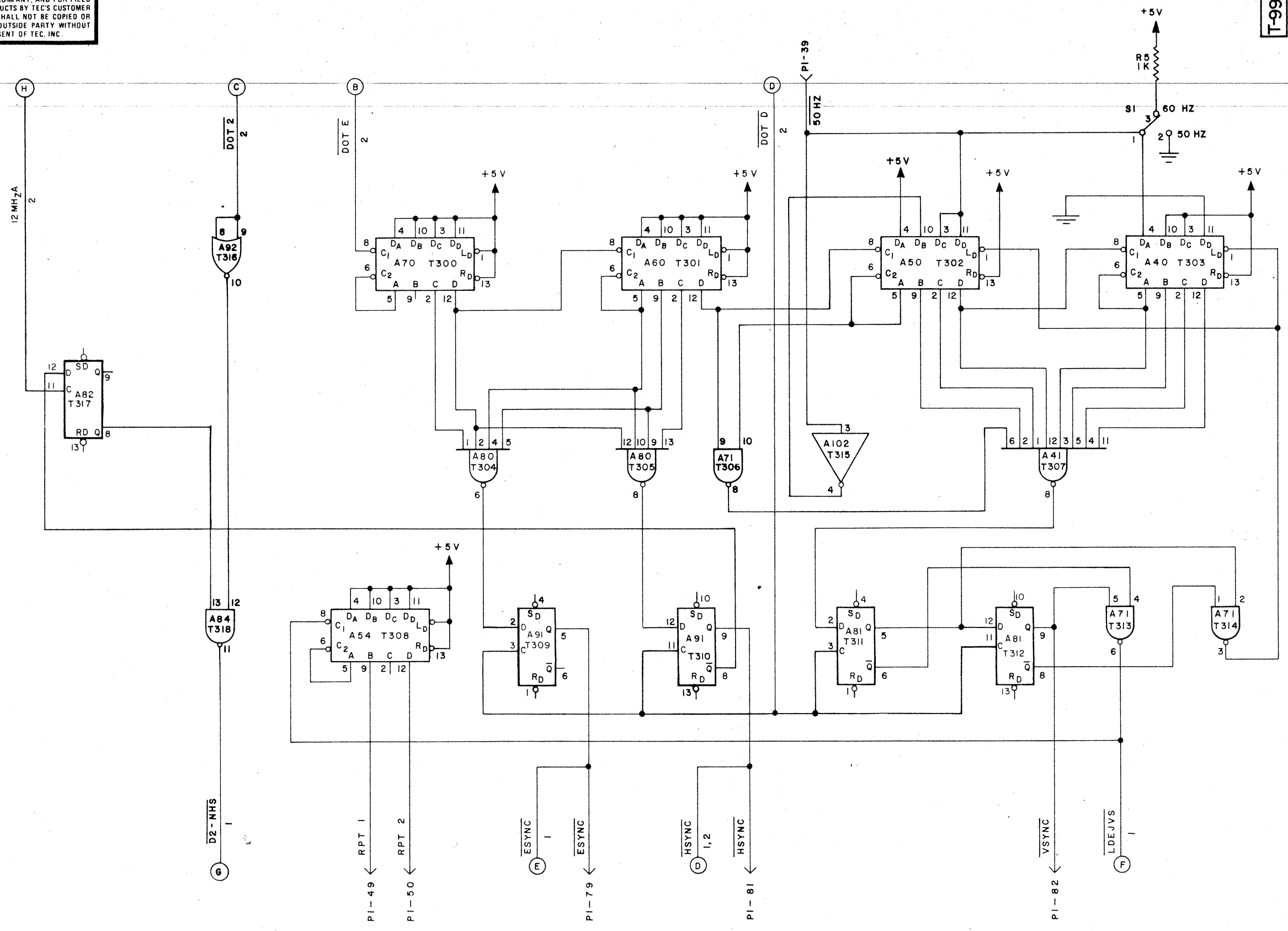
933037	272388E	440	TEC INCORPORATED	TITLE SCHEMATIC— TIMING GENERATOR
NEXT ASSY	FIRST USED		DRAWN R. E. WOOD	SIZE D T-990039
MATERIAL			CHECKED J. W. WHALEN	REV H
FINISH			ENGINEER	SCALE NONE SHEET 2 OF 3



THESE DRAWINGS, THEIR DESIGN, DETAIL AND INVENTION ARE THE PROPERTY OF TEC, INCORPORATED, AND SHALL BE USED ONLY FOR REFERENCE WORK ON CONTRACT OR PROPOSAL SUBMITTED BY THIS COMPANY, AND FOR FIELD REPAIR OF TEC PRODUCTS BY TEC'S CUSTOMER OR END USER, AND SHALL NOT BE COPIED OR DISCLOSED TO ANY OUTSIDE PARTY WITHOUT THE EXPRESSED CONSENT OF TEC, INC.

T-990039

REVISIONS				
REV.	DESCRIPTION	DCN	APPD	DATE
H	REV PER DCN	10822		JUL 75



SWITCH	POSITION	FUNCTION
S1	1-2	SELECT 50HZ OPERATION
	1-3	SELECT 60HZ OPERATION

BD.1

933037		440		TEC		TITLE		SCHEMATIC -	
272388E						TIMING GENERATOR			
NEXT ASSY		FIRST USE		DRAWN R. E. WOOD		SIZE		DRAWING NO.	
MATERIAL				CHECKED		D		T-990039	
FINISH				ENGINEER J. W. WHALEN		REV		H	
				APPROVED		NONE		SHEET 3 OF 3	



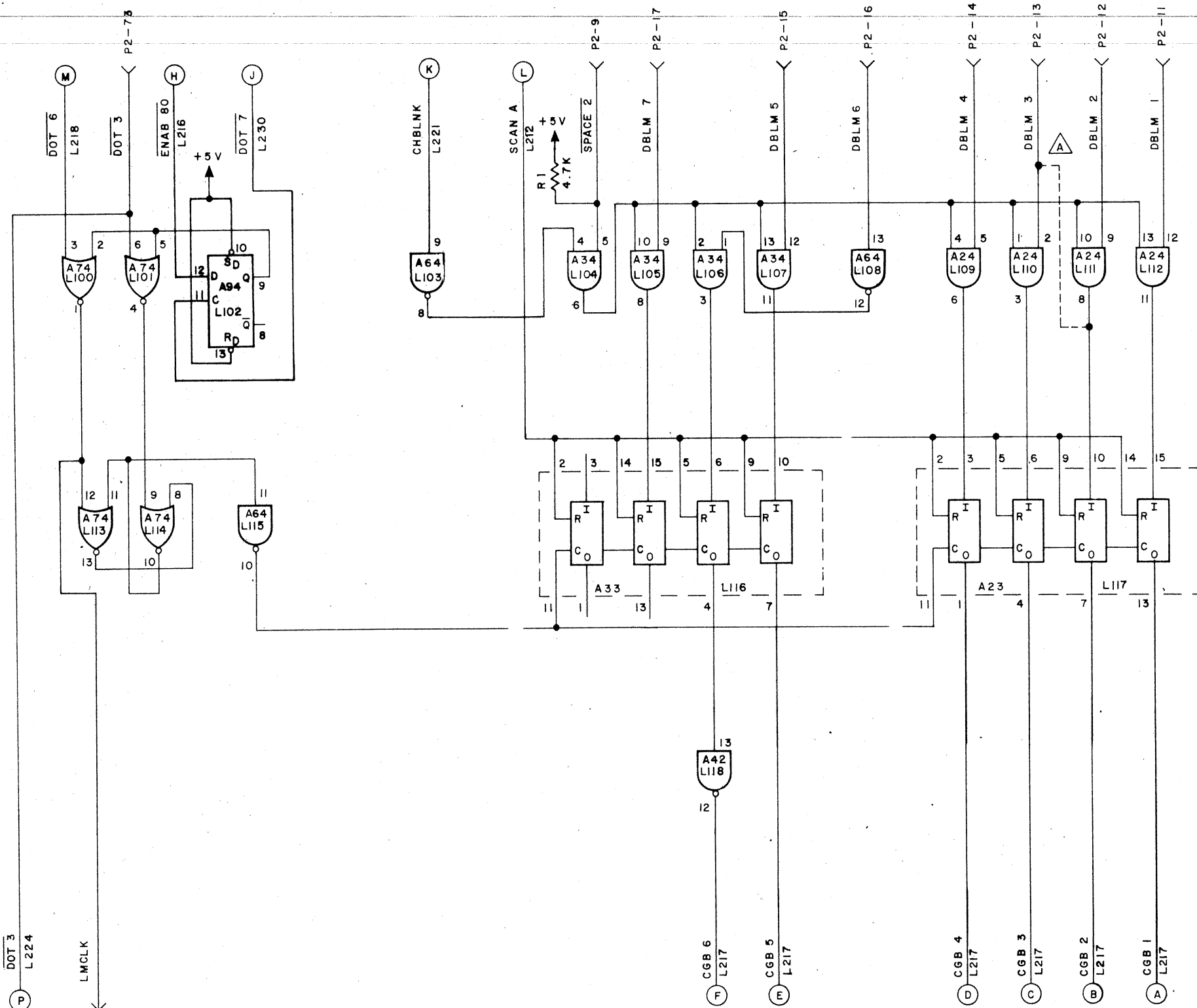




THESE DRAWINGS, THEIR DESIGN, DETAIL AND INVENTION ARE THE PROPERTY OF TEC, INCORPORATED, AND SHALL BE USED ONLY FOR REFERENCE WORK ON CONTRACT OR PROPOSAL SUBMITTED BY THIS COMPANY, AND FOR FIELD REPAIR OF TEC PRODUCTS BY TEC'S CUSTOMER OR END USER, AND SHALL NOT BE COPIED OR DISCLOSED TO ANY OUTSIDE PARTY WITHOUT THE EXPRESSED CONSENT OF TEC, INC.

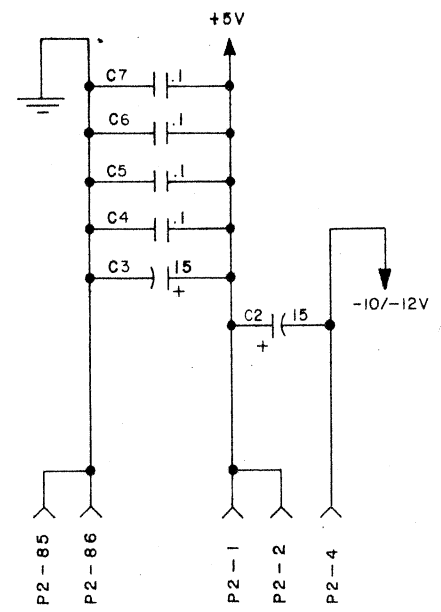
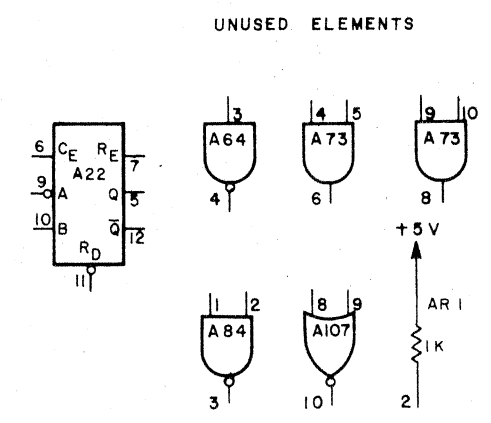
T-990103

REVISIONS			
REV	DESCRIPTION	DCN	APPD. DATE
E	REV PER DCN	10855	7/17/75
F	REV PER DCN	10941	8/1/75



PG	NAME	PIN	NAME	PG
	+5V	1	+5V	
	-5V	3	-10/-12V	
	+15V	5	-15V	
		7		
		8		
1	SPACE	2	INHDS	2
1	DBLM 1	11	DBLM 2	1
1	DBLM 3	13	DBLM 4	1
1	DBLM 5	15	DBLM 6	1
1	DBLM 7	17	CHDET	2
		19		
		20		
2	HDRIVE	23	SGND	
	SGND	25	NVIDEO	2
2	VDRIVE	27	SGND	
	SGND	29	LMCLK	1
		31		
		32		
		33		
		34		
		35		
		36		
		37	LMLOAD	
		38		
		39		
		40		
	CA-1	41		
	CA+1	43	DECPRA	
	LFCOL	45	ST2448	
	OPRBL	47	SETLMC	
	RPT 1	49	RPT 2	2
	RPT 3	51	SCCT 2	2
	SCCT 3	53	SCCT 4	2
		55		
		56		
		57	PUCLR	
2	ENAB 72	59	ENAB 80	2
	DOT A	61	DOT B	
	DOT C	63	DOT D	
	DOT E	65	DOT F	
2	SCAN A	67	SCAN B	2
2	SCAN X	69	ROWEN	2
2	DOT 1	71	DOT 2	1
1	DOT 3	73	DOT 4	
	DOT 5	75	DOT 6	
2	DOT 7	77	DCRST	
	ESYNC	79	72-80	2
2	HSYNC	81	VSYNC	2
		83	12 MHZ	2
	GND	85	GND	
		86		

- NOTES:
- UNLESS OTHERWISE SPECIFIED;
    - RESISTORS ARE 1/4W 5%.
    - RESISTANCE VALUES ARE IN OHMS.
    - CAPACITANCE VALUES ARE IN MICROFARADS.
  - LAST REFERENCE DESIGNATION USED: C8, R10, Q1, L118, L245, ARI, S1.
  - REFERENCE DESIGNATIONS NOT USED:



IC TYPE	LOCATION	GND	+5V	-10/-12V
7400	A84, 93, 102	7	14	
7402	A74, 103	7	14	
7404	A42, 64	7	14	
7408	A24, 34, 63, 73	7	14	
7410	A92	7	14	
7474	A53, 82, 83, 94	7	14	
7496	A72	12	5	
74HO4	A54	7	14	
MK1007	A23, 33	8	16	12
MM6055	A43	9	18	
74123	A22	8	16	

MODIFICATION LIST  
 A P2-13 F.T. TO A24-2

930249	DO NOT SCALE DRAWING UNLESS OTHERWISE SPECIFIED DIMENSIONS ARE IN INCHES AND TOLERANCES ARE: FRACTIONS .010 DECIMALS .001 ONE PLACE .01 TWO PLACE .001 THREE PLACE .0001 ANGLE .01		TITLE	SCHEMATIC - LINE MEMORY & CHAR. GEN TTY
270090C-1 440	DRAWN J.M. TAYLOR CHECKED ENGINEER APPROVED		SIZE D DRAWING NO. T-990103 REV F	
FINISH	REMOVE ALL BURRS BREAK ALL EDGES AND SHARP CORNERS		SCALE NONE	SHEET 1 OF 2

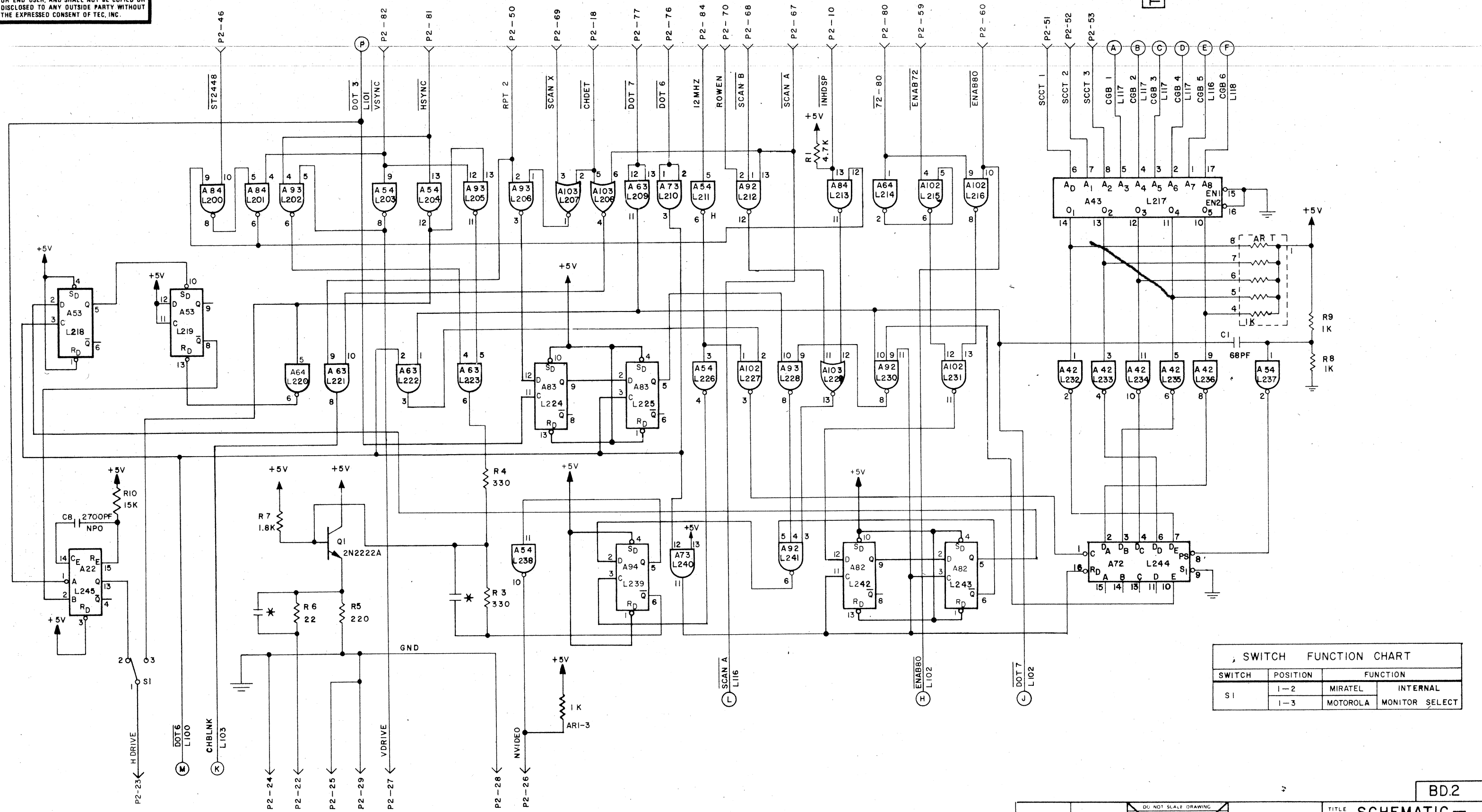
BD. 2



THESE DRAWINGS, THEIR DESIGN, DETAIL AND INVENTION ARE THE PROPERTY OF TEC, INCORPORATED, AND SHALL BE USED ONLY FOR REFERENCE WORK ON CONTRACT OR PROPOSAL SUBMITTED BY THIS COMPANY, AND FOR FIELD REPAIR OF TEC PRODUCTS BY TEC'S CUSTOMER OR END USER, AND SHALL NOT BE COPIED OR DISCLOSED TO ANY OUTSIDE PARTY WITHOUT THE EXPRESSED CONSENT OF TEC, INC.

T-990103

REVISIONS				
REV	DESCRIPTION	DCN	APPD	DATE
E	REV PER DCN	10855		
F	REV PER DCN	10941		



SWITCH FUNCTION CHART

SWITCH	POSITION	FUNCTION
S1	1-2	MIRATEL
	1-3	MOTOROLA
		INTERNAL MONITOR SELECT

\* (2) CAPACITORS: SELECTED FOR CABLE MATCHING (LONG COAX RUNS - CUSTOMER OPTION)

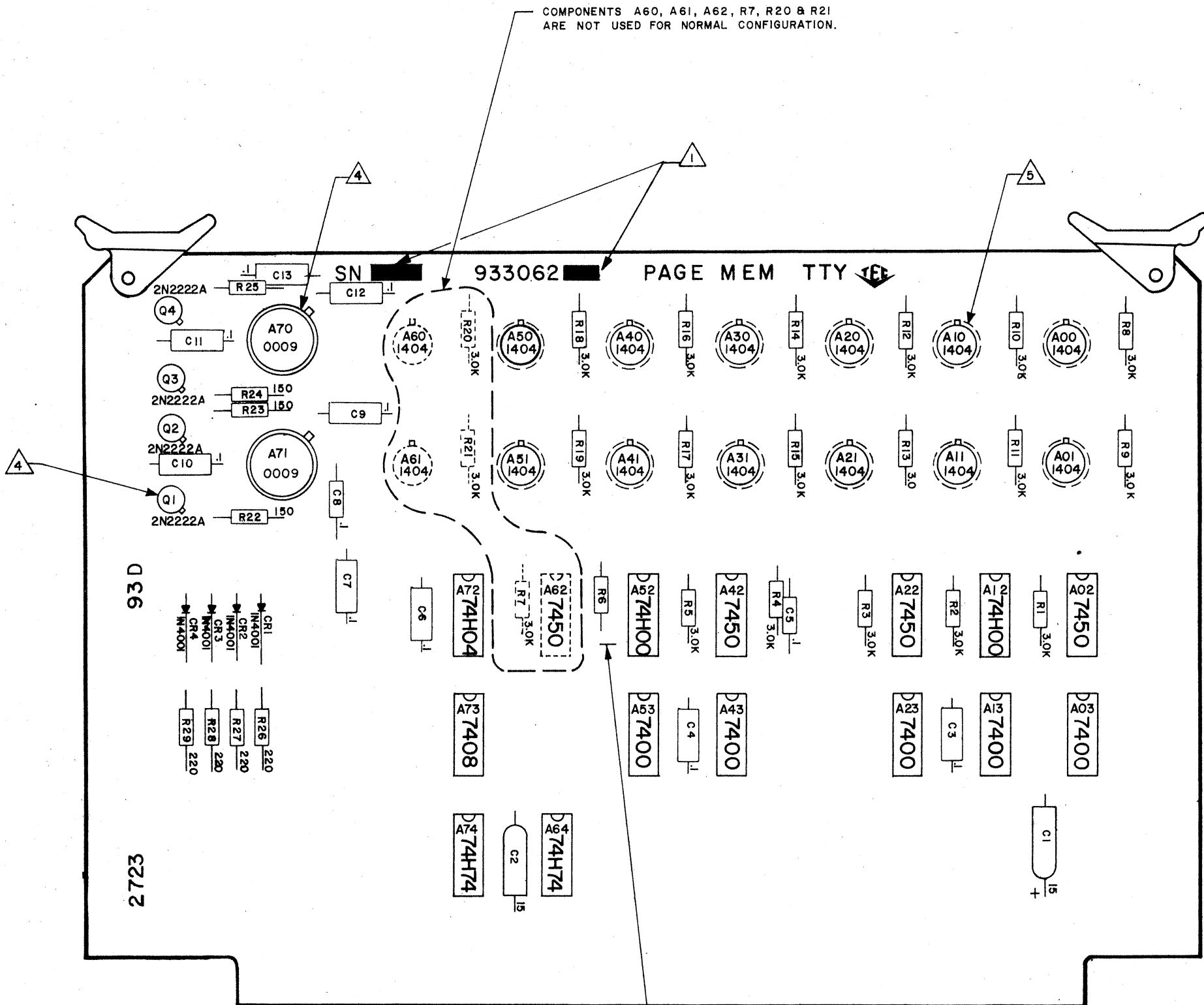
930249	DO NOT SCALE DRAWING	TEC	TITLE	SCHEMATIC -	
270090C-1 440	UNLESS OTHERWISE SPECIFIED, DIMENSIONS ARE IN INCHES AND FRACTIONS DECIMALS TO TWO PLACES UNLESS OTHERWISE SPECIFIED			LINE MEMORY & CHAR. GEN TTY	
MATERIAL	REMOVE ALL BURRS, BREAK ALL EDGES AND SHARP CORNERS	DRAWN	J.M. TAYLOR	SIZE	D
FINISH		CHECKED	D.C. MALHOTRA	DRAWING NO.	T-990103
		ENGINEER		REV	F
		APPROVED		SCALE	NONE
				SHEET	2 OF 2

BD.2

933062

REVISIONS				
REV.	DESCRIPTION	DCN	APPD	DATE
A	RELEASED			2/71
B	REV PER DCN	8224		
C	REV PER DCN	8414		
D	REV PER DCN	8497		
E	REV PER DCN	8348		
F	REV PER DCN	9756		
FI	REV PER DCN	10601		

COMPONENTS A60, A61, A62, R7, R20 & R21 ARE NOT USED FOR NORMAL CONFIGURATION.



NOTES:

- 1. APPLICABLE REVISION LEVEL & SERIAL NO.
- 2. SOLDER COMPONENTS TO CIRCUIT SIDE OF BOARD PER TEC WORKMANSHIP MANUAL.
- 3. .070 MAX SOLDER OR LEAD PROJECTION ON CIRCUIT SIDE OF BOARD.
- 4. ALL TRANSISTOR CANS TO HAVE SPACERS UNDERNEATH.
- 5. HEAT SINK 740025 TO BE INSTALLED ON ALL 1404 UNITS. (12)
- 6. UNLESS OTHERWISE SPECIFIED;
  - 1. RESISTANCE VALUES ARE IN OHMS.
  - 2. CAPACITANCE VALUES ARE IN MICROFARDS.
  - 3. RESISTORS ARE 1/4W, 5%.

THESE DRAWINGS, THEIR DESIGN, DETAIL AND INVENTION ARE THE PROPERTY OF TEC, INCORPORATED, AND SHALL BE USED ONLY FOR REFERENCE WORK ON CONTRACT OR PROPOSAL SUBMITTED BY THIS COMPANY, AND FOR FIELD REPAIR OF TEC PRODUCTS BY TEC'S CUSTOMER OR END USER, AND SHALL NOT BE COPIED OR DISCLOSED TO ANY OUTSIDE PARTY WITHOUT THE EXPRESSED CONSENT OF TEC, INC.

PARTS LIST ISSUED

NORMAL CONFIGURATION: JUMPER INSTALLED.

		TITLE		PC.B.ASSY- PAGE MEMORY TTY	
		DRAWN	D. MARTHALER	SIZE	3-12-71
CHECKED		ENGINEER	J.W. WHALEN	DRAWING NO.	933062
APPROVED		SCALE	2/1	SHEET	1 OF 1

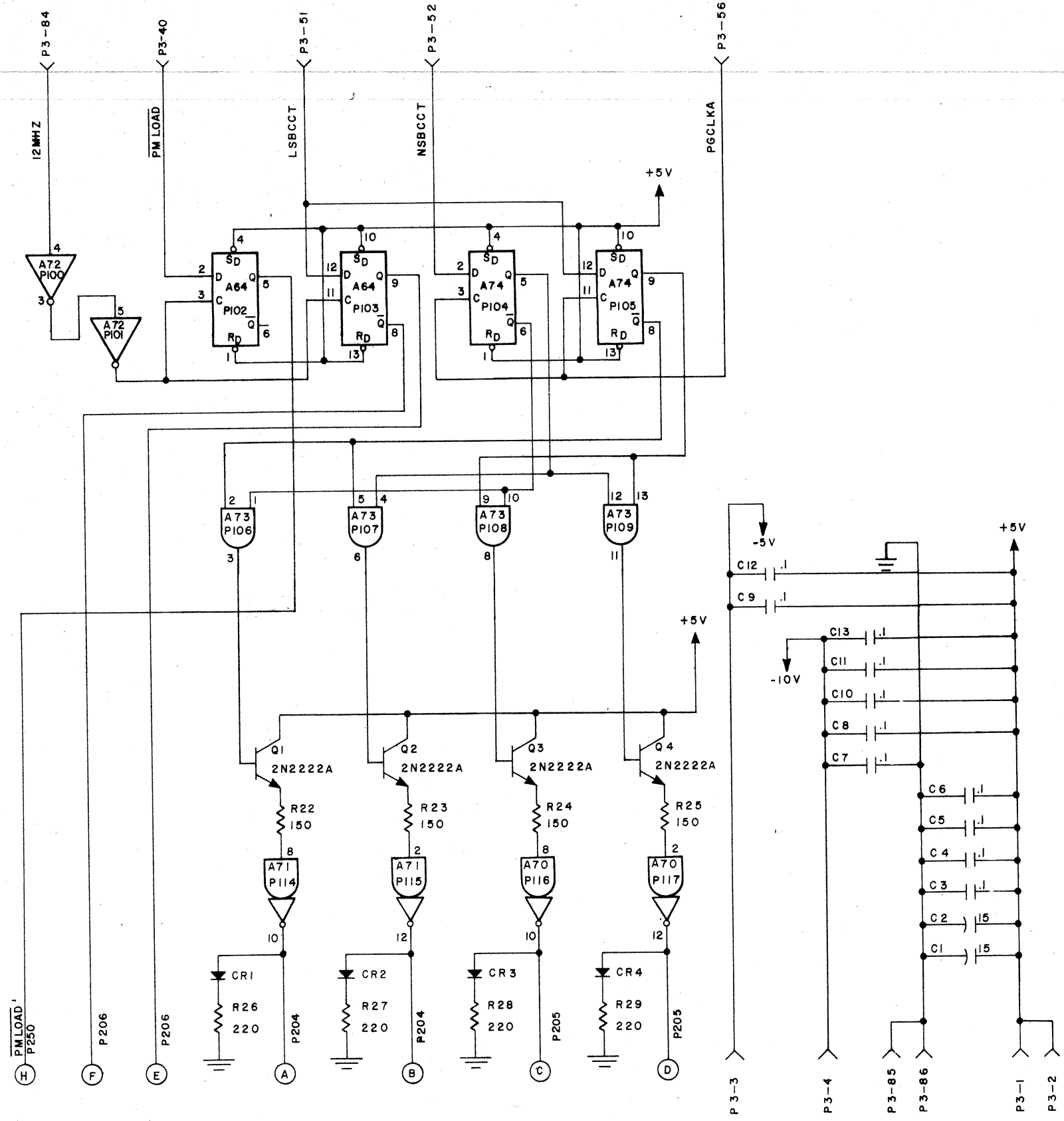
BD.3



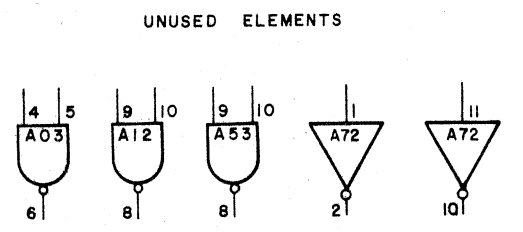
990042

REVISIONS			
REV.	DESCRIPTION	DCN	APPD DATE
A	RELEASED		
B	REV PER DCN	8224	27/06/72
C	NO CHG - SEE DCN	8414	1/03/72
D	REV PER DCN	8497	1/03/72
E	REV PER DCN	8348	1/03/72
F	REV PER DCN	9756	1/03/72
FI	REV PER DCN	10601	1/03/72

- NOTES:
- UNLESS OTHERWISE SPECIFIED, ALL RESISTORS ARE 1/4W, 5%.
  - LAST REFERENCE DESIGNATION USED: C13, R29, Q4, CR4, P117, P249.
  - UNLESS OTHERWISE SPECIFIED;
    - RESISTANCE VALUES ARE IN OHMS.
    - CAPACITANCE VALUES ARE IN MICROFARADS.



+5V	1	2	+5V	
-5V	3	4	-10V	
+15V	5	6	-15V	
2	SPACE 1	7	8	EXCSP0
	SPACE 2	9	10	INHDSF
2	DBLM 1	11	12	DBLM 2 2
2	DBLM 3	13	14	DBLM 4 2
2	DBLM 5	15	16	DBLM 6 2
2	DBLM 7	17	18	CHDET
	CLRSCN	19	20	PGSTOP
2	DBPM 1	21	22	DBPM 2 2
2	DBPM 3	23	24	DBPM 4 2
2	DBPM 5	25	26	DBPM 6 2
2	DBPM 7	27	28	
		29	30	LMCLK
		31	32	
		33	34	
		35	36	
		37	38	LMLOAD
		39	40	PMLOAD 2
		41	42	
	CA - I	43	44	DECPRA
	CA + I	45	46	ST2448
	LFCOL	47	48	SETLMC
	OPRBEL	49	50	
1	LSBCCT	51	52	NSBCCT 1
		53	54	
		55	56	PGCLKA 1
		57	58	PUCLR
		59	60	ENAB80
	DOT A	61	62	DOT B
	DOT C	63	64	DOT D
	DOT E	65	66	DOT F
	SCAN A	67	68	SCAN B
	SCAN X	69	70	ROWEN
	DOT 1	71	72	DOT 2
	DOT 3	73	74	DOT 4
	DOT 5	75	76	DOT 6
	DOT 7	77	78	DCRST
	ESYNC	79	80	72-80
	HSYNC	81	82	VSYNC
		83	84	12 MHZ 1
	GND	85	86	GND
PG	NAME	PIN	NAME	PG



CHIP TYPE	LOCATION
7400	A03, 13, 23, 43, 53
7408	A73
7450	A02, 22, 42, (A62)
74H00	A12, 52
74H04	A72
74H74	A64, 74
0009	A70, 71
1404	A00, 01, 10, 11, 20, 21, 30, 31, A40, 41, 50, 51, (A60, 61)

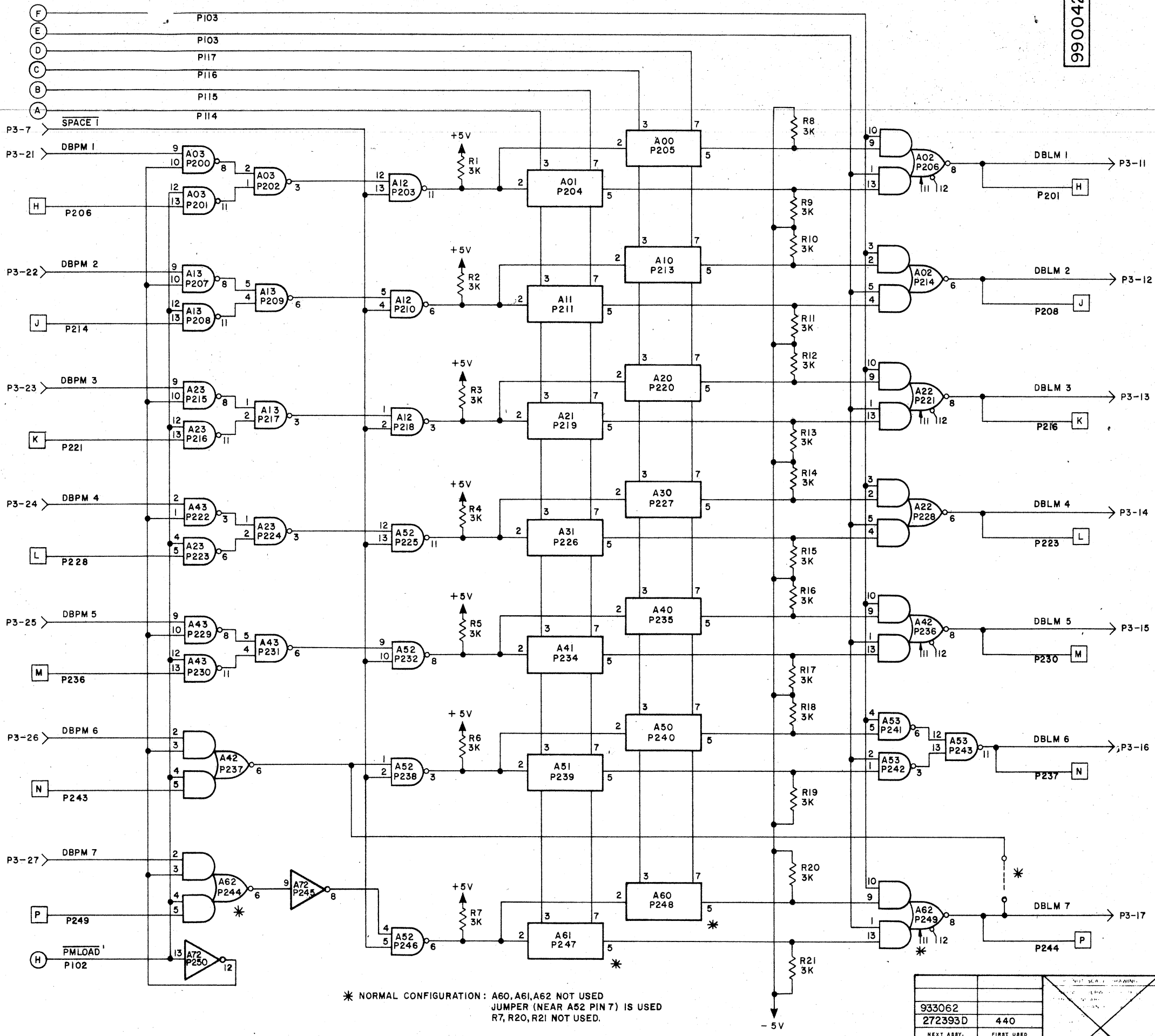
THESE DRAWINGS, THEIR DESIGN, DETAIL AND INVENTION ARE THE PROPERTY OF TEC, INCORPORATED, AND SHALL BE USED ONLY FOR REFERENCE WORK ON CONTRACT OR PROPOSAL SUBMITTED BY THIS COMPANY, AND FOR FIELD REPAIR OF TEC PRODUCTS BY TEC'S CUSTOMER OR END USER, AND SHALL NOT BE COPIED OR DISCLOSED TO ANY OUTSIDE PARTY WITHOUT THE EXPRESSED CONSENT OF TEC, INC.

BD. 3

933062	272393D	440	DO NOT SCALE DRAWING UNLESS OTHERWISE SPECIFIED DIMENSIONS ARE IN INCHES AND TOLERANCES ARE: FRACTIONS 1/16 DECIMALS .10 ONE PLACE .10 TWO PLACE .010 THREE PLACE .001 ANGLE .1		TITLE <b>SCHEMATIC - PAGE MEMORY TTY</b>
NEXT ASSY.	FIRST USED	FINISH	DRAWN <b>R.E. WOOD</b> CHECKED <b>J.W. WHELEN</b> ENGINEER <b>J.W. WHELEN</b> APPROVED		SIZE <b>D</b> DRAWING NO. <b>990042</b> REV <b>FI</b> SCALE <b>NONE</b> SHEET <b>1</b> OF <b>2</b>

990042

REVISIONS				
REV.	DESCRIPTION	DCN	APPD	DATE
A	RELEASED			
B	REV PER DCN	8224		
C	NO CHG - SEE DCN	8414		
D	REV PER DCN	8497		
E	REV PER DCN	8348		
F	REV PER DCN	9756		
FI	REV PER DCN	10601		

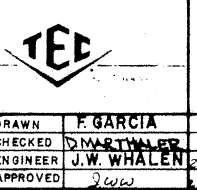


\* NORMAL CONFIGURATION: A60, A61, A62 NOT USED  
 JUMPER (NEAR A52 PIN 7) IS USED  
 R7, R20, R21 NOT USED.

THESE DRAWINGS, THEIR DESIGN, DETAIL AND INVENTION ARE THE PROPERTY OF TEC, INCORPORATED, AND SHALL BE USED ONLY FOR REFERENCE WORK ON CONTRACT OR PROPOSAL SUBMITTED BY THIS COMPANY, AND FOR FIELD REPAIR OF TEC PRODUCTS BY TEC'S CUSTOMER OR END USER, AND SHALL NOT BE COPIED OR DISCLOSED TO ANY OUTSIDE PARTY WITHOUT THE EXPRESSED CONSENT OF TEC, INC.

BD-3

933062	
272393D	440
NEXT ASBY.	FIRST USED



TITLE SCHEMATIC - PAGE MEMORY TTY

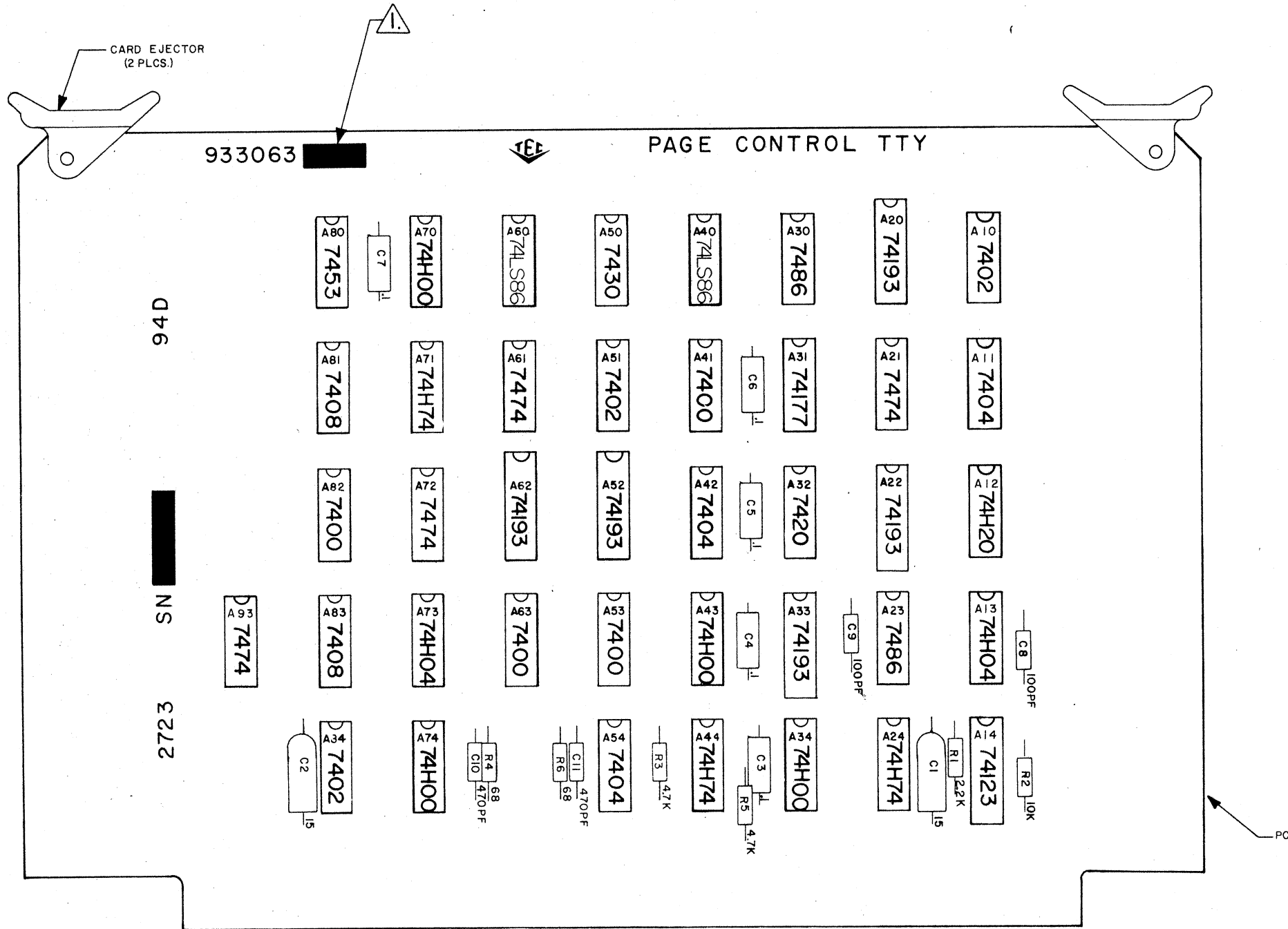
DRAWN	F. GARCIA	SIZE	D	DRAWING NO.	990042	REV	FI
CHECKED	D. MARTIN	SCALE					
ENGINEER	J.W. WHALEN						
APPROVED							



THESE DRAWINGS, THEIR DESIGN, DETAIL AND INVENTION ARE THE PROPERTY OF TEC, INCORPORATED, AND SHALL BE USED ONLY FOR REFERENCE WORK ON CONTRACT OR PROPOSAL SUBMITTED BY THIS COMPANY, AND FOR FIELD REPAIR OF TEC PRODUCTS BY TEC'S CUSTOMER OR END USER, AND SHALL NOT BE COPIED OR DISCLOSED TO ANY OUTSIDE PARTY WITHOUT THE EXPRESSED CONSENT OF TEC, INC.

T-933063

REVISIONS				
REV	DESCRIPTION	DCN	APPD	DATE
F	REV PER DCN	10495		
H	REV PER DCN	10542		



NOTES:

1. APPLICABLE REVISION LEVEL TO BE MARKED ON BOARD AT ASSEMBLY.
2. UNLESS OTHERWISE SPECIFIED:
  1. RESISTORS ARE 1/4W, 5%.
  2. RESISTANCE VALUES ARE IN OHMS.
  3. CAPACITANCE VALUES ARE IN MICROFARADS.

BD. 4

SCHMATIC	990043
BOM	933063
DESCRIPTION	NUMBER
REFERENCE DOCUMENTS	
TITLE P.C.B. ASSY-	
PAGE CONTROL TTY	
INCORPORATION	
DRAWN	SIZE
CHECKED	DRAWING NO
ENGINER	T-933063
APPROVED	REV
	H

440
-----

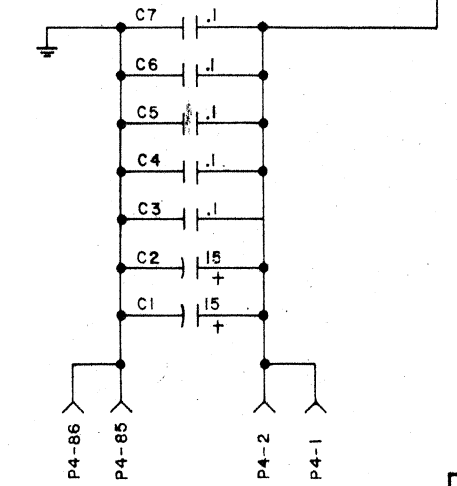
T-990043

REVISIONS				
REV	DESCRIPTION	DCN	APPD	DATE
F	REV PER DCN	10495		
H	REV PER DCN	10542		

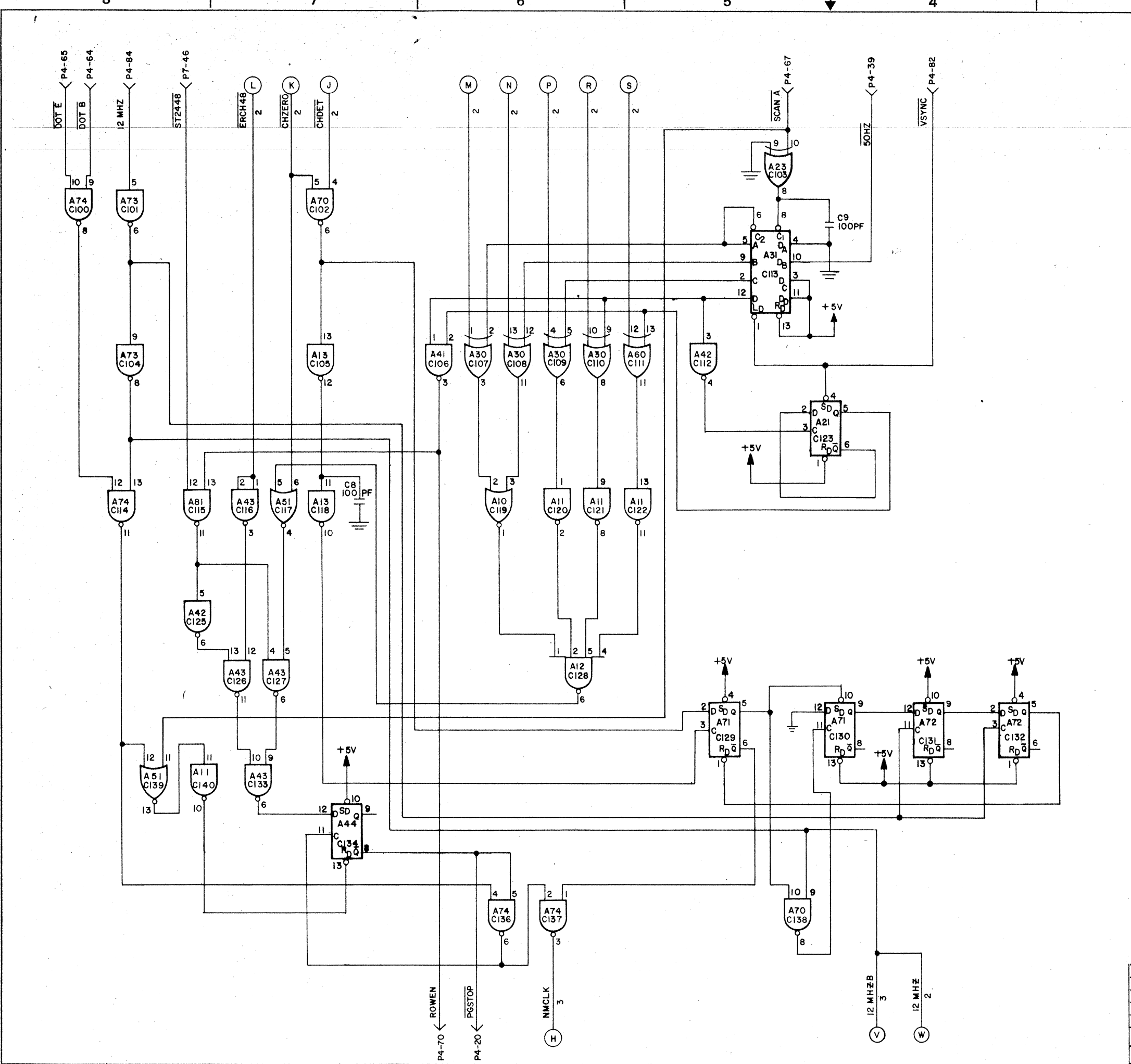
- NOTES:  
 1. UNLESS OTHERWISE SPECIFIED;  
 1. ALL RESISTORS ARE 1/4 W, 5%.  
 2. RESISTANCE VALUES ARE IN OHMS.  
 3. CAPACITANCE VALUES ARE IN MICROFARADS.  
 2. LAST REFERENCE DESIGNATION USED: C11, R6, C140, C242, C338.  
 3. REFERENCE DESIGNATIONS NOT USED: C124, C307

+5V	1	2	+5V
-5V	3	4	-10V
+15V	5	6	-15V
SPACE 1	7	8	EXCSPG 2
SPACE 2	9	10	INHDSF
	11	12	
	13	14	
	15	16	
	17	18	CHDET 2
	19	20	PGSTOP 1
	21	22	DBPM 2
	23	24	DBPM 4
	25	26	DBPM 6
	27	28	
	29	30	LMCLK 3
	31	32	
	33	34	
	35	36	
	37	38	LMLOAD
	39	40	PMLOAD
1	50HZ	41	42
3	CA-1	43	44
3	CA+1	45	46
3	LFCOL	47	48
3	CRSOVR	49	50
2	LSBCCT	51	52
		53	54
		55	56
		57	58
		59	60
	DOT A	61	62
	DOT C	63	64
1	DOT E	65	66
1	SCAN A	67	68
3	SCAN X	69	70
	DOT 1	71	72
	DOT 3	73	74
	DOT 5	75	76
	DOT 7	77	78
3	ESYNC	79	80
	HSYNC	81	82
		83	84
	GND	85	86
PG	NAME	PIN	NAME

IC TYPE	LOCATION
7400	A41, A53, A63, A82
7402	A10, A51, A84
7404	A11, A42, A54
7408	A81, A83
7420	A32
7430	A50
7453	A80
7474	A21, A61, A72, A93
7486	A23, A30
74123	A14
74177	A31
74193	A20, A22, A33, A52, A62
74H00	A34, A43, A70, A74
74H04	A13, A73
74H74	A24, A44, A71
74H20	A12
74LS86	A40, A60



THESE DRAWINGS, THEIR DESIGN, DETAIL AND INVENTION ARE THE PROPERTY OF TEC, INCORPORATED, AND SHALL BE USED ONLY FOR REFERENCE WORK ON CONTRACT OR PROPOSAL SUBMITTED BY THIS COMPANY, AND FOR FIELD REPAIR OF TEC PRODUCTS BY TEC'S CUSTOMER OR END USER, AND SHALL NOT BE COPIED OR DISCLOSED TO ANY OUTSIDE PARTY WITHOUT THE EXPRESSED CONSENT OF TEC, INC.



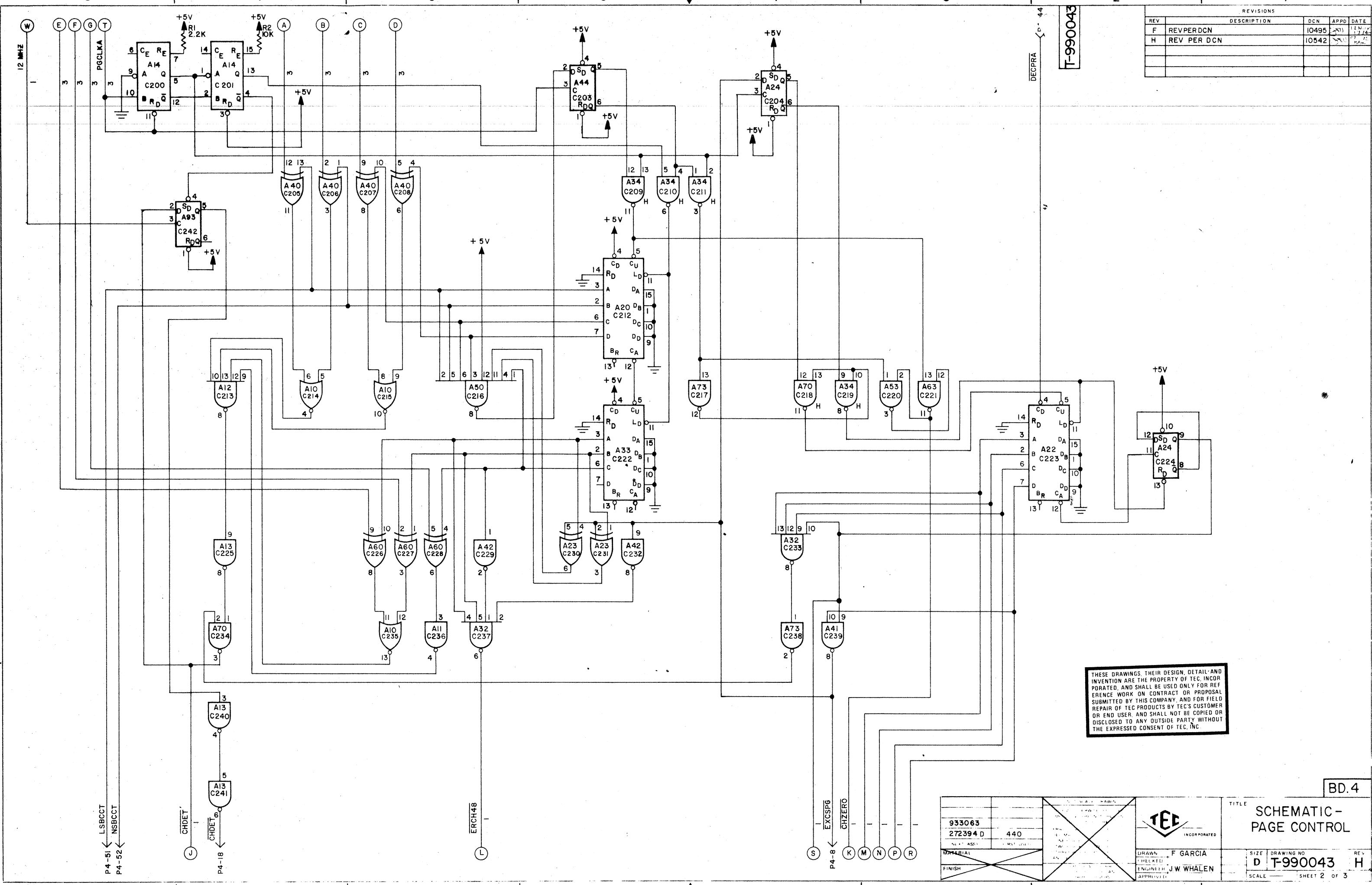
933063	272394 D	440	DO NOT SCALE DRAWING	TEC INCORPORATED	TITLE	SCHEMATIC - PAGE CONTROL			
NEXT ASSY.	FIRST USED		UNLESS OTHERWISE SPECIFIED DIMENSIONS ARE IN INCHES AND TOLERANCES ARE: FRACTIONS DECIMALS ONE PLACE .100 TWO PLACE .010 THREE PLACE .001 ANGLES REMOVE ALL BURRS BREAK ALL EDGES AND SHARP CORNERS		SCALE	DRAWING NO.	D T-990043		REV
MATERIAL				APPROVED	DATE	2/2/72		SHEET	1 OF 3

BD.4



REVISIONS				
REV	DESCRIPTION	DCN	APPD	DATE
F	REV PER DCN	10495		11/17/74
H	REV PER DCN	10542		1/2/75

T-990043

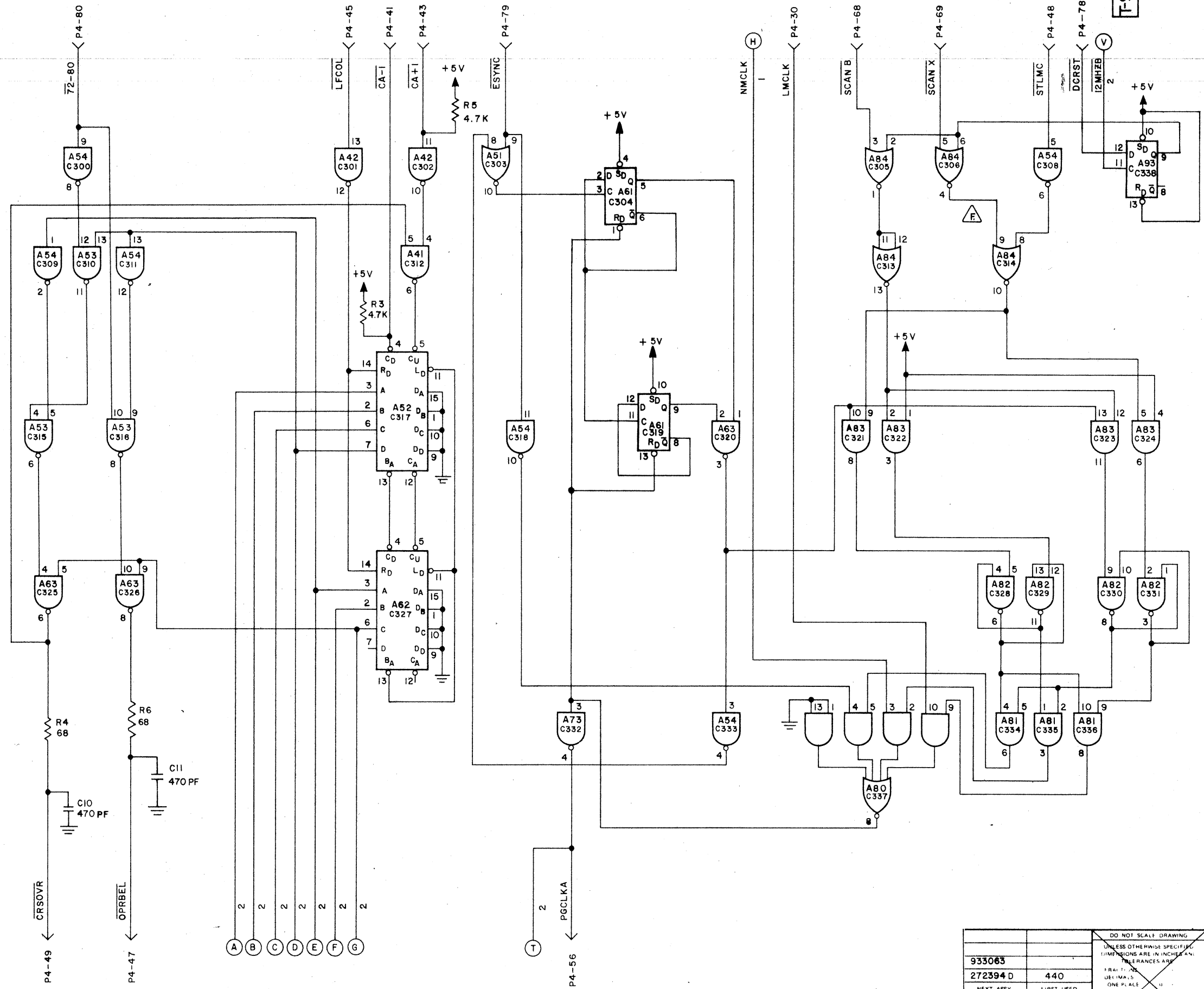


THESE DRAWINGS, THEIR DESIGN, DETAIL AND INVENTION ARE THE PROPERTY OF TEC, INCORPORATED, AND SHALL BE USED ONLY FOR REFERENCE WORK ON CONTRACT OR PROPOSAL SUBMITTED BY THIS COMPANY, AND FOR FIELD REPAIR OF TEC PRODUCTS BY TEC'S CUSTOMER OR END USER, AND SHALL NOT BE COPIED OR DISCLOSED TO ANY OUTSIDE PARTY WITHOUT THE EXPRESSED CONSENT OF TEC, INC.

933063		272394 D		440	
MATERIAL		FINISH		TITLE	
DRAWN: F. GARCIA		CHECKED: J. W. WHALEN		TITLE: SCHEMATIC - PAGE CONTROL	
SIZE: D		DRAWING NO: T-990043		REV: H	
SCALE:		SHEET 2 OF 3		BD.4	

T-990043

REVISIONS			
REV	DESCRIPTION	DCN	APPD. DATE
F	REV PER DCN	10495	
H	REV PER DCN	10542	



THESE DRAWINGS, THEIR DESIGN, DETAIL AND INVENTION ARE THE PROPERTY OF TEC, INCORPORATED, AND SHALL BE USED ONLY FOR REFERENCE WORK ON CONTRACT OR PROPOSAL SUBMITTED BY THIS COMPANY, AND FOR FIELD REPAIR OF TEC PRODUCTS BY TEC'S CUSTOMER OR END USER, AND SHALL NOT BE COPIED OR DISCLOSED TO ANY OUTSIDE PARTY WITHOUT THE EXPRESSED CONSENT OF TEC, INC.

933063		DO NOT SCALE DRAWING		TITLE	
272394 D 440		UNLESS OTHERWISE SPECIFIED DIMENSIONS ARE IN INCHES AND TOLERANCES ARE:		SCHEMATIC-PAGE CONTROL	
NEXT ASSY	FIRST USED	FRACTIONS: ONE PLACE		DRAWN	F GARCIA
MATERIAL		DECIMALS: TWO PLACE		CHECKED	D MARR
FINISH		THREE PLACE (000)		ENGINEER	J W WHALEN
		REMOVE ALL DIMENSIONS FROM SHARP CORNERS		APPROVED	
				SIZE	D
				DRAWING NO.	T-990043
				REV	H
				SCALE	SHEET 3 OF 3

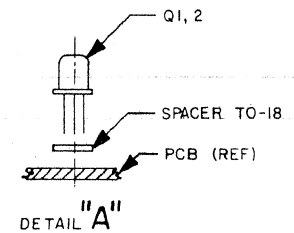
BD.4



THESE DRAWINGS, THEIR DESIGN, DETAIL AND INVENTION ARE THE PROPERTY OF TEC, INCORPORATED, AND SHALL BE USED ONLY FOR REFERENCE WORK ON CONTRACT OR PROPOSAL SUBMITTED BY THIS COMPANY, AND FOR FIELD REPAIR OF TEC PRODUCTS BY TEC'S CUSTOMER OR END USER, AND SHALL NOT BE COPIED OR DISCLOSED TO ANY OUTSIDE PARTY WITHOUT THE EXPRESSED CONSENT OF TEC, INC.

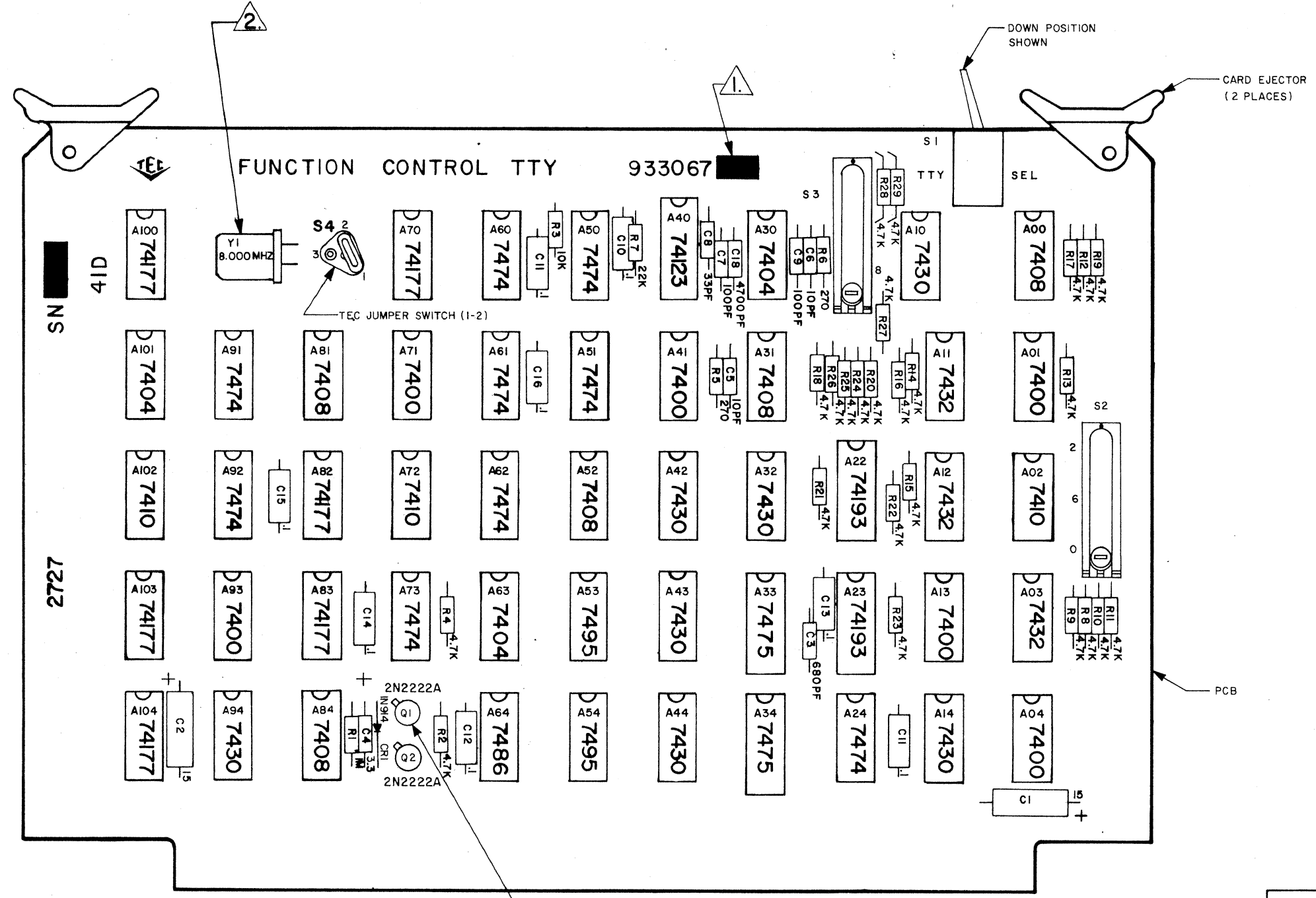
T-933067

REVISIONS				
REV	DESCRIPTION	DCN	APPD	DATE
H	REV PER DCN	10822		



NOTES:

1. APPLICABLE REVISION LEVEL TO BE MARKED ON BOARD AT ASSEMBLY.
2. CEMENT CRYSTAL TO BOARD.
3. ALL TRANSISTOR CANS TO HAVE SPACERS UNDERNEATH.
4. UNLESS OTHERWISE SPECIFIED;
  1. RESISTORS ARE 1/4 W, 5%.
  2. RESISTANCE VALUES ARE IN OHMS.
  3. CAPACITANCE VALUES ARE IN MICROFARADS.



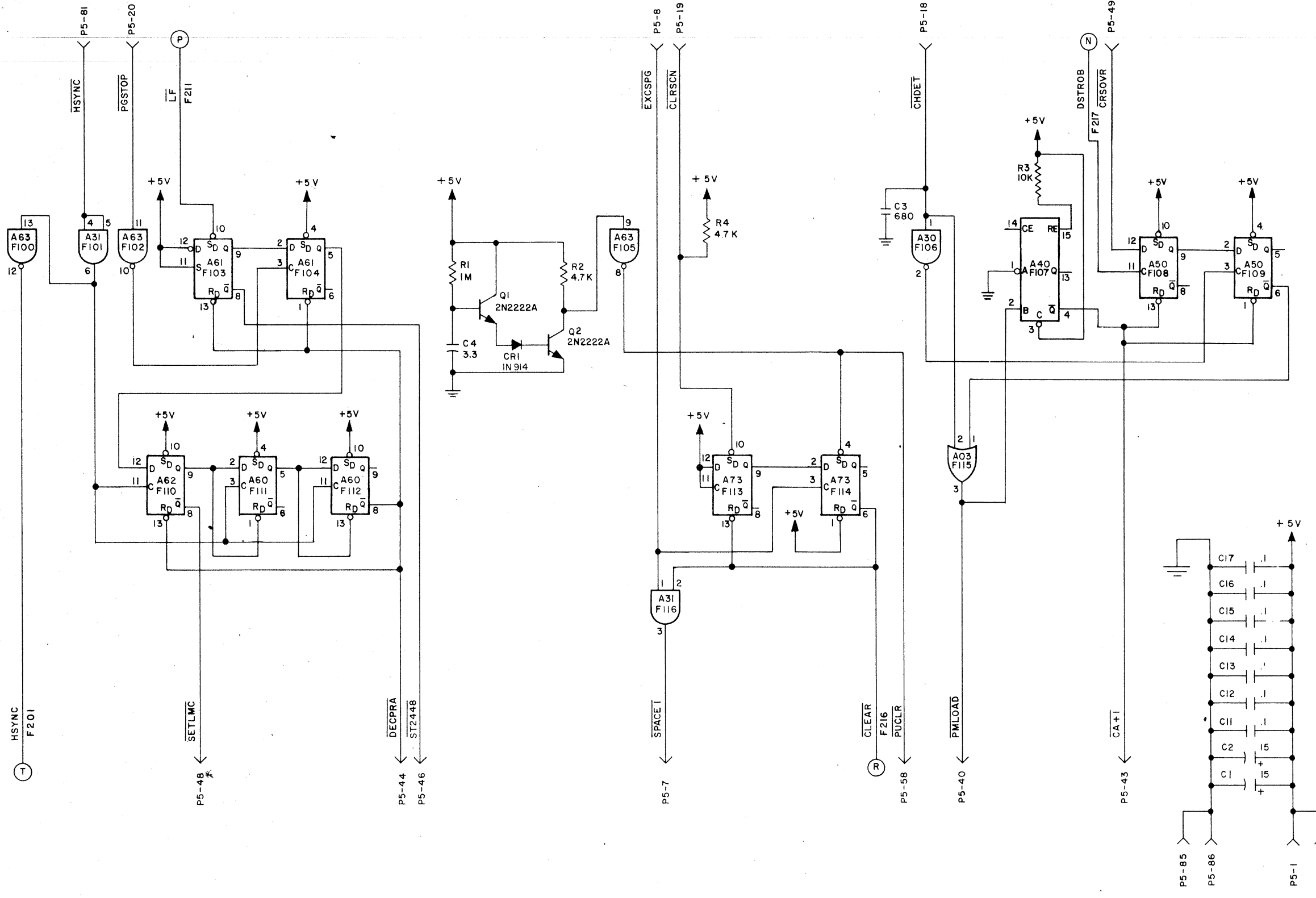
SWITCH FUNCTION CHART		
SWITCH	POSITION	FUNCTION
S1	UP	(SEL) SELECT BAUD RATE
	DOWN	(TTY) 110 BAUD RECEIVE AND TRANSMIT
	1	110
	2	150
	3	300
	4	600
	5	1200
	6	1800
	7	2400
	8	4800
S2	9	7200
	0	9600
	1	110
	2	150
	3	300
	4	600
	5	1200
	6	1800
	7	2400
	8	4800
S3	9	7200
	0	9600
	1	110
	2	150
	3	300
	4	600
	5	1200
	6	1800
	7	2400
	8	4800
S4	1-2	RECEIVE UPPER CASE CHARACTERS ONLY
	1-3	RECEIVE UPPER AND LOWER CASE CHARACTERS (L.C. STORED AS U.C. IN MEMORY)

SCHEMATIC		990044
BILL OF MATERIAL		933067
BD. 5	DESCRIPTION	NUMBER
REFERENCE DOCUMENTS		
TITLE P.C.B. ASSY— FUNCTION CONTROL TTY		
DRAWN	D. STEINER	52472
CHECKED		
ENGINEER		
APPROVED		
SIZE	D	DRAWING NO. T-933067
SCALE	2/1	SHEET 1 OF 1

440	
NEXT ASSY	FIRST USED

T-990044

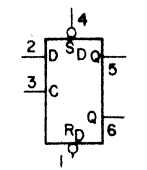
REVISIONS				
REV.	DESCRIPTION	DCN	APPD	DATE
H	REV PER DCN	10822		10/21/75



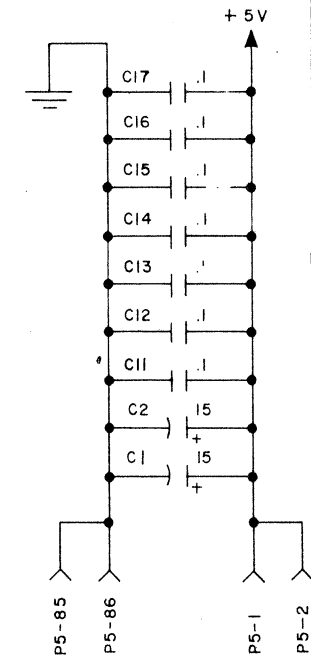
- NOTES:
1. LAST REFERENCE DESIGNATION USED: C18, R29, CR1, Q2, S3, Y1, F116, F221, F341, F436
  2. REFERENCE DESIGNATIONS NOT USED.
  3. UNLESS OTHERWISE SPECIFIED;
    1. RESISTORS ARE 1/4 W, 10%.
    2. RESISTANCE VALUES ARE IN OHMS.
    3. CAPACITANCE VALUES ARE IN MICROFARADS.

PG	NAME	PIN	NAME	PG
	+5V	1	+5V	
	-5V	3	-10V	
	+15V	5	-15V	
1	SPACE I	7	EXCSPG	1
		9		
4	TWOMHZ	11	LOC-REM	4
4	FRCFDP	13	FRCTTY	4
3	TENBIT	15	SLSPDX	4
		17	CHDET	1
1	CLRSCN	19	PGSTOP	1
2	DBPM 1	21	DBPM 2	2
2	DBPM 3	23	DBPM 4	2
2	DBPM 5	25	DBPM 6	2
2	DBPM	27		
		29		
		31		
		33		
		35		
		37		
		39	PMLOAD	1
2	CA-1	41		
1	CA+1	43	DECPRA	1
2	LFCOL	45	ST2448	1
2	OPRBEL	47	SETLMC	1
1	CRSOVR	49	XNRST	3
		51	XSRCLK	3
2	RSDATA	53	XRNSTP	3
		55		
2	BELL	57	PUCLR	1
		59	ENAB80	
	DOT A	61	DOT B	
	DOT C	63	DOT D	
	DOT E	65	DOT F	
	SCAN A	67	SCAN B	
	SCAN X	69	ROWEN	
	DOT 1	71	DOT 2	
	DOT 3	73	DOT 4	
	DOT 5	75	DOT 6	
	DOT 7	77	DCRST	
	ESYNC	79	72-80	
	HSYNC	81	VSYNC	
		83		
		85	GND	
		86	GND	

UNUSED ELEMENTS



IC TYPE	LOCATION	GND	+5V
7400	A01, A04, A13, A41, A71, A93	7	14
7404	A30, A63, A101	7	14
7408	A00, A31, A52, A81, A84	7	14
7410	A02, A72, A102	7	14
7430	A10, A14, A32, A42, A43, A44, A94	7	14
7432	A03, A11, A12	7	14
7474	A24, A50, A51, A60, A61, A62, A73, A91, A92	7	14
7475	A33, A34	12	5
7486	A64	7	14
7495	A53, A54	7	14
74123	A40	8	16
74177	A70, A82, A83, A100, A103, A104	7	14
74193	A22, A23	8	16

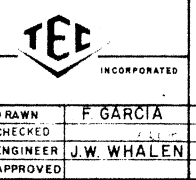


P5

BD.5

THESE DRAWINGS, THEIR DESIGN, DETAIL AND INVENTION ARE THE PROPERTY OF TEC, INCORPORATED, AND SHALL BE USED ONLY FOR REFERENCE WORK ON CONTRACT OR PROPOSAL SUBMITTED BY THIS COMPANY, AND FOR FIELD REPAIR OF TEC PRODUCTS BY TEC'S CUSTOMER OR END USER, AND SHALL NOT BE COPIED OR DISCLOSED TO ANY OUTSIDE PARTY WITHOUT THE EXPRESSED CONSENT OF TEC, INC.

933067	440
2727410	FIRST USED
NEXT ASSY	

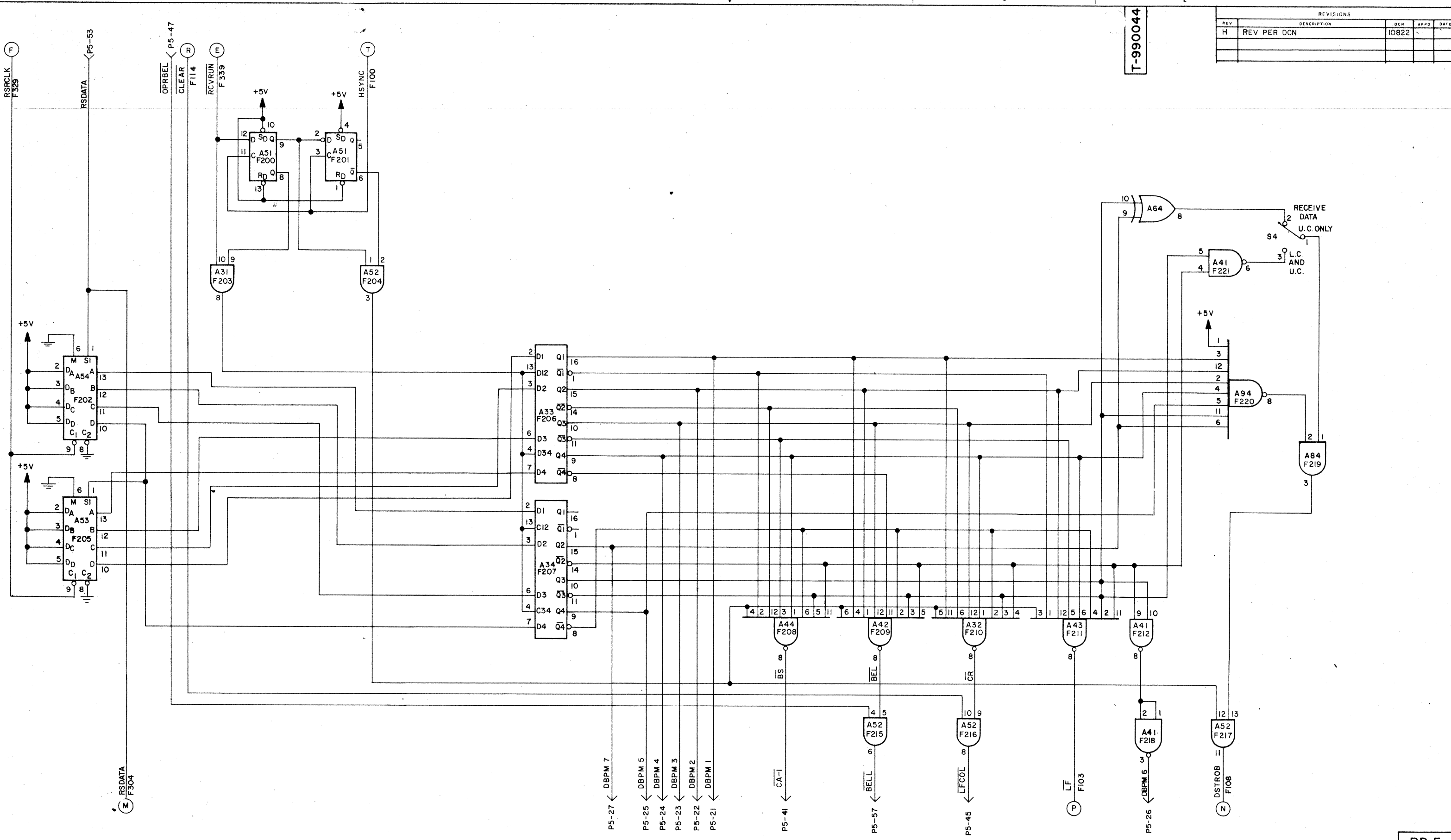


TITLE SCHEMATIC - FUNCTION CONTROL TTY			
DRAWN F. GARCIA	CHECKED J.W. WHALEN	SIZE D	TITLE NO. T-990044
ENGINEER	APPROVED	SCALE	REV H
			SHEET 1 OF 4



REVISIONS				
REV	DESCRIPTION	DCN	APPD	DATE
H	REV PER DCN	10822		

T-990044



BD.5

THESE DRAWINGS, THEIR DESIGN, DETAIL AND INVENTION ARE THE PROPERTY OF TEC, INCORPORATED, AND SHALL BE USED ONLY FOR REFERENCE WORK ON CONTRACT OR PROPOSAL SUBMITTED BY THIS COMPANY, AND FOR FIELD REPAIR OF TEC PRODUCTS BY TEC'S CUSTOMER OR END USER, AND SHALL NOT BE COPIED OR DISCLOSED TO ANY OUTSIDE PARTY WITHOUT THE EXPRESSED CONSENT OF TEC, INC.

933067	
272741D	440
NEXT ASSY	FIRST USED
MATERIAL	
FINISH	

DR. TITLE SCALE HAWK  
 THE WORK  
 ARE  
 IN ALL  
 THE PLACE  
 THREE SCALE  
 NEW SCALE  
 SHARP LINE

**TEC**  
 INCORPORATED

DRAWN: F. GARCIA  
 CHECKED: D. MARTHAUER  
 ENGINEER: J.W. WHALEN  
 APPROVED:

TITLE		SCHEMATIC - FUNCTION CONTROL TTY	
SIZE	D	DRAWING NO.	T-990044
REV	H	REV	H
SCALE		SHEET 2 OF 4	

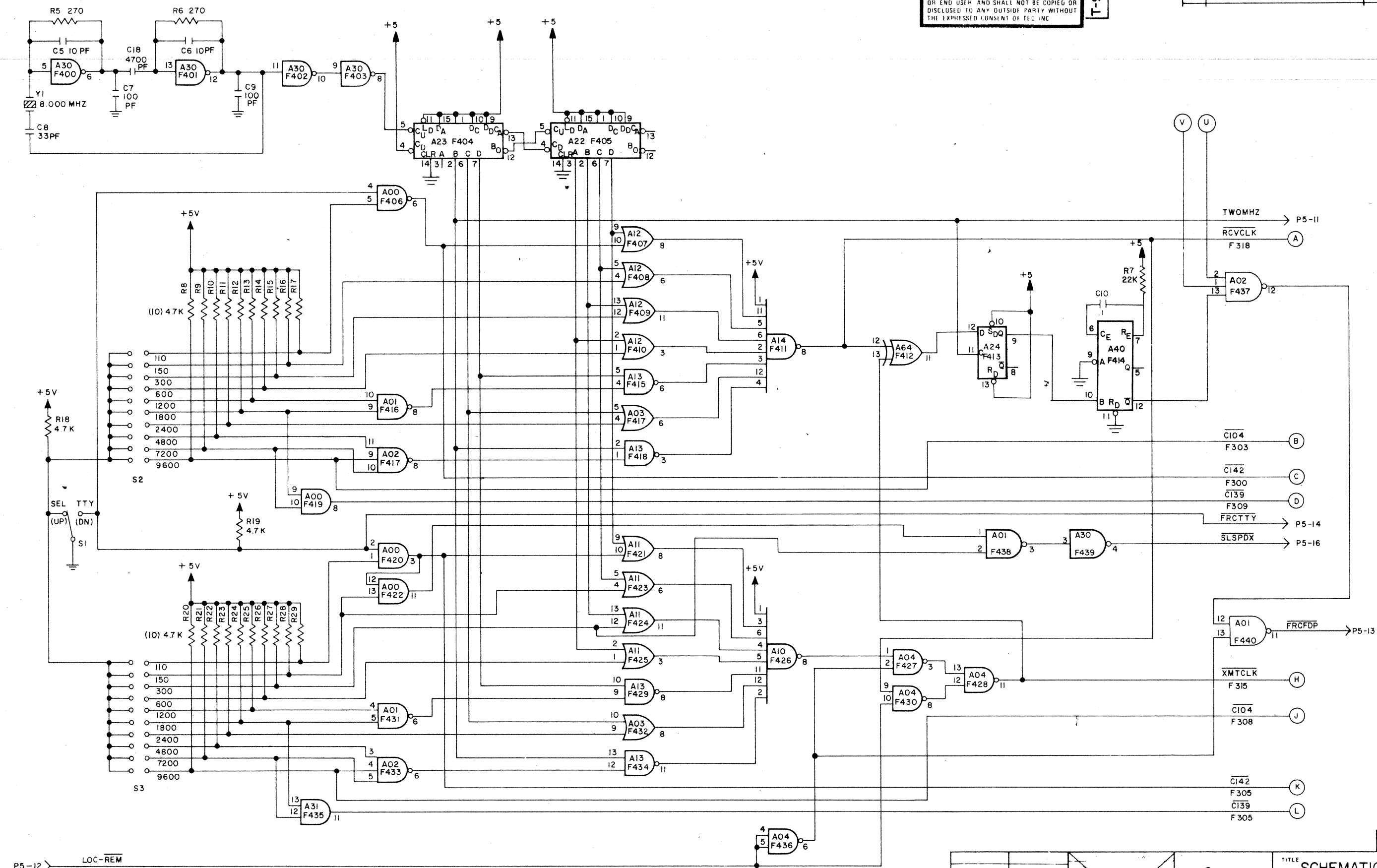




THESE DRAWINGS, THEIR DESIGN, DATA, INVENTION ARE THE PROPERTY OF TEC INCORPORATED AND SHALL BE USED ONLY FOR REFERENCE WORK ON CONTRACT OR PROPOSAL SUBMITTED BY THIS COMPANY AND FOR FIELD REPAIR OF TEC PRODUCTS BY TEC'S CUSTOMER OR END USER AND SHALL NOT BE COPIED OR DISCLOSED TO ANY OUTSIDE PARTY WITHOUT THE EXPRESSED CONSENT OF TEC INC

T-990044

REVISIONS			
REV	DESCRIPTION	DCN	DATE
H	REV PER DCN	10822	



P5-12 LOC-REM

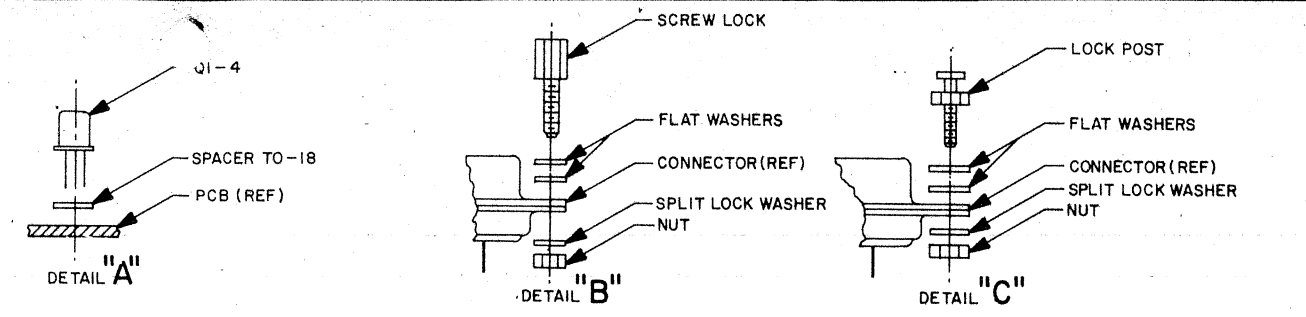
BD.5

933067	272741D	440	TITLE SCHEMATIC - FUNCTION CONTROL	
NEXT ASSY		FIRST USED	SIZE D	DRAWING NO T-990044
DRAWN F. GARCIA		CHECKED J.W. WHALEN	SCALE	REV H
ENGINEER		APPROVED	SHEET 4 OF 4	

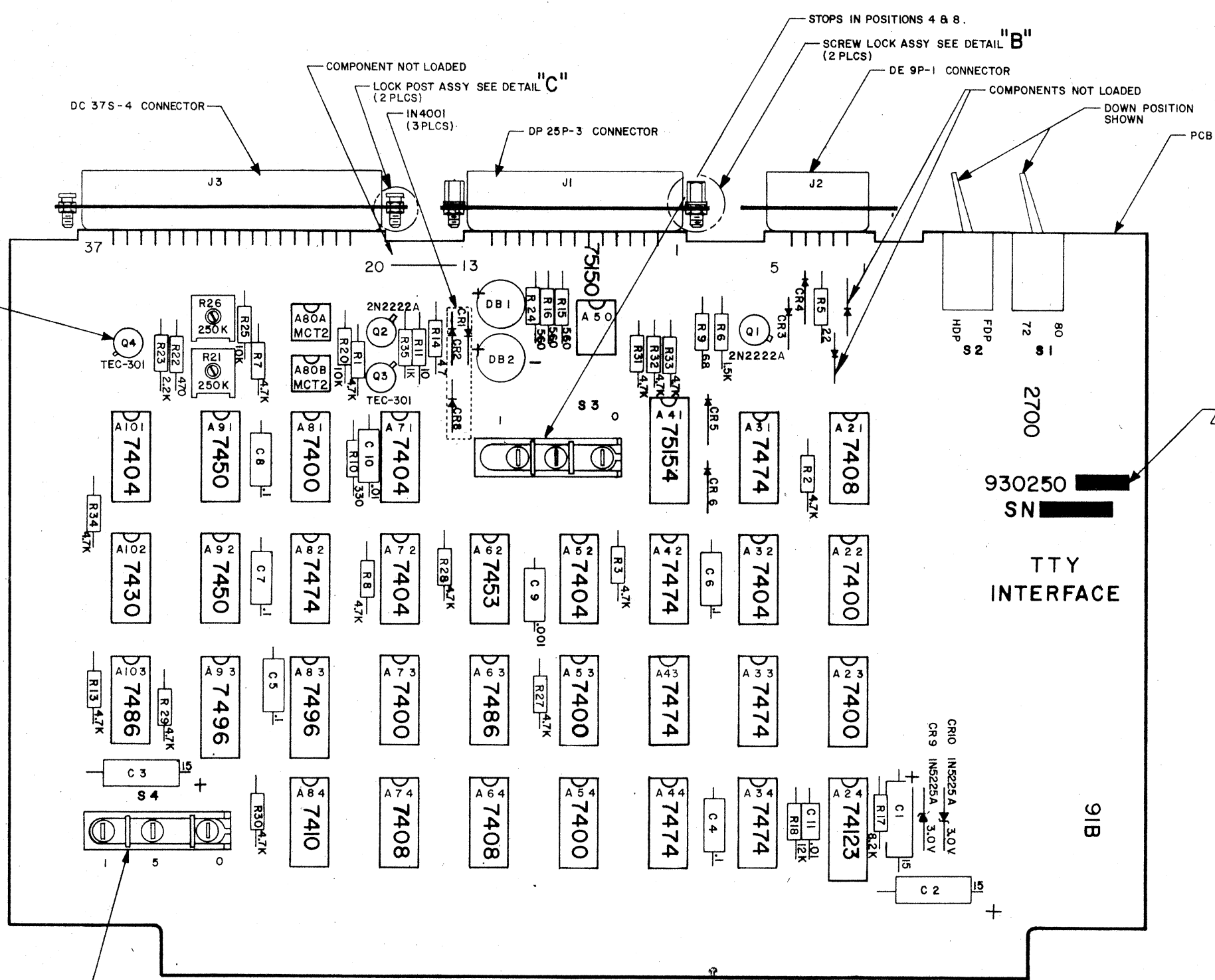
THESE DRAWINGS, THEIR DESIGN, DETAIL AND INVENTION ARE THE PROPERTY OF TEC, INCORPORATED, AND SHALL BE USED ONLY FOR REFERENCE WORK ON CONTRACT OR PROPOSAL SUBMITTED BY THIS COMPANY, AND FOR FIELD REPAIR OF TEC PRODUCTS BY TEC'S CUSTOMER OR END USER, AND SHALL NOT BE COPIED OR DISCLOSED TO ANY OUTSIDE PARTY WITHOUT THE EXPRESSED CONSENT OF TEC, INC.

T-930250

REV	DESCRIPTION	DLN	APPD	DATE
A	RELEASED PER DCN	10628		24 AUG 74
B	REVISED PER DCN	10537		28 JUL 75

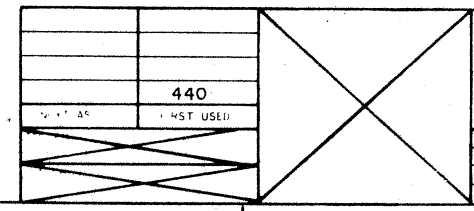


- NOTES:**
- APPLICABLE REVISION LEVEL TO BE MARKED ON BOARD AT ASSEMBLY.
  - UNLESS OTHERWISE SPECIFIED:
    - RESISTORS ARE 1/4W, 5%.
    - RESISTANCE VALUES ARE IN OHMS.
    - CAPACITANCE VALUES ARE IN MICROFARADS.
    - DIODES ARE IN914.
  - TRANSISTOR CANS TO HAVE SPACERS UNDERNEATH.



SWITCH FUNCTION CHART				
SWITCH	POSITION	FUNCTION		
S1	UP	80 CHARACTERS	LINE LENGTH SELECT	
	DOWN	72 CHARACTERS		
S2	UP	SELECT FULL DUPLEX		
	DOWN	SELECT HALF DUPLEX		
S3	1	MARK	PARITY GENERATED SELECT	
	2	EVEN		
	3	ODD		
	5	10 BIT	CHARACTER LENGTH SELECT	
	6	11 BIT		
	8	20-60 MA CURRENT LOOP		
	9	TTL	INTERFACE SELECT	
	0	RS-232C		
	S4	1	LOCAL & REMOTE	AUTO CARRIAGE RETURN SELECT
		2	LOCAL ONLY	
4		OVERRANGE ONLY	AUTO CARRIAGE RETURN - LINE FEED SELECT	
5		OVERRANGE AND CARRIAGE RETURN		
6		CARRIAGE RETURN ONLY		
7		DISABLE	AUTO CARRIAGE RETURN-REPEAT SELECT	
9		REPEAT CODE		
0		SINGLE CODE		

SCHMATIC	990104
BILL OF MATERIAL	930250
DESCRIPTION	NUMBER
BD. 6	
REFERENCE DOCUMENTS	
TITLE	P.C.B. ASSY - TTY INTERFACE
TEC INCORPORATED	
DRAWN	NIKISHA
CHECKED	DG. MARTHA
ENGINEER	
APPROVED	
DATE	15 AUG 74
SIZE	D
DRAWING NO.	T-930250
SCALE	2/1
SHEET	1 OF 1

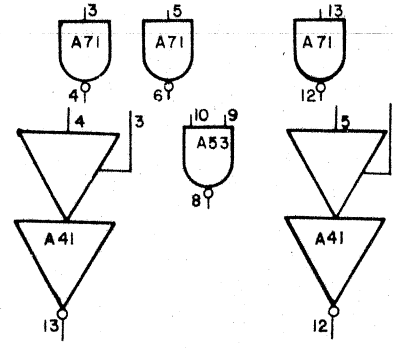


REVISIONS			
REV	DESCRIPTION	DCN	APPD DATE
A	RELEASED BY DCN	10628	1974
B	REV PER DCN	10537	23 JAN 74

T-990104

THESE DRAWINGS, THEIR DESIGN, DETAIL AND INVENTION ARE THE PROPERTY OF TEC, INCORPORATED, AND SHALL BE USED ONLY FOR REFERENCE WORK ON CONTRACT OR PROPOSAL SUBMITTED BY THIS COMPANY, AND FOR FIELD REPAIR OF TEC PRODUCTS BY TEC'S CUSTOMER OR END USER, AND SHALL NOT BE COPIED OR DISCLOSED TO ANY OUTSIDE PARTY WITHOUT THE EXPRESSED CONSENT OF TEC, INC.

+5V	1	2	+5V
-5VDC	3	4	-10VDC
+15VDC	5	6	-15VDC
SPACE 1	7	8	EXCSPG
SPACE 2	9	10	INHDP
3 TWOMHZ	11	12	LOC-REM
1 FRCFDP	13	14	FRCTTY
2 TENBIT	15	16	SLSPDX
	17	18	CHDET
1 CLRSCN	19	20	PGSTOP
DBPM 1	21	22	DBPM 2
DBPM 3	23	24	DBPM 4
DBPM 5	25	26	DBPM 6
DBPM 7	27	28	
	29	30	
1 -12V	31	32	
	33	34	
	35	36	
	37	38	
	39	40	PMLOAD
	41	42	
	43	44	DECPRA
	45	46	ST2448
	47	48	SETLMC
2 CRSOVR	49	50	XRNRST
	51	52	XRCLK
1 RSDATA	53	54	XRNSTP
	55	56	
1 BELL	57	58	PUCLR
	59	60	ENAB00
DOT A	61	62	DOT B
DOT C	63	64	DOT D
DOT E	65	66	DOT F
SCAN A	67	68	SCAN B
SCAN X	69	70	ROWEN
DOT 1	71	72	DOT 2
DOT 3	73	74	DOT 4
DOT 5	75	76	DOT 6
DOT 7	77	78	DCRST
ESYNC	79	80	72-80
3 HSYNC	81	82	VSYNC
	83	84	12 MHZ
	85	86	GND
PG NAME	PIN	NAME	PG

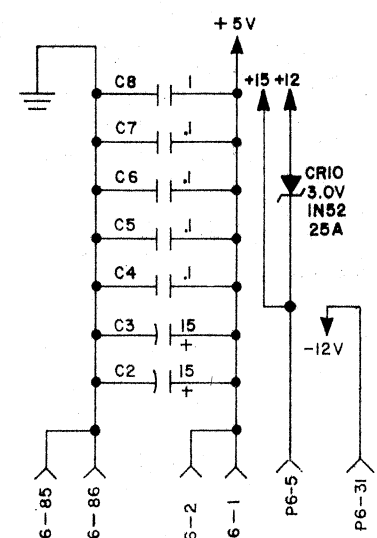


UNUSED ELEMENTS

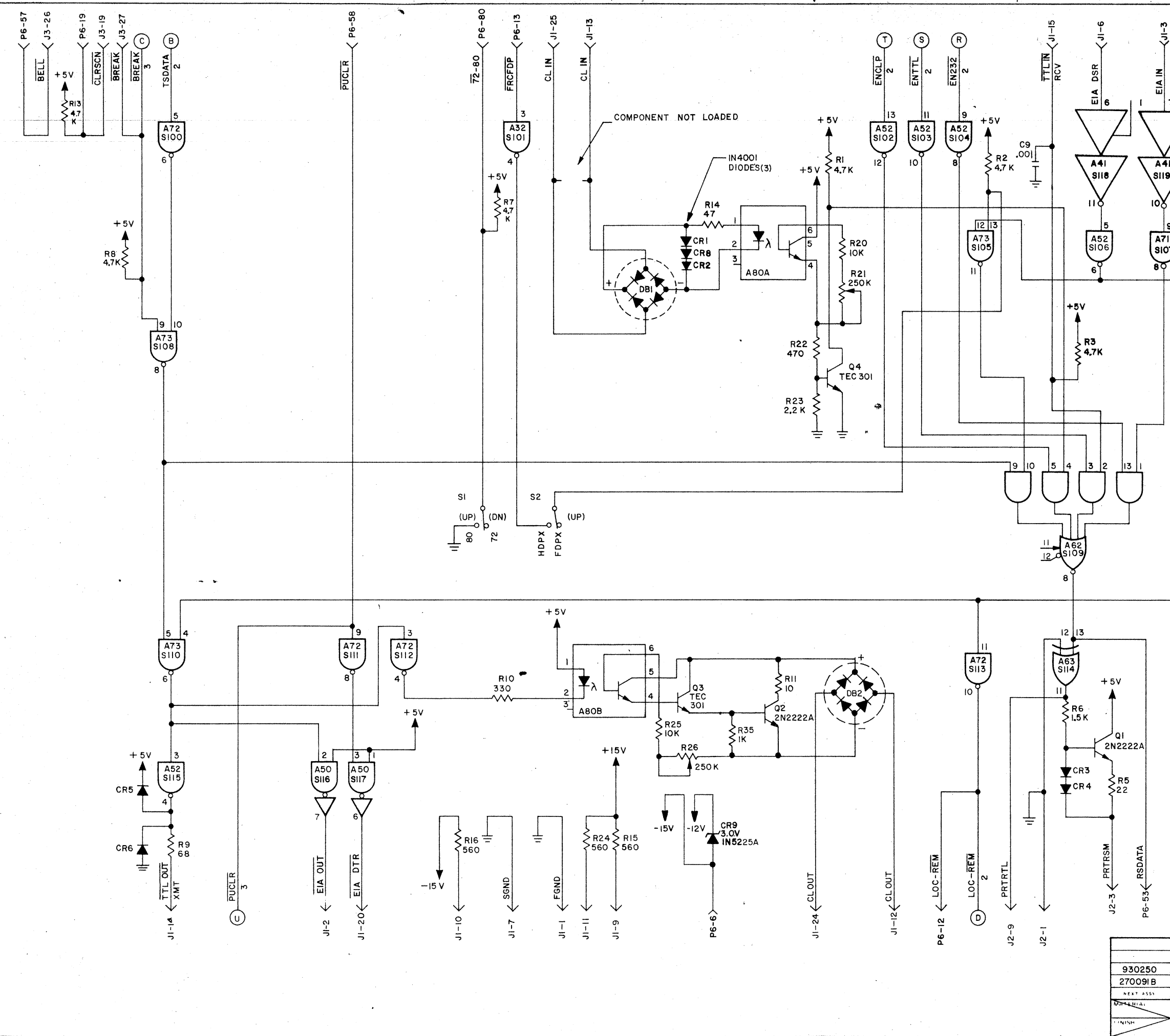
I.C. TYPE	LOCATION
7400	A22, A23, A53, A54, A73, A81
7404	A32, A52, A71, A72, A101
7408	A21, A64, A74
7410	A84
7430	A102
7450	A91, A92
7453	A62
7474	A31, A33, A34, A42, A44, A82, A43
7486	A63, A103
7496	A83, A93
74123	A24
75150	A50
75154	A41
MCT2	A80A, A80B

P6

- NOTES:
- UNLESS OTHERWISE SPECIFIED:
    - RESISTORS ARE 1/4W, 5%.
    - RESISTANCE VALUES ARE IN OHMS.
    - CAPACITANCE VALUES ARE IN MICROFARADS.
    - DIODES ARE IN914.
  - LAST REFERENCE DESIGNATIONS USED: C11, R35, CR10, DB2, Q4, S4, S119, S237, S342.
  - REFERENCE DESIGNATIONS NOT USED:



BD.6

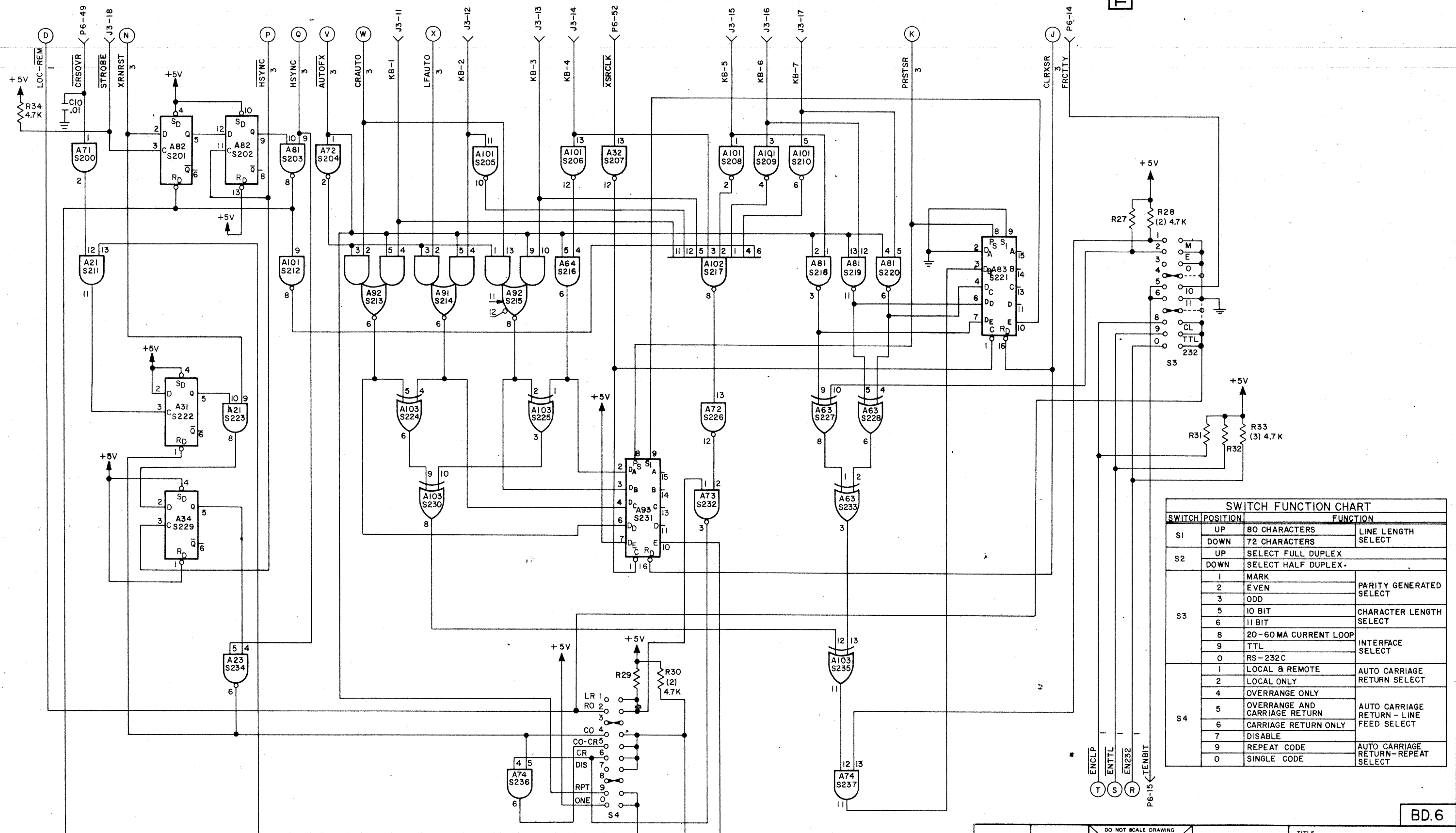


930250	270091B	440	
NEXT ASSY	FIRST ASSY		
TITLE		SCHEMATIC-TTY INTERFACE	
DESIGNED BY	CHECKED BY	DATE	REV
NIKISHER		16 AUG 74	D
ENGINEER			T-990104
SCALE	SHEET	1 OF 3	



T-990104

REVISIONS				
REV.	DESCRIPTION	DCN	APPD	DATE
A	RELEASED PER DCN	10628	[Signature]	28 AUG 1974
B	REV PER DCN	10537	[Signature]	23 JAN 75



SWITCH FUNCTION CHART			
SWITCH POSITION	UP	DOWN	FUNCTION
S1	UP	80 CHARACTERS	LINE LENGTH SELECT
	DOWN	72 CHARACTERS	LINE LENGTH SELECT
S2	UP	SELECT FULL DUPLEX	
	DOWN	SELECT HALF DUPLEX	
S3	1	MARK	PARITY GENERATED SELECT
	2	EVEN	
	3	ODD	
	5	10 BIT	CHARACTER LENGTH SELECT
	6	11 BIT	
	8	20-60 MA CURRENT LOOP	INTERFACE SELECT
	9	TTL	
	0	RS-232C	
	S4	1	LOCAL & REMOTE
2		LOCAL ONLY	
4		OVERRRANGE ONLY	AUTO CARRIAGE RETURN - LINE FEED SELECT
5		OVERRRANGE AND CARRIAGE RETURN	
6		CARRIAGE RETURN ONLY	
7		DISABLE	AUTO CARRIAGE RETURN-REPEAT SELECT
9		REPEAT CODE	
0	SINGLE CODE		

BD.6

THESE DRAWINGS, THEIR DESIGN, DETAIL AND INVENTION ARE THE PROPERTY OF TEC, INCORPORATED, AND SHALL BE USED ONLY FOR REFERENCE WORK ON CONTRACT OR PROPOSAL SUBMITTED BY THIS COMPANY, AND FOR FIELD REPAIR OF TEC PRODUCTS BY TEC'S CUSTOMER OR END USER, AND SHALL NOT BE COPIED OR DISCLOSED TO ANY OUTSIDE PARTY WITHOUT THE EXPRESSED CONSENT OF TEC, INC.

930250	270091B	440
NEXT ASSY.	FIRST USED	
MATERIAL		
FINISH		

DO NOT SCALE DRAWING  
UNLESS OTHERWISE SPECIFIED, DIMENSIONS ARE IN INCHES AND TOLERANCES ARE:  
FRACTIONS ± .01  
DECIMALS (0) ± .001  
ONE PLACE (0) ± .001  
TWO PLACE (0) ± .001  
THREE PLACE (000) ± .001  
ANGLES ± .5°

REMOVE ALL SURRS  
BREAK ALL EDGES AND SHARP CORNERS

TEC INCORPORATED

TITLE: SCHEMATIC - TTY INTERFACE

DRAWN: NIKISHA  
CHECKED: D.G. WATKINS  
ENGINEER: [Signature]  
APPROVED: [Signature]

16AUG74 SIZE: 11x17  
DRAWING NO: T-990104  
REV: B

SCALE: 1:1  
SHEET 2 OF 3

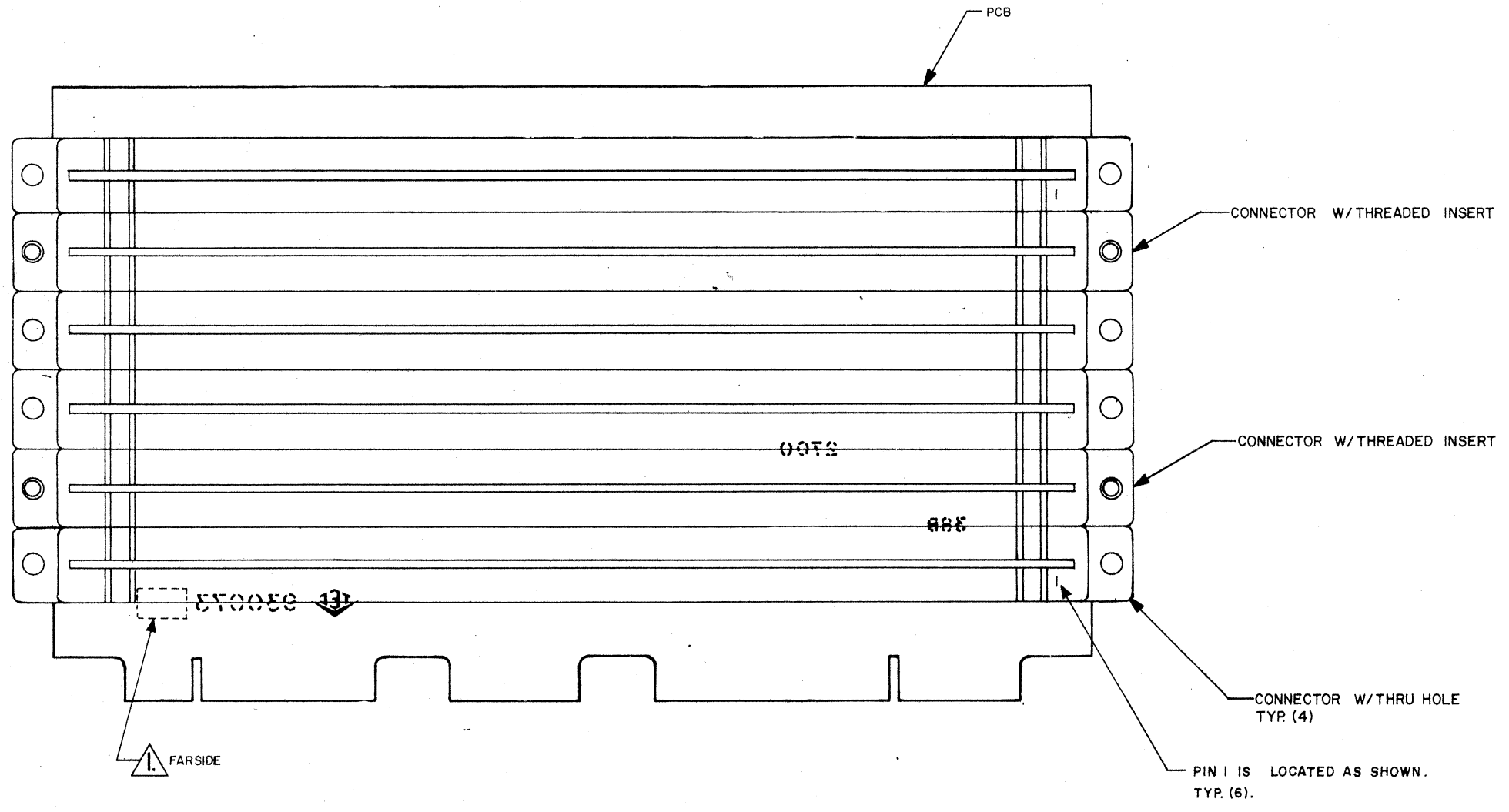


THESE DRAWINGS THEIR DESIGN, DETAIL AND INVENTION ARE THE PROPERTY OF TEC INCORPORATED, AND SHALL BE USED ONLY FOR REFERENCE WORK ON CONTRACT OR PROPOSAL SUBMITTED BY THIS COMPANY, AND FOR FIELD REPAIR OF TEC PRODUCTS BY TEC'S CUSTOMER OR END USER, AND SHALL NOT BE COPIED OR DISCLOSED TO ANY OUTSIDE PARTY WITHOUT THE EXPRESSED CONSENT OF TEC, INC.

T-930073

REVISIONS				
REV	DESCRIPTION	DCN	APPD	DATE
A	RELEASED			
B	REV PER DCN	10624		
C	REV PER DCN	10875		

NOTES:  
 ⚠️ APPLICABLE REVISION LEVEL TO BE MARKED ON BOARD AT ASSEMBLY.



SCHEMATIC	990038
BILL OF MATERIAL	930073
DESCRIPTION	NUMBERS

REFERENCE DOCUMENTS	
TITLE	P.C.B. ASSY. MOTHERBOARD, 440-TTY
DRAWN	R. E. WOOD
CHECKED	D. MARTHALES
ENGINEER	R. W. WALKER
APPROVED	[Signature]
SIZE	D
DRAWING NO.	T-930073
SCALE	2/1
SHEET	1/1

930091		NEXT ASSY		FIRST USED	
MATERIAL		FINISH		FINISH	
DO NOT SCALE DRAWING					
UNLESS OTHERWISE SPECIFIED DIMENSIONS ARE IN INCHES AND DECIMALS ARE IN THOUSITHS					
FRACTIONS					
ONE PLACE .01					
TWO PLACE .001					
THREE PLACE .0001					
ANGLES					
REMOVE ALL BURRS					
BREAK ALL EDGES AND SHARP CORNERS					



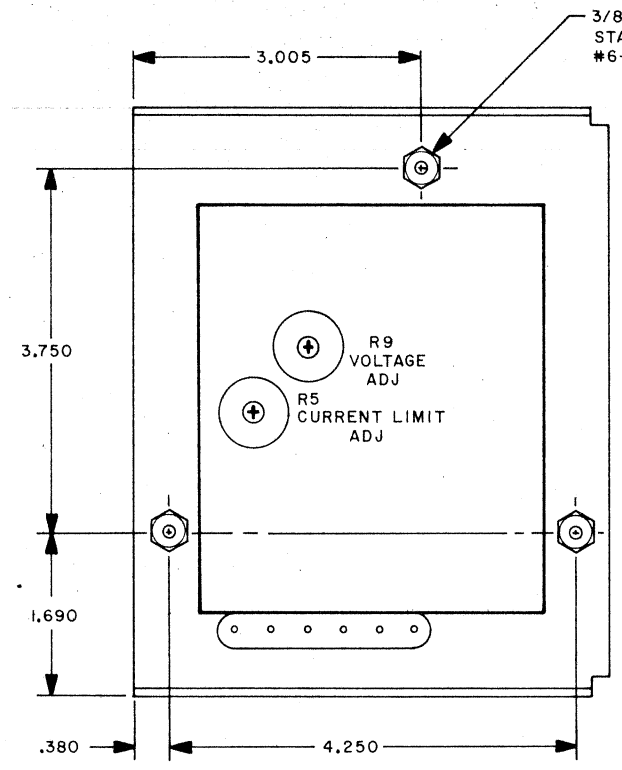
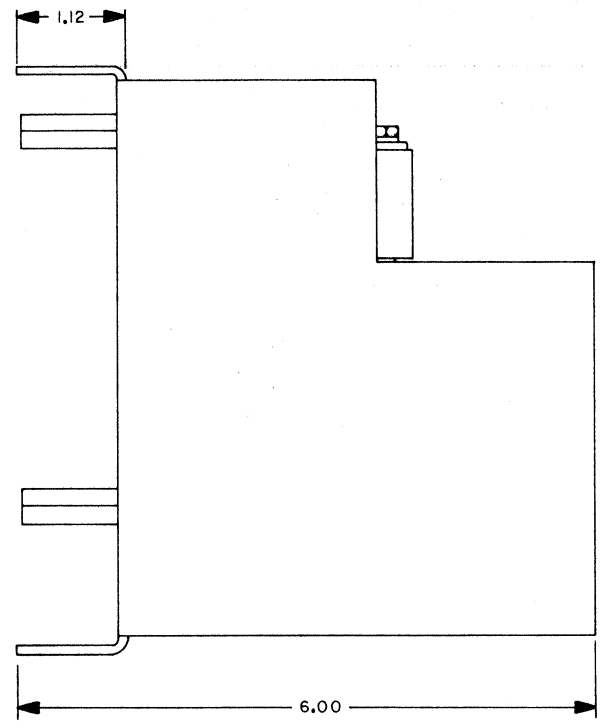
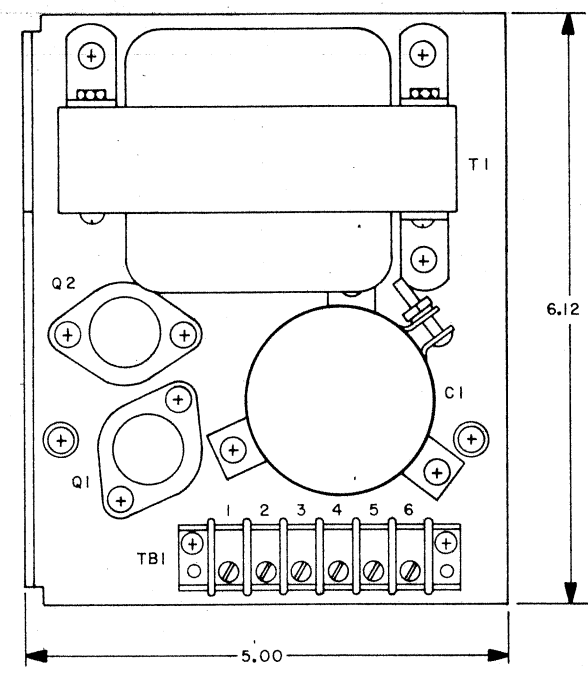




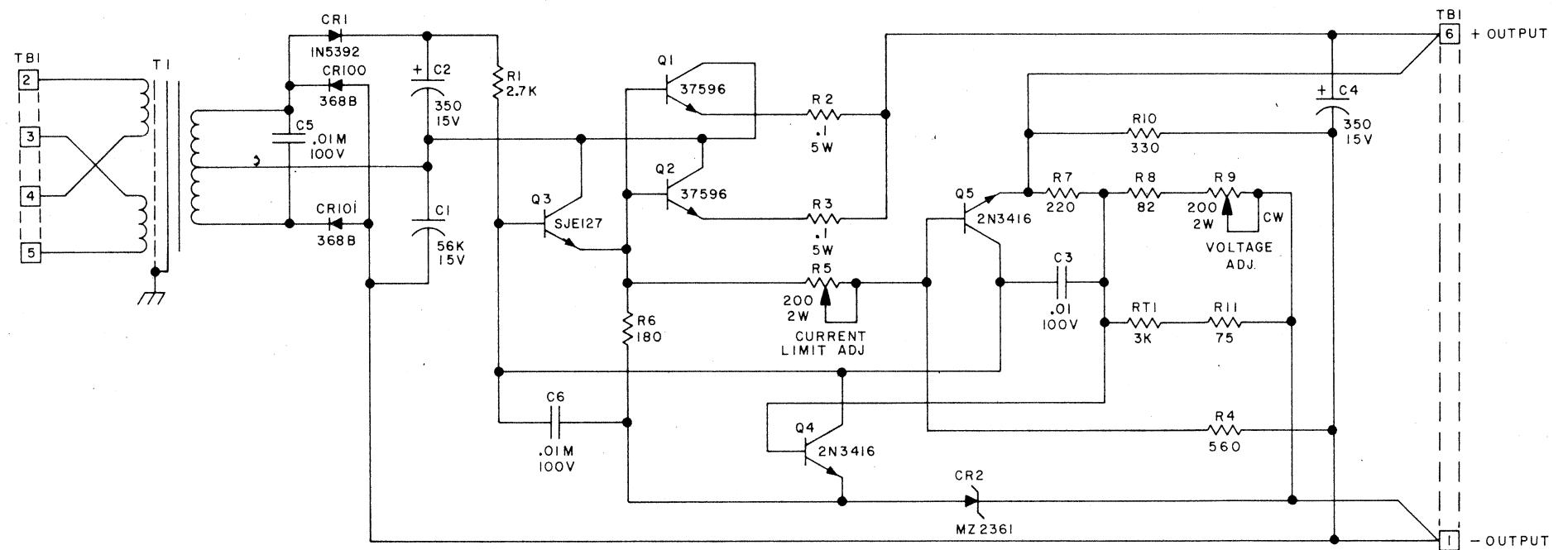
THESE DRAWINGS, THEIR DESIGN, DETAIL AND INVENTION ARE THE PROPERTY OF TEC, INCORPORATED, AND SHALL BE USED ONLY FOR REFERENCE WORK ON CONTRACT OR PROPOSAL SUBMITTED BY THIS COMPANY, AND FOR FIELD REPAIR OF TEC PRODUCTS BY TEC'S CUSTOMER OR END USER, AND SHALL NOT BE COPIED OR DISCLOSED TO ANY OUTSIDE PARTY WITHOUT THE EXPRESSED CONSENT OF TEC, INC.

T-740042

REVISIONS			
REV.	DESCRIPTION	DCN	APPD DATE
C	REV B REDRAWN PER DCN	10977	4-10-5



3/8 X 1.0 LG. HEX STANDOFF WITH #6-32 UNC-2B THD. (3 PLCS)

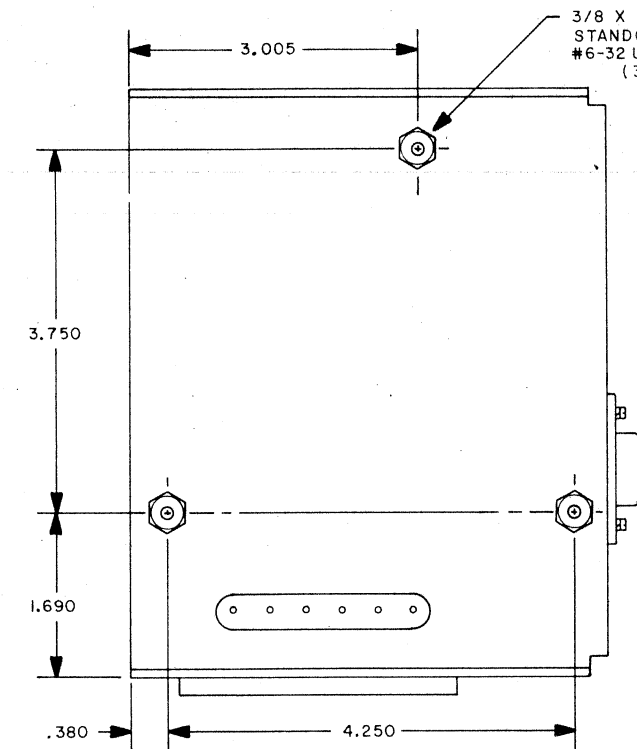
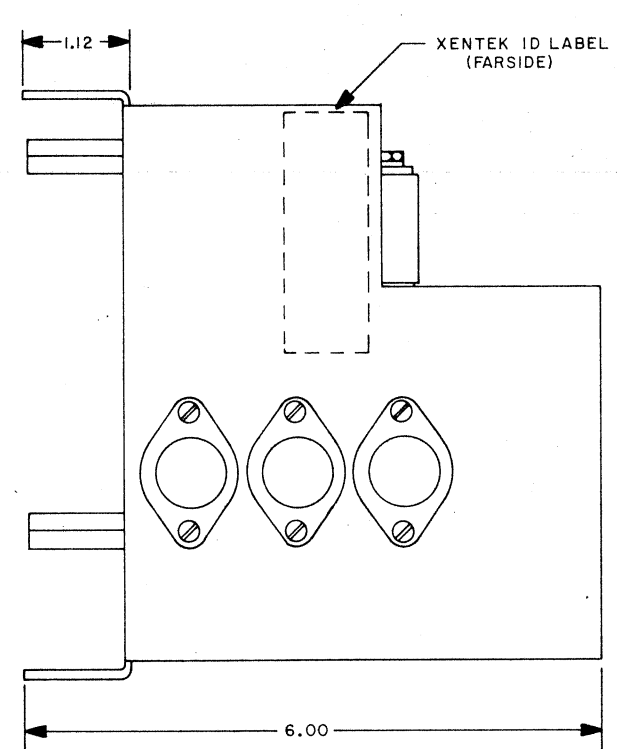
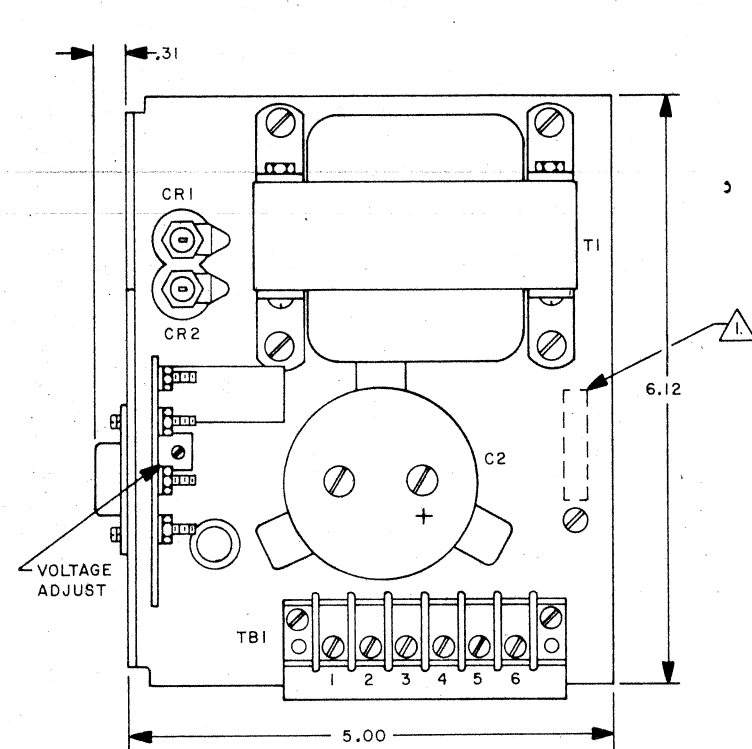


SUGGESTED SOURCE:  
WANLASS ELECTRIC PART NO. 103447

<p>DO NOT SCALE DRAWING UNLESS OTHERWISE SPECIFIED DIMENSIONS ARE IN INCHES AND TOLERANCES ARE</p> <p>FRACTIONS ± .015 DECIMALS ± .010 ONE PLACE ± .015 TWO PLACE ± .005 THREE PLACE ± .0005 ANGLES ± .1</p> <p>REMOVE ALL BURRS BREAK ALL EDGES AND SHARP CORNERS</p>			<p>TITLE POWER SUPPLY 5 VOLT, 8 AMP (WANLASS)</p>	
<p>DRAWN VAN BEEK 5 JUN 75</p> <p>CHECKED</p> <p>ENGINEER</p> <p>APPROVED</p>	<p>SIZE D</p> <p>DRAWING NO. T-740042</p> <p>REV C</p> <p>SCALE FULL SHEET 2 OF 2</p>			

T-740042

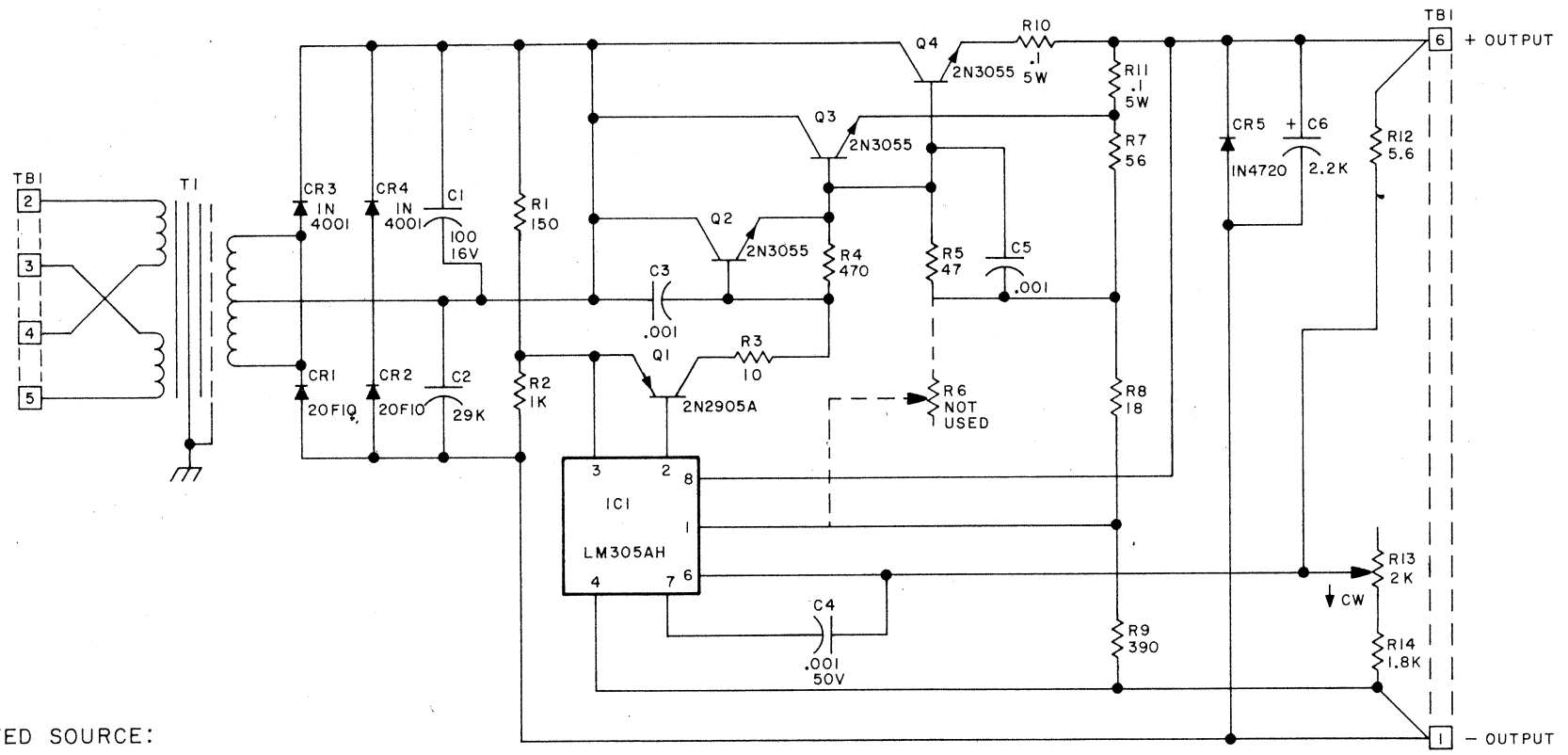
REVISIONS				
REV	DESCRIPTION	DCN	APPD	DATE
C	REV & REDRAWN PER DCN	10977		



- NOTES
- APPLICABLE PART NO. AND REVISION LEVEL TO BE MARKED IN APPROX. LOCATION SHOWN PER TEC SPEC. NO. 965000.
  - UNLESS OTHERWISE SPECIFIED;
    - RESISTOR ARE 1/2W, 10%; WANLASS 5%.
    - RESISTANCE VALUES ARE IN OHMS.
    - CAPACITANCE VALUES ARE IN MICROFARADS.

POWER SUPPLY SPECIFICATIONS	
AC INPUT	115/230 VAC ± 10%, 47-63 HZ, 10.
DC OUTPUT	+ 5 VDC, 8 AMPS MIN. AT 60°C, CONTINUOUS.
REGULATION	LINE ± 1%, LOAD ± 1%.
RIPPLE	0.1% PLUS 10 MV RMS MAXIMUMS.
OVERLOAD PROTECTION	PROTECTED FROM OVERLOAD AND SHORT CIRCUIT USING CURRENT FOLDBACK METHODS.
FLOATING OUTPUT	SUPPLY CAN BE CONNECTED FOR + OR - TO ANY COMMON OR GROUND.
VOLTAGE ADJUST	OUTPUT ADJUST ± 10%.
CURRENT ADJUST	XENTEK - NONADJUSTABLE WANLASS - ADJUSTABLE
MATERIAL & FINISH	ANODIZED ALUMINUM
WEIGHT	XENTEK - 5 LBS WANLASS - 15 LBS MAX.

TI FUNCTION CHART	
TBI-1	- DC OUTPUT
TBI-6	+ DC OUTPUT
TBI-2, 5	AC INPUT
TBI-2 TO 3 & 4 TO 5	JUMP TOGETHER FOR 115V OPERATION
TBI-3 TO 4	JUMP TOGETHER FOR 230V OPERATION



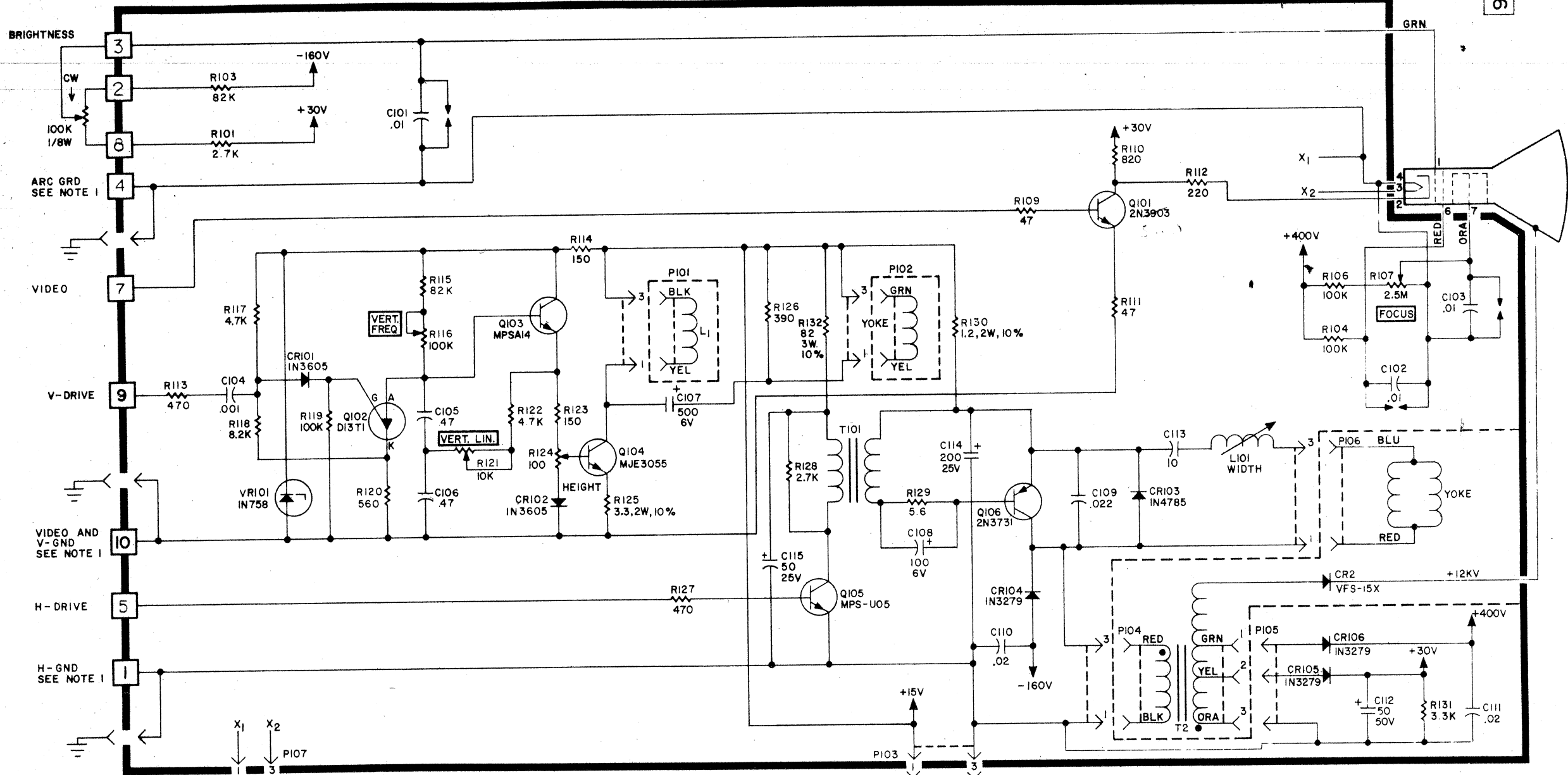
SUGGESTED SOURCE:  
XENTEK INC - MODEL 2745

THESE DRAWINGS, THEIR DESIGN, DETAIL AND INVENTION ARE THE PROPERTY OF TEC, INCORPORATED, AND SHALL BE USED ONLY FOR REFERENCE WORK ON CONTRACT OR PROPOSAL SUBMITTED BY THIS COMPANY, AND FOR FIELD REPAIR OF TEC PRODUCTS BY TEC'S CUSTOMER OR END USER, AND SHALL NOT BE COPIED OR DISCLOSED TO ANY OUTSIDE PARTY WITHOUT THE EXPRESSED CONSENT OF TEC, INC.

DO NOT SCALE DRAWING			TITLE POWER SUPPLY 5 VOLT, 8 AMP (XENTEK)	
UNLESS OTHERWISE SPECIFIED DIMENSIONS ARE IN INCHES AND TOLERANCES ARE: FRACTIONS ± DECIMALS ONE PLACE (10) ± TWO PLACE (100) ±.015 THREE PLACE (1000) ±.005 ANGLES ±			DRAWN VAN BEEK 4 JUN 75 CHECKED [Signature] 10 JUN 75 ENGINEER [Signature] 10 JUN 75 APPROVED [Signature]	SIZE D DRAWING NO. T-740042 REV C SCALE FULL SHEET 1 OF 2

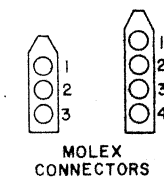
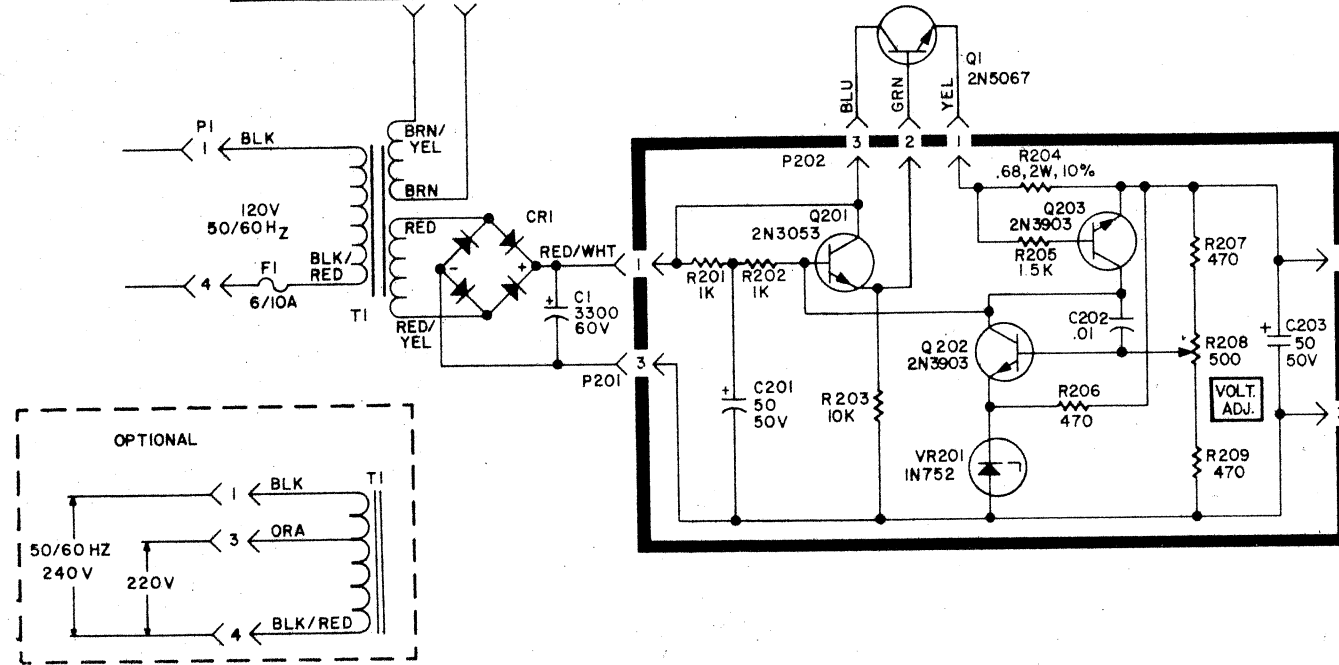


991934



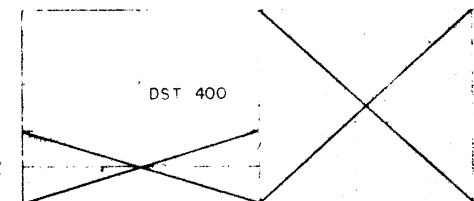
NOTES:

1. SEE SECTION 2.2 OF MANUAL.
2. UNLESS OTHERWISE SPECIFIED
- A. ALL RESISTORS ARE 1/2W ±5%.
- B. ALL CAPACITORS ARE IN µF.
3. → DENOTES MOLEX PIN CONNECTOR.
4. □ DENOTES PRINTED CIRCUIT CARD-EDGE CONNECTOR.



THIS DRAWING, THEIR DESIGN, DETAILS AND OPERATION ARE THE PROPERTY OF TEL. INCORPORATED, AND SHALL BE USED ONLY FOR THE LICENSED WORK OR CONTRACT OR PERSONNEL EMPLOYED BY THIS COMPANY. ANY UNAUTHORIZED REPRODUCTION OR USE OF THIS DRAWING OR THE INFORMATION HEREON WITHOUT THE EXPRESS WRITTEN CONSENT OF TEL. INCORPORATED IS PROHIBITED.

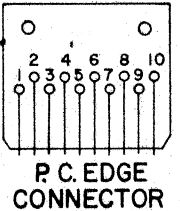
SCHMATIC —  
MONITOR, MIRATEL  
MARTHALER  
D 991934 A1  
NONE



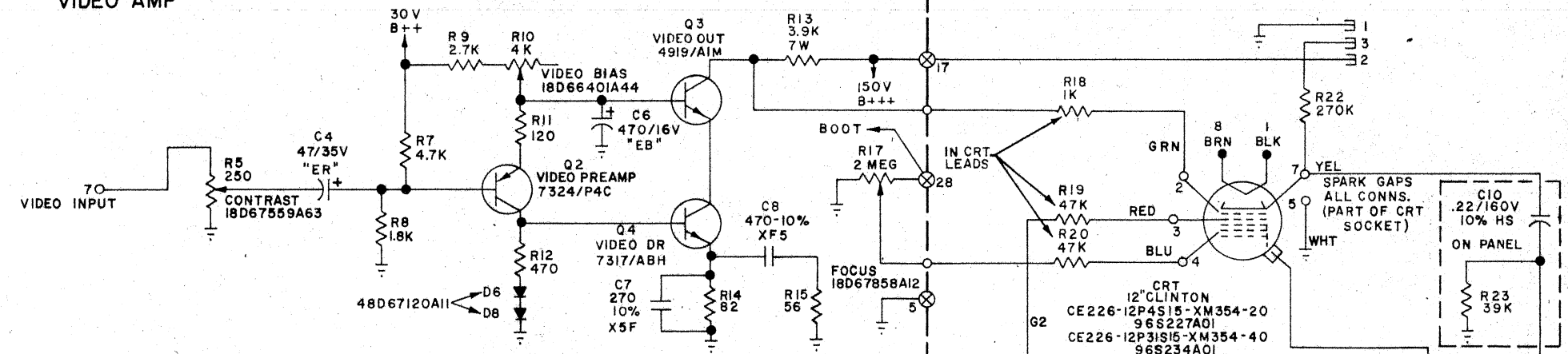
990055

REVISIONS			
REV	DESCRIPTION	DATE	BY
A	RELEASED		
B	REV PER DCN	10545	

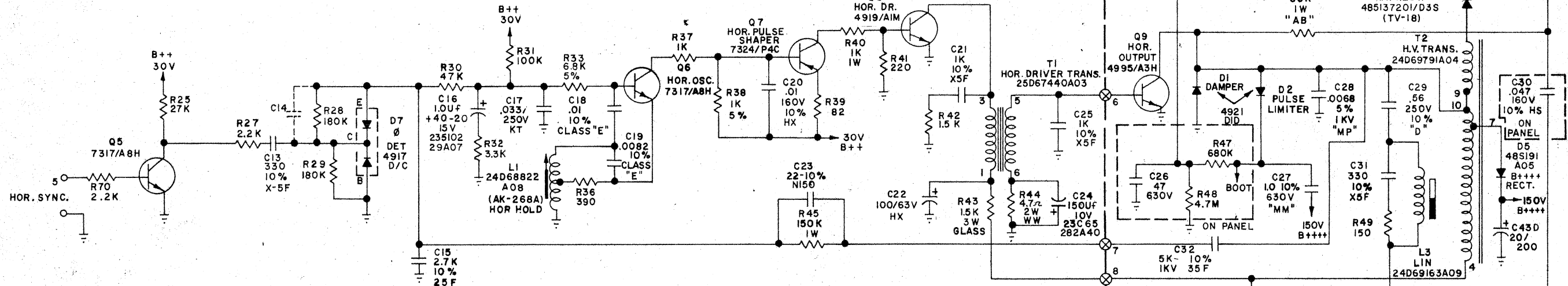
- PIN
- 1- GND
  - 2- 150V (WHT)
  - 3- BRT. CRT. LUG (YEL)
  - 4- OPEN
  - 5- HOR. SYNC. (YEL/BLU.)
  - 6- OPEN
  - 7- VIDEO INPUT
  - 8- GND
  - 9- V. SYNC. (RED/GRN.)
  - 10- GND



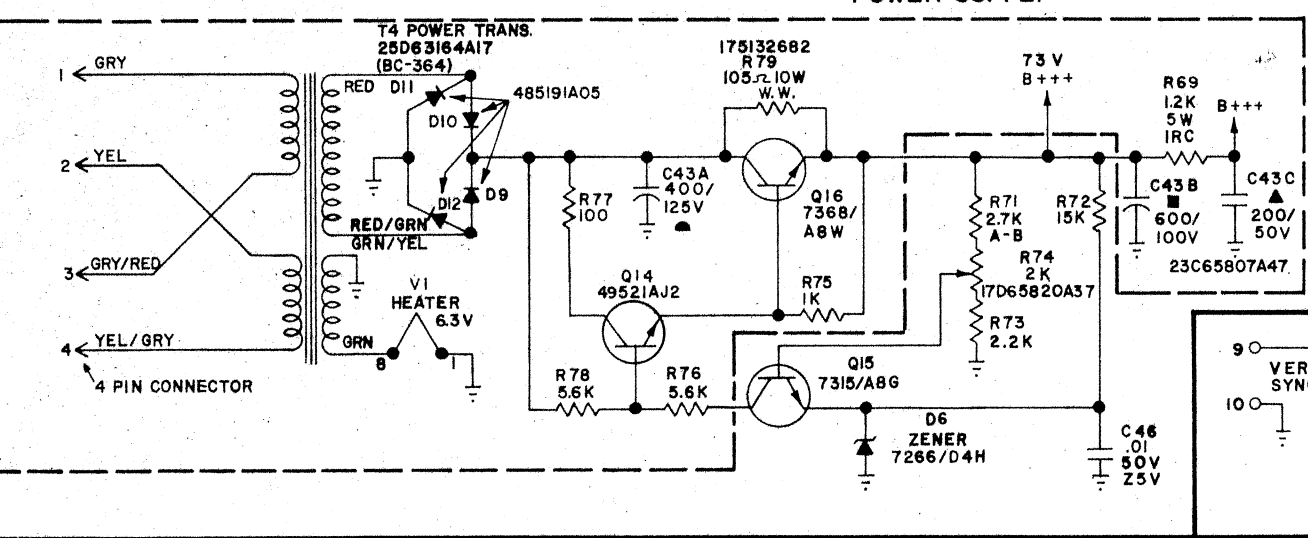
### VIDEO AMP



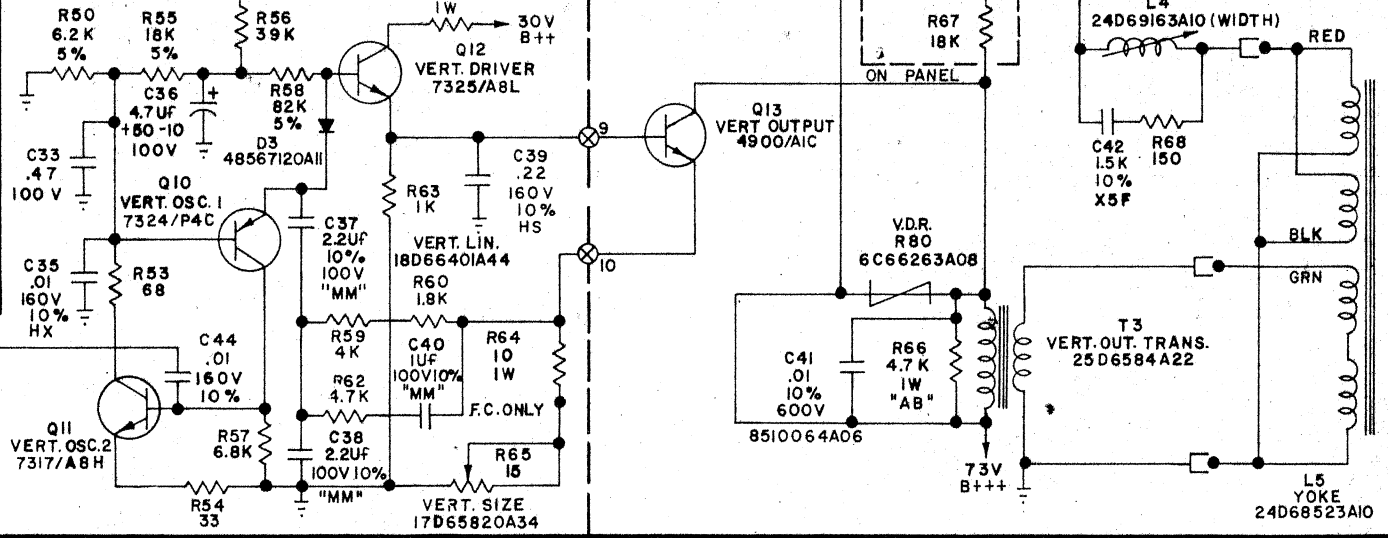
### HORIZONTAL



### POWER SUPPLY



### VERTICAL



UNLESS OTHERWISE SPECIFIED:  
 RESISTORS: (COMP.) 10%, 1/2W  
 F.C. FIXED COMPOSITION  
 W.W-WIRE WOUND  
 "AB" IS SELECTED SUPPLIER  
 CAPACITORS: CERAMICS ARE DISC.  
 PF, 500V.D.C. GMV  
 OR +80% -20%  
 TUBULARS: 100V.D.C. MYLAR  
 MFD ± 20%  
 "HS" "HX" IS MYLAR  
 "HB" "HW" "MM" IS METALIZED MYLAR  
 "MP" IS MYLAR PAPER  
 "T" IS TANTALUM  
 TRANSISTOR PART NO PREFIX-48513  
 ----- INDICATES PRINTED  
 ⊗ INDICATES WIRE WRAP TERMINAL

DO NOT SCALE DRAWING	
UNLESS OTHERWISE SPECIFIED DIMENSIONS ARE IN INCHES AND TOLERANCES ARE:	
FRACTIONS	DECIMALS
ONE PLACE	(.01)
TWO PLACE	(.001)
THREE PLACE	(.0001)
ANGLES	
NEXT ASSY.	FIRST USED
MATERIAL	
FINISH	

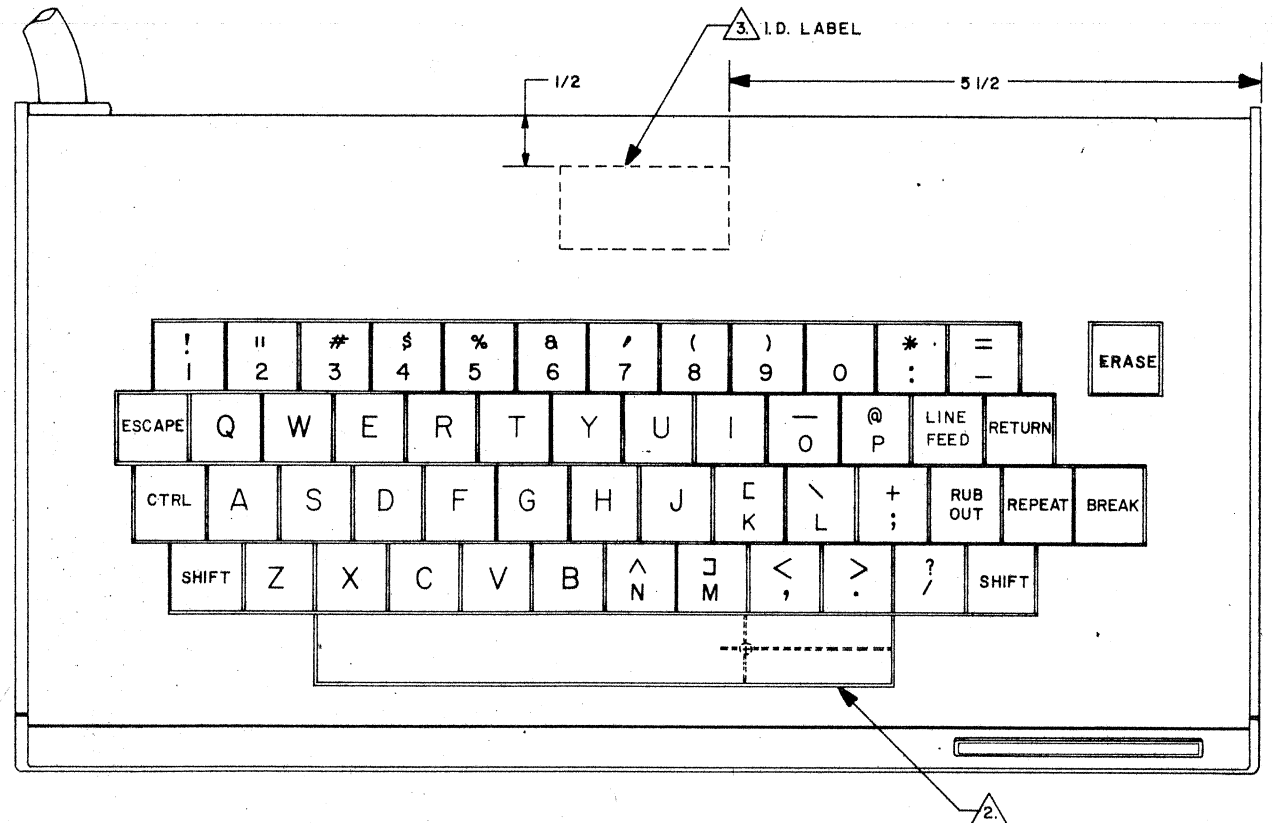
TEC INCORPORATED
DRAWN G. BARTON
CHECKED
ENGINEER J. W. WHALEN
APPROVED

TITLE SCHEMATIC - MOTOROLA MONITOR-12 INCH	
SIZE D	DRAWING NO. 990055
REV B	SHEET 1 OF 1

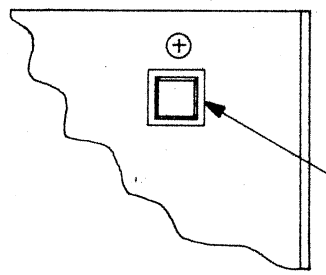
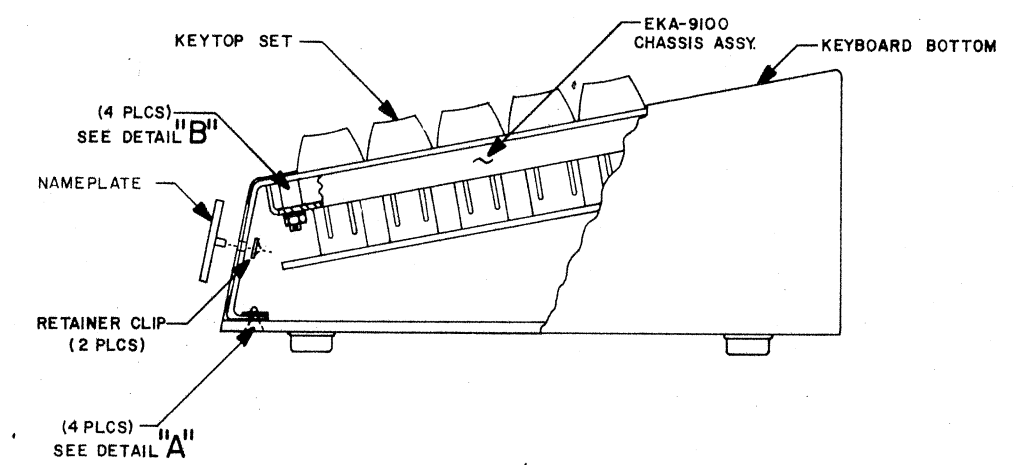
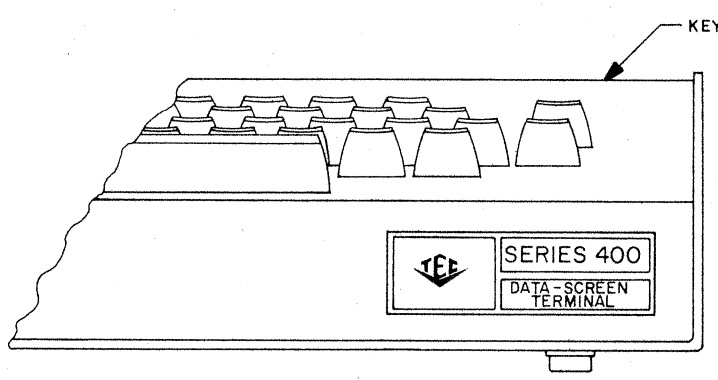
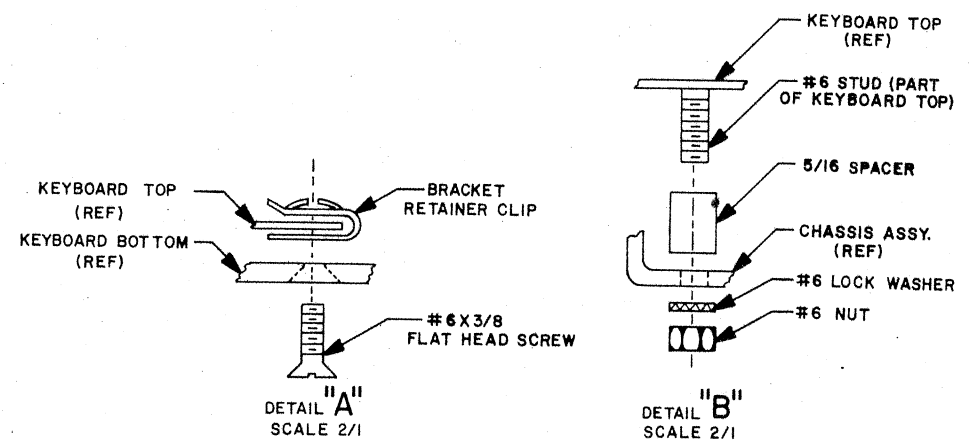
THESE DRAWINGS, THEIR DESIGN, DETAIL AND INVENTION ARE THE PROPERTY OF TEC, INCORPORATED, AND SHALL BE USED ONLY FOR REFERENCE WORK ON CONTRACT OR PROPOSAL SUBMITTED BY THIS COMPANY, AND FOR FIELD REPAIR OF TEC PRODUCTS BY TEC'S CUSTOMER OR END USER, AND SHALL NOT BE COPIED OR DISCLOSED TO ANY OUTSIDE PARTY WITHOUT THE EXPRESSED CONSENT OF TEC, INC.

EKA-9100-XXX

REVISIONS				
REV	DESCRIPTION	DATE	APP	BY
B	REDRAWN AND REV PER DCN	8364		18 OCT 74
C	REV PER DCN	10846		23 JAN 75



- NOTES**
- 1. DASH NO. DETERMINED BY KEYBOARD TOP COLOR (III849-XXX).
  - 2. SPACE BAR KEYCAP MOUNTED WITH RIB (UNDER SHELL) AS SHOWN.
  - 3. LOCATE LABEL ON UNDERSIDE OF KEYBOARD ASSY. IN APPROX. LOCATION AS SHOWN.
  - 4. OVERALL DIMENSIONS (APPROX.):  
 LENGTH 6 3/4 INCHES.  
 WIDTH 13 INCHES.  
 HEIGHT 3 1/4 INCHES.



BUMPER (ADHESIVE MOUNT TYPE) (4 PLCS) LOCATE IN APPROX. LOCATION AS SHOWN.

EKA-9100		DO NOT SCALE DRAWING	
NEXT ASSY		UNLESS OTHERWISE SPECIFIED DIMENSIONS ARE IN INCHES AND TOLERANCES ARE	
MATERIAL		FRAC TIONS	
FINISH		DECIMALS	
		ONE PLACE	
		TWO PLACE	
		THREE PLACE	
		ANGLES	
		REMOVE ALL BURS	
		BREAK ALL EDGES AND SHARP CORNERS	

TEC INCORPORATED	
DRAWN	VAN BEEK
CHECKED	
ENGINEER	
APPROVED	

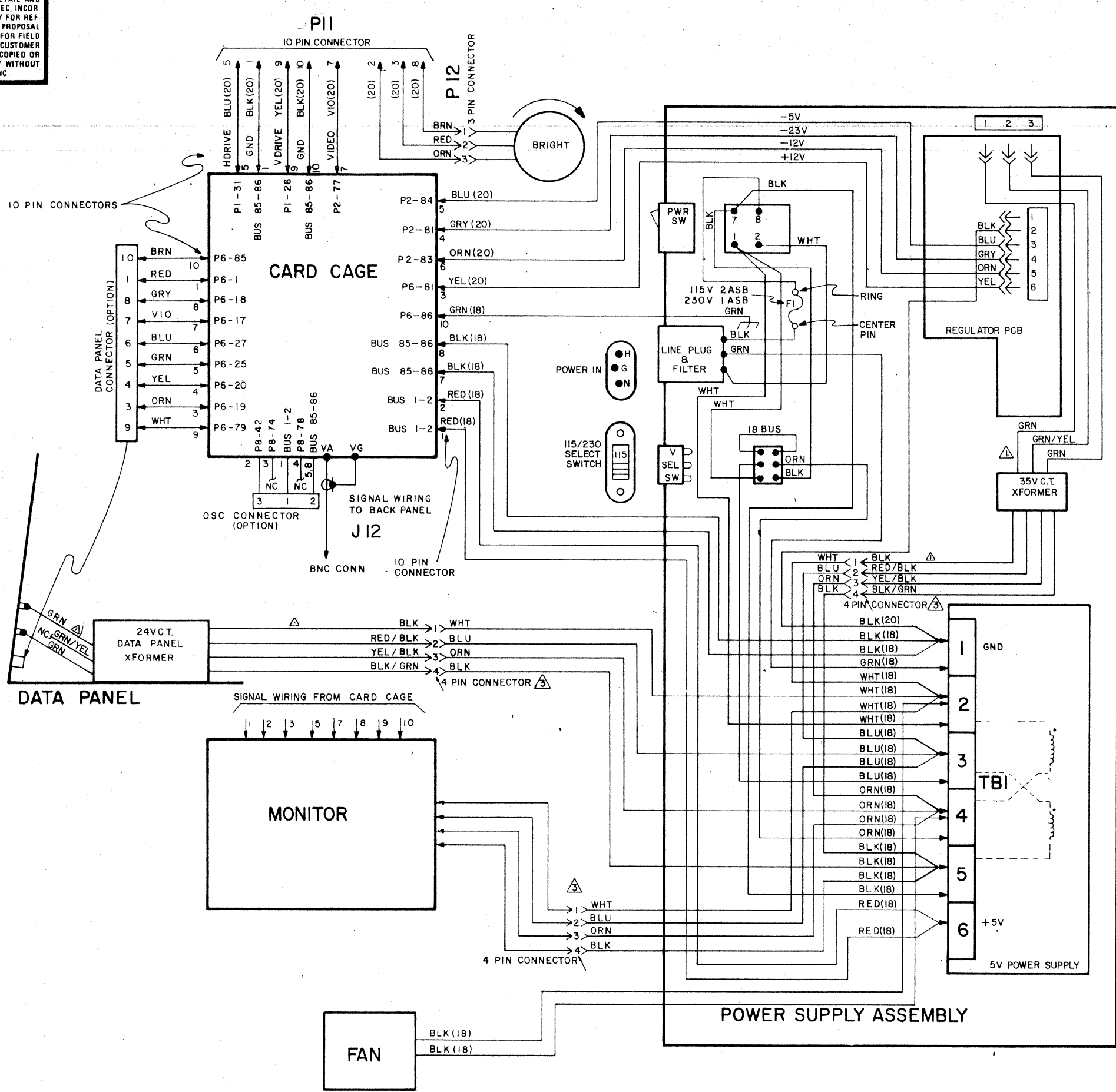
BOM	EKA-9100-XXX
DESCRIPTION	NUMBER
REFERENCE DOCUMENTS	
TITLE	
FINAL ASSEMBLY	
EKA-9100	
DRAWING NO	
T-EKA-9100-XXX	C
SCALE	FULL

THESE DRAWINGS, THEIR DESIGN, DETAIL AND INVENTION ARE THE PROPERTY OF TEC, INCORPORATED, AND SHALL BE USED ONLY FOR REFERENCE WORK ON CONTRACT OR PROPOSAL SUBMITTED BY THIS COMPANY, AND FOR FIELD REPAIR OF TEC PRODUCTS BY TEC'S CUSTOMER OR END USER, AND SHALL NOT BE COPIED OR DISCLOSED TO ANY OUTSIDE PARTY WITHOUT THE EXPRESSED CONSENT OF TEC, INC.

T-970028

REVISIONS				
REV	DESCRIPTION	DCN	APPD	DATE
D	REVISED & REDRAWN PER DCN	8669		
E	REV PER DCN	8765		
F	REV PER DCN	10953		

D  
C  
B  
A



NOTES:  
 1. TRANSFORMER SELF LEADS  
 2. REPRESENTS A LUG OR CONNECTION  
 3. CONNECTOR PIN NUMBERS ARE AS SHOWN

DRAWN		S. BRYANT		9-2873		DRAWING NO.		D T-970028		REV		F	
CHECKED						MATERIAL		FINISH		NONE			
ENGINEER						TITLE		WIRE & CABLE DIAGRAM - MODEL 400 TERMINAL					
APPROVED						TEC INCORPORATED							

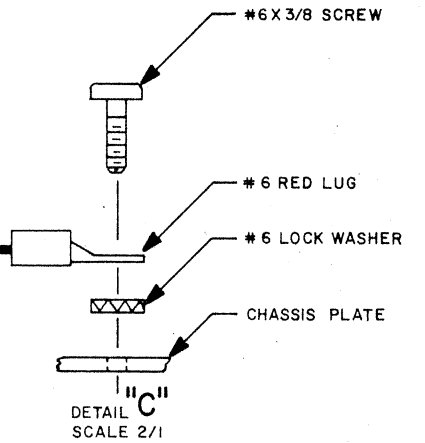
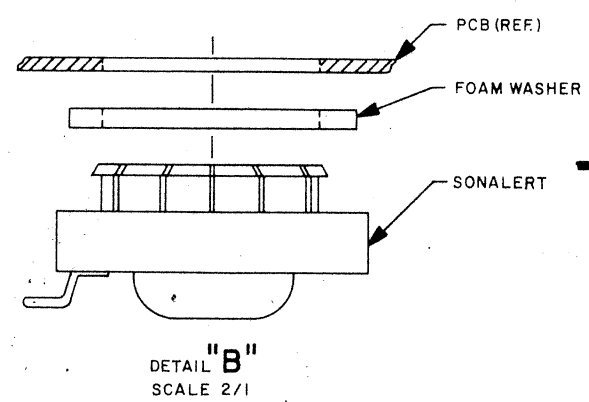
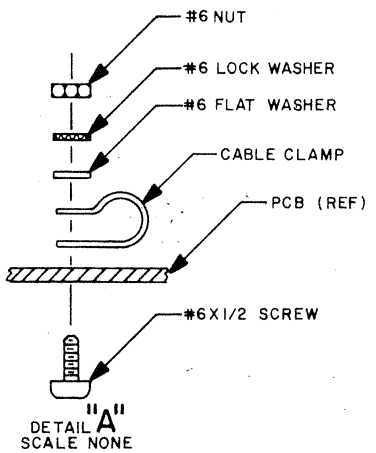
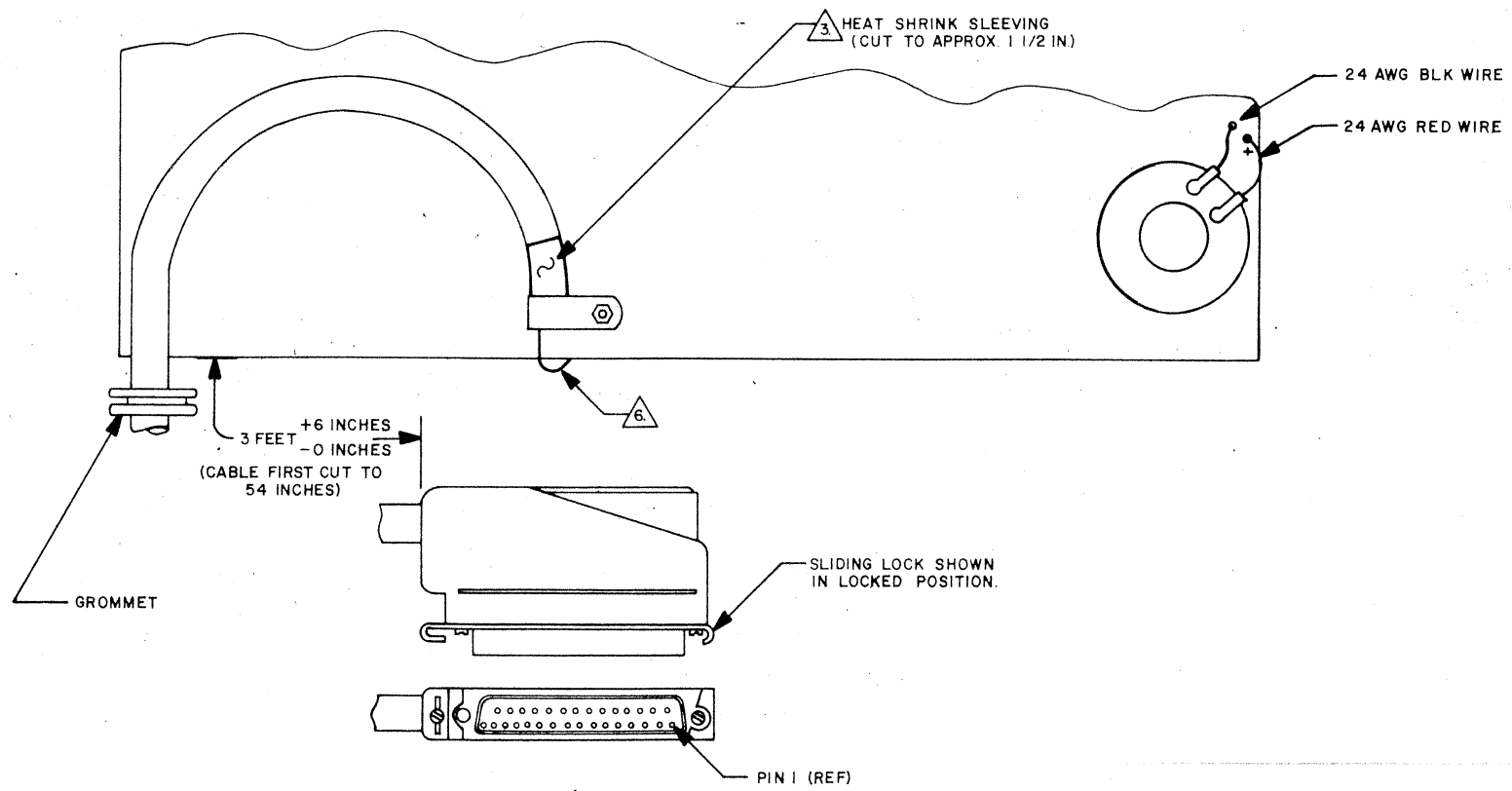
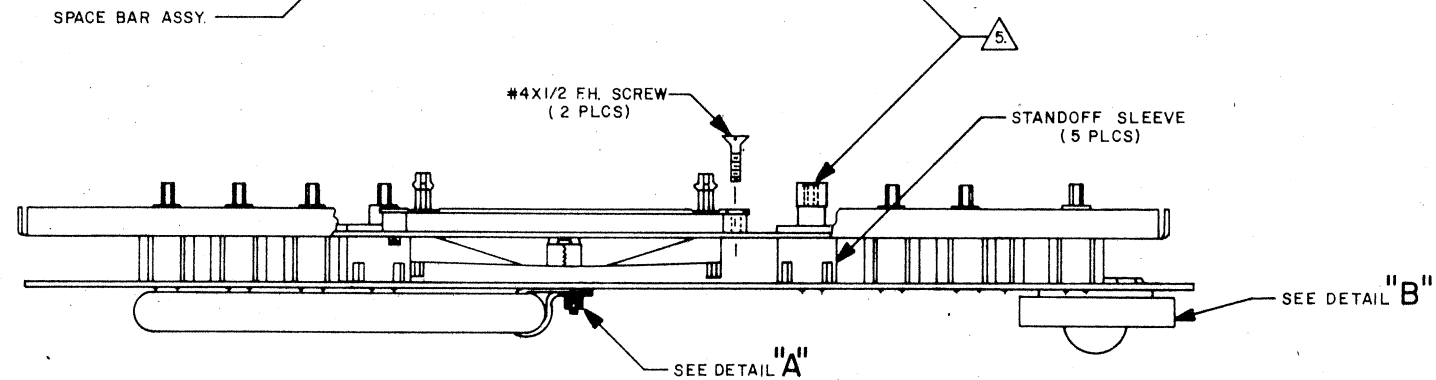
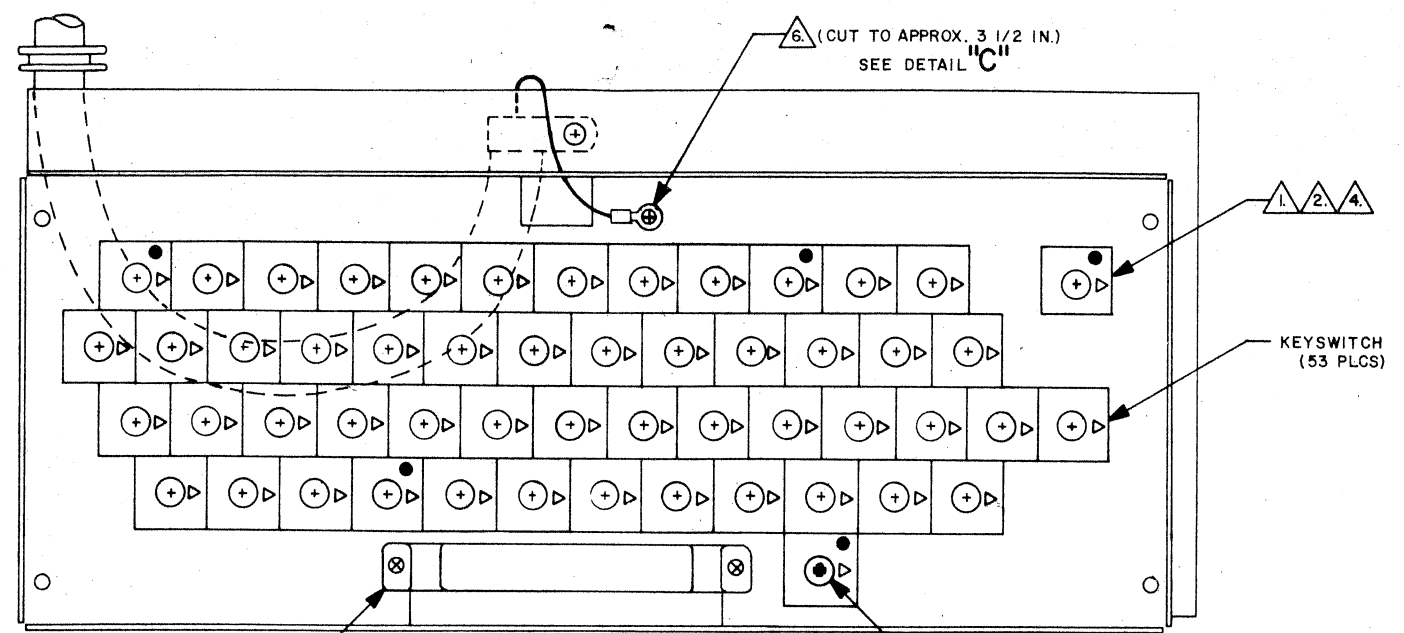


T-933184

REVISIONS				
REV	DESCRIPTION	DCN	APPD	DATE
F	REV AND REDRAWN PER DCN	8363	YU	26 OCT 1974
H	REV PER DCN	10649	YU	26 NOV 74
J	REV PER DCN	10819	YU	33 JAN 75
K	REV PER DCN	10956	YU	26 MAY 75

CABLE WIRING REFERENCE					
WIRING SEQUENCE					
PRINTED CIRCUIT BOARD			CONNECTOR		
SIGNAL	PAD	COLOR	PIN	COLOR	
D4	14	YEL	19	WHT/BRN	
D1	11	ORN	18	GRY	
D3	13	RED	17	VIO	
D2	12	BRN	16	BLU	
GND	31	BLK	15	GRN	
D5	15	GRN	14	YEL	
D6	16	BLU	13	RED	
D7	17	VIO	12	BRN	
STROBE	18	GRY	11	ORN	
BELL	26	WHT	6	WHT/RED	
BREAK	27	WHT/BLK	2	WHT/YEL	
CLR SCN	19	WHT/BRN	1	WHT/ORN	
KB ACK	6	WHT/RED	36	WHT/GRN	
+5V	1	WHT/ORN	33	WHT/BLU	
+5V	2	WHT/YEL	31	BLK	
GND	36	WHT/GRN	27	WHT/BLK	
CHASSIS GND	△	WHT/BLU	26	WHT	

- NOTES:
- △ ALL SWITCHES MOUNT ON CIRCUIT SIDE OF PCB OPPOSITE THE SONALERT AND CABLE.
  - △ POSITION SWITCHES BY LOCATION OF TRIANGLE (▷) ON TOP OF SWITCH AS SHOWN.
  - △ LOOP EXTRA WIRES NOT USED UNDER SLEEVING PRIOR TO SHRINKING (PINK, TAN, RED/GRN, RED/YEL, RED/BLK, WHT/GRY, WHT/VIO, WHT/BLK/RED).
  - △ DOT INDICATES WHICH SWITCHES RECEIVE STANDOFF SLEEVE.
  - △ MOUNT PLUNGER TOP (FLAT SIDE UP) TO SPACE BAR KEYSWITCH.
  - △ CHASSIS GND.



THESE DRAWINGS, THEIR DESIGN, DETAIL AND INVENTION ARE THE PROPERTY OF TEC, INCORPORATED, AND SHALL BE USED ONLY FOR REFERENCE WORK ON CONTRACT OR PROPOSAL SUBMITTED BY THIS COMPANY, AND FOR FIELD REPAIR OF TEC PRODUCTS BY TEC'S CUSTOMER OR END USER, AND SHALL NOT BE COPIED OR DISCLOSED TO ANY OUTSIDE PARTY WITHOUT THE EXPRESSED CONSENT OF TEC, INC.

EKA-9100-XXX	440		TITLE	
MATERIAL			CHASSIS ASSY.	
FINISH			EKA-9100	
DRAWN			VAN BEEK 24 OCT 74	
CHECKED		SIZE	D	DRAWING NO.
ENGINEER		T-933184		REV
APPROVED		SCALE FULL		K
		SHEET 1 OF 1		



BILL OF MATERIAL	933184
DESCRIPTION	NUMBER
REFERENCE DOCUMENTS	

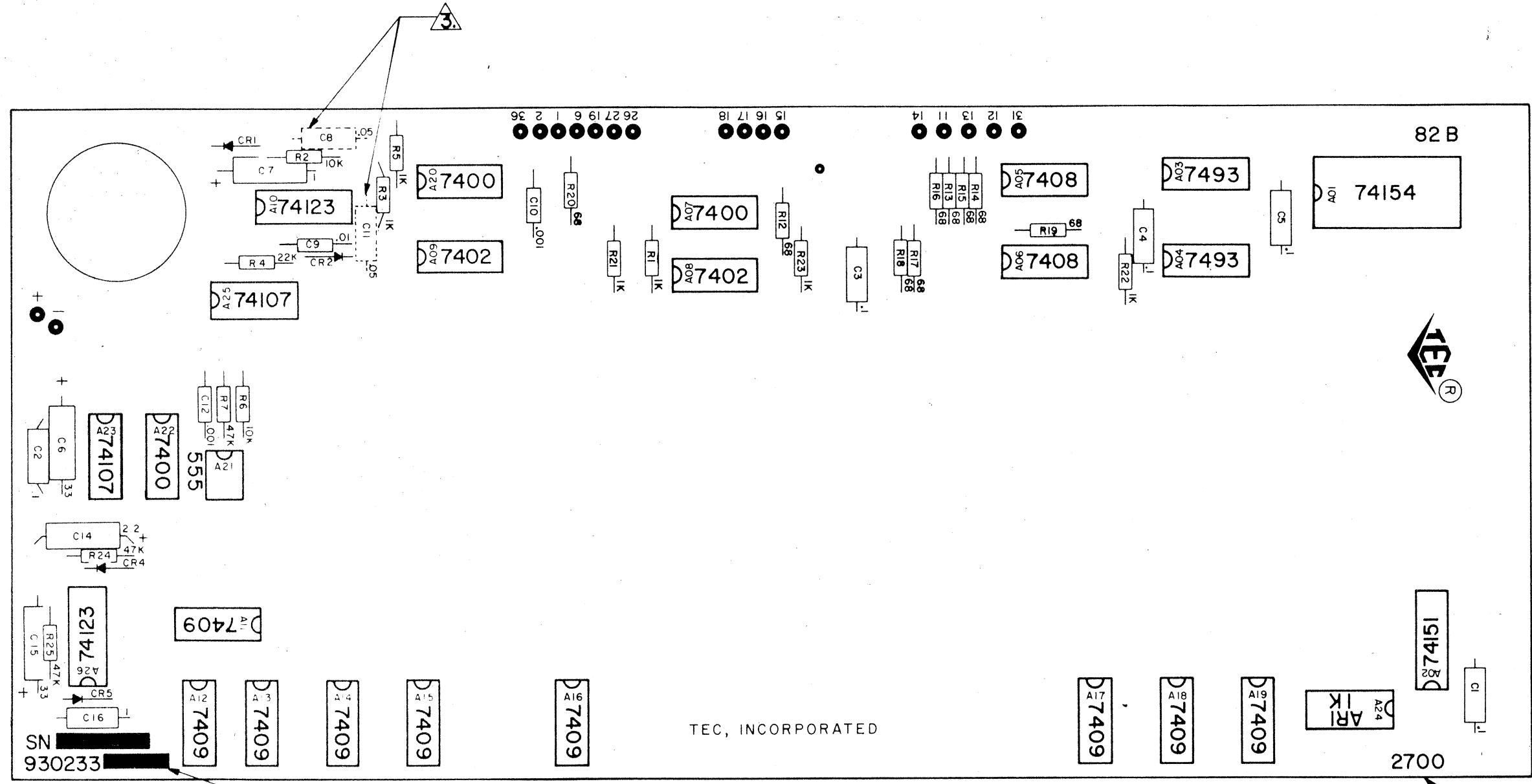
THESE DRAWINGS THEIR DESIGN, DETAIL AND INVENTION ARE THE PROPERTY OF TEC INCORPORATED AND SHALL BE USED ONLY FOR REFERENCE WORK ON CONTRACT OR PROPOSAL SUBMITTED BY THIS COMPANY AND FOR FIELD REPAIR OF TEC PRODUCTS BY TEC'S CUSTOMER OR END USER AND SHALL NOT BE COPIED OR DISCLOSED TO ANY OUTSIDE PARTY WITHOUT THE EXPRESSED CONSENT OF TEC, INC

T-930233

REVISIONS			
REV	DESCRIPTION	DCN	APPD DATE
A	RELEASED PER DCN	10594	11-17-74
B	REV PER DCN	10493	11-27-74
C	REV PER DCN	10637	1-17-75
D	REV PER DCN	10539	2-7-75

NOTES:

1.  APPLICABLE REVISION LEVEL TO BE MARKED ON BOARD AT ASSY.
2. UNLESS OTHERWISE SPECIFIED:
  1. RESISTORS ARE 1/4, 5%.
  2. RESISTANCE VALUES ARE IN OHMS.
  3. CAPACITANCE VALUES ARE IN MICROFARADS.
  4. DIODES ARE IN914.
3.  DO NOT LOAD C8 AND C11 CUSTOMER OPTION.



TEC, INCORPORATED

SN 930233

2700

PCB

SCHEMATIC	990096
BOM	930233
DESCRIPTION	NUMBER
REFERENCE	DOCUMENTS

TITLE  
PCB ASSY-  
EKA 9100

933184	
NEXT ASSY	FIRST USED
MATERIAL	
FINISH	

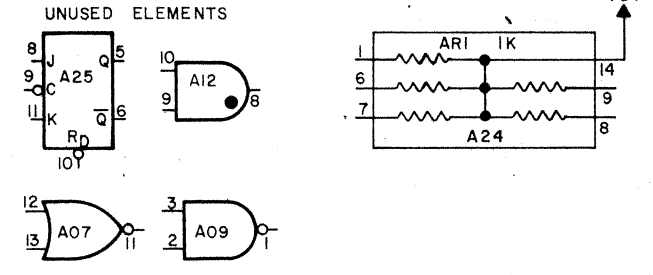


DRAWN	S. SHAVER	SIZE	D	DRAWING NO	T-930233	REV	D
CHECKED	G. MARTINEZ	SCALE	NONE	SHEET	1	OF	1

F990096

REVISION				
REV	DESCRIPTION	DCN	APPD	DATE
A	RELEASED PER DCN	10594		
B	REV PER DCN	10493		
C	REV PER DCN	10637		
D	REV PER DCN	10539		

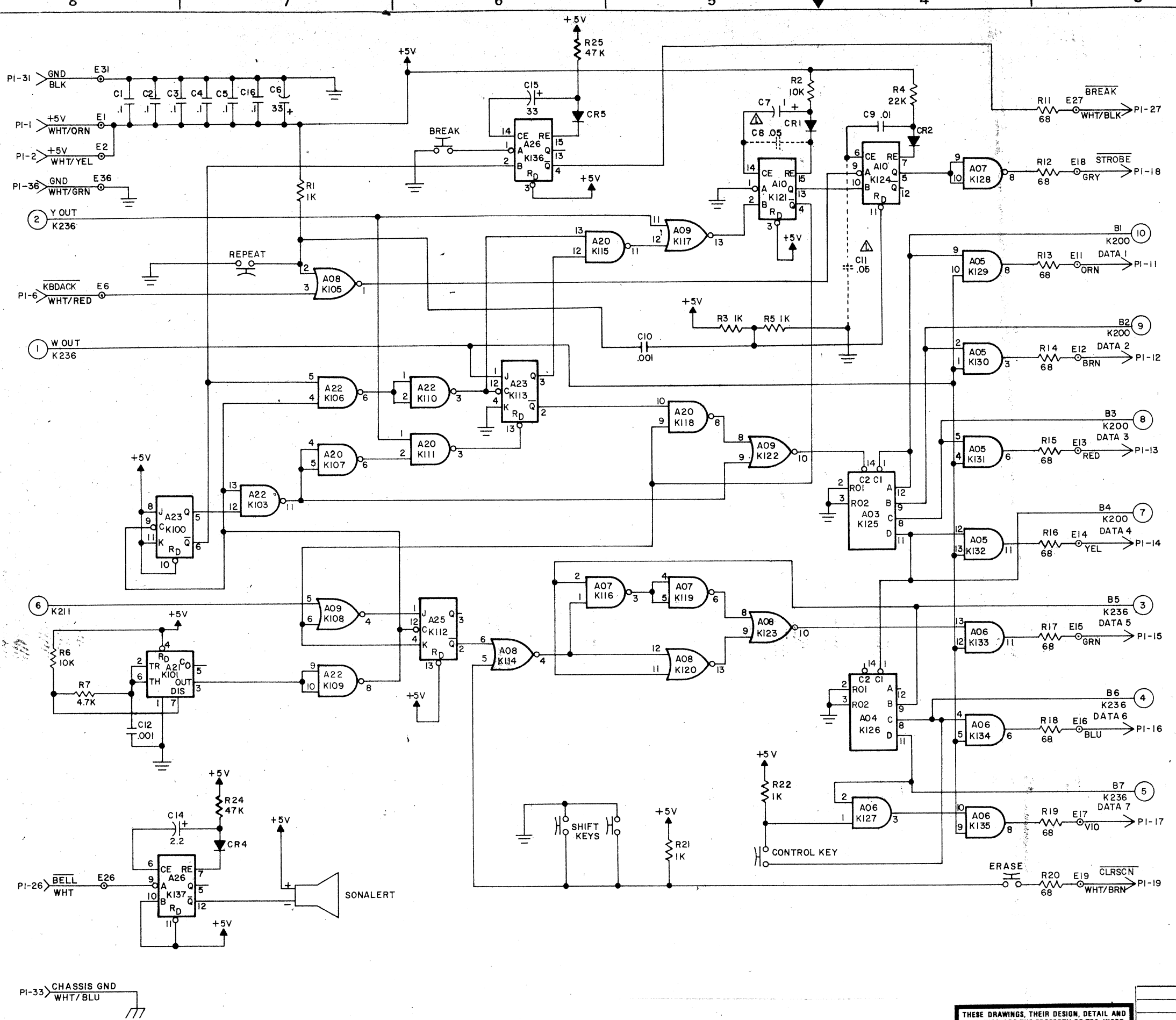
NOTES:  
 1. UNLESS OTHERWISE SPECIFIED, RESISTORS ARE 1/4W, 5%.  
 2. RESISTANCE VALUES ARE IN OHMS.  
 3. CAPACITOR VALUES ARE IN MICROFARADS.  
 4. DIODES ARE IN914.  
 5. LAST REFERENCE DESIGNATIONS USED: K137, K236, R25, CR2, C16, ARI.  
 6. REFERENCE DESIGNATIONS NOT USED: CR3, SCR1, C13, Q1, 2, R8-11, K102, 104, E3, 7, 8, 21, 22, 30, 32-35, 37, 38.



PG	NAME	PINS	NAME	PG
1	+5V	20		
1	+5V	21		
		22		
		23		
		24		
1	KBDACK	25		
		26	BELL	1
		27	BREAK	1
		28		
		29		
1	DATA 1	30		
1	DATA 2	31	GND	1
1	DATA 3	32		
1	DATA 4	33	CHASSIS GND	1
1	DATA 5	34		
1	DATA 6	35		
1	DATA 7	36	GND	1
1	STROBE	37		
1	CLRSCN	38		

PI

I.C. TYPE	LOCATION
7400	A07, A20, A22
7402	A08, A09
7408	A05, A06
7409	A11, A12, A13, A14, A15, A16, A17, A18, A19
74107	A23, A25
74123	A10, A26
74151	A02
74154	A01
555	A21
ARI	A24



THESE DRAWINGS, THEIR DESIGN, DETAIL AND INVENTION ARE THE PROPERTY OF TEC, INCORPORATED, AND SHALL BE USED ONLY FOR REFERENCE WORK ON CONTRACT OR PROPOSAL SUBMITTED BY THIS COMPANY, AND FOR FIELD REPAIR OF TEC PRODUCTS BY TEC'S CUSTOMER OR END USER, AND SHALL NOT BE COMED OR DISCLOSED TO ANY OUTSIDE-PARTY WITHOUT THE EXPRESSED CONSENT OF TEC, INC.


930233	270082B	DO NOT SCALE DRAWING UNLESS OTHERWISE SPECIFIED DIMENSIONS ARE IN INCHES AND TOLERANCES ARE: FRACTIONAL DECIMALS .001 ONE PLACE .01 TWO PLACE .0001 THREE PLACE .00001 ANGLES .01	TEC INCORPORATED	TITLE	SCHMATIC-EKA-9100	
NEXT ASSY	FIRST USED			DRAWN	S. SHAVER	SIZE
FINISH		REMOVE ALL BURRS BREAK ALL EDGES AND SHARP CORNERS	ENGINEER	J. L. WRIGHT	DRAWING NO.	T-990096
			APPROVED		SCALE	NONE
					SHEET	1 OF 2

THESE DRAWINGS, THEIR DESIGN, DETAIL AND INVENTION ARE THE PROPERTY OF TEC, INCORPORATED, AND SHALL BE USED ONLY FOR REFERENCE WORK ON CONTRACT OR PROPOSAL SUBMITTED BY THIS COMPANY, AND FOR FIELD REPAIR OF TEC PRODUCTS BY TEC'S CUSTOMER OR END USER, AND SHALL NOT BE COPIED OR DISCLOSED TO ANY OUTSIDE PARTY WITHOUT THE EXPRESSED CONSENT OF TEC, INC.

T-990096

REVISION				
REV	DESCRIPTION	DCN	APPD	DATE
A	RELEASED PER DCN	10594	[Signature]	12 1974
B	REV PER DCN	10493	[Signature]	04 1974
C	REV PER DCN	10637	[Signature]	04 1974
D	REV PER DCN	10539	[Signature]	04 APR 74



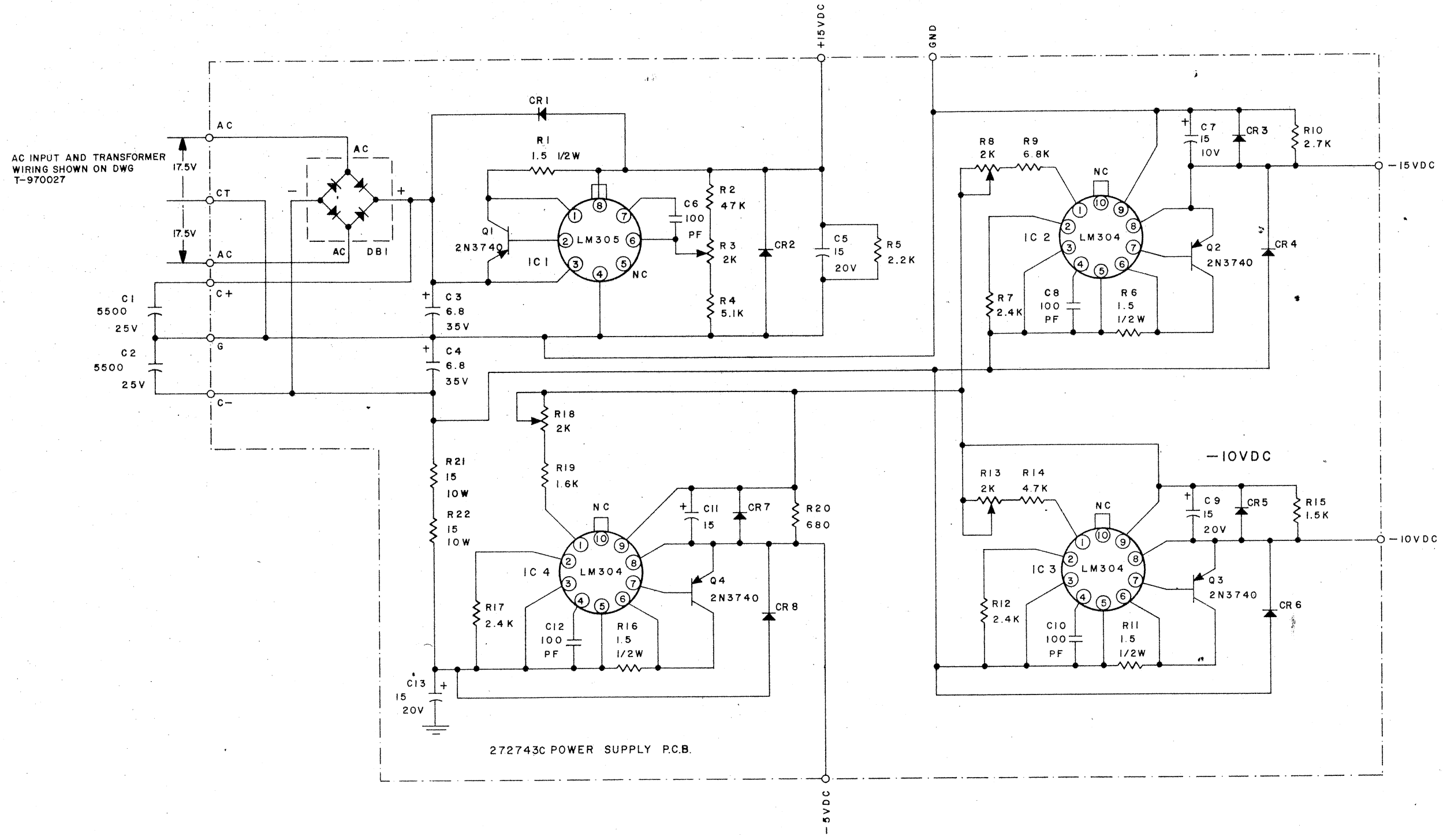
930233 270082 B		DO NOT SCALE DRAWING UNLESS OTHERWISE SPECIFIED DIMENSIONS ARE IN INCHES AND TOLERANCES ARE: FRACTIONS .010 DECIMALS .001 ONE PLACE .001 TWO PLACE .001 THREE PLACE .001 ANGLES .010	 INCORPORATED	TITLE	
NEXT ASSY FIRST USED MATERIAL FINISH				SCHEMATIC- EKA-9100	
DRAWN S. SHAVER CHECKED [Signature] ENGINEER [Signature] APPROVED [Signature]		REMOVE ALL BARRS BREAK ALL EDGES AND SHARP CORNERS	SIZE DRAWING NO D T-990096	REV D	SCALE NONE SHEET 2 OF 2



THESE DRAWINGS ARE THE PROPERTY OF TEC, INCORPORATED. THEY SHALL BE USED ONLY FOR REFERENCE IN CONNECTION WITH THE CONTRACT OR PROPOSAL UNDER WHICH THEY WERE SUBMITTED BY THIS COMPANY, AND FOR FIELD REPAIR OF TEC PRODUCTS BY TEC'S CUSTOMER OR END USER, AND SHALL NOT BE COPIED OR REPRODUCED, IN ANY MANNER, WITHOUT THE EXPRESS CONSENT OF TEC, INC.

T-990050-000

REVISIONS				
REV.	DESCRIPTION	DCN	APPD	DATE
K	REV PER DCN	10544		5/20/74



- NOTES:
- UNLESS OTHERWISE SPECIFIED;
    - DIODES ARE IN4003.
    - RESISTORS ARE 1/4 W, 5%.
    - RESISTANCE VALUES ARE IN OHMS.
    - CAPACITANCE VALUES ARE IN MICROFARADS.
  - LAST DESIGNATION USED: R22, C12, Q4, DB1, CR8.
  - Q1-Q4: 2N3741 MAY BE SUBSTITUTED FOR 2N3740.

272743C POWER SUPPLY P.C.B.

933069-000		4 40	DO NOT SCALE DRAWING UNLESS OTHERWISE SPECIFIED DIMENSIONS ARE IN INCHES AND TOLERANCES ARE: FRACTIONS ± DECIMALS ± ONE PLACE .10 ± TWO PLACE .01 ± THREE PLACE .001 ± ANGLES ±			TITLE SCHEMATIC- POWER SUPPLY	
DRAWN R. E. WOOD		6-6-72	SIZE D	DRAWING NO. T-990050-000		REV K	
CHECKED J. W. WHALEN		2/20/72	SCALE NONE	SHEET 1 OF 1			
APPROVED J. W. WHALEN		2/20/72					

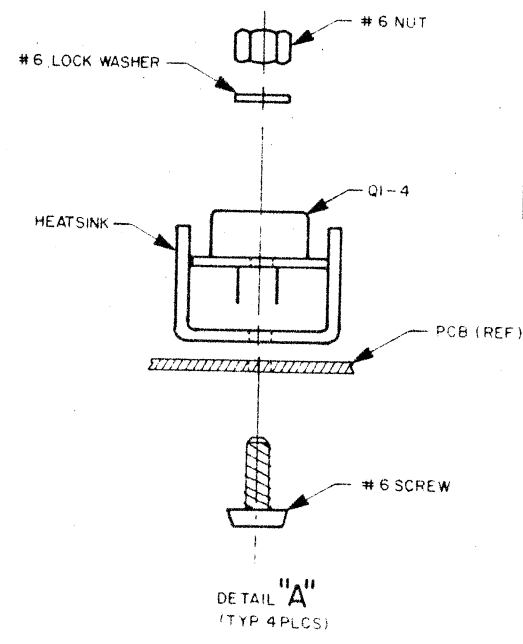
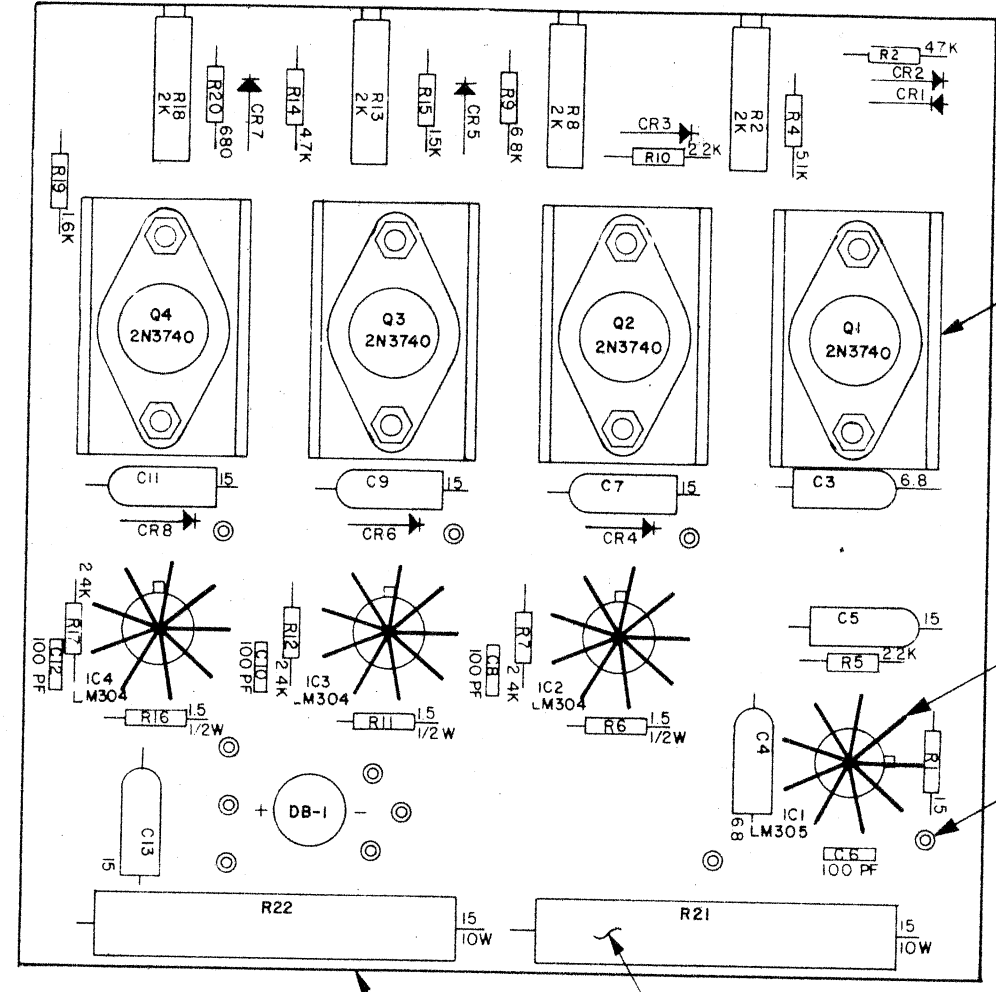
THESE DRAWINGS ARE THE PROPERTY OF TEC INC. AND ARE NOT TO BE REPRODUCED OR TRANSMITTED IN ANY FORM OR BY ANY MEANS, ELECTRONIC OR MECHANICAL, INCLUDING PHOTOCOPYING, RECORDING, OR BY ANY INFORMATION STORAGE AND RETRIEVAL SYSTEM. ANY UNAUTHORIZED REPRODUCTION OR TRANSMISSION OF THESE DRAWINGS IS PROHIBITED AND SHALL BE CONSIDERED A VIOLATION OF FEDERAL LAWS. THE USER SHALL BE RESPONSIBLE FOR OBTAINING NECESSARY PERMISSIONS FROM THE APPLICABLE AGENCIES FOR REPRODUCTION OR TRANSMISSION OF THESE DRAWINGS. THIS DRAWING IS THE PROPERTY OF TEC INC. AND IS NOT TO BE REPRODUCED OR TRANSMITTED IN ANY FORM OR BY ANY MEANS, ELECTRONIC OR MECHANICAL, INCLUDING PHOTOCOPYING, RECORDING, OR BY ANY INFORMATION STORAGE AND RETRIEVAL SYSTEM. ANY UNAUTHORIZED REPRODUCTION OR TRANSMISSION OF THESE DRAWINGS IS PROHIBITED AND SHALL BE CONSIDERED A VIOLATION OF FEDERAL LAWS. THE USER SHALL BE RESPONSIBLE FOR OBTAINING NECESSARY PERMISSIONS FROM THE APPLICABLE AGENCIES FOR REPRODUCTION OR TRANSMISSION OF THESE DRAWINGS.

T-933069

REVISIONS			
NO.	DESCRIPTION	DCN	APPR. DATE
K	REV PER DCN	10639	

NOTES:

1. APPLICABLE REVISION LEVEL TO BE MARKED ON BOARD AT ASSEMBLY.
2. UNLESS OTHERWISE SPECIFIED:
  1. RESISTORS ARE 1/4W, 5%.
  2. RESISTANCE VALUES ARE IN OHMS.
  3. CAPACITANCE VALUES ARE IN MICROFARADS.
  4. DIODES ARE IN4003.
3. Q1-Q4; 2N374I MAY BE SUBSTITUTED FOR 2N3740.



SCHEMATIC	990050-000
BILL OF MATERIAL	933069-000
DESCRIPTION	NUMBER
REFERENCE DOCUMENTS	

TITLE PCB. ASSY-  
POWER SUPPLY

440	
-----	--

TEC INCORPORATED	
DRAWN: SMARHALEK	DATE: 2-73
CHECKED:	DRAWING NO. D T-933069-000 K
APPROVED:	