



4027
COLOR GRAPHICS
TERMINAL

SERVICE MANUAL
Volume 2

Tektronix, Inc.
P.O. Box 500
Beaverton, Oregon 97077

MANUAL PART NO.
070-2832-00

First Printing JUL 1979
This Printing JAN 1980

WARNING

THE FOLLOWING SERVICING INSTRUCTIONS ARE FOR USE BY QUALIFIED PERSONNEL ONLY. TO AVOID PERSONAL INJURY, DO NOT PERFORM ANY SERVICING OTHER THAN THAT CONTAINED IN OPERATING INSTRUCTIONS UNLESS YOU ARE QUALIFIED TO DO SO.

Copyright © 1979 by Tektronix, Inc., Beaverton, Oregon.
Printed in the United States of America. All rights reserved.
Contents of this publication may not be reproduced in any form without permission of Tektronix, Inc.

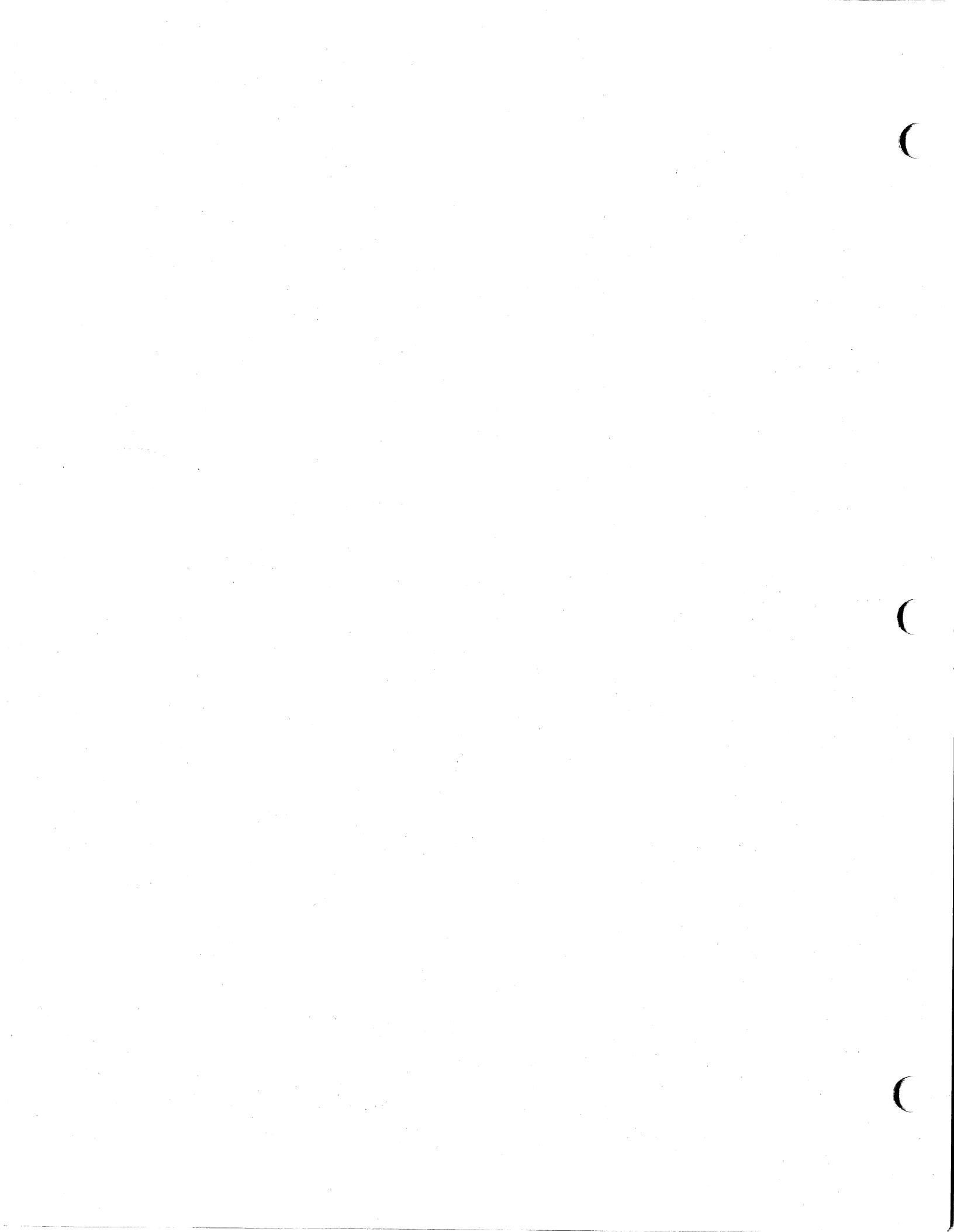
This instrument, in whole or in part, may be protected by one or more U.S. or foreign patents or patent applications. Information provided on request by Tektronix, Inc., P.O. Box 500, Beaverton, Oregon 97077.

TEKTRONIX is a registered trademark of Tektronix, Inc.

This manual supports the following versions of this product: B010100 and up

MANUAL REVISION STATUS

REV.	DATE	DESCRIPTION
@	7/79	Original Issue



CONTENTS

Section		Page
Section 1	INTRODUCTION	
	Specifications.....	1-1
	Power Specifications.....	1-1
	Environmental Specifications.....	1-2
	Physical Specifications.....	1-2
	Accessories.....	1-4
	Standard Accessories.....	1-4
	Optional Accessories.....	1-4
Section 2	INSTALLATION	
	Initial Checkout.....	2-1
	Inspection and Power-up.....	2-1
	SHIFT-STATUS Message.....	2-2
	SYSTAT Message.....	2-4
	TEST Message.....	2-4
	GTEST Message.....	2-6
	RAM ERROR Message.....	2-8
	ROM FONT Message.....	2-8
	Circuit Board Complement.....	2-9
	Routine Convergence Adjustment.....	2-11
	Line Voltage Selection.....	2-13
	AC Power Cord and Grounding Requirement.....	2-15
	Jumper Settings.....	2-16
	Graphics Memory Controller Board.....	2-18
	Deluxe Communications Board.....	2-20
	Display Memory Board.....	2-22
	ROM Expansion Board.....	2-24
Section 3	CALIBRATION AND MAINTENANCE	
	Calibration and Adjustment Schedule.....	3-1
	Power Supply Calibration and Adjustment.....	3-2
	Routine Calibration and Adjustment.....	3-3
	Equipment Required.....	3-3
	Preliminary.....	3-3
	Voltage Calibration and Adjustment.....	3-5
	Power Fail Detect Adjustment.....	3-8

Section 3 (cont)

Page

Post Maintenance Calibration and
Checkout.....3-9
 Equipment Required.....3-9
 Preliminary.....3-10
 Primary Capacitor Check.....3-10
 Control Circuit Check.....3-10
 Power-up Power-down Sequence
 Check.....3-12
 Base Drive Circuit Check.....3-12
 Power-up Check.....3-13
 Power Failure Signal Check.....3-15
 Power Supply Sync Check.....3-16
 Voltage Adjustments.....3-16
Display Calibration and Adjustment.....3-16
 Equipment Required.....3-18
 Preliminary.....3-19
 High Voltage Adjustment.....3-20
 Z-Axis and Purity Adjustment.....3-23
 Deflection Adjustments.....3-27
 Convergence Adjustments.....3-30
 Fine Deflection Adjustments.....3-36
 Fine Convergence Adjustments.....3-37
 High Voltage Efficiency Check.....3-38
Processor Clock Calibration.....3-40
 Equipment Required.....3-40
 Procedure.....3-40
Crt Replacement.....3-42
Fan, Power Switch, and Contrast
Control Replacement.....3-45
 Tools Required.....3-45
 Procedure.....3-45
Trouble Isolation.....3-48
 Using the Self-Testing Commands.....3-48
 RAM ERROR Message.....3-50

Section 4

OPTIONS
Option 1, Half Duplex.....4-1
Option 2, Current Loop Interface.....4-3
Option 3, RS-232 Peripheral
Interface.....4-6
Option 4, GPIB Interface.....4-12

Section 4 (cont)	Page
Options 10 and 11, Polling Array.....	4-14
Options 21 and 22, Display Memory Expansion.....	4-18
Options 27, 28 and 29, Graphics Memory Expansion.....	4-18
Option 31, Character Set Expansion Board.....	4-20
Option 32, Ruling Character Set.....	4-22
Option 34, Math Character Set.....	4-22
Option 36, Peripherals ROM.....	4-23
Option 42, Hard Copy and Video Output.....	4-23
 Section 5	 BLOCK DIAGRAMS
Section 6	REPLACEABLE ELECTRICAL PARTS
Section 7	SCHEMATIC DIAGRAMS
Section 8	REPLACEABLE MECHANICAL PARTS
Appendix A	ASCII CODE CHART

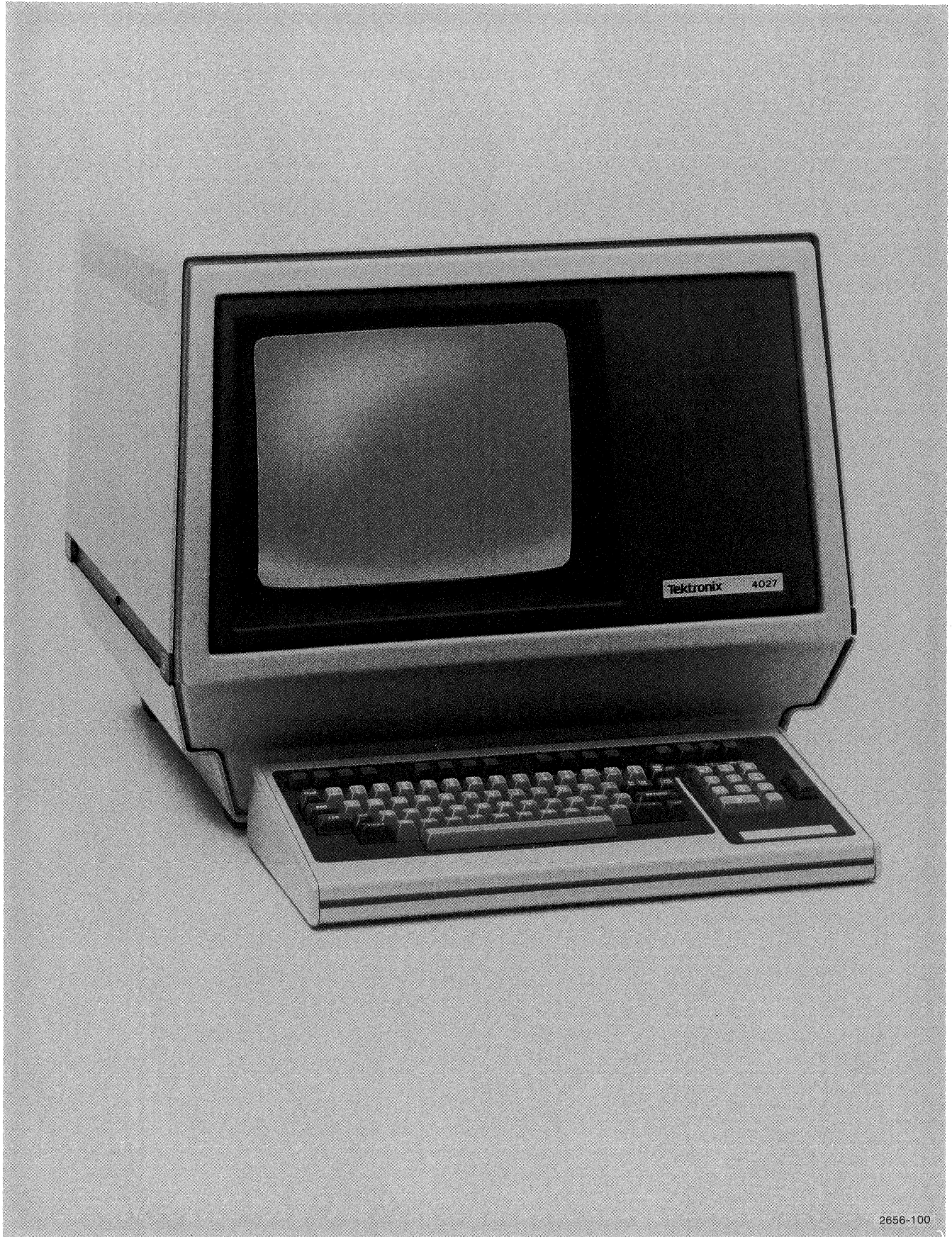
ILLUSTRATIONS

Figure	Description	Page
1-1	4027 Color Graphics Terminal.....	vii
1-2	4027 Dimensions.....	1-3
2-1	STATUS Messages.....	2-3
2-2	The SYSTAT Message.....	2-4
2-3	The TEST Message.....	2-5
2-4	The GTEST Message.....	2-6
2-5	The GTEST "RAM ERROR" Message.....	2-8
2-6	Circuit Board Locations.....	2-10
2-7	Routine Convergence Adjustments.....	2-12
2-8	Line Voltage Selection.....	2-14
2-9	Standard Power Cords (USA).....	2-16
2-10	Graphics Memory Controller Jumper Settings.....	2-19
2-11	Deluxe Communications Board Jumper Settings.....	2-21
2-12	Display Memory Board Jumper Settings.....	2-23
2-13	ROM Expansion Board Jumper Settings.....	2-25
3-1	Routine Power Supply Calibration.....	3-4
3-2	Ripple Voltage Measurements.....	3-7
3-3	Post-Maintenance Power Supply Calibration.....	3-11
3-4	TP728 and TP729.....	3-12
3-5	Inverter Base Drive.....	3-13
3-6	Inverter Collector.....	3-14
3-7	PWDN-0 Sequence.....	3-15
3-8	Hazardous Voltage Locations.....	3-17
3-9	High Voltage Cover Removal.....	3-19
3-10	High Voltage Adjustments.....	3-21
3-11	High Voltage Oscillator Adjustment.....	3-22
3-12	Cathode Current Measurement.....	3-24
3-13	CRT Deflection Component Locations.....	3-26
3-14	Alignment Graticule Installation.....	3-27
3-15	Deflection Board Adjustments.....	3-29
3-16	Convergence Adjustments.....	3-31
3-17	Alignment Grid Movements Produced by the Convergence Adjustments.....	3-32
3-18	Convergence Waveform (R138, 148, 168).....	3-33
3-19	Vertical Convergence Waveform (TP551).....	3-34

Figure	Description	Page
3-20	Horizontal Convergence Waveform (TP532).....	3-35
3-21	Corner Convergence Waveform (TP531).....	3-36
3-22	"E" Distortion.....	3-39
3-23	Processor Board Installed on the Extender Board.....	3-41
3-24	Removing Bezel.....	3-42
3-25	CRT Component Placement.....	3-44
3-26	Fan Mounting Bracket Access.....	3-46
3-27	Fan Mounting Bracket Removal.....	3-47
3-28	STATUS Messages.....	3-49
3-29	RAM ERROR Message.....	3-50
4-1	Half Duplex Cable.....	4-2
4-2	Option 2 Installation.....	4-4
4-3	Current Loop Jumper Settings.....	4-5
4-4	Option 3 Installation.....	4-7
4-5	RS-232 Peripheral Interface Jumper Settings.....	4-8
4-6	Option 4 Installation.....	4-13
4-7	Typical Polling Array Installation.....	4-15
4-8	Polling Controller Jumper Setting.....	4-17
4-9	Options 27, 28, and 29 Installations.....	4-19
4-10	Option 31 Installation.....	4-21
4-11	Option 42 Installation.....	4-24

TABLES

Table	Description	Page
2-1	Display Memory Blocks.....	2-3
2-2	Firmware Checksums.....	2-5
2-3	GTEST Messages.....	2-7
2-4	Graphics RAM Jumper Settings.....	2-18
2-5	Display Memory RAM Jumper Settings.....	2-22
3-1	Calibration and Adjustment Schedule.....	3-1
3-2	Regulated Voltage Measurements.....	3-5
3-3	Ripple Voltage Checks.....	3-6
3-4	Memory Location of RAM Fonts.....	3-51
4-1	Setting the RS-232 Peripheral Interface Base Address.....	4-9
4-2	4641 Printer Delay Settings.....	4-12
4-3	Hard Copy and Video Outputs.....	4-23
A-1	ASCII Code Chart.....	A-3
A-2	Control Characters.....	A-4



2656-100

Figure 1-1. 4027 Color Graphics Terminal.

Section 1

INTRODUCTION

The TEKTRONIX 4027 Color Graphics Terminal Service Manual is divided into two volumes. Volume 1 contains introductory information and theory of operation. Volume 2 contains primarily service information. The purpose of Volume 2 is to provide service personnel with the information necessary to install and maintain the 4027 Color Graphics Terminal. It includes installation and calibration procedures, troubleshooting information, block diagrams, schematic diagrams, and parts lists. Detailed information on the use of the 4027 can be found in the following documents:

4027 Color Graphics Terminal Operator's Manual

4027 Color Graphics Terminal Programmer's Reference Manual

4027 Color Graphics Terminal Programmer's Reference Guide

SPECIFICATIONS

Power Specifications

Line Voltage	Range	Maximum Current	Frequency	Fuse
100VAC	+/-10%	4.8A	48-63 HZ	6A FAST
120VAC	+/-10%	4.2A	48-63 HZ	6A FAST
220VAC	+/-10%	2.3A	48-63 HZ	3A FAST
240VAC	+/-10%	2.1A	48-63 HZ	3A FAST

Power Consumption (and Heat Output)

Standard Configuration: 200 W (683 BTU/Hr.)

Maximum: 430 W (1468 BTU/Hr.)

INTRODUCTION

Environmental Specifications

The 4027 is intended to be operated in a stationary, indoor environment.

Temperature

Storage: -55 to +75°C
Operating: +10 to +40°C

Altitude

Storage: to 50,000 ft (16,000 m)
Operating: to 15,000 feet (4800 m)

Humidity

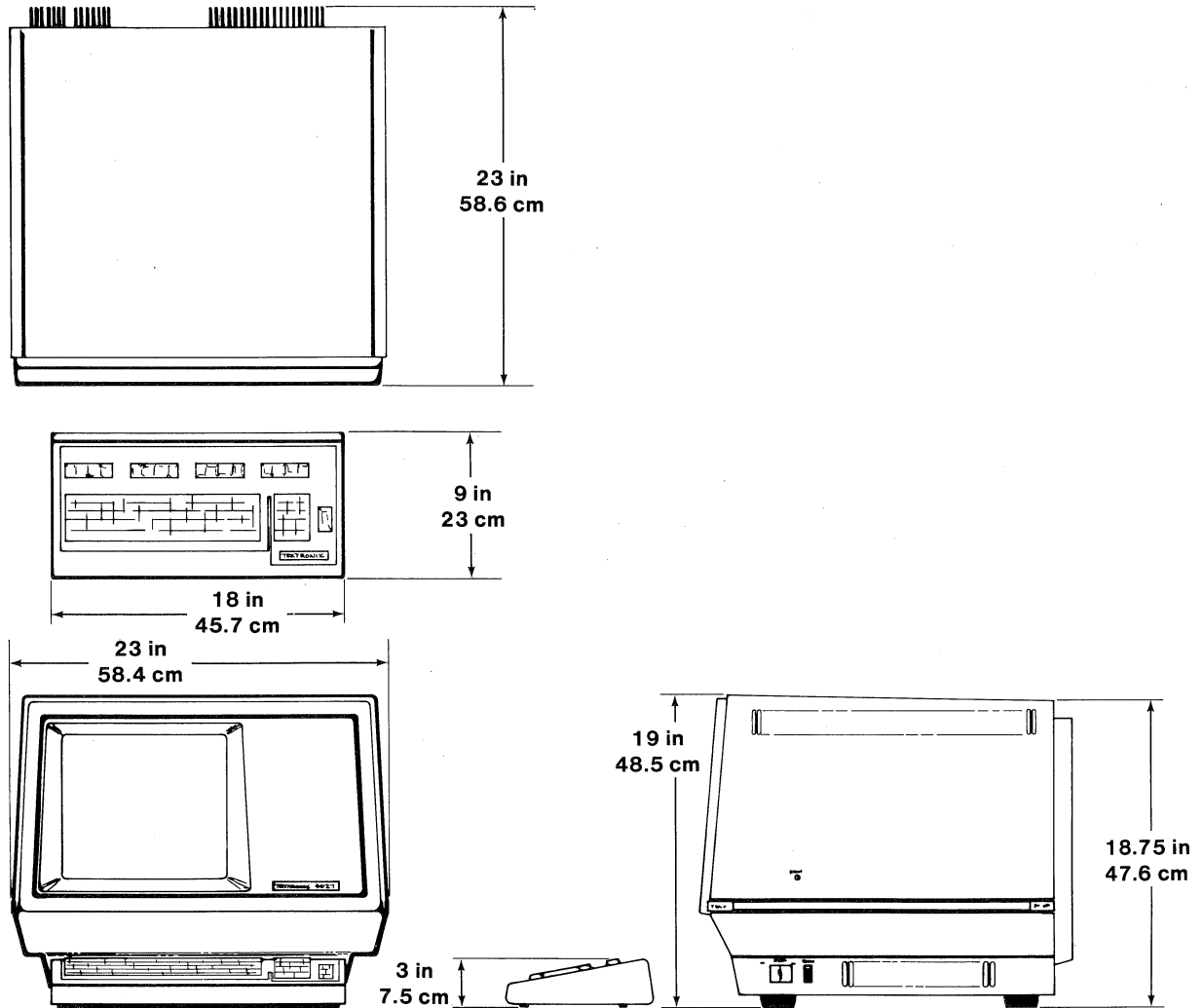
Storage: to 95%
Operating: to 75%

Physical Specifications

Weight

Keyboard: approximately 5 lbs (2.3Kg)
Display Unit: approximately 95 lbs (43.2Kg)

Dimensions: See Figure 1-2.



2656-101

Figure 1-2. 4027 Dimensions.

INTRODUCTION

ACCESSORIES

Standard Accessories

4027 Color Graphics Terminal Operator's Manual
4027 Color Graphics Terminal Programmer's Reference Guide
Blank keyboard overlay
Blank key cap (1x1)
Key cap cover (1x1)
Blank key cap (1x2)
Key cap cover (1x2)
Power cord

Optional Accessories

4027 Color Graphics Terminal Service Manual, Vols. 1 and 2
4027 Color Graphics Terminal Programmer's Reference Manual
Current loop cables (4, 15, 45, 75 and 150 m lengths)
Alignment graticule
Extender board (for deflection and convergence circuit boards)
Extender board (for logic circuit boards)

Section 2

INSTALLATION

This section contains the information necessary to put the 4027 into service and to check that it is working properly. The convergence portion of the installation procedure may need to be done each time the terminal is moved to a new location. These adjustments should be performed only by qualified technicians.

INITIAL CHECKOUT

Inspection and Power-up

1. Place the 4027 at the location where it is going to be used.

WARNING

Do not plug the unit into the power outlet yet!

2. Remove the top cover (three screws on each side, three in back) and inspect the instrument to see that nothing has come loose in transit. Look for loose parts, circuit boards, deflection components, and so on. Circuit board locations are shown in Figure 2-6.
3. Inspect the label on the rear panel to see which options have been installed. Certain jumpers may need to be set. Refer to Section 4 for the necessary procedures. (Jumper settings on the circuit boards in the standard version of the 4027 are set at the factory. These settings are included under JUMPER SETTINGS at the end of this section for reference.) Once the jumpers have been set, replace the top cover.
4. Check the line voltage selector to insure that it is set to the proper range. Refer to LINE VOLTAGE SELECTION later in this section.

INSTALLATION

5. Plug the 4027 power cord into the power outlet. Turn on the power and wait a few minutes for the unit to warm up.

During this time, the battery-powered RAM and system RAM on the Processor Board and the Display Memory RAM are checked. Defective system RAM results in a RAM ERROR message on the display. If a block of Display Memory is found defective, no error message is displayed but the terminal avoids using that block of memory and the number of free memory blocks appearing in the STATUS message will be reduced (see Step 6).

A RESET message may appear. This could mean that the batteries for the battery-powered RAM have discharged. They should recharge during normal operation of the terminal. If the RESET message persists, check the battery connector (on the Processor Board) or look for a defective component.

SHIFT-STATUS Message

6. Press SHIFT-STATUS and examine the STATUS message (see Figure 2-1).

The STATUS message has three parts: the initial letter U or B which indicates unbuffered or buffered operation, the command character (such as "!"), and a number which indicates how many 16 byte blocks of display memory are available.

Refer to Table 2-1 and see that the number shown corresponds with the amount of display memory installed. This number may vary slightly, depending on which options are installed and how many keys have been pressed.

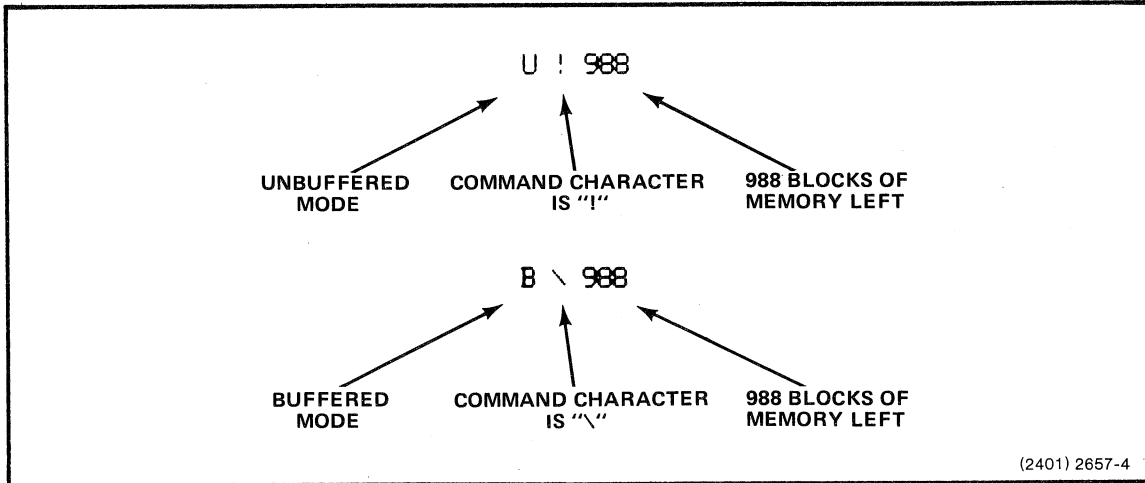


Figure 2-1. STATUS Messages.

Table 2-1

DISPLAY MEMORY BLOCKS

Display Memory	Number of Free Display Memory Blocks
8K (Standard)	448
16K (Option 21)	960
32K (Option 22)	1984

INSTALLATION

SYSTAT Message

7. Type !SYSTAT and press the RETURN key. Note the firmware version (V#=) in the SYSTAT message (see Figure 2-2).

```
                                FIRMWARE VERSION #1
!systat
TB= 2400 RB= 2400 DL=    0 LM= 1 RM=65 WL= 0 V#=1.0
TS= 4 7 10 13 0 0 0 0 0 0 0 0 0 0 0
CC=! FS=# PR=GIMME:~
EL=#
DU=F BU=N EC=R FF=N SN=N KB=M CM=M PA=N
C0 0,100,100 C1 120, 50,100 C2 240, 50,100 C3 0, 50,100
C4 180, 50,100 C5 300, 50,100 C6 60, 50,100 C7 0, 0,100
```

2656-102A

Figure 2-2. The SYSTAT Message.

TEST Message

8. Type the TEST command (!TEST <CR>, where "<CR>" means "press the RETURN key."). After a delay, the bell sounds and the terminal displays a message consisting of the following: checksums for part of the firmware contained in the system ROM; a sample of each character in the standard character font (also font 1, if it is installed); and a string of 21 A's, three in each of the terminal's seven default colors (see Figure 2-3). In addition, the LEDs in the four lighted keys on the keyboard come on during the test.

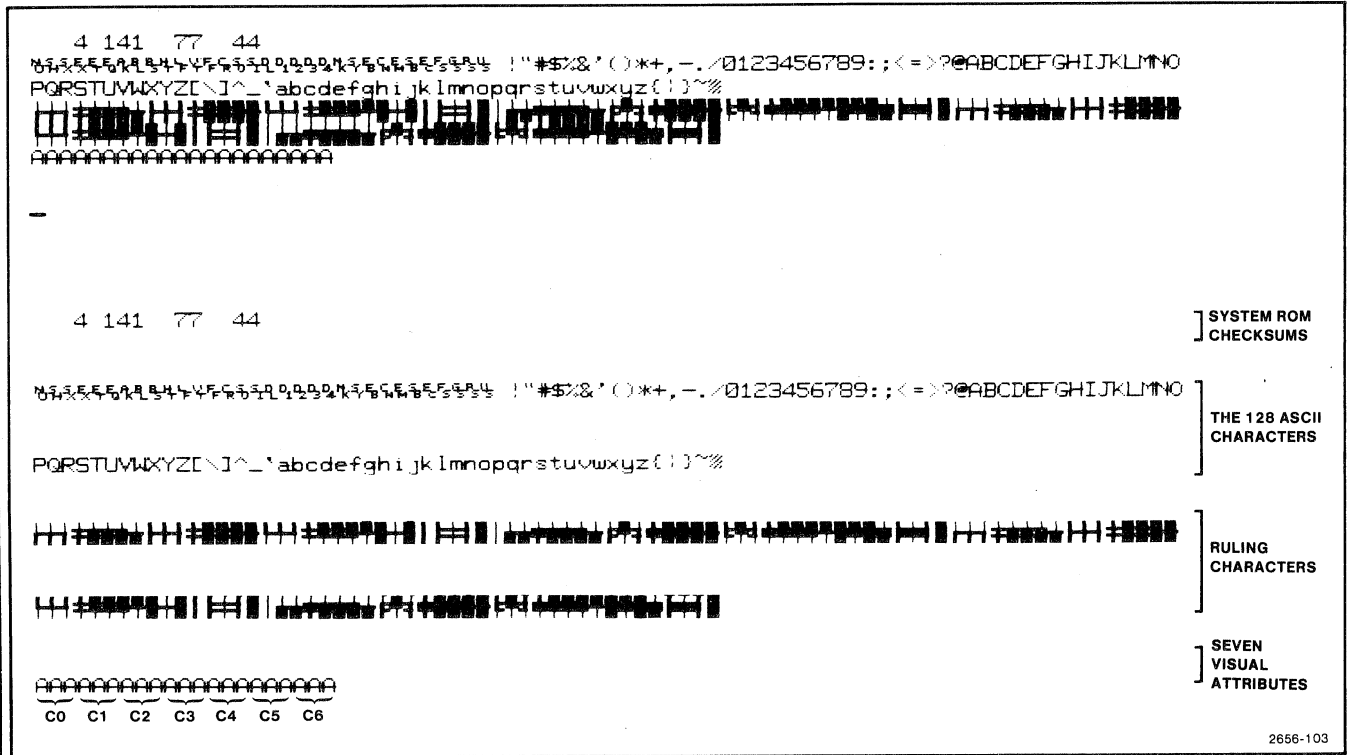


Figure 2-3. The TEST Message.

9. Compare the checksums given in the TEST message to those given in Table 2-2 to see that they are correct for the firmware version (V#=) which is installed. If they are incorrect, system ROM may be defective.

Table 2-2

FIRMWARE CHECKSUMS

Firmware Version	Checksums
1.1	141 180 228 32
1.1 with Opt. 10	75 156 228 177

INSTALLATION

10. Check to see that there is a full complement of upper and lower case ASCII characters and that seven distinct colors are displayed in the A's at the bottom.

GTEST Message

11. Type the GTEST command (!GTEST <CR>). The terminal tests its Graphics Memory, then displays a list that indicates how much memory is available and whether or not the memory is functioning (see Figure 2-4).

```
1 ROM FONT
2 NO MEM
3 ROM FONT
4 NO MEM
5 NO MEM
6 NO MEM
7 NO MEM
8 NO MEM
9 NO MEM
10 NO MEM
11 NO MEM
12 NO MEM
13 NO MEM
14 NO MEM
15 NO MEM
16 OK
17 OK
18 OK
19 OK
20 OK
21 OK
22 OK
23 OK
24 OK
25 OK
26 OK
27 OK
28 OK
29 OK
30 OK
31 OK
TEST COMPLETE
```

1. ROM is enabled in fonts 1 and 3.

2. RAM is enabled and functioning in fonts 16 through 31 (option 27).

2656-104

Figure 2-4. The GTEST Message.

Compare the list on the display with Table 2-3 to insure that the proper amount of RAM and ROM is installed and functioning. Additional information on RAM and ROM installation is available under JUMPER SETTINGS in this section and in Section 4, OPTIONS.

Table 2-3
GTEST MESSAGES

Memory Installed	Normal Message	Error Message
16K (Standard)	1 through 23: NO MEM (a) 24 through 31: OK	RAM ERROR will appear for each font found defective.
32K (Option 27)	1 through 15: NO MEM (a) 16 through 31: OK	
48K (Option 28)	1 through 7: NO MEM (a) 8 through 31: OK	
64K (Option 29)	1 through 31: OK (a)	no error message
ROM Fonts 1 through 7	1 through 7: ROM FONT will appear for each ROM Font installed.	

(a) ROM takes precedence over RAM. ROM FONT may appear in 1 through 7 (only).

INSTALLATION

RAM ERROR Message

The RAM ERROR message consists of four integers, followed by the message "RAM ERROR" (see Figure 2-5). The first integer indicates the font containing a RAM error. The last three integers are a code denoting which bits have been found in error. For a detailed interpretation of this message, refer to the CALIBRATION AND MAINTENANCE section.

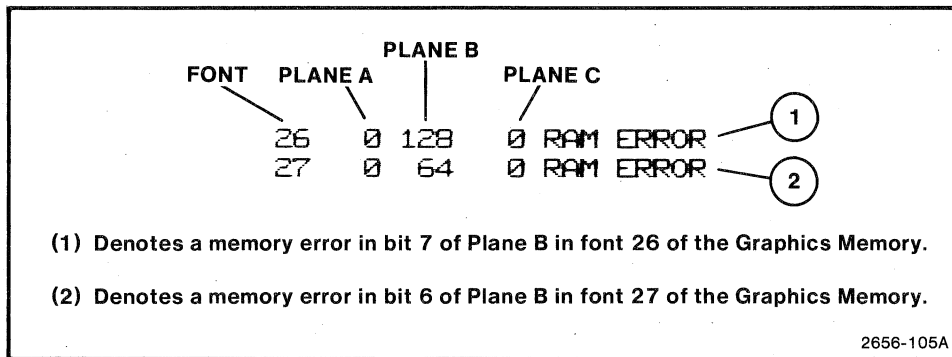


Figure 2-5. The GTEST "RAM ERROR" Message.

ROM FONT Message

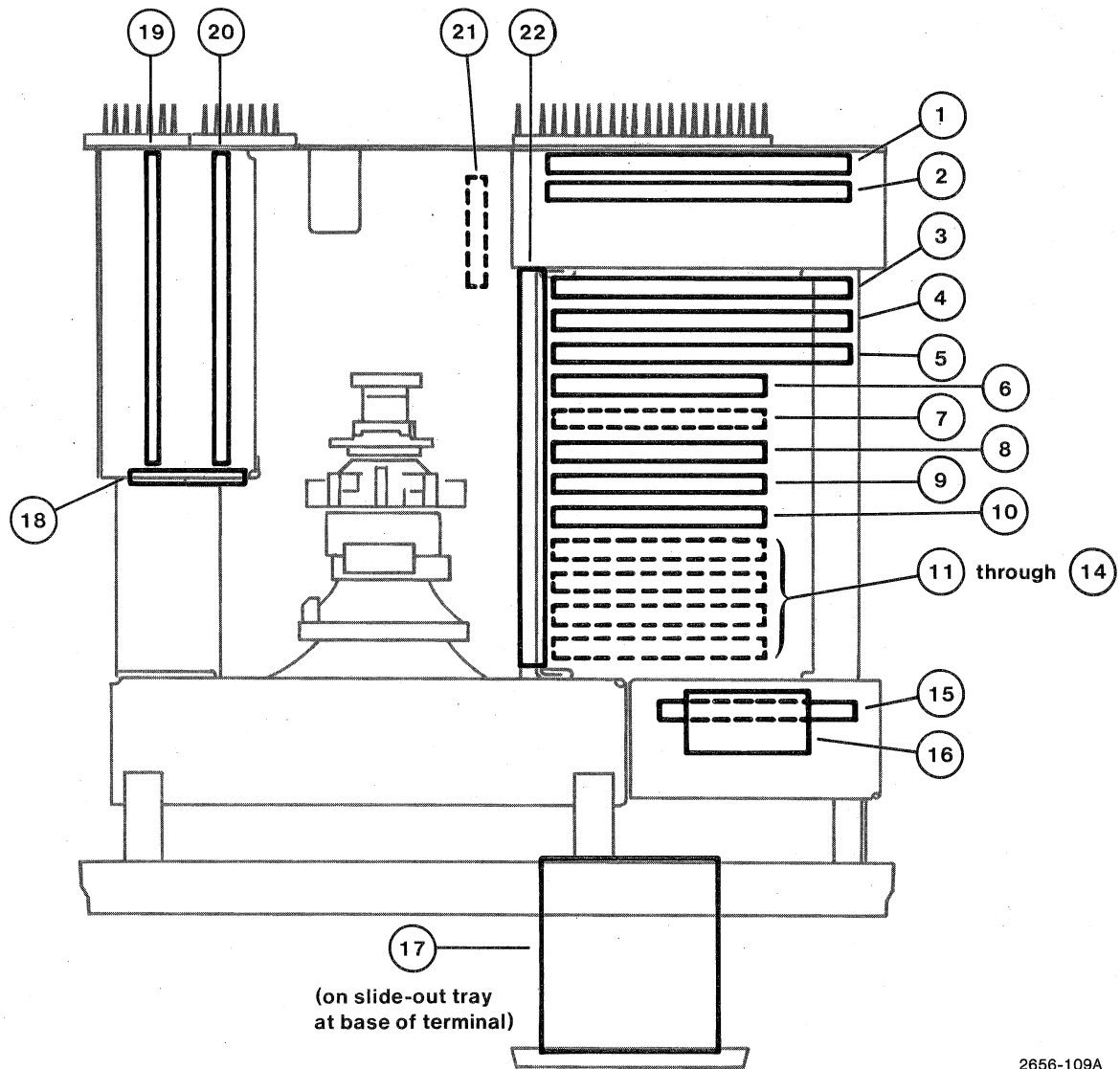
Optional ROM fonts can appear in fonts 1 through 7 of Graphics Memory. If installed (and enabled by jumper on the Graphics Memory Controller), these ROM fonts take precedence over RAM. For example, if Option 29 (64K Graphics Memory) is installed, and in addition, the Rulings Character Set ROM is installed in font 3, ROM FONT will appear after 3 in the GTEST list. The 2K block of RAM at font 3 cannot be accessed as long as ROM font 3 is enabled.

Circuit Board Complement

The 4027 contains the following etched circuit boards (see Figure 2-6 for their locations).

1. Power Supply
2. Inverter
3. Graphics Memory
4. Graphics Memory Controller
5. Display Controller
6. Display Memory
7. Character Set Expansion (optional)
8. Deluxe Communications
9. Processor
10. ROM Expansion
11. RS-232 Peripheral Interface (optional)
12. GPIB Interface (optional)
13. Polling Controller Interface (optional)
14. Polling Controller (optional)
15. High Voltage
16. High Voltage Control
17. External Convergence
18. Display Interconnect
19. Deflection
20. Z-Axis and Convergence
21. Current Loop Interface (optional)
22. Motherboard
23. Keyboard (not shown in Figure 2-6)

INSTALLATION



2656-109A

Figure 2-6. Circuit Board Locations.

ROUTINE CONVERGENCE ADJUSTMENT

1. Turn the 4027 on and allow it to warm up for at least 30 minutes. Then type the CAL command (!CAL <CR>).

This command assigns each of the function keys F1 through F8 to a color and F9 to an alignment grid. The key assignments are displayed on the screen. Press the function keys from F1 through F8 and check that the following colors appear on the screen, in sequence: White, red, green, blue, cyan, magenta, yellow and black. See Appendix A for a definition of the colors.

2. Remove the two screws securing the External Convergence Board tray and slide out the tray (Figure 2-7).

The External Convergence Board contains 27 adjustments arranged in groups of three. Looking at the board from the front of the terminal, there is a direct correspondence between each of these groups and an area on the screen. For example, upper left on the board corresponds to upper left on the screen. In addition, the adjustments are color coded: the red adjustments control the red beam, and so on.

INSTALLATION

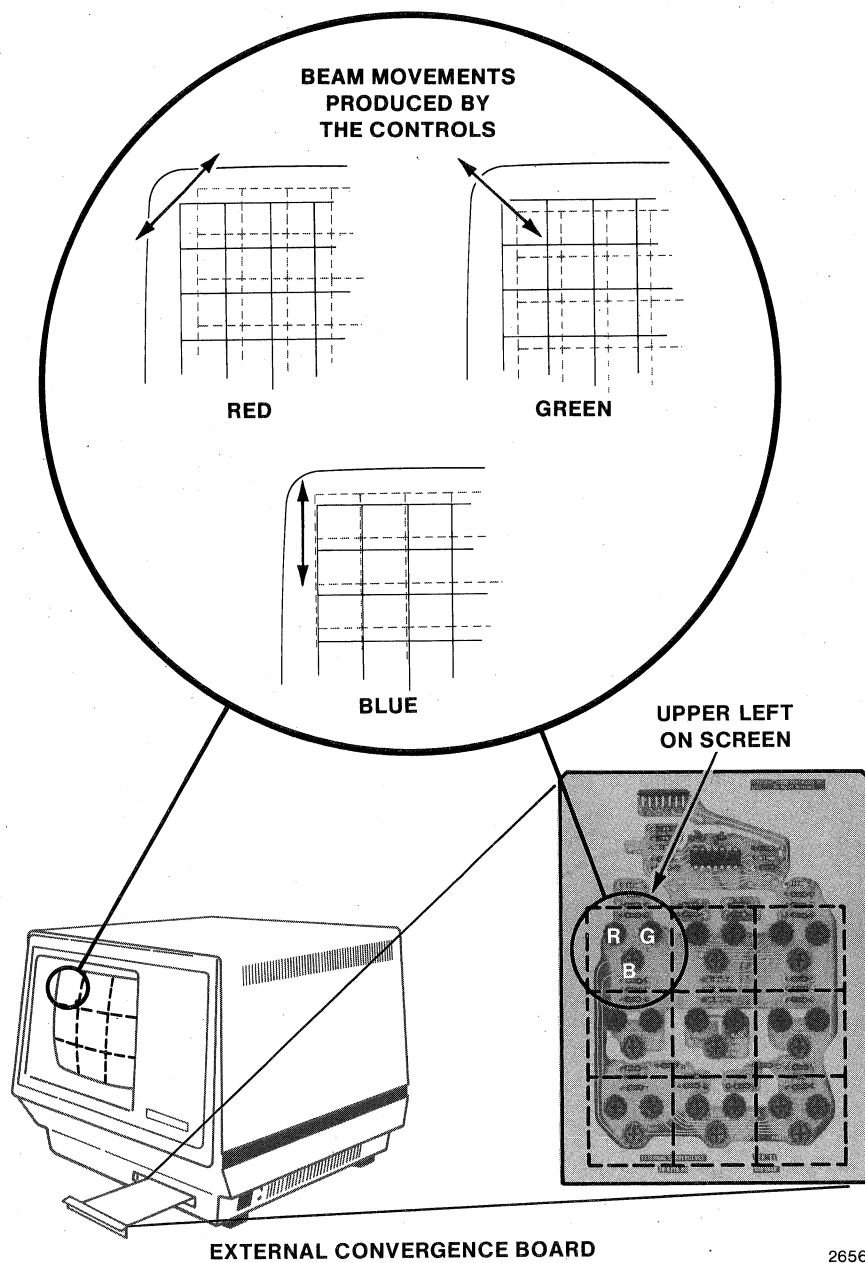


Figure 2-7. Routine Convergence Adjustments.

3. Press the degaussing button on the rear panel for 2 or 3 seconds. Then press function key F9 to display the alignment grid.
4. Refer to Figure 2-7 for the direction of beam movement produced by the convergence adjustments. For each area, converge the red and green first, then converge the blue with them. When red, blue, and green beams are converged properly, the images produced by the beams will coincide over the entire screen (there will be a minimum of color fringes).

Begin adjusting in the center (first the red and green, then the blue) and continue in the following order: center top, center bottom, center right, center left, top right, bottom right, top left, and bottom left.

5. Once satisfactory convergence has been obtained, return the External Convergence Board to its compartment and exit from the CALIBRATE function by pressing any key but F1 through F9.

LINE VOLTAGE SELECTION

Line voltage selection is determined by the orientation of an etched circuit card within an integral line filter, fuse holder and line voltage selector assembly. The selected voltage is visible through a window in the sliding plastic cover over the card (see Figure 2-8).

INSTALLATION

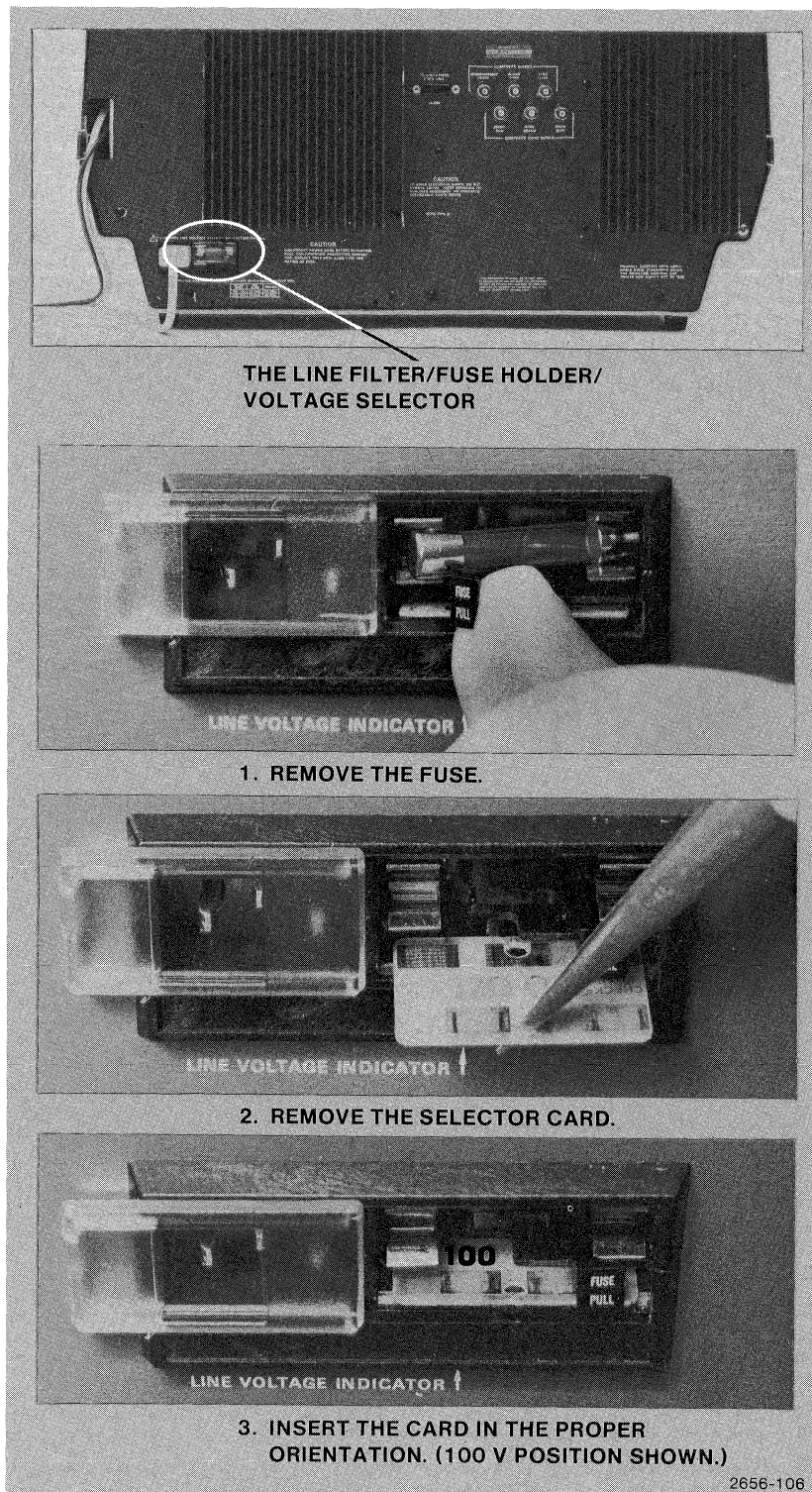


Figure 2-8. Line Voltage Selection.

To change the line voltage range, do the following:

1. Turn off the power and unplug the power cord.
2. Unplug the power cord from the rear of the terminal and slide the plastic window to the left.
3. Remove the fuse by pulling out the tab labeled "FUSE PULL" until one side of the fuse comes loose from the holder, then pulling it away from the other contact.
4. Carefully remove the etched circuit card with needle nose pliers or by inserting a pointed object through the small hole in the card and pulling out the card.
5. There are four numbers on the circuit card; 100, 120, 220 and 240. Orient the card so that the proper voltage can be read right side up. Then reinsert the card (in this orientation) into its socket. Once this card is installed, only the proper line voltage should be visible.
6. If 100 or 120 VAC has been selected, install a 6A, fast-blow fuse. If 220 or 240 VAC have been selected, install a 3A, fast-blow fuse.
7. Slide the plastic cover to the right and install the PROPER power cord. See AC POWER CORD AND GROUNDING REQUIREMENT below and Figure 2-9.

AC POWER CORD AND GROUNDING REQUIREMENT

The 4027 has a detachable three-wire power cord with a three-prong polarized plug for connection to the power source and safety grounding. The Safety Ground terminal of the plug is directly connected to the instrument frame for shock protection. This plug should be inserted into an outlet with a safety grounding contact. Otherwise, connect the frame of the instrument to a suitable safety grounding system.

INSTALLATION

See Figure 2-9 for standard power cords to use in the United States. Use only these cords (Tektronix Part Number 161-0066-00 for 100 or 120 VAC, Part Number 161-0066-01 for 220 or 240 VAC). In other jurisdictions, use a plug that satisfies local regulations.

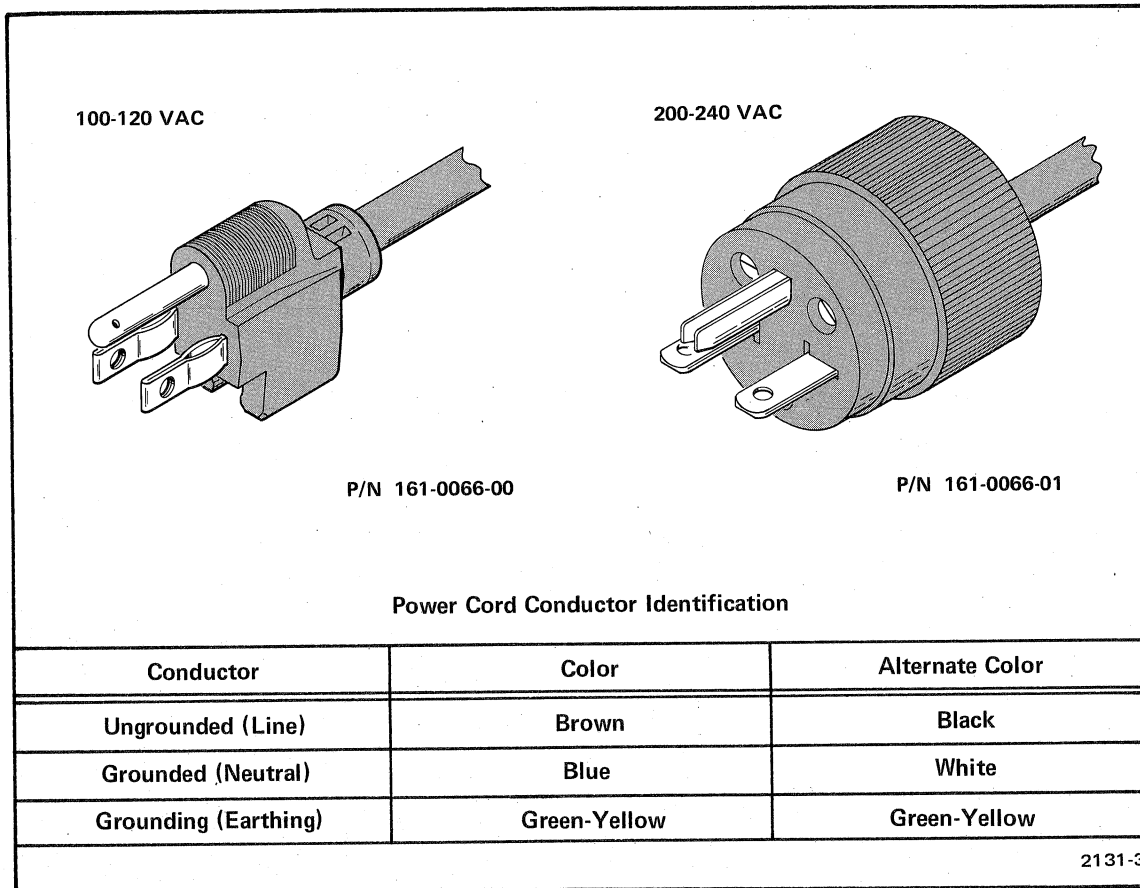


Figure 2-9. Standard Power Cords (USA).

JUMPER SETTINGS

Only those jumper-selectable circuit options for the standard 4027 will be covered in this section. Consult Section 4, OPTIONS for information pertinent to optional configurations of the 4027. In some cases, as with firmware or alternate character set options, information will be contained in both sections.

NOTE

All jumpers are normally set at the factory and are included here only for reference. However, as optional RAM and ROM are installed, jumpers may need to be changed to reflect the new configuration.

WARNING

Lethal voltages are present at various places inside the terminal. Before examining or changing any jumper settings on any of the boards, turn the terminal power off and unplug the terminal from the power source.

To examine or change any jumper settings, turn the 4027 off and unplug it from the power source. Remove the instrument cover. See Figure 2-6 for the location of the various boards.

When all jumper settings have been checked, replace the instrument cover.

Graphics Memory Controller Board

Refer to Figure 2-10.

1. Install RAM jumpers according to Table 2-4.

Table 2-4

GRAPHICS RAM JUMPER SETTINGS

Configuration	Jumper Pins
16K (standard)	permanently enabled
32K (Option 27)	2
48K (Option 28)	2, 1
64K (Option 29)	2, 1, 0

2. Jumper a set of pins for each ROM Font present on the Character Set Expansion Board (see Section 4, OPTIONS). Font 0 is permanently enabled unless the etched circuit is cut between the pins labeled "0".
3. If a character set other than the ASCII set is desired at Font 0, cut the etched circuit at "ASCII DISABLE". (This should only be done if a ROM is installed at font 0 on the Character Set Expansion Board. See "Character Set Expansion Board" in Section 4, OPTIONS.)

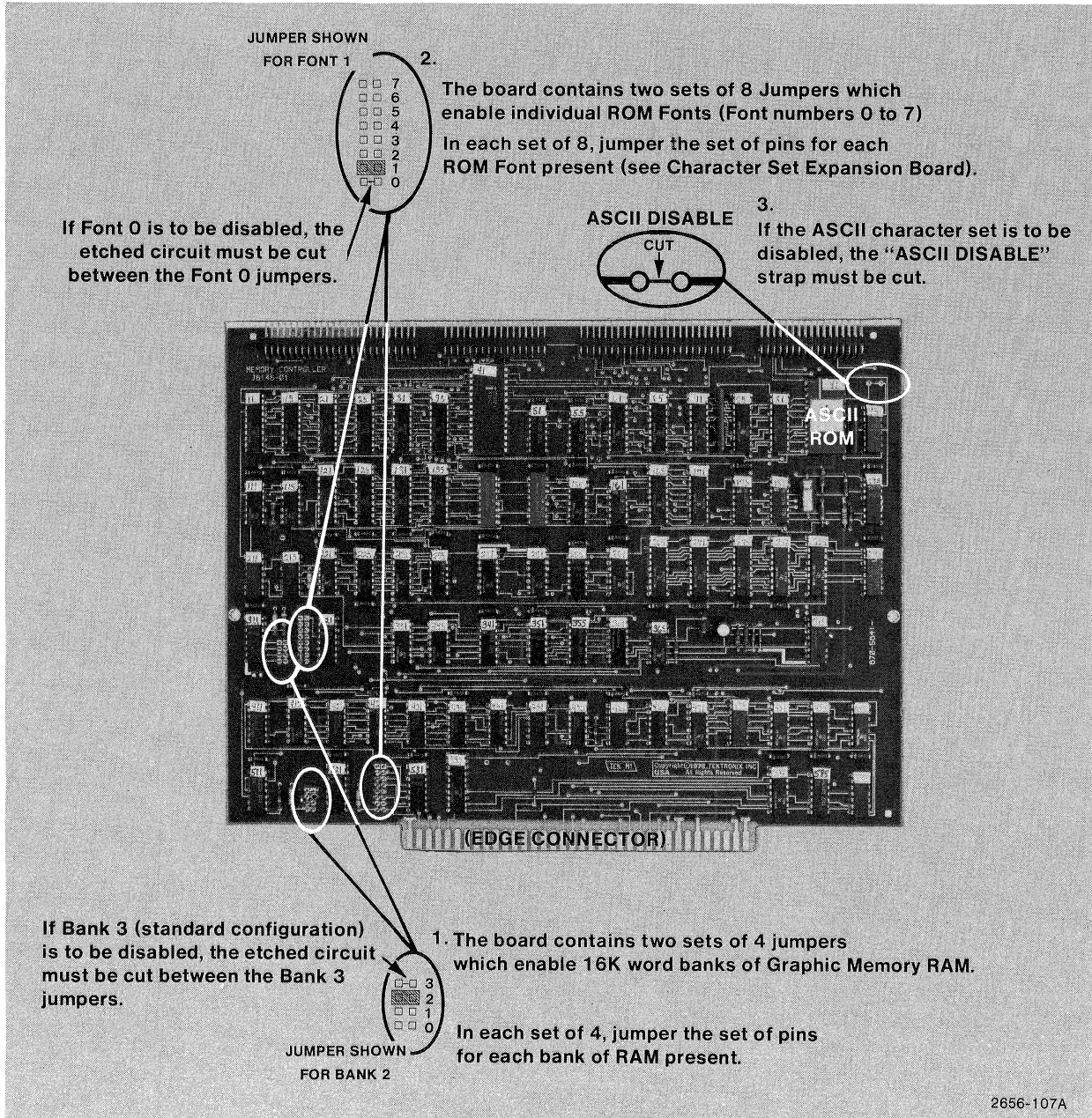


Figure 2-10. Graphics Memory Controller Jumper Settings.

INSTALLATION

Deluxe Communications Board

Refer to Figure 2-11.

1. Set the Transmit Clock jumper to position "A" for normal operation (transmit baud rate set by the internal baud rate generator).

To use an external clock, set the jumper to position "B." In this position, pin 5 of J2 becomes an input.

NOTE

To use an external transmit clock, the internal baud rate generator must be set to "0" baud by a BAUD 0 command to the terminal. In addition, the terminal must have Option 1 RS-232 host cable installed.

2. The processor bus address for the board must be set to X'870' by installing a jumper as shown in Figure 2-11.

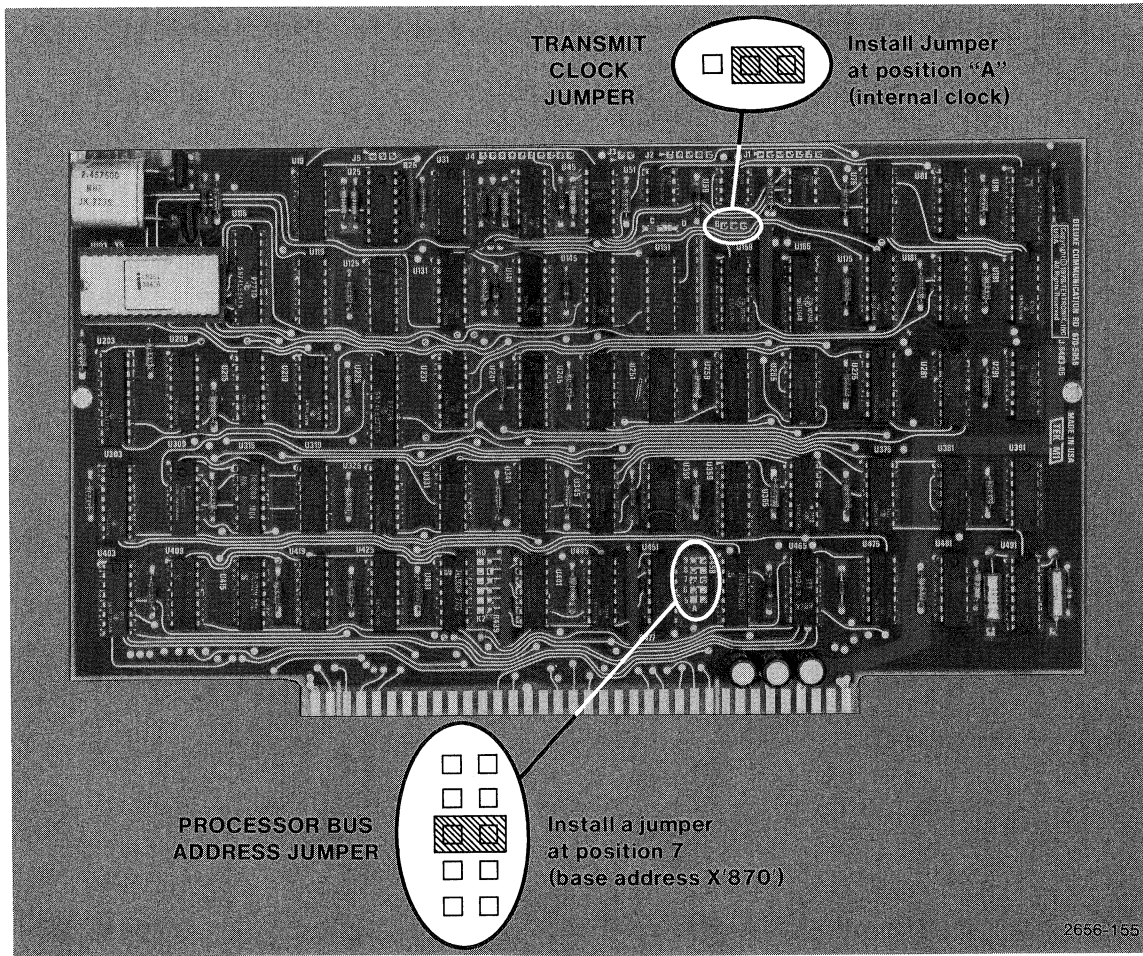


Figure 2-11. Deluxe Communications Board Jumper Settings.

INSTALLATION

Display Memory Board

Refer to Figure 2-12.

1. Set SA, SB, and SC to 4 if 4K RAM chips are installed (8K of Display Memory).

Set SA, SB and SC to 16 if 16K RAM chips are installed (16K or 32K of Display Memory).

2. Set the Address Select jumpers A12, A13, and A14 according to Table 2-5.

Table 2-5

DISPLAY MEMORY RAM JUMPER SETTINGS			
	8K (standard)	16K (Option 21)	32K (Option 22)
A14	1	1	X
A13	1	X	X
A12	X	X	X

3. Set INT (interrupt) to V (vectored).
4. Set the Hard Copy jumper (labeled HCU) to V (Video).

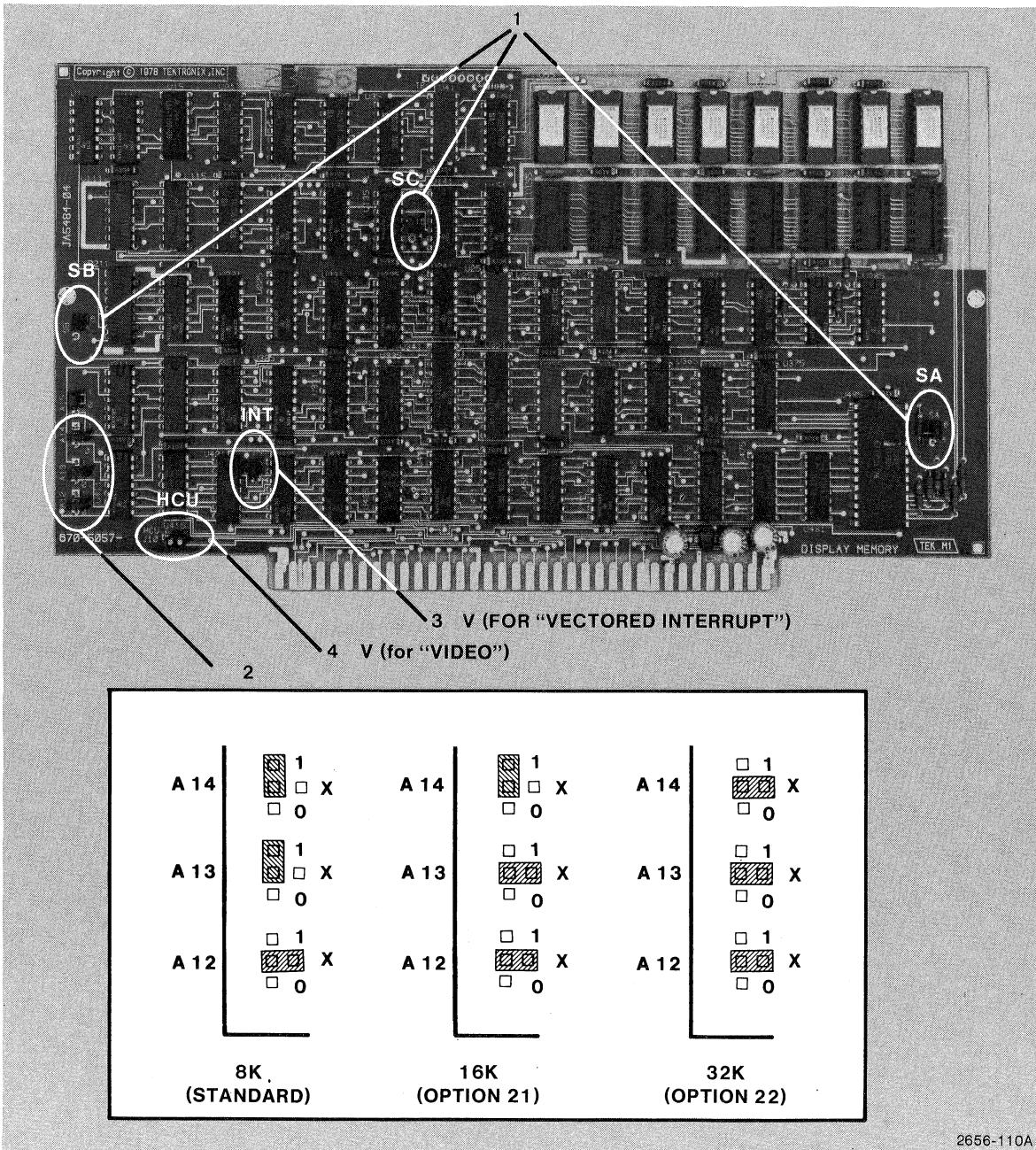


Figure 2-12. Display Memory Board Jumper Settings.

INSTALLATION

ROM Expansion Board

Refer to Figure 2-13.

1. Set the ROM jumper to "IN" for each ROM installed, and to "OUT" if the ROM is not installed. If two ROM Expansion Boards are installed in the terminal, ROMs 9 and 10 can be jumpered "IN" on one of the boards only.
2. If one ROM Expansion Board is installed, set the Board Select jumper to "1." If two ROM Expansion Boards are installed, set the jumper on one board to "1" and the jumper on the other board to "2."
3. Set the F-ROM jumper to "IN" if the F-ROM is to be addressable from the processor bus. Otherwise, set it to "OUT."
4. To permit using "non-paging" FIXIT ROM instead of "paging" FIXIT ROM, cut the etched circuit at the "FIXIT" cut-strap.

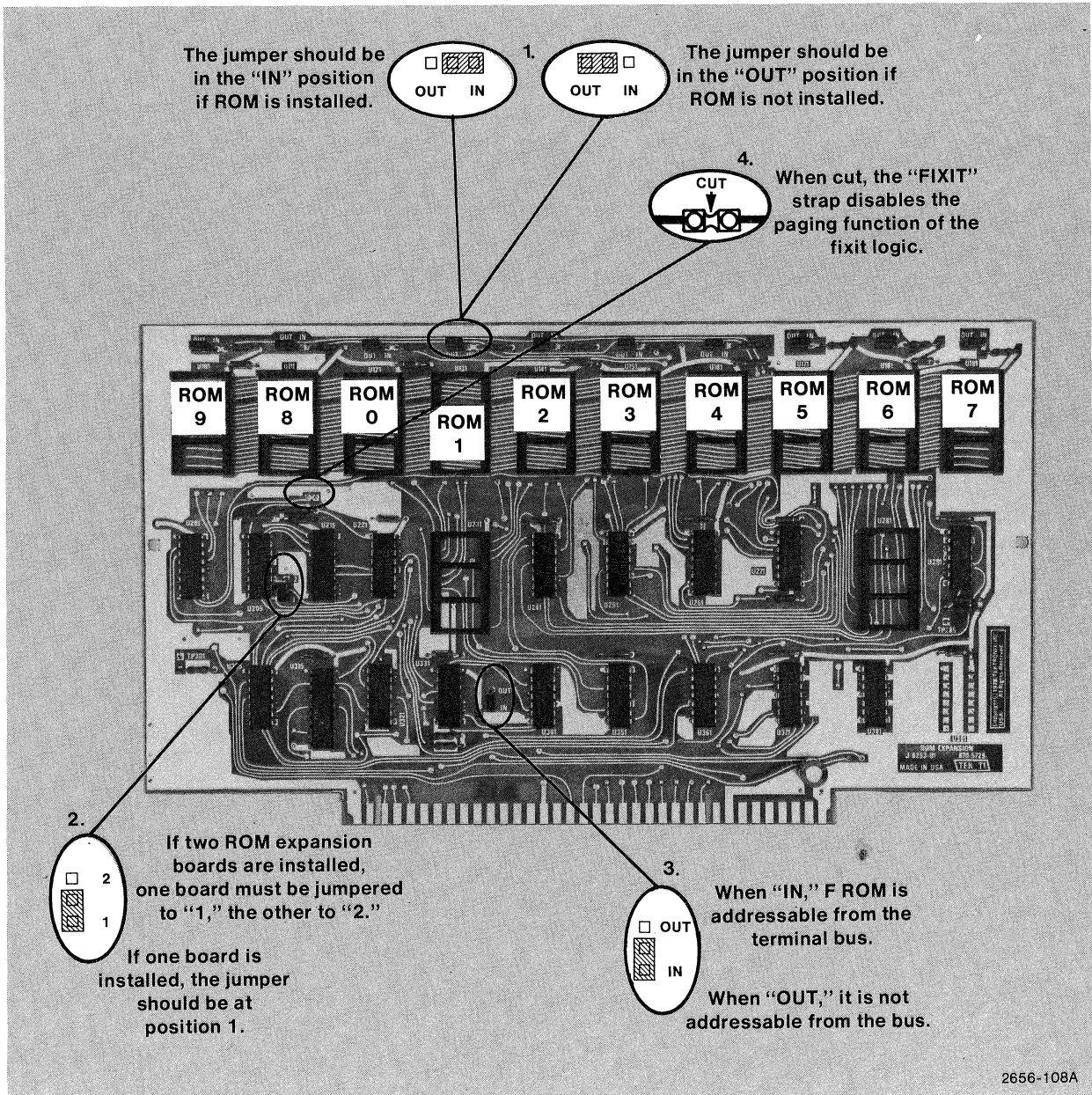


Figure 2-13. ROM Expansion Board Jumper Settings.



Section 3

CALIBRATION AND MAINTENANCE

CALIBRATION AND ADJUSTMENT SCHEDULE

The 4027 calibration procedures should be performed according to the schedule shown in Table 3-1.

Table 3-1

CALIBRATION AND ADJUSTMENT SCHEDULE

Section	Schedule
Power Supply	
A. Routine	Every six months for the first year of operation, every year thereafter; should always be done before the Display Calibration.
B. Post-Maintenance	After repair to the inverter or power supply circuitry.
Display	
High Voltage, Z-Axis and Purity, Deflection, Convergence, Fine Deflection, Fine Convergence	Every six months for the first year of operation, every year thereafter. Whenever the display circuitry is repaired or the crt is replaced.
High Voltage Efficiency Check	After repair to the High Voltage Board or High Voltage Control Board.
Processor Clock	Every six months for the first year of operation, every year thereafter.

WARNING

Operation with defective or incorrectly replaced parts or after improper servicing may produce hazardous x-radiation. Specified crt anode voltage: 21KV.

POWER SUPPLY CALIBRATION AND ADJUSTMENT

The power supply calibration procedure is divided into two sections: Routine Calibration and Post-Maintenance Calibration. Routine calibration should be done on a routine basis in conjunction with the display calibration procedures. Post-maintenance calibration should be done after repair to the power supply or inverter circuitry. In either case, the steps within each section should be done in sequence.

WARNING

Hazardous voltages are present in this circuitry. The filter capacitors in the Inverter circuit may retain a hazardous charge for some time after the terminal is turned off. A neon lamp on the Inverter Board blinks until these capacitors have discharged to a safe level.

Routine Calibration and Adjustment

Equipment Required

TEKTRONIX 465 Dual Trace Oscilloscope (or equivalent).

TEKTRONIX DM 501 Digital Voltmeter (or equivalent).

Variable autotransformer, 500 watts minimum.

Triplet type 630 VOM (or equivalent).

NOTE

Instrument settings are given within brackets near where they are referenced in the calibration procedure. For example, [2V/div, 20 ms/div] means set the oscilloscope to 2 volts/division vertical sensitivity and 20 milliseconds/division sweep speed.

Preliminary

1. MAKE SURE THAT THE POWER IS OFF. Remove the power supply assembly from the chassis (see Figure 3-1). Disconnect J206 and J207 so that the power supply can lie down flat behind the terminal.
2. Make a visual inspection of the power supply. Check to see that all wiring is properly connected (except J206 and 207). Look for any burned or damaged parts and make sure that the proper fuses are installed (two on the Power Supply Board, one in the line filter assembly).

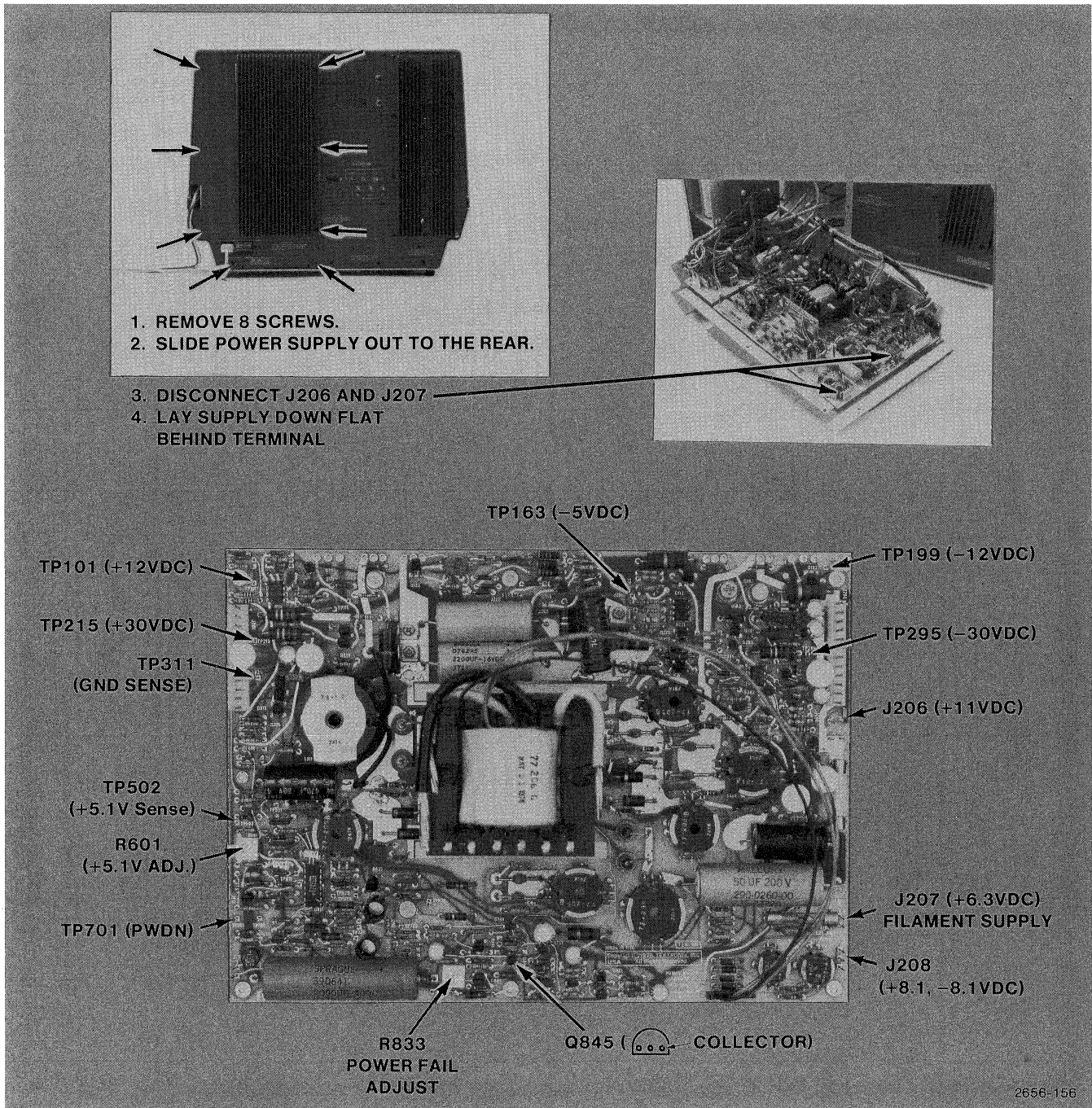


Figure 3-1. Routine Power Supply Calibration.

Voltage Calibration and Adjustment (refer to Figure 3-1)

1. Turn on the power and connect the digital voltmeter probe to TP502 (+5.1V SENSE) and the ground lead to TP311 (GND SENSE). Using R601, set the voltage to 5.100 Volts. (This voltage affects all instrument calibration. Set it accurately.)
2. Verify that the voltages in Table 3-2 are within specifications.

Table 3-2

REGULATED VOLTAGE MEASUREMENTS

Supply Voltage	Test Point	Range
-5(+1%)	TP163	- 4.95 to - 5.05 <i>5.01</i>
+12(+1%)	TP101	+11.88 to +12.12 <i>12.01</i>
-12(+1%)	TP199	-11.88 to -12.12 <i>12.01</i>
+30(+5%)	TP215	+28.5 to +31.5 <i>30.1</i>
-30(+5%)	TP295	-28.5 to -31.5 (5%) <i>30.1</i>

CALIBRATION AND MAINTENANCE

3. Set up the oscilloscope [.5V/div, 10 us/div, AC coupled] and check that the ripple voltages in Table 3-3 are no greater than 100 mV (see Figure 3-2).

Table 3-3
RIPPLE VOLTAGE CHECKS

Supply Voltage	Test Point	Ground Reference
+5	Mother Board J13	700 J14
-5	Mother Board J1-3	100 J14
+12	Mother Board J1-11	100 J14
-12	Mother Board J1-7	100 J14
+30	Display Interconnect J182-17	300 J182-18
-30	Display Interconnect J182-U	300 J182-18

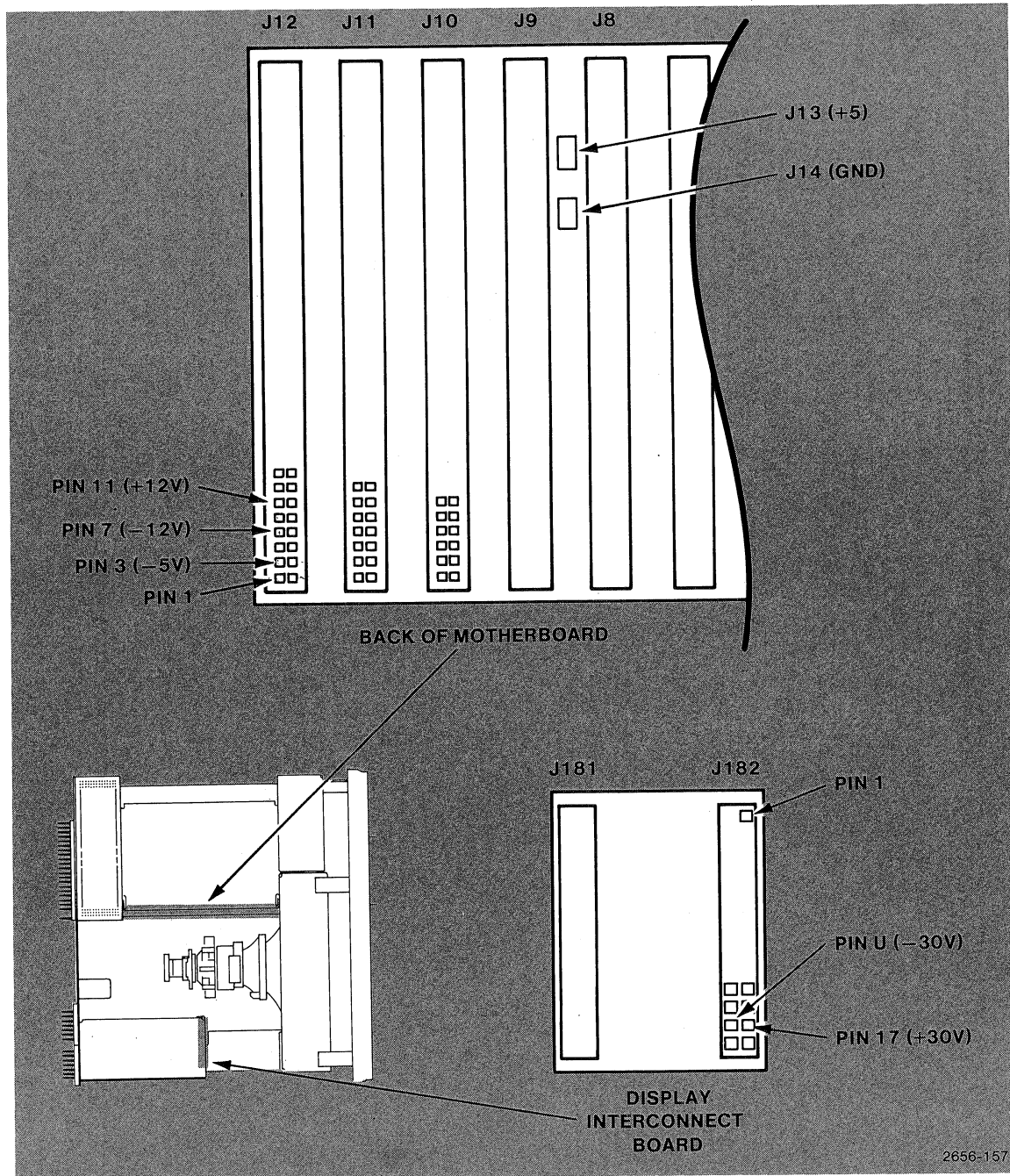


Figure 3-2. Ripple Voltage Measurements.

4. TURN OFF THE POWER, then reconnect J206 and J207 on the Power Supply Board (reposition the assembly as necessary).

WARNING

The high voltage power supply is enabled during the following three steps. If there is a malfunction in the high voltage circuitry, or if repair has been done to that circuit, it should be disabled before continuing the calibration procedure. Refer to high voltage adjustment, Step 1.

5. Turn on the power.
6. Use the VOM to measure the +6.3 VDC unregulated supply at J207, Pin 1, with the ground lead connected to J207, Pin 2. It should be within 5%. *6.22*
7. Use the VOM to measure the +110 VDC unregulated supply at J206, Pin 3, with the ground lead connected to J206, Pin 1. It should be between 105 and 125 V. *111*
8. Disconnect J206 and J207.
9. The +8.1VDC and -8.1VDC supplies should be measured with a VOM or other meter that can "float" above ground (90V). Connect the ground lead to J208, Pin 2. *8.33* *11.02*
Measure The +8.1V supply at J208, Pin 1 and the -8.1V supply at J208, Pin 3. Each of these should be within 10%.

Power Fail Detect Adjustment

1. With the line voltage selector card set in the 120 VAC position (see INSTALLATION section), connect the terminal to a variable transformer and set the input voltage to 100 VAC.
2. Connect the oscilloscope [2V/div, 20ms/div] to the collector of Q845 (see Figure 3-1).

3. Adjust R833 (POWER FAIL ADJUST) until narrow, positive-going pulses appear. The pulses will occur at a 60 Hz. rate.
4. TURN OFF THE POWER. Reinstall the power supply. Refer to Figure 3-1 and make sure that everything has been properly connected.
5. If the display calibration is to be done next, proceed to that section.

Post Maintenance Calibration and Checkout

WARNING

Since the inverter circuitry is directly connected to the AC power line, an isolation transformer must be used to minimize the shock hazard and prevent damage to the terminal or test equipment during this part of the power supply calibration procedure.

Equipment Required

TEKTRONIX 465 Dual Trace Oscilloscope (or equivalent).

TEKTRONIX DM 501 Digital Voltmeter (or equivalent).

Variable autotransformer, 500 watts minimum.

Triplett type 630 Multimeter (or equivalent).

Isolation transformer, 500 watts minimum.

NOTE

Instrument settings are given in brackets near the instrument reference in the following procedures. For example, [10v/div, 2ms/div] means to set the oscilloscope to 10 volts/division vertical sensitivity and 2 milliseconds/ division sweep speed.

Preliminary

1. MAKE SURE THAT THE POWER IS OFF. Position the power supply assembly at the rear of the chassis (see Figure 3-3). All connections to the power supply should be made except J206, J207, and J210. This allows the assembly to lie flat behind the terminal and, at the same time, disables the high voltage supply and the inverter switching transistors.
2. Make a visual inspection of the power supply. Check to see that all wiring is properly connected. (See the Power Supply portion of the Display Interconnect Wiring Diagram following the Schematics in Section 7.) Look for any burned or damaged parts and make sure that the proper fuses are installed (two on the power supply circuit board, one in the line filter assembly).

WARNING

The following checks and adjustments must be performed using a suitable power line isolation transformer. Use extreme caution when connecting any instrument to the circuit.

Primary Capacitor Check

1. Turn on the power. The neon light, DS221, on the Inverter Board should start blinking.
2. Connect the ground lead of the VOM to the junction of R41 and R241 (18K,2W) on the Inverter Board. Read the voltage at TP121. It should be about +150 V. Reverse the meter polarity, then read the voltage at TP221. It should be about -150 V.
3. Turn off the power.

Control Circuit Check

1. Disconnect J221 (bridge diode on the Inverter Board), then turn on the power.
2. Measure the voltage across C821 on the Power Supply Board. It should be about 22 V.

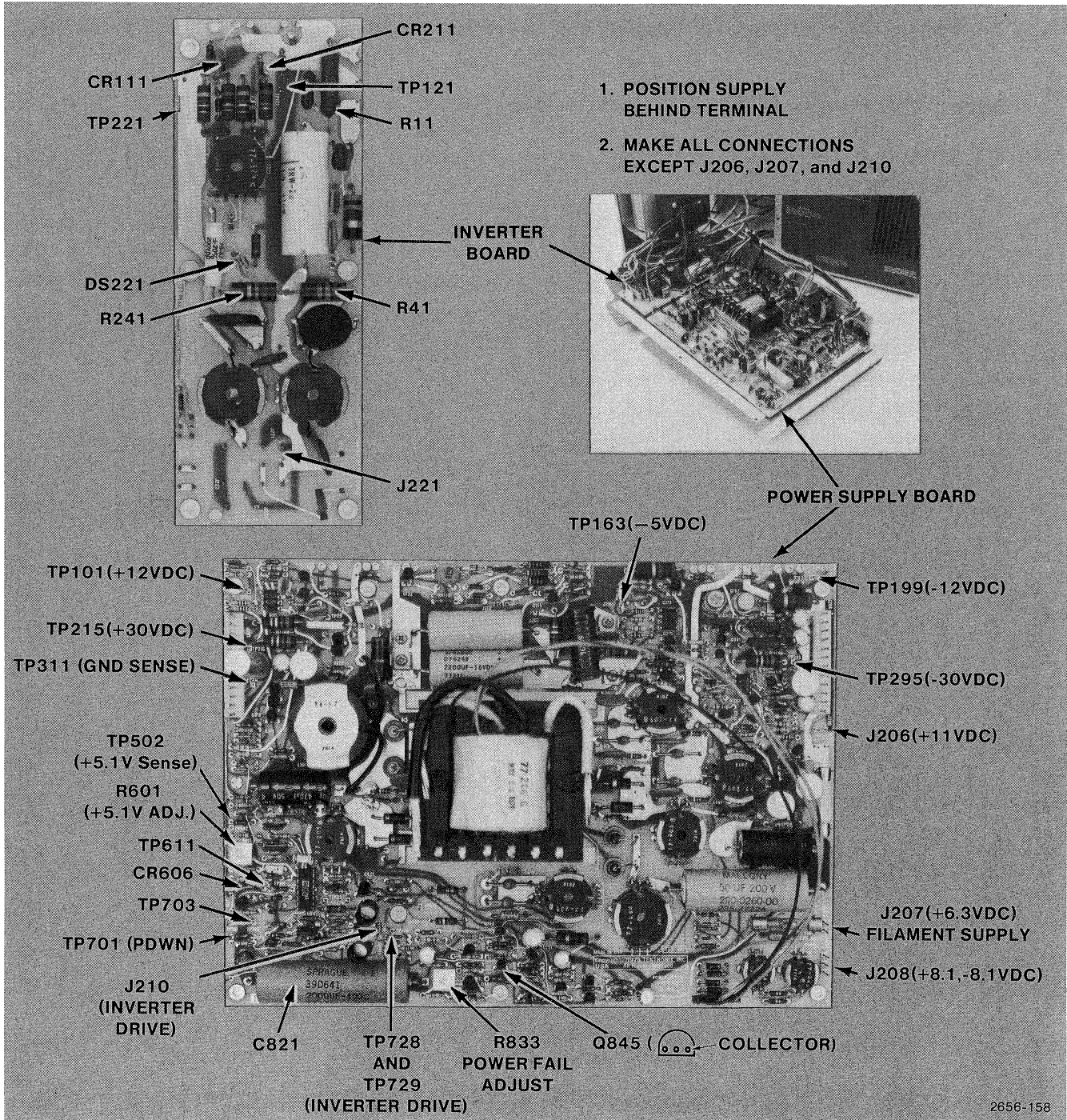


Figure 3-3. Post-Maintenance Power Supply Calibration.

CALIBRATION AND MAINTENANCE

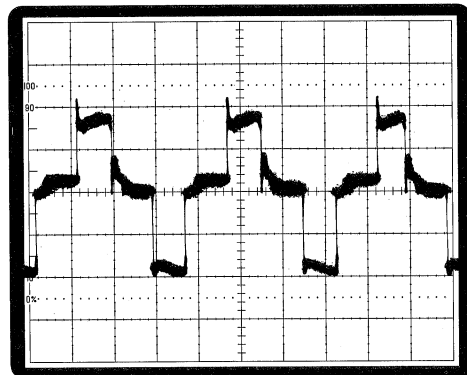
3. Set up the oscilloscope [10V/div, 10 us/div] and observe the waveform at TP728 and TP729. 1.3 us pulses spaced at about 25 us should appear at these points.

Power-Up Power-Down Sequence Check

1. With one channel of the oscilloscope connected to TP729 and the other connected to the positive side of C821, check to see that when power is shut off, the pulses at TP729 stop before C821 has discharged more than 2 volts.
2. Check to see that when power is turned on, pulses do not appear at TP729 until C821 has charged up to 18 to 20 volts.

Base Drive Circuit Check

1. TURN THE POWER OFF, then connect J210 (base drive to the inverter switching transistors).
2. Connect a jumper between TP611 and TP703 on the Power Supply Board.
3. Turn the power on, then check to see that the waveform depicted in Figure 3-4 appears at TP728 and TP729.



10 μ s/Div, 10V/Div 2656-113A

Figure 3-4. TP728 and TP729.

4. Connect the oscilloscope ground lead to TP221 on the Inverter Board and the scope probe to the cathode of CR211 [1V/div]. The waveform shown in Figure 3-5 should appear.



10 μ s/Div, 1V/Div 2656-114A

Figure 3-5. Inverter Base Drive.

5. Connect the oscilloscope ground lead to the top end (nearest the switching transistor) of R11 on the Inverter Board. Connect the probe to the cathode of CR111. The waveform shown in Figure 3-5 should appear here.
6. TURN OFF THE POWER, then remove the jumper between TP611 and TP703.

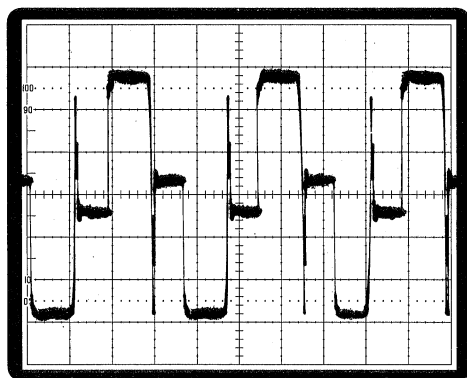
Power-Up Check

1. Reconnect J221.
2. Connect the oscilloscope to +5V at TP502 and turn on the power while observing the oscilloscope.
3. If the +5 volt supply does not come up to voltage, and the power supply makes a buzzing sound, it is probably current limiting. In this case, further troubleshooting is needed.

WARNING

The inverter circuitry is directly connected to the AC power line. An isolation transformer must be used for Step 4.

4. TURN THE POWER OFF and connect the oscilloscope [50V/div, 10 μ s/div] to the top end of R11 (nearest the switching transistor). Connect the scope ground lead to TP221. Restore power and check to see that the waveform shown in Figure 3-6 appears. The negative and positive going portions of the waveform should be symmetrical.

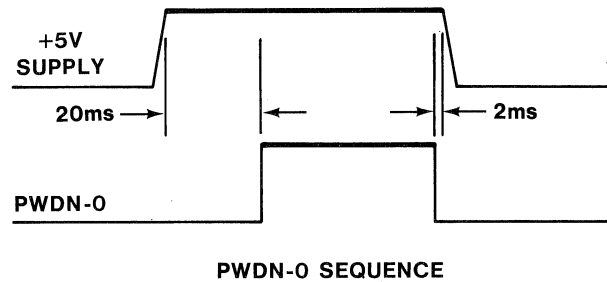


10 μ s/Div, 50V/Div 2656-118A

Figure 3-6. Inverter Collector.

Power Fail Signal Check

1. Connect channel 1 of the oscilloscope to TP502, +5V SENSE. Connect the second channel to TP701, PWDN-0 [1V/div, 10ms/div, DC trigger from channel 1]. Observe the power up timing. PWDN-0 should not go up until at least 20 ms after the +5V supply has come all the way up (see Figure 3-7).



2656-159

Figure 3-7. PWDN-0 Sequence.

2. Reverse the oscilloscope probes and set the time base at 1ms/div. Observe the power-down timing. The +5V should go down at least 2 ms after PWDN.

Power Supply Sync Check

Connect the oscilloscope to the cathode of CR606 [2V/div, 10us/div] Observe that when power is turned on, positive-going pulses spaced at about 25 us appear.

After one or two seconds, the spacing should suddenly decrease to about 21 us. This indicates that the supply has synchronized to the logic circuits.

Voltage Adjustments

TURN OFF THE POWER and remove the oscilloscope leads. Then do the Voltage Calibration and Adjustment and Power Fail Detect Adjustment portions of the Routine Calibration procedure, earlier in this section.

DISPLAY CALIBRATION AND ADJUSTMENT

This procedure uses the CALIBRATE function of the terminal. To activate this function, enter !CAL <CR> from the keyboard (see USING THE SELF-TESTING COMMANDS). This command programs each of the function keys F1 through F8 to display a color and F9 to display an alignment grid. The !CAL command also displays the key assignments on the screen. These assignments are as follows: F1=WHITE, F2=RED, F3=GREEN, F4=BLUE, F5=CYAN, F6=MAGENTA, F7=YELLOW, F8=BLACK, F9=GRID.

Pressing the ESC key terminates the CALIBRATE function and resets the terminal. If any key but ESC or F1 through F9 is pressed during CALIBRATE, the initial message is redisplayed.

WARNING

There are hazardous voltages present at several locations within this circuitry. Refer to Figure 3-8.

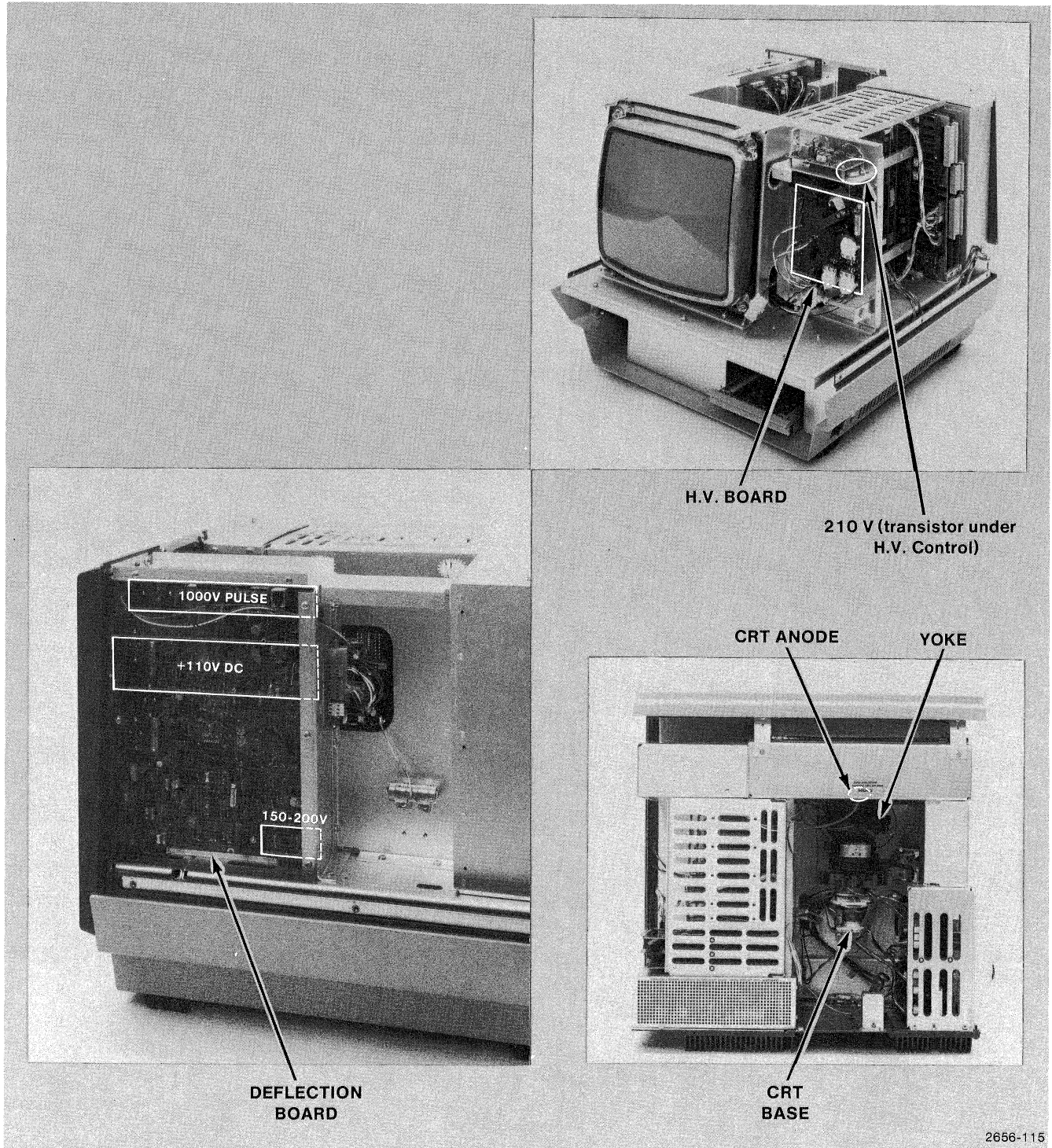


Figure 3-8. Hazardous Voltage Locations.

Equipment Required

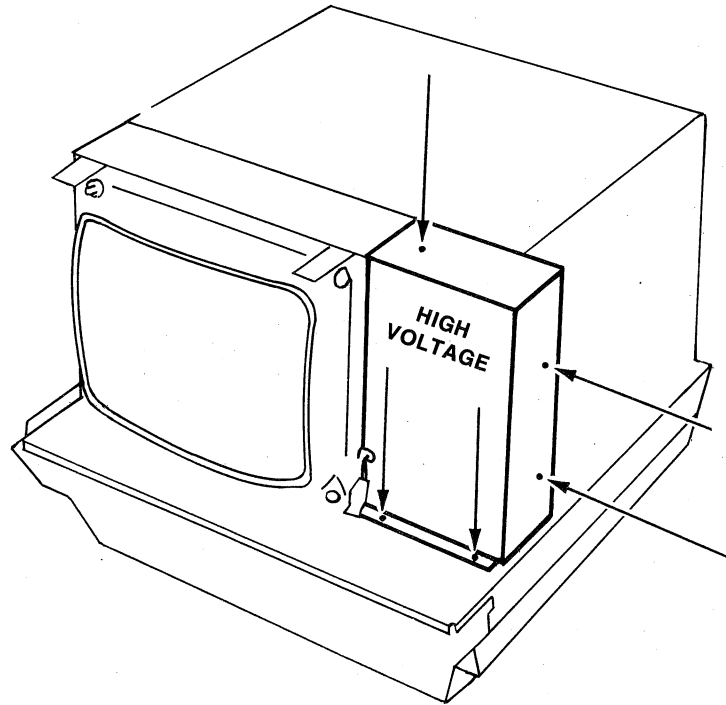
TEKTRONIX 465 Dual Trace Oscilloscope (or equivalent).
TEKTRONIX DM 501 Digital Multimeter (or equivalent).
TEKTRONIX P6508 Temperature Probe (or equivalent).
High voltage probe (Tektronix Part No. 010-277-00 or equivalent).
Alignment graticule (Tektronix Part No. 067-0884-00).
Extender Board (Tektronix Part No. 067-0882-00).
Degaussing coil (General Cement, or equivalent).
Hand magnifier, 25X to 50X.
TEKTRONIX J16 Photometer with a J6503 Illuminance Probe (or equivalent).
Yoke positioning wedges (Tektronix Part No. 214-2845-00).

NOTE

Instrument settings are given in brackets near where the instrument is called for in the calibration procedure. For example, [2V/div, 10 us/div] means set the oscilloscope to 2 volts/division vertical sensitivity and 10 microseconds/division sweep speed.

Preliminary

1. TURN OFF THE POWER and remove the high voltage cover on the right front of the chassis (see Figure 3-9).



2656-116

Figure 3-9. High Voltage Cover Removal.

2. Set the Red, Blue and Green Gain adjustments (R101, 201 and 301 on the Z-axis and Convergence Board) fully counterclockwise. All other potentiometers on the Z-axis and Convergence, High Voltage, High Voltage Control, External Convergence, and Deflection Boards should be centered. Figures 3-10, 3-15, and 3-16 show the component locations.

High Voltage Adjustment

1. Disconnect J141 (+110 Vdc) on the High Voltage Board and J122 (high voltage output transistor) on the High Voltage Control Board (see Figure 3-10).
2. Turn on power. Check to see that there is a low logic level present at the high voltage inhibit input (TP4 on the High Voltage Control board).
3. Using the square pins provided on the High Voltage Control Board, place a jumper from collector to emitter on Q449.

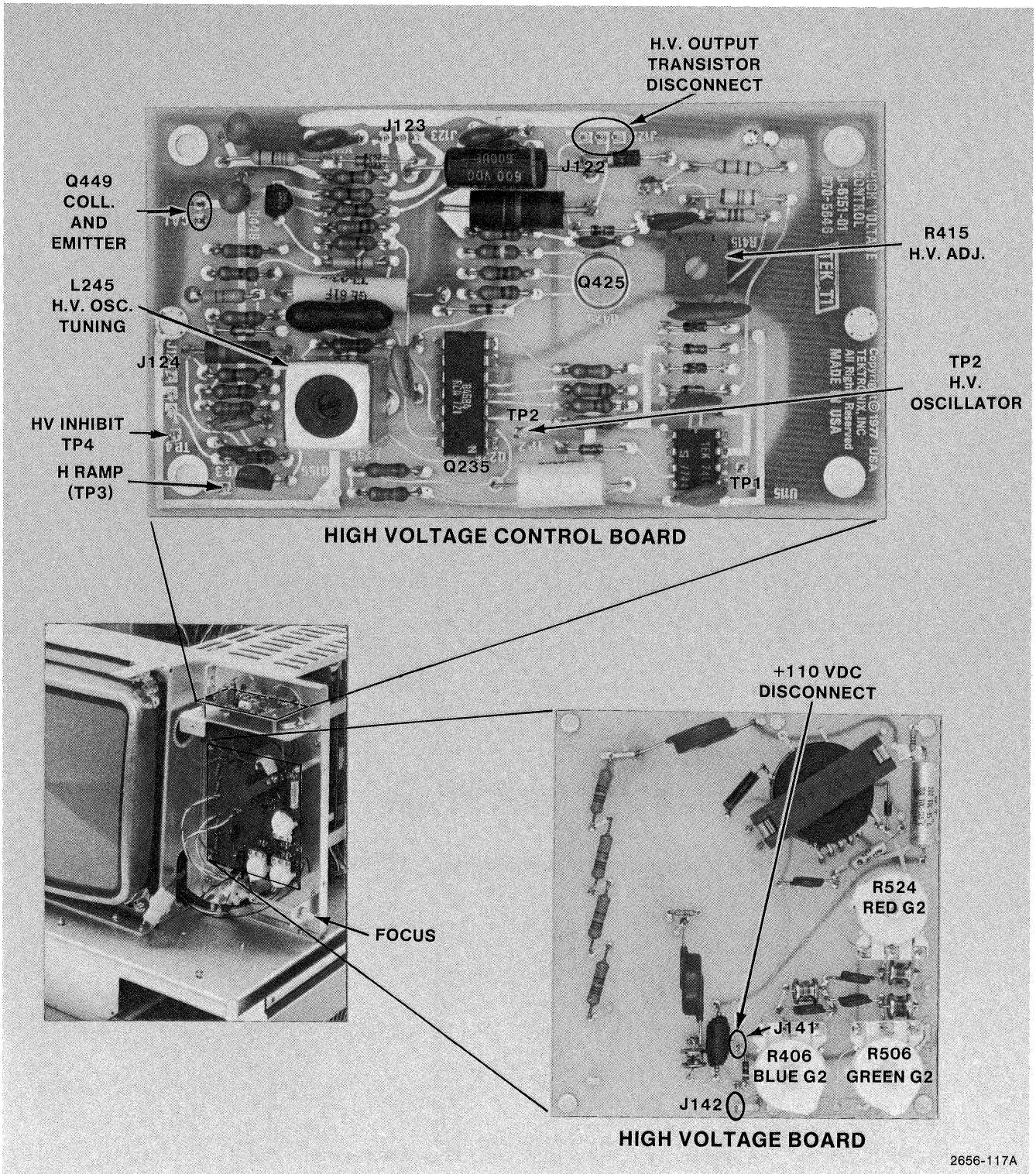
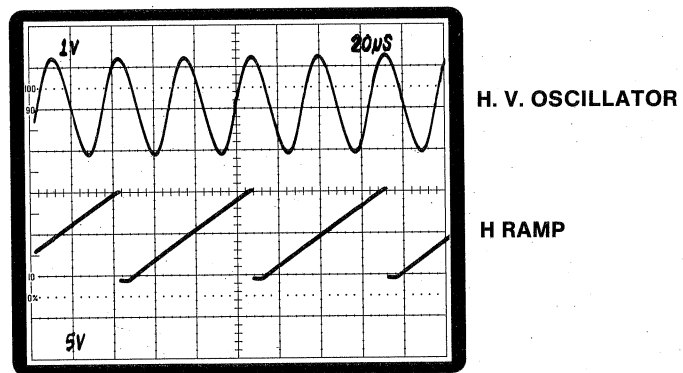


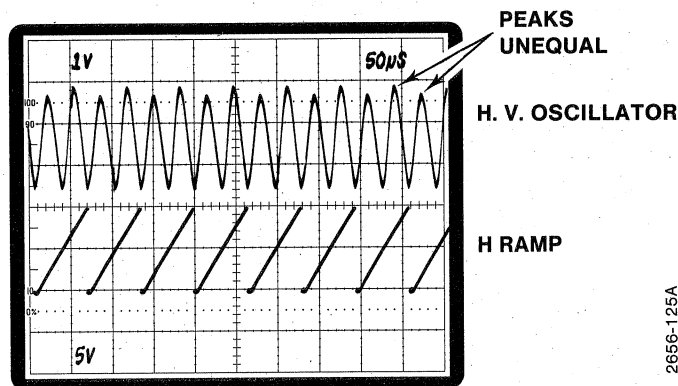
Figure 3-10. High Voltage Adjustments.

CALIBRATION AND MAINTENANCE

4. Connect one channel of the oscilloscope [2V/div, 10 us/div] to TP2 and check for oscillation at 30 to 40 Khz (25 to 33 us). Refer to Figure 3-11a.
5. Display the H RAMP signal by connecting channel 2 of the oscilloscope [2V/div] to TP3 . Tune L245 until the high voltage oscillator locks in sync with H RAMP. For every two cycles of the high voltage oscillator there should be one H RAMP cycle.
6. After the oscillator has been locked on to the H RAMP, decrease the oscilloscope sweep speed until the peaks of the oscillator waveform can be easily compared to each other. At this point, L245 should be readjusted slightly so that the peaks of the waveform are equal in height (see Figure 3-11b).



a. HIGH VOLTAGE OSCILLATOR AND H RAMP



b. HIGH VOLTAGE OSCILLATOR OUT OF ADJUSTMENT

2656-125A

Figure 3-11. High Voltage Oscillator Adjustment.

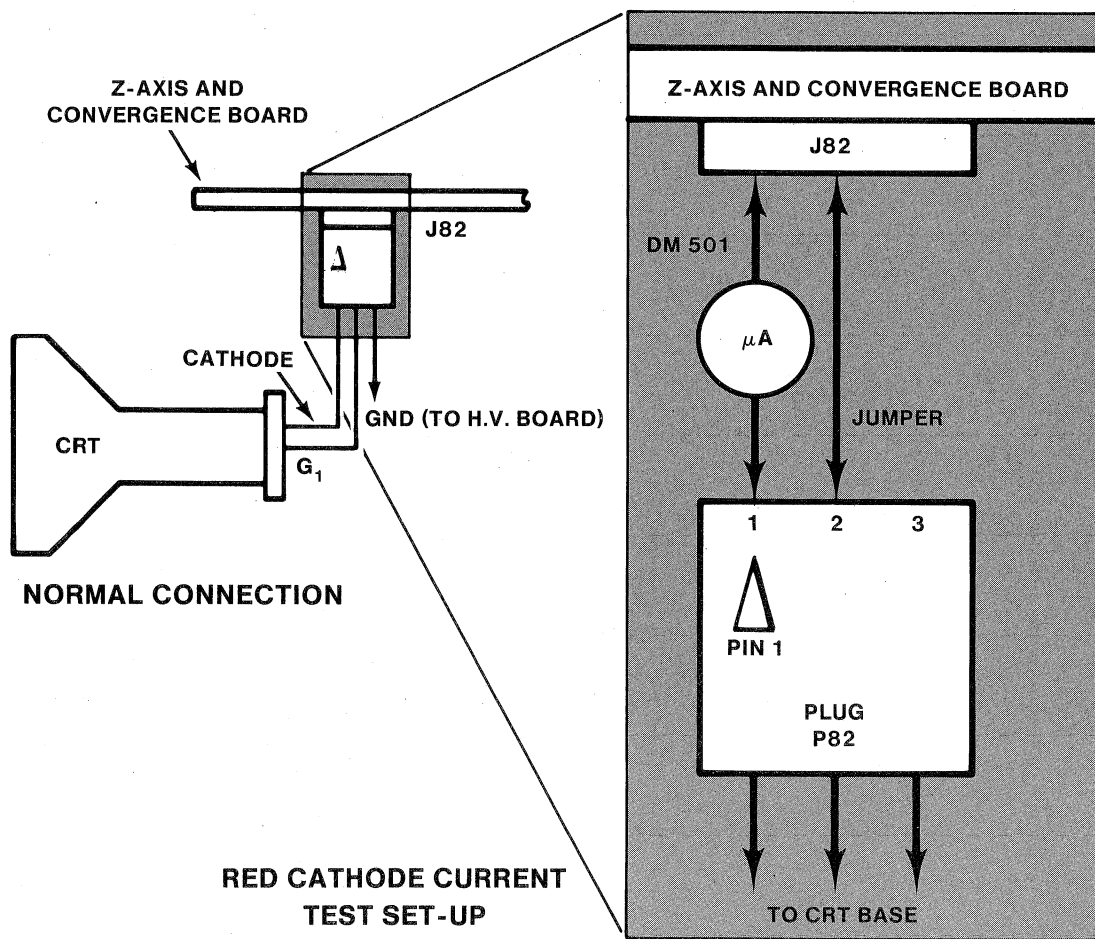
7. Connect channel 1 of the oscilloscope to J122, Pin 1, and check that a 10 V square wave is present.
8. TURN OFF THE POWER, then remove the jumper on Q449. Reconnect J122 and the +110VDC line.
9. MAKE SURE THAT THE POWER IS OFF.

CONNECT THE GROUND LEAD OF THE DIGITAL VOLTMETER HIGH VOLTAGE PROBE TO THE CHASSIS. Place the high voltage probe far enough under the anode cap on the crt to make contact.

10. Turn on the power. Adjust R415 on the High Voltage Control Board to set the anode voltage to 21 KV.

Z-Axis and Purity Adjustment

1. Enter the CALIBRATE command then press F8. This displays a black field on the screen. Adjust the RED G2 control (R524, Figure 3-10) until a red raster is just visible (the screen should be shielded from ambient light while doing this). Readjust the RED G2 until the raster just disappears. Repeat the G2 adjustment for green (R506) and blue (R406).
2. TURN OFF THE POWER. Remove the high voltage probe.
3. Connect the digital multimeter (set to measure 100 uA) in series with the cathode lead to the red gun of the crt (refer to Figure 3-12).
4. Restore power and press F2. (This displays a red field.) Set the contrast control fully clockwise. Position the photometer against the center of the screen and shield the screen from ambient light. Now adjust R301 on the Z-Axis and Convergence Board (Figure 3-16) until the photometer reads 3.0 foot-lamberts.
5. The reading on the digital multimeter should not be greater than 150 ua. If a beam current greater than 150 ua is necessary to obtain 3 foot-lamberts with the RED GAIN adjustment, the crt should be replaced.



2656-160

Figure 3-12. Cathode Current Measurement.

6. Press F3 (displays a green field) and adjust GREEN GAIN (R201) for a photometer reading of 5.9 foot-lamberts.
7. Press F4 (displays a blue field) and adjust BLUE GAIN (R101) for a reading of 1.1 foot-lamberts.
8. Display the cross hatch pattern by pressing F9. Then adjust the FOCUS adjustment (R1140, Figure 3-10) for best overall focus.

9. Place an external degaussing coil next to the crt. Energize the coil and move it over and around the crt. Now slowly draw the coil away from the front of the crt. At a distance of 8 to 10 feet, turn off the coil.
10. Press F2 (displays a red field) and set the contrast to maximum clockwise.

WARNING

This procedure exposes the service person to hazardous voltages. Use extreme caution.

Loosen the deflection yoke just enough to let it slide toward the rear on the crt neck (see Figure 3-13). Adjust the purity rings to obtain the purest red "ball" in the center of the display. Slowly move the yoke forward until the most uniform and pure red field is obtained over the entire screen. Examine the field with a hand magnifier and readjust the yoke and purity rings slightly for best red beam landing (least illumination of the blue and green phosphor dots).

11. TURN OFF THE POWER and remove the digital multimeter.
12. Tighten the yoke clamp.
13. Remove the paper backing on the three rubber wedges, exposing their adhesive coatings.

Insert the wedges between the yoke and the crt funnel, with the adhesive side touching the crt. The adhesive will stick to the crt. Insert two wedges on the top and one on the bottom, about 120 degrees apart. Make certain that the front opening of the yoke is equidistant from the crt funnel (see Figure 3-13).

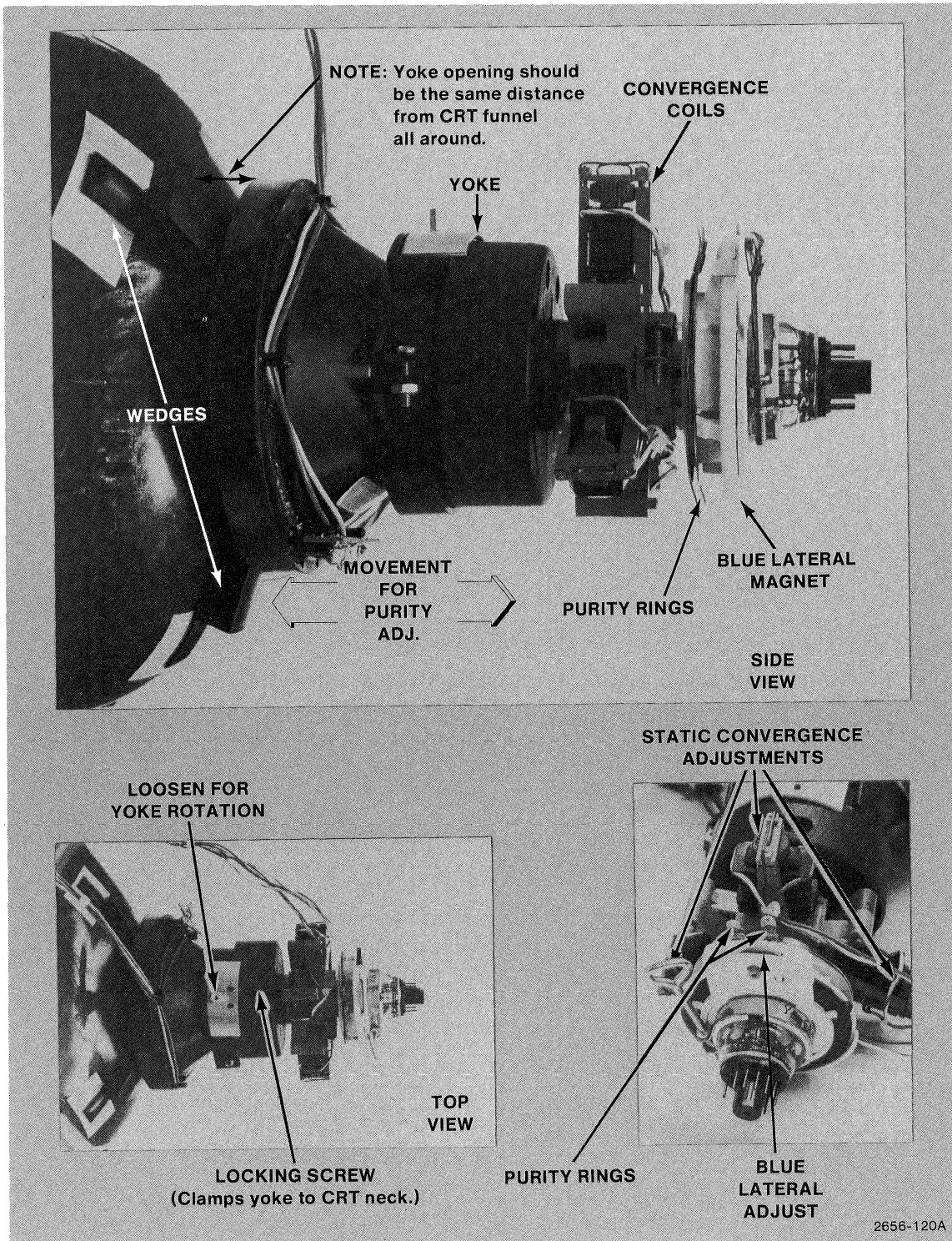


Figure 3-13. CRT Deflection Component Locations.

Deflection Adjustments

1. Center all adjustments (except RED, BLUE and GREEN GAIN) on the Deflection, Z-Axis and Convergence and External Convergence Boards.
2. Press F9 to display the crosshatch pattern. Adjust the convergence magnets on the convergence coils and the blue lateral magnet for best convergence at the center of the screen. The red, green, and blue images should coincide. (See Figure 3-13).
3. Press F8 to display a black screen. Place an incandescent lamp directly in front of the screen and at least six feet away from it. Place the alignment graticule against the face of the crt (see Figure 3-14). The lines etched

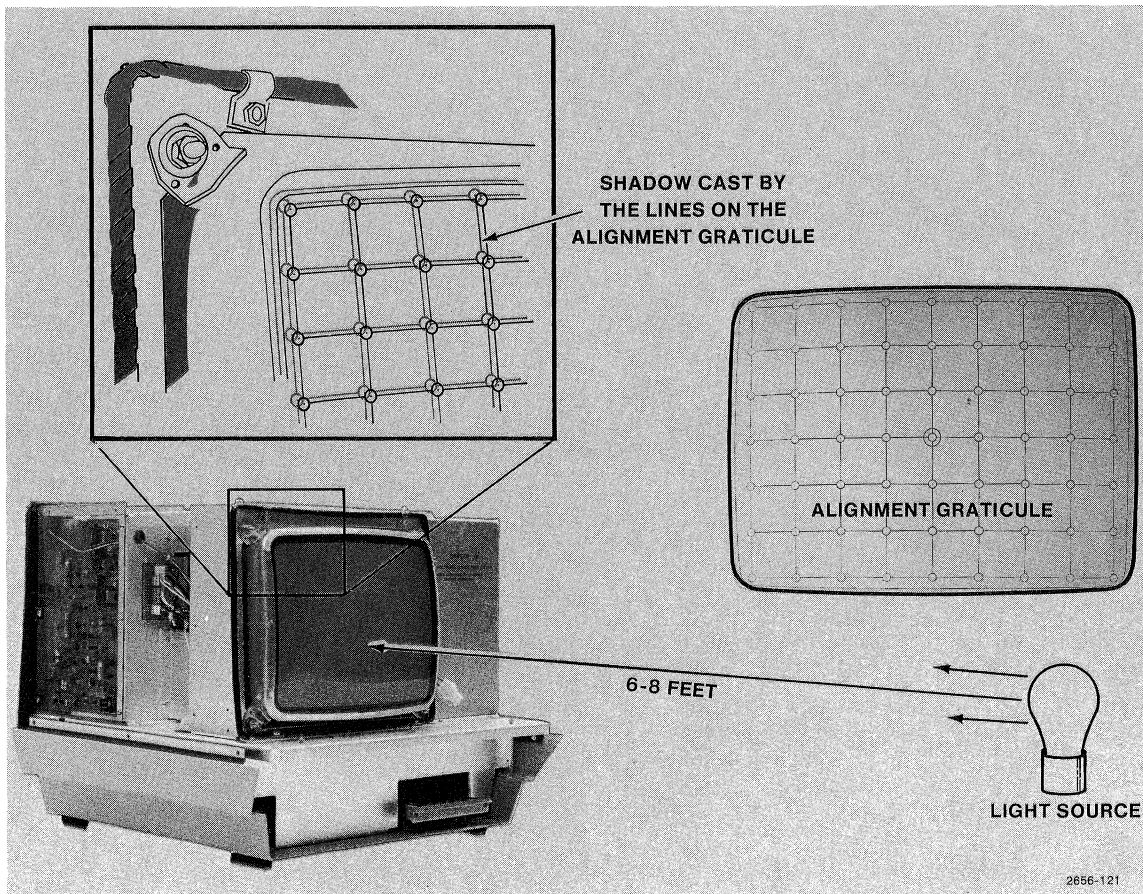


Figure 3-14. Alignment Graticule Installation.

CALIBRATION AND MAINTENANCE

on the graticule cast shadows on the face of the crt. The shadow cast by the outermost line should fall just at the inner edge of the black area which surrounds the phosphor portion on the face of the crt. When the graticule has been centered, tape it in place. The shadows cast on the face of the crt will be used as references for the various deflection adjustments.

For the remaining deflection adjustments, refer to Figure 3-15.

4. Press F9 to display the crosshatch and center the pattern vertically with V POS (R351).
5. Using V SIZE (R125), roughly fit the crosshatch to the alignment graticule.
6. Adjust H HOLD (R329) either clockwise or counterclockwise until horizontal sync is lost, then bring it back slowly until sync is regained. Note the position of the trimpot. Repeat this going in the opposite direction, again noting the position of the pot when sync is regained. Center the adjustment between these two positions.
7. Adjust H PHASE (R205) until the display distorts, then folds around at the left side. Avoiding the distortion, attempt to center the display horizontally using the H PHASE control.
8. Adjust H POS (R755) to center the pattern horizontally.
9. Using H SIZE (R871), adjust the width of the pattern until it roughly matches the graticule.

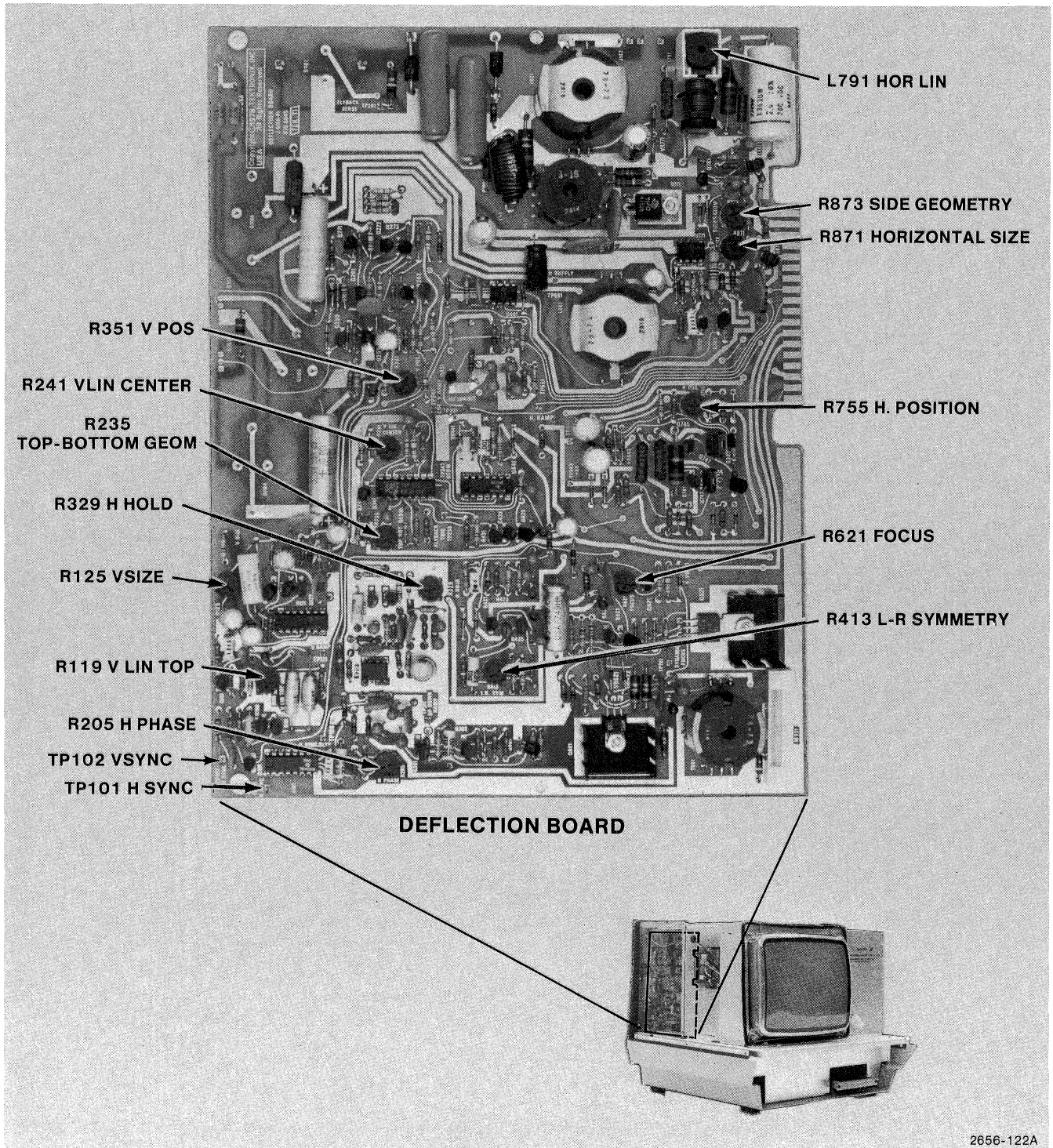


Figure 3-15. Deflection Board Adjustments.

10. Adjust the Horizontal Linearity coil (L791) for maximum crosshatch width. If necessary, adjust H SIZE to bring the pattern on the screen, then readjust L791 to bring in the left edge of the pattern just until the squares in the left side of the pattern are roughly the same width as those on the right. Readjust H POS to center the pattern horizontally.
11. Adjust the TOP BOT GEOM (R235) and L R SYM (R413) and, if necessary, rotate the yoke to obtain flat lines on the top and bottom of the test pattern.
12. Adjust SIDES GEOM (R873) to straighten the sides of the test pattern and readjust H SIZE (R871) for proper width.
13. Remove the alignment graticule.

Convergence Adjustments

The convergence adjustments involve the Z-Axis and Convergence and the External Convergence Boards, shown in Figure 3-16, as well as the convergence coils and the blue lateral magnet assembly, details of which are shown in Figure 3-13. Refer also to Figure 3-17 showing alignment grid movements produced by the various adjustments.

1. TURN OFF POWER and install the Z-Axis and Convergence Board on the extender board, using the support bracket (see Figure 3-16). Turn on the power.

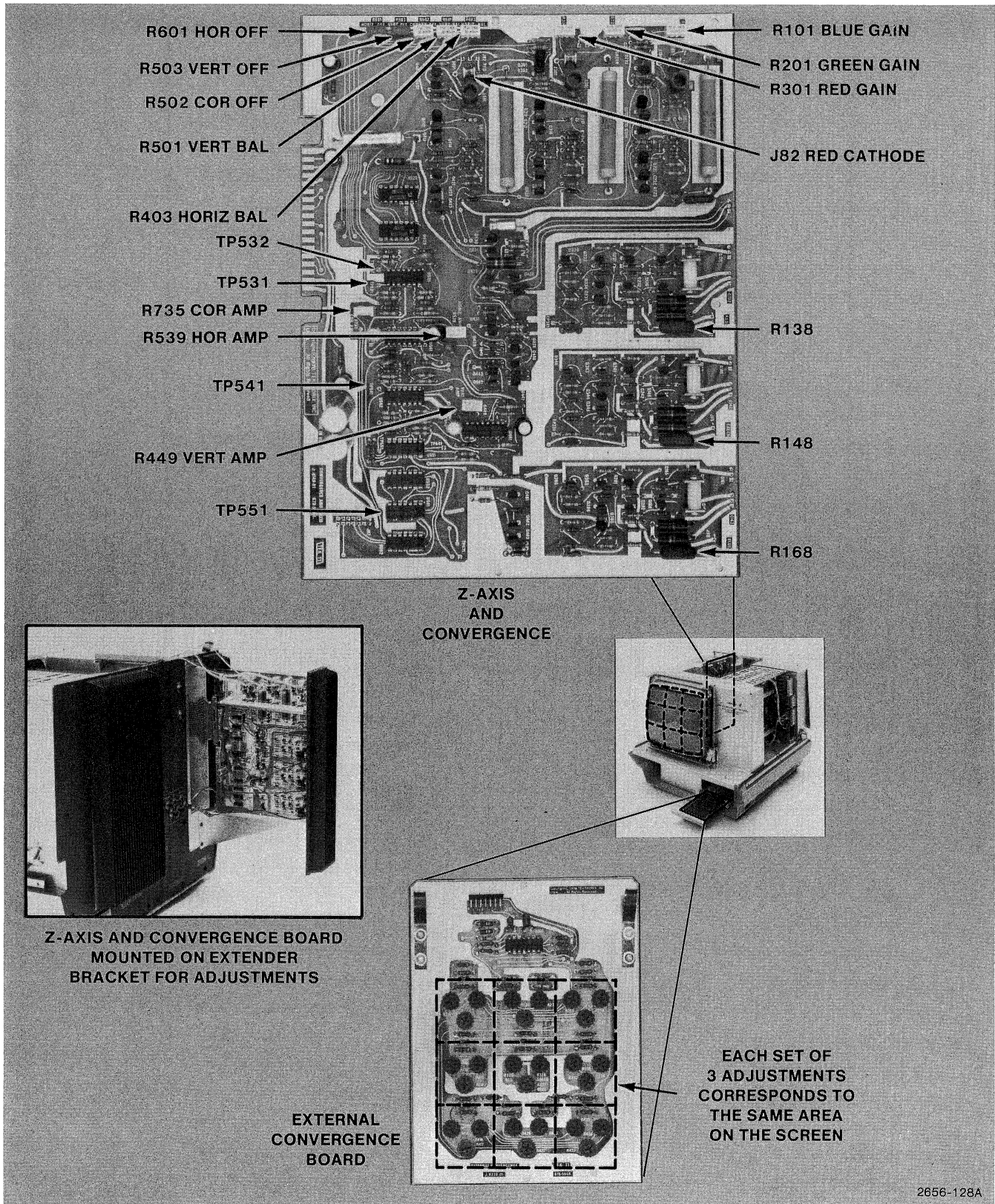


Figure 3-16. Convergence Adjustments

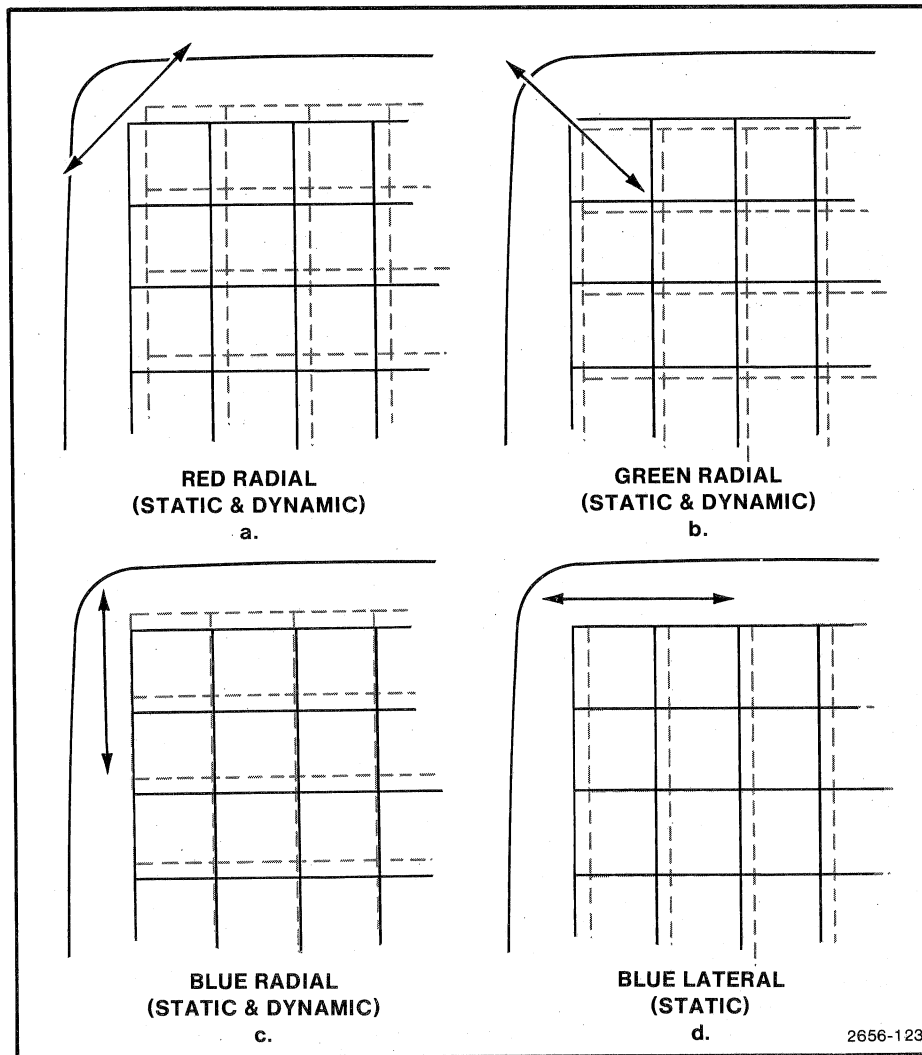
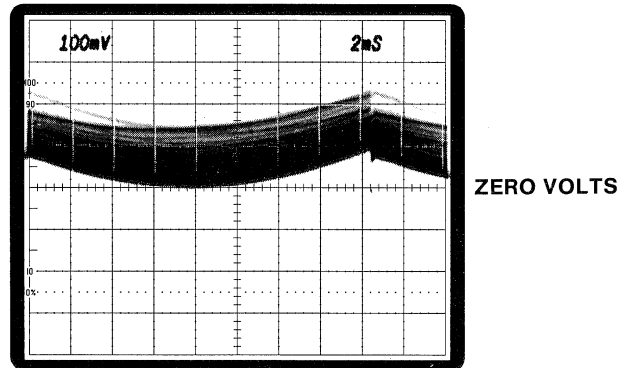


Figure 3-17. Alignment Grid Movements Produced by the Convergence Adjustments.

2. Connect the oscilloscope probe to the signal (J92-2) end of R138 and the probe ground lead to the opposite end of R138 [50 mV/div, 2 ms/div]. Adjust CENTER RED (R325) on the External Convergence Board so that the bottom of the waveform is at 0 V (see Figure 3-18).
3. Repeat Step 2 for GREEN (scope across R148 and adjust R326) and for BLUE (scope across R168 and adjust R327).
4. Adjust the red, blue and green radial convergence magnets and the blue lateral magnet for best convergence at the center of the screen.
5. Adjust VERT AMP (R449) and VERT BAL (R501) for best red-green convergence along the center vertical line.



2656-124

Figure 3-18. Convergence Waveform (R138, 148, 168).

6. Connect the oscilloscope to TP551 [.5V/div, 2ms/div]. Adjust VERT OFF (R503) to set the bottom of the waveform to 0 V (see Figure 3-19). If necessary, readjust the center adjustments on the External Convergence Board for best convergence.

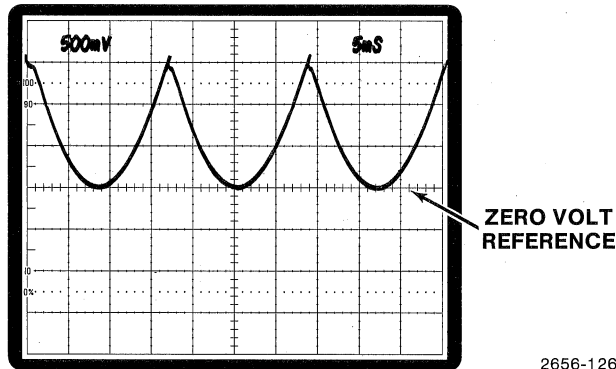
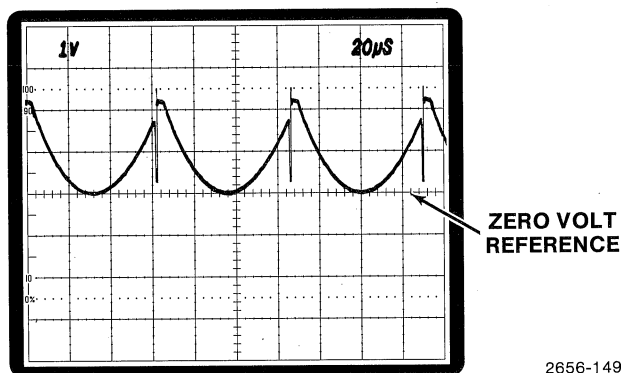


Figure 3-19. Vertical Convergence Waveform (TP551).

7. Adjust TOP CENTER BLUE (R227) and BOTTOM CENTER BLUE (R427) on the External Convergence Board to converge blue with red and green. Repeat Steps 4, 5, and 6 to obtain the best possible convergence along the center vertical lines.
8. Adjust HORIZ BAL (R403) and HOR AMP (R539) for best convergence along the center horizontal line.

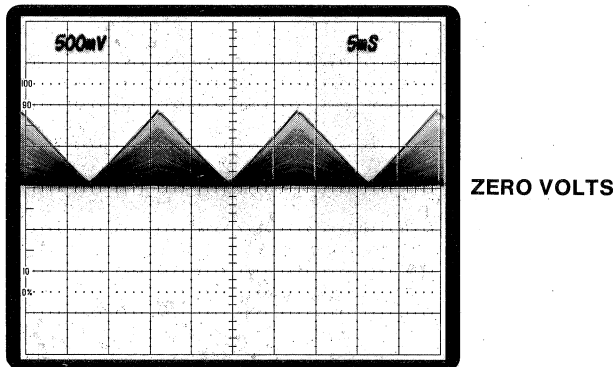
9. Connect the oscilloscope to TP532 [1V/div, 20 μ s/div] and adjust HOR OFF (R601) to set the bottom of the waveform to 0 V (see Figure 3-20). If necessary, readjust the center adjustments on the External Convergence Board for best convergence.



2656-149

Figure 3-20. Horizontal Convergence Waveform (TP532).

10. Adjust LEFT CENTER BLUE (R317) and RIGHT CENTER BLUE (R337) on the External Convergence Board to converge blue with red and green. Repeat Steps 7, 8, and 9 for best convergence.
11. Connect the oscilloscope to TP531 [.5V/div, 5ms/div]. Adjust COR AMP (R735) until the bottom of the waveform envelope is flat. Adjust COR OFF (R502) to set the bottom of the waveform envelope at 0 V (see Figure 3-21).
12. At the center of the External Convergence Board, adjust the red and green controls for best center convergence; then adjust the blue control for best vertical convergence (observe the horizontal lines). If necessary, finely adjust the blue lateral magnet for best blue horizontal convergence while observing the vertical lines. Make these adjustments as precisely as possible.



2656-127

Figure 3-21. Corner Convergence Waveform (TP531).

13. Adjust the red, green, and blue controls on the External Convergence Board for best convergence in the following order: right center, left center, top center, and bottom center. Converge red and green first, then converge blue.
14. Adjust TOP RIGHT GREEN (R236 on the External Convergence Board) through its entire range while observing the right, center vertical lines. If the red and green lines appear to separate, finely adjust COR OFF (R502) until they no longer separate.
15. Continue adjusting on the External Convergence Board in the following order: top right, bottom right, top left, bottom left.

Fine Deflection Adjustments

1. Install the alignment graticule, centering it as in the initial deflection adjustments (Figure 3-14).
2. With H POS (R755), line up the center vertical line with the graticule center vertical line. Then, adjust H SIZE (R871) to line up the rightmost vertical line on the crosshatch with the rightmost vertical line on the graticule.
3. Carefully readjust L791 to line up the vertical lines in the right half of the screen with the graticule.

4. Repeat Steps 2 and 3 as necessary for best results in the right half of the screen.
5. Again adjust L791 slightly to line up the left side of the crosshatch with the graticule. Repeat Steps 3, 4, and 6 as necessary for optimum results.
6. Set V POS (R351) so that the center horizontal line is centered on the graticule. At this point, rotate the yokes, if necessary, to make the horizontal lines on the display parallel with those on the graticule.
7. Adjust V LIN CENTER (R241) and V SIZE (R125) so that the bottom half of the crosshatch matches the graticule. Readjust SIDES GEOM (R873), as necessary, to straighten up the sides.
8. If the spacing between the horizontal lines at the top of the screen is greater than at the bottom, adjust V LIN TOP (R119) to raise the top edge of the pattern one and a half to two inches, then readjust V SIZE and V POS to match the pattern to the graticule.

If the spacing between the horizontal lines at the top of the screen is smaller than at the bottom, adjust V LIN TOP to lower the top edge of the pattern one and a half to two inches, then readjust V SIZE and V POS to match the pattern to the graticule.

9. Remove the alignment graticule.

Fine Convergence Adjustments

1. If necessary, touch up the adjustments on the External Convergence Board and the blue lateral magnet. Do the adjustments in the following order: blue lateral, center, center top, center bottom, center right, center left, top right, bottom right, top left, bottom left.
2. TURN OFF THE POWER, remove the extender board, and reinstall the Convergence and Z-Axis Board.

High Voltage Efficiency Check

The High Voltage Efficiency Check need only be performed after major repair to the High Voltage Power Supply circuits. It should be done at the end of the Display Calibration Procedure (after Fine Convergence).

1. TURN OFF THE POWER and reinstall the digital voltmeter and high voltage probe as in the initial high voltage adjustment procedure, earlier in this section.
2. Restore power, then display a field of black E's on a white background. This can be done by entering the following sequence of commands through the keyboard.
 - A. !WOR 33 <cr>
 - B. !GRA 1,33 <cr>
 - C. !PATT P1 C0 C7 0 127 64 64 64 64 120 64 64 64 64
127 0 <cr>
 - D. !ERA G P1 <cr>
3. Set the anode voltage to 21 KV with R415 on the High Voltage Control Board, then focus the display with R1140 (see Figure 3-10).

4. Check the vertical lines in the E's for distortion. Alternate dots in these lines should not be displaced by more than one dot width in the horizontal direction (see Figure 3-22).

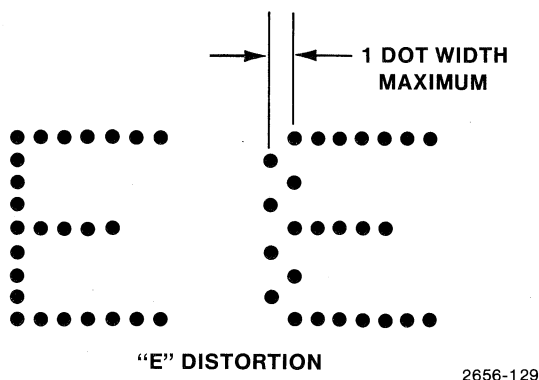


Figure 3-22. "E" Distortion.

WARNING

The case of the output transistor Q1120 is at 250 volts.

5. After the terminal has been on for a few minutes, check the temperature of the output transistor, Q1120, using the temperature probe.

If the case of Q1120 is less than 50 degrees C, and the dot displacement is within tolerance, go to step 7. If not, go to step 6.
6. If the case of Q1120 is less than 50 degrees C, but dot displacement is greater than one dot width, power down and remove the 1300 pF capacitor C435 on the High Voltage Board. Then restore power and check the transistor temperature and "E" distortion again. If they are not within tolerance, the circuit must be repaired (T440 may need replacement). Otherwise, go to Step 7.

CALIBRATION AND MAINTENANCE

If the case of Q1120 is greater than 50 degrees C, power down and add a .0015 uF capacitor in the holes provided on the High Voltage Board next to C435. After this has been done, check the transistor temperature and "E" distortion again. If they are within tolerance, go to Step 7. If the temperature is not within tolerance, power down and replace the .0015 uF capacitor with a .0033 uF capacitor. If "E" distortion is not within tolerance, the circuit must be repaired (T440 probably needs replacement).

7. Press F1 to display a white screen, then set the anode voltage to 21KV with R415 on the High Voltage Control Board.
8. TURN OFF THE POWER and remove the high voltage probe and meter.

PROCESSOR CLOCK CALIBRATION

Equipment Required

Tektronix DC501 Frequency Counter (or equivalent).

An extender board: Tektronix Part No. 067-0846-00.

Procedure

1. MAKE SURE THE POWER IS OFF, then remove the Processor Board from the Mother Board. Reinstall it using the Extender Board (see Figure 3-23).
2. Restore power and connect the frequency counter to Pin 50 on the Extender Board [Interval: .01 s, Attenuation: X1].

3. The frequency should lie between 18.4310 and 18.4330 Mhz. If it does not, C3 may be adjusted with a non-inductive tool to bring it within tolerance.

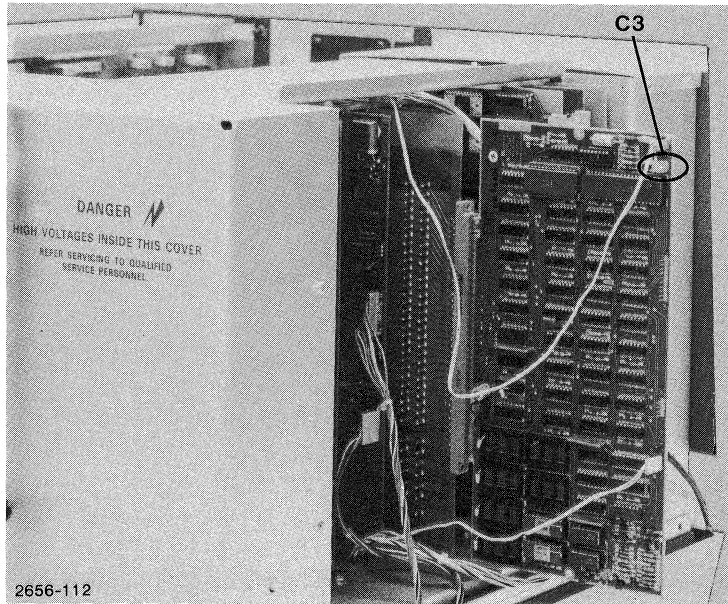


Figure 3-23. Processor Board Installed on the Extender Board.

CRT REPLACEMENT

Refer to Figures 3-24 and 3-25.

1. TURN OFF THE INSTRUMENT, UNPLUG THE LINE CORD FROM THE REAR PANEL, and remove the top cover.
2. Remove the bezel from the front of the instrument (see Figure 3-24).

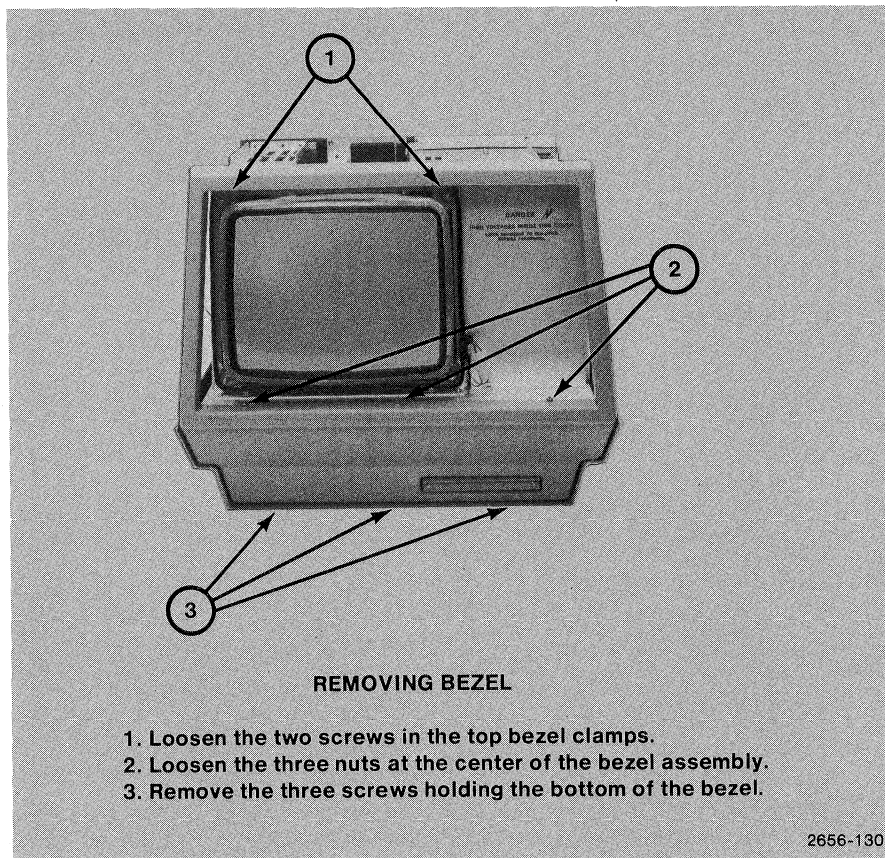


Figure 3-24. Removing Bezel.

CALIBRATION AND MAINTENANCE

3. Disconnect the crt socket and move it aside.
4. Loosen the Blue Lateral Magnet Assembly and slide it off the crt.
5. Loosen the Deflection Yoke and the Convergence Assembly and slide them off the crt. Be careful not to strain or loosen any plugs or wires.
6. Disconnect the High Voltage Anode cap from the crt.
7. Disconnect the ground lead running from the crt socket to the Dag spring at the Dag spring.
8. Loosen the four nuts holding the crt in place. While supporting the crt, remove the nuts and washers; then remove the crt and place it face down on a padded surface.
9. Remove the Dag spring from the crt.
10. Install the Dag spring on the new crt. It goes from the upper right corner to the lower left (looking at the faceplate, anode connection up).
11. Mount the crt in the instrument and connect the Dag ground lead.
12. Install the Deflection Yoke fully forward on the crt neck. Final positioning will be done in the calibration procedure.
13. Install the Convergence Assembly over the internal pole pieces in the crt neck. See Figure 3-25; proper positioning is important. The blue coil should be positioned straight up.
14. Install the Blue Lateral Magnet Assembly approximately 1/8 inch behind the clamp holding the Convergence Assembly. The blue adjustment knob should be straight up.
15. Connect the crt socket.
16. Go to DISPLAY CALIBRATION AND ADJUSTMENT, earlier in this section.

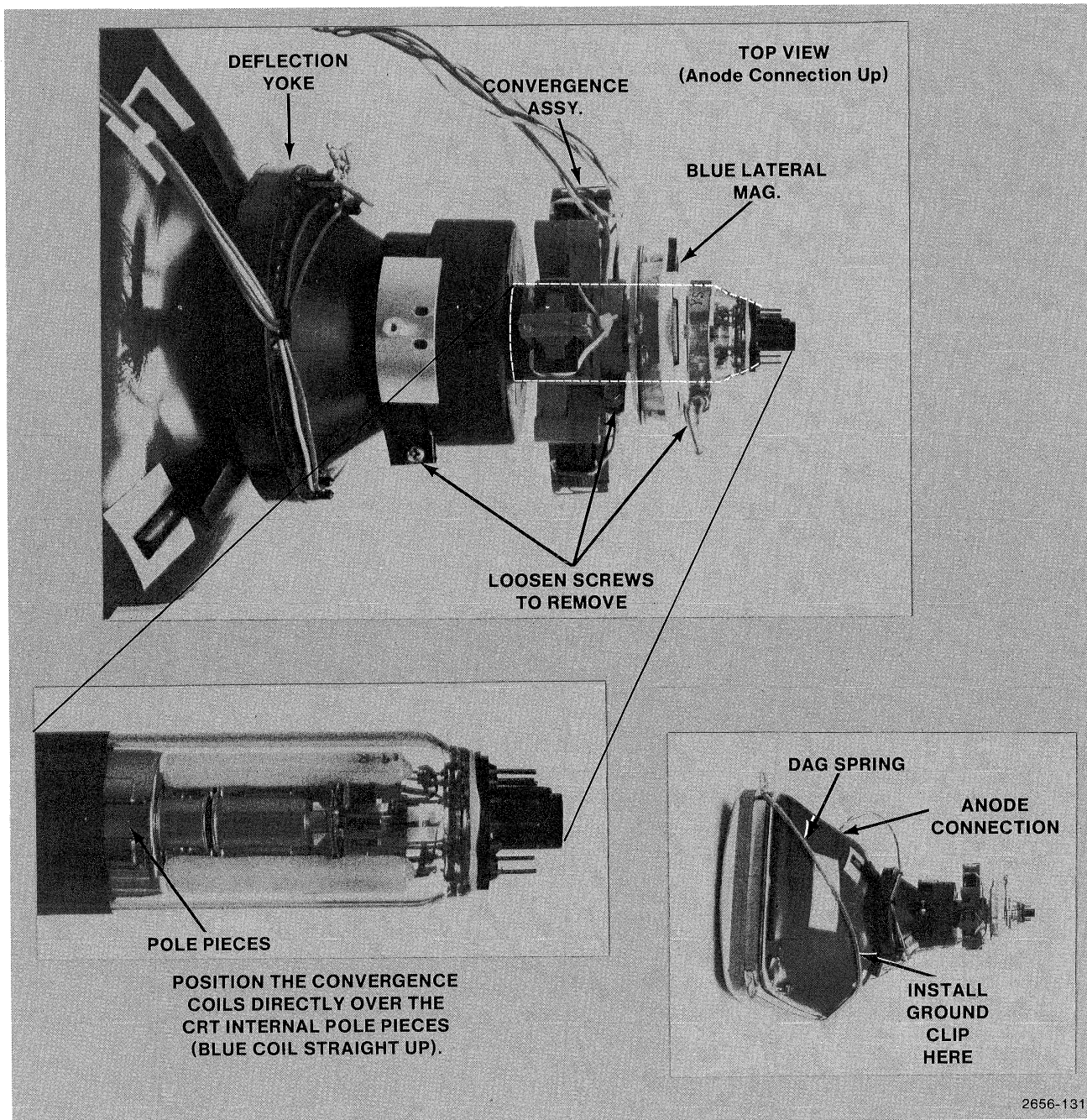


Figure 3-25. Crt Component Placement.

FAN, POWER SWITCH AND CONTRAST CONTROL REPLACEMENT

Tools Required

1/4 inch open end wrench.

Crosspoint Screwdriver.

Procedure

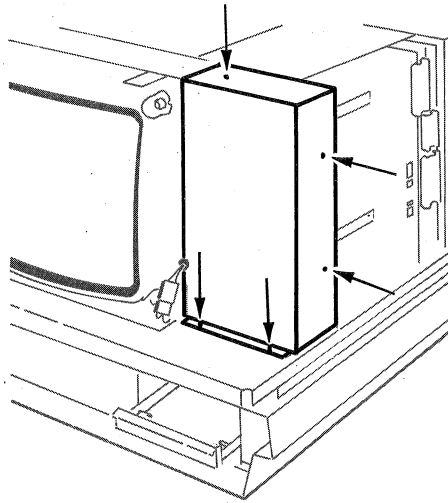
1. TURN OFF THE POWER and remove the top cover.
2. Remove the bezel (see Figure 3-24).
3. Remove the High Voltage cover (see Figure 3-26).
4. Loosen the two screws holding the External Convergence Board in place and remove it from the terminal. Depress the two spring clips holding the board in its guide in order to pull it completely out. Unplug the board and set it aside.
5. Using the 1/4 inch open end wrench, remove the External Convergence Board guide assembly and set it aside.

WARNING

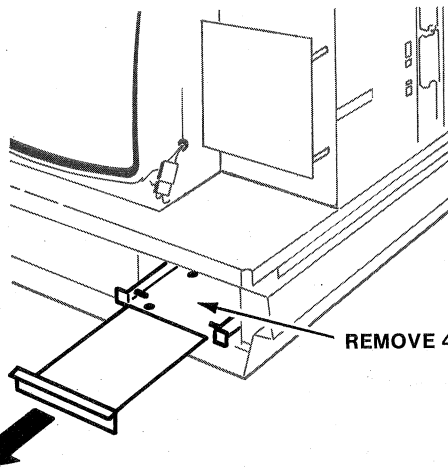
Hazardous voltages are present in the Power Supply. The filter capacitors in the Inverter circuit may retain a hazardous charge for some time after the terminal is turned off. A neon lamp on the Inverter Board blinks until these capacitors have discharged to a safe level.

6. Remove the Power Supply assembly from the terminal (see Figure 3-26). Two plugs at the top of the supply may be disconnected to allow it to move out freely. The other plugs need not be disconnected. The assembly should be positioned to permit access to the fan support bracket through the rear of the terminal.

CALIBRATION AND MAINTENANCE

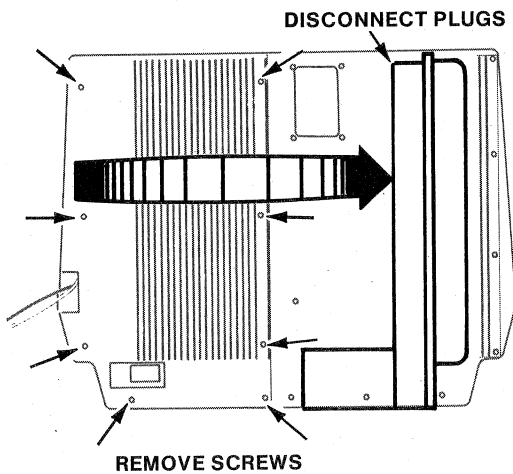


1. REMOVE THE HIGH VOLTAGE COVER



2. REMOVE EXTERNAL CONVERGENCE BOARD GUIDE ASSEMBLY

REMOVE 4 SCREWS



3. REMOVE POWER SUPPLY AND MOVE ASIDE

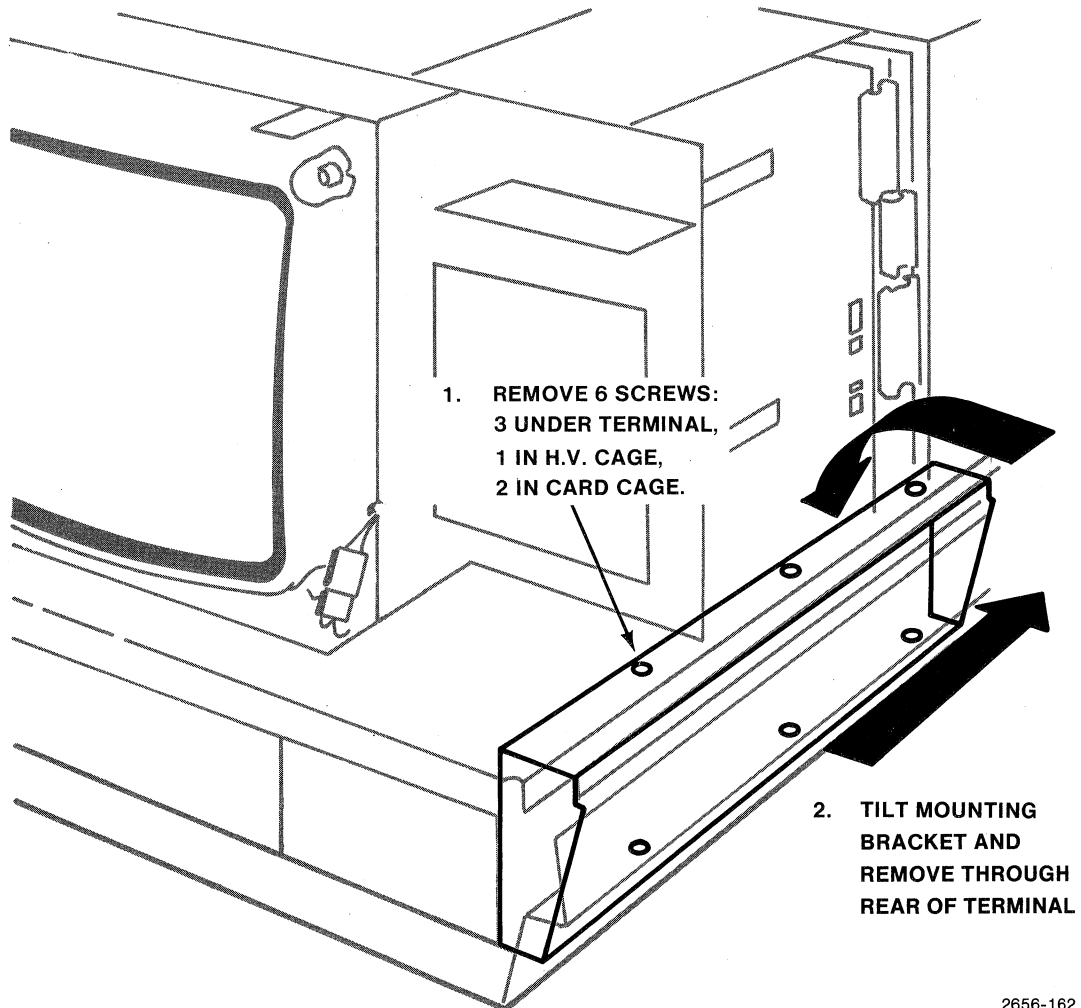
DISCONNECT PLUGS

REMOVE SCREWS

2656-161

Figure 3-26. Fan Mounting Bracket Access.

7. Remove the six screws holding the fan mounting bracket in place. There are three screws on the bottom of the terminal, two inside the card cage on the left side of the terminal, and one inside the area covered by the High Voltage cover (Refer to Figure 3-27).



2656-162

Figure 3-27. Fan Mounting Bracket Removal.

CALIBRATION AND MAINTENANCE

8. Tilt the fan mounting bracket so that it can be removed from the rear of the terminal. If the fan is to be replaced, slide the mounting bracket all the way out. If the power switch or contrast control is to be replaced, move the mounting bracket far enough to allow access to these components.
9. After the appropriate component has been replaced, reassemble the terminal in reverse order to disassembly. Be careful that all plugs have been reconnected and that nothing has been inadvertently dislodged.

TROUBLE ISOLATION

Using The Self-Testing Commands

Commands can be typed on the keyboard which cause the terminal to test its memory or to display a pattern which can be used to adjust the display. The following commands will be useful in calibration and troubleshooting.

SYSTAT: See the INSTALLATION section.

TEST: See the INSTALLATION section.

GTEST: See the INSTALLATION section and RAM ERROR below.

CALIBRATE: See DISPLAY CALIBRATION AND ADJUSTMENT.

To use these commands, do the following:

1. Type the command character. This can be found by pressing the SHIFT and STATUS keys simultaneously and examining the status message which appears (see Figure 3-28). Unless set otherwise, the command character defaults to the exclamation point (!).

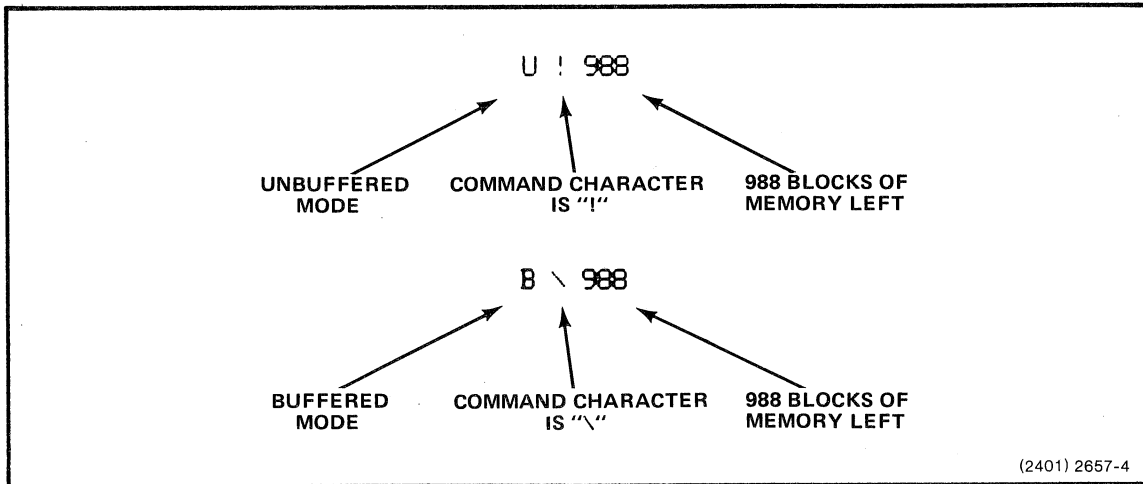


Figure 3-28. STATUS Messages.

2. Type the first three letters of the command word (CAL, for example).
3. Press the RETURN key.

RAM ERROR Message

During the GTEST routine, the processor performs write and read operations at each memory location in each bank of Graphics Memory that is enabled. The processor compares what it reads at each location to what it is supposed to have written there; if a discrepancy exists, it prints out a RAM ERROR message beside a font number in the GTEST message (see Figure 3-29).

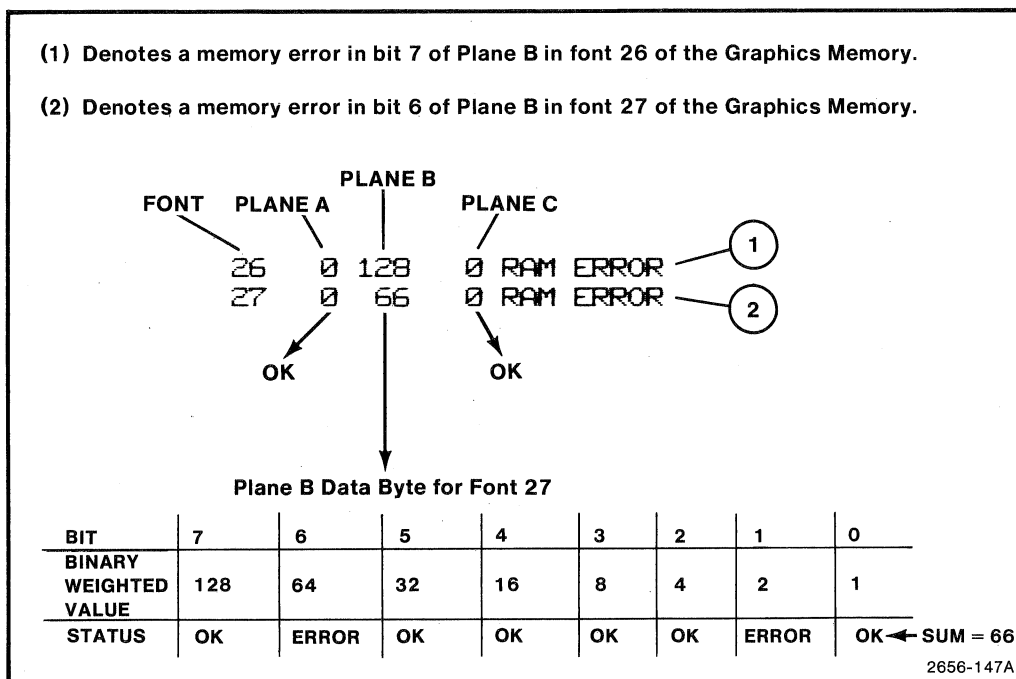


Figure 3-29. RAM ERROR Message.

The RAM ERROR message contains an error code which can be used to isolate the fault to a single memory device on the Graphics Memory Board. The message begins with the font number. From this the fault can be isolated to one of the four banks of RAM (numbered 0-3) on the Graphics Memory Board (see below).

Table 3-4

MEMORY LOCATIONS OF RAM FONTS

RAM Font	Graphics Memory Bank
0-7	0
8-15	1
16-23	2
24-31	3

After the font number, there are three integers. Each integer identifies one of the three planes (A, B or C) of RAM on the Graphics Memory Board. The numbers can have a value between zero and 255. If the number is zero, there were no errors found in that plane of memory. A number other than zero represents the sum of the binary-weighted values of the bits, within the 8-bit byte coming from the memory plane, which were found in error. For example, if bits 1 and 6 were defective, the error code would be 66 (see Figure 3-29).

Knowing the font, the plane and the specific bit where the error exists allows the trouble to be traced to a single integrated circuit. For instance, using an example cited in Figure 3-29, bit 6 of plane B in font 27 is always stored in U760 on the Graphics Memory Board (see Schematic 4-4).



Section 4

OPTIONS

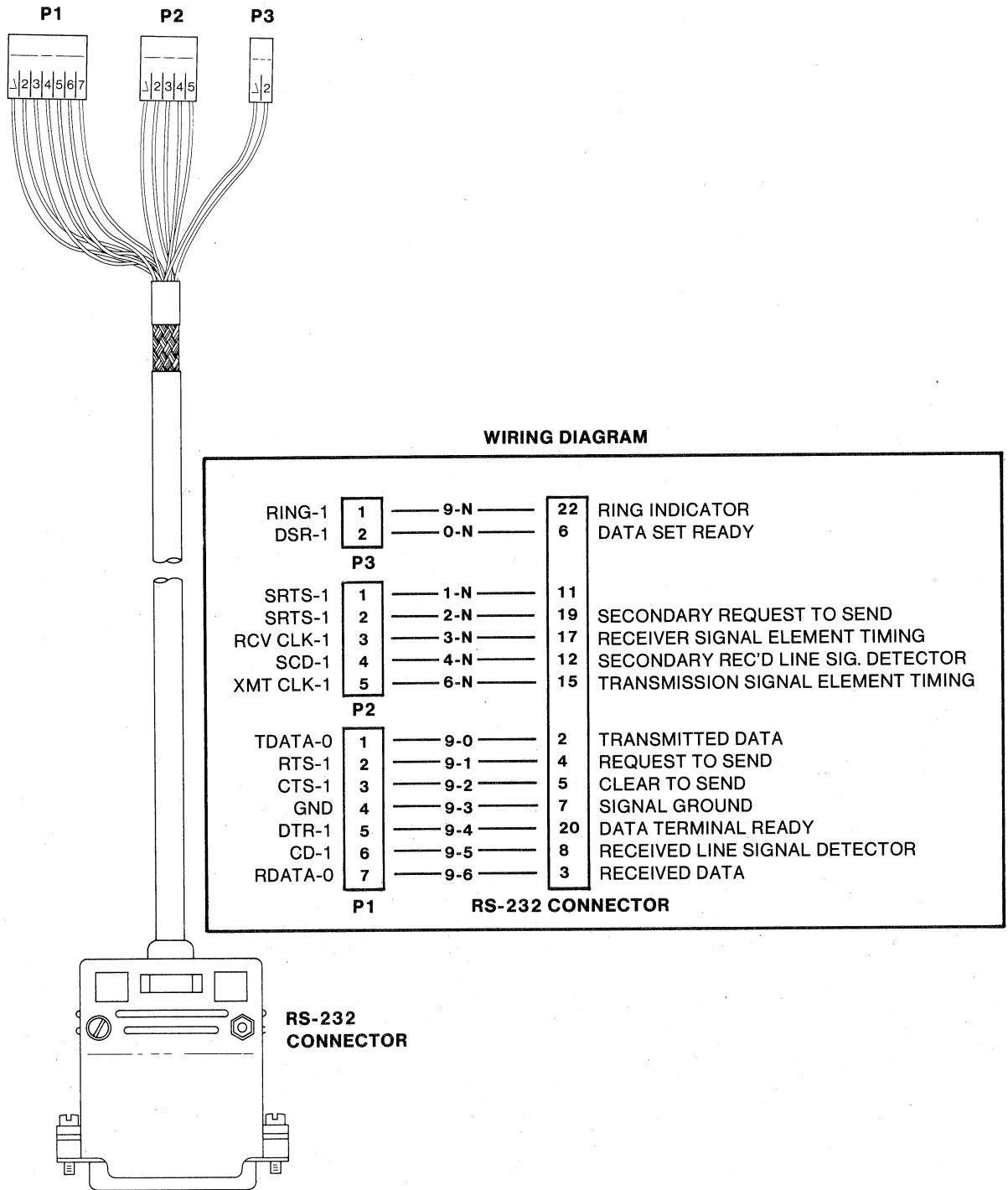
OPTION 1, HALF DUPLEX

The Half Duplex option consists of one ROM device and a Half Duplex cable. When the ROM is installed and enabled on the ROM Expansion Board, it adds the Duplex command to the terminal's command set. For more complete information on the Duplex command refer to the operator's or programmer's reference manuals for this terminal. Circuitry involved in half duplex operation is covered in Volume 1 of this manual, Section 4, THEORY OF OPERATION under Deluxe Communications Board.

The Half Duplex ROM is installed in position 8 (U111) on the Rom Expansion Board. It must be enabled by a jumper on that board (see Section 2, INSTALLATION).

The Half Duplex cable is connected to the Deluxe Communications Board according to Figure 4-1.

OPTIONS



2656-148

Figure 4-1. Half Duplex Cable.

OPTION 2, CURRENT LOOP INTERFACE

The Current Loop Interface allows the 4027 to communicate with an external device by means of a current loop rather than the standard RS-232 interface.

There are two configurations in which the Current Loop Interface is used. In the first, shown in Figure 4-2, the Current Loop Interface lies between the host computer or modem and the host port of the Deluxe Communications Board. In the second configuration, the Current Loop Interface forms part of the Polling Array, where several terminals are connected together in the same current loop. In this case, a Polling Controller and one or more Polling Interfaces are necessary to allow the host to communicate with individual terminals. See OPTION 10, in this section, for additional information on the Polling installation.

Parts Included

- One four-conductor power cable.
- One three-conductor signal cable.
- One current loop cable.
- One circuit board assembly.

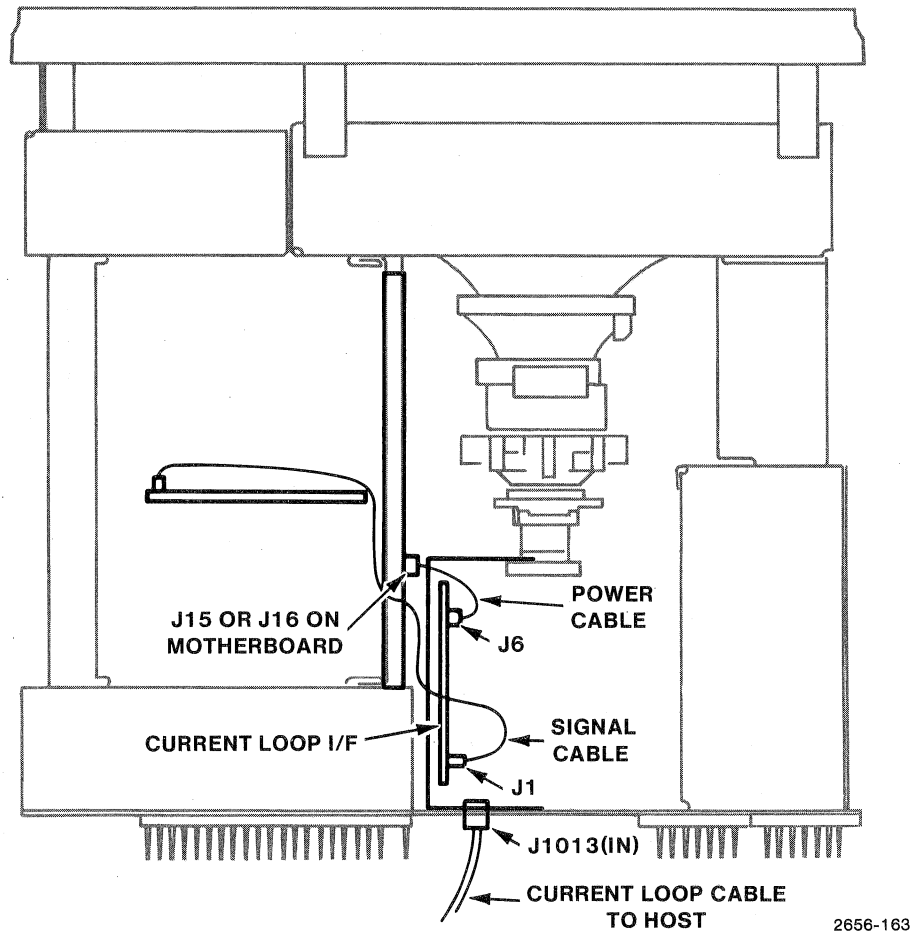


Figure 4-2. Option 2 Installation.

Jumper Settings

The Current Loop Interface contains two movable jumpers. There is a jumper for the receive current loop (J4) and a jumper for the transmit current loop (J3). Each of the jumpers has two positions: "active" and "passive." In active position, the Current Loop Interface supplies current for the loop in which it is operating. In passive mode, the current source is external.

The jumpers at J3 and J4 should be set as shown in Figure 4-3.

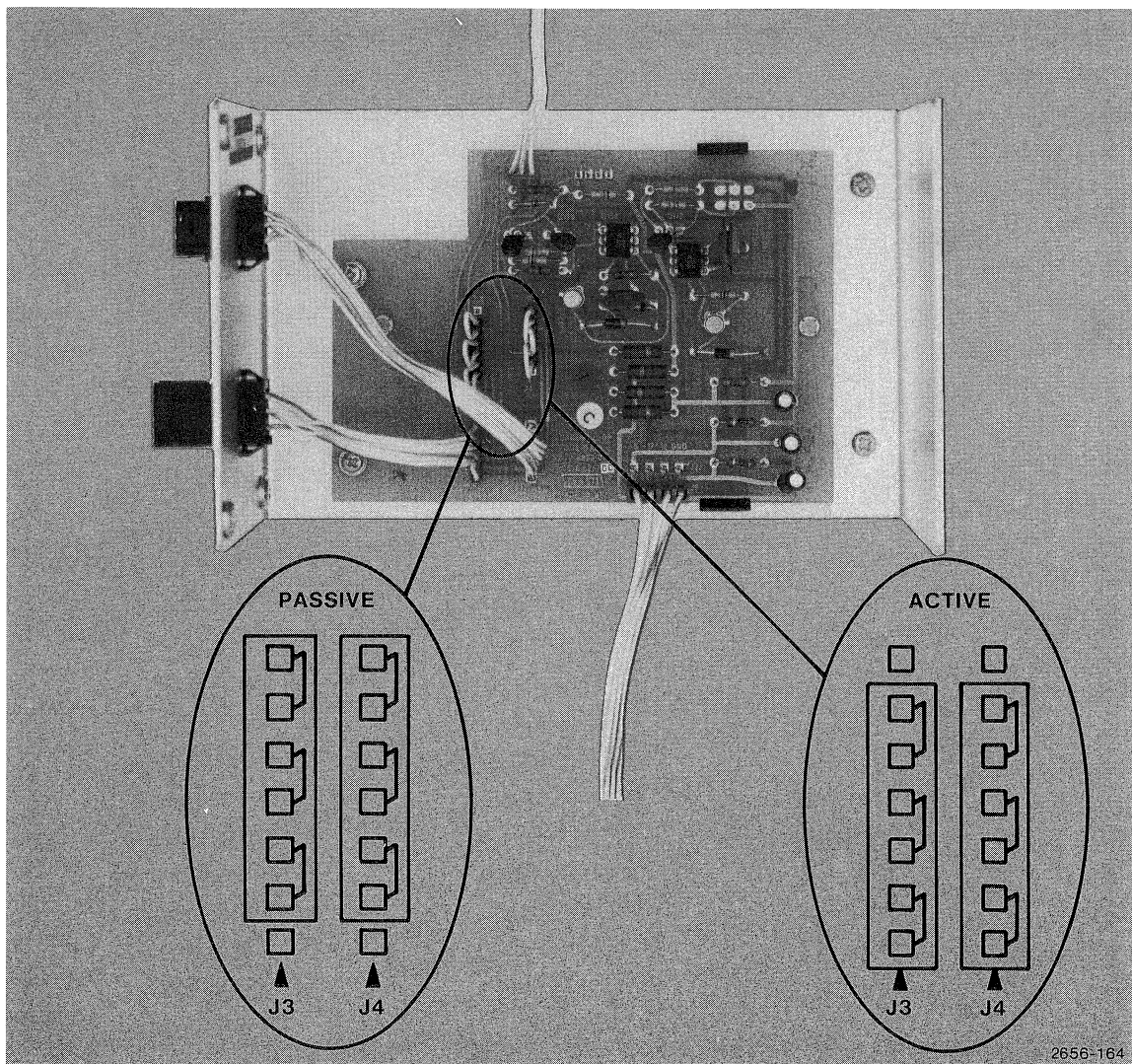


Figure 4-3. Current Loop Jumper Settings.

OPTIONS

OPTION 3, RS-232 PERIPHERAL INTERFACE

The RS-232 Peripheral Interface provides a serial data communications port for driving RS-232 peripherals such as the TEKTRONIX 4641 and 4642 Printers. Option 36, which contains the firmware for driving these devices, must also be installed. Figure 4-4 shows a typical installation.

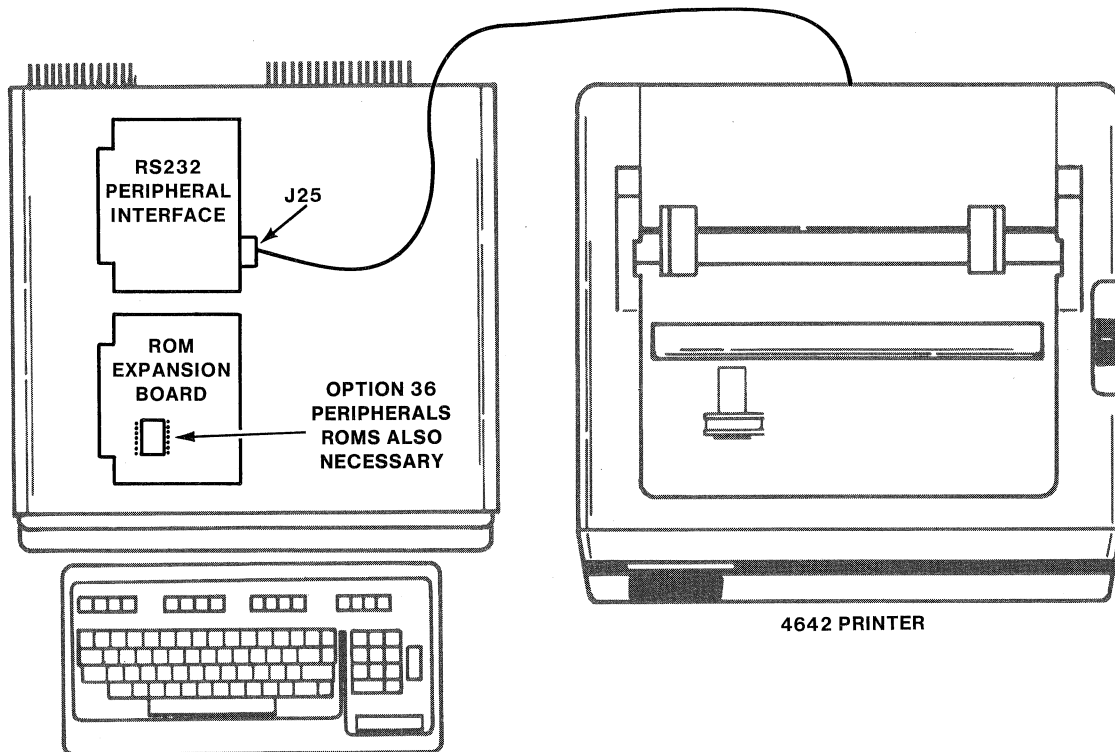
Parts Included

One RS-232 Peripheral Interface Board

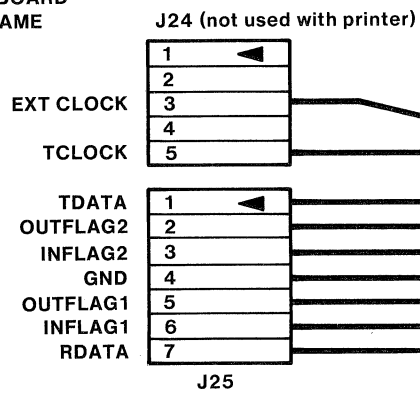
One RS-232 cable

NOTE

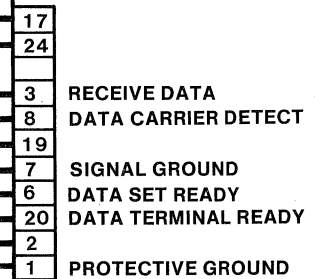
Option 36, Peripherals ROM must also be installed.



INTERFACE BOARD
SIGNAL NAME



PRINTER
SIGNAL NAME



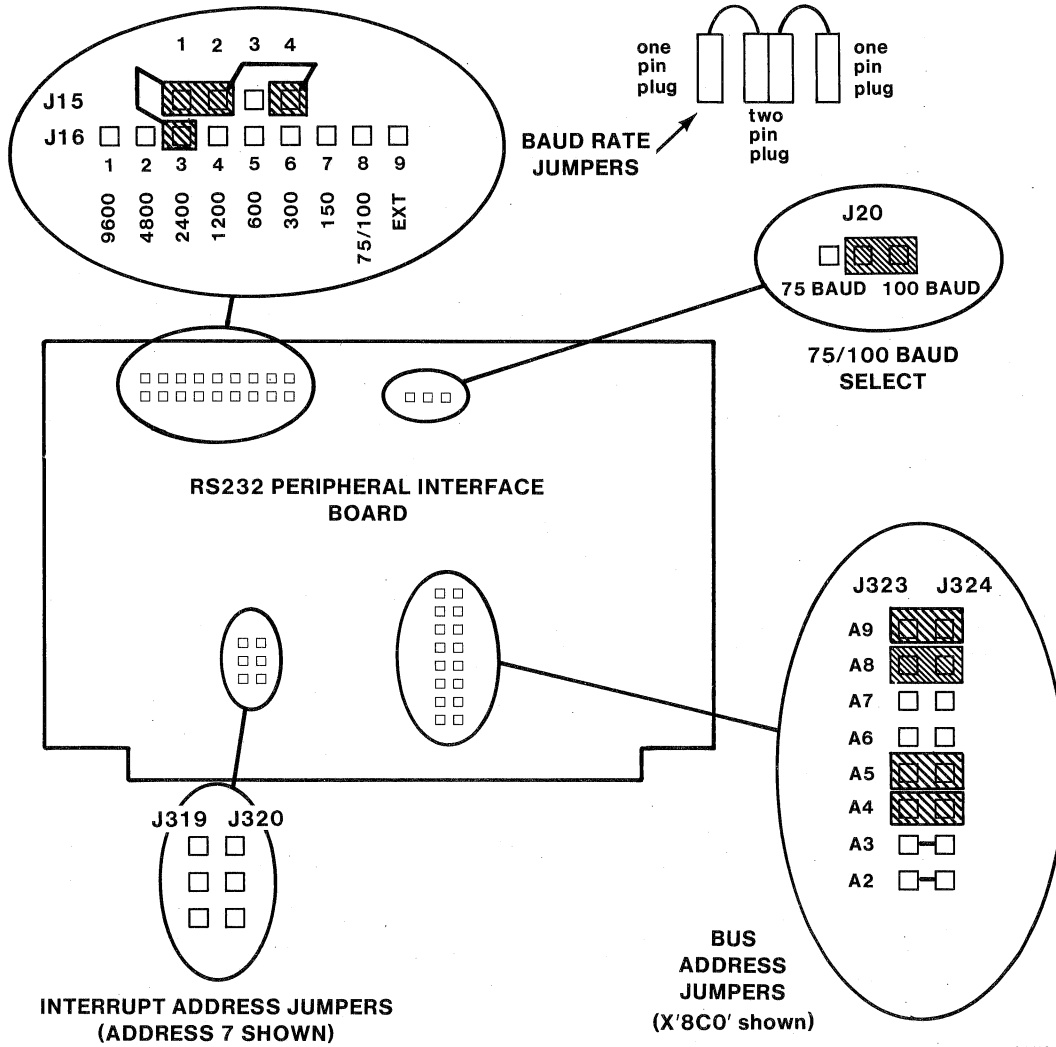
RS232 CABLE WIRING DIAGRAM

2656-165

Figure 4-4. Option 3 Installation.

Jumper Settings

Refer to Figure 4-5.



2656-166

Figure 4-5. RS-232 Peripheral Interface Jumper Settings

Base Address

Eight pairs of square pins (at J323 and J324 in Figure 4-5) are used to select the I/O base address. The pairs are labeled A2 through A9 and correspond to address bits 2 through 9 in the processor's address bus. Jumpers are installed on these pins to select a block of four addresses in the range between X'0800' and X'08FF'. The lowest address in the block of four is the base address. This is the board's status word.

To select a particular base address, a jumper must be installed for each zero in address bits 2 through 9. Ordinarily, A2 and A3 are permanently jumpered by a small etched circuit link (cut-strap). If these have been cut, jumpers may be required there also. In Table 4-1, for example, to select base address X'08C0', jumpers must be installed at A9, A8, A5, and A4 (also A2 and A3 if the etched circuit has been cut) (see Figure 4-5).

Table 4-1

SETTING THE RS-232 PERIPHERAL
INTERFACE BASE ADDRESS

HEXADECIMAL ADDRESS	0				8				C				0				
BINARY ADDRESS	0	0	0	0	1	0	0	0	1	1	0	0	0	0	0	0	
BIT	15	14	13	12	11	10	9	8	7	6	5	4	3	2	1	0	
JUMPER POSITION	-----								A9	A8	A7	A6	A5	A4	A3	A2	-----
JUMPER INSTALLED	-----								X	X	--	--	X	X	*	*	-----

X = JUMPER INSTALLED * = CUT STRAP

OPTIONS

Interrupt Address

Three pairs of square pins, labeled IA0, IA1 and IA2, are used to select the level at which the processor will allow the board to request an interrupt. These pairs of pins correspond to the bits in the Interrupt Address. To select an Interrupt Address, a jumper must be installed on each pair of pins corresponding to a zero in the desired address. For example, an interrupt address of 7 requires no jumpers installed. Refer to Figure 4-5 .

Baud Rate

Baud rates between 75 and 9600 can be selected by installing appropriate jumpers on the square pins comprising J15, J16 and J20. Several outputs from the baud rate generator are available at J16. These clock outputs are at 16 times the actual baud rate. There is also an external baud rate clock input which may be selected at J16, pin 9. Pins 1 and 2 of J15 are connected to the receiver clock input of the USART and pins 3 and 4 are connected to the transmitter clock input. The clock rate appearing at J16, pin 8 can be either 75 or 100 baud depending on the position of a jumper on J20.

To set both receiver and transmitter to the same rate, place the two-pin plug of the baud rate jumper (see Figure 4-5) over pins 1 and 2 of J15. Then place one of the one-pin plugs on pin 3 or 4 of J15. Finally, place the other one-pin plug on J16 at the correct baud rate output pin.

To select different baud rates for receiver and transmitter, place the two-pin plug of the jumper on pins 2 and 3 of J15. Next place the one-pin plug that is now connected to pin 2 of J15 on the desired receiver baud rate output pin of J16. Finally, place the remaining one-pin plug at the desired transmit baud rate on J16.

NOTE

Current 4027 firmware does not support reception of data through the RS-232 Peripheral Interface.

Selection between 75 and 100 baud is made by installing a jumper plug on pins 1 and 2 of J20 for 75 baud or on pins 2 and 3 of J20 for 100 baud.

Operation with 4641 or 4642 Printers and Option 36

This section applies only to setting up the RS-232 Peripheral Interface for use with 4027 Option 36, Peripheral ROM. This ROM contains the firmware for interfacing the 4027 to the TEKTRONIX 4642 and 4641 Printers (see note 1).

1. Set the I/O base address at X'08C0' (refer to Table 4-1).
2. Set the interrupt address at 7 (no jumpers installed on J319 and J320).
3. Set the baud rate to the same rate that the printer is set to (normally 2400). Refer to Figure 4-5.
4. The circuit board is installed in one of the slots reserved for options (see Figure 3-28).

NOTE

With the TEKTRONIX 4641 Printer, the SET command must be used to provide a suitable delay for carriage return/line feed operations. See the operator's or programmer's reference manuals for SET command details. Refer to Table 4-2 for delay settings.

Table 4-2

4641 PRINTER DELAY SETTINGS

Baud	Delay
9600	4
4800	3
2400	2
1200 thru 50	1

OPTION 4, GPIB INTERFACE

The GPIB Interface permits connection of up to 4 GPIB peripherals (such as the TEKTRONIX 4924 Digital Cartridge Tape Drive and the TEKTRONIX 4662 Interactive Digital Plotter) to the terminal. Figure 4-6 shows a typical installation. The first peripheral device is connected to the terminal using the GPIB cable furnished with Option 4. Additional devices are connected into the system using standard "piggyback" GPIB cables. Option 36, Peripherals ROM must also be installed in the terminal. This firmware supports GPIB communications with the 4924 and 4662.

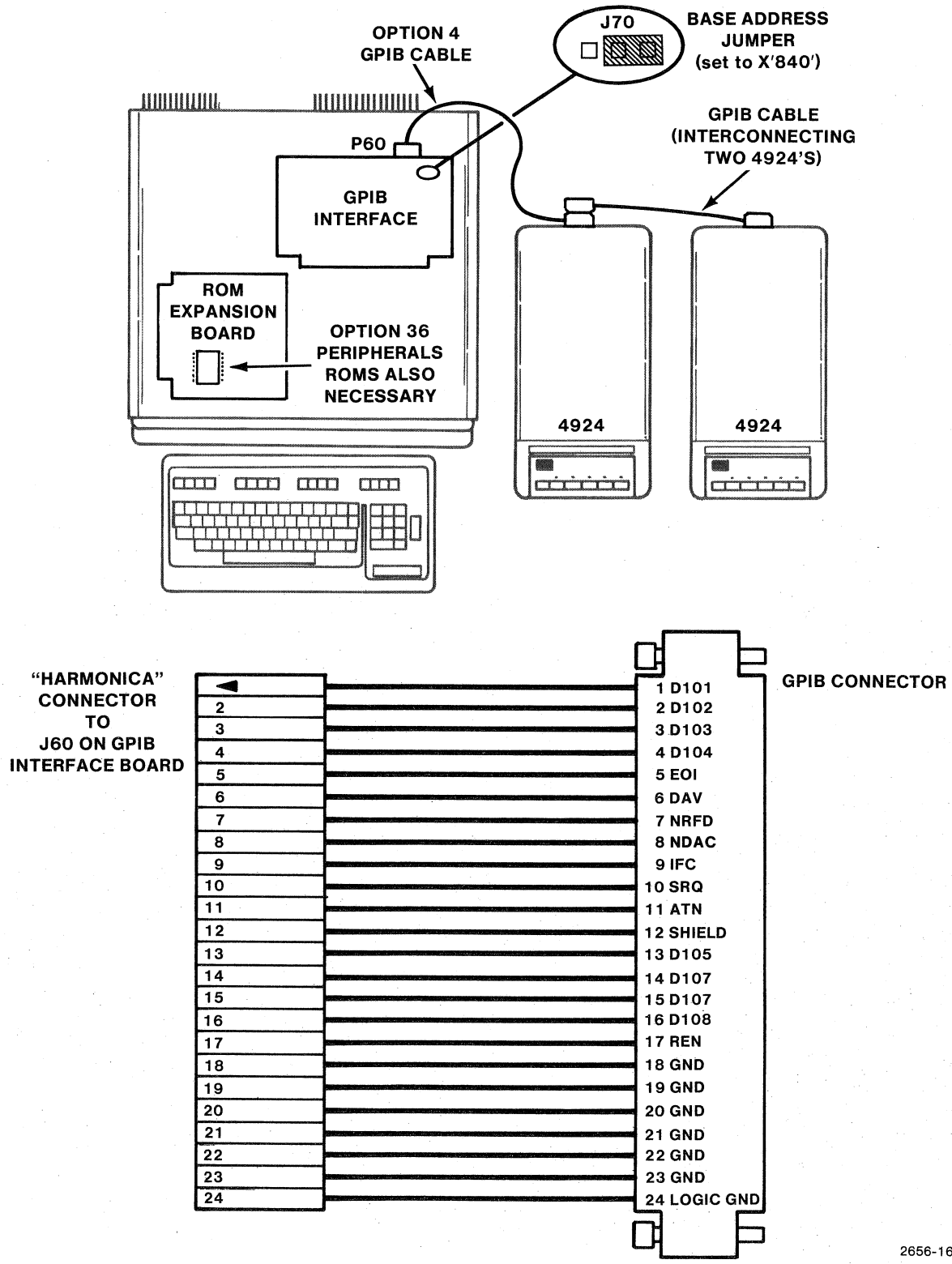
Parts Required

One GPIB Interface circuit board

One GPIB cable

NOTE

Option 36, Peripherals ROM, must also be installed.



2656-167

Figure 4-6. Option 4 Installation.

OPTIONS

Jumper Settings

The GPIB Interface Board has one jumper. This is the Base Address jumper. The Base address jumper selects either X'840' or X'850' as the board's processor bus address. This jumper should be set to the "840" position.

OPTIONS 10 AND 11, POLLING ARRAY

Options 10 and 11 allow up to eight 4020 Series terminals to be connected together in an IBM-compatible polling array. This permits a single data communications link to the host computer to be used for these terminals. As shown in Figure 4-7, a typical polling array consists of a master station and one or more display stations. Each of the stations must have Option 10 installed. One of the stations must also contain Option 11. The terminals are connected together serially using current loop interfaces like those supplied with Option 2 (except that a different current loop cable is required). The Polling Controller circuit board, which is a part of Option 11, supplies current for the loop and each of the Current Loop Interface boards operates in passive mode.

Each of the terminals must also have additional system firmware installed to allow it to function in the polling array. The firmware installation consists of a ROM, an FPLA (Field Programmable Logic Array), and an FROM (Field programmable ROM) which are located on the Processor board. These are supplied as a part of Option 10.

A special bezel supplied with Option 11 contains three indicator lights which allow the status of the polling array to be monitored.

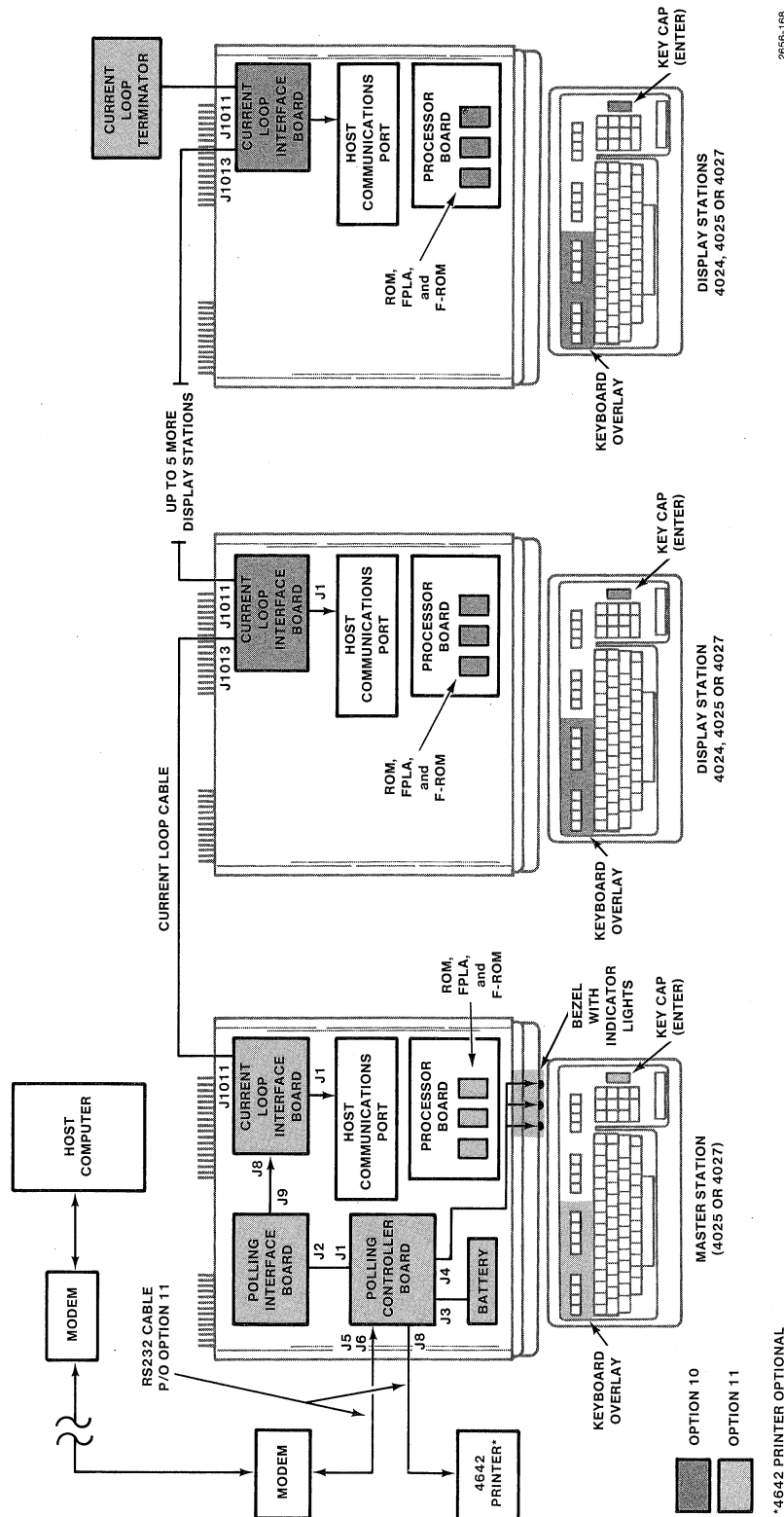


Figure 4-7. Typical Polling Array Installation.

OPTIONS

Additional information on the polling system can be found in the 4020 Series Polling Reference Manual, the 4020 Series Polling Service Manual, and Volume 1 of this manual.

Parts Required

Option 10

- One ROM containing the polling firmware
- One FPLA
- One FROM
- One Current Loop Interface assembly
- One function key overlay
- One keycap labeled "ENTER"
- One four-conductor power cable
- One three-conductor signal cable

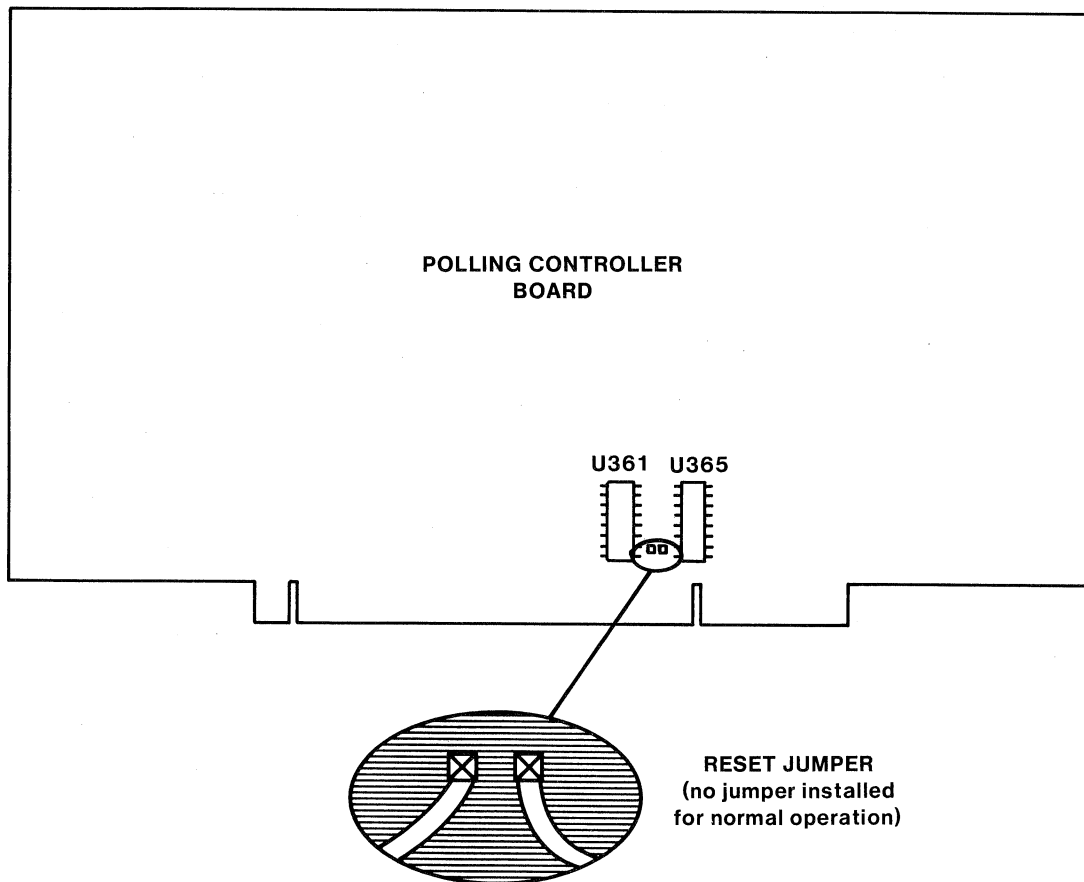
Option 11

- One Polling Controller Board
- One Polling Controller Interface Board
- One Current Loop Terminator
- One bezel with status indicator lights
- One RS-232 cable (Polling Controller to host)
- One RS-232 cable (Polling Controller to Printer)
- One battery and two-conductor battery cable
- One three-conductor status indicator cable
- One four conductor signal cable
- All the Option 10 parts listed above

In addition to Options 10 and 11, Polling Current Loop cables are required for interconnecting the terminals. These are supplied as optional accessories.

Jumper Settings

The Polling Controller circuit board contains one jumper: the Reset jumper. This jumper determines whether or not the Polling Controller is reset at the same time that the terminal performs a RESET operation. This jumper should be open. That is, the Polling Controller should not be reset by the terminal (see Figure 4-8).



2656-169

Figure 4-8. Polling Controller Jumper Setting.

OPTIONS

OPTIONS 21 AND 22, DISPLAY MEMORY EXPANSION

Options 21 and 22 provide 16K bytes and 32K bytes of Display Memory, respectively. The standard complement of RAM on the Display Memory Board is 8K. In this case 4K by 1 dynamic RAM devices (Intel 2104 or equivalent) are installed.

Option 21 consists of eight 16K by 1 dynamic RAMs. These RAMs are installed in the top row of sockets reserved for the RAMs on the Display Memory Board (U55, U61, U65, U71, U75, U81, U85, U95). In addition, there are jumpers which must be set on the Display Memory Board (see Jumper Settings in Section 2, INSTALLATION).

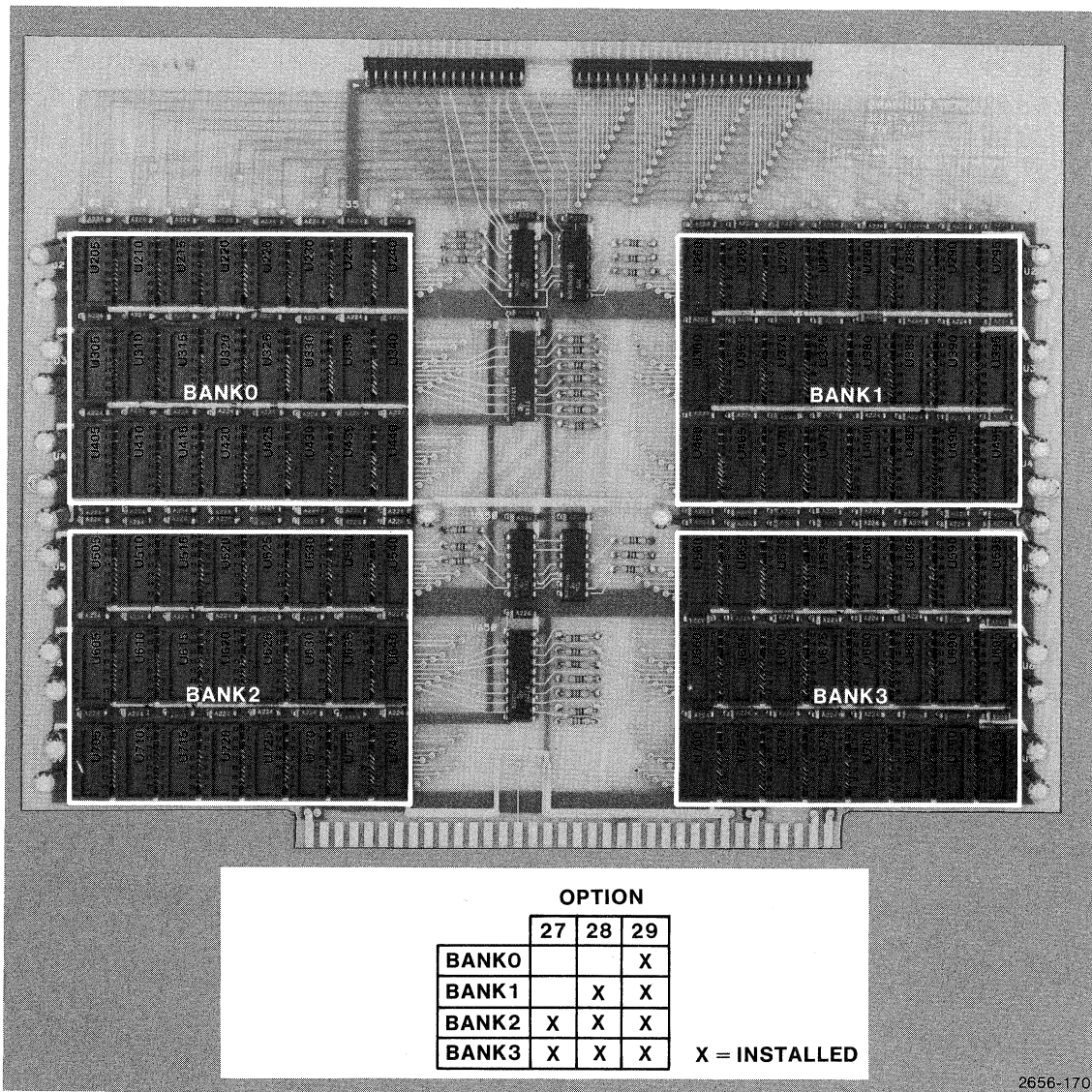
Option 22 consists of sixteen 16K by 1 dynamic RAMs. When Option 22 is installed, all of the Display Memory's RAM sockets are filled. Jumper settings must be made on the Display Memory Board for this option (see Jumper Settings in Section 2, INSTALLATION).

OPTIONS 27, 28, AND 29, GRAPHICS MEMORY EXPANSION

Options 27, 28 and 29 provide 32K words, 48K words, and 64K words, respectively, of Graphics RAM. Graphics Memory is expanded downward from the top of character memory space in 16K, 24-bit word increments. There are four banks of RAM on the Graphics Memory Board, each bank consisting of twenty-four 16K by 1 dynamic RAM devices (Intel 4116 or equivalent). Options 27, 28, and 29 should be installed according to Figure 4-9. Each bank of RAM installed must also be enabled by jumpers on the Graphics Memory Controller Board. Refer to Jumper Settings in Section 2, INSTALLATION for these settings.

NOTE

The lowest bank of Graphics Memory can overlay character ROM address space. If both RAM and ROM are enabled in these locations, ROM takes precedence over RAM.



2656-170

Figure 4-9. Options 27, 28, and 29 Installations.

OPTIONS

OPTION 31, CHARACTER SET EXPANSION BOARD

Option 31 allows up to eight alternate ROM character sets to be installed in the 4027. Each character set occupies a "font" in character memory space. The Character Set Expansion Board has space for eight fonts of 128 characters each (a font is 2K bytes wide). Figure 4-10 depicts the Character Set Expansion Board Installation.

Each font on the Character Set Expansion board has two sockets associated with it (see Figure 4-10). One socket corresponds to the upper 1K of the font, and the other socket corresponds to the lower 1K.

There are two addressing modes for each font: mode 1 and mode 2. Mode 1 is used when a character set is contained on one ROM (64 characters or less) and Mode 2 is used when the character set is contained on two ROMs (up to 128 characters). In mode 1, the character data is repeated in the upper and lower halves of the font. In mode 2, the font is addressed as 128 distinct character locations with different character data coming from each location.

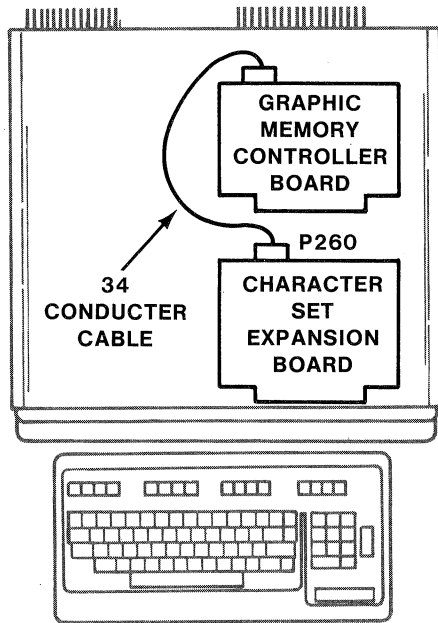
Jumper Settings

Refer to Figure 4-10. For each character set installed:

1. Set the Mode Select jumper to "1" if the character set is contained on one ROM.

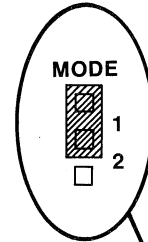
NOTE

When operating in mode 1, the single ROM must be installed in the "upper" socket.

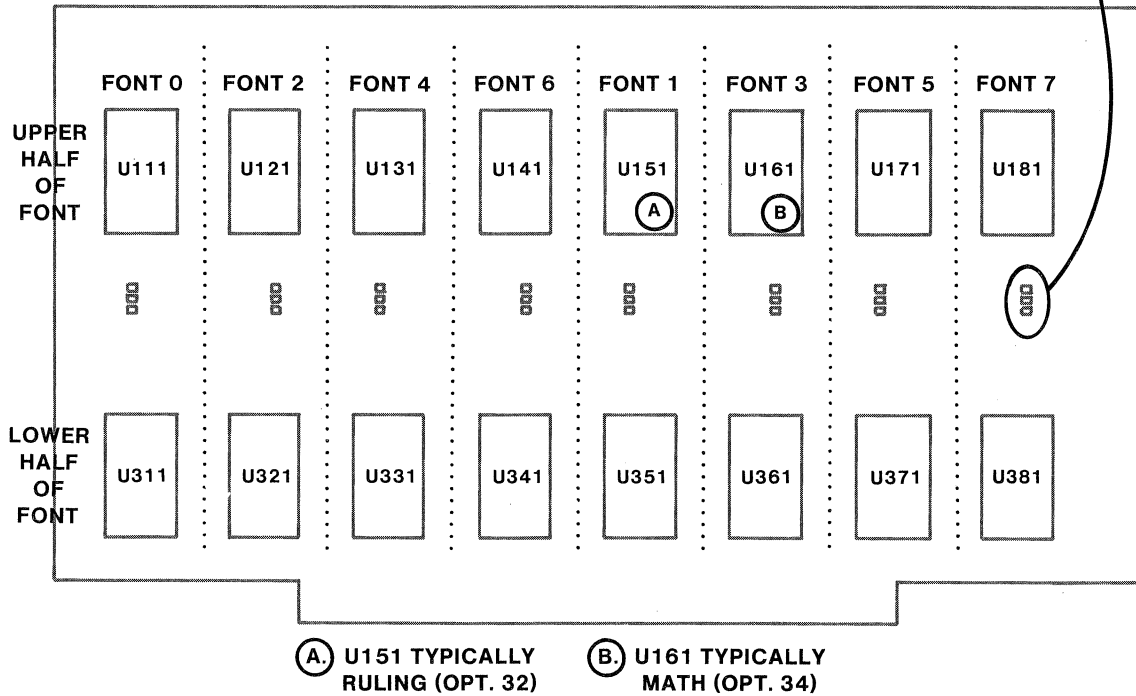


MODE SELECT JUMPER
(mode 1 shown)

1. Set to mode 1 for character set contained on the ROM (64 characters or less).
2. Set to mode 2 for character set contained on two ROMS (up to 128 characters).



NOTE: When operating mode 1, the ROM *must* be installed in the *upper* socket.



2656-171

Figure 4-10. Option 31 Installation.

OPTIONS

2. Set the Mode Select jumper to 2 if the character set is contained on two ROMs.

NOTE

In mode 2, the ROM containing the first 64 characters should be installed in the "lower" socket. The ROM containing subsequent characters should be installed in the "upper" position.

NOTE

All fonts installed on the Character Set Expansion Board must be enabled on the Graphics Memory Controller Board in order for them to be accessed. If an alternate character set is installed at font 0 on the Character Set Expansion Board, the ASCII ROM must be disabled on the Graphics Memory Controller Board.

See Jumper Settings in Section 2, INSTALLATION.

OPTION 32, RULING CHARACTER SET

Option 32 consists of one 1024 by 8 bit ROM which contains 64 special characters used for custom "rulings" on the 4027 display. The ROM is installed in font 1 (U151) on the Character Set Expansion Board. See Option 31 in this section and Section 2, INSTALLATION for additional installation information.

OPTION 34, MATH CHARACTER SET

Option 34 consists one 1024 by 8 bit ROM containing 64 special mathematics characters. The ROM is installed in font 3 (U161) on the Character Set Expansion Board. See Option 31 in this section and Section 2, INSTALLATION for additional installation details.

OPTION 36, PERIPHERALS ROM

Option 36 consists of two 4K ROMs. It contains the firmware necessary for the terminal to drive the RS-232 and GPIB-compatible peripherals. The ROMs supplied with Option 36 are installed on the ROM Expansion Board. One ROM, labeled 160-0038 is installed at U141. The other ROM, labeled 160-0047 is installed at U151. These ROMs must be enabled by setting jumpers on the ROM Expansion board (see Section 2, INSTALLATION).

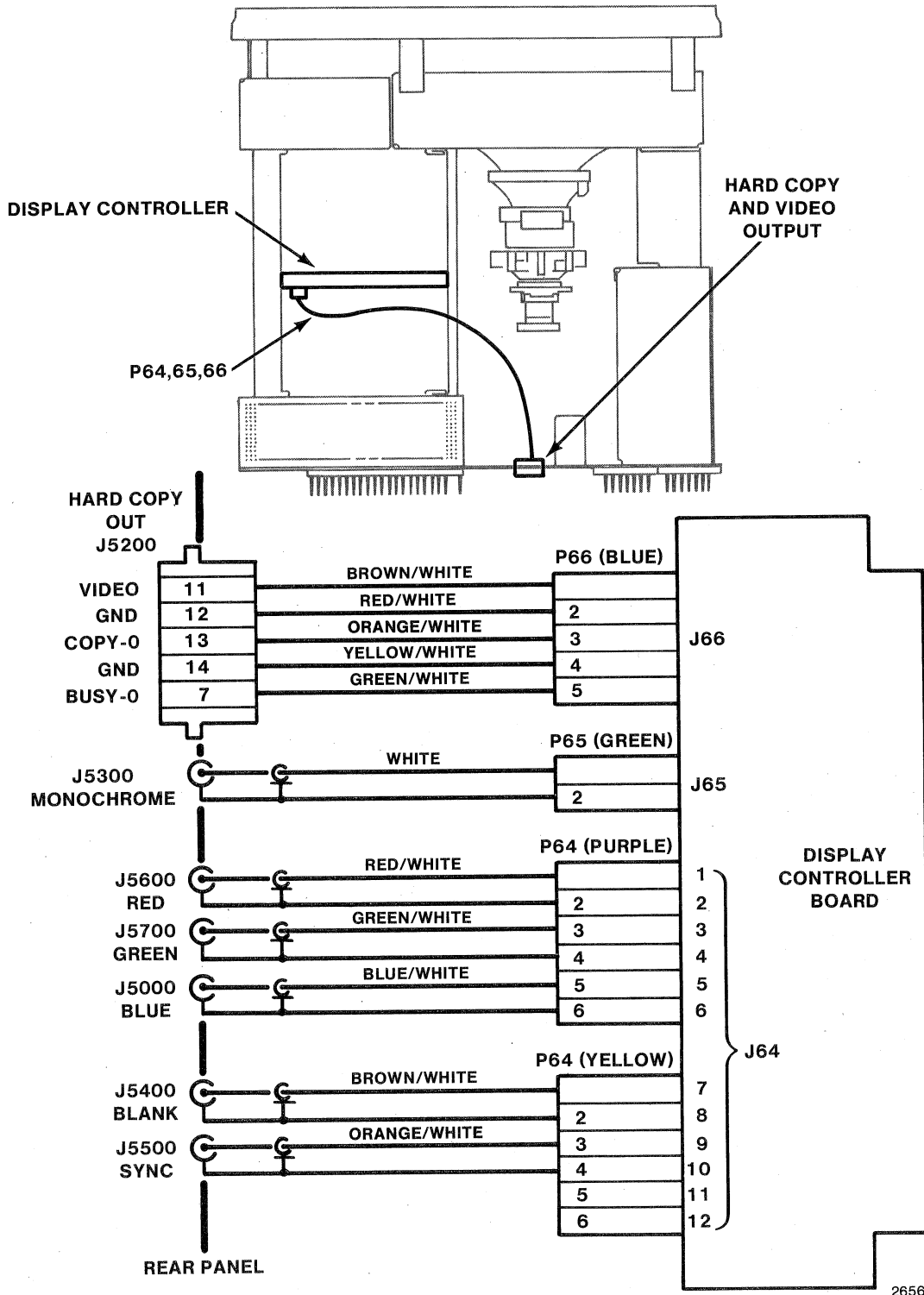
OPTION 42, HARD COPY AND VIDEO OUTPUT

Option 42 makes the signals described in Table 4-3 available at the rear panel. The installation is depicted in Figure 4-11.

Table 4-3

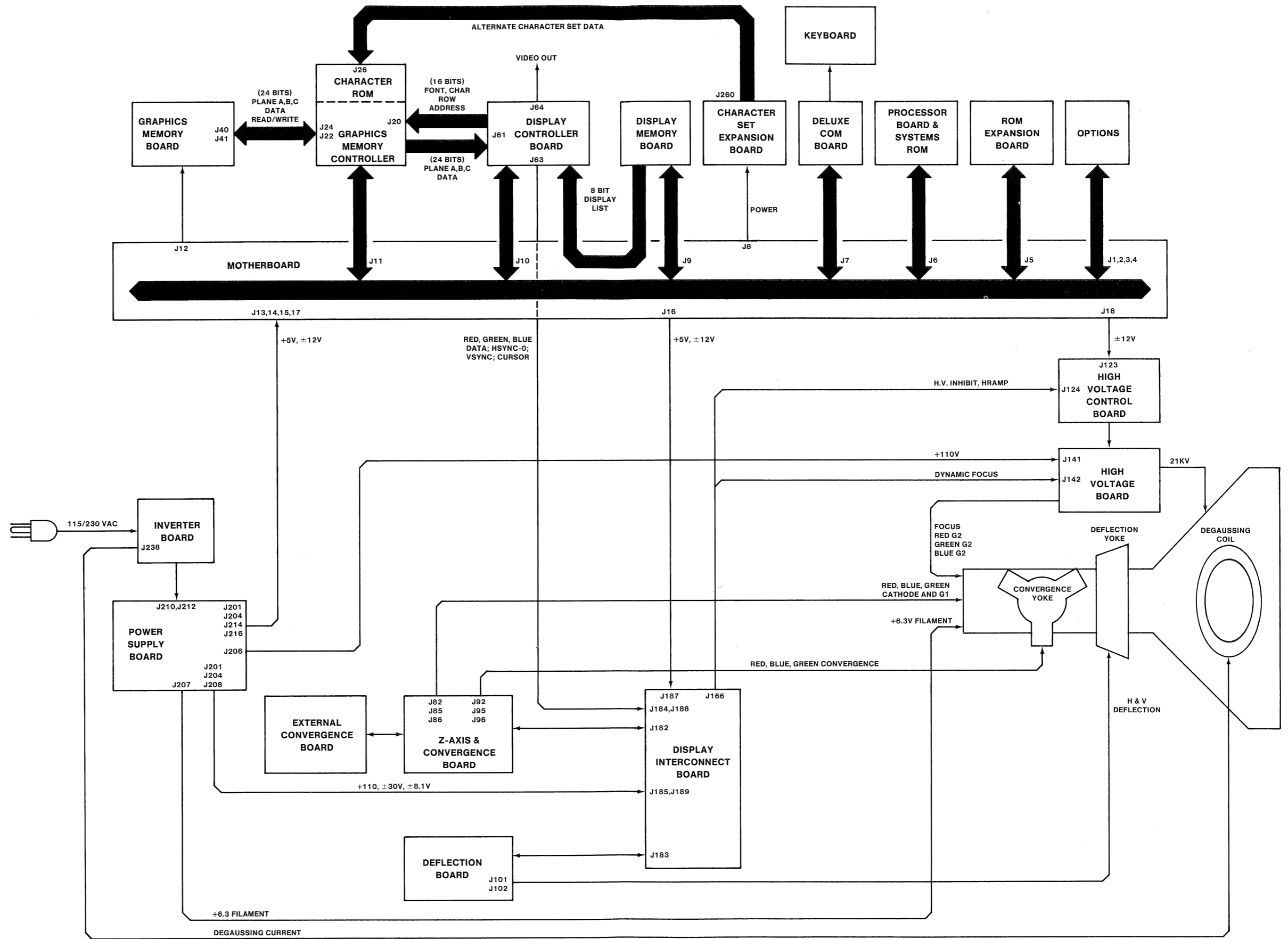
HARD COPY AND VIDEO OUTPUTS

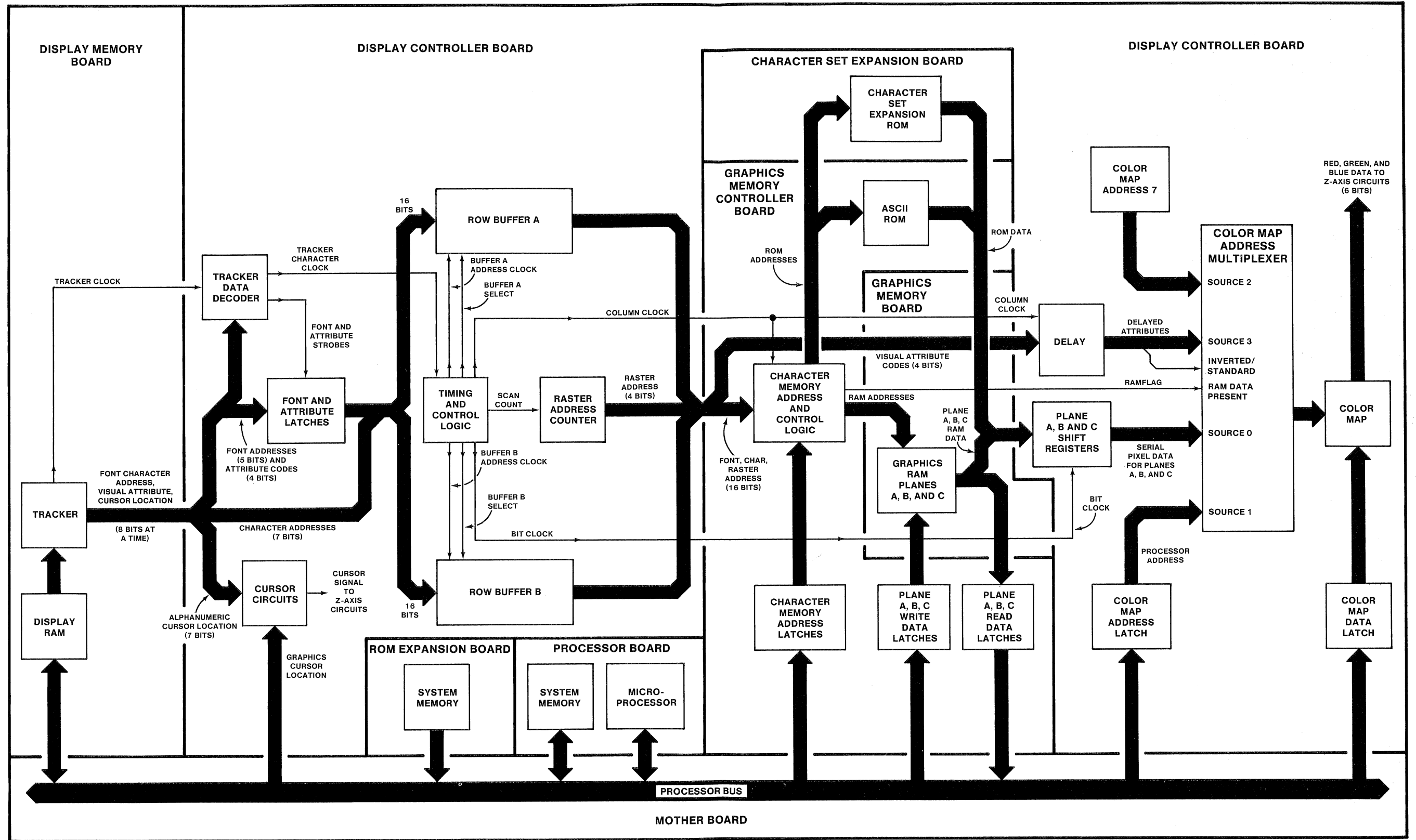
Labeled	Jack No.	Cable Color	Description
MONOCHROME	J5300	white	monochrome video
RED	J5600	red/white	red composite video
GREEN	J5700	green/white	green composite video
BLUE	J5800	blue/white	blue composite video
SYNC	J5500	orange/white	composite sync
BLANK	J5400	brown/white	composite blanking

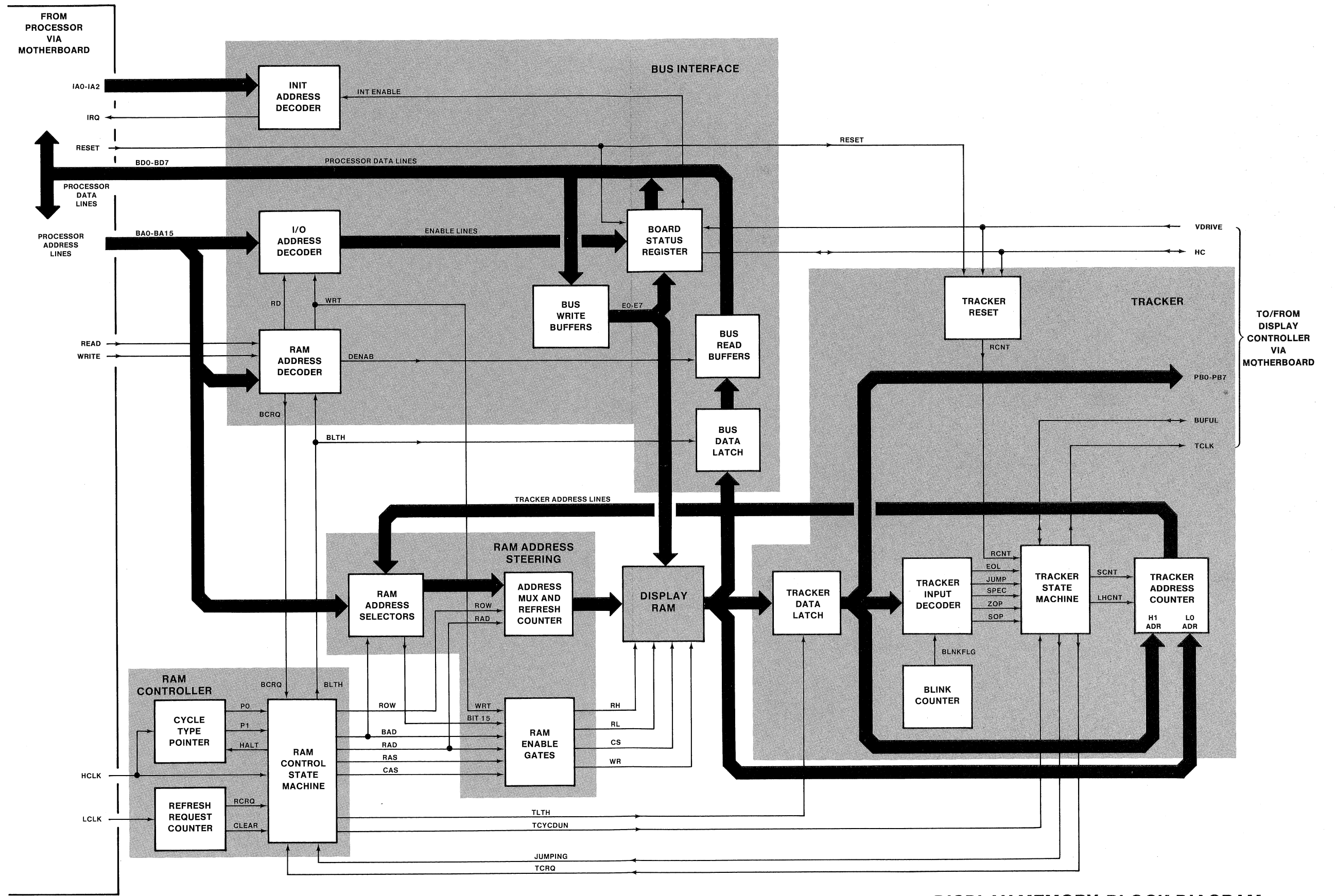


2656-172

Figure 4-11. Option 42 Installation.



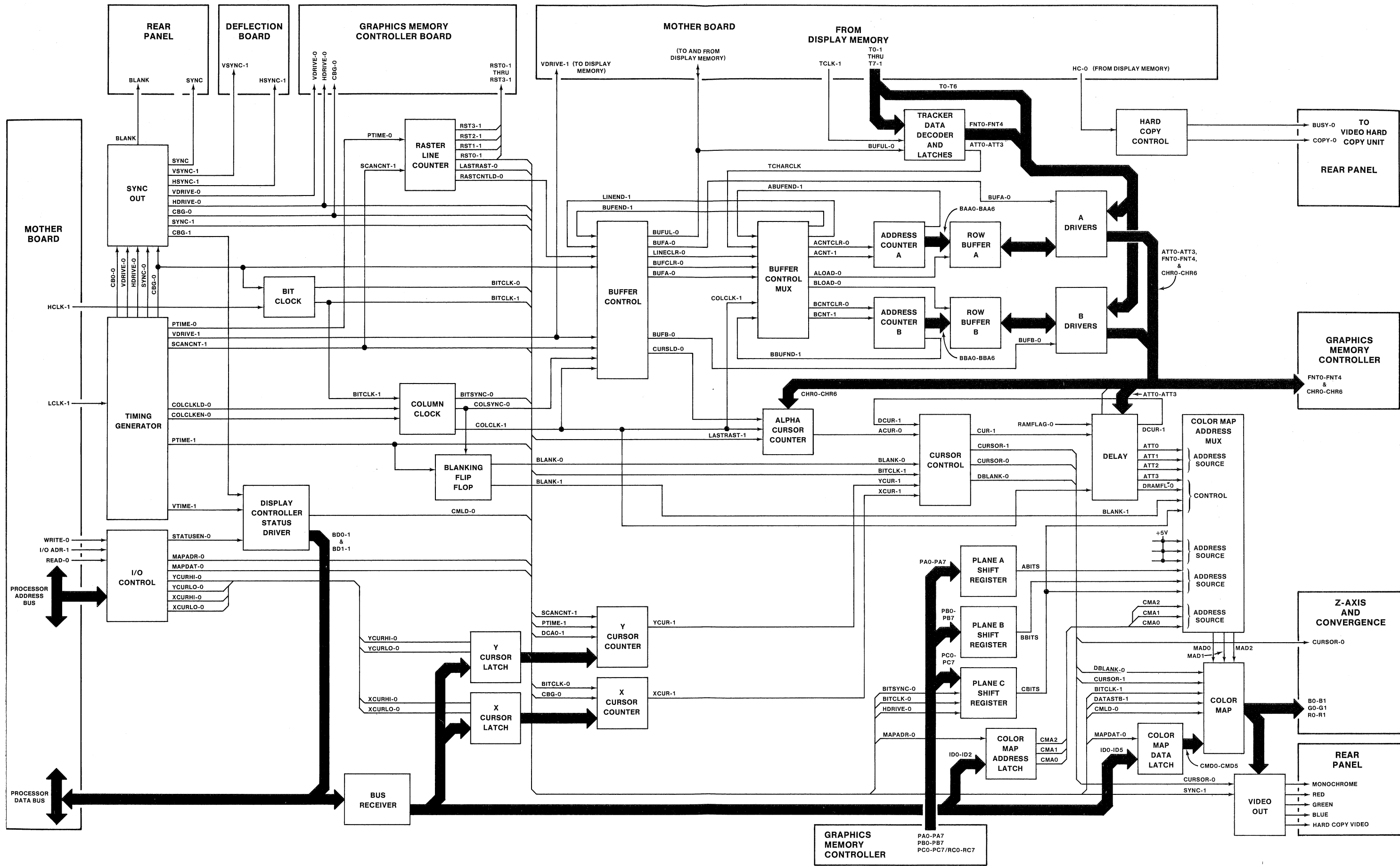


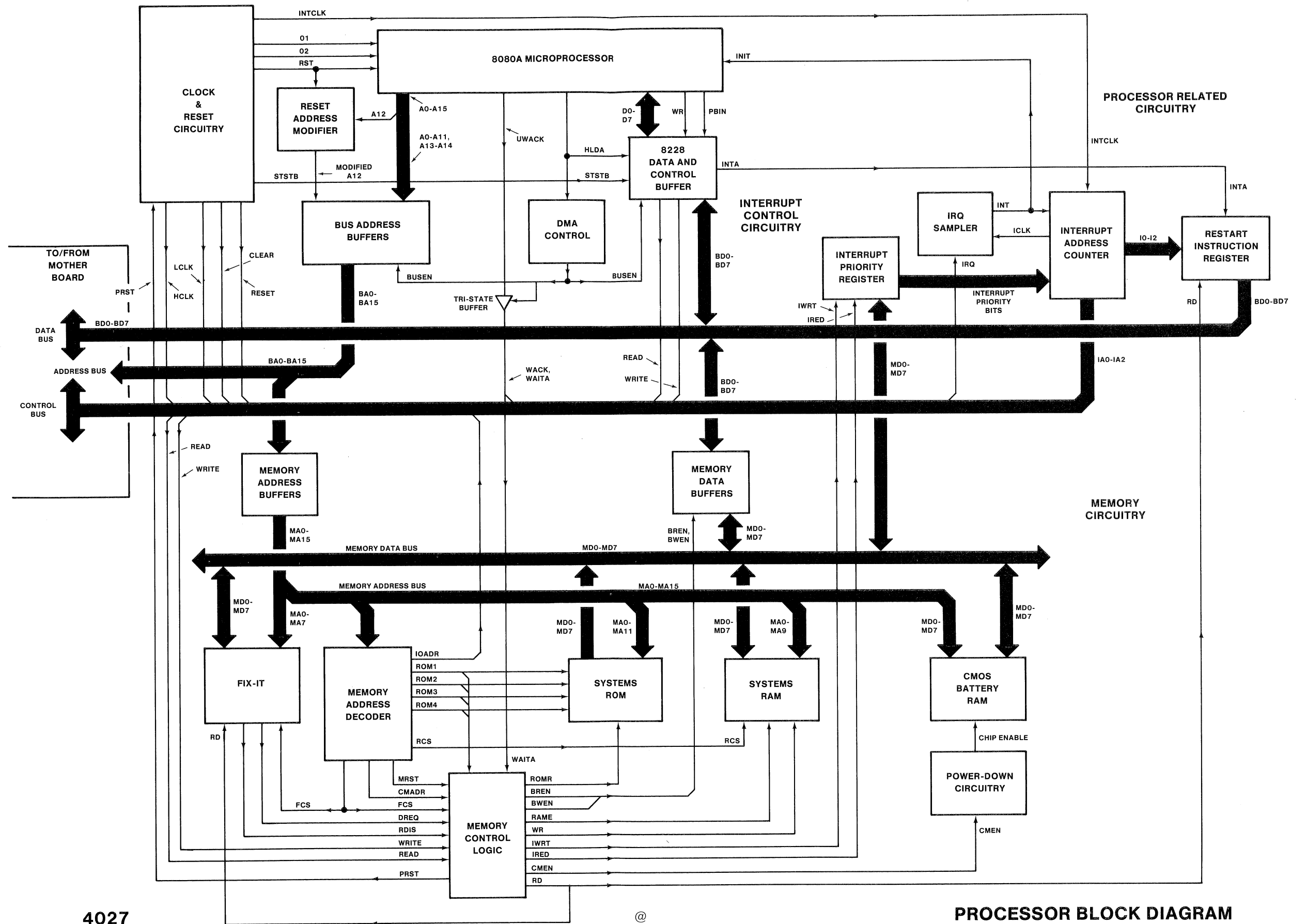


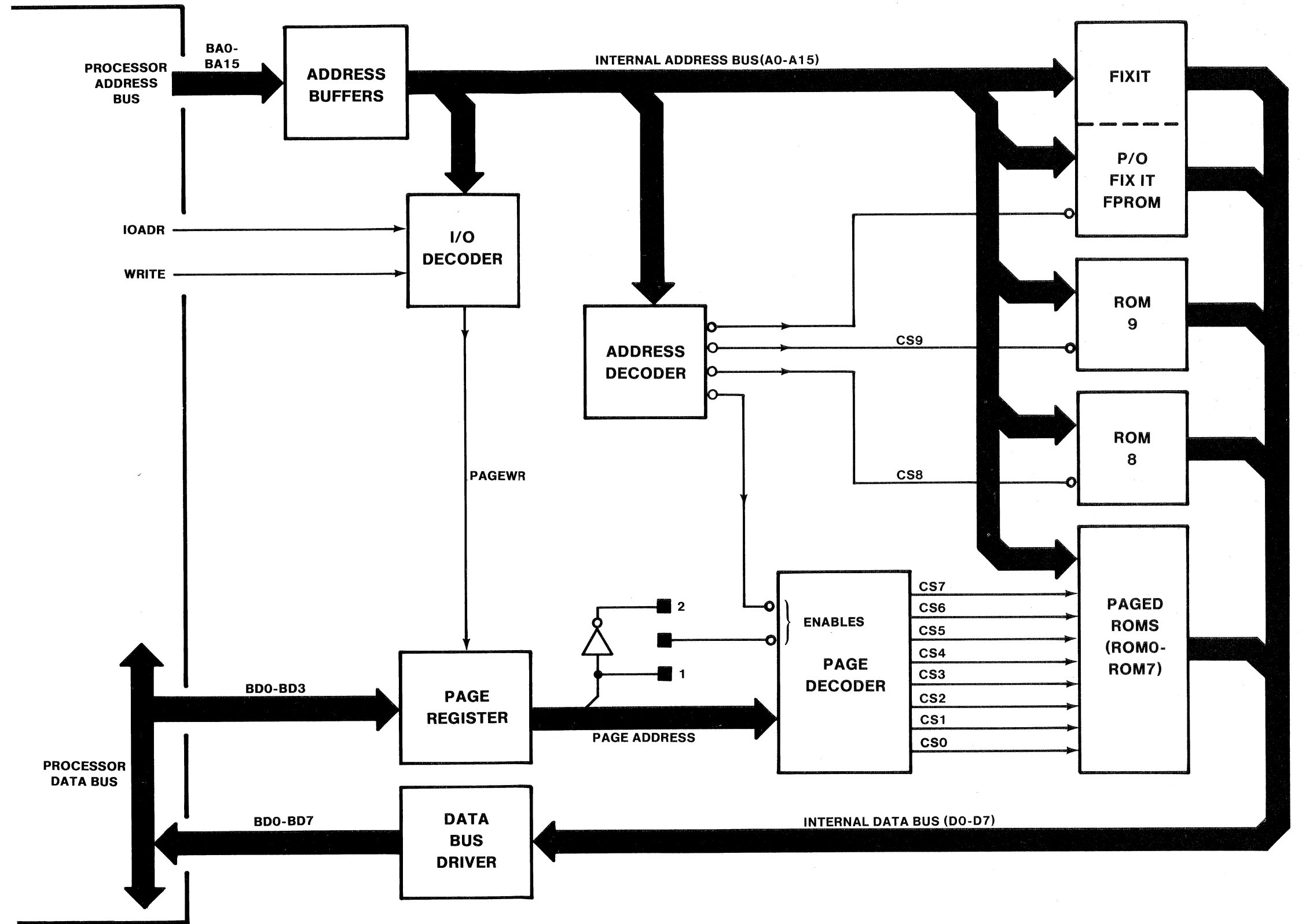
4027

@

DISPLAY MEMORY BLOCK DIAGRAM



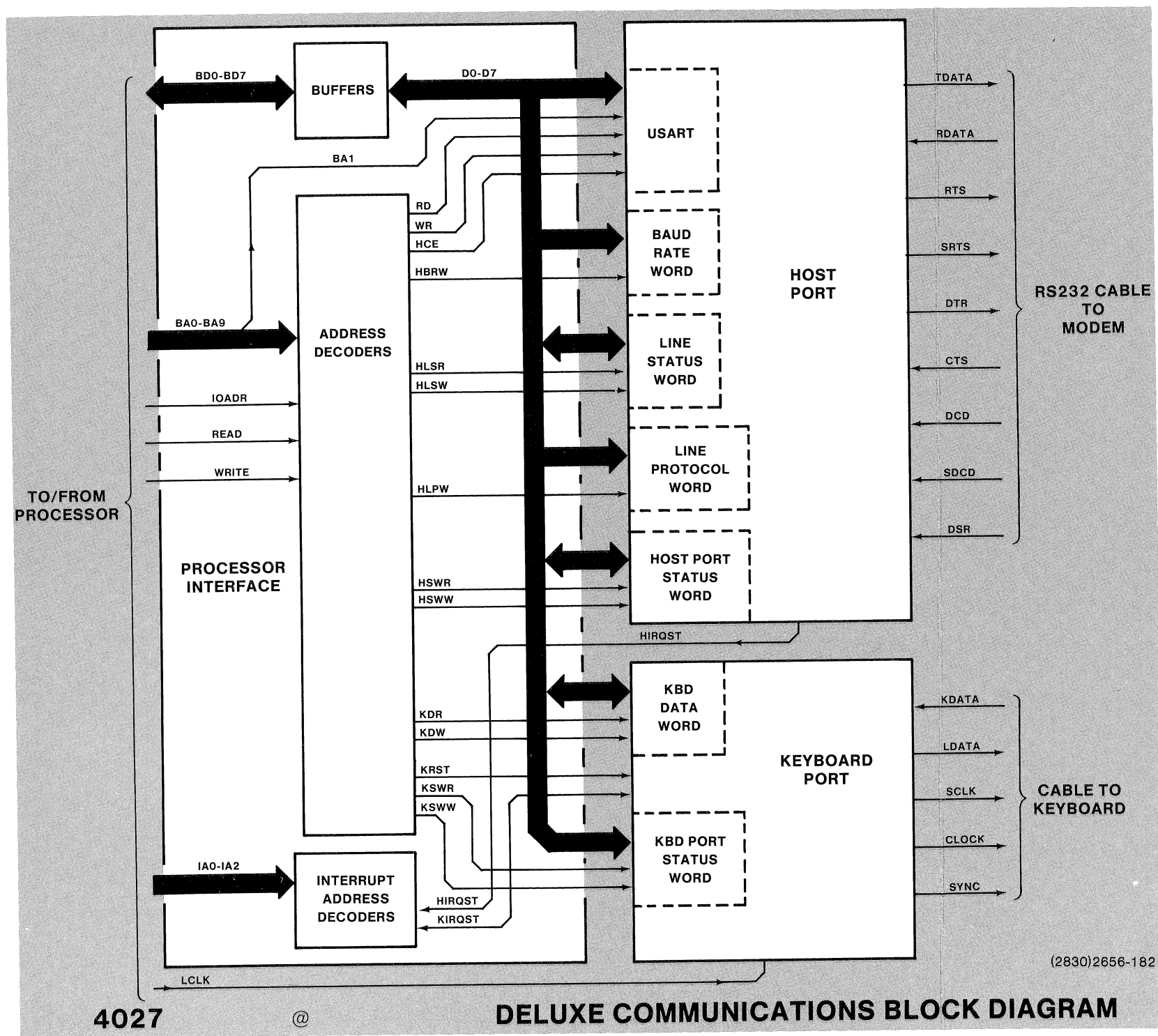




4027

@

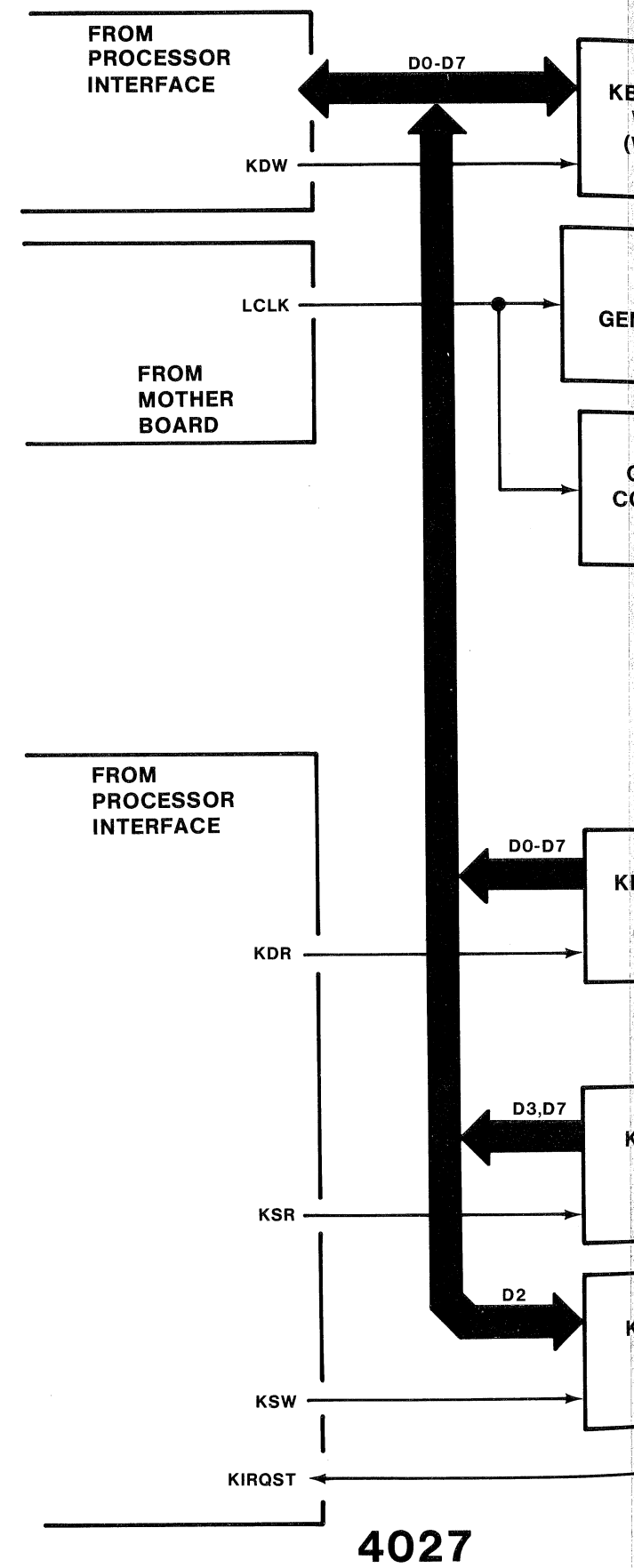
ROM EXPANSION BLOCK DIAGRAM (2830) 2656-181



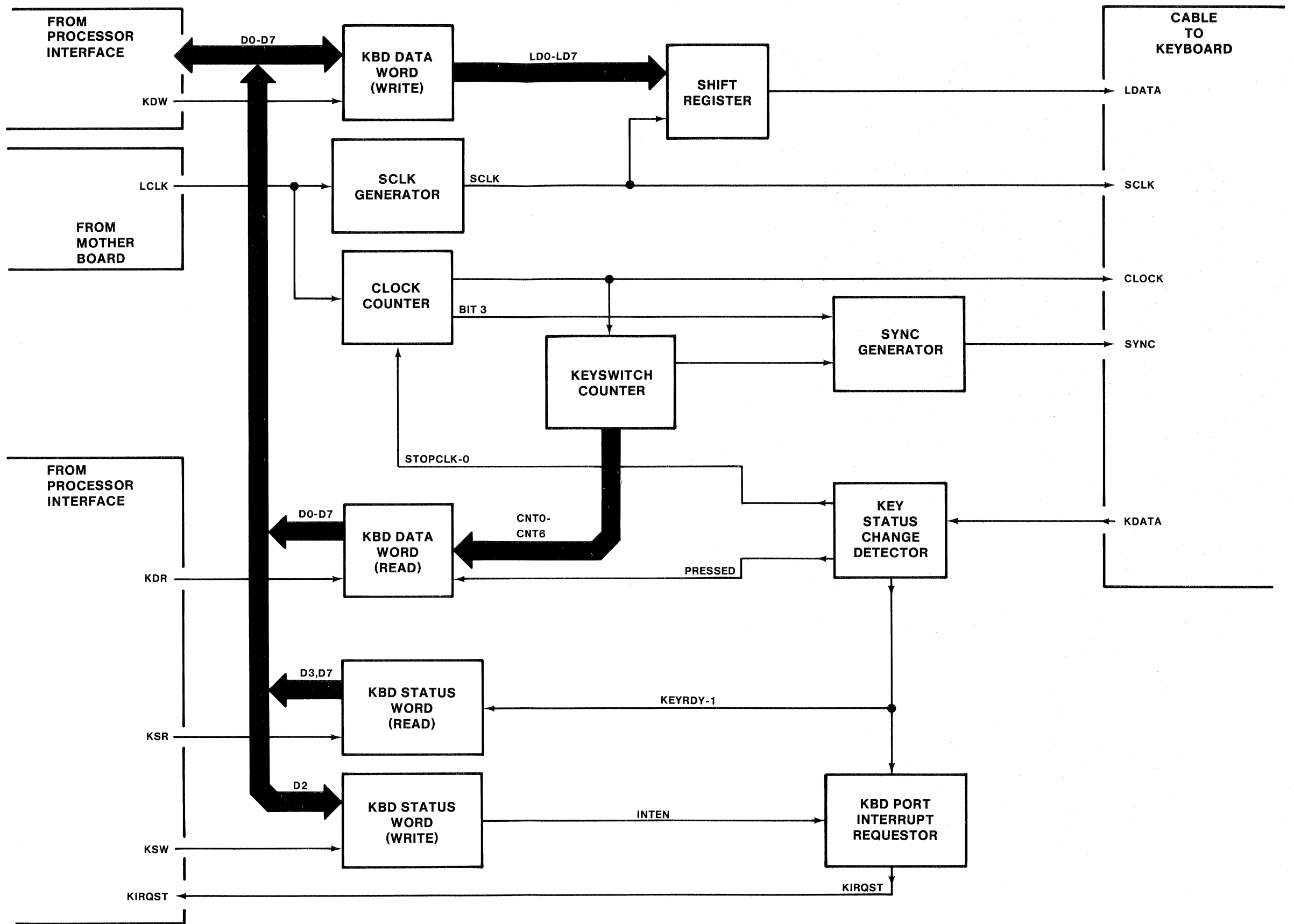
4027

@

DELUXE COMMUNICATIONS BLOCK DIAGRAM



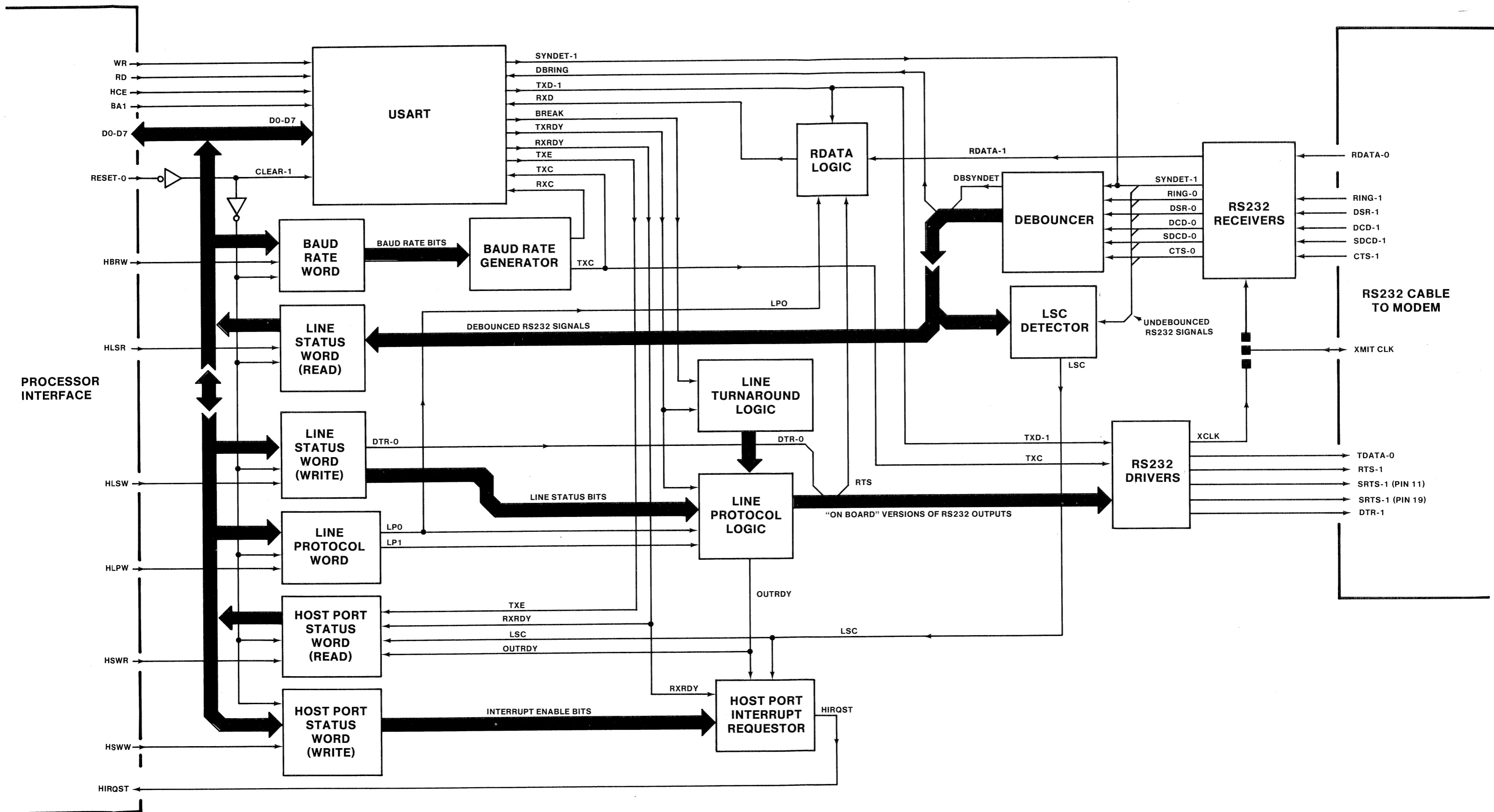
4027

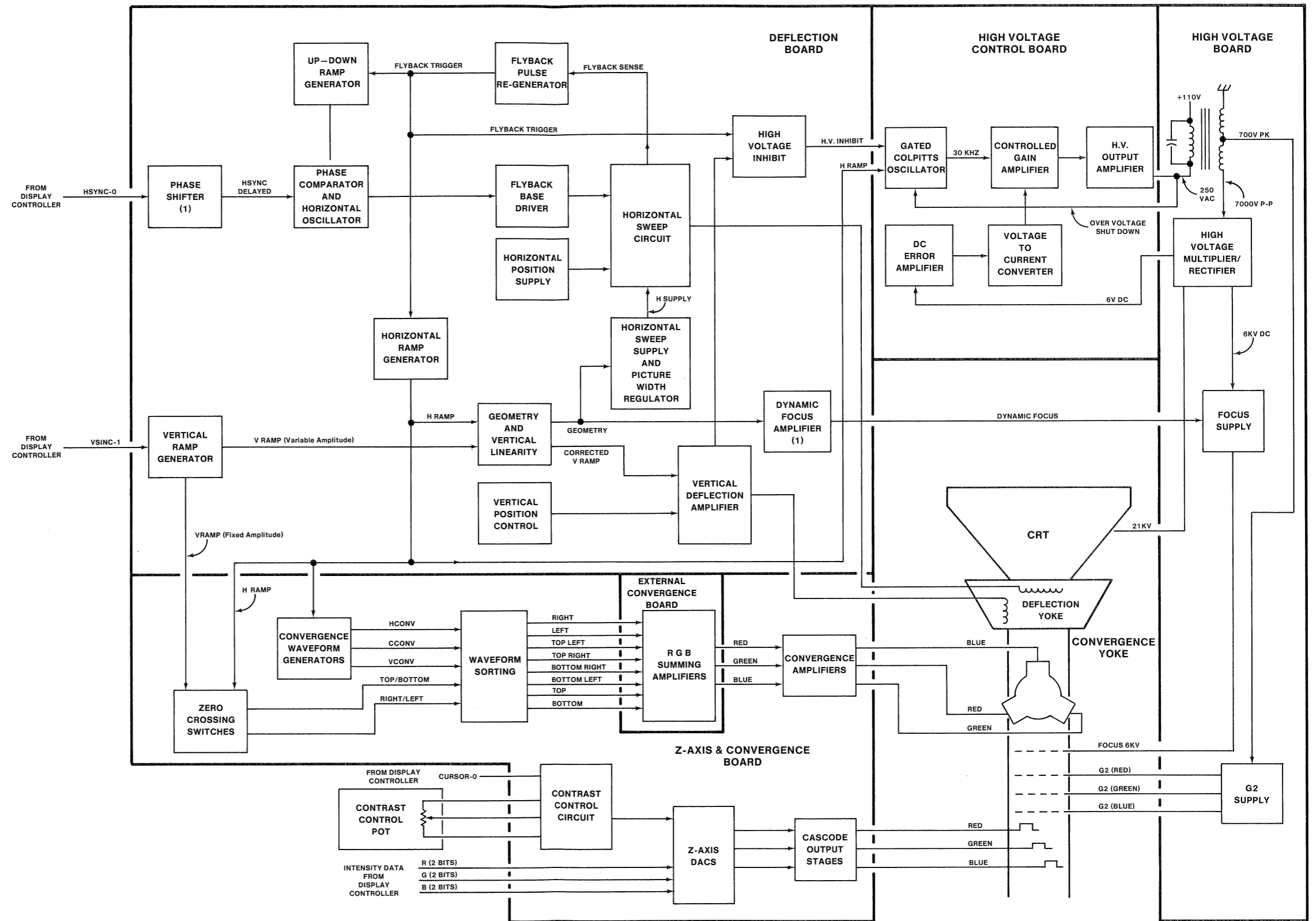


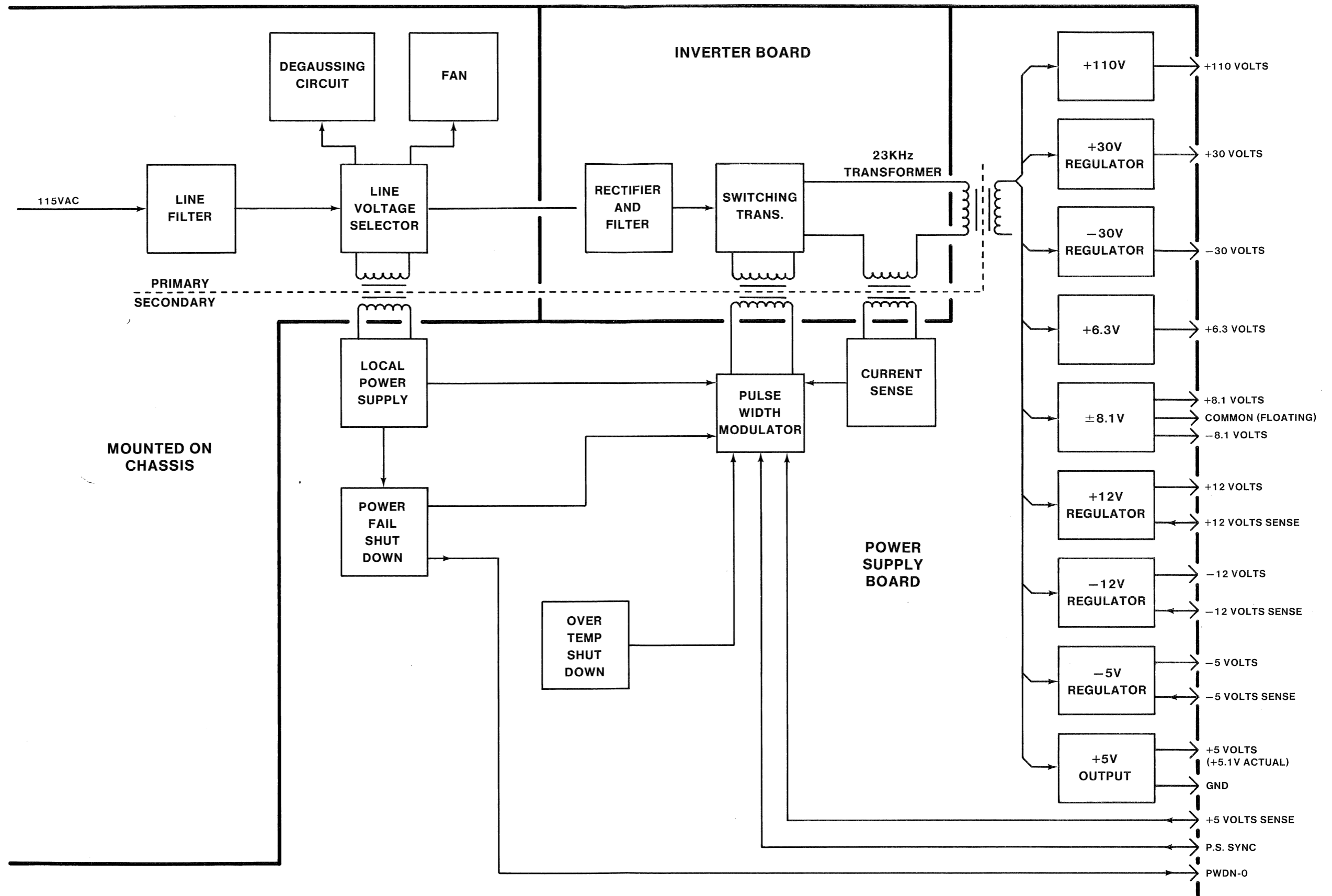
4027

@

KEYBOARD PORT BLOCK DIAGRAM



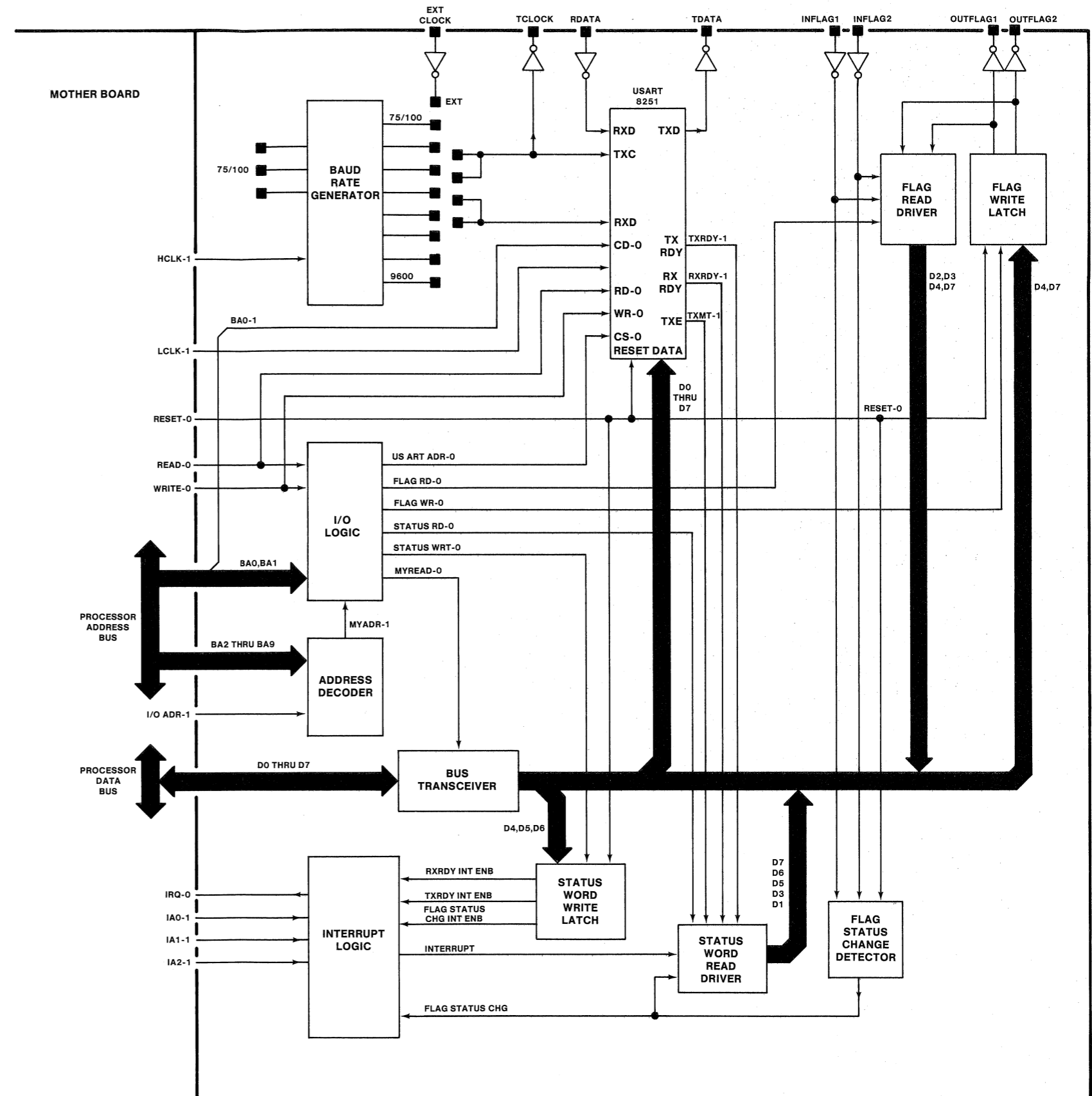


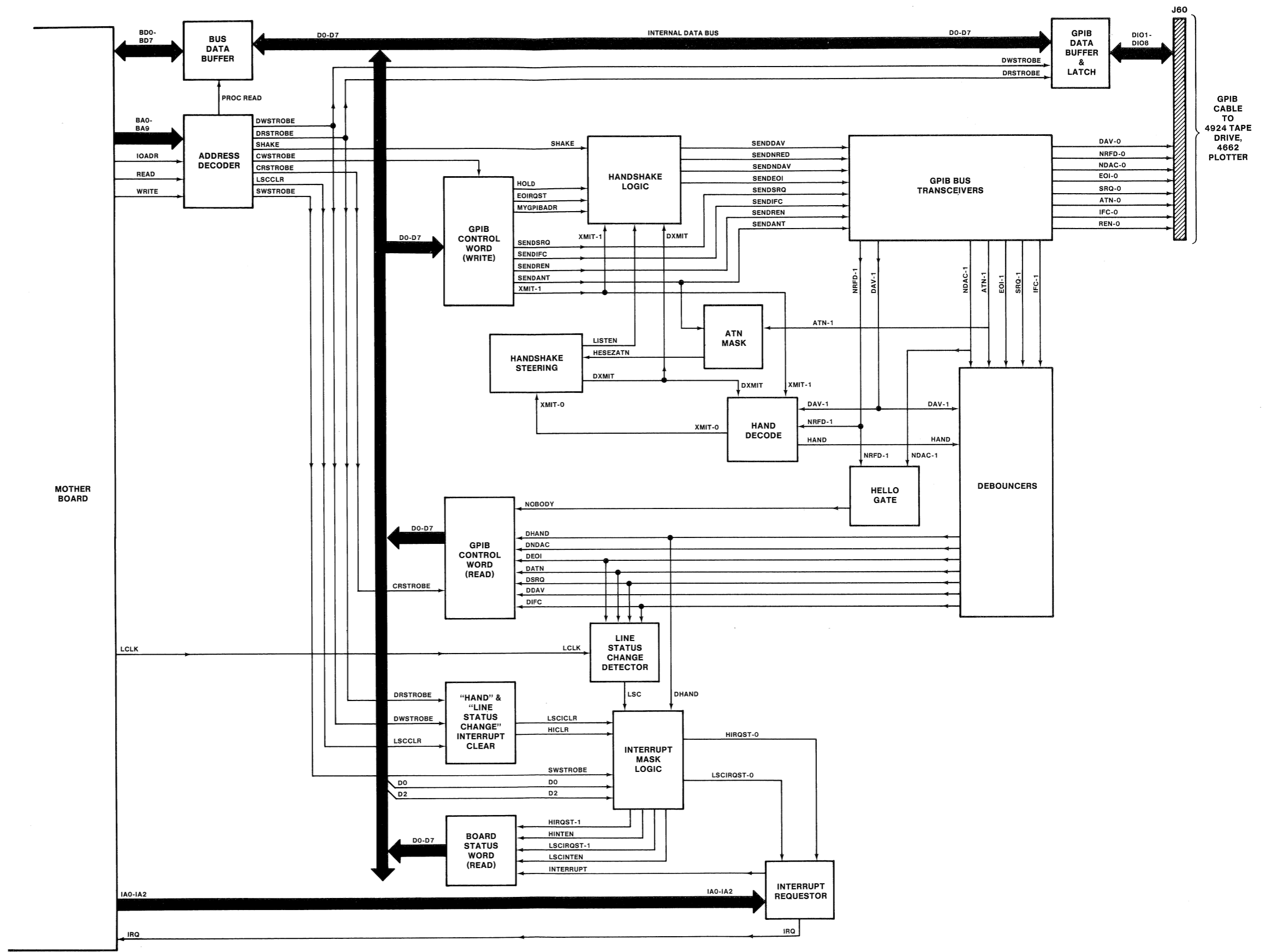


4027

@

POWER SUPPLY BLOCK DIAGRAM





4027

@

GPIB PERIPHERAL INTERFACE BLOCK DIAGRAM

Section 6

REPLACEABLE ELECTRICAL PARTS

PARTS ORDERING INFORMATION

Replacement parts are available from or through your local Tektronix, Inc. Field Office or representative.

Changes to Tektronix instruments are sometimes made to accommodate improved components as they become available, and to give you the benefit of the latest circuit improvements developed in our engineering department. It is therefore important, when ordering parts, to include the following information in your order: Part number, instrument type or number, serial number, and modification number if applicable.

If a part you have ordered has been replaced with a new or improved part, your local Tektronix, Inc. Field Office or representative will contact you concerning any change in part number.

Change information, if any, is located at the rear of this manual.

SPECIAL NOTES AND SYMBOLS

X000 Part first added at this serial number
00X Part removed after this serial number

ITEM NAME

In the Parts List, an Item Name is separated from the description by a colon (:). Because of space limitations, an Item Name may sometimes appear as incomplete. For further Item Name identification, the U.S. Federal Cataloging Handbook H6-1 can be utilized where possible.

ABBREVIATIONS

ACTR	ACTUATOR	PLSTC	PLASTIC
ASSY	ASSEMBLY	QTZ	QUARTZ
CAP	CAPACITOR	RECP	RECEPTACLE
CER	CERAMIC	RES	RESISTOR
CKT	CIRCUIT	RF	RADIO FREQUENCY
COMP	COMPOSITION	SEL	SELECTED
CONN	CONNECTOR	SEMICOND	SEMICONDUCTOR
ELCTLT	ELECTROLYTIC	SENS	SENSITIVE
ELEC	ELECTRICAL	VAR	VARIABLE
INCAND	INCANDESCENT	WW	WIREWOUND
LED	LIGHT EMITTING DIODE	XFMR	TRANSFORMER
NONWIR	NON WIREWOUND	XTAL	CRYSTAL

REPLACEABLE ELECTRICAL PARTS

CROSS INDEX—MFR. CODE NUMBER TO MANUFACTURER

Mfr. Code	Manufacturer	Address	City, State, Zip
80319	MITSUBISHI DENKI BLDG.	MARUNOUCHI, TOKYO 100	JAPAN
0000L	MATSUSHITA ELECTRIC	200 PARK AVENUE, 54TH FLOOR	NEW YORK, NY 10017
0000M	SONY/TEKTRONIX CORPORATION	P O BOX 14, HANEDA AIRPORT	TOKYO 149, JAPAN
00853	SANGAMO ELECTRIC CO., S. CAROLINA DIV.	P O BOX 128	PICKENS, SC 29671
01121	ALLEN-BRADLEY COMPANY	1201 2ND STREET SOUTH	MILWAUKEE, WI 53204
01281	TRW ELECTRONIC COMPONENTS, SEMICONDUCTOR OPERATIONS	14520 AVIATION BLVD.	LAWNDALE, CA 90260
01295	TEXAS INSTRUMENTS, INC., SEMICONDUCTOR GROUP	P O BOX 5012, 13500 N CENTRAL EXPRESSWAY	DALLAS, TX 75222
01963	CHERRY ELECTRICAL PRODUCTS CORPORATION	3600 SUNSET AVENUE	WAUKEGAN, IL 60085
02113	COILCRAFT INC.	1102 SILVER LAKE RD.	CARY, IL 60013
02735	RCA CORPORATION, SOLID STATE DIVISION	ROUTE 202	SOMERVILLE, NY 08876
02777	HOPKINS ENGINEERING COMPANY	12900 FOOTHILL BLVD.	SAN FERNANDO, CA 91342
03508	GENERAL ELECTRIC COMPANY, SEMI-CONDUCTOR PRODUCTS DEPARTMENT	ELECTRONICS PARK	SYRACUSE, NY 13201
03888	KDI PYROFILM CORPORATION	60 S JEFFERSON ROAD	WHIPPANY, NJ 07981
04222	AVX CERAMICS, DIVISION OF AVX CORP.	P O BOX 867, 19TH AVE. SOUTH	MYRTLE BEACH, SC 29577
04713	MOTOROLA, INC., SEMICONDUCTOR PROD. DIV.	5005 E MCDOWELL RD, PO BOX 20923	PHOENIX, AZ 85036
07263	FAIRCHILD SEMICONDUCTOR, A DIV. OF FAIRCHILD CAMERA AND INSTRUMENT CORP.	464 ELLIS STREET	MOUNTAIN VIEW, CA 94042
09823	BURGESS INC.	FOOT OF EXCHANGE STREET	FREEPORT, IL 61032
11502	TRW ELECTRONIC COMPONENTS, IRC FIXED RESISTORS, BOONE DIVISION	GREENWAY RD.	BOONE, NC 28607
14099	SEMTECH CORP.	652 MITCHELL RD.	NEWBURY PARK, CA 91320
14433	ITT SEMICONDUCTORS	3301 ELECTRONICS WAY P O BOX 3049	WEST PALM BEACH, FL 33402
14552	MICRO SEMICONDUCTOR CORP.	2830 F FAIRVIEW ST.	SANTA ANA, CA 92704
14752	ELECTRO CUBE INC.	1710 S. DEL MAR AVE.	SAN GABRIEL, CA 91776
15454	RODAN INDUSTRIES, INC.	2905 BLUE STAR ST.	ANAHEIM, CA 92806
15801	FENWAL ELECTRONICS, DIV. OF KIDDE WALTER AND CO., INC.	63 FOUNTAIN ST.	FRAMINGHAM, MA 01701
18583	CURTIS INSTRUMENTS, INC.	200 KISCO AVE.	MOUNT KISCO, NY 10549
19396	ILLINOIS TOOL WORKS, INC. PAKTRON DIV.	900 FOLLIN LANE, SE	VIENNA, VA 22180
24546	CORNING GLASS WORKS, ELECTRONIC COMPONENTS DIVISION	550 HIGH STREET	BRADFORD, PA 16701
27014	NATIONAL SEMICONDUCTOR CORP.	2900 SEMICONDUCTOR DR.	SANTA CLARA, CA 95051
31252	MFE CORPORATION	KEEWAYDIN DRIVE	SALEM, NH 03079
32436	SYSCON INTERNATIONAL, INC.	205 SYCAMORE ST.	SOUTH BEND, IN 46622
32997	BOURNS, INC., TRIMPOT PRODUCTS DIV.	1200 COLUMBIA AVE.	RIVERSIDE, CA 92507
33096	COLORADO CRYSTAL CORPORATION	2303 W 8TH STREET	LOVELAND, CO 80537
34335	ADVANCED MICRO DEVICES	901 THOMPSON PL.	SUNNYVALE, CA 94086
50157	MIDWEST COMPONENTS INC.	P. O. BOX 787 1981 PORT CITY BLVD.	MUSKEGON, MI 49443
50434	HEWLETT-PACKARD COMPANY	640 PAGE MILL ROAD	PALO ALTO, CA 94304
50522	MONSANTO CO., ELECTRONIC SPECIAL PRODUCTS	3400 HILLVIEW AVENUE BOX 698	PALO ALTO, CA 94304
53944	ELT INC., GLOW LITE DIVISION	PO BOX 85, OFF ROUTE 45	PAULS VALLEY, OK 73075
55210	GETTIG ENG. AND MFG. COMPANY	6435 N PROESEL AVENUE	SPRING MILLS, PA 16875
55680	NICHICON/AMERICA/CORP.		CHICAGO, IL 60645
56289	SPRAGUE ELECTRIC CO.		NORTH ADAMS, MA 01247
70611	ARK-LES SWITCH CORP.	51 WATER	WATERTOWN, MA 02172
71400	BUSSMAN MFG., DIVISION OF MCGRAW-EDISON CO.	2536 W. UNIVERSITY ST.	ST. LOUIS, MO 63107
71482	CLARE, C. P., AND CO.	3101 PRATT BLVD.	CHICAGO, IL 60645
72982	ERIE TECHNOLOGICAL PRODUCTS, INC.	644 W. 12TH ST.	ERIE, PA 16512
73138	BECKMAN INSTRUMENTS, INC., HELIPOT DIV.	2500 HARBOR BLVD.	FULLERTON, CA 92634
73559	CARLINGSWITCH, INC.	505 NEW PARK AVENUE	WEST HARTFORD, CT 06110
75042	TRW ELECTRONIC COMPONENTS, IRC FIXED RESISTORS, PHILADELPHIA DIVISION	401 N. BROAD ST.	PHILADELPHIA, PA 19108
75378	CTS KNIGHTS, INC.	400 REIMANN AVE.	SANDWICH, IL 60548
80009	TEKTRONIX, INC.	P O BOX 500	BEAVERTON, OR 97077
80031	ELECTRA-MIDLAND CORP., MEPCO DIV.	22 COLUMBIA ROAD	MORRISTOWN, NJ 07960
82877	ROTRON, INC.	7-9 HASBROUCK LANE	WOODSTOCK, NY 12498
84411	TRW ELECTRONIC COMPONENTS, TRW CAPACITORS	112 W. FIRST ST.	OGALLALA, NE 69153
90201	MALLORY CAPACITOR CO., DIV. OF P. R. MALLORY AND CO., INC.	3029 E. WASHINGTON STREET P. O. BOX 372	INDIANAPOLIS, IN 46206
91418	RADIO MATERIALS COMPANY, DIV. OF P.R. MALLORY AND COMPANY, INC.	4242 W BRYN MAWR P. O. BOX 609	CHICAGO, IL 60646
91637	DALE ELECTRONICS, INC.		COLUMBUS, NE 68601

REPLACEABLE ELECTRICAL PARTS

Ckt No.	Tektronix Part No.	Serial/Model No. Eff	Dscont	Name & Description	Mfr Code	Mfr Part Number
A1	672-0739-00			CKT BOARD ASSY:DISPLAY MEMORY 8K	80009	672-0739-00
A1	672-0740-00			CKT BOARD ASSY:DISPLAY MEMORY 16K (OPTION 21 ONLY)	80009	672-0740-00
A1	672-0741-00			CKT BOARD ASSY:DISPLAY MEMORY 32K (OPTION 22 ONLY)	80009	672-0741-00
A1A1	670-5057-XX			CKT BOARD ASSY:DISPLAY MEMORY (NOT AVAILABLE, SEE A1)		
A2	670-5640-00	B010100	B010502	CKT BOARD ASSY:DISPLAY CONTROLLER	80009	670-5640-00
A2	670-5640-01	B010503		CKT BOARD ASSY:DISPLAY CONTROLLER	80009	670-5640-01
A3	670-5641-00	B010100	B010837	CKT BOARD ASSY:GRAPHICS MEMORY CONTROLLER	80009	670-5641-00
A3	670-5641-01	B010838		CKT BOARD ASSY:GRAPHICS MEMORY CONTROL	80009	670-5641-01
A3	670-6462-00			CKT BOARD ASSY:DISPLAY CONTROLLER (OPTION 4A AND 4C ONLY)	80009	670-6462-00
A4	672-0820-00	B010100	B010547	CKT BOARD ASSY:48K GRAPHICS MEMORY	80009	672-0820-00
A4	672-0820-01	B010548		CKT BOARD ASSY:48K GRAPHICS MEMORY	80009	672-0820-01
A4	672-0785-00	B010100	B010547	CKT BOARD ASSY:96K GRAPHICS MEMORY (OPTION 27 ONLY)	80009	672-0785-00
A4	672-0785-01	B010548		CKT BOARD ASSY:96K GRAPHICS MEMORY (OPTION 27 ONLY)	80009	672-0785-01
A4	672-0786-00	B010100	B010547	CKT BOARD ASSY:144K GRAPHICS MEMORY (OPTION 28 ONLY)	80009	672-0786-00
A4	672-0786-01	B010548		CKT BOARD ASSY:144K GRAPHICS MEMORY (OPTION 28 ONLY)	80009	672-0786-01
A4	672-0787-00	B010100	B010547	CKT BOARD ASSY:192K GRAPHICS MEMORY (OPTION 29 ONLY)	80009	672-0787-00
A4	672-0787-01	B010548		CKT BOARD ASSY:192K GRAPHICS MEMORY (OPTION 29 ONLY)	80009	672-0787-01
A4A1	670-5642-XX			CKT BOARD ASSY:GRAPHICS MEMORY (NOT AVAILABLE, SEE A4)		
A5	670-5720-00			CKT BOARD ASSY:PROCESSOR	80009	670-5720-00
A5	670-6209-00			CKT BOARD ASSY:PROCESSOR (OPTION 10 ONLY)	80009	670-6209-00
A5	670-6464-00			CKT BOARD ASSY:PROCESSOR (OPTION 4B AND 4C ONLY)	80009	670-6464-00
A6	670-6066-00	B010100	B010136	CKT BOARD ASSY:ROM EXPANSION	80009	670-6066-00
A6	670-6066-01	B010137		CKT BOARD ASSY:ROM EXPANSION	80009	670-6066-01
A7	670-5056-01			CKT BOARD ASSY:COMMUNICATION	80009	670-5056-01
A8	670-5643-00	B010100	B010269	CKT BOARD ASSY:MOTHER	80009	670-5643-00
A8	670-5643-01	B010270		CKT BOARD ASSY:MOTHER	80009	670-5643-01
A9	119-0909-01			KEYBOARD:DATA ENTRY	01963	B80-91AB
A10	672-0748-00			CKT BOARD ASSY:DEFLECTION AMPLIFIER	80009	672-0748-00
A10A1	670-5645-XX			CKT BOARD ASSY:DEFLECTION AMPLIFIER (NOT AVAILABLE, SEE A10)		
A11	672-0749-00	B010100	B010399	CKT BOARD ASSY:CONVERGENCE & Z AXIS	80009	672-0749-00
A11	672-0749-01	B010400		CKT BOARD ASSY:CONVERGENCE & Z AXIS	80009	672-0749-01
A11A1	670-5644-XX			CKT BOARD ASSY:CONVERGENCE & Z AXIS (NOT AVAILABLE, SEE A11)		
A12	670-5648-00			CKT BOARD ASSY:EXTERNAL CONVERGENCE	80009	670-5648-00
A13	670-5649-00			CKT BOARD ASSY:DISPLAY INTERCONNECT (SEE FIG.6 MPL)	80009	670-5649-00
A14	670-5647-00			CKT BOARD ASSY:HIGH VOLTAGE	80009	670-5647-00
A15	670-5646-00			CKT BOARD ASSY:H.V.CONTROL	80009	670-5646-00
A16	620-0277-00			POWER SUPPLY:MAIN	80009	620-0277-00
A16A1	670-5651-00	B010100	B010379	CKT BOARD ASSY:POWER SUPPLY	80009	670-5651-00
A16A1	670-5651-01	B010380		CKT BOARD ASSY:POWER SUPPLY	80009	670-5651-01
A16A2	670-5652-00			CKT BOARD ASSY:INVERTER	80009	670-5652-00
A17	670-5257-00			CKT BOARD ASSY:CURRENT LOOP	80009	670-5257-00
	119-1049-01			DELETE FROM YOUR ASSY		

REPLACEABLE ELECTRICAL PARTS

Ckt No.	Tektronix Part No.	Serial/Model No. Eff	Dscont	Name & Description	Mfr Code	Mfr Part Number
A17	-----			(OPTION 2, 10, 11 ONLY)		
A18	670-5260-00			CKT BOARD ASSY:RS-232 PERIPHERAL (OPTION 3 ONLY)	80009	670-5260-00
A19	670-5256-00			CKT BOARD ASSY:GPIB PERIPHERAL (OPTION 4 ONLY)	80009	670-5256-00
A20	670-5377-01			CKT BOARD ASSY:POLLING CONTROLLER INTERFACE (OPTION 11 ONLY)	80009	670-5377-01
A21	670-5376-02			CKT BOARD ASSY:POLLING CONTROLLER BOARD (OPTION 11 ONLY)	80009	670-5376-02
A22	670-6764-00			CKT BOARD ASSY:CHARACTER EXPANSION (OPTION 31 ONLY)	80009	670-6764-00
A1 DISPLAY MEMORY						
A1	672-0739-00			CKT BOARD ASSY:DISPLAY MEMORY 8K	80009	672-0739-00
A1	672-0740-00			CKT BOARD ASSY:DISPLAY MEMORY 16K (OPTION 21 ONLY)	80009	672-0740-00
A1	672-0741-00			CKT BOARD ASSY:DISPLAY MEMORY 32K (OPTION 22 ONLY)	80009	672-0741-00
A1A1	670-5057-XX			CKT BOARD ASSY:DISPLAY MEMORY (NOT AVAILABLE, SEE A1)		
C27	283-0023-00	B010100	B010304	CAP., FXD, CER DI:0.1UF, +80-20%, 12V	91418	MX0104Z1205R5
C27	283-0421-00	B010305		CAP., FXD, CER DI:0.1UF, +80-20%, 50V	04222	DG015E104Z
C65	283-0023-00	B010100	B010304	CAP., FXD, CER DI:0.1UF, +80-20%, 12V	91418	MX0104Z1205R5
C65	283-0421-00	B010305		CAP., FXD, CER DI:0.1UF, +80-20%, 50V	04222	DG015E104Z
C71	283-0023-00	B010100	B010304	CAP., FXD, CER DI:0.1UF, +80-20%, 12V	91418	MX0104Z1205R5
C71	283-0421-00	B010305		CAP., FXD, CER DI:0.1UF, +80-20%, 50V	04222	DG015E104Z
C81	283-0023-00	B010100	B010304	CAP., FXD, CER DI:0.1UF, +80-20%, 12V	91418	MX0104Z1205R5
C81	283-0421-00	B010305		CAP., FXD, CER DI:0.1UF, +80-20%, 50V	04222	DG015E104Z
C85	283-0023-00	B010100	B010304	CAP., FXD, CER DI:0.1UF, +80-20%, 12V	91418	MX0104Z1205R5
C85	283-0421-00	B010305		CAP., FXD, CER DI:0.1UF, +80-20%, 50V	04222	DG015E104Z
C111	283-0023-00	B010100	B010304	CAP., FXD, CER DI:0.1UF, +80-20%, 12V	91418	MX0104Z1205R5
C111	283-0421-00	B010305		CAP., FXD, CER DI:0.1UF, +80-20%, 50V	04222	DG015E104Z
C131	283-0023-00	B010100	B010304	CAP., FXD, CER DI:0.1UF, +80-20%, 12V	91418	MX0104Z1205R5
C131	283-0421-00	B010305		CAP., FXD, CER DI:0.1UF, +80-20%, 50V	04222	DG015E104Z
C141	283-0023-00	B010100	B010304	CAP., FXD, CER DI:0.1UF, +80-20%, 12V	91418	MX0104Z1205R5
C141	283-0421-00	B010305		CAP., FXD, CER DI:0.1UF, +80-20%, 50V	04222	DG015E104Z
C155	283-0177-00			CAP., FXD, CER DI:1UF, +80-20%, 25V	72982	8131N039 E 105Z
C161	283-0023-00	B010100	B010304	CAP., FXD, CER DI:0.1UF, +80-20%, 12V	91418	MX0104Z1205R5
C161	283-0421-00	B010305		CAP., FXD, CER DI:0.1UF, +80-20%, 50V	04222	DG015E104Z
C171	283-0023-00	B010100	B010304	CAP., FXD, CER DI:0.1UF, +80-20%, 12V	91418	MX0104Z1205R5
C171	283-0421-00	B010305		CAP., FXD, CER DI:0.1UF, +80-20%, 50V	04222	DG015E104Z
C175	283-0177-00			CAP., FXD, CER DI:1UF, +80-20%, 25V	72982	8131N039 E 105Z
C181	283-0023-00	B010100	B010304	CAP., FXD, CER DI:0.1UF, +80-20%, 12V	91418	MX0104Z1205R5
C181	283-0421-00	B010305		CAP., FXD, CER DI:0.1UF, +80-20%, 50V	04222	DG015E104Z
C182	283-0023-00	B010100	B010304	CAP., FXD, CER DI:0.1UF, +80-20%, 12V	91418	MX0104Z1205R5
C182	283-0421-00	B010305		CAP., FXD, CER DI:0.1UF, +80-20%, 50V	04222	DG015E104Z
C185	283-0023-00	B010100	B010304	CAP., FXD, CER DI:0.1UF, +80-20%, 12V	91418	MX0104Z1205R5
C185	283-0421-00	B010305		CAP., FXD, CER DI:0.1UF, +80-20%, 50V	04222	DG015E104Z
C195	283-0177-00			CAP., FXD, CER DI:1UF, +80-20%, 25V	72982	8131N039 E 105Z
C215	283-0023-00	B010100	B010304	CAP., FXD, CER DI:0.1UF, +80-20%, 12V	91418	MX0104Z1205R5
C215	283-0421-00	B010305		CAP., FXD, CER DI:0.1UF, +80-20%, 50V	04222	DG015E104Z

REPLACEABLE ELECTRICAL PARTS

DISPLAY MEMORY (CONT)

Ckt No.	Tektronix Part No.	Serial/Model No. Eff	Dscont	Name & Description	Mfr Code	Mfr Part Number
C225	283-0023-00	B010100	B010304	CAP., FXD, CER DI:0.1UF, +80-20%, 12V	91418	MX0104Z1205R5
C225	283-0421-00	B010305		CAP., FXD, CER DI:0.1UF, +80-20%, 50V	04222	DG015E104Z
C235	283-0023-00	B010100	B010304	CAP., FXD, CER DI:0.1UF, +80-20%, 12V	91418	MX0104Z1205R5
C235	283-0421-00	B010305		CAP., FXD, CER DI:0.1UF, +80-20%, 50V	04222	DG015E104Z
C251	283-0023-00	B010100	B010304	CAP., FXD, CER DI:0.1UF, +80-20%, 12V	91418	MX0104Z1205R5
C251	283-0421-00	B010305		CAP., FXD, CER DI:0.1UF, +80-20%, 50V	04222	DG015E104Z
C255	283-0177-00			CAP., FXD, CER DI:1UF, +80-20%, 25V	72982	8131N039 E 105Z
C261	283-0177-00			CAP., FXD, CER DI:1UF, +80-20%, 25V	72982	8131N039 E 105Z
C265	283-0023-00	B010100	B010304	CAP., FXD, CER DI:0.1UF, +80-20%, 12V	91418	MX0104Z1205R5
C265	283-0421-00	B010305		CAP., FXD, CER DI:0.1UF, +80-20%, 50V	04222	DG015E104Z
C275	283-0023-00	B010100	B010304	CAP., FXD, CER DI:0.1UF, +80-20%, 12V	91418	MX0104Z1205R5
C275	283-0421-00	B010305		CAP., FXD, CER DI:0.1UF, +80-20%, 50V	04222	DG015E104Z
C295	283-0023-00	B010100	B010304	CAP., FXD, CER DI:0.1UF, +80-20%, 12V	91418	MX0104Z1205R5
C295	283-0421-00	B010305		CAP., FXD, CER DI:0.1UF, +80-20%, 50V	04222	DG015E104Z
C321	283-0023-00	B010100	B010304	CAP., FXD, CER DI:0.1UF, +80-20%, 12V	91418	MX0104Z1205R5
C321	283-0421-00	B010305		CAP., FXD, CER DI:0.1UF, +80-20%, 50V	04222	DG015E104Z
C331	283-0023-00	B010100	B010304	CAP., FXD, CER DI:0.1UF, +80-20%, 12V	91418	MX0104Z1205R5
C331	283-0421-00	B010305		CAP., FXD, CER DI:0.1UF, +80-20%, 50V	04222	DG015E104Z
C355	283-0023-00	B010100	B010304	CAP., FXD, CER DI:0.1UF, +80-20%, 12V	91418	MX0104Z1205R5
C355	283-0421-00	B010305		CAP., FXD, CER DI:0.1UF, +80-20%, 50V	04222	DG015E104Z
C361	283-0023-00	B010100	B010304	CAP., FXD, CER DI:0.1UF, +80-20%, 12V	91418	MX0104Z1205R5
C361	283-0421-00	B010305		CAP., FXD, CER DI:0.1UF, +80-20%, 50V	04222	DG015E104Z
C365	283-0023-00	B010100	B010304	CAP., FXD, CER DI:0.1UF, +80-20%, 12V	91418	MX0104Z1205R5
C365	283-0421-00	B010305		CAP., FXD, CER DI:0.1UF, +80-20%, 50V	04222	DG015E104Z
C375	283-0023-00	B010100	B010304	CAP., FXD, CER DI:0.1UF, +80-20%, 12V	91418	MX0104Z1205R5
C375	283-0421-00	B010305		CAP., FXD, CER DI:0.1UF, +80-20%, 50V	04222	DG015E104Z
C385	283-0023-00	B010100	B010304	CAP., FXD, CER DI:0.1UF, +80-20%, 12V	91418	MX0104Z1205R5
C385	283-0421-00	B010305		CAP., FXD, CER DI:0.1UF, +80-20%, 50V	04222	DG015E104Z
C411	283-0023-00	B010100	B010304	CAP., FXD, CER DI:0.1UF, +80-20%, 12V	91418	MX0104Z1205R5
C411	283-0421-00	B010305		CAP., FXD, CER DI:0.1UF, +80-20%, 50V	04222	DG015E104Z
C415	283-0023-00	B010100	B010304	CAP., FXD, CER DI:0.1UF, +80-20%, 12V	91418	MX0104Z1205R5
C415	283-0421-00	B010305		CAP., FXD, CER DI:0.1UF, +80-20%, 50V	04222	DG015E104Z
C425	283-0023-00	B010100	B010304	CAP., FXD, CER DI:0.1UF, +80-20%, 12V	91418	MX0104Z1205R5
C425	283-0421-00	B010305		CAP., FXD, CER DI:0.1UF, +80-20%, 50V	04222	DG015E104Z
C435	283-0023-00	B010100	B010304	CAP., FXD, CER DI:0.1UF, +80-20%, 12V	91418	MX0104Z1205R5
C435	283-0421-00	B010305		CAP., FXD, CER DI:0.1UF, +80-20%, 50V	04222	DG015E104Z
C441	283-0023-00	B010100	B010304	CAP., FXD, CER DI:0.1UF, +80-20%, 12V	91418	MX0104Z1205R5
C441	283-0421-00	B010305		CAP., FXD, CER DI:0.1UF, +80-20%, 50V	04222	DG015E104Z
C451	283-0023-00	B010100	B010304	CAP., FXD, CER DI:0.1UF, +80-20%, 12V	91418	MX0104Z1205R5
C451	283-0421-00	B010305		CAP., FXD, CER DI:0.1UF, +80-20%, 50V	04222	DG015E104Z
C455	283-0023-00	B010100	B010304	CAP., FXD, CER DI:0.1UF, +80-20%, 12V	91418	MX0104Z1205R5
C455	283-0421-00	B010305		CAP., FXD, CER DI:0.1UF, +80-20%, 50V	04222	DG015E104Z
C471	283-0023-00	B010100	B010304	CAP., FXD, CER DI:0.1UF, +80-20%, 12V	91418	MX0104Z1205R5
C471	283-0421-00	B010305		CAP., FXD, CER DI:0.1UF, +80-20%, 50V	04222	DG015E104Z
C481	283-0421-00			CAP., FXD, CER DI:0.1UF, +80-20%, 50V	04222	DG015E104Z
C566	290-0745-00			CAP., FXD, ELCTLT:22UF, +50-10%, 25V	56289	502D225
C572	290-0745-00			CAP., FXD, ELCTLT:22UF, +50-10%, 25V	56289	502D225
C575	290-0745-00			CAP., FXD, ELCTLT:22UF, +50-10%, 25V	56289	502D225
CR33	152-0141-02			SEMICONV DEVICE:SILICON, 30V, 50NA	80009	152-0141-02
L571	120-0382-00			XFMR, TOROID:14 TURNS, SINGLE	80009	120-0382-00
R51	315-0102-00			RES., FXD, CMPSN:1K OHM, 5%, 0.25W	01121	CB1025
R211	307-0422-00			RES., FXD, FILM:15 RES. NETWORK	73138	898-1-R2.4K
R276	315-0220-00			RES., FXD, CMPSN:22 OHM, 5%, 0.25W	01121	CB2205
R277	315-0220-00			RES., FXD, CMPSN:22 OHM, 5%, 0.25W	01121	CB2205
R282	315-0220-00			RES., FXD, CMPSN:22 OHM, 5%, 0.25W	01121	CB2205
R283	315-0220-00			RES., FXD, CMPSN:22 OHM, 5%, 0.25W	01121	CB2205

REPLACEABLE ELECTRICAL PARTS

DISPLAY MEMORY (CONT)

Ckt No.	Tektronix Part No.	Serial/Model No. Eff	Dscont	Name & Description	Mfr Code	Mfr Part Number
R311	131-0566-00			LINK, TERM. CONNE: 0.086 DIA X 2.375 INCH L	55210	L-2007-1
R486	315-0220-00			RES., FXD, CMPSN: 22 OHM, 5%, 0.25W	01121	CB2205
R487	315-0220-00			RES., FXD, CMPSN: 22 OHM, 5%, 0.25W	01121	CB2205
R491	315-0220-00			RES., FXD, CMPSN: 22 OHM, 5%, 0.25W	01121	CB2205
R492	315-0220-00			RES., FXD, CMPSN: 22 OHM, 5%, 0.25W	01121	CB2205
R493	315-0220-00			RES., FXD, CMPSN: 22 OHM, 5%, 0.25W	01121	CB2205
R494	315-0220-00			RES., FXD, CMPSN: 22 OHM, 5%, 0.25W	01121	CB2205
R495	315-0220-00			RES., FXD, CMPSN: 22 OHM, 5%, 0.25W	01121	CB2205
U1	156-0382-00			MICROCIRCUIT, DI: QUAD 2-INPUT NAND GATE	80009	156-0382-00
U11	156-0388-00			MICROCIRCUIT, DI: DUAL D-TYPE FLIP-FLOP	80009	156-0388-00
U15	156-1109-00			MICROCIRCUIT, DI: 32 X 8 PROM, CUSTOM MASK	80009	156-1109-00
U21	156-0391-00			MICROCIRCUIT, DI: HEX LATCH WITH CLEAR	80009	156-0391-00
U25	156-0479-00			MICROCIRCUIT, DI: QUAD 2-INPUT OR GATE	27014	DM74LS32N
U31	156-0480-00			MICROCIRCUIT, DI: QUAD 2-INPUT AND GATE	80009	156-0480-00
U35	156-0459-00			MICROCIRCUIT, DI: QUAD 2-INPUT AND GATE	01295	SN74S08N
U41	156-0118-00			MICROCIRCUIT, DI: J-K MASTER-SLAVE FLIP-FLOP	80009	156-0118-00
U51	156-0459-00			MICROCIRCUIT, DI: QUAD 2-INPUT AND GATE	01295	SN74S08N
U55	156-0972-03	B010100	B010469	MICROCIRCUIT, DI: 4096 X 1 DYN RAM	80009	156-0972-03
U55	156-0972-05	B010470		MICROCIRCUIT, DI: 4096 X 1 DYN RAM W/TEK LOGO	80009	156-0972-05
U55	156-0968-00	B010100	B010469	MICROCIRCUIT, DI: 16384 X 1 DYNAMIC RAM	80009	156-0968-00
U55	156-0968-02	B010470		MICROCIRCUIT, DI: 16384 X 1 DYNAMIC RAM (OPTION 21 AND 22 ONLY)	80009	156-0968-02
U61	156-0972-03	B010100	B010469	MICROCIRCUIT, DI: 4096 X 1 DYN RAM	80009	156-0972-03
U61	156-0972-05	B010470		MICROCIRCUIT, DI: 4096 X 1 DYN RAM W/TEK LOGO	80009	156-0972-05
U61	156-0968-00	B010100	B010469	MICROCIRCUIT, DI: 16384 X 1 DYNAMIC RAM	80009	156-0968-00
U61	156-0968-02	B010470		MICROCIRCUIT, DI: 16384 X 1 DYNAMIC RAM (OPTION 21 AND 22 ONLY)	80009	156-0968-02
U65	156-0972-03	B010100	B010469	MICROCIRCUIT, DI: 4096 X 1 DYN RAM	80009	156-0972-03
U65	156-0972-05	B010470		MICROCIRCUIT, DI: 4096 X 1 DYN RAM W/TEK LOGO	80009	156-0972-05
U65	156-0968-00	B010100	B010469	MICROCIRCUIT, DI: 16384 X 1 DYNAMIC RAM	80009	156-0968-00
U65	156-0968-02	B010470		MICROCIRCUIT, DI: 16384 X 1 DYNAMIC RAM (OPTION 21 AND 22 ONLY)	80009	156-0968-02
U71	156-0972-03	B010100	B010469	MICROCIRCUIT, DI: 4096 X 1 DYN RAM	80009	156-0972-03
U71	156-0972-05	B010470		MICROCIRCUIT, DI: 4096 X 1 DYN RAM W/TEK LOGO	80009	156-0972-05
U71	156-0968-00	B010100	B010469	MICROCIRCUIT, DI: 16384 X 1 DYNAMIC RAM	80009	156-0968-00
U71	156-0968-02	B010470		MICROCIRCUIT, DI: 16384 X 1 DYNAMIC RAM (OPTION 21 AND 22 ONLY)	80009	156-0968-02
U75	156-0972-03	B010100	B010469	MICROCIRCUIT, DI: 4096 X 1 DYN RAM	80009	156-0972-03
U75	156-0972-05	B010470		MICROCIRCUIT, DI: 4096 X 1 DYN RAM W/TEK LOGO	80009	156-0972-05
U75	156-0968-00	B010100	B010469	MICROCIRCUIT, DI: 16384 X 1 DYNAMIC RAM	80009	156-0968-00
U75	156-0968-02	B010470		MICROCIRCUIT, DI: 16384 X 1 DYNAMIC RAM (OPTION 21 AND 22 ONLY)	80009	156-0968-02
U81	156-0972-03	B010100	B010469	MICROCIRCUIT, DI: 4096 X 1 DYN RAM	80009	156-0972-03
U81	156-0972-05	B010470		MICROCIRCUIT, DI: 4096 X 1 DYN RAM W/TEK LOGO	80009	156-0972-05
U81	156-0968-00	B010100	B010469	MICROCIRCUIT, DI: 16384 X 1 DYNAMIC RAM	80009	156-0968-00
U81	156-0968-02	B010470		MICROCIRCUIT, DI: 16384 X 1 DYNAMIC RAM (OPTION 21 AND 22 ONLY)	80009	156-0968-02
U85	156-0972-03	B010100	B010469	MICROCIRCUIT, DI: 4096 X 1 DYN RAM	80009	156-0972-03
U85	156-0972-05	B010470		MICROCIRCUIT, DI: 4096 X 1 DYN RAM W/TEK LOGO	80009	156-0972-05
U85	156-0968-00	B010100	B010469	MICROCIRCUIT, DI: 16384 X 1 DYNAMIC RAM	80009	156-0968-00
U85	156-0968-02	B010470		MICROCIRCUIT, DI: 16384 X 1 DYNAMIC RAM (OPTION 21 AND 22 ONLY)	80009	156-0968-02
U95	156-0972-03	B010100	B010469	MICROCIRCUIT, DI: 4096 X 1 DYN RAM	80009	156-0972-03
U95	156-0972-05	B010470		MICROCIRCUIT, DI: 4096 X 1 DYN RAM W/TEK LOGO	80009	156-0972-05
U95	156-0968-00	B010100	B010469	MICROCIRCUIT, DI: 16384 X 1 DYNAMIC RAM	80009	156-0968-00
U95	156-0968-02	B010470		MICROCIRCUIT, DI: 16384 X 1 DYNAMIC RAM (OPTION 21 AND 22 ONLY)	80009	156-0968-02

REPLACEABLE ELECTRICAL PARTS

DISPLAY MEMORY (CONT)

Ckt No.	Tektronix Part No.	Serial/Model No. Eff	Dscont	Name & Description	Mfr Code	Mfr Part Number
U111	156-0798-00			MICROCIRCUIT,DI:DUAL 4 LINE TO 1 LINE	01295	SN74LS153N
U115	156-0798-00			MICROCIRCUIT,DI:DUAL 4 LINE TO 1 LINE	01295	SN74LS153N
U121	156-0480-00			MICROCIRCUIT,DI:QUAD 2-INPUT AND GATE	80009	156-0480-00
U125	156-0382-00			MICROCIRCUIT,DI:QUAD 2-INPUT NAND GATE	80009	156-0382-00
U131	156-0481-00			MICROCIRCUIT,DI:TRIPLE 3-INPUT AND GATE	80009	156-0481-00
U135	156-0320-00			MICROCIRCUIT,DI:TRIPLE 3-INPUT NAND GATE	01295	SN74S11N
U141	156-0321-00			MICROCIRCUIT,DI:TRIPLE 3-INPUT NAND GATE	80009	156-0321-00
U151	156-0629-00			MICROCIRCUIT,DI:30MHZ PRESETTABLE BIN CTR	01295	SN74LS197N
U155	156-0972-03	B010100	B010469	MICROCIRCUIT,DI:4096 X 1 DYN RAM	80009	156-0972-03
U155	156-0972-05	B010470		MICROCIRCUIT,DI:4096 X 1 DYN RAM W/TEK LOGO	80009	156-0972-05
U155	156-0968-00	B010100	B010469	MICROCIRCUIT,DI:16384 X 1 DYNAMIC RAM	80009	156-0968-00
U155	156-0968-02	B010470		MICROCIRCUIT,DI:16384 X 1 DYNAMIC RAM (OPTION 22 ONLY)	80009	156-0968-02
U161	156-0972-03	B010100	B010469	MICROCIRCUIT,DI:4096 X 1 DYN RAM	80009	156-0972-03
U161	156-0972-05	B010470		MICROCIRCUIT,DI:4096 X 1 DYN RAM W/TEK LOGO	80009	156-0972-05
U161	156-0968-00	B010100	B010469	MICROCIRCUIT,DI:16384 X 1 DYNAMIC RAM	80009	156-0968-00
U161	156-0968-02	B010470		MICROCIRCUIT,DI:16384 X 1 DYNAMIC RAM (OPTION 22 ONLY)	80009	156-0968-02
U165	156-0972-03	B010100	B010469	MICROCIRCUIT,DI:4096 X 1 DYN RAM	80009	156-0972-03
U165	156-0972-05	B010470		MICROCIRCUIT,DI:4096 X 1 DYN RAM W/TEK LOGO	80009	156-0972-05
U165	156-0968-00	B010100	B010469	MICROCIRCUIT,DI:16384 X 1 DYNAMIC RAM	80009	156-0968-00
U165	156-0968-02	B010470		MICROCIRCUIT,DI:16384 X 1 DYNAMIC RAM (OPTION 22 ONLY)	80009	156-0968-02
U171	156-0972-03	B010100	B010469	MICROCIRCUIT,DI:4096 X 1 DYN RAM	80009	156-0972-03
U171	156-0972-05	B010470		MICROCIRCUIT,DI:4096 X 1 DYN RAM W/TEK LOGO	80009	156-0972-05
U171	156-0968-00	B010100	B010469	MICROCIRCUIT,DI:16384 X 1 DYNAMIC RAM	80009	156-0968-00
U171	156-0968-02	B010470		MICROCIRCUIT,DI:16384 X 1 DYNAMIC RAM (OPTION 22 ONLY)	80009	156-0968-02
U175	156-0972-03	B010100	B010469	MICROCIRCUIT,DI:4096 X 1 DYN RAM	80009	156-0972-03
U175	156-0972-05	B010470		MICROCIRCUIT,DI:4096 X 1 DYN RAM W/TEK LOGO	80009	156-0972-05
U175	156-0968-00	B010100	B010469	MICROCIRCUIT,DI:16384 X 1 DYNAMIC RAM	80009	156-0968-00
U175	156-0968-02	B010470		MICROCIRCUIT,DI:16384 X 1 DYNAMIC RAM (OPTION 22 ONLY)	80009	156-0968-02
U181	156-0972-03	B010100	B010469	MICROCIRCUIT,DI:4096 X 1 DYN RAM	80009	156-0972-03
U181	156-0972-05	B010470		MICROCIRCUIT,DI:4096 X 1 DYN RAM W/TEK LOGO	80009	156-0972-05
U181	156-0968-00	B010100	B010469	MICROCIRCUIT,DI:16384 X 1 DYNAMIC RAM	80009	156-0968-00
U181	156-0968-02	B010470		MICROCIRCUIT,DI:16384 X 1 DYNAMIC RAM (OPTION 22 ONLY)	80009	156-0968-02
U185	156-0972-03	B010100	B010469	MICROCIRCUIT,DI:4096 X 1 DYN RAM	80009	156-0972-03
U185	156-0972-05	B010470		MICROCIRCUIT,DI:4096 X 1 DYN RAM W/TEK LOGO	80009	156-0972-05
U185	156-0968-00	B010100	B010469	MICROCIRCUIT,DI:16384 X 1 DYNAMIC RAM	80009	156-0968-00
U185	156-0968-02	B010470		MICROCIRCUIT,DI:16384 X 1 DYNAMIC RAM (OPTION 22 ONLY)	80009	156-0968-02
U195	156-0972-03	B010100	B010469	MICROCIRCUIT,DI:4096 X 1 DYN RAM	80009	156-0972-03
U195	156-0972-05	B010470		MICROCIRCUIT,DI:4096 X 1 DYN RAM W/TEK LOGO	80009	156-0972-05
U195	156-0968-00	B010100	B010469	MICROCIRCUIT,DI:16384 X 1 DYNAMIC RAM	80009	156-0968-00
U195	156-0968-02	B010470		MICROCIRCUIT,DI:16384 X 1 DYNAMIC RAM (OPTION 22 ONLY)	80009	156-0968-02
U215	156-0388-00			MICROCIRCUIT,DI:DUAL D-TYPE FLIP-FLOP	80009	156-0388-00
U221	156-0388-00			MICROCIRCUIT,DI:DUAL D-TYPE FLIP-FLOP	80009	156-0388-00
U225	156-0390-00			MICROCIRCUIT,DI:DUAL 4-LINE TO 2-LINE	80009	156-0390-00
U231	156-0381-00			MICROCIRCUIT,DI:QUAD 2-INPUT EXCL OR GATES	80009	156-0381-00
U235	156-0321-00			MICROCIRCUIT,DI:TRIPLE 3-INPUT NAND GATE	80009	156-0321-00
U241	156-0386-00			MICROCIRCUIT,DI:TRIPLE 3-INPUT NAND GATE	80009	156-0386-00
U251	156-0118-00			MICROCIRCUIT,DI:J-K MASTER-SLAVE FLIP-FLOP	80009	156-0118-00
U255	156-0180-00			MICROCIRCUIT,DI:QUAD 2-INPUT NAND GATE	01295	SN74S00N
U261	156-0118-00			MICROCIRCUIT,DI:J-K MASTER-SLAVE FLIP-FLOP	80009	156-0118-00

REPLACEABLE ELECTRICAL PARTS

DISPLAY MEMORY (CONT)

Ckt No.	Tektronix Part No.	Serial/Model No. Eff	Dscont	Name & Description	Mfr Code	Mfr Part Number
U265	156-0645-00			MICROCIRCUIT,DI:HEX SCHMITT-TRIG INVERTER	80009	156-0645-00
U271	156-0629-00			MICROCIRCUIT,DI:30MHZ PRESETTABLE BIN CTR	01295	SN74LS197N
U275	156-0480-00			MICROCIRCUIT,DI:QUAD 2-INPUT AND GATE	80009	156-0480-00
U281	156-0645-00			MICROCIRCUIT,DI:HEX SCHMITT-TRIG INVERTER	80009	156-0645-00
U285	156-0451-00			MICROCIRCUIT,DI:QUAD 2-INPUT NOR BUFFER	80009	156-0451-00
U311	156-0617-00			MICROCIRCUIT,DI:DUAL 4 BIT BIN COUNTER	01295	SN74393N
U315	156-0469-00			MICROCIRCUIT,DI:3-LINE TO 8-LINE DECODER	01295	SN74LS138N
U321	156-0645-00			MICROCIRCUIT,DI:HEX SCHMITT-TRIG INVERTER	80009	156-0645-00
U325	156-0388-00			MICROCIRCUIT,DI:DUAL D-TYPE FLIP-FLOP	80009	156-0388-00
U331	156-0852-00			MICROCIRCUIT,DI:HEX BUS DRIVER W/3-STATE	01295	SN74LS376N OR J
U335	156-0385-00			MICROCIRCUIT,DI:HEX.INVERTER	80009	156-0385-00
U341	156-0865-00			MICROCIRCUIT,DI:OCTAL D TYPE FF W/CLEAR	80009	156-0865-00
U351	156-0865-00			MICROCIRCUIT,DI:OCTAL D TYPE FF W/CLEAR	80009	156-0865-00
U355	156-0331-00			MICROCIRCUIT,DI:DUAL D-TYPE,FLIP-FLOP	80009	156-0331-00
U361	156-0385-00			MICROCIRCUIT,DI:HEX.INVERTER	80009	156-0385-00
U365	156-0530-00			MICROCIRCUIT,DI:QUAD 2-INP MUX,16 PIN DIP	80009	156-0530-00
U371	156-0629-00			MICROCIRCUIT,DI:30MHZ PRESETTABLE BIN CTR	01295	SN74LS197N
U375	156-0530-00			MICROCIRCUIT,DI:QUAD 2-INP MUX,16 PIN DIP	80009	156-0530-00
U411	156-0617-00			MICROCIRCUIT,DI:DUAL 4 BIT BIN COUNTER	01295	SN74393N
U415	156-0383-00			MICROCIRCUIT,DI:QUAD 2-INPUT NOR GATE	80009	156-0383-00
U421	156-0721-00			MICROCIRCUIT,DI:ST POS-NAND GATES W/TP OUT	27014	DM74LS132N
U425	156-0645-00			MICROCIRCUIT,DI:HEX SCHMITT-TRIG INVERTER	80009	156-0645-00
U431	156-0303-00			MICROCIRCUIT,DI:QUAD 2-INPUT NAND GATE	07263	74S03PC
U435	156-0464-00			MICROCIRCUIT,DI:DUAL 4-INPUT NAND GATE	80009	156-0464-00
U441	156-0852-00			MICROCIRCUIT,DI:HEX BUS DRIVER W/3-STATE	01295	SN74LS376N OR J
U451	156-0479-00			MICROCIRCUIT,DI:QUAD 2-INPUT OR GATE	27014	DM74LS32N
U455	156-0385-00			MICROCIRCUIT,DI:HEX.INVERTER	80009	156-0385-00
U461	156-0718-00			MICROCIRCUIT,DI:TRIPLE 3-INP POS-NOR GATES	80009	156-0718-00
U465	156-0629-00			MICROCIRCUIT,DI:30MHZ PRESETTABLE BIN CTR	01295	SN74LS197N
U471	156-0798-00			MICROCIRCUIT,DI:DUAL 4 LINE TO 1 LINE	01295	SN74LS153N
U475	156-0530-00			MICROCIRCUIT,DI:QUAD 2-INP MUX,16 PIN DIP	80009	156-0530-00
U481	156-0530-00			MICROCIRCUIT,DI:QUAD 2-INP MUX,16 PIN DIP	80009	156-0530-00
U485	156-0965-00			MICROCIRCUIT,DI:ADRS MUX & REFRESH CNTR	80009	156-0965-00

REPLACEABLE ELECTRICAL PARTS

Ckt No.	Tektronix Part No.	Serial/Model No. Eff Dscont	Name & Description	Mfr Code	Mfr Part Number
A2 DISPLAY CONTROLLER					
A2	670-5640-00		CKT BOARD ASSY:DISPLAY CONTROLLER	80009	670-5640-00
C191	281-0775-00		CAP., FXD, CER DI:0.1UF, 20%, 50V	72982	8005D9AABZ5U104M
C192	283-0000-00		CAP., FXD, CER DI:0.001UF, +100-0%, 500V	72982	831-516E102P
C199	281-0775-00		CAP., FXD, CER DI:0.1UF, 20%, 50V	72982	8005D9AABZ5U104M
C201	281-0775-00		CAP., FXD, CER DI:0.1UF, 20%, 50V	72982	8005D9AABZ5U104M
C247	281-0775-00		CAP., FXD, CER DI:0.1UF, 20%, 50V	72982	8005D9AABZ5U104M
C267	281-0775-00		CAP., FXD, CER DI:0.1UF, 20%, 50V	72982	8005D9AABZ5U104M
C271	283-0177-00		CAP., FXD, CER DI:1UF, +80-20%, 25V	72982	8131N039 E 105Z
C281	281-0775-00		CAP., FXD, CER DI:0.1UF, 20%, 50V	72982	8005D9AABZ5U104M
C283	281-0775-00		CAP., FXD, CER DI:0.1UF, 20%, 50V	72982	8005D9AABZ5U104M
C297	281-0775-00		CAP., FXD, CER DI:0.1UF, 20%, 50V	72982	8005D9AABZ5U104M
C311	281-0775-00		CAP., FXD, CER DI:0.1UF, 20%, 50V	72982	8005D9AABZ5U104M
C331	281-0775-00		CAP., FXD, CER DI:0.1UF, 20%, 50V	72982	8005D9AABZ5U104M
C347	281-0775-00		CAP., FXD, CER DI:0.1UF, 20%, 50V	72982	8005D9AABZ5U104M
C367	281-0775-00		CAP., FXD, CER DI:0.1UF, 20%, 50V	72982	8005D9AABZ5U104M
C381	281-0775-00		CAP., FXD, CER DI:0.1UF, 20%, 50V	72982	8005D9AABZ5U104M
C401	281-0775-00		CAP., FXD, CER DI:0.1UF, 20%, 50V	72982	8005D9AABZ5U104M
C417	281-0775-00		CAP., FXD, CER DI:0.1UF, 20%, 50V	72982	8005D9AABZ5U104M
C431	281-0775-00		CAP., FXD, CER DI:0.1UF, 20%, 50V	72982	8005D9AABZ5U104M
C451	281-0775-00		CAP., FXD, CER DI:0.1UF, 20%, 50V	72982	8005D9AABZ5U104M
C467	281-0775-00		CAP., FXD, CER DI:0.1UF, 20%, 50V	72982	8005D9AABZ5U104M
C481	281-0775-00		CAP., FXD, CER DI:0.1UF, 20%, 50V	72982	8005D9AABZ5U104M
C517	281-0775-00		CAP., FXD, CER DI:0.1UF, 20%, 50V	72982	8005D9AABZ5U104M
C547	281-0775-00		CAP., FXD, CER DI:0.1UF, 20%, 50V	72982	8005D9AABZ5U104M
C581	281-0775-00		CAP., FXD, CER DI:0.1UF, 20%, 50V	72982	8005D9AABZ5U104M
C591	281-0775-00		CAP., FXD, CER DI:0.1UF, 20%, 50V	72982	8005D9AABZ5U104M
C593	281-0775-00		CAP., FXD, CER DI:0.1UF, 20%, 50V	72982	8005D9AABZ5U104M
C601	281-0775-00		CAP., FXD, CER DI:0.1UF, 20%, 50V	72982	8005D9AABZ5U104M
C677	281-0775-00		CAP., FXD, CER DI:0.1UF, 20%, 50V	72982	8005D9AABZ5U104M
C717	281-0775-00		CAP., FXD, CER DI:0.1UF, 20%, 50V	72982	8005D9AABZ5U104M
C727	281-0775-00		CAP., FXD, CER DI:0.1UF, 20%, 50V	72982	8005D9AABZ5U104M
C751	281-0775-00		CAP., FXD, CER DI:0.1UF, 20%, 50V	72982	8005D9AABZ5U104M
C767	281-0775-00		CAP., FXD, CER DI:0.1UF, 20%, 50V	72982	8005D9AABZ5U104M
C777	281-0775-00		CAP., FXD, CER DI:0.1UF, 20%, 50V	72982	8005D9AABZ5U104M
C791	281-0775-00		CAP., FXD, CER DI:0.1UF, 20%, 50V	72982	8005D9AABZ5U104M
C793	281-0775-00		CAP., FXD, CER DI:0.1UF, 20%, 50V	72982	8005D9AABZ5U104M
C1090	281-0775-00		CAP., FXD, CER DI:0.1UF, 20%, 50V	72982	8005D9AABZ5U104M
C1093	281-0775-00		CAP., FXD, CER DI:0.1UF, 20%, 50V	72982	8005D9AABZ5U104M
C1094	281-0775-00		CAP., FXD, CER DI:0.1UF, 20%, 50V	72982	8005D9AABZ5U104M
CR291	152-0278-00		SEMICONV DEVICE:ZENER, 0.4W, 3V, 5%	80009	152-0278-00
CR551	152-0141-02		SEMICONV DEVICE:SILICON, 30V, 50NA	80009	152-0141-02
CR641	152-0141-02		SEMICONV DEVICE:SILICON, 30V, 50NA	80009	152-0141-02
Q81	151-0188-00		TRANSISTOR:SILICON, PNP	80009	151-0188-00
Q83	151-0188-00		TRANSISTOR:SILICON, PNP	80009	151-0188-00
Q85	151-0188-00		TRANSISTOR:SILICON, PNP	80009	151-0188-00
Q87	151-0188-00		TRANSISTOR:SILICON, PNP	80009	151-0188-00
Q193	151-0302-00		TRANSISTOR:SILICON, NPN	07263	8038487
Q291	151-0188-00		TRANSISTOR:SILICON, PNP	80009	151-0188-00
Q293	151-0188-00		TRANSISTOR:SILICON, PNP	80009	151-0188-00
Q395	151-0188-00		TRANSISTOR:SILICON, PNP	80009	151-0188-00
Q397	151-0188-00		TRANSISTOR:SILICON, PNP	80009	151-0188-00
Q693	151-0188-00		TRANSISTOR:SILICON, PNP	80009	151-0188-00
Q695	151-0188-00		TRANSISTOR:SILICON, PNP	80009	151-0188-00
Q893	151-0188-00		TRANSISTOR:SILICON, PNP	80009	151-0188-00

REPLACEABLE ELECTRICAL PARTS

DISPLAY CONTROLLER (CONT)

Ckt No.	Tektronix Part No.	Serial/Model No. Eff	Dscont	Name & Description	Mfr Code	Mfr Part Number
R81	315-0102-00			RES., FXD, CMPSN: 1K OHM, 5%, 0.25W	01121	CB1025
R83	315-0102-00			RES., FXD, CMPSN: 1K OHM, 5%, 0.25W	01121	CB1025
R85	315-0102-00			RES., FXD, CMPSN: 1K OHM, 5%, 0.25W	01121	CB1025
R87	315-0102-00			RES., FXD, CMPSN: 1K OHM, 5%, 0.25W	01121	CB1025
R91	315-0102-00			RES., FXD, CMPSN: 1K OHM, 5%, 0.25W	01121	CB1025
R93	315-0102-00			RES., FXD, CMPSN: 1K OHM, 5%, 0.25W	01121	CB1025
R95	315-0102-00			RES., FXD, CMPSN: 1K OHM, 5%, 0.25W	01121	CB1025
R97	315-0102-00			RES., FXD, CMPSN: 1K OHM, 5%, 0.25W	01121	CB1025
R191	315-0472-00			RES., FXD, CMPSN: 4.7K OHM, 5%, 0.25W	01121	CB4725
R193	315-0101-00			RES., FXD, CMPSN: 100 OHM, 5%, 0.25W	01121	CB1015
R195	315-0103-00			RES., FXD, CMPSN: 10K OHM, 5%, 0.25W	01121	CB1035
R197	321-0128-00			RES., FXD, FILM: 210 OHM, 1%, 0.125W	91637	MFF1816G210ROF
R199	315-0153-00			RES., FXD, CMPSN: 15K OHM, 5%, 0.25W	01121	CB1535
R251	315-0102-00			RES., FXD, CMPSN: 1K OHM, 5%, 0.25W	01121	CB1025
R271	315-0103-00			RES., FXD, CMPSN: 10K OHM, 5%, 0.25W	01121	CB1035
R277	315-0102-00			RES., FXD, CMPSN: 1K OHM, 5%, 0.25W	01121	CB1025
R281	315-0302-00			RES., FXD, CMPSN: 3K OHM, 5%, 0.25W	01121	CB3025
R291	315-0151-00			RES., FXD, CMPSN: 150 OHM, 5%, 0.25W	01121	CB1515
R293	321-0087-00			RES., FXD, FILM: 78.7 OHM, 1%, 0.125W	91637	MFF1816G78R70F
R295	315-0300-00			RES., FXD, CMPSN: 30 OHM, 5%, 0.25W	01121	CB3005
R296	315-0152-00			RES., FXD, CMPSN: 1.5K OHM, 5%, 0.25W	01121	CB1525
R299	321-0099-00			RES., FXD, FILM: 105 OHM, 1%, 0.125W	91637	MFF1816G105ROF
R321	307-0540-00			RES, NTWK, FXD, FI: (5) 1K OHM, 10%, 0.7W	01121	206A102
R361	315-0102-00			RES., FXD, CMPSN: 1K OHM, 5%, 0.25W	01121	CB1025
R391	321-0169-00			RES., FXD, FILM: 562 OHM, 1%, 0.125W	91637	MFF1816G562ROF
R392	321-0099-00			RES., FXD, FILM: 105 OHM, 1%, 0.125W	91637	MFF1816G105ROF
R394	315-0152-00			RES., FXD, CMPSN: 1.5K OHM, 5%, 0.25W	01121	CB1525
R395	321-0087-00			RES., FXD, FILM: 78.7 OHM, 1%, 0.125W	91637	MFF1816G78R70F
R396	321-0128-00			RES., FXD, FILM: 210 OHM, 1%, 0.125W	91637	MFF1816G210ROF
R397	315-0620-00			RES., FXD, CMPSN: 62 OHM, 5%, 0.25W	01121	CB6205
R399	321-0140-00			RES., FXD, FILM: 280 OHM, 1%, 0.125W	91637	MFF1816G280ROF
R411	315-0102-00			RES., FXD, CMPSN: 1K OHM, 5%, 0.25W	01121	CB1025
R481	307-0541-00			RES, NTWK, THK FI: (7) 1K OHM, 10%, 1W	91637	MSPO8A01-102G
R491	321-0087-00			RES., FXD, FILM: 78.7 OHM, 1%, 0.125W	91637	MFF1816G78R70F
R493	315-0430-00			RES., FXD, CMPSN: 43 OHM, 5%, 0.25W	01121	CB4305
R497	321-0105-00			RES., FXD, FILM: 121 OHM, 1%, 0.125W	91637	MFF1816G121ROF
R498	315-0101-00			RES., FXD, CMPSN: 100 OHM, 5%, 0.25W	01121	CB1015
R499	315-0152-00			RES., FXD, CMPSN: 1.5K OHM, 5%, 0.25W	01121	CB1525
R511	315-0102-00			RES., FXD, CMPSN: 1K OHM, 5%, 0.25W	01121	CB1025
R517	315-0102-00			RES., FXD, CMPSN: 1K OHM, 5%, 0.25W	01121	CB1025
R531	315-0102-00			RES., FXD, CMPSN: 1K OHM, 5%, 0.25W	01121	CB1025
R577	315-0102-00			RES., FXD, CMPSN: 1K OHM, 5%, 0.25W	01121	CB1025
R591	321-0124-00			RES., FXD, FILM: 191 OHM, 1%, 0.125W	91637	MFF1816G191ROF
R593	321-0169-00			RES., FXD, FILM: 562 OHM, 1%, 0.125W	91637	MFF1816G562ROF
R595	321-0129-00			RES., FXD, FILM: 215 OHM, 1%, 0.125W	91637	MFF1816G215ROF
R597	315-0391-00			RES., FXD, CMPSN: 390 OHM, 5%, 0.25W	01121	CB3915
R599	321-0059-00			RES., FXD, FILM: 40.2 OHM, 1%, 0.125W	91637	MFF1816G40R20F
R691	321-0102-00			RES., FXD, FILM: 113 OHM, 1%, 0.125W	91637	MFF1816G113ROF
R693	315-0620-00			RES., FXD, CMPSN: 62 OHM, 5%, 0.25W	01121	CB6205
R697	315-0152-00			RES., FXD, CMPSN: 1.5K OHM, 5%, 0.25W	01121	CB1525
R699	315-0430-00			RES., FXD, CMPSN: 43 OHM, 5%, 0.25W	01121	CB4305
R791	321-0087-00			RES., FXD, FILM: 78.7 OHM, 1%, 0.125W	91637	MFF1816G78R70F
R793	321-0105-00			RES., FXD, FILM: 121 OHM, 1%, 0.125W	91637	MFF1816G121ROF
R795	315-0101-00			RES., FXD, CMPSN: 100 OHM, 5%, 0.25W	01121	CB1015
R797	321-0124-00			RES., FXD, FILM: 191 OHM, 1%, 0.125W	91637	MFF1816G191ROF
R799	321-0169-00			RES., FXD, FILM: 562 OHM, 1%, 0.125W	91637	MFF1816G562ROF
R891	321-0129-00			RES., FXD, FILM: 215 OHM, 1%, 0.125W	91637	MFF1816G215ROF

REPLACEABLE ELECTRICAL PARTS

DISPLAY CONTROLLER (CONT)

Ckt No.	Tektronix Part No.	Serial/Model No. Eff	Dscont	Name & Description	Mfr Code	Mfr Part Number
R893	315-0391-00			RES., FXD, CMPSN:390 OHM, 5%, 0.25W	01121	CB3915
R895	321-0059-00			RES., FXD, FILM:40.2 OHM, 1%, 0.125W	91637	MFF1816G40R20F
R897	321-0102-00			RES., FXD, FILM:113 OHM, 1%, 0.125W	91637	MFF1816G113R0F
R899	315-0620-00			RES., FXD, CMPSN:62 OHM, 5%, 0.25W	01121	CB6205
R992	315-0510-00			RES., FXD, CMPSN:51 OHM, 5%, 0.25W	01121	CB5105
R995	315-0430-00			RES., FXD, CMPSN:43 OHM, 5%, 0.25W	01121	CB4305
R997	315-0152-00			RES., FXD, CMPSN:1.5K OHM, 5%, 0.25W	01121	CB1525
R999	321-0105-00			RES., FXD, FILM:121 OHM, 1%, 0.125W	91637	MFF1816G121R0F
R1044	321-0129-00			RES., FXD, FILM:215 OHM, 1%, 0.125W	91637	MFF1816G215R0F
R1091	315-0101-00			RES., FXD, CMPSN:100 OHM, 5%, 0.25W	01121	CB1015
R1093	321-0124-00			RES., FXD, FILM:191 OHM, 1%, 0.125W	91637	MFF1816G191R0F
R1095	321-0169-00			RES., FXD, FILM:562 OHM, 1%, 0.125W	91637	MFF1816G562R0F
R1097	315-0391-00			RES., FXD, CMPSN:390 OHM, 5%, 0.25W	01121	CB3915
R1191	321-0059-00			RES., FXD, FILM:40.2 OHM, 1%, 0.125W	91637	MFF1816G40R20F
R1193	321-0102-00			RES., FXD, FILM:113 OHM, 1%, 0.125W	91637	MFF1816G113R0F
R1195	321-0147-00			RES., FXD, FILM:332 OHM, 1%, 0.125W	91637	MFF1816G332R0F
R1197	321-0147-00			RES., FXD, FILM:332 OHM, 1%, 0.125W	91637	MFF1816G332R0F
R1199	321-0147-00			RES., FXD, FILM:332 OHM, 1%, 0.125W	91637	MFF1816G332R0F
U141	156-0690-00			MICROCIRCUIT, DI:QUAD 2-INP NOR GATE	01295	SN74S02N
U151	156-0323-00			MICROCIRCUIT, DI:HEX. INVERTER	01295	SN74S04N
U201	156-0955-00			MICROCIRCUIT, DI:OCTAL BFR W/3STATE OUT	80009	156-0955-00
U211	156-0955-00			MICROCIRCUIT, DI:OCTAL BFR W/3STATE OUT	80009	156-0955-00
U217	156-0955-00			MICROCIRCUIT, DI:OCTAL BFR W/3STATE OUT	80009	156-0955-00
U221	156-0955-00			MICROCIRCUIT, DI:OCTAL BFR W/3STATE OUT	80009	156-0955-00
U227	156-0955-00			MICROCIRCUIT, DI:OCTAL BFR W/3STATE OUT	80009	156-0955-00
U231	156-0955-00			MICROCIRCUIT, DI:OCTAL BFR W/3STATE OUT	80009	156-0955-00
U237	156-0955-00			MICROCIRCUIT, DI:OCTAL BFR W/3STATE OUT	80009	156-0955-00
U241	156-0955-00			MICROCIRCUIT, DI:OCTAL BFR W/3STATE OUT	80009	156-0955-00
U247	156-0301-00			MICROCIRCUIT, DI:8-BIT PAR-IN SER-OUT SR	07263	74166PC
U261	156-0852-00			MICROCIRCUIT, DI:HEX BUS DRIVER W/3-STATE	01295	SN74LS376N OR J
U267	156-0180-00			MICROCIRCUIT, DI:QUAD 2-INPUT NAND GATE	01295	SN74S00N
U271	156-0180-00			MICROCIRCUIT, DI:QUAD 2-INPUT NAND GATE	01295	SN74S00N
U277	156-0733-00			MICROCIRCUIT, DI:DUAL MONOSTABLE MV	80009	156-0733-00
U281	156-0093-00			MICROCIRCUIT, DI:HEX. INVERTER	80009	156-0093-00
U301	156-0716-00			MICROCIRCUIT, DI:RAM, 128 X 8 STATIC	80009	156-0716-00
U311	156-0716-00			MICROCIRCUIT, DI:RAM, 128 X 8 STATIC	80009	156-0716-00
U321	156-0422-00			MICROCIRCUIT, DI:UP/DOWN SYNC BINARY COUNTER	80009	156-0422-00
U327	156-0422-00			MICROCIRCUIT, DI:UP/DOWN SYNC BINARY COUNTER	80009	156-0422-00
U331	156-0716-00			MICROCIRCUIT, DI:RAM, 128 X 8 STATIC	80009	156-0716-00
U341	156-0716-00			MICROCIRCUIT, DI:RAM, 128 X 8 STATIC	80009	156-0716-00
U347	156-0738-00			MICROCIRCUIT, DI:QUADR HEX D TYPE FF	80009	156-0738-00
U351	156-0301-00			MICROCIRCUIT, DI:8-BIT PAR-IN SER-OUT SR	07263	74166PC
U361	156-0301-00			MICROCIRCUIT, DI:8-BIT PAR-IN SER-OUT SR	07263	74166PC
U367	156-0180-00			MICROCIRCUIT, DI:QUAD 2-INPUT NAND GATE	01295	SN74S00N
U371	156-0093-00			MICROCIRCUIT, DI:HEX. INVERTER	80009	156-0093-00
U377	156-0145-00			MICROCIRCUIT, DI:QUAD 2-INPUT POS NAND BFR	80009	156-0145-00
U381	156-0093-00			MICROCIRCUIT, DI:HEX. INVERTER	80009	156-0093-00
U401	156-0629-00			MICROCIRCUIT, DI:30MHZ PRESETTABLE BIN CTR	01295	SN74LS197N
U411	156-0844-00			MICROCIRCUIT, DI:SYNC 4-BIT BIN COUNTER	34335	SN74LS161N
U417	156-0480-00			MICROCIRCUIT, DI:QUAD 2-INPUT AND GATE	80009	156-0480-00
U421	156-0469-00			MICROCIRCUIT, DI:3-LINE TO 8-LINE DECODER	01295	SN74LS138N
U427	156-0391-00			MICROCIRCUIT, DI:HEX LATCH WITH CLEAR	80009	156-0391-00
U431	156-0629-00			MICROCIRCUIT, DI:30MHZ PRESETTABLE BIN CTR	01295	SN74LS197N
U437	156-0844-00			MICROCIRCUIT, DI:SYNC 4-BIT BIN COUNTER	34335	SN74LS161N
U441	156-0392-00			MICROCIRCUIT, DI:QUAD LATCH	80009	156-0392-00
U447	156-0391-00			MICROCIRCUIT, DI:HEX LATCH WITH CLEAR	80009	156-0391-00
U461	156-0325-00			MICROCIRCUIT, DI:DUAL 4-1 LINE, SEL/MULT	80009	156-0325-00

REPLACEABLE ELECTRICAL PARTS

DISPLAY CONTROLLER (CONT)

Ckt No.	Tektronix Part No.	Serial/Model No. Eff	Dscont	Name & Description	Mfr Code	Mfr Part Number
U467	156-0325-00			MICROCIRCUIT,DI:DUAL 4-1 LINE,SEL/MULT	80009	156-0325-00
U471	156-1189-00			MICROCIRCUIT,DI:16 X 4 RAM	80009	156-1189-00
U477	156-1189-00			MICROCIRCUIT,DI:16 X 4 RAM	80009	156-1189-00
U481	156-0982-00			MICROCIRCUIT,DI:OCTAL D EDGE TRIG F-F	80009	156-0982-00
U501	156-0844-00			MICROCIRCUIT,DI:SYNC 4-BIT BIN COUNTER	34335	SN74LS161N
U511	156-0530-00			MICROCIRCUIT,DI:QUAD 2-INP MUX,16 PIN DIP	80009	156-0530-00
U517	156-0388-00			MICROCIRCUIT,DI:DUAL D-TYPE FLIP-FLOP	80009	156-0388-00
U521	156-0530-00			MICROCIRCUIT,DI:QUAD 2-INP MUX,16 PIN DIP	80009	156-0530-00
U527	156-0118-00			MICROCIRCUIT,DI:J-K MASTER-SLAVE FLIP-FLOP	80009	156-0118-00
U531	156-0479-00			MICROCIRCUIT,DI:QUAD 2-INPUT OR GATE	27014	DM74LS32N
U537	156-0391-00			MICROCIRCUIT,DI:HEX LATCH WITH CLEAR	80009	156-0391-00
U541	156-0946-00	B010100	B010697	MICROCIRCUIT,DI:TV CAMERA SYNC GEN	80009	156-0946-00
U541	020-0544-00	B010698		COMPONENT KIT:SYNC GEN MICROCKT ASSY	80009	020-0544-00
U547	156-0707-00			MICROCIRCUIT,DI:QUAD 2-INPUT EXCL OR GATE	01295	SN74S86N
U551	156-0323-00			MICROCIRCUIT,DI:HEX. INVERTER	01295	SN74S04N
U561	156-0422-00			MICROCIRCUIT,DI:UP/DOWN SYNC BINARY COUNTER	80009	156-0422-00
U567	156-0392-00			MICROCIRCUIT,DI:QUAD LATCH	80009	156-0392-00
U571	156-0391-00			MICROCIRCUIT,DI:HEX LATCH WITH CLEAR	80009	156-0391-00
U577	156-0388-00			MICROCIRCUIT,DI:DUAL D-TYPE FLIP-FLOP	80009	156-0388-00
U581	156-0948-00			MICROCIRCUIT,DI:QUAD D FLIP-FLOP	80009	156-0948-00
U601	156-0382-00			MICROCIRCUIT,DI:QUAD 2-INPUT NAND GATE	80009	156-0382-00
U611	156-0388-00			MICROCIRCUIT,DI:DUAL D-TYPE FLIP-FLOP	80009	156-0388-00
U617	156-0388-00			MICROCIRCUIT,DI:DUAL D-TYPE FLIP-FLOP	80009	156-0388-00
U621	156-0707-00			MICROCIRCUIT,DI:QUAD 2-INPUT EXCL OR GATE	01295	SN74S86N
U627	156-0422-00			MICROCIRCUIT,DI:UP/DOWN SYNC BINARY COUNTER	80009	156-0422-00
U631	156-0865-00			MICROCIRCUIT,DI:OCTAL D TYPE FF W/CLEAR	80009	156-0865-00
U637	156-0955-00			MICROCIRCUIT,DI:OCTAL BFR W/3STATE OUT	80009	156-0955-00
U641	156-0865-00			MICROCIRCUIT,DI:OCTAL D TYPE FF W/CLEAR	80009	156-0865-00
U647	156-0422-00			MICROCIRCUIT,DI:UP/DOWN SYNC BINARY COUNTER	80009	156-0422-00
U651	156-0392-00			MICROCIRCUIT,DI:QUAD LATCH	80009	156-0392-00
U661	156-0422-00			MICROCIRCUIT,DI:UP/DOWN SYNC BINARY COUNTER	80009	156-0422-00
U667	156-0388-00			MICROCIRCUIT,DI:DUAL D-TYPE FLIP-FLOP	80009	156-0388-00
U671	156-0321-00			MICROCIRCUIT,DI:TRIPLE 3-INPUT NAND GATE	80009	156-0321-00
U677	156-0645-00			MICROCIRCUIT,DI:HEX SCHMITT-TRIG INVERTER	80009	156-0645-00
U681	156-0386-00			MICROCIRCUIT,DI:TRIPLE 3-INPUT NAND GATE	80009	156-0386-00
U701	156-0383-00			MICROCIRCUIT,DI:QUAD 2-INPUT NOR GATE	80009	156-0383-00
U711	156-0381-00			MICROCIRCUIT,DI:QUAD 2-INPUT EXCL OR GATES	80009	156-0381-00
U717	156-0804-00			MICROCIRCUIT,DI:QUADRUPLE S-R LATCH	07263	74LS279PC
U721	156-0388-00			MICROCIRCUIT,DI:DUAL D-TYPE FLIP-FLOP	80009	156-0388-00
U727	156-0383-00			MICROCIRCUIT,DI:QUAD 2-INPUT NOR GATE	80009	156-0383-00
U731	156-0422-00			MICROCIRCUIT,DI:UP/DOWN SYNC BINARY COUNTER	80009	156-0422-00
U747	156-0422-00			MICROCIRCUIT,DI:UP/DOWN SYNC BINARY COUNTER	80009	156-0422-00
U751	156-0480-00			MICROCIRCUIT,DI:QUAD 2-INPUT AND GATE	80009	156-0480-00
U761	156-0718-00			MICROCIRCUIT,DI:TRIPLE 3-INP POS-NOR GATES	80009	156-0718-00
U767	156-0469-00			MICROCIRCUIT,DI:3-LINE TO 8-LINE DECODER	01295	SN74LS138N
U771	156-0479-00			MICROCIRCUIT,DI:QUAD 2-INPUT OR GATE	27014	DM74LS32N
U777	156-0479-00			MICROCIRCUIT,DI:QUAD 2-INPUT OR GATE	27014	DM74LS32N

REPLACEABLE ELECTRICAL PARTS

Ckt No.	Tektronix Part No.	Serial/Model No. Eff	Dscont	Name & Description	Mfr Code	Mfr Part Number
A3 GRAPHICS MEMORY CONTROLLER						
A3	670-5641-00	B010100	B010837	CKT BOARD ASSY:GRAPHICS MEMORY CONTROLLER	80009	670-5641-00
A3	670-5641-01	B010838		CKT BOARD ASSY:GRAPHICS MEMORY CONTROL	80009	670-5641-01
A3	670-6462-00			CKT BOARD ASSY:GRAPHICS MEMORY CONTROL (OPTION 4A AND 4C ONLY)	80009	670-6462-00

C51	283-0422-00			CAP., FXD, CER DI:0.047UF, +80-20%, 50V	04222	DG015E473Z
C55	283-0422-00			CAP., FXD, CER DI:0.047UF, +80-20%, 50V	04222	DG015E473Z
C111	283-0422-00			CAP., FXD, CER DI:0.047UF, +80-20%, 50V	04222	DG015E473Z
C115	283-0422-00			CAP., FXD, CER DI:0.047UF, +80-20%, 50V	04222	DG015E473Z
C121	283-0422-00			CAP., FXD, CER DI:0.047UF, +80-20%, 50V	04222	DG015E473Z
C125	283-0422-00			CAP., FXD, CER DI:0.047UF, +80-20%, 50V	04222	DG015E473Z
C131	283-0422-00			CAP., FXD, CER DI:0.047UF, +80-20%, 50V	04222	DG015E473Z
C135	283-0422-00			CAP., FXD, CER DI:0.047UF, +80-20%, 50V	04222	DG015E473Z
C141	283-0422-00			CAP., FXD, CER DI:0.047UF, +80-20%, 50V	04222	DG015E473Z
C151	283-0422-00			CAP., FXD, CER DI:0.047UF, +80-20%, 50V	04222	DG015E473Z
C155	283-0422-00			CAP., FXD, CER DI:0.047UF, +80-20%, 50V	04222	DG015E473Z
C161	283-0422-00			CAP., FXD, CER DI:0.047UF, +80-20%, 50V	04222	DG015E473Z
C175	283-0422-00			CAP., FXD, CER DI:0.047UF, +80-20%, 50V	04222	DG015E473Z
C184	290-0219-00			CAP., FXD, ELCTLT:5UF, +75-10%, 25V	56289	30D505G025BA9
C185	281-0775-00			CAP., FXD, CER DI:0.1UF, 20%, 50V	72982	8005D9AABZ5U104M
C186	281-0775-00			CAP., FXD, CER DI:0.1UF, 20%, 50V	72982	8005D9AABZ5U104M
C195	283-0422-00			CAP., FXD, CER DI:0.047UF, +80-20%, 50V	04222	DG015E473Z
C241	283-0422-00			CAP., FXD, CER DI:0.047UF, +80-20%, 50V	04222	DG015E473Z
C255	283-0422-00			CAP., FXD, CER DI:0.047UF, +80-20%, 50V	04222	DG015E473Z
C261	283-0422-00			CAP., FXD, CER DI:0.047UF, +80-20%, 50V	04222	DG015E473Z
C265	283-0422-00			CAP., FXD, CER DI:0.047UF, +80-20%, 50V	04222	DG015E473Z
C271	283-0422-00			CAP., FXD, CER DI:0.047UF, +80-20%, 50V	04222	DG015E473Z
C275	283-0422-00			CAP., FXD, CER DI:0.047UF, +80-20%, 50V	04222	DG015E473Z
C281	283-0422-00			CAP., FXD, CER DI:0.047UF, +80-20%, 50V	04222	DG015E473Z
C295	283-0422-00			CAP., FXD, CER DI:0.047UF, +80-20%, 50V	04222	DG015E473Z
C311	283-0422-00			CAP., FXD, CER DI:0.047UF, +80-20%, 50V	04222	DG015E473Z
C325	283-0422-00			CAP., FXD, CER DI:0.047UF, +80-20%, 50V	04222	DG015E473Z
C341	283-0422-00			CAP., FXD, CER DI:0.047UF, +80-20%, 50V	04222	DG015E473Z
C351	283-0422-00			CAP., FXD, CER DI:0.047UF, +80-20%, 50V	04222	DG015E473Z
C375	290-0804-00			CAP., FXD, ELCTLT:10UF, +50-10%, 25V	55680	25ULA10-T
C415	283-0422-00			CAP., FXD, CER DI:0.047UF, +80-20%, 50V	04222	DG015E473Z
C435	283-0422-00			CAP., FXD, CER DI:0.047UF, +80-20%, 50V	04222	DG015E473Z
C451	283-0422-00			CAP., FXD, CER DI:0.047UF, +80-20%, 50V	04222	DG015E473Z
C461	283-0422-00			CAP., FXD, CER DI:0.047UF, +80-20%, 50V	04222	DG015E473Z
C471	283-0422-00			CAP., FXD, CER DI:0.047UF, +80-20%, 50V	04222	DG015E473Z
C475	283-0422-00			CAP., FXD, CER DI:0.047UF, +80-20%, 50V	04222	DG015E473Z
C511	283-0422-00			CAP., FXD, CER DI:0.047UF, +80-20%, 50V	04222	DG015E473Z
C521	283-0422-00			CAP., FXD, CER DI:0.047UF, +80-20%, 50V	04222	DG015E473Z
C531	283-0422-00			CAP., FXD, CER DI:0.047UF, +80-20%, 50V	04222	DG015E473Z
C581	283-0422-00			CAP., FXD, CER DI:0.047UF, +80-20%, 50V	04222	DG015E473Z
C585	283-0422-00			CAP., FXD, CER DI:0.047UF, +80-20%, 50V	04222	DG015E473Z
C595	283-0422-00			CAP., FXD, CER DI:0.047UF, +80-20%, 50V	04222	DG015E473Z
CR379	152-0141-02			SEMICONV DEVICE:SILICON, 30V, 50NA	80009	152-0141-02
CR380	152-0141-02			SEMICONV DEVICE:SILICON, 30V, 50NA	80009	152-0141-02
CR551	152-0141-02			SEMICONV DEVICE:SILICON, 30V, 50NA	80009	152-0141-02
Q371	151-0188-00			TRANSISTOR:SILICON, PNP	80009	151-0188-00
R60	315-0102-00			RES., FXD, CMPSN:1K OHM, 5%, 0.25W	01121	CB1025
R73	307-0502-00			RES, NTWK, THK FI:1.8 OHM, 20%, (9) RES	91637	MSP10A01-182M
R94	307-0540-00			RES, NTWK, FXD, FI:(5) 1K OHM, 10%, 0.7W	01121	206A102
R113	315-0471-00			RES., FXD, CMPSN:470 OHM, 5%, 0.25W	01121	CB4715

REPLACEABLE ELECTRICAL PARTS

MEMORY CONTROLLER (CONT)

Ckt No.	Tektronix Part No.	Serial/Model No. Eff	Dscont	Name & Description	Mfr Code	Mfr Part Number
R141	307-0422-00			RES.,FXD,FILM:15 RES. NETWORK	73138	898-1-R2.4K
R151	307-0422-00			RES.,FXD,FILM:15 RES. NETWORK	73138	898-1-R2.4K
R191	315-0751-00			RES.,FXD,CMPSN:750 OHM,5%,0.25W	01121	CB7515
R192	315-0511-00			RES.,FXD,CMPSN:510 OHM,5%,0.25W	01121	CB5115
R193	315-0102-00			RES.,FXD,CMPSN:1K OHM,5%,0.25W	01121	CB1025
R218	315-0471-00			RES.,FXD,CMPSN:470 OHM,5%,0.25W	01121	CB4715
R315	315-0471-00			RES.,FXD,CMPSN:470 OHM,5%,0.25W	01121	CB4715
R316	315-0472-00			RES.,FXD,CMPSN:4.7K OHM,5%,0.25W	01121	CB4725
R375	315-0103-00			RES.,FXD,CMPSN:10K OHM,5%,0.25W	01121	CB1035
R376	315-0562-00			RES.,FXD,CMPSN:5.6K OHM,5%,0.25W	01121	CB5625
R458	315-0102-00			RES.,FXD,CMPSN:1K OHM,5%,0.25W	01121	CB1025
R513	315-0102-00			RES.,FXD,CMPSN:1K OHM,5%,0.25W	01121	CB1025
R515	315-0471-00			RES.,FXD,CMPSN:470 OHM,5%,0.25W	01121	CB4715
R523	315-0471-00			RES.,FXD,CMPSN:470 OHM,5%,0.25W	01121	CB4715
U11	156-0865-00			MICROCIRCUIT,DI:OCTAL D TYPE FF W/CLEAR	80009	156-0865-00
U15	156-0865-00			MICROCIRCUIT,DI:OCTAL D TYPE FF W/CLEAR	80009	156-0865-00
U21	156-0956-00			MICROCIRCUIT,DI:OCTAL BFR W/3STATE OUT	80009	156-0956-00
U25	156-0956-00			MICROCIRCUIT,DI:OCTAL BFR W/3STATE OUT	80009	156-0956-00
U31	156-0956-00			MICROCIRCUIT,DI:OCTAL BFR W/3STATE OUT	80009	156-0956-00
U35	156-0956-00			MICROCIRCUIT,DI:OCTAL BFR W/3STATE OUT	80009	156-0956-00
U41	156-0965-00			MICROCIRCUIT,DI:ADRS MUX & REFRESH CNTR	80009	156-0965-00
U51	156-0382-00			MICROCIRCUIT,DI:QUAD 2-INPUT NAND GATE	80009	156-0382-00
U55	156-0180-00			MICROCIRCUIT,DI:QUAD 2-INPUT NAND GATE	01295	SN74S00N
U61	156-1065-00			MICROCIRCUIT,DI:OCTAL D TYPE TRANS LATCHES	80009	156-1065-00
U65	156-1065-00			MICROCIRCUIT,DI:OCTAL D TYPE TRANS LATCHES	80009	156-1065-00
U71	156-1065-00			MICROCIRCUIT,DI:OCTAL D TYPE TRANS LATCHES	80009	156-1065-00
U75	156-0914-00			MICROCIRCUIT,DI:OCT ST BFR W/3-STATE OUT	80009	156-0914-00
U81	156-0956-00			MICROCIRCUIT,DI:OCTAL BFR W/3STATE OUT	80009	156-0956-00
U91	156-0950-00			MICROCIRCUIT,DI:ROM,CHAR GEN	80009	156-0950-00
U91	160-0378-00			MICROCIRCUIT,DI:8192 ROM ROW SELECT CHAR GEN (OPTION 4A ONLY)	80009	160-0378-00
U91	160-0377-00			MICROCIRCUIT,DI:8192 ROM ROW SELECT CHAR GEN (OPTION 4C ONLY)	80009	160-0377-00
U95	156-0469-00			MICROCIRCUIT,DI:3-LINE TO 8-LINE DECODER	01295	SN74LS138N
U111	156-0730-00			MICROCIRCUIT,DI:QUAD 2 INP POS-NOR BFR	80009	156-0730-00
U115	156-0730-00			MICROCIRCUIT,DI:QUAD 2 INP POS-NOR BFR	80009	156-0730-00
U121	156-0956-00			MICROCIRCUIT,DI:OCTAL BFR W/3STATE OUT	80009	156-0956-00
U125	156-0956-00			MICROCIRCUIT,DI:OCTAL BFR W/3STATE OUT	80009	156-0956-00
U131	156-0956-00			MICROCIRCUIT,DI:OCTAL BFR W/3STATE OUT	80009	156-0956-00
U135	156-0956-00			MICROCIRCUIT,DI:OCTAL BFR W/3STATE OUT	80009	156-0956-00
U155	156-0694-00			MICROCIRCUIT,DI:DECODER/DEMULPLEXER	34335	SN74S138N
U161	156-0180-00			MICROCIRCUIT,DI:QUAD 2-INPUT NAND GATE	01295	SN74S00N
U165	156-1065-00			MICROCIRCUIT,DI:OCTAL D TYPE TRANS LATCHES	80009	156-1065-00
U171	156-1065-00			MICROCIRCUIT,DI:OCTAL D TYPE TRANS LATCHES	80009	156-1065-00
U175	156-0530-00			MICROCIRCUIT,DI:QUAD 2-INP MUX,16 PIN DIP	80009	156-0530-00
U181	156-0530-00			MICROCIRCUIT,DI:QUAD 2-INP MUX,16 PIN DIP	80009	156-0530-00
U195	156-0087-00			MICROCIRCUIT,DI:4-BIT BINARY FULL ADDER	80009	156-0087-00
U211	156-0718-00			MICROCIRCUIT,DI:TRIPLE 3-INP POS-NOR GATES	80009	156-0718-00
U215	156-0385-00			MICROCIRCUIT,DI:HEX. INVERTER	80009	156-0385-00
U221	156-0422-00			MICROCIRCUIT,DI:UP/DOWN SYNC BINARY COUNTER	80009	156-0422-00
U225	156-0696-00			MICROCIRCUIT,DI:QUAD CMLM-OUTPUT & NAND	01295	SN4265N
U231	156-0422-00			MICROCIRCUIT,DI:UP/DOWN SYNC BINARY COUNTER	80009	156-0422-00
U235	156-0387-00			MICROCIRCUIT,DI:DUAL J-K NEG EDGE TRIG	80009	156-0387-00
U241	156-0957-00			MICROCIRCUIT,DI:SYN 4-BIT UP/DOWN BIN CNTR	80009	156-0957-00
U251	156-0957-00			MICROCIRCUIT,DI:SYN 4-BIT UP/DOWN BIN CNTR	80009	156-0957-00
U255	156-0739-00			MICROCIRCUIT,DI:QUADR 2-INPUT POS OR GATE	01295	SN74S32N
U261	156-0948-00			MICROCIRCUIT,DI:QUAD D FLIP-FLOP	80009	156-0948-00

REPLACEABLE ELECTRICAL PARTS

MEMORY CONTROLLER (CONT)

Ckt No.	Tektronix Part No.	Serial/Model No. Eff	Dscont	Name & Description	Mfr Code	Mfr Part Number
U265	156-0865-00			MICROCIRCUIT,DI:OCTAL D TYPE FF W/CLEAR	80009	156-0865-00
U271	156-0865-00			MICROCIRCUIT,DI:OCTAL D TYPE FF W/CLEAR	80009	156-0865-00
U275	156-0865-00			MICROCIRCUIT,DI:OCTAL D TYPE FF W/CLEAR	80009	156-0865-00
U281	156-1065-00			MICROCIRCUIT,DI:OCTAL D TYPE TRANS LATCHES	80009	156-1065-00
U285	156-0865-00			MICROCIRCUIT,DI:OCTAL D TYPE FF W/CLEAR	80009	156-0865-00
U295	156-0392-01			MICROCIRCUIT,DI:QUAD LATCH W/CLEAR	80009	156-0392-01
U311	156-0141-00			MICROCIRCUIT,DI:DUAL 2 TO 4 LINE DCDR/DMUX	80009	156-0141-00
U321	156-0141-00			MICROCIRCUIT,DI:DUAL 2 TO 4 LINE DCDR/DMUX	80009	156-0141-00
U331	156-0479-00			MICROCIRCUIT,DI:QUAD 2-INPUT OR GATE	27014	DM74LS32N
U335	156-0646-00			MICROCIRCUIT,DI:4 BIT BINARY COUNTER	01295	SN74LS93N
U341	156-0180-00			MICROCIRCUIT,DI:QUAD 2-INPUT NAND GATE	01295	SN74S00N
U351	156-0331-00			MICROCIRCUIT,DI:DUAL D-TYPE,FLIP-FLOP	80009	156-0331-00
U355	156-0382-00			MICROCIRCUIT,DI:QUAD 2-INPUT NAND GATE	80009	156-0382-00
U361	156-1059-00			MICROCIRCUIT,DI:DUAL J-K EDGETRIGGERED FF	80009	156-1059-00
U365	156-0092-00			MICROCIRCUIT,DI:HEX INV W/OPEN COLLECTOR	80009	156-0092-00
U385	156-0391-00			MICROCIRCUIT,DI:HEX LATCH WITH CLEAR	80009	156-0391-00
U411	156-0464-00			MICROCIRCUIT,DI:DUAL 4-INPUT NAND GATE	80009	156-0464-00
U415	156-0948-00			MICROCIRCUIT,DI:QUAD D FLIP-FLOP	80009	156-0948-00
U421	156-0383-00			MICROCIRCUIT,DI:QUAD 2-INPUT NOR GATE	80009	156-0383-00
U425	156-0386-00			MICROCIRCUIT,DI:TRIPLE 3-INPUT NAND GATE	80009	156-0386-00
U431	156-0388-00			MICROCIRCUIT,DI:DUAL D-TYPE FLIP-FLOP	80009	156-0388-00
U435	156-0480-00			MICROCIRCUIT,DI:QUAD 2-INPUT AND GATE	80009	156-0480-00
U441	156-0387-00			MICROCIRCUIT,DI:DUAL J-K NEG EDGE TRIG	80009	156-0387-00
U451	156-0385-00			MICROCIRCUIT,DI:HEX. INVERTER	80009	156-0385-00
U455	156-0718-00			MICROCIRCUIT,DI:TRIPLE 3-INP POS-NOR GATES	80009	156-0718-00
U461	156-0385-00			MICROCIRCUIT,DI:HEX. INVERTER	80009	156-0385-00
U465	156-0465-00			MICROCIRCUIT,DI:8-INPUT NAND GATE	27014	DM74LS304
U471	156-0479-00			MICROCIRCUIT,DI:QUAD 2-INPUT OR GATE	27014	DM74LS32N
U475	156-0469-00			MICROCIRCUIT,DI:3-LINE TO 8-LINE DECODER	01295	SN74LS138N
U481	156-0479-00			MICROCIRCUIT,DI:QUAD 2-INPUT OR GATE	27014	DM74LS32N
U485	156-0479-00			MICROCIRCUIT,DI:QUAD 2-INPUT OR GATE	27014	DM74LS32N
U495	156-0479-00			MICROCIRCUIT,DI:QUAD 2-INPUT OR GATE	27014	DM74LS32N
U511	156-0382-00			MICROCIRCUIT,DI:QUAD 2-INPUT NAND GATE	80009	156-0382-00
U521	156-0141-00			MICROCIRCUIT,DI:DUAL 2 TO 4 LINE DCDR/DMUX	80009	156-0141-00
U531	156-0141-00			MICROCIRCUIT,DI:DUAL 2 TO 4 LINE DCDR/DMUX	80009	156-0141-00
U535	156-1111-00			MICROCIRCUIT,DI:OCTAL BUS TRANSCEIVERS	80009	156-1111-00
U581	156-0852-00			MICROCIRCUIT,DI:HEX BUS DRIVER W/3-STATE	01295	SN74LS376N OR J
U585	156-0382-00			MICROCIRCUIT,DI:QUAD 2-INPUT NAND GATE	80009	156-0382-00
U595	156-0718-00			MICROCIRCUIT,DI:TRIPLE 3-INP POS-NOR GATES	80009	156-0718-00

REPLACEABLE ELECTRICAL PARTS

Ckt No.	Tektronix Part No.	Serial/Model No. Eff	Dscont	Name & Description	Mfr Code	Mfr Part Number
A4 GRAPHICS MEMORY						
A4	672-0820-00	B010100	B010547	CKT BOARD ASSY:48K GRAPHICS MEMORY	80009	672-0820-00
A4	672-0820-01	B010548		CKT BOARD ASSY:48K GRAPHICS MEMORY	80009	672-0820-01
A4	672-0785-00	B010100	B010547	CKT BOARD ASSY:96K GRAPHICS MEMORY (OPTION 27 ONLY)	80009	672-0785-00
A4	672-0785-01	B010548		CKT BOARD ASSY:96K GRAPHICS MEMORY (OPTION 27 ONLY)	80009	672-0785-01
A4	672-0786-00	B010100	B010547	CKT BOARD ASSY:144K GRAPHICS MEMORY (OPTION 28 ONLY)	80009	672-0786-00
A4	672-0786-01	B010548		CKT BOARD ASSY:144K GRAPHICS MEMORY (OPTION 28 ONLY)	80009	672-0786-01
A4	672-0787-00	B010100	B010547	CKT BOARD ASSY:192K GRAPHICS MEMORY (OPTION 29 ONLY)	80009	672-0787-00
A4	672-0789-01	B010548		CKT BOARD ASSY:192K GRAPHICS MEMORY (OPTION 29 ONLY)	80009	672-0789-01
A4A1	670-5642-XX			CKT BOARD ASSY:GRAPHICS MEMORY (NOT AVAILABLE, SEE A4)		
C105	283-0423-00			CAP., FXD, CER DI:0.22UF, +80-20%, 50V	04222	DG015E224Z
C110	283-0423-00			CAP., FXD, CER DI:0.22UF, +80-20%, 50V	04222	DG015E224Z
C115	283-0423-00			CAP., FXD, CER DI:0.22UF, +80-20%, 50V	04222	DG015E224Z
C120	283-0423-00			CAP., FXD, CER DI:0.22UF, +80-20%, 50V	04222	DG015E224Z
C125	283-0423-00			CAP., FXD, CER DI:0.22UF, +80-20%, 50V	04222	DG015E224Z
C130	283-0423-00			CAP., FXD, CER DI:0.22UF, +80-20%, 50V	04222	DG015E224Z
C135	283-0423-00			CAP., FXD, CER DI:0.22UF, +80-20%, 50V	04222	DG015E224Z
C140	283-0423-00			CAP., FXD, CER DI:0.22UF, +80-20%, 50V	04222	DG015E224Z
C150	283-0423-00			CAP., FXD, CER DI:0.22UF, +80-20%, 50V	04222	DG015E224Z
C155	283-0423-00			CAP., FXD, CER DI:0.22UF, +80-20%, 50V	04222	DG015E224Z
C160	283-0423-00			CAP., FXD, CER DI:0.22UF, +80-20%, 50V	04222	DG015E224Z
C165	283-0423-00			CAP., FXD, CER DI:0.22UF, +80-20%, 50V	04222	DG015E224Z
C170	283-0423-00			CAP., FXD, CER DI:0.22UF, +80-20%, 50V	04222	DG015E224Z
C175	283-0423-00			CAP., FXD, CER DI:0.22UF, +80-20%, 50V	04222	DG015E224Z
C180	283-0423-00			CAP., FXD, CER DI:0.22UF, +80-20%, 50V	04222	DG015E224Z
C185	283-0423-00			CAP., FXD, CER DI:0.22UF, +80-20%, 50V	04222	DG015E224Z
C190	283-0423-00			CAP., FXD, CER DI:0.22UF, +80-20%, 50V	04222	DG015E224Z
C195	283-0423-00			CAP., FXD, CER DI:0.22UF, +80-20%, 50V	04222	DG015E224Z
C200	290-0804-00			CAP., FXD, ELCTLT:10UF, +50-10%, 25V	55680	25ULA10-T
C201	290-0804-00			CAP., FXD, ELCTLT:10UF, +50-10%, 25V	55680	25ULA10-T
C205	283-0423-00			CAP., FXD, CER DI:0.22UF, +80-20%, 50V	04222	DG015E224Z
C210	283-0423-00			CAP., FXD, CER DI:0.22UF, +80-20%, 50V	04222	DG015E224Z
C215	283-0423-00			CAP., FXD, CER DI:0.22UF, +80-20%, 50V	04222	DG015E224Z
C220	283-0423-00			CAP., FXD, CER DI:0.22UF, +80-20%, 50V	04222	DG015E224Z
C225	283-0423-00			CAP., FXD, CER DI:0.22UF, +80-20%, 50V	04222	DG015E224Z
C230	283-0423-00			CAP., FXD, CER DI:0.22UF, +80-20%, 50V	04222	DG015E224Z
C235	283-0423-00			CAP., FXD, CER DI:0.22UF, +80-20%, 50V	04222	DG015E224Z
C240	283-0423-00			CAP., FXD, CER DI:0.22UF, +80-20%, 50V	04222	DG015E224Z
C250	283-0423-00			CAP., FXD, CER DI:0.22UF, +80-20%, 50V	04222	DG015E224Z
C260	283-0423-00			CAP., FXD, CER DI:0.22UF, +80-20%, 50V	04222	DG015E224Z
C265	283-0423-00			CAP., FXD, CER DI:0.22UF, +80-20%, 50V	04222	DG015E224Z
C270	283-0423-00			CAP., FXD, CER DI:0.22UF, +80-20%, 50V	04222	DG015E224Z
C275	283-0423-00			CAP., FXD, CER DI:0.22UF, +80-20%, 50V	04222	DG015E224Z
C280	283-0423-00			CAP., FXD, CER DI:0.22UF, +80-20%, 50V	04222	DG015E224Z
C285	283-0423-00			CAP., FXD, CER DI:0.22UF, +80-20%, 50V	04222	DG015E224Z
C290	283-0423-00			CAP., FXD, CER DI:0.22UF, +80-20%, 50V	04222	DG015E224Z
C295	283-0423-00			CAP., FXD, CER DI:0.22UF, +80-20%, 50V	04222	DG015E224Z
C296	290-0804-00			CAP., FXD, ELCTLT:10UF, +50-10%, 25V	55680	25ULA10-T
C297	290-0804-00			CAP., FXD, ELCTLT:10UF, +50-10%, 25V	55680	25ULA10-T

REPLACEABLE ELECTRICAL PARTS

GRAPHICS MEMORY (CONT)

Ckt No.	Tektronix Part No.	Serial/Model No. Eff	Dscont	Name & Description	Mfr Code	Mfr Part Number
C300	290-0804-00			CAP., FXD, ELCTLT:10UF, +50-10%, 25V	55680	25ULA10-T
C301	290-0804-00			CAP., FXD, ELCTLT:10UF, +50-10%, 25V	55680	25ULA10-T
C305	283-0423-00			CAP., FXD, CER DI:0.22UF, +80-20%, 50V	04222	DG015E224Z
C310	283-0423-00			CAP., FXD, CER DI:0.22UF, +80-20%, 50V	04222	DG015E224Z
C315	283-0423-00			CAP., FXD, CER DI:0.22UF, +80-20%, 50V	04222	DG015E224Z
C320	283-0423-00			CAP., FXD, CER DI:0.22UF, +80-20%, 50V	04222	DG015E224Z
C325	283-0423-00			CAP., FXD, CER DI:0.22UF, +80-20%, 50V	04222	DG015E224Z
C330	283-0423-00			CAP., FXD, CER DI:0.22UF, +80-20%, 50V	04222	DG015E224Z
C335	283-0423-00			CAP., FXD, CER DI:0.22UF, +80-20%, 50V	04222	DG015E224Z
C340	283-0423-00			CAP., FXD, CER DI:0.22UF, +80-20%, 50V	04222	DG015E224Z
C360	283-0423-00			CAP., FXD, CER DI:0.22UF, +80-20%, 50V	04222	DG015E224Z
C365	283-0423-00			CAP., FXD, CER DI:0.22UF, +80-20%, 50V	04222	DG015E224Z
C370	283-0423-00			CAP., FXD, CER DI:0.22UF, +80-20%, 50V	04222	DG015E224Z
C375	283-0423-00			CAP., FXD, CER DI:0.22UF, +80-20%, 50V	04222	DG015E224Z
C380	283-0423-00			CAP., FXD, CER DI:0.22UF, +80-20%, 50V	04222	DG015E224Z
C385	283-0423-00			CAP., FXD, CER DI:0.22UF, +80-20%, 50V	04222	DG015E224Z
C390	283-0423-00			CAP., FXD, CER DI:0.22UF, +80-20%, 50V	04222	DG015E224Z
C395	283-0423-00			CAP., FXD, CER DI:0.22UF, +80-20%, 50V	04222	DG015E224Z
C396	290-0804-00			CAP., FXD, ELCTLT:10UF, +50-10%, 25V	55680	25ULA10-T
C397	290-0804-00			CAP., FXD, ELCTLT:10UF, +50-10%, 25V	55680	25ULA10-T
C400	290-0804-00			CAP., FXD, ELCTLT:10UF, +50-10%, 25V	55680	25ULA10-T
C401	290-0804-00			CAP., FXD, ELCTLT:10UF, +50-10%, 25V	55680	25ULA10-T
C402	290-0804-00			CAP., FXD, ELCTLT:10UF, +50-10%, 25V	55680	25ULA10-T
C405	283-0423-00			CAP., FXD, CER DI:0.22UF, +80-20%, 50V	04222	DG015E224Z
C410	283-0423-00			CAP., FXD, CER DI:0.22UF, +80-20%, 50V	04222	DG015E224Z
C415	283-0423-00			CAP., FXD, CER DI:0.22UF, +80-20%, 50V	04222	DG015E224Z
C420	283-0423-00			CAP., FXD, CER DI:0.22UF, +80-20%, 50V	04222	DG015E224Z
C425	283-0423-00			CAP., FXD, CER DI:0.22UF, +80-20%, 50V	04222	DG015E224Z
C430	283-0423-00			CAP., FXD, CER DI:0.22UF, +80-20%, 50V	04222	DG015E224Z
C435	283-0423-00			CAP., FXD, CER DI:0.22UF, +80-20%, 50V	04222	DG015E224Z
C440	283-0423-00			CAP., FXD, CER DI:0.22UF, +80-20%, 50V	04222	DG015E224Z
C445	290-0804-00			CAP., FXD, ELCTLT:10UF, +50-10%, 25V	55680	25ULA10-T
C455	290-0804-00			CAP., FXD, ELCTLT:10UF, +50-10%, 25V	55680	25ULA10-T
C460	283-0423-00			CAP., FXD, CER DI:0.22UF, +80-20%, 50V	04222	DG015E224Z
C465	283-0423-00			CAP., FXD, CER DI:0.22UF, +80-20%, 50V	04222	DG015E224Z
C470	283-0423-00			CAP., FXD, CER DI:0.22UF, +80-20%, 50V	04222	DG015E224Z
C475	283-0423-00			CAP., FXD, CER DI:0.22UF, +80-20%, 50V	04222	DG015E224Z
C480	283-0423-00			CAP., FXD, CER DI:0.22UF, +80-20%, 50V	04222	DG015E224Z
C485	283-0423-00			CAP., FXD, CER DI:0.22UF, +80-20%, 50V	04222	DG015E224Z
C490	283-0423-00			CAP., FXD, CER DI:0.22UF, +80-20%, 50V	04222	DG015E224Z
C495	283-0423-00			CAP., FXD, CER DI:0.22UF, +80-20%, 50V	04222	DG015E224Z
C496	290-0804-00			CAP., FXD, ELCTLT:10UF, +50-10%, 25V	55680	25ULA10-T
C497	290-0804-00			CAP., FXD, ELCTLT:10UF, +50-10%, 25V	55680	25ULA10-T
C498	290-0804-00			CAP., FXD, ELCTLT:10UF, +50-10%, 25V	55680	25ULA10-T
C500	290-0804-00			CAP., FXD, ELCTLT:10UF, +50-10%, 25V	55680	25ULA10-T
C501	290-0804-00			CAP., FXD, ELCTLT:10UF, +50-10%, 25V	55680	25ULA10-T
C505	283-0423-00			CAP., FXD, CER DI:0.22UF, +80-20%, 50V	04222	DG015E224Z
C510	283-0423-00			CAP., FXD, CER DI:0.22UF, +80-20%, 50V	04222	DG015E224Z
C515	283-0423-00			CAP., FXD, CER DI:0.22UF, +80-20%, 50V	04222	DG015E224Z
C520	283-0423-00			CAP., FXD, CER DI:0.22UF, +80-20%, 50V	04222	DG015E224Z
C525	283-0423-00			CAP., FXD, CER DI:0.22UF, +80-20%, 50V	04222	DG015E224Z
C530	283-0423-00			CAP., FXD, CER DI:0.22UF, +80-20%, 50V	04222	DG015E224Z
C535	283-0423-00			CAP., FXD, CER DI:0.22UF, +80-20%, 50V	04222	DG015E224Z
C540	283-0423-00			CAP., FXD, CER DI:0.22UF, +80-20%, 50V	04222	DG015E224Z
C550	283-0423-00			CAP., FXD, CER DI:0.22UF, +80-20%, 50V	04222	DG015E224Z
C555	283-0423-00			CAP., FXD, CER DI:0.22UF, +80-20%, 50V	04222	DG015E224Z
C560	283-0423-00			CAP., FXD, CER DI:0.22UF, +80-20%, 50V	04222	DG015E224Z

REPLACEABLE ELECTRICAL PARTS

GRAPHICS MEMORY (CONT)

Ckt No.	Tektronix Part No.	Serial/Model No. Eff	Dscont	Name & Description	Mfr Code	Mfr Part Number
C565	283-0423-00			CAP., FXD, CER DI:0.22UF, +80-20%, 50V	04222	DG015E224Z
C570	283-0423-00			CAP., FXD, CER DI:0.22UF, +80-20%, 50V	04222	DG015E224Z
C575	283-0423-00			CAP., FXD, CER DI:0.22UF, +80-20%, 50V	04222	DG015E224Z
C580	283-0423-00			CAP., FXD, CER DI:0.22UF, +80-20%, 50V	04222	DG015E224Z
C585	283-0423-00			CAP., FXD, CER DI:0.22UF, +80-20%, 50V	04222	DG015E224Z
C590	283-0423-00			CAP., FXD, CER DI:0.22UF, +80-20%, 50V	04222	DG015E224Z
C595	283-0423-00			CAP., FXD, CER DI:0.22UF, +80-20%, 50V	04222	DG015E224Z
C597	290-0804-00			CAP., FXD, ELCTLT:10UF, +50-10%, 25V	55680	25ULA10-T
C598	290-0804-00			CAP., FXD, ELCTLT:10UF, +50-10%, 25V	55680	25ULA10-T
C600	290-0804-00			CAP., FXD, ELCTLT:10UF, +50-10%, 25V	55680	25ULA10-T
C601	290-0804-00			CAP., FXD, ELCTLT:10UF, +50-10%, 25V	55680	25ULA10-T
C605	283-0423-00			CAP., FXD, CER DI:0.22UF, +80-20%, 50V	04222	DG015E224Z
C610	283-0423-00			CAP., FXD, CER DI:0.22UF, +80-20%, 50V	04222	DG015E224Z
C615	283-0423-00			CAP., FXD, CER DI:0.22UF, +80-20%, 50V	04222	DG015E224Z
C620	283-0423-00			CAP., FXD, CER DI:0.22UF, +80-20%, 50V	04222	DG015E224Z
C625	283-0423-00			CAP., FXD, CER DI:0.22UF, +80-20%, 50V	04222	DG015E224Z
C630	283-0423-00			CAP., FXD, CER DI:0.22UF, +80-20%, 50V	04222	DG015E224Z
C635	283-0423-00			CAP., FXD, CER DI:0.22UF, +80-20%, 50V	04222	DG015E224Z
C640	283-0423-00			CAP., FXD, CER DI:0.22UF, +80-20%, 50V	04222	DG015E224Z
C650	283-0423-00			CAP., FXD, CER DI:0.22UF, +80-20%, 50V	04222	DG015E224Z
C660	283-0423-00			CAP., FXD, CER DI:0.22UF, +80-20%, 50V	04222	DG015E224Z
C665	283-0423-00			CAP., FXD, CER DI:0.22UF, +80-20%, 50V	04222	DG015E224Z
C670	283-0423-00			CAP., FXD, CER DI:0.22UF, +80-20%, 50V	04222	DG015E224Z
C675	283-0423-00			CAP., FXD, CER DI:0.22UF, +80-20%, 50V	04222	DG015E224Z
C680	283-0423-00			CAP., FXD, CER DI:0.22UF, +80-20%, 50V	04222	DG015E224Z
C685	283-0423-00			CAP., FXD, CER DI:0.22UF, +80-20%, 50V	04222	DG015E224Z
C690	283-0423-00			CAP., FXD, CER DI:0.22UF, +80-20%, 50V	04222	DG015E224Z
C695	283-0423-00			CAP., FXD, CER DI:0.22UF, +80-20%, 50V	04222	DG015E224Z
C696	290-0804-00			CAP., FXD, ELCTLT:10UF, +50-10%, 25V	55680	25ULA10-T
C697	290-0804-00			CAP., FXD, ELCTLT:10UF, +50-10%, 25V	55680	25ULA10-T
C700	290-0804-00			CAP., FXD, ELCTLT:10UF, +50-10%, 25V	55680	25ULA10-T
C701	290-0804-00			CAP., FXD, ELCTLT:10UF, +50-10%, 25V	55680	25ULA10-T
C705	283-0423-00			CAP., FXD, CER DI:0.22UF, +80-20%, 50V	04222	DG015E224Z
C710	283-0423-00			CAP., FXD, CER DI:0.22UF, +80-20%, 50V	04222	DG015E224Z
C715	283-0423-00			CAP., FXD, CER DI:0.22UF, +80-20%, 50V	04222	DG015E224Z
C720	283-0423-00			CAP., FXD, CER DI:0.22UF, +80-20%, 50V	04222	DG015E224Z
C725	283-0423-00			CAP., FXD, CER DI:0.22UF, +80-20%, 50V	04222	DG015E224Z
C730	283-0423-00			CAP., FXD, CER DI:0.22UF, +80-20%, 50V	04222	DG015E224Z
C735	283-0423-00			CAP., FXD, CER DI:0.22UF, +80-20%, 50V	04222	DG015E224Z
C740	283-0423-00			CAP., FXD, CER DI:0.22UF, +80-20%, 50V	04222	DG015E224Z
C760	283-0423-00			CAP., FXD, CER DI:0.22UF, +80-20%, 50V	04222	DG015E224Z
C765	283-0423-00			CAP., FXD, CER DI:0.22UF, +80-20%, 50V	04222	DG015E224Z
C770	283-0423-00			CAP., FXD, CER DI:0.22UF, +80-20%, 50V	04222	DG015E224Z
C775	283-0423-00			CAP., FXD, CER DI:0.22UF, +80-20%, 50V	04222	DG015E224Z
C780	283-0423-00			CAP., FXD, CER DI:0.22UF, +80-20%, 50V	04222	DG015E224Z
C785	283-0423-00			CAP., FXD, CER DI:0.22UF, +80-20%, 50V	04222	DG015E224Z
C790	283-0423-00			CAP., FXD, CER DI:0.22UF, +80-20%, 50V	04222	DG015E224Z
C795	283-0423-00			CAP., FXD, CER DI:0.22UF, +80-20%, 50V	04222	DG015E224Z
C796	290-0804-00			CAP., FXD, ELCTLT:10UF, +50-10%, 25V	55680	25ULA10-T
C797	290-0804-00			CAP., FXD, ELCTLT:10UF, +50-10%, 25V	55680	25ULA10-T
R147	315-0220-00			RES., FXD, CMPSN:22 OHM, 5%, 0.25W	01121	CB2205
R247	315-0220-00			RES., FXD, CMPSN:22 OHM, 5%, 0.25W	01121	CB2205
R249	315-0220-00			RES., FXD, CMPSN:22 OHM, 5%, 0.25W	01121	CB2205
R256	315-0220-00			RES., FXD, CMPSN:22 OHM, 5%, 0.25W	01121	CB2205
R257	315-0220-00			RES., FXD, CMPSN:22 OHM, 5%, 0.25W	01121	CB2205
R259	315-0220-00			RES., FXD, CMPSN:22 OHM, 5%, 0.25W	01121	CB2205

REPLACEABLE ELECTRICAL PARTS

GRAPHICS MEMORY (CONT)

Ckt No.	Tektronix Part No.	Serial/Model No. Eff	Dscont	Name & Description	Mfr Code	Mfr Part Number
R351	315-0220-00			RES., FXD, CMPSN:22 OHM, 5%, 0.25W	01121	CB2205
R352	315-0220-00			RES., FXD, CMPSN:22 OHM, 5%, 0.25W	01121	CB2205
R353	315-0220-00			RES., FXD, CMPSN:22 OHM, 5%, 0.25W	01121	CB2205
R354	315-0220-00			RES., FXD, CMPSN:22 OHM, 5%, 0.25W	01121	CB2205
R355	315-0220-00			RES., FXD, CMPSN:22 OHM, 5%, 0.25W	01121	CB2205
R356	315-0220-00			RES., FXD, CMPSN:22 OHM, 5%, 0.25W	01121	CB2205
R357	315-0220-00			RES., FXD, CMPSN:22 OHM, 5%, 0.25W	01121	CB2205
R541	315-0220-00			RES., FXD, CMPSN:22 OHM, 5%, 0.25W	01121	CB2205
R543	315-0220-00			RES., FXD, CMPSN:22 OHM, 5%, 0.25W	01121	CB2205
R545	315-0220-00			RES., FXD, CMPSN:22 OHM, 5%, 0.25W	01121	CB2205
R553	315-0220-00			RES., FXD, CMPSN:22 OHM, 5%, 0.25W	01121	CB2205
R555	315-0220-00			RES., FXD, CMPSN:22 OHM, 5%, 0.25W	01121	CB2205
R557	315-0220-00			RES., FXD, CMPSN:22 OHM, 5%, 0.25W	01121	CB2205
R651	315-0220-00			RES., FXD, CMPSN:22 OHM, 5%, 0.25W	01121	CB2205
R653	315-0220-00			RES., FXD, CMPSN:22 OHM, 5%, 0.25W	01121	CB2205
R655	315-0220-00			RES., FXD, CMPSN:22 OHM, 5%, 0.25W	01121	CB2205
R657	315-0220-00			RES., FXD, CMPSN:22 OHM, 5%, 0.25W	01121	CB2205
R659	315-0220-00			RES., FXD, CMPSN:22 OHM, 5%, 0.25W	01121	CB2205
R750	315-0220-00			RES., FXD, CMPSN:22 OHM, 5%, 0.25W	01121	CB2205
R755	315-0220-00			RES., FXD, CMPSN:22 OHM, 5%, 0.25W	01121	CB2205
U205	156-0968-00	B010100	B010469	MICROCIRCUIT, DI: 16384 X 1 DYNAMIC RAM	80009	156-0968-00
U205	156-0968-02	B010470		MICROCIRCUIT, DI: 16384 X 1 DYNAMIC RAM (OPTION 29 ONLY)	80009	156-0968-02
U210	156-0968-00	B010100	B010469	MICROCIRCUIT, DI: 16384 X 1 DYNAMIC RAM	80009	156-0968-00
U210	156-0968-02	B010470		MICROCIRCUIT, DI: 16384 X 1 DYNAMIC RAM (OPTION 29 ONLY)	80009	156-0968-02
U215	156-0968-00	B010100	B010469	MICROCIRCUIT, DI: 16384 X 1 DYNAMIC RAM	80009	156-0968-00
U215	156-0968-02	B010470		MICROCIRCUIT, DI: 16384 X 1 DYNAMIC RAM (OPTION 29 ONLY)	80009	156-0968-02
U220	156-0968-00	B010100	B010469	MICROCIRCUIT, DI: 16384 X 1 DYNAMIC RAM	80009	156-0968-00
U220	156-0968-02	B010470		MICROCIRCUIT, DI: 16384 X 1 DYNAMIC RAM (OPTION 29 ONLY)	80009	156-0968-02
U225	156-0968-00	B010100	B010469	MICROCIRCUIT, DI: 16384 X 1 DYNAMIC RAM	80009	156-0968-00
U225	156-0968-02	B010470		MICROCIRCUIT, DI: 16384 X 1 DYNAMIC RAM (OPTION 29 ONLY)	80009	156-0968-02
U230	156-0968-00	B010100	B010469	MICROCIRCUIT, DI: 16384 X 1 DYNAMIC RAM	80009	156-0968-00
U230	156-0968-02	B010470		MICROCIRCUIT, DI: 16384 X 1 DYNAMIC RAM (OPTION 29 ONLY)	80009	156-0968-02
U235	156-0968-00	B010100	B010469	MICROCIRCUIT, DI: 16384 X 1 DYNAMIC RAM	80009	156-0968-00
U235	156-0968-02	B010470		MICROCIRCUIT, DI: 16384 X 1 DYNAMIC RAM (OPTION 29 ONLY)	80009	156-0968-02
U240	156-0968-00	B010100	B010469	MICROCIRCUIT, DI: 16384 X 1 DYNAMIC RAM	80009	156-0968-00
U240	156-0968-02	B010470		MICROCIRCUIT, DI: 16384 X 1 DYNAMIC RAM (OPTION 29 ONLY)	80009	156-0968-02
U250	156-0413-00			MICROCIRCUIT, DI: QUAD 2-INP SCHMITT TRIGGER	80009	156-0413-00
U255	156-0413-00			MICROCIRCUIT, DI: QUAD 2-INP SCHMITT TRIGGER	80009	156-0413-00
U260	156-0968-00	B010100	B010469	MICROCIRCUIT, DI: 16384 X 1 DYNAMIC RAM	80009	156-0968-00
U260	156-0968-02	B010470		MICROCIRCUIT, DI: 16384 X 1 DYNAMIC RAM (OPTION 28 AND 29 ONLY)	80009	156-0968-02
U265	156-0968-00	B010100	B010469	MICROCIRCUIT, DI: 16384 X 1 DYNAMIC RAM	80009	156-0968-00
U265	156-0968-02	B010470		MICROCIRCUIT, DI: 16384 X 1 DYNAMIC RAM (OPTION 28 AND 29 ONLY)	80009	156-0968-02
U270	156-0968-00	B010100	B010469	MICROCIRCUIT, DI: 16384 X 1 DYNAMIC RAM	80009	156-0968-00
U270	156-0968-02	B010470		MICROCIRCUIT, DI: 16384 X 1 DYNAMIC RAM (OPTION 28 AND 29 ONLY)	80009	156-0968-02
U275	156-0968-00	B010100	B010469	MICROCIRCUIT, DI: 16384 X 1 DYNAMIC RAM	80009	156-0968-00

REPLACEABLE ELECTRICAL PARTS

GRAPHICS MEMORY (CONT)

Ckt No.	Tektronix Part No.	Serial/Model No. Eff	Dscont	Name & Description	Mfr Code	Mfr Part Number
U275	156-0968-02	B010470		MICROCIRCUIT,DI:16384 X 1 DYNAMIC RAM (OPTION 28 AND 29 ONLY)	80009	156-0968-02
U280	156-0968-00	B010100	B010469	MICROCIRCUIT,DI:16384 X 1 DYNAMIC RAM	80009	156-0968-00
U280	156-0968-02	B010470		MICROCIRCUIT,DI:16384 X 1 DYNAMIC RAM (OPTION 28 AND 29 ONLY)	80009	156-0968-02
U285	156-0968-00	B010100	B010469	MICROCIRCUIT,DI:16384 X 1 DYNAMIC RAM	80009	156-0968-00
U285	156-0968-02	B010470		MICROCIRCUIT,DI:16384 X 1 DYNAMIC RAM (OPTION 28 AND 29 ONLY)	80009	156-0968-02
U290	156-0968-00	B010100	B010469	MICROCIRCUIT,DI:16384 X 1 DYNAMIC RAM	80009	156-0968-00
U290	156-0968-02	B010470		MICROCIRCUIT,DI:16384 X 1 DYNAMIC RAM (OPTION 28 AND 29 ONLY)	80009	156-0968-02
U295	156-0968-00	B010100	B010469	MICROCIRCUIT,DI:16384 X 1 DYNAMIC RAM	80009	156-0968-00
U295	156-0968-02	B010470		MICROCIRCUIT,DI:16384 X 1 DYNAMIC RAM (OPTION 28 AND 29 ONLY)	80009	156-0968-02
U305	156-0968-00	B010100	B010469	MICROCIRCUIT,DI:16384 X 1 DYNAMIC RAM	80009	156-0968-00
U305	156-0968-02	B010470		MICROCIRCUIT,DI:16384 X 1 DYNAMIC RAM (OPTION 28 AND 29 ONLY)	80009	156-0968-02
U310	156-0968-00	B010100	B010469	MICROCIRCUIT,DI:16384 X 1 DYNAMIC RAM	80009	156-0968-00
U310	156-0968-02	B010470		MICROCIRCUIT,DI:16384 X 1 DYNAMIC RAM (OPTION 28 AND 29 ONLY)	80009	156-0968-02
U315	156-0968-00	B010100	B010469	MICROCIRCUIT,DI:16384 X 1 DYNAMIC RAM	80009	156-0968-00
U315	156-0968-02	B010470		MICROCIRCUIT,DI:16384 X 1 DYNAMIC RAM (OPTION 28 AND 29 ONLY)	80009	156-0968-02
U320	156-0968-00	B010100	B010469	MICROCIRCUIT,DI:16384 X 1 DYNAMIC RAM	80009	156-0968-00
U320	156-0968-02	B010470		MICROCIRCUIT,DI:16384 X 1 DYNAMIC RAM (OPTION 28 AND 29 ONLY)	80009	156-0968-02
U325	156-0968-00	B010100	B010469	MICROCIRCUIT,DI:16384 X 1 DYNAMIC RAM	80009	156-0968-00
U325	156-0968-02	B010470		MICROCIRCUIT,DI:16384 X 1 DYNAMIC RAM (OPTION 28 AND 29 ONLY)	80009	156-0968-02
U330	156-0968-00	B010100	B010469	MICROCIRCUIT,DI:16384 X 1 DYNAMIC RAM	80009	156-0968-00
U330	156-0968-02	B010470		MICROCIRCUIT,DI:16384 X 1 DYNAMIC RAM (OPTION 28 AND 29 ONLY)	80009	156-0968-02
U335	156-0968-00	B010100	B010469	MICROCIRCUIT,DI:16384 X 1 DYNAMIC RAM	80009	156-0968-00
U335	156-0968-02	B010470		MICROCIRCUIT,DI:16384 X 1 DYNAMIC RAM (OPTION 28 AND 29 ONLY)	80009	156-0968-02
U340	156-0968-00	B010100	B010469	MICROCIRCUIT,DI:16384 X 1 DYNAMIC RAM	80009	156-0968-00
U340	156-0968-02	B010470		MICROCIRCUIT,DI:16384 X 1 DYNAMIC RAM (OPTION 28 AND 29 ONLY)	80009	156-0968-02
U350	156-1058-00			MICROCIRCUIT,DI:OCTAL SCMITT TRIGGER BFR	80009	156-1058-00
U360	156-0968-00	B010100	B010469	MICROCIRCUIT,DI:16384 X 1 DYNAMIC RAM	80009	156-0968-00
U360	156-0968-02	B010470		MICROCIRCUIT,DI:16384 X 1 DYNAMIC RAM (OPTION 28 AND 29 ONLY)	80009	156-0968-02
U365	156-0968-00	B010100	B010469	MICROCIRCUIT,DI:16384 X 1 DYNAMIC RAM	80009	156-0968-00
U365	156-0968-02	B010470		MICROCIRCUIT,DI:16384 X 1 DYNAMIC RAM (OPTION 28 AND 29 ONLY)	80009	156-0968-02
U370	156-0968-00	B010100	B010469	MICROCIRCUIT,DI:16384 X 1 DYNAMIC RAM	80009	156-0968-00
U370	156-0968-02	B010470		MICROCIRCUIT,DI:16384 X 1 DYNAMIC RAM (OPTION 28 AND 29 ONLY)	80009	156-0968-02
U375	156-0968-00	B010100	B010469	MICROCIRCUIT,DI:16384 X 1 DYNAMIC RAM	80009	156-0968-00
U375	156-0968-02	B010470		MICROCIRCUIT,DI:16384 X 1 DYNAMIC RAM (OPTION 28 AND 29 ONLY)	80009	156-0968-02
U380	156-0968-00	B010100	B010469	MICROCIRCUIT,DI:16384 X 1 DYNAMIC RAM	80009	156-0968-00
U380	156-0968-02	B010470		MICROCIRCUIT,DI:16384 X 1 DYNAMIC RAM (OPTION 28 AND 29 ONLY)	80009	156-0968-02
U385	156-0968-00	B010100	B010469	MICROCIRCUIT,DI:16384 X 1 DYNAMIC RAM	80009	156-0968-00
U385	156-0968-02	B010470		MICROCIRCUIT,DI:16384 X 1 DYNAMIC RAM (OPTION 28 AND 29 ONLY)	80009	156-0968-02

REPLACEABLE ELECTRICAL PARTS

GRAPHICS MEMORY (CONT)

Ckt No.	Tektronix Part No.	Serial/Model No. Eff	Dscont	Name & Description	Mfr Code	Mfr Part Number
U390	156-0968-00	B010100	B010469	MICROCIRCUIT,DI:16384 X 1 DYNAMIC RAM	80009	156-0968-00
U390	156-0968-02	B010470		MICROCIRCUIT,DI:16384 X 1 DYNAMIC RAM (OPTION 28 AND 29 ONLY)	80009	156-0968-02
U395	156-0968-00	B010100	B010469	MICROCIRCUIT,DI:16384 X 1 DYNAMIC RAM	80009	156-0968-00
U395	156-0968-02	B010470		MICROCIRCUIT,DI:16384 X 1 DYNAMIC RAM (OPTION 28 AND 29 ONLY)	80009	156-0968-02
U405	156-0968-00	B010100	B010469	MICROCIRCUIT,DI:16384 X 1 DYNAMIC RAM	80009	156-0968-00
U405	156-0968-02	B010470		MICROCIRCUIT,DI:16384 X 1 DYNAMIC RAM (OPTION 29 ONLY)	80009	156-0968-02
U410	156-0968-00	B010100	B010469	MICROCIRCUIT,DI:16384 X 1 DYNAMIC RAM	80009	156-0968-00
U410	156-0968-02	B010470		MICROCIRCUIT,DI:16384 X 1 DYNAMIC RAM (OPTION 29 ONLY)	80009	156-0968-02
U415	156-0968-00	B010100	B010469	MICROCIRCUIT,DI:16384 X 1 DYNAMIC RAM	80009	156-0968-00
U415	156-0968-02	B010470		MICROCIRCUIT,DI:16384 X 1 DYNAMIC RAM (OPTION 29 ONLY)	80009	156-0968-02
U420	156-0968-00	B010100	B010469	MICROCIRCUIT,DI:16384 X 1 DYNAMIC RAM	80009	156-0968-00
U420	156-0968-02	B010470		MICROCIRCUIT,DI:16384 X 1 DYNAMIC RAM (OPTION 29 ONLY)	80009	156-0968-02
U425	156-0968-00	B010100	B010469	MICROCIRCUIT,DI:16384 X 1 DYNAMIC RAM	80009	156-0968-00
U425	156-0968-02	B010470		MICROCIRCUIT,DI:16384 X 1 DYNAMIC RAM (OPTION 29 ONLY)	80009	156-0968-02
U430	156-0968-00	B010100	B010469	MICROCIRCUIT,DI:16384 X 1 DYNAMIC RAM	80009	156-0968-00
U430	156-0968-02	B010470		MICROCIRCUIT,DI:16384 X 1 DYNAMIC RAM (OPTION 29 ONLY)	80009	156-0968-02
U435	156-0968-00	B010100	B010469	MICROCIRCUIT,DI:16384 X 1 DYNAMIC RAM	80009	156-0968-00
U435	156-0968-02	B010470		MICROCIRCUIT,DI:16384 X 1 DYNAMIC RAM (OPTION 29 ONLY)	80009	156-0968-02
U440	156-0968-00	B010100	B010469	MICROCIRCUIT,DI:16384 X 1 DYNAMIC RAM	80009	156-0968-00
U440	156-0968-02	B010470		MICROCIRCUIT,DI:16384 X 1 DYNAMIC RAM (OPTION 29 ONLY)	80009	156-0968-02
U460	156-0968-00	B010100	B010469	MICROCIRCUIT,DI:16384 X 1 DYNAMIC RAM	80009	156-0968-00
U460	156-0968-02	B010470		MICROCIRCUIT,DI:16384 X 1 DYNAMIC RAM (OPTION 28 AND 29 ONLY)	80009	156-0968-02
U465	156-0968-00	B010100	B010469	MICROCIRCUIT,DI:16384 X 1 DYNAMIC RAM	80009	156-0968-00
U465	156-0968-02	B010470		MICROCIRCUIT,DI:16384 X 1 DYNAMIC RAM (OPTION 28 AND 29 ONLY)	80009	156-0968-02
U470	156-0968-00	B010100	B010469	MICROCIRCUIT,DI:16384 X 1 DYNAMIC RAM	80009	156-0968-00
U470	156-0968-02	B010470		MICROCIRCUIT,DI:16384 X 1 DYNAMIC RAM (OPTION 28 AND 29 ONLY)	80009	156-0968-02
U475	156-0968-00	B010100	B010469	MICROCIRCUIT,DI:16384 X 1 DYNAMIC RAM	80009	156-0968-00
U475	156-0968-02	B010470		MICROCIRCUIT,DI:16384 X 1 DYNAMIC RAM (OPTION 28 AND 29 ONLY)	80009	156-0968-02
U480	156-0968-00	B010100	B010469	MICROCIRCUIT,DI:16384 X 1 DYNAMIC RAM	80009	156-0968-00
U480	156-0968-02	B010470		MICROCIRCUIT,DI:16384 X 1 DYNAMIC RAM (OPTION 28 AND 29 ONLY)	80009	156-0968-02
U485	156-0968-00	B010100	B010469	MICROCIRCUIT,DI:16384 X 1 DYNAMIC RAM	80009	156-0968-00
U485	156-0968-02	B010470		MICROCIRCUIT,DI:16384 X 1 DYNAMIC RAM (OPTION 28 AND 29 ONLY)	80009	156-0968-02
U490	156-0968-00	B010100	B010469	MICROCIRCUIT,DI:16384 X 1 DYNAMIC RAM	80009	156-0968-00
U490	156-0968-02	B010470		MICROCIRCUIT,DI:16384 X 1 DYNAMIC RAM (OPTION 28 AND 29 ONLY)	80009	156-0968-02
U495	156-0968-00	B010100	B010469	MICROCIRCUIT,DI:16384 X 1 DYNAMIC RAM	80009	156-0968-00
U495	156-0968-02	B010470		MICROCIRCUIT,DI:16384 X 1 DYNAMIC RAM (OPTION 28 AND 29 ONLY)	80009	156-0968-02
U505	156-0968-00	B010100	B010469	MICROCIRCUIT,DI:16384 X 1 DYNAMIC RAM	80009	156-0968-00
U505	156-0968-02	B010470		MICROCIRCUIT,DI:16384 X 1 DYNAMIC RAM (OPTION 27, 28 AND 29 ONLY)	80009	156-0968-02

REPLACEABLE ELECTRICAL PARTS

GRAPHICS MEMORY (CONT)

Ckt No.	Tektronix Part No.	Serial/Model No. Eff	Dscont	Name & Description	Mfr Code	Mfr Part Number
U510	156-0968-00	B010100	B010469	MICROCIRCUIT,DI:16384 X 1 DYNAMIC RAM	80009	156-0968-00
U510	156-0968-02	B010470		MICROCIRCUIT,DI:16384 X 1 DYNAMIC RAM (OPTION 27, 28 AND 29 ONLY)	80009	156-0968-02
U515	156-0968-00	B010100	B010469	MICROCIRCUIT,DI:16384 X 1 DYNAMIC RAM	80009	156-0968-00
U515	156-0968-02	B010470		MICROCIRCUIT,DI:16384 X 1 DYNAMIC RAM (OPTION 27, 28 AND 29 ONLY)	80009	156-0968-02
U520	156-0968-00	B010100	B010469	MICROCIRCUIT,DI:16384 X 1 DYNAMIC RAM	80009	156-0968-00
U520	156-0968-02	B010470		MICROCIRCUIT,DI:16384 X 1 DYNAMIC RAM (OPTION 27, 28 AND 29 ONLY)	80009	156-0968-02
U525	156-0968-00	B010100	B010469	MICROCIRCUIT,DI:16384 X 1 DYNAMIC RAM	80009	156-0968-00
U525	156-0968-02	B010470		MICROCIRCUIT,DI:16384 X 1 DYNAMIC RAM (OPTION 27, 28 AND 29 ONLY)	80009	156-0968-02
U530	156-0968-00	B010100	B010469	MICROCIRCUIT,DI:16384 X 1 DYNAMIC RAM	80009	156-0968-00
U530	156-0968-02	B010470		MICROCIRCUIT,DI:16384 X 1 DYNAMIC RAM (OPTION 27, 28 AND 29 ONLY)	80009	156-0968-02
U535	156-0968-00	B010100	B010469	MICROCIRCUIT,DI:16384 X 1 DYNAMIC RAM	80009	156-0968-00
U535	156-0968-02	B010470		MICROCIRCUIT,DI:16384 X 1 DYNAMIC RAM (OPTION 27, 28 AND 29 ONLY)	80009	156-0968-02
U540	156-0968-00	B010100	B010469	MICROCIRCUIT,DI:16384 X 1 DYNAMIC RAM	80009	156-0968-00
U540	156-0968-02	B010470		MICROCIRCUIT,DI:16384 X 1 DYNAMIC RAM	80009	156-0968-02
U550	156-0413-00			MICROCIRCUIT,DI:QUAD 2-INP SCHMITT TRIGGER	80009	156-0413-00
U555	156-0413-00			MICROCIRCUIT,DI:QUAD 2-INP SCHMITT TRIGGER	80009	156-0413-00
U560	156-0968-00	B010100	B010469	MICROCIRCUIT,DI:16384 X 1 DYNAMIC RAM	80009	156-0968-00
U560	156-0968-02	B010470		MICROCIRCUIT,DI:16384 X 1 DYNAMIC RAM	80009	156-0968-02
U565	156-0968-00	B010100	B010469	MICROCIRCUIT,DI:16384 X 1 DYNAMIC RAM	80009	156-0968-00
U565	156-0968-02	B010470		MICROCIRCUIT,DI:16384 X 1 DYNAMIC RAM	80009	156-0968-02
U570	156-0968-00	B010100	B010469	MICROCIRCUIT,DI:16384 X 1 DYNAMIC RAM	80009	156-0968-00
U570	156-0968-02	B010470		MICROCIRCUIT,DI:16384 X 1 DYNAMIC RAM	80009	156-0968-02
U575	156-0968-00	B010100	B010469	MICROCIRCUIT,DI:16384 X 1 DYNAMIC RAM	80009	156-0968-00
U575	156-0968-02	B010470		MICROCIRCUIT,DI:16384 X 1 DYNAMIC RAM	80009	156-0968-02
U580	156-0968-00	B010100	B010469	MICROCIRCUIT,DI:16384 X 1 DYNAMIC RAM	80009	156-0968-00
U580	156-0968-02	B010470		MICROCIRCUIT,DI:16384 X 1 DYNAMIC RAM	80009	156-0968-02
U585	156-0968-00	B010100	B010469	MICROCIRCUIT,DI:16384 X 1 DYNAMIC RAM	80009	156-0968-00
U585	156-0968-02	B010470		MICROCIRCUIT,DI:16384 X 1 DYNAMIC RAM	80009	156-0968-02
U590	156-0968-00	B010100	B010469	MICROCIRCUIT,DI:16384 X 1 DYNAMIC RAM	80009	156-0968-00
U590	156-0968-02	B010470		MICROCIRCUIT,DI:16384 X 1 DYNAMIC RAM	80009	156-0968-02
U605	156-0968-00	B010100	B010469	MICROCIRCUIT,DI:16384 X 1 DYNAMIC RAM	80009	156-0968-00
U605	156-0968-02	B010470		MICROCIRCUIT,DI:16384 X 1 DYNAMIC RAM (OPTION 27, 28 AND 29 ONLY)	80009	156-0968-02
U610	156-0968-00	B010100	B010469	MICROCIRCUIT,DI:16384 X 1 DYNAMIC RAM	80009	156-0968-00
U610	156-0968-02	B010470		MICROCIRCUIT,DI:16384 X 1 DYNAMIC RAM (OPTION 27, 28 AND 29 ONLY)	80009	156-0968-02
U615	156-0968-00	B010100	B010469	MICROCIRCUIT,DI:16384 X 1 DYNAMIC RAM	80009	156-0968-00
U615	156-0968-02	B010470		MICROCIRCUIT,DI:16384 X 1 DYNAMIC RAM (OPTION 27, 28 AND 29 ONLY)	80009	156-0968-02
U620	156-0968-00	B010100	B010469	MICROCIRCUIT,DI:16384 X 1 DYNAMIC RAM	80009	156-0968-00
U620	156-0968-02	B010470		MICROCIRCUIT,DI:16384 X 1 DYNAMIC RAM (OPTION 27, 28 AND 29 ONLY)	80009	156-0968-02
U625	156-0968-00	B010100	B010469	MICROCIRCUIT,DI:16384 X 1 DYNAMIC RAM	80009	156-0968-00
U625	156-0968-02	B010470		MICROCIRCUIT,DI:16384 X 1 DYNAMIC RAM (OPTION 27, 28 AND 29 ONLY)	80009	156-0968-02
U630	156-0968-00	B010100	B010469	MICROCIRCUIT,DI:16384 X 1 DYNAMIC RAM	80009	156-0968-00
U630	156-0968-02	B010470		MICROCIRCUIT,DI:16384 X 1 DYNAMIC RAM (OPTION 27, 28 AND 29 ONLY)	80009	156-0968-02
U635	156-0968-00	B010100	B010469	MICROCIRCUIT,DI:16384 X 1 DYNAMIC RAM	80009	156-0968-00
U635	156-0968-02	B010470		MICROCIRCUIT,DI:16384 X 1 DYNAMIC RAM (OPTION 27, 28 AND 29 ONLY)	80009	156-0968-02

REPLACEABLE ELECTRICAL PARTS

GRAPHICS MEMORY (CONT)

Ckt No.	Tektronix Part No.	Serial/Model No. Eff	Dscont	Name & Description	Mfr Code	Mfr Part Number
U640	156-0968-00	B010100	B010469	MICROCIRCUIT,DI:16384 X 1 DYNAMIC RAM	80009	156-0968-00
U640	156-0968-02	B010470		MICROCIRCUIT,DI:16384 X 1 DYNAMIC RAM	80009	156-0968-02
	-----			(OPTION 27, 28 AND 29 ONLY)		
U650	156-1058-00			MICROCIRCUIT,DI:OCTAL SCMITT TRIGGER BFR	80009	156-1058-00
U660	156-0968-00	B010100	B010469	MICROCIRCUIT,DI:16384 X 1 DYNAMIC RAM	80009	156-0968-00
U660	156-0968-02	B010470		MICROCIRCUIT,DI:16384 X 1 DYNAMIC RAM	80009	156-0968-02
U665	156-0968-00	B010100	B010469	MICROCIRCUIT,DI:16384 X 1 DYNAMIC RAM	80009	156-0968-00
U665	156-0968-02	B010470		MICROCIRCUIT,DI:16384 X 1 DYNAMIC RAM	80009	156-0968-02
U670	156-0968-00	B010100	B010469	MICROCIRCUIT,DI:16384 X 1 DYNAMIC RAM	80009	156-0968-00
U670	156-0968-02	B010470		MICROCIRCUIT,DI:16384 X 1 DYNAMIC RAM	80009	156-0968-02
U675	156-0968-00	B010100	B010469	MICROCIRCUIT,DI:16384 X 1 DYNAMIC RAM	80009	156-0968-00
U675	156-0968-02	B010470		MICROCIRCUIT,DI:16384 X 1 DYNAMIC RAM	80009	156-0968-02
U680	156-0968-00	B010100	B010469	MICROCIRCUIT,DI:16384 X 1 DYNAMIC RAM	80009	156-0968-00
U680	156-0968-02	B010470		MICROCIRCUIT,DI:16384 X 1 DYNAMIC RAM	80009	156-0968-02
U685	156-0968-00	B010100	B010469	MICROCIRCUIT,DI:16384 X 1 DYNAMIC RAM	80009	156-0968-00
U685	156-0968-02	B010470		MICROCIRCUIT,DI:16384 X 1 DYNAMIC RAM	80009	156-0968-02
U690	156-0968-00	B010100	B010469	MICROCIRCUIT,DI:16384 X 1 DYNAMIC RAM	80009	156-0968-00
U690	156-0968-02	B010470		MICROCIRCUIT,DI:16384 X 1 DYNAMIC RAM	80009	156-0968-02
U695	156-0968-00	B010100	B010469	MICROCIRCUIT,DI:16384 X 1 DYNAMIC RAM	80009	156-0968-00
U695	156-0968-02	B010470		MICROCIRCUIT,DI:16384 X 1 DYNAMIC RAM	80009	156-0968-02
U705	156-0968-00	B010100	B010469	MICROCIRCUIT,DI:16384 X 1 DYNAMIC RAM	80009	156-0968-00
U705	156-0968-02	B010470		MICROCIRCUIT,DI:16384 X 1 DYNAMIC RAM	80009	156-0968-02
	-----			(OPTION 27, 28 AND 29 ONLY)		
U710	156-0968-00	B010100	B010469	MICROCIRCUIT,DI:16384 X 1 DYNAMIC RAM	80009	156-0968-00
U710	156-0968-02	B010470		MICROCIRCUIT,DI:16384 X 1 DYNAMIC RAM	80009	156-0968-02
	-----			(OPTION 27, 28 AND 29 ONLY)		
U715	156-0968-00	B010100	B010469	MICROCIRCUIT,DI:16384 X 1 DYNAMIC RAM	80009	156-0968-00
U715	156-0968-02	B010470		MICROCIRCUIT,DI:16384 X 1 DYNAMIC RAM	80009	156-0968-02
	-----			(OPTION 27, 28 AND 29 ONLY)		
U720	156-0968-00	B010100	B010469	MICROCIRCUIT,DI:16384 X 1 DYNAMIC RAM	80009	156-0968-00
U720	156-0968-02	B010470		MICROCIRCUIT,DI:16384 X 1 DYNAMIC RAM	80009	156-0968-02
	-----			(OPTION 27, 28 AND 29 ONLY)		
U725	156-0968-00	B010100	B010469	MICROCIRCUIT,DI:16384 X 1 DYNAMIC RAM	80009	156-0968-00
U725	156-0968-02	B010470		MICROCIRCUIT,DI:16384 X 1 DYNAMIC RAM	80009	156-0968-02
	-----			(OPTION 27, 28 AND 29 ONLY)		
U730	156-0968-00	B010100	B010469	MICROCIRCUIT,DI:16384 X 1 DYNAMIC RAM	80009	156-0968-00
U730	156-0968-02	B010470		MICROCIRCUIT,DI:16384 X 1 DYNAMIC RAM	80009	156-0968-02
	-----			(OPTION 27, 28 AND 29 ONLY)		
U735	156-0968-00	B010100	B010469	MICROCIRCUIT,DI:16384 X 1 DYNAMIC RAM	80009	156-0968-00
U735	156-0968-02	B010470		MICROCIRCUIT,DI:16384 X 1 DYNAMIC RAM	80009	156-0968-02
	-----			(OPTION 27, 28 AND 29 ONLY)		
U740	156-0968-00	B010100	B010469	MICROCIRCUIT,DI:16384 X 1 DYNAMIC RAM	80009	156-0968-00
U740	156-0968-02	B010470		MICROCIRCUIT,DI:16384 X 1 DYNAMIC RAM	80009	156-0968-02
	-----			(OPTION 27, 28 AND 29 ONLY)		
U760	156-0968-00	B010100	B010469	MICROCIRCUIT,DI:16384 X 1 DYNAMIC RAM	80009	156-0968-00
U760	156-0968-02	B010470		MICROCIRCUIT,DI:16384 X 1 DYNAMIC RAM	80009	156-0968-02
U765	156-0968-00	B010100	B010469	MICROCIRCUIT,DI:16384 X 1 DYNAMIC RAM	80009	156-0968-00
U765	156-0968-02	B010470		MICROCIRCUIT,DI:16384 X 1 DYNAMIC RAM	80009	156-0968-02
U770	156-0968-00	B010100	B010469	MICROCIRCUIT,DI:16384 X 1 DYNAMIC RAM	80009	156-0968-00
U770	156-0968-02	B010470		MICROCIRCUIT,DI:16384 X 1 DYNAMIC RAM	80009	156-0968-02
U775	156-0968-00	B010100	B010469	MICROCIRCUIT,DI:16384 X 1 DYNAMIC RAM	80009	156-0968-00
U775	156-0968-02	B010470		MICROCIRCUIT,DI:16384 X 1 DYNAMIC RAM	80009	156-0968-02
U780	156-0968-00	B010100	B010469	MICROCIRCUIT,DI:16384 X 1 DYNAMIC RAM	80009	156-0968-00
U780	156-0968-02	B010470		MICROCIRCUIT,DI:16384 X 1 DYNAMIC RAM	80009	156-0968-02
U785	156-0968-00	B010100	B010469	MICROCIRCUIT,DI:16384 X 1 DYNAMIC RAM	80009	156-0968-00
U785	156-0968-02	B010470		MICROCIRCUIT,DI:16384 X 1 DYNAMIC RAM	80009	156-0968-02
U790	156-0968-00	B010100	B010469	MICROCIRCUIT,DI:16384 X 1 DYNAMIC RAM	80009	156-0968-00

REPLACEABLE ELECTRICAL PARTS

GRAPHICS MEMORY (CONT)

Ckt No.	Tektronix Part No.	Serial/Model No. Eff	Dscont	Name & Description	Mfr Code	Mfr Part Number
U790	156-0968-02	B010470		MICROCIRCUIT,DI:16384 X 1 DYNAMIC RAM	80009	156-0968-02
U795	156-0968-00	B010100	B010469	MICROCIRCUIT,DI:16384 X 1 DYNAMIC RAM	80009	156-0968-00
U795	156-0968-02	B010470		MICROCIRCUIT,DI:16384 X 1 DYNAMIC RAM	80009	156-0968-02

REPLACEABLE ELECTRICAL PARTS

Ckt No.	Tektronix Part No.	Serial/Model No. Eff Dscont	Name & Description	Mfr Code	Mfr Part Number
A5 PROCESSOR					
A5	670-5720-00		CKT BOARD ASSY:PROCESSOR	80009	670-5720-00
A5	670-6209-00		CKT BOARD ASSY:PROCESSOR	80009	670-6209-00
	-----		(OPTION 10 ONLY)		
A5	670-6464-00		CKT BOARD ASSY:PROCESSOR	80009	670-6464-00
	-----		(OPTION 4B & 4C ONLY)		
C3	281-0182-00		CAP.,VAR,PLSTC:1.8-10PF,500V	80031	2805D1R810BH02F0
C5	281-0775-00		CAP.,FXD,CER DI:0.1UF,20%,50V	72982	8005D9AABZ5U104M
C10	281-0775-00		CAP.,FXD,CER DI:0.1UF,20%,50V	72982	8005D9AABZ5U104M
C17	281-0775-00		CAP.,FXD,CER DI:0.1UF,20%,50V	72982	8005D9AABZ5U104M
C25	281-0775-00		CAP.,FXD,CER DI:0.1UF,20%,50V	72982	8005D9AABZ5U104M
C47	281-0775-00		CAP.,FXD,CER DI:0.1UF,20%,50V	72982	8005D9AABZ5U104M
C57	281-0775-00		CAP.,FXD,CER DI:0.1UF,20%,50V	72982	8005D9AABZ5U104M
C73	281-0775-00		CAP.,FXD,CER DI:0.1UF,20%,50V	72982	8005D9AABZ5U104M
C93	281-0775-00		CAP.,FXD,CER DI:0.1UF,20%,50V	72982	8005D9AABZ5U104M
C94	281-0775-00		CAP.,FXD,CER DI:0.1UF,20%,50V	72982	8005D9AABZ5U104M
C100	290-0106-00		CAP.,FXD,ELCTLT:10UF,+75-10%,15V	56289	30D106G015BA9
C110	281-0775-00		CAP.,FXD,CER DI:0.1UF,20%,50V	72982	8005D9AABZ5U104M
C147	281-0775-00		CAP.,FXD,CER DI:0.1UF,20%,50V	72982	8005D9AABZ5U104M
C157	281-0775-00		CAP.,FXD,CER DI:0.1UF,20%,50V	72982	8005D9AABZ5U104M
C182	283-0597-00		CAP.,FXD,MICA D:470PF,10%,300V	00853	D153E471K0
C184	283-0597-00		CAP.,FXD,MICA D:470PF,10%,300V	00853	D153E471K0
C185	281-0775-00		CAP.,FXD,CER DI:0.1UF,20%,50V	72982	8005D9AABZ5U104M
C197	281-0775-00		CAP.,FXD,CER DI:0.1UF,20%,50V	72982	8005D9AABZ5U104M
C199	283-0177-00		CAP.,FXD,CER DI:1UF,+80-20%,25V	72982	8131N039 E 105Z
C210	281-0775-00		CAP.,FXD,CER DI:0.1UF,20%,50V	72982	8005D9AABZ5U104M
C217	281-0775-00		CAP.,FXD,CER DI:0.1UF,20%,50V	72982	8005D9AABZ5U104M
C225	281-0775-00		CAP.,FXD,CER DI:0.1UF,20%,50V	72982	8005D9AABZ5U104M
C239	283-0211-00		CAP.,FXD,CER DI:0.1UF,10%,200V	72982	8141N210X7R0104K
C253	281-0775-00		CAP.,FXD,CER DI:0.1UF,20%,50V	72982	8005D9AABZ5U104M
C263	281-0775-00		CAP.,FXD,CER DI:0.1UF,20%,50V	72982	8005D9AABZ5U104M
C285	281-0775-00		CAP.,FXD,CER DI:0.1UF,20%,50V	72982	8005D9AABZ5U104M
C297	281-0775-00		CAP.,FXD,CER DI:0.1UF,20%,50V	72982	8005D9AABZ5U104M
C303	281-0775-00		CAP.,FXD,CER DI:0.1UF,20%,50V	72982	8005D9AABZ5U104M
C310	281-0775-00		CAP.,FXD,CER DI:0.1UF,20%,50V	72982	8005D9AABZ5U104M
C325	281-0775-00		CAP.,FXD,CER DI:0.1UF,20%,50V	72982	8005D9AABZ5U104M
C347	281-0775-00		CAP.,FXD,CER DI:0.1UF,20%,50V	72982	8005D9AABZ5U104M
C353	281-0775-00		CAP.,FXD,CER DI:0.1UF,20%,50V	72982	8005D9AABZ5U104M
C375	281-0775-00		CAP.,FXD,CER DI:0.1UF,20%,50V	72982	8005D9AABZ5U104M
C385	281-0775-00		CAP.,FXD,CER DI:0.1UF,20%,50V	72982	8005D9AABZ5U104M
C395	281-0775-00		CAP.,FXD,CER DI:0.1UF,20%,50V	72982	8005D9AABZ5U104M
C455	290-0745-00		CAP.,FXD,ELCTLT:22UF,+50-10%,25V	56289	502D225
C461	290-0745-00		CAP.,FXD,ELCTLT:22UF,+50-10%,25V	56289	502D225
CR2	152-0141-02		SEMICOND DEVICE:SILICON,30V,50NA	80009	152-0141-02
CR86	152-0141-02		SEMICOND DEVICE:SILICON,30V,50NA	80009	152-0141-02
CR96	152-0141-02		SEMICOND DEVICE:SILICON,30V,50NA	80009	152-0141-02
CR183	152-0141-02		SEMICOND DEVICE:SILICON,30V,50NA	80009	152-0141-02
CR184	152-0141-02		SEMICOND DEVICE:SILICON,30V,50NA	80009	152-0141-02
CR186	152-0141-02		SEMICOND DEVICE:SILICON,30V,50NA	80009	152-0141-02
CR187	152-0141-02		SEMICOND DEVICE:SILICON,30V,50NA	80009	152-0141-02
CR188	152-0141-02		SEMICOND DEVICE:SILICON,30V,50NA	80009	152-0141-02
CR192	152-0141-02		SEMICOND DEVICE:SILICON,30V,50NA	80009	152-0141-02
CR200	152-0141-02		SEMICOND DEVICE:SILICON,30V,50NA	80009	152-0141-02
CR303	152-0141-02		SEMICOND DEVICE:SILICON,30V,50NA	80009	152-0141-02
DS53	150-1036-00		LAMP,LED:RED,3.0V,40MA	01295	TIL 209A

REPLACEABLE ELECTRICAL PARTS

PROCESSOR (CONT)

Ckt No.	Tektronix Part No.	Serial/Model No. Eff	Dscont	Name & Description	Mfr Code	Mfr Part Number
Q85	151-0190-00			TRANSISTOR:SILICON,NPN	07263	S032677
Q195	151-0424-00			TRANSISTOR:SILICON,NPN	80009	151-0424-00
Q197	151-0302-00			TRANSISTOR:SILICON,NPN	07263	S038487
R1	315-0154-00			RES.,FXD,CMPSN:150K OHM,5%,0.25W	01121	CB1545
R2	315-0220-00			RES.,FXD,CMPSN:22 OHM,5%,0.25W	01121	CB2205
R3	315-0242-00			RES.,FXD,CMPSN:2.4K OHM,5%,0.25W	01121	CB2425
R4	315-0242-00			RES.,FXD,CMPSN:2.4K OHM,5%,0.25W	01121	CB2425
R63	315-0751-00			RES.,FXD,CMPSN:750 OHM,5%,0.25W	01121	CB7515
R83	301-0750-00			RES.,FXD,CMPSN:75 OHM,5%,0.50W	01121	EB7505
R85	301-0101-00			RES.,FXD,CMPSN:100 OHM,5%,0.50W	01121	EB1015
R87	315-0242-00			RES.,FXD,CMPSN:2.4K OHM,5%,0.25W	01121	CB2425
R88	315-0104-00			RES.,FXD,CMPSN:100K OHM,5%,0.25W	01121	CB1045
R90	315-0104-00			RES.,FXD,CMPSN:100K OHM,5%,0.25W	01121	CB1045
R92	315-0104-00			RES.,FXD,CMPSN:100K OHM,5%,0.25W	01121	CB1045
R95	315-0472-00			RES.,FXD,CMPSN:4.7K OHM,5%,0.25W	01121	CB4725
R117	315-0242-00			RES.,FXD,CMPSN:2.4K OHM,5%,0.25W	01121	CB2425
R125	315-0242-00			RES.,FXD,CMPSN:2.4K OHM,5%,0.25W	01121	CB2425
R139	315-0242-00			RES.,FXD,CMPSN:2.4K OHM,5%,0.25W	01121	CB2425
R163	307-0446-00			RES,NTWK,FXD FI:10K OHM,20%,(9) RES	91637	MSP10A01-103M
R183	307-0446-00			RES,NTWK,FXD FI:10K OHM,20%,(9) RES	91637	MSP10A01-103M
R190	315-0511-00			RES.,FXD,CMPSN:510 OHM,5%,0.25W	01121	CB5115
R193	315-0202-00			RES.,FXD,CMPSN:2K OHM,5%,0.25W	01121	CB2025
R194	315-0511-00			RES.,FXD,CMPSN:510 OHM,5%,0.25W	01121	CB5115
R201	315-0220-00			RES.,FXD,CMPSN:22 OHM,5%,0.25W	01121	CB2205
R247	315-0202-00			RES.,FXD,CMPSN:2K OHM,5%,0.25W	01121	CB2025
R301	315-0220-00			RES.,FXD,CMPSN:22 OHM,5%,0.25W	01121	CB2205
R333	315-0220-00			RES.,FXD,CMPSN:22 OHM,5%,0.25W	01121	CB2205
R347	307-0502-00			RES,NTWK,THK FI:1.8 OHM,20%,(9) RES	91637	MSP10A01-182M
R357	131-0566-00			LINK,TERM.CONNE:0.086 DIA X 2.375 INCH L	55210	L-2007-1
R465	131-0566-00			LINK,TERM.CONNE:0.086 DIA X 2.375 INCH L	55210	L-2007-1
R475	131-0566-00			LINK,TERM.CONNE:0.086 DIA X 2.375 INCH L	55210	L-2007-1
R485	131-0566-00			LINK,TERM.CONNE:0.086 DIA X 2.375 INCH L	55210	L-2007-1
R495	131-0566-00			LINK,TERM.CONNE:0.086 DIA X 2.375 INCH L	55210	L-2007-1
U5	156-0954-00			MICROCIRCUIT,DI:8 BIT MICROPROCESSOR	80009	156-0954-00
U11	156-0387-00			MICROCIRCUIT,DI:DUAL J-K NEG EDGE TRIG	80009	156-0387-00
U15	156-0385-00			MICROCIRCUIT,DI:HEX. INVERTER	80009	156-0385-00
U21	156-0385-00			MICROCIRCUIT,DI:HEX. INVERTER	80009	156-0385-00
U31	156-0385-00			MICROCIRCUIT,DI:HEX. INVERTER	80009	156-0385-00
U35	156-0386-00			MICROCIRCUIT,DI:TRIPLE 3-INPUT NAND GATE	80009	156-0386-00
U41	156-0382-00			MICROCIRCUIT,DI:QUAD 2-INPUT NAND GATE	80009	156-0382-00
U51	156-0384-00			MICROCIRCUIT,DI:QUAD 2-INPUT NAND GATE	80009	156-0384-00
U55	156-0385-00			MICROCIRCUIT,DI:HEX. INVERTER	80009	156-0385-00
U61	156-0479-00			MICROCIRCUIT,DI:QUAD 2-INPUT OR GATE	27014	DM74LS32N
U65	156-0955-00			MICROCIRCUIT,DI:OCTAL BFR W/3STATE OUT	80009	156-0955-00
U71	156-0955-00			MICROCIRCUIT,DI:OCTAL BFR W/3STATE OUT	80009	156-0955-00
U81	156-0961-00			MICROCIRCUIT,DI:QUAD 2-INP NAND ST	80009	156-0961-00
U101	156-0945-00			MICROCIRCUIT,DI:CLOCK GENERATOR/DRIVER	80009	156-0945-00
U111	156-0388-00			MICROCIRCUIT,DI:DUAL D-TYPE FLIP-FLOP	80009	156-0388-00
U115	156-0383-00			MICROCIRCUIT,DI:QUAD 2-INPUT NOR GATE	80009	156-0383-00
U121	156-0480-00			MICROCIRCUIT,DI:QUAD 2-INPUT AND GATE	80009	156-0480-00
U131	156-0479-00			MICROCIRCUIT,DI:QUAD 2-INPUT OR GATE	27014	DM74LS32N
U135	156-0852-00			MICROCIRCUIT,DI:HEX BUS DRIVER W/3-STATE	01295	SN74LS376N OR J
U141	156-0852-00			MICROCIRCUIT,DI:HEX BUS DRIVER W/3-STATE	01295	SN74LS376N OR J
U151	156-0479-00			MICROCIRCUIT,DI:QUAD 2-INPUT OR GATE	27014	DM74LS32N
U155	156-0479-00			MICROCIRCUIT,DI:QUAD 2-INPUT OR GATE	27014	DM74LS32N
U161	156-0718-00			MICROCIRCUIT,DI:TRIPLE 3-INP POS-NOR GATES	80009	156-0718-00
U165	156-0382-00			MICROCIRCUIT,DI:QUAD 2-INPUT NAND GATE	80009	156-0382-00

REPLACEABLE ELECTRICAL PARTS

PROCESSOR (CONT)

Ckt No.	Tektronix Part No.	Serial/Model No. Eff	Dscont	Name & Description	Mfr Code	Mfr Part Number
U171	156-0530-00			MICROCIRCUIT,DI:QUAD 2-INP MUX,16 PIN DIP	80009	156-0530-00
U181	156-0530-00			MICROCIRCUIT,DI:QUAD 2-INP MUX,16 PIN DIP	80009	156-0530-00
U185	156-0887-00			MICROCIRCUIT,DI:256 X 4 RAM	80009	156-0887-00
U195	156-0887-00			MICROCIRCUIT,DI:256 X 4 RAM	80009	156-0887-00
U201	156-0451-00			MICROCIRCUIT,DI:QUAD 2-INPUT NOR BUFFER	80009	156-0451-00
U205	156-0947-00			MICROCIRCUIT,DI:SYSTEM CONTROLLER/BUS DRVR	80009	156-0947-00
U211	156-0388-00			MICROCIRCUIT,DI:DUAL D-TYPE FLIP-FLOP	80009	156-0388-00
U215	156-0844-00			MICROCIRCUIT,DI:SYNC 4-BIT BIN COUNTER	34335	SN74LS161N
U221	156-0953-00			MICROCIRCUIT,DI:4 BIT MAGNITUDE CMPRTR	80009	156-0953-00
U231	156-0480-00			MICROCIRCUIT,DI:QUAD 2-INPUT AND GATE	80009	156-0480-00
U235	156-0852-00			MICROCIRCUIT,DI:HEX BUS DRIVER W/3-STATE	01295	SN74LS376N OR J
U241	156-0479-00			MICROCIRCUIT,DI:QUAD 2-INPUT OR GATE	27014	DM74LS32N
U251	156-0645-00			MICROCIRCUIT,DI:HEX SCHMITT-TRIG INVERTER	80009	156-0645-00
U255	156-0480-00			MICROCIRCUIT,DI:QUAD 2-INPUT AND GATE	80009	156-0480-00
U261	156-0479-00			MICROCIRCUIT,DI:QUAD 2-INPUT OR GATE	27014	DM74LS32N
U265	160-0231-00			MICROCIRCUIT,DI:1024 X 8 PROM,3 STATE OUT	80009	160-0231-00
U265	160-0233-00			MICROCIRCUIT,DI:1024 X 8 PROM,3 STATE OUT (OPTION 10 AND 11 ONLY)	80009	160-0233-00
U275	160-0244-00			MICROCIRCUIT,DI:FPLA STTL,PROGRAMMED	80009	160-0244-00
U275	160-0245-00			MICROCIRCUIT,DI:FPLA,STTL,PROGRAMMED (OPTION 10 AND 11 ONLY)	80009	160-0245-00
U285	156-0873-00			MICROCIRCUIT,DI:1024 X 4 STATIC R/W RAM	80009	156-0873-00
U295	156-0873-00			MICROCIRCUIT,DI:1024 X 4 STATIC R/W RAM	80009	156-0873-00
U305	156-0852-00			MICROCIRCUIT,DI:HEX BUS DRIVER W/3-STATE	01295	SN74LS376N OR J
U311	156-0392-01			MICROCIRCUIT,DI:QUAD LATCH W/CLEAR	80009	156-0392-01
U315	156-0392-01			MICROCIRCUIT,DI:QUAD LATCH W/CLEAR	80009	156-0392-01
U321	156-0852-00			MICROCIRCUIT,DI:HEX BUS DRIVER W/3-STATE	01295	SN74LS376N OR J
U331	156-0724-00			MICROCIRCUIT,DI:HEX INVERTER/WOPEN COL OUT	80009	156-0724-00
U335	156-0171-00			MICROCIRCUIT,DI:QUAD 2-INPUT OR GATE	80009	156-0171-00
U341	156-0479-00			MICROCIRCUIT,DI:QUAD 2-INPUT OR GATE	27014	DM74LS32N
U351	156-0465-00			MICROCIRCUIT,DI:8-INPUT NAND GATE	27014	DM74LS304
U355	156-0469-00			MICROCIRCUIT,DI:3-LINE TO 8-LINE DECODER	01295	SN74LS138N
U361	156-0693-00			MICROCIRCUIT,DI:DECODER/DEMULTIPLEXER	01295	SN74S139N
U365	160-0375-00			MICROCIRCUIT,DI:4096 X 8 ROM CUSTOM MASK (OPTION 4B ONLY)	80009	160-0375-00
U365	160-0371-00			MICROCIRCUIT,DI:4096 X 8 ROM CUSTOM MASK (OPTION 4C ONLY)	80009	160-0371-00
U365	160-0137-00			MICROCIRCUIT,DI:4096 X 8 ROM,CUSTOM MASK	80009	160-0137-00
U375	160-0138-00			MICROCIRCUIT,DI:4096 X 8 ROM,CUSTOM MASK	80009	160-0138-00
U385	160-0139-00			MICROCIRCUIT,DI:4096 X 8 ROM,CUSTOM MASK	80009	160-0139-00
U395	160-0141-00			MICROCIRCUIT,DI:4096 X 8 ROM,CUSTOM MASK	80009	160-0141-00
U395	160-0140-00			MICROCIRCUIT,DI:4096 X 8 ROM,CUSTOM MASK (OPTION 10 ONLY)	80009	160-0140-00
U395	-----					
Y3	158-0136-00			XTAL UNIT,QTZ:18.432 MHZ 0.01% SERIES	33096	PB-1123

REPLACEABLE ELECTRICAL PARTS

Ckt No.	Tektronix Part No.	Serial/Model No. Eff	Dscont	Name & Description	Mfr Code	Mfr Part Number
A6 ROM EXPANSION						
A6	670-6066-00	B010100	B010136	CKT BOARD ASSY:ROM EXPANSION	80009	670-6066-00
A6	670-6066-01	B010137		CKT BOARD ASSY:ROM EXPANSION	80009	670-6066-01
C105	281-0775-00			CAP.,FXD,CER DI:0.1UF,20%,50V	72982	8005D9AABZ5U104M
C125	281-0775-00			CAP.,FXD,CER DI:0.1UF,20%,50V	72982	8005D9AABZ5U104M
C145	281-0775-00			CAP.,FXD,CER DI:0.1UF,20%,50V	72982	8005D9AABZ5U104M
C165	281-0775-00			CAP.,FXD,CER DI:0.1UF,20%,50V	72982	8005D9AABZ5U104M
C185	281-0775-00			CAP.,FXD,CER DI:0.1UF,20%,50V	72982	8005D9AABZ5U104M
C205	281-0775-00			CAP.,FXD,CER DI:0.1UF,20%,50V	72982	8005D9AABZ5U104M
C221	281-0775-00			CAP.,FXD,CER DI:0.1UF,20%,50V	72982	8005D9AABZ5U104M
C241	281-0775-00			CAP.,FXD,CER DI:0.1UF,20%,50V	72982	8005D9AABZ5U104M
C261	281-0775-00			CAP.,FXD,CER DI:0.1UF,20%,50V	72982	8005D9AABZ5U104M
C271	281-0775-00			CAP.,FXD,CER DI:0.1UF,20%,50V	72982	8005D9AABZ5U104M
C291	281-0775-00			CAP.,FXD,CER DI:0.1UF,20%,50V	72982	8005D9AABZ5U104M
C315	281-0775-00			CAP.,FXD,CER DI:0.1UF,20%,50V	72982	8005D9AABZ5U104M
C331	281-0775-00			CAP.,FXD,CER DI:0.1UF,20%,50V	72982	8005D9AABZ5U104M
C351	281-0775-00			CAP.,FXD,CER DI:0.1UF,20%,50V	72982	8005D9AABZ5U104M
C371	281-0775-00			CAP.,FXD,CER DI:0.1UF,20%,50V	72982	8005D9AABZ5U104M
C375	290-0745-00			CAP.,FXD,ELCTLT:22UF,+50-10%,25V	56289	502D225
C391	281-0775-00			CAP.,FXD,CER DI:0.1UF,20%,50V	72982	8005D9AABZ5U104M
R105	315-0242-00			RES.,FXD,CMPSN:2.4K OHM,5%,0.25W	01121	CB2425
R115	315-0242-00			RES.,FXD,CMPSN:2.4K OHM,5%,0.25W	01121	CB2425
R125	315-0242-00			RES.,FXD,CMPSN:2.4K OHM,5%,0.25W	01121	CB2425
R135	315-0242-00			RES.,FXD,CMPSN:2.4K OHM,5%,0.25W	01121	CB2425
R145	315-0242-00			RES.,FXD,CMPSN:2.4K OHM,5%,0.25W	01121	CB2425
R155	315-0242-00			RES.,FXD,CMPSN:2.4K OHM,5%,0.25W	01121	CB2425
R165	315-0242-00			RES.,FXD,CMPSN:2.4K OHM,5%,0.25W	01121	CB2425
R175	315-0242-00			RES.,FXD,CMPSN:2.4K OHM,5%,0.25W	01121	CB2425
R185	315-0242-00			RES.,FXD,CMPSN:2.4K OHM,5%,0.25W	01121	CB2425
R195	315-0242-00			RES.,FXD,CMPSN:2.4K OHM,5%,0.25W	01121	CB2425
R210	315-0242-00			RES.,FXD,CMPSN:2.4K OHM,5%,0.25W	01121	CB2425
R211	315-0242-00			RES.,FXD,CMPSN:2.4K OHM,5%,0.25W	01121	CB2425
R271	315-0242-00			RES.,FXD,CMPSN:2.4K OHM,5%,0.25W	01121	CB2425
R291	315-0242-00			RES.,FXD,CMPSN:2.4K OHM,5%,0.25W	01121	CB2425
R292	315-0242-00			RES.,FXD,CMPSN:2.4K OHM,5%,0.25W	01121	CB2425
R301	315-0242-00			RES.,FXD,CMPSN:2.4K OHM,5%,0.25W	01121	CB2425
R331	315-0242-00			RES.,FXD,CMPSN:2.4K OHM,5%,0.25W	01121	CB2425
R332	315-0242-00			RES.,FXD,CMPSN:2.4K OHM,5%,0.25W	01121	CB2425
U111	156-1012-00			MICROCIRCUIT,DI:4096 X 8 CUSTOM MASK ROM (OPTION 1 ONLY)	80009	156-1012-00
U121	160-0142-00			MICROCIRCUIT,DI:4096 X 8 ROM,CUSTOM MASK	80009	160-0142-00
U131	160-0145-00			MICROCIRCUIT,DI:4096 X 8 ROM,CUSTOM MASK	80009	160-0145-00
U141	160-0038-00			MICROCIRCUIT,DI:4096 X 8 ROM,CUSTOM MASK (OPTION 36 ONLY)	80009	160-0038-00
U151	160-0047-00			MICROCIRCUIT,DI:4096 X 8 ROM,CUSTOM MASK (OPTION 36 ONLY)	80009	160-0047-00
U161	160-0148-00			MICROCIRCUIT,DI:4096 X 8 ROM,CUSTOM MASK	80009	160-0148-00
U201	156-0541-00			MICROCIRCUIT,DI:DECODER/DEMULTIPLEXER	27014	DM74LS139N
U205	156-0392-01			MICROCIRCUIT,DI:QUAD LATCH W/CLEAR	80009	156-0392-01
U215	156-0469-00			MICROCIRCUIT,DI:3-LINE TO 8-LINE DECODER	01295	SN74LS138N
U221	156-0530-00			MICROCIRCUIT,DI:QUAD 2-INP MUX,16 PIN DIP	80009	156-0530-00
U231	160-0246-00			MICROCIRCUIT,DI:FPLA STTL,PROGRAMMED	80009	160-0246-00
U241	156-0530-00			MICROCIRCUIT,DI:QUAD 2-INP MUX,16 PIN DIP	80009	156-0530-00
U251	156-0530-00			MICROCIRCUIT,DI:QUAD 2-INP MUX,16 PIN DIP	80009	156-0530-00
U261	156-0866-00			MICROCIRCUIT,DI:13 INP NAND GATES	80009	156-0866-00
U271	156-0386-00			MICROCIRCUIT,DI:TRIPLE 3-INPUT NAND GATE	80009	156-0386-00

REPLACEABLE ELECTRICAL PARTS

ROM EXPANSION (CONT)

Ckt No.	Tektronix Part No.	Serial/Model No. Eff	Dscont	Name & Description	Mfr Code	Mfr Part Number
U281	160-0232-00			MICROCIRCUIT,DI:1024 X 8 PROM,3 STATE OUT	80009	160-0232-00
U291	156-0383-00			MICROCIRCUIT,DI:QUAD 2-INPUT NOR GATE	80009	156-0383-00
U305	156-0385-00			MICROCIRCUIT,DI:HEX. INVERTER	80009	156-0385-00
U315	156-0956-00			MICROCIRCUIT,DI:OCTAL BFR W/3STATE OUT	80009	156-0956-00
U321	156-0479-00			MICROCIRCUIT,DI:QUAD 2-INPUT OR GATE	27014	DM74LS32N
U331	156-0093-00			MICROCIRCUIT,DI:HEX. INVERTER	80009	156-0093-00
U341	156-0479-00			MICROCIRCUIT,DI:QUAD 2-INPUT OR GATE	27014	DM74LS32N
U351	156-0479-00			MICROCIRCUIT,DI:QUAD 2-INPUT OR GATE	27014	DM74LS32N
U361	156-0465-00			MICROCIRCUIT,DI:8-INPUT NAND GATE	27014	DM74LS304
U371	156-0479-00			MICROCIRCUIT,DI:QUAD 2-INPUT OR GATE	27014	DM74LS32N
U381	156-0479-00			MICROCIRCUIT,DI:QUAD 2-INPUT OR GATE	27014	DM74LS32N

REPLACEABLE ELECTRICAL PARTS

Ckt No.	Tektronix Part No.	Serial/Model No. Eff	Dscont	Name & Description	Mfr Code	Mfr Part Number
A7 COMMUNICATION						
A7	670-5056-01			CKT BOARD ASSY:COMMUNICATION	80009	670-5056-01
C9	283-0639-00			CAP., FXD, MICA D:56PF, 1%, 100V	00853	D151E560F0
C11	283-0639-00			CAP., FXD, MICA D:56PF, 1%, 100V	00853	D151E560F0
C13	281-0775-00			CAP., FXD, CER DI:0.1UF, 20%, 50V	72982	8005D9AABZ5U104M
C33	281-0775-00			CAP., FXD, CER DI:0.1UF, 20%, 50V	72982	8005D9AABZ5U104M
C35	281-0775-00			CAP., FXD, CER DI:0.1UF, 20%, 50V	72982	8005D9AABZ5U104M
C37	281-0775-00			CAP., FXD, CER DI:0.1UF, 20%, 50V	72982	8005D9AABZ5U104M
C47	281-0775-00			CAP., FXD, CER DI:0.1UF, 20%, 50V	72982	8005D9AABZ5U104M
C61	281-0775-00			CAP., FXD, CER DI:0.1UF, 20%, 50V	72982	8005D9AABZ5U104M
C71	281-0775-00			CAP., FXD, CER DI:0.1UF, 20%, 50V	72982	8005D9AABZ5U104M
C85	281-0775-00			CAP., FXD, CER DI:0.1UF, 20%, 50V	72982	8005D9AABZ5U104M
C121	281-0775-00			CAP., FXD, CER DI:0.1UF, 20%, 50V	72982	8005D9AABZ5U104M
C133	281-0775-00			CAP., FXD, CER DI:0.1UF, 20%, 50V	72982	8005D9AABZ5U104M
C155	281-0775-00			CAP., FXD, CER DI:0.1UF, 20%, 50V	72982	8005D9AABZ5U104M
C171	281-0775-00			CAP., FXD, CER DI:0.1UF, 20%, 50V	72982	8005D9AABZ5U104M
C185	281-0775-00			CAP., FXD, CER DI:0.1UF, 20%, 50V	72982	8005D9AABZ5U104M
C201	281-0775-00			CAP., FXD, CER DI:0.1UF, 20%, 50V	72982	8005D9AABZ5U104M
C205	281-0775-00			CAP., FXD, CER DI:0.1UF, 20%, 50V	72982	8005D9AABZ5U104M
C211	281-0775-00			CAP., FXD, CER DI:0.1UF, 20%, 50V	72982	8005D9AABZ5U104M
C235	281-0775-00			CAP., FXD, CER DI:0.1UF, 20%, 50V	72982	8005D9AABZ5U104M
C243	281-0775-00			CAP., FXD, CER DI:0.1UF, 20%, 50V	72982	8005D9AABZ5U104M
C255	281-0775-00			CAP., FXD, CER DI:0.1UF, 20%, 50V	72982	8005D9AABZ5U104M
C271	281-0775-00			CAP., FXD, CER DI:0.1UF, 20%, 50V	72982	8005D9AABZ5U104M
C285	281-0775-00			CAP., FXD, CER DI:0.1UF, 20%, 50V	72982	8005D9AABZ5U104M
C303	281-0775-00			CAP., FXD, CER DI:0.1UF, 20%, 50V	72982	8005D9AABZ5U104M
C311	281-0775-00			CAP., FXD, CER DI:0.1UF, 20%, 50V	72982	8005D9AABZ5U104M
C321	281-0775-00			CAP., FXD, CER DI:0.1UF, 20%, 50V	72982	8005D9AABZ5U104M
C335	281-0775-00			CAP., FXD, CER DI:0.1UF, 20%, 50V	72982	8005D9AABZ5U104M
C343	281-0775-00			CAP., FXD, CER DI:0.1UF, 20%, 50V	72982	8005D9AABZ5U104M
C355	281-0775-00			CAP., FXD, CER DI:0.1UF, 20%, 50V	72982	8005D9AABZ5U104M
C361	281-0775-00			CAP., FXD, CER DI:0.1UF, 20%, 50V	72982	8005D9AABZ5U104M
C371	281-0775-00			CAP., FXD, CER DI:0.1UF, 20%, 50V	72982	8005D9AABZ5U104M
C385	281-0775-00			CAP., FXD, CER DI:0.1UF, 20%, 50V	72982	8005D9AABZ5U104M
C405	281-0775-00			CAP., FXD, CER DI:0.1UF, 20%, 50V	72982	8005D9AABZ5U104M
C415	281-0775-00			CAP., FXD, CER DI:0.1UF, 20%, 50V	72982	8005D9AABZ5U104M
C421	281-0775-00			CAP., FXD, CER DI:0.1UF, 20%, 50V	72982	8005D9AABZ5U104M
C427	281-0775-00			CAP., FXD, CER DI:0.1UF, 20%, 50V	72982	8005D9AABZ5U104M
C479	281-0775-00			CAP., FXD, CER DI:0.1UF, 20%, 50V	72982	8005D9AABZ5U104M
C485	290-0441-00			CAP., FXD, ELCTLT:20UF, 10%, 10V	56289	109D206X9010C2
C495	290-0415-00			CAP., FXD, ELCTLT:5.6UF, 10%, 35V	56289	150D565X9035B2
C559	290-0745-00			CAP., FXD, ELCTLT:22UF, +50-10%, 25V	56289	502D225
C561	290-0745-00			CAP., FXD, ELCTLT:22UF, +50-10%, 25V	56289	502D225
C565	290-0745-00			CAP., FXD, ELCTLT:22UF, +50-10%, 25V	56289	502D225
CR469	152-0141-02			SEMICONV DEVICE:SILICON, 30V, 50NA	80009	152-0141-02
R11	315-0106-00			RES., FXD, CMPSN:10M OHM, 5%, 0.25W	01121	CB1065
R21	315-0222-00			RES., FXD, CMPSN:2.2K OHM, 5%, 0.25W	01121	CB2225
R23	315-0222-00			RES., FXD, CMPSN:2.2K OHM, 5%, 0.25W	01121	CB2225
R25	307-0540-00			RES, NTWK, FXD, FI:(5) 1K OHM, 10%, 0.7W	01121	206A102
R29	315-0222-00			RES., FXD, CMPSN:2.2K OHM, 5%, 0.25W	01121	CB2225
R41	315-0221-00			RES., FXD, CMPSN:220 OHM, 5%, 0.25W	01121	CB2215
R45	315-0471-00			RES., FXD, CMPSN:470 OHM, 5%, 0.25W	01121	CB4715
R55	315-0102-00			RES., FXD, CMPSN:1K OHM, 5%, 0.25W	01121	CB1025
R95	307-0540-00			RES, NTWK, FXD, FI:(5) 1K OHM, 10%, 0.7W	01121	206A102
R135	315-0102-00			RES., FXD, CMPSN:1K OHM, 5%, 0.25W	01121	CB1025

REPLACEABLE ELECTRICAL PARTS

COMMUNICATION (CONT)

Ckt No.	Tektronix Part No.	Serial/Model No. Eff	Dscont	Name & Description	Mfr Code	Mfr Part Number
R143	315-0102-00			RES., FXD, CMPSN: 1K OHM, 5%, 0.25W	01121	CB1025
R155	307-0445-00			RES, NTWK, FXD, FI: 4.7K OHM, 20%, (9) RES	91637	MSP10A01-472M
R161	307-0446-00			RES, NTWK, FXD, FI: 10K OHM, 20%, (9) RES	91637	MSP10A01-103M
R221	315-0222-00			RES., FXD, CMPSN: 2.2K OHM, 5%, 0.25W	01121	CB2225
R347	315-0472-00			RES., FXD, CMPSN: 4.7K OHM, 5%, 0.25W	01121	CB4725
R439	307-0446-00			RES, NTWK, FXD, FI: 10K OHM, 20%, (9) RES	91637	MSP10A01-103M
R445	315-0222-00			RES., FXD, CMPSN: 2.2K OHM, 5%, 0.25W	01121	CB2225
R447	307-0446-00			RES, NTWK, FXD, FI: 10K OHM, 20%, (9) RES	91637	MSP10A01-103M
R461	315-0102-00			RES., FXD, CMPSN: 1K OHM, 5%, 0.25W	01121	CB1025
R481	315-0164-00			RES., FXD, CMPSN: 160K OHM, 5%, 0.25W	01121	CB1645
R497	315-0124-00			RES., FXD, CMPSN: 120K OHM, 5%, 0.25W	01121	CB1245
U19	156-0385-00			MICROCIRCUIT, DI: HEX. INVERTER	80009	156-0385-00
U25	156-0850-00			MICROCIRCUIT, DI: PROGRAMMABLE BIT RATE GEN	80009	156-0850-00
U31	156-0464-00			MICROCIRCUIT, DI: DUAL 4-INPUT NAND GATE	80009	156-0464-00
U41	156-0451-00			MICROCIRCUIT, DI: QUAD 2-INPUT NOR BUFFER	80009	156-0451-00
U45	156-0721-00			MICROCIRCUIT, DI: ST POS-NAND GATES W/TP OUT	27014	DM74LS132N
U51	156-0139-00			MICROCIRCUIT, LI: DUAL LINE DRIVER	01295	SN75150P
U59	156-0139-00			MICROCIRCUIT, LI: DUAL LINE DRIVER	01295	SN75150P
U65	156-0139-00			MICROCIRCUIT, LI: DUAL LINE DRIVER	01295	SN75150P
U75	156-0875-00			MICROCIRCUIT, DI: DUAL 2 WIDE 2INP AO1 GATE	80009	156-0875-00
U81	156-0480-00			MICROCIRCUIT, DI: QUAD 2-INPUT AND GATE	80009	156-0480-00
U91	156-0453-01			MICROCIRCUIT, DI: QUAD 128-BIT SHIFT REG	80009	156-0453-01
U103	156-0877-00			MICROCIRCUIT, DI: UNIV SYN AS-SYN DRVR XMTR	80009	156-0877-00
U115	156-0955-00			MICROCIRCUIT, DI: OCTAL BFR W/3STATE OUT	80009	156-0955-00
U119	156-0718-00			MICROCIRCUIT, DI: TRIPLE 3-INP POS-NOR GATES	80009	156-0718-00
U125	156-0530-00			MICROCIRCUIT, DI: QUAD 2-INP MUX, 16 PIN DIP	80009	156-0530-00
U131	156-0388-00			MICROCIRCUIT, DI: DUAL D-TYPE FLIP-FLOP	80009	156-0388-00
U141	156-0384-00			MICROCIRCUIT, DI: QUAD 2-INPUT NAND GATE	80009	156-0384-00
U145	156-0385-00			MICROCIRCUIT, DI: HEX. INVERTER	80009	156-0385-00
U151	156-0682-00			MICROCIRCUIT, DI: HEX D FLIP-FLOP	80009	156-0682-00
U159	156-0138-00			MICROCIRCUIT, LI: QUAD LINE RECEIVER	01295	SN75154N
U165	156-0138-00			MICROCIRCUIT, LI: QUAD LINE RECEIVER	01295	SN75154N
U175	156-0381-00			MICROCIRCUIT, DI: QUAD 2-INPUT EXCL OR GATES	80009	156-0381-00
U181	156-0481-00			MICROCIRCUIT, DI: TRIPLE 3-INPUT AND GATE	80009	156-0481-00
U191	156-0385-00			MICROCIRCUIT, DI: HEX. INVERTER	80009	156-0385-00
U203	156-0865-00			MICROCIRCUIT, DI: OCTAL D TYPE FF W/CLEAR	80009	156-0865-00
U209	156-0720-00			MICROCIRCUIT, DI: HEX BUS DRVR W/3 STATE INP	80009	156-0720-00
U215	156-0617-00			MICROCIRCUIT, DI: DUAL 4 BIT BIN COUNTER	01295	SN74393N
U219	156-0735-00			MICROCIRCUIT, DI: 4-BIT BISTABLE LATCH	80009	156-0735-00
U225	156-0865-00			MICROCIRCUIT, DI: OCTAL D TYPE FF W/CLEAR	80009	156-0865-00
U231	156-0852-00			MICROCIRCUIT, DI: HEX BUS DRIVER W/3-STATE	01295	SN74LS376N OR J
U241	156-0392-00			MICROCIRCUIT, DI: QUAD LATCH	80009	156-0392-00
U245	156-0392-00			MICROCIRCUIT, DI: QUAD LATCH	80009	156-0392-00
U251	156-0652-00			MICROCIRCUIT, DI: QUAD 2-INPUT EXCL NOR GATE	01295	SN74LS266N
U259	156-0383-00			MICROCIRCUIT, DI: QUAD 2-INPUT NOR GATE	80009	156-0383-00
U265	156-0480-00			MICROCIRCUIT, DI: QUAD 2-INPUT AND GATE	80009	156-0480-00
U275	156-0388-00			MICROCIRCUIT, DI: DUAL D-TYPE FLIP-FLOP	80009	156-0388-00
U281	156-0798-00			MICROCIRCUIT, DI: DUAL 4 LINE TO 1 LINE	01295	SN74LS153N
U291	156-0464-00			MICROCIRCUIT, DI: DUAL 4-INPUT NAND GATE	80009	156-0464-00
U303	156-0789-00			MICROCIRCUIT, DI: 8-BIT SR, PRL LOAD	80009	156-0789-00
U309	156-0382-00			MICROCIRCUIT, DI: QUAD 2-INPUT NAND GATE	80009	156-0382-00
U315	156-0382-00			MICROCIRCUIT, DI: QUAD 2-INPUT NAND GATE	80009	156-0382-00
U319	156-0385-00			MICROCIRCUIT, DI: HEX. INVERTER	80009	156-0385-00
U325	156-0388-00			MICROCIRCUIT, DI: DUAL D-TYPE FLIP-FLOP	80009	156-0388-00
U331	156-0479-00			MICROCIRCUIT, DI: QUAD 2-INPUT OR GATE	27014	DM74LS32N
U341	156-0652-00			MICROCIRCUIT, DI: QUAD 2-INPUT EXCL NOR GATE	01295	SN74LS266N
U345	156-0382-00			MICROCIRCUIT, DI: QUAD 2-INPUT NAND GATE	80009	156-0382-00

REPLACEABLE ELECTRICAL PARTS

COMMUNICATION (CONT)

Ckt No.	Tektronix Part No.	Serial/Model No. Eff	Dscont	Name & Description	Mfr Code	Mfr Part Number
U351	156-0652-00			MICROCIRCUIT,DI:QUAD 2-INPUT EXCL NOR GATE	01295	SN74LS266N
U359	156-0736-00			MICROCIRCUIT,DI:BCD-TO-DECIMAL DECODER	27014	DM74LS42N
U365	156-0387-00			MICROCIRCUIT,DI:DUAL J-K NEG EDGE TRIG	80009	156-0387-00
U375	156-0646-00			MICROCIRCUIT,DI:4 BIT BINARY COUNTER	01295	SN74LS93N
U381	156-0387-00			MICROCIRCUIT,DI:DUAL J-K NEG EDGE TRIG	80009	156-0387-00
U391	156-0480-00			MICROCIRCUIT,DI:QUAD 2-INPUT AND GATE	80009	156-0480-00
U403	156-0852-00			MICROCIRCUIT,DI:HEX BUS DRIVER W/3-STATE	01295	SN74LS376N OR J
U409	156-0383-00			MICROCIRCUIT,DI:QUAD 2-INPUT NOR GATE	80009	156-0383-00
U415	156-0383-00			MICROCIRCUIT,DI:QUAD 2-INPUT NOR GATE	80009	156-0383-00
U419	156-0928-00			MICROCIRCUIT,DI:OCTAL BUFFER W/3 STATE OUT	80009	156-0928-00
U425	156-0928-00			MICROCIRCUIT,DI:OCTAL BUFFER W/3 STATE OUT	80009	156-0928-00
U431	156-0382-00			MICROCIRCUIT,DI:QUAD 2-INPUT NAND GATE	80009	156-0382-00
U441	156-0652-00			MICROCIRCUIT,DI:QUAD 2-INPUT EXCL NOR GATE	01295	SN74LS266N
U445	156-0385-00			MICROCIRCUIT,DI:HEX. INVERTER	80009	156-0385-00
U451	156-0652-00			MICROCIRCUIT,DI:QUAD 2-INPUT EXCL NOR GATE	01295	SN74LS266N
U459	156-0730-00			MICROCIRCUIT,DI:QUAD 2 INP POS-NOR BFR	80009	156-0730-00
U465	156-0058-00			MICROCIRCUIT,DI:HEX. INVERTER	80009	156-0058-00
U475	156-0617-00			MICROCIRCUIT,DI:DUAL 4 BIT BIN COUNTER	01295	SN74393N
U481	156-0480-00			MICROCIRCUIT,DI:QUAD 2-INPUT AND GATE	80009	156-0480-00
U491	156-0487-00			MICROCIRCUIT,DI:DUAL RETRIG,ONE SHOT	80009	156-0487-00
Y5	158-0124-00			XTAL UNIT,QTZ:2.4576 MHZ,0.05% PARALLEL	75378	MP-024

REPLACEABLE ELECTRICAL PARTS

Ckt No.	Tektronix Part No.	Serial/Model No. Eff	Dscont	Name & Description	Mfr Code	Mfr Part Number
A8 MOTHER						
A8	670-5643-00	B010100	B010269	CKT BOARD ASSY:MOTHER	80009	670-5643-00
A8	670-5643-01	B010270		CKT BOARD ASSY:MOTHER	80009	670-5643-01
R1	307-0445-00			RES,NTWK,FXD,FI:4.7K OHM,20%,(9) RES	91637	MSP10A01-472M
R2	307-0445-00			RES,NTWK,FXD,FI:4.7K OHM,20%,(9) RES	91637	MSP10A01-472M
R3	307-0445-00			RES,NTWK,FXD,FI:4.7K OHM,20%,(9) RES	91637	MSP10A01-472M
R4	307-0540-00			RES,NTWK,FXD,FI:(5) 1K OHM,10%,0.7W	01121	206A102

REPLACEABLE ELECTRICAL PARTS

Ckt No.	Tektronix Part No.	Serial/Model No. Eff Dscont	Name & Description	Mfr Code	Mfr Part Number
A9 KEYBOARD					
A9	119-0909-01		KEYBOARD:DATA ENTRY	01963	B80-91AB
C1	290-0107-00		CAP., FXD, ELCTLT: 25UF, +75-10%, 25V	56289	30D256G025DB9
C2	290-0107-00		CAP., FXD, ELCTLT: 25UF, +75-10%, 25V	56289	30D256G025DB9
C3	290-0107-00		CAP., FXD, ELCTLT: 25UF, +75-10%, 25V	56289	30D256G025DB9
C4	283-0169-00		CAP., FXD, CER DI: 0.022UF, 10%, 200V	72982	8131N225X5R0223K
C5	290-0522-00		CAP., FXD, ELCTLT: 1UF, 20%, 50V	56289	196D105X0050HA1
C6	283-0204-00		CAP., FXD, CER DI: 0.01UF, 20%, 50V	72982	8121N061Z5U0103M
C7	283-0204-00		CAP., FXD, CER DI: 0.01UF, 20%, 50V	72982	8121N061Z5U0103M
C8	283-0204-00		CAP., FXD, CER DI: 0.01UF, 20%, 50V	72982	8121N061Z5U0103M
C9	283-0204-00		CAP., FXD, CER DI: 0.01UF, 20%, 50V	72982	8121N061Z5U0103M
C10	283-0204-00		CAP., FXD, CER DI: 0.01UF, 20%, 50V	72982	8121N061Z5U0103M
C11	283-0204-00		CAP., FXD, CER DI: 0.01UF, 20%, 50V	72982	8121N061Z5U0103M
C12	283-0204-00		CAP., FXD, CER DI: 0.01UF, 20%, 50V	72982	8121N061Z5U0103M
C13	283-0204-00		CAP., FXD, CER DI: 0.01UF, 20%, 50V	72982	8121N061Z5U0103M
C14	283-0204-00		CAP., FXD, CER DI: 0.01UF, 20%, 50V	72982	8121N061Z5U0103M
C15	283-0204-00		CAP., FXD, CER DI: 0.01UF, 20%, 50V	72982	8121N061Z5U0103M
C16	283-0204-00		CAP., FXD, CER DI: 0.01UF, 20%, 50V	72982	8121N061Z5U0103M
C17	283-0204-00		CAP., FXD, CER DI: 0.01UF, 20%, 50V	72982	8121N061Z5U0103M
CR1	152-0233-00		SEMICONV DEVICE: SILICON, 85V, 100MA	80009	152-0233-00
CR2	152-0233-00		SEMICONV DEVICE: SILICON, 85V, 100MA	80009	152-0233-00
CR3	152-0233-00		SEMICONV DEVICE: SILICON, 85V, 100MA	80009	152-0233-00
CR4	152-0233-00		SEMICONV DEVICE: SILICON, 85V, 100MA	80009	152-0233-00
CR5	152-0233-00		SEMICONV DEVICE: SILICON, 85V, 100MA	80009	152-0233-00
CR6	152-0233-00		SEMICONV DEVICE: SILICON, 85V, 100MA	80009	152-0233-00
CR7	152-0233-00		SEMICONV DEVICE: SILICON, 85V, 100MA	80009	152-0233-00
CR8	152-0233-00		SEMICONV DEVICE: SILICON, 85V, 100MA	80009	152-0233-00
CR9	152-0233-00		SEMICONV DEVICE: SILICON, 85V, 100MA	80009	152-0233-00
CR10	152-0233-00		SEMICONV DEVICE: SILICON, 85V, 100MA	80009	152-0233-00
CR11	152-0233-00		SEMICONV DEVICE: SILICON, 85V, 100MA	80009	152-0233-00
CR12	152-0233-00		SEMICONV DEVICE: SILICON, 85V, 100MA	80009	152-0233-00
CR13	152-0233-00		SEMICONV DEVICE: SILICON, 85V, 100MA	80009	152-0233-00
CR14	152-0233-00		SEMICONV DEVICE: SILICON, 85V, 100MA	80009	152-0233-00
CR15	152-0233-00		SEMICONV DEVICE: SILICON, 85V, 100MA	80009	152-0233-00
CR16	152-0233-00		SEMICONV DEVICE: SILICON, 85V, 100MA	80009	152-0233-00
CR17	152-0233-00		SEMICONV DEVICE: SILICON, 85V, 100MA	80009	152-0233-00
CR18	152-0233-00		SEMICONV DEVICE: SILICON, 85V, 100MA	80009	152-0233-00
CR19	152-0233-00		SEMICONV DEVICE: SILICON, 85V, 100MA	80009	152-0233-00
CR20	152-0233-00		SEMICONV DEVICE: SILICON, 85V, 100MA	80009	152-0233-00
CR21	152-0233-00		SEMICONV DEVICE: SILICON, 85V, 100MA	80009	152-0233-00
CR22	152-0233-00		SEMICONV DEVICE: SILICON, 85V, 100MA	80009	152-0233-00
CR23	152-0233-00		SEMICONV DEVICE: SILICON, 85V, 100MA	80009	152-0233-00
CR24	152-0233-00		SEMICONV DEVICE: SILICON, 85V, 100MA	80009	152-0233-00
CR25	152-0233-00		SEMICONV DEVICE: SILICON, 85V, 100MA	80009	152-0233-00
CR26	152-0233-00		SEMICONV DEVICE: SILICON, 85V, 100MA	80009	152-0233-00
CR27	152-0233-00		SEMICONV DEVICE: SILICON, 85V, 100MA	80009	152-0233-00
CR28	152-0233-00		SEMICONV DEVICE: SILICON, 85V, 100MA	80009	152-0233-00
CR29	152-0233-00		SEMICONV DEVICE: SILICON, 85V, 100MA	80009	152-0233-00
CR30	152-0233-00		SEMICONV DEVICE: SILICON, 85V, 100MA	80009	152-0233-00
CR31	152-0233-00		SEMICONV DEVICE: SILICON, 85V, 100MA	80009	152-0233-00
CR32	152-0233-00		SEMICONV DEVICE: SILICON, 85V, 100MA	80009	152-0233-00
CR33	152-0233-00		SEMICONV DEVICE: SILICON, 85V, 100MA	80009	152-0233-00
CR34	152-0233-00		SEMICONV DEVICE: SILICON, 85V, 100MA	80009	152-0233-00
CR35	152-0233-00		SEMICONV DEVICE: SILICON, 85V, 100MA	80009	152-0233-00
CR36	152-0233-00		SEMICONV DEVICE: SILICON, 85V, 100MA	80009	152-0233-00

REPLACEABLE ELECTRICAL PARTS

KEYBOARD (CONT)

Ckt No.	Tektronix Part No.	Serial/Model No. Eff Dscont	Name & Description	Mfr Code	Mfr Part Number
Q1	151-0645-00		TRANSISTOR:SILICON,NPN	04713	MPS-A06
Q2	151-0301-00		TRANSISTOR:SILICON,PNP	04713	2N2907A
Q3	151-0281-00		TRANSISTOR:SILICON,NPN	03508	X16P4039
R1	316-0222-00		RES.,FXD,CMPSN:2.2K OHM,10%,0.25W	01121	CB2221
R2	316-0222-00		RES.,FXD,CMPSN:2.2K OHM,10%,0.25W	01121	CB2221
R3	316-0222-00		RES.,FXD,CMPSN:2.2K OHM,10%,0.25W	01121	CB2221
R4	316-0222-00		RES.,FXD,CMPSN:2.2K OHM,10%,0.25W	01121	CB2221
R5	316-0222-00		RES.,FXD,CMPSN:2.2K OHM,10%,0.25W	01121	CB2221
R6	316-0222-00		RES.,FXD,CMPSN:2.2K OHM,10%,0.25W	01121	CB2221
R7	316-0222-00		RES.,FXD,CMPSN:2.2K OHM,10%,0.25W	01121	CB2221
R8	316-0222-00		RES.,FXD,CMPSN:2.2K OHM,10%,0.25W	01121	CB2221
R9	316-0222-00		RES.,FXD,CMPSN:2.2K OHM,10%,0.25W	01121	CB2221
R10	316-0222-00		RES.,FXD,CMPSN:2.2K OHM,10%,0.25W	01121	CB2221
R11	315-0121-00		RES.,FXD,CMPSN:120 OHM,5%,0.25W	01121	CB1215
R12	315-0121-00		RES.,FXD,CMPSN:120 OHM,5%,0.25W	01121	CB1215
R13	315-0121-00		RES.,FXD,CMPSN:120 OHM,5%,0.25W	01121	CB1215
R14	315-0121-00		RES.,FXD,CMPSN:120 OHM,5%,0.25W	01121	CB1215
R15	315-0221-00		RES.,FXD,CMPSN:220 OHM,5%,0.25W	01121	CB2215
R16	315-0221-00		RES.,FXD,CMPSN:220 OHM,5%,0.25W	01121	CB2215
R17	315-0221-00		RES.,FXD,CMPSN:220 OHM,5%,0.25W	01121	CB2215
R18	315-0221-00		RES.,FXD,CMPSN:220 OHM,5%,0.25W	01121	CB2215
R19	316-0471-00		RES.,FXD,CMPSN:470 OHM,10%,0.25W	01121	CB4711
R20	316-0471-00		RES.,FXD,CMPSN:470 OHM,10%,0.25W	01121	CB4711
R21	316-0471-00		RES.,FXD,CMPSN:470 OHM,10%,0.25W	01121	CB4711
R22	316-0471-00		RES.,FXD,CMPSN:470 OHM,10%,0.25W	01121	CB4711
R23	315-0102-00		RES.,FXD,CMPSN:1K OHM,5%,0.25W	01121	CB1025
R24	315-0102-00		RES.,FXD,CMPSN:1K OHM,5%,0.25W	01121	CB1025
R25	315-0563-00		RES.,FXD,CMPSN:56K OHM,5%,0.25W	01121	CB5635
R26	316-0683-00		RES.,FXD,CMPSN:68K OHM,10%,0.25W	01121	CB6831
R27	315-0224-00		RES.,FXD,CMPSN:220K OHM,5%,0.25W	01121	CB2245
R28	315-0200-00		RES.,FXD,CMPSN:20 OHM,5%,0.25W	01121	CB2005
R29	315-0432-00		RES.,FXD,CMPSN:4.3K OHM,5%,0.25W	01121	CB4325
R30	315-0103-00		RES.,FXD,CMPSN:10K OHM,5%,0.25W	01121	CB1035
U1	156-0032-00		MICROCIRCUIT,DI:4-BIT BINARY COUNTER	80009	156-0032-00
U2	156-0032-00		MICROCIRCUIT,DI:4-BIT BINARY COUNTER	80009	156-0032-00
U3	156-1201-00		MICROCIRCUIT,DI:LOW POWER,4 TO16 LINE DEC	80009	156-1201-00
U4	156-0994-00		MICROCIRCUIT,DI:8 INPUT DATA SEL/MUX	80009	156-0994-00
U5	156-0651-00		MICROCIRCUIT,DI:8-BIT PRL-OUT,SER SHF RGTR	01295	SN74LS164N
U6	156-0391-00		MICROCIRCUIT,DI:HEX LATCH WITH CLEAR	80009	156-0391-00
U7	156-0402-00		MICROCIRCUIT,LI:TIMER	27014	SL34829
U8	156-0451-00		MICROCIRCUIT,DI:QUAD 2-INPUT NOR BUFFER	80009	156-0451-00
U9	156-0093-00		MICROCIRCUIT,DI:HEX INVERTER	80009	156-0093-00
U10	156-0645-00		MICROCIRCUIT,DI:HEX SCHMITT-TRIG INVERTER	80009	156-0645-00

REPLACEABLE ELECTRICAL PARTS

Ckt No.	Tektronix Part No.	Serial/Model No. Eff Dscont	Name & Description	Mfr Code	Mfr Part Number
A10 DEFLECTION AMPLIFIER					
A10	672-0748-00		CKT BOARD ASSY:DEFLECTION AMPLIFIER	80009	672-0748-00
A10A1	670-5645-XX		CKT BOARD ASSY:DEFLECTION AMPLIFIER (NOT AVAILABLE, SEE A10)		
C101	283-0003-00		CAP., FXD, CER DI:0.01UF,+80-20%,150V	72982	855-558Z5U-103Z
C103	281-0523-00		CAP., FXD, CER DI:100PF,+/-20PF,500V	72982	301-000U2M0101M
C111	285-1104-00		CAP., FXD, PLSTC:0.033UF,5%,200V	19396	333J02PP580
C113	285-1104-00		CAP., FXD, PLSTC:0.033UF,5%,200V	19396	333J02PP580
C121	281-0523-00		CAP., FXD, CER DI:100PF,+/-20PF,500V	72982	301-000U2M0101M
C122	290-0523-00		CAP., FXD, ELCTLT:2.2UF,20%,20V	56289	196D225X0020HA1
C123	290-0522-00		CAP., FXD, ELCTLT:1UF,20%,50V	56289	196D105X0050HA1
C125	290-0755-00		CAP., FXD, ELCTLT:100UF,+50-10%,10V	56289	502D223
C126	285-0892-00		CAP., FXD, PLSTC:0.22UF,10%,200V	56289	LP66A1C224K002
C127	290-0755-00		CAP., FXD, ELCTLT:100UF,+50-10%,10V	56289	502D223
C129	283-0003-00		CAP., FXD, CER DI:0.01UF,+80-20%,150V	72982	855-558Z5U-103Z
C131	290-0746-00		CAP., FXD, ELCTLT:47UF,+50-10%,16V	56289	502D226
C133	283-0023-00		CAP., FXD, CER DI:0.1UF,+80-20%,12V	91418	MX0104Z1205R5
C137	290-0746-00		CAP., FXD, ELCTLT:47UF,+50-10%,16V	56289	502D226
C141	290-0307-00		CAP., FXD, ELCTLT:100UF,+75-10%,40V	56289	600D107G040DG4
C171	290-0307-00		CAP., FXD, ELCTLT:100UF,+75-10%,40V	56289	600D107G040DG4
C201	285-0862-00		CAP., FXD, PLSTC:0.001,10%,100V	56289	410P10291
C211	290-0536-00		CAP., FXD, ELCTLT:10UF,20%,25V	90201	TDC106M025FL
C212	290-0536-00		CAP., FXD, ELCTLT:10UF,20%,25V	90201	TDC106M025FL
C213	290-0536-00		CAP., FXD, ELCTLT:10UF,20%,25V	90201	TDC106M025FL
C215	283-0023-00		CAP., FXD, CER DI:0.1UF,+80-20%,12V	91418	MX0104Z1205R5
C221	283-0023-00		CAP., FXD, CER DI:0.1UF,+80-20%,12V	91418	MX0104Z1205R5
C222	290-0536-00		CAP., FXD, ELCTLT:10UF,20%,25V	90201	TDC106M025FL
C223	283-0023-00		CAP., FXD, CER DI:0.1UF,+80-20%,12V	91418	MX0104Z1205R5
C224	285-0626-00		CAP., FXD, PLSTC:0.0015UF,10%,100V	56289	410P102
C231	290-0536-00		CAP., FXD, ELCTLT:10UF,20%,25V	90201	TDC106M025FL
C251	290-0522-00		CAP., FXD, ELCTLT:1UF,20%,50V	56289	196D105X0050HA1
C252	290-0522-00		CAP., FXD, ELCTLT:1UF,20%,50V	56289	196D105X0050HA1
C258	290-0746-00		CAP., FXD, ELCTLT:47UF,+50-10%,16V	56289	502D226
C259	283-0023-00		CAP., FXD, CER DI:0.1UF,+80-20%,12V	91418	MX0104Z1205R5
C301	285-0862-00		CAP., FXD, PLSTC:0.001,10%,100V	56289	410P10291
C313	283-0023-00		CAP., FXD, CER DI:0.1UF,+80-20%,12V	91418	MX0104Z1205R5
C321	290-0746-00		CAP., FXD, ELCTLT:47UF,+50-10%,16V	56289	502D226
C322	283-0003-00		CAP., FXD, CER DI:0.01UF,+80-20%,150V	72982	855-558Z5U-103Z
C324	290-0536-00		CAP., FXD, ELCTLT:10UF,20%,25V	90201	TDC106M025FL
C326	290-0536-00		CAP., FXD, ELCTLT:10UF,20%,25V	90201	TDC106M025FL
C351	290-0536-00		CAP., FXD, ELCTLT:10UF,20%,25V	90201	TDC106M025FL
C411	285-0862-00		CAP., FXD, PLSTC:0.001,10%,100V	56289	410P10291
C421	281-0518-00		CAP., FXD, CER DI:47PF,+/-9.4PF,500V	72982	301-000U2J0470M
C435	290-0536-00		CAP., FXD, ELCTLT:10UF,20%,25V	90201	TDC106M025FL
C441	285-0862-00		CAP., FXD, PLSTC:0.001,10%,100V	56289	410P10291
C451	290-0517-00		CAP., FXD, ELCTLT:6.8UF,20%,35V	56289	196D685X0035KA1
C453	290-0517-00		CAP., FXD, ELCTLT:6.8UF,20%,35V	56289	196D685X0035KA1
C455	290-0517-00		CAP., FXD, ELCTLT:6.8UF,20%,35V	56289	196D685X0035KA1
C457	290-0517-00		CAP., FXD, ELCTLT:6.8UF,20%,35V	56289	196D685X0035KA1
C461	283-0003-00		CAP., FXD, CER DI:0.01UF,+80-20%,150V	72982	855-558Z5U-103Z
C462	290-0743-00		CAP., FXD, ELCTLT:100UF,+50-10%,16V	56289	500D146
C471	290-0770-00		CAP., FXD, ELCTLT:100UF,+50-10%,25V	56289	502D230
C491	285-0931-00		CAP., FXD, PLSTC:0.005UF,5%,2000V	56289	715P184
C493	285-0931-00		CAP., FXD, PLSTC:0.005UF,5%,2000V	56289	715P184
C515	283-0023-00		CAP., FXD, CER DI:0.1UF,+80-20%,12V	91418	MX0104Z1205R5
C521	290-0523-00		CAP., FXD, ELCTLT:2.2UF,20%,20V	56289	196D225X0020HA1

REPLACEABLE ELECTRICAL PARTS

DEFLECTION AMPLIFIER (CONT)

Ckt No.	Tektronix Part No.	Serial/Model No. Eff	Dscont	Name & Description	Mfr Code	Mfr Part Number
C523	290-0522-00			CAP., FXD, ELCTLT:1UF, 20%, 50V	56289	196D105X0050HA1
C524	290-0117-00			CAP., FXD, ELCTLT:50UF, +75-10%, 50V	56289	30D506G050DD9
C525	290-0522-00			CAP., FXD, ELCTLT:1UF, 20%, 50V	56289	196D105X0050HA1
C527	290-0523-00			CAP., FXD, ELCTLT:2.2UF, 20%, 20V	56289	196D225X0020HA1
C528	290-0522-00			CAP., FXD, ELCTLT:1UF, 20%, 50V	56289	196D105X0050HA1
C529	290-0536-00			CAP., FXD, ELCTLT:10UF, 20%, 25V	90201	TDC106M025FL
C533	290-0536-00			CAP., FXD, ELCTLT:10UF, 20%, 25V	90201	TDC106M025FL
C535	290-0522-00			CAP., FXD, ELCTLT:1UF, 20%, 50V	56289	196D105X0050HA1
C536	290-0746-00			CAP., FXD, ELCTLT:47UF, +50-10%, 16V	56289	502D226
C541	290-0770-00			CAP., FXD, ELCTLT:100UF, +50-10%, 25V	56289	502D230
C543	290-0770-00			CAP., FXD, ELCTLT:100UF, +50-10%, 25V	56289	502D230
C562	283-0081-00			CAP., FXD, CER DI:0.1UF, +80-20%, 25V	56289	36C600
C601	283-0194-00			CAP., FXD, CER DI:4.7UF, 20%, 50V	72982	8151N057Z5U0475M
C621	283-0081-00			CAP., FXD, CER DI:0.1UF, +80-20%, 25V	56289	36C600
C591	290-0770-00			CAP., FXD, ELCTLT:100UF, +50-10%, 25V	56289	502D230
C701	290-0522-00			CAP., FXD, ELCTLT:1UF, 20%, 50V	56289	196D105X0050HA1
C703	290-0536-00			CAP., FXD, ELCTLT:10UF, 20%, 25V	90201	TDC106M025FL
C761	281-0524-00			CAP., FXD, CER DI:150PF, +/-30PF, 500V	04222	7001-1381
C762	290-0746-00			CAP., FXD, ELCTLT:47UF, +50-10%, 16V	56289	502D226
C865	283-0081-00			CAP., FXD, CER DI:0.1UF, +80-20%, 25V	56289	36C600
C866	283-0003-00			CAP., FXD, CER DI:0.01UF, +80-20%, 150V	72982	855-558Z5U-103Z
C871	283-0023-00			CAP., FXD, CER DI:0.1UF, +80-20%, 12V	91418	MX0104Z1205R5
C877	290-0517-00			CAP., FXD, ELCTLT:6.8UF, 20%, 35V	56289	196D685X0035KA1
C879	290-0517-00			CAP., FXD, ELCTLT:6.8UF, 20%, 35V	56289	196D685X0035KA1
C881	290-0536-00			CAP., FXD, ELCTLT:10UF, 20%, 25V	90201	TDC106M025FL
C991	285-1171-00			CAP., FXD, MTLZD:2 UF, 10%, 200 V	84411	X363UW(ADVISE)
CR127	152-0141-02			SEMICOND DEVICE:SILICON, 30V, 50NA	80009	152-0141-02
CR129	152-0141-02			SEMICOND DEVICE:SILICON, 30V, 50NA	80009	152-0141-02
CR158	152-0141-02			SEMICOND DEVICE:SILICON, 30V, 50NA	80009	152-0141-02
CR243	152-0141-02			SEMICOND DEVICE:SILICON, 30V, 50NA	80009	152-0141-02
CR258	152-0141-02			SEMICOND DEVICE:SILICON, 30V, 50NA	80009	152-0141-02
CR261	152-0141-02			SEMICOND DEVICE:SILICON, 30V, 50NA	80009	152-0141-02
CR262	152-0141-02			SEMICOND DEVICE:SILICON, 30V, 50NA	80009	152-0141-02
CR271	152-0141-02			SEMICOND DEVICE:SILICON, 30V, 50NA	80009	152-0141-02
CR325	152-0141-02			SEMICOND DEVICE:SILICON, 30V, 50NA	80009	152-0141-02
CR391	152-0706-00			SEMICOND DEVICE:RECT, SI, 1000V, 3A	80009	152-0706-00
CR401	152-0141-02			SEMICOND DEVICE:SILICON, 30V, 50NA	80009	152-0141-02
CR421	152-0141-02			SEMICOND DEVICE:SILICON, 30V, 50NA	80009	152-0141-02
CR423	152-0141-02			SEMICOND DEVICE:SILICON, 30V, 50NA	80009	152-0141-02
CR445	152-0141-02			SEMICOND DEVICE:SILICON, 30V, 50NA	80009	152-0141-02
CR459	152-0141-02			SEMICOND DEVICE:SILICON, 30V, 50NA	80009	152-0141-02
CR461	152-0141-02			SEMICOND DEVICE:SILICON, 30V, 50NA	80009	152-0141-02
CR491	152-0706-00			SEMICOND DEVICE:RECT, SI, 1000V, 3A	80009	152-0706-00
CR543	152-0141-02			SEMICOND DEVICE:SILICON, 30V, 50NA	80009	152-0141-02
CR545	152-0141-02			SEMICOND DEVICE:SILICON, 30V, 50NA	80009	152-0141-02
CR601	152-0141-02			SEMICOND DEVICE:SILICON, 30V, 50NA	80009	152-0141-02
CR603	152-0141-02			SEMICOND DEVICE:SILICON, 30V, 50NA	80009	152-0141-02
CR605	152-0141-02			SEMICOND DEVICE:SILICON, 30V, 50NA	80009	152-0141-02
CR731	152-0141-02			SEMICOND DEVICE:SILICON, 30V, 50NA	80009	152-0141-02
CR755	152-0141-02			SEMICOND DEVICE:SILICON, 30V, 50NA	80009	152-0141-02
CR761	152-0141-02			SEMICOND DEVICE:SILICON, 30V, 50NA	80009	152-0141-02
CR771	152-0141-02			SEMICOND DEVICE:SILICON, 30V, 50NA	80009	152-0141-02
CR773	152-0141-02			SEMICOND DEVICE:SILICON, 30V, 50NA	80009	152-0141-02
CR781	152-0153-00			SEMICOND DEVICE:SILICON, 15V, 50MA	80009	152-0153-00
CR831	152-0141-02			SEMICOND DEVICE:SILICON, 30V, 50NA	80009	152-0141-02
CR833	152-0141-02			SEMICOND DEVICE:SILICON, 30V, 50NA	80009	152-0141-02

REPLACEABLE ELECTRICAL PARTS

DEFLECTION AMPLIFIER (CONT)

Ckt No.	Tektronix Part No.	Serial/Model No. Eff	Dscont	Name & Description	Mfr Code	Mfr Part Number
CR851	152-0141-02			SEMICON D DEVICE:SILICON,30V,50NA	80009	152-0141-02
L581	108-0556-00			COIL,RF:12UH	80009	108-0556-00
L661	108-0940-00			COIL,RF:FIXED,12UH	80009	108-0940-00
L691	108-0940-00			COIL,RF:FIXED,12UH	80009	108-0940-00
L791	114-0355-00			COIL,RF:VARIABLE,40-230UH	02113	X6084
L871	108-0395-00			COIL,RF:64UH	80009	108-0395-00
L881	108-0395-00			COIL,RF:64UH	80009	108-0395-00
M901	149-0030-00			METER,T TOTLZ:ELAPSED TIME,DC,CKT BD MT	18583	120-LC
Q101	151-0190-00			TRANSISTOR:SILICON,NPN	07263	S032677
Q109	151-0188-00			TRANSISTOR:SILICON,PNP	80009	151-0188-00
Q111	151-0190-00			TRANSISTOR:SILICON,NPN	07263	S032677
Q113	151-0188-00			TRANSISTOR:SILICON,PNP	80009	151-0188-00
Q125	151-0190-00			TRANSISTOR:SILICON,NPN	07263	S032677
Q127	151-0190-00			TRANSISTOR:SILICON,NPN	07263	S032677
Q129	151-0188-00			TRANSISTOR:SILICON,PNP	80009	151-0188-00
Q158	151-0439-00			TRANSISTOR:SILICON,NPN	80009	151-0439-00
Q161	151-0463-00			TRANSISTOR:SILICON,PNP	80009	151-0463-00
Q227	151-0188-00			TRANSISTOR:SILICON,PNP	80009	151-0188-00
Q229	151-0190-00			TRANSISTOR:SILICON,NPN	07263	S032677
Q241	151-0190-00			TRANSISTOR:SILICON,NPN	07263	S032677
Q258	151-0350-00			TRANSISTOR:SILICON,PNP	80009	151-0350-00
Q259	151-0188-00			TRANSISTOR:SILICON,PNP	80009	151-0188-00
Q261	151-0190-00			TRANSISTOR:SILICON,NPN	07263	S032677
Q271	151-0347-00			TRANSISTOR:SILICON,NPN	80009	151-0347-00
Q272	151-0188-00			TRANSISTOR:SILICON,PNP	80009	151-0188-00
Q273	151-0190-00			TRANSISTOR:SILICON,NPN	07263	S032677
Q301	151-0190-00			TRANSISTOR:SILICON,NPN	07263	S032677
Q303	151-0188-00			TRANSISTOR:SILICON,PNP	80009	151-0188-00
Q361	151-0190-00			TRANSISTOR:SILICON,NPN	07263	S032677
Q362	151-0188-00			TRANSISTOR:SILICON,PNP	80009	151-0188-00
Q401	151-0190-00			TRANSISTOR:SILICON,NPN	07263	S032677
Q421	151-0188-00			TRANSISTOR:SILICON,PNP	80009	151-0188-00
Q423	151-0190-00			TRANSISTOR:SILICON,NPN	07263	S032677
Q425	151-0190-00			TRANSISTOR:SILICON,NPN	07263	S032677
Q431	151-0190-00			TRANSISTOR:SILICON,NPN	07263	S032677
Q433	151-0190-00			TRANSISTOR:SILICON,NPN	07263	S032677
Q435	151-0190-00			TRANSISTOR:SILICON,NPN	07263	S032677
Q451	151-0190-00			TRANSISTOR:SILICON,NPN	07263	S032677
Q521	151-0188-00			TRANSISTOR:SILICON,PNP	80009	151-0188-00
Q523	151-0188-00			TRANSISTOR:SILICON,PNP	80009	151-0188-00
Q601	151-0391-00			TRANSISTOR:SILICON,PNP	80009	151-0391-00
Q621	151-0190-00			TRANSISTOR:SILICON,NPN	07263	S032677
Q741	151-0188-00			TRANSISTOR:SILICON,PNP	80009	151-0188-00
Q743	151-0391-00			TRANSISTOR:SILICON,PNP	80009	151-0391-00
Q745	151-0190-00			TRANSISTOR:SILICON,NPN	07263	S032677
Q747	151-0390-00			TRANSISTOR:SILICON,NPN	80009	151-0390-00
Q761	151-0347-00			TRANSISTOR:SILICON,NPN	80009	151-0347-00
Q763	151-0350-00			TRANSISTOR:SILICON,PNP	80009	151-0350-00
Q771	151-0497-00			TRANSISTOR:SILICON,NPN	80009	151-0497-00
Q781	151-0188-00			TRANSISTOR:SILICON,PNP	80009	151-0188-00
Q821	151-0331-00			TRANSISTOR:SILICON,NPN	03508	X40C115
Q841	151-0190-00			TRANSISTOR:SILICON,NPN	07263	S032677
Q843	151-0188-00			TRANSISTOR:SILICON,PNP	80009	151-0188-00
Q1100	151-0256-00			TRANSISTOR:SILICON,NPN	80009	151-0256-00
Q1102	151-0449-00			TRANSISTOR:SILICON,NPN	80009	151-0449-00
Q1104	151-0485-00			TRANSISTOR:SILICON,NPN	80009	151-0485-00

REPLACEABLE ELECTRICAL PARTS

DEFLECTION AMPLIFIER (CONT)

Ckt No.	Tektronix Part No.	Serial/Model No. Eff	Dscont	Name & Description	Mfr Code	Mfr Part Number
Q1106	151-0419-00			TRANSISTOR: SILICON, PNP	04713	2N6227
R103	315-0472-00			RES., FXD, CMPSN: 4.7K OHM, 5%, 0.25W	01121	CB4725
R105	315-0100-00			RES., FXD, CMPSN: 10 OHM, 5%, 0.25W	01121	CB1005
R107	315-0103-00			RES., FXD, CMPSN: 10K OHM, 5%, 0.25W	01121	CB1035
R109	321-0489-00			RES., FXD, FILM: 1.21M OHM, 1%, 0.125W	01121	CC1214FY
R113	315-0472-00			RES., FXD, CMPSN: 4.7K OHM, 5%, 0.25W	01121	CB4725
R114	301-0821-00			RES., FXD, CMPSN: 820 OHM, 5%, 0.50W	01121	EB8215
R115	315-0133-00			RES., FXD, CMPSN: 13K OHM, 5%, 0.25W	01121	CB1335
R117	315-0103-00			RES., FXD, CMPSN: 10K OHM, 5%, 0.25W	01121	CB1035
R119	311-1560-00			RES., VAR, NONWIR: 5K OHM, 20%, 0.50W	73138	91A R5K
R121	315-0473-00			RES., FXD, CMPSN: 47K OHM, 5%, 0.25W	01121	CB4735
R125	311-1559-00			RES., VAR, NONWIR: 10K OHM, 20%, 0.50W	73138	91A-10001M
R127	315-0150-00			RES., FXD, CMPSN: 15 OHM, 5%, 0.25W	01121	CB1505
R129	315-0102-00			RES., FXD, CMPSN: 1K OHM, 5%, 0.25W	01121	CB1025
R133	315-0103-00			RES., FXD, CMPSN: 10K OHM, 5%, 0.25W	01121	CB1035
R135	315-0163-00			RES., FXD, CMPSN: 16K OHM, 5%, 0.25W	01121	CB1635
R137	315-0100-00			RES., FXD, CMPSN: 10 OHM, 5%, 0.25W	01121	CB1005
R138	315-0823-00			RES., FXD, CMPSN: 82K OHM, 5%, 0.25W	01121	CB8235
R139	315-0104-00			RES., FXD, CMPSN: 100K OHM, 5%, 0.25W	01121	CB1045
R158	301-0510-00			RES., FXD, CMPSN: 51 OHM, 5%, 0.50W	01121	EB5105
R178	308-0799-00			RES., FXD, WW: 1 OHM, 1%, 4W	91637	NS21R000F
R188	308-0244-00			RES., FXD, WW: 0.3 OHM, 10%, 2W	91637	RS2B162ER3000K
R189	308-0244-00			RES., FXD, WW: 0.3 OHM, 10%, 2W	91637	RS2B162ER3000K
R201	315-0152-00			RES., FXD, CMPSN: 1.5K OHM, 5%, 0.25W	01121	CB1525
R203	315-0512-00			RES., FXD, CMPSN: 5.1K OHM, 5%, 0.25W	01121	CB5125
R205	311-1556-00			RES., VAR, NONWIR: 50K OHM, 20%, 0.50W	73138	91A R50K
R211	315-0100-00			RES., FXD, CMPSN: 10 OHM, 5%, 0.25W	01121	CB1005
R213	315-0100-00			RES., FXD, CMPSN: 10 OHM, 5%, 0.25W	01121	CB1005
R215	315-0100-00			RES., FXD, CMPSN: 10 OHM, 5%, 0.25W	01121	CB1005
R216	315-0153-00			RES., FXD, CMPSN: 15K OHM, 5%, 0.25W	01121	CB1535
R217	315-0302-00			RES., FXD, CMPSN: 3K OHM, 5%, 0.25W	01121	CB3025
R218	315-0242-00			RES., FXD, CMPSN: 2.4K OHM, 5%, 0.25W	01121	CB2425
R219	315-0910-00			RES., FXD, CMPSN: 91 OHM, 5%, 0.25W	01121	CB9105
R221	315-0272-00			RES., FXD, CMPSN: 2.7K OHM, 5%, 0.25W	01121	CB2725
R222	315-0124-00			RES., FXD, CMPSN: 120K OHM, 5%, 0.25W	01121	CB1245
R223	315-0472-00			RES., FXD, CMPSN: 4.7K OHM, 5%, 0.25W	01121	CB4725
R226	321-0210-00			RES., FXD, FILM: 1.5K OHM, 1%, 0.125W	91637	MFF1816G15000F
R227	321-0354-00			RES., FXD, FILM: 47.5K OHM, 1%, 0.125W	91637	MFF1816G47501F
R228	315-0333-00			RES., FXD, CMPSN: 33K OHM, 5%, 0.25W	01121	CB3335
R231	315-0202-00			RES., FXD, CMPSN: 2K OHM, 5%, 0.25W	01121	CB2025
R233	315-0101-00			RES., FXD, CMPSN: 100 OHM, 5%, 0.25W	01121	CB1015
R235	311-1559-00			RES., VAR, NONWIR: 10K OHM, 20%, 0.50W	73138	91A-10001M
R241	311-1559-00			RES., VAR, NONWIR: 10K OHM, 20%, 0.50W	73138	91A-10001M
R251	315-0101-00			RES., FXD, CMPSN: 100 OHM, 5%, 0.25W	01121	CB1015
R252	321-0282-00			RES., FXD, FILM: 8.45K OHM, 1%, 0.125W	91637	MFF1816G84500F
R253	315-0512-00			RES., FXD, CMPSN: 5.1K OHM, 5%, 0.25W	01121	CB5125
R258	315-0622-00			RES., FXD, CMPSN: 6.2K OHM, 5%, 0.25W	01121	CB6225
R261	321-0282-00			RES., FXD, FILM: 8.45K OHM, 1%, 0.125W	91637	MFF1816G84500F
R262	321-0213-00			RES., FXD, FILM: 1.62K OHM, 1%, 0.125W	91637	MFF1816G16200F
R263	321-0250-00			RES., FXD, FILM: 3.92K OHM, 1%, 0.125W	91637	MFF1816G39200F
R264	321-0030-00			RES., FXD, FILM: 20 OHM, 1%, 0.125W	91637	MFF1816G20R00F
R271	315-0101-00			RES., FXD, CMPSN: 100 OHM, 5%, 0.25W	01121	CB1015
R272	315-0681-00			RES., FXD, CMPSN: 680 OHM, 5%, 0.25W	01121	CB6815
R273	321-0213-00			RES., FXD, FILM: 1.62K OHM, 1%, 0.125W	91637	MFF1816G16200F
R274	321-0264-00			RES., FXD, FILM: 5.49K OHM, 1%, 0.125W	91637	MFF1816G54900F
R275	321-0289-00			RES., FXD, FILM: 10K OHM, 1%, 0.125W	91637	MFF1816G10001F

REPLACEABLE ELECTRICAL PARTS

DEFLECTION AMPLIFIER (CONT)

Ckt No.	Tektronix Part No.	Serial/Model No. Eff	Dscont	Name & Description	Mfr Code	Mfr Part Number
R276	315-0510-00			RES., FXD, CMPSN: 51 OHM, 5%, 0.25W	01121	CB5105
R277	315-0510-00			RES., FXD, CMPSN: 51 OHM, 5%, 0.25W	01121	CB5105
R291	301-0104-00			RES., FXD, CMPSN: 100K OHM, 5%, 0.5W	01121	EB1045
R301	315-0512-00			RES., FXD, CMPSN: 5.1K OHM, 5%, 0.25W	01121	CB5125
R303	315-0124-00			RES., FXD, CMPSN: 120K OHM, 5%, 0.25W	01121	CB1245
R321	315-0620-00			RES., FXD, CMPSN: 62 OHM, 5%, 0.25W	01121	CB6205
R324	315-0101-00			RES., FXD, CMPSN: 100 OHM, 5%, 0.25W	01121	CB1015
R325	321-0230-00			RES., FXD, FILM: 2.43K OHM, 1%, 0.125W	91637	MFF1816G24300F
R329	311-1557-00			RES., VAR, NONWIR: 25K OHM, 20%, 0.50W	73138	91A R24K
R331	321-0306-00			RES., FXD, FILM: 15K OHM, 1%, 0.125W	91637	MFF1816G15001F
R332	321-0392-00			RES., FXD, FILM: 118K OHM, 1%, 0.125W	91637	MFF1816G11802F
R335	315-0682-00			RES., FXD, CMPSN: 6.8K OHM, 5%, 0.25W	01121	CB6825
R341	321-0344-00			RES., FXD, FILM: 37.4K OHM, 1%, 0.125W	91637	MFF1816G37401F
R343	321-0332-00			RES., FXD, FILM: 28K OHM, 1%, 0.125W	91637	MFF1816G28001F
R345	315-0472-00			RES., FXD, CMPSN: 4.7K OHM, 5%, 0.25W	01121	CB4725
R351	311-1560-00			RES., VAR, NONWIR: 5K OHM, 20%, 0.50W	73138	91A R5K
R352	321-0289-00			RES., FXD, FILM: 10K OHM, 1%, 0.125W	91637	MFF1816G10001F
R353	315-0202-00			RES., FXD, CMPSN: 2K OHM, 5%, 0.25W	01121	CB2025
R354	315-0104-00			RES., FXD, CMPSN: 100K OHM, 5%, 0.25W	01121	CB1045
R355	315-0510-00			RES., FXD, CMPSN: 51 OHM, 5%, 0.25W	01121	CB5105
R356	315-0510-00			RES., FXD, CMPSN: 51 OHM, 5%, 0.25W	01121	CB5105
R357	321-0264-00			RES., FXD, FILM: 5.49K OHM, 1%, 0.125W	91637	MFF1816G54900F
R361	321-0030-00			RES., FXD, FILM: 20 OHM, 1%, 0.125W	91637	MFF1816G20R00F
R371	321-0030-00			RES., FXD, FILM: 20 OHM, 1%, 0.125W	91637	MFF1816G20R00F
R372	321-0030-00			RES., FXD, FILM: 20 OHM, 1%, 0.125W	91637	MFF1816G20R00F
R373	321-0250-00			RES., FXD, FILM: 3.92K OHM, 1%, 0.125W	91637	MFF1816G39200F
R374	315-0100-00			RES., FXD, CMPSN: 10 OHM, 5%, 0.25W	01121	CB1005
R401	315-0752-00			RES., FXD, CMPSN: 7.5K OHM, 5%, 0.25W	01121	CB7525
R403	315-0621-00			RES., FXD, CMPSN: 620 OHM, 5%, 0.25W	01121	CB6215
R405	315-0511-00			RES., FXD, CMPSN: 510 OHM, 5%, 0.25W	01121	CB5115
R411	315-0392-00			RES., FXD, CMPSN: 3.9K OHM, 5%, 0.25W	01121	CB3925
R413	311-1561-00			RES., VAR, NONWIR: 2.5K OHM, 20%, 0.50W	73138	91A R2500
R415	321-0296-00			RES., FXD, FILM: 11.8K OHM, 1%, 0.125W	91637	MFF1816G11801F
R417	321-0282-00			RES., FXD, FILM: 8.45K OHM, 1%, 0.125W	91637	MFF1816G84500F
R419	315-0681-00			RES., FXD, CMPSN: 680 OHM, 5%, 0.25W	01121	CB6815
R421	315-0822-00			RES., FXD, CMPSN: 8.2K OHM, 5%, 0.25W	01121	CB8225
R423	315-0104-00			RES., FXD, CMPSN: 100K OHM, 5%, 0.25W	01121	CB1045
R425	315-0471-00			RES., FXD, CMPSN: 470 OHM, 5%, 0.25W	01121	CB4715
R427	315-0823-00			RES., FXD, CMPSN: 82K OHM, 5%, 0.25W	01121	CB8235
R429	315-0103-00			RES., FXD, CMPSN: 10K OHM, 5%, 0.25W	01121	CB1035
R431	315-0103-00			RES., FXD, CMPSN: 10K OHM, 5%, 0.25W	01121	CB1035
R433	315-0103-00			RES., FXD, CMPSN: 10K OHM, 5%, 0.25W	01121	CB1035
R435	315-0203-00			RES., FXD, CMPSN: 20K OHM, 5%, 0.25W	01121	CB2035
R441	315-0431-00			RES., FXD, CMPSN: 430 OHM, 5%, 0.25W	01121	CB4315
R443	315-0622-00			RES., FXD, CMPSN: 6.2K OHM, 5%, 0.25W	01121	CB6225
R445	321-0204-00			RES., FXD, FILM: 1.3K OHM, 1%, 0.125W	91637	MFF1816G13000F
R449	315-0100-00			RES., FXD, CMPSN: 10 OHM, 5%, 0.25W	01121	CB1005
R453	315-0622-00			RES., FXD, CMPSN: 6.2K OHM, 5%, 0.25W	01121	CB6225
R455	315-0512-00			RES., FXD, CMPSN: 5.1K OHM, 5%, 0.25W	01121	CB5125
R456	315-0432-00			RES., FXD, CMPSN: 4.3K OHM, 5%, 0.25W	01121	CB4325
R457	315-0103-00			RES., FXD, CMPSN: 10K OHM, 5%, 0.25W	01121	CB1035
R459	315-0105-00			RES., FXD, CMPSN: 1M OHM, 5%, 0.25W	01121	CB1055
R460	315-0102-00			RES., FXD, CMPSN: 1K OHM, 5%, 0.25W	01121	CB1025
R461	315-0562-00			RES., FXD, CMPSN: 5.6K OHM, 5%, 0.25W	01121	CB5625
R464	315-0153-00			RES., FXD, CMPSN: 15K OHM, 5%, 0.25W	01121	CB1535
R467	315-0105-00			RES., FXD, CMPSN: 1M OHM, 5%, 0.25W	01121	CB1055
R491	315-0106-00			RES., FXD, CMPSN: 10M OHM, 5%, 0.25W	01121	CB1065

REPLACEABLE ELECTRICAL PARTS

DEFLECTION AMPLIFIER (CONT)

Ckt No.	Tektronix Part No.	Serial/Model No. Eff	Dscont	Name & Description	Mfr Code	Mfr Part Number
R501	315-0243-00			RES., FXD, CMPSN: 24K OHM, 5%, 0.25W	01121	CB2435
R503	315-0562-00			RES., FXD, CMPSN: 5.6K OHM, 5%, 0.25W	01121	CB5625
R511	315-0105-00			RES., FXD, CMPSN: 1M OHM, 5%, 0.25W	01121	CB1055
R512	315-0100-00			RES., FXD, CMPSN: 10 OHM, 5%, 0.25W	01121	CB1005
R513	321-0252-00			RES., FXD, FILM: 4.12K OHM, 1%, 0.125W	91637	MFF1816G41200F
R515	315-0302-00			RES., FXD, CMPSN: 3K OHM, 5%, 0.25W	01121	CB3025
R521	321-0258-00			RES., FXD, FILM: 4.75K OHM, 1%, 0.125W	91637	MFF1816G47500F
R523	321-0269-00			RES., FXD, FILM: 6.19K OHM, 1%, 0.125W	91637	MFF1816G61900F
R525	321-0342-00			RES., FXD, FILM: 35.7K OHM, 1%, 0.125W	91637	MFF1816G35701F
R527	321-0119-00			RES., FXD, FILM: 169 OHM, 1%, 0.125W	91637	MFF1816G169R0F
R529	307-0103-00			RES., FXD, CMPSN: 2.7 OHM, 5%, 0.25W	01121	CB27G5
R541	315-0100-00			RES., FXD, CMPSN: 10 OHM, 5%, 0.25W	01121	CB1005
R581	301-0510-00			RES., FXD, CMPSN: 51 OHM, 5%, 0.50W	01121	EB5105
R582	308-0677-00			RES., FXD, WW: 1 OHM, 5%, 2W	75042	BWH-1R000J
R601	307-0052-00			RES., FXD, CMPSN: 3 OHM, 5%, 0.50W	01121	EB30G5
R603	307-0052-00			RES., FXD, CMPSN: 3 OHM, 5%, 0.50W	01121	EB30G5
R621	311-1559-00			RES., VAR, NONWIR: 10K OHM, 20%, 0.50W	73138	91A-10001M
R622	321-0237-00			RES., FXD, FILM: 2.87K OHM, 1%, 0.125W	91637	MFF1816G28700F
R623	321-0217-00			RES., FXD, FILM: 1.78K OHM, 1%, 0.125W	91637	MFF1816G17800F
R639	315-0622-00			RES., FXD, CMPSN: 6.2K OHM, 5%, 0.25W	01121	CB6225
R641	315-0100-00			RES., FXD, CMPSN: 10 OHM, 5%, 0.25W	01121	CB1005
R643	315-0131-00			RES., FXD, CMPSN: 130 OHM, 5%, 0.25W	01121	CB1315
R671	301-0681-00			RES., FXD, CMPSN: 680 OHM, 5%, 0.50W	01121	EB6815
R672	307-0057-00			RES., FXD, CMPSN: 5.1 OHM, 5%, 0.50W	01121	EB51G5
R701	307-0103-00			RES., FXD, CMPSN: 2.7 OHM, 5%, 0.25W	01121	CB27G5
R721	315-0562-00			RES., FXD, CMPSN: 5.6K OHM, 5%, 0.25W	01121	CB5625
R731	315-0362-00			RES., FXD, CMPSN: 3.6K OHM, 5%, 0.25W	01121	CB3625
R733	315-0621-00			RES., FXD, CMPSN: 620 OHM, 5%, 0.25W	01121	CB6215
R741	308-0344-00			RES., FXD, WW: 18.2 OHM, 1%, 3W	91637	RS2B-K18R20F
R743	308-0344-00			RES., FXD, WW: 18.2 OHM, 1%, 3W	91637	RS2B-K18R20F
R745	303-0360-00			RES., FXD, CMPSN: 36 OHM, 5%, 1W	01121	GB3605
R751	315-0131-00			RES., FXD, CMPSN: 130 OHM, 5%, 0.25W	01121	CB1315
R753	315-0622-00			RES., FXD, CMPSN: 6.2K OHM, 5%, 0.25W	01121	CB6225
R755	311-1563-00			RES., VAR, NONWIR: 1K OHM, 20%, 0.50W	73138	91A R1K
R761	315-0272-00			RES., FXD, CMPSN: 2.7K OHM, 5%, 0.25W	01121	CB2725
R763	315-0101-00			RES., FXD, CMPSN: 100 OHM, 5%, 0.25W	01121	CB1015
R765	315-0103-00			RES., FXD, CMPSN: 10K OHM, 5%, 0.25W	01121	CB1035
R767	315-0331-00			RES., FXD, CMPSN: 330 OHM, 5%, 0.25W	01121	CB3315
R769	323-0373-00			RES., FXD, FILM: 75K OHM, 1%, 0.50W	75042	CECT0-7502F
R781	308-0223-00			RES., FXD, WW: 35 OHM, 5%, 3W	91637	RS2B-K35R00J
R801	315-0395-00			RES., FXD, CMPSN: 3.9M OHM, 5%, 0.25W	01121	CB3955
R831	315-0302-00			RES., FXD, CMPSN: 3K OHM, 5%, 0.25W	01121	CB3025
R841	315-0512-00			RES., FXD, CMPSN: 5.1K OHM, 5%, 0.25W	01121	CB5125
R843	315-0512-00			RES., FXD, CMPSN: 5.1K OHM, 5%, 0.25W	01121	CB5125
R851	315-0302-00			RES., FXD, CMPSN: 3K OHM, 5%, 0.25W	01121	CB3025
R861	315-0102-00			RES., FXD, CMPSN: 1K OHM, 5%, 0.25W	01121	CB1025
R863	321-0271-00			RES., FXD, FILM: 6.49K OHM, 1%, 0.125W	91637	MFF1816G64900F
R865	315-0101-00			RES., FXD, CMPSN: 100 OHM, 5%, 0.25W	01121	CB1015
R866	308-0058-00			RES., FXD, WW: 1.5 OHM, 10%, 1W	75042	BW20-1R500K
R871	311-1560-00			RES., VAR, NONWIR: 5K OHM, 20%, 0.50W	73138	91A R5K
R873	311-1556-00			RES., VAR, NONWIR: 50K OHM, 20%, 0.50W	73138	91A R50K
R875	315-0103-00			RES., FXD, CMPSN: 10K OHM, 5%, 0.25W	01121	CB1035
R877	315-0330-00			RES., FXD, CMPSN: 33 OHM, 5%, 0.25W	01121	CB3305
R880	315-0330-00			RES., FXD, CMPSN: 33 OHM, 5%, 0.25W	01121	CB3305
R881	315-0822-00			RES., FXD, CMPSN: 8.2K OHM, 5%, 0.25W	01121	CB8225
R882	315-0513-00			RES., FXD, CMPSN: 51K OHM, 5%, 0.25W	01121	CB5135
R883	315-0113-00			RES., FXD, CMPSN: 11K OHM, 5%, 0.25W	01121	CB1135

REPLACEABLE ELECTRICAL PARTS

DEFLECTION AMPLIFIER (CONT)

Ckt No.	Tektronix	Serial/Model No.		Name & Description	Mfr Code	Mfr Part Number
	Part No.	Eff	Dscont			
R991	303-0821-00			RES.,FXD,CMPNS:820 OHM,5%,1W	01121	GB8215
R992	301-0511-00			RES.,FXD,CMPNS:510 OHM,5%,0.50W	01121	EB5115
T571	120-1209-00			XFMR,RF:BASE DRIVE,POT CORE	80009	120-1209-00
T801	120-1212-00			XFMR,RF:DYNAMIC FOCUS,POT CORE	80009	120-1212-00
U101	156-0706-00			MICROCIRCUIT,DI:DUAL MONOSTABLE MV	01295	SN74221N
U121	156-1200-00			MICROCIRCUIT,LI:OPERATIONAL AMPL	01295	TL074CN
U217	156-1147-00			MICROCIRCUIT,LI:TV HORIZ PROCESSOR	80009	156-1147-00
U341	155-0152-00			MICROCIRCUIT,LI:GEOMETRY & FOCUS CORR	80009	155-0152-00
U441	156-0072-00			MICROCIRCUIT,DI:MONOSTABLE MV,TTL,14 DIP	80009	156-0072-00
U461	156-0067-00			MICROCIRCUIT,LI:OPERATIONAL AMPLIFIER	80009	156-0067-00
U771	156-0067-00			MICROCIRCUIT,LI:OPERATIONAL AMPLIFIER	80009	156-0067-00
VR241	152-0243-00			SEMICONV DEVICE:ZENER,0.4W,15V,5%	14552	1N965B
VR441	152-0226-00			SEMICONV DEVICE:ZENER,0.4W,5.1V,5%	80009	152-0226-00
VR521	152-0571-00			SEMICONV DEVICE:ZENER,0.4W,16V,5%	80009	152-0571-00
VR522	152-0571-00			SEMICONV DEVICE:ZENER,0.4W,16V,5%	80009	152-0571-00
VR641	152-0226-00			SEMICONV DEVICE:ZENER,0.4W,5.1V,5%	80009	152-0226-00
VR643	152-0226-00			SEMICONV DEVICE:ZENER,0.4W,5.1V,5%	80009	152-0226-00
VR721	152-0278-00			SEMICONV DEVICE:ZENER,0.4W,3V,5%	80009	152-0278-00
VR771	152-0195-00			SEMICONV DEVICE:ZENER,0.4W,5.1V,5%	80009	152-0195-00

REPLACEABLE ELECTRICAL PARTS

Ckt No.	Tektronix Part No.	Serial/Model No. Eff	Dscont	Name & Description	Mfr Code	Mfr Part Number
A11 CONVERGENCE AND Z AXIS						
A11	672-0749-00	B010100	B010399	CKT BOARD ASSY:CONVERGENCE & Z AXIS	80009	672-0749-00
A11	672-0749-01	B010400		CKT BOARD ASSY:CONVERGENCE & Z AXIS	80009	672-0749-01
A11A1	670-5644-XX			CKT BOARD ASSY:CONVERGENCE & Z AXIS (NOT AVAILABLE, SEE A11)		
C110	281-0773-00			CAP.,FXD,CER DI:0.01UF,10%,100V	72982	8005H9AADW5R103K
C111	281-0773-00			CAP.,FXD,CER DI:0.01UF,10%,100V	72982	8005H9AADW5R103K
C202	281-0773-00			CAP.,FXD,CER DI:0.01UF,10%,100V	72982	8005H9AADW5R103K
C203	281-0773-00			CAP.,FXD,CER DI:0.01UF,10%,100V	72982	8005H9AADW5R103K
C205	281-0773-00			CAP.,FXD,CER DI:0.01UF,10%,100V	72982	8005H9AADW5R103K
C221	283-0057-00			CAP.,FXD,CER DI:0.1UF,+80-20%,200V	56289	274C10
C301	281-0773-00			CAP.,FXD,CER DI:0.01UF,10%,100V	72982	8005H9AADW5R103K
C303	281-0773-00			CAP.,FXD,CER DI:0.01UF,10%,100V	72982	8005H9AADW5R103K
C310	281-0773-00			CAP.,FXD,CER DI:0.01UF,10%,100V	72982	8005H9AADW5R103K
C311	281-0773-00			CAP.,FXD,CER DI:0.01UF,10%,100V	72982	8005H9AADW5R103K
C321	283-0057-00			CAP.,FXD,CER DI:0.1UF,+80-20%,200V	56289	274C10
C345	283-0077-00	B010100	B010399	CAP.,FXD,CER DI:330PF,5%,500V	56289	40C94A3
C345	283-0103-00	B010400		CAP.,FXD,CER DI:180PF,5%,500V	56289	40C638
C355	283-0077-00	B010100	B010399	CAP.,FXD,CER DI:330PF,5%,500V	56289	40C94A3
C355	283-0103-00	B010400		CAP.,FXD,CER DI:180PF,5%,500V	56289	40C638
C375	283-0077-00			CAP.,FXD,CER DI:330PF,5%,500V	56289	40C94A3
C406	281-0773-00			CAP.,FXD,CER DI:0.01UF,10%,100V	72982	8005H9AADW5R103K
C411	281-0773-00			CAP.,FXD,CER DI:0.01UF,10%,100V	72982	8005H9AADW5R103K
C412	281-0773-00			CAP.,FXD,CER DI:0.01UF,10%,100V	72982	8005H9AADW5R103K
C421	283-0057-00			CAP.,FXD,CER DI:0.1UF,+80-20%,200V	56289	274C10
C429	290-0164-00			CAP.,FXD,ELCTLT:1UF,+50-10%,150V	56289	500D105F150BA7
C433	283-0002-00			CAP.,FXD,CER DI:0.01UF,+80-20%,500V	72982	811-546E103Z
C434	283-0001-00			CAP.,FXD,CER DI:0.005UF,+100-0%,500V	72982	831-559E502P
C443	283-0672-00			CAP.,FXD,MICA D:200PF,1%,500V	00853	D155F2010F0
C446	281-0775-00			CAP.,FXD,CER DI:0.1UF,20%,50V	72982	8005D9AABZ5U104M
C447	290-0745-00			CAP.,FXD,ELCTLT:22UF,+50-10%,25V	56289	502D225
C448	290-0746-00			CAP.,FXD,ELCTLT:47UF,+50-10%,16V	56289	502D226
C461	281-0775-00			CAP.,FXD,CER DI:0.1UF,20%,50V	72982	8005D9AABZ5U104M
C467	281-0775-00			CAP.,FXD,CER DI:0.1UF,20%,50V	72982	8005D9AABZ5U104M
C506	290-0746-00			CAP.,FXD,ELCTLT:47UF,+50-10%,16V	56289	502D226
C518	290-0414-00			CAP.,FXD,ELCTLT:8UF,+50-10%,200V	90201	TT8R0T200C1C3P
C531	283-0000-00			CAP.,FXD,CER DI:0.001UF,+100-0%,500V	72982	831-516E102P
C537	290-0745-00			CAP.,FXD,ELCTLT:22UF,+50-10%,25V	56289	502D225
C541	290-0536-00			CAP.,FXD,ELCTLT:10UF,20%,25V	90201	TDC106M025FL
C601	290-0779-00			CAP.,FXD,ELCTLT:10UF,+50-10%,50VDC	56289	502D237
C611	290-0746-00			CAP.,FXD,ELCTLT:47UF,+50-10%,16V	56289	502D226
C612	290-0779-00			CAP.,FXD,ELCTLT:10UF,+50-10%,50VDC	56289	502D237
C621	290-0736-00			CAP.,FXD,ELCTLT:3300UF,+100-10%,40V	0000M	290-0736-00
C637	290-0746-00			CAP.,FXD,ELCTLT:47UF,+50-10%,16V	56289	502D226
C641	283-0000-00			CAP.,FXD,CER DI:0.001UF,+100-0%,500V	72982	831-516E102P
C645	290-0779-00			CAP.,FXD,ELCTLT:10UF,+50-10%,50VDC	56289	502D237
C646	290-0798-00			CAP.,FXD,ELCTLT:180UF,+100-10%,40V	56289	672D187H04ODM5C
C647	290-0798-00			CAP.,FXD,ELCTLT:180UF,+100-10%,40V	56289	672D187H04ODM5C
C653	281-0775-00			CAP.,FXD,CER DI:0.1UF,20%,50V	72982	8005D9AABZ5U104M
CR135	152-0141-02			SEMICONV DEVICE:SILICON,30V,50NA	80009	152-0141-02
CR136	152-0141-02			SEMICONV DEVICE:SILICON,30V,50NA	80009	152-0141-02
CR145	152-0141-02			SEMICONV DEVICE:SILICON,30V,50NA	80009	152-0141-02
CR146	152-0141-02			SEMICONV DEVICE:SILICON,30V,50NA	80009	152-0141-02
CR165	152-0141-02			SEMICONV DEVICE:SILICON,30V,50NA	80009	152-0141-02
CR166	152-0141-02			SEMICONV DEVICE:SILICON,30V,50NA	80009	152-0141-02

REPLACEABLE ELECTRICAL PARTS

CONVERGENCE & Z AXIS (CONT)

Ckt No.	Tektronix Part No.	Serial/Model No. Eff	Dscont	Name & Description	Mfr Code	Mfr Part Number
CR232	152-0141-02			SEMICONV DEVICE: SILICON, 30V, 50NA	80009	152-0141-02
CR233	152-0141-02			SEMICONV DEVICE: SILICON, 30V, 50NA	80009	152-0141-02
CR242	152-0141-02			SEMICONV DEVICE: SILICON, 30V, 50NA	80009	152-0141-02
CR243	152-0141-02			SEMICONV DEVICE: SILICON, 30V, 50NA	80009	152-0141-02
CR262	152-0141-02			SEMICONV DEVICE: SILICON, 30V, 50NA	80009	152-0141-02
CR263	152-0141-02			SEMICONV DEVICE: SILICON, 30V, 50NA	80009	152-0141-02
CR430	152-0141-02			SEMICONV DEVICE: SILICON, 30V, 50NA	80009	152-0141-02
CR431	152-0141-02			SEMICONV DEVICE: SILICON, 30V, 50NA	80009	152-0141-02
CR432	152-0141-02			SEMICONV DEVICE: SILICON, 30V, 50NA	80009	152-0141-02
CR437	152-0141-02			SEMICONV DEVICE: SILICON, 30V, 50NA	80009	152-0141-02
CR440	152-0141-02			SEMICONV DEVICE: SILICON, 30V, 50NA	80009	152-0141-02
CR441	152-0141-02			SEMICONV DEVICE: SILICON, 30V, 50NA	80009	152-0141-02
CR443	152-0141-02			SEMICONV DEVICE: SILICON, 30V, 50NA	80009	152-0141-02
E101	119-0759-00			ARSR, ELEC SURGE: 145V, GAS FILLED	71482	CG145L
E301	119-0759-00			ARSR, ELEC SURGE: 145V, GAS FILLED	71482	CG145L
E401	119-0759-00			ARSR, ELEC SURGE: 145V, GAS FILLED	71482	CG145L
L101	108-0459-00			COIL, RF: FIXED, 39.5UH	80009	108-0459-00
L301	108-0459-00			COIL, RF: FIXED, 39.5UH	80009	108-0459-00
L401	108-0459-00			COIL, RF: FIXED, 39.5UH	80009	108-0459-00
Q111	151-0615-00			TRANSISTOR: SILICON, NPN	80009	151-0615-00
Q121	151-0497-00			TRANSISTOR: SILICON, NPN	80009	151-0497-00
Q131	151-0476-00			TRANSISTOR: SILICON, NPN	80009	151-0476-00
Q132	151-0482-00			TRANSISTOR: SILICON, PNP	80009	151-0482-00
Q133	151-0464-00			TRANSISTOR: SILICON, NPN	80009	151-0464-00
Q134	151-0462-00			TRANSISTOR: SILICON, PNP	80009	151-0462-00
Q135	151-0350-00			TRANSISTOR: SILICON, PNP	80009	151-0350-00
Q136	151-0347-00			TRANSISTOR: SILICON, NPN	80009	151-0347-00
Q141	151-0476-00			TRANSISTOR: SILICON, NPN	80009	151-0476-00
Q142	151-0482-00			TRANSISTOR: SILICON, PNP	80009	151-0482-00
Q143	151-0464-00			TRANSISTOR: SILICON, NPN	80009	151-0464-00
Q144	151-0462-00			TRANSISTOR: SILICON, PNP	80009	151-0462-00
Q145	151-0350-00			TRANSISTOR: SILICON, PNP	80009	151-0350-00
Q146	151-0347-00			TRANSISTOR: SILICON, NPN	80009	151-0347-00
Q161	151-0476-00			TRANSISTOR: SILICON, NPN	80009	151-0476-00
Q162	151-0482-00			TRANSISTOR: SILICON, PNP	80009	151-0482-00
Q163	151-0464-00			TRANSISTOR: SILICON, NPN	80009	151-0464-00
Q164	151-0462-00			TRANSISTOR: SILICON, PNP	80009	151-0462-00
Q165	151-0350-00			TRANSISTOR: SILICON, PNP	80009	151-0350-00
Q166	151-0347-00			TRANSISTOR: SILICON, NPN	80009	151-0347-00
Q201	151-0190-00			TRANSISTOR: SILICON, NPN	07263	S032677
Q202	151-0235-00			TRANSISTOR: SILICON, PNP	80009	151-0235-00
Q212	151-0190-00			TRANSISTOR: SILICON, NPN	07263	S032677
Q213	151-0190-00			TRANSISTOR: SILICON, NPN	07263	S032677
Q214	151-0190-00			TRANSISTOR: SILICON, NPN	07263	S032677
Q221	151-0190-00			TRANSISTOR: SILICON, NPN	07263	S032677
Q222	151-0190-00			TRANSISTOR: SILICON, NPN	07263	S032677
Q223	151-0190-00			TRANSISTOR: SILICON, NPN	07263	S032677
Q231	151-0350-00			TRANSISTOR: SILICON, PNP	80009	151-0350-00
Q232	151-0347-00			TRANSISTOR: SILICON, NPN	80009	151-0347-00
Q241	151-0350-00			TRANSISTOR: SILICON, PNP	80009	151-0350-00
Q242	151-0347-00			TRANSISTOR: SILICON, NPN	80009	151-0347-00
Q261	151-0350-00			TRANSISTOR: SILICON, PNP	80009	151-0350-00
Q262	151-0347-00			TRANSISTOR: SILICON, NPN	80009	151-0347-00
Q301	151-0190-00			TRANSISTOR: SILICON, NPN	07263	S032677
Q302	151-0235-00			TRANSISTOR: SILICON, PNP	80009	151-0235-00

REPLACEABLE ELECTRICAL PARTS

CONVERGENCE & Z AXIS (CONT)

Ckt No.	Tektronix Part No.	Serial/Model No. Eff	Dscont	Name & Description	Mfr Code	Mfr Part Number
Q310	151-0615-00			TRANSISTOR: SILICON, NPN	80009	151-0615-00
Q312	151-0190-00			TRANSISTOR: SILICON, NPN	07263	S032677
Q313	151-0190-00			TRANSISTOR: SILICON, NPN	07263	S032677
Q314	151-0190-00			TRANSISTOR: SILICON, NPN	07263	S032677
Q321	151-0190-00			TRANSISTOR: SILICON, NPN	07263	S032677
Q322	151-0190-00			TRANSISTOR: SILICON, NPN	07263	S032677
Q323	151-0190-00			TRANSISTOR: SILICON, NPN	07263	S032677
Q333	151-0347-00			TRANSISTOR: SILICON, NPN	80009	151-0347-00
Q334	151-0350-00			TRANSISTOR: SILICON, PNP	80009	151-0350-00
Q335	151-0350-00			TRANSISTOR: SILICON, PNP	80009	151-0350-00
Q336	151-0347-00			TRANSISTOR: SILICON, NPN	80009	151-0347-00
Q343	151-0347-00			TRANSISTOR: SILICON, NPN	80009	151-0347-00
Q344	151-0350-00			TRANSISTOR: SILICON, PNP	80009	151-0350-00
Q345	151-0350-00			TRANSISTOR: SILICON, PNP	80009	151-0350-00
Q346	151-0347-00			TRANSISTOR: SILICON, NPN	80009	151-0347-00
Q363	151-0347-00			TRANSISTOR: SILICON, NPN	80009	151-0347-00
Q364	151-0350-00			TRANSISTOR: SILICON, PNP	80009	151-0350-00
Q365	151-0350-00			TRANSISTOR: SILICON, PNP	80009	151-0350-00
Q366	151-0347-00			TRANSISTOR: SILICON, NPN	80009	151-0347-00
Q401	151-0190-00			TRANSISTOR: SILICON, NPN	07263	S032677
Q402	151-0235-00			TRANSISTOR: SILICON, PNP	80009	151-0235-00
Q411	151-0615-00			TRANSISTOR: SILICON, NPN	80009	151-0615-00
Q412	151-0190-00			TRANSISTOR: SILICON, NPN	07263	S032677
Q413	151-0190-00			TRANSISTOR: SILICON, NPN	07263	S032677
Q414	151-0190-00			TRANSISTOR: SILICON, NPN	07263	S032677
Q421	151-0190-00			TRANSISTOR: SILICON, NPN	07263	S032677
Q422	151-0190-00			TRANSISTOR: SILICON, NPN	07263	S032677
Q423	151-0190-00			TRANSISTOR: SILICON, NPN	07263	S032677
Q430	151-0190-00			TRANSISTOR: SILICON, NPN	07263	S032677
Q431	151-0347-00			TRANSISTOR: SILICON, NPN	80009	151-0347-00
Q432	151-0347-00			TRANSISTOR: SILICON, NPN	80009	151-0347-00
Q433	151-0347-00			TRANSISTOR: SILICON, NPN	80009	151-0347-00
Q437	151-0190-00			TRANSISTOR: SILICON, NPN	07263	S032677
Q438	151-0188-00			TRANSISTOR: SILICON, PNP	80009	151-0188-00
Q439	151-0188-00			TRANSISTOR: SILICON, PNP	80009	151-0188-00
Q440	151-0190-00			TRANSISTOR: SILICON, NPN	07263	S032677
Q441	151-0188-00			TRANSISTOR: SILICON, PNP	80009	151-0188-00
Q442	151-0188-00			TRANSISTOR: SILICON, PNP	80009	151-0188-00
Q443	151-0190-00			TRANSISTOR: SILICON, NPN	07263	S032677
Q461	151-0190-00			TRANSISTOR: SILICON, NPN	07263	S032677
Q462	151-0190-00			TRANSISTOR: SILICON, NPN	07263	S032677
Q463	151-0190-00			TRANSISTOR: SILICON, NPN	07263	S032677
R101	311-1916-00			RES., VAR, NONWIR: 10K OHM, 10%, 0.50W	73138	72-197-0
R110	307-1032-00			RES., FXD, FILM: 1.8K OHM, 5%, 10	24546	FP10 1.8K 5%
R111	315-0100-00			RES., FXD, CMPSN: 10 OHM, 5%, 0.25W	01121	CB1005
R112	315-0102-00			RES., FXD, CMPSN: 1K OHM, 5%, 0.25W	01121	CB1025
R113	315-0241-00			RES., FXD, CMPSN: 240 OHM, 5%, 0.25W	01121	CB2415
R114	315-0241-00			RES., FXD, CMPSN: 240 OHM, 5%, 0.25W	01121	CB2415
R115	315-0241-00			RES., FXD, CMPSN: 240 OHM, 5%, 0.25W	01121	CB2415
R116	315-0512-00			RES., FXD, CMPSN: 5.1K OHM, 5%, 0.25W	01121	CB5125
R117	315-0512-00			RES., FXD, CMPSN: 5.1K OHM, 5%, 0.25W	01121	CB5125
R131	315-0101-00			RES., FXD, CMPSN: 100 OHM, 5%, 0.25W	01121	CB1015
R132	315-0512-00			RES., FXD, CMPSN: 5.1K OHM, 5%, 0.25W	01121	CB5125
R133	315-0151-00			RES., FXD, CMPSN: 150 OHM, 5%, 0.25W	01121	CB1515
R134	315-0512-00			RES., FXD, CMPSN: 5.1K OHM, 5%, 0.25W	01121	CB5125
R135	315-0101-00			RES., FXD, CMPSN: 100 OHM, 5%, 0.25W	01121	CB1015
R136	308-0677-00			RES., FXD, WW: 1 OHM, 5%, 2W	75042	BWH-1R000J

REPLACEABLE ELECTRICAL PARTS

CONVERGENCE & Z AXIS (CONT)

Ckt No.	Tektronix Part No.	Serial/Model No. Eff	Dscont	Name & Description	Mfr Code	Mfr Part Number
R137	308-0677-00			RES.,FXD,WW:1 OHM,5%,2W	75042	BWH-1R000J
R138	308-0799-00			RES.,FXD,WW:1 OHM,1%,4W	91637	NS21R000F
R141	315-0101-00			RES.,FXD,CMPNS:100 OHM,5%,0.25W	01121	CB1015
R142	315-0512-00			RES.,FXD,CMPNS:5.1K OHM,5%,0.25W	01121	CB5125
R143	315-0151-00			RES.,FXD,CMPNS:150 OHM,5%,0.25W	01121	CB1515
R144	315-0512-00			RES.,FXD,CMPNS:5.1K OHM,5%,0.25W	01121	CB5125
R145	315-0101-00			RES.,FXD,CMPNS:100 OHM,5%,0.25W	01121	CB1015
R146	308-0677-00			RES.,FXD,WW:1 OHM,5%,2W	75042	BWH-1R000J
R147	308-0677-00			RES.,FXD,WW:1 OHM,5%,2W	75042	BWH-1R000J
R148	308-0799-00			RES.,FXD,WW:1 OHM,1%,4W	91637	NS21R000F
R161	315-0101-00			RES.,FXD,CMPNS:100 OHM,5%,0.25W	01121	CB1015
R162	315-0512-00			RES.,FXD,CMPNS:5.1K OHM,5%,0.25W	01121	CB5125
R163	315-0151-00			RES.,FXD,CMPNS:150 OHM,5%,0.25W	01121	CB1515
R164	315-0512-00			RES.,FXD,CMPNS:5.1K OHM,5%,0.25W	01121	CB5125
R165	315-0101-00			RES.,FXD,CMPNS:100 OHM,5%,0.25W	01121	CB1015
R166	308-0677-00			RES.,FXD,WW:1 OHM,5%,2W	75042	BWH-1R000J
R167	308-0677-00			RES.,FXD,WW:1 OHM,5%,2W	75042	BWH-1R000J
R168	308-0799-00			RES.,FXD,WW:1 OHM,1%,4W	91637	NS21R000F
R201	311-1916-00			RES.,VAR, NONWIR:10K OHM,10%,0.50W	73138	72-197-0
R202	315-0101-00			RES.,FXD,CMPNS:100 OHM,5%,0.25W	01121	CB1015
R204	315-0512-00			RES.,FXD,CMPNS:5.1K OHM,5%,0.25W	01121	CB5125
R205	315-0100-00			RES.,FXD,CMPNS:10 OHM,5%,0.25W	01121	CB1005
R206	315-0682-00			RES.,FXD,CMPNS:6.8K OHM,5%,0.25W	01121	CB6825
R211	307-1032-00			RES.,FXD,FILM:1.8K OHM,5%,10	24546	FP10 1.8K 5%
R212	323-0126-00			RES.,FXD,FILM:200 OHM,1%,0.50W	75042	CECT0-2000F
R213	323-0117-00			RES.,FXD,FILM:162 OHM,1%,0.50W	75042	CECT0-1620F
R214	323-0141-00			RES.,FXD,FILM:287 OHM,1%,0.50W	75042	CECT0-2870F
R221	315-0100-00			RES.,FXD,CMPNS:10 OHM,5%,0.25W	01121	CB1005
R223	308-0142-00			RES.,FXD,WW:30 OHM,5%,3W	91637	RS2B-K30R00J
R231	315-0681-00			RES.,FXD,CMPNS:680 OHM,5%,0.25W	01121	CB6815
R235	315-0681-00			RES.,FXD,CMPNS:680 OHM,5%,0.25W	01121	CB6815
R236	315-0103-00			RES.,FXD,CMPNS:10K OHM,5%,0.25W	01121	CB1035
R237	315-0122-00			RES.,FXD,CMPNS:1.2K OHM,5%,0.25W	01121	CB1225
R238	315-0272-00			RES.,FXD,CMPNS:2.7K OHM,5%,0.25W	01121	CB2725
R241	315-0681-00			RES.,FXD,CMPNS:680 OHM,5%,0.25W	01121	CB6815
R242	315-0821-00			RES.,FXD,CMPNS:820 OHM,5%,0.25W	01121	CB8215
R243	315-0510-00			RES.,FXD,CMPNS:51 OHM,5%,0.25W	01121	CB5105
R244	315-0510-00			RES.,FXD,CMPNS:51 OHM,5%,0.25W	01121	CB5105
R245	315-0681-00			RES.,FXD,CMPNS:680 OHM,5%,0.25W	01121	CB6815
R246	316-0103-00			RES.,FXD,CMPNS:10K OHM,10%,0.25W	01121	CB1031
R247	315-0122-00			RES.,FXD,CMPNS:1.2K OHM,5%,0.25W	01121	CB1225
R248	315-0272-00			RES.,FXD,CMPNS:2.7K OHM,5%,0.25W	01121	CB2725
R261	315-0681-00			RES.,FXD,CMPNS:680 OHM,5%,0.25W	01121	CB6815
R265	315-0681-00			RES.,FXD,CMPNS:680 OHM,5%,0.25W	01121	CB6815
R266	315-0103-00			RES.,FXD,CMPNS:10K OHM,5%,0.25W	01121	CB1035
R267	315-0122-00			RES.,FXD,CMPNS:1.2K OHM,5%,0.25W	01121	CB1225
R268	315-0272-00			RES.,FXD,CMPNS:2.7K OHM,5%,0.25W	01121	CB2725
R301	311-1916-00			RES.,VAR, NONWIR:10K OHM,10%,0.50W	73138	72-197-0
R302	315-0101-00			RES.,FXD,CMPNS:100 OHM,5%,0.25W	01121	CB1015
R303	315-0512-00			RES.,FXD,CMPNS:5.1K OHM,5%,0.25W	01121	CB5125
R304	315-0100-00			RES.,FXD,CMPNS:10 OHM,5%,0.25W	01121	CB1005
R305	315-0682-00			RES.,FXD,CMPNS:6.8K OHM,5%,0.25W	01121	CB6825
R311	315-0100-00			RES.,FXD,CMPNS:10 OHM,5%,0.25W	01121	CB1005
R312	315-0102-00			RES.,FXD,CMPNS:1K OHM,5%,0.25W	01121	CB1025
R313	315-0241-00			RES.,FXD,CMPNS:240 OHM,5%,0.25W	01121	CB2415
R314	315-0241-00			RES.,FXD,CMPNS:240 OHM,5%,0.25W	01121	CB2415
R315	315-0241-00			RES.,FXD,CMPNS:240 OHM,5%,0.25W	01121	CB2415

REPLACEABLE ELECTRICAL PARTS

CONVERGENCE & Z AXIS (CONT)

Ckt No.	Tektronix Part No.	Serial/Model No. Eff	Dscont	Name & Description	Mfr Code	Mfr Part Number
R316	315-0512-00			RES., FXD, CMPSN: 5.1K OHM, 5%, 0.25W	01121	CB5125
R317	315-0512-00			RES., FXD, CMPSN: 5.1K OHM, 5%, 0.25W	01121	CB5125
R318	323-0126-00			RES., FXD, FILM: 200 OHM, 1%, 0.50W	75042	CECTO-2000F
R319	323-0117-00			RES., FXD, FILM: 162 OHM, 1%, 0.50W	75042	CECTO-1620F
R320	323-0141-00			RES., FXD, FILM: 287 OHM, 1%, 0.50W	75042	CECTO-2870F
R321	315-0100-00			RES., FXD, CMPSN: 10 OHM, 5%, 0.25W	01121	CB1005
R331	315-0821-00			RES., FXD, CMPSN: 820 OHM, 5%, 0.25W	01121	CB8215
R332	315-0470-00			RES., FXD, CMPSN: 47 OHM, 5%, 0.25W	01121	CB4705
R333	315-0510-00			RES., FXD, CMPSN: 51 OHM, 5%, 0.25W	01121	CB5105
R334	315-0821-00			RES., FXD, CMPSN: 820 OHM, 5%, 0.25W	01121	CB8215
R335	315-0200-00			RES., FXD, CMPSN: 20 OHM, 5%, 0.25W	01121	CB2005
R336	315-0200-00			RES., FXD, CMPSN: 20 OHM, 5%, 0.25W	01121	CB2005
R337	315-0510-00			RES., FXD, CMPSN: 51 OHM, 5%, 0.25W	01121	CB5105
R338	315-0200-00			RES., FXD, CMPSN: 20 OHM, 5%, 0.25W	01121	CB2005
R339	315-0200-00			RES., FXD, CMPSN: 20 OHM, 5%, 0.25W	01121	CB2005
R340	315-0122-00			RES., FXD, CMPSN: 1.2K OHM, 5%, 0.25W	01121	CB1225
R341	315-0272-00			RES., FXD, CMPSN: 2.7K OHM, 5%, 0.25W	01121	CB2725
R342	315-0510-00			RES., FXD, CMPSN: 51 OHM, 5%, 0.25W	01121	CB5105
R343	315-0103-00			RES., FXD, CMPSN: 10K OHM, 5%, 0.25W	01121	CB1035
R344	315-0821-00			RES., FXD, CMPSN: 820 OHM, 5%, 0.25W	01121	CB8215
R345	315-0200-00			RES., FXD, CMPSN: 20 OHM, 5%, 0.25W	01121	CB2005
R346	315-0200-00			RES., FXD, CMPSN: 20 OHM, 5%, 0.25W	01121	CB2005
R347	315-0510-00			RES., FXD, CMPSN: 51 OHM, 5%, 0.25W	01121	CB5105
R348	315-0200-00			RES., FXD, CMPSN: 20 OHM, 5%, 0.25W	01121	CB2005
R349	315-0200-00			RES., FXD, CMPSN: 20 OHM, 5%, 0.25W	01121	CB2005
R350	315-0122-00			RES., FXD, CMPSN: 1.2K OHM, 5%, 0.25W	01121	CB1225
R351	315-0272-00			RES., FXD, CMPSN: 2.7K OHM, 5%, 0.25W	01121	CB2725
R352	315-0510-00			RES., FXD, CMPSN: 51 OHM, 5%, 0.25W	01121	CB5105
R354	315-0103-00			RES., FXD, CMPSN: 10K OHM, 5%, 0.25W	01121	CB1035
R361	315-0821-00			RES., FXD, CMPSN: 820 OHM, 5%, 0.25W	01121	CB8215
R362	315-0510-00			RES., FXD, CMPSN: 51 OHM, 5%, 0.25W	01121	CB5105
R363	315-0510-00			RES., FXD, CMPSN: 51 OHM, 5%, 0.25W	01121	CB5105
R364	315-0821-00			RES., FXD, CMPSN: 820 OHM, 5%, 0.25W	01121	CB8215
R365	315-0200-00			RES., FXD, CMPSN: 20 OHM, 5%, 0.25W	01121	CB2005
R366	315-0200-00			RES., FXD, CMPSN: 20 OHM, 5%, 0.25W	01121	CB2005
R367	315-0510-00			RES., FXD, CMPSN: 51 OHM, 5%, 0.25W	01121	CB5105
R368	315-0200-00			RES., FXD, CMPSN: 20 OHM, 5%, 0.25W	01121	CB2005
R369	315-0200-00			RES., FXD, CMPSN: 20 OHM, 5%, 0.25W	01121	CB2005
R370	315-0122-00			RES., FXD, CMPSN: 1.2K OHM, 5%, 0.25W	01121	CB1225
R371	315-0272-00			RES., FXD, CMPSN: 2.7K OHM, 5%, 0.25W	01121	CB2725
R372	315-0510-00			RES., FXD, CMPSN: 51 OHM, 5%, 0.25W	01121	CB5105
R374	315-0103-00			RES., FXD, CMPSN: 10K OHM, 5%, 0.25W	01121	CB1035
R403	311-1914-00			RES., VAR, NONWIR: TRMR, 50K OHM, 10%, 0.50W	73138	72-202-0
R404	315-0101-00			RES., FXD, CMPSN: 100 OHM, 5%, 0.25W	01121	CB1015
R405	315-0512-00			RES., FXD, CMPSN: 5.1K OHM, 5%, 0.25W	01121	CB5125
R406	315-0100-00			RES., FXD, CMPSN: 10 OHM, 5%, 0.25W	01121	CB1005
R407	315-0682-00			RES., FXD, CMPSN: 6.8K OHM, 5%, 0.25W	01121	CB6825
R411	307-1032-00			RES., FXD, FILM: 1.8K OHM, 5%, 10	24546	FP10 1.8K 5%
R412	315-0100-00			RES., FXD, CMPSN: 10 OHM, 5%, 0.25W	01121	CB1005
R413	315-0241-00			RES., FXD, CMPSN: 240 OHM, 5%, 0.25W	01121	CB2415
R414	315-0241-00			RES., FXD, CMPSN: 240 OHM, 5%, 0.25W	01121	CB2415
R415	315-0241-00			RES., FXD, CMPSN: 240 OHM, 5%, 0.25W	01121	CB2415
R416	315-0512-00			RES., FXD, CMPSN: 5.1K OHM, 5%, 0.25W	01121	CB5125
R417	315-0512-00			RES., FXD, CMPSN: 5.1K OHM, 5%, 0.25W	01121	CB5125
R418	323-0126-00			RES., FXD, FILM: 200 OHM, 1%, 0.50W	75042	CECTO-2000F
R419	323-0117-00			RES., FXD, FILM: 162 OHM, 1%, 0.50W	75042	CECTO-1620F
R420	323-0141-00			RES., FXD, FILM: 287 OHM, 1%, 0.50W	75042	CECTO-2870F

REPLACEABLE ELECTRICAL PARTS

CONVERGENCE & Z AXIS (CONT)

Ckt No.	Tektronix Part No.	Serial/Model No. Eff	Dscont	Name & Description	Mfr Code	Mfr Part Number
R421	315-0100-00			RES., FXD, CMPSN: 10 OHM, 5%, 0.25W	01121	CB1005
R423	315-0102-00			RES., FXD, CMPSN: 1K OHM, 5%, 0.25W	01121	CB1025
R429	315-0302-00			RES., FXD, CMPSN: 3K OHM, 5%, 0.25W	01121	CB3025
R430	315-0362-00			RES., FXD, CMPSN: 3.6K OHM, 5%, 0.25W	01121	CB3625
R431	315-0122-00			RES., FXD, CMPSN: 1.2K OHM, 5%, 0.25W	01121	CB1225
R432	315-0432-00			RES., FXD, CMPSN: 4.3K OHM, 5%, 0.25W	01121	CB4325
R433	303-0203-00			RES., FXD, CMPSN: 20K OHM, 5%, 1W	01121	GB2035
R434	315-0104-00			RES., FXD, CMPSN: 100K OHM, 5%, 0.25W	01121	CB1045
R435	321-0385-00			RES., FXD, FILM: 100K OHM, 1%, 0.125W	91637	MFF1816G10002F
R436	321-1296-03			RES., FXD, FILM: 12K OHM, 0.25%, 0.125W	91637	MFF1816D12001C
R437	315-0822-00			RES., FXD, CMPSN: 8.2K OHM, 5%, 0.25W	01121	CB8225
R438	315-0242-00			RES., FXD, CMPSN: 2.4K OHM, 5%, 0.25W	01121	CB2425
R439	315-0162-00			RES., FXD, CMPSN: 1.6K OHM, 5%, 0.25W	01121	CB1625
R440	315-0332-00			RES., FXD, CMPSN: 3.3K OHM, 5%, 0.25W	01121	CB3325
R441	315-0681-00			RES., FXD, CMPSN: 680 OHM, 5%, 0.25W	01121	CB6815
R442	315-0911-00			RES., FXD, CMPSN: 910 OHM, 5%, 0.25W	01121	CB9115
R443	315-0332-00			RES., FXD, CMPSN: 3.3K OHM, 5%, 0.25W	01121	CB3325
R444	315-0241-00			RES., FXD, CMPSN: 240 OHM, 5%, 0.25W	01121	CB2415
R445	315-0182-00			RES., FXD, CMPSN: 1.8K OHM, 5%, 0.25W	01121	CB1825
R446	321-0395-00			RES., FXD, FILM: 127K OHM, 1%, 0.125W	91637	MFF1816G12702F
R447	321-1310-03			RES., FXD, FILM: 16.7K OHM, 0.25%, 0.125W	91637	MFF1816D16701C
R448	315-0472-00			RES., FXD, CMPSN: 4.7K OHM, 5%, 0.25W	01121	CB4725
R449	311-1916-00			RES., VAR, NONWIR: 10K OHM, 10%, 0.50W	73138	72-197-0
R450	315-0100-00			RES., FXD, CMPSN: 10 OHM, 5%, 0.25W	01121	CB1005
R451	321-0331-00			RES., FXD, FILM: 27.4K OHM, 1%, 0.125W	91637	MFF1816G27401F
R452	321-0344-00			RES., FXD, FILM: 37.4K OHM, 1%, 0.125W	91637	MFF1816G37401F
R453	315-0100-00			RES., FXD, CMPSN: 10 OHM, 5%, 0.25W	01121	CB1005
R454	315-0512-00			RES., FXD, CMPSN: 5.1K OHM, 5%, 0.25W	01121	CB5125
R455	315-0512-00			RES., FXD, CMPSN: 5.1K OHM, 5%, 0.25W	01121	CB5125
R461	315-0470-00			RES., FXD, CMPSN: 47 OHM, 5%, 0.25W	01121	CB4705
R462	321-0210-00			RES., FXD, FILM: 1.5K OHM, 1%, 0.125W	91637	MFF1816G15000F
R463	321-0268-00			RES., FXD, FILM: 6.04K OHM, 1%, 0.125W	91637	MFF1816G60400F
R464	315-0303-00			RES., FXD, CMPSN: 30K OHM, 5%, 0.25W	01121	CB3035
R465	315-0123-00			RES., FXD, CMPSN: 12K OHM, 5%, 0.25W	01121	CB1235
R469	315-0102-00			RES., FXD, CMPSN: 1K OHM, 5%, 0.25W	01121	CB1025
R501	311-1914-00			RES., VAR, NONWIR: TRMR, 50K OHM, 10%, 0.50W	73138	72-202-0
R502	311-1914-00			RES., VAR, NONWIR: TRMR, 50K OHM, 10%, 0.50W	73138	72-202-0
R503	311-1915-00			RES., VAR, NONWIR: 20K OHM, 10%, 0.50W	73138	72-196-0
R519	308-0058-00			RES., FXD, WW: 1.5 OHM, 10%, 1W	75042	BW20-1R500K
R520	307-0541-00			RES, NTWK, THK FI: (7)1K OHM, 10%, 1W	91637	MSP08A01-102G
R530	315-0104-00			RES., FXD, CMPSN: 100K OHM, 5%, 0.25W	01121	CB1045
R531	315-0512-00			RES., FXD, CMPSN: 5.1K OHM, 5%, 0.25W	01121	CB5125
R532	315-0133-00			RES., FXD, CMPSN: 13K OHM, 5%, 0.25W	01121	CB1335
R533	315-0103-00			RES., FXD, CMPSN: 10K OHM, 5%, 0.25W	01121	CB1035
R534	315-0154-00			RES., FXD, CMPSN: 150K OHM, 5%, 0.25W	01121	CB1545
R535	315-0100-00			RES., FXD, CMPSN: 10 OHM, 5%, 0.25W	01121	CB1005
R536	321-0395-00			RES., FXD, FILM: 127K OHM, 1%, 0.125W	91637	MFF1816G12702F
R537	321-1310-03			RES., FXD, FILM: 16.7K OHM, 0.25%, 0.125W	91637	MFF1816D16701C
R539	311-1916-00			RES., VAR, NONWIR: 10K OHM, 10%, 0.50W	73138	72-197-0
R540	315-0123-00			RES., FXD, CMPSN: 12K OHM, 5%, 0.25W	01121	CB1235
R541	321-0331-00			RES., FXD, FILM: 27.4K OHM, 1%, 0.125W	91637	MFF1816G27401F
R542	321-0344-00			RES., FXD, FILM: 37.4K OHM, 1%, 0.125W	91637	MFF1816G37401F
R543	315-0153-00			RES., FXD, CMPSN: 15K OHM, 5%, 0.25W	01121	CB1535
R544	315-0153-00			RES., FXD, CMPSN: 15K OHM, 5%, 0.25W	01121	CB1535
R545	315-0512-00			RES., FXD, CMPSN: 5.1K OHM, 5%, 0.25W	01121	CB5125
R546	315-0512-00			RES., FXD, CMPSN: 5.1K OHM, 5%, 0.25W	01121	CB5125
R551	315-0512-00			RES., FXD, CMPSN: 5.1K OHM, 5%, 0.25W	01121	CB5125

REPLACEABLE ELECTRICAL PARTS

CONVERGENCE & Z AXIS (CONT)

Ckt No.	Tektronix Part No.	Serial/Model No. Eff	Dscont	Name & Description	Mfr Code	Mfr Part Number
R552	315-0512-00			RES., FXD, CMPSN: 5.1K OHM, 5%, 0.25W	01121	CB5125
R553	315-0512-00			RES., FXD, CMPSN: 5.1K OHM, 5%, 0.25W	01121	CB5125
R601	311-1915-00			RES., VAR, NONWIR: 20K OHM, 10%, 0.50W	73138	72-196-0
R611	307-0103-00			RES., FXD, CMPSN: 2.7 OHM, 5%, 0.25W	01121	CB27G5
R612	315-0752-00			RES., FXD, CMPSN: 7.5K OHM, 5%, 0.25W	01121	CB7525
R631	315-0513-00			RES., FXD, CMPSN: 51K OHM, 5%, 0.25W	01121	CB5135
R632	315-0103-00			RES., FXD, CMPSN: 10K OHM, 5%, 0.25W	01121	CB1035
R633	315-0103-00			RES., FXD, CMPSN: 10K OHM, 5%, 0.25W	01121	CB1035
R634	315-0104-00			RES., FXD, CMPSN: 100K OHM, 5%, 0.25W	01121	CB1045
R635	315-0512-00			RES., FXD, CMPSN: 5.1K OHM, 5%, 0.25W	01121	CB5125
R636	315-0203-00			RES., FXD, CMPSN: 20K OHM, 5%, 0.25W	01121	CB2035
R637	315-0203-00			RES., FXD, CMPSN: 20K OHM, 5%, 0.25W	01121	CB2035
R638	315-0512-00			RES., FXD, CMPSN: 5.1K OHM, 5%, 0.25W	01121	CB5125
R639	315-0472-00			RES., FXD, CMPSN: 4.7K OHM, 5%, 0.25W	01121	CB4725
R640	315-0100-00			RES., FXD, CMPSN: 10 OHM, 5%, 0.25W	01121	CB1005
R641	315-0102-00			RES., FXD, CMPSN: 1K OHM, 5%, 0.25W	01121	CB1025
R642	315-0154-00			RES., FXD, CMPSN: 15K OHM, 5%, 0.25W	01121	CB1545
R643	315-0133-00			RES., FXD, CMPSN: 13K OHM, 5%, 0.25W	01121	CB1335
R644	315-0103-00			RES., FXD, CMPSN: 10K OHM, 5%, 0.25W	01121	CB1035
R645	307-0103-00			RES., FXD, CMPSN: 2.7 OHM, 5%, 0.25W	01121	CB27G5
R646	315-0101-00			RES., FXD, CMPSN: 100 OHM, 5%, 0.25W	01121	CB1015
R651	315-0104-00			RES., FXD, CMPSN: 100K OHM, 5%, 0.25W	01121	CB1045
R652	315-0103-00			RES., FXD, CMPSN: 10K OHM, 5%, 0.25W	01121	CB1035
R653	315-0103-00			RES., FXD, CMPSN: 10K OHM, 5%, 0.25W	01121	CB1035
R655	315-0474-00			RES., FXD, CMPSN: 470K OHM, 5%, 0.25W	01121	CB4745
R656	315-0101-00			RES., FXD, CMPSN: 100 OHM, 5%, 0.25W	01121	CB1015
R657	315-0273-00			RES., FXD, CMPSN: 27K OHM, 5%, 0.25W	01121	CB2735
R658	315-0273-00			RES., FXD, CMPSN: 27K OHM, 5%, 0.25W	01121	CB2735
R737	311-1917-00			RES., VAR, NONWIR: TRMR, 5K OHM, 10%, 0.5W	73138	72-198-0
U451	155-0152-00			MICROCIRCUIT, LI: GEOMETRY & FOCUS CORR	80009	155-0152-00
U512	156-0655-00			MICROCIRCUIT, LI: VOLTAGE REGULATOR	80009	156-0655-00
U521	156-0693-00			MICROCIRCUIT, DI: DECODER/DEMULPLEXER	01295	SN74S139N
U525	156-0693-00			MICROCIRCUIT, DI: DECODER/DEMULPLEXER	01295	SN74S139N
U531	156-1200-00			MICROCIRCUIT, LI: OPERATIONAL AMPL	01295	TL074CN
U541	155-0152-00			MICROCIRCUIT, LI: GEOMETRY & FOCUS CORR	80009	155-0152-00
U542	156-1200-00			MICROCIRCUIT, LI: OPERATIONAL AMPL	01295	TL074CN
U551	156-0411-00			MICROCIRCUIT, LI: QUAD-COMP, SGL SUPPLY	27014	LM339N
U552	156-0644-00			MICROCIRCUIT, DI: QUAD BILATERAL SWITCH	80009	156-0644-00
U561	156-0644-00			MICROCIRCUIT, DI: QUAD BILATERAL SWITCH	80009	156-0644-00
U562	156-0644-00			MICROCIRCUIT, DI: QUAD BILATERAL SWITCH	80009	156-0644-00

REPLACEABLE ELECTRICAL PARTS

Ckt No.	Tektronix Part No.	Serial/Model No. Eff	Dscont	Name & Description	Mfr Code	Mfr Part Number
A12 EXTERNAL CONVERGENCE						
A12	670-5648-00			CKT BOARD ASSY:EXTERNAL CONVERGENCE	80009	670-5648-00
C101	290-0523-00			CAP., FXD, ELCTLT: 2.2UF, 20%, 20V	56289	196D225X0020HA1
C102	290-0523-00			CAP., FXD, ELCTLT: 2.2UF, 20%, 20V	56289	196D225X0020HA1
R109	307-0103-00			RES., FXD, CMPSN: 2.7 OHM, 5%, 0.25W	01121	CB27G5
R110	307-0103-00			RES., FXD, CMPSN: 2.7 OHM, 5%, 0.25W	01121	CB27G5
R111	315-0103-00			RES., FXD, CMPSN: 10K OHM, 5%, 0.25W	01121	CB1035
R112	315-0473-00			RES., FXD, CMPSN: 47K OHM, 5%, 0.25W	01121	CB4735
R113	315-0473-00			RES., FXD, CMPSN: 47K OHM, 5%, 0.25W	01121	CB4735
R114	315-0512-00			RES., FXD, CMPSN: 5.1K OHM, 5%, 0.25W	01121	CB5125
R131	315-0103-00			RES., FXD, CMPSN: 10K OHM, 5%, 0.25W	01121	CB1035
R132	315-0103-00			RES., FXD, CMPSN: 10K OHM, 5%, 0.25W	01121	CB1035
R133	315-0473-00			RES., FXD, CMPSN: 47K OHM, 5%, 0.25W	01121	CB4735
R134	315-0512-00			RES., FXD, CMPSN: 5.1K OHM, 5%, 0.25W	01121	CB5125
R211	315-0473-00			RES., FXD, CMPSN: 47K OHM, 5%, 0.25W	01121	CB4735
R212	315-0473-00			RES., FXD, CMPSN: 47K OHM, 5%, 0.25W	01121	CB4735
R213	315-0473-00			RES., FXD, CMPSN: 47K OHM, 5%, 0.25W	01121	CB4735
R215	311-1555-01			RES., VAR, NONWIR: TRMR, 100K OHM, 20%, 0.5W	73138	91-62-0
R216	311-1555-02			RES., VAR, NONWIR: TRMR, 100K OHM, 20%, 0.5W	73138	91-61-0
R217	311-1555-03			RES., VAR, NONWIR: TRMR, 100K OHM, 20%, 0.5W	73138	91-60-0
R221	315-0473-00			RES., FXD, CMPSN: 47K OHM, 5%, 0.25W	01121	CB4735
R222	315-0473-00			RES., FXD, CMPSN: 47K OHM, 5%, 0.25W	01121	CB4735
R223	315-0563-00			RES., FXD, CMPSN: 56K OHM, 5%, 0.25W	01121	CB5635
R224	315-0363-00			RES., FXD, CMPSN: 36K OHM, 5%, 0.25W	01121	CB3635
R225	311-1558-02			RES., VAR, NONWIR: TRMR, 20K OHM, 20%, 0.5W	73138	91-65-0
R226	311-1558-03			RES., VAR, NONWIR: TRMR, 20K OHM, 20%, 0.5W	73138	91-64-0
R227	311-1555-03			RES., VAR, NONWIR: TRMR, 100K OHM, 20%, 0.5W	73138	91-60-0
R231	315-0473-00			RES., FXD, CMPSN: 47K OHM, 5%, 0.25W	01121	CB4735
R232	315-0473-00			RES., FXD, CMPSN: 47K OHM, 5%, 0.25W	01121	CB4735
R233	315-0473-00			RES., FXD, CMPSN: 47K OHM, 5%, 0.25W	01121	CB4735
R235	311-1555-01			RES., VAR, NONWIR: TRMR, 100K OHM, 20%, 0.5W	73138	91-62-0
R236	311-1555-02			RES., VAR, NONWIR: TRMR, 100K OHM, 20%, 0.5W	73138	91-61-0
R237	311-1555-03			RES., VAR, NONWIR: TRMR, 100K OHM, 20%, 0.5W	73138	91-60-0
R311	315-0473-00			RES., FXD, CMPSN: 47K OHM, 5%, 0.25W	01121	CB4735
R312	315-0473-00			RES., FXD, CMPSN: 47K OHM, 5%, 0.25W	01121	CB4735
R313	315-0203-00			RES., FXD, CMPSN: 20K OHM, 5%, 0.25W	01121	CB2035
R315	311-1558-02			RES., VAR, NONWIR: TRMR, 20K OHM, 20%, 0.5W	73138	91-65-0
R316	311-1558-03			RES., VAR, NONWIR: TRMR, 20K OHM, 20%, 0.5W	73138	91-64-0
R317	311-1558-01			RES., VAR, NONWIR: TRMR, 20K OHM, 20%, 0.5W	73138	91-63-0
R318	315-0512-00			RES., FXD, CMPSN: 5.1K OHM, 5%, 0.25W	01121	CB5125
R321	315-0204-00			RES., FXD, CMPSN: 200K OHM, 5%, 0.25W	01121	CB2045
R322	315-0204-00			RES., FXD, CMPSN: 200K OHM, 5%, 0.25W	01121	CB2045
R323	315-0204-00			RES., FXD, CMPSN: 200K OHM, 5%, 0.25W	01121	CB2045
R325	311-1555-01			RES., VAR, NONWIR: TRMR, 100K OHM, 20%, 0.5W	73138	91-62-0
R326	311-1555-02			RES., VAR, NONWIR: TRMR, 100K OHM, 20%, 0.5W	73138	91-61-0
R327	311-1555-03			RES., VAR, NONWIR: TRMR, 100K OHM, 20%, 0.5W	73138	91-60-0
R331	315-0473-00			RES., FXD, CMPSN: 47K OHM, 5%, 0.25W	01121	CB4735
R332	315-0473-00			RES., FXD, CMPSN: 47K OHM, 5%, 0.25W	01121	CB4735
R333	315-0203-00			RES., FXD, CMPSN: 20K OHM, 5%, 0.25W	01121	CB2035
R335	311-1558-02			RES., VAR, NONWIR: TRMR, 20K OHM, 20%, 0.5W	73138	91-65-0
R336	311-1558-03			RES., VAR, NONWIR: TRMR, 20K OHM, 20%, 0.5W	73138	91-64-0
R337	311-1558-01			RES., VAR, NONWIR: TRMR, 20K OHM, 20%, 0.5W	73138	91-63-0
R338	315-0512-00			RES., FXD, CMPSN: 5.1K OHM, 5%, 0.25W	01121	CB5125
R411	315-0473-00			RES., FXD, CMPSN: 47K OHM, 5%, 0.25W	01121	CB4735
R412	315-0473-00			RES., FXD, CMPSN: 47K OHM, 5%, 0.25W	01121	CB4735

REPLACEABLE ELECTRICAL PARTS

EXTERNAL CONVERGENCE (CONT)

Ckt No.	Tektronix Part No.	Serial/Model No. Eff	Dscont	Name & Description	Mfr Code	Mfr Part Number
R413	315-0473-00			RES., FXD, CMPSN:47K OHM, 5%, 0.25W	01121	CB4735
R415	311-1555-01			RES., VAR, NONWIR: TRMR, 100K OHM, 20%, 0.5W	73138	91-62-0
R416	311-1555-02			RES., VAR, NONWIR: TRMR, 100K OHM, 20%, 0.5W	73138	91-61-0
R417	311-1555-03			RES., VAR, NONWIR: TRMR, 100K OHM, 20%, 0.5W	73138	91-60-0
R421	315-0473-00			RES., FXD, CMPSN:47K OHM, 5%, 0.25W	01121	CB4735
R422	315-0473-00			RES., FXD, CMPSN:47K OHM, 5%, 0.25W	01121	CB4735
R423	315-0104-00			RES., FXD, CMPSN:100K OHM, 5%, 0.25W	01121	CB1045
R424	315-0473-00			RES., FXD, CMPSN:47K OHM, 5%, 0.25W	01121	CB4735
R425	311-1558-02			RES., VAR, NONWIR: TRMR, 20K OHM, 20%, 0.5W	73138	91-65-0
R426	311-1558-03			RES., VAR, NONWIR: TRMR, 20K OHM, 20%, 0.5W	73138	91-64-0
R427	311-1555-03			RES., VAR, NONWIR: TRMR, 100K OHM, 20%, 0.5W	73138	91-60-0
R431	315-0473-00			RES., FXD, CMPSN:47K OHM, 5%, 0.25W	01121	CB4735
R432	315-0473-00			RES., FXD, CMPSN:47K OHM, 5%, 0.25W	01121	CB4735
R433	315-0473-00			RES., FXD, CMPSN:47K OHM, 5%, 0.25W	01121	CB4735
R435	311-1555-01			RES., VAR, NONWIR: TRMR, 100K OHM, 20%, 0.5W	73138	91-62-0
R436	311-1555-02			RES., VAR, NONWIR: TRMR, 100K OHM, 20%, 0.5W	73138	91-61-0
R437	311-1555-03			RES., VAR, NONWIR: TRMR, 100K OHM, 20%, 0.5W	73138	91-60-0
U115	156-1200-00			MICROCIRCUIT, LI: OPERATIONAL AMPL	01295	TL074CN

REPLACEABLE ELECTRICAL PARTS

Ckt No.	Tektronix Part No.	Serial/Model No. Eff	Dscont	Name & Description	Mfr Code	Mfr Part Number
A14 HIGH VOLTAGE						
A14	670-5647-00			CKT BOARD ASSY:HIGH VOLTAGE	80009	670-5647-00
C217	283-0345-00			CAP.,FXD,CER DI:1000PF,10%,10,000V	72982	3910BW324X5R102Z
C245	283-0345-00			CAP.,FXD,CER DI:1000PF,10%,10,000V	72982	3910BW324X5R102Z
C413	283-0044-00			CAP.,FXD,CER DI:0.001UF,3000V	72982	3903BW002Y5S102M
C415	283-0044-00			CAP.,FXD,CER DI:0.001UF,3000V	72982	3903BW002Y5S102M
C417	283-0044-00			CAP.,FXD,CER DI:0.001UF,3000V	72982	3903BW002Y5S102M
C430	283-0044-00			CAP.,FXD,CER DI:0.001UF,3000V	72982	3903BW002Y5S102M
C435	285-0543-00			CAP.,FXD,PLSTC:0.0022UF,20%,400V	56289	410P22204
C435	285-1073-00			CAP.,FXD,PLSTC:0.0033UF,5%,400V	14752	230B1E332J
C540	290-0414-00			CAP.,FXD,ELCTLT:8UF,+50-10%,200V	90201	TT8ROT200C1C3P
C545	283-0624-00			CAP.,FXD,MICA D:1300PF,2%,500V	00853	D195E132G0
CR340	152-0429-00			SEMICONV DEVICE:SILICON,5000V,10MA	14099	SA3282
CR542	152-0066-00			SEMICONV DEVICE:SILICON,400V,750MA	14433	LG4016
E416	119-0287-00			ARSR,ELEC SURGE:800+/-200VDC	80009	119-0287-00
E514	119-0287-00			ARSR,ELEC SURGE:800+/-200VDC	80009	119-0287-00
E518	119-0287-00			ARSR,ELEC SURGE:800+/-200VDC	80009	119-0287-00
L306	108-0422-00			COIL,RF:FIXED,82UH	80009	108-0422-00
R117	325-0076-00			RES.,FXD,FILM:7.87M OHM,1%,0.1%,0.5W	03888	PME70-G78703F
R124	325-0076-00			RES.,FXD,FILM:7.87M OHM,1%,0.1%,0.5W	03888	PME70-G78703F
R132	325-0076-00			RES.,FXD,FILM:7.87M OHM,1%,0.1%,0.5W	03888	PME70-G78703F
R140	325-0076-00			RES.,FXD,FILM:7.87M OHM,1%,0.1%,0.5W	03888	PME70-G78703F
R224	315-0473-00			RES.,FXD,CMPSN:47K OHM,5%,0.25W	01121	CB4735
R306	315-0395-00			RES.,FXD,CMPSN:3.9M OHM,5%,0.25W	01121	CB3955
R406	311-2014-00			RES.,VAR,NONWIR:TRMR,15M OHM,20%,1W,3KV	11502	OBD
R506	311-2014-00			RES.,VAR,NONWIR:TRMR,15M OHM,20%,1W,3KV	11502	OBD
R524	311-2014-00			RES.,VAR,NONWIR:TRMR,15M OHM,20%,1W,3KV	11502	OBD
R547	315-0102-00			RES.,FXD,CMPSN:1K OHM,5%,0.25W	01121	CB1025
T440	120-1208-00			XFMR,PWR,STU:HV	80009	120-1208-00

REPLACEABLE ELECTRICAL PARTS

Ckt No.	Tektronix Part No.	Serial/Model No. Eff	Dscont	Name & Description	Mfr Code	Mfr Part Number
A15 H.V. CONTROL						
A15	670-5646-00			CKT BOARD ASSY:H.V.CONTROL	80009	670-5646-00
C115	283-0067-00			CAP.,FXD,CER DI:0.001UF,10%,200V	72982	835-515B102K
C125	285-0809-00			CAP.,FXD,PLSTC:1UF,10%,50V	56289	LP66A1A105K
C156	283-0108-00			CAP.,FXD,CER DI:220PF,10%,200V	56289	272C13
C158	283-0076-00			CAP.,FXD,CER DI:27PF,10%,500V	56289	40C287A2
C215	283-0067-00			CAP.,FXD,CER DI:0.001UF,10%,200V	72982	835-515B102K
C235	283-0028-00			CAP.,FXD,CER DI:0.0022UF,20%,50V	56289	19C606
C249	283-0627-00			CAP.,FXD,MICA D:0.0033UF,5%,500V	00853	D195E332J0
C316	283-0104-00			CAP.,FXD,CER DI:2000PF,5%,500V	72982	811-565B202J
C345	285-0702-00			CAP.,FXD,PLSTC:0.033UF,5%,100V	56289	410P33351
C426	283-0111-00			CAP.,FXD,CER DI:0.1UF,20%,50V	72982	8121-N088Z5U104M
C519	283-0114-00			CAP.,FXD,CER DI:0.0015UF,5%,200V	72982	805-509B152J
C520	283-0175-00			CAP.,FXD,CER DI:10PF,5%,200V	72982	8101B210C0G0100J
C536	285-0501-00			CAP.,FXD,PLSTC:0.001UF,600V	56289	410P10206
C547	290-0527-00			CAP.,FXD,ELCTLT:15UF,20%,20V	90201	TDC156M020FL
C549	290-0527-00			CAP.,FXD,ELCTLT:15UF,20%,20V	90201	TDC156M020FL
CR125	152-0141-02			SEMICONV DEVICE:SILICON,30V,50NA	80009	152-0141-02
CR216	152-0141-02			SEMICONV DEVICE:SILICON,30V,50NA	80009	152-0141-02
CR217	152-0141-02			SEMICONV DEVICE:SILICON,30V,50NA	80009	152-0141-02
CR218	152-0141-02			SEMICONV DEVICE:SILICON,30V,50NA	80009	152-0141-02
CR259	152-0141-02			SEMICONV DEVICE:SILICON,30V,50NA	80009	152-0141-02
CR315	152-0141-02			SEMICONV DEVICE:SILICON,30V,50NA	80009	152-0141-02
CR325	152-0141-02			SEMICONV DEVICE:SILICON,30V,50NA	80009	152-0141-02
CR426	152-0141-02			SEMICONV DEVICE:SILICON,30V,50NA	80009	152-0141-02
CR521	152-0066-00			SEMICONV DEVICE:SILICON,400V,750MA	14433	LG4016
L245	114-0334-00			COIL,RF:VARIABLE,3-10MH	32436	387-10M
Q155	151-0190-00			TRANSISTOR:SILICON,NPN	07263	S032677
Q425	151-0103-00			TRANSISTOR:SILICON,NPN	80009	151-0103-00
Q449	151-0190-00			TRANSISTOR:SILICON,NPN	07263	S032677
R126	315-0103-00			RES.,FXD,CMPSN:10K OHM,5%,0.25W	01121	CB1035
R135	315-0243-00			RES.,FXD,CMPSN:24K OHM,5%,0.25W	01121	CB2435
R137	315-0273-00			RES.,FXD,CMPSN:27K OHM,5%,0.25W	01121	CB2735
R154	315-0103-00			RES.,FXD,CMPSN:10K OHM,5%,0.25W	01121	CB1035
R225	315-0103-00			RES.,FXD,CMPSN:10K OHM,5%,0.25W	01121	CB1035
R226	315-0103-00			RES.,FXD,CMPSN:10K OHM,5%,0.25W	01121	CB1035
R227	315-0472-00			RES.,FXD,CMPSN:4.7K OHM,5%,0.25W	01121	CB4725
R248	315-0102-00			RES.,FXD,CMPSN:1K OHM,5%,0.25W	01121	CB1025
R255	315-0184-00			RES.,FXD,CMPSN:180K OHM,5%,0.25W	01121	CB1845
R256	315-0105-00			RES.,FXD,CMPSN:1M OHM,5%,0.25W	01121	CB1055
R257	315-0330-00			RES.,FXD,CMPSN:33 OHM,5%,0.25W	01121	CB3305
R258	301-0821-00			RES.,FXD,CMPSN:820 OHM,5%,0.50W	01121	EB8215
R354	315-0103-00			RES.,FXD,CMPSN:10K OHM,5%,0.25W	01121	CB1035
R355	315-0563-00			RES.,FXD,CMPSN:56K OHM,5%,0.25W	01121	CB5635
R356	315-0103-00			RES.,FXD,CMPSN:10K OHM,5%,0.25W	01121	CB1035
R357	315-0103-00			RES.,FXD,CMPSN:10K OHM,5%,0.25W	01121	CB1035
R415	311-1235-00			RES.,VAR,NONWIR:100K OHM,20%,0.50W	32997	3386F-T04-104
R435	315-0103-00			RES.,FXD,CMPSN:10K OHM,5%,0.25W	01121	CB1035
R436	315-0100-00			RES.,FXD,CMPSN:10 OHM,5%,0.25W	01121	CB1005
R437	315-0391-00			RES.,FXD,CMPSN:390 OHM,5%,0.25W	01121	CB3915
R438	315-0103-00			RES.,FXD,CMPSN:10K OHM,5%,0.25W	01121	CB1035
R445	315-0823-00			RES.,FXD,CMPSN:82K OHM,5%,0.25W	01121	CB8235
R446	315-0103-00			RES.,FXD,CMPSN:10K OHM,5%,0.25W	01121	CB1035
R447	315-0103-00			RES.,FXD,CMPSN:10K OHM,5%,0.25W	01121	CB1035

REPLACEABLE ELECTRICAL PARTS

H.V. CONTROL (CONT)

Ckt No.	Tektronix Part No.	Serial/Model No.		Name & Description	Mfr	
		Eff	Dscont		Code	Mfr Part Number
R448	315-0205-00			RES., FXD, CMPSN: 2M OHM, 5%, 0.25W	01121	CB2055
R515	315-0622-00			RES., FXD, CMPSN: 6.2K OHM, 5%, 0.25W	01121	CB6225
R516	321-0370-00			RES., FXD, FILM: 69.8K OHM, 1%, 0.125W	91637	MFF1816G69801F
R517	321-0381-00			RES., FXD, FILM: 90.9K OHM, 1%, 0.125W	91637	MFF1816G90901F
R535	308-0677-00			RES., FXD, WW: 1 OHM, 5%, 2W	75042	BWH-1R000J
R537	315-0125-00			RES., FXD, CMPSN: 1.2M OHM, 5%, 0.25W	01121	CB1255
R545	315-0470-00			RES., FXD, CMPSN: 47 OHM, 5%, 0.25W	01121	CB4705
R546	315-0470-00			RES., FXD, CMPSN: 47 OHM, 5%, 0.25W	01121	CB4705
R567	321-0182-00			RES., FXD, FILM: 768 OHM, 1%, 0.125W	91637	MFF1816G768R0F
RV538	307-0638-00			RES, V SENSITIVE: 18V, 20%, 0.5W	03508	MOV-V18ZA1
RV568	307-0638-00			RES, V SENSITIVE: 18V, 20%, 0.5W	03508	MOV-V18ZA1
U115	156-0067-00			MICROCIRCUIT, LI: OPERATIONAL AMPLIFIER	80009	156-0067-00
U235	156-0197-00			MICROCIRCUIT, LI: 5 TRANSISTOR ARRAY	80009	156-0197-00
VR548	152-0317-00			SEMICOND DEVICE: ZENER, 0.25W, 6.2V, 5%	80009	152-0317-00

REPLACEABLE ELECTRICAL PARTS

Ckt No.	Tektronix Part No.	Serial/Model No. Eff	Dscont	Name & Description	Mfr Code	Mfr Part Number
A16 POWER SUPPLY, MAIN						
A16	620-0277-00			POWER SUPPLY: MAIN	80009	620-0277-00
C1221	290-0813-00			CAP., FXD, ELCTLT: 2000UF, -10+75%, 200V	56289	36DX9463
C1222	290-0813-00			CAP., FXD, ELCTLT: 2000UF, -10+75%, 200V	56289	36DX9463
CR1200	152-0714-00			SEMICONV DEVICE: RECT, SI, SCHOTTKY, 40V, 50A	01281	1N6098
CR1202	152-0714-00			SEMICONV DEVICE: RECT, SI, SCHOTTKY, 40V, 50A	01281	1N6098
CR1220	152-0713-00			SEMICONV DEVICE: RECT BRIDGE, SI, 400V, 35A	80009	152-0713-00
F1220	159-0013-00			FUSE, CARTRIDGE: 3AG, 6A, 125V, 7SEC	71400	MTH6
FL1220	119-0813-00			SELECTOR, VOLTS: W/LINE FLTR RCPT & FUSE	02777	F65003
L1200	108-0941-00			COIL, RF: FIXED, 15UH	80009	108-0941-00
Q101	151-0632-00			TRANSISTOR: SILICON, NPN	80009	151-0632-00
Q121	151-0607-00			TRANSISTOR: SILICON, PNP	80009	151-0607-00
Q123	151-0373-00			TRANSISTOR: SILICON, PNP	80009	151-0373-00
Q131	151-0515-01			SCR: SILICON	04713	2N4441
Q181	151-0349-00			TRANSISTOR: SILICON, NPN, SEL FROM MJE2801	80009	151-0349-00
Q185	151-0349-00			TRANSISTOR: SILICON, NPN, SEL FROM MJE2801	80009	151-0349-00
Q191	151-0606-00			TRANSISTOR: SILICON, NPN	80009	151-0606-00
Q199	151-0497-00			TRANSISTOR: SILICON, NPN	80009	151-0497-00
Q201	151-0632-00			TRANSISTOR: SILICON, NPN	80009	151-0632-00
Q1201	151-0526-00			SCR: SILICON, 100V, 35A	02735	2N3896
R1200	308-0102-00			RES., FXD, WW: 1.25K OHM, 5%, 25W	91637	HL2502Z612500J
T1220	120-1206-00			XFMR, PWR, STPDN:	80009	120-1206-00

REPLACEABLE ELECTRICAL PARTS

Ckt No.	Tektronix Part No.	Serial/Model No. Eff	Dscont	Name & Description	Mfr Code	Mfr Part Number
A16A1 POWER SUPPLY						
A16A1	670-5651-00	B010100	B010379	CKT BOARD ASSY:POWER SUPPLY	80009	670-5651-00
A16A1	670-5651-01	B010380		CKT BOARD ASSY:POWER SUPPLY	80009	670-5651-01
C101	283-0028-00			CAP., FXD, CER DI:0.0022UF, 20%, 50V	56289	19C606
C103	281-0775-00			CAP., FXD, CER DI:0.1UF, 20%, 50V	72982	8005D9AABZ5U104M
C113	283-0028-00			CAP., FXD, CER DI:0.0022UF, 20%, 50V	56289	19C606
C115	283-0003-00			CAP., FXD, CER DI:0.01UF, +80-20%, 150V	72982	855-558Z5U-103Z
C131	283-0003-00			CAP., FXD, CER DI:0.01UF, +80-20%, 150V	72982	855-558Z5U-103Z
C140	281-0775-00			CAP., FXD, CER DI:0.1UF, 20%, 50V	72982	8005D9AABZ5U104M
C141	281-0775-00			CAP., FXD, CER DI:0.1UF, 20%, 50V	72982	8005D9AABZ5U104M
C142	281-0775-00			CAP., FXD, CER DI:0.1UF, 20%, 50V	72982	8005D9AABZ5U104M
C143	283-0059-00			CAP., FXD, CER DI:1UF, +80-20%, 25V	72982	8131N031Z5U0105Z
C151	281-0775-00			CAP., FXD, CER DI:0.1UF, 20%, 50V	72982	8005D9AABZ5U104M
C155	283-0000-00			CAP., FXD, CER DI:0.001UF, +100-0%, 500V	72982	831-516E102P
C159	283-0003-00			CAP., FXD, CER DI:0.01UF, +80-20%, 150V	72982	855-558Z5U-103Z
C163	283-0028-00			CAP., FXD, CER DI:0.0022UF, 20%, 50V	56289	19C606
C207	290-0798-00			CAP., FXD, ELCTLT:180UF, +100-10%, 40V	56289	672D187H04ODM5C
C213	290-0746-00			CAP., FXD, ELCTLT:47UF, +50-10%, 16V	56289	502D226
C215	290-0798-00			CAP., FXD, ELCTLT:180UF, +100-10%, 40V	56289	672D187H04ODM5C
C241	290-0751-00			CAP., FXD, ELCTLT:220UF, +50-10%, 16V	56289	D76245
C291	290-0746-00			CAP., FXD, ELCTLT:47UF, +50-10%, 16V	56289	502D226
C293	290-0746-00			CAP., FXD, ELCTLT:47UF, +50-10%, 16V	56289	502D226
C295	290-0798-00			CAP., FXD, ELCTLT:180UF, +100-10%, 40V	56289	672D187H04ODM5C
C321	283-0041-00			CAP., FXD, CER DI:0.0033UF, 5%, 500V	72982	841-541B332J
C361	283-0041-00			CAP., FXD, CER DI:0.0033UF, 5%, 500V	72982	841-541B332J
C381	283-0028-00			CAP., FXD, CER DI:0.0022UF, 20%, 50V	56289	19C606
C393	283-0028-00			CAP., FXD, CER DI:0.0022UF, 20%, 50V	56289	19C606
C394	290-0779-00			CAP., FXD, ELCTLT:10UF, +50-10%, 50VDC	56289	502D237
C395	281-0775-00			CAP., FXD, CER DI:0.1UF, 20%, 50V	72982	8005D9AABZ5U104M
C411	290-0797-00			CAP., FXD, ELCTLT:470UF, +50%-10%, 50V	56289	D73403
C421	283-0041-00			CAP., FXD, CER DI:0.0033UF, 5%, 500V	72982	841-541B332J
C461	283-0041-00			CAP., FXD, CER DI:0.0033UF, 5%, 500V	72982	841-541B332J
C463	283-0000-00			CAP., FXD, CER DI:0.001UF, +100-0%, 500V	72982	831-516E102P
C471	283-0041-00			CAP., FXD, CER DI:0.0033UF, 5%, 500V	72982	841-541B332J
C495	283-0002-00			CAP., FXD, CER DI:0.01UF, +80-20%, 500V	72982	811-546E103Z
C501	283-0000-00			CAP., FXD, CER DI:0.001UF, +100-0%, 500V	72982	831-516E102P
C513	283-0059-00			CAP., FXD, CER DI:1UF, +80-20%, 25V	72982	8131N031Z5U0105Z
C521	283-0000-00			CAP., FXD, CER DI:0.001UF, +100-0%, 500V	72982	831-516E102P
C523	283-0000-00			CAP., FXD, CER DI:0.001UF, +100-0%, 500V	72982	831-516E102P
C555	283-0000-00			CAP., FXD, CER DI:0.001UF, +100-0%, 500V	72982	831-516E102P
C571	283-0041-00			CAP., FXD, CER DI:0.0033UF, 5%, 500V	72982	841-541B332J
C591	290-0797-00			CAP., FXD, ELCTLT:470UF, +50%-10%, 50V	56289	D73403
C593	290-0798-00			CAP., FXD, ELCTLT:180UF, +100-10%, 40V	56289	672D187H04ODM5C
C595	290-0798-00			CAP., FXD, ELCTLT:180UF, +100-10%, 40V	56289	672D187H04ODM5C
C609	281-0580-00			CAP., FXD, CER DI:470PF, 10%, 500V	04222	7001-1374
C611	283-0059-00			CAP., FXD, CER DI:1UF, +80-20%, 25V	72982	8131N031Z5U0105Z
C613	283-0077-00			CAP., FXD, CER DI:330PF, 5%, 500V	56289	40C94A3
C614	283-0341-00			CAP., FXD, CER DI:0.047UF, 10%, 100V	72982	8121N153X7R0473K
C615	281-0775-00			CAP., FXD, CER DI:0.1UF, 20%, 50V	72982	8005D9AABZ5U104M
C621	283-0000-00			CAP., FXD, CER DI:0.001UF, +100-0%, 500V	72982	831-516E102P
C631	283-0000-00			CAP., FXD, CER DI:0.001UF, +100-0%, 500V	72982	831-516E102P
C681	290-0260-00			CAP., FXD, ELCTLT:50UF, +75-10%, 200V	56289	34D506G200GL4
C711	283-0238-00			CAP., FXD, CER DI:0.01UF, 10%, 50V	72982	8121N075X7R0103K
C715	283-0059-00			CAP., FXD, CER DI:1UF, +80-20%, 25V	72982	8131N031Z5U0105Z
C717	283-0059-00			CAP., FXD, CER DI:1UF, +80-20%, 25V	72982	8131N031Z5U0105Z
C721	283-0000-00			CAP., FXD, CER DI:0.001UF, +100-0%, 500V	72982	831-516E102P

REPLACEABLE ELECTRICAL PARTS

POWER SUPPLY (CONT)

Ckt No.	Tektronix Part No.	Serial/Model No. Eff	Dscont	Name & Description	Mfr Code	Mfr Part Number
C723	281-0775-00			CAP., FXD, CER DI:0.1UF, 20%, 50V	72982	8005D9AABZ5U104M
C731	290-0779-00			CAP., FXD, ELCTLT:10UF, +50-10%, 50VDC	56289	502D237
C751	290-0770-00			CAP., FXD, ELCTLT:100UF, +50-10%, 25V	56289	502D230
C755	290-0779-00			CAP., FXD, ELCTLT:10UF, +50-10%, 50VDC	56289	502D237
C821	290-0714-00			CAP., FXD, ELCTLT:2000UF, +75-10%, 40V	56289	39D641
C871	290-0779-00			CAP., FXD, ELCTLT:10UF, +50-10%, 50VDC	56289	502D237
CR141	152-0141-02			SEMICONV DEVICE:SILICON, 30V, 50NA	80009	152-0141-02
CR275	152-0141-02			SEMICONV DEVICE:SILICON, 30V, 50NA	80009	152-0141-02
CR277	152-0141-02			SEMICONV DEVICE:SILICON, 30V, 50NA	80009	152-0141-02
CR301	152-0141-02			SEMICONV DEVICE:SILICON, 30V, 50NA	80009	152-0141-02
CR303	152-0141-02			SEMICONV DEVICE:SILICON, 30V, 50NA	80009	152-0141-02
CR321	152-0686-00			SEMICONV DEVICE:RECT, SI, 100V, 5A	80009	152-0686-00
CR361	152-0655-00			SEMICONV DEVICE:SILICON, 100V, 3A	80009	152-0655-00
CR401	152-0141-02			SEMICONV DEVICE:SILICON, 30V, 50NA	80009	152-0141-02
CR403	152-0141-02			SEMICONV DEVICE:SILICON, 30V, 50NA	80009	152-0141-02
CR421	152-0686-00			SEMICONV DEVICE:RECT, SI, 100V, 5A	80009	152-0686-00
CR461	152-0655-00			SEMICONV DEVICE:SILICON, 100V, 3A	80009	152-0655-00
CR465	152-0661-00			SEMICONV DEVICE:RECT, SI, 600V, 3A, FAST	04713	MR856
CR471	152-0655-00			SEMICONV DEVICE:SILICON, 100V, 3A	80009	152-0655-00
CR475	152-0655-00			SEMICONV DEVICE:SILICON, 100V, 3A	80009	152-0655-00
CR521	152-0661-00			SEMICONV DEVICE:RECT, SI, 600V, 3A, FAST	04713	MR856
CR523	152-0661-00			SEMICONV DEVICE:RECT, SI, 600V, 3A, FAST	04713	MR856
CR561	152-0661-00			SEMICONV DEVICE:RECT, SI, 600V, 3A, FAST	04713	MR856
CR606	152-0071-00			SEMICONV DEVICE:GERMANIUM, 15V, 40MA	14433	G865
CR645	152-0655-00			SEMICONV DEVICE:SILICON, 100V, 3A	80009	152-0655-00
CR647	152-0655-00			SEMICONV DEVICE:SILICON, 100V, 3A	80009	152-0655-00
CR661	152-0577-00			SEMICONV DEVICE:SILICON, 1500V, 3.5A	80009	152-0577-00
CR663	152-0577-00			SEMICONV DEVICE:SILICON, 1500V, 3.5A	80009	152-0577-00
CR711	152-0071-00			SEMICONV DEVICE:GERMANIUM, 15V, 40MA	14433	G865
CR717	152-0141-02			SEMICONV DEVICE:SILICON, 30V, 50NA	80009	152-0141-02
CR731	152-0141-02			SEMICONV DEVICE:SILICON, 30V, 50NA	80009	152-0141-02
CR733	152-0141-02			SEMICONV DEVICE:SILICON, 30V, 50NA	80009	152-0141-02
CR735	152-0333-00			SEMICONV DEVICE:SILICON, 55V, 200MA	80009	152-0333-00
CR737	152-0333-00			SEMICONV DEVICE:SILICON, 55V, 200MA	80009	152-0333-00
CR755	152-0141-02			SEMICONV DEVICE:SILICON, 30V, 50NA	80009	152-0141-02
CR781	152-0141-02			SEMICONV DEVICE:SILICON, 30V, 50NA	80009	152-0141-02
CR783	152-0141-02			SEMICONV DEVICE:SILICON, 30V, 50NA	80009	152-0141-02
CR785	152-0141-02			SEMICONV DEVICE:SILICON, 30V, 50NA	80009	152-0141-02
CR801	152-0585-00			SEMICONV DEVICE:SILICON, BRIDGE, 200V, 1A	80009	152-0585-00
CR851	152-0141-02			SEMICONV DEVICE:SILICON, 30V, 50NA	80009	152-0141-02
CR877	152-0141-02			SEMICONV DEVICE:SILICON, 30V, 50NA	80009	152-0141-02
CR881	152-0398-00			SEMICONV DEVICE:SILICON, 200V, 1A	80009	152-0398-00
CR883	152-0398-00			SEMICONV DEVICE:SILICON, 200V, 1A	80009	152-0398-00
CR885	152-0398-00			SEMICONV DEVICE:SILICON, 200V, 1A	80009	152-0398-00
CR887	152-0398-00			SEMICONV DEVICE:SILICON, 200V, 1A	80009	152-0398-00
F491	159-0022-00			FUSE, CARTRIDGE:3AG, 1A, 250V, FAST-BLOW	71400	AGC 1
F791	159-0041-00			FUSE, CARTRIDGE:3AG, 1.25A, 250V, SLOW-BLOW	71400	MDX 1 25/100
L251	108-0935-00			COIL, RF:FIXED, 2.4UH	80009	108-0935-00
L311	108-0934-00			COIL, RF:FIXED, 300UH, POT CORE	80009	108-0934-00
L371	108-0938-00			COIL, RF:FIXED, 0.5MH, POT CORE	80009	108-0938-00
L481	108-0938-00			COIL, RF:FIXED, 0.5MH, POT CORE	80009	108-0938-00
L511	108-0938-00			COIL, RF:FIXED, 0.5MH, POT CORE	80009	108-0938-00
L571	108-0938-00			COIL, RF:FIXED, 0.5MH, POT CORE	80009	108-0938-00
L757	108-0938-00			COIL, RF:FIXED, 0.5MH, POT CORE	80009	108-0938-00
L761	108-0939-00			COIL, RF:FIXED, 1.7MH, POT CORE	80009	108-0939-00
L881	108-0937-00			COIL, RF:0.49MH, POT CORE	80009	108-0937-00

REPLACEABLE ELECTRICAL PARTS

POWER SUPPLY (CONT)

Ckt No.	Tektronix Part No.	Serial/Model No. Eff	Dscont	Name & Description	Mfr Code	Mfr Part Number
L887	108-0937-00			COIL, RF: 0.49MH, POT CORE	80009	108-0937-00
Q111	151-0432-00			TRANSISTOR: SILICON, NPN	80009	151-0432-00
Q113	151-0190-00			TRANSISTOR: SILICON, NPN	07263	S032677
Q125	151-0134-00			TRANSISTOR: SILICON, PNP	80009	151-0134-00
Q133	151-0188-00			TRANSISTOR: SILICON, PNP	80009	151-0188-00
Q155	151-0188-00			TRANSISTOR: SILICON, PNP	80009	151-0188-00
Q173	151-0188-00			TRANSISTOR: SILICON, PNP	80009	151-0188-00
Q183	151-0103-00			TRANSISTOR: SILICON, NPN	80009	151-0103-00
Q187	151-0103-00			TRANSISTOR: SILICON, NPN	80009	151-0103-00
Q193	151-0342-00			TRANSISTOR: SILICON, PNP	80009	151-0342-00
Q223	151-0188-00			TRANSISTOR: SILICON, PNP	80009	151-0188-00
Q225	151-0188-00			TRANSISTOR: SILICON, PNP	80009	151-0188-00
Q227	151-1005-00			TRANSISTOR: SILICON, JFE, N-CHANNEL	80009	151-1005-00
Q271	151-0190-00			TRANSISTOR: SILICON, NPN	07263	S032677
Q273	151-0190-00			TRANSISTOR: SILICON, NPN	07263	S032677
Q275	151-1005-00			TRANSISTOR: SILICON, JFE, N-CHANNEL	80009	151-1005-00
Q281	151-0432-00			TRANSISTOR: SILICON, NPN	80009	151-0432-00
Q283	151-0432-00			TRANSISTOR: SILICON, NPN	80009	151-0432-00
Q285	151-0432-00			TRANSISTOR: SILICON, NPN	80009	151-0432-00
Q311	151-0342-00			TRANSISTOR: SILICON, PNP	80009	151-0342-00
Q313	151-0342-00			TRANSISTOR: SILICON, PNP	80009	151-0342-00
Q315	151-0342-00			TRANSISTOR: SILICON, PNP	80009	151-0342-00
Q381	151-0190-00			TRANSISTOR: SILICON, NPN	07263	S032677
Q383	151-0190-00			TRANSISTOR: SILICON, NPN	07263	S032677
Q385	151-1005-00			TRANSISTOR: SILICON, JFE, N-CHANNEL	80009	151-1005-00
Q391	151-0188-00			TRANSISTOR: SILICON, PNP	80009	151-0188-00
Q493	151-0292-00			TRANSISTOR: SILICON, NPN	80009	151-0292-00
Q606	151-0190-00			TRANSISTOR: SILICON, NPN	07263	S032677
Q621	151-0188-00			TRANSISTOR: SILICON, PNP	80009	151-0188-00
Q623	151-0407-00			TRANSISTOR: SILICON, NPN	80009	151-0407-00
Q635	151-0134-00			TRANSISTOR: SILICON, PNP	80009	151-0134-00
Q717	151-0190-00			TRANSISTOR: SILICON, NPN	07263	S032677
Q727	151-0407-00			TRANSISTOR: SILICON, NPN	80009	151-0407-00
Q741	151-0188-00			TRANSISTOR: SILICON, PNP	80009	151-0188-00
Q748	151-0188-00			TRANSISTOR: SILICON, PNP	80009	151-0188-00
Q751	151-0192-00			TRANSISTOR: SILICON, NPN, SEL FROM MPS6521	04713	SPS8801
Q841	151-0188-00			TRANSISTOR: SILICON, PNP	80009	151-0188-00
Q845	151-0188-00			TRANSISTOR: SILICON, PNP	80009	151-0188-00
Q857	151-0190-00			TRANSISTOR: SILICON, NPN	07263	S032677
Q861	151-0192-00			TRANSISTOR: SILICON, NPN, SEL FROM MPS6521	04713	SPS8801
Q863	151-0190-00			TRANSISTOR: SILICON, NPN	07263	S032677
R101	321-0604-00			RES., FXD, FILM: 30K OHM, 0.25%, 0.125W	91637	MFF1816D30001C
R102	321-0604-00			RES., FXD, FILM: 30K OHM, 0.25%, 0.125W	91637	MFF1816D30001C
R103	315-0512-00			RES., FXD, CMPSN: 5.1K OHM, 5%, 0.25W	01121	CB5125
R104	315-0101-00			RES., FXD, CMPSN: 100 OHM, 5%, 0.25W	01121	CB1015
R105	315-0512-00			RES., FXD, CMPSN: 5.1K OHM, 5%, 0.25W	01121	CB5125
R107	315-0472-00			RES., FXD, CMPSN: 4.7K OHM, 5%, 0.25W	01121	CB4725
R109	315-0472-00			RES., FXD, CMPSN: 4.7K OHM, 5%, 0.25W	01121	CB4725
R111	315-0103-00			RES., FXD, CMPSN: 10K OHM, 5%, 0.25W	01121	CB1035
R113	321-1296-03			RES., FXD, FILM: 12K OHM, 0.25%, 0.125W	91637	MFF1816D12001C
R115	321-1296-03			RES., FXD, FILM: 12K OHM, 0.25%, 0.125W	91637	MFF1816D12001C
R121	315-0511-00			RES., FXD, CMPSN: 510 OHM, 5%, 0.25W	01121	CB5115
R125	315-0202-00			RES., FXD, CMPSN: 2K OHM, 5%, 0.25W	01121	CB2025
R131	315-0102-00			RES., FXD, CMPSN: 1K OHM, 5%, 0.25W	01121	CB1025
R133	315-0221-00			RES., FXD, CMPSN: 220 OHM, 5%, 0.25W	01121	CB2215
R135	315-0101-00			RES., FXD, CMPSN: 100 OHM, 5%, 0.25W	01121	CB1015

REPLACEABLE ELECTRICAL PARTS

POWER SUPPLY (CONT)

Ckt No.	Tektronix Part No.	Serial/Model No. Eff	Dscont	Name & Description	Mfr Code	Mfr Part Number
R137	315-0511-00			RES., FXD, CMPSN: 510 OHM, 5%, 0.25W	01121	CB5115
R150	307-0054-00	B010100	B010379	RES., FXD, CMPSN: 3.6 OHM, 5%, 0.50W	01121	EB36GB
R150	308-0739-00	B010380		RES., FXD, WW: 40 OHM, 1%, 3W	91637	RS2B4R00F
R151	307-0054-00	B010100	B010379	RES., FXD, CMPSN: 3.6 OHM, 5%, 0.50W	01121	EB36GB
R151	308-0739-00	B010380		RES., FXD, WW: 40 OHM, 1%, 3W	91637	RS2B4R00F
R152	307-0054-00	B010100	B010379	RES., FXD, CMPSN: 3.6 OHM, 5%, 0.50W	01121	EB36GB
R152	308-0739-00	B010380		RES., FXD, WW: 40 OHM, 1%, 3W	91637	RS2B4R00F
R153	315-0202-00			RES., FXD, CMPSN: 2K OHM, 5%, 0.25W	01121	CB2025
R155	315-0221-00			RES., FXD, CMPSN: 220 OHM, 5%, 0.25W	01121	CB2215
R157	315-0470-00			RES., FXD, CMPSN: 47 OHM, 5%, 0.25W	01121	CB4705
R159	315-0511-00			RES., FXD, CMPSN: 510 OHM, 5%, 0.25W	01121	CB5115
R161	315-0752-00			RES., FXD, CMPSN: 7.5K OHM, 5%, 0.25W	01121	CB7525
R163	315-0752-00			RES., FXD, CMPSN: 7.5K OHM, 5%, 0.25W	01121	CB7525
R164	315-0101-00			RES., FXD, CMPSN: 100 OHM, 5%, 0.25W	01121	CB1015
R165	321-0816-00			RES., FXD, FILM: 5K OHM, 1%, 0.125W	24546	NA55D5000F
R171	305-0151-00			RES., FXD, CMPSN: 150 OHM, 5%, 2W	01121	HB1515
R173	315-0202-00			RES., FXD, CMPSN: 2K OHM, 5%, 0.25W	01121	CB2025
R181	315-0511-00			RES., FXD, CMPSN: 510 OHM, 5%, 0.25W	01121	CB5115
R185	315-0511-00			RES., FXD, CMPSN: 510 OHM, 5%, 0.25W	01121	CB5115
R189	315-0202-00			RES., FXD, CMPSN: 2K OHM, 5%, 0.25W	01121	CB2025
R191	315-0103-00			RES., FXD, CMPSN: 10K OHM, 5%, 0.25W	01121	CB1035
R193	305-0151-00			RES., FXD, CMPSN: 150 OHM, 5%, 2W	01121	HB1515
R195	315-0512-00			RES., FXD, CMPSN: 5.1K OHM, 5%, 0.25W	01121	CB5125
R196	315-0101-00			RES., FXD, CMPSN: 100 OHM, 5%, 0.25W	01121	CB1015
R211	308-0701-00			RES., FXD, WW: 0.12 OHM, 5%, 2W	75042	BWH-R1200J
R213	315-0202-00			RES., FXD, CMPSN: 2K OHM, 5%, 0.25W	01121	CB2025
R215	308-0793-00			RES., FXD, WW: 0.51 OHM, 5%, 0.50W	75042	BW20 .51 OHM 5%
R217	315-0202-00			RES., FXD, CMPSN: 2K OHM, 5%, 0.25W	01121	CB2025
R221	321-0169-00			RES., FXD, FILM: 562 OHM, 1%, 0.125W	91637	MFF1816G562R0F
R223	321-1296-03			RES., FXD, FILM: 12K OHM, 0.25%, 0.125W	91637	MFF1816D12001C
R225	315-0201-00			RES., FXD, CMPSN: 200 OHM, 5%, 0.25W	01121	CB2015
R227	305-0750-00			RES., FXD, CMPSN: 75 OHM, 5%, 2W	01121	HB7505
R251	308-0793-00			RES., FXD, WW: 0.51 OHM, 5%, 0.50W	75042	BW20 .51 OHM 5%
R261	321-0764-01			RES., FXD, FILM: 5.09K OHM, 0.5%, 0.125W	91637	MFF1816G50900D
R263	321-0158-00			RES., FXD, FILM: 432 OHM, 1%, 0.125W	91637	MFF1816G432R0F
R265	321-0816-00			RES., FXD, FILM: 5K OHM, 1%, 0.125W	24546	NA55D5000F
R269	315-0100-00			RES., FXD, CMPSN: 10 OHM, 5%, 0.25W	01121	CB1005
R275	315-0333-00			RES., FXD, CMPSN: 33K OHM, 5%, 0.25W	01121	CB3335
R279	315-0201-00			RES., FXD, CMPSN: 200 OHM, 5%, 0.25W	01121	CB2015
R281	315-0201-00			RES., FXD, CMPSN: 200 OHM, 5%, 0.25W	01121	CB2015
R285	321-0168-00			RES., FXD, FILM: 549 OHM, 1%, 0.125W	91637	MFF1816G549R0F
R291	308-0590-00			RES., FXD, WW: 0.25 OHM, 5%, 3W	91637	RS2B-ER2500J
R293	315-0202-00			RES., FXD, CMPSN: 2K OHM, 5%, 0.25W	01121	CB2025
R295	308-0590-00			RES., FXD, WW: 0.25 OHM, 5%, 3W	91637	RS2B-ER2500J
R297	315-0202-00			RES., FXD, CMPSN: 2K OHM, 5%, 0.25W	01121	CB2025
R298	308-0701-00			RES., FXD, WW: 0.12 OHM, 5%, 2W	75042	BWH-R1200J
R299	315-0202-00			RES., FXD, CMPSN: 2K OHM, 5%, 0.25W	01121	CB2025
R301	315-0362-00			RES., FXD, CMPSN: 3.6K OHM, 5%, 0.25W	01121	CB3625
R302	315-0101-00			RES., FXD, CMPSN: 100 OHM, 5%, 0.25W	01121	CB1015
R311	308-0244-00			RES., FXD, WW: 0.3 OHM, 10%, 2W	91637	RS2B162ER3000K
R321	307-0105-00			RES., FXD, CMPSN: 3.9 OHM, 5%, 0.25W	01121	CB39G5
R361	307-0105-00			RES., FXD, CMPSN: 3.9 OHM, 5%, 0.25W	01121	CB39G5
R381	321-0335-00			RES., FXD, FILM: 30.1K OHM, 1%, 0.125W	91637	MFF1816G30101F
R383	315-0511-00			RES., FXD, CMPSN: 510 OHM, 5%, 0.25W	01121	CB5115
R385	321-0612-00			RES., FXD, FILM: 500 OHM, 1%, 0.125W	91637	MFF1816G500R0F
R391	315-0752-00			RES., FXD, CMPSN: 7.5K OHM, 5%, 0.25W	01121	CB7525
R393	315-0752-00			RES., FXD, CMPSN: 7.5K OHM, 5%, 0.25W	01121	CB7525

REPLACEABLE ELECTRICAL PARTS

POWER SUPPLY (CONT)

Ckt No.	Tektronix Part No.	Serial/Model No. Eff	Dscont	Name & Description	Mfr Code	Mfr Part Number
R394	321-1609-03			RES., FXD, FILM: 2.02K OHM, 0.25%, 0.125W	24546	NC55C2021C
R395	321-0240-01			RES., FXD, FILM: 3.09K OHM, 0.5%, 0.125W	91637	MFF1816G30900D
R401	321-0168-00			RES., FXD, FILM: 549 OHM, 1%, 0.125W	91637	MFF1816G54900F
R403	321-0338-00			RES., FXD, FILM: 32.4K OHM, 1%, 0.125W	91637	MFF1816G32401F
R411	315-0201-00			RES., FXD, CMPSN: 200 OHM, 5%, 0.25W	01121	CB2015
R413	315-0333-00			RES., FXD, CMPSN: 33K OHM, 5%, 0.25W	01121	CB3335
R421	307-0105-00			RES., FXD, CMPSN: 3.9 OHM, 5%, 0.25W	01121	CB39G5
R461	307-0105-00			RES., FXD, CMPSN: 3.9 OHM, 5%, 0.25W	01121	CB39G5
R463	315-0100-00			RES., FXD, CMPSN: 10 OHM, 5%, 0.25W	01121	CB1005
R471	307-0105-00			RES., FXD, CMPSN: 3.9 OHM, 5%, 0.25W	01121	CB39G5
R481	321-1296-03			RES., FXD, FILM: 12K OHM, 0.25%, 0.125W	91637	MFF1816D12001C
R483	315-0201-00			RES., FXD, CMPSN: 200 OHM, 5%, 0.25W	01121	CB2015
R485	321-0764-01			RES., FXD, FILM: 5.09K OHM, 0.5%, 0.125W	91637	MFF1816G50900D
R487	308-0244-00			RES., FXD, WW: 0.3 OHM, 10%, 2W	91637	RS2B162ER3000K
R491	321-1296-03			RES., FXD, FILM: 12K OHM, 0.25%, 0.125W	91637	MFF1816D12001C
R493	321-0604-00			RES., FXD, FILM: 30K OHM, 0.25%, 0.125W	91637	MFF1816D30001C
R495	315-0303-00			RES., FXD, CMPSN: 30K OHM, 5%, 0.25W	01121	CB3035
R497	315-0303-00			RES., FXD, CMPSN: 30K OHM, 5%, 0.25W	01121	CB3035
R499	315-0103-00			RES., FXD, CMPSN: 10K OHM, 5%, 0.25W	01121	CB1035
R501	321-0202-00			RES., FXD, FILM: 1.24K OHM, 1%, 0.125W	91637	MFF1816G12400F
R503	321-0202-00			RES., FXD, FILM: 1.24K OHM, 1%, 0.125W	91637	MFF1816G12400F
R505	321-0193-00			RES., FXD, FILM: 1K OHM, 1%, 0.125W	91637	MFF1816G10000F
R506	315-0510-00			RES., FXD, CMPSN: 51 OHM, 5%, 0.25W	01121	CB5105
R511	308-0244-00			RES., FXD, WW: 0.3 OHM, 10%, 2W	91637	RS2B162ER3000K
R515	321-0196-00			RES., FXD, FILM: 1.07K OHM, 1%, 0.125W	91637	MFF1816G10700F
R521	315-0100-00			RES., FXD, CMPSN: 10 OHM, 5%, 0.25W	01121	CB1005
R523	315-0100-00			RES., FXD, CMPSN: 10 OHM, 5%, 0.25W	01121	CB1005
R561	315-0100-00			RES., FXD, CMPSN: 10 OHM, 5%, 0.25W	01121	CB1005
R571	307-0105-00			RES., FXD, CMPSN: 3.9 OHM, 5%, 0.25W	01121	CB39G5
R581	308-0244-00			RES., FXD, WW: 0.3 OHM, 10%, 2W	91637	RS2B162ER3000K
R595	308-0244-00			RES., FXD, WW: 0.3 OHM, 10%, 2W	91637	RS2B162ER3000K
R601	311-1224-00			RES., VAR, NONWIR: 500 OHM, 20%, 0.50W	32997	3386F-T04-501
R603	321-0193-00			RES., FXD, FILM: 1K OHM, 1%, 0.125W	91637	MFF1816G10000F
R605	321-0255-00			RES., FXD, FILM: 4.42K OHM, 1%, 0.125W	91637	MFF1816G44200F
R611	321-0119-00			RES., FXD, FILM: 169 OHM, 1%, 0.125W	91637	MFF1816G16900F
R613	315-0512-00			RES., FXD, CMPSN: 5.1K OHM, 5%, 0.25W	01121	CB5125
R615	321-0238-00			RES., FXD, FILM: 2.94K OHM, 1%, 0.125W	91637	MFF1816G29400F
R621	315-0510-00			RES., FXD, CMPSN: 51 OHM, 5%, 0.25W	01121	CB5105
R623	315-0511-00			RES., FXD, CMPSN: 510 OHM, 5%, 0.25W	01121	CB5115
R625	315-0511-00			RES., FXD, CMPSN: 510 OHM, 5%, 0.25W	01121	CB5115
R627	301-0301-00			RES., FXD, CMPSN: 300 OHM, 5%, 0.50W	01121	EB3015
R629	315-0301-00			RES., FXD, CMPSN: 300 OHM, 5%, 0.25W	01121	CB3015
R631	315-0102-00			RES., FXD, CMPSN: 1K OHM, 5%, 0.25W	01121	CB1025
R633	315-0511-00			RES., FXD, CMPSN: 510 OHM, 5%, 0.25W	01121	CB5115
R634	307-0051-00			RES., FXD, CMPSN: 2.7 OHM, 5%, 0.50W	01121	EB27G5
R647	308-0244-00			RES., FXD, WW: 0.3 OHM, 10%, 2W	91637	RS2B162ER3000K
R681	315-0204-00			RES., FXD, CMPSN: 200K OHM, 5%, 0.25W	01121	CB2045
R701	321-0149-00			RES., FXD, FILM: 348 OHM, 1%, 0.125W	91637	MFF1816G34800F
R705	315-0513-00			RES., FXD, CMPSN: 51K OHM, 5%, 0.25W	01121	CB5135
R707	315-0203-00			RES., FXD, CMPSN: 20K OHM, 5%, 0.25W	01121	CB2035
R711	315-0511-00			RES., FXD, CMPSN: 510 OHM, 5%, 0.25W	01121	CB5115
R712	315-0104-00			RES., FXD, CMPSN: 100K OHM, 5%, 0.25W	01121	CB1045
R717	315-0472-00			RES., FXD, CMPSN: 4.7K OHM, 5%, 0.25W	01121	CB4725
R719	315-0150-00			RES., FXD, CMPSN: 15 OHM, 5%, 0.25W	01121	CB1505
R721	315-0202-00			RES., FXD, CMPSN: 2K OHM, 5%, 0.25W	01121	CB2025
R723	315-0511-00			RES., FXD, CMPSN: 510 OHM, 5%, 0.25W	01121	CB5115
R725	301-0301-00			RES., FXD, CMPSN: 300 OHM, 5%, 0.50W	01121	EB3015

REPLACEABLE ELECTRICAL PARTS

POWER SUPPLY (CONT)

Ckt No.	Tektronix Part No.	Serial/Model No. Eff	Dscont	Name & Description	Mfr Code	Mfr Part Number
R727	315-0202-00			RES., FXD, CMPSN:2K OHM, 5%, 0.25W	01121	CB2025
R731	308-0793-00			RES., FXD, WW:0.51 OHM, 5%, 0.50W	75042	BW20 .51 OHM 5%
R733	315-0510-00			RES., FXD, CMPSN:51 OHM, 5%, 0.25W	01121	CB5105
R741	315-0472-00			RES., FXD, CMPSN:4.7K OHM, 5%, 0.25W	01121	CB4725
R743	321-0306-00			RES., FXD, FILM:15K OHM, 1%, 0.125W	91637	MFF1816G15001F
R745	321-0289-00			RES., FXD, FILM:10K OHM, 1%, 0.125W	91637	MFF1816G10001F
R747	315-0302-00			RES., FXD, CMPSN:3K OHM, 5%, 0.25W	01121	CB3025
R748	321-0289-00			RES., FXD, FILM:10K OHM, 1%, 0.125W	91637	MFF1816G10001F
U749	315-0203-00			RES., FXD, CMPSN:20K OHM, 5%, 0.25W	01121	CB2035
R753	315-0102-00			RES., FXD, CMPSN:1K OHM, 5%, 0.25W	01121	CB1025
R757	303-0105-00			RES., FXD, CMPSN:1M OHM, 5%, 1W	01121	GB1055
R781	315-0272-00			RES., FXD, CMPSN:2.7K OHM, 5%, 0.25W	01121	CB2725
R791	308-0244-00			RES., FXD, WW:0.3 OHM, 10%, 2W	91637	RS2B162ER3000K
R831	315-0132-00			RES., FXD, CMPSN:1.3K OHM, 5%, 0.25W	01121	CB1325
R833	311-1224-00			RES., VAR, NONWIR:500 OHM, 20%, 0.50W	32997	3386F-T04-501
R835	315-0132-00			RES., FXD, CMPSN:1.3K OHM, 5%, 0.25W	01121	CB1325
R841	315-0102-00			RES., FXD, CMPSN:1K OHM, 5%, 0.25W	01121	CB1025
R843	315-0511-00			RES., FXD, CMPSN:510 OHM, 5%, 0.25W	01121	CB5115
R845	301-0102-00			RES., FXD, CMPSN:1K OHM, 5%, 0.50W	01121	EB1025
R847	315-0513-00			RES., FXD, CMPSN:51K OHM, 5%, 0.25W	01121	CB5135
R849	315-0242-00			RES., FXD, CMPSN:2.4K OHM, 5%, 0.25W	01121	CB2425
R851	315-0104-00			RES., FXD, CMPSN:100K OHM, 5%, 0.25W	01121	CB1045
R853	315-0303-00			RES., FXD, CMPSN:30K OHM, 5%, 0.25W	01121	CB3035
R855	315-0104-00			RES., FXD, CMPSN:100K OHM, 5%, 0.25W	01121	CB1045
R856	315-0331-00			RES., FXD, CMPSN:330 OHM, 5%, 0.25W	01121	CB3315
R857	315-0621-00			RES., FXD, CMPSN:620 OHM, 5%, 0.25W	01121	CB6215
R859	315-0512-00			RES., FXD, CMPSN:5.1K OHM, 5%, 0.25W	01121	CB5125
R861	315-0103-00			RES., FXD, CMPSN:10K OHM, 5%, 0.25W	01121	CB1035
R871	315-0302-00			RES., FXD, CMPSN:3K OHM, 5%, 0.25W	01121	CB3025
R873	315-0202-00			RES., FXD, CMPSN:2K OHM, 5%, 0.25W	01121	CB2025
R875	315-0103-00			RES., FXD, CMPSN:10K OHM, 5%, 0.25W	01121	CB1035
R891	307-0103-00			RES., FXD, CMPSN:2.7 OHM, 5%, 0.25W	01121	CB27G5
R893	307-0103-00			RES., FXD, CMPSN:2.7 OHM, 5%, 0.25W	01121	CB27G5
RT455	307-0472-00			RES., THERMAL:100K OHM, 5% DISC	15801	JP51J5
T441	120-1207-00			XFMR, PWR, SDN&SU:HV CONVERTER	80009	120-1207-00
U111	156-0158-00			MICROCIRCUIT, LI:DUAL OPERATIONAL AMPLIFIER	80009	156-0158-00
U271	156-0067-00			MICROCIRCUIT, LI:OPERATIONAL AMPLIFIER	80009	156-0067-00
U381	156-0158-00			MICROCIRCUIT, LI:DUAL OPERATIONAL AMPLIFIER	80009	156-0158-00
U611	156-0933-00			MICROCIRCUIT, LI:REGULATOR, PULSE WIDTH MOD	80009	156-0933-00
VR143	152-0508-00			SEMICONV DEVICE:ZENER, 0.4W, 12.6V, 5%	80009	152-0508-00
VR153	152-0175-00			SEMICONV DEVICE:ZENER, 0.4W, 5.6V, 5%	80009	152-0175-00
VR273	152-0395-00			SEMICONV DEVICE:ZENER, 0.4W, 4.3V, 5%	04713	1N749A
VR493	152-0288-00			SEMICONV DEVICE:ZENER, 0.4W, 140V, 5%	80009	152-0288-00
VR847	152-0166-00			SEMICONV DEVICE:ZENER, 0.4W, 6.2V, 5%	80009	152-0166-00

REPLACEABLE ELECTRICAL PARTS

Ckt No.	Tektronix Part No.	Serial/Model No. Eff	Dscont	Name & Description	Mfr Code	Mfr Part Number
A16A2 INVERTER						
A16A2	670-5652-00			CKT BOARD ASSY:INVERTER	80009	670-5652-00
C12	283-0659-00			CAP.,FXD,MICA D:1160PF,2%,500V	00853	D195C1161G0
C111	283-0194-00			CAP.,FXD,CER DI:4.7UF,20%,50V	72982	8151N057Z5U0475M
C121	285-1177-00			CAP.,FXD,PLSTC:1 UF,10%,400V	84411	TRW-28-10594
C131	283-0002-00			CAP.,FXD,CER DI:0.01UF,+80-20%,500V	72982	811-546E103Z
C211	283-0194-00			CAP.,FXD,CER DI:4.7UF,20%,50V	72982	8151N057Z5U0475M
C231	285-0572-00			CAP.,FXD,PLSTC:0.1UF,20%,200V	56289	410P10402
CR31	152-0071-00			SEMICONV DEVICE:GERMANIUM,15V,40MA	14433	G865
CR101	152-0400-00			SEMICONV DEVICE:SILICON,400V,1A	80009	152-0400-00
CR111	152-0398-00			SEMICONV DEVICE:SILICON,200V,1A	80009	152-0398-00
CR125	152-0398-00			SEMICONV DEVICE:SILICON,200V,1A	80009	152-0398-00
CR131	152-0071-00			SEMICONV DEVICE:GERMANIUM,15V,40MA	14433	G865
CR201	152-0400-00			SEMICONV DEVICE:SILICON,400V,1A	80009	152-0400-00
CR211	152-0398-00			SEMICONV DEVICE:SILICON,200V,1A	80009	152-0398-00
CR225	152-0398-00			SEMICONV DEVICE:SILICON,200V,1A	80009	152-0398-00
DS221	150-0035-00			LAMP,GLOW:90V,0.3MA	53944	A1B-3
L161	108-0901-00			COIL,RF:FXD,180UH,POTCORE	80009	108-0901-00
L261	108-0901-00			COIL,RF:FXD,180UH,POTCORE	80009	108-0901-00
R11	308-0079-00			RES.,FXD,WW:117 OHM,5%,5W	91637	RS5-K117R0J
R31	306-0331-00			RES.,FXD,CMPSN:330 OHM,10%,2W	01121	HB3311
R41	305-0183-00			RES.,FXD,CMPSN:18K OHM,5%,2W	01121	HB1835
R121	308-0677-00			RES.,FXD,WW:1 OHM,5%,2W	75042	BWH-1R000J
R127	308-0755-00			RES.,FXD,WW:0.75 OHM,5%,2W	75042	BWH-R7500J
R131	301-0565-00			RES.,FXD,CMPSN:5.6M OHM,5%,0.50W	01121	EB5655
R221	308-0677-00			RES.,FXD,WW:1 OHM,5%,2W	75042	BWH-1R000J
R227	308-0755-00			RES.,FXD,WW:0.75 OHM,5%,2W	75042	BWH-R7500J
R241	305-0183-00			RES.,FXD,CMPSN:18K OHM,5%,2W	01121	HB1835
R377	307-0103-00			RES.,FXD,CMPSN:2.7 OHM,5%,0.25W	01121	CB27G5
RT141	307-0350-00			RES.,THERMAL:7.5 OHM,10%,3.9%/DEG C	15454	75DJ7R5R0220SS
RT235	307-0350-00			RES.,THERMAL:7.5 OHM,10%,3.9%/DEG C	15454	75DJ7R5R0220SS
RT283	307-0361-00			RES.,THERMAL:25 OHM,20%	50157	165D25001
RV161	307-0415-00			RES,V SENSITIVE:DISC	03508	V130LA10A
RV171	307-0415-00			RES,V SENSITIVE:DISC	03508	V130LA10A
T21	120-1210-00			XFMR,RF:TOROID,CURRENT	80009	120-1210-00
T221	120-1211-00			XFMR,RF:DRIVER,POT CORE	80009	120-1211-00

REPLACEABLE ELECTRICAL PARTS

Ckt No.	Tektronix Part No.	Serial/Model No. Eff	Dscont	Name & Description	Mfr Code	Mfr Part Number
A17 CURRENT LOOP OPTION 2,10,11						
A17	670-5257-00			CKT BOARD ASSY:CURRENT LOOP	80009	670-5257-00
C250	283-0128-00			CAP.,FXD,CER DI:100PF,5%,500V	72982	871-536T2H101J
C371	281-0775-00			CAP.,FXD,CER DI:0.1UF,20%,50V	72982	8005D9AABZ5U104M
C372	290-0782-00			CAP.,FXD,ELCTLT:4.7UF,+75-10%,35V	56289	503D475G035AS
C373	281-0775-00			CAP.,FXD,CER DI:0.1UF,20%,50V	72982	8005D9AABZ5U104M
C374	290-0782-00			CAP.,FXD,ELCTLT:4.7UF,+75-10%,35V	56289	503D475G035AS
C375	281-0775-00			CAP.,FXD,CER DI:0.1UF,20%,50V	72982	8005D9AABZ5U104M
C376	290-0782-00			CAP.,FXD,ELCTLT:4.7UF,+75-10%,35V	56289	503D475G035AS
CR20	152-0141-02			SEMICONV DEVICE:SILICON,30V,50NA	80009	152-0141-02
CR250	152-0460-00			SEMICONV DEVICE:SILICON,25V,1MA	04713	1N5299
CR251	152-0066-00			SEMICONV DEVICE:SILICON,400V,750MA	14433	LG4016
CR270	152-0066-00			SEMICONV DEVICE:SILICON,400V,750MA	14433	LG4016
Q120	151-0188-00			TRANSISTOR:SILICON,PNP	80009	151-0188-00
Q130	151-0190-00			TRANSISTOR:SILICON,NPN	07263	S032677
Q170	151-0190-00			TRANSISTOR:SILICON,NPN	07263	S032677
Q229	151-0302-00			TRANSISTOR:SILICON,NPN	07263	S038487
Q270	151-0302-00			TRANSISTOR:SILICON,NPN	07263	S038487
R20	315-0472-00			RES.,FXD,CMPSN:4.7K OHM,5%,0.25W	01121	CB4725
R50	315-0513-00			RES.,FXD,CMPSN:51K OHM,5%,0.25W	01121	CB5135
R70	315-0332-00			RES.,FXD,CMPSN:3.3K OHM,5%,0.25W	01121	CB3325
R71	315-0102-00			RES.,FXD,CMPSN:1K OHM,5%,0.25W	01121	CB1025
R120	315-0183-00			RES.,FXD,CMPSN:18K OHM,5%,0.25W	01121	CB1835
R121	315-0102-00			RES.,FXD,CMPSN:1K OHM,5%,0.25W	01121	CB1025
R122	315-0680-00			RES.,FXD,CMPSN:68 OHM,5%,0.25W	01121	CB6805
R159	315-0303-00			RES.,FXD,CMPSN:30K OHM,5%,0.25W	01121	CB3035
R180	311-1552-00			RES.,VAR,NONWIR:500K OHM,20%,0.50W	73138	91-74-0
R250	301-0511-00			RES.,FXD,CMPSN:510 OHM,5%,0.50W	01121	EB5115
R251	301-0511-00			RES.,FXD,CMPSN:510 OHM,5%,0.50W	01121	EB5115
R270	315-0200-00			RES.,FXD,CMPSN:20 OHM,5%,0.25W	01121	CB2005
R350	301-0511-00			RES.,FXD,CMPSN:510 OHM,5%,0.50W	01121	EB5115
R351	301-0511-00			RES.,FXD,CMPSN:510 OHM,5%,0.50W	01121	EB5115
U150	156-0907-00			MICROCIRCUIT,LI:OPTOELECTRONIC ISOLATOR	04713	4N26
U170	156-0907-00			MICROCIRCUIT,LI:OPTOELECTRONIC ISOLATOR	04713	4N26

REPLACEABLE ELECTRICAL PARTS

Ckt No.	Tektronix Part No.	Serial/Model No. Eff	Dscont	Name & Description	Mfr Code	Mfr Part Number
A18 RS-232 PERIPHERL OPTION 3						
A18	670-5260-00			CKT BOARD ASSY:RS-232	80009	670-5260-00
C5	281-0775-00			CAP., FXD, CER DI:0.1UF, 20%, 50V	72982	8005D9AABZ5U104M
C15	281-0775-00			CAP., FXD, CER DI:0.1UF, 20%, 50V	72982	8005D9AABZ5U104M
C25	281-0775-00			CAP., FXD, CER DI:0.1UF, 20%, 50V	72982	8005D9AABZ5U104M
C30	281-0775-00			CAP., FXD, CER DI:0.1UF, 20%, 50V	72982	8005D9AABZ5U104M
C31	281-0775-00			CAP., FXD, CER DI:0.1UF, 20%, 50V	72982	8005D9AABZ5U104M
C35	281-0775-00			CAP., FXD, CER DI:0.1UF, 20%, 50V	72982	8005D9AABZ5U104M
C105	281-0775-00			CAP., FXD, CER DI:0.1UF, 20%, 50V	72982	8005D9AABZ5U104M
C120	281-0775-00			CAP., FXD, CER DI:0.1UF, 20%, 50V	72982	8005D9AABZ5U104M
C125	281-0775-00			CAP., FXD, CER DI:0.1UF, 20%, 50V	72982	8005D9AABZ5U104M
C126	281-0775-00			CAP., FXD, CER DI:0.1UF, 20%, 50V	72982	8005D9AABZ5U104M
C130	281-0775-00			CAP., FXD, CER DI:0.1UF, 20%, 50V	72982	8005D9AABZ5U104M
C205	281-0775-00			CAP., FXD, CER DI:0.1UF, 20%, 50V	72982	8005D9AABZ5U104M
C215	281-0775-00			CAP., FXD, CER DI:0.1UF, 20%, 50V	72982	8005D9AABZ5U104M
C220	283-0077-00			CAP., FXD, CER DI:330PF, 5%, 500V	56289	40C94A3
C225	281-0775-00			CAP., FXD, CER DI:0.1UF, 20%, 50V	72982	8005D9AABZ5U104M
C230	281-0775-00			CAP., FXD, CER DI:0.1UF, 20%, 50V	72982	8005D9AABZ5U104M
C235	283-0077-00			CAP., FXD, CER DI:330PF, 5%, 500V	56289	40C94A3
C236	281-0775-00			CAP., FXD, CER DI:0.1UF, 20%, 50V	72982	8005D9AABZ5U104M
C305	281-0775-00			CAP., FXD, CER DI:0.1UF, 20%, 50V	72982	8005D9AABZ5U104M
C314	281-0775-00			CAP., FXD, CER DI:0.1UF, 20%, 50V	72982	8005D9AABZ5U104M
C326	290-0745-00			CAP., FXD, ELCTLT:22UF, +50-10%, 25V	56289	502D225
C327	290-0745-00			CAP., FXD, ELCTLT:22UF, +50-10%, 25V	56289	502D225
C328	290-0745-00			CAP., FXD, ELCTLT:22UF, +50-10%, 25V	56289	502D225
C330	281-0775-00			CAP., FXD, CER DI:0.1UF, 20%, 50V	72982	8005D9AABZ5U104M
CR7	152-0141-02			SEMICONV DEVICE:SILICON, 30V, 50NA	80009	152-0141-02
CR107	152-0141-02			SEMICONV DEVICE:SILICON, 30V, 50NA	80009	152-0141-02
R33	315-0103-00			RES., FXD, CMPSN:10K OHM, 5%, 0.25W	01121	CB1035
R34	315-0103-00			RES., FXD, CMPSN:10K OHM, 5%, 0.25W	01121	CB1035
R35	315-0103-00			RES., FXD, CMPSN:10K OHM, 5%, 0.25W	01121	CB1035
R219	315-0102-00			RES., FXD, CMPSN:1K OHM, 5%, 0.25W	01121	CB1025
R224	315-0222-00			RES., FXD, CMPSN:2.2K OHM, 5%, 0.25W	01121	CB2225
R234	315-0102-00			RES., FXD, CMPSN:1K OHM, 5%, 0.25W	01121	CB1025
R312	315-0102-00			RES., FXD, CMPSN:1K OHM, 5%, 0.25W	01121	CB1025
R313	315-0103-00			RES., FXD, CMPSN:10K OHM, 5%, 0.25W	01121	CB1035
R316	315-0222-00			RES., FXD, CMPSN:2.2K OHM, 5%, 0.25W	01121	CB2225
R317	315-0103-00			RES., FXD, CMPSN:10K OHM, 5%, 0.25W	01121	CB1035
R318	315-0103-00			RES., FXD, CMPSN:10K OHM, 5%, 0.25W	01121	CB1035
R321	315-0103-00			RES., FXD, CMPSN:10K OHM, 5%, 0.25W	01121	CB1035
R322	315-0103-00			RES., FXD, CMPSN:10K OHM, 5%, 0.25W	01121	CB1035
R323	315-0103-00			RES., FXD, CMPSN:10K OHM, 5%, 0.25W	01121	CB1035
R324	315-0103-00			RES., FXD, CMPSN:10K OHM, 5%, 0.25W	01121	CB1035
R325	315-0103-00			RES., FXD, CMPSN:10K OHM, 5%, 0.25W	01121	CB1035
R326	315-0103-00			RES., FXD, CMPSN:10K OHM, 5%, 0.25W	01121	CB1035
R327	315-0103-00			RES., FXD, CMPSN:10K OHM, 5%, 0.25W	01121	CB1035
R328	315-0103-00			RES., FXD, CMPSN:10K OHM, 5%, 0.25W	01121	CB1035
U5	156-0646-00			MICROCIRCUIT,DI:4 BIT BINARY COUNTER	01295	SN74LS93N
U10	156-0617-00			MICROCIRCUIT,DI:DUAL 4 BIT BIN COUNTER	01295	SN74393N
U15	156-0385-00			MICROCIRCUIT,DI:HEX. INVERTER	80009	156-0385-00
U20	156-0720-00			MICROCIRCUIT,DI:HEX BUS DRVR W/3 STATE INP	80009	156-0720-00
U25	156-0388-00			MICROCIRCUIT,DI:DUAL D-TYPE FLIP-FLOP	80009	156-0388-00
U30	156-0139-00			MICROCIRCUIT,LI:DUAL LINE DRIVER	01295	SN75150P
U35	156-0138-00			MICROCIRCUIT,LI:QUAD LINE RECEIVER	01295	SN75154N

REPLACEABLE ELECTRICAL PARTS

RS-232 (CONT)

Ckt No.	Tektronix Part No.	Serial/Model No. Eff	Dscont	Name & Description	Mfr Code	Mfr Part Number
U105	156-0385-00			MICROCIRCUIT,DI:HEX.INVERTER	80009	156-0385-00
U110	156-0388-00			MICROCIRCUIT,DI:DUAL D-TYPE FLIP-FLOP	80009	156-0388-00
U120	156-0852-00			MICROCIRCUIT,DI:HEX BUS DRIVER W/3-STATE	01295	SN74LS376N OR J
U125	156-0139-00			MICROCIRCUIT,LI:DUAL LINE DRIVER	01295	SN75150P
U130	156-0479-00			MICROCIRCUIT,DI:QUAD 2-INPUT OR GATE	27014	DM74LS32N
U135	156-0390-00			MICROCIRCUIT,DI:DUAL 4-LINE TO 2-LINE	80009	156-0390-00
U205	156-0844-00			MICROCIRCUIT,DI:SYNC 4-BIT BIN COUNTER	34335	SN74LS161N
U210	156-0928-00			MICROCIRCUIT,DI:OCTAL BUFFER W/3 STATE OUT	80009	156-0928-00
U215	156-0877-00			MICROCIRCUIT,DI:UNIV SYN AS-SYN DRVR XMTR	80009	156-0877-00
U220	156-0385-00			MICROCIRCUIT,DI:HEX.INVERTER	80009	156-0385-00
U225	156-0652-00			MICROCIRCUIT,DI:QUAD 2-INPUT EXCL NOR GATE	01295	SN74LS266N
U230	156-0382-00			MICROCIRCUIT,DI:QUAD 2-INPUT NAND GATE	80009	156-0382-00
U235	156-0385-00			MICROCIRCUIT,DI:HEX.INVERTER	80009	156-0385-00
U305	156-0844-00			MICROCIRCUIT,DI:SYNC 4-BIT BIN COUNTER	34335	SN74LS161N
U310	156-0928-00			MICROCIRCUIT,DI:OCTAL BUFFER W/3 STATE OUT	80009	156-0928-00
U315	156-0652-00			MICROCIRCUIT,DI:QUAD 2-INPUT EXCL NOR GATE	01295	SN74LS266N
U320	156-0652-00			MICROCIRCUIT,DI:QUAD 2-INPUT EXCL NOR GATE	01295	SN74LS266N
U325	156-0652-00			MICROCIRCUIT,DI:QUAD 2-INPUT EXCL NOR GATE	01295	SN74LS266N
U330	156-0391-00			MICROCIRCUIT,DI:HEX LATCH WITH CLEAR	80009	156-0391-00
U335	156-0386-00			MICROCIRCUIT,DI:TRIPLE 3-INPUT NAND GATE	80009	156-0386-00

REPLACEABLE ELECTRICAL PARTS

Ckt No.	Tektronix Part No.	Serial/Model No. Eff	Dscont	Name & Description	Mfr Code	Mfr Part Number
A19 GPIB PERIPHERAL OPTION 4						
A19	670-5256-00			CKT BOARD ASSY:GPIB PERIPHERAL	80009	670-5256-00
C100	281-0775-00			CAP.,FXD,CER DI:0.1UF,20%,50V	72982	8005D9AABZ5U104M
C130	281-0775-00			CAP.,FXD,CER DI:0.1UF,20%,50V	72982	8005D9AABZ5U104M
C160	281-0775-00			CAP.,FXD,CER DI:0.1UF,20%,50V	72982	8005D9AABZ5U104M
C170	281-0775-00			CAP.,FXD,CER DI:0.1UF,20%,50V	72982	8005D9AABZ5U104M
C200	281-0775-00			CAP.,FXD,CER DI:0.1UF,20%,50V	72982	8005D9AABZ5U104M
C230	281-0775-00			CAP.,FXD,CER DI:0.1UF,20%,50V	72982	8005D9AABZ5U104M
C235	281-0775-00			CAP.,FXD,CER DI:0.1UF,20%,50V	72982	8005D9AABZ5U104M
C240	281-0775-00			CAP.,FXD,CER DI:0.1UF,20%,50V	72982	8005D9AABZ5U104M
C265	281-0775-00			CAP.,FXD,CER DI:0.1UF,20%,50V	72982	8005D9AABZ5U104M
C290	281-0775-00			CAP.,FXD,CER DI:0.1UF,20%,50V	72982	8005D9AABZ5U104M
C370	281-0775-00			CAP.,FXD,CER DI:0.1UF,20%,50V	72982	8005D9AABZ5U104M
C390	281-0592-00			CAP.,FXD,CER DI:4.7PF,+/-0.5PF,500V	72982	301-023COH0479D
CR340	152-0141-02			SEMICON D DEVICE:SILICON,30V,50NA	80009	152-0141-02
R220	315-0102-00			RES.,FXD,CMPSN:1K OHM,5%,0.25W	01121	CB1025
R260	315-0102-00			RES.,FXD,CMPSN:1K OHM,5%,0.25W	01121	CB1025
R300	315-0102-00			RES.,FXD,CMPSN:1K OHM,5%,0.25W	01121	CB1025
R301	315-0102-00			RES.,FXD,CMPSN:1K OHM,5%,0.25W	01121	CB1025
R310	315-0102-00			RES.,FXD,CMPSN:1K OHM,5%,0.25W	01121	CB1025
R365	315-0102-00			RES.,FXD,CMPSN:1K OHM,5%,0.25W	01121	CB1025
R370	315-0472-00			RES.,FXD,CMPSN:4.7K OHM,5%,0.25W	01121	CB4725
R380	315-0102-00			RES.,FXD,CMPSN:1K OHM,5%,0.25W	01121	CB1025
U100	156-0479-00			MICROCIRCUIT,DI:QUAD 2-INPUT OR GATE	27014	DM74LS32N
U110	156-0956-00			MICROCIRCUIT,DI:OCTAL BFR W/3STATE OUT	80009	156-0956-00
U120	156-0480-00			MICROCIRCUIT,DI:QUAD 2-INPUT AND GATE	80009	156-0480-00
U130	156-0390-00			MICROCIRCUIT,DI:DUAL 4-LINE TO 2-LINE	80009	156-0390-00
U140	156-0865-00			MICROCIRCUIT,DI:OCTAL D TYPE FF W/CLEAR	80009	156-0865-00
U150	156-0600-00			MICROCIRCUIT,DI:QUAD BUS XCVR	80009	156-0600-00
U160	156-0600-00			MICROCIRCUIT,DI:QUAD BUS XCVR	80009	156-0600-00
U165	156-0600-00			MICROCIRCUIT,DI:QUAD BUS XCVR	80009	156-0600-00
U170	156-0600-00			MICROCIRCUIT,DI:QUAD BUS XCVR	80009	156-0600-00
U180	156-0480-00			MICROCIRCUIT,DI:QUAD 2-INPUT AND GATE	80009	156-0480-00
U190	156-0480-00			MICROCIRCUIT,DI:QUAD 2-INPUT AND GATE	80009	156-0480-00
U200	156-0385-00			MICROCIRCUIT,DI:HEX. INVERTER	80009	156-0385-00
U210	156-0928-00			MICROCIRCUIT,DI:OCTAL BUFFER W/3 STATE OUT	80009	156-0928-00
U220	156-0388-00			MICROCIRCUIT,DI:DUAL D-TYPE FLIP-FLOP	80009	156-0388-00
U230	156-0645-00			MICROCIRCUIT,DI:HEX SCHMITT-TRIG INVERTER	80009	156-0645-00
U240	156-0956-00			MICROCIRCUIT,DI:OCTAL BFR W/3STATE OUT	80009	156-0956-00
U250	156-0956-00			MICROCIRCUIT,DI:OCTAL BFR W/3STATE OUT	80009	156-0956-00
U260	156-0385-00			MICROCIRCUIT,DI:HEX. INVERTER	80009	156-0385-00
U265	156-0865-00			MICROCIRCUIT,DI:OCTAL D TYPE FF W/CLEAR	80009	156-0865-00
U270	156-0388-00			MICROCIRCUIT,DI:DUAL D-TYPE FLIP-FLOP	80009	156-0388-00
U280	156-0383-00			MICROCIRCUIT,DI:QUAD 2-INPUT NOR GATE	80009	156-0383-00
U290	156-0479-00			MICROCIRCUIT,DI:QUAD 2-INPUT OR GATE	27014	DM74LS32N
U300	156-0730-00			MICROCIRCUIT,DI:QUAD 2 INP POS-NOR BFR	80009	156-0730-00
U310	156-0928-00			MICROCIRCUIT,DI:OCTAL BUFFER W/3 STATE OUT	80009	156-0928-00
U330	156-0465-00			MICROCIRCUIT,DI:8-INPUT NAND GATE	27014	DM74LS304
U340	156-0385-00			MICROCIRCUIT,DI:HEX. INVERTER	80009	156-0385-00
U350	156-0469-00			MICROCIRCUIT,DI:3-LINE TO 8-LINE DECODER	01295	SN74LS138N
U360	156-0388-00			MICROCIRCUIT,DI:DUAL D-TYPE FLIP-FLOP	80009	156-0388-00
U365	156-0682-00			MICROCIRCUIT,DI:HEX D FLIP-FLOP	80009	156-0682-00
U370	156-0652-00			MICROCIRCUIT,DI:QUAD 2-INPUT EXCL NOR GATE	01295	SN74LS266N
U380	156-0652-00			MICROCIRCUIT,DI:QUAD 2-INPUT EXCL NOR GATE	01295	SN74LS266N
U390	156-0763-00			MICROCIRCUIT,DI:HEX CONT BOUNCE ELIMINATOR	80009	156-0763-00

REPLACEABLE ELECTRICAL PARTS

Ckt No.	Tektronix Part No.	Serial/Model No. Eff	Dscont	Name & Description	Mfr Code	Mfr Part Number
A20 POLLING CONTROLLER INTERFACE OPTION 11						
A20	670-5377-01			CKT BOARD ASSY:POLLING CONT INTERFACE	80009	670-5377-01
C19	281-0773-00			CAP., FXD, CER DI:0.01UF, 10%, 100V	72982	8005H9AADW5R103K
C35	281-0773-00			CAP., FXD, CER DI:0.01UF, 10%, 100V	72982	8005H9AADW5R103K
C36	283-0110-00			CAP., FXD, CER DI:0.005UF, +80-20%, 150V	56289	19C242B
C55	281-0773-00			CAP., FXD, CER DI:0.01UF, 10%, 100V	72982	8005H9AADW5R103K
C65	281-0773-00			CAP., FXD, CER DI:0.01UF, 10%, 100V	72982	8005H9AADW5R103K
C81	281-0773-00			CAP., FXD, CER DI:0.01UF, 10%, 100V	72982	8005H9AADW5R103K
C111	281-0773-00			CAP., FXD, CER DI:0.01UF, 10%, 100V	72982	8005H9AADW5R103K
C135	281-0773-00			CAP., FXD, CER DI:0.01UF, 10%, 100V	72982	8005H9AADW5R103K
C221	281-0773-00			CAP., FXD, CER DI:0.01UF, 10%, 100V	72982	8005H9AADW5R103K
C235	281-0773-00			CAP., FXD, CER DI:0.01UF, 10%, 100V	72982	8005H9AADW5R103K
C261	281-0773-00			CAP., FXD, CER DI:0.01UF, 10%, 100V	72982	8005H9AADW5R103K
C271	281-0773-00			CAP., FXD, CER DI:0.01UF, 10%, 100V	72982	8005H9AADW5R103K
C335	281-0773-00			CAP., FXD, CER DI:0.01UF, 10%, 100V	72982	8005H9AADW5R103K
C350	283-0000-00			CAP., FXD, CER DI:0.001UF, +100-0%, 500V	72982	831-516E102P
C351	281-0773-00			CAP., FXD, CER DI:0.01UF, 10%, 100V	72982	8005H9AADW5R103K
C361	281-0773-00			CAP., FXD, CER DI:0.01UF, 10%, 100V	72982	8005H9AADW5R103K
C365	283-0000-00			CAP., FXD, CER DI:0.001UF, +100-0%, 500V	72982	831-516E102P
C381	281-0773-00			CAP., FXD, CER DI:0.01UF, 10%, 100V	72982	8005H9AADW5R103K
C385	283-0000-00			CAP., FXD, CER DI:0.001UF, +100-0%, 500V	72982	831-516E102P
C386	281-0773-00			CAP., FXD, CER DI:0.01UF, 10%, 100V	72982	8005H9AADW5R103K
C388	281-0773-00			CAP., FXD, CER DI:0.01UF, 10%, 100V	72982	8005H9AADW5R103K
C421	281-0775-00			CAP., FXD, CER DI:0.1UF, 20%, 50V	72982	8005D9AABZ5U104M
C422	281-0773-00			CAP., FXD, CER DI:0.01UF, 10%, 100V	72982	8005H9AADW5R103K
C457	281-0775-00			CAP., FXD, CER DI:0.1UF, 20%, 50V	72982	8005D9AABZ5U104M
C458	281-0773-00			CAP., FXD, CER DI:0.01UF, 10%, 100V	72982	8005H9AADW5R103K
C461	281-0775-00			CAP., FXD, CER DI:0.1UF, 20%, 50V	72982	8005D9AABZ5U104M
C462	281-0775-00			CAP., FXD, CER DI:0.1UF, 20%, 50V	72982	8005D9AABZ5U104M
C465	281-0775-00			CAP., FXD, CER DI:0.1UF, 20%, 50V	72982	8005D9AABZ5U104M
C466	281-0775-00			CAP., FXD, CER DI:0.1UF, 20%, 50V	72982	8005D9AABZ5U104M
CR85	152-0141-02			SEMICONV DEVICE:SILICON, 30V, 50NA	80009	152-0141-02
CR182	152-0141-02			SEMICONV DEVICE:SILICON, 30V, 50NA	80009	152-0141-02
CR184	152-0141-02			SEMICONV DEVICE:SILICON, 30V, 50NA	80009	152-0141-02
CR293	152-0141-02			SEMICONV DEVICE:SILICON, 30V, 50NA	80009	152-0141-02
Q83	151-0190-00			TRANSISTOR:SILICON, NPN	07263	S032677
Q84	151-0188-00			TRANSISTOR:SILICON, PNP	80009	151-0188-00
Q85	151-0188-00			TRANSISTOR:SILICON, PNP	80009	151-0188-00
Q86	151-0190-00			TRANSISTOR:SILICON, NPN	07263	S032677
Q95	151-0188-00			TRANSISTOR:SILICON, PNP	80009	151-0188-00
Q192	151-0190-00			TRANSISTOR:SILICON, NPN	07263	S032677
R41	315-0102-00			RES., FXD, CMPSN:1K OHM, 5%, 0.25W	01121	CB1025
R51	315-0101-00			RES., FXD, CMPSN:100 OHM, 5%, 0.25W	01121	CB1015
R81	315-0271-00			RES., FXD, CMPSN:270 OHM, 5%, 0.25W	01121	CB2715
R82	315-0822-00			RES., FXD, CMPSN:8.2K OHM, 5%, 0.25W	01121	CB8225
R83	315-0271-00			RES., FXD, CMPSN:270 OHM, 5%, 0.25W	01121	CB2715
R84	315-0103-00			RES., FXD, CMPSN:10K OHM, 5%, 0.25W	01121	CB1035
R91	311-1552-00			RES., VAR, NONWIR:500K OHM, 20%, 0.50W	73138	91-74-0
R92	315-0510-00			RES., FXD, CMPSN:51 OHM, 5%, 0.25W	01121	CB5105
R93	315-0510-00			RES., FXD, CMPSN:51 OHM, 5%, 0.25W	01121	CB5105
R94	315-0271-00			RES., FXD, CMPSN:270 OHM, 5%, 0.25W	01121	CB2715
R109	315-0102-00			RES., FXD, CMPSN:1K OHM, 5%, 0.25W	01121	CB1025
R181	315-0510-00			RES., FXD, CMPSN:51 OHM, 5%, 0.25W	01121	CB5105
R184	304-0102-00			RES., FXD, CMPSN:1K OHM, 10%, 1W	01121	GB1021
R185	315-0510-00			RES., FXD, CMPSN:51 OHM, 5%, 0.25W	01121	CB5105

REPLACEABLE ELECTRICAL PARTS

POLLING CONT INTERFACE (CONT)

Ckt No.	Tektronix Part No.	Serial/Model No. Eff	Dscont	Name & Description	Mfr Code	Mfr Part Number
R191	315-0103-00			RES., FXD, CMPSN: 10K OHM, 5%, 0.25W	01121	CB1035
R192	315-0510-00			RES., FXD, CMPSN: 51 OHM, 5%, 0.25W	01121	CB5105
R195	304-0102-00			RES., FXD, CMPSN: 1K OHM, 10%, 1W	01121	GB1021
R229	315-0472-00			RES., FXD, CMPSN: 4.7K OHM, 5%, 0.25W	01121	CB4725
R231	315-0472-00			RES., FXD, CMPSN: 4.7K OHM, 5%, 0.25W	01121	CB4725
R234	315-0472-00			RES., FXD, CMPSN: 4.7K OHM, 5%, 0.25W	01121	CB4725
R235	315-0472-00			RES., FXD, CMPSN: 4.7K OHM, 5%, 0.25W	01121	CB4725
R285	315-0510-00			RES., FXD, CMPSN: 51 OHM, 5%, 0.25W	01121	CB5105
R292	315-0510-00			RES., FXD, CMPSN: 51 OHM, 5%, 0.25W	01121	CB5105
U5	156-0969-00			MICROCIRCUIT, DI: CY REDUNDANCYCHK GEN/CHKR	80009	156-0969-00
U11	156-0975-00			MICROCIRCUIT, DI: UNIV SHIFT/STORAGE RGTR	80009	156-0975-00
U21	156-0469-00			MICROCIRCUIT, DI: 3-LINE TO 8-LINE DECODER	01295	SN74LS138N
U31	156-0469-00			MICROCIRCUIT, DI: 3-LINE TO 8-LINE DECODER	01295	SN74LS138N
U35	156-0388-00			MICROCIRCUIT, DI: DUAL D-TYPE FLIP-FLOP	80009	156-0388-00
U41	156-0844-00			MICROCIRCUIT, DI: SYNC 4-BIT BIN COUNTER	34335	SN74LS161N
U51	156-0875-00			MICROCIRCUIT, DI: DUAL 2 WIDE 2INP AO1 GATE	80009	156-0875-00
U55	156-0535-00			MICROCIRCUIT, DI: TRI-STATE HEX BUFF	27014	DM8097M
U61	156-0138-00			MICROCIRCUIT, LI: QUAD LINE RECEIVER	01295	SN75154N
U65	156-0138-00			MICROCIRCUIT, LI: QUAD LINE RECEIVER	01295	SN75154N
U71	156-0139-00			MICROCIRCUIT, LI: DUAL LINE DRIVER	01295	SN75150P
U75	156-0139-00			MICROCIRCUIT, LI: DUAL LINE DRIVER	01295	SN75150P
U81	156-0138-00			MICROCIRCUIT, LI: QUAD LINE RECEIVER	01295	SN75154N
U105	156-0388-00			MICROCIRCUIT, DI: DUAL D-TYPE FLIP-FLOP	80009	156-0388-00
U111	156-0382-00			MICROCIRCUIT, DI: QUAD 2-INPUT NAND GATE	80009	156-0382-00
U121	156-0732-00			MICROCIRCUIT, DI: 4-BY-4 RGTR FILES W/OC OUT	80009	156-0732-00
U131	156-0732-00			MICROCIRCUIT, DI: 4-BY-4 RGTR FILES W/OC OUT	80009	156-0732-00
U135	156-0385-00			MICROCIRCUIT, DI: HEX. INVERTER	80009	156-0385-00
U141	156-0874-00			MICROCIRCUIT, DI: 8 BIT ADDRESSABLE LATCHES	80009	156-0874-00
U151	156-0531-00			MICROCIRCUIT, DI: QUAD UNIFIED BUS XCVR	27014	DM8833N
U161	156-0877-00			MICROCIRCUIT, DI: UNIV SYN AS-SYN DRVR XMTR	80009	156-0877-00
U165	156-0877-00			MICROCIRCUIT, DI: UNIV SYN AS-SYN DRVR XMTR	80009	156-0877-00
U171	156-0877-00			MICROCIRCUIT, DI: UNIV SYN AS-SYN DRVR XMTR	80009	156-0877-00
U196	156-0399-00			MICROCIRCUIT, DI: OPTOELECTRONIC ISOLATOR	80009	156-0399-00
U205	156-0494-00			MICROCIRCUIT, DI: HEX INVERTER/BUFFER	80009	156-0494-00
U211	156-0385-00			MICROCIRCUIT, DI: HEX. INVERTER	80009	156-0385-00
U241	156-0850-00			MICROCIRCUIT, DI: PROGRAMMABLE BIT RATE GEN	80009	156-0850-00
U251	156-0531-00			MICROCIRCUIT, DI: QUAD UNIFIED BUS XCVR	27014	DM8833N
U311	156-0480-00			MICROCIRCUIT, DI: QUAD 2-INPUT AND GATE	80009	156-0480-00
U331	156-0481-00			MICROCIRCUIT, DI: TRIPLE 3-INPUT AND GATE	80009	156-0481-00
U335	156-0479-00			MICROCIRCUIT, DI: QUAD 2-INPUT OR GATE	27014	DM74LS32N
U341	156-0479-00			MICROCIRCUIT, DI: QUAD 2-INPUT OR GATE	27014	DM74LS32N
U351	156-0391-00			MICROCIRCUIT, DI: HEX LATCH WITH CLEAR	80009	156-0391-00
U361	156-0467-00			MICROCIRCUIT, DI: QUAD 2-INPUT NAND BUFFER	01295	SN74LS38N
U365	156-0391-00			MICROCIRCUIT, DI: HEX LATCH WITH CLEAR	80009	156-0391-00
U371	156-0467-00			MICROCIRCUIT, DI: QUAD 2-INPUT NAND BUFFER	01295	SN74LS38N
U381	156-0467-00			MICROCIRCUIT, DI: QUAD 2-INPUT NAND BUFFER	01295	SN74LS38N
U385	156-0391-00			MICROCIRCUIT, DI: HEX LATCH WITH CLEAR	80009	156-0391-00

REPLACEABLE ELECTRICAL PARTS

Ckt No.	Tektronix Part No.	Serial/Model No. Eff	Dscont	Name & Description	Mfr Code	Mfr Part Number
A21 POLLING CONTROLLER BOARD OPTION 11						
A21	670-5376-02			CKT BOARD ASSY:POLLING CONT BOARD	80009	670-5376-02
C5	281-0773-00			CAP., FXD, CER DI:0.01UF, 10%, 100V	72982	8005H9AADW5R103K
C9	281-0775-00			CAP., FXD, CER DI:0.1UF, 20%, 50V	72982	8005D9AABZ5U104M
C10	290-0530-00			CAP., FXD, ELCTLT:68UF, 20%, 6V	90201	TDC686M006NLF
C11	290-0527-00			CAP., FXD, ELCTLT:15UF, 20%, 20V	90201	TDC156M020FL
C12	281-0775-00			CAP., FXD, CER DI:0.1UF, 20%, 50V	72982	8005D9AABZ5U104M
C31	281-0773-00			CAP., FXD, CER DI:0.01UF, 10%, 100V	72982	8005H9AADW5R103K
C41	281-0773-00			CAP., FXD, CER DI:0.01UF, 10%, 100V	72982	8005H9AADW5R103K
C44	283-0110-00			CAP., FXD, CER DI:0.005UF, +80-20%, 150V	56289	19C242B
C45	281-0773-00			CAP., FXD, CER DI:0.01UF, 10%, 100V	72982	8005H9AADW5R103K
C51	281-0773-00			CAP., FXD, CER DI:0.01UF, 10%, 100V	72982	8005H9AADW5R103K
C61	281-0773-00			CAP., FXD, CER DI:0.01UF, 10%, 100V	72982	8005H9AADW5R103K
C65	281-0773-00			CAP., FXD, CER DI:0.01UF, 10%, 100V	72982	8005H9AADW5R103K
C71	281-0773-00			CAP., FXD, CER DI:0.01UF, 10%, 100V	72982	8005H9AADW5R103K
C75	281-0773-00			CAP., FXD, CER DI:0.01UF, 10%, 100V	72982	8005H9AADW5R103K
C85	290-0164-00			CAP., FXD, ELCTLT:1UF, +50-10%, 150V	56289	500D105F150BA7
C86	281-0773-00			CAP., FXD, CER DI:0.01UF, 10%, 100V	72982	8005H9AADW5R103K
C87	281-0773-00			CAP., FXD, CER DI:0.01UF, 10%, 100V	72982	8005H9AADW5R103K
C88	281-0773-00			CAP., FXD, CER DI:0.01UF, 10%, 100V	72982	8005H9AADW5R103K
C141	281-0775-00			CAP., FXD, CER DI:0.1UF, 20%, 50V	72982	8005D9AABZ5U104M
C142	281-0775-00			CAP., FXD, CER DI:0.1UF, 20%, 50V	72982	8005D9AABZ5U104M
C145	281-0775-00			CAP., FXD, CER DI:0.1UF, 20%, 50V	72982	8005D9AABZ5U104M
C146	281-0775-00			CAP., FXD, CER DI:0.1UF, 20%, 50V	72982	8005D9AABZ5U104M
C155	281-0775-00			CAP., FXD, CER DI:0.1UF, 20%, 50V	72982	8005D9AABZ5U104M
C156	281-0775-00			CAP., FXD, CER DI:0.1UF, 20%, 50V	72982	8005D9AABZ5U104M
C165	281-0775-00			CAP., FXD, CER DI:0.1UF, 20%, 50V	72982	8005D9AABZ5U104M
C166	281-0775-00			CAP., FXD, CER DI:0.1UF, 20%, 50V	72982	8005D9AABZ5U104M
C171	281-0773-00			CAP., FXD, CER DI:0.01UF, 10%, 100V	72982	8005H9AADW5R103K
C175	281-0773-00			CAP., FXD, CER DI:0.01UF, 10%, 100V	72982	8005H9AADW5R103K
C201	281-0773-00			CAP., FXD, CER DI:0.01UF, 10%, 100V	72982	8005H9AADW5R103K
C221	281-0773-00			CAP., FXD, CER DI:0.01UF, 10%, 100V	72982	8005H9AADW5R103K
C231	281-0773-00			CAP., FXD, CER DI:0.01UF, 10%, 100V	72982	8005H9AADW5R103K
C241	281-0773-00			CAP., FXD, CER DI:0.01UF, 10%, 100V	72982	8005H9AADW5R103K
C265	281-0773-00			CAP., FXD, CER DI:0.01UF, 10%, 100V	72982	8005H9AADW5R103K
C266	281-0549-00			CAP., FXD, CER DI:68PF, 10%, 500V	72982	301-000U2J0680K
C283	290-0164-00			CAP., FXD, ELCTLT:1UF, +50-10%, 150V	56289	500D105F150BA7
C284	281-0775-00			CAP., FXD, CER DI:0.1UF, 20%, 50V	72982	8005D9AABZ5U104M
C293	290-0164-00			CAP., FXD, ELCTLT:1UF, +50-10%, 150V	56289	500D105F150BA7
C294	281-0775-00			CAP., FXD, CER DI:0.1UF, 20%, 50V	72982	8005D9AABZ5U104M
C301	281-0773-00			CAP., FXD, CER DI:0.01UF, 10%, 100V	72982	8005H9AADW5R103K
C305	281-0773-00			CAP., FXD, CER DI:0.01UF, 10%, 100V	72982	8005H9AADW5R103K
C311	281-0773-00			CAP., FXD, CER DI:0.01UF, 10%, 100V	72982	8005H9AADW5R103K
C331	281-0773-00			CAP., FXD, CER DI:0.01UF, 10%, 100V	72982	8005H9AADW5R103K
C351	281-0773-00			CAP., FXD, CER DI:0.01UF, 10%, 100V	72982	8005H9AADW5R103K
C361	281-0773-00			CAP., FXD, CER DI:0.01UF, 10%, 100V	72982	8005H9AADW5R103K
C365	290-0164-00			CAP., FXD, ELCTLT:1UF, +50-10%, 150V	56289	500D105F150BA7
C371	283-0000-00			CAP., FXD, CER DI:0.001UF, +100-0%, 500V	72982	831-516E102P
C372	290-0776-00			CAP., FXD, ELCTLT:22UF, +50-10%, 10V	0000L	ECE-A10V22L
C383	290-0524-00			CAP., FXD, ELCTLT:4.7UF, 20%, 10V	90201	TDC475M010EL
C394	290-0164-00			CAP., FXD, ELCTLT:1UF, +50-10%, 150V	56289	500D105F150BA7
C395	281-0775-00			CAP., FXD, CER DI:0.1UF, 20%, 50V	72982	8005D9AABZ5U104M
CR85	152-0141-02			SEMICONV DEVICE:SILICON, 30V, 50NA	80009	152-0141-02
CR105	152-0141-02			SEMICONV DEVICE:SILICON, 30V, 50NA	80009	152-0141-02
CR115	152-0141-02			SEMICONV DEVICE:SILICON, 30V, 50NA	80009	152-0141-02

REPLACEABLE ELECTRICAL PARTS

POLLING CONT BOARD (CONT)

Ckt No.	Tektronix Part No.	Serial/Model No. Eff	Dscont	Name & Description	Mfr Code	Mfr Part Number
CR183	152-0141-02			SEMICONV DEVICE:SILICON,30V,50NA	80009	152-0141-02
CR185	152-0141-02			SEMICONV DEVICE:SILICON,30V,50NA	80009	152-0141-02
CR285	152-0075-00			SEMICONV DEVICE:GE,25V,40MA	14433	G866
CR371	152-0141-02			SEMICONV DEVICE:SILICON,30V,50NA	80009	152-0141-02
DS83	150-1036-00			LAMP,LED:RED,3.0V,40MA	01295	TIL 209A
Q89	151-0190-00			TRANSISTOR:SILICON,NPN	07263	S032677
Q187	151-0424-00			TRANSISTOR:SILICON,NPN	80009	151-0424-00
Q371	151-0503-00			SCR:SILICON,TO-92	04713	SCR5138
Q375	151-0302-00			TRANSISTOR:SILICON,NPN	07263	S038487
Q384	151-0188-00			TRANSISTOR:SILICON,PNP	80009	151-0188-00
R1	315-0102-00			RES.,FXD,CMPSN:1K OHM,5%,0.25W	01121	CB1025
R3	315-0182-00			RES.,FXD,CMPSN:1.8K OHM,5%,0.25W	01121	CB1825
R4	315-0182-00			RES.,FXD,CMPSN:1.8K OHM,5%,0.25W	01121	CB1825
R5	315-0182-00			RES.,FXD,CMPSN:1.8K OHM,5%,0.25W	01121	CB1825
R13	315-0220-00			RES.,FXD,CMPSN:22 OHM,5%,0.25W	01121	CB2205
R14	315-0220-00			RES.,FXD,CMPSN:22 OHM,5%,0.25W	01121	CB2205
R15	315-0102-00			RES.,FXD,CMPSN:1K OHM,5%,0.25W	01121	CB1025
R21	315-0182-00			RES.,FXD,CMPSN:1.8K OHM,5%,0.25W	01121	CB1825
R71	307-0446-00			RES,NTWK,FXD FI:10K OHM,20%,(9) RES	91637	MSP10A01-103M
R82	315-0101-00			RES.,FXD,CMPSN:100 OHM,5%,0.25W	01121	CB1015
R83	315-0471-00			RES.,FXD,CMPSN:470 OHM,5%,0.25W	01121	CB4715
R170	307-0502-00			RES,NTWK,THK FI:1.8 OHM,20%,(9) RES	91637	MSP10A01-182M
R181	315-0101-00			RES.,FXD,CMPSN:100 OHM,5%,0.25W	01121	CB1015
R182	315-0472-00			RES.,FXD,CMPSN:4.7K OHM,5%,0.25W	01121	CB4725
R185	315-0511-00			RES.,FXD,CMPSN:510 OHM,5%,0.25W	01121	CB5115
R186	315-0472-00			RES.,FXD,CMPSN:4.7K OHM,5%,0.25W	01121	CB4725
R187	315-0511-00			RES.,FXD,CMPSN:510 OHM,5%,0.25W	01121	CB5115
R245	315-0472-00			RES.,FXD,CMPSN:4.7K OHM,5%,0.25W	01121	CB4725
R261	315-0182-00			RES.,FXD,CMPSN:1.8K OHM,5%,0.25W	01121	CB1825
R262	315-0182-00			RES.,FXD,CMPSN:1.8K OHM,5%,0.25W	01121	CB1825
R271	315-0102-00			RES.,FXD,CMPSN:1K OHM,5%,0.25W	01121	CB1025
R272	315-0102-00			RES.,FXD,CMPSN:1K OHM,5%,0.25W	01121	CB1025
R283	315-0102-00			RES.,FXD,CMPSN:1K OHM,5%,0.25W	01121	CB1025
R335	307-0502-00			RES,NTWK,THK FI:1.8 OHM,20%,(9) RES	91637	MSP10A01-182M
R362	315-0472-00			RES.,FXD,CMPSN:4.7K OHM,5%,0.25W	01121	CB4725
R371	315-0622-00			RES.,FXD,CMPSN:6.2K OHM,5%,0.25W	01121	CB6225
R375	315-0202-00			RES.,FXD,CMPSN:2K OHM,5%,0.25W	01121	CB2025
R376	315-0103-00			RES.,FXD,CMPSN:10K OHM,5%,0.25W	01121	CB1035
R377	315-0101-00			RES.,FXD,CMPSN:100 OHM,5%,0.25W	01121	CB1015
R383	315-0473-00			RES.,FXD,CMPSN:47K OHM,5%,0.25W	01121	CB4735
U1	156-0382-00			MICROCIRCUIT,DI:QUAD 2-INPUT NAND GATE	80009	156-0382-00
U5	156-0387-00			MICROCIRCUIT,DI:DUAL J-K NEG EDGE TRIG	80009	156-0387-00
U11	156-0206-00			MICROCIRCUIT,DI:DUAL SCE/SINK MEM DRVR PR	80009	156-0206-00
U21	156-0531-00			MICROCIRCUIT,DI:QUAD UNIFIED BUS XCVR	27014	DM8833N
U31	156-0873-00			MICROCIRCUIT,DI:1024 X 4 STATIC R/W RAM	80009	156-0873-00
U41	156-0873-00			MICROCIRCUIT,DI:1024 X 4 STATIC R/W RAM	80009	156-0873-00
U45	156-0873-00			MICROCIRCUIT,DI:1024 X 4 STATIC R/W RAM	80009	156-0873-00
U51	156-0873-00			MICROCIRCUIT,DI:1024 X 4 STATIC R/W RAM	80009	156-0873-00
U61	156-0873-00			MICROCIRCUIT,DI:1024 X 4 STATIC R/W RAM	80009	156-0873-00
U65	156-0873-00			MICROCIRCUIT,DI:1024 X 4 STATIC R/W RAM	80009	156-0873-00
U101	156-0479-00			MICROCIRCUIT,DI:QUAD 2-INPUT OR GATE	27014	DM74LS32N
U111	156-0426-00			MICROCIRCUIT,DI:MICROPROCESSOR	80009	156-0426-00
U121	156-0531-00			MICROCIRCUIT,DI:QUAD UNIFIED BUS XCVR	27014	DM8833N
U131	156-0535-00			MICROCIRCUIT,DI:TRI-STATE HEX BUFF	27014	DM8097M
U141	160-0011-01			MICROCIRCUIT,DI:2048 X 8 ROM,PROGRAMMED	80009	160-0011-01
U145	160-0018-00			MICROCIRCUIT,DI:2048 X 8 E PROM,PROGRAMMED	80009	160-0018-00

REPLACEABLE ELECTRICAL PARTS

POLLING CONT BOARD (CONT)

Ckt No.	Tektronix Part No.	Serial/Model No. Eff	Dscont	Name & Description	Mfr Code	Mfr Part Number
U155	160-0019-00			MICROCIRCUIT,DI:2048 X 8 E PROM,PROGRAMMED	80009	160-0019-00
U165	160-0020-00			MICROCIRCUIT,DI:2048 X 8 E PROM,PROGRAMMED	80009	160-0020-00
U171	156-0887-00			MICROCIRCUIT,DI:256 X 4 RAM	80009	156-0887-00
U175	156-0887-00			MICROCIRCUIT,DI:256 X 4 RAM	80009	156-0887-00
U201	156-0844-00			MICROCIRCUIT,DI:SYNC 4-BIT BIN COUNTER	34335	SN74LS161N
U221	156-0535-00			MICROCIRCUIT,DI:TRI-STATE HEX BUFF	27014	DM8097M
U231	156-0535-00			MICROCIRCUIT,DI:TRI-STATE HEX BUFF	27014	DM8097M
U241	156-0383-00			MICROCIRCUIT,DI:QUAD 2-INPUT NOR GATE	80009	156-0383-00
U245	156-0478-00			MICROCIRCUIT,DI:DUAL 4-INPUT AND GATE	01295	SN74LS21N
U251	156-0541-00			MICROCIRCUIT,DI:DECODER/DEMULTIPLEXER	27014	DM74LS139N
U261	156-0386-00			MICROCIRCUIT,DI:TRIPLE 3-INPUT NAND GATE	80009	156-0386-00
U265	156-0385-00			MICROCIRCUIT,DI:HEX. INVERTER	80009	156-0385-00
U301	156-0381-00			MICROCIRCUIT,DI:QUAD 2-INPUT EXCL OR GATES	80009	156-0381-00
U305	156-0382-00			MICROCIRCUIT,DI:QUAD 2-INPUT NAND GATE	80009	156-0382-00
U311	156-0093-00			MICROCIRCUIT,DI:HEX. INVERTER	80009	156-0093-00
U321	156-0451-00			MICROCIRCUIT,DI:QUAD 2-INPUT NOR BUFFER	80009	156-0451-00
U331	156-0645-00			MICROCIRCUIT,DI:HEX SCHMITT-TRIG INVERTER	80009	156-0645-00
U341	156-0469-00			MICROCIRCUIT,DI:3-LINE TO 8-LINE DECODER	01295	SN74LS138N
U345	156-0480-00			MICROCIRCUIT,DI:QUAD 2-INPUT AND GATE	80009	156-0480-00
U351	156-0466-00			MICROCIRCUIT,DI:QUAD 2-INPUT NAND BUFFER	01295	SN74LS37N
U361	156-0479-00			MICROCIRCUIT,DI:QUAD 2-INPUT OR GATE	27014	DM74LS32N
U365	156-0728-00			MICROCIRCUIT,DI:QUAD 2-INP POS AND GATES	80009	156-0728-00
Y271	158-0072-00			XTAL UNIT,QTZ:4.9152 MHZ,0.05%	33096	OBD

REPLACEABLE ELECTRICAL PARTS

Ckt No.	Tektronix Part No.	Serial/Model No. Eff Dscont	Name & Description	Mfr Code	Mfr Part Number
A22 CHARACTER SET EXPANSION OPTION 31					
A22	670-6764-00		CKT BOARD ASSY:CHARACTER EXPANSION	80009	670-6764-00
C211	283-0421-00		CAP.,FXD,CER DI:0.1UF,+80-20%,50V	04222	DG015E104Z
C215	283-0421-00		CAP.,FXD,CER DI:0.1UF,+80-20%,50V	04222	DG015E104Z
C221	290-0804-00		CAP.,FXD,ELCTLT:10UF,+50-10%,25V	55680	25ULA10-T
C231	283-0421-00		CAP.,FXD,CER DI:0.1UF,+80-20%,50V	04222	DG015E104Z
C235	283-0421-00		CAP.,FXD,CER DI:0.1UF,+80-20%,50V	04222	DG015E104Z
C241	290-0804-00		CAP.,FXD,ELCTLT:10UF,+50-10%,25V	55680	25ULA10-T
C251	283-0421-00		CAP.,FXD,CER DI:0.1UF,+80-20%,50V	04222	DG015E104Z
C255	283-0421-00		CAP.,FXD,CER DI:0.1UF,+80-20%,50V	04222	DG015E104Z
C261	290-0804-00		CAP.,FXD,ELCTLT:10UF,+50-10%,25V	55680	25ULA10-T
C271	283-0421-00		CAP.,FXD,CER DI:0.1UF,+80-20%,50V	04222	DG015E104Z
C275	283-0421-00		CAP.,FXD,CER DI:0.1UF,+80-20%,50V	04222	DG015E104Z
C281	290-0804-00		CAP.,FXD,ELCTLT:10UF,+50-10%,25V	55680	25ULA10-T
L361	120-0382-00		XFMR,TOROID:14 TURNS,SINGLE	80009	120-0382-00
R219	315-0102-00		RES.,FXD,CMPSN:1K OHM,5%,0.25W	01121	CB1025
R310	307-0445-00		RES,NTWK,FXD,FI:4.7K OHM,20%,(9) RES	91637	MSP10A01-472M
U121	156-0973-02		MICROCIRCUIT,DI:1024 X 8 PROM (OPTION 34 ONLY)	80009	156-0973-02
U151	156-1100-00		MICROCIRCUIT,DI:1024 X 8 ROM (OPTION 32 ONLY)	80009	156-1100-00
U215	156-1047-00		MICROCIRCUIT,DI:QUAD POWER STROBE 6600,TTL	80009	156-1047-00
U235	156-1047-00		MICROCIRCUIT,DI:QUAD POWER STROBE 6600,TTL	80009	156-1047-00
U255	156-1047-00		MICROCIRCUIT,DI:QUAD POWER STROBE 6600,TTL	80009	156-1047-00
U275	156-1047-00		MICROCIRCUIT,DI:QUAD POWER STROBE 6600,TTL	80009	156-1047-00
U391	156-0385-00		MICROCIRCUIT,DI:HEX. INVERTER	80009	156-0385-00

REPLACEABLE ELECTRICAL PARTS

Ckt No.	Tektronix Part No.	Serial/Model No. Eff	Dscont	Name & Description	Mfr Code	Mfr Part Number
CHASSIS PARTS						
B1222	119-0026-00			FAN, AXIAL: 1.500 X 4.750 INCH, WHISPER	82877	WR2A1
BT1001	146-0035-00			BATTERY, STORAGE: 3.75VDC, 1/3 AA CELL	09823	CS-1303
BT1001	147-0037-00			ACTR, ELMCH, RTRY: 1.5V FOR 14.5 DEG ROT	31252	R4-077
	-----			(OPTION 11 ONLY)		
C1220	283-0358-00			CAP., FXD, CER DI: 0.01UF, +80-20%, 1.4KV	91418	AU0103Z1421R0
CR1140	152-0712-00			SEMICONV DEVICE: HV MULTR, SI, 7K V P-P INPUT	80009	152-0712-00
DS1001	150-1001-00			LT EMITTING DIO: RED, 660NM, 100MA MAX	50522	MV5024
	-----			(OPTION 11 ONLY)		
DS1002	150-1001-00			LT EMITTING DIO: RED, 660NM, 100MA MAX	50522	MV5024
	-----			(OPTION 11 ONLY)		
DS1003	150-1001-00			LT EMITTING DIO: RED, 660NM, 100MA MAX	50522	MV5024
	-----			(OPTION 11 ONLY)		
F1228	159-0015-00			FUSE, CARTRIDGE: 3AG, 3A, 250V, FAST-BLOW	71400	AGC 3
	-----			(OPTION 48 ONLY)		
L1080	119-1064-00			COIL ASSY: CONVERGENCE	80009	119-1064-00
L1105	119-1049-00			COIL, TUBE DEFL:	80009	119-1049-00
L1220	108-0936-00			COIL, RF: FIXED, DEGAUSSING	80009	108-0936-00
Q1120	151-0256-00			TRANSISTOR: SILICON, NPN	80009	151-0256-00
R1087	311-1482-00			RES., VAR, NONWIR: 5K OHM, 20%, 0.50W	01121	W-8070
R1140	311-2015-00			RES., VAR, NONWIR: TRMR, 25M OHM, 20%, 1W, 3KV	11502	OBD
S1003	260-0017-00			SWITCH, PUSH: SPST, BLACK BUTTON	70611	7716B15
S1220	260-0574-01			SWITCH, PUSH: SPDT, 10A, 250VAC	80009	260-0574-01
S1221	260-1804-00			SWITCH, ROCKER: DPST, 15A, 125VAC, ON/OFF	73559	LTGM-0501-GNXTE5
V1	154-0801-00			ELECTRON TUBE: CRT, 90 DEG, 13V, HIGH RESOLN	S0319	ST1419LBL5

Section 7

SCHMATIC DIAGRAMS

Symbols and Reference Designators

Electrical components shown on the diagrams are in the following units unless noted otherwise:

- Capacitors = Values one or greater are in picofarads (pF).
 Values less than one are in microfarads (μF).
 Resistors = Ohms (Ω).

Graphic symbols and class designation letters are based on ANSI Standard Y32.2-1975.

Logic symbology is based on ANSI Y32.14-1973 in terms of positive logic. Logic symbols depict the logic function performed and may differ from the manufacturer's data.

Abbreviations are based on ANSI Y1.1-1972.

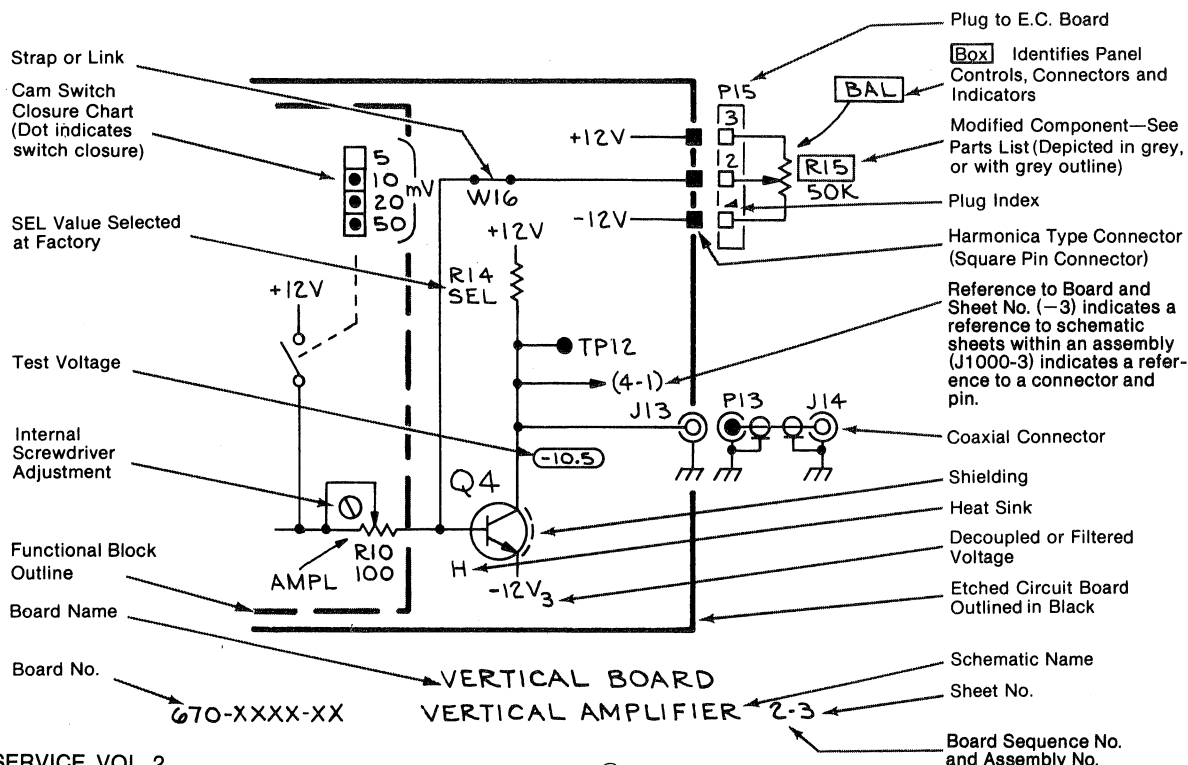
Other ANSI standards that are used in the preparation of diagrams by Tektronix, Inc. are:

- Y14.15, 1966 Drafting Practices.
- Y14.2, 1973 Line Conventions and Lettering.
- Y10.5, 1968 Letter Symbols for Quantities Used in Electrical Science and Electrical Engineering.

The following prefix letters are used as reference designators to identify components or assemblies on the diagrams.

A	Assembly, separable or repairable (circuit board, etc)	H	Heat dissipating device (heat sink, heat radiator, etc)	S	Switch or contactor
AT	Attenuator, fixed or variable	HR	Heater	T	Transformer
B	Motor	HY	Hybrid circuit	TC	Thermocouple
BT	Battery	J	Connector, stationary portion	TP	Test point
C	Capacitor, fixed or variable	K	Relay	U	Assembly, inseparable or non-repairable (integrated circuit, etc.)
CB	Circuit breaker	L	Inductor, fixed or variable	V	Electron tube
CR	Diode, signal or rectifier	M	Meter	VR	Voltage regulator (zener diode, etc.)
DL	Delay line	P	Connector, movable portion	W	Wirestrap or cable
DS	Indicating device (lamp)	Q	Transistor or silicon-controlled rectifier	Y	Crystal
E	Spark Gap, Ferrite bead	R	Resistor, fixed or variable	Z	Phase shifter
F	Fuse	RT	Thermistor		
FL	Filter				

The following special symbols may appear on the diagrams:



SCHEMATIC DIAGRAMS

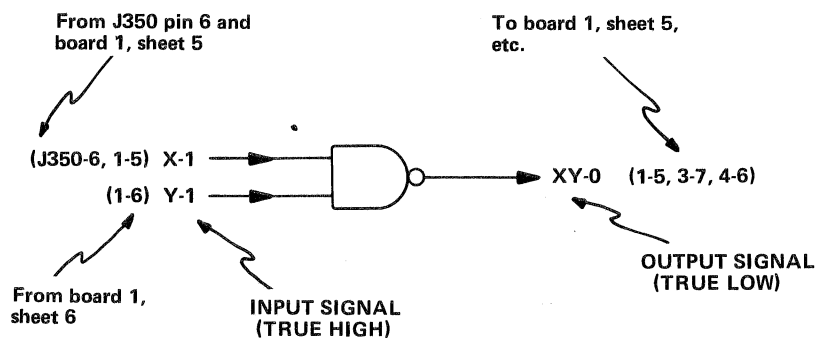
1. TRUE HIGH and TRUE LOW Signals

Signal names on the schematics are followed by -1 or -0. A TRUE HIGH signal is indicated by -1, and a TRUE LOW signal is indicated by -0.

SIGNAL-1 = TRUE HIGH
SIGNAL-0 = TRUE LOW

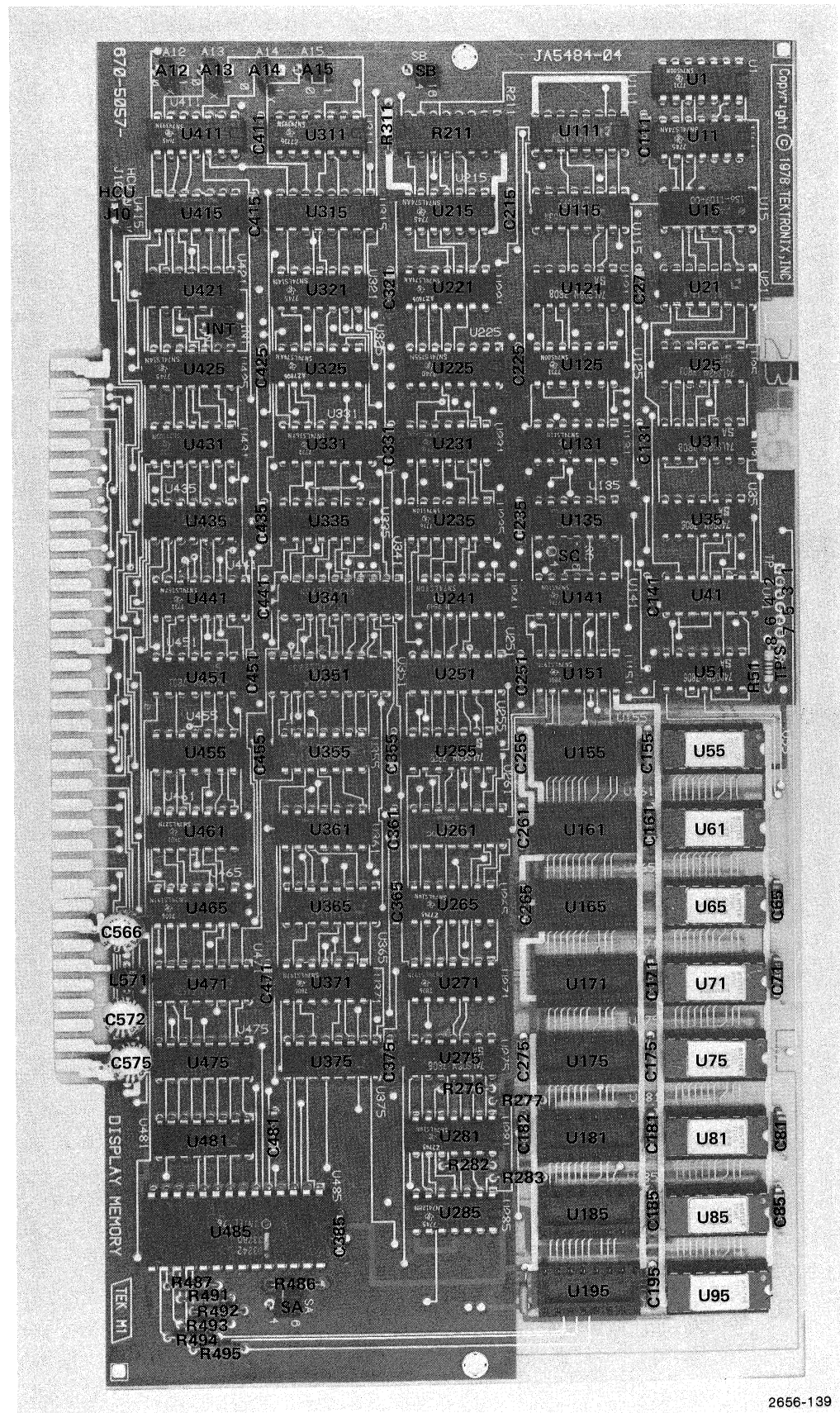
2. Cross-References

Schematic cross-references (from/to information) are included on the schematics. The "from" reference only indicates the signal "source," and the "to" reference lists all loads where the signal is used. All from/to information will be enclosed in parentheses.



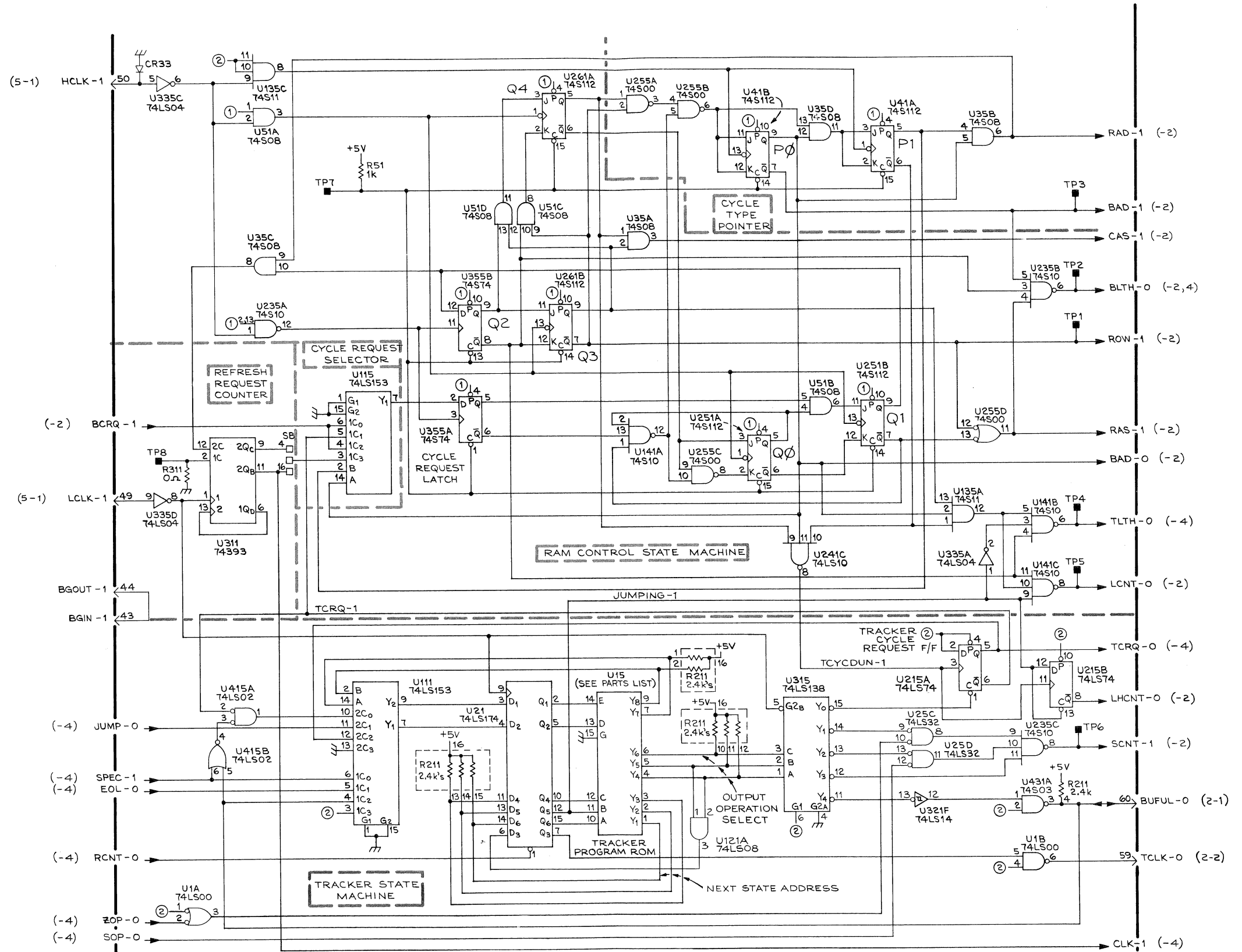
DISPLAY MEMORY BOARD

Component locations on reverse side.



2656-139

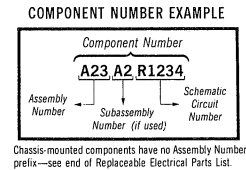
Display Memory (670-5057-03,04) Component Locations.

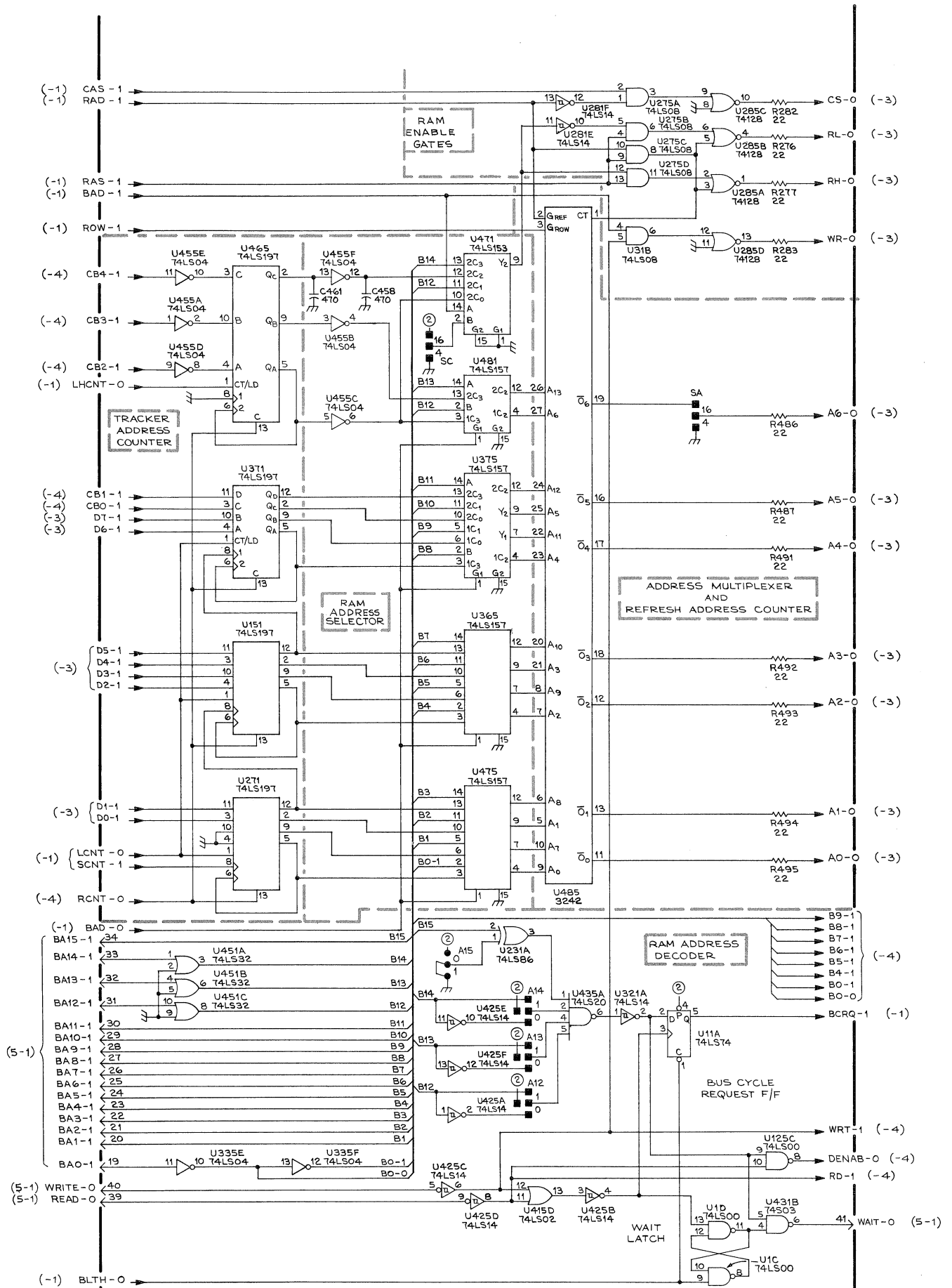


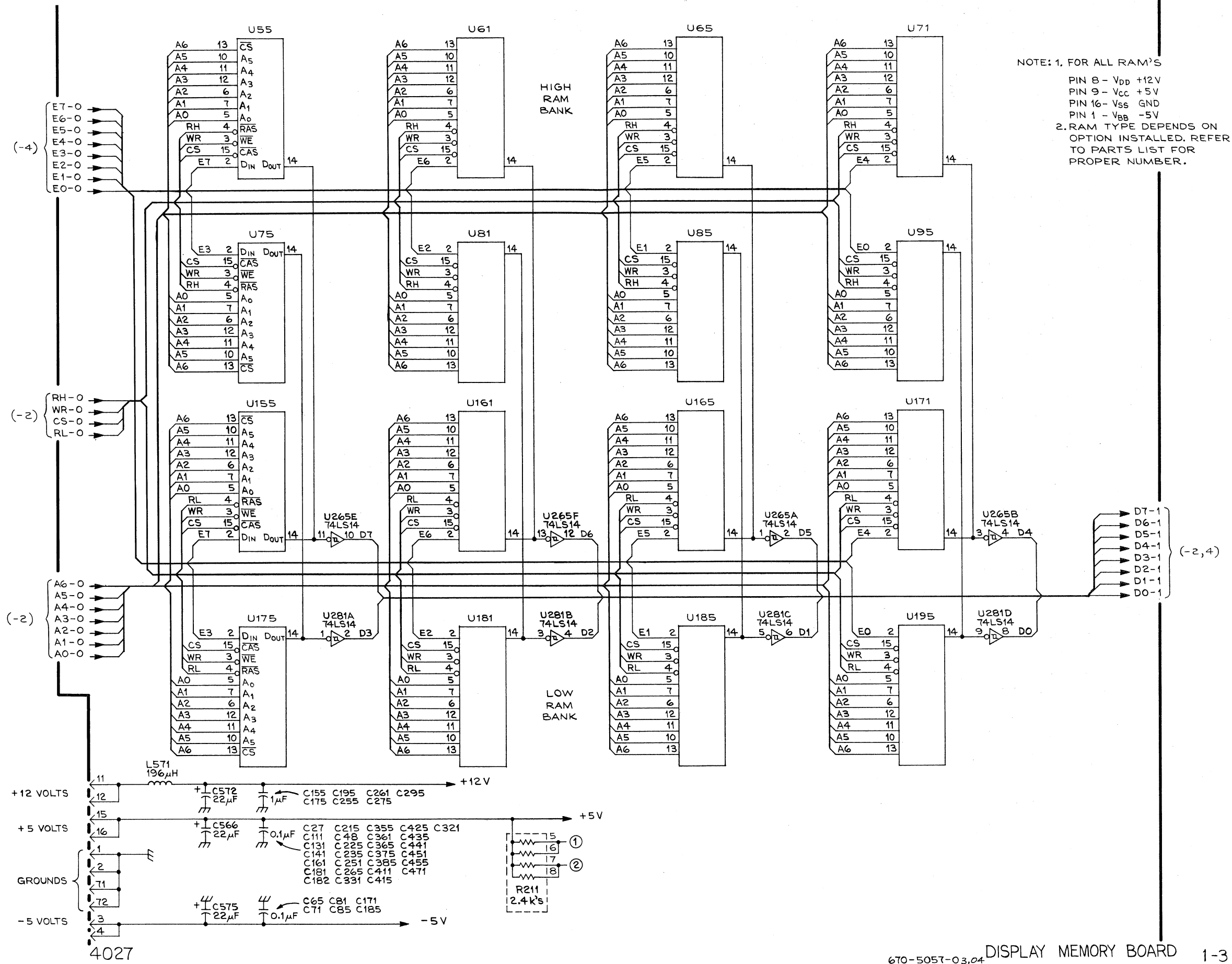
4027

2832-1
REV A, JAN 1980

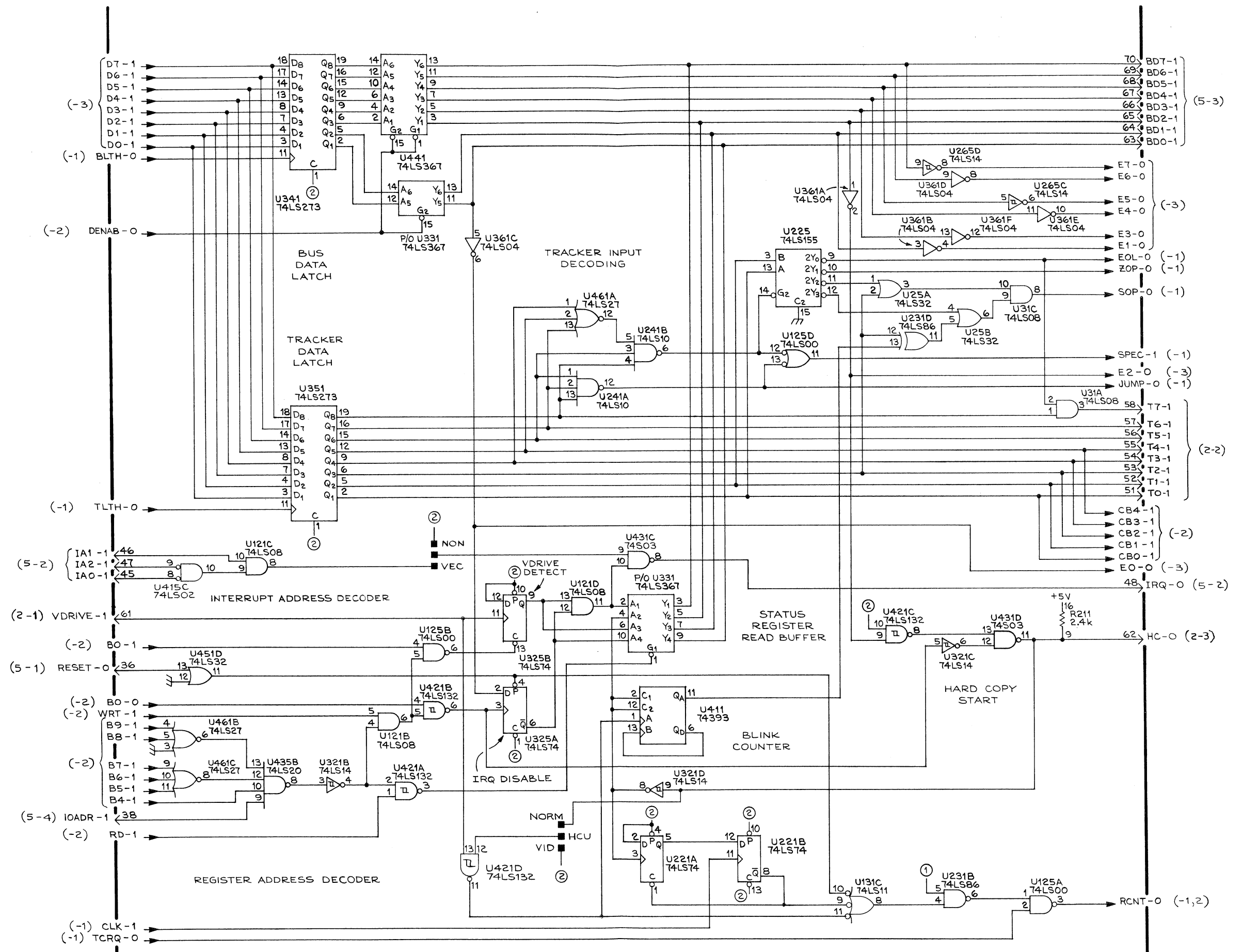
670-5057-03,04
DISPLAY MEMORY BOARD 1-1







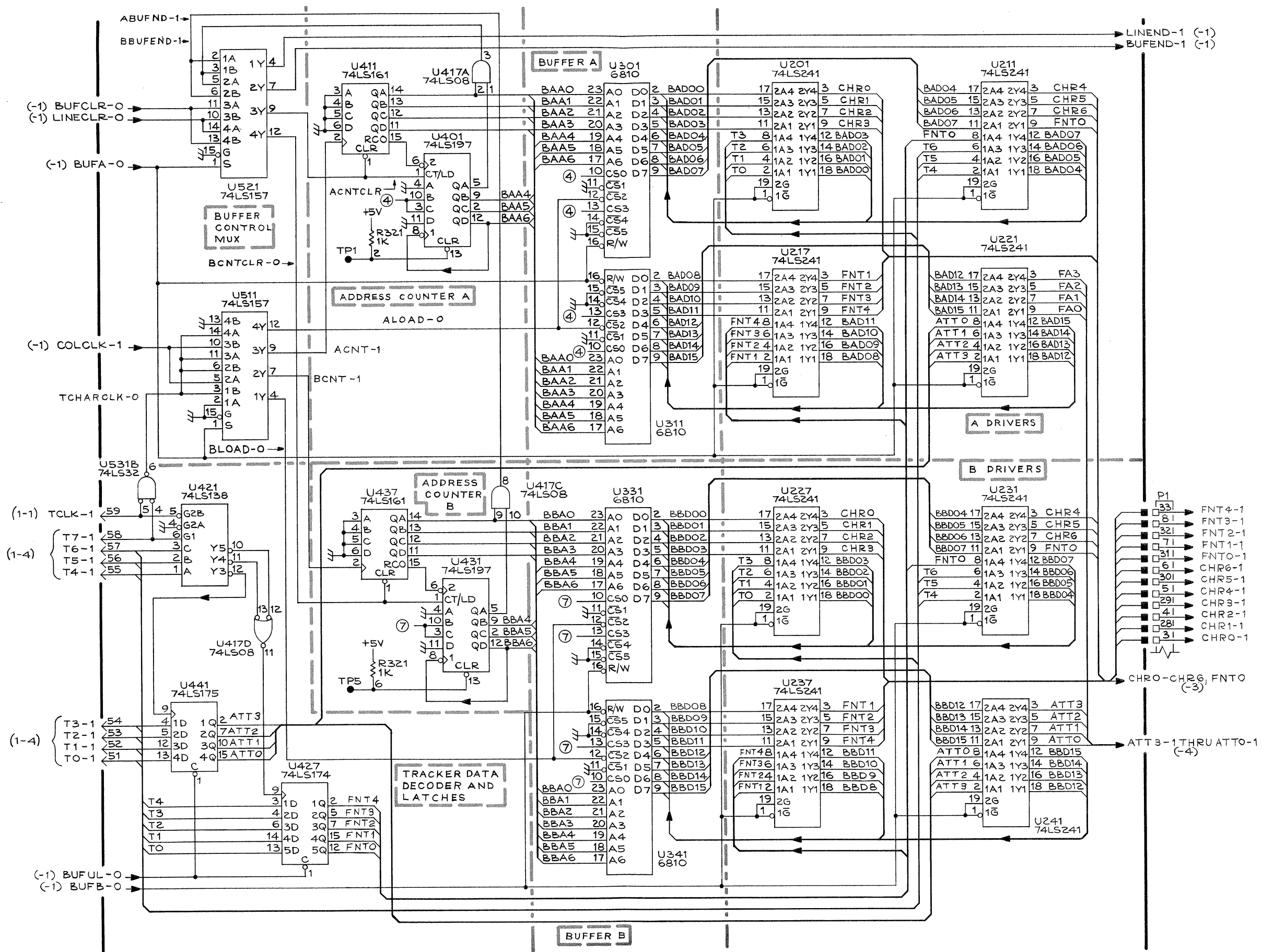
NOTE: 1. FOR ALL RAM'S
 PIN 8 - V_{DD} +12V
 PIN 9 - V_{CC} +5V
 PIN 16 - V_{SS} GND
 PIN 1 - V_{BB} -5V
 2. RAM TYPE DEPENDS ON
 OPTION INSTALLED. REFER
 TO PARTS LIST FOR
 PROPER NUMBER.

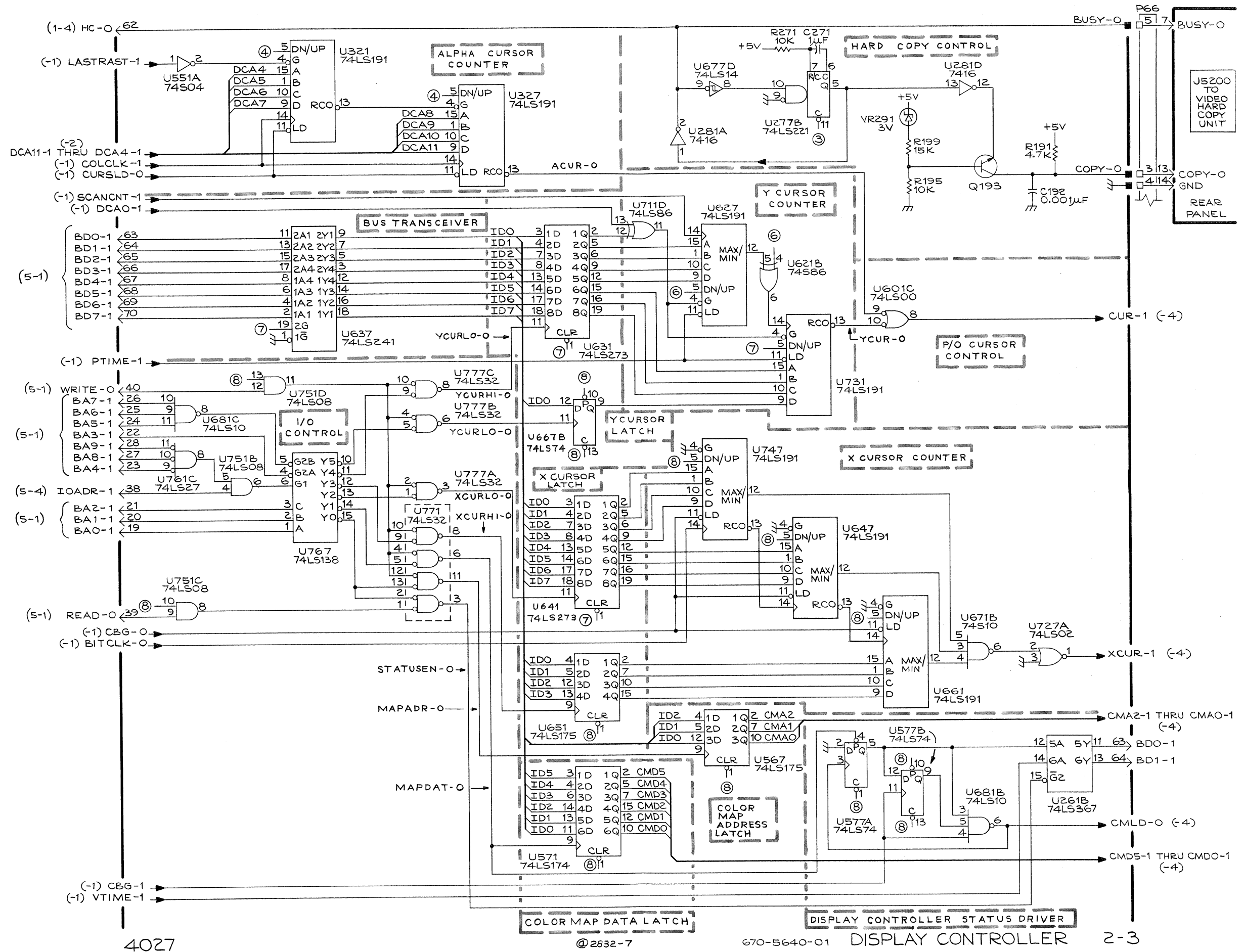


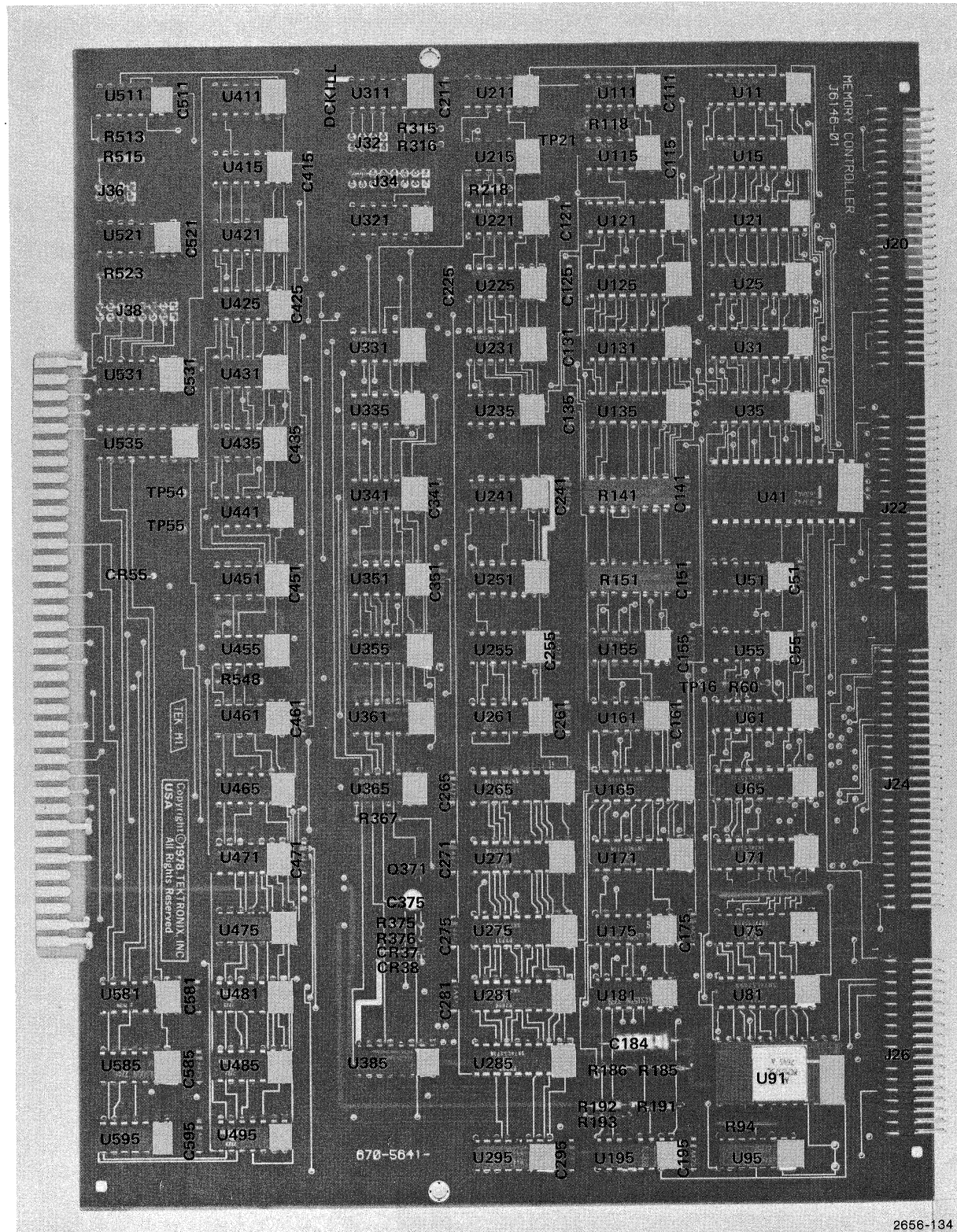
4027

2832-4
REVA, JAN 1980

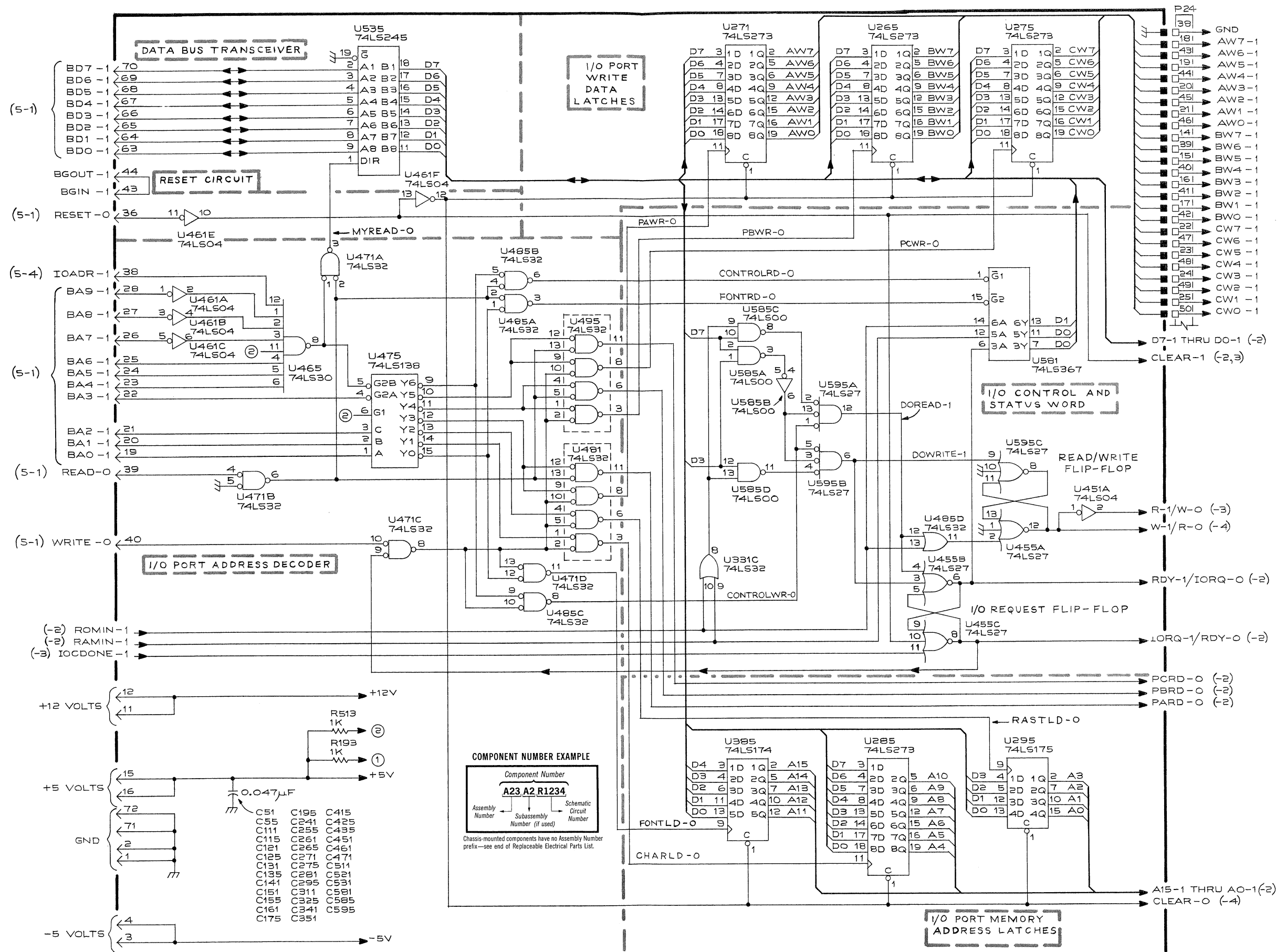
670-5057-03,04 DISPLAY MEMORY BOARD 1-4

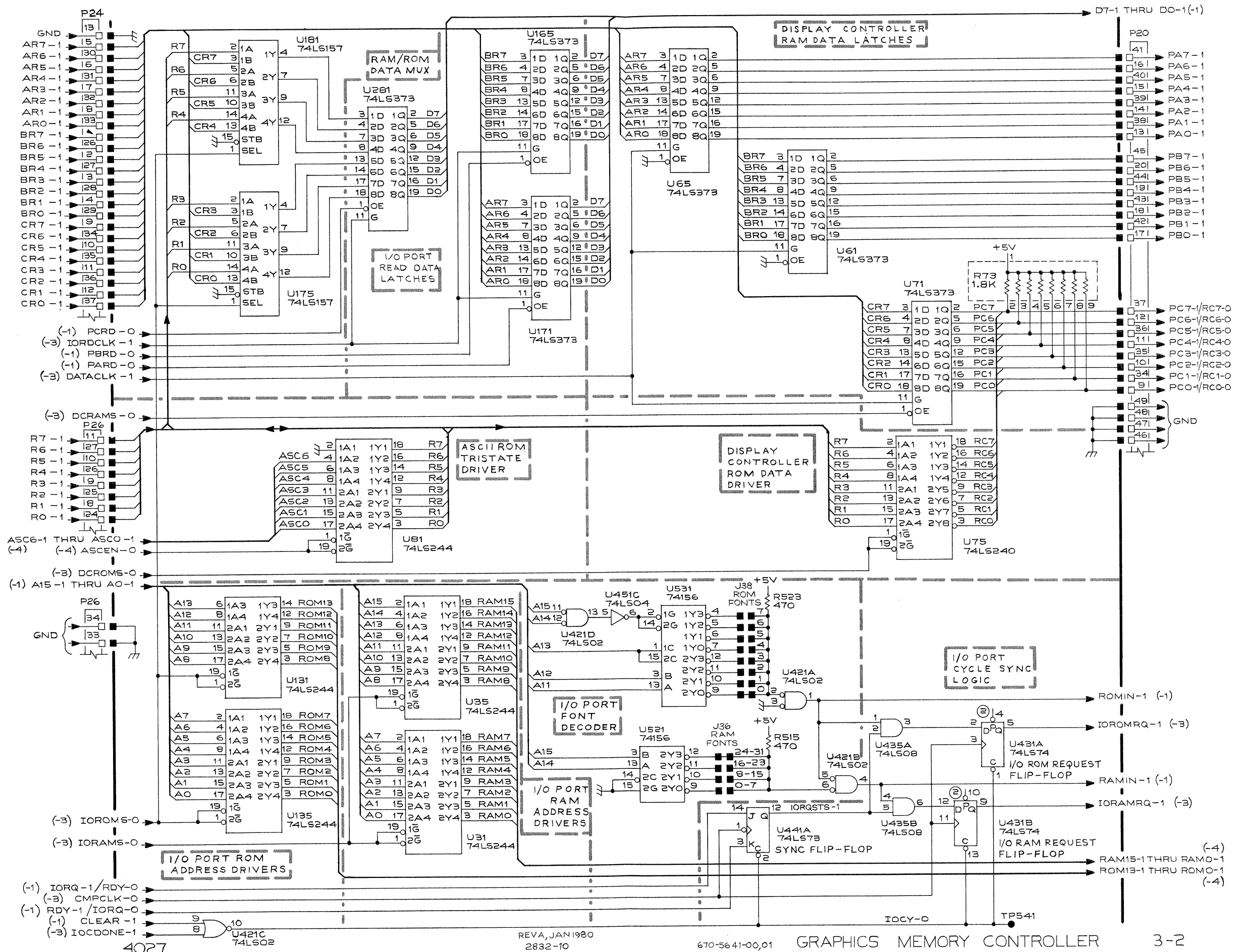






Graphics Memory Controller (670-5641-00,01) Component Locations.





(-1) PCRD - O
 (-3) IORDCLK - 1
 (-1) PBRD - O
 (-1) PARO - O
 (-3) DATACLK - 1

(-3) DCRAMS - O
 R7 - 1
 R6 - 1
 R5 - 1
 R4 - 1
 R3 - 1
 R2 - 1
 R1 - 1
 RO - 1

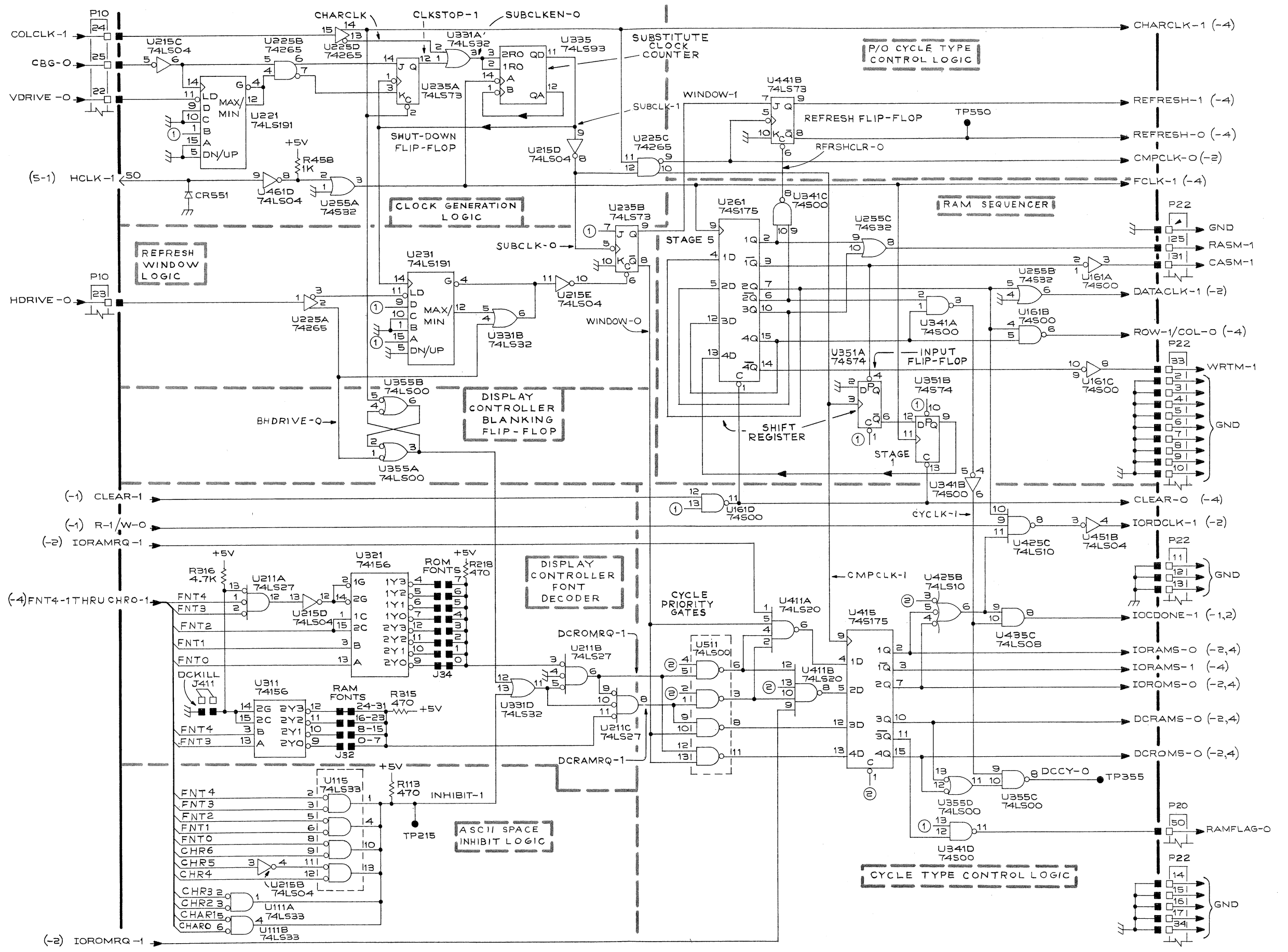
ASC6-1 THRU ASC0-1
 (-4) ASCEN - O
 (-3) DCRAMS - O
 (-1) A15-1 THRU AO-1

(-3) IOROMS - O
 (-3) IORAMS - O
 (-1) IORQ-1/RDY-O
 (-3) CMPCLK-O
 (-1) RDY-1/IORQ-O
 (-1) CLEAR - 1
 (-3) IOCDONE-1

P20
 PA7-1
 PA6-1
 PA5-1
 PA4-1
 PA3-1
 PA2-1
 PA1-1
 PA0-1
 PB7-1
 PB6-1
 PB5-1
 PB4-1
 PB3-1
 PB2-1
 PB1-1
 PBO-1
 PC7-1/RC7-O
 PC6-1/RC6-O
 PC5-1/RC5-O
 PC4-1/RC4-O
 PC3-1/RC3-O
 PC2-1/RC2-O
 PC1-1/RC1-O
 PC0-1/RC0-O

GND
 49
 48
 47
 46

ROMIN-1 (-1)
 IOROMRQ-1 (-3)
 RAMIN-1 (-1)
 IORAMRQ-1 (-3)
 RAM15-1 THRU RAM0-1 (-4)
 ROM13-1 THRU ROM0-1 (-4)

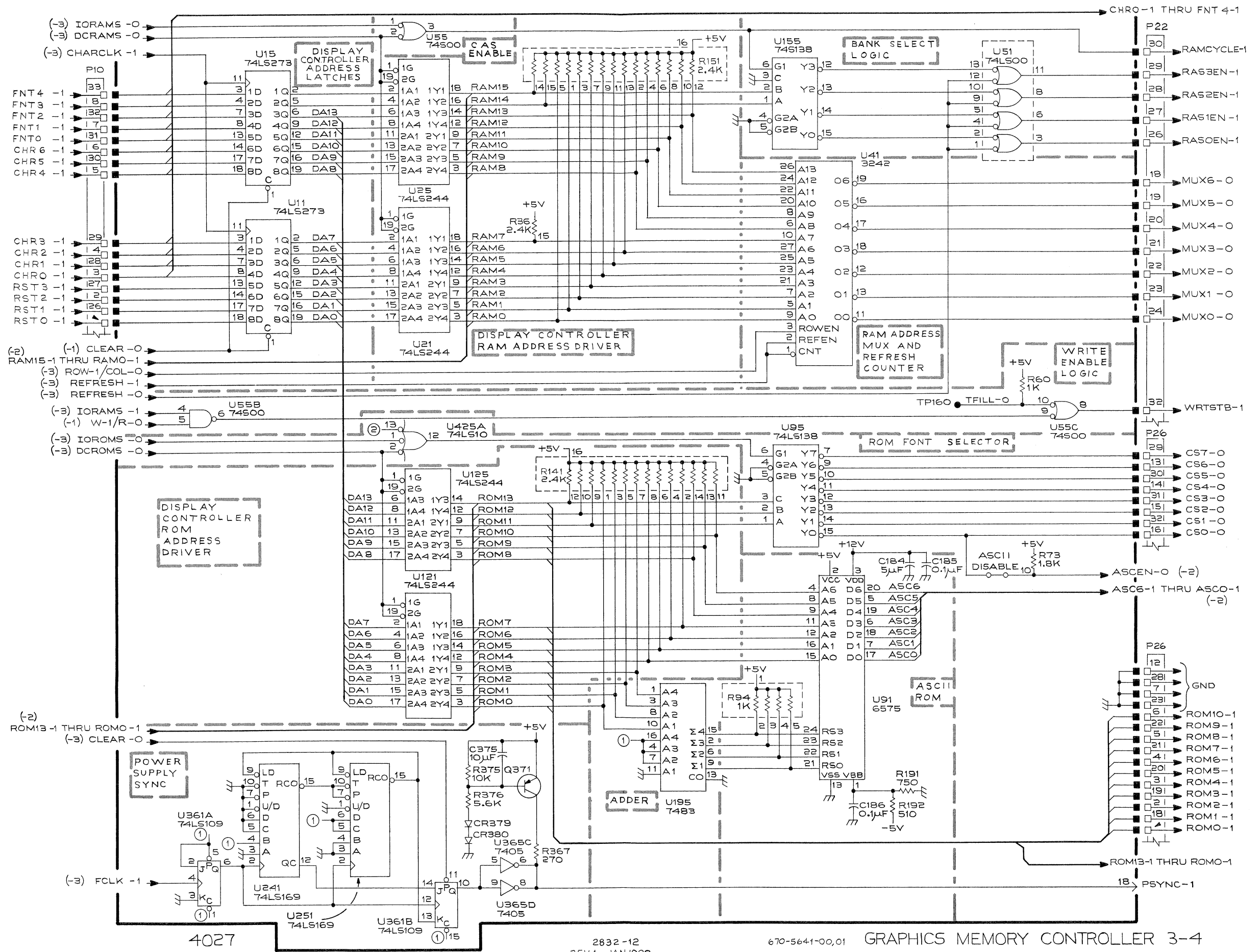


4027

2832-11
REV A, JAN 1980

670-5641-00,01

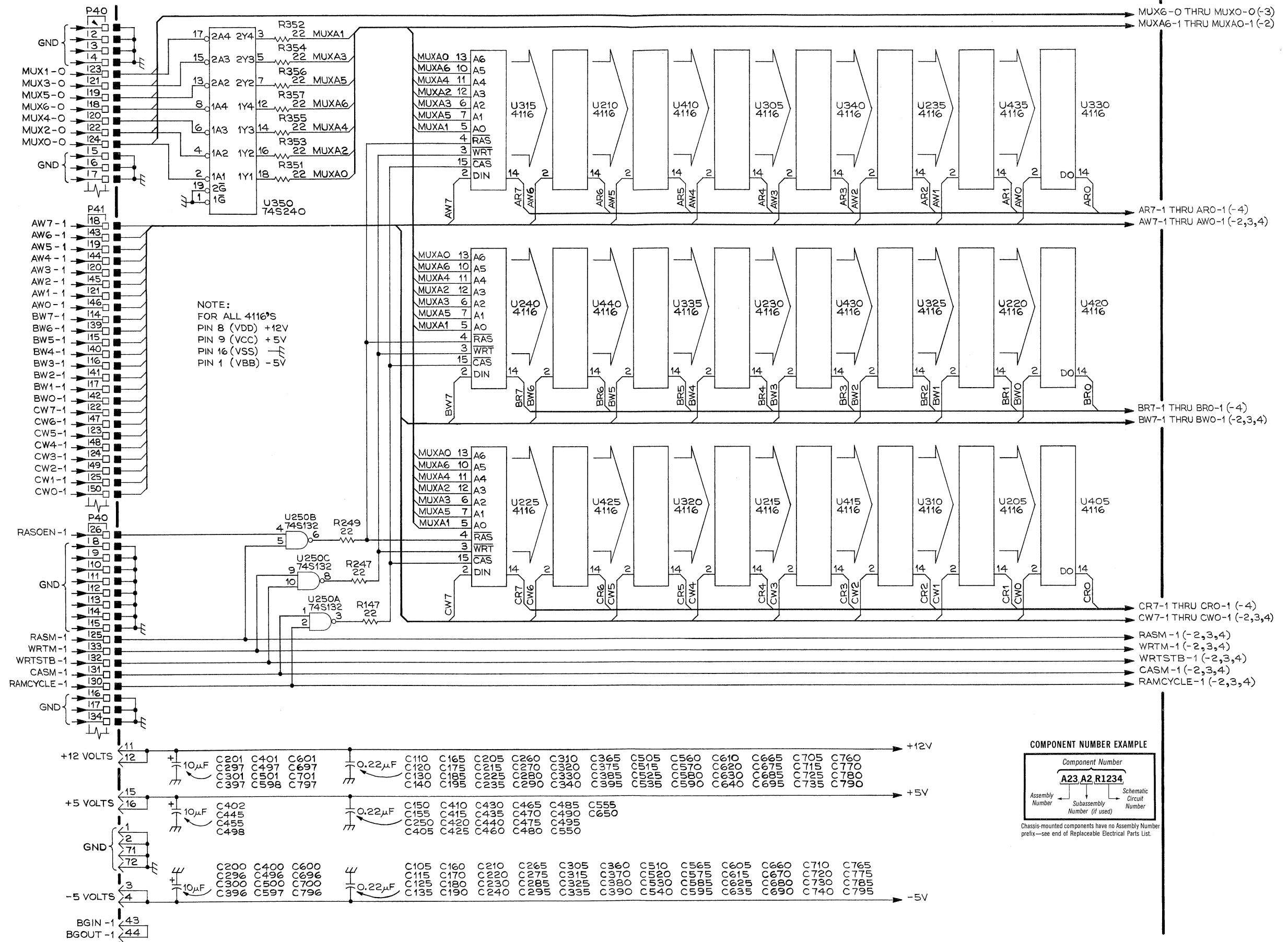
GRAPHICS MEMORY CONTROLLER 3-3



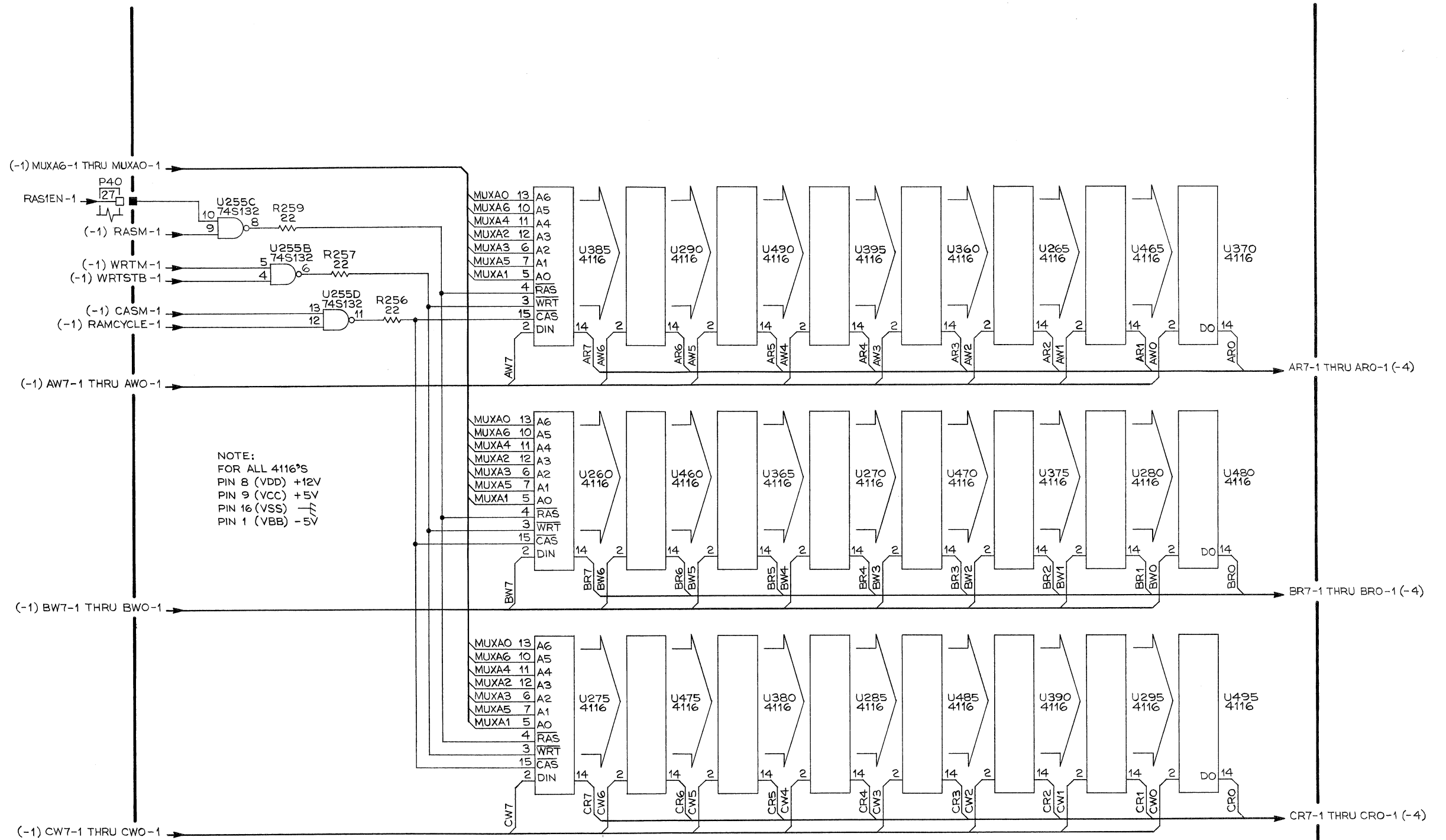
4027

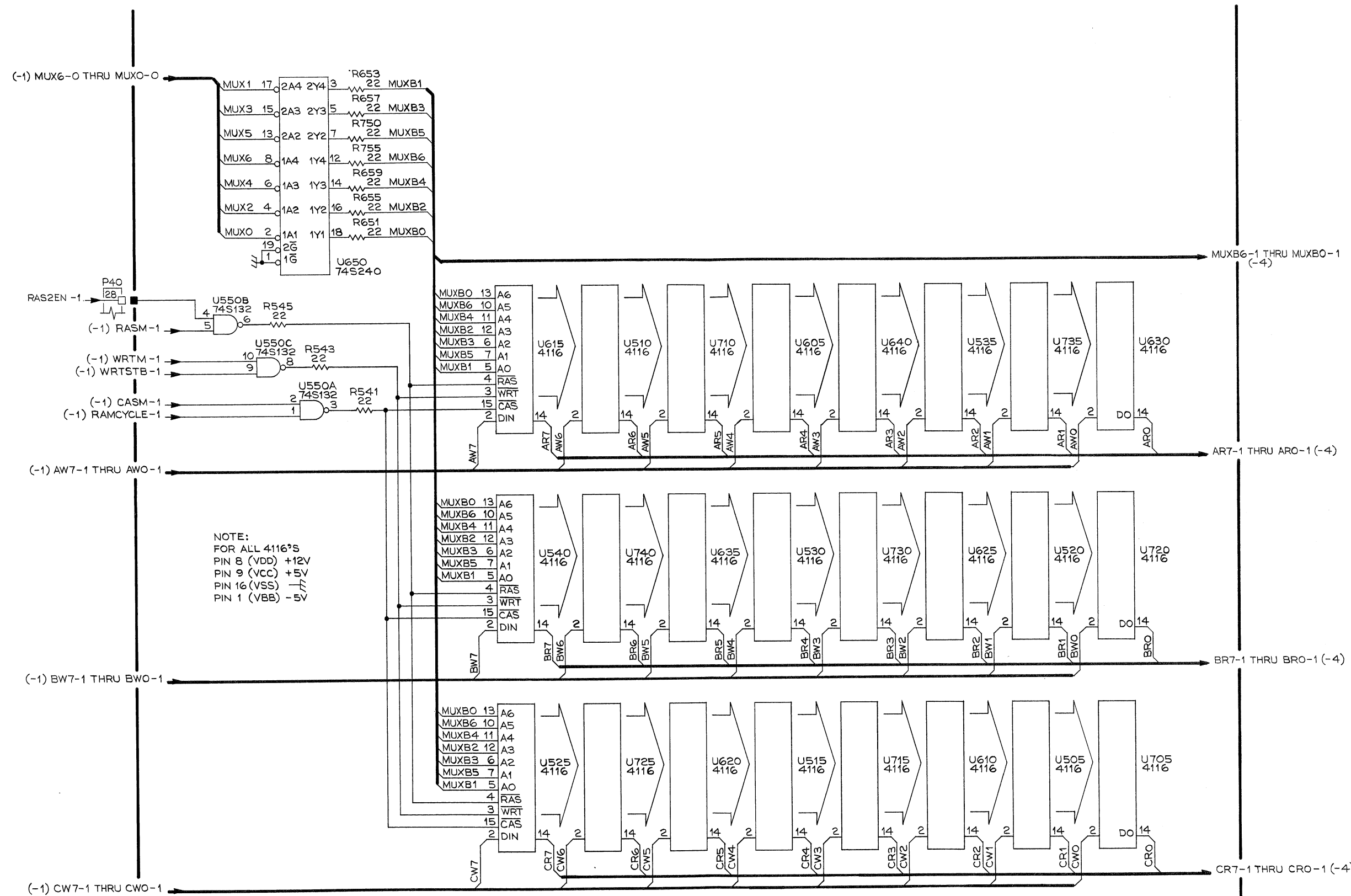
2832-12
REVA, JAN 1980

670-5641-00,01 GRAPHICS MEMORY CONTROLLER 3-4



4027





(-1) MUX6-0 THRU MUX0-0

RAS2EN -1

(-1) RASM-1

(-1) WRTM-1

(-1) WRTSTB-1

(-1) CASM-1

(-1) RAMCYCLE-1

(-1) AW7-1 THRU AWO-1

(-1) BW7-1 THRU BWO-1

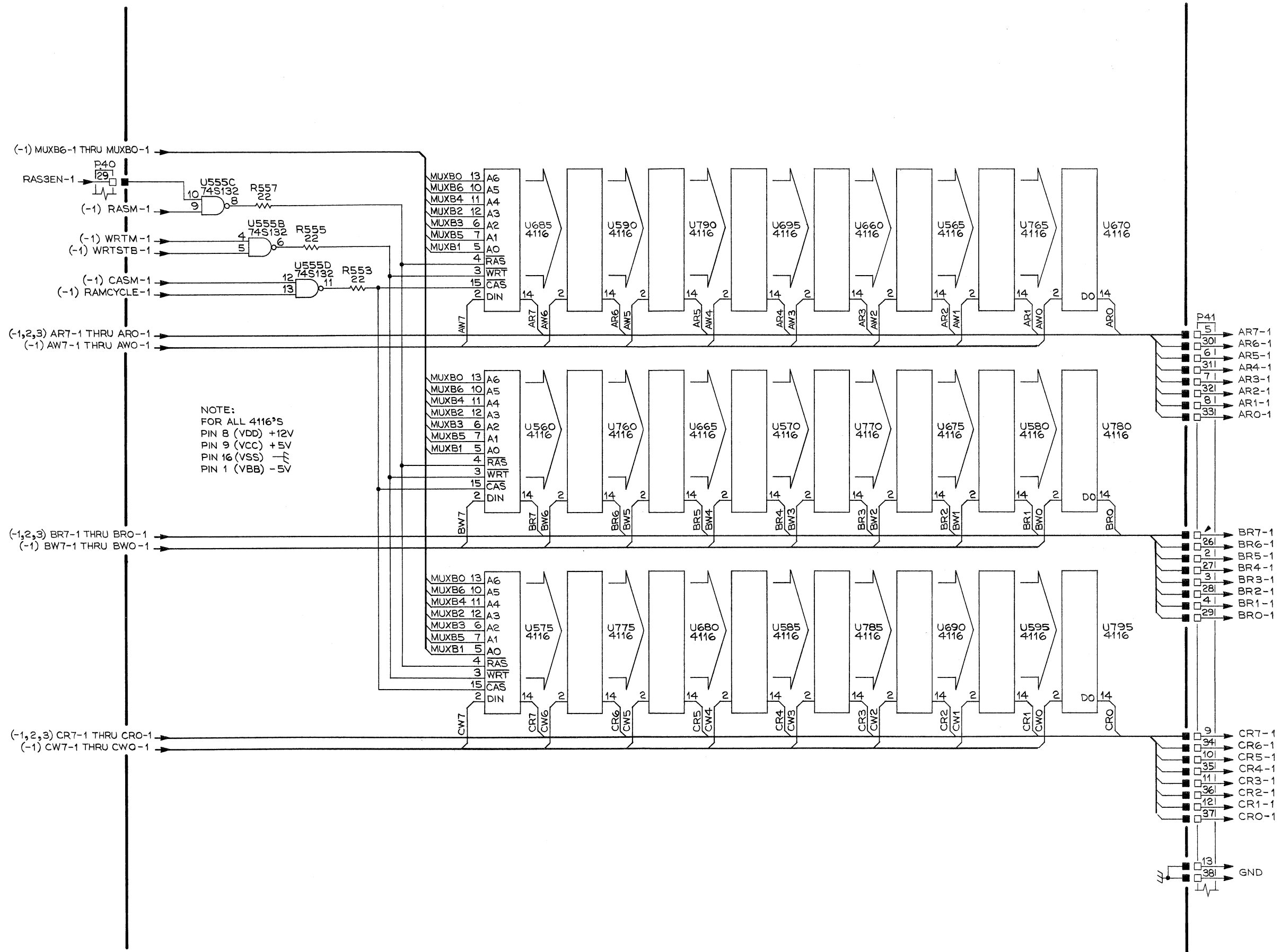
(-1) CW7-1 THRU CWO-1

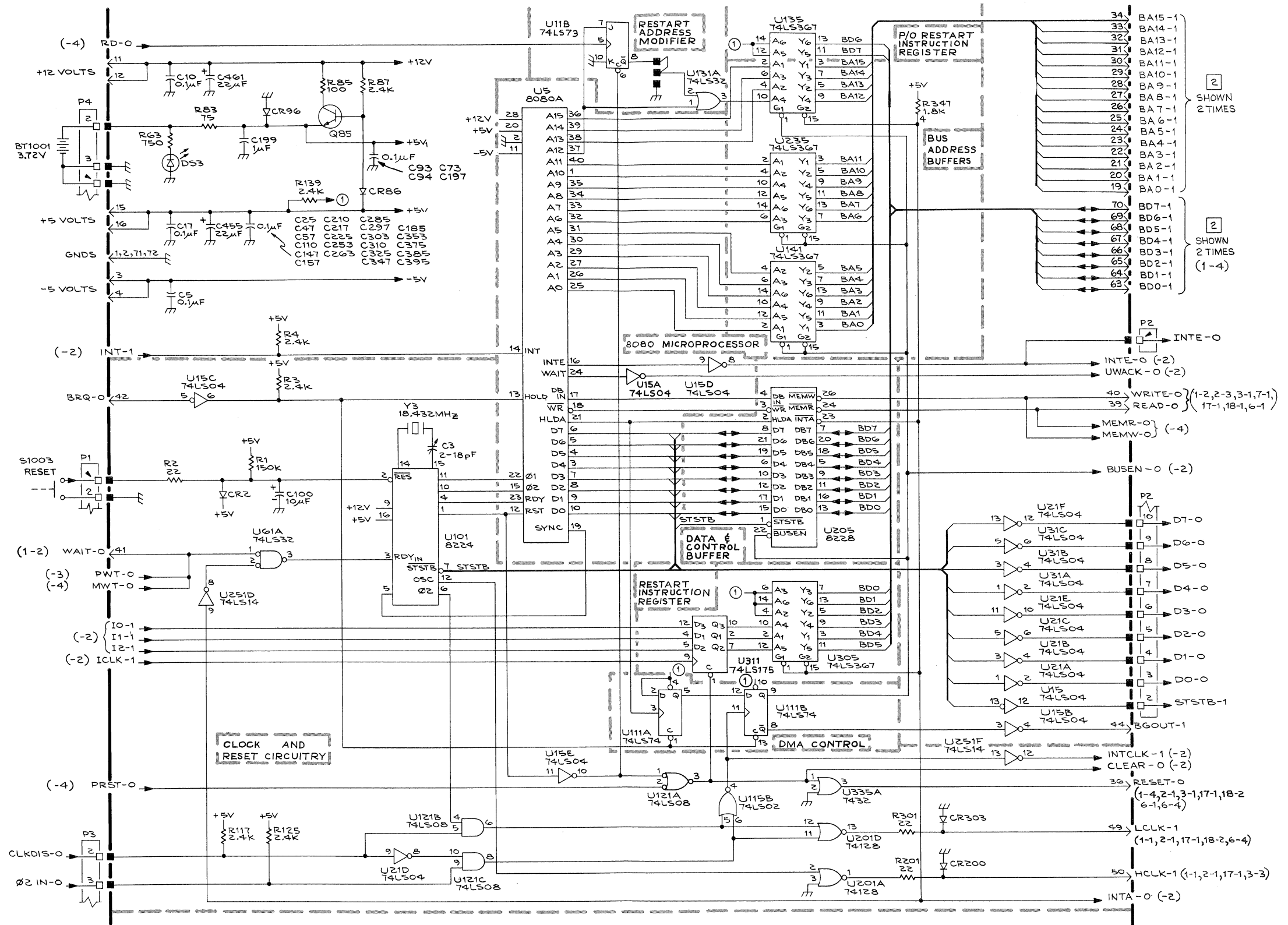
MUXB6-1 THRU MUXB0-1 (-4)

AR7-1 THRU ARO-1 (-4)

BR7-1 THRU BRO-1 (-4)

CR7-1 THRU CRO-1 (-4)





4027

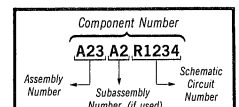
@ 2832-17

670-5720-00

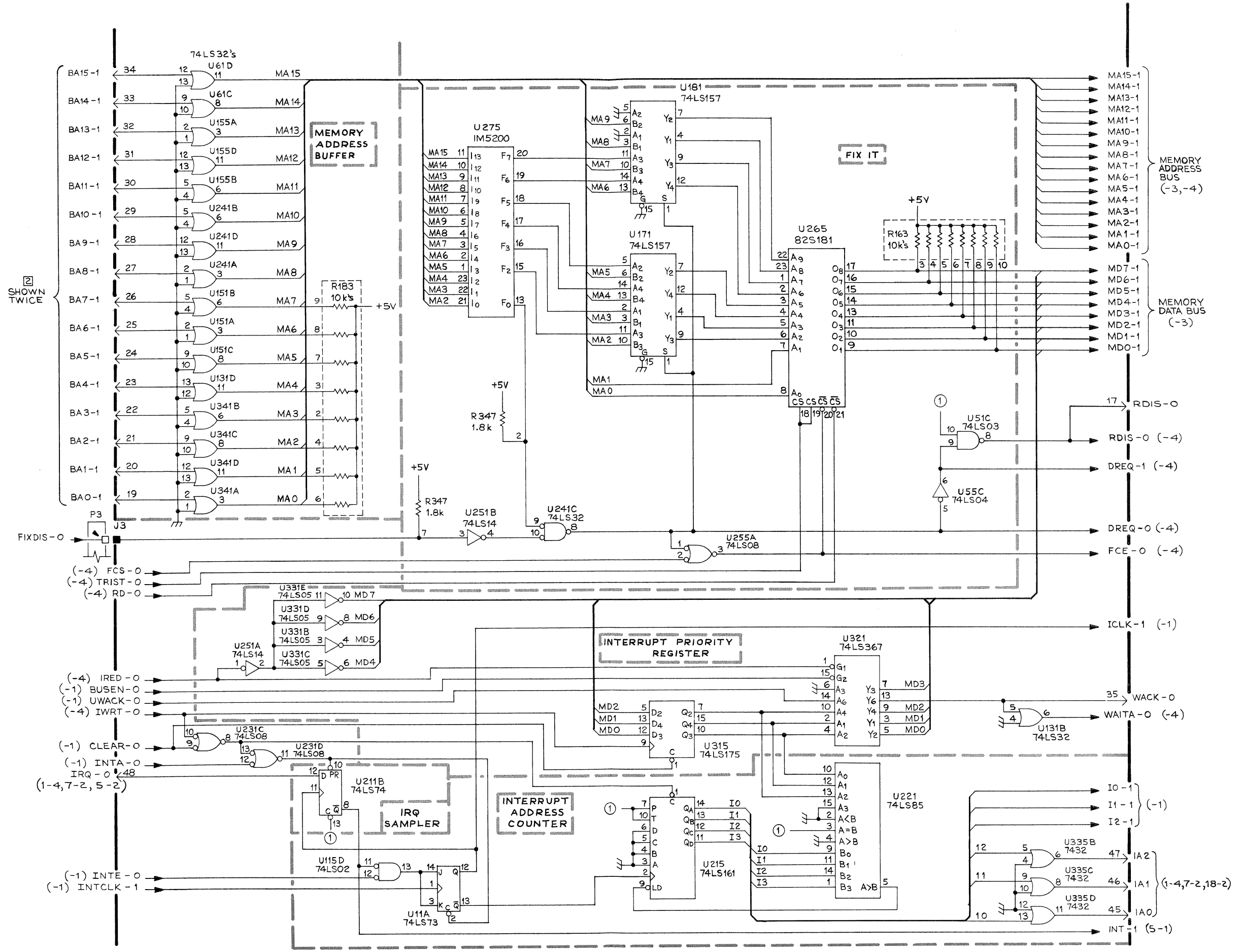
PROCESSOR BOARD

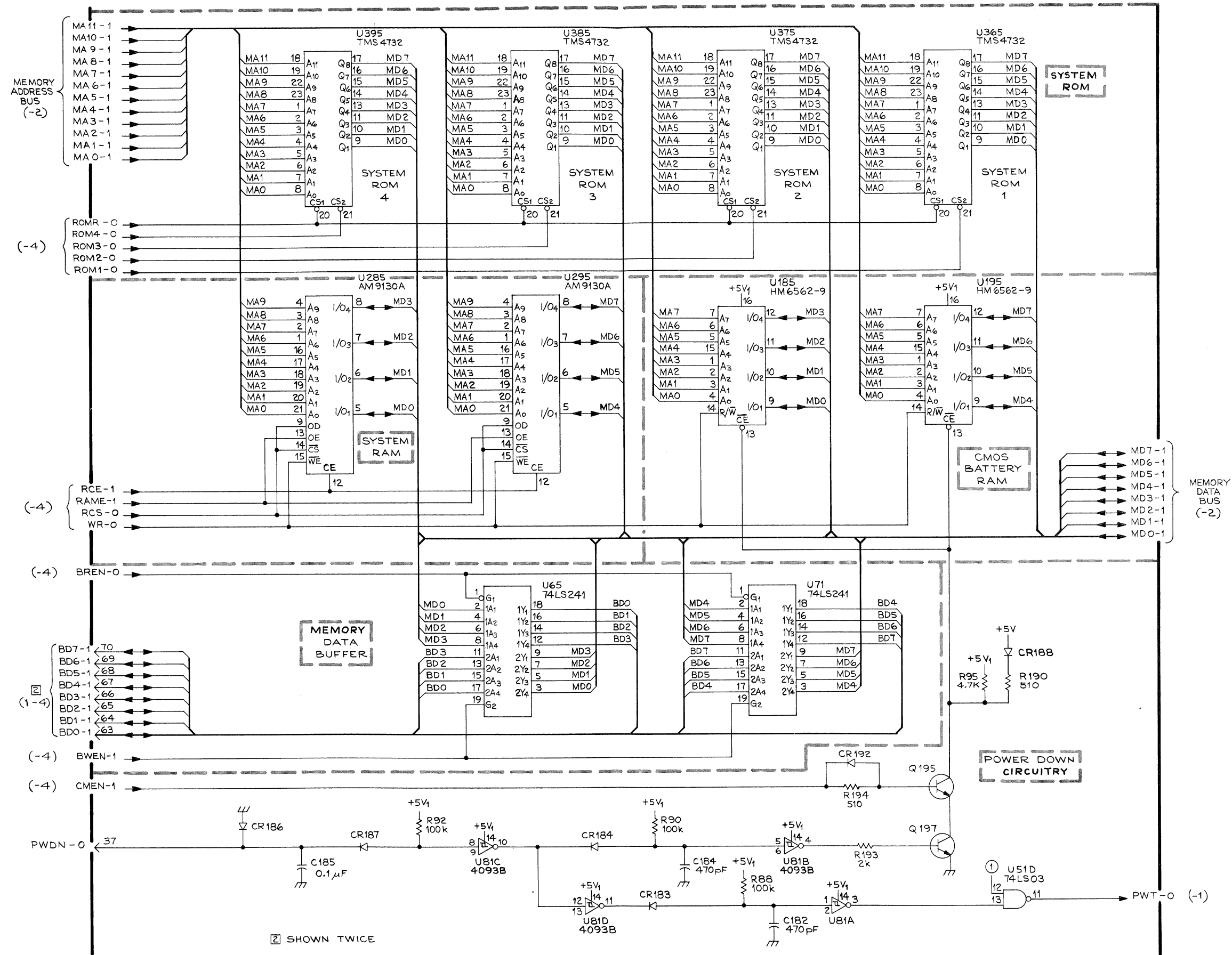
COMPONENT NUMBER EXAMPLE

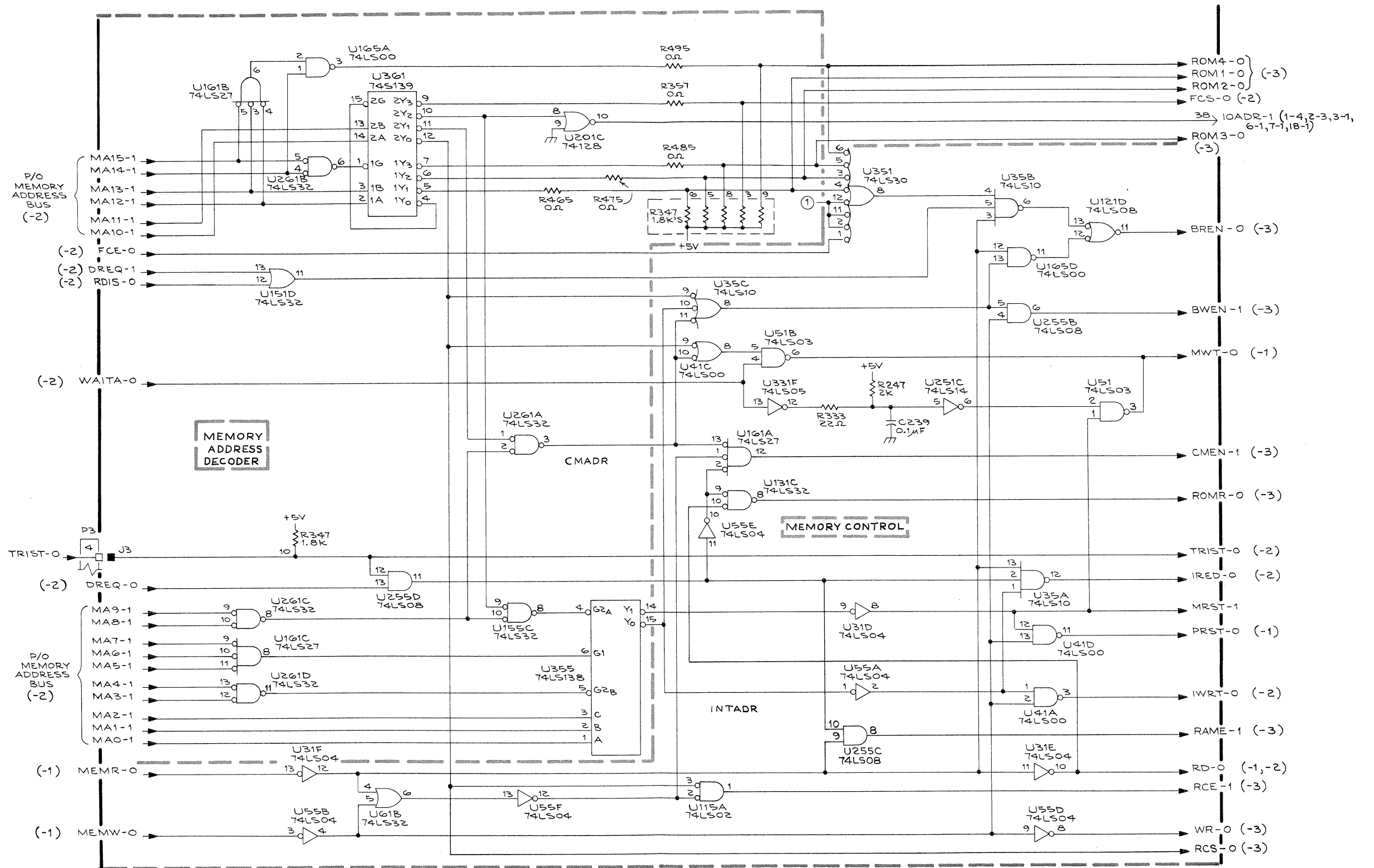
5-1



Chassis-mounted components have no Assembly Number prefix—see end of Replaceable Electrical Parts List.





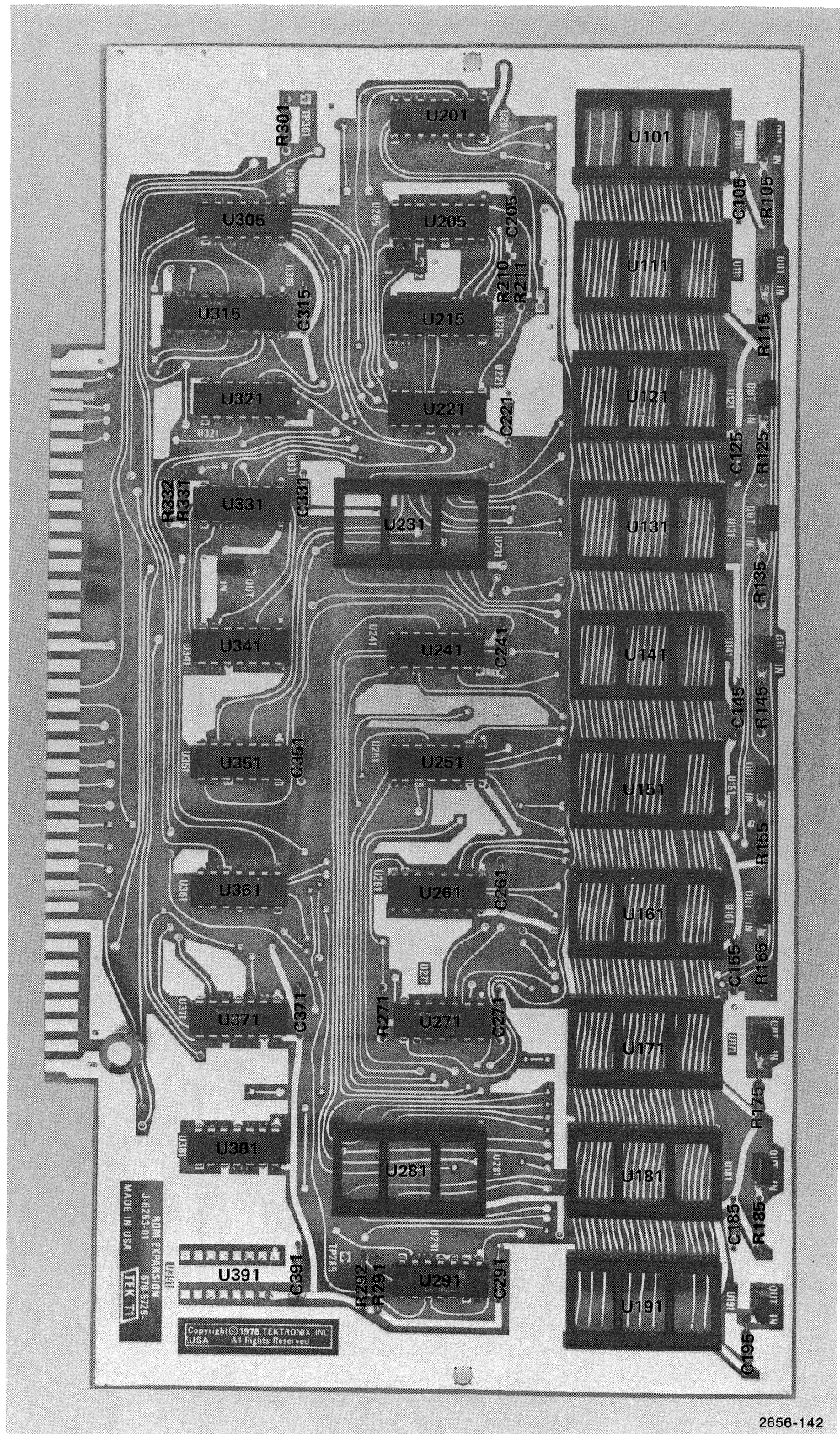


4027

670-5720-00

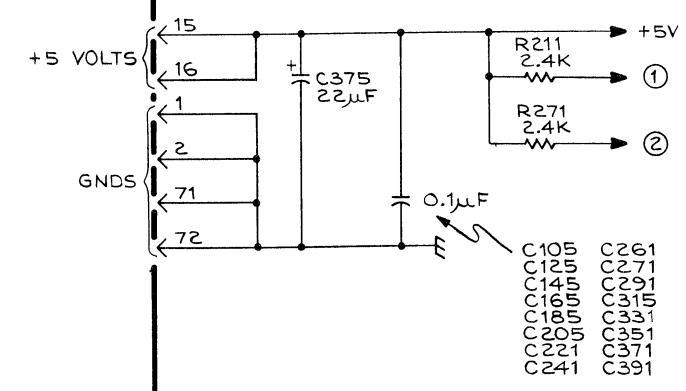
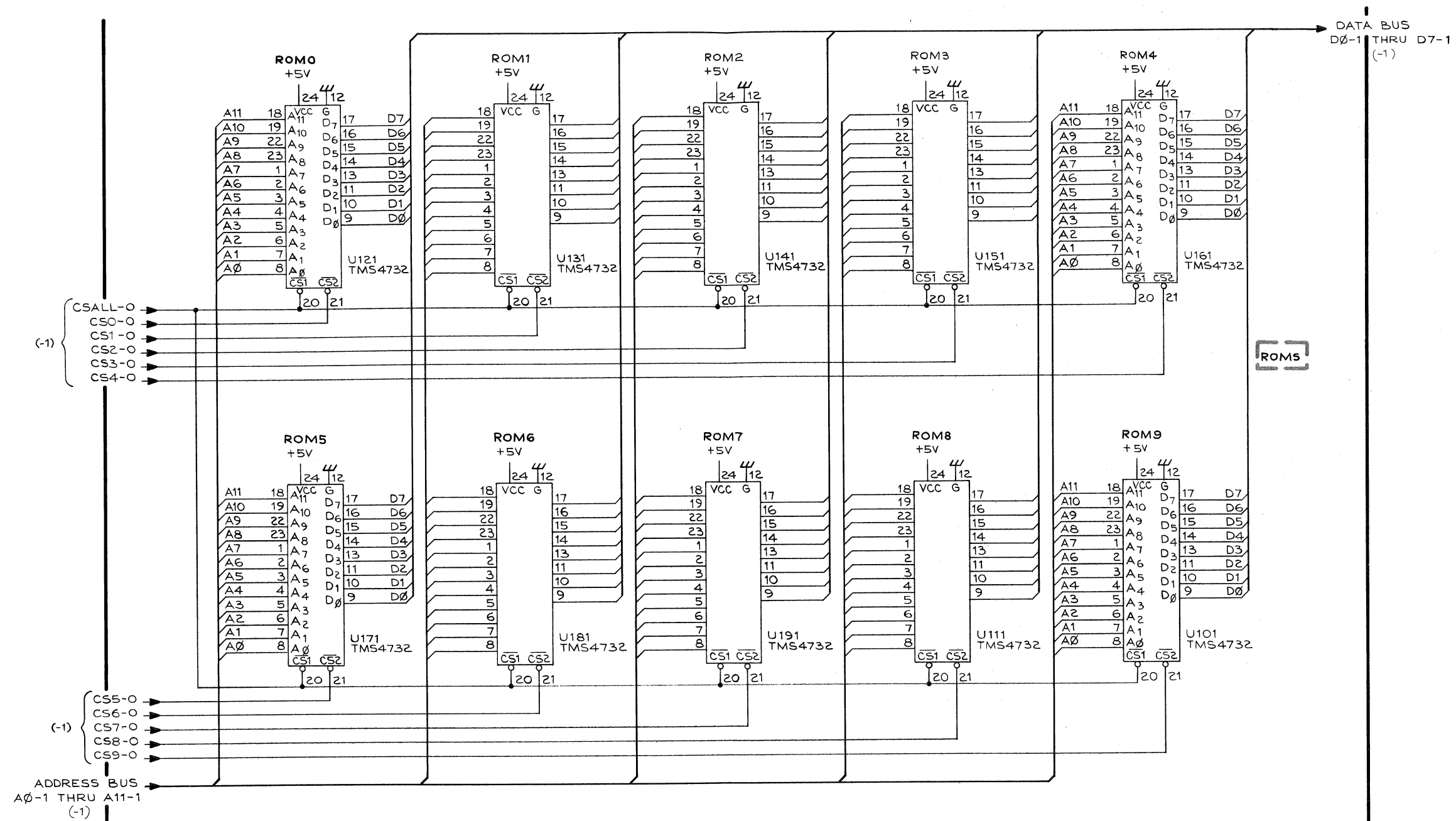
PROCESSOR BOARD

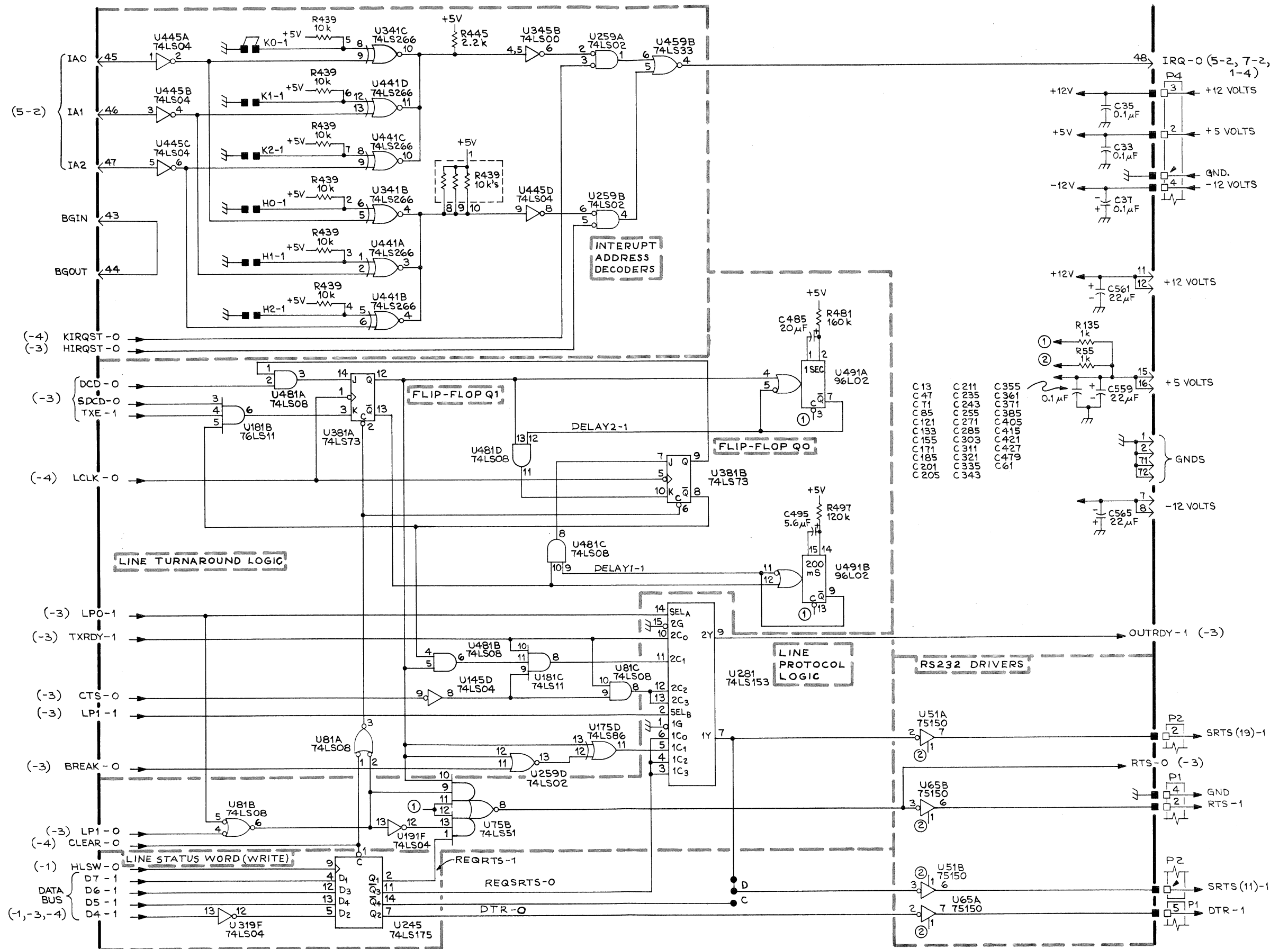
5-4

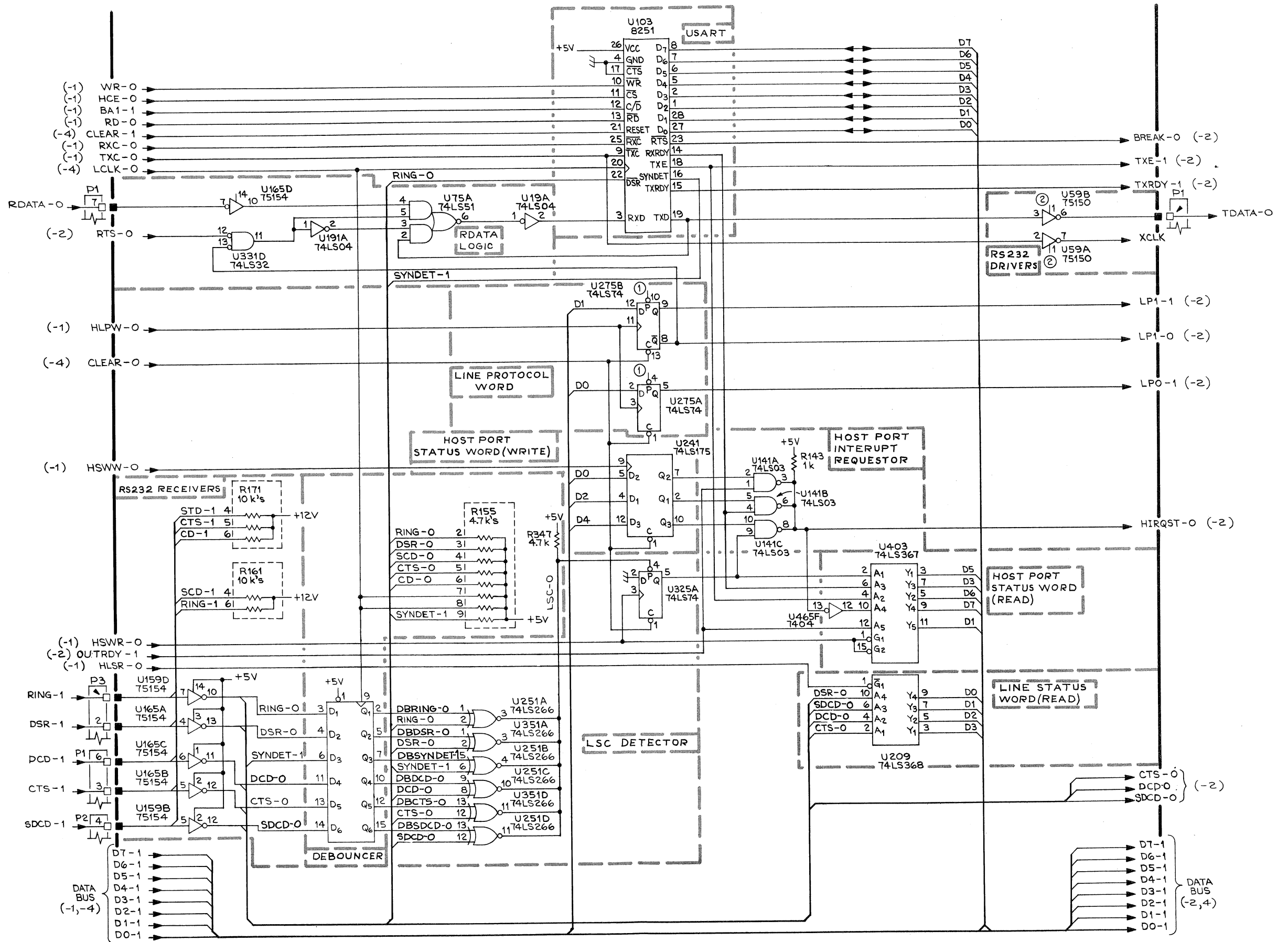


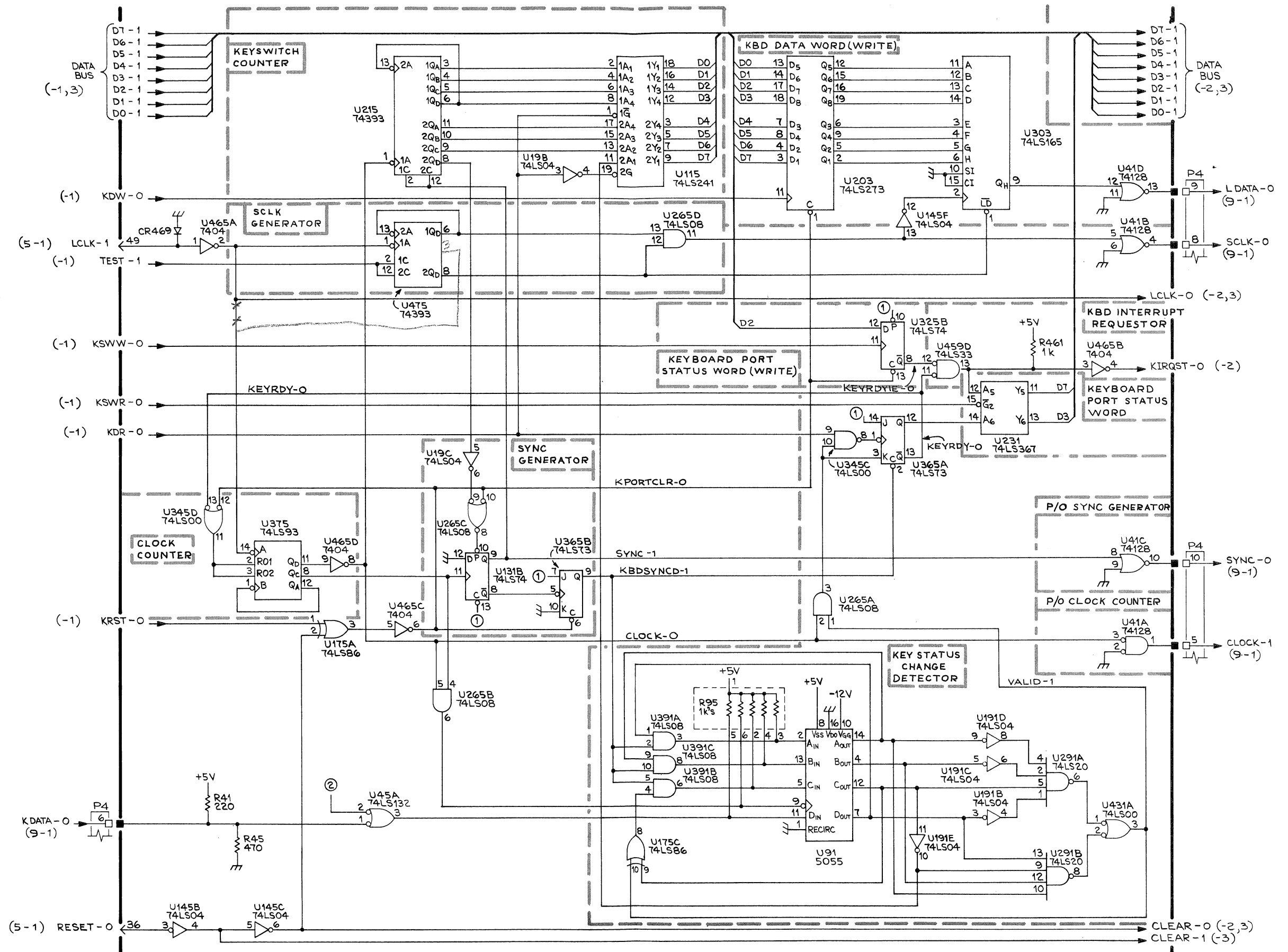
2656-142

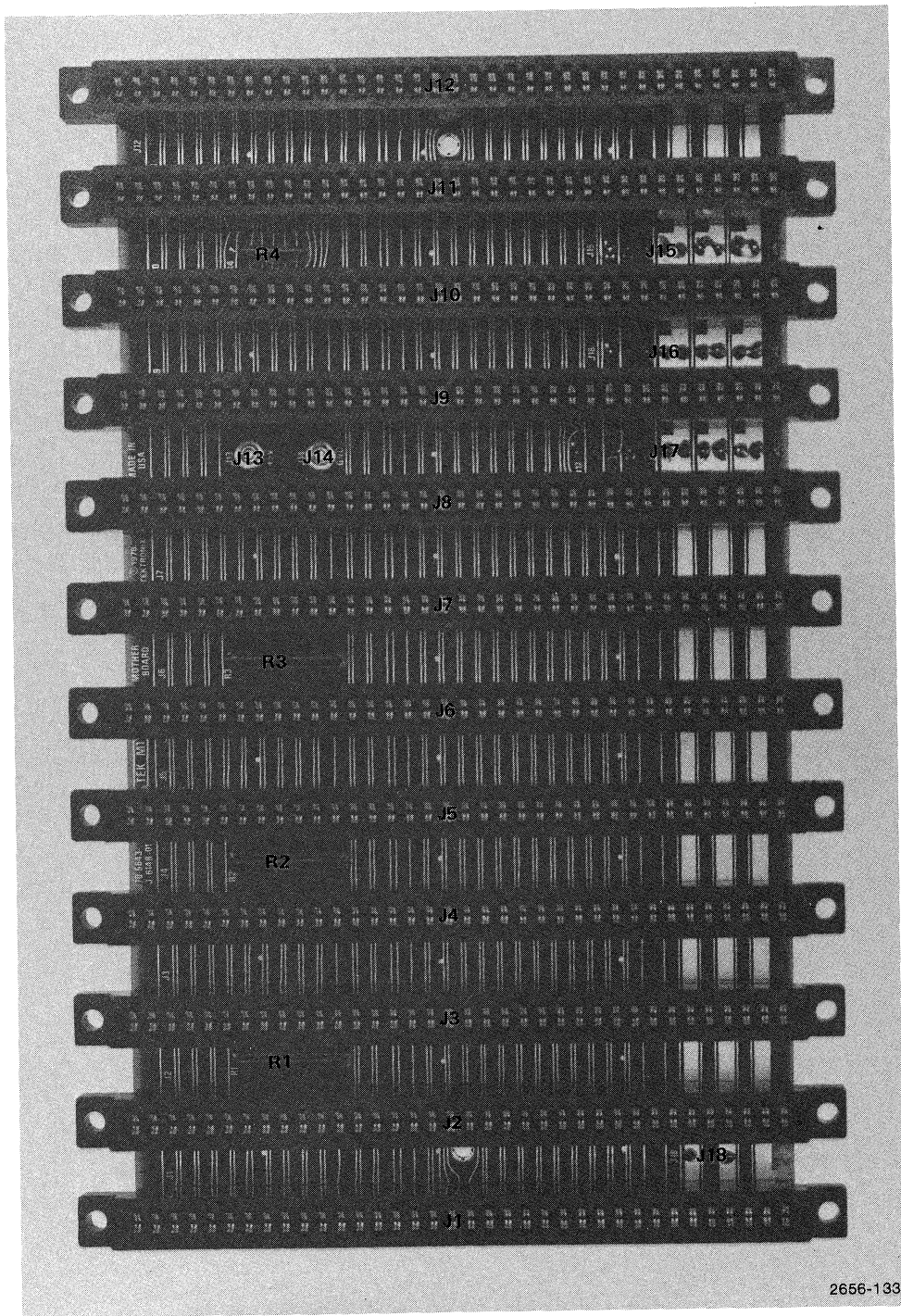
ROM Expansion (670-6066-01) Component Locations.





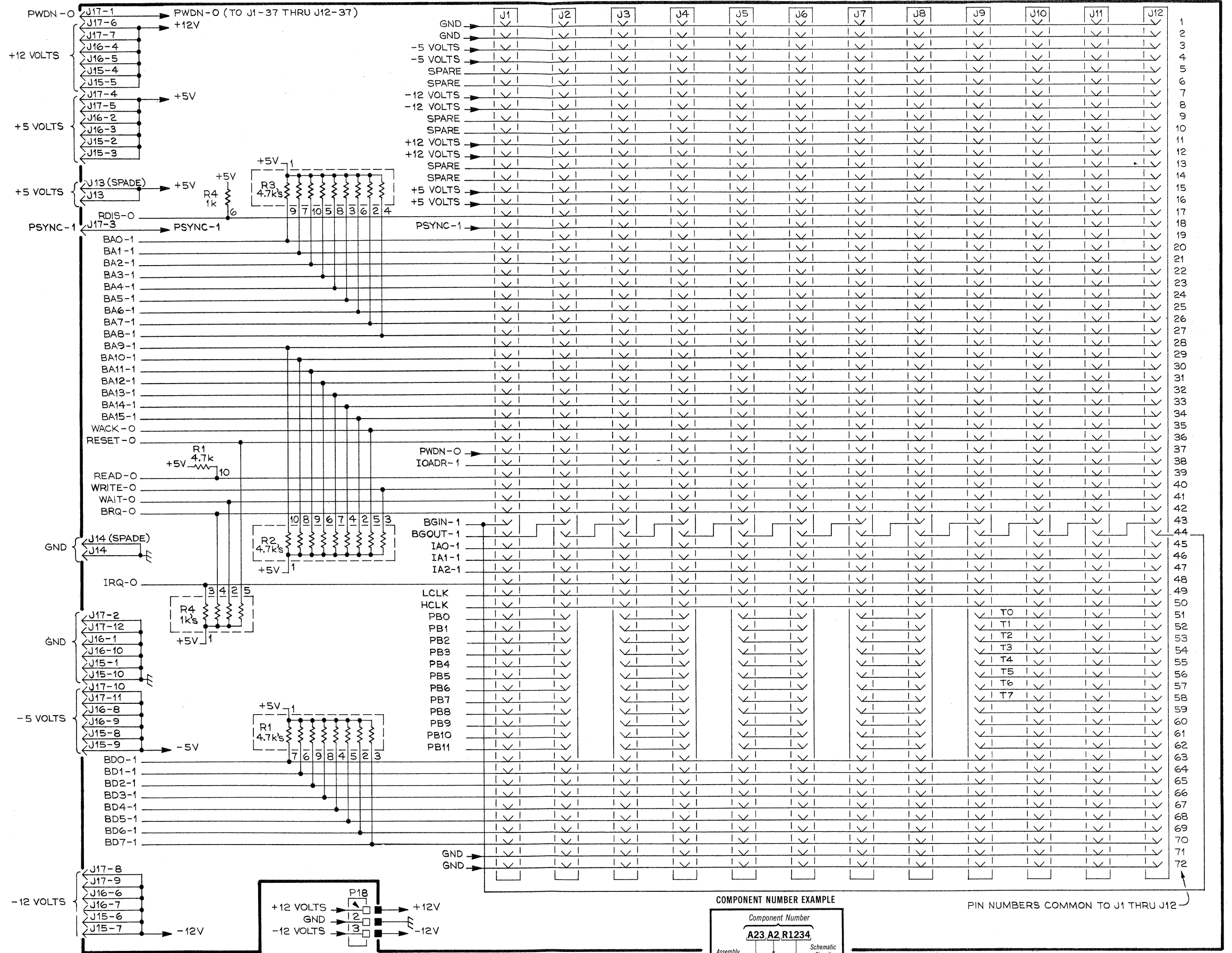






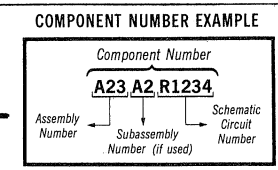
2656-133

Motherboard (670-5643-00) Component Locations.



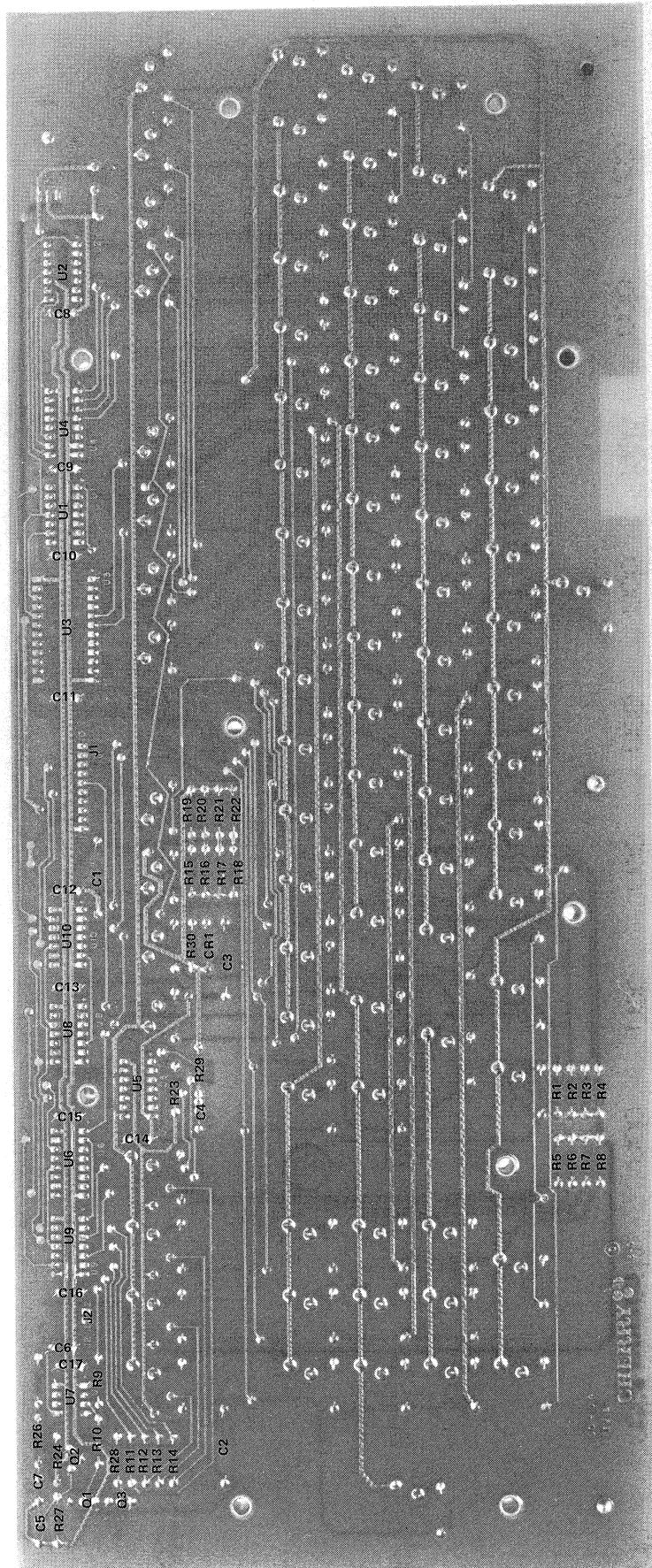
4027

© 2832-27

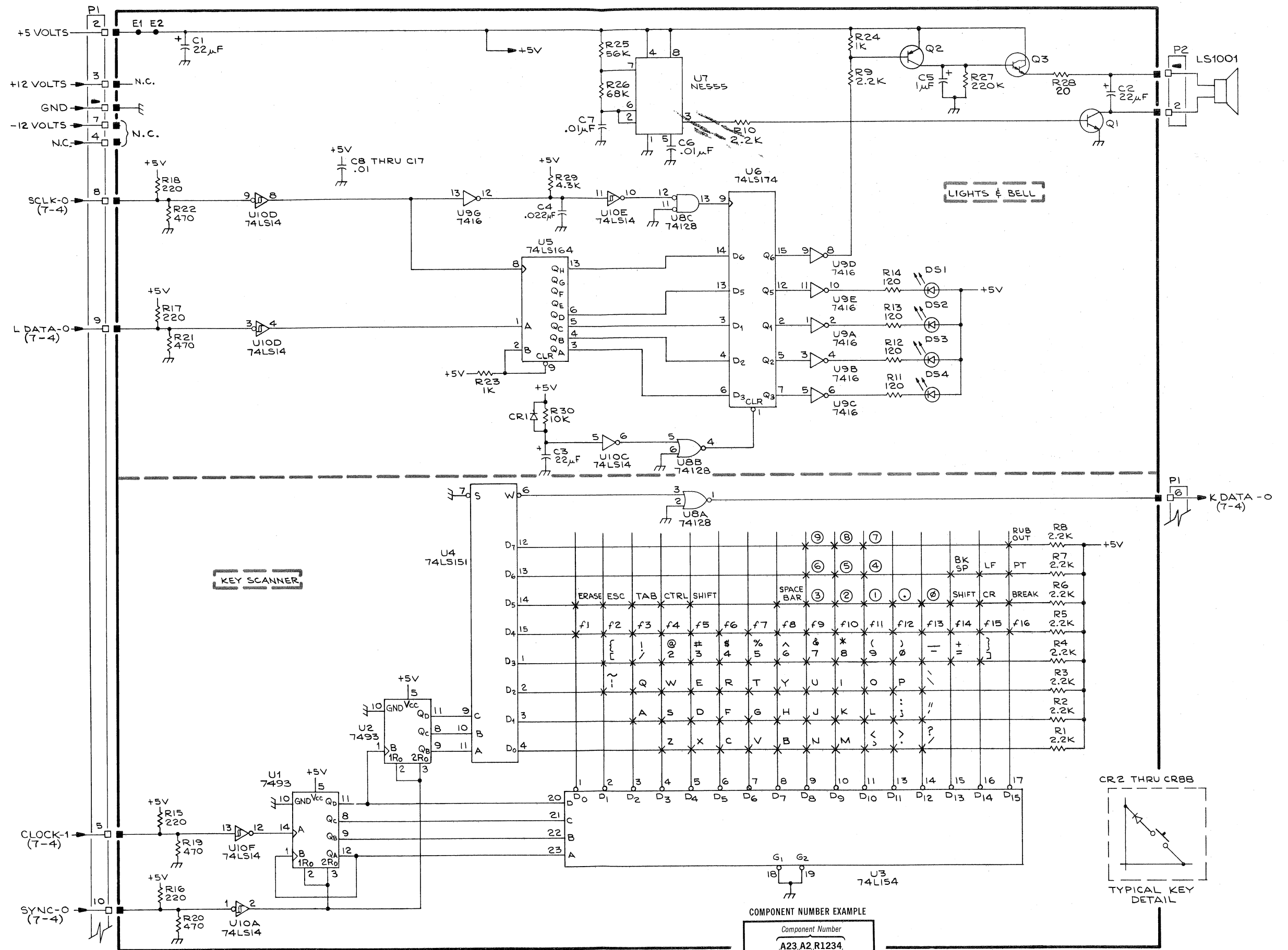


670-5643-00 MOTHERBOARD

8-1

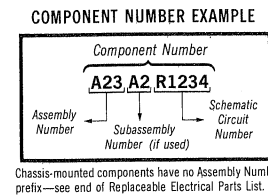


Keyboard (670-5060-00) Component Locations.

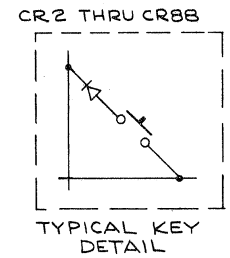


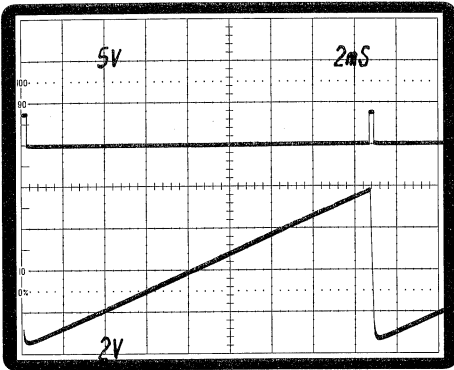
119-0909-01
(FOR 4027)

@2832-28



670-5060-00 KEYBOARD 9-1

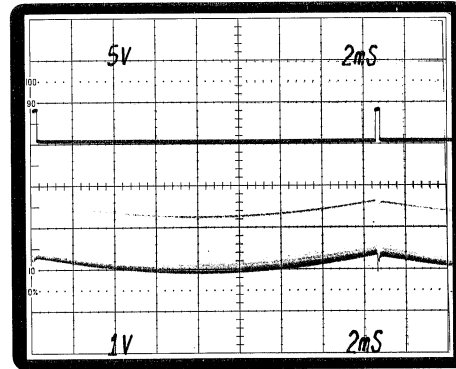




VSYNC-1
TP102

VRAMP
TP121

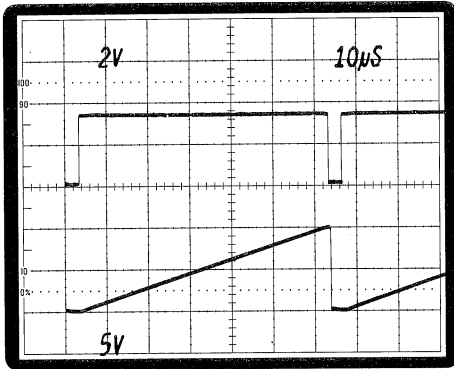
2656-188



V SYNC-1
TP102

GEOMETRY
TP243

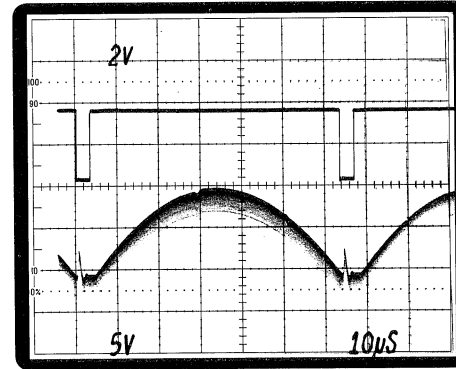
2656-189



HSYNC DELAYED
TP108

HRAMP

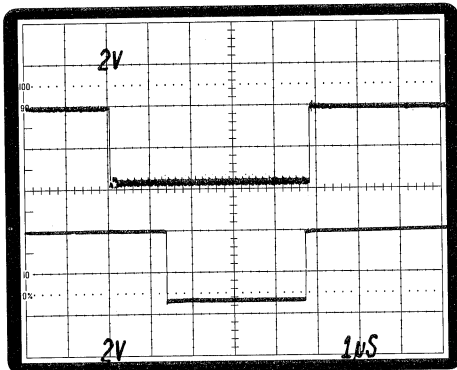
2656-190



HSYNC DELAYED
TP108

H SUPPLY
TP 661
(AC COUPLED)

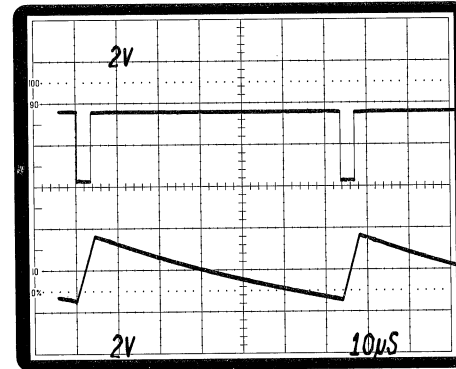
2656-191



HSYNC-0
TP101

HSYNC DELAYED
TP108

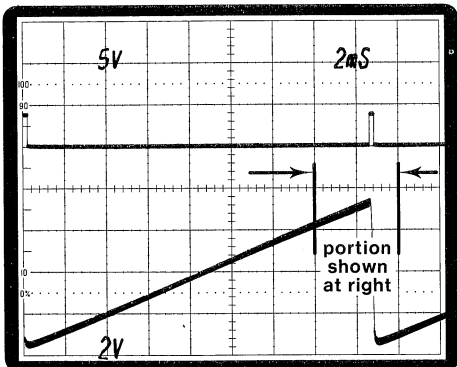
2656-192



HSYNC DELAYED
TP108

UP-DOWN RAMP
TP311

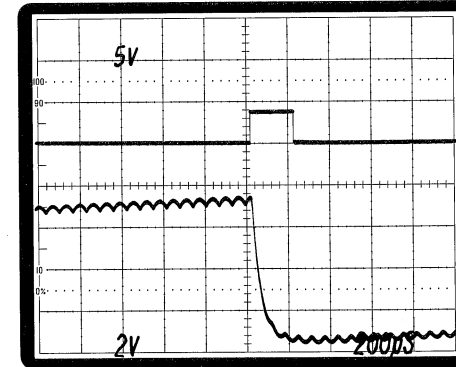
2656-193



V SYNC-1
TP102

CORRECTED
VRAMP
TP241

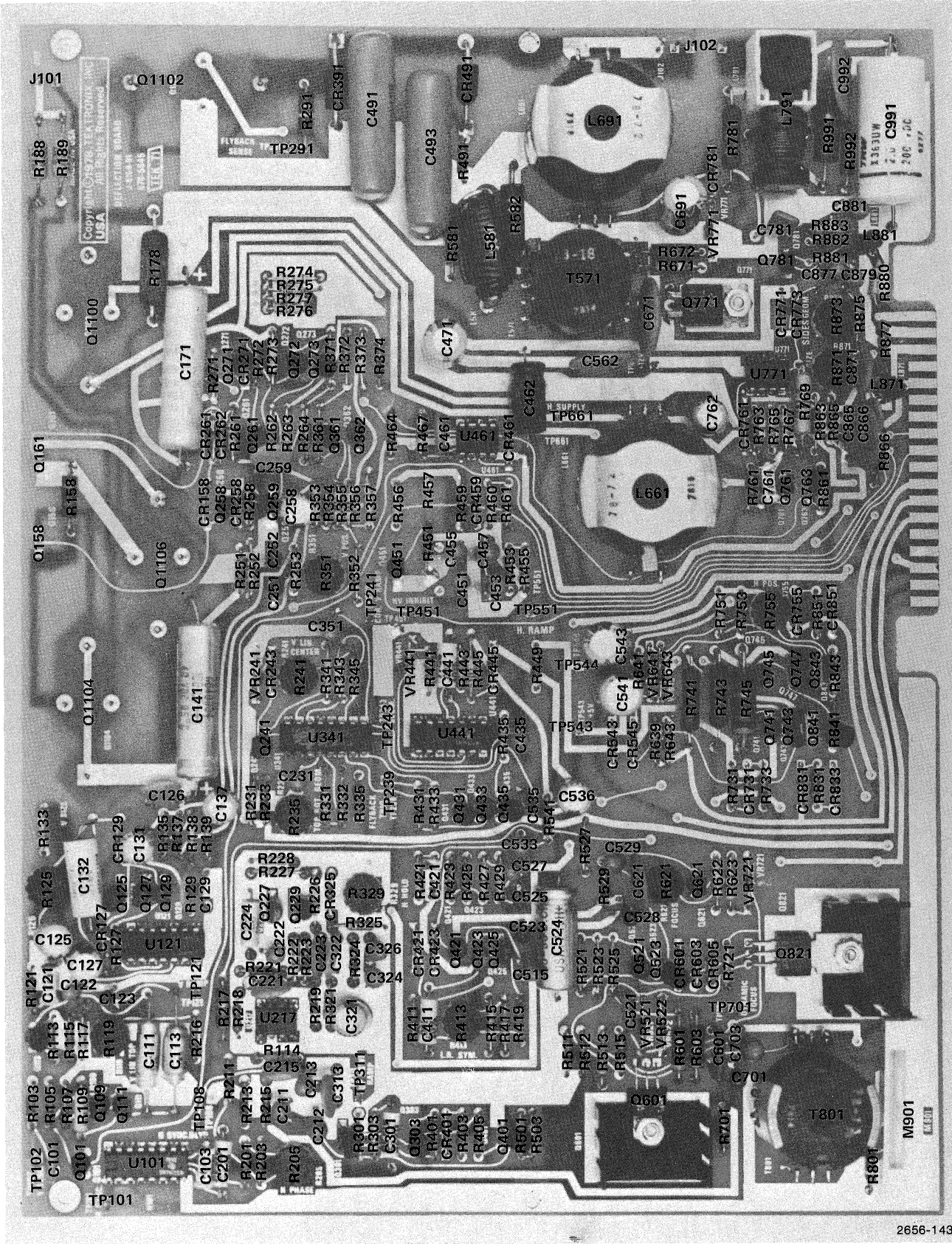
2656-194



VSYNC-1
TP 102

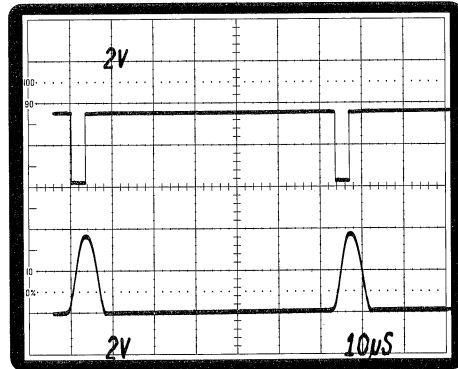
CORRECTED
VRAMP (Part of)
TP241

2656-195



2656-143

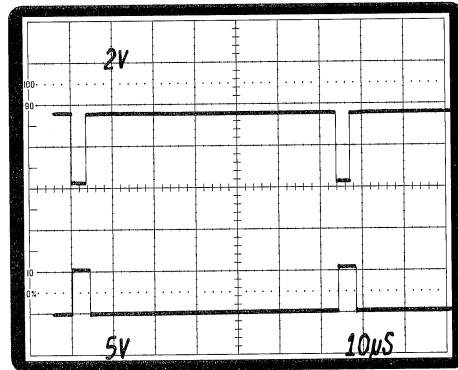
Deflection (670-5645-00) Component Locations.



HSYNC DELAYED
TP108

FLYBACK SENSE
TP291

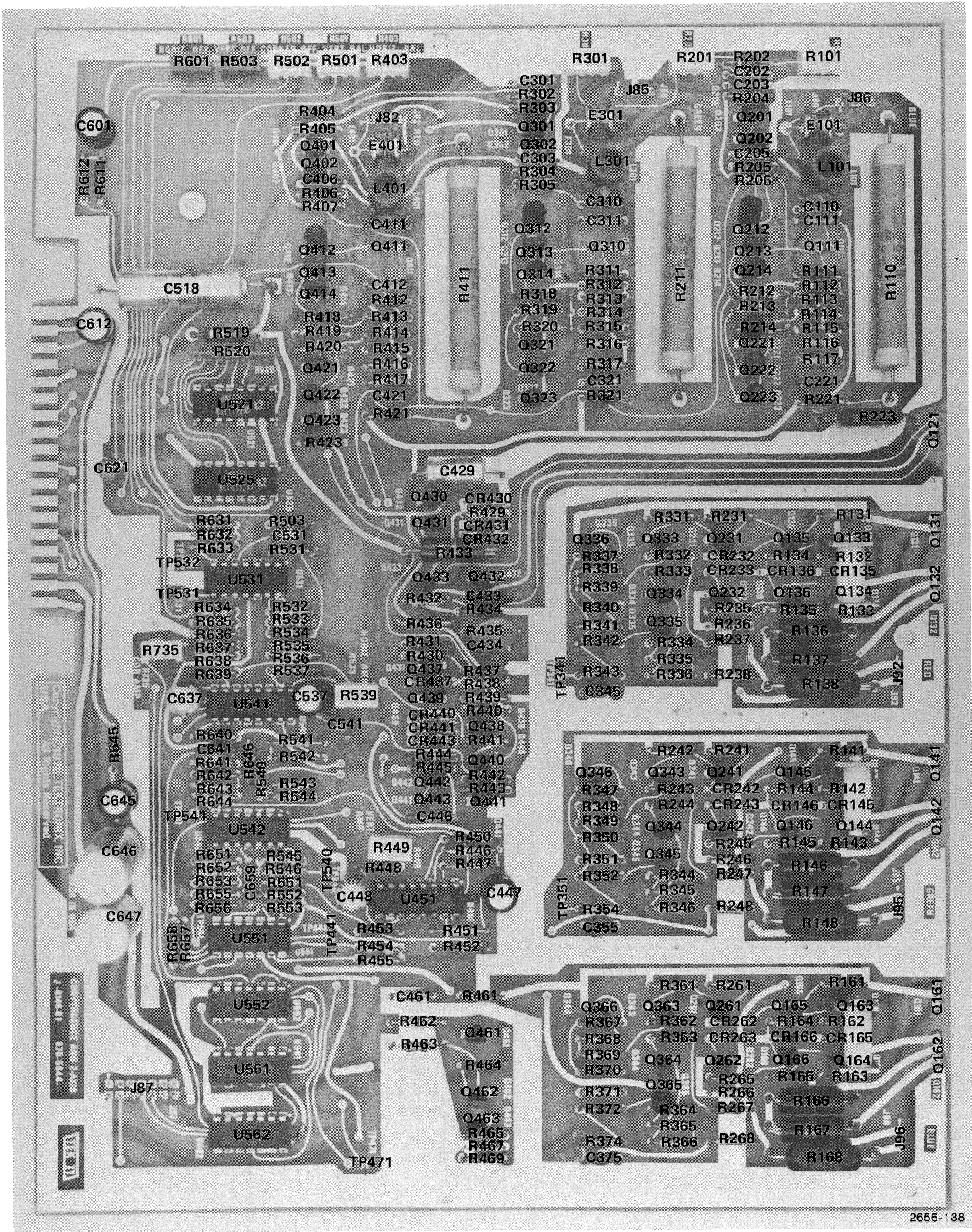
2656-196



HSYNC DELAYED

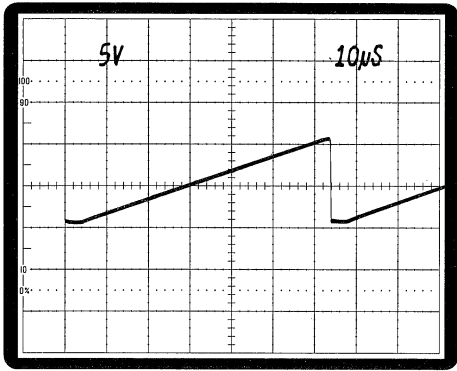
FLYBACK TRIGGER
TP239

2656-197



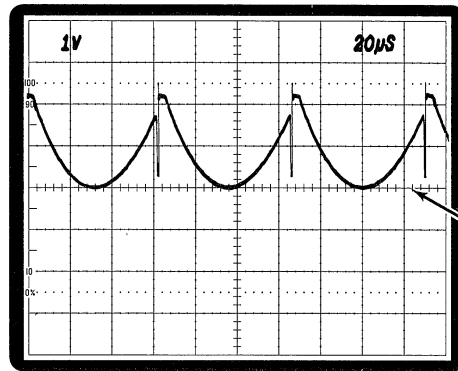
2656-138

Convergence & Z-Axis (670-5644-02) Component Locations.



HRAMP
TP 441

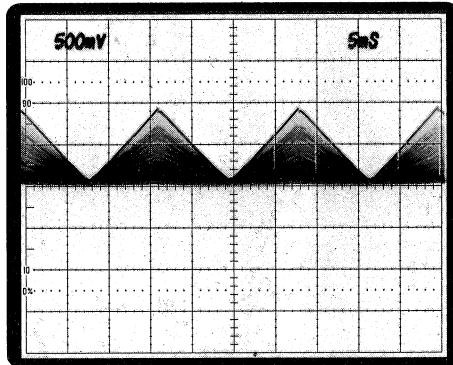
2656-198



HCONV
TP532

ZERO VOLT
REFERENCE

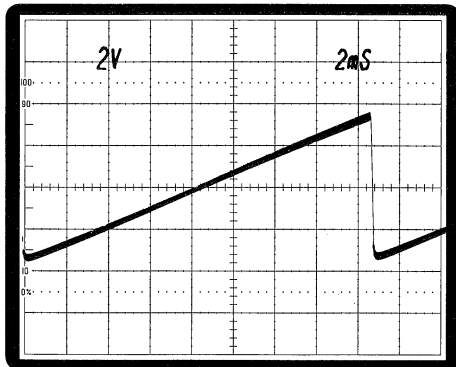
2656-149



CCONV
TP531

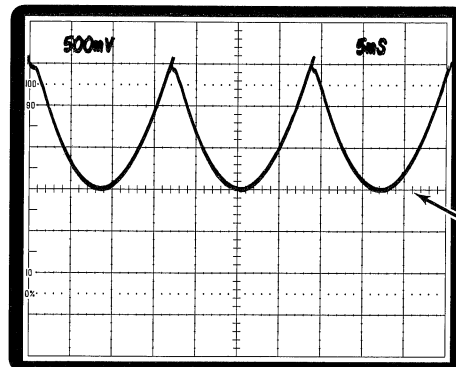
ZERO VOLTS

2656-127



VRAMP
TP 541

2656-199



VCONV
TP551

ZERO VOLT
REFERENCE

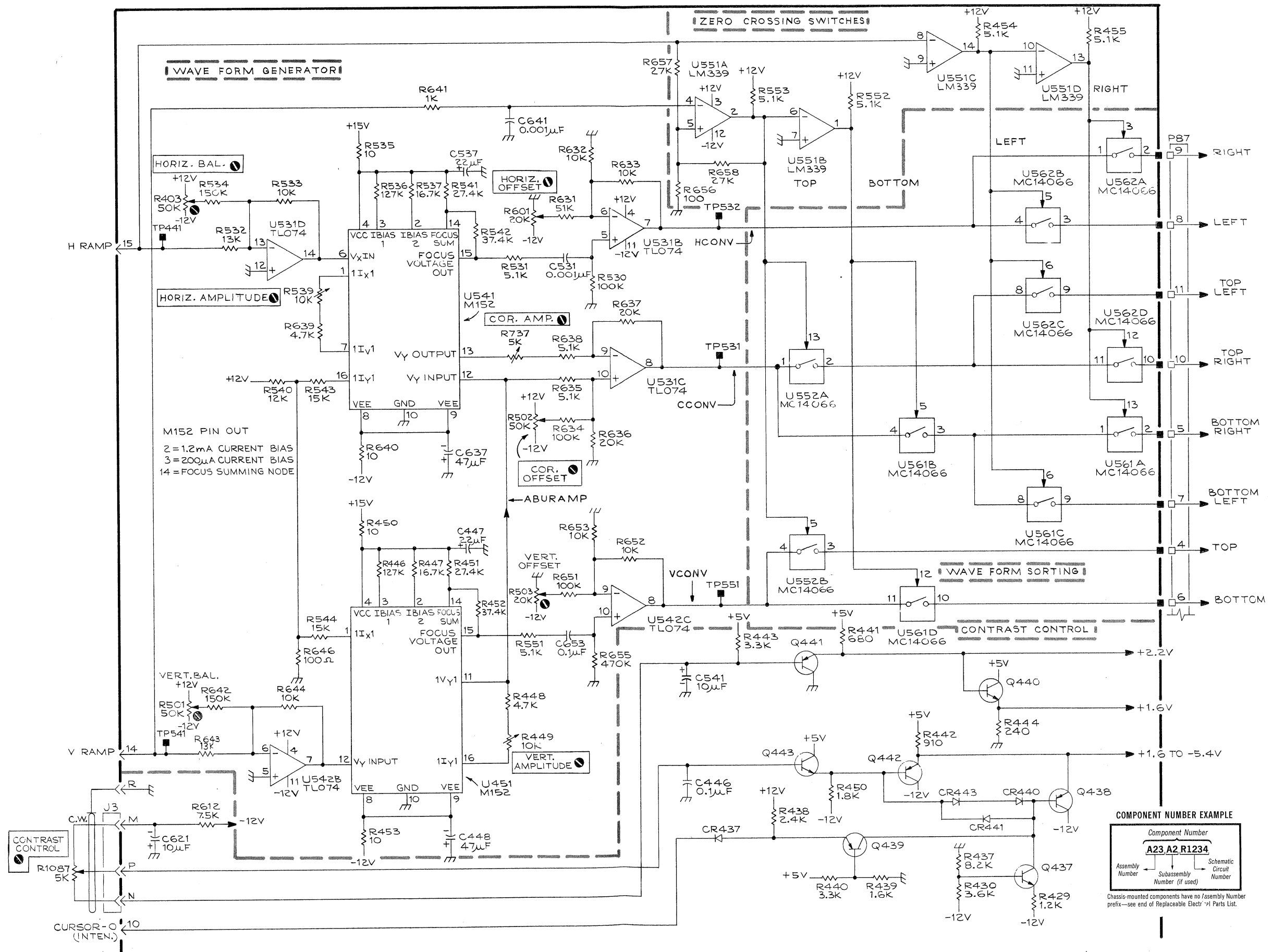
2656-126

LT
CE

149

LT
CE

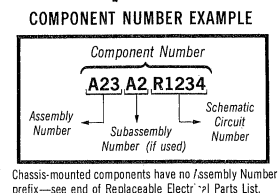
126

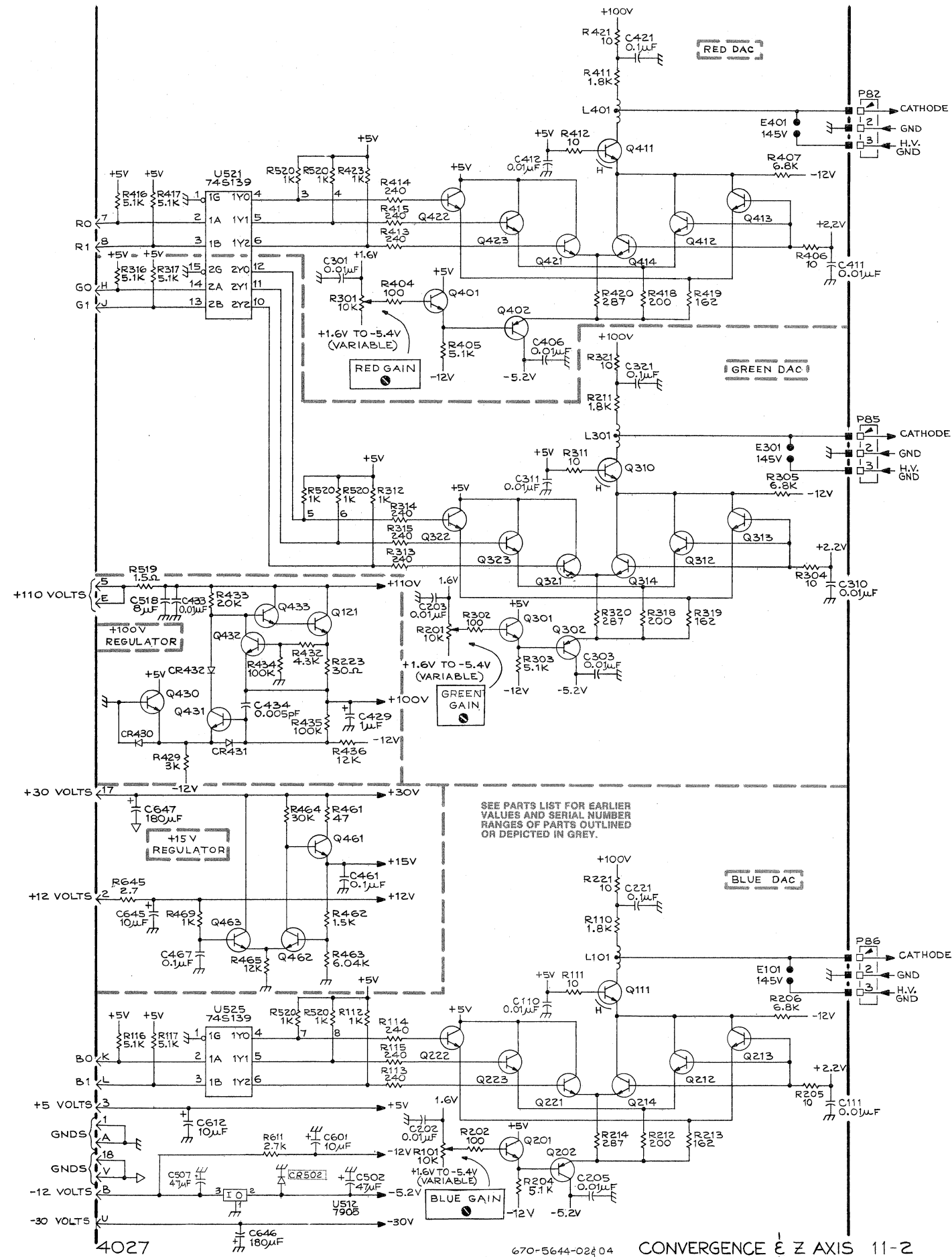


4027

2832-31
REVA, JAN 1980

670-5644-02 404 CONVERGENCE & Z AXIS 11-1



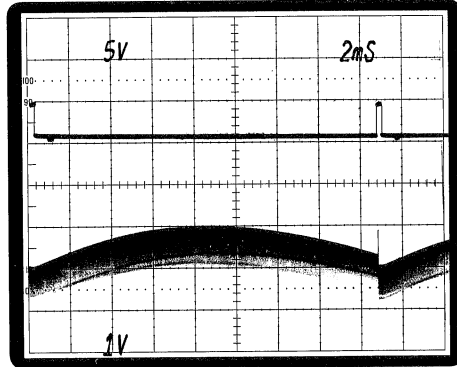


4027

2832-32

670-5644-02 & 04
REV A, JAN 1980

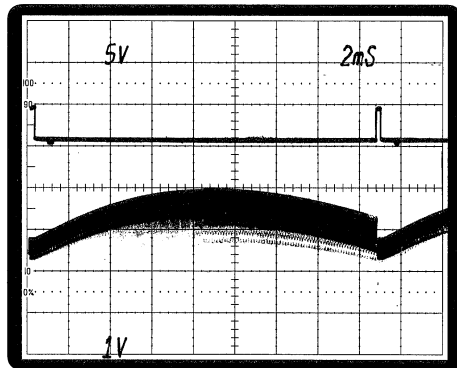
CONVERGENCE & Z AXIS 11-2



TRIGGER FROM
VSYNC-1
TP 102
DEFLECTION
BOARD

TP341

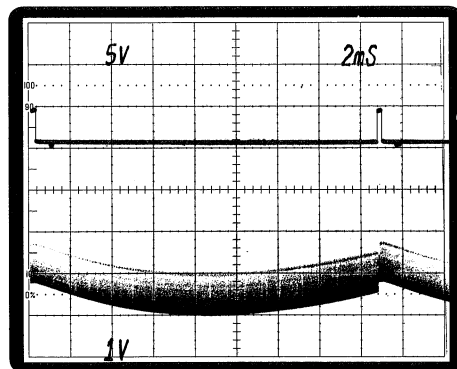
2656-200



TRIGGER FROM
VSYNC-1
TP 102
DEFLECTION
BOARD

TP351

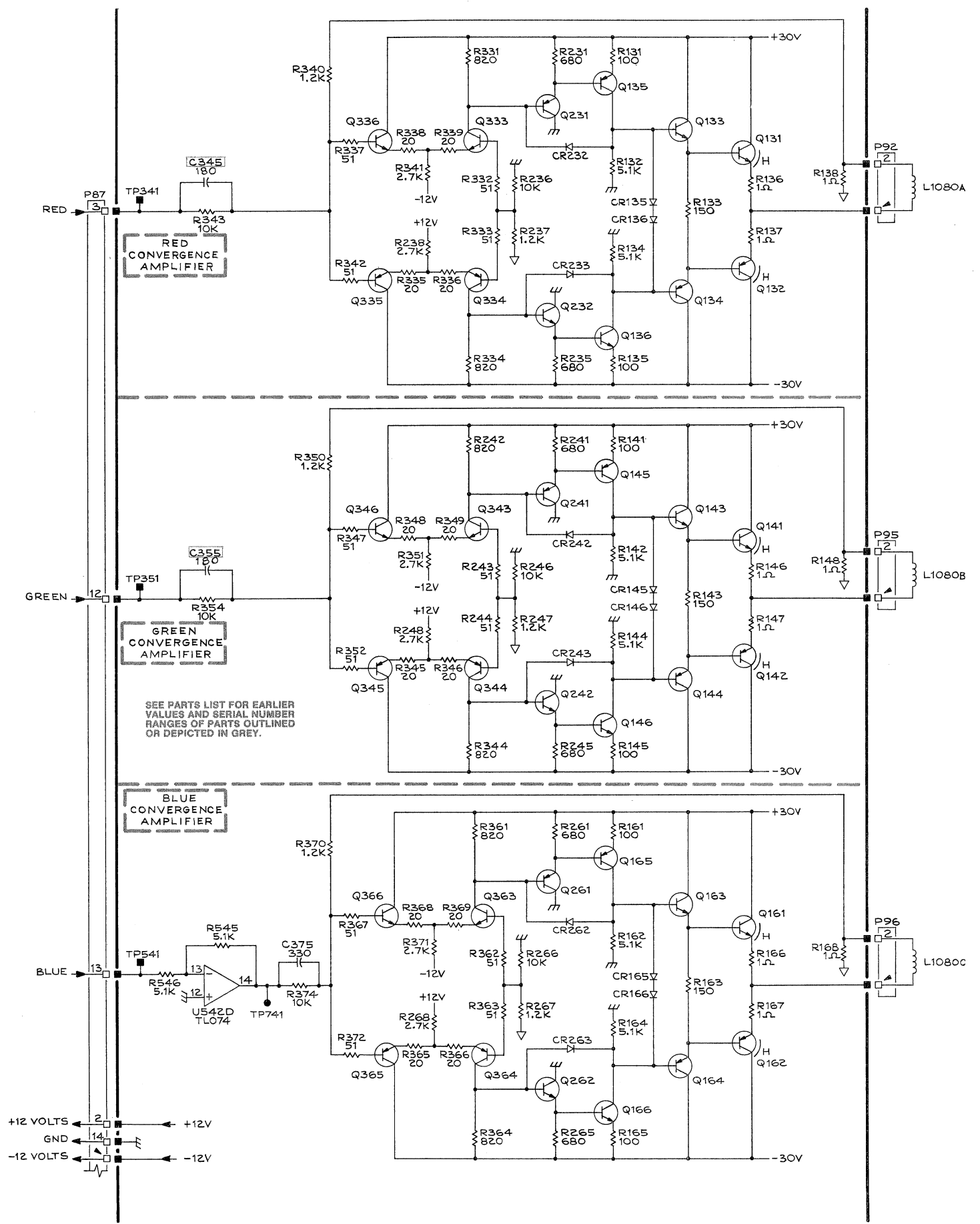
2656-201



TRIGGER FROM
VSYNC-1
TP 102
DEFLECTION
BOARD

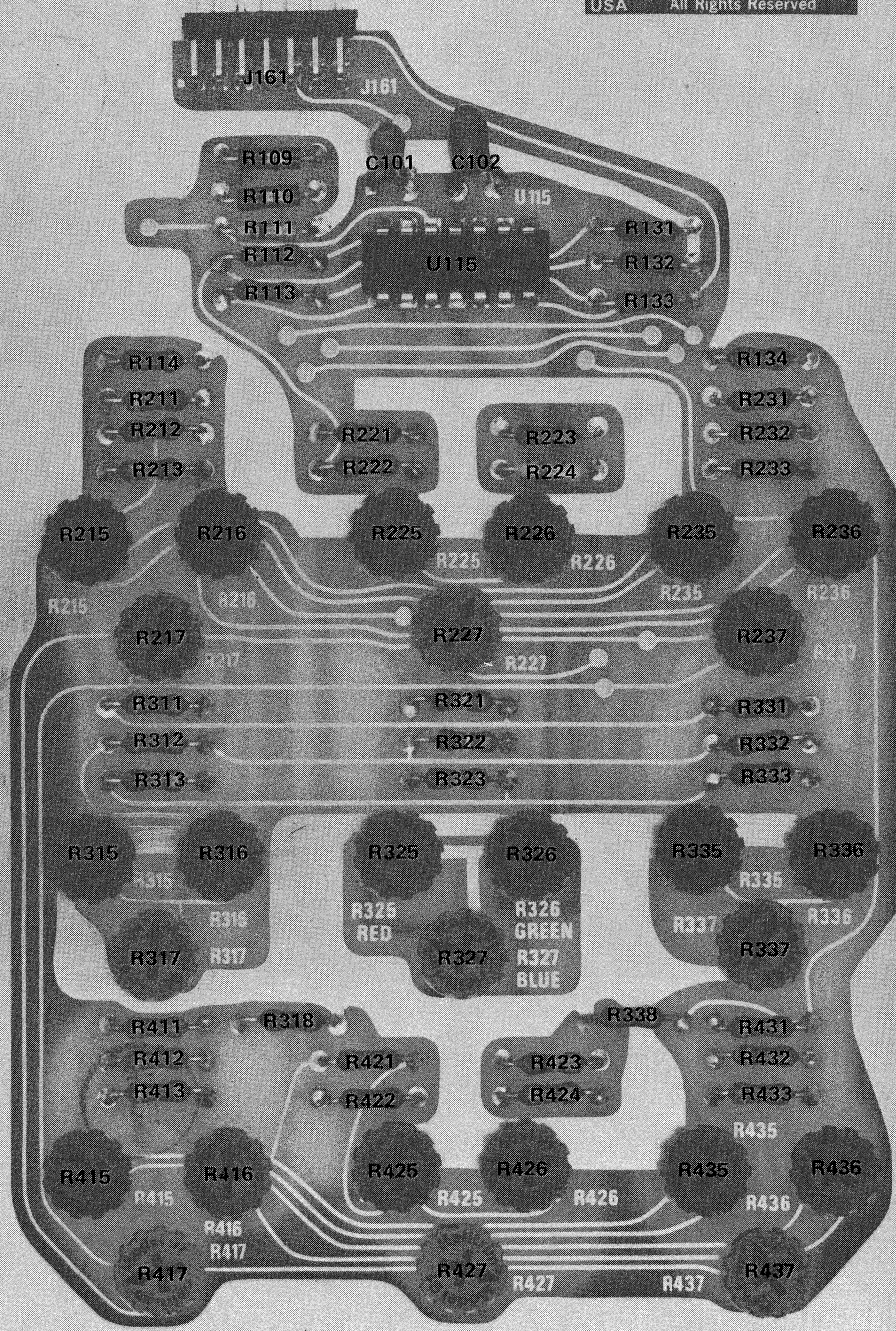
TP471

2656-202



CONVERGENCE & Z-AXIS
 670-5633-02 & 04
 1-1-3

Copyright © 1978, TEKTRONIX, INC
USA All Rights Reserved



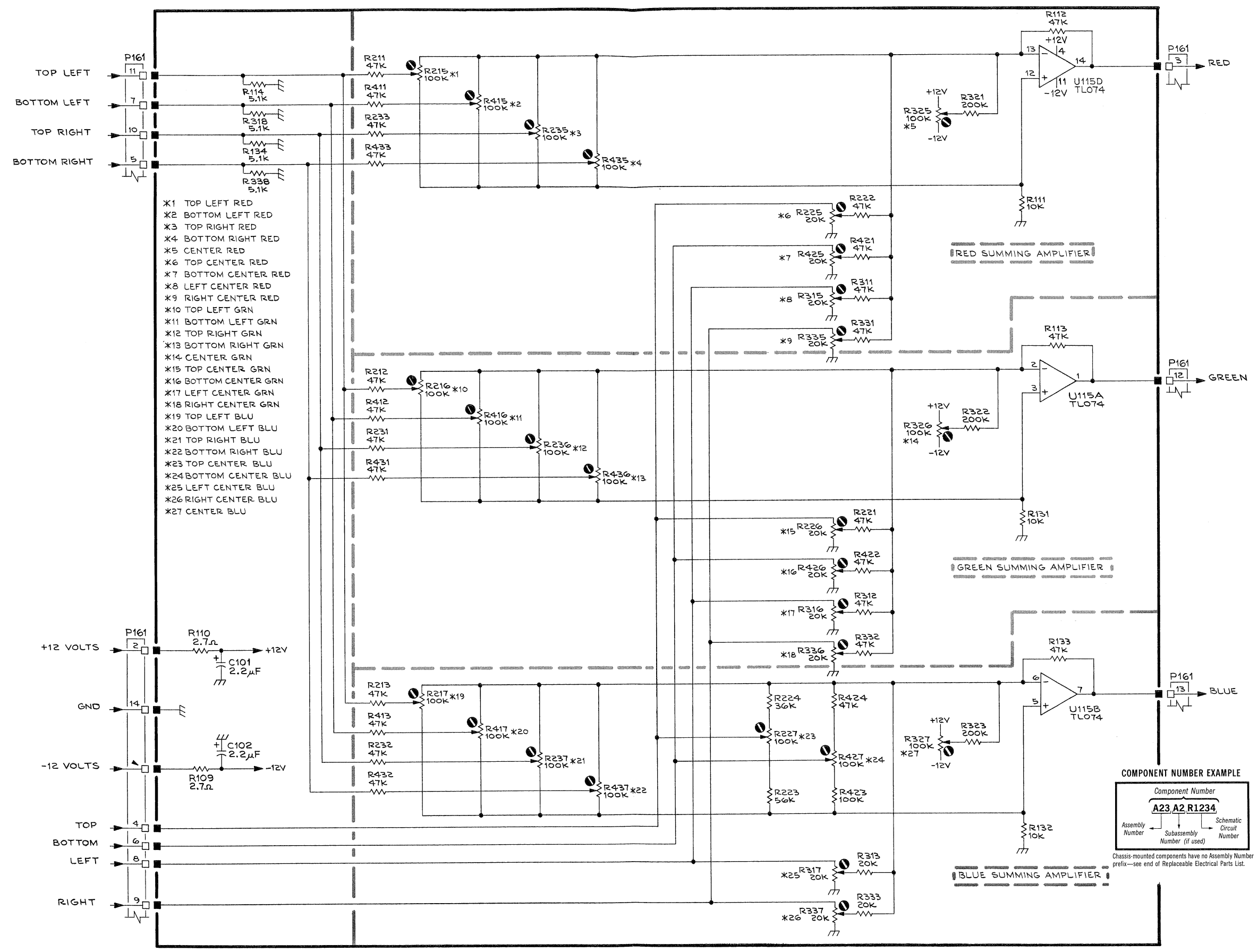
EXTERNAL CONVERGENCE

TEK T1

J-6279-01

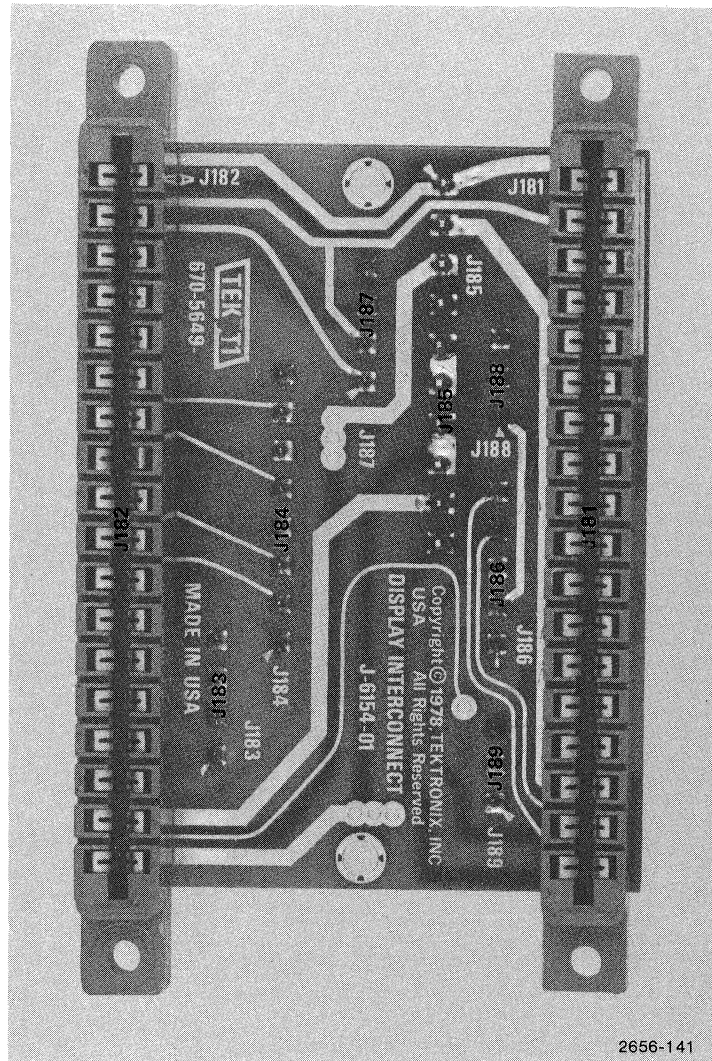
670-5648-

External Convergence (670-5648-00) Component Locations.



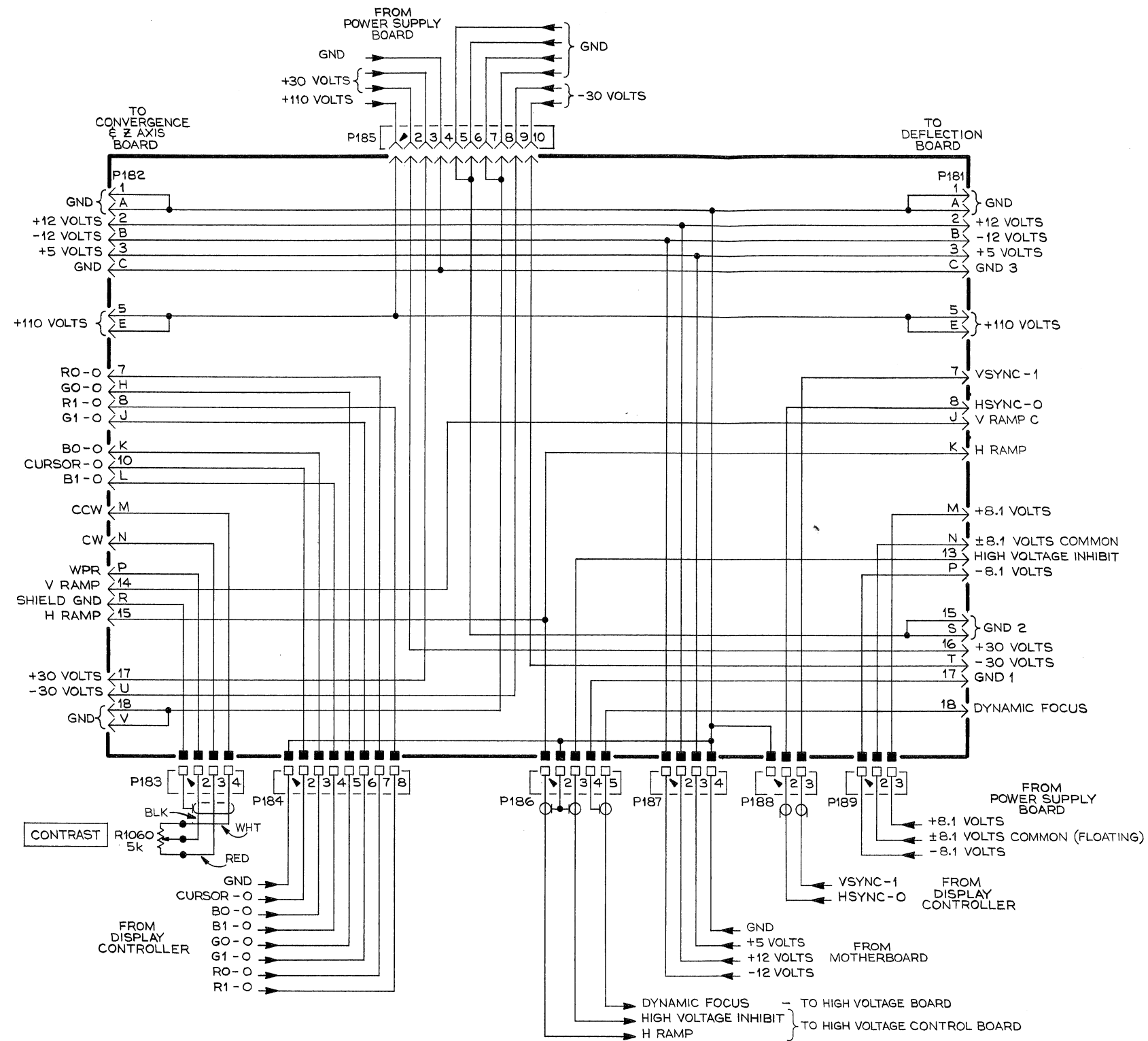
- X1 TOP LEFT RED
- X2 BOTTOM LEFT RED
- X3 TOP RIGHT RED
- X4 BOTTOM RIGHT RED
- X5 CENTER RED
- X6 TOP CENTER RED
- X7 BOTTOM CENTER RED
- X8 LEFT CENTER RED
- X9 RIGHT CENTER RED
- X10 TOP LEFT GRN
- X11 BOTTOM LEFT GRN
- X12 TOP RIGHT GRN
- X13 BOTTOM RIGHT GRN
- X14 CENTER GRN
- X15 TOP CENTER GRN
- X16 BOTTOM CENTER GRN
- X17 LEFT CENTER GRN
- X18 RIGHT CENTER GRN
- X19 TOP LEFT BLU
- X20 BOTTOM LEFT BLU
- X21 TOP RIGHT BLU
- X22 BOTTOM RIGHT BLU
- X23 TOP CENTER BLU
- X24 BOTTOM CENTER BLU
- X25 LEFT CENTER BLU
- X26 RIGHT CENTER BLU
- X27 CENTER BLU

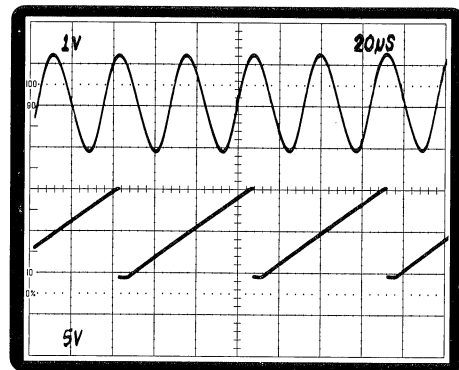
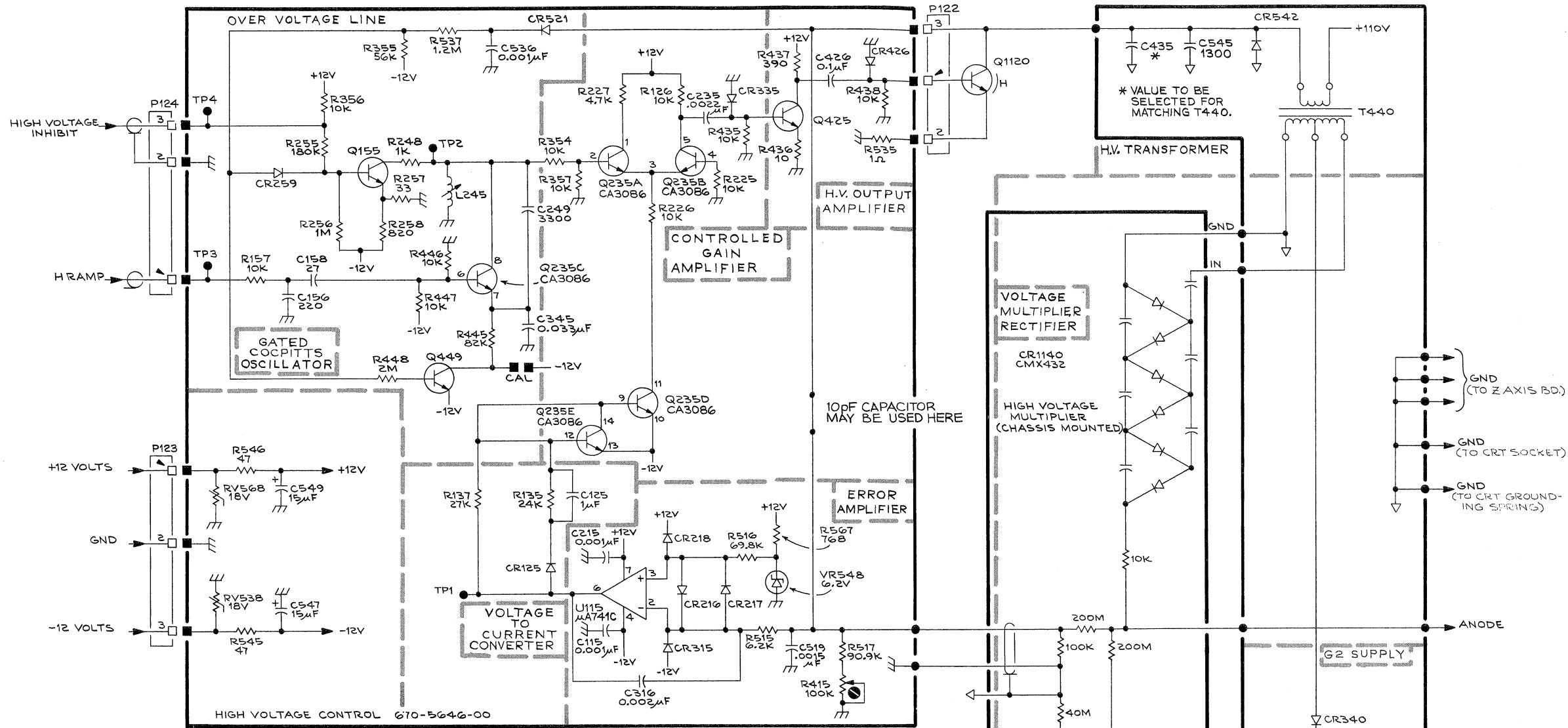
EXTERNAL CONVERGENCE 12-1
670-5648-00



2656-141

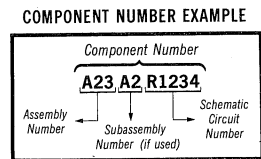
Display Interconnect (670-5649-00) Component Locations.





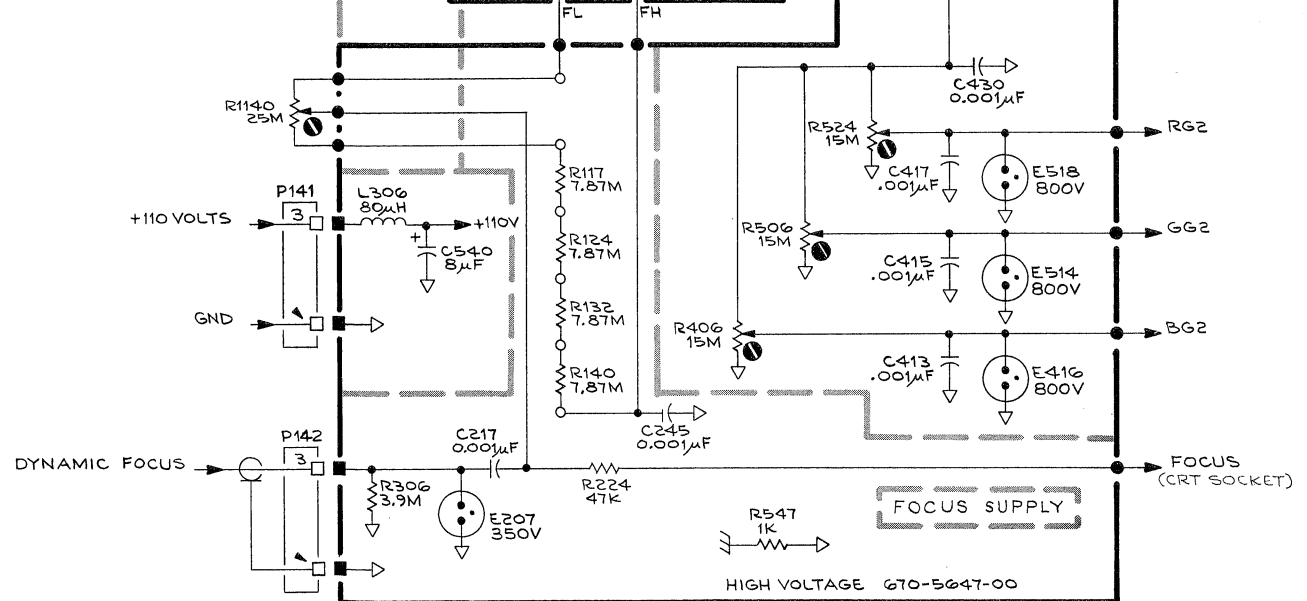
H.V. OSCILLATOR TP 2

H RAMP TP 3

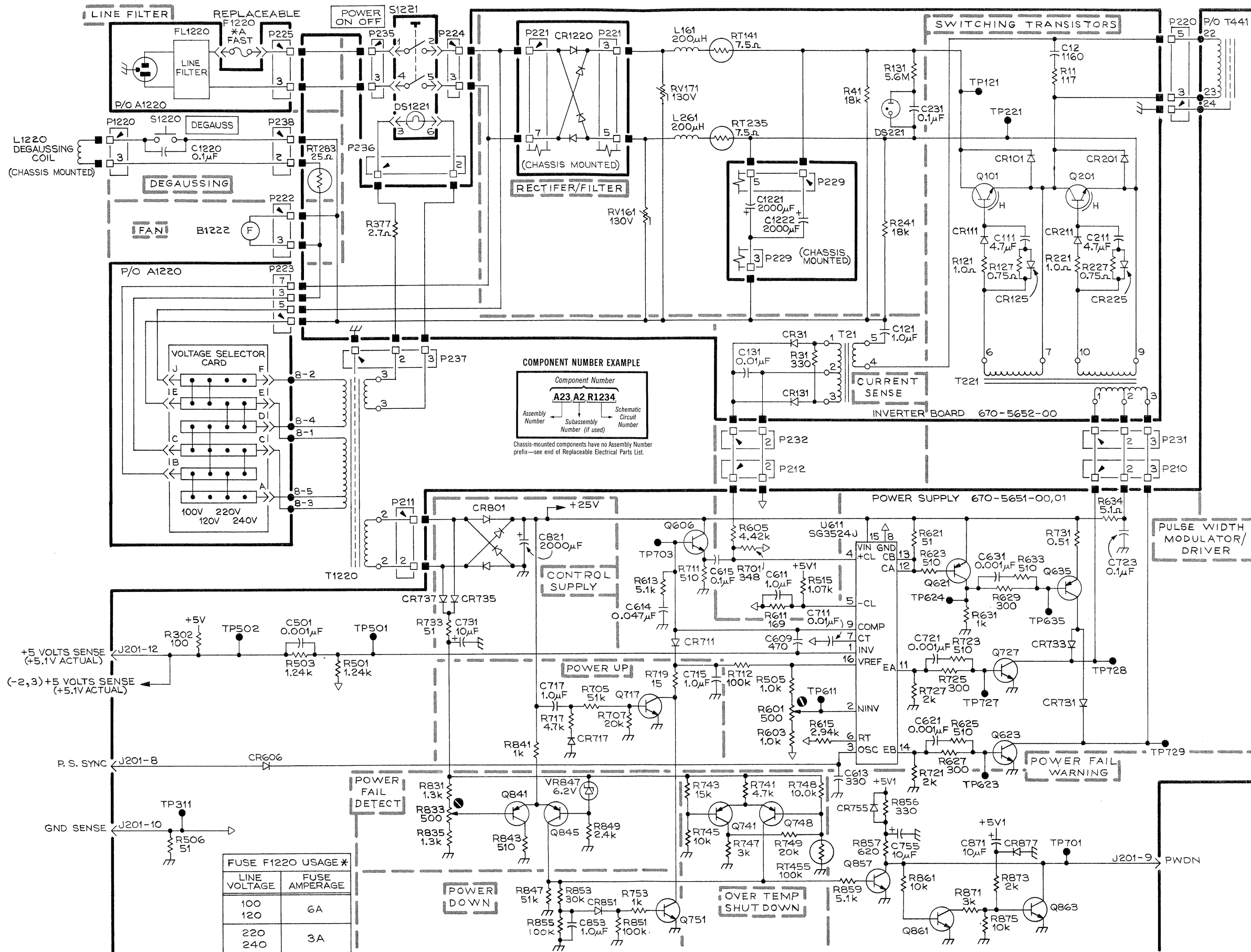


Chassis-mounted components have no Assembly Number prefix—see end of Replaceable Electrical Parts List.

2656-203



HIGH VOLTAGE 670-5647-00



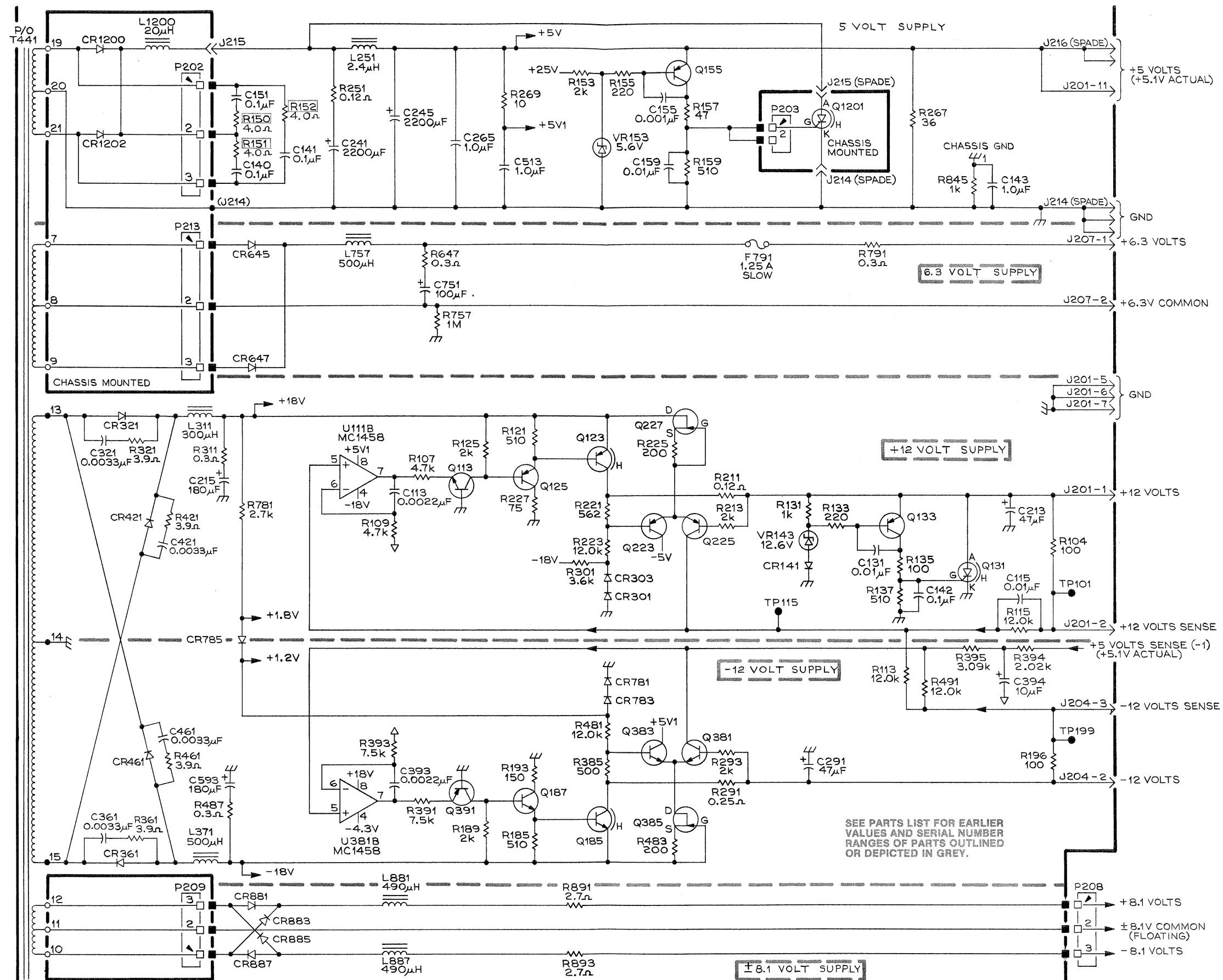
FUSE F1220 USAGE *	
LINE VOLTAGE	FUSE AMPERAGE
100	
120	6A
220	3A
240	

INVERTER & POWER SUPPLY 15-1
 670-5652-00, 670-5651-01

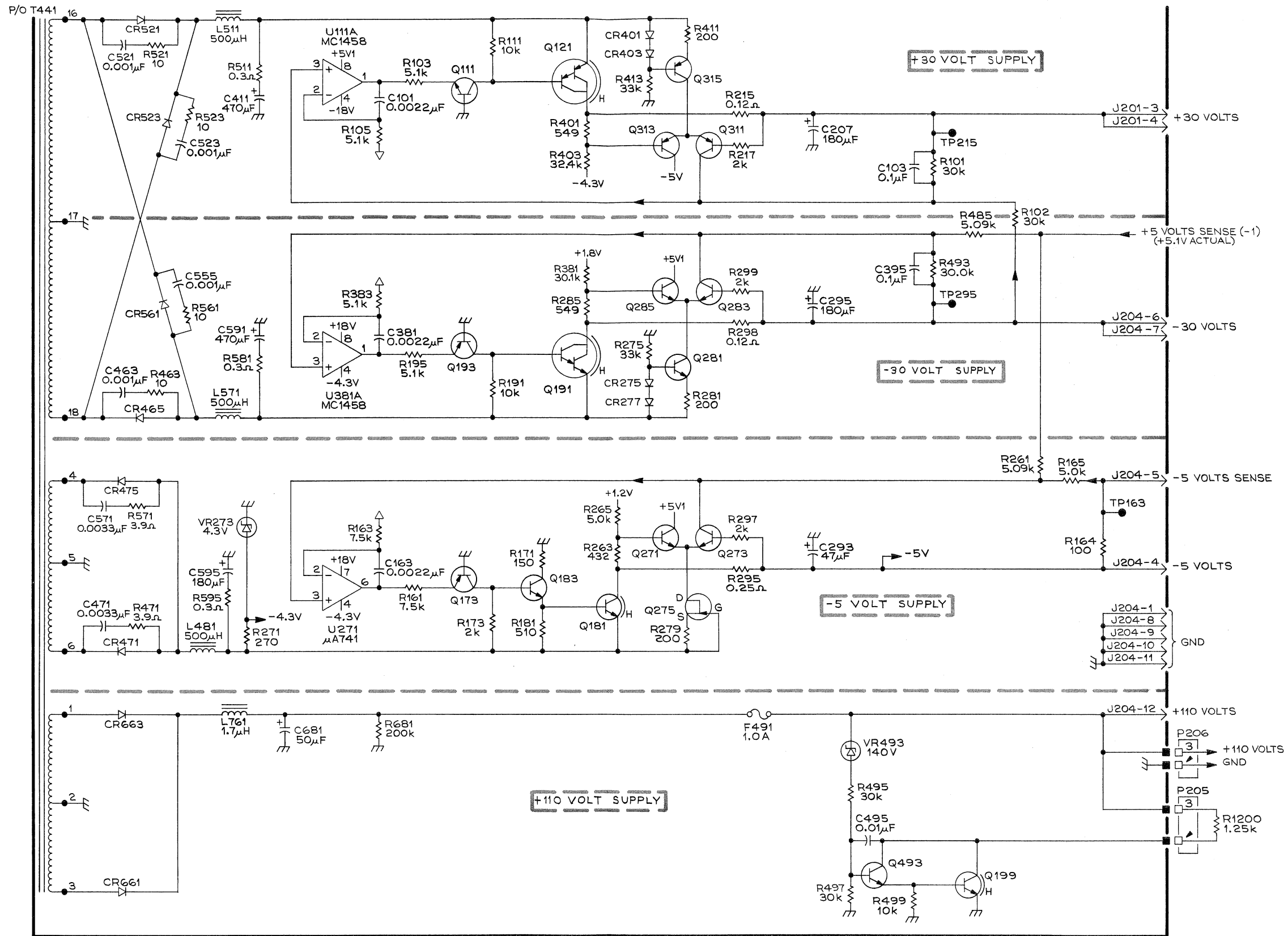
4027

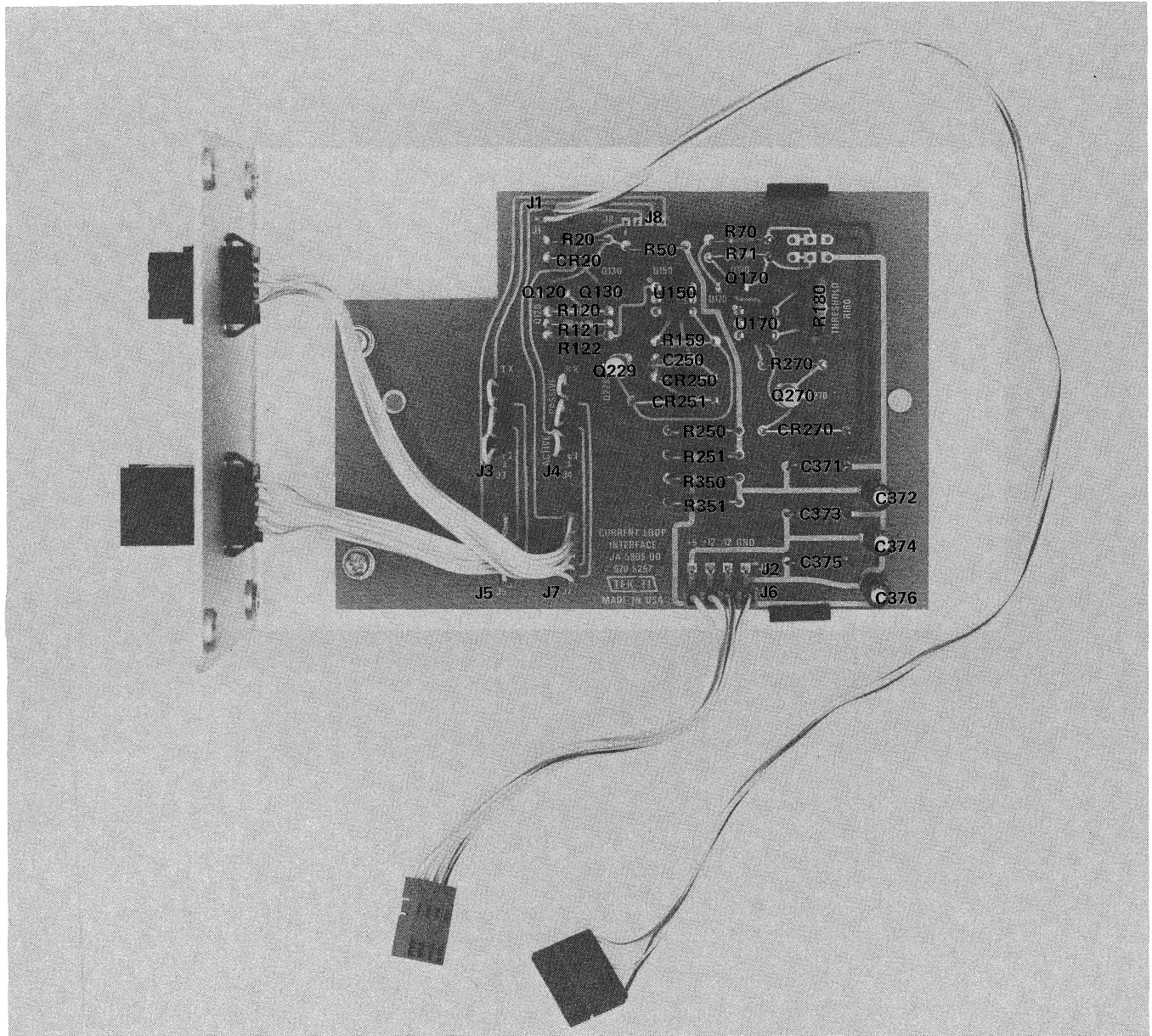
2832-37
REVA, JAN 1980

670-5652-00 INVERTER BOARD
 670-5651-01 POWER SUPPLY

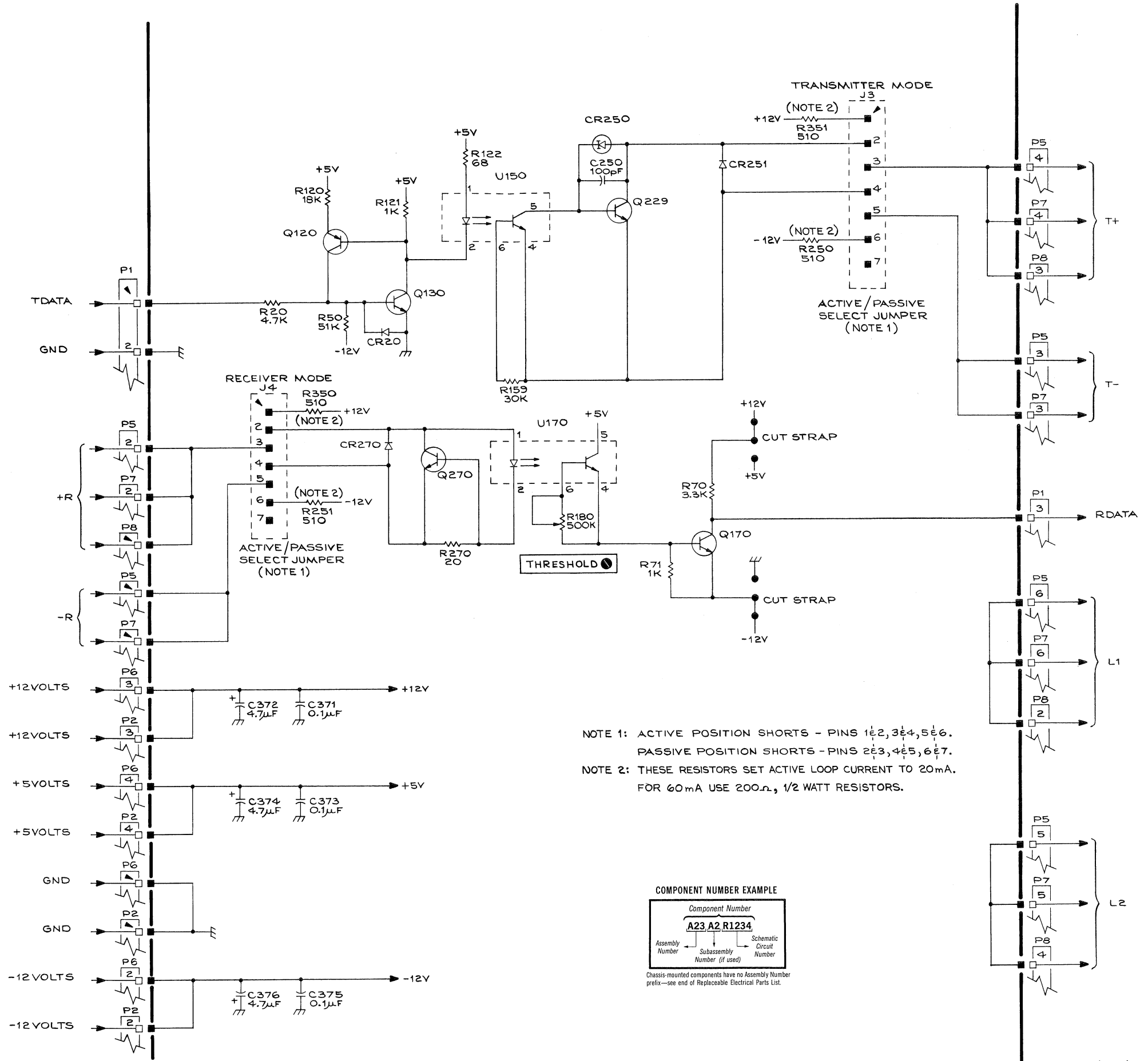


INVERTER & POWER SUPPLY 15-2
670-5652-00, 670-5651-01





Current Loop Interface (670-5257-00) Component Locations

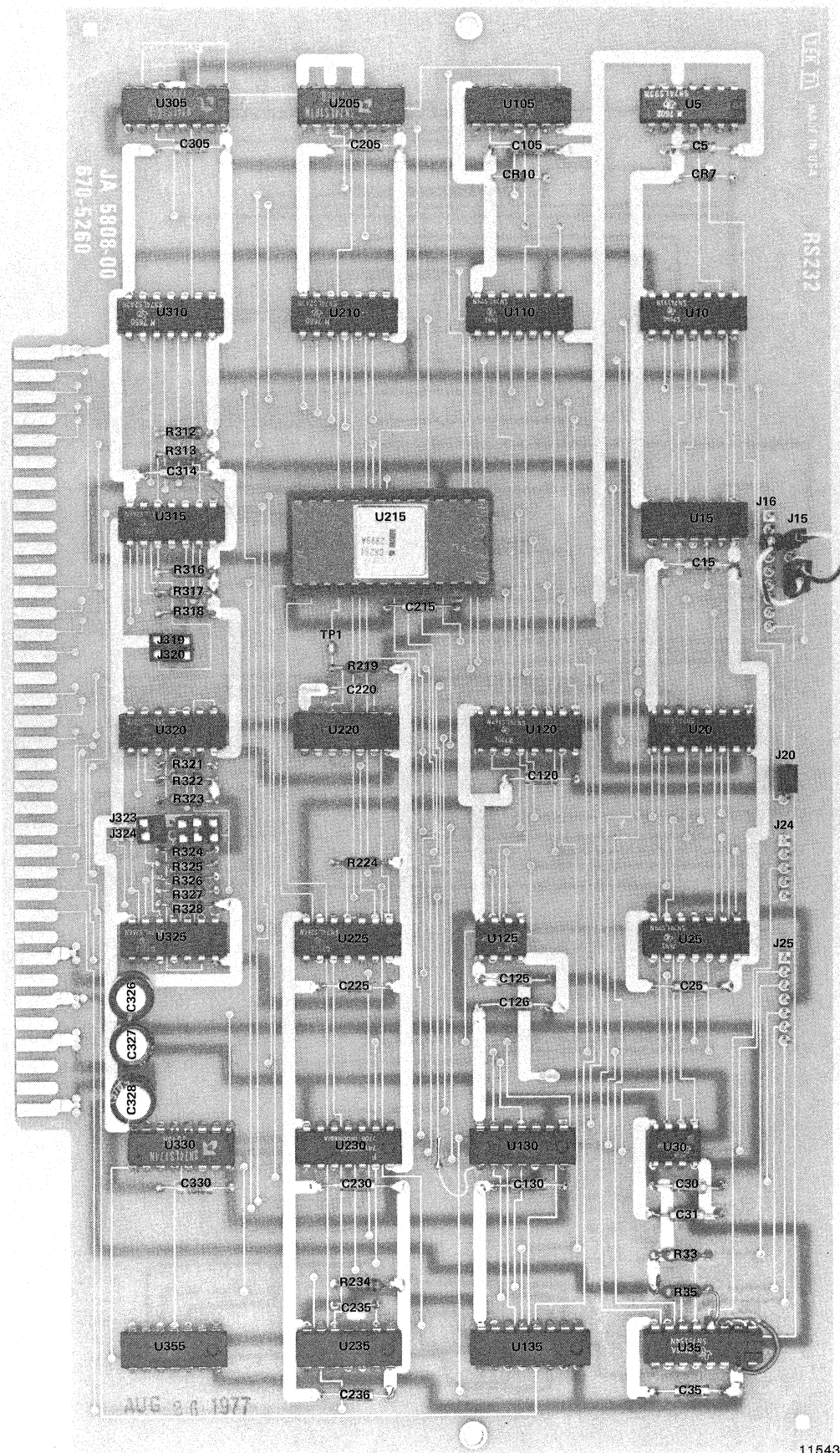


021-0226-00
4027 OPT. 2

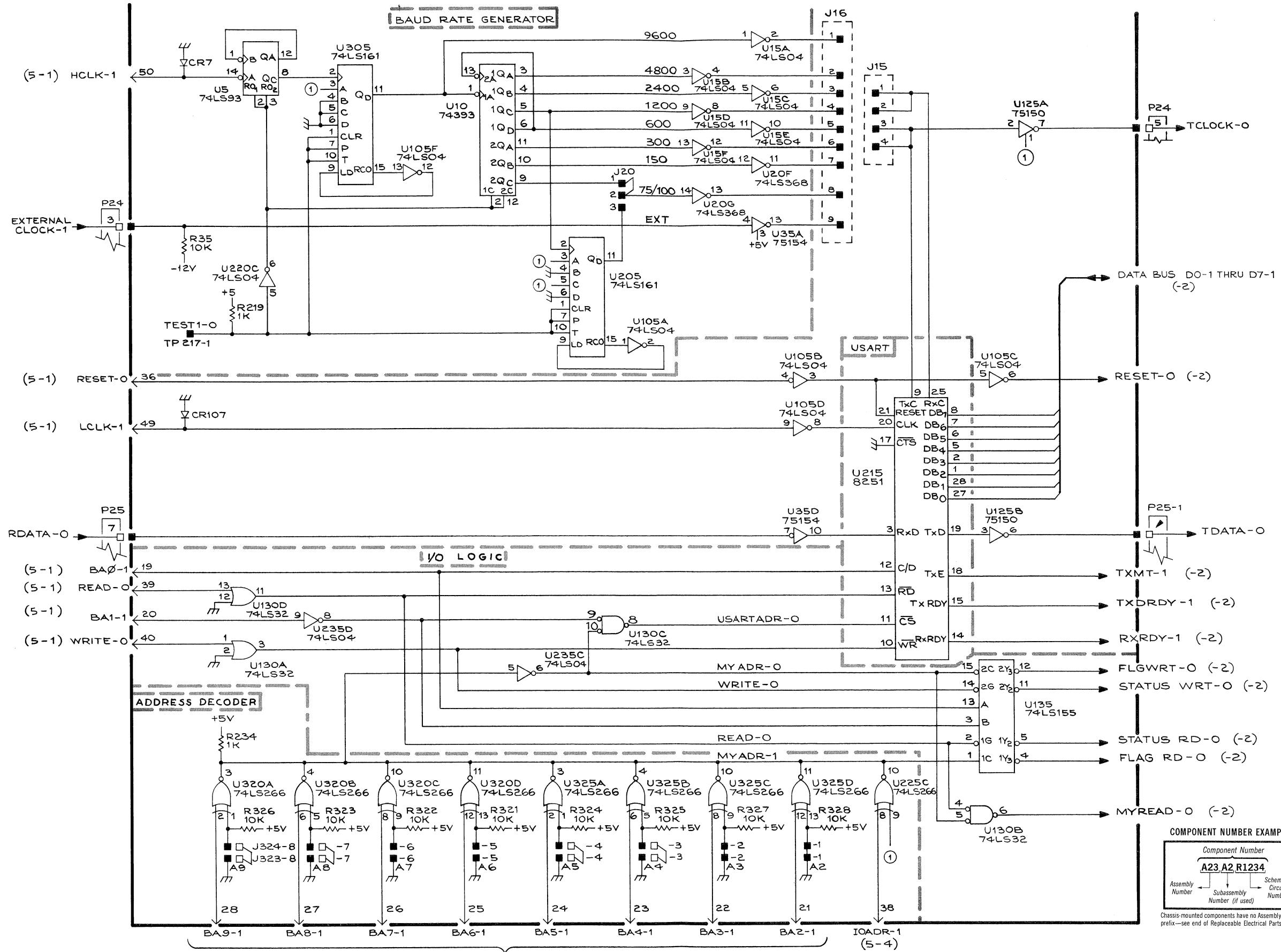
@2832-40

670-5257-00 CURRENT LOOP INTERFACE

16-1



RS-232 Peripheral Interface (670-5260-00) Component Locations.



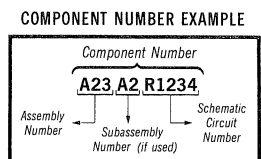
RS-232 PERIPHERAL INTF. 17-1

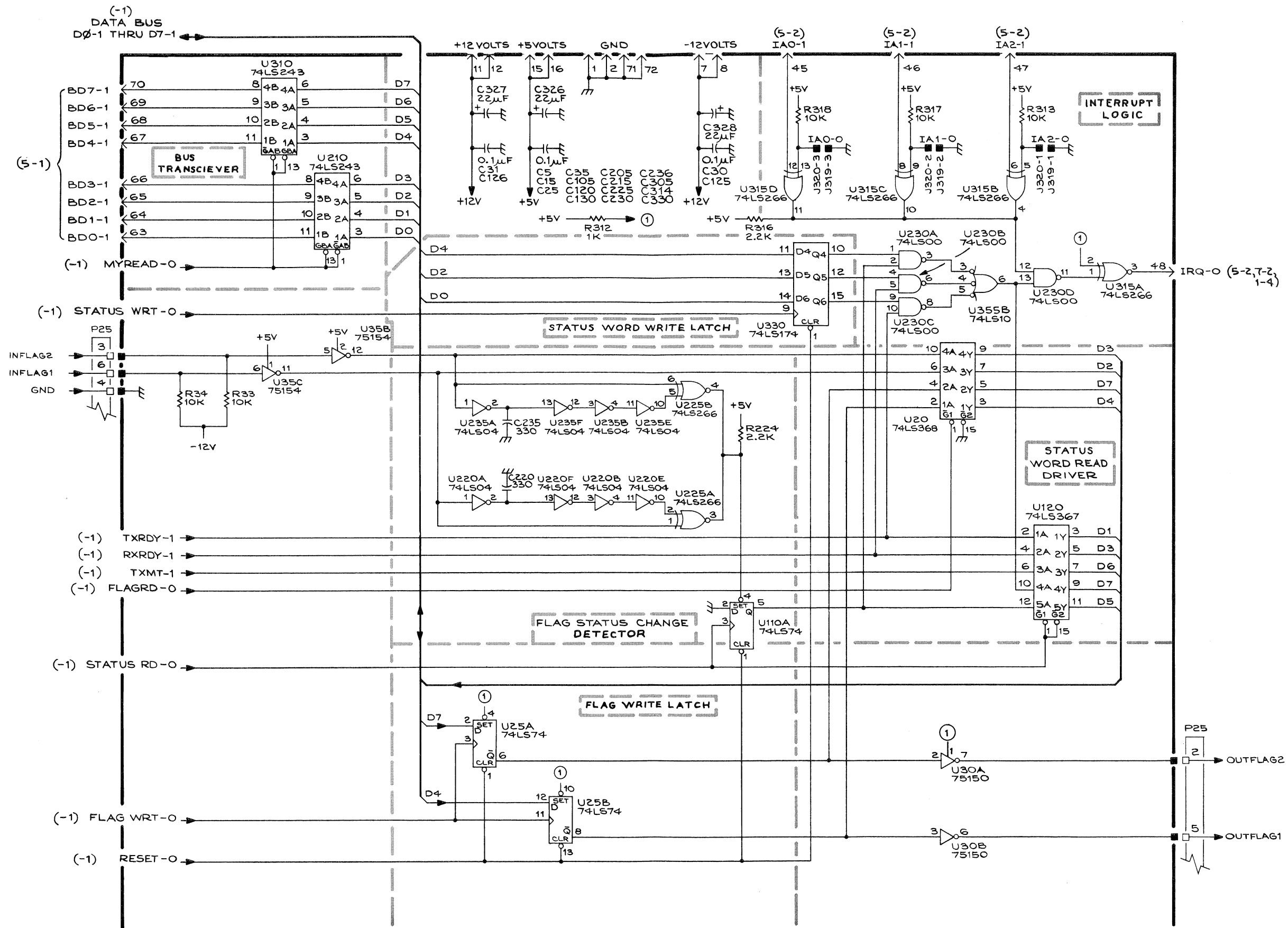
021-0227-00
4027 OPT.3

@ 2832-41

670-5260-00

RS232 PERIPHERAL INTERFACE 17-1





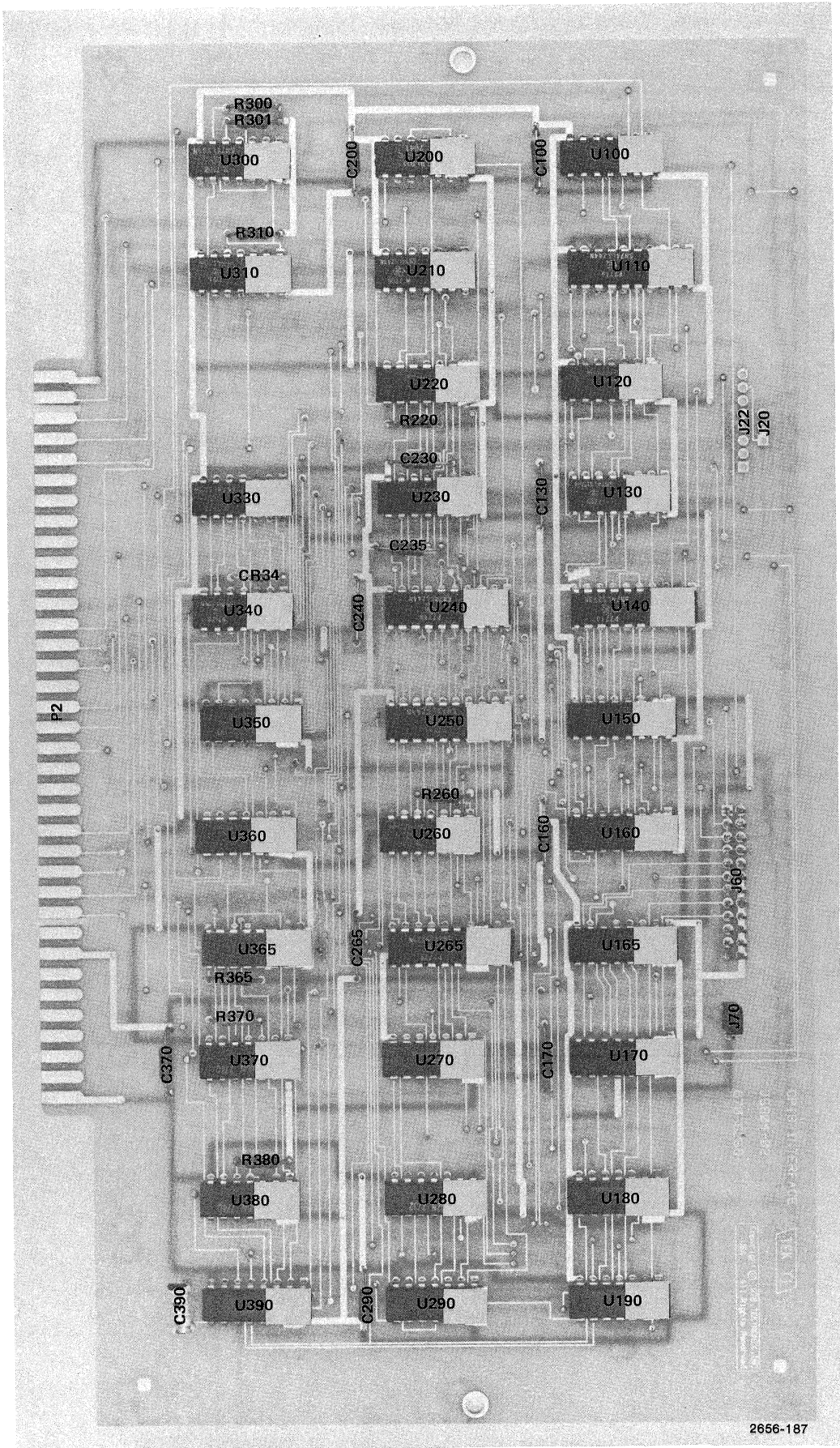
021-0227-00
4027 OPT.3

©2832-42

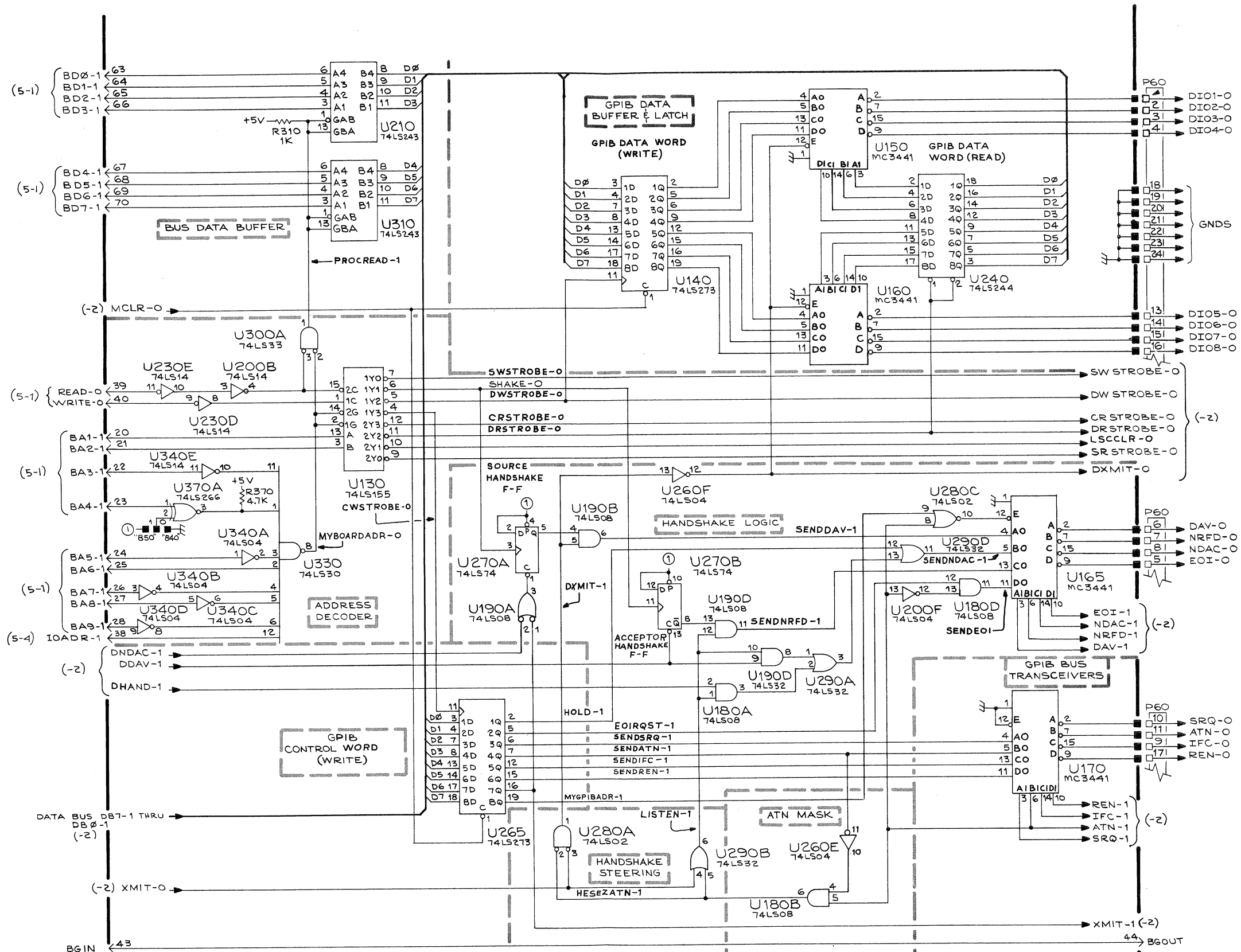
670-5260-00

RS232 PERIPHERAL INTERFACE 17-2

RS-232 PERIPHERAL INTF. 17-2
670-5260-00



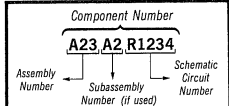
GPIB Interface (670-5250-00) Component Locations.



4027 OPT.4

@2832-43

COMPONENT NUMBER EXAMPLE



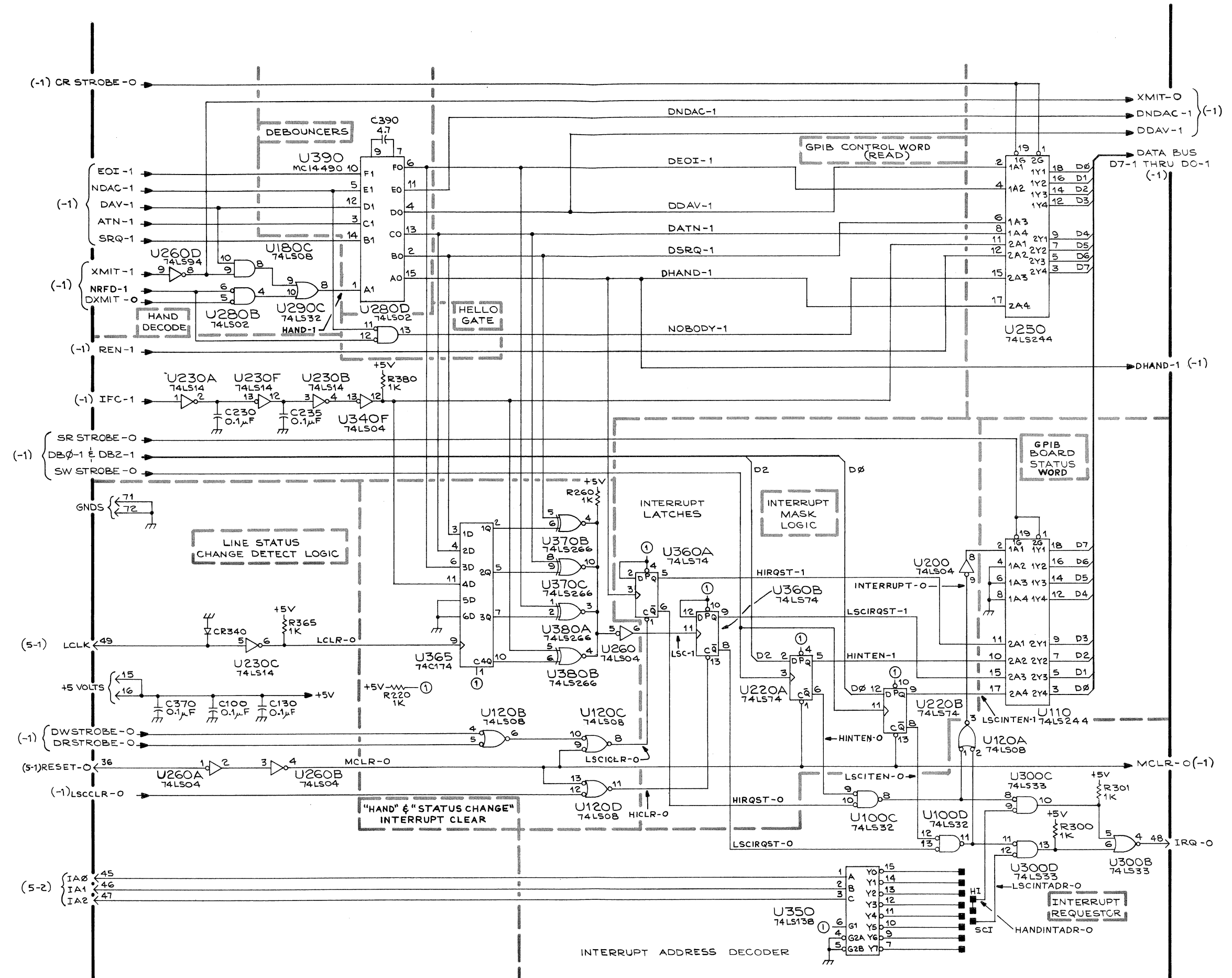
Chassis-mounted components have no Assembly Number prefix—see end of Replaceable Electrical Parts List.

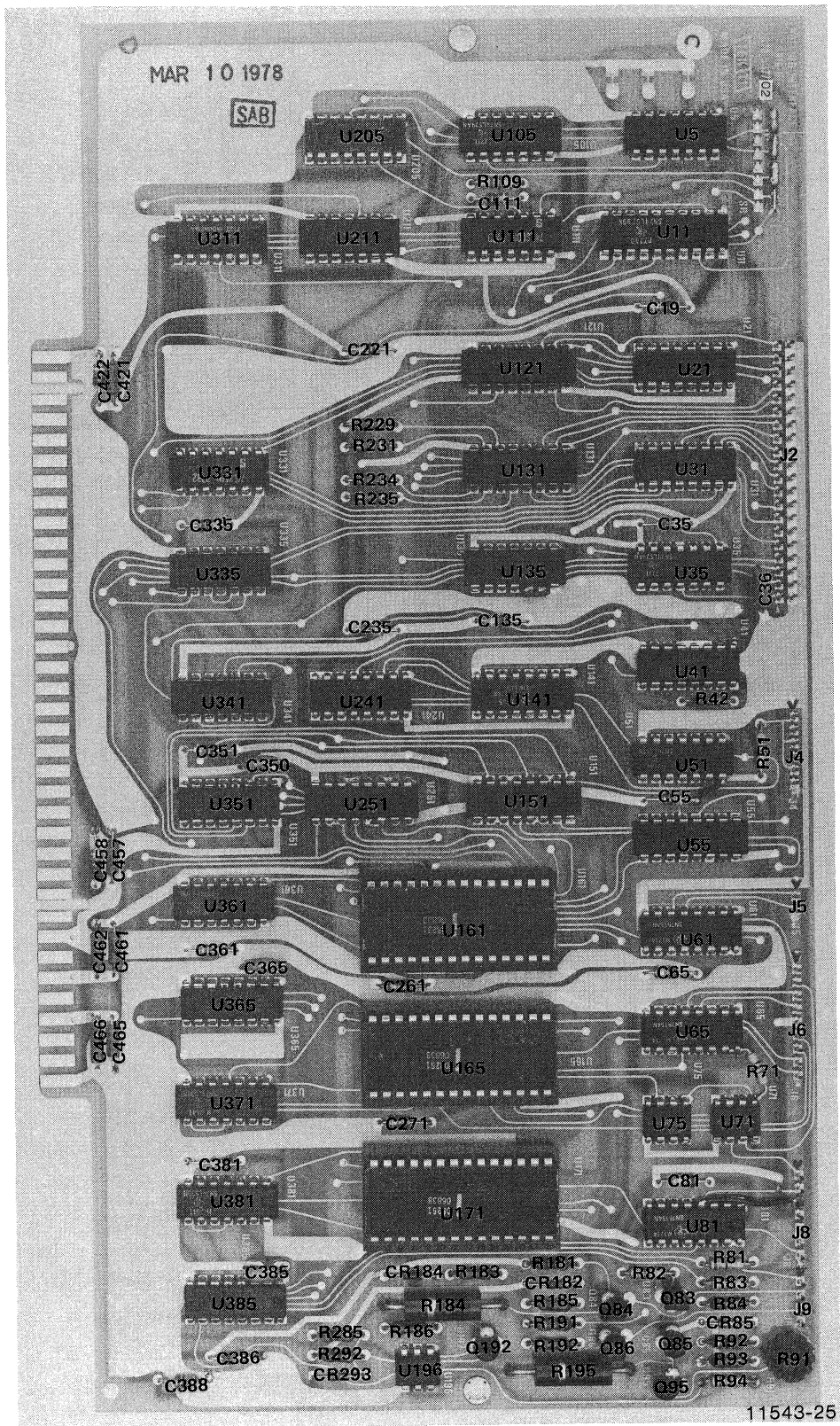
670-5256-00

GPIB INTERFACE 18-1

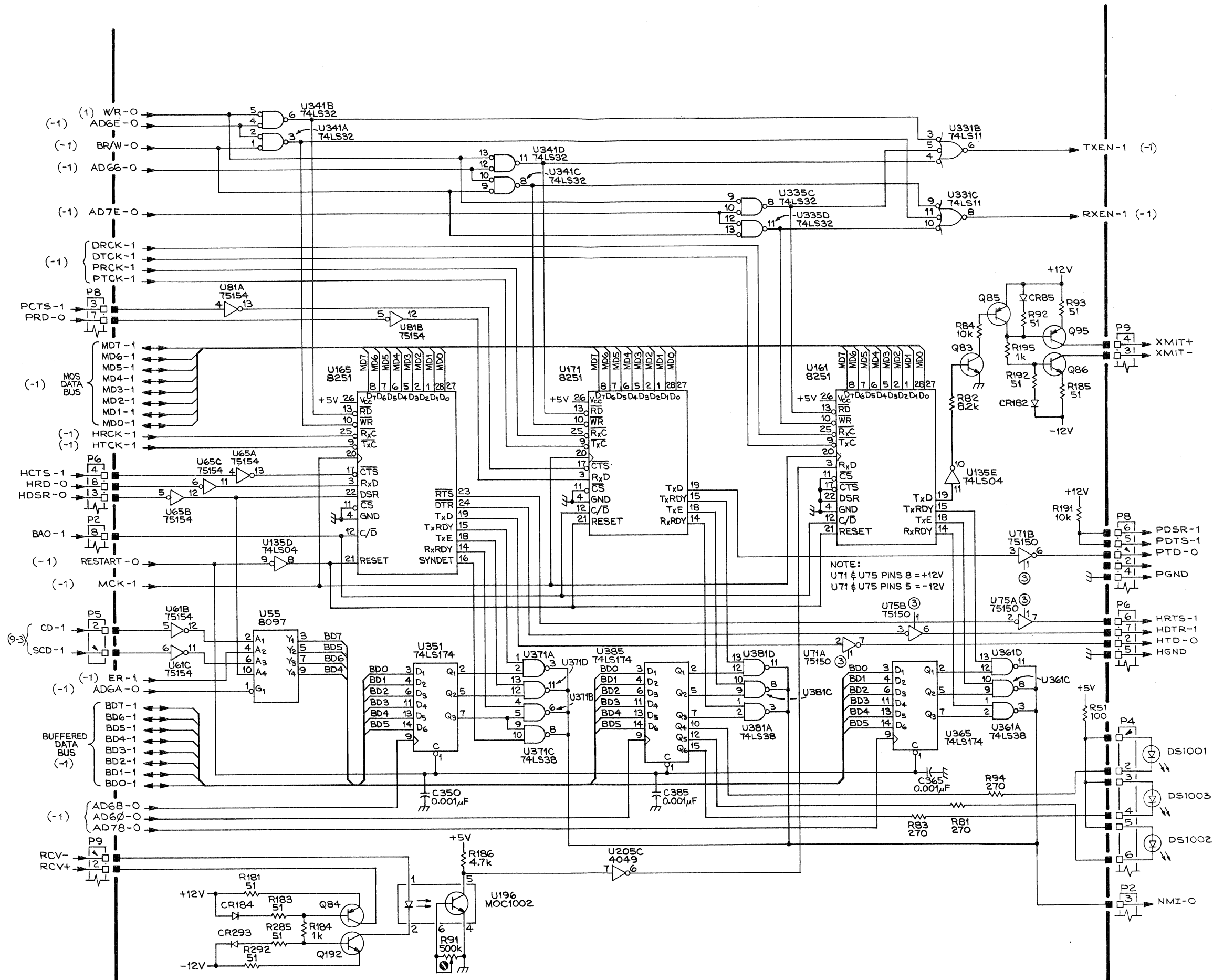
GPIB INTERFACE
670-5256-00

18-1





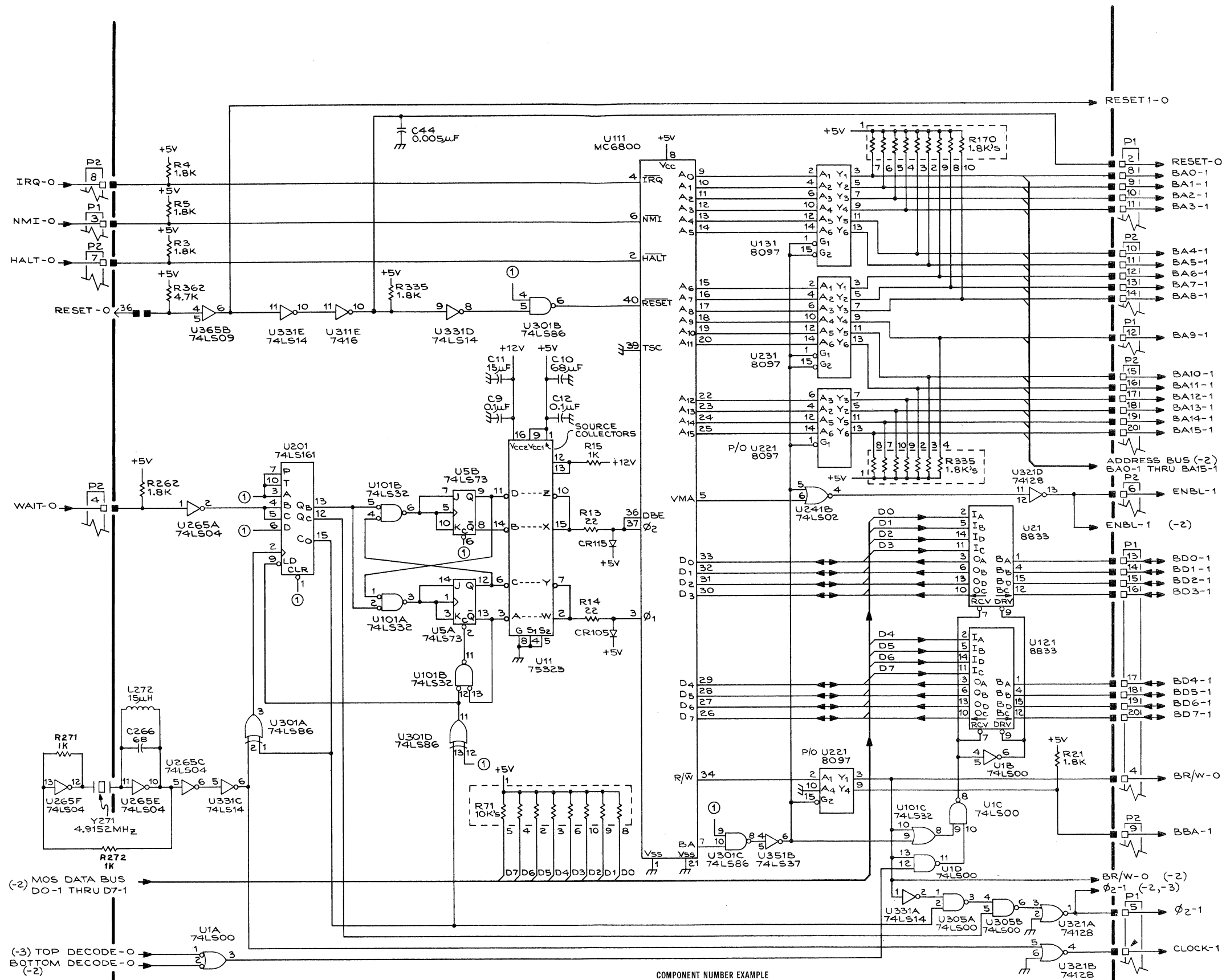
Polling Controller Interface (670-5377-01) Component Locations.



4027 OPT.11

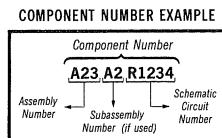
POLLING CONTROLLER I/F 19-2

POLLING CONTROLLER INTF. 19-2
670-5377-01



4027 OPT.11

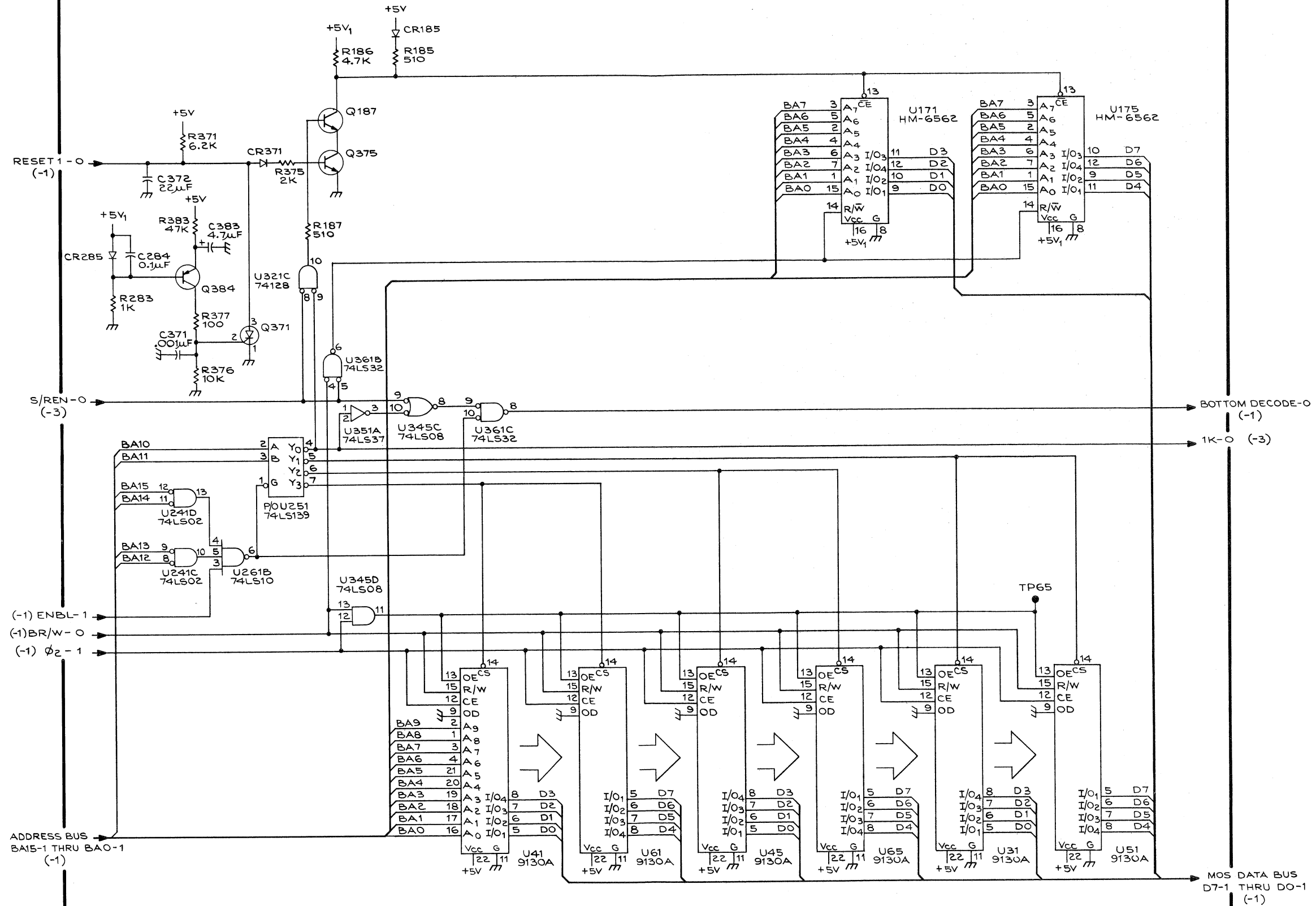
@2832-47

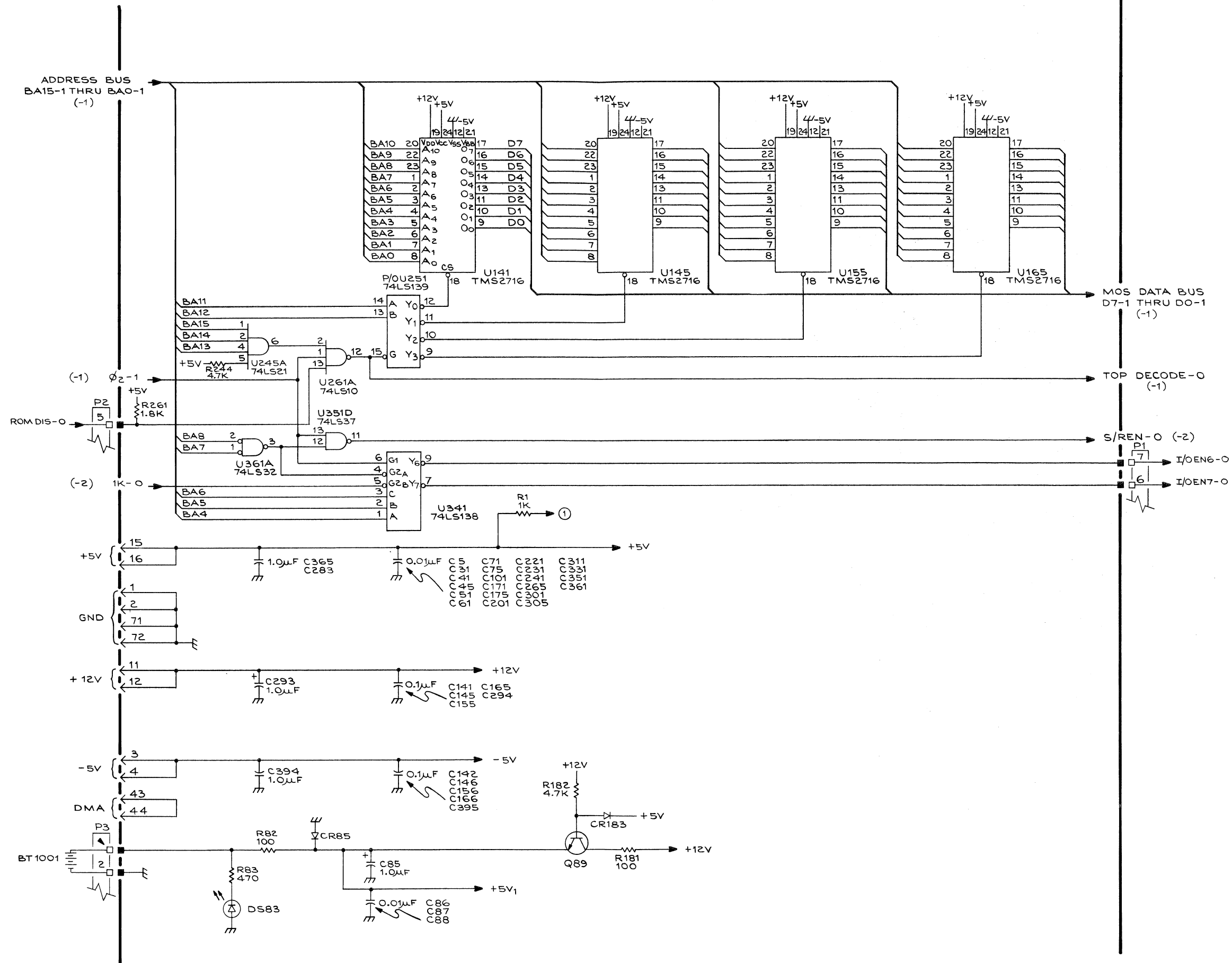


670-5376-02 POLLING CONTROLLER 20-1

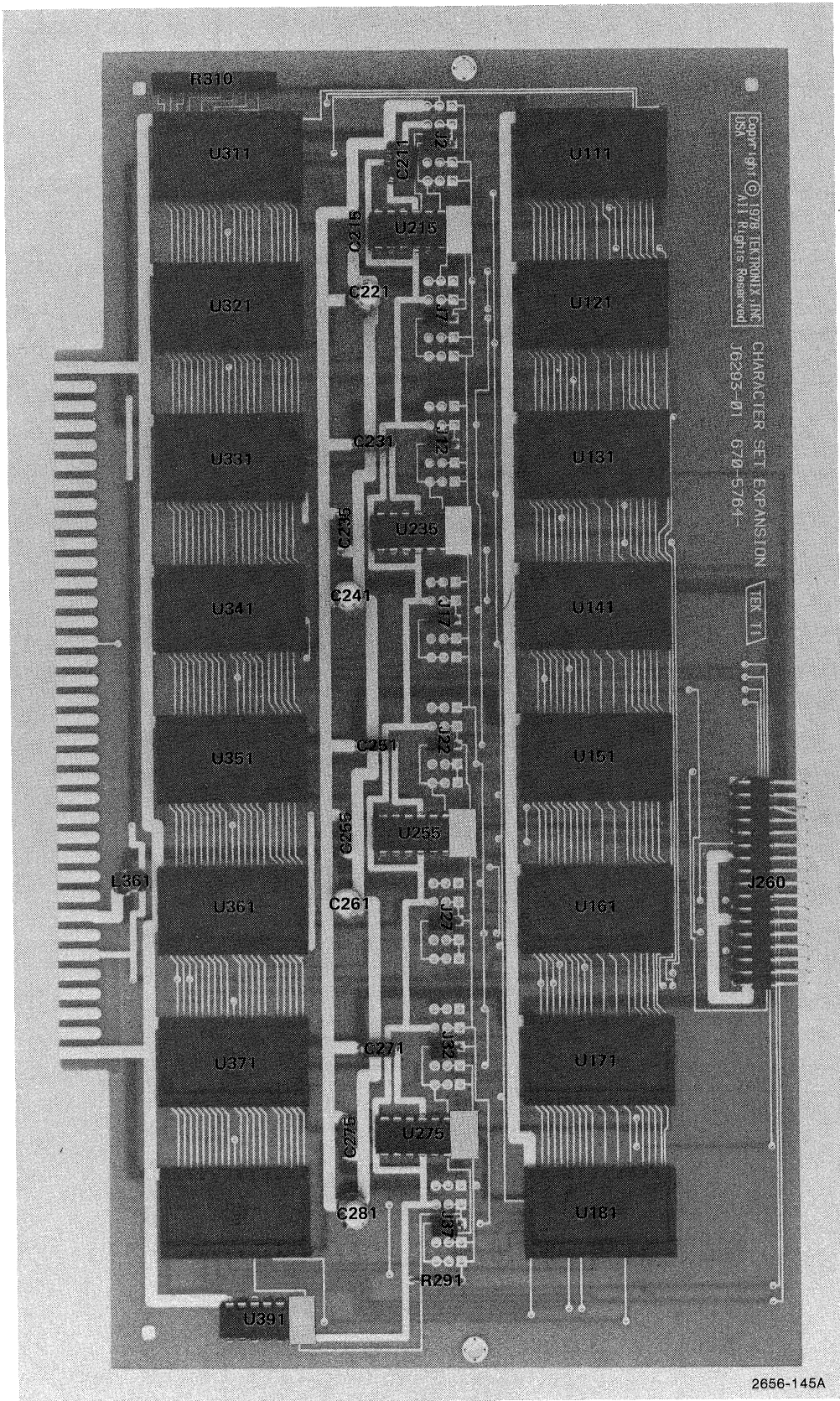
POLLING CONTROLLER
670-5376-02

20-1

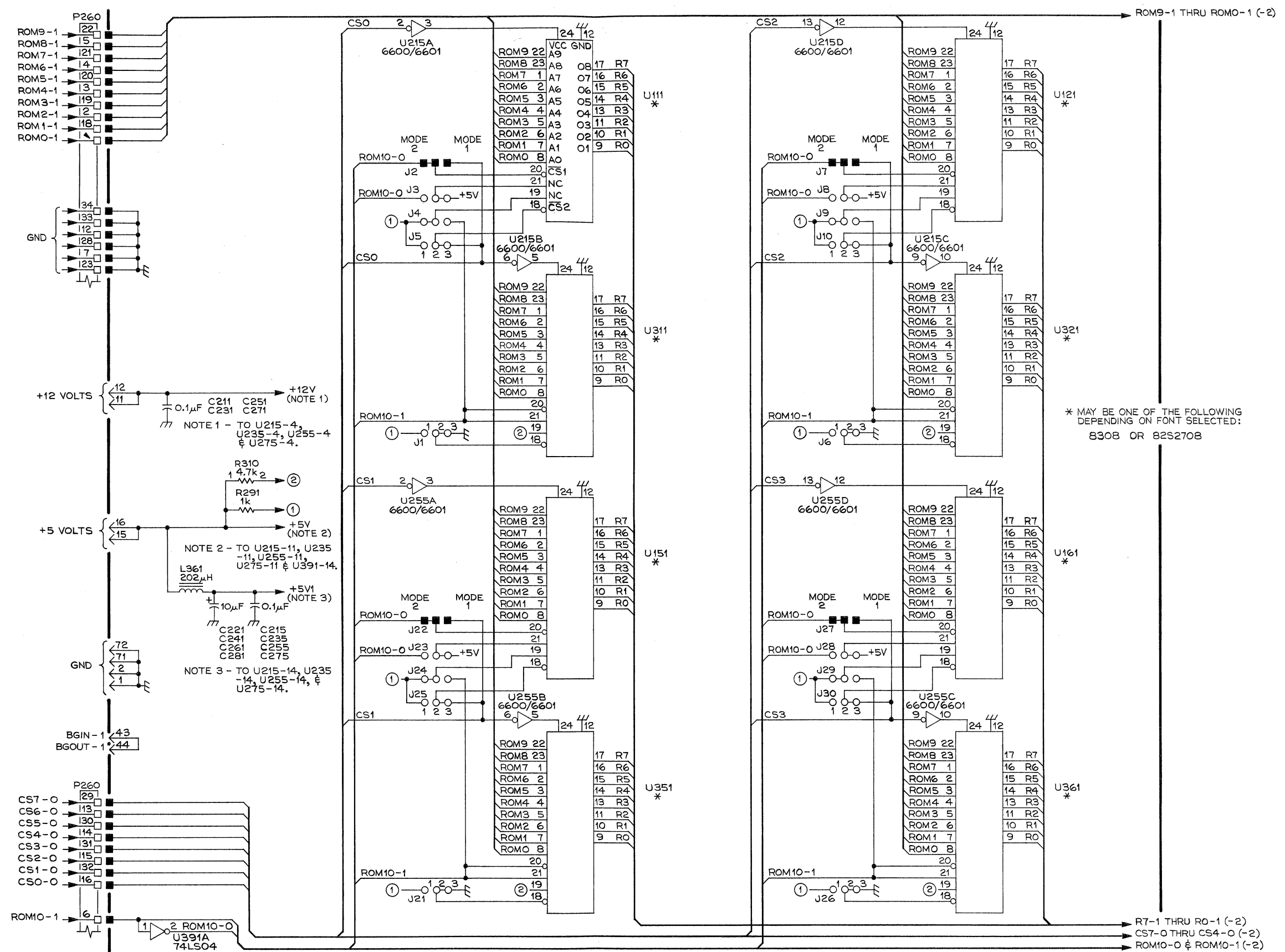




POLLING CONTROLLER
670-5376-02
20-3



Character Set Expansion (670-5764-00) Component Locations.



4027 OPT. 31

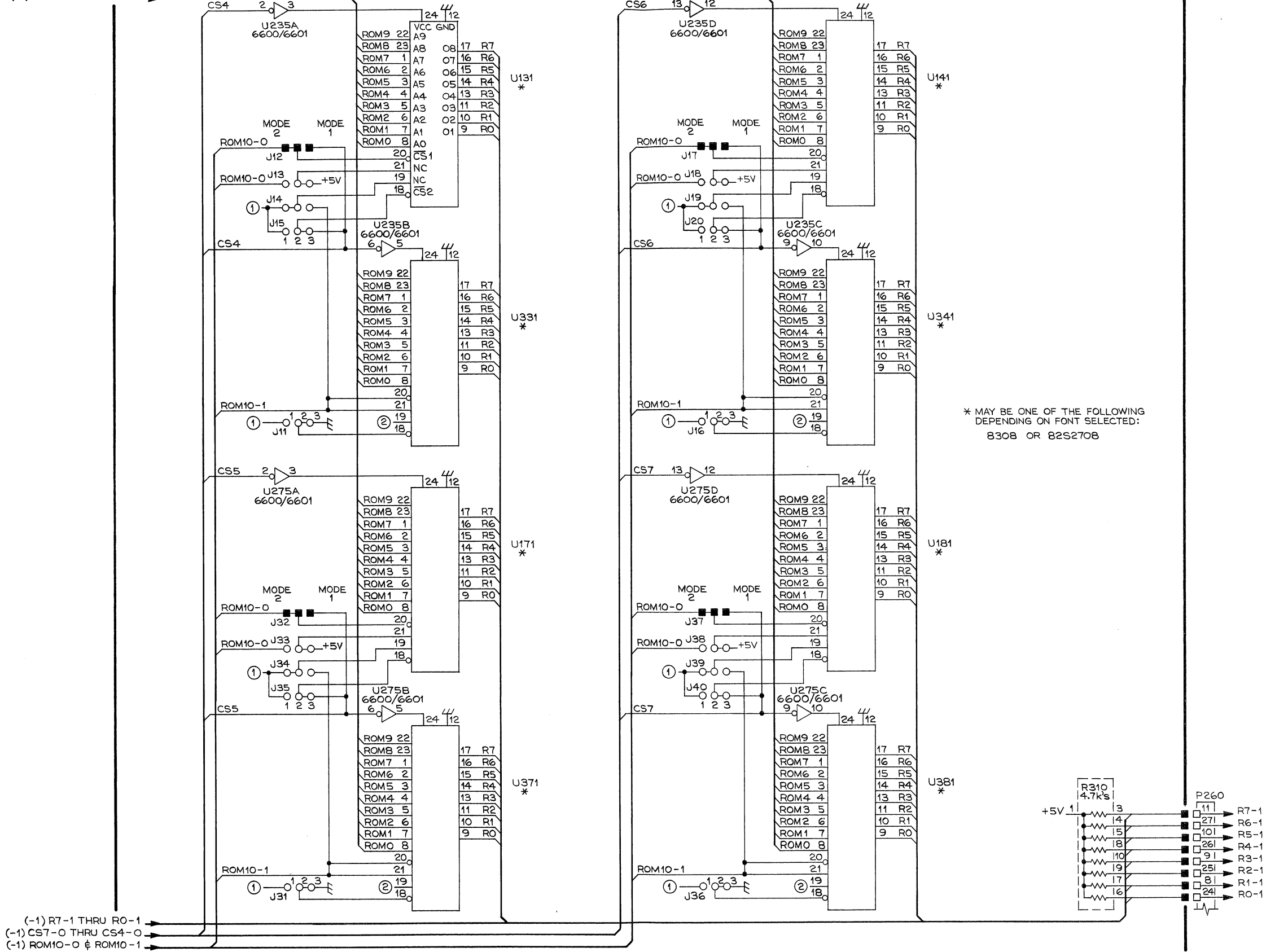
@2832-50

670-5764-00 CHARACTER SET EXPANSION 21-1

* MAY BE ONE OF THE FOLLOWING
DEPENDING ON FONT SELECTED:
830B OR 82S270B

CHARACTER SET EXPANSION 21-1
670-5764-00

(-1) ROM9-1 THRU ROM0-1



* MAY BE ONE OF THE FOLLOWING
DEPENDING ON FONT SELECTED:
8308 OR 82S2708

(-1) R7-1 THRU RO-1
(-1) CS7-0 THRU CS4-0
(-1) ROM10-0 & ROM10-1

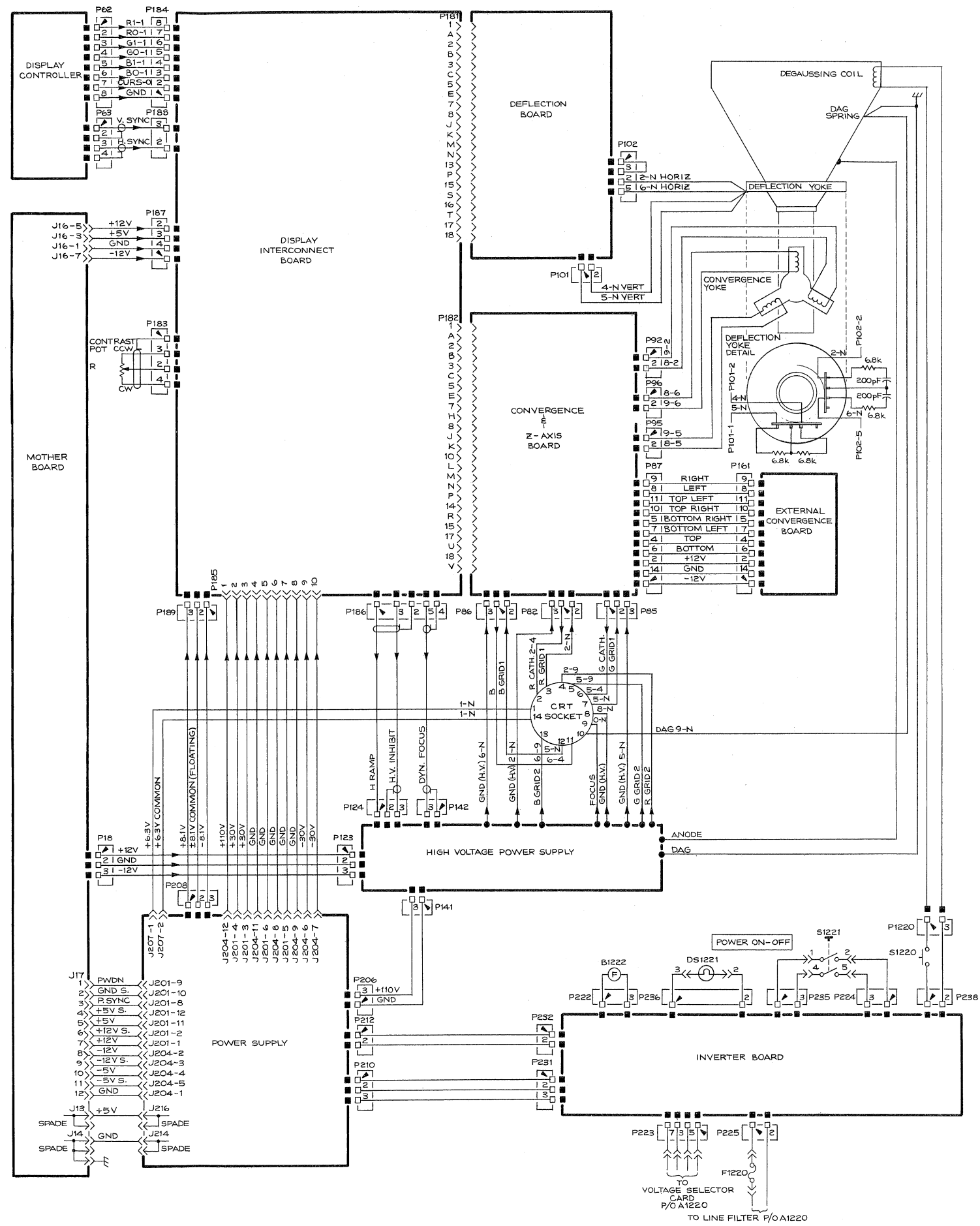
4027 OPT. 31

© 2832-51

670-5764-00 CHARACTER SET EXPANSION

21-2

DISPLAY INTERCONNECT
WIRING DIAGRAM



Section 8 REPLACEABLE MECHANICAL PARTS

PARTS ORDERING INFORMATION

Replacement parts are available from or through your local Tektronix, Inc. Field Office or representative.

Changes to Tektronix instruments are sometimes made to accommodate improved components as they become available, and to give you the benefit of the latest circuit improvements developed in our engineering department. It is therefore important, when ordering parts, to include the following information in your order: Part number, instrument type or number, serial number, and modification number if applicable.

If a part you have ordered has been replaced with a new or improved part, your local Tektronix, Inc. Field Office or representative will contact you concerning any change in part number.

Change information, if any, is located at the rear of this manual.

SPECIAL NOTES AND SYMBOLS

X000 Part first added at this serial number
00X Part removed after this serial number

FIGURE AND INDEX NUMBERS

Items in this section are referenced by figure and index numbers to the illustrations.

INDENTATION SYSTEM

This mechanical parts list is indented to indicate item relationships. Following is an example of the indentation system used in the description column.

```

1 2 3 4 5           Name & Description
Assembly and/or Component
Attaching parts for Assembly and/or Component
    --- * ---
Detail Part of Assembly and/or Component
Attaching parts for Detail Part
    --- * ---
Parts of Detail Part
Attaching parts for Parts of Detail Part
    --- * ---
    
```

Attaching Parts always appear in the same indentation as the item it mounts, while the detail parts are indented to the right. Indented items are part of, and included with, the next higher indentation. The separation symbol --- * --- indicates the end of attaching parts.

Attaching parts must be purchased separately, unless otherwise specified.

ITEM NAME

In the Parts List, an Item Name is separated from the description by a colon (:). Because of space limitations, an Item Name may sometimes appear as incomplete. For further Item Name identification, the U.S. Federal Cataloging Handbook H6-1 can be utilized where possible.

ABBREVIATIONS

"	INCH	ELCTRN	ELECTRON	IN	INCH	SE	SINGLE END
#	NUMBER SIZE	ELEC	ELECTRICAL	INCAND	INCANDESCENT	SECT	SECTION
ACTR	ACTUATOR	ELCTLT	ELECTROLYTIC	INSUL	INSULATOR	SEMICOND	SEMICONDUCTOR
ADPTR	ADAPTER	ELEM	ELEMENT	INTL	INTERNAL	SHLD	SHIELD
ALIGN	ALIGNMENT	EPL	ELECTRICAL PARTS LIST	LPHLDR	LAMPHOLDER	SHLDR	SHOULDERED
AL	ALUMINUM	EQPT	EQUIPMENT	MACH	MACHINE	SKT	SOCKET
ASSEM	ASSEMBLED	EXT	EXTERNAL	MECH	MECHANICAL	SL	SLIDE
ASSY	ASSEMBLY	FIL	FILLISTER HEAD	MTG	MOUNTING	SLFLKG	SELF-LOCKING
ATTEN	ATTENUATOR	FLEX	FLEXIBLE	NIP	NIPPLE	SLVG	SLEEVEING
AWG	AMERICAN WIRE GAGE	FLH	FLAT HEAD	NON WIRE	NOT WIRE WOUND	SPR	SPRING
BD	BOARD	FLTR	FILTER	OBD	ORDER BY DESCRIPTION	SQ	SQUARE
BRKT	BRACKET	FR	FRAME or FRONT	OD	OUTSIDE DIAMETER	SST	STAINLESS STEEL
BRS	BRASS	FSTNR	FASTENER	OVH	OVAL HEAD	STL	STEEL
BRZ	BRONZE	FT	FOOT	PH BRZ	PHOSPHOR BRONZE	SW	SWITCH
BSHG	BUSHING	FXD	FIXED	PL	PLAIN or PLATE	T	TUBE
CAB	CABINET	GSKT	GASKET	PLSTC	PLASTIC	TERM	TERMINAL
CAP	CAPACITOR	HDL	HANDLE	PN	PART NUMBER	THD	THREAD
CER	CERAMIC	HEX	HEXAGON	PNH	PAN HEAD	THK	THICK
CHAS	CHASSIS	HEX HD	HEXAGONAL HEAD	PWR	POWER	TNSN	TENSION
CKT	CIRCUIT	HEX SOC	HEXAGONAL SOCKET	RCPT	RECEPTACLE	TPG	TAPPING
COMP	COMPOSITION	HLCPS	HELICAL COMPRESSION	RES	RESISTOR	TRH	TRUSS HEAD
CONN	CONNECTOR	HLEXT	HELICAL EXTENSION	RGD	RIGID	V	VOLTAGE
COV	COVER	HV	HIGH VOLTAGE	RLF	RELIEF	VAR	VARIABLE
CPLG	COUPLING	IC	INTEGRATED CIRCUIT	RTNR	RETAINER	W/	WITH
CRT	CATHODE RAY TUBE	ID	INSIDE DIAMETER	SCH	SOCKET HEAD	WSHR	WASHER
DEG	DEGREE	IDENT	IDENTIFICATION	SCOPE	OSCILLOSCOPE	XFMR	TRANSFORMER
DWR	DRAWER	IMPLR	IMPELLER	SCR	SCREW	XSTR	TRANSISTOR

REPLACEABLE MECHANICAL PARTS

CROSS INDEX—MFR. CODE NUMBER TO MANUFACTURER

Mfr. Code	Manufacturer	Address	City, State, Zip
50293	MATSUSHITA ELEC., ELECTRONIC COMPONENTS		CADOMA, OSAKA, JAPAN
000AH	STANDARD PRESSED STEEL CO., UNBRAKO DIV.	8535 DICE ROAD	SANTA FE SPRINGS, CA 90670
000CP	AIMSCO	2110 WEST RUFFNER	SEATTLE, WA 98199
000CY	NORTHWEST FASTENER SALES, INC.	7923 SW CIRрус DRIVE	BEAVERTON, OREGON 97005
000EL	PORTLAND SCREW CO.	6520 N. BASIN AVE.	PORTLAND, OR 97217
000EO	ZEPHER ELECTRONIC SALES CORP.	647 INDUSTRY DRIVE	SEATTLE, WA 98188
000ER	EGER PRODUCTS INC.	P O BOX 14467	CINCINNATI, OH 45214
00779	AMP, INC.	P O BOX 3608	HARRISBURG, PA 17105
01295	TEXAS INSTRUMENTS, INC., SEMICONDUCTOR GROUP	P O BOX 5012, 13500 N CENTRAL EXPRESSWAY	DALLAS, TX 75222
01963	CHERRY ELECTRICAL PRODUCTS CORPORATION	3600 SUNSET AVENUE	WAUKEGAN, IL 60085
02114	FERROXCUBE CORPORATION	PO BOX 359, MARION ROAD	SAUGERTIES, NY 12477
04713	MOTOROLA, INC., SEMICONDUCTOR PROD. DIV.	5005 E MCDOWELL RD, PO BOX 20923	PHOENIX, AZ 85036
05574	VIKING INDUSTRIES, INC.	21001 NORDHOFF STREET	CHATSWORTH, CA 91311
06383	PANDUIT CORPORATION	17301 RIDGELAND	TINLEY PARK, IL 60477
08261	SPECTRA-STRIP CORP.	7100 LAMPSON AVE.	GARDEN GROVE, CA 92642
09922	BURNDY CORPORATION	RICHARDS AVENUE	NORWALK, CT 06852
11897	PLASTIGLIDE MFG. CORPORATION	P O BOX 867, 1757 STANFORD ST.	SANTA MONICA, CA 90406
12327	FREEWAY CORPORATION	9301 ALLEN DRIVE	CLEVELAND, OH 44125
17174	MELCO ENGINEERING CORP.	4420 SAN FERNANDO	GLENDAL, CA 91204
18722	RCA CORP., SOLID STATE DIVISION	CRESTWOOD ROAD	MOUNTAINTOP, PA 18707
22526	BERG ELECTRONICS, INC.	YOUK EXPRESSWAY	NEW CUMBERLAND, PA 17070
22670	G.M. NAMEPLATE, INC.	2040 15TH AVENUE WEST	SEATTLE, WA 98119
23880	STANFORD APPLIED ENGINEERING, INC.	340 MARTIN AVE.	SANTA CLARA, CA 95050
27264	MOLEX PRODUCTS CO.	5224 KATRINE AVE.	DOWNERS GROVE, IL 60515
28520	HEYMAN MFG. CO.	147 N. MICHIGAN AVE.	KENILWORTH, NJ 07033
31223	MICRO PLASTICS, INC.	20821 DEARBORN STREET	CHATSWORTH, CA 91311
31781	EDAC	360 MOBILE DRIVE	TORONTO, ONT, 4A1HP
49671	RCA CORPORATION	30 ROCKEFELLER PLAZA	NEW YORK, NY 10020
59750	THOMAS AND BETTS COMPANY	36 BUTLER ST.	ELIZABETH, NJ 07207
71279	CAMBRIDGE THERMIONIC CORP.	445 CONCORD AVE.	CAMBRIDGE, MA 02138
73743	FISCHER SPECIAL MFG. CO.	446 MORGAN ST.	CINCINNATI, OH 45206
73803	TEXAS INSTRUMENTS, INC., METALLURGICAL MATERIALS DIV.	34 FOREST STREET	ATTLEBORO, MA 02703
74445	HOLO-KROME CO.	31 BROOK ST. WEST	HARTFORD, CT 06110
75497	LAMSON AND SESSIONS CO.	5000 TIEDEMAN ROAD	CLEVELAND, OH 44144
75915	LITTELFUSE, INC.	800 E. NORTHWEST HWY	DES PLAINES, IL 60016
77250	PHEOLL MANUFACTURING CO., DIVISION OF ALLIED PRODUCTS CORP.	5700 W. ROOSEVELT RD.	CHICAGO, IL 60650
77339	NATIONAL LOCK WASHER COMPANY	P O BOX 5115, INDUSTRIAL PARKWAY	NORTH BRANCH, NJ 08856
77342	AMF INC., POTTER AND BRUMFIELD DIV.	200 RICHLAND CREEK DRIVE	PRINCETON, IN 47670
77969	RUBBERCRAFT CORP. OF CALIF., LTD.	1800 W. 220TH ST.	TORRANCE, CA 90507
78189	ILLINOIS TOOL WORKS, INC. SHAKEPROOF DIVISION	ST. CHARLES ROAD	ELGIN, IL 60120
78553	EATON CORPORATION, ENGINEERED FASTENERS DIVISION, TINNEMAN PLANT	PO BOX 6688, 8700 BROOKPARK RD.	CLEVELAND, OH 44101
80009	TEKTRONIX, INC.	P O BOX 500	BEAVERTON, OR 97077
80112	G. C. ELECTRONICS COMPANY, A DIVISION OF HYDROMETALS, INC.	3225 EXPOSITION PLACE	LOS ANGELES, CA 90018
81646	PARKER HANNIFER CORP., CLAMP & FASTENER DIV.	1000 PENNSYLVANIA AVE.	BROOKLYN, NY 11207
82647	TEXAS INSTRUMENTS, INC., CONTROL PRODUCTS DIV.	34 FOREST ST.	ATTLEBORO, MA 02703
82877	ROTRON, INC.	7-9 HASBROUCK LANE	WOODSTOCK, NY 12498
83385	CENTRAL SCREW CO.	2530 CRESCENT DR.	BROADVIEW, IL 60153
86044	CALIFORNIA GASKET COMPANY	1601 W. 134 STREET	GARDENA, CA 90249
86445	PENN FIBRE AND SPECIALTY CO., INC.	2032 E. WESTMORELAND ST.	PHILADELPHIA, PA 19134
86928	SEASTROM MFG. COMPANY, INC.	701 SONORA AVENUE	GLENDAL, CA 91201
87308	N. L. INDUSTRIES, INC., SOUTHERN SCREW DIV.	P. O. BOX 1360	STATESVILLE, NC 28677
89663	REESE, J. RAMSEY, INC.	71 MURRAY STREET	NEW YORK, NY 10007
90484	ITT, SUPRENANT DIV.	172 STERLING STREET	CLINTON, MA 01510
91836	KINGS ELECTRONICS CO., INC.	40 MARBLEDALE ROAD	TUCKAHOE, NY 10707
91886	MALCO A MICRODOT CO.	12 PROGRESS DRIVE	MONTGOMERYVILLE, PA 18936
95987	WECKESSER CO., INC.	4444 WEST IRVING PARK RD.	CHICAGO, IL 60641
97464	INDUSTRIAL RETAINING RING CO.	57 CORDIER ST.	IRVINGTON, NJ 07111
97913	INDUSTRIAL ELECTRONIC HARDWARE CORP.	109 PRINCE STREET	NEW YORK, NY 10012
98159	RUBBER TECK, INC.	19115 HAMILTON AVE., P O BOX 389	GARDENA, CA 90247

REPLACEABLE MECHANICAL PARTS

Fig. & Index No.	Tektronix Part No.	Serial/Model No. Eff Dscont	Qty	1 2 3 4 5	Name & Description	Mfr Code	Mfr Part Number
1-1	334-3298-00		1		MARKER, IDENT:MARKED TEKTRONIX	80009	334-3298-00
-2	348-0171-00		1		GROMMET, PLASTIC:U-SHAPED	80009	348-0171-00
-3	390-0607-00		1		CAB. TOP, KYBD:	80009	390-0607-00
					(ATTACHING PARTS)		
-4	213-0022-00		4		SETSCREW:4-40 X 0.188 INCH, HEX SOC STL	74445	OBD
					- - - * - - -		
-5	386-3849-00		1		. PANEL, KEYBOARD:	80009	386-3849-00
-6	119-0909-01		1		KEYBOARD:DATA ENTRY	01963	B80-91AB
					(ATTACHING PARTS)		
-7	211-0516-00		5		SCREW, MACHINE:6-32 X 0.875 INCH, PNH STL	83385	OBD
-8	210-0457-00		3		NUT, PLAIN, EXT W:6-32 X 0.312 INCH, STL	83385	OBD
-9	210-0006-00		8		WASHER, LOCK:#6 INTL, 0.018THK, STL CD PL	78189	1206-00-00-0541C
-10	361-0060-00		2		NUT, PLAIN, HEX.:6-32 X 0.175 INCH LONG	80009	361-0060-00
-11	385-0122-00		2		SPACER, POST:0.937 L W/6-32 THD EA END, AL	80009	385-0122-00
					- - - * - - -		
-12	366-1766-01		12		. PUSH BUTTON:DARK GRAY, BLANK	01963	228-3130
	260-1925-00		12		. . SWITCH, PUSH:SPST, MOMENTARY	01963	M51-0150
-13	366-1766-00		4		. PUSH BUTTON:DARK GRAY, KEYCAP	01963	228-3130
	260-1929-00		4		. . SWITCH, PUSH:SPST, MOMENTARY	01963	M41-0107
-14	366-1766-07		1		. PUSH BUTTON:DARK GRAY, ERASE	01963	328-3130
	260-1926-00		1		. . SWITCH, PUSH:SPST, MOMENTARY	01963	M51-0120
	366-1766-06		1		. PUSH BUTTON:LT GRAY, LEFT BRACE/LEFT BRACKET	01963	223-0090
	366-1819-00		1		. PUSH BUTTON:LT GRAY, EQUIVALENT	80009	366-1819-00
	-----				. (OPTION 4C ONLY)		
	260-1924-00		1		. . SWITCH, PUSH:SPST, MOMENTARY	01963	M51-0178
	366-1766-05		1		. PUSH BUTTON:LIGHT GRAY, EXCLAMATION MARK/1	01963	223-0094
	260-1924-00		1		. . SWITCH, PUSH:SPST, MOMENTARY	01963	M51-0178
	366-1766-04		1		. PUSH BUTTON:LIGHT GRAY, @/2	01963	223-0095
	366-1819-01		1		. PUSH BUTTON:LIGHT GRAY, MKD 2	80009	366-1819-01
	-----				. (OPTION 4C ONLY)		
	260-1924-00		1		. . SWITCH, PUSH:SPST, MOMENTARY	01963	M51-0178
	366-1766-03		1		. PUSH BUTTON:LIGHT GRAY, #/3	01963	223-0096
	366-1819-21		1		. PUSH BUTTON:LIGHT GRAY, MKD L	80009	366-1819-21
	-----				. (OPTION 4A ONLY)		
	260-1924-00		1		. . SWITCH, PUSH:SPST, MOMENTARY	01963	M51-0178
	366-1766-02		1		. PUSH BUTTON:LIGHT GRAY, \$/4	01963	223-0097
	260-1924-00		1		. . SWITCH, PUSH:SPST, MOMENTARY	01963	M51-0178
	366-1766-12		1		. PUSH BUTTON:LIGHT GRAY, %/5	01963	223-0098
	260-1924-00		1		. . SWITCH, PUSH:SPST, MOMENTARY	01963	M51-0178
	366-1766-11		1		. PUSH BUTTON:LIGHT GRAY, CARROT/6	01963	223-0099
	366-1819-02		1		. PUSH BUTTON:LIGHT GRAY, MKD 6	80009	366-1819-02
	-----				. (OPTION 4C ONLY)		
	260-1924-00		1		. . SWITCH, PUSH:SPST, MOMENTARY	01963	M51-0178
	366-1766-10		1		. PUSH BUTTON:LIGHT GRAY, /7	01963	223-0100
	366-1819-03		1		. PUSH BUTTON:LIGHT GRAY, MKD 7	80009	366-1819-03
	-----				. (OPTION 4C ONLY)		
	260-1924-00		1		. . SWITCH, PUSH:SPST, MOMENTARY	01963	M51-0178
	366-1766-09		1		. PUSH BUTTON:LIGHT GRAY, */8	01963	223-0101
	366-1819-04		1		. PUSH BUTTON:LIGHT GRAY, MKD 8	80009	366-1819-04
	-----				. (OPTION 4C ONLY)		
	260-1924-00		1		. . SWITCH, PUSH:SPST, MOMENTARY	01963	M51-0178
	366-1766-08		1		. PUSH BUTTON:LIGHT GRAY, (/9	01963	223-0102
	366-1819-05		1		. PUSH BUTTON:LIGHT GRAY, MKD 9	80009	366-1819-05
	-----				. (OPTION 4C ONLY)		
	260-1924-00		1		. . SWITCH, PUSH:SPST, MOMENTARY	01963	M51-0178
	366-1766-19		1		. PUSH BUTTON:LIGHT GRAY,)/0	01963	223-0092
	366-1819-06		1		. PUSH BUTTON:LIGHT GRAY, MKD 0	80009	366-1819-06
	-----				. (OPTION 4C ONLY)		
	260-1924-00		1		. . SWITCH, PUSH:SPST, MOMENTARY	01963	M51-0178
	366-1766-18		1		. PUSH BUTTON:LIGHT GRAY, DASH/SHORT DASH	01963	223-0103
	366-1819-07		1		. PUSH BUTTON:LIGHT GRAY, MKD /	80009	366-1819-07
	-----				. (OPTION 4C ONLY)		
	260-1924-00		1		. . SWITCH, PUSH:SPST, MOMENTARY	01963	M51-0178
	366-1766-17		1		. PUSH BUTTON:LIGHT GRAY, MKD L		
	366-1819-08		1		. PUSH BUTTON:LIGHT GRAY,	80009	366-1819-08
	-----				. (OPTION 4C ONLY)		
	260-1924-00		1		. . SWITCH, PUSH:SPST, MOMENTARY	01963	M51-0178

REPLACEABLE MECHANICAL PARTS

Fig. & Index No.	Tektronix Part No.	Serial/Model No. Eff Dscont	Qty	1	2	3	4	5	Name & Description	Mfr Code	Mfr Part Number
1-	366-1766-16		1	PUSH BUTTON:LT GRAY,RIGHT BRACE/RIGHT BRACKET	01963	223-0091
	366-1819-09		1	PUSH BUTTON:LIGHT GRAY, (OPTION 4C ONLY)	80009	366-1819-09
	260-1924-00		1	SWITCH,PUSH:SPST,MOMENTARY	01963	M51-0178
-15	366-1766-15		1	PUBH BUTTON:DARK GRAY,RUB OUT	01963	223-0093
	260-1924-00		1	SWITCH,PUSH:SPST,MOMENTARY	01963	M51-0178
-16	366-1766-14		1	PUSH BUTTON:LT GRAY,MKD TRIANGLE/7	01963	228-0666
	260-1925-00		1	SWITCH,PUSH:SPST,MOMENTARY	01963	M51-0178
	366-1766-13		1	PUSH BUTTON:LIGHT GRAY,ARROW UP/8	01963	228-9700
	260-1925-00		1	SWITCH,PUSH:SPST,MOMENTARY	01963	M51-0178
-17	366-1766-45		1	PUSH BUTTON:LIGHT GRAY,9	01963	228-6725
	260-1925-00		1	SWITCH,PUSH:SPST,MOMENTARY	01963	M51-0178
-18	366-1766-44		1	PUSH BUTTON:DARK GRAY,ESC	01963	223-4009
	260-1924-00		1	SWITCH,PUSH:SPST,MOMENTARY	01963	M51-0178
	366-1766-21		1	PUSH BUTTON:LIGHT GRAY,TILDE OVER VERT BAR	01963	223-1082
	366-1819-12		1	PUSH BUTTON:LIGHT GRAY,MKD @ (OPTION 4C ONLY)	80009	366-1819-12
	260-1924-00		1	SWITCH,PUSH:SPST,MOMENTARY	01963	M51-0178
	366-1766-63		1	PUSH BUTTON:LIGHT GRAY,Q	01963	223-1068
	366-1819-11		1	PUSH BUTTON:LIGHT GRAY,MKD A (OPTION 4B ONLY)	80009	366-1819-11
	260-1924-00		1	SWITCH,PUSH:SPST,MOMENTARY	01963	M51-0178
	366-1766-20		1	PUSH BUTTON:LIGHT GRAY,W	01963	223-1069
	366-1819-10		1	PUSH BUTTON:LIGHT GRAY,MKD Z (OPTION 4B ONLY)	80009	366-1819-10
	260-1924-00		1	SWITCH,PUSH:SPST,MOMENTARY	01963	M51-0178
	366-1766-52		1	PUSH BUTTON:LIGHT GRAY,E	01963	223-1070
	260-1924-00		1	SWITCH,PUSH:SPST,MOMENTARY	01963	M51-0178
	366-1766-64		1	PUSH BUTTON:LIGHT GRAY,R	01963	223-1071
	260-1924-00		1	SWITCH,PUSH:SPST,MOMENTARY	01963	M51-0178
	366-1766-65		1	PUSH BUTTON:LIGHT GRAY,T	01963	223-1072
	260-1924-00		1	SWITCH,PUSH:SPST,MOMENTARY	01963	M51-0178
	366-1766-70		1	PUSH BUTTON:LIGHT GRAY,Y	01963	223-1073
	260-1924-00		1	SWITCH,PUSH:SPST,MOMENTARY	01963	M51-0178
	366-1766-67		1	PUSH BUTTON:LIGHT GRAY,U	01963	223-1074
	260-1924-00		1	SWITCH,PUSH:SPST,MOMENTARY	01963	M51-0178
	366-1766-43		1	PUSH BUTTON:LIGHT GRAY,I	01963	223-1075
	260-1924-00		1	SWITCH,PUSH:SPST,MOMENTARY	01963	M51-0178
	366-1766-61		1	PUSH BUTTON:LIGHT GRAY,O	01963	223-1076
	260-1924-00		1	SWITCH,PUSH:SPST,MOMENTARY	01963	M51-0178
	366-1766-62		1	PUSH BUTTON:LIGHT GRAY,P	01963	223-1077
	260-1924-00		1	SWITCH,PUSH:SPST,MOMENTARY	01963	M51-0178
	366-1766-46		1	PUSH BUTTON:LIGHT GRAY,BACK SLASH/SLASH	01963	223-1061
	366-1819-13		1	PUSH BUTTON:LIGHT GRAY,MKD A (OPTION 4C ONLY)	80009	366-1819-13
	260-1924-00		1	SWITCH,PUSH:SPST,MOMENTARY	01963	M51-0178
	366-1766-36		1	PUSH BUTTON:DARK GRAY,TAB/BACK SPACE	01963	223-4008
	260-1924-00		1	SWITCH,PUSH:SPST,MOMENTARY	01963	M51-0178
-19	366-1766-37		1	PUSH BUTTON:DARK GRAY,LINE FEED	01963	223-1067
	260-1924-00		1	SWITCH,PUSH:SPST,MOMENTARY	01963	M51-0178
-20	366-1766-38		1	PUSH BUTTON:LIGHT GRAY,ARROW LEFT/4	01963	228-9701
	260-1925-00		1	SWITCH,PUSH:SPST,MOMENTARY	01963	M51-0178
	366-1766-39		1	PUSH BUTTON:LIGHT GRAY,5	01963	228-3615
	260-1925-00		1	SWITCH,PUSH:SPST,MOMENTARY	01963	M51-0178
-21	366-1766-40		1	PUSH BUTTON:LIGHT GRAY,ARROW RIGHT/6	01963	228-9702
	260-1925-00		1	SWITCH,PUSH:SPST,MOMENTARY	01963	M51-0178
-22	366-1766-30		1	PUSH BUTTON:DARK GRAY,BLANK	01963	228-0007
	366-1752-00		1	PUSH BUTTON:NATURAL,ENTER (OPTION 10 ONLY)	01963	228-0305
	260-1925-00		1	SWITCH,PUSH:SPST,MOMENTARY	01963	M51-0178
-23	366-1766-41		1	PUSH BUTTON:DARK GRAY,TAB	01963	228-9619
	260-1924-00		1	SWITCH,PUSH:SPST,MOMENTARY	01963	M51-0178
	366-1766-42		1	PUSH BUTTON:DARK GRAY,CTRL	01963	228-3106
	260-1924-00		1	SWITCH,PUSH:SPST,MOMENTARY	01963	M51-0178
	366-1766-48		1	PUSH BUTTON:LIGHT GRAY,A	01963	228-6703
	366-1819-14		1	PUSH BUTTON:LIGHT GRAY,MKD Q (OPTION 4B ONLY)	80009	366-1819-14

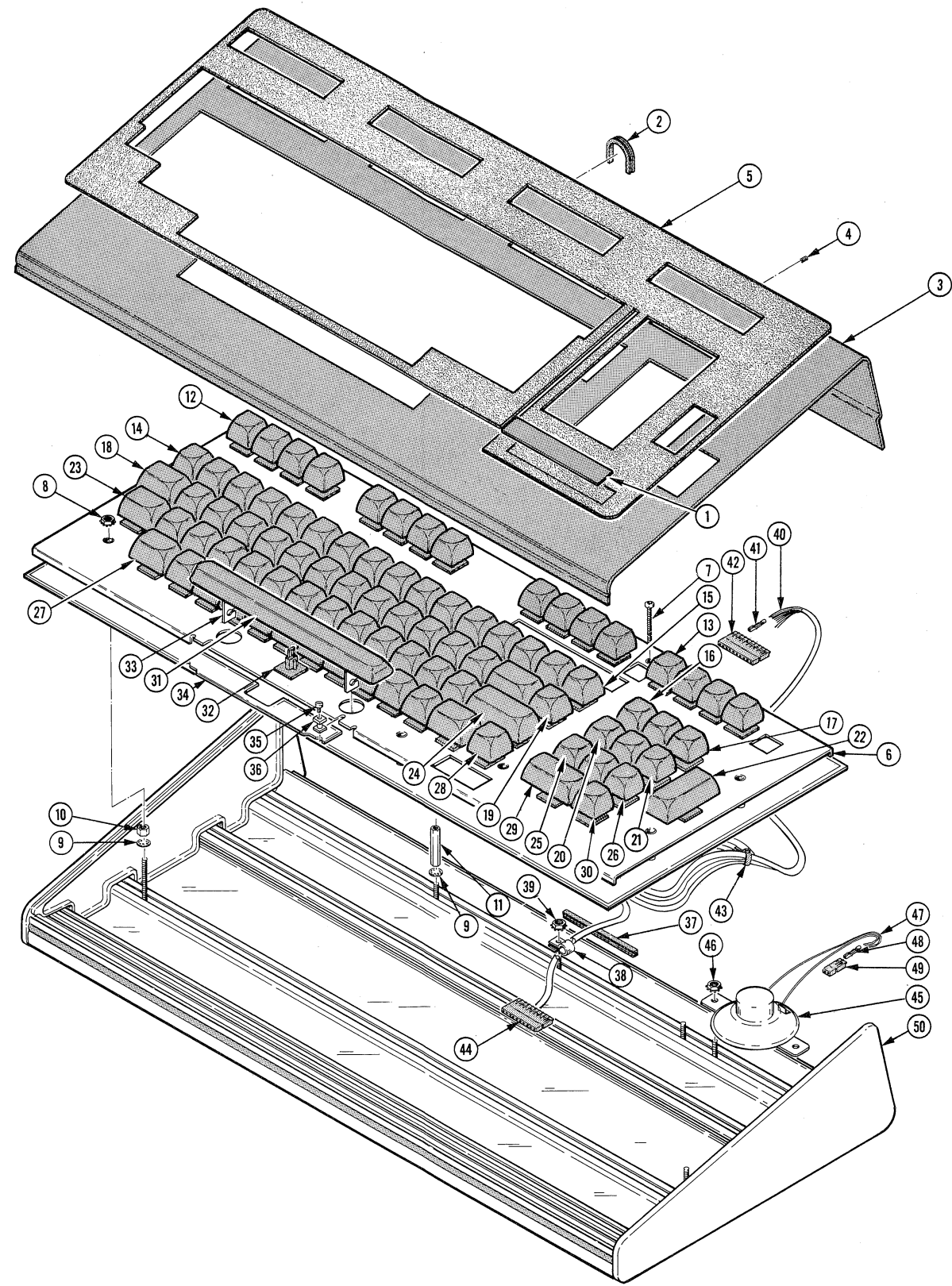
REPLACEABLE MECHANICAL PARTS

Fig. & Index No.	Tektronix Part No.	Serial/Model No. Eff Dscont	Qty	1	2	3	4	5	Name & Description	Mfr Code	Mfr Part Number
1-	260-1924-00		1	SWITCH,PUSH:SPST,MOMENTARY	01963	M51-0178
	366-1766-66		1	PUSH BUTTON:LIGHT GRAY,S	01963	228-6704
	260-1924-00		1	SWITCH,PUSH:SPST,MOMENTARY	01963	M51-0178
	366-1766-51		1	PUSH BUTTON:LIGHT GRAY,D	01963	228-6705
	260-1924-00		1	SWITCH,PUSH:SPST,MOMENTARY	01963	M51-0178
	366-1766-53		1	PUSH BUTTON:LIGHT GRAY,F	01963	228-5921
	260-1924-00		1	SWITCH,PUSH:SPST,MOMENTARY	01963	M51-0178
	366-1766-54		1	PUSH BUTTON:LIGHT GRAY,G	01963	228-6707
	260-1924-00		1	SWITCH,PUSH:SPST,MOMENTARY	01963	M51-0178
	366-1766-55		1	PUSH BUTTON:LIGHT GRAY,H	01963	228-6708
	260-1924-00		1	SWITCH,PUSH:SPST,MOMENTARY	01963	M51-0178
	366-1766-56		1	PUSH BUTTON:LIGHT GRAY,J	01963	228-5922
	260-1924-00		1	SWITCH,PUSH:SPST,MOMENTARY	01963	M51-0178
	366-1766-57		1	PUSH BUTTON:LIGHT GRAY,K	01963	228-6710
	260-1924-00		1	SWITCH,PUSH:SPST,MOMENTARY	01963	M51-0178
	366-1766-58		1	PUSH BUTTON:LIGHT GRAY L	01963	228-6711
	260-1924-00		1	SWITCH,PUSH:SPST,MOMENTARY	01963	M51-0178
	366-1766-35		1	PUSH BUTTON:LIGHT GRAY :/;	01963	228-9705
	366-1819-16		1	PUSH BUTTON:LIGHT GRAY,MKD Q	80009	366-1819-16
	-----		-	(OPTION 4C ONLY)		
	260-1924-00		1	SWITCH,PUSH:SPST,MOMENTARY	01963	M51-0178
	366-1766-34		1	PUSH BUTTON:LIGHT GRAY,QUOTE/'	01963	9706
	366-1819-15		1	PUSH BUTTON:LIGHT GRAY,MKD A	80009	366-1819-15
	-----		-	(OPTION 4C ONLY)		
	260-1924-00		1	SWITCH,PUSH:SPST,MOMENTARY	01963	M51-0178
-24	366-1766-33		1	PUSH BUTTON:DARK GRAY,RETURN	01963	228-0265
	260-1924-00		1	SWITCH,PUSH:SPST,MOMENTARY	01963	M51-0178
-25	366-1766-47		1	PUSH BUTTON:LIGHT GRAY,TRIANGLE/1	01963	228-6728
	260-1924-00		1	SWITCH,PUSH:SPST,MOMENTARY	01963	M51-0178
	366-1766-32		1	PUSH BUTTON:LIGHT GRAY,ARROW DOWN/2	01963	228-9703
	260-1924-00		1	SWITCH,PUSH:SPST,MOMENTARY	01963	M51-0178
-26	366-1766-31		1	PUSH BUTTON:LIGHT GRAY,3	01963	228-6730
	260-1924-00		1	SWITCH,PUSH:SPST,MOMENTARY	01963	M51-0178
-27	366-1766-29		1	PSUH BUTTON:DARK GRAY,SHIFT	01963	223-4502
	260-1924-00		1	SWITCH,PUSH:SPST,MOMENTARY	01963	M51-0178
	366-1766-71		1	PUSH BUTTON:LIGHT GRAY,Z	01963	223-2056
	366-1819-20		1	PUSH BUTTON:LIGHT GRAY,MKD W	80009	366-1819-20
	-----		-	(OPTION 4B ONLY)		
	260-1924-00		1	SWITCH,PUSH:SPST,MOMENTARY	01963	M51-0178
	366-1766-69		1	PUSH BUTTON:LIGHT GRAY,X	01963	223-2057
	260-1924-00		1	SWITCH,PUSH:SPST,MOMENTARY	01963	M51-0178
	366-1766-50		1	PUSH BUTTON:LIGHT GRAY,C	01963	223-2058
	260-1924-00		1	SWITCH,PUSH:SPST,MOMENTARY	01963	M51-0178
	366-1766-68		1	PUSH BUTTON:LIGHT GRAY,V	01963	223-2059
	260-1924-00		1	SWITCH,PUSH:SPST,MOMENTARY	01963	M51-0178
	366-1766-49		1	PUSH BUTTON:LIGHT GRAY,B	01963	223-2060
	260-1924-00		1	SWITCH,PUSH:SPST,MOMENTARY	01963	M51-0178
	366-1766-60		1	PUSH BUTTON:LIGHT GRAY,N	01963	223-2061
	260-1924-00		1	SWITCH,PUSH:SPST,MOMENTARY	01963	M51-0178
	366-1766-59		1	PUSH BUTTON:LIGHT GRAY,M	01963	223-2062
	260-1924-00		1	SWITCH,PUSH:SPST,MOMENTARY	01963	M51-0178
	366-1766-28		1	PUSH BUTTON:LIGHT GRAY,</,	01963	223-2063
	366-1819-19		1	PUSH BUTTON:LIGHT GRAY,MKD ,	80009	366-1819-19
	-----		-	(OPTION 4C ONLY)		
	260-1924-00		1	SWITCH,PUSH:SPST,MOMENTARY	01963	M51-0178
	366-1766-27		1	PUSH BUTTON:LIGHT GRAY,>/.	01963	223-2064
	366-1819-18		1	PUSH BUTTON:LIGHT GRAY,MKD .	80009	366-1819-18
	-----		-	(OPTION 4C ONLY)		
	260-1924-00		1	SWITCH,PUSH:SPST,MOMENTARY	01963	M51-0178
	366-1766-26		1	PUSH BUTTON:LIGHT GRAY,?,/	01963	223-2065
	366-1819-17		1	PUSH BUTTON:LIGHT GRAY,MKD DASH	80009	366-1819-17
	-----		-	(OPTION 4C ONLY)		
	260-1924-00		1	SWITCH,PUSH:SPST,MOMENTARY	01963	M51-0178
	366-1766-29		1	PUSH BUTTON:DARK GRAY,SHIFT	01963	223-4502
	260-1924-00		1	SWITCH,PUSH:SPST,MOMENTARY	01963	M51-0178

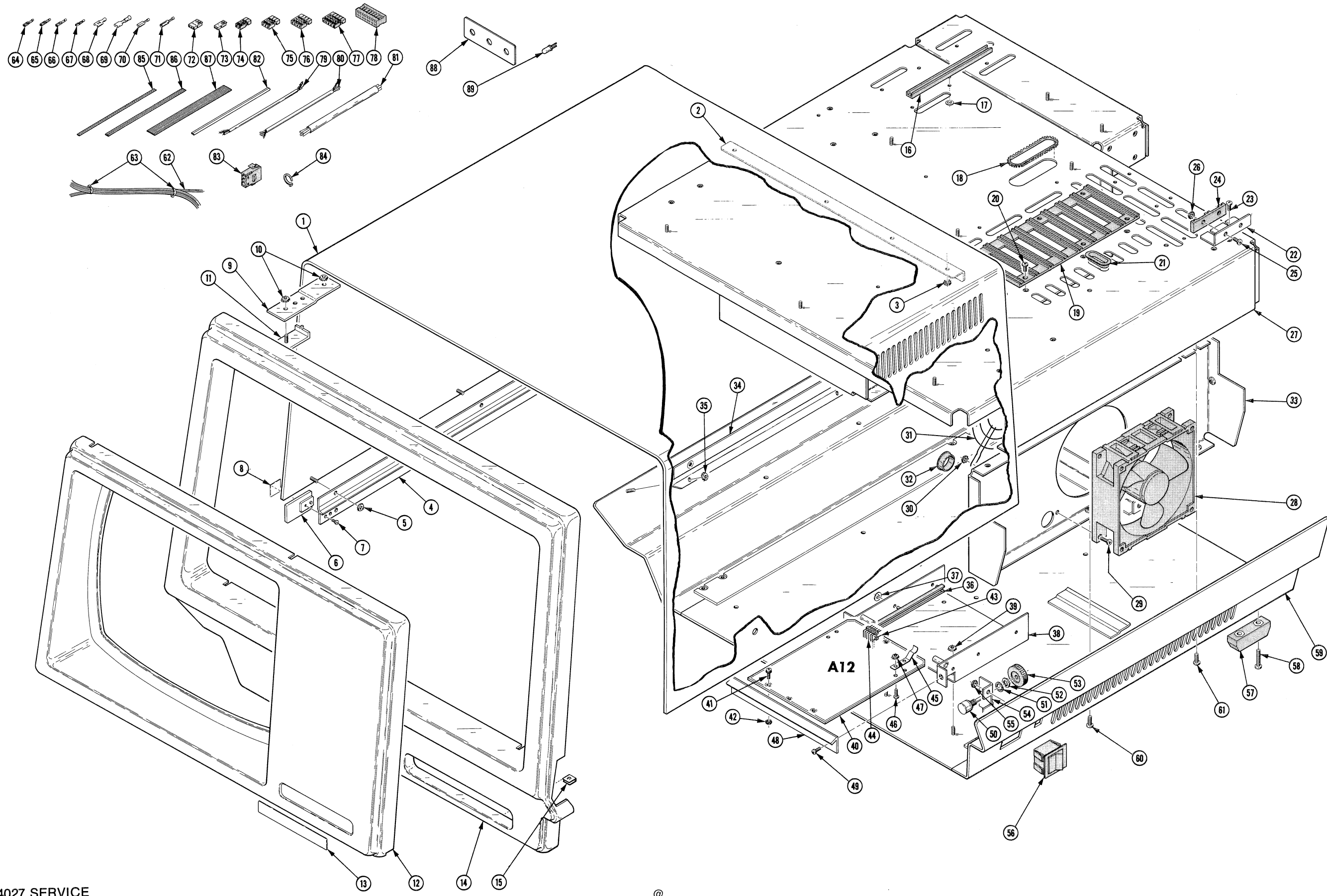
REPLACEABLE MECHANICAL PARTS

Fig. & Index No.	Tektronix Part No.	Serial/Model No. Eff Dscont	Qty	1 2 3 4 5	Name & Description	Mfr Code	Mfr Part Number
1-28	366-1766-25		1	.	PUSH BUTTON:DARK GRAY,BREAK	01963	223-2055
	260-1927-00		1	.	SWITCH,PUSH:SPST,MOMENTARY	01963	M51-0178
-29	366-1775-00		1	.	PUSH BUTTON:LIGHT GRAY,O	01963	228-0136
	260-1925-00		1	.	SWITCH,PUSH:SPST,MOMENTARY	01963	M51-0178
-30	366-1766-23		1	.	PUSH BUTTON:LIGHT GRAY,	01963	228-6731
	260-1925-00		1	.	SWITCH,PUSH:SPST,MOMENTARY	01963	M51-0178
-31	366-1766-22		1	.	PUSH BUTTON:LIGHT GRAY SPACE BAR	01963	228-3308
-32	260-1928-00		1	.	SWITCH,PUSH:SPST,MOMENTARY	01963	M51-0178
-33	118-0436-00		2	.	PLUNGER		
-34	118-0437-00		1	.	SWITCH,PUSH:SPST,MOMENTARY	01963	M51-0178
-35	213-0343-00		2	.	SCREW,MACHINE:4-40 X 0.156,PNH	01963	012-0324
-36	214-2024-00		2	.	PIVOT,GUIDE PL:KEYBOARD	01963	012-0325
-37	252-0571-00		AR		NEOPRENE EXTR:CHAN,0.234 X 0.156	77969	1353
-38	343-0662-00		1		CLAMP,LOOP:0.187 DIA,STEEL CAD PLATE (ATTACHING PARTS)	80009	343-0662-00
-39	210-0457-00		1		NUT,PLAIN,EXT W:6-32 X 0.312 INCH,STL - - - * - - -	83385	OBD
-40	175-2094-00		1		CA ASSY,SP,ELEC:8,22 AWG,96.0L	80009	175-2094-00
-41	131-0707-00		16		CONNECTOR,TERM.:22-26 AWG,BRS& CU BE GOLD	22526	47439
-42	352-0168-05		1		CONN BODY,PL,EL:10 WIRE GREEN	80009	352-0168-05
-43	343-0549-00		1		STRAP,TIEDOWN:0.091 W X 3.62 INCH LONG	59730	TY23M
-44	352-0168-03		1		CONN BODY,PL,EL:10 WIRE ORANGE	80009	352-0168-03
-45	119-0962-00		1		LOUDSPEAKER,PM:8 OHM,3W,2.047 DIA (ATTACHING PARTS)	S0293	EAS-5PA34SG
-46	210-0457-00		2		NUT,PLAIN,EXT W:6-32 X 0.312 INCH,STL - - - * - - -	83385	OBD
-47	175-0825-00		AR		WIRE,ELECTRICAL:2 WIRE RIBBON	80009	175-0825-00
-48	131-0707-00		2		CONNECTOR,TERM.:22-26 AWG,BRS& CU BE GOLD	22526	47439
-49	352-0169-00		1		HLDR,TERM CONN:2 WIRE BLACK	80009	352-0169-00
-50	390-0608-00		1		CAB.,KEYBOARD:	80009	390-0608-00

Fig. 1 KEYBOARD



@



REPLACEABLE MECHANICAL PARTS

Fig. & Index No.	Tektronix Part No.	Serial/Model No. Eff	Model No. Dscont	Qty	1	2	3	4	5	Name & Description	Mfr Code	Mfr Part Number
2 -1	390-0651-00			1						CAB., WRAPAROUND:	80009	390-0651-00
-2	407-2259-00			1						BRACKET, ANGLE: TOP COVER, ALUM (ATTACHING PARTS)	80009	407-2259-00
-3	210-0457-00			4						NUT, PLAIN, EXT W: 6-32 X 0.312 INCH, STL - - - * - - -	83385	OBD
-4	426-1537-00			2						FRAME SECT, CAB.: UPPER LEFT & RIGHT (ATTACHING PARTS)	80009	426-1537-00
-5	210-0457-00			6						NUT, PLAIN, EXT W: 6-32 X 0.312 INCH, STL - - - * - - -	83385	OBD
-6	426-0928-01			4						FRAME, TRIM: GRAY PLASTIC (ATTACHING PARTS)	80009	426-0928-01
-7	213-0088-00			4						SCR, TPG, THD CTG: 4-24 X 0.25 INCH, PNH STL - - - * - - -	83385	OBD
-8	334-1555-00			4						. PLATE, IDENT: TRADEMARK	80009	334-1555-00
-9	407-2227-00			2						BRKT, CRT MASK: ALUMINUM (ATTACHING PARTS)	80009	407-2227-00
-10	210-0457-00			4						NUT, PLAIN, EXT W: 6-32 X 0.312 INCH, STL - - - * - - -	83385	OBD
-11	343-0781-00			2						CLAMP, CRT MASK: ALUMINUM	80009	343-0781-00
-12	331-0447-01			1						MASK, CRT:	80009	331-0447-01
	331-0447-02			1						MASK, CRT: GRAY (OPTION 11 ONLY)	80009	331-0447-02
-13	334-3396-00			1						. MARKER, IDENT:	80009	334-3396-00
-14	426-1576-01			1						FRAME, MASK: PAINTED	80009	426-1576-01
-15	220-0789-00			3						NUT, SHEET SPR: 6-32 X 0.44 LX 0.35"W, SST	78553	C18050SS-632
-16	351-0512-00			10						GUIDE, CKT BOARD: WHITE NYLON, 4.89L (ATTACHING PARTS)	80009	351-0512-00
-17	354-0195-00			10						RING, RETAINING: - - - * - - -	97464	6100-12-ST-PA
-18	255-0334-00			AR						PLASTIC CHANNEL: 12.75 X 0.175 X 0.155, NYL	11897	122-37-2500
-19	351-0239-00			2						GUIDE, CKT BD: MAIN, LEFT & RIGHT, GRAY PC (ATTACHING PARTS)	80009	351-0239-00
-20	211-0507-00			6						SCREW, MACHINE: 6-32 X 0.312 INCH, PNH STL - - - * - - -	83385	OBD
-21	348-0253-00			6						GROMMET, PLASTIC: 1.24 X 0.739 X 0.108" OA	80009	348-0253-00
-22	407-2258-00			1						BRACKET, ANGLE: CKT BOARD, ALUM (ATTACHING PARTS)	80009	407-2258-00
-23	211-0507-00			2						SCREW, MACHINE: 6-32 X 0.312 INCH, PNH STL - - - * - - -	83385	OBD
-24	343-0792-00			1						RETAINER, CKT BOARD: 2.0 L, PLASTIC (ATTACHING PARTS)	80009	343-0792-00
-25	211-0507-00			2						SCREW, MACHINE: 6-32 X 0.312 INCH, PNH STL	83385	OBD
-26	210-0457-00			2						NUT, PLAIN, EXT W: 6-32 X 0.312 INCH, STL - - - * - - -	83385	OBD
-27	441-1467-00			1						CHASSIS, ASSY, TERM:	80009	441-1467-00
	119-0026-00			1						FAN, AXIAL: 1.500 X 4.750 INCH, WHISPER	82877	WR2A1
-28	119-0026-00			1						FAN, AXIAL: 1.500 X 4.750 INCH, WHISPER (ATTACHING PARTS)	82877	WR2A1
-29	211-0513-00			4						SCREW, MACHINE: 6-32 X 0.625 INCH, PNH STL	83385	OBD
-30	210-0457-00			4						NUT, PLAIN, EXT W: 6-32 X 0.312 INCH, STL - - - * - - -	83385	OBD
-31	214-0762-00			1						GRILLE, METAL: ZINC PLATED STL	82877	20132-2
-32	348-0050-00	B010100	B010129	1						GROMMET, PLASTIC: 0.75 INCH DIA	80009	348-0050-00
	348-0492-00	B010130		1						GROMMET, PLASTIC: 0.562" ID, BLACK PLASTIC	28520	SB-750-9
-33	407-2200-00			1						BRACKET, FAN: ALUMINUM	80009	407-2200-00
-34	426-1536-00			2						FRAME SECT, CAB.: LOWER LEFT & RIGHT (ATTACHING PARTS)	80009	426-1536-00
-35	210-0457-00			6						NUT, PLAIN, EXT W: 6-32 X 0.312 INCH, STL - - - * - - -	83385	OBD
-36	351-0512-00			2						GUIDE, CKT BOARD: WHITE NYLON, 4.89L (ATTACHING PARTS)	80009	351-0512-00
-37	354-0195-00			2						RING, RETAINING: - - - * - - -	97464	6100-12-ST-PA
-38	407-2232-00			1						BRACKET, CKT BD: ALUMINUM (ATTACHING PARTS)	80009	407-2232-00
-39	210-0457-00			4						NUT, PLAIN, EXT W: 6-32 X 0.312 INCH, STL - - - * - - -	83385	OBD

REPLACEABLE MECHANICAL PARTS

Fig. & Index No.	Tektronix Part No.	Serial/Model No. Eff	Dscont	Qty	1	2	3	4	5	Name & Description	Mfr Code	Mfr Part Number
2-40	-----	-----		1	CKT BOARD ASSY:EXTERNAL CONVERGENCE(SEE A12 EPL) (ATTACHING PARTS)							
-41	211-0121-00			2	SCR,ASSEM WSHR:4-40 X 0.438 INCH,PNH BRS					83385	OBD	
-42	210-0586-00			2	NUT,PLAIN,EXT W:4-40 X 0.25 INCH,STL - - - * - - -					78189		211-041800-00
-43	131-1425-00			1	. CONTACT SET,ELE:R ANGLE,0.150" L,STR OF 36					22526		65521-136
-44	131-1426-00			1	. CONTACT SET,ELE:R ANGLE,0.250L,STRIP OF 36					22526		65524-136
-45	214-2812-00			2	. SPRING,RTNG:CKT BOARD (ATTACHING PARTS)					80009		214-2812-00
-46	211-0008-00			4	. SCREW,MACHINE:4-40 X 0.25 INCH,PNH STL					83385	OBD	
-47	210-0586-00			4	. NUT,PLAIN,EXT W:4-40 X 0.25 INCH,STL - - - * - - -					78189		211-041800-00
-48	333-2498-00			1	PANEL,FRONT: (ATTACHING PARTS)					80009		333-2498-00
-49	211-0581-00			4	SCREW,MACHINE:6-32 X 0.375 INCH,TRH STL - - - * - - -					83385	OBD	
-50	-----	-----		1	RES.,VAR,NONWIR:5K OHM(SEE R1087 EPL) (ATTACHING PARTS)							
-51	210-0046-00			1	WASHER,LOCK:INTL,0.26 ID X 0.40" OD,STL					78189		1214-05-00-0541C
-52	210-0413-00	B010100	B010787	1	NUT,PLAIN,HEX.:0.375-32 X 0.50 INCH,STL					73743		3145-402
	210-0583-00	B010788		1	NUT,PLAIN,HEX.:0.25-32 X 0.312 INCH,BRS - - - * - - -					73743		2X20317-402
-53	366-0128-01			1	KNOB:THUMBWHEEL					80009		366-0128-01
-54	407-2234-00			1	BRACKET,VAR RES:ALUMINUM (ATTACHING PARTS)					80009		407-2234-00
-55	210-0457-00			2	NUT,PLAIN,EXT W:6-32 X 0.312 INCH,STL - - - * - - -					83385	OBD	
-56	-----	-----		1	SWITCH,ROCKER:DPDT,15A,125VAC,(SEE S1221 EPL)							
-57	348-0128-00			4	BUMPER,PLASTIC:CABINET MTG,2.022 INCH LONG (ATTACHING PARTS)					80009		348-0128-00
-58	211-0514-00			8	SCREW,MACHINE:6-32 X 0.750 INCH,PNH STL - - - * - - -					83385	OBD	
-59	386-3965-01			1	PANEL,BOTTOM:W/BRACKET & RAILS (ATTACHING PARTS)					80009		386-3965-01
-60	212-0008-00			3	SCREW,MACHINE:8-32 X 0.500 INCH,PNH STL					83385	OBD	
-61	212-0023-00			20	SCREW,MACHINE:8-32 X 0.375 INCH,PNH STL - - - * - - -					83385	OBD	
-62	179-2644-00			1	WIRING HARNESS:MAIN					80009		179-2644-00
-63	346-0120-00			30	. STRAP,TIEDOWN:5.5 L MIN,PLASTIC					06383		SST 1.5M
	352-0162-03			1	. CONN BODY,PL,EL:4 WIRE ORANGE					80009		352-0162-03
	352-0166-02			1	. HLDR,TERM CONN:8 WIRE,RED					80009		352-0166-02
	352-0199-08			2	. HLDR,TERM CONN:3 WIRE GRAY					80009		352-0199-08
	352-0199-09			1	. HLDR,TERM CONN:3 WIRE WHITE					80009		352-0199-09
	352-0200-07			1	. CONN BODY,PL,EL:4 WIRE VIOLET					80009		352-0200-07
	352-0204-04			1	. HLDR,TERM CONN:8 WIRE,YELLOW					80009		352-0204-04
	352-0461-00			3	. HLDR,TERM. CONN:12 FEMALE,NYLON					27264		09-50-7121
	352-0462-00			2	. HLDR,TERM. CONN:10 FEMALE,NYLON					27264		09-50-7101
	198-4014-00			1	WIRE SET,ELEC:					80009		198-4014-00
-64	131-0621-00			11	. CONNECTOR,TERM:22-26 AWG,BRS& CU BE GOLD					22526		46231
-65	131-0622-00			3	. CONTACT,ELEC:0.577"L,28-32 AWG WIRE					22526		46241
-66	131-0792-00			14	. CONNECTOR,TERM:18-20 AWG,CU BE GOLD PL					22526		46221
-67	131-0707-00			38	. CONNECTOR,TERM.:22-26 AWG,BRS& CU BE GOLD					22526		47439
-68	131-1159-00			2	. TERM,QIK DISC.:14-18 AWG,U/WO.25 X 0.032					00779		60041-2
-69	131-1216-00			4	. CONTACT,ELEC:CRIMP MT W/BLUE INS					00779		42332-4
-70	131-2009-00			2	. TERM,QIK DISC:FEMALE ACCOM 0.187 X 0.02					00779		60291-1
-71	131-1620-00			2	. CONTACT,ELEC:CONN,FEMALE,MATE-N-LOCK					00779		61117-1
-72	352-0161-03			1	. CONN BODY,PL,EL:3 WIRE ORANGE					80009		352-0161-03
	352-0161-04			2	. CONN BODY,PL,EL:3 WIRE YELLOW					80009		352-0161-04
-73	352-0169-02			1	. CONN BODY,PL,EL:2 WIRE RED					80009		352-0169-00
-74	352-0198-00			1	. HLDR,TERM CONN:2 WIRE BLACK					80009		352-0198-00
-75	352-0199-00			1	. CONN BODY,PL,EL:3 WIRE BLACK					80009		352-0199-00
	352-0199-01			1	. HLDR,TERM CONN:3 WIRE BROWN					80009		352-0199-01
	352-0199-02			1	. CONN BODY,PL,EL:3 WIRE RED					80009		352-0199-02
	352-0199-06			1	. CONN BODY,PL,EL:3 WIRE BLUE					80009		352-0199-06

REPLACEABLE MECHANICAL PARTS

Fig. & Index No.	Tektronix Part No.	Serial/Model No.		Qty	1	2	3	4	5	Name & Description	Mfr Code	Mfr Part Number
		Eff	Dscont									
2-76	352-0200-04			1						. HLDR, TERM CONN:4 WIRE YELLOW	80009	352-0200-04
-77	352-0201-06			1						. CONN BODY, PL, EL:5 WIRE BLUE	80009	352-0201-06
	352-0201-08			1						. CONN BODY, PL, EL:5 WIRE GRAY	80009	352-0201-08
-78	352-0390-01			1						. CONN BODY, PL, EL:28 WIRE, 14 DBL ROW	80009	352-0390-01
	352-0537-00			1						. HLDR, TERM CONN:14 FEMALE	22526	65043-117
-79	175-1020-00			AR						. CABLE, RF:50 OHM COAX, WHT POLYTHN JKT	90484	DAB70JAAAWHITE
-80	175-1145-00			AR						. CABLE, SP ELEC:3, 26 AWG	80009	175-1145-00
-81	175-1577-00			AR						. CABLE, SP, ELEC:4, 18 AWG, TWISTED	80009	175-1577-00
-82	175-2203-00			AR						. CABLE, SP, ELEC:2, 18 AWG, W/VINYL JACKET	80009	175-2203-00
-83	204-0640-00			1						. BODY, CONN, RCPT:FOR 3 FEM CONT, NYLON	00779	1-480304-0
-84	343-0549-00	B010100	B010527	4						. STRAP, TIEDOWN:0.091 W X 3.62 INCH LONG	59730	TY23M
	343-0549-00	B010528		3						. STRAP, TIEDOWN:0.091 W X 3.62 INCH LONG	59730	TY23M
-85	175-0825-00			AR						. WIRE, ELECTRICAL:2 WIRE RIBBON	80009	175-0825-00
-86	175-0826-00			AR						. WIRE, ELECTRICAL:3 WIRE RIBBON	80009	175-0826-00
-87	175-0830-00			AR						. WIRE, ELECTRICAL:7 WIRE RIBBON	08261	SS-0726-710610C
	175-0863-00			AR						. WIRE, ELECTRICAL:2 WIRE RIBBON	08261	SS-0222-1910610C
-88	386-4093-00			1						. PLATE MOUNTING:LED, AL	80009	386-4093-00
	-----			-						. (OPTION 11 ONLY)		
-89	-----			3						. LT EMITTING DI:(SEE DS1001, DS1002, DS1003 EPL)		
	-----			-						. (OPTION 11 ONLY)		

REPLACEABLE MECHANICAL PARTS

Fig. & Index No.	Tektronix Part No.	Serial/Model No. Eff Dscont	Qty	1	2	3	4	5	Name & Description	Mfr Code	Mfr Part Number
3-1	-----	-----	1						ELECTRON TUBE:CRT,90 DEG,13V,(SEE V1 EPL) (ATTACHING PARTS)		
-2	210-0411-00		4						NUT,PLAIN,HEX.:0.25-20 X 0.438 INCH STL	73743	OBD
-3	210-0016-00		4						WASHER,LOCK:SPLIT,0.259 ID X 0.489 OD,STL	77339	6507
-4	210-0807-00		4						WASHER,FLAT:0.310 ID X 0.630 OD - - - * - - - -	12327	OBD
-5	214-2845-00		3						WEDGE,CRT YOKE:PLASTIC	80009	214-2845-00
-6	214-2817-00		1						SPRING,HLEXT:0.25 X 10.0 L		
-7	344-0002-00		1						CLIP,ELECTRICAL:	75915	OBD
-8	-----	-----	1						COIL,TUBE DEFL:(SEE L1105 EPL)		
-9	343-0664-00		1						CLAMP,CRT:YOKE (ATTACHING PARTS)	80009	343-0664-00
-10	211-0611-00	B010100 B010787X	1						SCREW,MACHINE:6-32 X 0.625 INCH,PNH,BRS	83385	OBD
-11	210-0408-00		1						NUT,PLAIN,HEX.:6-32 X 0.312 INCH,BRS - - - * - - - -	73743	3040-402
-12	343-0670-00		1						CLAMP,CRT:TEK 19 (ATTACHING PARTS)	80009	343-0670-00
-13	211-0655-00		1						SCREW MACHINE:6-32 X 0.50 INCH,HHS	000AH	OBD
-14	385-0127-00		1						SPACER,POST:0.281 L W/6-32 THD THRU,AL - - - * - - - -	80009	385-0127-00
-15	343-0665-00	B010100 B010787	1						CLAMP,CRT:NECK	80009	343-0665-00
15.1	343-0777-00	B010788	1						CLAMP,NECK,CRT:NYLON,BLACK (ATTACHING PARTS)	80009	343-0777-00
15.2	343-0808-00	XB010788	1						CLAMP,HOSE:0.75 ID SST,NON MAGNETIC (ATTACHING PARTS)	81646	6320
-16	211-0611-00	B010100 B010787X	1						SCREW,MACHINE:6-32 X 0.625 INCH,PNH,BRS	83385	OBD
-17	210-0408-00	B010100 B010787X	1						NUT,PLAIN,HEX.:6-32 X 0.312 INCH,BRS - - - * - - - -	73743	3040-402
-18	-----	-----	1						COIL ASSY:CONVERGENCE(SEE L1080 EPL)		
-19	119-1043-00		1						MAG/PURITY ASSY:BLUE LATERAL	17174	BL-PR-15
-20	136-0703-02		1						SKT,PL-IN ELEK:ELCTR N TUBE,14 CONT	80009	136-0703-02
-21	-----	-----	1						COIL,RF:FIXED,DEGAUSSING(SEE L1220 EPL)		
-22	343-0004-00		4						CLAMP,LOOP:0.312 INCH DIAMETER,PLSTC (ATTACHING PARTS)	95987	5-16-6B
-23	210-0457-00		4						NUT,PLAIN,EXT W:6-32 X 0.312 INCH,STL	83385	OBD
-24	210-0863-00		4						WSHR,LOOP CLAMP:FOR 0.50" WIDE CLAMP,STL - - - * - - - -	95987	C191
-25	252-0571-00		AR						NEOPRENE EXTR:CHAN,0.234 X 0.156	77969	1353
-26	255-0334-00		AR						PLASTIC CHANNEL:12.75 X 0.175X 0.155,NYL	11897	122-37-2500
-27	426-1577-00		1						MOUNT,CRT: (ATTACHING PARTS)	80009	426-1577-00
-28	212-0023-00		3						SCREW,MACHINE:8-32 X 0.375 INCH,PNH STL - - - * - - - -	83385	OBD
-29	343-0007-00		2						CLAMP,LOOP: (ATTACHING PARTS)	95987	5-8-6B
-30	211-0507-00		2						SCREW,MACHINE:6-32 X 0.312 INCH,PNH STL	83385	OBD
-31	210-0863-00		2						WSHR,LOOP CLAMP:FOR 0.50" WIDE CLAMP,STL - - - * - - - -	95987	C191
-32	334-3409-00		1						MARKER IDENT:MARKED CAUTION	80009	334-3409-00
-33	252-0571-00		AR						NEOPRENE EXTR:CHAN,0.234 X 0.156	77969	1353
-34	407-2164-00		1						BRACKET,CKT BD:ALUMINUM (ATTACHING PARTS)	80009	407-2164-00
-35	212-0004-00		3						SCREW,MACHINE:8-32 X 0.312 INCH,PNH STL - - - * - - - -	83385	OBD
-36	348-0171-00		1						GROMMET,PLASTIC:U-SHAPED	80009	348-0171-00
-37	200-2229-00		1						COVER,HV:ALUM	80009	200-2229-00
37.1	334-3686-00		1						MARKER,IDENT:MARKED WARNING (ATTACHING PARTS)	80009	334-3686-00
-38	211-0507-00		6						SCREW,MACHINE:6-32 X 0.312 INCH,PNH STL - - - * - - - -	83385	OBD
-39	-----	-----	1						CKT BOARD ASSY:HIGH VOLTAGE(SEE A14 EPL) (ATTACHING PARTS)		
-40	211-0207-00		4						SCR,ASSEM WSHR:4-40 X 0.312 DOUBLE SEMS - - - * - - - -	83385	OBD
-41	131-0589-00		4						. TERM,PIN:0.46 L X 0.025 SQ.PH BRZ GL	22526	47350
-42	342-0442-00		1						. INSULATOR,WIRE:	80009	342-0442-00
-43	129-0178-00		3						INSULATOR,STDF:0.312 OD X 1.365 INCH LONG	80009	129-0178-00

REPLACEABLE MECHANICAL PARTS

Fig. & Index No.	Tektronix Part No.	Serial/Model No. Eff Dscont	Qty	1	2	3	4	5	Name & Description	Mfr Code	Mfr Part Number
3-44	384-0616-00		1						POST,ELEC-MECH:HEX,0.25 X 1.370 INCH LONG	80009	384-0616-00
-45	-----		1						RES.,VAR, NONWIR:TRMR,25M OHM,20%,(SEE R1140 EPL)		
-46	376-0011-01		1						CPLG,SHAFT,FLEX:0.252 ID X 0.438 OD,NYLON	80009	376-0011-01
-47	358-0029-00		1						BSHG,MACH.THD:HEX,0.375-32 X 0.438"LONG (ATTACHING PARTS)	80009	358-0029-00
-48	210-0590-00		1						NUT,PLAIN,HEX.:0.375 X 0.438 INCH,STL - - - * - - -	73743	2X28269-402
-49	384-1524-00		1						SHAFT,STRAIGHT:3.125 L X 0.25 OD,NYLON	80009	384-1524-00
-50	407-2163-00		2						BRACKET,ANGLE:FOCUS ADJUSTMENT,ALUMINUM (ATTACHING PARTS)	80009	407-2163-00
-51	210-0457-00		4						NUT,PLAIN,EXT W:6-32 X 0.312 INCH,STL - - - * - - -	83385	OBD
-52	-----		1						SEMICONV DEVICE:HV MULTR,(SEE CR1140 EPL) (ATTACHING PARTS)		
-53	220-0410-00		2						NUT,EXTENDED WA:10-32 X 0.375 INCH,STL	83385	OBD
-54	-----		1						CKT BOARD ASSY:H.V. CONTROL(SEE A15 EPL) (ATTACHING PARTS)		
-55	211-0207-00		4						SCR,ASSEM WSHR:4-40 X 0.312 DOUBLE SEMS - - - * - - -	83385	OBD
-56	131-0589-00		4						. TERM,PIN:0.46 L X 0.025 SQ.PH BRZ GL	22526	47350
-57	131-0608-00		11						. TERMINAL,PIN:0.365 L X 0.25 PH,BRZ,GOLD PL	22526	47357
-58	348-0067-00		2						GROMMET,PLASTIC:0.312 INCH DIA	80009	348-0067-00
	151-0256-00		1						TRANSISTOR:SILICON,NPN	80009	151-0256-00
-59	-----		1						TRANSISTOR:SILICON,NPN(SEE Q1120 EPL) (ATTACHING PARTS)		
-60	213-0183-00		2						SCR,TPG,THD FOR:6-20 X 0.5 TYPE B,PNH,STL - - - * - - -	83385	OBD
-61	386-0978-00		1						INSULATOR,PLATE:TRANSISTOR,MICA	80009	386-0978-00
-62	136-0280-00		1						SOCKET,PLUG-IN:FOR TO-3 (ATTACHING PARTS)	97913	LST 2202-2
-63	211-0038-00		2						SCREW,MACHINE:4-40 X 0.312"100 DEG,FLH STL	83385	OBD
-64	210-0586-00		2						NUT,PLAIN,EXT W:4-40 X 0.25 INCH,STL - - - * - - -	78189	211-041800-00
-65	441-1440-00		1						CHASSIS,TERM:HIGH VOLTAGE	80009	441-1440-00
-66	348-0063-00		1						GROMMET,PLASTIC:0.50 INCH DIA	80009	348-0063-00
-67	337-2576-00		1						SHIELD,ELEC:POWER SUPPLY (ATTACHING PARTS)	80009	337-2576-00
-68	212-0004-00		3						SCREW,MACHINE:8-32 X 0.312 INCH,PNH STL - - - * - - -	83385	OBD
	198-4051-00		1						WIRE SET,ELEC:	80009	198-4051-00
-69	175-0826-00		AR						. WIRE,ELECTRICAL:3 WIRE RIBBON	80009	175-0826-00
-70	352-0161-02		1						. CONN BODY,PL,EL:3 WIRE RED	80009	352-0161-02
-71	131-0707-00		3						. CONNECTOR,TERM.:22-26 AWG,BRS& CU BE GOLD	22526	47439
-72	179-2644-00		1						WIRING HARNESS:MAIN	80009	179-2644-00
-73	346-0120-00		30						. STRAP,ELEC COMP:TIEDOWN,5.5LG,MIN PLSTC	06383	SST 1.5M
	352-0162-03		1						. CONN BODY,PL,EL:4 WIRE ORANGE	80009	352-0162-03
	352-0166-02		1						. CONN BODY,PL,EL:8 WIRE RED	80009	352-0166-02
	352-0199-08		2						. HLDR,TERM CONN:3 WIRE GRAY	80009	352-0199-08
	352-0199-09		1						. HLDR,TERM CONN:3 WIRE WHITE	80009	352-0199-09
	352-0200-07		1						. CONN BODY,PL,EL:4 WIRE VIOLET	80009	352-0200-07
	352-0204-04		1						. HLDR,TERM CONN:8 WIRE,YELLOW	80009	352-0204-04
	352-0461-00		3						. HLDR,TERM. CONN:12 FEMALE,NYLON	27264	09-50-7121
	352-0462-00		2						. HLDR,TERM. CONN:10 FEMALE,NYLON	27264	09-50-7101



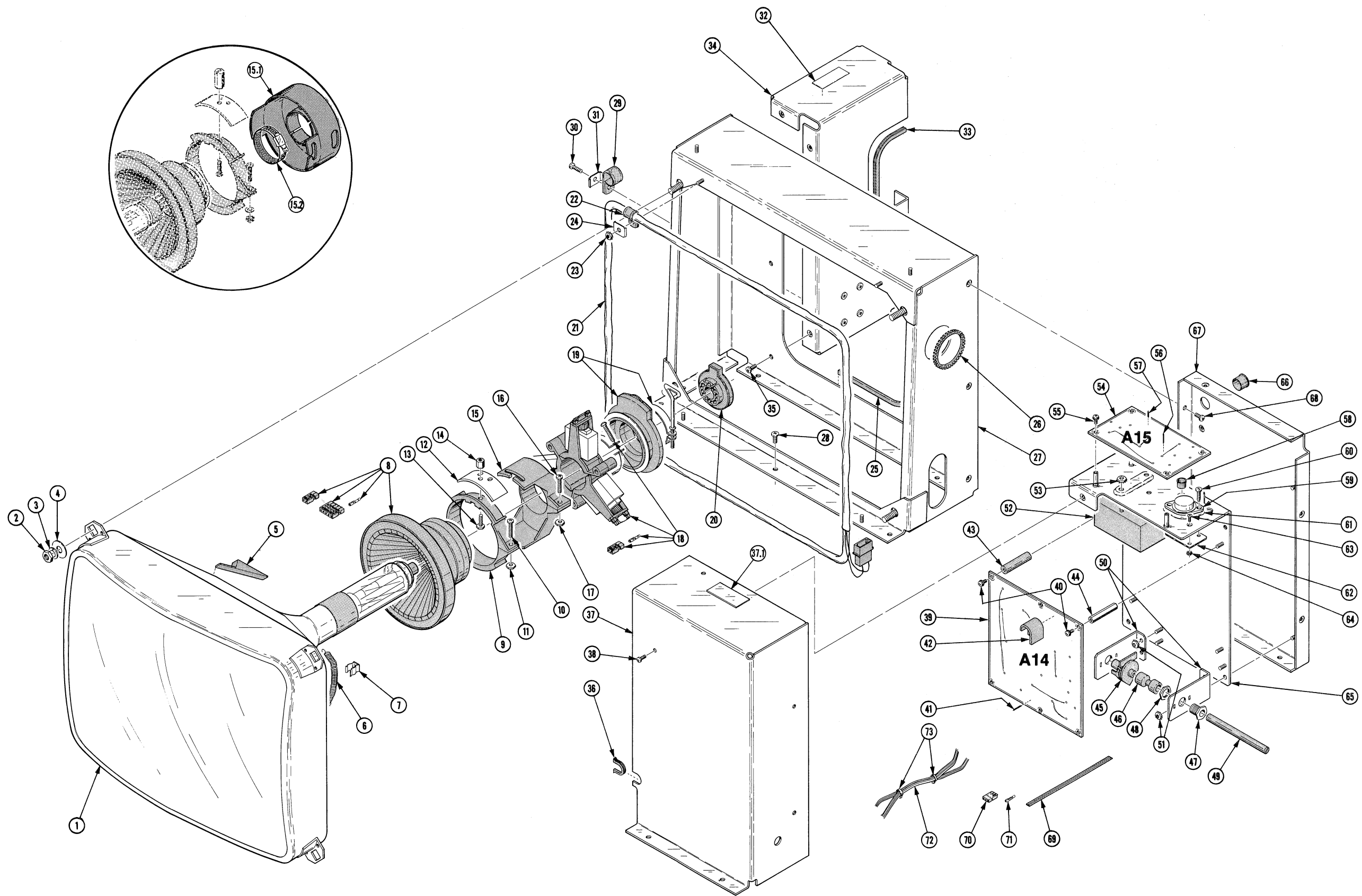
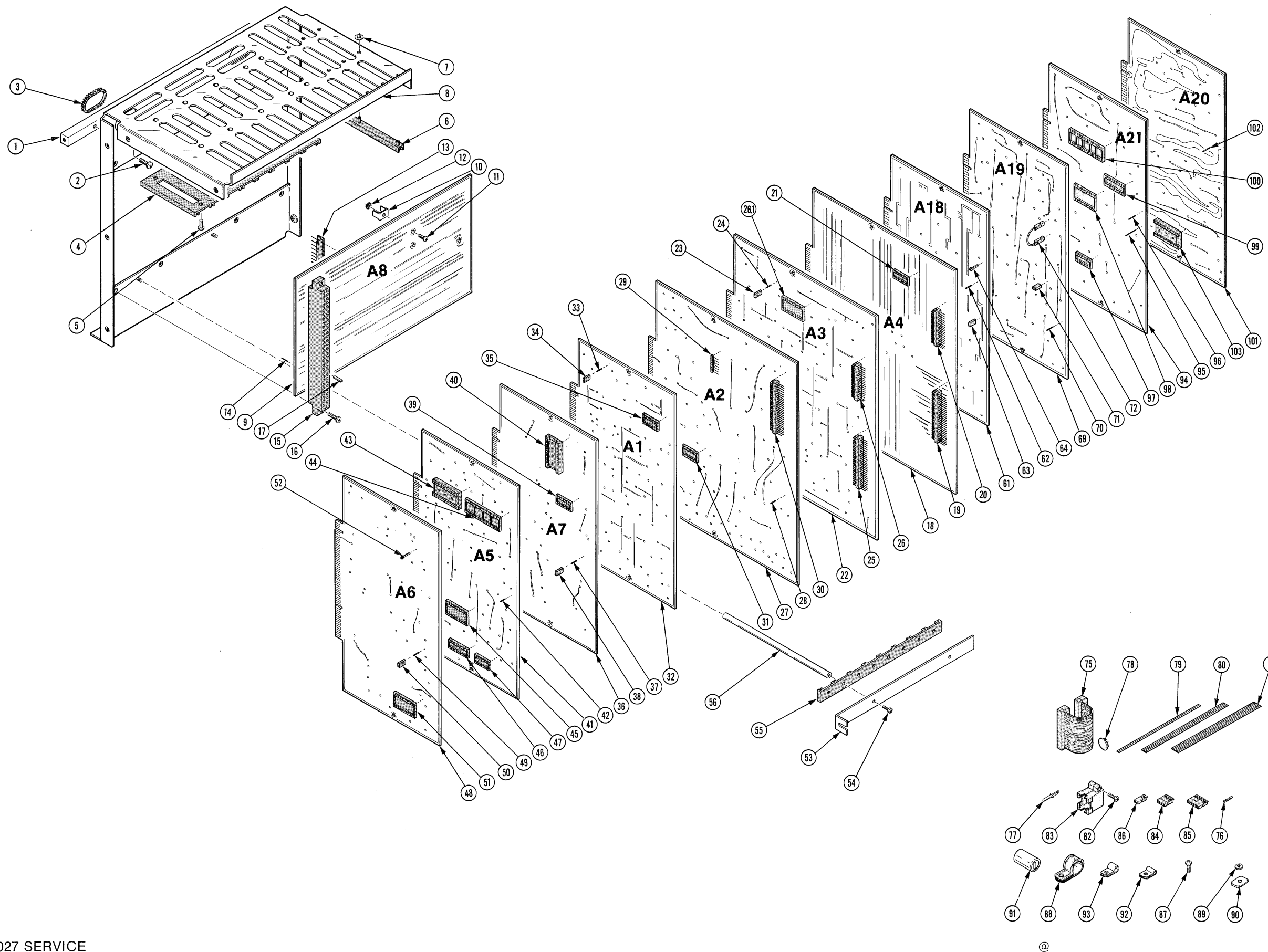
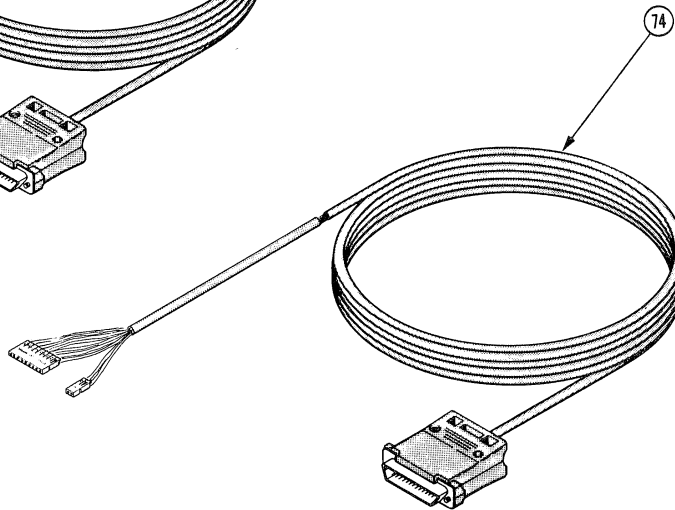
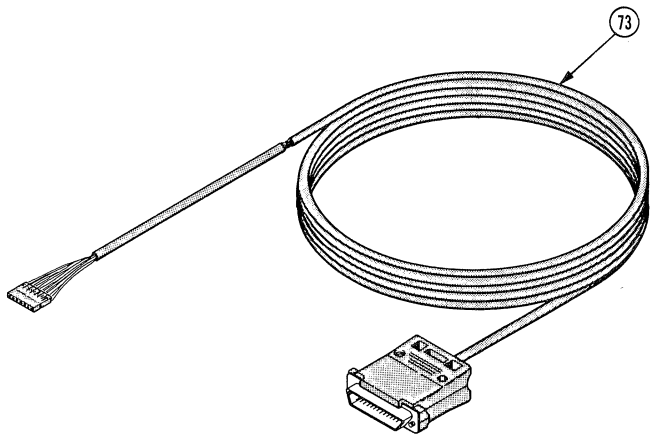
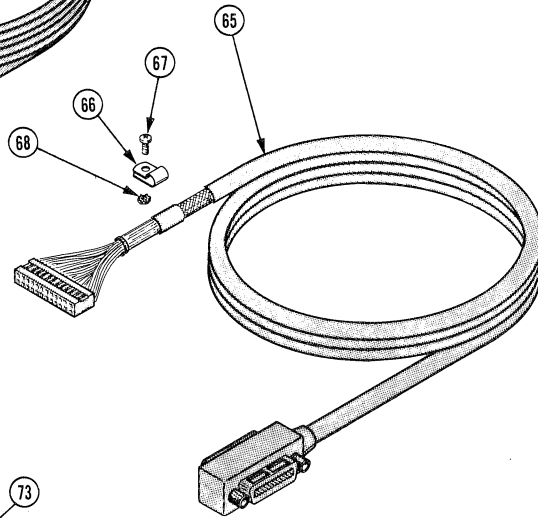
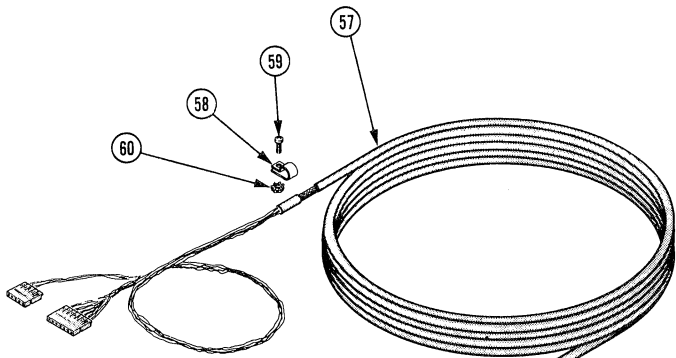


FIG. 3 CRT & HV POWER

@





REPLACEABLE MECHANICAL PARTS

Fig. & Index No.	Tektronix Part No.	Serial/Model No. Eff Dscnt	Qty	1 2 3 4 5	Name & Description	Mfr Code	Mfr Part Number
4-1	381-0405-00		1		BAR, STIFFENER: ALUM (ATTACHING PARTS)	80009	381-0405-00
-2	212-0004-00		4		SCREW, MACHINE: 8-32 X 0.312 INCH, PNH STL - - - * - - -	83385	OBD
-3	255-0334-00		AR		PLASTIC CHANNEL: 12.75 X 0.175 X 0.155, NYL	11897	122-37-2500
-4	351-0239-00		1		GUIDE, CKT BD: MAIN, LEFT & RIGHT, GRAY PC (ATTACHING PARTS)	80009	351-0239-00
-5	211-0507-00		6		SCREW, MACHINE: 6-32 X 0.312 INCH, PNH STL - - - * - - -	83385	OBD
-6	351-0512-00		8		GUIDE, CKT BOARD: WHITE NYLON, 4.89L (ATTACHING PARTS)	80009	351-0512-00
-7	354-0195-00		8		RING, RETAINING: - - - * - - -	97464	6100-12-ST-PA
-8	386-3961-00		1		CAGE, CIRCUIT BD: RIGHT	80009	386-3961-00
-9	-----		1		CKT BOARD ASSY: MOTHER(SEE A8 EPL)		
-10	131-1816-00		2		. TERM, QIK DISC.: 0.25 X 0.315 X 0.032 DOUBLE (ATTACHING PARTS)	00779	41480
-11	211-0008-00		2		. SCREW, MACHINE: 4-40 X 0.25 INCH, PNH STL	83385	OBD
-12	210-0586-00		2		. NUT, PLAIN, EXT W: 4-40 X 0.25 INCH, STL - - - * - - -	78189	211-041800-00
	131-2217-00		2		. CONN, RCPT, ELEC: CKT BOARD, 10 PIN, MALE	27264	09-60-1101
-13	131-1975-00		1		. TERM. SET, PIN: 12 MALE CONTACTS	27264	09-60-1121
-14	131-0589-00		3		. TERM, PIN: 0.46 L X 0.025 SQ. PH BRZ GL	22526	47350
-15	131-1147-00	B010100 B010269	12		. CONNECTOR, RCPT, : 72 PIN	31781	336-072-520-309
	131-1147-01	B010270	12		. CONN, RCPT, ELEC: CIRCUIT BOARD 36/72 FEMALE (ATTACHING PARTS)	00779	67887-1
-16	211-0511-00		24		. SCREW, MACHINE: 6-32 X 0.500, PNH, STL, CD PL - - - * - - -	83385	OBD
-17	131-1148-00		21		. KEY, CONN PLZN: PLASTIC	00779	67611-6
-18	-----		1		CKT BOARD ASSY: GRAPHICS MEMORY(SEE A4 EPL)		
-19	131-2221-00		1		. CONN, RCPT, ELEC: CKT BD, 50 CONT, MALE	00779	2-86479-9
-20	131-2222-00		1		. CONN, RCPT, ELEC: CKT BOARD, 34 CONT, MALE	00779	2-86479-1
-21	136-0260-02	B010100 B010547	72		. SOCKET, PLUG-IN: 16 CONTACT, LOW CLEARANCE	82647	C9316-18
	136-0260-02	B010548	48		. SOCKET, PLUG-IN: 16 CONTACT, LOW CLEARANCE	82647	C9316-18
-22	-----		1		CKT BOARD ASSY: GRAPHICS MEMORY CONT(SEE A3 EPL)		
-23	131-0993-00		11		. BUS, CONDUCTOR: 2 WIRE BLACK	00779	530153-2
-24	131-0608-00		55		. TERMINAL, PIN: 0.365 L X 0.25 PH, BRZ, GOLD PL	22526	47357
-25	131-2221-00		2		. CONN, RCPT, ELEC: CKT BD, 50 CONT, MALE	00779	2-86479-9
-26	131-2222-00		2		. CONN, RCPT, ELEC: CKT BOARD, 34 CONT, MALE	00779	2-86479-1
-26.1	136-0578-00		1		. SOCKET, PLUG-IN: 24 DIP, LOW PROFILE	73803	CS9002-24
-27	-----		1		CKT BOARD ASSY: DISPLAY CONTROLLER(SEE A2 EPL)		
-28	131-0608-00		31		. TERMINAL, PIN: 0.365 L X 0.25 PH, BRZ, GOLD PL	22526	47357
-29	131-1857-00		1		. TERM. SET, PIN: 36/0.025 SQ PIN, ON 0.1 CTRS	22526	65500136
-30	131-2221-00		1		. CONN, RCPT, ELEC: CKT BD, 50 CONT, MALE	00779	2-86479-9
-31	136-0260-02		1		. SOCKET, PLUG-IN: 16 CONTACT, LOW CLEARANCE	82647	C9316-18
-32	-----		1		CKT BOARD ASSY: DISPLAY MEMORY, 8K(SEE A1 EPL)		
	131-0787-00	B010100 B010304X	2		. CONTACT, ELEC: 0.64 INCH LONG	22526	47359
	131-0707-00	B010100 B010304X	1		. CONNECTOR, TERM.: 22-26 AWG, BRS & CU BE GOLD	22526	47439
	352-0171-00	B010100 B010304X	1		. HLDR, TERM CONN: 1 WIRE BLACK	80009	352-0171-00
-33	131-0608-00	XB010305	36		. TERMINAL, PIN: 0.365 L X 0.25 PH, BRZ, GOLD PL PL	22526	47357
-34	131-0993-00		9		. BUS, CONDUCTOR: 2 WIRE BLACK	00779	530153-2
-35	136-0260-02		16		. SOCKET, PLUG-IN: 16 CONTACT, LOW CLEARANCE	82647	C9316-18
-36	-----		1		CKT BOARD ASSY: COMMUNICATION(SEE A7 EPL)		
-37	131-0608-00		32		. TERMINAL, PIN: 0.365 L X 0.25 PH, BRZ, GOLD PL	22526	47357
-38	131-0993-00		6		. BUS, CONDUCTOR: 2 WIRE BLACK	00779	530153-2
-39	136-0260-02		1		. SOCKET, PLUG-IN: 16 CONTACT, LOW CLEARANCE,	82647	C9316-18
-40	136-0597-00		1		. SOCKET, PLUG-IN: 28 CONTACT	71279	703-3783-01-0416
-41	-----		1		CKT BOARD ASSY: PROCESSOR(SEE A5 EPL)		
-42	131-0608-00		19		. TERMINAL, PIN: 0.365 L X 0.25 PH, BRZ, GOLD PL	22526	47357
-43	136-0597-00		1		. SOCKET, PLUG-IN: 28 CONTACT	71279	703-3783-01-0416
-44	136-0623-00		1		. SOCKET, PLUG-IN: 40 DIP, LOW PROFILE	73803	CS9002-40
-45	136-0578-00		6		. SOCKET, PLUG-IN: 24 DIP, LOW PROFILE	73803	CS9002-24
-46	136-0621-00		2		. SOCKET, PLUG-IN: 22 CONTACT	73803	CS9002-22
-47	136-0260-02		3		. SOCKET, PLUG-IN: 16 CONTACT, LOW CLEARANCE	82647	C9316-18
-48	-----		1		CKT BOARD ASSY: ROM EXPANSION(SEE A6 EPL)		
-49	131-0608-00		38		. TERMINAL, PIN: 0.365 L X 0.25 PH, BRZ, GOLD PL	22526	47357
-50	131-0993-00		11		. BUS, CONDUCTOR: 2 WIRE BLACK	00779	530153-2
-51	136-0578-00		12		. SOCKET, PLUG-IN: 24 DIP, LOW PROFILE	73803	CS9002-24
-52	214-0579-00	B010100 B010100X	2		. TERM, TEST POINT: BRS CD PL	80009	214-0579-00

REPLACEABLE MECHANICAL PARTS

Fig. & Index No.	Tektronix Part No.	Serial/Model No. Eff Dscont	Qty	1 2 3 4 5	Name & Description	Mfr Code	Mfr Part Number
4-53	343-0794-00		2		RETAINER,CKT BOARD:ALUM (ATTACHING PARTS)	80009	343-0794-00
-54	211-0507-00		4		SCREW,MACHINE:6-32 X 0.312 INCH,PNH STL - - - * - - -	83385	OBD
-55	343-0469-00		2		RETAINER,CKT BD:POLYCARBONATE	80009	343-0469-00
-56	386-4077-00		4		SUPPORT,RTNR:CKT BOARD PLASTIC	80009	386-4077-00
	175-2237-00		2		CA ASSY,SP,ELEC:50,28 AWG,1.25 L	000EO	OBD
	175-2238-00		2		CA ASSY,SP,ELEC:34,28 AWG,1.25 L	000EO	OBD
-57	012-0773-00		1		. CABLE,INTCON:192.0 L - . (OPTION 3 ONLY)	80009	012-0773-00
-58	343-0662-00		1		. CLAMP,LOOP:0.187 DIA,STEEL CAD PLATE - . (OPTION 3 ONLY) (ATTACHING PARTS)	80009	343-0662-00
-59	211-0507-00		1		. SCREW,MACHINE:6-32 X 0.312 INCH,PNH STL - . (OPTION 3 ONLY)	83385	OBD
-60	210-0457-00		1		NUT,PLAIN,EXT W:6-32 X 0.312 INCH,STL - . (OPTION 3 ONLY) - - - * - - -	83385	OBD
-61	-----		1		. CKT BOARD ASSY:RS-232(SEE A18 EPL) - . (OPTION 3 ONLY)		
-62	131-0608-00		46		. . TERMINAL,PIN:0.365 L X 0.25 PH,BRZ,GOLD PL - . . (OPTION 3 ONLY)	22526	47357
-63	131-1459-00		1		. . BUS CONDUCTOR:WIRE,TERM CONN & HOLDERS - . . (OPTION 3 ONLY)	80009	131-1459-00
-64	214-0579-00		1		. . TERM,TEST POINT:BRS CD PL - . . (OPTION 3 ONLY)	80009	214-0579-00
-65	175-2138-00		1		. CA ASSY,SP,ELEC:23,26 AWG,2 METER - . (OPTION 4 ONLY)	80009	175-2138-00
-66	343-0661-00		1		. CLAMP,LOOP:0.250 DIA,STEEL CAD PLATE - . (OPTION 4 ONLY) (ATTACHING PARTS)	000ER	S4199BL-CHROMATE
-67	211-0507-00		1		. SCREW,MACHINE:6-32 X 0.312 INCH,PNH STL - . (OPTION 4 ONLY)	83385	OBD
-68	210-0457-00		1		. NUT,PLAIN,EXT W:6-32 X 0.312 INCH,STL - . (OPTION 4 ONLY) - - - * - - -	83385	OBD
-69	-----		1		. CKT BOARD ASSY:GPIB(SEE A19 EPL) - . (OPTION 4 ONLY)		
-70	131-0608-00		27		. . TERMINAL,PIN:0.365 L X 0.25 PH,BRZ,GOLD PL - . . (OPTION 4 ONLY)	22526	47357
-71	131-0993-00		1		. . BUS,CONDUCTOR:2 WIRE BLACK - . . (OPTION 4 ONLY)	00779	530153-2
-72	131-1270-00		2		. . BUS,CONDUCTOR: - . . (OPTION 4 ONLY)	80009	131-1270-00
-73	012-0778-00		1		. CABLE,INTCON:144.0L - . (OPTION 11 ONLY)	80009	012-0778-00
-74	012-0779-00		1		. CABLE,INTCON:144.0L - . (OPTION 11 ONLY)	80009	012-0779-00
	020-0394-00		1		. COMPONENT KIT:	80009	020-0394-00
-75	175-2136-00		1		. CA ASSY,SP,ELEC:40,28 AWG,2.5 L - . (OPTION 11 ONLY)	80009	175-2136-00
	198-3865-00		1		. WIRE SET,ELEC:	80009	198-3865-00
-76	131-0707-00		10		. . CONNECTOR,TERM.:22-26 AWG,BRS& CU BE GOLD - . . (OPTION 11 ONLY)	22526	47439
-77	131-1819-00		4		. . CONTACT,ELEC:26-18 AWG,MALE,GOLD PL - . . (OPTION 11 ONLY)	00779	350018-3
-78	134-0026-00		1		. . BUTTON,PLUG:FOR 0.375" HOLE - . . (OPTION 11 ONLY)	80112	1711-M
-79	175-0825-00		AR		. . WIRE,ELECTRICAL:2 WIRE RIBBON - . . (OPTION 11 ONLY)	80009	175-0825-00
-80	175-0827-00		AR		. . CABLE,SP,ELEC:4,26 AWG,STRD,PVC JKT,RBN - . . (OPTION 11 ONLY)	08261	SS04267(1061)OC
-81	175-0829-00		AR		. . WIRE,ELECTRICAL:6 WIRE RIBBON - . . (OPTION 11 ONLY)	08261	SS-0626-71061OC
-82	213-0149-00		1		. . SCR,TAP.,THD FO:6-32 X 0.375 INCH,PNH BRS - . . (OPTION 11 ONLY)	83385	OBD

REPLACEABLE MECHANICAL PARTS

Fig. & Index No.	Tektronix Part No.	Serial/Model No. Eff	Dscont	Qty	1	2	3	4	5	Name & Description	Mfr Code	Mfr Part Number
4-83	337-2523-00			1	SHLD,ELEC CON:6 PIN HOUSING	00779	1-350373-9
	-----			-	(OPTION 11 ONLY)		
-84	352-0162-09			2	CONN BODY,PL,EL:4 WIRE WHITE	80009	352-0162-09
	-----			-	(OPTION 11 ONLY)		
-85	352-0164-04			1	CONN BODY,PL,EL:6 WIRE YELLOW	80009	352-0164-04
	-----			-	(OPTION 11 ONLY)		
-86	352-0169-01			1	CONN BODY,PL,EL:2 WIRE BROWN	80009	352-0169-01
	-----			-	(OPTION 11 ONLY)		
	352-0169-02			1	CONN BODY,PL,EL:2 WIRE RED	80009	352-0169-00
	352-0169-03			2	CONN BODY,PL,EL:2 WIRE ORANGE	80009	352-0169-03
-87	211-0510-00			2	SCREW,MACHINE:6-32 X 0.375 INCH PNH BRS	83385	OBD
	-----			-	(OPTION 11 ONLY)		
-88	343-0007-00			2	CLAMP,LOOP:	95987	5-8-6B
	-----			-	(OPTION 11 ONLY)		
										(ATTACHING PARTS)		
-89	210-0457-00			2	NUT,PLAIN,EXT W:6-32 X 0.312 INCH,STL	83385	OBD
	-----			-	(OPTION 11 ONLY)		
-90	210-0863-00			2	WSHR,LOOP CLAMP:FOR 0.50" WIDE CLAMP,STL	95987	C191
	-----			-	(OPTION 11 ONLY)		
										- - - * - - -		
-91	-----			1	ACTR,ELMCH,ATRY:(SEE B1001 EPL)		
	-----			-	(OPTION 11 ONLY)		
-92	343-0662-00			1	CLAMP,LOOP:0.187 DIA,STEEL CAD PLATE	80009	343-0662-00
	-----			-	(OPTION 11 ONLY)		
-93	343-0663-00			1	CLAMP,LOOP:0.125 DIA,STEEL CAD PLATE	80009	343-0663-00
	-----			-	(OPTION 11 ONLY)		
-94	-----			1	CKT BD ASSY:POLLING CONTROLLER(SEE A21 EPL)		
	-----			-	(OPTION 11 ONLY)		
-95	131-0589-00			1	TERM,PIN:0.46 L X 0.025 SQ.PH BRZ GL	22526	47350
	-----			-	(OPTION 11 ONLY)		
-96	131-0608-00			84	TERMINAL,PIN:0.365 L X 0.25 PH,BRZ,GOLD PL	22526	47357
	-----			-	(OPTION 11 ONLY)		
-97	136-0260-02			2	SOCKET,PLUG-IN:16 CONTACT,LOW CLEARANCE	82647	C9316-18
	-----			-	(OPTION 11 ONLY)		
-98	136-0578-00			4	SOCKET,PLUG-IN:24 DIP,LOW PROFILE	73803	CS9002-24
	-----			-	(OPTION 11 ONLY)		
-99	136-0621-00			6	SOCKET,PLUG-IN:22 CONTACT	73803	CS9002-22
	-----			-	(OPTION 11 ONLY)		
-100	136-0623-00			1	SOCKET,PLUG-IN:40 DIP,LOW PROFILE	73803	CS9002-40
	-----			-	(OPTION 11 ONLY)		
-101	-----			1	CKT BD ASSY:POLLING CONT INTFC(SEE A20 EPL)		
	-----			-	(OPTION 11 ONLY)		
-102	131-0608-00			68	TERMINAL,PIN:0.365 L X 0.25 PH,BRZ,GOLD PL	22526	47357
	-----			-	(OPTION 11 ONLY)		
-103	136-0597-00			3	SOCKET,PLUG-IN:28 CONTACT	71279	703-3783-01-0416
	-----			-	(OPTION 11 ONLY)		

REPLACEABLE MECHANICAL PARTS

Fig. & Index No.	Tektronix Part No.	Serial/Model No. Eff Dscont	Qty	1 2 3 4 5	Name & Description	Mfr Code	Mfr Part Number
5-	-----	-----	1		MAIN POWER SUPPLY ASSY:(SEE A16 EPL)		
-1	348-0050-00	B010100 B010129	1		. GROMMET,PLASTIC:0.75 INCH DIA	80009	348-0050-00
	348-0492-00	B010130	1		. GROMMET,PLASTIC:0.562" ID,BLACK PLASTIC	28520	SB-750-9
-2	255-0334-00		AR		. PLASTIC CHANNEL:12.75 X 0.175X 0.155,NYL	11897	122-37-2500
-3	200-2253-00		1		. COVER,PWR SPLY: (ATTACHING PARTS)	80009	200-2253-00
-4	211-0507-00		4		. SCREW,MACHINE:6-32 X 0.312 INCH,PNH STL - - - * - - -	83385	OBD
-5	386-3965-01		1		. PANEL,BOTTOM:W/BRACKET & RAILS	80009	386-3965-01
-6	-----		1		. XFMR,PWR,STPDN:(SEE T1220 EPL) (ATTACHING PARTS)		
-7	211-0530-00		4		. SCREW,MACHINE:6-32 X 1.75 INCH,PNH STL	83385	OBD
-8	210-0870-00		4		. WASHER,FLAT:0.14 ID X 0.312 INCH OD STL	12327	OBD
-9	166-0227-00		4		. INS SLV,ELEC:0.187 ID X 1.50 INCH LONG - - - * - - -	80009	166-0227-00
-10	-----		2		. CAP,FXD,ELCTLT:2000MF(SEE C1221 AND C1222 EPL) (ATTACHING PARTS)		
-11	212-0518-00		4		. SCREW,MACHINE:10-32 X 0.312 INCH,PNH STL	83385	OBD
-12	210-0010-00		2		. WASHER,LOCK:INT,0.20 ID X0.376" OD,STL	78189	1210-00-00-0541C
-13	210-0206-00		2		. TERMINAL,LUG:SE #10 - - - * - - -	86928	A373-147-1
-14	255-0334-00		AR		. PLASTIC CHANNEL:12.75 X 0.175X 0.155,NYL	11897	122-37-2500
-15	407-2173-00		1		. BRACKET,CAP.:ALUMINUM (ATTACHING PARTS)	80009	407-2173-00
-16	210-0457-00		4		. NUT,PLAIN,EXT W:6-32 X 0.312 INCH,STL - - - * - - -	83385	OBD
-17	-----		1		. CKT BOARD ASSY:POWER SUPPLY(SEE A16A1 EPL) (ATTACHING PARTS)		
-18	211-0207-00		12		. SCR,ASSEM WSHR:4-40 X 0.312 DOUBLE SEMS - - - * - - -	83385	OBD
-19	131-1816-00		4		. . TERM,QIK DISC.:0.25 X 0.315 X 0.032 DOUBLE (ATTACHING PARTS)	00779	41480
-20	211-0008-00		4		. . SCREW,MACHINE:4-40 X 0.25 INCH,PNH STL	83385	OBD
-21	210-0586-00		4		. . NUT,PLAIN,EXT W:4-40 X 0.25 INCH,STL - - - * - - -	78189	211-041800-00
-22	131-1975-00		2		. . TERM. SET,PIN:12 MALE CONTACTS	27264	09-60-1121
-23	344-0154-00		4		. . CLIP,ELECTRICAL:FOR 0.25 INCH DIA FUSE	80009	344-0154-00
-24	131-0589-00		34		. . TERM,PIN:0.46 L X 0.025 SQ.PH BRZ GL	22526	47350
-25	131-0608-00		10		. . TERMINAL,PIN:0.365 L X 0.25 PH,BRZ,GOLD PL	22526	47357
-26	-----		1		. . XFMR,PWR,SDN & SU:(SEE T441 EPL) (ATTACHING PARTS)		
-27	214-2853-00		1		. . BOLT,U:6-32 X 3.4 X 2.69,BRASS	02114	70 U BOLT
-28	210-0457-00		2		. . NUT,PLAIN,EXT W:6-32 X 0.312 INCH,STL - - - * - - -	83385	OBD
-29	407-2172-00		2		. BRACKET,ANGLE:TRANSFORMER,ALUMINUM (ATTACHING PARTS)	80009	407-2172-00
-30	210-0457-00		4		. NUT,PLAIN,EXT W:6-32 X 0.312 INCH,STL - - - * - - -	83385	OBD
-31	-----		1		. CKT BOARD ASSY:INVERTER(SEE A17 EPL) (ATTACHING PARTS)		
-32	211-0207-00		6		. SCR,ASSEM WSHR:4-40 X 0.312 DOUBLE SEMS - - - * - - -	83385	OBD
-33	131-0589-00		31		. . TERM,PIN:0.46 L X 0.025 SQ.PH BRZ GL	22526	47350
-34	131-0608-00		5		. . TERMINAL,PIN:0.365 L X 0.25 PH,BRZ,GOLD PL	22526	47357
-35	-----		1		. SELECTOR,VOLTS:W/LINE FLTR(SEE FL1220 EPL)		
-36	131-1191-00		1		. TERM,QIK DISC:0.25 X 0.032 X 0.315 BLADE (ATTACHING PARTS)	00779	42822-2
-37	210-0457-00		1		. NUT,PLAIN,EXT W:6-32 X 0.312 INCH,STL - - - * - - -	83385	OBD
-38	334-3379-01		1		. MARKER,IDENT:MARKED GROUND SYMBOL	80009	334-3379-01
-39	-----		1		. RES,FXD,WW:1.25K OHM,5%,25W(SEE R1200 EPL) (ATTACHING PARTS)		
-40	211-0571-00		1		. SCREW,MACHINE:6-32 X 2.50 INCHES,PNH,STL	83385	OBD
-41	210-0900-00		2		. WASHER,SHLDR:0.165 ID X 0.129 D - - - * - - -	80009	210-0900-00

REPLACEABLE MECHANICAL PARTS

Fig. & Index No.	Tektronix Part No.	Serial/Model No. Eff Dscont	Qty	1	2	3	4	5	Name & Description	Mfr Code	Mfr Part Number
5-42	-----	-----	1	.					SEMICON DVC,DI:RECT BRIDGE(SEE CR1220 EPL) (ATTACHING PARTS)		
-43	210-0457-00		1	.					NUT,PLAIN,EXT W:6-32 X 0.312 INCH,STL - - - * - - -	83385	OBD
-44	210-0202-00		1	.					TERMINAL,LUG:0.146 ID,LOCKING,BRZ TINNED (ATTACHING PARTS)	78189	2104-06-00-2520N
-45	210-0407-00		1	.					NUT,PLAIN,HEX.:6-32 X 0.25 INCH,BRS - - - * - - -	73743	3038-0228-402
-46	333-2474-00		1	.					PANEL,REAR:RIGHT	80009	333-2474-00
-47	-----	-----	1	.					TRANSISTOR:NPN,SI(SEE Q199 EPL) (ATTACHING PARTS)		
-48	211-0097-00		1	.					SCREW,MACHINE:4-40 X 0.312 INCH,PNH STL	83385	OBD
-49	210-1181-00		1	.					WASHER,SHLDR:1.22 ID X 0.20D - - - * - - -	31223	OBD
-50	342-0202-00		1	.					INSULATOR,PLATE:TRANSISTOR	01295	10-21-023-106
-51	-----	-----	1	.					TRANSISTOR:NPN,SI(SEE Q191 EPL) (ATTACHING PARTS)		
-52	211-0097-00		1	.					SCREW,MACHINE:4-40 X 0.312 INCH,PNH STL	83385	OBD
-53	210-1181-00		1	.					WASHER,SHLDR:1.22 ID X 0.20D - - - * - - -	31223	OBD
-54	342-0311-00		1	.					INSULATOR,PLATE:MICA,TO-3 PLSTC TRANSISTOR	01295	10-21-023-105
-55	-----	-----	2	.					TRANSISTOR:NPN,SI(SEE Q181 AND Q185 EPL) (ATTACHING PARTS)		
-56	211-0097-00		1	.					SCREW,MACHINE:4-40 X 0.312 INCH,PNH STL	83385	OBD
-57	210-1122-00		1	.					WASHER,LOCK:0.228 ID X 0.375 INCH OD,STL - - - * - - -	04713	B52200F006
-58	342-0203-00		1	.					INSULATOR,PLATE:XSTR,0.675 X 0.625 X 0.001	18722	DF103C
-59	334-2990-00		1	.					MARKER,IDENT:CAUTION	22670	OBD
-60	-----	-----	1	.					COIL,RF:FIXED,15UH(SEE L1200 EPL) (ATTACHING PARTS)		
-61	211-0027-00		2	.					SCREW,MACHINE:4-40 X 1.50 INCH,PNH STL - - - * - - -	83385	OBD
-62	-----	-----	2	.					SEMICON DVC,SI:RECT,SI(SEE CR1200 AND CR1202 EPL) (ATTACHING PARTS)		
-63	210-0445-00		2	.					NUT,PLAIN,HEX.:10-32 X 0.375 INCH,STL	83385	OBD
-64	210-0853-00		2	.					WASHER,FLAT:0.25 ID X 0.50 OD	86044	OBD
-65	210-1286-00		4	.					WASHER,FLAT:0.25 ID X 0.002 THK,MICA	86928	5624-72-2
-66	210-1115-00		2	.					WASHER,FLAT:0.27 ID X 0.062 THK TEFLON	86445	OBD
-67	210-0333-00		2	.					TERMINAL,LUG:0.255 ID,BRASS TIN PLATED - - - * - - -	86928	5411-38
-68	-----	-----	1	.					SCR:SCR,SI,100V,35A(SEE Q1201 EPL) (ATTACHING PARTS)		
-69	210-0445-00		1	.					NUT,PLAIN,HEX.:10-32 X 0.375 INCH,STL	83385	OBD
-70	210-0853-00		1	.					WASHER,FLAT:0.25 ID X 0.50 OD	86044	OBD
-71	210-1286-00		2	.					WASHER,FLAT:0.25 ID X 0.002 THK,MICA	86928	5624-72-2
-72	210-1115-00		1	.					WASHER,FLAT:0.27 ID X 0.062 THK,TEFLON	86445	OBD
-73	210-0333-00		1	.					TERMINAL LUG:0.255 ID,BRASS,TIN PLATED - - - * - - -	86928	5411-38
-74	-----	-----	1	.					SCR:SI(SEE Q131 EPL) (ATTACHING PARTS)		
-75	211-0097-00		1	.					SCREW,MACHINE:4-40 X 0.312 INCH,PNH STL	83385	OBD
-76	210-1122-00		1	.					WASHER,LOCK:0.228 ID X 0.375 INCH OD,STL - - - * - - -	04713	B52200F006
-77	342-0203-00		1	.					INSULATOR,PLATE:XSTR,0.675 X 0.625 X 0.001	18722	DF103C
-78	-----	-----	1	.					TRANSISTOR:PNP,SI(SEE Q123 EPL) (ATTACHING PARTS)		
-79	211-0097-00		1	.					SCREW,MACHINE:4-40 X 0.312 INCH,PNH STL	83385	OBD
-80	210-1122-00		1	.					WASHER,LOCK:0.228 ID X 0.375 INCH OD,STL - - - * - - -	04713	B52200F006
-81	342-0203-00		1	.					INSULATOR,PLATE:XSTR,0.675 X 0.625 X 0.001	18722	DF103C
-82	-----	-----	1	.					TRANSISTOR:PNP,SI(SEE Q121 EPL) (ATTACHING PARTS)		
-83	211-0097-00		1	.					SCREW,MACHINE:4-40 X 0.312 INCH,PNH STL	83385	OBD
-84	210-1181-00		1	.					WASHER,SHLDR:1.22 ID X 0.20D - - - * - - -	31223	OBD

REPLACEABLE MECHANICAL PARTS

Fig. & Index No.	Tektronix Part No.	Serial/Model No. Eff Dscont	Qty	1 2 3 4 5	Name & Description	Mfr Code	Mfr Part Number
5-85	342-0311-00		1	.	INSULATOR, PLATE: MICA, T0-3 PLSTC TRANSISTOR	01295	10-21-023-105
-86	-----		2	.	TRANSISTOR: NPN, SI (SEE Q101 AND Q201 EPL) (ATTACHING PARTS)		
-87	211-0511-00		2	.	SCREW, MACHINE: 6-32 X 0.50 INCH, PNH STL	83385	OBD
-88	210-0006-00		2	.	WASHER, LOCK: #6 INTL, 0.018THK, STL CD PL - - - * - - -	78189	1206-00-00-0541C
-89	343-0793-00		2	.	RETAINER, XSTR: ALUM	80009	343-0793-00
-90	342-0450-00		2	.	INSULATOR, FILM: TRANSISTOR, POLYIMIDE	80009	342-0450-00
-91	342-0457-00		2	.	INSULATOR, PLATE: TRANSISTOR, ALUM	80009	342-0457-00
-92	214-2789-00		1	.	HEAT SINK, ELEC: POWER SUPPLY, ALUM (ATTACHING PARTS)	80009	214-2789-00
-93	211-0510-00		6	.	SCREW, MACHINE: 6-32 X 0.375 INCH, PNH STL - - - * - - -	83385	OBD
-94	012-0761-00		1	.	CABLE, INTCON: 49.35 L	80009	012-0761-00
	198-4013-00		1	.	WIRE SET, ELEC:	80009	198-4013-00
-95	175-0825-00		AR	.	WIRE, ELECTRICAL: 2 WIRE RIBBON	80009	175-0825-00
-96	175-0826-00		AR	.	WIRE, ELECTRICAL: 3 WIRE RIBBON	80009	175-0826-00
-97	131-0621-00		8	.	CONNECTOR, TERM: 22-26 AWG, BRS& CU BE GOLD	22526	46231
-98	131-0707-00		13	.	CONNECTOR, TERM.: 22-26 AWG, BRS& CU BE GOLD	22526	47439
-99	131-0792-00		19	.	CONNECTOR, TERM: 18-20 AWG, CU BE GOLD PL	22526	46221
-100	131-1216-00		4	.	CONTACT, ELEC: CRIMP MT W/BUE INS	00779	42332-4
-101	131-1563-00		3	.	TERM, QIK DISC.: FEMALE ACCOM 0.25 X 0.037	00779	61198-1
-102	131-1981-00		4	.	CONNECTOR, TERM.: 16-20 AWG, BRASS	91886	122-0202-019
	352-0161-01		2	.	CONN BODY, PL, EL: 3 WIRE BROWN	80009	352-0161-01
-103	352-0161-02		1	.	CONN BODY, PL, EL: 3 WIRE RED	80009	352-0161-02
-104	352-0169-01		1	.	CONN BODY, PL, EL: 2 WIRE BROWN	80009	352-0169-01
	352-0169-02		1	.	CONN BODY, PL, EL: 2 WIRE RED	80009	352-0169-00
	352-0169-03		1	.	CONN BODY, PL, EL: 2 WIRE ORANGE	80009	352-0169-03
-105	352-0199-03		1	.	CONN BODY, PL, EL: 3 WIRE ORANGE	80009	352-0199-03
	352-0199-05		2	.	CONN BODY, PL, EL: 3 WIRE GREEN	80009	352-0199-05
	352-0199-09		1	.	HLDR, TERM CONN: 3 WIRE WHITE	80009	352-0199-09
-106	352-0200-00		2	.	HLDR, TERM CONN: 4 WIRE BLACK	80009	352-0200-00
-107	352-0201-09		1	.	HLDR, TERM CONN: 5 WIRE, WHITE	80009	352-0201-09
-108	352-0202-00		1	.	HLDR, TERM CONN: 6 WIRE BLACK	80009	352-0202-00
-109	352-0203-01		1	.	CONN BODY, PL, EL: 7 WIRE BROWN	80009	352-0203-01
	352-0203-03		1	.	HLDR, TERM CONN: 7 WIRE, ORANGE	80009	352-0203-03
-110	352-0205-00		1	.	CONN BODY, PL, EL: 9 WIRE BLACK	80009	352-0205-00

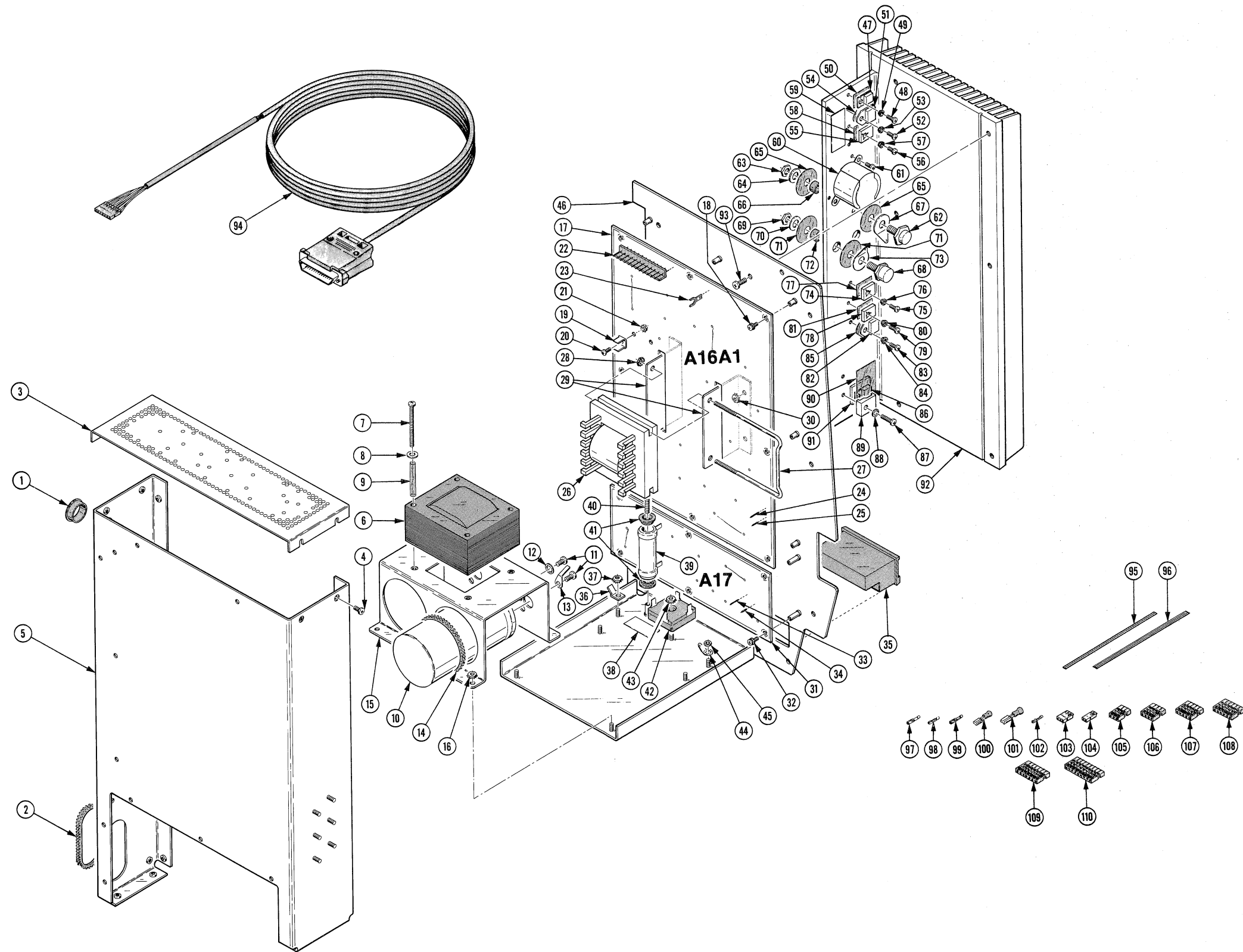
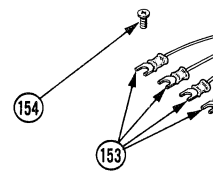
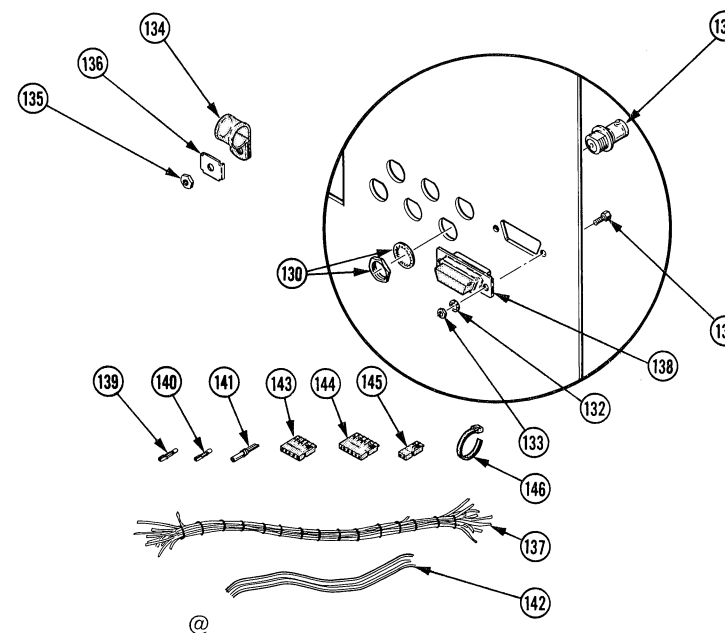
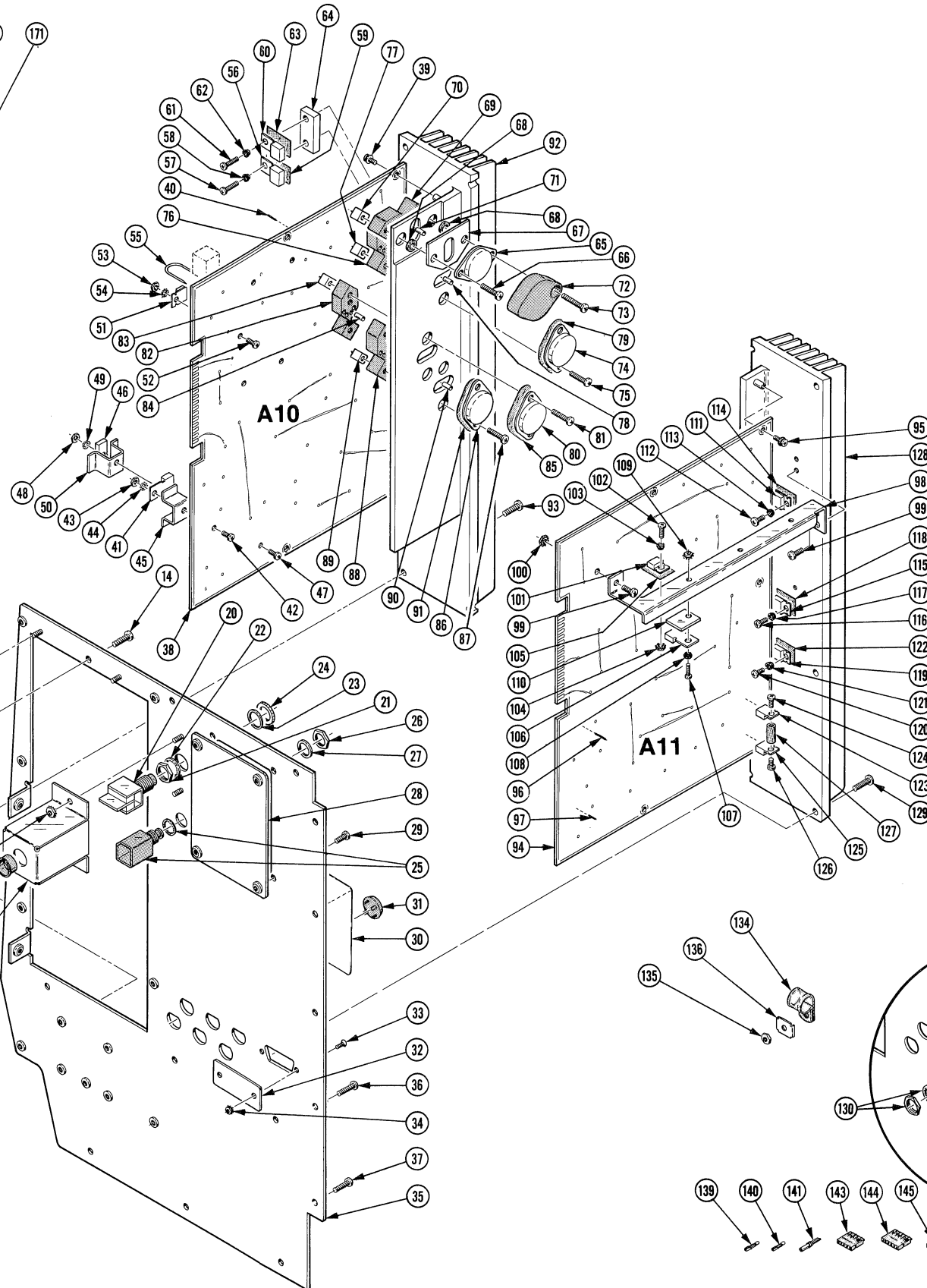
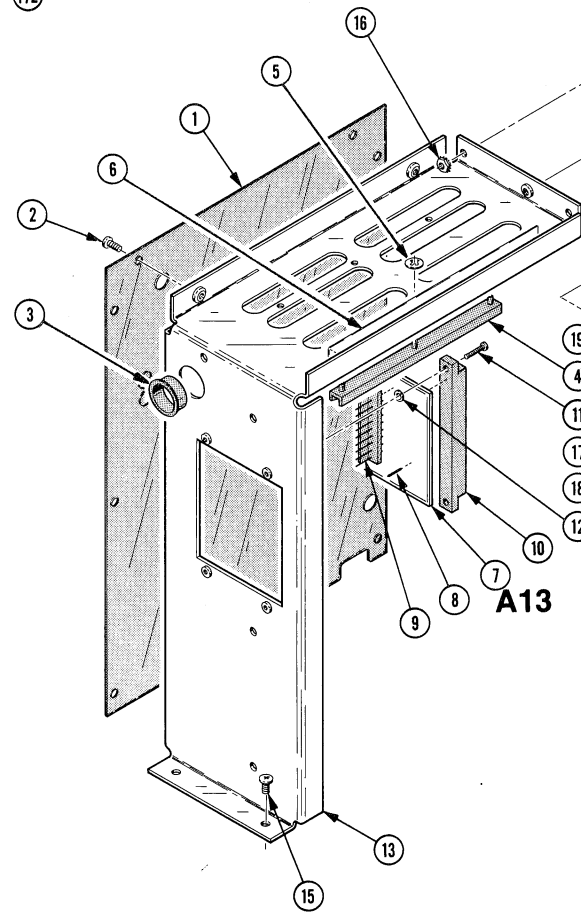
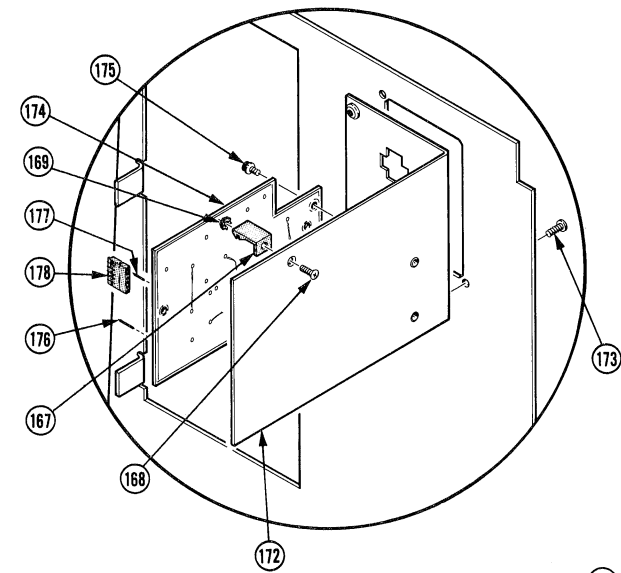
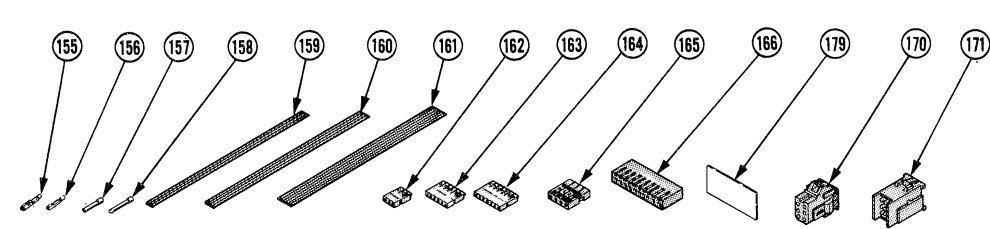
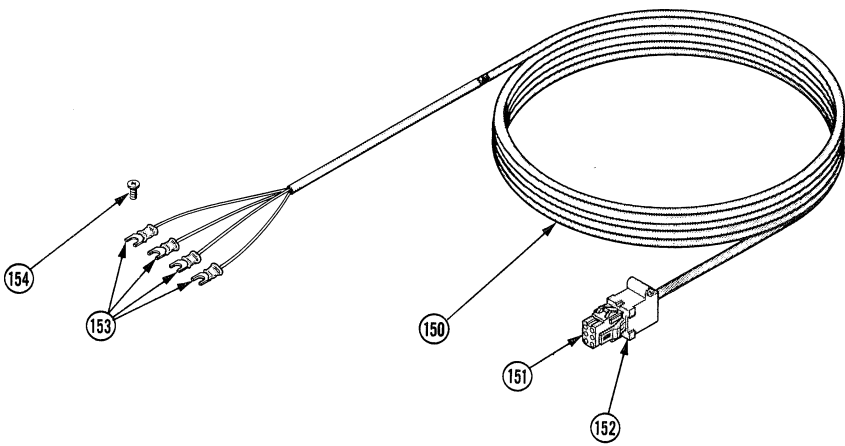
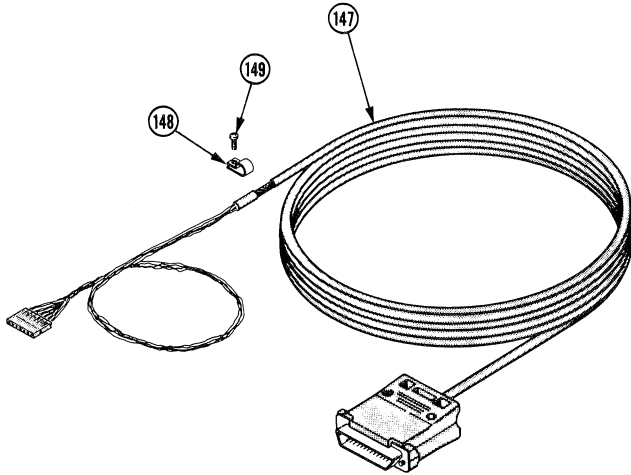


Fig. 5 POWER SUPPLY





REPLACEABLE MECHANICAL PARTS

Fig. & Index No.	Tektronix Part No.	Serial/Model No. Eff Dscont	Qty	1	2	3	4	5	Name & Description	Mfr Code	Mfr Part Number
6-1	200-2255-00		1						COVER, HV: PLASTIC (ATTACHING PARTS)	80009	200-2255-00
-2	211-0507-00		6						SCREW, MACHINE: 6-32 X 0.312 INCH, PNH STL - - - * - - -	83385	OBD
-3	348-0050-00		1						GROMMET, PLASTIC: 0.75 INCH DIA	80009	348-0050-00
-4	352-0512-00		2						HOLDER, CKT BD: 5.7 L, ALUMINUM (ATTACHING PARTS)	80009	352-0512-00
-5	354-0195-00		2						RING, RETAINING: - - - * - - -	97464	6100-12-ST-PA
-6	334-3440-00		1						MARKER, IDENT: MARKED W/CKT NUMBERS AND FUNCTION	80009	334-3440-00 *
-7	-----		1						CKT BOARD ASSY: DISPLAY INTERCONNECT (NO ELECTRICAL COMPONENTS)		
-8	131-0589-00		27						. TERM, PIN: 0.46 L X 0.025 SQ. PH BRZ GL	22526	47350
-9	131-2217-00		1						. CONN, RCPT, ELEC: CKT BD, 10 PIN MALE	27264	09-60-1101
-10	131-1043-00	B010100 B010199	2						. CONNECTOR, RCPT, :18/36 CONTACT	23880	SAC18D/4-2
	131-1043-01	B010200	2						. CONN, RCPT, ELEC: CKT BD, 18/36 CONTACT (ATTACHING PARTS)	05574	2VH18/1AV5
-11	211-0014-00		4						. SCREW, MACHINE: 4-40 X 0.50 INCH, PNH STL	83385	OBD
-12	210-0017-00		4						. WASHER, LOCK: #5 SPLIT 0.035 THK - - - * - - -	000EL	OBD
-13	386-3962-00		1						CAGE, CIRCUIT BD: LEFT (ATTACHING PARTS)	80009	386-3962-00
-14	212-0136-00		1						SCREW, MACHINE: 8-32 X 0.625 L, PNH, STL	000CY	OBD
-15	212-0004-00		2						SCREW, MACHINE: 8-32 X 0.312 INCH, PNH STL	83385	OBD
-16	210-0457-00		2						NUT, PLAIN, EXT W: 6-32 X 0.312 INCH, STL - - - * - - -	83385	OBD
-17	348-0063-00		1						GROMMET, PLASTIC: 0.50 INCH DIA	80009	348-0063-00
-18	200-2294-00		1						COVER, SWITCH: ALUM (ATTACHING PARTS)	80009	200-2294-00
-19	210-0457-00		2						NUT, PLAIN, EXT W: 6-32 X 0.312 INCH, STL - - - * - - -	83385	OBD
-20	-----		1						SWITCH, PUSH: SPDT, 10A, 250VAC (SEE S1220 EPL) (ATTACHING PARTS)		
-21	210-0414-00	B010100 B010787X	1						NUT, PLAIN, HEX. : 0.468-32 X 0.562 INCH, BRS	73743	3167-402
-22	210-0021-00	B010100 B010787X	1						WASHER, LOCK: INTL, 0.476 ID X 0.60" OD STL	78189	1222-01-00-0541C
-23	210-0845-00		1						WASHER, FLAT: 0.500 ID X 0.625 INCH OD, STL	89663	634-R
-24	210-0473-00		1						NUT, PLAIN, DODEC: 0.469-32 X 0.638 INCH, BRS - - - * - - -	80009	210-0473-00
-25	-----		1						SWITCH, PUSH: SPST, BLACK BUTTON (SEE S1003 EPL) (ATTACHING PARTS)		
-26	210-0413-00	B010100 B010787X	1						NUT, PLAIN, HEX. : 0.375-32 X 0.50 INCH, STL	73743	3145-402
-27	210-0840-00	B010100 B010787X	1						WASHER, FLAT: 0.39 ID X 0.562 INCH OD, STL - - - * - - -	89663	644R
-28	200-1350-00		1						PLATE, COVER: REAR (ATTACHING PARTS)	80009	200-1350-00
-29	211-0581-00		4						SCREW, MACHINE: 6-32 X 0.375 INCH, TRH STL - - - * - - -	83385	OBD
-30	334-3444-00		1						MARKER, IDENT: MARKED 4027 OPTIONS	80009	334-3444-00
-31	134-0067-00		6						BUTTON, PLUG: GRAY PLASTIC	80009	134-0067-00
-32	200-1751-00		1						COVER, CONN HOLE: 0.53 W X 1.625 INCH LONG (ATTACHING PARTS)	80009	200-1751-00
-33	211-0119-00		2						SCREW, MACHINE: 4-40 X 0.25" 100 DEG, FLH, STL	83385	OBD
-34	210-0586-00		2						NUT, PLAIN, EXT W: 4-40 X 0.25 INCH, STL - - - * - - -	78189	211-041800-00
-35	333-2469-00		1						PANEL, REAR: LEFT (ATTACHING PARTS)	80009	333-2469-00
-36	212-0040-00		3						SCREW, MACHINE: 8-32 X 0.375 100 DEG, FLH STL	83385	OBD
-37	212-0137-00		2						SCREW MACHINE: 8-32 X 0.375 L, PNH, STEEL	83385	OBD
	210-0458-00		3						NUT, PLAIN, EXT W: 8-32 X 0.344 INCH, STL - - - * - - -	83385	OBD
-38	-----		1						CKT BOARD ASSY: DEFLECTION AMPLIFIER (SEE A10 EPL)		
	-----		1						. CKT BOARD ASSY: DEFLECITON AMPL (SEE A10A1 EPL) (ATTACHING PARTS)		
-39	211-0207-00		4						. SCR, ASSEM WSHR: 4-40 X 0.312 DOUBLE SEMS - - - * - - -	83385	OBD

REPLACEABLE MECHANICAL PARTS

Fig. & Index No.	Tektronix Part No.	Serial/Model No. Eff Dscont	Qty	1	2	3	4	5	Name & Description	Mfr Code	Mfr Part Number
6-40	131-0589-00		22	TERM, PIN: 0.46 L X 0.025 SQ. PH BRZ GL	22526	47350
-41	-----		1	TRANSISTOR: NPN, SI (SEE Q821 EPL) (ATTACHING PARTS)		
-42	211-0008-00		1	SCREW, MACHINE: 4-40 X 0.25 INCH, PNH STL	83385	OBD
-43	210-Q406-00		1	NUT, PLAIN, HEX.: 4-40 X 0.188 INCH, BRS	73743	2X12161-402
-44	210-0003-00		1	WASHER, LOCK: EXT, 0.123 ID X 0.245" OD, STL	78189	1104-00-00-0541C
-45	214-1845-00		1	HEAT SINK, ELEC: TRANSISTOR - - - * - - -	80009	214-1845-00
-46	-----		2	TRANSISTOR: PNP, SI (SEE Q601 AND Q743 EPL) (ATTACHING PARTS)		
-47	211-0008-00		2	SCREW, MACHINE: 4-40 X 0.25 INCH, PNH STL	83385	OBD
-48	210-0406-00		2	NUT, PLAIN, HEX.: 4-40 X 0.188 INCH, BRS	73743	2X12161-402
-49	210-0003-00		2	WASHER, LOCK: EXT, 0.123 ID X 0.245" OD, STL	78189	1104-00-00-0541C
-50	214-1845-00		2	HEAT SINK, ELEC: TRANSISTOR - - - * - - -	80009	214-1845-00
-51	-----		1	TRANSISTOR: NPN, SI (SEE Q771 EPL) (ATTACHING PARTS)		
-52	211-0008-00		1	SCREW, MACHINE: 4-40 X 0.25 INCH, PNH STL	83385	OBD
-53	210-0406-00		1	NUT, PLAIN, HEX.: 4-40 X 0.188 INCH, BRS	73743	2X12161-402
-54	210-0003-00		1	WASHER, LOCK: EXT, 0.123 ID X 0.245" OD, STL	78189	1104-00-00-0541C
-55	346-0032-00		1	STRAP, RETAINING: 0.075 DIA X 4.0 L, MLD RBR	98159	2859-75-4
-56	-----		1	TRANSISTOR: NPN, SI (SEE Q158 EPL) (ATTACHING PARTS)		
-57	211-0198-00		1	SCREW, MACHINE: 4-40 X 0.438 PNH, STL, POZ	77250	OBD
-58	210-1156-00		1	WASHER, NONMETAL: 0.09 ID X 0.121" OD, NYLON - - - * - - -	80009	210-1156-00
-59	342-0322-00		1	INSULATOR, FILM: TRANSISTOR	80009	342-0322-00
-60	-----		1	TRANSISTOR: PNP, SI (SEE Q161 EPL) (ATTACHING PARTS)		
-61	211-0198-00		1	SCREW, MACHINE: 4-40 X 0.438 PNH, STL, POZ	77250	OBD
-62	210-1156-00		1	WASHER, NONMETAL: 0.09 ID X 0.121" OD, NYLON - - - * - - -	80009	210-1156-00
-63	342-0322-00		1	INSULATOR, FILM: TRANSISTOR	80009	342-0322-00
-64	361-0946-00		1	SPACER, XSTR: 1.2 X 0.5 X 0.188, AL	80009	361-0946-00
-65	-----		1	TRANSISTOR: NPN, SI (SEE Q1102 EPL) (ATTACHING PARTS)		
-66	211-0513-00		1	SCREW, MACHINE: 6-32 X 0.625 INCH, PNH STL	83385	OBD
-67	214-1610-00		1	HEAT SINK, ELEC: TRANSISTOR	80009	214-1610-00
-68	342-0447-00		2	INSULATOR, WSHR: 0.225 ID X 0.1 THK, PLASTIC	80009	342-0447-00
-69	136-0361-00		1	SPACER, XSTR:	80009	136-0361-00
-70	131-0847-00		1	TERMINAL STUD: 6-32 X 0.435 INCH LONG	80009	131-0847-00
-71	136-0384-00		2	SOCKET, PIN TERM: FOR 0.04 DIAMETER PIN	00779	52120
-72	200-0692-00		1	COV, TRANSISTOR: BLACK PLASTIC (ATTACHING PARTS)	80009	200-0692-00
-73	211-0514-00		1	SCREW, MACHINE: 6-32 X 0.750 INCH, PNH STL - - - * - - -	83385	OBD
-74	-----		1	TRANSISTOR: NPN, SI (SEE Q1100 EPL) (ATTACHING PARTS)		
-75	211-0513-00		2	SCREW, MACHINE: 6-32 X 0.625 INCH, PNH STL	83385	OBD
-76	136-0361-00		1	SPACER, XSTR:	80009	136-0361-00
-77	131-0847-00		1	TERMINAL STUD: 6-32 X 0.435 INCH LONG	80009	131-0847-00
-78	136-0384-00		2	SOCKET, PIN TERM: FOR 0.04 DIAMETER PIN - - - * - - -	00779	52120
-79	386-0978-00		1	INSULATOR, PLATE: TRANSISTOR, MICA	80009	386-0978-00
-80	-----		1	TRANSISTOR: PNP, SI (SEE Q1106 EPL) (ATTACHING PARTS)		
-81	211-0513-00		2	SCREW, MACHINE: 6-32 X 0.625 INCH, PNH STL	83385	OBD
-82	136-0361-00		1	SPACER, XSTR:	80009	136-0361-00
-83	131-0847-00		1	TERMINAL STUD: 6-32 X 0.435 INCH LONG	80009	131-0847-00
-84	136-0384-00		2	SOCKET, PIN TERM: FOR 0.04 DIAMETER PIN - - - * - - -	00779	52120

REPLACEABLE MECHANICAL PARTS

Fig. & Index No.	Tektronix Part No.	Serial/Model No. Eff Dscont	Qty	1	2	3	4	5	Name & Description	Mfr Code	Mfr Part Number
6-85	386-0978-00		1	.					INSULATOR, PLATE: TRANSISTOR, MICA	80009	386-0978-00
-86	-----		1	.					TRANSISTOR: NPN, SI (SEE Q1104 EPL) (ATTACHING PARTS)		
-87	211-0513-00		2	.					SCREW, MACHINE: 6-32 X 0.625 INCH, PNH STL	83385	OBD
-88	136-0361-00		1	.					SPACER, XSTR:	80009	136-0361-00
-89	131-0847-00		1	.					TERMINAL STUD: 6-32 X 0.435 INCH LONG	80009	131-0847-00
-90	136-0384-00		2	.					SOCKET, PIN TERM: FOR 0.04 DIAMETER PIN	00779	52120
-91	386-0978-00		1	.					INSULATOR, PLATE: TRANSISTOR, MICA	80009	386-0978-00
-92	214-2777-00		1	.					HEAT SINK, XSTR: (ATTACHING PARTS)	80009	214-2777-00
-93	212-0136-00		4	.					SCREW, MACHINE: 8-32 X 0.625 L, PNH, STL	000CY	OBD
-94	-----		1	.					CKT BOARD ASSY: CVRSN & Z AXIS (SEE A11 EPL)		
-94	-----		1	.					CKT BD ASSY: CVRSN AND Z AXIS (SEE A11A1 EPL) (ATTACHING PARTS)		
-95	211-0121-00	B010100 B010399	3	.					SCR, ASSEM WSHR: 4-40 X 0.438 INCH, PNH BRS	83385	OBD
	210-0938-00	B010400	3	.					WASHER, FLAT: 0.109 ID X 0.032 THK, STL CD PL	75497	AN-960-3
-96	131-0589-00		24	.					TERM, PIN: 0.46 L X 0.025 SQ. PH BRZ GL	22526	47350
-97	131-0608-00		14	.					TERMINAL, PIN: 0.365 L X 0.25 PH, BRZ, GOLD PL	22526	47357
-98	407-2260-00		1	.					BRACKET, SUPPORT: TRANSISTOR, ALUM (ATTACHING PARTS)	80009	407-2260-00
-99	211-0097-00		3	.					SCREW, MACHINE: 4-40 X 0.312 INCH, PNH STL	83385	OBD
-100	210-0586-00		1	.					NUT, PLAIN, EXT W: 4-40 X 0.25 INCH, STL	78189	211-041800-00
-101	-----		1	.					MICROCIRCUIT, LI: VOLTAGE REG (SEE U512 EPL) (ATTACHING PARTS)		
-102	211-0097-00		1	.					SCREW, MACHINE: 4-40 X 0.312 INCH, PNH STL	83385	OBD
-103	210-1178-00		1	.					WSHR, SHOULDERED: FOR MTG TO-220 TRANSISTOR	49671	DF 137A
-104	210-0586-00		1	.					NUT, PLAIN, EXT W: 4-40 X 0.25 INCH, STL	78189	211-041800-00
-105	342-0203-00		1	.					INSULATOR, PLATE: XSTR, 0.675 X 0.625 X 0.001	18722	DF103C
-106	-----		3	.					TRANSISTOR: NPN, SI (SEE Q111, 310 AND 411 EPL) (ATTACHING PARTS)		
-107	211-0097-00	B010100 B010399	3	.					SCREW, MACHINE: 4-40 X 0.312 INCH, PNH STL	83385	OBD
	211-0159-00	B010400	3	.					SCREW, MACHINE: 2-56 X 0.375, PNH, STL, CD PL	87308	OBD
-108	210-1178-00	B010100 B010399	3	.					WSHR, SHOULDERED: FOR MTG TO-220 TRANSISTOR	49671	DF 137A
	210-1156-00	B010400	3	.					WSHR, SHOULDERED: FOR MTG TO-220 TRANSISTOR	80009	210-1156-00
-109	210-0586-00	B010100 B010399	3	.					NUT, PLAIN, EXT W: 4-40 X 0.25 INCH, STL	78189	211-041800-00
	210-0405-00	B010400	3	.					NUT, PLAIN, HEX: 2-56 X 0.188, BRS, CD PL	73743	OBD
-110	342-0328-00		3	.					INSULATOR, PLATE: XSTR, ALUMINUM	80009	342-0328-00
-111	-----		1	.					TRANSISTOR: NPN, SI (SEE Q121 EPL) (ATTACHING PARTS)		
-112	211-0097-00		1	.					SCREW, MACHINE: 4-40 X 0.312 INCH, PNH STL	83385	OBD
-113	210-1178-00		1	.					WSHR, SHOULDERED: FOR MTG TO-220 TRANSISTOR	49671	DF 137A
-114	342-0203-00		1	.					INSULATOR, PLATE: XSTR, 0.675 X 0.625 X 0.001	18722	DF103C
-115	-----		3	.					TRANSISTOR: NPN, SI (SEE Q131, 141 AND 161 EPL) (ATTACHING PARTS)		
-116	211-0097-00		3	.					SCREW, MACHINE: 4-40 X 0.312 INCH, PNH STL	83385	OBD
-117	210-1178-00		3	.					WSHR, SHOULDERED: FOR MTG TO-220 TRANSISTOR	49671	DF 137A
-118	342-0203-00		3	.					INSULATOR, PLATE: XSTR, 0.675 X 0.625 X 0.001	18722	DF103C
-119	-----		3	.					TRANSISTOR: PNP, SI (SEE Q132, 142 AND 162 EPL) (ATTACHING PARTS)		
-120	211-0097-00		3	.					SCREW, MACHINE: 4-40 X 0.312 INCH, PNH STL	83385	OBD
-121	210-1178-00		3	.					WSHR, SHOULDERED: FOR MTG TO-220 TRANSISTOR	49671	DF 137A
-122	342-0203-00		3	.					INSULATOR, PLATE: XSTR, 0.675 X 0.625 X 0.001	18722	DF103C
-123	-----		3	.					TRANSISTOR: PNP, SI (SEE Q134, 144 AND 164 EPL) (ATTACHING PARTS)		
-124	211-0007-00		3	.					SCREW, MACHINE: 4-40 X 0.188 INCH, PNH STL	83385	OBD
-125	-----		3	.					TRANSISTOR: NPN, SI (SEE Q133, 143 AND 163 EPL) (ATTACHING PARTS)		
-126	211-0007-00		3	.					SCREW, MACHINE: 4-40 X 0.188 INCH, PNH STL	83385	OBD

REPLACEABLE MECHANICAL PARTS

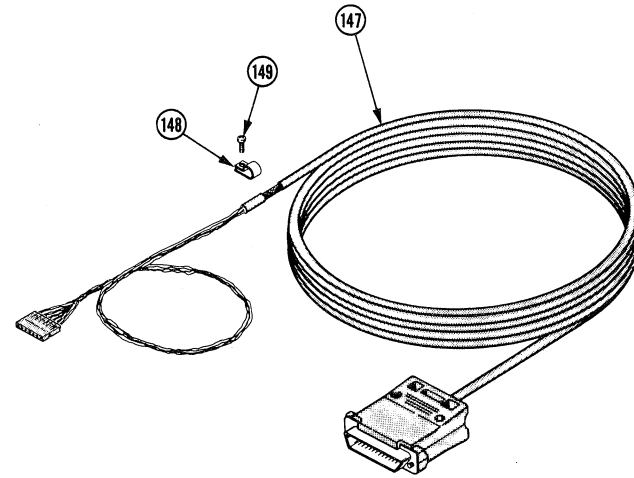
Fig. & Index No.	Tektronix Part No.	Serial/Model No. Eff Dscont	Qty	1 2 3 4 5	Name & Description	Mfr Code	Mfr Part Number
6-127	361-0046-00		3		. SPACER POST:0.5 L W/4-40 THRU	80009	361-0046-00
-128	214-2778-00		1		. HEAT SINK,ELEC:CONVERGENCE CKT BOARD (ATTACHING PARTS)	80009	214-2778-00
-129	212-0136-00		3		. SCREW,MACHINE:8-32 X 0.625 L,PNH,STL - - - * - - -	000CY	OBD
-130	131-0274-00		6		CONNECTOR,RCPT,:BNC (OPTION 42 ONLY)	91836	KC79-67 TR-5
-131	129-0260-00		2		POST,ELEC-MECH:0.255 HEX X 0.500 INCH L (OPTION 42 ONLY)	80009	129-0260-00
-132	210-0004-00		2		WASHER,LOCK:#4 INTL,0.015THK,STL CD PL (OPTION 42 ONLY)	78189	1204-00-00-0541C
-133	210-0406-00		2		NUT,PLAIN,HEX.:4-40 X 0.188 INCH,BRS (OPTION 42 ONLY)	73743	2X12161-402
-134	343-0004-00		1		CLAMP,LOOP:0.312 INCH DIAMETER,PLSTC (OPTION 42 ONLY)	95987	5-16-6B
-135	210-0586-00		1		NUT,PLAIN,EXT W:4-40 X 0.25 INCH,STL (OPTION 42 ONLY)	78189	211-041800-00
-136	210-0863-00		1		WSHR,LOOP CLAMP:FOR 0.50" WIDE CLAMP,STL (OPTION 42 ONLY)	95987	C191
-137	179-2668-00		1		WIRING HARNESS:VIDEO AND HARD COPY (OPTION 42 ONLY)	80009	179-2668-00
-138	131-2011-00		1		. CONN,RCPT,ELEC:D SERIES,15 FEMALE CONTACTS	77342	205205-1
	198-4075-00		1		. . WIRE SET,ELEC:	80009	198-4075-00
-139	131-0707-00		16		. . CONNECTOR,TERM.:22-26 AWG,BRS& CU BE GOLD	22526	47439
-140	131-0708-00		6		. . CONTACT,ELEC:0.48"L,28-32 AWG WIRE	22526	47437
-141	131-1279-01		5		. . .CONTACT,ELEC:FEMALE	00779	205311-4
-142	175-1087-00		AR		. . CABLE ASSY,SP:W/CONNECTOR PI (OPTION 42 ONLY)	80009	175-1087-00
-143	352-0163-06		1		. CONN BODY,PL,EL:5 WIRE BLUE	80009	352-0163-06
-144	352-0164-04		1		. CONN BODY,PL,EL:6 WIRE YELLOW	80009	352-0164-04
	352-0164-07		1		. HLD,TERM CONN:6 WIRE VIOLET	80009	352-0164-07
-145	352-0169-05		1		. CONN BODY,PL,EL:2 WIRE GREEN	80009	352-0169-05
-146	343-0549-00		16		. STRAP,TIEDOWN:0.091 W X 3.62 INCH LONG	59730	TY23M
-147	012-0760-00		1		CABLE,INTCON:194.0 L (OPTION 1 ONLY)	80009	012-0760-00
-148	343-0662-00		1		CLAMP,LOOP:0.187 DIA,STEEL CAD PLATE (OPTION 1 ONLY)	80009	343-0662-00
-149	211-0507-00		1		SCREW,MACHINE:6-32 X 0.312 INCH,PNH STL (OPTION 1 ONLY)	83385	OBD
-150	012-0803-00		1		CABLE,INTCON:5ML (OPTION 2 ONLY)	80009	012-0803-00
-151	204-0798-00		1		. CONN BODY,PLUG:6 CONTACTS,FEMALE (OPTION 2 ONLY)	00779	1-350241-9
-152	337-2523-00		1		. SHLD,ELEC CONN:6 PIN HOUSING (OPTION 2 ONLY)	00779	1-350373-9
-153	210-0308-00		4		. TERMINAL,LUG:#618,FORK SOLDERLESS (OPTION 2 ONLY)	09922	BA1628
-154	211-0581-00		4		. SCREW,MACHINE:6-32 X 0.375 INCH,TRH STL (OPTION 2 ONLY)	83385	OBD
	198-3823-00		1		WIRE SET,ELEC: (OPTION 2 AND 10 ONLY)	80009	198-3823-00
-155	131-0621-00		12		. CONNECTOR,TERM:22-26 AWG,BRS CU BE GOLD	22526	46231
	131-1918-00		4		. CONTACT,ELEC:22-26 AWG WIRE,CRIMP ON,BRS	27264	08-56-0107
-156	131-0707-00		15		. CONNECTOR,TERM.:22-26 AWG,BRS CU BE GOLD	22526	47439
-157	131-1818-00		6		. CONTACT,ELEC:SERIES MR,FEMALE,GOLD PL	00779	350019-2
-158	131-1819-00		6		. CONTACT,ELEC:26-18 AWG,MALE,GOLD PL	00779	350018-3
-159	175-0826-00		AR		. WIRE,ELECTRICAL:3 WIRE RIBBON	80009	175-0826-00

REPLACEABLE MECHANICAL PARTS

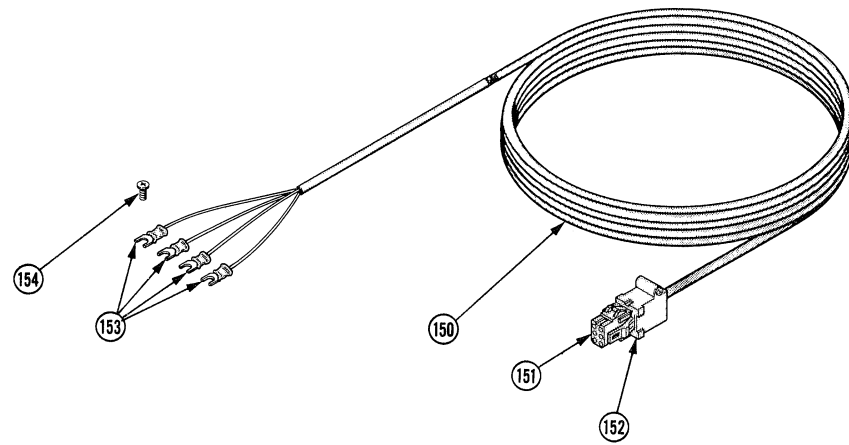
Fig. & Index No.	Tektronix Part No.	Serial/Model No. Eff Dscont	Qty	1	2	3	4	5	Name & Description	Mfr Code	Mfr Part Number
6-160	175-0827-00		AR	.	CABLE, SP, ELEC:4, 26 AWG, STRD, PVC JKT, RBN					08261	SS04267(1061)0C
	175-0861-00		AR	.	WIRE, ELECTRICAL:4 WIRE RIBBON					08261	SS-0422-1910610C
-161	175-0829-00		AR	.	WIRE, ELECTRICAL:6 WIRE RIBBON					08261	SS-0626-710610C
-162	352-0161-01		1	.	CONN BODY, PL, EL:3 WIRE BROWN					80009	352-0161-01
-163	352-0164-05		1	.	CONN BODY, PL, EL:6 WIRE GREEN					80009	352-0164-05
	352-0164-07		1	.	HLDR, TERM CONN:6 WIRE VIOLET					80009	352-0164-07
-164	352-0165-01		1	.	CONN BODY, PL, EL:7 WIRE BROWN					80009	352-0165-01
-165	352-0200-01		1	.	CONN BODY, PL, EL:4 WIRE BROWN					80009	352-0200-01
	352-0200-06		2	.	CONN BODY, PL, EL:4 WIRE BLUE					80009	352-0200-06
-166	352-0462-00		1	.	HLDR, TERM. CONN:10 FEMALE, NYLON					27264	09-50-7101
-167	344-0131-00		2	.	CLIP, SPG TENS:CIRCUIT CARD MOUNTING					80009	344-0131-00
	-----		-	.	(OPTION 2 AND 10 ONLY)						
				.	(ATTACHING PARTS)						
-168	211-0101-00		2	.	SCREW, MACHINE:4-40 X 0.25" 100 DEG, FLH STL					83385	OBD
	-----		-	.	(OPTION 2 AND 10 ONLY)						
-169	210-0586-00		2	.	NUT, PLAIN, EXT W:4-40 X 0.25 INCH, STL					78189	211-041800-00
	-----		-	.	(OPTION 2 AND 10 ONLY)						
				.	- - - * - - -						
-170	204-0797-00		1	.	CONN BODY, PLUG:6 CONTACTS, MALE					00779	1350234-9
	-----		-	.	(OPTION 2 ONLY)						
-171	204-0798-00		1	.	CONN BODY, PLUG:6 CONTACTS, FEMALE					00779	1350241-9
	-----		-	.	(OPTION 2 ONLY)						
-172	333-2395-00		1	.	PANEL, REAR:					80009	333-2395-00
	-----		-	.	(OPTION 2 AND 10 ONLY)						
				.	(ATTACHING PARTS)						
-173	211-0581-00		4	.	SCREW, MACHINE:6-32 X 0.375 INCH, TRH STL					83385	OBD
	-----		-	.	(OPTION 2 AND 10 ONLY)						
				.	- - - * - - -						
-174	-----		1	.	CKT BD ASSY:CURRENT LOOP(SEE A17 EPL)						
	-----		-	.	(OPTION 2 AND 10 ONLY)						
				.	(ATTACHING PARTS)						
-175	211-0207-00		2	.	SCR, ASSEM WSHR:4-40 X 0.312 DOUBLE SEMS					83385	OBD
	-----		-	.	(OPTION 2 AND 10 ONLY)						
				.	- - - * - - -						
-176	131-0589-00		8	.	TERM, PIN:0.46 L X 0.025 SQ. PH BRZ GL					22526	47350
-177	131-0608-00		33	.	TERMINAL, PIN:0.365 L X 0.25 PH, BRZ, GOLD PL					22526	47357
-178	131-2165-00		2	.	BUS CONDUCTOR:6, 26 AWG, 1.5 L					80009	131-2165-00
-179	334-3323-00		1	.	MARKER, IDENT:MARKED POLLING SERVICE					80009	334-3323-00
	-----		-	.	(OPTION 10 ONLY)						



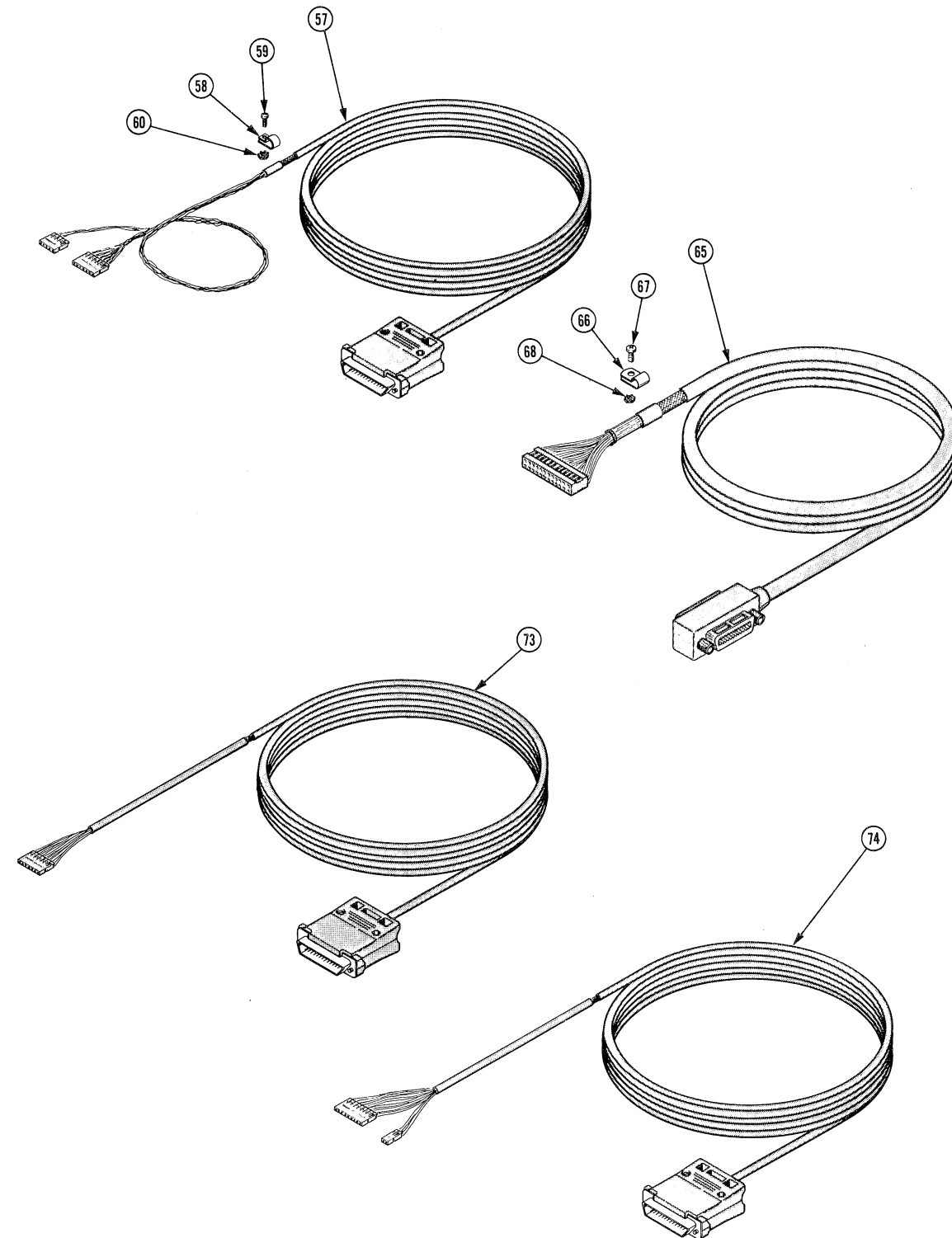
Tektronix Part No.	Serial/Model No. Eff	Dscont	Qty	1	2	3	4	5	Name & Description	Mfr Code	Mfr Part Number
STANDARD ACCESSORIES											
070-2658-00			1						MANUAL, TECH: OPERATORS	80009	070-2658-00
070-2659-00			1						CARD, INFO: PROGRAMMERS REFERENCE	80009	070-2659-00
334-3290-00			6						OVERLAY, KYBD: BLANK	80009	334-3290-00
366-1748-00			1						PUSH BUTTON: NATURAL, BLANK, 1 X 2	01963	028-7213
200-2163-00			1						COVER, PB: 1 X 2	01963	028-7200
366-1749-00			4						PUSH BUTTON: NATURAL, BLANK, 1 X 1	01963	028-7228
200-2164-00			4						COVER, PB: 1 X 1	01963	228-7236
161-0066-00			1						CABLE ASSY, PWR, :3 WIRE, 98 INCH LONG	80009	161-0066-00



OPTIONAL ACCESSORIES											
070-2488-00			1						MANUAL, TECH: 4020 SERIES OPTION 10 AND 11	80009	070-2488-00
070-2832-00			1						MANUAL, TECH: SERVICE	80009	070-2832-00
070-2657-00			1						MANUAL, TECH: PROGRAMMERS	80009	070-2657-00
012-0799-00			1						CABLE, INTCON: 5M L	80009	012-0799-00
-----			-						(OPTION 11 ONLY)		
012-0799-01			1						CABLE, INTCON: 15M L	80009	012-0799-01
-----			-						(OPTION 11 ONLY)		
012-0799-02			1						CABLE, INTCON: 45M L	80009	012-0799-02
-----			-						(OPTION 11 ONLY)		
012-0799-03			1						CABLE, INTCON: 75M L	80009	012-0799-03
-----			-						(OPTION 11 ONLY)		
012-0799-04			1						CABLE, INTCON: 150M L	80009	012-0799-04
-----			-						(OPTION 11 ONLY)		
067-0846-00			1						FIXTURE, CAL: 4025 EXTENDER	80009	067-0846-00
067-0882-00			1						FIXTURE, CAL: EXTENDER BOARD	80009	067-0882-00
067-0884-00			1						FIXTURE CAL: GRATICULE	80009	067-0884-00



OPTION	ORDER NO.	DESCRIPTION		
1	021-0225-00	INTERFACE:HALF DUPLEX (REQUIRES OPTION 35)	80009	021-0225-00
2	021-0255-00	CURRENT LOOP (OPTION 2,10,11)	80009	021-0255-00
3	021-0227-00	INTERFACE:RS-232 PERIPHERAL (REQUIRES OPTION 36)	80009	021-0227-00
4	021-0228-00	INTERFACE:GPIB PERIPHERAL (REQUIRES OPTION 36)	80009	021-0228-00
4A	020-0529-00	KEYBOARD,UNITED KINGDOM	80009	020-0529-00
4B	020-0532-00	KEYBOARD,FRENCH	80009	020-0532-00
4C	020-0535-00	KEYBOARD,SWEDISH	80009	020-0535-00
10	020-0394-00	COMPONENT KIT:POLLING INTERFACE	80009	020-0394-00
11	018-0138-00	POLLING CONTROLLER AND INTERFACE	80009	018-0138-00
21	020-0288-01	CKT BOARD ASSY:DISPLAY MEMORY 16K	80009	020-0288-01
22	020-0288-01	2 EA CKT BOARD ASSY:DISPLAY MEMORY 32K	80009	020-0288-01
27	020-0288-01	6 EA 96K GRAPHICS MEMORY	80009	020-0288-01
28	020-0288-01	9 EA 144K GRAPHICS MEMORY	80009	020-0288-01
29	020-0288-01	12 EA 192K GRAPHICS MEMORY	80009	020-0288-01
31	018-0134-00	CHARACTER EXPANSION	80009	018-0134-00
32	020-0340-00	COMPONENT KIT:RULING CHARACTER (REQUIRES OPTION 31)	80009	020-0340-00
34	020-0341-00	COMPONENT KIT:MATH CHARACTER (REQUIRES OPTION 31)	80009	020-0341-00
36	020-0342-00	COMPONENT KIT:PERIPHERAL ROM	80009	020-0342-00
42	020-0364-00	VIDEO HARD COPY	80009	020-0364-00
48	-----	220 VOLTS 50HZ		



Appendix A

ASCII CODE CHART

When the 4027 stores text in its memory, or sends and receives text from the computer, it represents that text as a collection of telegraph characters, using the ASCII telegraph code. ("ASCII" stands for "American Standard Code for Information Interchange". This code is known internationally as the "ISO-7" code.)

Bits. Each character of the ASCII code is a collection of seven "bits" ("binary digits"). (Often an eighth bit, the "parity bit" is added for error-detection purposes.) Each bit is either "1" or "0". With 7 bits, there are 128 possible combinations; these are the 128 ASCII characters.

ASCII Decimal Equivalents. Each character may be regarded as a binary numeral, representing a number in the range from 0 to 127. For instance, the ASCII character for "Z" is "1011010", which is the binary numeral for the number 90. We say that 90 is the "ASCII decimal equivalent" for the letter Z.

Printing and Non-Printing Characters. The 128 characters in the ASCII alphabet include many characters which can be printed on paper: upper and lower case letters of the alphabet, numerals, the "space" character, punctuation marks and special symbols. In addition, there are some "non-printing" characters, or "control characters". These have special meanings such as "carriage return" or "device control #1", and are used to control machines.

Using the ASCII Code Chart. Table A-1 is an "ASCII Code Chart"; it lists the 128 ASCII characters, and shows the binary bits and ASCII decimal equivalent for each character. The chart is a rectangular array of 8 columns, each containing 16 characters; this makes it more compact than a table with a single column of 128 characters.

The "high order bits" (B7,B6,B5) for the characters in each column are the same; they appear at the top of the column. Similarly, the "low order bits" (B4,B3,B2,B1) for the characters in each row are the same, and are shown at the left of the row.

ASCII CODE CHART

For instance, the letter "Z" is in the sixth column and twelfth row. At the top of the column, we see its high order bits: "101"; its low order bits, "1010", appear at the left of the row. Hence, its seven binary bits are:

B7	B6	B5	B4	B3	B2	B1
1	0	1	1	0	1	0

The binary numeral "1011010" represents the number "90". This is the ASCII decimal equivalent for "Z", and appears next to it in the chart.

The "control characters" occupy the first two columns in Table A-1. There are keys on the keyboard for only a few of these characters: "escape" ("ESC"), "tab" ("HT"), "backspace" ("BS"), "carriage return" ("CR"), and "line feed" ("LF"). However, you can send any control character to the computer by using the CTRL key.

To send one of the control characters, you hold down the CTRL key and type one of the other ASCII characters. For instance, to type an "ENQ" character, you press CTRL-E; to type a "DC3", you press CTRL-S. Table A-2 lists the control characters, the keys you press to type these characters, and the two-letter mnemonics by which they are displayed when using the LEARN key.

Table A-1
ASCII CODE CHART

BITS														
B7	B6	B5	B4	B3	B2	B1	0 0 0	0 0 1	0 1 0	0 1 1	1 0 0	1 0 1	1 1 0	1 1 1
				CONTROL		HIGH X & Y GRAPHIC INPUT		LOW X		LOW Y				
0	0	0	0	0	0	0	NUL 0	DLE 16	SP 32	0 48	@ 64	P 80	\ 96	p 112
0	0	0	1	0	0	1	SOH 1	DC1 17	! 33	1 49	A 65	Q 81	a 97	q 113
0	0	1	0	0	1	0	STX 2	DC2 18	" 34	2 50	B 66	R 82	b 98	r 114
0	0	1	1	0	1	1	ETX 3	DC3 19	# 35	3 51	C 67	S 83	c 99	s 115
0	1	0	0	0	1	0	EOT 4	DC4 20	\$ 36	4 52	D 68	T 84	d 100	t 116
0	1	0	1	0	1	1	ENQ 5	NAK 21	% 37	5 53	E 69	U 85	e 101	u 117
0	1	1	0	0	1	0	ACK 6	SYN 22	& 38	6 54	F 70	V 86	f 102	v 118
0	1	1	1	0	1	1	BEL 7	ETB 23	/ 39	7 55	G 71	W 87	g 103	w 119
1	0	0	0	0	1	0	BS 8	CAN 24	(40	8 56	H 72	X 88	h 104	x 120
1	0	0	1	0	1	1	HT 9	EM 25) 41	9 57	I 73	Y 89	i 105	y 121
1	0	1	0	0	1	0	LF 10	SUB 26	* 42	: 58	J 74	Z 90	j 106	z 122
1	0	1	1	0	1	1	VT 11	ESC 27	+ 43	; 59	K 75	[91	k 107	{ 123
1	1	0	0	0	1	0	FF 12	FS 28	, 44	< 60	L 76	\ 92	l 108	; 124
1	1	0	1	0	1	1	CR 13	GS 29	- 45	= 61	M 77] 93	m 109	} 125
1	1	1	0	0	1	0	SO 14	RS 30	. 46	> 62	N 78	^ 94	n 110	~ 126
1	1	1	1	0	1	1	SI 15	US 31	/ 47	? 63	O 79	_ 95	o 111	RUBOUT (DEL) 127

2656-204

Table A-2
CONTROL CHARACTERS

Mnemonic	Usual ASCII Abbrev.	Name of Character	Keys to Press
N	NUL	Null	CTRL- @
S	SOH	Start of Heading	CTRL-A
X	STX	Start of Text	CTRL-B
E	ETX	End of Text	CTRL-C
T	EOT	End of Transmission	CTRL-D
E	ENQ	Enquiry	CTRL-E
A	ACK	Acknowledgement	CTRL-F
B	BEL	Bell	CTRL-G
S	BS	Backspace	CTRL-H
H	HT	Horizontal Tab	CTRL-I
L	LF	Line Feed	CTRL-J
V	VT	Vertical Tab	CTRL-K
F	FF	Form Feed	CTRL-L
C	CR	Carriage Return	CTRL-M
S	SO	Shift Out	CTRL-N
I	SI	Shift In	CTRL-O
D	DLE	Data Link Escape	CTRL-P
1	DC1	Device Control 1	CTRL-Q
2	DC2	Device Control 2	CTRL-R
3	DC3	Device Control 3	CTRL-S
4	DC4	Device Control 4	CTRL-T
N	NAK	Negative Acknowledgement	CTRL-U
S	SYN	Synchronization Character	CTRL-V
E	ETB	End of Transmission Block	CTRL-W
C	CAN	Cancel	CTRL-X
E	EM	End of Medium	CTRL-Y
S	SUB	Substitute	CTRL-Z
E	ESC	Escape	CTRL-[
F	FS	Field Separator	CTRL-\
S	GS	Group Separator	CTRL-]
R	RS	Record Separator	CTRL- ^ (CTRL-up arrow or CTRL-circumflex accent)
S	US	Unit Separator	CTRL- _ (CTRL-underscore)

2656-205

PRODUCT 4027 COLOR GRAPHICS TERMINAL CHANGE REFERENCE M37062
MANUAL PART NO. 070-2832-00 DATE 1-11-80

EFF SN: B010888

SCHEMATIC AND PARTS LIST CHANGES

REPLACEABLE ELECTRICAL PARTS

ADD:

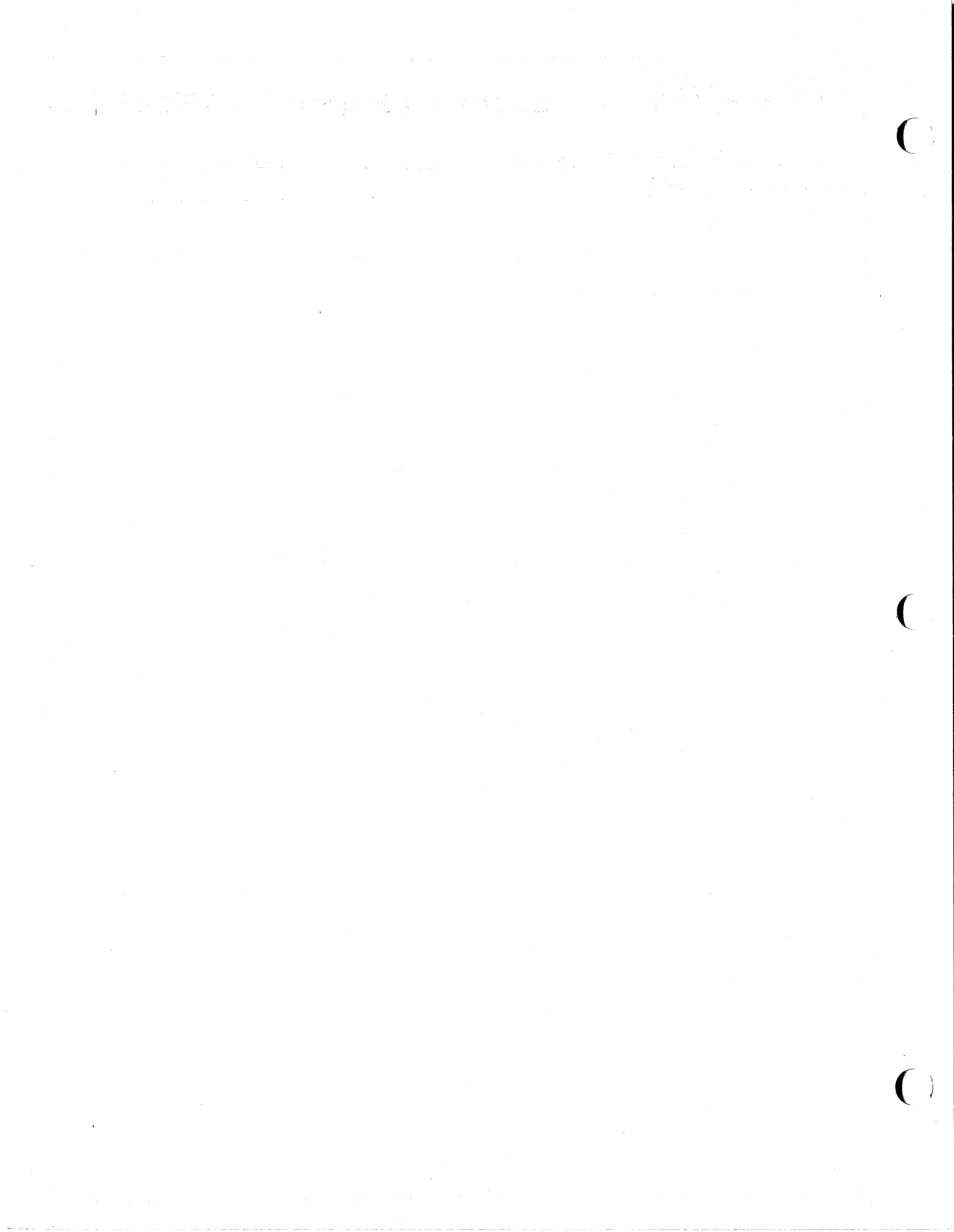
119-1049-01 Deflection Yoke Assembly

SCHEMATIC DIAGRAM 10-1

CHANGE VALUES AS FOLLOWS:

C1101 Capacitor, 250pf ✓
C1103 Capacitor, 150pf ✓
R1100 Resistor, 2K ✓
R1102 Resistor, 2.4K ✓

Please note that the above parts can be ordered only as an assembly (119-1049-01).



MANUAL CHANGE INFORMATION

PRODUCT 4027 COLOR GRAPHICS TERMINAL, VOL. 2, Service CHANGE REFERENCE C4/380
MANUAL PART NO. 070-2832-00 DATE 3-31-80

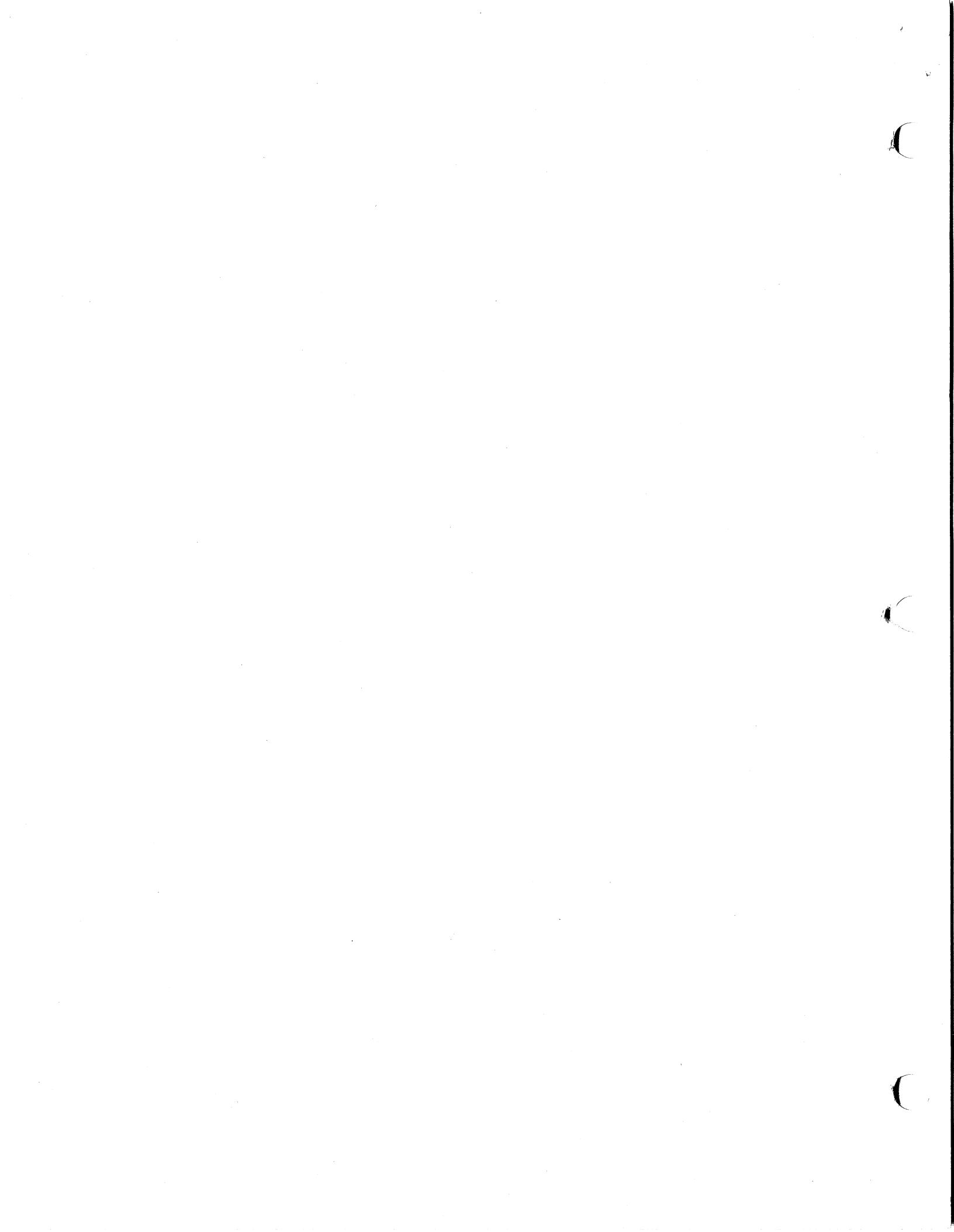
EFF ALL SN

TEXT CHANGE

Pages 2-5 and 2-6

REPLACE OLD PAGES WITH ATTACHED

The area of change is marked by a "change bar"
in the margin.



PRODUCT 4027 COLOR GRAPHICS TERMINAL, SERVICE MANUAL

CHANGE REFERENCE M37387 REVISED

MANUAL PART NO. 070-2832-00

DATE 7-16-80

EFF SN: B011158

Revised 7-23-80

SCHEMATIC AND REPLACEABLE ELECTRICAL PARTS CHANGES

Replaceable Electrical Parts

ADD:

A7 670-5056-02 COMMUNICATION CIRCUIT BOARD ASSEMBLY

Schematic 7-4

