

TEXAS INSTRUMENTS

Improving Man's Effectiveness Through Electronics

Model 960B Computer Maintenance Manual

Parts Lists and Assembly Drawings

MANUAL NO. 942773-9704
ORIGINAL ISSUE 1 AUGUST 1974
REVISED AND REISSUED 1 MAY 1977

Digital Systems Division



© Texas Instruments Incorporated 1977
All Rights Reserved

The information and/or drawings set forth in this document and all rights in and to inventions disclosed herein and patents which might be granted thereon disclosing or employing the materials, methods, techniques or apparatus described herein are the exclusive property of Texas Instruments Incorporated.

No disclosure of the information or drawings shall be made to any other person or organization without the prior consent of Texas Instruments Incorporated.

INSERT LATEST CHANGED PAGES DESTROY SUPERSEDED PAGES

LIST OF EFFECTIVE PAGES

Note: The portion of the text affected by the changes is indicated by a vertical bar in the outer margins of the page.

Model 960B Computer Maintenance Manual: Parts Lists and Assembly Drawings (942773-9704)

Original Issue 1 August 1974
Revised and Reissued 1 May 1975 (ECN 393143)
Revised and Reissued 1 May 1977 (ECN 419776)

Total number of pages in this publication is 248 consisting of the following:

PAGE NO.	CHANGE NO.	PAGE NO.	CHANGE NO.	PAGE NO.	CHANGE NO.
Cover	0				
Effective Pages	0				
1 - 242	0				
User's Response	0				
Business Reply	0				
Cover Blank	0				
Cover	0				



INTRODUCTION

This manual contains the assembly drawings and associated parts lists necessary to maintain and service the Texas Instruments Model 960B computer. Included in this manual are the drawings for the Model 960B with the exception of the following functional units: the Communications Register Unit (CRU), the power supply, and the Direct Memory Access Channel (DMAC). The assembly drawings and parts lists for these units are included in separate publications, as follows:

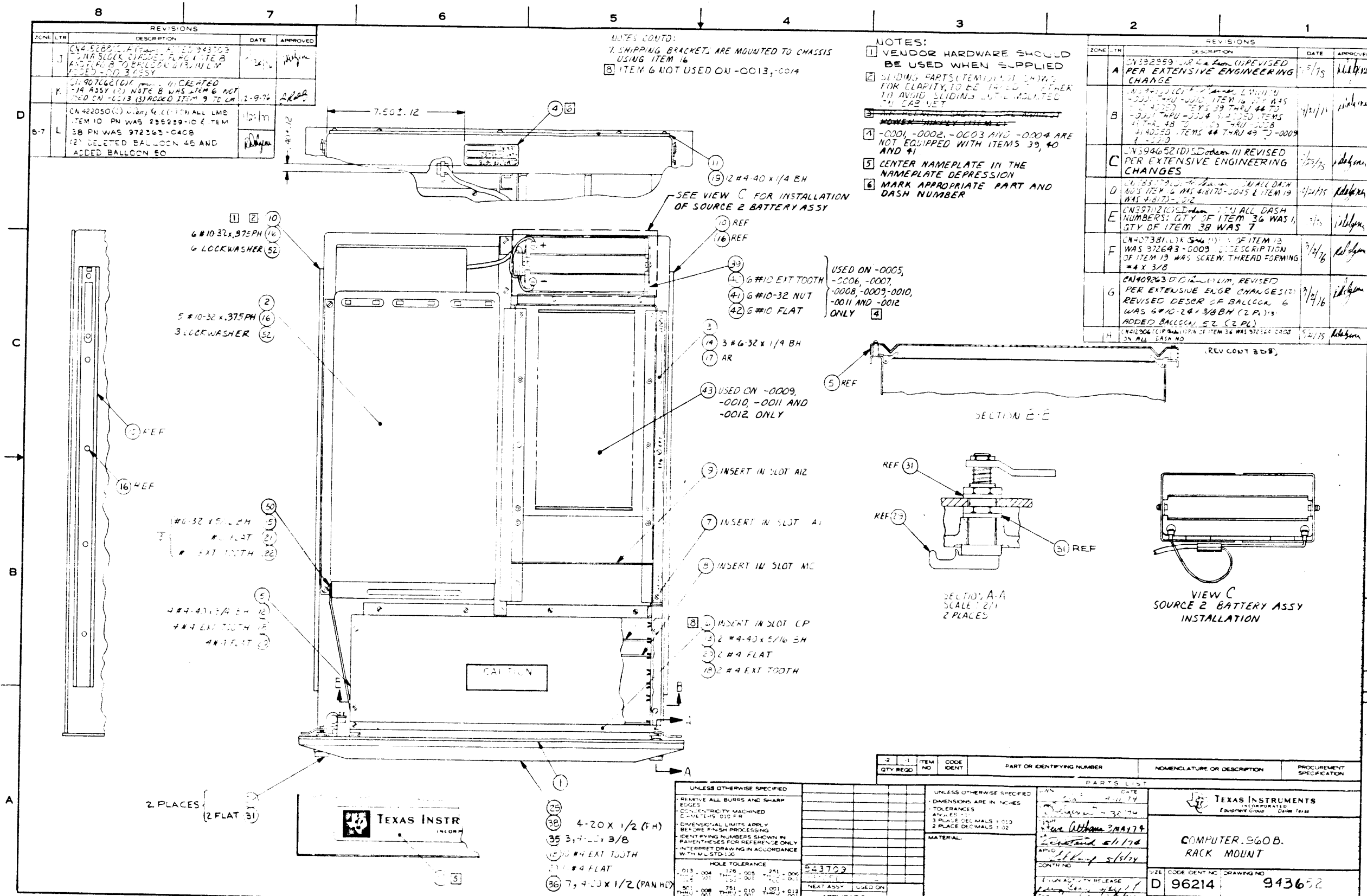
Manual	Part Number
<i>Model 960 Computer Maintenance Manual, Communications Register Unit Diagrams and Parts Lists</i>	226750-9704
<i>Model 960B/980B Computer Maintenance Manual, Power Supply</i>	942773-9703
<i>Model 960/980 Computers Direct Memory Access Channel Manual</i>	966312-9701

The Model 960B assembly drawings in this manual are listed below, grouped according to function, and located on the noted pages. Encircled numbers on the assembly drawings correspond to the "Print Item Number" column on the corresponding parts lists (List of Materials). Parts lists are on pages in the manual immediately following each associated assembly drawing.

<u>Drawing</u>	<u>Number</u>	<u>Page</u>
<u>Central Processor</u>		
Rack Mount Computer	943652	3
LM	-0001 thru -0014	5
Rack Mount Computer with Memory and/or CRU	943709	33
Expander		
LM	-0001 thru -0056	39
	-0100 thru -0112	95
	-0200 thru -0202	108
	-0220 thru -0222	111
	-0240 thru -0242	114
	-0260 thru -0262	117
CPU Documentation Kit	943709-0960	121
<u>Chassis</u>		
Expanded Chassis Assembly	943662	121
LM	-0001	125
CPU Backpanel Board Assembly	943671	127
LM	-0001 & -0002	129
<u>Memory and Interconnect Board</u>		
Memory Controller Printed Wiring Card Assembly	943697	131
LM	-0001 & -0003	133



<u>Drawing</u>	<u>Number</u>	<u>Page</u>
<u>Memory and Interconnect Board (Continued)</u>		
Memory Card Assembly	975155	151
LM, 4K Memory	-0001	153
LM, 8K Memory	-0002	154
LM, 16K Memory	-0004	160
LM, 24K Memory	-0006	166
LM, 8K Expansion Memory	-0102	172
8K to 16K Expansion Memory	-0104	173
8K to 24K Expansion Memory	-0106	174
Printed Wiring Board Interconnect	943718	175
<u>Optional Interconnect Boards, Memory Expansion</u>		
Left Memory Interconnect Printed Wiring Board	943705	177
Right Memory Interconnect Printed Wiring Board	943706	179
Left Memory Interconnect Printed Wiring Board	943714	181
Right Memory Interconnect Printed Wiring Board	943716	183
<u>Printed Circuit Cards</u>		
Arithmetic Unit Printed Wiring Card Assembly LM	226769 -0001	185 187
Control Panel Printed Wiring Card Assembly LM	226755 -0001 & -0002	201 203
Control Panel Point-to-Point Wire List	226584	211
ROM Loader LM	226861 -0001 & -0002	217 219
Arithmetic Option Printed Wiring Card Assembly LM	226819 -0001	225 227
<u>Battery Assembly</u>		
Battery Assembly LM	943659 -0001	235 239
Battery Cable Assembly LM	226576 -0001	240 241



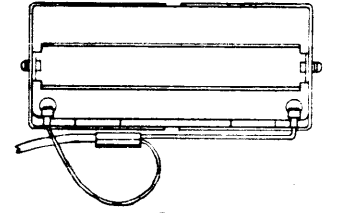
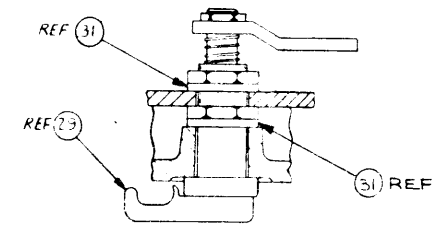
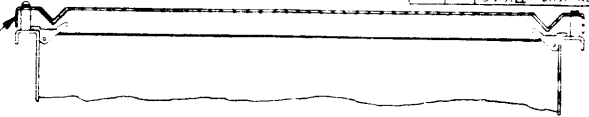
REVISIONS				
ZONE	LTR	DESCRIPTION	DATE	APPROVED
J		CN 44522210 A/F... 943703 CN 44522210 B/F... 943703 CN 44522210 C/F... 943703	7/1/75	<i>[Signature]</i>
K		21-90766(01) A... 943703 -19 ASSY (2) NOTE B WAS ITEM 6 NOT -50 ON -0013 (3) ADDED ITEM 9 TO CN	2-9-76	<i>[Signature]</i>
L	B-7	CN 422050(0) A... 943703 CN 422050(0) B... 943703 38 PN WAS 972363-040B (2) DELETED BALLOON 45 AND ADDED BALLOON 50	7/14/76	<i>[Signature]</i>

NOTES CONT'D:
7. SHIPPING BRACKET ARE MOUNTED TO CHASSIS
USING ITEM 16
8. ITEM 6 NOT USED ON -0013, -0014

NOTES:
1. VENDOR HARDWARE SHOULD
BE USED WHEN SUPPLIED
2. SLIDING PARTS (ITEMS 9, 10, 11, 12)
FOR CLARITY, TO BE THREADED EITHER
TO AVOID SLIDING UNTIL INSTALLED
TO LAST SET
~~3. NAMEPLATE DEPRESSION~~
4. -0001, -0002, -0003 AND -0004 ARE
NOT EQUIPPED WITH ITEMS 39, 40
AND 41
5. CENTER NAMEPLATE IN THE
NAMEPLATE DEPRESSION
6. MARK APPROPRIATE PART AND
DASH NUMBER

REVISIONS				
ZONE	LTR	DESCRIPTION	DATE	APPROVED
A		CN 392259-10 A... (REVISED) PER EXTENSIVE ENGINEERING CHANGE	7/1/75	<i>[Signature]</i>
B		CN 392259-10 B... (REVISED) PER EXTENSIVE ENGINEERING CHANGE	7/1/75	<i>[Signature]</i>
C		CN 394652(0) A... (REVISED) PER EXTENSIVE ENGINEERING CHANGES	7/23/75	<i>[Signature]</i>
D		CN 394652(0) B... (REVISED) PER EXTENSIVE ENGINEERING CHANGES	7/23/75	<i>[Signature]</i>
E		CN 394652(0) C... (REVISED) PER EXTENSIVE ENGINEERING CHANGES	7/23/75	<i>[Signature]</i>
F		CN 407331, 01 R... (REVISED) PER EXTENSIVE ENGR CHANGES: REVISED DESCR OF BALLOON 6 WAS 6*10-24*3/8BH (2 PL) ADDED BALLOON 52 (2 PL)	7/4/76	<i>[Signature]</i>
G		CN 409263(0) A... (REVISED) PER EXTENSIVE ENGR CHANGES: REVISED DESCR OF BALLOON 6 WAS 6*10-24*3/8BH (2 PL) ADDED BALLOON 52 (2 PL)	7/4/76	<i>[Signature]</i>
H		CN 409263(0) B... (REVISED) PER EXTENSIVE ENGR CHANGES: REVISED DESCR OF BALLOON 6 WAS 6*10-24*3/8BH (2 PL) ADDED BALLOON 52 (2 PL)	7/4/76	<i>[Signature]</i>

USED ON -0005,
-0006, -0007,
-0008, -0009, -0010,
-0011 AND -0012
ONLY 4



UNLESS OTHERWISE SPECIFIED		UNLESS OTHERWISE SPECIFIED	
REMOVE ALL BURRS AND SHARP EDGES DIE-CAST PARTS MACHINED BEFORE FINISH PROCESSING DIMENSIONAL LIMITS APPLY BEFORE FINISH PROCESSING IDENTIFYING NUMBERS SHOWN IN PARENTHESES FOR REFERENCE ONLY INTERPRET DRAWING IN ACCORDANCE WITH MIL-STD-100	HOLE TOLERANCE .013 - .004 .126 - .005 .251 - .006 .014 - .001 .127 - .001 .252 - .001 .015 - .001 .128 - .001 .253 - .001 .016 - .001 .129 - .001 .254 - .001 .017 - .001 .130 - .001 .255 - .001 .018 - .001 .131 - .001 .256 - .001 .019 - .001 .132 - .001 .257 - .001 .020 - .001 .133 - .001 .258 - .001 .021 - .001 .134 - .001 .259 - .001 .022 - .001 .135 - .001 .260 - .001	DIMENSIONS ARE IN INCHES TOLERANCES ANGLES 3 PLACE DECIMALS ± .010 2 PLACE DECIMALS ± .002	DATE 7/1/75 32 174 304174 51174 51174 51174 51174

PARTS LIST			
QTY REQ	ITEM NO	CODE IDENT	PART OR IDENTIFYING NUMBER

TEXAS INSTRUMENTS
CORPORATED
DALLAS, TEXAS
COMPUTER 960B.
RACK MOUNT
D 96214
943652
SCALE L M
SHEET



INCORPORATED

DATE 01/13/77

LIST OF MATERIAL

PAGE 1 of

PART NUMBER **LM0943652-0001** REV **L**

PRINT ITEM NUMBER	QUANTITY PER ASSEMBLY	UNIT OF ISSUE	DWG. SIZE	PART NUMBER	DESCRIPTION	VENDOR PART NUMBER
0001	00001.000	EA		0943662-0001	CHASSIS ASSY, EXPANDED, 960B	
0002	00001.000	EA		0943679-0001	POWER SUPPLY ASSY-CPU, 115V	
0003	00001.000	EA		0943864-0001	ESCUTCHEON PLATE, 960B-CPU	
0004	00001.000	EA		0172410-0001	NAMEPLATE-PART/SERIAL N	
0005	00001.000	EA		0943707-0001	COVER, DUST	
0006	00001.000	EA		0226755-0002	CONTROL PANEL, 960B	
0007	00001.000	EA		0226769-0001	CARD ASSY, PW-ARITHMETIC UNIT	
0008	00001.000	EA		0943697-0001	MEMORY CONTROLLER, 960B, STANDARD	
0009	00001.000	EA		0226805-0001	CARD ASSY, PW-CRU INTERFACE	
0010	00001.000	EA		0800521-0008	SLIDE, SOLID BEARING	006666-C-300-S-124
0011	00001.000	EA		0943865-0001	COVER, BOTTOM	
0012	00004.000	EA		0972988-0020	SCREW 4-40 X .875 PAN HEAD CRES	
0013	00002.000	EA		0972988-0014	SCREW 4-40 X .312 PAN HEAD CRES	
0014	00003.000	FA		0972988-0026	SCREW 6-32 X .250 PAN HEAD CRES	
0015	00001.000	FA		0972988-0027	SCREW 6-32 X .312 PAN HEAD CRES	
0016	00011.000	EA		0972986-0008	SCREW 10-32 .375 PAN HEAD CRES	
0017	AR	EA		0235182-0002	LOCTITE SEALANT GRADE 242	LDC --242
0018	00016.000	EA		0411101-0057	LOCKWASHER # 4 EXTERNAL TOOTH CRES	QPL - MS35335-57
0019	00012.000	EA		0972684-0007	SCREW 4-40 X 1/4 LG THD FRM, SLOT HX W/HO	-TAPTITE CAP S
0020	00016.000	EA		0416622-0011	WASHER #4 FLAT	QPL - AN960C4L

DRAFTSMAN	DATE	CRD DRAFTSMAN	DATE	DESIGN ENGINEER	DATE	TITLE
		<i>Jike</i>	1-13-77			COMPUTER, 960B PACKMOUNT
APPD MFG	DATE	APPD PROJECT ENGINEER	DATE	RELEASED	DATE	PROJECT NO
						7502
					PART NUMBER	REV
					LM0943652-0001	L



INCORPORATED

DATE 01/13/77

LIST OF MATERIAL

PAGE 2 of

PART NUMBER
LM0943652-0001

REV
L

PRINT ITEM NUMBER	QUANTITY PER ASSEMBLY	UNIT OF ISSUE	DWG. SIZE	PART NUMBER	DESCRIPTION	VENDOR PART NUMBER
0021	00001.000	EA		0416622-0013	WASHER #6 FLAT	QPL - AN960C6L
0022	00001.000	EA		0411101-0058	LOCKWASHER #6 EXTERNAL TOOTH CRES	QPL - MS35335-58
0024	REF	EA		0943653-9901	TEST PROCEDURE, CPU ASSY	
0025	00001.000	EA		0943656-0001	BEZEL	
0029	00002.000	EA		0972360-0001	FASTENER	SOU --62-99-372-10
0031	00004.000	EA		0416622-0031	WASHER #.375 FLAT	QPL - AN960C616L
0035	00003.000	EA		0972363-0406	SCRFW, PLASTITE, 4-20X3/8(SLOT PAN HD)	
0036	00007.000	EA		0972363-0408	SCREW #4-20 X 1/2 PAN HEAD, PLASTITE	
0037	00001.000	EA		0943657-0001	PANEL TRIM, 960B	
0038	00001.000	EA		0972364-0408	SCRFW #4-20 X 1/2 FLAT HEAD, PLASTITE	
0050	00001.000	EA		0943749-0001	AIR DEFLECTOR	
0051	REF	EA		0943721-9901	PACKING SPEC, COMPUTER	
0052	00009.000	EA		0411101-0060	LOCKWASHER #10 EXTERNAL TOOTH CRES	---

DRAFTSMAN	DATE	CKD DRAFTSMAN	DATE	DESIGN ENGINEER	DATE	TITLE
						COMPUTER, 960B RACKMOUNT
APPD -MFG	DATE	APPD. PROJECT ENGINEER	DATE	RELEASED	DATE	PROJECT NO.

PART NUMBER	REV
LM0943652-0001	L



TEXAS INSTRUMENTS
INCORPORATED

DATE 01/13/77

LIST OF MATERIAL

PAGE 1 of

PART NUMBER	REV
LM0943652-0002	L

PRINT ITEM NUMBER	QUANTITY PER ASSEMBLY	UNIT OF ISSUE	DWG. SIZE	PART NUMBER	DESCRIPTION	VENDOR PART NUMBER	
0001	00001.000	EA		0943662-CJ01	CHASSIS ASSY, EXPANDED, 960B		
0002	00001.000	EA		0943679-0002	POWER SUPPLY ASSY-CPU, 100V		
0003	00001.000	EA		0943864-0001	ESCUTCHEON PLATE, 960B-CPU		
0004	00001.000	EA		0172410-0001	NAMFPLATE-PART/SERIAL NO		
0005	00001.000	EA		0943707-0001	COVER, DUST		
0006	00001.000	EA		0226755-0002	CONTROL PANFL, 960B		
0007	00001.000	EA		0226769-0001	CARD ASSY, PW-ARITHMETIC UNIT		
0008	00001.000	EA		0943697-0001	MEMORY CONTROLLER, 960B, STANDARD		
0009	00001.000	EA		0226835-0001	CARD ASSY, PW-CRU INTERFACE		
0010	00001.000	EA		0800521-0008	SLIDF, SOLID BEARING	006666-C-300-S-124	
0011	00001.000	EA		0943865-0001	COVER, BOTTOM		
0012	00004.000	EA		0972988-0020	SCREW 4-40 X .875 PAN HEAD CRES		
0013	00002.000	EA		0972988-0014	SCREW 4-40 X .312 PAN HEAD CRES		
0014	00003.000	EA		0972988-0026	SCREW 6-32 X .250 PAN HEAD CRES		
0015	00001.000	EA		0972988-0027	SCREW 6-32 X .312 PAN HEAD CRES		
0016	00011.000	EA		0972986-0008	SCREW 10-32 .375 PAN HEAD CRES		
0017	AR	EA		0235182-0002	LOCTITE SEALENT GRADE 242	LOC --242	
0018	00016.000	EA		0411101-0057	LOCKWASHER # 4 EXTERNAL TOOTH CRES	QPL - MS35335-57	
0019	00012.000	EA		0972684-0007	SCREW 4-40 X 1/4 LG THD FRM, SLOT HX W/HD	-TAPTITE CAR ST	
0020	00016.000	EA		0416622-0011	WASHER #4 FLAT	QPL - AN960C4L	
DRAFTSMAN	DATE	CKD. DRAFTSMAN	DATE	DESIGN ENGINEER	DATE	TITLE	
						COMPUTER, 960B RACKMOUNT	
APPD. MFG.	DATE	APPD. PROJECT ENGINEER	DATE	RELEASED	DATE	PROJECT NO.	
						PART NUMBER	REV
						LM0943652-0002	L



INCORPORATED

DATE 01/13/77

LIST OF MATERIAL

PAGE 2 of

PART NUMBER	REV
LM 0943652-0002	L

PRINT ITEM NUMBER	QUANTITY PER ASSEMBLY	UNIT OF ISSUE	DWG. SIZE	PART NUMBER	DESCRIPTION	VENDOR PART NUMBER	
0021	00001.000	EA		0416622-0013	WASHER #6 FLAT	QPL - AN960C61	
0022	00001.000	EA		0411101-0058	LOCKWASHER #6 EXTERNAL TOOTH CRES	QPL - MS35335-58	
0024	REF	EA		0943653-9901	TEST PROCEDURE, CPU ASSY		
0025	00001.000	EA		0943656-0001	BEZEL		
0029	00002.000	EA		0972360-0001	FASTENER	SOU --62-99-372-10	
0031	00004.000	EA		0416622-0031	WASHER #.375 FLAT	QPL - AN960C616L	
0035	00003.000	EA		0972363-0406	SCREW, PLASTITE, 4-20X3/8(SLOT PAN HD)		
0036	00007.000	EA		0972363-0408	SCREW #4-20 X 1/2 PAN HEAD,PLASTITE		
0037	00001.000	EA		0943657-0001	PANEL TRIM, 960B		
0038	00001.000	EA		0972364-0408	SCREW #4-20 X 1/2 FLAT HEAD,PLASTITE		
0050	00001.000	EA		0943749-0001	AIR DEFLECTOR		
0051	REF	EA		0943721-9901	PACKING SPEC, COMPUTER		
0052	00009.000	EA		0411101-0060	LOCKWASHER #10 EXTERNAL TOOTH CRES	-----	
DRAFTSMAN		DATE	CKD. DRAFTSMAN	DATE	DESIGN ENGINEER	DATE	TITLE
							COMPUTER, 960B RACKMOUNT
APPD. MFG.		DATE	APPD. PROJECT ENGINEER	DATE	RELEASED	DATE	PROJECT NO.
						PART NUMBER	REV
						LM 0943652-0002	L

8



LEAS INSTRUMENTS
INCORPORATED

DATE 01/13/77

LIST OF MATERIAL

PAGE 1 of

PART NUMBER	REV
LM0943652-0003	L

PRINT ITEM NUMBER	QUANTITY PER ASSEMBLY	UNIT OF ISSUE	DWG. SIZE	PART NUMBER	DESCRIPTION	VENDOR PART NUMBER	
C001	00001.000	EA		0943662-0001	CHASSIS ASSY, EXPANDED, 960B		
0002	00001.000	EA		0943679-0003	POWER SUPPLY ASSY-CPU, 230V		
0003	00001.000	EA		0943864-0001	ESCUTCHEON PLATE, 960B-CPU		
0004	00001.000	EA		0172410-0001	NAMEPLATE-PART/SERIAL NO		
0005	00001.000	EA		0943707-0001	COVER, DUST		
0006	00001.000	EA		0226755-0002	CONTROL PANEL, 960B		
0007	00001.000	EA		0226769-0001	CARD ASSY, PW-ARITHMETIC UNIT		
C008	00001.000	EA		0943697-0001	MEMORY CONTROLLER, 960B, STANDAPD		
0009	00001.000	EA		0226805-0001	CARD ASSY, PW-CRU INTERFACE		
0010	00001.000	EA		0800521-0008	SLIDE, SOLID BEARING	006666-C-300-S-124	
0011	00001.000	EA		0943865-0001	COVER, BOTTOM		
0012	00004.000	EA		0972988-0020	SCREW 4-40 X .875 PAN HEAD CRES		
0013	00002.000	EA		0972988-0014	SCREW 4-40 X .312 PAN HEAD CRES		
0014	00003.000	EA		0972988-0026	SCREW 6-32 X .250 PAN HEAD CRES		
0015	00001.000	EA		0972988-0027	SCREW 6-32 X .312 PAN HEAD CRES		
0016	00011.000	EA		0972986-0008	SCREW 10-32 .375 PAN HEAD CRES		
0017	AP	EA		0235182-0002	LOCTITE SEALENT GRADE 242	LOC --242	
0018	00016.000	EA		0411101-0057	LOCKWASHER # 4 EXTERNAL TOOTH CRES	QPL - MS35335-57	
0019	00012.000	EA		0972684-0007	SCREW 4-40 X 1/4 LG THD FRM, SLOT HX W/HO	-TAPTITE CAR S	
0020	00016.000	EA		0416622-0011	WASHER #4 FLAT	QPL - AN960C4I	
DRAFTSMAN	DATE	CKD. DRAFTSMAN	DATE	DESIGN ENGINEER	DATE	TITLE	
						COMPUTER, 960B RACKMOUNT	
APPD -MFG	DATE	APPD. PROJECT ENGINEER	DATE	RELEASED	DATE	PROJECT NO.	
						PART NUMBER	REV
						LM0943652-0003	L



INCORPORATED

DATE 01/13/77

LIST OF MATERIAL

PAGE 2 of

PART NUMBER
LM0943652-0003 REV
L

PRINT ITEM NUMBER	QUANTITY PER ASSEMBLY	UNIT OF ISSUE	DWG. SIZE	PART NUMBER	DESCRIPTION	VENDOR PART NUMBER
0021	00001.000	EA		0416622-0013	WASHER #6 FLAT	QPL - AN960C6L
0022	00001.000	EA		0411101-0058	LOCKWASHER #6 EXTERNAL TOOTH CRES	QPL - MS35335-58
0024	REF	EA		0943653-9901	TEST PROCEDURE, CPU ASSY	
0025	00001.000	EA		0943656-0001	BE7EL	
0029	00002.000	EA		0972360-0001	FASTENER	SOU --62-99-372-10
0031	00004.000	EA		0416622-0031	WASHER #.375 FLAT	QPL - AN960C616L
0035	00003.000	EA		0972363-0406	SCREW, PLASTITE, 4-20X3/8(SLOT PAN HD)	
0036	00007.000	EA		0972363-0408	SCREW #4-20 X 1/2 PAN HEAD, PLASTITE	
0037	00001.000	EA		0943657-0001	PANEL TRIM, 960B	
0038	00001.000	EA		0972364-0408	SCREW #4-20 X 1/2 FLAT HEAD, PLASTITE	
0050	00001.000	EA		0943749-0001	AIR DEFLECTOR	
0051	REF	EA		0943721-9901	PACKING SPEC, COMPUTER	
0052	00009.000	EA		0411101-0060	LOCKWASHER #10 EXTERNAL TOOTH CRES	-----

DRAFTSMAN	DATE	CKD. DRAFTSMAN	DATE	DESIGN ENGINEER	DATE	TITLE
						COMPUTER, 960B RACKMOUNT
APPD. -MFG.	DATE	APPD. PROJECT ENGINEER	DATE	RELEASED	DATE	PROJECT NO.

	PART NUMBER	REV
	LM0943652-0003	1

10



TEXAS INSTRUMENTS
INCORPORATED

DATE 01/13/77

LIST OF MATERIAL

PAGE 1 of

PART NUMBER	REV
LM0943652-0004	L

PRINT ITEM NUMBER	QUANTITY PER ASSEMBLY	UNIT OF ISSUE	DWG. SIZE	PART NUMBER	DESCRIPTION	VENDOR PART NUMBER	
0001	00001.000	EA		0943662-0001	CHASSIS ASSY, EXPANDED, 960B		
0002	00001.000	EA		0943679-0004	POWER SUPPLY ASSY-CPU, 200V		
0003	00001.000	EA		0943864-0001	ESCUTCHEON PLATE, 960B-CPU		
0004	00001.000	EA		0172410-0001	NAMEPLATE-PART/SERIAL NO		
0005	00001.000	EA		0943707-0001	COVER, DUST		
0006	00001.000	EA		0226755-0002	CONTPOL PANEL, 960B		
0007	00001.000	EA		0226769-0001	CARD ASSY, PW-ARITHMETIC UNIT		
0008	00001.000	EA		0943697-0001	MEMORY CONTROLLER, 960B, STANDARD		
0009	00001.000	EA		0226805-0001	CARD ASSY, PW-CRU INTERFACE		
0010	00001.000	EA		0800521-0008	SLIDE, SOLID BEARING	006666-C-300-S-124	
0011	00001.000	EA		0943865-0001	COVER, BOTTOM		
0012	00004.000	EA		0972988-0020	SCREW 4-40 X .875 PAN HEAD CRES		
0013	00002.000	EA		0972988-0014	SCREW 4-40 X .312 PAN HEAD CRES		
0014	00003.000	EA		0972988-0026	SCREW 6-32 X .250 PAN HEAD CRES		
0015	00001.000	EA		0972988-0027	SCREW 6-32 X .312 PAN HEAD CRES		
0016	00011.000	EA		0972986-0008	SCREW 10-32 .375 PAN HEAD CRES		
0017	AP	EA		0235182-0002	LOCTITE SEALANT GRADE 242	LNC --242	
0018	00016.000	EA		0411101-0057	LOCKWASHER # 4 EXTERNAL TOOTH CRES	QPL - MS35335-57	
0019	00012.000	EA		0972684-0007	SCREW 4-40 X 1/4 LG THD FRM, SLOT HX W/HD	-TAPTITE CAP ST	
0020	00016.000	EA		0416622-0011	WASHER #4 FLAT	QPL - AN960C4L	
DRAFTSMAN		DATE	CKD. DRAFTSMAN	DATE	DESIGN ENGINEER	DATE	TITLE
							COMPUTER, 960B RACKMOUNT
APPD. MFG.		DATE	APPD. PROJECT ENGINEER	DATE	RELEASED	DATE	PROJECT NO.
						PART NUMBER	REV
						LM0943652-0004	L

11



TEXAS INSTRUMENTS
INCORPORATED

DATE 01/13/77

LIST OF MATERIAL

PAGE 2 of

PART NUMBER	REV
LM 943652-0004	L

PRINT ITEM NUMBER	QUANTITY PER ASSEMBLY	UNIT OF ISSUE	DWG. SIZE	PART NUMBER	DESCRIPTION	VENDOR PART NUMBER	
0021	00001.000	EA		0416622-0013	WASHER #6 FLAT	OPL - AN960C6L	
0022	JJ001.000	EA		0411101-0058	LOCKWASHER #6 EXTERNAL TOOTH CRES	OPL - MS35335-58	
0024	REF	EA		0943653-9901	TEST PROCEDURE, CPU ASSY		
0025	00001.000	EA		0943656-0001	BEZFL		
0029	00002.000	EA		0972360-0001	FASTENER	SOU --62-99-372-10	
0031	00004.000	EA		0416622-0031	WASHER #.375 FLAT	OPL - AN960C616L	
0035	00003.000	EA		0972363-0406	SCREW, PLASTITE, 4-20X3/8(SLOT PAN HD)		
0037	00001.000	EA		0943657-0001	PANEL TRIM, 960B		
0038	00001.000	EA		0972364-0408	SCREW #4-20 X 1/2 FLAT HEAD, PLASTITE		
0050	00001.000	EA		0943749-0001	AIR DEFLECTOR		
0051	REF	EA		0943721-9901	PACKING SPEC, COMPUTER		
0052	00009.000	EA		0411101-0060	LOCKWASHER #10 EXTERNAL TOOTH CRES	-----	
DRAFTSMAN		DATE	CKD. DRAFTSMAN	DATE	DESIGN ENGINEER	DATE	TITLE
							COMPUTER, 960B RACKMOUNT
APPD. MFG.		DATE	APPD. PROJECT ENGINEER	DATE	RELEASED	DATE	PROJECT NO.
						PART NUMBER	REV
						LM 943652-0004	L

12



INCORPORATED

DATE 01/13/77

LIST OF MATERIAL

PAGE 1 of

PART NUMBER
LM0943652-0005 REV
L

PRINT ITEM NUMBER	QUANTITY PER ASSEMBLY	UNIT OF ISSUE	DWG. SIZE	PART NUMBER	DESCRIPTION	VENDOR PART NUMBER
0001	00001.000	EA		0943662-0001	CHASSIS ASSY, EXPANDED, 960B	
0002	00001.000	EA		0943679-0001	POWER SUPPLY ASSY-CPU, 115V	
0003	00001.000	EA		0943864-0001	ESCUTCHEON PLATE, 960B-CPU	
0004	00001.000	EA		0172410-0001	NAMEPLATE-PART/SERIAL NO	
0005	00001.000	EA		0943707-0001	COVER, DUST	
0006	00001.000	EA		0226755-0002	CONTROL PANEL, 960B	
0007	00001.000	EA		0226769-0001	CARD ASSY, PW-ARITHMETIC UNIT	
0008	00001.000	EA		0943697-0001	MEMORY CONTROLLER, 960B, STANDARD	
0009	00001.000	EA		0226805-0001	CARD ASSY, PW-CRU INTERFACE	
0010	00001.000	EA		0800521-0008	SLIDE, SOLID BEARING	0G6666-C-300-S-124
0011	00001.000	EA		0943865-0001	COVER, BOTTOM	
0012	00004.000	EA		0972988-0020	SCREW 4-40 X .875 PAN HEAD CRES	
0013	00002.000	EA		0972988-0014	SCREW 4-40 X .312 PAN HEAD CRES	
0014	00003.000	FA		0972988-0026	SCREW 6-32 X .250 PAN HEAD CRES	
0015	00001.000	EA		0972988-0027	SCREW 6-32 X .312 PAN HEAD CRES	
0016	00011.000	EA		0972986-0008	SCREW 10-32 .375 PAN HEAD CRES	
0017	AR	EA		0235182-0002	LOCTITE SEALANT GRADE 242	LOC --242
0018	00016.000	EA		0411101-0057	LOCKWASHER # 4 EXTERNAL TOOTH CRES	QPL - MS35335-57
0019	00012.000	EA		0972684-0007	SCREW 4-40 X 1/4 LG THD FRM, SLOT HX W/HO	-TAPTITE CAF S
0020	00016.000	EA		0416622-0011	WASHER #4 FLAT	QPL - AN960C4L
DRAFTSMAN	DATE	CKD. DRAFTSMAN	DATE	DESIGN ENGINEER	DATE	TITLE
						COMPUTER, 960B RACKMOUNT
APPD.-MFG.	DATE	APPD. PROJECT ENGINEER	DATE	RELEASED	DATE	PROJECT NO.
						PART NUMBER LM0943652-0005 REV L



INCORPORATED

DATE 01/13/77

LIST OF MATERIAL

PAGE 2 of

PART NUMBER
LM0943652-0005 REV
L

PRINT ITEM NUMBER	QUANTITY PER ASSEMBLY	UNIT OF ISSUE	DWG. SIZE	PART NUMBER	DESCRIPTION	VENDOR PART NUMBER
0021	00001.000	EA		0416622-0013	WASHER #6 FLAT	QPL - AN960C6L
0022	00001.000	EA		0411101-0058	LOCKWASHER #6 EXTERNAL TOOTH CRES	QPL - MS35335-58
0024	REF	EA		0943653-9901	TEST PROCEDURE, CPU ASSY	
0025	00001.000	EA		0943656-0001	BEZEL	
0029	00002.000	EA		0972360-0001	FASTENER	SOU --62-99-372-10
0031	00004.000	EA		0416622-0031	WASHER #.375 FLAT	QPL - AN960C616L
0035	00003.000	EA		0972363-0406	SCREW, PLASTITE, 4-20X3/8(SLOT PAN HD)	
0036	00007.000	EA		0972363-0408	SCREW #4-20 X 1/2 PAN HEAD, PLASTITE	
0037	00001.000	EA		0943657-0001	PANEL TRIM, 960B	
0038	00001.000	EA		0972364-0408	SCREW #4-20 X 1/2 FLAT HEAD, PLASTITE	
0039	00001.000	EA		0943659-0001	BATTERY ASSY, 960B & 980B COMPUTER	
0040	00006.000	EA		0411101-0060	LOCKWASHER #10 EXTERNAL TOOTH CRES	---
0041	00006.000	EA		0416453-0024	NUT, #10 HEX SMALL PATTERN	
0042	00006.000	EA		0416622-0033	WASHER #10 FLAT	QPL - AN960C10L
0050	00001.000	EA		0943749-0001	AIR DEFLECTOR	
0051	REF	EA		0943721-9901	PACKING SPEC, COMPUTER	
0052	00009.000	EA		0411101-0060	LOCKWASHER #10 EXTERNAL TOOTH CRES	---

DRAFTSMAN	DATE	CKD. DRAFTSMAN	DATE	DESIGN ENGINEER	DATE	TITLE
PPD.-MFG.	DATE	APPD. PROJECT ENGINEER	DATE	RELEASED	DATE	PROJECT NO.
						COMPUTER, 960B RACKMOUNT
						PART NUMBER LM0943652-0005
						REV 1

14



TELEDYNE INSTRUMENTS
INCORPORATED

DATE 01/13/77

LIST OF MATERIAL

PAGE 1 of

PART NUMBER	REV
LM0943652-0006	L

PRINT ITEM NUMBER	QUANTITY PER ASSEMBLY	UNIT OF ISSUE	DWG. SIZE	PART NUMBER	DESCRIPTION	VENDOR PART NUMBER	
0001	00001.000	EA		0943662-0001	CHASSIS ASSY, EXPANDED, 960B		
0002	00001.000	EA		0943679-0002	POWER SUPPLY ASSY-CPU, 100V		
0003	00001.000	EA		0943864-0001	ESCUTCHEON PLATE, 960B-CPU		
0004	00001.000	EA		0172410-0001	NAMEPLATE-PART/SERIAL NO		
0005	00001.000	EA		0943707-0001	COVER, DUST		
0006	00001.000	EA		0226755-0002	CONTROL PANEL, 960B		
0007	00001.000	EA		0226769-0001	CARD ASSY, PW-ARITHMETIC UNIT		
0008	00001.000	EA		0943697-0001	MEMORY CONTROLLER, 960B, STANDARD		
0009	00001.000	EA		0226805-0001	CARD ASSY, PW-CRU INTERFACE		
0010	00001.000	EA		0800521-0008	SLIDE, SOLID BEARING	006666-C-300-S-124	
0011	00001.000	EA		0943865-0001	COVER, BOTTOM		
0012	00004.000	EA		0972988-0020	SCREW 4-40 X .875 PAN HEAD CRES		
0013	00002.000	EA		0972988-0014	SCREW 4-40 X .312 PAN HEAD CRES		
0014	00003.000	EA		0972998-0026	SCREW 6-32 X .250 PAN HEAD CRES		
0015	00001.000	EA		0972988-0027	SCREW 6-32 X .312 PAN HEAD CRES		
0016	00011.000	EA		0972986-0008	SCREW 10-32 .375 PAN HEAD CRES		
0017	AF	EA		0235182-0002	LOCTITE SEALANT GRADE 242	LOC --242	
0018	00016.000	EA		0411101-0057	LOCKWASHER # 4 EXTERNAL TOOTH CRES	QPL - MS35335-57	
0019	00012.000	EA		0972684-0007	SCREW 4-40 X 1/4 LG THD FRM, SLOT HX W/HD	-TAPTITE CAP ST	
0020	00016.000	EA		0416622-0011	WASHER #4 FLAT	QPL - AN960C4L	
DRAFTSMAN		DATE	CKD. DRAFTSMAN	DATE	DESIGN ENGINEER	DATE	TITLE
							COMPUTER, 960B RACKMOUNT
APPD.-MFG.		DATE	APPD. PROJECT ENGINEER	DATE	RELEASED	DATE	PROJECT NO.
						PART NUMBER	REV
						LM0943652-0006	L

15



INCORPORATED

DATE 01/13/77

LIST OF MATERIAL

PAGE 2 of

PART NUMBER
LM0943652-0006 REV
L

PRINT ITEM NUMBER	QUANTITY PER ASSEMBLY	UNIT OF ISSUE	DWG. SIZE	PART NUMBER	DESCRIPTION	VENDOR PART NUMBER	
0021	00001.000	EA		0416622-0013	WASHER #6 FLAT	QPL - AN960C6L	
0022	00001.000	EA		0411101-0058	LOCKWASHER #6 EXTERNAL TOOTH CRES	QPL - MS35335-58	
0024	REF	EA		0943653-9901	TEST PROCEDURE, CPU ASSY		
0025	00001.000	EA		0943656-0001	BEZEL		
0029	00002.000	EA		0972360-0001	FASTENER	SOU --62-99-372-10	
0031	00004.000	EA		0416622-0031	WASHER #.375 FLAT	QPL - AN960C616L	
0035	00003.000	EA		0972363-0406	SCREW, PLASTITE, 4-20X3/8(SLOT PAN HD)		
0036	00007.000	EA		0972363-0408	SCREW #4-20 X 1/2 PAN HEAD, PLASTITE		
0037	00001.000	EA		0943657-0001	PANEL TRIM, 960B		
0038	00001.000	EA		0972364-0408	SCREW #4-20 X 1/2 FLAT HEAD, PLASTITE		
0039	00001.000	EA		0943659-0001	BATTERY ASSY, 960B & 980B COMPUTER		
0040	00006.000	EA		0411101-0060	LOCKWASHER #10 EXTERNAL TOOTH CRES	---	
0041	00006.000	EA		0416453-0024	NUT, #10 HEX SMALL PATTERN		
0042	00006.000	EA		0416622-0033	WASHER #10 FLAT	QPL - AN960C10L	
0050	00001.000	EA		0943749-0001	AIR DEFLECTOR		
0051	REF	EA		0943721-9901	PACKING SPEC, COMPUTER		
0052	00009.000	EA		0411101-0060	LOCKWASHER #10 EXTERNAL TOOTH CRES	---	
DRAFTSMAN		DATE	CKD DRAFTSMAN	DATE	DESIGN ENGINEER	DATE	TITLE
							COMPUTER, 960B RACKMOUNT
APPD -MFG.		DATE	APPD. PROJECT ENGINEER	DATE	RELEASED	DATE	PROJECT NO.
						PART NUMBER	REV
						LM0943652-0006	L



INCORPORATED

DATE 01/13/77

LIST OF MATERIAL

PAGE 1 of

PART NUMBER	REV
LM0943652-0007	L

PRINT ITEM NUMBER	QUANTITY PER ASSEMBLY	UNIT OF ISSUE	DWG. SIZE	PART NUMBER	DESCRIPTION	VENDOR PART NUMBER	
0001	00001.000	EA		0943662-0001	CHASSIS ASSY, EXPANDED, 960B		
0002	00001.000	EA		0943679-GJ03	POWER SUPPLY ASSY-CPU, 230V		
0003	00001.000	EA		0943864-0001	ESCUTCHEON PLATE, 960B-CPU		
0004	00001.000	EA		0172410-0001	NAMEPLATE-PART/SERIAL NO		
0005	00001.000	EA		0943707-0001	COVER, DUST		
0006	00001.000	EA		0226755-0002	CONTROL PANEL, 960B		
0007	00001.000	EA		0226769-0001	CARD ASSY, PW-ARITHMETIC UNIT		
0008	00001.000	EA		0943697-0001	MEMORY CONTROLLER, 960B, STANDAPD		
0009	00001.000	EA		0226805-0001	CARD ASSY, PW-CRU INTERFACE		
0010	00001.000	EA		0800521-0008	SLIDE, SOLID BEARING	006666-C-300-S-124	
0011	00001.000	EA		0943865-0001	COVER, BOTTOM		
0012	00004.000	EA		0972988-0020	SCREW 4-40 X .875 PAN HEAD CRES		
0013	00002.000	EA		0972988-0014	SCREW 4-40 X .312 PAN HEAD CRES		
0014	00003.000	EA		0972988-0026	SCREW 6-32 X .250 PAN HEAD CRES		
0015	00001.000	EA		0972988-0027	SCREW 6-32 X .312 PAN HEAD CRES		
0016	00011.000	EA		0972986-0008	SCREW 10-32 .375 PAN HEAD CRES		
0017	AR	EA		0235182-0002	LOCTITE SEALANT GRADE 242	LDC --242	
0018	00016.000	EA		0411101-0057	LOCKWASHER # 4 EXTERNAL TOOTH CRES	QPL - MS35335-57	
0019	00012.000	EA		0972684-0007	SCREW 4-40 X 1/4 LG THD FRM, SLOT HX W/HO	-TAPTITE CAR ST	
0020	00016.000	EA		0416622-0011	WASHER #4 FLAT	QPL - AN960C4L	
DRAFTSMAN		DATE	CKD. DRAFTSMAN	DATE	DESIGN ENGINEER	DATE	TITLE
							COMPUTER, 960B RACKMOUNT
APPD. MFG.		DATE	APPD. PROJECT ENGINEER	DATE	RELEASED	DATE	PROJECT NO.
						PART NUMBER	REV
						LM0943652-0007	L

17



INCORPORATED

DATE 01/13/77

LIST OF MATERIAL

PAGE 2 of

PART NUMBER
LM0943652-0007 REV
L

PRINT ITEM NUMBER	QUANTITY PER ASSEMBLY	UNIT OF ISSUE	DWG. SIZE	PART NUMBER	DESCRIPTION	VENDOR PART NUMBER		
0021	00001.000	EA		0416622-0013	WASHER #6 FLAT	QPL - AN960C6L		
0022	00001.000	EA		0411101-0058	LOCKWASHER #6 EXTERNAL TOOTH CRES	QPL - MS35335-58		
0024	REF	EA		0943653-9901	TEST PROCEDURE, CPU ASSY			
0025	00001.000	EA		0943656-0001	BEZEL			
0029	00002.000	EA		0972360-0001	FASTENER	SOU --62-99-372-10		
0031	00004.000	EA		0416622-0031	WASHER #.375 FLAT	QPL - AN960C616L		
0035	00003.000	EA		0972363-0406	SCREW, PLASTITE, 4-20X3/8(SLOT PAN HD)			
0036	00007.000	EA		0972363-0408	SCREW #4-20 X 1/2 PAN HEAD, PLASTITE			
0037	00001.000	EA		0943657-0001	PANEL TRIM, 960B			
0038	00001.000	EA		0972364-0408	SCREW #4-20 X 1/2 FLAT HEAD, PLASTITE			
0039	00001.000	EA		0943659-0001	BATTERY ASSY, 960B & 980B COMPUTER			
0040	00006.000	EA		0411101-0060	LOCKWASHER #10 EXTERNAL TOOTH CRES	---		
0041	00006.000	EA		0416453-0024	NUT, #10 HEX SMALL PATTERN			
0042	00006.000	EA		0416622-0033	WASHER #10 FLAT	QPL - AN960C10L		
0050	00001.000	EA		0943749-0001	AIR DEFLECTOR			
0051	REF	EA		0943721-9901	PACKING SPEC, COMPUTER			
0052	00009.000	EA		0411101-0060	LOCKWASHER #10 EXTERNAL TOOTH CRES	---		
DRAFTSMAN		DATE	CKD. DRAFTSMAN	DATE	DESIGN ENGINEER	DATE	TITLE	
APPD. MFG.		DATE	APPD. PROJECT ENGINEER	DATE	RELEASED	DATE	PROJECT NO.	PART NUMBER
								LM0943652-0007
								REV L

TI 13849

18



INCORPORATED

DATE 01/13/77

LIST OF MATERIAL

PAGE 1 of

PART NUMBER	REV
LM0943652-0008	L

PRINT ITEM NUMBER	QUANTITY PER ASSEMBLY	UNIT OF ISSUE	DWG. SIZE	PART NUMBER	DESCRIPTION	VENDOR PART NUMBER	
0001	00001.000	EA		0943662-0001	CHASSIS ASSY, EXPANDED, 960B		
0002	00001.000	EA		0943679-0004	POWER SUPPLY ASSY-CPU, 200V		
0003	00001.000	EA		0943864-0001	ESCUTCHEON PLATE, 960B-CPU		
0004	00001.000	EA		0172410-0001	NAMEPLATE-PART/SERIAL NO		
0005	00001.000	EA		0943707-0001	COVER, DUST		
0006	00001.000	EA		0226755-0002	CONTROL PANEL, 960B		
0007	00001.000	EA		0226769-0001	CARD ASSY, PW-ARITHMETIC UNIT		
0008	00001.000	EA		0943697-0001	MEMORY CONTROLLER, 960B, STANDARD		
0009	00001.000	EA		0226805-0001	CARD ASSY, PW-CRU INTERFACE		
0010	00001.000	EA		0800521-0008	SLIDE, SOLID BEARING	006666-C-300-S-124	
0011	00001.000	EA		0943865-0001	COVER, BOTTOM		
0012	00004.000	EA		0972988-0020	SCREW 4-40 X .875 PAN HEAD CRES		
0013	00002.000	EA		0972988-0014	SCREW 4-40 X .312 PAN HEAD CRES		
0014	00003.000	EA		0972988-0026	SCREW 6-32 X .250 PAN HEAD CRES		
0015	00001.000	EA		0972988-0027	SCREW 6-32 X .312 PAN HEAD CRES		
0016	00011.000	EA		0972986-0008	SCREW 10-32 .375 PAN HEAD CRES		
0017	AR	EA		0235182-0002	LOCTITE SEALANT GRADE 242	LOC --242	
0018	00016.000	EA		0411101-0057	LOCKWASHER # 4 EXTERNAL TOOTH CRES	QPL - MS35335-57	
0019	00012.000	EA		0972684-0007	SCREW 4-40 X 1/4 LG THD FRM, SLOT HX W/HD	-TAPTITE CAP S	
0020	00016.000	EA		0416622-0011	WASHER #4 FLAT	QPL - AN960C4L	
DRAFTSMAN		DATE	CKD. DRAFTSMAN	DATE	DESIGN ENGINEER	DATE	TITLE
							COMPUTER, 960B RACKMOUNT
APPD.-MFG.		DATE	APPD. PROJECT ENGINEER	DATE	RELEASED	DATE	PROJECT NO.
						PART NUMBER	REV
						LM0943652-0008	L

19



INCORPORATED

DATE 01/13/77

LIST OF MATERIAL

PAGE 2 of

PART NUMBER	REV
LM0943652-0008	L

PRINT ITEM NUMBER	QUANTITY PER ASSEMBLY	UNIT OF ISSUE	DWG. SIZE	PART NUMBER	DESCRIPTION	VENDOR PART NUMBER
0021	0001.000	EA		0416622-0013	WASHER #6 FLAT	QPL - AN960C6L
0022	0001.000	EA		0411101-0058	LOCKWASHER #6 EXTERNAL TOOTH CRES	QPL - MS35335-58
0024	REF	EA		0943653-9901	TEST PROCEDURE, CPU ASSY	
0025	0001.000	EA		0943656-0001	BEZEL	
0029	0002.000	EA		0972360-0001	FASTENER	SOU --62-99-372-10
0031	0004.000	EA		0416622-0031	WASHER #.375 FLAT	QPL - AN960C616L
0035	0003.000	EA		0972363-0406	SCRFW, PLASTITE, 4-20X3/8(SLOT PAN HD)	
0036	0007.000	EA		0972363-0408	SCRFW #4-20 X 1/2 PAN HEAD, PLASTITE	
0037	0001.000	EA		0943657-0001	PANFL TRIM, 960B	
0038	0001.000	EA		0972364-0408	SCREW #4-20 X 1/2 FLAT HEAD, PLASTITE	
0039	0001.000	EA		0943659-0001	BATTERY ASSY, 960B & 980B COMPUTER	
0040	0006.000	EA		0411101-0060	LOCKWASHER #10 EXTERNAL TOOTH CRES	---
0041	0006.000	EA		0416453-0024	NUT, #10 HEX SMALL PATTERN	---
0042	0006.000	EA		0416622-0033	WASHER #10 FLAT	QPL - AN960C10L
0050	0001.000	EA		0943749-0001	AIR DEFLECTOR	
0051	REF	EA		0943721-9901	PACKING SPEC, COMPUTER	
0052	0009.000	EA		0411101-0060	LOCKWASHER #10 EXTERNAL TOOTH CRES	---

20

DRAFTSMAN	DATE	CKD. DRAFTSMAN	DATE	DESIGN ENGINEER	DATE	TITLE	
						COMPUTER, 960B RACKMOUNT	
APPD. MFG.	DATE	APPD. PROJECT ENGINEER	DATE	RELEASED	DATE	PROJECT NO.	
						PART NUMBER	REV
						LM0943652-0008	L



INCORPORATED

DATE 01/13/77

LIST OF MATERIAL

PAGE 1 of

PART NUMBER
LMJ943652-0009 REV
L

PRINT ITEM NUMBER	QUANTITY PER ASSEMBLY	UNIT OF ISSUE	DWG. SIZE	PART NUMBER	DESCRIPTION	VENDOR PART NUMBER	
0001	00001.000	EA		0943662-0001	CHASSIS ASSY, EXPANDED, 960B		
0002	00001.000	EA		0943679-0001	POWER SUPPLY ASSY-CPU, 115V		
0003	00001.000	EA		0943864-0001	ESCUTCHEON PLATE, 960B-CPU		
0004	00001.000	EA		0172410-0001	NAMEPLATE-PART/SERIAL NO		
0005	00001.000	EA		0943707-0001	COVER, DUST		
0006	00001.000	EA		0226755-0002	CONTROL PANEL, 960B		
0007	00001.000	EA		0226769-0001	CARD ASSY, PW-ARITHMETIC UNIT		
0008	00001.000	EA		0943697-0001	MEMORY CONTROLLER, 960B, STANDARD		
0009	00001.000	EA		0226805-0001	CARD ASSY, PW-CRU INTERFACE		
0010	00001.000	EA		0800521-0008	SLIDE, SOLID BEARING	006666-C-300-S-124	
0011	00001.000	EA		0943865-0001	COVER, BOTTOM		
0012	00004.000	EA		0972988-0020	SCREW 4-40 X .875 PAN HEAD CRES		
0013	00002.000	EA		0972988-0014	SCREW 4-40 X .312 PAN HEAD CRES		
0014	00003.000	EA		0972988-0026	SCREW 6-32 X .250 PAN HEAD CRES		
0015	00001.000	EA		0972988-0027	SCREW 6-32 X .312 PAN HEAD CRES		
0016	00011.000	EA		0972986-0008	SCREW 10-32 .375 PAN HEAD CRES		
0017	AR	EA		0235182-0002	LOCTITE SEALANT GRADE 242	LOC --242	
0018	00016.000	EA		0411101-0057	LOCKWASHER # 4 EXTERNAL TOOTH CRES	QPL - MS35335-57	
0019	00012.000	EA		0972684-0007	SCREW 4-40 X 1/4 LG THD. FRM, SLOT HX W/HO	-TAPTITE CAR ST	
0020	00016.000	EA		0416622-0011	WASHER #4 FLAT	QPL - AN960C4L	
DRAFTSMAN		DATE	CKD. DRAFTSMAN	DATE	DESIGN ENGINEER	DATE	TITLE
							COMPUTER, 960B RACKMOUNT
APPD.-MFG.		DATE	APPD. PROJECT ENGINEER	DATE	RELEASED	DATE	PROJECT NO.
						PART NUMBER	REV
						LMJ943652-0009	L



INCORPORATED

DATE 01/13/77

LIST OF MATERIAL

PAGE 2 of

PART NUMBER
LM0943652-0009 REV
L

PRINT ITEM NUMBER	QUANTITY PER ASSEMBLY	UNIT OF ISSUE	DWG. SIZE	PART NUMBER	DESCRIPTION	VENDOR PART NUMBER	
0021	0001.000	EA		0416622-0013	WASHER #6 FLAT	QPL - AN960C6L	
0022	00001.000	EA		0411101-0058	LOCKWASHER #6 EXTERNAL TOOTH CRES	QPL - MS35335-58	
0024	REF	EA		0943653-9901	TEST PROCEDURE, CPU ASSY		
0025	00001.000	EA		0943656-0001	BEZEL		
0029	00002.000	EA		0972360-0001	FASTENER	SOU --62-99-372-10	
0031	00004.000	EA		0416622-0031	WASHER #.375 FLAT	QPL - AN960C616L	
0035	00003.000	EA		0972363-0406	SCREW, PLASTITE, 4-20X3/8(SLOT PAN HD)		
0036	00007.000	EA		0972363-0408	SCREW #4-20 X 1/2 PAN HEAD, PLASTITE		
0037	00001.000	EA		0943657-0001	PANEL TRIM, 960B		
0038	00001.000	EA		0972364-0408	SCREW #4-20 X 1/2 FLAT HEAD, PLASTITE		
0039	00001.000	EA		0943659-0001	BATTERY ASSY, 960B & 980B COMPUTER		
0040	00006.000	EA		0411101-0060	LOCKWASHER #10 EXTERNAL TOOTH CRES	---	
0041	00006.000	EA		0416453-0024	NUT, #10 HEX SMALL PATTERN		
0042	00006.000	EA		0416622-0033	WASHER #10 FLAT	QPL - AN960C10L	
0043	00001.000	EA		0226722-0001	CRU EXPANDER KIT, INTERNAL		
0050	00001.000	EA		0943749-0001	AIR DEFLECTOR		
0051	REF	EA		0943721-9901	PACKING SPEC, COMPUTER		
0052	00009.000	EA		0411101-0060	LOCKWASHER #10 EXTERNAL TOOTH CRES	---	
DRAFTSMAN		DATE	CKD DRAFTSMAN	DATE	DESIGN ENGINEER	DATE	TITLE
APPD. MFG.		DATE	APPD. PROJECT ENGINEER	DATE	RELEASED	DATE	PROJECT NO.
							COMPUTER, 960B RACKMOUNT
							PART NUMBER LM0943652-0009
							REV L

T1 13849



INCORPORATED

DATE 01/13/77

LIST OF MATERIAL

PAGE 1 of

PART NUMBER
LM0943652-0010 REV
L

PRINT ITEM NUMBER	QUANTITY PER ASSEMBLY	UNIT OF ISSUE	DWG. SIZE	PART NUMBER	DESCRIPTION	VENDOR PART NUMBER
0001	00001.000	EA		0943662-0001	CHASSIS ASSY, EXPANDED, 960B	
0002	00001.000	EA		0943679-0002	POWER SUPPLY ASSY-CPU, 100V	
0003	00001.000	EA		0943864-0001	ESCUTCHEON PLATE, 960B-CPU	
0004	00001.000	EA		0172410-0001	NAMEPLATE-PART/SERIAL NO	
0005	00001.000	EA		0943707-0001	COVER, DUST	
0006	00001.000	EA		0226755-0002	CONTROL PANEL, 960B	
0007	00001.000	EA		0226769-0001	CARD ASSY, PW-ARITHMETIC UNIT	
0008	00001.000	EA		0943697-0001	MEMORY CONTROLLER, 960B, STANDARD	
0009	00001.000	EA		0226805-0001	CARD ASSY, PW-CRU INTERFACE	
0010	00001.000	EA		0800521-0008	SLIDE, SOLID BEARING	006666-C-300-S-124
0011	00001.000	EA		0943865-0001	COVER, BOTTOM	
0012	00004.000	EA		0972988-0020	SCREW 4-40 X .875 PAN HEAD CRES	
0013	00002.000	EA		0972988-0014	SCREW 4-40 X .312 PAN HEAD CRES	
0014	00003.000	EA		0972988-0026	SCREW 6-32 X .250 PAN HEAD CRES	
0015	00001.000	EA		0972988-0027	SCREW 6-32 X .312 PAN HEAD CPES	
0016	00011.000	EA		0972986-0008	SCREW 10-32 .375 PAN HEAD CRES	
0017	AF	EA		0235182-0002	LOCTITE SEALENT GRADE 242	LDC --242
0018	00016.000	EA		0411101-0057	LOCKWASHER # 4 EXTERNAL TOOTH CRFS	QPL - MS35335-57
0019	00012.000	EA		0972684-0007	SCREW 4-40 X 1/4 LG THD FRM, SLOT HX W/HO	-TAPTITE CAR S
0020	00016.000	EA		0416622-0011	WASHER #4 FLAT	QPL - AN960C4L
DRAFTSMAN	DATE	CRD. DRAFTSMAN	DATE	DESIGN ENGINEER	DATE	TITLE
						COMPUTER, 960B RACKMOUNT
APPD.-MFG.	DATE	APPD. PROJECT ENGINEER	DATE	RELEASED	DATE	PROJECT NO.
						PART NUMBER LM0943652-0010
						REV L

23



INCORPORATED

DATE 01/13/77

LIST OF MATERIAL

PAGE 2 of

LM0943652-0010 REV L

PRINT ITEM NUMBER	QUANTITY PER ASSEMBLY	UNIT OF ISSUE	DWG SIZE	PART NUMBER	DESCRIPTION	VENDOR PART NUMBER
0021	00001.000	EA		0416622-0013	WASHER #6 FLAT	QPL - AN960C01
0022	00001.000	EA		0411101-0058	LOCKWASHER #6 EXTERNAL TOOTH CRES	QPL - MS35335-58
0024	REF	EA		0943653-9901	TEST PROCEDURE, CPU ASSY	
0025	00001.000	EA		0943656-0001	BE7EL	
0029	00002.000	EA		0972360-0001	FASTENER	SOU --62-99-372-10
0031	00004.000	EA		0416622-0031	WASHER #.375 FLAT	QPL - AN960C616L
0035	00003.000	EA		0972363-0406	SCREW, PLASTITE, 4-20X3/8(SLOT PAN HD)	
0036	00007.000	EA		0972363-0408	SCREW #4-20 X 1/2 PAN HEAD, PLASTITE	
0037	00001.000	EA		0943657-0001	PANEL TRIM, 960B	
0038	00001.000	EA		0972364-0408	SCREW #4-20 X 1/2 FLAT HEAD, PLASTITE	
0039	00001.000	EA		0943650-0001	BATTERY ASSY, 960B & 980B COMPUTER	
0040	00006.000	EA		0411101-0060	LOCKWASHER #10 EXTERNAL TOOTH CRES	---
0041	00006.000	EA		0416453-0024	NUT, #10 HEX SMALL PATTERN	
0042	00006.000	EA		0416622-0033	WASHER #10 FLAT	QPL - AN960C10L
0043	00001.000	EA		0226722-0001	CRU EXPANDER KIT, INTERNAL	
0050	00001.000	EA		0943749-0001	AIR DEFLECTOR	
0051	REF	EA		0943721-9901	PACKING SPEC, COMPUTER	
0052	00009.000	EA		0411101-0060	LOCKWASHER #10 EXTERNAL TOOTH CRES	---

24

DRAFTSMAN	DATE	CKD DRAFTSMAN	DATE	DESIGN ENGINEER	DATE	TITLE	COMPUTER, 960B RACKMOUNT	
APPD. MFG	DATE	APPD. PROJECT ENGINEER	DATE	RELEASED	DATE	PROJECT NO.	PART NUMBER	REV
							LM0943652-0010	L



INCORPORATED

DATE 01/13/77

LIST OF MATERIAL

PAGE 1 of

PART NUMBER
LM0943652-0011

REV
L

PRINT ITEM NUMBER	QUANTITY PER ASSEMBLY	UNIT OF ISSUE	DWG. SIZE	PART NUMBER	DESCRIPTION	VENDOR PART NUMBER	
0001	00001.000	EA		0943662-0001	CHASSIS ASSY, EXPANDED, 960B		
0002	00001.000	EA		0943679-0003	POWER SUPPLY ASSY-CPU, 230V		
0003	00001.000	EA		0943864-0001	ESCUTCHEON PLATE, 960B-CPU		
0004	00001.000	EA		0172410-0001	NAMEPLATE-PART/SERIAL NO		
0005	00001.000	EA		0943707-0001	COVER, DUST		
0006	00001.000	EA		0226755-0002	CONTROL PANEL, 960B		
0007	00001.000	EA		0226769-0001	CARD ASSY, PW-ARITHMETIC UNIT		
0008	00001.000	EA		0943697-0001	MEMORY CONTROLLER, 960B, STANDARD		
0009	00001.000	EA		0226805-0001	CARD ASSY, PW-CRU INTERFACE		
0010	00001.000	EA		0800521-0008	SLIDE, SOLID BEARING	006666-C-300-S-124	
0011	00001.000	EA		0943865-0001	COVER, BOTTOM		
0012	00004.000	EA		0972988-0020	SCREW 4-40 X .875 PAN HEAD CRES		
0013	00002.000	EA		0972988-0014	SCREW 4-40 X .312 PAN HEAD CRES		
0014	00003.000	EA		0972988-0026	SCREW 6-32 X .250 PAN HEAD CRES		
0015	00001.000	EA		0972988-0027	SCREW 6-32 X .312 PAN HEAD CRES		
0016	00011.000	EA		0972986-0008	SCREW 10-32 .375 PAN HEAD CRES		
0017	AP	EA		0235182-0002	LOCTITE SEALANT GRADE 242	LOC --242	
0018	00016.000	EA		0411101-0057	LOCKWASHER # 4 EXTERNAL TOOTH CRES	QPL - MS35335-57	
0019	00012.000	EA		0972684-0007	SCREW 4-40 X 1/4 LG THD FRM, SLOT HX W/HD	-TAPTITE CAP S	
0020	00016.000	EA		0416622-0011	WASHER #4 FLAT	QPL - AN960C41	
DRAFTSMAN		DATE	CKD. DRAFTSMAN	DATE	DESIGN ENGINEER	DATE	TITLE
					COMPUTER, 960B RACKMOUNT		
APPD.-MFG.		DATE	APPD. PROJECT ENGINEER	DATE	RELEASED	DATE	PROJECT NO.
						PART NUMBER	REV
						LM0943652-0011	L

25



INCORPORATED

DATE 01/13/77

LIST of MATERIAL

PAGE 2 of

PART NUMBER
LM0943652-0011 REV
L

PRINT ITEM NUMBER	QUANTITY PER ASSEMBLY	UNIT OF ISSUE	DWG. SIZE	PART NUMBER	DESCRIPTION	VENDOR PART NUMBER
0021	00001.000	EA		0416622-0013	WASHER #6 FLAT	QPL - AN96006L
0022	00001.000	EA		0411101-0058	LOCKWASHER #6 EXTERNAL TOOTH CRES	QPL - MS35335-58
0024	REF	EA		0943653-9901	TEST PROCEDURE, CPU ASSY	
0025	00001.000	EA		0943656-0001	BEZEL	
0029	00002.000	EA		0972360-0001	FASTENER	SOU --62-99-372-10
0031	00004.000	EA		0416622-0031	WASHER #.375 FLAT	QPL - AN9600616L
0035	00003.000	EA		0972363-0406	SCREW, PLASTITE, 4-20X3/8(SLOT PAN HD)	
0036	00007.000	EA		0972363-0408	SCRFW #4-20 X 1/2 PAN HEAD,PLASTITE	
0037	00001.000	EA		0943657-0001	PANFL TRIM, 960B	
0038	00001.000	EA		0972364-0408	SCREW #4-20 X 1/2 FLAT HEAD,PLASTITE	
0039	00001.000	EA		0943659-0001	BATTERY ASSY, 960B & 980B COMPUTER	
0040	00006.000	EA		0411101-0060	LOCKWASHER #10 EXTERNAL TOOTH CRES	---
0041	00006.000	EA		0416453-0024	NUT,#10 HEX SMALL PATTERN	
0042	00006.000	EA		0416622-0033	WASHER #10 FIAT	QPL - AN960010L
0043	00001.000	EA		0226722-0001	CRU EXPANDER KIT,INTERNAL	
0050	00001.000	EA		0943749-0001	AIR DEFLECTOR	
0051	REF	EA		0943721-9901	PACKING SPEC, COMPUTER	
0052	00009.000	EA		0411101-0060	LOCKWASHER #10 EXTERNAL TOOTH CRES	---

DRAFTSMAN	DATE	CKD DRAFTSMAN	DATE	DESIGN ENGINEER	DATE	TITLE
						COMPUTER, 960B PACKMOUNT
APPD MFG	DATE	APPD PROJECT ENGINEER	DATE	RELEASED	DATE	PROJECT NO.

PART NUMBER	REV
LM0943652-0011	L

26



INCORPORATED

DATE 01/13/77

LIST OF MATERIAL

PAGE 1 of

PART NUMBER	REV
LM0943652-0012	L

PRINT ITEM NUMBER	QUANTITY PER ASSEMBLY	UNIT OF ISSUE	DWG. SIZE	PART NUMBER	DESCRIPTION	VENDOR PART NUMBER	
0001	00001.000	EA		0943662-0001	CHASSIS ASSY, EXPANDED, 960B		
0002	00001.000	EA		0943679-0004	POWER SUPPLY ASSY-CPU, 200V		
0003	00001.000	EA		0943864-0001	ESCUTCHEON PLATE, 960B-CPU		
0004	00001.000	EA		0172410-0001	NAMEPLATE-PART/SERIAL NO		
0005	00001.000	EA		0943707-0001	COVER, DUST		
0006	00001.000	EA		0226755-0002	CONTROL PANEL, 960B		
0007	00001.000	EA		0226769-0001	CARD ASSY, PW-ARITHMETIC UNIT		
0008	00001.000	EA		0943697-0001	MEMORY CONTROLLER, 960B, STANDARD		
0009	00001.000	EA		0226805-0001	CARD ASSY, PW-CRU INTERFACE		
0010	00001.000	EA		0800521-0008	SLIDE, SOLID BEARING	006666-C-300-S-124	
0011	00001.000	EA		0943865-0001	COVER, BOTTOM		
0012	00004.000	EA		0972988-0020	SCREW 4-40 X .875 PAN HEAD CRES		
0013	00002.000	EA		0972988-0014	SCREW 4-40 X .312 PAN HEAD CRES		
0014	00003.000	EA		0972988-0026	SCREW 6-32 X .250 PAN HEAD CRES		
0015	00001.000	EA		0972988-0027	SCREW 6-32 X .312 PAN HEAD CRES		
0016	00011.000	EA		0972986-0008	SCREW 10-32 .375 PAN HEAD CRES		
0017	AP	EA		0235182-0002	LOCTITE SEALANT GRADE 242	LDC --242	
0018	00016.000	EA		0411101-0057	LOCKWASHER # 4 EXTERNAL TOOTH CRES	QPL - MS35335-57	
0019	00012.000	EA		0972684-0007	SCREW 4-40 X 1/4 LG THD FRM, SLOT HX W/HD	-TAPTITE CAP ST	
0020	00016.000	EA		0416622-0011	WASHER #4 FLAT	QPL - AN960C4L	
DRAFTSMAN		DATE	CKD. DRAFTSMAN	DATE	DESIGN ENGINEER	DATE	TITLE
							COMPUTER, 960B RACKMOUNT
APP. MFG.		DATE	APPD. PROJECT ENGINEER	DATE	RELEASED	DATE	PROJECT NO.
						PART NUMBER	REV
						LM0943652-0012	L

27



INCORPORATED

DATE 01/13/77

LIST OF MATERIAL

PAGE 2 of

PART NUMBER
LM0943652-0012 REV
L.

PRINT ITEM NUMBER	QUANTITY PER ASSEMBLY	UNIT OF ISSUE	DWG. SIZE	PART NUMBER	DESCRIPTION	VENDOR PART NUMBER	
0021	00001.000	EA		0416622-0013	WASHER #6 FLAT	QPL - AN960C6L	
0022	00001.000	EA		0411101-0058	LOCKWASHER #6 EXTERNAL TOOTH CRES	QPL - MS35335-58	
0024	REF	EA		0943653-9901	TEST PROCEDURE, CPU ASSY		
0025	00001.000	EA		0943656-0001	BEZEL		
0029	00002.000	EA		0972360-0001	FASTENER	SOU --62-99-372-10	
0031	00004.000	EA		0416622-0031	WASHER #.375 FLAT	QPL - AN960C616L	
0035	00003.000	EA		0972363-0406	SCREW, PLASTITE, 4-20X3/8(SLOT PAN HD)		
0036	00007.000	EA		0972363-0408	SCREW #4-20 X 1/2 PAN HEAD, PLASTITE		
0037	00001.000	EA		0943657-0001	PANFL TRIM, 960B		
0038	00001.000	EA		0972364-0408	SCREW #4-20 X 1/2 FLAT HEAD, PLASTITE		
0039	00001.000	EA		0943659-0001	BATTERY ASSY, 960B & 980B COMPUTER		
0040	00006.000	EA		0411101-0060	LOCKWASHER #10 EXTERNAL TOOTH CRES	---	
0041	00006.000	EA		0416453-0024	NUT, #10 HEX SMALL PATTERN		
0042	00006.000	EA		0416622-0033	WASHER #10 FLAT	QPL - AN960C10L	
0043	00001.000	FA		0226722-0001	CRU EXPANDER KIT, INTERNAL		
0050	00001.000	EA		0943749-0001	AIR DEFLECTOR		
0051	REF	EA		0943721-9901	PACKING SPEC, COMPUTER		
0052	00009.000	EA		0411101-0060	LOCKWASHER #10 EXTERNAL TOOTH CRES	---	
DRAFTSMAN		DATE	CKD. DRAFTSMAN	DATE	DESIGN ENGINEER	DATE	TITLE
							COMPUTER, 960B RACKMOUNT
APPD. MFG.		DATE	APPD. PROJECT ENGINEER	DATE	RELEASED	DATE	PROJECT NO.
						PART NUMBER	REV
						LM0943652-0012	L



INCORPORATED

DATE 01/13/77

LIST OF MATERIAL

PAGE 1 of

PART NUMBER
LM0943652-0013REV
L

PRINT ITEM NUMBER	QUANTITY PER ASSEMBLY	UNIT OF ISSUE	DWG. SIZE	PART NUMBER	DESCRIPTION	VENDOR PART NUMBER	
0001	00001.000	EA		0943662-0001	CHASSIS ASSY, EXPANDED, 960R		
0002	00001.000	EA		0943679-0001	POWER SUPPLY ASSY-CPU, 115V		
0003	00001.000	EA		0943864-0001	ESCUTCHEON PLATE, 960B-CPU		
0004	00001.000	EA		0172410-0001	NAMEPLATE-PART/SERIAL NO		
0005	00001.000	EA		0943707-0001	COVER, DUST		
0007	00001.000	EA		0226769-0001	CARD ASSY, PW-ARITHMETIC UNIT		
0008	00001.000	EA		0943697-0001	MEMORY CONTROLLER, 960B, STANDARD		
0009	00001.000	EA		0226805-0001	CARD ASSY, PW-CRU INTERFACE		
0010	00001.000	EA		0800521-0008	SLIDE, SOLID BEARING	J06666-C-300-S-124	
0011	00001.000	EA		0943865-0001	COVER, BOTTOM		
0012	00034.000	EA		0972988-0020	SCREW 4-40 X .875 PAN HEAD CRES		
0014	00003.000	EA		0972988-0026	SCREW 6-32 X .250 PAN HEAD CRES		
0015	00001.000	EA		0972988-0027	SCREW 6-32 X .312 PAN HEAD CRES		
0016	00011.000	EA		0972986-0008	SCREW 10-32 .375 PAN HEAD CRES		
0017	AR	EA		0235182-0002	LOCTITE SEALANT GRADE 242	LOC --242	
0018	00014.000	EA		0411101-0057	LOCKWASHER # 4 EXTERNAL TOOTH CRES	QPL - MS35335-57	
0019	00012.000	EA		0972684-0007	SCREW 4-40 X 1/4 LG THD FRM, SLOT HX W/HD	-TAPTITE CAR ST	
0020	00014.000	EA		0416672-0011	WASHER #4 FLAT	QPL - AN960C4L	
0021	00001.000	EA		0416622-0013	WASHER #6 FLAT	QPL - AN960C6L	
0022	00001.000	EA		0411101-0058	LOCKWASHER #6 EXTERNAL TOOTH CRES	QPL - MS35335-58	
DRAFTSMAN		DATE	CRD. DRAFTSMAN	DATE	DESIGN ENGINEER	DATE	TITLE
							COMPUTER, 960R RACKMOUNT
APPD.-MFG.		DATE	APPD. PROJECT ENGINEER	DATE	RELEASED	DATE	PROJECT NO.
						PART NUMBER	REV
						LM0943652-0013	L

29



INCORPORATED

DATE 01/13/77

LIST OF MATERIAL

PAGE 2 of

PART NUMBER
LM0943652-0013 REV L

PRINT ITEM NUMBER	QUANTITY PER ASSEMBLY	UNIT OF ISSUE	DWG. SIZE	PART NUMBER	DESCRIPTION	VENDOR PART NUMBER		
0074	REF	EA		0943653-9901	TEST PROCEDURE, CPU ASSY			
0025	00001.000	EA		0943656-0001	BEZEL			
0029	00002.000	EA		0972360-0001	FASTENER	SOU --62-99-372-10		
0031	00004.000	EA		0416622-0031	WASHER #.375 FLAT	QPL - AN960C616L		
0035	00003.000	EA		0972363-0406	SCREW, PLASTITE, 4-20X3/8(SLOT PAN HD)			
0036	00007.000	EA		0972363-0408	SCREW #4-20 X 1/2 PAN HEAD, PLASTITE			
0037	00001.000	EA		0943657-0001	PANEL TRIM, 960B			
0038	00001.000	EA		0972364-0408	SCREW #4-20 X 1/2 FLAT HEAD, PLASTITE			
0039	00001.000	EA		0943659-0001	BATTERY ASSY, 960B & 980B COMPUTER			
0040	00006.000	EA		0411101-0060	LOCKWASHER #10 EXTERNAL TOOTH CRES	---		
0041	00006.000	EA		0416453-0024	NUT, #10 HEX SMALL PATTERN			
0042	00006.000	EA		0416622-0033	WASHER #10 FLAT	QPL - AN960C10L		
0050	00001.000	EA		0943749-0001	AIR DEFLECTOR			
0051	REF	EA		0943721-9901	PACKING SPEC, COMPUTER			
0052	00009.000	EA		0411101-0060	LOCKWASHER #10 EXTERNAL TOOTH CRES	---		
DRAFTSMAN		DATE	CKD. DRAFTSMAN	DATE	DESIGN ENGINEER	DATE	TITLE	
APPD.-MFG.		DATE	APPD. PROJECT ENGINEER	DATE	RELEASED	DATE	PROJECT NO.	
							PART NUMBER LM0943652-0013	REV L



INCORPORATED

DATE 01/13/77

LIST OF MATERIAL

PAGE 1 of

PART NUMBER
LM0943652-0014 REV
L

PRINT ITEM NUMBER	QUANTITY PER ASSEMBLY	UNIT OF ISSUE	DWG. SIZE	PART NUMBER	DESCRIPTION	VENDOR PART NUMBER	
0001	00001.000	EA		0943662-0001	CHASSIS ASSY, EXPANDED, 960B		
0002	00001.000	EA		0943679-0003	POWER SUPPLY ASSY-CPU, 230V		
0003	00001.000	EA		0943864-0001	ESCUTCHEON PLATE, 960B-CPU		
0004	00001.000	EA		0172410-0001	NAMFPLATE-PART/SERIAL NO		
0005	00001.000	EA		0943707-0001	COVER, DUST		
0007	00001.000	EA		0226769-0001	CARD ASSY, PW-ARITHMETIC UNIT		
0008	00001.000	EA		0943697-0001	MEMORY CONTROLLER, 960B, STANDARD		
0009	00001.000	EA		0226805-0001	CARD ASSY, PW-CRU INTERFACE		
0010	00001.000	FA		0800521-0008	SLIDE, SOLID BEARING	006666-C-300-S-124	
0011	00001.000	EA		0943865-0001	COVER, BOTTOM		
0012	00004.000	EA		0972988-0020	SCREW 4-40 X .875 PAN HEAD CRES		
0013	00002.000	EA		0972988-0014	SCREW 4-40 X .312 PAN HEAD CRES		
0014	00003.000	EA		0972988-0026	SCREW 6-32 X .250 PAN HEAD CRES		
0015	00001.000	EA		0972988-0027	SCREW 6-32 X .312 PAN HEAD CRES		
0016	00011.000	EA		0972986-0008	SCREW 10-32 .375 PAN HEAD CRES		
0017	AR	EA		0235182-0002	LOCTITE SEALANT GRADE 242	LOC --242	
0018	00016.000	EA		0411101-0057	LOCKWASHER # 4 EXTERNAL TOOTH CRES	QPL - MS35335-57	
0019	00012.000	EA		0972684-0007	SCREW 4-40 X 1/4 LG THD FRM, SLOT HX W/HD	-TAPTITE CAR ST	
0020	00016.000	EA		0416622-0011	WASHER #4 FLAT	QPL - AN960C4L	
0021	00001.000	EA		0416622-0013	WASHER #6 FLAT	QPL - AN960C6L	
DRAFTSMAN		DATE	CKD. DRAFTSMAN	DATE	DESIGN ENGINEER	DATE	TITLE
							COMPUTER, 960B RACKMOUNT
APPD.-MFG.		DATE	APPD. PROJECT ENGINEER	DATE	RELEASED	DATE	PROJECT NO.
						PART NUMBER	REV
						LM0943652-0014	L



INCORPORATED

DATE 01/13/77

LIST OF MATERIAL

PAGE 2 of

PART NUMBER
LM0943652-0014REV
L

PRINT ITEM NUMBER	QUANTITY PER ASSEMBLY	UNIT OF ISSUE	DWG. SIZE	PART NUMBER	DESCRIPTION	VENDOR PART NUMBER		
0022	00001.000	EA		0411101-0058	LOCKWASHER #6 EXTERNAL TOOTH CRES	QPL - MS35335-58		
0024	REF	EA		0943653-9901	TEST PROCEDURE, CPU ASSY			
0025	00001.000	EA		0943656-0001	BEZEL			
0029	00002.000	EA		0972360-0001	FASTENER	SOU --62-99-372-10		
0031	00004.000	EA		0416622-0031	WASHER #.375 FLAT	QPL - AN960C616L		
0035	00003.000	EA		0972363-0406	SCREW, PLASTITE, 4-20X3/8(SLOT PAN HD)			
0036	00007.000	EA		0972363-0408	SCREW #4-20 X 1/2 PAN HEAD, PLASTITE			
0037	00001.000	EA		0943657-0001	PANEL TRIM, 960B			
0038	00001.000	EA		0972364-0408	SCREW #4-20 X 1/2 FLAT HEAD, PLASTITE			
0039	00001.000	EA		0943659-0001	BATTERY ASSY, 960B & 980B COMPUTER			
0040	00006.000	EA		0411101-0060	LOCKWASHER #10 EXTERNAL TOOTH CRES	---		
0041	00006.000	EA		0416453-0024	NUT, #10 HEX SMALL PATTERN			
0042	00006.000	EA		0416622-0033	WASHER #10 FLAT	QPL - AN960C10L		
0050	00001.000	EA		0943749-0001	AIR DEFLECTOR			
0051	REF	EA		0943721-9901	PACKING SPEC, COMPUTER			
0052	00009.000	EA		0411101-0060	LOCKWASHER #10 EXTERNAL TOOTH CRES	---		
DRAFTSMAN		DATE	CKD. DRAFTSMAN	DATE	DESIGN ENGINEER	DATE	TITLE	
							COMPUTER, 960B RACKMOUNT	
APPD. MFG.		DATE	APPD. PROJECT ENGINEER	DATE	RELEASED	DATE	PROJECT NO.	
							PART NUMBER	REV
							LM 0943652-0014	L

32


A1943709

APPLICATION		REVISIONS			
NEXT ASSY	USED ON	LTR	DESCRIPTION	DATE	APPROVED
943651	7502	A	CN397157 (C) <i>Sh...</i>	8/30/74	<i>R. Dal...</i>
981824		B	CN392960 (C) <i>Sh...</i> (1) ADDED SHEET 4	2/6/75	<i>R. Dal...</i>
		C	CN394581 (C) <i>R...</i>	4/18/75	<i>R. Dal...</i>
		D	CN388247 (C) <i>Sh...</i> (1) ADDED SHEET 5.	6/6/75	<i>R. Dal...</i>
		E	CN413027 (C) <i>Sh...</i>	4/3/76	<i>R. Dal...</i>

NOTES:

REV.'S CONTINUED ON PAGE 6

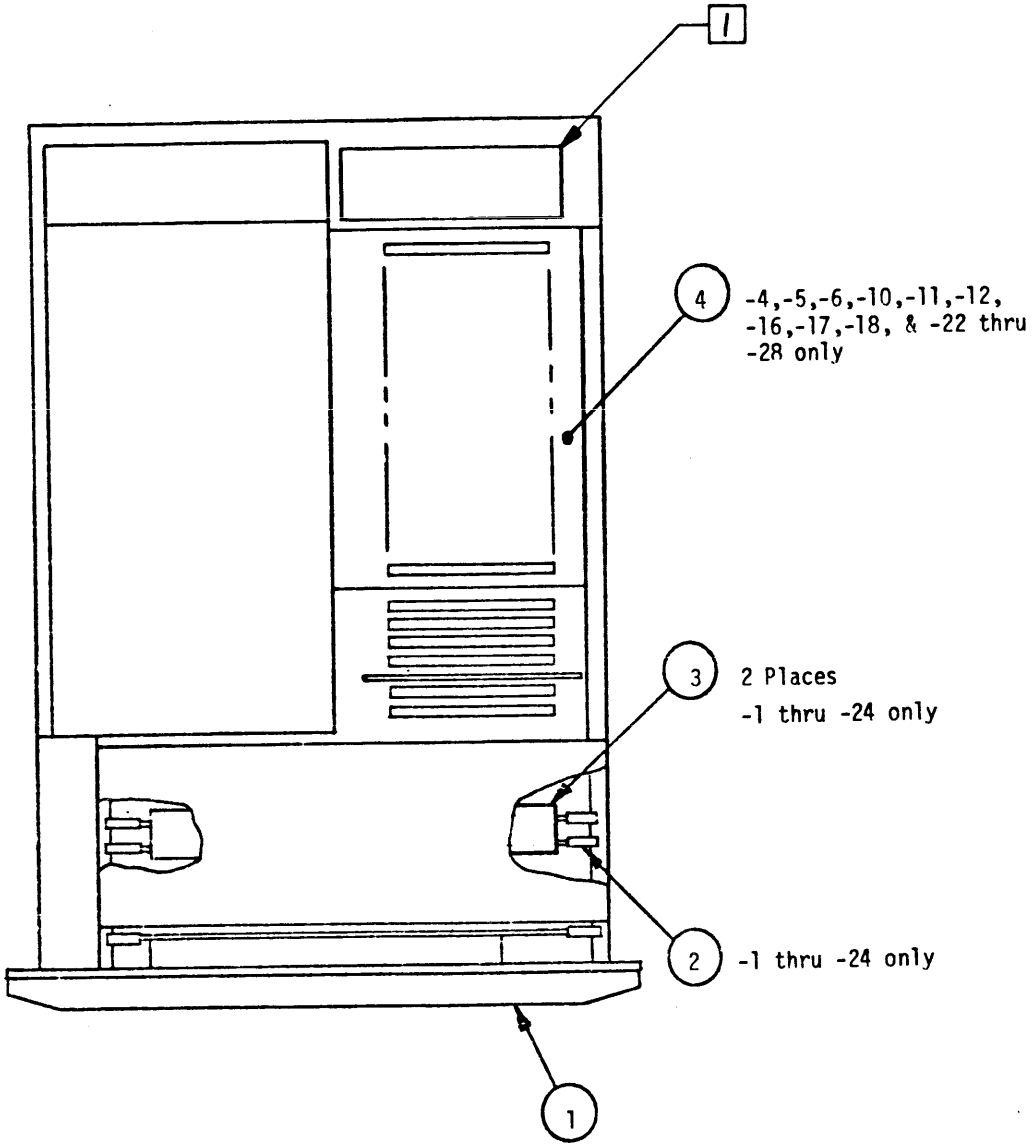
1. 943709-0001 THRU -0028 ARE CONFIGURED WITHOUT BATTERIES.
943709-0029 THRU -0056 ARE CONFIGURED WITH BATTERIES.
2. 943709-0029 THRU -0056 ARE CONFIGURED WITHOUT MEMORY INTERCONNECT BOARDS.
FOR COMPUTERS WITH ONE MEMORY BOARD USE MEMORY INTERCONNECT KIT 943740-0001,
FOR COMPUTERS WITH TWO OR THREE MEMORY BOARDS USE MEMORY INTERCONNECT KIT 943740-0002.
3. WITHOUT BATTERIES, AND WITH SINGLE BOARD INTERCONNECTS.
4. WITH BATTERIES AND WITHOUT INTERCONNECTS.

REV																					
SHEET																					
REV STATUS OF SHEETS	REV	J	B	B	C	J	J														
	SHEET	1	2	3	4	5	6														
UNLESS OTHERWISE SPECIFIED DIMENSIONS ARE IN INCHES TOLERANCES ANGLES $\pm 1^\circ$ 3 PLACE DECIMAL ± 010 2 PLACE DECIMAL $\pm .02$	DWGR	<i>30-19-74</i>										 TEXAS INSTRUMENTS INCORPORATED Equipment Group Dallas, Texas									
	CHKD	<i>6/24/74</i>																			
IDENTIFYING NUMBERS SHOWN IN PARENTHESES FOR REFERENCE ONLY	ENGR	<i>Stand (reference)</i>																			
	QA	<i>6/25/74</i>																			
INTERPRET DWG IN ACCORDANCE WITH MIL-STD-100	APVD	<i>[Signature]</i>																			
	CONTR NO	<i>[Signature]</i>																			
	DESIGN ACTIVITY RELEASE	<i>[Signature]</i>																			
	SIZE	CODE IDENT NO		DRAWING NO																	
	A	96214		943709																	
	SCALE NONE		SHEET 1 OF 6																		

TI-9923-C

30

LM



SIZE	CODE IDENT NO	DRAWING NO
A	96214	943709
SCALE	NONE	REV
		B
		SHEET 2

943709-0960		CPU DOCUMENTATION KIT - 960B	
943709-0028	3	Computer, 960B, Rack Mount, -CRU Expander, 200V	
-0027			-CRU Expander, 230V
-0026			-CRU Expander, 100V
-0025			-CRU Expander, 115V
-0024			-24K Memory, CRU Expander, 200V
-0023			-16K , CRU Expander, 200V
-0022			- 8K , CRU Expander, 200V
-0021			-24K , 200V
-0020			-16K , 200V
-0019			- 8K , 200V
-0018			-24K , CRU Expander, 230V
-0017			-16K , CRU Expander, 230V
-0016			- 8K , CRU Expander, 230V
-0015			-24K , 230V
-0014			-16K , 230V
-0013			- 8K , 230V
-0012			-24K , & CRU Expander, 100V
-0011			-16K , & CRU Expander, 100V
-0010			- 8K , & CRU Expander, 100V
-0009			-24K , 100V
-0008			-16K , 100V
-0007			- 8K , 100V
-0006			-24K , & CRU Expander, 115V
-0005			-16K , & CRU Expander, 115V
-0004			- 8K , & CRU Expander, 115V
-0003			-24K , 115V
-0002			-16K , 115V
943709-0001	3	Computer, 960B, Rack Mount, - 8K Memory, 115V	
PART NO.		DESCRIPTION	
		PART NUMBER SCHEDULE	

SIZE	CODE IDENT NO.	DRAWING NO.	
A	96214	943709	
SCALE	REV	B	SHEET 3

11-7915-0 11

943709-0102	Computer, 960B Rackmount, w/Battery, w/CRU EXP, 115V
943709-0101	Computer, 960B Rackmount, w/Battery, 115V
943709-0100	Computer, 960B Rackmount, 115V
943709 -0056 [4]	Computer, 960B, Rack Mount, -CRU Expander, 200V
-0055	-CRU Expander, 230V
-0054	-CRU Expander, 100V
-0053	-CRU Expander, 115V
-0052	-24K Memory, CRU Expander, 200V
-0051	-16K , CRU Expander, 200V
-0050	- 8K , CRU Expander, 200V
-0049	-24K , 200V
-0048	-16K , 200V
-0047	- 8K , 200V
-0046	-24K , CRU Expander, 230V
-0045	-16K , CRU Expander, 230V
-0044	- 8K , CRU Expander, 230V
-0043	-24K , 230V
-0042	-16K , 230V
-0041	- 8K , 230V
-0040	-24K , & CRU Expander, 100V
-0039	-16K , & CRU Expander, 100V
-0038	- 8K , & CRU Expander, 100V
-0037	-24K , 100V
-0036	-16K , 100V
-0035	- 8K , 100V
-0034	-24K , & CRU Expander, 115V
-0033	-16K , & CRU Expander, 115V
-0032	- 8K , & CRU Expander, 115V
-0031	-24K , 115V
-0030	-16K , 115V
943709--0029 [4]	Computer, 960B, Rack Mount, - 8K Memory, 115V
PART NO.	DESCRIPTION
PART NUMBER SCHEDULE	

SIZE	CODE IDENT NO	DRAWING NO
A	96214	943709
SCALE	REV	SHEET
	C	4

943709-0262	CMPTR, 960B, Rack Mount-16K Memory & C/E, 230V
943709-0261	CMPTR, 960B, Rack Mount-16K Memory & C/E, 230V
943709-0260	CMPTR, 960B, Rack Mount-16K Memory & C/E, 230V
943709-0242	CMPTR, 960B, Rack Mount-16K Memory & C/E, 200V
943709-0241	CMPTR, 960B, Rack Mount-16K Memory & C/E, 200V
943709-0240	CMPTR, 960B, Rack Mount-16K Memory & C/E, 200V
943709-0222	CMPTR, 960B, Rack Mount-16K Memory & C/E, 115V
943709-0221	CMPTR, 960B, Rack Mount-16K Memory & C/E, 115V
943709-0220	CMPTR, 960B, Rack Mount-16K Memory & C/E, 115V
943709-0202	CMPTR, 960B, Rack Mount-16K Memory & C/E, 100V
943709-0201	CMPTR, 960B, Rack Mount-16K Memory & C/E, 100V
943709-0200	CMPTR, 960B, Rack Mount-16K Memory & C/E, 100V
943709-0112	Computer, 960B, Rackmount, W/Battery and CRU EXP., without Control Panel, 115V
943709-0111	Computer, 960B, Rackmount, W/Battery and CRU exp., 100V
↑ -0110	↑ , W/Battery, 100V
-0109	, 100V
-0108	, W/Battery and CRU exp., 200V
-0107	, W/Battery, 200V
-0106	, 200V
-0105	, W/Battery and CRU exp., 230V
-0104	, W/ Battery, 230V
943709-0103	Computer, 960B, Rackmount, 230V
PART NUMBER	DESCRIPTION
PART NUMBER SCHEDULE	

SIZE	CODE IDENT NO	DRAWING NO	
A	96214	943709	
SCALE	REV	J	SHEET 5

TI-7915C



TEXAS INSTRUMENTS
INCORPORATED

DATE 12/13/76

LIST OF MATERIAL

PAGE 1 of

PART NUMBER	REV
LM 0943709-0001	J

PRINT ITEM NUMBER	QUANTITY PER ASSEMBLY	UNIT OF ISSUE	DWG. SIZE	PART NUMBER	DESCRIPTION	VENDOR PART NUMBER
0001	0001.000	EA		0943652-0001	COMPUTER, 960R RACKMOUNT	
0002	0001.000	EA		0975155-0002	MEMORY, 8K	
0003	0002.000	EA		0943718-0001	PWB, INTERCONNECT	

39

DRAFTSMAN	DATE	CKD. DRAFTSMAN	DATE	DESIGN ENGINEER	DATE	TITLE
		<i>J.R. [Signature]</i>	12-14-76			CMPT, 960R, RACK MT-8K MEMORY, 115V
APPD. MFG.	DATE	APPD. PROJECT ENGINEER	DATE	RELEASED	DATE	PROJECT NO.
						7502

PART NUMBER	REV
LM 0943709-0001	J



PRINT ITEM NUMBER	QUANTITY PER ASSEMBLY	UNIT OF ISSUE	DWG. SIZE	PART NUMBER	DESCRIPTION	VENDOR PART NUMBER
0001	00001.000	EA		0943652-0001	COMPUTER, 960B RACKMOUNT	
0002	00001.000	EA		0975155-0004	MEMORY, 16K	
0003	00002.000	EA		0943718-0001	PWR, INTERCONNECT	

DRAFTSMAN	DATE	CKD. DRAFTSMAN	DATE	DESIGN ENGINEER	DATE	TITLE
						CMPTP, 960B, RACK MT-16K MEMORY, 115V
APPD. MFG	DATE	APPD. PROJECT ENGINEER	DATE	RELEASED	DATE	PROJECT NO.

PART NUMBER	REV
LM 0943709-0002	J



TEXAS INSTRUMENTS
INCORPORATED

DATE 12/13/76

LIST OF MATERIAL

PAGE 1 of

PART NUMBER	REV
LM 0943709-0003	J

PRINT ITEM NUMBER	QUANTITY PER ASSEMBLY	UNIT OF ISSUE	DWG. SIZE	PART NUMBER	DESCRIPTION	VENDOR PART NUMBER
0001	0.0001.000	EA		0943652-0001	COMPUTER, 960B RACKMOUNT	
0002	0C001.000	EA		0975155-0006	MEMORY, 24K	
0003	00002.000	EA		0943718-0001	PWR, INTERCONNECT	

DATE	DATE	DATE	TITLE
RAFTSMAN	CKD. DRAFTSMAN	DESIGN ENGINEER	CMPTP, 960B, RACK MT-24K MEMORY, 115V
DATE	DATE	DATE	PROJECT NO.
PPD.-MFG.	APPD. PROJECT ENGINEER	RELEASED	

PART NUMBER	REV
LM 0943709-0003	J

41



PRINT ITEM NUMBER	QUANTITY PER ASSEMBLY	UNIT OF ISSUE	DWG. SIZE	PART NUMBER	DESCRIPTION	VENDOR PART NUMBER
C001	00001.000	EA		0943652-0001	COMPUTER, 9608 RACKMOUNT	
0002	00001.000	FA		0975155-0002	MEMORY, 8K	
0003	00002.000	EA		0943718-0001	PWB, INTERCONNECT	
C004	00001.000	EA		0226722-0001	CRU EXPANDER KIT, INTERPNAL	

42

DRAFTSMAN	DATE	CKD. DRAFTSMAN	DATE	DESIGN ENGINEER	DATE	TITLE	
						CMPTR, 9608, PACK MT-8K MEMORY & C/E, 115V	
APPD. MFG.	DATE	APPD. PROJECT ENGINEER	DATE	RELEASED	DATE	PROJECT NO.	



TEXAS INSTRUMENTS
INCORPORATED

DATE 12/13/76

LIST OF MATERIAL

PAGE 1 of

PART NUMBER	REV
LM0943709-0005	J

PRINT ITEM NUMBER	QUANTITY PER ASSEMBLY	UNIT OF ISSUE	DWG. SIZE	PART NUMBER	DESCRIPTION	VENDOR PART NUMBER
0001	00001.000	EA		0943652-0001	COMPUTER, 960R RACKMOUNT	
0002	00001.000	EA		0975155-0004	MEMORY, 16K	
0003	00002.000	EA		0943718-0001	PWR, INTERCONNECT	
0004	00001.000	EA		0226722-0001	CRU EXPANDER KIT, INTERNAL	

43

DRAFTSMAN	DATE	CKD. DRAFTSMAN	DATE	DESIGN ENGINEER	DATE	TITLE
						CMPT, 960R, RACK MT-16K MEMORY & C/E, 115V
APPD.-MFG.	DATE	APPD. PROJECT ENGINEER	DATE	RELEASED	DATE	PROJECT NO.

PART NUMBER	REV
LM0943709-0005	J



TEXAS INSTRUMENTS
INCORPORATED

DATE 12/13/76

LIST OF MATERIAL

PAGE 1 of

PART NUMBER	REV
LM0943709-0006	J

PRINT ITEM NUMBER	QUANTITY PER ASSEMBLY	UNIT OF ISSUE	DWG. SIZE	PART NUMBER	DESCRIPTION	VENDOR PART NUMBER
0001	0001.000	EA		0943652-0001	COMPUTER, 960B BACKMOUNT	
0002	0001.000	EA		0975155-0006	MEMORY, 24K	
0003	0002.000	EA		0943718-0001	PWR, INTERCONNECT	
0004	0001.000	EA		0226722-0001	CRU EXPANDER KIT, INTERNAL	

DRAFTSMAN	DATE	CKD. DRAFTSMAN	DATE	DESIGN ENGINEER	DATE	TITLE
						CMPTR, 960B, PACK MT-24K MEMORY & C/E, 115V
APPD. MFG	DATE	APPD. PROJECT ENGINEER	DATE	RELEASED	DATE	PROJECT NO.

PART NUMBER	REV
LM0943709-0006	J

44



TEXAS INSTRUMENTS
INCORPORATED

DATE 12/13/76

LIST OF MATERIAL

PAGE 1 of

PART NUMBER	REV
LM 0943709-0007	J

PRINT ITEM NUMBER	QUANTITY PER ASSEMBLY	UNIT OF ISSUE	DWG. SIZE	PART NUMBER	DESCRIPTION	VENDOR PART NUMBER
0001	00001.000	EA		0943652-0002	COMPUTER, 960R RACKMOUNT	
0002	00001.000	EA		0975155-0002	MEMORY, 8K	
0003	00002.000	EA		0943718-0001	PWR, INTERCONNECT	

45

DRAFTSMAN	DATE	CKD. DRAFTSMAN	DATE	DESIGN ENGINEER	DATE	TITLE		
						CMPT, 960R, RACK MT-8K MEMORY, 100V		
APPD.-MFG.	DATE	APPD. PROJECT ENGINEER	DATE	RELEASED	DATE	PROJECT NO.		
							LM 0943709-0007	REV J



TEXAS INSTRUMENTS
INCORPORATED

DATE 12/13/76

LIST OF MATERIAL

PAGE 1 of

PART NUMBER	REV
LM0943709-0008	J

PRINT ITEM NUMBER	QUANTITY PER ASSEMBLY	UNIT OF ISSUE	DWG. SIZE	PART NUMBER	DESCRIPTION	VENDOR PART NUMBER
0001	00001.000	EA		0943652-0002	COMPUTER, 960R RACKMOUNT	
0002	00001.000	EA		0975155-0004	MEMORY, 16K	
0003	00002.000	EA		0943718-0001	PWR, INTERCONNECT	

DRAFTSMAN	DATE	CKD. DRAFTSMAN	DATE	DESIGN ENGINEER	DATE	TITLE
						CMPTR, 960R, RACK MT-16K MEMORY, 100V
APPD. MFG	DATE	APPD. PROJECT ENGINEER	DATE	RELEASED	DATE	PROJECT NO.

PART NUMBER	REV
LM0943709-0008	J



TEXAS INSTRUMENTS
INCORPORATED

DATE 12/13/76

LIST OF MATERIAL

PAGE 1 of

PART NUMBER LM 0943709-0009	REV J
---------------------------------------	-----------------

PRINT ITEM NUMBER	QUANTITY PER ASSEMBLY	UNIT OF ISSUE	DWG. SIZE	PART NUMBER	DESCRIPTION	VENDOR PART NUMBER														
0001	00001.000	EA		0943652-0002	COMPUTER, 960B RACKMOUNT															
0002	00001.000	EA		0975155-0006	MEMORY, 24K															
0003	00002.000	EA		0943718-0001	PWB, INTERCONNECT															
<table border="1" style="width:100%; border-collapse: collapse;"> <tr> <td style="width:15%;">DRAFTSMAN</td> <td style="width:10%;">DATE</td> <td style="width:15%;">CKD. DRAFTSMAN</td> <td style="width:10%;">DATE</td> <td style="width:15%;">DESIGN ENGINEER</td> <td style="width:10%;">DATE</td> <td style="width:25%;">TITLE CMPTR, 960B, RACK MT-24K MEMORY, 100V</td> </tr> <tr> <td>APPQ.-MFG.</td> <td>DATE</td> <td>APPD. PROJECT ENGINEER</td> <td>DATE</td> <td>RELEASED</td> <td>DATE</td> <td>PROJECT NO.</td> </tr> </table>							DRAFTSMAN	DATE	CKD. DRAFTSMAN	DATE	DESIGN ENGINEER	DATE	TITLE CMPTR, 960B, RACK MT-24K MEMORY, 100V	APPQ.-MFG.	DATE	APPD. PROJECT ENGINEER	DATE	RELEASED	DATE	PROJECT NO.
DRAFTSMAN	DATE	CKD. DRAFTSMAN	DATE	DESIGN ENGINEER	DATE	TITLE CMPTR, 960B, RACK MT-24K MEMORY, 100V														
APPQ.-MFG.	DATE	APPD. PROJECT ENGINEER	DATE	RELEASED	DATE	PROJECT NO.														
						<table border="1" style="width:100%; border-collapse: collapse;"> <tr> <td style="width:70%;">PART NUMBER LM 0943709-0009</td> <td style="width:30%;">REV J</td> </tr> </table>	PART NUMBER LM 0943709-0009	REV J												
PART NUMBER LM 0943709-0009	REV J																			

47



TEXAS INSTRUMENTS
INCORPORATED

DATE 12/13/76

LIST OF MATERIAL

PAGE 1 of

PART NUMBER	REV
LM 0943709-0010	J

PRINT ITEM NUMBER	QUANTITY PER ASSEMBLY	UNIT OF ISSUE	DWG. SIZE	PART NUMBER	DESCRIPTION	VENDOR PART NUMBER
0001	00001.000	EA		0943652-0002	COMPUTER, 960B RACKMOUNT	
0002	00001.000	EA		0975155-0002	MEMORY, 8K	
0003	00002.000	EA		0943718-0001	PWB, INTERCONNECT	
0004	00001.000	EA		0226722-0001	CRU EXPANDER KIT, INTERNAL	

DRAFTSMAN	DATE	CKD DRAFTSMAN	DATE	DESIGN ENGINEER	DATE	TITLE
						CMPTR, 960B, RACK MT-8K MEMORY & C/F, 100V
APPD. MFG.	DATE	APPD. PROJECT ENGINEER	DATE	RELEASED	DATE	PROJECT NO.

PART NUMBER	REV
LM 0943709-0010	J

48



TEXAS INSTRUMENTS
INCORPORATED

DATE 12/13/76

LIST OF MATERIAL

PAGE 1 of

PART NUMBER	REV
LM0943709-0011	J

PRINT ITEM NUMBER	QUANTITY PER ASSEMBLY	UNIT OF ISSUE	DWG. SIZE	PART NUMBER	DESCRIPTION	VENDOR PART NUMBER
0001	00001.000	EA		0943652-0002	COMPUTER, 960B RACKMOUNT	
0002	00001.000	EA		0975155-0004	MEMORY, 16K	
0003	00002.000	EA		0943718-0001	PWB, INTERCONNECT	
0004	00001.000	EA		0226722-0001	CRU EXPANDER KIT, INTERNAL	

DRAFTSMAN	DATE	CKD. DRAFTSMAN	DATE	DESIGN ENGINEER	DATE	TITLE
						CMPTR, 960B, RACK MT-16K MEMORY & C/E, 100V
APPD.-MFG.	DATE	APPD. PROJECT ENGINEER	DATE	RELEASED	DATE	PROJECT NO.

PART NUMBER	REV
LM0943709-0011	J

49



PRINT ITEM NUMBER	QUANTITY PER ASSEMBLY	UNIT OF ISSUE	DWG. SIZE	PART NUMBER	DESCRIPTION	VENDOR PART NUMBER
0001	00001.000	EA		0943652-0002	COMPUTER, 960R RACKMOUNT	
0002	00001.000	EA		0975155-0006	MEMORY, 24K	
0003	00002.000	EA		0943718-0001	PWB, INTERCONNECT	
0004	00001.000	EA		0226722-0001	CRU EXPANDER KIT, INTERNAL	

DRAFTSMAN	DATE	CKD. DRAFTSMAN	DATE	DESIGN ENGINEER	DATE	TITLE
						CMPT, 960R, RACK MT-24K MEMORY & C/E, 100V
APPD. MFG	DATE	APPD. PROJECT ENGINEER	DATE	RELEASED	DATE	PROJECT NO.

LM 0943709-0012	REV J
------------------------	----------

50



TEXAS INSTRUMENTS
INCORPORATED

DATE 12/13/76

LIST OF MATERIAL

PAGE 1 of

PART NUMBER	REV
LM 0943709-0013	J

PRINT ITEM NUMBER	QUANTITY PER ASSEMBLY	UNIT OF ISSUE	DWG. SIZE	PART NUMBER	DESCRIPTION	VENDOR PART NUMBER
0001	00031.000	EA		0943652-0003	COMPUTER, 960R RACKMOUNT	
0002	00001.000	EA		0975155-0002	MEMORY, 8K	
0003	00002.000	EA		0943718-0001	PWR, INTERCONNECT	

DRAFTSMAN	DATE	CKD. DRAFTSMAN	DATE	DESIGN ENGINEER	DATE	TITLE
						CMPTF, 960R, RACK MT-8K MEMORY, 230V
APPD.-MFG.	DATE	APPD. PROJECT ENGINEER	DATE	RELEASED	DATE	PROJECT NO.

PART NUMBER	REV
LM 0943709-0013	J

51



TEXAS INSTRUMENTS
INCORPORATED

DATE 12/13/76

LIST OF MATERIAL

PAGE 1 of

PART NUMBER	REV
LM0943709-0014	J

PRINT ITEM NUMBER	QUANTITY PER ASSEMBLY	UNIT OF ISSUE	DWG. SIZE	PART NUMBER	DESCRIPTION	VENDOR PART NUMBER
0001	0001.000	EA		0943652-0003	COMPUTER, 960B RACKMOUNT	
0002	0001.000	EA		0975155-0004	MEMORY, 16K	
0003	0002.000	EA		0943718-0001	PWB, INTERCONNECT	

DRAFTSMAN	DATE	CKD. DRAFTSMAN	DATE	DESIGN ENGINEER	DATE	TITLE
						CMPTR, 960B, RACK MT-16K MEMORY, 230V
APPD. MFG.	DATE	APPD. PROJECT ENGINEER	DATE	RELEASED	DATE	PROJECT NO.

PART NUMBER	REV
LM0943709-0014	J

52



TEXAS INSTRUMENTS
INCORPORATED

DATE 12/13/76

LIST OF MATERIAL

PAGE 1 of

PART NUMBER	REV
LM 0943709-0015	J

PRINT ITEM NUMBER	QUANTITY PER ASSEMBLY	UNIT OF ISSUE	DWG. SIZE	PART NUMBER	DESCRIPTION	VENDOR PART NUMBER																												
0001	0001.000	EA		0943652-0003	COMPUTER, 960B RACKMOUNT																													
0002	0001.000	EA		0975155-0006	MEMORY, 24K																													
0003	0002.000	EA		0943718-0001	PWB, INTERCONNECT																													
<table border="1" style="width:100%; border-collapse: collapse;"> <tr> <td style="width:15%;">DRAFTSMAN</td> <td style="width:10%;">DATE</td> <td style="width:15%;">CKD. DRAFTSMAN</td> <td style="width:10%;">DATE</td> <td style="width:15%;">DESIGN ENGINEER</td> <td style="width:10%;">DATE</td> <td style="width:25%;">TITLE</td> </tr> <tr> <td></td> <td></td> <td></td> <td></td> <td></td> <td></td> <td>CMPTP, 960B, RACK MT-24K MEMORY, 230V</td> </tr> <tr> <td>APPD. MFG.</td> <td>DATE</td> <td>APPD. PROJECT ENGINEER</td> <td>DATE</td> <td>RELEASED</td> <td>DATE</td> <td>PROJECT NO.</td> </tr> <tr> <td></td> <td></td> <td></td> <td></td> <td></td> <td></td> <td></td> </tr> </table>							DRAFTSMAN	DATE	CKD. DRAFTSMAN	DATE	DESIGN ENGINEER	DATE	TITLE							CMPTP, 960B, RACK MT-24K MEMORY, 230V	APPD. MFG.	DATE	APPD. PROJECT ENGINEER	DATE	RELEASED	DATE	PROJECT NO.							
DRAFTSMAN	DATE	CKD. DRAFTSMAN	DATE	DESIGN ENGINEER	DATE	TITLE																												
						CMPTP, 960B, RACK MT-24K MEMORY, 230V																												
APPD. MFG.	DATE	APPD. PROJECT ENGINEER	DATE	RELEASED	DATE	PROJECT NO.																												
						<table border="1" style="width:100%; border-collapse: collapse;"> <tr> <td>PART NUMBER</td> <td>REV</td> </tr> <tr> <td>LM 0943709-0015</td> <td>J</td> </tr> </table>	PART NUMBER	REV	LM 0943709-0015	J																								
PART NUMBER	REV																																	
LM 0943709-0015	J																																	

53



TEXAS INSTRUMENTS
INCORPORATED

DATE 12/13/76

LIST OF MATERIAL

PAGE 1 of

PART NUMBER	REV
LM0943709-0016	J

PRINT ITEM NUMBER	QUANTITY PER ASSEMBLY	UNIT OF ISSUE	DWG. SIZE	PART NUMBER	DESCRIPTION	VENDOR PART NUMBER
0001	00001.000	EA		0943652-0003	COMPUTER, 960P RACKMOUNT	
0002	00001.000	EA		0975155-0002	MEMORY, 8K	
0003	00002.000	EA		0943718-0001	PWR, INTERCONNECT	
0004	00001.000	EA		0226722-0001	CRU EXPANDER KIT, INTERNAL	

DRAFTSMAN	DATE	CKD. DRAFTSMAN	DATE	DESIGN ENGINEER	DATE	TITLE
						CMPTR, 960P, RACK MT-8K MEMORY & C/E, 230V
APPD. MFG.	DATE	APPD. PROJECT ENGINEER	DATE	RELEASED	DATE	PROJECT NO.

PART NUMBER	REV
LM0943709-0016	J

S4



TEXAS INSTRUMENTS
INCORPORATED

DATE 12/13/76

LIST OF MATERIAL

PAGE 1 of

LM 0943709-0017	PART NUMBER	REV
		J

PRINT ITEM NUMBER	QUANTITY PER ASSEMBLY	UNIT OF ISSUE	DWG. SIZE	PART NUMBER	DESCRIPTION	VENDOR PART NUMBER
0001	00001.000	EA		0943652-0003	COMPUTER, 960B RACKMOUNT	
0002	00001.000	EA		0975155-0004	MEMORY, 16K	
0003	00002.000	EA		0943718-0001	PWB, INTERCONNECT	
0004	00001.000	EA		0226722-0001	CPU EXPANDER KIT, INTERNAL	

SS

DRAFTSMAN	DATE	CKD. DRAFTSMAN	DATE	DESIGN ENGINEER	DATE	TITLE		
						CMPTR, 960B, RACK MT-16K MEMORY & C/E, 230V		
APPD.-MFG.	DATE	APPD. PROJECT ENGINEER	DATE	RELEASED	DATE	PROJECT NO.		
							LM 0943709-0017	REV J



PRINT ITEM NUMBER	QUANTITY PER ASSEMBLY	UNIT OF ISSUE	DWG. SIZE	PART NUMBER	DESCRIPTION	VENDOR PART NUMBER
0001	00001.000	EA		0943652-0003	COMPUTER, 960R RACKMOUNT	
0002	00001.000	EA		0975155-0006	MEMORY, 24K	
0003	00002.000	EA		0943718-0001	PWB, INTERCONNECT	
0004	00001.000	EA		0226722-0001	CRU EXPANDER KIT, INTERNAL	

DRAFTSMAN	DATE	CKD. DRAFTSMAN	DATE	DESIGN ENGINEER	DATE	TITLE
						CMPT, 960R, RACK MT-24K MEMORY & C/E, 230V
APPD. MFG	DATE	APPD. PROJECT ENGINEER	DATE	RELEASED	DATE	PROJECT NO.

PART NUMBER	REV
LM 0943709-0018	J



TEXAS INSTRUMENTS
INCORPORATED

DATE 12/13/76

LIST OF MATERIAL

PAGE 1 of

PART NUMBER	REV
LM 0943709-0019	J

PRINT ITEM NUMBER	QUANTITY PER ASSEMBLY	UNIT OF ISSUE	DWG. SIZE	PART NUMBER	DESCRIPTION	VENDOR PART NUMBER
0001	00001.000	EA		0943652-0004	COMPUTER, 960P RACKMOUNT	
0002	00001.000	EA		0975155-0002	MEMORY, 8K	
0003	00002.000	EA		0943718-0001	PWB, INTERCONNECT	

DRAFTSMAN	DATE	CKD. DRAFTSMAN	DATE	DESIGN ENGINEER	DATE	TITLE
						CMPTP, 960B, RACK MT-RK MEMORY, 200V
APPD.-MFG.	DATE	APPD. PROJECT ENGINEER	DATE	RELEASED	DATE	PROJECT NO.

PART NUMBER	REV
LM 0943709-0019	J

57



PRINT ITEM NUMBER	QUANTITY PER ASSEMBLY	UNIT OF ISSUE	DWG. SIZE	PART NUMBER	DESCRIPTION	VENDOR PART NUMBER
0001	00001.000	FA		0943652-0004	COMPUTER, 960P RACKMOUNT	
0002	00001.000	EA		0975155-0004	MEMORY, 16K	
0003	00002.000	EA		0943718-0001	PWB, INTERCONNECT	

DRAFTSMAN	DATE	CKD. DRAFTSMAN	DATE	DESIGN ENGINEER	DATE	TITLE
						CMPTR, 960R, RACK MT-16K MEMORY, 200V
APPD. MFG	DATE	APPD. PROJECT ENGINEER	DATE	RELEASED	DATE	PROJECT NO.

58



TEXAS INSTRUMENTS
INCORPORATED

DATE 12/13/76

LIST OF MATERIAL

PAGE 1 of

PART NUMBER	REV
LM 0943709-0021	J

PRINT ITEM NUMBER	QUANTITY PER ASSEMBLY	UNIT OF ISSUE	DWG. SIZE	PART NUMBER	DESCRIPTION	VENDOR PART NUMBER
0001	00001.000	EA		0943652-0004	COMPUTER, 960B RACKMOUNT	
0002	00001.000	EA		0975155-0006	MEMORY, 24K	
0003	00002.000	FA		0943718-0001	PWB, INTERCONNECT	

59

DRAFTSMAN	DATE	CKD. DRAFTSMAN	DATE	DESIGN ENGINEER	DATE	TITLE		
						CMPT, 960B, RACK MT-24K MEMORY, 200V		
APPD. MFG.	DATE	APPD. PROJECT ENGINEER	DATE	RELEASED	DATE	PROJECT NO.	PART NUMBER	REV
							LM 0943709-0021	J



PRINT ITEM NUMBER	QUANTITY PER ASSEMBLY	UNIT OF ISSUE	DWG. SIZE	PART NUMBER	DESCRIPTION	VENDOR PART NUMBER
0001	00001.000	EA		0943652-0004	COMPUTER, 960R RACKMOUNT	
0002	00001.000	EA		0975155-0002	MEMORY, 8K	
0003	00002.000	EA		0943718-0001	PWB, INTERCONNECT	
0004	00001.000	EA		0226722-0001	CRU EXPANDER KIT, INTERNAL	

DRAFTSMAN	DATE	CKD DRAFTSMAN	DATE	DESIGN ENGINEER	DATE	TITLE
						CMPTR, 960R, RACK MT-8K MEMORY & C/E, 200V
APPD. MFG	DATE	APPD. PROJECT ENGINEER	DATE	RELEASED	DATE	PROJECT NO.

PART NUMBER	REV
LM 0943709-0022	J

69



TEXAS INSTRUMENTS
INCORPORATED

DATE 12/13/76

LIST OF MATERIAL

PAGE 1 of

PART NUMBER	REV
LM 0943709-0023	J

PRINT ITEM NUMBER	QUANTITY PER ASSEMBLY	UNIT OF ISSUE	DWG. SIZE	PART NUMBER	DESCRIPTION	VENDOR PART NUMBER
0001	0001.000	EA		0943652-0004	COMPUTER, 960B RACKMOUNT	
0002	0001.000	EA		0975155-0004	MEMORY, 16K	
0003	00002.000	EA		0943718-0001	PWB, INTERCONNECT	
0004	00001.000	EA		0226722-0001	CRU EXPANDER KIT, INTERNAL	

51

DRAFTSMAN	DATE	CHKD. DRAFTSMAN	DATE	DESIGN ENGINEER	DATE	TITLE	CMPTR, 960B, PACK MT-16K MEMORY & C/E, 200V	
APPD. MFG.	DATE	APPD. PROJECT ENGINEER	DATE	RELEASED	DATE	PROJECT NO.	PART NUMBER	REV
							LM 0943709-0023	J



PRINT ITEM NUMBER	QUANTITY PER ASSEMBLY	UNIT OF ISSUE	DWG. SIZE	PART NUMBER	DESCRIPTION	VENDOR PART NUMBER
0001	0001.000	EA		0943652-0004	COMPUTER, 960R RACKMOUNT	
0002	0001.000	EA		0975155-0006	MEMORY, 24K	
0003	0002.000	EA		0943718-0001	PWB, INTERCONNECT	
0004	0001.000	EA		0226722-0001	CRU EXPANDER KIT, INTERNAL	

DRAFTSMAN	DATE	CKD. DRAFTSMAN	DATE	DESIGN ENGINEER	DATE	TITLE		
						CMPTR, 960B, PACK MT-24K MEMORY & C/F, 200V		
APPD. MFG	DATE	APPD. PROJECT ENGINEER	DATE	RELEASED	DATE	PROJECT NO.		
							PART NUMBER	REV
							LM 0943709-0024	J



TEXAS INSTRUMENTS
INCORPORATED

DATE 12/13/76

LIST OF MATERIAL

PAGE 1 of

PART NUMBER	REV
LM 0943709-0025	J

PRINT ITEM NUMBER	QUANTITY PER ASSEMBLY	UNIT OF MEASURE	DWG. SIZE	PART NUMBER	DESCRIPTION	VENDOR PART NUMBER
0001	00031.000	EA		0943652-0001	COMPUTER, 9608 RACKMOUNT	
0004	00001.000	EA		0226722-0001	CRU EXPANDER KIT, INTERNAL	

DATE	CHKD. DRAFTSMAN	DATE	DESIGN ENGINEER	DATE	TITLE
					CMPTR, 9608, RACK MT-CRU EXPANDER, 115V
DATE	APPD. PROJECT ENGINEER	DATE	RELEASED	DATE	PROJECT NO.

PART NUMBER	REV
LM 0943709-0025	J



TEXAS INSTRUMENTS
INCORPORATED

DATE 12/13/76

LIST OF MATERIAL

PAGE 1 of

PART NUMBER	REV
LM0943709-0026	J

PRINT ITEM NUMBER	QUANTITY PER ASSEMBLY	UNIT OF ISSUE	DWG. SIZE	PART NUMBER	DESCRIPTION	VENDOR PART NUMBER
0001	00001.000	EA		0943652-0002	COMPUTER, 960B RACKMOUNT	
0004	00001.000	EA		0226722-0001	CPU EXPANDER KIT, INTERNAL	

DRAFTSMAN	DATE	CKD. DRAFTSMAN	DATE	DESIGN ENGINEER	DATE	TITLE
						CMPTP, 960B, RACK MT-CRU EXPANDER, 100V
APPD -MFG	DATE	APPD. PROJECT ENGINEER	DATE	RELEASED	DATE	PROJECT NO.

PART NUMBER	REV
LM0943709-0026	J

64



TEXAS INSTRUMENTS
INCORPORATED

DATE 12/13/76

LIST OF MATERIAL

PAGE 1 of

PART NUMBER	REV
LM 0943709-0027	J

PRINT ITEM NUMBER	QUANTITY PER ASSEMBLY	UNIT OF ISSUE	DWG. SIZE	PART NUMBER	DESCRIPTION	VENDOR PART NUMBER
0001	00001.000	EA		0943652-0003	COMPUTER, 960B RACKMOUNT	
0004	00001.000	EA		0226722-0001	CRU EXPANDER KIT, INTERNAL	

65

DRAFTSMAN	DATE	CRD. DRAFTSMAN	DATE	DESIGN ENGINEER	DATE	TITLE	CMPT, 960B, PACK MT-CRU EXPANDER, 230V	
APPD. MFG.	DATE	APPD. PROJECT ENGINEER	DATE	RELEASED	DATE	PROJECT NO.	PART NUMBER	REV
							LM 0943709-0027	J



TEXAS INSTRUMENTS
INCORPORATED

DATE 12/13/76

LIST OF MATERIAL

PAGE 1 of

LM 0943709-0028	PART NUMBER	REV J
------------------------	-------------	----------

PRINT ITEM NUMBER	QUANTITY PER ASSEMBLY	UNIT OF ISSUE	DWG. SIZE	PART NUMBER	DESCRIPTION	VENDOR PART NUMBER
0001	00001.000	EA		0943652-0004	COMPUTER, 960B RACKMOUNT	
0004	00001.000	FA		0226722-0001	CRU EXPANDER KIT, INTERNAL	

DRAFTSMAN	DATE	CHK. DRAFTSMAN	DATE	DESIGN ENGINEER	DATE	TITLE
						CMPTP, 960B, RACK MT-CRU EXPANDER, 200V
APPD. MFG.	DATE	APPD. PROJECT ENGINEER	DATE	RELEASED	DATE	PROJECT NO.

LM 0943709-0028	PART NUMBER	REV J
------------------------	-------------	----------



TEXAS INSTRUMENTS
INCORPORATED

DATE 12/13/76

LIST OF MATERIAL

PAGE 1 of

PART NUMBER	REV
LM0943709-0029	J

PRINT ITEM NUMBER	QUANTITY PER ASSEMBLY	UNIT OF ISSUE	DWG. SIZE	PART NUMBER	DESCRIPTION	VENDOR PART NUMBER
0001	0001.000	EA		0943652-0005	COMPUTER, 960B RACKMOUNT	
0002	00001.000	EA		0975155-0002	MEMORY, 8K	
0003	00002.000	EA		0943718-0001	PWB, INTERCONNECT	

DRAFTSMAN	DATE	CKD. DRAFTSMAN	DATE	DESIGN ENGINEER	DATE	TITLE
						CMPTP, 960B, RACK MT-8K MEMORY, 115V
APPD. -MFG.	DATE	APPD. PROJECT ENGINEER	DATE	RELEASED	DATE	PROJECT NO.

PART NUMBER	REV
LM0943709-0029	J



TEXAS INSTRUMENTS
INCORPORATED

DATE 12/13/76

LIST OF MATERIAL

PAGE 1 of

PART NUMBER	REV
LM0943709-0030	J

PRINT ITEM NUMBER	QUANTITY PER ASSEMBLY	UNIT OF ISSUE	DWG. SIZE	PART NUMBER	DESCRIPTION	VENDOR PART NUMBER
0001	00001.000	EA		0943652-0005	COMPUTER, 960B RACKMOUNT	
0002	00001.000	EA		0975155-0004	MEMORY, 16K	
0003	00002.000	EA		0943718-0001	PWB, INTERCONNECT	

RAFTSMAN	DATE	CRD. DRAFTSMAN	DATE	DESIGN ENGINEER	DATE	TITLE
						CMPTR, 960B, RACK MT-16K MEMORY, 115V
PPD - MFG	DATE	APPD. PROJECT ENGINEER	DATE	RELEASED	DATE	PROJECT NO.

PART NUMBER	REV
LM0943709-0030	J

89



TEXAS INSTRUMENTS
INCORPORATED

DATE 12/13/76

LIST OF MATERIAL

PAGE 1 of

PART NUMBER	REV
LM 0943709-0031	J

PRINT ITEM NUMBER	QUANTITY PER ASSEMBLY	UNIT OF ISSUE	DWG. SIZE	PART NUMBER	DESCRIPTION	VENDOR PART NUMBER
0001	00001.000	EA		0943652-0005	COMPUTER, 960B RACKMOUNT	
0002	00001.000	EA		0975155-0006	MEMORY, 24K	
0003	00002.000	EA		0943718-0001	PWB, INTERCONNECT	

69

DRAFTSMAN	DATE	CKD. DRAFTSMAN	DATE	DESIGN ENGINEER	DATE	TITLE
						CMPTR, 960B, RACK MT-24K MEMORY, 115V
APPD. MFG.	DATE	APPD. PROJECT ENGINEER	DATE	RELEASED	DATE	PROJECT NO.

PART NUMBER	REV
LM 0943709-0031	J



PRINT ITEM NUMBER	QUANTITY PER ASSEMBLY	UNIT OF ISSUE	DWG. SIZE	PART NUMBER	DESCRIPTION	VENDOR PART NUMBER
0001	0001.000	EA		0943652-0005	COMPUTER, 960B RACKMOUNT	
0002	0001.000	EA		0975155-0002	MEMORY, 8K	
0003	0002.000	EA		0943718-0001	PWB, INTERCONNECT	
0004	0001.000	EA		0226722-0001	CRU EXPANDER KIT, INTERNAL	

DRAFTSMAN	DATE	CKD. DRAFTSMAN	DATE	DESIGN ENGINEER	DATE	TITLE
						CMPT, 960B, RACK MT-8K MEMORY & C/E, 115V
APPD. MFG	DATE	APPD. PROJECT ENGINEER	DATE	RELEASED	DATE	PROJECT NO.

PART NUMBER	REV
LM0943709-0032	J

70



TEXAS INSTRUMENTS
INCORPORATED

DATE 12/13/76

LIST OF MATERIAL

PAGE 1 of

PART NUMBER	REV
LM 0943709-0033	J

PRINT ITEM NUMBER	QUANTITY PER ASSEMBLY	UNIT OF ISSUE	DWG. SIZE	PART NUMBER	DESCRIPTION	VENDOR PART NUMBER
0001	00001.000	EA		0943652-0005	COMPUTER, 960R RACKMOUNT	
0002	00001.000	EA		0975155-0004	MEMORY, 16K	
0003	00002.000	EA		0943718-0001	PWB, INTERCONNECT	
0004	00001.000	EA		0226722-0001	CRU EXPANDER KIT, INTERNAL	

DRAFTSMAN	DATE	CKD. DRAFTSMAN	DATE	DESIGN ENGINEER	DATE	TITLE
						CMPTR, 960R, RACK MT-16K MEMORY & C/E, 115V
APPD.-MFG.	DATE	APPD. PROJECT ENGINEER	DATE	RELEASED	DATE	PROJECT NO.

PART NUMBER	REV
LM 0943709-0033	J

71



TEXAS INSTRUMENTS
INCORPORATED

DATE 12/13/76

LIST OF MATERIAL

PAGE 1 of

PART NUMBER	REV
LM 0943709-0034	J

PRINT ITEM NUMBER	QUANTITY PER ASSEMBLY	UNIT OF ISSUE	DWG SIZE	PART NUMBER	DESCRIPTION	VENDOR PART NUMBER
0001	00001.000	EA		0943652-0C05	COMPUTER, 960B RACKMOUNT	
0002	00001.000	EA		0975155-0006	MEMORY, 24K	
0003	00002.000	EA		0943718-0001	PWB, INTERCONNECT	
0004	00001.000	EA		0226722-0001	CPU EXPANDED KIT, INTERNAL	

DRAFTSMAN	DATE	CKD. DRAFTSMAN	DATE	DESIGN ENGINEER	DATE	TITLE
						CMPTR, 960B, RACK MT-24K MEMORY & C/E, 115V
APPD. MFG	DATE	APPD. PROJECT ENGINEER	DATE	RELEASED	DATE	PROJECT NO.

PART NUMBER	REV
LM 0943709-0034	J

72



TEXAS INSTRUMENTS
INCORPORATED

DATE 12/13/76

LIST OF MATERIAL

PAGE 1 of

PART NUMBER	REV
LM 0943709-0035	J

PRINT ITEM NUMBER	QUANTITY PER ASSEMBLY	UNIT OF ISSUE	DWG. SIZE	PART NUMBER	DESCRIPTION	VENDOR PART NUMBER
0001	00001.000			0943652-0006	COMPUTER, 960B RACKMOUNT	
0002	00001.000	EA		0975155-0002	MEMORY, 8K	
0003	00002.000	EA		0943718-0001	PWB, INTERCONNECT	

73

DATE	CKD. DRAFTSMAN	DATE	DESIGN ENGINEER	DATE	TITLE	
					CMPTR, 960B, RACK MT-8K MEMORY, 100V	
DATE	APPD. PROJECT ENGINEER	DATE	RELEASED	DATE	PROJECT NO.	
					PART NUMBER	REV
					LM 0943709-0035	J



PRINT ITEM NUMBER	QUANTITY PER ASSEMBLY	UNIT OF ISSUE	DWG. SIZE	PART NUMBER	DESCRIPTION	VENDOR PART NUMBER
0001	00001.000			0943652-0006	COMPUTER, 960B RACKMOUNT	
0002	00001.000	EA		0975155-0004	MEMORY, 16K	
0003	00002.000	EA		0943718-0001	PWB, INTERCONNECT	

74

DRAFTSMAN	DATE	CKD. DRAFTSMAN	DATE	DESIGN ENGINEER	DATE	TITLE		
APPD. MFG	DATE	APPD. PROJECT ENGINEER	DATE	RELEASED	DATE	PROJECT NO.		
						LM 0943709-0036		REV J

CMPTR, 960B, RACK MT-16K MEMORY, 100V

LM 0943709-0036 REV J



TEXAS INSTRUMENTS
INCORPORATED

DATE 12/13/76

LIST OF MATERIAL

PAGE 1 of

PART NUMBER	REV
LM 0943709-0G37	J

PRINT ITEM NUMBER	QUANTITY PER ASSEMBLY	UNIT OF ISSUE	DWG. SIZE	PART NUMBER	DESCRIPTION	VENDOR PART NUMBER
0001	10001.000			0943652-0006	COMPUTER, 960B RACKMOUNT	
0002	03001.000	EA		0975155-0006	MEMORY, 24K	
0003	00002.000	FA		0943718-0001	PWB, INTERCONNECT	

DRAFTSMAN	DATE	CKD. DRAFTSMAN	DATE	DESIGN ENGINEER	DATE	TITLE
						CMPTR, 960B, RACK MT-24K MEMORY, 100V
APPD.-MFG.	DATE	APPD. PROJECT ENGINEER	DATE	RELEASED	DATE	PROJECT NO.

PART NUMBER	REV
LM 0943709-0037	J



TEXAS INSTRUMENTS
INCORPORATED

DATE 12/13/76

LIST OF MATERIAL

PAGE 1 of

PART NUMBER	REV
LM0943709-0038	J

PRINT ITEM NUMBER	QUANTITY PER ASSEMBLY	UNIT OF ISSUE	DWG SIZE	PART NUMBER	DESCRIPTION	VENDOR PART NUMBER
0001	0001.000			0943652-0006	COMPUTER, 960B RACKMOUNT	
0002	0001.000	EA		0975155-0002	MEMORY, 8K	
0003	0002.000	EA		0943718-0001	PWR. INTERCONNECT	
0004	0001.000	EA		0226722-0001	CPU EXPANDER KIT, INTERNAL	

DRAFTSMAN	DATE	CKD DRAFTSMAN	DATE	DESIGN ENGINEER	DATE	TITLE
						CMPTR, 960B, RACK MT-8K MEMORY & C/E, 100V
APPD MFG	DATE	APPD PROJECT ENGINEER	DATE	RELEASED	DATE	PROJECT NO.

PART NUMBER	REV
LM0943709-0038	J

76



TEXAS INSTRUMENTS
INCORPORATED

DATE 12/13/76

LIST OF MATERIAL

PAGE 1 of

PART NUMBER	REV
LM 0943709-0039	J

PRINT ITEM NUMBER	QUANTITY PER ASSEMBLY	UNIT OF ISSUE	DWG. SIZE	PART NUMBER	DESCRIPTION	VENDOR PART NUMBER
0001	00001.000			0943652-0006	COMPUTER, 960B RACKMOUNT	
0002	00001.000	EA		0975155-0004	MEMORY, 16K	
0003	00002.000	EA		0943718-0001	PWB, INTERCONNECT	
0004	00001.000	EA		0226722-0001	CRU EXPANDER KIT, INTERNAL	

DRAFTSMAN	DATE	CKD. DRAFTSMAN	DATE	DESIGN ENGINEER	DATE	TITLE
						CMPTR, 960B, RACK MT-16K MEMORY & C/E, 100V
APPD.-MFG.	DATE	APPD. PROJECT ENGINEER	DATE	RELEASED	DATE	PROJECT NO.

PART NUMBER	REV
LM 0943709-0039	J

77



PRINT ITEM NUMBER	QUANTITY PER ASSEMBLY	UNIT OF ISSUE	DWG SIZE	PART NUMBER	DESCRIPTION	VENDOR PART NUMBER																												
0001	00001.000			0943652-0006	COMPUTER, 960B RACKMOUNT																													
0002	00001.000	EA		0975155-0006	MEMORY, 24K																													
0003	00002.000	EA		0943718-0001	PWB, INTERCONNECT																													
0004	00001.000	EA		0226722-0001	CRU EXPANDER KIT, INTERNAL																													
<table border="1" style="width: 100%; border-collapse: collapse;"> <tr> <td style="width: 25%;">DRAFTSMAN</td> <td style="width: 10%;">DATE</td> <td style="width: 25%;">CKD DRAFTSMAN</td> <td style="width: 10%;">DATE</td> <td style="width: 15%;">DESIGN ENGINEER</td> <td style="width: 10%;">DATE</td> <td style="width: 5%;">TITLE</td> </tr> <tr> <td></td> <td></td> <td></td> <td></td> <td></td> <td></td> <td>CMPTR, 960B, RACK MT-24K MEMORY & C/E, 100V</td> </tr> <tr> <td>APPD. MFG</td> <td>DATE</td> <td>APPD. PROJECT ENGINEER</td> <td>DATE</td> <td>RELEASED</td> <td>DATE</td> <td>PROJECT NO.</td> </tr> <tr> <td></td> <td></td> <td></td> <td></td> <td></td> <td></td> <td></td> </tr> </table>							DRAFTSMAN	DATE	CKD DRAFTSMAN	DATE	DESIGN ENGINEER	DATE	TITLE							CMPTR, 960B, RACK MT-24K MEMORY & C/E, 100V	APPD. MFG	DATE	APPD. PROJECT ENGINEER	DATE	RELEASED	DATE	PROJECT NO.							
DRAFTSMAN	DATE	CKD DRAFTSMAN	DATE	DESIGN ENGINEER	DATE	TITLE																												
						CMPTR, 960B, RACK MT-24K MEMORY & C/E, 100V																												
APPD. MFG	DATE	APPD. PROJECT ENGINEER	DATE	RELEASED	DATE	PROJECT NO.																												
						<table border="1" style="width: 100%; border-collapse: collapse;"> <tr> <td style="text-align: center;">PART NUMBER</td> <td style="text-align: center;">REV</td> </tr> <tr> <td>LM 0943709-0040</td> <td>J</td> </tr> </table>	PART NUMBER	REV	LM 0943709-0040	J																								
PART NUMBER	REV																																	
LM 0943709-0040	J																																	

78



TEXAS INSTRUMENTS
INCORPORATED

DATE 12/13/76

LIST OF MATERIAL

PAGE 1 of

LM 0943709-0041	REV J
------------------------	----------

PRINT ITEM NUMBER	QUANTITY PER ASSEMBLY	UNIT OF ISSUE	DWG. SIZE	PART NUMBER	DESCRIPTION	VENDOR PART NUMBER
0001	00001.000	EA		0943652-0007	COMPUTER, 960B RACKMOUNT	
0002	00001.000	EA		0975155-0002	MEMORY, 8K	
0003	00002.000	EA		0943718-0001	PWR, INTERCONNECT	

DRAFTSMAN	DATE	CKD. DRAFTSMAN	DATE	DESIGN ENGINEER	DATE	TITLE
						CMPT, 960B, RACK MT-8K MEMORY, 230V
APPD. MFG.	DATE	APPD. PROJECT ENGINEER	DATE	RELEASED	DATE	PROJECT NO.

LM 0943709-0041	REV J
------------------------	----------

79



TEXAS INSTRUMENTS
INCORPORATED

DATE 12/13/76

LIST OF MATERIAL

PAGE 1 of

PART NUMBER	REV
LM0943709-0042	J

PRINT ITEM NUMBER	QUANTITY PER ASSEMBLY	UNIT OF ISSUE	DWG SIZE	PART NUMBER	DESCRIPTION	VENDOR PART NUMBER
0001	0001.000	EA		0943652-0007	COMPUTER, 960B RACK MOUNT	
0002	0001.000	EA		0975155-0004	MEMORY, 16K	
0003	0002.000	EA		0943718-0001	PWB, INTERCONNECT	

DRAFTSMAN	DATE	CRD DRAFTSMAN	DATE	DESIGN ENGINEER	DATE	TITLE
						CMPT, 960B, RACK MT-16K MEMORY, 23CV
APPD MRG	DATE	APPD PROJECT ENGINEER	DATE	RELEASED	DATE	PROJECT NO

PART NUMBER	REV
LM0943709-0042	J

80



TEXAS INSTRUMENTS
INCORPORATED

DATE 12/13/76

LIST OF MATERIAL

PAGE 1 of

LM 0943709-0043	REV J
------------------------	----------

PRINT ITEM NUMBER	QUANTITY PER ASSEMBLY	UNIT OF ISSUE	DWG. SIZE	PART NUMBER	DESCRIPTION	VENDOR PART NUMBER
0001	00001.000	EA		0943652-0007	COMPUTER, 960B RACKMOUNT	
0002	00001.000	EA		0975155-0006	MEMORY, 24K	
0003	00002.000	EA		0943718-0001	PWB, INTERCONNECT	

18

DRAFTSMAN	DATE	CKD. DRAFTSMAN	DATE	DESIGN ENGINEER	DATE	TITLE
APPD.-MFG.	DATE	APPD. PROJECT ENGINEER	DATE	RELEASED	DATE	PROJECT NO.
						LM 0943709-0043 <small>PART NUMBER</small> <small>REV</small> J



PRINT ITEM NUMBER	QUANTITY PER ASSEMBLY	UNIT OF ISSUE	DWG SIZE	PART NUMBER	DESCRIPTION	VENDOR PART NUMBER
0001	0001.000	EA		0943652-0007	COMPUTER, 960B RACKMOUNT	
0002	0001.000	EA		0975155-0002	MEMORY, 8K	
0003	0002.000	EA		0943718-0001	PWR, INTERCONNECT	
0004	0001.000	EA		0226722-0001	CRU EXPANDER KIT, INTERNAL	

DRAFTSMAN	DATE	CRD DRAFTSMAN	DATE	DESIGN ENGINEER	DATE	TITLE
						CMPTR, 960B, RACK MT-8K MEMORY & C/E, 230V
APPD. MFG	DATE	APPD. PROJECT ENGINEER	DATE	RELEASED	DATE	PROJECT NO.

PART NUMBER	REV
LM0943709-0044	J



TEXAS INSTRUMENTS
INCORPORATED

DATE 12/13/76

LIST OF MATERIAL

PAGE 1 of

PART NUMBER	REV
LM 0943709-0045	J

PRINT ITEM NUMBER	QUANTITY PER ASSEMBLY	UNIT OF ISSUE	DWG. SIZE	PART NUMBER	DESCRIPTION	VENDOR PART NUMBER
0001	0001.000	EA		0943652-0007	COMPUTER, 9608 RACKMOUNT	
0002	0001.000	EA		0975155-0004	MEMORY, 16K	
0003	0002.000	EA		0943718-0001	PWB, INTERCONNECT	
0004	0001.000	EA		0226722-0001	CRU EXPANDER KIT, INTEFNL	

83

DESIGNER	DATE	CHKD. DRAFTSMAN	DATE	DESIGN ENGINEER	DATE	TITLE		
						CMPTR, 9608, RACK MT-16K MEMORY & C/F, 230V		
BY MFG.	DATE	APPD. PROJECT ENGINEER	DATE	RELEASED	DATE	PROJECT NO.		
							PART NUMBER	REV
							LM 0943709-0045	J



TEXAS INSTRUMENTS
INCORPORATED

DATE 12/13/76

LIST OF MATERIAL

PAGE 1 of

PART NUMBER	REV
LM0943709-0046	J

PRINT ITEM NUMBER	QUANTITY PER ASSEMBLY	UNIT OF ISSUE	DWG SIZE	PART NUMBER	DESCRIPTION	VENDOR PART NUMBER
0001	00001.000	EA		0943652-0007	COMPUTER, 960B RACK MOUNT	
0002	00001.000	EA		0975155-0006	MEMORY, 24K	
0003	00002.000	EA		0943718-0001	PWR, INTERCONNECT	
0004	00001.000	EA		0226722-0001	CRU EXPANDER KIT, INTERNAL	

DRAFTSMAN	DATE	CKD DRAFTSMAN	DATE	DESIGN ENGINEER	DATE	TITLE
						CMPTP, 960B, RACK MT-24K MEMORY & C/F, 230V
APPD MFG	DATE	APPD PROJECT ENGINEER	DATE	RELEASED	DATE	PROJECT NO

PART NUMBER	REV
LM0943709-0046	J

84



TEXAS INSTRUMENTS
INCORPORATED

DATE 12/13/76

LIST OF MATERIAL

PAGE 1 of

PART NUMBER	REV
LM 0943709-0047	J

PRINT ITEM NUMBER	QUANTITY PER ASSEMBLY	UNIT OF ISSUE	DWG. SIZE	PART NUMBER	DESCRIPTION	VENDOR PART NUMBER
0001	00001.000			0943652-0008	COMPUTER, 960B RACKMOUNT	
0002	00001.000	EA		0975155-0002	MEMORY, 8K	
0003	00002.000	EA		0943718-0001	PWP, INTERCONNECT	

85

DRAFTSMAN	DATE	CKD. DRAFTSMAN	DATE	DESIGN ENGINEER	DATE	TITLE CMPTR, 960B, RACK MT-8K MEMORY, 200V	
APPD.-MFG.	DATE	APPD. PROJECT ENGINEER	DATE	RELEASED	DATE	PROJECT NO.	
						PART NUMBER	REV
						LM 0943709-0047	J



TEXAS INSTRUMENTS
INCORPORATED

DATE 12/13/76

LIST OF MATERIAL

PAGE 1 of

PART NUMBER	REV
LM0943709-0048	J

PRINT ITEM NUMBER	QUANTITY PER ASSEMBLY	UNIT OF ISSUE	DWG SIZE	PART NUMBER	DESCRIPTION	VENDOR PART NUMBER
0001	00001.000			0943652-0008	COMPUTER, 960B RACKMOUNT	
0002	00001.000	EA		0975155-0004	MEMORY, 16K	
0003	00002.000	EA		0943718-0001	PWR. INTERCONNECT	

DRAFTSMAN	DATE	CRD DRAFTSMAN	DATE	DESIGN ENGINEER	DATE	TITLE
						CMPTR, 960B, RACK MT-16K MEMORY, 200V
APPD MFG	DATE	APPD PROJECT ENGINEER	DATE	RELEASED	DATE	PROJECT NO.

PART NUMBER	REV
LM0943709-0048	J

98



TEXAS INSTRUMENTS
INCORPORATED

DATE 12/13/76

LIST OF MATERIAL

PAGE 1 of

PART NUMBER	REV
LM 0943709-0049	J

PRINT ITEM NUMBER	QUANTITY PER ASSEMBLY	UNIT OF ISSUE	DWG. SIZE	PART NUMBER	DESCRIPTION	VENDOR PART NUMBER
0001	00001.000			0943652-0008	COMPUTER, 960R RACKMOUNT	
0002	00001.000	FA		0975155-0006	MEMORY, 24K	
0003	00002.000	FA		0943718-0001	PWB, INTERCONNECT	

87

DRAFTSMAN	DATE	CKD. DRAFTSMAN	DATE	DESIGN ENGINEER	DATE	TITLE
						CMPTR, 960R, RACK MT-24K MEMORY, 200V
APPD.-MFG.	DATE	APPD. PROJECT ENGINEER	DATE	RELEASED	DATE	PROJECT NO.

PART NUMBER	REV
LM 0943709-0049	J



TEXAS INSTRUMENTS
INCORPORATED

DATE 12/13/76

LIST OF MATERIAL

PAGE 1 of

PART NUMBER	REV
LM0943709-0050	J

PRINT ITEM NUMBER	QUANTITY PER ASSEMBLY	UNIT OF ISSUE	DWG. SIZE	PART NUMBER	DESCRIPTION	VENDOR PART NUMBER
0001	00001.000			0943652-0008	COMPUTER, 960R RACKMOUNT	
0002	00001.000	EA		0975155-0002	MEMORY, RK	
0003	00002.000	EA		0943718-0001	PWB, INTERCONNECT	
0004	00001.000	EA		0226722-0001	CRU EXPANDER KIT, INTERNAL	

DRAFTSMAN	DATE	CKD DRAFTSMAN	DATE	DESIGN ENGINEER	DATE	TITLE
						CMPTP, 960R, RACK MT-8K MEMORY & C/E, 200V
APPD. MFG.	DATE	APPD. PROJECT ENGINEER	DATE	RELEASED	DATE	PROJECT NO.

PART NUMBER	REV
LM0943709-0050	J

88



TEXAS INSTRUMENTS
INCORPORATED

DATE 12/13/76

LIST OF MATERIAL

PAGE 1 of

PART NUMBER	REV
LM0943709-0051	J

PRINT ITEM NUMBER	QUANTITY PER ASSEMBLY	UNIT OF ISSUE	DWG. SIZE	PART NUMBER	DESCRIPTION	VENDOR PART NUMBER
0001	00001.000			0943652-0008	COMPUTER, 9608 RACKMOUNT	
0002	00001.000	EA		0975155-0004	MEMORY, 16K	
0003	00002.000	EA		0943718-0001	PWB, INTERCONNECT	
0004	00001.000	EA		0226722-0001	CRU EXPANDER KIT, INTERNAL	

68

DRAFTSMAN	DATE	CKD. DRAFTSMAN	DATE	DESIGN ENGINEER	DATE	TITLE	
						CMPT, 9608, RACK MT-16K MEMORY & C/E, 200V	
APPD. MFG.	DATE	APPD. PROJECT ENGINEER	DATE	RELEASED	DATE	PROJECT NO.	
						PART NUMBER	REV
						LM0943709-0051	J



TEXAS INSTRUMENTS
INCORPORATED

DATE 12/13/76

LIST OF MATERIAL

PAGE 1 of

PART NUMBER	REV
LM 0943709-0052	J

PRINT ITEM NUMBER	QUANTITY PER ASSEMBLY	UNIT OF ISSUE	DWG. SIZE	PART NUMBER	DESCRIPTION	VENDOR PART NUMBER
0001	00001.000			0943652-0008	COMPUTER, 9608 RACKMOUNT	
0002	00001.000	EA		0975155-0006	MEMORY, 24K	
0003	00002.000	EA		0943718-0001	PWR, INTERCONNECT	
0004	00001.000	EA		0226722-0001	CRU EXPANDER KIT, INTERNAL	

DRAFTSMAN	DATE	CKD. DRAFTSMAN	DATE	DESIGN ENGINEER	DATE	TITLE
						CMPT, 9608, RACK MT-24K MEMORY & C/E, 200V
APP. -MFG.	DATE	APPD. PROJECT ENGINEER	DATE	RELEASED	DATE	PROJECT NO.

PART NUMBER	REV
LM 0943709-0052	J

06



TEXAS INSTRUMENTS
INCORPORATED

DATE 12/13/76

LIST OF MATERIAL

PAGE 1 of

PART NUMBER	REV
LM 0943709-0053	J

PRINT ITEM NUMBER	QUANTITY PER ASSEMBLY	UNIT OF ISSUE	DWG. SIZE	PART NUMBER	DESCRIPTION	VENDOR PART NUMBER
0001	00001.000	EA		0943652-0005	COMPUTER, 96JB PACKMOUNT	
0002	00001.000	EA		0226722-0001	CRU EXPANDER KIT, INTERNAL	

DRAFTSMAN	DATE	CKD. DRAFTSMAN	DATE	DESIGN ENGINEER	DATE	TITLE		
APPD.-MFG.	DATE	APPD. PROJECT ENGINEER	DATE	RELEASED	DATE	PROJECT NO.		
							LM 0943709-0053	J



TEXAS INSTRUMENTS
INCORPORATED

DATE 12/13/76

LIST OF MATERIAL

PAGE 1 of

PART NUMBER	REV
LM 0943709-0054	J

PRINT ITEM NUMBER	QUANTITY PER ASSEMBLY	UNIT OF ISSUE	DWG. SIZE	PART NUMBER	DESCRIPTION	VENDOR PART NUMBER
0001	00001.000			0943652-0006	COMPUTER, 9608 RACKMOUNT	
0002	00001.000	EA		0226722-0001	CRU EXPANDER KIT,INTERNAL	

DRAFTSMAN	DATE	CKD DRAFTSMAN	DATE	DESIGN ENGINEER	DATE	TITLE
						CMPT, 9608, RACK MT-CRU EXPANDER, 100V
APPD. MFG.	DATE	APPD. PROJECT ENGINEER	DATE	RELEASED	DATE	PROJECT NO.

PART NUMBER	REV
LM 0943709-0054	J



TEXAS INSTRUMENTS
INCORPORATED

DATE 12/13/76

LIST OF MATERIAL

PAGE 1 of

LM 0943709-0055	REV J
------------------------	----------

PRINT ITEM NUMBER	QUANTITY PER ASSEMBLY	UNIT OF ISSUE	DWG. SIZE	PART NUMBER	DESCRIPTION	VENDOR PART NUMBER
0001	00001.000	EA		0943652-0007	COMPUTER, 960B RACKMOUNT	
0002	00001.000	EA		0226722-0001	CRU EXPANDER KIT, INTERNAL	

DRAFTSMAN	DATE	CRD. DRAFTSMAN	DATE	DESIGN ENGINEER	DATE	TITLE
						CMPTR, 960B, RACK MT-CRU EXPANDER, 230V
APPD. MFG.	DATE	APPD. PROJECT ENGINEER	DATE	RELEASED	DATE	PROJECT NO.

LM 0943709-0055	REV J
------------------------	----------



TEXAS INSTRUMENTS
INCORPORATED

DATE 12/13/76

LIST OF MATERIAL

PAGE 1 of

PART NUMBER	REV
LM0943709-0056	J

PRINT ITEM NUMBER	QUANTITY PER ASSEMBLY	UNIT OF ISSUE	DWG. SIZE	PART NUMBER	DESCRIPTION	VENDOR PART NUMBER
0001	0001.000			0943652-0008	COMPUTER, 9608 RACKMOUNT	
0002	0001.000	EA		0226722-0001	CPU EXPANDER KIT, INTERNAL	

DRAFTSMAN	DATE	CKD. DRAFTSMAN	DATE	DESIGN ENGINEER	DATE	TITLE
						CMPT, 9608, RACK MT-CRU EXPANDER, 200V
APPD. MFG	DATE	APPD. PROJECT ENGINEER	DATE	RELEASED	DATE	PROJECT NO.

PART NUMBER	REV
LM0943709-0056	J

94



TEXAS INSTRUMENTS
INCORPORATED

DATE 12/13/76

LIST OF MATERIAL

PAGE 1 of

PART NUMBER	REV
LM0943709-0100	J

PRINT ITEM NUMBER	QUANTITY PER ASSEMBLY	UNIT OF ISSUE	DWG. SIZE	PART NUMBER	DESCRIPTION	VENDOR PART NUMBER
0001	00001.000	EA		0943652-0001	COMPUTER, 960B PACKMOUNT	
0002	REF	EA		0943741-9901	DRAWING CLARIFICATION, MEMORY EXPANSION	

DRAFTSMAN	DATE	CKD. DRAFTSMAN	DATE	DESIGN ENGINEER	DATE	TITLE
						COMPUTER, 960B PACKMOUNT, 115V
APPD.-MFG.	DATE	APPD. PROJECT ENGINEER	DATE	RELEASED	DATE	PROJECT NO.

PART NUMBER	REV
LM0943709-0100	J

95



TEXAS INSTRUMENTS
INCORPORATED

DATE 12/13/76

LIST OF MATERIAL

PAGE 1 of

PART NUMBER	REV
LM0943709-0101	J

ITEM NUMBER	QUANTITY PER ASSEMBLY	UNIT OF ISSUE	DWG SIZE	PART NUMBER	DESCRIPTION	VENDOR PART NUMBER
0001	00001.000	FA		0942652-0005	COMPUTER, 960B PACKMOUNT	
0002	REF	FA		0943741-0001	DRAWING CLARIFICATION, MEMORY EXPANSION	

DRAFTSMAN	DATE	CKD DRAFTSMAN	DATE	DESIGN ENGINEER	DATE	TITLE
						COMPUTER, 960B PACKMOUNT, W/BATTERY, 115V
APPD. MKG.	DATE	APPD. PROJECT ENGINEER	DATE	RELEASED	DATE	PROJECT NO.

PART NUMBER	REV
LM0943709-0101	J

96



TEXAS INSTRUMENTS
INCORPORATED

DATE 12/13/76

LIST OF MATERIAL

PAGE 1 of

PART NUMBER	REV
LM0943709-0102	J

PRINT ITEM NUMBER	QUANTITY PER ASSEMBLY	UNIT OF ISSUE	DWG. SIZE	PART NUMBER	DESCRIPTION	VENDOR PART NUMBER
0001	00001.000	EA		0943652-0005	COMPUTER, 9608 RACKMOUNT	
0002	00001.000	EA		0226722-0001	CPU EXPANDER KIT, INTERNAL	
0003	REF	FA		0943741-9901	DRAWING CLARIFICATION, MEMORY EXPANSION	

DRAFTSMAN	DATE	CKD. DRAFTSMAN	DATE	DESIGN ENGINEER	DATE	TITLE
						COMP, 9608 RACKMT, W/BAT & CRU EXP, 115V
APPD. MFG.	DATE	APPD. PROJECT ENGINEER	DATE	RELEASED	DATE	PROJECT NO.

PART NUMBER	REV
LM0943709-0102	J

97



TEXAS INSTRUMENTS
INCORPORATED

DATE 12/13/76

LIST OF MATERIAL

PAGE 1 of

LM 0943709-0103	REV J
------------------------	----------

PRINT ITEM NUMBER	QUANTITY PER ASSEMBLY	UNIT OF ISSUE	DWG SIZE	PART NUMBER	DESCRIPTION	VENDOR PART NUMBER
0001	00001.000	EA		0943652-0003	COMPUTER, 960B RACKMOUNT	
0002	REF	EA		0943742-9901	MEMORY EXPANSION REF DOCUMENT, 230V	

DRAFTSMAN	DATE	CKD. DRAFTSMAN	DATE	DESIGN ENGINEER	DATE	TITLE	COMPUTER, 960B, RACKMOUNT, 230V	
APP'D. MFG	DATE	APP'D. PROJECT ENGINEER	DATE	RELEASED	DATE	PROJECT NO		

							LM 0943709-0103	REV J
--	--	--	--	--	--	--	------------------------	----------



TEXAS INSTRUMENTS
INCORPORATED

DATE 12/13/76

LIST OF MATERIAL

PAGE 1 of

PART NUMBER	REV
LM0943709-0104	J

PRINT ITEM NUMBER	QUANTITY PER ASSEMBLY	UNIT OF ISSUE	DWG. SIZE	PART NUMBER	DESCRIPTION	VENDOR PART NUMBER
0001	00001.000	EA		0943652-0007	COMPUTER, 960B RACKMOUNT	
0002	REF	EA		0943742-9901	MEMORY EXPANSION REF DOCUMENT, 230V	

DATE	CKD. DRAFTSMAN	DATE	DESIGN ENGINEER	DATE	TITLE
					COMPUTER, 960B, RKMOUNT, W/BAT, 230V
DATE	APPD. PROJECT ENGINEER	DATE	RELEASED	DATE	PROJECT NO.

PART NUMBER	REV
LM0943709-0104	J

66



TEXAS INSTRUMENTS
INCORPORATED

DATE 12/13/76

LIST OF MATERIAL

PAGE 1 of

PART NUMBER	REV
LM 0943709-0105	J

PRINT ITEM NUMBER	QUANTITY PER ASSEMBLY	UNIT OF ISSUE	DWG. SIZE	PART NUMBER	DESCRIPTION	VENDOR PART NUMBER
0001	00001.000	EA		0943652-3007	COMPUTER, 9608 BACKMOUNT	
0002	00001.000	EA		0226722-0001	CRU EXPANDER KIT, INTERNAL	
0003	REF	EA		0943742-9901	MEMORY EXPANSION REF DOCUMENT, 230V	

DRAFTSMAN	DATE	CKD. DRAFTSMAN	DATE	DESIGN ENGINEER	DATE	TITLE
						COMP, 9608, RKMT, W/BAT & CRU EXP, 230V
APPD. MFG.	DATE	APPD. PROJECT ENGINEER	DATE	RELEASED	DATE	PROJECT NO.

PART NUMBER	REV
LM 0943709-0105	J

100



TEXAS INSTRUMENTS
INCORPORATED

DATE 12/13/76

LIST OF MATERIAL

PAGE 1 of

LM 0943709-0106	REV J
------------------------	----------

PRINT ITEM NUMBER	QUANTITY PER ASSEMBLY	UNIT OF ISSUE	DWG. SIZE	PART NUMBER	DESCRIPTION	VENDOR PART NUMBER
0001	0001.000	EA		0943652-0004	COMPUTER, 960B RACKMOUNT	
0002	REF	EA		0943743-9901	MEMORY EXPANSION REF DOCUMENT, 200V	

101

DRAFTSMAN	DATE	CKD. DRAFTSMAN	DATE	DESIGN ENGINEER	DATE	TITLE	COMPUTER, 960B, RKMOUNT, 200V	
APPD.-MFG	DATE	APPD. PROJECT ENGINEER	DATE	RELEASED	DATE	PROJECT NO.	LM 0943709-0106	REV J



TEXAS INSTRUMENTS
INCORPORATED

DATE 12/13/76

LIST OF MATERIAL

PAGE 1 of

PART NUMBER	REV
LM 0943709-0107	J

PRINT ITEM NUMBER	QUANTITY PER ASSEMBLY	UNIT OF ISSUE	DWG. SIZE	PART NUMBER	DESCRIPTION	VENDOR PART NUMBER
0001	00001.000			0943652-0008	COMPUTER, 960B RACKMOUNT	
0002	REF	EA		0943743-9901	MEMORY EXPANSION REF DOCUMENT, 200V	

DATE	CKD. DRAFTSMAN	DATE	DESIGN ENGINEER	DATE	TITLE
					COMPUTER, 960B, RKMOUNT, W/BAT, 200V
DATE	APPD. PROJECT ENGINEER	DATE	RELEASED	DATE	PROJECT NO.

PART NUMBER	REV
LM 0943709-0107	J

102



TEXAS INSTRUMENTS
INCORPORATED

DATE 12/13/76

LIST OF MATERIAL

PAGE 1 of

PART NUMBER	REV
LM0943709-0108	J

PRINT ITEM NUMBER	QUANTITY PER ASSEMBLY	UNIT OF ISSUE	DWG. SIZE	PART NUMBER	DESCRIPTION	VENDOR PART NUMBER
0001	00001.000			0943652-0008	COMPUTER, 960B RACKMOUNT	
0002	00001.000	EA		0226722-C001	CRU EXPANDER KIT, INTERNAL	
0003	REF	EA		0943743-9901	MEMORY EXPANSION REF DOCUMENT, 200V	

103

DRAFTSMAN	DATE	CKD. DRAFTSMAN	DATE	DESIGN ENGINEER	DATE	TITLE	
						COMP, 960B, PKMT, W/RAT & CRU EXP, 200V	
APPD.-MFG.	DATE	APPD. PROJECT ENGINEER	DATE	RELEASED	DATE	PROJECT NO.	
						PART NUMBER	REV
						LM0943709-0108	J



TEXAS INSTRUMENTS
INCORPORATED

DATE 12/13/76

LIST OF MATERIAL

PAGE 1 of

PART NUMBER	REV
LM 0943709-0109	J

PRINT ITEM NUMBER	QUANTITY PER ASSEMBLY	UNIT OF ISSUE	DWG. SIZE	PART NUMBER	DESCRIPTION	VENDOR PART NUMBER
0001	0001.000	EA		0943652-0002	COMPUTER, 960R RACKMOUNT	
0002	REF	EA		0943744-9901	MEMORY EXPANSION REF DOCUMENT, 100V	

DRAFTSMAN	DATE	CKD. DRAFTSMAN	DATE	DESIGN ENGINEER	DATE	TITLE
						COMPUTER, 960B, RKMOUNT, 100V
APPD. MFG.	DATE	APPD. PROJECT ENGINEER	DATE	RELEASED	DATE	PROJECT NO.

PART NUMBER	REV
LM 0943709-0109	J

104



TEXAS INSTRUMENTS
INCORPORATED

DATE 12/13/76

LIST OF MATERIAL

PAGE 1 of

PART NUMBER	REV
LM 0943709-0110	J

PRINT ITEM NUMBER	QUANTITY PER ASSEMBLY	UNIT OF ISSUE	DWG. SIZE	PART NUMBER	DESCRIPTION	VENDOR PART NUMBER
0001	0001.000			0943652-0006	COMPUTER, 960B RACKMOUNT	
0002	REF	EA		0943744-9901	MEMORY EXPANSION REF DOCUMENT, 100V	

DRAFTSMAN	DATE	CKD. DRAFTSMAN	DATE	DESIGN ENGINEER	DATE	TITLE
						COMPUTER, 960B, RKMOUNT, W/BAT, 100V
APPD.-MFG.	DATE	APPD. PROJECT ENGINEER	DATE	RELEASED	DATE	PROJECT NO.

PART NUMBER	REV
LM 0943709-0110	J

105



PRINT ITEM NUMBER	QUANTITY PER ASSEMBLY	UNIT OF ISSUE	DWG. SIZE	PART NUMBER	DESCRIPTION	VENDOR PART NUMBER
0001	0001.000			0943652-0006	COMPUTER, 960B RACKMOUNT	
0002	0001.000	EA		0226722-0001	CPU EXPANDER KIT, INTERNAL	
0003	PEF	EA		0943744-9901	MEMORY EXPANSION REF DOCUMENT, 100V	

DRAFTSMAN	DATE	CKD. DRAFTSMAN	DATE	DESIGN ENGINEER	DATE	TITLE
						COMP, 960B, RKMT, W/RAT & CPU EXP, 100V
APPD -MFG	DATE	APPD. PROJECT ENGINEER	DATE	RELEASED	DATE	PROJECT NO.

PART NUMBER	REV
LM 0943709-0111	J

106



TEXAS INSTRUMENTS
INCORPORATED

DATE 12/13/76

LIST of MATERIAL

PAGE 1 of

PART NUMBER	REV
LM 0943709-0112	J

PRINT ITEM NUMBER	QUANTITY PER ASSEMBLY	UNIT OF ISSUE	DWG. SIZE	PART NUMBER	DESCRIPTION	VENDOR PART NUMBER
0001	00001.000	EA		0943652-0013	COMPUTER, 960B RACKMOUNT	
0002	00001.000	EA		0226722-0001	CRU EXPANDER KIT, INTERNAL	
0003	REF	EA		0943741-9901	DRAWING CLARIFICATION, MEMORY EXPANSION	

107

DRAFTSMAN	DATE	CKD DRAFTSMAN	DATE	DESIGN ENGINEER	DATE	TITLE	COMP, 960B, PMT, W/BAT & CPU EXP W/O CTRPNL	
APPD-MFG	DATE	APPD. PROJECT ENGINEER	DATE	RELEASED	DATE	PROJECT NO.		
							PART NUMBER	REV
							LM 0943709-0112	J



ITEM NUMBER	QTY REQD ASSEMBLY	UNIT	QTY	PART NUMBER	DESCRIPTION	VENDOR PART NUMBER
0001	00001.000	EA		094709-0200	COMPUTER, 960R RACKMOUNT	
0002	00001.000	EA		0975155-0004	MEMORY, 16K	
0004	00001.000	EA		0326722-0001	CRU EXPANDER KIT, INTERNAL	
0005	00001.000	EA		0943733-0003	KIT, 960H/980R P/S VOLTAGE CONVERSION	

DATE	DATE	DATE	DATE	DATE	TITLE
DESIGNER	CHKD. DRAFTSMAN	DESIGN ENGINEER			CMPTR. 960R. RACK MT-16K MEM & C/E, 100V
DATE	DATE	DATE	DATE	DATE	PROJECT NO.
APPROVED	APPROVED	PROJECT ENGINEER	RELEASE		

PART NUMBER
LM 094709-0200 REV J

10



TEXAS INSTRUMENTS
INCORPORATED

DATE 12/09/76

LIST of MATERIAL

PAGE 1 of

PART NUMBER	REV
LM 0943709-0201	J

PRINT ITEM NUMBER	QUANTITY PER ASSEMBLY	UNIT OF ISSUE	DWG. SIZE	PART NUMBER	DESCRIPTION	VENDOR PART NUMBER
0001	00001.000	EA		0943652-0005	COMPUTER, 960B RACKMOUNT	
0002	00001.000	EA		0975155-0004	MEMORY, 16K	
0004	00001.000	EA		0226722-0001	CRU EXPANDER KIT, INTERNAL	
0005	00001.000	EA		0943733-0003	KIT, 960B/980B P/S VOLTAGE CONVERSION	
0006	00001.000	EA		0981824-0001	960 CPU, QUIET FAN, MODIFIED	

109

DRAFTSMAN	DATE	CKD. DRAFTSMAN	DATE	DESIGN ENGINEER	DATE	TITLE
APPD. -MFG.	DATE	APPD. PROJECT ENGINEER	DATE	RELEASED	DATE	PROJECT NO.
						CMPTR,960B,RACK MT-16K MEM & C/E,100V
						LM 0943709-0201
						PART NUMBER
						REV
						J



REV'T ITEM NUMBER	QTY FOR ASSEMBLY	UNIT OF ISSUE	DWG SIZE	PART NUMBER	DESCRIPTION	VENDOR PART NUMBER
0001	00001.000	EA		0943709-0005	COMPUTER, 960R RACKMOUNT	
0002	00001.000	EA		0975185-0004	MEMORY, 16K	
0004	00001.000	EA		0226722-0001	CRU EXPANDER KIT, INTERNAL	
0005	00001.000	EA		0943733-0003	KIT, 960R/980R P/S VOLTAGE CONVERSION	
0006	00001.000	EA		0981824-0001	1/2" CRU, QUIET FAN, MODIFIED	

DRAFTSMAN	DATE	CRD DRAFTSMAN	DATE	DESIGN ENGINEER	DATE	TITLE
						CMPTR, 960R, RACK MT-16K MEM & C/E, 100V
APPROVAL	DATE	APP'D PROJECT ENGINEER	DATE	RELEASED	DATE	PROJECT NO

LM	PART NUMBER 0943709-0202	REV J
-----------	-----------------------------	----------

110



TEXAS INSTRUMENTS
INCORPORATED

DATE 12/09/76

LIST OF MATERIAL

PAGE 1 of

LM 0943709-0220	REV J
------------------------	----------

PRINT ITEM NUMBER	QUANTITY PER ASSEMBLY	UNIT OF ISSUE	DWG. SIZE	PART NUMBER	DESCRIPTION	VENDOR PART NUMBER
0001	00001.000	EA		0943652-0005	COMPUTER, 960B RACKMOUNT	
0002	00001.000	EA		0975155-0004	MEMORY, 16K	
0004	00001.000	EA		0226722-0001	CRU EXPANDER KIT, INTERNAL	

DRAFTSMAN	DATE	CKD. DRAFTSMAN	DATE	DESIGN ENGINEER	DATE	TITLE
						CMPTR, 960B, RACK MT-16K MEM & C/E, 115V
APPD. -MFG.	DATE	APPD. PROJECT ENGINEER	DATE	RELEASED	DATE	PROJECT NO.

LM 0943709-0220	REV J
------------------------	----------

111



PRINT ITEM NUMBER	QUANTITY PER ASSEMBLY	UNIT OF ISSUE	DWG. SIZE	PART NUMBER	DESCRIPTION	VENDOR PART NUMBER
0001	00001.000	EA		0943652-0005	COMPUTER, 960B RACKMOUNT	
0002	00001.000	EA		0975155-0004	MEMORY, 16K	
0004	00001.000	EA		0226722-0001	CRU EXPANDER KIT,INTERNAL	
0006	00001.000	EA		0981824-0001	960 CPU, QUIET FAN, MODIFIED	

DRAFTSMAN	DATE	CKD. DRAFTSMAN	DATE	DESIGN ENGINEER	DATE	TITLE
						CMPTR,960B,RACK MT-16K MEM & C/E,115V
APPD. MFG	DATE	APPD. PROJECT ENGINEER	DATE	RELEASED	DATE	PROJECT NO.

PART NUMBER	REV
LM 0943709-0221	J

112



TEXAS INSTRUMENTS
INCORPORATED

DATE 12/09/76

LIST OF MATERIAL

PAGE 1 of

LM 0943709-0222	REV J
------------------------	----------

PRINT ITEM NUMBER	QUANTITY PER ASSEMBLY	UNIT OF ISSUE	DWG. SIZE	PART NUMBER	DESCRIPTION	VENDOR PART NUMBER
C001	00001.000	EA		0943652-0005	COMPUTER, 960B RACKMOUNT	
C002	00001.000	EA		0975155-0004	MEMORY, 16K	
0004	00001.000	EA		0226722-0001	CRU EXPANDER KIT, INTERNAL	
0006	00001.000	EA		0981824-0002	960 CPU, QUIET FAN, MODIFIED	

DRAFTSMAN	DATE	CKD. DRAFTSMAN	DATE	DESIGN ENGINEER	DATE	TITLE
APPD. MFG.	DATE	APPD. PROJECT ENGINEER	DATE	RELEASED	DATE	PROJECT NO.
						CMPTR, 960B, RACK MT-16K MEM & C/E, 115V LM 0943709-0222 J

113



PRINT ITEM NUMBER	QUANTITY PER ASSEMBLY	UNIT OF ISSUE	DWG SIZE	PART NUMBER	DESCRIPTION	VENDOR PART NUMBER
0001	00001.000	EA		0943652-0005	COMPUTER, 960B RACKMOUNT	
0002	00001.000	EA		0975155-0004	MEMORY, 16K	
0004	00001.000	EA		0226722-0001	CRU EXPANDED KIT, INTERNAL	
0005	00001.000	EA		0943733-0002	KIT, 960B/980B P/S VOLTAGE CONVERSION	

DRAFTSMAN	DATE	CKD. DRAFTSMAN	DATE	DESIGN ENGINEER	DATE	TITLE
						CMPTR, 960B, RACK MT-16K MEM & C/E, 200V
APPD. MFG	DATE	APPD. PROJECT ENGINEER	DATE	RELEASED	DATE	PROJECT NO

PART NUMBER	REV
LM 0943709-0240	J

114



TEXAS INSTRUMENTS
INCORPORATED

DATE 12/09/76

LIST OF MATERIAL

PAGE 1 of

PART NUMBER	REV
LM 0943709-0241	J

PRINT ITEM NUMBER	QUANTITY PER ASSEMBLY	UNIT OF ISSUE	DWG. SIZE	PART NUMBER	DESCRIPTION	VENDOR PART NUMBER
0001	00001.000	EA		0943652-JC05	COMPUTER, 960B RACKMOUNT	
0002	00001.000	EA		0975155-0004	MEMORY, 16K	
0004	00001.000	EA		0226722-0001	CRU EXPANDER KIT, INTERNAL	
0005	00001.000	EA		0943733-0002	KIT, 960B/980B P/S VOLTAGE CONVERSION	
0006	00001.000	EA		0981824-0001	960 CPU, QUIET FAN, MODIFIED	

DRAFTSMAN	DATE	CKD. DRAFTSMAN	DATE	DESIGN ENGINEER	DATE	TITLE
						CMPTR, 960B, RACK MT-16K MEM & C/E, 200V
APPD. MFG.	DATE	APPD. PROJECT ENGINEER	DATE	RELEASED	DATE	PROJECT NO.

PART NUMBER	REV
LM 0943709-0241	J

115



TEXAS INSTRUMENTS
INCORPORATED

DATE 12/09/76

LIST OF MATERIAL

PAGE 1 of

LM 0943709-0242 PART NUMBER REV J

PRINT ITEM NUMBER	QUANTITY PER ASSEMBLY	UNIT OF ISSUE	DWG SIZE	PART NUMBER	DESCRIPTION	VENDOR PART NUMBER
0001	00001.000	EA		0943652-0005	COMPUTER, 960R RACKMOUNT	
0002	00001.000	EA		0975155-0004	MEMORY, 16K	
0004	00001.000	EA		0226722-0001	CPU EXPANDED KIT, INTERNAL	
0005	00001.000	EA		0943733-0002	KIT, 960B/980B P/S VOLTAGE CONVERSION	
0006	00001.000	EA		0981824-0002	960 CPU, QUIET FAN, MODIFIED	

DRAFTSMAN	DATE	CKD DRAFTSMAN	DATE	DESIGN ENGINEER	DATE	TITLE
APPD MFG	DATE	APPD PROJECT ENGINEER	DATE	RELEASED	DATE	PROJECT NO

CMPTP, 960B, RACK MT-16K MEM & C/F, 200V

LM 0943709-0242	PART NUMBER	REV
		J

116



TEXAS INSTRUMENTS
INCORPORATED

DATE 12/13/76

LIST OF MATERIAL

PAGE 1 of

PART NUMBER	REV
LM 0943709-0260	J

PRINT ITEM NUMBER	QUANTITY PER ASSEMBLY	UNIT OF ISSUE	DWG. SIZE	PART NUMBER	DESCRIPTION	VENDOR PART NUMBER
0001	0001.000	EA		0943652-0005	COMPUTER, 960R RACKMOUNT	
0002	0001.000	EA		0975155-0004	MEMORY, 16K	
0004	0001.000	EA		0226722-0001	CPU EXPANDER KIT, INTERNAL	
0005	0001.000	EA		0943733-0001	KIT, 960B/980B P/S VOLTAGE CONVERSION	

117

DRAFTSMAN	DATE	CKD. DRAFTSMAN	DATE	DESIGN ENGINEER	DATE	TITLE
						CMPTP, 960R, RACK MT-16K MEM & C/F, 230V
APPD. MFG.	DATE	APPD. PROJECT ENGINEER	DATE	RELEASED	DATE	PROJECT NO.

PART NUMBER	REV
LM 0943709-0260	J



PRINT ITEM PART #	QUANTITY PER ASSEMBLY	UNIT OF ISSUE	DWG SIZE	PART NUMBER	DESCRIPTION	VENDOR PART NUMBER
0001	00001.000	EA		0943657-0005	COMPUTER, 960R RACKMOUNT	
0002	00001.000	EA		0975155-0004	MEMORY, 16K	
0004	00001.000	EA		0226722-0001	CRU EXPANDER KIT, INTERNAL	
0005	00001.000	EA		0943733-0001	KIT, 960R/980R P/S VOLTAGE CONVERSION	
0006	00001.000	EA		0981824-0001	960 CRU, QUIET FAN, MODIFIED	

DRAFTSMAN	DATE	CKD DRAFTSMAN	DATE	DESIGN ENGINEER	DATE	TITLE
						CMPTP, 960R, RACK MT-16K MEM & C/E, 230V
APPD MFG	DATE	APPD PROJECT ENGINEER	DATE	RELEASED	DATE	PROJECT NO

	PART NUMBER LM 0943709-0261	REV J
--	---------------------------------------	----------

118



TEXAS INSTRUMENTS
INCORPORATED

DATE 12/09/76

LIST OF MATERIAL

PAGE 1 of

LM 0943709-0262	REV J
------------------------	----------

PRINT ITEM NUMBER	QUANTITY PER ASSEMBLY	UNIT OF ISSUE	DWG. SIZE	PART NUMBER	DESCRIPTION	VENDOR PART NUMBER
0001	00001.000	EA		0943652-0005	COMPUTER, 960B RACKMOUNT	
0002	00001.000	EA		0975155-0004	MEMORY, 16K	
0004	00001.000	EA		0226722-0001	CRU EXPANDER KIT, INTERNAL	
0005	00001.000	EA		0943733-0001	KIT, 960B/980B P/S VOLTAGE CONVERSION	
0006	00001.000	EA		0981824-0002	960 CPU, QUIET FAN, MODIFIED	

DRAFTSMAN	DATE	CRD. DRAFTSMAN	DATE	DESIGN ENGINEER	DATE	TITLE
APPD.-MFG.	DATE	APPD. PROJECT ENGINEER	DATE	RELEASED	DATE	PROJECT NO.
						CMPTR, 960B, RACK MT-16K MEM & C/E, 230V
						LM 0943709-0262
						REV J



TEXAS INSTRUMENTS
INCORPORATED

DATE 12/13/76

LIST OF MATERIAL

PAGE 1 of

PART NUMBER	REV
LM 0943709-0960	J

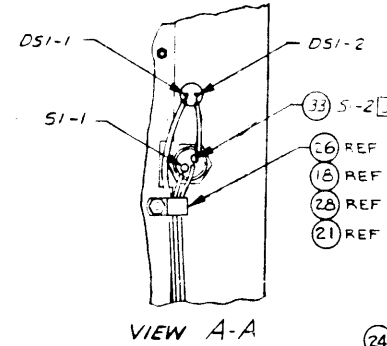
PRINT ITEM NUMBER	QUANTITY PER ASSEMBLY	UNIT OF ISSUE	DWG. SIZE	PART NUMBER	DESCRIPTION	VENDOR PART NUMBER
0001	00001.000	EA		0942773-9701	MANUAL, 960P MAINT- SYSTEM DESCRIPTION	
0002	00001.000	EA		0966313-9701	MANUAL, CPU MODEL 960A COMPUTER	
0003	00001.000	EA		0966312-9701	MANUAL, DMAC MODEL 960A/980A COMPUTER	
0004	00001.000	EA		0966312-9702	MANUAL, DMAC CONT. MODEL 960A/980A COMP.	
0005	00001.000	EA		0942931-0001	CPU LETTER PACKET-960/980/990	
0006	00001.000	EA		0944825-9701	MNL, 960 MASTER INDEX	

120

DRAFTSMAN	DATE	CKD. DRAFTSMAN	DATE	DESIGN ENGINEER	DATE	TITLE
						CPU DOCUMENTATION KIT 960R
PPD. MFG.	DATE	APPD. PROJECT ENGINEER	DATE	RELEASED	DATE	PROJECT NO.

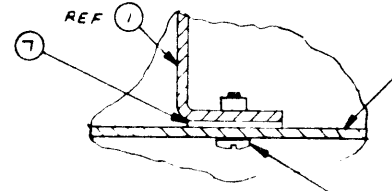
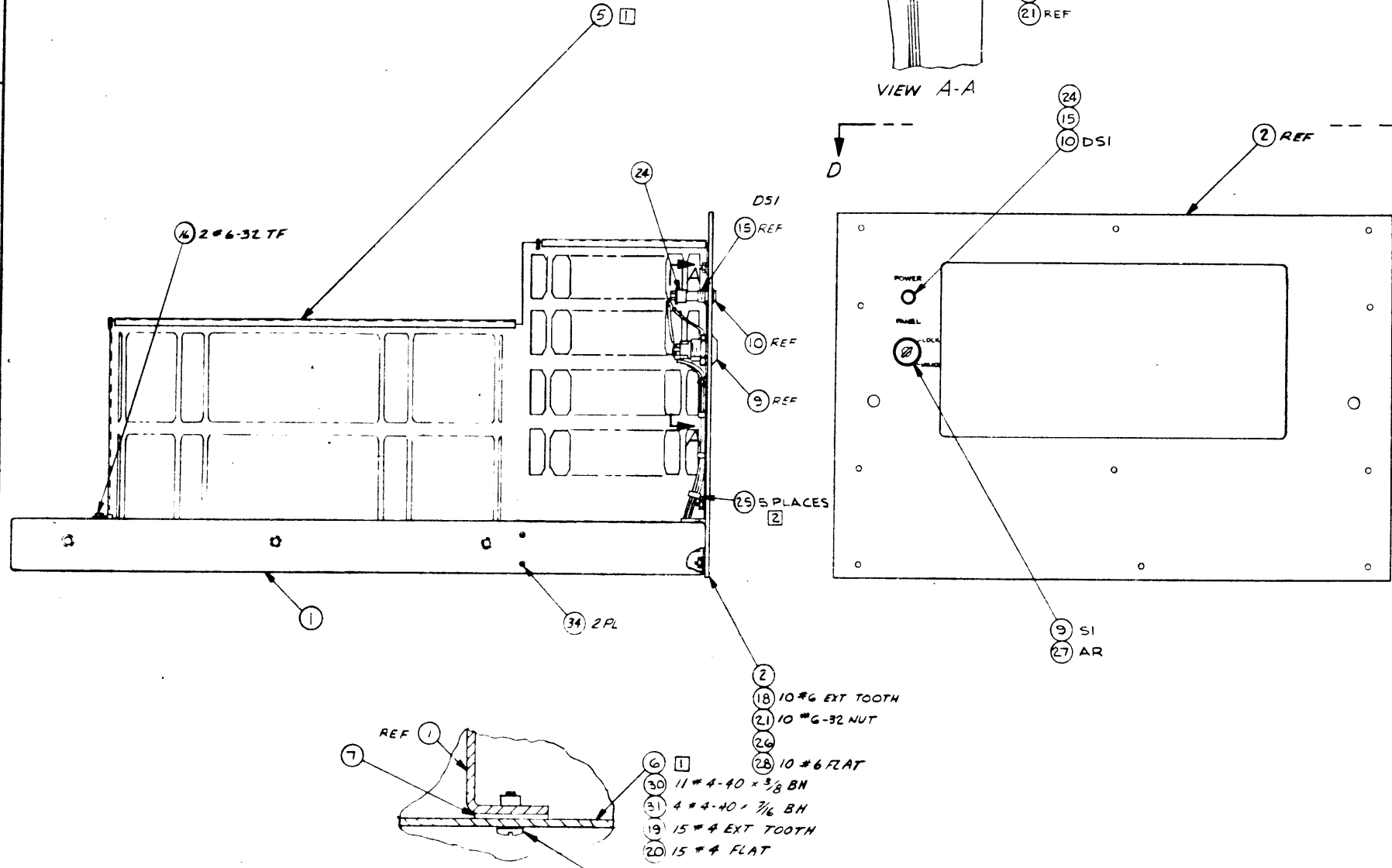
PART NUMBER	REV
LM 0943709-0960	J

WIRE LIST					
WIRE NO.	DESCRIPTION	START	FINISH	REMARKS	ITEM NO.
1	#24 WH/BLK IPVC	DSI-2	SI-2		12
2	#24 WH/RED IPVC	DSI-1	SI-2		13
3	#24 WH/BRN IPVC	SI-1	SI-2		14
4	#24 WH/BLK IPVC	SI-2	SI-2		12



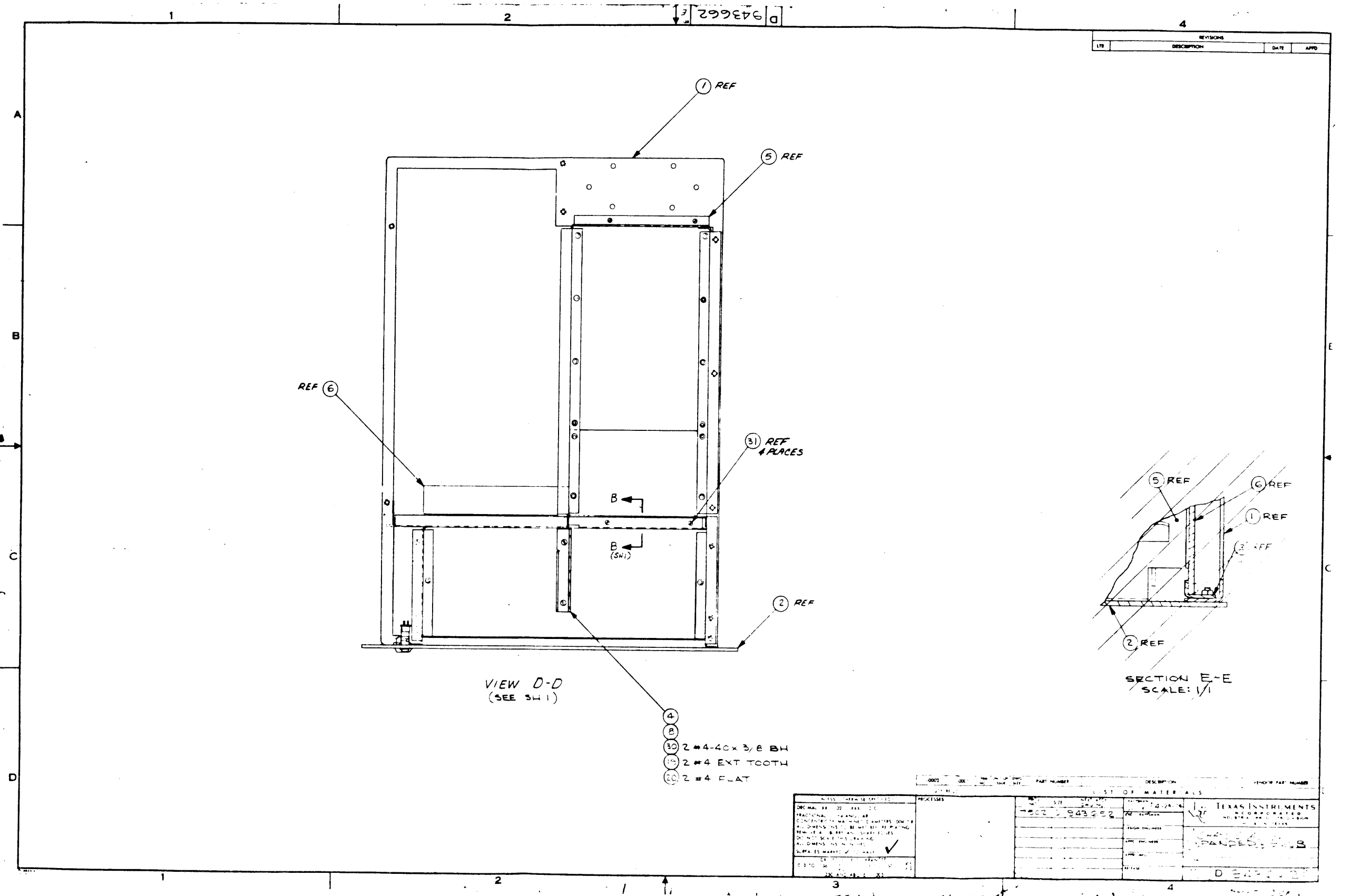
- NOTES:
- CENTERLINE OF CONNECTOR ON BOARD ASSY (ITEM 6) MUST ALIGN WITH CENTERLINE OF CARD SLOT ON CARD RACK (ITEM 5) SUCH THAT PC BOARDS MAY BE INSTALLED
 - INSTALL STRAPS (ITEM 25) AT 200±.50 INTERVALS
 - COVER SOLDER CONNECTIONS WITH ITEM 33

REV	DESCRIPTION	DATE	APPD
A	CHASSIS ASSY EXPANDED 360B		
B	ADDED FLAG 3 & BALLOON 33. ADDED NOTE (1) ADDED BALLOON 24 UNDER BALLOON 16. ITEM 30 QTY WAS 9, ITEM 31 QTY WAS 3, ITEM 20 QTY WAS 13. SH 2: (5) ADDED CALLOUT FOR ITEM 31. (9 & 20) L.M. (6) QTY OF ITEM 30 WAS 13, ITEM 31 WAS 8. ADDED ITEM 33		
C	CHASSIS ASSY EXPANDED 360B		
D	CHASSIS ASSY EXPANDED 360B		
E	CHASSIS ASSY EXPANDED 360B		
F	CHASSIS ASSY EXPANDED 360B		



PROCESSES:
1. SOLDER PER F-127,
METHOD I

REV	STATUS	REV	DATE
1	REV	6	5
OF SHEETS 30 1 2			
DESIGNED BY		CHECKED BY	
DRAWN BY		APPROVED BY	
CHASSIS ASSY EXPANDED 360B			
943662			





TEXAS INSTRUMENTS
INCORPORATED

DATE 05/19/76

LIST OF MATERIAL

PAGE 1 of

PART NUMBER	REV
LM 943662-0001	G

PRINT ITEM NUMBER	QUANTITY PER ASSEMBLY	UNIT OF ISSUE	DWG. SIZE	PART NUMBER	DESCRIPTION	VENDOR PART NUMBER	
0001	00001.000	EA		943745-C001	CHASSIS		
0002	00001.000	EA		943669-0001	PANEL,FRONT		
0004	00001.000	EA		943676-0001	INSULATOR,CCMB		
0005	00001.000	EA		943664-C001	CARC,RACK		
0006	00001.000	EA		943671-0001	BOARD ASSY, CPU BACK PANEL		
0007	00001.000	EA		226737-0001	INSULATOR,CPU BACK PANEL	01+00+03	
0008	00001.000	EA		943675-0001	COMB/STIFFENER,BACK PANEL		
0009	00001.000	EA		226586-0001	SWITCH,LCCK-MAINTAINING		
0010	00001.000	EA		232289-0100	LAMP FLUSH FLAT TOP 6.3V .04 AMPS	RCL-C56-2180	
0012	AR	FT		538347-2099	WIRE HCCKLP 8-24 AWG 19 STR BK/WH	JUD- HH0112	
0013	AR	FT		538347-2299	WIRE HCCKLP 8-24 AWG 19 STR RD/WH	JUD- HH0112	
0014	AR	FT		538347-2199	WIRE HCCKLP 8-24 AWG 19 STR BN/WH	JUD- HH0112	
0015	00001.000	EA		231123-C070	CLIP SPRING STEEL LITE	TEC-32-1212	
0016	00002.000	EA		972684-C011	SCREW, THREAD FORMING, #6-32		
0018	00010.000	EA		411101-0058	LOCKWASHER #6 EXTERNAL TOOTH CRES	QPL- MS35335-58	
0019	00019.000	EA		411101-C057	LOCKWASHER # 4 EXTERNAL TOOTH CRES	QPL- MS35335-57	
0020	00021.000	EA		411027-0804	WASHER .125 X .312 X .032 FLAT CRES	QPL- MS15795-804	
0021	00010.000	EA		416453-0022	NUT,PLAIN 6-32 UNC-2B HEX CRES,SMALL	QPL- NAS671C6	
0024	00001.000	EA		232349-C075	LUG SCLDER	TEC-78-1056	
0025	00005.000	EA		418212-C040	STRAP,TIECOWN,ADJUSTABLE,PLASTIC	QPL- MS3367-4-9	
DRAFTSMAN	DATE	CHKD DRAFTSMAN	DATE	DESIGN ENGINEER	DATE	TITLE	
		<i>W. H. ...</i>	5/20/76			CHASSIS ASSY, EXPANDED, 960B	
APPD.-MFG	DATE	APPD. PROJECT ENGINEER	DATE	RELEASED	DATE	PROJECT NO	
						7502	
						PART NUMBER	REV
						LM 943662-0001	G

125

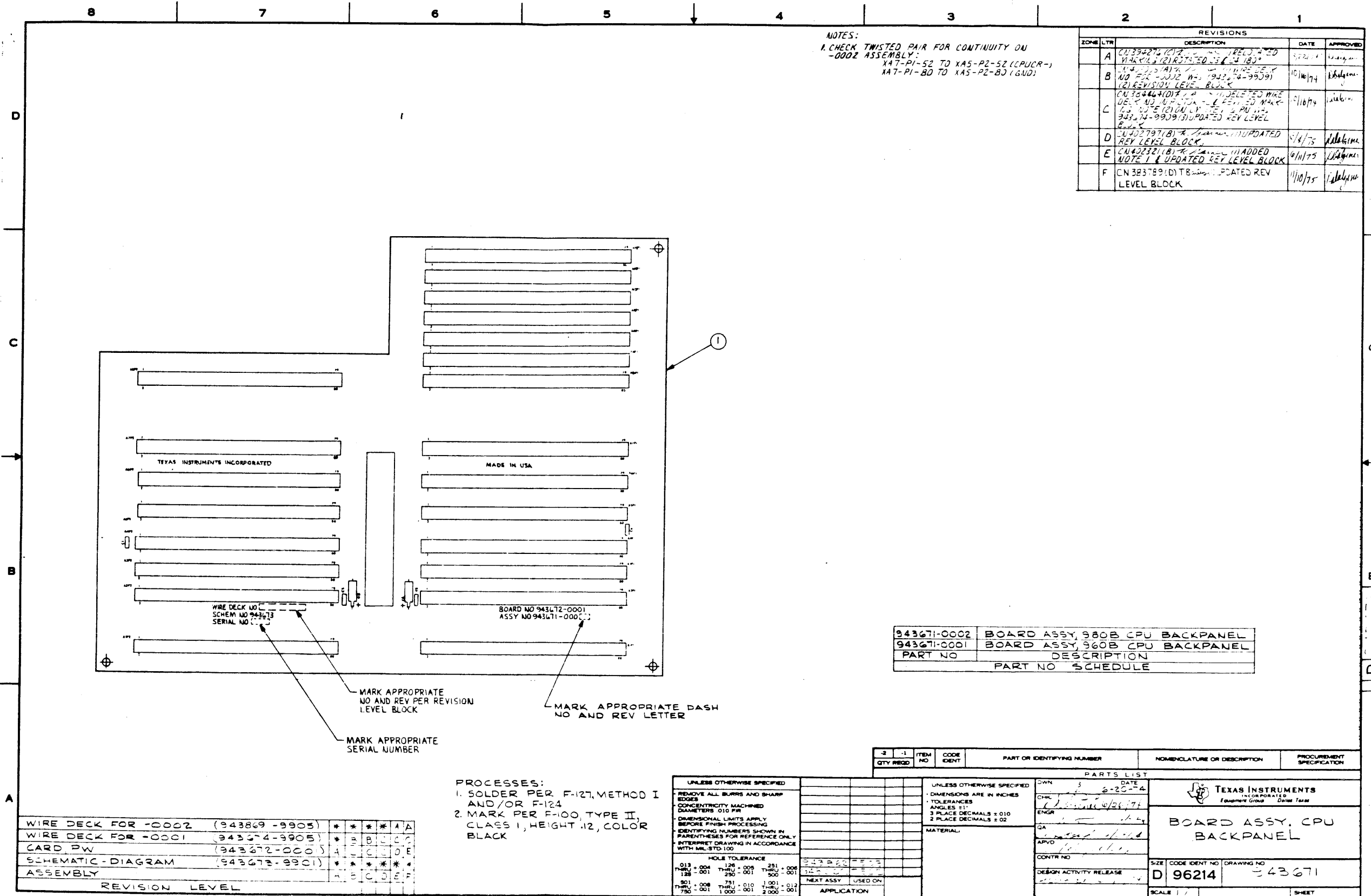


PRINT ITEM NUMBER	QUANTITY PER ASSEMBLY	UNIT OF ISSUE	DWG. SIZE	PART NUMBER	DESCRIPTION	VENDOR PART NUMBER
C026	00001.000	EA		085913-C0C3	CLAMP 3/16 PLASTIC CABLE	
C027	AR	EA		235182-0002	LOCTITE SEALANT GRADE 242	LOC--242
0028	00010.000	EA		418154-0058	WASHER, FLAT #6 CRES	QPL- NAS620-C6
0030	00005.000	EA		972988-0015	SCREW 4-40 X .375 PAN HEAD CRES	
0031	00004.000	EA		972988-0016	SCREW 4-40 X .438 PAN HEAD CRES	
0033	AR	FT		411634-1310	SLEEVE, PVC, .133 DIA. CLEAR	QPL- MIL-1-631
0034	00002.000	EA		972990-C040	SCREW 8-32 X .375 FLT HEAD CRES	

DRAFTSMAN	DATE	CKD. DRAFTSMAN	DATE	DESIGN ENGINEER	DATE	TITLE
						CHASSIS ASSY, EXPANDED, 960B
APPD. MFG	DATE	APPD. PROJECT ENGINEER	DATE	RELEASED	DATE	PROJECT NO.

PART NUMBER	REV
LM 943662-0001	G

126



NOTES:
 1. CHECK TWISTED PAIR FOR CONTINUITY ON
 -0002 ASSEMBLY:
 XA7-P1-S2 TO XA5-P2-S2 (CAUCR-)
 XA7-P1-B0 TO XA5-P2-B0 (GND)

REVISIONS				
ZONE	LTR	DESCRIPTION	DATE	APPROVED
A		CN 383789 (D) TR... RELEV... MARKED (2) RELEV... (2) 1830	5/22/74	
B		NO FOR -0002 (943672-9905) (2) REVISION LEVEL BLOCK	10/16/74	
C		CN 383671 (D) TR... DELETED WIRE DECK NO 943672-0001 (2) RELEV... NO FOR -0002 (943672-9905) 943672-9905 (3) UPDATED REV LEVEL BLOCK	9/18/74	
D		NO FOR -0002 (943672-9905) RELEV LEVEL BLOCK	5/4/75	
E		CN 402321 (B) TR... ADDED NOTE 1 & UPDATED REV LEVEL BLOCK	9/11/75	
F		CN 383789 (D) TR... UPDATED REV LEVEL BLOCK	11/10/75	

943671-0002	BOARD ASSY, 980B CPU BACKPANEL
943671-0001	BOARD ASSY, 960B CPU BACKPANEL
PART NO	DESCRIPTION
PART NO	SCHEDULE

WIRE DECK FOR -0002 (943869-9905)	*	*	*	*	A	A
WIRE DECK FOR -0001 (943672-9905)	*	B	B	C	C	C
CARD PW (943672-0001)	A	C	C	D	D	E
SCHEMATIC-DIAGRAM (943672-9901)	*	A	*	*	*	*
ASSEMBLY	A	B	C	D	E	F
REVISION LEVEL						

PROCESSES:
 1. SOLDER PER F-127, METHOD I
 AND/OR F-124
 2. MARK PER F-100, TYPE II,
 CLASS I, HEIGHT .12, COLOR
 BLACK

QTY REQD	ITEM NO	CODE IDENT	PART OR IDENTIFYING NUMBER	NOMENCLATURE OR DESCRIPTION	PROCUREMENT SPECIFICATION
PARTS LIST					
UNLESS OTHERWISE SPECIFIED				UNLESS OTHERWISE SPECIFIED	
REMOVE ALL BURRS AND SHARP EDGES				DIMENSIONS ARE IN INCHES	
CONCENTRICITY MACHINED				TOLERANCES	
DIAMETERS .010 P/R				ANGLES 90°	
DIMENSIONAL LIMITS APPLY BEFORE FINISH PROCESSING				3 PLACE DECIMALS ± 0.10	
IDENTIFYING NUMBERS SHOWN IN PARENTHESES FOR REFERENCE ONLY				2 PLACE DECIMALS ± 0.02	
INTERPRET DRAWING IN ACCORDANCE WITH MIL-STD-100				MATERIAL:	
HOLE TOLERANCE				OWN	
013 THRU 125 ± .004				DATE	
126 THRU 250 ± .005				3-20-74	
251 THRU 500 ± .006				CHK	
501 THRU 750 ± .007				ENGR	
751 THRU 1000 ± .008				GA	
1001 THRU 1500 ± .009				APVD	
1501 THRU 2000 ± .010				CONTR NO	
2001 THRU 2500 ± .012				DESIGN ACTIVITY RELEASE	
2501 THRU 3000 ± .015				SCALE	
3001 THRU 3500 ± .020				SHEET	
3501 THRU 4000 ± .025				LM	
4001 THRU 4500 ± .030				TI-7814E M	



TEXAS INSTRUMENTS
INCORPORATED

DATE 05/01/75

LIST OF MATERIAL

PAGE 1 of

PART NUMBER	REV
LM 943671-0001	F 8

PRINT ITEM NUMBER	QUANTITY PER ASSEMBLY	UNIT OF ISSUE	DWG. SIZE	PART NUMBER	DESCRIPTION	VENDOR PART NUMBER
0001	00002.000	EA		972965-0024	CAP FIX CERAMIC .100 MF 10% 100V	QPL-CK06BX104K
0001A					C2 C5	
0002	00002.000	EA		972924-0014	CAP FIX TANT SOLID 15 MFD 10 % 20 VOLT	QPL-M39003/1-2289
0002A					C3 C4	
0003	00002.000	EA		532736-0002	CAP FIX CERAMIC .02 MF 20/80% 25 VOLT	CRL-2DDU60E203ZAC
0003A					C1 C6	
0004	00001.000	EA		943672-0001	PWB, MOTHERBOARD, 9608, 9808	
0005	AP	EA		535978-0058	WIRE ELEC., SOLID, "KYNAR" INSUL #30 AWG	
0006	REF	EA		943674-9905	WIRE DECK	
0007	REF	EA		943673-9901	DIAGRAM SCHEM, CPU MOTHERBOARD	

129

DRAFTSMAN	DATE	CKD DRAFTSMAN	DATE	DESIGN ENGINEER	DATE	TITLE	
		<i>K. K. K.</i>	<i>6/1/75</i>			BOARD ASSY, CPU BACK PANEL	
APPD - MFG	DATE	APPD. PROJECT ENGINEER	DATE	RELEASED	DATE	PROJECT NO	
						7502	
						PART NUMBER	REV
						LM 943671-0001	F 8



TEXAS INSTRUMENTS
INCORPORATED

DATE 05/01/75

LIST OF MATERIAL

PAGE 1 of

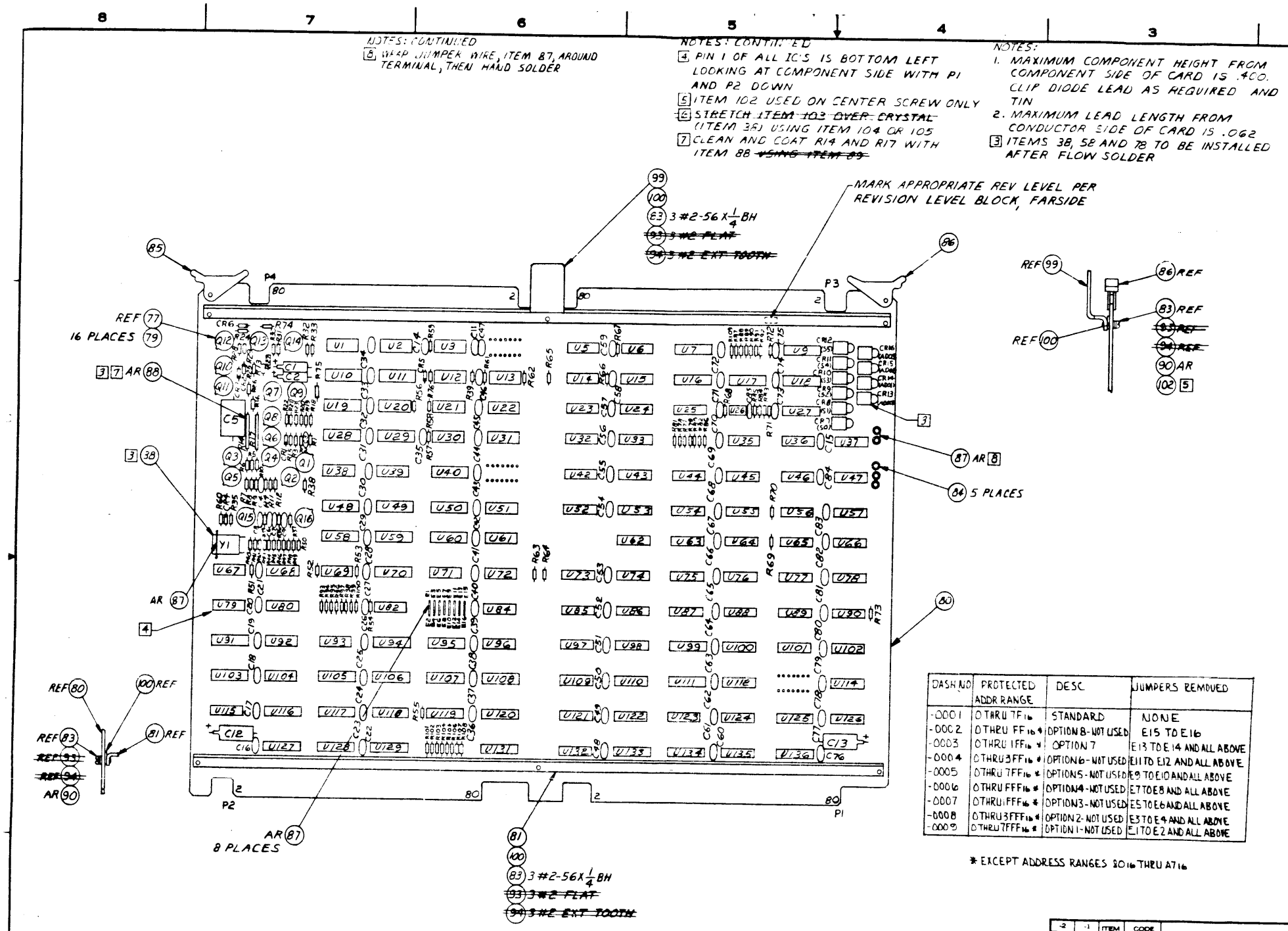
LM 943671-0002 PART NUMBER REV F 0

PRINT ITEM NUMBER	QUANTITY PER ASSEMBLY	UNIT OF ISSUE	DWG SIZE	PART NUMBER	DESCRIPTION	VENDOR PART NUMBER
0001	00002.000	EA		972965-0024	CAP FIX CERAMIC .100 MF 10% 100V	QPL-CK06BX104K
0001A					C2 C5	
0002	00002.000	EA		972924-0014	CAP FIX TANT SOLID 15 MFD 10% 20 VOLT	QPL-M39003/1-2289
0002A					C3 C4	
0003	00002.000	EA		532736-0002	CAP FIX CERAMIC .02 MF 20/80% 25 VOLT	CPL-20DU60E203ZAC
0003A					C1 C6	
0004	00001.000	EA		943672-0001	PWR, MOTHERBOARD, 960B, 980B	
0005	AR	EA		535978-0058	WIRE ELEC., SOLID, "KYNAR" INSUL #30 AWG	
0006	REF	EA		943869-9905	WIRE DECK	
0007	REF	EA		943673-0001	DIAGRAM SCHEM, CPU MOTHERBOARD	

130

DRAFTSMAN	DATE	CKD DRAFTSMAN	DATE	DESIGN ENGINEER	DATE	TITLE
						BOARD ASSY, CPU BACK PANEL
APPROVED	DATE	APPD PROJECT ENGINEER	DATE	RELEASD	DATE	PROJECT NO

LM 943671-0001 PART NUMBER REV F 0



DASH NO	PROTECTED ADDR RANGE	DESC	JUMPERS REMOVED
-0001	0 THRU 7FF ₁₆	STANDARD	NONE
-0002	0 THRU 7FF ₁₆	OPTION 8 - NOT USED	E15 TO E16
-0003	0 THRU 7FF ₁₆	OPTION 7	E13 TO E14 AND ALL ABOVE
-0004	0 THRU 3FF ₁₆	OPTION 6 - NOT USED	E11 TO E12 AND ALL ABOVE
-0005	0 THRU 7FF ₁₆	OPTION 5 - NOT USED	E9 TO E10 AND ALL ABOVE
-0006	0 THRU 7FF ₁₆	OPTION 4 - NOT USED	E7 TO E8 AND ALL ABOVE
-0007	0 THRU 7FF ₁₆	OPTION 3 - NOT USED	E5 TO E6 AND ALL ABOVE
-0008	0 THRU 3FF ₁₆	OPTION 2 - NOT USED	E3 TO E4 AND ALL ABOVE
-0009	0 THRU 7FF ₁₆	OPTION 1 - NOT USED	E1 TO E2 AND ALL ABOVE

* EXCEPT ADDRESS RANGES 80₁₆ THRU A7₁₆

ZONE	LTR	REVISIONS	DATE	APPROVED
C7	A	1. MAXIMUM COMPONENT HEIGHT FROM COMPONENT SIDE OF CARD IS .400. CLIP DIODE LEAD AS REQUIRED AND TIN 2. MAXIMUM LEAD LENGTH FROM CONDUCTOR SIDE OF CARD IS .062 3. ITEMS 38, 58 AND 78 TO BE INSTALLED AFTER FLOW SOLDER		
E		1. MAXIMUM COMPONENT HEIGHT FROM COMPONENT SIDE OF CARD IS .400. CLIP DIODE LEAD AS REQUIRED AND TIN 2. MAXIMUM LEAD LENGTH FROM CONDUCTOR SIDE OF CARD IS .062 3. ITEMS 38, 58 AND 78 TO BE INSTALLED AFTER FLOW SOLDER		
A8	C	1. MAXIMUM COMPONENT HEIGHT FROM COMPONENT SIDE OF CARD IS .400. CLIP DIODE LEAD AS REQUIRED AND TIN 2. MAXIMUM LEAD LENGTH FROM CONDUCTOR SIDE OF CARD IS .062 3. ITEMS 38, 58 AND 78 TO BE INSTALLED AFTER FLOW SOLDER		
D		1. MAXIMUM COMPONENT HEIGHT FROM COMPONENT SIDE OF CARD IS .400. CLIP DIODE LEAD AS REQUIRED AND TIN 2. MAXIMUM LEAD LENGTH FROM CONDUCTOR SIDE OF CARD IS .062 3. ITEMS 38, 58 AND 78 TO BE INSTALLED AFTER FLOW SOLDER		
E		1. MAXIMUM COMPONENT HEIGHT FROM COMPONENT SIDE OF CARD IS .400. CLIP DIODE LEAD AS REQUIRED AND TIN 2. MAXIMUM LEAD LENGTH FROM CONDUCTOR SIDE OF CARD IS .062 3. ITEMS 38, 58 AND 78 TO BE INSTALLED AFTER FLOW SOLDER		
F		1. MAXIMUM COMPONENT HEIGHT FROM COMPONENT SIDE OF CARD IS .400. CLIP DIODE LEAD AS REQUIRED AND TIN 2. MAXIMUM LEAD LENGTH FROM CONDUCTOR SIDE OF CARD IS .062 3. ITEMS 38, 58 AND 78 TO BE INSTALLED AFTER FLOW SOLDER		
G		1. MAXIMUM COMPONENT HEIGHT FROM COMPONENT SIDE OF CARD IS .400. CLIP DIODE LEAD AS REQUIRED AND TIN 2. MAXIMUM LEAD LENGTH FROM CONDUCTOR SIDE OF CARD IS .062 3. ITEMS 38, 58 AND 78 TO BE INSTALLED AFTER FLOW SOLDER		
H		1. MAXIMUM COMPONENT HEIGHT FROM COMPONENT SIDE OF CARD IS .400. CLIP DIODE LEAD AS REQUIRED AND TIN 2. MAXIMUM LEAD LENGTH FROM CONDUCTOR SIDE OF CARD IS .062 3. ITEMS 38, 58 AND 78 TO BE INSTALLED AFTER FLOW SOLDER		
J		1. MAXIMUM COMPONENT HEIGHT FROM COMPONENT SIDE OF CARD IS .400. CLIP DIODE LEAD AS REQUIRED AND TIN 2. MAXIMUM LEAD LENGTH FROM CONDUCTOR SIDE OF CARD IS .062 3. ITEMS 38, 58 AND 78 TO BE INSTALLED AFTER FLOW SOLDER		
K		1. MAXIMUM COMPONENT HEIGHT FROM COMPONENT SIDE OF CARD IS .400. CLIP DIODE LEAD AS REQUIRED AND TIN 2. MAXIMUM LEAD LENGTH FROM CONDUCTOR SIDE OF CARD IS .062 3. ITEMS 38, 58 AND 78 TO BE INSTALLED AFTER FLOW SOLDER		
L		1. MAXIMUM COMPONENT HEIGHT FROM COMPONENT SIDE OF CARD IS .400. CLIP DIODE LEAD AS REQUIRED AND TIN 2. MAXIMUM LEAD LENGTH FROM CONDUCTOR SIDE OF CARD IS .062 3. ITEMS 38, 58 AND 78 TO BE INSTALLED AFTER FLOW SOLDER		
M		1. MAXIMUM COMPONENT HEIGHT FROM COMPONENT SIDE OF CARD IS .400. CLIP DIODE LEAD AS REQUIRED AND TIN 2. MAXIMUM LEAD LENGTH FROM CONDUCTOR SIDE OF CARD IS .062 3. ITEMS 38, 58 AND 78 TO BE INSTALLED AFTER FLOW SOLDER		
N		1. MAXIMUM COMPONENT HEIGHT FROM COMPONENT SIDE OF CARD IS .400. CLIP DIODE LEAD AS REQUIRED AND TIN 2. MAXIMUM LEAD LENGTH FROM CONDUCTOR SIDE OF CARD IS .062 3. ITEMS 38, 58 AND 78 TO BE INSTALLED AFTER FLOW SOLDER		
P		1. MAXIMUM COMPONENT HEIGHT FROM COMPONENT SIDE OF CARD IS .400. CLIP DIODE LEAD AS REQUIRED AND TIN 2. MAXIMUM LEAD LENGTH FROM CONDUCTOR SIDE OF CARD IS .062 3. ITEMS 38, 58 AND 78 TO BE INSTALLED AFTER FLOW SOLDER		
R		1. MAXIMUM COMPONENT HEIGHT FROM COMPONENT SIDE OF CARD IS .400. CLIP DIODE LEAD AS REQUIRED AND TIN 2. MAXIMUM LEAD LENGTH FROM CONDUCTOR SIDE OF CARD IS .062 3. ITEMS 38, 58 AND 78 TO BE INSTALLED AFTER FLOW SOLDER		
S		1. MAXIMUM COMPONENT HEIGHT FROM COMPONENT SIDE OF CARD IS .400. CLIP DIODE LEAD AS REQUIRED AND TIN 2. MAXIMUM LEAD LENGTH FROM CONDUCTOR SIDE OF CARD IS .062 3. ITEMS 38, 58 AND 78 TO BE INSTALLED AFTER FLOW SOLDER		
T		1. MAXIMUM COMPONENT HEIGHT FROM COMPONENT SIDE OF CARD IS .400. CLIP DIODE LEAD AS REQUIRED AND TIN 2. MAXIMUM LEAD LENGTH FROM CONDUCTOR SIDE OF CARD IS .062 3. ITEMS 38, 58 AND 78 TO BE INSTALLED AFTER FLOW SOLDER		

TEST PROC 943755-9901

LCCIC-DIAGRAM 943699-9901

PRINTED WIRING BOARD 943698-0001

ASSEMBLY

A	A	A	A	A	A	A	A	A	A	A	A	A	A	A	A	A	A	A	A	A
B	B	B	B	B	B	B	B	B	B	B	B	B	B	B	B	B	B	B	B	B
C	C	C	C	C	C	C	C	C	C	C	C	C	C	C	C	C	C	C	C	C
D	D	D	D	D	D	D	D	D	D	D	D	D	D	D	D	D	D	D	D	D
E	E	E	E	E	E	E	E	E	E	E	E	E	E	E	E	E	E	E	E	E
F	F	F	F	F	F	F	F	F	F	F	F	F	F	F	F	F	F	F	F	F
G	G	G	G	G	G	G	G	G	G	G	G	G	G	G	G	G	G	G	G	G
H	H	H	H	H	H	H	H	H	H	H	H	H	H	H	H	H	H	H	H	H

PROCESSES:
 1. SOLDER PER F-127, METHOD I AND/ OR F-124
 2. MARK PER F-100, TYPE II, CLASS I, HEIGHT .12, COLOR BLACK

QTY REQD	ITEM NO	CODE IDENT	PART OR IDENTIFYING NUMBER	NOMENCLATURE OR DESCRIPTION	PROCUREMENT SPECIFICATION

UNLESS OTHERWISE SPECIFIED

- REMOVE ALL BURRS AND SHARP EDGES
- CONCENTRICITY MACHINED DIAMETERS .010 P/P
- DIMENSIONAL LIMITS APPLY BEFORE FINISH PROCESSING
- IDENTIFYING NUMBERS SHOWN IN PARENTHESES FOR REFERENCE ONLY
- INTERPRET DRAWING IN ACCORDANCE WITH MIL-STD-100

HOLE TOLERANCE

013 THRU .004	126 THRU .005	281 THRU .006
128 THRU .001	256 THRU .001	500 THRU .001
801 THRU .008	781 THRU .010	716 THRU .012
755 THRU .001	1 005 THRU .001	2 000 THRU .001

UNLESS OTHERWISE SPECIFIED

- DIMENSIONS ARE IN INCHES
- TOLERANCES ANGLES 11°
- 3 PLACE DECIMALS ± 010
- 2 PLACE DECIMALS ± 02

MATERIAL:

DATE: 8-25-78
 DWG: 943698-0001
 ENGR: [Signature]
 GA: [Signature]
 APVD: [Signature]
 CONTR NO: [Signature]
 DESIGN ACTIVITY RELEASE: [Signature]

TEXAS INSTRUMENTS
 INCORPORATED
 Equipment Group Dallas, Texas

960B MEMORY CONTROLLER

SIZE: D CODE IDENT NO: 96214 DRAWING NO: 943697

SCALE: 1/1 SHEET: [Blank]



TEXAS INSTRUMENTS
INCORPORATED

DATE 08/23/76

LIST OF MATERIAL

PAGE 1 of

LM	PART NUMBER 943697-000	REV T 2
-----------	---------------------------	------------

PRINT ITEM NUMBER	QUANTITY PER ASSEMBLY	UNIT OF ISSUE	DWG. SIZE	PART NUMBER	DESCRIPTION	VENDOR PART NUMBER
0001	0004.000	EA		22222-7400	NETWORK SN7400N	-SN7400N
0001A					U25,U35,U42,U55	
0002	0005.000	EA		22222-7404	NETWORK SN7404N	
0002A					U67 THRU U69,U79,U89	
0003	0002.000	EA		22222-7405	NETWORK SN7405N	
0003A					U70,U71	
0004	0001.000	EA		22222-7425	NETWORK SN7425N	
0004A					U82	
0005	0001.000	EA		22222-7430	NETWORK SN7430N	-SN7430N
0005A					U20	
0006	0004.000	EA		22222-7437	NETWORK SN7437N	
0006A					U1,U2,U38,U39	
0007	0003.000	EA		22222-7474	NETWORK SN7474N	-SN7474N
0007A					U12,U64,U65	
0008	0004.000	EA		22222-7475	NETWORK-SN7475N	
0008A					U125,U133,U134,U136	
0009	0003.000	EA		22222-7483	NETWORK-SN7483N	
0009A					U7,U16,U17	
0010	0004.000	EA		22222-7489	X NETWORK SN7489N	
0010A					U94,U106,U118,U129	

DRAFTSMAN	DATE	CKD. DRAFTSMAN	DATE	DESIGN ENGINEER	DATE	TITLE
		<i>K. K. G. Smith</i>				MEMORY CONTROLLER, 960B, STANDARD
APPD. MFG	DATE	APPD. PROJECT ENGINEER	DATE	RELEASED	DATE	PROJECT NO.
						7502
						LM PART NUMBER 943697-000 REV T 2

133



TEXAS INSTRUMENTS
INCORPORATED

DATE 08/23/76

LIST OF MATERIAL

PAGE 3 of

LM	PART NUMBER 943697-0001	REV T 2
-----------	----------------------------	------------

PRINT ITEM NUMBER	QUANTITY PER ASSEMBLY	UNIT OF ISSUE	DWG. SIZE	PART NUMBER	DESCRIPTION	VENDOR PART NUMBER
0020	00004.000	EA		240000-7411	NETWORK-SN74H11N	
0020A					U21, U32, U51, U54	
0021	00004.000	EA		240000-7420	NETWORK-SN74H20N	
0021A					U31, U56, U72, U78	
0022	00002.000	EA		240000-7421	NETWORK-SN74H21N	
0022A					U47, U52	
0023	00001.000	EA		240000-7430	NETWORK-SN74H30N	
0023A					U101	
0024	00003.000	EA		240000-7440	NETWORK-SN74H40N	
0024A					U24, U62, U64	
0025	00001.000	EA		240000-7451	NETWORK-SN74H51N	
0025A					U53	
0026	00001.000	EA		240000-7453	NETWORK-SN74H53N	
0026A					U23	
0027	00001.000	EA		240000-7455	NETWORK-SN74H55N	
0027A					U63	
0028	00005.000	EA		240000-7474	NETWORK-SN74H74N	
0028A					U5, U13, U30, U45, U33	
0029	00002.000	EA		240000-7102	NETWORK-SN74H102	
0029A					U6, U15	

DRAFTSMAN	DATE	CKD. DRAFTSMAN	DATE	DESIGN ENGINEER	DATE	TITLE	MEMORY CONTROLLER, 960B, STANDARD						
APPD.-MFG.	DATE	APPD. PROJECT ENGINEER	DATE	RELEASED	DATE	PROJECT NO.							
											LM	PART NUMBER 943697-0001	REV T 2

135



PRINT ITEM NUMBER	QUANTITY PER ASSEMBLY	UNIT OF ISSUE	DWG. SIZE	PART NUMBER	DESCRIPTION	VENDOR PART NUMBER	
0030	00034.000	EA		219402-7404	NETWORK SN74S04N		
0030A					U74 THRU L77		
0031	00002.000	EA		219402-7410	NETWORK SA74S10N		
0031A					U57,U66		
0032	00001.000	EA		219402-7420	NETWORK SA74S20N		
0032A					U123		
0033	00001.000	EA		219402-7430	NETWCRK SN74S30N		
0033A					U90		
0034	00008.000	EA		219402-7486	NETWORK SN74S86N		
0034A					U96,U58,U100,U110,U112,U122,		
0034B					U124,U135		
0035	00002.000	EA		219402-7138	NETWCRK SA74S138N		
0035A					U99,U111		
0036	00008.000	EA		219402-7280	NETWCRK SA74S280N		
0036A					U85 THRU L88,U97,U109,U121,		
0036B					U132		
0037	00001.000	EA		972188-0001	NETWCRK,NE555V,MONOLITHIC TIMING,LINEAR	ST-NE555V	
0037A					U26		
0038	00001.000	EA		972445-0001	CRYSTAL,12 MHZ,QUARTZ	SEE- TI DRAWING	
0038A					Y1		
DRAFTSMAN		DATE	CKD. DRAFTSMAN	DATE	DESIGN ENGINEER	DATE	TITLE
							MEMORY CONTROLLER, 960B, STANDARD
APPD. MFG.		DATE	APPD. PROJECT ENGINEER	DATE	RELEASED	DATE	PROJECT NO.
						PART NUMBER	REV
						LM 943697-0001	T *

136



TEXAS INSTRUMENTS
INCORPORATED

DATE 08/23/76

LIST OF MATERIAL

PAGE 5 of

LM PART NUMBER 943697-0001 REV T

PRINT ITEM NUMBER	QUANTITY PER ASSEMBLY	UNIT OF ISSUE	DWG. SIZE	PART NUMBER	DESCRIPTION	VENDOR PART NUMBER
0039	00001.000	EA		972946-0017	RES FIX 10.0 OHM 5 % .25 W. CARBON FILM	R0H- P-25
0039A					R13	
0040	00007.000	EA		972975-0033	RES FIX CCMP 220 OHMS 5 % 1/8 WATT	QPL- RC05G221JS
0040A					R29, R31, R33, R38, R39, R57, R59	
0041	00004.000	EA		972975-0035	RES FIX CCMP 270 OHMS 5 % 1/8 WATT	QPL- RC05G271JS
0041A					R6, R10, R16, R23	
0042	00003.000	EA		972975-0042	RES FIX CCMP 510 OHMS 5 % 1/8 WATT	QPL- RC05G511JS
0042A					R28, R30, R32	
0043	00002.000	EA		972975-0049	RES FIX CCMP 1.0 K OHMS 5 % 1/8 WATT	QPL- RC05G102JS
0043A					R1, R2	
0044	00043.000	EA		972975-0051	RES FIX CCMP 1.2 K OHMS 5 % 1/8 WATT	QPL- RC05G122JS
0044A					R24, R55, R61 THRU R67, R69, R70,	
0044B					R73, R76 THRU R82, R86 THRU	
0044C					R109	
0045	00003.000	EA		972975-0053	RES FIX CCMP 1.5 K OHMS 5 % 1/8 WATT	QPL- RC05G152JS
0045A					R83, R84, R85	
0046	00001.000	EA		972975-0055	RES FIX CCMP 1.8 K OHMS 5 % 1/8 WATT	QPL- RC05G182JS
0046A					R25	
0047	00003.000	EA		972975-0057	RES FIX CCMP 2.2 K OHMS 5 % 1/8 WATT	QPL- RC05G222JS
0047A					R8, R19, R22	

137

DRAFTSMAN	DATE	CKD. DRAFTSMAN	DATE	DESIGN ENGINEER	DATE	TITLE	MEMORY CONTRLLER, 960B, STANDARD		
APPD.-MFG.	DATE	APPD. PROJECT ENGINEER	DATE	RELEASED	DATE	PROJECT NO.	LM	PART NUMBER 943697-0001	REV T



PRINT ITEM NUMBER	QUANTITY PER ASSEMBLY	UNIT OF ISSUE	DWG SIZE	PART NUMBER	DESCRIPTION	VENDOR PART NUMBER	
0048	00006.000	EA		972975-0065	RES FIX CCMP 4.7 K OHMS 5 % 1/8 WATT	QPL- RC05G472JS	
0048A					R3,R5,R9,R11,R26,R74		
0049	00002.000	EA		972975-0066	RES FIX CCMP 5.1 K OHMS 5 % 1/8 WATT	QPL- RC05G512JS	
C049A					R37,R36		
0050	00002.000	EA		972975-0073	RESISTOR 10K OHMS 1/8W 5%		
C050A					R7,R12		
0052	00001.000	EA		972975-0081	RES FIX CCMP 22. K OHMS 5 % 1/8 WATT	QPL- RC05G223JS	
C052A					R21		
0053	00002.000	EA		972975-0089	RES FIX CCMP 47. K OHMS 5 % 1/8 WATT	QPL- RC05G473JS	
C053A					R4,R15		
0054	00001.000	EA		972975-0095	RES FIX CCMP 82. K OHMS 5 % 1/8 WATT	QPL- RC05G823JS	
0054A					R34		
0055	00001.000	EA		972975-0103	RES FIX CCMP 180 K OHMS 5 % 1/8 WATT	QPL- RC05G184JS	
C055A					R35		
0056	00001.000	EA		972975-0105	RES FIX CCMP 220 K OHMS 5 % 1/8 WATT	QPL- RC05G224JS	
C056A					R20		
0057	00001.000	EA		530466-0099	RES, 120000 OHM .125W 5%		
C057A					R16		
0058	00002.000	EA		235866-8000	THERMISTOR 100K .050 DIA. 25C ROD	GE -1P051	
0058A					R14,R17		
DRAFTSMAN		DATE	CKD. DRAFTSMAN	DATE	DESIGN ENGINEER	DATE	TITLE
							MEMORY CONTROLLER, 960B, STANDARD
APPD. MFG		DATE	APPD. PROJECT ENGINEER	DATE	RELEASED	DATE	PROJECT NO.
						LM	PART NUMBER 943697-0001 REV T*

138



TEXAS INSTRUMENTS
INCORPORATED

DATE 08/23/76

LIST OF MATERIAL

PAGE 7 of

LM	PART NUMBER	REV
	943697-0001	T*

PRINT ITEM NUMBER	QUANTITY PER ASSEMBLY	UNIT OF ISSUE	DWG. SIZE	PART NUMBER	DESCRIPTION	VENDOR PART NUMBER	
0059	00001.000	EA		972141-0025	NETWRK, RES. 220 OHM 2 % 14 PIN DIP	BEC- 899-1-R220	
0059A					U37		
0060	00002.000	EA		972929-0367	CAP FIX CERAMIC 22.0 PF 10 % 200 V	QPL-M39014/01-1367	
0060A					C7, C9		
0061	00001.000	EA		230433-0500	CAP 220.0 PF 200V 10 MIL-CK05BX221K	419-198-0221 95271	
0061A					C6		
0062	00012.000	EA		972965-0008	CAP FIX CERAMIC .0047 MF 10% 200 V	QPL- CK068X472K	
0062A					C31 THRU C34, C44 THRU C47		
0062B					C56 THRU C59		
0063	00002.000	EA		972965-0012	CAP FIX CERAMIC .010 MF 10% 200V	QPL- CK068X103K	
0063A					C14, C85		
0064	00001.000	EA		532736-0002	CAP FIX CERAMIC .02 MF 20/80% 25 VOLT	CRL- 2DDU60E203ZAC	
0064A					C4		
0065	00061.000	EA		230590-9000	CAP .05 MF 12 V 20. % CER TRANSCAP	ERI-5635-000-Y5F05031	
0065A					C3, C8, C15 THRU C30, C35 THRU		
0065B					C43, C48 THRU C55, C60 THRU C84		
0065C					C11		
0067	00001.000	EA		972943-C014	CAP FIX .390 MF 5% 50V MYLAR METALIZED TRW- X663F		
0067A					C5		
0069	00002.000	EA		972924-0006	CAP FIX TANT SOLID 39 MFD 10 % 10 VOLT	QPL-M39003/1-2259	
DRAFTSMAN		DATE	CKD. DRAFTSMAN	DATE	DESIGN ENGINEER	DATE	TITLE
							MEMORY CONTROLLER, 960B, STANDARD
APPD.-MFG		DATE	APPD. PROJECT ENGINEER	DATE	RELEASED	DATE	PROJECT NO.
							LM PART NUMBER 943697-0001 REV T*

139



PRINT ITEM NUMBER	QUANTITY PER ASSEMBLY	UNIT OF ISSUE	DWG. SIZE	PART NUMBER	DESCRIPTION	VENDOR PART NUMBER	
CC69A					C1,C2		
0070	00002.000	EA		972924-0011	CAP FIX TANT SOLID 68 MFD 10 % 15 VOLT	QPL-M39003/1-2274	
C070A					C12,C13		
0071	00001.000	EA		153723-0001	DIODE GTC-132 / CGD-949		
0071A					CR5		
0072	00005.000	EA		972932-0001	DIODE,1N914B SWITCHING 75V PIV 75MA 4NS	TI - IN914B	
C072A					CR1 THRU CR4,CR6		
0073	00001.000	EA		972957-0001	TRANSISTOR, NPN,LOW CURRENT AMP TO-5	MOT- 2N930A	
C073A					C6		
0074	00005.000	EA		972948-0002	TRANSISTOR,2N2222A NPN GEN PURP SW TO-18	TI - 2N2222A	
C074A					Q1,C2,C7,C10,Q11		
0075	00002.000	EA		972955-0001	XSTR 2N2369A,NPN,HIGH SPEED SW,TO-18	MOT- 2N2369A	
C075A					Q15,C16		
0076	00001.000	EA		418600-0002	TRANSISTOR,2N2605	OPL- 2N2605	
C076A					Q8		
0077	00007.000	EA		972958-0002	TRANSISTOR,2N2907A PNP GEN PURP SW TO-18	TI - 2N2907A	
C077A					Q3 THRU Q5,Q9,Q12 THRU Q14		
0078	00010.000	EA		972537-0001	DIODE,LEC 550-0103 50 MA 3 V	DIA--550-0103	
C078A					CR7 THRU CR16		
C079	00016.000	EA		530127-0001	PAD,MCUNTING,TO-18 4 LEAD,RED	THR- 7717-44N	
DRAFTSMAN		DATE	CKD. DRAFTSMAN	DATE	DESIGN ENGINEER	DATE	TITLE
APPD. MFG		DATE	APPD. PROJECT ENGINEER	DATE	RELEASED	DATE	PROJECT NO.
MEMORY CONTRCLLER, 960B, STANDARD							LM PART NUMBER 943697-0001 REV T

140



TEXAS INSTRUMENTS
INCORPORATED

DATE 08/23/76

LIST OF MATERIAL

PAGE 9 of

LM	PART NUMBER	REV
	943697-0001	T

PRINT ITEM NUMBER	QUANTITY PER ASSEMBLY	UNIT OF ISSUE	DWG. SIZE	PART NUMBER	DESCRIPTION	VENDOR PART NUMBER	
C080	00001.000	EA		943658-C001	PWB, MEMORY CONTROLLER		
C081	00001.000	EA		226868-C001	BRACKET, ANGLE-PW BD STIFFENER		
0083	00006.000	EA		972988-C003	SCREW 2-56 X .250 PAN HEAD CRES		
C084	00005.000	EA		235794-0050	TERMINAL 1280B	USE-1280-B	
00E5	00001.000	EA		226585-0003	EJECTOR, SYMBOLIZED MEMORY CONTROLLER		
00E6	00001.000	EA		533887-C009	EJECTOR, PCB, NON-LOCKING, GREEN	SCA-S-202 GREEN	
C087	AR	FT		411400-0024	WIRE, 24AWG ELECTRO TIN PLATED COPPER		
C088	AR	EA		996069-0003	ADHESIVE, SOLID, THERMOPLASTIC ANAEROBIC		
0090	AR	EA		235182-0002	LOCTITE SEALANT GRADE 242	LOC--242	
C091	REF	EA		943699-5501	DIAG, LOGIC, MEMORY CONTROLLER		
0092	REF	EA		943700-9901	TEST PROCEDURE, MEMORY CONTROLLER		
0095	00022.000	EA		972975-0025	RES FIX COMP 100 OHMS 5% 1/8 WATT	QPL- RC05G101JS	
0095A					R40 THRU R54, R56, R58, R60, R68,		
C095B					R71, R72, R75		
0096	00001.000	EA		972946-0025	RES FIX 22.0 OHM 5% .25 W. CARBON FILM	R0H- R-25	
C096A					R27		
C099	00001.000	EA		943719-C001	BRACKET, ANGLE, PW BOARD STIFFENER		
0100	00002.000	EA		966486-0001	INSULATOR PWB STIFFENER		
0101	REF	EA		943708-9901	DSD TOOLING HOLE STD FOR 10X14 CMPTR B0S		
0102	00001.000	EA		236376-0001	WASHER #4 FLAT NYLON BLK .120IDX.020 THK NPG-101-BLK		
DRAFTSMAN		DATE	CKD. DRAFTSMAN	DATE	DESIGN ENGINEER	DATE	TITLE
APPD.-MFG		DATE	APPD. PROJECT ENGINEER	DATE	RELEASED	DATE	PROJECT NO.
						LM	PART NUMBER 943697-0001
							REV T

141



PRINT ITEM NUMBER	QUANTITY PER ASSEMBLY	UNIT OF ISSUE	DWG. SIZE	PART NUMBER	DESCRIPTION	VENDOR PART NUMBER	
0001	00004.000	EA		222222-7400	NETWORK SN7400N	-SN7400N	
0001A					U25 U35 U42 U55		
0002	00005.000	EA		222222-7404	NETWORK SN7404N		
0002A					U67 THRU L69 U79 U89		
0003	00002.000	EA		222222-7405	NETWORK SN7405N		
0003A					U70 U71		
0004	00001.000	EA		222222-7425	NETWORK SN7425N		
0004A					U82		
0005	00001.000	EA		222222-7430	NETWORK SN7430N	-SN7430N	
0005A					U20		
0006	00004.000	EA		222222-7437	NETWORK SN7437N		
0006A					U1 L2 U38 U39		
0007	00003.000	EA		222222-7474	NETWORK SN7474N	-SN7474N	
0007A					U12 U64 U65		
0008	00004.000	EA		222222-7475	NETWORK-SN7475N		
0008A					U125 U133 U134 U136		
0009	00003.000	EA		222222-7483	NETWORK-SN7483N		
0009A					U7 L16 U17		
0010	00004.000	EA		222222-7489	X NETWORK SN7489N		
0010A					U94 U106 L118 U129		
DRAFTSMAN		DATE	CKD. DRAFTSMAN	DATE	DESIGN ENGINEER	DATE	TITLE
							MEMORY CONTROLLER, 960B, OPTION 7
APPD. MFG.		DATE	APPD. PROJECT ENGINEER	DATE	RELEASED	DATE	PROJECT NO.
						PART NUMBER	REV
						LM 943697-0003	T*

142



TEXAS INSTRUMENTS
INCORPORATED

DATE 08/25/76

LIST OF MATERIAL

PAGE 2 of

PART NUMBER	REV
LM 943697-0003	T*

PRINT ITEM NUMBER	QUANTITY PER ASSEMBLY	UNIT OF ISSUE	DWG. SIZE	PART NUMBER	DESCRIPTION	VENDOR PART NUMBER
0011	00001.000	EA		222222-7132	NETWCRK SN74132N	
0011A					U3	
0012	00006.000	EA		222222-7153	NETWORK SN74153N	-SN74153N
0012A					U10 U11 U19 U119 U120 U131	
0013	00012.000	EA		222222-7157	NETWCRK SN74157N	
0013A					U48 THRU U50 U91 U95 U103	
0013B					U107 U108 U116 U117 U127 U128	
0014	00006.000	EA		222222-7161	NETWORK SN74161N	-SN74161N
0014A					U28 U29 U40 U58 THRU U60	
0015	00003.000	EA		222222-7175	NETWCRK SN74175N	
0015A					U9 U18 U27	
0016	00008.000	EA		222222-7180	NETWORK SN74180N	
0016A					U80 U92 U93 U104 U105 U114	
0016B					U115 U126	
0017	00002.000	EA		240000-7400	NETWCRK-SN74H00N	
0017A					U14 U44	
0018	00004.000	EA		240000-7404	NETWCRK SN74H04N	
0018A					U22 U43 U46 U61	
0019	00003.000	EA		240000-7410	NETWCRK-SN74H10N	
0019A					U36 U73 U102	

DRAFTSMAN	DATE	CRK. DRAFTSMAN	DATE	DESIGN ENGINEER	DATE	TITLE			
						MEMORY CONTRCLLER, 960B, OPTION 7			
APPD. MFG.	DATE	APPD. PROJECT ENGINEER	DATE	RELEASED	DATE	PROJECT NO.		PART NUMBER	REV
								LM 943697-0003	T*

143



TEXAS INSTRUMENTS
INCORPORATED

DATE 08/25/76

LIST OF MATERIAL

PAGE 3 of

PART NUMBER **LM 943697-0003** REV **T #**

QTY	QUANTITY PER ASSEMBLY	UNIT OF MEASURE	PART NUMBER	DESCRIPTION	VENDOR PART NUMBER
0020	00004.000	EA	240000-7411	NETWORK-SN74H11N	
0020A				U21 U32 U51 U54	
0021	00004.000	EA	240000-7420	NETWORK-SN74H20N	
0021A				U31 U56 U12 U30	
0022	00002.000	EA	240000-7421	NETWORK-SN74H21N	
0022A				U47 U52	
0023	00001.000	EA	240000-7430	NETWORK-SN74H30N	
0023A				U101	
0024	00003.000	EA	240000-7440	NETWORK-SN74H40N	
0024A				U24 U42 U44	
0025	00001.000	EA	240000-7451	NETWORK-SN74H51N	
0025A				U53	
0026	00001.000	EA	240000-7453	NETWORK-SN74H53N	
0026A				U23	
0027	00001.000	EA	240000-7455	NETWORK-SN74H55N	
0027A				U63	
0028	00005.000	EA	240000-7474	NETWORK-SN74H74N	
0028A				U5 U13 U30 U45 U33	
0029	00002.000	EA	240000-7102	NETWORK SN74H102	
0029A				U6 U15	

DRAFTSMAN	DATE	CKD. DRAFTSMAN	DATE	DESIGN ENGINEER	DATE	TITLE
						MEMORY CONTROLLER, 960B, OPTION 7
APPROVED	DATE	APPRO. PROJECT ENGINEER	DATE	APPRO. PROJECT ENGINEER	DATE	
						PART NUMBER LM 943697-0003 REV T #

144



TEXAS INSTRUMENTS
INCORPORATED

DATE 08/25/76

LIST OF MATERIAL

PAGE 4 of

PART NUMBER	REV
LM 943697-0003	T 2

PRINT ITEM NUMBER	QUANTITY PER ASSEMBLY	UNIT OF ISSUE	DWG. SIZE	PART NUMBER	DESCRIPTION	VENDOR PART NUMBER	
C030	00004.000	EA		219402-7404	NETWRK SN74S04N		
C030A					U74 THRU L77		
0031	00002.000	EA		219402-7410	NETWRK SN74S10N		
C031A					U57 U66		
0032	00001.000	EA		219402-7420	NETWORK SN74S20N		
0032A					U123		
0033	00001.000	EA		219402-7430	NETWRK SN74S30N		
C033A					U90		
0034	00008.000	EA		219402-7486	NETWRK SN74S86N		
0034A					U96 U98 U100 U110 U112 U122		
0034B					U124 U135		
0035	00002.000	EA		219402-7138	NETWORK SN74S138N		
C035A					U99 U111		
0036	00008.000	EA		219402-7280	NETWORK SN74S280N		
0036A					U85 THRU L88 U97 U109 U121		
0036B					U132		
0037	00001.000	EA		972188-0001	NETWORK, NE555V, MONOLITHIC TIMING, LINEAR	ST-NE555V	
0037A					U26		
0038	00001.000	EA		972445-0001	CRYSTAL, 12 MHZ, QUARTZ	SEE- TI DRAWING	
0038A					Y1		
DRAFTSMAN		DATE	CKD. DRAFTSMAN	DATE	DESIGN ENGINEER	DATE	TITLE
							MEMORY CONTROLLER, 960B, OPTION 7
APPD. MFG		DATE	APPD. PROJECT ENGINEER	DATE	RELEASED	DATE	PROJECT NO.
						PART NUMBER	REV
						LM 943697-0003	T 2

145



PRINT ITEM NUMBER	QUANTITY PER ASSEMBLY	UNIT OF ISSUE	DWG. SIZE	PART NUMBER	DESCRIPTION	VENDOR PART NUMBER	
C039	00001.000	EA		972946-0017	RES FIX 10.0 OHM 5 % .25 W.CARBON FILM	POH- R-25	
C039A					R13		
C040	00007.000	EA		972975-0033	RES FIX CCMP 220 OHMS 5 % 1/8 WATT	QPL- RC05G221JS	
C040A					R29 R31 R33 R38 R39 R57 R59		
0041	00004.000	EA		972975-0035	RES FIX CCMP 270 OHMS 5 % 1/8 WATT	QPL- RC05G271JS	
0041A					R6 R10 R18 R23		
0042	00003.000	EA		972975-0042	RES FIX CCMP 510 OHMS 5 % 1/8 WATT	QPL- RC05G511JS	
0042A					R28 R30 R32		
0043	00002.000	EA		972975-0049	RES FIX CCMP 1.0 K OHMS 5 % 1/8 WATT	QPL- RC05G102JS	
0043A					R1 R2		
0044	00043.000	EA		972975-0051	RES FIX CCMP 1.2 K OHMS 5 % 1/8 WATT	QPL- RC05G122JS	
0044A					R24 R55 R61 THRU R67 R69 R70		
0044B					R73 R76 THRU R82 R86 THRU		
0044C					R109		
0045	00003.000	EA		972975-0053	RES FIX CCMP 1.5 K OHMS 5 % 1/8 WATT	QPL- RC05G152JS	
0045A					R03 R04 R15		
0046	00001.000	EA		972975-0055	RES FIX CCMP 1.8 K OHMS 5 % 1/8 WATT	QPL- RC05G182JS	
0046A					R25		
0047	00003.000	EA		972975-0057	RES FIX CCMP 2.2 K OHMS 5 % 1/8 WATT	QPL- RC05G222JS	
0047A					R8 R19 R22		
DRAFTSMAN		DATE	CRD. DRAFTSMAN	DATE	DESIGN ENGINEER	DATE	TITLE
							MEMORY CONTROLLER, 960B, OPTION 7
APPROV. ENG.		DATE	APPR. PROJECT ENGINEER	DATE	APPR. PROJECT ENG.	DATE	PROJECT NO.
						PART NUMBER	REV
						LM 943697-0003	T #

146



TEXAS INSTRUMENTS
INCORPORATED

DATE 08/25/76

LIST OF MATERIAL

PAGE 6 of

PART NUMBER
LM 943697-0003 REV
T*

PRINT ITEM NUMBER	QUANTITY PER ASSEMBLY	UNIT OF ISSUE	DWG. SIZE	PART NUMBER	DESCRIPTION	VENDOR PART NUMBER	
0048 C048A	00006.000	EA		972975-0065	RES FIX CCMP 4.7 K OHMS 5 % 1/8 WATT R3 R5 R9 R11 R26 R74	QPL- RC05G472JS	
0049 C049A	00002.000	EA		972975-0066	RES FIX CCMP 5.1 K OHMS 5 % 1/8 WATT R37 R36	QPL- RC05G512JS	
0050 C050A	00002.000	EA		972975-0073	RESISTOR 10K OHMS 1/8W 5% R7 R12		
0052 C052A	00001.000	EA		972975-0081	RES FIX CCMP 22. K OHMS 5 % 1/8 WATT R21	QPL- RC05G223JS	
0053 C053A	00002.000	EA		972975-0089	RES FIX CCMP 47. K OHMS 5 % 1/8 WATT R4 R15	QPL- RC05G473JS	
0054 C054A	00001.000	EA		972975-0095	RES FIX CCMP 82. K OHMS 5 % 1/8 WATT R34	QPL- RC05G823JS	
0055 C055A	00001.000	EA		972975-0103	RES FIX CCMP 180 K OHMS 5 % 1/8 WATT R35	QPL- RC05G184JS	
0056 C056A	00001.000	EA		972975-0105	RES FIX CCMP 220 K OHMS 5 % 1/8 WATT R20	QPL- RC05G224JS	
0057 C057A	00001.000	EA		530466-0099	RES, 120000 OHM .125W 5% R16		
0058 C058A	00002.000	EA		235866-8000	THERMISTOR 100K .050 DIA. 25C ROD R14 R17	GE -1R051	
DRAFTSMAN		DATE	CKD. DRAFTSMAN	DATE	DESIGN ENGINEER	DATE	TITLE
APPD.-MFG.		DATE	APPD. PROJECT ENGINEER	DATE	RELEASED	DATE	PROJECT NO.
						MEMORY CONTROLLER, 960B, OPTION 7	
						PART NUMBER	REV
						LM 943697-0003	T*

147



PRINT ITEM NUMBER	QUANTITY PER ASSEMBLY	UNIT OF ISSUE	DWG. SIZE	PART NUMBER	DESCRIPTION	VENDOR PART NUMBER
0059	00001.000	EA		972141-0025	NETWRK, RES. 220 OHM 2 % 14 PIN DIP	BEC- 899-1-P220
CC59A					U37	
0060	00002.000	EA		972929-0367	CAP FIX CERAMIC 22.0 PF 10 % 200 V	QPL-M39014/01-1367
CC6CA					C7 C9	
0061	00001.000	EA		230433-0500	CAP 220.0 PF 200V 10 MIL-CK05BX221M	419-198-0221 95275
CC61A					C6	
0062	00012.000	EA		972965-0008	CAP FIX CERAMIC .0047 MF 10% 200 V	QPL- CK06BX472K
0062A					C31 THRU C34 C44 THRU C47	
0062B					C56 THRU C59	
0063	00002.000	EA		972965-0012	CAP FIX CERAMIC .010 MF 10% 200V	QPL- CK06BX103K
0063A					C14 C85	
0064	00001.000	EA		532736-0002	CAP FIX CERAMIC .02 MF 20/80% 25 VOLT	CRL- 2DDU60E203ZAC
0064A					C4	
0065	00061.000	EA		230590-9000	CAP .05 MF 12 V 20. % CER TRANSCAP	ERI-5635-000-Y5F0503M
0065A					C3 C8 C15 THRU C30 C35 THRU	
0065B					C43 C48 THRU C55 C60 THRU C84	
0065C					C11	
0067	00001.000	EA		972943-0014	CAP FIX .390 MF 5% 50V MYLAR METALIZED TRW-	X663F
0067A					C5	
0069	00002.000	EA		972924-0006	CAP FIX TANT SOLID 39 MFD 10 % 10 VOLT	QPL-M39003/1-2259
DRAFTSMAN	DATE	CKD. DRAFTSMAN	DATE	DESIGN ENGINEER	DATE	TITLE
						MEMORY CONTROLLER, 960B, OPTION 7
APPD. MFG	DATE	APPD. PROJECT ENGINEER	DATE	RELEASED	DATE	PROJECT NO.
						PART NUMBER
						LM 943697-0003
						REV
						T*

148



TEXAS INSTRUMENTS
INCORPORATED

DATE 08/25/76

LIST OF MATERIAL

PAGE 8 of

PART NUMBER	REV
LM 943697-0003	T*

PRINT ITEM NUMBER	QUANTITY PER ASSEMBLY	UNIT OF ISSUE	DWG. SIZE	PART NUMBER	DESCRIPTION	VENDOR PART NUMBER	
0069A					C1 C2		
0070	00002.000	EA		972924-0011	CAP FIX TANT SOLID 68 MFD 10 % 15 VOLT	QPL-M39003/1-2274	
0070A					C12 C13		
0071	00001.000	EA		153733-0001	DIODE GTC-132 / CGD-949		
0071A					CR5		
0072	00005.000	EA		972932-0001	DIODE,1A914B SWITCHING 75V PIV 75MA 4NS	TI - IN914B	
0072A					CR1 THRU CR4 CR6		
0073	00001.000	EA		972957-0001	TRANSISTOR, NPN,LOW CURRENT AMP TO-5	MOT- 2N930A	
0073A					Q6		
0074	00005.000	EA		972948-0002	TRANSISTOR,2N2222A NPN GEN PURP SW TO-18	TI - 2N2222A	
0074A					Q1 Q2 Q7 C10 Q11		
0075	00002.000	EA		972955-0001	XSTR 2N2369A,NPN,HIGH SPEED SW,TO-18	MOT- 2N2369A	
0075A					C15 C16		
0076	00001.000	EA		418600-0002	TRANSISTOR,2N2605	QPL- 2N2605	
0076A					Q8		
0077	00007.000	EA		972958-0002	TRANSISTOR,2N2907A PNP GEN PURP SW TO-18	TI - 2N2907A	
0077A					Q3 THRU Q5 Q9 Q12 THRU Q14		
0078	00010.000	EA		972537-0001	DIODE,LED 550-0103 50 MA 3 V	DIA--550-0103	
0078A					CR7 THRU CR16		
0079	00016.000	EA		530127-0001	PAD,MOUNTING,TO-18 4 LEAD,RED	THR- 7717-44N	
DRAFTSMAN		DATE	CRD. DRAFTSMAN	DATE	DESIGN ENGINEER	DATE	TITLE
							MEMORY CONTRCLLER, 9608, OPTION 7
APPD. MFG.		DATE	APPD. PROJECT ENGINEER	DATE	RELEASED	DATE	PROJECT NO.
						PART NUMBER	REV
						LM 943697-0003	T*

149



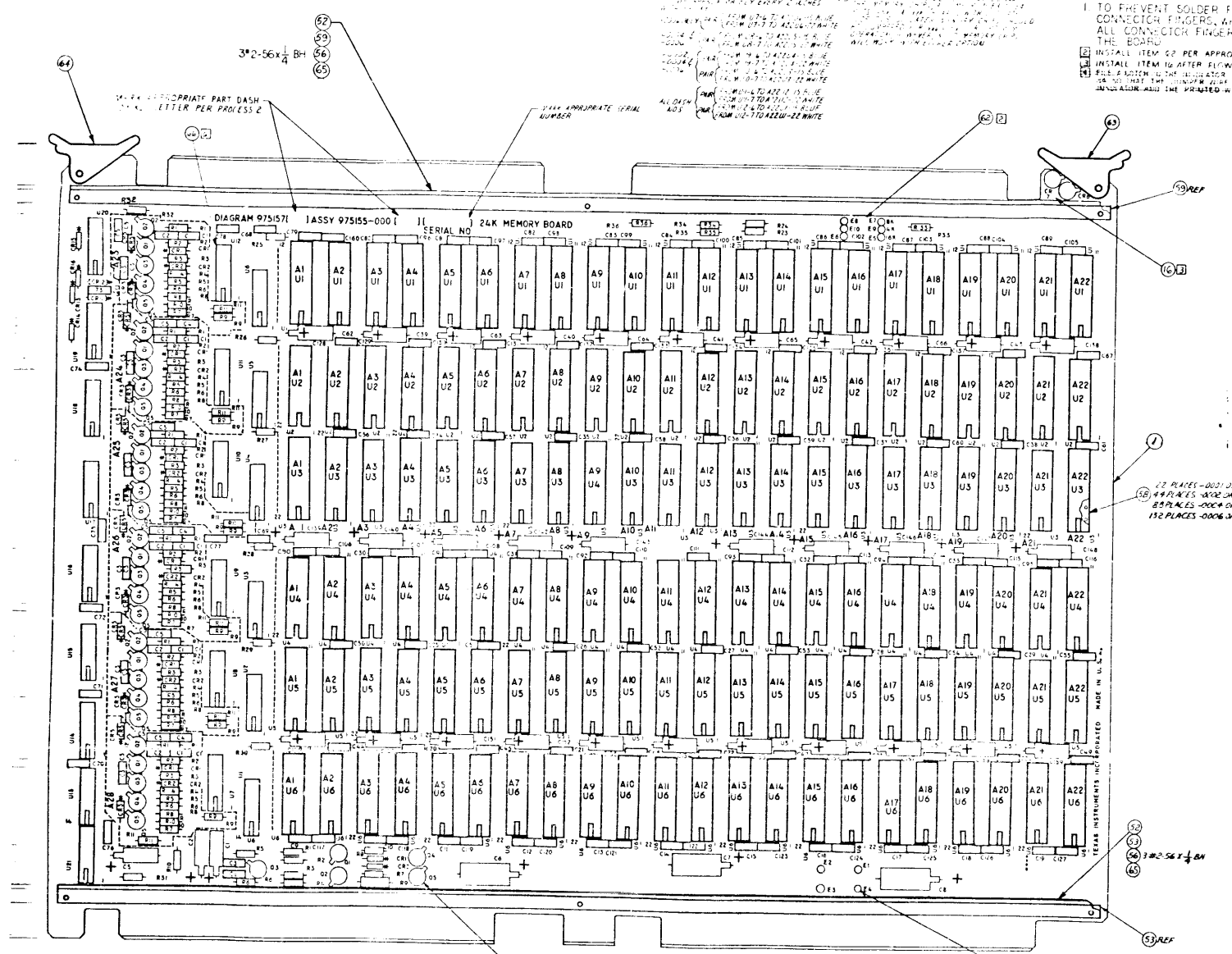
PRINT ITEM NUMBER	QUANTITY PER ASSEMBLY	UNIT OF ISSUE	DWG. SIZE	PART NUMBER	DESCRIPTION	VENDOR PART NUMBER	
0080	00001.000	EA		943658-0001	PWB, MEMORY CONTROLLER		
0081	00001.000	EA		226868-0001	BRACKET, ANGLE-PW BD STIFFENER		
0083	00006.000	EA		972988-0003	SCREW 2-56 X .250 PAN HEAD CRES		
0084	00005.000	EA		235794-C050	TERMINAL 12808	USE-1280-B	
0085	00001.000	EA		226585-0003	EJECTOR, SYMBOLIZED MEMORY CONTROLLER		
0086	00001.000	EA		533887-CC09	EJECTOR, PCB, NON-LOCKING, GREEN	SCA-S-202 GREEN	
0087	AR	FT		411400-0024	WIRE, 24AWG ELECTRO TIN PLATED COPPER		
0088	AR	EA		996069-0003	ADHESIVE, SOLID, THERMOPLASTIC ANAEROBIC		
0090	AR	EA		235182-0002	LOCTITE SEALANT GRADE 242	LOC--242	
0091	REF	EA		943659-9901	DIAG, LOGIC, MEMORY CONTROLLER		
0092	REF	EA		943700-9901	TEST PROCEDURE, MEMORY CONTROLLER		
0095	00022.000	EA		972975-0025	RES FIX CMP 100 OHMS 5% 1/8 WATT	QPL- RC05G101JS	
0055A					R40 THRU R54 R56 R58 R60 R68		
0055B					R71 R72 R75		
0056	00001.000	EA		972946-0025	RES FIX 22.0 OHM 5% .25 W. CARBON FILM	ROH- R-25	
0056A					R27		
0099	00001.000	EA		943719-0001	BRACKET, ANGLE, PW BOARD STIFFENER		
0100	00002.000	EA		966486-0001	INSULATOR PWB STIFFENER		
0101	REF	EA		943708-9901	DSD TOOLING HOLE STD FOR 10X14 CMPTR BDS		
0102	00001.000	EA		236376-0001	WASHER #4 FLAT NYLON BLK .120IDX.020 THK	NPG-101-BLK	
DRAFTSMAN		DATE	CKD. DRAFTSMAN	DATE	DESIGN ENGINEER	DATE	TITLE
APPD. MFG.		DATE	APPD. PROJECT ENGINEER	DATE	RELEASED	DATE	PROJECT NO.
							MEMORY CONTROLLER, 960B, OPTION 7
							LM 943697-0003
							REV T*

150

NOTES

- 1 TO PREVENT SOLDER FROM WICKING DOWN CONNECTOR FINGERS, APPLY SOLDERING MASK ALL CONNECTOR FINGERS ON BOTH SIDES OF THE BOARD
- 2 INSTALL ITEM 22 PER APPROPRIATE DASH NO WIRE LIST
- 3 INSTALL ITEM 16 AFTER FLOW SOLDER
- 4 FILL BOTTOM OF THE REGULATOR TUBE AS ALLOCATED TO THE BOARD TO PREVENT THE TUBE FROM MOVING AND TO PREVENT THE BOARD FROM MOVING

A	REVISIONS
B	REVISIONS
C	REVISIONS
D	REVISIONS
E	REVISIONS
F	REVISIONS
G	REVISIONS
H	REVISIONS
I	REVISIONS
J	REVISIONS
K	REVISIONS
L	REVISIONS
M	REVISIONS
N	REVISIONS
O	REVISIONS
P	REVISIONS
Q	REVISIONS
R	REVISIONS
S	REVISIONS
T	REVISIONS
U	REVISIONS
V	REVISIONS
W	REVISIONS
X	REVISIONS
Y	REVISIONS



---0006 WIRE LIST USING ITEM 62

WIRE NO	DESC	START STA	FINISH STA	REMARKS
1	24AWG BUS	E5	E6	
2	24AWG BUS	E7	E8	
3	24AWG BUS	E3	E4	
4				
5				
6				
7				

---0004 WIRE LIST USING ITEM 62

WIRE NO	DESC	START STA	FINISH STA	REMARKS
1	24AWG BUS	F5	F6	
2	24AWG BUS	E8	E4	
3				
4				
5				
6				
7				

---0002 WIRE LIST USING ITEM 62

WIRE NO	DESC	START STA	FINISH STA	REMARKS
1	24AWG BUS	E7	E8	
2	24AWG BUS	E3	E4	
3				
4				
5				
6				
7				

---0001 WIRE LIST USING ITEM 62

WIRE NO	DESC	START STA	FINISH STA	REMARKS
1	24AWG BUS	E9	E10	

ITEM NO	DESCRIPTION
975155-0001	MEMORY, 8K
975155-0106	MEMORY, 8K TO 24K EXPANSION
975155-0104	MEMORY, 8K TO 16K EXPANSION
975155-0102	MEMORY, 16K EXPANSION
975155-0003	MEMORY, 24K
975155-0003	MEMORY, 16K
975155-0105	MEMORY, 8K

FOR 975155-0001
 24K FOR 975157-0001

ITEM NO	DESCRIPTION
1	SOLDER PER F-124/F-127
2	RUBBER STAND F-100, HEIGHT 09, COLOR BK



TEXAS INSTRUMENTS
INCORPORATED

DATE 06/22/76

LIST OF MATERIAL

PAGE 1 of

PART NUMBER
LM 975155-0001 REV
Y

PRINT ITEM NUMBER	QUANTITY PER ASSEMBLY	UNIT OF ISSUE	DWG. SIZE	PART NUMBER	DESCRIPTION	VENDOR PART NUMBER
0001	0001.000	EA		975155-0002	MEMORY, 8K	
0002	REF	EA		975157-9901	DIAGRAM, LOGIC, DETAIL, 24K MEMORY	
0003	REF	EA		975158-9901	TEST PROCEDURE, 24K MEMORY	
0004	REF	EA		975159-9901	SPECIFICATION 24K MOS EXP MEM	
0005	REF	EA		943802-9901	MOD. PROCEDURE 8K MEMORY TO 4K	

DRAFTSMAN	DATE	CKD. DRAFTSMAN	DATE	DESIGN ENGINEER	DATE	TITLE
		<i>R. R. G. / 6/22/76</i>				MEMORY, 4K
APPD.-MFG.	DATE	APPD. PROJECT ENGINEER	DATE	RELEASED	DATE	PROJECT NO.
						7502

PART NUMBER	REV
LM 975155-0001	Y

153



PRINT ITEM NUMBER	QUANTITY PER ASSEMBLY	UNIT OF ISSUE	DWG. SIZE	PART NUMBER	DESCRIPTION	VENDOR PART NUMBER		
0001	00001.000	EA		975156-0001	PRINTED WIRING BOARD, 24K MEMORY			
0002	REF	EA		975157-9901	DIAGRAM, LCGIC, DETAIL, 24K MEMORY			
0003	REF	EA		975158-9901	TEST PROCEDURE, 24K MEMORY			
0004	REF	EA		975159-9901	SPECIFICATION 24K MOS EXP MEM			
0005	00002.000	EA		972924-0006	CAP FIX TANT SOLID 39 MFD 10 % 10 VOLT	QPL-M39003/1-2259		
0005A					C1 C2			
0006	00001.000	EA		972924-0011	CAP FIX TANT SOLID 68 MFD 10 % 15 VOLT	QPL-M39003/1-2274		
0006A					C5			
0007	00002.000	EA		972924-0016	CAP FIX TANT SOLID 100 MFD 10 % 20 VOLT	QPL-M39003/1-2301		
0007A					C6 C7			
0008	00001.000	EA		972924-0007	CAP FIX TANT SOLID 120 MFD 10 % 10 VOLT	QPL-M39003/1-2263		
0008A					C8			
0009	00005.000	EA		972965-0008	CAP FIX CERAMIC .0047 MF 10% 200 V	QPL- CK06BX472K		
0009A					C74 THRU C78			
0010	00002.000	EA		972929-0369	CAP FIX CERAMIC 27.0 PF 10 % 200 V	QPL-M39014/01-1369		
0010A					A23C1 THRU A24C1			
0011	00004.000	EA		972929-0379	CAP FIX CERAMIC 100 PF 10 % 200 V	QPL-M39014/01-1379		
0011A					A23C2 THRU A24C2			
0011B					A23C3 THRU A24C3			
0012	00011.000	EA		972924-0014	CAP FIX TANT SOLID 15 MFD 10 % 20 VOLT	QPL-M39003/1-2289		
DRAFTSMAN		DATE	CKD. DRAFTSMAN	DATE	DESIGN ENGINEER	DATE	TITLE	
							MEMORY, 8K	
APPD. MFG		DATE	APPD. PROJECT ENGINEER	DATE	RELEASED	DATE	PROJECT NO.	
							PART NUMBER	REV
							LM 975155-0002	Y

154



TEXAS INSTRUMENTS
INCORPORATED

DATE **06/22/76**

LIST OF MATERIAL

PAGE 2 of

LM	PART NUMBER 975155-0002	REV Y
-----------	-----------------------------------	-----------------

PRINT ITEM NUMBER	QUANTITY PER ASSEMBLY	UNIT OF ISSUE	DWG. SIZE	PART NUMBER	DESCRIPTION	VENDOR PART NUMBER	
0012A					C128 THRU C138		
0013	00052.000	EA		972627-0003	CAP,CERAMIC,.047 MF 16V		
0013A					C34 THRU C43, C56 THRU C73		
0013B					C79 THRU C89, C96 THRU C105		
0013C					C3,C4,A24C4		
0014	00002.000	EA		972929-0397	CAP FIX CERAMIC .001 UF 10% 200V	QPL-M39014/01-1397	
0014A					A23C5 THRU A24C5		
0015	00010.000	EA		972932-0001	DIODE,1N914B SWITCHING 75V PIV 75MA 4NS	TI - IN914B	
0015A					A23CR1 THRU A23CR3		
0015B					A24CR1 THRU A24CR3		
0015C					A23CR5,A24CR5,CR1,CR2		
0016	00002.000	EA		226609-0001	DIODE,VISIBLE LIGHT EMITTING		
0016A					CR6 CR7		
0018	00001.000	EA		219402-7138	NETWORK SN74S138N		
0018A					U20		
0019	00002.000	EA		222222-7400	NETWORK SN7400N	-SN7400N	
0019A					U13,U16		
0020	00002.000	EA		240000-7411	NETWORK-SN74H11N		
0020A					U17,U21		
0021	00001.000	EA		222222-7404	NETWORK SN7404N		
DRAFTSMAN		DATE	CKD. DRAFTSMAN	DATE	DESIGN ENGINEER	DATE	TITLE
							MEMORY, 8K
APPD.-MFG.		DATE	APPD. PROJECT ENGINEER	DATE	RELEASED	DATE	PROJECT NO.
						PART NUMBER	REV
						LM	975155-0002
							Y

155



TEXAS INSTRUMENTS
INCORPORATED

DATE 06/22/76

LIST OF MATERIAL

PAGE 3 of

LM	PART NUMBER 975155-0002	REV Y
-----------	----------------------------	----------

PRINT ITEM NUMBER	QUANTITY PER ASSEMBLY	UNIT OF ISSUE	DWG. SIZE	PART NUMBER	DESCRIPTION	VENDOR PART NUMBER
0021A					U15	
0022	00044.000	EA		974679-0001	NETWRK, TMS4060	
0022A					A1U1 THRU A22U1	
0022B					A1U2 THRU A22U2	
0023	00002.000	EA		240000-7400	NETWORK-SN74H00N	
0023A					U18 U19	
0024	00004.000	EA		240000-7404	NETWORK SN74H04N	
0024A					U5,U6,U11,U12	
0027	00001.000	EA		972947-0017	RES FIX 10 OHM 5 % .5 W CARBON FILM	ROH- R-50
0027A					R9	
0028	00005.000	EA		972946-0049	RES FIX 220 OHM 5 % .25 W CARBON FILM	ROH- R-25
0028A					R2 R4 R6 R23 R24	
0029	00004.000	EA		972976-0080	RES FIX,510 OHM 5%,0.25 W CARBON COMP	
0029A					R1 R3 R5 R32	
0030	00010.000	EA		972946-0065	RES FIX 1.0K OHM 5 % .25 W CARBON FILM	ROH- R-25
0030A					A23R1 THRU A24R1,R33 THRU R36	
0030B					A23R2 THRU A24R2	
0030C					A23R3 THRU A24R3	
0032	00003.000	EA		972946-0081	RES FIX 4.7K OHM 5 % .25 W CARBON FILM	ROH- R-25
0032A					R8,A23R9,A24R9	

156

DRAFTSMAN	DATE	CKD. DRAFTSMAN	DATE	DESIGN ENGINEER	DATE	TITLE	MEMORY, 8K		
APPD -MFG	DATE	APPD. PROJECT ENGINEER	DATE	RELEASED	DATE	PROJECT NO.			
							LM	PART NUMBER 975155-0002	REV Y



TEXAS INSTRUMENTS
INCORPORATED

DATE 06/22/76

LIST OF MATERIAL

PAGE 4 of

LM	PART NUMBER 975155-0002	REV Y
-----------	----------------------------	----------

PRINT ITEM NUMBER	QUANTITY PER ASSEMBLY	UNIT OF ISSUE	DWG. SIZE	PART NUMBER	DESCRIPTION	VENDOR PART NUMBER		
0033	00004.000	EA		972946-0089	RES FIX 10 K OHM 5 % .25 W CARBON FILM	ROH- R-25		
0033A					A23R4 THRU A24R4			
0033B					A23R7 THRU A24R7			
0036	00004.000	EA		972946-0112	RES FIX 91 K OHM 5 % .25 W CARBON FILM	ROH- R-25		
0036A					A23R5 THRU A24R5			
0036B					A23R6 THRU A24R6			
0037	00002.000	EA		972946-0071	RES FIX 1.8K OHM 5 % .25 W CARBON FILM	ROH- R-25		
0037A					R7 R10			
0038	00002.000	EA		972946-0025	RES FIX 22.0 OHM 5 % .25 W. CARBON FILM	ROH- R-25		
0038A					A23R8 THRU A24R8			
0039	00002.000	EA		972946-0075	RES FIX 2.7K OHM 5 % .25 W CARBON FILM	ROH- R-25		
0039A					A23R10 THRU A24R10			
0040	00004.000	EA		972946-0031	RES FIX 39.0 OHM 5 % .25 W. CARBON FILM	ROH- R-25		
0040A					A23R11 THRU A24R11, R25, R26			
0041	00002.000	EA		236081-C000	X-XST 2N2894	TI -2N2894		
0041A					A23Q4 THRU A24Q4			
0042	00008.000	EA		972955-0001	XSTR 2N2369A, NPN, HIGH SPEED SW, TO-18	MOT- 2N2369A		
0042A					A23Q1 THRU A24Q1			
0042B					A23Q2 THRU A24Q2			
0042C					A23Q3 THRU A24Q3			
DRAFTSMAN		DATE	CKD DRAFTSMAN	DATE	DESIGN ENGINEER	DATE	TITLE	
APPD. MFG		DATE	APPD. PROJECT ENGINEER	DATE	RELEASED	DATE	PROJECT NO.	
							MEMORY, 8K	
						LM	PART NUMBER 975155-0002	REV Y

157



TEXAS INSTRUMENTS
INCORPORATED

DATE 06/22/76

LIST OF MATERIAL

PAGE 5 of

PART NUMBER
LM 975155-0002

ITEM NUMBER	QUANTITY PER ASSEMBLY	UNIT OF ISSUE	DWG. SIZE	PART NUMBER	DESCRIPTION	VENDOR PART NO.
0042D					A2305 THRU A2405	
0044	00003.000	EA		972958-0002	TRANSISTOR, 2N2907A PNP GEN PURP SW TO-18	TI - 2N2907A
0044A					Q1 Q2 Q3	
0045	00002.000	EA		972948-0002	TRANSISTOR, 2N2222A NPN GEN PURP SW TO-18	TI - 2N2222A
0045A					Q4 Q5	
0052	00002.000	EA		226868-0001	BRACKET, ANGLE-PW BD STIFFENER	
0053	00001.000	EA		966486-0001	INSULATOR PWB STIFFENER	
0056	00002.000	EA		902104-0003	SCREW 2-56 X .250 PAN HEAD CRCS	
0057	00015.000	EA		100113-0001	X SPACER XST TO-18 CASE	*
0058	00044.000	EA		972100-0002	SOCKET DUAL-IN-LINE 22PIN	
0058A					A1U1 THRU A22U1	
0058B					A1U2 THRU A22U2	
0059	00001.000	EA		943704-0001	INSULATOR, PWB STIFFENER	
0060	00002.000	EA		153733-0001	DIODE GTC-132 / CGD-949	
0060A					CR15 CR16	
0061	00001.000	EA		972946-0051	RES FIX 270 OHM 5 % .25 W CARBON FILM	ROH- R-25
0061A					R31	
0062	AP	FT		411400-0024	WIRE, 24AWG ELECTRO TIN PLATED COPPER	
0063	00001.000	EA		533887-0009	EJECTOR, PCB, NON-LOCKING, GREEN	SCA-S-202 GREEN
0064	00001.000	EA		226585-0002	EJECTOR, SYMBOLIZED MEMORY	

158

DESIGNED BY	DATE	CKD DRAWN BY	DATE	DESIGN ENGINEER	DATE	TITLE
						MEMORY, 8K
APPROVED BY	DATE	APPROVED BY	DATE	PROJECT MGR	DATE	
						LM 975155-0002



TEXAS INSTRUMENTS
INCORPORATED

DATE 06/22/76

LIST OF MATERIAL

PAGE 6 of

LM	PART NUMBER 975155-0002	REV Y
-----------	----------------------------	----------

PRINT ITEM NUMBER	QUANTITY PER ASSEMBLY	UNIT OF ISSUE	DWG. SIZE	PART NUMBER	DESCRIPTION	VENDOR PART NUMBER
0065	AR	EA		235182-0002	LOCTITE SEALENT GRADE 242	LOC--242
0066	AR	FT		966760-2896	WIRE,TWISTED PAIR #28 WHT/BLU IPVC	UL - 1472 7STR UL&CSA

159

DRAFTSMAN	DATE	CKD DRAFTSMAN	DATE	DESIGN ENGINEER	DATE	TITLE		
						MEMORY, 8K		
APPD -MFG	DATE	APPD. PROJECT ENGINEER	DATE	RELEASED	DATE	PROJECT NO.		
							LM	PART NUMBER 975155-0002
								REV Y



TEXAS INSTRUMENTS
INCORPORATED

DATE 06/22/76

LIST OF MATERIAL

PAGE 1 of

PART NUMBER
LM 975155-

ITEM NUMBER	QUANTITY PER ASSEMBLY	UNIT OF ISSUE	DWG SIZE	PART NUMBER	DESCRIPTION	VENDOR PART NUMBER
0001	00001.000	EA		975156-0001	PRINTED WIRING BOARD, 24K MEMORY	
0002	REF	EA		975157-9901	DIAGRAM, LOGIC, DETAIL, 24K MEMORY	
0003	REF	EA		975158-9901	TEST PROCEDURE, 24K MEMORY	
0004	REF	EA		975159-9901	SPECIFICATION 24K MOS EXP MEM	
0005	00003.000	EA		972924-0006	CAP FIX TANT SOLID 39 MFD 10 % 10 VOLT	QPL-M39003/1-2
0005A					C1 C2	
0006	00001.000	EA		972924-0011	CAP FIX TANT SOLID 68 MFD 10 % 15 VOLT	QPL-M39003/1-2
0006A					C5	
0007	00002.000	EA		972924-0016	CAP FIX TANT SOLID 100 MFD 10 % 20 VOLT	QPL-M39003/1-2
0007A					C6 C7	
0008	00001.000	EA		972924-0007	CAP FIX TANT SOLID 120 MFD 10 % 10 VOLT	QPL-M39003/1-2
0008A					C8	
0009	00005.000	EA		972965-0008	CAP FIX CERAMIC .0047 MF 10% 200 V	QPL-CK0687/1-2
0009A					C74 THRU C78	
0010	00004.000	EA		972929-0369	CAP FIX CERAMIC 27.0 PF 10 % 200 V	QPL-M39014/01-02
0010A					A23C1 THRU A26C1	
0011	00008.000	EA		972929-0379	CAP FIX CERAMIC 100 PF 10 % 200 V	QPL-M39014/01-02
0011A					A23C2 THRU A26C2	
0011B					A23C3 THRU A26C3	
0012	00021.000	EA		972924-0014	CAP FIX TANT SOLID 15 MFD 10 % 20 VOLT	QPL-M39003/1-2

DRAFTSMAN	DATE	CHKD DRAFTSMAN	DATE	DESIGN ENGINEER	DATE	TITLE
						MEMORY, 16K
APPROVING	DATE	APPD PROJECT ENGINEER	DATE	RELEASED	DATE	PROJECT NO

PART NUMBER
LM 975155-

100



TEXAS INSTRUMENTS
INCORPORATED

DATE **06/22/76**

LIST OF MATERIAL

PAGE **2** of

LM	PART NUMBER 975155-0004	REV Y
-----------	-----------------------------------	-----------------

PRINT ITEM NUMBER	QUANTITY PER ASSEMBLY	UNIT OF ISSUE	DWG. SIZE	PART NUMBER	DESCRIPTION	VENDOR PART NUMBER
0012A					C128 THRU C148	
0013	00086.000	EA		972627-0003	CAP,CERAMIC,.047 MF 16V	
0013A					C25 THRU C43, C50 THRU C73	
0013B					C3,C4,C79 THRU C116,C160	
0013C					A24C4,A26C4	
0014	00004.000	EA		972929-0397	CAP FIX CERAMIC .001 UF 10% 200V	QPL-M39014/01-1397
0014A					A23C5 THRU A26C5	
0015	00018.000	EA		972932-0001	DIODE,1N914B SWITCHING 75V PIV 75MA 4NS	TI - IN914B
0015A					A23CR1 THRU A23CR3, CR1, CR2	
0015B					A24CR1 THRU A24CR3	
0015C					A25CR1 THRU A25CR3	
0015D					A26CR1 THRU A26CR3	
0015E					A23CR5 THRU A26CR5	
0016	00002.000	EA		226609-0001	DIODE,VISIBLE LIGHT EMITTING	
0016A					CR6 CR7	
0018	00001.000	EA		219402-7138	NETWORK SN74S138N	
0018A					U20	
0019	00002.000	EA		222222-7400	NETWORK SN7400N	-SN7400N
0019A					U13, U16	
0020	00003.000	EA		240000-7411	NETWORK-SN74H11N	
DRAFTSMAN	DATE	CKD. DRAFTSMAN	DATE	DESIGN ENGINEER	DATE	TITLE
						MEMORY, 16K
APPD. MFG	DATE	APPD. PROJECT ENGINEER	DATE	RELEASED	DATE	PROJECT NO.
						LM
						PART NUMBER 975155-0004
						REV Y

161



PRINT ITEM NUMBER	QUANTITY PER ASSEMBLY	UNIT OF ISSUE	DWG. SIZE	PART NUMBER	DESCRIPTION	VENDOR PART NUMBER	
0020A					U14, U17, U21		
0021	00001.000	EA		222222-7404	NETWORK SN7404N		
0021A					U15		
0022	00088.000	EA		974679-0001	NETWORK, TMS4060		
0022A					A1U1 THRU A22U1		
0022B					A1U2 THRU A22U2		
0022C					A1U3 THRU A22U3		
0022D					A1U4 THRU A22U4		
0023	00002.000	EA		240000-7400	NETWORK-SN74H00N		
0023A					U18, U19		
0024	00008.000	EA		240000-7404	NETWORK SN74H04N		
0024A					U3 THRU U6, U9 THRU U12		
0027	00001.000	EA		972947-0017	RES FIX 10 OHM 5 % .5 W CARBON FILM	ROH- R-50	
0027A					R9		
0028	00005.000	EA		972946-0049	RES FIX 220 OHM 5 % .25 W CARBON FILM	ROH- R-25	
0028A					R2 R4 R6 R23 R24		
0029	00004.000	EA		972976-0080	RES FIX, 510 OHM 5%, 0.25 W CARBON COMP		
0029A					R1 R3 R5 R32		
0030	00016.000	EA		972946-0065	RES FIX 1.0K OHM 5 % .25 W CARBON FILM	ROH- R-25	
0030A					A23R1 THRU A26R1, R33 THRU R36		
DRAFTSMAN		DATE	CKD DRAFTSMAN	DATE	DESIGN ENGINEER	DATE	TITLE
							MEMORY, 16K
APPD MFG		DATE	APPD PROJECT ENGINEER	DATE	RELEASED	DATE	PROJECT NO
						PART NUMBER	REV
						LM 975155-0004	Y

162



TEXAS INSTRUMENTS
INCORPORATED

DATE **06/22/76**

LIST OF MATERIAL

PAGE **4** of

LM	PART NUMBER 975155-0004	REV Y
-----------	-----------------------------------	-----------------

PRINT ITEM NUMBER	QUANTITY PER ASSEMBLY	UNIT OF ISSUE	DWG. SIZE	PART NUMBER	DESCRIPTION	VENDOR PART NUMBER
0030B					A23R3 THRU A26R3	
0030C					A23R2 THRU A26R2	
0032	00005.000	EA		972946-0081	RES FIX 4.7K OHM 5 % .25 W CARBON FILM	ROH- R-25
0032A					R8, A23R9 THRU A26R9	
0033	00008.000	EA		972946-0089	RES FIX 10 K OHM 5 % .25 W CARBON FILM	ROH- R-25
0033A					A23R4 THRU A26R4	
0033B					A23R7 THRU A26R7	
0036	00008.000	EA		972946-0112	RES FIX 91 K OHM 5 % .25 W CARBON FILM	ROH- R-25
0036A					A23R5 THRU A26R5	
0036B					A23R6 THRU A26R6	
0037	00002.000	EA		972946-0071	RES FIX 1.8K OHM 5 % .25 W CARBON FILM	ROH- R-25
0037A					R7 R10	
0038	00004.000	EA		972946-0025	RES FIX 22.0 OHM 5 % .25 W CARBON FILM	ROH- R-25
0038A					A23R8 THRU A26R8	
0039	00004.000	EA		972946-0075	RES FIX 2.7K OHM 5 % .25 W CARBON FILM	ROH- R-25
0039A					A23R10 THRU A26R10	
0040	00008.000	EA		972946-0031	RES FIX 39.0 OHM 5 % .25 W CARBON FILM	ROH- R-25
0040A					A23R11 THRU A26R11	
0040B					R25 THRU R28	
0041	00004.000	EA		236081-0000	X-XST 2N2894	TI -2N2894

DRAFTSMAN	DATE	CKD. DRAFTSMAN	DATE	DESIGN ENGINEER	DATE	TITLE	MEMORY, 16K		
APPD. MFG	DATE	APPD. PROJECT ENGINEER	DATE	RELEASED	DATE	PROJECT NO.			
							PART NUMBER	REV	
							LM	975155-0004	Y

163



PRINT ITEM NUMBER	QUANTITY PER ASSEMBLY	UNIT OF ISSUE	DWG. SIZE	PART NUMBER	DESCRIPTION	VENDOR PART NUMBER			
0041A					A23Q4 THRU A26Q4				
0042	00016.000	EA		972955-0001	XSTR 2N2369A,NPN,HIGH SPEED SW,TO-18	MOT- 2N2369A			
0042A					A23Q1 THRU A26Q1				
0042B					A23Q2 THRU A26Q2				
0042C					A23Q3 THRU A26Q3				
0042D					A23Q5 THRU A26Q5				
0044	00003.000	EA		972958-0002	TRANSISTOR,2N2907A PNP GEN PURP SW TO-18	TI - 2N2907A			
0044A					Q1 Q2 Q3				
0045	00002.000	EA		972948-0002	TRANSISTOR,2N2222A NPN GEN PURP SW TO-18	TI - 2N2222A			
0045A					Q4 Q5				
0052	00001.000	EA		226868-0001	BRACKET,ANGLE-PW 80 STIFFENER				
0053	00001.000	EA		966486-0001	INSULATOR PWB STIFFENER				
0056	00006.000	EA		972988-0003	SCREW 2-56 X .250 PAN HEAD CRES				
0057	00025.000	EA		185113-0001	X SPACER XST TO-18 CASE	* -			
0058	00088.000	EA		972100-0002	SOCKET DUAL-IN-LINE 22PIN				
0058A					A1U1 THRU A22U1				
0058B					A1U2 THRU A22U2				
0058C					A1U3 THRU A22U3				
0058D					A1U4 THRU A22U4				
0059	00001.000	EA		943704-0001	INSULATOR, PWB STIFFENER				
DRAFTSMAN		DATE	CKD DRAFTSMAN	DATE	DESIGN ENGINEER	DATE	TITLE	MEMORY, 16K	
APPD. MFG		DATE	APPD. PROJECT ENGINEER	DATE	RELEASED	DATE	PROJECT NO.		
								PART NUMBER	REV
								LM 975155-0004	Y

164



TEXAS INSTRUMENTS
INCORPORATED

DATE 06/22/76

LIST OF MATERIAL

PAGE 6 of

LM	PART NUMBER 975155-0004	REV Y
-----------	----------------------------	----------

PRINT ITEM NUMBER	QUANTITY PER ASSEMBLY	UNIT OF ISSUE	DWG. SIZE	PART NUMBER	DESCRIPTION	VENDOR PART NUMBER
0060	00004.000	EA		153733-0001	DIODE GTC-132 / CGD-949	
0060A					CR13 THRU CR16	
0061	00001.000	EA		972946-0051	RES FIX 270 OHM 5 % .25 W CARBON FILM	ROH- R-25
0061A					R31	
0062	AR	FT		411400-0024	WIRE, 24AWG ELECTRO TIN PLATED COPPER	
0063	00001.000	EA		533887-0009	EJECTOR,PCB,NON-LOCKING,GREEN	SCA-S-202 GREEN
0064	00001.000	EA		226565-0002	EJECTOR,SYMBOLIZED MEMORY	
0065	AR	EA		235182-0002	LOCTITE SEALANT GRADE 242	LOC--242
0066	AR	FT		966760-2896	WIRE,TWISTED PAIR #28 WHT/BLU IPVC	UL - 1472 7STR ULECSA

DRAFTSMAN	DATE	CKD. DRAFTSMAN	DATE	DESIGN ENGINEER	DATE	TITLE			
						MEMORY, 16K			
APPD.-MFG.	DATE	APPD. PROJECT ENGINEER	DATE	RELEASED	DATE	PROJECT NO.	LM	PART NUMBER 975155-0004	REV Y



TEXAS INSTRUMENTS
INCORPORATED

DATE 06/22/76

LIST OF MATERIAL

PAGE 1 of

PART NUMBER
LM 975155-0006 REV
Y

PRINT ITEM NUMBER	QUANTITY PER ASSEMBLY	UNIT OF ISSUE	DWG. SIZE	PART NUMBER	DESCRIPTION	VENDOR PART NUMBER			
0001	00001.000	EA		975156-0001	PRINTED WIRING BOARD, 24K MEMORY				
0002	REF	EA		975157-9901	DIAGRAM, LOGIC, DETAIL, 24K MEMORY				
0003	REF	EA		975158-9901	TEST PROCEDURE, 24K MEMORY				
0004	REF	EA		975159-9901	SPECIFICATION 24K MOS EXP MEM				
0005	00002.000	EA		972924-0006	CAP FIX TANT SOLID 39 MFD 10 % 10 VOLT	QPL-M39003/1-2259			
0005A					C1 C2				
0006	00001.000	EA		972924-0011	CAP FIX TANT SOLID 68 MFD 10 % 15 VOLT	QPL-M39003/1-2274			
0006A					C5				
0007	00002.000	EA		972924-0016	CAP FIX TANT SOLID 100 MFD 10 % 20 VOLT	QPL-M39003/1-2301			
0007A					C6 C7				
0008	00001.000	EA		972924-0007	CAP FIX TANT SOLID 120 MFD 10 % 10 VOLT	QPL-M39003/1-2263			
0008A					C8				
0009	00005.000	EA		972965-0008	CAP FIX CERAMIC .0047 MF 10% 200 V	QPL- CK068X472K			
0009A					C74 THRU C78				
0010	00006.000	EA		972929-0369	CAP FIX CERAMIC 27.0 PF 10 % 200 V	QPL-M39014/01-1369			
0010A					A23C1 THRU A28C1				
0011	00012.000	EA		972929-0379	CAP FIX CERAMIC 100 PF 10 % 200 V	QPL-M39014/01-1379			
0011A					A23C2 THRU A28C2				
0011B					A23C3 THRU A28C3				
0012	00022.000	EA		972924-0014	CAP FIX TANT SOLID 15 MFD 10 % 20 VOLT	QPL-M39003/1-2289			
DRAFTSMAN		DATE	CKD DRAFTSMAN	DATE	DESIGN ENGINEER	DATE	TITLE	MEMORY, 24K	
APPD MFG		DATE	APPD PROJECT ENGINEER	DATE	RELEASED	DATE	PROJECT NO		
							PART NUMBER	REV	
							LM 975155-0006	Y	

166



TEXAS INSTRUMENTS
INCORPORATED

DATE **06/22/76**

LIST OF MATERIAL

PAGE **2** of

LM	975155-0006	REV Y
-----------	--------------------	-----------------

PRINT ITEM NUMBER	QUANTITY PER ASSEMBLY	UNIT OF ISSUE	DWG. SIZE	PART NUMBER	DESCRIPTION	VENDOR PART NUMBER	
0012A					C128 THRU C138 C149 THRU C159		
0013	00119.000	EA		972627-0003	CAP,CERAMIC,.047 MF 16V		
0013A					C9 THRU C73, C79 THRU C127		
0013B					C3,C4,A24C4,A26C4,A28C4,C160		
0014	00006.000	EA		972929-0397	CAP FIX CERAMIC .001 UF 10% 200V	QPL-M39014/01-1397	
0014A					A23C5 THRU A28C5		
0015	00026.000	EA		972932-0001	DIODE,1N914B SWITCHING 75V PIV 75MA 4NS	TI - IN914B	
0015A					A23CR1 THRU A23CR3, CR1, CR2		
0015B					A24CR1 THRU A24CR3		
0015C					A25CR1 THRU A25CR3		
0015D					A26CR1 THRU A26CR3		
0015E					A27CR1 THRU A27CR3		
0015F					A28CR1 THRU A28CR3		
0015G					A23CR5 THRU A28CR5		
0016	00002.000	EA		2266C9-0001	DIODE,VISIBLE LIGHT EMITTING		
0016A					CR6 CR7		
0018	00001.000	EA		219402-7138	NETWRK SN74S138N		
0018A					U20		
0019	00002.000	EA		222222-7400	NETWORK SN7400N	-SN7400N	
0019A					U13,U16		
DRAFTSMAN		DATE	CKD. DRAFTSMAN	DATE	DESIGN ENGINEER	DATE	TITLE
							MEMORY, 24K
APPD. MFG.		DATE	APPD. PROJECT ENGINEER	DATE	RELEASED	DATE	PROJECT NO.
							LM
							975155-0006
							REV Y

167



PRINT ITEM NUMBER	QUANTITY PER ASSEMBLY	UNIT OF ISSUE	DWG SIZE	PART NUMBER	DESCRIPTION	VENDOR PART NUMBER
0020	00003.000	EA		240000-7411	NETWORK-SN74H11N	
0020A					U14,U17,U21	
0021	00001.000	EA		222222-7404	NETWORK SN7404N	
0021A					U15	
0022	00132.000	EA		974679-0001	NETWRK, TMS4060	
0022A					A1U1 THRU A22U1	
0022B					A1U2 THRU A22U2	
0022C					A1U3 THRU A22U3	
0022D					A1U4 THRU A22U4	
0022E					A1U5 THRU A22U5	
0022F					A1U6 THRU A22U6	
0023	00002.000	EA		240000-7400	NETWORK-SN74H00N	
0023A					U18,U19	
0024	00012.000	EA		240000-7404	NETWORK SN74H04N	
0024A					U1 THRU U12	
0027	00001.000	EA		972947-0017	RES FIX 10 OHM 5 % .5 W CARBON FILM	ROH- R-50
0027A					R9	
0028	00005.000	EA		972946-0049	RES FIX 220 OHM 5 % .25 W CARBON FILM	ROH- R-25
0028A					R2 R4 R6 R23 R24	
0029	00004.000	EA		972976-0080	RES FIX,510 OHM 5%,0.25 W CARBON COMP	

DRAFTSMAN	DATE	CKD DRAFTSMAN	DATE	DESIGN ENGINEER	DATE	TITLE	
						MEMORY, 24K	
APPD. MFG	DATE	APPD. PROJECT ENGINEER	DATE	RELEASED	DATE	PROJECT NO	

168



TEXAS INSTRUMENTS
INCORPORATED

DATE **06/22/76**

LIST OF MATERIAL

PAGE **4** of

PART NUMBER	REV
LM 975155-0006	Y

PRINT ITEM NUMBER	QUANTITY PER ASSEMBLY	UNIT OF ISSUE	DWG. SIZE	PART NUMBER	DESCRIPTION	VENDOR PART NUMBER
0029A					R1 R3 R5 R32	
0030	00022.000	EA		972946-0065	RES FIX 1.0K OHM 5 % .25 W CARBON FILM	ROH- R-25
0030A					A23R1 THRU A28R1,R33 THRU R36	
0030B					A23R3 THRU A28R3	
0031A					A23R2 THRU A28R2	
0032	00007.000	EA		972946-0081	RES FIX 4.7K OHM 5 % .25 W CARBON FILM	ROH- R-25
0032A					R8, A23R9 THRU A28R9	
0033	00012.000	EA		972946-0089	RES FIX 10 K OHM 5 % .25 W CARBON FILM	ROH- R-25
0033A					A23R4 THRU A28R4	
0033B					A23R7 THRU A28R7	
0036	00012.000	EA		972946-0112	RES FIX 91 K OHM 5 % .25 W CARBON FILM	ROH- R-25
0036A					A23R5 THRU A28R5	
0036B					A23R6 THRU A28R6	
0037	00002.000	EA		972946-0071	RES FIX 1.8K OHM 5 % .25 W CARBON FILM	ROH- R-25
0037A					R7 R10	
0038	00006.000	EA		972946-0025	RES FIX 22.0 OHM 5 % .25 W.CARBON FILM	ROH- R-25
0038A					A23R8 THRU A28R8	
0039	00006.000	EA		972946-0075	RES FIX 2.7K OHM 5 % .25 W CARBON FILM	ROH- R-25
0039A					A23R10 THRU A28R10	
0040	00012.000	EA		972946-0031	RES FIX 39.0 OHM 5 % .25 W.CARBON FILM	ROH- R-25
DRAFTSMAN	DATE	CKD. DRAFTSMAN	DATE	DESIGN ENGINEER	DATE	TITLE
APPD.-MFG.	DATE	APPD. PROJECT ENGINEER	DATE	RELEASED	DATE	PROJECT NO.
						MEMORY, 24K
						LM 975155-0006
						REV Y

169



PRINT ITEM NUMBER	QUANTITY PER ASSEMBLY	UNIT OF ISSUE	DWG. SIZE	PART NUMBER	DESCRIPTION	VENDOR PART NUMBER
0040A					A23R11 THRU A28R11	
0040B					R25 THRU R30	
0041	00006.000	EA		236081-0000	X-XST 2N2894	TI -2N2894
0041A					A23Q4 THRU A28Q4	
0042	00024.000	EA		972955-0001	XSTR 2N2369A,NPN,HIGH SPEED SW,TO-18	MOT- 2N2369A
0042A					A23Q1 THRU A28Q1	
0042B					A23Q2 THRU A28Q2	
0042C					A23Q3 THRU A28Q3	
0042D					A23Q5 THRU A28Q5	
0044	00003.000	EA		972958-0002	TRANSISTOR,2N2907A PNP GEN PURP SW TO-18	TI - 2N2907A
0044A					Q1 Q2 Q3	
0045	00002.000	EA		972948-0002	TRANSISTOR,2N2222A NPN GEN PURP SW TO-18	TI - 2N2222A
0045A					Q4 Q5	
0052	00002.000	EA		226868-0001	BRACKET,ANGLE-PW BD STIFFENER	
0053	00001.000	EA		966486-0001	INSULATOR PWB STIFFENER	
0056	00006.000	EA		972988-0003	SCREW 2-56 X .250 PAN HEAD CRES	
0057	00035.000	EA		185113-0001	X SPACER XST TO-18 CASE	* -
0058	00132.000	EA		972100-0002	SOCKET DUAL-IN-LINE 22PIN	
0058A					A1U1 THRU A22U1	
0058B					A1U2 THRU A22U2	

DRAFTSMAN	DATE	CKD. DRAFTSMAN	DATE	DESIGN ENGINEER	DATE	TITLE		
						MEMORY, 24K		
APPD.-MFG	DATE	APPD. PROJECT ENGINEER	DATE	RELEASED	DATE	PROJECT NO.		
							LM	PART NUMBER 975155-0006
								REV Y

170



TEXAS INSTRUMENTS
INCORPORATED

DATE 06/22/76

LIST OF MATERIAL

PAGE 6 of

LM	PART NUMBER 975155-0006	REV Y
-----------	-----------------------------------	-----------------

PRINT ITEM NUMBER	QUANTITY PER ASSEMBLY	UNIT OF ISSUE	DWG. SIZE	PART NUMBER	DESCRIPTION	VENDOR PART NUMBER
C058C					A1U3 THRU A22U3	
0058D					A1U4 THRU A22U4	
C058E					A1U5 THRU A22U5	
0058F					A1U6 THRU A22U6	
0059	000C1.000	EA		943704-0001	INSULATOR, PWB STIFFENER	
0060	00006.000	EA		153733-0001	DIODE GTC-132 / CGD-949	
C060A					CR11 THRU CR16	
0061	00001.000	EA		972946-0051	RES FIX 270 OHM 5 % .25 W CARBON FILM	ROH- R-25
C061A					R31	
0062	AR	FT		411400-0024	WIRE, 24AWG ELECTRO TIN PLATED COPPER	
0063	00001.000	EA		533887-0009	EJECTOR, PCB, NON-LOCKING, GREEN	SCA-S-202 GREEN
0064	00001.000	EA		226585-0002	EJECTOR, SYMBOLIZED MEMORY	
0065	AR	EA		235182-0002	LOCTITE SEALANT GRADE 242	LOC--242
0066	AR	FT		966760-2896	WIRE, TWISTED PAIR #28 WHT/BLU IPVC	UL - 1472 7STR UL&CS

DRAFTSMAN	DATE	CKD DRAFTSMAN	DATE	DESIGN ENGINEER	DATE	TITLE
						MEMORY, 24K
APPD.-MFG	DATE	APPD. PROJECT ENGINEER	DATE	RELEASED	DATE	PROJECT NO.

LM	PART NUMBER 975155-0006	REV Y
-----------	-----------------------------------	-----------------

171



PRINT ITEM NUMBER	QUANTITY PER ASSEMBLY	UNIT OF ISSUE	DWG. SIZE	PART NUMBER	DESCRIPTION	VENDOR PART NUMBER
0001	00001.000	EA		975155-0002	MEMCRY, 8K	
0002	REF	EA		943741-9901	DRAWING CLARIFICATION, MEMORY EXPANSION	

DRAFTSMAN	DATE	CKD DRAFTSMAN	DATE	DESIGN ENGINEER	DATE	TITLE
						MEMORY, 8K EXPANSION
APPD.-MFG.	DATE	APPD. PROJECT ENGINEER	DATE	RELEASED	DATE	PROJECT NO.

PART NUMBER	REV
LM 975155-0102	Y



TEXAS INSTRUMENTS
INCORPORATED

DATE 06/22/76

LIST OF MATERIAL

PAGE 1 of

PART NUMBER	REV
LM 975155-0104	Y

PRINT ITEM NUMBER	QUANTITY PER ASSEMBLY	UNIT OF ISSUE	DWG. SIZE	PART NUMBER	DESCRIPTION	VENDOR PART NUMBER
0001	0001.000	EA		975155-0004	MEMORY, 16K	
0002	REF	EA		943741-9901	DRAWING CLARIFICATION, MEMORY EXPANSION	

DRAFTSMAN	DATE	CKD. DRAFTSMAN	DATE	DESIGN ENGINEER	DATE	TITLE
						MEMORY, 8K TO 16K EXPANSION
APPD. MFG	DATE	APPD. PROJECT ENGINEER	DATE	RELEASED	DATE	PROJECT NO.

PART NUMBER	REV
LM 975155-0104	Y



TEXAS INSTRUMENTS
INCORPORATED

DATE 06/22/76

LIST OF MATERIAL

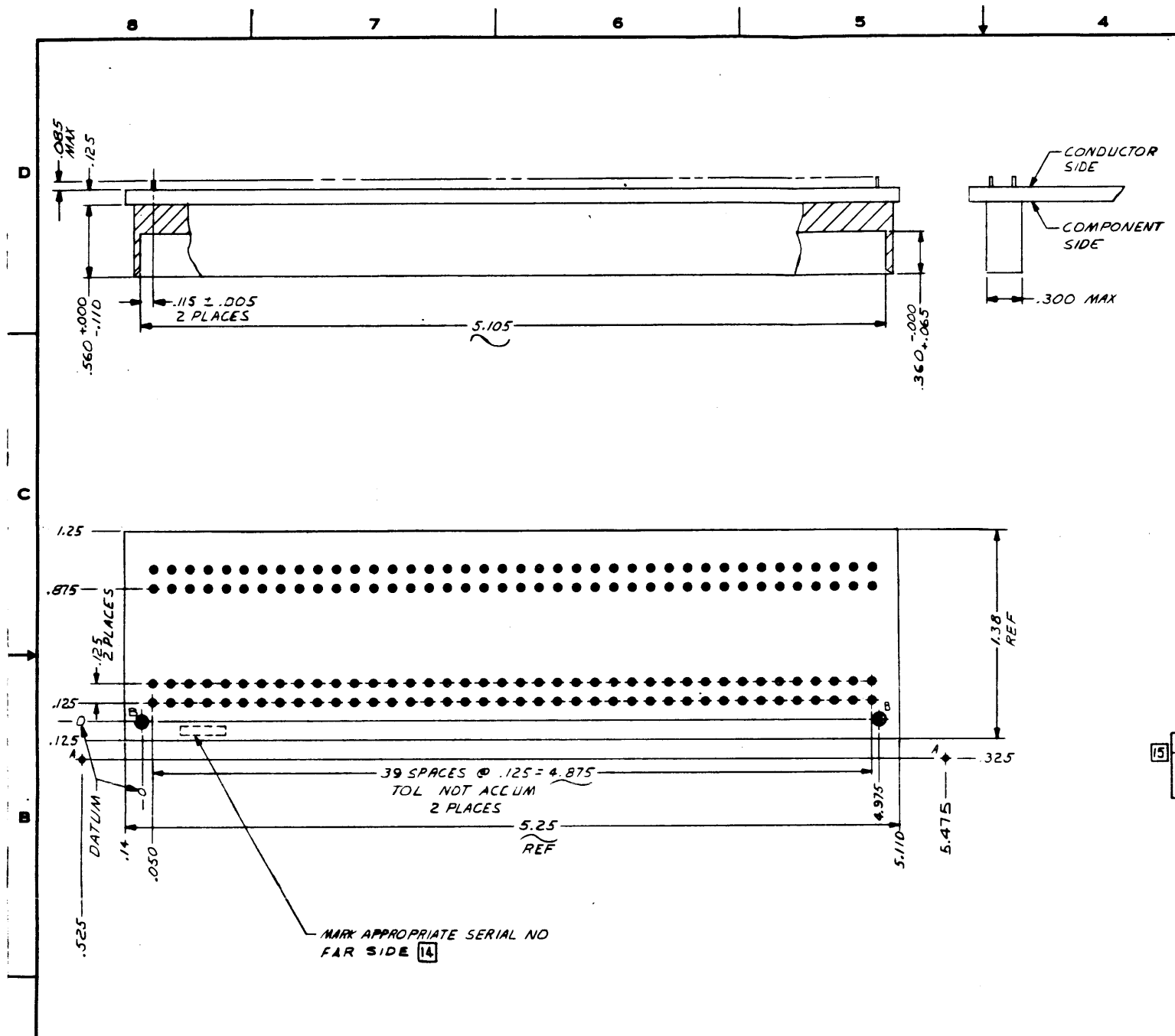
PAGE 1 of

PART NUMBER	REV
LM 975155-0106	Y

PRINT ITEM NUMBER	QUANTITY PER ASSEMBLY	UNIT OF ISSUE	DWG SIZE	PART NUMBER	DESCRIPTION	VENDOR PART NUMBER
0001	00001.000	EA		975155-0006	MEMGRY, 24K	
0002	REF	EA		943741-9901	DRAWING CLARIFICATION, MEMORY EXPANSION	

DRAFTSMAN	DATE	CKD DRAFTSMAN	DATE	DESIGN ENGINEER	DATE	TITLE
						MEMORY. 8K TO 24K EXPANSION
APPROVED	DATE	APPROVED	DATE	APPROVED	DATE	APPROVED
						LM 975155-0106 Y

174



- NOTES:
- ARTWORK TO BE SUPPLIED BY TEXAS INSTRUMENTS INCORPORATED.
 - THIS BOARD WILL BE MANUFACTURED PER PROCESS SPEC 216322 AND THIS DWG WILL TAKE PRECEDENT OVER THE PROCESS SPEC 216322 WHERE CONFLICT EXISTS.
 - DIA IS VENDOR OPTION. MINIMUM ANNULAR RING OF .010 IS REQUIRED
 - CONNECTORS ARE 80 PIN WITH THE FOLLOWING SPECIFICATIONS:
 CONTACT PLATING - 10-20 MICROINCHES OF GOLD OVER 30-50 MICROINCHES OF NICKEL (STD)
 CONTACT MATERIAL - PHOSPHOR BRONZE PER QQ-B-750 COMPOSITION A
 CONTACT RESISTANCE - 6 MILLIOHMS MAXIMUM
 CURRENT RATING - 5 AMP
 WITHDRAWAL AND INSERTION FORCE - 2-8 OZ PER CONTACT PIN
 INSULATOR MATERIAL - GLASS FILLED POLYCARBONATE GE LEXAN 2014 OR EQUIVALENT
 INSULATOR RESISTANCE - 5000 MEGOHMS MINIMUM
 PW CARD SIZE - .062 ± .009
 - BACKPANEL MATERIAL FR4 PER MIL-P-13949 (.125 THK). SEE BACKPANEL MATERIAL CHART
 - CONTACT TO PAD RESISTANCE TO BE 1.5 MILLIOHMS MAXIMUM
 - CONTACT PUSH-OUT FORCE MUST BE 8 LBS MINIMUM
 - BACKPLANE FLATNESS TO BE WITHIN .005 IN 5"/IN
 - "A" HOLES ARE TOOLING HOLES
 - WITHDRAWAL FORCE OF CONNECTOR SHELL - 20 LBS
 - MADE FOR TEXAS INSTRUMENTS INC. BY: ELFAB INC. - DALLAS, TEXAS
 - UNLETTERED HOLES ARE "C" HOLES
 - PLATING THRU ON THESE HOLES IS VENDOR OPTION
 - APPLICATION OF SERIAL NO IS VENDOR OPTION
 - FINISHED PWB SHALL MEET UL94V-2 FLAMMABILITY RATING AND BE MARKED WITH THE REQUIRED UL CODE NUMBER

REVISIONS			
ZONE LTR	DESCRIPTION	DATE	APPROVED
A	11392213 (1) R. H. H. (1) ADDED NOTE 14 (2) HOLE & CONDUCTOR PATTERN NOT AFFECTED	1/16/71	[Signature]
B	11402390 (1) HOLE & CONDUCTOR PATTERN NOT AFFECTED (2) DELETED PROCESS 2	3/6/75	[Signature]
C	11409224 (1) (2) (3) ADDED GE LEXAN... TO NOTE 4 (2) ADDED SEE BACKPANEL... TO NOTE 5 (3) ADDED MATL CHART AND NOTE 15 (4) UPDATED REV LUL (C'UPR) (5) HOLE & CONDUCTOR PATTERN NOT AFFECTED	10/17/75	[Signature]
D	211407131 (E.V.) (1) DIA .085 MAX WAS .063 MAX	9/17/76	[Signature]
C-B 0-B	EN 92071 (E.V.) (1) DIA .540 ± .000 WAS .540 ± .110 (2) UPDATED REV BUX & C'UOCT & HOLE PATTERN NOT AFFECTED	12-9-76	[Signature]

[15] BACK PANEL MATERIAL CHART
 FR4 WITH A 94V-2 RATING
 G.E. 11635
 SYNTHANE TAYLOR FB600

HOLE SCHEDULE					
LTR	QTY	FINISHED HOLE DIA	DESCRIPTION		
A	2	VENDOR OPTION	⊕ X Y	.006 DIA	EXT INDEXING [13]
B	2	.062 ± .007 / .003	⊕ X Y	.006 DIA	INT INDEXING [13]
C	160	VENDOR OPTION	⊕ X Y	.006 DIA	UNLETTERED HOLES PLATE THRU [3]

REVISION LEVEL CONTROL	B	C	D	E
THIS DWG	-	-	-	-
LAYER 1 (INSULATOR)	-	-	-	-
LAYER 2 (CONDUCTOR SIDE)	-	-	-	-
HOLE CONFIGURATION	-	-	-	-

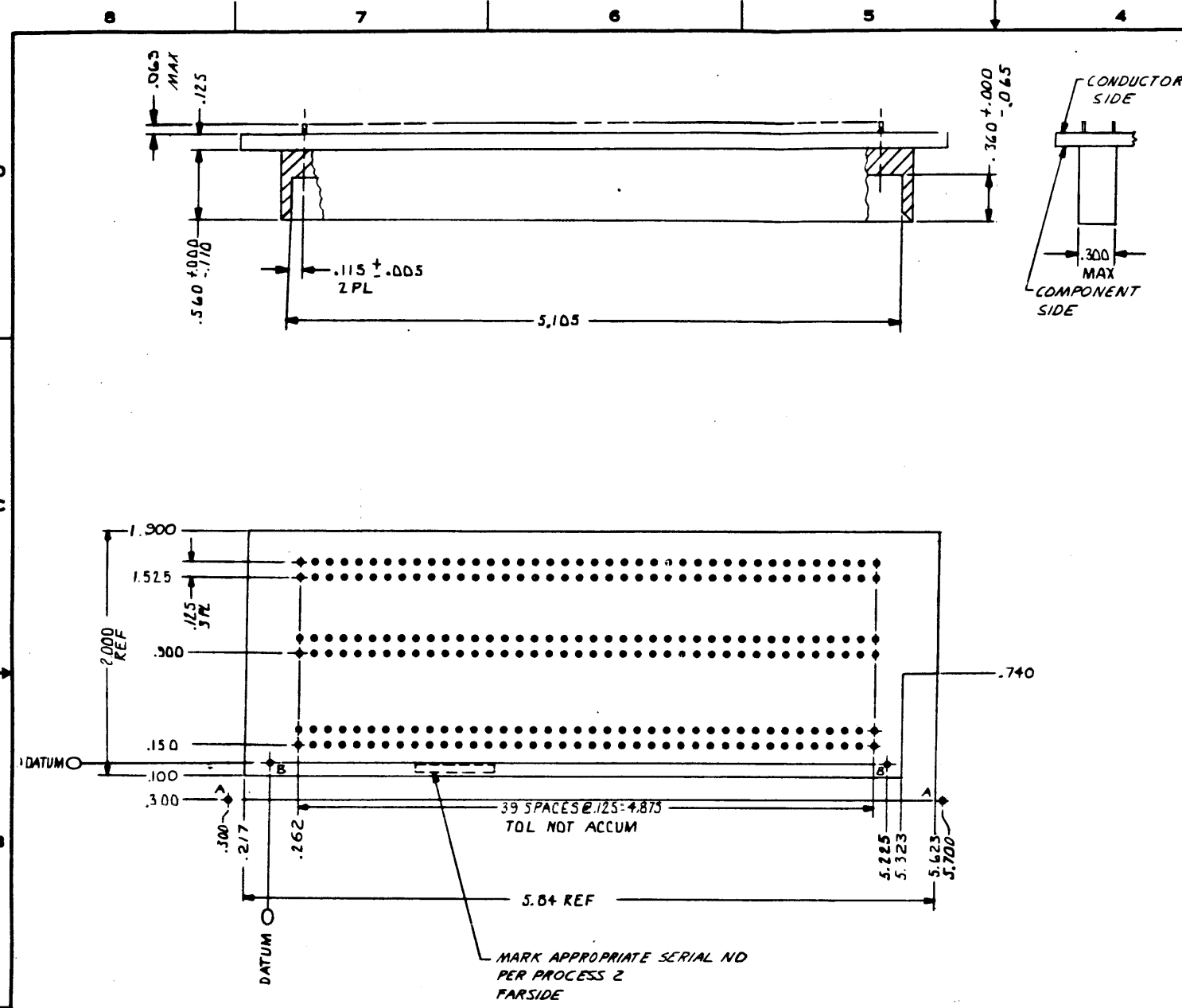
PROCESSES:
 1. NOTE 2
 2. MARK PER F100 TYPE II
 3. CLASS II HEIGHT 12 COLOR BK

QTY REQD	ITEM NO	CODE IDENT	PART OR IDENTIFYING NUMBER	NOMENCLATURE OR DESCRIPTION	PROUREMENT SPECIFICATION
UNLESS OTHERWISE SPECIFIED					
REMOVE ALL BURRS AND SHARP EDGES			DIMENSIONS ARE IN INCHES		
CONCENTRICITY MACHINED DIAMETERS .010 FR			TOLERANCES		
DIMENSIONAL PARTS APPLY BEFORE FINISH PROCESSING			ANGLES ±1°		
IDENTIFYING NUMBERS SHOWN IN PARENTHESES FOR REFERENCE ONLY			3 PLACE DECIMALS ±.010		
INTERPRET DRAWING IN ACCORDANCE WITH MIL-STD-100			2 PLACE DECIMALS ±.02		
HOLE TOLERANCE			MATERIAL:		
.013 THRU .001	.126 THRU .005	.250 THRU .005	DWN DATE		
.126 THRU .001	.250 THRU .001	.300 THRU .001	ENGR		
.801 THRU .001	.750 THRU .010	1.001 THRU .010	DIA		
			APVD		
			CONTR NO		
			DESIGN ACTIVITY RELEASE		
			SCALE		
			SHEET		

TEXAS INSTRUMENTS INCORPORATED
 Equipment Group Dallas, Texas

PRINTED WIRING BOARD
 INTERCONNECT

SIZE CODE IDENT NO DRAWING NO
 D 96214 943718



- NOTES:
- ARTWORK TO BE SUPPLIED BY TEXAS INSTRUMENTS INCORPORATED.
 - THIS BOARD WILL BE MANUFACTURED PER PROCESS SPEC 216322 AND THIS DWG WILL TAKE PRECEDENT OVER THE PROCESS SPEC 216322 WHERE CONFLICT EXISTS.
 - DIA IS VENDOR OPTION, MINIMUM ANNULAR RING OF .010 IS REQUIRED
 - CONNECTORS ARE 80 PIN WITH THE FOLLOWING SPECIFICATIONS:
 CONTACT PLATING - 10-20 MICROINCHES OF GOLD OVER 30-50 MICROINCHES OF NICKEL (STD)
 CONTACT MATERIAL - PHOSPHOR BRONZE PER QQ-B-750 COMPOSITION A
 CONTACT RESISTANCE - 6 MILLIOHMS MAXIMUM
 CURRENT RATING - 5 AMP
 WITHDRAWAL AND INSERTION FORCE - 2-B OZ PER CONTACT PIN
 INSULATOR MATERIAL - GLASS FILLED POLYCARBONATE, G.E. LEXAN 2014 OR EQUIVALENT
 INSULATOR RESISTANCE - 5000 MEGOHMS MINIMUM
 PW CARD SIZE - .062 ± .009
 - BACK PANEL MATERIAL FR4 PER MIL-P-13949 (.125 THK). SEE BACK PANEL MATL CHART
 - CONTACT TO PAD RESISTANCE TO BE 1.5 MILLIOHMS MAXIMUM
 - CONTACT PUSH-OUT FORCE MUST BE 8 LBS MINIMUM
 - BACK PLANE FLATNESS TO BE WITHIN .005 IN 5/11
 - "A" HOLES ARE TOOLING HOLES
 - WITHDRAWAL FORCE OF CONNECTOR SHELL - 20 LBS
 - MADE FOR TEXAS INSTRUMENTS INC. BY: ELFAB INC. - DALLAS, TEXAS
 - UNLETTERED HOLES ARE "C" HOLES
 - PLATING THRU ON THESE HOLES IS VENDOR OPTION
 - FINISHED PWB SHALL MEET UL94V-2 FLAMMABILITY RATING AND BE MARKED WITH THE REQUIRED UL CODE NUMBER

REVISIONS				
ZONE	LTR	DESCRIPTION	DATE	APPROVED
	A	CN405224 (D) SD... ADDED: G.E. LEXAN... TO NOTE 4; SEE BACK... TO NOTE 5; NOTE 14; BACK PANEL MATL CHART AND REV LVL CONTROL (2) HOLE AND CONDUCTIVE PATTERN NOT AFFECTED	10/11/75	[Signature]

HOLE SCHEDULE					
LTR	QTY	FINISHED HOLE DIA	DESCRIPTION		
A	2	VENDOR OPTION	X	Y	.006 DIA EXT INDEXING [13]
B	2	.062 ± .007 / .005	X	Y	.006 DIA INT INDEXING [13]
C	240	VENDOR OPTION	X	Y	.006 DIA UNLETTERED HOLES PLATE THRU [3]

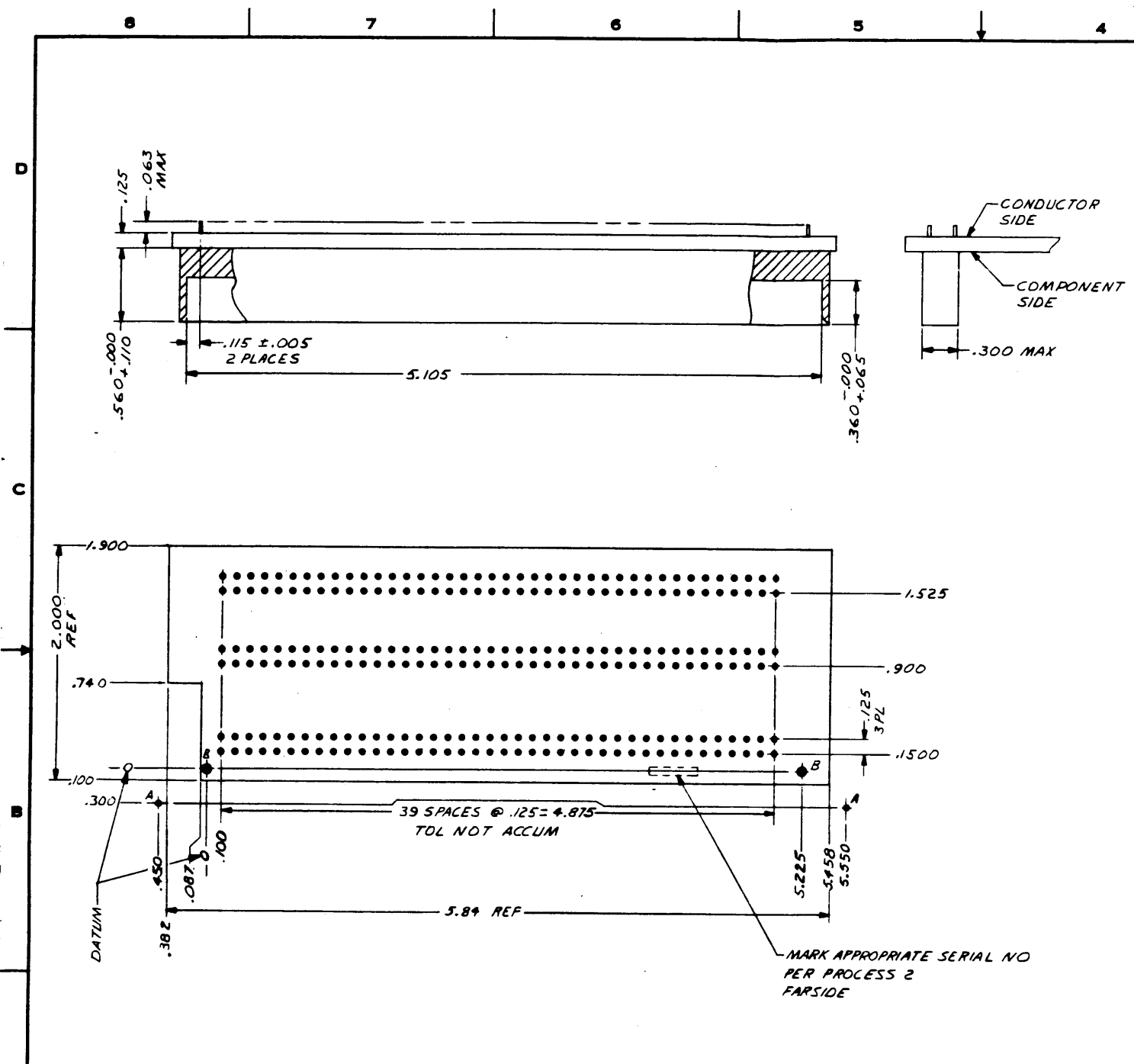
[14] BACK PANEL MATERIAL CHART
 FR4 WITH 94V-2 RATING
 G.E. 11635
 SYNTHANE TAYLOR FB600

PROCESSES:
 1. NOTE 2
 2. MARK PER F-100, TYPE II, CLASS 1, HEIGHT 12, COLOR BLACK

REVISION LEVEL CONTROL	
THIS DWG	A
HOLE CONFIGURATION	*
LAYER 1	*
LAYER 2	*

QTY REQD	ITEM NO	CODE IDENT	PART OR IDENTIFYING NUMBER	NOMENCLATURE OR DESCRIPTION	PROCUREMENT SPECIFICATION
PARTS LIST					
UNLESS OTHERWISE SPECIFIED			UNLESS OTHERWISE SPECIFIED		
REMOVE ALL BURRS AND SHARP EDGES			DIMENSIONS ARE IN INCHES		
CONCENTRICITY MACHINED DIAMETERS .010 PIR			TOLERANCES		
DIMENSIONAL LIMITS APPLY BEFORE FINISH PROCESSING			ANGLES ±1°		
IDENTIFYING NUMBERS SHOWN IN PARENTHESES FOR REFERENCE ONLY			3 PLACE DECIMALS ± 0.10		
INTERPRET DRAWING IN ACCORDANCE WITH MIL-STD-100			2 PLACE DECIMALS ± .02		
HOLE TOLERANCE			MATERIAL		
.013 +.004	.125	.250 +.008	3-2-2-6	7505	
.125 +.001	.250	.500 +.001	3-2-2-6	7502	
.500	.750	1.000			
.750 +.001	1.000	2.000			
APPLICATION			DATE		
			DWN: [Signature]		
			CHK: [Signature]		
			ENGR: [Signature]		
			QA: [Signature]		
			APVD: [Signature]		
			CONTR NO: [Signature]		
			DESIGN ACTIVITY RELEASE		
			SIZE CODE IDENT NO DRAWING NO		
			D 96214 94 3705		
			SCALE 2/1		
			SHEET		

MP TYPE II CLASS B



- NOTES:
- ARTWORK TO BE SUPPLIED BY TEXAS INSTRUMENTS INCORPORATED.
 - THIS BOARD WILL BE MANUFACTURED PER PROCESS SPEC 216322 AND THIS DWG WILL TAKE PRECEDENT OVER THE PROCESS SPEC 216322 WHERE CONFLICT EXISTS.
 - DIA IS VENDOR OPTION, MINIMUM ANNULAR RING OF $.010$ IS REQUIRED
 - CONNECTORS ARE 80 PIN WITH THE FOLLOWING SPECIFICATIONS:
 - CONTACT PLATING - 10-20 MICROINCHES OF GOLD OVER 30-50 MICROINCHES OF NICKEL (STD)
 - CONTACT MATERIAL - PHOSPHOR BRONZE PER QQ-B-750 COMPOSITION A
 - CONTACT RESISTANCE - 6 MILLIOHMS MAXIMUM
 - CURRENT RATING - 5 AMP
 - WITHDRAWAL AND INSERTION FORCE 2-8 OZ PER CONTACT PIN
 - INSULATOR MATERIAL - GLASS FILLED POLYCARBONATE G.E. LEXAN 2014 OR EQUIVALENT
 - INSULATOR RESISTANCE - 5000 MEGOHMS MINIMUM
 - PW CARD SIZE - $.062 \pm .009$
 - BACKPANEL MATERIAL FR4 PER MIL-P-13949 (.125 THK). SEE BACKPANEL MATERIAL CHART
 - CONTACT TO PAD RESISTANCE TO BE 1.5 MILLIOHMS MAXIMUM
 - CONTACT PUSH-OUT FORCE MUST BE 8 LBS MINIMUM.
 - BACKPLANE FLATNESS TO BE WITHIN $.005$ IN 5/16
 - "A" HOLES ARE TOOLING HOLES
 - WITHDRAWAL FORCE OF CONNECTOR SHELL - 20 LBS
 - MADE FOR TEXAS INSTRUMENTS INC. BY: ELFAB INC. - DALLAS, TEXAS
 - UNLETTERED HOLES ARE "C" HOLES
 - PLATING THRU ON THESE HOLES IS VENDOR OPTION
 - FINISH PWB SHALL MEET UL94V-2 FLAMMABILITY RATING AND BE MARKED WITH THE REQUIRED UL CODE NUMBER

REVISIONS				
ZONE	LTR	DESCRIPTION	DATE	APPROVED
	A	CU ADDED TO REVISION 11/11/74 G.E. LEXAN... EQUIVALENT TO NOTE 11/11/74... SEE BACKPANEL MATERIAL CHART TO NOTE 5 3/11/74 REVISION 11/11/74... LEVEL CONTROL BLACK (W/CONDUCTOR & HOLE PATTERNS) NOT AFFECTED		

HOLE SCHEDULE				
LTR	QTY	FINISHED HOLE DIA	DESCRIPTION	
A	2	VENDOR OPTION	X Y .006 DIA	EXT INDEXING [13]
B	2	$.062 \pm .003$	X Y .006 DIA	INT INDEXING [13]
C	240	VENDOR OPTION	X Y .006 DIA	UNLETTERED HOLES PLATE THRU [3]

BACKPANEL MATERIAL CHART
 FR4 WITH A 94V-2 RATING
 G.E. 11635
 SYNTHANE TAYLOR FB600

PROCESSES:
 1. SEE NOTE 2
 2. MARK PER F-100, TYPE II, CLASS 1, HEIGHT .12, COLOR BLACK

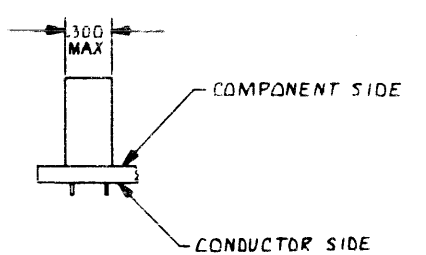
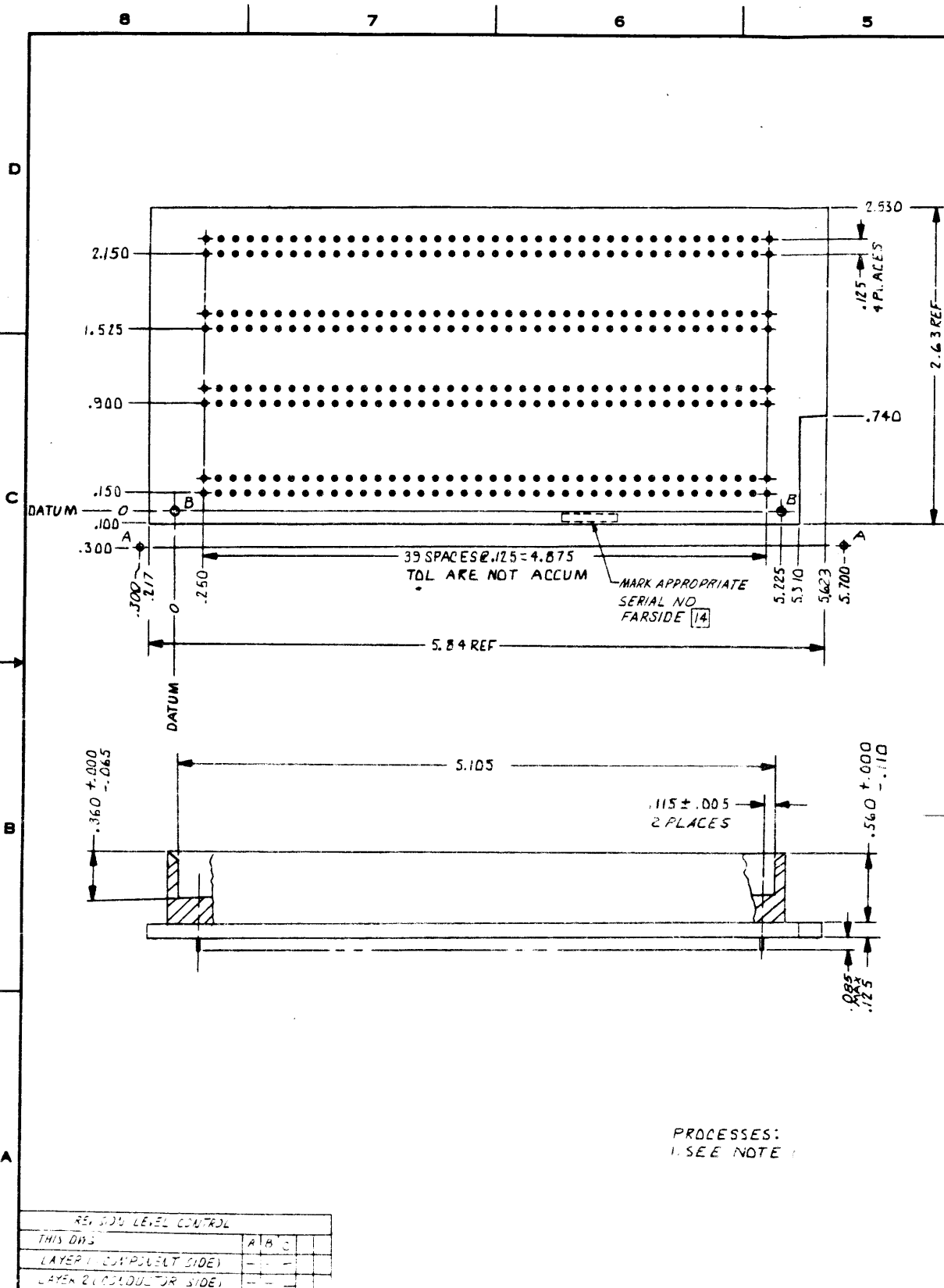
REVISION LEVEL CONTROL	
THIS DWG	A
LAYER 1 (CONDUCTOR)	*
LAYER 2 (CONDUCTOR)	*

QTY REQD	ITEM NO	CODE IDENT	PART OR IDENTIFYING NUMBER	NOMENCLATURE OR DESCRIPTION	PROCUREMENT SPECIFICATION

UNLESS OTHERWISE SPECIFIED		UNLESS OTHERWISE SPECIFIED	
REMOVE ALL BURRS AND SHARP EDGES	CONCENTRICITY MACHINED DIAMETERS .010 PER DIMENSIONAL LIMITS APPLY BEFORE FINISH PROCESSING	DIMENSIONS ARE IN INCHES	TOLERANCES: ANGLES $\pm 1^\circ$, 3 PLACE DECIMALS $\pm .010$, 2 PLACE DECIMALS $\pm .02$
IDENTIFYING NUMBERS SHOWN IN PARENTHESES FOR REFERENCE ONLY	INTERPRET DRAWING IN ACCORDANCE WITH MIL-STD-100	MATERIAL:	
HOLE TOLERANCE			
.013 thru .001	.126 thru .005		
.126 thru .001	.250 thru .005		
.301 thru .001	.750 thru .001		
.750 thru .001	1.000 thru .001		

PARTS LIST	
DATE	DATE
DWN 11/11/74	11/11/74
ENGR 11/11/74	11/11/74
DA 11/11/74	11/11/74
APYD 11/11/74	11/11/74
CONTR NO	
DESIGN ACTIVITY RELEASE	
SCALE 2/11	

TEXAS INSTRUMENTS INCORPORATED Equipment Group Dallas, Texas	
PRINTED WIRING BOARD, RIGHT MEMORY INTERCONNECT	
SIZE D	CODE IDENT NO 96214
DRAWING NO 943706	
SHEET	



- NOTES:**
- ARTWORK TO BE SUPPLIED BY TEXAS INSTRUMENTS INCORPORATED.
 - THIS BOARD WILL BE MANUFACTURED PER PROCESS SPEC 216922 AND THIS DWG WILL TAKE PRECEDENT OVER THE PROCESS SPEC 216922 WHERE CONFLICT EXISTS.
 - DIA IS VENDOR OPTION. MINIMUM ANNULAR RING OF .010 IS REQUIRED.
 - CONNECTORS ARE 80 PIN WITH THE FOLLOWING SPECIFICATIONS:
 CONTACT PLATING - 10-20 MICROINCHES OF GOLD OVER 30-50 MICROINCHES OF NICKEL (STD)
 CONTACT MATERIAL - PHOSPHOR BRONZE PER QQ-B-750 COMPOSITION A
 CONTACT RESISTANCE - 6 MILLIOHMS MAXIMUM
 CURRENT RATING - 5 AMP
 WITHDRAWAL AND INSERTION FORCE - 2-8 OZ PER CONTACT PIN
 INSULATOR MATERIAL - GLASS FILLED POLYCARBONATE S.E. LEXA 3014 OR EQUIVALENT
 INSULATOR RESISTANCE - 5000 MEGOHMS MINIMUM
 PW CARD SIZE - .062 ± .009
 - BACKPANEL MATERIAL FR4 PER MIL-P-13949 (.125 THK). SEE BACKPANEL MATERIAL CHART.
 - CONTACT TO PAD RESISTANCE TO BE 1.5 MILLIOHMS MAXIMUM.
 - CONTACT PUSH-OUT FORCE MUST BE 8 LBS MINIMUM.
 - BACKPLANE FLATNESS TO BE WITHIN .005 IN 5/11.
 - "A" HOLES ARE TOOLING HOLES.
 - WITHDRAWAL FORCE OF CONNECTOR SHELL - 20 LBS.
 - MADE FOR TEXAS INSTRUMENTS INC. BY: ELFAB INC. - DALLAS, TEXAS
 - UNLETTERED HOLES ARE "C" HOLES
 - PLATING THRU ON THESE HOLES IS VENDOR OPTION
 - APPLICATION OF SERIAL NO IS VENDOR OPTION
 - FINISHED PWB SHALL MEET UL 94V-2 FLAMMABILITY RATING AND BE MARKED WITH THE REQUIRED UL CODE NUMBER

REVISIONS		DATE	APPROVED
A	CN402388 (E) (1) ADDED NOTE 14 (2) REVISED MARKING CALLOUT (3) DELETED PROCESS 2 (4) CIRCUITRY AND HOLE LOCATION NOT AFFECTED (5) ADDED REV LEVEL CONTROL BLOCK	7/1/74	[Signature]
B	(1) ADDED DIM 14 (2) ADDED DIM 15 (3) ADDED DIM 16 (4) ADDED DIM 17 (5) ADDED DIM 18 (6) ADDED DIM 19 (7) ADDED DIM 20 (8) ADDED DIM 21 (9) ADDED DIM 22 (10) ADDED DIM 23 (11) ADDED DIM 24 (12) ADDED DIM 25 (13) ADDED DIM 26 (14) ADDED DIM 27 (15) ADDED DIM 28 (16) ADDED DIM 29 (17) ADDED DIM 30 (18) ADDED DIM 31 (19) ADDED DIM 32 (20) ADDED DIM 33 (21) ADDED DIM 34 (22) ADDED DIM 35 (23) ADDED DIM 36 (24) ADDED DIM 37 (25) ADDED DIM 38 (26) ADDED DIM 39 (27) ADDED DIM 40 (28) ADDED DIM 41 (29) ADDED DIM 42 (30) ADDED DIM 43 (31) ADDED DIM 44 (32) ADDED DIM 45 (33) ADDED DIM 46 (34) ADDED DIM 47 (35) ADDED DIM 48 (36) ADDED DIM 49 (37) ADDED DIM 50 (38) ADDED DIM 51 (39) ADDED DIM 52 (40) ADDED DIM 53 (41) ADDED DIM 54 (42) ADDED DIM 55 (43) ADDED DIM 56 (44) ADDED DIM 57 (45) ADDED DIM 58 (46) ADDED DIM 59 (47) ADDED DIM 60 (48) ADDED DIM 61 (49) ADDED DIM 62 (50) ADDED DIM 63 (51) ADDED DIM 64 (52) ADDED DIM 65 (53) ADDED DIM 66 (54) ADDED DIM 67 (55) ADDED DIM 68 (56) ADDED DIM 69 (57) ADDED DIM 70 (58) ADDED DIM 71 (59) ADDED DIM 72 (60) ADDED DIM 73 (61) ADDED DIM 74 (62) ADDED DIM 75 (63) ADDED DIM 76 (64) ADDED DIM 77 (65) ADDED DIM 78 (66) ADDED DIM 79 (67) ADDED DIM 80 (68) ADDED DIM 81 (69) ADDED DIM 82 (70) ADDED DIM 83 (71) ADDED DIM 84 (72) ADDED DIM 85 (73) ADDED DIM 86 (74) ADDED DIM 87 (75) ADDED DIM 88 (76) ADDED DIM 89 (77) ADDED DIM 90 (78) ADDED DIM 91 (79) ADDED DIM 92 (80) ADDED DIM 93 (81) ADDED DIM 94 (82) ADDED DIM 95 (83) ADDED DIM 96 (84) ADDED DIM 97 (85) ADDED DIM 98 (86) ADDED DIM 99 (87) ADDED DIM 100 (88) ADDED DIM 101 (89) ADDED DIM 102 (90) ADDED DIM 103 (91) ADDED DIM 104 (92) ADDED DIM 105 (93) ADDED DIM 106 (94) ADDED DIM 107 (95) ADDED DIM 108 (96) ADDED DIM 109 (97) ADDED DIM 110 (98) ADDED DIM 111 (99) ADDED DIM 112 (100)	7/1/74	[Signature]
C	CN 407130 (E) (1) DIM .085 MAX WAS .063 MAX	7/1/74	[Signature]

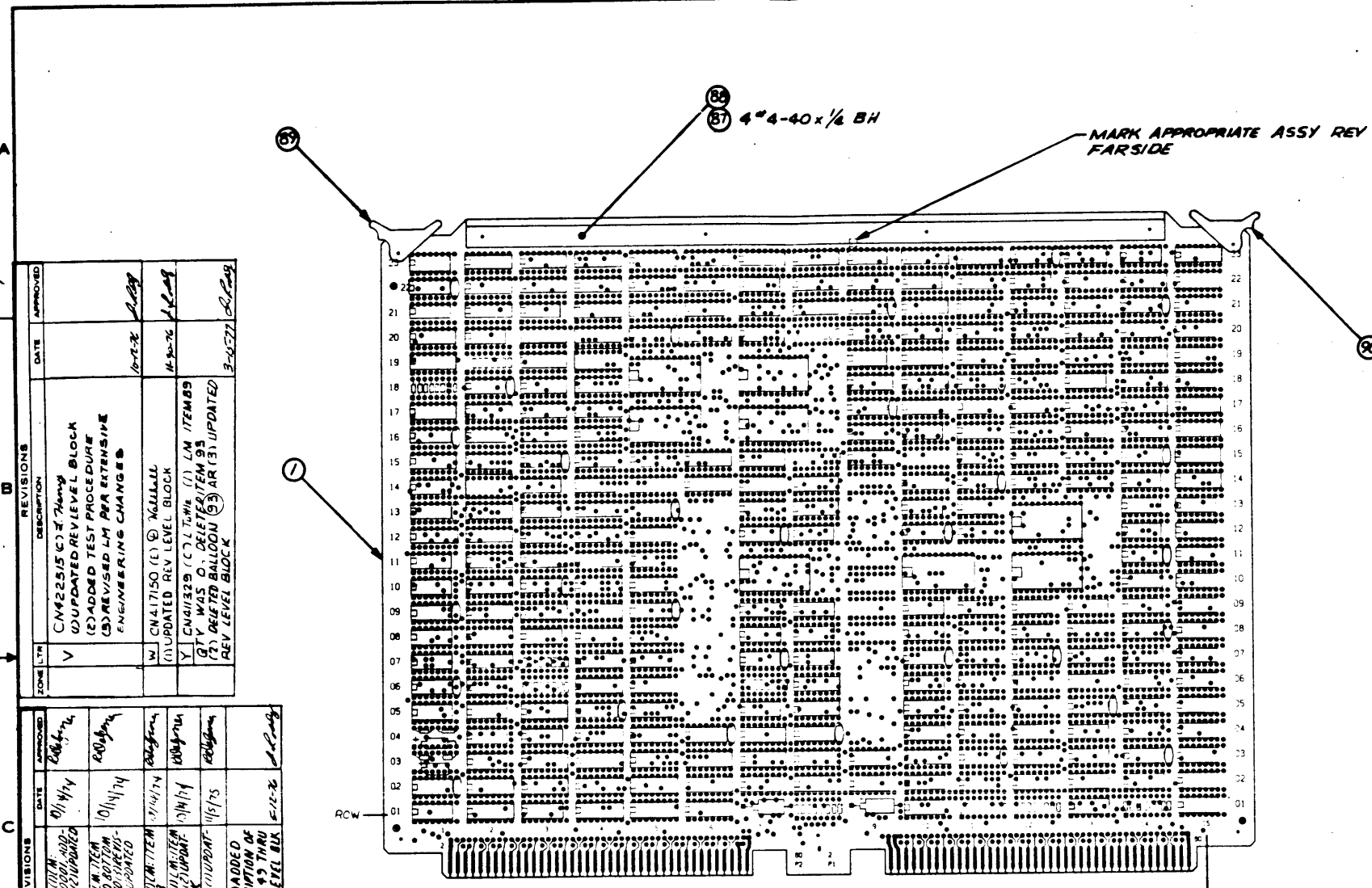
HOLE SCHEDULE						
LTR	QTY	FINISHED HOLE DIA			DESCRIPTION	
A	2	VENDOR OPT 1.000	Ø	X	.006 DIA	EXT INDEXING 13
B	2	.062 ± .003	Ø	X	.006 DIA	INT INDEXING 13
C	32.0	VENDOR OPTION	Ø	X	.006 DIA	UNLETTERED HOLES PLATE THRU 3

BACKPANEL MATERIAL CHART
 FR4 WITH A 94V-2 RATING
 S.E. 11635
 SYUTHAINE TAYLOR FB400

PROCESSES:
 1. SEE NOTE 1

REV. LVL. CONTROL	A	B	C
THIS DWG	-	-	-
LAYER 1 (COMPONENT SIDE)	-	-	-
LAYER 2 (CONDUCTOR SIDE)	-	-	-

QTY REQD	ITEM NO	CODE IDENT	PART OR IDENTIFYING NUMBER	NOMENCLATURE OR DESCRIPTION	PROCUREMENT SPECIFICATION
UNLESS OTHERWISE SPECIFIED: REMOVE ALL BURRS AND SHARP EDGES CONCENTRICITY MACHINED DIAMETERS .010 PIR DIMENSIONAL LIMITS APPLY BEFORE FINISH PROCESSING IDENTIFYING NUMBERS SHOWN IN PARENTHESES FOR REFERENCE ONLY INTERPRET DRAWING IN ACCORDANCE WITH MIL-STD-100					
UNLESS OTHERWISE SPECIFIED: DIMENSIONS ARE IN INCHES TOLERANCES ANGLES 1: 3 PLACE DECIMALS ± 0.01 2 PLACE DECIMALS ± 0.02					
MATERIAL:					
NEXT ASSY USED ON					
APPLICATION					
PARTS LIST			DATE		
ENGR			7/1/74		
SA			[Signature]		
APVD			[Signature]		
CONTR NO			[Signature]		
DESIGN ACTIVITY RELEASE			[Signature]		
SIZE CODE IDENT NO DRAWING NO			D 96214 943714		
SCALE			MP TYPE II CLASS B		



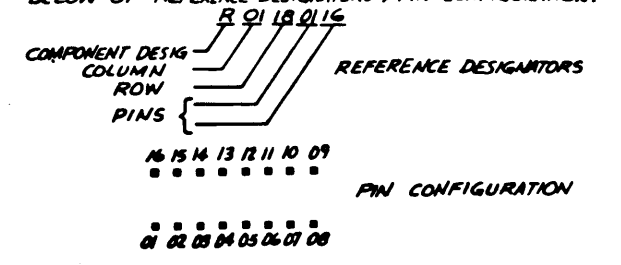
ZONE	LT	DESCRIPTION	DATE	APPROVED
V		CM422515 (C) J. Henry U) UPDATED REV LEVEL BLOCK (C) ADDED TEST PROCEDURE (S) REVISED LM PER EXTENSIVE ENGINEERING CHANGES	10-15-72	J. Henry
W		CM417150 (C) D. McAllister (U) UPDATED REV LEVEL BLOCK	11-30-72	D. McAllister
Y		CM411329 (C) L. T. White (1) LM ITEMS QTY WAS 0, DELETED ITEM 95 (2) DELETED BALLOON (3) AR (3) UPDATED REV LEVEL BLOCK	3-20-77	L. T. White

ZONE	LT	DESCRIPTION	DATE	APPROVED
N		PREPARED FOR - 0001 ITEM WAS 200000-0001-0001 CO. ITEM BEING REWORKED REWORKED BLOCK WITH ITEM NO WAS 0001 (MOVED BOTTOM EDGE OF ITEM UP TO SHIELD CO. AN PER 226770-0001-0001 S) REVISED BLOCK 10-11-74	10/11/74	200000
P		10-11-74	200000	
R		10-11-74	200000	
S		10-11-74	200000	
T		11-15-72	200000	
U		11-15-72	200000	

TEST PROCEDURE (226772-9901)	A	B	C	D	D	D	E	F	F	F	G	H	J	K	L	L	M	N	C	C	C			
CARD, PW FOR -0001 ASSY (226770-0001)			*	*	*	*	*	*	A	A	B	C	C	C	D	D	D	D	D	D	D			
MASTER FILE FOR -0001 ASSY (226771-9901)			*	A	B	C	D	E	F	G	H	J	K	L	M	N	P	A	S	T	U	V	W	Y
ASSEMBLY			*	A	B	C	D	E	F	G	H	J	K	L	M	N	P	A	S	T	U	V	W	Y

REV	DATE	DESCRIPTION	BY	APPD
A	9/15/71	CHG LOCATION OF .05 MF CAP'S		
B	9/17/71	1) ITEM 90 P/N WAS 231802-0100		
C	11/18/71	1) DELETED NOTE 1 2) NOTE 3, .075 WAS .062 3) ADDED ITEM 72 WAS ITEM 73 4) ITEM 73 QTY WAS 2 5) DELETED ITEM 75 WAS 2, 233674-1000 6) ITEM 76 QTY WAS 2		
D	11/18/71	1) ITEM 84 PIN WAS 231702-0602		
FORMAL RELEASE				
E	3/7/72	371407 (C) J. P. Henry 11-15-71 ITEM 90 P/N WAS 231802-0105	J. P. Henry	
F	11-11-72	371410 (C) J. P. Henry 11-15-72 ITEM 90 P/N WAS 231802-0005 COMP HEIGHT (NOTED) WAS .312	J. P. Henry	
G	2/25/73	364775 (D) X.L. & D. 2-15-72 UPDATED REV LEVEL BLOCK	X.L. & D.	
H	3-15-72	370924 (B) L. T. White 3-15-72 UPDATE REV LEVEL BLOCK	L. T. White	
J	11-15-72	374989 (C) J. P. Henry 11-15-72 UPDATED REV LEVEL BLOCK	J. P. Henry	
K	7/17/74	381032 (D) R. C. Cook 11-15-73 ADDED ITEM 93	R. C. Cook	
L	4/4/73	378955 (E) 6-5-73 CHG IT 2 MAS QTY 5 ADD #1004 TO IT 28 #14 PIN NETWORK IN ROW 04 COL 10 UPDATED REV LEVEL BLOCK	R. C. Cook	
M	10-10-73	386052 (D) R. C. Cook 10-10-73 IN ZONE D2, UPDATED REV LEVEL BLOCK	R. C. Cook	

- NOTES:
- DO NOT SOLDER ON COMPONENT SIDE
 - MAXIMUM COMPONENT HEIGHT FROM COMPONENT SIDE OF CARD IS: .375
 - MAXIMUM LEAD LENGTH FROM CONDUCTOR SIDE OF CARD IS: .075
 - TO PREVENT SOLDER FROM WICKING DOWN CONNECTOR FINGERS, WHEN SOLDERING, MASK ALL CONNECTOR FINGERS ON BOTH SIDE OF CARD
 - REFERENCE DESIGNATORS ARE ASSIGNED BY COLUMN AND ROW METHOD, EXAMPLES SHOWN BELOW OF REFERENCE DESIGNATORS & PIN CONFIGURATION.



QTY	PROB	DESCRIPTION	PART NUMBER	DESCRIPTION	VENDOR PART NUMBER
1		SOLDER ALL ELEC COMPONENTS PER HOUSTON QA STD SECT 3, STD 314			
1		RUBBER STAMP, E-100, HEIGHT .12, COLOR BLACK			
1		UNLESS OTHERWISE SPECIFIED			
1		DECIMAL: .001 TO .010			
1		FRACTIONAL: 1/64 ANGULAR: 2:1			
1		CONCENTRIC: MACHINED DIAMETERS: 004 TO 118			
1		ALL DIMENSIONS TO BE MET BEFORE PLATING			
1		REMOVE ALL BURRS AND SHARP EDGES			
1		DO NOT SCALE THIS DRAWING			
1		ALL DIMENSIONS IN INCHES			
1		SURFACES MARKED V TO HAVE			
1		DRILLED - 1/16 TO 1/8 INCHES			
1		013 TO 1/8 - 3/32			
1		3/16 TO 1/2 - 1/8			
1		1/2 AND ABOVE - 3/16			



TEXAS INSTRUMENTS
INCORPORATED

DATE 03/10/77

LIST OF MATERIAL

PAGE 1 of

PART NUMBER **LM 0226769-0001** REV **Y**

QUANTITY PER ASSEMBLY	UNIT OF ISSUE	DWG. SIZE	PART NUMBER	DESCRIPTION	VENDOR PART NUMBER
0001	00001.000	EA	0226770-0001	CARD, PW-ARITHMETIC UNIT	
0002	00006.000	EA	0222222-7400	NETWCRK SN740JN	-SN7400N
0002A				Z0107, Z0315, Z0507, ZC917,	
0002B				Z1114, Z1004	
0003	00003.000	EA	0222222-7402	NETWORK SN7402N	TI- -SN7402N
0003A				Z0621, Z0709, ZC721	
0004	00004.000	EA	0222222-7404	NETWORK SN7404N	
0004A				Z0509, Z0712, Z1104, Z1120	
0005	00001.000	EA	0222222-7405	NETWCRK SN7405N	
0005A				Z0101	
0006	00004.000	EA	0222222-7408	NETWORK-SN7403N	
0006A				Z0206, Z0513, Z1112, Z1301	
0007	00004.000	EA	0222222-7410	NETWCRK SN7410N	-SN7410N
0007A				Z0312, Z0313, Z0919, Z1103	
0008	00001.000	EA	0222222-7413	NETWCRK SN7413N	
0008A				Z0109	
0009	00002.000	EA	0222222-7420	NETWORK SN7420N	-SN7420N
0009A				Z0308, Z1012	
0010	00002.000	EA	0222222-7430	NETWCRK SN7430N	-SN7430N
0010A				Z0301, Z1001	

DRAFTSMAN	DATE	CRD. DRAFTSMAN	DATE	DESIGN ENGINEER	DATE	TITLE
		<i>J. R. ...</i>	3-11-77			CARD ASSY, PW-ARITHMETIC UNIT
APPD. MFG.	DATE	APPD. PROJECT ENGINEER	DATE	RELEASED	DATE	PROJECT NO.
						8100
					PART NUMBER	REV
					LM 0226769-0001	Y

187



INCORPORATED

DATE 03/10/77

LIST OF MATERIAL

PAGE 2 of

PART NUMBER
LM 0226769-0001 REV **Y**

PRINT ITEM NUMBER	QUANTITY PER ASSEMBLY	UNIT OF ISSUE	DWG. SIZE	PART NUMBER	DESCRIPTION	VENDOR PART NUMBER	
C011	00001.000	EA		022222-7440	NETWCRK SN7440N	-SN7440N	
C011A					Z1415		
C012	00003.000	EA		022222-7442	NETWCRK-SN7442N		
C012A					Z0918, Z1322, Z1422		
0013	00001.000	EA		022222-7451	NETWCRK SN7451N	-SN7451N	
0013A					Z1512		
0014	00011.000	EA		022222-7474	NETWCRK SN7474N	-SN7474N	
0014A					Z0203, Z0215, Z0415, Z0504,		
0014B					Z0705, Z0802, Z0804, Z0809,		
0014C					Z1013, Z1102, Z1511		
0015	00001.000	EA		022222-7483	NETWCRK-SN7483N		
0015A					Z0515		
0016	00003.000	EA		022222-7486	NETWCRK-SN7486N		
0016A					Z0512, Z1005, Z1412		
0019	00003.000	EA		022222-7150	NETWCRK SN74150N		
0019A					Z1010, Z1210, Z1212		
C020	00058.000	EA		022222-7151	NETWORK SN74151N		
0020A					Z0201, Z0202, Z0221, Z0222		
0020B					Z0223, Z0302, Z0303, Z0305		
0020C					Z0319, Z0320, Z0322, Z0323		
DRAFTSMAN		DATE	CKD DRAFTSMAN	DATE	DESIGN ENGINEER	DATE	TITLE
							CARD ASSY, PW-ARITHMETIC UNIT
APPD -MFG		DATE	APPD PROJECT ENGINEER	DATE	RELEASED	DATE	PROJECT NO.
						PART NUMBER	REV
						LM 0226769-0001	Y

188



INCORPORATED

DATE 03/10/77

LIST OF MATERIAL

PAGE 3 of

PART NUMBER
LM 0226769-0001 REV
Y

PRINT ITEM NUMBER	QUANTITY PER ASSEMBLY	UNIT OF ISSUE	DWG. SIZE	PART NUMBER	DESCRIPTION	VENDOR PART NUMBER
0020D					Z0402,Z0403,Z0404,Z0420	
0020E					Z0421,Z0422,Z0423,Z0501	
0020F					Z0502,Z0503,Z0521,Z0523	
0020G					Z0601,Z0602,Z0603,Z0614	
0020H					Z0615,Z0623,Z0703,Z0713	
0020J					Z0714,Z0723,Z0803,Z0821	
0020K					Z0822,Z0823,Z0915,Z0922	
0020L					Z1021,Z1023,Z1116,Z1121	
0020M					Z1122,Z1123,Z1215,Z1216	
0020N					Z1218,Z1320,Z1416,Z1417	
0020P					Z1514,Z1515,Z1516.	
0021	00002.000	EA		022222-7153	NETWCRK SN74153N	-SN74153N
0021A					Z0213,Z1003	
0022	00001.000	EA		022222-7154	NETWCRK SN74154N	-SN74154N
0022A					Z0710	
0023	00004.000	EA		022222-7157	NETWCRK SN74157N	
0023A					Z0209,Z0309,Z0410,Z0412	
0024	00016.000	EA		022222-7163	NETWCRK SN74163N	
0024A					Z0210,Z0211,Z0212,Z0311	
0024B					Z0316,Z0317,Z0318,Z0408	
DRAFTSMAN	DATE	CKD. DRAFTSMAN	DATE	DESIGN ENGINEER	DATE	TITLE
						CARD ASSY,PW-ARITHMETIC UNIT
APPD.-MFG.	DATE	APPD. PROJECT ENGINEER	DATE	RELEASED	DATE	PROJECT NO.
						PART NUMBER LM 0226769-0001 REV Y



INCORPORATED

DATE 03/10/77

LIST OF MATERIAL

PAGE 4 of

PART NUMBER
LM 0226769-0001 REV
Y

PRINT ITEM NUMBER	QUANTITY PER ASSEMBLY	UNIT OF ISSUE	DWG. SIZE	PART NUMBER	DESCRIPTION	VENDOR PART NUMBER
0024C					Z0409,Z0411,Z0413,Z0417	
0024D					Z0418,Z0916,Z1017,Z1018	
0025	00004.000	EA		022222-7181	NETWORK SN74181N	
0025A					Z0516,Z0518,Z0716,Z0718	
0026	00001.000	EA		022222-7182	NETWCRK SN74182N	
0026A					Z0620	
0028	00001.000	EA		022222-7193	NETWCRK SA74193N	-SN74193N
0028A					Z1317	
0029	00013.000	EA		022222-7194	NETWCRK SA74194N	TI -SN74194N
0029A					Z0207,Z0208,Z0401,Z0406	
0029B					Z0407,Z0416,Z0510,Z0514	
0029C					Z0704,Z1220,Z1319,Z1418	
0029D					Z1419	
0030	00022.000	EA		024000-7400	NETWORK-SN7400N	
0030A					Z0321,Z0522,Z0622,Z1006	
0030B					Z1019,Z1020,Z1022,Z1106	
0030C					Z1108,Z1109,Z1203,Z1207	
0030D					Z1214,Z1217,Z1306,Z1316	
0030E					Z1403,Z1408,Z1410,Z1414	
0030F					Z1501,Z1508	
DRAFTSMAN	DATE	CKD. DRAFTSMAN	DATE	DESIGN ENGINEER	DATE	TITLE
						CARD ASSY,PW-ARITHMETIC UNIT
APPD.-MFG	DATE	APPD. PROJECT ENGINEER	DATE	RELEASED	DATE	PROJECT NO.
						PART NUMBER LM 0226769-0001
						REV Y

190



INCORPORATED

DATE 03/10/77

LIST OF MATERIAL

PAGE 5 of

PART NUMBER
LM 0226769-0001 REV
Y

PRINT ITEM NUMBER	QUANTITY PER ASSEMBLY	UNIT OF ISSUE	DWG. SIZE	PART NUMBER	DESCRIPTION	VENDOR PART NUMBER			
C031	00020.000	EA		0240000-7404	NETWRK SN74H04N Z0314, Z0707, Z0808, Z0812 Z1007, Z1016, Z1117, Z1219 Z1223, Z1302, Z1305, Z1307 Z1308, Z1405, Z1411, Z1420 Z1421, Z1506, Z1518, Z1519				
0031A									
C031B									
0031C									
0031D									
0031E									
C032	00012.000	EA		0240000-7410	NETWRK-SN74H10N Z0807, Z1107, Z1119, Z1205 Z1206, Z1208, Z1209, Z1309 Z1402, Z1504, Z1505, Z1507				
0032A									
C032B									
0032C									
C033	00011.000	EA		0240000-7411	NETWRK-SN74H11N Z0111, Z0123, Z0204, Z0310 Z0405, Z0414, Z0505, Z0520 Z0702, Z1002, Z1413				
0033A									
C033B									
0033C									
C034	00004.000	EA		0240000-7420	NETWRK-SN74H20N Z1113, Z1204, Z1406, Z1409				
0034A									
C035	00001.000	EA		0240000-7421	NETWORK-SN74H21N Z0511				
0035A									
C036	00004.000	EA		0240000-7430	NETWORK-SN74H30N Z0722, Z1008, Z1009, Z1509				
0036A									
DRAFTSMAN		DATE	CKD. DRAFTSMAN	DATE	DESIGN ENGINEER	DATE	TITLE	CARD ASSY, PW-ARITHMETIC UNIT	
PRD. MFG.		DATE	APPD. PROJECT ENGINEER	DATE	RELEASED	DATE	PROJECT NO.	PART NUMBER LM 0226769-0001 REV Y	

191



PRINT ITEM NUMBER	QUANTITY PER ASSEMBLY	UNIT OF ISSUE	DWG. SIZE	PART NUMBER	DESCRIPTION	VENDOR PART NUMBER	
0037	00009.000	EA		0240000-7440	NETWCRK-SN74F40N		
0037A					Z0116 Z0121 Z0122 Z0218		
0037B					Z0220 Z0921 Z0923 Z1502		
0037C					Z1513		
003E	00012.000	EA		0240000-7451	NETWCRK-SN74F51N		
003EA					Z0903 Z1221 Z1222 Z1318		
003EB					Z1321 Z1323 Z1404 Z1407		
003EC					Z1423 Z1503 Z1520 Z1521		
0039	00001.000	EA		0240000-7452	NETWCRK-SN74H52N		
0039A					Z0110		
0040	00004.000	EA		0240000-7454	NETWORK-SN74H54N		
0040A					Z0708,Z1105,Z1118,Z1510		
0041	00003.000	EA		0240000-7455	NETWCRK-SN74F55N		
0041A					Z0604,Z1303,Z1304		
0042	00009.000	EA		0240000-7474	NETWCRK-SN74F74N		
0042A					Z0102 Z0105 Z0106 Z0113		
0042B					Z0114 Z0216 Z0902 Z1202		
0042C					Z0508		
0043	00004.000	EA		0240000-7103	NETWCRK SN74H103N		
0043A					Z0108,Z0205,Z1304,Z0506		
DRAFTSMAN		DATE	CKD. DRAFTSMAN	DATE	DESIGN ENGINEER	DATE	TITLE
							CARD ASSY,PW-ARITHMETIC UNIT
APPD. MFG.		DATE	APPD. PROJECT ENGINEER	DATE	RELEASED	DATE	PROJECT NO.
						PART NUMBER	REV
						LM 0226769-0001	Y

192



INCORPORATED

DATE 03/10/77

LIST OF MATERIAL

PAGE 7 of

PART NUMBER
LM 0226769-0001 REV **Y**

PRINT ITEM NUMBER	QUANTITY PER ASSEMBLY	UNIT OF ISSUE	DWG. SIZE	PART NUMBER	DESCRIPTION	VENDOR PART NUMBER
0046	0003.000	EA		0539544-0002	SOCKET, 16PIN IC LOW PROFILE SOLDER TAIL	TI -C93-16-02
0046A					XZ0419, XZ0920, XZ0214	
0049	0001.000	EA		0943751-0001	NETWCRK, 960 AU NO. 1	
0049A					Z0120	
0049B					* ALT 226604-0001	
0050	0001.000	EA		0943751-0002	NETWORK, 96C AU NO. 2	
0050A					Z0720	
0050B					* ALT 226604-0002	
0051	0001.000	EA		0943751-0003	NETWCRK, 960 AU NO. 3	
0051A					Z0119	
0051B					* ALT 226604-0003	
0052	0001.000	EA		0943751-0004	NETWORK, 96C AU NO. 4	
0052A					Z0117	
0052B					* ALT 226604-0004	
0053	0001.000	EA		0943751-0005	NETWCRK, 960 AU NO. 5	
0053A					Z0112	
0053B					* ALT 226604-0005	
0054	0001.000	EA		0943751-0006	NETWORK, 96C AU NO. 6	
0054A					Z0217	
0054B					* ALT 226604-0006	
DRAFTSMAN	DATE	CRD. DRAFTSMAN	DATE	DESIGN ENGINEER	DATE	TITLE
						CARD ASSY, PW-ARITHMETIC UNIT
APPD. -MFG.	DATE	APPD. PROJECT ENGINEER	DATE	RELEASED	DATE	PROJECT NO.
						PART NUMBER LM 0226769-0001 REV Y

193



INCORPORATED

DATE 03/10/77

LIST OF MATERIAL

PAGE 8 of

PART NUMBER
LM 0226769-0001 REV **Y**

PRINT ITEM NUMBER	QUANTITY PER ASSEMBLY	UNIT OF ISSUE	DWG. SIZE	PART NUMBER	DESCRIPTION	VENDOR PART NUMBER			
C055	00001.000	EA		0943751-0007	NETWCRK,96C AU NO. 7				
C055A					Z0715				
C055b					* ALT 226604-0007				
C056	00001.000	EA		0943751-0017	NETWORK,96C AU NO. 17				
C056A					Z0115				
C056B					* ALT 226604-0017				
C057	00001.000	EA		0943751-0009	NETWCRK,960 AU NO. 9				
C057A					Z1315				
C057B					* ALT 226604-0009				
C05E	00001.000	EA		0943751-0010	NETWCRK,960 AU NO. 10				
C058A					Z0806				
C058B					* ALT 226604-0010				
C05S	00001.000	EA		0943751-0011	NETWORK,960 AU NO. 11				
C059A					Z1314				
C059B					* ALT 226604-0011				
C060	00001.000	EA		0943751-0012	NETWORK,960 AU NO. 12				
C060A					Z0805				
C060B					* ALT 226604-0012				
C061	00001.000	EA		0943751-0021	NETWCRK,96C AU NO. 21				
C061A					Z1115				
DRAFTSMAN		DATE	CKD. DRAFTSMAN	DATE	DESIGN ENGINEER	DATE	TITLE	CARD ASSY,PW-ARITHMETIC UNIT	
APPD.-MFG.		DATE	APPD. PROJECT ENGINEER	DATE	RELEASED	DATE	PROJECT NO.	PART NUMBER LM 0226769-0001 REV Y	

194



TELETYPE INSTRUMENTS
INCORPORATED

DATE 03/10/77

LIST OF MATERIAL

PAGE 9 of

PART NUMBER
LM 0226769-0001 REV
Y

PRINT ITEM NUMBER	QUANTITY PER ASSEMBLY	UNIT OF ISSUE	DWG. SIZE	PART NUMBER	DESCRIPTION	VENDOR PART NUMBER	
CC61B					* ALT 226604-0021		
0062	00001.000	EA		0943751-0022	NETWCRK,960 AU NO. 22		
C062A					Z0813		
0062B					* ALT 226604-0022		
0063	00001.000	EA		0943751-0020	NETWCRK,960 AU NO. 20		
C063A					Z1014		
0063B					* ALT 226604-0020		
C064	00001.000	EA		0943751-0016	NETWCRK,960 AU NO. 16		
C064A					Z0814		
C064B					* ALT 226604-0016		
0072	00001.000	EA		0972975-0065	RES FIX COMP 4.7 K OHMS 5% 1/8 WATT	QPL - RC05G472JS	
C072A					R01041316		
C073	00001.000	EA		0972975-0033	RES FIX COMP 220 OHMS 5% 1/8 WATT	QPL - RC05G221JS	
C073A					R01031316		
0074	00058.000	EA		0972975-0042	RES FIX COMP 510 OHMS 5% 1/8 WATT	QPL - RC05G511JS	
C074*					74 CON'T ON LAST SHT OF L/M		
C074A					R01180116 R01180215		
C074B					R01180413 R01180512		
C074C					R01180611 R01180710		
C074D					R02190215 R02190314		
DRAFTSMAN		DATE	CKD. DRAFTSMAN	DATE	DESIGN ENGINEER	DATE	TITLE
APPD.-MFG.		DATE	APPD. PROJECT ENGINEER	DATE	RELEASED	DATE	PROJECT NO.
							CARD ASSY,PW-ARITHMETIC UNIT
							PART NUMBER LM 0226769-0001 REV Y

195



INCORPORATED

DATE 03/10/77

LIST OF MATERIAL

PAGE 10 of

PART NUMBER
LM 0226769-0001

REV
Y

PRINT ITEM NUMBER	QUANTITY PER ASSEMBLY	UNIT OF ISSUE	DWG. SIZE	PART NUMBER	DESCRIPTION	VENDOR PART NUMBER	
0074E					R02190413 R02190512		
0074F					R02190611 R02190710		
0074G					R02190809 R03060512		
0074H					R03070116 R03070215		
0074J					R03070413 R07060116		
0074K					R07060215 R07060314		
0074L					R07060413 R07060512		
0074M					R07060710 R07060809		
0074N					R08010215 R08150215		
0074P					R08150314 R08150413		
0074R					R08150512 R08150611		
0074S					R08150710 R08150809		
0074T					R08200215 R08200314		
0074U					R08200611 R08200710		
0074V					R08200809 R09140116		
0074W					R09140215 R09140314		
0074Y					R09140413 R09140512		
0074Z					R09140710 R09140809		
0076	00004.000	EA		0972975-0044	RES FIX COMP 620 OHMS 5 & 1/8 WATT	QPL - RC05G621JS	
0076A					R03070314, R08200116		
DRAFTSMAN		DATE	CKD. DRAFTSMAN	DATE	DESIGN ENGINEER	DATE	TITLE
							CARD ASSY, PW-ARITHMETIC UNIT
APPD.-MFG.		DATE	APPD. PROJECT ENGINEER	DATE	RELEASED	DATE	PROJECT NO.
						PART NUMBER	REV
						LM 0226769-0001	Y

196



INCORPORATED

DATE 03/10/77

LIST OF MATERIAL

PAGE 11 of

PART NUMBER
LM 0226769-0001 REV Y

PRINT ITEM NUMBER	QUANTITY PER ASSEMBLY	UNIT OF ISSUE	DWG. SIZE	PART NUMBER	DESCRIPTION	VENDOR PART NUMBER	
0076B					R01180314, R01180809		
0077	00002.000	EA		0972975-0046	RES FIX COMP 750 OHMS 5 8 1/8 WATT	QPL - RC05G751JS	
0077A					R09140611, R10150710		
0078	00038.000	EA		0972975-0049	RES FIX COMP 1.0 K OHMS 5 8 1/8 WATT	QPL - RC05G102JS	
0078A					R01C30912 R03060116		
0078B					R03C60215 R03060314		
0078C					R03C60413 R03060611		
0078D					R03C60710 R03060809		
0078E					R03C70512 R03070611		
0078F					R03070710 R03070809		
0078G					R08010116 R08010314		
0078H					R08010413 R08010512		
0078J					R08010611 R08010710		
0078K					R08010809 R11010116		
0078L					R11010314 R11010512		
0078M					R11010611 R11010710		
0078N					R12010215 R12010314		
0078P					R12C10413 R12010512		
0078R					R12001611 R12010710		
0078S					R12C10809 R14010116		
DRAFTSMAN		DATE	CKD. DRAFTSMAN	DATE	DESIGN ENGINEER	DATE	TITLE
							CARD ASSY, PW-ARITHMETIC UNIT
APPD.-MFG.		DATE	APPD. PROJECT ENGINEER	DATE	RELEASED	DATE	PROJECT NO.
						PART NUMBER	REV
						LM 0226769-0001	Y

197



INCORPORATED

DATE 03/10/77

LIST OF MATERIAL

PAGE 12 of

PART NUMBER
LM 0226769-0001 REV
Y

PRINT ITEM NUMBER	QUANTITY PER ASSEMBLY	UNIT OF ISSUE	DWG. SIZE	PART NUMBER	DESCRIPTION	VENDOR PART NUMBER	
C07ET					R14010215 R14010413		
C07EU					R14010512 R14010611		
0061	00032.000	EA		0230590-9000	CAP .05 MF 12 V 20. % CER TRANSCAP	ERI -5635-000-Y5FO	
C081A					C01C20809 C01360809		
C081B					C01130809 C01160809		
C081C					C01220809 C02180809		
C081D					C03100809 C03150809		
C081E					C04C50809 C05090809		
C081F					C05130809 C05200809		
C081G					C06040809 C07070809		
C081H					C07120809 C08J40809		
C081J					C09170809 C09210809		
C081K					C10070809 C1012J809		
C081L					C11030809 C11140809		
C081M					C11180809 C12J7J809		
C081N					C12230809 C1305J809		
C081P					C14030809 C14080809		
C081R					C14110809 C14150809		
C081S					C14210809		
0082	00002.000	EA		0972924-0010	CAP FIX TANI SOLID 22 MFD 10 % 15 VOLT QPL	-M39003/1-2271	
DRAFTSMAN		DATE	CKD. DRAFTSMAN	DATE	DESIGN ENGINEER	DATE	TITLE
							CARD ASSY, PW-ARITHMETIC UNIT
APPD.-MFG.		DATE	APPD. PROJECT ENGINEER	DATE	RELEASED	DATE	PROJECT NO.
						PART NUMBER	REV
						LM 0226769-0001	Y

198



INCORPORATED

DATE 03/10/77

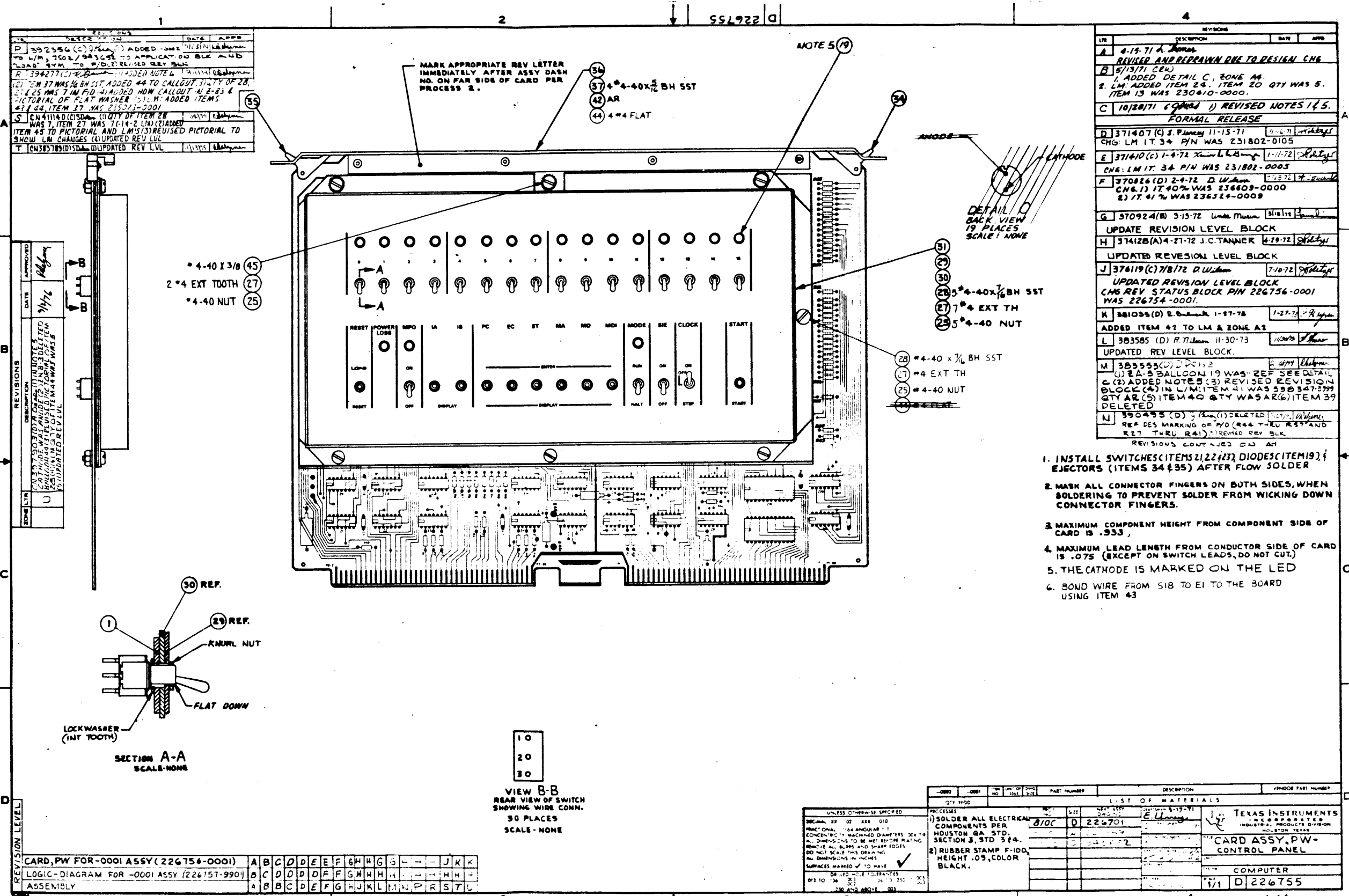
LIST OF MATERIAL

PAGE 13 of

PART NUMBER REV
LM 0226769-0001 Y

PRINT ITEM NUMBER	QUANTITY PER ASSEMBLY	UNIT OF ISSUE	DWG. SIZE	PART NUMBER	DESCRIPTION	VENDOR PART NUMBER
C082A					C010301C8, C01J40108	
0083	00002.000	EA		0972147-0002	CAP 68.00 MF 15V 20% CASE SIZE C	SPR -137D686X001502
C083A					C0701, C0901	
0083B					ALTERNATE PART FOR ITEM 83	
C083C					IS F/N 230855-0001	
0084	00001.000	EA		0153733-0001	DIODE GTD-132 / CGD-949	
C084A					CR0104C912	
0087	00004.000	EA		0972988-0013	SCREW 4-40 X .250 PAN HEAD CRES	
0088	00001.000	EA		0226582-0002	STIFFENER, PW CARDS	
0085	00001.000	EA		0226585-0004	EJECTOR, SYMBOLIZED-ARITHMETIC UNIT #1	
0090	00001.000	EA		0533867-0009	EJECTOR, PCB, NON-LOCKING, GREEN	SCA -S-202 GREEN
C091	REF	EA		0226772-9901	TEST PROCEDURE, ARITHMETIC UNIT	
0092	REF	EA		0226771-9901	SOURCE TAPE, MASTERFILE-960A COMPUTER	
C74AB					R10150116 R10150215	
C74AC					R10150314 R10150413	
C74AD					R10150512 R10150611	
C74AE					R10150809 R11010215	
C74AF					R11010413 R11010809	
C74AG					R12010116 R14010314	
DRAFTSMAN	DATE	CHKD. DRAFTSMAN	DATE	DESIGN ENGINEER	DATE	TITLE
						CARD ASSY, PW-ARITHMETIC UNIT
APPD.-MFG.	DATE	APPD. PROJECT ENGINEER	DATE	RELEASED	DATE	PROJECT NO.
						PART NUMBER REV LM 0226769-0001 Y

199/200



REV	DATE	DESCRIPTION	APPROVED
D	392356 (C)	ADDED -001 TO L/M, 7502/9356 TO APPLICATION BLE AND LADG, 3YM TO B/D; REVISED REV BLK	
R	394277 (C)	ADDED NOTE 4	
(2)	ITEM 37 WAS 1/4 BH SST ADDED 44 TO CALLOUT QUANTITY OF 28		
(3)	ITEM 25 WAS 7 IN FID 4 ADDED NOW CALLOUT IN E-63 & PICTORIAL OF FLAT WASHER (51) H ADDED ITEMS 43 & 44, ITEM 37 WAS 235213-0001		
S	CN41114 (C) QUANTITY OF ITEM 28 WAS 7, ITEM 27 WAS 7-14-2 LIA (3) ADDED		
ITEM 45 TO PICTORIAL AND L/M (3) REVISED PICTORIAL TO SHOW LM CHANGES (4) UPDATED REV LVL			
T	CN38378 (D) (S) (4) UPDATED REV LVL		

REV	DATE	DESCRIPTION	APPROVED
A	4-15-71	A. Thomas REVISED AND RE-DRAWN DUE TO DESIGN CHG	
B	5/13/71	CEW 1. ADDED DETAIL C, ZONE M. 2. LM ADDED ITEM 24, ITEM 20 QTY WAS 5. ITEM 13 WAS 230810-0000.	
C	10/28/71	(C) (S) (1) REVISED NOTES 1 & 5. FORMAL RELEASE	
D	371407 (C)	J. Plummer 11-15-71 CHG: LM IT 34 P/N WAS 231802-0105	
E	371410 (C)	1-4-72 CHG: LM IT 34 P/N WAS 231802-0005	
F	370826 (D)	2-4-72 D. Williams CHG: 1) IT 40% WAS 236609-0000 2) IT 41% WAS 236524-0009	
G	370924 (B)	3-15-72 Update Revision Level Block	
H	374128 (A)	4-27-72 J.C. Tanner Update Revision Level Block	
J	376119 (C)	7/18/72 D. Williams Update Revision Level Block CHG: REV STATUS BLOCK PIN 226756-0001 WAS 226754-0001.	
K	381035 (D)	8-2-72 B. B. B. Update Revision Level Block	
L	383585 (D)	11-30-73 R. T. T. Update Revision Level Block.	
M	385555 (C)	12-1-73 R. A. S. BALLOON 19 WAS REF SEE DETAIL C (2) ADDED NOTES (3) REVISED REVISION BLOCK (4) IN L/M; ITEM 41 WAS 552347-3799 QTY AR (5) ITEM 40 QTY WAS AR (6) ITEM 39 DELETED	
N	390455 (D)	3-1-74 (1) DELETED (2) REF DES MARKING OF P/D (R44 THRU R57) AND R27 THRU R41) (3) REVISED REV BLK REVISIONS CONTAINED ON AN	

- INSTALL SWITCHES (ITEMS 21, 22 & 23), DIODES (ITEM 19), & EJECTORS (ITEMS 34 & 35) AFTER FLOW SOLDER
- MASK ALL CONNECTOR FINGERS ON BOTH SIDES, WHEN SOLDERING TO PREVENT SOLDER FROM WICKING DOWN CONNECTOR FINGERS.
- MAXIMUM COMPONENT HEIGHT FROM COMPONENT SIDE OF CARD IS .333,
- MAXIMUM LEAD LENGTH FROM CONDUCTOR SIDE OF CARD IS .075 (EXCEPT ON SWITCH LEADS, DO NOT CUT.)
- THE CATHODE IS MARKED ON THE LED
- BOND WIRE FROM S18 TO E1 TO THE BOARD USING ITEM 43

CARD, PW FOR -0001 ASSY (226754-0001)	A	B	C	D	E	F	G	H	I	J	K	L	M	N	O	P	Q	R	S	T	U
LOGIC-DIAGRAM FOR -0001 ASSY (226757-9901)	B	C	D	D	D	D	F	G	H	H	H	H	H	H	H	H	H	H	H	H	H
ASSEMBLY	A	B	C	D	E	F	G	H	I	J	K	L	M	N	P	R	S	T	U	V	W

QTY	UNIT	DESCRIPTION	VENDOR PART NUMBER
1	PCB	1) SOLDER ALL ELECTRICAL COMPONENTS PER HOUSTON 8A STD. SECTION 8, STD 314.	
1	PCB	2) RUBBER STAMP F-100, HEIGHT .03, COLOR BLACK.	
1	PCB	TEXAS INSTRUMENTS INCORPORATED INDUSTRIAL PRODUCTS DIVISION HOUSTON, TEXAS	
1	PCB	CARD ASSY, PW-CONTROL PANEL	
1	PCB	COMPUTER	
1	PCB	226755	



INCORPORATED

DATE 02/27/76

LIST OF MATERIAL

PAGE 1 of

PART NUMBER
LM 226755-0001 REV
U

PRINT ITEM NUMBER	QUANTITY PER ASSEMBLY	UNIT OF ISSUE	DWG. SIZE	PART NUMBER	DESCRIPTION	VENDOR PART NUMBER	
C001	000C1.CCC	EA		226756-C001	CARC,PW-CONTROL PANEL		
C002	J00C5.CCC	EA		222222-7402	NETWORK SN7402N	TI--SN7402N	
C002A					Z1 Z2 Z5 Z11 Z12		
C003	000C3.CCC	EA		222222-7405	NETWCRK SN7405N		
C003A					Z10 Z18 Z20		
C004	000C2.CCC	EA		222222-7413	NETWORK SN7413N		
C004A					Z8 Z16		
C005	000C2.CCC	EA		222222-7430	NETWORK SN7430N	-SN7430N	
C005A					Z14 Z15		
C006	00002.000	EA		222222-7198	NETWCRK SN74198N		
C006A					Z9 Z19		
C007	000C1.CCC	EA		2400C0-7400	NETWCRK-SN74H00N		
C007A					Z6		
C008	000C3.CCC	EA		2400C0-7404	NETWCRK SN74H04N		
C008A					Z3 Z4 Z13		
C009	000C1.CCC	EA		2400C0-7410	NETWCRK-SN74H10N		
C009A					Z7		
C010	J00C1.CCC	EA		2400C0-7474	NETWCRK-SN74H74N		
C010A					Z17		
O012	00001.000	EA		972924-C011	CAP FIX TANT SOLID 68 MFD 10 ± 15 VOLT	QPL-M39003/1-2274	
DRAFTSMAN		DATE	CKD. DRAFTSMAN	DATE	DESIGN ENGINEER	DATE	TITLE
			<i>R. G. G. 3/1/76</i>				CARD ASSY, PW-CONTROL PANEL
APPD. MFG.		DATE	APPD. PROJECT ENGINEER	DATE	RELEASED	DATE	PROJECT NO.
							8100
						PART NUMBER	REV
						LM 226755-0001	U

203



INCORPORATED

DATE 02/27/76

LIST OF MATERIAL

PAGE 2 of

PART NUMBER
LM 226755-0001
REV
U

PRINT ITEM NUMBER	QUANTITY PER ASSEMBLY	UNIT OF ISSUE	DWG. SIZE	PART NUMBER	DESCRIPTION	VENDOR PART NUMBER	
C012A					C1		
0013	00005.000	EA		230590-9000	CAP .05 MF 12 V 20. % CER TRANSCAP	ERI-5635-000-Y5F0503M	
C013A					C5 C6 C7 C8 C9		
0014	00003.000	EA		972924-0010	CAP FIX TANT SOLID 22 MFD 10 % 15 VOLT	QPL-M39003/1-2271	
C014A					C2 C3 C4		
0015	00019.000	EA		972946-0046	RES FIX 160 OHM 5 % .25 W CARBON FILM	ROH- R-25	
C015A					R25 R42 THRU R59		
0016	00018.000	EA		972946-0041	RES FIX 100 OHM 5 % .25 W CARBON FILM	ROH- P-25	
C016A					R1 THRU R16 R20 R21		
0017	00019.000	EA		972946-0075	RES FIX 2.7K OHM 5 % .25 W CARBON FILM	ROH- R-25	
C017A					R23 R24 R26 THRU R41 R60		
0018	00003.000	EA		972946-0049	RES FIX 220 OHM 5 % .25 W CARBON FILM	ROH- R-25	
C018A					R18 R19 R22		
0019	00019.000	EA		226609-0001	DIODE, VISIBL LIGHT EMITTING		
C019A					CR1 THRU CR19		
0020	00002.000	EA		232671-1125	PIN FORMEC .058 DIA GOLD PLATED	AMP-61184-1	
C020A					E45, E46		
0021	00019.000	EA		226588-0001	SWITCH, TOGGLE-SPDT CN-NONE-CN		
C021A					S1 THRU S16 S18 S27 S28		
0022	00010.000	EA		226588-0002	SWITCH, TOGGLE-SPDT (CN)-OFF-(CN)		
DRAFTSMAN		DATE	CKD. DRAFTSMAN	DATE	DESIGN ENGINEER	DATE	TITLE
							CARD ASSY, PW-CONTROL PANFL
APPD. MFG.		DATE	APPD. PROJECT ENGINEER	DATE	RELEASED	DATE	PROJECT NO.
						PART NUMBER	REV
						LM 226755-0001	U

204



INCORPORATED

DATE 02/27/76

LIST OF MATERIAL

PAGE 3 of

PART NUMBER	REV
LM 226755-0001	U

PRINT ITEM NUMBER	QUANTITY PER ASSEMBLY	UNIT OF ISSUE	DWG. SIZE	PART NUMBER	DESCRIPTION	VENDOR PART NUMBER		
C022A					S17 S19 S20 S21 THRU S26 S30			
C023	00001.000	EA		226588-C003	SWITCH, TOGGLE-SPDT ON-OFF-(ON)			
C023A					S29			
C024	00002.000	EA		232671-1100	PIN RECEIPT REVERSE REEL STRIP FORM	AMP-60888-2		
C025	00007.000	EA		416453-C021	NUT, PLAIN, 4-40 UNC-2B HEX, CRES, SMALL	QPL- NAS671-C4		
C027	00010.000	EA		411101-0057	LOCKWASHER # 4 EXTERNAL TOOTH CRES	QPL- MS35335-57		
C028	00006.000	EA		972588-C016	SCREW 4-40 X .438 PAN HEAD CRES			
C029	00001.000	EA		226535-C001	PANEL, SYMBOLIZED			
C030	00001.000	EA		226537-0001	INSULATOR, CONTROL PANEL	01+00+03		
C031	00001.000	EA		226536-C001	FRAME, CONTROL PANEL	01+00+05		
C032	REF	EA		226757-9901	DIAGRAM, LOGIC-CONTROL PANEL			
C033	REF	EA		226758-9901	TEST PROCEDURE, CONTROL PANEL			
C034	00001.000	EA		533887-0009	EJECTOR, PCB, NON-LOCKING, GREEN	SCA-S-202 GREEN		
C035	00000.000	EA		226585-0001	EJECTOR, SYMBOLIZED-CONTROL PANEL			
C036	00001.000	EA		226583-0001	STIFFENER, CONTROL PANEL	01+00+05		
C037	00004.000	EA		972988-0014	SCREW 4-40 X .312 PAN HEAD CRES			
C038	REF	EA		226584-9901	WIRE LIST, PT-TO-PT-CONTROL PANEL			
C040	00002.000	FT		411400-C020	WIRE #20 ELECTRO-TIN-PLATED, COPPER			
C041	00007.000	FT		417836-C006	WIRE FOCKLP B-22 AWG SOLID WHITE	JUD- HH0113		
C042	AR	EA		235182-C002	LOCTITE SEALANT GRADE 242	LOC--242		
DRAFTSMAN		DATE	CKD. DRAFTSMAN	DATE	DESIGN ENGINEER	DATE	TITLE	
							CARD ASSY, PW-CONTROL PANEL	
APPD. MFG		DATE	APPD. PROJECT ENGINEER	DATE	RELEASED	DATE	PROJECT NO.	PART NUMBER
								LM 226755-0001
								REV U

205



INCORPORATED

DATE 02/27/76

LIST OF MATERIAL

PAGE 4 of

PART NUMBER
LM 226755-0001

REV
U

PRINT ITEM NUMBER	QUANTITY PER ASSEMBLY	UNIT OF ISSUE	DWG. SIZE	PART NUMBER	DESCRIPTION	VENDOR PART NUMBER
C043	AR	EA		417486-C004	COMPOUND SILICON RTV TRANSLUCENT	COR- 3144
C044	00004.000	EA		411027-C804	WASHER .125 X .312 X .032 FLAT CRES	QPL- MS15795-804
C045	00001.000	EA		972988-0015	SCREW 4-40 X .375 PAN HEAD CRES	

DRAFTSMAN	DATE	CKD. DRAFTSMAN	DATE	DESIGN ENGINEER	DATE	TITLE
						CARD ASSY, PW-CONTROL PANEL
APPD. MFG.	DATE	APPD. PROJECT ENGINEER	DATE	RELEASED	DATE	PROJECT NO.

PART NUMBER
LM 226755-0001

REV
U



INCORPORATED

DATE 02/27/76

LIST OF MATERIAL

PAGE 1 of

PART NUMBER	REV
LM 226755-0002	U

PRINT ITEM NUMBER	QUANTITY PER ASSEMBLY	UNIT OF ISSUE	DWG. SIZE	PART NUMBER	DESCRIPTION	VENDOR PART NUMBER
C001	00001.000	EA		226756-0001	CARD, PW-CONTROL PANEL	
C002	00005.000	EA		222222-7402	NETWCRK SN7402N	TI--SN7402N
C002A					Z1 Z2 Z5 Z11 Z12	
C003	00003.000	EA		222222-7405	NETWCRK SN7405N	
C003A					Z10 Z18 Z20	
C004	00002.000	EA		222222-7413	NETWCRK SN7413N	
C004A					Z8 Z16	
C005	00002.000	EA		222222-7430	NETWCRK SN7430N	-SN7430N
C005A					Z14 Z15	
C006	00002.000	EA		222222-7158	NETWCRK SN74198N	
C006A					Z9 Z19	
C007	00001.000	EA		240000-7400	NETWCRK-SN74H00N	
C007A					Z6	
C008	00003.000	EA		240000-7404	NETWCRK SN74H04N	
C008A					Z3 Z4 Z13	
C009	00001.000	EA		240000-7410	NETWCRK-SN74H10N	
C009A					Z7	
C010	00001.000	EA		240000-7474	NETWCRK-SN74H74N	
C010A					Z17	
C012	00001.000	EA		972924-0011	CAP FIX TANT SOLID 68 MFD 10 % 15 VOLT	QPL-M39003/1-2274
DRAFTSMAN	DATE	CKD. DRAFTSMAN	DATE	DESIGN ENGINEER	DATE	TITLE
						CONTROL PANEL, 960B
APPD. -MFG.	DATE	APPD. PROJECT ENGINEER	DATE	RELEASED	DATE	PROJECT NO.
						PART NUMBER
						LM 226755-0002
						REV
						U



INCORPORATED

DATE 02/27/76

LIST OF MATERIAL

PAGE 2 of

PART NUMBER	REV
LM 226755-0002	U

PRINT ITEM NUMBER	QUANTITY PER ASSEMBLY	UNIT OF ISSUE	DWG. SIZE	PART NUMBER	DESCRIPTION	VENDOR PART NUMBER	
C012A					C1		
0013	00005.CCC	EA		230590-9CC0	CAP .05 MF 12 V 20. % CER TRANSCAP	ERI-5635-000-Y5F0503M	
C013A					C5 C6 C7 C8 C9		
0014	00003.000	EA		972924-0010	CAP FIX TANT SOLID 22 MFD 10 % 15 VOLT	QPL-M39003/1-2271	
C014A					C2 C3 C4		
C015	00019.CCC	EA		972946-C046	RES FIX 160 OHM 5 % .25 W CARBON FILM	ROH- R-25	
C015A					R25 R42 THRU R59		
0016	00018.000	EA		972946-0041	RES FIX 100 OHM 5 % .25 W CARBON FILM	ROH- R-25	
C016A					R1 THRU R16 R20 R21		
C017	00019.000	EA		972946-C075	RES FIX 2.7K OHM 5 % .25 W CARBON FILM	ROH- R-25	
C017A					R23 R24 R26 THRU R41 R60		
C018	00003.000	EA		972946-C049	RES FIX 220 OHM 5 % .25 W CARBON FILM	ROH- R-25	
C018A					R18 R19 R22		
0019	00019.000	EA		226609-C001	DIOCE,VISIBLE LIGHT EMITTING		
C019A					CR1 THRU CR19		
C020	00002.CCC	EA		232671-1125	PIN FORMEC .058 DIA GOLD PLATED	AMP-61184-1	
C020A					E45 E46		
C021	00019.CCC	EA		226588-C001	SWITCH,TOGGLE-SPDT ON-NONE-ON		
C021A					S1 THRU S16 S18 S27 S28		
C022	00010.CCC	EA		226588-C002	SWITCH,TOGGLE-SPDT (ON)-OFF-(ON)		
DRAFTSMAN		DATE	CKD. DRAFTSMAN	DATE	DESIGN ENGINEER	DATE	TITLE
							CONTROL PANEL, 960B
APPD. MFG.		DATE	APPD. PROJECT ENGINEER	DATE	RELEASED	DATE	PROJECT NO.
						PART NUMBER	REV
						LM 226755-0002	U

208



INCORPORATED

DATE 02/27/76

LIST OF MATERIAL

PAGE 3 of

LM 226755-0C02	PART NUMBER
	REV U

PRINT ITEM NUMBER	QUANTITY PER ASSEMBLY	UNIT OF ISSUE	DWG. SIZE	PART NUMBER	DESCRIPTION	VENDOR PART NUMBER	
C022A					S17 S19 S20 S21 THRU S26 S30		
0023	0C001.000	EA		226588-0003	SWITCH, TOGGLE-SPDT ON-OFF-(CN)		
C023A					S29		
C024	0C002.000	EA		232671-1100	PIN RECEIPT REVERSE REEL STRIP FORM	AMP-60888-2	
C025	0C007.000	EA		416453-0021	NUT, PLAIN, 4-40 UNC-2B HEX, CRES, SMALL	QPL- NAS671-C4	
C027	00010.000	EA		4111C1-0057	LOCKWASHER # 4 EXTERNAL TOOTH CRES	QPL- MS35335-57	
C028	0C006.000	EA		972988-0016	SCREW 4-40 X .438 PAN HEAD CRES		
C029	0C001.000	EA		943702-0001	PANEL, SYMBOLIZED		
C030	0C001.000	EA		226537-0001	INSULATOR, CONTROL PANEL	01+00+03	
C031	0C001.000	EA		943703-0001	FRAME, CONTROL PANEL		
C032	REF	EA		226757-9901	DIAGRAM, LOGIC-CONTROL PANEL		
C033	REF	EA		226758-9901	TEST PROCEDURE, CONTROL PANEL		
C034	0C001.000	EA		533887-0009	EJECTOR, PCB, NON-LOCKING, GREEN	SCA-S-202 GREEN	
C035	0C001.000	EA		226585-0001	EJECTOR, SYMBOLIZED-CONTROL PANEL		
C036	0C001.000	EA		226583-0001	STIFFENER, CONTROL PANEL	01+00+05	
C037	0C004.000	EA		972988-0014	SCREW 4-40 X .312 PAN HEAD CRES		
0038	REF	EA		226584-9901	WIRE LIST, PT-TO-PT-CONTROL PANEL		
C040	00002.000	FT		411400-0020	WIRE #20 ELECTRO-TIN-PLATED, COPPER		
0041	00007.000	FT		417836-0006	WIRE FCGKLP B-22 AWG SOLID WHITE	JUD- HH0113	
C042	AR	EA		235182-0002	LOCTITE SEALANT GRADE 242	LOC--242	
DRAFTSMAN		DATE	CKD. DRAFTSMAN	DATE	DESIGN ENGINEER	DATE	TITLE
							CONTROL PANEL, 960B
APPD. MFG.		DATE	APPD. PROJECT ENGINEER	DATE	RELEASED	DATE	PROJECT NO.
						PART NUMBER	REV
						LM 226755-0002	U



INCORPORATED

DATE 02/27/76

LIST OF MATERIAL

PAGE 4 of

PART NUMBER	REV
LM 226755-0002	U

PRINT ITEM NUMBER	QUANTITY PER ASSEMBLY	UNIT OF ISSUE	DWG. SIZE	PART NUMBER	DESCRIPTION	VENDOR PART NUMBER
0043	AR	EA		417486-CC04	CCMPOLND SILICON RTV TRANSLUCENT	COR- 3144
0044	00004.000	EA		411027-C804	WASHER .125 X .312 X .032 FLAT CRES	QPL- MS15795-804
0045	00001.000	EA		972588-0015	SCREW 4-40 X .375 PAN HEAD CRES	

DRAFTSMAN	DATE	CKD. DRAFTSMAN	DATE	DESIGN ENGINEER	DATE	TITLE
						CONTROL PANEL, 960B
APPD. -MFG.	DATE	APPD. PROJECT ENGINEER	DATE	RELEASED	DATE	PROJECT NO.

PART NUMBER	REV
LM 226755-0002	U

PROJ NO.	SIZE	NEXT ASSY DWG NO.	REVISIONS			
			LTR	DESCRIPTION	DATE	APPD
8100	D	226755				
7502	D	226755	A	5/13/71 CRW 1. SH 2, WIRE # 2 THRU 16 & 18 THRU 24, UNDER REMARKS DELETED "INSULATE WITH ITEM 39." 2. SH 3, WIRE # 25 THRU 29, UNDER REMARKS DELETED "INSULATE WITH ITEM 39." 3. SH 3 WIRE # 30 WAS # 18 BUS/AR/GRD/S19-2/S18-2 DELETED WIRE # 31 WAS # 18 BUS/AR/GRD/S18-2/S17-2. 4. ADDED WIRE NO'S 70 THRU 74 & SH 5.		
FORMAL RELEASE						
			B	370926 (D) 2-4-72 D. Wilson CHG 1) WRES NO. 1 THRU 29 & 32 WAS # 18 BUS. 2) WIRES NO. 30 & 33 THRU 74 WAS WHT PVC.	-	-
			C	376119 (C) 7/8/72 D. Wilson CHG: SH 3 WIRE # 32 S17-2 WAS CONN TO E4, DELETED: SH 3 WIRE # 32 WAS SIGNATURE 'GRD'.	7-10-72	Politzky
			D	CN388971 (D) L. Henry	11/31/74	L. Delgenere
REV						
SUPL SHEET						
REV						
SHEET						
REV STATUS OF SHEETS	REV SHEET	D	D	D	B	B
		1	2	3	4	5
DR.	APPD	TITLE		TEXAS INSTRUMENTS INCORPORATED INDUSTRIAL PRODUCTS DIVISION HOUSTON, TEXAS		REV
CKD	APPD	WIRE LIST, POINT-TO-POINT		SCALE NONE	SIZE	D
ENGR	RELEASE	CONTROL PANEL		NONE	226584	D
				A	SHEET 1 OF 5	

42

T-13210

WIRE NO.	DESCRIPTION	TOTAL LENGTH	SIGNATURE	COMPONENT CONNECTION FOR START STATION	COMPONENT CONNECTION FOR FINISH STATION	REMARKS	N/A LM ITEM NO.
1	#20BUS	AR	GRD	E7	S16-2		40
2	↑	↑	↑	S16-2	S15-2		↑
3	↑	↑	↑	S15-2	S14-2		↑
4	↑	↑	↑	S14-2	S13-2		↑
5	↑	↑	↑	S13-2	S12-2		↑
6	↑	↑	↑	S12-2	S11-2		↑
7	↑	↑	↑	S11-2	S10-2		↑
8	↑	↑	↑	S10-2	S9-2		↑
9	↑	↑	↑	S9-2	S8-2		↑
10	↑	↑	↑	S8-2	S7-2		↑
11	↑	↑	↑	S7-2	S6-2		↑
12	↑	↑	↑	S6-2	S5-2		↑
13	↑	↑	↑	S5-2	S4-2		↑
14	↑	↑	↑	S4-2	S3-2		↑
15	↑	↑	↑	S3-2	S2-2		↑
16	↑	↑	↑	S2-2	S1-2		↑
17	↓	↓	↓	S1-2	E6		↓
18	#20BUS	AR		E5	S30-2		40
19	↑	↑	↑	S30-2	S29-2		↑
20	↑	↑	↑	S29-2	S28-2		↑
21	↑	↑	↑	S28-2	S27-2		↑
22	↑	↑	↑	S27-2	S26-2		↑
23	↓	↓	↓	S26-2	S25-2		↓
24	#20BUS	AR	GRD	S25-2	S24-2		40


TEXAS INSTRUMENTS
 INCORPORATED
 INDUSTRIAL PRODUCTS DIVISION
 HOUSTON, TEXAS

A
 226584
 SHEET 2

REV

WIRE NO.	DESCRIPTION	TOTAL LENGTH	SIGNATURE	COMPONENT CONNECTION FOR START STATION	COMPONENT CONNECTION FOR FINISH STATION	REMARKS	N/A LM ITEM NO.
25	#20BUS	AR	GRD	S24-2	S23-2		40
26				S23-2	S22-2		
27				S22-2	S21-2		
28				S21-2	S20-2		
29	#20 BUS		GRD	S20-2	S19-2		40
30	#22 WHT IPVC		LOCK	S18-2	E1		41
31							
32	#20BUS	AR	LOCK	S17-2	S18-2		40
33	#22 WHT IPVC	AR	CONS00	S1-1	E8		41
34			CONS01	S2-1	E9		
35			CONS02	S3-1	E10		
36			CONS03	S4-1	E11		
37			CONS04	S5-1	E12		
38			CONS05	S6-1	E13		
39			CONS06	S7-1	E14		
40			CONS07	S8-1	E15		
41			CONS08	S9-1	E16		
42			CONS09	S10-1	E17		
43			CONS10	S11-1	E18		
44			CONS11	S12-1	E19		
45			CONS12	S13-1	E20		
46			CONS13	S14-1	E21		
47			CONS14	S15-1	E22		
48	#22 WHT IPVC	AR	CONS15	S16-1	E23		41


TEXAS INSTRUMENTS
 INCORPORATED
 INDUSTRIAL PRODUCTS DIVISION
 HOUSTON, TEXAS

A

SHEET 3
 226584

REV

WIRE NO.	DESCRIPTION	TOTAL LENGTH	SIGNATURE	COMPONENT CONNECTION FOR START STATION	COMPONENT CONNECTION FOR FINISH STATION	REMARKS	N/A LM ITEM NO.
49	#22 WHT IPVC	AR	RESETSW	S17-1	E24		41
50			MPOSW	S18-3	E25		
51			IADSW	S19-1	E26		
52			IBDSW	S20-1	E27		
53			PCDSW	S21-1	E28		
54			PCESW	S21-3	E29		
55			ECDSW	S22-1	E30		
56			ECESW	S22-3	E31		
57			STDSW	S23-1	E32		
58			STESW	S23-3	E33		
59			MADSW	S24-1	E34		
60			MAESW	S24-3	E35		
61			MDDSW	S25-1	E36		
62			MDESW	S25-3	E37		
63			MDIDSW	S26-1	E38		
64			MDIESW	S26-3	E39		
65			MODESW	S27-1	E40		
66			SIESW	S28-1	E41		
67			CLKSW	S29-1	E42		
68			STERSW	S29-3	E43		
69			STARTSW	S30-1	E44		
70			STARTSW	S30-1	S30-3		
71			RESETSW	S17-1	S17-3		
72	#22 WHT IPVC	AR	IADSW	S19-1	S19-3		41


TEXAS INSTRUMENTS
 INCORPORATED
 INDUSTRIAL PRODUCTS DIVISION
 HOUSTON, TEXAS

A

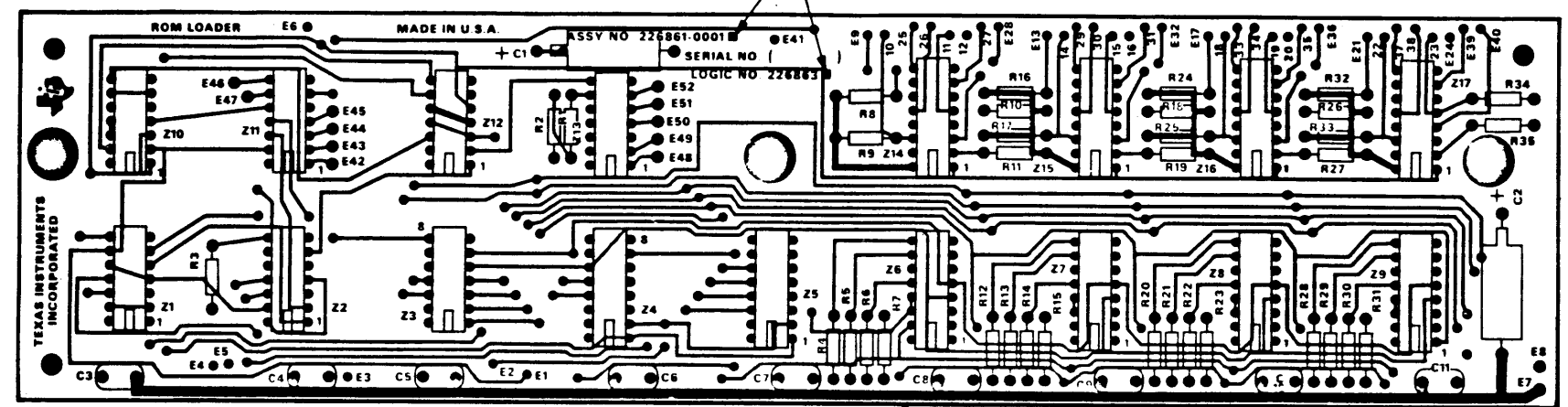
SHEET
 226584
 4

REV

NOTES:
 1. MAXIMUM COMPONENT HEIGHT FROM COMPONENT SIDE OF BOARD IS .312
 1. ADDED IT. 15#15A TO LIM
 2. MAXIMUM LEAD LENGTH FROM CONDUCTOR SIDE OF BOARD IS .075

REV	DESCRIPTION	DATE	APP
A	373610(C) 7/26/72 1. ADDED IT. 15#15A TO LIM	9/26/72	W. J. ...
B	372371(E) 3/20/73 (1) ON L.M. ITEM 11 P/N WAS 22604-0023, NETWORK WAS SN38049; ITEM 12 P/N WAS 22604-0024, NETWORK WAS SN38050; ITEM 13 P/N WAS 22604-0025, NETWORK WAS SN38051; ITEM 14 P/N WAS 22604-0026, NETWORK WAS SN38052	4/13/73	W. J. ...
C	386299 (E) 11-26-73 1) ON L.M. ITEM 24 WAS P/N 230655-0001 2) ON L.M. ADDED ITEM 24 B & C	11/30/73	W. J. ...
D	388968 (D) 2/2/74 ED-0002 L.M. THE SAME AS -0001 EXCEPT FOR ITEMS 11, 12, 13 & 14. ADDED DASH AND TABLE	2/2/74	W. J. ...
E	400583 (C) 4/11/75 P/N WAS 539544-0001 (2) UPDATED REV LEVEL BLOCK	4/11/75	W. J. ...
F	383789 (D) 11/5/75 UPDATED REV LEVEL BLOCK	11/5/75	W. J. ...
G	412933 (C) 9/21/76 ITEM 11B THRU 14B TO LIM (2) UPDATED REV LEVEL BLOCK	9/21/76	W. J. ...
H	412261 (C) 11/4/76 REV LEVEL BLOCK (NOTE 2.075 WAS 0.02)	11/4/76	W. J. ...
J	415961 (C) 11/13/76 PER EXTENSIVE ENGR CHANGES (2) UPDATED REV LEVEL BLOCK	11/13/76	W. J. ...

MARK APPROPRIATE REVISION LETTER PER REVISION LEVEL BLOCK



PART NUMBER	DESCRIPTION
226861-0002	ROM LOADER, 960-3330
226861-0001	ROM LOADER

REVISION LEVEL	DESCRIPTION	A	B	C	D	E	F	G	H	J
1	BOARD FOR -0001 ASSEMBLY (226862-0001)	*	A	A	A	A	B	B	B	B
2	LOGIC DIAGRAM FOR -0001 ASSEMBLY (226863-9901)	*	A	A	B	B	B	B	B	B
3	ASSEMBLY	*	A	B	C	D	E	F	G	H

PROCESS	QTY REQD	DESCRIPTION	VENDOR PART NUMBER
UNLESS OTHERWISE SPECIFIED DECIMAL .02 & .01 FRACTIONAL 3/64 ANGULAR & 1/8 CONVENTION: MACHINED DIMENSIONS .001 IN ALL DIMENSIONS TO BE MET BEFORE PLATING REMOVE ALL BURRS AND SHARP EDGES DO NOT SCALE THIS DRAWING ALL DIMENSIONS IN INCHES SURFACES MARKED ✓ TO HAVE DRILLED HOLE TOLERANCES .013 TO .125 ± .003 .130 TO .250 ± .004 .250 AND ABOVE ± .004	11	SOLDER ALL ELEC COMPONENTS PER F-124 AND/OR F-127 RUBBER STAMP PER F-100, HEIGHT .09, COLOR BLACK	
PROCESS	QTY REQD	DESCRIPTION	VENDOR PART NUMBER
8100 D	226859	ROM LOADER	TEXAS INSTRUMENTS INCORPORATED INDUSTRIAL PRODUCTS DIVISION HOUSTON, TEXAS
		COMPUTER	
		2/1 D	226861



TEXAS INSTRUMENTS
INCORPORATED

DATE 10/11/7

LIST OF MATERIAL

PAGE 3 of

PART NUMBER	REV
LM226861 -0001	J

PRINT ITEM NUMBER	QUANTITY PER ASSEMBLY	UNIT OF ISSUE	DWG. SIZE	PART NUMBER	DESCRIPTION	VENDOR PART NUMBER	
0019A					R2		
0022	00009.000	EA		230590 -9000	CAP .05 MF 12 V 20. % CFR TRANSCAP	ERI-5635-000-Y5F0503M	
0022A					C3 THRU C11		
0023	00001.000	EA		972924 -0019	CAP FIX TANT SOLID 22 MFD 10 % 35 VOL	OPL-M39003/1-2306	
0023A					C1		
0024	00001.000	EA		972147 -0002	CAP 68.00 MF 15V 20% CASE SIZE C	SPR-1370686X0015C2	
0024A					C2		
0024B					ALTERNATE PART FOR ITEM 24		
0024C					IS P/N 23C855-0J01		
0025	REF	EA		226863 -9901	DIAGRAM, LOGIC DET, RCM LOADER		
DRAFTSMAN		DATE	CKD. DRAFTSMAN	DATE	DESIGN ENGINEER	DATE	TITLE
							RCM LOADER
APPD. MFG.		DATE	APPD. PROJECT ENGINEER	DATE	RELEASED	DATE	PROJECT NO.
						PART NUMBER	REV
						LM226861 -0001	J



INCORPORATED

DATE 10/11/77

LIST OF MATERIAL

PAGE 1 of

PART NUMBER
LM226861 -0002REV
J

PRINT ITEM NUMBER	QUANTITY PER ASSEMBLY	UNIT OF ISSUE	DWG. SIZE	PART NUMBER	DESCRIPTION	VENDOR PART NUMBER			
0001	0001.000	EA		226862 -0001	PW BOARD,ROM LOADER				
0002	00001.000	EA		222222 -7400	NETWCRK SN7400N	-SN7400N			
0002A					Z1				
0003	00001.000	EA		222222 -7404	NETWORK SN7404N				
0003A					Z11				
0004	00001.000	EA		222222 -7410	NETWCRK SN7410N	-SN7410N			
0004A					Z10				
0005	00001.000	EA		240000 -7411	NETWORK-SN74H11N				
0005A					Z2				
0006	00001.000	EA		222222 -7413	NETWORK SA7413N				
0006A					Z13				
0007	00001.000	EA		222222 -7430	NETWCRK SN7430N	-SN7430N			
0007A					Z3				
0008	00001.000	EA		222222 -7474	NETWORK SN7474N	-SN7474N			
0008A					Z12				
0009	00004.000	EA		222222 -7157	NETWORK SN74157N				
0009A					Z14 Z15 Z16 Z17				
0010	00002.000	EA		222222 -7163	NETWORK SN74163N				
0010A					Z4 Z5				
0011	00001.000	EA		942565 -0005	NETWORK, 560 LDR PROM-33301				
DRAFTSMAN		DATE	CKD DRAFTSMAN	DATE	DESIGN ENGINEER	DATE	TITLE	PCM LOADER, 960-3330	
APPD -MFG.		DATE	APPD. PROJECT ENGINEER	DATE	RELEASED	DATE	PROJECT NO.	PART NUMBER	REV
								LM226861 -0002	J

222



INCORPORATED

DATE 10/11/77

LIST OF MATERIAL

PAGE 2 of

PART NUMBER **LM226861 -0002** REV **J**

PRINT ITEM NUMBER	QUANTITY PER ASSEMBLY	UNIT OF ISSUE	DWG. SIZE	PART NUMBER	DESCRIPTION	VENDOR PART NUMBER
0011A					Z6	
0012	00001.000	EA		942565 -0006	NETWORK, 960 LDR PROM-33302	
0012A					Z7	
0013	00001.000	EA		942565 -0007	NETWORK, 560 LDR PROM-33303	
0013A					Z8	
0014	00001.000	EA		942565 -0008	NETWORK, 560 LDR PROM-33304	
0014A					Z9	
0015	00004.000	EA		539544 -0002	SOCKET, 16PIN IC LOW PROFILE SOLDER TAIL	TI -C93-16-02
0015A					XZ6, XZ7, XZ8, XZ9	
0016	00001.000	EA		972946 -0039	RES FIX 82.0 OHMS 5 % .25 W CARBON FILM	POH- F-25
0016A					R3	
0017	00001.000	EA		972946 -0049	RES FIX 220 OHM 5 % .25 W CARBON FILM	POH- R-25
0017A					R1	
0018	00032.000	EA		972946 -0057	RES FIX 470 OHM 5 % .25 W CARBON FILM	POH- R-25
0018A					R4 THRU R35	
0019	00001.000	EA		972946 -0075	RES FIX 2.7K OHM 5 % .25 W CARBON FILM	POH- R-25
0019A					R2	
0022	00009.000	EA		230590 -9000	CAP .05 MF 12 V 20. % CER TRANSCAP	FRI-5635-000-Y5F0503M
0022A					C3 THRU C11	
0023	00001.000	EA		972924 -0019	CAP FIX TANT SOLID 22 MFD 10 % 35 VOLT	QPL-M39003/1-2306
DRAFTSMAN	DATE	CKD. DRAFTSMAN	DATE	DESIGN ENGINEER	DATE	TITLE
						ROM LOADER, 960-3330
APPR. MFG.	DATE	APPR. PROJECT ENGINEER	DATE	RELEASED	DATE	PROJECT NO.
						PART NUMBER LM226861 -0002 REV J

223

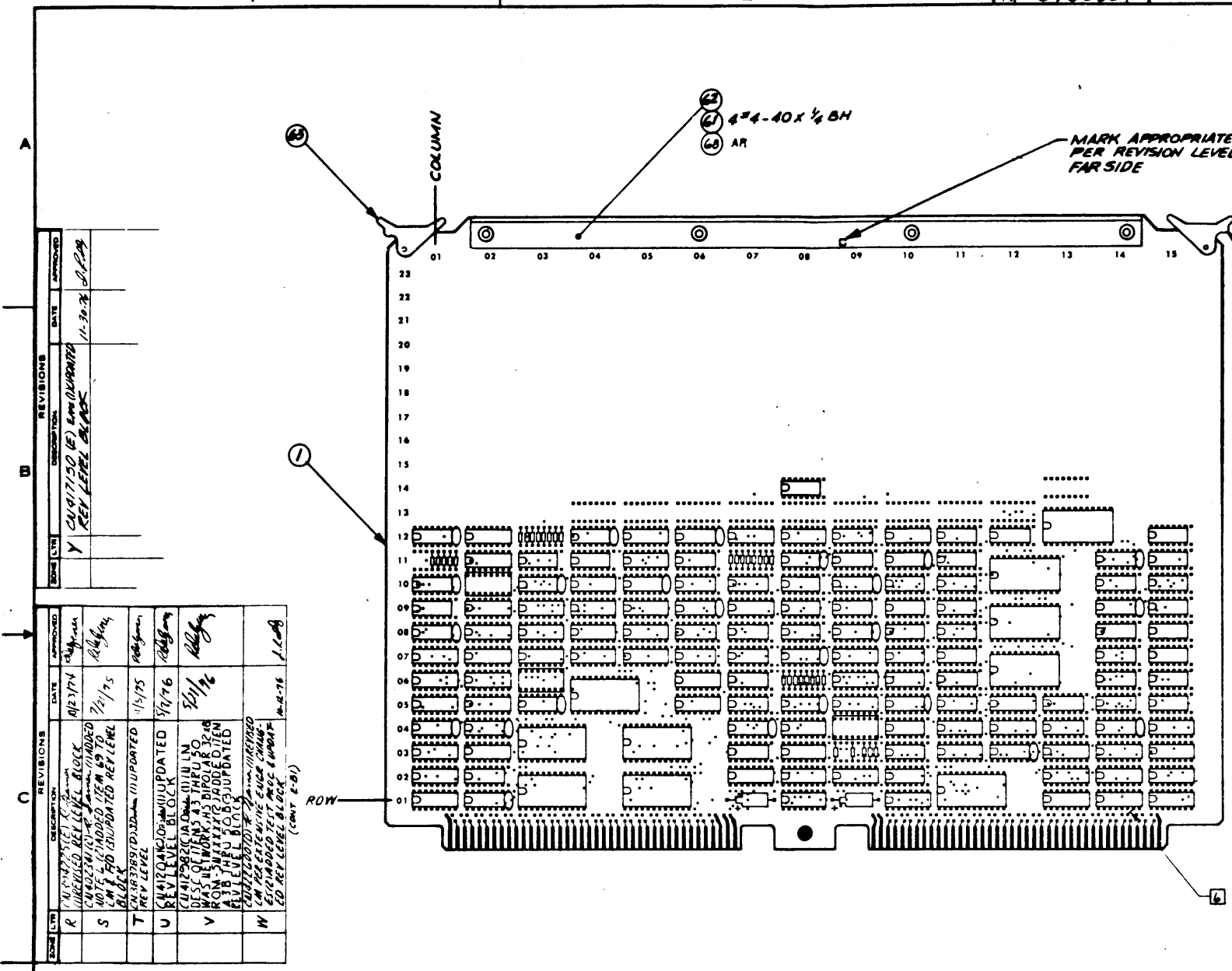


PRINT ITEM NUMBER	QUANTITY PER ASSEMBLY	UNIT OF ISSUE	DWG. SIZE	PART NUMBER	DESCRIPTION	VENDOR PART NUMBER
0023A					C1	
0024	00001.000	EA		972147 -0002	CAP 68.00 MF 15V 20% CASE SIZE C	SPR-1370686X0015C2
0024A					C2	
0024B					ALTERNATE PART FOR ITEM 24	
0024C					IS P/N 230855-0001	
0025	REF	EA		226863 -9901	DIAGRAM, LOGIC DET, ROM LOADER	

DRAFTSMAN	DATE	CKD DRAFTSMAN	DATE	DESIGN ENGINEER	DATE	TITLE
						RCM LOADER, 960-3330
APPD -MFG	DATE	APPD. PROJECT ENGINEER	DATE	RELEASED	DATE	PROJECT NO.

PART NUMBER	REV
LM226861 -0007	J

224



REV. LTR	DESCRIPTION	DATE	APPROVED
Y	CHG 4-40 (4) FROM DIMENSIONED TO REV LEVEL BLOCK	11-20-72	[Signature]

REV. LTR	DESCRIPTION	DATE	APPROVED
R	REVISION LEVEL BLOCK	11-21-74	[Signature]
S	NOTES 1) ADDED ITEM 49 TO LM & 40 (UPDATED REV LEVEL BLOCK)	7/21/75	[Signature]
T	REVISION LEVEL BLOCK	11/5/75	[Signature]
U	CHG 4-40 (4) FROM DIMENSIONED TO REV LEVEL BLOCK	3/21/76	[Signature]
V	CHG 4-40 (4) FROM DIMENSIONED TO REV LEVEL BLOCK	3/21/76	[Signature]
W	CHG 4-40 (4) FROM DIMENSIONED TO REV LEVEL BLOCK	12-4-76	[Signature]

REV. LTR	DESCRIPTION	DATE	APPROVED
A	9/17/71 (6) (1) ITEM 64 PIN WAS 231802-0100		
B	9/23/71 (6) (1) CHG LOCATION OF .05 CAPACITORS		
C	10/28/71 (6) (1) ITEM 44, 45 & 66 PIN WERE 226748-0009, 226748-0003 & 226721-9901 2) DELETED NOTE 1 3) CHG NOTE 3 .075 WAS .062.		
FORMAL RELEASE			
D	371407 (C) 2 Planning 11-18-71	11-23-71	[Signature]
CHG: LM IT. 64 PIN WAS 231802-0105			
E	371407 (C) 1-4-72	1-11-72	[Signature]
CHG: LM IT. 64 PIN WAS 231802-0005; CAP. MOUNT (M12) NBS 3/12			
F	370924 (B) Under Mission 3-18-72	10-26-72	[Signature]
UPDATE REVISION LEVEL BLOCK			
G	374989 (C) 2 Planning 11-15-72	11-15-72	[Signature]
UPDATED REV LEVEL BLOCK			
H	381032 (D) R. Cantel 1-27-73	1-27-73	[Signature]
ADDED ITEM 68			
J	373040 (C) J. R. Baker 11/13/73	11/13/73	[Signature]
CHG: 1) LOCATION OF CAPACITOR 1003 2) LOCATION OF CAPACITOR 1009 DELETED 1) CAPACITORS IN LOCATION OF 105 (111) UPDATE REV STATUS BLOCK			
K	386209 (D) J. R. Baker 10-8-73	10-8-73	[Signature]
CHG: 1) LM ITEM 55 PIN WAS 538310-0040 2) REV STATUS BLOCK J WAS I UPDATED REV STATUS BLOCK			
L	386284 (E) G. B. Baker 11-26-73	11-26-73	[Signature]
1) ON LM IT. 60 WAS 230855-0001 CAP 68 MF 15V 10% CASE SIZE C, MIL-CS13BD686K 2) ITEM 60C ADDED TO LM 3) REV LEVEL BLOCK UPDATED			
M	383697 (E) J. R. Baker 11/11/73	11/11/73	[Signature]
CHG: 1) LM ITEM 55 DESC WAS .065 403.0 OHM 1/2 W 5%			
N	383698 (D) J. R. Baker 11/11/73	11/11/73	[Signature]
REV LEVEL BLOCK			
P	387103 (C) J. R. Baker 11/11/73	11/11/73	[Signature]
CHG: 1) LM ITEM 55 2) REV STATUS BLOCK J WAS I UPDATED REV STATUS BLOCK			

NOTES:

- DO NOT SOLDER ON COMPONENT SIDE
- MAXIMUM COMPONENT HEIGHT FROM COMPONENT SIDE OF CARD IS .375
- MAXIMUM LEAD LENGTH FROM CONDUCTOR SIDE OF CARD IS .075
- TO PREVENT SOLDER FROM WICKING DOWN CONNECTOR FINGERS, WHEN SOLDERING, MASK ALL CONNECTOR FINGERS ON BOTH SIDES OF CARD
- REFERENCE DESIGNATORS ARE ASSIGNED BY COLUMN AND ROW METHOD, EXAMPLES SHOWN BELOW OF REFERENCE DESIGNATORS & PIN CONFIGURATION.

6 ADD JUMPER WIRE (ITEM 69) FROM Z1401, PIN 7 TO P1-71 ON EITHER SIDE OF BOARD

REV. LTR	DESCRIPTION	DATE	APPROVED
TEST PROCEDURE (226822-9901)			
CARD, PW FOR -0001 ASSY (226820-0001)			
MASTER FILE FOR -0001 ASSY (226771-9901)			
ASSEMBLY			

UNLESS OTHERWISE SPECIFIED		QTY REQD		LIST OF MATERIALS	
DECIMAL	FRACTIONAL	QTY	UNIT	PART NUMBER	DESCRIPTION
813 TO 136	1/8"	1	DRILL BIT	8100 D 226700	DRILL BIT
137 TO 203	3/16"	1	DRILL BIT	8100 D 226700	DRILL BIT
204 AND ABOVE	1/4"	1	DRILL BIT	8100 D 226700	DRILL BIT
PROCESSES 1. SOLDER ALL ELEC COMPONENTS PER HOUSTON QA STD SECT 3. STD 314 2. RUBBER STAMP, F-100, HEIGHT .12, COLOR BLACK					
TEXAS INSTRUMENTS		INCORPORATED INDUSTRIAL PRODUCTS DIVISION HOUSTON, TEXAS			
CARD ASSY, PW-ARITHMETIC OPTION		COMPUTER 1/1 D 226819			



TEXAS INSTRUMENTS
INCORPORATED

DATE 10/11/76

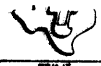
LIST OF MATERIAL

PAGE 1 of

PART NUMBER	REV
LM226819 -0001	y 0

PRINT ITEM NUMBER	QUANTITY PER ASSEMBLY	UNIT OF ISSUE	DWG. SIZE	PART NUMBER	DESCRIPTION	VENDOR PART NUMBER
0001	00001.000	EA		226820 -0001	CARD,PW-ARITHMETIC OPTION	
0002	00005.000	EA		222222 -7400	NETWORK SN7400N	-SN7400N
C002A					Z0510 Z0911 Z1203 Z1405	
0002E					Z1409	
0003	00002.000	EA		222222 -7402	NETWORK SN7402N	TJ--SN7402N
0003A					Z0706,Z1105,	
0004	00002.000	EA		222222 -7404	NETWORK SN7404N	
0004A					Z0108,Z1107,	
0005	00001.000	EA		222222 -7408	NETWORK-SN7408N	
0005A					Z0909	
0006	00001.000	EA		222222 -7410	NETWORK SN7410N	-SN7410N
C006A					Z1510	
0007	00002.000	EA		222222 -7430	NETWORK SN7430N	-SN7430N
C007A					Z1106,Z1512	
0008	00001.000	EA		222222 -7442	NETWORK-SN7442N	
0008A					Z1012	
C009	00001.000	EA		222222 -7474	NETWORK SN7474N	-SN7474N
C009A					Z0912	
C010	00001.000	EA		222222 -7486	NETWORK-SN7486N	
0017A					Z1406	
DRAFTSMAN	DATE	CKD. DRAFTSMAN	DATE	DESIGN ENGINEER	DATE	TITLE
		<i>J. R. ...</i>	10-11-76			CARD ASSY, PW-ARITHMETIC OPTION
APPD. MFG.	DATE	APPD. PROJECT ENGINEER	DATE	RELEASED	DATE	PROJECT NO.
						8100
						LM226819 -0001
						y 0

227



INCORPORATED

DATE 10/11/77

LIST OF MATERIAL

PAGE 2 of

PART NUMBER **LM776819 -0001** REV **y**

PRINT ITEM NUMBER	QUANTITY PER ASSEMBLY	UNIT OF ISSUE	DWG. SIZE	PART NUMBER	DESCRIPTION	VENDOR PART NUMBER	
0014	00025.000	EA		222222 -7153	NETWORK SN74153N	-SN74153N	
0014A					Z0101 Z0102 Z0103 Z0105		
0014B					Z0205 Z0208 Z0209 Z0407		
0014C					Z0408 Z0508 Z0509 Z0702		
0014D					Z0801 Z0802 Z0803 Z0902		
0014E					Z0905 Z1001 Z1301 Z1302		
0014F					Z1303 Z1401 Z1403 Z1501		
0014G					Z1503		
0015	00006.000	EA		222222 -7154	NETWORK SN74154N	-SN74154N	
0015A					Z0303 Z0405 Z1206 Z1208		
0015B					Z1210 Z1312		
0016	00015.000	EA		222222 -7175	NETWORK SN74175N		
0016A					Z0106 Z0107 Z0203 Z0207		
0016B					Z0309 Z0409 Z0410 Z0709		
0016C					Z1103 Z1204 Z1205 Z1402		
0016D					Z1502 Z1504 Z0507		
0017	00004.000	EA		222222 -7181	NETWORK SN74181N		
0017A					Z0301, Z0501, Z0503, Z1101		
0018	00001.000	EA		222222 -7182	NETWORK SN74182N		
0018A					Z0605		
DRAFTSMAN		DATE	CKD. DRAFTSMAN	DATE	DESIGN ENGINEER	DATE	TITLE
APPD. MFG.		DATE	APPD. PROJECT ENGINEER	DATE	RELEASED	DATE	PROJECT NO.
						CARD ASSY, PW-ARITHMETIC OPTION	
						PART NUMBER LM776819 -0001 REV y	

228



INCORPORATED

DATE 10/11/77

LIST OF MATERIAL

PAGE 3 of

PART NUMBER
LM226819 -0001 REV
y 0

PRINT ITEM NUMBER	QUANTITY PER ASSEMBLY	UNIT OF ISSUE	DWG. SIZE	PART NUMBER	DESCRIPTION	VENDOR PART NUMBER	
0020	00002.000	EA		222222 -7193	NETWORK SN74193N	-SN74193N	
C020A					Z03C7, Z03C8		
0021	00004.000	EA		222222 -7194	NETWCRK SN74194N	TI -SN74194N	
0021A					Z0206, Z06C6, Z0804, Z1104		
0025	00004.000	EA		240000 -7400	NETWORK-SN74HC0N		
0025A					Z0809, Z1004, Z1078, Z1407		
0026	00011.000	EA		240000 -7404	NETWCRK SN74H04N		
0026A					Z0201 Z0202 Z0305 Z0707		
C026B					Z10C5 Z1CC9 Z1011 Z1108		
0026C					Z1112 Z1410 Z0609		
C027	00005.000	EA		240000 -7410	NETWORK-SN74H10N		
C027A					Z0708 Z0810 Z0908 Z1036		
C027B					Z1007		
C028	00002.000	EA		240000 -7411	NETWORK-SN74H11N		
C028A					Z0805, Z08C7		
C029	00001.000	EA		240000 -7420	NETWORK-SN74H20N		
0029A					Z1212		
C030	00002.000	EA		240000 -7421	NETWORK-SN74H21N		
C030A					Z0109, Z0814		
0031	00003.000	EA		240000 -7430	NETWCRK-SN74H30N		
DRAFTSMAN		DATE	CKD. DRAFTSMAN	DATE	DESIGN ENGINEER	DATE	TITLE
							CARD ASSY, PW-ARITHMETIC OPTION
APPD.-MFG.		DATE	APPD. PROJECT ENGINEER	DATE	RELEASED	DATE	PROJECT NO.
						PART NUMBER	REV
						LM226819 -0001	y 0

229



INCORPORATED

DATE 10/11/7

LIST OF MATERIAL

PAGE 4 of

PART NUMBER
LM226819 -0001 REV
y

PRINT ITEM NUMBER	QUANTITY FOR ASSEMBLY	UNIT OF ISSUE	DWG. SIZE	PART NUMBER	DESCRIPTION	VENDOR PART NUMBER
C031A					Z1505,Z1506,Z1508	
0032	00002.000	EA		240000 -7440	NETWCRK-SN74H40N	
0032A					Z1002,Z1003	
0033	00001.000	EA		240000 -7451	NETWCRK-SN74H51N	
0033A					Z14C8	
0034	00007.000	EA		240000 -7452	NETWCRK-SN74H52N	
0034A					Z0110,Z0112,Z0310,Z0311	
0034B					Z0411,Z0412,Z1305	
0035	00004.000	EA		240000 -7453	NETWORK-SN74H53N	
0035A					Z0104,Z0204,Z0608,Z0704	
0036	00001.000	EA		240000 -7454	NETWORK-SN74H54N	
0036A					Z08C8	
0037	00004.000	EA		240000 -7461	NETWORK-SN74H61N	
0037A					Z0610,Z0611,Z0612,Z0710,	
0038	00004.000	EA		240000 -7462	NETWORK-SN74H62N	
0038A					Z0607,Z0705,Z1304,Z0703	
0039	00001.000	EA		240000 -7103	NETWORK SN74H103N	
0039A					Z0811	
0040	00010.000	EA		219402 -7465	NETWORK SA74S65N	
0040A					Z0910,Z1010,Z1109,Z1110	
DRAFTSMAN	DATE	CKD. DRAFTSMAN	DATE	DESIGN ENGINEER	DATE	TITLE
APPD. MFG.	DATE	APPD. PROJECT ENGINEER	DATE	RELEASED	DATE	PROJECT NO.
						PART NUMBER LM226819 -0001 REV y

230



INCORPORATED

DATE 1C/11/7

LIST OF MATERIAL

PAGE 5 of

PART NUMBER
LM226819 -0001 REV
y

PRINT ITEM NUMBER	QUANTITY PER ASSEMBLY	UNIT OF MEASURE	DWG. SIZE	PART NUMBER	DESCRIPTION	VENDOR PART NUMBER
C040B					Z1111,Z1404,Z1411,Z1507	
0040C					Z1509,Z1511	
0043	00001.000	EA		943793 -0001	NETWCRK,PRCM,32X8,A0 NO 1	
0043A					Z0907	
C043B					* ALT 226748-0001	
0044	00001.000	EA		943793 -0009	NETWCRK,PROM,32X8,A0 NO 9	
C044A					Z0712	
0044B					* ALT 226748-0009	
0045	00001.000	EA		943793 -0010	NETWCRK,PRCM,32X8,A0 NO 10	
0045A					Z0212	
C045B					* ALT 226748-0010	
C046	00001.000	EA		943793 -0004	NETWCRK,PRCM,32X8,A0 NO 4	
0046A					Z0511	
0046B					* ALT 226748-0004	
0047	00001.000	EA		943793 -0005	NETWCRK,PRCM,32X8,A0 NO 5	
C047A					Z0906	
0047B					* ALT 226748-0005	
0048	00001.000	EA		943793 -0006	NETWCRK,PRCM,32X8,A0 NO 6	
0048A					Z0812	
0048B					* ALT 226748-0006	
DRAFTSMAN	DATE	CKD. DRAFTSMAN	DATE	DESIGN ENGINEER	DATE	TITLE
						CARD ASSY,PW-ARITHMETIC OPTION
APPD.-MFG.	DATE	APPD. PROJECT ENGINEER	DATE	RELEASED	DATE	PROJECT NO.
						PART NUMBER LM226819 -0001 REV y



INCORPORATED

DATE 10/11/77

LIST OF MATERIAL

PAGE 6 of

PART NUMBER
LM226819 -0001 REV
Y 8

PRINT ITEM NUMBER	QUANTITY PER ASSEMBLY	UNIT OF ISSUE	DWG. SIZE	PART NUMBER	DESCRIPTION	VENDOR PART NUMBER
0049	00001.000	EA		943793 -0007	NETWRK,PRCM,32X8,A0 N0 7	
0049A					Z0211	
0049B					* ALT 226748-0007	
0050	00001.000	EA		943793 -0008	NETWRK,PRCM,32X8,A0 N0 8	
0050A					Z0512	
0050B					* ALT 226748-0008	
0051	00003.000	EA		539544 -0002	SOCKET,16PIN IC LOW PRJFILE SOLDER TAIL	TI -C93-16-02
0051A					XZ0210,XZC306,XZ0934	
0055	00030.000	EA		538130 -0040	RESISTOR 430.000 OHM .125W 5%	MIL-RCR05G431JS
0055A					R01110413,R01115012	
0055B					R01110611,R01110710	
0055C					R01110809,R03120116	
0055D					R03120215,P03120314	
0055E					R03120413,R03120512	
0055F					R03120611,R03120710	
0055G					R03120809,R07110116	
0055H					R07110215,R07110314	
0055J					R07110413,P07110512	
0055K					R07110611,R07110710	
0055L					R07110809,P08C60314	
DRAFTSMAN	DATE	CKD DRAFTSMAN	DATE	DESIGN ENGINEER	DATE	TITLE
						CARD ASSY,PW-ARITHMETIC OPTION
APPD.-MFG.	DATE	APPD. PROJECT ENGINEER	DATE	RELEASED	DATE	PROJECT NO.
						PART NUMBER LM226819 -0001
						REV Y 8

TI 13849

232



INCORPORATED

DATE 10/11/7

LIST OF MATERIAL

PAGE 7 of

PART NUMBER
LM226819 -0001 REV
y0

PRINT ITEM NUMBER	QUANTITY PER ASSEMBLY	UNIT OF ISSUE	DWG. SIZE	PART NUMBER	DESCRIPTION	VENDOR PART NUMBER
0055M					R08060413,R08060611	
0055N					R08060710,R08060809	
0055P					R09030413,R09030611	
0055R					R09030710,R09030809	
0056	0004.000	EA		972975 -0046	RES FIX CCMP 750 CHMS 5 % 1/8 WATT	QPL- RC05G751JS
0056A					R08060116,R08060215	
0056B					R08060512,R09030116	
0059	00024.000	EA		230590 -9000	CAP .05 MF 12 V 2). % CER TRANSCAP	ERI-5635-000-Y5F0503M
0059A					C01040809,C01080809	
0059B					C01100809,C01120809	
0059C					C02010809,C02040809	
0059D					C03050809,C03100809	
0059E					C04120809,C05100809	
0059F					C06090809,C06120809	
0059G					C07040809,C08050809	
0059H					C08070809,C08110809	
0059J					C09080809,C09100809	
0059K					C10050809,C10110809	
0059L					C12030809,C14040809	
0059M					C14090809,C14110809	
DRAFTSMAN	DATE	CKD. DRAFTSMAN	DATE	DESIGN ENGINEER	DATE	TITLE
						CARD ASSY,PW-ARITHMETIC OPTION
APPD.-MFG.	DATE	APPD. PROJECT ENGINEER	DATE	RELEASED	DATE	PROJECT NO.
						PART NUMBER LM226819 -0001 REV y0



INCORPORATED

DATE 10/11/77

LIST OF MATERIAL

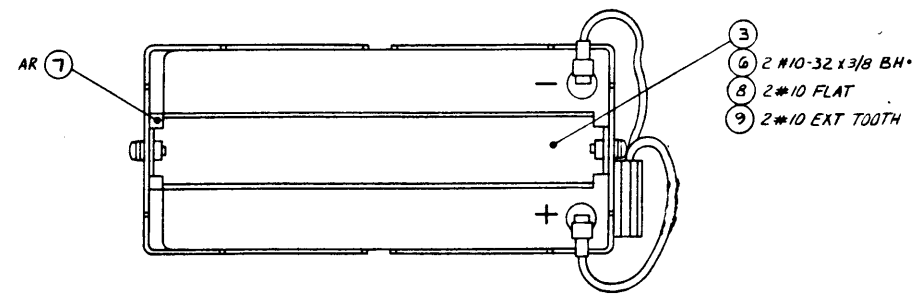
PAGE 9 of

PART NUMBER
LM226819 -0001 REV
y

PRINT ITEM NUMBER	QUANTITY PER ASSEMBLY	UNIT OF ISSUE	DWG. SIZE	PART NUMBER	DESCRIPTION	VENDOR PART NUMBER	
C060	00002.000	EA		972147 -0002	CAP 68.00 MF 15V 2 1/2 CASE SIZE C	SPR-1370686X1015C2	
C060A					C07C1,C09C1		
0060B					ALTERNATE PART FOR ITEM 60		
C060C					IS P/N 23C855-0001		
0061	00004.000	EA		972988 -0013	SCREW 4-40 X .250 PAN HEAD CRFS		
0062	00001.000	EA		226582 -0001	STIFFENER,PW CARDS 01+00+05		
0063	00000.000	FA		226585 -0005	EJECTOR,SYMBOLIZED-ARITHMETIC UNIT #2		
0064	00001.000	EA		533887 -CC09	EJECTOR,PCB,NON-LOCKING,GREEN	SCA-S-202 GREEN	
0065	REF	FA		226822 -9901	TEST PROCEDURE,ARITHMETIC OPTION		
C066	REF	FA		226771 -9901	SOURCE TAPE,MASTERFILE-960A COMPUTER		
0067	REF	EA		226599 -9901	SPEC ARITHMETIC OPT FOR MODEL 960A CMPTR		
0068	AR	EA		235182 -0002	LOCTITE SEALENT GRADE 242	LOC--242	
0069	AR	FT		411400 -0024	WIRE, 24AWG ELECTRJ TIN PLATED COPPER		
DRAFTSMAN		DATE	CKD. DRAFTSMAN	DATE	DESIGN ENGINEER	DATE	TITLE
							CARD ASSY,PW-ARITHMETIC OPTION
APPD. MFG.		DATE	APPD. PROJECT ENGINEER	DATE	RELEASED	DATE	PROJECT NO.
						PART NUMBER	REV
						LM226819 -0001	y

8 7 6 5 4 3 2 1

D
C
B
A



- NOTES:
- ASSEMBLE AS SHOWN IN FIGURE 1 WHEN USING GLOBE BATTERIES. ASSEMBLE AS SHOWN IN FIGURE 2 WHEN USING EAGLE-PICHER BATTERIES
 - DISTANCE BETWEEN ITEMS 1 MAY BE GREATER AT BOTTOM THAN AT TOP
 - INSTALL ITEM 10 SO THAT TOP EDGE OF ITEM 10 IS IN LINE WITH THE BOTTOM EDGE OF THE CUTOUTS IN ITEM 1
 - INSTALL ITEM 2 SO THAT THE TWO VENT HOLES IN THE BOTTOM BATTERY ARE NOT COVERED

ZONE	LTR	DESCRIPTION	DATE	APPROVED
CD-67	64	2#10-32 x 3/8 BH* (1) 2#10-32 x 3/8 BH* (2) 2#10 FLAT (3) 2#10 EXT TOOTH (4) 2#10 FLAT (5) 2#10 EXT TOOTH (6) 2#10 FLAT (7) 2#10 EXT TOOTH (8) 2#10 FLAT (9) 2#10 EXT TOOTH	11/11/74	
B		2#10-32 x 3/8 BH* (1) 2#10-32 x 3/8 BH* (2) 2#10 FLAT (3) 2#10 EXT TOOTH (4) 2#10 FLAT (5) 2#10 EXT TOOTH (6) 2#10 FLAT (7) 2#10 EXT TOOTH (8) 2#10 FLAT (9) 2#10 EXT TOOTH	12/4/74	
C		2#10-32 x 3/8 BH* (1) 2#10-32 x 3/8 BH* (2) 2#10 FLAT (3) 2#10 EXT TOOTH (4) 2#10 FLAT (5) 2#10 EXT TOOTH (6) 2#10 FLAT (7) 2#10 EXT TOOTH (8) 2#10 FLAT (9) 2#10 EXT TOOTH	6/4/75	
D		2#10-32 x 3/8 BH* (1) 2#10-32 x 3/8 BH* (2) 2#10 FLAT (3) 2#10 EXT TOOTH (4) 2#10 FLAT (5) 2#10 EXT TOOTH (6) 2#10 FLAT (7) 2#10 EXT TOOTH (8) 2#10 FLAT (9) 2#10 EXT TOOTH	6/16/76	
E		2#10-32 x 3/8 BH* (1) 2#10-32 x 3/8 BH* (2) 2#10 FLAT (3) 2#10 EXT TOOTH (4) 2#10 FLAT (5) 2#10 EXT TOOTH (6) 2#10 FLAT (7) 2#10 EXT TOOTH (8) 2#10 FLAT (9) 2#10 EXT TOOTH	4-13-77	

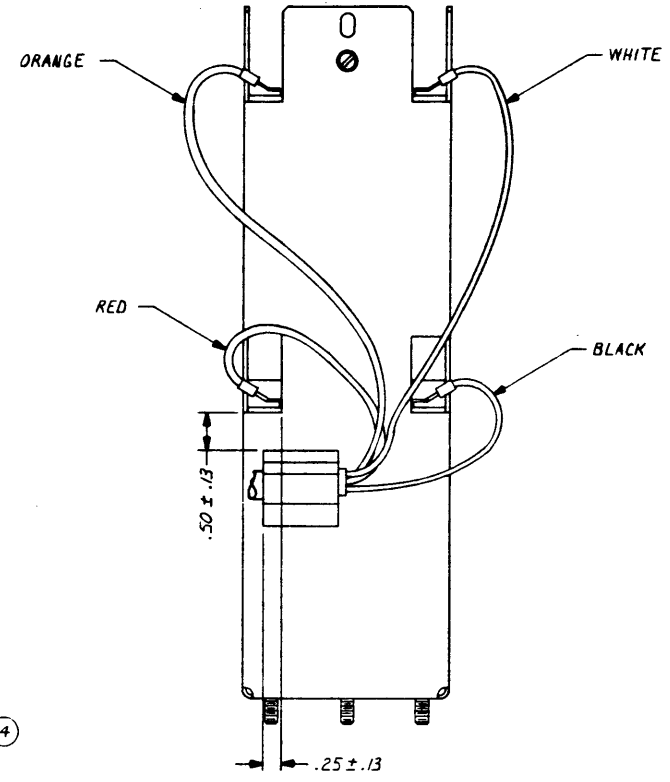
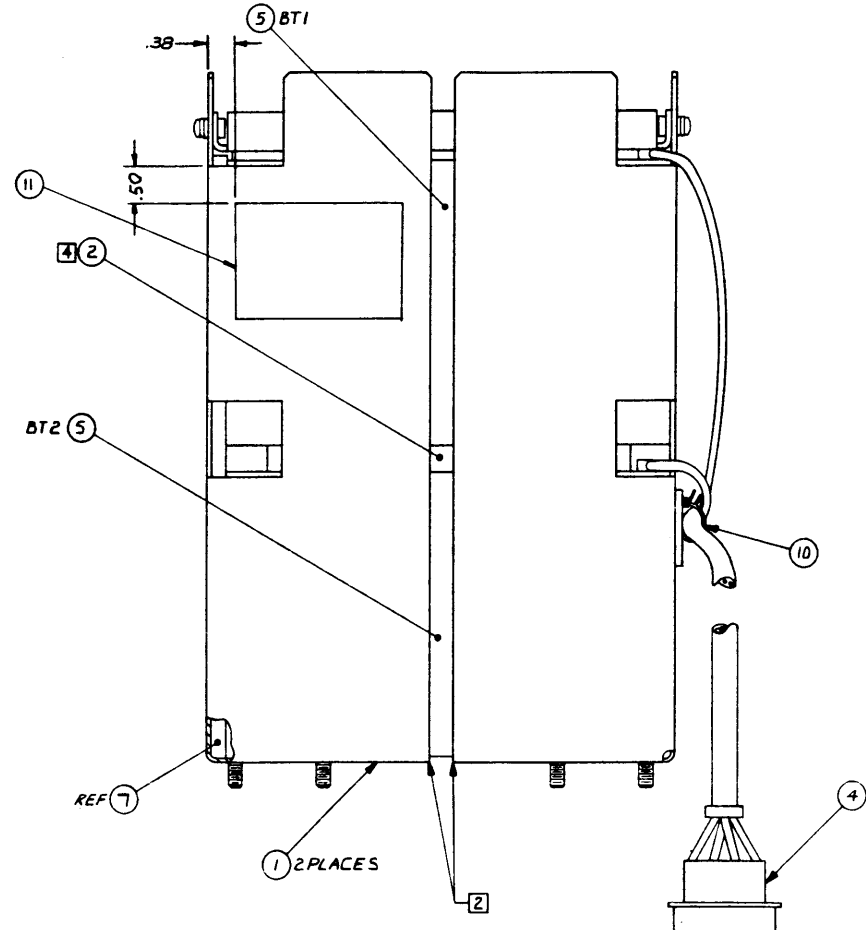


FIGURE 1
1
PROCESSES:
1. SOLDER PER F-127,
METHOD I

REV STATUS OF SHEETS	REV	E	B	QTY REQD	ITEM NO	CODE IDENT	PART OR IDENTIFYING NUMBER	NOMENCLATURE OR DESCRIPTION	PROCUREMENT SPECIFICATION
REV 1	1	1	2						

UNLESS OTHERWISE SPECIFIED		UNLESS OTHERWISE SPECIFIED	
REMOVE ALL BURRS AND SHARP EDGES	CONCENTRICITY MACHINED DIAMETERS .010 FIR	DIMENSIONS ARE IN INCHES	TOLERANCES: ANGLES ±1°; 3 PLACE DECIMALS ±.010; 2 PLACE DECIMALS ±.02
DIMENSIONAL LIMITS APPLY BEFORE FINISH PROCESSING	IDENTIFYING NUMBERS SHOWN IN PARENTHESES FOR REFERENCE ONLY	MATERIAL	
INTERPRET DRAWING IN ACCORDANCE WITH MIL-STD-100			

DATE	BY	CHKD	ENGR	QA	APVD	CONTR NO
4-12-74						

DESIGN ACTIVITY RELEASE	SCALE	DRAWING NO	SHEET
	1/1	D 96214	943659

TEXAS INSTRUMENTS
INCORPORATED
Dallas, Texas

BATTERY ASSY,
960B AND 980B COMPUTER

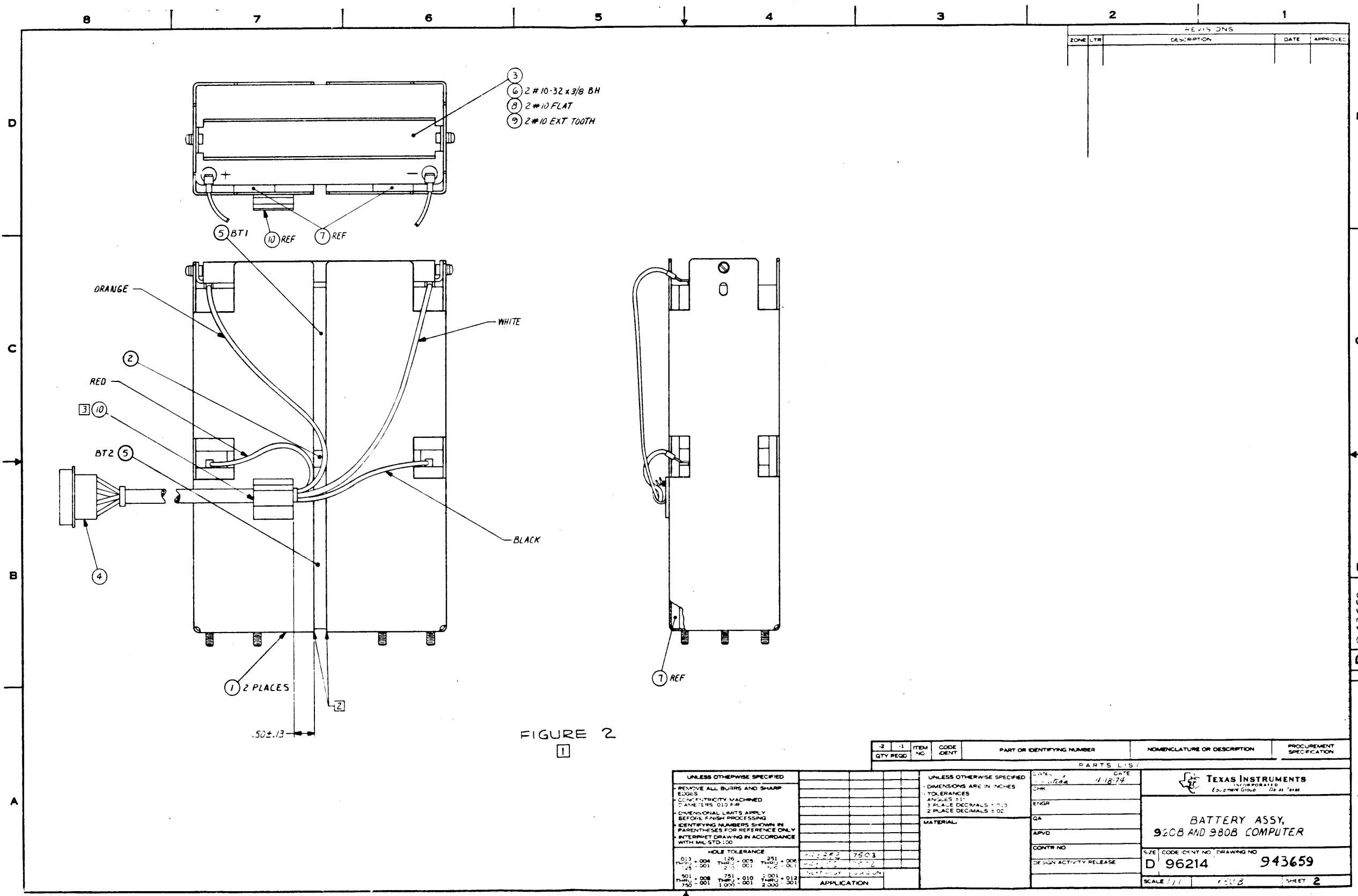


FIGURE 2
1

QTY	REQD	ITEM NO	CODE IDENT	PART OR IDENTIFYING NUMBER	NOMENCLATURE OR DESCRIPTION	PROCUREMENT SPECIFICATION

UNLESS OTHERWISE SPECIFIED		UNLESS OTHERWISE SPECIFIED	
REMOVE ALL BURRS AND SHARP EDGES	CONFIRMED BY MACHINING	DIMENSIONS ARE IN INCHES	TOLERANCES
PARAMETERS: 0.025 R/R	DIMENSIONAL LIMITS APPLY BEFORE FINISH PROCESSING	ANGLES: 1:1	3 PLACE DECIMALS = 0.003
IDENTIFYING NUMBERS SHOWN IN PARENTHESES FOR REFERENCE ONLY	INTERPRET DRAWING IN ACCORDANCE WITH MIL-STD-100	2 PLACE DECIMALS = 0.02	
HOLE TOLERANCE		MATERIAL:	
0.3125 - 0.004	0.125 - 0.005	0.251 - 0.006	
0.125 - 0.001	0.062 - 0.001	0.062 - 0.001	
0.501 - 0.008	0.251 - 0.010	0.001 - 0.012	
0.750 - 0.001	1.000 - 0.001	2.000 - 0.001	
APPLICATION			

DATE	BY	CHK	ENGR	QA	APVD	CONTR NO	DESIGN ACTIVITY RELEASE
11-18-74							

SIZE	CODE	CONT NO	DRAWING NO
D	96214		943659

SCALE	UNIT	SHEET
1:1		2



TEXAS INSTRUMENTS
INCORPORATED

DATE 04/07/77

LIST OF MATERIAL

PAGE 1 of

PART NUMBER	REV
LM 0943659-0001	E

PRINT ITEM NUMBER	QUANTITY PER ASSEMBLY	UNIT OF ISSUE	DWG. SIZE	PART NUMBER	DESCRIPTION	VENDOR PART NUMBER
0001	0002.000	EA		094366J-JC01	CASE, BATTERY	
0002	00001.000	EA		0226598-0001	INSULATOR, BATTERY	
0003	00001.000	EA		0943661-0001	RETAINER, BATTERY	
0004	00001.000	EA		0226576-0001	CABLE ASSY, BATTERY	
0005	0002.000	EA		0972558-JC01	BATTERY, 12V 4.5AH	
0005A					BT1 BT2	
0006	00002.000	EA		0972986-0008	SCREW 10-32 .375 PAN HEAD CRES	
0007	0000.050	RL		0972361-0001	TAPE, FOAM VINYL .250TK X 1"W GREY	NRS --V548 GREY
0008	00002.000	EA		0416622-0033	WASHER #10 FLAT	QPL - AN960C10L
0009	0002.000	EA		0411101-0060	LOCKWASHER #10 EXTERNAL TOOTH CRES	---
0010	00001.000	EA		0231123-0510	CLIP ADHESIVE BACK PLASTIC 1/4 ID	DEK -DK-250
0011	0001.000	EA		0943801-0001	LABEL, INSTRUCTIONS, BATTERY ASSY	

239

DRAFTSMAN	DATE	CKD. DRAFTSMAN	DATE	DESIGN ENGINEER	DATE	TITLE	
		<i>J. Ross</i>	4-11-77			BATTERY ASSY, 960B & 980B COMPUTER	
APPD. MFG.	DATE	APPD. PROJECT ENGINEER	DATE	RELEASED	DATE	PROJECT NO.	
						7502	
						PART NUMBER	REV
						LM 0943659-0001	E

015022 [D]

1		2		3		4	
REV	DESCRIPTION	QUANTITY	UNIT	REVISION	DATE	BY	APP
1	IPVC HUB 1/2" DIA						
2	IPVC HUB 1/2" DIA						
3	IPVC HUB 1/2" DIA						
4	IPVC HUB 1/2" DIA						

REV	DESCRIPTION	DATE	APP
A	0.20/77		
FORMAL RELEASE			
<p>THIS DOCUMENT CONTAINS UNCLASSIFIED INFORMATION EXCEPT WHERE SHOWN OTHERWISE. IT IS THE POLICY OF THE UNITED STATES GOVERNMENT TO MAKE AVAILABLE AS MUCH INFORMATION AS POSSIBLE TO THE PUBLIC. ANYONE HAVING INFORMATION CONCERNING THIS POLICY SHOULD CONTACT THE NATIONAL ARCHIVES AT COLLEGE PARK, MARYLAND 20740.</p>			

17 00 00 AM

17 00 00 AM

17 00 00 AM

REV	DESCRIPTION	DATE	APP
1	IPVC HUB 1/2" DIA		
2	IPVC HUB 1/2" DIA		
3	IPVC HUB 1/2" DIA		
4	IPVC HUB 1/2" DIA		

REV	DESCRIPTION	DATE	APP
1	IPVC HUB 1/2" DIA		
2	IPVC HUB 1/2" DIA		
3	IPVC HUB 1/2" DIA		
4	IPVC HUB 1/2" DIA		

240



TEXAS INSTRUMENTS
INCORPORATED

DATE 05/01/75

LIST OF MATERIAL

PAGE 1 of

LM	PART NUMBER 226576-0001	REV E
-----------	----------------------------	----------

PRINT ITEM NUMBER	QUANTITY PER ASSEMBLY	UNIT OF ISSUE	DWG. SIZE	PART NUMBER	DESCRIPTION	VENDOR PART NUMBER
0001	00001.000	EA		231253-0084	CONNECTOR 6P WHT CAP 480084-1	AMP-480084-1
0002	00004.000	EA		232142-0003	CONTACT #18-#22 WIRE	AMP-42859-1
0004	00001.000	EA		235463-0006	STRAP STD MKR BUNDLE DIA 0 TO 1-3/4 IN	PND-SSM-2
0005	00002.000	EA		235463-0001	STRAP MINATURE BUNDLE DIA 0 TO 3/4 IN	PND-SST-1
0006	AR	FT		538347-4299	WIRE HOOKUP R-20 AWG 19 STR RD/WH	JUD- HH0118
0007	AR	FT		538347-4099	WIRE HOOKUP R-20 AWG 19 STR BK/WH	JUD- HH0118
0008	AR	FT		538347-4399	WIRE HOOKUP R-20 AWG 19 STR OR/WH	JUD- HH0118
0009	AR	FT		538347-4999	WIRE HOOKUP R-20 AWG 19 STR WHITE	JUD- HH0118
0012	AR	FT		415780-0091	SLEEVE, VINYL .208 DIA BLACK .020 WALL	QPL- MIL-I-7444C
0013	00004.000	EA		235837-1000	TERMINAL LUG FASTON INSUL AWG 22-18	AMP-60972-3 TAPE MTG

241/242

DRAFTSMAN	DATE	CKD. DRAFTSMAN	DATE	DESIGN ENGINEER	DATE	TITLE			
APPD.-MFG.	DATE	APPD. PROJECT ENGINEER	DATE	RELEASED	DATE	PROJECT NO.			
						8100/8101	LM	PART NUMBER 226576-0001	REV F

USER'S RESPONSE SHEET

Manual Title: Model 960B Computer Maintenance Manual Parts Lists
and Assembly Drawings (942773-9704)

Manual Date: 1 May 1977 Date of This Letter: _____

User's Name: _____ Telephone: _____

Company: _____ Office/Department: _____

Street Address: _____

City/State/Zip Code: _____

Please list any discrepancy found in this manual by page, paragraph, figure, or table number in the following space. If there are any other suggestions that you wish to make, feel free to include them. Thank you.

CUT ALONG LINE

Location in Manual	Comment/Suggestion
_____	_____
_____	_____
_____	_____
_____	_____
_____	_____
_____	_____
_____	_____
_____	_____
_____	_____
_____	_____
_____	_____
_____	_____
_____	_____
_____	_____
_____	_____

NO POSTAGE NECESSARY IF MAILED IN U.S.A.
FOLD ON TWO LINES (LOCATED ON REVERSE SIDE), TAPE AND MAIL

FOLD



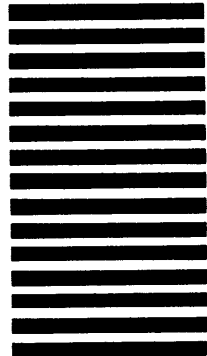
NO POSTAGE
NECESSARY
IF MAILED
IN THE
UNITED STATES

BUSINESS REPLY MAIL
FIRST CLASS PERMIT NO. 7284 DALLAS, TX

POSTAGE WILL BE PAID BY ADDRESSEE

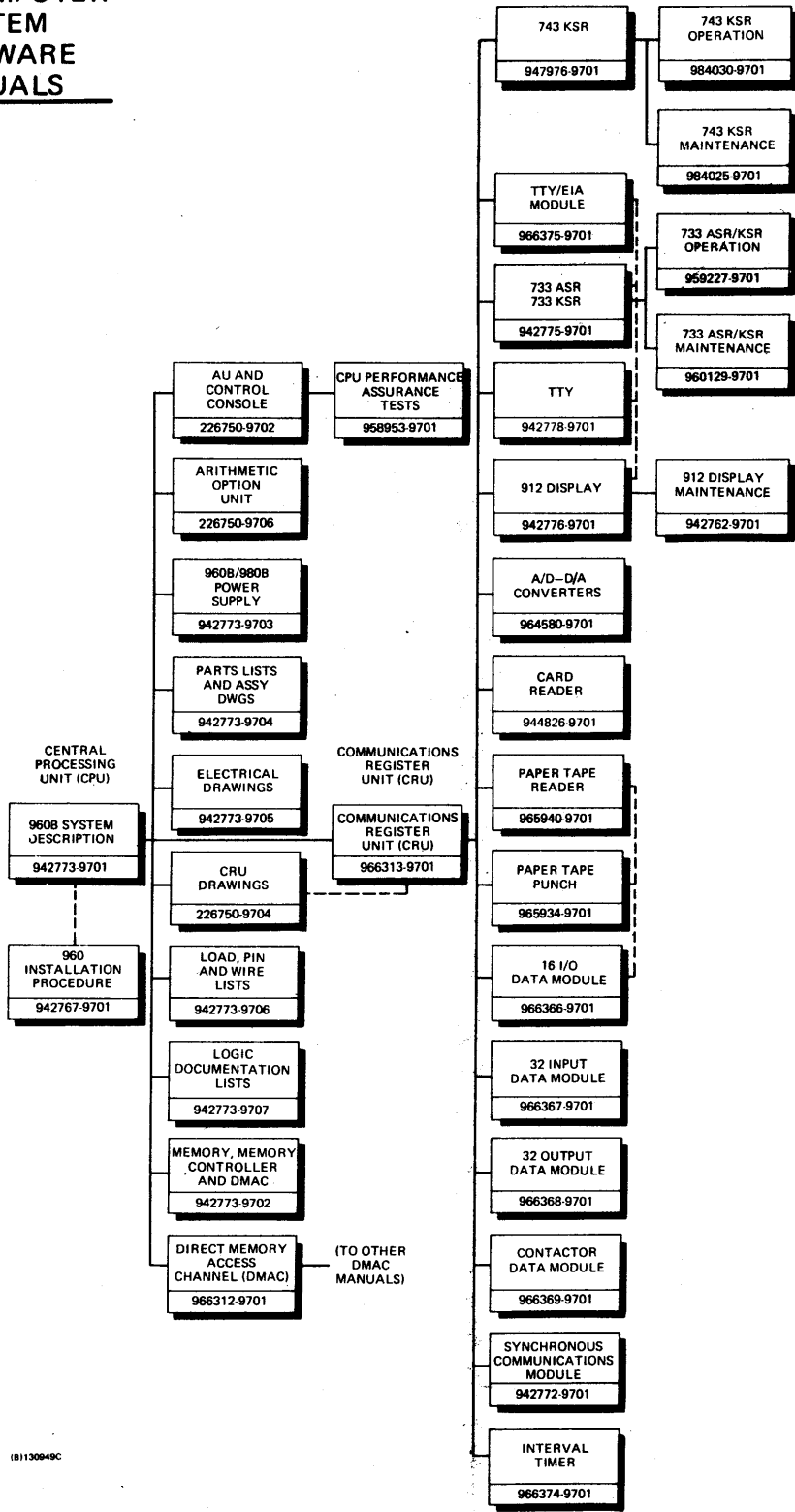
TEXAS INSTRUMENTS INCORPORATED
DIGITAL SYSTEMS GROUP

ATTN: TECHNICAL PUBLICATIONS
P.O. Box 2909 M/S 2146
Austin, Texas 78769



FOLD

960B COMPUTER SYSTEM HARDWARE MANUALS



(81130949C



TEXAS INSTRUMENTS INCORPORATED

DIGITAL SYSTEMS DIVISION
POST OFFICE BOX 2909 • AUSTIN, TEXAS 78769