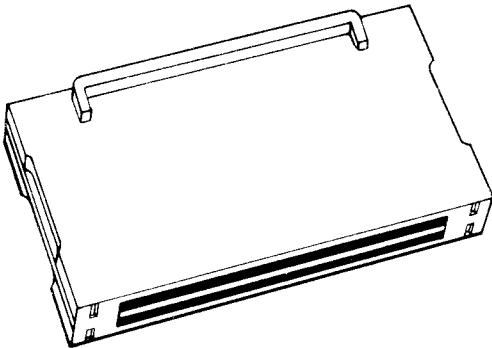


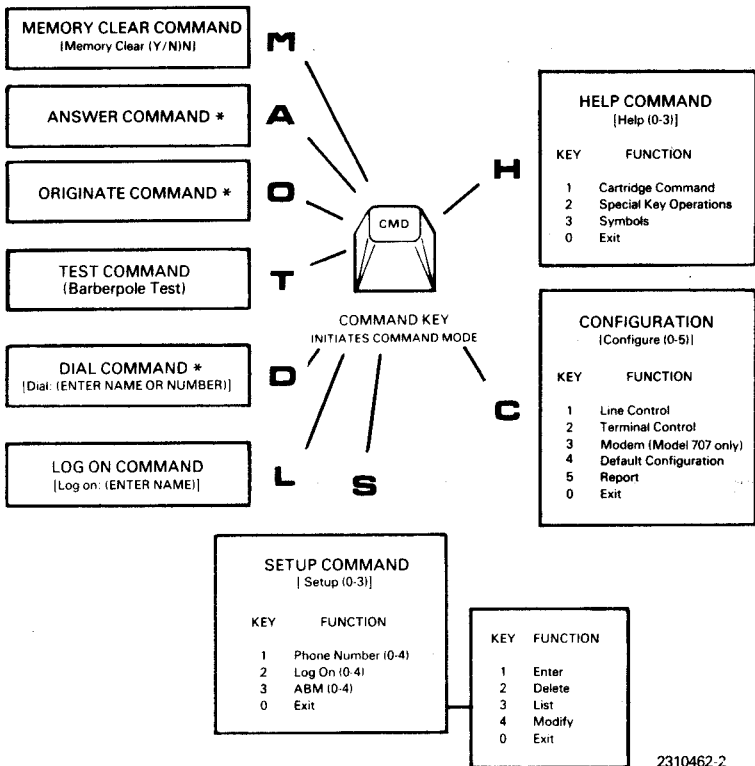
Auto-Access Cartridge Quick Reference Card



**TEXAS
INSTRUMENTS**

TO SELECT A COMMAND

1. Press the CMD key.
2. Enter the command's mnemonic.



2310462-2

TO CONFIGURE THE TERMINAL

1. Press CMD, C, and 1 to configure line control options.
2. Press CMD, C, and 2 to configure terminal control options.
3. Press CMD, C, and 3 to configure modem control options.
4. Press CMD, C, and 4 to select the default configuration for each option.
5. Press CMD, C, and 5 to print a configuration report.

1. Press CMD, then press D.
2. If you have forgotten a phone number name or phone number, press RTN to list your directory.
3. Type the phone number name, or the phone number, and press RTN.

If the phone number is referenced to a log on, the terminal will automatically transmit the log-on sequence.

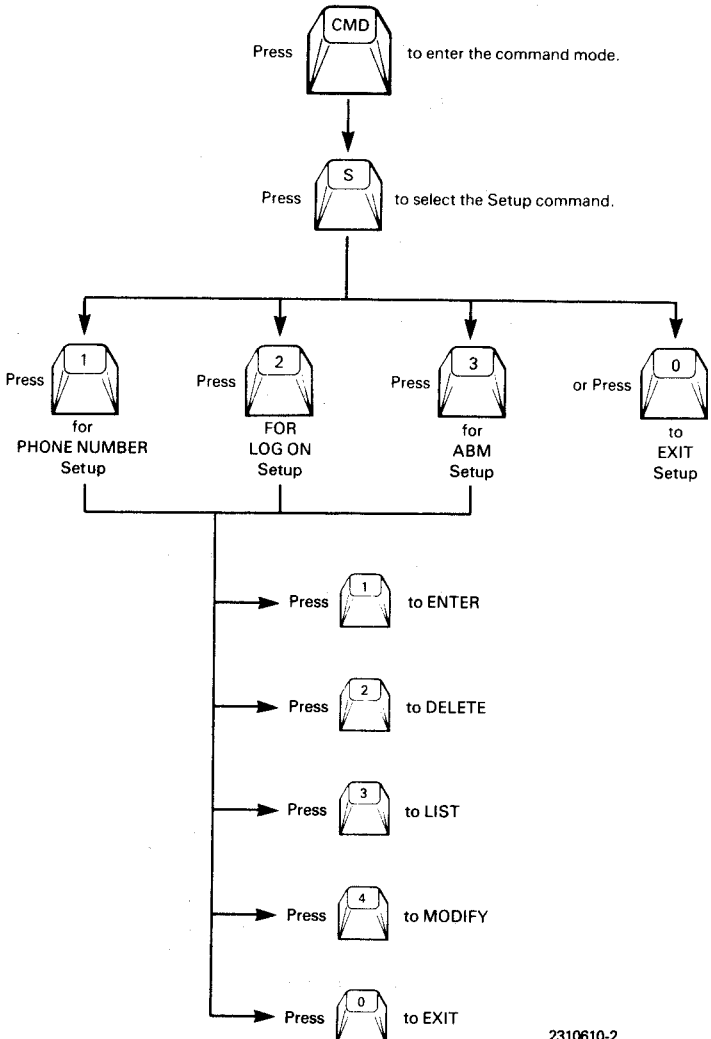
* Valid on Model 707 only.

TO USE THE LOG ON COMMAND

1. Press CMD, then press L.
2. If you have forgotten a log-on reference name, press RTN to list log-on reference names and log-on sequences that are not secured.
3. Type the log-on reference name (not the log-on sequence), then press RTN.

TO USE THE SETUP COMMAND

1. Press CMD, then press S.
2. Select the phone number, log on, or ABM setup. Press the RTN key if you need help.
3. Choose enter, delete, list, or modify. Press the RTN key if you need help.



SPECIAL KEYS

Press CMD to enter the command mode.

Press ESC to exit the command mode.

Press RTN to show a menu in the setup mode.

Press RTN to terminate the entry of a name or phone number.

Press CTRL and 1 to send an ABM if the terminal is set up and connected.

In the setup mode, press the following keys simultaneously to perform the action.

CTRL and 1 to terminate an entry.

CTRL, SHIFT, and H to backspace through an entry.

CTRL, SHIFT, and space bar to move forward through an entry.

CTRL, SHIFT, and + to wait for RTN in dialing or log on.

CTRL, SHIFT, and \$ for a one-second delay in dialing or log on.

CTRL, SHIFT, and P to set pulse dial.

CTRL, SHIFT, and T to set tone dial.

SYMBOLS

?	COMMAND MODE PROMPT.
⏏	INDICATES RTN MUST BE PRESSED IN DIALING OR LOG ON.
⏏	INDICATES A ONE-SECOND DELAY IN DIALING OR LOG ON.
P	THE PHONE NUMBER FOLLOWING THIS SYMBOL IS PULSE DIALED.
T	THE PHONE NUMBER FOLLOWING THIS SYMBOL IS TONE DIALED.
— (SPACE)	SEPARATES PARTS OF A PHONE NUMBER IN THE SETUP MODE.
⦿	VALID CHARACTERS FOR PULSE DIAL IN THE SETUP MODE.

Texas Instruments reserves the right to change its product and service offerings at any time without notice.