

WANG

Independent Sales Organization

Tech News
Number 1
September 1983

ISO Tech News

ISO Tech News is published and distributed monthly to the Wang Indirect Sales Organization by Wang Laboratories, Inc., One Industrial Ave., Lowell, MA 01851, Telephone (617) 459-5000.

Information in ISO Tech News applies only in the United States. Prices are list in U.S. dollars and are current as of the time of publication but subject to change without prior notice.

ISO Tech News welcomes your input, comments, questions, and suggestions. The Reply Form at the back of this issue may be used, or letters may be addressed to: Jo Anne Kelch, ISO Tech News Editor, Mail Stop 1408A, Wang Laboratories, Inc., One Industrial Avenue, Lowell, MA 01851. Views expressed by bylined contributors do not necessarily reflect those of Wang Laboratories.

Copyright © Wang Laboratories, Inc.

Printed in U.S.A.

TABLE OF CONTENTS

<u>Category</u>	<u>Status</u>	<u>Article Title</u>	<u>Page</u>
BULLETIN BOARD	Information	ISO Software License Agreement	1
	Information	Wang Service Response Time	2
	Information	ISO Forum	3
VS HARDWARE	New	VS 85 Announced	4
	Reposition	VS 90/100 Repositioning	10
	Pricing	VS Disk Repricing	11
	Pricing	VS 25/45 Repricing	13
	Reposition	VS Discontinued Products	17
VS SOFTWARE	Release	VS Operating System 6.10.00	18
2200 HARDWARE	New	2200 MVP-P1,-P2,-P3 Announced	27
	New	2275-10,-20 Disk Units Announced	29
	Pricing	2280 Disk Drive Repricing	31
	Reposition	2200 Terminal Offerings	32
	Reposition	2200 Data Communications Controllers	34
2200 SOFTWARE	Reposition	2200 Communications Software Notices	37
	Release	ICS Utilities 2.0.5	39
	Release	ICS 2780/3780 Emulation 2.0.4	40
	Release	ICS TTY Emulation 2.0.4	41
	Release	Single-User Operating System 2.6	42
	Usage	2236MXE Software Command Usage	43

INDEX

REPLY FORM

ISO SOFTWARE
LICENSE AGREEMENT
by ISO Marketing

Wang's Independent Sales Organization is composed of three groups -- systems houses (OEMs), vendors, and dealers. In order for an ISO to sell Distributed Software (software written and supported by a third party developer but distributed through Wang Laboratories), a special software agreement between Wang and the ISO must first be signed.

Systems Houses

Eventually, this type of agreement will be merged into standard ISO hardware agreements. In the meantime, a separate software agreement has been drawn up. Copies of this software agreement are being distributed to all Wang Area Systems House Managers for signature by systems houses intending to sell Distributed Software. These signed agreements should be returned to Frank Chamberlin, Mail Stop 1408A, in the corporate ISO Marketing group. The Supplies Division data base will be updated accordingly to serve as a reference for validating ISO software orders. A systems house wishing to place an order with Supplies but who has not yet signed an agreement will be referred to the appropriate Wang Systems House Manager so that this requirement can be filled before the order is processed. Area Systems House Managers are responsible for getting these contracts signed by all new Wang systems houses as part of the registration process.

Vendors

For participating vendors who do not currently have agreements with Wang, this will be a stand-alone software agreement. This agreement and an accompanying cover letter are being mailed direct to all vendors. Vendors who return a signed agreement to the Wang Vendor Sales Development group will be referenced in the Supplies Division data base as qualified to order Distributed Software. Any vendors wishing to order software but not qualifying because of lack of a signed agreement will be provided with an agreement form by Frank Kushmerek in the corporate Vendor Sales Development group.

Dealers

Although all dealers have signed contracts with Wang, earlier contracts did not contemplate Distributed Software. An attempt is being made to have all dealers sign the new contract, which includes these software provisions. Dealers who have signed the new agreement will be represented in the Supplies Division data base as eligible to place orders for Distributed Software.

WANG SERVICE
RESPONSE TIME
by Customer
Engineering

The following is important for you to know when discussing Wang's Customer Engineering with prospects and customers. A July 4th ComputerWorld article reported the results of an International Data Corporation (IDC) survey on "User Satisfaction With Customer Service." A total of 305 users representing 10 different vendors' equipment responded to the survey. One of the two charts in the article showed Wang's service response times as being one of the longest among these vendors. Because these results varied so much from our own Customer Survey, we investigated the IDC results further.

Because ComputerWorld has such a large circulation in the computer industry, many of your customers, prospects, and competitors may have read this article. If objections are raised by your prospects based on this article or your competitors are referencing this article, the following facts are key in taking an offensive selling approach.

- (1) The size of the Wang user sample was only 14.
- (2) One of the 14 respondents was a Wang customer located in a remote site -- in Pahala, Hawaii. This user, who was satisfied with Wang's Service, reported a 48-hour response time from Wang in an emergency and a 96-hour response time under normal circumstances. This user's response heavily skewed the survey results.
- (3) Two of the 14 Wang users were Time and Material customers. When these users and the customer located in Hawaii are removed from consideration, Wang's response time average becomes superior to the overall IDC survey average. These results are consistent with our own Wang Customer Survey results which show under a 4-hour response time average.
- (4) The other chart in the ComputerWorld article shows Wang as ranking relatively high in the category of "Prompt Arrival On Site." No explanation is given for this apparent contradiction.
- (5) IDC has indicated that they do not validate their studies to determine if correct measurements were used or if sample sizes are large enough.

When a larger sample size of Wang users (961) was analyzed in the 1983 study "The Office Products Analyst Report," Wang's service response times was rated better than those of DEC, Prime, Burroughs, DG, and other small vendors.

(continued)

WANG SERVICE
RESPONSE TIME
(continued)

The Bottom Line: After reading the ComputerWorld article, prospects may be listening with skepticism when you discuss Wang Customer Engineering. The above facts will help put Wang Customer Engineering back in perspective. In addition, it is recommended to re-emphasize the success Wang Customer Engineering has experienced in recent years i.e., the implementation of WangCare - Guaranteed Uptime and an average 4-hour response time (refer to the Business of Service brochure, 700-7258, and the Guaranteed Uptime brochure, 700-7410, for more details). These programs have resulted in increased customer satisfaction and improved competitive position as indicated by other industry surveys. If objections are raised by your prospects based on this ComputerWorld article, and your competitors are referencing this article, the above facts will help you compete offensively.

ISO FORUM

This section of ISO Tech News is reserved for input from the Wang Indirect Sales Organization. Please send any notices, comments, questions, usage pointers, etc., which you would like to address to other ISOs and to the Wang ISO support organization to:

Jo Anne Kelch, ISO Tech News Editor
Mail Stop 1408A
Wang Laboratories, Inc.
One Industrial Avenue
Lowell, MA 01851

Subject to approval by the ISO Tech News Editorial Board, information sent in will appear in a future edition of ISO Tech News. Any articles longer than one typewritten page should be submitted as word processing documents on diskette, accompanied by hard copy printout.

ISO Forum is intended as a two-way communication link between Wang corporate headquarters and the Independent Sales Organization, as well as providing a means of communication among individual ISOs.

VS 85 ANNOUNCED
by VS Product
Marketing

DESCRIPTION

Wang Laboratories is pleased to announce the newest member of the 32-bit family of VS systems. The VS 85 is a 32-bit CPU which offers high-powered performance along with VS compatibility at very attractive prices. The VS 85 meets the needs of the small to mid-sized department with up to 48 users who require total data processing and office automation functions. These functions can range from sophisticated networking and telecommunications applications to existing word processing and document transfer.

By packaging the VS 90/100 32-bit architecture with its proven reliability in a VS 25 style cabinet, Wang is making available to a wider spectrum of users the technology that is being enjoyed by its current customer base. The VS 85 packaged systems replace the VS 90 packages which, as of July 1st, are no longer available domestically. Though the CPU is not field upgradable to a larger VS, VS 85 software and peripherals are transportable along the entire VS product line. With this product, Wang offers a solution for users requiring the full office automation and data processing capability of a 32-bit CPU at competitive prices.

Highlights of the VS 85

- . VS 90/100 32-bit CPU and Architecture
- . Compact System Cabinet
- . New Switching Power Supply
- . Disk Storage Capacity over 5 Gigabytes
- . Supports All VS Hardware with Existing VS 90/100 IOPs
- . Support for All Current VS Software
- . Optional Cache Memory for Improved Performance
- . Up to 48 Workstations and Printers Supported
- . Packaged Configurations Available
- . Available Now for Immediate Shipment

CENTRAL PROCESSOR: The same central processing unit as well as the control memory of the the VS 90/100 are being utilized in the VS 85. The 32-bit data path to the Central Processor remains the same, as does the 160 nanosecond microinstruction time. The control memory continues to be loaded from a mini-diskette, thereby retaining the flexibility of upgrading system microcode.

I/O BUS AND PROCESSORS: Both the I/O Bus and the I/O Processors are the same as those that are used with the VS 90/100. By using the same IOP processors as the VS 90/100 systems, the VS 85 can support all of the peripherals supported on the 90/100 systems, thereby insuring compatibility within the VS product line.

(continued)

VS 85 ANNOUNCED
(continued)

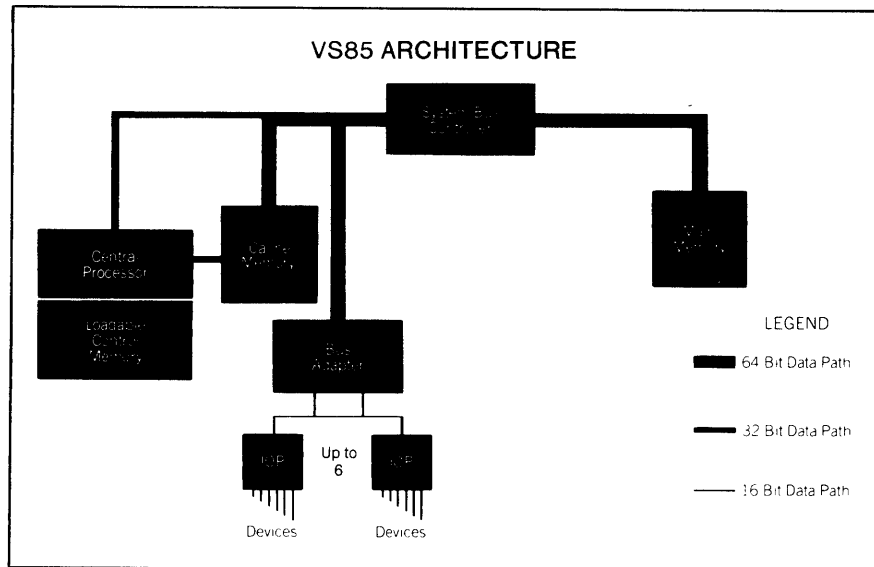
BUS ADAPTER: A new system bus adapter allows for buffering and routing services between the I/O processors and the Central Processor. Only one bus adapter is supported on the VS 85. Through connection to the system bus controller, the bus adapter transfers data from the I/O processors to the Central Processor.

MAIN MEMORY: Main memory can be configured with 1, 2, or 4 MB. A modified System Bus Controller allows for a 32-bit memory access and a bandwidth of 8.3 MB/sec.

CACHE: A 32 KB Cache option provides for a 64-bit memory access and a memory bandwidth of 16.6 MB/sec. This is accomplished in combination with the new system bus controller, which is capable of accessing memory on a 32 or 64-bit path. This added feature also permits the configuration of either a second disk IOP or a tape IOP for support of the 2219V tape drive.

POWER SUPPLY: The system power supply is a switching power supply. It is capable of operating in either a 110 volt/25 amp or 220 volt/15 amp environment. Standard systems will be equipped for a 110 volt power.

SYSTEM CABINET: The VS 85 is housed in a VS 25 style cabinet. A modified motherboard provides for 5 processor slots, one bus adapter, six I/O processor slots, one 5 1/4 inch diskette drive and a switchable power supply.



(continued)

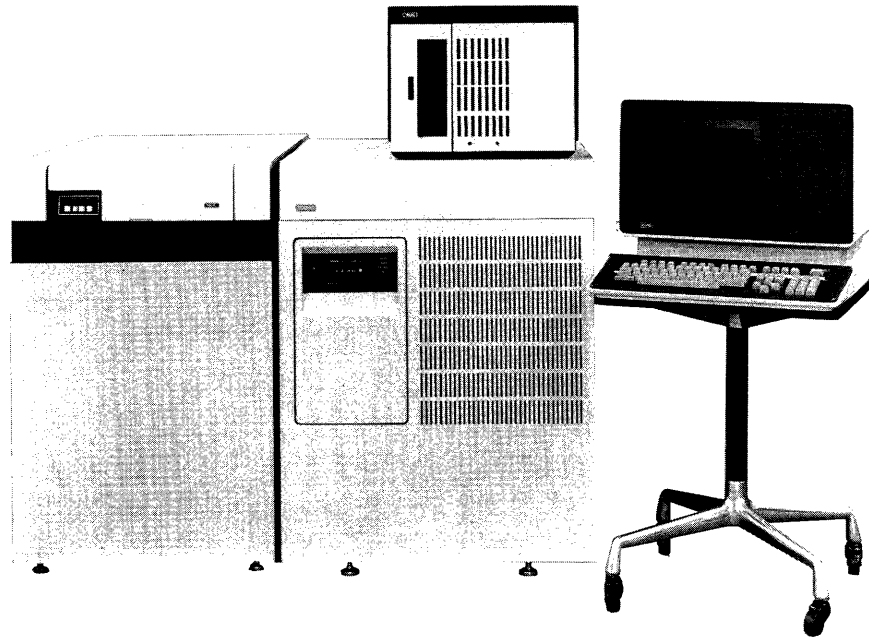
VS 85 ANNOUNCED
(continued)Configuration Capabilities

All VS 85 systems support the following maximums:

- . Maximum main memory of 4 MB
- . Maximum disk storage of over 2 GB
- . Maximum of 32 workstations
- . Maximum of 1 disk IOP
- . Maximum of 4 disk drives
- . Maximum of 6 communications lines
- . Maximum of one 22V25-2 tape IOP

With the addition of 32-Kilobyte cache memory, the following options become available:

- . Maximum of 48 workstations
- . Support for either a second disk IOP (allowing a maximum of 8 disk drives with 5.1 Gigabytes of on-line storage) or a tape IOP, for support of the 2219V tape drive.



A VS 85 SYSTEM

(continued)

VS 85 ANNOUNCED
(continued)MARKETING STRATEGY

As the low-end 32 bit VS processor in the Wang product line, the VS 85 addresses the needs of those users who require the same processing capability of the VS 90 but who do not anticipate support of greater than 32 to 48 users. A typical installation will require both local and remote workstation functionality to support a combination of data processing and word processing applications. Any mid-sized department with such requirements would be a prime candidate for the VS 85. Other candidates are users who require an upward migration path from a VS 80 or VS 45 as they experience the need for more processing power, more user activity, or increased office automation functionality.

For the small to medium sized user, the VS 85 offers many advantages in addition to those offered with the high-end VS 45. Many users require the larger workstation capacity, memory sizes and disk storage possibilities. As with the VS 45, the 85 offers the same easy installation capability because of the more compact cabinet.

Medium-sized departments who require total office automation functionality as well as the more powerful throughput of a 32-bit machine will prefer a VS 85. If the requirements are for the full office automation functions for a user population of no more than 48, the VS 85 will provide the memory capacity needed as well as the software features required to do the job.

Because upgradability to a VS 100 is not available, departments foreseeing a limited growth potential but requiring a 32-bit system are prime candidates for the VS 85. In situations where a heavy volume of data and word processing is expected with a limited number of users, needs can be met by the VS 85, which provides the computer power of the larger VS 90/100 systems without the higher price. Wang can achieve this price performance by offering the same 32-bit CPU, peripherals and software as the VS 90/100 but in smaller configurations.

ORDERING INFORMATION

The VS 85 systems described here provide the customer with a price performance that is unequalled in the 32-bit CPU marketplace. With the basic configuration as a starting point, the user can add to the system, using standard configuration options that are available. Volume shipments of VS 85 systems have already begun.

(continued)

VS 85 ANNOUNCED
(continued)

<u>Model</u>	<u>Description</u>
<u>VS85-1 (Purchase \$63,000; Monthly Maintenance \$323)</u>	
VS 85 CPU	1 MB Memory, Op. Sys. & Assembler
22V27-2	16-port serial IOP
2266S-3	48K Archiving Workstation
<u>VS85-2 (Purchase \$73,000; Monthly Maintenance \$373)</u>	
VS 85 CPU	2 MB Memory, Op. Sys. & Assembler
22V27-2	16-port serial IOP
2266S-3	48K Archiving Workstation
<u>VS85-4 (Purchase \$91,000; Monthly Maintenance \$473)</u>	
VS 85 CPU	4 MB Memory, Op. Sys. & Assembler
22V27-2	16-port serial IOP
2266S-3	48K Archiving Workstation
<u>VS85E (Purchase \$78,000; Monthly Maintenance \$625)</u>	
VS85-1	1 CPU (1 MB Memory, Op. Sys. & Assembler)
22V27-2	1 16-Port Serial IOP
22V28	1 4-Port Disk IOP
22V26-3	1 3-Port TC IOP
2266S-3	1 48K Archiving Workstation
2280V-3	1 90 MB Disk Drive
220-3041-20	1 Disk 'A' Cable - 25 feet
220-3033-22	1 Disk 'B' Cable - 25 feet
	1 Compiler (COBOL, RPGII, BASIC or PL/I)
<u>VS85F (Purchase \$83,000; Monthly Maintenance \$658)</u>	
VS85-1	1 CPU (1 MB Memory, Op. Sys. & Assembler)
22V27-2	1 16-Port Serial IOP
22V28	1 4-Port Disk IOP
22V26-3	1 3-Port TC IOP
2266S-3	1 48K Archiving Workstation
2265V-2	1 288 MB Disk Drive
220-3041-18	1 Disk 'A' Cable - 25 feet
220-3033-24	1 Disk 'B' Cable - 25 feet
	1 Compiler (COBOL, RPGII, BASIC or PL/I)
<u>VS85G (Purchase \$93,000; Monthly Maintenance \$718)</u>	
VS85-1	1 CPU (1 MB Memory, Op. Sys. & Assembler)
22V27-2	1 16-Port Serial IOP
22V28	1 4-Port Disk IOP
22V26-3	1 3-Port TC IOP
2266S-3	1 48K Archiving Workstation
2265V-1	2 75 MB Disk Drives
220-3041-20	1 Disk 'A' Cable - 25 feet
220-3033-22	1 Disk 'B' Cable - 25 feet
220-3031-3	1 'A' Daisy Chain Cable - 10 feet
	1 Compiler (COBOL, RPGII, BASIC or PL/I)

(continued)

VS 85 ANNOUNCED
(continued)UPGRADE OPTIONS

The VS 85 upgrade consists of a cache memory option that allows a greater variety of system configurations. With this option an additional disk IOP for support of up to 8 disk drives or a tape IOP for 2219V tape drive support can be added to a system. These options are mutually exclusive. In addition, the cache memory will support up to 48 workstations and printers. There is no CPU upgrade to a VS 90 or VS 100. The CPU must be swapped out in order to make such a change. Software and peripherals are totally transportable within the VS processor line.

<u>Model</u>	<u>Description</u>	<u>Purchase Price</u>	<u>Monthly Maintenance</u>
85-Cache	32 KB Cache Option	\$ 6,000	\$ 60
<u>Memory Upgrades:</u>			
UJ-3188	1 MB to 2 MB	\$12,000	
UJ-3192	2 MB to 4 MB	\$24,000	

VS 90/100
REPOSITIONING
 by VS Product
 Marketing

The VS 90/100 now becomes the high-end offering in Wang's 32-bit VS product family, with the VS 85 as the entry level system. The VS 90/100 systems are designed for those situations where a heavy volume of data processing/office automation is expected with a large number of users. To properly position the VS 85 as the entry level 32-bit system and assure more consistency across VS systems, Wang have revised the VS 90 and VS 100 CPU product offerings, with no changes in either the purchase or maintenance pricing, as follows:

- . VS 90 packaged system offerings expired domestically June 30, 1983. VS 90 CPUs now include the specified amount of main memory, a 16-port serial IOP, one serial archiving workstation with hard sector/soft sector controller, and one bus adapter. The operating system and Assembler are standard. Only serial devices may be attached to the system through an appropriate IOP. The TC IOP, Tape IOP and Disk IOP are no longer included.
- . VS 100 CPUs now include the specified amount of main memory, cache memory, a 16-port serial IOP, and a chassis capable of accommodating 16 IOPs. One bus adapter which provides an interface for 8 IOPs is standard. One additional bus adapter is optional at extra cost. The operating system and Assembler are standard. All systems include one serial archiving workstation with hard sector/soft sector controller. Only serial devices may be attached to the system through an appropriate IOP.

<u>Model</u>	<u>Description</u>	<u>Purchase Price</u>	<u>Monthly Maintenance</u>
<u>VS 90 Central Processing Units</u>			
VS90-1	1024 KB Main Memory	\$ 73,000	\$ 450
VS90-2	2048 KB Main Memory	83,000	500
VS90-3	3072 KB Main Memory	92,000	550
VS90-4	4096 KB Main Memory	101,000	600
<u>VS 100 Central Processing Units</u>			
VS-32F	1024 KB Main Memory	\$ 83,000	\$ 738
VS-64F	2048 KB Main Memory	93,000	788
VS-96F	3072 KB Main Memory	102,000	838
VS-128F	4096 KB Main Memory	111,000	888
VS-160F	5120 KB Main Memory	119,000	938
VS-192F	6144 KB Main Memory	127,000	988
VS-224F	7168 KB Main Memory	135,000	1038
VS-256F	8192 KB Main Memory	143,000	1088

VS DISK, DISK IOP,
AND CONTROLLER
REPRICING
by VS Product
Marketing

Wang Laboratories is announcing substantial changes in disk pricing in order to continue to compete aggressively in the initial sale of systems and in the add-on disk marketplace. VS Disk IOP/Disk Device Controller pricing has been revised also. Repricing, as of July 1, 1983, is as follows:

- . Disk and maintenance prices have been reduced 18 to 48%.
- . Drive and maintenance prices are constant across the VS product line.
- . 2280V-1 and 2280V-2 disk drives have been discontinued.
- . VS Disk, IOP/Disk Device Controller pricing for the 75/90/288/640 MB disk drive line has increased, with the exception of Disk IOP prices for the 640 MB disk drive which have dropped dramatically on the VS 85/90/100.
- . Combined Disk and Disk IOP/Disk Device Controller pricing is significantly reduced in both initially configured systems and add-on business.

DISK DRIVE PRICING

<u>Model</u>	<u>Description</u>	<u>Purchase Price</u>	<u>Monthly Maintenance</u>
2280V-3	90 F/R Disk Drive	\$ 13,000	\$ 186
2265V-1	75 MB Removable Disk Drive	12,000	160
2265V-2	288 MB Removable Disk Drive	18,000	255
2265V-3	640 MB Fixed Disk Drive. Requires 25V50-x for VS 45, 22V78-x for VS 80, and 22V88-x for VS 85/90/100.	28,000	180

VS 80 TRADE-IN DISK IOPs

When a VS 80 is traded in for a VS 85/90/100, the IOPs for the VS 85/90/100 must be ordered with the CPU. If an IOP is being returned with the VS 80 there will be no charge for the same IOP on the VS 85/90/100, provided reference is made to the work order(s) on which the original IOPs were ordered.

(continued)

<u>VS DISK, DISK IOP, AND CONTROLLER REPRICING</u> (continued)	<u>Model</u>	<u>DISK DRIVE IOP/CONTROLLERS Description</u>	<u>Purchase Price</u>	<u>Monthly Maintenance</u>
	22V08	VS 80 IOP for 90/75/288 MB disk	\$ 7,500	\$ 50
	22V28 *	VS 85/90/100 IOP for 90/75/288 MB disks	7,500	50
	22V38	VS 80 IOP for SW04 and SW04-1 switches	7,500	50
	22V48 *	VS 85/90/100 IOP for SW04 and SW04-1 switches	7,500	50
	22V78-1	1-Port 2265V-3 Disk IOP for VS 80	6,500	63
	22V78-2	2-Port 2265V-3 Disk IOP for VS 80	7,500	78
	22V78-3	3-Port 2265V-3 Disk IOP for VS 80	8,500	93
	22V78-4	4-Port 2265V-3 Disk IOP for VS 80	9,500	108
	22V88-1*	1-Port 2265V-3 Disk IOP for VS 85/90/100	6,500	63
	22V88-2*	2-Port 2265V-3 Disk IOP for VS 85/90/100	7,500	78
	22V88-3*	3-Port 2265V-3 Disk IOP for VS 85/90/100	8,500	93
	22V88-4*	4-Port 2265V-3 Disk IOP for VS 85/90/100	9,500	108
	25V50-1	1-Port Disk Device Controller (VS 45 only)	6,500	63
	25V50-2	2-Port Disk Device Controller (VS 45 only)	7,500	78
	25V50-3	3-Port Disk Device Controller (VS 45 only)	8,500	93
	25V50-4	4-Port Disk Device Controller (VS 45 only)	9,500	108

* Limit of four disk IOPs on VS 100, two disk IOPs on VS 90 or VS 85 with cache, one disk IOP on VS 85 without cache.

VS 25 / VS 45
REPRICING
by VS Product
Marketing

Wang Laboratories is pleased to announce an exciting new price schedule for the VS 25 and VS 45. The most significant revisions are a reduction in maintenance pricing and the availability of five new packaged systems, which improve Wang's competitive posture in fully configured systems.

Changes affecting the entire VS product line, such as reductions in overall disk pricing, are also reflected in the VS 25 and VS 45 pricing revisions. Although there have been increases in VS 45 pricing and upgrade pricing, packaged system pricing coupled with full office automation functionality should provide an overall system solution unparalleled in the marketplace.

VS 25 and VS 45 Repricing Highlights

- . 40% reduction in VS 25/45 A and C maintenance prices
- . 60% reduction in VS 45 X maintenance prices
- . VS 25 and VS 45 package pricing
- . Revised VS 45 CPU and upgrade pricing
- . 31% and 27% effective maintenance decrease on VS 25 B & D
- . 22% effective maintenance decrease on VS 45 E, F and G
- . VS product line disk pricing reductions

VS 25 PACKAGED SYSTEMS

<u>Model</u>	<u>Description</u>	<u>Purchase Price</u>	<u>Monthly Maintenance</u>
VS25B	VS 25-8A, 2246S Work-station, Compiler*	\$ 25,000	\$ 200
VS25D	VS 25-16A, 2246S Work-station, 1-Port Tele-communications Controller, Tape Cartridge Drive, Compiler*	34,000	297

* Compiler may be VS COBOL, RPGII, BASIC or PL/I

(continued)

VS 25 / VS 45
REPRICING

(continued)

VS 25 CENTRAL PROCESSING UNITS

Consists of Main Memory, 1.2 MB DSDD Diskette Drive, 34 MB or 68 MB Fixed Disk and Fixed Disk Device Controller, 16-Port Serial Device Controller and Wang-supplied modem for remote diagnostic purposes only. VS operating system and Assembler are standard. The VS 25 supports serial devices only.

<u>Model</u>	<u>Description</u>	<u>Purchase Price</u>	<u>Monthly Maintenance</u>
VS25-8A	512 KB Main Memory 34 MB Fixed Disk	\$ 25,000	\$ 135
VS25-12A	768 KB Main Memory 34 MB Fixed Disk	27,000	150
VS25-16A	1024 KB Main Memory 34 MB Fixed Disk	29,000	165
VS25-8C	512 KB Main Memory 68 MB Fixed Disk	32,000	173
VS25-12C	712 KB Main Memory 68 MB Fixed Disk	34,000	188
VS25-16C	1024 KB Main Memory 68 MB Fixed Disk	36,000	203

VS 45 CENTRAL PROCESSING UNITS

Consists of Main Memory, 1.2 MB DSDD Diskette Drive, 32-Port Serial Device Controller and Wang-supplied modem for remote diagnostic purposes only. VS operating system and Assembler are standard. The VS 45 supports serial devices only. 'A' or 'C' models include 34 MB or 68 MB Fixed Disk and Fixed Disk Device Controller; 'X' models include no disks or Disk Device Controllers. All models support standard VS disk drives with appropriate 25V50-x external Disk Device Controller. Cables must be ordered for each external disk.

<u>Model</u>	<u>Description</u>	<u>Purchase Price</u>	<u>Monthly Maintenance</u>
VS45-8X	512 KB Main Memory	\$ 26,000	\$ 82
VS45-12X	768 KB Main Memory	28,000	92
VS45-16X	1024 KB Main Memory	30,000	102

(continued)

VS 25 / VS 45
REPRICING
(continued)

VS 45 CENTRAL PROCESSING UNITS (continued)

<u>Model</u>	<u>Description</u>	<u>Purchase Price</u>	<u>Monthly Maintenance</u>
VS45-8A	512 KB Main Memory 34 MB Fixed Disk	\$ 33,000	\$ 144
VS45-12A	768 KB Main Memory 34 MB Fixed Disk	35,000	159
VS45-16A	1024 KB Main Memory 34 MB Fixed Disk	37,000	174
VS45-8C	512 KB Main Memory 68 MB Fixed Disk	40,000	182
VS45-12C	768 KB Main Memory 68 MB Fixed Disk	42,000	197
VS45-16C	1024 KB Main Memory 68 MB Fixed Disk	44,000	212

VS 45 PACKAGED SYSTEMS

<u>Model</u>	<u>Description</u>	<u>Purchase Price</u>	<u>Monthly Maintenance</u>
VS45E	VS 45-16X, 90 MB Fixed/Removable Disk, 2-Port Disk Device Controller, 1-Port Telecommunications Controller, 2246S Workstation, Disk Cables, Compiler*	\$48,000	\$ 396
VS45F	VS 45-16X, 288 MB Removable Disk, 2-Port Disk Device Controller, 1-Port Telecommunications Controller, 2246S Workstation, Disk Cables, Compiler*	53,000	498
VS45G	VS 45-16X, two 75 MB Removable Disks, 2-Port Disk Device Controller, 1-Port Telecommunications Controller, 2246S Workstation, Disk Cables, Compiler*	63,000	557

* Compiler may be VS COBOL, RPGII, BASIC or PL/I

(continued)

VS 25 / VS 45
REPRICING
(continued)

VS 45 DISK DEVICE CONTROLLERS

<u>Model</u>	<u>Description</u>	<u>Purchase Price</u>	<u>Monthly Maintenance</u>
25V50-1	1-Port Disk Device Controller (VS 45 only)	\$ 6,500	\$ 63
25V50-2	2-Port Disk Device Controller (VS 45 only)	7,500	78
25V50-3	3-Port Disk Device Controller (VS 45 only)	8,500	93
25V50-4	4-Port Disk Device Controller (VS 45 only)	9,500	108

VS 25/VS 45 UPGRADES

<u>Model</u>	<u>Description</u>	<u>Purchase Price</u>
<u>CPU Upgrades</u>		
UJ-3139	VS 25 to VS 45	\$ 8,000
<u>VS 25/45 Memory Upgrades</u>		
UJ-3150	VS 25/VS 45 (512K to 768K)	3,000
UJ-3151	VS 25/VS 45 (512K to 1024K)	5,000
UJ-3152	VS 25/VS 45 (768K to 1024K)	3,000
<u>VS 45 Disk Device Controller Upgrades</u>		
UJ-3164	25V50-1 to 25V50-2	1,500
UJ-3165	25V50-1 to 25V50-3	2,500
UJ-3166	25V50-1 to 25V50-4	3,500
UJ-3167	25V50-2 to 25V50-3	1,500
UJ-3168	25V50-2 to 25V50-4	2,500
UJ-3169	25V50-3 to 25V50-4	1,500
<u>VS 25/VS 45 Disk Upgrades</u>		
UJ-3140	VS 25/45-A to VS 25/45-C (34 MB Fixed Disk to 68 MB Fixed Disk)	7,500
UJ-3141	VS 45-X to VS 45-A (No Fixed Disk to 34 MB Fixed Disk. Includes 25V55 Device Controller)	7,500
UJ-3142	VS45-X to VS45-C (No Fixed Disk to 68 MB Fixed Disk. Includes 25V55 Device Controller)	14,500

VS DISCONTINUED
PRODUCTS
by VS Product
Marketing

Due to the availability of newer replacement products and lack of marketing demand, the following products are now removed from the VS section of the Wang price book:

- . All VS 50 and VS 50A systems*
- . VS-80Z1 and VS-80Z2 packaged systems
- . VS90E, VS90F, and VS90G packaged systems
- . Card Reader, model 2244V*
- . 2280V-1 (30 MB) and 2280V-2 (60 MB) disk drives*
- . 22V08A and 22V28A disk IOPs, which have been replaced by 22V08 and 22V28 disk IOPs

* Asterisks indicate products which will continue to be offered on a rental basis only.

VS OPERATING
SYSTEM 6.10.00
by VS R&D

DESCRIPTION

Release 6.10.00 of the VS Operating System, recently distributed to domestic Customer Engineering Area Technical Operations Managers, includes several new enhancements as well as all functions and features of the Release 5.03 VS Operating System series. Also, several software problems have been fixed in Operating System Release 6.10.00.

It is recommended that all Release 5.03 VS Operating System users upgrade to OS general release 6.10.00. (For the time being, OS 5.03 users heavily involved in telecommunications usage may remain with OS 5.03.70 or a later 5.03 maintenance release.) Release 5.01 VS Operating System telecommunications users may remain with OS 5.01.65 or any later 5.01 maintenance release, unless the additional capabilities of OS Release 6.10.00 are required. After January 1, 1984, 5.01 and 5.03 operating systems will no longer be supported.

The 6.10.00 Operating System software is packaged on a 9-track tape and includes VS operating system files for all VS CPU types (CP3 for VS 50/80, CP4 for VS 85/90/100, and CP5 for VS 25/45). The 6.10.00 Operating System tape also includes peripheral microcode files, utility programs, and a procedure for building COLDSTART diskettes. It does not include separately-priced software (compilers, Word Processing, telecommunications, and WangNet software, or utilities such as EZQUERY), which must be ordered separately through normal order processing channels. OS 6.10.00 does provide support for all of these additional packages.

Release 6.10.00 Enhancements

- . DP Broadcast Facility - The new DP Broadcast Facility allows a workstation message to be sent between an operator workstation and a user workstation. It includes both operator-to-user and user-to-operator facilities.
- . Operator Privileges - Assignment of operator privileges to a User ID is now available through the SECURITY utility, as well as to a workstation. Whenever a User ID with operator privileges logs onto the system, the option to enter Operator Mode appears on the Command Processor menu. In past releases, assignment of operator privileges was handled strictly through workstations.
- . DMS/TX - VS Operating System Release 6.10.00 includes support for DMS/TX, a transaction recovery and concurrency control system. DMS/TX acts as an extension of the existing Data Management System (DMS) for the Record Access Method processing of indexed data files. It provides transaction rollback recovery, multiple resource sharing, and monitoring of structural integrity.

(continued)

VS OPERATING
SYSTEM 6.10.00
(continued)

DMS/TX can be used for any number of indexed files. Existing DMS programs require minor modification to support DMS/TX processing. COBOL Version 3.06.04, RPGII Version 4.10.00, and ASSEMBLE Version 1.09.02 support DMS/TX.

Note: DMS/TX is under a Control Release Program in order to carefully monitor its initial use. Therefore, DMS/TX is not included with Operating System Release 6.10.00, but can be ordered through the Control Release Program by contacting your local support analyst. VS Product Marketing is directing the DMS/TX Control Release Program.

- . Procedure Interpreter - The Procedure Interpreter now includes support for remote print routing.
- . Utility Enhancements - BACKUP now has two copying modes; the familiar DMS BACKUP mode and a high-speed VOLCOPY mode. Version 5.00.15 of BACKUP also introduces the use of "wild card characters" to allow backup of all files or libraries whose names contain a particular character sequence. The GENEDIT, EDITOR, COPY, DISKINIT and SECURITY utilities have also been enhanced in OS 6.10.00.
- . Control Mode Dump Procedure - An easy-to-use dump procedure is available.
- . HELP TEXT - On-line Help Text is now available with the BACKUP, I/O Error Log (IOELOG) and DMS/TX Conversion utilities. PF Key 13 is reserved for access to Help Text when running these utilities.
- . New Device Support - OS Release 6.10.00 includes support for the 2529V Cartridge Tape Drive, the 2265V-3 620 MB Disk Drive, the SW04-3 Dual-Port Option for all VS systems except VS 25 and 45, and the 5575 High Speed Band Printer. Also, the Wang Professional Computer can emulate a 2246S or 2256C workstation.
- . New Software Support - OS Release 6.10.00 includes support for Local WangNet, CHARTER, and VS Alliance. The VS Alliance Document Access Subroutines provide program access to Alliance documents.

HARDWARE PRE-REQUISITES

CP3: . Any VS 50/80 with a disk volume of 15 MB minimum.
. The 620 MB disk drive requires a 22V78 disk IOP.

CP4: . Any VS 90/100 with a disk volume of 15 MB minimum.
. The 620 MB disk drive requires a 22V88 disk IOP.

(continued)

VS OPERATING
SYSTEM 6.10.00
 (continued)

CP5 (VS 45):

- . Any VS 45 with an external disk volume of at least 15 MB. The creation of the system disk for the VS 45 target machine must take place on a VS running VS OS 6.10.00, which has a 9-track tape drive and a disk drive on which the target volume can be mounted.

Revision 3 Bus Processor Board

- . For version 5.00.05 of the Cartridge Tape Microcode, a PROM upgrade is also necessary, and should be installed with the microcode software.

SOFTWARE PRE-REQUISITES

CP3: None.

CP4: VS 100 CPU microcode version 4.57.07 or later.

CP5: None.

DMS/TX users should use version 3.06.04 of COBOL and version 4.10.00 of RPGII.

ALERTS

1. For the following software packages, the minimum levels which will run with VS Operating System 6.10.00 are as listed. Each of these packages must be ordered separately through normal order processing channels.

VS Word Processing	1.06.01
Remote WangNet	1.04.01
Local WangNet	2.00.01
2. The following remote printers will not function under VS Operating System 6.10.00: 2231V-2, 2233R, 2235R, 2263V-1, 2263V-2, 2263V-3, 2281WR, and 2281WCR.
3. When upgrading to 6.10.00, currently installed systems should make a copy of their existing FORMDFFN, USERLIST, and Configuration (@CONFIG@) files and reload them after the new system is built. This will retain all the proper print form definitions, userlist definitions, and the system configuration.
4. For CP5 models, the VS system that is used to initialize or relabel a disk pack which will be used to IPL a VS 45 must be running a Release 6 VS Operating System in order to correctly DISKINIT/RELABEL the disk. Version 5.04.23 of DISKINIT must be used. Also, when using the COLDBILD program to build CP5 COLDSTART diskettes under Operating System 6.10.00, the volume used as input to the diskettes cannot be the system volume.

(continued)

VS OPERATING
SYSTEM 6.10.00
(continued)

ORDERING INFORMATION

The VS Operating System 6.10.00 tape, part number 195-2456-7, has been distributed to Wang Customer Engineering offices for installation at customer sites. Operating System 6.10.00 will be installed on all new VS systems prior to shipment from Distribution in Tewksbury.

INSTALLATION INSTRUCTIONS

VS operating system installations are arranged through local Customer Engineering offices, who in turn may escalate any operating system questions, through district and area levels, to the Area Technical Operations Managers.

Prior to installing OS 6.10.00 on VS 50/80 systems, any previously queued print files, procedures or transmissions must be requeued. System defaults for dual-mode workstations (additional operator consoles), background job classes and printer class assignments must be reassigned.

OS 6.10.00 Module Version Numbers

NOTE: The following information indicates version numbers of modules included with VS Operating System 6.10.00. For minimal CP3 or CP4 Operating Systems, the files indicated with the symbol '*' should be used. A minimal CP5 Operating System must contain the files indicated with the symbol '+' as well as the files marked with '*'.

<u>Module</u>	<u>Version</u>	<u>Blocks</u> <u>Allocated</u>	<u>Description</u>
<u>Operating System Nucleus & Related Files in Library @SYSTEM@</u>			
@GENMSG@	6.10.00 *	2	Displays Sys. Gen. Message
@IPL25@@	R2334 +	5	VS25/45 System Load File
@MCBOOT@	R2334 +	2	VS25/45 Boot File
@OPER@	6.10.00 *	49	Operator Console
@PROC@	2.07.06 *	17	Procedure Interpreter
@PRTTSK@	6.10.00 *	8	Printer Task
@SHARER@	6.10.00 *	7	Sharer Task
@SYS003@	6.10.00 *	208	VS CP3 OS Nucleus for VS 50/80
@SYS004@	6.10.00 *	636	VS CP4 OS Nucleus for VS 90/100
@SYS005@	6.10.00 *	599	VS CP5 OS Nucleus for VS 25/45
@SYSCPR@	6.10.00 *	29	Command Processor
@SYSGEN@	6.10.00 *	6	Dynamic System Generation Module
@SYSSVC@	6.10.00 *	102	OS Supervisor Calls
@SYSTSK@	6.10.00 *	33	System Task
@TSKMGR@	6.10.00 *	9	Creates Tasks Dynamically
BUILDALT	6.10.00 *	3	Builds DMS Alternate Indexes
BP	2.14.00 +	64	Bus Processor Microcode
CM	5.01.03 +	10	Control Mode WS Microcode
CP	5.09.02 +	18	CPU Microcode File
DEVLIST	1.00.19 *	139	Device List

(continued)

VS OPERATING
SYSTEM 6.10.00
 (continued)

Module	Version	Blocks Allocated	Description
<u>Packaged Utilities & Related Files in Library @SYSTEM@:</u>			
ASSEMBLE	1.09.02	53	VS Assembler
BACKUP	5.00.15 *	179	Backup Util.(WTEFORM file req'd)
VOLCOPY	2.02.04 *	12	Fast disk Backup program
COPY	3.00.01	8	Copy disk files, libes or vols
COPY2200	5.02.00	56	Wang VS Intersystem copy program
WTCDEAT	5.02.00	70	COPY2200 - External file
CONDENSE	2.00.01	25	Produces one-record-type file
WG5CREAT	2.00.01	11	CONDENSE - External file
CONTROL	4.02.01	57	Defines data file attributes
DATENTRY	4.02.04	36	Enables data file creation
DISKINIT	5.04.23 *	79	Initializes disk volumes
DISKIN45	2.05.00	8	OS 4 to OS 5 disk formatter
DISPLAY	3.06.02	36	Displays files on screen
DUMPER	5.02.04	1	CP3 main memory to floppy dump
EDITOR	6.09.15	12	VS integrated source text editor
WE1EDIT	6.09.15	65	EDITOR - linker output module
EZFORMAT	1.12.02	70	Reproduces user-created screens
FLOPYDUP	1.04.02	4	Duplicates diskettes
FORMCNTL	5.02.17	17	Printer forms definition utility
GENEDIT	6.00.15 *	82	System configuration utility
IBMCOPY	1.12.01	23	VS to/from IBM diskette format
INFO	1.12.10	76	Displays on-line documentation
INQUIRY	2.00.06	37	Interrogates data files
IOELOG	2.00.04	160	IO Error Log utility
LINKER	1.10.05	9	Links VS object modules
LISTVTOC	4.08.02	8	Vol. Table of Contents analysis
NEWTOPIC	1.00.00	2	Installs documentation for INFO
PATCH	1.07.02	3	Used to patch programs and files
REPORT	4.00.05	12	Create, modify, & print reports
WG3CANDM	4.00.05	99	REPORT - external file
WG3PRINT	4.00.05	45	REPORT - external file
SECURITY	5.04.11 *	27	Defines User IDs
SORT	5.07.02	13	VS sort/merge file utility
TAPECOPY	2.06.02	16	Tape to/from disk file copy
TAPEINIT	2.07.02	3	Wang VS Tape Initialization
TRANSL	2.00.00	12	File character-set translation
VERIFY	5.03.04	17	VS indexed file verification

INFO Documents and Helptext in LIBRARY @DOCLIB@:

@TOPICS@	(None)	1	INFO Topic Directory File
VOSN610	(None)	51	VS OS 6.10 Software Rel. Notice
VOSR610	(None)	159	VS OS 6.10 Software Bulletin
INFOHELP	2.20.00	14	On-line help text for INFO pgm.
BUPHELP	1.00.00	21	On-line help text for BACKUP
IOEHELP	1.00.00	33	On-line help text for IOELOG

PL/1 Systems Program Error Message File in Library @ERRMSG@:

WLREMSG	(None) *	85	Runtime Error Messages
---------	----------	----	------------------------

(continued)

VS OPERATING
SYSTEM 6.10.00
(continued)

Loadable Printer Microcode in LIBRARY = @SYSTEM@

@MC2263S	4.03.07	5	M'code for serial 5570 & 5571
@MC2273S	4.03.07	5	M'code for serial 5573 & 5574
@MC2281S	4.04.03	7	For serial 6581W/WC & 2281V-S
@MC2221S	4.03.06	5	M'code for serial 5531-2 & 5521
@MC5577	5.01.02	29	M'code for serial VHD 5577
@MCDW20	5.00.02	8	Low Cost Daisy Printer
@5535S	5.01.03	6	Lost Cost Matrix Printer
@MC5575	5.01.02	10	High Speed Band Printer

Loadable Tape Microcode in Library @SYSTEM@

@MC2529V	5.00.05	23	Cartridge Tape Microcode
----------	---------	----	--------------------------

Loadable Workstation Microcode in Library @SYSTEM@

@MC2246S	5.00.03	8	M'code for serial 2246S
@MC2246C	5.01.03	10	M'code for serial 2246C
@MC2266S	5.01.03	21	M'code for 32K Arch. WS
@MC2266C	5.01.03	21	M'code for 48K Arch. WS
@2246S1	5.01.03	8	029 with standard keypad
@2246S2	5.01.03	8	2246S with numeric reverse
@2246S3	5.01.03	8	029 with reverse keypad
@MC2246R	4.02.10	16	Microcode for remote workstation
@MCREMWS	3.05.09	16	DLP m'code - remote WS protocol

* indicates files required by CP3, CP4 and CP5.

+ indicates additional files required by CP5.

PROBLEMS CORRECTED

In addition to those listed in Software Bulletin Release 6.0, the following problems have been corrected since OS Release 5.3.70:

1. In Operating System Release 5.03.70, a task crash and system hang would occur if a user attempted to dismount a disk that had SPOOL, WORK, and PAGING status set to 'YES', but which had no such files.
2. To correctly position the heads, a revision was made to the @MC2529V microcode such that 6 inches of tape is erased before a write operation commences at the beginning of tracks 1, 2, and 3.
3. Version 4.02.01 of the CONTROL utility fixes a problem in which the input specification generated contained extraneous characters; this occurred during the generation of RPGII source code, if no table validation was used in the control file.
4. A problem was corrected concerning generated source code containing extraneous calls to the VERIFY program, with no validation specified for the data file.

(continued)

VS OPERATING
SYSTEM 6.10.00
(continued)

KNOWN ANOMALIES

Listed below are known 6.10.00 problems which can be consistently duplicated. Circumventions are specified if known.

Operating System

1. When a 2281WCR Remote Printer (attached to a remote workstation) is acquired after activating the workstation, the message "WAITING FOR A WP PRINT FILE" is displayed. Remote printers do not support printing of documents created in WP mode; the printer will continue to wait for the WP document, thus rendering it useless for printing of DP documents. Circumvention: None; the 2281WCR cannot function as a remote printer under OS Release 6.10.00.
2. A 5577 Printer will indicate a device malfunction if "DESELECT", "TOP OF FORM", and "RESELECT" are performed between print files. Circumvention: If this occurs, try holding the waiting file in the print queue while powering the printer off and on to clear the condition.
3. Task crash occurs when eliminating messages from Operator's Console. Circumvention: Do not position cursor next to the flashing 'additional messages pending' line and hit ENTER. Instead, clear the displayed messages.
4. If a remote workstation is deactivated before its associated printer, the controlling operator task crashes. Circumvention: Deactivate the printer first.
5. An I/O completion loss occurs when attempting to cancel a program (in DP mode) using operator's console PF Key 6 and then PF Key 12. The task appears to hang in CANCEL for approximately 3 minutes before the I/O Completion Lost message appears. Circumvention: Do not cancel programs from the operator's console, or, if the task is a foreground one, microcode can be reloaded to the workstation experiencing the problem by powering the workstation off, then on again.
6. Pre-allocated dump slots for Control Mode Dumps will not function correctly on either the fixed or removable volumes of a 2280V Phoenix disk drive. Circumvention: Do not use dump slots for F/R disk drives (2280V). Use the existing control mode dump procedure by specifying a Physical Device Address (PDA), which will destroy any existing data at that address.

(continued)

VS OPERATING
SYSTEM 6.10.00
(continued)

For CP5 Models Only

7. On a VS 45, when attempting to create a configuration in GENEDIT with more than 16 workstations, the user must first specify a configuration file with 16 workstations from the general menu screen, and then add to it from the serial device adapter screen.
8. When COLDSTARTing, the fixed portion of the disk drive is not initialized. Circumvention: Initialize the removable portion of the disk drive, and load a minimal system to it. IPL the system, and then run DISKINIT to initialize the fixed portion. Then backup everything from the removable portion to the fixed portion.
9. When COLDSTARTing, using PF Key 1 to copy additional software packages doesn't work properly. The program will appear to be functioning, but nothing is being copied. Circumvention: After the system is up, use the COPY or BACKUP program to continue loading software packages to the system disk.

System Utilities

10. In the BACKUP utility, if wild card selection is used for libraries, the message "VOLUME XX IS BEING MODIFIED ... PRESS ENTER TO CONTINUE ..." is displayed. This causes the disk to change ownership and to turn off all paging, work, and spool flags. Circumvention: Do not use wild card selection for library backup.
11. The VOLCOPY Option of the BACKUP utility will not copy from an 80 MB dual-ported disk to an 80 MB non-dual-ported disk. A message is given indicating that the disks are not of the same type.
12. When backing up to tape, BACKUP changes the density of the tape from 800 bpi to 1600 bpi, even if the tape has just been initialized at 800 bpi. Circumvention: None; backup to 800 bpi tapes is not possible with OS 6.10.00.
13. When BACKUP is proceduralized, ENTER CONFLICT no longer automatically skips files that are open on the input volume. Instead, BACKUP generates a message screen and waits for operator input when a conflict is encountered. Circumvention: On the INPUT DEFINITION screen, either specify ERRDISP=NO (to prevent screen display of all error messages) or MOREFILES=YES (to allow up to 12 specific files or libraries to be excluded from backup).
14. If a problem is encountered while running BACKUP, the operator is given the option of hitting PF Key 16 to terminate, but this does not cancel the BACKUP program. Circumvention: Hit the HELP key, then PF Key 16, and then the ENTER key.

(continued)

VS OPERATING
SYSTEM 6.10.00
(continued)

REFERENCES

On-line versions of the Software Notice and the Release Bulletin provided with the OS 6.10.00 may be accessed using the VS INFO program after system installation.

Release 6.0 Software Bulletin (800-3111-01)

Describes VS Operating System changes since Release 5.03.50.

System Administrator's Reference (800-1144SA-01)

Describes all System Administrator functions including the SYSGEN procedure, SECURITY, and COLDSTART utilities.

Utilities Reference Manual (800-1303UT-04)

Describes VS utilities used for program and file processing.

VS System Operation Guide (800-1102SO-07)

Describes system operation functions, including the new BACKUP utility and Control Mode Dump procedures, as well as operational characteristics for workstations.

2200 MVP-P1,
MVP-P2, & MVP-P3
ANNOUNCED
by 2200 Product
Marketing

DESCRIPTION

Wang is pleased to announce a new family of 2200 MVP computers available in three models -- MVP-P1, MVP-P2 and MVP-P3. Combined with aggressive pricing and increased flexibility in hardware configurations, these offerings set a tough, new standard in 2200 price/performance.

Configurations for the 2200 MVP-P1, MVP-P2 and MVP-P3 are:

- . MVP Processor with 8 Available I/O Slots
- . 22C32 Triple Controller
- . A new 5 1/4" Disk Storage Device with 10 MB Fixed Storage and 320 KB Removable Floppy Drive

The three configurations differ in memory size:

- . MVP-P1 has 64 KB memory
- . MVP-P2 has 128 KB memory
- . MVP-P3 has 256 KB memory

The pricing of the 2200 MVP-P systems, even after adding a workstation and printer, breaks the psychological barrier of \$12,000, while still delivering a system that offers maximum expansion potential. The P1, P2 and P3 configurations fill the need for larger storage systems at entry level pricing. The new offerings provide a highly expandable entry level system at the lowest entry level price possible to compete in the small business systems market.

MARKETING STRATEGY

This announcement demonstrates a continuing corporate commitment to the 2200 product line. The 2200 MVP-P1, P2 and P3 offer low-cost, proven DP solutions to a broad prospect base where cost is a prime consideration. These new 2200 MVP-P models provide an excellent choice for the distributed processing needs of large accounts. Four specific market needs are addressed by the MVP-P1, MVP-P2, and MVP-P3:

1. Affordability

High performance at low cost is a reality with the introduction of the MVP-P1, P2 and P3 line of 2200 small business computers. With an entry level price of \$7,525 for a minimum configured MVP-P1, this new line of 2200 systems is most affordable.

2. Reliability

With over ten years of proven performance, the 2200 series of small business computers has been one of the most reliable products in the marketplace. Potential customers will take note of the large installed base of over 60,000 systems worldwide.

(continued)

2200 MVP-P1,
MVP-P2, & MVP-P3
ANNOUNCED
(continued)

3. Expandability

With 8 additional I/O slots available, the full complement of existing hardware options can be utilized by the MVP-P1, P2 and P3. A wide variety of communications and peripheral combinations are therefore possible. The user can start with the lower priced MVP-P1 and upgrade memory until reaching the MVP-P3 level. The user can start with a single workstation and expand up to 13 users processing simultaneously. Also, if the user should require a system with more than 256 KB of memory, an MVP upgrade is available via the addition of a 'C' Option (Refer to MVPC upgrade prices).

4. Software Availability

Potential customers will take great comfort in the knowledge that a comprehensive array of off-the-shelf software exists for this product line both from Wang and from third-party developers. Do not overlook the power of this selling point.

Wang has also announced the availability of P.R.I.S.M., a data-dictionary-driven software product which is targeted to the same market as the new series of MVP systems. With P.R.I.S.M., a user can perform many ad hoc inquiry and reporting functions virtually without programming. The data dictionary is also accessible via a user program. This makes it possible to develop complex applications using P.R.I.S.M. as a foundation.

ORDERING INFORMATION

Orders may be placed immediately, with first customer ship anticipated during the first quarter of fiscal year '84.

<u>Model</u>	<u>Description</u>	<u>Purchase Price</u>	<u>Monthly Maintenance</u>
MVP-P1	64 KB MVP	\$ 7,525	\$161
MVP-P2	128 KB MVP	8,725	176
MVP-P3	256 KB MVP	11,125	206

2275-10 & -20
DISK UNITS
ANNOUNCED
 by 2200 Product
 Marketing

DESCRIPTION

Wang has announced a new 2200 disk peripheral unit which is available in two models, the 2275-10 and 2275-20, configured as follows:

2275-10 .One 10 MB 5 1/4" Winchester drive
 .One 320 KB Floppy drive

2275-20 .Two 10 MB 5 1/4" Winchester drives

The 2275-10 disk peripheral is equipped with a single 10 MB 5 1/4" Winchester drive and a single 5 1/4" 320 KB Floppy drive. The 2275-20 unit comes equipped with dual 10 MB Winchester drives. These disk peripheral units must be used with either a 22C03, 22C11, or a 22C32 Controller.

Diskette formats supported by the 2275 disk peripheral unit are:

256 bytes/sector (Standard 2200 format)

Sector size:	256 bytes
Sectors/track:	16
Tracks/side:	40
Sides:	2
Total Capacity:	320 KB

512 bytes/sector (Standard Wang PC format)

Sector size:	512 bytes
Sectors/track:	9
Tracks/side:	40
Sides:	2
Total Capacity:	360 KB

The 512 bytes/sector format is the standard Wang PC format and is supported by the 2200 for interchange purposes. Sector data is therefore transferrable, but conversion may be required for file handling. The 512 byte sectoring is transparent to the 2200 operating system. The Disk Processing Unit (DPU) maps two 2200 256-byte logical sectors into one 512-byte physical sector. BASIC-2 accesses diskettes with this format as if the platter were formatted with 256 byte sectors. All BASIC-2 disk operations can be performed.

Because sector size and sectors per track are compatible, the 2275 represents a media bridge for users who wish to migrate software and data files to the Wang PC, although a conversion procedure may be necessary. The pricing of the 5 1/4" storage device is competitive with that of other offerings in the personal computer marketplace.

(continued)

2275-10 & -20
DISK UNITS
ANNOUNCED
 (continued)

The 2275's compact design will be particularly attractive to the space conscious buyer. Measuring approximately 14.9" x 6.5" x 16", the unit will utilize an enclosure similar in design to the Wang PC electronics unit and house the disk drives, one printed circuit logic board, one regulator board, a 60-watt linear power supply and one 50 cfm (cubic feet per minute) fan.

MARKETING STRATEGY

As well as being a component of the MVP-P1, -P2 and -P3 packages outlined above, the 2275-10 and 2275-20 provide low cost add-on storage for existing users. Significant add-on business can be generated by introducing your customers to the 2275-10 and 2275-20 disk peripherals. Both of these units may be attached to any existing 2200 VP, LVP, LVPC, MVP or MVPC system using a 22C03, 22C11, or a 22C32 Controller.

With the addition of a new peripheral device incorporating the latest in 5 1/4" micro-Winchester technology, the price/performance ratio of Wang's low to middle range 2200 systems is significantly improved. The addition of the 5 1/4" disk storage technology introduces a new dimension to the expandability of the 2200 product line. Priced at \$3,000 for the 2275-10 and \$4,000 for the 2275-20, this device represents a low cost means for add-on disk storage utilizing the latest in disk storage technology.

All current Wang developed software, including the Operating System and P.R.I.S.M., will be available on 5 1/4" diskettes for use by the 2275 disk peripheral.

ORDERING INFORMATION

Orders may be placed immediately, with first customer ship anticipated during the first quarter of fiscal year '84.

<u>Model</u>	<u>Description</u>	<u>Purchase Price</u>	<u>Monthly Maintenance</u>
2275-10	10 MB/320 KB	\$ 3,000	\$ 56
2275-20	10 MB/10 MB	4,000	84

2280 DISK DRIVE
REPRICING
by 2200 Product
Marketing

Wang Laboratories is pleased to announce substantial reductions in 2280 disk series pricing for the 2200 product line of small business computer systems. Additionally, the 2280 disk series has been streamlined to provide maximum storage capacity at a minimum price. This announcement will enable Wang to compete aggressively in the initial sale of systems as well as recapture and compete in the add-on disk marketplace. Combined with the recent 2200 MVP-P announcement, this repricing allows the 2200 product line to continue offering utmost flexibility and growth potential with an excellent price/performance ratio.

HIGHLIGHTS

- . Disk and maintenance prices have been reduced.
- . 2280-1, -2, and -3 disk units have been discontinued.
- . New 2280 offerings: 2280-3A and 2280N-3A.

PRICING INFORMATION

<u>Model</u>	<u>Description</u>	<u>Purchase Price</u>	<u>Monthly Maintenance</u>
2280-3A	13.4 Removable & 67 MB Fixed Disk Drive (80.4 MB total) with 22C14 Disk Processing Unit	\$16,500	\$216
2280N-3A	13.4 Removable & 67 MB Fixed (80.4 MB total) only	13,000	186

2200 TERMINAL OFFERINGS
by 2200 Product Marketing

CURRENT OFFERINGS

Wang has streamlined 2200 terminal offerings in a manner which greatly simplifies the ordering procedure. Instead of six different types of 2200 terminals there are now only three, as shown below:

<u>Model</u>	<u>Description</u>
2336DE	Interactive DP Ergonomic Workstation (Replaces 2236DE, 2876DE, and 2886DE)
2336DW	Integrated DP/WP Ergonomic Workstation (Replaces 2236DW, 2886DW)
2326DW	Integrated DP/WP Expanded Keyboard Workstation (Replaces 2876DW)

The new workstations are all ergonomically designed, with detachable keyboards and non-glare screens. The 2326DW includes an expanded 44-key keyboard for international considerations. The 2336DE and 2336DW include the same basic keyboards as their predecessors with minor functional differences pertaining to the Lock, Halt, and Reset keys. On all new models, the Lock, Halt, and Reset keys are activated by pressing the shift key along with the appropriate function key. These features as well as Caps Lock, which is activated by pressing the Lock key (producing uppercase alphabetic characters with all other characters remaining lowercase), are discussed in the 2336DW Interactive Terminal User Manual (700-7636).

OPTION-W

Up to three terminals are now supported on both new and existing 2200 SVPs with Option-W. Upgrades can be accomplished with no disruption to present operation. The Option-W terminal processor extends the configuration flexibility by replacing the current controller, thus allowing support of a second and third terminal. Option-W, order number SVP OPTION-W, does not include the added terminals.

2236MXE TERMINAL PROCESSOR

The 2236MXE Terminal Processor is an intelligent multi-terminal controller for the 2200 LVP and MVP CPUs. This device controls I/O operations between the CPU and the terminals, and buffers data entered from or transferred to the terminal. The 2236MXE Terminal Processor has extensive capabilities which provide for the enhanced performance of complex operations.

(continued)

2200 TERMINAL
OFFERINGS
(continued)

Among the features of the 2236MXE Terminal Processor are:

- . Time-of-day Clock
By using the BASIC language TIME and DATE functions, applications can now read a time-of-day clock to determine real time usage.
- . Terminal Disconnect
With the BASIC language and multi-user operating system, the terminal disconnect capability can be used to promote the secure use of systems. With this feature the user can, for example, force a terminal to disconnect automatically after a specified period of time, or initiate user logon and logoff procedures.
- . Terminal to MXE Interface
Each terminal can be attached either locally or remotely to the 2236MXE Terminal Processor. Communication between the terminal and the 2236MXE is asynchronous and full-duplex, with selectable baud rates ranging from 50 to 19200 bits per second. The four ports on the 2236MXE are 25-pin, RS-232-C compatible.
- . Diagnostics
The 2236MXE provides a full set of power-on diagnostic error messages that are displayed on the CRT screen. In addition to the automatic testing, the 2236MXE can respond to specific software commands that test the board components, the RAM, and local and remote WA3451 modems.
- . Asynchronous Communications
When configured with the proper software package, the 2236MXE can act as an asynchronous communications controller. The character formats supported by the 2236MXE include odd, even, or no parity; 5, 6, 7, or 8 data bits; and 1, 1.5, or 2 stop bits. The user can, at any time, request current status regarding transmission errors, break signal reception, and modem signals.

The 2236MXE Terminal Processor is order number 2236MXE. (See pages 43-46 of this issue for a description of 2236MXE software commands.)

2200 DATA COMMUNICATIONS CONTROLLERS

by Emulators and Gateways Product Marketing

The data communications capabilities of Wang's 2200 product line are made possible through a wide selection of communication controllers and associated software products. The most recent communication products available on the 2200 utilize the 2228D Controller for LVP/MVP Systems and the Option 28D Controller for SVP Systems. Recently, this family of data communication products was revised.

Highlights of these revisions are as follows:

- . Discontinuation of 32K Memory Controllers
- . Price Reduction on some 64K Memory Controllers
- . Discontinuation of RS-449/RS-366 Controllers
- . New 64K and 128K Controllers
- . Controller Upgrades

Old and new versions of the 2200 Controller products are compared in Table 1 below:

TABLE 1. 2228D/OP28D CONTROLLER COMPARISON

<u>Former Model:</u>	<u>Description</u>	<u>Replaced By:</u>	<u>Description</u>
2228D/OP28D-2	32K,RS-232/366	2228D/OP28D-4E	64K,RS-232/366
2228D/OP28D-2A	32K,RS-449/366	2228D/OP28D-4E	64K,RS-232/366
2228D/OP28D-2X	32K,X.21	2228D/OP28D-4X	64K,X.21
2228D/OP28D-4A	64K,RS-449/366	2228D/OP28D-4E	64K,RS-232/366
2228D/OP28D-4	64K,RS-232/366 Same
2228D/OP28D-4X	64K,X.21 Same
None (new)	None (new)	2228D/OP28D-8E	128K,RS-232/366
None (new)	None (new)	2228D/OP28D-8X	128K,X.21

Note: 2228D controllers are used for 2200 MVP and LVP systems. OP28D controllers apply to 2200 SVP systems.

Pricing information for each of the above controllers can be found in the current Pricing Manual. Note that the software product offerings designed to execute on each of these controllers have been revised, as described on pages 37 and 38 of this issue. Controller requirements of each of these packages are shown in Table 2.

32K Controllers (Suffix 2/2A/2X)

All 32K versions of the 2228D/OP28D Controllers have been discontinued. All previously announced software products that required a 32K Controller now requires a 64K Controller, which is necessary to insure the performance and efficiency of the 2200 Series data communication software products. Any customer orders for the 32K Controller will automatically have the appropriate 64K Controller (as shown in Table 1) substituted at no additional charge.

(continued)

2200 DATA
COMMUNICATIONS
CONTROLLERS

(continued)

2200 software products affected by the increase in controller memory requirements from 32K to 64K are the following:

IBM 2780/3780 Protocols, model number 195-2193
ASYNC for 2228D/OP28D, model number 195-2201
MAILWAY for 2200, model number MP2200-3

64K Controllers (Suffix 4/4A/4E/4X)

The 2228D-4 and OP28D-4 Controllers are combined RS-232/RS-449 switch selection connection controllers and were designed to support the IBM 3271 BSC Emulation (195-2159). All orders for the IBM 3271 BSC Emulation still require this version of the controller. Therefore, the 2228D-4 and OP28D-4 Controllers have been put back into the Pricing Manual. It should be noted that this controller does not support auto-dial and that only the RS-232 interface is implemented with the IBM 3271 BSC Emulation.

2228D-4A and OP28D-4A, the two RS-449/RS-366 connection controllers, are now only available upon special request and are no longer included in the Pricing Manual. The RS-449/RS-366 connection versions had a very low customer demand, but if there is significant need for this type of interface, a Special Product Quotation Request (700-7309) should be submitted to the Communication Systems Group of Product Marketing.

Two new 64K controllers, models 2228D-4E and OP28D-4E, have been added. These are the new RS-232/RS-366 versions of the controller. The RS-366 connection is designed to support auto-dial capabilities for selective data communication software products. Products which will support the RS-366 connection (auto-dial) are listed in Table 2.

The 2228D-4X/OP28D-4X 64K Controllers have been reduced in price. These controllers are the X.21 connection versions which have been designed to support a circuit-switching type of operation. In the future Wang will be offering international and domestic software products that will support the X.21 interface.

128K Controllers (Suffix 8E/8X)

Four new 128K controllers, models 2228D-8E, OP28D-8E, 2228D-8X and OP28D-8X, have been added to the product line. The 2228D-8E/OP28D-8E (RS-232/RS-366) versions of these controllers will be required for the 2200 Series IBM 3274 SNA/SDLC software product (195-2199). As with the 64K Controllers, the new 128K Controllers will also have X.21 versions (2228D-8X/OP28D-8X). The X.21 version will be used by future revisions/releases of software products.

(continued)

2200 DATA
COMMUNICATIONS
CONTROLLERS
 (continued)

Controller Upgrades

A 64K to 128K upgrade (UJ-5049) has been added to the product line. The UJ-5049 upgrade allows the 2228D-4E and OP28D-4E to be field upgraded to the 2228D-8E and OP28D-8E respectively. In the future, this same upgrade will be used to field upgrade the 2228D-4X and OP28D-4X to the 2228D-8X and OP28D-8X. Pricing for UJ-5049 can be found in the current Pricing Manual.

Note that products requiring a 64K Controller (D-4E) will also operate on the corresponding 128K Controller (D-8E).

The 32K to 64K upgrade, UJ-5024, is no longer needed and has been deleted from the product line.

TABLE 2. SOFTWARE 2228/OP28 CONTROLLER REQUIREMENTS

<u>Software Product & Model</u>	<u>2228/OP28 Model Required</u>
3271 BSC Emulation (195-2159)	D-4 (64K RS232/449)
ICS Utilities (195-2192)	(none)
ICS 2780/3780 (195-2193) *	D-4E (64K RS232/366)
Remote WangNet (195-2200) *	D-4E (64K RS232/366)
ICS TTY (195-2201) *	D-4E (64K RS232/366)
IBM 3274 SNA/SDLC (195-2199) *	D-8E (128K RS232/366)
MAILWAY for 2200 (MP2200-3) **	D-4E (64K RS232/366)

* ICS Utilities (195-2192) required.

** Will require 2200 Wang WP (195-2174) and ICS 2780/3780 in addition to the ICS Utilities.

2200
COMMUNICATIONS
SOFTWARE NOTICES
by Emulators and
Gateways Prod-
uct Marketing

In conjunction with the 2200 Data Communications Controller revisions described on pages 34-36 of this issue, numerous revisions have also been made in the 2200 Data Communications software offerings. These revisions are summarized below:

ABC Utilities Repackaged and Renamed

The Advanced Batch Communication (ABC) Utilities (195-2192) have been renamed the Integrated Communication Services (ICS) Utilities. In addition, the 2200-2200 and WPS communication protocols have been removed from this package and placed within the ICS 2780/3780 Emulation software package (195-2193).

Enhanced 2780/3780 Emulation Clarification

The Enhanced 2780/3780 Emulation product (195-2193) has been renamed to the ICS 2780/3780 Emulation and now includes the 2200-2200 and WPS communication protocols, with auto-dial supported. As a result of these and other changes, this product now requires a 64K 2228D-4E or OP28D-4E Controller.

ASYNCR Repackaged and Renamed

The ASYNCR for 2228D software product (195-2201) has been renamed to the ICS TTY Emulation. Also, because the 32K version controller is no longer available, this product now requires a 64K Controller.

MAILWAY Clarification

The 2200 MAILWAY Distribution Point software (MP2200-3) has a prerequisite of the ICS Utilities (195-2192) and ICS 2780/3780 Emulation (195-2193) software products.

Teletex Support Discontinued

The 2200 Teletex Support product (195-2196) has been discontinued. Teletex is primarily a telecommunication tool for the word processing marketplace. Since the 2200 is primarily a small business or DDP system, Wang is redirecting development resources for the Teletex product to the OIS, Alliance, and VS/IIS product lines.

The requirement to transmit word processing documents from a 2200 can be adequately handled with either the ICS 2780/3780 Emulation (195-2193), 2200 MAILWAY (MP2200-3) or IBM Bisynchronous Batch (195-2057) software products.

(continued)

2200
COMMUNICATIONS
SOFTWARE NOTICES
(continued)

X.21 Connection Module Repackaged

The X.21 Connection Module (195-2194) has been obsoleted as a separate product. In the future, X.21 connection software will be included with the appropriate communication protocols, thereby simplifying configurations. The X.21 controllers and software will be used to interface to a circuit-switching type of operation, which is not currently available in the U.S. However, because of future software packages for the international market place, X.21 products will be offered by Wang. These X.21 products will be the subject of a future announcement.

IBM 3274 BSC Emulation Discontinued

The IBM 3274 BSC Emulation product (195-2198) has been discontinued. Since Wang currently offers 3270 BSC emulation on the 2200 with the IBM 3271 BSC product (195-2159), an additional 3270 BSC offering would be a duplication of products.

IBM 3271 BSC Emulation (195-2159) currently requires the RS-232/RS-449 switch-selectable controllers (2228D-4 and OP28D-4). For customers wishing to upgrade from the 3271 BSC Emulation to the 3274 SNA Emulation (195-2199), refer to the section entitled "IBM 3274 SNA/SDLC Clarification".

IBM 3274 SNA/SDLC Clarification

The previously announced 2200 IBM 3274 SNA/SDLC Emulation (195-2199) now requires the new 128K (2228D-8E or OP28D-8E) Controller. A 3274 SNA Upgrade Policy will be forthcoming. This policy will be concerned with upgrading currently installed 3271 BSC Emulation (195-2159) with 2228D-4/OP28D-4 Controllers to the 3274 SNA (195-2199) with 2228D-8E/OP28D-8E Controllers.

2200 ICS UTILITIES,
VERSION 2.0.5
by 2200 R&D

DESCRIPTION

The Advanced Batch Communication (ABC) Utilities, package 195-2192, has been renamed the Integrated Communication Services (ICS) Utilities. The 2200 ICS Utilities provide the user with extensive data communications and/or off-line standalone processing capabilities. When the ICS Utilities are used in the standalone mode, functions such as print spooling, task scheduling, and remote communication definitions can be performed. When ICS is used in conjunction with a communication software package, the user can send or receive files according to date/time (using a 2236MXE), schedule additional program tasks according to selective events, and print files received after the communication session has been completed.

Note that the 2200-2200 and WPS protocols that were originally included with the ABC Utilities are not included with the ICS Utilities. These communication protocols are in the ICS 2780/3780 Emulation software package (195-2193). Also, the ICS Utilities package is a pre-requisite for several of the other data communication software products, as listed in Table 2 on page 36 of this issue.

HARDWARE PRE-REQUISITES

2200 SVP/LVP/MVP

SOFTWARE PRE-REQUISITES

Multi-User Operating System Release 2.4 or later

ALERTS

None

ORDERING INFORMATION

2200 ICS Utilities software is available through normal order processing channels as package number 195-2192-3. This package contains:

- . Three SSSD diskettes (Media # 701-2745 thru 701-2747)
- . One 2200 ICS Utilities Manual (700-7102)

INSTALLATION INSTRUCTIONS

Refer to the 2200 ICS Utilities Manual (700-7102).

PROBLEMS CORRECTED

Not applicable; initial release

KNOWN ANOMALIES

None

REFERENCES

2200 ICS Utilities Manual (700-7102)

ICS 2780/3780
EMULATION,
VERSION 2.0.4
by 2200 R&D

DESCRIPTION

The Enhanced 2780/3780 software package (195-2193) has been renamed the ICS 2780/3780 Emulation, and the 2200-2200 and WPS communication protocol support has been included. The ICS 2780/3780 Emulation package (Batch Bisynch Communications) allows a 2200 system to communicate with other Wang systems, IBM systems, or IBM-compatible systems that utilize the 2780 or 3780 Binary Synchronous Communication (BSC) protocol. Point-to-point or multipoint secondary half-duplex communication is supported over leased lines. Manual or auto-dial is supported over dial-up lines. A line speed of up to 9,600 bits per second is supported utilizing either the EBCDIC or ASCII character sets. More information can be found in the new 2200 ICS 2780/3780 Emulation User Guide (700-7075).

HARDWARE PRE-REQUISITES

2200 SVP/LVP/MVP
64K 2228D-4E/OP28D-4E Controller

SOFTWARE PRE-REQUISITES

Multi-User Operating System Release 2.4 or later
Release 2.0.5 of the ICS Utilities package

ALERTS

1. Auto-dial is supported by utilizing the RS-366 connection of the required 64K 2228D-4E/OP28D-4E Controller.
2. ICS Utilities (195-2192) is a pre-requisite for the ICS 2780/3780 Emulation package.

ORDERING INFORMATION

2200 ICS 2780/3780 Emulation is available through normal order processing channels as package number 195-2193-3, which contains:

- . Two SSSD diskettes (Media # 701-2743 and 701-2744)
- . One 2200 ICS 2780/3780 Emulation User's Guide, number 700-7075

INSTALLATION INSTRUCTIONS

Refer to the 2200 ICS Utilities Manual (700-7102).

PROBLEMS CORRECTED

Not applicable; initial release

KNOWN ANOMALIES

None

REFERENCES

2200 ICS 2780/3780 Emulation User's Guide (700-7075).

2200 ICS TTY
EMULATION,
VERSION 2.0.4
by 2200 R&D

DESCRIPTION

The ASYNC for 2228D software product, package number 195-2201, has been repackaged and renamed ICS TTY Emulation. The ICS TTY Emulation asynchronous communications product allows messages, data files, and program files to be transmitted, interactively or in limited batch mode, to other systems and terminals that support the Teletype TTY protocol. More information can be found in the 2200 ICS TTY Emulation User Guide, number 700-7553.

ICS TTY Emulation requires ICS Utilities software (195-2192) and a 2228D-4E or OP28D-4E Controller. The ICS TTY Emulation is an integrated and flexible alternative for customers who require one of the other 2228D-4E/OP28D-4E communication protocols but also have a need for limited TTY functions. Therefore, the ICS TTY Emulation product will allow one 2200 communications controller to be used for several data communication functions, thus providing a more cost-effective hardware solution.

HARDWARE PRE-REQUISITES

2200 SVP/LVP/MVP
64K 2228D-4E/OP28D-4E Controller

SOFTWARE PRE-REQUISITES

Multi-User Operating System Release 2.4 or later
Release 2.0.5 of the ICS Utilities package

ALERTS

None

ORDERING INFORMATION

2200 ICS TTY Emulation is available through normal order processing channels as package number 195-2201-3, containing:

- . One SSSD diskette (Media # 701-2742)
- . One 2200 ICS TTY Emulation User's Guide (700-7553)

INSTALLATION INSTRUCTIONS

Refer to the 2200 ICS Utilities Manual (700-7102).

PROBLEMS CORRECTED

Not applicable; initial release

KNOWN ANOMALIES

None

REFERENCES

2200 ICS TTY Emulation User Guide (700-7553)

2200 SINGLE-USER
OPERATING SYSTEM,
VERSION 2.6
by 2200 R&D

DESCRIPTION

Release 2.6 of the 2200 BASIC-2 Single-User Operating System corrects problems in OS Release 2.5 and in previous releases of the @MOVFIL and @RECOVER utilities.

HARDWARE PRE-REQUISITES

2200 VP or 2200 SVP

SOFTWARE PRE-REQUISITES

None

ALERTS

None

ORDERING INFORMATION

BASIC-2 Single-User Operating System Release 2.6 is available through normal order processing channels. Available package numbers and their contents are:

<u>System</u>	<u>Package #</u>	<u>Media</u>
VP	195-0033-3	1 SSSD Diskette (701-2118P)
VP	195-0033-8	3 SSSD Mini-Diskettes (701-8068H, 701-8129C, 701-8069G)
SVP	195-2163-5	1 DSDD Diskette (731-0068A)

INSTALLATION INSTRUCTIONS

The normal procedure (i.e., '@INSTAL') should be used.

PROBLEMS CORRECTED

- The operating system has been corrected so the letters "INIT" do not appear after the "READY" message when RESET is pressed on 2336DE or 2336DW workstations.
- The @MOVFIL utility has been modified to display an operator prompt rather than destroying files when:
 - The operator specifies the same address for both source and destination platters, OR
 - The operator does not specify a destination file name different from the source file name.
- The @RECOVER utility has been modified to correct the situation in which 'all active files' were not correctly recovered if sectors in the catalogue index (i.e., @INDEX) contained duplicate file names.

KNOWN ANOMALIES

None

REFERENCES

None

2236MXE SOFTWARE
COMMAND USAGE
by the Technical
Support Center

When a 2200 MVP, MVPC, LVP, or LVPC is configured with a Model 2236MXE Terminal Processor, a user can perform certain system procedures by evoking Model 2236MXE Command mode and entering special MXE software commands. A 2200 SVP with Option-W can also enter Command mode. Both the BASIC-2 Single-User Operating System and the BASIC-2 Multi-User Operating System can support Command mode.

MXE commands perform procedures such as:

- . Listing all MXE Command codes and their functions
- . Displaying the status of all ports on the terminal processor
- . Setting the primary user (Port 1) on a 2200 system
- . Setting the transmission rate of a port on the terminal processor by means of the software alone
- . Setting the MXE password

Other MXE commands exist to lock and unlock the transmission rate of the current port, print a message on all terminals connected to the model 2236MXE controller board, test the memory in the RAM of the board, and restart the power on diagnostics. These commands are beyond the scope of this discussion and are documented in the Customer Engineering Product Maintenance Manual, 2236MXE Terminal Controller (Early Field Support) July 1982. Various releases of the MXE software may allow various subsets of or additions to the command list.

All commands begin with a one-character command code. Most commands then have a six-character password, which is the MXE password (similar in use to the 2200 system password). The default MXE password is MXEPSW. The password is followed by other command parameters in a specified order.

Entering and Exiting Command Mode

To enter Command mode at any time from any configured terminal, press the "LOAD" key three times. The prompt ENTER MXE COMMAND is displayed on the screen, followed by a percent character (%) on the subsequent line. When the percent character (%) appears, an MXE command can be entered. Pressing RETURN executes the command.

After processing an MXE command, the terminal again displays the percent character (%) and another MXE command can be entered. The user can exit MXE Command mode by pressing the RETURN key when the percent prompt appears. Exiting Command mode returns the terminal to the point from which Command mode was entered. Pressing RESET also causes an exit from Command mode, but resets the attached partition and clears the screen.

(continued)

2236MXE SOFTWARE
COMMAND USAGE

(continued)

2236MXE command formats and descriptions are given below:

Command Code H: Help

Format: H

The Help command displays all MXE Command codes and functions, such as the following:

```

A Set VP user
B Set Baud Rate
C Set PSW
D Download
E Analog Loopback
F Digital Loopback
G Print
H Help
I Ram Test
J Restart
L Lock
? Status

```

Command Code ?: Status

Format: ?

The Status command displays a chart, such as the following, indicating the status of all ports on the terminal processor to which the terminal issuing the command is connected.

Sample Status Command Chart

```

2236MXE RO (BOOTSTRAP)
* PORT 1 ON 19200 L / (19200) LOCAL WANG TERMINAL
  PORT 2 OFF 19200 / (19200) LOCAL WANG TERMINAL
  PORT 3 OFF 19200 / (19200) LOCAL WANG TERMINAL
  PORT 4 OFF 19200 / (19200) LOCAL WANG TERMINAL

```

The first line of the chart shows: DEVICE R# (MODE). The DEVICE field contains the model number of the terminal processor. The R# field lists the revision number of the terminal firmware. The MODE field indicates whether the system has been configured with a multi-user operating system, in which case the terminal displays (MVP). If the system has not yet been configured or if the system has been configured with a single-user operating system, the terminal displays (BOOTSTRAP).

(continued)

2236MXE SOFTWARE
COMMAND USAGE
(continued)

The next four lines of the chart display the following information for each port on the terminal processor, with an asterisk appearing before the entry for the primary port of the system.:

On/Off state: If the terminal connected to the port is both configured and powered on, the word ON appears. Otherwise, the word OFF appears.

Software selected transmission rate: This is the transmission rate selected by MXE Command Code B, Set Transmission Rate. If MXE Command Code B has not been evoked, the transmission rate defaults to the rate set by the hardware switches.

Locked or unlocked state: The letter L indicates that the MXE Command code L, Lock, has been used to lock the transmission rate of the terminal. If the terminal is not locked, this field is left blank.

Hardware selected transmission rate: This is the transmission rate set by the switches on the processor board.

Local/Remote state: This field indicates whether the terminal is a local terminal or is connected to the MXE through a modem.

Terminal type: If the terminal on the indicated port is a standard Wang 2200 terminal or Wang 2200 terminal emulation, the message WANG TERMINAL appears in this field.

Command Code A: Set Primary User

Format: A password x (where x = port designator)

The Set Primary User command selects the primary port. The primary port supports the terminal that can perform master initialization. On a system with more than one terminal processor, this command can only be used from a terminal connected to the first terminal processor. The primary user must be set while in the bootstrap (VP mode). Once the multi-user operating system is loaded, the primary user cannot be changed.

The port designator is a number between 0 and 4. A port designator of 1, 2, 3, or 4 corresponds to the port number on the terminal processor. A port designator of 0 indicates the current terminal port. After the system processes this command, the CRT displays the message OK.

(continued)

2236MXE SOFTWARE
COMMAND USAGE
(continued)

Command Code B: Set Transmission Rate

Format: B password x rate

where "x" is the port designator, and "rate" is the transmission rate to be set for the port indicated by the port designator

The Set Transmission Rate command sets the baud rate for a specified port sharing the MXE terminal processor with the terminal issuing the command. Transmission rate is set to hardware setting at power on and master initialization. This command can set the rate to 50, 75, 100, 110, 134.5, 150, 200, 300, 600, 1200, 2400, 4800, 9600, or 19200 bps. The Set Transmission Rate command overrides any hardware switch settings.

The port designator is a number between 0 and 4 indicating the port on the 2236MXE which is to be the primary port. A port designator of 1, 2, 3, or 4 corresponds to the port number on the terminal processor. A port designator of 0 indicates the current terminal port.

After the user enters this command, the terminal displays the 2236MXE status chart and asks for verification of the information. Entering "no" or "n" and pressing RETURN aborts execution. Entering "yes" or "y" and pressing RETURN executes the command.

Command Code C: Set Password

Format: C current-password new-password

The Set Password command changes the current MXE password to the specified new password. The default MXE password is MXEPSW.

INDEX

- A**
 - ABC Utilities (See 2200 Software)
 - Alliance Product Line , 37
 - Alliance (VS) , 19
 - Announcements (New Products):
 - VS 85 , 4-9
 - 2200 MVP-P Series , 27-28
 - 2275 Disk Units (2200) , 29-30
 - 2200 Communications Controllers , 34-36
 - Anomalies (See Problems)
 - ASYNCR for 2228D (See 2200 Software)
 - Asynchronous communications , 33,35,37,41
 - Auto-Dial , 35,37,40
- B**
 - BASIC (See VS & 2200 Languages)
 - Bisynchronous communications (See BSC Emulation, 2200 Software)
 - BSC Emulation (2200) , 35-38,40
- C**
 - Cache Memory (See VS Hardware)
 - CHARTER graphics (VS) , 19
 - COBOL (See VS Languages)
 - Coldstart (VS) , 18,20,25-26
 - Communications Controllers (See 2200 Hardware)
 - Contracts , 1
 - Customer Engineering:
 - Service Procedures , 2-3
- D**
 - Dealers , 1
 - Discontinued Products:
 - VS , 17
 - Disk Drives:
 - Floppy (Diskette) , 5,14,22,27,29-30
 - Winchester , 29-30
 - Distributed Software , 1
 - DMS (See VS Operating System)
 - Documentation:
 - VS , 26
 - 2200 , 32,39-41
 - DPU (See 2200 Hardware)
 - Dumps , 19,22,24,26
- E**
 - EZQUERY (VS) , 18
- F**
 - FORMDFFN file (VS) , 20
- H**
 - Help Text (VS) , 19,22
- I**
 - ICS Integrated Communications Services (See 2200 Software)
 - Indexed Data Files , 18-19,22
 - IOP (I/O Processor; See VS Hardware)
 - ISO Forum , 3
- L**
 - Licensing:
 - Software , 1
- M**
 - MAILWAY , 35-37
 - Microcode , 18,20-21,23
 - Modems , 14,33,45
- N**
 - New Products (See Announcements)
- Q**
 - QIS Product Line , 37
 - Option-W (2200) , 32,43
 - OP28D Communications Controller (2200) , 34-38,40-41
- P**
 - PC (See Wang PC)
 - Power Supply:
 - VS Switching , 4-5
 - Pricing:
 - VS , 8-16
 - 2200 , 27-28,30-31
 - P.R.I.S.M. (2200) , 28,30
 - Problems:
 - VS, Corrected , 23
 - VS, Known Anomalies , 24-25
 - 2200, Corrected , 42
 - Professional Computer (See Wang PC)
 - PROM (Programmable Read-Only Memory) , 20
 - Protocols (See also BSC, WPS, 2780/3780) , 23,35,37-41
- R**
 - Remote Workstations/Printers:
 - VS , 20,23-24
 - 2200 , 33
 - RS-232 Connection , 33-36,38
 - RS-366 Connection , 34-36,40
 - RS-449 Connection , 34-36,38
- S**
 - Service (see Customer Engineering)
 - SNA/SDLC Emulation , 35-36,38
 - Software Releases:
 - VS Op.Sys. 6.10.00 , 18-26
 - 2200 ICS Utilities 2.0.5 , 39
 - 2200 ICS 2780/3780 Emulation 2.0.4 , 40
 - 2200 ICS TTY Emulation 2.0.4 , 41
 - 2200 Single-User Op.Sys. 2.6 , 42
 - SPQR (Special Product Quotation Request) , 35
 - SW04 Disk Switch (VS) , 12,19
 - Systems Houses , 1
- T**
 - Teletex , 37
 - Trade-Ins:
 - VS 80 , 11
 - TTY Emulation , 36-37,41
- U**
 - Upgrades:
 - VS Hardware , 9,16
 - 2200 Hardware , 28,32,36
 - USERLIST file (VS) , 20
- V**
 - Vendors , 1
 - VS Hardware (See also VS Product Line and individual model numbers):
 - VS Bus Adapter , 4-5,10
 - VS Bus Processor , 20-21
 - VS Cache Memory , 4-6,9-10,12
 - VS IOPs , 4-6,8-12,17,19
 - VS System Bus Controller , 4-5

INDEX (continued)

- VS Languages:
 - Assembler , 8,10,14
 - Assembler 1.09.02 , 19,22
 - BASIC , 8,13,15
 - COBOL , 8,13,15
 - COBOL 3.06.04 , 19,20
 - PL/1 , 8,13,15,22
 - RPGII , 8,13,15,23
 - RPGII 4.10.00 , 19,20

- VS Operating System:
 - CP3 , 18-23
 - CP4 , 18-21,23
 - CP5 , 18,20-21,23
 - DMS (Data Management System) , 18
 - DMS/TX , 18-20
 - Nucleus (See also CP3, CP4, CP5), 21
 - Procedure Interpreter , 19,21
 - 5.01.65 , 18
 - 5.03.70 , 18,23
 - 6.10.00 , 18-26

- VS Product Line:
 - VS 25 , 4-5,13,14,16,18-19,21
 - VS 45 , 7,11-16,18,20,25
 - VS 50 , 17-19,21
 - VS 80 , 7,11-12,17-19,21
 - VS 85 , 4-12,18
 - VS 90 , 4,7,9-12,17-19,21
 - VS 100 , 4,7,9-12,18,20

- VS Utilities:
 - BACKUP , 19,25-26
 - BACKUP 5.00.15 , 22
 - VOLCOPY option , 19,22,25
 - CONDENSE 2.00.01 , 22
 - CONTROL 4.02.01 , 22-23
 - COPY , 19,25
 - COPY 3.00.01 , 22
 - COPY2200 5.02.00 , 22
 - DATENTRY 4.02.04 , 22
 - DISKINIT 19-20,25
 - DISKINIT 5.04.23 , 22
 - DISKIN45 2.05.00 , 22
 - DISPLAY 3.06.02 , 22
 - DUMPER 5.02.04 , 22
 - EDITOR , 19
 - EDITOR 6.09.15 , 22
 - EZFORMAT 1.12.02 , 22
 - FLOPYDUP 1.04.02 , 22
 - FORMCNTL 5.02.17 , 22
 - GENEDIT , 19,25
 - GENEDIT 6.00.15 , 22
 - IBMCOPY 1.12.01 , 22
 - INFO , 26
 - INFO 1.12.10 , 22
 - INQUIRY 2.00.06 , 22
 - IOELOG , 19
 - IOELOG 2.00.04 , 22
 - LINKER 1.10.05 , 22
 - LISTVTOC 4.08.02 , 22
 - NEWTOPIC 1.00.00 , 22
 - PATCH 1.07.02 , 22
 - REPORT 4.00.05 , 22
 - SECURITY , 18-19,26
 - SECURITY 5.04.11 , 22
 - SORT 5.07.02 , 22
 - TAPECOPY 2.06.02 , 22
 - TAPEINIT 2.07.02 , 22
 - TRANSL 2.00.00 , 22
 - VERIFY , 23
 - VERIFY 5.03.04 , 22

- VS/IIS (VS Word Processing) , 18,20

- W
 - Wang PC (Professional Computer) , 29-30
 - WangCare , 3
 - WangNet , 18-20,36
 - Local WangNet , 19-20
 - Remote WangNet , 20,36
 - Word Processing (See VS/IIS, 2200 Software)
 - WPS Protocol , 37,39-40

- X
 - X.21 Connection , 34-35,38

- Numeric:
 - 2200 Hardware (See also 2200 Product Line and individual model numbers):
 - Communications Controllers , 34-37
 - Disk Processing Unit (DPU) , 29
 - Terminals , 32
 - 2275 Disk Units , 29-30
 - 2280 Disk Units , 31

- 2200 Languages:
 - BASIC , 29,33

- 2200 Operating System:
 - Multi-User , 33,39-41,43-45
 - Single-User , 42-44

- 2200 Product Line:
 - LVP , 30,32,34,39-41,43
 - LVPC , 30,43
 - MVP-P , 27-28,30-31
 - MVPC , 30,43
 - MVP , 27,30,32,34, 39-41,43-44
 - SVP , 32,34,39-43
 - VP , 30,42

- 2200 Software (See also 2200 Languages, 2200 Operating System):
 - ABC Utilities , 37,39
 - ASYNCR for 2228D , 35,37,41
 - BSC Emulation , 35-38,40
 - Communications software , 37-41
 - IBM 3271 Emulation , 35-36,38
 - IBM 3274 SNA/SDLC , 35-36,38
 - ICS TTY Emulation , 36-37,41
 - ICS Utilities , 36-37,39-41
 - ICS 2780/3780 , 35-37,39-40
 - MAILWAY , 36
 - SNA Emulation , 35-36,38
 - Word Processing , 36-37
 - 2236MXE Commands , 43-46

- 22C03 Diskette Controller (2200) , 29-30
- 22C11 Ptr./Disk. Controller (2200) , 29-30
- 22C32 Ptr./Disk./Wkstn. Controller (2200) , 27,29-30
- 22V08 Disk IOP (VS) , 12,17
- 22V25 Tape IOP (VS) , 6
- 22V26 Telecommunications IOP (VS) , 8
- 22V27 Serial IOP (VS) , 8
- 22V28 Disk IOP (VS) , 8,12,17
- 22V38 Disk SW04 IOP (VS) , 12
- 22V48 Disk SW04 IOP (VS) , 12
- 22V78 Disk IOP (VS) , 11-12,19
- 22V88 Disk IOP (VS) , 11-12,19
- 2219V Tape Drive (VS) , 5-6,9
- 2228D Communications Controller (2200) , 34-38,40-41

INDEX (continued)

2231V Matrix Printer (VS) , 20
2233R Remote Matrix Printer (VS) , 20
2235R Remote Matrix Printer (VS) , 20
2236DE/DW Workstation (2200) , 32
2236MXE Terminal Processor (2200) , 32-33,
39,43-46
2244V Card Reader (VS) , 17
2246S Workstation (VS) , 13,15,19
2256C Workstation (VS) , 19
2263V Line/Chain Printer (VS) , 20
2265V Disk Drive (VS) , 8,11-12,19
2266S Archiving Workstation (VS) , 8
2275 Disk Peripheral Unit (2200) , 29-30
2280 Disk Drive (2200) , 31
2280V Disk Drive (VS) , 8,11,17,24
2281WCR Remote Daisy Printer (VS) , 20,24
2281WR Remote Daisy Printer (VS) , 20
2326DW Workstation (2200) , 32
2336DE/DW Workstation (2200) , 32,42
2529V Cartridge Tape Drive (VS) , 19
25V50 Disk Device Controller (VS) , 11-12,
14,16
2780/3780 Protocols , 35-37,39-40
2876DE/DW Workstation (2200) , 32
2886DE/DW Workstation (2200) , 32
3271 Emulation (2200) , 35-36,38
3274 Emulation (2200) , 35-36,38
5575 High Speed Band Printer (VS) , 19
5577 High-Density Matrix Printer (VS) , 24

fold here, seal and mail

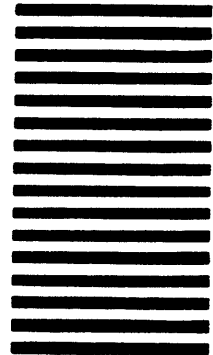


NO POSTAGE
NECESSARY
IF MAILED
IN THE
UNITED STATES

BUSINESS REPLY CARD
FIRST CLASS PERMIT NO. 16 NO. CHELSEBURY, MA.

POSTAGE WILL BE PAID BY ADDRESSEE

Jo Anne Kelch, Editor
ISO TECH NEWS, Mail Stop 1408A
Wang Laboratories, Inc.
One Industrial Avenue
Lowell, MA 01851



fold here, seal and mail

Additional copies of this publication may be ordered as document number 700-8933 from the Wang Supplies Division Order Department, 51 Middlesex Street, North Chelmsford, MA 01863, telephone 1-800-225-0234 or 617-256-1400.

Indirect Sales Organization

Wang Laboratories, Inc.
One Industrial Avenue
Lowell, Massachusetts 01851
Telephone: 617 459-5000
TWX: 710-343-6769
Telex: 94-7421

WANG

Dear Indirect Sales Organization:

Wang is pleased to announce the fulfillment of a long overdue promise -- the publication of a monthly periodical dedicated to the ISO community. The monthly ISO Tech News magazine is designed to keep the Indirect Sales Organization informed on the rapid evolution in Wang hardware and software.

Each month, the ISO Tech News publication will provide the reader with the latest technical information relevant to Wang equipment as well as ISO Marketing information. We are confident that this publication will become an important information transfer mechanism that you will find useful in the months ahead.

Sincerely,



Richard J. Connaughton
Group Director
Indirect Sales Organization