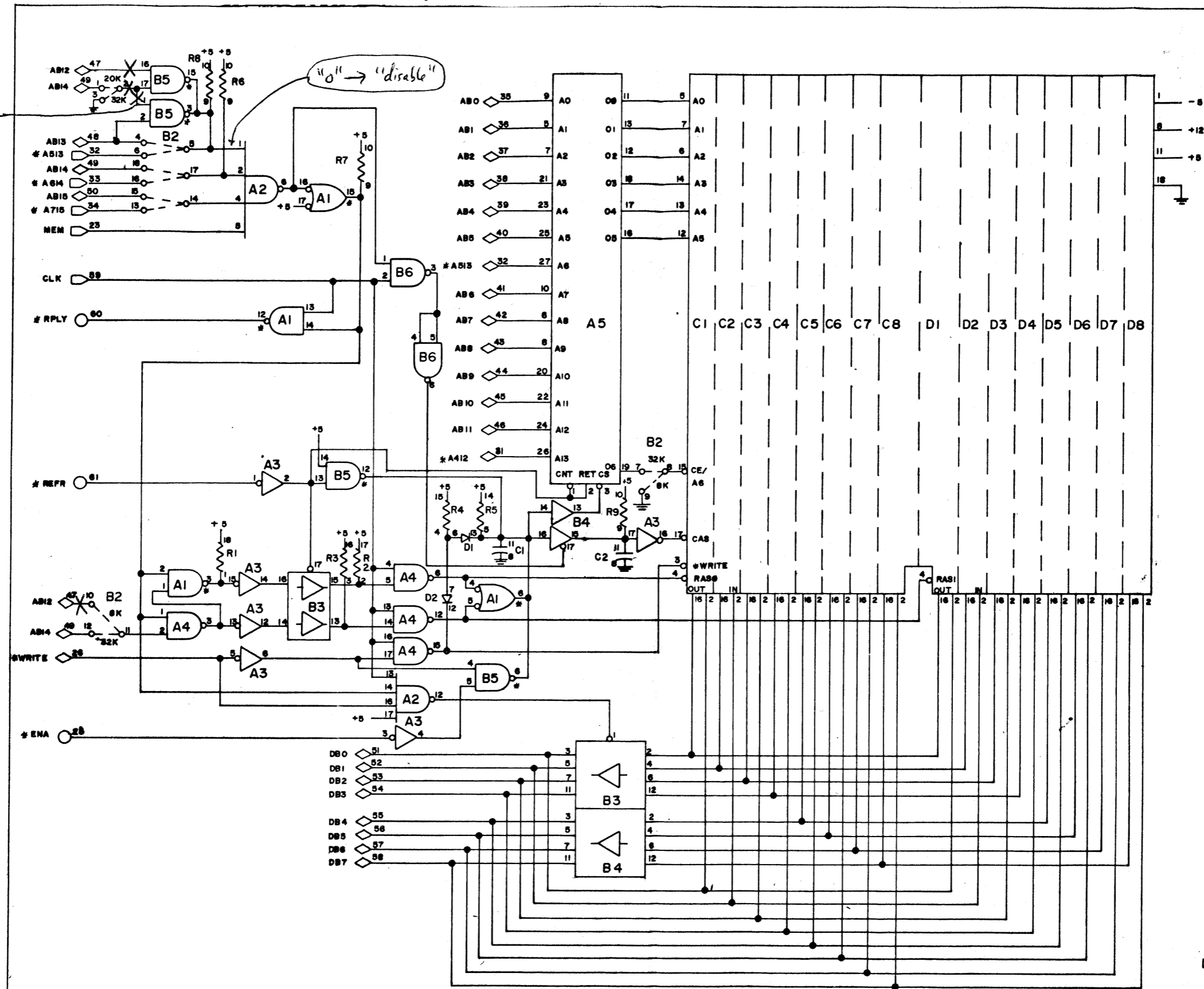


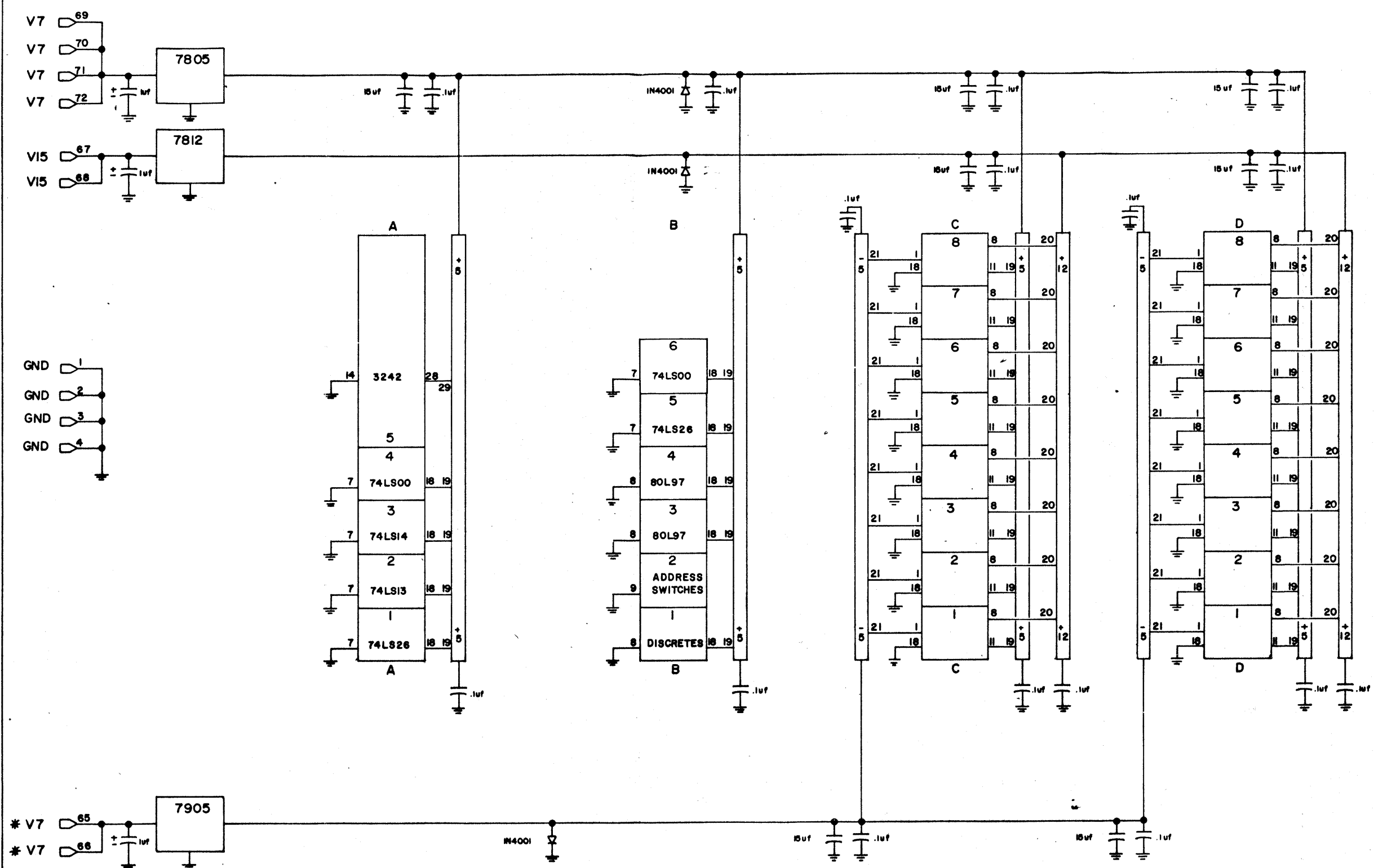
Modified for 28K select 5/21/81

XIII XXXX XXXX XXXX

disable



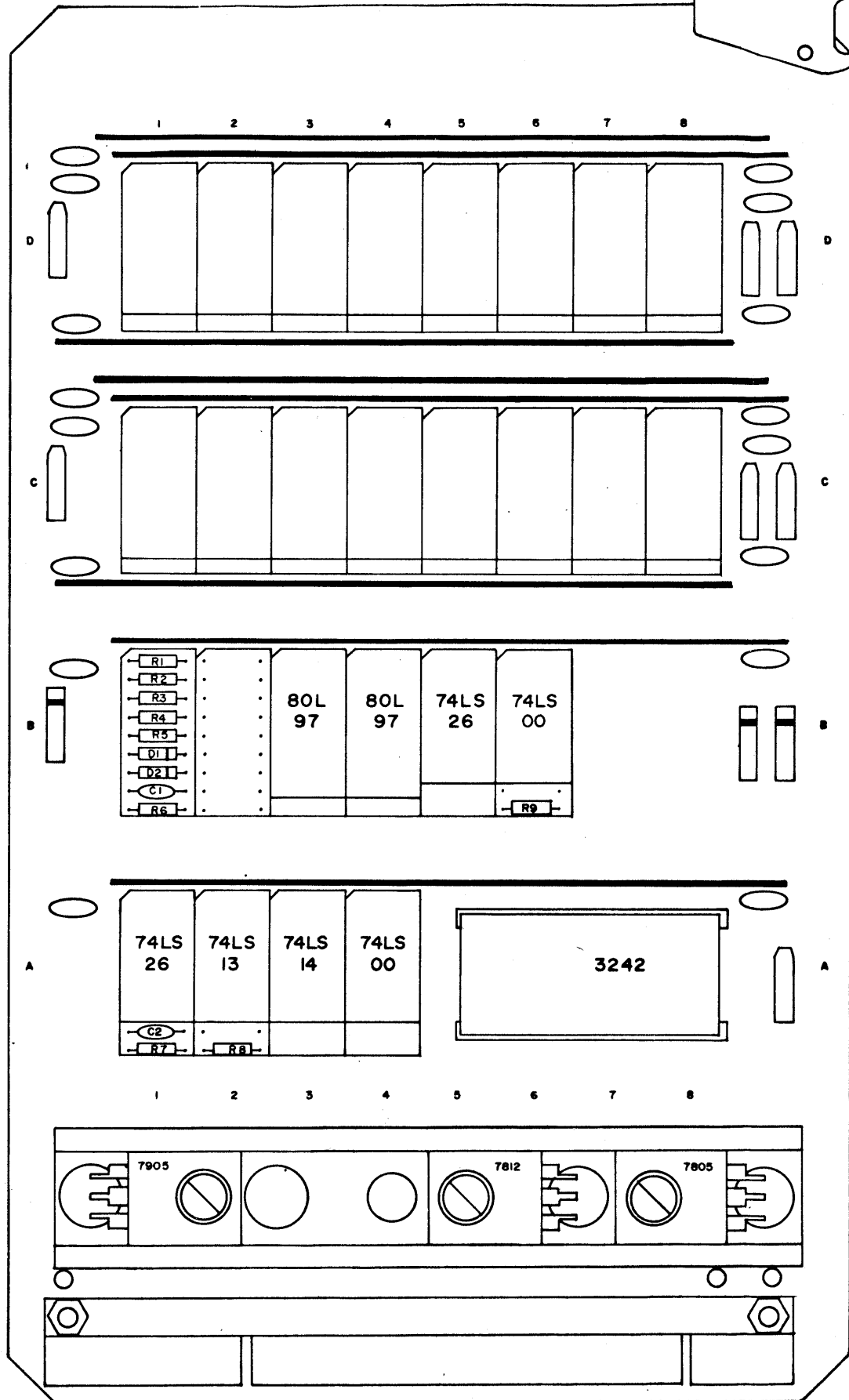
DYNAMIC MEMORY MODULE
 4K-32K
 DMM-067 6-30-77
 COPYRIGHT 1977 WAVE MATE
 DRAWN BY: A. Martin
 REVISION:



NOTE - C1-C8 AND D1-D8
MAY USE 4096 OR
4116 RAM, DEPENDING
ON DESIRED CARD
CAPACITY.

POWER DISTRIBUTION
DYNAMIC MEMORY MODULE
DMM-067
COPYRIGHT 1977 WAVE MATE

DRAWN BY: *A. Martin*
REVISION:



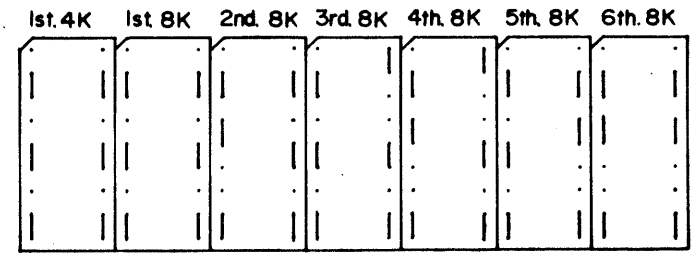
INTEGRATED CIRCUITS

| NAME | PART NUMBER |
|------------|------------------|
| A1 | 74LS26 |
| A2 | 74LS13 |
| A3 | 74LS14 |
| A4 | 74LS00 |
| A5 | 3242 |
| B1 | DISCRETES |
| B2 | ADDRESS SWITCHES |
| B3 | 80L97 |
| B4 | 80L97 |
| B5 | 74LS26 |
| B6 | 74LS00 |
| 8K: C1-C8 | 4096 |
| D1-D8 | 4096 |
| 16K: C1-C8 | 4116 |
| 20K: C1-C8 | 4116 |
| DI-D8 | 4096 |
| 32K: C1-C8 | 4116 |
| DI-D8 | 4116 |
| 4K: C1-C8 | 4096 |

DISCRETES

| LOCATION & NAME | PART NUMBER |
|-----------------|-----------------|
| B1-R1 | 1K RESISTOR 5% |
| -R2 | 1K " " |
| -R3 | 10K " " |
| -R4 | 1K " " |
| -R5 | 10K " " |
| -D1 | IN914 DIODE |
| -D2 | IN914 " |
| -C1 | 100pf CAPACITOR |
| -R6 | 10K RESISTOR 5% |
| A1-R7 | 1K " " |
| -C2 | 100pf CAPACITOR |
| A2-R8 | 10K RESISTOR 5% |
| B6-R9 | 4.7K " " |

RAM ADDRESS SWITCHES (B2)



DYNAMIC MEMORY MODULE

DMM-028 2-1-78

COPYRIGHT 1978 WAVE MATE

DRAWN BY: A. Martin

REVISION: