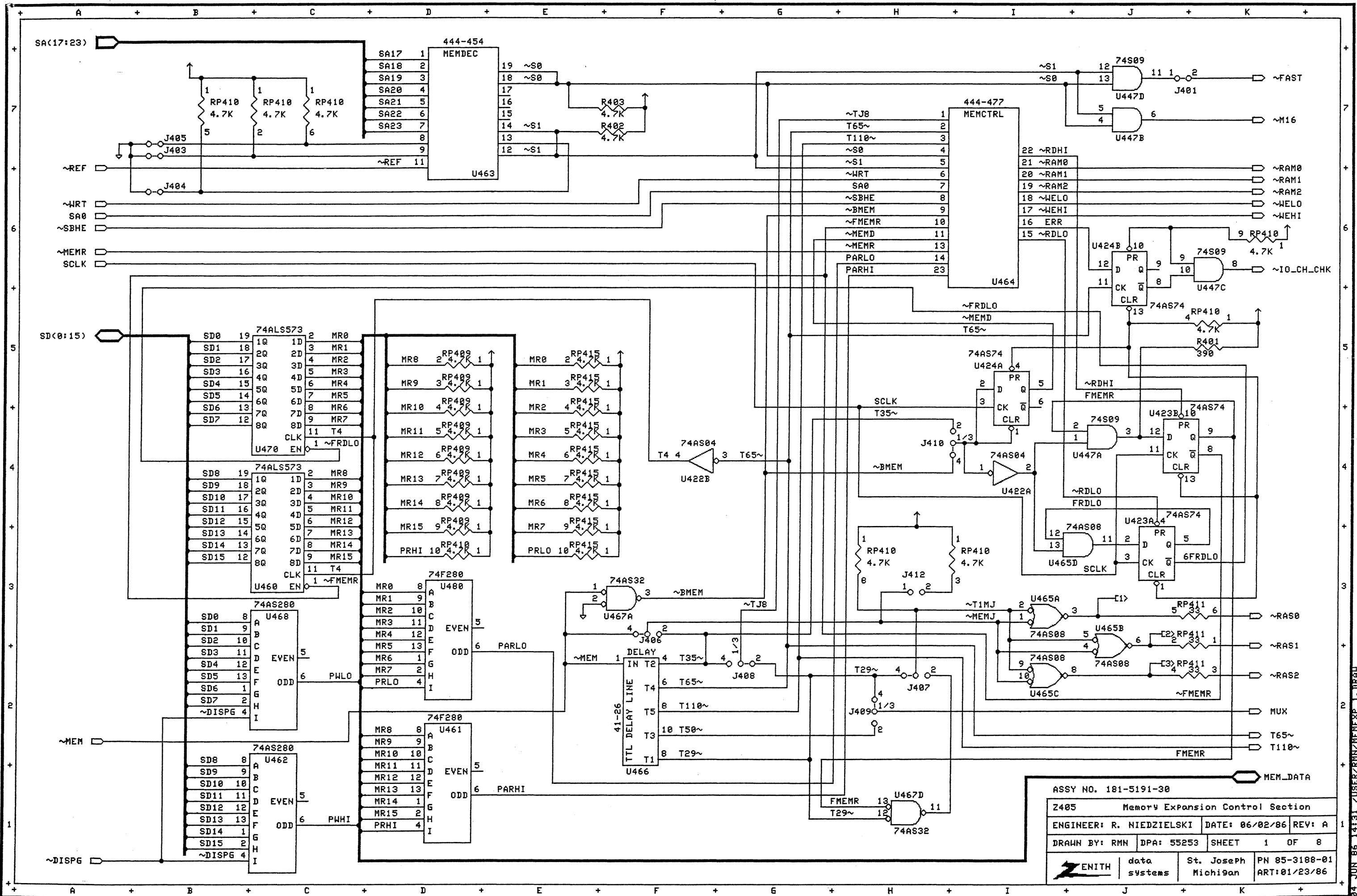
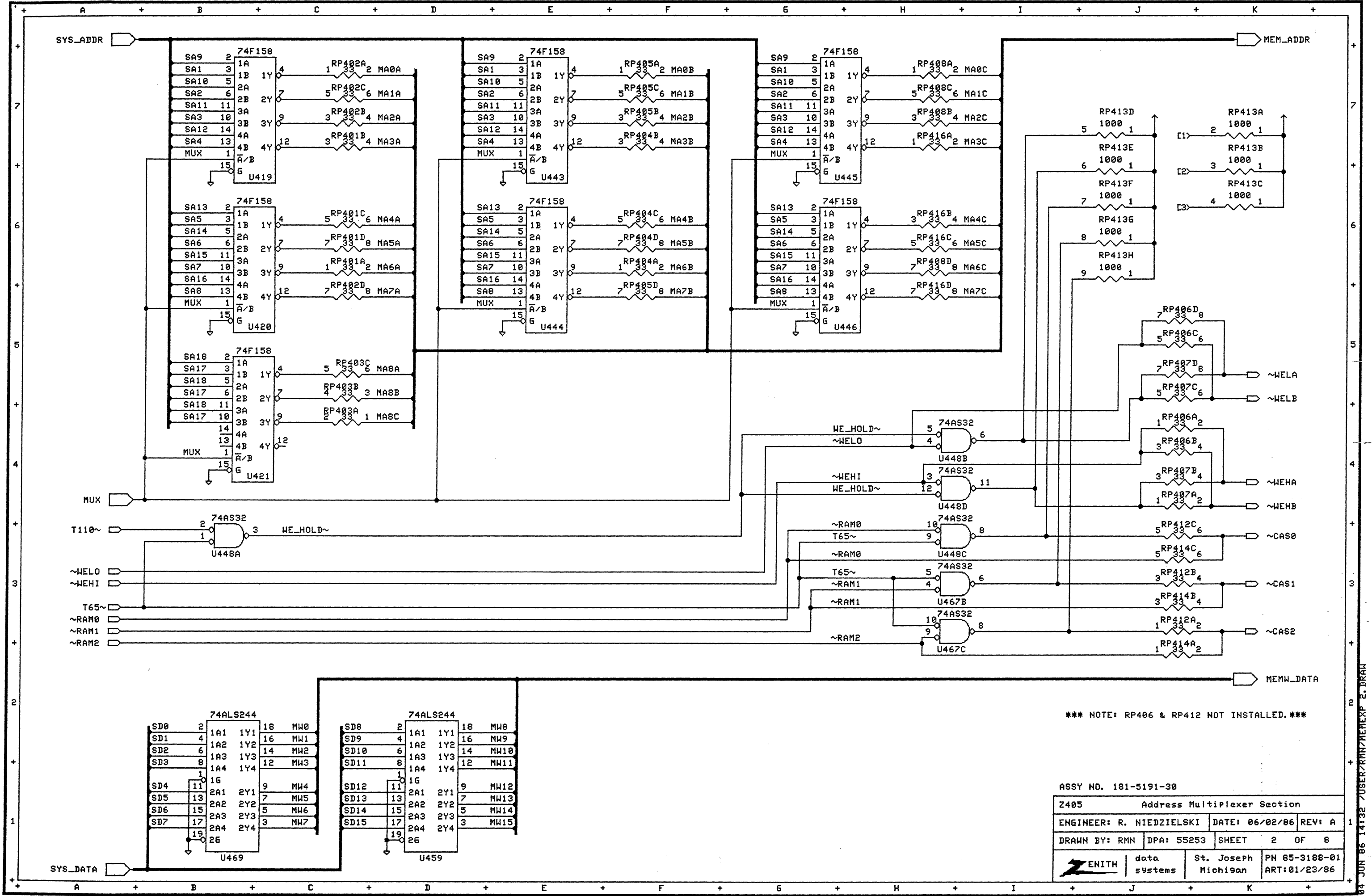


Z241 MEMORY EXPANSION



ASSY NO. 181-5191-30			
Z405 Memory Expansion Control Section			
ENGINEER: R. NIEDZIELSKI	DATE: 06/02/86	REV: A	
DRAWN BY: RMN	DPA: 55253	SHEET 1 OF 8	
ZENITH data systems		St. Joseph Michigan	PN 85-3188-01 ART:01/23/86

84 JUN 86 14:31 - USER:RMN/MEMEXP 1.DRAW

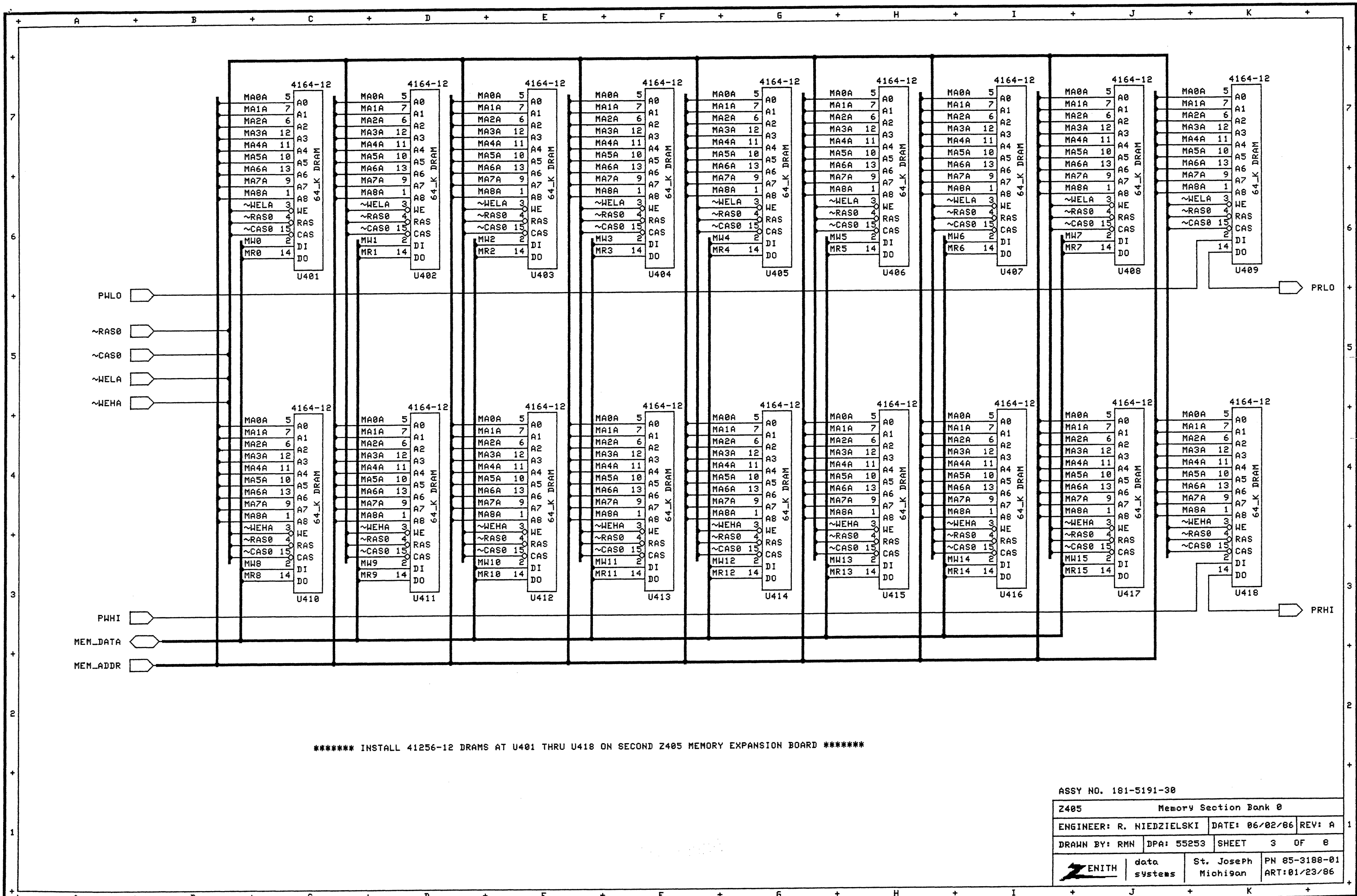


*** NOTE: RP406 & RP412 NOT INSTALLED.***

ASSY NO. 181-5191-30

2405 Address Multiplexer Section			
ENGINEER: R. NIEDZIELSKI	DATE: 06/02/86	REV: A	
DRAWN BY: RMN	DPA: 55253	SHEET	2 OF 8
ENITH data systems		St. Joseph Michi9an	PN 85-3188-01 ART:01/23/86

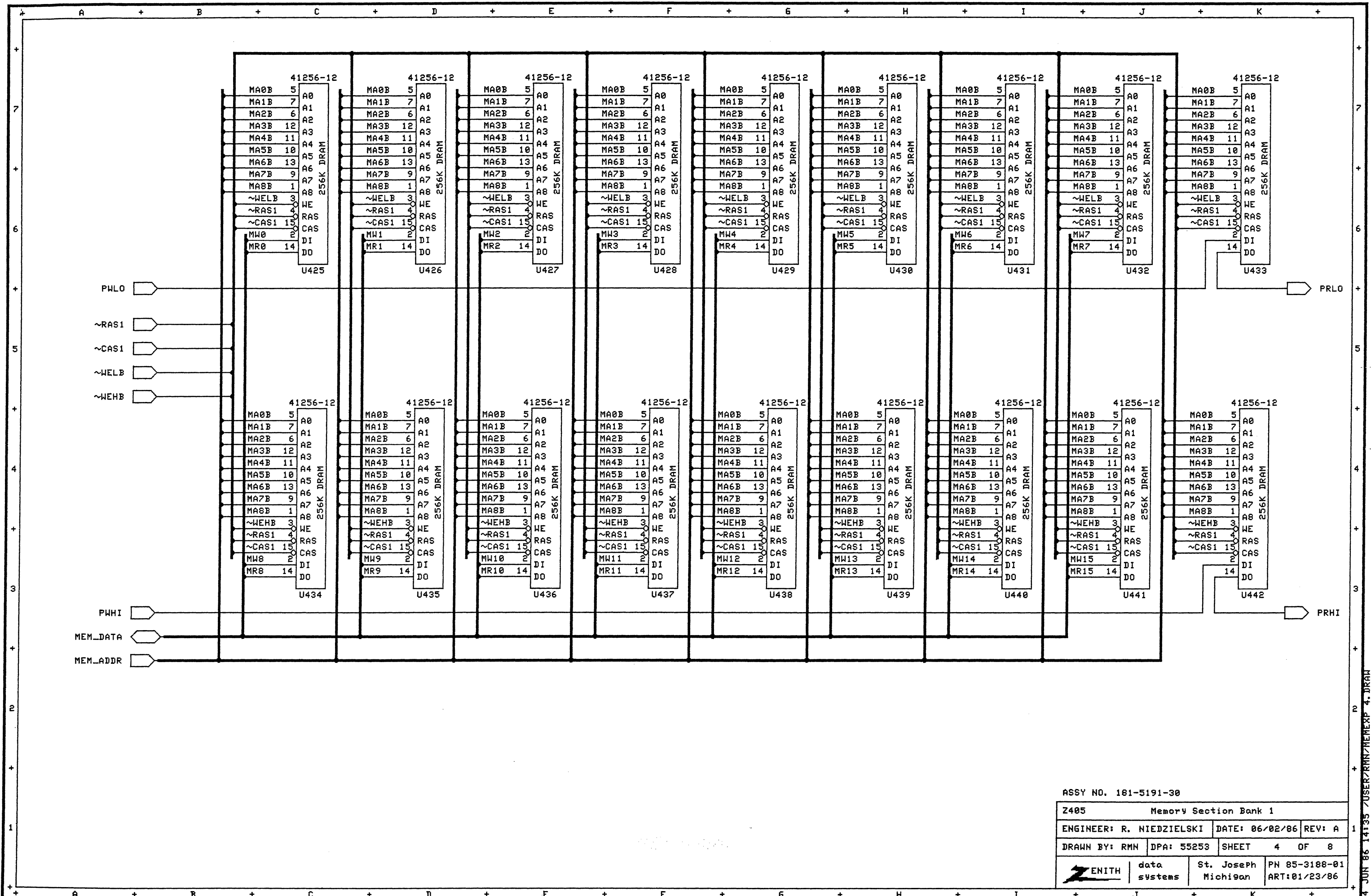
04 JUN 86 14:32 USER:RMN/NEWEXP 2. DRAN



***** INSTALL 41256-12 DRAMS AT U401 THRU U418 ON SECOND Z405 MEMORY EXPANSION BOARD *****

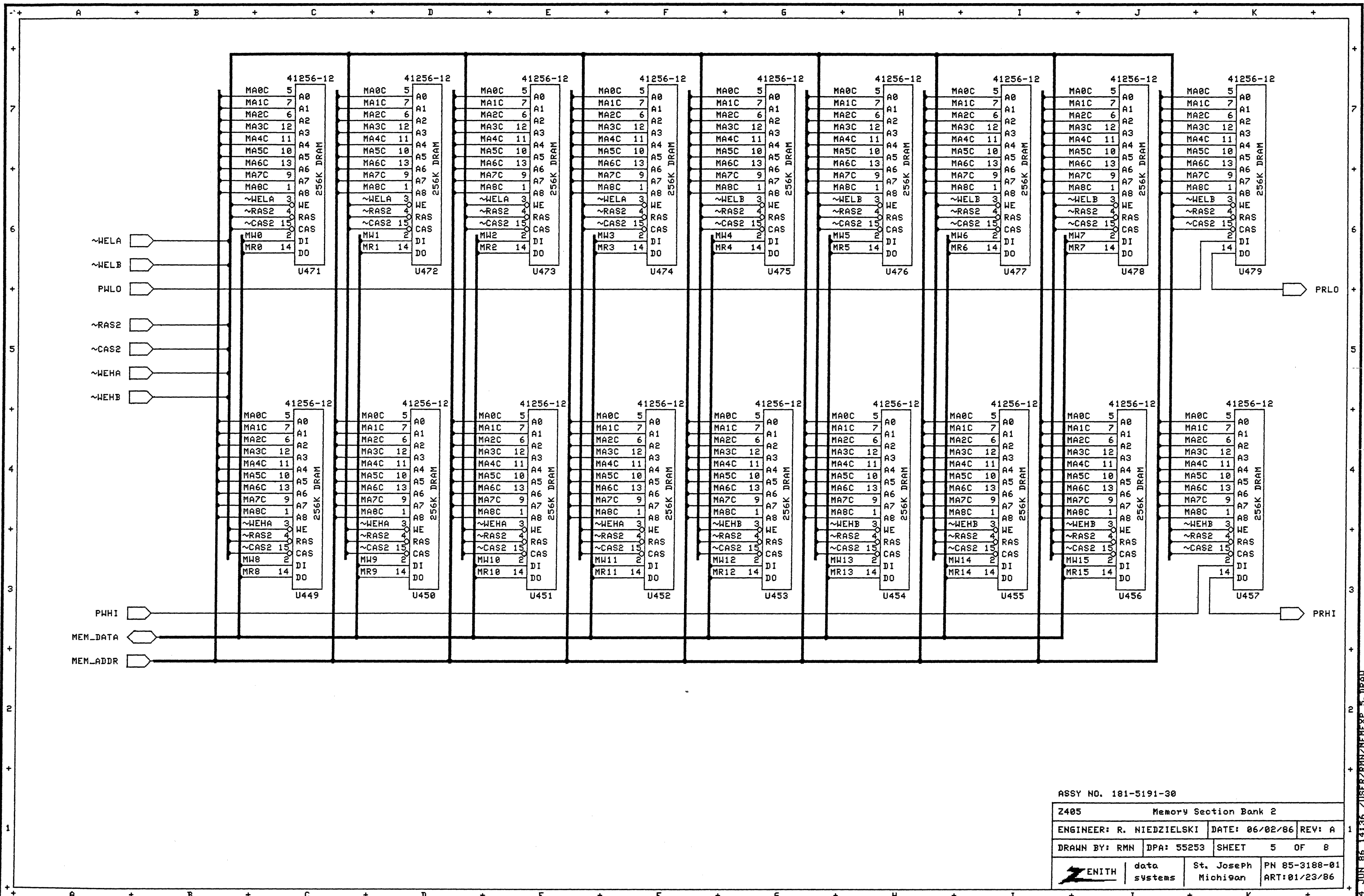
ASSY NO. 181-5191-30			
Z405 Memory Section Bank 0			
ENGINEER: R. NIEDZIELSKI	DATE: 06/02/86	REV: A	
DRAWN BY: RMN	DPA: 55253	SHEET 3 OF 8	
ZENITH	data systems	St. Joseph Michigan	PN 85-3188-01 ART:01/23/86

84 JUN 86 14:34 /USER/RMN/MEEXP 3.DRAM



ASSY NO. 181-5191-30			
Z405 Memory Section Bank 1			
ENGINEER: R. NIEDZIELSKI	DATE: 06/02/86	REV: A	
DRAWN BY: RMN	DPA: 55253	SHEET	4 OF 8
	data systems	St. Joseph Michigan	PN 85-3188-01 ART:01/23/86

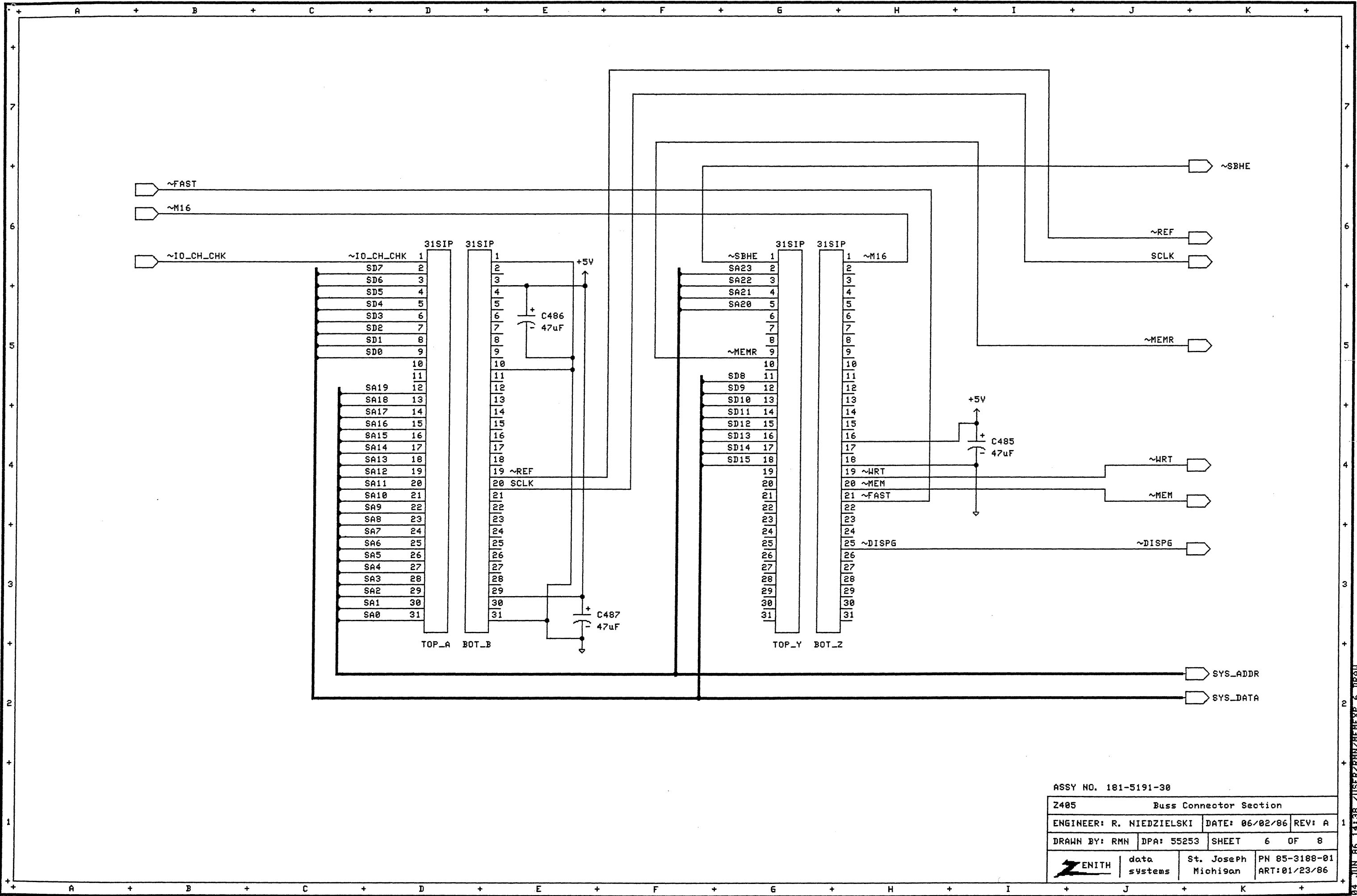
04 JUN 86 14135 7USER7RNM7MEMEXP 4, DRAM



ASSY NO. 181-5191-30

Z405 Memory Section Bank 2			
ENGINEER: R. NIEDZIELSKI	DATE: 06/02/86	REV: A	
DRAWN BY: RMN	DPA: 55253	SHEET 5 OF 8	
ZENITH	data systems	St. Joseph Michigan	PN 85-3188-01 ART: 01/23/86

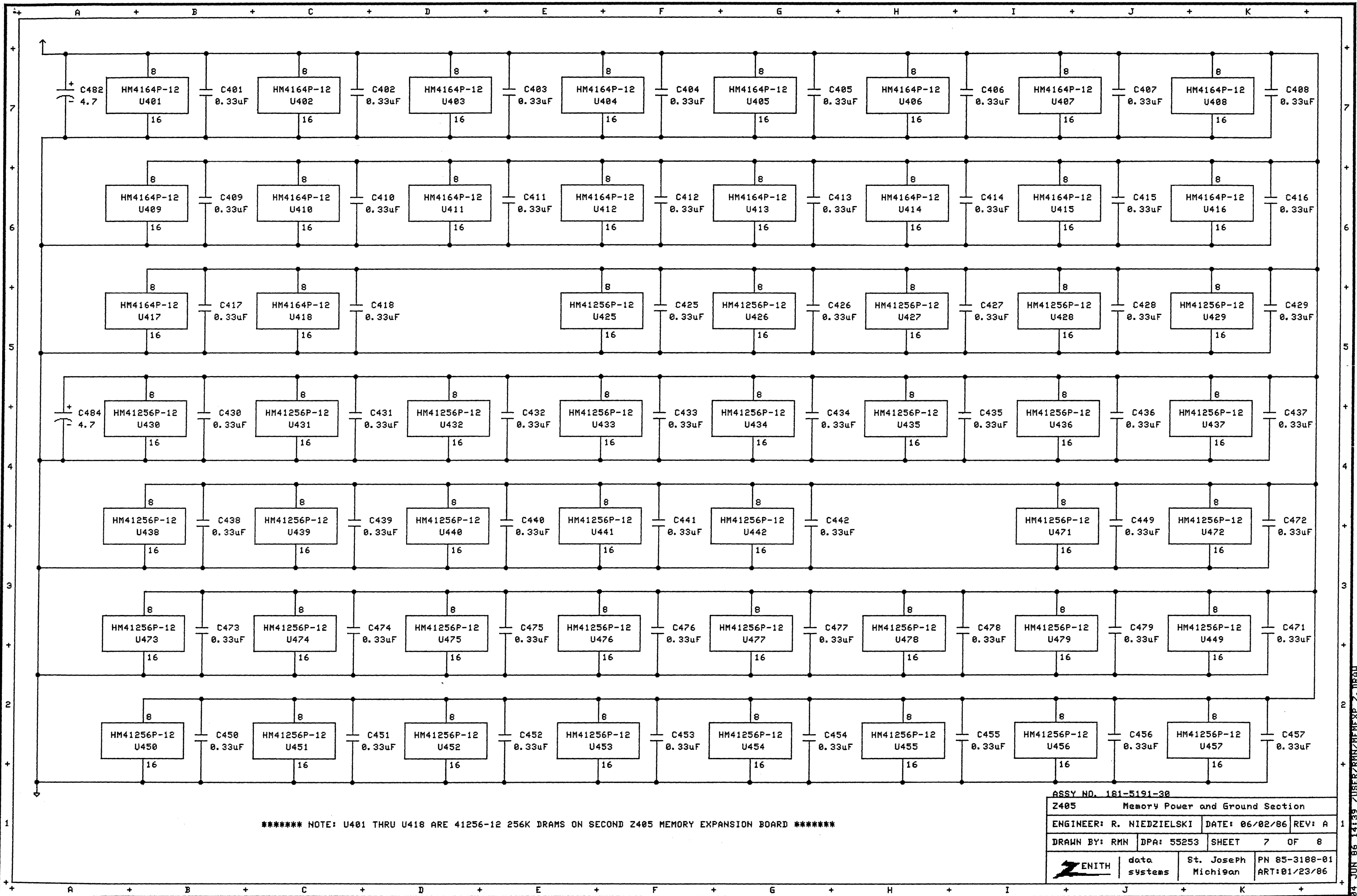
84 JUN 85 14:36 / USER/RIN/NEEXP 5. DRAM



ASSY NO. 181-5191-30

Z485 Buss Connector Section			
ENGINEER: R. NIEDZIELSKI	DATE: 06/02/86	REV: A	
DRAWN BY: RMN	DPA: 55253	SHEET 6	OF 8
ZENITH	data systems	St. Joseph Michigan	PN 85-3188-01 ART:01/23/86

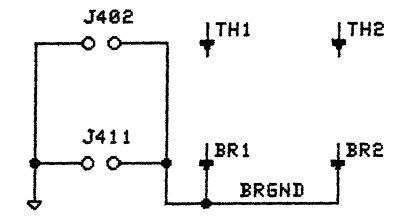
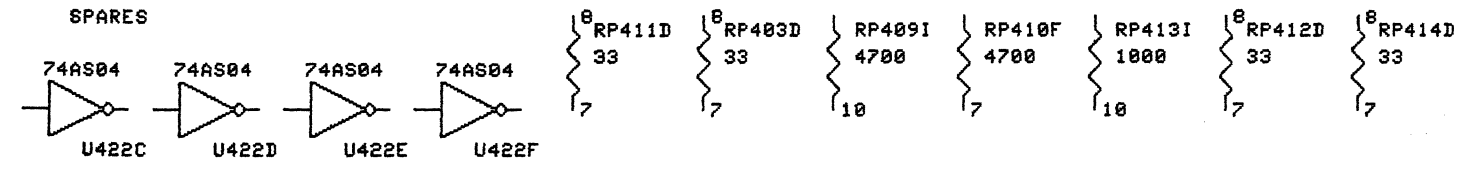
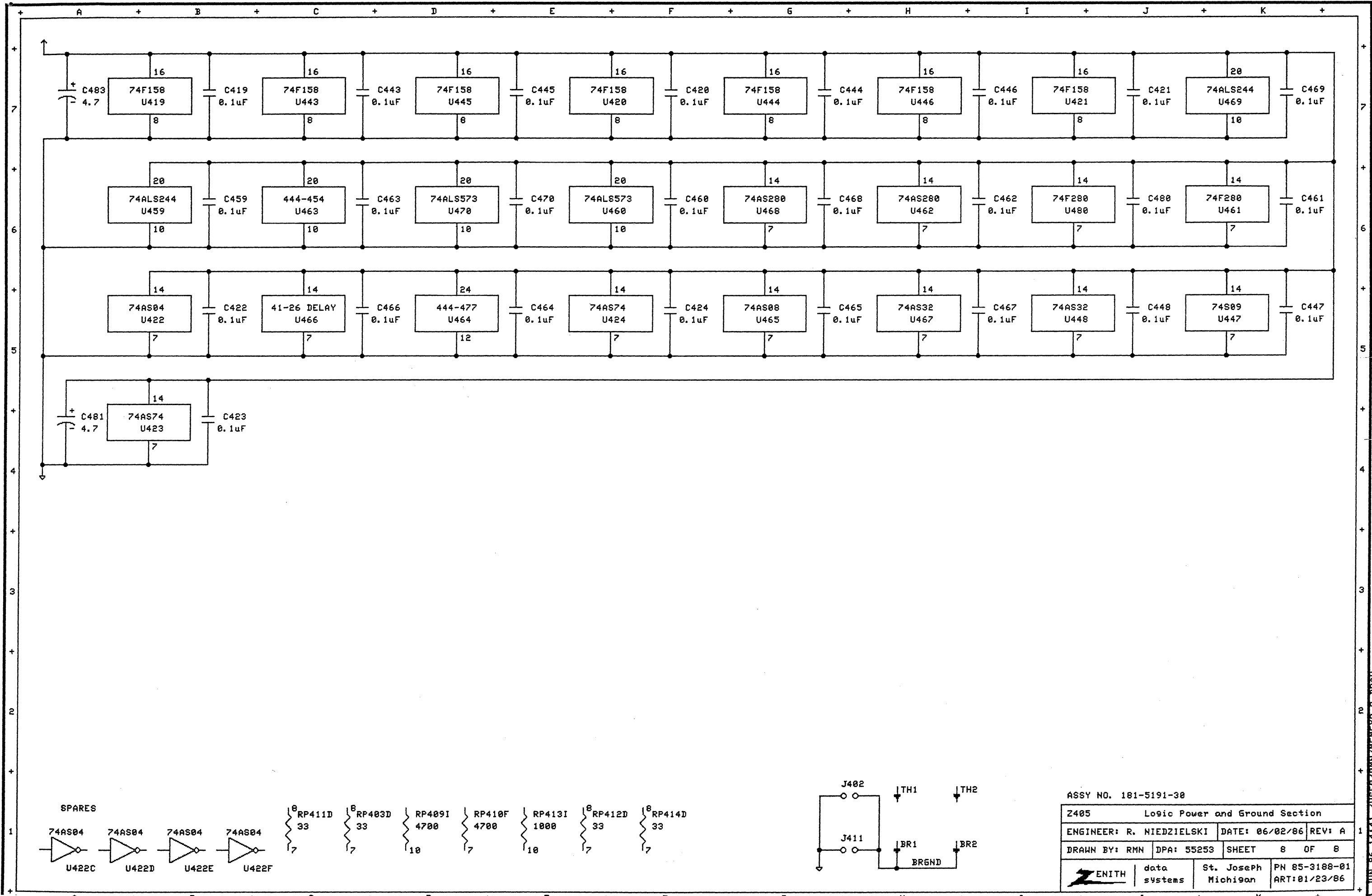
84 JUN 86 14:38 / USER:RMN/MEMEXP 6. DRAN



***** NOTE: U401 THRU U418 ARE 41256-12 256K DRAMS ON SECOND Z405 MEMORY EXPANSION BOARD *****

ASSY NO. 181-5191-30		
Z405 Memory Power and Ground Section		
ENGINEER: R. NIEDZIELSKI	DATE: 06/02/86	REV: A
DRAWN BY: RMN	DPA: 55253	SHEET 7 OF 8
ENITH	data systems	St. Joseph Michigan
		PN 85-3188-01 ART:01/23/86

84 JUN 86 14:39 USER:RMN/HEMEXP 7.DRAW



ASSY NO. 181-5191-30

Z405 Logic Power and Ground Section		
ENGINEER: R. NIEDZIELSKI	DATE: 06/02/86	REV: A
DRAWN BY: RMN	DPA: 55253	SHEET 8 OF 8
data systems	St. Joseph Michigan	PN 85-3188-01 ART:01/23/86

84 JUN 86 14:41 / USER/RMN/MEWEXP 8.DRAW