

**Agilent E1406A
Component Level
Information**

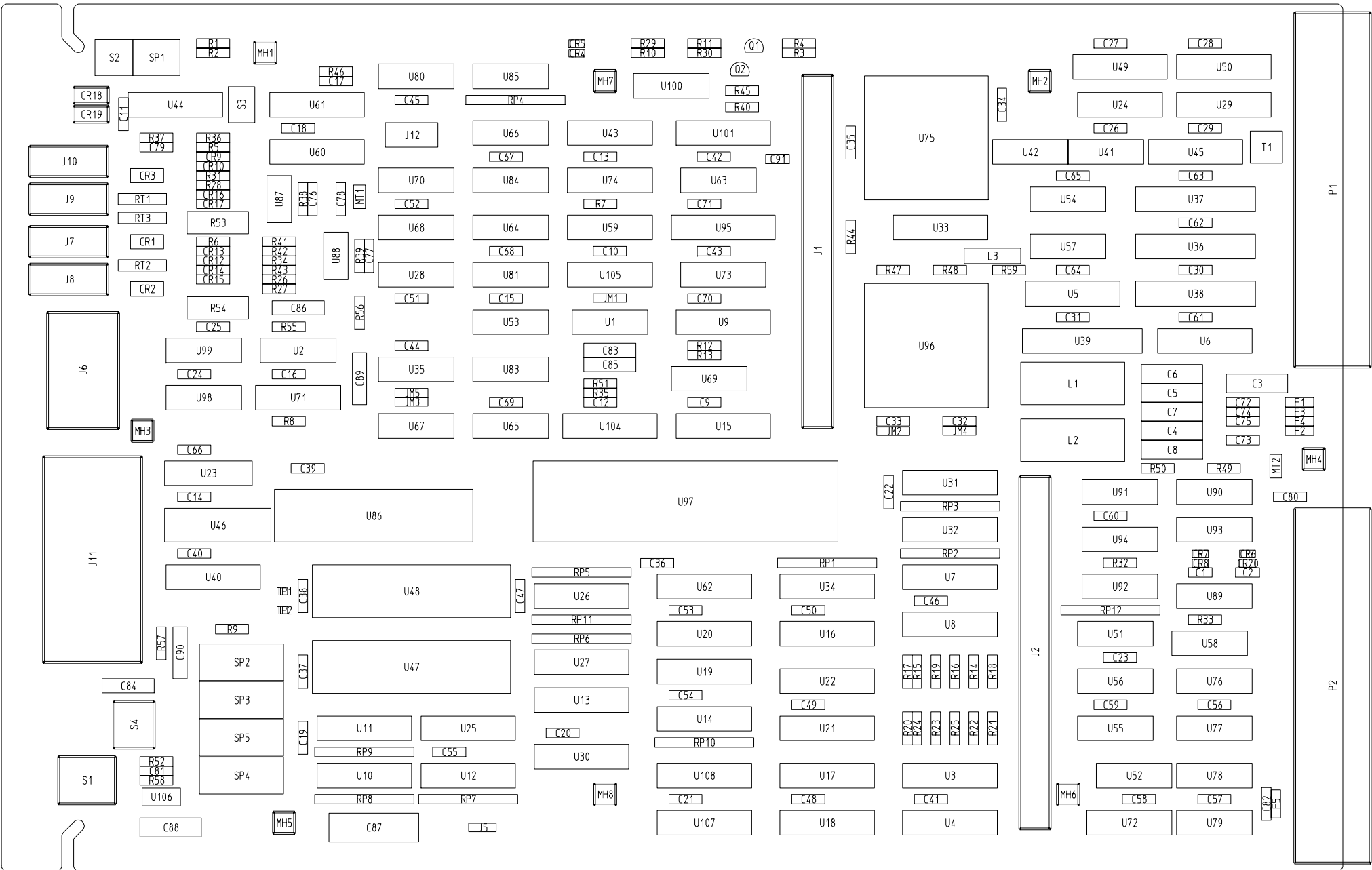
E1406A Command Module Component Level Information

Information in this packet applies to the following assemblies:

- 1. E1406-66501 PC Assembly (Through-Hole Parts Assembly Version)**
- 2. E1406-66511 PC Assembly (Surface Mount Parts Assembly Version)**

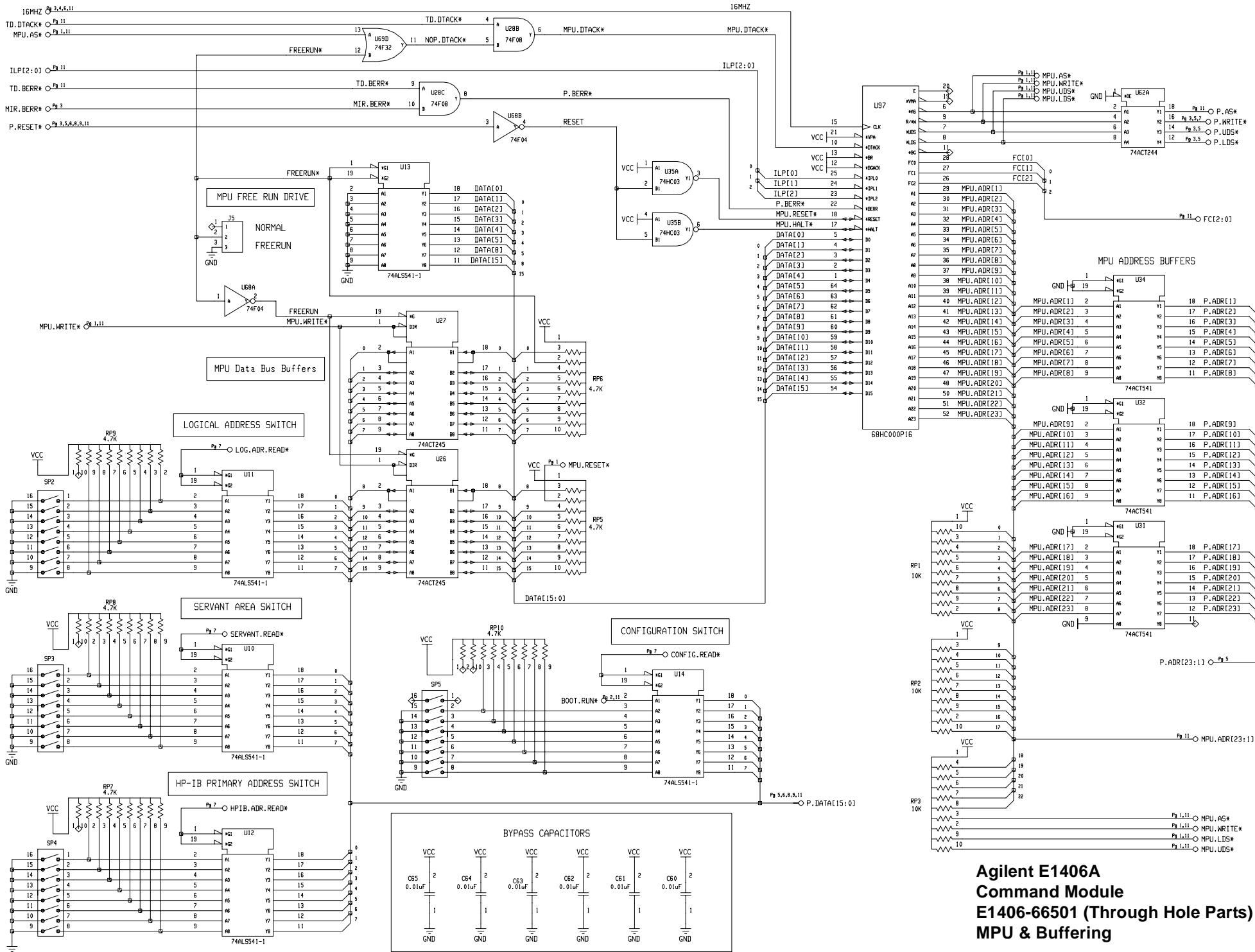
The following is included in this packet:

- 1. Component locators**
- 2. Schematics**
- 3. Parts lists with Agilent and manufacturer's part numbers**



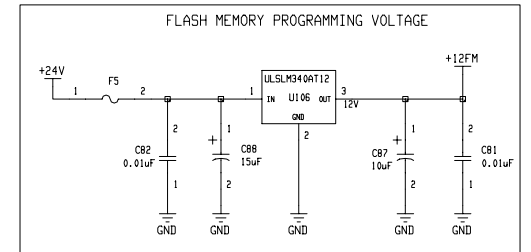
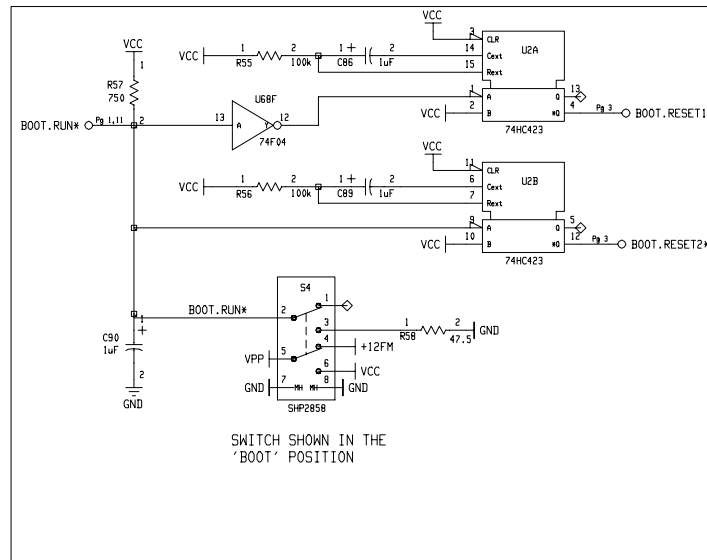
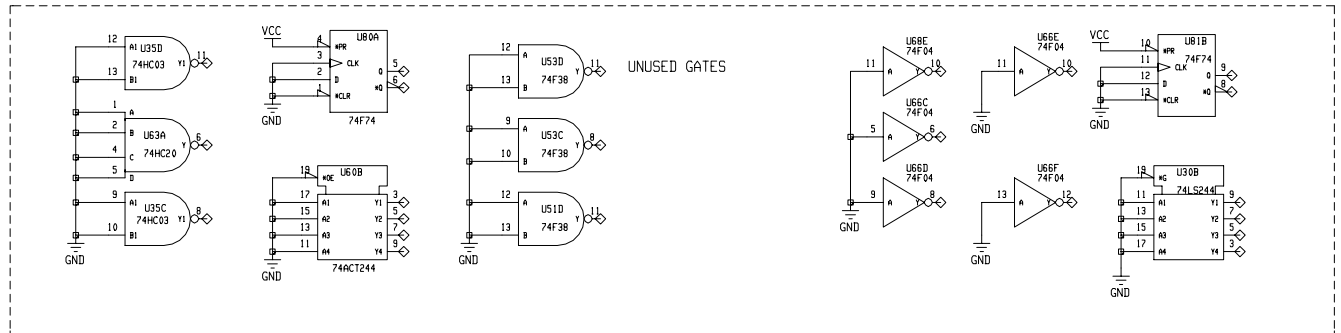
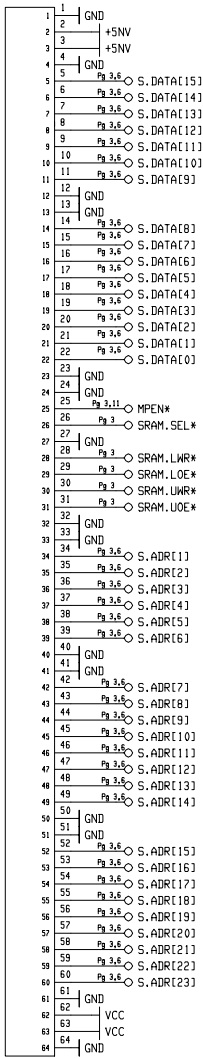
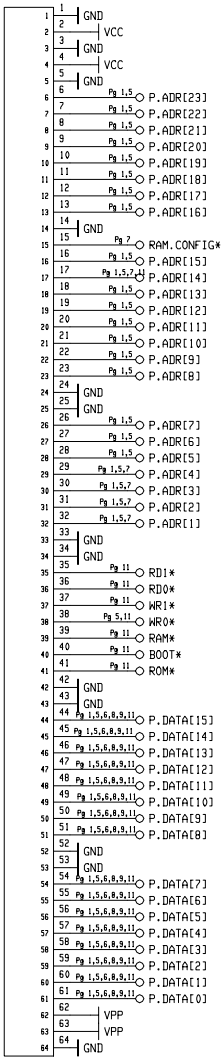
**Agilent E1406A
Command Module
E1406-66501 (Through-Hole Parts)**

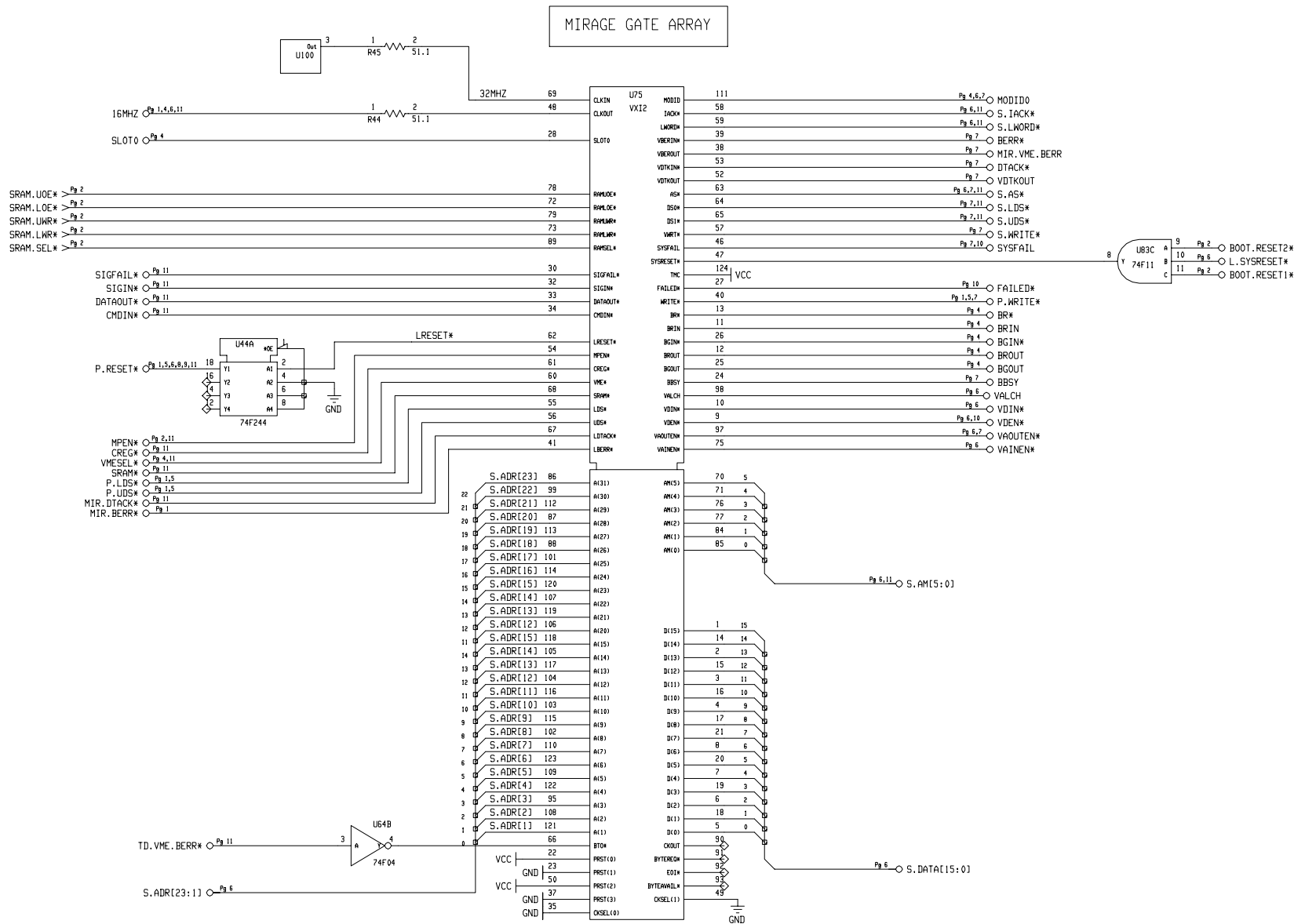
Component Locator



**Agilent E1406A
Command Module
E1406-66501 (Through Hole Parts)
MPU & Buffering**

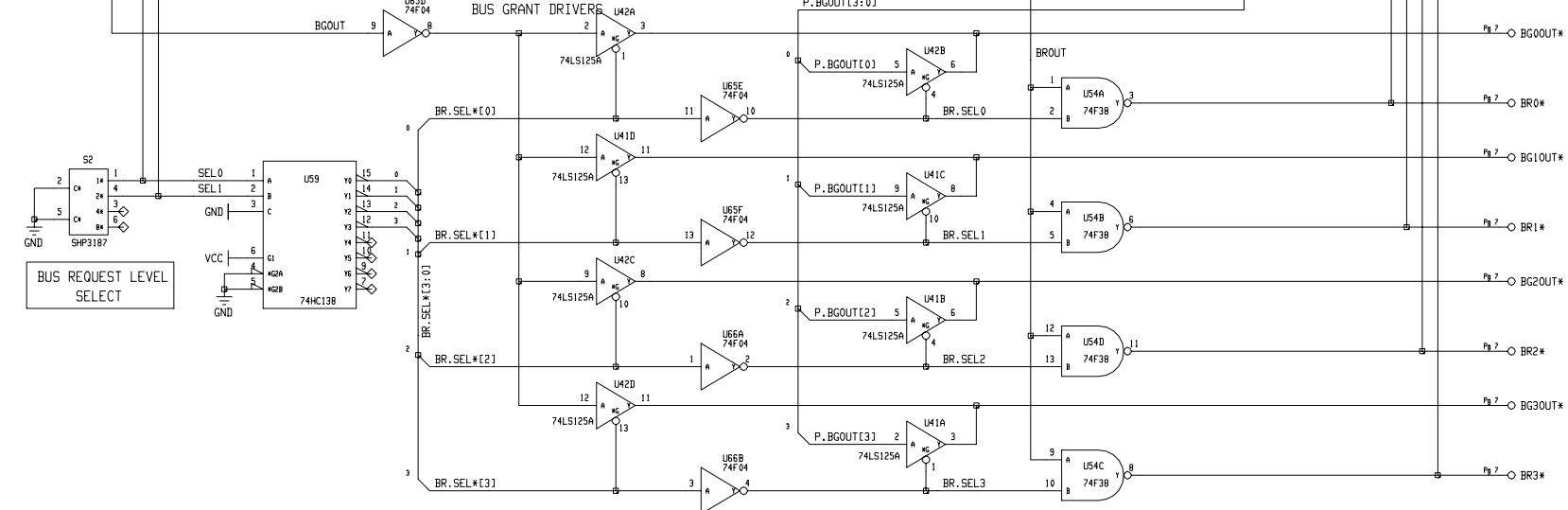
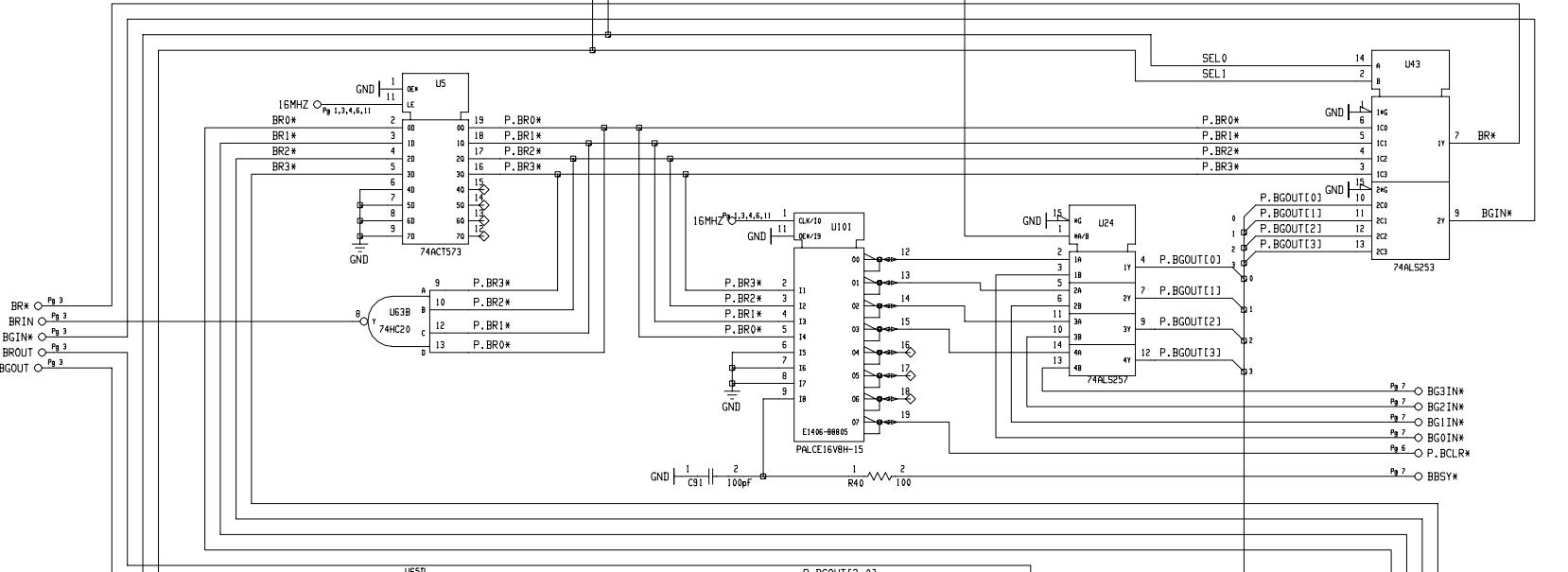
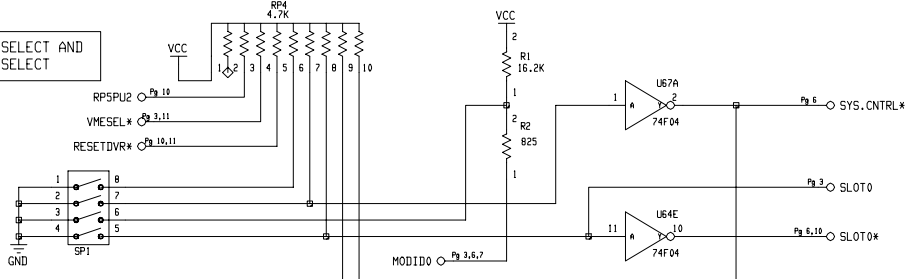
CONNECTORS FOR MEMORY BOARD

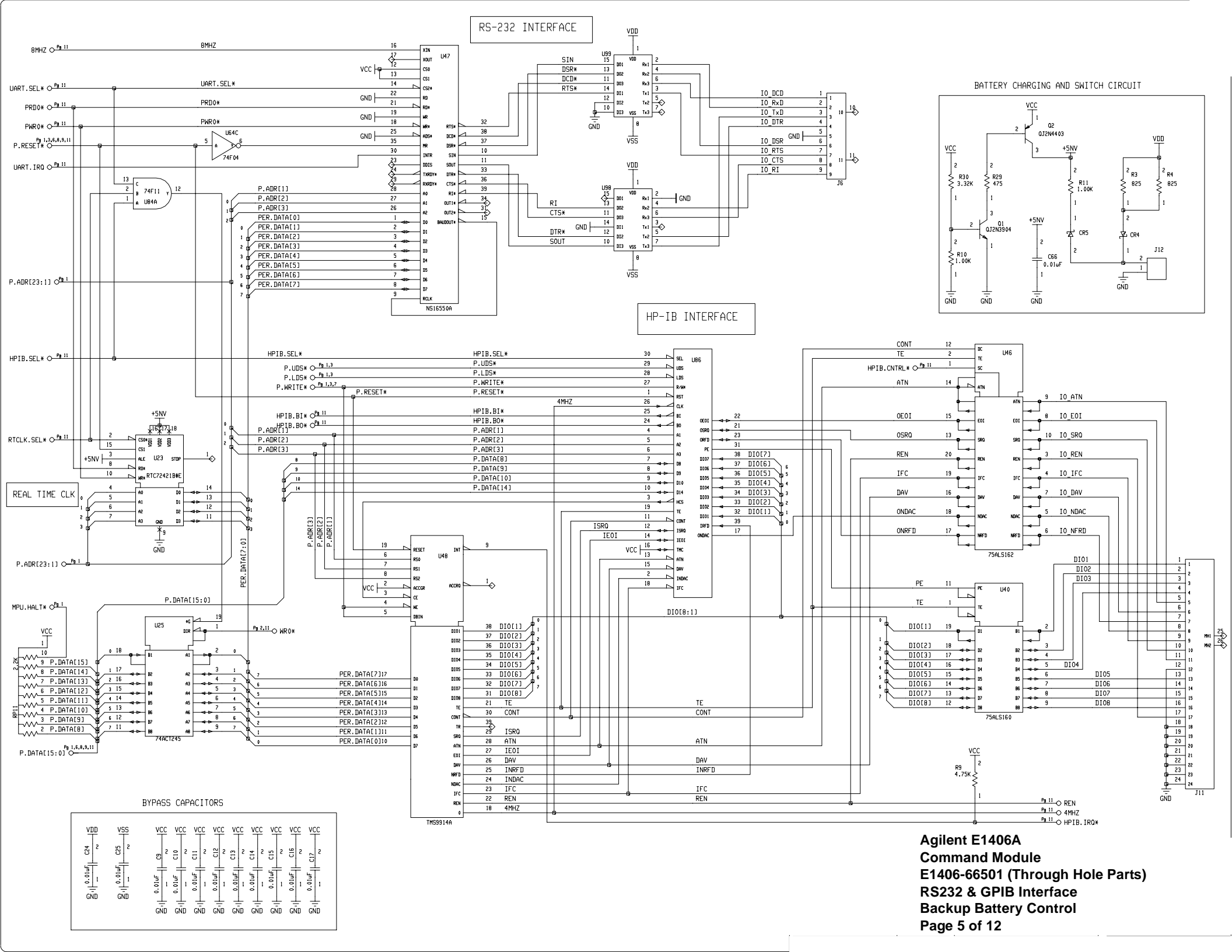




**Agilent E1406A
Command Module
E1406-66501 (Through Hole Parts)
Mirage Gate Array**

SLOT 0/NON-SLOT 0 SELECT AND SYSTEM CONTROLLER SELECT





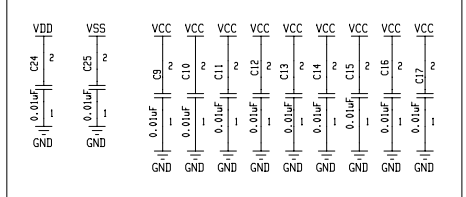
RS-232 INTERFACE

BATTERY CHARGING AND SWITCH CIRCUIT

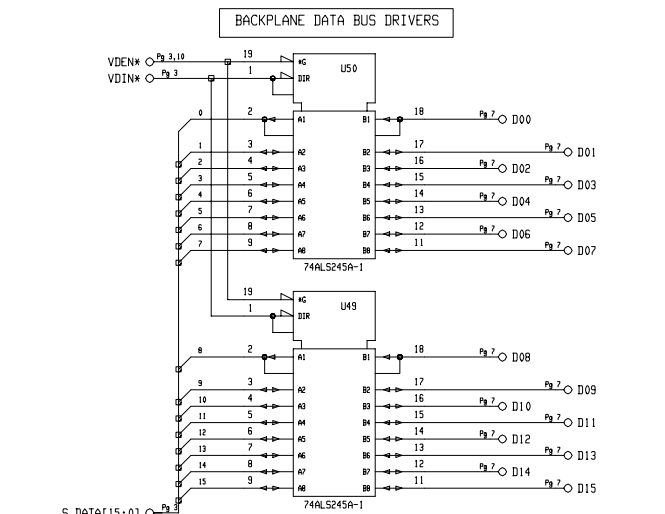
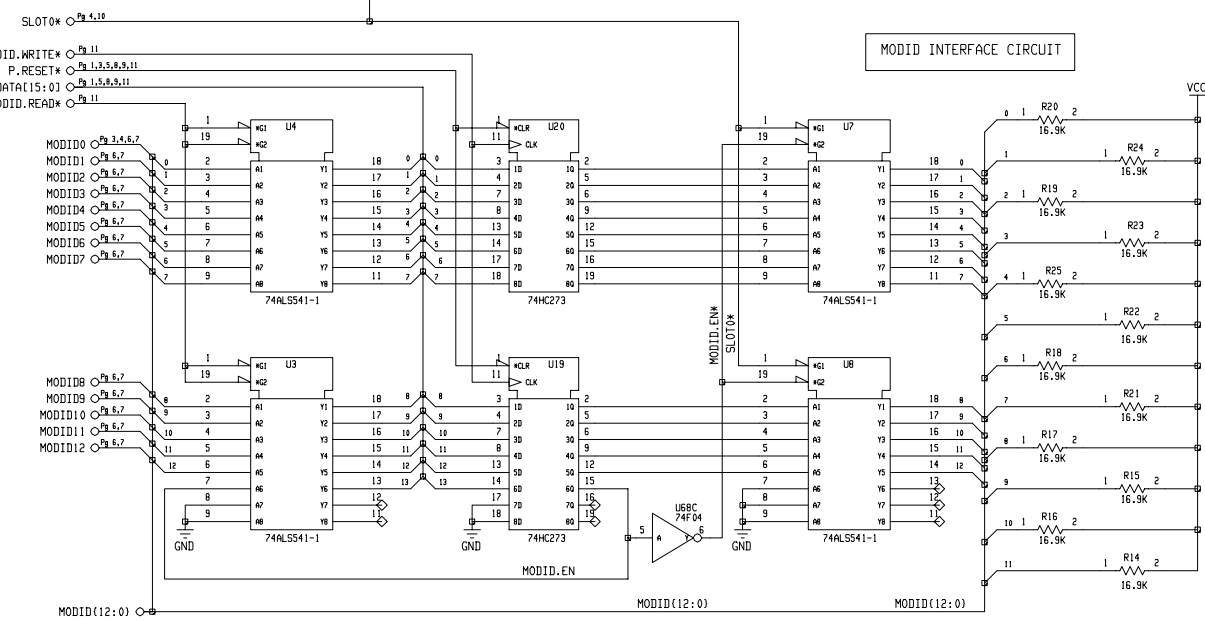
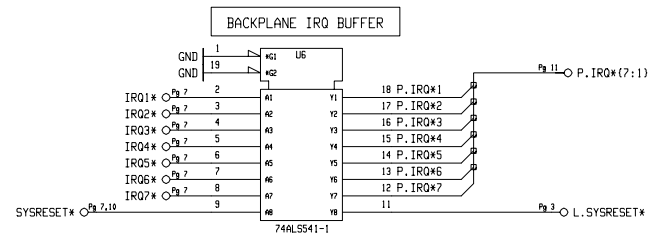
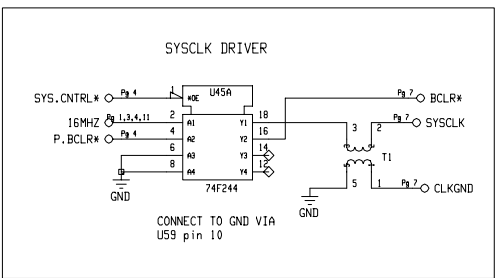
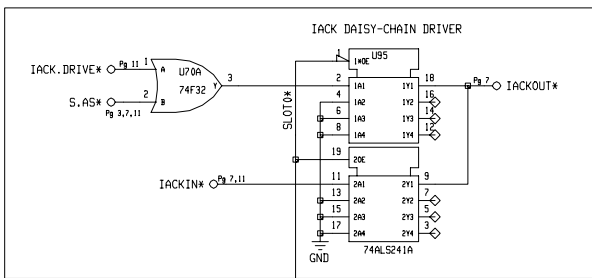
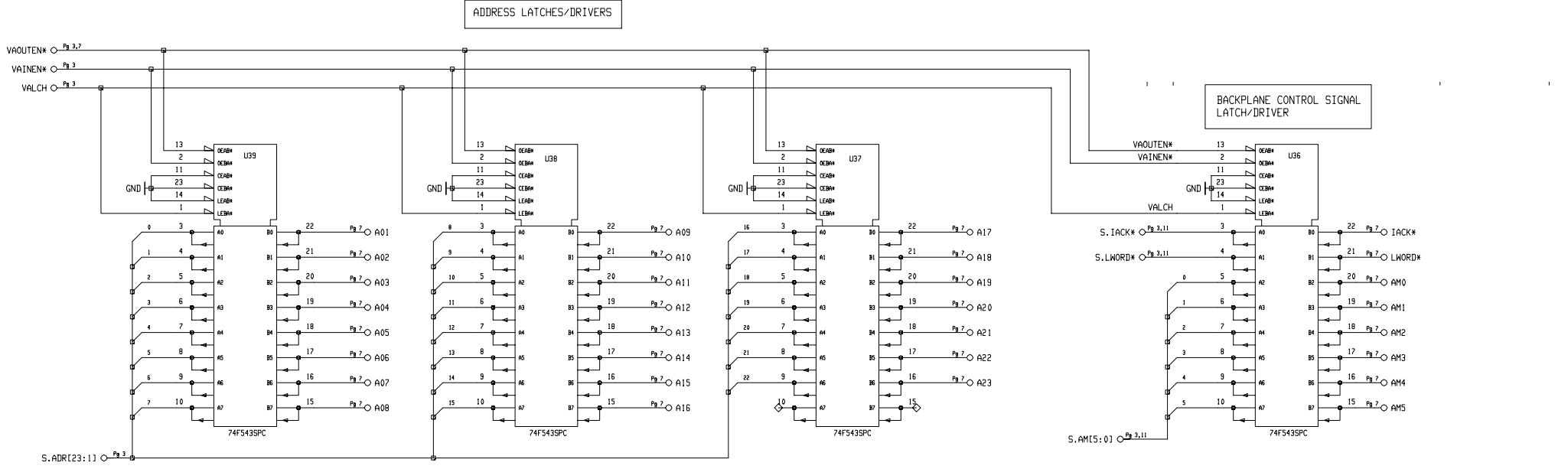
HP-IB INTERFACE

REAL TIME CLK

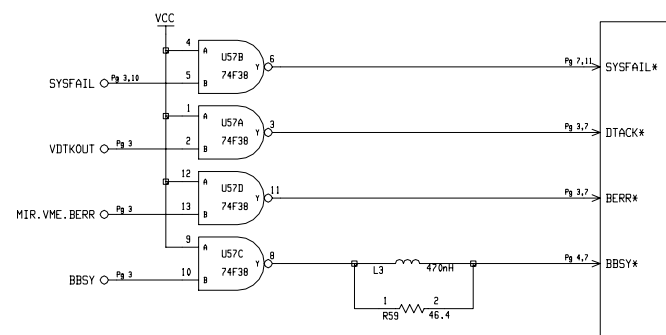
BYPASS CAPACITORS



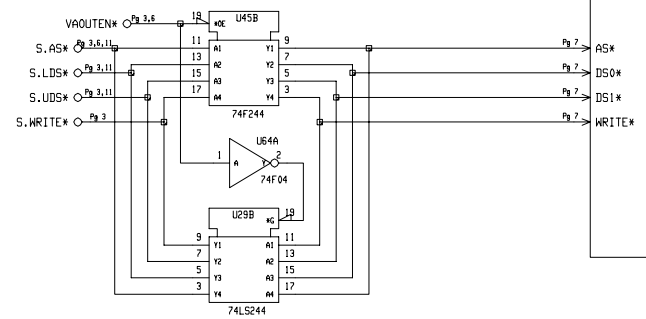
Agilent E1406A
Command Module
E1406-66501 (Through Hole Parts)
RS232 & GPIB Interface
Backup Battery Control
Page 5 of 12



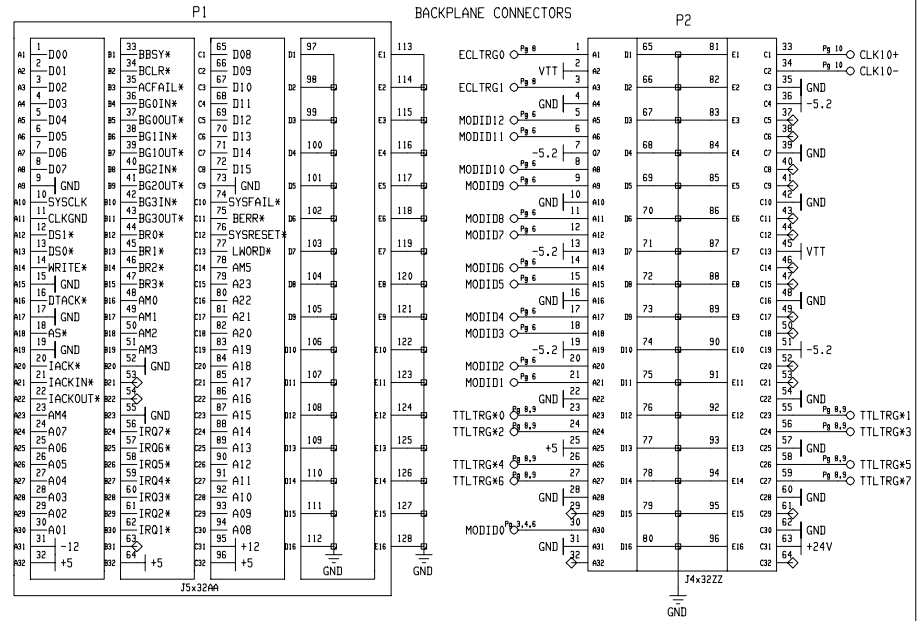
BACKPLANE CONTROL SIGNAL DRIVER



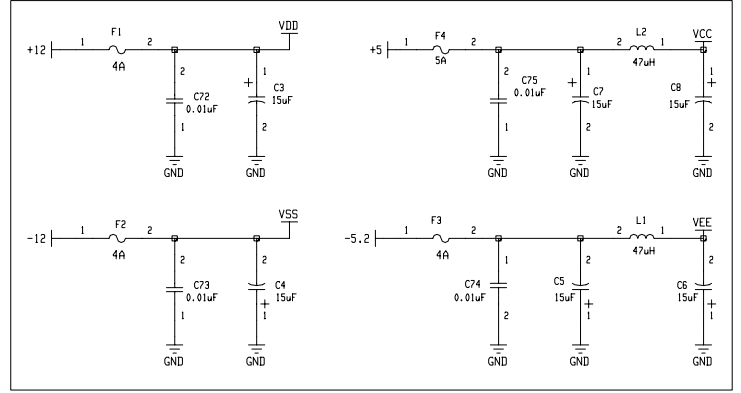
BACKPLANE CONTROL SIGNAL BUFFER/DRIVER



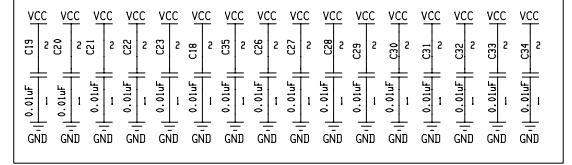
NOTE: P1 & P2 HAS SPECIAL FOOTPRINT THAN LOADED PART FOR UNIVERSAL USE.



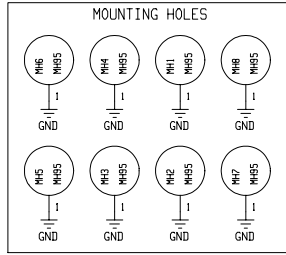
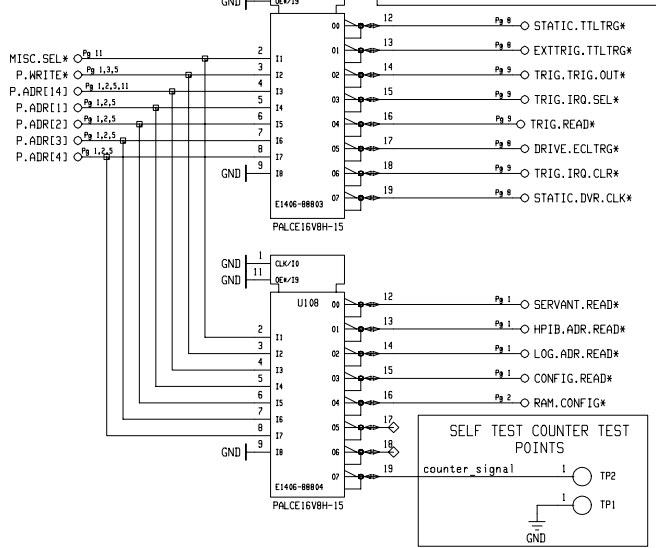
POWER SUPPLY FUSE AND FILTERING



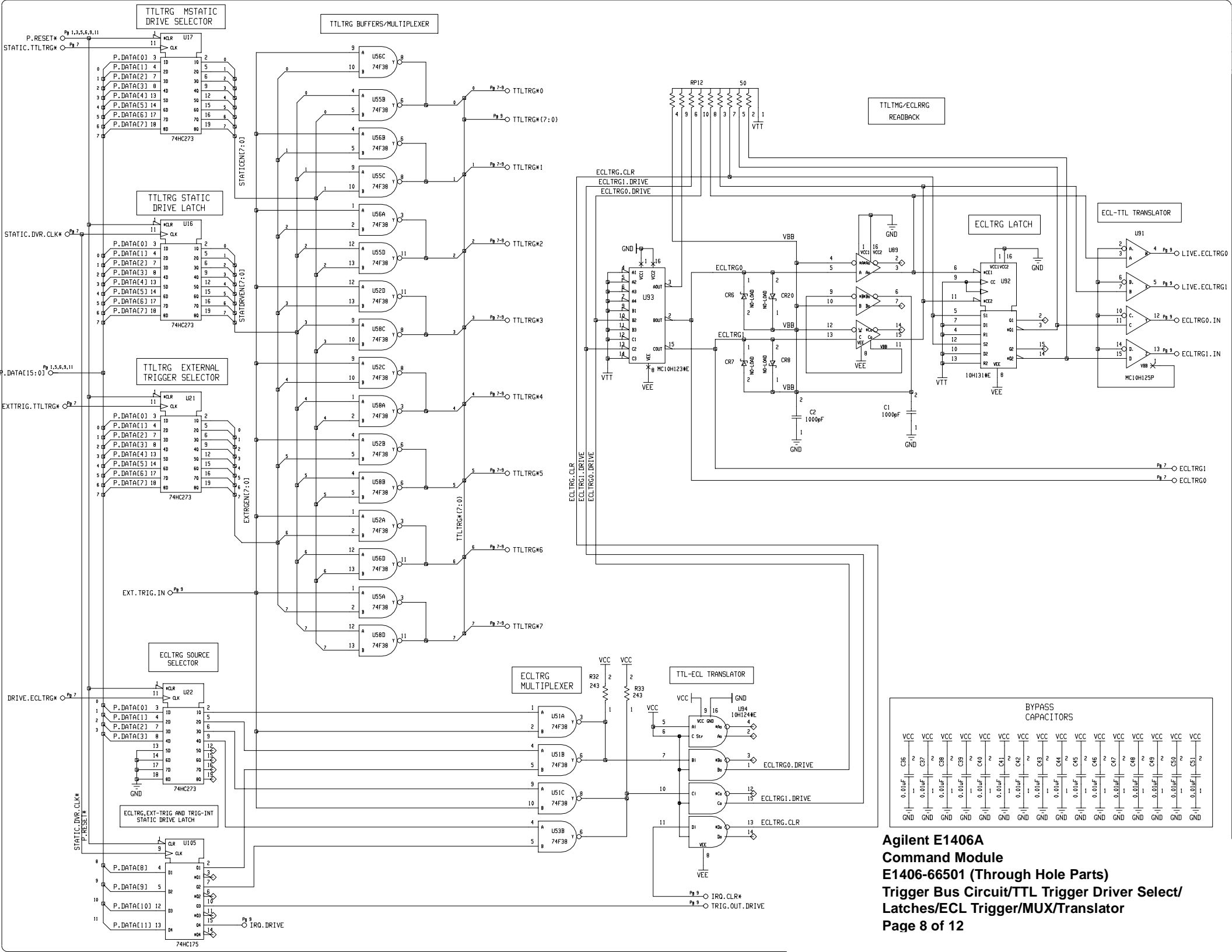
BYPASS CAPACITORS



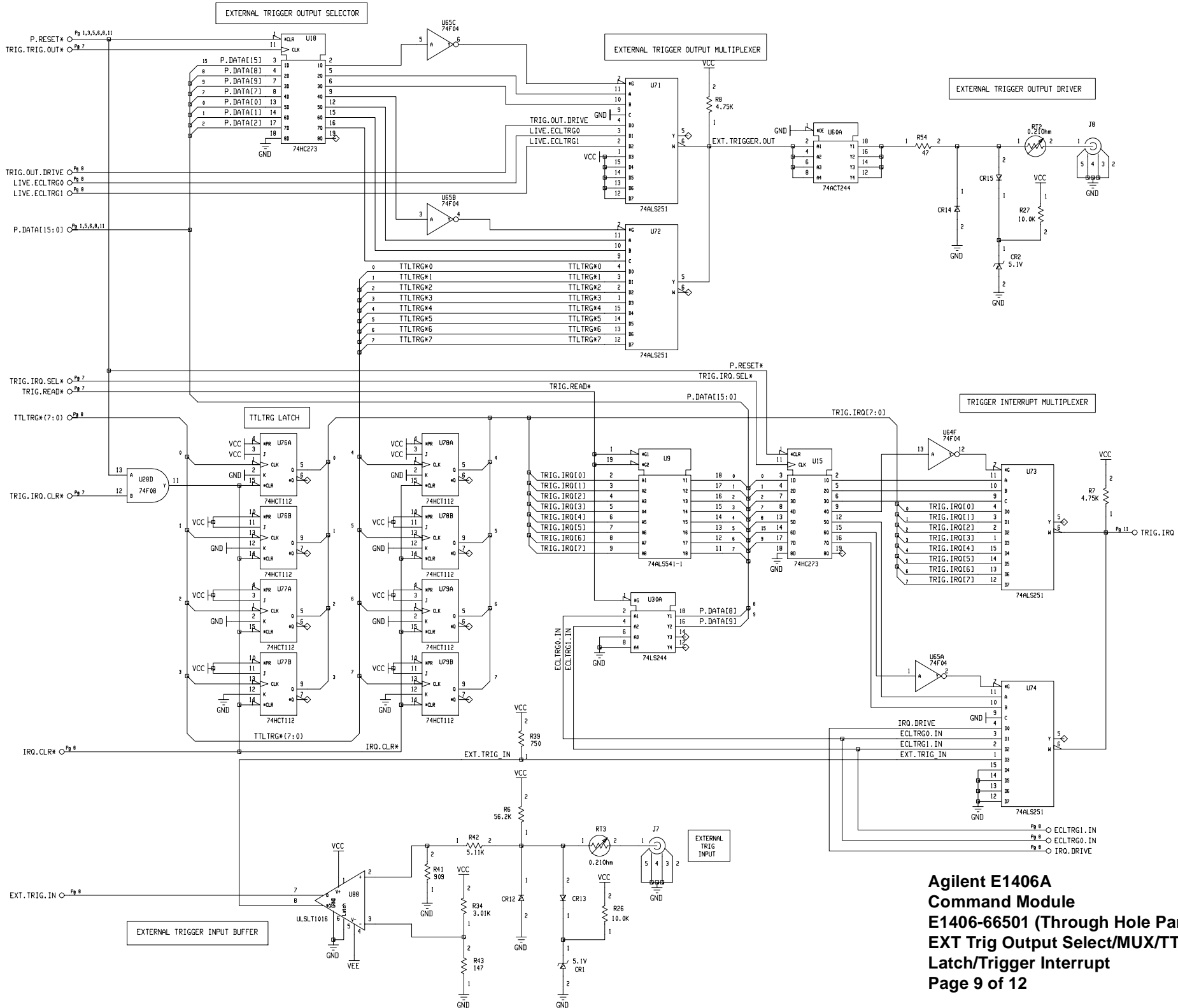
MISC ADDRESS SPACE DECODING

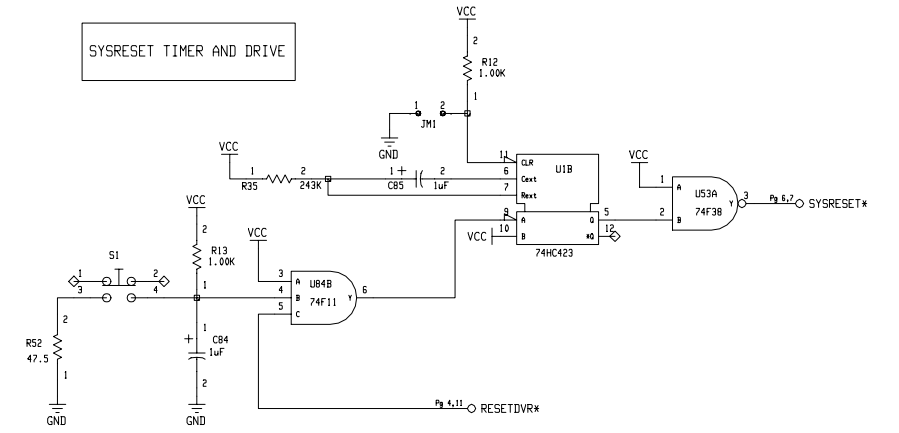
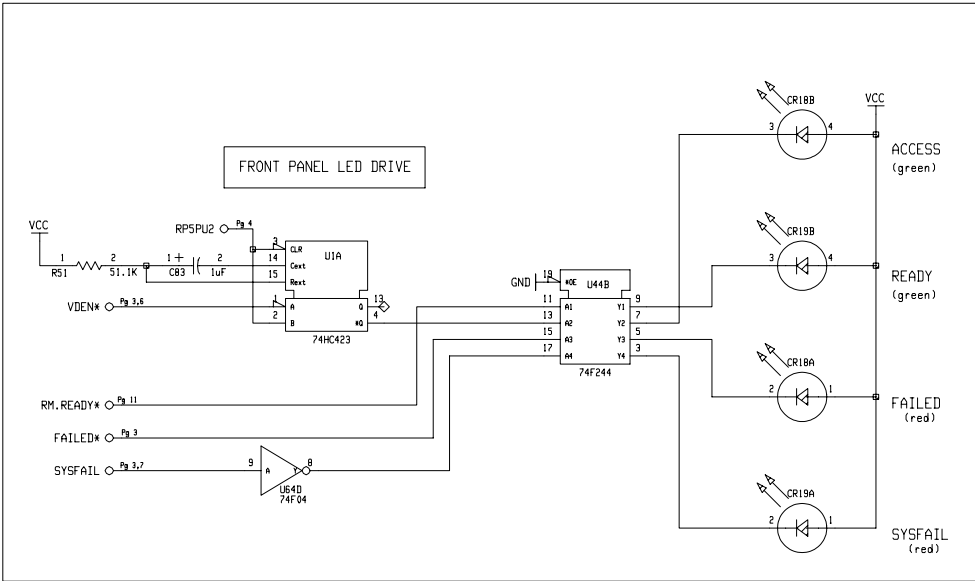
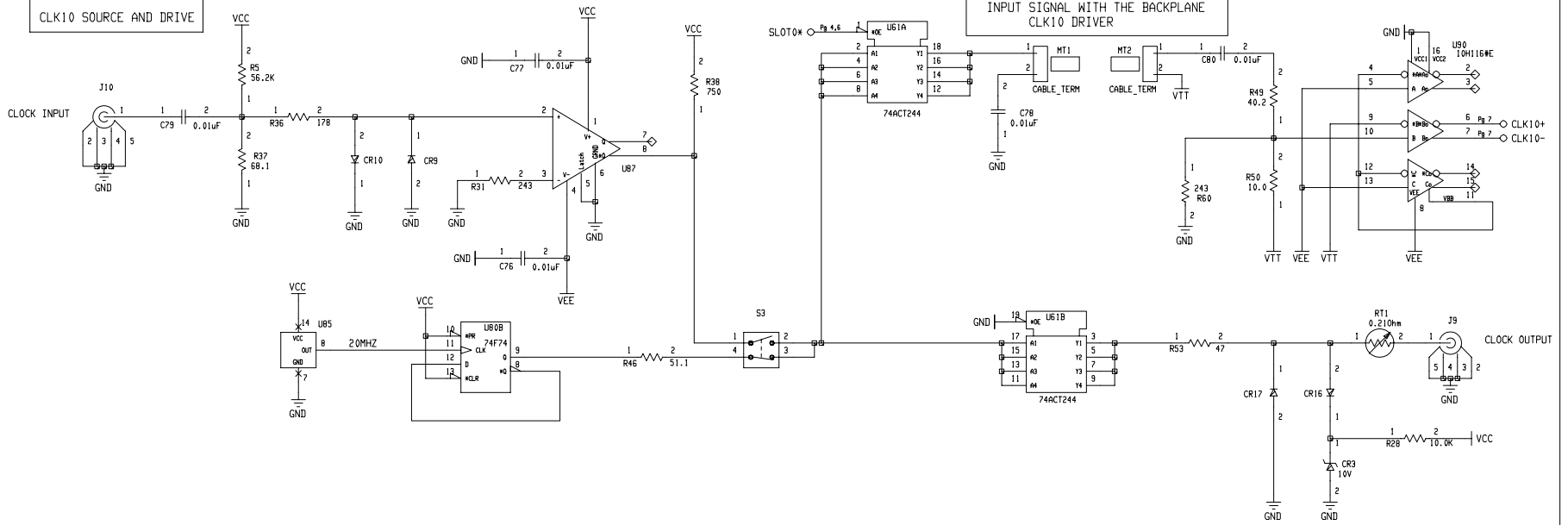


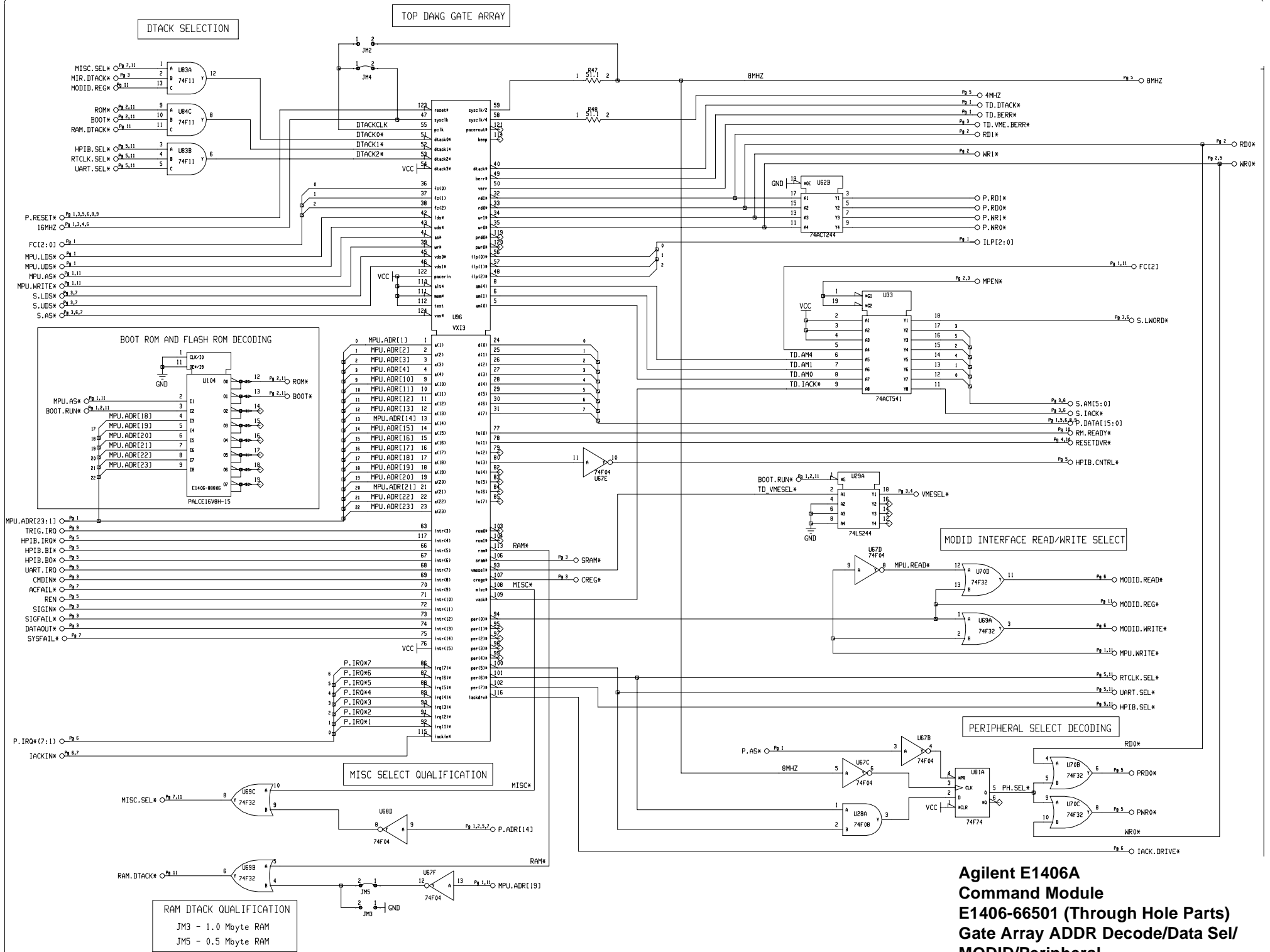
**Agilent E1406A
Command Module
E1406-66501 (Through Hole Parts)
Buffering: Backplane Signal Driver
Buffer/VXI Connectors/Power Supplies
Page 7 of 12**



Agilent E1406A
Command Module
E1406-66501 (Through Hole Parts)
**Trigger Bus Circuit/TTL Trigger Driver Select/
 Latches/ECL Trigger/MUX/Translator**
 Page 8 of 12







E1406-66501 Parts List

Reference Designator	Qty	Agilent P/N	Description	MPN	Manufacturer
C1, C2	2	0160-4822	CAP-FXD 1000pF +-5pct 100 V CER C0G	C420C102J1G5CA SA201A102JAAH SA201A102JAAH	KEMET ELECTRONICS AVX KYOCERA
C9-C82	74	0160-4832	CAP-FXD 0.01uF +-10pct 100 V CER X7R	C410C103K1R5CA SA101C103KAAH SA101C103KAAH	KEMET ELECTRONICS AVX KYOCERA
C3, C4, C5, C6, C7, C8, C88	7	0180-1746	CAP-FXD 15uF +-10pct 20 V TA	TAAB156K020 T110B156K020AS TAAB15K20RX	AVX KEMET ELECTRONICS STC
C83, C84, C85, C86, C89, C90	6	0180-0291	CAP-FXD 1uF +-10pct 35 V TA	TAAA105K035 T110A105K035AS TAAA1R0K35RX	AVX KEMET ELECTRONICS STC
C87	1	0180-1974	CAP-FXD 10uF +-10pct 35 V TA	T110C106K035AS TAAC10K35RX	KEMET ELECTRONICS STC
C91	1	0160-4801	CAP-FXD 100pF +-5pct 100 V CER C0G	C410C101J1G5CA SA102A101JAAH SA102A101JAAH	KEMET ELECTRONICS AVX KYOCERA
CBL1	1	E1480-61601	CABLE-VIXEN	E1480-61601	VOLEX CABLE ASSEMBLIES
CR1, CR2	2	1902-1291	DIODE-ZNR 1N5338B 5.1V 5pct PD=5W IR=1UA	1N5338BRLG	ON SEMICONDUCTOR
CR10, CR9	2	1901-1098	DIODE-SWITCHING 1N4150 50V 200MA 4NS	1N4150 1N4150	FAIRCHILD SEMICONDUCTOR ROHM
CR12, CR13, CR14, CR15, CR16, CR17	6	1901-0871	DIODE-PWR RECT 150V 2.5A 25NS	UTG1688/TR	MICROSEMI
CR18, CR19	2	1990-1364	LED-LAMP ARRAY LUM-INT=800UCD	553-0321	DIALIGHT
CR3	1	1902-1604	DIODE-ZNR 1N5347B 10V 5pct PD=5W IR=5UA	1N5347BG	ON SEMICONDUCTOR
CR4, CR5	2	1901-0518	DIODE-SCHOTTKY BARRIER 70V PD 250MW	5082-2800	AVAGO TECHNOLOGIES
F1, F2, F3, F5	4	2110-0712	FUSE-SUBMINIATURE 4A 125V NTD AX	0251004.	LITTELFUSE
F4	1	2110-0699	FUSE-SUBMINIATURE 5A 125V NTD AX UL-LST	0251005.	LITTELFUSE

E1406-66501 Parts List

Reference Designator	Qty	Agilent P/N	Description	MPN	Manufacturer
J1, J2	2	1251-7798	CONN-POST TYPE 2.54-PIN-SPCG-MTG-END	5650860-5 P164B20R00A00N9	TYCO ELECTRONICS AMP FCI FRAMATOME BERG
J10, J7, J8, J9	4	1250-2266	CONNECTOR-RF SMB MALE PC-W-STDFS 50-OHM	131-3701-501	EMERSON
J11	1	1252-2161	CONN-RECT MICRORBN 24-CKT 24-CONT	5554923-2	TYCO ELECTRONICS AMP
J12	1	1252-3694	CONN-POST TYPE .100-PIN-SPCG-MTG-END	70545-0071	MOLEX
J5	1	1251-4682	CONN-POST TYPE .100-PIN-SPCG-MTG-END	1102-1-103-02 22-10-2031	METHODE ELECTRONICS MOLEX
JM4, JM5	2	8159-0005	RESISTOR 0 CWM	106 L-2007-1 YZO 1/4 Z-25 Z25C	MICRO-OHM GETTIG ENGRG & MFG TT ELECTRONICS ASJ KOA
L1, L2	2	9140-1354	INDUCTOR 47uH +-15pct .46D-INX.9LG-IN	IHD-3-01 47 UH 15% RL-1283-47	VISHAY RENCO ELECTRONICS
L3	1	9100-3548	INDUCTOR RF-CH-MLD 470nH +-5pct	15M470J IM-4 .47UH 5%	GOWANDA ELECTRONICS VISHAY
P1	1	1252-1596	CONN-POST TYPE 2.54-PIN-SPCG-MTG-END	10-8557-096-002-025 536010-5 DIN-96CPC-SRI-TR	KYOCERA TYCO ELECTRONICS AMP 3M
P2	1	1252-4743	CONN-POST TYPE 2.54-PIN-SPCG-MTG-END	5536011-5 10-8557-096-002-026	TYCO ELECTRONICS AMP KYOCERA
PCB1	1	E1406-26501	PC BOARD BLANK	E1406-26501	AGILENT TECHNOLOGIES
PCB1a	1	9320-6170	LBL-LNE-PTR; .65-IN-WD X .2-IN-LG	DAT-58-652	BRADY
Q1	1	1854-1028	TRANSISTOR NPN SI TO-92 PD=625MW	2N3904	ROHM
Q2	1	1853-0565	TRANSISTOR PNP SI TO-92 PD=310MW	2N4403RLRAG	ON SEMICONDUCTOR
R1	1	0757-0447	RESISTOR 16.2K +-1pct .125W TF TC=0+-100	5053HD16K20F CMF-551622FT-1 NK4H.125W1%+/- 100PPM1622	VISHAY BC COMPONENTS VISHAY E-SIL COMPONENTS

E1406-66501 Parts List

Reference Designator	Qty	Agilent P/N	Description	MPN	Manufacturer
R10, R11, R12, R13	4	0757-0280	RESISTOR 1K +-1pct .125W TF TC=0+-100	5053HD1K000F CMF-551001FT-1 NK4H.125W1%+/- 100PPM1001	VISHAY BC COMPONENTS VISHAY E-SIL COMPONENTS
R14-R25	12	0698-4308	RESISTOR 16.9K +-1pct .125W TF TC=0+-100	5053HD16K90F CMF-551692FT-1 NK4H.125W1%+/- 100PPM1692	VISHAY BC COMPONENTS VISHAY E-SIL COMPONENTS
R2, R3, R4	3	0757-0421	RESISTOR 825 +-1pct .125W TF TC=0+-100	5053HD825R0F CMF-558250FT-1	VISHAY BC COMPONENTS VISHAY
R26, R27, R28	3	0757-0442	RESISTOR 10K +-1pct .125W TF TC=0+-100	5053HD10K00F CMF-551002FT-1 NK4H.125W1%+/- 100PPM1002	VISHAY BC COMPONENTS VISHAY E-SIL COMPONENTS
R29	1	0757-0415	RESISTOR 475 +-1pct .125W TF TC=0+-100	5053HD475R0F CMF-554750FT-1 NK4H.125W1%+/- 100PPM475R0	VISHAY BC COMPONENTS VISHAY E-SIL COMPONENTS
R30	1	0757-0433	RESISTOR 3.32K +-1pct .125W TF TC=0+-100	5053HD3K320F CMF-553321FT-1 NK4H.125W1%+/- 100PPM3321	VISHAY BC COMPONENTS VISHAY E-SIL COMPONENTS
R31, R32, R33, R60	4	0757-0408	RESISTOR 243 +-1pct .125W TF TC=0+-100	5053HD243R0F CMF-552430FT-1 NK4H.125W1%+/- 100PPM243R0	VISHAY BC COMPONENTS VISHAY E-SIL COMPONENTS
R34	1	0757-0273	RESISTOR 3.01K +-1pct .125W TF TC=0+-100	5053HD3K010F CMF-553011FT-1 NK4H.125W1%+/- 100PPM3011	VISHAY BC COMPONENTS VISHAY E-SIL COMPONENTS

E1406-66501 Parts List

Reference Designator	Qty	Agilent P/N	Description	MPN	Manufacturer
R35	1	0757-0474	RESISTOR 243K +-1pct .125W TF TC=0+-100	5053HD243K0F CMF-552433FT-1 NK4H.125W1%+/- 100PPM2433	VISHAY BC COMPONENTS VISHAY E-SIL COMPONENTS
R36	1	0698-3439	RESISTOR 178 +-1pct .125W TF TC=0+-100	5053HD178R0F CMF-551780FT-1 NK4H.125W1%+/- 100PPM178R0	VISHAY BC COMPONENTS VISHAY E-SIL COMPONENTS
R37	1	0757-0397	RESISTOR 68.1 +-1pct .125W TF TC=0+-100	5053HD68R10F CMF-5568R1FT-1 NK4H.125W1%+/- 100PPM68R1	VISHAY BC COMPONENTS VISHAY E-SIL COMPONENTS
R38, R39, R57	3	0757-0420	RES-FXD 750 OHM +-1PCT .125W TC 0+-100	CMF557500FKEA 5053HD750R0F NK4H.125W1%+/- 100PPM750R0	VISHAY VISHAY BC COMPONENTS E-SIL COMPONENTS
R40	1	0757-0401	RESISTOR 100 +-1pct .125W TF TC=0+-100	5053HD100R0F CMF-551000FT-1	VISHAY BC COMPONENTS VISHAY
R41	1	0757-0422	RESISTOR 909 +-1pct .125W TF TC=0+-100	5053HD909R0F CMF-559090FT-1	VISHAY BC COMPONENTS VISHAY
R42	1	0757-0438	RESISTOR 5.11K +-1pct .125W TF TC=0+-100	5053HD5K110F CMF-555111FT-1 NK4H.125W1%+/- 100PPM5111	VISHAY BC COMPONENTS VISHAY E-SIL COMPONENTS
R43	1	0698-3438	RESISTOR 147 +-1pct .125W TF TC=0+-100	5053HD147R0F CMF-551470FT-1	VISHAY BC COMPONENTS VISHAY
R44, R45, R46, R47, R48	5	0757-0394	RESISTOR 51.1 +-1pct .125W TF TC=0+-100	5053HD51R10F CMF-5551R1FT-1 NK4H.125W1%+/- 100PPM51R1	VISHAY BC COMPONENTS VISHAY E-SIL COMPONENTS

E1406-66501 Parts List

Reference Designator	Qty	Agilent P/N	Description	MPN	Manufacturer
R49	1	0698-3262	RESISTOR 40.2 +-1pct .125W TF TC=0+-100	5053HD40R20F CMF-5540R2FT-1 NK4H.125W1%+/- 100PPM40R2	VISHAY BC COMPONENTS VISHAY E-SIL COMPONENTS
R5, R6	2	0757-0459	RESISTOR 56.2K +-1pct .125W TF TC=0+-100	5053HD56K20F CMF-555622FT-1 NK4H.125W1%+/- 100PPM5622	VISHAY BC COMPONENTS VISHAY E-SIL COMPONENTS
R50	1	0757-0346	RESISTOR 10 +-1pct .125W TF TC=0+-100	5053HD10R00F CMF-5510R0FT-1 NK4H.125W1%+/- 100PPM10R0	VISHAY BC COMPONENTS VISHAY E-SIL COMPONENTS
R51	1	0757-0458	RESISTOR 51.1K +-1pct .125W TF TC=0+-100	5053HD51K10F CMF-555112FT-1 NK4H.125W1%+/- 100PPM5112	VISHAY BC COMPONENTS VISHAY E-SIL COMPONENTS
R52, R58	2	0757-0393	RESISTOR 47.5 +-1pct .125W TF TC=0+-100	5053HD47R50F CMF-5547R5FT-1 NK4H.125W1%+/- 100PPM47R5	VISHAY BC COMPONENTS VISHAY E-SIL COMPONENTS
R53, R54	2	0698-3615	RESISTOR 47 +-5pct 2W MO TC=0+-200	FP69 47R0 5% GS-347R0 MO2C__470J	VISHAY TT ELECTRONICS KOA
R55, R56	2	0757-0465	RESISTOR 100K +-1pct .125W TF TC=0+-100	5053HD100K0F CMF-551003FT-1 NK4H.125W1%+/- 100PPM1003	VISHAY BC COMPONENTS VISHAY E-SIL COMPONENTS
R59	1	0698-4037	RESISTOR 46.4 +-1pct .125W TF TC=0+-100	5053HD46R40F CMF-5546R4FT-1 NK4H.125W1%+/- 100PPM46R4	VISHAY BC COMPONENTS VISHAY E-SIL COMPONENTS

E1406-66501 Parts List

Reference Designator	Qty	Agilent P/N	Description	MPN	Manufacturer
R7, R8, R9	3	0757-0437	RESISTOR 4.75K +-1pct .125W TF TC=0+-100	5053HD4K750F CMF-554751FT-1 NK4H.125W1%+/- 100PPM4751	VISHAY BC COMPONENTS VISHAY E-SIL COMPONENTS
RP1, RP2, RP3	3	1810-0280	NET-RES 9 10.0K OHM 10-PIN	750-101 MSP10A01-103G 4310R-94Y-103LF	TT ELECTRONICS VISHAY BOURNS
RP4-RP10	7	1810-0279	NET-RES 9 4.7K OHM 10-PIN	750-101 MSP10A01-472G 4310R-6F4-472LF	TT ELECTRONICS VISHAY BOURNS
RP11	1	1810-0277	NET-RES 9 2.2K OHM 10-PIN	750-101 MSP10A01-222G 4310R-94Y-222LF	TT ELECTRONICS VISHAY BOURNS
RP12	1	1810-0411	NET-RES 9 50.0 OHM 10-PIN	4310R-94Y-500 750-101 MSP10A01-500G	BOURNS TT ELECTRONICS VISHAY
RT1, RT2, RT3	3	0837-0400	THERMISTOR-SWITCHING DISC SHAPE; RADIAL	RXE110	TYCO INTERNATIONAL
S1	1	3101-2288	SWITCH-PB SPDT-NO MOM .25A 115 VAC	39-251 RED	GRAYHILL
S2	1	3101-3187	SWITCH-DIP ROTARY 10POBCD 0.000001A	350012GS	TRANSICO
S3	1	3101-2673	SWITCH-DIP SL SPDT 0.05A 30VDC	78YY2991ST	GRAYHILL
S4	1	3101-2858	SWITCH-TGL SIG-SW DPDT .02A 20VAC/DC PC	7201MD9AG7E	ITT INDUSTRIES
S4a	1	7121-7148	LABEL-INFORMATION .25-IN-WD .65-IN-LG	7121-7148	R S HUGHES
SP1	1	3101-2063	SWITCH-DIP RKR 4-1A 0.05A 30VDC	76YY23444ST	GRAYHILL
SP2, SP3, SP4, SP5	4	3101-3066	SWITCH-DIP RKR 8-1A 0.15A 30VDC	76YY22968ST	GRAYHILL
T1	1	08552-6024	TRANSFORMER RF (CODE YELLOW)	O-1978T8	MAGNETIC CIRCUIT ELEMENTS
TP1, TP2	2	1251-0600	CONNECTOR-SGL CONT PIN 1.14-MM-BSC-SZ SQ	16-06-0034 928-196-004140 MM 600G	MOLEX TEXTRON MILL-MAX

E1406-66501 Parts List

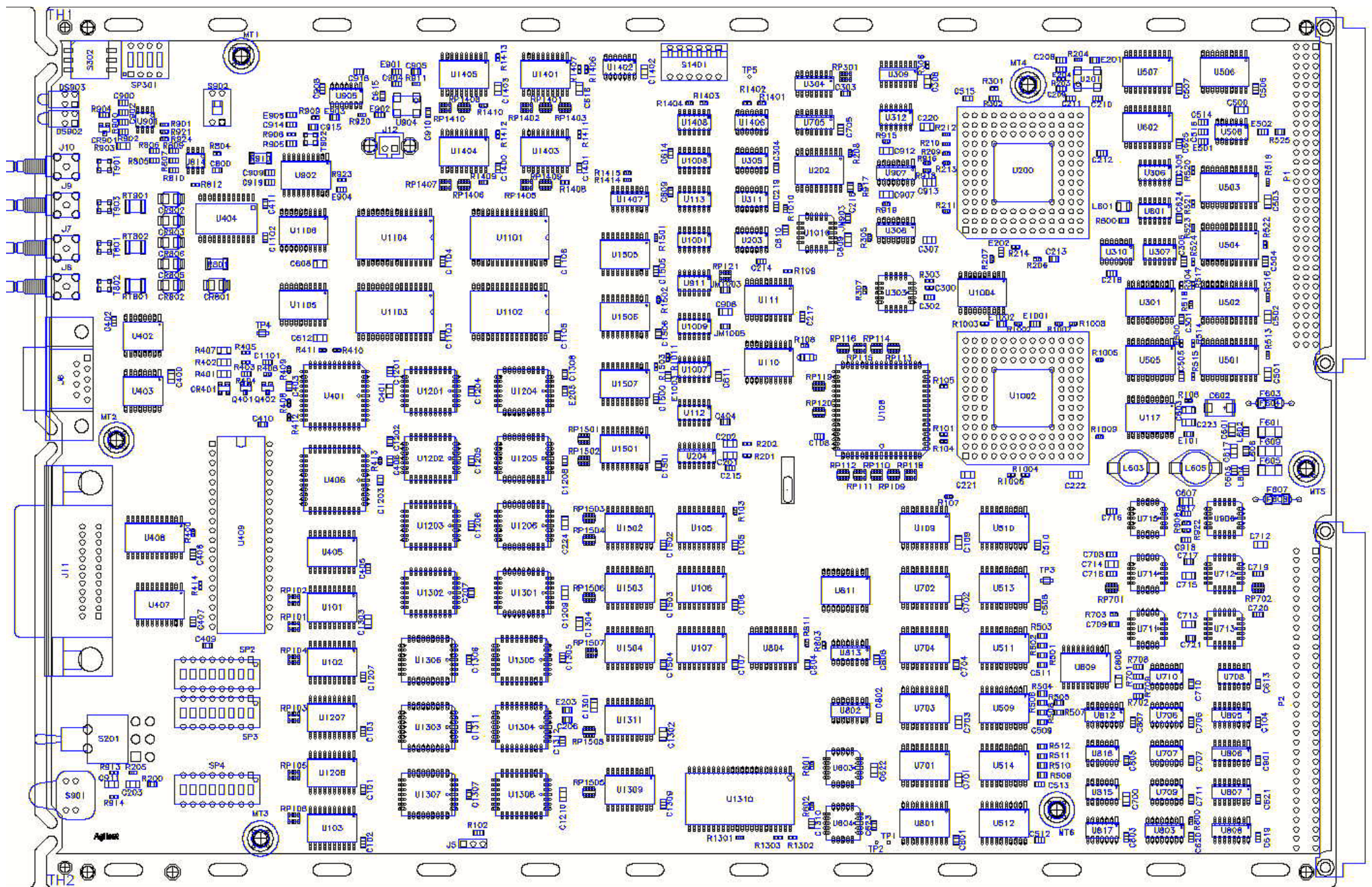
Reference Designator	Qty	Agilent P/N	Description	MPN	Manufacturer
U1, U2	2	1820-4590	IC MV CMOS/HC MONOSTBL RETRIG DUAL		
U3, U4, U6-U14	11	1820-6435	IC DRVR TTL/ALS LINE OCTL	SN74ALS541-1N	TEXAS INSTRUMENTS
U100	1	1813-1068	CRYSTAL OSC 32.000MHZ 0.01pct	SG-51PH 32MC	EPSON TOYOCOM
U101	1	E1406-88805	IC PROGRAMMED PAL 16V8		
U101a	1	5185-6792	LTB 1820-6894 IC-PLD PALCE16V8H-15PC		
U101b	1	1820-6894	IC PLD EEPLD UNPRGMD CMOS 20-PDIP	GAL16V8D-15LP	LATTICE SEMICONDUCTOR
U104	1	E1406-88806	IC PROGRAMMED PAL 16V8		
U104a	1	5185-6792	LTB 1820-6894 IC-PLD PALCE16V8H-15PC		
U104b	1	1820-6894	IC PLD EEPLD UNPRGMD CMOS 20-PDIP	GAL16V8D-15LP	LATTICE SEMICONDUCTOR
U105	1	1820-3146	IC FF CMOS/HC D-TYPE POS-EDGE- TRIG COM	MC74HC175ANG	ON SEMICONDUCTOR
U106	1	5969-5494	LIFETIME BUY FOR 1826-1121		
U106a	1	1826-1121	IC PWR MGT-V-REG-FXD-POS 11.75/12.25V		
U107	1	E1406-88803	IC, PAL PRG U107		
U107a	1	5185-6792	LTB 1820-6894 IC-PLD PALCE16V8H-15PC		
U107b	1	1820-6894	IC PLD EEPLD UNPRGMD CMOS 20-PDIP	GAL16V8D-15LP	LATTICE SEMICONDUCTOR
U108	1	E1406-88804	IC, PAL PRG U108		
U108a	1	5185-6792	LTB 1820-6894 IC-PLD PALCE16V8H-15PC		
U108b	1	1820-6894	IC PLD EEPLD UNPRGMD CMOS 20-PDIP	GAL16V8D-15LP	LATTICE SEMICONDUCTOR
U15-U22	8	1820-3399	IC FF CMOS/HC D-TYPE POS-EDGE- TRIG COM	MM74HC273N SN74HC273N MC74HC273ANG	FAIRCHILD SEMICONDUCTOR TEXAS INSTRUMENTS ON SEMICONDUCTOR
U23	1	1820-5384	IC INTERFACE CMOS -888-BIT	RTC-72421B	SEIKO EPSON
U24	1	1820-3438	IC MUXR/DATA-SEL TTL/ALS 2-TO-1-LINE	DM74ALS257N SN74ALS257AN	FAIRCHILD SEMICONDUCTOR TEXAS INSTRUMENTS
U25, U26, U27	3	1820-5701	IC TRANSCEIVER CMOS/ACT BUS OCTL 20-PDIP	74ACT245PC	FAIRCHILD SEMICONDUCTOR
U28	1	1820-2686	IC GATE TTL/F AND QUAD 2-INP	74F08N SN74F08N 74F08N	PHILIPS TEXAS INSTRUMENTS NXP
U29, U30	2	1820-2024	IC DRVR TTL/LS BUS OCTL	SN74LS244N	TEXAS INSTRUMENTS
U31, U32, U33, U34	4	1820-6744	IC DRVR CMOS/ACT LINE OCTL	MC74ACT541NG	ON SEMICONDUCTOR
U35	1	1820-3183	IC GATE CMOS/HC NAND QUAD 2-INP	MC74HC03ANG	ON SEMICONDUCTOR

E1406-66501 Parts List

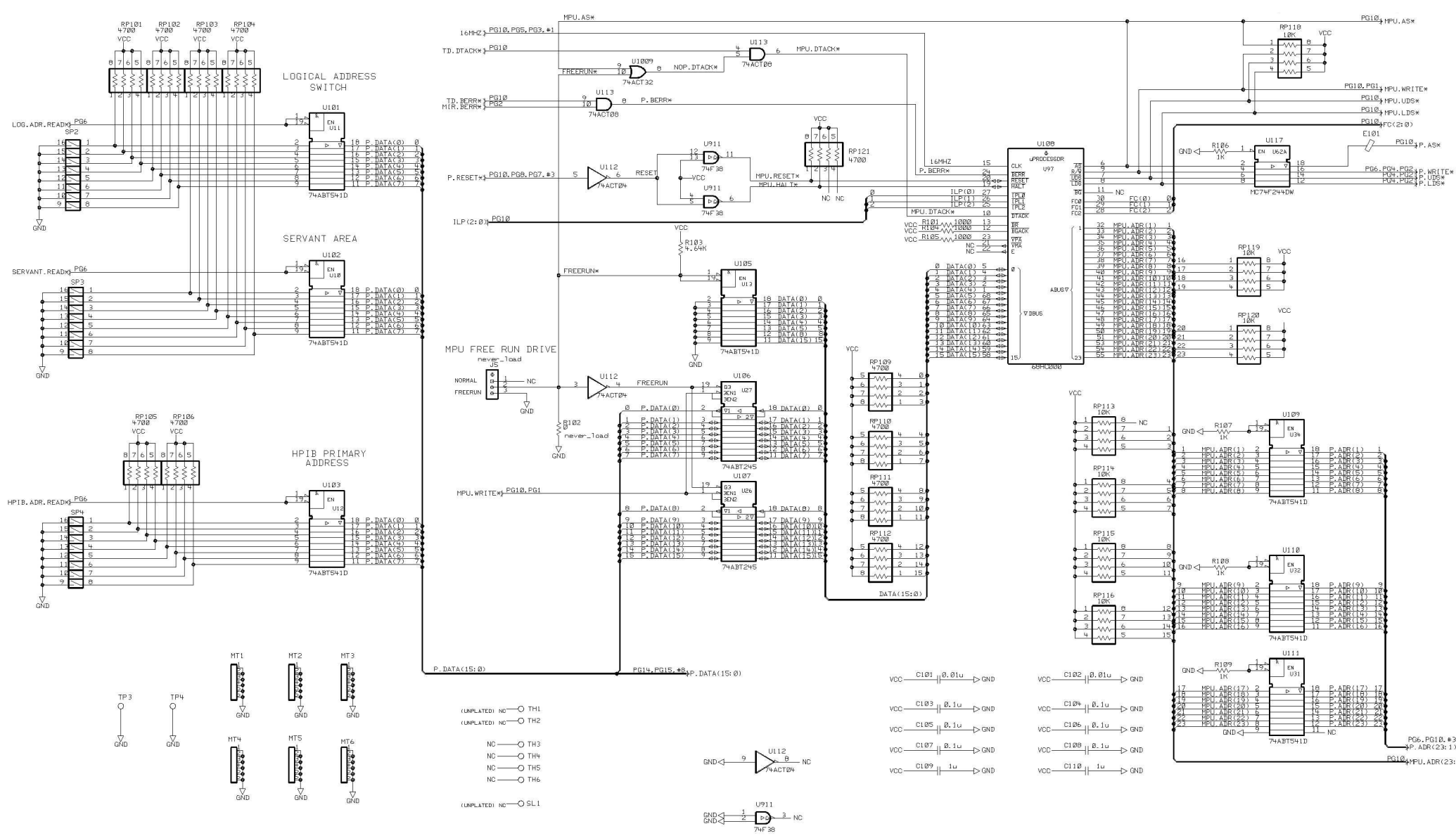
Reference Designator	Qty	Agilent P/N	Description	MPN	Manufacturer
U36, U37, U38, U39	4	1820-4597	IC TRANSCEIVER TTL/F BUS OCTL	74F543N SN74F543NT 74F543N	PHILIPS TEXAS INSTRUMENTS NXP
U40	1	1820-6170	IC INTERFACE XCVR BIPOLAR BUS OCTL	SN75ALS160N	TEXAS INSTRUMENTS
U41, U42	2	1820-1568	IC DRVR TTL/LS BUS QUAD	SN74LS125AN	TEXAS INSTRUMENTS
U43	1	1820-3439	IC MUXR/DATA-SEL TTL/ALS 4-TO-1-LINE	SN74ALS253N	TEXAS INSTRUMENTS
U44, U45	2	1820-2795	IC DRVR TTL/F BUS OCTL	74F244N SN74F244N 74F244N	PHILIPS TEXAS INSTRUMENTS NXP
U46	1	5041-6253	LTB 1820-6360 FOR E1405-66501,E1406-01		
U46a	1	1820-6360	IC INTERFACE XCVR BIPOLAR BUS OCTL		
U47	1	1820-6447	IC UART-UNIV.ASYNCHR.RCVR.XMITTER	PC16550DNNOPB	NATIONAL SEMICONDUCTOR
U48	1	1821-1740	IC HPIB CONTROLLER		
U49, U50	2	1820-3714	IC TRANSCEIVER TTL/ALS BUS OCTL	SN74ALS245A-1N	TEXAS INSTRUMENTS
U5	1	1820-7699	IC LCH CMOS/ACT TRANSPARENT OCTL	74ACT573PC.	FAIRCHILD SEMICONDUCTOR
U51-U58	8	1820-4057	IC BFR TTL/F NAND QUAD 2-INP	74F38N N74F38N	PHILIPS NXP
U59	1	1820-3079	IC DCDR-DEMUXR CMOS/HC BIN 3-TO-8-LINE 16-PDIP	MM74HC138N MC74HC138ANG	FAIRCHILD SEMICONDUCTOR ON SEMICONDUCTOR
U60, U61, U62	3	1820-5706	IC DRVR CMOS/ACT LINE OCTL	74ACT244PC	FAIRCHILD SEMICONDUCTOR
U63	1	1820-6255	IC GATE CMOS/AC NAND DUAL 4-INP 14-PDIP	74AC20PC	FAIRCHILD SEMICONDUCTOR
U64, U65, U66, U67, U68	5	1820-2506	IC INV TTL/F HEX	74F04N SN74F04N 74F04N	PHILIPS TEXAS INSTRUMENTS NXP
U69, U70	2	1820-2690	IC GATE TTL/F OR QUAD 2-INP	74F32N SN74F32N 74F32N	PHILIPS TEXAS INSTRUMENTS NXP
U71, U72, U73, U74	4	1820-3764	IC MUXR/DATA-SEL TTL/ALS 8-TO-1-LINE	SN74ALS251N	TEXAS INSTRUMENTS
U75	1	1820-6693	IC-ASIC		

E1406-66501 Parts List

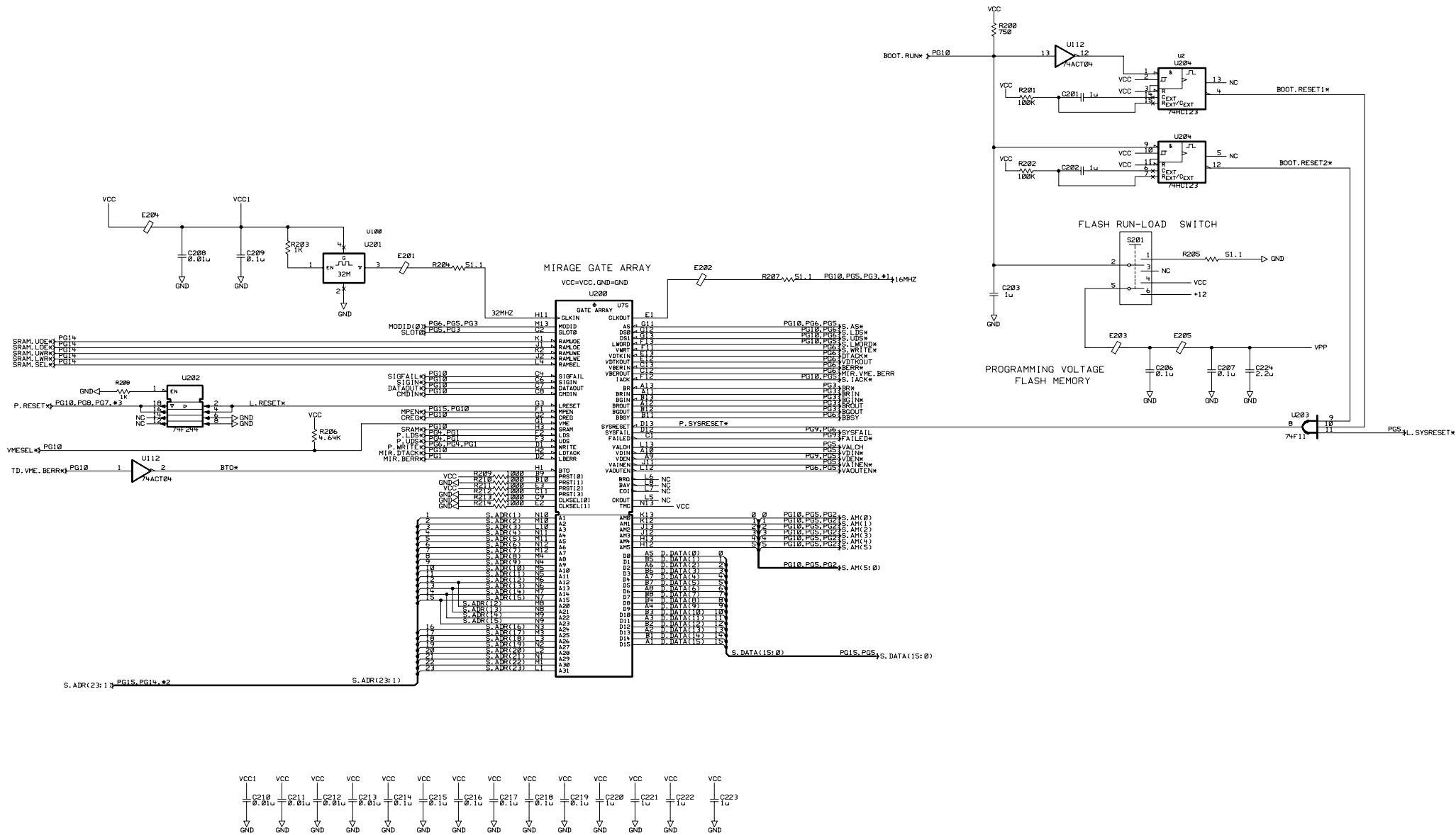
Reference Designator	Qty	Agilent P/N	Description	MPN	Manufacturer
U76, U77, U78, U79	4	1820-4947	IC FF CMOS/HCT J-K NEG-EDGE-TRIG	74HCT112N CD74HCT112E 74HCT112N	PHILIPS TEXAS INSTRUMENTS NXP
U80, U81	2	1820-2691	IC FF TTL/F D-TYPE POS-EDGE-TRIG 14-PD	N74F74N N74F74N	PHILIPS NXP
U83, U84	2	1820-2688	IC GATE TTL/F AND TPL 3-INP	74F11N 74F11N	PHILIPS NXP
U85	1	5961-3072	LIFETIME BUY FOR 1813-0663		
U85a	1	1813-0663	CRYSTAL OSC 20.0000MHZ 0.005pct	SG-51P-20.0000MHZ B	EPSON TOYOCOM
U86	1	1820-7013	IC-ASIC		
U87, U88	2	1826-1761	IC COMPARATOR HS 8 PIN DIP-P	LT1016CN8	LINEAR TECHNOLOGY
U89, U90	2	1820-2848	IC RCVR ECL/10KH LINE RCVR TPL	MC10H116PG	ON SEMICONDUCTOR
U91	1	1820-4079	IC XLTR ECL/10KH ECL-TO-TTL QUAD	MC10H125P	ON SEMICONDUCTOR
U92	1	1820-2849	IC FF ECL/10KH D-M/S POS-EDGE-TRIG COM	MC10H131PG	ON SEMICONDUCTOR
U93	1	1820-4197	IC DRVR ECL/10KH BUS TPL	MC10H123P	ON SEMICONDUCTOR
U94	1	1820-4081	IC XLTR ECL/10KH TTL-TO-ECL QUAD	MC10H124PG	ON SEMICONDUCTOR
U95	1	1820-4350	IC DRVR TTL/ALS BUS OCTL	SN74ALS241CN	TEXAS INSTRUMENTS
U96	1	1820-7041	IC-ASIC		
U97	1	5959-4686	IC68HC000P LIFETIME BUY 1820-6365		
U97a	1	1820-6365	IC 16-BIT MPU,16MHZ, CMOS		
U98, U99	2	5063-1447	LTB 1820-4666 (M		
U98a, U99a	1	1820-4666	IC INTERFACE DRVR/RCVR CMOS 16-PDIP	MC145406N MC145406N	PHILIPS NXP
XJ5	1	1258-0141	JUMPER-REMOVABLE FOR 0.025 IN SQ PINS	65474-004LF 530153-2	FCI FRAMATOME BERG TYCO ELECTRONICS AMP
XU100, XU45, XU61, XU80, XU85	5	1200-1207	CORE-CONNECTOR SUPPRESSOR SHIELD DIP	2644373941	FAIR RITE PRODUCTS



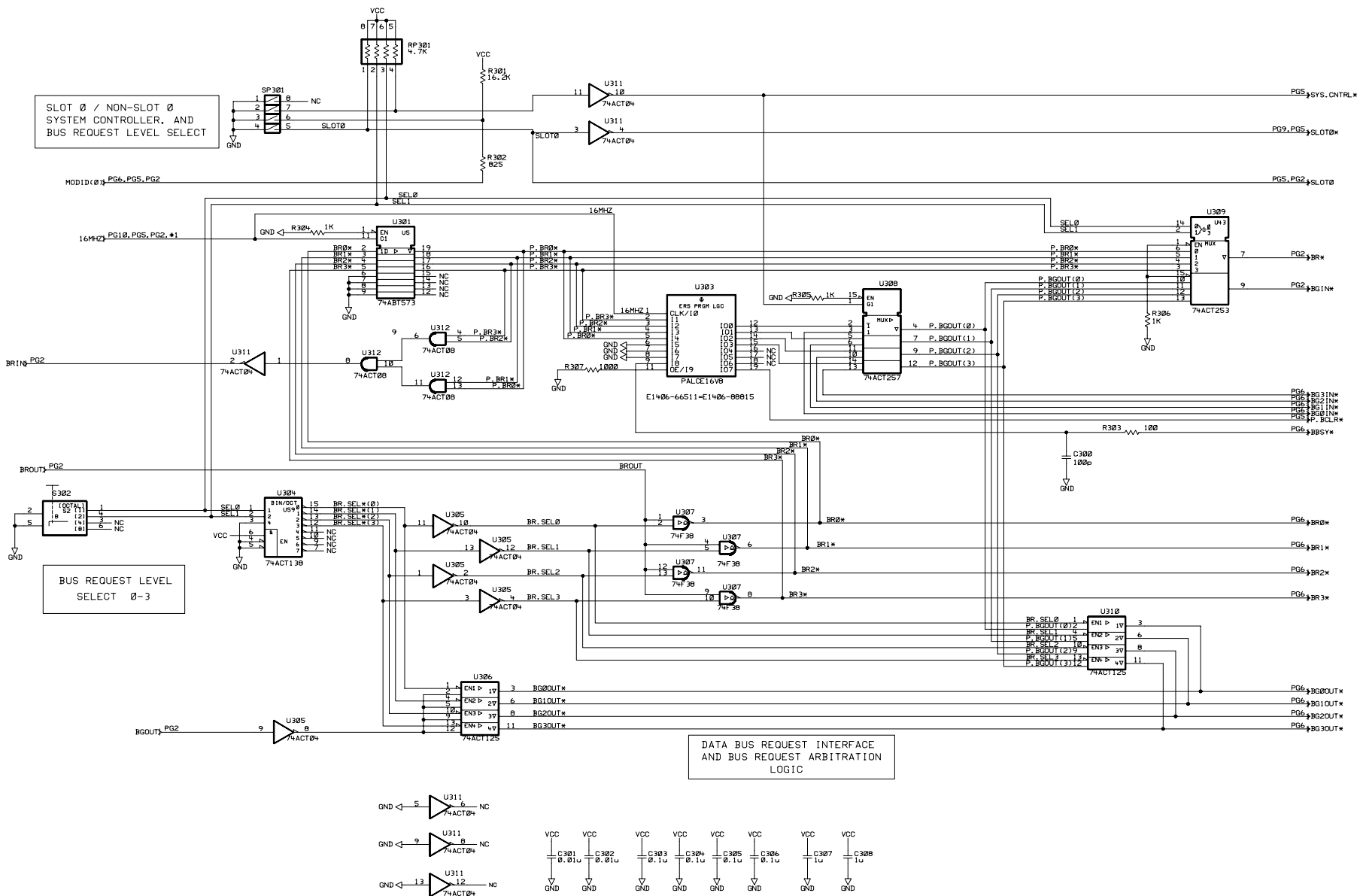
Agilent E1406A
Command Module
E1406-66511 (Surface Mount Parts)
Component Locator

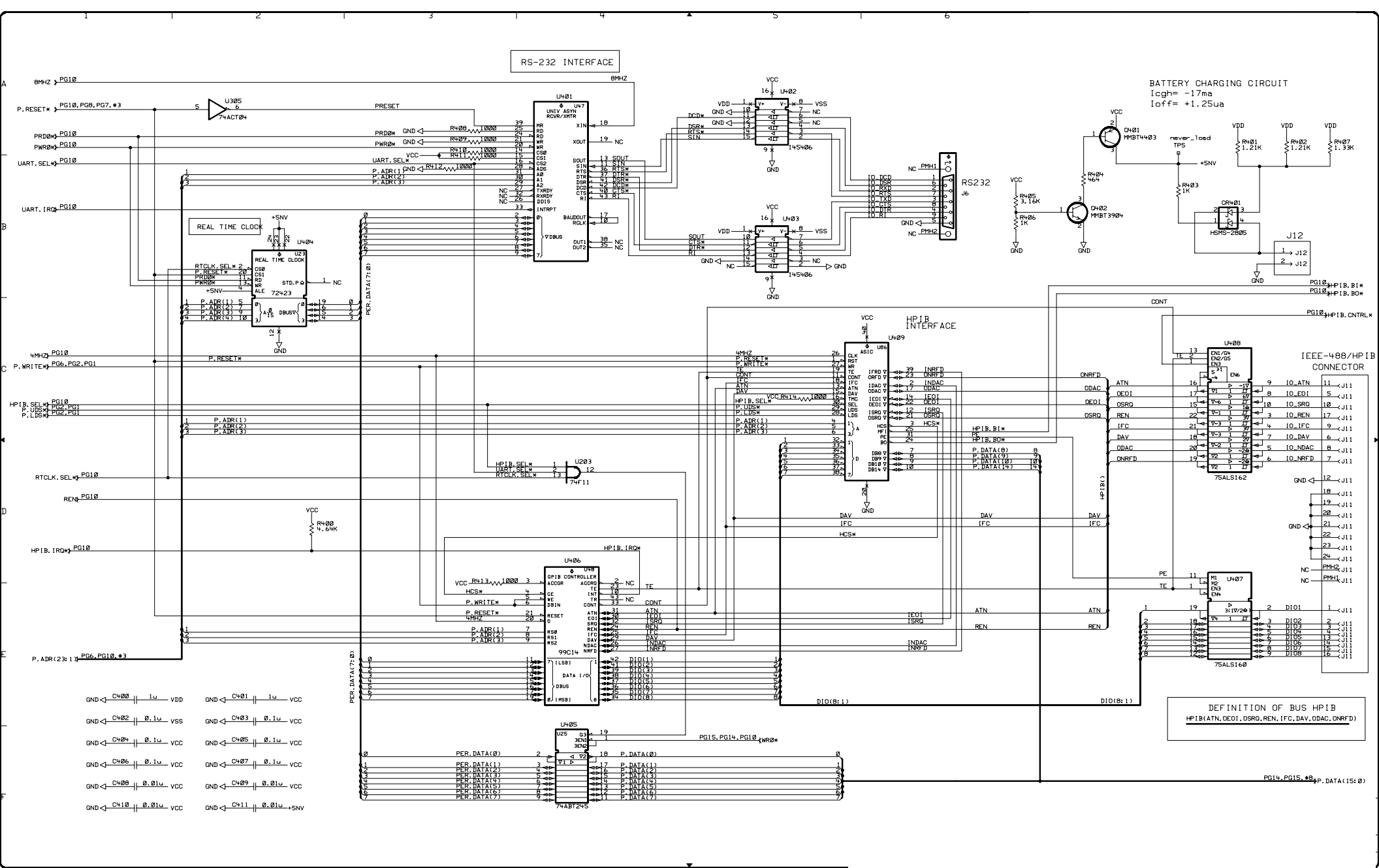


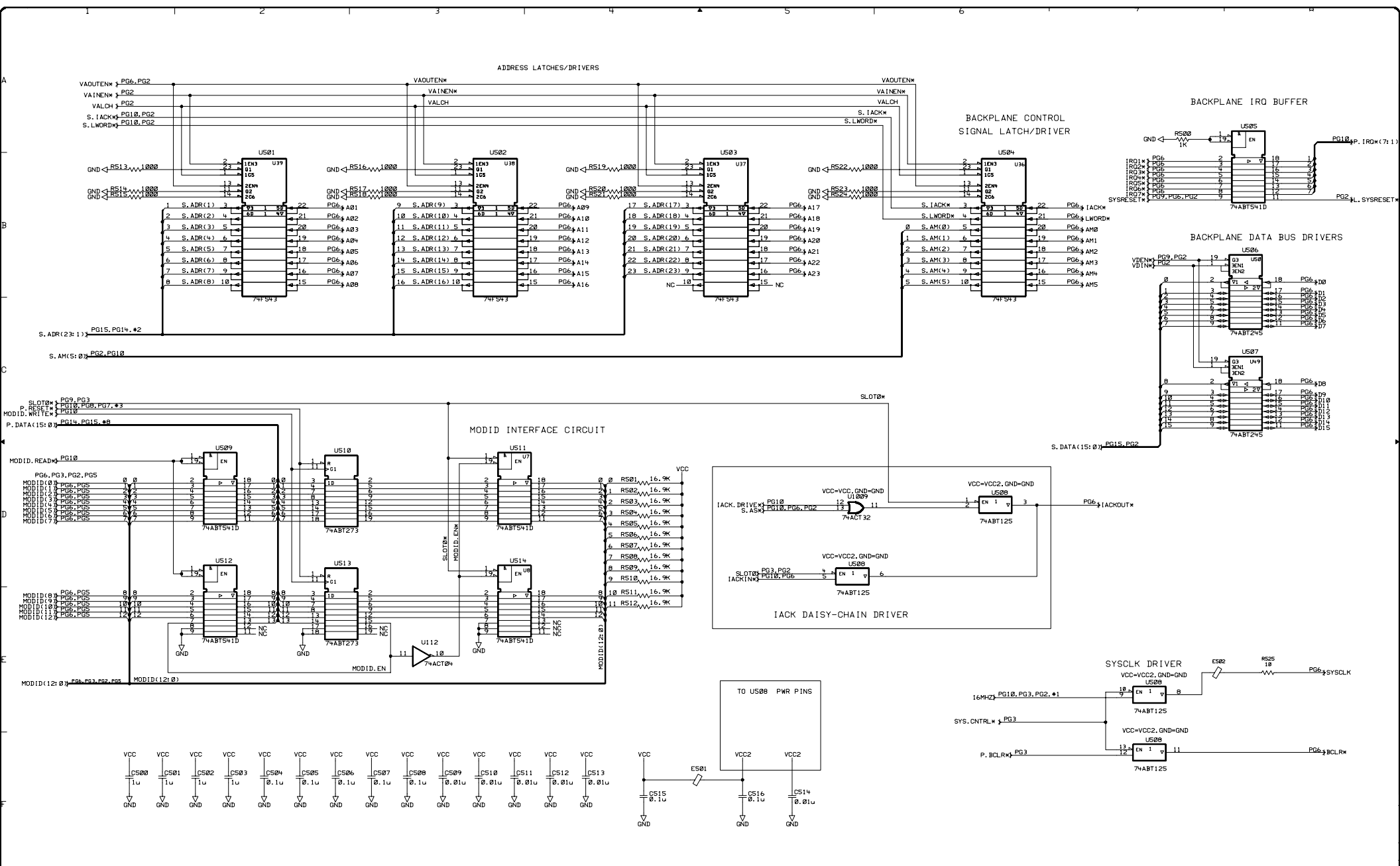
**Agilent E1406A
Command Module
E1406-66511 (Surface Mount Parts)
MPU & Buffering**



Agilent E1406A
 Command Module
 E1406-66511 (Surface Mount Parts)
 Gate Array and Flash Memory Prog

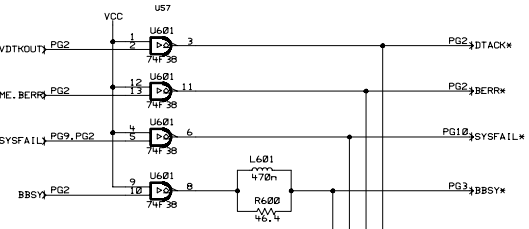
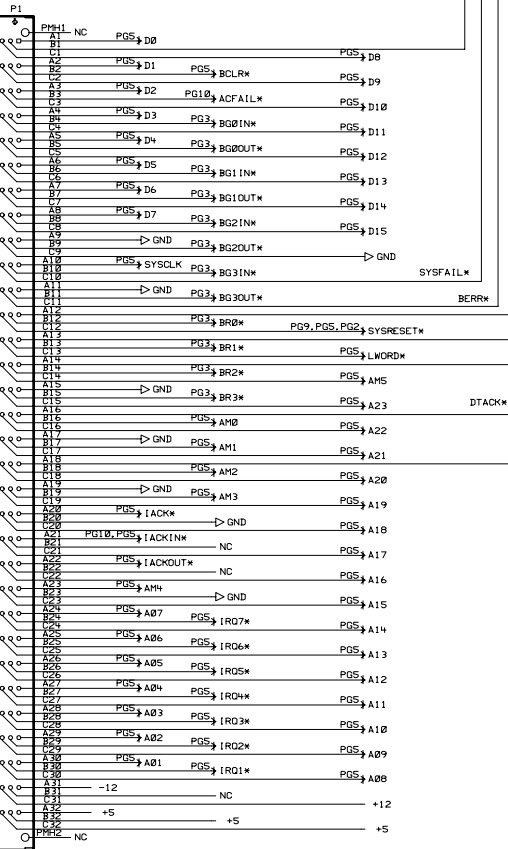




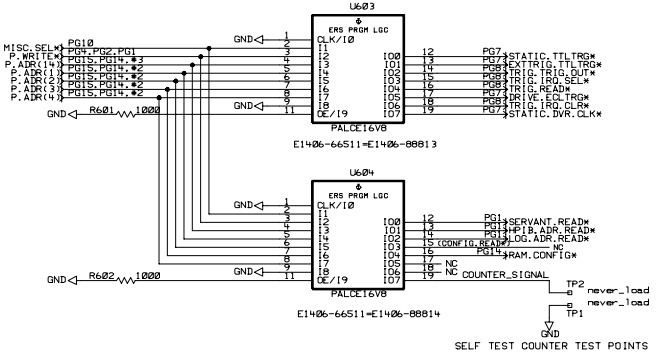


BACKPLANE CONTROL SIGNAL DRIVER

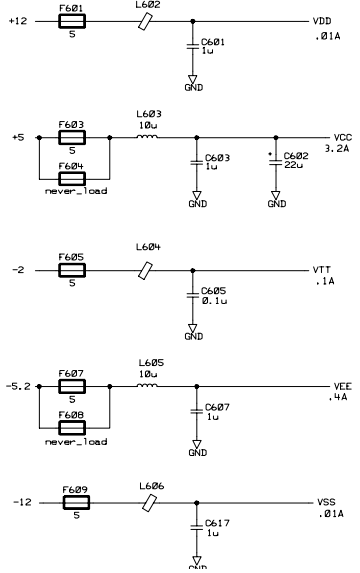
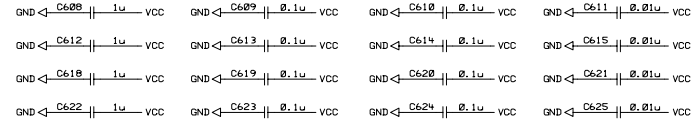
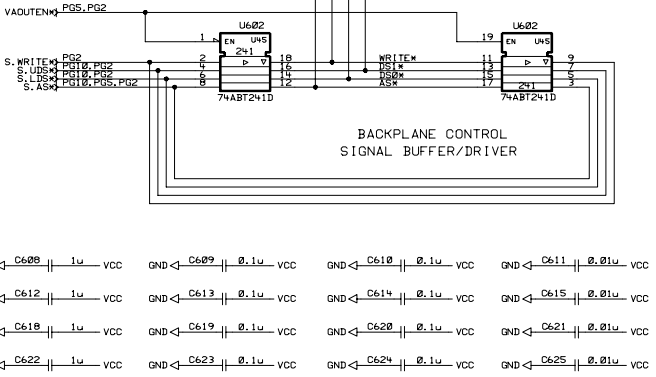
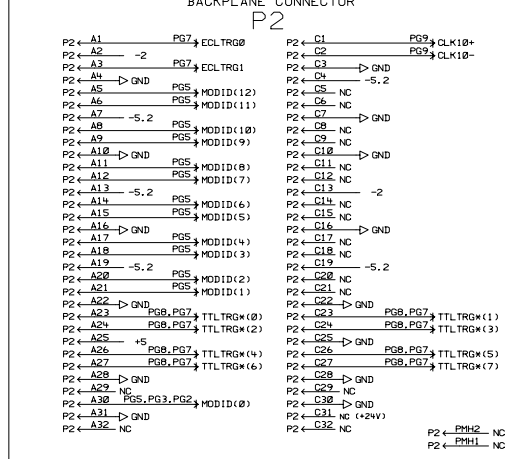
BACKPLANE CONNECTOR

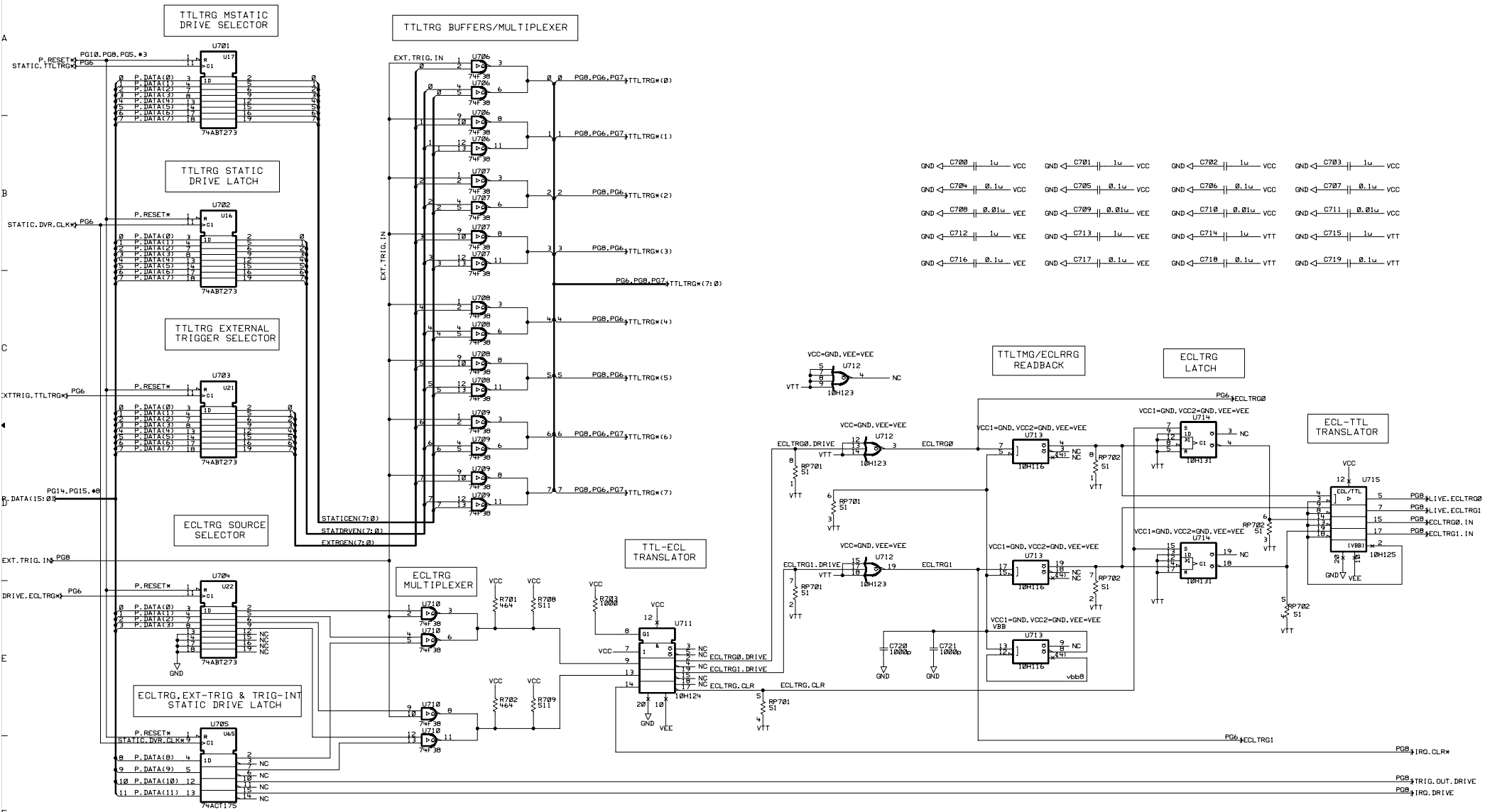


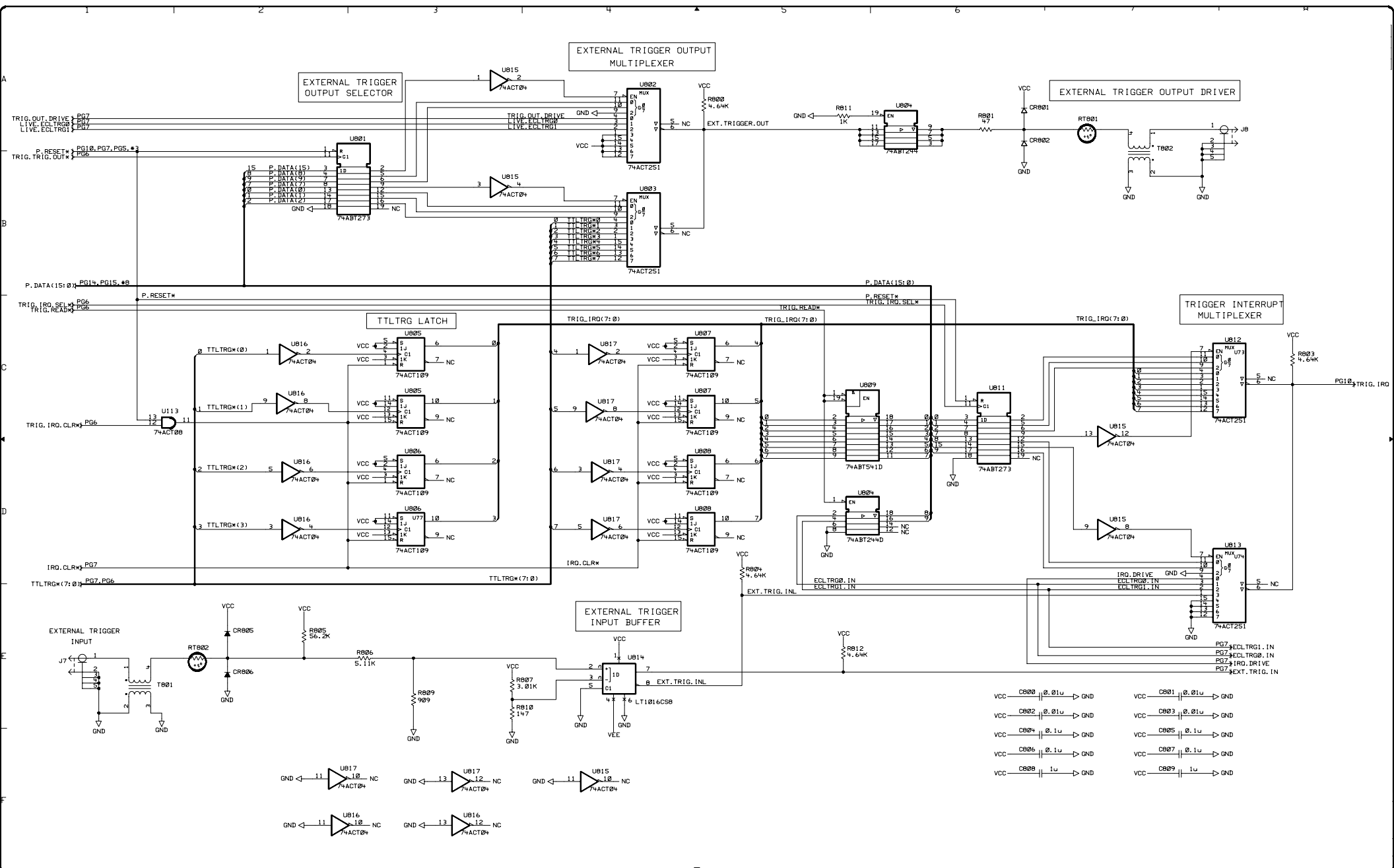
MISC ADDRESS SPACE DECODING

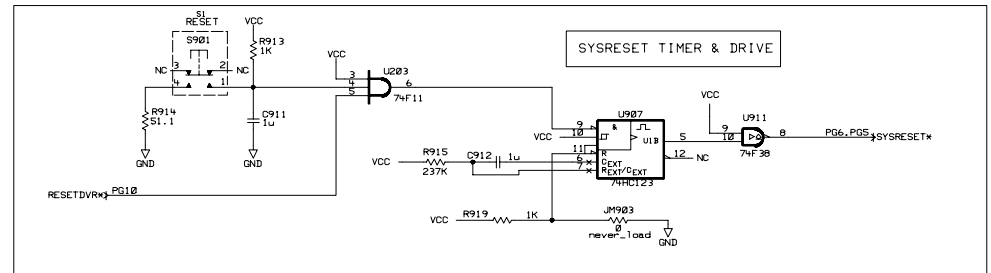
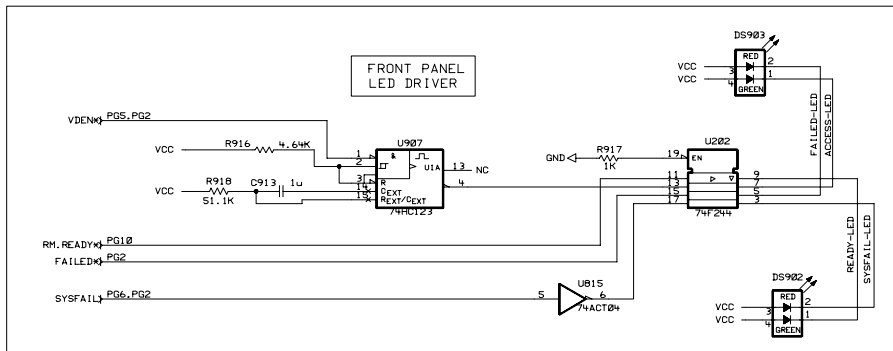
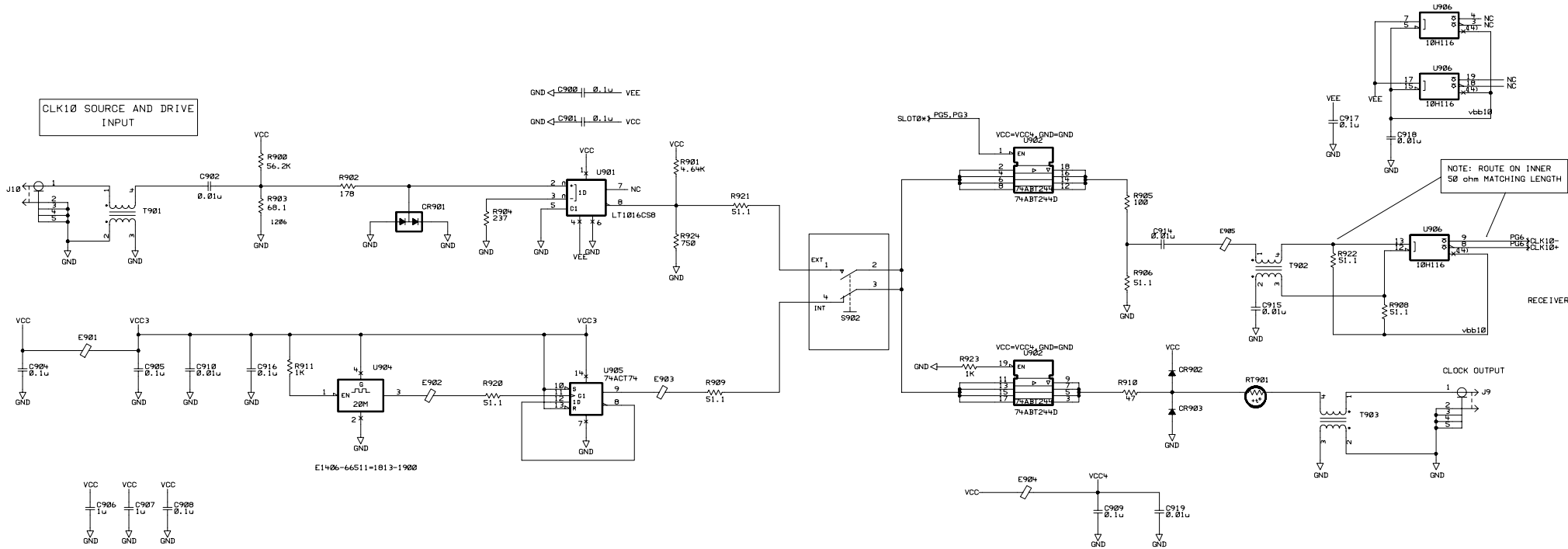


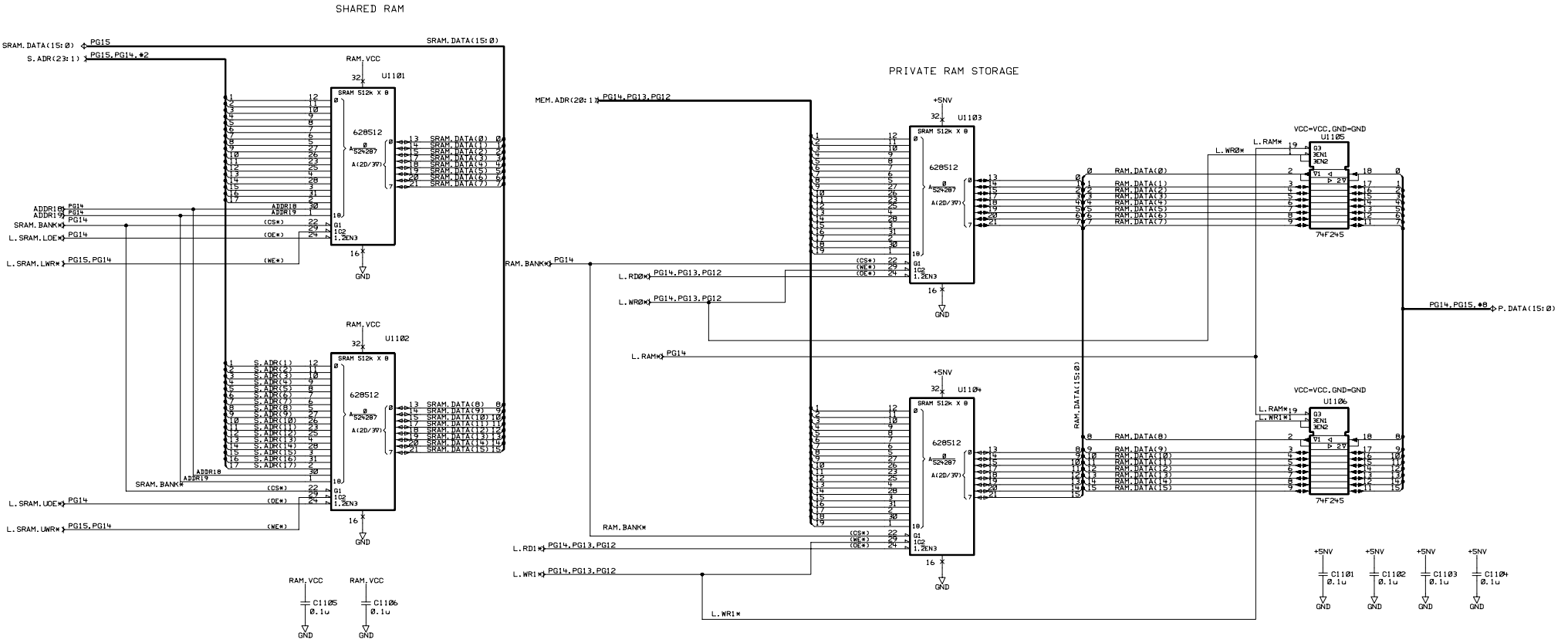
BACKPLANE CONNECTOR



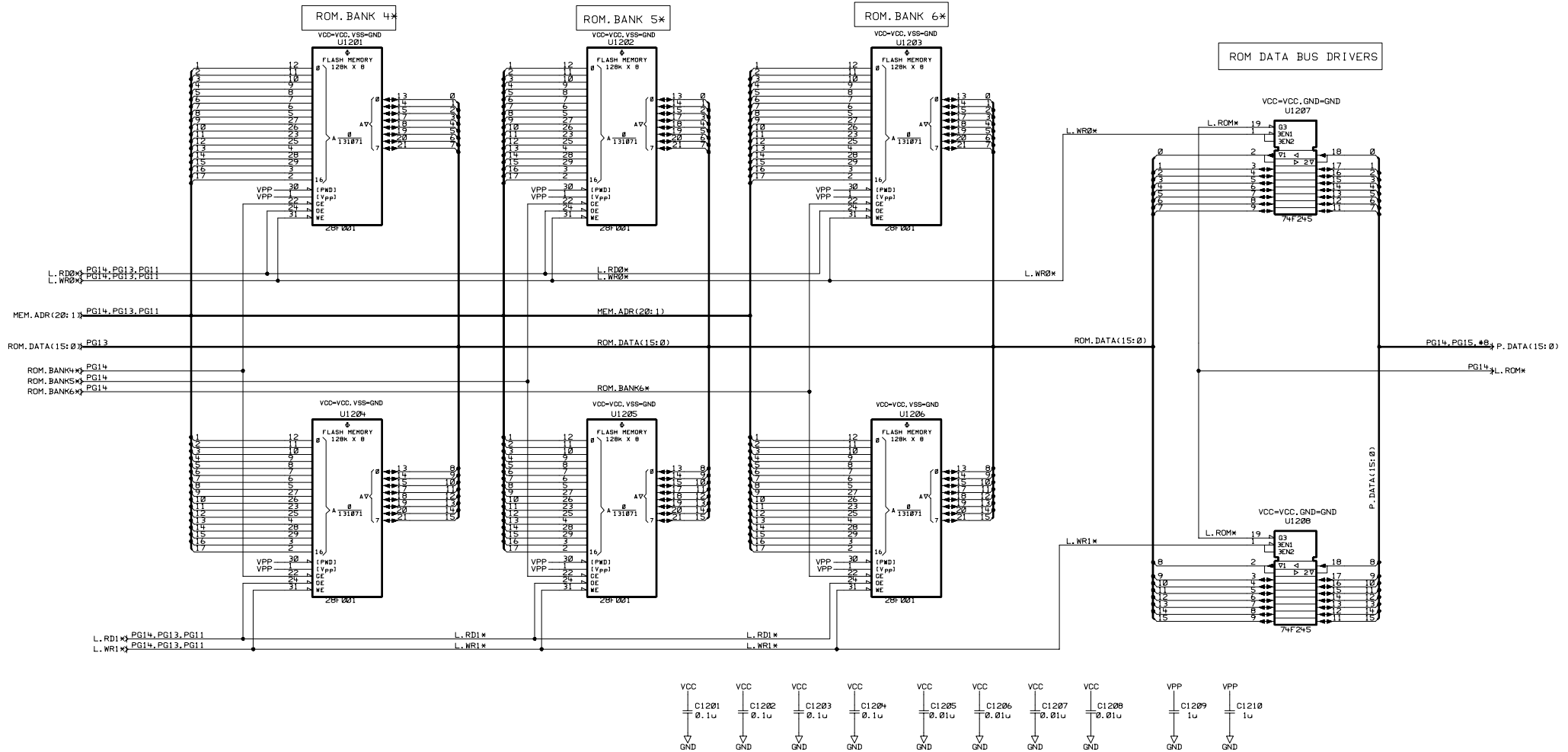




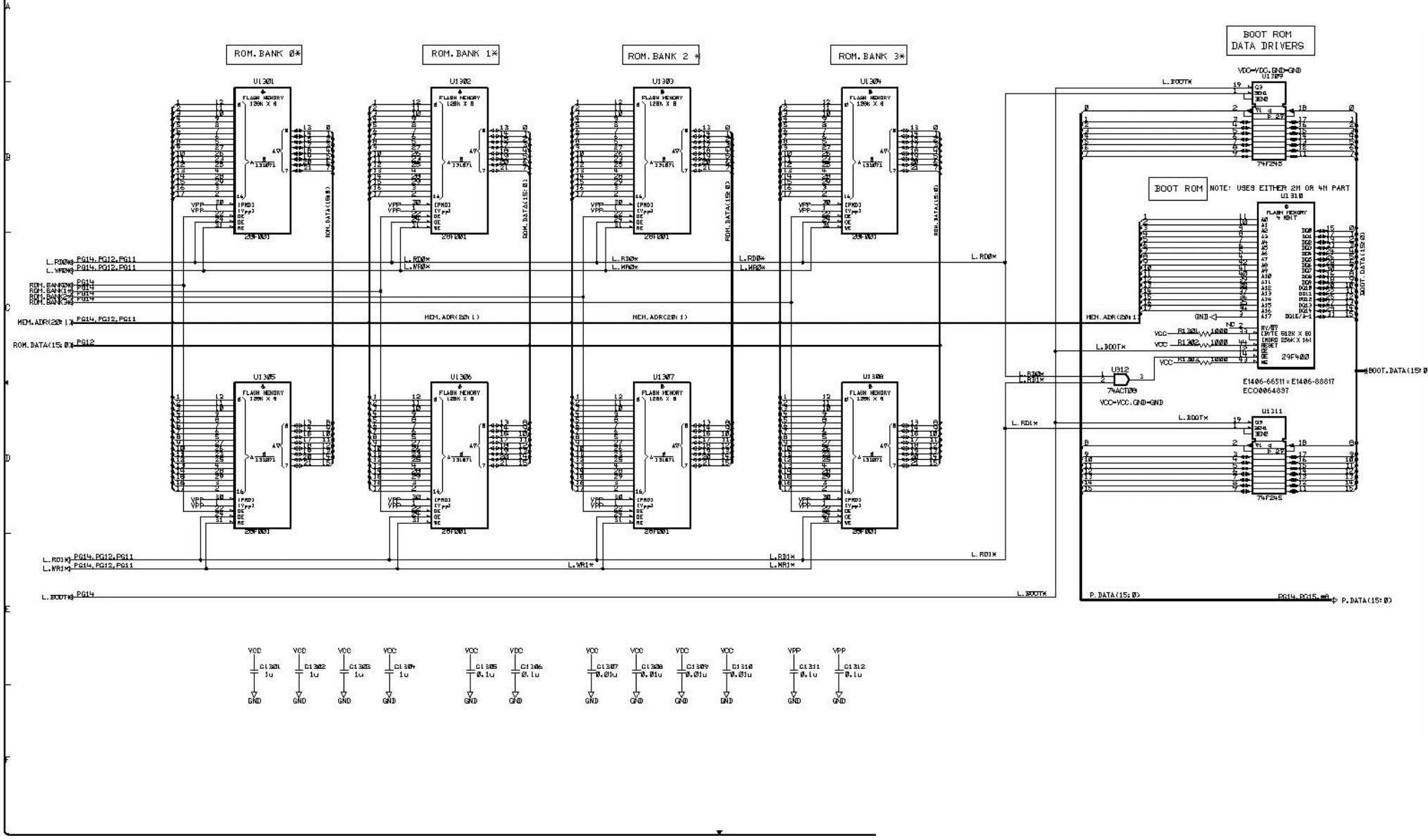


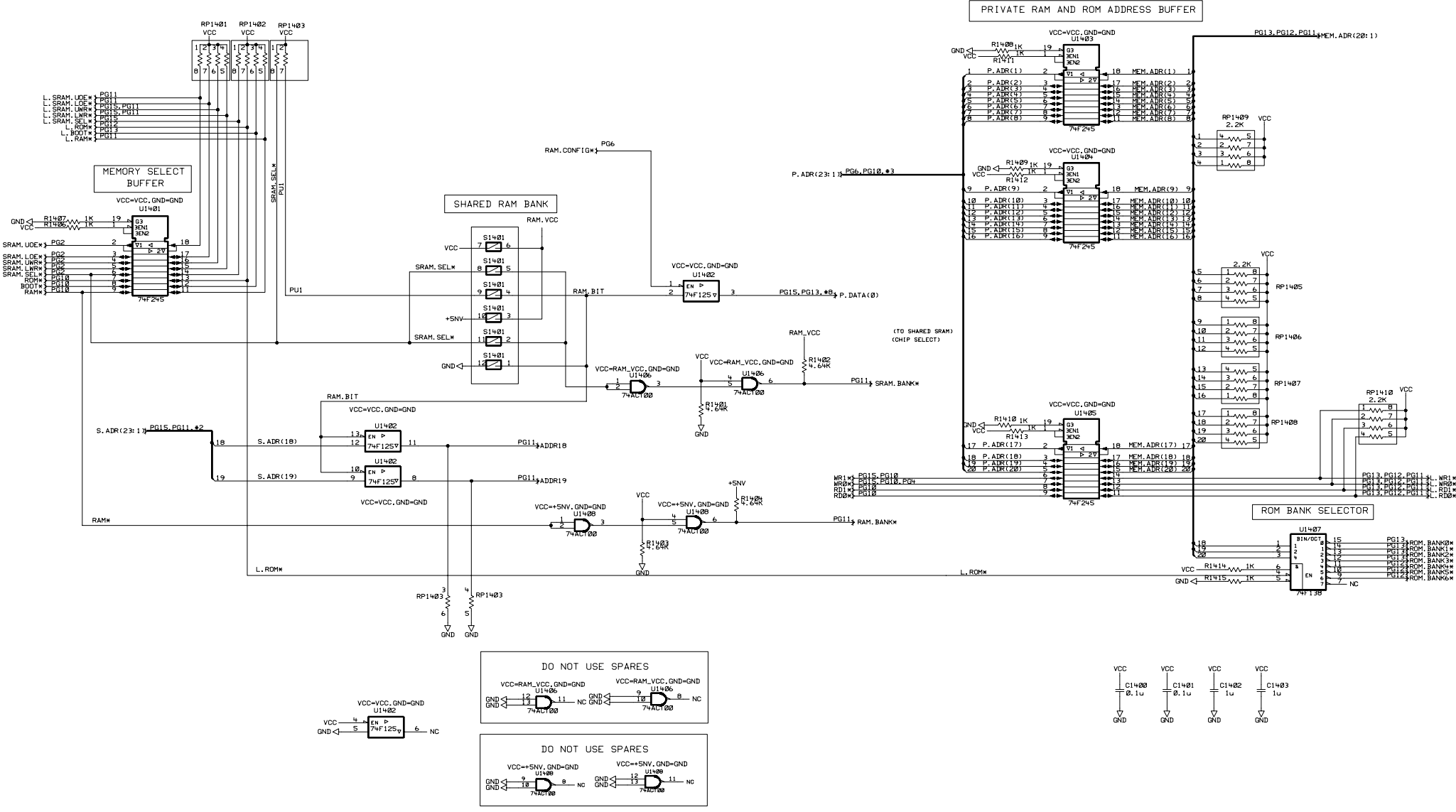


**Agilent E1406A
Command Module
E1406-66511 (Surface Mount Parts)
Memory Shared and Private RAM**

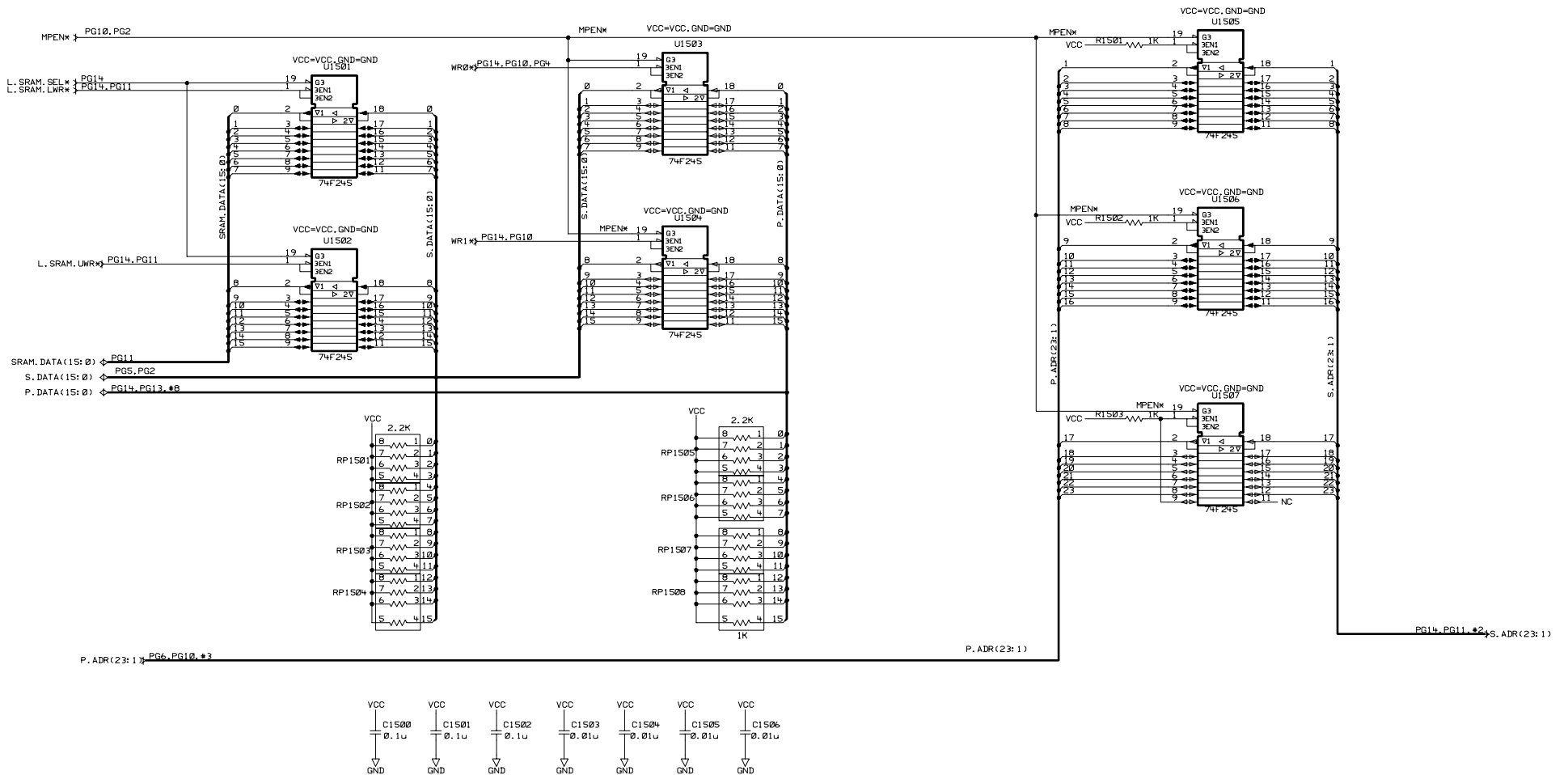


**Agilent E1406A
Command Module
E1406-66511 (Surface Mount Parts)
Memory Flash/ROM Banks 4-6**





**Agilent E1406A
Command Module
E1406-66511 (Surface Mount Parts)
Memory Buffering and Decoding**



Agilent E1406A
 Command Module
 E1406-66511 (Surface Mount Parts)
 Memory Shared / Memory Data Switching

E1406-66511 Parts List

Reference Designator	Qty	Agilent P/N	Description	MPN	Manufacturer
C101, C102, C208, C210, C211, C212, C213, C301, C302, C408, C409, C410, C411, C509, C510, C511, C512, C513, C514, C611, C615, C621, C625, C708, C709, C710, C711, C800, C801, C802, C803, C902, C910, C914, C915, C918, C919, C1205, C1206, C1207, C1208, C1307, C1308, C1309, C1310, C1503, C1504, C1505, C1506	49.0	0160-5945	CAP-FXD 0.01uF +-10pct 50 V CER X7R	08055C103KAT A 223858016627 C0805C103K5RAC C2012X7R1H103K GRM216R71H103KA01J VJ0805Y103KXAMT	AVX YAGEO KEMET ELECTRONICS TDK MURATA MANUFACTURING VISHAY
C103, C104, C105, C106, C107	80.0	0160-7798	CAP-FXD 0.1uF +-10PCT 50V CER X7R	08055C104KAT_A C0805C104K5RAC C2012X7R1H104K GRM21BR71H104KA11L NMC0805X7R104K50TR P VJ0805Y104KXAMT	AVX KEMET ELECTRONICS TDK MURATA MANUFACTURING NIC COMPONENTS VISHAY
C109, C110, C201, C202, C203, C220, C221, C222, C223, C307, C308, C400, C401, C500, C501, C502, C503, C601, C603, C607, C608, C612, C617, C618, C622, C700, C701, C702, C703, C712, C713, C714, C715, C808, C809, C906, C907, C911, C912, C913, C1209, C1210, C1301, C1302, C1303, C1304, C1402, C1403	48.0	0160-7736	CAP-FXD 1uF +-10PCT 16 V CER X7R	1206YC105KAT C1206C105K4RAC GRM31MR71C105KA01L	AVX KEMET ELECTRONICS MURATA MANUFACTURING
C224	1.0	0160-8559	CAP-FXD 2.2uF +-10PCT 16 V CER X7R 1206	C1206C225K4RAC C3216X7R1C225K	KEMET ELECTRONICS TDK

E1406-66511 Parts List

Reference Designator	Qty	Agilent P/N	Description	MPN	Manufacturer
C300	1.0	0160-7835	CAP-FXD 100pF +-5pct 50 V CER C0G	06035A101JAT C0603C101J5GAC VJ0603A101JXA C1608C0G1H101J GRM1885C1H101JA01D NMC0603NP0101J50TRP	AVX KEMET ELECTRONICS VISHAY TDK MURATA MANUFACTURING NIC COMPONENTS
C602	1.0	0180-4116	CAP-FXD 22uF +-20PCT 20V TA	TAJD226M020 293D226X0020D2E3 ESVD1D226M SK2-1D226M-RD0	AVX VISHAY NEC TOKIN ELNA
C720, C721	2.0	0160-5947	CAP-FXD 1000pF +-10pct 50 V CER X7R	08055C102KAT A C0805C102K5RAC C2012X7R1H102K GRM216R71H102KA01D	AVX KEMET ELECTRONICS TDK MURATA MANUFACTURING
CR401	1.0	1900-0245	DIODE-SCHOTTKY 70V SOT-143	HSMS-2805-TR1G	AVAGO TECHNOLOGIES
CR801, CR802, CR805, CR806, CR902, CR903	6.0	1901-1335	DIODE-PWR RECT 400V 1A 50NS	MURS140T3G	ON SEMICONDUCTOR
CR901	1.0	1906-0291	DIODE-DUAL 70V 100MA T0-236AA	BAV99 BAV99 BAV99LT1G BAV99_____X_ BAV99	PHILIPS FAIRCHILD SEMICONDUCTOR ON SEMICONDUCTOR INFINEON TECHNOLOGIES NXP
DS902, DS903	2.0	1990-1364	LED-LAMP ARRAY LUM-INT=800UCD	553-0321	DIALIGHT
E101, E201-E205, E501, E502, E901-E905, L602, L606, E1001, E1002, E1003	18.0	9170-1808	CORE-SHIELDING BEAD	MMZ2012S800A	TDK
F601, F603, F605, F607, F609	5.0	2110-0932	FUSE-SURFACE MOUNT 5A 125V NTD BI	SSFC5A SSQ5 0451005.MRL	SAN-O INDUSTRIAL BEL FUSE LITTELFUSE
J11	1.0	1252-2161	CONN-RECT MICRORBN 24-CKT 24-CON	5554923-2	TYCO ELECTRONICS AMP
J12	1.0	1252-3694	CONN-POST TYPE .100-PIN-SPCG-MTG-B	70545-0071	MOLEX
J7, J8, J9, J10	4.0	1250-2266	CONNECTOR-RF SMB MALE PC-W-STDF	131-3701-501	EMERSON

E1406-66511 Parts List

Reference Designator	Qty	Agilent P/N	Description	MPN	Manufacturer
JM1003	1.0	0699-2643	RES-FXD 0 OHM +-5PCT .1W TC 0+-300	CRCW08050000ZSE_ CR21-000-ZL MCR10___J000 RK73Z2AT 232273091002L ZC0805-TW	VISHAY ASJ ROHM KOA YAGEO RCD COMPONENTS
L601	1.0	9140-1101	INDUCTOR 470nH +-5pct 2.8W-mmX3.4LG	NLV32T-R47J-PF KL32T___R47J	TDK KOA
L603, L605	2.0	9140-4020	IDCTR-FXD 10uH +-20PCT 9.4W-MMX12.9	DO3316P-103ML_	COILCRAFT
L604	1.0	9170-1664	CORE-SHIELDING BEAD	MMZ2012S181A	TDK
MP1	1.0	E1406-26511	BLANK PC BOARD	E1406-26511	AGILENT TECHNOLOGIES
P1	1.0	1252-1596	CONN-POST TYPE 2.54-PIN-SPCG-MTG-E	10-8557-096-002-025 536010-5 DIN-96CPC-SRI-TR	KYOCERA TYCO ELECTRONICS AMP 3M
P2	1.0	1252-4743	CONN-POST TYPE 2.54-PIN-SPCG-MTG-E	5536011-5 10-8557-096-002-026	TYCO ELECTRONICS AMP KYOCERA
Q401	1.0	1853-0580	TRANSISTOR PNP SI SOT-23 (TO-236AB)	CMPT4403 MMBT4403 SST4403 MMBT4403LT1G	CENTRAL SEMICONDUCTOR FAIRCHILD SEMICONDUCTOR ROHM ON SEMICONDUCTOR
Q402	1.0	1854-1037	TRANSISTOR NPN SI TO-236AA PD=350M	MMBT3904 SST3904T116 MMBT3904LT1G	FAIRCHILD SEMICONDUCTOR ROHM ON SEMICONDUCTOR

E1406-66511 Parts List

Reference Designator	Qty	Agilent P/N	Description	MPN	Manufacturer
R101, R104, R105, R106, R107, R108, R109, R203, R208, R209, R210, R211, R212, R213, R214, R304, R305, R306, R307, R403, R406, R408, R409, R410, R411, R412, R413, R414, R500, R513, R514, R515, R516, R517, R518, R519, R520, R521, R522, R523, R524, R601, R602, R703, R811, R911, R913, R917, R919, R923, R1005, R1006, R1007, R1008, R1009, R1010, R1301, R1302, R1303, R1406, R1407, R1408, R1409, R1410, R1411, R1412, R1413, R1414, R1415, R1501, R1502, R1503	72.0	0699-3947	RESISTOR 1K +-1pct .063W TKF TC=0+-20	CRCW06031K00FKE_ CR16-1001-FL RK73H1JT_1001F 2322704_1002L MCR03__FX1001 MC06031001-FT	VISHAY ASJ KOA YAGEO ROHM RCD COMPONENTS
R103, R206, R400, R800, R803, R804, R812, R901, R916, R1004, R1401, R1402, R1403, R1404	14.0	0699-3963	RESISTOR 4.64K +-1pct .063W TKF TC=0+-20	CRCW06034K64FKE_ RK73H1JT_4641F 232270464642L MCR03__FX4641	VISHAY KOA YAGEO ROHM
R200	1.0	0699-3033	RESISTOR 750 +-1pct .1W TKF TC=0+-100	CRCW0805750RFKE_ RK73H2AT_7500F MCR10__F7500 23227346A7501 MC08057500-FT	VISHAY KOA ROHM YAGEO RCD COMPONENTS
R201, R202	2.0	0699-3993	RESISTOR 100K +-1pct .063W TKF TC=0+-20	CRCW0603100KFKE_ RK73H1JT_1003F 232270461004L MCR03__FX1003	VISHAY KOA YAGEO ROHM

E1406-66511 Parts List

Reference Designator	Qty	Agilent P/N	Description	MPN	Manufacturer
R204, R205, R207, R906, R908, R909, R914, R920, R921, R922, R1002, R1003, R1011	13.0	0699-3918	RES-FXD 51.1 OHM +-1PCT .063W TC 0+-	CRCW060351R1FKE MCR03__FX51R1 RK73H1JT__51R1F RC0603F_-__51R1L	VISHAY ROHM KOA YAGEO
R301	1.0	0699-3975	RESISTOR 16.2K +-1pct .063W TKF TC=0+-	CRCW060316K2FKE_ RK73H1JT_1622F 232270461623L MCR03__FX1622	VISHAY KOA YAGEO ROHM
R302	1.0	0699-3063	RES-FXD 825 OHM +-1PCT 0.1W TC 0+-1	CRCW0805825RFKE_ 232273468251L RK73H2AT_8250F MCR10__F8250 MC08058250-FT	VISHAY YAGEO KOA ROHM RCD COMPONENTS
R303	1.0	0699-3924	RES-FXD 100 +-1PCT .063W TKF TC=0+-2	CRCW0603100RFKE_ CR16-1000-JL RK73H1JT_1000F MCR03__FX1000 232270461001 MC06031000-FT	VISHAY ASJ KOA ROHM YAGEO RCD COMPONENTS
R401, R402	2.0	0699-1370	RESISTOR 1.21K +-1pct .125W TKF TC=0+-	CRCW12061K21FK E_ RK73H2BT_1211F MCR18__F1211 232272461212	VISHAY KOA ROHM YAGEO
R404, R701, R702	3.0	0699-3062	RESISTOR 464 +-1pct .1W TKF TC=0+-100	CRCW0805464RFKE_ RK73H2AT_4640F MCR10__F4640 232273464641 MC08054640-FT	VISHAY KOA ROHM YAGEO RCD COMPONENTS
R405	1.0	0699-3959	RESISTOR 3.16K +-1PCT .063W TKF TC=0+-	CRCW06033K16FKE_ RK73H1JT_3161F 232270463162L MCR03__FX3161	VISHAY KOA YAGEO ROHM

E1406-66511 Parts List

Reference Designator	Qty	Agilent P/N	Description	MPN	Manufacturer
R407	1.0	0699-1371	RESISTOR 1.33K +-1pct .125W TKF TC=0+-100	CRCW12061K33FKE_ RK73H2BT_1331F MCR18__F1331 232272461332	VISHAY KOA ROHM YAGEO
R501, R502, R503, R504, R505, R506, R507, R508, R509, R510, R511, R512	12.0	0699-3774	RESISTOR 16.9K +-1pct .1W TKF TC=0+-100	CRCW080516K9FKE_ MCR10__F1692 232273461693 MC08051692-FT	VISHAY ROHM YAGEO RCD COMPONENTS
R525	1.0	0699-3698	RESISTOR 10 +-1pct .1W TKF TC=0+-100	CRCW080510R0FKE_ RK73H2AT_10R0F MCR10__F10R0 MC080510R0-FT	VISHAY KOA ROHM RCD COMPONENTS
R708, R709	2.0	0699-3032	RESISTOR 511 +-1pct .1W TKF TC=0+-100	CRCW0805511RFKE_ RK73H2AT_5110F MCR10__F5110 232273465111 MC08055110-FT	VISHAY KOA ROHM YAGEO RCD COMPONENTS
R801, R910	2.0	0699-3739	RESISTOR 47 +-5pct .5W TKF TC=0+-200	MCR50__J470	ROHM
R806	1.0	0699-3045	RESISTOR 5.11K +-1pct .1W TKF TC=0+-100	CRCW08055K11FKE_ RK73H2AT_5111F MCR10__F5111 232273465112 MC08055111-FT	VISHAY KOA ROHM YAGEO RCD COMPONENTS
R807	1.0	0699-3530	RESISTOR 3.01K +-1pct .1W TKF TC=0+-100	CRCW08053K01FKE_ RK73H2AT_3011F MCR10__F3011 232273463012 MC08053011-FT	VISHAY KOA ROHM YAGEO RCD COMPONENTS
R809	1.0	0699-3064	RESISTOR 909 +-1pct .1W TKF TC=0+-100	CRCW0805909RFKE_ RK73H2AT_9090F MCR10__F9090 232273469091 MC08059090-FT	VISHAY KOA ROHM YAGEO RCD COMPONENTS

E1406-66511 Parts List

Reference Designator	Qty	Agilent P/N	Description	MPN	Manufacturer
R810	1.0	0699-2971	RESISTOR 147 +-1pct .1W TKF TC=0+-100	CRCW0805147RFKE_ RK73H2AT_1470F 232273461471L MCR10___F1470 MC08051470-FT	VISHAY KOA YAGEO ROHM RCD COMPONENTS
R902	1.0	0699-2972	RESISTOR 178 +-1pct .1W TKF TC=0+-100	CRCW0805178RFKE_ RK73H2AT_1780F MCR10___F1780 232273461781 MC08051780-FT	VISHAY KOA ROHM YAGEO RCD COMPONENTS
R903	1.0	0699-1364	RESISTOR 68.1 +-1pct .125W TKF TC=0+-	CRCW120668R1FKE_ RK73H2BT_68R1F MCR18___F68R1 232272466819	VISHAY KOA ROHM YAGEO
R904	1.0	0699-3060	RESISTOR 237 +-1pct .1W TKF TC=0+-100	CRCW0805237RFKE_ RK73H2AT_2370F MCR10___F2370 232273462371 MC08052370-FT	VISHAY KOA ROHM YAGEO RCD COMPONENTS
R905	1.0	0699-3058	RESISTOR 100 +-1pct .1W TKF TC 0+-100	CRCW0805100RFKE_ RK73H2AT_1000F 232273461001L MCR10___F1000	VISHAY KOA YAGEO ROHM
R915	1.0	0699-4002	RESISTOR 237K +-1pct .063W TKF TC=0+	RK73H1JT_2373F MCR03___FX2373 232270462374	KOA ROHM YAGEO
R918	1.0	0699-3987	RESISTOR 51.1K +-1pct .063W TKF TC=0+	CRCW060351K1FKE_ CR16-5112-FL RK73H1JT_5112F 232270465113L MCR03___FX5112	VISHAY ASJ KOA YAGEO ROHM

E1406-66511 Parts List

Reference Designator	Qty	Agilent P/N	Description	MPN	Manufacturer
R924	1.0	0699-3944	RESISTOR 750 +-1pct .063W TKF TC=0+-2	CRCW0603750RFKE_ RK73H1JT_7500F 232270467501L MCR03__FX7500	VISHAY KOA YAGEO ROHM
RP101, RP102, RP103, RP104, RP105, RP106, RP109, RP110, RP111, RP112, RP121, RP301	12.0	1810-1670	NET-RES 4 4.7K +-5PCT TC 0+-200 8-PIN	742083472J CN1J4T__472J CRA06S0803472J MNR14E0APJ472	CTS KOA VISHAY ROHM
RP113, RP114, RP115, RP116, RP118, RP119, RP120	7.0	1810-1645	NET-RES 4 10.0K OHM 8-PIN	742C083103J 235003410103L RAC164D103JB CN1J4T__103J CRA06S0803103J MNR14E0APJ103	CTS YAGEO KAMAYA KOA VISHAY ROHM
RP1401, RP1402, RP1403, RP1405, RP1406, RP1407, RP1408, RP1409, RP1410, RP1501, RP1502, RP1503, RP1504, RP1505, RP1506	15.0	1810-1850	NET-RES 4 2.2K OHM	CN1J4T_222J MNR14__J222 CRA3A4E-222J	KOA ROHM KYOCERA
RP1507, RP1508	2.0	1810-1649	NET-RES 4 1.0K +-5PCT TC 0+-200 8-PIN	742083102J CN1J4T__102J CRA06S0803102J MNR14E0APJ102	CTS KOA VISHAY ROHM
RP701, RP702	2.0	1810-1869	NET-RES 4 51 OHM +-5PCT TC 0+-200 8-P	RAC164D510JB RAC164D510JB 235003XXX519 CN1J4T__510J CRA06S0803510J	KAMAYA ROHM YAGEO KOA VISHAY
RT801, RT802, RT901	3.0	0837-3721	THERMISTOR RECT CHIP 60VDC 10A	MINISMDC014F-2	TYCO INTERNATIONAL
S1401	1.0	3101-2696	SWITCH-DIP RKR 6-1A 0.15A 30VDC	76YY22316ST	GRAYHILL
S201	1.0	3101-2858	SWITCH-TGL SIG-SW DPDT .02A 20VAC/1	7201MD9AG7E	ITT INDUSTRIES
S302	1.0	3101-3363	SWITCH-DIP ROTARY 8POSOCT 0.03A 30	94HAB08WT	GRAYHILL
S901	1.0	3101-2288	SWITCH-PB SPDT-NO MOM .25A 115 VAC	39-251 RED	GRAYHILL
S902	1.0	3101-2673	SWITCH-DIP SL SPDT 0.05A 30VDC	78YY2991ST	GRAYHILL
SP2, SP3, SP4	3.0	3101-3066	SWITCH-DIP RKR 8-1A 0.15A 30VDC	76YY22968ST	GRAYHILL

E1406-66511 Parts List

Reference Designator	Qty	Agilent P/N	Description	MPN	Manufacturer
SP301	1.0	3101-2063	SWITCH-DIP RKR 4-1A 0.05A 30VDC	76YY23444ST	GRAYHILL
T801, T802, T901, T902, T903	5.0	9140-1931	INDUCTOR 2.5W-mmX3LG-mm	ACM3225-102-2P-T	TDK
U1001	1.0	1820-8835	IC GATE CMOS/ACT AND TPL 3-INP	MC74ACT11D G	ON SEMICONDUCTOR
U1002	1.0	5188-2562	LTB for 1820-7041		
U1002a	1.0	1820-7041	IC-ASIC		
U1008, U1009	2.0	1820-5944	IC GATE CMOS/ACT OR QUAD 2-INP	MC74ACT32DG 74ACT32SCX. CD74ACT32M	ON SEMICONDUCTOR FAIRCHILD SEMICONDUCTOR TEXAS INSTRUMENTS
U101, U102, U103, U105, U109, U110, U111, U505, U509, U511, U512, U514, U809, U1004	14.0	1821-0300	IC DRVR BICMOS/ABT LINE OCTL	74ABT541D SN74ABT541BDW 74ABT541D	PHILIPS TEXAS INSTRUMENTS NXP
U1010	1.0	E1406-88816	PROGRAMMED PART	GAL16V8D-15LJ	AVNET
U1010a	1.0	1820-7050	IC PLD EEPLD UNPRGMD CMOS PAL16V8	ATF16V8B-1520J GAL16V8D-15LJ	ATMEL LATTICE SEMICONDUCTOR
U106, U107, U405, U506, U507	5.0	1820-7787	IC TRANSCEIVER BICMOS/ABT BUS OCT	74ABT245D SN74ABT245BDW 74ABT245D	PHILIPS TEXAS INSTRUMENTS NXP
U108	1.0	1820-6245	IC 16-BIT MPU W/COUNTER, PLCC 16MHZ	MC68HC000E116R2	FREESCALE SEMICONDUCTOR
U1101, U1102, U1103, U1104	4.0	1818-5651	IC 4M-BIT SRAM 70-NS CMOS 32-SOP	BS62LV4006SIP70	BSI
U1105, U1106, U1207, U1208, U1309, U1311, U1401, U1403, U1404, U1405, U1501, U1502, U1503, U1504, U1505, U1506, U1507	17.0	1820-5679	IC TRANSCEIVER TTL/F BUS OCTL	74F245D SN74F245DW 74F245D	PHILIPS TEXAS INSTRUMENTS NXP
U112, U305, U311, U815, U816, U817, U1007	7.0	1820-5939	IC INV CMOS/ACT HEX 14-SOIC	MC74ACT04DG 74ACT04SCX_NL	ON SEMICONDUCTOR FAIRCHILD SEMICONDUCTOR
U113, U312	2.0	1820-5940	IC GATE CMOS/ACT AND QUAD 2-INP	MC74ACT08DG 74ACT08SCX.	ON SEMICONDUCTOR FAIRCHILD SEMICONDUCTOR

E1406-66511 Parts List

Reference Designator	Qty	Agilent P/N	Description	MPN	Manufacturer
U117, U202	2.0	1820-5218	IC DRVR TTL/F LINE OCTL	74F244D 74F244SCX. SN74F244DW 74F244D	PHILIPS FAIRCHILD SEMICONDUCTOR TEXAS INSTRUMENTS NXP
U1201, U1202, U1203, U1204, U1205, U1206, U1301, U1302, U1303, U1304, U1305, U1306, U1307, U1308	14.0	1818-5374	IC 1M-BIT FLASH 120-NS CMOS	CAT28F001N-12BT	CATALYST SEMICONDUCTOR
U1310	1.0	E1406-88817	PMGD 1818-7010	E1406-88817	BENCHMARK ELECTRONICS
U1310a	1.0	1818-7010	IC 2M-BIT FLASH 90-NS CMOS 44-SOIC	AM29F200BT-90SC	SPANSION
U1402	1.0	1820-5053	IC BFR TTL/F LINE QUAD	74F125SCX. N74F125D N74F125D	FAIRCHILD SEMICONDUCTOR PHILIPS NXP
U1406, U1408	2.0	1820-5938	IC GATE CMOS/ACT NAND QUAD 2-INP	MC74ACT00DG SN74ACT00D 74ACT00SCX	ON SEMICONDUCTOR TEXAS INSTRUMENTS FAIRCHILD SEMICONDUCTOR
U1407	1.0	1820-5130	IC DCDR-DEMUXR TTL/F BIN 8-TO-1-LINE	74F138SCX. N74F138D SN74F138D N74F138D	FAIRCHILD SEMICONDUCTOR PHILIPS TEXAS INSTRUMENTS NXP
U200	1.0	5188-2537	LTB FOR 1820-6693		
U200a	1.0	1820-6693	IC-ASIC		
U201	1.0	1813-1205	CRYSTAL OSC 32.000MHZ 0.01pct	DSO7515F-32.000MHZ FXO-31FH 32.000MHZ MIN90AT 32.000MHZ DSO7515F-32.000MHZ	DAISHINKU AMERICA KYOCERA KYUSHU DENTSU DAISHINKU
U203	1.0	1820-5948	IC GATE TTL/F AND TPL 3-INP	74F11SCX. N74F11D N74F11D	FAIRCHILD SEMICONDUCTOR PHILIPS NXP
U204, U907	2.0	1820-5054	IC MV CMOS/HC MONOSTBL RETRIG DU	MM74HC123AMX TC74HC123AFN	FAIRCHILD SEMICONDUCTOR TOSHIBA
U301	1.0	1820-8482	IC LCH BICMOS/ABT D-TYPE OCTL 20-SC	SN74ABT573ADW	TEXAS INSTRUMENTS

E1406-66511 Parts List

Reference Designator	Qty	Agilent P/N	Description	MPN	Manufacturer
U303	1.0	E1406-88815	PROGRAMMED PART	GAL16V8D-15LJ	AVNET
U303a	1.0	1820-7050	IC PLD EEPLD UNPRGMD CMOS PAL16V8	ATF16V8B-1520J GAL16V8D-15LJ	ATMEL LATTICE SEMICONDUCTOR
U304	1.0	1820-5941	IC DCDR-DEMUXR CMOS/ACT BIN 8-TO-1	MC74ACT138DG 74ACT138SCX	ON SEMICONDUCTOR FAIRCHILD SEMICONDUCTOR
U306, U310	2.0	1820-8770	IC BFR CMOS/ACT NON-INV QUAD	MC74ACT125DR2G 74ACT125SCX	ON SEMICONDUCTOR FAIRCHILD SEMICONDUCTOR
U307, U601, U706, U707, U708, U709, U710, U911	8.0	1820-4861	IC BFR TTL/F NAND QUAD 2-INP	N74F38D-T N74F38D-T	PHILIPS NXP
U308	1.0	1820-5943	IC MUXR CMOS/ACT QUAD 16-SOIC	74ACT257SC MC74ACT257DG	FAIRCHILD SEMICONDUCTOR ON SEMICONDUCTOR
U309	1.0	1820-8941	IC MUXR/DATA-SEL CMOS/ACT 4-TO-1-L	74ACT253SCX. MC74ACT253D__G	FAIRCHILD SEMICONDUCTOR ON SEMICONDUCTOR
U401	1.0	1820-6863	IC UART WITH FIFO	ST16C550CJ44-F TL16C550CFNR PC16550DVXNOPB	EXAR TEXAS INSTRUMENTS NATIONAL SEMICONDUCTOR
U402, U403	2.0	1820-5274	IC INTERFACE DRVR/RCVR CMOS LINE F	MC145406D MC145406D	PHILIPS NXP
U404	1.0	1820-7776	IC INTERFACE MISC CMOS	RTC-72423A LF	EPSON TOYOCOM
U406	1.0	1822-0639	IC HPIB CONTROLLER	14063-501	AMIS SEMICONDUCTOR
U407	1.0	1820-6176	IC INTERFACE XCVR BIPOLAR BUS OCTL	SN75ALS160DW	TEXAS INSTRUMENTS
U408	1.0	1820-6175	IC INTERFACE XCVR BIPOLAR BUS OCTL	SN75ALS162DW	TEXAS INSTRUMENTS
U409	1.0	1820-7013	IC-ASIC		
U501, U502, U503, U504	4.0	1820-6207	IC TRANSCEIVER TTL/F REG OCTL	74F543D 74F543SCX. SN74F543DW 74F543D	PHILIPS FAIRCHILD SEMICONDUCTOR TEXAS INSTRUMENTS NXP
U508	1.0	1821-0878	IC BFR BICMOS/ABT BUS QUAD 14-SOIC	SN74ABT125D 74ABT125D 74ABT125D	TEXAS INSTRUMENTS PHILIPS NXP

E1406-66511 Parts List

Reference Designator	Qty	Agilent P/N	Description	MPN	Manufacturer
U510, U513, U701, U702, U703, U704, U801, U811	8.0	1821-0299	IC FF BICMOS/ABT D-TYPE POS-EDGE-T	SN74ABT273DW 74ABT273AD 74ABT273AD	TEXAS INSTRUMENTS PHILIPS NXP
U602	1.0	1821-0412	IC DRVR BICMOS/ABT LINE OCTL	74ABT241D 74ABT241D	PHILIPS NXP
U603	1.0	E1406-88813	PROGRAMMED PART	ATF16V8B-1520J	AVNET
U603a	1.0	1820-7050	IC PLD EEPLD UNPRGMD CMOS PAL16V8	ATF16V8B-1520J GAL16V8D-15LJ	ATMEL LATTICE SEMICONDUCTOR
U604	1.0	E1406-88814	PROGRAMMED PART	ATF16V8B-15LC	AVNET
U604a	1.0	1820-7050	IC PLD EEPLD UNPRGMD CMOS PAL16V8	ATF16V8B-1520J GAL16V8D-15LJ	ATMEL LATTICE SEMICONDUCTOR
U705	1.0	1820-7287	IC FF CMOS/ACT D-TYPE POS-EDGE-TRI	74ACT175SCX.	FAIRCHILD SEMICONDUCTOR
U711	1.0	1820-6524	IC XLTR ECL/10KH TTL-TO-ECL QUAD	MC10H124FN_G	ON SEMICONDUCTOR
U712	1.0	1820-6714	IC DRVR ECL/10KH BUS TPL	MC10H123FNG	ON SEMICONDUCTOR
U713, U906	2.0	1820-5607	IC RCVR ECL/10KH LINE TPL	MC10H116FNG	ON SEMICONDUCTOR
U714	1.0	1820-5629	IC FF ECL/10KH D-M/S POS-EDGE-TRIG	MC10H131FNG	ON SEMICONDUCTOR
U715	1.0	1820-5390	IC XLTR ECL/10KH ECL-TO-TTL QUAD	MC10H125FNG	ON SEMICONDUCTOR
U802, U803, U812, U813	4.0	1820-8830	IC MUXR/DATA-SEL CMOS/ACT 8-TO-1-LI	74ACT251SCX	FAIRCHILD SEMICONDUCTOR
U804, U902	2.0	1820-7796	IC DRVR BICMOS/ABT LINE OCTL	74ABT244D SN74ABT244ADW 74ABT244D	PHILIPS TEXAS INSTRUMENTS NXP
U805, U806, U807, U808	4.0	1820-6133	IC FF CMOS/ACT J-K BAR POS-EDGE-TRI	74ACT109SCX	FAIRCHILD SEMICONDUCTOR
U814, U901	2.0	1826-1950	IC COMPARATOR HS SINGLE 8 PIN PLST	LT1016CS8 MXL1016CS8+	LINEAR TECHNOLOGY MAXIM INTEGRATED PRODUCTS
U904	1.0	1813-1900	CRYSTAL OSC 20.000-MHZ 0.005pct	DSO751SB-20.000MHZ 50PPM DSO751SB-20.000MHZ 50PPM	DAISHINKU AMERICA DAISHINKU
U905	1.0	1820-6473	IC FF CMOS/ACT D-TYPE POS-EDGE-TRI	MC74ACT74DG SN74ACT74D 74ACT74SCX	ON SEMICONDUCTOR TEXAS INSTRUMENTS FAIRCHILD SEMICONDUCTOR

Manual Part Number: 5989-5981EN
Printed in U.S.A. December 2006
Copyright © 2006 Agilent Technologies, Inc. All Rights Reserved.

