

**Agilent E8491A
Component Level
Information**

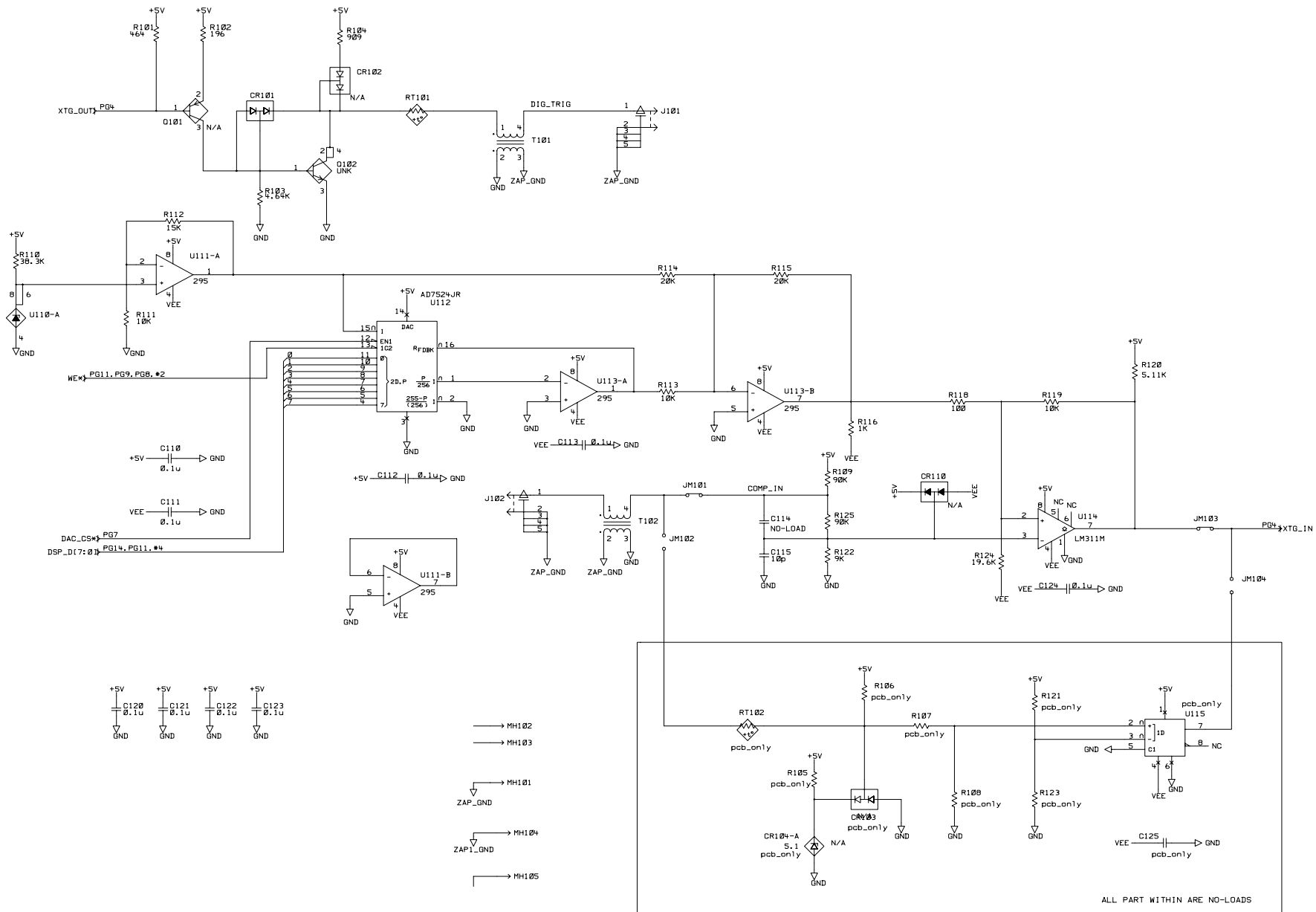
E8491A IEEE-1394 (Firewire) Interface Component Level Information

Information in this packet applies to the following assemblies:

1. E8491-66501 PC Assembly

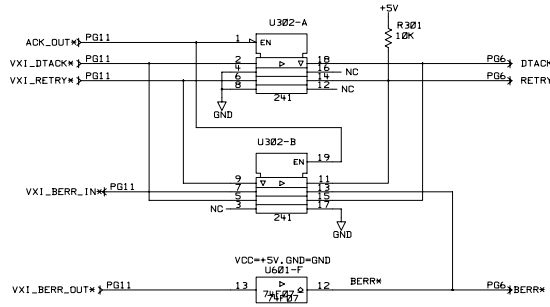
The following is included in this packet:

1. Component locators
2. Schematics
3. Parts lists with Agilent and manufacturer's part numbers

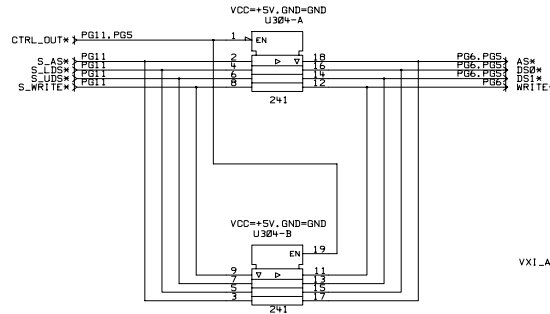


Agilent E8491A
IEEE-1394 (Firewire) Interface
E8491-66501
Programmable Trigger

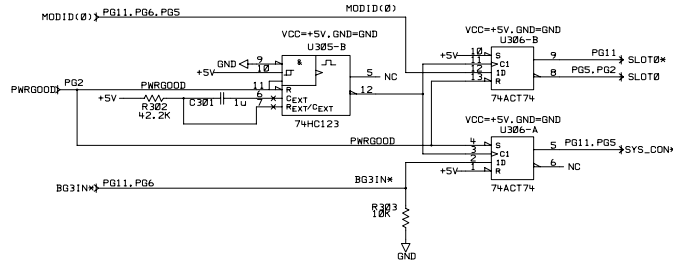
BACKPLANE CONTROL BUFFER/DRIVER



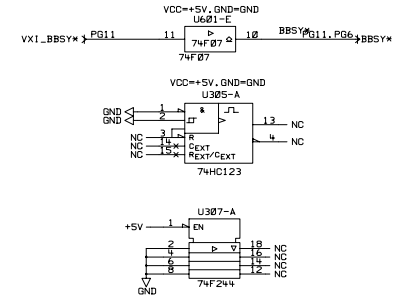
BACKPLANE CONTROL BUFFER/DRIVER



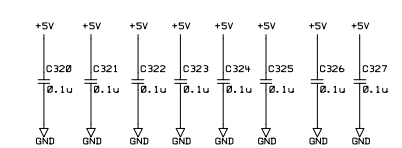
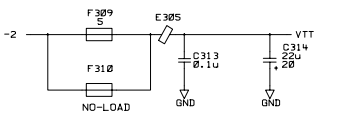
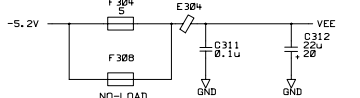
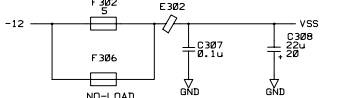
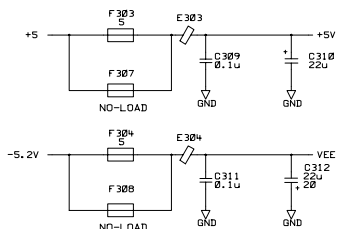
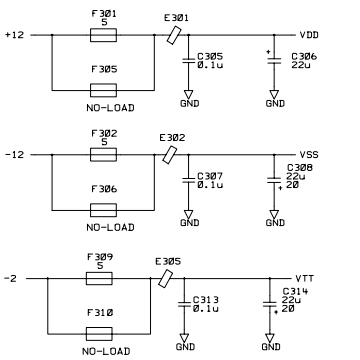
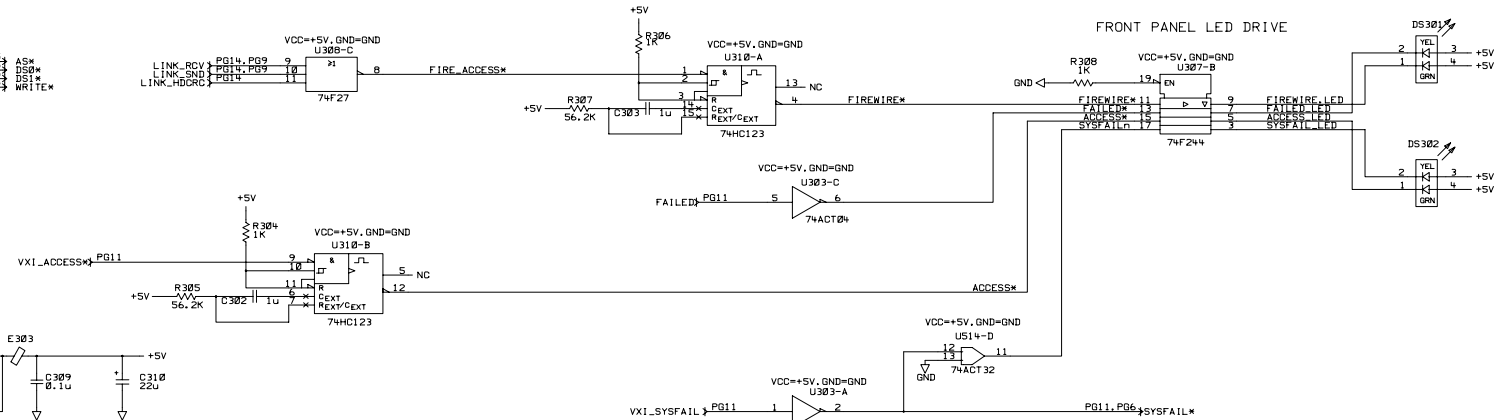
AUTO-DETECT



BACKPLANE CONTROL SIGNAL DRIVER

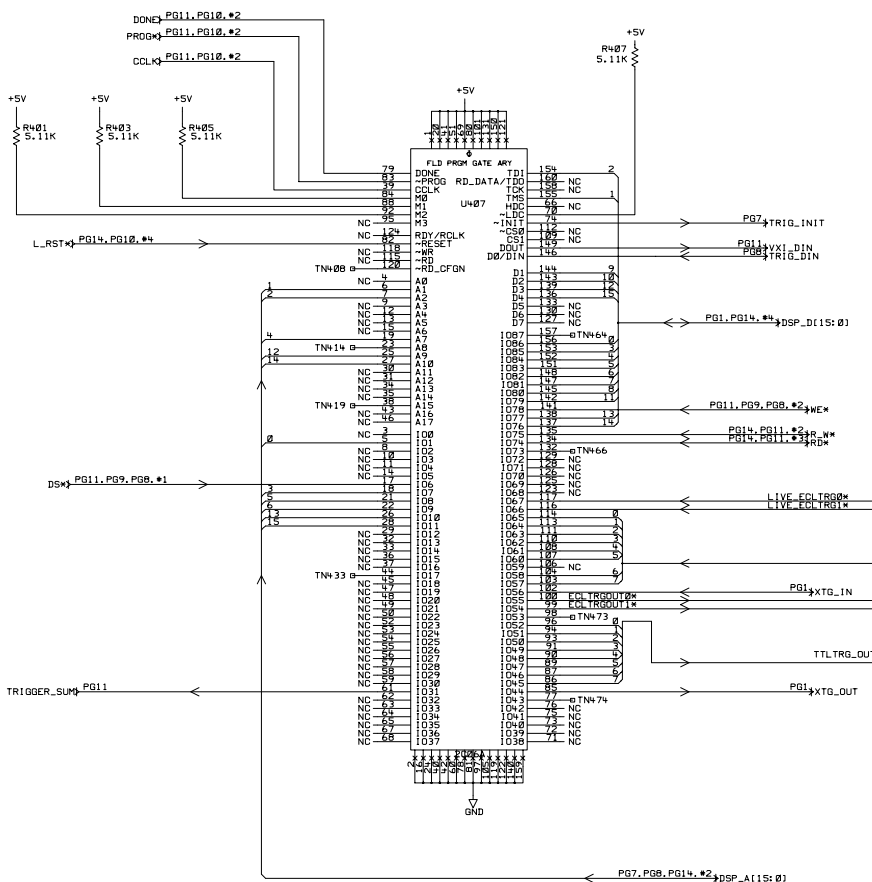


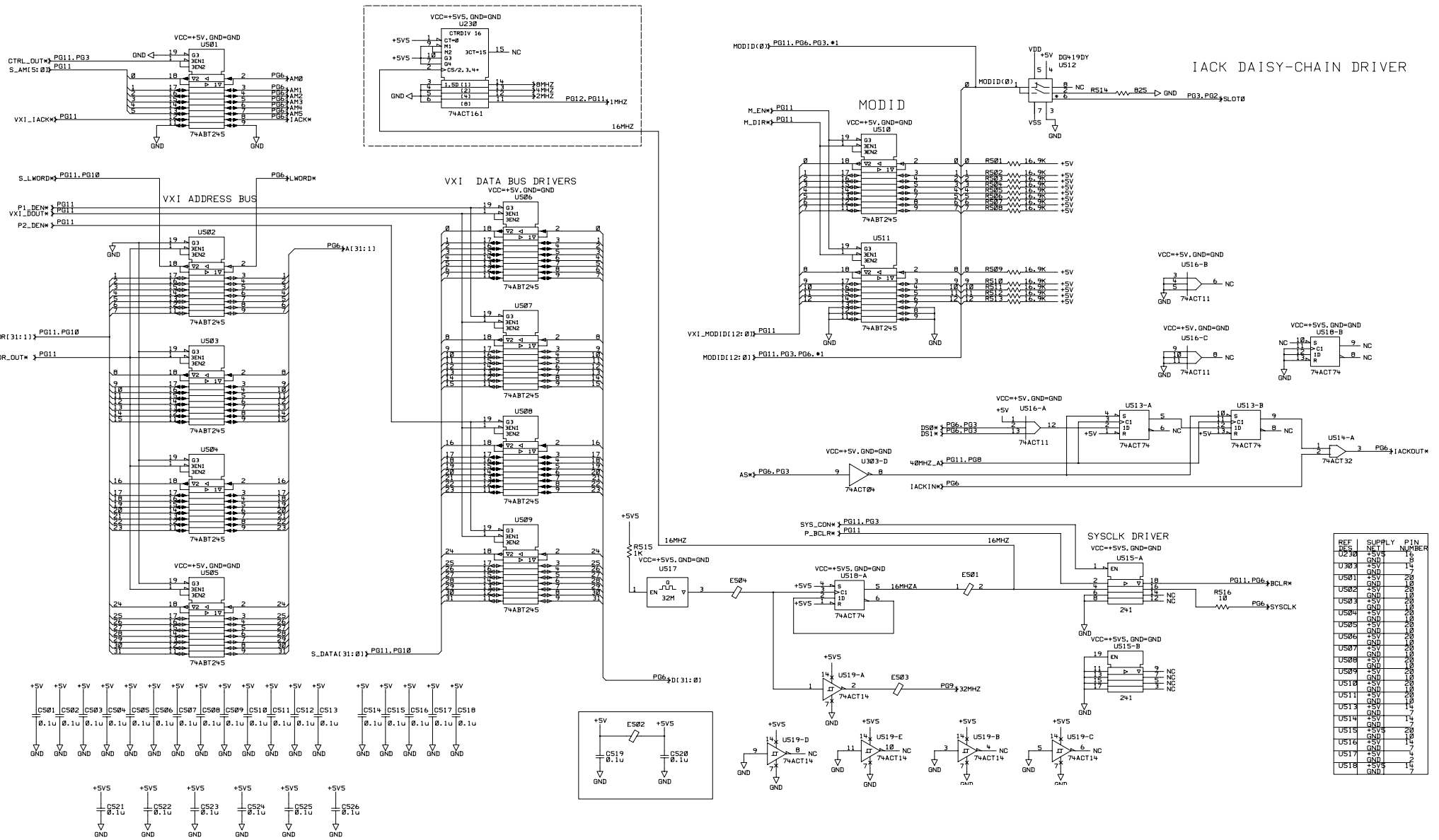
FRONT PANEL LED DRIVE



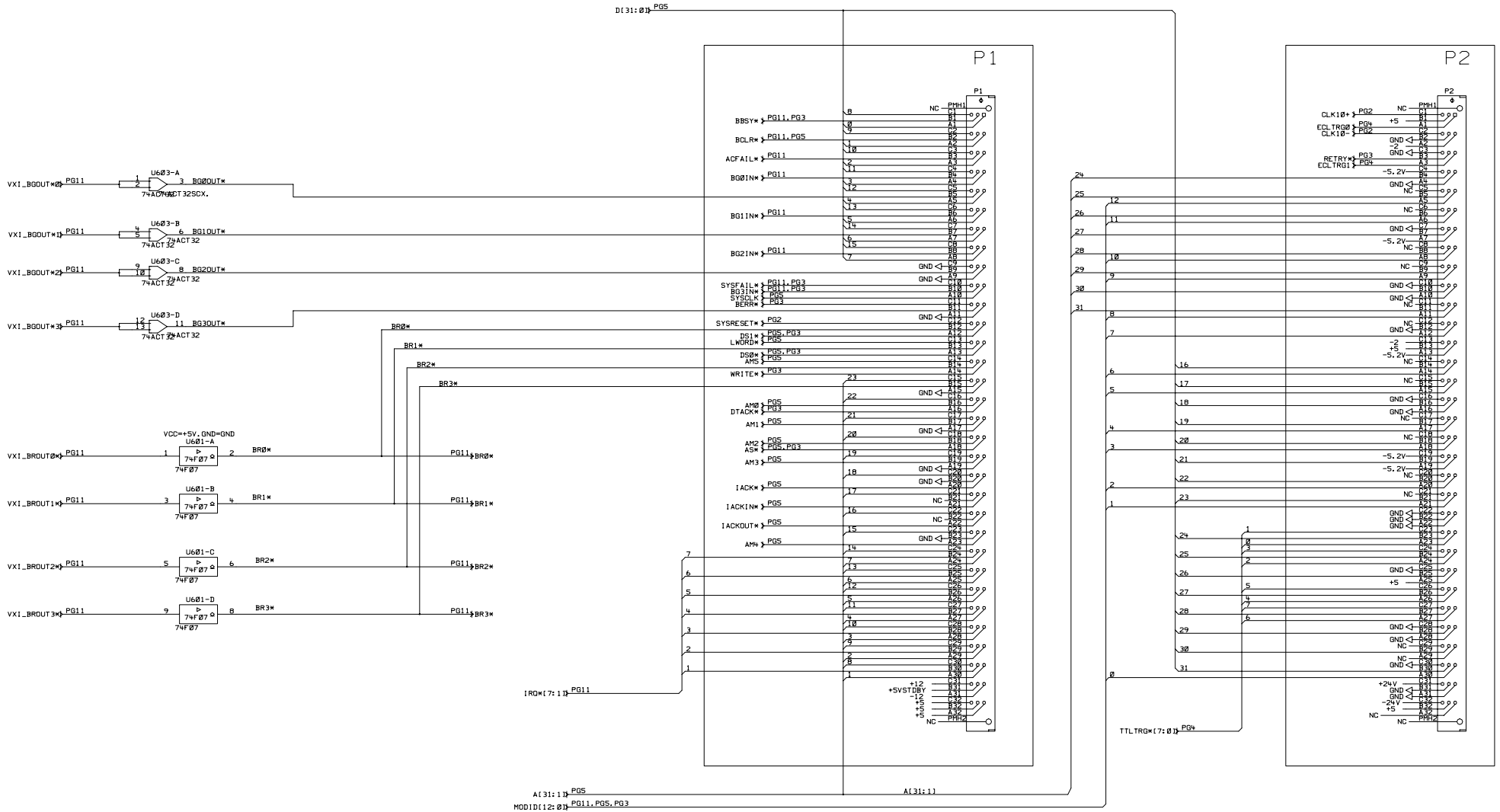
POWER NETS	REF DES	SUPPLY	PIN NUMBER
+5V	U302	GND	18
GND	U303	GND	10
+5V	U304	GND	20
+5V	U305	GND	10
+5V	U306	GND	18
+5V	U307	GND	7
+5V	U308	GND	14
+5V	U310	GND	16
+5V	U514	GND	14
+5V	U601	GND	14

Agilent E8491A
IEEE-1394 (Firewire) Interface
E8491-66501
Auto Detect, LEDs, Backplane Control

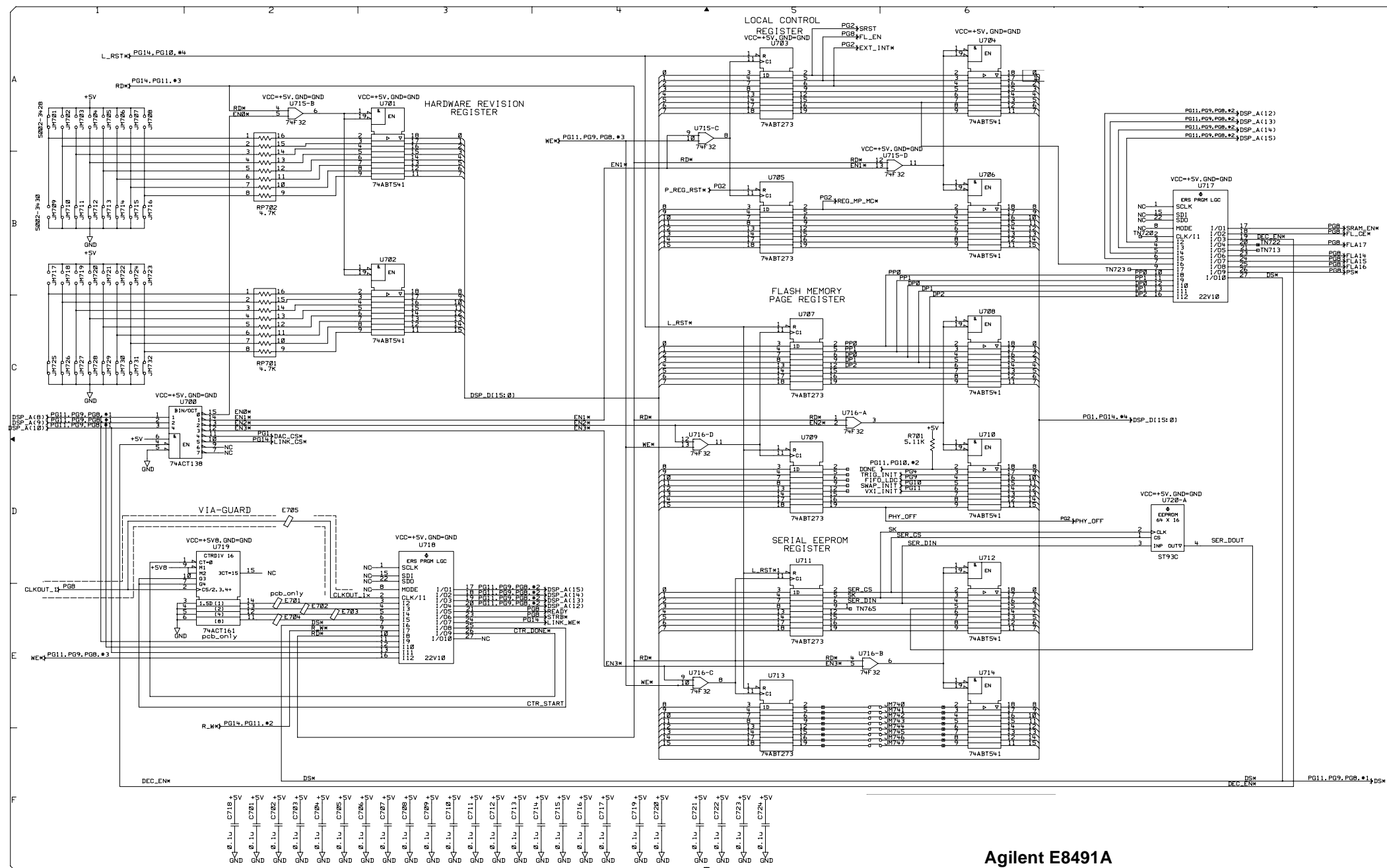




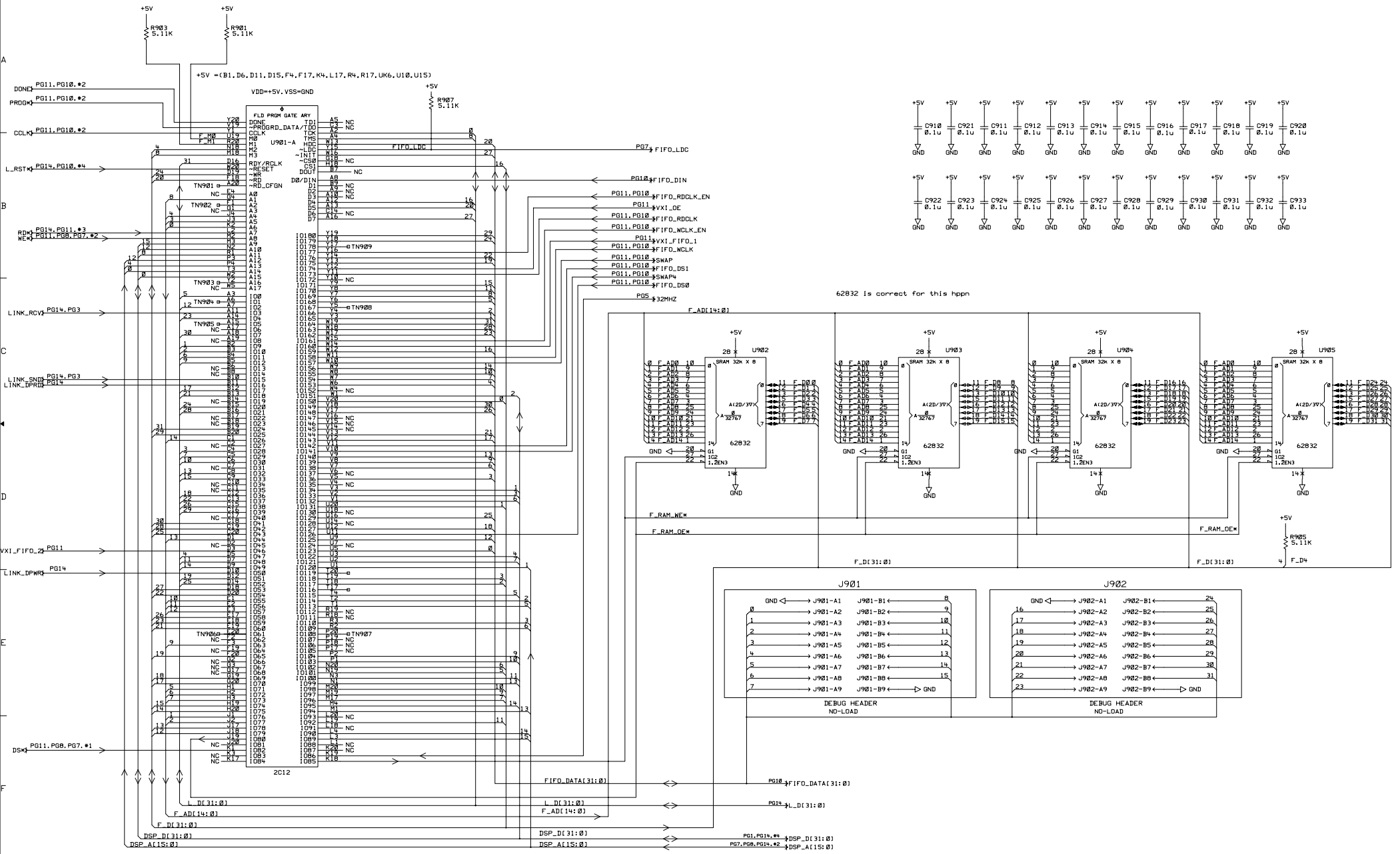
Agilent E8491A
 IEEE-1394 (Firewire) Interface
 E8491-66501
 VXI Address & Data Bus MODID & IACKIN



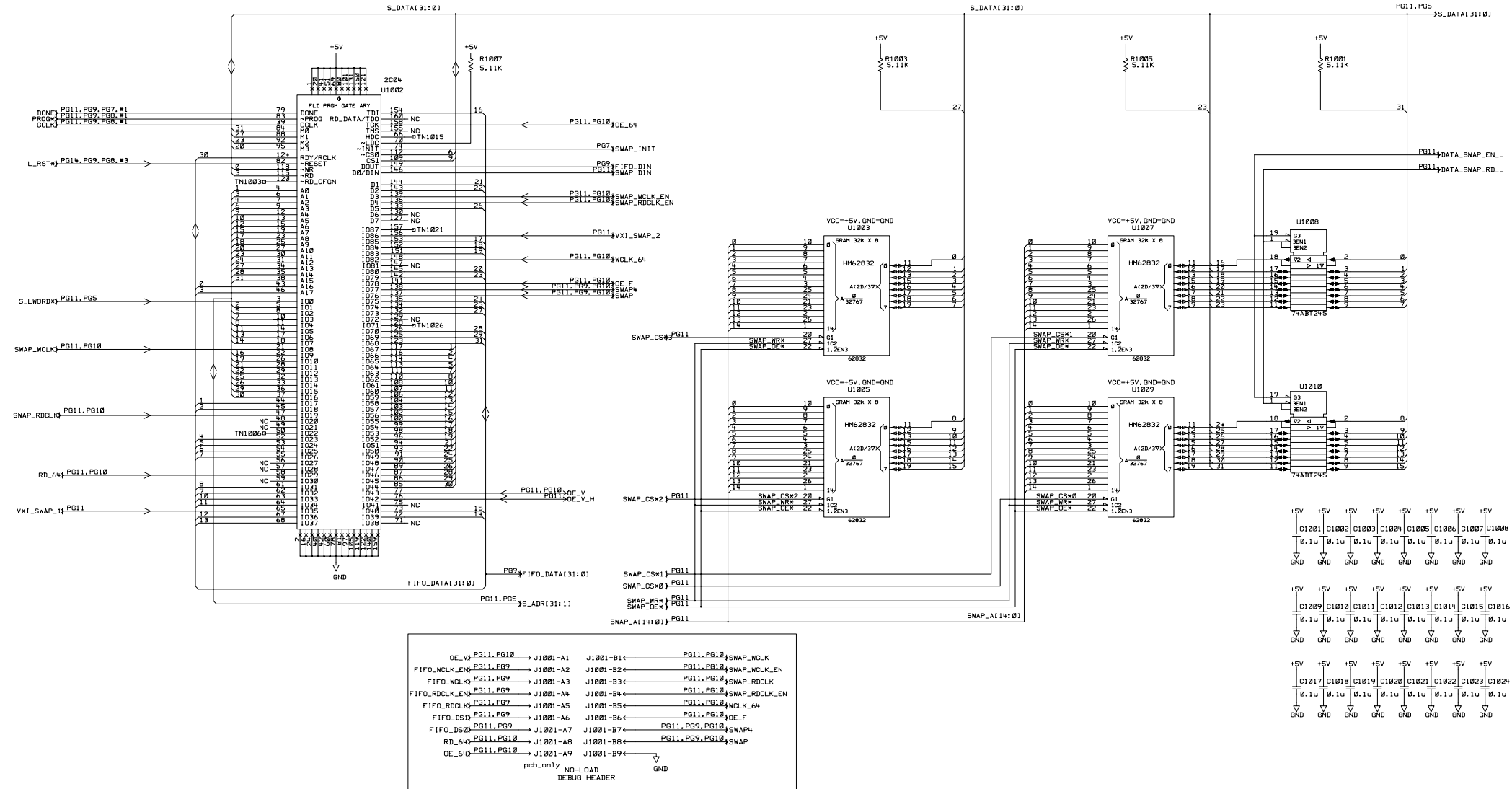
**Agilent E8491A
IEEE-1394 (Firewire) Interface
E8491-66501
VXI Connectors**



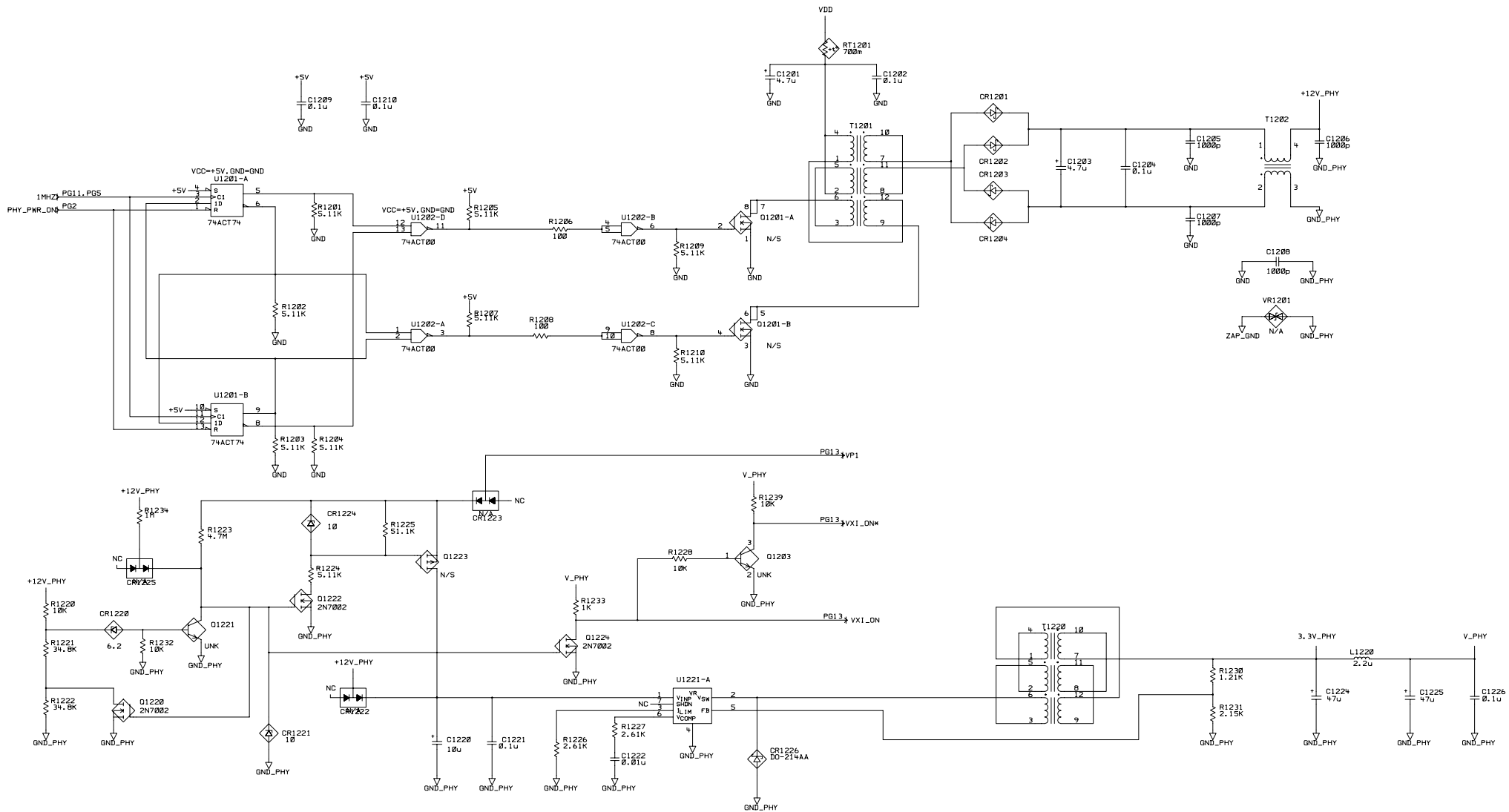
**Agilent E8491A
IEEE-1394 (Firewire) Interface
E8491-66501
Permanent Registers**



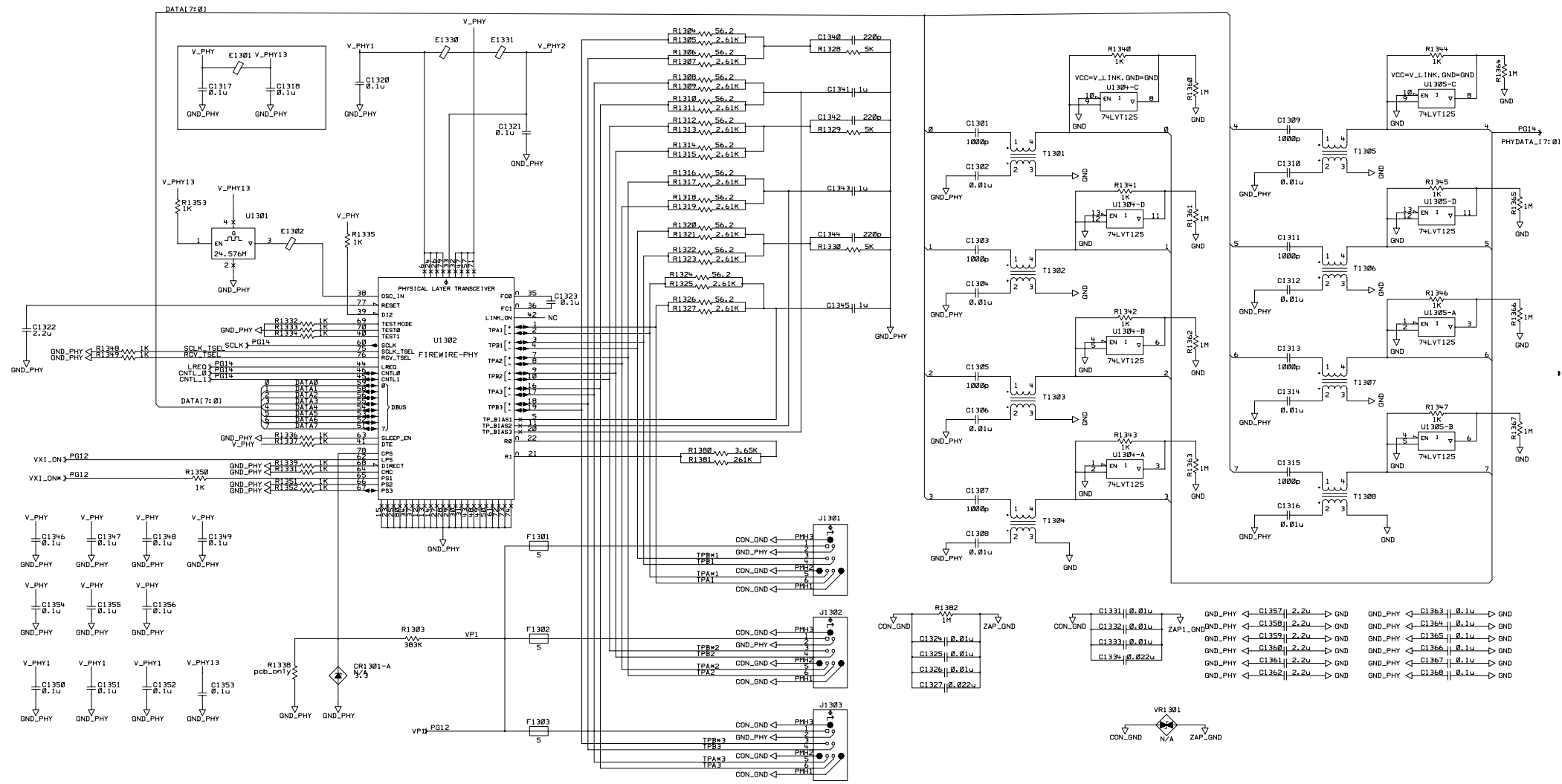
Agilent E8491A
IEEE-1394 (Firewire) Interface
E8491-66501
Data FIFO



**Agilent E8491A
 IEEE-1394 (Firewire) Interface
 E8491-66501
 Data Swap**



Agilent E8491A
 IEEE-1394 (Firewire) Interface
 E8491-66501
 PHY Power Supply



**Agilent E8491A
IEEE-1394 (Firewire) Interface
E8491-66501
PHY Transceiver**

E8491-66501 Parts List

Reference Designator	Qty	Agilent Part Number	Description	MPN	Manufacturer
C110-C113, C120-C125, C202-C212, C230-C246, C305, C307, C309, C311, C313, C320- C327, C410-C430, C501-C526, C701-C724, C801, C807, C810- C823, C910-C933, C1001-C1024, C1101-C1116, C1202, C1204, C1209, C1210, C1221, C1226, C1317, C1318, C1320, C1321, C1323, C1346-C1356, C1363- C1368, C1410-C1429, C1460, C1461	251	0160-7798	CAP-FXD 0.1uF +-10PCT 50V CER X7R	08055C104KAT_A C0805C104K5RAC C2012X7R1H104K GRM21BR71H104KA11L NMC0805X7R104K50TRP VJ0805Y104KXAMT	AVX KEMET ELECTRONICS TDK MURATA MANUFACTURING NIC COMPONENTS VISHAY
C114	1	0160-7780	CAP-FXD 1.5pF +-17pct 200 V CER C0G	08052A1R5CAT_A C0805C159C2GAC	AVX KEMET ELECTRONICS
C115	1	0160-5975	CAP-FXD 10pF +-5pct 50 V CER C0G	08055A100JAT A C0805C100J5GAC GRM2165C1H100JD01D	AVX KEMET ELECTRONICS MURATA MANUFACTURING
C1201, C1203	2	0180-4545	CAPACITOR-FIXED 4.7uF +-20pct 20V TA	TAJB475M020 293D475X0020B2TE3 T491B475M020AS	AVX VISHAY KEMET ELECTRONICS
C1220	1	0180-2129	CAP-FXD 10uF +-10pct 50 V TA	T110C106K050AS	KEMET ELECTRONICS
C1224, C1225	2	0180-4758	CAP-FXD 47uF +-20PCT 20V TA 7343-31	293D476X0020D2E3 TAJD476M020R	VISHAY AVX
C1322, C1357, C1358, C1359, C1	7	0160-8559	CAP-FXD 2.2uF +-10PCT 16 V CER X7R 1206	C1206C225K4RAC C3216X7R1C225K	KEMET ELECTRONICS TDK
C1327, C1334	2	0160-6444	CAP-FXD 0.022uF +-10pct 50 V CER X7R	08055C223KAT C0805C223K5RAC C2012X7R1H223K GRM40X7R223K50	AVX KEMET ELECTRONICS TDK MURATA MANUFACTURING

E8491-66501 Parts List

Reference Designator	Qty	Agilent Part Number	Description	MPN	Manufacturer
C1340, C1342, C1344	3	0160-5954	CAP-FXD 220pF +-5pct 50 V CER C0G	08055A221JAT A 223858016605 C0805C221J5GAC C2012COG1H221J GRM2165C1H221JA01D	AVX YAGEO KEMET ELECTRONICS TDK MURATA MANUFACTURING
C1464	1	0160-6497	CAP-FXD 0.1uF +-10pct 50 V CER X7R	12065C104KAT A 2238 581 15649 C1206C104K5RAC C3216X7R1H104KT GRM319R71H104KA01D VJ1206Y104KXAMT	AVX YAGEO KEMET ELECTRONICS TDK MURATA MANUFACTURING VISHAY
C201, C1222, C1302, C1304, C1306, C1308, C1310, C1312, C1314, C1316, C1324, C1325, C1326, C1331, C1332, C1333, C1402, C1404, C1406, C1408	20	0160-5945	CAP-FXD 0.01uF +-10pct 50 V CER X7R	08055C103KAT A 223858016627 C0805C103K5RAC C2012X7R1H103K GRM216R71H103KA01J VJ0805Y103KXAMT	AVX YAGEO KEMET ELECTRONICS TDK MURATA MANUFACTURING VISHAY
C220, C221, C301, C302, C303, C802, C803, C804, C805, C1341, C1343, C1345, C1462	13	0160-7736	CAP-FXD 1uF +-10PCT 16 V CER X7R	1206YC105KAT C1206C105K4RAC GRM31MR71C105KA01L	AVX KEMET ELECTRONICS MURATA MANUFACTURING
C222	1	0180-4287	CAP-FXD 10uF +-20PCT 35V TA	TAJD106M035 293D106X0035D2WE3 ESVD1V106M	AVX VISHAY NEC ELECTRONICS
C244, C401, C402, C1205, C1206, C1207, C1208, C1301, C1303, C1305, C1307, C1309, C1311, C1313, C1315, C1401, C1403, C1405, C1407	19	0160-5947	CAP-FXD 1000pF +-10pct 50 V CER X7R	08055C102KAT A C0805C102K5RAC C2012X7R1H102K GRM216R71H102KA01D	AVX KEMET ELECTRONICS TDK MURATA MANUFACTURING
C306, C308, C310, C312, C314, C1463	6	0180-4116	CAP-FXD 22uF +-20PCT 20V TA	TAJD226M020 293D226X0020D2E3 ESVD1D226M SK2-1D226M-RD0	AVX VISHAY NEC TOKIN ELNA

E8491-66501 Parts List

Reference Designator	Qty	Agilent Part Number	Description	MPN	Manufacturer
CR101	1	1906-0320	DIODE-DUAL 40V 40MA T0-236AA	BAS40-04 BAS4004____X_ BAS40-04	PHILIPS INFINEON TECHNOLOGIES NXP
CR102, CR103, CR110, CR201, CR202, CR204, CR1222, CR1223, CR1225	9	1906-0291	DIODE-DUAL 70V 100MA T0-236AA	BAV99 BAV99 BAV99LT1G BAV99____X_ BAV99	PHILIPS FAIRCHILD SEMICONDUCTOR ON SEMICONDUCTOR INFINEON TECHNOLOGIES NXP
CR104, CR203	2	1902-1592	DIODE-ZNR 5.1V 5pct TO-236 (SOT-23)	BZX84C5V1 BZX84C5V1LT1G BZX84C5V1	PHILIPS ON SEMICONDUCTOR NXP
CR1201, CR1202, CR1203, CR1204, CR1226	5	1901-1332	DIODE-PWR-S 40V 1A D0-214AA	10BQ040PBF SK14 SS24 STPS140U MBRS140T3G	INTERNATIONAL RECTIFIER MICROSEMI VISHAY STMICROELECTRONICS ON SEMICONDUCTOR
CR1220	1	1902-1609	DIODE-ZNR 6.2V 5pct PD=1.5W IR=5UA	1SMB5920BT3G	ON SEMICONDUCTOR
CR1221, CR1224	2	1902-1623	DIODE-ZNR 10V 5pct PD=1.5W IR=5UA	1SMB5925B__G	ON SEMICONDUCTOR
CR1301	1	1902-1541	DIODE-ZNR 3.3V 5pct TO-236 (SOT-23)	BZX84C3V3LT1G BZX84C3V3 BZX84C3V3	ON SEMICONDUCTOR PHILIPS NXP
CR1401, CR1402	2	1900-0245	DIODE-SCHOTTKY 70V SOT-143	HSMS-2805-TR1G	AVAGO TECHNOLOGIES
CR401, CR402, CR403, CR404	4	1902-1487	DIODE-ZNR 12V 5PCT TO-236(SOT-23) PD-.35W	BZX84-C12 BZX84C12L__G BZX84-C12	PHILIPS ON SEMICONDUCTOR NXP
DS301, DS302	2	1990-1544	LED-LAMP ARRAY LUM-INT=1.5MCD	553-0323	DIALIGHT
E201, E202, E501, E502, E503, E504, E701, E702, E703, E704, E705, E801, E802, E804, E1301, E1302, E1330, E1331	18	9170-1808	CORE-SHIELDING BEAD	MMZ2012S800A	TDK
E301, E302, E303, E304, E305	5	9170-1678	CORE-SHIELDING BEAD	FBMJ3216HS800	TAIYO YUDEN

E8491-66501 Parts List

Reference Designator	Qty	Agilent Part Number	Description	MPN	Manufacturer
F301, F302, F303, F304, F309, F1301, F1302, F1303	8	2110-0932	FUSE-SURFACE MOUNT 5A 125V NTD BI UL-REC	SSFC5A SSQ5 0451005.MRL	SAN-O INDUSTRIAL BEL FUSE LITTELFUSE
F305, F306, F308, F310	4	2110-0712	FUSE-SUBMINIATURE 4A 125V NTD AX	0251004.	LITTELFUSE
F307	1	2110-0699	FUSE-SUBMINIATURE 5A 125V NTD AX UL-LST	0251005.	LITTELFUSE
J101, J102, J201, J202	4	1250-2266	CONNECTOR-RF SMB MALE PC-W-STDFS 50-OHM	131-3701-501	EMERSON
J1301, J1302, J1303	3	1252-8701	CONN-RECT RECT-STD 6-CKT 6-CONT	787956-1	TYCO ELECTRONICS AMP
J801	1	1251-4669	CONN-HDR VERT 14-PIN 2.54 MM 2-ROW	67996-114HLF	FCI FRAMATOME BERG
J803	1	1251-5619	CONN-HDR VERT 4-PIN 2.54MM 1-ROW	68000-104HLF	FCI FRAMATOME BERG
J804, J805, J806, J901, J902, J1001	6	1251-5772	CONN-HDR VERT 18-PIN 2.54 MM 2 ROW	67996-118HLF	FCI FRAMATOME BERG
L1220	1	9140-1509	INDUCTOR 2.2uH +-5pct 2.8W-mmX3.4LG-mm	NLV32T-2R2J-PF KL32T__2R2J	TDK KOA
MH101, MH102, MH103	3	0380-4646	STANDOFF-RVT-ON 16-MM-LG M3.0 X 0.5-THD	BR5114SPB-16.0-43	LYN-TRON
MP1	1	E8491-26501	BLANK PC BOARD	E8491-26501 E8491-26501	MULTEK AGILENT TECHNOLOGIES EXT VIEW
P1, P2	2	1252-1596	CONN-POST TYPE 2.54-PIN-SPCG-MTG-END	10-8557-096-002-025 536010-5 DIN-96CPC-SRI-TR	KYOCERA TYCO ELECTRONICS AMP 3M
Q101	1	1853-0567	TRANSISTOR PNP SI SOT-23 (TO-236AB)	MMBT3906 SST3906T116 MMBT3906LT1G	FAIRCHILD SEMICONDUCTOR ROHM ON SEMICONDUCTOR
Q102	1	1854-1270	TRANSISTOR NPN SI TO-261AA (SOT-223)	PZT2222A PZT2222A PZT2222AT3G PZT2222A	FAIRCHILD SEMICONDUCTOR PHILIPS ON SEMICONDUCTOR NXP
Q1201	1	1855-0926	TRANSISTOR-MOSFET DUAL N-CHAN E-MODE N/S	PHN210T MMDF1N05E__G PHN210T	PHILIPS ON SEMICONDUCTOR NXP

E8491-66501 Parts List

Reference Designator	Qty	Agilent Part Number	Description	MPN	Manufacturer
Q1203, Q1221	2	1854-1037	TRANSISTOR NPN SI TO-236AA PD=350MW	MMBT3904 SST3904T116 MMBT3904LT1G	FAIRCHILD SEMICONDUCTOR ROHM ON SEMICONDUCTOR
Q1220, Q1222, Q1224	3	1855-0734	TRANSISTOR MOSFET 2N7002 N-CHAN E-MODE	2N7002-T1-E3 2N7002 2N7002 SN7002N____X_ 2N7002	VISHAY FAIRCHILD SEMICONDUCTOR PHILIPS INFINEON TECHNOLOGIES NXP
Q801, Q1223	2	1855-0801	TRANSISTOR MOSFET P-CHAN E-MODE TO-252AA	NTD2955G	ON SEMICONDUCTOR
R101	1	0699-3062	RESISTOR 464 +-1pct .1W TKF TC=0+-100	CRCW0805464RFKE_ RK73H2AT_4640F MCR10__F4640 232273464641 MC08054640-FT	VISHAY KOA ROHM YAGEO RCD COMPONENTS
R102	1	0699-3027	RESISTOR 196 +-1pct .1W TKF TC=0+-100	CRCW0805196RFKE_ RK73H2AT_1960F MCR10__F1960 232273461961 MC08051960-FT	VISHAY KOA ROHM YAGEO RCD COMPONENTS
R103	1	0699-3044	RESISTOR 4.64K +-1pct .1W TKF TC=0+-100	CRCW08054K64FKE_ RK73H2AT_4641F 232273464642L MCR10__F4641 MC08054641-FT	VISHAY KOA YAGEO ROHM RCD COMPONENTS
R104, R108	2	0699-3064	RESISTOR 909 +-1pct .1W TKF TC=0+-100	CRCW0805909RFKE_ RK73H2AT_9090F MCR10__F9090 232273469091 MC08059090-FT	VISHAY KOA ROHM YAGEO RCD COMPONENTS

E8491-66501 Parts List

Reference Designator	Qty	Agilent Part Number	Description	MPN	Manufacturer
R105, R207, R209, R301, R303, R1220, R1228, R1232, R1239	9	0699-3051	RESISTOR 10K +-1pct .1W TKF TC 0+-100	CRCW080510K0FKE_ RK73H2AT_1002F MCR10___F1002 232273461003L MC08051002-FTW	VISHAY KOA ROHM YAGEO RCD COMPONENTS
R106, R201, R305, R307	4	0699-2991	RES-FXD 56.2K +-1PCT 0.1W TC 0+-100 0805	CRCW080556K2FKE_ RK73H2AT_5622F MCR10___F5622 232273465623 MC08055622-FT	VISHAY KOA ROHM YAGEO RCD COMPONENTS
R107, R120, R226, R227, R228, R229, R230, R231, R232, R401, R403, R405, R407, R701, R810, R813, R815, R816, R819, R820, R901, R903, R905, R907, R1001, R1003, R1005, R1007, R1101, R1103, R1105, R1107, R1201, R1202, R1203, R1204, R1205, R1207, R1209, R1210, R1224	41	0699-3045	RESISTOR 5.11K +-1pct .1W TKF TC=0+-100	CRCW08055K11FKE_ RK73H2AT_5111F MCR10___F5111 232273465112 MC08055111-FT	VISHAY KOA ROHM YAGEO RCD COMPONENTS
R109, R125	2	0699-2487	RESISTOR 90K +-0.1pct .125W TF TC=0+-25	RN732BT_9002B25 BLU-1206 90K .1% 25PPM MCA1206-25 0, 1% P5 90K MCA1206-25 0, 1% P5 90K PCF-W1206R0390 02BT	KOA RCD COMPONENTS VISHAY BC COMPONENTS VISHAY TT ELECTRONICS
R110	1	0699-2989	RESISTOR 38.3K +-1pct .1W TKF TC=0+-100	CRCW080538K3FKE_ RK73H2AT_3832F MCR10___F3832 232273463833 MC08053832-FT	VISHAY KOA ROHM YAGEO RCD COMPONENTS

E8491-66501 Parts List

Reference Designator	Qty	Agilent Part Number	Description	MPN	Manufacturer
R111, R113, R119	3	0699-2489	RESISTOR 10K +-0.1pct .125W TF TC=0+-25	RN732BT_1002B25 BLU-1206 10K .1% 25PPM MCA1206-25 0, 1% P5 10K MCA1206-25 0, 1% P5 10K PCF-W1206R031002BT	KOA RCD COMPONENTS VISHAY BC COMPONENTS VISHAY TT ELECTRONICS
R112	1	0699-2836	RESISTOR 15K +-0.1pct .125W TF TC=0+-25	RN732BT_1502B25 2322741X1503 BLU-1206 15K .1% 25PPM MCA1206-25 0, 1% P5 15K PCF-W1206R031502BT TNPW12061502BT-9	KOA YAGEO RCD COMPONENTS VISHAY BC COMPONENTS TT ELECTRONICS VISHAY
R114	1	0699-2156	RESISTOR 20K +-1pct .125W TKF TC=0+-100	CRCW120620K0FKE_ RK73H2BT_2002F MCR18__F2002 232272462003	VISHAY KOA ROHM YAGEO
R115	1	0699-2491	RESISTOR 20K +-0.1pct .125W TF TC=0+-25	RN732BT_2002B25 BLU-1206 20K .1% 25PPM MCA1206-25 0, 1% P5 20K MCA1206-25 0, 1% P5 20K W1206R032002BT	KOA RCD COMPONENTS VISHAY BC COMPONENTS VISHAY TT ELECTRONICS

E8491-66501 Parts List

Reference Designator	Qty	Agilent Part Number	Description	MPN	Manufacturer
R116, R212, R213, R221, R222, R224, R234, R304, R306, R308, R515, R811, R1233, R1331, R1332, R1333, R1334, R1335, R1336, R1337, R1339, R1340, R1341, R1342, R1343, R1344, R1345, R1346, R1347, R1348, R1349, R1350, R1351, R1352, R1353, R1402, R1403, R1404, R1405, R1414, R1415, R1416, R1417, R1421, R1423, R1424, R1425, R1426, R1427, R1428, R1429, R1430, R1431, R1432, R1433, R1434, R1435, R1439, R1440, R1450	60	0699-3034	RESISTOR 1K +-1pct .1W TKF TC 0+-100	CRCW08051K00FKE_ RK73H2AT_1001F 232273461002L MCR10___F1001 MC08051001-FT	VISHAY KOA YAGEO ROHM RCD COMPONENTS
R118, R1206, R1208	3	0699-3058	RESISTOR 100 +-1pct .1W TKF TC 0+-100	CRCW0805100RFKE_ RK73H2AT_1000F 232273461001L MCR10___F1000	VISHAY KOA YAGEO ROHM
R121, R806, R807, R808, R809, R817, R818	7	0699-3530	RESISTOR 3.01K +-1pct .1W TKF TC=0+-100	CRCW08053K01FKE_ RK73H2AT_3011F MCR10___F3011 232273463012 MC08053011-FT	VISHAY KOA ROHM YAGEO RCD COMPONENTS
R122	1	0699-2841	RESISTOR 9K +-0.1pct .125W TF TC=0+-25	RN732BT_9001B25 BLU-1206 9K .1% 25PPM MCA1206-25 0, 1% P5 9K TNPW12069001BT-9 W1206R039001BT	KOA RCD COMPONENTS VISHAY BC COMPONENTS VISHAY TT ELECTRONICS
R1221, R1222	2	0699-3072	RESISTOR 34.8K +-1pct .1W TKF TC=0+-100	CRCW080534K8FKE_ 2322734_3483 RK73H2AT_3482F MCR10___F3482	VISHAY YAGEO KOA ROHM

E8491-66501 Parts List

Reference Designator	Qty	Agilent Part Number	Description	MPN	Manufacturer
R1223	1	0699-3540	RESISTOR 4.7M +-10pct .1W TKF TC=0+-500	CRCW08054M70JNE_ MCR10___K475 232273061475	VISHAY ROHM YAGEO
R1225	1	0699-3073	RESISTOR 51.1K +-1pct .1W TKF TC=0+-100	CRCW080551K1FKE_ RK73H2AT_5112F MCR10___F5112 232273465113 MC08055112-FT	VISHAY KOA ROHM YAGEO RCD COMPONENTS
R1226, R1227, R1305, R1307, R1309, R1311, R1313, R1315, R1317, R1319, R1321, R1323, R1325, R1327	14	0699-3039	RESISTOR 2.61K +-1pct .1W TKF TC=0+-100	CRCW08052K61FKE_ RK73H2AT_2611F MCR10___F2611 232273462612 MC08052611-FT	VISHAY KOA ROHM YAGEO RCD COMPONENTS
R123	1	0699-2971	RESISTOR 147 +-1pct .1W TKF TC=0+-100	CRCW0805147RFKE_ RK73H2AT_1470F 232273461471L MCR10___F1470 MC08051470-FT	VISHAY KOA YAGEO ROHM RCD COMPONENTS
R1230	1	0699-2979	RESISTOR 1.21K +-1pct .1W TKF TC=0+-100	CRCW08051K21FKE_ RK73H2AT_1211F MCR10___F1211 232273461212 MC08051211-FT	VISHAY KOA ROHM YAGEO RCD COMPONENTS
R1231	1	0699-3037	RESISTOR 2.15K +-1pct .1W TKF TC=0+-100	CRCW08052K15FKE_ RK73H2AT_2151F MCR10___F2151 232273462152 MC08052151-FT	VISHAY KOA ROHM YAGEO RCD COMPONENTS
R1234, R1338, R1360, R1361, R1362, R1363, R1364, R1365, R1366, R1367, R1382, R1401, R1410, R1412, R1413	15	0699-3077	RESISTOR 1M +-1pct .1W TKF TC=0+-100	CRCW08051M00FKE_ RK73H2AT_1004F MCR10___F1004 232273471005 MC08051004-FT	VISHAY KOA ROHM YAGEO RCD COMPONENTS

E8491-66501 Parts List

Reference Designator	Qty	Agilent Part Number	Description	MPN	Manufacturer
R124	1	0699-3069	RESISTOR 19.6K +-1pct .1W TKF TC=0+-100	CRCW080519K6FKE_ RK73H2AT_1962F MCR10___F1962 232273471963	VISHAY KOA ROHM YAGEO
R1303	1	0699-3006	RESISTOR 383K +-1pct .1W TKF TC=0+-100	CRCW0805383KFKE_ RK73H2AT_3833F MCR10___F3833 232273463834 MC08053833-FT	VISHAY KOA ROHM YAGEO RCD COMPONENTS
R1304, R1306, R1308, R1310, R1312, R1314, R1316, R1318, R1320, R1322, R1324, R1326	12	0699-3833	RESISTOR 56.2 +-1pct .1W TKF TC=0+-100	CRCW080556R2FKE_ RK73H2AT_56R2F MCR10___F56R2 MC080556R2-FT	VISHAY KOA ROHM RCD COMPONENTS
R1328, R1329, R1330	3	0699-2846	RESISTOR 5K +-0.1pct .125W TF TC=0+-25	RN732BT_5001B25 2322741X5002 BLU-1206 5K .1% 25PPM MCA1206-25 0, 1% P5 5K TNPW12065001BT-9 W1206R035001BT	KOA YAGEO RCD COMPONENTS VISHAY BC COMPONENTS VISHAY TT ELECTRONICS
R1380	1	0699-3542	RES-FXD 3.65K +-0.1PCT .125W TC 0+-25	RN732BT_3651B25 BLU-1206 3.65K .1% 25PPMT MCA1206-25 0, 1% P5 3.65K PCF-W1206-R-03-3651-B PTN1206E3651BB	KOA RCD COMPONENTS VISHAY BC COMPONENTS TT ELECTRONICS VISHAY
R1381	1	0699-3003	RESISTOR 261K +-1pct .1W TKF TC=0+-100	CRCW0805261KFKE_ RK73H2AT_2613F MCR10___F2613 232273462614 MC08052613-FT	VISHAY KOA ROHM YAGEO RCD COMPONENTS

E8491-66501 Parts List

Reference Designator	Qty	Agilent Part Number	Description	MPN	Manufacturer
R1437	1	0699-3030	RESISTOR 383 +-1pct .1W TKF TC=0+-100	CRCW0805383RFKE_ RK73H2AT_3830F 232273463831L MCR10___F3830 MC08053830-FT	VISHAY KOA YAGEO ROHM RCD COMPONENTS
R1451	1	0699-4002	RESISTOR 237K +-1pct .063W TKF TC=0+-200	RK73H1JT_2373F MCR03___FX2373 232270462374	KOA ROHM YAGEO
R202, R220	2	0699-3834	RESISTOR 68.1 +-1pct .1W TKF TC=0+-100	CRCW080568R1FKE_ RK73H2AT_68R1F 232273466819L MCR10___F68R1 MC080568R1-FT	VISHAY KOA YAGEO ROHM RCD COMPONENTS
R203	1	0699-2972	RESISTOR 178 +-1pct .1W TKF TC=0+-100	CRCW0805178RFKE_ RK73H2AT_1780F MCR10___F1780 232273461781 MC08051780-FT	VISHAY KOA ROHM YAGEO RCD COMPONENTS
R204, R1436	2	0699-3060	RESISTOR 237 +-1pct .1W TKF TC=0+-100	CRCW0805237RFKE_ RK73H2AT_2370F MCR10___F2370 232273462371 MC08052370-FT	VISHAY KOA ROHM YAGEO RCD COMPONENTS
R205	1	0699-3033	RESISTOR 750 +-1pct .1W TKF TC=0+-100	CRCW0805750RFKE_ RK73H2AT_7500F MCR10___F7500 23227346A7501 MC08057500-FT	VISHAY KOA ROHM YAGEO RCD COMPONENTS
R206, R211, R233	13	0699-3832	RESISTOR 51.1 +-1pct .1W TKF TC=0+-100	CRCW080551R1FKE_ RK73H2AT_51R1F MCR10___F51R1 232273465119 MC080551R1-FT	VISHAY KOA ROHM YAGEO RCD COMPONENTS

E8491-66501 Parts List

Reference Designator	Qty	Agilent Part Number	Description	MPN	Manufacturer
R208	1	0699-2859	RES-FXD 51 OHM +-5PCT 1W TC 0+-200	CRCW251251R0JNE_ RK73B3AT__510J MCR100__J510	VISHAY KOA ROHM
R210	1	0699-3054	RESISTOR 287K +-1pct .1W TKF TC=0+-100	CRCW0805287KFKE_ RK73H2AT_2873F MCR10__F2873 232273462874 MC08052873-FT	VISHAY KOA ROHM YAGEO RCD COMPONENTS
R223, R225	2	0699-3885	RESISTOR 249K +-1pct .1W TKF TC=0+-100	CRCW0805249KFKE_ RK73H2AT_2493F MCR10__F2493 232273462494	VISHAY KOA ROHM YAGEO
R302	1	0699-2990	RESISTOR 42.2K +-1pct .1W TKF TC=0+-100	CRCW080542K2FKE_ 2322734_4223 RK73H2AT_4222F MCR10__F4222 MC08054222-FT	VISHAY YAGEO KOA ROHM RCD COMPONENTS
R501, R502, R503, R504, R505, R506, R507, R508, R509, R510, R511, R512, R513	13	0699-3774	RESISTOR 16.9K +-1pct .1W TKF TC=0+-100	CRCW080516K9FKE_ MCR10__F1692 232273461693 MC08051692-FT	VISHAY ROHM YAGEO RCD COMPONENTS
R514	1	0699-3063	RES-FXD 825 OHM +-1PCT 0.1W TC 0+-100 0805	CRCW0805825RFKE_ 232273468251L RK73H2AT_8250F MCR10__F8250 MC08058250-FT	VISHAY YAGEO KOA ROHM RCD COMPONENTS
R516	1	0699-3698	RESISTOR 10 +-1pct .1W TKF TC=0+-100	CRCW080510R0FKE_ RK73H2AT_10R0F MCR10__F10R0 MC080510R0-FT	VISHAY KOA ROHM RCD COMPONENTS
RP401	1	1810-1090	NET-RES 8 51.0 OHM 16-PIN	4816P-001-510 767163510G SOMC16-03-510G	BOURNS CTS VISHAY

E8491-66501 Parts List

Reference Designator	Qty	Agilent Part Number	Description	MPN	Manufacturer
RP701, RP702	2	1810-1230	NET-RES 8 4.7K OHM 16-PIN	767163472G SOMC-16-03-472G 4816P-1-472LF	CTS VISHAY BOURNS
RT101, RT102, RT201	3	0837-0500	THERMISTOR WHEN AN OVERCURRENT OF 600mA	SMD030 MF-SM030-_-99	TYCO INTERNATIONAL BOURNS
RT1201	1	0837-0437	THERMISTOR-SWITCHING	SMD050	TYCO INTERNATIONAL
S201	1	3101-2288	SWITCH-PB SPDT-NO MOM .25A 115 VAC	39-251 RED	GRAYHILL
T101, T102, T201, T202, T718, T719, T720, T721, T1202, T1301, T1302, T1303, T1304, T1305, T1306, T1307, T1308	17	9140-1931	INDUCTOR 2.5W-mmX3LG-mm	ACM3225-102-2P-T	TDK
T1201	1	9100-5643	TRANSFORMER-PULSE; PRI IND: 89.6 uH; SEC	VP1-1400	COOPER INDUSTRIES
T1220	1	9100-5644	TRANSFORMER-PULSE; PRI IND: 12.2 uH; SEC	VP1-0190	COOPER INDUSTRIES
U1002	1	1821-3969	IC PLD FPGA-SRAM UNPRGMD CMOS 2C04		
U110	1	1826-2316	IC PWR MGT-V-REF-FXD 1.231/1.239V 8 PINS	LT1004CS8-1.2	LINEAR TECHNOLOGY
U1101, U901	2	1821-3957	IC PLD FPGA-SRAM UNPRGMD CMOS 2C12		
U111, U113	2	1826-3024	IC OP AMP DUAL 8 PIN PLSTC-SOIC	OP-295GS	ANALOG DEVICES
U112	1	1826-2339	D/A 8-BIT 16-P-SOIC CMOS	AD7524JRZ	ANALOG DEVICES
U114	1	1826-1594	IC COMPARATOR GP SINGLE 8 PIN PLSTC-SOIC	LM311D LM311M-NOPB	STMICROELECTRONICS NATIONAL SEMICONDUCTOR
U115, U201	2	1826-1950	IC COMPARATOR HS SINGLE 8 PIN PLSTC-SOIC	LT1016CS8 MXL1016CS8+	LINEAR TECHNOLOGY MAXIM INTEGRATED PRODUCTS
U1221	1	1826-3413	IC PWR MGT-V-REG-SWG 7 PINS	LT1076CR	LINEAR TECHNOLOGY
U1301	1	1813-1259	CRYSTAL OSC 24.576MHZ 0.01pct	DSO751SL-24.576MHZ F4100-24.576MHZ MIN30AS-T-24.576MHZ DSO751SL-24.576MHZ	DAISHINKU AMERICA FOX ELECTRONICS KYUSHU DENTSU DAISHINKU
U1302	1	5065-6613	LTB 1821-4342		
U1302a	1	1821-4342	IC INTERFACE XCVR COMMUNICATION IBM	IBM21S850PFD	IBM
U1304, U1305, U1410	3	1821-1104	IC BFR BICMOS/LVT BUS QUAD 14-SOIC	SN74LVT125D	TEXAS INSTRUMENTS
U1401	1	5969-5477	LTB 1821-4341		
U1401a	1	1821-4341	IC IEEE-1394 LAYER	ASLM040B	ADVANCED TECHNOLOGY

E8491-66501 Parts List

Reference Designator	Qty	Agilent Part Number	Description	MPN	Manufacturer
U1402, U1403, U1404, U1405, U1409, U1413	6	1821-1117	IC XCVR BICMOS/LVT BUS ASYNCHRO 20-SOIC	74LVTH245WM SN74LVTH245ADW	FAIRCHILD SEMICONDUCTOR TEXAS INSTRUMENTS
U1406, U1407, U1408	3	1821-1116	IC DRVR BICMOS/LVT LINE DRVR BFR OCTL	74LVT244AD SN74LVTH244ADW 74LVT244AD	PHILIPS TEXAS INSTRUMENTS NXP
U1460	1	1826-2910	IC PWR MGT-V-REG-ADJ-POS 3 PINS PLASTIC	LT1086CM#PBF	LINEAR TECHNOLOGY
U202	1	1813-1047	CRYSTAL OSC 20.000MHZ 0.01pct	DSO751SB-20.000MHZ MIN90AT-20.000MHZ DSO751SB-20.000MHZ	DAISHINKU AMERICA KYUSHU DENTSU DAISHINKU
U204, U203, U518, U205, U206, U306, U513, U1201	8	1820-6473	IC FF CMOS/ACT D-TYPE POS-EDGE-TRIG	MC74ACT74DG SN74ACT74D 74ACT74SCX	ON SEMICONDUCTOR TEXAS INSTRUMENTS FAIRCHILD SEMICONDUCTOR
U207, U227, U1202	3	1820-5938	IC GATE CMOS/ACT NAND QUAD 2-INP	MC74ACT00DG SN74ACT00D 74ACT00SCX	ON SEMICONDUCTOR TEXAS INSTRUMENTS FAIRCHILD SEMICONDUCTOR
U209, U307	2	1820-5218	IC DRVR TTL/F LINE OCTL	74F244D 74F244SCX. SN74F244DW 74F244D	PHILIPS FAIRCHILD SEMICONDUCTOR TEXAS INSTRUMENTS NXP
U210, U405	2	1820-5607	IC RCVR ECL/10KH LINE TPL	MC10H116FNG	ON SEMICONDUCTOR
U211, U403	2	1820-6524	IC XLTR ECL/10KH TTL-TO-ECL QUAD	MC10H124FN_G	ON SEMICONDUCTOR
U213	1	1820-8728	IC GATE CMOS/ACT NOR QUAD 2-INP	MC74ACT02DR2G 74ACT02SCX.	ON SEMICONDUCTOR FAIRCHILD SEMICONDUCTOR
U215	1	1826-2792	IC PWR MGT-UND-V-SEN 8 PINS P-SOIC PKG	SG34164DM MC34164D-5_G	LINFINITY MICROELECTRONICS ON SEMICONDUCTOR
U220, U516	2	1820-8835	IC GATE CMOS/ACT AND TPL 3-INP	MC74ACT11D_G	ON SEMICONDUCTOR

E8491-66501 Parts List

Reference Designator	Qty	Agilent Part Number	Description	MPN	Manufacturer
U222, U305, U310	3	1820-5054	IC MV CMOS/HC MONOSTBL RETRIG DUAL	MM74HC123AMX TC74HC123AFN	FAIRCHILD SEMICONDUCTOR TOSHIBA
U230, U719	2	1820-8822	IC CNTR CMOS/ACT BIN SYNCHRO	74ACT161SCX. MC74ACT161D__G	FAIRCHILD SEMICONDUCTOR ON SEMICONDUCTOR
U301, U401, U402, U601	4	1820-7332	IC DRVR TTL/F INV HEX 14-SOIC	N74F07D N74F07D	PHILIPS NXP
U302, U515, U304	3	1821-0412	IC DRVR BICMOS/ABT LINE OCTL	74ABT241D 74ABT241D	PHILIPS NXP
U303	1	1820-5939	IC INV CMOS/ACT HEX 14-SOIC	MC74ACT04DG 74ACT04SCX_NL	ON SEMICONDUCTOR FAIRCHILD SEMICONDUCTOR
U308	1	1820-5763	IC GATE TTL/F NOR TPL 3-INP	74F27D SN74F27D 74F27D	PHILIPS TEXAS INSTRUMENTS NXP
U404	1	1820-6714	IC DRVR ECL/10KH BUS TPL	MC10H123FNG	ON SEMICONDUCTOR
U406	1	1820-5390	IC XLTR ECL/10KH ECL-TO-TTL QUAD	MC10H125FNG	ON SEMICONDUCTOR
U407	1	1821-3956	IC PLD FPGA-SRAM UNPRGMD CMOS 2C06		
U501, U502, U503, U504, U505, U506, U507, U508, U509, U510, U511, U1008, U1010	13	1820-7787	IC TRANSCEIVER BICMOS/ABT BUS OCTL	74ABT245D SN74ABT245BDW 74ABT245D	PHILIPS TEXAS INSTRUMENTS NXP
U512	1	1826-2926	ANALOG SWITCH SPST 8 -P-SOIC	DG419DY-E3	VISHAY
U514, U603	2	1820-5944	IC GATE CMOS/ACT OR QUAD 2-INP	MC74ACT32DG 74ACT32SCX. CD74ACT32M	ON SEMICONDUCTOR FAIRCHILD SEMICONDUCTOR TEXAS INSTRUMENTS
U517	1	1813-0862	CRYSTAL OSC 32.000MHZ 0.01pct	SG-615PH 32.000MC	EPSON TOYOCOM
U519, U221	2	1820-7312	IC SCHMITT-TRIG CMOS/ACT INV HEX	MC74ACT14DR2G SN74ACT14D	ON SEMICONDUCTOR TEXAS INSTRUMENTS

E8491-66501 Parts List

Reference Designator	Qty	Agilent Part Number	Description	MPN	Manufacturer
U700	1	1820-5941	IC DCDR-DEMUXR CMOS/ACT BIN 8-TO-1-LINE	MC74ACT138DG 74ACT138SCX	ON SEMICONDUCTOR FAIRCHILD SEMICONDUCTOR
U701, U702, U704, U706, U708, U710, U712, U714	8	1821-0300	IC DRVR BICMOS/ABT LINE OCTL	74ABT541D SN74ABT541BDW 74ABT541D	PHILIPS TEXAS INSTRUMENTS NXP
U703, U705, U707, U709, U711, U713	6	1821-0299	IC FF BICMOS/ABT D-TYPE POS-EDGE-TRIG OCTAL	SN74ABT273DW 74ABT273AD 74ABT273AD	TEXAS INSTRUMENTS PHILIPS NXP
U715, U716	2	1820-4998	IC GATE TTL/F OR QUAD 2-INP	74F32SCX. N74F32D SN74F32D N74F32D	FAIRCHILD SEMICONDUCTOR PHILIPS TEXAS INSTRUMENTS NXP
U717	1	E8491-88801	PRGMD 1821-1396	E8491-88801	AVNET
U717a	1	1821-1396	IC PLD EEPLD UNPRGMD CMOS 22V10	ISPGAL22V10C-7LJ	LATTICE SEMICONDUCTOR
U718	1	E8491-88802	PRGMD 1821-1396	E8491-88802	AVNET
U718a	1	1821-1396	IC PLD EEPLD UNPRGMD CMOS 22V10	ISPGAL22V10C-7LJ	LATTICE SEMICONDUCTOR
U720	1	5188-2494	LTB FOR 1818-4729		
U720a	1	1818-4729	IC 1K-BIT EEPROM 500-NS CMOS 8-SOIC	M93C46-WMN6P AT93C46A-10SU-2.7	STMICROELECTRONICS ATMEL
U801	1	1813-1039	CRYSTAL OSC 40.000MHZ 0.01PCT	DSO751SB-40.000M- 100PPM F3345-40.000MHZ MIN90AT-40.0000MHZ DSO751SB-40.000M- 100PPM	DAISHINKU AMERICA FOX ELECTRONICS KYUSHU DENTSU DAISHINKU
U802	1	1821-4273	IC 544X16 WORDS OF ON-CHIP DUAL ACCESS	TMS320F206PZ	TEXAS INSTRUMENTS
U807	1	1821-0250	IC INTERFACE DRVR/RCVR CMOS INV EIA	ICL232CBE MAX232CWE+	INTERSIL MAXIM INTEGRATED PRODUCTS
U808	1	E8491-88805	PRGMD 5065-6649 (LTB 1818-6568)	E8491-88805	ARROW ELECTRONICS
U808a	1	5065-6649	LTB for 1818-6568		
U808b	1	1818-6568	IC 2M-BIT FLASH 120-NS CMOS		

E8491-66501 Parts List

Reference Designator	Qty	Agilent Part Number	Description	MPN	Manufacturer
U902, U903, U904, U905, U803, U804, U1003, U1005, U1007, U1009	10	1818-4983	IC 256K-BIT SRAM 15-NS CMOS	IDT71256SA15YG CY7C199CN-15VXC	IDT CYPRESS SEMICONDUCTOR
VR1201, VR1301	2	1901-1265	DIODE-V-SUPPR	SMCJ15C	VISHAY

Manual Part Number: 5989-5951EN
Printed in U.S.A. November 2006
Copyright © 2006 Agilent Technologies, Inc. All Rights Reserved.

